

# Hydraulic Pumps - Service Information

## T6CC / T6CCM / T6CCP

Denison Vane - Flügelzellen - Palettes - Palette - Paletas

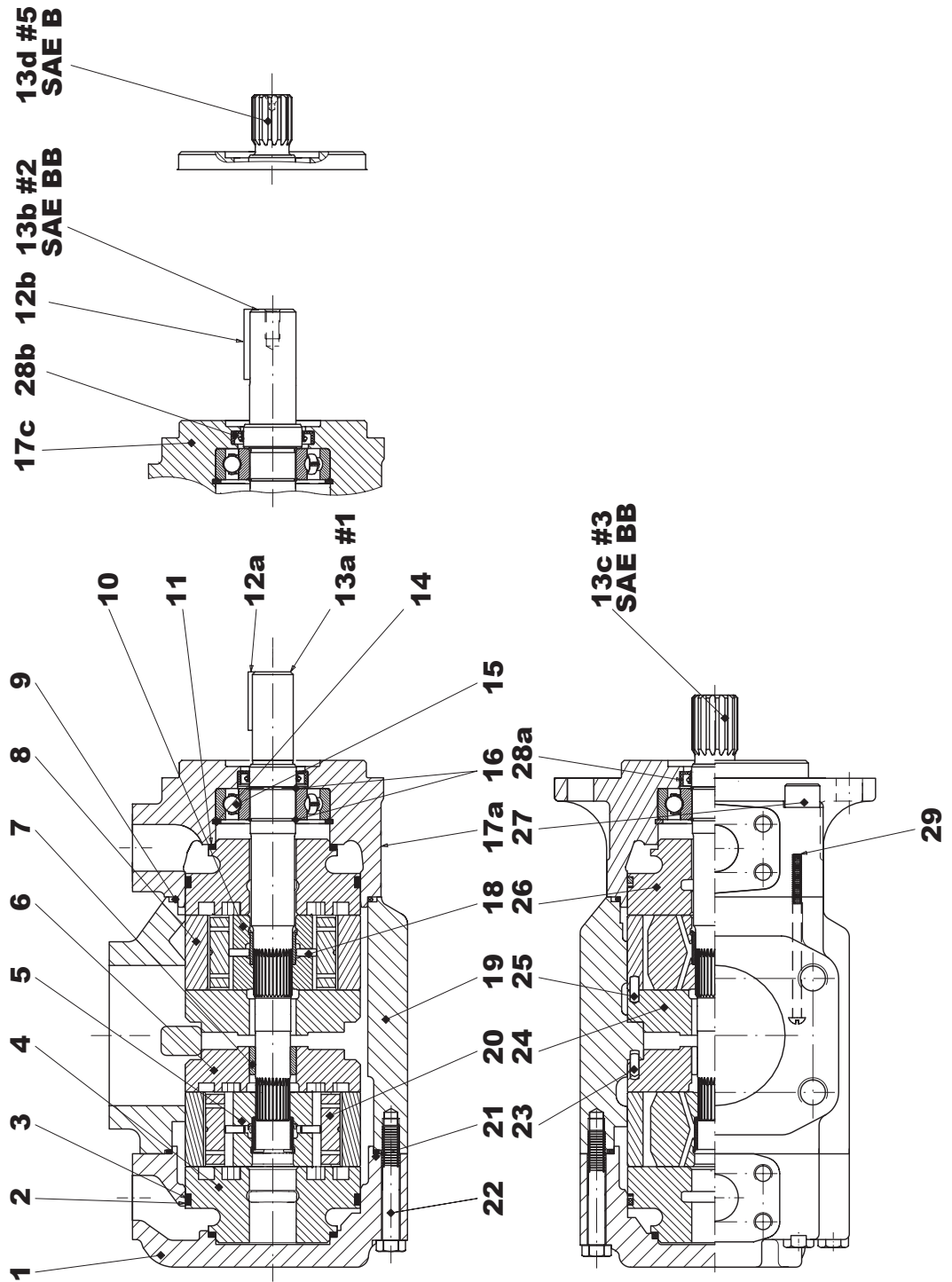


ENGINEERING YOUR SUCCESS.

**T6CC Industrial**

Item - Pos. - Réf. - Pos.	22	27
Mounting torque	61 Nm	159 Nm
Anziehdrehmoment	45 ft.lbs	117 ft.lbs
Couple de serrage		
Coppia di serraggio		
Par de apriete		

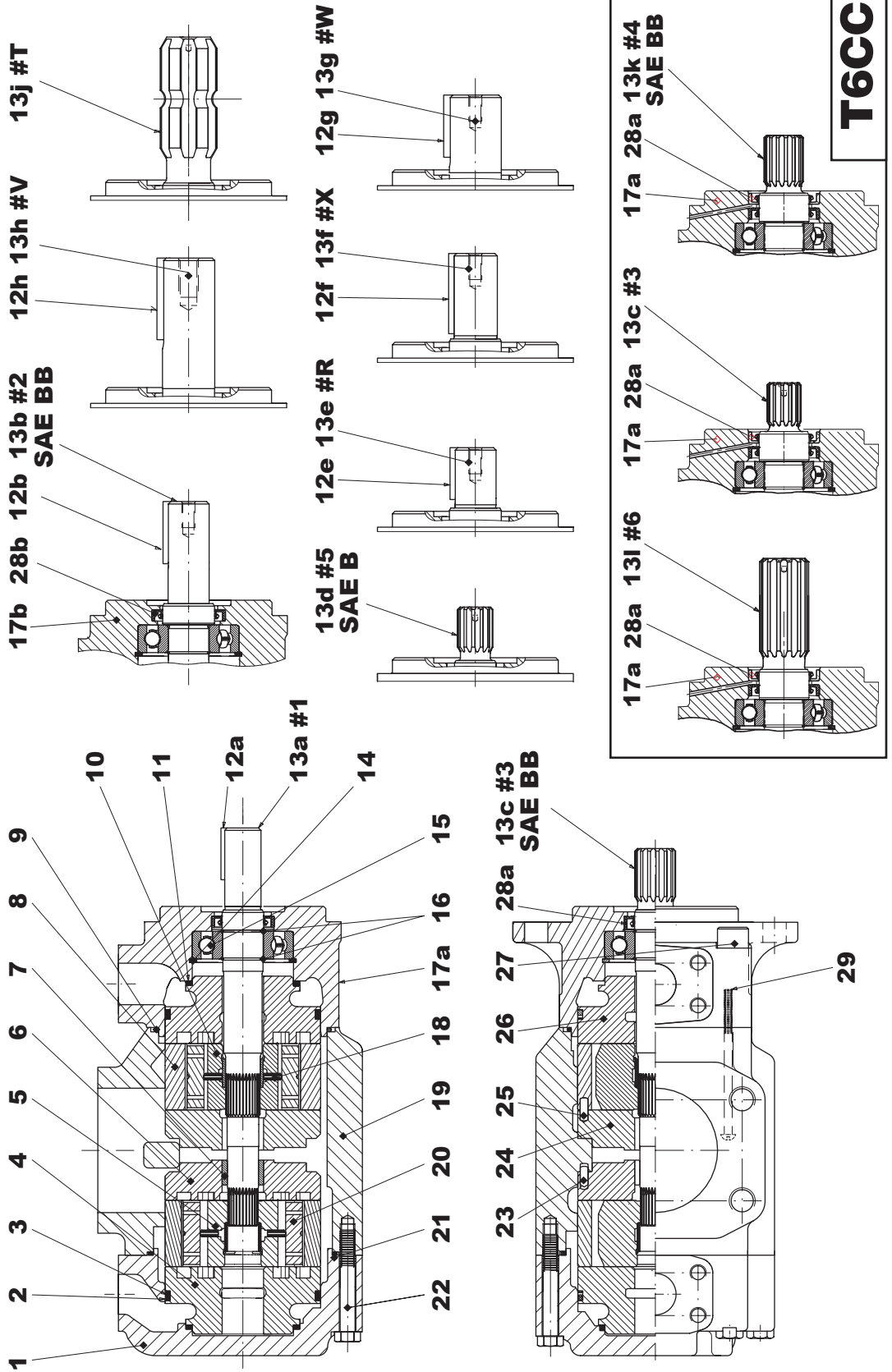
Recommended repair kits and assy's are bold printed  
 Empfohlene Austausch - Baugruppen sind fett gedruckt  
 Les pochettes de rechange recommandées sont imprimées en caractères gras  
 I kit di ricambio consigliati sono indicati in grassetto  
 Los juegos de reparacion recomendados y los conjuntos, estan en negrita



**T6CCM Mobile**

Item - Pos. - Réf. - Pos.	22	27
Mounting torque	61 Nm	159 Nm
Anziehdrehmoment	45 ft.lbs	117 ft.lbs
Couple de serrage		
Coppia di serraggio		
Par de apriete		

Recommended repair kits and assy's are bold printed  
 Empfohlene Austausch - Baugruppen sind fett gedruckt  
 Les pochettes de rechange recommandées sont imprimées en caractères gras  
 I kit di ricambio consigliati sono indicati in grassetto  
 Los juegos de reparacion recomendados y los conjuntos, estan en negrita



## Spare part list

## Hydraulic Pumps

## Series T6CC\*, Denison Vane Pumps

Item Pos. Ref. Pos.	Description Descrizione	Benennung Descrizione	Description	Part N° Teil Nr. Code N° Cod. N° Referencia T6CC	Part N° Teil Nr. Code N° Cod. N° Referencia T6CCM-T6CCP	Qty. Stück Qté Q.tà Cant.
1	End cap (UNC) (P2 = 3/4") Coperchio (UNC) (P2 = 3/4")	Deckel (UNC) (P2 = 3/4") Tapa (UNC) (P2 = 3/4")	Chapeau (UNC) (P2 = 3/4")	034-59425-0	034-59425-0	1
	End cap (Metric) (P2 = 3/4") Coperchio (Metrica) (P2 = 3/4")	Deckel (Metrisch) (P2 = 3/4") Tapa (Metrico) (P2 = 3/4")	Chapeau (Metric) (P2 = 3/4")	034-66508-0	034-66508-0	1
	End cap (UNC) (P2 = 1") Coperchio (UNC) (P2 = 1")	Deckel (UNC) (P2 = 1") Tapa (UNC) (P2 = 1")	Chapeau (UNC) (P2 = 1")	034-59423-0	034-59423-0	1
	End cap (Metric) (P2 = 1") Coperchio (Metrica) (P2 = 1")	Deckel (Metrisch) (P2 = 1") Tapa (Metrico) (P2 = 1")	Chapeau (Metric) (P2 = 1")	034-66674-0	034-66674-0	1
2	Sq. section seal Guarnizione	Dichtring Junta seccion cuadrada	Joint section carrée	AB CD	691-10238-0	2
	Back-up ring Anello anti-estrusione	Stützring Anillo	Bague anti-extrusion	AB CD	618-00010-3	2
4	Port plate-pressure Piatto distributore anter.	Steuerplatte Piatto distribuidor-presión	Plaque pression	B	034-66453-0	1
	Rotor-insert ass'y Insierne rotore	Rotor Conjunto rotor	Rotor et douille ass.	B	S24-10116-0 S24-30049-0	1
6	Port plate-rear Piatto distributore post.	Steuerplatte Piatto distribuidor trasero	Plaque arrière	RB	034-59118-0	1
	Bush Bussola	Buchse Cojinete de fricción	Bague	BRS	034-59412-0	1
8	Cam ring 003 Anello camma 003	Hubring 003 Aro volumetrico 003	Came 003	AB	034-59050-0	2
	Cam ring 005 Anello camma 005	Hubring 005 Aro volumetrico 005	Came 005	AB	034-59051-0	2
	Cam ring 006 Anello camma 006	Hubring 006 Aro volumetrico 006	Came 006	AB	034-59052-0	2
	Cam ring 008 Anello camma 008	Hubring 008 Aro volumetrico 008	Came 008	AB	034-59053-0	2
	Cam ring 010 Anello camma 010	Hubring 010 Aro volumetrico 010	Came 010	AB	034-59054-0	2
	Cam ring 012 Anello camma 012	Hubring 012 Aro volumetrico 012	Came 012	AB	034-66595-0	2
	Cam ring 014 Anello camma 014	Hubring 014 Aro volumetrico 014	Came 014	AB	034-59206-0	2
	Cam ring 017 Anello camma 017	Hubring 017 Aro volumetrico 017	Came 017	AB	034-59207-0	2
	Cam ring 020 Anello camma 020	Hubring 020 Aro volumetrico 020	Came 020	AB	034-66607-0	2
	Cam ring 022 Anello camma 020	Hubring 022 Aro volumetrico 022	Came 022	AB	034-59208-0	2
	Cam ring 025 Anello camma 025	Hubring 025 Aro volumetrico 025	Came 025	AB	034-59209-0	2
	Cam ring 028 Anello camma 028	Hubring 028 Aro volumetrico 028	Came 028	AB	034-59245-0	2

Item Pos. Ref. Pos.	Description Descrizione	Benennung Beschreibung	Description	Part N° Teil.Nr. Code N° Cod. N° Referencia T6CC	Part N° Teil.Nr. Code N° Cod. N° Referencia T6CC/T6CCP	Qty Stück Qte Q.tà Cant.
8	Cam ring 031 Anello camma 031	Hubring 031 Aro volumetrico 031	Came 031	034-66843-0	034-66843-0	2
9	O-ring Guarnizione	Dichtring Guarnizione torica	Joint torique	671-00244-0	671-00244-0	1
10	Rotor-insert assy Insieme rotore	Rotor Conjunto rotor	Rotor et douille ass.	S24-10350-0	S24-33974-0	1
11	Sq. section seal Guarnizione	Dichtring Junta seccion cuadrada	Joint section carrée	691-10229-0	691-10229-0	2
12a	Key (code 1) Chiavetta (codice 1)	Papfeder (Typ 1) Chaveta (codigo 1)	Clavette (code 1)	034-49622-0	034-49622-0	1
12b	Key (code 2) Chiavetta (codice 2)	Papfeder (Typ 2) Chaveta (codigo 2)	Clavette (code 2)	034-48690-0	034-48690-0	1
12e	Key (code R) Chiavetta (codice R)	Papfeder (Typ R) Chaveta (codigo R)	Clavette (code R)	034-66717-0	034-66717-0	1
12f	Key (code X) Chiavetta (codice X)	Papfeder (Typ X) Chaveta (codigo X)	Clavette (code X)	034-19579-0	034-19579-0	1
12g	Key (code W) Chiavetta (codice W)	Papfeder (Typ W) Chaveta (codigo W)	Clavette (code W)	034-49676-0	034-49676-0	1
12h	Key (code V) Chiavetta (codice V)	Papfeder (Typ V) Chaveta (codigo V)	Clavette (code V)	034-30168-0	034-30168-0	1
13a	Shaft (keyed) (code 1) Albero a chiavetta (codice 1)	Papfederwelle (Typ 1) Eje chaveteado (codigo 1)	Arbre à clavette (code 1)	034-59110-0	034-59110-0	1
13b	Shaft (keyed) (code 2) (SAE BB) (T6CCMW) Albero a chiavetta (codice 2) (SAE BB) (T6CCW) (T6CCMW)	Papfederwelle (Typ 2) (SAE BB) (T6CCMW) Eje chaveteado (codigo 2) (SAE BB) (T6CCW) (T6CCMW)	Arbre à clavette (code 2) (SAE BB) (T6CCW) (T6CCMW)	034-66576-0	034-66576-0	1
13c	Shaft (splined) (code 3) (SAE BB) (T6CCM) Albero a scanalato (codice 3) (SAE BB) (T6CC)	Vielkeilwelle (Typ 3) (SAE BB) (T6CCM) Eje estriado (codigo 3) (SAE BB) (T6CC)	Arbre à cannelures (code 3) (SAE BB) (T6CC) (T6CCM)	034-59108-0	034-59108-0	1
	Shaft (splined) (code 3) (T6CCP) Albero a scanalato (codice 3) (T6CCP)	Vielkeilwelle (Typ 3) (T6CCP) Eje estriado (codigo 3) (T6CCP)	Arbre à cannelures (code 3) (T6CCP)	034-66727-0	034-66727-0	1
13d	Shaft (splined) (code 5) (SAE B) (T6CC) Albero a scanalato (codice 5) (SAE B) (T6CC)	Vielkeilwelle (Typ 5) (SAE B) (T6CC) Eje estriado (codigo 5) (SAE B) (T6CC)	Arbre à cannelures (code 5) (SAE B) (T6CC) (T6CCM)	034-59109-0	034-59109-0	1
13e	Shaft (keyed) (code R) (T6CCMW) Albero a chiavetta (codice R) (T6CCMW)	Papfederwelle (Typ R) (T6CCMW) Eje chaveteado (codigo R) (T6CCMW)	Arbre à clavette (code R) (T6CCMW)	034-66712-0	034-66712-0	1
13f	Shaft (keyed) (code X) (T6CCMW) Albero a chiavetta (codice X) (T6CCMW)	Papfederwelle (Typ X) (T6CCMW) Eje chaveteado (codigo X) (T6CCMW)	Arbre à clavette (code X) (T6CCMW)	034-66575-0	034-66575-0	1
13g	Shaft (keyed) (code W) (T6CCMW) Albero a chiavetta (codice W) (T6CCMW)	Papfederwelle (Typ W) (T6CCMW) Eje chaveteado (codigo W) (T6CCMW)	Arbre à clavette (code W) (T6CCMW)	034-66590-0	034-66590-0	1
13h	Shaft (keyed) (code V) (T6CCMW) Albero a chiavetta (codice V) (T6CCMW)	Papfederwelle (Typ V) (T6CCMW) Eje chaveteado (codigo V) (T6CCMW)	Arbre à clavette (code V) (T6CCMW)	034-66506-0	034-66506-0	1
13j	Shaft (splined) (code T) (T6CCMW) Albero a scanalato (codice T) (T6CCMW)	Vielkeilwelle (Typ T) (T6CCMW) Eje estriado (codigo T) (T6CCMW)	Arbre à cannelures (code T) (T6CCMW)	034-66726-0	034-66726-0	1
13k	Shaft (splined) (code 4) (SAE BB) (T6CCP) Albero a scanalato (codice 4) (SAE BB) (T6CCP)	Vielkeilwelle (Typ 4) (SAE BB) (T6CCP) Eje estriado (codigo 4) (SAE BB) (T6CCP)	Arbre à cannelures (code 4) (SAE BB) (T6CCP)	034-67001-0	034-67001-0	1



## Spare part list

Hydraulic Pumps  
Series T6CC\*, Denison Vane Pumps

Item Ref. Pos.	Description	Benennung	Description	Part N° Teil Nr. Code N° Cod. N° Referencia T6CC	Part N° Teil Nr. Code N° Cod. N° Referencia T6CCM-T6CCP	Qty. Stück Qté Q.tà Cant.
13l	Shaft (splined) (code 6) (T6CCP) Albero a scanalato (codice 6) (T6CCP)	Vielkeilwelle (Typ 6) (T6CCP) Eje estriado (codigo 6) (T6CCP)	Arbre à cannelures (code 6) (T6CCP)	Q	034-66729-0	1
14	Retaining ring Anello elastico	Sicherungsring Anillo de retención	Circlips		356-30244-0	1
15	Ball bearing Cuscinetto a sfere	Kugellager Cojinete de bolas	Roulement à billes	E...Q	230-82054-0	1
16	Round section ring (shafts 1-3-5) Anello elastico (albero 1-3-5)	Sicherungsring (Wellen 1-3-5) Anillo tórico (eje 1-3-5)	Anneau (arbres 1-3-5)	F J...N	034-70777-0	2
17a	Round section ring (shafts 2-R-X-W-V-T) Anello elastico (albero 2-R-X-W-V-T)	Sicherungsring (Wellen 2-R-X-W-V-T) Anillo tórico (eje 2-R-X-W-V-T)	Anneau (arbres 2-R-X-W-V-T)		034-70777-0	1
	Mounting cap (UNC) (shafts 1-3-5) Coperchio anteriore (UNC) (albero 1-3-5)	Deckel (UNC) (Wellen 1-3-5) Tapa de montaje (UNC) (eje 1-3-5)	Chapeau de montage (UNC) (arbres 1-3-5)		034-59107-0	1
	Mounting cap (Metric) (shafts 1-3-5) Coperchio anteriore (metrica) (albero 1-3-5)	Deckel (Metrisch) (Wellen 1-3-5) Tapa de montaje (Metrica) (eje 1-3-5)	Chapeau de montage (Métrique) (arbres 1-3-5)		034-66690-0	1
	Mounting cap (standard) (T6CCP) Coperchio anteriore (standard) (T6CCP)	Deckel (Standard) (T6CCP) Tapa de montaje (estandar) (T6CCP)	Chapeau de montage (standard) (T6CCP)		034-66729-0	1
	Mounting cap (UNC) (shafts 2-R-X-W-V-T) Coperchio anteriore (UNC) (albero 2-R-X-W-V-T)	Deckel (UNC) (Wellen 2-R-X-W-V-T) Tapa de montaje (UNC) (eje 2-R-X-W-V-T)	Chap. de mtg. (UNC) (arbres 2-R-X-W-V-T)		034-66579-0	1
17b	Mounting cap (Metric) (shafts 2-R-X-W-V-T) Coperchio anteriore (metrica) (albero 2-R-X-W-V-T)	Deckel (Metrisch) (Wellen 2-R-X-W-V-T) Tapa de montaje (Metrica) (eje 2-R-X-W-V-T)	Chap. de mtg. (Métrique) (arbres 2-R-X-W-V-T)		034-66507-0	1
18	Pin-vane holdout Pistoncino di sostenimento	Stössel Espiga emouje paleta	Poussoir de palette	AB	034-59098-0	20
	Housing (UNC) (S = 2"1/2) Corpo (UNC) (S = 2" 1/2)	Gehäuse (UNC) (S = 2"1/2) Cuerpo (UNC) (S = 2" 1/2)	Carter (UNC) (S = 2"1/2)		034-59125-0	1
	Housing (Metric) (S = 2"1/2) Corpo (metrica) (S = 2"1/2)	Gehäuse (Metrisch) (S = 2"1/2) Cuerpo (Metrica) (S = 2" 1/2)	Carter (Métrique) (S = 2"1/2)		034-66509-0	1
19	Housing (UNC) (S = 3") Corpo (UNC) (S = 3")	Gehäuse (UNC) (S = 3") Cuerpo (UNC) (S = 3")	Carter (UNC) (S = 3")		034-59105-0	1
	Housing (Metric) (S = 3") Corpo (Metric) (S = 3")	Gehäuse (Metrisch) (S = 3") Cuerpo (Metrica) (S = 3")	Carter (Métrique) (S = 3")		034-66675-0	1
20	Vane Paletta	Flügel Paleta	Palette	AB	034-59099-0	20
21	Sq. section seal Guarnizione	Dichtung Junta seccion cuadrada	Joint section carrée	BCD	671-10156-0	1
22	Screw Vite	Schraube Tornille	Vis		306-40094-0	7
23	Dowel pin Spina	Zentriersift Pasador	Goupille	AB RS	323-82010-0	2
24	Port plate-rear Piatto distributore post.	Steuerplatte Piatto distribuidor trasero	Plaque arrière	AG	034-59118-0	1
25	Dowel pin Spina	Zentriersift Pasador	Goupille	AB	324-21208-0	4
26	Port plate-pressure Piatto distributore anter.	Steuerplatte Piatto distribuidor-presión	Plaque pression	A	034-66453-0	1

Spare part list

Hydraulic Pumps

Series T6CC\*, Denison Vane Pumps

Item Pos. Ref. Pos.	Description Descrizione	Benennung Description	Description	Part N° Teil Nr. Code No. Referencia T6CC	Part N° Teil Nr. Code No. Referencia T6CCM-T6CCP	Qty Stück Cant. Qté. Cant.
27	Screw Vite	Schraube Tornille	Vis	358-20320-0	358-20320-0	4
	Shaft seal (S1 - 0,7 bar) (shafts 1-3-5) (T6CC - T6CCM) Paraolio (S1 - 0,7 bar) (albero 1-3-5) (T6CC - T6CCM)	Simmering (S1 - 0,7 bar) (Wellen 1-3-5) (T6CC - T6CCM) Reten eje (S1 - 0,7 bar) (eje 1-3-5) (T6CC - T6CCM)	Joint d'arbre (S1 - 0,7 bar) (arbres 1-3-5) (T6CC - T6CCM)	620-82012-0	620-82012-0	1
28a	Shaft seal (S1 - 0,7 bar) (T6CCP) Paraolio (S1 - 0,7 bar) (T6CCP)	Simmering (S1 - 0,7 bar) (T6CCP) Reten eje (S1 - 0,7 bar) (T6CCP)	Joint d'arbre (S1 - 0,7 bar) (T6CCP)	620-82046-0	620-82046-0	2
	Shaft seal (S4 - S5 - 7 bar) (shafts 1-3-5) (T6CC - T6CCM) Paraolio (S4 - S5 - 7 bar) (albero 1-3-5) (T6CC - T6CCM)	Simmering (S4 - S5 - 7 bar) (Wellen 1-3-5) (T6CC - T6CCM) Reten eje (S4 - S5 - 7 bar) (eje 1-3-5) (T6CC - T6CCM)	Joint d'arbre (S4 - S5 - 7 bar) (arbres 1-3-5) (T6CC - T6CCM)	620-82068-0	620-82068-0	1
	Shaft seal (S1 - 0,7 bar) (shafts 2-R-X-W-V-T) Paraolio (S1 - 0,7 bar) (albero 2-R-X-W-V-T)	Simmering (S1 - 0,7 bar) (Wellen 2-R-X-W-V-T) Reten eje (S1 - 0,7 bar) (eje 2-R-X-W-V-T)	Joint d'arbre (S1 - 0,7 bar) (arb.res2-R-X-W-V-T)	620-82046-0	620-82046-0	1
28b	Shaft seal (S4 - 0,7 bar) (shafts 2-R-X-W-V-T) Paraolio (S1 - 0,7 bar) (albero 2-R-X-W-V-T)	Simmering (S4 - 0,7 bar) (Wellen 2-R-X-W-V-T) Reten eje (S4 - 0,7 bar) (eje 2-R-X-W-V-T)	Joint d'arbre (S4 - 0,7 bar) (arbres 2-R-X-W-V-T)	620-82046-4	620-82046-4	1
	Shaft seal (S5 - 0,7 bar) (shafts 2-R-X-W-V-T) Paraolio (S5 - 0,7 bar) (albero 2-R-X-W-V-T)	Simmering (S5 - 0,7 bar) (Wellen 2-R-X-W-V-T) Reten eje (S5 - 0,7 bar) (eje 2-R-X-W-V-T)	Joint d'arbre (S5 - 0,7 bar) (arbres 2-R-X-W-V-T)	620-82046-5	620-82046-5	1
29	Screw Vite	Schraube Tornille	Vis	317-06266-0	317-06266-0	4
	<b>REPAIR KIT KIT DI RICAMBIO</b>	<b>AUSTAUSCH-BAUGRUPPEN CONJUNTO REPARACION</b>	<b>POCHETTES RECHANGES</b>			
A	Cart. and plate ass'y B03 C.W. (P1) Ins. cart. B03 oraria (P1)	Pumpeneinheit B03 Rechtslauf (P1) Conjunto cart. y platos B03 giro d. (P1)	Cart. et plaque ass. B03 rot. d. (P1)	S24-58882*	S24-40150*	1
A	Cart. and plate ass'y B03 C.C.W. (P1) Ins. cart. B03 antioraria (P1)	Pumpeneinheit B03 Linkslauf (P1) Conjunto cart. y platos B03 giro i. (P1)	Cart. et plaque ass. B03 rot. g. (P1)	S24-58883*	S24-40151*	1
A	Cart. and plate ass'y B05 C.W. (P1) Ins. cart. B05 oraria (P1)	Pumpeneinheit B05 Rechtslauf (P1) Conjunto cart. y platos B05 giro d. (P1)	Cart. et plaque ass. B05 rot. d. (P1)	S24-58884*	S24-40152*	1
A	Cart. and plate ass'y B05 C.C.W. (P1) Ins. cart. B05 antioraria (P1)	Pumpeneinheit B05 Linkslauf (P1) Conjunto cart. y platos B05 giro i. (P1)	Cart. et plaque ass. B05 rot. g. (P1)	S24-58885*	S24-40153*	1
A	Cart. and plate ass'y B06 C.W. (P1) Ins. cart. B06 oraria (P1)	Pumpeneinheit B06 Rechtslauf (P1) Conjunto cart. y platos B06 giro d. (P1)	Cart. et plaque ass. B06 rot. d. (P1)	S24-58886*	S24-40154*	1
A	Cart. and plate ass'y B06 C.C.W. (P1) Ins. cart. B06 antioraria (P1)	Pumpeneinheit B06 Linkslauf (P1) Conjunto cart. y platos B06 giro i. (P1)	Cart. et plaque ass. B06 rot. g. (P1)	S24-58887*	S24-40155*	1
A	Cart. and plate ass'y B08 C.W. (P1) Ins. cart. B08 oraria (P1)	Pumpeneinheit B08 Rechtslauf (P1) Conjunto cart. y platos B08 giro d. (P1)	Cart. et plaque ass. B08 rot. d. (P1)	S24-58888*	S24-40156*	1
A	Cart. and plate ass'y B08 C.C.W. (P1) Ins. cart. B08 antioraria (P1)	Pumpeneinheit B08 Linkslauf (P1) Conjunto cart. y platos B08 giro i. (P1)	Cart. et plaque ass. B08 rot. g. (P1)	S24-58889*	S24-40157*	1
A	Cart. and plate ass'y B10 C.W. (P1) Ins. cart. B10 oraria (P1)	Pumpeneinheit B10 Rechtslauf (P1) Conjunto cart. y platos B10 giro d. (P1)	Cart. et plaque ass. B10 rot. d. (P1)	S24-58890*	S24-40158*	1
A	Cart. and plate ass'y B10 C.C.W. (P1) Ins. cart. B10 antioraria (P1)	Pumpeneinheit B10 Linkslauf (P1) Conjunto cart. y platos B10 giro i. (P1)	Cart. et plaque ass. B10 rot. g. (P1)	S24-58891*	S24-40159*	1
A	Cart. and plate ass'y B12 C.W. (P1) Ins. cart. B12 oraria (P1)	Pumpeneinheit B12 Rechtslauf (P1) Conjunto cart. y platos B12 giro d. (P1)	Cart. et plaque ass. B12 rot. d. (P1)	S24-58892*	S24-40160*	1
A	Cart. and plate ass'y B12 C.C.W. (P1) Ins. cart. B12 antioraria (P1)	Pumpeneinheit B12 Linkslauf (P1) Conjunto cart. y platos B12 giro i. (P1)	Cart. et plaque ass. B12 rot. g. (P1)	S24-58893*	S24-40161*	1





## Spare part list

Hydraulic Pumps  
Series T6CC\*, Denison Vane Pumps

Item Pos. Ref. Pos.	Description Descrizione	Benennung Description	Description	Part N° Teil Nr. Code N° Cod. N° Referencia T6CC	Part N° Teil Nr. Code N° Cod. N° Referencia T6CCM-T6CCP	Qty. Stück Qté Qtà Cant.
A	Cart. and plate ass'y B14 C.W. (P1) Ins. cart. B14 oraria (P1)	Pumpeneinheit B14 Rechtslauf (P1) Conjunto cart. y platos B14 giro d. (P1)	Cart. et plaque ass. B14 rot. d. (P1)	S24-58894*	S24-40162*	1
A	Cart. and plate ass'y B14 C.C.W. (P1) Ins. cart. B14 antioraria (P1)	Pumpeneinheit B14 Linkslauf (P1) Conjunto cart. y platos B14 giro i. (P1)	Cart. et plaque ass. B14 rot. g. (P1)	S24-58894*	S24-40163*	1
A	Cart. and plate ass'y B17 C.W. (P1) Ins. cart. B17 oraria (P1)	Pumpeneinheit B17 Rechtslauf (P1) Conjunto cart. y platos B17 giro d. (P1)	Cart. et plaque ass. B17 rot. d. (P1)	S24-51569*	S24-40164*	1
A	Cart. and plate ass'y B17 C.C.W. (P1) Ins. cart. B17 antioraria (P1)	Pumpeneinheit B17 Linkslauf (P1) Conjunto cart. y platos B17 giro i. (P1)	Cart. et plaque ass. B17 rot. g. (P1)	S24-51566*	S24-40165*	1
A	Cart. and plate ass'y B20 C.W. (P1) Ins. cart. B20 oraria (P1)	Pumpeneinheit B20 Rechtslauf (P1) Conjunto cart. y platos B20 giro d. (P1)	Cart. et plaque ass. B20 rot. d. (P1)	S24-58898*	S24-40166*	1
A	Cart. and plate ass'y B20 C.C.W. (P1) Ins. cart. B20 antioraria (P1)	Pumpeneinheit B20 Linkslauf (P1) Conjunto cart. y platos B20 giro i. (P1)	Cart. et plaque ass. B20 rot. g. (P1)	S24-58898*	S24-40167*	1
A	Cart. and plate ass'y B22 C.W. (P1) Ins. cart. B22 oraria (P1)	Pumpeneinheit B22 Rechtslauf (P1) Conjunto cart. y platos B22 giro d. (P1)	Cart. et plaque ass. B22 rot. d. (P1)	S24-58900*	S24-40168*	1
A	Cart. and plate ass'y B22 C.C.W. (P1) Ins. cart. B22 antioraria (P1)	Pumpeneinheit B22 Linkslauf (P1) Conjunto cart. y platos B22 giro i. (P1)	Cart. et plaque ass. B22 rot. g. (P1)	S24-58900*	S24-40169*	1
A	Cart. and plate ass'y B25 C.W. (P1) Ins. cart. B25 oraria (P1)	Pumpeneinheit B25 Rechtslauf (P1) Conjunto cart. y platos B25 giro d. (P1)	Cart. et plaque ass. B25 rot. d. (P1)	S24-58902*	S24-40170*	1
A	Cart. and plate ass'y B25 C.C.W. (P1) Ins. cart. B25 antioraria (P1)	Pumpeneinheit B25 Linkslauf (P1) Conjunto cart. y platos B25 giro i. (P1)	Cart. et plaque ass. B25 rot. g. (P1)	S24-58903*	S24-40171*	1
A	Cart. and plate ass'y B28 C.W. (P1) Ins. cart. B28 oraria (P1)	Pumpeneinheit B28 Rechtslauf (P1) Conjunto cart. y platos B28 giro d. (P1)	Cart. et plaque ass. B28 rot. d. (P1)	S24-58904*	S24-40172*	1
A	Cart. and plate ass'y B28 C.C.W. (P1) Ins. cart. B28 antioraria (P1)	Pumpeneinheit B28 Linkslauf (P1) Conjunto cart. y platos B28 giro i. (P1)	Cart. et plaque ass. B28 rot. g. (P1)	S24-58905*	S24-40173*	1
A	Cart. and plate ass'y B31 C.W. (P1) Ins. cart. B31 oraria (P1)	Pumpeneinheit B31 Rechtslauf (P1) Conjunto cart. y platos B31 giro d. (P1)	Cart. et plaque ass. B31 rot. d. (P1)	S24-58906*	S24-45793*	1
A	Cart. and plate ass'y B31 C.C.W. (P1) Ins. cart. B31 antioraria (P1)	Pumpeneinheit B31 Linkslauf (P1) Conjunto cart. y platos B31 giro i. (P1)	Cart. et plaque ass. B31 rot. g. (P1)	S24-58907*	S24-45794*	1
B	Cart. and plate ass'y B03 C.W. (P2) Ins. cart. B03 oraria (P2)	Pumpeneinheit B03 Rechtslauf (P2) Conjunto cart. y platos B03 giro d. (P2)	Cart. et plaque ass. B03 rot. d. (P2)	S24-10371*	S24-40200*	1
B	Cart. and plate ass'y B03 C.C.W. (P2) Ins. cart. B03 antioraria (P2)	Pumpeneinheit B03 Linkslauf (P2) Conjunto cart. y platos B03 giro i. (P2)	Cart. et plaque ass. B03 rot. g. (P2)	S24-10372*	S24-40201*	1
B	Cart. and plate ass'y B05 C.W. (P2) Ins. cart. B05 oraria (P2)	Pumpeneinheit B05 Rechtslauf (P2) Conjunto cart. y platos B05 giro d. (P2)	Cart. et plaque ass. B05 rot. d. (P2)	S24-10373*	S24-40202*	1
B	Cart. and plate ass'y B05 C.C.W. (P2) Ins. cart. B05 antioraria (P2)	Pumpeneinheit B05 Linkslauf (P2) Conjunto cart. y platos B05 giro i. (P2)	Cart. et plaque ass. B05 rot. g. (P2)	S24-10374*	S24-40203*	1
B	Cart. and plate ass'y B06 C.W. (P2) Ins. cart. B06 oraria (P2)	Pumpeneinheit B06 Rechtslauf (P2) Conjunto cart. y platos B06 giro d. (P2)	Cart. et plaque ass. B06 rot. d. (P2)	S24-10375*	S24-40204*	1
B	Cart. and plate ass'y B06 C.C.W. (P2) Ins. cart. B06 antioraria (P2)	Pumpeneinheit B06 Linkslauf (P2) Conjunto cart. y platos B06 giro i. (P2)	Cart. et plaque ass. B06 rot. g. (P2)	S24-10376*	S24-40205*	1
B	Cart. and plate ass'y B08 C.W. (P2) Ins. cart. B08 oraria (P2)	Pumpeneinheit B08 Rechtslauf (P2) Conjunto cart. y platos B08 giro d. (P2)	Cart. et plaque ass. B08 rot. d. (P2)	S24-10377*	S24-40206*	1
B	Cart. and plate ass'y B08 C.C.W. (P2) Ins. cart. B08 antioraria (P2)	Pumpeneinheit B08 Linkslauf (P2) Conjunto cart. y platos B08 giro i. (P2)	Cart. et plaque ass. B08 rot. g. (P2)	S24-10378*	S24-40207*	1



Spare part list

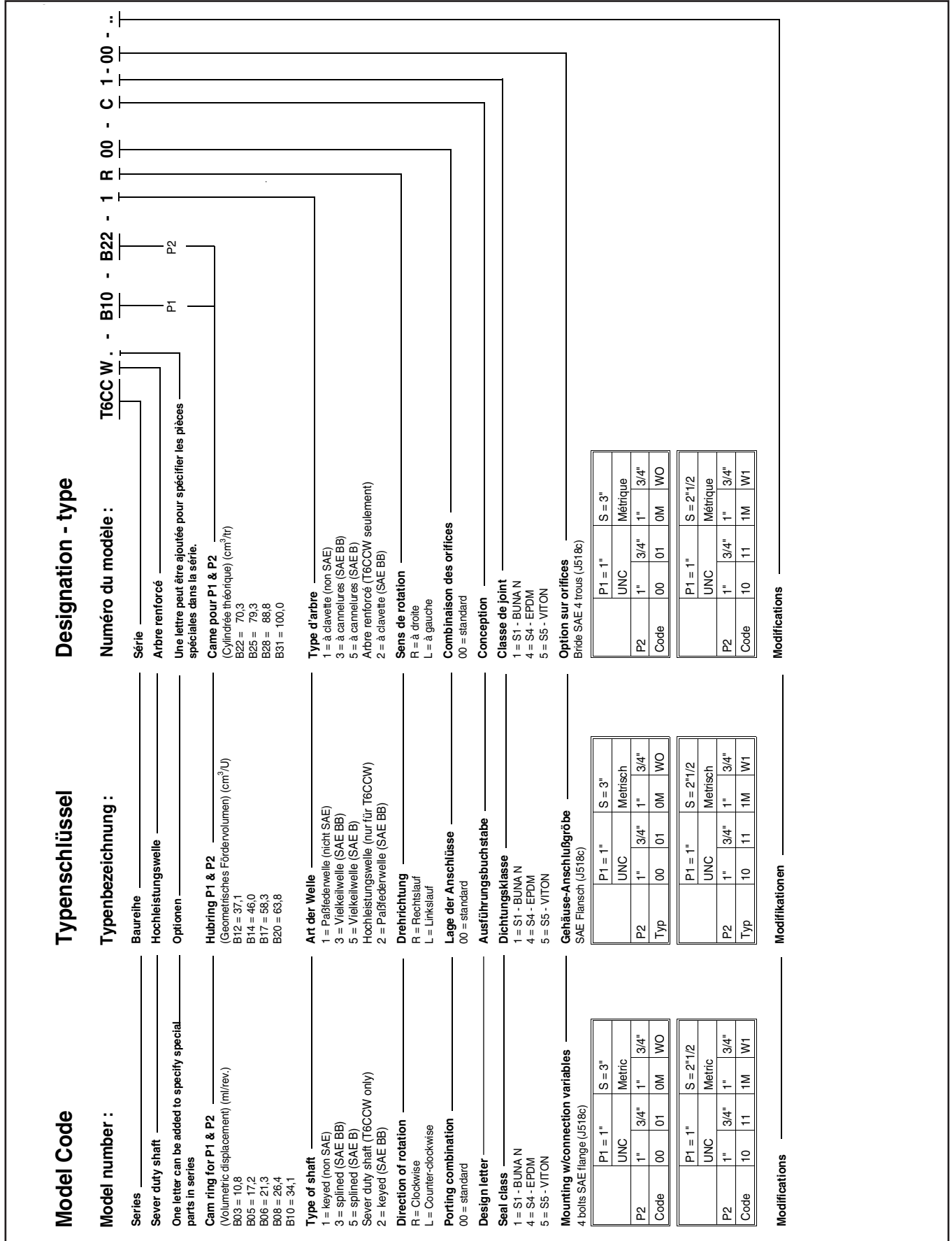
Item Pos. Ref. Pos.	Description Descrizione	Benennung Beschreibung	Description	Part N° Teil N° Code N° Cod. N° Referencia T6CC	Part N° Teil N° Code N° Cod. N° Referencia T6CC	Qty Stück Qte Q.tà Cant.
B	Cart. and plate ass'y B10 C.W. (P2) Ins. cart. B10 oraria (P2)	Pumpeneinheit B10 Rechtslauf (P2) Conjunto cart. y platos B10 giro d. (P2)	Cart. et plaque ass. B10 rot. d. (P2)	S24-10379*-	S24-40208*-	1
B	Cart. and plate ass'y B10 C.C.W. (P2) Ins. cart. B10 antioraria (P2)	Pumpeneinheit B10 Linkslauf (P2) Conjunto cart. y platos B10 giro i. (P2)	Cart. et plaque ass. B10 rot. g. (P2)	S24-10380*-	S24-40209*-	1
B	Cart. and plate ass'y B12 C.W. (P2) Ins. cart. B12 oraria (P2)	Pumpeneinheit B12 Rechtslauf (P2) Conjunto cart. y platos B12 giro d. (P2)	Cart. et plaque ass. B12 rot. d. (P2)	S24-26498*-	S24-40210*-	1
B	Cart. and plate ass'y B12 C.C.W. (P2) Ins. cart. B12 antioraria (P2)	Pumpeneinheit B12 Linkslauf (P2) Conjunto cart. y platos B12 giro i. (P2)	Cart. et plaque ass. B12 rot. g. (P2)	S24-26499*-	S24-40211*-	1
B	Cart. and plate ass'y B14 C.W. (P2) Ins. cart. B14 oraria (P2)	Pumpeneinheit B14 Rechtslauf (P2) Conjunto cart. y platos B14 giro d. (P2)	Cart. et plaque ass. B14 rot. d. (P2)	S24-10381*-	S24-40212*-	1
B	Cart. and plate ass'y B14 C.C.W. (P2) Ins. cart. B14 antioraria (P2)	Pumpeneinheit B14 Linkslauf (P2) Conjunto cart. y platos B14 giro i. (P2)	Cart. et plaque ass. B14 rot. g. (P2)	S24-10382*-	S24-40213*-	1
B	Cart. and plate ass'y B17 C.W. (P2) Ins. cart. B17 oraria (P2)	Pumpeneinheit B17 Rechtslauf (P2) Conjunto cart. y platos B17 giro d. (P2)	Cart. et plaque ass. B17 rot. d. (P2)	S24-10383*-	S24-40214*-	1
B	Cart. and plate ass'y B17 C.C.W. (P2) Ins. cart. B17 antioraria (P2)	Pumpeneinheit B17 Linkslauf (P2) Conjunto cart. y platos B17 giro i. (P2)	Cart. et plaque ass. B17 rot. g. (P2)	S24-10384*-	S24-40215*-	1
B	Cart. and plate ass'y B20 C.W. (P2) Ins. cart. B20 oraria (P2)	Pumpeneinheit B20 Rechtslauf (P2) Conjunto cart. y platos B20 giro d. (P2)	Cart. et plaque ass. B20 rot. d. (P2)	S24-40684*-	S24-40216*-	1
B	Cart. and plate ass'y B20 C.C.W. (P2) Ins. cart. B20 antioraria (P2)	Pumpeneinheit B20 Linkslauf (P2) Conjunto cart. y platos B20 giro i. (P2)	Cart. et plaque ass. B20 rot. g. (P2)	S24-49540*-	S24-40217*-	1
B	Cart. and plate ass'y B22 C.W. (P2) Ins. cart. B22 oraria (P2)	Pumpeneinheit B22 Rechtslauf (P2) Conjunto cart. y platos B22 giro d. (P2)	Cart. et plaque ass. B22 rot. d. (P2)	S24-10385*-	S24-40218*-	1
B	Cart. and plate ass'y B22 C.C.W. (P2) Ins. cart. B22 antioraria (P2)	Pumpeneinheit B22 Linkslauf (P2) Conjunto cart. y platos B22 giro i. (P2)	Cart. et plaque ass. B22 rot. g. (P2)	S24-10386*-	S24-40219*-	1
B	Cart. and plate ass'y B25 C.W. (P2) Ins. cart. B25 oraria (P2)	Pumpeneinheit B25 Rechtslauf (P2) Conjunto cart. y platos B25 giro d. (P2)	Cart. et plaque ass. B25 rot. d. (P2)	S24-10387*-	S24-40220*-	1
B	Cart. and plate ass'y B25 C.C.W. (P2) Ins. cart. B25 antioraria (P2)	Pumpeneinheit B25 Linkslauf (P2) Conjunto cart. y platos B25 giro i. (P2)	Cart. et plaque ass. B25 rot. g. (P2)	S24-10388*-	S24-40221*-	1
B	Cart. and plate ass'y B28 C.W. (P2) Ins. cart. B28 oraria (P2)	Pumpeneinheit B28 Rechtslauf (P2) Conjunto cart. y platos B28 giro d. (P2)	Cart. et plaque ass. B28 rot. d. (P2)	S24-25973*-	S24-40222*-	1
B	Cart. and plate ass'y B28 C.C.W. (P2) Ins. cart. B28 antioraria (P2)	Pumpeneinheit B28 Linkslauf (P2) Conjunto cart. y platos B28 giro i. (P2)	Cart. et plaque ass. B28 rot. g. (P2)	S24-25974*-	S24-40223*-	1
B	Cart. and plate ass'y B31 C.W. (P2) Ins. cart. B31 oraria (P2)	Pumpeneinheit B31 Rechtslauf (P2) Conjunto cart. y platos B31 giro d. (P2)	Cart. et plaque ass. B31 rot. d. (P2)	S24-51341*-	S24-45775*-	1
B	Cart. and plate ass'y B31 C.C.W. (P2) Ins. cart. B31 antioraria (P2)	Pumpeneinheit B31 Linkslauf (P2) Conjunto cart. y platos B31 giro i. (P2)	Cart. et plaque ass. B31 rot. g. (P2)	S24-58367*-	S24-45776*-	1
C	Seal kit (S1 - 0,7 bar) (shafts 1-3-5) (T6CC - CCM) Serie guarnizioni (S1 - 0,7 bar) (eje 1-3-5) (T6CC - T6CCM)	Dichtringsatz (S1 - 0,7 bar) (Wellen 1-3-5) (T6CC - T6CCM) Juego de juntas (S1 - 0,7 bar) (eje 1-3-5) (T6CC - T6CCM)	Pochette de joint (S1 - 0,7 bar) (arbres 1-3-5) (T6CC - T6CCM)	S24-10352-0	S24-10352-0	1
C	Seal kit (S1 - 0,7 bar) (T6CCP) Serie guarnizioni (S1 - 0,7 bar) (T6CCP)	Dichtringsatz (S1 - 0,7 bar) (T6CCP) Juego de juntas (S1 - 0,7 bar) (T6CCP)	Pochette de joint (S1 - 0,7 bar) (T6CCP)	S24-40230-0	S24-40230-0	1
C	Seal kit (S4 - 7 bar) (shafts 1-3-5) Serie guarnizioni (S4 - 7 bar) (albero 1-3-5)	Dichtringsatz (S4 - 7 bar) (Wellen 1-3-5) Juego de juntas (S4 - 7 bar) (eje 1-3-5)	Pochette de joint (S4 - 7 bar) (arbres 1-3-5)	S24-10352-4	S24-10352-4	1



## Spare part list

Hydraulic Pumps  
Series T6CC\*, Denison Vane Pumps

Item Pos. Ref. Pos.	Description Descrizione	Benennung Description	Description	Part N° Teil Nr. Code N° Cod. N° Referencia T6CC	Part N° Teil Nr. Code N° Cod. N° Referencia T6CCM-T6CCP	Qty. Stück Qté Q.tà Cant.
C	Seal kit (S5 - 7 bar) (shafts 1-3-5) Serie guarnizioni (S5 - 7 bar) (albero 1-3-5)	Dichtringsatz (S5 - 7 bar) (Wellen 1-3-5) Juego de juntas (S5 - 7 bar) (eje 1-3-5)	Pochette de joint (S5 - 7 bar) (arbres 1-3-5)	S24-10352-5	S24-10352-5	1
	Seal kit (S1 - 0,7 bar) (shafts 2-R-X-W-V-T) Serie guarnizioni (S5-0,7 bar) (albero 2-R-X-W-V-T)	Dichtringsatz (S1 - 0,7 bar) (Wellen 2-R-X-W-V-T) Juego de juntas (S1 - 0,7 bar) (eje 2-R-X-W-V-T)	Poch. de joint (S1 - 0,7 bar) (arbres 2-R-X-W-V-T)	S14-97724-0	S14-97724-0	1
D	Seal kit (S4 - 0,7 bar) (shafts 2-R-X-W-V-T) Serie guarnizioni (S4-0,7 bar) (albero 2-R-X-W-V-T)	Dichtringsatz (S4 - 0,7 bar) (Wellen 2-R-X-W-V-T) Juego de juntas (S4 - 0,7 bar) (eje 2-R-X-W-V-T)	Poch. de joint (S4 - 0,7 bar) (arbres 2-R-X-W-V-T)	S14-97724-4	S14-97724-4	1
	Seal kit (S5 - 0,7 bar) (shafts 2-R-X-W-V-T) Serie guarnizioni (S5-0,7 bar) (albero 2-R-X-W-V-T)	Dichtringsatz (S5 - 0,7 bar) (Wellen 2-R-X-W-V-T) Juego de juntas (S5 - 0,7 bar) (eje 2-R-X-W-V-T)	Poch. de joint (S5 - 0,7 bar) (arbres 2-R-X-W-V-T)	S14-97724-5	S14-97724-5	1
E	Shaft and bearing ass'y (code 1) Ins. albero (codice 1)	Baugruppe (Welle u. Lager) (Typ 1) Conjunto eje cojinete (codigo 1)	Arbre et roulement ass. (code 1)	S24-10346-0	S24-10346-0	1
F	Shaft and bearing ass'y (code 2) Ins. albero (codice 2)	Baugruppe (Welle u. Lager) (Typ 2) Conjunto eje cojinete (codigo 2)	Arbre et roulement ass. (code 2)	S24-26208-0	S24-26208-0	1
G	Shaft and bearing ass'y (code 3) (T6CC - CCM) Ins. albero (codice 3) (T6CC - T6CCM)	Baugruppe (Welle u. Lager) (Typ 3) (T6CC - T6CCM) Conjunto eje cojinete (codigo 3) (T6CC - T6CCM)	Arbre et roulement ass. (code 3) (T6CC - T6CCM)	S24-10348-0	S24-10348-0	1
	Shaft and bearing ass'y (code 3) (T6CCP) Ins. albero (codice 3) (T6CCP)	Baugruppe (Welle u. Lager) (Typ 3) (T6CCP) Conjunto eje cojinete (codigo 3) (T6CCP)	Arbre et roulement ass. (code 3) (T6CCP)	S24-40231-0	S24-40231-0	1
H	Shaft and bearing ass'y (code 5) Ins. albero (codice 5)	Baugruppe (Welle u. Lager) (Typ 5) Conjunto eje cojinete (codigo 5)	Arbre et roulement ass. (code 5)	S24-10347-0	S24-10347-0	1
J	Shaft and bearing ass'y (code R) Ins. albero (codice R)	Baugruppe (Welle u. Lager) (Typ R) Conjunto eje cojinete (codigo R)	Arbre et roulement ass. (code R)	S24-30001-0	S24-30001-0	1
K	Shaft and bearing ass'y (code X) Ins. albero (codice X)	Baugruppe (Welle u. Lager) (Typ X) Conjunto eje cojinete (codigo X)	Arbre et roulement ass. (code X)	S24-26211-0	S24-26211-0	1
L	Shaft and bearing ass'y (code W) Ins. albero (codice W)	Baugruppe (Welle u. Lager) (Typ W) Conjunto eje cojinete (codigo W)	Arbre et roulement ass. (code W)	S24-26376-0	S24-26376-0	1
M	Shaft and bearing ass'y (code V) Ins. albero (codice V)	Baugruppe (Welle u. Lager) (Typ V) Conjunto eje cojinete (codigo V)	Arbre et roulement ass. (code V)	S14-97723-0	S14-97723-0	1
N	Shaft and bearing ass'y (code T) Ins. albero (codice T)	Baugruppe (Welle u. Lager) (Typ T) Conjunto eje cojinete (codigo T)	Arbre et roulement ass. (code T)	S24-40034-0	S24-40034-0	1
P	Shaft and bearing ass'y (code 4) (T6CCP) Ins. albero (codice 4) (T6CCP)	Baugruppe (Welle u. Lager) (Typ 4) (T6CCP) Conjunto eje cojinete (codigo 4) (T6CCP)	Arbre et roulement ass. (code 4) (T6CCP)	S24-56341-0	S24-56341-0	1
Q	Shaft and bearing ass'y (code 6) (T6CCP) Ins. albero (codice 6) (T6CCP)	Baugruppe (Welle u. Lager) (Typ 6) (T6CCP) Conjunto eje cojinete (codigo 6) (T6CCP)	Arbre et roulement ass. (code 6) (T6CCP)	S24-40232-0	S24-40232-0	1
R	Port plate-rear and bush ass'y (P2) Ins. piatto distributore post. (P2)	Steuerplatte mit Buchse (P2) Coj. plato dist. trase. con coj. fricción (P2)	Plaque ar. et bague ass. (P2)	S24-10349-0	S24-10349-0	1
S	Port plate-rear ass'y (P1) Ins. piatto distributore post. (P1)	Steuerplatte (P1) Coj. plato dist. trasero (P1)	Plaque ar. ass. (P1)	S24-10418-0	S24-10418-0	1
	Seal class Tipo di guarnizioni	Dichtringsatz Clase de juntas	Classe de joint	S***-****-*	S***-****-*	
				S1 BUNA N S**-*****-0	S1 BUNA N S**-*****-0	
				S4 EPDM S*-*****-4	S4 EPDM S*-*****-4	
				S5 VITON® S*-*****-5	S5 VITON® S*-*****-5	



**Model Code**

Model number :

Series  
Sever duty shaft  
One letter can be added to specify special parts in series

Cam ring for P1 & P2  
(Volumetric displacement) (ml/rev.)

- B03 = 10,8
- B05 = 17,2
- B06 = 21,3
- B08 = 26,4
- B10 = 34,1

Type of shaft

- 1 = keyed (non SAE)
- 3 = splined (SAE BB)
- 5 = splined (SAE B)
- Sever duty shaft (T6CCW only)
- 2 = keyed (SAE BB)

Direction of rotation

- R = Clockwise
- L = Counter-clockwise

Porting combination

- 00 = standard

Design letter

- Seal class
- 1 = S1 - BUNA N
- 4 = S4 - EPDM
- 5 = S5 - VITON

Mounting w/connection variables

- 4 bolts SAE flange (J518c)

P1 = 1"	S = 3"
UNC	Métric
P2	1" 3/4"
Code	00 01 0M WO

P1 = 1"	S = 2"1/2
UNC	Métric
P2	1" 3/4"
Code	10 11 1M W1

Modifications

**Typenschlüssel**

Typenbezeichnung :

Baureihe  
Hochleistungswelle  
Optionen

Hubring P1 & P2  
(Geometrisches Förderdrehmoment) (cm<sup>3</sup>/U)

- B12 = 37,1
- B14 = 46,0
- B17 = 58,3
- B20 = 63,8

Art der Welle

- 1 = Paßfederschwelle (nicht SAE)
- 3 = Vielkeilwelle (SAE BB)
- 5 = Vielkeilwelle (SAE B)
- Hochleistungswelle (nur für T6CCW)
- 2 = Paßfederschwelle (SAE BB)

Drehrichtung

- R = Rechtslauf
- L = Linkslauf

Lage der Anschlüsse

- 00 = standard

Ausführungsbuchstabe

- Dichtungsklasse
- 1 = S1 - BUNA N
- 4 = S4 - EPDM
- 5 = S5 - VITON

Gehäuse-Anschlußgröße

- SAE Flansch (J518c)

P1 = 1"	S = 3"
UNC	Métrisch
P2	1" 3/4"
Typ	00 01 0M WO

P1 = 1"	S = 2"1/2
UNC	Métrisch
P2	1" 3/4"
Typ	10 11 1M W1

Modifikationen

**Designation - type**

Numéro du modèle :

Série  
Arbre renforcé  
Une lettre peut être ajoutée pour spécifier les pièces spéciales dans la série.

Camme pour P1 & P2  
(Cylindrée théorique) (cm<sup>3</sup>/tr)

- B22 = 70,3
- B25 = 79,3
- B28 = 88,8
- B31 = 100,0

Type d'arbre

- 1 = à clavette (non SAE)
- 3 = à cannelures (SAE BB)
- 5 = à cannelures (SAE B)
- Arbre renforcé (T6CCW seulement)
- 2 = à clavette (SAE BB)

Sens de rotation

- R = à droite
- L = à gauche

Combinaison des orifices

- 00 = standard

Conception

- Classe de joint
- 1 = S1 - BUNA N
- 4 = S4 - EPDM
- 5 = S5 - VITON

Option sur orifices

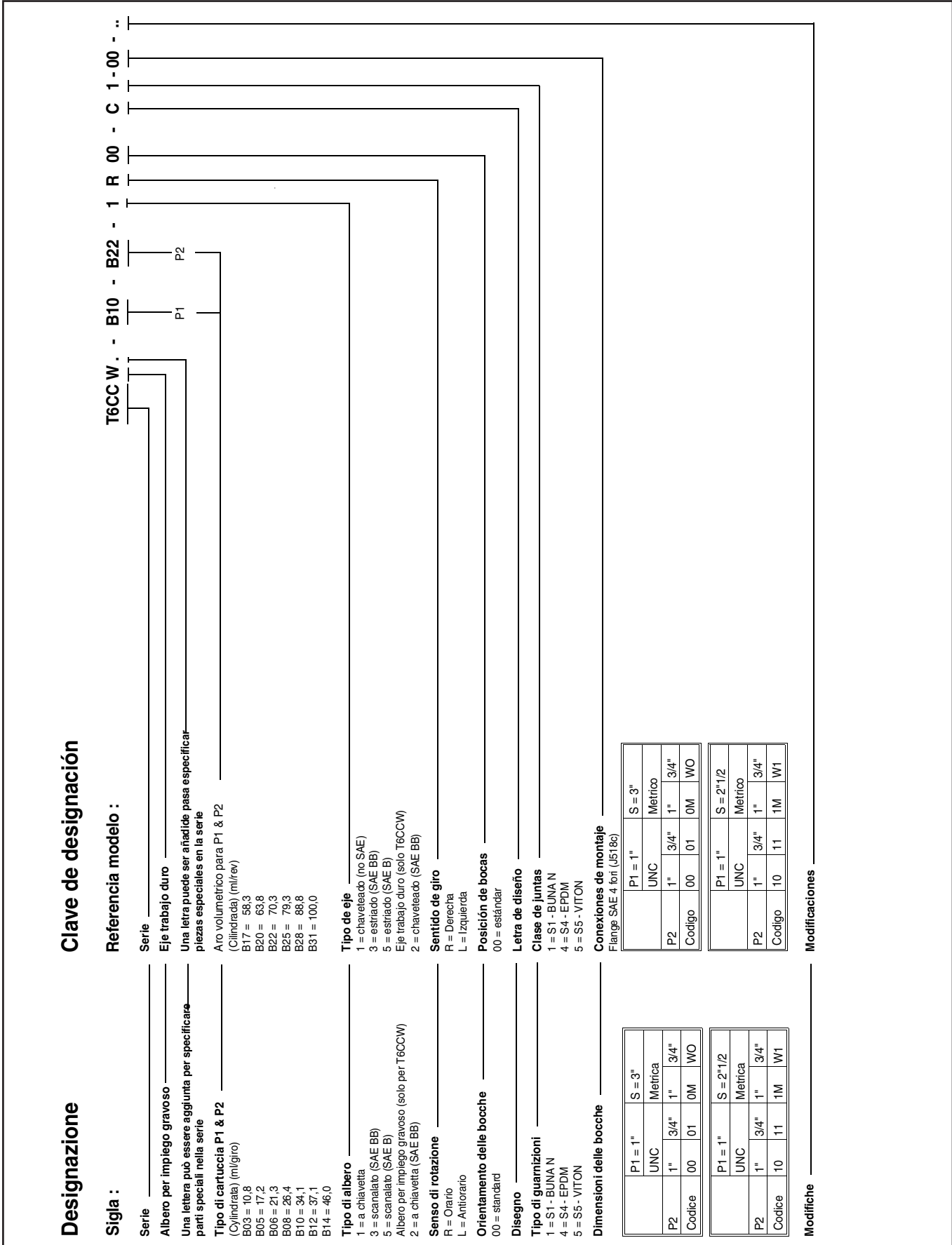
- Bride SAE 4 trous (J518c)

P1 = 1"	S = 3"
UNC	Métrique
P2	1" 3/4"
Code	00 01 0M WO

P1 = 1"	S = 2"1/2
UNC	Métrique
P2	1" 3/4"
Code	10 11 1M W1

Modifications





**Designazione**

**Sigla :**

Serie \_\_\_\_\_  
**Albero per impiego gravoso** \_\_\_\_\_  
 Una lettera può essere aggiunta per specificare parti speciali nella serie \_\_\_\_\_  
**Tipo di cartuccia P1 & P2** \_\_\_\_\_  
 (Cilindrata) (ml/rev)  
 B03 = 10.8  
 B05 = 17.2  
 B06 = 21.3  
 B08 = 26.4  
 B10 = 34.1  
 B12 = 37.1  
 B14 = 46.0

**Tipo di albero**

1 = a chavetta  
 3 = scanalato (SAE BB)  
 5 = scanalato (SAE B)  
 Albero per impiego gravoso (solo per T6CCW)  
 2 = a chavetta (SAE BB)

**Senso di rotazione**

R = Orotario  
 L = Antiorario

**Orientamento delle bocche**

00 = standard

**Disegno**

**Tipo di guarnizioni**  
 1 = S1 - BUNA N  
 4 = S4 - EPDM  
 5 = S5 - VITON

**Dimensioni delle bocche**

P1 = 1"	S = 3"
UNC	Metrica
P2 1" 3/4"	1" 3/4"
Codice 00 01 0M	WO

P1 = 1"	S = 2"1/2
UNC	Metrica
P2 1" 3/4"	1" 3/4"
Codice 10 11 1M	W1

**Modifiche**

**Clave de designación**

**Referencia modelo :**

Serie \_\_\_\_\_  
**Eje trabajo duro** \_\_\_\_\_  
 Una letra puede ser añadida para especificar piezas especiales en la serie \_\_\_\_\_  
 Aro volumetrico para P1 & P2 \_\_\_\_\_  
 (Cilindrada) (ml/rev)  
 B17 = 58.3  
 B20 = 63.8  
 B22 = 70.3  
 B25 = 79.3  
 B28 = 88.8  
 B31 = 100.0

**Tipo de eje**

1 = chaveteado (no SAE)  
 3 = estriado (SAE BB)  
 5 = estriado (SAE B)  
 Eje trabajo duro (solo T6CCW)  
 2 = chaveteado (SAE BB)

**Sentido de giro**

R = Derecha  
 L = Izquierda

**Posición de bocas**

00 = estándar

**Letra de diseño**

**Clase de juntas**  
 1 = S1 - BUNA N  
 4 = S4 - EPDM  
 5 = S5 - VITON

**Conexiones de montaje**

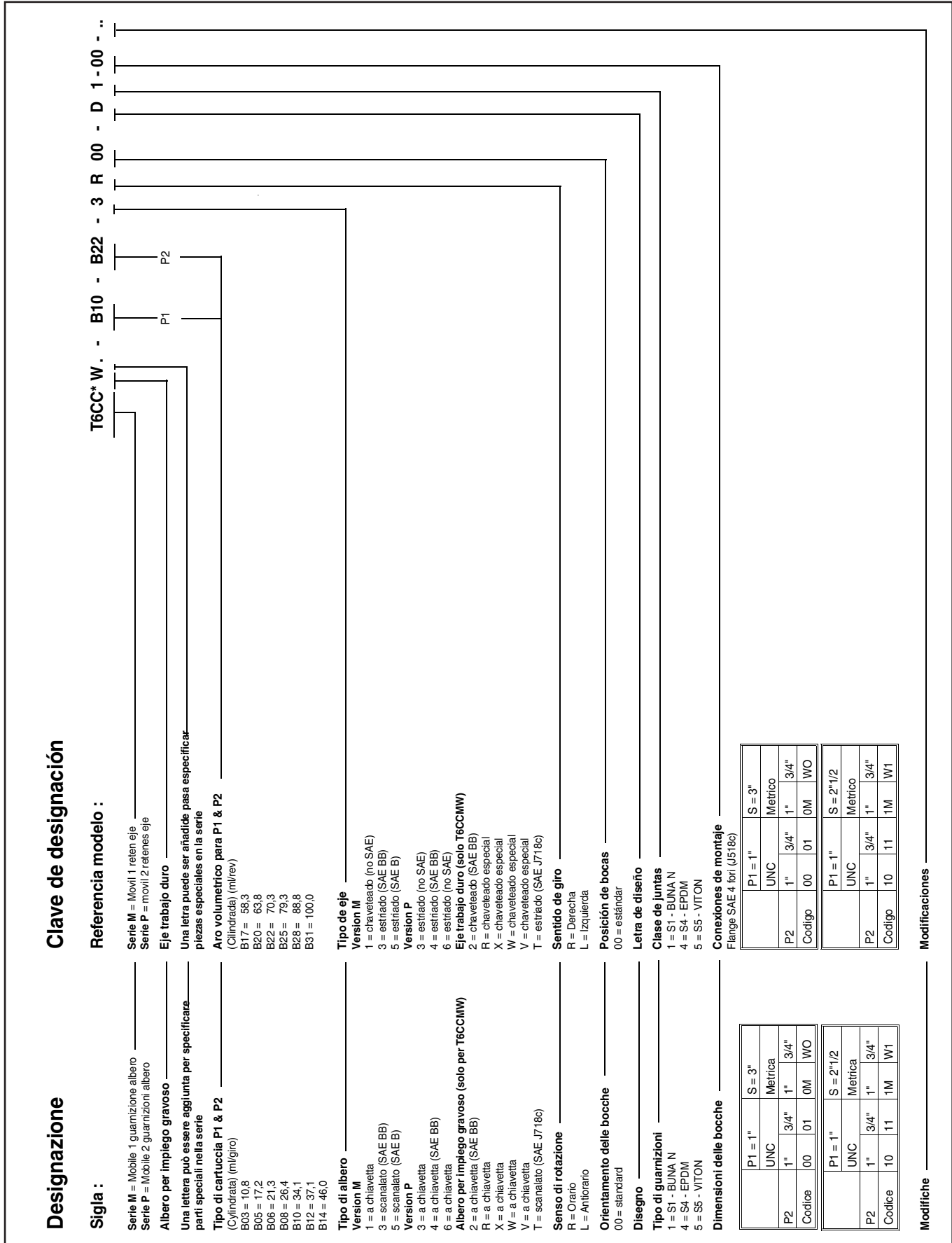
Flange SAE 4 for (J518c)

P1 = 1"	S = 3"
UNC	Metrico
P2 1" 3/4"	1" 3/4"
Codice 00 01 0M	WO

P1 = 1"	S = 2"1/2
UNC	Metrico
P2 1" 3/4"	1" 3/4"
Codice 10 11 1M	W1

**Modificaciones**





**Designazione**

**Sigla :**

Serie M = Mobile 1 guarnizione albero  
Serie P = Mobile 2 guarnizioni albero  
Albero per impiego gravoso  
Una lettera può essere aggiunta per specificare parti speciali nella serie

**Tipo di cartuccia P1 & P2**  
(Cilindrata) (ml/giro)  
B03 = 10,8  
B05 = 17,2  
B06 = 21,3  
B08 = 26,4  
B10 = 34,1  
B12 = 37,1  
B14 = 46,0

**Tipo di albero**  
**Version M**  
1 = a chiavetta (SAE BB)  
3 = scanalato (SAE BB)  
5 = scanalato (SAE B)  
**Version P**  
3 = a chiavetta  
4 = a chiavetta (SAE BB)  
6 = a chiavetta  
**Albero per impiego gravoso (solo per T6CCMW)**  
2 = a chiavetta (SAE BB)  
R = a chiavetta  
X = a chiavetta  
W = a chiavetta  
V = a chiavetta  
T = scanalato (SAE J718c)

**Senso di rotazione**  
R = Oroario  
L = Antiorario  
**Orientamento delle bocche**  
00 = standard

**Disegno**  
**Tipo di guarnizioni**  
1 = S1 - Buna N  
4 = S4 - EPDM  
5 = S5 - Viton  
**Dimensioni delle bocche**

P1 = 1"	S = 3"
UNC	Metrica
P2 1"	3/4"
Codice 00	01 0M WO
P1 = 1"	S = 2"1/2
UNC	Metrica
P2 1"	3/4"
Codice 10	11 1M W1

Modifiche

**Clave de designación**

**Referencia modelo :**

Serie M = Movili 1 reten eje  
Serie P = movili 2 retenes eje  
Eje trabajo duro  
Una letra puede ser añadida para especificar piezas especiales en la serie

**Aro volumetrico para P1 & P2**  
(Cilindrada) (ml/rev)  
B17 = 58,3  
B20 = 63,8  
B22 = 70,3  
B25 = 79,3  
B28 = 88,8  
B31 = 100,0

**Tipo de eje**  
**Version M**  
1 = chaveteado (no SAE)  
3 = estrizado (SAE BB)  
5 = estrizado (SAE B)  
**Version P**  
3 = estrizado (no SAE)  
4 = estrizado (SAE BB)  
6 = estrizado (no SAE)  
**Eje trabajo duro (solo T6CCMW)**  
2 = chaveteado (SAE BB)  
R = chaveteado especial  
X = chaveteado especial  
W = chaveteado especial  
V = chaveteado especial  
T = estrizado (SAE J718c)

**Sentido de giro**  
R = Derecha  
L = Izquierda  
**Posición de bocas**  
00 = estándar

**Letra de diseño**  
**Clase de juntas**  
1 = S1 - Buna N  
4 = S4 - EPDM  
5 = S5 - Viton  
**Conexiones de montaje**  
Flange SAE 4 fori (J518c)

P1 = 1"	S = 3"
UNC	Metrica
P2 1"	3/4"
Codice 00	01 0M WO
P1 = 1"	S = 2"1/2
UNC	Metrica
P2 1"	3/4"
Codice 10	11 1M W1

Modificaciones



**WARNING – USER RESPONSIBILITY**

**FAILURE OR IMPROPER SELECTION OR IMPROPER USE OF THE PRODUCTS DESCRIBED HEREIN OR RELATED ITEMS CAN CAUSE DEATH, PERSONAL INJURY AND PROPERTY DAMAGE.**

- This document and other information from Parker-Hannifin Corporation, its subsidiaries and authorized distributors provide product or system options for further investigation by users having technical expertise.
- The user, through its own analysis and testing, is solely responsible for making the final selection of the system and components and assuring that all performance, endurance, maintenance, safety and warning requirements of the application are met. The user must analyze all aspects of the application, follow applicable industry standards, and follow the information concerning the product in the current product catalog and in any other materials provided from Parker or its subsidiaries or authorized distributors.
- To the extent that Parker or its subsidiaries or authorized distributors provide component or system options based upon data or specifications provided by the user, the user is responsible for determining that such data and specifications are suitable and sufficient for all applications and reasonably foreseeable uses of the components or systems.

**Offer of Sale**

Please contact your Parker representation for a detailed "Offer of Sale".



# Parker Worldwide

## Europe, Middle East, Africa

**AE – United Arab Emirates,**  
Dubai

Tel: +971 4 8127100  
parker.me@parker.com

**AT – Austria,** Wiener Neustadt

Tel: +43 (0)2622 23501-0  
parker.austria@parker.com

**AT – Eastern Europe,** Wiener  
Neustadt

Tel: +43 (0)2622 23501 900  
parker.easteurope@parker.com

**AZ – Azerbaijan,** Baku

Tel: +994 50 22 33 458  
parker.azerbaijan@parker.com

**BE/LU – Belgium,** Nivelles

Tel: +32 (0)67 280 900  
parker.belgium@parker.com

**BG – Bulgaria,** Sofia

Tel: +359 2 980 1344  
parker.bulgaria@parker.com

**BY – Belarus,** Minsk

Tel: +48 (0)22 573 24 00  
parker.poland@parker.com

**CH – Switzerland,** Etoy

Tel: +41 (0)21 821 87 00  
parker.switzerland@parker.com

**CZ – Czech Republic,** Klecany

Tel: +420 284 083 111  
parker.czechrepublic@parker.com

**DE – Germany,** Kaarst

Tel: +49 (0)2131 4016 0  
parker.germany@parker.com

**DK – Denmark,** Ballerup

Tel: +45 43 56 04 00  
parker.denmark@parker.com

**ES – Spain,** Madrid

Tel: +34 902 330 001  
parker.spain@parker.com

**FI – Finland,** Vantaa

Tel: +358 (0)20 753 2500  
parker.finland@parker.com

**FR – France,** Contamine s/Arve

Tel: +33 (0)4 50 25 80 25  
parker.france@parker.com

**GR – Greece,** Athens

Tel: +30 210 933 6450  
parker.greece@parker.com

**HU – Hungary,** Budaörs

Tel: +36 23 885 470  
parker.hungary@parker.com

**IE – Ireland,** Dublin

Tel: +353 (0)1 466 6370  
parker.ireland@parker.com

**IT – Italy,** Corsico (MI)

Tel: +39 02 45 19 21  
parker.italy@parker.com

**KZ – Kazakhstan,** Almaty

Tel: +7 7273 561 000  
parker.easteurope@parker.com

**NL – The Netherlands,** Oldenzaal

Tel: +31 (0)541 585 000  
parker.nl@parker.com

**NO – Norway,** Asker

Tel: +47 66 75 34 00  
parker.norway@parker.com

**PL – Poland,** Warsaw

Tel: +48 (0)22 573 24 00  
parker.poland@parker.com

**PT – Portugal**

Tel: +351 22 999 7360  
parker.portugal@parker.com

**RO – Romania,** Bucharest

Tel: +40 21 252 1382  
parker.romania@parker.com

**RU – Russia,** Moscow

Tel: +7 495 645-2156  
parker.russia@parker.com

**SE – Sweden,** Spånga

Tel: +46 (0)8 59 79 50 00  
parker.sweden@parker.com

**SK – Slovakia,** Banská Bystrica

Tel: +421 484 162 252  
parker.slovakia@parker.com

**SL – Slovenia,** Novo Mesto

Tel: +386 7 337 6650  
parker.slovenia@parker.com

**TR – Turkey,** Istanbul

Tel: +90 216 4997081  
parker.turkey@parker.com

**UA – Ukraine,** Kiev

Tel: +48 (0)22 573 24 00  
parker.poland@parker.com

**UK – United Kingdom,** Warwick

Tel: +44 (0)1926 317 878  
parker.uk@parker.com

**ZA – South Africa,** Kempton Park

Tel: +27 (0)11 961 0700  
parker.southafrica@parker.com

## North America

**CA – Canada,** Milton, Ontario

Tel: +1 905 693 3000

**US – USA,** Cleveland

(industrial)  
Tel: +1 216 896 3000

**US – USA,** Elk Grove Village

(mobile)  
Tel: +1 847 258 6200

## Asia Pacific

**AU – Australia,** Castle Hill

Tel: +61 (0)2-9634 7777

**CN – China,** Shanghai

Tel: +86 21 2899 5000

**HK – Hong Kong**

Tel: +852 2428 8008

**ID – Indonesia,** Tangerang

Tel: +62 21 7588 1906

**IN – India,** Mumbai

Tel: +91 22 6513 7081-85

**JP – Japan,** Fujisawa

Tel: +81 (0)4 6635 3050

**KR – South Korea,** Seoul

Tel: +82 2 559 0400

**MY – Malaysia,** Shah Alam

Tel: +60 3 7849 0800

**NZ – New Zealand,** Mt Wellington

Tel: +64 9 574 1744

**SG – Singapore**

Tel: +65 6887 6300

**TH – Thailand,** Bangkok

Tel: +662 186 7000

**TW – Taiwan,** New Taipei City

Tel: +886 2 2298 8987

**VN – Vietnam,** Ho Chi Minh City

Tel: +84 8 3999 1600

## South America

**AR – Argentina,** Buenos Aires

Tel: +54 3327 44 4129

**BR – Brazil,** Cachoeirinha RS

Tel: +55 51 3470 9144

**CL – Chile,** Santiago

Tel: +56 2 623 1216

**MX – Mexico,** Toluca

Tel: +52 72 2275 4200



### EMEA Product Information Centre

Free phone: 00 800 27 27 5374

(from AT, BE, CH, CZ, DE, DK, EE, ES, FI, FR, IE, IL,  
IS, IT, LU, MT, NL, NO, PL, PT, RU, SE, SK, UK, ZA)

### US Product Information Centre

Toll-free number: 1-800-27 27 537

www.parker.com