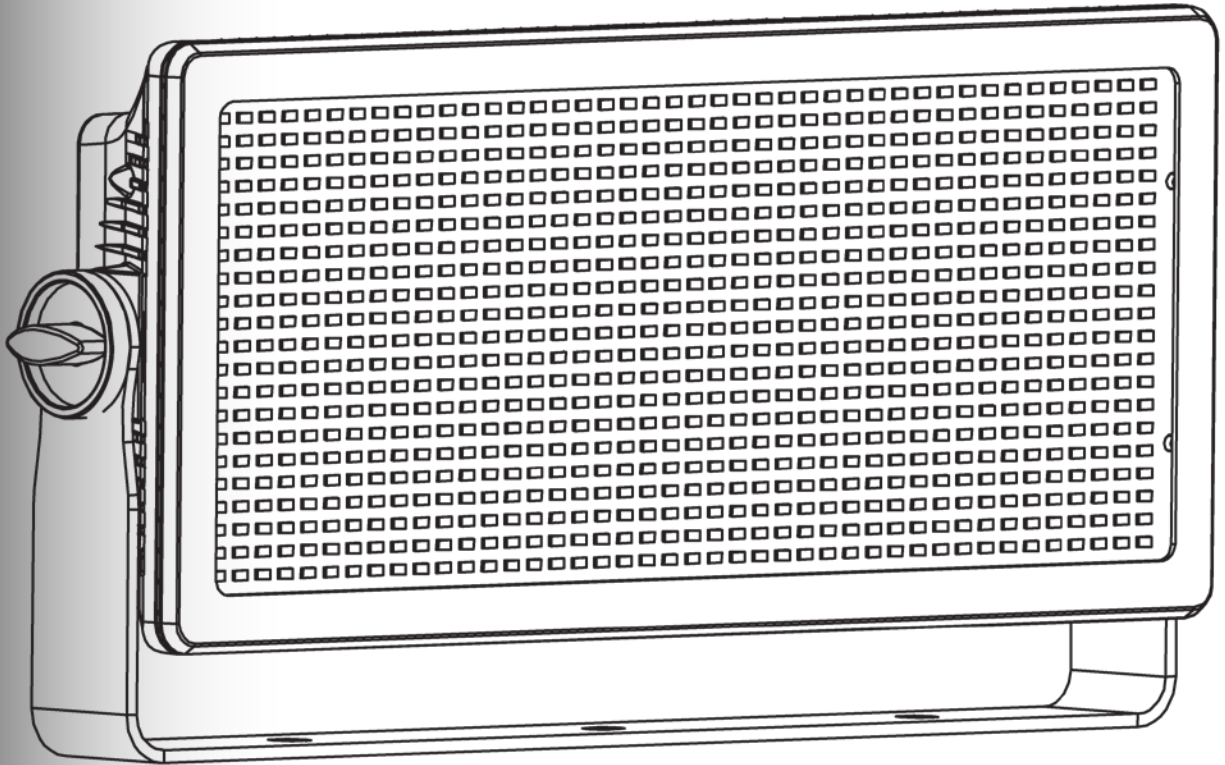


# STRIKE 882

User Manual



  
**CHAUVET**<sup>®</sup>  
PROFESSIONAL

**Edition Notes** The STRIKE™ 882 User Manual Rev. 5 covers the description, safety precautions, installation, programming, operation, and maintenance of the STRIKE™ 882. Chauvet released this edition of the STRIKE™ 882 User Manual in April 2015.

**Trademarks** CHAUVET® is a registered trademark of CHAUVET & Sons LLC. (d/b/a CHAUVET® or Chauvet). The CHAUVET® logo in its entirety including the CHAUVET® name and the dotted triangle, and all other trademarks in this manual pertaining to services, products, or marketing statements are owned or licensed by CHAUVET®. Any other product names, logos, brands, company names, and other trademarks featured or referred to within this document are the property of their respective trademark holders.

**Copyright Notice** Chauvet owns the content of this User Manual in its entirety, including but not limited to pictures, logos, trademarks, and resources.

© **Copyright 2015 Chauvet. All rights reserved.**

Electronically published by Chauvet in the United States of America.

**Manual Use** Chauvet authorizes its customers to download and print this manual for professional information purposes only. Chauvet expressly prohibits the usage, copy, storage, distribution, modification, or printing of this manual or its content for any other purpose without written consent from Chauvet.

**Document Printing** For better results, print this document in color, on letter size paper (8.5 x 11 in), double-sided. If using A4 paper (210 x 297 mm), configure your printer to scale the content accordingly.

**Intended Audience** Any person in charge of installing, operating, and/or maintaining this product should completely read through the guide that shipped with the product, as well as this manual, before installing, operating, or maintaining this product.

**Disclaimer** Chauvet believes that the information contained in this manual is accurate in all respects. However, Chauvet assumes no responsibility for any errors or omissions in this document. Chauvet reserves the right to revise and make changes to the content of this document without obligation that Chauvet notify any person or company of such revision or changes. This does not in any way constitute a commitment by Chauvet to make such changes. Chauvet may issue a revision of this manual or a new edition to incorporate such changes.

**Document Revision** The STRIKE™ 882 User Manual Rev. 5 supersedes all previous versions of this manual. Discard any older versions of this manual and replace with this version. Go to [www.chauvetprofessional.com](http://www.chauvetprofessional.com) for the latest version.

Author	Date	Editor	Date Updated
D. Coupe	4/1/15	M. Trouard	4/9/15

# Table of Contents

<b>1. Before You Begin .....</b>	<b>1</b>
What is Included .....	1
Claims .....	1
Manual Conventions .....	1
Symbols .....	1
Product at a Glance .....	1
Safety Notes .....	2
Personal Safety.....	2
Mounting and Rigging .....	2
Power and Wiring.....	2
Operation .....	2
Expected LED Lifespan .....	2
<b>2. Introduction .....</b>	<b>3</b>
Description .....	3
Features.....	3
Overview .....	4
Dimensions .....	5
<b>3. Setup .....</b>	<b>6</b>
AC Power.....	6
AC Plug.....	6
Fuse Replacement.....	6
Power Linking .....	7
DMX Linking.....	7
DMX Modes .....	7
Master/Slave Connectivity.....	7
Mounting .....	8
Orientation .....	8
Rigging.....	8
<b>4. Operation .....</b>	<b>9</b>
Control Panel Description .....	9
Control Options .....	9
Programming .....	9
DMX Personality .....	9
DMX Control.....	9
Static Operation .....	10
Auto Programs .....	10
Auto Test.....	10
Master/Slave .....	10
Software Information .....	10
Temperature.....	10
Backlight .....	10
Menu Map .....	11
DMX Values .....	12
DMX Values (cont.).....	13
DMX Values (cont.).....	14
<b>5. Technical Information .....</b>	<b>15</b>
Product Maintenance.....	15
Returns .....	15
Technical Specifications .....	16
<b>Contact Us .....</b>	<b>17</b>



# 1. Before You Begin

## What is Included

- STRIKE™ 882
- Neutrik® powerCON® power cord
- Warranty card
- Quick Reference Guide

## Claims

Carefully unpack the product immediately and check the box to make sure all the parts are in the package and are in good condition.




If the box or the contents (the product and included accessories) appear damaged from shipping or show signs of mishandling, notify the carrier immediately, not Chauvet. Failure to report damage to the carrier immediately may invalidate your claim. In addition, keep the box and contents for inspection.

For other issues, such as missing components or parts, damage not related to shipping, or concealed damage, file a claim with Chauvet within 7 days of delivery.

## Manual Conventions

Convention	Meaning
<b>1–512</b>	A range of values in the text
<b>50/60</b>	A set of mutually exclusive values in the text
<b>&lt;SET&gt;</b>	A button on the product’s control panel
<b>Settings</b>	A product function or a menu option
<b>MENU&gt;Settings</b>	A sequence of menu options
<b>1–10</b>	A range of menu values from which to choose in a menu
<b>Yes/No</b>	A set of two mutually exclusive menu options in a menu
<b>ON</b>	A unique value to be entered or selected in a menu

## Symbols

Symbols	Meaning
	Critical installation, configuration, or operation information. Failure to comply with this information may cause the product not to work, damage third-party equipment, or cause harm to the operator.
	Important installation or configuration information. Failure to comply with this information may keep the product from working.
	Useful information.



The term “DMX” used throughout this manual refers to the USITT DMX512-A digital data transmission protocol.

## Product at a Glance

Use on Dimmer	X	Auto Programs	P
Outdoor Use	X	Auto-Ranging Power Supply	P
Sound-Activated	X	Replaceable Fuse	P
DMX	P	User-Serviceable	X
Master/Slave	P		

## Safety Notes

Read all the following Safety Notes before working with this product. These notes include important information about the installation, usage, and maintenance of this product.



**This product contains no user-serviceable parts. Any reference to servicing in this User Manual will only apply to properly trained Chauvet certified technicians. Do not open the housing or attempt any repairs.**



**All applicable local codes and regulations apply to proper installation of this product.**

## Personal Safety

- Avoid direct eye exposure to the light source while the product is on.
- CAUTION: Flashing light is known to trigger epileptic seizures. User must comply with local laws regarding notification of strobe use.
- Always disconnect this product from its power source before servicing.
- Always connect this product to a grounded circuit to avoid the risk of electrocution.
- Do not touch this product's housing during operation because it may be very hot.
- This product is for indoor use only! (IP20) To prevent risk of fire or shock, do not expose this product to rain or moisture.
- CAUTION: When transferring product from extreme temperature environments, (e.g. cold truck to warm humid ballroom) condensation may form on the internal electronics of the product. To avoid causing a failure, allow product to fully acclimate to the surrounding environment before connecting it to power.
- Mount this product in a location with adequate ventilation, at least 20 in (50 cm) from adjacent surfaces.

## Mounting and Rigging

- Make sure there are no flammable materials close to this product while it is operating.
- When hanging this product, always secure to a fastening device using a safety cable.
- Use caution when loosening the barrel rotation knobs. If these knobs become too loose, the barrel assembly may inadvertently separate from the reflector housing.

## Power and Wiring

- Always make sure you are connecting this product to the proper voltage in accordance with the specifications in this manual or on the product's specification label.
- To eliminate unnecessary wear and improve its lifespan, during periods of non-use completely disconnect the product from power via breaker or by unplugging it.
- Never connect this product to a dimmer pack or rheostat.

## Operation

- Never disconnect this product by pulling or tugging on the power cable.
- Do not operate this product if you see damage on the housing, lenses, or cables. Have the damaged parts replaced by an authorized technician at once.
- Do not cover the ventilation slots when operating to avoid internal overheating.
- The maximum ambient temperature is 113 °F (45 °C). Do not operate this product at a higher temperature.
- In case of a serious operating problem, stop using this product immediately!



## Expected LED Lifespan

In the unlikely event that your Chauvet product may require service, contact Chauvet Technical Support.

LEDs gradually decline in brightness over time, mostly because of heat. Packaged in clusters, LEDs exhibit higher operating temperatures than in ideal, single-LED conditions. For this reason, using clustered LEDs at their fullest intensity significantly reduces the LEDs' lifespan. Under normal conditions, this lifespan can be 40,000 to 50,000 hours. If extending this lifespan is vital, lower the operating temperature by improving the ventilation around the product and reducing the ambient temperature to an optimal operating range. In addition, limiting the overall projection intensity may also help to extend the LEDs' lifespan.

## 2. Introduction

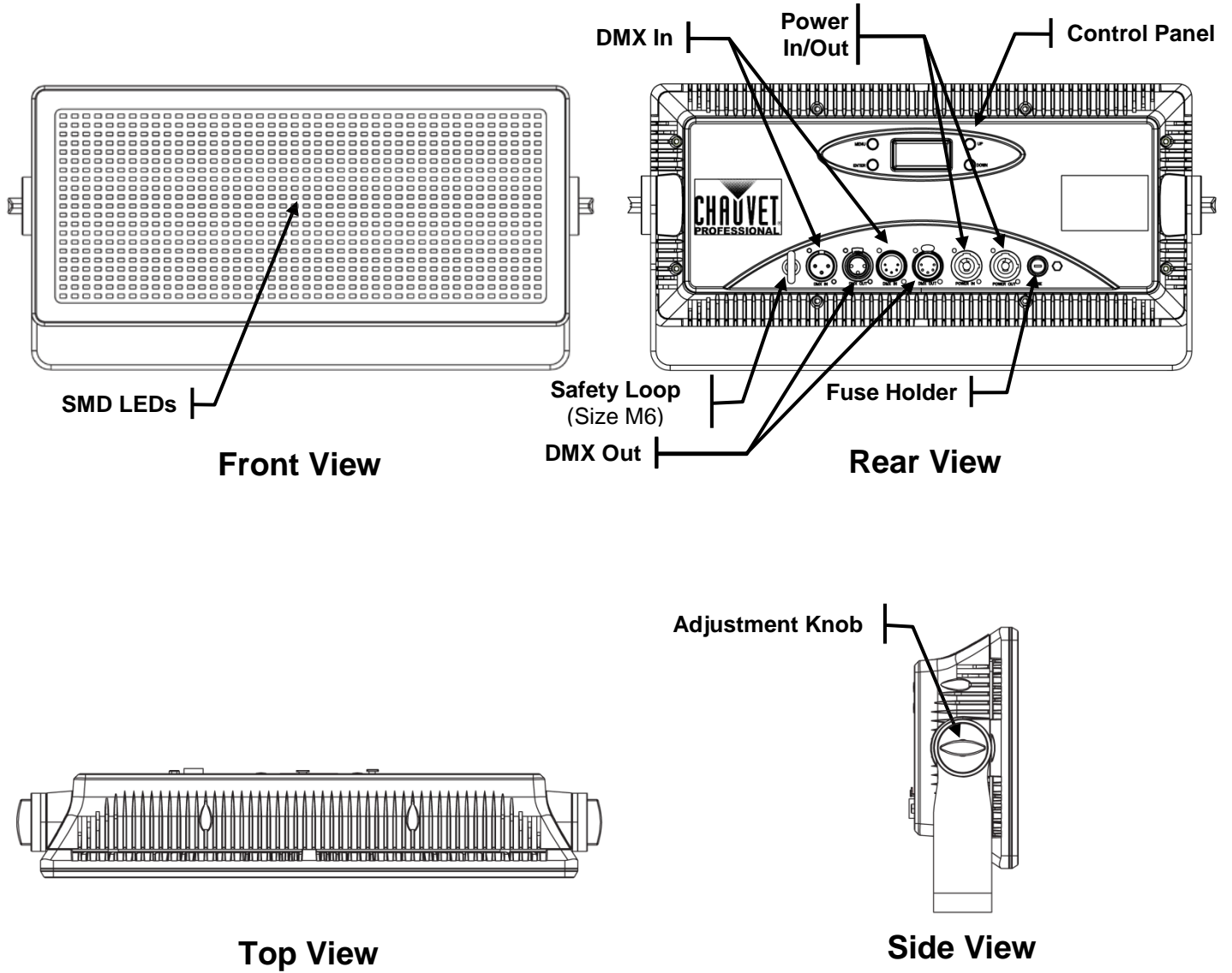
### Description

The STRIKE™ 882 combines 882 cool white SMD 5739 LEDs with a die-cast housing, to create a strobe for touring and production applications. The body houses a 6-segment LED array, 3 and 5-pin DMX connections, and Neutrik® powerCON® in and out for easy operation and connection. The All-On feature allows the STRIKE™ 882 to be used as a flood light in addition to being a strobe fixture..

### Features

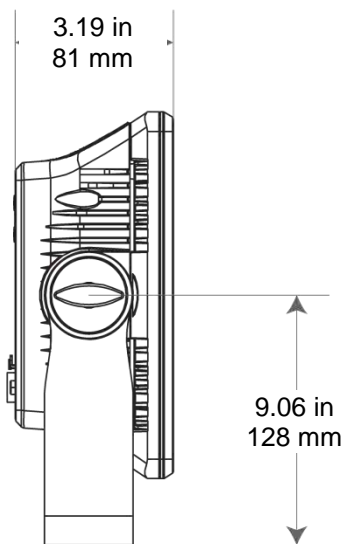
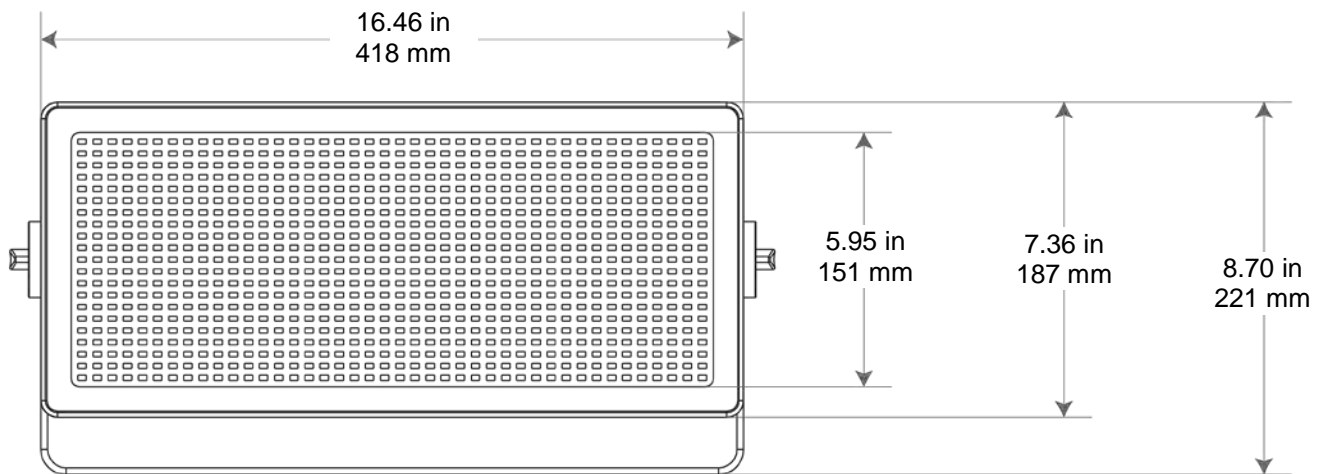
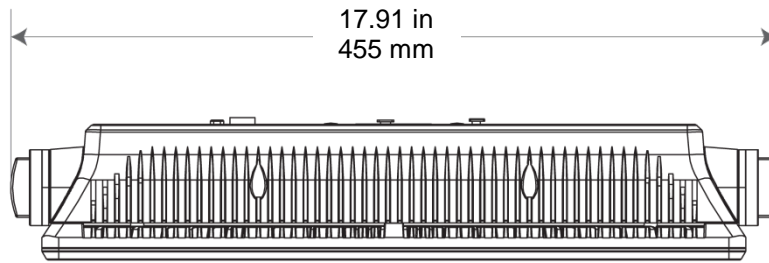
- 1-, 5-, 6-, or 10-channel LED wash product
- Operating modes:
  - 1-channel: strobe
  - 5-channel: intensity, duration, rate, effect, macro
  - 6-channel: flash 1–6
  - 10-channel: flash 1–6, auto programs, auto speed, dimmer, strobe
- 6-segment control for ultimate strobe design
- Multiple modes of DMX control, for ease-of-use
- Master/Slave control
- 3-pin and 5-pin DMX
- Neutrik® powerCON® in/out
- Combine pixel control and special effect macros for stunning visual impact
- Rugged die-cast housing for touring and production

### Overview





## Dimensions



## 3. Setup

### AC Power

Each STRIKE™ 882 has an auto-ranging power supply that works with an input voltage range of 100 to 240 VAC, 50/60 Hz. To determine the power requirements for each STRIKE™ 882, refer to the label affixed to the product. You can also refer to the [Technical Specifications](#) chart in this manual.

The listed current rating indicates the maximum current draw during normal operation. For more information, you may download Sizing Circuit Breakers from the Chauvet website: [www.chauvetprofessional.com](http://www.chauvetprofessional.com).



- **Always connect this product to a protected circuit with an appropriate electrical ground to avoid the risk of electrocution or fire.**
- **To eliminate unnecessary wear and improve its lifespan, during periods of non-use completely disconnect the product from power via breaker or by unplugging it.**



**Never connect this product to a rheostat (variable resistor) or dimmer circuit, even if the rheostat or dimmer channel serves only as a 0 to 100% switch.**

### AC Plug

The STRIKE™ 882 comes with a Neutrik® powerCON A connector on one end and an Edison plug on the other end (US market). If the power cord adapter that came with your product has no plug or you need to change the Edison plug, use the table below to wire the new plug.

Connection	Wire (U.S.)	Wire (Europe)	Screw Color
AC Live	Black	Brown	Yellow or Brass
AC Neutral	White	Blue	Silver
AC Ground	Green/Yellow	Green/Yellow	Green



**Make sure to disconnect the product's power cord before replacing a blown fuse. Always replace the blown fuse with another of the same type and rating.**

### Fuse Replacement

1. Disconnect this product from power.
2. Using a flat-head screwdriver, unscrew the fuse holder cap from the housing.
3. Remove the blown fuse and replace with another fuse of the same type and rating (T 5 A, 250 V).
4. Screw the fuse holder cap back in place and reconnect power.

## Power Linking

The STRIKE™ 882 supports power linking. You can power link up to 3 products at 120 V, 5 at 208 V, or 6 at 230 V. This product comes with a power input cord. A power linking cable is available from Chauvet for purchase.

## DMX Linking

You can link the STRIKE™ 882 to a DMX controller using a standard DMX serial connection. If using other DMX compatible products with the STRIKE™ 882, you can control each individually with a single DMX controller.

### DMX Modes

The STRIKE™ 882 uses the standard DMX data connection for the 1-, 5-, 6-, and 10-channel DMX modes.

- Refer to the [Introduction](#) chapter for a brief description of these modes.
- Refer to the [Operation](#) chapter to learn how to configure the STRIKE™ 882 to work in these modes.
- The [DMX Values](#) section provides you with detailed information regarding the DMX modes.

## Master/Slave Connectivity

The Master/Slave mode allows a STRIKE™ 882 (the “master”) to control one or more STRIKE™ 882s (the “slaves”) without a DMX controller. One STRIKE™ 882 becomes the master when running an Auto or Custom program, or configured for Static operation. You must configure each slave’s control panel to operate in Slave mode. During Master/Slave operation, the slaves will operate in unison with the master.



**DO NOT connect a DMX controller to products operating in Master/Slave mode. The DMX controller signals may interfere with the signals from the master.**



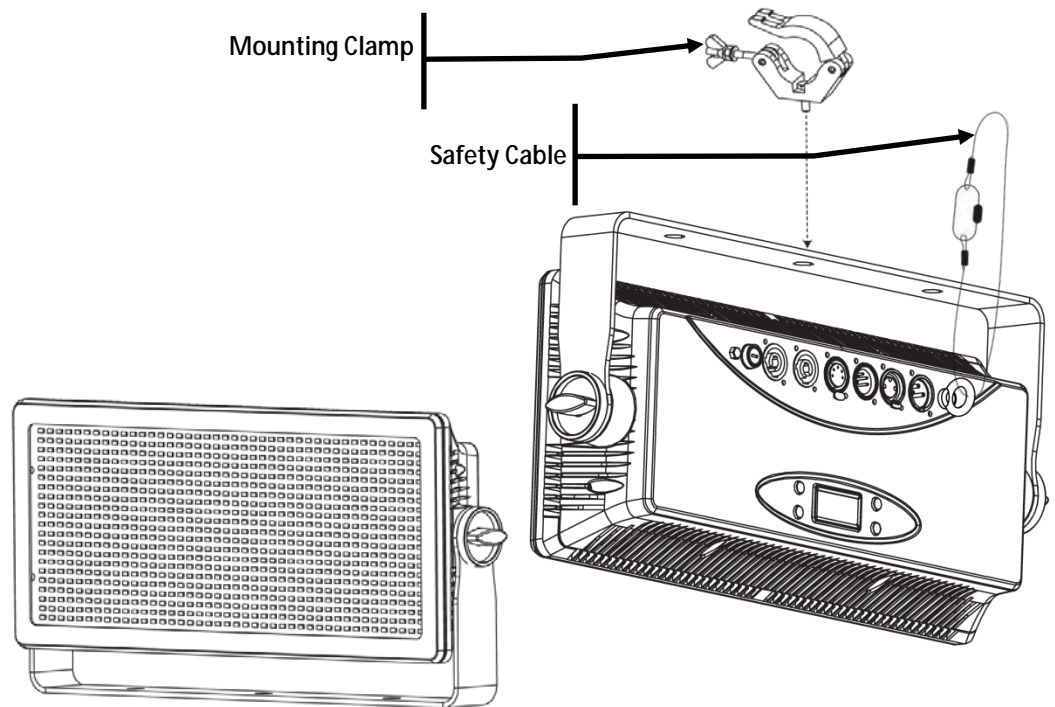
The [Operation](#) section of this manual provides detailed instructions on how to configure the master and slaves.



If you are not familiar with or need more information about DMX standards, Master/Slave connectivity, or the DMX cables needed to link this product to a DMX controller, download the DMX Primer from the Chauvet website: [www.chauvetprofessional.com](http://www.chauvetprofessional.com).

- Mounting** Before mounting this product, read and follow the [Safety Notes](#). For our CHAUVET® Professional line of mounting clamps, go to <http://trusst.com/products/>.
- Orientation** Always mount this product in a safe position and make sure there is adequate room for ventilation, configuration, and maintenance.
- Rigging** Chauvet recommends using the following general guidelines when mounting this product.
- When selecting an installation location, consider easy access to this product for operation, programming adjustments, and routine maintenance.
  - Make sure to mount this product away from any flammable material as indicated in the [Safety Notes](#).
  - Never mount in places where rain, high humidity, extreme temperature changes, or restricted ventilation may affect the product.
  - If hanging this product, make sure that the mounting location can support the product's weight. See the [Technical Specifications](#) for the weight-bearing requirements of this product.
  - When hanging this product, always secure to a fastening device using a safety cable.
- Procedure** The STRIKE™ 882 comes with a yoke bracket to which you can either attach mounting clamps for hanging or simply use as a floor stand. You must supply your own mounting clamps. Make sure the clamps are capable of supporting the weight of this product. Use at least one mounting point per product.

Mounting Diagram



Floor Mounting

Overhead Mounting

## 4. Operation

### Control Panel Description

Button	Function
<MENU>	Exits from the current menu or function
<ENTER>	Enables the currently displayed menu or sets the currently selected value in to the current function
<UP>	Navigates upward through the menu list and increases the numeric value when in a function
<DOWN>	Navigates downward through the menu list and decreases the numeric value when in a function

### Control Options

You can set the STRIKE™ 882 starting address in the 001–512 DMX range. This enables control of up to 51 products in the 10-channel **10 Ch** personality.

### Programming

Refer to the [Menu Map](#) to understand the menu options. The menu map shows the main level and a variable number of programming levels for each option.

- To go to the desired main level, press <MENU> repeatedly until the option shows on the display. Press <ENTER> to select. This will take you to the first programming level for that option.
- To select an option or value within the current programming level, press <UP> or <DOWN> until the option shows on the display. Press <ENTER> to select. In this case, if there is another programming level, you will see that first option, or you will see the selected value.
- Press <MENU> repeatedly to exit to the previous main level.

### DMX Personality

This setting allows you to choose a particular DMX personality.

1. Go to the **Channel** main level.
  2. Select the desired personality (**1 Ch**, **5 Ch**, **6 Ch**, or **10 Ch**).
- See the DMX Values section for the highest starting address you can select for each personality.
  - Make sure that the starting addresses on the various products do not overlap due to the new personality setting.



### DMX Control

In this mode, each product will respond to a unique starting address from the DMX controller. All products with the same starting address will respond in unison.

1. Select a DMX personality as shown in [DMX Personality](#).
2. Set the running mode:
  - a. Go to the **M&S Mode** main level.
  - b. Select **Slave**.
3. Set the starting address:
  - a. Go to the **Address** main level.
  - b. Select the starting address (**001–512**).

The highest recommended starting address for each DMX mode is as follows:



DMX Mode	DMX Address
<b>1 Ch</b>	512
<b>5 Ch</b>	508
<b>6 Ch</b>	507
<b>10 Ch</b>	503

- Static Operation** The Static operation allows the user to set the intensity and the strobe frequency from the control panel without a DMX controller.
1. Go to the **Static** main level.
  2. Select **Dimmer**.
    - Choose desired intensity (**000–255**).
  3. Select **Strobe**.
    - Select the desired strobe frequency (**000–255**).

- Auto Programs** Auto programs allow for control of pre-programmed strobe looks without a DMX controller.
1. Go to the **Auto** main level.
  2. Select the desired auto (**Auto 0–7**).
  3. Select **Speed**.
  4. Choose the desired speed value (**000–100**).



You cannot edit any of the auto programs (**Auto 0–7**).

- Auto Test** This option allows you to test all the LEDs on the STRIKE™ 882.
1. Go to **Info** main level.
  2. Select **Auto > Test**.

- Master/Slave** The Master/Slave mode allows a group of STRIKE™ 882s (the slaves) to simultaneously duplicate the output of another STRIKE™ 882 (the master) without a DMX controller.
1. Set each of the slaves:
    - a. Go to the **M&S Mode** main level.
    - b. Select **Slave**.
  2. Set the master product:
    - a. Go to the **M&S Mode** main level.
    - b. Select **Master**.
    - c. Select an Auto program or Static operation as explained in [Static Operation](#) or [Auto Programs](#).



- The master is the one that runs a program whether in an Auto program or Static operation.
- Do not connect a DMX controller to the products configured for Master/Slave operation. The DMX controller may interfere with signals from the master product.
- The master should be the first product in the daisy chain.

- Software Information** This option shows what version of software the STRIKE™ 882 is running.
1. Go to the **Info** main level.
  2. Select **Version** and the version number will show on the screen.

- Temperature** This option shows the internal temperature of the STRIKE™ 882.

- Go to the **Temp xx° C** main level.

- Backlight** This setting allows you to set the amount of time the backlight on the STRIKE™ 882 stays on after the last button is pressed on the control panel.

1. Go to the **BackLite** main level.
2. Select **On** (remains on), **10S** (10 seconds), **20S** (20 seconds), or **30S** (30 seconds).
3. Press **<ENTER>**.

## Menu Map

Main Level	Programming Levels		Description
<b>Auto</b>	<b>Auto 0–7</b>	<b>Speed 001–100</b>	8 automatic programs and speed adjustment
<b>Static</b>	<b>Dimmer</b>	<b>000–255</b>	Sets the intensity of the light output
	<b>Strobe</b>		Selects the strobe frequency
<b>BackLite</b>	<b>On</b>		Sets the amount of time the control panel backlight stays on
	<b>10S</b>		
	<b>20S</b>		
	<b>30S</b>		
<b>Info</b>	<b>Auto</b>	<b>Test</b>	Sets product in test mode
	<b>Version Vx.x</b>		Shows the installed software version
<b>Address</b>	<b>001–512</b>		Sets product's DMX address
<b>Channel</b>	<b>1 Ch</b>		1-channel: strobe
	<b>5 Ch</b>		5-channel: intensity, duration, rate, effect, macro
	<b>6 Ch</b>		6-channel: Flash 1–6
	<b>10 Ch</b>		10-channel: Flash 1–6, auto programs, auto speed, dimmer, strobe
<b>M&amp;S Mode</b>	<b>Master</b>		Selects Master mode
	<b>Slave</b>		Selects Slave mode
	<b>Temp xx° C</b>		Displays product's internal temperature

## DMX Values

1 Ch	Channel	Function	Value	Percent/Setting
	1	Strobe	000 ó 005 006 ó 255	No function 0–100%

5 Ch	Channel	Function	Value	Percent/Setting
	1	Flash Intensity	000 ó 005 006 ó 255	No function 0–100%
	2	Flash Duration	000 ó 255	0–100%
	3	Flash Rate	000 ó 005 006 ó 255	No function 0–100%
	4	Special Effects	000 ó 005 006 ó 042 043 ó 085 086 ó 128 129 ó 171 172 ó 214 215 ó 255	No function Ramp up Ramp down Ramp up – ramp down Random Lighting effect Spike effect
	5	Pixel Control Macros	000 ó 005 006 ó 042 043 ó 085 086 ó 128 129 ó 171 172 ó 214 215 ó 255	No function Macro 1 Macro 2 Macro 3 Macro 4 Macro 5 Macro 6

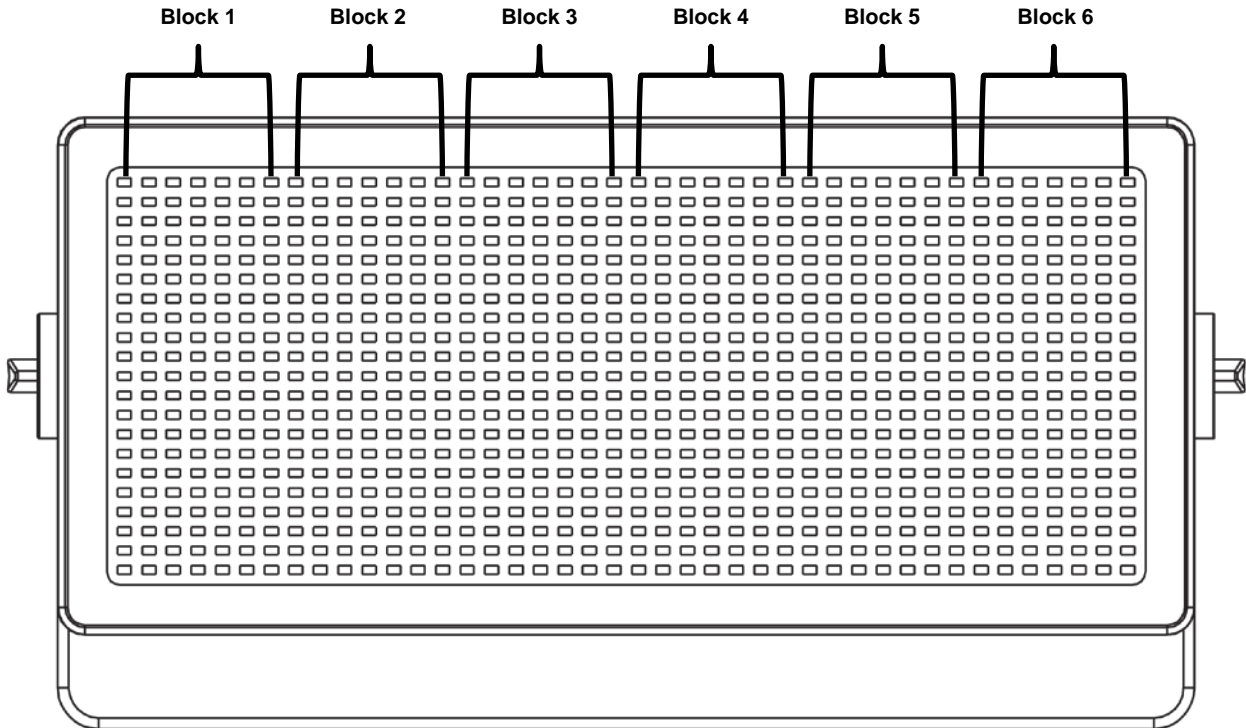


To achieve blinder effects similar to a discharge strobe light, put channels 1, 2, and 3 to 100%.



**DMX Values (cont.)**

6 Ch	Channel	Function	Value	Percent/Setting
	1	Block 1	000 ó 005 006 ó 255	No function Slow to fast
	2	Block 2	000 ó 005 006 ó 255	No function Slow to fast
	3	Block 3	000 ó 005 006 ó 255	No function Slow to fast
	4	Block 4	000 ó 005 006 ó 255	No function Slow to fast
	5	Block 5	000 ó 005 006 ó 255	No function Slow to fast
	6	Block 6	000 ó 005 006 ó 255	No function Slow to fast



## DMX Values (cont.)

10 Ch

Channel	Function	Value	Percent/Setting
1	<b>Block 1</b>	000 ó 005 006 ó 255	No function Slow to fast
2	<b>Block 2</b>	000 ó 005 006 ó 255	No function Slow to fast
3	<b>Block 3</b>	000 ó 005 006 ó 255	No function Slow to fast
4	<b>Block 4</b>	000 ó 005 006 ó 255	No function Slow to fast
5	<b>Block 5</b>	000 ó 005 006 ó 255	No function Slow to fast
6	<b>Block 6</b>	000 ó 005 006 ó 255	No function Slow to fast
7	<b>Auto Programs</b>	000 ó 010 011 ó 040 041 ó 070 071 ó 100 101 ó 130 131 ó 160 161 ó 190 191 ó 220 221 ó 255	No function Auto 0 Auto 1 Auto 2 Auto 3 Auto 4 Auto 5 Auto 6 Auto 7
8	<b>Auto Speed</b>	000 ó 255	Slow to fast (Only when Ch. 7 has <b>Auto 0-7</b> activated)
9	<b>Master Dimmer</b>	000 ó 255	0-100%
10	<b>Master Strobe</b>	000 ó 005 006 ó 255	No function 0-25 Hz

## 5. Technical Information

### Product Maintenance

To maintain optimum performance and minimize wear, you should clean this product frequently. Usage and environment are contributing factors in determining the cleaning frequency.

As a rule, clean this product at least twice a month. Dust build-up reduces light output performance and can cause overheating. This can lead to reduced light source life and increased mechanical wear.

To clean your product:

1. Unplug the product from power.
2. Wait until the product is at room temperature.
3. Use a vacuum (or dry compressed air) and a soft brush to remove dust collected on the external vents.
4. Clean all external surfaces with a mild solution of non-ammonia glass cleaner or isopropyl alcohol.
5. Apply the solution directly to a soft, lint-free cotton cloth or a lens cleaning tissue.
6. Wipe any dirt or grime to the outside edges of the lens surface.
7. Gently polish the lens surfaces until they are free of haze and lint.



**Always dry the external surfaces thoroughly and carefully after cleaning them.**

### Returns

You must send the product prepaid, in the original box, and with the original packing and accessories. Chauvet will not issue call tags.

Call Chauvet and request a Return Merchandise Authorization (RMA) number before shipping the product. Be prepared to provide the model number, serial number, and a brief description of the cause(s) for the return.

Clearly label the package with an RMA number. Chauvet will refuse any product returned without an RMA number.



**DO NOT** write the RMA number directly on the box. Instead, write it on a properly affixed label.

Once you have received the RMA number, include the following information on a piece of paper inside the box:

- Your name
- Your address
- Your phone number
- The RMA number
- A brief description of the problem(s)

Be sure to pack the product properly. Any shipping damage resulting from inadequate packaging will be the customer's responsibility. FedEx packing or double-boxing are recommended.



Chauvet reserves the right to use its own discretion to repair or replace returned product(s).

## Technical Specifications

Dimensions and Weight	Length	Width	Height	Weight
	3.19 in (81 mm)	17.91 in (455 mm)	8.70 in (221 mm)	11 lb (5 kg)

**Note:** Dimensions in inches rounded to the nearest decimal digit.

Power	Power Supply Type	Range	Voltage Selection
	Switching (internal)	100 to 240 VAC, 50/60 Hz	Auto-ranging

Parameter	120 V, 60 Hz	230 V, 50 Hz
Consumption	473 W	449 W
Operating	3.90 A	2 A
Power linking current (products)	13.6 A (3 products)	13.6 A (6 products)
Fuse	T 5 A, 250 V	T 5 A, 250 V

Power I/O	U.S./Worldwide	Europe
Power input connector	Neutrik® powerCON® A	Neutrik® powerCON® A
Power output connector	Neutrik® powerCON® B	Neutrik® powerCON® B
Power cord plug	Edison (U.S.)	Local plug

Light Source	Type	Power	Lifespan
	LED	1 W	50,000 hours

Color	Quantity	Current
Cool white	882	250 mA

Photometrics	Parameter	Standard Optics
	Illuminance @ 5 m	664 lux
	Beam angle	120°
	Field angle	120°

Thermal	Max. External Temperature	Cooling System
	113 °F (45 °C)	Convection

DMX	I/O Connectors	Connector Type	Channel Range
	3- and 5-pin XLR	Sockets	1, 5, 6 or 10

Ordering	Product Name	Item Code	UPC Number
	STRIKE™ 882	03050777	781462211257



## Contact Us

### **WORLD HEADQUARTERS - Chauvet**

#### **General Information**

Address: 5200 NW 108th Avenue  
Sunrise, FL 33351  
Voice: (954) 577-4455  
Fax: (954) 929-5560  
Toll free: (800) 762-1084

#### **Technical Support**

Voice: (954) 577-4455 (Press 4)  
Fax: (954) 756-8015  
Email: [tech@chauvetlighting.com](mailto:tech@chauvetlighting.com)

**World Wide Web** [www.chauvetlighting.com](http://www.chauvetlighting.com)

### **UNITED KINGDOM AND IRELAND - Chauvet Europe Ltd.**

#### **General Information**

Address: Unit 1C  
Brookhill Road Industrial Estate  
Pinxton, Nottingham, UK  
NG16 6NT  
Voice: +44 (0)1773 511115  
Fax: +44 (0)1773 511110

#### **Technical Support**

Email: [uktech@chauvetlighting.com](mailto:uktech@chauvetlighting.com)

**World Wide Web** [www.chauvetlighting.co.uk](http://www.chauvetlighting.co.uk)

### **MEXICO - Chauvet Mexico**

#### **General Information**

Address: Av. Santa Ana 30  
Parque Industrial Lerma  
Lerma, Mexico C.P. 52000  
Voice: +52 (728) 285-5000

#### **Technical Support**

Email: [servicio@chauvet.com.mx](mailto:servicio@chauvet.com.mx)

**World Wide Web** [www.chauvet.com.mx](http://www.chauvet.com.mx)

### **CHAUVET EUROPE - Chauvet Europe BVBA**

#### **General Information**

Address: Stokstraat 18  
9770 Kruishoutem  
Belgium  
Voice: +32 9 388 93 97

#### **Technical Support**

Email: [Eutech@chauvetlighting.eu](mailto:Eutech@chauvetlighting.eu)

**World Wide Web** [www.chauvetlighting.eu](http://www.chauvetlighting.eu)

Outside the U.S., United Kingdom, Ireland, Mexico, or Benelux contact the dealer of record. Follow their instructions to request support or to return a product. Visit our website for contact details.