

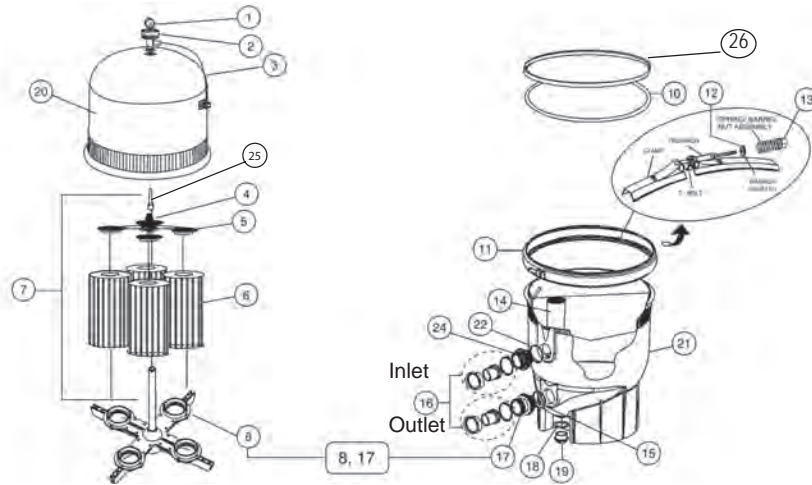


# FILTER PARTS

Product Catalog 2021

# CLEAN & CLEAR® PLUS FILTERS

## REPLACEMENT PARTS FOR FIBERGLASS REINFORCED POLYPROPYLENE TANK



Item	Part No.	Description	US List	Can. List
<b>CLEAN &amp; CLEAR PLUS FILTERS</b>				
1	190058Z	Gauge, pressure, 1/4 in.	CALL	CALL
2	98209800	High Flow manual air relief valve, HFMARV	38.82	46.65
4	178616	Spring, compression <sup>2</sup>	7.30	8.77
5	170026	Manifold, top assembly, 240 sq. ft. <sup>2</sup>	89.70	107.78
5	170027	Manifold, top assembly, 320, 420 & 520 sq. ft. <sup>2</sup>	84.66	101.73
6	R173572	Cartridge element, 240 sq. ft., 4 req.	115.19	138.41
6	R173573	Cartridge element, 320 sq. ft., 4 req.	147.30	177.00
6	R173576	Cartridge, 420 sq. ft., 4 req. <sup>2</sup>	180.73	217.17
6	R173578	Cartridge, 520 sq. ft., 4 req. <sup>2</sup>	207.13	248.89
6	179133	CNC Plus 240 Cartridge (4/pk)	CALL	CALL
6	179134	CNC Plus 320 Cartridge (4/pk)	CALL	CALL
6	179135	CNC Plus 420 Cartridge (4/pk)	CALL	CALL
6	179136	CNC Plus 520 Cartridge (4/pk)	CALL	CALL
7	170030	Air bleed tube assembly, 240 sq. ft.	51.31	61.65
7	55028500	Air bleed tube assembly, 360, 420 sq. ft. <sup>1</sup>	CALL	CALL
7	170029	Air bleed tube assembly, 320 sq. ft. <sup>2</sup>	52.04	62.53
7	170028	Air bleed tube assembly, 420 sq. ft. <sup>2</sup>	52.90	63.56
7	55028400	Air bleed tube assembly, 500 sq. ft. <sup>1</sup>	CALL	CALL
7	178583	Air bleed tube assembly, 520 sq. ft. <sup>2</sup>	51.31	61.65
8	170035	Manifold, bottom/pipe assembly, outlet <sup>3</sup>	241.94	290.72
8	170040	Manifold, bottom <sup>4</sup>	67.40	80.99
10	39010200Z	O-ring, clamp	63.22	75.97
11	190003	Clamp kit, tension control	361.31	434.15
12	53006300Z	Washer, .325 i.d. for filter clamp	5.01	6.02
12	195610	Washer, sm. i.d.	7.65	9.19
13	53108900Z	Spring/barrel nut assembly	53.98	64.86
14	190039	Baffle, bulkhead assembly <sup>2</sup>	110.40	132.66
15	86006900	O-ring, bulkhead, lower	7.06	8.48
16	98960311	Bulkhead union, set <sup>1</sup>	72.39	86.98
16	271096	Bulkhead adapter kit, 2 in. O.D. white	69.06	82.98

Item	Part No.	Description	US List	Can. List
16	270004	Bulkhead adapter kit, 2 in. O.D. black	72.97	87.68
16	270100	Bulkhead union kit, 2 in. I.D. Black	75.65	90.90
16	274426	Bulkhead adapter kit, 2-1/2 in. x 2 in. I.D. White	CALL	CALL
17	170035	Pipe assembly, outlet/manifold, bottom (includes bulkhead 178575 and O-rings 86006900 & 3544571) <sup>2</sup>	241.94	290.72
18	86300500	Drain cap gasket <sup>1</sup>	5.79	6.96
18	51005000	O-ring for drain plug <sup>2</sup>	7.84	9.42
18	191474	O-ring for drain plug <sup>8</sup>	1.00	1.20
19	51516200	Drain cap <sup>1</sup>	27.83	33.44
19	86202000	Plug, 1-1/2 in. drain with O-ring <sup>2</sup>	21.56	25.91
19	190030Z	Cap plug <sup>8</sup>	33.78	40.59
20	170023	Tank, lid assembly, 240 sq. ft.	270.22	324.70
20	170024	Tank, lid assembly, 320 sq. ft.	329.07	395.41
20	178581	Tank, lid assembly, 420 sq. ft. <sup>2</sup>	376.09	451.91
20	178550	Tank, lid assembly, 500 sq. ft. <sup>1</sup>	CALL	CALL
20	178582	Tank, lid assembly, 520 sq. ft. <sup>2</sup>	443.05	532.37
21	178578	Tank, bottom assembly <sup>2</sup>	612.00	735.38
22	192320	O-ring, bulkhead, upper <sup>2</sup>	4.29	5.15
22	86006900	O-ring, bulkhead, upper & lower <sup>1,7</sup>	7.06	8.48
23	195339	SS back-up ring <sup>5</sup>	82.18	98.75
24	194801	Bulkhead, 2-3/8, 8 buttress thread <sup>2</sup>	115.58	138.88
25	190106Z	Air Screen	30.27	36.37
26	195339	RNG Backup Ring SS	82.18	98.75

<b>NOT SHOWN</b>				
	192019	Drain plug wrench	110.29	132.52
	178708	Parts Bag - includes warranty card, instructions, and items 1, 2, and 16.	CALL	CALL

<sup>1</sup> Used on filters manufactured before 11/98.

<sup>2</sup> Used on filters manufactured after 11/98.

<sup>3</sup> Used on filters manufactured between 11/98 thru 12/00.

<sup>4</sup> Used on filters manufactured after 12/00.

<sup>5</sup> Used on filters manufactured after 3/03.

<sup>6</sup> Used on filters manufactured between 3/03, thru 7/1/03.

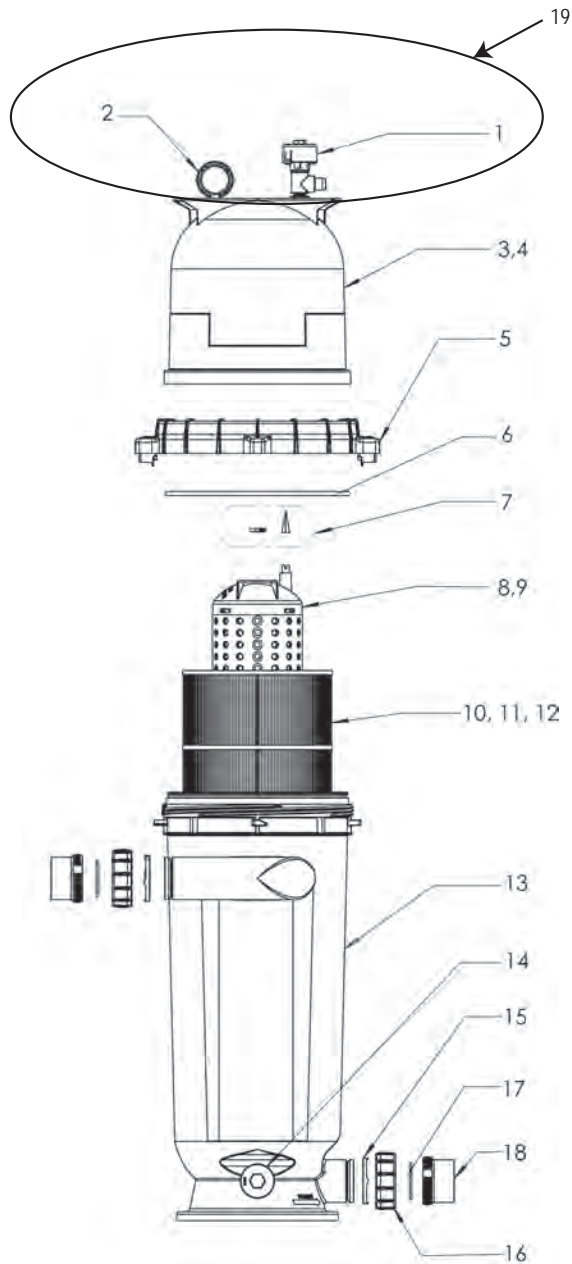
<sup>7</sup> Used on filters manufactured after 10/04.

<sup>8</sup> Used on filters manufactured after 5/21/05.

# CLEAN & CLEAR® RP FILTERS

## REPLACEMENT PARTS FOR FIBERGLASS REINFORCED POLYPROPYLENE TANK

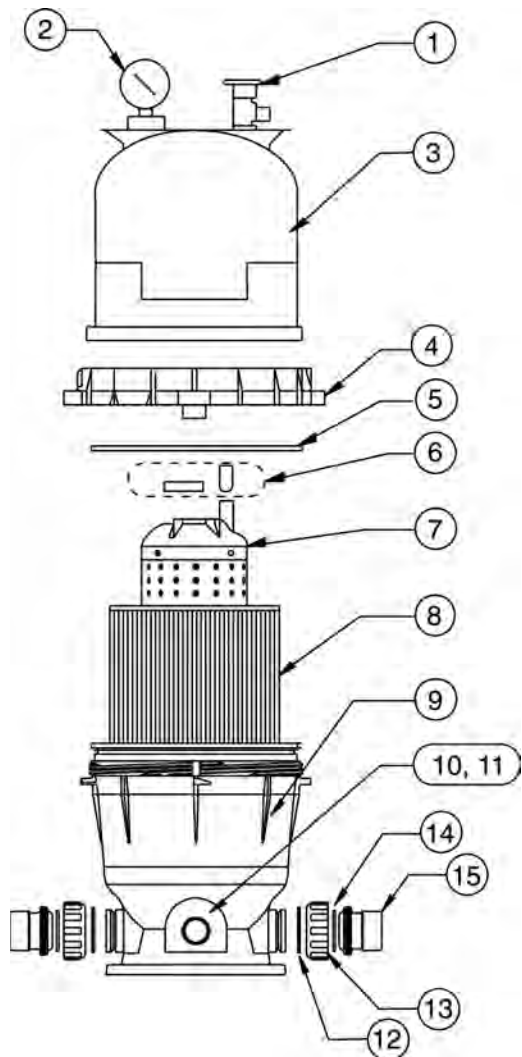
Item	Part No.	Description	US List	Can. List
<b>CLEAN &amp; CLEAR RP FILTERS</b>				
1	98209800	High flow manual air relief valve	38.82	46.65
2	190058Z	Pressure gauge	CALL	CALL
3	178548Z	Lid, 100 sq. ft. filter	168.91	202.96
4	178546Z	Lid, 150, 200 sq. ft. filter	168.91	202.96
5	59052900	Locking ring assembly	111.17	133.58
6	87300400Z	Body O-ring	CALL	CALL
7	59016200	Air bleed sock kit	14.88	17.88
8	59053700	Center core, 100 sq. ft. filter	154.83	186.04
9	59053800	Center core, 150, 200 sq. ft. filter	237.30	285.14
10	R173215	Cartridge element, 100 sq. ft. filter	163.84	196.87
11	R173216	Cartridge element, 150 sq. ft. filter	215.85	259.37
12	R173217	Cartridge element, 200 sq. ft. filter	269.41	323.72
13	178731Z	Tank bottom	392.61	471.76
14	154712Z	Drain cap assembly	34.09	40.96
14	191474	O-ring	1.00	1.20
14	190030Z	Drain Cap Plug	33.78	40.59
15	178732Z	Union nut "C" clip	8.70	10.45
16	U11-200PSZ	Union nut	12.29	14.77
17	178746Z	Union diamond seal	4.70	5.65
18	178733Z	Union, threaded half	49.87	59.92
19	170096	Air relief kit	103.02	123.79
<b>NOT SHOWN</b>				
	154715	Drain cap gasket	6.42	7.71



CALIFORNIA PROPOSITION 65 WARNING  
 ⚠️ **WARNING:** Cancer and Reproductive Harm.  
 ⚠️ **AVERTISSEMENT:** Peut Causer le Cancer et des Dommages au Système Reproducteur.  
 ⚠️ **ADVERTENCIA:** Cáncer y Daño Reproductivo.  
[www.p65warnings.ca.gov](http://www.p65warnings.ca.gov) PN 202734

# CLEAN & CLEAR® / PREDATOR™ FILTERS

## REPLACEMENT PARTS FOR FIBERGLASS REINFORCED POLYPROPYLENE TANK



Item	Part No.	Description	US List	Can. List
<b>CLEAN &amp; CLEAR / PREDATOR FILTERS</b>				
1	98209800	High Flow manual air relief valve	38.82	46.65
2	190058Z	Gauge, pressure	CALL	CALL
3	178553	Lid, 50, 100 sq. ft., almond	181.17	217.69
3	178561	Lid, 75, 150, 200 sq. ft., almond	168.91	202.96
4	59052900	Locking ring assembly	111.17	133.58
5	87300400Z	Body O-ring	CALL	CALL
6	59016200	Air bleed sock kit	14.88	17.88
7	59053500	Center core 50 sq. ft.	131.77	158.33
7	59053600	Center core 75 sq. ft.	132.82	159.60
7	59053700	Center core 100 sq. ft.	154.83	186.04
7	59053800	Center core 150, 200 sq. ft.	237.30	285.14
8	R173213	Cartridge element 50 sq. ft.	103.08	123.86
8	R173214	Cartridge element 75 sq. ft.	133.57	160.50
8	R173215	Cartridge element 100 sq. ft.	163.84	196.87
8	R173216	Cartridge element 150 sq. ft.	215.85	259.37
8	R173217	Cartridge element 200 sq. ft.	269.41	323.72
9	178562	Bottom 50 sq. ft., almond	319.79	384.26
9	178554	Bottom 75 sq. ft., almond	317.82	381.89
9	178563	Bottom 100 sq. ft., almond	407.53	489.69
9	178560	Bottom 150, 200 sq. ft., almond	397.88	478.09
10	51516200	Drain cap <sup>1</sup>	27.83	33.44
10	86202000	Plug, 1-1/2 in. drain, w/ O-ring <sup>2</sup>	21.56	25.91
11	86300500	Drain cap gasket <sup>1</sup>	5.79	6.96
11	51005000	O-ring, drain cap <sup>2</sup>	7.84	9.42
12	39104500	Union nut "C" clip	2.13	2.56
13	98212200	Union nut	12.29	14.77
14	071426	O-ring, union	1.82	2.19
15	79304600	Body, swivel	25.07	30.12

<sup>1</sup> Used on filters manufactured before 11/98.

<sup>2</sup> Used on filters manufactured after 11/98.

CALIFORNIA PROPOSITION 65 WARNING

⚠ **WARNING:** Cancer and Reproductive Harm.  
 ⚠ **AVERTISSEMENT:** Peut Causer le Cancer et des Dommages au Système Reproducteur.  
 ⚠ **ADVERTENCIA:** Cáncer y Daño Reproductivo.

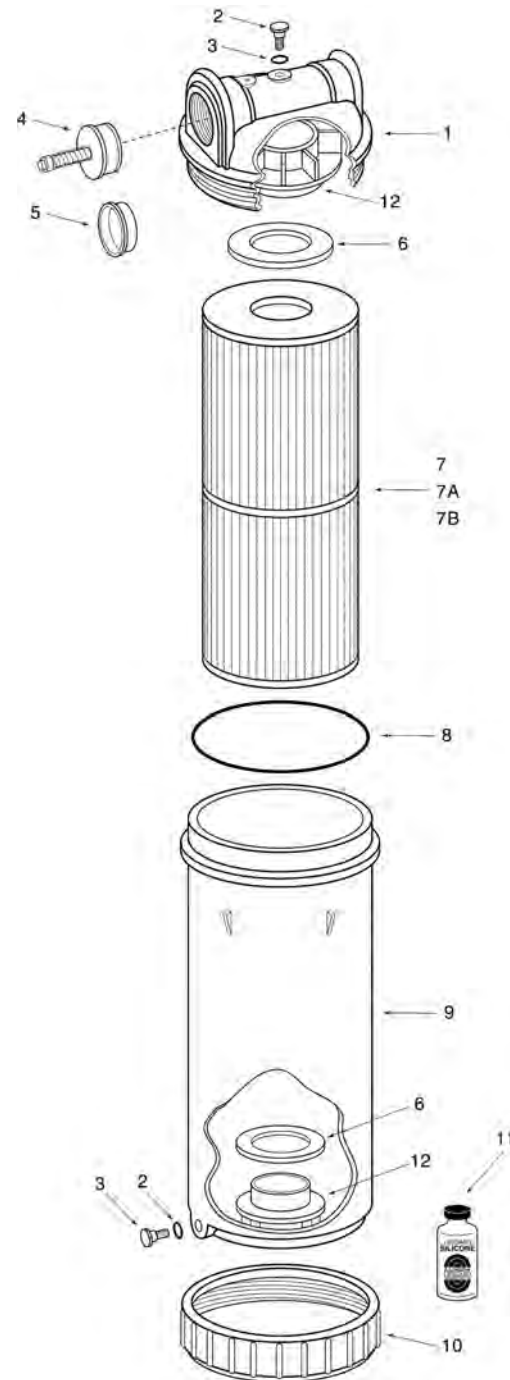
[www.p65warnings.ca.gov](http://www.p65warnings.ca.gov)
PR020114

# DYNAMIC® FILTER SERIES I - MODEL RDC

## REPLACEMENT PARTS

Item	Part No.	Qty.	Description	US List	Can. List
DYNAMIC SERIES 1 INLINE CARTRIDGE FILTER MODELS: RDC-25 & RDC-25S, RDC-50 & RDC-50S					
1	R172213	1	Manifold only, 1-1/2 in. FPT	28.86	34.68
1	R172213S	1	Manifold only, 1-1/2 in. socket	30.09	36.16
1	R172213XT	1	Manifold only, black, 1-1/2 in. FPT	28.71	34.50
1	R172213X	1	Manifold only, black, 1-1/2 in. socket	28.71	34.50
1A	R172213C	1	Complete manifold, 1-1/2 in. FPT <sup>1</sup>	39.26	47.17
1A	R172213SC	1	Complete manifold, 1-1/2 in. socket <sup>1</sup>	39.15	47.04
1A	R172213PT	1	Complete manifold, black, 1-1/2 in. FPT <sup>1</sup>	39.26	47.17
1A	R172213P	1	Complete manifold, black, 1-1/2 in. FPT <sup>1</sup>	39.26	47.17
2	R172221	2	O-ring for drain & vent valve	1.64	1.97
3	R172224X	2	Drain and vent valve, black	6.46	7.76
4	R172226X	1	By-pass assembly, black	4.87	5.85
5	R172225X	1	Plug to disable by-pass, black	1.68	2.02
6	R172222	2	Cartridge gasket	3.13	3.76
7	R173428	1	25 sq. ft. cartridge, 6 oz.	58.82	70.68
7B	R173434	1	Cartridge, 3 oz., 13-1/4 in., 50 sq. ft.	74.60	89.64
8	R172223	1	O-ring for cartridge housing	6.46	7.76
9	R172212	1	Cartridge housing	44.67	53.68
9	R172212X	1	Cartridge housing, black	44.67	53.68
10	R172214	1	Lock ring	19.84	23.84
11	R172036Z	Opt.	Silicone lubricant	10.98	13.19
12	R172232X	2	Support ring, black	1.68	2.02

<sup>1</sup> Complete manifold includes No. 1, No. 2, No. 3, No. 4, No. 6 and No. 12.



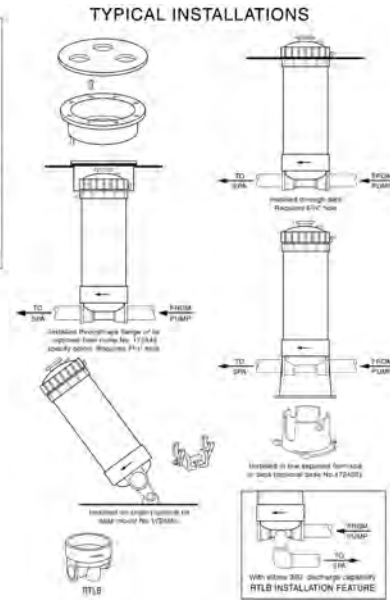
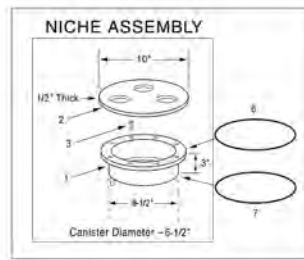
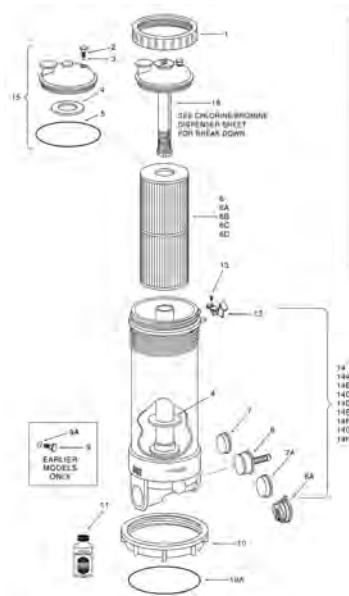
CALIFORNIA PROPOSITION 65 WARNING

⚠ **WARNING:** Cancer and Reproductive Harm.  
 ⚠ **AVERTISSEMENT:** Peut Causer le Cancer et des Dommages au Système Reproducteur.  
 ⚠ **ADVERTENCIA:** Cáncer y Daño Reproductivo.

[www.p65warnings.ca.gov](http://www.p65warnings.ca.gov) P192018A

# DYNAMIC® FILTER SERIES II & III RTL/RCF

## REPLACEMENT PARTS



Item	Part No.	Qty.	Description	US List	Can. List
<b>TOP LOAD IN LINE CARTRIDGE FILTER MODEL RTL/RCF 1-1/2 IN. &amp; 2 IN. HIGH FLOW</b>					
1	R172214	1	Lock ring	19.84	23.84
2	R172224X	1	Air vent valve	6.46	7.76
3	R172221	1	O-ring for air vent valve	1.64	1.97
4	R172222	2	Gasket, cartridge	3.13	3.76
5	R172223	1	O-ring lid to housing	6.46	7.76
6	R173428	1	25 sq. ft. cartridge, 6 oz. <sup>1</sup>	58.82	70.68
6A	R172327	1	25 sq. ft. cartridge, 3 oz. <sup>1</sup>	35.02	42.08
6B	R173434	1	50 sq. ft. cartridge <sup>1</sup>	74.60	89.64
6C	R173435	1	75 sq. ft. cartridge	92.00	110.55
6D	R172633	1	100 sq. ft. cartridge	106.77	128.29
7	R172225X	1	1-1/2 in. Plug to disable by-pass	1.68	2.02
7A	R172679	1	2 in. Plug to disable by-pass	6.64	7.98
8	R172226X	1	1-1/2 in. By-pass assembly	4.87	5.85
8A	R172684	1	2 in. By-pass assembly	10.61	12.75
8B	R172226XF	1	1-1/2 in. By-pass assembly, low flow	5.73	6.89
9	R172392	2	1/4 in. Access plug, earlier models	6.46	7.76
9A	R172393	2	Access plug O-ring, earlier models	6.46	7.76
10	R172370	1	Bottom locking flange	14.40	17.30
10A	R170070	Opt.	O-ring, locking flange	7.08	8.51
11	R172036Z	Opt.	Silicone lubricant	10.98	13.19
12	R172374	1	Lock spring	6.46	7.76
13	R172375	1	Lock screw	1.64	1.97

Item	Part No.	Qty.	Description	US List	Can. List
14	R172386	1	RTL/RCF-25 housing assembly 1-1/2 in., slip <sup>2</sup>	99.54	119.61
14A	R172387	1	RTL/RCF-25 housing assembly 1-1/2 in., FPT <sup>2</sup>	99.54	119.61
14B	R172388	1	RTL/RCF-50 housing assembly 1-1/2 in., slip <sup>2</sup>	99.53	119.60
14C	R172389	1	RTL/RCF-50 housing assembly, 1-1/2 in., FPT <sup>2</sup>	94.77	113.88
14E	R172421	1	RTL/RCF-25 housing assembly, 2 in. slip <sup>2</sup>	94.77	113.88
14F	R172428	1	RTL/RCF-50 housing assembly, 2 in. slip <sup>2</sup>	105.87	127.21
14G	R172638	1	RTL/RCF-75 housing assembly, 2 in. slip <sup>2</sup>	106.26	127.68
14H	R172639	1	RTL/RCF-100 housing assembly, 2 in. slip <sup>2</sup>	28.53	34.28
15	R172385	1	Lid assembly, complete	82.29	98.88
16	R172540	1	Chlorine/bromine dispenser, complete, RCF	CALL	CALL
<b>RTL AND RCF NICHE ASSEMBLY (R172542)</b>					
1	R172610DG	1	Niche only, dark grey	17.25	20.73
3	R172612	8	No. 10 x 3/4, SS flat head screw	1.64	1.97
4	R170072	Opt.	O-ring, niche to spa	7.83	9.41
5	R170070	Opt.	O-ring, filter to niche	7.08	8.51
<b>NOT SHOWN</b>					
	R172452	Opt.	Free standing base	13.85	16.64
	R170070	Opt.	O-ring, filter to niche	7.08	8.51
	R170072	Opt.	O-ring, niche to spa	7.83	9.41

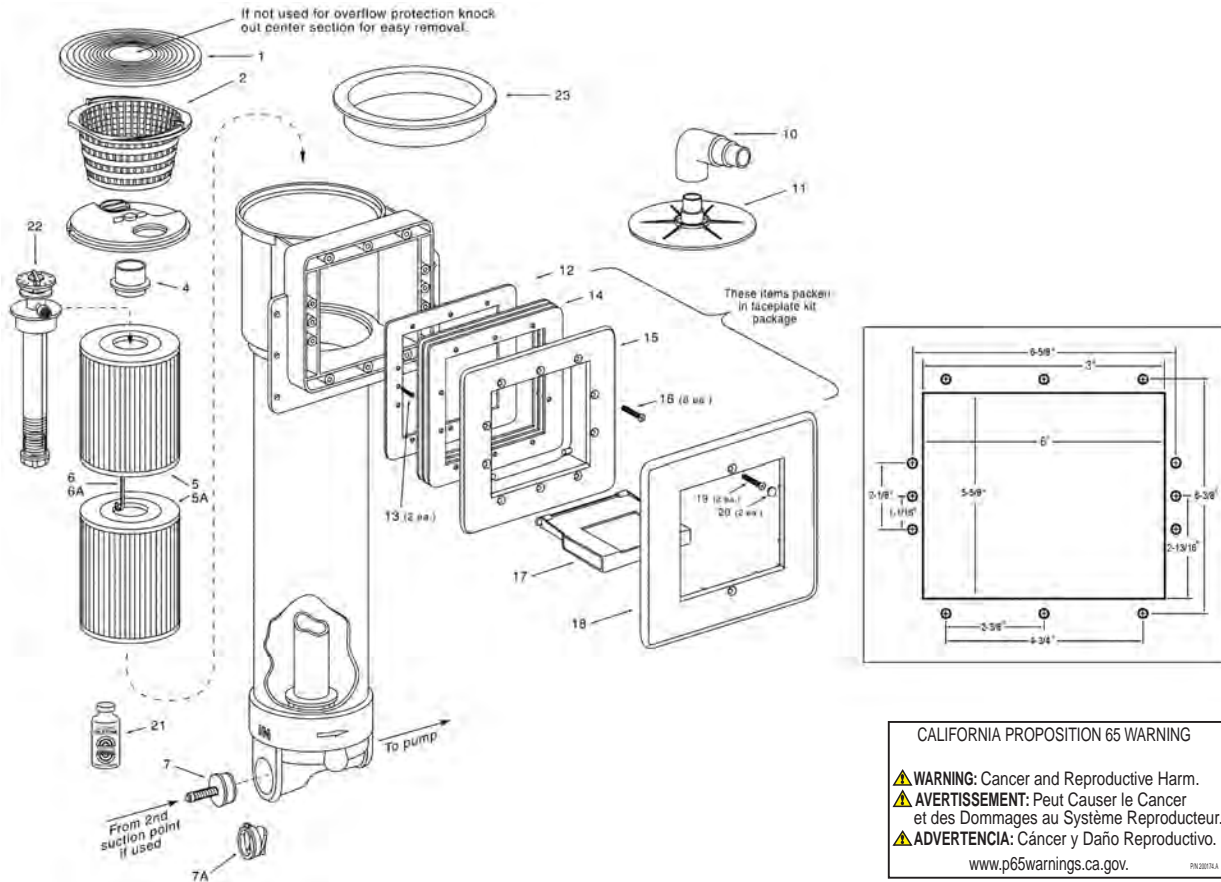
<sup>1</sup> All three cartridges are interchangeable.

<sup>2</sup> Only one applies to your filter, check model number when ordering.

Note: Specify color of cover and niche desired by adding letters after part no., as follows: SS (sterling silver), WH (white), BLK (black).

# DYNAMIC® FILTER SERIES IV - MODEL DSF

## REPLACEMENT PARTS



CALIFORNIA PROPOSITION 65 WARNING

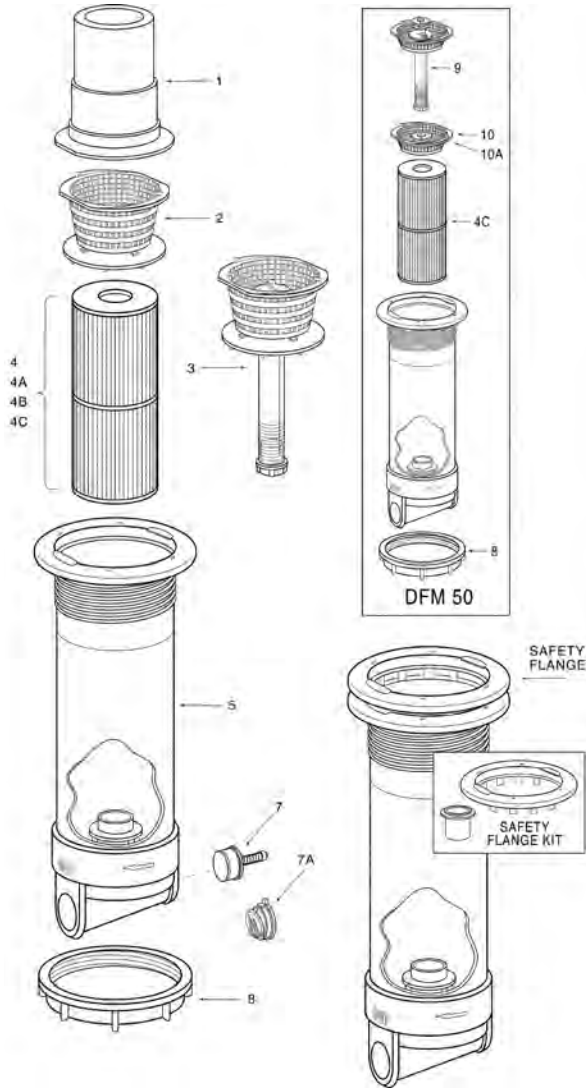
⚠️ **WARNING:** Cancer and Reproductive Harm.  
 ⚠️ **AVERTISSEMENT:** Peut Causer le Cancer et des Dommages au Système Reproducteur.  
 ⚠️ **ADVERTENCIA:** Cáncer y Daño Reproductivo.

www.p65warnings.ca.gov. P65007A

Item	Part No.	Qty.	Description	US List	Can. List
<b>SKIM FILTER</b>					
1	R172468	1	Cover	9.33	11.21
2	R172467	1	Basket assembly	6.64	7.98
4	R172465	1	Cartridge plug	6.47	7.77
6	R172477	1	Cartridge puller, DSF 50 only	6.47	7.77
6A	R172608	1	Cartridge puller, DSF 35 only	6.25	7.51
7	R172226X	1	By-pass assembly, 1-1/2 in.	4.87	5.85
7A	R172684	1	By-pass assembly, 2 in.	10.61	12.75
	R172393	2	O-ring, access plug, earlier models	6.46	7.76
	R172392	2	1/4 in. Access plug, earlier models	6.46	7.76
10	R172480	1	90° Vac plate adapter	10.35	12.44
11	R172479	1	Vac plate	6.64	7.98

Item	Part No.	Qty.	Description	US List	Can. List
<b>FACE PLATE KIT</b>					
12	R172470	1	Gasket-rear	6.64	7.98
13	R172475	2	Screw, 13-16 x 3/4 in. hi-lo pan head	1.68	2.02
14	R172471	1	Gasket-front face plate	6.64	7.98
15	R172472	1	Face plate	9.65	11.60
16	R172474	8	Screw, 13-16 x 1-1/4 in. hi-lo flat head	1.64	1.97
17	R172469	1	Weir gate assembly	10.71	12.87
18	R172473	1	Safety face plate cover, white	10.15	12.20
19	R172483	2	Screw, 13-16 x 1-5/8 in. hi-lo flat head	CALL	CALL
20	R172605	2	Screw hole plug	6.46	7.76
21	R172036Z	Opt.	Silicone lubricant	10.98	13.19
22	R172560	Opt.	DSF Chlorine/bromine dispenser	56.55	67.95
23	R172624	1	Extension Flange 1.5"	CALL	CALL

## DYNAMIC® FILTER SERIES IV - DFM, DFML REPLACEMENT PARTS



Item	Part No.	Qty.	Description	US List	Can. List
<b>DFML 25C, 25, 35, 50 LILY PAD SKIM FILTER</b>					
1	R172660	1	Lily skimmer float assembly	CALL	CALL
2	R172661	1	Lily basket w/ restrictor assembly	16.72	20.09
3	R172662	1	Lily chemical dispenser w/ basket and restrictor assembly	CALL	CALL
4A	R172327	1	Cartridge, 25 sq. ft., 13-1/4	35.02	42.08
4B	R173431	1	Cartridge, 35 sq. ft., 9-1/4	60.65	72.88
4C	R173434	1	Cartridge, 50 sq. ft., 13-1/4	74.60	89.64
5	R172665X	1	Housing only DFML-25 WH compact w/safety flange	114.23	137.26
7	R172682	1	2 in. By-pass assembly	8.07	9.70
8	R172370	1	Bottom locking flange	14.40	17.30
<b>DFM 50 LOW PROFILE, NO WEIR</b>					
9	R172562	1	Chemical dispenser w/ short basket	67.66	81.30
10	R22113	1	Basket assembly, short	6.95	8.35
10A	R172686	Opt	Basket short w/ restrictor assembly	17.27	20.75

CALIFORNIA PROPOSITION 65 WARNING

⚠ **WARNING:** Cancer and Reproductive Harm.  
 ⚠ **AVERTISSEMENT:** Peut Causer le Cancer et des Dommages au Système Reproducteur.  
 ⚠ **ADVERTENCIA:** Cáncer y Daño Reproductivo.

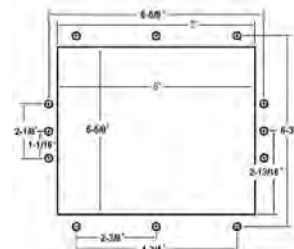
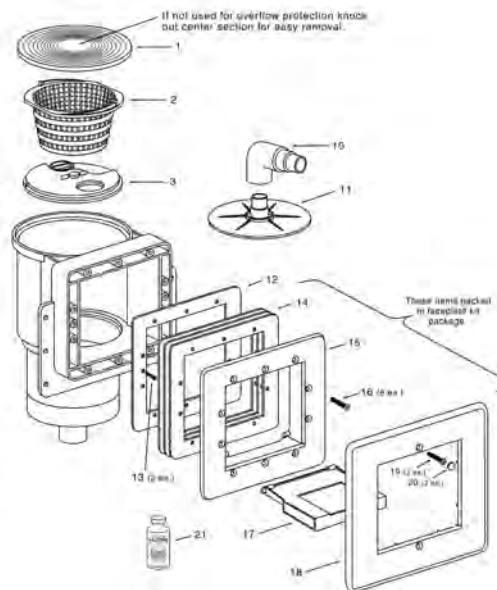
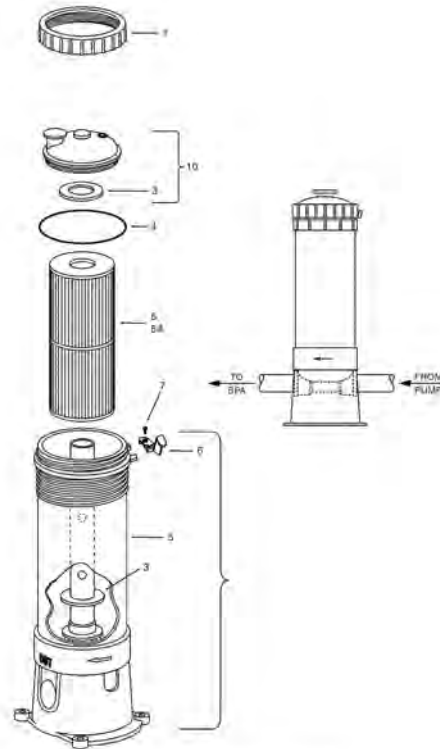
[www.p65warnings.ca.gov](http://www.p65warnings.ca.gov)



# DYNAMIC® FILTER SERIES V - DSC/SWS SAFETY WALL SKIMMER

## REPLACEMENT PARTS

Item	Part No.	Qty.	Description	US List	Can. List
<b>DSC 75, DSC 100 TOP LOAD IN LINE CARTRIDGE FILTER</b>					
1	R172214	1	Lock ring	19.84	23.84
3	R172222	2	Gasket, cartridge	3.13	3.76
4	R172223	1	O-ring, lid to housing	6.46	7.76
5	R173435	1	75 sq. ft. cartridge	92.00	110.55
6	R172374	1	Lock spring	6.46	7.76
7	R172375	1	Lock screw	1.64	1.97
10	R172385A	1	Lid assembly, complete	27.48	33.02
21	R172036Z	Opt.	Silicone lubricant	10.98	13.19
<b>SAFETY WALL SKIMMER</b>					
1	R172468	1	Cover	9.33	11.21
2	R172467	1	Basket assembly	6.64	7.98
10	R172480	1	90° Vac plate adapter	10.35	12.44
11	R172479	1	Vac plate	6.64	7.98
<b>FACE PLATE KIT</b>					
12	R172470	1	Gasket, rear	6.64	7.98
13	R172475	2	Screw, 13-16 x 3/4 in. hi-lo pan head	1.68	2.02
14	R172471	1	Gasket, front face plate	6.64	7.98
15	R172472	1	Face plate	9.65	11.60
16	R172474	8	Screw, 13-16 x 1-1/4 in. hi-lo flat head	1.64	1.97
17	R172469	1	Weir gate assembly	10.71	12.87
18	R172473	1	Safety face plate cover, white	10.15	12.20
19	R172483	2	Screw, 13-16 x 1-5/8 in. hi-lo flat head	CALL	CALL
20	R172605	2	Screw hole plug	6.46	7.76
21	R172036Z	Opt.	Silicone lubricant	10.98	13.19

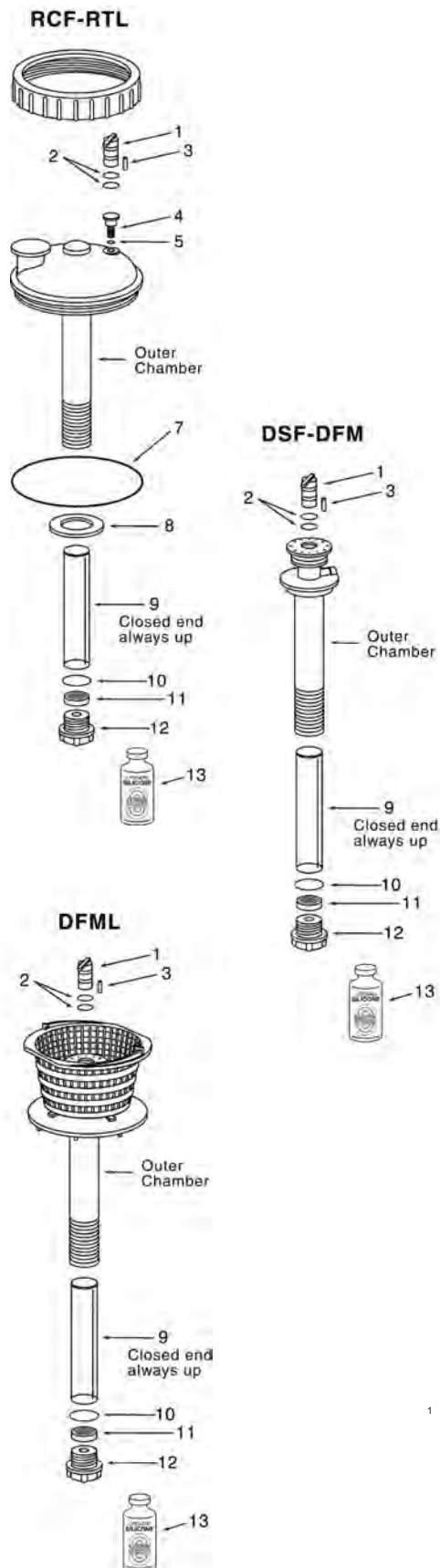


### CALIFORNIA PROPOSITION 65 WARNING

**⚠ WARNING:** Cancer and Reproductive Harm.  
**⚠ AVERTISSEMENT:** Peut Causer le Cancer et des Dommages au Système Reproducteur.  
**⚠ ADVERTENCIA:** Cáncer y Daño Reproductivo.  
[www.p65warnings.ca.gov](http://www.p65warnings.ca.gov)

# DYNAMIC® FILTER SERIES CHLORINE/BROMINE DISPENSERS

## REPLACEMENT PARTS



Item	Part No.	Qty.	Description	US List	Can. List
<b>CHLORINE/BROMINE DISPENSER (R172540/R172540F FOR RCF-RTL)</b>					
1	R172399	1	Control valve stem	6.46	7.76
2	R33017	2	O-ring, control valve	0.43	0.52
3	R18854	1	Stop pin	1.68	2.02
4	R172224X	1	Air vent valve	6.46	7.76
5	R172221	1	O-ring for air vent valve	1.64	1.97
6	R172400	1	Inlet screen <sup>1</sup>	1.68	2.02
7	R172223	1	O-ring lid to housing	6.46	7.76
8	R172222	1	Gasket, cartridge	3.13	3.76
9	R172457	1	Replacement inner chamber	8.65	10.39
10	R172451	1	O-ring, check valve	1.64	1.97
11	R172401	1	Screen, check valve <sup>1</sup>	1.68	2.02
12	R172406	1	Check valve assembly	CALL	CALL
13	R172036Z	Opt.	Silicone lubricant	10.98	13.19
<b>CHLORINE/BROMINE DISPENSER (R172560 FOR DSF-DFM)</b>					
1	R172399	1	Control valve stem	6.46	7.76
2	R33017	2	O-ring, control valve	0.43	0.52
3	R18854	1	Stop pin	1.68	2.02
6	R172400	1	Inlet screen <sup>1</sup>	1.68	2.02
9	R172457	1	Replacement inner chamber	8.65	10.39
10	R172451	1	O-ring, check valve	1.64	1.97
11	R172401	1	Screen, check valve <sup>1</sup>	1.68	2.02
12	R172406	1	Check valve assembly	CALL	CALL
13	R172036Z	Opt.	Silicone lubricant	10.98	13.19
<b>CHLORINE/BROMINE DISPENSER WITH BASKET (R172662 FOR DFML)</b>					
1	R172399	1	Control valve stem	6.46	7.76
2	R33017	2	O-ring, control valve	0.43	0.52
3	R18854	1	Stop pin	1.68	2.02
6	R172400	1	Inlet screen <sup>1</sup>	1.68	2.02
9	R172457	1	Replacement inner chamber	8.65	10.39
10	R172451	1	O-ring, check valve	1.64	1.97
11	R172401	1	Screen, check valve <sup>1</sup>	1.68	2.02
12	R172406	1	Check valve assembly	CALL	CALL
13	R172036Z	Opt.	Silicone lubricant	10.98	13.19

<sup>1</sup> Item No. 6 and No. 11 screens are snapped into place and can easily be removed for cleaning or replacement.

CALIFORNIA PROPOSITION 65 WARNING

⚠ **WARNING:** Cancer and Reproductive Harm.  
 ⚠ **AVERTISSEMENT:** Peut Causer le Cancer et des Dommages au Système Reproducteur.  
 ⚠ **ADVERTENCIA:** Cáncer y Daño Reproductivo.

www.p65warnings.ca.gov. PH200714

# SYSTEM:3<sup>®</sup> MODULAR MEDIA FILTERS

## SM SERIES REPLACEMENT PARTS



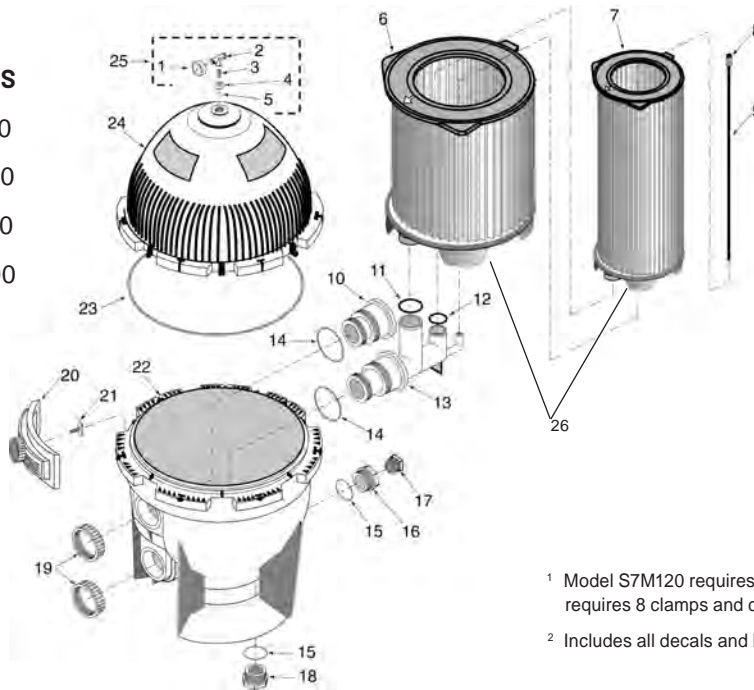
### MODELS

S7M120

S7M400

S8M150

S8M500



#### CALIFORNIA PROPOSITION 65 WARNING

**⚠ WARNING:** Cancer and Reproductive Harm.  
**⚠ AVERTISSEMENT:** Peut Causer le Cancer et des Dommages au Système Reproducteur.  
**⚠ ADVERTENCIA:** Cáncer y Daño Reproductivo.  
[www.p65warnings.ca.gov](http://www.p65warnings.ca.gov)

<sup>1</sup> Model S7M120 requires 7 clamps and clamp bolts. Model S8M 150 requires 8 clamps and clamp bolts.

<sup>2</sup> Includes all decals and labels.

Item	Part No.	Description	US List	Can. List
<b>SYSTEM:3 MODULAR MEDIA FILTERS</b>				
1	33600-0023T	2 in. Gauge	50.83	61.08
2	154689Z	Air Release Valve	CALL	CALL
3	35202-0959	Nipple	14.91	17.92
4	24900-0504	Adapter Bushing	19.86	23.86
5	35505-1423	O-Ring	2.13	2.56
6	25022-0201S	Large Cartridge (S7M120, 21 in. Filter)	566.87	681.15
6	25022-0224S	Large Cartridge (S7M400, 21 in. Filter)	775.83	932.24
6	25022-0203S	Large Cartridge (S8M150, 25 in. Filter)	768.55	923.49
6	25022-0225S	Large Cartridge (S8M500, 25 in. Filter)	793.99	954.06
7	25021-0200S	Small Cartridge (S7M120)	285.26	342.77
7	25021-0223S	Small Cartridge (S7M400)	316.15	379.89
7	25021-0202S	Small Cartridge (S8M150)	472.38	567.61
7	25021-0224S	Small Cartridge (S8M500)	570.51	685.52
8	WC8-126Z	Air Bleed Filter	16.33	19.62
9	25021-0003	Air Bleed Tube	10.37	12.46
10	25021-0101	Baffle and Bulkhead Fitting	76.49	91.91
11	35505-1428	O-Ring	6.15	7.39
12	35505-1429	O-Ring	4.94	5.94
13	25021-0100	Elbow and Bulkhead Assembly	113.94	136.91
14	35505-1425	O-Ring	16.44	19.75
15	35505-1424	O-Ring	9.86	11.85
16	24900-0509	Adapter Fitting	30.55	36.71
17	27001-0022	1-1/2 in. NPT Plug	3.14	3.77
18	24900-0503	Drain Plug	30.38	36.50

Item	Part No.	Description	US List	Can. List
19	24752-0050	Bulkhead Retaining Nut	26.24	31.53
20	24850-0200	Clamp Assembly <sup>1</sup>	138.94	166.95
21	24850-0010	Clamp Bolt <sup>1</sup>	33.64	40.42
22	24850-0102S	Lower Tank Half, 21 in. Filter	1188.38	1427.96
22	24851-0103S	Lower Tank Half, 25 in. Filter	1342.73	1613.42
23	24850-0008	Cord Ring, 21 in. Filter	68.11	81.84
23	24850-0009	Cord Ring, 25 in. Filter	77.93	93.64
24	24851-9000	Upper Tank Half Kit, 21 in. Filter <sup>2</sup>	1064.21	1278.75
24	24851-9001	Upper Tank Half Kit, 25 in. Filter <sup>2</sup>	1309.01	1572.91
25	24850-0105	Valve & Gauge Assembly (Includes #1, 2, 3, 4, 5)	106.36	127.80
26	170145	S7M120 Inner/Outer Cartridge Pack	570.56	685.58
26	170146	S7M400 Inner/Outer Cartridge Pack	784.52	942.68
26	170147	S8M150 Inner/Outer Cartridge Pack	927.16	1114.08
26	170148	S8M500 Inner/Outer Cartridge Pack	1212.44	1456.87

#### NOT SHOWN

24850-0016	Clamp Retaining Ring <sup>1</sup>	7.16	8.60
U212-252DS	Brass Deluxe Air Bleed (optional)	CALL	CALL
U11-196PSZ	Adapter Union 2 in. Slip	10.16	12.21
U11-200PSZ	Union Collar 2 in.	12.29	14.77
PKG 188Z	2 in. Slip 1/2 Union Kit	34.40	41.34
U9-362	O-Ring	5.56	6.68
25021-0021	Modular media Conversion Kit (Includes #10, 11, 12, 13, 14, 19. Must also purchase item 6 and 7 separately)	340.39	409.01

Product on pages 66–67.

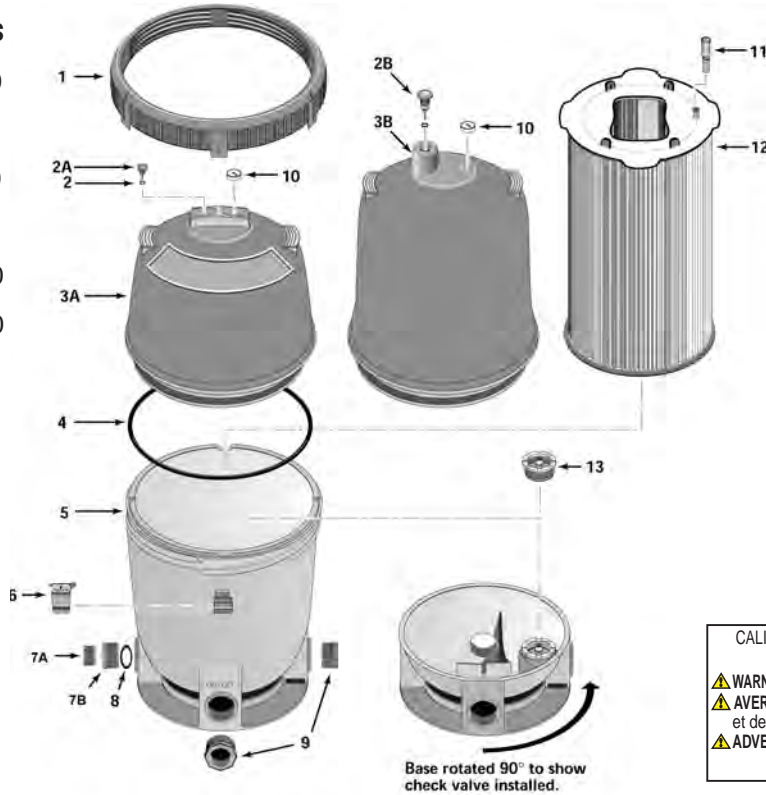
# SYSTEM:2™ MODULAR MEDIA FILTERS

## PLM SERIES REPLACEMENT PARTS



**MODELS**

- PLM100
- PLM125
- PLM150
- PLM175
- PLM200
- PLM300



CALIFORNIA PROPOSITION 65 WARNING  
 ⚠️ **WARNING:** Cancer and Reproductive Harm.  
 ⚠️ **AVERTISSEMENT:** Peut Causer le Cancer et des Dommages au Système Reproducteur.  
 ⚠️ **ADVERTENCIA:** Cáncer y Daño Reproductivo.  
[www.p65warnings.ca.gov](http://www.p65warnings.ca.gov) PN 200714

Item	Part No.	Description	US List	Can. List
<b>SYSTEM:2 MODULAR MEDIA FILTERS</b>				
1	27001-0054S	Posi-Lok™ ring	224.75	270.06
2	U9-359	O-ring	0.85	1.02
2A	25010-0200	Air release valve assy. w/ O-ring P/N U9-359	20.19	24.26
2B	24206-0103S	Air vent stem w/ O-ring P/N 35505-7439	11.45	13.76
3A	27001-0020S	Tank shell upper half <sup>1,5</sup> Models PLM100, PLM125, PLM150, PLM175, PLM200	336.60	404.46
3B	27001-0030S	Tank shell upper half <sup>1,5</sup> Model PLM300	529.45	636.19
4	27001-0061S	Cord-ring	58.64	70.46
4	27001-0060S	Cord-ring (Pre 3/97) Models PLM100, PLM150	58.12	69.84
5	27001-0009S	Tank shell lower half <sup>4,5</sup>	571.80	687.07
6	27001-0051	Safety latch for ring	15.82	19.01
7A	27001-0022	1-1/2 in. NPT plug	3.14	3.77
7B	24900-0510	Adapter fitting	30.55	36.71
8	35505-1424	O-ring	9.86	11.85

9	U78-820P	2 in. x 1-1/2 in. Pipe reducer <sup>2</sup>	14.48	17.40
10	15060-0000T	Pressure gauge <sup>3</sup>	49.15	59.06
11	24800-0121	Air bleed assembly	19.51	23.44
12	27002-0100S	Filter module - Model PLM100	298.79	359.03
12	27002-0125S	Filter module - Model PLM125	360.03	432.61
12	27002-0150S	Filter module - Model PLM150	443.54	532.96
12	27002-0175S	Filter module - Model PLM175	499.19	599.83
12	27002-0200S	Filter module - Model PLM200	556.76	669.00
12	27002-0300S	Filter module - Model PLM300	716.34	860.75
13	27001-0130S	Spring check valve <sup>2</sup>	24.39	29.31
<b>NOT SHOWN</b>				
	33455-1050	Spring check valve gasket	4.39	5.28

<sup>1</sup> Includes all decals and labels.

<sup>2</sup> Optional Equipment.

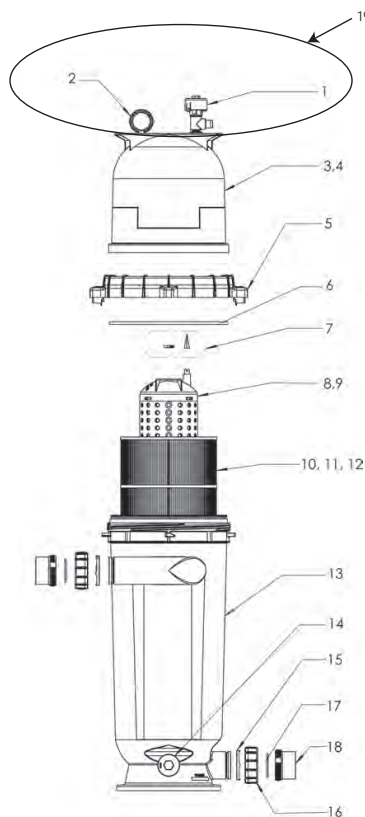
<sup>3</sup> Shipped in accessory package.

<sup>4</sup> Includes 24900-0510 adapter fitting, 27001-0051 safety latch, & 27001-0054 PosiLok™ ring.

<sup>5</sup> Filters manufactured before 2005 should also purchase a top and bottom.

# POSI-CLEAR™ RP FILTERS

## PXC SERIES REPLACEMENT PARTS



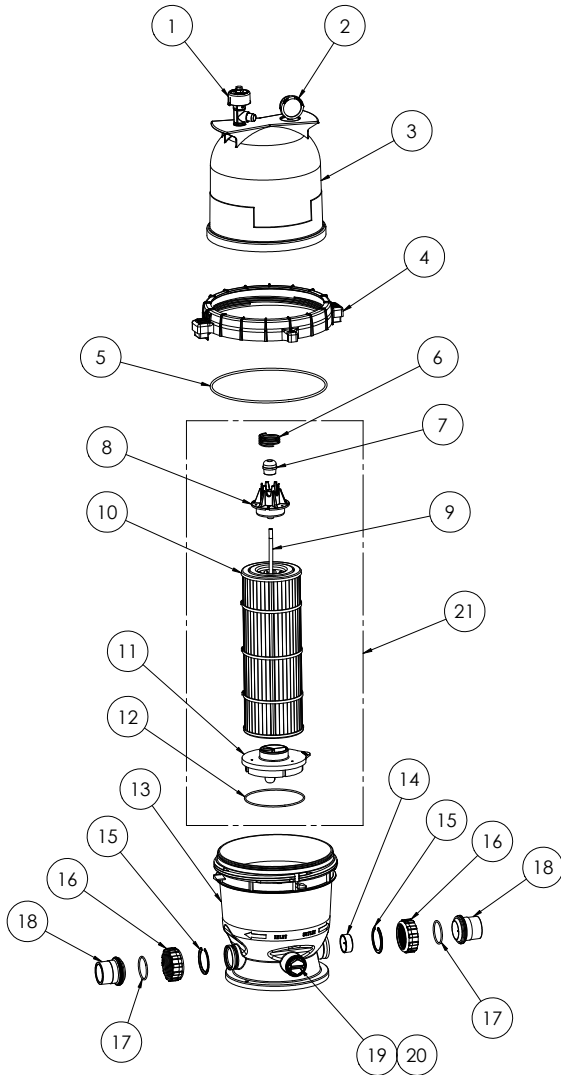
CALIFORNIA PROPOSITION 65 WARNING  
 ⚠️ **WARNING:** Cancer and Reproductive Harm.  
 ⚠️ **AVERTISSEMENT:** Peut Causer le Cancer et des Dommages au Système Reproducteur.  
 ⚠️ **ADVERTENCIA:** Cáncer y Daño Reproductivo.  
[www.p65warnings.ca.gov](http://www.p65warnings.ca.gov) PXC2017A

Item	Part No.	Description	US List	Can. List
<b>POSI-CLEAR RP FILTERS</b>				
1	98209800	High flow manual air relief valve	38.82	46.65
2	190058Z	Pressure gauge	CALL	CALL
3	59053001Z	Lid, 100 sq. ft. filter	181.17	217.69
4	178745Z	Lid, 150, 200 sq. ft. filter	168.91	202.96
5	59052900	Locking ring assembly	111.17	133.58
6	87300400Z	Body O-ring	CALL	CALL
7	59016200	Air bleed sock kit	14.88	17.88
8	59053700	Center core, 100 sq. ft. filter	154.83	186.04
9	59053800	Center core, 150, 200 sq. ft. filter	237.30	285.14
10	R173215	Cartridge element, 100 sq. ft. filter	163.84	196.87
11	R173216	Cartridge element, 150 sq. ft. filter	215.85	259.37
12	R173217	Cartridge element, 200 sq. ft. filter	269.41	323.72
13	178743Z	Tank bottom	392.61	471.76
14	190030Z	Drain	33.78	40.59
14	191474	O-ring	1.00	1.20
15	178732Z	Union nut "C" clip	8.70	10.45
16	U11-200PSZ	Union nut	12.29	14.77
17	178746Z	Union diamond seal	4.70	5.65
18	178733Z	Union, threaded half	49.87	59.92
19	170097	Air Relief Parts Kits	103.02	123.79

Product on page 70.

# EASYSOON™ D.E. FILTERS

## REPLACEMENT PARTS



Item	Part No.	Description	US List	Can. List
<b>EASYSOON FILTER SYSTEMS</b>				
1	98209800	High Flow Manual Air Relief Valve	38.82	46.65
2	190058Z	Pressure Gauge	CALL	CALL
3	178561	Lid, Almond	168.91	202.96
4	59052900	Locking Ring Assy	111.17	133.58
5	87300400Z	Body O-Ring	CALL	CALL
6	178616	Compression Spring	7.30	8.77
7	190106Z	Air Bleeder	30.27	36.37
8	178626	Center Core Top, EC	20.62	24.78
9	U37-3/8P	Air Bleeder Tube, EC60	CALL	CALL
9	U37-3/8P	Air Bleeder Tube, EC90	CALL	CALL
10	178757	Cartridge Element, EC60	96.14	115.52
10	178656	Cartridge Element, EC90	196.32	235.90
11	178627	Center Core Bottom, EC	18.01	21.64
12	071422	O-Ring, Center Core	7.84	9.42
13	178562	Tank Bottom, EC60	319.79	384.26
13	178563	Tank Bottom, EC90	407.53	489.69
14	51516100	Check Valve Kit	45.08	54.17
15	39104500	C-Clip (Union Nut)	2.13	2.56
16	98212200	Union Nut	12.29	14.77
17	071426	O-Ring, Union	1.82	2.19
18	79304600	Body Swivel	25.07	30.12
19	86202000	Drain Cap with O-Ring	21.56	25.91
20	51005000	O-Ring Drain Cap	7.84	9.42
21 <sup>1</sup>	196060	Element Retro Kit, EC60	154.53	185.68
21 <sup>1</sup>	196090	Element Retro Kit, EC90	223.21	268.21
<b>NOT SHOWN</b>				
	155151	Flex Hose Kit (6 ft.) *	111.74	134.27
	155005	Flex Hose Kit (12 ft.) *	147.46	177.19

CALIFORNIA PROPOSITION 65 WARNING

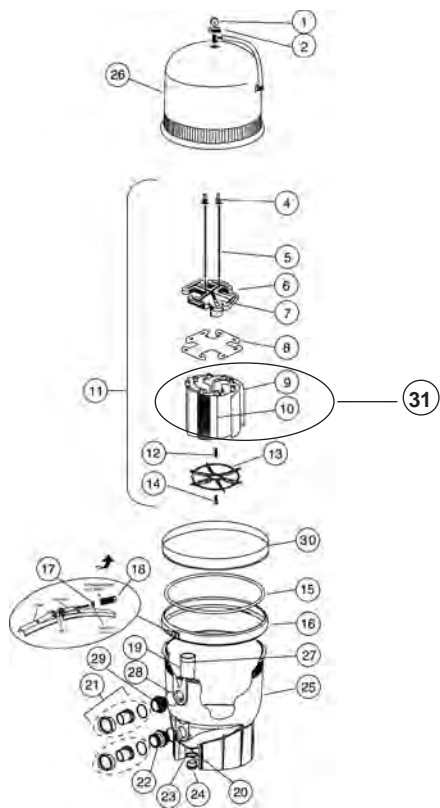
⚠ **WARNING:** Cancer and Reproductive Harm.  
 ⚠ **AVERTISSEMENT:** Peut Causer le Cancer et des Dommages au Système Reproducteur.  
 ⚠ **ADVERTENCIA:** Cáncer y Daño Reproductivo.  
[www.p65warnings.ca.gov](http://www.p65warnings.ca.gov)

<sup>1</sup> Item 21 includes items 6 through 12. Item 21 replaces the Center Core, Cartridge Element, and Air Bleeder Sock Kit on filters manufactured before 2014.

\* Replacement Hose Kits include two (2) hoses, four (4) hose adapters and four (4) hose clamps.

# FNS® PLUS FILTERS

## REPLACEMENT PARTS FOR VERTICAL GRID FILTERS



Item	Part No.	Description	US List	Can. List
<b>FNS PLUS FILTERS</b>				
1	190058Z	Gauge, pressure	CALL	CALL
2	98209800	High Flow manual air relief valve, HFMARV	38.82	46.65
4	071404Z	Wing nut	16.06	19.30
5	59000800	Tie rod, 24 sq. ft. filter	41.58	49.96
5	59001500	Tie rod, 36 sq. ft. filter	44.49	53.46
5	59002100	Tie rod, 48 sq. ft. filter	48.59	58.39
5	59002700	Tie rod, 60 sq. ft. filter	48.59	58.39
6	59023700	Manifold, top w/air bleed	167.76	201.58
7	190092	Internal ail bleed assembly Pre 10/09 - porous white material After 10/09 - stainless steel mesh	30.42	36.55
8	98725800	Template, filter	8.69	10.44
9	59001100	Grid, lg. 12 in., 24 sq. ft. filter, 7 req.	25.54	30.69
9	59001800	Grid, lg. 18 in., 36 sq. ft. filter, 7 req.	31.19	37.48
9	59002400	Grid, lg. 24 in., 48 sq. ft. filter, 7 req.	39.13	47.02
9	59003000	Grid, lg. 30 in., 60 sq. ft. filter, 7 req.	48.92	58.78
10	59001000	Grid, sm. 12 in., 24 sq. ft. filter, 1 req.	27.06	32.52
10	59002300	Grid, sm. 24 in., 48 sq. ft. filter, 1 req.	41.79	50.21
10	59002900	Grid, sm. 30 in., 60 sq. ft. filter, 1 req.	50.16	60.27
10	59001700	Grid, sm. 18 in., 36 sq. ft. filter, 1 req.	33.22	39.92
11	59023800	Assembly, element grid, complete, 24 sq. ft. filter	497.04	597.24
11	59023500	Assembly, element grid, complete, 36 sq. ft. filter	443.12	532.45

Item	Part No.	Description	US List	Can. List
<b>FNS PLUS FILTERS</b>				
11	59023400	Assembly, element grid, complete, - 48 sq. ft. filter	502.12	603.35
11	59023300	Assembly, element grid, complete, - 60 sq. ft. filter	531.78	638.99
12	98211400	Nut, 1/4-20, plated brass	2.89	3.47
13	59000500	Spider, grid locator	89.70	107.78
14	58001000	Nut, lock, hex, nylon	2.34	2.81
15	39010200Z	O-ring, tank clamp, .470 O.D.	63.22	75.97
16	190003	Clamp, kit	361.31	434.15
17	195610	Washer, .325 i.d. for filter clamp	7.65	9.19
18	53108900Z	Spring/barrel nut assembly	53.98	64.86
19	190034	Assembly, standpipe, outlet, 24 sq. ft. filter, 4-3/8 in. tall	72.97	87.68
19	190035	Assembly, standpipe, outlet, 36 sq. ft. filter, 10-3/8 in. tall	78.21	93.98
19	190036	Assembly, standpipe, outlet, 48 sq. ft. filter, 16-3/8 in. tall	90.46	108.70
19	190037	Assembly, standpipe, outlet, 60 sq. ft. filter, 22-3/8 in. tall	85.23	102.41
20	86006900	O-ring, bulkhead	7.06	8.48
21	271096	Bulkhead union, set (Optional)	69.06	82.98
21	270100	Valve Adapter Kit, 2 in. Black (Optional)	75.65	90.90
22	190043	Assembly, pipe, inlet, includes bulkhead	121.12	145.54
23	51005000	O-ring for drain plug	7.84	9.42
23	191474	O-ring for drain plug <sup>3</sup>	1.00	1.20
24	86202000	Plug, 1-1/2 in. drain, w/ O-ring	21.56	25.91
24	190030Z	Cap drain <sup>3</sup>	33.78	40.59
25	170015	Tank bottom, assembly, 24 sq. ft. filter	575.95	692.06
25	170016	Tank bottom, assembly, 36 sq. ft. filter	571.27	686.44
25	170017	Tank bottom, assembly, 48 sq. ft. filter	576.89	693.19
25	170018	Tank bottom, assembly, 60 sq. ft. filter	579.53	696.36
26	170019	Tank lid, 24 sq. ft. filter	267.83	321.82
26	170020	Tank lid, 36 sq. ft. filter	326.30	392.08
26	170021	Tank lid, 48 sq. ft. filter	395.05	474.69
26	170022	Tank lid, 60 sq. ft. filter	460.75	553.64
27	59000600	O-ring, bulkhead	7.06	8.48
28	192320	O-ring 2-137 Buna N 70SH <sup>1</sup>	4.29	5.15
28	86006900	O-ring bulkhead <sup>2</sup>	7.06	8.48
29	190141	Bulkhead Kit, 2 in. w/ O-ring <sup>2</sup>	120.60	144.91
30	195339	SS back-up ring <sup>4</sup>	82.18	98.75
31	198080	24 Grid Element Pack (7 large, 1 small)	CALL	CALL
31	198081	36 Grid Element Pack (7 large, 1 small)	CALL	CALL
31	198082	48 Grid Element Pack (7 large, 1 small)	CALL	CALL
31	198083	60 Grid Element Pack (7 large, 1 small)	CALL	CALL
<b>NOT SHOWN</b>				
	192019	Wrench, drain plug	56.28	67.63
	196019	Parts Bag (Includes warranty card, instruction book, and items 1 and 2)	78.04	93.77

<sup>1</sup> Used on filters manufactured before 10/04.

<sup>3</sup> Used on filters manufactured after 5/21/05.

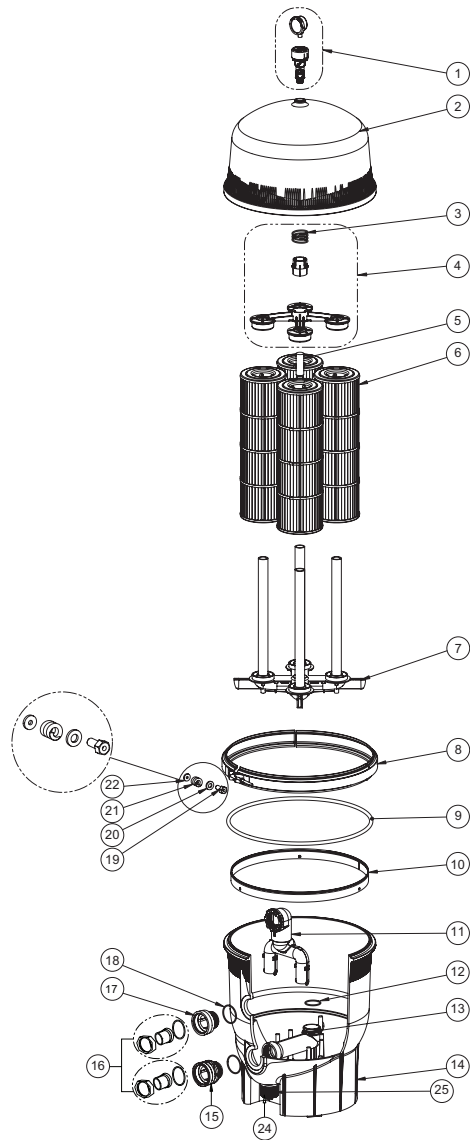
<sup>2</sup> Used on filters manufactured after 10/04.

<sup>4</sup> Used on filters manufactured after 2/03.

Product on page 71.

# QUAD D.E.® FILTERS

## REPLACEMENT PARTS



Item	Part No.	Description	US List	Can. List
<b>QUAD D.E. FILTERS</b>				
1	98209800	Assy. Manual air relief valve	38.82	46.65
2	170024	Lid, Quad 60	329.07	395.41
2	178581	Lid, Quad 80	376.09	451.91
2	178582	Lid, Quad 100	443.05	532.37
3	178616	Spring compression	7.30	8.77
4	170026	Manifold top assembly	89.70	107.78
5	170029	Air bleeder assy., Quad 60	52.04	62.53
5	170028	Air bleeder assy., Quad 80	52.90	63.56
5	178583	Air bleeder assy., Quad 100	51.31	61.65
6	178656	Cartridge, Quad 100 *	196.32	235.90
6	178655	Cartridge, Quad 80 *	160.63	193.01
6	178654	Cartridge, Quad 60 *	99.96	120.11
7	170059	Manifold assy. Bottom	187.24	224.99
8	190003	Kit Clamp Band	361.31	434.15
9	39010200Z	O-ring RPM tank clamp	63.22	75.97
10	195339	Ring back-up - FNS Pls	82.18	98.75
11	196024S	Divertor Assembly, Retro Kit	110.38	132.63
12	354571	O-ring	3.94	4.73
13	170036	Pipe outlet - RPM fltr	105.96	127.32
14	195999	Bottom tank w/ drain plug 7-1/2 in.	638.04	766.67
15	178575	Bulkhead bottom	27.70	33.28
16	178711	Parts Bag - includes warranty card, instruction Book, Adapter Kit (270100) and Pressure Gauge (190058Z)	112.22	134.84
17	194801	Bulkhead - 2-3/8-8 butt	115.58	138.88
18	86006900	O-ring 2-329 bulkhead RPM	7.06	8.48
19	194997	Nut - Spl	15.24	18.31
20	195611	Washer - lg id	8.22	9.88
21	195612	Spring	27.02	32.47
22	195610	Washer - sm id	7.65	9.19
24	191474	O-ring for Drain Plug	1.00	1.20
25	190030Z	Cap Drain	33.78	40.59
<b>NOT SHOWN</b>				
*	190106Z	Repl. Screen Cap for Air Bleeder Assy.	30.27	36.37
	274426	Adapter Kit - 2-1/2 in. x 2 in.	CALL	CALL

CALIFORNIA PROPOSITION 65 WARNING  
 ⚠️ **WARNING:** Cancer and Reproductive Harm.  
 ⚠️ **AVERTISSEMENT:** Peut Causer le Cancer et des Dommages au Système Reproducteur.  
 ⚠️ **ADVERTENCIA:** Cáncer y Daño Reproductivo.  
[www.p65warnings.ca.gov](http://www.p65warnings.ca.gov)



# SM & SMBW 4000 SERIES™ FILTERS

## REPLACEMENT PARTS FOR SHEET MOLDED FILTERS

Item	Part No.	Description	US List	Can. List
<b>SM &amp; SMBW 4000 SERIES FILTERS</b>				
1	073027	Complete gauge assembly includes: <sup>3</sup>	125.95	151.34
	98209800	Hi Flow Air Relief <sup>4</sup>	38.82	46.65
	190058Z	Gauge, 1/4 in., 60 lbs.	CALL	CALL
	071390	Nipple, plastic, 1/4 in.	7.30	8.77
2	197136	Lid SM/SMBW 4048 replacement	774.60	930.76
2	197137	Lid SM/SMBW 4060 replacement	846.09	1016.66
3	197020	Clamp ring assembly	382.47	459.58
3	076033	Knob clamping band <sup>2</sup>	14.24	17.11
3	071136Z	Knob clamping band <sup>1</sup>	26.10	31.36
4	071019Z	Holding wheel 4024, 4036, 4048	39.26	47.17
4	197120	Holding wheel 4060	44.70	53.71
5	071404Z	Nut wing, 1/4 in. 20 SS	16.06	19.30
6	072173	Washer 5/16 in. i.d. x 3/4 in. o.d.	2.00	2.40
7	072870	Center rod SM/SMBW 4024 21 in.	49.31	59.25
7	072869	Center rod SM/SMBW 4036 27 in.	43.41	52.16
7	072880	Center rod SM/SMBW 4048 33 in.	44.83	53.87
7	072867	Center rod SM/SMBW 4060 39 in.	47.41	56.97
8	074922	Element 4024 12 in., 8 req.	28.99	34.83
8	074923	Element 4036 18 in., 8 req.	38.58	46.36
8	074924	Element 4048 24 in., 8 req.	48.39	58.15
8	074925	Element 4060 30 in., 8 req.	58.10	69.81
9	073270Z	Manifold 2000/4000 series 8 holes	30.95	37.19
10	071439	O-ring, 4000 series lid	78.30	94.09
11	071720	Seal BW valve rotor tapered	21.78	26.17
12	073370	Rotor valve Noryl w/ seal, includes No. 11 & 13	165.13	198.42
13	JV18	O-ring 2113	1.25	1.50
14	197130	Tank bottom, SMBW	691.05	830.37
15	197126	Tank bottom, SM	972.61	1168.69
16	071559	Plug PVC 2 in., SM only	11.30	13.58
17	190026	Handle SMBW rotor SS	36.37	43.70
18	070971	Handle extension BW, brass	156.34	187.86
19	070979	Handle stud bolt SS, 1/4-20 x 1-3/4 in.	CALL	CALL
20	072172	Washer lock, 1/4 in. SS	0.28	0.34
21	071406	Nut, 1/4-20 SS hex	1.74	2.09
22	075279	Vent tube 1/4 in., 46 in. all models	15.24	18.31

<sup>1</sup> Used on filters manufactured before 1998.

<sup>2</sup> Used on filters manufactured after 1998.

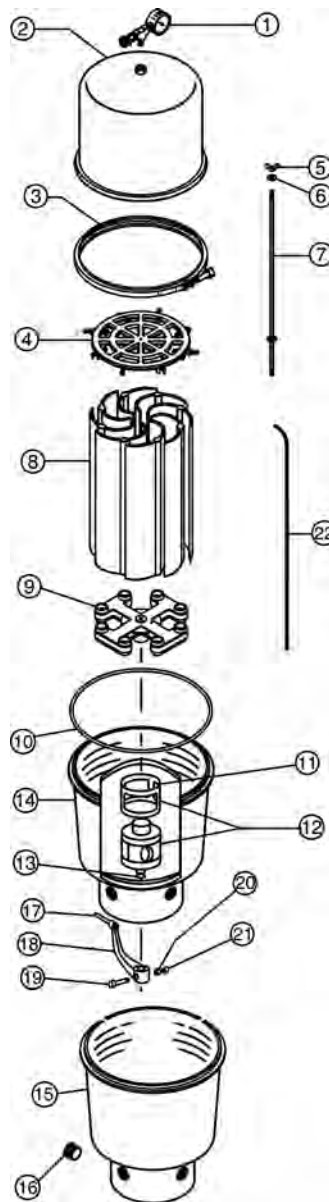
<sup>3</sup> Used on filters manufactured before 1999.

<sup>4</sup> Used on filters manufactured after 1999.

CALIFORNIA PROPOSITION 65 WARNING

⚠ **WARNING:** Cancer and Reproductive Harm.  
 ⚠ **AVERTISSEMENT:** Peut Causer le Cancer et des Dommages au Système Reproducteur.  
 ⚠ **ADVERTENCIA:** Cáncer y Daño Reproductivo.

[www.p65warnings.ca.gov](http://www.p65warnings.ca.gov)



Did you know that...if you order a tapered rotor seal and attempt to install it into a straight sided casting, the seal will be cut. If you install a straight seal in a tapered casting, the valve will leak. The tapered seal can be identified by a mark on each of the vertical legs signifying the top of the seal. Since the straight seals are not directional, they have no marks on the vertical legs. The tapered seal P/N is 071720. The straight seal P/N is 071719, which we no longer manufacture. Both 2000/4000 series filters with backwash now use the same Noryl rotor and the tapered seal. The product number for the rotor and seal assembly P/N is 073370. Tapered castings have a letter "T" stamped into the underside of the middle, pump port. Don't confuse this with a letter "T" in felt pen, which means the assembly has been pressure tested.

# SYSTEM:2™ MODULAR D.E. FILTERS

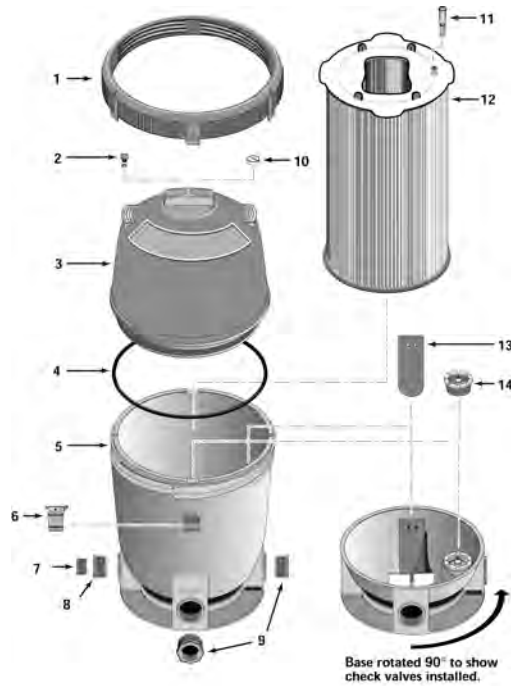
## PLD SERIES REPLACEMENT PARTS



### MODELS

PLD50 - DE

PLD70 - DE



CALIFORNIA PROPOSITION 65 WARNING  
 ⚠️ **WARNING:** Cancer and Reproductive Harm.  
 ⚠️ **AVERTISSEMENT:** Peut Causer le Cancer et des Dommages au Système Reproducteur.  
 ⚠️ **ADVERTENCIA:** Cáncer y Daño Reproductivo.  
 www.p65warnings.ca.gov. P1820714

Item	Part No.	Description	US List	Can. List
<b>SYSTEM:2 MODULAR D.E. FILTERS</b>				
1	27001-0054S	Posi-Lok® ring	224.75	270.06
2	25010-0200	Air release valve assembly	20.19	24.26
3	27001-0020S	Tank shell upper half <sup>1,5</sup>	336.60	404.46
4	27001-0061S	Cord-ring	58.64	70.46
4	27001-0060S	Cord-ring (Pre 3/97), PLD50	58.12	69.84
5	27001-0009S	Tank shell lower half w/ ring <sup>4,5</sup>	571.80	687.07
6	27001-0051	Safety latch for ring	15.82	19.01
7A	27001-0022	1-1/2 in. NPT plug w/ O-Ring	3.14	3.77
7B	24900-0509	Adapter fitting (Pre 10/03)	30.55	36.71
7B	24900-0510	Adapter fitting	30.55	36.71
9	U78-820P	2 in. x 1-1/2 in. Pipe reducer <sup>2</sup>	14.48	17.40
10	15060-0000T	Pressure gauge <sup>3</sup>	49.15	59.06
11	24800-0120	Air bleed assembly	23.48	28.21
12	27002-0030S	Filter module, PLD50	374.88	450.46
12	27002-0036S	Filter module, PLD70	436.11	524.03
13	27001-0011	Flapper valve	17.66	21.22
14	27001-0130S	Spring check valve <sup>2</sup>	24.39	29.31
<b>NOT SHOWN</b>				
	33455-1050	Spring check valve gasket	4.39	5.28

<sup>1</sup> Includes all decals and labels.

<sup>2</sup> Optional Equipment.

<sup>3</sup> Shipped in accessory package.

<sup>4</sup> Includes 27001-0051 safety latch, & 27001-0054 Posi-Lok ring™ ring.

<sup>5</sup> Filters made before 2005 should replace the top and bottom together.

# SYSTEM:2™ MODULAR D.E. FILTERS

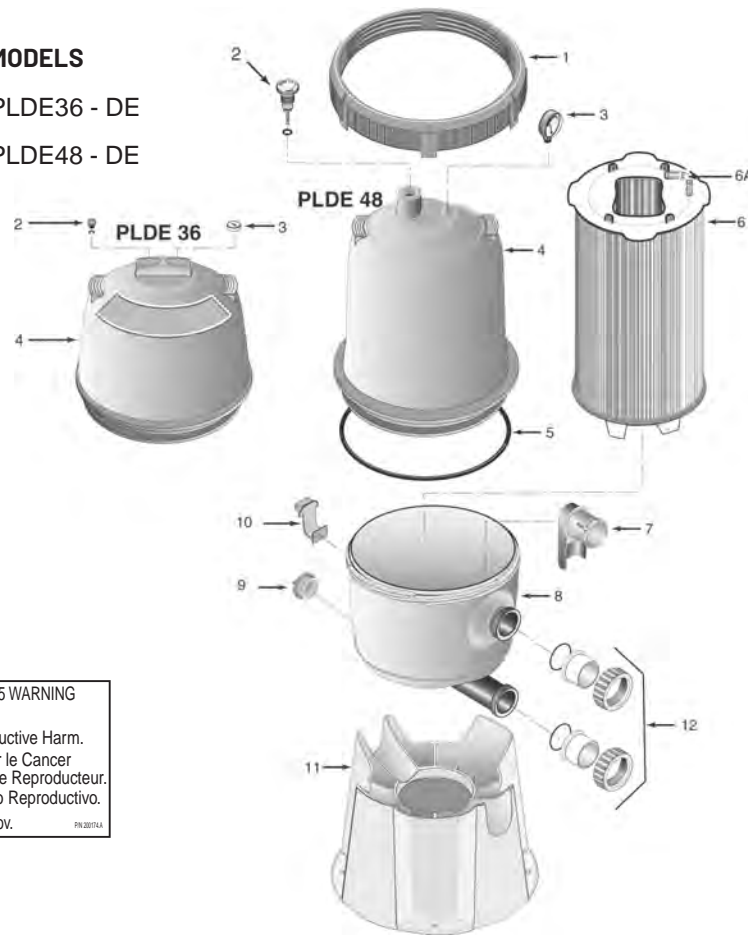
## PLDE SERIES REPLACEMENT PARTS



### MODELS

PLDE36 - DE

PLDE48 - DE



CALIFORNIA PROPOSITION 65 WARNING  
**⚠️ WARNING:** Cancer and Reproductive Harm.  
**⚠️ AVERTISSEMENT:** Peut Causer le Cancer et des Dommages au Système Reproducteur.  
**⚠️ ADVERTENCIA:** Cáncer y Daño Reproductivo.  
[www.p65warnings.ca.gov](http://www.p65warnings.ca.gov) P65 2015A

Item	Part No.	Description	US List	Can. List
<b>SYSTEM:2 MODULAR D.E. FILTERS</b>				
1	27001-0054S	Posi-Lok® Ring	224.75	270.06
2	25010-0200	Air Release Valve with O-ring, PLDE36	20.19	24.26
2	24206-0103S	Air Release Valve with O-ring, PLDE48	11.45	13.76
3	15060-0000T	Pressure Gauge	49.15	59.06
4	27001-0020S	Tank Upper Half with Air Relief Valve, PLDE36 <sup>2</sup>	336.60	404.46
4	27001-0030S	Tank Upper Half with Air Relief Valve, PLDE48 <sup>2</sup>	529.45	636.19
5	27001-0061S	Tank O-Ring	58.64	70.46
6	27002-0036S	Filter Module, PLDE36	436.11	524.03
6	27002-0048S	Filter Module, PLDE48	547.45	657.82
6A	24800-0120	Air Bleed Assembly	23.48	28.21
7	27001-0015S	Diverter	32.21	38.70
8	27001-0016S	Tank Lower Half <sup>1,2</sup>	284.85	342.28
9	27001-0022	Drain Plug	3.14	3.77
10	27001-0051	Safety Latch	15.82	19.01
11	27001-0018S	Tank Support Base	149.51	179.65
12	PKG 188Z	2 in. Union Adapter Package (includes 2)	34.40	41.34

<sup>1</sup> Includes Item Nos. 7, 8, 9, 10.

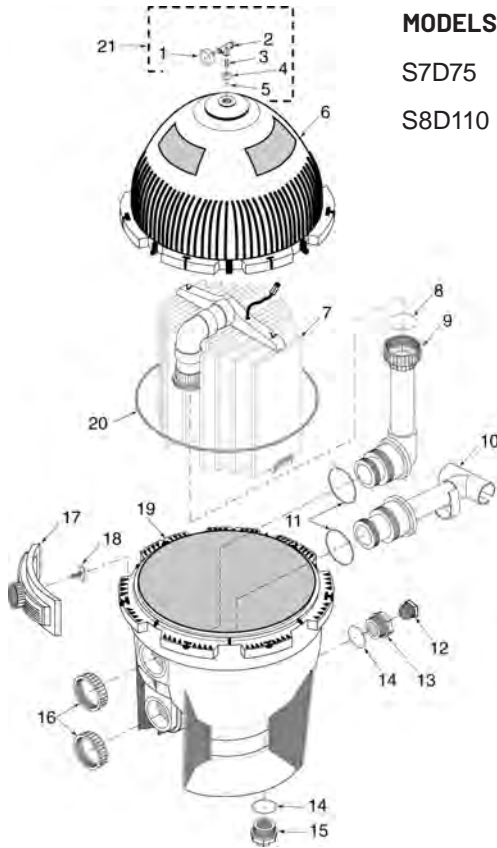
<sup>2</sup> Filters manufactured before 2005 should replace the top and bottom together.

Product on pages 76–77.



# SYSTEM:3® D.E. FILTERS

## SD SERIES REPLACEMENT PARTS



**MODELS**  
S7D75  
S8D110

Item	Part No.	Description	US List	Can. List
<b>SYSTEM:3 D.E. FILTERS</b>				
1	33600-0023T	2 in. Gauge	50.83	61.08
2	154689Z	Air Release Valve	CALL	CALL
3	35202-0959	Nipple	14.91	17.92
4	24900-0504	Adapter Bushing	19.86	23.86
5	35505-1423	O-Ring	2.13	2.56
6	24851-9000	Upper Tank Shell Kit, S7D75	1064.21	1278.75
6	24851-9001	Upper Tank Shell Kit, S8D110	1309.01	1572.91
7	23900-1220S	Filter Assembly, S7D75	1286.99	1546.45
7	23900-1221S	Filter Assembly, S8D110	1663.36	1998.69
8	U9-362	O-Ring	5.56	6.68
9	23911-0102	Outlet Assembly	150.30	180.60
10	23911-0100	Inlet Assembly, S7D75	110.64	132.95
10	23911-0101	Inlet Assembly, S8D110	112.21	134.83
11	35505-1425	O-Ring	16.44	19.75
12	27001-0022	1-1/2 in. NPT Plug	3.14	3.77
13	24900-0509	Adapter Fitting	30.55	36.71
14	35505-1424	O-Ring	9.86	11.85
15	24900-0503	Drain Plug	30.38	36.50
16	24752-0050	Bulkhead Retaining Nut	26.24	31.53
17	24850-0200	Clamp Assembly <sup>1</sup>	138.94	166.95
18	24850-0010	Clamp Bolt <sup>1</sup>	33.64	40.42
19	24850-0102S	Lower Tank Shell, S7D75	1188.38	1427.96
19	24851-0103S	Lower Tank Shell, S8D110	1342.73	1613.42
20	24850-0008	Cord Ring, S7D75	68.11	81.84
20	24850-0009	Cord Ring, S8D110	77.93	93.64
21	24850-0105	Valve & Gauge Assembly (Includes #8, 9, 11, 16)	106.36	127.80
<b>NOT SHOWN</b>				
	24850-0016	Clamp Retaining Ring	7.16	8.60
	U212-252DS	Brass Deluxe Air Bleed (optional)	CALL	CALL
	25021-1021	System3 DE Conversion Kit (Includes #8, 9, 10, 11, 16) - S7D75 - should also purchase item #7 separately.	364.59	438.09
	25021-1025	System3 DE Conversion Kit (Includes #8, 9, 10, 11, 16) - S8D110 - should also purchase item #7 separately.	364.59	438.09

<sup>1</sup> Model S7D75 uses seven (7) clamps and bolts; Model S8D110 uses eight (8).

CALIFORNIA PROPOSITION 65 WARNING  
 ⚠️ **WARNING:** Cancer and Reproductive Harm.  
 ⚠️ **AVERTISSEMENT:** Peut Causer le Cancer et des Dommages au Système Reproducteur.  
 ⚠️ **ADVERTENCIA:** Cáncer y Daño Reproductivo.  
 www.p65warnings.ca.gov. P8-20514

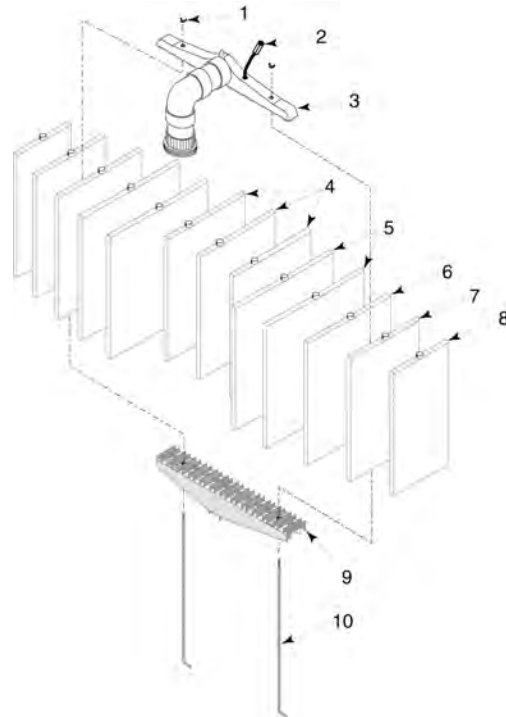
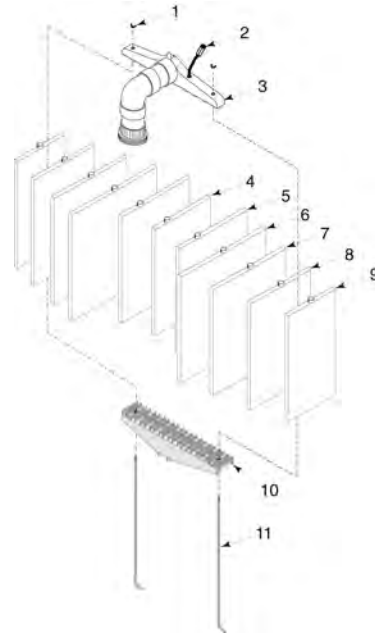
# SYSTEM:3® D.E. FILTER ELEMENT ASSEMBLIES

## SD SERIES REPLACEMENT PARTS



Item	Part No.	Description	US List	Can. List
<b>FILTER ELEMENT ASSEMBLY FOR S7D75</b>				
1	35402-0074Z	Wing Nut (2 req.)	16.29	19.57
2	24800-0120	Air Bleed Assembly	23.48	28.21
3	24800-0100	Manifold	193.86	232.94
4	23900-1171	Covered Element 12-7/16 in. (1 req.)	76.82	92.31
5	23900-1170	Covered Element 13-13/16 in. (2 req.)	78.13	93.88
6	23900-0033	Covered Element 16-1/2 in. (2 req.)	84.03	100.97
7	23900-1174	Covered Element 15-3/16 in. (2 req.)	80.95	97.27
8	23900-1175	Covered Element 12-7/16 in. (2 req.)	76.82	92.31
9	23900-1173	Covered Element 9-11/16 in. (2 req.)	70.91	85.21
10	23900-0350	Element Grid Support	51.65	62.06
11	23900-0039	Rod (2 req.)	40.22	48.33

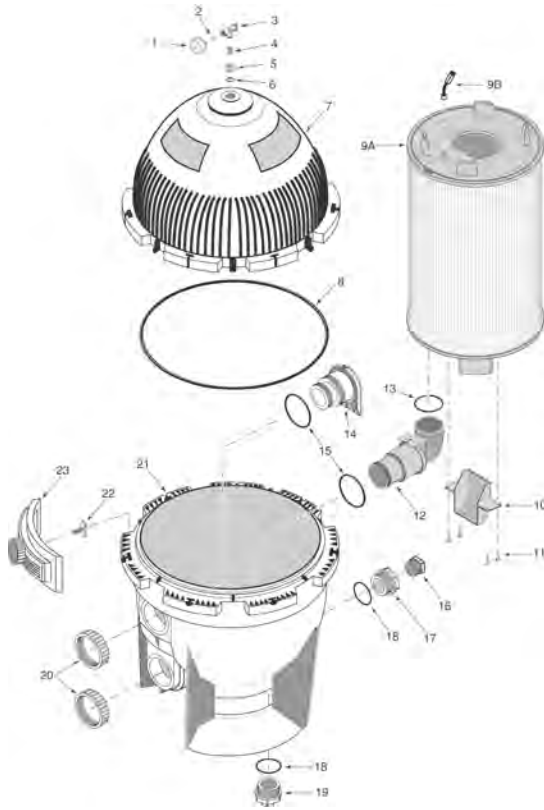
<b>FILTER ELEMENT ASSEMBLY FOR S8D110</b>				
1	35402-0074Z	Wing Nut (2 req.)	16.29	19.57
2	24800-0120	Air Bleed Assembly	23.48	28.21
3	24801-0101	Manifold	200.02	240.34
4	23900-1172	Covered Element 16-1/2 in. (3 req.)	101.00	121.36
5	23900-0144	Covered Element 19-5/16 in. (4 req.)	147.30	177.00
6	23900-0033	Covered Element 16-1/2 in. (2 req.)	84.03	100.97
7	23900-1174	Covered Element 15-3/16 in. (2 req.)	80.95	97.27
8	23900-0032	Covered Element 11 in. (2 req.)	70.53	84.75
9	23901-0350	Element Grid Support	54.95	66.03
10	23900-0039	Rod (2 req.)	40.22	48.33



CALIFORNIA PROPOSITION 65 WARNING  
 ⚠️ **WARNING:** Cancer and Reproductive Harm.  
 ⚠️ **AVERTISSEMENT:** Peut Causer le Cancer et des Dommages au Système Reproducteur.  
 ⚠️ **ADVERTENCIA:** Cáncer y Daño Reproductivo.  
[www.p65warnings.ca.gov](http://www.p65warnings.ca.gov) P163871A

# SYSTEM:3® MODULAR D.E. FILTERS

## SMD SERIES REPLACEMENT PARTS



Item	Part No.	Description	US List	Can. List
<b>SYSTEM:3 MODULAR D.E. FILTERS</b>				
1	33600-0023T	2 in. Gauge	50.83	61.08
3	154689Z	Air Release Valve	CALL	CALL
4	35202-0959	Close Nipple, 1/4 in.	14.91	17.92
5	24900-0504	Adapter Bushing	19.86	23.86
6	35505-1423	O-Ring	2.13	2.56
7	24851-9000	Upper Tank Shell Kit <sup>1</sup>	1064.21	1278.75
8	24850-0008	Tank O-Ring	68.11	81.84
9A	25023-0160S	Replacement Module	671.81	807.25
9A	25023-0172S	Replacement Module	1113.46	1337.93
9B	24800-0120	Air Bleed Assembly <sup>2</sup>	23.48	28.21
10	23910-0013S	Baffle Kit (with Screws) <sup>2</sup>	38.10	45.78
11	37207-0728	Baffle Screws <sup>2</sup>	CALL	CALL
12	23910-0100S	Elbow and Bulkhead Assembly <sup>3</sup>	133.38	160.27
13	35505-7438	O-Ring	10.31	12.39
14	23910-0101S	Deflector and Bulkhead Assembly	88.92	106.85
15	35505-1425	O-Ring	16.44	19.75
16	27001-0022	1-1/2 in. Plug with O-Ring	3.14	3.77
17	24900-0509	Adapter Fitting	30.55	36.71
18	35505-1424	O-Ring	9.86	11.85
19	24900-0503	Drain Plug	30.38	36.50
20	24752-0050	Bulkhead Retaining Nut	26.24	31.53
21	24850-0102S	Lower Tank Shell	1188.38	1427.96
22	24850-0010	Clamp Bolt	33.64	40.42
23	24850-0200	Clamp Assembly	138.94	166.95
<b>NOT SHOWN</b>				
	23910-1100S	System:3 Modular DE Conversion Kit (Includes Key #'s 12, 13, 14, 15, 16) - must also buy Item 9A separately	203.27	244.25

<sup>1</sup> Includes all decals and labels.

<sup>2</sup> Included with Key No. 9A Replacement Module.

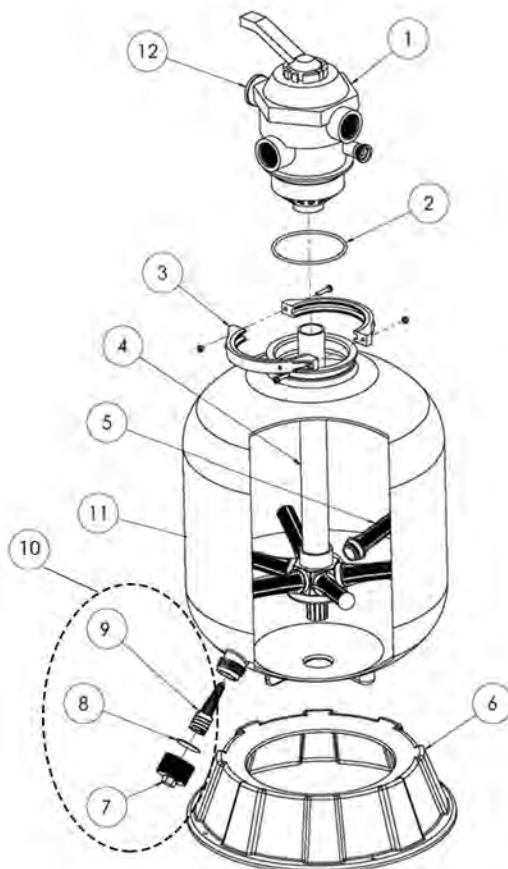
<sup>3</sup> Includes O-Ring (Key No. 13).

**CALIFORNIA PROPOSITION 65 WARNING**

⚠ **WARNING:** Cancer and Reproductive Harm.  
 ⚠ **AVERTISSEMENT:** Peut Causer le Cancer et des Dommages au Système Reproducteur.  
 ⚠ **ADVERTENCIA:** Cáncer y Daño Reproductivo.  
[www.p65warnings.ca.gov](http://www.p65warnings.ca.gov)

# SAND DOLLAR® FILTERS

## REPLACEMENT PARTS FOR BLOW MOLDED FILTERS



Item	Part No.	Description	US List	Can. List
<b>SAND DOLLAR SAND FILTERS</b>				
1	262506	Valve 1-1/2 in. 6-way	CALL	CALL
1	263085	Valve 2 in.	CALL	CALL
1	262525	Valve 2 in. with unions	CALL	CALL
2	272541	O-ring valve body	9.04	10.86
3	152165	Assembly, plastic clamp 2 piece	27.70	33.28
4	155504	Piping assembly SD35, dim D = 16 in.	55.89	67.16
4	152229	Pipe assembly SD35 <sup>2</sup>	138.83	166.82
4	155062	Piping assembly SD40, dim D = 20-1/8 in.	53.65	64.47
4	152228	Pipe assembly SD40 <sup>2</sup>	128.17	154.01
4	155532	Piping assembly SD60, dim D = 25-1/4 in.	135.38	162.67
4	152227	Pipe assembly SD60 <sup>2</sup>	149.01	179.05
4	152000	Pipe assembly, SD70	148.27	178.16
4	152226	Pipe assembly SD80	116.82	140.37
4	152238	Pipe assembly SD80 2 in.	123.74	148.69

CALIFORNIA PROPOSITION 65 WARNING

⚠ **WARNING:** Cancer and Reproductive Harm.  
 ⚠ **AVERTISSEMENT:** Peut Causer le Cancer et des Dommages au Système Reproducteur.  
 ⚠ **ADVERTENCIA:** Cáncer y Daño Reproductivo.  
[www.p65warnings.ca.gov](http://www.p65warnings.ca.gov)

Product on page 85.

## SAND DOLLAR® FILTERS

### REPLACEMENT PARTS FOR BLOW MOLDED FILTERS

Item	Part No.	Description	US List	Can. List
<b>SAND DOLLAR SAND FILTERS</b>				
5	155007	Lateral 5, 11/32 in. long, almond, SD35, 8 req.	8.11	9.74
5	152290Z	Lateral 6, 11/16 in. long, almond, SD40/SD60, 8 req.	CALL	CALL
5	150084	Lateral, SD35, SD40, black <sup>2</sup>	7.71	9.26
5	150085	Lateral XLong, SD60, SD70, SD80, black <sup>2</sup>	9.68	11.63
5	150088	Lateral, ClearPro 6 req	120.06	144.26
6	154926	Foot, SD35	110.78	133.11
6	154520	Foot, SD40, SD60, SD70, & SD80 <sup>1</sup>	114.18	137.20
7	154712Z	Drain Cap	34.09	40.96
8	154715	Gasket	6.42	7.71
9	154711Z	Drain	CALL	CALL
10	150055	Complete Drain Assembly	57.91	69.58
11	145339	Tank with drain SD35, almond	316.50	380.31
11	145341	Tank with drain SD40, almond	419.89	504.54
11	145343	Tank with drain SD60, almond	581.34	698.54
11	145368	Tank with drain SD70, almond	680.86	818.12
11	145334	Tank with drain SD80, almond	826.18	992.74
12	190059Z	Gauge, pressure	CALL	CALL
<b>NOT SHOWN</b>				
	272569	Kit Union for 2 in. Valve	CALL	CALL
	150119	Kit Union for 1-1/2 in. Valve	84.40	101.42

<sup>1</sup> Used on filters manufactured before 2/02.

<sup>2</sup> Filters manufactured after 10/04.

CALIFORNIA PROPOSITION 65 WARNING

**WARNING:** Cancer and Reproductive Harm.  
**AVERTISSEMENT:** Peut Causer le Cancer et des Dommages au Système Reproducteur.  
**ADVERTENCIA:** Cáncer y Daño Reproductivo.

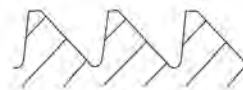
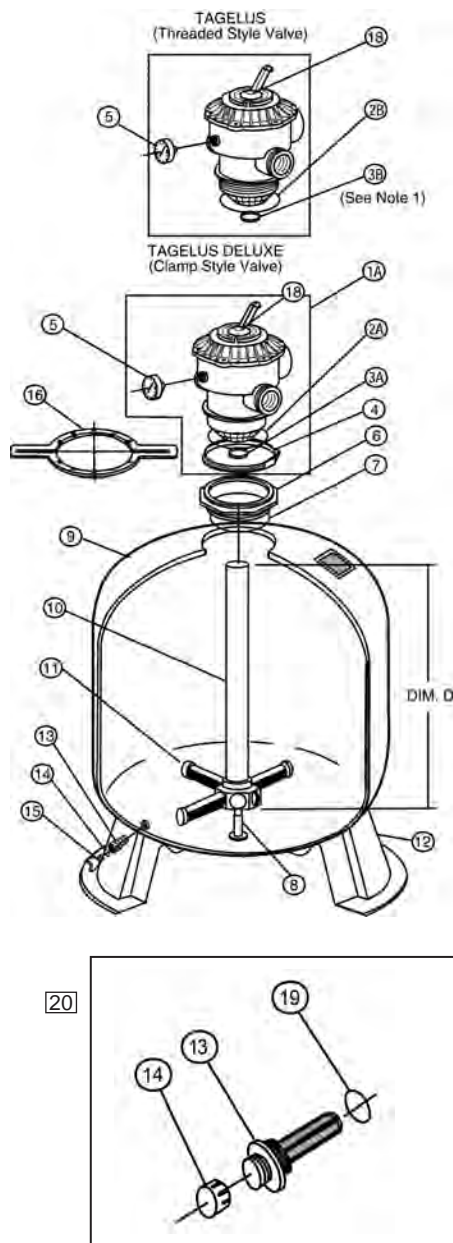
[www.p65warnings.ca.gov](http://www.p65warnings.ca.gov)
PR2017A



# TAGELUS® FILTERS

## REPLACEMENT PARTS FOR FIBERGLASS FILTERS

Item	Part No.	Description	US List	Can. List
<b>TAGELUS FILTERS WITH THD. &amp; CLAMP VALVES</b>				
1A	262506	Valve, 1-1/2 in. 6-way clamp style <sup>1, 4, 6, 8, 10</sup>	CALL	CALL
1A	261185	Valve, 2 in. 6-way clamp style <sup>11A, 11B</sup>	CALL	CALL
1A	262525	Valve, 2 in. for TA60 with unions	CALL	CALL
1B	261124	Valve, 1-1/2 in. 6-way "V" thread -TA, <sup>17</sup>	CALL	CALL
2A	272541	O-ring valve body, 3/16 in. x 4-3/4 in. i.d. <sup>2, 4, 6, 8, 10</sup>	9.04	10.86
2A	275333	O-ring valve body, 3/16 in. x 6-1/2 in. i.d. <sup>11A, 11B</sup>	7.68	9.23
2B	154493	O-ring valve body, .157 in. x 5.75 in. i.d. <sup>1, 3, 5, 7, 9</sup>	6.00	7.21
3A	355330	O-ring standup, 1/8 in. x 2-3/8 in. i.d. <sup>11A, 11B</sup>	2.00	2.40
3B	155064	O-ring standup, 1/8 in. x 1-7/8 in. i.d. <sup>1, 3, 5, 7, 9, 12</sup>	1.36	1.63
4	152165	Clamp, 6-1/2 in. dia. SS, plastic <sup>2, 4, 6, 8, 10</sup>	27.70	33.28
4	152130	Clamp, 8.35 in. dia. <sup>11A, 11B</sup>	117.48	141.16
5	190059Z	Gauge back mount pressure	CALL	CALL
6	152520Z	Adapter, Quad Seal	121.86	146.43
6	155225	Adapter, 6 in. "V" thread <sup>2, 6, 8, 10, 15, 19</sup>	43.02	51.69
6	154521	Adapter, 8-1/2 in. btr. thread <sup>11A, 11B</sup>	76.49	91.91
7	154494	O-ring valve adptr., 1/8 in. x 6-1/4 in. i.d. <sup>2, 4, 6, 8, 10</sup>	CALL	CALL
7	355619Z	O-ring valve adptr., 3/16 in. x 7-3/4 in. i.d. <sup>11A, 11B</sup>	12.24	14.71
7	152516	Quad Seal	5.99	7.20
8	155002	Stabilizer, center pipe (TA100 Only)	22.82	27.42
9	155276	Tank & ft. assembly w/ valve adptr. <sup>6, 13, 18, 19</sup>	1187.49	1426.89
9	155269	Tank & ft. assembly w/ valve adptr. <sup>10, 13, 18, 19</sup>	1336.41	1605.83
9	155324	Tank & ft. assembly w/ valve adptr. <sup>11A, 11B, 13, 18, 19</sup>	1920.44	2307.60
9	155342	Tank & ft. assembly btr. thread style <sup>5, 16, 17</sup>	1153.61	1386.18
9	155358	Tank & ft. assembly btr. thread style <sup>9, 16, 17</sup>	953.70	1145.97
10	155060	Piping assembly, (dim. D = 12-7/8 in.) <sup>1, 2</sup>	50.34	60.49
10	153455	Piping assembly, (dim. D = 14-7/8 in.) <sup>3, 4</sup>	52.90	63.56
10	155061	Piping assembly, (dim. D = 17-3/4 in.) <sup>5, 6</sup>	52.65	63.26
10	155062	Piping assembly, (dim. D = 19-7/8 in.) <sup>7, 8</sup>	53.65	64.47
10	155063	Piping assembly, (dim. D = 22-5/8 in.) <sup>9, 10</sup>	54.60	65.61
10	155340	Piping assembly, less hub, (dim. D = 27-1/4 in.) <sup>11A, 11B</sup>	50.88	61.14
10	155323	Piping assembly, w/ hub, (dim. D = 27-1/4 in.) <sup>11A, 11B</sup>	114.24	137.27
10	155299	Piping assembly, w/ hub, w/ 1/4 turn lateral <sup>10, 20</sup>	54.07	64.97
10	152237	Piping assembly, w/ hub, TA60 2 in.	119.79	143.94



Detail A., after 12/1/91  
6 in. btr. Thread.



Detail B., before 12/1/91  
6 in. "V" Thread.

Product on page 86.

# TAGELUS® FILTERS (CONT'D)

## REPLACEMENT PARTS FOR FIBERGLASS FILTERS

Item	Part No.	Description	US List	Can. List
<b>TAGELUS FILTERS WITH THREAD &amp; CLAMP VALVES</b>				
11	155007	Lateral, 5-11/32 in. long, 8 req. <sup>1, 2, 3, 4</sup>	8.11	9.74
11	152290Z	Lateral, 6-11/16 in. long, 8 req. <sup>5, 9, 6, 10</sup>	CALL	CALL
11	152202Z	Lateral, 9-1/8 in. long <sup>11A, 11B</sup>	CALL	CALL
11	150085	Lateral, 1/4 turn, 6 req. <sup>7, 8, 10, 20</sup>	9.68	11.63
11	150088	Lateral, ClearPro - 6 req	120.06	144.26
12	154926	Foot tank <sup>3, 5, 7, 9, 4, 6, 8, 10</sup>	110.78	133.11
12	154596	Foot tank <sup>11A, 14</sup>	168.24	202.16
13	154698	Spigot, 3/4 in. NPT sand drain <sup>2, 4, 6, 8, 10</sup>	29.52	35.47
13	152220Z	Spigot, 2 in. NPT sand drain <sup>11A</sup> (Left-hand thread)	49.97	60.04
14	192115Z	O-ring drain plug, 1/16 in. x 1/2 in. i.d.	2.86	3.44
14	154871	2 in. drain cap (1-1/2 in. threads) <sup>11A, 11B</sup>	9.53	11.45
15	357161Z	Plug, 1/4 in. NPT drain	5.71	6.86
16	154512	Wrench, 6-1/2 in. across flats <sup>2, 6, 8, 10</sup>	29.13	35.00
16	151608	Wrench, 9 in. across flats <sup>14</sup>	CALL	CALL
18	272599	Label top mount valve	6.46	7.76
19	274494	Sand drain O-ring TA100	5.46	6.56
20	152220Z	Drain assy for TA100/TR100/TR140	49.97	60.04
<b>NOT SHOWN</b>				
	154402	Tape ft. mounting, <sup>1-10</sup>	7.30	8.77
	154407	Tape ft. mounting, <sup>11A, 11B</sup>	10.02	12.04
	155051	Sand guide only <sup>11A, 11B</sup>	8.07	9.70
	150119	Union Kit 1-1/2 in. Valve	84.40	101.42
	272569	Union Kit 2 in. Valve for TA 60D 2" only	CALL	CALL

<sup>1</sup> TA 30

<sup>2</sup> TA 30D

<sup>3</sup> TA 35

<sup>4</sup> TA 35D

<sup>5</sup> TA 40

<sup>6</sup> TA 40D

<sup>7</sup> TA 50

<sup>8</sup> TA 50D

<sup>9</sup> TA 60

<sup>10</sup> TA 60D

<sup>11A</sup>TA 100

<sup>11B</sup>TA 100D

<sup>12</sup> Item 3A O-ring, standpipe is used on model TA100D Filters only. Item 3B O-ring, standpipe is used on Tagelus Filter models TA30, 40, 50, 60, manufactured before April, 1993. Item 3B is not used on Tagelus Clamp Filter models TA30D, 35D, 40D, 50D, 60D or on any Tagelus models manufactured after April, 1993.

<sup>13</sup> Tagelus Clamp Filter models tank & ft. assembly have valve adptr., Item 6 factory installed.

<sup>14</sup> Replacement of tank ft. requires the use of mounting tape. See part number listed.

<sup>15</sup> Lubricate O-ring liberally w/ silicone lubricant and tighten to following spec: TA30D, 35D, 40D, 50D, 60D. Handtight plus 1/4 turn min. TA100 D Handtight plus 3/4 turn min.

<sup>16</sup> Tagelus Filter models TA30, 35, 40, 50, 60 manufactured after Nov. 1, 1991 were manufactured w/a btr. thread top opening and utilize a btr. style valve which is black in color. A change was made to the port arrangement in April, 1993 which will require that minor changes be made to the valve plumbing connections when replacing valves on filters manufactured between Nov. 1991 and Mar. 1993. DO NOT ATTEMPT TO INTERCHANGE THREAD TYPES.

<sup>17</sup> Tagelus Filter models TA30, 40, 50, 60 manufactured before Nov. 1, 1991 were manufactured w/a "V" thread style valve that is white or brown in color. These valves may be replaced only w/ "V" thread style valve P/N 261124, see Detail B. DO NOT ATTEMPT TO INTERCHANGE THREAD TYPES.

<sup>18</sup> Tagelus Clamp Filter models TA30D, 35D, 40D, 50D, 60D manufactured after Nov. 1, 1991 were manufactured w/a btr. thread top opening and utilize a btr. thread valve adptr. P/N 154555, see Detail A. DO NOT ATTEMPT TO INTERCHANGE THREAD TYPES.

<sup>19</sup> Tagelus Clamp Filter models TA30D, 40D, 50D, 60D manufactured before Nov. 1, 1991 were manufactured w/a "V" thread top opening and utilize a "V" thread valve adptr. P/N 155225, see Detail B. DO NOT ATTEMPT TO INTERCHANGE THREAD TYPES.

<sup>20</sup> TA60D Filters manufactured after June 1, 2007 have new 1/4 turn laterals.

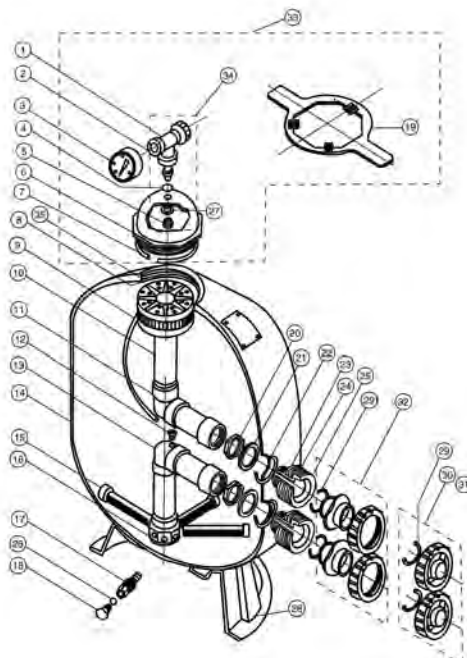
CALIFORNIA PROPOSITION 65 WARNING

▲ **WARNING:** Cancer and Reproductive Harm.  
▲ **AVERTISSEMENT:** Peut Causer le Cancer et des Dommages au Système Reproducteur.  
▲ **ADVERTENCIA:** Cáncer y Daño Reproductivo.

www.p65warnings.ca.gov. PH.200714

# TRITON® II FILTERS

## REPLACEMENT PARTS FOR FIBERGLASS FILTERS



Item	Part No.	Description	US List	Can. List
<b>TRITON II SAND FILTERS</b>				
1	154689Z	Air bleeder/tee assembly <sup>13</sup>	CALL	CALL
2	154700	Adapter, brass air bleeder <sup>13</sup>	13.40	16.10
3	190059Z	Gauge, back mount pressure <sup>13</sup>	CALL	CALL
4	154661	O-ring, air bleeder adapter <sup>13</sup>	2.00	2.40
5	154664	Nut, 3/8 in., 16 SS <sup>13</sup>	1.94	2.33
6	152519Z		121.86	146.43
6	154559	Closure 6 in. "V" thread, black, see Detail B <sup>13</sup>	62.37	74.94
7	154493	O-ring closure, 6 in., white <sup>13</sup>	6.00	7.21
7	152516	Quad Seal	5.99	7.20
8	154578	Strainer air relief, 1/4 in. <sup>3</sup>	15.75	18.93
8	150035	Strainer air relief, 3/8 in. <sup>4</sup>	10.71	12.87
9	154435	Tube air relief TR40 <sup>3</sup>	18.63	22.39
9	150039	Tube air relief TR40 <sup>4</sup>	21.90	26.32
9	154436	Tube air relief TR50/60 <sup>3</sup>	18.63	22.39
9	150040	Tube air relief TR50/60 <sup>4</sup>	21.90	26.32
9	154437	Tube air relief TR100 <sup>3</sup>	20.29	24.38
9	150041	Tube air relief TR100 <sup>4</sup>	17.25	20.73
9	154438	Tube air relief TR140 <sup>3</sup>	26.23	31.52
9	150042	Tube air relief TR140 <sup>4</sup>	16.06	19.30
10	154598	Diffuser assembly TR40/50	58.23	69.97
10	154599	Diffuser assembly TR60	58.23	69.97
10	154462	Diffuser assembly TR100	58.23	69.97
10	154906	Diffuser assembly TR140	59.95	72.04
11	154803	Piping assembly upper TR40	65.41	78.60

Item	Part No.	Description	US List	Can. List
11	156814	Piping assembly upper TR50	52.37	62.93
11	154533	Piping assembly upper TR60	50.52	60.70
11	154426	Piping assembly upper TR100	87.59	105.25
11	154500	Piping assembly upper TR140	55.25	66.39
12	154441	Connector air relief tube <sup>3</sup>	CALL	CALL
12	150036	Connector air relief tube <sup>4</sup>	1.74	2.09
13	154801	Piping assembly lower TR40	78.89	94.79
13	156816	Piping assembly lower TR50	62.58	75.20
13	154805	Piping assembly lower TR60	60.92	73.20
13	155284	Piping assembly lower TR60 <sup>14</sup>	102.12	122.71
13	154807	Piping assembly lower TR/PF100	62.65	75.28
13	154489	Piping assembly lower TR140	64.57	77.59
14	154636	Tank & ft. assembly TR40, 6 in. btr. thd., Almond, Detail A	1132.53	1360.85
14	154638	Tank & ft. assembly TR60, 6 in. btr. thd., Almond, Detail A	1296.88	1558.33
14	154639	Tank & ft. assembly TR100, 8-1/2 in. btr. thd., Almond, Detail A	1811.11	2176.23
14	154640	Tank & ft. assembly TR140, 8-1/2 in. btr. thd., Almond, Detail A	2664.51	3201.68

CALIFORNIA PROPOSITION 65 WARNING

⚠️ **WARNING:** Cancer and Reproductive Harm.  
 ⚠️ **AVERTISSEMENT:** Peut Causer le Cancer et des Dommages au Système Reproducteur.  
 ⚠️ **ADVERTENCIA:** Cáncer y Daño Reproductivo.

[www.p65warnings.ca.gov](http://www.p65warnings.ca.gov)
P65071A

## TRITON® II FILTERS (CONT'D) REPLACEMENT PARTS FOR FIBERGLASS

Item	Part No.	Description	US List	Can. List
<b>TRITON II SAND FILTERS</b>				
14	156224	Tank & ft. assembly TR100HD btr. thread, black HD	2005.16	2409.40
15	152290Z	Lateral, 6-11/16 in. L TR40/50/60, 8 req.	CALL	CALL
15	150085	Lateral TR60 Gray. 1/4 turn <sup>14</sup>	9.68	11.63
15	152202Z	Lateral, 9-1/8 in. L TR100, 8 req. <sup>6</sup>	CALL	CALL
15	154540Z	Lateral, 12 in. L TR140, 8 req.	CALL	CALL
15	150088	Lateral, ClearPro	120.06	144.26
16	154763	Hub lateral TR40/50/60	35.61	42.79
16	155753	Hub lateral, ClearPro- 6 req <sup>14</sup>	48.77	58.60
16	154453	Hub lateral TR100/140	119.24	143.28
17	154698	Spigot, 3/4 in. NPT sand drain <sup>8</sup>	29.52	35.47
18	357161Z	Plug, 1/4 in. NPT drain <sup>8</sup>	5.71	6.86
18	U178-920PZ	Drain Plug Assy	CALL	CALL
19	154512	Wrench, 6 in. closure <sup>13</sup>	29.13	35.00
19	154510	Wrench closure aluminum, 6 in. <sup>13</sup>	218.81	262.92
20	154412	Locknut, 2 in. internal, 2 req.	11.11	13.35
21	154416	Spacer, 2 in. internal, 2 req.	16.20	19.47
22	154492	O-ring, 2 in. bulkhead, 2 req.	2.96	3.56
23	154408	Spacer, 2 in. external, 2 req.	16.20	19.47
24	154538	Gasket, 2 in. bulkhead, 2 req.	2.42	2.91
25	154405	Bulkhead, 2 in., 2 req.	83.25	100.03
26	192115Z	O-ring drain plug <sup>8</sup>	2.86	3.44
27	154418	Washer, 3/8 in. SS <sup>13</sup>	1.36	1.63
28	154926	Foot, 16 in. dia., TR40/50 <sup>2, 11</sup>	110.78	133.11
28	154520	Foot, 19 in. dia., TR60 <sup>2, 11</sup>	114.18	137.20
28	154596	Foot, 24 in. dia., TR100/140 <sup>2, 11</sup>	168.24	202.16
29	274494	O-ring valve adptr., 2 req.	5.46	6.56
30	271092	2 in. Thread adapter. kit <sup>9</sup>	69.06	82.98
31	271094	1-1/2 in. Thread adapter. kit <sup>9</sup>	69.06	82.98
32	271096	2 in. Slip adapter. kit <sup>9</sup>	69.06	82.98
32	274426	Adapter Kit, 1-1/2 in. x 2 in.	CALL	CALL
33	155738	Kit closure, 8-1/2 in HD	274.70	330.08
33	154641	Kit closure, 6 in. btr. thread, black, Detail A <sup>13</sup>	221.06	265.63
33	154697	Kit closure, 6 in. "V" thread, tan, Detail B <sup>13</sup>	214.67	257.95
33	154856	Kit closure, 8-1/2 in. btr. thread, black <sup>10, 13</sup>	275.13	330.60
34	154687	Fitting package complete <sup>12, 13</sup>	54.72	65.75
35	154611	Spacer air vent strainer, 3-3/4 in., TR40	7.30	8.77
35	154612	Spacer air vent strainer, 4-1/2 in., TR50/60	7.30	8.77
35	154613	Spacer air vent strainer, 5-1/2 in., TR100	7.30	8.77
35	154614	Spacer air vent strainer, 5 in., TR140	7.30	8.77
<b>NOT SHOWN</b>				
	154402	Tape ft. mounting TR40/50/60, 3 req.	7.30	8.77
	154407	Tape ft. mounting TR100/140, 3 req.	10.02	12.04
	154714	Bulkhead Asy 2 IN TR (includes items 20, 21, 22, 23, 24, & 25)	173.52	208.50
	151602	Bulkhead wrench, 2 in.	322.52	387.54
	154714	Bulkhead kit include items 20-25	173.52	208.50
	151092	Aluminum wrench, 8-1/2 in.	529.18	635.86
	152220Z	Sand drain, 2 in. (used on TR100 and TR140) (Left-hand thread)	49.97	60.04
	154871	Cap thd., 1-1/2 in.	9.53	11.45
	274494	Sand drain O-ring TA100 (used on TR100 and (TR140)	5.46	6.56

Filters manufactured after Dec 1, 1991 utilize a 6 in. btr. thread in the filter tank top opening and on the closure, see Detail A.

Filters manufactured before Dec 1, 1991 utilize a 6 in. "V" type thread, see Detail B.

6 in. closures in Detail A and B are NOT interchangeable.



Detail A after 12/1/91  
6 in. btr. Thread.



Detail B before 12/1/91  
6 in. "V" Thread.

- <sup>1</sup> Used on filters manufactured before 2-89.
- <sup>2</sup> Used on filters manufactured after 2-89.
- <sup>3</sup> All filters manufactured before 11-1-99.
- <sup>4</sup> Used on filters manufactured after 11-1-99.
- <sup>5</sup> Used on filters manufactured before 5-85.
- <sup>6</sup> Used on filters manufactured after 5-85.
- <sup>7</sup> Used on filters manufactured before 3-83.
- <sup>8</sup> Used on filters manufactured after 3-83.
- <sup>9</sup> For installations w/out valve, pair.
- <sup>10</sup> Used on all TR100 & 140 filters manufactured after 10-1-01.
- <sup>11</sup> Replacement of tank foot requires the use of foot mounting tape. See P/N's.
- <sup>12</sup> Fitting package includes items 1,2,4,5 and 27.
- <sup>13</sup> For individual parts for closure kit for TR100 and TR140 see replacement parts pages.
- <sup>14</sup> For TR60's built after 6-07.

**CALIFORNIA PROPOSITION 65 WARNING**

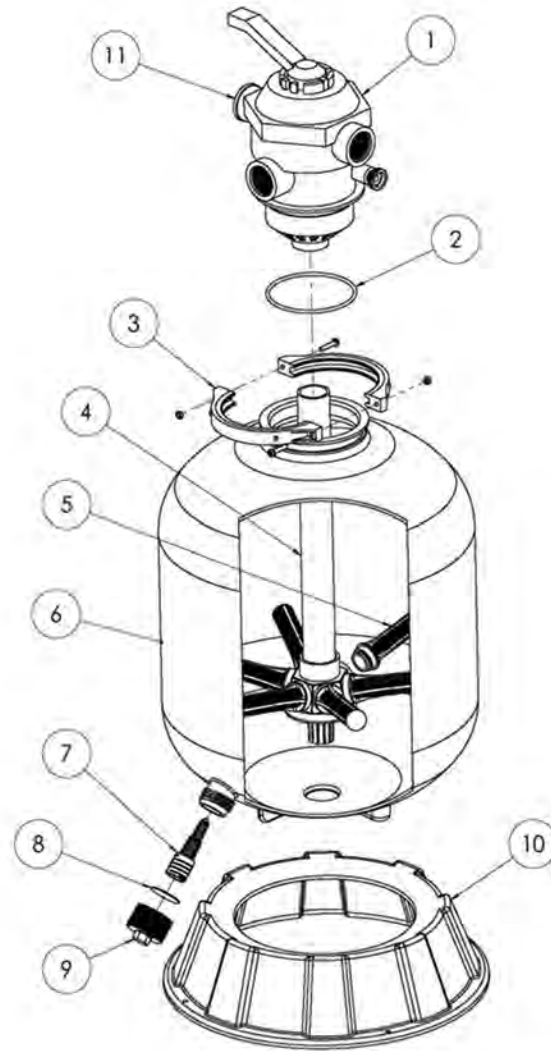
▲ **WARNING:** Cancer and Reproductive Harm.  
▲ **AVERTISSEMENT:** Peut Causer le Cancer et des Dommages au Système Reproducteur.  
▲ **ADVERTENCIA:** Cáncer y Daño Reproductivo.  
[www.p65warnings.ca.gov](http://www.p65warnings.ca.gov)

# CRISTAL-FLO™ II HIGH-RATE SAND FILTERS

## REPLACEMENT PARTS



Item	Part No.	Description	US List	Can. List
<b>CRISTAL-FLO II HIGH-RATE SAND FILTERS</b>				
1	262506	Valve, 1-1/2 in. 6-Way	CALL	CALL
1	262525	Valve, 2 in. with unions	CALL	CALL
2	272541	O-Ring Valve Body	9.04	10.86
3	152165	Clamp Assembly	27.70	33.28
4	152229	Piping Assembly – 16 in. Tank	138.83	166.82
4	152228	Piping Assembly – 19 in. Tank	128.17	154.01
4	152227	Piping Assembly – 22 in. Tank	149.01	179.05
4	152000	Piping Assembly – 24 in. Tank	148.27	178.16
4	152226	Piping Assembly – 26 in. Tank	116.82	140.37
4	152238	Piping Assembly – CFII 26 - 2 in.	123.74	148.69
5	150084	Lateral – 16 in. & 19 in. Tanks (6 req.)	7.71	9.26
5	150085	Lateral – 22 in., 24 in., & 26 in. Tanks (6 req.)	9.68	11.63
6	145364	Tank w/ Drain – 16 in. Tank	306.21	367.94
6	145365	Tank w/ Drain – 19 in. Tank	406.21	488.10
6	145366	Tank w/ Drain – 22 in. Tank	562.44	675.83
6	145369	Tank w/ Drain – 24 in. Tank	680.86	818.12
6	145370	Assembled Tank w/ Drain – 26 in. Tank	799.28	960.41
7	154711Z	Sand Drain	CALL	CALL
8	154715	Gasket (Sand Drain)	6.42	7.71
9	154712Z	Drain Cap	34.09	40.96
10	154926	Foot, 16 in. Tank	110.78	133.11
10	154520	Foot, 19 in., 22 in., 24 in., & 26 in. Tanks	114.18	137.20
11	190059Z	Pressure Gauge	CALL	CALL
12	150055	Kit Drain Assy (Incl. #7, 8, 9)	57.91	69.58
<b>NOT SHOWN</b>				
	155151	Kit, Flex Hose, 6 ft.	111.74	134.27
	155005	Kit, Flex Hose, 12 ft.	147.46	177.19
	150119	Union Kit for 1-1/2 in. Valve	84.40	101.42
	272569	Union Kit for 2 in. Valve	CALL	CALL



CALIFORNIA PROPOSITION 65 WARNING  
 ⚠️ **WARNING:** Cancer and Reproductive Harm.  
 ⚠️ **AVERTISSEMENT:** Peut Causer le Cancer et des Dommages au Système Reproducteur.  
 ⚠️ **ADVERTENCIA:** Cáncer y Daño Reproductivo.  
[www.p65warnings.ca.gov](http://www.p65warnings.ca.gov) PH201714

# SYSTEM:3® SAND FILTERS

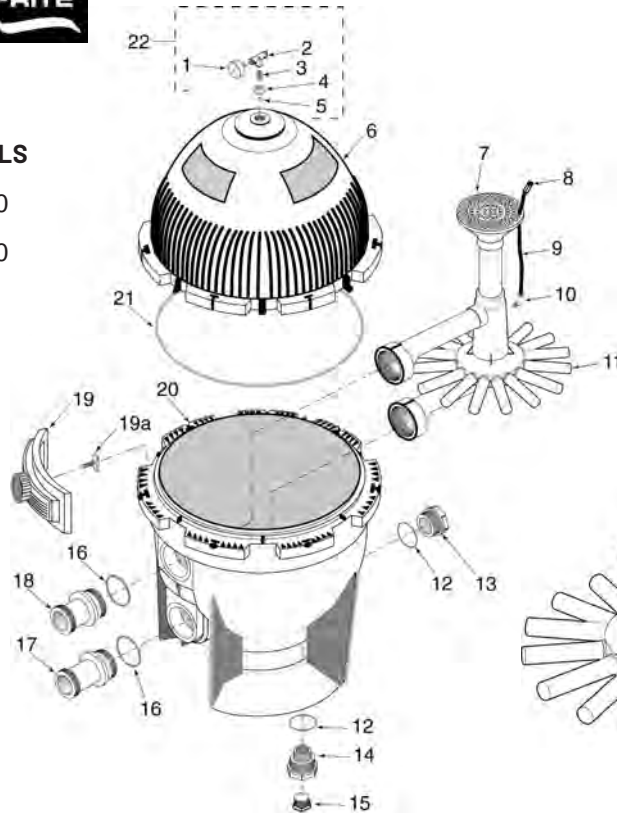
## SS SERIES REPLACEMENT PARTS



### MODELS

S7S50

S8S70

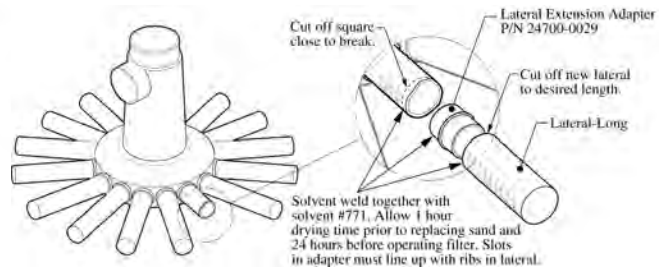


Lateral repair procedure.

**WARNING** To avoid serious personal injury or property damage, follow cement manufacturer's instructions exactly.

CALIFORNIA PROPOSITION 65 WARNING

**WARNING:** Cancer and Reproductive Harm.  
**AVERTISSEMENT:** Peut Causer le Cancer et des Dommages au Système Reproducteur.  
**ADVERTENCIA:** Cáncer y Daño Reproductor.  
[www.p65warnings.ca.gov](http://www.p65warnings.ca.gov)



Item	Part No.	Description	US List	Can. List
<b>SYSTEM:3 SAND FILTERS</b>				
1	33600-0023T	2 in. Gauge	50.83	61.08
2	154689Z	Valve Assembly	CALL	CALL
	• U212-252DS	Brass Deluxe Air Bleed (optional)	CALL	CALL
3	35202-0959	Nipple	14.91	17.92
4	24900-0504	Adapter Bushing	19.86	23.86
5	35505-1423	O-Ring	2.13	2.56
6	24851-9000	Tank - Upper Half Kit <sup>2</sup> - Model S7S50	1064.21	1278.75
6	24851-9001	Tank - Upper Half Kit <sup>2</sup> - Model S8S70	1309.01	1572.91
7	24900-0100S	Collector - Assembly (Includes Laterals) - Model S7S50	685.37	823.54
7	24901-0100S	Collector - Assembly (Includes Laterals) - Model S8S70	709.33	852.33
8	WC8-126Z	Air Bleed Filter (Blue)	16.33	19.62
9	WC37-386P	Vent Tube	16.26	19.54
10	WC78-84P	Elbow - Male Parflex	13.39	16.09
11	24900-0002	Lateral - Model S7S50 (16 req.)	13.15	15.80
11	24901-0003	Lateral - Model S8S70 (16 req.)	14.92	17.93
12	35505-1424	O-Ring	9.86	11.85
13	24900-0503	Plug (Sand Removal)	30.38	36.50
14	24900-0505	Drain Fitting	27.86	33.48
15	27001-0022	1-1/2 in. NPT Plug	3.14	3.77
16	35505-1425	O-Ring	16.44	19.75
17	24900-0500	Tank Fitting	52.94	63.61

Item	Part No.	Description	US List	Can. List
<b>SYSTEM:3 SAND FILTERS</b>				
18	24900-0501	Tank Fitting	47.18	56.69
19	24850-0200	Clamp Assembly <sup>3</sup>	138.94	166.95
19A	24850-0010	Clamp Bolt <sup>3</sup>	33.64	40.42
20	24850-0104S	Tank - Lower Half - Model S7S50	1188.39	1427.97
20	24851-0105S	Tank - Lower Half - Model S8S70	1342.73	1613.42
21	24850-0008	Cord Ring - Model S7S50	68.11	81.84
21	24850-0009	Cord Ring - Model S8S70	77.93	93.64
22	24850-0105	Valve & Gauge Assembly (Includes #1, 2, 3, 4, 5)	106.36	127.80
<b>NOT SHOWN</b>				
	24700-0029	Lateral Extension Adapter <sup>1,4</sup>	7.14	8.58
	24850-0016	Clamp Retaining Ring <sup>3</sup>	7.16	8.60
	25021-2021	System:3 Sand Conversion Kit #12,13,14,15,16,17,18) - Model S7S50 - Must also buy item # 7 separately	193.71	232.76
	25021-2025	System:3 Sand Conversion Kit #12,13,14,15,16,17,18) - Model S8S70 - Must also buy item # 7 separately	193.71	232.76

<sup>1</sup> Available for lateral repairs.

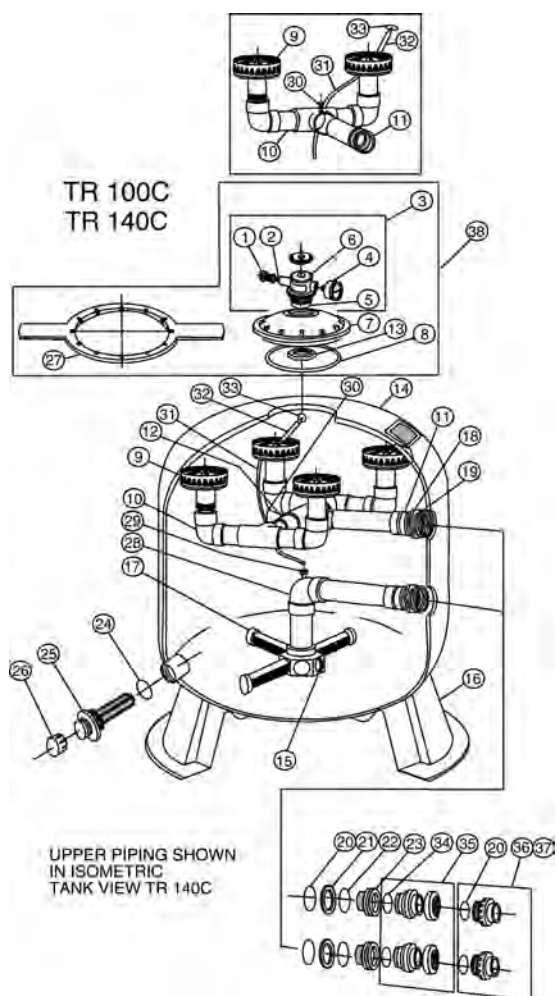
<sup>2</sup> Includes all decals and labels.

<sup>3</sup> Model S7S50 uses seven clamps and bolts; Model S8S70 uses eight.

<sup>4</sup> As required.

# TR100C™ & TR140C™ FILTERS

## REPLACEMENT PARTS FOR COMMERCIAL FIBERGLASS FILTERS



Item	Part No.	Description	US List	Can. List
<b>TR100C &amp; TR140C SAND FILTERS</b>				
1	273512	Air bleeder w/ O-ring	12.90	15.50
2	273513	O-ring air bleeder screw	1.06	1.27
3	273564Z	Manual air relief body assembly	108.41	130.27
4	190059Z	Pressure gauge	CALL	CALL
5	274495	O-ring, 3/16 in. x 2-5/8 in. i.d.	1.60	1.92
6	273564Z	Valve body machined ARF	108.41	130.27
7	154575	Closure, 8-1/2 in. btr.	75.29	90.47
8	152509Z	Square ring 8-1/2 in.	CALL	CALL
9	154599	Diffuser Assembly	58.23	69.97
10	156355	Piping assembly upper TR100C, TR140C <sup>1</sup>	115.95	139.33
11	156344	Piping assembly upper inlet TR100C, TR140C	81.64	98.10
12	156354	Piping connecting assembly upper TR140C	92.08	110.64
13	154412	Nut, 2 in. internal	11.11	13.35

<sup>1</sup> Different quantities required for TR100C and TR140C Filters.

<sup>2</sup> Use on filters manufactured before 11-1-99.

<sup>3</sup> Use on filters manufactured after 11-1-99.

Item	Part No.	Description	US List	Can. List
<b>TR100C &amp; TR140C SAND FILTERS</b>				
14	153430	Tank & ft. assembly TR100C, 8-1/2 in. btr. thd., black	1,828.31	2,196.90
14	153431	Tank & ft. assembly TR140C, 8-1/2 in. btr. thd., black	2664.51	3201.68
15	154453	Hub lateral TR100C/TR140C	119.24	143.28
16	154596	Foot, 24 in. dia. TR100C/TR140C	168.24	202.16
17	152202Z	Lateral, 9-1/8 in. TR100C, 8 req.	CALL	CALL
17	154540Z	Lateral, 12 in. TR140C, 8 req.	CALL	CALL
18	154412	Locknut, 2 in. internal	11.11	13.35
19	154416	Spacer, 2 in. internal	16.20	19.47
20	154492	O-ring, 2 in. bulkhead	2.96	3.56
21	154408	Spacer, 2 in. external	16.20	19.47
22	154538	Gasket, 2 in. bulkhead	2.42	2.91
23	154405	Bulkhead, 2 in.	83.25	100.03
24	274494	O-ring, 3/16 in. x 2-5/8 in. L.H. Thread	5.46	6.56
25	152220Z	2 in. sand drain (Left-hand thread)	49.97	60.04
26	154871	Cap thd., 1-1/2 in.	9.53	11.45
27	154527	Wrench, 8-1/2 in. closure	33.17	39.86
28	154807	Piping assembly lower TR100C	62.65	75.28
28	154489	Piping assembly lower TR140C	64.57	77.59
29	150036	Connector air relief tube <sup>3</sup>	1.74	2.09
30	273071	Screw, No.14 18-8 TR100C <sup>1</sup>	1.94	2.33
31	154437	Tube air relief TR100C <sup>2</sup>	20.29	24.38
31	150041	Tube air relief TR100C <sup>3</sup>	17.25	20.73
31	154438	Tube air relief TR140C <sup>2</sup>	26.23	31.52
31	150042	Tube air relief TR140C <sup>3</sup>	16.06	19.30
32	154507	Spacer air vent strainer TR100C 6-3/4 in.	9.72	11.68
32	154508	Spacer air vent strainer TR140C 10-5/16 in.	12.61	15.15
33	154578	Strainer air relief <sup>2</sup>	15.75	18.93
33	150035	Strainer air relief <sup>3</sup>	10.71	12.87
34	274494	O-ring valve adapter	5.46	6.56
35	271096	2 in. slip adaptor kit for inst. w/o valve (pair)	69.06	82.98
35	274426	Adapter Kit, 2-1/2 in. x 2 in.	CALL	CALL
36	271092	2 in. thd. adaptor kit for inst. w/o valve (pair)	69.06	82.98
37	271094	1-1/2 in. thd. adaptor kit for inst. w/o valve (pair)	69.06	82.98
38	154856	Kit closure 8-1/2 in. btr. thd. blk.	275.13	330.60

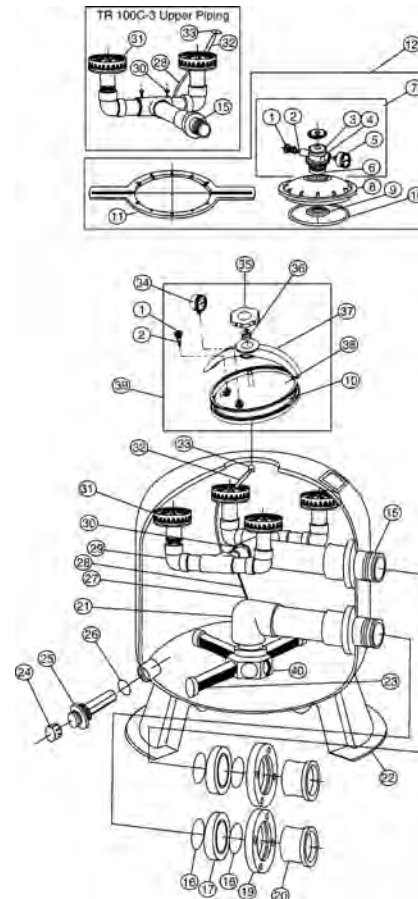
Product on page 95.

# TRITON® C-3 FILTERS

## REPLACEMENT PARTS FOR FIBERGLASS FILTERS

Item	Part No.	Description	US List	Can. List
<b>TRITON C &amp; C-3 SAND FILTERS</b>				
1	273512	Air bleeder with O-ring <sup>2,3</sup>	12.90	15.50
2	273513	O-ring air bleeder screw <sup>2</sup>	1.06	1.27
3	273564Z	Valve body machined <sup>2</sup>	108.41	130.27
4	272546	Label warning manual air relief <sup>2</sup>	CALL	CALL
5	190059Z	Pressure gauge <sup>2</sup>	CALL	CALL
6	154494	O-ring adapter, 6 in. <sup>2</sup>	CALL	CALL
7	273564Z	Manual air relief assembly <sup>2</sup>	108.41	130.27
8	154575	Closure 8-1/2 in. <sup>2</sup>	75.29	90.47
9	154412	Locknut, 2 in. internal	11.11	13.35
10	152509Z	Square ring-closure <sup>2,3</sup>	CALL	CALL
11	154527	Wrench, 8-1/2 in. closure <sup>2</sup>	33.17	39.86
12	154856	Kit, 8-1/2 in. closure butt thread <sup>6</sup>	275.13	330.60
12	156842	Closure kit C3 with bulkhead gaskets <sup>6</sup>	301.16	361.87
15	154007	Upper piping assembly TR 100C-3	167.48	201.24
15	154008	Upper piping assembly TR 140C-3	170.41	204.76
16	154005	O-ring parker 2-343, 2 req.	7.30	8.77
17	154002	Spacer, 3 in., 2 req.	69.83	83.91
18	154004	O-ring parker 2-342, 2 req.	7.30	8.77
19	154003	Flange, 3 in., 2 req.	87.79	105.49
20	154001	Adapter flange, 3 in., 2 req.	72.18	86.73
21	154009	Lower piping assembly TR 100C-3 (Hub not included - see item 40)	171.06	205.55
21	154010	Lower piping assembly TR 140C-3 (Hub not included - see item 40)	168.72	202.73
22	154596	Foot, 24 dia. TR 100C-3/140C-3	168.24	202.16
23	152202Z	Lateral, 9 in. TR 100C-3, 8 req.	CALL	CALL
23	154540Z	Lateral, 12 in. TR 140C-3, 8 req.	CALL	CALL
24	154871	Cap thd., 1-1/2 in.	9.53	11.45
25	152220Z	Sand drain, 2 in. (Left-hand thread)	49.97	60.04
26	274494	O-ring, 3/16 in. x 2-5/8 in. i.d., 2 req.	5.46	6.56
27	154441	Connector air relief tube	CALL	CALL
28	154437	Tube air relief TR100C-3 (23 in.) <sup>4</sup>	20.29	24.38
28	151114	Tube air relief TR100C-3 <sup>5</sup>	19.53	23.47
28	154438	Tube air relief TR140C-3 (27 in.) <sup>4</sup>	26.23	31.52
28	151115	Tube air relief TR140C3 <sup>5</sup>	25.23	30.32
29	154018	Diffuser piping assembly TR 140C-3, 2 req.	229.52	275.79
30	273071	Screw, No.10-1-1/2 in. flathead phillips, 2 req.	1.94	2.33

Item	Part No.	Description	US List	Can. List
<b>TRITON C &amp; C-3 SAND FILTERS</b>				
31	154599	Diffuser (2 req'd. for TR 100C-3), 2 req.	58.23	69.97
31	154599	Diffuser (4 req'd. for TR 140C-3), 4 req.	58.23	69.97
32	154507	Spacer TR 100C-3, 6-3/4 in.	9.72	11.68
32	154508	Spacer TR 140C-3, 10-5/16 in.	12.61	15.15
33	154578	Strainer air relief <sup>4</sup>	15.75	18.93
33	150035	Strainer air relief <sup>5</sup>	10.71	12.87
34	190058Z	Pressure gauge, 1/4 in. psi <sup>3</sup>	CALL	CALL
35	154581	Knob TR oval <sup>3</sup>	21.90	26.32
36	154582	Spring TR oval <sup>3</sup>	51.36	61.71
37	154579	Bridge TR oval <sup>3</sup>	122.06	146.67
38	154576	Closure oval <sup>3</sup>	114.80	137.94
39	156841	Kit TR oval closure <sup>1,3</sup>	385.90	463.70
40	154016	Hub	CALL	CALL
<b>NOT SHOWN</b>				
154714		Bulkhead ASY 2 IN TR (includes items 20, 21, 22, 23, 24, & 25)	173.52	208.50
151600		Oval Bulkhead Wrench	600.25	721.26
151604		Oval Bulkhead Wrench	792.32	952.05
150096		3" Flange Gaskets	CALL	CALL
151092		Aluminum Wrench	529.18	635.86



<sup>1</sup> P/N 156841 includes items 1, 10, 34 thru 38.  
<sup>2</sup> Used on filters manufactured before 3-97.  
<sup>3</sup> Used on filters manufactured after 3-97.  
<sup>4</sup> Used on filters manufactured before 11-99.  
<sup>5</sup> Used on filters manufactured after 11-99.  
<sup>6</sup> Used on filters manufactured after 4-15.

Product on page 95.



## SCH 40 & 80 FOR TR100C, TR140C & TR100C-3, TR140C-3 TANDEM FILTER PIPING KITS FOR 2 IN. AND 3 IN. FILTERS

Item	Description	Schedule	Qty.
<b>THE FOLLOWING ARE INCLUDED IN KITS FOR TR C FILTERS</b>			
1	Flange VS, socket, 150 lb.	80	2
2	Flange VS, spigot, 150 lb.	80	6
3	Butterfly valve, Asahi SP		4
4	Hardware kit, valve/flange hardware (No. 1), Includes: 16-5/8 x 6 in. hex head bolts, 16-5/8 in. nuts, 32-5/8 in. washers		1
5	Socket reducer tee	40	4
6	2 in. Spigot x socket 45° str. elbow	40	4
7	2 in. Spigot female adapter, spigot x fipt	40	4
8	2 in. Valve adapter kit		2
9	Socket tee	40	1
10	90° Socket elbow	40	1
11	Socket reducer saddle	40	6
12	2 in. Flange one-piece socket, 150 lb.	80	2
<b>SINGLE TANK 2 IN. ADDER KIT</b>			
1	Socket reducer tee, 4 x 2	40	2
2	2 in. Spigot x socket 45° str. elbow	40	2
3	2 in. Spigot female adapter, spigot x fipt	40	2
4	2 in. Valve adapter kit		1
5	Socket reducer saddle, 4 x 2	40	3
6	2 in. Flange one-piece socket, 150 lb.	80	1
<b>THE FOLLOWING ARE INCLUDED IN KITS FOR TR C-3 IN. FILTERS</b>			
1	Flange VS, socket, 150 lb.	80	2
2	Flange VS, spigot, 150 lb.	80	6
3	Butterfly valve, Asahi SP		4
4	Hardware kit, valve/flange hardware (No.1), Includes: 16-5/8 x 6 in. hex head bolts, 16-5/8 in. nuts, 32-5/8 in. washers		1
5	Socket tee	40	5
6	3 in. Spigot x socket 45° str. elbow	40	4
7	Socket reducer saddle	40	3
8	2 in. Flange one-piece socket, 150 lb. solid	80	1
9	3 in. Flange VS, spigot, 150 lb.	80	4
10	3 in. Bolt pack, tank/flange hardware w/ gasket (No.4), Includes: 16-5/8 x 3-1/4 in. hex head bolts, 16-5/8 in. nuts, 32-5/8 in. washers		1
11	90° Socket elbow	40	1
<b>SINGLE TANK 3 IN. ADDER KIT</b>			
1	Socket reducer tee	40	2
2	3 in. Spigot x socket 45° str. elbow	40	2
3	Socket reducer saddle	40	3
4	2 in. Flange one-piece socket, 150 lb. solid	80	1
5	3 in. Flange VS, spigot, 150 lb.	80	2
6	3 in. Bolt pack, tank/flange hardware w/ gasket (No.5), Includes: 8-5/8 x 3-1/4 in. hex head bolts, 8-5/8 in. nuts, 16-5/8 in. washers		1

Please contact the Factory for Drawings and Sizing details on Plumbing kits for the Triton C & C-3 in. Filters.

Product on pages 96–97.

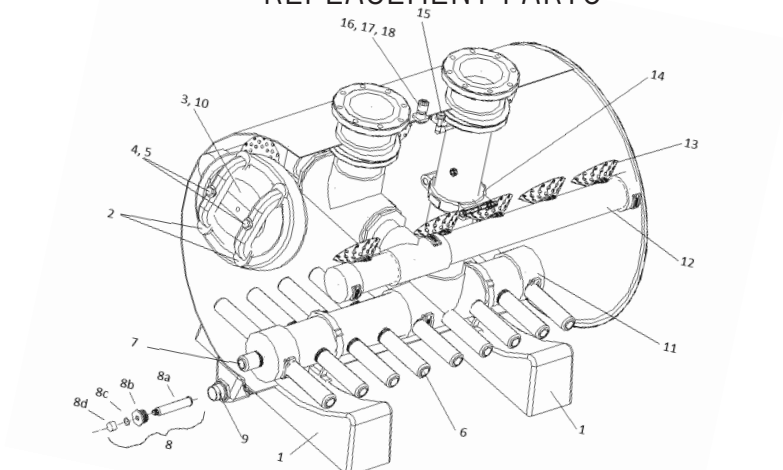
CALIFORNIA PROPOSITION 65 WARNING

▲ **WARNING:** Cancer and Reproductive Harm.  
▲ **AVERTISSEMENT:** Peut Causer le Cancer et des Dommages au Système Reproducteur.  
▲ **ADVERTENCIA:** Cáncer y Daño Reproductivo.

[www.p65warnings.ca.gov](http://www.p65warnings.ca.gov)
PR202114

# THS SERIES® HORIZONTAL SAND FILTER

## REPLACEMENT PARTS



THS SERIES® HORIZONTAL SAND FILTERS				
1	B4848BL-32	Tank Saddle, Black	All	2
2	B4856	Yoke, Manway	All	2
3	B4852A-N	Glass Filled Manway Cover, Black	All	1
4	94910	HHMB, 3/4 in. x 4 in., T316 S/S	All	2
5	B4860	3/4 in. Flat Washer, T316 S/S	All	2
6	B4804	10 in. Effluent Lateral	THS3461	14
			THS3484	20
			THS4272	18
			THS4284	24
			THS4296	28
7	B4803	3-1/2 in. Effluent Lateral	THS3461 - THS3484	2
			THS4272 - THS4296	3
8	B4980	Media Dump Assembly	All	1
8a	B4983	6 in. Lateral, 1/2 in. NPT	All	1
8b	B4982	1-1/2 in. Pipe Plug	All	1
8c	B4698	O-Ring	All	1
8d	B4984	1/2 in. Pipe Cap	All	1
9	B4981X	1-1/2 in. NPT Tank Adapter	All	1
10	B4951	Manway O-ring	All	1
11	**	Effluent Manifold without Laterals	**	1
12	**	Influent Manifold without Laterals	**	1
13	B4806	Shower Head Diffuser	THS3461	8
			THS3484	10
			THS4272	10
			THS4284	12
			THS4296	14
14	B4570	4 in. Grooved Coupling Assembly	THS3461 - THS3484	1
14	B4572	6 in. Grooved Coupling Assembly	THS4272 - THS4296	1
15	B4578	Automatic Air Relief Assembly	All	1
16	B4974BAN	1/2 in. Manual Air Relief Cap	All	1
17	B4970BAN	1/2 in. Threaded Nipple	All	1
18	B4979BAN	1/2 in. Bulkhead Fitting	All	1

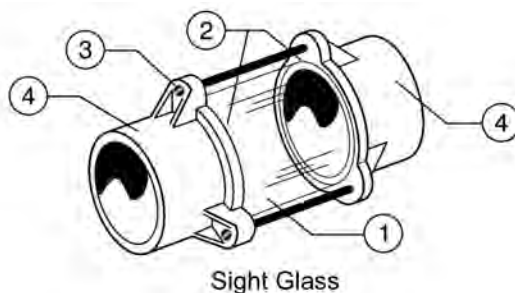
## SEPARATION TANK REPLACEMENT PARTS



Item	Part No.	Description	US List	Can. List
<b>SEPARATION TANK - SEP 48/72/96/144</b>				
1	98209800	High Flow manual air relief valve	38.82	46.65
2	190058Z	Pressure Gauge	CALL	CALL
3	310010Z	Tank Lid	178.80	214.85
4	59052900	Locking Ring Assembly	111.17	133.58
5	87300400Z	Body O-Ring	CALL	CALL
6	170099	Separation Bag Retaining Ring	167.72	201.53
8	178731Z	Tank Bottom	392.61	471.76
9	154712Z	Drain Cap Assembly	34.09	40.96
10	178732Z	Union Nut "C" Clip	8.70	10.45
11	U11-200PSZ	Union Nut	12.29	14.77
12	178746Z	Union Diamond Seal	4.70	5.65
13	178733Z	Union, Threaded Half	49.87	59.92
	170099	Separation Bag (Not Shown)	167.72	201.53

Product on page 81.

## SIGHT GLASS REPLACEMENT PARTS FOR AMERICAN PRODUCTS MODELS



Item	Part No.	Description	US List	Can. List
<b>SIGHT GLASS</b>				
2	51006100	Gasket, 2 req.	3.64	4.37
3	51006200	Bolt, 3 req.	CALL	CALL
4	51013200	Top and bottom ABS, 1-1/2 socket	CALL	CALL
<b>NOT SHOWN</b>				
	619312	Nut, 8-32, 3 req.	0.38	0.46

<sup>1</sup> Used on filters manufactured before 9-96.

<sup>2</sup> To upgrade sep. tanks manufactured after 9-96.

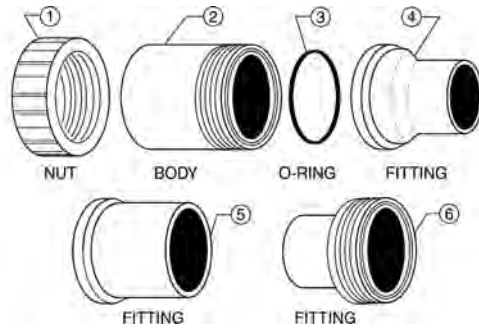
CALIFORNIA PROPOSITION 65 WARNING

⚠ **WARNING:** Cancer and Reproductive Harm.  
 ⚠ **AVERTISSEMENT:** Peut Causer le Cancer et des Dommages au Système Reproducteur.  
 ⚠ **ADVERTENCIA:** Cáncer y Daño Reproductivo.  
[www.p65warnings.ca.gov](http://www.p65warnings.ca.gov)

Product on page 98.

# UNIONS

## REPLACEMENT PARTS



Item	Part No.	Description	US List	Can. List
<b>UNIONS</b>				
1	51013011	Nut, black	30.42	36.55
2	87201911	Fitting, 2 in. slip ABS	CALL	CALL
3	51013500	O-ring	7.06	8.48
4	87202411	Body male, 1-1/2 in., ABS	22.22	26.70
5	87202211	Body, 1-1/2 in. slip x 2 in. male ABS	25.95	31.18

CALIFORNIA PROPOSITION 65 WARNING

⚠ **WARNING:** Cancer and Reproductive Harm.  
 ⚠ **AVERTISSEMENT:** Peut Causer le Cancer et des Dommages au Système Reproducteur.  
 ⚠ **ADVERTENCIA:** Cáncer y Daño Reproductivo.  
[www.p65warnings.ca.gov](http://www.p65warnings.ca.gov)

PA 202514