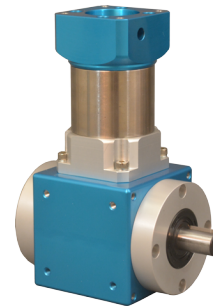


GBPHR-090x-SS Series

FEATURES

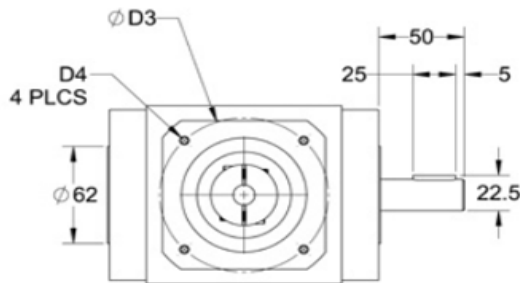
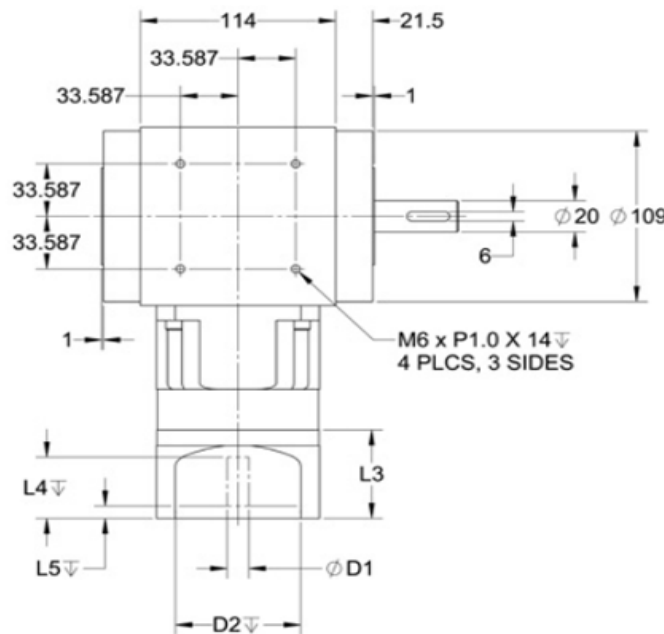
- Gear Ratios From 3 to 100
- Backlash Lower Than 22 arc-min
- Available in 1 and 2 Stage Models
- Lifetime Lubrication
- High Durability



DESCRIPTION

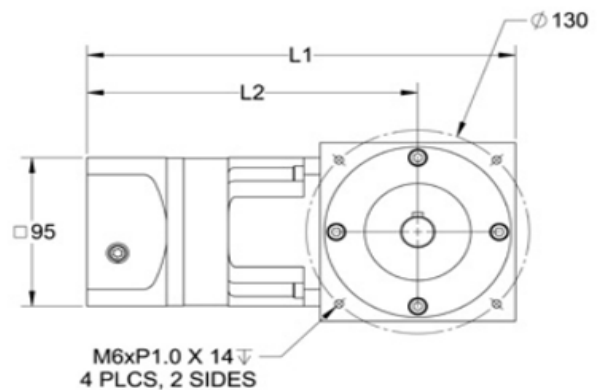
The GBPHR-090x-SS Series right angle planetary gearbox offers you the precision you need at the prices you want! This right angle planetary gearbox is designed with very low backlash for motion control, automation, and robotic applications requiring precise position requirements. This right angle planetary gearbox will match your servo or stepping motor. It comes in 18 different gear ratios. Built with the design goal of offering a cost effective product without sacrificing quality, you will find that this right angle planetary gearbox offers you an extraordinary value. Please verify all dimensions when matching a gearbox to a specific motor, as critical dimensions will vary among series and manufacturers.

DIMENSIONS



ITEM	DESCRIPTION	MOTOR INTERFACE
		AA341-500
D1	Input Shaft Diameter	12.7
L4	Max Shaft Length	47.5
D3	Mounting Bolt Hole Circle	98.4
D2	Pilot Diameter	73
L5	Pilot Depth	6
D4	Bolt Hole Size	M5x19
L1	Overall Length (1-Stage)	244
L1	Overall Length (2-Stage)	277
L2	Length (1-Stage)	187
L2	Length (2-Stage)	220

*1-Stage Models: Gear Ratios 3-7,10
 *2-Stage Models: Gear Ratios 9,12-100



L011328

*Note Dimensions are in mm.

Model #	Gear Ratio	Nominal Rated Torque (in-lb)	Max Torque (in-lb)	Stages	Backlash Maximum (arcmin)	Weight (lbs)	Torsional Rigidity (Nm/arcmin)
GBPHR-0901-SS-003-AA341-500	3	1469	4407	1	16	21.5	11
GBPHR-0901-SS-004-AA341-500	4	1469	4407	1	16	21.5	11
GBPHR-0901-SS-005-AA341-500	5	1469	4407	1	16	21.5	11
GBPHR-0901-SS-007-AA341-500	7	1469	4407	1	16	21.5	11
GBPHR-0902-SS-009-AA341-500	9	1469	4407	2	20	24.0	11
GBPHR-0901-SS-010-AA341-500	10	1469	4407	1	16	21.5	11
GBPHR-0902-SS-012-AA341-500	12	1469	4407	2	20	24.0	11
GBPHR-0902-SS-015-AA341-500	15	1469	4407	2	20	24.0	11
GBPHR-0902-SS-016-AA341-500	16	1469	4407	2	20	24.0	11
GBPHR-0902-SS-021-AA341-500	21	1469	4407	2	20	24.0	11
GBPHR-0902-SS-025-AA341-500	25	1469	4407	2	20	24.0	11
GBPHR-0902-SS-028-AA341-500	28	1469	4407	2	20	24.0	11
GBPHR-0902-SS-030-AA341-500	30	1469	4407	2	20	24.0	11
GBPHR-0902-SS-040-AA341-500	40	1469	4407	2	20	24.0	11
GBPHR-0902-SS-049-AA341-500	49	1469	4407	2	20	24.0	11
GBPHR-0902-SS-050-AA341-500	50	1469	4407	2	20	24.0	11
GBPHR-0902-SS-070-AA341-500	70	1469	4407	2	20	24.0	11
GBPHR-0902-SS-100-AA341-500	100	1469	4407	2	20	24.0	11

Operating Temperature:	-15° C - 90°C	Noise Level:	65 dB
Efficiency	88% - 91%	Design Life:	20,000 hours
Radial Load:	1349 lbs - Force	Axial Load:	1124 lbs - Force
Maximum Input Speed:	2600 - 3600 RPM	IP Rating:	IP65