



OPERATING INSTRUCTIONS FOR  
WET/DRY VACS  
***MV-900-0MEV***



CAUTION  
RISK OF INJURY!

READ MANUAL BEFORE OPERATING!

This manual is an important part of the Wet/Dry Vac and must remain with the unit when you sell or rent it!

# TABLE OF CONTENTS

INTRODUCTION.....	3
<b>IMPORTANT SAFETY WARNINGS.....</b>	<b>4-5</b>
RISK OF ELECTRIC SHOCK OR ELECTROCUTION.....	4
RISK OF EXPLOSION OR FIRE.....	5
RISK OF BODILY INJURY.....	5
<b>FEATURES.....</b>	<b>6</b>
<b>INSTALLATION &amp; PREPARATION.....</b>	<b>7</b>
START-UP.....	7
GROUNDING INSTRUCTIONS.....	8
<b>OPERATING INSTRUCTIONS.....</b>	<b>9</b>
OPERATION.....	9
SHUTDOWN.....	9
<b>TROUBLESHOOTING.....</b>	<b>10</b>
<b>SPECIFICATIONS.....</b>	<b>10</b>
<b>STATEMENT OF WARRANTY.....</b>	<b>11</b>
<b>PARTS LIST.....</b>	<b>12-16</b>
ASSEMBLY FOR MV-900-0MEV.....	12
VACUUM POWER HEAD ASSEMBLY (3-0239).....	14
WIRING DIAGRAM.....	16
<b>NOTES.....</b>	<b>17</b>
<b>FRENCH.....</b>	<b>18-33</b>
<b>SPANISH.....</b>	<b>34-51</b>

## **⚠WARNING**

**Warning:** This product contains lead, a chemical known to the State of California to cause birth defects or other reproductive harm.

*Wash your hands after handling this product.*

## **⚠WARNING**

This product contains one or more chemicals known to the State of California to cause cancer and birth defects or other reproductive harm.

## INTRODUCTION

Congratulations on the purchase of your new commercial Mi-T-M Wet/Dry Vac! You can be assured your Mi-T-M Wet/Dry Vac was constructed and designed with quality and performance in mind. Each component has been rigorously tested to ensure the highest level of acceptance.

This operator's manual was compiled for your benefit. By reading and following the simple safety, installation, operation, maintenance and troubleshooting steps described in this manual, you will receive years of trouble free operation from your new Mi-T-M Wet/Dry Vac. The contents of this manual are based on the latest product information available at the time of publication. The manufacturer reserves the right to make changes in price, color, materials, equipment, specifications or models at any time without notice.

### ! IMPORTANT !

The following "Signal Words" are used throughout this manual to designate the degree or level of hazard seriousness.

**DANGER:** Indicates an imminently hazardous situation which, if not avoided, WILL result in death or serious injury.

**WARNING:** Indicates a potentially hazardous situation which, if not avoided, COULD result in death or serious injury.

**CAUTION:** Indicates a potentially hazardous situation which, if not avoided MAY result in minor or moderate injury.



The symbol set to the left of this paragraph is a "Safety Alert Symbol". This symbol is used to call attention to items or procedures that could be dangerous to you or other persons using this equipment.



**ALWAYS PROVIDE A COPY OF THIS MANUAL TO ANYONE USING THIS EQUIPMENT. READ ALL INSTRUCTIONS BEFORE OPERATING THIS WET/DRY VAC AND ESPECIALLY POINT OUT THE "SAFETY WARNINGS" TO PREVENT THE POSSIBILITY OF PERSONAL INJURY TO THE OPERATOR.**



Once the unit has been removed from the box, immediately write in the serial number of your unit in the space provided below.

**SERIAL NUMBER** \_\_\_\_\_

Inspect for signs of obvious or concealed freight damage. If damage does exist, file a claim with the transportation company immediately. Be sure that all damaged parts are replaced and that the mechanical and electrical problems are corrected prior to operation of the unit. If you require service, contact your Customer Service.

CUSTOMER SERVICE  
CALL OUR TOLL-FREE NUMBER  
for the Sales or Service Center nearest you!  
800-553-9053

Please have the following information available for all service calls:


1. Model Number
2. Serial Number
3. Date and Place of Purchase



# SAFETY WARNINGS



**WARNING:** When using this product, basic precautions should always be observed, including the following:  
**READ ALL SAFETY INSTRUCTIONS BEFORE USING WET/DRY VAC**

HAZARD	POTENTIAL CONSEQUENCE	PREVENTION
<p data-bbox="175 254 412 405"><b>RISK OF ELECTRIC SHOCK OR ELECTROCUTION</b></p> 	<p data-bbox="483 254 899 436">Serious injury or death could occur if the Wet/Dry Vac is not properly grounded. Your Wet/Dry Vac is powered by electricity and may cause electric shock or electrocution if not used properly.</p> <p data-bbox="483 709 899 768">Electrical shock may occur from electrical cord.</p> <p data-bbox="483 1623 899 1713">Serious injury or death may occur if electrical repairs are attempted by unqualified persons.</p>	<p data-bbox="922 254 1487 338">This product must be grounded. Connect to a properly grounded outlet only. See "Grounding Instructions".</p> <p data-bbox="922 352 1487 472">Always be certain the unit is receiving proper voltage. Before plugging the unit into a compatible power source, be certain the switch is in the "OFF" position. Disconnect when not in use.</p> <p data-bbox="922 487 1487 606">Do not modify plug provided with the product. If it will not fit the outlet, have a proper outlet installed by a qualified electrician. Do not remove the plug or use any type of adapter.</p> <p data-bbox="922 621 1487 705">Do not expose the Wet/Dry Vac to rain or submerge in water. Do not use pressurized water to clean the Wet/Dry Vac. Store indoors.</p> <p data-bbox="922 720 1487 804">Check power cord for signs of crushing, cutting or heat damage. If replacement of plug or cord is needed, use only identical replacement parts.</p> <p data-bbox="922 819 1487 903">If Wet/Dry Vac is not working correctly, has been dropped, damaged, left outdoors, or dropped into water, return it to a service center.</p> <p data-bbox="922 917 1487 1066">Keep all connections dry and off the ground. Do not allow electrical cords to lay in water or in such a position where water could come in contact with them. Do not handle plug or Wet/Dry Vac with wet hands.</p> <p data-bbox="922 1081 1487 1230">Do not pull or carry the unit by the electrical cord. Do not use the cord as a handle, close a door on cord, or pull cord around sharp edges or corners. Do not run Wet/Dry Vac over cord. Keep cord away from heated surfaces.</p> <p data-bbox="922 1245 1487 1329">Turn off all controls before unplugging the unit from the outlet. Do not unplug by pulling on cord. To unplug, grasp the plug, not the cord.</p> <p data-bbox="922 1344 1487 1612">Use only extension cords having an electrical rating not less than the rating of the product. Do not use damaged extension cords. Examine extension cord before using and replace if damaged. Keep cord away from heat and sharp edges. Always connect and disconnect the extension cord from the receptacle before connecting and disconnecting the product from the extension cord.</p> <p data-bbox="922 1627 1487 1747">Any electrical wiring or repairs performed on this Wet/Dry Vac should be done by Authorized Service Personnel in accordance with National and Local electrical codes.</p> <p data-bbox="922 1761 1487 1881">Before opening any electrical enclosure, always shut off the Wet/Dry Vac and unplug the Wet/Dry Vac from the power source. Allow the Wet/Dry Vac to cool down. Service in a clean, dry, flat area.</p>



# SAFETY WARNINGS

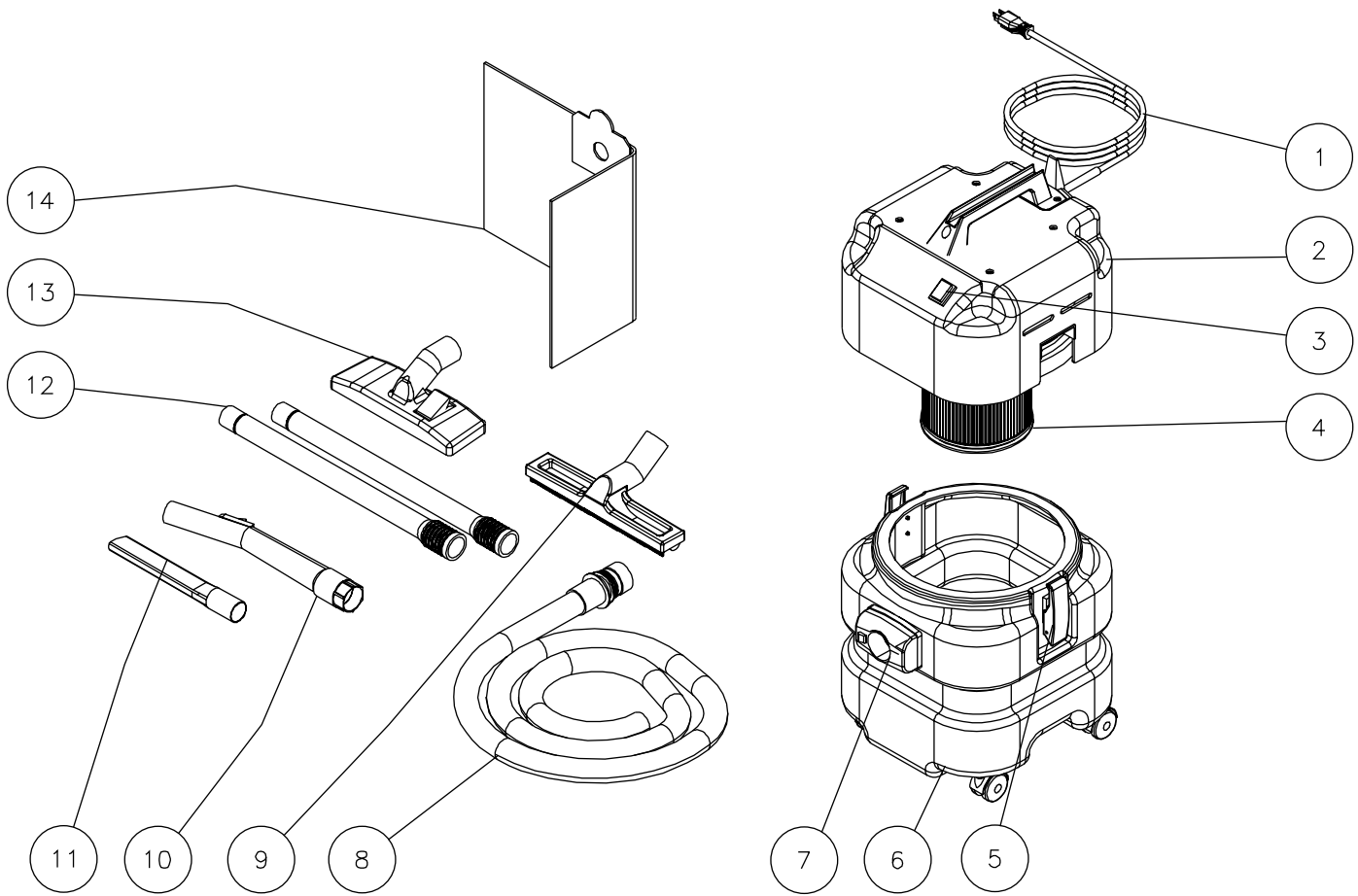
READ ALL SAFETY INSTRUCTIONS BEFORE USING WET/DRY VAC



HAZARD	POTENTIAL CONSEQUENCE	PREVENTION
<p data-bbox="207 233 480 302"><b>RISK OF EXPLOSION OR FIRE</b></p> <div data-bbox="142 327 331 527"></div> <div data-bbox="342 327 531 527"></div>	<p data-bbox="558 233 967 294">Serious injury or death may occur from normal sparks in the motor.</p> <p data-bbox="558 338 967 428">Serious injury or death may occur from absorption of flammable materials.</p> <p data-bbox="558 443 967 504">Injury may occur from unit overheating.</p>	<p data-bbox="997 233 1528 323">Always operate Wet/Dry Vac in a well ventilated area free of flammable vapors, combustible dust, gases or other combustible materials.</p> <p data-bbox="997 338 1528 428">Do not pick up any flammable materials such as gasoline or anything that is burning or smoking such as cigarettes, ashes, etc.</p> <p data-bbox="997 443 1528 533">Always unroll the Power Cord before operating. Using a rolled-up power cord could result in low voltage or overheating.</p> <p data-bbox="997 548 1442 575">Do not use without dust filter in place.</p>
<p data-bbox="188 600 505 627"><b>RISK OF BODILY INJURY</b></p> <div data-bbox="222 648 464 905"></div>	<p data-bbox="558 596 967 657">Injury may occur from the Wet/Dry Vac.</p>	<p data-bbox="997 596 1520 657">Keep the suction nozzle away from the body, especially the eyes, ears, nose and mouth.</p> <p data-bbox="997 672 1520 732">Do not use this unit to pickup endangering dusts or substances.</p> <p data-bbox="997 747 1520 837">Stay alert-watch what you are doing. Do not operate the unit when fatigued or under the influence of alcohol or drugs.</p> <p data-bbox="997 852 1520 942">Wet surfaces can be slippery, wear protective foot gear and keep good footing and balance at all times.</p> <p data-bbox="997 957 1520 1047">Direct supervision is necessary when children operate this Wet/Dry Vac. Do not allow to be used as a toy.</p> <p data-bbox="997 1062 1520 1152">DO NOT leave operating unit unattended. Shut off the Wet/Dry Vac and disconnect from the power source before leaving.</p> <p data-bbox="997 1167 1520 1228">Know how to stop the Wet/Dry Vac. Be thoroughly familiar with controls.</p> <p data-bbox="997 1243 1520 1362">Before servicing the unit: turn the unit off and allow the unit to cool down. Service in clean, dry, flat area. Block the wheels to prevent the unit from moving.</p> <p data-bbox="997 1377 1520 1593">Use of this machine for anything not specified in this manual may be dangerous and must be avoided. The manufacturer cannot be held responsible for any damage/injury caused to persons or property because of the incorrect use of the machine due to procedures being used which are not specified in this manual.</p> <p data-bbox="997 1608 1520 1698">Do not put any object into openings. Do not use with any opening blocked; keep free of dust, lint, hair, and anything that may reduce air flow.</p> <p data-bbox="997 1713 1520 1774">Keep hair, loose clothing, fingers, and all parts of body away from openings.</p> <p data-bbox="997 1789 1520 1850">Use only as described in this manual. Use only manufacturer's recommended attachments.</p> <p data-bbox="997 1864 1459 1892">Use extra care when cleaning on stairs.</p>

**! SAVE THESE INSTRUCTIONS !**

## WET/DRY VAC FEATURES

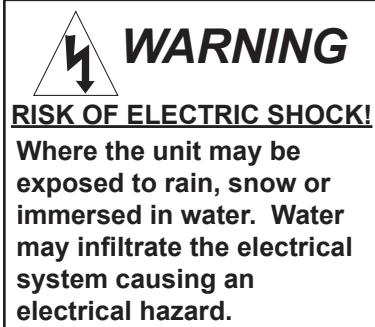


### FEATURES LISTING

1. 25' Power Cord
2. Vacuum Power Head Assembly
3. On/Off Switch
4. Filter
5. Latch
6. Bottom Canister
7. Vacuum Inlet
8. Suction Hose w/ Inlet Cuff
9. Squeegee Tool- 12"
10. Curved Plastic Wand
11. Crevice Tool
12. Aluminum/Plastic Wand
13. Combo Floor Tool- 12"
14. Paper Bag

## INSTALLATION & PREPARATION

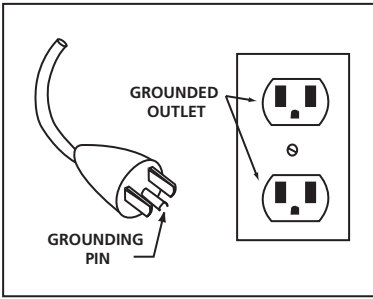
### START-UP:




1. Proper attire is essential to your safety. It is advised to utilize whatever means necessary to protect eyes, ears, and skin.
2. Remove the Canister Lid by releasing the Side Latches.
  - a. Inspect the Wet/Dry Filter to ensure it is free of obstructions. Clean or replace if necessary.
  - b. Inspect the Canister to ensure it is empty and free of obstructions.
  - c. If repairs are needed, contact your Authorized Service Center and replace with only genuine manufacturer replacement parts.
3. Filter bags are not necessary with your Mi-T-M Wet/Dry Vac. If desired, you may attach a Paper Filter Bag (supplied with the unit) onto the Suction Intake of the Canister for collection and immediate disposal of dry debris. **Be certain the paper filter bag is removed for wet pickup.** Ensure all materials are disposed of according to State and Federal EPA Standards.
4. Replace the Canister Lid and securely tighten the Side Latches.
5. Securely insert the larger end of the Flexible Hose sleeve into the Suction Intake.
6. Connect the Extension Wand onto the Flexible Hose.
7. Connect the Wet/Dry Floor Tool onto the Extension Wand.
8. Ensure electrical supply is identical to the specifications listed on your Wet/Dry Vac Data Plate.
9. Ensure the On/Off Switch is in the "OFF" position.
10. Insert the grounded plug of the Power Cord into a grounded receptacle.

## INSTALLATION & PREPARATION


FIG. A



 **WARNING**


**RISK OF ELECTRIC SHOCK!**

Improper connection of the equipment-grounding conductor can result in a risk of electric shock.

 **WARNING**

**RISK OF ELECTROCUTION!**

If use of an extension cord is required, use only extension cords having an electrical rating not less than the rating of the product. Do not use damaged extension cords.

 **CAUTION**

**RISK OF FIRE!**

A wound-up power cord may result in low voltage and possible overheating causing a fire.

### GROUNDING INSTRUCTIONS:

1. This Wet/Dry Vac must be grounded. If it should malfunction or break down, grounding provides a path of least resistance for electric current to reduce the risk of electric shock. This Wet/Dry Vac is equipped with a cord having an equipment-grounding conductor and grounding plug. The plug must be inserted into an appropriate outlet that is properly installed and grounded in accordance with all local codes and ordinances.

Check with a qualified electrician or service person if you are in doubt as to whether the outlet is properly grounded. Do not modify the plug provided with the appliance- if it will not fit the outlet, have a proper outlet installed by a qualified electrician.

2. This Wet/Dry Vac is for use on a nominal 120-volt circuit and has a grounding attachment plug (See Fig. A). Make sure that the Wet/Dry Vac is connected to an outlet having the same configuration as the plug. No adapter should be used with this Wet/Dry Vac.

3. Unroll the Power Cord before plugging it into a grounded outlet.

**NOTE:** The Wet/Dry Vac is supplied with a Tank Drain, be sure the Drain Cap is covering the Tank Drain opening before starting the unit. The Wet/Dry Vac will not operate properly with the Tank Drain open.



## OPERATING INSTRUCTIONS

### OPERATION:

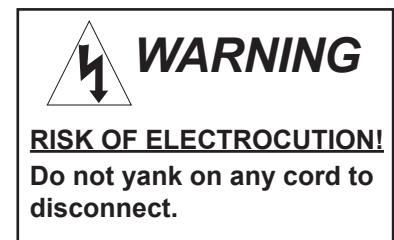
1. Please observe the following precautions while using the Wet/Dry Vac.
  - a. Do not place any object in the Wet/Dry Vac openings. Ensure all openings remain unobstructed and free of lint, hair, dust or anything which may reduce air flow.
  - b. Aggressive solvents or detergents should not be used. DO NOT operate the unit if you see any foam/liquid leaking from the machine. DO NOT resume operation until the unit has been inspected and repaired by a qualified service person.
  - c. If the equipment should overturn, it is recommended that the Wet/Dry Vac be placed upright before turning it off.
2. While holding the Flexible Hose, move the On/Off Switch to the "ON" position.
3. Move the Wet/Dry Floor Tool slowly across the surface you wish to clean.
4. Wet Pickup Application:
  - a. As the Canister fills, the float will begin to rise. The function of the float is to stop suction when the tank is full or if the Wet/Dry Vac should accidentally overturn. When the Canister is full, turn the On/Off Switch to the "OFF" position and disconnect the Power Cord from the receptacle.
  - b. Remove the Canister Lid and empty any debris from the Canister.
5. Dry Pickup Application:
  - a. If using a paper filter bag, remove and replace with a new paper filter bag.
  - b. If not using a paper filter bag, tilt the Wet/Dry Vac to empty the Canister.

**NOTE:** Ensure all materials are disposed of according to State and Federal EPA Standards.

6. Replace the Canister Lid and plug the Power Cord back into the grounded outlet.
7. Turn the On/Off Switch to "ON" to resume operation.

### SHUTDOWN:

1. When cleaning application is completed, turn the On/Off Switch to the "OFF" position.
2. Disconnect the Power Cord from the receptacle.
3. Roll up the disconnected Power Cord and place it on the designated area of the Wet/Dry Vac.
4. Remove the Canister Lid and empty the Canister.
5. Rinse the Canister and allow to air dry.
6. Pull the Wet/Dry Filter off of the Canister Lid.
  - a. Wet-Filter Cleaning: Rinse with warm water and shake clean. Allow to air dry completely.
  - b. Dry-Filter Cleaning: Shake filter clean. Occasionally rinse with warm water. Allow to air dry completely.
7. Place the dry filter back onto the Canister Lid.
8. Wipe down the exterior of the Wet/Dry Vac and store indoors.



## TROUBLESHOOTING

SYMPTOM	PROBABLE CAUSE	REMEDY
Wet/Dry Vac will not start.	Power Cord is disconnected.	Ensure Power Cord is securely connected to the unit and to the power source. If using an extension cord, ensure the power cord and extension cord are securely connected.
	Circuit overload.	Check breaker or fuse panel.
	Brushes on motor are worn.	Contact your Customer Service.
Inadequate suction.	Flexible Hose is obstructed, cut or damaged.	Clean or replace Flexible Hose.
	Wand or attachment is obstructed.	Clear obstruction.
	Wet/Dry Filter is full of dirt.	Clean or replace.
No suction.	Canister is full.	Empty Canister.

## SPECIFICATIONS

TECHNICAL DATA	MODEL NO. MV-900-0MEV
<b>MOTOR</b>	120V 2-Stage By-pass
<b>HP</b>	1.3 Nominal HP
<b>CFM</b>	101
<b>WATERLIFT (Inches)</b>	87
<b>CAPACITY (Gallons)</b>	9
<b>WATER RECOVERY (Gallons)</b>	6.0
<b>ELECTRICAL CORD</b>	25'
<b>DIMENSIONS (L x W x H / Inches)</b>	14 x 14 x 22
<b>WEIGHT</b>	25



---

---

**STATEMENT OF WARRANTY  
FOR Mi-T-M WET/DRY VACUUM  
MV-900-0MEV**

Manufacturer warrants all parts (except those referred to below) of your new Wet/Dry Vac to be free from defects in materials and workmanship for Two (2) Year Limited from the date of original purchase with the following exception:

Lifetime warranty on canister.

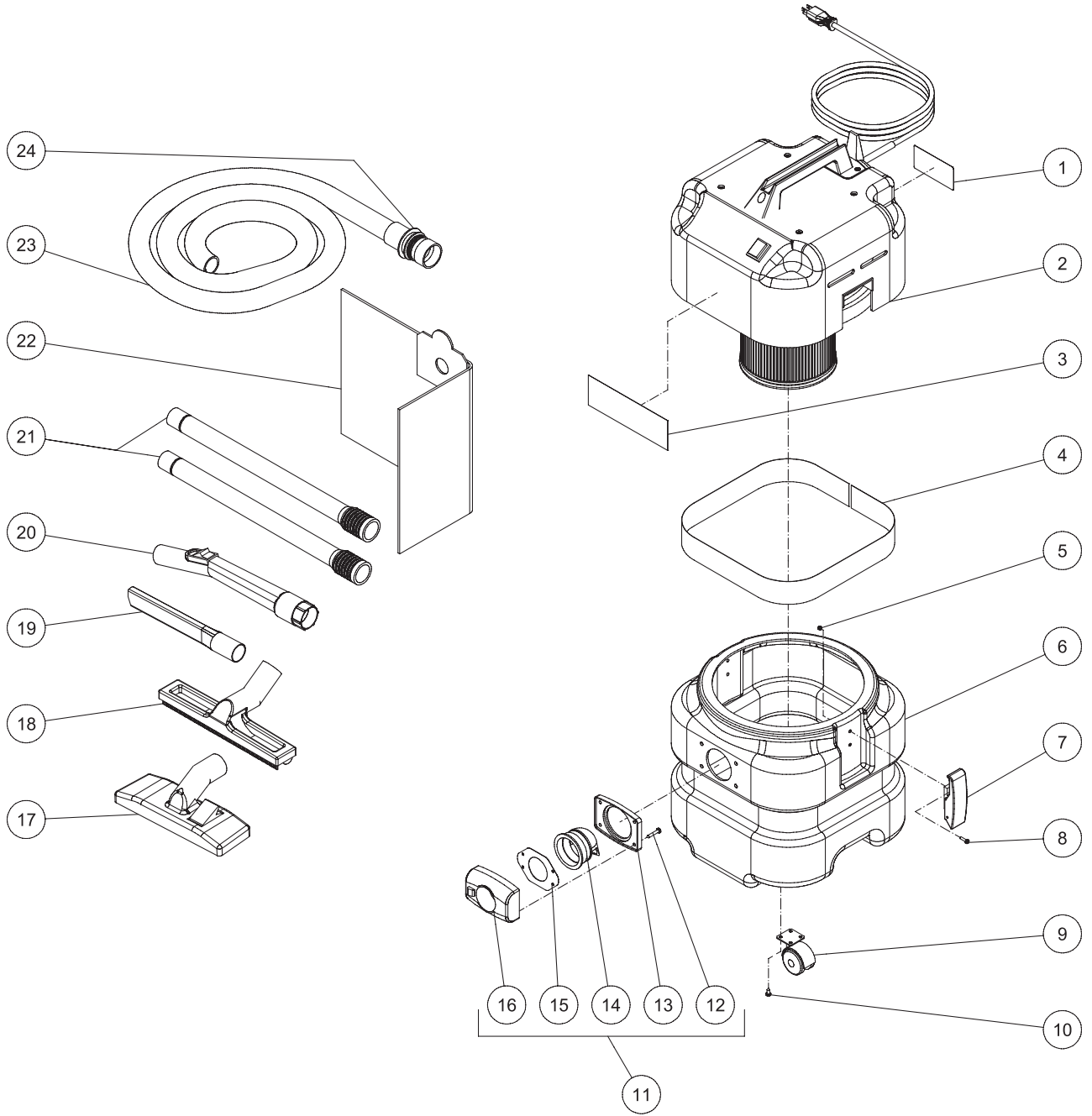
Defective parts will be repaired or replaced at our option during the warranty period. In any event, reimbursement is limited to the purchase price paid.

**EXCLUSIONS**

1. This warranty does not cover parts damaged due to normal wear, misapplication, misuse, operation at other than recommended speeds or temperature. Parts damaged or worn because of the use of caustic liquids or by operation in abrasive or corrosive environments are not warranted. Failure to follow recommended operating and maintenance procedures also voids warranty.
2. The use of other than Genuine Manufacturer Repair Parts will void warranty. Parts returned, prepaid to our factory or to an Authorized Service Center will be inspected and replaced free of charge if found to be defective and subject to warranty. There are no warranties which extend beyond the description of the face hereof. Under no circumstances shall the manufacturer bear any responsibility for loss of use of the unit, loss of time or rental, inconvenience, commercial loss or consequential damages.

For Service or Warranty Consideration, contact  
Mi-T-M Corporation®, 8650 Enterprise Drive, Peosta, IA 52068-0050  
1-563-556-4784 / 1-800-553-953 / Fax 563-556-1235  
Monday - Friday 8:00 a.m. - 5:00 p.m. CST

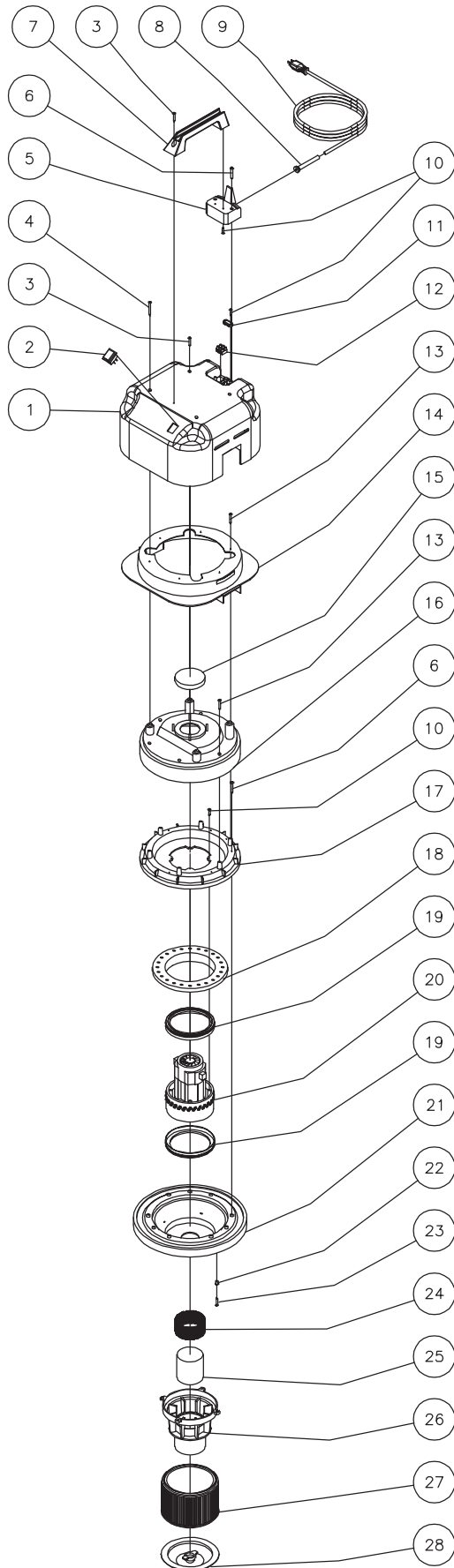
# ASSEMBLY FOR MV-900-0MEV



MV-900-0MEV-122712-RJA

MV-900-0MEV 122712 RJA			
FRAME ASSEMBLY			
ITEM	DESCRIPTION	PART #	QTY
1	DECAL- SILVER STICKER	N/A	1
2	POWER HEAD ASSEMBLY	3-0239	1
3	DECAL - Mi-T-M	34-1414	1
4	DECAL - Mi-T-M STRIPE	34-1291	1
5	HEX NUT	30-0053	4
6	BOTTOM CANISTER	62-0147	1
7	LATCH	33-0416	2
8	SCREW	27-8942	4
9	CASTER WHEEL	14-0093	4
10	SCREW	27-3262	12
11	VACUUM INLET	70-0368	1
12	SCREW	N/A	4
13	RECEIVER FLANGE	N/A	1
14	DEFLECTOR ELBOW	N/A	1
15	GASKET	N/A	1
16	HOSE RECEIVER	N/A	1
17	COMBO FLOOR TOOL	33-0411	1
18	FLOOR SQUEEGEE	33-0410	1
19	CREVICE TOOL	33-0412	1
20	CURVED WAND	16-0403	1
21	EXTENSION WAND	16-0402	2
22	FILTER BAG	19-0222	1
23	HOSE *(TEN FEET REQUIRED)	15-0242	1
24	INLET CUFF	50-0178	1
*MUST ORDER IN ONE FOOT LENGTHS			

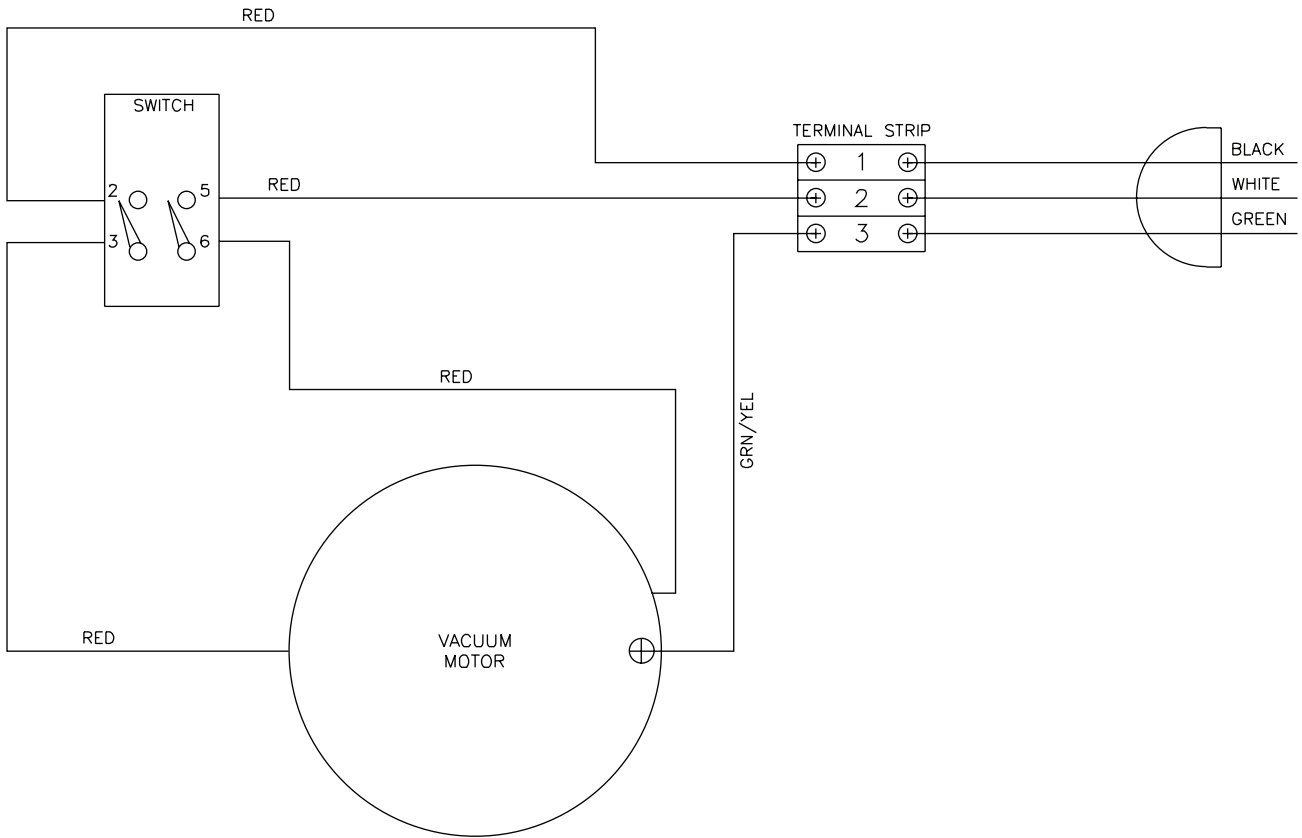
# VACUUM POWER HEAD ASSEMBLY (3-0239)



3-0239-012304-BAR

<b>VACUUM POWER HEAD ASSEMBLY (3-0239)</b>			
<b>REF. #</b>	<b>DESCRIPTION</b>	<b>PART #</b>	<b>QTY.</b>
1	Top Canister	62-0151	1
2	Rocker Switch	32-0789	1
3	Screw	27-9552	3
4	Screw	27-9553	2
5	Handle Base	62-0157	1
6	Screw	27-9555	8
7	Handle	62-0158	1
8	Strain Relief	32-0788	1
9	Cord Assembly	32-0792	1
10	Screw	27-9551	8
11	Cord Clamp	32-0787	1
12	Terminal Block	32-0790	1
13	Screw	27-9554	6
14	Chamber Divider	62-0152	1
15	Gasket Filter	26-0275	1
16	Motor Retainer Top	62-0153	1
17	Motor Retaining Head Bottom	62-0154	1
18	Motor Bottom Gasket	26-0277	1
19	Motor Gasket	26-0224	2
20	Motor- 1.3 HP	2-0140	1
21	Canister Base	62-0155	1
22	Filter Housing Spacer	62-0156	4
23	Screw	27-9556	4
24	Screen	19-0229	1
25	Float	62-0161	1
26	Filter Housing	62-0159	1
27	Filter	19-0221	1
28	Filter Retaining Clip	62-0160	1

# WIRING DIAGRAM





---

NOTES

## TABLE DES MATIERES

INTRODUCTION .....	19
<b>INSTRUCTIONS IMPORTANTES DE SÉCURITÉ .....</b>	<b>20-21</b>
RISQUE DE DÉCHARGE ÉLECTRIQUE OU D'ÉLECTROCUTION .....	20
RISQUE D'EXPLOSION OU D'INCENDIE .....	21
RISQUE DE BLESSURES CORPORELLES.....	21
<b>CARACTÉRISTIQUES .....</b>	<b>22</b>
<b>INSTALLATION &amp; PRÉPARATION .....</b>	<b>23-24</b>
MISE EN MARCHÉ.....	23
INSTRUCTIONS POUR LA MISE A LA TERRE .....	24
<b>CONSIGNES D'UTILISATION .....</b>	<b>25</b>
FONCTIONNEMENT .....	25
ARRÊT .....	25
<b>DÉPANNAGE.....</b>	<b>26</b>
<b>SPÉCIFICATIONS.....</b>	<b>26</b>
<b>BON DE DE GARANTIE .....</b>	<b>27</b>
<b>LISTE DES PIÈCES.....</b>	<b>28-32</b>
ASSEMBLÉE POUR MV-900-0MEV .....	28
ASSEMBLÉE POUR TÊTE DE PUISSANCEDE VIDE (3-0239) .....	30
DIAGRAMME DE CÂBLAGE .....	32
<b>NOTE .....</b>	<b>33</b>

### **WARNING**

**AVERTISSEMENT:** Ce produit contient du plomb, un produit chimique qui est connu par l'état de Californie comme étant la cause de cancer et de malformations congénitales ou autres effets nocifs de reproduction.

*Laver vos mains après avoir manipulé ce produit.*

### **AVERTISSEMENT**

Ce produit contient un ou plusieurs produits chimiques qui sont connus par l'état de Californie comme étant la cause de cancer, de défauts de naissance et d'autres problèmes reproductifs.

## INTRODUCTION

Félicitations de l'achat de votre nouveau aspirateur eau/poussière industriel Mi-T-M! Vous pouvez être assuré que votre nouveau aspirateur eau/poussière a été construit et conçu avec qualité et performance à l'esprit. Chaque composant a été rigoureusement testé afin d'atteindre le plus haut niveau de fiabilité.

Le manuel de l'utilisateur a été dressé pour que vous en retiriez le meilleur parti. Par la lecture et l'application des mesures simples de sécurité, d'installation, d'opération, d'entretien et de dépannage décrites dans ce manuel, votre nouveau aspirateur eau/poussière Mi-T-M fonctionnera sans faille pendant de nombreuses années. Le contenu de ce manuel est basé sur la dernière information disponible du produit au moment de la publication. Mi-T-M se réserve le droit d'effectuer des changements de prix, de couleur, de matériaux, d'équipement, de caractéristiques ou de modèles à tout moment sans préavis.

### ! IMPORTANT !

Les "mots d'alerte" suivants sont utilisés à travers ce manuel pour indiquer le degré ou le niveau de gravité du danger.

**DANGER:** Indique une situation au danger imminent qui, si elle n'est pas évitée, ENTRAINERA la mort ou des blessures graves.

**AVERTISSEMENT:** Indique une situation potentiellement dangereuse qui, si elle n'est pas évitée, POURRAIT entraîner la mort ou des blessures graves.

**ATTENTION:** Indique une situation potentiellement dangereuse, qui, si elle n'est évitée, PEUT entraîner des dommages corporels mineurs ou modérés.



Le symbole placé à gauche de ce paragraphe est un "symbole d'alerte de sécurité". Ce symbole est utilisé pour souligner les points ou les procédures qui pourraient être dangereux pour vous ou tout autre personne utilisant cet équipement.

**FOURNISSEZ TOUJOURS UNE COPIE DE CE MANUEL A TOUTE PERSONNE UTILISANT CET EQUIPEMENT. LISEZ TOUTES LES INSTRUCTIONS AVANT D'UTILISER CET ASPIRATEUR EAU/POUSSIÈRE ET ATTIREZ SPECIALEMENT L'ATTENTION AUX "AVERTISSEMENT DE SÉCURITÉ" POUR EMPECHER LA POSSIBILITÉ DE BLESSURES POUR L'UTILISATEUR.**

Une fois l'appareil déballé, écrivez immédiatement le numéro de série de votre appareil dans l'espace ci-dessous

**NUMERO DE SÉRIE** \_\_\_\_\_

Assurez-vous qu'il n'y a pas de signes de dommages évidents ou cachés suite au transport. En cas de dommage, remplissez immédiatement une réclamation avec la compagnie de transport. Assurez-vous que toutes les pièces endommagées sont remplacées et les problèmes mécaniques et électriques corrigés avant l'utilisation de l'appareil. Si vous avez besoin d'assistance, entrez en contact avec votre service clientèle 1-800-553-9053.

Veillez avoir les informations suivantes disponibles pour toute intervention:


1. Numéro de modèle
2. Numéro de série
3. Date et lieu d'achat



# AVERTISSEMENTS DE SÉCURITÉ



**AVERTISSEMENT:** Lors de l'utilisation de ce produit, des précautions de base doivent toujours être observées, incluant les suivantes:  
LIRE TOUTES LES INSTRUCTIONS AVANT UTILISATION DE L'ASPIRATEUR EAU/POUSSIÈRE

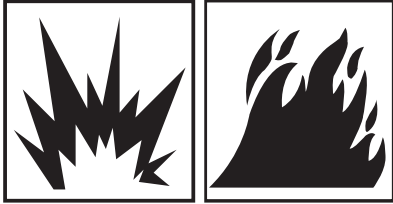

RISQUE	CONSÉQUENCE POTENTIELLE	PRÉVENTION
<p data-bbox="126 268 451 361"><b>RISQUE DE DÉCHARGE ÉLECTRIQUE OU D'ÉLECTROCUTION</b></p> 	<p data-bbox="483 268 901 478">Des risques de mort ou de blessures graves peuvent survenir si l'aspirateur eau/poussière n'est pas reliée à la terre correctement. Votre aspirateur eau/poussière est alimenté par électricité et pourrait provoquer une décharge électrique ou une électrocution si il n'est pas utilisé correctement.</p> <p data-bbox="483 888 901 940">Un choc électrique peut se produire par le fil électrique.</p> <p data-bbox="483 1623 901 1749">Des risques de mort ou de blessures graves peuvent survenir si des réparations électriques sont effectuées par des personnes incompetentes.</p>	<p data-bbox="922 268 1477 342">Cet appareil doit être relié à la terre. Ne brancher qu'à une prise correctement mise à la terre. Voir les "instructions de mise à la terre".</p> <p data-bbox="922 342 1477 468">Assurez-vous que l'appareil reçoit toujours le voltage approprié. Avant de brancher l'appareil à une source d'énergie compatible, assurez-vous que l'interrupteur est en position "Arrêt" (Off). Débrancher entre chaque utilisation.</p> <p data-bbox="922 478 1477 604">Ne modifier en aucun cas la prise fournie avec le produit. Si celle-ci n'entre pas dans la prise femelle, faites-en installer une par un électricien qualifié. Ne pas enlever la prise ou utiliser aucun type d'adaptateur.</p> <p data-bbox="922 625 1477 720">Ne pas exposer l'aspirateur eau/poussière à la pluie ou immerger dans l'eau. Ne pas utiliser d'eau sous pression pour nettoyer l'aspirateur eau/poussière. Entreposer à l'intérieur.</p> <p data-bbox="922 741 1477 867">Vérifier que le cordon d'alimentation n'a pas d'écrasement, de coupures ou de dommages résultant de la chaleur. Si une prise ou un cordon d'alimentation a besoin d'être changé, remplacez-le avec un produit identique.</p> <p data-bbox="922 888 1477 993">Rapporter l'aspirateur eau/poussière à un centre de service s'il ne fonctionne pas correctement, si vous l'avez laissé tombé, si il est abîmé, si il a été laissé dehors, ou si il est tombé dans l'eau.</p> <p data-bbox="922 993 1477 1140">Garder tous les branchements au sec et au dessus du sol. Ne pas permettre aux fils électriques de tremper dans l'eau ou de se retrouver dans une position telle que le contact avec l'eau serait possible. Ne pas toucher la prise ou l'aspirateur eau/poussière avec les mains mouillées.</p> <p data-bbox="922 1140 1477 1276">Ne pas tirer sur ou porter l'appareil par le fil électrique. Ne pas se servir du fil comme d'une poignée, fermer la porte sur le fil, ou tirer le fil sur des coins ou bords aigus. Ne pas passer l'aspirateur eau/poussière sur le fil. Placer le fil loin de toute surface chaude.</p> <p data-bbox="922 1276 1477 1381">Eteindre toutes les commandes avant de débrancher l'appareil de la prise. Ne pas débrancher en tirant sur le fil. Pour débrancher, saisir la prise, pas le fil.</p> <p data-bbox="922 1381 1477 1612">Utiliser seulement des rallonges ayant une intensité électrique au moins égale à l'intensité électrique du produit. N'employer pas de rallonges électriques abîmées. Examiner la rallonge avant chaque utilisation et remplacer-la si elle est endommagée. Tenir le fil électrique à l'écart de la chaleur et des bords coupants. Brancher et débrancher toujours la rallonge électrique du réceptacle avant de brancher ou débrancher celle-ci de l'appareil.</p> <p data-bbox="922 1623 1477 1749">Toute réparation ou câblage électrique effectué sur l'aspirateur eau/poussière doit être réalisé par le Personnel de Service Autorisé et selon les dispositions électriques nationales et locales en vigueur.</p> <p data-bbox="922 1759 1477 1906">Avant d'ouvrir n'importe quel boîtier électrique, toujours éteindre l'aspirateur eau/poussière et débrancher l'aspirateur eau/poussière de la source d'énergie. Laisser l'aspirateur eau/poussière refroidir. Entretenir dans un endroit propre, sec, et plat.</p>



# AVERTISSEMENTS DE SÉCURITÉ

LIRE TOUTES LES INSTRUCTIONS DE SÉCURITÉ AVANT UTILISATION DE L'ASPIRATEUR EAU/POUSSIÈRE



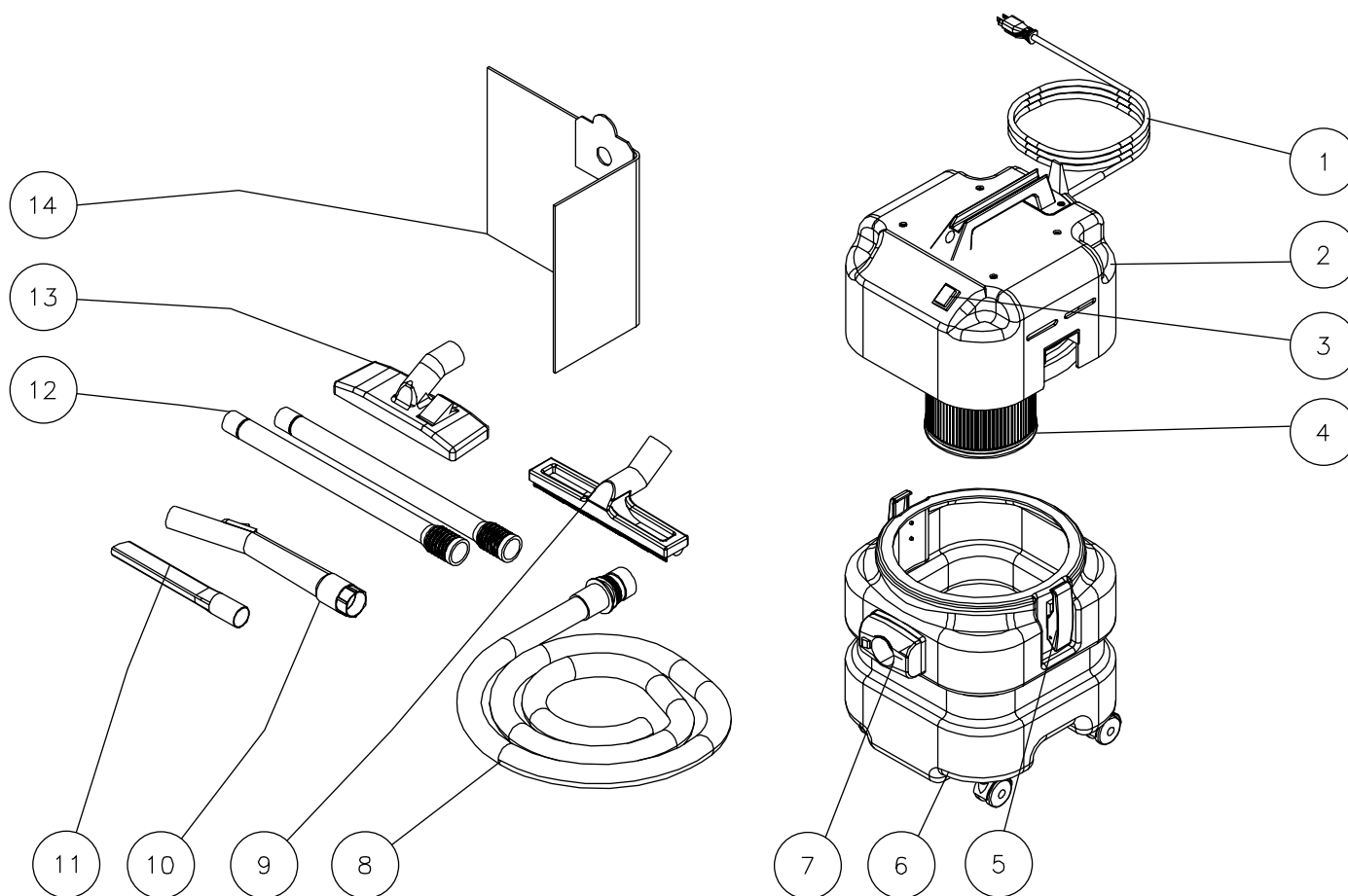
RISQUE	CONSÉQUENCE POTENTIELLE	PRÉVENTION
<p><b>RISQUE D'EXPLOSION OU D'INCENDIE</b></p> 	<p>Des risques de mort ou de blessures graves peuvent survenir à la suite d'étincelles électriques normales dans le moteur.</p> <p>Des risques de mort ou de blessures graves peuvent survenir à la suite de l'absorption de matières inflammables.</p> <p>Des blessures peuvent survenir si l'appareil surchauffe.</p>	<p>Toujours faire fonctionner l'aspirateur eau/poussière dans un endroit bien ventilé, libre de vapeurs inflammables, de poussière combustible, de gaz, ou d'autres matériaux combustibles.</p> <p>Ne pas aspirer de matières inflammables comme l'essence ou toute chose qui brûle ou fume comme les cigarettes, cendres, etc.</p> <p>Déranger toujours le cordon de secteur avant utilisation. Se servir d'un cordon de secteur enroulé pourrait résulter en une tension basse ou surchauffement de l'appareil.</p> <p>Ne pas se servir de l'appareil sans avoir un filtre à poussière en place.</p>
<p><b>RISQUE DE BLESSURES CORPORELLES</b></p> 	<p>L'aspirateur eau/poussière peut être la cause de blessures.</p>	<p>Tenir le bec suceur à l'écart du corps, surtout des yeux, oreilles, nez et bouche.</p> <p>Ne pas se servir de cet appareil pour ramasser des poussières ou substances dangereuses.</p> <p>Rester vigilant et attentif à vos gestes. Ne pas utiliser l'appareil sous l'effet de la fatigue ou sous l'influence d'alcool ou de drogues.</p> <p>Les surfaces humides peuvent être glissantes, porter des chaussures protectrices et garder une bonne prise de pieds et un bon équilibre en permanence.</p> <p>Une supervision directe est nécessaire quand les enfants utilisent l'aspirateur eau/poussière. Cet appareil ne doit pas être utilisé comme un jouet.</p> <p><b>NE PAS</b> laisser l'appareil en marche sans surveillance. Arrêter l'aspirateur eau/poussière et débrancher-le de la source d'énergie avant de le quitter.</p> <p>Savoir arrêter l'aspirateur eau/poussière. Bien connaître son fonctionnement et les commandes.</p> <p>Avant d'entretenir l'appareil: arrêter l'appareil et laisser l'appareil refroidir. Entretien l'appareil dans un endroit propre, sec, et plat. Bloquer les roues pour éviter que l'appareil ne se déplace.</p> <p>L'utilisation de cet appareil pour tout emploi non spécifié dans ce manuel peut être dangereux et doit être évité. Le fabricant ne peut être reconnu responsable de dommages ou blessures causées à des biens ou personnes suite à une utilisation incorrecte de l'appareil consécutive à des manipulations non spécifiées dans ce manuel.</p> <p>Ne pas placer d'objet dans les ouvertures. Ne pas utiliser l'appareil si une ouverture est bouchée; garder libre de poussières, peluches, cheveux, et de toute chose qui pourrait réduire la circulation d'air.</p> <p>Garder cheveux, vêtements amples, doigts, et toutes les parties du corps à l'écart des ouvertures.</p> <p>Ne se servir de l'appareil que comme décrit dans ce manuel. Ne se servir que des attachements recommandés par le fabricant.</p> <p>Prendre de plus grandes précautions en cas de nettoyage des escaliers.</p>



**GARDER CES INSTRUCTIONS**



## CARACTÉRISTIQUES DE L'ASPIRATEUR EAU/POUSSIÈRE



### LISTE DES CARACTÉRISTIQUES

1. Cordon de secteur de 25 pieds (7.62 m)
2. Tête de puissance de vide
3. Interrupteur Marche/Arrêt (On/Off)
4. Filtre
5. Attaches
6. Le fond de boîte métallique
7. D'Admission de vide
8. Tuyau d'aspiration
9. Raclette à liquides- 12"
10. Baguette
11. Bec pour fentes
12. Baguette
13. Plancher de combinaison d'outil - 12"
14. Sachet filtre

## INSTALLATION & PRÉPARATION

### MISE EN MARCHÉ:



### **AVERTISSEMENT**

#### **RISQUE D'INCENDIE**

Où des vapeurs de gaz inflammables peuvent être présentes. Une étincelle électrique provenant du moteur pourrait entraîner un incendie.



### **AVERTISSEMENT**

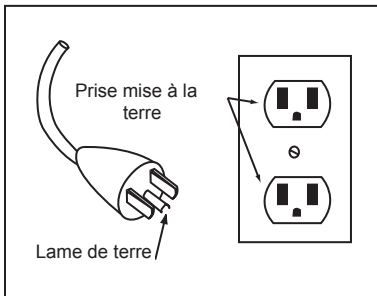
#### **RISQUE DE DÉCHARGE ÉLECTRIQUE**

Où l'appareil peut être exposé à la pluie, la neige ou plongé dans l'eau. L'eau peut infiltrer le système électrique créant un risque électrique.

1. Un vêtement approprié est essentiel pour votre sécurité. Il est conseillé d'employer tous les moyens nécessaires pour protéger les yeux, les oreilles, et la peau.
2. Enlever le couvercle de la cuve en détachant les attaches latérales.
  - a. Examiner le filtre cartouche pour s'assurer qu'il est libre de toutes obstructions. Le nettoyer ou le remplacer si nécessaire.
  - b. Examiner la cuve pour s'assurer qu'elle est vide et libre d'obstructions.
  - c. Si des réparations s'avèrent nécessaires, contacter votre centre de service agréé Mi-T-M et n'utiliser que des pièces de remplacement authentiques de Mi-T-M.
3. Les sacs filtres récupérateurs ne sont pas nécessaires avec votre aspirateur eau/poussière Mi-T-M. Si vous le désirez, vous pouvez attacher un sac filtre en papier (fourni avec l'appareil) sur l'orifice d'aspiration de la cuve pour le ramassage et l'enlèvement immédiat des débris secs. **S'assurer que le sac récupérateur en papier est enlevé pour les aspirations humides ou liquides.** S'assurer que vous vous débarrassez de toutes les matières selon les standards de l'EPA locaux et nationaux.
4. Remettre le couvercle de la cuve et bien serrer les attaches latérales..
5. Bien insérer le bout le plus large du tuyau flexible dans l'orifice d'aspiration.
6. Relier le tube rallonge au tuyau flexible.
7. Relier la brosse eau/poussière au tube rallonge.
8. S'assurer que l'alimentation électrique est identique aux spécifications inscrites sur la plaque de données de votre aspirateur eau/poussière.
9. S'assurer que l'interrupteur Marche/Arrêt (On/Off) est en position "OFF" (Arrêt).
10. Insérer la fiche avec mise à la terre du cordon de secteur dans une prise mise à la terre.

## INSTALLATION & PRÉPARATION

FIG. A



### **AVERTISSEMENT**

#### **RISQUE DE DÉCHARGE ÉLECTRIQUE**

Un mauvais raccordement du conducteur de masse peut être la cause d'un risque de décharge électrique.

### **AVERTISSEMENT**

#### **RISQUE D'ÉLECTROCUTION**

Si l'utilisation d'une rallonge électrique est requise, n'utiliser que des rallonges ayant une intensité électrique au moins égale à l'intensité électrique du produit. N'employer pas de rallonges électriques abîmées



### **ATTENTION**

#### **RISQUE D'INCENDIE**

Un cordon de secteur rembobiné peut causer une tension basse et un échauffement susceptible de déclencher un incendie.

### INSTRUCTIONS POUR LA MISE A LA TERRE:

1. Cet aspirateur eau/poussière doit être raccordé à la terre. Si une dysfonction ou une panne devait survenir, la masse fournit un circuit de résistance moindre pour le courant électrique afin de réduire le risque de décharge. Cet aspirateur eau/poussière est équipé d'un fil électrique ayant un conducteur pour la terre et une prise de masse. La fiche doit être branchée à une sortie appropriée correctement installée et reliée à la terre selon tous les codes et dispositions en vigueur locaux.

Vérifier avec un électricien ou un personnel de service qualifié si vous avez un doute quant au raccordement de la masse. Ne modifier pas la prise fournie avec l'appareil – si elle ne rentre pas dans la prise de courant, faire installer une prise appropriée par un électricien qualifié.

2. Cet aspirateur eau/poussière est prévu pour utilisation sur un circuit nominal 120 volt, et a une fiche électrique avec prise à la terre (Voir Fig. A). S'assurer que l'aspirateur eau/poussière est branché à une prise ayant la même configuration que la fiche. Aucun adaptateur ne doit être utilisé avec cet aspirateur eau/poussière.

3. Dérouler le cordon de secteur avant de le brancher dans une prise mise à la terre.

**NOTE:** Cet aspirateur eau/poussière est équipé d'un réservoir de vidange; s'assurer que le bouchon de vidange couvre l'ouverture du réservoir de vidange avant de démarrer l'appareil. L'aspirateur eau/poussière ne fonctionnera pas correctement si le réservoir de vidange est ouvert.



## CONSIGNES D'UTILISATION

### FONCTIONNEMENT:

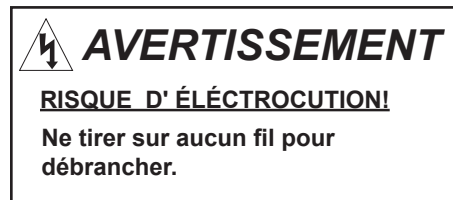
1. S'il vous plaît, veuillez respecter les précautions suivantes pendant l'utilisation de l'aspirateur eau/poussière.
  - a. Ne pas placer d'objet dans les ouvertures de l'aspirateur eau/poussière. S'assurer que toutes les ouvertures restent débouchées et libres de peluches, cheveux, poussières et de toute chose qui pourrait réduire la circulation d'air.
  - b. Ne pas se servir de détergents ou solvants agressifs. NE PAS se servir de l'appareil en cas de fuite de mousse/liquide provenant de l'appareil. NE PAS se remettre au travail avant que l'appareil ait été examiné et réparé par un personnel de service qualifié.
  - c. Si l'appareil se renverse, il est recommandé de le remettre à l'endroit avant de le mettre à l'arrêt.
2. Tout en tenant le tuyau flexible, mettre l'interrupteur marche/Arrêt (ON/OFF) en position "Marche" (On).
3. Déplacer lentement la brosse plancher eau/poussière sur la surface que vous désirez nettoyer.
4. Application Aspirations de Liquides:
  - a. Tandis que la cuve se remplit, le flotteur commence de s'élever. La fonction du flotteur est d'arrêter l'aspiration quand le réservoir est plein ou si l'aspirateur eau/poussière se renverse accidentellement. Quand la cuve est pleine, mettre l'interrupteur Marche/Arrêt (On/Off) en position "Arrêt" (Off) et débrancher le cordon de secteur de la prise.
  - b. Enlever le couvercle de la cuve et vider tous les débris de la cuve.
5. Application Aspirations Sèches:
  - a. Si vous vous servez d'un sac filtre récupérateur en papier, l'enlever et le remplacer par un nouveau sac récupérateur en papier.
  - b. Si vous ne vous servez pas d'un sac filtre récupérateur en papier, vider la cuve en penchant l'aspirateur eau/poussière.

**NOTE:** S'assurer que vous vous débarrassez de toutes les matières selon les standards locaux et nationaux de l'EPA.

6. Remettre le couvercle de la cuve à sa place et rebrancher le cordon de secteur dans une prise mise à la terre.
7. Mettre l'interrupteur Marche/Arrêt (On/Off) en position "Marche" (On) pour se remettre au travail.

### MISE A L'ARRET:

1. Quand l'application nettoyage est terminée, mettre l'interrupteur Marche/Arrêt (On/Off) en position "Arrêt" (Off).
2. Débrancher le cordon de secteur de la prise.
3. Enrouler le cordon de secteur débranché et le placer sur l'endroit désigné de l'aspirateur eau/poussière.
4. Enlever le couvercle de la cuve et vider la cuve.
5. Rincer la cuve et laisser sécher à l'air libre.
6. Enlever le filtre cartouche du couvercle de la cuve.
  - a. Nettoyage du filtre mouillé: Rincer avec de l'eau chaude et le secouer. Laisser sécher complètement à l'air libre.
  - b. Nettoyage du filtre sec: Secouer le filtre. Rincer occasionnellement avec de l'eau chaude. Laisser sécher complètement à l'air libre.
7. Replacer le filtre cartouche sec sur le couvercle de la cuve.
8. Essuyer l'extérieur de l'aspirateur eau/poussière et le ranger à l'intérieur.



## DÉPANNAGE

SYMPTOME	CAUSE PROBABLE	REMEDE
L'aspirateur eau/poussière ne démarre pas.	Le cordon de secteur est débranché.	S'assurer que le cordon de secteur est bien connecté à l'appareil et à la source d'électricité. En cas de l'utilisation d'une rallonge, s'assurer que le cordon de secteur et la rallonge sont bien connectés.
	Surcharge du circuit.	Vérifier le disjoncteur mural ou la boîte à fusibles.
	Les brosses du moteur sont usées.	Contactez votre service clientèle.
Aspiration insuffisante.	Le tuyau flexible est obstrué, coupé ou abîmé.	Nettoyer ou remplacer le tuyau flexible.
	Tube rallonge ou accessoire est bouché.	Dégager l'obstruction.
	Filtre cartouche est rempli de terre.	Nettoyer ou remplacer.
Pas d'aspiration.	La cuve est pleine.	Vider la cuve.

## SPÉCIFICATIONS

DONNEES TECHNIQUES	MODEL NO. MV-900-0MEV
MOTEUR	120V 2-Stage By-pass
HP	1.3 Nominal HP
CFM	101
DEPRESSION	221 cm
CAPACITE	34 L
DEBIT D'EAU	23 L
CORDON DE SECTEUR	7.62 m
DIMENSIONS (L x W x H / cm)	35.5 x 35.5 x 56
POIDS	25



---

**BON DE GARANTIE  
POUR ASPIRATEURS EAU/POUSSIÈRE MI-T-M CORPORATION  
MV-900-0MEV**

Mi-T-M garantit toutes les pièces (à l'exception de celles stipulées ci-dessous) de votre nouveau aspirateur eau/poussière en cas de défauts de matériaux et de fabrication pendant deux (2) années limitées à partir de la date d'achat initiale avec l'exception suivante:

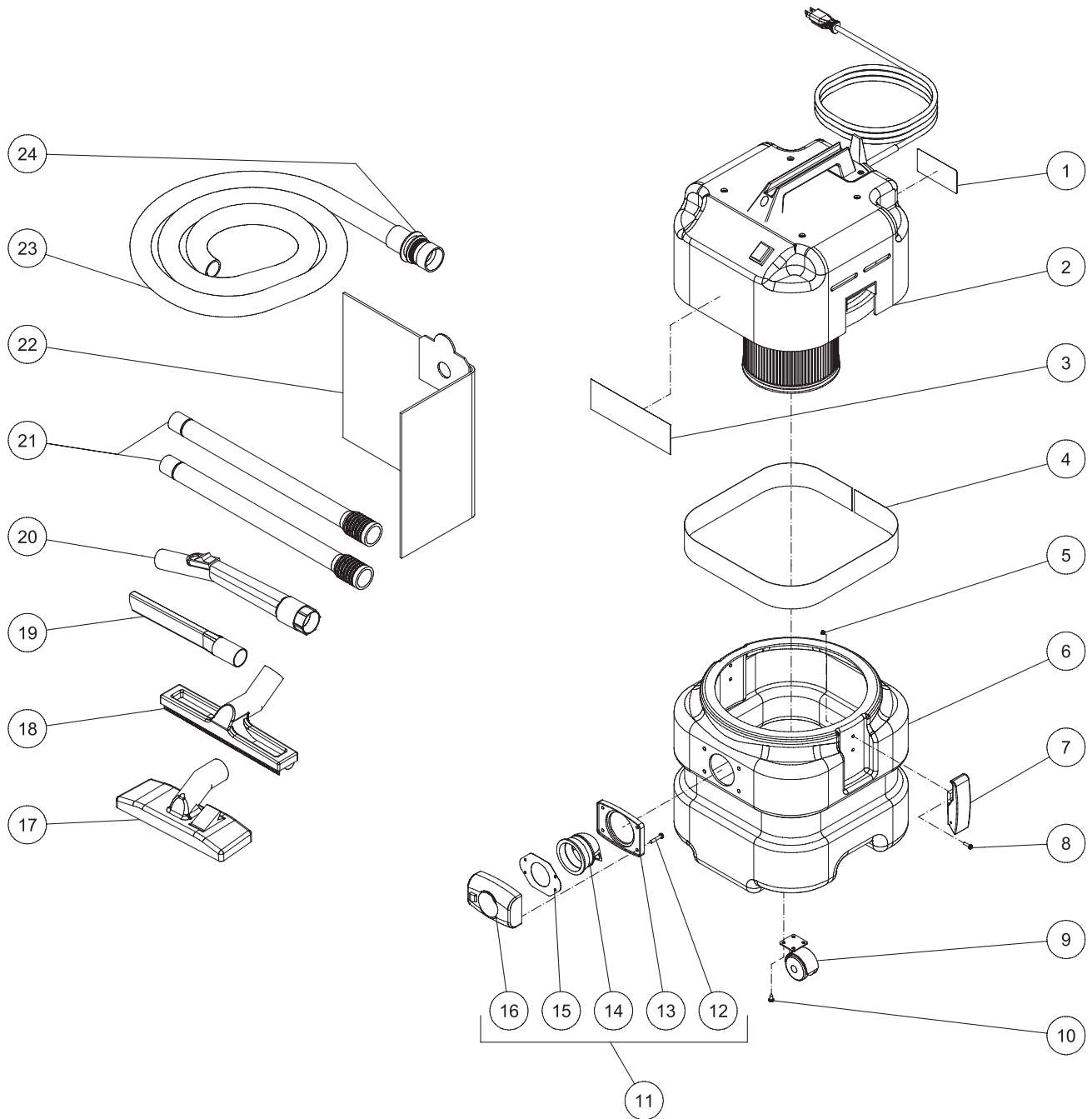
Garantie à vie de la cuve

Les pièces défectueuses seront réparées ou remplacées à notre choix pendant la période de garantie. Quoi qu'il arrive, le remboursement est limité au prix d'achat.

**EXCLUSIONS**

1. Cette garantie ne couvre pas les pièces endommagées par l'usure normale, une application erronée, une mauvaise utilisation, un fonctionnement autre qu'aux vitesses et températures recommandées. Les pièces endommagées ou usées par l'utilisation de liquides caustiques ou le fonctionnement dans des environnements abrasifs ou corrosifs ne sont pas garanties. La garantie ne couvre pas les dégâts provoqués par un mauvais suivi des procédures de fonctionnement et d'entretien.
2. L'utilisation de toute pièce autre que des pièces de réparation authentiques Mi-T-M annulera la garantie. Les pièces renvoyées en port payé, à notre usine ou à un centre de service agréé seront inspectées et remplacées gratuitement si elles sont jugées défectueuses après estimation, et couvertes par la garantie. Il n'existe aucune garantie prolongeant les dates d'expiration stipulées ci-dessus. Le fabricant n'est en aucun cas responsable de la perte d'utilisation de l'appareil, du temps perdu ou de la perte de location de l'appareil, des ennuis, des pertes commerciales ou des dommages indirects.

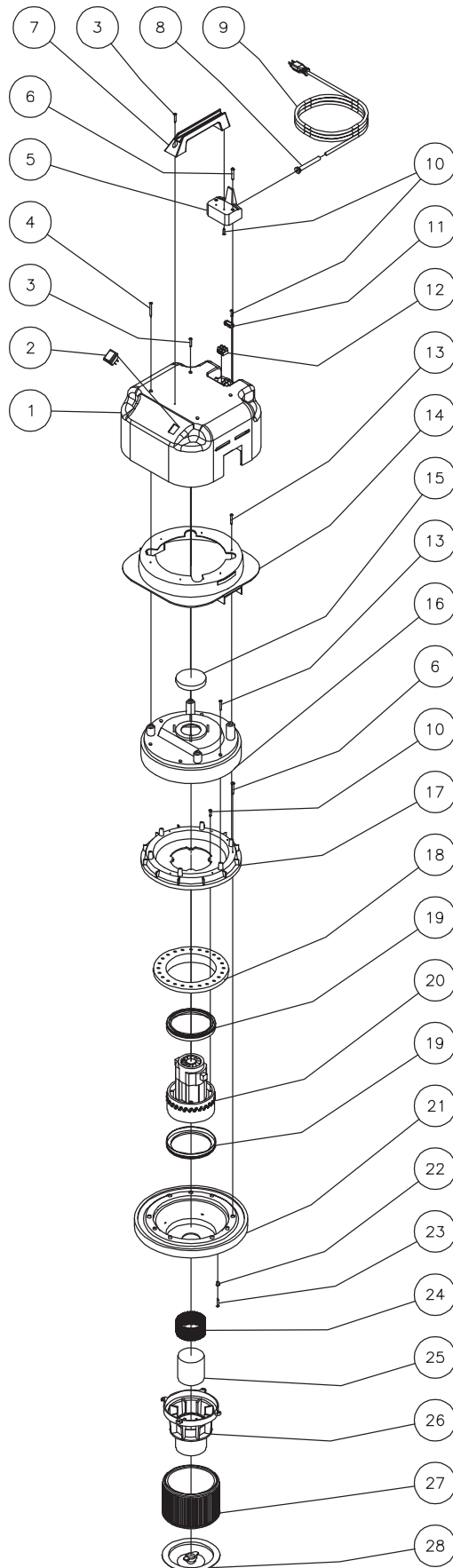
# ASSEMBLÉE POUR MV-900-0MEV



## ASSEMBLÉE POUR MV-900-0MEV

RÉF. #	DESCRIPTION	PARTIE #	QUANTITÉ
1	PLAT DE DONNÉES	N/A	1
2	TÊTE DE PUISSANCE DE VIDE	3-0239	1
3	DÉCLAQUE- MI-T-M DE LOGO	34-1412	1
4	DÉCLAQUE- MI-T-M DE RAYURE	34-1413	1
5	ÉCROU	30-0053	4
6	LE FOND DE BOÎTE MÉTALLIQUE	62-0147	1
7	VERROU	33-0416	2
8	VIS	53-0006	4
9	ROUE DE BOÎTE MÉTALLIQUE W/PLAQUÉ	14-0093	4
10	VIS	27-3262	12
11	D'ADMISSION DE VIDE KIT	70-0368	1
12	VIS	N/A Sep.	4
13	BRIDE	N/A Sep.	1
14	COUDE	N/A Sep.	1
15	GARNITURE	N/A Sep.	1
16	TUYAU DE RÉCEPTEUR	N/A Sep.	1
17	PLANCHER DE COMBINAISON D'OUTIL - 12"	33-0411	1
18	SQUEEGE D'OUTIL -12"	33-0410	1
19	CREVASSE D'OUTIL	33-0412	1
20	BAGUETTE	16-0403	1
21	BAGUETTE	16-0402	2
22	SACHET FILTRE	19-0222	1
23	TUYAU D'ASPIRATION	15-0241	1
24	CONNECTEUR D'ENTRÉE	50-0178	1

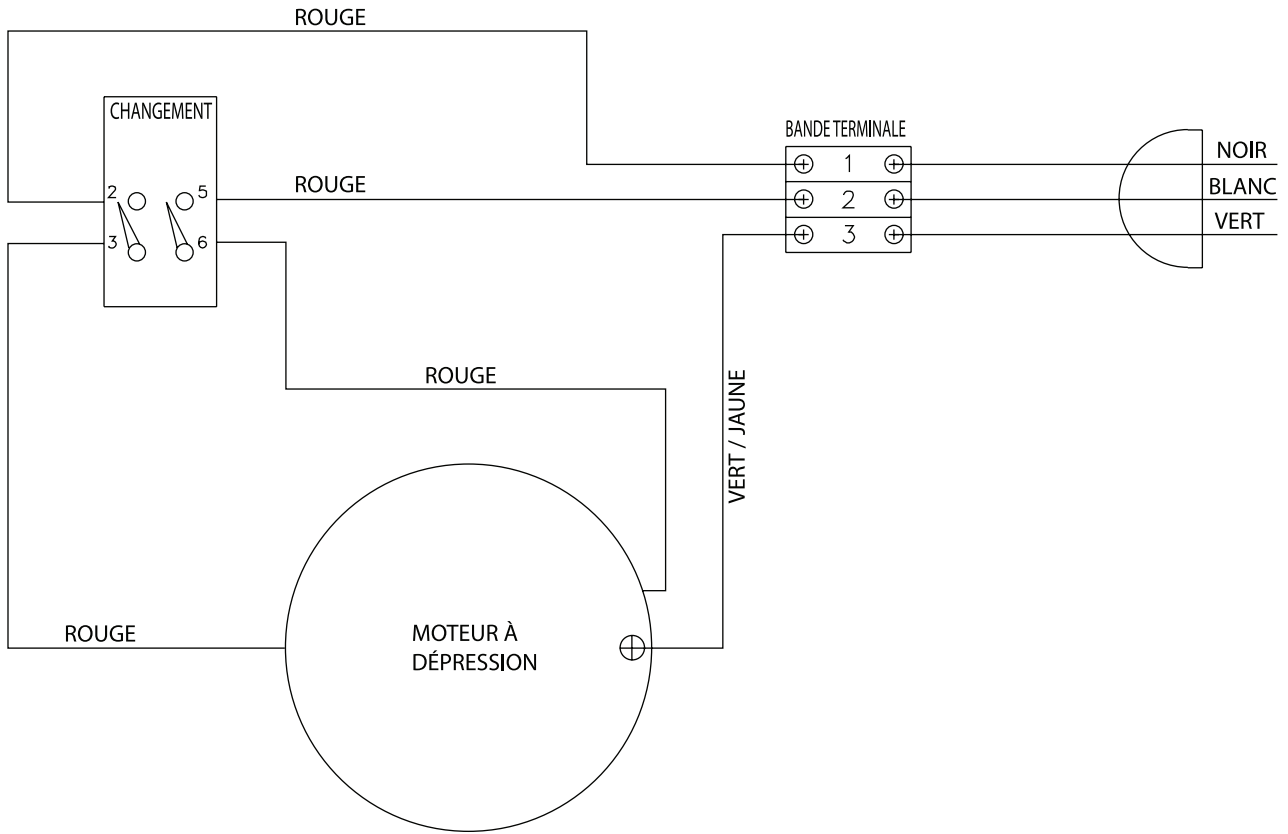
# ASSEMBLÉE POUR TÊTE DE PUISSANCE DE VIDE (3-0239)



3-0239-012404-BAR

<b>ASSEMBLÉE POUR TÊTE DE PUISSANCE DE VIDE (3-0239)</b>			
<b>RÉF. #</b>	<b>DESCRIPTION</b>	<b>PARTIE #</b>	<b>QUANTITÉ</b>
1	Couvercle De Boîte métallique	62-0151	1
2	Commutateur De Fusée	32-0789	1
3	Vis	27-9552	3
4	Vis	27-9553	2
5	Base de poignée	62-0157	1
6	Vis	27-9555	8
7	Poignée	62-0158	1
8	Passe-fils	32-0788	1
9	Assemblée De Cordon De Secteur	32-0792	1
10	Vis	27-9551	8
11	Bride de corde	32-0787	1
12	Borne de Bloc	32-0790	1
13	Vis	27-9554	6
14	Diviseur De Chambre	62-0152	1
15	Garniture de filtre	26-0275	1
16	Retenir la dessus de moteur	62-0153	1
17	Motor Retaining Head Bottom	62-0154	1
18	Garniture la fond de moteur	26-0277	1
19	Garniture De Moteur	26-0224	2
20	HP Du Moteur 1,3	2-0140	1
21	Base De Boîte métallique	62-0155	1
22	Entretoise De Boîtier De crépine	62-0156	4
23	Vis	27-9556	4
24	Filtrage	19-0229	1
25	Flotteur	62-0161	1
26	Logement de filtre	62-0159	1
27	Filtre	19-0221	1
28	Fixer de filtre	62-0160	1

# DIAGRAMME DE CÂBLAGE







## TABLA DE MATERIAS

INTRODUCCIÓN .....	35
<b>ADVERTENCIAS IMPORTANTES DE SEGURIDAD.....</b>	<b>36-37</b>
RIESGO DE CALAMBRES O ELECTROCUCIÓN.....	36
RIESGO DE EXPLOSION O INCENDIO.....	37
RIESGO DE LESIONES.....	37
<b>ELEMENTOS Y COMPONENTES.....</b>	<b>38</b>
<b>INSTALACIÓN Y PREPARACIÓN.....</b>	<b>39-40</b>
ARRANQUE.....	39
INSTRUCCIONES DE CONECTAR CON TIERRA.....	40
<b>INSTRUCCIONES DE OPERACIÓN.....</b>	<b>41</b>
OPERACIÓN.....	41
APAGADO.....	41
<b>LOCALIZACIÓN DE FALLAS.....</b>	<b>42</b>
<b>ESPECIFICACIONES.....</b>	<b>42</b>
<b>DECALRACIÓN DE GARANTIA.....</b>	<b>43</b>
<b>LISTA DE PIEZAS.....</b>	<b>44-48</b>
ASAMBLEA PARA MV-900-0MEV.....	44
ASAMBLEA PARA.....	46
DIAGRAMA DEL ALAMBRE.....	48
<b>NOTA.....</b>	<b>49-51</b>

### **WARNING**

**ADVERTENCIA:** Este producto tiene plomo, una sustancia química conocida al Estado de California a causar cáncer y defectos de nacimiento u otro daño reproductivo.

*Lávese las manos despues de usar este producto.*

### **ADVERTENCIA**

Este producto contiene química conocido por el estado de California a causar cancer, defectos de nacimiento, y otros peligros reproductor.

## INTRODUCCIÓN

Felicitaciones por la compra de su nueva aspiradora moja/seca comercial de Mi-T-M. Puede estar seguro que su aspiradora moja/seca de Mi-T-M fue construida con el nivel mas alto de precision y exactitud. Cada componente ha sido probado rigurosamente por técnicos para asegurar la calidad.

Este manual del operador fue compilado para su beneficio. Leyendo y siguiendo los pasos simples de seguridad, instalación, operación, mantenimiento y localización de fallas descritos en este manual ayudará a prolongar aun más la operación libre de fallas de su nueva aspiradora moja/seca de Mi-T-M. El contenido de este manual está basado en la información actualizada disponible al momento de la publicación. Mi-T-M se reserva el derecho de efectuar cambios en precio, color, materiales, equipo, especificaciones o modelos en cualquier momento sin previo aviso.

### ! IMPORTANTE !

Los siguientes “palabras de alerta” usadas en este manual para designar el grado o nivel de seridad de riesgo.

**PELIGRO:** Indica una situación inminente riesgosa la cual, si no evita, RESULTARA’ en la muerte o en lesiones graves.

**ADVERTENCIA:** Indica una situación potencialmente riesgosa la cual, si no evita PODRIA resultar en la muerte o lesiones graves.

**PRECAUCIÓN:** Indica una situación potencialmente riesgosa la cual, si no evita, PUEDE resultar en lesiones menores o moderadas.



El simbolo indicado a la izquierda de este párrafo es el “Símbolo de Alerta de Seguridad”. Este simbolo se usa para alertarlo acerca de articulos o precedimientos que podri’an ser peligrosos para usted o otras personas usando este equipo.



**PROVEA SIEMPRE UNA COPIA DE ESTE MANUAL A CUALQUIER PERSONA QUE USE ESTE EQUIPO. LEA TODAS LAS INSTRUCCIONES ANTES DE OPERAR ESTA ASPIRADORA MOJA / SECA, OBSERVANDO EN PARTICULAR LAS “ADVERTENCIAS DE SEGURIDAD” PARA EVITAR LA POSIBILIDAD DE LESIONES PERSONALES AL OPERADOR.**



Una vez que haya sacado la unidad de su caja, anote inmediatamente el número de serie en el espacio proporcionado a continuación.

Número de serie: \_\_\_\_\_

Debe inspeccionar el equipo para determinar si hay señas de daño evidente u oculto ocurrido durante la transportación. Si se encuentra algún daño, presente una queja con la compañía de transportación inmediatamente. Asegúrese de que todas las partes dañadas sean reemplazadas y que los problemas mecánicos y eléctricos sean corregidos antes de operar la unidad. Si requiere de servicio, llame a la oficina de servicio a clientes de Mi-T-M.

#### SERVICIO A CLIENTES

LLAME A NUESTRO NUMERO TELEFÓNICO DE LARGA DISTANCIA GRATUITA PARA AVERIGUAR CUAL ES EL CENTRO DE VENTAS O SERVICIO MÁS CERCANO A USTED!

(800)-553-9053

Por favor, prepare la siguiente información cada vez que efectúe una llamada de servicio:


1. Número de modelo
2. Número de serie
3. Fecha y lugar de compra



# ADVERTENCIAS DE SEGURIDAD



PELIGRO: Deben observarse siempre las precauciones basicas, incluyendo las siguientes.  
LEA A TODAS LAS INSTRUCCIONES ANTES DE USAR ASPIRADORA MOJE/SECA

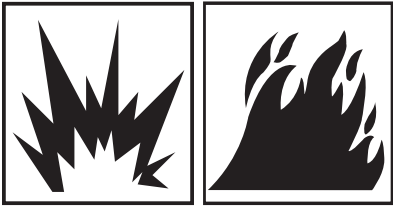

PELIGRO	POSIBLE CONSECUENCIA	PREVENCIÓN
<p data-bbox="170 262 446 357"><b>RIESGO DE ELECTROCUCIÓN O CHOQUE ELÉCTRICO</b></p> 	<p data-bbox="511 252 925 441">Lesiones graves o muerte puede ocurrir si la aspiradora moja/seca no está conectada moja/seca tiene el poder de electricidad y puede causar calambres o electrocución si no está usado correctamente.</p> <p data-bbox="511 693 917 756">Calambre puede ocurrir de la cuerda electrical.</p> <p data-bbox="503 1417 933 1543">Pueden tener lesiones graves o muerte si los reparos electricos estan haciendo por personas incompetentes.</p>	<p data-bbox="950 252 1485 367">Este prodcto tiene que ser conectado a la tierra. Conecte a una toma de corriente bien conectado solamente. Lea las instrucciones para conectar a la tierra.</p> <p data-bbox="950 373 1485 541">Asegurese que la unidad está recibiendo el voltaje correct. Antes de enchufar la unidad dentro de un lugar compatible de poder, asegurese que la varilla está en la posición "OFF". Desconecte la unidad cuando no está usando.</p> <p data-bbox="950 550 1485 688">No cambie el enchufe del prodcto. Si no le queda a la toma de corriente, instale una toma de corriente correcto por una persona competente. No remove el enchufe ni use in adaptador.</p> <p data-bbox="950 697 1485 781">No ponga la unidad en la llueve o en el aqua. No use aqua con presión para limpiar la Aspiradora Moja/Seca, la guarde adentro.</p> <p data-bbox="950 789 1485 903">Inspecciones la Cuerda de Poder por la posibilidad de triturando, cortando, o danò del calor. Si necsita reemplacar de la cuerda o el enchufe, use solamente partes lo mismo.</p> <p data-bbox="950 911 1485 970">Si la Aspiradora Moja/Seca no funcioa, se cayó en el aqua, la regrese al Centro de Servicio.</p> <p data-bbox="950 978 1485 1117">Mantenga todas las conexiones secas y lejos del suelo. No permita las cuerdas a estar en el aqua o estar en una posición que puede encontrar con el aua. No mantenga el enchufe o la cuerda si tiene manos mojadas.</p> <p data-bbox="950 1125 1485 1293">No tire o lleve la unidad por la cuerda. No use la cuerda como un mango, cierre una puerta en la cuerda o tire la cuerda sobre las esquinas o los bordes angulosos. No ponga la Aspiradora sobre la cuerda y guarde la cueda lejos de los superficies calientes.</p> <p data-bbox="950 1302 1485 1415">Apagan todas las los botones antes de desenchufar la unidad de la toma de corriente. No enchufe por tirando la cuerda, para enchufar, mantenga el enchufe no la cuerda.</p> <p data-bbox="950 1423 1485 1675">Use solamente las cuerdas de extension con una clasificación no menos de la clasificación del producto. No use cuerdas de extension danãdas. Inspeccione la cuerda antes de usarla y si está danãdas, reemplace la cuerda. mantenga la cuerda lejos del calor y los bordes angulosos. Siempre conecte y desconecte la cuerda del receptaculo antes de conectar y desconectar el producto de la cuerda.</p> <p data-bbox="950 1684 1485 1797">Cualquier reparos electricos han hecho en está Aspiradora Moja/Seca deber hacer por una persona de servicio autorizado y tambien según los códigos electricos Nacionales y locales.</p> <p data-bbox="950 1806 1485 1944">Antes de abrir cualquier recinto electrica, siempre apague la Aspiradora Moja/Seca y desenchufe la Aspiradora del lugar de poder. Permita la Aspiradora Moja/Seca a enfriar. Sirva en un lugar limpia, seca, y plano.</p>



# ADVERTENCIAS DE SEGURIDAD

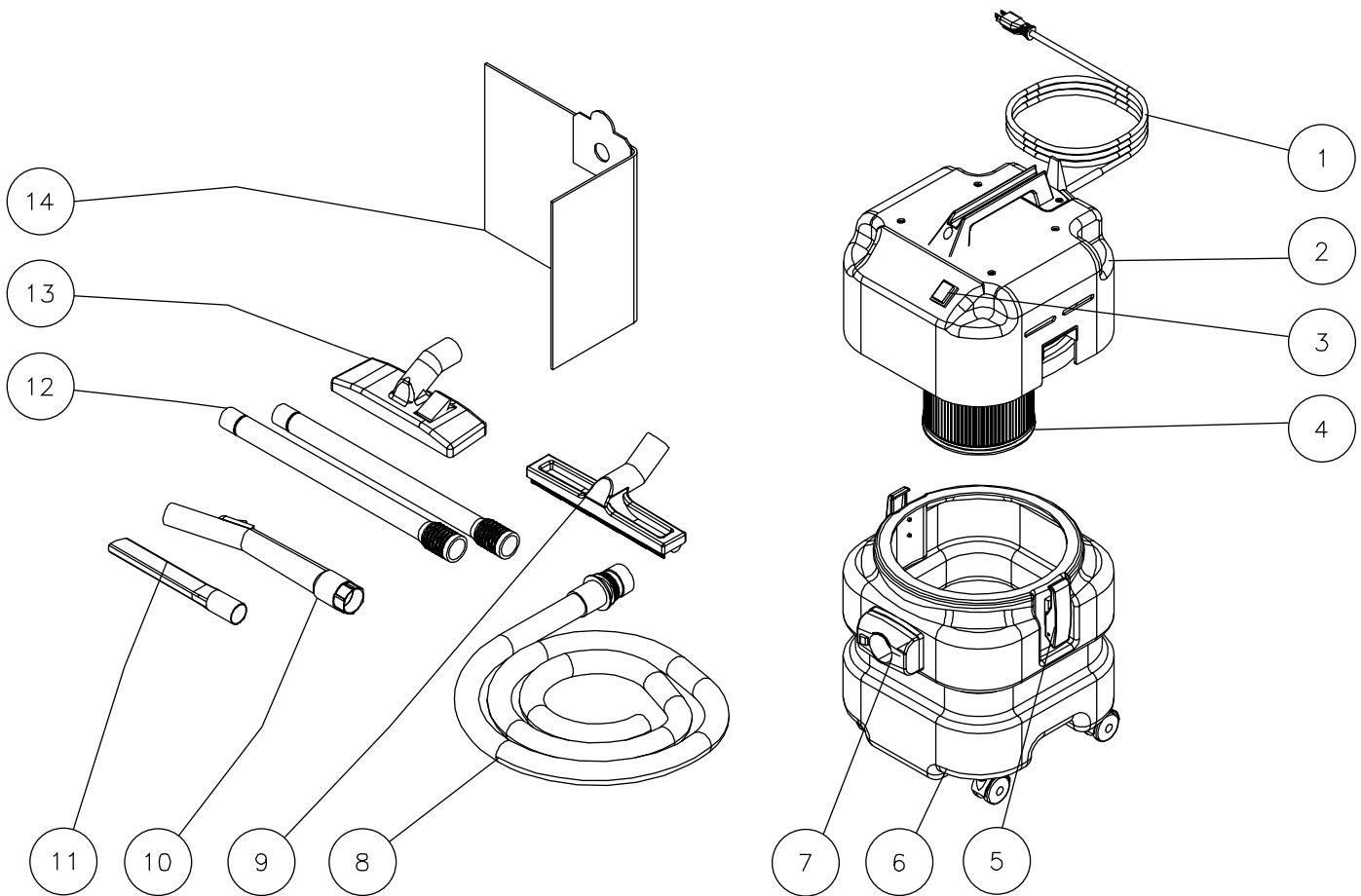
LEA A TODAS LAS INSTRUCCIONES ANTES DE USAR ASPIRADORA MOJE/SECA



PELIGRO	POSIBLE CONSECUENCIA	PREVENCIÓN
<p><b>RIESGO DE EXPLOSION O INCENDIO</b></p> 	<p>Pueden causar lesiones graves o muerte de las chispas normales del motor.</p> <p>Lesiones graves o muerte puede ocurrir de la absorción de materiales inflamables.</p> <p>Puede ocurrir lesiones si la unidad recalenta.</p>	<p>Siempre opere la aspiradora moja/seca en un lugar bien ventilado, libre de los vapores inflamables, polvo combustible, gases o otros materiales inflamables.</p> <p>No recoja materiales inflamables como gas, o cualquier cosa que está quemando o fumando como cigarrillos.</p> <p>Siempre desenrolle la Cuerda de Poder antes de operar. Usando una cuerda no desenrollada puede reducir el voltaje o causar recalentando.</p> <p>No use sin filtro de polvo.</p>
<p><b>RIESGO DE LESIONES DEL CUERPO</b></p> 	<p>Puede ocurrir lesiones de la aspiradora moja/seca.</p>	<p>Esté alerta- observe lo que hace. No opere la unidad cuando esté fatigado o bajo la influencia de alcohol o drogas.</p> <p>La superficies húmedas pueden ser resbalosas, use equipo protector de calzado y manténgase bien parado y equilibrio en todo momento.</p> <p>No use como un juguete, supervise directamente cuando están usando la máquina los niños.</p> <p>Nunca opere la unidad sin guardia. Apaga la Aspiradora Moja/Seca y desconecte del poder antes de salir.</p> <p>Sepa como apagar la aspiradora moja/seca.</p> <p>Antes del servicio, apague la unidad y permita a enfriar, mantenga en un lugar limpia, seca, y plano. Ponga los bloques para prevenir a mover la unidad.</p> <p>Para usar esta máquina por cualquier otra razón en lo que dice en este manual, puede ser peligroso. La fabricante no puede ser responsable por cualquier daño o lesión de personas o propiedad porque había uso malo de esta máquina porque los procedimientos usados no son los que dice en este manual.</p> <p>No ponga cualquier cosa dentro de las aberturas. No use si hay obstrucciones en las aberturas, guarde libre de polvo, pelo, y cualquier cosa que puede reducir la presión de aire.</p> <p>Manténgase el pelo, ropa ancha, los dedos, y todas partes del cuerpo lejos de las salidas.</p> <p>Use solamente como se dice en este manual. Use solamente los accesorios que se recomienda la fabricante.</p> <p>Limpie con cuidado cuando está en la escalera.</p>

**! SAVE THESE INSTRUCTIONS !**


## ELEMENTOS Y COMPONENTES




### LISTA DE ELEMENTOS Y COMPONENTES

1. Cuerda de poder 25'
2. Cabeza de la energía del vacío
3. Varilla de apaga/arranca
4. Filtro
5. Pasador
6. Frasco
7. La entrada del vacío
8. Manguera de la succión
9. Herramienta de la escobilla d goma- 12'''
10. Vara
11. Herramienta de hendedura
12. Vara
13. Herramienta del piso- 12'''
14. Bolso de filtro

## INSTALACIÓN Y PREPARACIÓN

 **ADVERTENCIA**  
**RIESGO DE INCENDIO!**  
Donde puedan estar presentes vapores inflamables. Una chispa del motor podría causar un incendio.

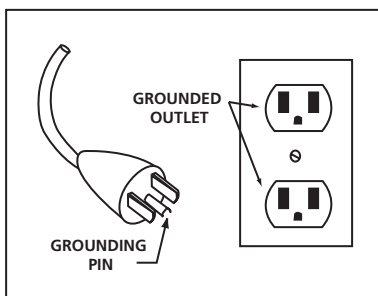
 **ADVERTENCIA**  
**RIESGO DE CALAMBRE!**  
done la unidad está cerca de llueve, nieve, o aqua. Aqua puede ir a dentro la sistema causando un peligro electrico.

### ARRANQUE:

1. Una vestimenta apropiada es esencial para su seguridad. Se recomienda que utilice cualquier medio necesario para proteger los ojos, los oídos, la piel.
2. Remueva la tapa de la lata por libertando las picaportes a los lados.
  - a. Inspecciones el filtro de moja/seca para asegurarse que está libertado de obstrucciones. Limpie o reemplace si es necesario.
  - b. Inspeccione la lata para asegurarse que está vacante y libertado de obstrucciones.
  - c. Si necesita reparos, llame al Centro de Servicio Autorizado Mi-T-M y reemplace con solamente las piezas de repuesto genuinas de Mi-T-M.
3. No son necesario los bolsos de filtro con su Aspiradora Majo/Seca nueva de Mi-T-M. Si quisiera, puede acompañar un bolso del papel para filtrar (aprovisionada con la unidad) encima de la entrada de succión de la lata para coleccionar y eliminar inmediatamente de escombros secos. **Aegurese que le bolso del papel para filtrar está removado para recoger cosas mojadas.** Asegurese que todas las materiales están eliminados por los reglamentarios según el EPA del Estado y Federal.
4. Reemplace la tapa de la lata y haga bastante apretado los picaportes de los dos lados.
5. Inserte seguramente el cabo más grande de la manga de la manguera Flexible dentro de la Entrada de Succión.
6. Conecte la Vara de Extesión encima de la manguera Flexible.
7. Conecte la herramienta del Piso para la Aspiradora Moja/Seca encima de la Vara de Extesión.
8. Asegurese que el suministro de electricidad es lo mismo que las especificaciones que están en el Plato de Data de la Aspiradora Moja/Seca.
9. Asegurese que la varilla de apaga/arranca está en la posición "OFF".
10. Inserte el enchufe conectado de la tierra de la cuerda de poder dentro de un receptaculo conectado de la tierra.

## INSTALACIÓN Y PREPARACIÓN

FIG. A



### **ADVERTENCIA**

#### **RIESGO DE CALAMBRE!**

Conexión mal del conductor del equipo. Conectado de la tierra puede causar un riesgo de calambre.

### **ADVERTENCIA**

#### **RIESGO DE ELCTROCUCIÓN!**

Si necesita usar una cuerda de extension, use solamente unas cuerdas de extension con un clasificación no menos de la clasificación del producto. No usen cuerdas de extensiones dañados.

### **PRECAUCIÓN**

#### **RIESGO DE INCENDIO!**

Una cuerda de poder ovillado puede causar menos voltaje y también un riesgo de recalentar y incendio.

### INSRUCCIONES PARA CONECTAR A LA TIERRA:

1. Está Aspirador de Moja/Seca tiene que ser conectado a la tierra. Si no funciona o se hace roto a ser conectado a la tierra previene un pasillo de menos resistencia para corriente electrico para reducir el riesgo de calambre. Esta Aspirador Moja/Seca contiene una cuerda teniendo un conductor del equipo para conectar a la tierra y un enchufe conectado a la tierra. El enchufe tiene que ser insertado dentro de un enchufe apropiado lo que esta' instalado apropiadamente y conectado a la tierra segun los co'digos y ordenanzas locales.

Hable con un electricista competente o una persona de servicio si hay duda que la toma de corriente esta' bien conectado a la tierra. No cambie el enchufe que esta' con el aparato si no le queda bien en el enchufe, ponga un enchufe correcto que esta' instalado por una electricista competente.

2. Está Aspiradora Moja/Seca es para usar en el circuito nominal del voltaje 120 y tiene un accesorio de un enchufe para conectar a la tierra. Asegurese que la Aspiradora Moja/Seca esta' conectado a un enchufe que tiene la misma configuracion' n del enchufe. No use un adaptador con esta Aspiradora Moja/Seca.

3. Hay que desenrollar la cuerda de Poder antes de insertar dentro de una toma de corriente conectado a la tierra.

**NOTE:** *La Aspiradora Moja/Seca contiene un desague de tanque, asegurese que la tapa esta cubriendo la abertura del desague de tanque antes de arrancar la unidad. La Aspiradora Moja/Seca no funcionara' bien si la abertura esta' abierto.*



## INSTRUCCIONES DE OPERACIÓN

### OPERACIÓN:

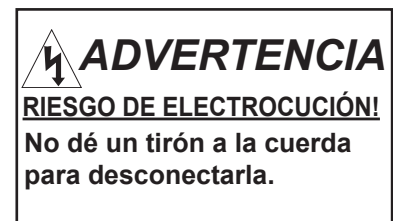
1. Por favor observe las siguientes precauciones mientras usando la Aspiradora Moja/Seca:
  - a. No ponga cualquier cosa dentro de las aberturas de la Aspiradora. Asegurese que no hay obstrucciones en todas de las aberturas y que está libertados de hilas, pelo, polvo, o cualquier cosa que puede reducir la corriente de aire.
  - b. No use solventes o detergentes fuertes o agresivos. No opere la unidad si hay cualquier liquido o espuma saliendo de la maquina. No resume la operacion hasta la unidad ha inspeccionado y reparado por una persona de servicio competente.
  - c. Si el equipo se volca, se recomienda que la Aspiradora Moja/Seca está en la posicion correcta antes de apagarla.
2. Mientras está manteniendo la Manguera Flexible, ponga la varilla de arrancar/apagar a la posicion "ON".
3. Mueva la herramienta del piso de Moja/Seca mas despacio sobre el superficie que quisiera limpiar.
4. Aplicacion para recoger cosas mojadas:
  - a. Cuando la lata llena, la cosa flotante empieza subir. La cosa flotante terminará la succión cuando el tanque está llena o cuando si la Aspiradora Moja/Seca se volca. Cuando la lata está llena, ponga la varilla de arrancar/apagar a la posicion "OFF" y desconecte la cuerda de poder al receptaculo.
  - b. Remove la tapa de la lata y descargue cualquier escombros de la lata.
5. Aplicación para recoger cosas secas:
  - a. Si está usando un bolso del papel filtro, remove y reemplace con un bolso nuevo del papel filtro.
  - b. Si no esta usando un bolso del papel filtro, inclinar de Moja/Seca da vaciar de la lata.

**NOTE:** Asegurese que todas las materiales están dispuestos según los reglamentarios del EPA del Estado y Federal.

6. Reemplace la tapa de la lata y el enchufe de la Cuerda de Poder a dentro de la toma de corriente de la tierra.
7. Para continuar la operaci'ón, ponga la varilla de arrancar apagar a la posicion "ON".

### APAGADO:

1. Cuando ha terminado la limpia, ponga la varilla de apagar/arrancar a la posición "OFF".
2. Desconecte la Cuerda de Poder del receptaculo.
3. Enrolle la cuerda desconectada y pongala en el lugar especifico en la Aspiradora Moja/Seca.
4. Remove la tapa de la lata y descargue la lata.
5. Enjuague la lata y permita a secar del aire.
6. Remove el filtro de Moja/Seca de la tapa de la lata.
  - a. Para limpiar con filtro mojado – enjuague con aqua poco caliente y sacude para limpiar. Permita a secar por el aire completamente.
  - b. Para limpiar con filtro seco- Sacude el filtro para limpiar, a veces, enjuague con aqua poco caliente, permita a secar completamente.
7. Ponga el filtro secado encima de la tapa de la lata de nuevo.
8. Limpie afuera de la Aspiradora Moja/Seca y guardele adentro.



## LOCALIZACIÓN DE FALLAS

SINTOMA	CAUSA PROBABLE	SOLUCIÓN
Aspiradora moja/seca no arranca.	Está desconectada la cuerda de poder.	Asegurese que la cuerda de poder está bien conectada a la unidad y el lugar de poder, si está usando una cuerda de extensión asegurese que la cuerda de poder y la cuerda de extensión están bien conectados.
	El circuito está sobrecargada.	Inspecciones el panel de plomos o infractor
	Los cepillos del motor están usados.	Llame al servicio al cliente de Mi-T-M.
No hay bastante succión.	Manguera flexible está obstruido, cortado, o dañado.	Limpie o reemplace la manguera flexible.
	Vara o atadura está obstruido.	Remove la obstrucción
	Filtro de moja/seca está llena de tierra.	Limpie o reemplace
No hay succión.	Lata está llena.	Descarga la lata

## ESPECIFICACIONES

DATA TECHNICAL	MV-900-0MEV
MOTOR	120V 2-Stage By-pass
HP	1.3 Nominal HP
CFM	101
ELEVADOR DE AQUA	221 cm
CAPACIDAD	34 L
RECOBRO DE AQUA	23 L
LA CUERDA ELECTRICAL	7.62 m
DIMENSIONES (L x W x H / cm)	35.5 x 35.5 x 56
PESA	25



---

---

## **DECLARACIÓN DE GARANTÍA PARA LA ASPIRADORA MOJA/SECA DE Mi-T-M**

Mi-T-M Corporation garantiza que todas las piezas ( excepto aquellas a las que se hace referencia abajo) de su nueva aspiradora moja/seca libre de defectos en materiales y mano de obra por dos (2) año limitado de la fecha de compra con la siguiente excepcion:

La garantía por la vida de la lata.

Las piezas defectuosas sera'n reparados o reemplazadas a nuestra opción durante el periodo de garantía. En todo caso, el reembolso está limitado al precio de compra pagado.

### **EXCLUSIONES**

1. Esta garantía no cubre las piezas dañados debido al deterioro normal causado por el uso, mala aplicación, mal uso, operacio'n a velocidades, presiones o temperaturas diferentes a las recomendades. Las piezas dañadas o gastadas a causa del uso de liquidos causticos o por la operación del medio ambientes abrasivos o corrosivos o bajo condiciones que causan cavitacion de la bomba no están garantizadas. La falla en seguir los procedimientos recomendados de operación y mantimientio tambien cancela la garantía
2. El uso de piezas de repuesto diferentes a las genuinas Mi-T-M cancelará la garantía. Las piezas devueltas, con franqueo pagado a un Centro de Servicio Autorizado Mi-T-M, seán inspeccionadas y remplazadas, libre de cargos, si se determina que están defectuosas y sujetas a la garantía. No existen garantias que se extiendan mas alla de la descripción contenida aqui. Bajo ningina circunstancia Mi-T-M Corporation será responsable por la perdida de uso de la unidad, perdida del tiempo, inconvenientes, perdida comercial o daños consecuentes.

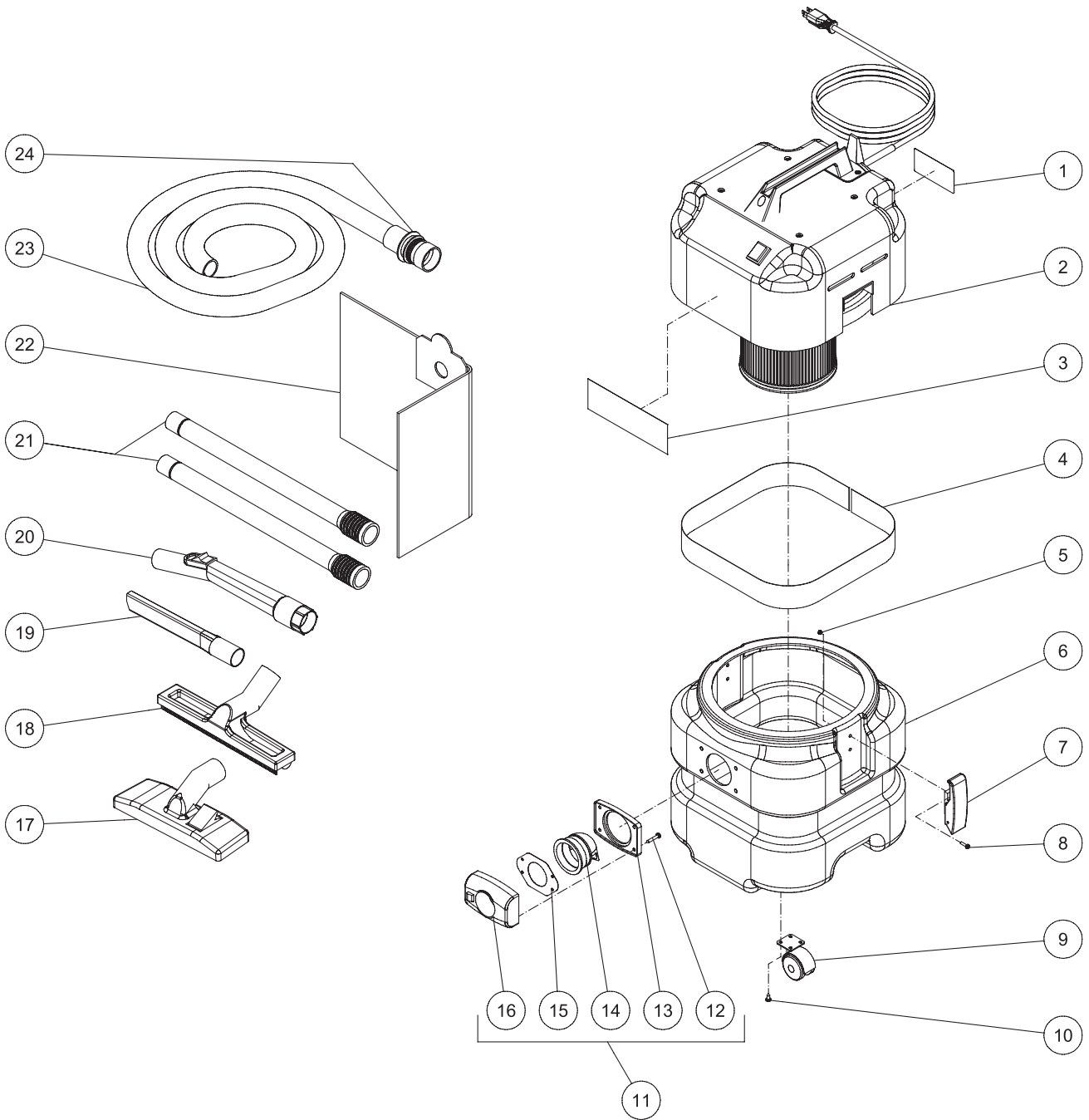
**PARA SERVICIO P CONSIDERACION DE LA GARANTÍA CONSULTE CON:**

Mi-T-M-Corporation/8650 Enterprise Drive, Box 50/Peosta, IA 52068-0050

Telefono: 563-556-4784 / 1-800-553-953 / FAX 563-556-1235

lunes- viernes 8:00am – 5:00pm CST

# ASAMBLEA PARA MV-900-0MEV

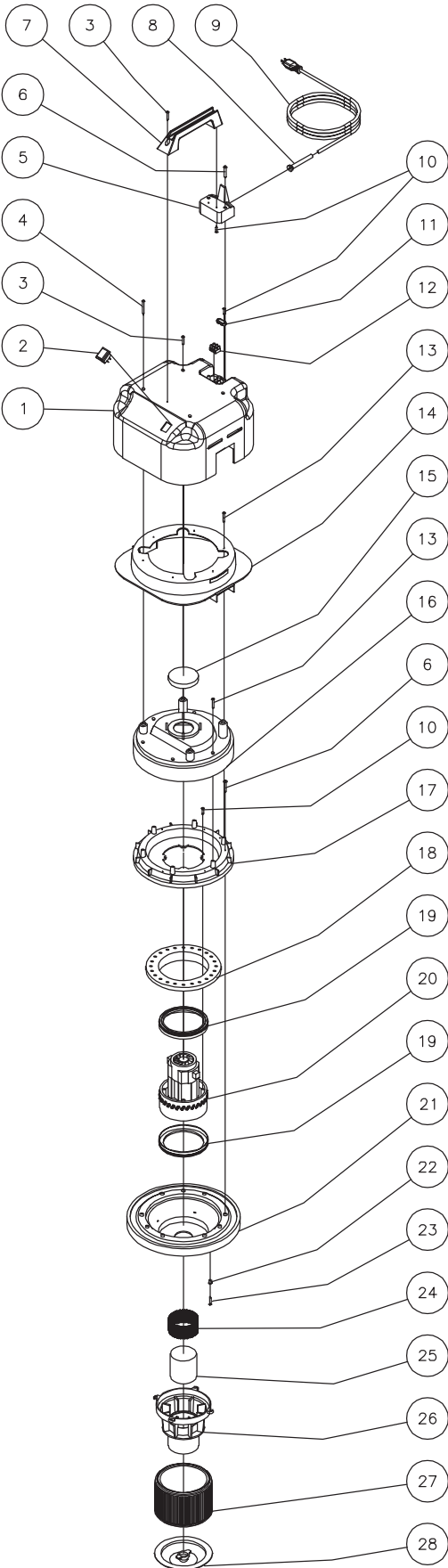


MV-900-0MEV-122712-RJA

## ASAMBLEA PARA MV-900-0MEV

REF. #	DESCRIPCIÓN	PARTE #	CANTIDAD
1	PLACA DE LOS DATOS	N/A	1
2	CABEZA DE LA ENERGÍA DEL VACÍO	3-0239	1
3	CALCOMANÍA- MI-T-M DEL LOGO	34-1412	1
4	CALCOMANÍA- MI-T-M DEL RAYA	34-1413	1
5	TUERCA	30-0053	4
6	FRASCO	62-0147	1
7	LADOS	33-0416	2
8	TORNILLO	53-0006	4
9	RUEDA CON LA PLACA	14-0093	4
10	TORNILLO	27-3262	12
11	KIT DE LA ENTRADA DEL VACÍO	70-0368	1
12	TORNILLO	N/A SEP.	4
13	REBORDE	N/A SEP.	1
14	CODO	N/A SEP.	1
15	JUNTA DEL REBORDE	N/A SEP.	1
16	MANGUERA DEL RECEPTOR	N/A SEP.	1
17	HERRAMIENTA DEL PISO- 12"	33-0411	1
18	HERRAMIENTA DE LA ESCOBILLA D GOMA- 12"	33-0410	1
19	HERRAMIENTA DE HENDEDURA	33-0412	1
20	VARA	16-0403	1
21	VARA DE CROMO	16-0402	2
22	BOLSO DE FILTRO	19-0222	1
23	MANGUERA DE LA SUCCIÓN	15-0241	1
24	CONECTOR DE ENTRADA	50-0178	1

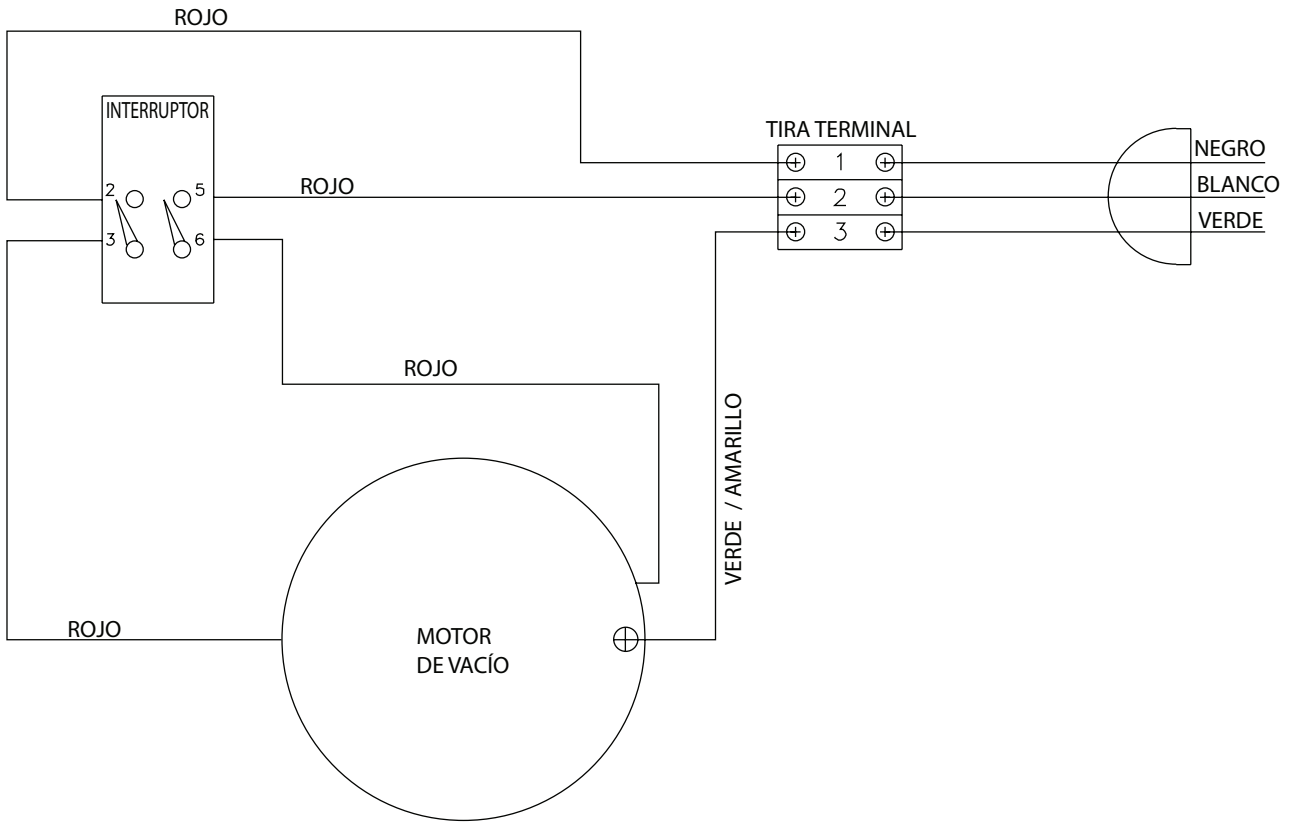
# ASAMBLEA PARA CABEZA DE LA ENERGÍA DEL VACÍO (3-0239)



3-0239-012304-BAR

<b>ASAMBLEA PARA CABEZA DE LA ENERGÍA DEL VACÍO(3-0239)</b>			
<b>REF. #</b>	<b>DESCRIPCIÓN</b>	<b>PARTE #</b>	<b>CANTIDAD</b>
1	Tapa Del Frasco	62-0151	1
2	Interruptor	32-0789	1
3	Tornillo	27-9552	3
4	Tornillo	27-9553	2
5	Base de la manija	62-0157	1
6	Tornillo	27-9555	8
7	Manija	62-0158	1
8	Retenedor de cable	32-0788	1
9	Asamblea de la cuerda	32-0792	1
10	Tornillo	27-9551	8
11	Abrazadera de la cuerda	32-0787	1
12	Bloque de terminales	32-0790	1
13	Tornillo	27-9554	6
14	Divisor del compartimiento	62-0152	1
15	Filtro De la Junta	26-0275	1
16	Detenedor tapa de motor	62-0153	1
17	Fondo Principal De Retención Del Motor	62-0154	1
18	Junta fondo de motor	26-0277	1
19	Junta de motor	26-0224	2
20	Hp Del Motor 1,3	2-0140	1
21	Base del frasco	62-0155	1
22	Espaciador De la Cubierta De Filtro	62-0156	4
23	Tornillo	27-9556	4
24	Pantalla	19-0229	1
25	Flotador	62-0161	1
26	Cubierta de filtro	62-0159	1
27	Filtro	19-0221	1
28	Clip de retención del filtro	62-0160	1

# DIAGRAMA DEL ALAMBRE











Manufactured by Mi-T-M  
8650 Enterprise Drive, Peosta IA 52068  
563-556-7484/ Fax 563-556-1235