

TMS320C55x Assembly Language Tools User's Guide

Literature Number: SPRU280H
July 2004



Printed on Recycled Paper

IMPORTANT NOTICE

Texas Instruments Incorporated and its subsidiaries (TI) reserve the right to make corrections, modifications, enhancements, improvements, and other changes to its products and services at any time and to discontinue any product or service without notice. Customers should obtain the latest relevant information before placing orders and should verify that such information is current and complete. All products are sold subject to TI's terms and conditions of sale supplied at the time of order acknowledgment.

TI warrants performance of its hardware products to the specifications applicable at the time of sale in accordance with TI's standard warranty. Testing and other quality control techniques are used to the extent TI deems necessary to support this warranty. Except where mandated by government requirements, testing of all parameters of each product is not necessarily performed.

TI assumes no liability for applications assistance or customer product design. Customers are responsible for their products and applications using TI components. To minimize the risks associated with customer products and applications, customers should provide adequate design and operating safeguards.

TI does not warrant or represent that any license, either express or implied, is granted under any TI patent right, copyright, mask work right, or other TI intellectual property right relating to any combination, machine, or process in which TI products or services are used. Information published by TI regarding third-party products or services does not constitute a license from TI to use such products or services or a warranty or endorsement thereof. Use of such information may require a license from a third party under the patents or other intellectual property of the third party, or a license from TI under the patents or other intellectual property of TI.

Reproduction of information in TI data books or data sheets is permissible only if reproduction is without alteration and is accompanied by all associated warranties, conditions, limitations, and notices. Reproduction of this information with alteration is an unfair and deceptive business practice. TI is not responsible or liable for such altered documentation.

Resale of TI products or services with statements different from or beyond the parameters stated by TI for that product or service voids all express and any implied warranties for the associated TI product or service and is an unfair and deceptive business practice. TI is not responsible or liable for any such statements.

Following are URLs where you can obtain information on other Texas Instruments products and application solutions:

Products

Amplifiers	amplifier.ti.com
Data Converters	dataconverter.ti.com
DSP	dsp.ti.com
Interface	interface.ti.com
Logic	logic.ti.com
Power Mgmt	power.ti.com
Microcontrollers	microcontroller.ti.com

Applications

Audio	www.ti.com/audio
Automotive	www.ti.com/automotive
Broadband	www.ti.com/broadband
Digital Control	www.ti.com/digitalcontrol
Military	www.ti.com/military
Optical Networking	www.ti.com/opticalnetwork
Security	www.ti.com/security
Telephony	www.ti.com/telephony
Video & Imaging	www.ti.com/video
Wireless	www.ti.com/wireless

Mailing Address: Texas Instruments
Post Office Box 655303 Dallas, Texas 75265

Read This First

About This Manual

The *TMS320C55x Assembly Language Tools User's Guide* tells you how to use these assembly language tools:

- Assembler
- Archiver
- Linker
- Absolute lister
- Cross-reference lister
- Hex conversion utility
- Disassembler
- Name utility

How to Use This Manual

The goal of this book is to help you learn how to use the Texas Instruments assembly language tools specifically designed for the TMS320C55x™ DSPs. This book is divided into four parts:

- Introductory information** gives you an overview of the assembly language development tools and also discusses common object file format (COFF), which helps you to use the TMS320C55x tools more efficiently. Read Chapter 2, *Introduction to Common Object File Format*, before using the assembler and linker.
- Assembler description** contains detailed information about using the mnemonic and algebraic assemblers. This section explains how to invoke the assemblers and discusses source statement format, valid constants and expressions, assembler output, and assembler directives. It also describes macro elements.
- Additional assembly language tools** describes in detail each of the tools provided with the assembler to help you create assembly language source files. For example, Chapter 8 explains how to invoke the linker, how the linker operates, and how to use linker directives. Chapter 14 explains how to use the hex conversion utility.

- **Reference material** provides supplementary information. This section contains technical data about the internal format and structure of COFF object files. It discusses symbolic debugging directives that the C/C++ compiler uses. Finally, it includes hex conversion utility examples, assembler and linker error messages, and a glossary.

Notational Conventions

This document uses the following conventions:

- Program listings, program examples, and interactive displays appear in a special typeface. Examples use a **bold version** of the special typeface for emphasis; interactive displays use a **bold version** of the special typeface to distinguish commands that you enter from items that the system displays (such as prompts, command output, error messages, etc.).

Here is a sample program listing:

```
2 0001  2f          x      .byte  47
3 0002  32          z      .byte  50
4 0003                          .text
```

- In syntax descriptions, the instruction, command, or directive is in a **bold typeface** font and parameters are in an *italic typeface*. Portions of a syntax that are in **bold** should be entered as shown; portions of a syntax that are in *italics* describe the type of information that should be entered. Here is an example of command line syntax:

```
abs55 filename
```

abs55 is a command. The command invokes the absolute lister and has one parameter, indicated by *filename*. When you invoke the absolute lister, you supply the name of the file that the absolute lister uses as input.

- Square brackets ([and]) identify an optional parameter. If you use an optional parameter, you specify the information within the brackets; you don't enter the brackets themselves. This is an example of a command that has an optional parameter:

```
hex55 [-options] filename
```

The **hex55** command has two parameters. The first parameter, *-options*, is optional. Since *options* is plural, you may select several options. The second parameter, *filename*, is required.

- In assembler syntax statements, column 1 is reserved for the first character of a label or symbol. If the label or symbol is **optional**, it is usually not shown. If it is a **required** parameter, then it will be shown starting against the left margin of the shaded box, as in the example below. No instruction, command, directive, or parameter, other than a symbol or label, should begin in column 1.

```
symbol .usect "section name", size in words [, blocking flag]
              [, alignment flag]
```

The *symbol* is required for the `.usect` directive and must begin in column 1. The *section name* must be enclosed in quotes and the *section size in words* must be separated from the *section name* by a comma. The *blocking flag* and *alignment flag* are optional and, if used, must be separated by commas.

- Some directives can have a varying number of parameters. For example, the `.byte` directive can have up to 100 parameters. The syntax for this directive is:

```
.byte value1 [, ... , valuen]
```

Note that `.byte` does not begin in column 1.

This syntax shows that `.byte` must have at least one value parameter, but you have the option of supplying additional value parameters, separated by commas.

- Following are other symbols and abbreviations used throughout this document.

Symbol	Definition	Symbol	Definition
AR0–AR7	Auxiliary Registers 0 through 7	PC	Program counter register
B,b	Suffix — binary integer	Q,q	Suffix — octal integer
H,h	Suffix — hexadecimal integer	SP	Stack pointer register
LSB	Least significant bit	ST	Status register
MSB	Most significant bit		

Related Documentation From Texas Instruments

The following books describe the TMS320C55x devices and related support tools.

TMS320C55x Optimizing C/C++ Compiler User's Guide (literature number SPRU281) describes the TMS320C55x™ C/C++ Compiler. This C/C++ compiler accepts ISO standard C/C++ source code and produces assembly language source code for TMS320C55x devices.

TMS320C55x DSP CPU Reference Guide (literature number SPRU371) describes the architecture, registers, and operation of the CPU for the TMS320C55x™ digital signal processors (DSPs).

TMS320C55x DSP Mnemonic Instruction Set Reference Guide (literature number SPRU374) describes the TMS320C55x™ DSP mnemonic instructions individually. Also includes a summary of the instruction set, a list of the instruction opcodes, and a cross-reference to the algebraic instruction set.

TMS320C55x DSP Algebraic Instruction Set Reference Guide (literature number SPRU375) describes the TMS320C55x™ DSP algebraic instructions individually. Also includes a summary of the instruction set, a list of the instruction opcodes, and a cross-reference to the mnemonic instruction set.

TMS320C55x Programmer's Guide (literature number SPRU376) describes ways to optimize C/C++ and assembly code for the TMS320C55x™ DSPs and explains how to write code that uses special features and instructions of the DSP.

Code Composer User's Guide (literature number SPRU328) explains how to use the Code Composer development environment to build and debug embedded real-time DSP applications.

Trademarks

Code Composer Studio, TMS320C54x, C54x, TMS320C55x, and C55x are trademarks of Texas Instruments.

Contents

1	Introduction	1-1
	<i>Provides an overview of the software development tools.</i>	
1.1	Software Development Tools Overview	1-2
1.2	Tools Descriptions	1-3
2	Introduction to Common Object File Format	2-1
	<i>Discusses the basic COFF concept of sections and how they can help you use the assembler and linker more efficiently. Common object file format, or COFF, is the object file format used by the tools.</i>	
2.1	Sections	2-2
2.2	How the Assembler Handles Sections	2-4
2.2.1	Uninitialized Sections	2-4
2.2.2	Initialized Sections	2-6
2.2.3	Named Sections	2-7
2.2.4	Subsections	2-8
2.2.5	Section Program Counters	2-8
2.2.6	An Example That Uses Sections Directives	2-9
2.3	How the Linker Handles Sections	2-12
2.3.1	Default Memory Allocation	2-13
2.3.2	Placing Sections in the Memory Map	2-14
2.4	Relocation	2-15
2.4.1	Relocation Issues	2-16
2.5	Run-Time Relocation	2-17
2.6	Loading a Program	2-18
2.7	Symbols in a COFF File	2-19
2.7.1	External Symbols	2-19
2.7.2	The Symbol Table	2-20

3	Assembler Description	3-1
	<i>Explains how to invoke the assembler and discusses source statement format, valid constants and expressions, and assembler output.</i>	
3.1	Assembler Overview	3-2
3.2	Assembler Development Flow	3-3
3.3	Invoking the Assembler	3-4
3.4	Invoking the Assembler Directly	3-8
3.5	C55x Assembler Features	3-12
3.5.1	Byte/Word Addressing	3-12
3.5.2	Parallel Instruction Rules	3-15
3.5.3	Variable-Length Instruction Size Resolution	3-15
3.5.4	Memory Modes	3-16
3.5.5	Assembler Warning On Use of MMR Address	3-18
3.6	Naming Alternate Files and Directories for Assembler Input	3-19
3.6.1	Using the <code>-I</code> Assembler Option	3-19
3.6.2	Using the Environment Variables <code>C55X_A_DIR</code> and <code>A_DIR</code>	3-20
3.7	Source Statement Format	3-22
3.7.1	Source Statement Syntax	3-22
3.7.2	Label Field	3-23
3.7.3	Mnemonic Instruction Fields	3-23
3.7.4	Algebraic Instruction Fields	3-25
3.7.5	Comment Field	3-25
3.8	Constants	3-26
3.8.1	Binary Integers	3-26
3.8.2	Octal Integers	3-26
3.8.3	Decimal Integers	3-27
3.8.4	Hexadecimal Integers	3-27
3.8.5	Character Constants	3-27
3.8.6	Floating-Point Constants	3-28
3.9	Character Strings	3-29
3.10	Symbols	3-30
3.10.1	Labels	3-30
3.10.2	Symbolic Constants	3-30
3.10.3	Defining Symbolic Constants (<code>-ad</code> Option)	3-31
3.10.4	Predefined Symbolic Constants	3-31
3.10.5	Substitution Symbols	3-32
3.10.6	Local Labels	3-33
3.11	Expressions	3-36
3.11.1	Operators	3-37
3.11.2	Expression Overflow and Underflow	3-37
3.11.3	Well-Defined Expressions	3-38
3.11.4	Conditional Expressions	3-38

3.12	Built-in Functions	3-39
3.13	Source Listings	3-41
3.14	Debugging Assembly Source	3-45
3.15	Cross-Reference Listings	3-47
4	Assembler Directives	4-1
	<i>Describes the directives according to function, and presents the directives in alphabetical order.</i>	
4.1	Directives Summary	4-2
4.2	Directives Related to Sections	4-10
4.3	Data Defining Directives	4-12
4.4	Alignment Directives	4-16
4.5	Listing Control Directives	4-18
4.6	File Reference Directives	4-20
4.7	Symbol Linkage Directives	4-20
4.8	Conditional Assembly Directives	4-21
4.9	Assembly-Time Symbol Directives	4-22
4.10	Directives That Communicate Run-Time Environment Details	4-25
4.11	Miscellaneous Directives	4-27
4.12	Directives Reference	4-28
5	Macro Language	5-1
	<i>Describes macro directives, substitution symbols used as macro parameters, and how to create macros.</i>	
5.1	Using Macros	5-2
5.2	Defining Macros	5-3
5.3	Macro Parameters/Substitution Symbols	5-6
5.3.1	Directives That Define Substitution Symbols	5-7
5.3.2	Built-In Substitution Symbol Functions	5-8
5.3.3	Recursive Substitution Symbols	5-10
5.3.4	Forced Substitution	5-11
5.3.5	Accessing Individual Characters of Subscripted Substitution Symbols	5-12
5.3.6	Substitution Symbols as Local Variables in Macros	5-13
5.4	Macro Libraries	5-14
5.5	Using Conditional Assembly in Macros	5-15
5.6	Using Labels in Macros	5-17
5.7	Producing Messages in Macros	5-19
5.8	Formatting the Output Listing	5-21
5.9	Using Recursive and Nested Macros	5-23
5.10	Macro Directives Summary	5-26

6	Running C54x Code on C55x	6-1
	<i>Describes how to assemble a C54x application for use on the C55x.</i>	
6.1	C54x to C55x Development Flow	6-2
6.1.1	Initializing the Stack Pointers	6-2
6.1.2	Handling Differences in Memory Placement	6-2
6.1.3	Updating a C54x Linker Command File	6-3
6.2	Understanding the Listing File	6-4
6.3	Handling Reserved C55x Names	6-6
7	Migrating a C54x System to a C55x System	7-1
	<i>Describes system considerations when porting C54x code to C55x.</i>	
7.1	Handling Interrupts	7-2
7.1.1	Differences in the Interrupt Vector Table	7-2
7.1.2	Handling Interrupt Service Routines	7-3
7.1.3	Other Issues Related to Interrupts	7-4
7.2	Assembler Options for C54x Code	7-5
7.2.1	Assume SST is Disabled (<code>-mt</code> Option)	7-5
7.2.2	Port for Speed Over Size (<code>-mh</code> Option)	7-6
7.2.3	Optimized Encoding of C54x Circular Addressing (<code>--purecirc</code> Option)	7-7
7.2.4	Removing NOPs in Delay Slots (<code>-atn</code> and <code>-mn</code> Options)	7-9
7.3	Using Ported C54x Functions with Native C55x Functions	7-10
7.3.1	Run-Time Environment for Ported C54x Code	7-10
7.3.2	C55x Registers Used as Temporaries	7-11
7.3.3	C54x to C55x Register Mapping	7-12
7.3.4	Caution on Using the T2 Register	7-12
7.3.5	Status Bit Field Mapping	7-12
7.3.6	Switching Between Run-Time Environments	7-14
7.3.7	Example of C Code Calling C54x Assembly	7-15
7.3.8	Example of C54x Assembly Calling C Code	7-19
7.4	Output C55x Source	7-22
7.4.1	Command-Line Options	7-22
7.4.2	Processing <code>.include/.copy</code> Files	7-23
7.4.3	Problems with the <code>--incl</code> Option	7-24
7.4.4	Handling <code>.asg</code> and <code>.set</code>	7-25
7.4.5	Preserve Spacing with the <code>.tab</code> Directive	7-25
7.4.6	Assembler-Generated Comments	7-25
7.4.7	Handling Macros	7-28
7.4.8	Handling the <code>.if</code> and <code>.loop</code> Directives	7-28
7.4.9	Integration Within Code Composer Studio	7-29
7.5	Non-Portable C54x Coding Practices	7-30
7.6	Additional C54x Issues	7-32
7.6.1	Handling Program Memory Accesses	7-33
7.7	Assembler Messages	7-35

8	Linker Description	8-1
	<i>Explains how to invoke the linker, provides details about linker operation, discusses linker directives, and presents a detailed linking example.</i>	
8.1	Linker Overview	8-2
8.2	Linker Development Flow	8-3
8.3	Invoking the Linker	8-4
8.4	Linker Options	8-5
8.4.1	Relocation Capabilities (<code>-a</code> and <code>-r</code> Options)	8-7
8.4.2	Create an Absolute Listing File (<code>-abs</code> Option)	8-8
8.4.3	Allocate Memory for Use by the Loader to Pass Arguments (<code>--args</code> Option)	8-8
8.4.4	Disable Merge of Symbolic Debugging Information (<code>-b</code> Option)	8-9
8.4.5	C Language Options (<code>-c</code> and <code>-cr</code> Options)	8-9
8.4.6	Define an Entry Point (<code>-e global_symbol</code> Option)	8-10
8.4.7	Set Default Fill Value (<code>-f cc</code> Option)	8-10
8.4.8	Make a Symbol Global (<code>-g global_symbol</code> Option)	8-11
8.4.9	Make All Global Symbols Static (<code>-h</code> Option)	8-11
8.4.10	Define Heap Size (<code>-heap constant</code> Option)	8-12
8.4.11	Alter the File Search Algorithm (<code>-l</code> Option, <code>-i</code> Option, and <code>C55X_C_DIR/C_DIR</code> Environment Variables)	8-12
8.4.12	Disable Conditional Linking (<code>-j</code> Option)	8-14
8.4.13	Create a Map File (<code>-m filename</code> Option)	8-15
8.4.14	Name an Output Module (<code>-o filename</code> Option)	8-15
8.4.15	Strip Symbolic Information (<code>-s</code> Option)	8-16
8.4.16	Define Stack Size (<code>-stack size</code> Option)	8-16
8.4.17	Define Secondary Stack Size (<code>-sysstack constant</code> Option)	8-17
8.4.18	Introduce an Unresolved Symbol (<code>-u symbol</code> Option)	8-17
8.4.19	Specify a COFF Format (<code>-v</code> Option)	8-18
8.4.20	Display a Message for Output Section Information (<code>-w</code> Option)	8-18
8.4.21	Exhaustively Read and Search Libraries (<code>-x</code> and <code>-priority</code> Options)	8-19
8.4.22	Creating an XML Link Information File (<code>--xml_link_info</code> Option)	8-20
8.5	Byte/Word Addressing	8-21
8.6	Linker Command Files	8-22
8.6.1	Reserved Names in Linker Command Files	8-24
8.6.2	Constants in Command Files	8-25
8.7	Object Libraries	8-26
8.8	The MEMORY Directive	8-28
8.8.1	Default Memory Model	8-28
8.8.2	MEMORY Directive Syntax	8-28

8.9	The SECTIONS Directive	8-32
8.9.1	Default Configuration	8-32
8.9.2	SECTIONS Directive Syntax	8-32
8.9.3	Memory Placement	8-35
8.9.4	Allocating an Archive Member to an Output Section	8-40
8.9.5	Memory Placement Using Multiple Memory Ranges	8-42
8.9.6	Automatic Splitting of Output Sections Among Non-Contiguous Memory Ranges	8-42
8.10	Specifying a Section's Load-Time and Run-Time Addresses	8-45
8.10.1	Specifying Load and Run Addresses	8-45
8.10.2	Uninitialized Sections	8-46
8.10.3	Defining Load-Time Addresses and Dimensions at Link Time	8-46
8.10.4	Why the Dot Operator Does Not Always Work	8-47
8.10.5	Address and Dimension Operators	8-48
8.10.6	Referring to the Load Address by Using the .label Directive	8-50
8.11	Using UNION and GROUP Statements	8-53
8.11.1	Overlaying Sections With the UNION Statement	8-53
8.11.2	Grouping Output Sections Together	8-55
8.11.3	Nesting UNIONS and GROUPs	8-56
8.11.4	Checking the Consistency of Allocators	8-57
8.12	Overlay Pages	8-59
8.12.1	Using the MEMORY Directive to Define Overlay Pages	8-59
8.12.2	Using Overlay Pages With the SECTIONS Directive	8-61
8.12.3	Page Definition Syntax	8-62
8.13	Default Allocation Algorithm	8-64
8.13.1	Allocation Algorithm	8-64
8.13.2	General Rules for Output Sections	8-65
8.14	Special Section Types (DSECT, COPY, and NOLOAD)	8-67
8.15	Assigning Symbols at Link Time	8-68
8.15.1	Syntax of Assignment Statements	8-68
8.15.2	Assigning the SPC to a Symbol	8-69
8.15.3	Assignment Expressions	8-70
8.15.4	Symbols Defined by the Linker	8-71
8.15.5	Symbols Defined Only For C Support (-c or -cr Option)	8-72
8.16	Creating and Filling Holes	8-73
8.16.1	Initialized and Uninitialized Sections	8-73
8.16.2	Creating Holes	8-73
8.16.3	Filling Holes	8-75
8.16.4	Explicit Initialization of Uninitialized Sections	8-76

8.17	Linker-Generated Copy Tables	8-77
8.17.1	A Current Boot-Loaded Application Development Process	8-77
8.17.2	An Alternative Approach	8-78
8.17.3	Overlay Management Example	8-79
8.17.4	Generating Copy Tables Automatically with the Linker	8-80
8.17.5	The table() Operator	8-81
8.17.6	Boot-Time Copy Tables	8-81
8.17.7	Using the table() Operator to Manage Object Components	8-82
8.17.8	Copy Table Contents	8-82
8.17.9	General Purpose Copy Routine	8-84
8.17.10	Linker Generated Copy Table Sections and Symbols	8-87
8.17.11	Splitting Object Components and Overlay Management	8-89
8.18	Partial (Incremental) Linking	8-91
8.19	Linking C/C++ Code	8-93
8.19.1	Run-Time Initialization	8-93
8.19.2	Object Libraries and Run-Time Support	8-94
8.19.3	Setting the Size of the Stack and Heap Sections	8-94
8.19.4	Autoinitialization of Variables at Run Time	8-95
8.19.5	Initialization of Variables at Load Time	8-96
8.19.6	The -c and -cr Linker Options	8-97
8.20	Linker Example	8-98
9	Archiver Description	9-1
	<i>Contains instructions for invoking the archiver, creating new archive libraries, and modifying existing libraries.</i>	
9.1	Archiver Overview	9-2
9.2	Archiver Development Flow	9-3
9.3	Invoking the Archiver	9-4
9.4	Archiver Examples	9-6
10	Absolute Lister Description	10-1
	<i>Explains how to invoke the absolute lister to obtain a listing of the absolute addresses of an object file.</i>	
10.1	Producing an Absolute Listing	10-2
10.2	Invoking the Absolute Lister	10-3
10.3	Absolute Lister Example	10-5
11	Cross-Reference Lister Description	11-1
	<i>Explains how to invoke the cross-reference lister to obtain a listing of symbols, their definitions, and their references in the linked source files.</i>	
11.1	Producing a Cross-Reference Listing	11-2
11.2	Invoking the Cross-Reference Lister	11-3
11.3	Cross-Reference Listing Example	11-4

12 Disassembler Description	12-1
<i>Explains how to invoke the disassembler to obtain a listing of the COFF disassembly for object files or linked executable files.</i>	
12.1 Invoking the Disassembler	12-2
12.2 Disassembly Examples	12-4
13 Object File Utilities Descriptions	13-1
<i>Explains how to invoke the object file display utility , the name utility, and the strip utility.</i>	
13.1 Invoking the Object File Display Utility	13-2
13.2 XML Tag Index	13-3
13.3 Example XML Consumer	13-9
13.3.1 The Main Application	13-9
13.3.2 xml.h Declaration of the XMLEntity Object	13-12
13.3.3 xml.cpp Definition of the XMLEntity Object	13-13
13.4 Invoking the Name Utility	13-16
13.5 Invoking the Strip Utility	13-17
14 Hex Conversion Utility Description	14-1
<i>Explains how to invoke the hex utility to convert a COFF object file into one of several standard hexadecimal formats suitable for loading into an EPROM programmer..</i>	
14.1 Hex Conversion Utility Development Flow	14-2
14.2 Invoking the Hex Conversion Utility	14-3
14.3 Command File	14-6
14.3.1 Examples of Command Files	14-7
14.4 Understanding Memory Widths	14-8
14.4.1 Target Width	14-9
14.4.2 Data Width	14-9
14.4.3 Memory Width	14-9
14.4.4 ROM Width	14-10
14.4.5 A Memory Configuration Example	14-13
14.4.6 Specifying Word Order for Output Words	14-13
14.5 The ROMS Directive	14-15
14.5.1 When to Use the ROMS Directive	14-17
14.5.2 An Example of the ROMS Directive	14-18
14.5.3 Creating a Map File of the ROMS Directive	14-20
14.6 The SECTIONS Directive	14-21
14.7 Excluding a Specified Section	14-23
14.8 Output Filenames	14-24
14.8.1 Assigning Output Filenames	14-24
14.9 Image Mode and the -fill Option	14-26
14.9.1 The -image Option	14-26
14.9.2 Specifying a Fill Value	14-27
14.9.3 Steps to Follow in Image Mode	14-27

14.10	Building a Table for an On-Chip Boot Loader	14-28
14.10.1	Description of the Boot Table	14-28
14.10.2	The Boot Table Format	14-28
14.10.3	How to Build the Boot Table	14-29
14.10.4	Booting From a Device Peripheral	14-32
14.10.5	Setting the Entry Point for the Boot Table	14-32
14.10.6	Using the C55x Boot Loader	14-33
14.11	Controlling the ROM Device Address	14-34
14.11.1	Controlling the Starting Address	14-34
14.11.2	Controlling the Address Increment Index	14-36
14.11.3	Specifying Byte Count	14-36
14.11.4	Dealing With Address Holes	14-37
14.12	Description of the Object Formats	14-38
14.12.1	ASCII-Hex Object Format (-a Option)	14-39
14.12.2	Intel MCS-86 Object Format (-i Option)	14-40
14.12.3	Motorola Exorciser Object Format (-m1, -m2, -m3 Options)	14-41
14.12.4	Texas Instruments SDSMAC Object Format (-t Option)	14-42
14.12.5	Extended Tektronix Object Format (-x Option)	14-43
14.13	Hex Conversion Utility Error Messages	14-44
A	Common Object File Format	A-1
	<i>Contains supplemental technical data about the internal format and structure of COFF object files</i>	
A.1	COFF File Structure	A-2
A.2	File Header Structure	A-4
A.3	Optional File Header Format	A-5
A.4	Section Header Structure	A-6
A.5	Structuring Relocation Information	A-9
A.6	Symbol Table Structure and Content	A-11
A.6.1	Special Symbols	A-12
A.6.2	Symbol Name Format	A-13
A.6.3	String Table Structure	A-13
A.6.4	Storage Classes	A-14
A.6.5	Symbol Values	A-14
A.6.6	Section Number	A-15
A.6.7	Auxiliary Entries	A-15
B	Symbolic Debugging Directives	B-1
	<i>Discusses symbolic debugging directives that the TMS320C55x C/C++ compiler uses.</i>	
B.1	DWARF Debugging Format	B-2
B.2	COFF Debugging Format	B-3
B.3	Debug Directive Syntax	B-4

C	XML Link Information File Description	C-1
	<i>Discusses the xml_link_info file contents including file element types and document elements.</i>	
C.1	XML Information File Element Types	C-2
C.2	Document Elements	C-3
C.2.1	Header Elements	C-3
C.2.2	Input File List	C-4
C.2.3	Object Component List	C-5
C.2.4	Logical Group List	C-6
C.2.5	Placement Map	C-9
C.2.6	Symbol Table	C-11
D	Glossary	D-1
	<i>Defines terms and acronyms used in this book.</i>	

Figures

1-1	TMS320C55x Software Development Flow	1-2
2-1	Partitioning Memory Into Logical Blocks	2-3
2-2	Object Code Generated by the File in Example 2-1	2-11
2-3	Combining Input Sections to Form an Executable Object Module	2-13
3-1	Assembler Development Flow	3-3
4-1	The .field Directive	4-13
4-2	Initialization Directives	4-15
4-3	The .align Directive	4-17
4-4	Allocating .bss Blocks Within a Page	4-35
4-5	The .field Directive	4-56
4-6	The .usect Directive	4-100
7-1	Run-Time Environments for Ported C54x Code and Native C55x Code	7-15
8-1	Linker Development Flow	8-3
8-2	Memory Map Defined in Example 8-3	8-31
8-3	Section Allocation Defined by Example 8-4	8-34
8-4	Run-Time Execution of Example 8-7	8-52
8-5	Memory Allocation Shown in Example 8-8 and Example 8-9	8-54
8-6	Memory Overlay Shown in Example 8-11	8-56
8-7	Overlay Pages Defined by Example 8-12 and Example 8-13	8-60
8-8	Autoinitialization at Run Time	8-95
8-9	Initialization at Load Time	8-96
9-1	Archiver Development Flow	9-3
10-1	Absolute Lister Development Flow	10-2
10-2	module1.lst	10-8
10-3	module2.lst	10-9
11-1	Cross-Reference Lister Development Flow	11-2
14-1	Hex Conversion Utility Development Flow	14-2
14-2	Hex Conversion Utility Process Flow	14-8
14-3	Data and Memory Widths	14-10
14-4	Data, Memory, and ROM Widths	14-12
14-5	C55x Memory Configuration Example	14-13
14-6	Varying the Word Order	14-14
14-7	The infile.out File From Example 14-1 Partitioned Into Four Output Files	14-19
14-8	Sample Command File for Booting From a C55x EPROM	14-33
14-9	Hex Command File for Avoiding a Hole at the Beginning of a Section	14-37
14-10	ASCII-Hex Object Format	14-39

14-11	Intel Hex Object Format	14-40
14-12	Motorola-S Format	14-41
14-13	TI-Tagged Object Format	14-42
14-14	Extended Tektronix Object Format	14-43
A-1	COFF File Structure	A-2
A-2	COFF Object File	A-3
A-3	Section Header Pointers for the .text Section	A-8
A-4	Symbol Table Contents	A-11
A-5	String Table	A-13

Tables

3-1	Operators Used in Expressions (Precedence)	3-37
3-2	Assembler Built-In Math Functions	3-39
3-3	Symbol Attributes	3-48
4-1	Assembler Directives Summary	4-3
5-1	Functions and Return Values	5-9
5-2	Creating Macros	5-26
5-3	Manipulating Substitution Symbols	5-26
5-4	Conditional Assembly	5-26
5-5	Producing Assembly-Time Messages	5-27
5-6	Formatting the Listing	5-27
7-1	ST0_55 Status Bit Field Mapping	7-12
7-2	ST1_55 Status Bit Field Mapping	7-13
7-3	ST2_55 Status Bit Field Mapping	7-13
7-4	ST3_55 Status Bit Field Mapping	7-14
7-5	cl55 Command-Line Options	7-22
7-6	Compiler Options that Affect the Assembler	7-23
8-1	Operators Used in Expressions (Precedence)	8-71
11-1	Symbol Attributes	11-6
13-1	XML Tag Index	13-3
14-1	Hex Conversion Utility Options	14-4
14-2	Boot-Loader Options	14-29
14-3	Options for Specifying Hex Conversion Formats	14-38
A-1	File Header Contents	A-4
A-2	File Header Flags (Bytes 18 and 19)	A-4
A-3	Optional File Header Contents	A-5
A-4	Section Header Contents	A-6
A-5	Section Header Flags	A-7
A-6	Relocation Entry Contents	A-9
A-7	Relocation Types (Bytes 10 and 11)	A-10
A-8	Symbol Table Entry Contents	A-12
A-9	Special Symbols in the Symbol Table	A-12
A-10	Symbol Storage Classes	A-14
A-11	Section Numbers	A-15
A-12	Section Format for Auxiliary Table Entries	A-15
B-1	Symbolic Debugging Directives	B-4

Examples

2-1	Using Sections Directives	2-10
2-2	Code That Generates Relocation Entries	2-15
3-1	C55x Data Example	3-14
3-2	C55x Code Example	3-14
3-3	\$n Local Labels	3-33
3-4	name? Local Labels	3-35
3-5	Well-Defined Expressions	3-38
3-6	Assembler Listing	3-43
3-7	Viewing Assembly Variables as C Types	3-45
3-8	Sample Cross-Reference Listing	3-47
4-1	Sections Directives	4-11
5-1	Macro Definition, Call, and Expansion	5-4
5-2	Calling a Macro With Varying Numbers of Arguments	5-7
5-3	The .asg Directive	5-7
5-4	The .eval Directive	5-8
5-5	Using Built-In Substitution Symbol Functions	5-9
5-6	Recursive Substitution	5-10
5-7	Using the Forced Substitution Operator	5-11
5-8	Using Subscripted Substitution Symbols to Redefine an Instruction	5-12
5-9	Using Subscripted Substitution Symbols to Find Substrings	5-13
5-10	The .loop/.break/.endloop Directives	5-16
5-11	Nested Conditional Assembly Directives	5-16
5-12	Built-In Substitution Symbol Functions Used in Conjunction With Conditional Assembly Code Blocks	5-16
5-13	Unique Labels in a Macro	5-17
5-14	Producing Messages in a Macro	5-20
5-15	Using Nested Macros	5-23
5-16	Using Recursive Macros	5-24
7-1	C Prototype of Called Function	7-15
7-2	Assembly Function _firlat_veneer	7-16
7-3	Prototype of Called C Function	7-19
7-4	Original C54x Assembly Function	7-20
7-5	Modified Assembly Function	7-21
7-6	Contrived C54x Assembly File	7-27
7-7	C55x Output For C54x Code Example in Example 7-6	7-27
7-8	C55x Output Created from Combining --alg & --nomacx	7-28

8-1 Linker Command File 8-23

8-2 Command File With Linker Directives 8-24

8-3 The MEMORY Directive 8-29

8-4 The SECTIONS Directive 8-34

8-5 The Most Common Method of Specifying Section Contents 8-39

8-6 Using .label to Define a Load-Time Address 8-47

8-7 Copying a Section From ROM to RAM 8-51

8-8 The UNION Statement 8-53

8-9 Separate Load Addresses for UNION Sections 8-53

8-10 Allocate Sections Together 8-55

8-11 Nesting GROUP and UNION Statements 8-56

8-12 Memory Directive With Overlay Pages 8-59

8-13 SECTIONS Directive Definition for Overlays in Figure 8-7 8-61

8-14 Default Allocation for TMS320C55x Devices 8-64

8-15 Using a UNION for Memory Overlay 8-79

8-16 Produce Address for Linker Generated Copy Table 8-80

8-17 Linker Command File to Manage Object Components 8-82

8-18 TMS320C55x cpy_tbl.h File 8-83

8-19 Run-Time-Support cpy_tbl.c File 8-85

8-20 Controlling the Placement of the Linker-Generated Copy Table Sections 8-88

8-21 Creating a Copy Table to Access a Split Object Component 8-89

8-22 Split Object Component Driver 8-90

8-23 Linker Command File, demo.cmd 8-99

8-24 Output Map File, demo.map 8-100

11-1 Cross-Reference Listing Example 11-4

14-1 A ROMS Directive Example 14-18

14-2 Map File Output From Example 14-1 Showing Memory Ranges 14-20

C-1 Header Element for the hi.out Output File C-3

C-2 Input File List for the hi.out Output File C-4

C-3 Object Component List for the fl-4 Input File C-5

C-4 Logical Group List for the fl-4 Input File C-8

C-5 Placement Map for the fl-4 Input File C-10

C-6 Symbol Table for the fl-4 Input File C-11

Notes

Default Section Directive	2-4
asm55 and masm55	3-8
Offsets in .struct and .union Constructs	3-12
Labels and Comments in Syntax	4-2
Use These Directives in Data Sections	4-12
These Directives in a .struct/.endstruct Sequence	4-14
Specifying an Alignment Flag Only	4-34
Use These Directives in Data Sections	4-37
Directives That Can Appear in a .cstruct/.endstruct Sequence	4-45
Directives That Can Appear in a .union/.endunion Sequence	4-46
Use These Directives in Data Sections	4-48
Use These Directives in Data Sections	4-54
Use These Directives in Data Sections	4-57
Use These Directives in Data Sections	4-60
Use These Directives in Data Sections	4-63
Use These Directives in Data Sections	4-71
Use This Directive in Data Sections	4-84
Use These Directives in Data Sections	4-88
Directives That Can Appear in a .struct/.endstruct Sequence	4-90
Directives That Can Appear in a .union/.endunion Sequence	4-96
Specifying an Alignment Flag Only	4-98
Compiler Pragmas	7-15
The -fr and -eo Options	7-22
Loop Count Affects Translated Source Size	7-28
The -a and -r Options	8-7
Allocation of .stack and .sysstack Sections	8-16
Allocation of .stack and .sysstack Sections	8-17
Incompatibility with DWARF Debug, and COFFO and COFF1	8-18
Allocation of .stack and .sysstack Sections	8-19
Use Byte Addresses in Linker Command File	8-21
Use Byte Addresses in Linker Command File	8-22
Filenames and Option Parameters With Spaces or Hyphens	8-23
Filling Memory Ranges	8-31
Binding and Alignment or Named Memory are Incompatible	8-36
Linker Command File Operator Equivalencies	8-48
UNION and Overlay Page Are Not the Same	8-55

The PAGE Option	8-66
Allocation of .stack and .sysstack Sections	8-72
Filling Sections	8-76
Allocation of .stack and .sysstack Sections	8-94
The TI-Tagged Format Is 16 Bits Wide	14-11
When the -order Option Applies	14-14
Sections Generated by the C/C++ Compiler	14-21
Using the -boot Option and the SECTIONS Directive	14-22
Defining the Ranges of Target Memory	14-26
On-Chip Boot Loader Concerns	14-32
Valid Entry Points	14-32



Introduction

The TMS320C55x™ DSPs are supported by the following assembly language tools:

- Assembler
- Archiver
- Linker
- Absolute lister
- Cross-reference utility
- Object file display utility
- Name utility
- Strip utility
- Hex conversion utility
- Disassembler

This chapter shows how these tools fit into the general software tools development flow and gives a brief description of each tool. For convenience, it also summarizes the C compiler and debugging tools. For detailed information on the compiler and debugger and for complete descriptions of the TMS320C55x devices, see the books listed in *Related Documentation From Texas Instruments* in the *Preface*.

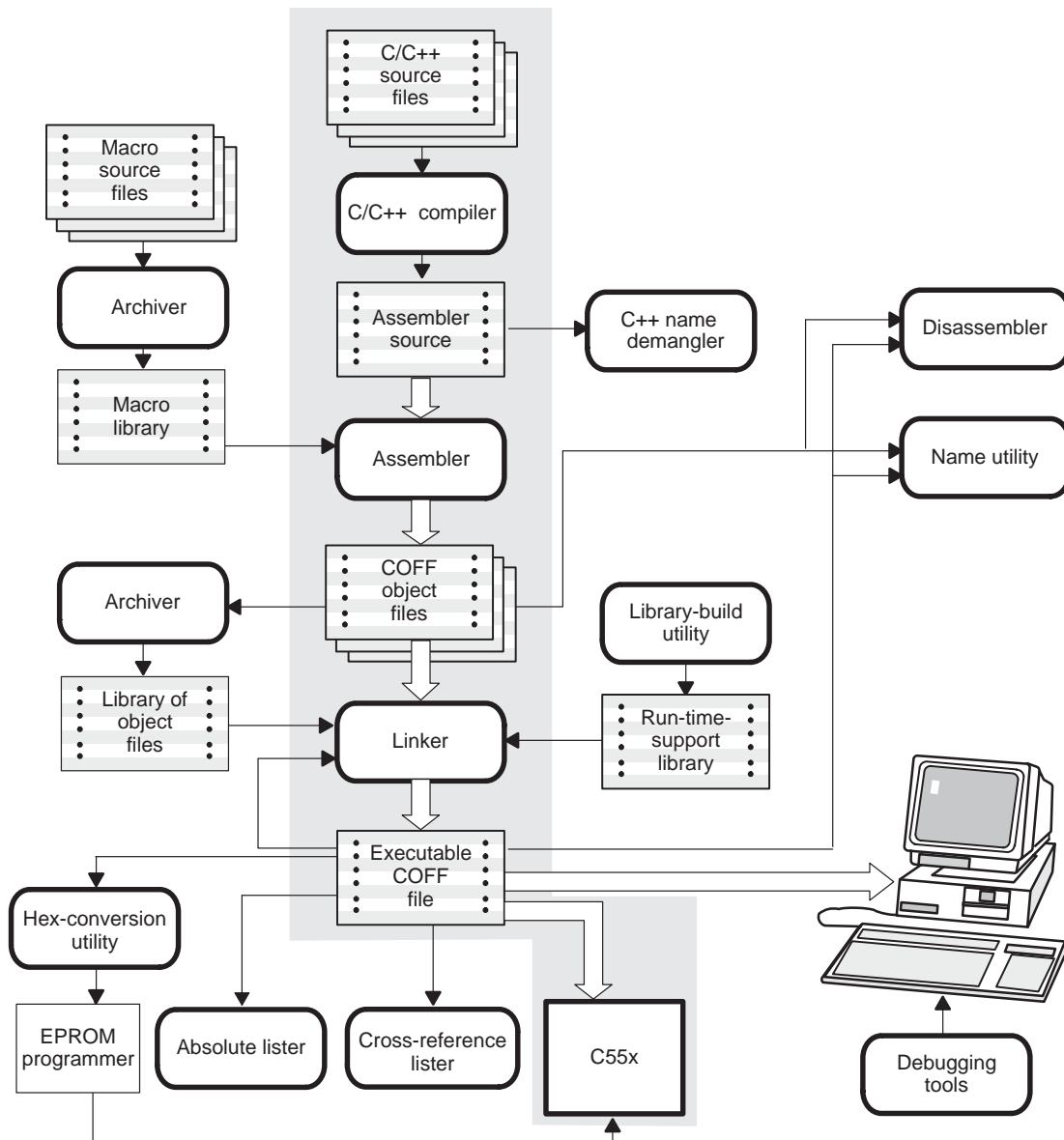
The assembly language tools create and use object files in common object file format (COFF) to facilitate modular programming. Object files contain separate blocks (called sections) of code and data that you can load into C55x™ memory spaces. You can program the C55x more efficiently if you have a basic understanding of COFF. Chapter 2, *Introduction to Common Object File Format*, discusses this object format in detail.

Topic	Page
1.1 Software Development Tools Overview	1-2
1.2 Tools Descriptions	1-3

1.1 Software Development Tools Overview

Figure 1–1 illustrates the C55x software development flow. The shaded portion of the figure highlights the most common path of software development; the other portions are optional.

Figure 1–1. TMS320C55x Software Development Flow



1.2 Tools Descriptions

The following list describes the tools that are shown in Figure 1–1:

- ❑ The **C/C++ compiler** translates C/C++ source code into C55x assembly language source code. The compiler package includes the **library-build utility**, with which you can build your own runtime libraries.
- ❑ The **assembler** translates assembly language source files into machine language COFF object files. The TMS320C55x tools include two assemblers. The mnemonic assembler accepts C54x and C55x mnemonic assembly source files. The algebraic assembler accepts C55x algebraic assembly source files. Source files can contain instructions, assembler directives, and macro directives. You can use assembler directives to control various aspects of the assembly process, such as the source listing format, data alignment, and section content.
- ❑ The **linker** combines relocatable COFF object files (created by the assembler) into a single executable COFF object module. As it creates the executable module, it binds symbols to memory locations and resolves all references to those symbols. As well as object files, the linker source files can be archiver library members, linker command files, and output modules created by a previous linker run. Linker directives allow you to combine object file sections, bind sections or symbols to addresses or within memory ranges, and define or redefine global symbols.
- ❑ The **archiver** collects a group of files into a single archive file. For example, you can collect several macros into a macro library. The assembler searches the library and uses the members that are called as macros by the source file. You can also use the archiver to collect a group of object files into an object library. The linker incorporates into a linked output file any object library members that are needed to resolve a reference to an external symbol.
- ❑ The **library-build utility** builds your own customized C/C++ run-time-support library. Standard runtime-support library functions are provided as source code in `rts.src` and as object code in `rts55.lib`, `rts55x.lib` for the large model, and `rts55z.lib` for Phase2.
- ❑ The TMS320C55x Code Composer Studio debugger accepts COFF files as input, but most EPROM programmers do not. The **hex conversion utility** converts a COFF object file into TI-tagged, Intel, Motorola, or Tektronix object format. The converted file can be downloaded to an EPROM programmer.

- The **absolute lister** accepts linked object files as input and creates .abs files as output. You assemble .abs files to produce a listing that contains absolute rather than relative addresses. You can also create an absolute listing with the linker `-abs` option. Without the absolute lister, producing such a listing would be tedious and require many manual operations.
- The **cross-reference lister** uses object files to produce a cross-reference listing showing symbols, their definitions, and their references in the linked source files.

The purpose of this development process is to produce a module that can be executed in a C55x target system. You can use one of several debugging tools to refine and correct your code. Available products include:

- An instruction-accurate software simulator
- An XDS emulator

These debugging tools are accessed within Code Composer Studio. For more information, see the *Code Composer Studio User's Guide*.

Introduction to Common Object File Format

The assembler and linker create object files that can be executed by a TMS320C55x™ device. The format for these object files is called common object file format (COFF).

COFF makes modular programming easier, because it encourages you to think in terms of blocks of code and data when you write an assembly language program. These blocks are known as *sections*. Both the assembler and the linker provide directives that allow you to create and manipulate sections.

This chapter provides an overview of COFF sections. For additional information, see Appendix A, *Common Object File Format*, which explains the COFF structure.

Topic	Page
2.1 Sections	2-2
2.2 How the Assembler Handles Sections	2-4
2.3 How the Linker Handles Sections	2-12
2.4 Relocation	2-15
2.5 Runtime Relocation	2-17
2.6 Loading a Program	2-18
2.7 Symbols in a COFF File	2-19

2.1 Sections

The smallest unit of an object file is called a *section*. A section is a block of code or data that will ultimately occupy contiguous space in the memory map. Each section of an object file is separate and distinct. COFF object files always contain three default sections:

.text section	contains executable code
.data section	usually contains initialized data
.bss section	usually reserves space for uninitialized variables

In addition, the assembler and linker allow you to create, name, and link *named* sections that are used like the .data, .text, and .bss sections.

There are two basic types of sections:

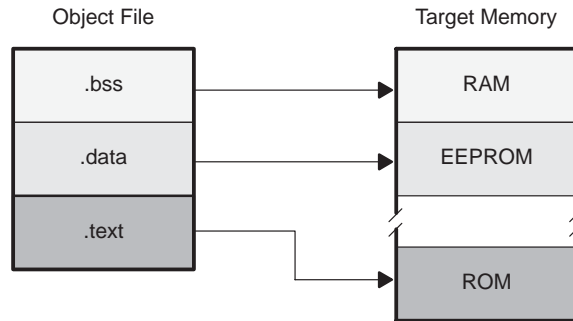
initialized sections	contain data or code. The .text and .data sections are initialized; named sections created with the .sect assembler directive are also initialized.
uninitialized sections	reserve space for uninitialized data. The .bss section is uninitialized; named sections created with the .usect assembler directive are also uninitialized.

Several assembler directives allow you to associate various portions of code and data with the appropriate sections. The assembler builds these sections during the assembly process, creating an object file organized as shown in Figure 2-1.

One of the linker's functions is to relocate sections into the target memory map; this function is called *allocation*. Because most systems contain several types of memory, using sections can help you use target memory more efficiently. All sections are independently relocatable; you can place any section into any allocated block of target memory. For example, you can define a section that contains an initialization routine and then allocate the routine into a portion of the memory map that contains ROM.

Figure 2–1 shows the relationship between sections in an object file and a hypothetical target memory.

Figure 2–1. Partitioning Memory Into Logical Blocks



2.2 How the Assembler Handles Sections

The assembler identifies the portions of an assembly language program that belong in a section. The assembler has several directives that support this function:

- .bss**
- .usect**
- .text**
- .data**
- .sect**

The `.bss` and `.usect` directives create *uninitialized sections*; the other directives create *initialized sections*.

You can create subsections of any section to give you tighter control of the memory map. Subsections are created using the `.sect` and `.usect` directives. Subsections are identified with the base section name and a subsection name separated by a colon. See subsection 2.2.4, *Subsections*, page 2-8, for more information.

Note: Default Section Directive

If you don't use any of the sections directives, the assembler assembles everything into the `.text` section.

2.2.1 Uninitialized Sections

Uninitialized sections reserve space in processor memory; they are usually allocated into RAM. These sections have no actual contents in the object file; they simply reserve memory. A program can use this space at runtime for creating and storing variables.

Uninitialized data areas are built by using the `.bss` and `.usect` assembler directives.

- The `.bss` directive reserves space in the `.bss` section.
- The `.usect` directive reserves space in a specific, uninitialized named section.

Each time you invoke the `.bss` directive, the assembler reserves more space in the appropriate section. Each time you invoke the `.usect` directive, the assembler reserves more space in the specified named section.

The syntax for these directives is:

```
.bss symbol, size in words [, [blocking flag] [, alignment flag]]
symbol .usect "section name", size in words [, [blocking flag] [, alignment flag]]
```

- symbol* points to the first word reserved by this invocation of the `.bss` or `.usect` directive. The *symbol* corresponds to the name of the variable that you're reserving space for. It can be referenced by any other section and can also be declared as a global symbol (with the `.global` assembler directive).
- size in words* is an absolute expression.
- The `.bss` directive reserves *size* words in the `.bss` section.
 - The `.usect` directive reserves *size* words in *section name*.
- blocking flag* is an optional parameter. If you specify a value other than 0 for this parameter, the assembler associates *size* words contiguously; the allocated space will not cross a page boundary, unless *size* is greater than a page, in which case the object will start on a page boundary.
- alignment flag* is an optional parameter.
- section name* tells the assembler which named section to reserve space in. For more information about named sections, see subsection 2.2.3, *Named Sections*, on page 2-7.

The `.text`, `.data`, and `.sect` directives tell the assembler to stop assembling into the current section and begin assembling into the indicated section. The `.bss` and `.usect` directives, however, *do not* end the current section and begin a new one; they simply escape temporarily from the current section. The `.bss` and `.usect` directives can appear anywhere in an initialized section without affecting its contents.

Uninitialized subsections can be created with the `.usect` directive. The assembler treats uninitialized subsections in the same manner as uninitialized sections. See subsection 2.2.4, *Subsections*, on page 2-8 for more information on creating subsections.

2.2.2 Initialized Sections

Initialized sections contain executable code or initialized data. The contents of these sections are stored in the object file and placed in processor memory when the program is loaded. Each initialized section is independently relocatable and may reference symbols that are defined in other sections. The linker automatically resolves these section-relative references.

Three directives tell the assembler to place code or data into a section. The syntaxes for these directives are:

```
.text [value]  
.data [value]  
.sect "section name" [, value]
```

When the assembler encounters one of these directives, it stops assembling into the current section (acting as an implied end-current-section command). It then assembles subsequent code into the designated section until it encounters another `.text`, `.data`, or `.sect` directive. The *value*, if present, specifies the starting value of the section program counter. The starting value of the section program counter can be specified only once; it must be done the first time the directive for that section is encountered. By default, the SPC starts at 0.

Sections are built through an iterative process. For example, when the assembler first encounters a `.data` directive, the `.data` section is empty. The statements following this first `.data` directive are assembled into the `.data` section (until the assembler encounters a `.text` or `.sect` directive). If the assembler encounters subsequent `.data` directives, it adds the statements following these `.data` directives to the statements already in the `.data` section. This creates a single `.data` section that can be allocated contiguously into memory.

Initialized subsections can be created with the `.sect` directive. The assembler treats initialized subsections in the same manner as initialized sections. See subsection 2.2.4, *Subsections*, on page 2-8 for more information on creating subsections.

2.2.3 Named Sections

Named sections are sections that *you* create. You can use them like the default `.text`, `.data`, and `.bss` sections, but they are assembled separately.

For example, repeated use of the `.text` directive builds up a single `.text` section in the object file. When linked, this `.text` section is allocated into memory as a single unit. Suppose there is a portion of executable code (perhaps an initialization routine) that you don't want allocated with `.text`. If you assemble this segment of code into a named section, it is assembled separately from `.text`, and you can allocate it into memory separately. You can also assemble initialized data that is separate from the `.data` section, and you can reserve space for uninitialized variables that is separate from the `.bss` section.

The following directives let you create named sections:

- The `.usect` directive creates sections that are used like the `.bss` section. These sections reserve space in RAM for variables.
- The `.sect` directive creates sections, like the default `.text` and `.data` sections, that can contain code or data. The `.sect` directive creates named sections with relocatable addresses.

The syntax for these directives is shown below:

```
symbol .usect "section name", size in words [, [blocking flag] [, alignment]]  
      .sect "section name"
```

The *section name* parameter is the name of the section. You can create up to 32 767 separate named sections. A section name can be up to 200 characters. For the `.sect` and `.usect` directives, a section name can refer to a subsection (see subsection 2.2.4, *Subsections*, for details).

Each time you invoke one of these directives with a new name, you create a new named section. Each time you invoke one of these directives with a name that was already used, the assembler assembles code or data (or reserves space) into the section with that name. *You cannot use the same names with different directives.* That is, you cannot create a section with the `.usect` directive and then try to use the same section with `.sect`.

2.2.4 Subsections

Subsections are smaller sections within larger sections. Like sections, subsections can be manipulated by the linker. Subsections give you tighter control of the memory map. You can create subsections by using the `.sect` or `.usect` directive. The syntax for a subsection name is:

```
section name:subsection name
```

A subsection is identified by the base section name followed by a colon, then the name of the subsection. A subsection can be allocated separately or grouped with other sections using the same base name. For example, to create a subsection called `_func` within the `.text` section, enter the following:

```
.sect ".text:_func"
```

You can allocate `_func` separately or with other `.text` sections.

You can create two types of subsections:

- Initialized subsections are created using the `.sect` directive. See subsection 2.2.2, *Initialized Sections*, on page 2-6.
- Uninitialized subsections are created using the `.usect` directive. See subsection 2.2.1, *Uninitialized Sections*, on page 2-4.

Subsections are allocated in the same manner as sections. See Section 8.9, *The SECTIONS Directive*, on page 8-32 for more information.

2.2.5 Section Program Counters

The assembler maintains a separate program counter for each section. These program counters are known as *section program counters*, or SPCs.

An SPC represents the current address within a section of code or data. Initially, the assembler sets each SPC to 0. As the assembler fills a section with code or data, it increments the appropriate SPC. If you resume assembling into a section, the assembler remembers the appropriate SPC's previous value and continues incrementing the SPC at that point.

The assembler treats each section as if it began at address 0; the linker relocates each section according to its final location in the memory map. For more information, see Section 2.4, *Relocation*, on page 2-15.

2.2.6 An Example That Uses Sections Directives

Example 2–1 shows how you can build COFF sections incrementally, using the sections directives to swap back and forth between the different sections. You can use sections directives to begin assembling into a section for the first time, or to continue assembling into a section that already contains code. In the latter case, the assembler simply appends the new code to the code that is already in the section.

The format in Example 2–1 is a listing file. Example 2–1 shows how the SPCs are modified during assembly. A line in a listing file has four fields:

- Field 1** contains the source code line counter.
- Field 2** contains the section program counter.
- Field 3** contains the object code.
- Field 4** contains the original source statement.

Example 2-1. Using Sections Directives

```

2          *****
3          ** Assemble an initialized table into .data. **
4          *****
5 000000          .data
6 000000 0011  coeff      .word      011h,022h,033h
   000001 0022
   000002 0033
7          *****
8          ** Reserve space in .bss for a variable. **
9          *****
10 000000          .bss      buffer,10
11          *****
12          ** Still in .data. **
13          *****
14 000003 0123  ptr      .word      0123h
15          *****
16          ** Assemble code into the .text section. **
17          *****
18 000000          .text
19 000000 A01E  add:      MOV      0Fh,AC0
20 000002 4210  aloop:    SUB      #1,AC0
21 000004 0450          BCC      aloop,AC0>=#0
   000006 FB
22          *****
23          ** Another initialized table into .data. **
24          *****
25 000004          .data
26 000004 00AA  ivals      .word      0AAh, 0BBh, 0CCh
   000005 00BB
   000006 00CC
27          *****
28          ** Define another section for more variables. **
29          *****
30 000000          var2      .usect   "newvars", 1
31 000001          inbuf     .usect   "newvars", 7
32          *****
33          ** Assemble more code into .text. **
34          *****
35 000007          .text
36 000007 A114  mpy:      MOV      0Ah,AC1
37 000009 2272  mloop:    MOV      T3,HI(AC2)
38 00000b 1E0A          MPYK     #10,AC2,AC1
   00000d 90
39 00000e 0471          BCC      mloop,!overflow(AC1)
   000010 F8
40          *****
41          ** Define a named section for int. vectors. **
42          *****
43 000000          .sect     "vectors"
44 000000 0011          .word     011h, 033h
45 000001 0033

```

As Figure 2–2 shows, the file in Example 2–1 creates five sections:

.text	contains 17 bytes of object code.
.data	contains seven words of object code.
vectors	is a named section created with the <code>.sect</code> directive; it contains two words of initialized data.
.bss	reserves 10 words in memory.
newvars	is a named section created with the <code>.usect</code> directive; it reserves eight words in memory.

The second column shows the object code that is assembled into these sections; the first column shows the line numbers of the source statements that generated the object code.

Figure 2–2. Object Code Generated by the File in Example 2–1

Line Numbers	Object Code	Section
19	A01E	.text
20	4210	
21	0450	
21	FB	
36	A114	
37	5272	
38	1EOA	
38	90	
39	0471	
39	F8	
6	0011	.data
6	0022	
6	0033	
14	0123	
26	00aa	
26	00bb	
26	00cc	
44	0011	vectors
45	0033	
10	No data— 10 words reserved	.bss
30	No data— eight words reserved	newvars
31		

2.3 How the Linker Handles Sections

The linker has two main functions related to sections. First, the linker uses the sections in COFF object files as building blocks; it combines input sections (when more than one file is being linked) to create output sections in an executable COFF output module. Second, the linker chooses memory addresses for the output sections.

Two linker directives support these functions:

- ❑ The **MEMORY directive** allows you to define the memory map of a target system. You can name portions of memory and specify their starting addresses and their lengths.
- ❑ The **SECTIONS directive** tells the linker how to combine input sections into output sections and where to place these output sections in memory.

Subsections allow you to manipulate sections with greater precision. You can specify subsections with the linker's SECTIONS directive. If you do not specify a subsection explicitly, then the subsection is combined with the other sections with the same base section name.

It is not always necessary to use linker directives. If you don't use them, the linker uses the target processor's default memory placement algorithm described in Section 8.13, *Default Memory Placement Algorithm*, on page 8-64. When you *do* use linker directives, you must specify them in a linker command file.

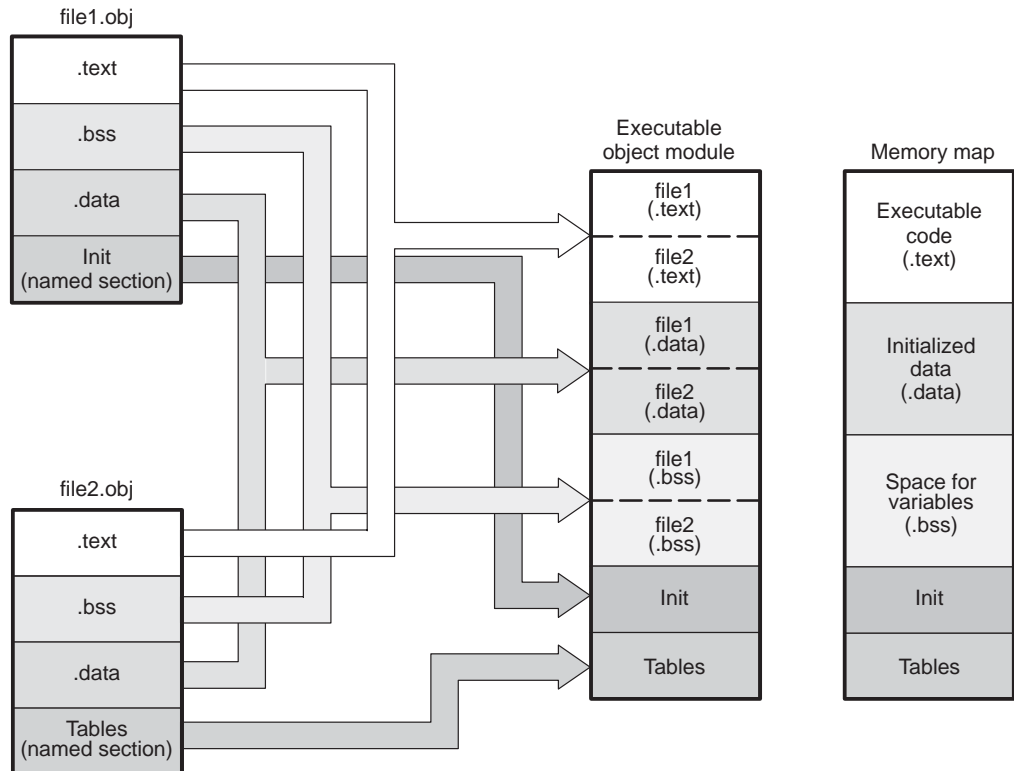
Refer to the following sections for more information about linker command files and linker directives:

Section Number	Section Name	Page
8.6	Linker Command Files	8-22
8.8	The MEMORY Directive	8-28
8.9	The SECTIONS Directive	8-32
8.13	Default Allocation Algorithm	8-64

2.3.1 Default Memory Allocation

Figure 2–3 illustrates the process of linking two files.

Figure 2–3. Combining Input Sections to Form an Executable Object Module



In Figure 2–3, file1.obj and file2.obj have been assembled to be used as linker input. Each contains the .text, .data, and .bss default sections; in addition, each contains named sections. The executable output module shows the combined sections. The linker combines file1.text with file2.text to form one .text section, then combines the .data sections, then the .bss sections, and finally places the named sections at the end. The memory map shows how the sections are put into memory; by default, the linker begins at address 080h and places the sections one after the other as shown.

2.3.2 Placing Sections in the Memory Map

Figure 2–3 illustrates the linker’s default methods for combining sections. Sometimes you may not want to use the default setup. For example, you may not want all of the .text sections to be combined into a single .text section. Or you may want a named section placed where the .data section would normally be allocated. Most memory maps contain various types of memory (RAM, ROM, EPROM, etc.) in varying amounts; you may want to place a section in a specific type of memory.

For further explanation of section placement within the memory map, see Section 8.8, *The MEMORY Directive*, on page 8-28 and Section 8.9, *The SECTIONS Directive*, on page 8-32.

2.4 Relocation

The assembler treats each section as if it began at address 0. All relocatable symbols (labels) are relative to address 0 in their sections. Of course, all sections can't actually begin at address 0 in memory, so the linker **relocates** sections by:

- Allocating them into the memory map so that they begin at the appropriate address
- Adjusting symbol values to correspond to the new section addresses
- Adjusting references to relocated symbols to reflect the adjusted symbol values

The linker uses *relocation entries* to adjust references to symbol values. The assembler creates a relocation entry each time a relocatable symbol is referenced. The linker then uses these entries to patch the references after the symbols are relocated. Example 2–2 contains a code segment for the C55x that generates relocation entries.

Example 2–2. Code That Generates Relocation Entries

```

1          .ref  X
2          .ref  Z
3 000000   .text
4 000000 4A04   B  Y
5 000002 6A00   B  Z  ;Generates relocation entry
   000004 0000!
6 000006 7600   MOV #X,AC0 ;Generates relocation entry
   000008 0008!
7 00000a 9400   Y: reset

```

In Example 2–2, symbol X is relocatable since it is defined in another module. Symbol Y is relative to the PC and relocation is not necessary. Symbol Z is PC-relative and needs relocation because it is in a different file. When the code is assembled, X and Z have a value of 0 (the assembler assumes all undefined external symbols have values of 0). The assembler generates a relocation entry for X and Z. The references to X and Z are external references (indicated by the ! character in the listing).

Each section in a COFF object file has a table of relocation entries. The table contains one relocation entry for each relocatable reference in the section. The linker usually removes relocation entries after it uses them. This prevents the output file from being relocated again (if it is relinked or when it is loaded). A file that contains no relocation entries is an *absolute* file (all its addresses are absolute addresses). If you want the linker to retain relocation entries, invoke the linker with the `-r` option.

2.4.1 Relocation Issues

The linker may warn you about certain relocation issues.

In an assembly program, if an instruction with a PC-relative field contains a reference to a symbol, label, or address, the relative displacement is expected to fit in the instruction's field. If the displacement doesn't fit into the field (because the referenced item's location is too far away), the linker issues an error. For example, the linker will issue an error message when an instruction with an 8-bit, unsigned, PC-relative field references a symbol located 256 or more bytes away from the instruction.

Similarly, if an instruction with an absolute address field contains a reference to a symbol, label, or address, the referenced item is expected to be located at an address that will fit in the instruction's field. For example, if a function is linked at 0x10000, its address cannot be encoded into a 16-bit instruction field.

In both cases, the linker truncates the high bits of the value.

To deal with these issues, examine your link map and linker command file. You may be able to rearrange output sections to put referenced symbols closer to the referencing instruction.

Alternatively, consider using a different assembly instruction with a wider field. Or, if you only need the lower bits of a symbol, use a mask expression to zero out the upper bits.

2.5 Run-Time Relocation

At times, you may want to load code into one area of memory and run it in another. For example, you may have performance-critical code in a ROM-based system. The code must be loaded into ROM, but it would run faster in RAM.

The linker provides a simple way to handle this. Using the `SECTIONS` directive, you can optionally direct the linker to allocate a section twice: first to set its load address, and again to set its run address. Use the `load` keyword for the load address and the `run` keyword for the run address.

The load address determines where a loader will place the raw data for the section. Any references to the section (such as labels in it) refer to its run address. The application must copy the section from its load address to its run address; this does *not* happen automatically simply because you specify a separate run address. For an example that illustrates how to move a block of code at runtime, see Example 8–7 on page 8-51.

If you provide only one allocation (either load or run) for a section, the section is allocated only once and will load and run at the same address. If you provide both allocations, the section is actually allocated as if it were two different sections of the same size.

Uninitialized sections (such as `.bss`) are not loaded, so the only significant address is the run address. The linker allocates uninitialized sections only once: if you specify both run and load addresses, the linker warns you and ignores the load address.

For a complete description of runtime relocation, see Section 8.10, *Specifying a Section's Runtime Address*, on page 8-45.

2.6 Loading a Program

The linker produces executable COFF object modules. An executable object file has the same COFF format as object files that are used as linker input; the sections in an executable object file, however, are combined and relocated so that they can be loaded directly into target memory.

Several methods can be used for loading a program, depending on the execution environment. Two common situations are described below.

- ❑ The TMS320C55x debugging tools, including the software simulator and software development system, have built-in loaders. Each of these tools contains a LOAD command that invokes a loader; the loader reads the executable file and copies the program into target memory.
- ❑ You can use the hex conversion utility (hex55, which is shipped as part of the assembly language package) to convert the executable COFF object module into one of several object file formats. You can then use the converted file with an EPROM programmer to burn the program into an EPROM.

2.7 Symbols in a COFF File

A COFF file contains a symbol table that stores information about symbols in the program. The linker uses this table when it performs relocation. Debugging tools can also use the symbol table to provide symbolic debugging.

2.7.1 External Symbols

External symbols are symbols that are defined in one module and referenced in another module. You can use the **.def**, **.ref**, or **.global** directives to identify symbols as external:

.def	Defined in the current module and used in another module
.ref	Referenced in the current module, but defined in another module
.global	May be either of the above

The following code segment illustrates these definitions.

```

        .def      x           ; DEF of x
        .ref      y           ; REF of y
x:     ADD      #86,AC0,AC0   ; Define x
        B        y           ; Reference y

```

The **.def** definition of *x* says that it is an external symbol defined in this module and that other modules can reference *x*. The **.ref** definition of *y* says that it is an undefined symbol that is defined in another module.

The assembler places both *x* and *y* in the object file's symbol table. When the file is linked with other object files, the entry for *x* defines unresolved references to *x* from other files. The entry for *y* causes the linker to look through the symbol tables of other files for *y*'s definition.

The linker must match all references with corresponding definitions. If the linker cannot find a symbol's definition, it prints an error message about the unresolved reference. This type of error prevents the linker from creating an executable object module.

2.7.2 The Symbol Table

The assembler always generates an entry in the symbol table when it encounters an external symbol (both definitions and references). The assembler also creates special symbols that point to the beginning of each section; the linker uses these symbols to resolve the address of and references to symbols that are defined in the section.

The assembler does not usually create symbol table entries for any symbols other than those described above, because the linker does not use them. For example, labels are not included in the symbol table unless they are declared with `.global`. For symbolic debugging purposes, it is sometimes useful to have entries in the symbol table for each symbol in a program; to accomplish this, invoke the assembler with the `-as` option.

Assembler Description

The assembler translates assembly language source files into machine language object files. These files are in common object file format (COFF), which is discussed in Chapter 2, *Introduction to Common Object File Format*, and Appendix A, *Common Object File Format*. Source files can contain the following assembly language elements:

Assembler directives	described in Chapter 4
Macro directives	described in Chapter 5
Assembly language instructions	described in the TMS320C55x™ Instruction Set Reference Guides

Topic	Page
3.1 Assembler Overview	3-2
3.2 Assembler Development Flow	3-3
3.3 Invoking the Assembler	3-4
3.4 Invoking the Assembler Directly	3-8
3.5 C55x Assembler Features	3-12
3.6 Naming Alternate Files and Directories for Assembler Input	3-19
3.7 Source Statement Format	3-22
3.8 Constants	3-26
3.9 Character Strings	3-29
3.10 Symbols	3-30
3.11 Expressions	3-36
3.12 Built-In Functions	3-39
3.13 Source Listings	3-41
3.14 Debugging Assembly Source	3-45
3.15 Cross-Reference Listings	3-47

3.1 Assembler Overview

TMS320C55x™ has two assemblers:

- The mnemonic assembler accepts C54x™ mnemonic and C55x™ mnemonic assembly source.
- The algebraic assembler accepts only C55x algebraic assembly source.

Each assembler does the following:

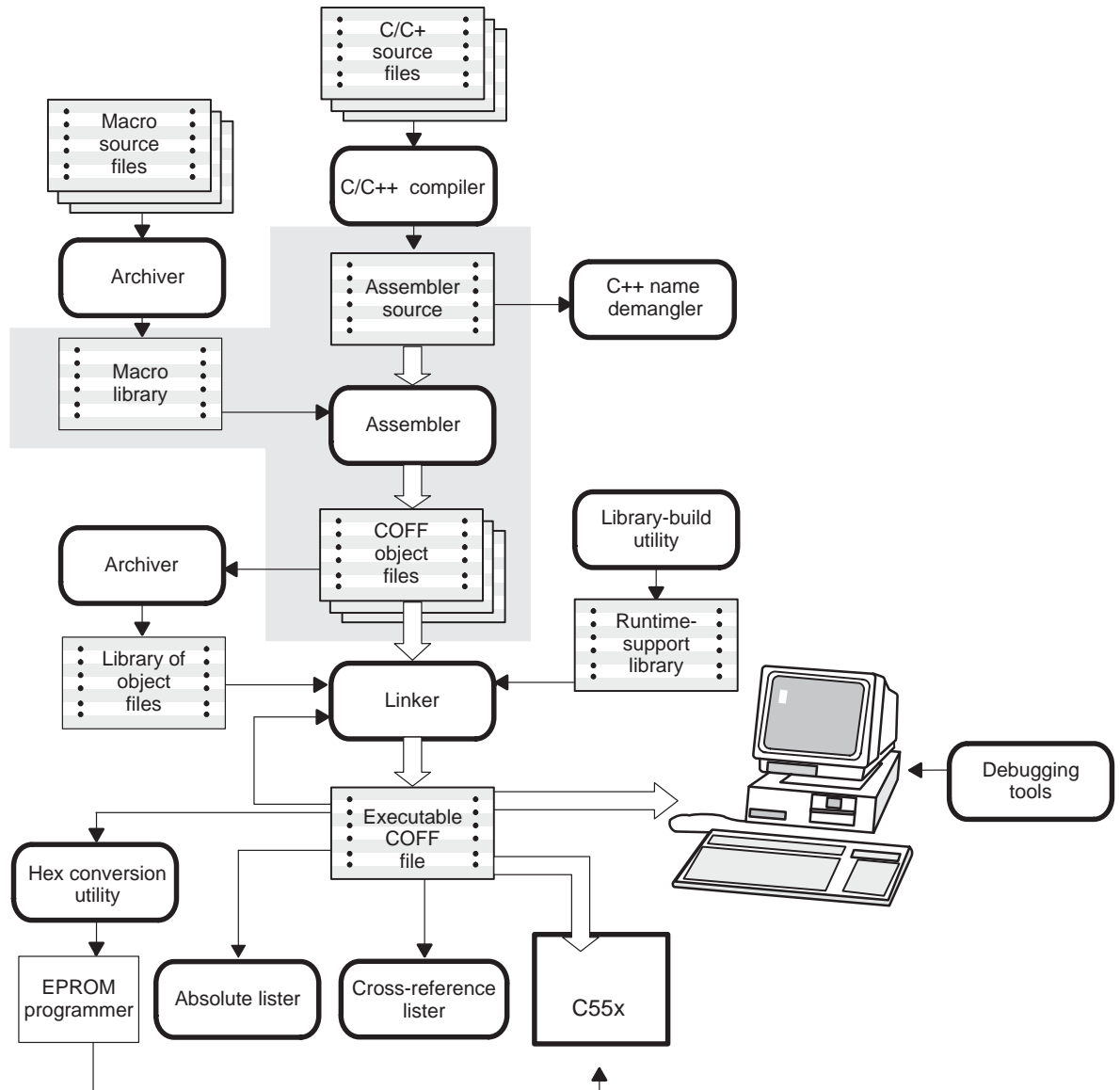
- Processes the source statements in a text file to produce a relocatable C55x object file
- Produces a source listing (if requested) and provides you with control over this listing
- Allows you to segment your code into sections and maintain an SPC (section program counter) for each section of object code
- Defines and references global symbols and appends a cross-reference listing to the source listing (if requested)
- Assembles conditional blocks
- Supports macros, allowing you to define macros inline or in a library

The mnemonic assembler generates error and warning messages for C54x instructions that are not supported. Some C54x instructions do not map directly to a single C55x instruction. The mnemonic assembler will translate these instructions into an appropriate series of C55x instructions. The listing file generated by the assembler (with the `-l` option) shows the translations that have occurred. See Chapter 6 for more information on running C54x code on C55x.

3.2 Assembler Development Flow

Figure 3-1 illustrates the assembler's role in the assembly language development flow. The assembler accepts assembly language source files as input, whether created by the assembler itself or by the C/C++ compiler.

Figure 3-1. Assembler Development Flow



3.3 Invoking the Assembler

To invoke the assembler through the compiler, enter the following:

```
cl55 input file [-options]
```

- cl55** is the command that invokes the assembler through the compiler. The compiler considers any file with an .asm extension to be an assembly file and calls the assembler.
- input file* names the assembly language source file. The source file must contain either mnemonic or algebraic instructions. It cannot contain both. The default instruction set is mnemonic. To specify the algebraic instruction set, use the `-mg` option.
- options* identifies the assembler options that you want to use. Options are not case-sensitive and can appear anywhere on the command line, following the command. Precede each option with a hyphen(s). Options must be specified separately.

The valid assembler options are as follows:

- @** `-@=filename` appends the contents of a file to the command line. You can use this option to avoid limitations on command line length imposed by the host operating system. Use an asterisk or a semicolon (* or ;) at the beginning of a line in the command file to embed comments. Comments that begin in any other column must begin with a semicolon.
- Within the command file, filenames or option parameters containing embedded spaces or hyphens must be surrounded by quotation marks. For example: "this-file.obj"
- aa** creates an absolute listing. When you use `-aa`, the assembler does not produce an object file. The `-aa` option is used in conjunction with the absolute lister.
- ac** makes case insignificant in the assembly language files. For example, `-ac` makes the symbols ABC and abc equivalent. *If you do not use this option, case is significant* (default). Case significance is enforced primarily with symbol names, not with mnemonics and register names.
- ad** `-ad=name [=value]` sets the *name* symbol. This is equivalent to inserting *name* **.set** *value* at the beginning of the assembly file. If *value* is omitted, the symbol is set to 1. For more information, see subsection 3.10.3, *Defining Symbolic Constants (-ad Option)*, on page 3-31.

- ahc** **-ahc=filename** tells the assembler to copy the specified *filename* for the assembly module. The file is inserted before source file statements. The copied file appears in the assembly listing files.

- ahi** **-ahi=filename** tells the assembler to include the specified *filename* for the assembly module. The file is included before source file statements. The included file does not appear in the assembly listing files.

- al** (lowercase L) produces asm listing file.

- apd** performs preprocessing for assembly files, but instead of writing preprocessed output, writes a list of dependency lines suitable for input to a standard make utility. The list is written to a file with the same name as the source file but with a .ppa extension.

- api** performs preprocessing for assembly files, but instead of writing preprocessed output, writes a list of files included with the #include directive. The list is written to a file with the same name as the source file but with a .ppa extension.

- ar** **-ar[#]** suppresses the assembler remark identified by #. A remark is an informational assembler message that is less severe than a warning. If you do not specify a value for #, all remarks are suppressed. For a description of assembler remarks, see Section 7.7 on page 7-35.

- as** puts all local (defined) symbols in the object file's symbol table. The assembler usually puts only global symbols into the symbol table. When you use **-as**, all symbols defined as labels or as assembly-time constants are also placed in the table.

- ata** (ARMS mode) tells the assembler to assume that the ARMS status bit is initially set during the execution of this source file. By default, the assembler assumes that the bit is disabled.

- atb** Causes the assembler to treat parallel bus conflict errors as warnings.

- atc** (CPL mode) tells the assembler to assume that the CPL status bit is initially set during the execution of this source file. This causes the assembler to enforce the use of SP-relative addressing syntax. By default, the assembler assumes that the bit is disabled.

- ath** causes the assembler to generate faster code rather than smaller code when porting your C54x files. By default, the assembler tries to encode for small code size.
- atl** (C54x compatibility mode) tells the assembler to assume that the C54x status bit is initially set during the execution of this source file. By default, the assembler assumes that the bit is disabled.
- atn** causes the assembler to remove NOPs located in the delay slots of C54x delayed branch/call instructions. For more information, see Section 7.2.4 on page 7-9.
- atp** causes the assembler to generate an assembly instruction profile file with an extension of .prf. The file contents are usage counts for each kind of instruction used in the assembly code.
- ats** (mnemonic assembly only) loosens the requirement that a literal shift count operand begin with a # character. This provides compatibility with early versions of the mnemonic assembler. When this option is used and the # is omitted, a warning is issued advising you to change to the new syntax.
- att** tells the assembler to assume that the SST status bit is zero during the execution of this source file. By default, the assembler assumes that the bit is enabled.
- atv** tells the assembler to assume that all goto/calls are to be encoded as 24-bit offset. By default, the assembler tries to resolve all variable-length instructions to their smallest size.
- atw** (algebraic assembly only) suppresses all assembler warning messages.
- au** **-au=name** undefines the predefined constant *name*, which overrides any **-adname** options for the specified constant.
- aw** Enables pipeline conflict warnings.
- ax** produces a cross-reference file and appends it to the end of the listing file; also adds cross-reference information to the object file for use by the cross-reference utility. If you do not request a listing file, the assembler creates one anyway.

- g** enables assembler source debugging in the C source debugger. Line information is output to the COFF file for every line of source in the assembly language source file. You cannot use the **-g** option on assembly code that contains `.line` directives. See section 3.14, *Debugging Assembly Source*, on page 3-45 for more information.

- I** specifies a directory where the assembler can find files named by the `.copy`, `.include`, or `.mlib` directives. The format of the **-I** option is **-I***pathname*. For more information, see subsection 3.6.1, *-I Assembler Option*, on page 3-19.

- mg** causes the assembler to accept algebraic assembly files. You must use the **-mg** option to assemble algebraic assembly input files. Algebraic and mnemonic source code cannot be mixed in a single source file.

- purecirc** (mnemonic assembly only) asserts to the assembler that the C54x file uses C54x circular addressing (does not use the C55x linear/circular mode bits). For more information, see section 7.2.3 on page 7-7.

- v** **-v***device* determines the processor for which instructions are generated. For information on legal values, see the *TMS320C55x Optimizing C/C++ Compiler User's Guide*.

3.4 Invoking the Assembler Directly

Note: asm55 and masm55

To allow for future enhancement of the Code Generation Tools, direct invocation of the algebraic (asm55) and mnemonic (masm55) assemblers is deprecated. However, you can directly invoke the assemblers if desired.

To directly invoke the algebraic and mnemonic assemblers, enter the following:

```
masm55 [input file [object file [listing file]]] [-options]
asm55 [input file [object file [listing file]]] [-options]
```

masm55 and **asm55** are the commands that invoke the assembler: **masm55** invokes the mnemonic assembler, and **asm55** invokes the algebraic assembler.

input file names the assembly language source file: **masm55** assumes that *inputfile* is a valid mnemonic assembly source file (no algebraic instructions), and **asm55** assumes that *inputfile* is a valid algebraic assembly source file (no mnemonic instructions). If you do not supply an extension, the assembler uses the default extension *.asm*, unless the *-f* assembler option is used. If you do not supply an input filename, the assembler prompts you for one.

object file names the C55x object file that the assembler creates. If you do not supply an extension, the assembler uses *.obj* as a default. If you do not supply an object file, the assembler creates a file that uses the input filename with the *.obj* extension.

listing file names the optional listing file that the assembler can create.

- If you do not supply a *listing file*, the assembler does not create one unless you use the *-l* (lowercase L) option or the *-x* option. In this case, the assembler uses the input filename with a *.lst* extension and places the listing file in the input file directory.
- If you supply a *listing file* but do not supply an extension, the assembler uses *.lst* as the default extension.

options identifies the assembler options that you want to use. Options are not case-sensitive and can appear anywhere on the command line, following the assembler name. Precede each option with a hyphen(s). Options must be specified separately.

The valid assembler options are as follows:

- a** creates an absolute listing. When you use **-a**, the assembler does not produce an object file. The **-a** option is used in conjunction with the absolute lister.
- c** makes case insignificant in the assembly language files. For example, **-c** will make the symbols ABC and abc equivalent. *If you do not use this option, case is significant (default).* Case significance is enforced primarily with symbol names, not with mnemonics and register names.
- d** **-dname [=value]** sets the *name* symbol. This is equivalent to inserting *name* **.set value** at the beginning of the assembly file. If *value* is omitted, the symbol is set to 1. For more information, see subsection 3.10.3, *Defining Symbolic Constants (-d Option)*, on page 3-31.
- f** suppresses the assembler's default behavior of adding a .asm extension to a source file name that does not already include an extension.
- g** enables assembler source debugging in the source debugger. Line information is output to the COFF file for every line of source in the assembly language source file. Note that you cannot use the **-g** option on assembly code that already contains .line directives (that is, code that was generated by the C/C++ compiler run with **-g** or **--symdebug:dwarf**).
- h** any of these options displays a listing of the available assembler options.
- help**
- ?**
- hc** **-hcfilename** tells the assembler to copy the specified file for the assembly module. The file is inserted before source file statements. The copied file appears in the assembly listing files.
- hi** **-hifilename** tells the assembler to include the specified file for the assembly module. The file is included before source file statements. The included file does not appear in the assembly listing files.
- I** specifies a directory where the assembler can find files named by the .copy, .include, or .mlib directives. The format of the **-I** option is **-Ipathname**. For more information, see subsection 3.6.1, **-I Assembler Option**, on page 3-19.
- l** (lowercase L) produces a listing file.

- ma** (ARMS mode) informs the assembler that the ARMS status bit will be enabled during the execution of this source file. By default, the assembler assumes that the bit is disabled.
- mc** (CPL mode) informs the assembler that the CPL status bit will be enabled during the execution of this source file. This causes the assembler to enforce the use of SP-relative addressing syntax. By default, the assembler assumes that the bit is disabled.
- mh** causes the assembler to generate faster code rather than smaller code when porting your C54x files. By default, the assembler tries to generate small code size. For more information, see Section 7.2.2 on page 7-6. (Supported for c155 only)
- mk** specifies the C55x large memory model. This option sets the `__large_model` symbol to 1. When this option is used, the assembler marks the object file as a large model file. This provides the linker with information to detect illegal combinations of small model and large model object modules.
- ml** (C54x compatibility mode) informs the assembler that the C54CM status bit will be enabled during the execution of this source file. By default, the assembler assumes that the bit is disabled.
- mn** (mnemonic assembly only) causes the assembler to remove NOPs located in the delay slots of C54x delayed branch/call instructions. For more information, see Section 7.2.4 on page 7-9.
- ms** (mnemonic assembly only) loosens the requirement that a literal shift count operand begin with a `#` character. This provides compatibility with early versions of the mnemonic assembler. When this option is used and the `#` is omitted, a warning is issued advising you to change to the new syntax.
- mt** (mnemonic assembly only) informs the assembler that the SST status bit will be disabled during the execution of this ported C54x source file. By default, the assembler assumes that the bit is enabled. For more information, see Section 7.2.1 on page 7-5.
- mv** causes the assembler to use the largest (P24) form of certain variable-length instructions. By default, the assembler tries to resolve all variable-length instructions to their smallest size.
- mw** (algebraic assembly only) suppresses assembler warning messages.

- purecirc** (mnemonic assembly only) asserts to the assembler that the C54x file uses C54x circular addressing (does not use the C55x linear/circular mode bits). For more information, see section 7.2.3 on page 7-7.
- q** (quiet) suppresses the banner and all progress information.
- r** **-r[*num*]** suppresses the assembler remark identified by *num*. A remark is an informational assembler message that is less severe than a warning. If you do not specify a value for *num*, all remarks will be suppressed. For a description of assembler remarks, see section 7.7 on page 7-35.
- s** puts all defined symbols in the object file's symbol table. The assembler usually puts only global symbols into the symbol table. When you use **-s**, symbols defined as labels or as assembly-time constants are also placed in the table.
- u** **-u*name*** undefines the predefined constant *name*, which overrides any **-d** options for the specified constant.
- x** produces a cross-reference table and appends it to the end of the listing file; also adds cross-reference information to the object file for use by the cross-reference utility. If you do not request a listing file, the assembler creates one anyway.

3.5 C55x Assembler Features

The sections that follow provide important information on features specific to the C55x assembler:

- Byte/word addressing (Section 3.5.1)
- Parallel instruction rules (Section 3.5.2)
- Variable-length instructions (Section 3.5.3)
- Memory modes (Section 3.5.4)
- Warning on use of MMR addresses (Section 3.5.5)

3.5.1 Byte/Word Addressing

C55x memory is 8-bit byte-addressable for code and 16-bit word-addressable for data. The assembler and linker keep track of the addresses, relative offsets, and sizes of the bits in units that are appropriate for the given section: words for data sections, and bytes for code sections.

Note: Offsets in .struct and .union Constructs

Offsets of fields defined in .struct or .union constructs are always counted in words, regardless of the current section. The assembler assumes that a .struct or .union is always used in a data context.

3.5.1.1 Definition of Code Sections

The assembler identifies a section as a code section if one of the following is true:

- The section is introduced with a .text directive.
- The section has at least one instruction assembled into it.

If a section is not established with a .text, .data., or .sect directive, the assembler assumes that it is a .text (code) section. Because the section type determines the assembler's offset and size computations, it is important to clearly define your current working section as code or data before assembling objects into the section.

3.5.1.2 Assembly Programs and Native Units

The assembler and the linker assume that your code is written using word addresses and offsets in the context of data segments, and byte addresses and offsets in the context of code segments:

- If an address is to be sent via a program address bus (e.g., an address used as the target of a call or a branch), the processor expects a full 24-bit address. A constant used in this context should be expressed in bytes.
- If an address is to be sent via a data address bus (e.g., an address denotes a location in memory to be read or written), the processor expects a 23-bit word address. A constant used in this context should be expressed in words.
- The PC-value column of the assembly listing file is counted in units that are appropriate for the section being listed. For code sections, the PC is counted in bytes; for data sections, it is counted in words.

For example:

```

1 000000          .text      ; PC is counted in BYTES
2 000000 2298     MOV AR1,AR0
3 000002 4010     ADD #1,AC0
4
5 000000          .data      ; PC is counted in WORDS
6 000000 0004     .word 4,5,6,7
   000001 0005           ; PC is 1 word
   000002 0006           ; PC is 2 words ...
   000003 0007
7 000004 0001     foo      .word 1

```

- The data definition directives that operate on characters (`.byte`, `.ubyte`, `.char`, `.uchar`, and `.string`) allocate one character per byte when in a code section, and one character to a word when in a data section. However, Texas Instruments highly recommends that you use data definition directives (see Table 4–1 (b) on page 4-3 for a complete listing) only in data sections.
- Directives that have a size parameter expressed in addressable units expect this parameter to be expressed in bytes for a code section, and in words for a data section.

For example,

```
.align 2
```

aligns the PC to a 2-byte (16-bit) boundary in a code section, and to a 2-word (32-bit) boundary in a data section.

The code examples below display data and code for C55x.

Example 3–1. C55x Data Example

```
.def Struct1, Struct2
.bss Struct1, 8 ; allocate 8 WORDS for Struct1
.bss Struct2, 6 ; allocate 6 WORDS for Struct2

.text
MOV *(#(Struct1 + 2)),T0 ; load 3rd WORD of Struct1
MOV *(#1000h),T1 ; 0x1000 is an absolute WORD
; address (i.e., byte 0x2000)
```

Example 3–2. C55x Code Example

```
.text
.ref Func
CALL #(Func + 3) ;jump to address "Func plus 3 BYTES"
CALL #0x1000 ;0x1000 is an absolute BYTE address
```

3.5.1.3 Using Code as Data and Data as Code

The assembler does not support using a code address as if it were a data address (e.g., attempting to read or write data to program space) except when code has separate load and run memory placements. In those cases, code must be aligned to a word address. See section 8.17, *Linker-Generated Copy Tables*, on page 8-77 for more information.

Similarly, the assembler does not support using a data address as if it were a code address (e.g., executing a branch to a data label). This functionality cannot be supported because of the difference in the size of the addressable units: a code label address is a 24-bit byte address while a data label address is a 23-bit word address.

Consequently:

- You should not mix code and data within one section.* All data (even constant data) should be placed into a section separate from code.
- Applications that attempt to read and write bits into program sections are dangerous and likely will not work.

3.5.2 Parallel Instruction Rules

The assembler performs semantic checking of parallel pairs of instructions in accordance with the rules specified in the TMS320C55x Instruction Set Reference Guides.

The assembler may swap two instructions in order to make parallelism legal. For example, both sets of instructions below are legal and will be encoded into identical object bits:

```
AC0 = AC1 || T0 = T1 ^ #0x3333
T0 = T1 ^ #0x3333 || AC0 = AC1
```

3.5.3 Variable-Length Instruction Size Resolution

By default, the assembler will attempt to resolve all stand-alone, variable-length instructions to their smallest possible size. For instance, the assembler will try to choose the smallest possible of the three available unconditional branch-to-address instructions:

```
goto L7
goto L16
goto P24
```

If the address used in a variable-length instruction is not known at assembly time (for example, if it is a symbol defined in another file), the assembler will choose the largest available form of the instruction. Of the three available branch instructions above, `goto P24` will be picked.

Size resolution is performed on the following instruction groups:

```
goto L7, L16, P24
if (cond) goto l4, L8, L16, P24
call L16, P24
if (cond) call L16, P24
```

In some cases, you may want the assembler to keep the largest (P24) form of certain instructions. The P24 versions of certain instructions execute in fewer cycles than the smaller version of the same instructions. For example, “`goto P24`” uses 4 bytes and 3 cycles, while “`goto L7`” uses 2 bytes but 4 cycles.

Use the `-mv` assembler option or the `.vli_off` directive to keep the following instructions in their largest form:

```
goto P24
call P24
```

The `-mv` assembler option suppresses the size resolution of the above instructions within the entire file. The `.vli_off` and `.vli_on` directives can be used to toggle this behavior for regions of an assembly file. In the case of a conflict between the command line option and the directives, the directives take precedence.

All other variable-length instructions will continue to be resolved to their smallest possible size by the assembler, despite the `-mv` option or `.vli_off` directive.

The scope of the `.vli_off` and `.vli_on` directives is static and not subject to the control flow of the assembly program.

3.5.4 Memory Modes

The assembler supports three memory mode bits (or eight memory modes): C54x compatibility, CPL, and ARMS. The assembler accepts or rejects its input based on the mode specified; it may also produce different encodings for the same input based on the mode.

The memory modes correspond to the value of the C54CM, CPL, and ARMS status bits. The assembler cannot track the value of the status bits. You must use assembler directives and/or command line options to inform the assembler of the value of these bits. An instruction that modifies the value of the C54CM, CPL, or ARMS status bit must be immediately followed by an appropriate assembler directive. When the assembler is aware of changes to these bit values, it can provide useful error and warning messages about syntax and semantic violations of these modes.

3.5.4.1 C54x Compatibility Mode

C54x compatibility mode is necessary when a source file has been converted from C54x code. Until you modify your converted source code to be C55x-native code, use the `-ml` command line option when assembling the file, or use the `.c54cm_on` and `.c54cm_off` directives to specify C54x compatibility mode for regions of code. The `.c54cm_on` and `.c54cm_off` directives take no arguments. In the case of a conflict between the command line option and the directive, the directive takes precedence.

The scope of the `.c54cm_on` and `.c54cm_off` directives is static and not subject to the control flow of the assembly program. All assembly code between the `.c54cm_on` and `.c54cm_off` directives is assembled in C54x compatibility mode.

In C54x compatibility mode, AR0 is used instead of T0 (C55x index register) in memory operands. For example, `*(AR5 + T0)` is invalid in C54x compatibility mode; `*(AR5 + AR0)` should be used.

3.5.4.2 CPL Mode

CPL mode affects direct addressing. The assembler cannot track the value of the CPL status bit. Consequently, you must use the `.cpl_on` and `.cpl_off` directives to model the CPL value. Issue one of these directives immediately following any instruction that changes the value in the CPL bit. The `.cpl_on` directive is similar to the CPL status bit set to 1; it is equivalent to using the `-mc` command line option. The `.cpl_off` directive asserts that the CPL status bit is set to 0. The `.cpl_on` and `.cpl_off` directives take no arguments. In the case of a conflict between the command line option and the directive, the directive takes precedence.

The scope of the `.cpl_on`, `.cpl_off` directives is static and not subject to the control flow of the assembly program. All of the assembly code between the `.cpl_on` and `.cpl_off` directives is assembled in CPL mode.

In CPL mode (`.cpl_on`), direct memory addressing is relative to the stack pointer (SP). The dma syntax is `*SP(dma)`, where *dma* can be a constant or a relocatable symbolic expression. The assembler encodes the value of *dma* into the output bits.

By default (`.cpl_off`), direct memory addressing (dma) is relative to the data page register (DP). The dma syntax is `@dma`, where *dma* can be a constant or a relocatable symbolic expression. The assembler computes the difference between *dma* and the value in the DP register and encodes this difference into the output bits.

The DP can be referenced in a file, but never defined in that file (it is set externally). Consequently, you must use the `.dp` directive to inform the assembler of the DP value before it is used. Issue this directive immediately following any instruction that changes the value in the DP register. The syntax of the directive is:

```
.dp dp_value
```

The *dp_value* can be a constant or a relocatable symbolic expression.

If the `.dp` directive is not used in a file, the assembler assumes that the value of the DP is 0. The scope of the `.dp` directive is static and not subject to the control flow of the program. The value set by the directive is used until the next `.dp` directive is encountered, or until the end of the source file is reached.

Note that dma access to the MMR page and to the I/O page is processed identically by the assembler whether CPL mode is specified or not. Access to the MMR page is indicated by the `mmap()` qualifier in the syntax. Access to the I/O page is indicated by the `readport()` and `writeport()` qualifiers. These dma accesses are always encoded by the assembler as relative to the origin of 0.

3.5.4.3 ARMS Mode

ARMS mode affects indirect addressing and is useful in the context of controller code. The assembler cannot track the value of the ARMS status bit. Consequently, you must use the `.arms_on` and `.arms_off` directives to model the ARMS value to the assembler. Issue one of these directives immediately following any instruction that changes the value in the ARMS bit. The `.arms_on` directive models the ARMS status bit set to 1; it is equivalent to using the `-ma` option. The `.arms_off` directive models the ARMS status bit set to 0. The `.arms_on` and `.arms_off` directives take no arguments.

In the case of a conflict between the `-ma` option and the directive, the directive takes precedence.

The scope of the `.arms_on` and `.arms_off` directives is static and not subject to the control flow of the assembly program. All of the assembly code between the `.arms_on` and `.arms_off` directives is assembled in ARMS mode.

By default (`.arms_off`), indirect memory access modifiers targeted to the assembly code are selected.

In ARMS mode (`.arms_on`), short offset modifiers for indirect memory access are used. These modifiers are more efficient for code size optimization.

3.5.5 Assembler Warning On Use of MMR Address

The mnemonic assembler (cl55) issues a “Using MMR address” warning when a memory-mapped register (MMR) is used in a context where a single-memory access operand (Smem) is expected. The warning indicates that the assembler interprets the MMR usage as a DP-relative direct address operand. For the instruction to work as written, DP must be 0. For example:

```
ADD    SP, T0
```

Receives the “Using MMR address” warning as here:

```
"file.asm", WARNING! at line 1: [W9999] Using MMR address
```

The assembler warns that the effect of this instruction is:

```
ADD    value at address(DP + MMR address of SP), T0
```

The value of SP is accessed only if the DP is 0.

The best way to write this instruction, even though it is one byte longer, is:

```
ADD    mmap(SP), T0
```

In a case where the DP is known to be 0 and such a reference is intentional, you can avoid the warning by using the `@` prefix:

```
ADD    @SP, T0
```

This warning is not generated for C55x instructions inherited from C54x.

3.6 Naming Alternate Files and Directories for Assembler Input

The `.copy`, `.include`, and `.mlib` directives tell the assembler to use code from external files. The `.copy` and `.include` directives tell the assembler to read source statements from another file, and the `.mlib` directive names a library that contains macro functions. Chapter 4, *Assembler Directives*, contains examples of the `.copy`, `.include`, and `.mlib` directives. The syntax for these directives is:

```
.copy "filename"  
.include "filename"  
.mlib "filename"
```

The *filename* names a copy/include file that the assembler reads statements from or a macro library that contains macro definitions. If *filename* begins with a number the double quotes are required. The filename may be a complete pathname, a relative pathname, or a filename with no path information. The assembler searches for the file in the following order:

- 1) The directory that contains the current source file. The current source file is the file being assembled when the `.copy`, `.include`, or `.mlib` directive is encountered.
- 2) Any directories named with the `-I` assembler option
- 3) Any directories set with the environment variables `C55X_A_DIR` and `A_DIR`
- 4) Any directories set with the environment variables `C55X_C_DIR` and `C_DIR`

You can augment the assembler's directory search algorithm by using the `-I` assembler option or the `C55X_A_DIR` and `A_DIR` environment variables.

3.6.1 Using the `-I` Assembler Option

The `-I` assembler option names an alternate directory that contains copy/include files or macro libraries. The format of the `-I` option is as follows:

```
c155 -Ipathname source filename
```

Each `-I` option names one pathname. There is no limit to the number of paths that you can specify. In assembly source, you can use the `.copy`, `.include`, or `.mlib` directive without specifying path information. If the assembler does not find the file in the directory that contains the current source file, it searches the paths designated by the `-I` options.

For example, assume that a file called `source.asm` is in the current directory; `source.asm` contains the following directive statement:

```
.copy "copy.asm"
```

Assume the following paths for the `copy.asm` file:

Windows™ `c:\tools\files\copy.asm`

UNIX `/tools/files/copy.asm`

Operating System	Enter
Windows	<code>cl55 -Ic:\tools\files source.asm</code>
UNIX	<code>cl55 -I/tools/files source.asm</code>

The assembler first searches for `copy.asm` in the current directory because `source.asm` is in the current directory. Then the assembler searches in the directory named with the `-I` option.

3.6.2 Using the Environment Variables `C55X_A_DIR` and `A_DIR`

An environment variable is a system symbol that you define and assign a string to. The assembler uses the environment variables to name alternate directories that contain copy/include files or macro libraries.

The assembler looks for the `C55X_A_DIR` environment variable first and then reads and processes it. If it does not find this variable, it reads the `A_DIR` environment variable and processes it. If both variables are set, the settings of the processor-specific variable are used. The processor-specific variable is useful when you are using Texas Instruments tools for different processors at the same time.

If the assembler doesn't find `C55X_A_DIR` and/or `A_DIR`, it will then search for `C55X_C_DIR` and `C_DIR`.

The command for assigning the environment variable is as follows:

Operating System	Enter
Windows	<code>set A_DIR= pathname₁;pathname₂; . . .</code>
UNIX (Bourne shell)	<code>set A_DIR "pathname₁;pathname₂; . . ."; export A_DIR</code>

The *pathnames* are directories that contain copy/include files or macro libraries. You can separate the pathnames with a semicolon or with blanks. In assembly source, you can use the `.copy`, `.include`, or `.mlib` directive without specifying path information. If the assembler does not find the file in the directory that contains the current source file or in directories named by the `-I` option, it searches the paths named by the environment variable.

For example, assume that a file called source.asm contains these statements:

```
.copy "copy1.asm"
.copy "copy2.asm"
```

Assume that the files are stored in the following directories:

Windows c:\tools\files\copy1.asm
 c:\dsys\copy2.asm

UNIX /tools/files/copy1.asm
 /dsys/copy2.asm

You could set up the search path with the commands shown in the following table:

Operating System	Enter
Windows	set A_DIR=c:\dsys cl55 -Ic:\tools\files source.asm
UNIX (Bourne shell)	A_DIR="/dsys";export A_DIR cl55 -I/tools/files source.asm

The assembler first searches for copy1.asm and copy2.asm in the current directory because source.asm is in the current directory. Then the assembler searches in the directory named with the -I option and finds copy1.asm. Finally, the assembler searches the directory named with A_DIR and finds copy2.asm.

The environment variable remains set until you reboot the system or reset the variable by entering one of these commands:

Operating System	Enter
Windows	set A_DIR=
UNIX	unsetenv A_DIR

3.7 Source Statement Format

TMS320C55x assembly language source programs consist of source statements that can contain assembler directives, assembly language instructions, macro directives, and comments. Source statement lines can be as long as the source file format allows.

Example source statements are shown below.

(a) *Mnemonic instructions*

```
SYM1      .set      2           ; Symbol SYM1 = 2.
Begin:    MOV      #SYM1, AR1   ; Load AR1 with 2.
          .data
          .byte    016h        ; Initialize word (016h)
```

(b) *Algebraic instructions*

```
SYM1      .set      2           ; Symbol SYM1 = 2.
Begin:    AR1 = #SYM1         ; Load AR1 with 2.
          .data
          .byte    016h        ; Initialize word (016h)
```

3.7.1 Source Statement Syntax

A source statement can contain four ordered fields. The general syntax for source statements is as follows:

Mnemonic syntax:

[label] [:] mnemonic [operand list] [:comment]

Algebraic syntax:

[label] [:] instruction [:comment]

Follow these guidelines:

- All statements must begin with a label, blank, asterisk, or semicolon.
- A statement containing an assembler directive must be specified entirely on one line.
- Labels are optional; if used, they must begin in column 1.
- One or more blanks must separate each field. Tab characters are equivalent to blanks.
- Comments are optional. Comments that begin in column 1 can begin with an asterisk or a semicolon (* or ;), but comments that begin in any other column *must* begin with a semicolon.
- A source line can be continued onto the next line by ending the first line with a backslash (\) character.

3.7.2 Label Field

Labels are optional for all assembly language instructions and for most (but not all) assembler directives. When used, a label must begin in column 1 of a source statement. A label can contain up to 32 alphanumeric characters (A–Z, a–z, 0–9, _, and \$). Labels are case sensitive, and the first character cannot be a number. A label can be followed by a colon (:); the colon is not treated as part of the label name. If you don't use a label, the first character position must contain a blank, a semicolon, or an asterisk.

When you use a label, its value is the current value of the section program counter (the label points to the statement it's associated with). If, for example, you use the `.word` directive to initialize several words, a label on the same line as the directive would point to the first word. In the following example, the label `Start` has the value `40h`.

```

5 000000                                .data
6 000000 00                            ; Assume other code was assembled.
7      ...
8      ...
9 000040 000A   Start:  .word 0Ah,3,7
   000041 0003
   000042 0007

```

A label on a line by itself is a valid statement. The label assigns the current value of the section program counter to the label.

When a label appears on a line by itself, it is assigned to the address of the instruction on the next line (the SPC is not incremented):

```

3 000043                                Here:
4 000043 0003                            .word 3

```

3.7.3 Mnemonic Instruction Fields

In mnemonic assembly, the label field is followed by the mnemonic and operand list fields. These fields are described in the next two sections.

3.7.3.1 Mnemonic Field

The mnemonic field follows the label field. The mnemonic field must not start in column 1; if it does, it will be interpreted as a label. The mnemonic field can contain one of the following opcodes:

- Machine-instruction mnemonic (such as `ABS`, `MPYU`, `STH`)
- Assembler directive (such as `.data`, `.list`, `.set`)
- Macro directive (such as `.macro`, `.var`, `.mexit`)
- Macro call

3.7.3.2 Operand List Field

The operand list field is a list of operands that follow the mnemonic field. An operand can be a constant (see Section 3.8, *Constants*, on page 3-26), a symbol (see Section 3.10, *Symbols*, on page 3-30), or a combination of constants and symbols in an expression (see Section 3.11, *Expressions*, on page 3-36). You must separate operands with commas.

□ Operand Prefixes for Instructions

The assembler allows you to specify that a constant, symbol, or expression should be used as an address, an immediate value, or an indirect value. The following rules apply to the operands of instructions.

- **# prefix — the operand is an immediate value.** If you use the # sign as a prefix, the assembler treats the operand as an immediate value. This is true even when the operand is a register or an address; the assembler treats the address as a value instead of using the contents of the address. This is an example of an instruction that uses an operand with the # prefix:

```
Label:  ADD #123, AC0
```

The operand #123 is an immediate value. The instruction adds 123 (decimal) to the contents of the specified accumulator.

For instructions that have an embedded shift count, the # prefix on the shift count operand is required. If you want the shift performed by the instruction, you must use # on the shift count.

- *** prefix — the operand is an indirect address.** If you use the * sign as a prefix, the assembler treats the operand as an indirect address; that is, it uses the contents of the operand as an address. This is an example of an instruction that uses an operand with the * prefix:

```
Label:  MOV *AR4, AC0
```

The operand *AR4 specifies an indirect address. The assembler goes to the address specified by the contents of register AR4 and then moves the contents of that location to the specified accumulator.

3.7.4 Algebraic Instruction Fields

In algebraic assembly, instructions are written in a form that resembles algebraic mathematical expression. The semantics of the instruction are embodied in the operators of the expression. The terms of the expression specify what operands are being acted on.

The following items describe how to use the instruction field for algebraic syntax:

- Generally, operands are not separated by commas. Some algebraic instructions consist of a mnemonic and operands. For algebraic statements of this type, commas are used to separate operands. For example, `lms(Xmem, Ymem, ACx, ACy)`.
- Expressions that have more than one term that is used as a single operand must be delimited with parentheses. This rule does not apply to statements using a function call format, since they are already enclosed in parentheses. For example, `AC0 = AC1 & #(1 << sym) << 5`. The expression `1 << sym` is used as a single operand and must therefore be delimited with parentheses.
- All register names are reserved.

3.7.5 Comment Field

A comment can begin in any column and extends to the end of the source line. A comment can contain any ASCII character, including blanks. Comments are printed in the assembly source listing, but they do not affect the content of an assembled object file.

A source statement that contains only a comment is valid. If it begins in column 1, it can start with a semicolon (;) or asterisk (*). Comments that begin anywhere else on the line must begin with a semicolon. The asterisk identifies a comment only if it appears in column 1.

3.8 Constants

The assembler supports six types of constants:

- Binary integer
- Octal integer
- Decimal integer
- Hexadecimal integer
- Character
- Assembly time
- Floating-point

The assembler maintains each constant internally as a 32-bit quantity. Constants are not sign-extended. For example, the constant 0FFH is equal to 00FF (base 16) or 255 (base 10); it *does not* equal -1 .

In C55x algebraic assembly source code, most constants must begin with a '#'.

3.8.1 Binary Integers

A binary integer constant is a string of up to 32 binary digits (0s and 1s) followed by the suffix B (or b). If fewer than 32 digits are specified, the assembler right justifies the value and zero fills the unspecified bits. These are examples of valid binary constants:

0000000B	Constant equal to 0_{10} or 0_{16}
0100000b	Constant equal to 32_{10} or 20_{16}
01b	Constant equal to 1_{10} or 1_{16}
11111000B	Constant equal to 248_{10} or $0F8_{16}$

3.8.2 Octal Integers

An octal integer constant is a string of up to 11 octal digits (0 through 7) prefixed with a 0 (zero) or suffixed with Q or q. These are examples of valid octal constants:

10Q	Constant equal to 8_{10} or 8_{16}
100000Q	Constant equal to $32\ 768_{10}$ or $8\ 000_{16}$
226q	Constant equal to 150_{10} or 96_{16}

Or, you can use C notation for octal constants:

010	Constant equal to 8_{10} or 8_{16}
0100000	Constant equal to $32\ 768_{10}$ or $8\ 000_{16}$
0226	Constant equal to 150_{10} or 96_{16}

3.8.3 Decimal Integers

A decimal integer constant is a string of decimal digits, ranging from -4294967296 to 4294967295 . These are examples of valid decimal constants:

1000	Constant equal to 1000_{10} or $3E8_{16}$
-32768	Constant equal to $-32\,768_{10}$ or $8\,000_{16}$
25	Constant equal to 25_{10} or 19_{16}

3.8.4 Hexadecimal Integers

A hexadecimal integer constant is a string of up to eight hexadecimal digits followed by the suffix H (or h). Hexadecimal digits include the decimal values 0–9 and the letters A–F and a–f. A hexadecimal constant must begin with a decimal value (0–9). If fewer than eight hexadecimal digits are specified, the assembler right-justifies the bits. These are examples of valid hexadecimal constants:

78h	Constant equal to 120_{10} or 0078_{16}
0FH	Constant equal to 15_{10} or $000F_{16}$
37ACh	Constant equal to $14\,252_{10}$ or $37AC_{16}$

Or, you can use C notation for hexadecimal constants:

0x78	Constant equal to 120_{10} or 0078_{16}
0x0F	Constant equal to 15_{10} or $000F_{16}$
0x37AC	Constant equal to $14\,252_{10}$ or $37AC_{16}$

3.8.5 Character Constants

A character constant is a string of up to 4 characters enclosed in *single* quotes. The characters are represented internally as 8-bit ASCII characters. Two consecutive single quotes are required to represent each single quote that is part of a character constant. A character constant consisting only of two single quotes is valid and is assigned the value 0. If less than four characters is specified, the assembler right-justifies the bits. These are examples of valid character constants:

'a'	Represented internally as 61_{16}
'C'	Represented internally as 43_{16}
''D''	Represented internally as $2\,744_{16}$

Note the difference between character constants and character strings (Section 3.9, *Character Strings*, on page 3-29, discusses character strings). A character constant represents a single integer value; a string is a list of characters.

3.8.6 Floating-Point Constants

A floating-point constant is a string of decimal digits, followed by an optional decimal point, fractional portion, and exponent portion. The syntax for a floating-point number is:

```
[ +|- ] [ nnn ] . [ nnn [ E|e [ +|- ] nnn ] ]
```

Replace *nnn* with a string of decimal digits. You can precede *nnn* with a + or a -. You must specify a decimal point. For example, 3.e5 is valid, but 3e5 is not valid. The exponent indicates a power of 10. These are examples of valid constants:

```
3.0  
3.14  
.3  
-0.314e13  
+314.59e-2
```

The `.double` directive converts a floating-point constant into a floating-point value in IEEE double-precision 64-bit format. The `.float` directive converts a floating-point constant into a floating-point value in IEEE single-precision 32-bit format. See pages 4-48 and 4-56 for more information on the `.double` and `.float` directives, respectively.

3.9 Character Strings

A character string is a string of characters enclosed in *double* quotes. Double quotes that are part of character strings are represented by two consecutive double quotes. The maximum length of a string varies and is defined for each directive that requires a character string. Characters are represented internally as 8-bit ASCII characters.

These are examples of valid character strings:

"sample program" defines the 14-character string *sample program*.

"PLAN "C"" defines the 8-character string *PLAN "C"*.

Character strings are used for the following:

- Filenames, as in `.copy "filename"`
- Section names, as in `.sect "section name"`
- Data definition directives, as in `.byte "charstring"`
- Operands of `.string` directives

3.10 Symbols

Symbols are used as labels, constants, and substitution symbols. A symbol name is a string of alphanumeric characters (A–Z, a–z, 0–9, \$, and `_`). The first character in a symbol cannot be a number, and symbols cannot contain embedded blanks. The symbols you define are case sensitive; for example, the assembler recognizes ABC, Abc, and abc as three unique symbols. You can override case sensitivity with the `-c` assembler option. A symbol is valid only during the assembly in which it is defined, unless you use the `.global` directive to declare it as an external symbol.

3.10.1 Labels

Symbols used as labels become symbolic addresses associated with locations in the program. Labels used locally within a file must be unique.

Labels can also be used as the operands of `.global`, `.ref`, `.def`, or `.bss` directives; for example:

```
.global    label1

label2    nop
          ADD @label1,AC1,AC1
          B  label2
```

Reserved words are not valid label names.

3.10.2 Symbolic Constants

Symbols can be set to constant values. By using constants, you can equate meaningful names with constant values. The `.set` and `.struct/.tag/.endstruct` directives enable you to set constants to symbolic names. Symbolic constants *cannot* be redefined. The following example shows how these directives can be used:

```
K          .set    1024                ;constant definitions
maxbuf     .set    2*K
value      .set    . 0
delta      .set    . 1

item       .struct                ;item structure definition
          .int    value
          .int    delta
i_len      .endstruct                ;i_len=length of .struct (2)

array      .tag    item                ;array declaration
          .bss    array, i_len*K
```

The assembler also has several predefined symbolic constants; these are discussed in the next section.

3.10.3 Defining Symbolic Constants (`-ad` Option)

The `-ad` option equates a constant value with a symbol. The symbol can then be used in place of a value in assembly source.

The format of the `-ad` option is as follows:

```
cl55 -adname=[value]
```

The *name* is the name of the symbol you want to define. The *value* is the value you want to assign to the symbol. If the *value* is omitted, the symbol is set to 1.

Within assembler source, you can test the symbol with the following directives:

Type of Test	Directive Usage
Existence	<code>.if \$isdefed("name")</code>
Nonexistence	<code>.if \$isdefed("name") = 0</code>
Equal to value	<code>.if name == value</code>
Not equal to value	<code>.if name != value</code>

Note that the argument to the `$isdefed` built-in function must be enclosed in quotes. The quotes cause the argument to be interpreted literally rather than as a substitution symbol.

3.10.4 Predefined Symbolic Constants

The assembler has several predefined symbols, including the following:

- `$`, the dollar sign character, represents the current value of the section program counter (SPC).
- `__large_model` specifies the memory model in use. By default, the value is 0 (small model). Using the `-mk` option sets this symbol to 1. You can use this symbol to write memory-model independent code such as:

```
.if __large_model
AMOV #addr, XAR2 ; load 23-bit address
.else
AMOV #addr, AR2 ; load 16-bit address
.endif
```

For more information on the large memory model, see the TMS320C55x *Optimizing C Compiler User's Guide*.

- ❑ **.TOOLS_vn** specifies the version of the assembler in use. The *n* value represents the version number displayed in the assembler's banner. For example, version 1.70 would be represented as `.TOOLS_v170`. You can use this symbol to write code that will be assembled conditionally according to the assembler version:

```
.if    $isdefed(".TOOLS_v170")
.word  0x110
.endif
.if    $isdefed(".TOOLS_v160")
.word  0x120
.endif
```

- ❑ The assembler sets up predefined symbols for you to refer to all of the **memory-mapped registers**.

3.10.5 Substitution Symbols

Symbols can be assigned a string value (variable). This enables you to alias character strings by equating them to symbolic names. Symbols that represent character strings are called substitution symbols. When the assembler encounters a substitution symbol, its string value is substituted for the symbol name. Unlike symbolic constants, substitution symbols can be redefined.

A string can be assigned to a substitution symbol anywhere within a program; for example:

```
.asg  "errct",      AR2      ;register 2
.asg  "+",         INC      ;indirect auto-increment
.asg  "*-",       DEC      ;indirect auto-decrement
```

When you are using macros, substitution symbols are important because macro parameters are actually substitution symbols that are assigned a macro argument. The following code shows how substitution symbols are used in macros:

```
add2  .macro      ADDRA,ADDRB  ;add2 macro definition

      MOV ADDRA,AC0
      ADD ADDR,AC0,AC0
      MOV AC0,ADDRB
      .endm

; add2 invocation
add2  LOC1, LOC2

; the macro will be expanded as follows:
      MOV LOC1,AC0
      ADD LOC2,AC0,AC0
      MOV AC0,LOC2
```

For more information about macros, see Chapter 5, *Macro Language*.

3.10.6 Local Labels

Local labels are special labels whose scope and effect are temporary. A local label can be defined in two ways:

- $\$n$, where n is a decimal digit in the range of 0–9. For example, $\$4$ and $\$1$ are valid local labels.
- $name?$, where $name$ is any legal symbol name as described above. The assembler replaces the question mark with a period followed by a unique number. When the source code is expanded, you will not see the unique number in the listing file. Your label appears with the question mark as it did in the macro definition. You cannot declare this label as global.

Normal labels must be unique (they can be declared only once), and they can be used as constants in the operand field. Local labels, however, can be undefined and defined again or automatically generated. Local labels cannot be defined by directives.

A local label can be undefined, or reset, in one of four ways:

- By using the `.newblock` directive
- By changing sections (using a `.sect`, `.text`, or `.data` directive)
- By entering an include file (specifying the `.include` or `.copy` directive)
- By leaving an include file (reaching the end of an included file)

Example 3–3 demonstrates the $\$n$ form of local labels. This example assumes that symbols `ADDRA`, `ADDRB`, `ADDRC` have been defined previously.

Example 3–3. $\$n$ Local Labels

(a) Code that uses a local label legally

```

Label1:    MOV ADDRA,AC0      ; Load Address A to AC0.
           SUB ADDR B,AC0,AC0 ; Subtract Address B.
           BCC $1,AC0 < #0   ; If < 0, branch to $1
           MOV ADDR B,AC0    ; otherwise, load ADDR B to AC0
           B $2              ; and branch to $2.
$1         MOV ADDRA,AC0     ; $1: load ADDRA to AC0.
$2         ADD ADDR C,AC0,AC0 ; $2: add ADDR C.
           .newblock        ; Undefine $1 so it can be used
           ; again.
           BCC $1,AC0 < #0   ; If less than zero,
           ; branch to $1.
           MOV AC0,ADDR C    ; Store AC0 low in ADDR C.
$1         NOP

```

Example 3–3. \$n Local Labels (Continued)

(b) Code that uses a local label illegally

```
Label1:    MOV ADDRA,AC0
           SUB ADDR B,AC0,AC0
           BCC $1,AC0 < #0
           MOV ADDR B,AC0
           B $2
$1         MOV ADDRA,AC0
$2         ADD ADDR C,AC0,AC0
           BCC $1,AC0 < #0
           MOV AC0,ADDR C
$1         NOP           ; Wrong: $1 is multiply defined.
```

Local labels are especially useful in macros. If a macro contains a normal label and is called more than once, the assembler issues a multiple-definition error. If you use a local label and `.newblock` within a macro, however, the local label is used and reset each time the macro is expanded.

Up to ten local labels of the `$n` form can be in effect at one time. Local labels of the form `name?` are not limited. After you undefine a local label, you can define it and use it again. Local labels do not appear in the object code symbol table.

Example 3–4 demonstrates the `name?` form of a local label.

Example 3-4. name? Local Labels

```
; First definition of local label 'mylab'
      nop
mylab?  nop
      B mylab?

; Include file has second definition of 'mylab'
      .copy "a.inc"

; Third definition of 'mylab', reset upon exit from include

mylab?  nop
      B mylab?

; Fourth definition of 'mylab' in macro, macros use
; different namespace to avoid conflicts

mymac   .macro
mylab?  nop
      B mylab?
      .endm

; Macro invocation

      mymac

; Reference to third definition of 'mylab', note that
; definition is not reset by macro invocation nor
; conflicts with same name defined in macro

      B mylab?

; Changing section, allowing fifth definition of 'mylab'
      .sect "Secto_One"
      nop
      .data
mylab?  .int 0
      .text
      nop
      nop
      B mylab?

;.newblock directive, allowing sixth definition of 'mylab'
      .newblock
      .data
mylab?  .int 0
      .text
      nop
      nop
      B mylab?
```

3.11 Expressions

An expression is an operand or a series of operands separated by arithmetic operators. An operand is an assembly-time constant or a link-time relocatable symbol. The range of valid expression values is -4294967296 to 4294967295 . Three main factors influence the order of expression evaluation:

Parentheses

Expressions that are enclosed in parentheses are always evaluated first.

$$8 / (4 / 2) = 4, \text{ but } 8 / 4 / 2 = 1$$

You *cannot* substitute braces ({ }) or brackets ([]) for parentheses.

Precedence groups

The C55x assembler uses the same order of precedence as the C language does as summarized in Table 3–1. This differs from the order of precedence of other TMS320 assemblers. When parentheses do not determine the order of expression evaluation, the highest precedence operation is evaluated first.

$$8 + 4 / 2 = 10 \text{ (} 4 / 2 \text{ is evaluated first)}$$

Left-to-right evaluation

When parentheses and precedence groups do not determine the order of expression evaluation, the expressions are evaluated as happens in the C language.

$$8 / 4 * 2 = 4, \text{ but } 8 / (4 * 2) = 1$$

3.11.1 Operators

Table 3–1 lists the operators that can be used in expressions.

If you apply a relational operator to an undefined symbol, then the symbol reference will be assigned a value of 0 for the purposes of the boolean expression.

Table 3–1. Operators Used in Expressions (Precedence)

Symbols	Operators	Evaluation
+ - ~ !	Unary plus, minus, 1s complement, logical negation	Right to left
* / %	Multiplication, division, modulo	Left to right
+ -	Addition, subtraction	Left to right
<< >>	Left shift, right shift	Left to right
< <= > >=	Less than, LT or equal, greater than, GT or equal	Left to right
!=, =[=]	Not equal to, equal to	Left to right
&	Bitwise AND	Left to right
^	Bitwise exclusive OR	Left to right
	Bitwise OR	Left to right

Note: Unary +, -, and * have higher precedence than the binary forms.

3.11.2 Expression Overflow and Underflow

The assembler checks for overflow and underflow conditions when arithmetic operations are performed at assembly time. It issues a Value Truncated warning whenever an overflow or underflow occurs. The assembler *does not* check for overflow or underflow in multiplication.

3.11.3 Well-Defined Expressions

Some assembler directives require well-defined expressions as operands. Well-defined expressions contain only symbols or assembly-time constants that are defined before they are encountered in the expression. The evaluation of a well-defined expression must be absolute.

Example 3–5. Well-Defined Expressions

```

        .data
label1  .word  0
        .word  1
        .word  2
label2  .word  3

X       .set   50h

goodsym1 .set   100h + X           ; Because value of X is defined before
                                   ; referenced, this is a valid well-defined
                                   ; expression

goodsym2 .set   $                 ; All references to previously defined local
goodsym3 .set   label1            ; labels, including the current SPC ($), are
                                   ; considered to be well-defined.

goodsym4 .set   label2 - label1   ; Although label1 and label2 are not
                                   ; absolute symbols, because they are local
                                   ; labels defined in the same section, their
                                   ; difference can be computed by the assembler.
                                   ; The difference is absolute, so the
                                   ; expression is well-defined.

```

3.11.4 Conditional Expressions

The assembler supports relational operators that can be used in any expression, except with relocatable link-time operands; they are especially useful for conditional assembly. Relational operators can be applied to undefined or relocatable symbols. In the context of a conditional expression, the undefined symbol will be replaced with a value of 0. Relational operators include the following:

=	Equal to	==	Equal to
!=	Not equal to		
<	Less than	<=	Less than or equal to
>	Greater than	>=	Greater than or equal to

Conditional expressions evaluate to 1 if true and 0 if false; they can be used only on operands of equivalent types, for example, absolute value compared to absolute value, but not absolute value compared to relocatable value.

3.12 Built-in Functions

The assembler supports built-in functions for conversions and various math computations. Table 3–2 describes the built-in functions. Note that *expr* must be a constant value. See Table 5–1 for a description of the assembler's non-mathematical built-in functions.

Table 3–2. Assembler Built-In Math Functions

Function	Description
\$acos (<i>expr</i>)	returns the arc cosine of <i>expr</i> as a floating-point value
\$asin (<i>expr</i>)	returns the arc sine of <i>expr</i> as a floating-point value
\$atan (<i>expr</i>)	returns the arc tangent of <i>expr</i> as a floating-point value
\$atan2 (<i>expr</i>)	returns the arc tangent of <i>expr</i> as a floating-point value (–pi to pi)
\$ceil (<i>expr</i>)	returns the smallest integer that is not less than the expression
\$cosh (<i>expr</i>)	returns the hyperbolic cosine of <i>expr</i> as a floating-point value
\$cos (<i>expr</i>)	returns the cosine of <i>expr</i> as a floating-point value
\$cvf (<i>expr</i>)	converts <i>expr</i> to floating-point value
\$cvi (<i>expr</i>)	converts <i>expr</i> to integer value
\$exp (<i>expr</i>)	returns the result of raising e to the <i>expr</i> power
\$fabs (<i>expr</i>)	returns absolute value of <i>expr</i> as a floating-point value
\$floor (<i>expr</i>)	returns the largest integer that is not greater than the expression
\$fmod (<i>expr1</i> , <i>expr2</i>)	returns the remainder after dividing <i>expr1</i> and <i>expr2</i>
\$int (<i>expr</i>)	returns 1 if <i>expr</i> has an integer result
\$ldexp (<i>expr1</i> , <i>expr2</i>)	returns the result of <i>expr1</i> multiplied by 2 raised to the <i>expr2</i> power
\$log10 (<i>expr</i>)	returns the base 10 logarithm of <i>expr</i>
\$log (<i>expr</i>)	returns the natural logarithm of <i>expr</i>
\$max (<i>expr1</i> , <i>expr2</i>)	returns the maximum of 2 expressions
\$min (<i>expr1</i> , <i>expr2</i>)	returns the minimum of 2 expressions

Table 3–2. Assembler Built-In Math Functions (Continued)

Function	Description
\$pow (<i>expr1</i> , <i>expr2</i>)	raises <i>expr1</i> to the power <i>expr2</i>
\$round (<i>expr</i>)	returns the result of <i>expr</i> rounded to the nearest integer
\$sgn (<i>expr</i>)	returns the sign of <i>expr</i>
\$sin (<i>expr</i>)	returns the sine of <i>expr</i> as a floating-point value
\$sinh (<i>expr</i>)	returns the hyperbolic sine of <i>expr</i> as a floating-point value
\$sqrt (<i>expr</i>)	returns the square root of <i>expr</i> as a floating-point value
\$tan (<i>expr</i>)	returns the tangent of <i>expr</i> as a floating-point value
\$tanh (<i>expr</i>)	returns the hyperbolic tangent of <i>expr</i> as a floating-point value
\$trunc (<i>expr</i>)	returns the result of <i>expr</i> rounded toward zero

3.13 Source Listings

A source listing shows source statements and the object code they produce. To obtain a listing file, invoke the assembler with the `-l` (lowercase L) option.

Two banner lines, a blank line, and a title line are at the top of each source listing page. Any title supplied by a `.title` directive is printed on the title line; a page number is printed to the right of the title. If you don't use the `.title` directive, the name of the source file is printed. The assembler inserts a blank line below the title line.

Each line in the source file may produce a line in the listing file that shows a source statement number, an SPC value, the object code assembled, and the source statement. A source statement may produce more than one word of object code. The assembler lists the SPC value and object code on a separate line for each additional word. Each additional line is listed immediately following the source statement line.

Field 1: Source Statement Number

Line Number

The source statement number is a decimal. The assembler numbers source lines as it encounters them in the source file; some statements increment the line counter but are not listed. (For example, `.title` statements and statements following a `.nolist` are not listed.) The difference between two consecutive source line numbers indicates the number of intervening statements in the source file that are not listed.

Include File Letter

The assembler may precede a line with a letter; the letter indicates that the line is assembled from an included file.

Nesting Level Number

The assembler may precede a line with a number; the number indicates the nesting level of macro expansions or loop blocks.

Field 2: Section Program Counter

This field contains the section program counter (SPC) value, which is hexadecimal. All sections (`.text`, `.data`, `.bss`, and named sections) maintain separate SPCs. Some directives do not affect the SPC and leave this field blank.

Field 3: Object Code

This field contains the hexadecimal representation of the object code. All machine instructions and directives use this field to list object code. This field also indicates the relocation type by appending one of the following characters to the end of the field:

- ! undefined external reference
- ' .text relocatable
- " .data relocatable
- + .sect relocatable
- .bss, .usect relocatable
- % complex relocation expression

Field 4: Source Statement Field

This field contains the characters of the source statement as they were scanned by the assembler. Spacing in this field is determined by the spacing in the source statement.

Example 3–6 shows an assembler listing with each of the four fields identified.

Example 3–6. Assembler Listing

(a) Mnemonic example

```

1          .global RSET, INT0, INT1, INT2
2          .global TINT, RINT, XINT, USER
3          .global ISR0, ISR1, ISR2
4          .global time, rcv, xmt, proc
5
6          initmac .macro
7          ;* initialize macro
8              BSET #9,ST1_55 ;disable overflow
9              MOV #0,DP      ;set dp
10             MOV #55,AC0    ;set AC0
11             BCLR #11,ST1_55 ;enable ints
12             .endm
13         *****
14         *      Reset and interrupt vectors      *
15         *****
16 000000          .sect "rset"
17 000000 6A00     RSET:   B init
18 000002 0010+
19 000004 6A00     INT0:   B ISR0
20 000006 0000!
21 000008 6A00     INT1:   B ISR1
22 00000a 0000!
23 00000c 6A00     INT2:   B ISR2
24 00000e 0000!
25
26             *
27             .sect "ints"
28 000000 6A00     TINT    B time
29 000002 0000!
30 000004 6A00     RINT    B rcv
31 000006 0000!
32 000008 6A00     XINT    B xmt
33 00000a 0000!
34 00000c 6A00     USER   B proc
35 00000e 0000!
36
37         *****
38         *      Initialize processor.      *
39         *****
40 init:  initmac
41         * initialize macro
42 000010 4693     BSET #9,ST1_55
43 000012 7800     MOV #0,DP
44 000014 0000
45 000016 7600     MOV #55,AC0
46 000018 3708
47 00001a 46B2     BCLR #11,ST1_55

```

Example 3-6. Assembler Listing (Continued)

(b) Algebraic example

```

1          .global RSET, INT0, INT1, INT2
2          .global TINT, RINT, XINT, USER
3          .global ISR0, ISR1, ISR2
4          .global time, rcv, xmt, proc
5
6          initmac .macro
7          ;* initialize macro
8              bit(ST1, #ST1_SATD) = #1 ;disable oflow
9              DP = #((01FFH & 0) << 7) ;set dp
10             AC0 = #55 ;set AC0
11             bit(ST1, #ST1_INTM) = #0 ;enable ints
12             .endm
13             *****
14             *      Reset and interrupt vectors      *
15             *****
16 000000          .sect "rset"
17 000000 6A00    RSET:   goto  #(init)
18 000002 0010+
19 000004 6A00    INT0:   goto  #(ISR0)
20 000006 0000!
21 000008 6A00    INT1:   goto  #(ISR1)
22 00000a 0000!
23 00000c 6A00    INT2:   goto  #(ISR2)
24 00000e 0000!
25
26             *
27             .sect "ints"
28 000000 6A00    TINT    goto  #(time)
29 000002 0000!
30 000004 6A00    RINT    goto  #(rcv)
31 000006 0000!
32 000008 6A00    XINT    goto  #(xmt)
33 00000a 0000!
34 00000c 6A00    USER   goto  #(proc)
35 00000e 0000!
36
37             *****
38             *      Initialize processor.      *
39             *****
40 init:   initmac
41             ;* initialize macro
42             bit(ST1, #ST1_SATD) = #1
43             DP = #((01FFH & 0) << 7)
44             AC0 = #55
45             bit(ST1, #ST1_INTM) = #0

```

Field 1

Field 2

Field 3

Field 4

3.14 Debugging Assembly Source

When you invoke `cl55` with `-g` when compiling an assembly file, the assembler provides symbolic debugging information that allows you to step through your assembly code in a debugger rather than using the Disassembly window in Code Composer Studio. This enables you to view source comments and other source-code annotations while debugging.

The `.asmfunc` and `.endasmfunc` directives enable you to use C characteristics in assembly code that makes the process of debugging an assembly file more closely resemble debugging a C/C++ source file.

The `.asmfunc` and `.endasmfunc` directives (see page 4-32) allow you to name certain areas of your code, and make these areas appear in the debugger as C functions. Contiguous sections of assembly code that are not enclosed by the `.asmfunc` and `.endasmfunc` directives are automatically placed in assembler-defined functions named with this syntax:

\$filename:starting source line:ending source line\$

If you want to view your variables as a user-defined type in C code, the types must be declared and the variables must be defined in a C file. This C file can then be referenced in assembly code using the `.ref` directive (see page 4-57).

Example 3-7 shows the `cvar.c` C program that defines an variable, `svar`, as the structure type `X`. The `svar` variable is then referenced in the `addfive.asm` assembly program and 5 is added to `svar`'s second data member.

Example 3-7. Viewing Assembly Variables as C Types

(a) C Program `cvar.c`

```
typedef struct
{
    int m1;
    int m2;
} X;

X svar = { 1, 2 };
```

*Example 3-7. Viewing Assembly Variables as C Types (Continued)**(b) Assembly Program addfive.asm*

```
-----  
; Tell the assembler we're referencing variable "_svar", which is defined in  
; another file (cvars.c).  
-----  
    .ref _svar  
  
-----  
; addfive() - Add five to the second data member of _svar  
-----  
    .text  
    .align 4  
    .global addfive  
addfive: .asmfunc  
        ADD #5, *abs16(#{_svar+1}) ; add 5 to svar.m2  
        RET                       ; return from function  
    .endasmfunc
```

Compile both source files with the `-g` option and link them as follows:

```
cl55 -g cvars.c addfive.asm -z -l=lnk.cmd -l=rts55.lib -o=addfive.out
```

When you load this program into a symbolic debugger, `addfive` appears as a C function. You can monitor the values in `svar` while stepping through `main` just as you would any regular C variable.

3.15 Cross-Reference Listings

A cross-reference listing shows symbols and their definitions. To obtain a cross-reference listing, invoke the assembler with the `-ax` option or use the `.option` directive. The assembler will append the cross-reference to the end of the source listing.

When the assembler generates a cross-reference listing for an assembly file that contains `.include` directives, it keeps a record of the include file and line number in which a symbol is defined/referenced. It does this by assigning a letter reference (A, B, C, etc.) for each include file. The letters are assigned in the order in which the `.include` directives are encountered in the assembly source file.

Example 3–8. Sample Cross-Reference Listing

LABEL	VALUE	DEFN	REF
INT0	000004+	25	5
INT1	000008+	27	5
INT2	00000c+	29	5
ISR0	REF		9 25
ISR1	REF		9 27
ISR2	REF		9 29
RINT	000004+	37	7
RSET	000000+	23	5
TINT	000000+	35	7
XINT	000008+	39	7
init	000010+	45	23

- Label** column contains each symbol that was defined or referenced during the assembly.
- Value** column contains a hexadecimal number, which is the value assigned to the symbol *or* a name that describes the symbol's attributes. A value may also be followed by a character that describes the symbol's attributes. Table 3–3 lists these characters and names.
- Definition** (DEFN) column contains the statement number that defines the symbol. This column is blank for undefined symbols.
- Reference** (REF) column lists the line numbers of statements that reference the symbol. A blank in this column indicates that the symbol was never used.

Table 3–3. *Symbol Attributes*

Character or Name	Meaning
REF	External reference (.global symbol)
UNDF	Undefined
'	Symbol defined in a .text section
"	Symbol defined in a .data section
+	Symbol defined in a .sect section
–	Symbol defined in a .bss or .usect section

Assembler Directives

Assembler directives supply data to the program and control the assembly process. Assembler directives enable you to do the following:

- Assemble code and data into specified sections
- Reserve space in memory for uninitialized variables
- Control the appearance of listings
- Initialize memory
- Assemble conditional blocks
- Declare global variables
- Specify libraries from which the assembler can obtain macros
- Provide symbolic debugging information

This chapter is divided into two parts: the first part (Sections 4.1 through 4.11) describes the directives according to function, and the second part (Section 4.12) is an alphabetical reference.

Topic	Page
4.1 Directives Summary	4-2
4.2 Directives That Define Sections	4-10
4.3 Directives That Initialize Constants	4-12
4.4 Directives That Align the Section Program Counter	4-16
4.5 Directives That Format the Output Listing	4-18
4.6 Directives That Reference Other Files	4-20
4.8 Conditional Assembly Directives	4-21
4.9 Assembly-Time Symbol Directives	4-22
4.10 Directives That Define Specific Blocks of Code	4-25
4.11 Miscellaneous Directives	4-27
4.12 Directives Reference	4-28

4.1 Directives Summary

This section summarizes the assembler directives.

Assembler directives and their parameters must be specified entirely on one line.

Besides the assembler directives documented here, the TMS320C55x™ software tools support the following directives:

- ❑ The assembler uses several directives for macros. The macro directives are listed in this chapter, but they are described in detail in Chapter 5, *Macro Language*.
- ❑ The absolute lister also uses directives. Absolute listing directives (.setsym and .setsect) are not entered by you but are inserted into the source program by the absolute lister. Chapter 10, *Absolute Lister Description*, discusses these directives; they are not discussed in this chapter.
- ❑ The C/C++ compiler uses directives for symbolic debugging. Unlike other directives, symbolic debugging directives are not used in most assembly language programs. Appendix B, *Symbolic Debugging Directives*, discusses these directives; they are not discussed in this chapter. The DWARF debugging directives are: .dwattr, .dwcfa, .dwcie, .dwentry, .dwendtag, .dwfde, .dwpsn, and .dwtag.

Note: Labels and Comments in Syntax

In most cases, a source statement that contains a directive may also contain a label and a comment. Labels begin in the first column (they are the only elements, except comments, that can appear in the first column), and comments must be preceded by a semicolon or an asterisk if the comment is the only statement on the line. To improve readability, labels and comments are not shown as part of the directive syntax. For some directives, however, a label is required and will be shown in the syntax.

Table 4–1. Assembler Directives Summary

(a) Directives that are related to sections

Mnemonic and Syntax	Description	Page
.bss <i>symbol, size in words</i> [, <i>blocking</i>] [, <i>alignment</i>]	Reserve <i>size</i> words in the .bss (uninitialized data) section	4-34
.clink [" <i>section name</i> "]	Enables conditional linking for the current or specified section	4-39
.data	Assemble into the .data (initialized data) section	4-47
.sect " <i>section name</i> "	Assemble into a named (initialized) section	4-82
.text	Assemble into the .text (executable code) section	4-93
<i>symbol</i> .usect " <i>section name</i> ", <i>size in words</i> [, <i>blocking</i>] [, <i>alignment</i>]	Reserve <i>size</i> words in a named (uninitialized) section	4-97

(b) Directives that define data

Mnemonic and Syntax	Description	Page
.byte <i>value</i> ₁ [, ... , <i>value</i> _{<i>n</i>}]	Initialize one or more successive bytes or words in the current section	4-37
.char <i>value</i> ₁ [, ... , <i>value</i> _{<i>n</i>}]	Initialize one or more successive bytes or words in the current section	4-37
.double <i>value</i> ₁ [, ... , <i>value</i> _{<i>n</i>}]	Initialize one or more 64-bit, IEEE double-precision, floating-point constants	4-48
.field <i>value</i> [, <i>size in bits</i>]	Initialize a variable-length field	4-54
.float <i>value</i> [, ... , <i>value</i> _{<i>n</i>}]	Initialize one or more 32-bit, IEEE single-precision, floating-point constants	4-56
.half <i>value</i> ₁ [, ... , <i>value</i> _{<i>n</i>}]	Initialize one or more 16-bit integers	4-60
.int <i>value</i> ₁ [, ... , <i>value</i> _{<i>n</i>}]	Initialize one or more 16-bit integers	4-63
<i>label</i> : .ivec [<i>address</i> [, <i>stack mode</i>]]	Initialize an entry in the interrupt vector table	4-64
.ldouble <i>value</i> ₁ [, ... , <i>value</i> _{<i>n</i>}]	Initialize one or more 64-bit, IEEE double-precision, floating-point constants	4-48
.long <i>value</i> ₁ [, ... , <i>value</i> _{<i>n</i>}]	Initialize one or more 32-bit integers	4-71
.pstring " <i>string</i> ₁ " [, ... , " <i>string</i> _{<i>n</i>} "]	Initialize one or more packed text strings	4-88
.short <i>value</i> ₁ [, ... , <i>value</i> _{<i>n</i>}]	Initialize one or more 16-bit integers	4-60

Table 4–1. Assembler Directives Summary (Continued)

(b) Directives that define data (Continued)

Mnemonic and Syntax	Description	Page
.space <i>size in bits</i> ;	Reserve <i>size</i> bits in the current section; note that a label points to the beginning of the reserved space	4-84
.string "string ₁ " [, ... , "string _n "]	Initialize one or more text strings	4-88
.ubyte <i>value</i> ₁ [, ... , <i>value</i> _n]	Initialize one or more successive unsigned bytes or words in the current section	4-37
.uchar <i>value</i> ₁ [, ... , <i>value</i> _n]	Initialize one or more successive unsigned bytes or words in the current section	4-37
.uhalf <i>value</i> ₁ [, ... , <i>value</i> _n]	Initialize one or more unsigned 16-bit integers	4-60
.uint <i>value</i> ₁ [, ... , <i>value</i> _n]	Initialize one or more unsigned 16-bit integers	4-63
.ulong <i>value</i> ₁ [, ... , <i>value</i> _n]	Initialize one or more unsigned 32-bit integers	4-71
.ushort <i>value</i> ₁ [, ... , <i>value</i> _n]	Initialize one or more unsigned 16-bit integers	4-60
.uword <i>value</i> ₁ [, ... , <i>value</i> _n]	Initialize one or more unsigned 16-bit integers.	4-63
.word <i>value</i> ₁ [, ... , <i>value</i> _n]	Initialize one or more 16-bit integers.	4-63
.xfloat <i>value</i> ₁ [, ..., <i>value</i> _n]	Initialize one or more 32-bit, IEEE single-precision, floating-point constants, but do not align on long word boundary.	4-56
.xlong <i>value</i> ₁ [, ..., <i>value</i> _n]	Initialize one or more 32-bit integers, but do not align on long word boundary.	4-71

(c) Directives that effect alignment

Mnemonic and Syntax	Description	Page
.align [<i>size</i>]	Align the SPC on a byte or word boundary specified by the parameter; the parameter must be a power of 2, defaults to a 128 byte or 128 word boundary.	4-28
.even	Equivalent to <code>.align 2</code> .	4-28
.localalign	Align start of a local repeat block to allow maximum localrepeat loop size	4-69
.sblock [""] <i>section name</i> [""] [, ... , " <i>section name</i> "]	Designates sections for blocking	4-81

Table 4–1. Assembler Directives Summary (Continued)

(d) Directives that control the output listing

Mnemonic and Syntax	Description	Page
.drlist	Enable listing of all directive lines (default)	4-49
.drnolist	Suppress listing of certain directive lines	4-49
.fclist	Allow false conditional code block listing (default)	4-53
.fcnolist	Suppress false conditional code block listing	4-53
.length <i>page length</i>	Set the page length of the source listing	4-67
.list	Restart the source listing	4-68
.mlist	Allow macro listings and loop blocks (default)	4-76
.mnolist	Suppress macro listings and loop blocks	4-76
.nolist	Stop the source listing	4-68
.option { B L M R T W X }	Select output listing options	4-79
.page	Eject a page in the source listing	4-80
.sslist	Allow expanded substitution symbol listing	4-85
.ssnolist	Suppress expanded substitution symbol listing (default)	4-85
.tab <i>size</i>	Set tab size	4-92
.title " <i>string</i> "	Print a specified title in the listing page heading	4-94
.width <i>page width</i>	Set the page width of the source listing	4-67

(e) Directives that reference other files

Mnemonic and Syntax	Description	Page
.copy [" <i>filename</i> "]	Include source statements from another file; copied files are shown in the listing	4-40
.include [" <i>filename</i> "]	Include source statements from another file; included files are not shown in the listing	4-40

Table 4–1. Assembler Directives Summary (Continued)

(f) Directives that relate to symbols

Mnemonic and Syntax	Description	Page
.def <i>symbol₁</i> [, ... , <i>symbol_n</i>]	Identify one or more symbols that are defined in the current module and may be used in other modules	4-57
.global <i>symbol₁</i> [, ... , <i>symbol_n</i>]	Identify one or more global (external) symbols	4-57
.ref <i>symbol₁</i> [, ... , <i>symbol_n</i>]	Identify one or more symbols that are used in the current module but may be defined in another module	4-57

(g) Directives that control conditional assembly

Mnemonic and Syntax	Description	Page
.break [<i>conditional or boolean expression</i>]	End <code>.loop</code> assembly if condition is true. The <code>.break</code> construct is optional.	4-72
.else	Assemble code block if the <code>.if</code> condition is false. The <code>.else</code> construct is optional. This directive can be used as the default case in a conditional block.	4-61
.elseif <i>conditional or boolean expression</i>	Assemble code block if the <code>.if</code> condition is false and the <code>.elseif</code> condition is true. The <code>.elseif</code> construct is optional.	4-61
.endif	End <code>.if</code> code block	4-61
.endloop	End <code>.loop</code> code block	4-72
.if <i>boolean expression</i>	Assemble code block if the condition is true	4-61
.loop [<i>well-defined expression</i>]	Begin repeatable assembly of a code block. The <i>well-defined expression</i> is a loop count.	4-72

Table 4–1. Assembler Directives Summary (Continued)

(h) Directives that define macros

Mnemonic and Syntax	Description	Page
<i>symbol</i> .macro [<i>macro parameters</i>]	Identify the source statement as the first line of a macro definition. The macro can be invoked using <i>symbol</i> .	4-73
.mlib ["] <i>filename</i> ["]	Make specified macro library available in current source file	4-74
.mexit	Go to .endm . This directive is useful when error testing confirms that macro expansion will fail.	5-3
.endm	End .macro definition	4-52
.var	Define a local macro substitution symbol	4-100

† For more information about macro directives, see Chapter 5, Macro Language.

(i) Directives that define symbols at assembly time

Mnemonic and Syntax	Description	Page
.asg ["] <i>character string</i> ["], <i>substitution symbol</i>	Assign a character string to a substitution symbol	4-30
.cstruct	Begin C structure definition	4-44
.cunion	Begin C union definition	4-45
.endstruct	End structure definition	4-44, 4-89
.endunion	End union definition	4-44, 4-95
.equ	Equate a value with a symbol	4-83
.eval <i>well-defined expression</i> , <i>substitution symbol</i>	Perform arithmetic on numeric substitution symbols	4-30
.label <i>symbol</i>	Define a relocatable symbol that refers to the load-time location of a section	4-66
.set	Equate a value with a symbol	4-83
.struct	Begin structure definition	4-89
.tag	Assign structure attributes to a label	4-89
.union	Begin union definition	4-95

Table 4–1. Assembler Directives Summary (Continued)*(j) Directives that communicate run-time environment details to the assembler*

Mnemonic and Syntax	Description	Page
.dp <i>DP_value</i>	Specifies the value of the DP register	4-49
.lock_off	Assert that the lock() modifier not legal; resume default behavior	4-71
.lock_on	Identify the beginning of a block of code that contains read-modify-write instructions	4-71
.vli_off	Identify the beginning of a block of code in which the assembler uses the largest form of certain variable-length instructions.	4-101
.vli_on	Resume the default behavior of resolving variable-length instructions to their smallest form	4-101

(k) Directives that relate to C55x addressing modes

Mnemonic and Syntax	Description	Page
.arms_off	Resume the default behavior of the assembler using indirect memory access modifiers	4-29
.arms_on	Identify the beginning of a block of code to be assembled in ARMS mode	4-29
.c54cm_off	Resume the default behavior of C55x code	4-38
.c54cm_on	Identify the beginning of a block of C54x compatibility mode code (code that has been translated from C54x code)	4-38
.cpl_off	Resume the default behavior of dma relative to DP	4-42
.cpl_on	Identify the beginning of a block of code to be assembled in CPL mode (dma relative to SP)	4-42

Table 4–1. Assembler Directives Summary (Continued)

(l) Directives that affect porting C54x mnemonic assembly

Mnemonic and Syntax	Description	Page
<code>.port_for_size</code>	Resume the default behavior of optimizing C54x code for smaller size	4-81
<code>.port_for_speed</code>	Identify the beginning of a block of code in which the assembler optimizes ported C54x code for speed	4-81
<code>.sst_off</code>	Identify the beginning of a block of code in which the assembler assumes that the SST bit is disabled	4-87
<code>.sst_on</code>	Resume the default behavior of assuming that the SST bit is enabled	4-87

(m) Miscellaneous directives

Mnemonic and Syntax	Description	Page
<code>.asmfunc</code>	Identify the beginning of a block of code that contains a function	4-32
<code>.emsg string</code>	Send user-defined error messages to stdout	4-50
<code>.end</code>	End program	4-52
<code>.endasmfunc</code>	Identify the end of a block of code that contains a function	4-32
<code>.mmsg string</code>	Send user-defined messages to stdout	4-50
<code>.newblock</code>	Undefine local labels	4-77
<code>.noremark [num]</code>	Identify the beginning of a block of code in which the assembler suppresses the <i>num</i> remark	4-78
<code>.remark [num]</code>	Resume the default behavior of generating the remark(s) previously suppressed by <code>.noremark</code>	4-78
<code>.warn_off</code>	Identify the beginning of a block of code for which the assembler's warning messages are suppressed.	4-102
<code>.warn_on</code>	Resume the default behavior of reporting assembler warning messages.	4-102
<code>.wmsg string</code>	Send user-defined warning messages to stdout	4-50

4.2 Directives Related to Sections

These directives associate portions of an assembly language program with the appropriate sections or enable a flag for a specific section:

- ❑ **.bss** reserves space in the .bss section for uninitialized variables. The specified size parameter must be in words, since it is a data section.
- ❑ **.clink** sets the STYP_CLINK flag in the type field for the named section. The .clink directive can be applied to initialized or uninitialized sections. The STYP_CLINK flag enables conditional linking by telling the linker to leave the section out of the final COFF output of the linker if there are no references found to any symbol in the section.
- ❑ **.data** identifies portions of code in the .data section. The .data section usually contains initialized data. On C55x, data sections are word-addressable.
- ❑ **.sect** defines initialized named sections and associates subsequent code or data with that section. A section defined with .sect can contain executable code or data.
- ❑ **.text** identifies portions of code in the .text section. The .text section contains executable code. On C55x, code sections are byte-addressable.
- ❑ **.usect** reserves space in an uninitialized named section. The .usect directive is similar to the .bss directive, but it allows you to reserve space separately from the .bss section. The specified size parameter must be in words, since it is a data section.

Chapter 2, *Introduction to Common Object File Format*, discusses COFF sections in detail.

Example 4–1 shows how you can use section directives to associate code and data with the proper sections. This is an output listing; column 1 shows line numbers, and column 2 shows the SPC values. (Each section has its own program counter, or SPC.) When code is first placed in a section, its SPC equals 0. When you resume assembling into a section after other code is assembled, the section's SPC resumes counting as if there had been no intervening code.

The directives in Example 4–1 perform the following tasks:

- | | |
|-----------------|--|
| .text | contains basic adding and loading instructions |
| .data | initializes words with the values 9, 10, 11, 12, 13, 14, 15, and 16. |
| var_defs | initializes words with the values 17 and 18. |

.bss reserves 19 words.
.usect reserves 20 words.

The `.bss` and `.usect` directives do not end the current section or begin new sections; they reserve the specified amount of space, and then the assembler resumes assembling code or data into the current section.

Example 4-1. Sections Directives

```

1          *****
2          *      Start assembling into the .text section      *
3          *****
4 . 000000          .text
5 . 000000 3CA0          MOV #10,AC0
6 . 000002 2201          MOV AC0,AC1
7
8          *****
9          *      Start assembling into the .data section      *
10         *****
11 000000          .data
12 000000 0009          .word   9, 10
13 000001 000A
13 000002 000B          .word   11, 12
14 000003 000C
15
16         *****
17         *      Start assembling into a named,              *
18         *      initialized section, var_defs                *
19         *****
19 000000          .sect   "var_defs"
20 000000 0011          .word   17, 18
21 000001 0012
22
23         *****
24         *      Resume assembling into the .data section      *
25         *****
25 000004          .data
26 000004 000D          .word   13, 14
27 000005 000E
27 000000          .bss    sym, 19    ; Reserve space in .bss
28 000006 000F          .word   15, 16    ; Still in .data
29 000007 0010
30
31         *****
32         *      Resume assembling into the .text section      *
33         *****
33 000004          .text
34 000004 2412          ADD AC1,AC2
35 000000          usym    .usect "xy", 20    ; Reserve space in xy
36 000006 2220          MOV AC2,AC0    ; Still in .text

```

4.3 Data Defining Directives

This section describes several directives that assemble values for the current section.

Note: Use These Directives in Data Sections

Because code and data sections are addressed differently, the use of these directives in a section that includes C55x instructions will likely lead to the generation of an invalid access to the data at execution. Consequently, Texas Instruments highly recommends that these directives be issued only within data sections.

- ❑ The **.space** directive reserves a specified number of bits in the current section. The assembler fills these reserved bits with 0s.

You can reserve words by multiplying the desired number of words by 16.

When you use a label with **.space**, it points to the *first* byte (in a code section) or word (in a data section) that contains reserved bits.

Assume the following code has been assembled:

```

1
2          ** .space directive
3 000000          .data
4 000000 0100          .word          100h, 200h
   000001 0200
5 000002      Res_1:  .space          17
6 000004 000F          .word          15
7          ** reserve 3 words
8 000005      Res_3:  .space          3*16
9 000008 000A          .word          10

```

Res_1 points to the first word in the space reserved by **.space**.

- ❑ The **.byte**, **.ubyte**, **.char**, and **.uchar** directives place one or more 8-bit values into consecutive *words* in the current data section. These directives are similar to **.word** and **.uword**, except that the width of each value is restricted to 8 bits.
- ❑ The **.field** directive places a single value into a specified number of bits in the word (within data sections). With **.field**, you can pack multiple fields into a single word; the assembler does not increment the SPC until a word is filled. If a value can fit within a word, the assembler will guarantee that it does not span a word address boundary.

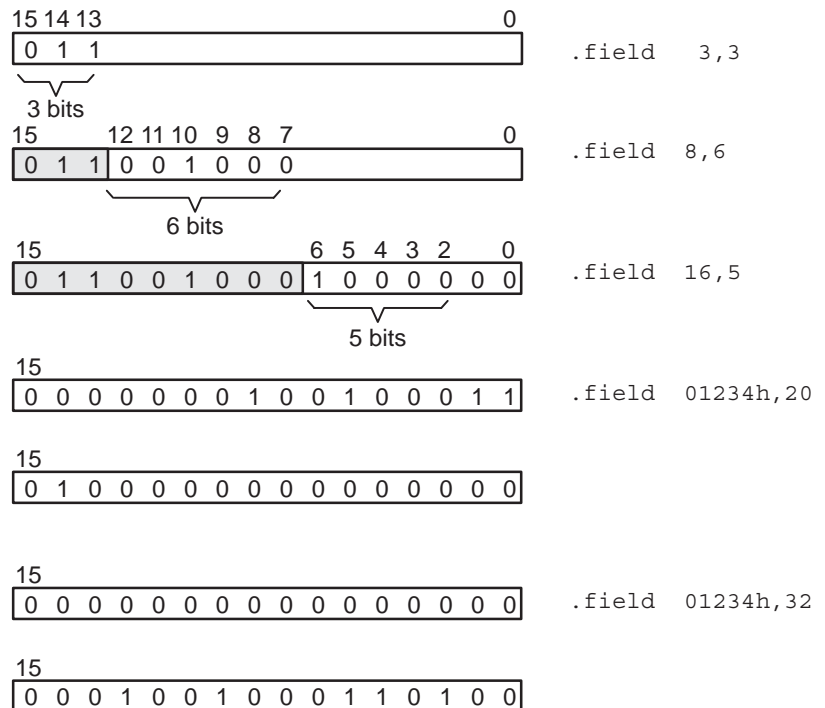
Figure 4–1 shows how fields are packed into a word. For this example, assume the following code has been assembled; notice that the SPC doesn't change for the first three fields (the fields are packed into the same word):

```

3 000000          .data
4 000000 6000     .field          3, 3
5 000000 6400     .field          8, 6
6 000000 6440     .field         16, 5
7 000001 0123     .field          01234h,20
   000002 4000
8 000003 0000     .field          01234h,32
   000004 1234

```

Figure 4–1. The `.field` Directive



- **.float** and **.xfloat** calculate the single-precision (32-bit) IEEE floating-point representation of a single floating-point value and store it in two consecutive words in the current section. The most significant word is stored first. The `.float` directive automatically aligns to the nearest long word boundary, and `.xfloat` does not.
- **.int**, **.uint**, **.half**, **.uhalf**, **.short**, **.ushort**, **.word**, and **.uword** place one or more 16-bit values into consecutive words in the current section.

- ❑ **.double** and **.ldouble** calculate the double-precision (64-bit) IEEE floating-point representation of one or more floating-point values and store them in four consecutive words in the current section. The **.double** directive automatically aligns to the long word boundary.
- ❑ The **.ivec** directive is used to initialize the entries in the interrupt vector table.
- ❑ **.long**, **.ulong**, and **.xlong** place 32-bit values into two consecutive words in the current section. The most significant word is stored first. The **.long** directive automatically aligns to a long word boundary, and the **.xlong** directive does not.
- ❑ **.string** and **.pstring** place 8-bit characters from one or more character strings into the current section. The **.string** directive is similar to **.byte**. It places 8-bit characters into consecutive *words* in the current data section. The **.pstring** directive also has a width of 8 bits but packs one character per byte. For **.pstring**, the last word in a string is padded with null characters (0) if necessary.

Note: These Directives in a .struct/.endstruct Sequence

The directives listed above *do not* initialize memory when they are part of a **.struct/.endstruct** sequence; rather, they define a member's size. For more information about the **.struct/.endstruct** directives, see Section 4.9, *Assembly-Time Symbol Directives*, on page 4-22.

Figure 4–2 compares the **.byte**, **.int**, **.long**, **.xlong**, **.float**, **.xfloat**, **.word**, and **.string** directives. For this example, assume that the following code has been assembled:

```

1 000000          .data
2 000000 00AA     .byte      0AAh, 0BBh
   000001 00BB
3 000002 0CCC     .word      0CCC
4 000003 0EEE     .xlong     0EEEEFFFh
   000004 EFFF
5 000006 EEEE     .long      0EEEEFFFh
   000007 FFFF
6 000008 DDDD     .int       0DDDDh
7 000009 3FFF     .xfloat    1.99999
   00000a FFAC
8 00000c 3FFF     .float     1.99999
   00000d FFAC
9 00000e 0068     .string    "help"
   00000f 0065
   000010 006c
   000011 0070

```

Figure 4–2. Initialization Directives

Word	15			00		Code
0, 1	15	0	0	A	.byte	OAAh, OBBh
	A	0	0			
2	B	0	C		.word	OCCCh
	C	C				
3, 4		0	E	E	.xlong	0EEEEFFFh
	E	E	F	F		
6, 7	F	E	E	E	.long	EEEEFFFFh
	E	F	F	F		
8	F	D	D		.int	DDDDh
	D	D				
9, a		3	F	F	.xfloat	1.99999
	F	F	F	A		
c, d	C	3	F	F	.float	1.99999
	F	F	F	A		
e, f	C	0	0	6	.string	"help"
	8	0	0	6		
10, 11	5	0	0	6		
	C	0	0	7		
	0					
		h		e		
		l		p		

4.4 Alignment Directives

These directives either align the section program counter (SPC) or deal with alignment issues:

- ❑ The **.align** directive aligns the SPC at a byte boundary in code sections or a word boundary in data sections. If the SPC is already aligned at the selected boundary, it is not incremented. Operands for the **.align** directive must equal a power of 2 between 2^0 and 2^{16} .

The **.align** directive with no operands defaults to a 128-byte boundary in a code section, and a 128-word (page) boundary in a data section.

- ❑ The **.even** directive aligns the SPC so that it points to the next word (in code sections) or long word (in data sections) boundary. It is equivalent to specifying the **.align** directive with an operand of 2. Any unused bits in the current byte or word are filled with 0s.
- ❑ The **.localalign** directive allows the maximum localrepeat loop size for the specified loop.
- ❑ The **.sblock** directive designates sections for blocking. Blocking is an address alignment mechanism similar to page alignment, but weaker. In a code section, blocked code is guaranteed not to cross a 128-byte boundary if it is smaller than 128 bytes, or to start on a 128-byte boundary if it is larger than 128 bytes. In a data section, blocked code is guaranteed not to cross a 128-word (page) boundary if it is smaller than a page, or to start on a page boundary if it is larger than a page. Note that this directive allows specification of blocking for initialized sections only, not uninitialized sections declared with **.usect** or the **.bss** section.

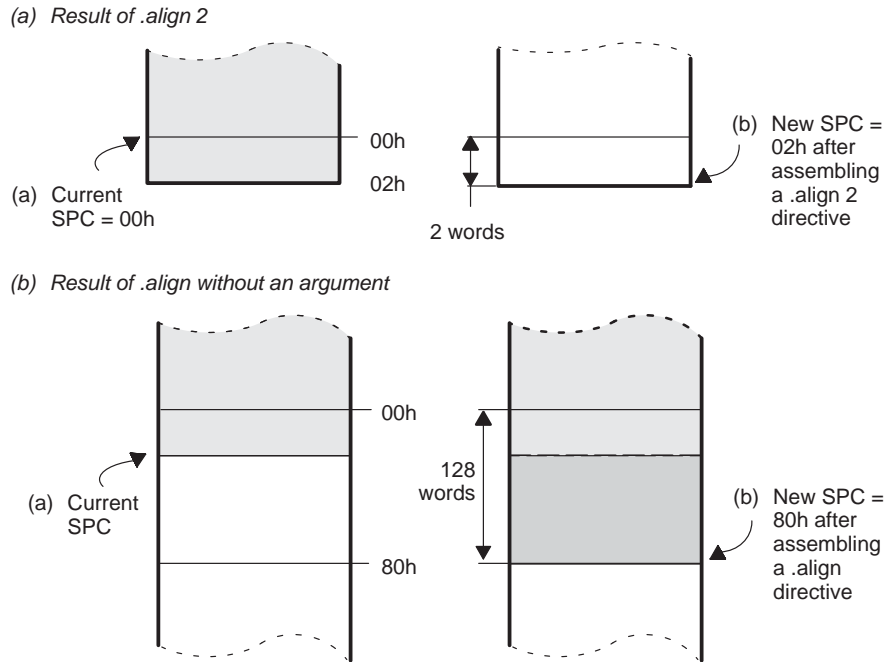
Figure 4–3 demonstrates the **.align** directive. Assume that the following code has been assembled:

```

1 000000          .data
2 000000 4000     .field      2, 3
3 000000 4160     .field      11, 8
4                .align      2
5 000002 0045     .string    "Errorcnt"
   000003 0072
   000004 0072
   000005 006f
   000006 0072
   000007 0063
   000008 006e
   000009 0074
6                .align
7 000080 0004     .word      4

```


Figure 4–3. The `.align` Directive



4.5 Listing Control Directives

The following directives format the listing file:

- You can use the **.drnolist** directive to suppress the printing of the following directives in the listing:

.asg	.eval	.length	.mnolist	.var
.break	.fclist	.mlist	.sslist	.width
.emsg	.fcnolist	.mmsg	.ssnolist	.wmsg

You can use the **.drlist** directive to turn on the listing of these directives again.

- The listing file contains a listing of false conditional blocks that do not generate code. The **.fclist** and **.fcnolist** directives turn this listing on and off. You can use the **.fclist** directive to list false conditional blocks exactly as they appear in the source code. This is the default behavior of the assembler. You can use the **.fcnolist** directive to list only the conditional blocks that are actually assembled.
- The **.length** directive controls the page length of the listing file. You can use this directive to adjust listings for various output devices.
- The **.list** and **.nolist** directives turn the output listing on and off. You can use the **.nolist** directive to stop the assembler from printing selected source statements in the listing file. Use the **.list** directive to turn the listing on again.
- The listing file contains a listing of macro expansions and loop blocks. The **.mlist** and **.mnolist** directives turn this listing on and off. You can use the **.mlist** directive to print all macro expansions and loop blocks to the listing (the default behavior of the assembler), and the **.mnolist** directive to suppress this listing.
- The **.option** directive controls certain features in the listing file. This directive has the following operands:
 - A** turns on listing of all directives and data, and subsequent expansions, macros, and blocks
 - B** limits the listing of **.byte** directives to one line.
 - D** turns off the listing of certain directives (same effect as **.drnolist**)
 - H** limits the listing of **.half** and **.short** directives to one line.
 - L** limits the listing of **.long** directives to one line.
 - M** turns off macro expansions in the listing.
 - N** turns off listing (performs **.nolist**)

- O** turns on listing (performs `.list`)
 - R** resets the B, M, T, and W options.
 - T** limits the listing of `.string` directives to one line.
 - W** limits the listing of `.word` directives to one line.
 - X** produces a symbol cross-reference listing. (You can also obtain a cross-reference listing by invoking the assembler with the `-x` option.)
-
- The **.page** directive causes a page eject in the output listing.
 - The **.sslist** and **.ssnolist** directives allow and suppress substitution symbol expansion listing. These directives are useful for debugging the expansion of substitution symbols.
 - The **.tab** directive defines tab size.
 - The **.title** directive supplies a title that the assembler prints at the top of each page.
 - The **.width** directive controls the page width of the listing file. You can use this directive to adjust listings for various output devices.

4.6 File Reference Directives

The **.copy** and **.include** directives tell the assembler to begin reading source statements from another file. When the assembler finishes reading the source statements in the copy/include file, it resumes reading source statements from the current file immediately following the point at which the **.copy** or **.include** directive occurred. The statements read from a copied file are printed in the listing file; the statements read from an included file are *not* printed in the listing file.

4.7 Symbol Linkage Directives

These directives refer to the scope or visibility of a symbol:

- The **.def** directive identifies a symbol that is defined in the current module and that can be used by another module. The assembler includes the symbol in the symbol table.
- The **.global** directive declares a symbol external so that it is available to other modules at link time. (For more information about global symbols, see subsection 2.7.1, *External Symbols*, on page 2-19.) The **.global** directive does double duty, acting as a **.def** for defined symbols and as a **.ref** for undefined symbols. The linker resolves an undefined global symbol only if it is used in the program.
- The **.ref** directive identifies a symbol that is used in the current module but defined in another module. The assembler marks the symbol as an undefined external symbol and enters it in the object symbol table so that the linker can resolve its definition.

4.8 Conditional Assembly Directives

Conditional assembly directives enable you to instruct the assembler to assemble certain sections of code according to a true or false evaluation of an expression. Two sets of directives allow you to assemble conditional blocks of code:

- The **.if/.elseif/.else/.endif** directives tell the assembler to conditionally assemble a block of code according to the evaluation of a Boolean expression. The expression must be entirely specified on the same line as the directive.

.if <i>expression</i>	marks the beginning of a conditional block and assembles code if the .if condition is true.
.elseif <i>expression</i>	marks a block of code to be assembled if the .if condition is false and .elseif is true.
.else	marks a block of code to be assembled if the .if condition is false.
.endif	marks the end of a conditional block and terminates the block.

- The **.loop/.break/.endloop** directives tell the assembler to repeatedly assemble a block of code according to the evaluation of a Boolean expression. The expression must be entirely specified on the same line as the directive.

.loop <i>expression</i>	marks the beginning a block of code that is assembled repeatedly up to the number of times indicated by the <i>expression</i> . The <i>expression</i> is the loop count.
.break <i>expression</i>	tells the assembler to continue to repeatedly assemble when the .break expression is false, and to go to the code immediately after .endloop when the expression is true.
.endloop	marks the end of a repeatable block.

The assembler supports several relational operators that are useful for conditional expressions. For more information about relational operators, see subsection 3.11.4, *Conditional Expressions*, on page 3-38.

4.9 Assembly-Time Symbol Directives

Assembly-time symbol directives equate meaningful symbol names to constant values or strings.

- ❑ The **.asg** directive assigns a character string to a substitution symbol. The value is stored in the substitution symbol table. When the assembler encounters a substitution symbol, it replaces the symbol with its character string value. Substitution symbols can be redefined.

```
.asg  "10, 20, 30, 40", coefficients
     .byte  coefficients
```

- ❑ The **.cstruct/.cunion** directives support ease of sharing of common data structures between assembly and C code. The **.cstruct/.cunion** directives can be used exactly like the existing **.struct** and **.union** directives except that they are guaranteed to perform data layout matching the layout used by the C compiler for C struct and union data types. In particular, the **.cstruct/.cunion** directives force the same alignment and padding as used by the C compiler when such types are nested within compound data structures.

- ❑ The **.eval** directive evaluates an expression, translates the results into a character, and assigns the character string to a substitution symbol. This directive is most useful for manipulating counters:

```
.asg  1 , x
.loop
.byte  x*10h
.break  x = 4
.eval  x+1, x
.endloop
```

- ❑ The **.label** directive defines a special symbol that refers to the loadtime address within the current section. This is useful when a section loads at one address but runs at a different address. For example, you may want to load a block of performance-critical code into slower off-chip memory to save space, and move the code to high-speed on-chip memory to run.

- ❑ The **.set** and **.equ** directives set a value to a symbol. The symbol is stored in the symbol table and cannot be refined. For example:

```
bval  .set  0100h
      .int  bval, bval*2, bval+12
      B   bval
```

The **.set** and **.equ** directives produce no object code. The two directives are identical and can be used interchangeably.

- The **.struct/endstruct** directives set up C-like structure definitions, and the **.tag** directive assigns the C-like structure characteristics to a label.

The **.struct/endstruct** directives allow you to organize your information into structures, so that similar elements can be grouped together. Element offset calculation is then left up to the assembler. The **.struct/endstruct** directives do not allocate memory. They simply create a symbolic template that can be used repeatedly.

The **.tag** directive associates *structure* characteristics with a label symbol. This simplifies the symbolic representation and also provides the ability to define structures that contain other structures. The **.tag** directive does not allocate memory, and the structure tag (*stag*) must be defined before it is used.

```

        .data
type   .struct           ; structure tag definition
X      .int
Y      .int
T_LEN .endstruct

COORD .tag type          ; declare COORD (coordinate)
      .bss COORD, T_LEN ; actual memory allocation
      .text
      ADD @(COORD.Y),AC0,AC0

```

- The **.union/endunion** directives create a symbolic template that can be used repeatedly, providing a way to manipulate several different kinds of data in the same storage area. The union sets up a C-like union definition. While it does not allocate any memory, it allows alternate definitions of size and type that may be temporarily stored in the same memory space.

The **.tag** directive associates *union* characteristics with a label symbol. A union can be defined and given a tag, and later it can be declared as a member of a structure by using the **.tag** directive. A union can also be declared without a tag, in which case all of its members are entered in the symbol table, and each member must have a unique name.

A union can also be defined within a structure; any reference to such a union must be made via with the structure that encloses it. For example:

```
.data
s2_tag .struct ;structure tag definition
      .union   ;union is first structure member
      .struct  ;structure is union member
h1     .half   ;h1, h2, and w1
h2     .uhalf  ;exist in the same memory
      .endstruct
w1     .word   ;word is another union member
      .endunion
w2     .word   ;second structure member
s2_len .endstruct

XYZ    .tag    s2_tag
      .bss   XYZ,s2_len ;declare instance of structure
      .text
      ADD @(XYZ.h2),AC0,AC0
```


4.10 Directives That Communicate Run-Time Environment Details

These directives affect assembler assumptions while processing code. Within the ranges marked by these directives the assembler's default actions are altered as specified.

- ❑ The **.dp** directive specifies the value of the DP register. The assembler cannot track the value of the DP register; however, it needs to know the value of DP in order to assemble direct memory access operands. Consequently, this directive should be placed immediately following any instruction that changes the DP register's value. If the assembler is not given any information on the value of the DP register, it assumes the value is 0 when encoding direct memory operands.
- ❑ The **.lock_on** directive begins a block of code in which the assembler allows the `lock()` modifier. The **.lock_off** directive ends this block of code and resumes the default behavior of the assembler.
- ❑ The **.vli_off** directive begins a block of code in which the assembler uses the largest (P24) forms of certain variable-length instructions. By default, the assembler tries to resolve variable-length instructions to their smallest form. The **.vli_on** directive ends this block of code and resumes the default behavior of the assembler.

The following directives relate to C55x addressing modes:

- ❑ The **.arms_on** directive begins a block of code for which the assembler will use indirect access modifiers targeted to code size optimization. These modifiers are short offset modifiers. The **.arms_off** directive ends the block of code.
- ❑ The **.c54cm_on** directive signifies to the assembler that the following block of code has been converted from C54x code. The **.c54cm_off** directive ends the block of code.
- ❑ The **.cpl_on** directive begins a block of code in which direct memory addressing (DMA) is relative to the stack pointer. By default, DMA is relative to the data page. The **.cpl_off** directive ends the block of code.

The following directives relate to porting C54x code:

- The **.port_for_speed** directive begins a block of code in which the assembler encodes ported C54x code with a goal of achieving fast code. By default, the assembler encodes C54x code with a goal of achieving small code size. The **.port_for_size** directive ends the block of code.

- The **.sst_off** directive begins a block of code for which the assembler will assume that the SST status bit is set to 0. By default, the assembler assumes that the SST bit is set to 1. The **.sst_on** directive ends the block of code.

4.11 Miscellaneous Directives

These directives enable miscellaneous functions or features:

- The **.asmfunc** directive begins a block of code that contains a function. The **.endasmfunc** ends the function code and resumes the default behavior of the assembler. These directives are used with the compiler `-gw` option to generate debug information for separate functions.
- The **.end** directive terminates assembly. It should be the last source statement of a program. This directive has the same effect as an end-of-file.
- The **.newblock** directive resets local labels. Local labels are symbols of the form `$n` or `name?`. They are defined when they appear in the label field. Local labels are temporary labels that can be used as operands for jump instructions. The **.newblock** directive limits the scope of local labels by resetting them after they are used. For more information about local labels, see subsection 3.10.6, *Local Labels*, on page 3-33.
- The **.noremark** directive begins a block of code in which the assembler will suppress the specified assembler remark. A remark is an informational assembler message that is less severe than a warning. The **.remark** directive re-enables the remark(s) previously suppressed by **.noremark**.
- The **.warn_on/.warn_off** directives enable and disable the issuing of warning messages by the assembler. By default, warnings are enabled (**.warn_on**).

These three directives enable you to define your own error and warning messages:

- The **.emsg** directive sends error messages to the standard output device. The **.emsg** directive generates errors in the same manner as the assembler, incrementing the error count and preventing the assembler from producing an object file.
- The **.mmsg** directive sends assembly-time messages to the standard output device. The **.mmsg** directive functions in the same manner as the **.emsg** and **.wmsg** directives but does not increment the error count or the warning count. It does not affect the creation of the object file.
- The **.wmsg** directive sends warning messages to the standard output device. The **.wmsg** directive functions in the same manner as the **.emsg** directive but increments the warning count, rather than the error count. It does not affect the creation of the object file.

4.12 Directives Reference

The remainder of this chapter is a reference. Generally, the directives are organized alphabetically, one directive per page. Related directives (such as `.if/.else/.endif`), however, are presented together on one page.

.align/.even *Align SPC on a Boundary*

Syntax `.align [size]`
 `.even`

Description The `.align` directive aligns the section program counter (SPC) on the next boundary, depending on the *size* parameter. The *size* may be any power of 2, although only certain values are useful for alignment.

The *size* parameter should be in bytes for a code section, and in words for a data section. If a *size* is not specified, the SPC is aligned on the next 128-byte boundary for a code section, or the next 128-word (page) boundary for a data section.

A hole may be created by the `.align` directive if the SPC, at the point at which the directive occurs, is *not* on the desired byte or word boundary. In a data section, the assembler zero-fills holes created by `.align`. In a code section, holes are filled with NOP instructions.

The `.even` directive aligns the SPC on a word (code section) or long word (data section) boundary. This directive is equivalent to the `.align` directive with an operand of 2.

Using the `.align` directive has two effects:

- The assembler aligns the SPC on a boundary *within* the current section.
- The assembler sets a flag that instructs the linker to align the section so that individual alignments remain intact when a section is loaded into memory.

Example

This example shows several types of alignment, including .even, .align 4, and a default .align.

```

1 000000          .data
2 000000 0004     .word      4
3                .even
4 000002 0045     .string    "Errorcnt"
   000003 0072
   000004 0072
   000005 006F
   000006 0072
   000007 0063
   000008 006E
   000009 0074
5                .align
6 000080 6000     .field    3,3
7 000080 6A00     .field    5,4
8                .align    2
9 000082 6000     .field    3,3
10               .align    8
11 000088 5000     .field    5,4
12               .align
13 000100 0004     .word      4

```

**.arms_on/
.arms_off**

Display Code at Selected Address

Syntax

```

.arms_on
.arms_off

```

Description

The .arms_on and .arms_off directives model the ARMS status bit.

The assembler cannot track the value of the ARMS status bit. You must use the assembler directives and/or command line options to communicate the value of this mode bit to the assembler. An instruction that modifies the value of the ARMS status bit should be immediately followed by the appropriate assembler directive.

The .arms_on directive models the ARMS status bit set to 1; it is equivalent to using the -ma command line option. The .arms_off directive models the ARMS status bit set to 0. In the case of a conflict between the command line option and the directive, the directive takes precedence.

By default (.arms_off), the assembler uses indirect memory access modifiers targeted to the assembly code.

In ARMS mode (`.arms_on`), the assembler uses short offset modifiers for indirect memory access. These modifiers are more efficient for code size optimization.

The scope of the `.arms_on` and `.arms_off` directives is static and not subject to the control flow of the assembly program. All assembly code between the `.arms_on` line and the `.arms_off` line is assembled in ARMS mode.

.asg/eval

Assign a Substitution Symbol

Syntax

`.asg ["]character string["], substitution symbol`
`.eval well-defined expression, substitution symbol`

Description

The `.asg` directive assigns character strings to substitution symbols. Substitution symbols are stored in the substitution symbol table. The `.asg` directive can be used in many of the same ways as the `.set` directive, but while `.set` assigns a constant value (which cannot be redefined) to a symbol, `.asg` assigns a character string (which can be redefined) to a substitution symbol.

- The assembler assigns the *character string* to the substitution symbol. The quotation marks are optional. If there are no quotation marks, the assembler reads characters up to the first comma and removes leading and trailing blanks. In either case, a character string is read and assigned to the substitution symbol.
- The *substitution symbol* must be a valid symbol name. The substitution symbol may be 32 characters long and must begin with a letter. Remaining characters of the symbol can be a combination of alphanumeric characters, the underscore (`_`), and the dollar sign (`$`).

The `.eval` directive performs arithmetic on a provided provided expression and assigns a string representation of the expression result to the substitution symbol. This directive evaluates the expression and assigns the *string value* of the result to the substitution symbol. The `.eval` directive is especially useful as a counter in `.loop/.endloop` blocks.

- The *well-defined expression* is an alphanumeric expression consisting of legal values that have been previously defined, so that the result is an absolute.
- The *substitution symbol* must be a valid symbol name. The substitution symbol may be 32 characters long and must begin with a letter. Remaining characters of the symbol can be a combination of alphanumeric characters, the underscore (`_`), and the dollar sign (`$`).

Example

This example shows how .asg and .eval can be used.

```
1          .sslist;show expanded sub. symbols
2          *
3          *
4          *
5          .asg    +, INC
6          .asg    AR0, FP
7
8 000000 7b00      ADD #100,AC0
9 000002 6400
9 000004 b403      AMAR      (*FP+)
#             AMAR      (AR0+)
10
11
12 000000          .data
13          .asg    0, x
14          .loop   5
15          .eval   x+1, x
16          .word   x
17          .endloop
1          .eval   x+1, x
#          .eval   0+1, x
1 000000 0001     .word   x
#          .word   1
1          .eval   x+1, x
#          .eval   1+1, x
1 000001 0002     .word   x
#          .word   2
1          .eval   x+1, x
#          .eval   2+1, x
1 000002 0003     .word   x
#          .word   3
1          .eval   x+1, x
#          .eval   3+1, x
1 000003 0004     .word   x
#          .word   4
1          .eval   x+1, x
#          .eval   4+1, x
1 000004 0005     .word   x
#          .word   5
```

**.asmfunc/
.endasmfunc**

Mark Function Boundaries

Syntax

symbol **.asmfunc**
.endasmfunc

Description

The **.asmfunc** and **.endasmfunc** directives mark function boundaries. These directives are used with the compiler `-g` option (`---symdebug:DWARF`) to allow sections assembly code to be debugged in the same manner as C/C++ functions.

You should not use the same directives generated by the compiler (see Appendix B) to accomplish assembly debugging; those directives should be used only by the compiler to generate symbolic debugging information for C/C++ source files.

The **.asmfunc** and **.endasmfunc** directives cannot be used when invoking the compiler with the backwards-compatibility `---symdebug:coff` option. This option instructs the compiler to use the obsolete COFF symbolic debugging format, which does not support these directives.

The *symbol* is a label that must appear in the label field.

Consecutive ranges of assembly code that are not enclosed within a pair of **.asmfunc** and **.endasmfunc** directives are given a default name in the following format:

\$filename:beginning source line:ending source line\$

Example

In this example the assembly source generates debug information for the user_func section.

```
1 000000          .sect  ".text"
2                .align 4
3                .global userfunc
4                .global _printf
5
6                user_func: .asmfunc
7 000000 4EFD      AADD #-3, SP
8 000002 FB00      MOV #(SL1 & 0xffff), *SP(#0)
   000004 0000%
9 000006 6C00      CALL #_printf
   000008 0000!
10 00000a 3C04      MOV #0, T0
11 00000c 4E03      AADD #3, SP
12 00000e 4804      RET
13                .endasmfunc
14
15 000000          .sect  ".const"
16 000000 0048  SL1:  .string "Hello World!",10,0
   000001 0065
   000002 006C
   000003 006C
   000004 006F
   000005 0020
   000006 0057
   000007 006F
   000008 0072
   000009 006C
   00000a 0064
   00000b 0021
   00000c 000A
   00000d 0000
```

.bss

Reserve Space in the .bss Section

Syntax

.bss *symbol*, *size in words* [, [*blocking flag*] [, [*alignment flag*]]]

Description

The **.bss** directive reserves space for variables in the .bss section. This directive is typically used to allocate variables in RAM.

- The *symbol* is a required parameter. It defines a label that points to the first location reserved by the directive. The symbol name corresponds to the variable that you're reserving space for.
- The *size* is a required parameter; it must be an absolute expression. The assembler reserves *size* words in the .bss section. There is no default size.
- The *blocking flag* is an optional parameter. If you specify a non-zero value for the parameter, the assembler reserves *size* words contiguously. This means that the reserved space will not cross a page boundary unless *size* is greater than a page, in which case, the object will start on a page boundary.
- The *alignment* is an optional parameter. The *alignment* is a power of two that specifies that the space reserved by this .bss directive is to be aligned to the specified word address boundary.

Note: Specifying an Alignment Flag Only

To specify an alignment flag without a blocking flag, you either insert two commas before the alignment flag, or specify 0 for the blocking flag.

The assembler follows two rules when it reserve space in the .bss section:

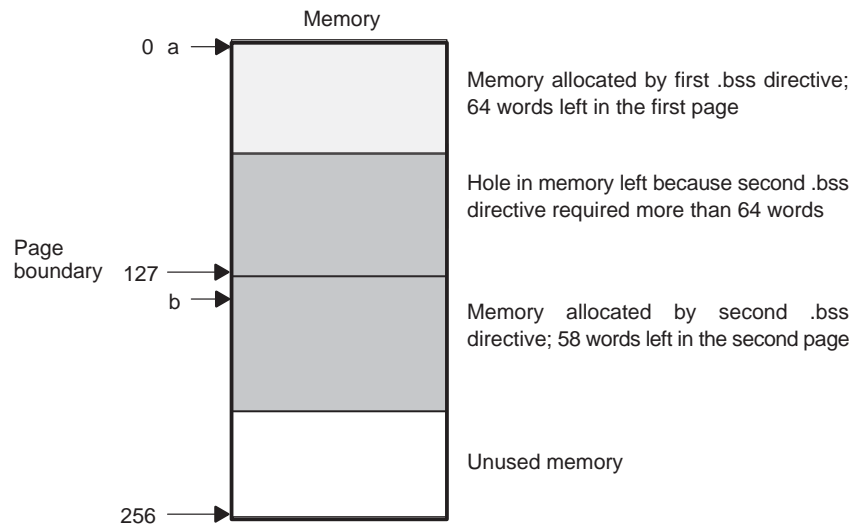
- Rule 1** Whenever a hole is left in memory (as shown in Figure 4–4), the .bss directive attempts to fill it. When a .bss directive is assembled, the assembler searches its list of holes left by previous .bss directives and tries to allocate the current block into one of the holes. (This is the standard procedure whether the contiguous allocation option has been specified or not.)
- Rule 2** If the assembler does not find a hole large enough to contain the requested space, it checks to see whether the blocking option is requested.
 - If you do not request blocking, the memory is allocated at the current SPC.
 - If you request blocking, the assembler checks to see whether there is enough space between the current SPC and the page boundary. If there is not enough space, the assembler creates another hole and allocates the space at the beginning of the next page.

The blocking option allows you to reserve up to 128 words in the .bss section and ensure that they fit on one page of memory. (Of course, you can reserve more than 128 words at a time, but they cannot fit on a single page.) The following example code reserves two blocks of space in the .bss section.

```
memptr:    .bss    A, 64, 1  
memptr1:  .bss    B, 70, 1
```

Each block must be contained within the boundaries of a single page; after the first block is allocated, however, the second block cannot fit on the current page. As Figure 4–4 shows, the second block is allocated on the next page.

Figure 4–4. Allocating .bss Blocks Within a Page



Section directives for initialized sections (.text, .data, and .sect) end the current section and begin assembling into another section. The .bss directive, however, does not affect the current section. The assembler uses the .bss directive to reserve space in the .bss section, but then resumes assembling code into the current section (after the .bss has been processed). For more information, see Chapter 2, *Introduction to Common Object File Format*.

Example

In this example, the `.bss` directive is used to reserve space for two variables, `TEMP` and `ARRAY`. The symbol `TEMP` points to 4 words of uninitialized space (at `.bss SPC = 0`). The symbol `ARRAY` points to 100 words of uninitialized space (at `.bss SPC = 04h`); this space must be placed contiguously within a page. Note that symbols declared with the `.bss` directive can be referenced in the same manner as other symbols and can also be declared external using the `.global` directive.

```
1          *****
2          ** Assemble into the .text section.      **
3          *****
4 000000          .text
5 000000 3C00      MOV #0,AC0
6          *****
7          ** Allocate 4 words in .bss for TEMP.    **
8          *****
9 000000  Var_1:  .bss    TEMP, 4
10
11          *****
12          ** Still in .text                        **
13          *****
14 000002 7B00      ADD #86,AC0,AC0
15 000004 5600
16 000006 5272      MOV T3,HI(AC2)
17 000008 1E73      MPYK #115,AC2,AC0
18 00000a 80
19
20          *****
21          ** Allocate 100 words in .bss for the   **
22          ** symbol named ARRAY; this part of    **
23          ** .bss must fit on a single page.     **
24          *****
25 0000004          .bss    ARRAY, 100, 1
26
27          *****
28          ** Assemble more code into .text.      **
29          *****
30 00000b C000-     MOV AC0,Var_1
31
32          *****
33          ** Declare external .bss symbols.      **
34          *****
35          .global ARRAY, TEMP
36          .end
```

**.byte/.ubyte/
.char/.uchar**

Initialize Bytes

Syntax

```
.byte value1 [, ... , valuen]  
.ubyte value1 [, ... , valuen]  
.char value1 [, ... , valuen]  
.uchar value1 [, ... , valuen]
```

Description

The **.byte**, **.ubyte**, **.char**, and **.uchar** directives place one or more 8-bit values into consecutive *words* in the current data section.

Note: Use These Directives in Data Sections

Because code and data sections are addressed differently, the use of **.byte**, **.ubyte**, **.char**, and **.uchar** directives in a section that includes C55x instructions will lead to an invalid access to the data at execution. Consequently, it is highly recommended that these directives be used only in data sections.

In data sections, each 8-bit value is placed in a word by itself; the 8 MSBs are filled with 0s. A *value* can be:

- An expression that the assembler evaluates and treats as an 8-bit signed or unsigned number
- A character string enclosed in double quotes. Each character in a string represents a separate value.

Values are not packed or sign-extended. In word-addressable data sections, each byte occupies the 8 least significant bits of a full 16-bit word. The assembler truncates values greater than 8 bits.

If you use a label, it points to the location where the assembler places the first byte.

Note that when you use these directives in a **.struct/.endstruct** sequence, they define a member's size; they do not initialize memory. For more information about **.struct/.endstruct**, see section 4.9, *Assembly-Time Symbol Directives*, on page 4-22.

Example

In this example, 8-bit values (10, -1, abc, and a) are placed into consecutive words in memory. The label *strx* has the value 100h, which is the location of the first initialized word.

```

1 000000          .data
2 000000          .space   100h * 16
3 000100 000a STRX .byte   10, -1, "abc", 'a'
   000101 00ff
   000102 0061
   000103 0062
   000104 0063
   000105 0061

```

Syntax

.c54cm_on
.c54cm_off

Description

The **.c54cm_on** and **.c54cm_off** directives signify that a region of code has been converted from C54x code. The **.c54cm_on** and **.c54cm_off** directives model the C54CM status bit. The **.c54cm_on** directive models the C54CM status bit set to 1; it is equivalent to using the `-ml` command line option. The **.c54cm_off** directive models the C54CM status bit set to 0. In the case of a conflict between the command line option and the directive, the directive takes precedence.

The scope of the **.c54cm_on** and **.c54cm_off** directives is static and not subject to the control flow of the assembly program. All assembly code between the **.c54cm_on** and **.c54cm_off** directives is assembled in C54x compatibility mode.

In C54x compatibility mode, AR0 is used instead of T0 in memory operands. For example, `*(AR5 + T0)` is invalid in C54x compatibility mode; `*(AR5 + AR0)` should be used.

.clink*Conditionally Leave Section Out of COFF Output*

Syntax**.clink** ["*section name*"]**Description**

The **.clink** directive asserts that the current or named section is a candidate for removal when the linker performs dead code removal. The **.clink** directive sets up conditional linking for a section by setting the STYP_CLINK flag in the type field for *section name*. The **.clink** directive can be applied to initialized or uninitialized sections.

If **.clink** is used without a section name, it applies to the current initialized section. If **.clink** is applied to an uninitialized section, the section name is required. The section name must be enclosed in double quotes. A section name can contain a subsection name in the form of *section name:subsection name*.

The STYP_CLINK flag tells the linker to leave the section out of the final COFF output of the linker if there are no references found to any symbol in the section.

A section in which the entry point of a C program is defined or which contains the address of an interrupt service routine cannot be marked as a conditionally linked section.

Example

In this example, the Vars and Counts sections are set for conditional linking.

```
1 000000          .sect "Vars"
2                ; Vars section is conditionally linked
3                .clink
4
5 000000 001A X:   .word 01Ah
6 000001 001A Y:   .word 01Ah
7 000002 001A Z:   .word 01Ah
8 000000          .sect "Counts"
9                ; Counts section is conditionally linked
10               .clink
11
12 000000 001A Xcount: .word 01Ah
13 000001 001A Ycount: .word 01Ah
14 000002 001A Zcount: .word 01Ah
15                ; By default, .text is unconditionally linked
16 000000          .text
17                ; Reference to symbol X cause the Vars section
18                ; to be linked into the COFF output
19 000000 3C00          MOV #0,AC0
20 000002 C000+        MOV AC0,X
```

Syntax

```
.copy [""]filename[""]  
.include [""]filename[""]
```

Description

The **.copy** and **.include** directives tell the assembler to read source statements from a different file. The statements that are assembled from a copy file are printed in the assembly listing. The statements that are assembled from an included file are *not* printed in the assembly listing. The assembler:

- 1) Stops assembling statements in the current source file.
- 2) Begins assembling the statements in the copied/included file.
- 3) When the end of the copied/included file is reached, resumes assembling statements in the main source file, starting with the statement that follows the **.copy** or **.include** directive.

The *filename* is a required parameter that names a source file. It may be enclosed in double quotes and must follow operating system conventions. If *filename* starts with a number the double quotes are required.

You can specify a full pathname (for example, c:\dsp\file1.asm). If you do not specify a full pathname, the assembler searches for the file in:

- 1) The directory that contains the current source file.
- 2) Any directories named with the `-i` assembler option.
- 3) Any directories specified by the environment variable `A_DIR`.

For more information about the `-i` option and `A_DIR`, see section 3.6, *Naming Alternate Directories for Assembler Input*, on page 3-19.

The **.copy** and **.include** directives can be nested within a file being copied or included. The assembler limits nesting to 32 levels; the host operating system may set additional restrictions. The assembler precedes the line numbers of copied files with a letter code to identify the level of copying. An A indicates the first copied file, B indicates a second copied file, etc.

Example 1

In this example, the `.copy` directive is used to read and assemble source statements from other files; then the assembler resumes assembling into the current file.

The original file, `copy.asm`, contains a `.copy` statement copying the file `byte.asm`. When `copy.asm` assembles, the assembler copies `byte.asm` into its place in the listing (note listing below). The copy file `byte.asm` contains a `.copy` statement for a second file, `word.asm`.

When it encounters the `.copy` statement for `word.asm`, the assembler switches to `word.asm` to continue copying and assembling. Then the assembler returns to its place in `byte.asm` to continue copying and assembling. After completing assembly of `byte.asm`, the assembler returns to `copy.asm` to assemble its remaining statement.

copy.asm (source file)	byte.asm (first copy file)	word.asm (second copy file)
<code>.data</code> <code>.space 29</code> <code>.copy "byte.asm"</code> <code>**Back in original file</code> <code>.pstring "done"</code>	<code>** In byte.asm</code> <code>.data</code> <code>.byte 32,1+ 'A'</code> <code>.copy "word.asm"</code> <code>** Back in byte.asm</code> <code>.byte 67h + 3q</code>	<code>** In word.asm</code> <code>.data</code> <code>.word 0ABCDh, 56q</code>

Listing file:

```
1 000000      .data
2 000000      .space 29
3              .copy "byte.asm"
A 1              ** In byte.asm
A 2 000001      .data
A 3 000002 0020  .byte 32,1+ 'A'
   000003 0042
A 4              .copy "word.asm"
B 1              * In word.asm
B 2 000004      .data
B 3 000004 ABCD  .word 0ABCDh, 56q
   000005 002E
A 5              ** Back in byte.asm
A 5 000006 006A  .byte 67h + 3q
4
5              ** Back in original file
6 000007 646F   .pstring "done"
   000008 6E65
```

Example 2

In this example, the `.include` directive is used to read and assemble source statements from other files; then the assembler resumes assembling into the current file. The mechanism is similar to the `.copy` directive, except that statements are not printed in the listing file.

include.asm (source file)	byte2.asm (first include file)	word2.asm (second include file)
<pre>.data .space 29 .include "byte2.asm" **Back in original file .string "done"</pre>	<pre>** In byte2.asm .data .byte 32,1+ 'A' .include "word2.asm" ** Back in byte2.asm .byte 67h + 3q</pre>	<pre>** In word2.asm .data .word 0ABCDh, 56q</pre>

Listing file:

```
1 000000      .data
2 000000      .space 29
3              .include "byte2.asm"
4
5              ** Back in original file
6 000007 0064  .string "done"
000008 006F
000009 006E
00000a 0065
```

.cpl_on/.cpl_off

Select Direct Addressing Mode

Syntax

.cpl_on
.cpl_off

Description

The `.cpl_on` and `.cpl_off` directives model the CPL status bit.

The assembler cannot track the value of the CPL status bit; you must use the assembler directives and/or command line option to model this mode for the assembler. An instruction that modifies the value of the CPL status bit should be immediately followed by the appropriate assembler directive.

The `.cpl_on` directive asserts that the CPL status bit is set to 1. When the `.cpl_on` directive is specified before any other instructions or directives that define object code, it is equivalent to using the `-mc` command line option. The `.cpl_off` directive asserts that the CPL status bit is set to 0. In the case of a conflict between the command line option and the directive, the directive takes precedence.

The `.cpl_on` and `.cpl_off` directives take no arguments.

In CPL mode (`.cpl_on`), direct memory addressing is relative to the stack pointer (SP). The `dma` syntax is `*SP(dma)`, where *dma* can be a constant or a linktime-known symbolic expression. The assembler encodes the value of *dma* into the output bits.

By default (`.cpl_off`), direct memory addressing (`dma`) is relative to the data memory local page pointer register (DP). The `dma` syntax is `@dma`, where *dma* can be a constant or a relocatable symbolic expression. The assembler computes the difference between *dma* and the value in the DP register and encodes this difference into the output bits.

The assembler cannot track the value of the DP register; however, it must assume a value for the DP in order to assemble direct memory access operands. Consequently, you must use the `.dp` directive to model the DP value for the assembler. Issue this directive immediately following any instruction that changes the value in the DP register.

The scope of the `.cpl_on` and `.cpl_off` directives is static and not subject to the control flow of the assembly program. All assembly code between the `.cpl_on` line and the `.cpl_off` line is assembled in CPL mode.

**.cstruct/
.endstruct/.tag**

Declare C Structure Type

Syntax

[<i>stag</i>]	.cstruct	[<i>expr</i>]
[<i>mem₀</i>]	<i>element</i>	[<i>expr₀</i>]
[<i>mem₁</i>]	<i>element</i>	[<i>expr₁</i>]
.	.	.
.	.	.
.	.	.
[<i>mem_n</i>]	.tag <i>stag</i>	[, <i>expr_n</i>]
.	.	.
.	.	.
.	.	.
[<i>mem_N</i>]	<i>element</i>	[<i>expr_N</i>]
[<i>size</i>]	.endstruct	
<i>label</i>	.tag	<i>stag</i>

Description

The **.cstruct** directive (along with **.union** on page 4-45) supports ease of sharing of common data structures between assembly and C code. The **.cstruct** directive can be used exactly like the **.struct** directive except that it is guaranteed to perform data layout matching the layout used by the C compiler for C struct data types. In particular, the **.cstruct** directive forces the same alignment and padding as used by the C compiler when such types are nested within compound data structures.

The **.endstruct** directives marks the end of a structure definition.

The **.tag** directive gives structure characteristics to a *label*, simplifying the symbolic representation and providing the ability to define structures that contain other structures. The **.tag** directive does not allocate memory. The structure tag (*stag*) of a **.tag** directive must have been previously defined.

Following are descriptions of the parameters used with the **.cstruct**, **.endstruct**, and **.tag** directives:

- The *stag* is the structure's tag. Its value is associated with the beginning of the structure. If no *stag* is present, the assembler puts the structure members in the global symbol table with the value of their absolute offset from the top of the structure. A **.stag** is optional for **.struct**, but is required for **.tag**.
- The *expr* is an optional expression indicating the beginning offset of the structure. The default starting point for a structure is 0.
- The *mem_{n/N}* is an optional label for a member of the structure. This label is absolute and equates to the present offset from the beginning of the structure. A label for a structure member cannot be declared global.

- ❑ The *element* is one of the following descriptors: `.string`, `.byte`, `.char`, `.int`, `.half`, `.short`, `.word`, `.long`, `.double`, `.float`, `.tag`, or `.field`. All of these except `.tag` are typical directives that initialize memory. Following a `.struct` directive, these directives describe the structure element's size. They do not allocate memory. A `.tag` directive is a special case because `stag` must be used (as in the definition of `stag`).
- ❑ The *expr_n/N* is an optional expression for the number of elements described. This value defaults to 1. A `.string` element is considered to be one byte in size, and a `.field` element is one bit.
- ❑ The *size* is an optional label for the total size of the structure.

Note: Directives That Can Appear in a .cstruct/.endstruct Sequence

The only directives that can appear in a `.cstruct/.endstruct` sequence are element descriptors, structure and union tags, conditional assembly directives, and the `.align` directive, which aligns the member offsets on word boundaries. Empty structures are illegal.

**.cunion
.endstruct/.tag**

Declare C Structure Type

Syntax

```
[ stag ]      .cunion    [ expr ]
[ mem0 ]    element    [ expr0 ]
[ mem1 ]    element    [ expr1 ]
      .          .          .
      .          .          .
      .          .          .
[ memn ]    .tag stag    [, exprn]
      .          .          .
      .          .          .
      .          .          .
[ memN ]    element    [ exprN ]
[ size ]      .endstruct
label        .tag      stag
```

Description

The `.cunion` directive (along with `.cstruct` on page 4-44) supports ease of sharing of common data structures between assembly and C code. The `.cunion` directive can be used exactly like the `.union` directive except that `.cunion` is guaranteed to perform data layout matching the layout used by the C compiler for C union data types. In particular, the `.cunion` directive forces the same alignment and padding as used by the C compiler when union types are nested within compound data structures.

A `.cstruct` definition can contain a `.cunion` definition, and `.cstructs` and `.cunions` can be nested.

The `.endunion` directive terminates the union definition.

The `.tag` directive gives structure or union characteristics to a *label*, simplifying the symbolic representation and providing the ability to define structures or unions that contain other structures or unions. The `.tag` directive does not allocate memory. The structure or union tag of a `.tag` directive must have been previously defined.

- The *utag* is the union's tag. Its value is associated with the beginning of the union. If no *utag* is present, the assembler puts the union members in the global symbol table with the value of their absolute offset from the top of the union. In this case, each member must have a unique name.
- The *expr* is an optional expression indicating the beginning offset of the union. Unions default to start at 0. This parameter can only be used with a top-level union. It cannot be used when defining a nested union.
- The *mem_{n/N}* is an optional label for a member of the union. This label is absolute and equates to the present offset from the beginning of the union. A label for a union member cannot be declared global.
- The *element* is one of the following descriptors: `.byte`, `.char`, `.double`, `field`, `.float`, `.half`, `.int`, `.long`, `.short`, `.string`, `.ubyte`, `.uchar`, `.uhalt`, `.uint`, `.ulong`, `.ushort`, `.uword`, and `.word`. An element can also be a complete declaration of a nested structure or union, or a structure or union declared by its tag. Following a `.union` directive, these directives describe the element's size. They do not allocate memory.
- The *expr_{n/N}* is an optional expression for the number of elements described. This value defaults to 1. A `.string` element is considered to be one byte in size, and a `.field` element is one bit.
- The *size* is an optional label for the total size of the union.

Note: Directives That Can Appear in a `.union/.endunion` Sequence

The only directives that can appear in a `.union/.endunion` sequence are element descriptors, structure and union tags, and conditional assembly directives. Empty structures are illegal.

.data

Assemble Into .data Section

Syntax

.data

Description

The **.data** directive tells the assembler to begin assembling source code into the **.data** section; **.data** becomes the current section. The **.data** section is normally used to contain tables of data or preinitialized variables.

On C55x, data is word-addressable.

The assembler assumes that **.text** is the default section. Therefore, at the beginning of an assembly, the assembler assembles code into the **.text** section unless you use a section control directive.

For more information about COFF sections, see Chapter 2, *Introduction to Common Object File Format*.

Example

In this example, code is assembled into the **.data** (word-addressable) and **.text** (byte-addressable) sections.

```

1          *****
2          ** Reserve space in .data.          **
3          *****
4 000000          .data
5 000000          .space          0CCh
6
7          *****
8          ** Assemble into .text.          **
9          *****
10 000000          .text
11          INDEX .set          0
12 000000 3C00          MOV #INDEX,AC0
13
14          *****
15          ** Assemble into .data.          **
16          *****
17 00000c          .data
18 00000d ffff Table: .word -1 ; Assemble 16-bit
19                                ; constant into .data.
20 00000e 00ff          .byte 0FFh ; Assemble 8-bit
21                                ; constant into .data
22          *****
23          ** Assemble into .text.          **
24          *****
25 000002          .text
26 000002 D600          ADD Table,AC0,AC0
   000004 00"
27
28          *****
29          ** Resume assembling into the .data          **
30          ** section at address 0Fh.          **
31          *****
32 00000f          .data

```

.double/.ldouble

Initialize Double-Precision Floating-Point Value

Syntax

.double *value* [, ... , *value_n*]
.ldouble *value* [, ... , *value_n*]

Description

The **.double** and **.ldouble** directives place the IEEE double-precision floating-point representation of one or more floating-point values into the current section. Each value must be a floating-point constant or a symbol that has been equated to a floating-point constant. Each constant is converted to a floating-point value in IEEE double-precision 64-bit format. Floating-point constants are aligned on a word boundary.

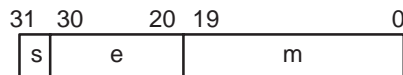
Note: Use These Directives in Data Sections

Because code and data sections are addressed differently, the use of **.double** and **.ldouble** directives in a section that includes C55x instructions will lead to an invalid access to the data at execution. Consequently, it is highly recommended that these directives be used only in data sections.

The value consists of three fields:

Field	Meaning
s	A 1-bit sign field
e	An 11-bit biased exponent
m	A 52-bit mantissa

The value is stored most significant word first, least significant word second, in the following format:



When you use **.double** or **.ldouble** in a **.struct/.endstruct** sequence, the directives define a member's size; they do not initialize memory. For more information about **.struct/.endstruct**, see section 4.9, *Assembly-Time Symbol Directives*, on page 4-22.

Example

This example shows the **.double** and **.ldouble** directives.

```
1 000000          .data
2 000000 C520     .double  -1.0e25
   000001 8B2A
   000002 2C28
   000003 0291
2 000004 407C     .ldouble  456.0
   000005 8000
   000006 0000
   000007 0000
```


.dp

Specify DP Value

Syntax

.dp *dp_value*

Description

The **.dp** directive specifies the value of the DP register. The *dp_value* can be a constant or a relocatable symbolic expression.

By default, direct memory addressing (*dma*) is relative to the data memory local page pointer register (DP). The *dma* syntax is *@dma*, where *dma* can be a constant or a relocatable symbolic expression. The assembler computes the difference between *dma* and the value in the DP register and encodes this difference into the output bits.

The assembler cannot track the value of the DP register; however, it must assume a value for the DP in order to assemble direct memory access operands. Consequently, you must use the **.dp** directive to model the DP value. Issue this directive immediately following any instruction that changes the value in the DP register. If the assembler is not informed of the value of the DP register, it assumes that the value is 0.

.drlist/.drnolist

Control Listing of Directives

Syntax

.drlist
.drnolist

Description

Two directives enable you to control the printing of assembler directives to the listing file:

The **.drlist** directive enables the printing of all directives to the listing file.

The **.drnolist** directive suppresses the printing of the following directives to the listing file. The **.drnolist** directive has no affect within macros.

- | | | |
|----------------------------------|------------------------------------|------------------------------------|
| <input type="checkbox"/> .asg | <input type="checkbox"/> .fcnolist | <input type="checkbox"/> .ssnolist |
| <input type="checkbox"/> .break | <input type="checkbox"/> .mlist | <input type="checkbox"/> .var |
| <input type="checkbox"/> .emsg | <input type="checkbox"/> .mmsg | <input type="checkbox"/> .wmsg |
| <input type="checkbox"/> .eval | <input type="checkbox"/> .mnlolist | |
| <input type="checkbox"/> .fclist | <input type="checkbox"/> .sslist | |

By default, the assembler acts as if the **.drlist** directive had been specified.

Example

This example shows how `.drnolist` inhibits the listing of the specified directives:

Source file:

```
.asg    0, x
.loop   2
.eval   x+1, x
.endloop

.drnolist

.asg    1, x
.loop   3
.eval   x+1, x
.endloop
```

Listing file:

```

1          .asg    0, x
2          .loop   2
3          .eval   x+1, x
4          .endloop
1          .eval   0+1, x
1          .eval   1+1, x
          5
          6          .drnolist
          7
          9          .loop   3
10         .eval   x+1, x
11        .endloop
```

.emsg/.mmsg/.wmsg

Define Messages

Syntax

```
.emsg string
.mmsg string
.wmsg string
```

Description

These directives allow you to define your own error and warning messages. The assembler tracks the number of errors and warnings it encounters and prints these numbers on the last line of the listing file.

The **.emsg** directive sends error messages to stdout in the same manner as the assembler, incrementing the error count and preventing the assembler from producing an object file.

The **.mmsg** directive sends assembly-time messages to stdout in the same manner as the **.emsg** and **.wmsg** directives, but it does not set the error or warning counts, and it does not prevent the assembler from producing an object file.

The **.wmsg** directive sends warning messages to stdout in the same manner as the **.emsg** directive, but it increments the warning count rather than the error count, and it does not prevent the assembler from producing an object file.

Example

In this example. the message **ERROR -- MISSING PARAMETER** is sent to the standard output device.

Source file:

```
.global      PARAM
MSG_EX      .macro parm1
             .if      $symlen(parm1) = 0
             .emsg   "ERROR -- MISSING PARAMETER"
             .else
             ADD parm1,AC0,AC0
             .endif
             .endm

MSG_EX PARAM

MSG_EX
```

Listing file:

```
1          .global PARAM
2          MSG_EX .macro parm1
3             .if      $symlen(parm1) = 0
4             .emsg   "ERROR -- MISSING PARAMETER"
5             .else
6             ADD parm1,AC0,AC0
7             .endif
8             .endm
9
10 000000    MSG_EX PARAM
1             .if      $symlen(parm1) = 0
1             .emsg   "ERROR -- MISSING PARAMETER"
1             .else
1             000000 D600    ADD PARAM,AC0,AC0
1             000002 00!
1             .endif
11
12 000003    MSG_EX
1             .if      $symlen(parm1) = 0
1             .emsg   "ERROR -- MISSING PARAMETER"
"emsg.asm", ERROR! at line 12: [***** USER ERROR ***** -]
ERROR -- MISSING PARAMETER
1             .else
1             ADD parm1,AC0,AC0
1             .endif

1 Error, No Warnings
```

.end

In addition, the following messages are sent to stdout by the assembler:

```
TMS32055xx COFF Assembler      Version x.xx
Copyright (c) 2001      Texas Instruments Incorporated
PASS 1
PASS 2
"emsg.asm", ERROR! at line 12: [***** USER ERROR ***** -] ERROR -- MISSING
PARAMETER
      .emsg "ERROR -- MISSING PARAMETER"
```

1 Error, No Warnings

Errors in source - Assembler Aborted

.end

End Assembly

Syntax

.end

Description

The **.end** directive is optional and terminates assembly. The assembler ignores any source statements that follow a **.end** directive.

This directive has the same effect as an end-of-file character. You can use **.end** when you are debugging and would like to stop assembling at a specific point in your code.

Example

This example shows how the **.end** directive terminates assembly. The assembler ignores the **.byte** and **.word** statements that follow the **.end** directive.

Source File:

```
      .data
START: .space 300
TEMP   .set 15
      .bss LOC1, 48h
      .data
      ABS AC0,AC0
      ADD #TEMP,AC0,AC0
      MOV AC0,LOC1
      .end
      .byte 4
      .word CCCh
```

Listing file:

```
1 000000      .data
2 000000      START: .space 300
3              TEMP   .set 15
4 000000      .bss LOC1, 48h
5 000000      .text
5 000000 3200      ABS AC0,AC0
6 000002 40F0      ADD #TEMP,AC0,AC0
7 000004 C000-      MOV AC0,LOC1
8              .end
```

.fclist/.fcnolist

Control Listing of False Conditional Blocks

Syntax

.fclist
.fcnolist

Description

Two directives enable you to control the listing of false conditional blocks.

The **.fclist** directive allows the listing of false conditional blocks (conditional blocks that do not produce code).

The **.fcnolist** directive suppresses the listing of false conditional blocks until a **.fclist** directive is encountered. With **.fcnolist**, only code in conditional blocks that are actually assembled appears in the listing. The **.if**, **.elseif**, **.else**, and **.endif** directives do not appear.

By default, all conditional blocks are listed; the assembler acts as if the **.fclist** directive had been used.

Example

This example shows the assembly language and listing files for code with and without the conditional blocks listed:

Source File:

```
AAA    .set 1
BBB    .set 0
      .fclist
      .if AAA
      ADD #1024,AC0,AC0
      .else
      ADD #(1024*10),AC0,AC0
      .endif

      .fcnolist
      .if AAA
      ADD #1024,AC0,AC0
      .else
      ADD #(1024*10),AC0,AC0
      .endif
```

Listing file:

```
1          AAA    .set 1
2          BBB    .set 0
3          .fclist
4          .if AAA
5 000000 7B04    ADD #1024,AC0,AC0
6          000002 0000
7          .else
8          ADD #(1024*10),AC0,AC0
9          .endif
10         .fcnolist
11
13 000004 7B04    ADD #1024,AC0,AC0
14         000006 0000
```

Syntax

`.field value [, size in bits]`

Description

The **.field** directive can initialize multiple-bit fields within a single word (in data sections).

Note: Use These Directives in Data Sections

Because code and data sections are addressed differently, the use of the **.field** directive in a section that includes C55x instructions will lead to an invalid access to the data at execution. Consequently, it is highly recommended that these directives be used only in data sections.

This directive has two operands:

- The *value* is a required parameter; it is an expression that is evaluated and placed in the field. If the value is relocatable, *size* must be 16 or 24.
- The *size* is an optional parameter; it specifies a number from 1 to 32, which is the number of bits in the field. If you do not specify a size, the assembler assumes that the size is 16 bits. If you specify a size of 16 or more, the field will start on a word boundary. If you specify a value that cannot fit into *size* bits, the assembler truncates the value and issues a warning message. For example, `.field 3,1` causes the assembler to truncate the value 3 to 1; the assembler also prints the message:

```
***warning - value truncated.
```

Successive **.field** directives pack values into the specified number of bits starting at the current word (in a data section). Fields are packed starting at the most significant part of the word, moving toward the least significant part as more fields are added. If the assembler encounters a field size that does not fit into the current word, it writes out the current word, increments the SPC, and begins packing fields into the next word. You can use the **.align** directive with an operand of 1 to force the next **.field** directive to begin packing into a new word.

If you use a label, it points to the word that contains the specified field.

When you use **.field** in a **.struct/.endstruct** sequence, **.field** defines a member's size; it does not initialize memory. For more information about **.struct/.endstruct**, see section 4.9, *Assembly-Time Symbol Directives*, on page 4-22.

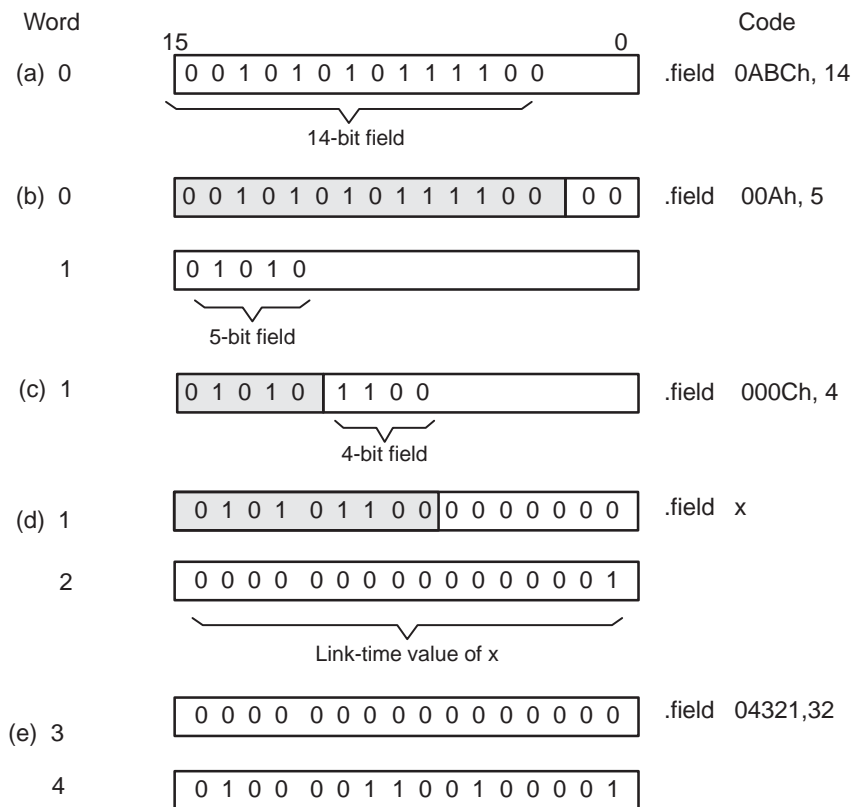
Example

This example shows how fields are packed into a word. Notice that the SPC does not change until a word is filled and the next word is begun.

```
1 000000          .data
2                *****
3                **      Initialize a 14-bit field.  **
4                *****
5 000000 2AF0          .field 0ABCh, 14
6
7                *****
8                **      Initialize a 5-bit field      **
9                **      in a new word.                **
10               *****
11 000001 5000  L_F:   .field 0Ah, 5
12
13               *****
14               **      Initialize a 4-bit field      **
15               **      in the same word.            **
16               *****
17 000001 5600  x:    .field 0Ch, 4
18
19               *****
20               **      16-bit relocatable field     **
21               **      in the next word.            **
22               *****
23 000002 0001"      .field x
24
25               *****
26               **      Initialize a 32-bit field.   **
27               *****
28 000003 0000          .field 04321h, 32
   000004 4321
```

Figure 4–5 shows how the directives in this example affect memory.

Figure 4–5. The .field Directive



.float/.xfloat

Initialize Single-Precision Floating-Point Value

Syntax

```
.float value1 [, ... , valuen]  
.xfloat value1 [, ... , valuen]
```

Description

The **.float** and **.xfloat** directives place the floating-point representation of one or more floating-point constants into the current data section. The *value* must be a floating-point constant or a symbol that has been equated to a floating-point constant. Each constant is converted to a floating-point value in IEEE single-precision 32-bit format.

Floating-point constants are aligned on the long-word boundaries unless the **.xfloat** directive is used. The **.xfloat** directive performs the same function as the **.float** directive but does not align the result on the long word boundary.

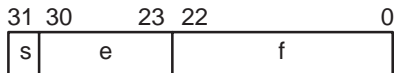
Note: Use These Directives in Data Sections

Because code and data sections are addressed differently, the use of .float and .xfloat directives in a section that includes C55x instructions will lead to an invalid access to the data at execution. Consequently, it is highly recommended that these directives be used only in data sections.

The 32-bit value consists of three fields:

Field	Meaning
s	A 1-bit sign field
e	An 8-bit biased exponent
m	A 23-bit mantissa

The value is stored most significant word first, least significant word second, in the following format:



When you use .float in a .struct/.endstruct sequence, .float defines a member's size; it does not initialize memory. For more information about .struct/.endstruct, see section 4.9, *Assembly-Time Symbol Directives*, on page 4-22.

Example

This example shows the .float directive.

```

1 000000          .data
2 000000 E904     .float  -1.0e25
   000001 5951
3 000002 4040     .float  3
   000003 0000
4 000004 42F6     .float  123
   000005 0000

```

.global

Identify Global Symbols

Syntax

```

.global symbol1 [, ... , symboln]
.def symbol1 [, ... , symboln]
.ref symbol1 [, ... , symboln]

```

Description

The .global, .def, and .ref directives identify global symbols, which are defined externally or can be referenced externally.

The .def directive identifies a symbol that is defined in the current module and can be accessed by other files. The assembler places this symbol in the symbol table.

The **.ref** directive identifies a symbol that is used in the current module but defined in another module. The linker resolves this symbol's definition at link time.

The **.global** directive acts as a **.ref** or a **.def**, as needed.

A global *symbol* is defined in the same manner as any other symbol; that is, it appears as a label or is defined by the **.set**, **.bss**, or **.usect** directive. As with all symbols, if a global symbol is defined more than once, the linker issues a multiple-definition error. **.ref** always creates a symbol table entry for a symbol, whether the module uses the symbol or not; **.global**, however, creates an entry only if the module actually uses the symbol.

A symbol may be declared global for two reasons:

- If the symbol is *not defined in the current module* (including macro, copy, and include files), the **.global** or **.ref** directive tells the assembler that the symbol is defined in an external module. This prevents the assembler from issuing an unresolved reference error. At link time, the linker looks for the symbol's definition in other object modules.
- If the symbol is *defined in the current module*, the **.global** or **.def** directive declares that the symbol and its definition can be used externally by other modules. These types of references are resolved at link time.

Example

This example shows four files:

file1.lst and **file3.lst** are equivalent. Both files define the symbol **Init** and make it available to other modules; both files use the external symbols **x**, **y**, and **z**. **file1.lst** uses the **.global** directive to identify these global symbols; **file3.lst** uses **.ref** and **.def** to identify the symbols.

file2.lst and **file4.lst** are equivalent. Both files define the symbols **x**, **y**, and **z** and make them available to other modules; both files use the external symbol **Init**. **file2.lst** uses the **.global** directive to identify these global symbols; **file4.lst** uses **.ref** and **.def** to identify the symbols.

file1.lst:

```
1           ; Global symbol defined in this file
2           .global INIT
3           ; Global symbols defined in file2.lst
4           .global X, Y, Z
5 000000    INIT:
6 000000 7B00    ADD #86,AC0,AC0
           000002 5600
7 000000                .data
8 000000 0000!    .word   X
9                ;       .
10               ;       .
11               ;       .
12                .end
```

file2.lst:

```
1           ; Global symbols defined in this file
2           .global X, Y, Z
3           ; Global symbol defined in file1.lst
4           .global INIT
5           X:    .set   1
6           Y:    .set   2
7           Z:    .set   3
8 000000    .data
9 000000 0000!    .word   INIT
10          ;       .
11          ;       .
12          ;       .
13          .end
```

file3.lst:

```
1           ; Global symbol defined in this file
2           .def   INIT
3           ; Global symbols defined in file4.lst
4           .ref   X, Y, Z
5 000000    INIT:
6 000000 7B00    ADD #86,AC0,AC0
           000002 5600
7 000000                .data
8 000000 0000!    .word   X
9                ;       .
10               ;       .
11               ;       .
12                .end
```

file4.lst:

```
1           ; Global symbols defined in this file
2           .def      X, Y, Z
3           ; Global symbol defined in file3.lst
4           .ref      INIT
5           X:       .set      1
6           Y:       .set      2
7           Z:       .set      3
8 000000      .data
9 000000 0000! .word      INIT
10          ;
11          ;
12          ;
13          .end
```

.half/.uhalf/ .short/.ushort

Initialize 16-Bit Integers

Syntax

```
.half value1 [, ... , valuen]  
.uhalf value1 [, ... , valuen]  
.short value1 [, ... , valuen]  
.ushort value1 [, ... , valuen]
```

Description

The **.half**, **.uhalf**, **.short**, and **.ushort** directives place one or more values into consecutive 16-bit fields in the current section. A *value* can be:

- An expression that the assembler evaluates and treats as an 16-bit signed or unsigned number
- A character string enclosed in double quotes. Each character in a string represents a separate value.

Note: Use These Directives in Data Sections

Because code and data sections are addressed differently, the use of **.half**, **.uhalf**, **.short**, and **.ushort** directives in a section that includes C55x instructions will lead to an invalid access to the data at execution. Consequently, it is highly recommended that these directives be used only in data sections.

The *values* can be either absolute or relocatable expressions. If an expression is relocatable, the assembler generates a relocation entry that refers to the appropriate symbol; the linker can then correctly patch (relocate) the reference. This allows you to initialize memory with pointers to variables or labels.

The assembler truncates values greater than 16 bits. If you use a label, it points to the first initialized word.

When you use `.half`, `.uhalf`, `.short`, or `.ushort` in a `.struct/.endstruct` sequence, they define a member's size; they do not initialize memory. For more information about `.struct/.endstruct`, see section 4.9, *Assembly-Time Symbol Directives*, on page 4-22.

Example

In this example, the `.half` directive is used to place 16-bit values (10, -1, abc, and a) into memory; `.short` is used to place 16-bit values (8, -3, def, and b) into memory. The label `STRN` has the value 106h, which is the location of the first initialized word.

```
1 000000          .data
2 000000          .space 100h * 16
3
4 000100 000A          .half 10, -1, "abc", 'a'
   000101 FFFF
   000102 0061
   000103 0062
   000104 0063
   000105 0061
5 000106 0008 STRN    .short 8, -3, "def", 'b'
   000107 FFFD
   000108 0064
   000109 0065
   00010a 0066
   00010b 0062
```

.if/.elseif/.else/.endif

Assemble Conditional Blocks

Syntax

```
.if Boolean expression
.elseif Boolean expression
.else
.endif
```

Description

These directives allow you to assemble conditional blocks of code. You can nest conditional assembly blocks.

The `.if` directive marks the beginning of a conditional block. The *Boolean expression* is a required parameter, and must be entirely specified on the same line as the directive.

- If the expression evaluates to *true* (nonzero), the assembler assembles the code that follows the expression (up to an `.elseif`, `.else`, or `.endif` in the same lexical level).
- If the expression evaluates to *false* (0), the assembler assembles code that follows a `.elseif` (if present), `.else` (if present), or `.endif` (if no `.elseif` or `.else` is present).

The **.elseif** directive identifies a block of code to be assembled when the **.if** expression is false (0) and the **.elseif** expression is true (nonzero). When the **.elseif** expression is false, the assembler continues to the next **.elseif** (if present), **.else** (if present) or **.endif** (if no **.elseif** or **.else** is present). The **.elseif** directive is optional in the conditional blocks, and more than one **.elseif** can be used. If an expression is false and there is no **.elseif** statement, the assembler continues with the code that follows a **.else** (if present) or a **.endif**.

The **.else** directive identifies a block of code that the assembler assembles when the **.if** expression and all preceding **.elseif** expressions are false (0). This directive is optional in the conditional block; if an expression is false and there is no **.else** statement, the assembler continues with the code that follows the **.endif**.

The **.endif** directive marks the end of a conditional block.

For information about relational operators, see subsection 3.11.4, *Conditional Expressions*, on page 3-38.

Example

This example shows conditional assembly.

```
1          SYM1  .set  1
2          SYM2  .set  2
3          SYM3  .set  3
4          SYM4  .set  4
5 000000      .data
6          If_4: .if    SYM4 = SYM2 * SYM2
7 000000 0004      .byte SYM4      ; Equal values
8                  .else
9                  .byte SYM2 * SYM2 ; Unequal values
10                 .endif
11
12          If_5: .if    SYM1 <= 10
13 000001 000a      .byte 10      ; Less than / equal
14                 .else
15                 .byte SYM1      ; Greater than
16                 .endif
17
18          If_6: .if    SYM3 * SYM2 != SYM4 + SYM2
19                 .byte SYM3 * SYM2 ; Unequal value
20                 .else
21 000002 0008      .byte SYM4 + SYM4 ; Equal values
22                 .endif
23
24          If_7: .if    SYM1 = 2
25                 .byte SYM1
26                 .elseif SYM2 + SYM3 = 5
27 000003 0005      .byte SYM2 + SYM3
28                 .endif
```

**.int/.uint/.word/
.uword**

Initialize 16-Bit Integer

Syntax

```
.int value1 [, ... , valuen]  
.uint value1 [, ... , valuen]  
.word value1 [, ... , valuen]  
.uword value1 [, ... , valuen]
```

Description

The **.int**, **.uint**, **.word**, and **.uword** directives are equivalent; they place one or more values into consecutive 16-bit fields in the current section. A *value* can be either:

- An expression that the assembler evaluates and treats as an 16-bit signed or unsigned number
- A character string enclosed in double quotes. Each character in a string represents a separate value.

Note: Use These Directives in Data Sections

Because code and data sections are addressed differently, the use of **.int**, **.uint**, **.word**, and **.uword** directives in a section that includes C55x instructions will lead to an invalid access to the data at execution. Consequently, it is highly recommended that these directives be used only in data sections.

The *values* can be either absolute or relocatable expressions. If an expression is relocatable, the assembler generates a relocation entry that refers to the appropriate symbol; the linker can then correctly patch (relocate) the reference. This allows you to initialize memory with pointers to variables or labels.

If you use a label, it points to the first word that is initialized.

When you use these directives in a **.struct/.endstruct** sequence, they define a member's size; they do not initialize memory. For more information about **.struct/.endstruct**, see section 4.9, *Assembly-Time Symbol Directives*, on page 4-22.

Example 1

In this example, the `.int` directive is used to initialize words.

```
1 000000          .data
2 000000          .space 73h
3 000000          .bss   PAGE, 128
4 000080          .bss   SYMPTR, 3
5 000000          .text
6 000000 7600 INST: MOV #86,AC0
   000002 5608
7 000007          .data
8 000008 000A     .int   10, SYMPTR, -1, 35 + 'a'
   000009 0080-
   00000a FFFF
   00000b 0084
```

Example 2

In this example, the `.word` directive is used to initialize words. The symbol `WordX` points to the first word that is reserved.

```
1 000000          .data
1 000000 0C80 WORDX: .word 3200, 1 + 'AB', -0AFh, 'X'
   000001 4143
   000002 FF51
   000003 0058
```

.ivec**Initialize Interrupt Table Entries**

Syntax

`[label:] .ivec [address [, stack mode]]`

Description

The `.ivec` directive is used to initialize an entry in the interrupt vector table.

This directive has the following operands:

- The *label*, if specified, will be assigned the code (byte) address associated with the directive, not the data (word) address as with other directives.
- The *address* specifies the address of the interrupt service routine. If an address is not specified, 0 is used.
- You can specify a *stack mode* only for the reset vector, which must be the first `.ivec` in the interrupt vector table. The stack mode can be identified as follows:

C54X_STK This value specifies the 32-bit stack needed by converted C54x code. This is the default if no value is given for the stack mode.

USE_RETA This value specifies 16-bit plus register fast return mode.

NO_RETA This value specifies 16-bit slow return mode.

More information on the stack modes can be found in the *TMS320C55x DSP CPU Reference Guide*. You can write these symbolic names in either upper or lower case.

The `.ivec` directive aligns the SPC on an 8-byte boundary, so that you are not forced to place an instruction between two `.ivec` entries. Any space added for this alignment is filled with NOP instructions.

In general, a section that contains other data defining directives (such as `.word`) is characterized as a data section. A data section is word-addressable and cannot contain code. A section containing the `.ivec` directive is characterized as a code section (byte-addressable), and can include other instructions. Like an instruction, `.ivec` cannot be mixed with other data defining directives.

The assembler issues a warning when it encounters a section that contains an `.ivec` directive and an instruction larger than 4 bytes. This prevents you from overfilling the last 4 bytes of an interrupt vector with an instruction that is too big.

The assembler also issues a warning when it encounters more than one instruction immediately after an `.ivec`. Only one instruction is executed before branching to the ISR.

A section containing an `.ivec` directive is marked as an interrupt vector section. The linker can recognize such sections, and does not add a non-parallel NOP at the end of it, as it does for normal code sections.

Example

This example shows the use of the `.ivec` directive.

```
.sect "vectors"           ; start vectors section
.ref  start,nmi_isr,isr2  ; symbols referenced
                                ; from other files
.def  rsv,no_isr          ; symbols defined in this
                                ; file
rsv:  .ivec  start,c54x_stk ; C54x compatibility
                                ; stack mode
nmi   .ivec  nmi_isr       ; standard usage
int3  .ivec                                ; one way to skip a vector
int4  .ivec  no_isr        ; better way to skip a vector
; ... and so on. Fill out all 32 vectors.
int31 .ivec  no_isr        ; last vector
      .text                ; change to text section
no_isr B      no_isr      ; default ISR
```

Note the difference between `int3` and `int4`. If the `int3` vector is raised, the example branches to 0, with unpredictable results. However, if the `int4` vector is raised, the example branches to the `no_isr` spin loop, which generates predictable results.

Syntax

.label *symbol*

Description

The **.label** directive defines a special *symbol* that refers to the load-time address rather than the run-time address within the current section. Most sections created by the assembler have relocatable addresses. The assembler assembles each section as if it started at 0, and the linker relocates it to the address at which it loads and runs.

For some applications, it is desirable to have a section load at one address and run at a *different* address. For example, you may wish to load a block of performance-critical code into slower off-chip memory to save space, and then move the code to high-speed on-chip memory to run it.

Such a section is assigned two addresses at link time: a load address and a run address. All labels defined in the section are relocated to refer to the run-time address so that references to the section (such as branches) are correct when the code runs.

The **.label** directive creates a special label that refers to the *load-time* address. This function is useful primarily to designate where the section was loaded for purposes of the code that moves the section from its load-time location to its run-time location.

Example

This example shows the use of a load-time address label.

```
.sect ".EXAMP"  
  .label EXAMP_LOAD ; load address of section.  
START:                ; run address of section.  
  <code>  
FINISH:                ; run address of section end.  
  .label EXAMP_END   ; load address of section end.
```

For more information about assigning run-time and load-time addresses in the linker, see section 8.10, *Specifying a Section's Run-Time Address*, on page 8-45.

.length/.width

Set Listing Page Size

Syntax

.length *page length*

.width *page width*

Description

The **.length** directive sets the page length of the output listing file. It affects the current and following pages. You can reset the page length with another **.length** directive.

- Default length: 60 lines
- Minimum length: 1 line
- Maximum length: 32 767 lines

The **.width** directive sets the page width of the output listing file. It affects the next line assembled and the lines following; you can reset the page width with another **.width** directive.

- Default width: 80 characters
- Minimum width: 80 characters
- Maximum width: 200 characters

The width refers to a full line in a listing file; the line counter value, SPC value, and object code are counted as part of the width of a line. Comments and other portions of a source statement that extend beyond the page width are truncated in the listing.

The assembler does not list the **.width** and **.length** directives.

Example

In this example, the page length and width are changed.

```
*****
**          Page length = 65 lines.          **
**          Page width  = 85 characters.     **
*****
          .length    65
          .width     85

*****
**          Page length = 55 lines.          **
**          Page width  = 100 characters.    **
*****
          .length    55
          .width     100
```

Syntax

.list
.nolist

Description

Two directives enable you to control the printing of the source listing:

The **.list** directive allows the printing of the source listing.

The **.nolist** directive suppresses the source listing output until a **.list** directive is encountered. The **.nolist** directive can be used to reduce assembly time and the source listing size. It can be used in macro definitions to suppress the listing of the macro expansion.

The assembler does not print the **.list** or **.nolist** directives or the source statements that appear after a **.nolist** directive. However, it continues to increment the line counter. You can nest the **.list/.nolist** directives; each **.nolist** needs a matching **.list** to restore the listing.

By default, the source listing is printed to the listing file; the assembler acts as if the **.list** directive had been specified. However, if you don't request a listing file when you invoke the assembler, the assembler ignores the **.list** directive.

Example

This example shows how the **.copy** directive inserts source statements from another file. The first time this directive is encountered, the assembler lists the copied source lines in the listing file. The second time this directive is encountered, the assembler does not list the copied source lines, because a **.nolist** directive was assembled. Note that the **.nolist**, the second **.copy**, and the **.list** directives do not appear in the listing file. Note also that the line counter is incremented, even when source statements are not listed.

Source file:

```
.copy "copy2.asm"
* Back in original file
  NOP
  .nolist
  .copy "copy2.asm"
  .list
* Back in original file
  .string "Done"
```

Listing file:

```

1                                     .copy  "copy2.asm"
A 1                                     * In copy2.asm (copy file)
A 2 000000                             .data
A 3 000000 0020                         .word 32, 1 + 'A'
4 000001 0042
2                                     * Back in original file
3 000000                             .text
4 000000 90                             NOP
9                                     * Back in original file
10 000004                             .data
11 000004 0044                         .string "Done"
    000005 006F
    000006 006E
    000007 0065

```

.localalign

Create a Load-Time Address Label

Syntax

.localalign

Description

The assembler directive `.localalign`, meant to be placed right before a `localrepeat` instruction, causes the first instruction in the body of the loop to be aligned to a 4-byte alignment, which allows the maximum `localrepeat` loop size. It operates by inserting enough single-cycle NOP instructions to get the alignment correct. It also causes a 4-byte alignment to be applied to the current section so the linker honors the necessary alignment for that loop body. It takes no parameters.

Example 1

This example shows the behavior of a `localrepeat` loop without the `.localalign` directive.

```

main: nop
      nop
      nop
      localrepeat {
          ac1 = #5
          ac2 = ac1
      }

```

The above source code produces this output:

```

1 000000 20      main:  nop
2 000001 20      nop
3 000002 20      nop
4 000003 4A82    localrepeat {
5 000005 3C51        AC1 = #5
6 000007 2212        AC2 = AC1
7                                }

```

Example 2

This example shows the source code from Example 1 after `.localalign` is added.

```
main: nop
      nop
      nop
      .localalign
      localrepeat {
          ac1 = #5
          ac2 = ac1
      }
```

This example produces an aligned loop body before the `localrepeat` on line 5, causing the loop body beginning at line 6 to now be 4-byte aligned; its address went from 0x5 to 0x8:

```
1 000000 20    main:  nop
2 000001 20          nop
3 000002 20          nop
4                .localalign
5 000006 4A82      localrepeat {
6 000008 3C51          AC1 = #5
7 00000a 2212          AC2 = AC1
8                }
```

A disassembly shows how NOPs were inserted:

```
TEXT Section .text, 0xC bytes at 0x0
000000: 20          NOP
000001: 20          NOP
000002: 20          NOP
000003: 5e80_21     NOP_16 || NOP
000006: 4a82        RPTBLOCAL 0xa
000008: 3c51        MOV #5,AC1
00000a: 2212        MOV AC1,AC2
```

By aligning the loop using the `.localalign` directive (or even by hand), the `localrepeat` loops can achieve maximum size. Without this alignment, the loops may need to be several bytes shorter due to how the instruction buffer queue (IBQ) on the C55x processor is loaded.

While the directive can be used with short loops, `.localalign` really only needs to be used on `localrepeat` loops that are near the limit of the `localrepeat` size.

**.lock_on/
.lock_off**

Enable read-modify-write Instruction Range

Syntax

.lock_on
.lock_off

Description

The **.lock_on** and **.lock_off** directives identify a range for use with read-modify-write instructions. Within this range, the lock() modifier can be specified in parallel with any read-modify-write instruction. If a lock() modifier is not specified in parallel with a read-modify-write instruction that exists in a .lock_on block, then the assembler will issue a remark diagnostic stating that the operation is not guaranteed to be atomic. Outside of the range of the .lock_on and .lock_off directives, the lock() modifier is illegal and read-write-modify instructions are not flagged.

These directives are intended to be placed around a critical region (usually a semaphore) of code where atomic access to a memory location must be guaranteed.

By default, the assembler treats all code as being outside of a .lock_on/.lock_off range.

**.long/.ulong/
.xlong**

Initialize 32-Bit Integer

Syntax

.long *value*₁ [, ... , *value*_{*n*}]
.ulong *value*₁ [, ... , *value*_{*n*}]
.xlong *value*₁ [, ... , *value*_{*n*}]

Description

The **.long**, **.ulong**, and **.xlong** directives place one or more 32-bit values into consecutive words in the current section. The most significant word is stored first. The .long and .ulong directives align the result on the long word boundary, while the .xlong directive does not. A value can be:

- An expression that the assembler evaluates and treats as a 32-bit signed or unsigned number
- A character string enclosed in double quotes. Each character in a string represents a separate value.

Note: Use These Directives in Data Sections

Because code and data sections are addressed differently, the use of .long, .ulong, and .xlong directives in a section that includes C55x instructions will lead to an invalid access to the data at execution. Consequently, it is highly recommended that these directives be used only in data sections.

The *value* operand can be either an absolute or relocatable expression. If an expression is relocatable, the assembler generates a relocation entry that refers to the appropriate symbol; the linker can then correctly patch the reference with its relocated value. This allows you to initialize memory with pointers to variables or with labels.

If you use a label, it points to the first word that is initialized.

When you use the directives in a `.struct/.endstruct` sequence, they define a member's size; they do not initialize memory. For more information about `.struct/ .endstruct`, see section 4.9, *Assembly-Time Symbol Directives*, on page 4-22.

Example

This example shows how the `.long` and `.xlong` directives initialize double words.

```
1 000000          .data
2 000000 0000 DAT1: .long  0ABCDh, 'A' + 100h, 'g', 'o'
   000001 ABCD
   000002 0000
   000003 0141
   000004 0000
   000005 0067
   000006 0000
   000007 006F
3 000008 0000          .xlong  DAT1, 0AABBCCDDh
   000009 0000"
   00000a AABB
   00000b CCDD
4 00000c          DAT2:
```

.loop/.break/ .endloop

Assemble Code Block Repeatedly

Syntax

```
.loop [well-defined expression]  
.break [Boolean expression]  
.endloop
```

Description

These directives enable you to repeatedly assemble a block of code.

The **.loop** directive begins a repeatable block of code. The optional expression evaluates to the loop count (the number of times to repeat the assembly of the code contained in the loop). If there is no expression, the loop count defaults to 1024, unless the assembler first encounters a `.break` directive with an expression that is true (nonzero) or omitted.

The **.break** directive is optional, along with its expression. When the expression is false (0), the loop continues. When the expression is true (nonzero), or omitted, the assembler exits the loop and begins assembling the code after the `.endloop` directive.

The **.endloop** directive marks the end of a repeatable block of code. The assembler continues assembling the code after the **.endloop** when the loop is exited or when the last iteration of the loop has been completed.

Example

This example illustrates how these directives can be used with the **.eval** directive.

```

1 000000          .data
2                .eval      0,x
3                LAB_1 .loop
4                .word      x*100
5                .eval      x+1, x
6                .break     x = 6
7                .endloop
1 000000 0000    .word      0*100
1                .eval      0+1, x
1                .break     1 = 6
1 000001 0064    .word      1*100
1                .eval      1+1, x
1                .break     2 = 6
1 000002 00C8    .word      2*100
1                .eval      2+1, x
1                .break     3 = 6
1 000003 012C    .word      3*100
1                .eval      3+1, x
1                .break     4 = 6
1 000004 0190    .word      4*100
1                .eval      4+1, x
1                .break     5 = 6
1 000005 01F4    .word      5*100
1                .eval      5+1, x
1                .break     6 = 6

```

.macro/.endm

Define Macro

Syntax

```

macname      .macro [parameter1] [, ... parametern]
               model statements or macro directives
               .endm

```

Description

The **.macro** directive is used to define macros.

You can define a macro anywhere in your program, but you must define the macro before you can use it. Macros can be defined at the beginning of a source file, in an **.include/.copy** file, or in a macro library.

- macname* names the macro. You must place the name in the source statement's label field.
- .macro** identifies the source statement as the first line of a macro definition. You must place **.macro** in the opcode field.

<i>[parameters]</i>	are optional substitution symbols that appear as operands for the <code>.macro</code> directive.
<i>model statements</i>	are instructions or assembler directives that are executed each time the macro is called.
<i>macro directives</i>	are used to control macro expansion.
.endm	marks the end of the macro definition.

Macros are explained in further detail in Chapter 5, *Macro Language*.

.mlib

Define Macro Library

Syntax

```
.mlib ["filename"]
```

Description

The **.mlib** directive provides the assembler with the name of a macro library. A macro library is a collection of files that contain macro definitions. The macro definition files are bound into a single file (called a library or archive) by the archiver.

Each file in a macro library contains one macro definition that corresponds to the name of the file. The *filename* of a macro library member must be the same as the macro name, and its extension must be `.asm`. The filename must follow host operating system conventions; it can be enclosed in double quotes. You can specify a full pathname (for example, `c:\320tools\macs.lib`). If you do not specify a full pathname, the assembler searches for the file in the following locations in the order given:

- 1) The directory that contains the current source file
- 2) Any directories named with the `-i` assembler option
- 3) Any directories specified by the `C55X_A_DIR` or `A_DIR` environment variable

For more information about the `-i` option, `C55X_A_DIR`, and `A_DIR`, see section 3.6, *Naming Alternate Directories for Assembler Input*, on page 3-19.

When the assembler encounters a .mlib directive, it opens the library specified by the filename and creates a table of the library's contents. The assembler enters the names of the individual library members into the opcode table as library entries. This redefines any existing opcodes or macros that have the same name. If one of these macros is called, the assembler extracts the entry from the library and loads it into the macro table. The assembler expands the library entry in the same way it expands other macros, but it does not place the source code into the listing. Only macros that are actually called from the library are extracted, and they are extracted only once.

For more information on macros and macro libraries, see Chapter 5, *Macro Language*.

Example

This example creates a macro library that defines two macros, incr and decr. The file incr.asm contains the definition of incr, and decr.asm contains the definition of decr.

incr.asm	decr.asm
<pre>* Macro for incrementing incr .macro ADD #1,AC0,AC0 ADD #1,AC1,AC1 ADD #1,AC2,AC2 ADD #1,AC3,AC3 .endm</pre>	<pre>* Macro for decrementing decr .macro SUB #1,AC0,AC0 SUB #1,AC1,AC1 SUB #1,AC2,AC2 SUB #1,AC3,AC3 .endm</pre>

Use the archiver to create a macro library:

```
ar55 -a mac incr.asm decr.asm
```

Now you can use the .mlib directive to reference the macro library and define the incr and decr macros:

```

1                                     .mlib    "mac.lib"
2 000000                             incr      ; Macro call
1      000000 4010                     ADD #1,AC0,AC0
1      000002 4011                     ADD #1,AC1,AC1
1      000004 4012                     ADD #1,AC2,AC2
1      000006 4013                     ADD #2,AC3,AC3
3 000008                             decr      ; Macro call
1      000008 4210                     SUB #1,AC0,AC0
1      00000a 4211                     SUB #1,AC1,AC1
1      00000c 4212                     SUB #1,AC2,AC2
1      00000e 4213                     SUB #1,AC3,AC3
```

Syntax

.mlist
.mno

Description

Two directives enable you to control the listing of macro and repeatable block expansions in the listing file:

The **.mlist** directive allows macro and `.loop/.endloop` block expansions in the listing file.

The **.mno** directive suppresses macro and `.loop/.endloop` block expansions in the listing file.

By default, the assembler behaves as if the `.mlist` directive had been specified.

For more information on macros and macro libraries, see Chapter 5, *Macro Language*.

Example

This example defines a macro named `STR_3`. The second time the macro is called, the macro expansion is not listed, because a `.mno` directive was assembled. The third time the macro is called, the macro expansion is listed, because a `.mlist` directive was assembled.

```

1          STR_3 .macro   P1, P2, P3
2          .data
3          .string ":p1:", ":p2:", ":p3:"
4          .endm
5
6 000000      STR_3 "as", "I", "am"
1 000000      .data
1 000000 003A .string ":p1:", ":p2:", ":p3:"
000001 0070
000002 0031
000003 003A
000004 003A
000005 0070
000006 0032
000007 003A
000008 003A
000009 0070
00000a 0033
00000b 003A
7          .mnolist
8 00000c      STR_3 "as", "I", "am"
9          .mlist
10 000018     STR_3 "as", "I", "am"
1 000018     .data
1 000018 003A .string ":p1:", ":p2:", ":p3:"
000019 0070
00001a 0031
00001b 003A
00001c 003A
00001d 0070
00001e 0032
00001f 003A
000020 003A
000021 0070
000022 0033
000023 003A

```

.newblock*Terminate Local Symbol Block***Syntax****.newblock****Description**

The **.newblock** directive undefines any local labels currently defined. Local labels, by nature, are temporary; the **.newblock** directive resets them and terminates their scope.

A local label is a label in the form \$n, where n is a single decimal digit. A local label, like other labels, points to an instruction word. Unlike other labels, local labels cannot be used in expressions. Local labels are not included in the symbol table.

A local label also can be defined with the ? wildcard. For a local label in the form label? the assembler replaces ? with a unique label identifier.

After a local label has been defined and (perhaps) used, you should use the .newblock directive to reset it. The .text, .data, and named sections also reset local labels. Local labels that are defined within an include file are not valid outside of the local file.

Example

This example shows how the local label \$1 is declared, reset, and then declared again.

```
1          .ref   ADDRA, ADDRb, ADDRc
2          foo   .set   76h
3
4 000000 A000! LABEL1: MOV ADDRA,AC0
5 000002 7C00          SUB #foo,AC0
6 000004 7600
7 000006 62200        BCC $1,AC0 < #0
8 000008 A000!        MOV ADDRb,AC0
9 00000a 4A02          B $2
10 00000c A000! $1     MOV ADDRA,AC0
11 000003 D600 $2     ADD ADDRc,AC0,AC0
12 000010 00!
13          .newblock ; Undefine $1 to reuse
14 000011 6120        BCC $1,AC0 < #0
15 000013 C000!        MOV AC0,ADDRc
16 000015 20 $1       NOP
```

.noremark/ .remark

Control Remarks

Syntax

```
.noremark num
.remark [num]
```

Description

The **.noremark** directive suppresses the assembler remark identified by *num*. A remark is an informational assembler message that is less severe than a warning. For a description of remarks, see section 7.7 on page 7-35.

This directive is equivalent to using the `-r[num]` assembler option.

The **.remark** directive re-enables the remark(s) previously suppressed.

Example

This example shows how to suppress the R5002 remark:

Original listing file:

```
1 000000 20          RSBX CMPT
"file.asm", REMARK at line 1: [R5002] Ignoring RSBX CMPT instruction
2
3 000001 4804          RETF
"file.asm", REMARK at line 3: [R5004] Translation of RETF correct
only for non-interrupt routine
```

Listing file with .noremark:

```
1          .noremark 5002
2 000000 20          RSBX CMPT
3
4 000001 4804          RETF
"file.asm", REMARK at line 4: [R5004] Translation of RETF correct
only for non-interrupt routine
```

.option*Select Listing Options*

Syntax**.option** *option list***Description**

The **.option** directive selects several options for the assembler output listing. *Option list* is a list of options separated by vertical lines; each option selects a listing feature. These are valid options:

- B** limits the listing of `.byte` directives to one line.
- L** limits the listing of `.long` directives to one line.
- M** turns off macro expansions in the listing.
- R** resets the B, M, T, and W options.
- T** limits the listing of `.string` directives to one line.
- W** limits the listing of `.word` directives to one line.
- X** produces a symbol cross-reference listing. (You can also obtain a cross-reference listing by invoking the assembler with the `-x` option.)

Options *are not* case sensitive.

Example

This example shows how to limit the listings of the `.byte`, `.word`, `.long`, and `.string` directives to one line each.

```
1          *****
2          ** Limit the listing of .byte, .word, **
3          ** .long, and .string directives      **
4          **           to 1 line each.          **
5          *****
6          .option B, W, L, T
7 000000      .data
8 000000 00BD      .byte   -'C', 0B0h, 5
9 000004 AABB      .long   0AABBCCDDh, 536 + 'A'
10 000008 15AA     .word   5546, 78h
11 00000a 0045     .string "Extended Registers"
12
13          *****
14          **      Reset the listing options.      **
15          *****
16          .option R
17 00001c FFBD     .byte   -'C', 0B0h, 5
18          00001d 00B0
19          00001e 0005
20          000020 AABB      .long   0AABBCCDDh, 536 + 'A'
21          000021 CCDD
22          000022 0000
23          000023 0259
24          000024 15AA     .word   5546, 78h
25          000025 0078
26          000026 0045     .string "Extended Registers"
27          000027 0078
28          000028 0074
29          000029 0065
30          00002a 006E
31          00002b 0064
32          00002c 0065
33          00002d 0064
34          00002e 0020
35          00002f 0052
36          000030 0065
37          000031 0067
38          000032 0069
39          000033 0073
40          000034 0074
41          000035 0065
42          000036 0072
43          000037 0073
```

.page

Eject Page in Listing

Syntax

.page

Description

The **.page** directive produces a page eject in the listing file. The **.page** directive is not printed in the source listing, but the assembler increments the line counter when it encounters it. Using the **.page** directive to divide the source listing into logical divisions improves program readability.

Example

This example shows how the `.page` directive causes the assembler to begin a new page of the source listing.

Source file:

```

        .title    "**** Page Directive Example ****"
;
;
;
        .page

```

Listing file:

```

TMS320C55x COFF Assembler          Version x.xx
Copyright (c) 2001    Texas Instruments Incorporated
**** Page Directive Example ****                                PAGE    1
    2                ;      .
    3                ;      .
    4                ;      .
TMS320C55x COFF Assembler          Version x.xx
Copyright (c) 2001    Texas Instruments Incorporated
**** Page Directive Example ****                                PAGE    2

```

**.port_for_speed/
.port_for_size***Encode C54x Instructions for Speed or Size***Syntax**

```

.port_for_speed
.port_for_size

```

Description

The `.port_for_speed` and `.port_for_size` directives affect the way the assembler encodes certain C54x instructions when ported to C55x. By default, `masm55` tries to encode C54x instructions to achieve small code size (`.port_for_size`). Use `.port_for_speed`, or the `-mh` assembler option, to allow the assembler to generate a faster encoding. For more information, see section 7.2.2, *Port for Speed Over Size*, on page 7-6.

The `.port_for_size` directive models the default encoding of the assembler.

The `.port_for_speed` directive models the effect of the `-mh` assembler option. In the case of a conflict between the command line option and the directive, the directive takes precedence.

Consider using `.port_for_speed` just before a critical loop. After the loop, use `.port_for_size` to return to the default encoding.

.sblock*Specify Blocking for an Initialized Section***Syntax**

```

.sblock ["section name"] [, "section name", . . . ]

```

Description

The `.sblock` directive designates sections for blocking. Blocking is an address alignment mechanism similar to page alignment, but weaker. A blocked code

.sect

section is guaranteed to not cross a 128-byte boundary if it is smaller than 128 bytes. It will start on a 128-byte boundary if it is larger than 128 bytes. A blocked data section is guaranteed to not cross a 128-word (page) boundary if it is smaller than a page. It will start on a page boundary if it is larger than a page. This directive allows specification of blocking for initialized sections only, not uninitialized sections declared with `.usect` or the `.bss` directives. The *section names* may optionally be enclosed in quotes.

Example

This example designates the `.text` and `.data` sections for blocking.

```
1 *****
2 ** Specify blocking for the .text      **
3 ** and .data sections.                **
4 *****
5         .sblock      .text, .data
```

.sect

Assemble Into Named Section

Syntax

.sect "section name"

Description

The **.sect** directive defines a named section that can be used like the default `.text` and `.data` sections. The `.sect` directive begins assembling source code into the named section.

The *section name* identifies a section that the assembler assembles code into. The name must be enclosed in double quotes. A section name can contain a subsection name in the form *section name:subsection name*.

For more information about COFF sections, see Chapter 2, *Introduction to Common Object File Format*.

Example

This example defines a special-purpose section named Vars and assembles code into it.

```
1          *****
2          **   Begin assembling into .text section.   **
3          *****
4 000000          .text
5 000000 7600          MOV #120,AC0 ; Assembled into .text
   000002 7808
6 000004 7B00          ADD #54,AC0 ; Assembled into .text
   000006 3600
7          *****
8          **   Begin assembling into Vars section.   **
9          *****
10 000000          .sect   "Vars"
11          WORD_LEN   .set   16
12          DWORD_LEN  .set   WORD_LEN * 2
13          BYTE_LEN   .set   WORD_LEN / 2
14 000000 000E          .byte  14
15          *****
16          **   Resume assembling into .text section. **
17          *****
18 000008          .text
19 000008 7B00          ADD #66,AC0 ; Assembled into .text
   00000a 4200
20          *****
21          **   Resume assembling into Vars section.   **
22          *****
23 000001          .sect   "Vars"
24 000001 000D          .field  13, WORD_LEN
25 000002 0A00          .field  0Ah, BYTE_LEN
26 000003 0000          .field  10q, DWORD_LEN
   000004 0008
27
```

.set/.equ*Define Assembly-Time Constant*

Syntax

symbol **.set** *value*
symbol **.equ** *value*

Description

The **.set** and **.equ** directives equate a value to a symbol. The symbol can then be used in place of a value in assembly source. This allows you to equate meaningful names with constants and other values.

- The *symbol* is a label that must appear in the label field.
- The *value* must be a well-defined expression; that is, all symbols in the expression must be previously defined in the current source module.

Undefined external symbols and symbols that are defined later in the module cannot be used in the expression. If the expression is relocatable, the symbol to which it is assigned is also relocatable.

The value of the expression appears in the object field of the listing. This value is not part of the actual object code and is not written to the output file.

Symbols defined with `.set` or `.equ` can be made externally visible with the `.def` or `.global` directive. In this way, you can define global absolute constants.

Example

This example shows how symbols can be assigned with `.set` and `.equ`.

```
1          *****
2          **   Set symbol INDEX to an integer expr.   **
3          **   and use it as an immediate operand.   **
4          *****
5          INDEX .equ   100/2 +3
6 000000 7B00          ADD #INDEX,AC0,AC0
   000002 3500
7
8          *****
9          ** Set symbol SYMTAB to a relocatable expr. **
10         **   and use it as a relocatable operand.   **
11         *****
12 000000          .data
13 000000 000A LABEL .word   10
14          SYMTAB .set   LABEL + 1
15
16         *****
17         **   Set symbol NSYMS equal to the symbol   **
18         **   INDEX and use it as you would INDEX.   **
19         *****
20          NSYMS .set   INDEX
21 000001 0035          .word   NSYMS
```

.space

Reserve Space

Syntax

`.space size in bits`

Description

The `.space` directive reserves *size* number of bits in the current section and fill them with 0s.

Note: Use This Directive in Data Sections

Because code and data sections are addressed differently, the use of `.space` in a section that includes C55x instructions will lead to an invalid access to the data at execution. Consequently, it is highly recommended that these directives be used only in data sections.

When you use a label with the `.space` directive, it points to the *first* word reserved (in a data section).

Example

This example shows how memory is reserved with the .space directive.

```

1          *****
2          ** Begin assembling into .data section. **
3          *****
4 000000          .data
5 000000 0049          .string "In .data"
   000001 006E
   000002 0020
   000003 002E
   000004 0064
   000005 0061
   000006 0074
   000007 0061
6
7          *****
8          ** Reserve 100 bits in the .data section; **
9          ** RES_1 points to the first word that **
10         ** contains reserved bits. **
10         *****
11 000008          RES_1: .space 100
12 00000f 000F          .word 15
13 000010 0008"          .word RES_1
14

```

.sslist/.ssnolist

Reserve Space

Syntax

```

.sslist
.ssnolist

```

Description

Two directives enable you to control the inclusion of substitution symbol expansion details in the listing file:

The **.sslist** directive provides substitution symbol expansion details in the listing file. The expanded line appears below the actual source line.

The **.ssnolist** directive suppresses substitution symbol expansion details in the listing file.

By default, all substitution symbol expansion in the listing file is inhibited. Lines with the pound (#) character prefix denote details about expanded substitution symbols.

Example

This example shows code that, by default, suppresses the listing of substitution symbol expansion, and it shows the .sslist directive assembled, instructing the assembler to list substitution symbol code expansion details.

(a) Mnemonic example

```

1 000000          .bss   ADDRX, 1
2 000001          .bss   ADDRY, 1
3 000002          .bss   ADDRA, 1
4 000003          .bss   ADDRB, 1
5                ADD2   .macro ADDRA, ADDRB
6                MOV   ADDRA, AC0
7                ADD   ADDRB, AC0, AC0
8                MOV   AC0, ADDRB
9                .endm
10
11 000000C083     MOV   AC0, *AR4+
12 000002        ADD2   ADDRX, ADDRY
1 000002A000-     MOV   ADDRX, AC0
1 000004D600     ADD   ADDRY, AC0, AC0
00000600-
1 000007C000-     MOV   AC0, ADDRY
13
14                .sslist
15
16 000009C083     MOV   AC0, *AR4+
17 00000bC003     MOV   AC0, *AR0+
18
19 00000d        ADD2   ADDRX, ADDRY
1 00000dA000-     MOV   ADDRA, AC0
#                MOV   ADDRX, AC0
1 00000fD600     ADD   ADDRB, AC0, AC0
#                ADD   ADDRY, AC0, AC0
00001100-
1 000012C000-     MOV   AC0, ADDRB
#                MOV   AC0, ADDRY
```

(b) Algebraic example

```
1 000000          .bss   ADDRX, 1
2 000001          .bss   ADDRY, 1
3 000002          .bss   ADDRA, 1
4 000003          .bss   ADDRB, 1
5                ADD2  .macro ADDRA, ADDRB
6                AC0 = @(ADDRA)
7                AC0 = AC0 + @(ADDRB)
8                @(ADDRB) = AC0
9                .endm
10
11 000000C083     *AR4+ = AC0
12 000002        ADD2  ADDRX, ADDRY
1 000002A000-    AC0 = @(ADDRX)
1 000004D600-    AC0 = AC0 + @(ADDRY)
00000600-
1 000007C000-    @(ADDRY) = AC0
13
14              .sslist
15
16 000009C083     *AR4+ = AC0
17 00000bC003     *AR0+ = AC0
18
19 00000d        ADD2  ADDRX, ADDRY
1 00000dA000-    AC0 = @(ADDRA)
#              AC0 = @(ADDRX)
1 00000fD600-    AC0 = AC0 + @(ADDRB)
#              AC0 = AC0 + @(ADDRY)
00001100-
1 000012C000-    @(ADDRB) = AC0
#              @(ADDRY) = AC0
```

.sslist/.ssnolist**Specify SST Mode**

Syntax

```
.sst_off
.sst_on
```

Description

The **.sst_off** and **.sst_on** directives affect the way the assembler encodes certain C54x instructions when ported to C55x. By default, `masm55` assumes that the SST bit (saturate on store) is enabled (`.sst_on`). The default encoding generated by the assembler works whether or not the bit is actually enabled. However, if your code does not enable the SST bit, you may want to use `.sst_off`, or the `-mt` assembler option, to allow the assembler to generate a more efficient encoding. For more information, see section 7.2.1, *Assume SST is Disabled*, on page 7-5.

The `.sst_on` directive models the SST status bit set to 1, the default assumption of the assembler. The `.sst_off` directive models the SST status bit set to 0; this is equivalent to using the `-mt` assembler option. In the case of a conflict between the command line option and the directive, the directive takes precedence.

The scope of the `.sst_on` and `.sst_off` directives is static and not subject to the control flow of the assembly program. All of the assembly code between the `.sst_off` and the `.sst_on` directives is assembled with the assumption that SST is disabled.

.string/.pstring

Initialize Text

Syntax

```
.string "string1" [, ... , "stringn"]  
.pstring "string1" [, ... , "stringn"]
```

Description

The `.string` and `.pstring` directives place 8-bit characters from a character string into the current section. The `.string` directive places 8-bit characters into consecutive words in the current section. The `.pstring` directive initializes data in 8-bit chunks, but packs the contents of each string into two characters per word. Each *string* is either:

- An expression that the assembler evaluates and treats as an 8- or 16-bit signed number, or
- A character string enclosed in double quotes. Each character in a string represents a separate byte.

Note: Use These Directives in Data Sections

Because code and data sections are addressed differently, the use of `.string` and `.pstring` directives in a section that includes C55x instructions will lead to an invalid access to the data at execution. Consequently, it is highly recommended that these directives be used only in data sections.

With `.pstring`, values are packed into words starting with the most significant byte of the word. Any unused space is padded with null bytes.

You can specify the operand as an 8-bit constant, but the assembler will truncate any values that are greater than 8 bits wide.

If you use a label, it points to the location of the first word (in a data section) that is initialized.

Note that when you use `.string` in a `.struct/.endstruct` sequence, `.string` defines a member's size; it does not initialize memory. For more information about `.struct/.endstruct`, see section 4.9, *Assembly-Time Symbol Directives*, on page 4-22.

Example

This example shows 8-bit values placed into words in the current section.

```

1 000000                                .data
2 000000 0041                            .string 41h, 42h, 43h, 44h
   000001 0042
   000002 0043
   000003 0044
3 000004 0041  Str_Ptr: .string "ABCD"
   000005 0042
   000006 0043
   000007 0044
4 000008 4175                            .pstring "Austin", "Houston"
   000009 7374
   00000a 696E
   00000b 486F
   00000c 7573
   00000d 746F
   00000e 6E00
5 00000f 0030                            .string 36 + 12

```

.struct/.endstruct/.tag

Declare Structure Type

Syntax

```

[ stag ]    .struct      [ expr ]
[ mem0 ]  element     [ expr0 ]
[ mem1 ]  element     [ expr1 ]
.           .           .
.           .           .
.           .           .
[ memn ]  .tag stag    [, exprn]
.           .           .
.           .           .
.           .           .
[ memN ]  element     [ exprN ]
[ size ]   .endstruct
label     .tag          stag

```

Description

The **.struct** directive assigns symbolic offsets to the elements of a data structure definition. This enables you to group similar data elements together and then let the assembler calculate the element offset. This is similar to a C structure or a Pascal record. A **.struct** definition may contain a **.union** definition, and **.structs** and **.unions** may be nested. The **.struct** directive does not allocate memory; it merely creates a symbolic template that can be used repeatedly.

The **.endstruct** directives marks the end of a structure definition.

The **.tag** directive gives structure characteristics to a *label*, simplifying the symbolic representation and providing the ability to define structures that contain other structures. The **.tag** directive does not allocate memory. The structure tag (*stag*) of a **.tag** directive must have been previously defined.

<i>stag</i>	is the structure's tag. Its value is associated with the beginning of the structure. If no <i>stag</i> is present, the assembler puts the structure members in the global symbol table with the value of their absolute offset from the top of the structure. <i>Stag</i> is optional for .struct , but required for .tag .
<i>expr</i>	is an optional expression indicating the beginning offset of the structure. Structures default to start at 0. This parameter can only be used with a top-level structure. It cannot be used when defining a nested structure. The <i>expr</i> specifies the padding to assume between the top of the .struct and the first member of the .struct .
<i>mem_n</i>	is an optional label for a member of the structure. This label is absolute and equates to the present offset from the beginning of the structure. A label for a structure member cannot be declared global.
<i>element</i>	is one of the following descriptors: .byte , .char , .double , field , .float , .half , .int , .long , .short , .string , .ubyte , .uchar , .uhalt , .uint , .ulong , .ushort , .uword , and .word . An element can also be a complete declaration of a nested structure or union, or a structure or union declared by its tag. Following a .struct directive, these directives describe the element's size. They do not allocate memory.
<i>expr_n</i>	is an optional expression for the number of elements described. This value defaults to 1. A .string element is considered to be one word in size, and a .field element is one bit.
<i>size</i>	is an optional label for the total size of the structure.

Note: Directives That Can Appear in a .struct/.endstruct Sequence

The only directives that can appear in a **.struct/.endstruct** sequence are element descriptors, structure and union tags, conditional assembly directives, and the **.align** directive, which aligns the member offsets on word boundaries. Empty structures are illegal.

These examples show various uses of the **.struct**, **.tag**, and **.endstruct** directives.

Example 1

```
1 000000          .data
2          REAL_REC .struct          ; stag
3      0000  NOM     .int             ; member1 = 0
4      0001  DEN     .int             ; member2 = 1
5      0002  REAL_LEN .endstruct      ; real_len = 2
6 000000          .text
7 000000 D600      ADD @(REAL + REAL_REC.DEN),AC0,AC0
      000002 00-
8
9                                     ; access structure element
10 000000          .bss REAL, REAL_LEN ; allocate mem rec
```

Example 2

```
11          .data
12      CPLX_REC .struct
13      0000  REALI .tag REAL_REC     ; stag
14      0002  IMAGI .tag REAL_REC     ; member1 = 0
15      0004  CPLX_LEN .endstruct     ; cplx_len = 4
16
17      COMPLEX .tag CPLX_REC         ; assign structure attrib
18
19 000002          .bss COMPLEX, CPLX_LEN
20 000003          .text
21 000003 D600      ADD @(COMPLEX.REALI),AC0,AC0     ; access structure
      000005 00-
22 000006 C000-     MOV AC0,@(COMPLEX.REALI)
23
24 000008 D600      ADD @(COMPLEX.IMAGI),AC1,AC1     ; allocate space
      00000a 11-
```

Example 3

```
1 000000          .data
2          .struct          ; no stag puts mems into
3                                     ; global symbol table
4      0000  X     .int             ; create 3 dim templates
5      0001  Y     .int
6      0002  Z     .int
7      0003          .endstruct
```

Example 4

```
1 000000          .data
1          BIT_REC .struct          ; stag
2          0000  STREAM  .string 64
3          0040  BIT7    .field  7          ; bits1 = 64
4          0040  BIT9    .field  9          ; bits2 = 64
5          0041  BIT10   .field 10         ; bits3 = 65
6          0042  X_INT   .int           ; x_int = 66
7          0043  BIT_LEN .endstruct      ; length = 67
8
9          BITS        .tag BIT_REC
10 000000          .text
11 000000 D600      ADD @(BITS.BIT7),AC0,AC0    ; move into acc
    000002 00%
12 000003 187F      AND #127,AC0              ; mask off garbage bits
    000005 00
13
14 000000          .bss BITS, BIT_REC
```

.tab*Define Tab Size*

Syntax**.tab** *size***Description**

The **.tab** directive defines the tab size. Tabs encountered in the source input are translated to *size* spaces in the listing. The default tab size is eight spaces.

Example

Each of the following lines consists of a single tab character followed by an NOP instruction.

Source file:

```
; default tab size
NOP
NOP
NOP

    .tab 4
NOP
NOP
NOP

    .tab 16
NOP
NOP
NOP
```

Listing file:

```
1           ; default tab size
2 000000 20          NOP
3 000001 20          NOP
4 000002 20          NOP
5
7 000003 20          NOP
8 000004 20          NOP
9 000005 20          NOP
10
12 000006 20          NOP
13 000007 20          NOP
14 000008 20          NOP
```

.text

Assemble Into .text Section

Syntax

.text

Description

The **.text** directive tells the assembler to begin assembling into the **.text** section. *The assembler assumes that the .text section contains executable code.* The section program counter is set to 0 if nothing has yet been assembled into the **.text** section. If code has already been assembled into the **.text** section, the section program counter is restored to its previous value in the section.

Because the **.text** section is a code section, it is byte-addressable. Data sections are word-addressable.

.text is the default section. Therefore, at the beginning of an assembly, the assembler assembles code into the **.text** section unless you specify a different sections directive (**.data** or **.sect**).

For more information about COFF sections, see Chapter 2, *Introduction to Common Object File Format*.

Example

This example assembles code into the .text and .data sections. The .data section contains integer constants, and the .text section contains executable code.

```
1          *****
2          ** Begin assembling into .data section.**
3          *****
4 000000          .data
5 000000 0041 START: .string "A","B","C"
   000001 0042
   000002 0043
6 000003 0058 END:  .string "X","Y","Z"
   000004 0059
   000005 005a
7          *****
8          ** Begin assembling into .text section.**
9          *****
10 000000          .text
11 000000 D600          ADD START,AC0,AC0
   000002 00"
12 000003 D600          ADD END,AC0,AC0
   000005 00"
13          *****
14          ** Resume assembling into .data section.**
15          *****
16 000006          .data
17 000006 000a          .byte  0Ah, 0Bh
   000007 000b
18 000008 000c          .byte  0Ch, 0Dh
   000009 000d
19          *****
20          ** Resume assembling into .text section.**
21          *****
22 000006          .text
23 000006 2201          MOV AC0,AC1
```

.title*Define Page Title*

Syntax**.title** "string"**Description**

The **.title** directive supplies a title that is printed in the heading on each listing page. The source statement itself is not printed, but the line counter is incremented.

The *string* is a quote-enclosed title of up to 65 characters. If you supply more than 65 characters, the assembler truncates the string and issues a warning.

The assembler prints the title on the page that follows the directive, and on subsequent pages until another **.title** directive is processed. If you want a title on the first page, the first source statement must contain a **.title** directive.

Example

In this example, one title is printed on the first page and a different title on succeeding pages.

Source file:

```

        .title  "**** Fast Fourier Transforms ****"
;
;
;
        .title  "**** Floating-Point Routines ****"
        .page

```

Listing file:

```

COFF Assembler      Version x.xx
Copyright (c) 2001  Texas Instruments Incorporated

**** Fast Fourier Transforms ****                                PAGE    1
    2                ;                .
    3                ;                .
    4                ;                .
COFF Assembler      Version x.xx
Copyright (c) 2001  Texas Instruments Incorporated

**** Floating-Point Routines ****                                PAGE    2

```

**.union/
.endunion/.tag**

Declare Union Type

Syntax

```

[ utag ]  .union      [ expr ]
[ mem0 ] element    [ expr0 ]
[ mem1 ] element    [ expr1 ]
        .            .
        .            .
        .            .
[ memn ] .tag      utagn, exprn
        .            .
        .            .
        .            .
[ memN ] element    [ exprN ]
[ size ]  .endunion
label    .tag      utag

```

Description

The **.union** directive assigns symbolic offsets to the elements of alternate data structure definitions to be allocated in the same memory space. This enables you to define several alternate structures and then let the assembler calculate the element offset. This is similar to a C union. The **.union** directive does not allocate any memory; it merely creates a symbolic template that can be used repeatedly.

A `.struct` definition may contain a `.union` definition, and `.structs` and `.unions` may be nested.

The `.endunion` directive marks the end of a union definition.

The `.tag` directive gives structure or union characteristics to a *label*, simplifying the symbolic representation and providing the ability to define structures or unions that contain other structures or unions. The `.tag` directive does not allocate memory. The structure or union tag of a `.tag` directive must have been previously defined.

<i>utag</i>	is the union's tag. Its value is associated with the beginning of the union. If no <code>utag</code> is present, the assembler puts the union members in the global symbol table with the value of their absolute offset from the top of the union. In this case, each member must have a unique name.
<i>expr</i>	is an optional expression indicating the beginning offset of the union. Unions default to start at 0. This parameter can only be used with a top-level union. It cannot be used when defining a nested union.
<i>mem_n</i>	is an optional label for a member of the union. This label is absolute and equates to the present offset from the beginning of the union. A label for a union member cannot be declared global.
<i>element</i>	is one of the following descriptors: <code>.byte</code> , <code>.char</code> , <code>.double</code> , <code>field</code> , <code>.float</code> , <code>.half</code> , <code>.int</code> , <code>.long</code> , <code>.short</code> , <code>.string</code> , <code>.ubyte</code> , <code>.uchar</code> , <code>.uhalt</code> , <code>.uint</code> , <code>.ulong</code> , <code>.ushort</code> , <code>.uword</code> , and <code>.word</code> . An element can also be a complete declaration of a nested structure or union, or a structure or union declared by its tag. Following a <code>.union</code> directive, these directives describe the element's size. They do not allocate memory.
<i>expr_n</i>	is an optional expression for the number of elements described. This value defaults to 1. A <code>.string</code> element is considered to be one word in size, and a <code>.field</code> element is one bit.
<i>size</i>	is an optional label for the total size of the union.

Note: Directives That Can Appear in a `.union/.endunion` Sequence

The only directives that can appear in a `.union/.endunion` sequence are element descriptors, structure and union tags, and conditional assembly directives. Empty union definitions are illegal.

These examples show unions with and without tags.

Example 1

```
1          .global employid
2 000000   .data
3          xample   .union                ; utag
4          0000   ival   .word                ; member1 = 0
5          0000   fval   .float               ; member2 = 0
6          0000   sval   .string             ; member3 = 0
7          0002   real_len .endunion      ; real_len = 4
8
9 000000   .bss   employid, real_len  ;allocate memory
10
11          employid .tag   xample
12 000000   .text
13 000000 D600   ADD @(employid.fval),ADD,ADD ; access union element
14 000002 00-
```

Example 2

```
1 000000   .data
2          .union                ; utag
3          0000   x     .long                ; member1 = long
4          0000   y     .float               ; member2 = float
5          0000   z     .word                ; member3 = word
6          0002   size_u   .endunion      ; real_len = 4
7
```

.usect

Reserve Uninitialized Space

Syntax

symbol **.usect** "section name", size in words [, [blocking flag] [, alignment]]

Description

The **.usect** directive reserves space for variables in an uninitialized, named section. This directive is similar to the **.bss** directive; both simply reserve space for data and have no contents. However, **.usect** defines additional sections that can be placed anywhere in memory, independently of the **.bss** section.

symbol points to the first location reserved by this invocation of the **.usect** directive. The symbol corresponds to the name of the variable for which you're reserving space.

section name must be enclosed in double quotes. This parameter names the uninitialized section. For COFF0 and COFF1 formatted files, only the first 8 characters are significant. A section name can contain a subsection name in the form *section name:subsection name*.

size in words is an expression that defines the number of words that are reserved in section *name*.

blocking flag is an optional parameter. If specified and nonzero, the flag means that this section will be blocked. Blocking is an address mechanism similar to alignment, but weaker. It means a section is guaranteed to not cross a page boundary (128 words) if it is smaller than a page, and to start on a page boundary if it is larger than a page. This blocking applies to the section, not to the object declared with this instance of the `.usect` directive.

alignment is an optional parameter that ensures that the space allocated to the symbol begins on the specified boundary. This boundary indicates the size of the slot in words and can be set to any power of 2.

Note: Specifying an Alignment Flag Only

To specify an alignment flag without a blocking flag, you must insert two commas before the alignment flag, as shown in the syntax.

Other sections directives (`.text`, `.data`, and `.sect`) end the current section and tell the assembler to begin assembling into another section. The `.usect` and the `.bss` directives, however, do not affect the current section. The assembler assembles the `.usect` and the `.bss` directives and then resumes assembling into the current section.

Variables that can be located contiguously in memory can be defined in the same specified section; to do so, repeat the `.usect` directive with the same section name.

For more information about COFF sections, see Chapter 2, *Introduction to Common Object File Format*.

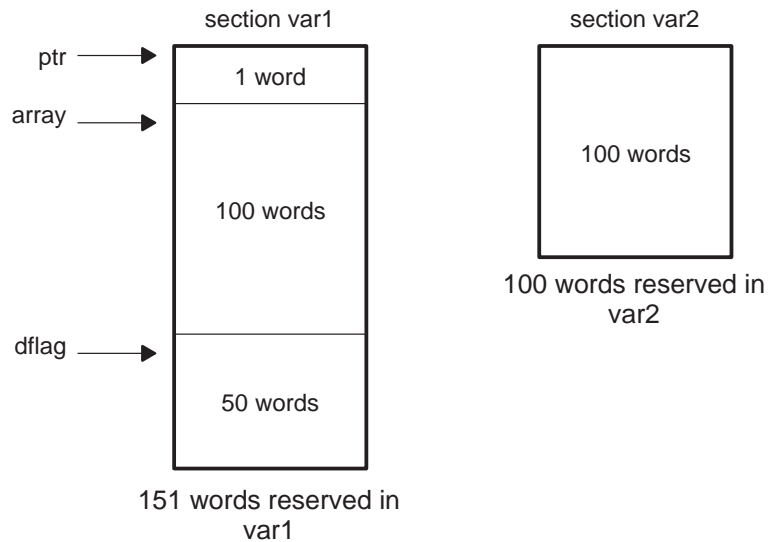
Example

This example uses the `.usect` directive to define two uninitialized, named sections, `var1` and `var2`. The symbol `ptr` points to the first word reserved in the `var1` section. The symbol `array` points to the first word in a block of 100 words reserved in `var1`, and `dflag` points to the first word in a block of 50 words in `var1`. The symbol `vec` points to the first word reserved in the `var2` section.

Figure 4–6 on page 4-100 shows how this example reserves space in two uninitialized sections, `var1` and `var2`.

```
1          *****
2          **      Assemble into .text section.      **
3          *****
4 000000          .text
5 000000 3C30          MOV #3,AC0
6
7          *****
8          **      Reserve 1 word in var1.          **
9          *****
10 000000 ptr      .usect "var1", 1
11
12          *****
13          **      Reserve 100 words in var1.      **
14          *****
15 000001 array   .usect "var1", 100
16
17 000002 7B00          ADD #55,AC0,AC0 ; Still in .text
18 000004 3700
19
20          *****
21          **      Reserve 50 words in var1.      **
22          *****
23 000065 dflag    .usect "var1", 50
24
25 000006 7B06          ADD #dflag,AC0,AC0 ; Still in .text
26 000008 5000-
27
28          *****
29 000000 vec      .usect "var2", 100
30
31 00000a 7B00          ADD #vec,AC0,AC0 ; Still in .text
32 00000c 0000-
33          *****
34          **      Declare an external .usect symbol.  **
35          *****
36          .global array
```

Figure 4–6. The `.usect` Directive



.var

Use Substitution Symbols as Local Variables

Syntax

`.var sym1 [sym2, ... , symn]`

Description

The `.var` directive allows you to use substitution symbols as local variables within a macro. With this directive, you can define up to 32 local macro substitution symbols (including parameters) per macro.

The `.var` directive creates temporary substitution symbols with the initial value of the null string. These symbols are not passed in as parameters, and they are lost after expansion.

For more information on macros, see Chapter 5, *Macro Language*.

.vli_off/.vli_on*Suppress Variable-Length Instruction Resolution*

Syntax

.vli_off
.vli_on

Description

The **.vli_off** and **.vli_on** directives affect the way the assembler handles variable-length instructions. The **.vli_off** directive is equivalent to using the `-mv` command line option. In the case of a conflict between the command line option and the directive, the directive takes precedence.

By default (**.vli_on**), the assembler attempts to resolve all stand-alone, variable-length instructions to their smallest possible size.

Size resolution is performed on the following instruction groups:

```
goto L7, L16, P24
if (cond) goto l4
if (cond) goto L8, L16, P24
call L16, P24
if (cond) call L16, P24
```

In some cases, you may want the assembler to keep the largest (P24) form of certain instructions. The P24 versions of certain variable-length instructions execute in fewer cycles than the smaller version of the same instructions. Use the **.vli_off** directive to keep the following instructions in their largest form:

```
goto P24
call P24
```

The **.vli_off** and **.vli_on** directives can be used to toggle this behavior for regions of an assembly file. Note that all other variable-length instructions will continue to be resolved to their smallest possible size by the assembler, despite the use of the **.vli_off** directive.

The scope of the **.vli_off** and **.vli_on** directives is static and not subject to the control flow of the assembly program.

Syntax

.warn_on
.warn_off

Description

The **.warn_off** and **.warn_on** directives control the reporting of assembler warning messages. By default (**.warn_on**), the assembler will generate warning messages. The **.warn_off** directive suppresses assembler warning messages and is equivalent to using the `-mw` command line option. In the case of a conflict between the command line option and the directive, the directive takes precedence.

The **.warn_off** and **.warn_on** directives can be used to toggle this behavior for regions of an assembly file.

The scope of the **.warn_off** and **.warn_on** directives is static and not subject to the control flow of the assembly program. Warnings will not be reported for any assembly code between the **.warn_off** and **.warn_on** directives within a file.



Macro Language

The assembler supports a macro language that enables you to create your own instructions. This is especially useful when a program executes a particular task several times. The macro language lets you:

- Define your own macros and redefine existing macros
- Simplify long or complicated assembly code
- Access macro libraries created with the archiver
- Define conditional and repeatable blocks within a macro
- Manipulate strings within a macro
- Control expansion listing

Topic	Page
5.1 Using Macros	5-2
5.2 Defining Macros	5-3
5.3 Macro Parameters/Substitution Symbols	5-6
5.4 Macro Libraries	5-14
5.5 Using Conditional Assembly in Macros	5-15
5.6 Using Labels in Macros	5-17
5.7 Producing Messages in Macros	5-19
5.8 Formatting the Output Listing	5-21
5.9 Using Recursive and Nested Macros	5-23
5.10 Macro Directives Summary	5-26

5.1 Using Macros

Programs often contain routines that are executed several times. Instead of repeating the source statements for a routine, you can define the routine as a macro, then call the macro in the places where you would normally repeat the routine. This simplifies and shortens your source program.

If you want to call a macro several times, but with different data each time, you can pass arguments to a macro through macro parameters. This enables you to pass different information to the macro each time you call it. The macro language supports a special symbol called a *substitution symbol*, which is used for macro parameters.

Using a macro is a three-step process.

Step 1: Define the macro. You must define macros before you can use them in your program. There are two methods for defining macros:

- Macros can be defined in a source file or in a `.copy/.include` file. See Section 5.2, *Defining Macros*, for more information.
- Macros can be defined in a *macro library*. A macro library is a collection of files in archive format created by the archiver. Each member of the archive file (macro library) contains one macro definition corresponding to the member name. You can access a macro library by using the `.mlib` directive. See Section 5.4, *Macro Libraries*, on page 5-14 for more information.

Step 2: Call the macro. After defining a macro, you can invoke it by using the macro name as a mnemonic in the source program. This is referred to as a *macro call*.

Step 3: Expand the macro. The assembler expands your macros when the source program calls them. During expansion, the assembler passes arguments by variable to the macro parameters, replaces the macro call statement with the macro definition, and assembles the source code. By default, the macro expansions are printed in the listing file. You can turn off expansion listing by using the `.mno` directive. See Section 5.8, *Formatting the Output Listing*, on page 5-21 for more information.

When the assembler encounters a macro definition, it records the macro name in the opcode table. This redefines any previously defined macro, library entry, directive, or instruction mnemonic that has the same name as the macro. This allows you to expand the functions of existing directives and instructions, as well as to add new instructions.

5.2 Defining Macros

You can define a macro anywhere in your program, but you must define the macro before you can use it. Macros can be defined in a source file, in an `.include/.copy` file, or in a macro library. For more information about macro libraries, see Section 5.4, *Macro Libraries*, on page 5-14.

Macro definitions can be nested, and they can call other macros, but all elements of any macro must be defined in the same file. Nested macros are discussed in Section 5.9, *Using Recursive and Nested Macros*, on page 5-23.

A macro definition is a series of source statements in the following format:

```

macname      .macro [parameter1] [, ... , parametern]
               model statements or macro directives
               [.mexit]
               .endm

```

<i>macname</i>	names the macro. You must place the name in the source statement's label field. Only the first 32 characters of a macro name are significant. The assembler records the macro name in the internal opcode table, replacing any instruction or previous macro definition with the same name.
.macro	identifies the source statement as the first line of a macro definition. You must place <code>.macro</code> in the mnemonic field.
[<i>parameters</i>]	are optional substitution symbols that appear as operands for the <code>.macro</code> directive. Parameters are discussed in Section 5.3, <i>Macro Parameters/Substitution Symbols</i> , on page 5-6.
<i>model statements</i>	are instructions or assembler directives that are executed each time the macro is called.
<i>macro directives</i>	are used to control macro expansion.
.mexit	functions as a goto <code>.endm</code> statement. The <code>.mexit</code> directive is useful when error testing confirms that macro expansion will fail and completing the rest of the macro is unnecessary.
.endm	terminates the macro definition.

If you want to include comments with your macro definition but do not want those comments to appear in the macro expansion, use an exclamation point to precede your comments. If you do want your comments to appear in the macro expansion, use an asterisk or semicolon. For more information about macro comments, see Section 5.7, *Producing Messages in Macros*, on page 5-19.

Example 5-1 shows the definition, call, and expansion of a macro.

Example 5-1. Macro Definition, Call, and Expansion

(a) Mnemonic example

```

1          *
2
3          *      add3
4          *
5          *      ADDR = P1 + P2 + P3
6
7          add3   .macro P1, P2, P3, ADDR
8
9                      MOV P1,AC0
10                     ADD P2,AC0,AC0
11                     ADD P3,AC0,AC0
12                     MOV AC0,ADDR
13                     .endm
14
15
16                     .global abc, def, ghi, adr
17
18 000000          add3 abc, def, ghi, adr
1
1      000000 A000!      MOV abc,AC0
1      000002 D600      ADD def,AC0,AC0
                        000004 00!
1      000005 D600      ADD ghi,AC0,AC0
                        000007 00!
1      000008 C000!      MOV AC0,adr

```

Example 5-1. Macro Definition, Call, and Expansion (Continued)

(b) Algebraic example

```

1          *
2
3          *      add3
4          *
5          *      ADDR = P1 + P2 + P3
6
7          add3   .macro P1, P2, P3, ADDR
8
9                AC0 = @(P1)
10               AC0 = AC0 + @(P2)
11               AC0 = AC0 + @(P3)
12               @(ADDR) = AC0
13               .endm
14
15
16               .global abc, def, ghi, adr
17
18 000000      add3 abc, def, ghi, adr
1
1 000000 A000!      AC0 = @(abc)
1 000002 D600      AC0 = AC0 + @(def)
000004 00!
1 000005 D600      AC0 = AC0 + @(ghi)
000007 00!
1 000008 C000!     @(adr) = AC0

```

5.3 Macro Parameters/Substitution Symbols

If you want to call a macro several times with different data each time, you can assign parameters within the macro. The macro language supports a special symbol, called a *substitution symbol*, which is used for macro parameters.

Macro parameters are substitution symbols that represent a character string. These symbols can also be used outside of macros to equate a character string to a symbol name.

Valid substitution symbols can be up to 32 characters long and *must begin with a letter*. The remainder of the symbol can be a combination of alphanumeric characters, underscores, and dollar signs.

Substitution symbols used as macro parameters are local to the macro they are defined in. You can define up to 32 local substitution symbols (including substitution symbols defined with the `.var` directive) per macro. For more information about the `.var` directive, see subsection 5.3.6, *Substitution Symbols as Local Variables in Macros*, on page 5-13.

During macro expansion, the assembler passes arguments by variable to the macro parameters. The character-string equivalent of each argument is assigned to the corresponding macro parameter. Parameters without corresponding arguments are set to the null string. If the number of arguments exceeds the number of parameters, the last parameter is assigned the character-string equivalent of all remaining arguments.

If you pass a list of arguments to one parameter, or if you pass a comma or semicolon to a parameter, you must surround these terms with quotation marks.

At assembly time, the assembler replaces the macro parameter in the macro definition with its corresponding character string, then translates the source code into object code.

Example 5–2 shows the expansion of a macro with varying numbers of arguments.

Example 5–2. Calling a Macro With Varying Numbers of Arguments

Macro definition

```

Parms .macro a,b,c
;     a = :a:
;     b = :b:
;     c = :c:
      .endm

```

Calling the macro:

<pre> Parms 100,label ; a = 100 ; b = label ; c = " " </pre>	<pre> Parms 100,label,x,y ; a = 100 ; b = label ; c = x,y </pre>
<pre> Parms 100, , x ; a = 100 ; b = " " ; c = x </pre>	<pre> Parms "100,200,300",x,y ; a = 100,200,300 ; b = x ; c = y </pre>
<pre> Parms ""string"",x,y ; a = "string" ; b = x ; c = y </pre>	

5.3.1 Directives That Define Substitution Symbols

You can manipulate substitution symbols with the **.asg** and **.eval** directives.

The **.asg** directive assigns a character string to a substitution symbol.

The syntax of the **.asg** directive is:

```
.asg [""]character string[""], substitution symbol
```

The quotation marks are optional. If there are no quotation marks, the assembler reads characters up to the first comma and removes leading and trailing blanks. In either case, a character string is read and assigned to the substitution symbol.

Example 5–3 shows character strings being assigned to substitution symbols.

Example 5–3. The **.asg** Directive

```

.asg AR0,FP           ; frame pointer
.asg *AR1+,Ind       ; indirect addressing
.asg *AR1+0b,Rc_Prop ; reverse carry propagation
.asg ""string"",strng ; string
.asg "a,b,c",parms   ; parameters

```

The **.eval** directive performs arithmetic on numeric substitution symbols.

The syntax of the **.eval** directive is

```
.eval well-defined expression, substitution symbol
```

The **.eval** directive evaluates the expression and assigns the *string value* of the result to the substitution symbol. If the expression is not well defined, the assembler generates an error and assigns the null string to the symbol.

Example 5–4 shows arithmetic being performed on substitution symbols.

Example 5–4. The **.eval** Directive

```
.asg 1,counter  
.loop 100  
.word counter  
.eval counter + 1,counter  
.endloop
```

In Example 5–4 the **.asg** directive could be replaced with the **.eval** directive without changing the output. In simple cases like this, you can use **.eval** and **.asg** interchangeably. However, you must use **.eval** if you want to calculate a *value* from an expression. While **.asg** only assigns a character string to a substitution symbol, the **.eval** directive evaluates an expression and assigns the character string equivalent to a substitution symbol.

5.3.2 Built-In Substitution Symbol Functions

The following built-in substitution symbol functions enable you to make decisions based on the string value of substitution symbols. These functions always return a value, and they can be used in expressions. Built-in substitution symbol functions are especially useful in conditional assembly expressions. Parameters to these functions are substitution symbols or character-string constants.

In the function definitions shown in Table 5–1, *a* and *b* are parameters that represent substitution symbols or character string constants. The term *string* refers to the string value of the parameter. The symbol *ch* represents a character constant.

Table 5–1. Functions and Return Values

Function	Return Value
\$symlen (<i>a</i>)	length of string <i>a</i>
\$symcmp (<i>a,b</i>)	< 0 if <i>a</i> < <i>b</i> 0 if <i>a</i> = <i>b</i> > 0 if <i>a</i> > <i>b</i>
\$firstch (<i>a,ch</i>)	index of the first occurrence of character constant <i>ch</i> in string <i>a</i>
\$lastch (<i>a,ch</i>)	index of the last occurrence of character constant <i>ch</i> in string <i>a</i>
\$isdefed (<i>a</i>)	1 if string <i>a</i> is defined in the symbol table 0 if string <i>a</i> is not defined in the symbol table
\$ismember (<i>a,b</i>)	top member of list <i>b</i> is assigned to string <i>a</i> 0 if <i>b</i> is a null string
\$iscons (<i>a</i>)	1 if string <i>a</i> is a binary constant 2 if string <i>a</i> is an octal constant 3 if string <i>a</i> is a hexadecimal constant 4 if string <i>a</i> is a character constant 5 if string <i>a</i> is a decimal constant
\$isname (<i>a</i>)	1 if string <i>a</i> is a valid symbol name 0 if string <i>a</i> is not a valid symbol name
\$isreg (<i>a</i>) [†]	1 if string <i>a</i> is a valid predefined register name 0 if string <i>a</i> is not a valid predefined register name
\$structsz (<i>a</i>)	size of structure represented by structure tag <i>a</i>
\$structacc (<i>a</i>)	reference point of structure represented by structure tag <i>a</i>

[†] For more information about predefined register names, see Section 3.10, *Symbols*, on page 3-30.

Example 5–5 shows built-in substitution symbol functions.

Example 5–5. Using Built-In Substitution Symbol Functions

```
.asg label, ADDR ; ADDR = label
.if ($symcmp(ADDR,"label") = 0); evaluates to true
SUB ADDR,AC0,AC0
.endif
.asg "x,y,z" , list ; list = x,y,z
.if ($ismember(ADDR,list)) ; addr = x, list = y,z
SUB ADDR,AC0,AC0 ; sub x
.endif
```


5.3.3 Recursive Substitution Symbols

When the assembler encounters a substitution symbol, it attempts to substitute the corresponding character string. If that string is also a substitution symbol, the assembler performs substitution again. The assembler continues doing this until it encounters a token that is not a substitution symbol or until it encounters a substitution symbol that it has already encountered during this evaluation.

In Example 5–6, the x is substituted for z; z is substituted for y; and y is substituted for x. The assembler recognizes this as infinite recursion and ceases substitution.

Example 5–6. Recursive Substitution

```
.asg  "x",z  ; declare z and assign z = "x"  
.asg  "z",y  ; declare y and assign y = "z"  
.asg  "y",x  ; declare x and assign x = "y"  
ADD x,AC0,AC0 ; recursive expansion
```

5.3.4 Forced Substitution

In some cases, substitution symbols are not recognizable to the assembler. The forced substitution operator, which is a set of colons, enables you to force the substitution of a symbol's character string. Simply enclose a symbol in colons to force the substitution. Do not include any spaces between the colons and the symbol.

The syntax for the forced substitution operator is

```
:symbol:
```

The assembler expands substitution symbols enclosed in colons before it expands other substitution symbols.

You can use the forced substitution operator only inside macros, and you cannot nest a forced substitution operator within another forced substitution operator.

Example 5–7 shows how the forced substitution operator is used.

Example 5–7. Using the Forced Substitution Operator

```
force .macro x
      .loop 8
AUX:x: .set  x
      .eval x+1,x
      .endloop
      .endm
force 0
```

The force macro would generate the following source code:

```
AUX0 .set 0
AUX1 .set 1
.
.
.
AUX7 .set 7
```

5.3.5 Accessing Individual Characters of Subscripted Substitution Symbols

In a macro, you can access the individual characters (substrings) of a substitution symbol with subscripted substitution symbols. You must use the forced substitution operator for clarity.

You can access substrings in two ways:

❑ `:symbol (well-defined expression)`:

This method of subscripting evaluates to a character string with one character.

❑ `:symbol (well-defined expression1, well-defined expression2)`:

In this method, expression₁ represents the substring's starting position, and expression₂ represents the substring's length. You can specify exactly where to begin subscripting and the exact length of the resulting character string. *The index of substring characters begins with 1, not 0.*

Example 5–8 and Example 5–9 show built-in substitution symbol functions used with subscripted substitution symbols.

In Example 5–8, subscripted substitution symbols redefine the add instruction so that it handles short immediates.

Example 5–8. Using Subscripted Substitution Symbols to Redefine an Instruction

```
ADDX      .macro      ABC
           .var        TMP
           .asg        :ABC(1) :, TMP
           .if         $syncmp(TMP, "#") = 0
ADD ABC, AC0, AC0
           .else
           .emsg       "Bad Macro Parameter"
           .endif
           .endm

ADDX      #100          ;macro call
ADDX      *AR1         ;macro call
```

In Example 5–9, the subscripted substitution symbol is used to find a substring `strg1`, beginning at position `start` in the string `strg2`. The position of the substring `strg1` is assigned to the substitution symbol `pos`.

Example 5–9. Using Subscripted Substitution Symbols to Find Substrings

```

substr    .macro      start, strg1, strg2, pos
          .var        LEN1, LEN2, I, TMP
          .if         $symlen(start) = 0
          .eval      1, start
          .endif
          .eval      0, pos
          .eval      1, i
          .eval      $symlen(strg1), LEN1
          .eval      $symlen(strg2), LEN2
          .loop
          .break     i = (LEN2 - LEN1 + 1)
          .asg       ":strg2(i, LEN1) :", TMP
          .if         $symcmp(strg1, TMP) = 0
          .eval      i, pos
          .break
          .else
          .eval      i + 1, i
          .endif
          .endloop
          .endm

          .asg       0, pos
          .asg       "ar1 ar2 ar3 ar4", regs
          substr     1, "ar2", regs, pos
          .data
          .word      pos

```

5.3.6 Substitution Symbols as Local Variables in Macros

If you want to use substitution symbols as local variables within a macro, you can use the `.var` directive to define up to 32 local macro substitution symbols (including parameters) per macro. The `.var` directive creates temporary substitution symbols with the initial value of the null string. These symbols are not passed in as parameters, and they are lost after expansion.

```
.var sym1 [,sym2] ... [,symn]
```

The `.var` directive is used in Example 5–8 and Example 5–9.

5.4 Macro Libraries

One way to define macros is by creating a macro library. A macro library is a collection of files that contain macro definitions. You must use the archiver to collect these files, or members, into a single file (called an archive). Each member of a macro library contains one macro definition. The files in a macro library must be unassembled source files. The macro name and the member name must be the same, and the macro filename's extension must be `.asm`. For example:

Macro Name	Filename in Macro Library
<code>simple</code>	<code>simple.asm</code>
<code>add3</code>	<code>add3.asm</code>

You can access the macro library by using the `.mlib` assembler directive (described on page 4-74). The syntax is:

```
.mlib macro library filename
```

The assembler expands the library entry in the same way it expands other macros. You can control the listing of library entry expansions with the `.mlist` directive. For more information about the `.mlist` directive, see Section 5.8, *Formatting the Output Listing*, on page 5-21. Only macros that are actually called from the library are extracted, and they are extracted only once.

You can use the archiver to create a macro library by simply including the desired files in an archive. A macro library is no different from any other archive, except that the assembler expects the macro library to contain macro definitions. The assembler expects *only* macro definitions in a macro library; putting object code or miscellaneous source files into the library may produce undesirable results.

5.5 Using Conditional Assembly in Macros

The conditional assembly directives are **.if/.elseif/.else/.endif** and **.loop/.break/.endloop**. They can be nested within each other up to 32 levels deep. The format of a conditional block is:

```
.if Boolean expression  
[.elseif Boolean expression]  
[.else ]  
.endif
```

The **.elseif** and **.else** directives are optional in conditional assembly. The **.elseif** directive can be used more than once within a conditional assembly code block. When **.elseif** and **.else** are omitted, and when the **.if** expression is false (0), the assembler continues to the code following the **.endif** directive. For more information on the **.if/.elseif/.else/.endif** directives, see page 4-61.

The **.loop/.break/.endloop** directives enable you to assemble a code block repeatedly. The format of a repeatable block is:

```
.loop [well-defined expression]  
[.break [Boolean expression]]  
.endloop
```

The **.loop** directive's optional expression evaluates to the loop count (the number of loops to be performed). If the expression is omitted, the loop count defaults to 1024 unless the assembler encounters a **.break** directive with an expression that is true (nonzero). For more information on the **.loop/.break/.endloop** directives, see page 4-72.

The **.break** directive and its expression are optional. If the expression evaluates to false, the loop continues. The assembler breaks the loop when the **.break** expression evaluates to true or when the **.break** expression is omitted. When the loop is broken, the assembler continues with the code after the **.endloop** directive.

Example 5–10, Example 5–11, and Example 5–12 show the **.loop/.break/.endloop** directives, properly nested conditional assembly directives, and built-in substitution symbol functions used in a conditional assembly code block.

Example 5–10. The .loop/.break/.endloop Directives

```

.asg 1,x
.loop

.break (x == 10) ; if x == 10, quit loop/break with
                  ; expression

.eval x+1,x
.endloop

```

Example 5–11. Nested Conditional Assembly Directives

```

.asg 1,x
.loop

.if (x == 10) ; if x == 10 quit loop
.break      ; force break
.endif

.eval x+1,x
.endloop

```

Example 5–12. Built-In Substitution Symbol Functions Used in Conjunction With Conditional Assembly Code Blocks

```

.ref OPZ
.fcno list
*
*Double Add or Subtract
*
DB .macro ABC, ADDR, dst ; add or subtract double

.if $symcmp(ABC,"+") == 0
ADD dbl(ADDR),dst ; add double

.elseif $symcmp(ABC,"-") == 0
SUB dbl(ADDR),dst ; subtract double

.else
.emsg "Incorrect Operator Parameter"

.endif

.endm

*Macro Call
DB -, @OPZ, AC0

```

For more information about conditional assembly directives, see Section 4.8, *Conditional Assembly Directives*, on page 4-21.

5.6 Using Labels in Macros

All labels in an assembly language program must be unique, including labels in macros. If a macro is expanded more than once, its labels are defined more than once. *Defining labels more than once is illegal.* The macro language provides a method of defining labels in macros so that the labels are unique. Follow the label with a question mark, and the assembler replaces the question mark with a unique number. When the macro is expanded, *you will not see the unique number in the listing file.* Your label appears with the question mark as it did in the macro definition. You cannot declare this label as global.

The label with its unique suffix is shown in the cross-reference listing file.

The syntax for a unique label is:

```
label?
```

Example 5–13 shows unique label generation in a macro.

Example 5–13. Unique Labels in a Macro

(a) Mnemonic example

```

1          ; define macro
2          MLAB      .macro AVAR, BVAR ; find minimum
3
4          MOV AVAR,AC0
5          SUB #BVAR,AC0,AC0
6          BCC M1?,AC0 < #0
7          MOV #BVAR,AC0
8          B M2?
9          M1?      MOV AVAR,AC0
10         M2?
11         .endm
12
13         ; call macro
14 000000      MLAB 50, 100
1
1 000000 A064      MOV 50,AC0
1 000002 7C00      SUB #100,AC0,AC0
000004 6400
1 000006 6320      BCC M1?,AC0 < #0
1 000008 7600      MOV #100,AC0
00000a 6408
1 00000c 4A02      B M2?
1 00000e A064      M1?      MOV 50,AC0
1 000010      M2?

```


*Example 5–13. Unique Labels in a Macro (Continued)**(b) Algebraic example*

```
1           ; define macro
2           MLAB      .macro AVAR, BVAR ; find minimum
3
4           AC0 = @(AVAR)
5           AC0 = AC0 - #(BVAR)
6           if (AC0 < #0) goto #(M1?)
7           AC0 = #(BVAR)
8           goto #(M2?)
9           M1?      AC0 = @(AVAR)
10          M2?
11          .endm
12
13          ; call macro
14 000000      MLAB 50, 100
1
1           000000 A064      AC0 = @(50)
1           000002 7000      AC0 = AC0 - #(100)
1           000004 6400
1           000006 7B20      if (AC0 < #0) goto #(M1?)
1           000008 6B00      AC0 = #(100)
1           00000a 6480
1           00000c 0082      goto #(M2?)
1           00000e A064      M1?      AC0 = @(50)
1           000010          M2?
```

5.7 Producing Messages in Macros

The macro language supports three directives that enable you to define your own assembly-time error and warning messages. These directives are especially useful when you want to create messages specific to your needs. The last line of the listing file shows the error and warning counts. These counts alert you to problems in your code and are especially useful during debugging.

- .emsg** sends error messages to the listing file. The `.emsg` directive generates errors in the same manner as the assembler, incrementing the error count and preventing the assembler from producing an object file.
- .mmsg** sends assembly-time messages to the listing file. The `.mmsg` directive functions in the same manner as the `.emsg` directive but does not set the error count or prevent the creation of an object file.
- .wmsg** sends warning messages to the listing file. The `.wmsg` directive functions in the same manner as the `.emsg` directive, but it increments the warning count and does not prevent the generation of an object file.

Macro comments are comments that appear in the definition of the macro *but do not show up in the expansion of the macro*. An exclamation point in column 1 identifies a macro comment. If you want your comments to appear in the macro expansion, precede your comment with an asterisk or semicolon.

Example 5–14 shows user messages in macros.

Example 5-14. Producing Messages in a Macro

```

1          testparam .macro x,y
2
3              .if ($symlen(x) == 0)
4              .emsg "ERROR -- Missing Parameter"
5              .mexit
6              .elseif ($symlen(y) == 0)
7              .emsg "ERROR == Missing Parameter"
8              .mexit
9              .else
10             MOV y,AC0
11             MOV x,AC0
12             ADD AC0,AC1
13             .endif
14             .endm
15
16 000000          testparam 1,2
1
1              .if ($symlen(x) == 0)
1              .emsg "ERROR -- Missing Parameter"
1              .mexit
1              .elseif ($symlen(y) == 0)
1              .emsg "ERROR == Missing Parameter"
1              .mexit
1              .else
1              MOV 2,AC0
1              MOV 1,AC1
1              ADD AC0,AC1
1              .endif
1
17
18 000006          testparam
1
1              .if ($symlen(x) == 0)
1              .emsg "ERROR -- Missing Parameter"
***** USER ERROR ***** - : ERROR -- Missing Parameter
1              .mexit

1 Error, No Warnings

```

5.8 Formatting the Output Listing

Macros, substitution symbols, and conditional assembly directives may hide information. You may need to see this hidden information, so the macro language supports an expanded listing capability.

By default, the assembler shows macro expansions and false conditional blocks in the output list file. You may want to turn this listing off or on within your listing file. Four sets of directives enable you to control the listing of this information:

❑ Macro and Loop Expansion Listing

.mlist expands macros and `.loop/.endloop` blocks. The `.mlist` directive prints all code encountered in those blocks.

.mnolist suppresses the listing of macro expansions and `.loop/.endloop` blocks.

For macro and loop expansion listing, `.mlist` is the default.

❑ False Conditional Block Listing

.fclist causes the assembler to include in the listing file all conditional blocks that do not generate code (false conditional blocks). Conditional blocks appear in the listing exactly as they appear in the source code.

.fcnolist suppresses the listing of false conditional blocks. Only the code in conditional blocks that actually assemble appears in the listing. The `.if`, `.elseif`, `.else`, and `.endif` directives do not appear in the listing.

For false conditional block listing, `.fclist` is the default.

❑ Substitution Symbol Expansion Listing

.sslist expands substitution symbols in the listing. This is useful for debugging the expansion of substitution symbols. The expanded line appears below the actual source line.

.ssnolist turns off substitution symbol expansion in the listing.

For substitution symbol expansion listing, `.ssnolist` is the default.

□ **Directive Listing**

.drlist causes the assembler to print to the listing file all directive lines.

.drnolist suppresses the printing of the following directives in the listing file: .asg, .eval, .var, .sslist, .mlist, .fclist, .ssnolist, .mnolist, .fcnolist, .emsg, .wmsg, .mmsg, .length, .width, and .break.

For directive listing, .drlist is the default.

5.9 Using Recursive and Nested Macros

The macro language supports recursive and nested macro calls. This means that you can call other macros in a macro definition. You can nest macros up to 32 levels deep. When you use recursive macros, you call a macro from its own definition (the macro calls itself).

When you create recursive or nested macros, you should pay close attention to the arguments that you pass to macro parameters, because the assembler uses dynamic scoping for parameters. This means that the called macro uses the environment of the macro from which it was called.

Example 5–15 shows nested macros. Note that the `y` in the `in_block` macro hides the `y` in the `out_block` macro. The `x` and `z` from the `out_block` macro, however, are accessible to the `in_block` macro.

Example 5–15. Using Nested Macros

```
in_block .macro y,a
        .          ; visible parameters are y,a and
        .          ;   x,z from the calling macro
        .endm

out_block .macro x,y,z
        .          ; visible parameters are x,y,z
        .
        in_block x,y ; macro call with x and y as
        .           ;   arguments
        .
        .endm
out_block      ; macro call
```

Example 5–16 shows recursive macros. The *fact* macro produces assembly code necessary to calculate the factorial of *n* where *n* is an immediate value. The result is placed in data memory address *loc*. The *fact* macro accomplishes this by calling *fact1*, which calls itself recursively.

Example 5–16. Using Recursive Macros

(a) *Mnemonic example*

```
fact .macro N, loc ; n is an integer constant
      ; loc memory address = n!
      .if N < 2 ; 0! = 1! = 1

      MOV #1,loc
      .else
      MOV #N,loc ; n >= 2 so, store n at loc
      ; decrement n, and do the
      .eval N - 1, N ; factorial of n - 1
      fact1 ; call fact1 with current
      ; environment
      .endif

      .endm

fact1 .macro

      .if N > 1
      MOV loc,T3 ; multiply present factorial
      MOV T3,HI(AC2) ; by present position
      MPYK #N,AC2,AC0
      MOV AC0,loc ; save result
      .eval N - 1, N ; decrement position
      fact1 ; recursive call
      .endif

      .endm
```

Example 5-16. Using Recursive Macros (Continued)

(b) Algebraic example

```
fact .macro N, loc ; n is an integer constant
      ; loc memory address = n!
      .if N < 2 ; 0! = 1! = 1

      loc = #1
      .else
      loc = #N ; n >= 2 so, store n at loc
      ; decrement n, and do the
      .eval N - 1, N ; factorial of n - 1
      fact1 ; call fact1 with current
      ; environment
      .endif

      .endm

fact1 .macro

      .if N > 1
      T3 = loc ; multiply present factorial
      HI(AC2) = T3 ; by present position
      AC0 = AC2 * #(N)
      loc = AC0 ; save result
      .eval N - 1, N ; decrement position
      fact1 ; recursive call
      .endif

      .endm
```


5.10 Macro Directives Summary

Table 5–2. Creating Macros

Mnemonic and Syntax	Description
<i>macname</i> .macro [<i>parameter</i> ₁]...[<i>parameter</i> _{<i>n</i>}]	Define macro.
.mlib <i>filename</i>	Identify library containing macro definitions.
.mexit	Go to .endm .
.endm	End macro definition.

Table 5–3. Manipulating Substitution Symbols

Mnemonic and Syntax	Description
.asg [<i>character string</i> [" <i>character string</i> "], <i>substitution symbol</i>	Assign character string to substitution symbol.
.eval <i>well-defined expression</i> , <i>substitution symbol</i>	Perform arithmetic on numeric substitution symbols.
.var <i>substitution symbol</i> ₁ ...[<i>substitution symbol</i> _{<i>n</i>}]	Define local macro symbols.

Table 5–4. Conditional Assembly

Mnemonic and Syntax	Description
.if <i>Boolean expression</i>	Begin conditional assembly.
.elseif <i>Boolean expression</i>	Optional conditional assembly block.
.else	Optional conditional assembly block.
.endif	End conditional assembly.
.loop [<i>well-defined expression</i>]	Begin repeatable block assembly.
.break [<i>Boolean expression</i>]	Optional repeatable block assembly.
.endloop	End repeatable block assembly.

Table 5–5. Producing Assembly-Time Messages

Mnemonic and Syntax	Description
.emsg	Send error message to standard output.
.wmsg	Send warning message to standard output.
.mmsg	Send warning or assembly-time message to standard output.

Table 5–6. Formatting the Listing

Mnemonic and Syntax	Description
.fclist	Allow false conditional code block listing (default).
.fcnolist	Inhibit false conditional code block listing.
.mlist	Allow macro listings (default).
.mnolist	Inhibit macro listings.
.sslist	Allow expanded substitution symbol listing.
.ssnolist	Inhibit expanded substitution symbol listing (default).



Running C54x Code on C55x

In addition to accepting TMS320C55x™ source code, the C55x mnemonic assembler also accepts TMS320C54x™ mnemonic assembly. The C54x instruction set contains 211 instructions; the C55x mnemonic instruction set is a superset of the C54x instruction set. The table below contains statistics on how the C54x instructions assemble with `masm55`:

original C54x instruction assembles as:	% of total C54x instruction set	% of commonly- used C54x instruc- tions
one C55x instruction	85	95–99
two C55x instructions	10	1–3
more than two C55x instructions	5	0–2

The data in the second column characterizes the assembly of an imaginary file containing an instance of every C54x instruction. However, the instructions that assemble as more than two instructions are not commonly used. The data in the third column characterizes the assembly of a file containing the most commonly used C54x instructions. Exact percentages depend on the specific source file used.

Because of this compatibility, the C55x mnemonic assembler can assemble C54x code to generate C55x object code, that upon execution, computes exactly the same result. This assembler feature preserves your C54x source code investment as you transition to the C55x.

This chapter does not explain how to take advantage of the new architecture features of the C55x. For this type of information, see the *TMS320C55x DSP Programmer's Guide*.

Topic	Page
6.1 C54x to C55x Development Flow	6-2
6.2 Understanding the Listing File	6-4
6.3 Handling Reserved C55x Names	6-6

6.1 C54x to C55x Development Flow

To run a C54x application on the C55x, you must:

- Assemble each function with cl55. Your C54x application should already assemble without errors with the cl500 assembler. For information on cl55 options that support the porting of C54x code, see Section 7.2 on page 7-5.
- Initialize the stack pointers SP and SSP. See Section 6.1.1.
- Handle differences in memory placement. See Section 6.1.2.
- Update your C54x linker command file for C55x. See Section 6.1.3.

To use ported C54x functions along with native C55x functions, see Section 7.3, *Using Ported C54x Functions with Native C55x Functions*, on page 7-10.

6.1.1 Initializing the Stack Pointers

When you execute ported C54x code from reset, the appropriate run-time environment is already in place. However, it is still necessary to initialize the stack pointers SP (primary stack) and SSP (secondary system stack). For example:

```
stack_size .set 0x400
stack:     .usect "stack_section", stack_size
sysstack: .usect "stack_section", stack_size
          AMOV #(stack+stack_size), XSP
          MOV #(sysstack+stack_size), SSP
```

The stacks grow from high addresses to low addresses, so the stack pointers must be initialized to the highest address. The primary stack and the secondary system stack must be within the same 64K word page of memory.

Code that modifies the SP can be ported. Such modification can be done directly or indirectly. In some cases you will receive not receive warnings that the SSP must also be modified.

6.1.2 Handling Differences in Memory Placement

This section describes the limitations on where you can place your code in memory. All data must be placed in the first 64K words.

If your C54x code includes any of the following, all code must be placed in the first 64K *bytes*:

- Indirect calls with CALA
- Modification of the repeat block address registers REA or RSA

- Indirect branches with BACC, if you do not use the `-v` option for specifying the device revision.

If your C54x code includes either of the following, it can be placed in any 64K byte block without crossing the 64K byte boundary:

- Indirect branches with BACC, provided you build with the appropriate the `-v` option for specifying the device revision.
- Modification or use of the function return address on the stack in a non-standard way (stack unwinding)

Otherwise, code can be placed anywhere in memory.

6.1.3 Updating a C54x Linker Command File

You must take the following information into consideration when updating a C54x linker command file for use in a C55x system.

- In a C55x linker command file, all addresses and lengths (for both code and data) are expressed in bytes. Note that data is expressed in bytes even though it is addressed in words on the processor. Consequently, the `-heap` and `-stack` options specify the bytes, not words, to be allocated.
- On C54x, memory is split into two different pages: page 0 for code and page 1 for data. The address space on each page ranges from 0 to 0xFFFF (in words). The C55x has a single, unified address space ranging from 0 to 0xFFFFF.
- On C55x, all sections must have a unique address, and may not overlap. On C54x, where code and data are on different pages, sections can have the same address, and they can overlap.
- If you use DP-based direct memory addressing (DMA), be sure that you don't change the relationship between the DP boundaries and variables accessed with DMA. On C54x, DP pages are 128 words long and must begin on 128-word boundaries. C54x code ported by cl55 must adhere to the same restriction. However, the restriction is expressed differently in the linker command file. Because the linker uses byte addresses, a DP page is 256 bytes long and must begin on a 256-byte boundary.

You can place variables on the same DP page by using the blocking parameter of the `.bss` or `.usect` assembler directive. If you use the blocking parameter, you don't need to modify your linker command file.

To use the linker command file to arrange variables on the same DP page, you must change a specification of 128 words to be 256 bytes. For example, you must change a specification such as:

```
output_section ALIGN(128) { list of input sections }
```

to be:

```
output_section ALIGN(256) { list of input sections }
```

6.2 Understanding the Listing File

The assembler's listing file (created when invoking `cl55` with the `-al` option) provides additional information on how C54x instructions are mapped for the C55x.

Consider the following example C54x source file:

```
.global name

ADD    *AR2, A
LD     *AR3, B

RPT    #10
MVDK   *AR4+, name

subm   .macro mem1, mem2, reg
LD     mem1, reg
SUB    mem2, reg
.endm

subm   name, *AR6, B

MOV    T1, AC3      ; native C55x instruction
```

The listing file shown below has explanations inserted for clarification.

The file begins with a comment on a C55x temporary register used in porting the file.

```
16          ; Temporary Registers Used: XCDP
```

This comment appears only when temporary registers are necessary in the porting of the code. The temporary registers are used in the encodings that begin with a `!REG!` comment later in the file (as shown in line 7 of this example).

C54x instructions with the same syntax in C55x (such as the `ADD` instruction below) appear without any special notation:

```
1          .global name
2
3 000000D641    ADD *AR2,A
   00000200
```

Note that `A` in the example above is accepted even though it maps to `AC0` on the C55x.

C54x instructions with a different syntax in C55x but a single-line mapping also appear without any special notation:

```
4 000003A161 LD *AR3, B
```

The LD instruction above could be written as:

```
MOV *AR3, AC1
```

The code below shows a multiple-line instruction mapping that requires the C55x instructions to be in a different order than the original source. Because this multiple-line encoding requires the use of a C55x temporary register, it starts with a !REG! line that echoes the original source. The multiple lines that correspond to the mapping will begin and end with the original source line number (7, in this case).

```
7 ***** !REG! MVDK *AR4+, name
7 000005EC31 AMAR * (#(name)), XCDP ; port of
0000077E00 ; MVDK *AR4+, name
000009 0000!
5
6 00000b4C0A RPT #10
7 00000dEF83 MOV *AR4+, coef(*CDP+) ; port of
00000f 05 ; MVDK *AR4+, name
```

To summarize, in the example above, the original C54x code:

```
RPT #10
MVDK *AR4+, name
```

was mapped to be:

```
AMAR * (#(name)), XCDP
RPT #10
MOV *AR4+, coef(*CDP+)
```

Multiple-line mappings that do not require temporary registers are marked with a PORT comment.

A macro definition is simply echoed:

```
8
9 subm .macro mem1, mem2, reg
10 LD mem1, reg
11 SUB mem2, reg
12 .endm
```

A macro invocation is marked with a MACRO line. Within the macro expansion, you may see any of the cases described above.

```
13
14 ***** MACRO subm name, *AR6, B
14 000010A100% LD name, B
14 000012D7C1 SUB *AR6, B
000014 11
```


Native C55x instructions appear without any special notation. For more information on using ported C54x code with native C55x code, see Section 7.3, *Using Ported C54x Functions with Native C55x Functions*, on page 7-10.

```
15
16 0000152253      MOV T1, AC3 ; native C55x
```

6.3 Handling Reserved C55x Names

Note that new C55x mnemonics and registers are reserved words. Your C54x code should not contain symbol names that are now used as C55x mnemonics or registers. For example, you should not use T3 as a symbol name.

Your C54x code also should not contain symbol names that are reserved words in the C55x algebraic syntax. For example, you should not have a label named return.

The C55x mnemonic assembler issues an error message when it encounters a symbol name conflict.

Migrating a C54x System to a C55x System

After you have ported your TMS320C54x™ code as described in Chapter 6, you must consider various system-level issues when moving your C54x code to the TMS320C55x™. This chapter describes:

- How to handle differences related to interrupts
- How to use ported C54x functions with native C55x functions
- Non-portable C54x coding practices

Topic	Page
7.1 Handling Interrupts	7-2
7.2 Assembler Options for C54x Code	7-5
7.3 Using Ported C54x Functions with Native C55x Functions	7-10
7.4 Output C55x Source	7-22
7.5 Non-Portable C54x Coding Practices	7-30
7.6 Additional C54x Issues	7-32
7.7 Assembler Messages	7-35

7.1 Handling Interrupts

This section describes issues related to interrupts.

7.1.1 Differences in the Interrupt Vector Table

The C54x interrupt table is composed of 32 vectors. Each vector contains 4 words of executable code. The C55x vector table is also composed of 32 vectors. The vectors in both tables are the same length, but on the C55x, the length is counted as 8 bytes.

The order of the vectors in the interrupt vector table is documented in the data sheet for the specific device in your system. Since the order of the vectors is device-specific, any access to the IMR or IFR register needs to be updated accordingly. Likewise, if you use the TRAP instruction, its operand may need to be updated.

C54x and C55x handle the contents of their vectors in different ways. To handle these differences, you must modify the C54x vectors themselves.

In the C55x vector table, the first byte is ignored, and the next three bytes are interpreted as the address of the interrupt service routine (ISR). Use the `.ivec` assembler directive to initialize a C55x vector entry, as shown in the examples below. For more information on the `.ivec` directive, see the description on page 4-64.

Simple Branch to ISR

If the C54x vector contains:

```
B isr
```

Change the corresponding C55x vector to:

```
.ivec isr
```

Delayed Branch to ISR

If the C54x vector contains:

```
BD isr  
inst_1      ; two instruction words of code  
inst_2
```

The easiest solution is to write the vector as:

```
.ivec isr
```

and move the instructions `inst1` and `inst2` to the beginning of the ISR. If the conversion of `inst1` is a single C55x instruction that is 4 bytes or less, it can be placed in the vector. However, `inst2` must be moved to the ISR.

Vector Contains the Entire ISR

If the C54x vector contains the entire 4-word ISR, as in the examples shown below, you have to create the 4-word ISR as a stand-alone routine:

```
; example 1
inst1
inst2
inst3
RETF

; example 2
inst1
RETFD
inst2
inst3

; example 3
CALL routine1
RETE
nop
```

You must then provide the address of that routine in the C55x vector table:

```
.ivec new_isr
```

7.1.2 Handling Interrupt Service Routines

An interrupt service routine needs to be changed only if when it is ported to C55x it includes C54x instructions that map to more than one C55x instruction, and one of the C55x instructions requires the use of a C55x register or bit as a temporary.

In this case, the new C55x register needs to be preserved by the routine.

See Section 7.3.2, *C55x Registers Used as Temporaries*, on page 7-11 for the list of C55x registers that can be used as temporaries in multiple-line instruction mappings.

To ensure that an interrupt will work, you can preserve the entire list of registers. Or, you can simply preserve the register(s) used:

- 1) Assemble the ISR using cl55 with the `-al` option to generate a listing file.
- 2) Check the listing to see if it includes a Temporary Registers Used comment at the top of the file, such as:

```
16                ; Temporary Registers Used: XCDP
```

This comment provides a list of all temporary registers used in the porting of the file. For more information, see Section 6.2, *Understanding the Listing File*, on page 6-4.

- 3) If temporary registers are used, the appropriate register or bit must be pushed on the stack at the beginning of the ISR, and popped off the stack at the end.

7.1.3 Other Issues Related to Interrupts

You should be aware of the interrupt issues described below:

- When the assembler encounters RETE, RETED, FRETE, FRETED, RETF, or RETFD, a warning will be issued. With these instructions, the assembler is processing an interrupt service routine or the interrupt vector table itself and may not be able to port the instructions correctly.
- INTR has the same mnemonic syntax for both C54x and C55x. Consequently, the assembler cannot distinguish when an instruction is intended for a native C55x interrupt (which is acceptable) or for a C54x interrupt (for which the interrupt number may be wrong).
- If your code writes values to IPTR, a nine-bit field in the PMST indicating the location of the interrupt vector table, you will need to modify your code to reflect the changes in the C55x system.

7.2 Assembler Options for C54x Code

The cl55 assembler offers several options to provide additional support for the porting of C54x assembly code to C55x. With these options, the assembler can:

- Assume SST is disabled (`-mt` option)
- Port for speed over size (`-mh` option)
- Encode for C54x-specific circular addressing (`--purecirc` option)
- Remove NOPs from delay slots (`-mn` option)

7.2.1 Assume SST is Disabled (`-mt` Option)

By default, the assembler assumes that the SST bit (saturate on store) is enabled. For example, the SST assumption causes the assembler to port the STH and STL instructions as follows:

C54x instruction	Default C55x encoding	Bytes
STH <i>src</i> , S <i>mem</i>	MOV HI (AC <i>x</i> << #0), S <i>mem</i>	3
STL <i>src</i> , S <i>mem</i>	MOV AC <i>x</i> << #0, S <i>mem</i>	3

The shift (<< #0) is used to achieve the same saturate-on-store behavior provided by C54x. Even if SST is disabled in your code, this encoding still works.

However, if the saturate behavior is not required, use the `-mt` assembler option to generate a more optimal encoding:

C54x instruction	C55x encoding with <code>-mt</code>	Bytes
STH <i>src</i> , S <i>mem</i>	MOV HI (AC <i>x</i>), S <i>mem</i>	2
STL <i>src</i> , S <i>mem</i>	MOV AC <i>x</i> , S <i>mem</i>	2

The `-mt` option affects the entire file. To toggle SST mode within a file, use the `.sst_on` and `.sst_off` assembler directives.

The `.sst_on` directive specifies that the SST status bit set to 1, the default assumption of the assembler. The `.sst_off` directive specifies that the SST status bit set to 0; this is equivalent to using the `-mt` assembler option. In the case of a conflict between the command line option and the directive, the directive takes precedence.

The scope of the `.sst_on` and `.sst_off` directives is static and not subject to the control flow of the assembly program. All of the assembly code between the `.sst_off` and the `.sst_on` directives is assembled with the assumption that SST is disabled. To indicate that the SST bit is disabled without using the command line option, place the `.sst_off` directive at the top of every source file.

7.2.2 Port for Speed Over Size (`-mh` Option)

By default, the assembler encodes C54x code with a goal of achieving small code size. For example, consider the encoding of the MVMM and STM instructions that write ARx registers. (In the STM instruction below, *const* is a constant in the range of -15 to 15.)

C54x instruction	Default C55x encoding	Bytes
MVMM ARx, ARy	MOV ARx, ARy	2
STM #const, ARx	MOV #const, ARx	2

You can use the `-mh` assembler option to generate a “faster” encoding:

C54x instruction	Default C55x encoding	Bytes
MVMM ARx, ARy	AMOV ARx, ARy	3
STM #const, ARx	AMOV #const, ARx	3

The MOV instruction writes ARy in the execute phase of the pipeline. AMOV writes ARy in the address phase, which is 4 cycles earlier. If the instruction following MVMM or STM de-references ARy (for example, *AR3+), MOV imposes a 4-cycle stall to wait for ARy to be written. AMOV does not impose a stall. The AMOV encoding provides a significant gain in speed at the cost of one byte of encoding space.

The `-mh` option affects the entire file. To toggle the “port for speed” mode within a file, use the `.port_for_speed` and `.port_for_size` assembler directives.

The `.port_for_size` directive models the default encoding of the assembler. The `.port_for_speed` directive models the effect of the `-mh` assembler option. In the case of a conflict between the command line option and the directive, the directive takes precedence.

Consider using `.port_for_speed` just before a critical loop. After the loop, use `.port_for_size` to return to the default encoding.

7.2.3 Optimized Encoding of C54x Circular Addressing (`--purecirc` Option)

If your ported C54x code uses C54x circular addressing without using the C55x linear/circular addressing bits, use the `--purecirc` option. This option allows the assembler to generate the most optimal encoding for the circular addressing code.

For the following example C54x code:

```
RPTB    end-1
NOP    ; 1
MAC    *AR5+, *AR3+0%, A
NOP    ; 2
end
```

Building *without* `--purecirc` generates this code:

```
RPTB    end-1
NOP    ; 1
BSET   AR3LC
MACM   T3 = *AR5+, *(AR3+AR0), AC0, AC0
BCLR   AR3LC
NOP    ; 2
end:
```

Notice how the instructions for toggling the linear/circular bit for AR3 are still inside the loop. Building *with* `--purecirc` generates this code:

```
BSET   AR3LC
RPTB   P04_3
NOP    ; 1
MACM   T3 = *AR5+, *(AR3+AR0), AC0, AC0
P04_3:
NOP    ; 2
BCLR   AR3LC
end:
```

The instructions for toggling the linear/circular bit for AR3 are now outside of the loop.

Certain coding practices can hinder the optimization of circular addressing code, even when using the `--purecirc` option:

Unused labels

In the following code, the label “middle” is unused:

```
start:
        RPTB    end-1
        LD     *AR4, A
middle:    ; unused label
        MAR   *AR4-0%
end:
```


If the unused label is removed from the loop, the assembler can move the circular bit operations for the MAR instruction out of the loop. Otherwise, the circular instructions remain in the loop, causing the loop to be 4 bytes larger and 4 cycles longer.

- Using a register for circular and non-circular purposes in the same loop

Consider the following code:

```
        RPTB    end-1
        ; reference to AR3 (circular)
        MAC     *AR5+, *AR3+0%, A

        ...

        ; reference to AR3 (non-circular)
        ST      A, *AR3+
||      SUB     *AR2, B

        ...

end:
```

Because the second AR3 reference is non-circular, the circular bit operations of the MAC instruction cannot be moved outside of the loop. When possible, if one indirect reference of an ARx within a loop uses circular addressing, all indirect references of that register within that loop should also use circular addressing.

7.2.4 Removing NOPs in Delay Slots (-atn and -mn Options)

When the `-atn` or the `-mn` option is specified, the assembler will remove NOP instructions located in the delay slots of C54x delayed branch or call instructions.

For example, with the `-mn` option, the following C54x code:

```
CALLD    func
LD       *AR2, A
NOP
; call occurs here
```

will appear in the `cl55` listing file as:

```
4  000000  A041  LD   *AR2, A
2
3  000002  6C00  CALLD  func
000004  0000!
5  ***** DEL   NOP
6                      ; call occurs here
```

The DEL in the opcode field signifies the deleted NOP.

7.3 Using Ported C54x Functions with Native C55x Functions

When rewriting a C54x application to be completely native C55x code, consider working on one function at a time, continually testing. If you encounter a problem, you can easily find it in the changes recently made. Throughout this process, you will be working with both ported C54x code and native C55x code. Keep the following in mind:

- Avoid mixing C54x and C55x instructions within the same function.
- Transitions between ported C54x instructions and native C55x instructions should occur only at function calls and returns.
- The C compiler provides the `C54X_CALL` pragma for C code calling assembly. However, see the example in Section 7.3.7 for a detailed description of using a veneer function when calling a ported C54x assembly function from C code. For more information on `C54X_CALL`, see the TMS320C55x *Optimizing C Compiler User's Guide*.

7.3.1 Run-Time Environment for Ported C54x Code

A run-time environment is the set of presumptions and conventions that govern the use of machine resources such as registers, status register bit settings, and the stack. The run-time environment used by ported C54x code differs from the environment used by native C55x code. When you execute ported C54x code from reset, the appropriate run-time environment is already in place. However, when shifting from one kind of code to the other, it is important to be aware of the status bit and register settings that make up a particular environment.

The following CPU environment is expected upon entry to a ported C54x function.

- 32-bit stack mode.
- The SP and SSP must be initialized to point into memory reserved for a stack. See Section 6.1.1, *Initializing the Stack Pointers*, on page 6-2.

- The status bits must be set as follows:

Status bit	Set to
C54CM	1
M40	0
ARMS	0
RDM	0
ST2[7:0] (circular addressing bits)	0

- The upper bits of addressing registers (DPH, CDPH, AR n H, SPH) must be set to 0.
- The BS A_{xx} registers must be set to 0.

7.3.2 C55x Registers Used as Temporaries

The following C55x registers may be used as temporaries in multiple-line mappings generated by cl55:

- T0
- T1
- AC2
- AC3
- CDP
- CSR
- ST0_55 (TC1 bit only)
- ST2_55

Interrupt routines using these registers must save and restore them. For more information, see Section 7.1.2, *Handling Interrupt Service Routines*, on page 7-3.

Native C55x code that calls ported C54x code must account for the possibility that ported code may overwrite these registers.

7.3.3 C54x to C55x Register Mapping

The following C54x registers map to C55x registers as shown below:

C54x register	C55x register
T	T3
A	AC0
B	AC1
AR n	AR n
IMR n	IER n
ASM (status bit in ST1)	T2

7.3.4 Caution on Using the T2 Register

Under the C54CM mode, which is required when running C54x code automatically ported by cl55, you cannot use the T2 register for any purpose other than to strictly model the ASM field of ST1 exactly as cl55 ported code does. Under C54CM, whenever the status register ST1_55 is written, the lower 5 bits (the ASM field) are automatically copied with sign extension to T2.

When an interrupt occurs, ST1_55 is automatically saved and restored. When the restore occurs, the automatic copy to T2 is restarted. Because of this automatic overwrite on the interrupt, you cannot use T2 as a general-purpose register even in sections of C54x code that do not use the ASM field.

7.3.5 Status Bit Field Mapping

The C55x status bit fields map to C54x status bit fields as shown below.

Table 7–1. ST0_55 Status Bit Field Mapping

Bit(s)	C55x field	C54x field (in ST0)
15	ACOV2	none
14	ACOV3	none
13	TC1	none
12	TC2	TC
11	CARRY	C
10	ACOV0	OVA
9	ACOV1	OVB
8–0	DP	DP

Table 7–2. ST1_55 Status Bit Field Mapping

Bit(s)	C55x field	C54x field (in ST1)
15	BRAF	BRAF
14	CPL	CPL
13	XF	XF
12	HM	HM
11	INTM	INTM
10	M40	none
9	SATD	OVM
8	SXMD	SXM
7	C16	C16
6	FRCT	FRCT
5	C54CM	none
4–0	ASM	ASM

Table 7–3. ST2_55 Status Bit Field Mapping

Bit(s)	C55x field	C54x field
15	ARMS	none
14–13	Reserved	none
12	DBGM	none
11	EALLOW	none
10	RDM	none
9	Reserved	none
8	CDPLC	none
7–0	ARnLC	none

Table 7–4. ST3_55 Status Bit Field Mapping

Bit(s)	C55x field	C54x field (in PMST)
15–8	Reserved	none
7	CBERR	none
6	MPNMC	MP/MC_
5	SATA	none
4	Reserved	none
3	Reserved	none
2	CLKOFF	CLKOFF
1	SMUL	SMUL
0	SST	SST

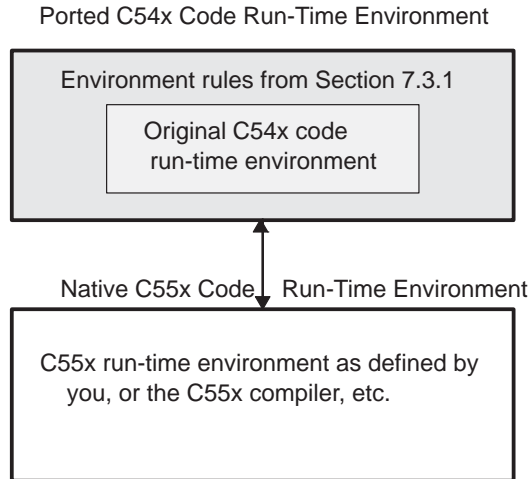
7.3.6 Switching Between Run-Time Environments

The run-time environment defined in Section 7.3.1 is not complete because it only defines registers and status bits that are new with C55x. Registers and status bits that are not new with C55x inherit their conventions from the original C54x code. (As shown in Section 7.3.3, some registers have new names.)

If the run-time environment for your native C55x code differs from the environment defined for ported C54x code, you must ensure that, when switching between environments, the proper adjustments are made for:

- preserving status bit field values
- preserving registers
- how arguments are passed
- how results are returned

Figure 7–1. Run-Time Environments for Ported C54x Code and Native C55x Code



7.3.7 Example of C Code Calling C54x Assembly

This example describes a technique for handling a call from compiled C code to a C54x assembly routine. In this example, an additional function is inserted between the native C55x code and the ported C54x code. This function, referred to as a *vener function*, provides code to transition between the two run-time environments.

Note: Compiler Pragmas

The compiler provides two pragmas to do this work for you: `C54X_CALL` and `C54X_FAR_CALL`. If you use these pragmas, you do not need to write the *vener* yourself. Both the C54x and C55x C compiler run-time environments are well-defined, which makes the techniques shown in this example more concrete and easier to apply to your own situation.

Example 7–1. C Prototype of Called Function

```
short firlat(short *x, short *k, short *r, short *dbuf-
fer,
           unsigned short nx, unsigned short nk);
```


Example 7-2. Assembly Function `_firlat_veneer`

```

        .def    _firlat_veneer
        .ref    _firlat

_firlat_veneer:
; Saving Registers -----
    PSH        AR5
    ; PSH    AR6        ; saved in ported C54x environment
    ; PSH    AR7        ; ditto
    PSH        T2
    PSH        T3

; Passing Arguments -----
    PSH        T1        ; push rightmost argument first
    PSH        T0        ; then the next rightmost
    PSH        AR3        ; and so on
    PSH        AR2
    PSH        AR1

    MOV        AR0, AC0    ; leftmost argument goes in AC0

; Change Status Bits -----
    BSET    C54CM
    BCLR    ARMS
    BCLR    C16

; Call -----
    CALL    _firlat

; Restore Status Bits -----
    BCLR    C54CM
    BSET    ARMS
    BSET    SXMD

; Capture Result -----
    MOV        AC0, T0

; Clear Arguments From the Stack -----
    AADD        #5, SP

; Restore Registers and Return -----
    POP        T3
    POP        T2
    ; POP    AR7
    ; POP    AR6
    POP        AR5

    RET

```

The veneer function is described below. It is separated into several parts to allow for a description of each segment.

Example 7–2. Assembly Function `_firlat_veneer` (Continued)

(a) Saving registers

```

PSH      AR5
; PSH   AR6      ; saved in ported C54x environment
; PSH   AR7      ; ditto
PSH      T2
PSH      T3

```

If the C55x run-time environment expects that certain registers will not be modified by a function call, these registers must be saved. In the case of the C55x C compiler environment, registers XAR5–XAR7, T2, and T3 must be saved. Because C54x code cannot modify the upper bits of the XAR n registers, only the lower bits need to be preserved. The instructions that push AR6 and AR7 are commented out because the run-time environment of the C54x ported code (as defined by the C54x C compiler) presumably saves these registers. A more conservative approach would be to save these registers anyway.

(b) Passing arguments

```

PSH      T1      ; push right-most argument first
PSH      T0      ; then the next argument
PSH      AR3     ; and so on
PSH      AR2
PSH      AR1

MOV      AR0, AC0 ; left-most argument goes in AC0

```

Arguments passed from native C55x code must be placed where the ported C54x code expects them. In this case, all arguments are passed in registers. According to the calling conventions of the C55x C compiler, the arguments to the `firlat()` function will be passed, and the result returned, in the registers shown below.

```

T0      AR0      AR1      AR2      AR3
short firlat(short *x, short *k, short *r, short *dbuffer,
             T0      T1
             unsigned short nx, unsigned short nk);

```

For more information on the C compiler's calling conventions, see the *Run-Time Environment* chapter of the *TMS320C55x Optimizing C Compiler User's Guide*.

The ported C54x environment expects the first argument to be in A (AC0 on C55x) and the remaining arguments to be placed on the stack, in reverse order of appearance in the argument list. The right-most argument (T1) is pushed onto the stack first. The next argument (T0) is then pushed onto the stack. The argument placement continues until the left-most argument (AR0) is reached. This argument is copied to AC0.

Example 7–2. Assembly Function `_firlat_veneer` (Continued)

(c) Changing status bits

```
BSET   C54CM
BCLR   ARMS
BCLR   C16
```

It is necessary to change the status settings of the native C55x code to the settings required by ported C54x code. These settings are shown in Section 7.3.1 on page 7-10. In this case, only the C54CM and ARMS bits need to be changed.

Because of the requirements for executing the original C54x code, it may be necessary to set the C16 bit to 0. This bit, ignored by C55x compiled code, is assumed to be 0 by the C54x compiler. Setting the bit to 0 is the conservative approach to account for this assumption.

(d) Function call

```
CALL   _firlat
```

Now that registers have been saved and status bits set, the call to ported C54x code can be made.

(e) Restoring status bits

```
BCLR   C54CM
BSET   ARMS
BSET   SXMD
```

After the call, restore the status bits to the settings required by the native C55x environment. Ported C54x code makes no assumption about the SXMD bit (SXM on C54x) after a function call. However, C55x compiled code expects this bit to be set to 1.

(f) Capturing results

```
MOV    AC0, T0
```

The ported C54x environment returns the result in AC0, while the native C55x environment expects the result to be returned in T0. Consequently, the result must be copied from AC0 to T0.

Example 7–2. Assembly Function `_firlat_veneer` (Continued)

(g) Clearing arguments from the stack

```
AADD    #5, SP
```

At this point, you should decrease the stack by the number of words originally needed to push the function's passed arguments. In this case, the amount is 5 words. Because the stack grows from high addresses to low addresses, addition is used to change the stack pointer from a low address to a higher one.

(h) Restoring registers and returning

```
POP     T3
POP     T2
; POP   AR7
; POP   AR6
POP     AR5

RET
```

Restore the registers saved at the beginning of the function, and return.

7.3.8 Example of C54x Assembly Calling C Code

This example contains a C54x assembly routine calling a compiled C routine. Because the C routine is recompiled with the C55x C compiler, the assembly routine must handle the differences between the ported C54x run-time environment and the run-time environment used by the C55x compiler.

If you use a different run-time environment for your C55x code, your code changes will differ slightly from those in this example. However, you must still consider the issues addressed here.

Example 7–3. Prototype of Called C Function

```
int C_func(int *buffer, int length);
...
```

The assembly function performs some calculations not shown in this example and calls the C function. The returned result is copied to the C global variable named `result`. Further calculations, also not shown here, are then performed.

Example 7-4. Original C54x Assembly Function

```
; Declare some data -----
                .data
buffer:  .word 0, 10, 20, 30, 40, 50, 60, 70, 80, 90,
100
BUFLEN   .set 11
                .text

; Assembly routine starts -----
callsc:
; original C54x code ...

; Call C function (original C54x code) -----
                ST #BUFLEN, *SP(0) ; pass 2nd arg on stack
                CALLD #_C_func
                LD #buffer, A      ; pass 1st arg in A

; Effects of calling C:
; May modify A, B, AR0, AR2-AR5, T, BRC
; Will not modify AR1, AR6, AR7
; May modify ASM, BRAF, C, OVA, OVB, SXM, TC
; Will not modify other status bits
; Presume CMPT = 0, CPL = 1

                STL A, *(_result) ; Result is in accumulator A

; original C54x code ...

                RET
```

To use this assembly function on C55x, it is necessary to change the call to the C function.

Example 7–5. Modified Assembly Function

```

; declare data as shown previously
; Assembly routine starts -----
callsc:
; ported C54x code ...
; Call C function (Change to C55x compiler environment)
        AMOV #buffer,AR0 ; pass 1st ptr arg in AR0
        MOV #BUFLen,T0 ; pass 1st int arg in T0
; compiler code needs C54CM=0, ARMS=1
        BCLR C54CM ; clear C54x compatibility mode
        BSET ARMS ; set AR mode
        BSET SXM ; set sign extension mode
        CALL _C_func ; no delayed call instruction

; Effects of calling C:
; May modify ACO-AC3, XAR0-XAR4, T0-T1
; May modify RPTC,CSR,BRCx,BRS1,RSAX,REAX
; Will not modify XAR5-XAR7,T2-T3,RETA
; May modify ACOV[0-3],CARRY,TC1,TC2,SATD,FRCT,ASM,
; SATA,SMUL
; Will not modify other status bits

        MOV T0, *(_result) ; Result is in T0
; could use *abs16(_result) if all globals are in the
; same 64K word page of data

; Change back to ported C54x environment -----
        BSET C54CM ; reset C54x compatibility mode
        BCLR ARMS ; disable AR mode

; ported C54x code ...

        RET

```

The arguments are passed according the calling conventions described in the *Run-Time Environment* chapter of the *TMS320C55x Optimizing C Compiler User's Guide*. The status bits modified are the only ones that differ between the C54x ported run-time environment and the native C55x environment (in this case, as defined by the C55x C compiler).

The comments about the effects of calling C (the registers and status bits that may or may not be modified) do not impact the code shown. But these effects can impact the code around such a call.

For example, consider the XAR1 register. In the C54x compiler environment, AR1 will not be modified by the call. In the C55x compiler environment, XAR1 may be modified. If code before the call to C_func loads a value into AR1, and code after the call reads AR1 for that value, then the code, as written, will not work on C55x. The best alternative is to use an XARn register that is saved by C routines, such as XAR5.

7.4 Output C55x Source

This section describes how to convert your C54x source code directly into C55x source code instead of object code. This conversion preserves your investment in C54x assembly code by using the same format, spacing, comments, and (very often) symbolic references of the original source.

7.4.1 Command-Line Options

Table 7–5 shows the `cl55` command-line options.

Table 7–5. *cl55* Command-Line Options

Option	Meaning
<code>--mnem</code>	Mnemonic output
<code>--alg</code>	Algebraic output
<code>--incl</code>	Write output for include files
<code>--nomacx</code>	Do not expand macros
<code>-fr dir</code>	Name the directory for the output files
<code>-eo .ext</code>	Name the extension of the output files

To get source output, you must use either `--mnem` or `--alg`. Otherwise, you produce the usual object files. Most of the examples in this section use `cl55 --mnem` even though `cl55 --alg` can be used.

If you do not specify an extension for the output files, the names of the output files are the same as those of the corresponding input files, but with a different extension. If the first letter of an input file extension is “a” or “s,” or there is no extension, the output file extension is `.s55`. Otherwise, the file is presumed to be an include file, and the output file extension is `.i55`.

For more information on `--incl`, see sections 7.4.2 and 7.4.3. For more information on `--nomacx`, see section 7.4.7, *Handling Macros*.

The example:

```
cl55 -q --mnem --incl -fr c55x_asm -eo .asm *.asm
```

Shows that all of your assembly files are processed, placing the output in the directory `c55x_asm`, with the extension `.asm` instead of the default `.s55`. Any include files that are created are also in `c55x_asm` but named according to the default output file name method described above.

Note: The `-fr` and `-eo` Options

The `-fr` and `-eo` options have the same meanings for `.obj` files when `cl55` is used to compile and/or assemble files to object.

Since object files are not created, some compiler options that would normally affect the assembler do not apply. For instance, `-al` does not cause a listing file to be created.

Table 7–6 shows a list of the compiler options that affect the assembler.

Table 7–6. Compiler Options that Affect the Assembler

Option	Meaning	Effect
<code>-aa</code>	Enable absolute listing	No
<code>-ac</code>	Make case insignificant	Yes
<code>-adname</code>	Pre-define <i>name</i>	Yes
<code>-ahc<f></code>	.copy file <i>f</i>	Yes
<code>-ahi<f></code>	.include file <i>f</i>	Yes
<code>-al</code>	(Lowercase L) Produce asm listing file	No
<code>-ar[#]</code>	Suppress remark <i>[#]</i>	Yes
<code>-as</code>	Keep local symbols	No
<code>-ata</code>	Assert ARMS initially set	No
<code>-atc</code>	Assert CPL initially set	No
<code>-ath</code>	Port for speed over size	Yes
<code>-atl</code>	Assert C54x initially set	No
<code>-atn</code>	Remove NOP in delay slots	Yes
<code>-atp</code>	Generate profiling .prf file	No
<code>-att</code>	Assert SST is always zero	Yes
<code>-atv</code>	All branches/calls are encoded as 24-bit offset	No
<code>-atw</code>	Suppress all warnings	Yes
<code>-auname</code>	Undefine <i>name</i>	Yes
<code>-ax</code>	Produce cross-reference file	No

If you use an option listed as not having an effect, it is silently ignored.

7.4.2 Processing .include/.copy Files

Only in this section, the term *include file* means a file included by either the `.include` or the `.copy` directive. An include file must be read in order to correctly process the file which includes it. This section addresses whether processing of an include file results in the creation of a corresponding output file.

By default, an output file is not written out for an include file and the `.include` statement itself remains unchanged. When the new `.s55` file is re-assembled, it includes a file that has not been processed. Because the assembler can read C54x syntax, this does not affect correctness.

The `--incl` option changes this behavior. Under `--incl`, an output file is written out for each include file. The name of the new file is determined by the command-line option you use and the extension you specify as described in section 7.4.1, *Command-Line Options*. Furthermore, the `.include` statement is modified to include the new output file.

For example, under `--incl`,

```
.include    i1.inc
```

causes `i1.i55` to be created and this statement is changed to

```
.include    i1.i55
```

There is one special case on naming an include file. If `cl55` is invoked with the `-fr <dir>` option and the name of the include file does not contain any directory information, then the new include file is written out to the directory given by the `-fr` option.

For example,

```
cl55 --mnm --incl input.asm -fr outdir
```

places the new `i1.i55` (and `input.i55`) file in the directory `outdir`.

7.4.3 Problems with the `--incl` Option

Consider this contrived example of three files:

```

;   i1.inc-----
;   .word    x
;   file1.asm-----
x   .set     0
;   .include  i1.inc
;   file2.asm-----
x   .set     1
;   .include  i1.inc

```

Suppose you use `--incl` when building both `file1.asm` and `file2.asm`. Whether the new `i1.i55` contains `.word 0` or `.word 1` depends on which file is built last. (It will certainly be wrong for one of them.)

The `--incl` option works only when every include file that is created is context free. That is, it contains no dependencies on the files which include it. In this case, `i1.inc` depends on the different values of `x` as defined in both `file1.asm` and `file2.asm`.

If `i1.inc` is included by several different files, using `--incl` causes `i1.i55` to be written out each time `cl55 --mnm` is invoked on those files. Multiple developers working on different files in the same directory need to be aware that each time `cl55 --mnm --incl` is run, a new `i1.i55` file is created.

Another problem with `--incl` relates to `parallel` makes. (If you don't know what a parallel make is, you can safely skip this paragraph.). Suppose you have a set of `.asm` files, which all include `i1.inc`. Furthermore, suppose you have a makefile that converts those files to C55x syntax with `cl55 --mnm` and then assembles the resulting `.s55` files to object with just `cl55`. If you do this in parallel, you end up with simultaneous writes and reads to `i1.i55`. Since this does not work, you have to create the `.i55` files with a serial make.

7.4.4 Handling `.asg` and `.set`

The `.asg` and `.set` lines are copied through unchanged. The use of symbols that are defined by `.asg` and `.set` is largely retained. Generally, if an entire operand can be copied unchanged from the old C54x instruction to the new C55x instruction, then that operand is copied through. But, if that operand is modified in any way, then the symbolic references may not show up.

7.4.5 Preserve Spacing with the `.tab` Directive

The assembler preserves the spacing of the original source line by copying it from the source file. However, when the width of a C55x mnemonic or operand field is wider than the original, some original spacing is omitted. To handle this step correctly, the assembler must know how many spaces are occupied by a tab. The default is 8 spaces. You may change this default with the directive `.tabnumber`, where *number* is how many spaces a tab occupies in your system.

7.4.6 Assembler-Generated Comments

Whenever source lines are deleted or added, the assembler uses a special prefix or suffix comment to mark these lines. These lines can then easily be found with the search features typically found in text editors, or scripting languages such as Perl and awk.

The general form of the comments is `“;+XX”` where XX is a two letter code used to specify the function the comment performs. These are described in the following sections.

7.4.6.1 Multiple-Line Rewrites

Multiple-line rewrites appear at the front of the commented out original source line. They are also tagged on the end of every line associated with the original source line.

The two types of multiple-line rewrites are:

- ML – Multiple-line rewrite
- RL – Multiple-line rewrite that uses a temporary register

7.4.6.2 Expanded Macro Invocations

Expanded macro invocations appear at the front of the macro invocation (always MI) or multiple line rewrite within the macro expansion. They are also tagged on the end of every line within the macro expansion.

The three types of expanded macro invocations are:

- MI – Single-line rewrite within an expanded macro
- MM – Multiple-line rewrite within an expanded macro
- RM – Multiple-line rewrite that uses a temporary register within an expanded macro

7.4.6.3 Prefix Comments

The following comments appear at the front of the commented out lines:

- NP – Deleted NOP
- IF – .if/.endif and related directives, as well as associated false blocks
- LP – .loop/.break/.endloop and enclosing lines
- FN – Naming the file
- MS – Miscellaneous

7.4.6.4 Suffix Comments

The following comment is tagged at the end of changed lines:

- SA – Converted .set to .asg (only in algebraic output)

The following comment is tagged at the end of added lines:

- RK – Remark inserted with .mmsg directive

7.4.6.5 Code Example For Assembler-Generated Comments

Example 7–6 shows a code example of assembler-generated comments. Example 7–7 displays the C55x output for Example 7–6.

Example 7–6. Contrived C54x Assembly File

```

.global name

ADD      *AR2, A           ; same mnemonic
LD       *AR3, B           ; different mnemonic

RPT      #10
MVDK    *AR4+, name       ; multi-line rewrite

subm    .macro mem1, mem2, reg      ; macro definition
                                   ; copied through
LD      mem1, reg
SUB     mem2, reg
endm

subm    name, *AR6, B           ; macro invocation
                                   ; expanded

MOV     T1, AC3                ; native LEAD3 instruction

```

Example 7–7. C55x Output For C54x Code Example in Example 7–6

```

;+MS translation of try1.asm
;+MS Temporary Registers Used: XCDP
    trans_count 1           ;+MS do NOT remove!
    global      name

    ADD      *AR2, AC0, AC0           ; same mnemonic
    MOV     *AR3, AC1                ; different mnemonic
;+RL MVDK   *AR4+, name              ; multi-line rewrite
    AMAR    *(&name), XCDP           ; +RL port of MVDK *AR4+, name

    RPT     #10
    MOV     *AR4+, *CDP+             ; +RL port of MVDK *AR4+, name

subm    .macro mem1, mem2, reg      ; macro definition
                                   ; copied through

    LD     mem1, reg
    SUB    mem2, reg
    .endm

;+MI subm   name, *AR6, B           ; macro invocation
                                   ; expanded

    MOV    @&name, AC1              ;+MI
    SUB    *AR6, AC1, AC1           ;+MI

    MOV    T1, AC3                  ; native LEAD3 instruction

```

7.4.7 Handling Macros

Macro definitions are always copied through unchanged.

By default, macro invocations are expanded. You can disable this expansion with the option `--nomacx`.

If you combine `--alg --nomacx` your output file has invocations of macros which use mnemonic syntax in a file that is otherwise algebraic syntax. Therefore, at the top of such a file you see the following error message:

Example 7-8. C55x Output Created from Combining `--alg` & `--nomacx`

```
.emsg "This file will not assemble because it combines algebraic syntax with
      invocations of macros in mnemonic syntax. Please see the comment at
      the top of <output file> for more information."
```

```
.end ; stops assembler processing
```

Also note that because this file cannot be assembled, this combination of features cannot be tested. To attempt to assemble this file you must rewrite the macros in C55x algebraic syntax, and remove this `.emsg`, `.end`, and associated comment block.

If you assemble this file, you see the error message given in the `.emsg`. After the message is displayed, the assembler stops running. To continue, you must edit the file as instructed in the error message.

7.4.8 Handling the `.if` and `.loop` Directives

The problem with blocks of code controlled by the `.if` and `.loop` directives is that these blocks do not necessarily stay together through translation. Delayed branches or calls must move as part of the translation. If these delayed branches or calls occur just before such a block, they move into it. If they are near the end, they may leave the block.

The assembler will evaluate conditional expressions and comment out the `.if`, `.else`, `.elseif`, and `.endif` directives, as well as the code in the false block(s). The solution for `.loop` is to comment out every thing from the `.loop` to the `.endloop`, including any `.break` directives, and follow that with as many iterations of the `.loop` block as required.

Note: Loop Count Affects Translated Source Size

If the loop count is a large value, then there will be a large increase in the size of the translated source versus the original source.

7.4.9 Integration Within Code Composer Studio

Converting source from C54x to C55x is not a process integrated within Code Composer Studio (CCStudio). None of the command line options described in this section are available from within CCStudio. Use the command line interface to `cl55` to convert your C54x source to C55x, then add those new C55x source files to your C55x CCStudio project.

7.5 Non-Portable C54x Coding Practices

Some C54x coding practices cannot be ported to the C55x. The assembler will warn you of certain detectable issues, but it cannot detect every issue. The following coding practices are not portable:

- Any use of a constant as a memory address. For example:

```
B 42
ADD @42,A
SUB @symbol+10,b
```

- Memory initialized with constants that are later interpreted as code addresses. For example:

```
table: .word 10, 20, 30
...
LD      @table,A
CALA
```

- Using data as instructions. For example:

```
function:
    .word 0xabcd ; opcode for ???
    .word 0xdef0 ; opcode for ???
...
CALL function
```

- Out-of-order execution, also known as pipeline tricking. The assembler detects one instance of out-of-order execution: when an instruction modifies the condition in the two instruction-words before the C54x XC instruction. In this instance, the assembler will issue a remark. Other cases of out-of order execution are not detected by the assembler.

- Code that creates or modifies code.

- Repeat blocks spanning more than one file.

- Branching/calling unlabeled locations. Or, modifying the return address to return to unlabeled location. This includes instructions such as:

```
B $+10
```

- Using READA and WRITA instructions to access instructions and not data. For more information, see Section 7.6.1, *Handling Program Memory Accesses*, on page 7-33.

- ❑ Using READA/WRITA with an accumulator whose upper bits are not zero.
The READA/WRITA instruction on C54x devices (other than 'C548 or later) uses the lower 16 bits of the accumulator and ignores the upper 16 bits. 'C548 and later devices, however, use the lower 23 bits. The assembler cannot easily know the device for which the code is targeted. It assumes 'C548 or later. Consequently, code for 'C548 and later devices will map with no problems. Code for devices other than these will not run.

- ❑ Label differences are not allowed in conditional assembly expressions.
Coding practices such as following will not work on C55x

7.6 Additional C54x Issues

This section contains some additional system issues.

If your C54x code does any of the following, you may need to modify this code to use native C55x instructions:

- Uses a *SP(offset) operand in the MMR slot of MMR instructions like LDM
- Copies blocks of code, usually from off-chip memory to on-chip memory
- Uses memory-mapped access to peripherals
- Uses repeat blocks larger than 32K after mapping to C55x
- Uses the branch conditions BIO/NBIO

You should also be aware of the following issues:

- The C5x-compatibility features of the C54x are not supported on C55x.
- RPT instructions, non-interruptible on C54x, can be interrupted on C55x.
- When an operation overflows into the guard bits, and then a left-shift clears the guard bits, the C54x has the value of zero while the C55x has a saturated value.
- The C54x and C55x mnemonic assembly languages differ significantly in the representation of instruction parallelism.

The C55x implements two types of parallelism: implied parallelism within a single instruction (using the :: operator), and user-defined parallelism between two instructions (using the || operator). The C54x implements only one type of parallelism, which is analogous to implied parallelism on the C55x. However, C54x parallelism uses parallel bars (||) as its operator. C55x parallelism is documented in the *TMS320C55x DSP Mnemonic Instruction Set Reference Guide*.

- When using indirect access with memory-mapped access instructions, such as:

```
STM #0x1234, *AR2+
```

the C54x masks the upper 9 bits of the AR n register. This masking effectively occurs both before and after the post-increment to AR2. For example:

```
; AR2 = 0x127f
STM #0x1234, *AR2+ ; access location 0x7f
; AR2 = (0x7f + 1) & ~7f ==> 0
```

However, the C55x assembler maps this as:

```
AND #0x7f, AR2
MOV #0x1234, *AR2+ ; note no masking afterward
```

to account for the possibility of a memory-mapped address for AR2.

7.6.1 Handling Program Memory Accesses

The cl55 assembler supports C54x program memory access instructions (FIRS, MACD, MACP, MVDP, MVPD, READA, WRITA) for accessing data, but not for accessing code. When the assembler encounters one of these instructions, it will issue a remark (R5017). On C54x, a code address is in words, while on C55x, it is in bytes. To account for this difference when handling program memory access instructions, the assembler does the following actions:

- Generates a C55x instruction sequence with the assumption that the C54x program memory access operand refers to a data (word) address, not a code (byte) address.
- Places any data declaration found in a code section into its own data section. This will most likely require changes to your linker command file.

For example, the following C54x input:

```
.global ext
MVDP *AR2, ext
table:
.word 10
```

will be ported by cl55 to be:

```
.global ext
AMOV #ext, XCDP
MOV *AR2, *CDP
.sect ".data:.text"
table:
.word 10
```

In this example, the instructions generated for MVDP assume that `ext` is a data (word) address. If the memory address used in your code actually is a code address, the C55x instructions will not work. In this case, you should rewrite the function to use native C55x instructions. For more information on using native C55x instructions along with ported C54x code, see Section 7.3 on page 7-10.

The `.word` directive in this example is placed into a new section called `.data:.text`. In general, groupings of data within a code section are placed into subsections with the name `.data:root_section`, where `root_section` is the name of the original code section used on C54x. Your linker command file should be modified to account for these changes. A subsection can be allocated separately or grouped with other sections using the same base name. For example, to group all data sections and subsections:

```
.data > RAM ; allocates all .data sections / subsections
```

For more information on subsections, see Section 2.2.4, *Subsections*, on page 2-8.

7.7 Assembler Messages

When assembling C54x code, cl55 may generate any of the following remarks. To suppress a particular remark or all remarks, use the `-r` assembler option or the `.noremark` directive. For more information, see the description of `.noremark` on page 4-78.

(R5001) Possible dependence in delay slot of RPTBD--be sure delay instructions do not modify repeat control registers.

Description This message occurs when the instructions in the delay slots of a C54x RPTBD instruction perform indirect memory references.

Action If these instructions modify the REA or RSA repeat address control registers, the C55x instructions used to implement RPTBD will not work. If the instructions do not modify REA or RSA, you can either ignore this message or rewrite your code to use RTPB.

(R5002) Ignoring RSBX CMPT instruction

Description This C54x instruction disables the 'C5x compatibility mode of the C54x. Because C55x does not support 'C5x compatibility mode, this instruction is ignored.

Action Remove this instruction from your code, or simply ignore this message.

(R5003) C54x does not modify AR_n, but C55x does

Description This message occurs when both memory operands of an ADD or SUB instruction use the same AR_n register but only the second operand modifies the register. For example:

```
SUB *AR3, *AR3+, A
```

Action On C54x, such an instruction will not modify AR₃ by adding one to it. On C55x, the same instruction will add one to AR₃. This difference in behavior may or may not affect your code. To prevent this message from being issued, move the AR_n modification to the first operand:

```
SUB *AR3+, *AR3, A
```

(R5004) Port of RETF correct only for non-interrupt routine.

Description This message occurs when the assembler encounters RETF and RETFD, the C54x fast interrupt return instructions. Because it is possible to correctly use these instructions in non-interrupt routines, the RETF instruction is mapped to the C55x RET instruction.

Action If this instance of RETF or RETFD is actually used to return from an interrupt, you need to consider the issues described in R5005, and then rewrite this instruction using the C55x RETI instruction.

(R5005) Port of [F]RETE is probably not correct. Consider rewriting to use RETI instead.

Description This message occurs when the assembler encounters the C54x RETE, RETED, FRETE, and FRETED instructions. These instructions are mapped to the C55x RETI instruction.

Action The effects of RETI differ from the effects of the RETE instructions. For example, RETI automatically restores ST1_55, ST2_55, and part of ST0_55. RETE does not. You may need to adjust your code accordingly. Furthermore, you need to determine if your C54x interrupt service routine contains any multiple-line mappings using C55x temporary registers. If so, you need to preserve the registers. For more information, see Section 7.1.2 on page 7-3.

(R5006) This instruction loads the memory address itself, and not the contents at that memory address

Description This message occurs when the first operand of an AMOV instruction is a symbol without an operand prefix. For example:

```
AMOV symbol, XAR3 ; not written as #symbol
```

Action This instruction may seem to load the contents at the memory address represented by *symbol*. However, the address of the symbol itself is loaded. Use the # prefix to correct this issue:

```
AMOV #symbol, XAR3
```

(R5007) C54x and C55x port numbers are different

Description This message occurs when the assembler encounters C54x PORTR and PORTW instructions. A C55x instruction sequence will be encoded to perform the same function, but the port number used will most likely be incorrect for C55x.

Action Consider rewriting the code to use a similar C55x instruction that loads/stores the contents of a port address into a register:

```
MOV port(#100), AC0 ; for PORTR
MOV AC1, port(#200) ; for PORTW
```

(R5008) C54x directive ignored

Description Some C54x assembler directives are not needed on the C55x. This message occurs when you use such a directive (.version, .c_mode, .far_mode).

Action Remove this directive from your code, or simply ignore this message.

(R5009) Modifying C54x IPTR in PMST will not update C55x IVPD/IVPH. Replace with native C55x mnemonic (e.g., MOV #K, mmap(IVPD)).

Description This message occurs when the assembler encounters a write to the PMST register. On C54x, bits 15 through 7 of PMST contain the upper 9 bits of the address of the interrupt vector table. C55x uses the IVPD/IVPH registers for this role. The IVPD/IVPH registers are described in the TMS320C55x *DSP CPU Reference Guide*.

Action Replace the C54x instruction with a native C55x instruction.

(R5010) C54x and C55x interrupt enable/flag registers and bit mapping are different. Replace with native C55x mnemonic.

Description This message occurs when the assembler encounters a write to the IFR or IMR registers. The bit mappings of the C55x IFR and IER (IMR on C54x) registers differ from the C54x mappings. These registers are described in the TMS320C55x *DSP CPU Reference Guide*.

Action Replace the C54x instruction with a native C55x instruction.

(R5011) C55x requires setting up the system stack pointer (SSP) along with the usual C54x SP setup.

Description This message occurs when the assembler encounters a write to the SP register. C55x has a primary system stack managed by the SP as well as a secondary system stack managed by SSP. This remark is a reminder that whenever SP is initialized, SSP must be initialized also.

Action Initialize the SSP register.

(R5012) This instruction requires the use of C55x 32-bit stack mode.

Description This message occurs when the assembler encounters the FCALL[D] or FCALA[D] instructions. These instructions only work in 32-bit stack mode. The stack configurations are described in the TMS320C55x *DSP CPU Reference Guide*. Note that 32-bit stack mode is the default mode upon device reset, and you must explicitly set up your reset vector to use a different stack mode. For more information, see the description of the .ivec directive on page 4-64.

Action Set the stack configuration accordingly.

(R5013) C55x peripheral registers are in I/O space. Use C55x port() qualifier.

Description This message occurs when the assembler encounters the use of a C54x peripheral register name. These registers are not memory-mapped on C55x. Instead, they are located in I/O space. To access C55x I/O space, you must use the port() operand qualifier. For more information, see the TMS320C55x *DSP Mnemonic Instruction Set Reference Guide*.

Action Use the port() qualifier accordingly.

(R5014) On C54x, the condition set in the two instruction words before an XC does not affect that XC. The opposite is true on C55x.

Description This message occurs when the assembler encounters an instruction that modifies the condition in the two instruction-words before the C54x XC instruction. On C54x, this code depends on out-of-order execution in the pipeline. However, this out-of-order execution will not occur on the C55x, so the results will not be the same. Out-of-order execution is considered a non-portable C54x coding practice, as described in Section 7.5 on page 7-30. While there are many possible cases of out-of-order execution, this is the only one detected by the assembler.

Action Modify your code to account for the difference on C55x.

(R5015) Using hard-coded address for branch/call destination is not portable from C54x.

Description This message occurs when the assembler encounters a C54x instruction that includes a branch or call to a non-symbolic, hard-coded address. Because code addresses are words on C54x and bytes on C55x, the assembler cannot know if the address accounts for the byte/word difference.

Action Modify your code to account for the difference on C55x.

(R5016) Using expression for branch/call destination is not portable from C54x.

Description This message occurs when the assembler encounters a C54x branch or call instruction with an expression containing an arithmetic operator (such as sym+1). Because code addresses are words on C54x and bytes on C55x, the assembler cannot know if your code accounts for the byte/word difference.

Action Modify your code to account for the difference on C55x.

(R5017) Program memory access is supported when accessing data, but not when accessing code. In addition, changes to your linker command file are typically required.

Description This message occurs when the assembler encounters a C54x program memory access instruction (FIRS, MACD, MACP, MVDP, MVPD, READA, WRITA). For more information, see Section 7.6.1 on page 7-33.

Action Modify your code and/or linker command file to account for the C55x differences.

Built-in parallelism within a single instruction.

Some instructions perform two different operations in parallel. Double colons (::) are used to separate the two operations. This type of parallelism is also called *implied parallelism*. These instructions are provided directly by the device and are documented in the *TMS320C55x DSP Mnemonic Instruction Set Reference Guide*. You cannot form your own implied parallel instructions.

User-defined parallelism between two independent instructions.

Two instructions may be paralleled by you, as allowed by the parallelism rules described in the *TMS320C55x DSP Mnemonic Instruction Set Reference Guide*. Parallel bars (||) are used to separate two instructions to be executed in parallel.

The C54x implements only one type of parallelism. It is analogous to implied parallelism on the C55x. However, C54x parallelism uses parallel bars (||) as its operator.

The table below summarizes the parallelism operators on the C54x and C55x.

Kind of Parallelism	C54x Operator	C55x Operator
Implied		::
User-defined	N/A	

Linker Description

The TMS320C55x™ linker creates executable modules by combining COFF object files. The concept of COFF sections is basic to linker operation. Chapter 2, *Introduction to Common Object File Format*, discusses the COFF format in detail.

Topic	Page
8.1 Linker Overview	8-2
8.1 Linker Overview	8-2
8.2 Linker Development Flow	8-3
8.3 Invoking the Linker	8-4
8.4 Linker Options	8-5
8.5 Byte/Word Addressing	8-21
8.6 Linker Command Files	8-22
8.7 Object Libraries	8-26
8.8 The MEMORY Directive	8-28
8.9 The SECTIONS Directive	8-32
8.10 Specifying a Section's Load-Time and Run-Time Addresses	8-45
8.11 Using UNION and GROUP Statements	8-53
8.12 Overlay Pages	8-59
8.13 Default Allocation Algorithm	8-64
8.14 Special Section Types (DSECT, COPY, and NOLOAD)	8-67
8.15 Assigning Symbols at Link Time	8-68
8.16 Creating and Filling Holes	8-73
8.17 Linker-Generated Copy Tables	8-77
8.18 Partial (Incremental) Linking	8-91
8.19 Linking C/C++ Code	8-93
8.20 Linker Example	8-98

8.1 Linker Overview

The TMS320C55x linker allows you to configure system memory by allocating output sections efficiently into the memory map. As the linker combines object files, it performs the following tasks:

- Resolves undefined external references between input files.
- Places sections into the target system's configured memory.
- Relocates symbols and sections to assign them to final addresses.

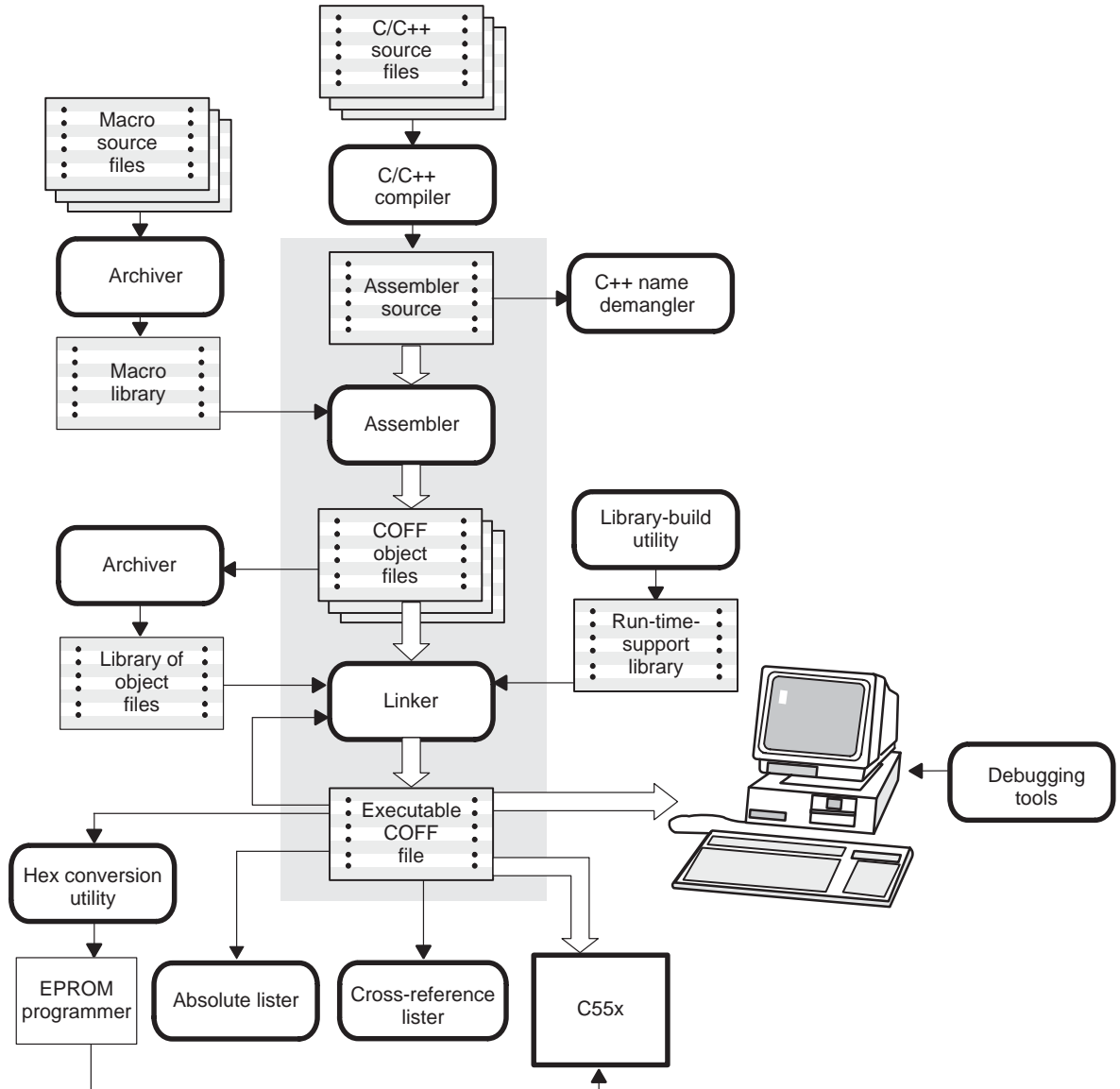
The linker command language controls memory configuration, output section definition, and address binding. The language supports expression assignment and evaluation. You configure system memory by defining and creating a memory model that you design. Two powerful directives, MEMORY and SECTIONS, allow you to:

- Place sections into specific areas of memory.
- Combine object file sections.
- Define or redefine global symbols at link time.

8.2 Linker Development Flow

Figure 8–1 illustrates the linker’s role in the assembly language development process. The linker accepts several types of files as input, including object files, command files, libraries, and partially linked files. The linker creates an executable COFF object module that can be downloaded to one of several development tools or executed by a TMS320C55x device.

Figure 8–1. Linker Development Flow



8.3 Invoking the Linker

The general syntax for invoking the linker is:

```
cl55 -z [-options] filename1 . . . filenamen
```

- cl55 -z** is the command that invokes the linker.
- options* can appear anywhere on the command line or in a linker command file. (Options are discussed in Section 8.4, *Linker Options*, on page 8-5.)
- filenames* can be object files, linker command files, or archive libraries. The default extension for all input files is *.obj*; any other extension must be explicitly specified. The linker can determine whether the input file is an object or ASCII file that contains linker commands. The default output filename is *a.out*.

There are two methods for invoking the linker:

- Specify options and filenames on the command line. This example links two files, *file1.obj* and *file2.obj*, and creates an output module named *link.out*.

```
cl55 -z file1.obj file2.obj -o link.out
```

- Put filenames and options in a linker command file. Filenames that are specified inside a linker command file must begin with a letter. For example, assume that the file *linker.cmd* contains the following lines:

```
-o link.out
file1.obj
file2.obj
```

Now you can invoke the linker from the command line; specify the command filename as an input file:

```
cl55 -z linker.cmd
```

When you use a command file, you can also specify other options and files on the command line. For example, you could enter:

```
cl55 -z -m link.map linker.cmd file3.obj
```

The linker reads and processes a command file as soon as it encounters the filename on the command line, so it links the files in this order: *file1.obj*, *file2.obj*, and *file3.obj*. This example creates an output file called *link.out* and a map file called *link.map*.

For information on invoking the linker for C/C++ files, see section 8.19, *Linking C/C++ Code*, on page 8-93.

8.4 Linker Options

Linker options control linking operations. They can be placed on the command line or in a command file. Linker options must be preceded by a hyphen (-). The order in which options are specified is unimportant, except for the -l (lowercase L) and -i options. The following summarize the linker options:

-a	produces an absolute, executable module. This is the default; if neither -a nor -r is specified, the linker acts as if -a were specified.
-abs	produces an absolute listing file. You must use the -O option (after -z) to specify the .out file for the absolute linker, even if you use a linker command file that already uses -O.
-ar	produces a relocatable, executable object module.
--args=size	allocates memory to be used by the loader to pass arguments
-b	disables merge of symbolic debugging information.
-c	uses linking conventions defined by the ROM autoinitialization model of the TMS320C55x C/C++ compiler.
-cr	uses linking conventions defined by the RAM autoinitialization model of the TMS320C55x C/C++ compiler.
-e=global_symbol	defines a <i>global_symbol</i> that specifies the entry point for the output module. If the -c or -cr option is used, <i>_c_int00</i> is used as the default entry point.
-f=fill_value	sets the default fill value for holes within output sections; <i>fill_value</i> is a 16-bit constant.
-g=global_symbol	keeps a <i>global_symbol</i> global (overrides -h).
-h	makes all global symbols static.
-help	prints a help menu.
-?	
-heap=size	sets heap size (for the dynamic memory allocation in C/C++) to <i>size</i> bytes and define a global symbol that specifies the heap size. The default size is 2K bytes.
-I=pathname	alters the file-search algorithm to look in <i>pathname</i> before looking in the default location. You should specify all -I options before the -l option. The directory or filename must follow operating system conventions.

-j	disables conditional linking.
-l=filename	names a file as linker input; <i>filename</i> can be an archive, an object file, or a linker command file. You should specify a file with -l only after you have set up the search path with the -I option. The directory or filename must follow operating system conventions.
-m=filename	generates a map file listing of the input and output sections, including holes, and symbols. The generated file is named <i>filename</i> .
-o=filename	names the executable output module. The default filename is <i>a.out</i> . The directory or filename must follow operating system conventions.
-priority	causes the linker to search libraries in the order in which they are specified when attempting to resolve symbol references.
-r	generates a relocatable output module.
-s	strips symbol table information and line number entries from the output module.
-stack=size	sets the primary stack size to <i>size</i> bytes and define a global symbol that specifies the stack size. The default size is 1K bytes.
-sysstack=size	sets the secondary system stack size to <i>size</i> bytes and define a global symbol that specifies the secondary system stack size. The default size is 1000 bytes.
-u=symbol	inserts an unresolved external <i>symbol</i> into the output module's symbol table. This forces the linker to find a definition of the symbol in order to complete the link.
-vn	specifies the output COFF format, where <i>n</i> is 0, 1, or 2. The default format is COFF2.
-w	displays a message when an undefined output section is created by the linker.
-x	forces rereading of libraries to resolve back references.
--xml_link_info=file	generates a well-formed XML <i>file</i> containing detailed information about the result of a link.

8.4.1 Relocation Capabilities (`-a` and `-r` Options)

The linker performs relocation, which is the process of adjusting all references to a symbol when the symbol's address changes. The linker supports two options (`-a` and `-r`) that allow you to produce an absolute or a relocatable output module.

Producing an Absolute Output Module (`-a` Option)

When you use the `-a` option without the `-r` option, the linker produces an *absolute, executable* output module. Absolute files retain no relocation information. Executable files contain the following:

- Special symbols defined by the linker (subsection 8.15.4, *Symbols Defined by the Linker*, on page 8-71 describes these symbols)
- An optional header that describes information such as the program entry point
- No unresolved symbol references

The following example links `file1.obj` and `file2.obj` and creates an absolute output module called `a.out`:

```
c155 -z -a file1.obj file2.obj
```

Note: The `-a` and `-r` Options

If you do not use the `-a` or the `-r` option, the linker acts as if you specified `-a`.

Producing a Relocatable Output Module (`-r` Option)

When you use the `-r` option, the linker retains relocation entries in the output module. If the output module will be relocated (at load time) or relinked (by another linker execution), use `-r` to retain the relocation entries.

The linker produces a file that is not executable when you use the `-r` option without `-a`. A file that is not executable does not contain special linker symbols or an optional header. The file may contain unresolved references, but these references do not prevent creation of an output module.

The following example links `file1.obj` and `file2.obj` and creates a relocatable output module called `a.out`:

```
c155 -z -r file1.obj file2.obj
```

The output file `a.out` can be relinked with other object files or relocated at load time. (Linking a file that will be relinked with other files is called partial or incremental linking.) For more information, see Section 8.20, *Linker Example*, on page 8-98.

Producing an Executable Relocatable Output Module (`-ar` Option Combination)

If you invoke the linker with both the `-a` and `-r` options, the linker produces an *executable, relocatable* object module. The output file contains the special linker symbols, an optional header, and all symbol references are resolved; however, the relocation information is retained.

The following example links `file1.obj` and `file2.obj` and creates an executable, relocatable output module called `xr.out`:

```
cl55 -z -ar file1.obj file2.obj -o xr.out
```

You can string the options together (`cl55 -z -ar`) or enter them separately (`cl55 -z -a -r`).

Relocating or Relinking an Absolute Output Module

The linker issues a warning message (but continues executing) when it encounters a file that contains no relocation or symbol table information. Relinking an absolute file can be successful only if each input file contains no information that needs to be relocated (that is, each file has no unresolved references and is bound to the same virtual address that it was bound to when the linker created it).

8.4.2 Create an Absolute Listing File (`-abs` Option)

The `-abs` option produces an output file for each file that was linked. These files are named with the input filenames and an extension of `.abs`. Header files, however, do not generate a corresponding `.abs` file.

8.4.3 Allocate Memory for Use by the Loader to Pass Arguments (`--args` Option)

The `--args` option instructs the linker to allocate memory to be used by the loader to pass arguments from the command line of the loader to the program. The syntax of the `--args` option is:

```
--args=size
```

The *size* is a number representing the number of bytes to be allocated in target memory for command-line arguments.

By default, the linker creates the `__c_args__` symbol and sets it to `-1`. When you specify `--args=size`, the following occur:

- The linker creates an uninitialized section named `.args` of *size* bytes.
- The `__c_args__` symbol contains the address of the `.args` section.

The loader and the target boot code use the `.args` section and the `__c_args__` symbol to determine whether and how to pass arguments from the host to the target program.

8.4.4 Disable Merge of Symbolic Debugging Information (`-b` Option)

By default, the linker eliminates duplicate entries of symbolic debugging information. Such duplicate information is commonly generated when a C program is compiled for debugging. For example:

```
-[ header.h ]-
typedef struct
{
    <define some structure members>
} XYZ;

-[ f1.c ]-
#include "header.h"
...
-[ f2.c ]-
#include "header.h"
...
```

When these files are compiled for debugging, both `f1.obj` and `f2.obj` will have symbolic debugging entries to describe type `XYZ`. For the final output file, only one set of these entries is necessary. The linker eliminates the duplicate entries automatically.

Use the `-b` option if you want the linker to keep such duplicate entries. The loader has to read in and maintain more information, so using `-b` may make the loader slower.

8.4.5 C Language Options (`-c` and `-cr` Options)

The `-c` and `-cr` options cause the linker to use linking conventions that are required by the C/C++ compiler.

- The `-c` option tells the linker to use the ROM autoinitialization model.
- The `-cr` option tells the linker to use the RAM initialization model.

The `-c` and `-cr` options insert an unresolved reference to `_c_int00` if no `-e` option is specified.

For more information about linking C/C++ code, see Section 8.19, *Linking C/C++ Code*, on page 8-93 and subsection 8.19.6, *The `-c` and `-cr` Linker Options*, on page 8-97.

8.4.6 Define an Entry Point (`-e global_symbol` Option)

The memory address at which a program begins executing is called the *entry point*. When a loader loads a program into target memory, the program counter must be initialized to the entry point; the PC then points to the beginning of the program.

The linker can assign one of four possible values to the entry point. These values are listed below in the order in which the linker tries to use them. If you use one of the first three values, it must be an external symbol in the symbol table.

- The value specified by the `-e` option. The syntax is:

```
-e global_symbol
```

Where *global_symbol* defines the entry point and must appear as an external symbol in one of the input files.

- The value of symbol `_c_int00` (if present). `_c_int00` *must* be the entry point if you are linking code produced by the C/C++ compiler.
- The value of symbol `_main` (if present).
- Zero (default value).

This example links `file1.obj` and `file2.obj`. The symbol `begin` is the entry point; `begin` must be defined and externally visible (accessible) in `file1` or `file2`.

```
c155 -z -e begin file1.obj file2.obj
```

8.4.7 Set Default Fill Value (`-f cc` Option)

The `-f` option fills the holes formed within output sections or initializes uninitialized sections when they are combined with initialized sections. This allows you to initialize memory areas during link time without reassembling a source file. The syntax for the `-f` option is:

```
-f cc
```

The argument *cc* is a 16-bit constant (up to four hexadecimal digits). If you do not use `-f`, the linker uses 0 as the default fill value.

This example fills holes with the hexadecimal value `ABCD`.

```
c155 -z -f 0ABCDh file1.obj file2.obj
```

8.4.8 Make a Symbol Global (`-g global_symbol` Option)

The `-h` option makes all global symbols static. If you have a symbol that you want to remain global and you use the `-h` option, you can use the `-g` option to declare that symbol to be global. The `-g` option overrides the effect of the `-h` option for the symbol that you specify. The syntax for the `-g` option is:

```
-g global_symbol
```

8.4.9 Make All Global Symbols Static (`-h` Option)

The `-h` option makes all global symbols defined with the `.global` assembler directive static. Static symbols are not visible to externally linked modules. By making global symbols static, global symbols are essentially hidden. This allows external symbols with the same name (in different files) to be treated as unique.

The `-h` option effectively nullifies all `.global` assembler directives. All symbols become local to the module in which they are defined, so no external references are possible. For example, assume that `b1.obj`, `b2.obj`, and `b3.obj` are related and reference a global variable `GLOB`. Also assume that `d1.obj`, `d2.obj`, and `d3.obj` are related and reference a separate global variable `GLOB`. By using the `-h` option and partial linking, you can link the related files without conflict.

```
c155 -z -h -r b1.obj b2.obj b3.obj -o bpart.out  
c155 -z -h -r d1.obj d2.obj d3.obj -o dpart.out
```

The `-h` option guarantees that `bpart.out` and `dpart.out` do not have global symbols and therefore, that two distinct versions of `GLOB` exist. The `-r` option is used to allow `bpart.out` and `dpart.out` to retain their relocation entries. These two partially linked files can then be linked together safely with the following command:

```
c155 -z bpart.out dpart.out -o system.out
```

8.4.10 Define Heap Size (`-heap constant` Option)

The C/C++ compiler uses an uninitialized section called `.systemem` for the C run-time memory pool used by `malloc()`. You can set the size of this memory pool at link time by using the `-heap` option. The syntax for the `-heap` option is:

```
-heap size
```

Specify the size in bytes as a constant immediately after the option:

```
c155 -z -heap 0x0400 /* defines a heap size */
```

The linker creates the `.systemem` section only if there is a `.systemem` section in one of the input files.

The linker also creates a global symbol `__SYSTEMEM_SIZE` and assigns it a value equal to the size of the heap (in bytes). The default size is 2000 bytes.

For more information about linking C code, see Section 8.19, *Linking C Code*, on page 8-93.

8.4.11 Alter the File Search Algorithm (`-l` Option, `-i` Option, and `C55X_C_DIR/C_DIR` Environment Variables)

Usually, when you want to specify a file as linker input, you simply enter the filename; the linker looks for the file in the current directory. For example, suppose the current directory contains the library object `lib`. Assume that this library defines symbols that are referenced in the file `file1.obj`. This is how you link the files:

```
c155 -z file1.obj object.lib
```

If you want to use a file that is not in the current directory, use the `-l` (lowercase L) linker option. The syntax for this option is:

```
-l [pathname] filename
```

The *filename* is the name of an archive, an object file, or a linker command file; the space between `-l` and the filename is optional.

The `-l` option is not required when one or more members of an object library are specified for input to an output section. For more information, see section 8.9.4, *Allocating an Archive Member to an Output Section*.

You can augment the linker's directory search algorithm by using the `-i` linker option or the `C_DIR` or `C55X_C_DIR` environment variables. The linker searches for input files in the following order:

- 1) It searches directories named with the `-i` linker option.
- 2) It searches directories named with `C_DIR` and `C55X_C_DIR`.
- 3) If `C_DIR` and `C55X_C_DIR` are not set, it searches directories named with the assembler's environment variables, `C55X_A_DIR` and `A_DIR`.
- 4) It searches the current directory.

8.4.11.1 Name an Alternate File Directory (`-i` Option)

The `-i` option names an alternate directory that contains input files. The syntax for this option is:

```
-I pathname
```

The *pathname* names a directory that contains input files; the space between `-i` and the directory name is optional.

When the linker is searching for input files named with the `-l` option, it searches through directories named with `-I` first. Each `-I` option specifies only one directory, but you can several `-I` options per invocation. When you use the `-I` option to name an alternate directory, it must precede any `-l` option used on the command line or in a command file.

For example, assume that there are two archive libraries called `r.lib` and `lib2.lib`. The table below shows the directories that `r.lib` and `lib2.lib` reside in, how to set environment variable, and how to use both libraries during a link. Select the row for your operating system:

Operating System	Pathname	Enter
Windows	<code>\ld</code> and <code>\ld2</code>	<code>c155 -z f1.obj f2.obj -I\ld -I\ld2 -lr.lib -llib2.lib</code>
UNIX (Bourne shell)	<code>/ld</code> and <code>/ld2</code>	<code>c155 -z f1.obj f2.obj -I/ld -I/ld2 -lr.lib -llib2.lib</code>

8.4.11.2 Name an Alternate File Directory (C_DIR Environment Variable)

An environment variable is an operating system symbol that you define and assign a string to. The linker uses environment variables named C_DIR and C55X_C_DIR to name alternate directories that contain input files. The command syntaxes for assigning the environment variable are:

Operating System	Enter
Windows	set C_DIR= <i>pathname</i> ₁ ; <i>pathname</i> ₂ ; . . .
UNIX (Bourne shell)	C_DIR=" <i>pathname</i> ₁ ; <i>pathname</i> ₂ ; . . . "; export C_DIR

The *pathnames* are directories that contain input files. Use the -l option on the command line or in a command file to tell the linker when to use the list of file search directories to look for a particular input file.

In the example below, assume that two archive libraries called r.lib and lib2.lib reside in the ld and ld2 directories. The table below shows the directories that r.lib and lib2.lib reside in, how to set the environment variable, and how to use both libraries during a link. Select the row for your operating system:

Operating System	Pathname	Invocation Command
Windows	\ld and \ld2	set C_DIR=\ld;\ld2 cl155 -z f1.obj f2.obj -l r.lib -l lib2.lib
UNIX (Bourne shell)	/ld and /ld2	C_DIR="/ld;/ld2"; export C_DIR cl155 -z f1.obj f2.obj -l r.lib -l lib2.lib

The environment variable remains set until you reboot the system or reset the variable by entering:

Operating System	Enter
Windows	set C_DIR=
UNIX (Bourne shell)	unset C_DIR

The assembler uses an environment variable named A_DIR to name alternative directories that contain copy/include assembly source files or macro libraries. If C_DIR is not set, the linker will search for input files in the directories named with A_DIR. Section 8.7, *Object Libraries*, on page 8-26 contains more information about object libraries.

8.4.12 Disable Conditional Linking (-j Option)

The -j option disables removal of unreferenced sections. Only sections marked as candidates for removal with the .clink assembler directive are affected by conditional linking. See page 4-39 for details on setting up conditional linking using the .clink directive.

8.4.13 Create a Map File (`-m filename` Option)

The `-m` option creates a linker map listing and puts it in *filename*. The syntax for the `-m` option is:

```
-m filename
```

Symbols defined in a data section have word address values, and symbols defined in a code section have byte address values.

The linker map describes:

- Memory configuration
- Input and output section allocation
- The addresses of external symbols after they have been relocated

The map file contains the name of the output module and the entry point; it may also contain up to three tables:

- A table showing the new memory configuration if any non-default memory is specified
- A table showing the linked addresses of each output section and the input sections that make up the output sections
- A table showing each external symbol and its address. This table is listed twice: the left listing contains the symbols sorted by name, and the second listing contains the symbols sorted by address

This example links `file1.obj` and `file2.obj` and creates a map file called `file.map`:

```
c155 -z file1.obj file2.obj -m file.map
```

Example 8–24 on page 8-100 shows an example of a map file.

8.4.14 Name an Output Module (`-o filename` Option)

The linker creates an output module when no errors are encountered. If you do not specify a filename for the output module, the linker gives it the default name `a.out`. If you want to write the output module to a different file, use the `-o` option. The syntax for the `-o` option is:

```
-o filename
```

The *filename* is the new output module name.

This example links `file1.obj` and `file2.obj` and creates an output module named `run.out`:

```
c155 -z -o run.out file1.obj file2.obj
```


8.4.15 Strip Symbolic Information (`-s` Option)

The `-s` option creates a smaller output module by omitting symbol table information and line number entries. The `-s` option is useful for production applications when you do not want to disclose symbolic information to the consumer.

This example links `file1.obj` and `file2.obj` and creates an output module, stripped of line numbers and symbol table information, named `nosym.out`:

```
cl155 -z -o nosym.out -s file1.obj file2.obj
```

Using the `-s` option limits later use of a symbolic debugger.

8.4.16 Define Stack Size (`-stack size` Option)

The TMS320C55x C/C++ compiler uses an uninitialized section, `.stack`, to allocate space for the run-time stack. You can set the size of the `.stack` section at link time with the `-stack` option. The syntax for the `-stack` option is:

`-stack size`

Specify the size in bytes as a constant immediately after the option:

```
cl155 -z -stack 0x1000 /* defines a stack size */
```

If you specified a different stack size in an input section, the input section stack size is ignored. Any symbols defined in the input section remain valid; only the stack size will be different.

When the linker defines the `.stack` section, it also defines a global symbol, `__STACK_SIZE`, and assigns it a value equal to the size of the section (in bytes). The default stack size is 1000 bytes.

Note: Allocation of `.stack` and `.sysstack` Sections

The `.stack` and `.sysstack` sections must be allocated on the same 64K-word data page.

8.4.17 Define Secondary Stack Size (`-sysstack` *constant* Option)

The TMS320C55x C/C++ compiler uses an uninitialized section, `.sysstack`, to allocate space for the secondary run-time stack. You can set the size of the `.sysstack` section at link time with the `-sysstack` option. The syntax for the `-sysstack` option is:

```
-sysstack size
```

Specify the size in bytes as a constant immediately after the option:

```
c155 -z -sysstack 0x1000 /* defines secondary stack size */
```

When the linker defines the `.sysstack` section, it also defines a global symbol, `__SYSSTACK_SIZE`, and assigns it a value equal to the size of the section (in bytes). The default secondary stack size is 1000 bytes.

Note: Allocation of `.stack` and `.sysstack` Sections

The `.stack` and `.sysstack` sections must be allocated on the same 64K-word data page.

8.4.18 Introduce an Unresolved Symbol (`-u` *symbol* Option)

The `-u` option introduces an unresolved symbol into the linker's symbol table. This forces the linker to search for the definition of that symbol among the object files and libraries input to the linker. The linker must encounter the `-u` option *before* it links in the member that defines the symbol.

For example, suppose a library named `rts.lib` contains a member that defines the symbol `symtab`; none of the object files being linked reference `symtab`. However, suppose you plan to relink the output module, and you would like to include the library member that defines `symtab` in this link. Using the `-u` option as shown below forces the linker to search `rts.lib` for the member that defines `symtab` and to link in that member.

```
c155 -z -u symtab file1.obj file2.obj rts.lib
```

If you do not use `-u`, this member is not included because there is no explicit reference to it in `file1.obj` or `file2.obj`.

8.4.19 Specify a COFF Format (`-v` Option)

The `-v` option specifies the format the linker will use to create the COFF object file. The COFF object file is the output of the linker. The format specifies how information in the object file is arranged.

The linker can read and write COFF0, COFF1, and COFF2 formats. By default, the linker creates COFF2 files. To create a different output format, use the `-v` option where n is 0 for COFF0 or 1 for COFF1.

Chapter 2, *Introduction to Common Object File Format*, and Appendix A, *Common Object File Format*, provide further information on COFF.

Note: Incompatibility with DWARF Debug, and COFF0 and COFF1

The code generation tools produce DWARF debug information by default. Therefore the compiler produces debug sections with names that are not compatible with the COFF0 and COFF1 formats. Specifying the `-v0` or `-v1` linker option causes a link-time error.

8.4.20 Display a Message for Output Section Information (`-w` Option)

The `-w` option displays additional messages pertaining to the default creation of output sections. Additional messages are displayed in the following circumstances:

- ❑ In a linker command file, you can set up a `SECTIONS` directive that describes how input sections are combined into output sections. However, if the linker encounters one or more input sections that do not have a corresponding output section defined in the `SECTIONS` directive, the linker combines the input sections that have the same name into an output section with that name. By default, the linker does not display a message to tell you when this has occurred.

If this situation occurs and you use the `-w` option, the linker displays a message when it creates a new output section.

- ❑ If you do not use the `-heap`, `-stack`, and `-sysstack` options, the linker creates the `.system`, `.stack`, and `.sysstack` (respectively) sections for you. The `.system` section has a default size of 2000 bytes; the `.stack` and `.sysstack` sections have a default size of 1000 bytes. You might not have enough memory available for one or all of these sections. In this case, the linker issues an error message saying a section could not be allocated.

If you use the `-w` option, the linker displays another message with more details, which includes the name of the directive to allocate the `.system` or `.stack` section yourself.

Note: Allocation of .stack and .sysstack Sections

The .stack and .sysstack sections must be allocated on the same 64K-word data page.

For more information about the SECTIONS directive, see Section 8.9, *The SECTIONS Directive*, on page 8-32. For more information about the default actions of the linker, see Section 8.13, *Default Allocation Algorithm*, on page 8-64.

8.4.21 Exhaustively Read and Search Libraries (-x and -priority Options)

There are two ways to exhaustively search for unresolved symbols:

- Reread libraries if you cannot resolve a symbol reference (-x).
- Search libraries in the order that they are specified (-priority).

The linker normally reads input files, including archive libraries, only once when they are encountered on the command line or in the command file. When an archive is read, any members that resolve references to undefined symbols are included in the link. If an input file later references a symbol defined in a previously read archive library, the reference is not resolved.

With the -x option, you can force the linker to reread all libraries. The linker rereads libraries until no more references can be resolved. Linking using -x may be slower, so you should use it only as needed. For example, if a.lib contains a reference to a symbol defined in b.lib, and b.lib contains a reference to a symbol defined in a.lib, you can resolve the mutual dependencies by listing one of the libraries twice, as in:

```
c155 -z -la.lib -lb.lib -la.lib
```

or you can force the linker to do it for you:

```
c155 -z -x -la.lib -lb.lib
```

The -priority option provides an alternate search mechanism for libraries. Using -priority causes each unresolved reference to be satisfied by the first library that contains a definition for that symbol. For example:

```
objfile  references A
lib1     defines B
lib2     defines A, B; obj defining A references B

% c155 -z objfile lib1 lib2
```

Under the existing model, objfile resolves its reference to A in lib2, pulling in a reference to B, which resolves to the B in lib2.

Under `-priority`, `objfile` resolves its reference to A in `lib2`, pulling in a reference to B, but now B is resolved by searching the libraries in order and resolves B to the first definition it finds, namely the one in `lib1`.

The `-priority` option is useful for libraries that provide overriding definitions for related sets of functions in other libraries without having to provide a complete version of the whole library.

For example, suppose you want to override versions of `malloc` and `free` defined in the `rts55.lib` without providing a full replacement for `rts55.lib`. Using `-priority` and linking your new library before `rts55.lib` guarantees that all references to `malloc` and `free` resolve to the new library.

The `-priority` option is intended to support linking programs with DSP/BIOS where situations like the one illustrated above occur.

8.4.22 Creating an XML Link Information File (`--xml_link_info` Option)

The linker supports the generation of an XML link information file via the `--xml_link_info file` option. This option causes the linker to generate a well-formed XML file containing detailed information about the result of a link. The information included in this file includes all of the information that is currently produced in a linker generated map file.

See Appendix C, *XML Link Information File Description*, for specifics on the contents of the generated file.

8.5 Byte/Word Addressing

C55x memory is byte-addressable for code and word-addressable for data. The assembler and linker keep track of the addresses, relative offsets, and sizes of the bits in units that are appropriate for the given section: words for data sections, and bytes for code sections.

Note: Use Byte Addresses in Linker Command File

All addresses and sizes supplied in the linker command file should be byte addresses, for both code and data sections.

In the case of program labels, the unchanged byte addresses will be encoded in the executable output and during execution sent over the program address bus. In the case of data labels, the byte addresses will be divided by 2 in the linker (converting them to word addresses) prior to being encoded in the executable output and sent over the data address bus.

The .map file created by the linker shows code addresses and sizes in bytes, and data addresses and sizes in words.

8.6 Linker Command Files

Linker command files allow you to put linking information in a file; this is useful when you invoke the linker often with the same information. Linker command files are also useful because they allow you to use the MEMORY and SECTIONS directives to customize your application. These directives can be used only in a linker command file.

Note: Use Byte Addresses in Linker Command File

All addresses and sizes supplied in the linker command file should be byte addresses, for both code and data sections.

Linker command files are ASCII files that contain one or more of the following:

- Input filenames, which specify object files, archive libraries, or other command files.
- Linker options, which can be used in the command file in the same manner that they are used on the command line.
- The MEMORY and SECTIONS linker directives. The MEMORY directive defines the target memory configuration. The SECTIONS directive controls how sections are built and allocated.
- Assignment statements, which define and assign values to global symbols.

To invoke the linker with a command file, enter the **cl55 -z** command and follow it with the name of the command file:

```
cl55 -z command_filename
```

The linker processes input files in the order that they are encountered. If a library name is specified, the linker looks through the library to find the definition of any symbol that is unresolved. If the linker recognizes a file as an object file, it includes that file in the link. Otherwise, it assumes that a file is a command file and begins reading and processing commands from it. Command filenames are case sensitive, regardless of the system used.

Example 8–1 shows a sample linker command file called link.cmd. (Subsection 2.3.2, *Placing Sections in the Memory Map*, on page 2-14 contains another example of a linker command file.)

Example 8–1. Linker Command File

```
a.obj      /* First input filename      */
b.obj      /* Second input filename       */
-o prog.out /* Option to specify output file */
-m prog.map /* Option to specify map file   */
```

The sample file in Example 8–1 contains only filenames and options. You can place comments in a command file by delimiting them with `/*` and `*/`. To invoke the linker with this command file, enter:

```
c155 -z link.cmd
```

You can place other parameters on the command line when you use a command file:

```
c155 -z -r link.cmd c.obj d.obj
```

The linker processes the command file as soon as it encounters link.cmd, so a.obj and b.obj are linked into the output module before c.obj and d.obj.

You can specify multiple command files. If, for example, you have a file called names.lst that contains filenames and another file called dir.cmd that contains linker directives, you could enter:

```
c155 -z names.lst dir.cmd
```

One command file can call another command file; this type of nesting is limited to 16 levels.

With the exception of filenames and option parameter, blanks and blank lines are insignificant in a command file except as delimiters. This also applies to the format of linker directives in a command file.

Note: Filenames and Option Parameters With Spaces or Hyphens

Within the command file, filenames and option parameters containing embedded spaces or hyphens must be surrounded with quotation marks. For example: "this-file.obj"

Example 8–2 shows a sample command file that contains linker directives. (Linker directive formats are discussed in later sections.)

Example 8–2. Command File With Linker Directives

```

a.obj b.obj c.obj          /* Input filenames      */
-o prog.out -m prog.map   /* Options          */

MEMORY                    /* MEMORY directive */
{
  RAM:  origin = 100h      length = 0100h
  ROM:  origin = 01000h    length = 0100h
}

SECTIONS                  /* SECTIONS directive */
{
  .text: > ROM
  .data: > RAM
  .bss:  > RAM
}

```

8.6.1 Reserved Names in Linker Command Files

The following names are reserved as keywords for linker directives. Do not use them as symbol or section names in a command file.

align	GROUP	origin
ALIGN	l (lowercase L)	ORIGIN
attr	len	page
ATTR	length	PAGE
block	LENGTH	range
BLOCK	load	run
COPY	LOAD	RUN
DSECT	MEMORY	SECTIONS
f	NOLOAD	spare
fill	o	type
FILL	org	TYPE
group		UNION

8.6.2 Constants in Command Files

Constants can be specified with either of two syntax schemes: the scheme used for specifying decimal, octal, or hexadecimal constants used in the assembler (see Section 3.8, *Constants*, on page 3-26) or the scheme used for integer constants in C syntax.

Examples:

	Decimal	Octal	Hexadecimal
Assembler Format:	32	40q	20h
C Format:	32	040	0x20

8.7 Object Libraries

An object library is a partitioned archive file that contains complete object files as members. Usually, a group of related modules are grouped together into a library. When you specify an object library as linker input, the linker includes any members of the library that define existing unresolved symbol references. You can use the archiver to build and maintain libraries. Chapter 9, *Archiver Description*, contains more information about the archiver.

Using object libraries can reduce link time and the size of the executable module. Normally, if an object file that contains a function is specified at link time, it is linked whether it is used or not; however, if that same function is placed in an archive library, it is included only if it is referenced.

The order in which libraries are specified is important because the linker includes only those members that resolve symbols that are undefined when the library is searched. The same library can be specified as often as necessary; it is searched each time it is included. Alternatively, the `-x` option can be used. A library has a table that lists all external symbols defined in the library; the linker searches through the table until it determines that it cannot use the library to resolve any more references.

The following examples link several files and libraries. Assume that:

- Input files `f1.obj` and `f2.obj` both reference an external function named `clrscr`
- Input file `f1.obj` references the symbol `origin`
- Input file `f2.obj` references the symbol `fillclr`
- Member 0 of library `libc.lib` contains a definition of `origin`
- Member 3 of library `liba.lib` contains a definition of `fillclr`
- Member 1 of both libraries defines `clrscr`

For example, if you enter the following, the references are resolved as shown:

```
c155 -z f1.obj liba.lib f2.obj libc.lib
```

- Member 1 of `liba.lib` satisfies both references to `clrscr` because the library is searched and `clrscr` is defined before `f2.obj` references it.
- Member 0 of `libc.lib` satisfies the reference to `origin`.
- Member 3 of `liba.lib` satisfies the reference to `fillclr`.

If, however, you enter the following, all the references to `clrscr` are satisfied by member 1 of `libc.lib`:

```
c155 -z f1.obj f2.obj libc.lib liba.lib
```

If none of the linked files reference symbols defined in a library, you can use the `-u` option to force the linker to include a library member. The next example creates an undefined symbol `rout1` in the linker's global symbol table:

```
c155 -z -u rout1 libc.lib
```

If any member of `libc.lib` defines `rout1`, the linker includes that member.

The linker allows you to allocate individual members of an archive library into a specific output section. For more information, see Section 8.9.4, *Allocating an Archive Member to an Output Section*.

Section 8.4.11, *Alter the File Search Algorithm*, on page 8-12, describes methods for specifying directories that contain object libraries.

8.8 The MEMORY Directive

The linker determines where output sections should be allocated in memory; it must have a model of target memory to accomplish this task. The MEMORY directive allows you to specify a model of target memory so that you can define the types of memory your system contains and the address ranges they occupy. The linker maintains the model as it allocates output sections and uses it to determine which memory locations can be used for object code. If a model is not specified in a linker command file, then the linker uses the default memory configuration.

The memory configurations of TMS320C55x systems differ from application to application. The MEMORY directive allows you to specify a variety of configurations. After you use MEMORY to define a memory model, you can use the SECTIONS directive to allocate output sections into defined memory.

Refer to Section 2.3, *How the Linker Handles Sections*, on page 2-12 for details on how the linker handles sections. Refer to Section 2.4, *Relocation*, on page 2-15 for information on the relocation of sections.

8.8.1 Default Memory Model

The assembler enables you to assemble code for the TMS320C55x device. The assembler inserts a field in the output file's header, identifying the device. The linker reads this information from the object file's header. If you do not use the MEMORY directive, the linker uses a default memory model. For more information about the default memory model, see subsection 8.13.1, *Default Allocation Algorithm*, on page 8-64.

8.8.2 MEMORY Directive Syntax

The MEMORY directive identifies ranges of memory that are physically present in the target system and can be used by a program. Each memory range has a *name*, a *starting address*, and a *length*.

By default, the linker uses a single address space on PAGE 0. However, the linker allows you to configure separate address spaces by using the MEMORY directive's PAGE option. The PAGE option causes the linker to treat the specified pages as completely separate memory spaces. C55x supports as many as 255 PAGES, but the number available to you depends on the configuration you have chosen.

PAGE	identifies a memory space. You can specify up to 255 pages, depending on your configuration; usually, PAGE 0 specifies program memory, and PAGE 2 specifies peripheral memory. If you do not specify a PAGE, the linker acts as if you specified PAGE 0. Each PAGE represents a completely independent address space. Configured memory on PAGE 0 can overlap configured memory on PAGE 2.
<i>name</i>	Names a memory range. A memory name may be one to any number of characters. Valid characters include A–Z, a–z, \$, ., and <code>_</code> . The names have no special significance to the linker; they simply identify memory ranges. Memory range names are internal to the linker and are not retained in the output file or in the symbol table. Memory ranges on separate pages can have the same name; within a page, however, all memory ranges must have unique names and must not overlap.
<i>attr</i>	Specifies one to four attributes associated with the named range. Attributes are optional; when used, they must be enclosed in parentheses. Attributes restrict the allocation of output sections into certain memory ranges. If you do not use any attributes, you can allocate any output section into any range with no restrictions. Any memory for which no attributes are specified (including all memory in the default model) has all four attributes. Valid attributes include: R specifies that the memory can be read W specifies that the memory can be written to X specifies that the memory can contain executable code I specifies that the memory can be initialized
origin	Specifies the starting address of a memory range; enter as <i>origin</i> , <i>org</i> , or <i>o</i> . The value, specified in bytes, is a 24-bit constant and may be decimal, octal, or hexadecimal.
length	Specifies the length of a memory range; enter as <i>length</i> , <i>len</i> , or <i>l</i> . The value, specified in bytes, is a 24-bit constant and may be decimal, octal, or hexadecimal.
fill	Specifies a fill character for the memory range; enter as <i>fill</i> or <i>f</i> . Fills are optional. The value is a 2-byte integer constant and may be decimal, octal, or hexadecimal. The fill value will be used to fill areas of the memory range that are not allocated to a section.

Note: Filling Memory Ranges

If you specify fill values for large memory ranges, your output file will be very large because filling a memory range (even with 0s) causes raw data to be generated for all unallocated blocks of memory in the range.

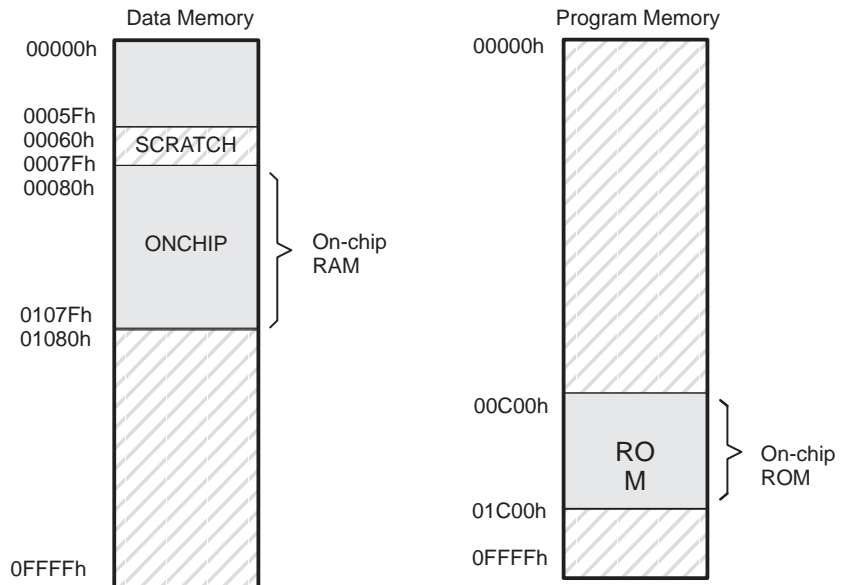
The following example specifies a memory range with the R and W attributes and a fill constant of 0FFFFh:

```
MEMORY
{
    RFILE (RW) : o = 02h, l = 0FEh, f = 0FFFFh
}
```

You normally use the MEMORY directive in conjunction with the SECTIONS directive to control allocation of output sections. After you use the MEMORY directive to specify the target system's memory model, you can use the SECTIONS directive to allocate output sections into specific named memory ranges or into memory that has specific attributes. For example, you could allocate the .text and .data sections into the area named ROM and allocate the .bss section into the area named ONCHIP.

Figure 8–2 illustrates the memory map shown in Example 8–3.

Figure 8–2. Memory Map Defined in Example 8–3



8.9 The SECTIONS Directive

The SECTIONS directive:

- Describes how input sections are combined into output sections
- Defines output sections in the executable program
- Specifies where output sections are placed in memory (in relation to each other and to the entire memory space)
- Permits renaming of output sections

Refer to Section 2.3, *How the Linker Handles Sections*, on page 2-12 for details on how the linker handles sections. Refer to Section 2.4, *Relocation*, on page 2-15 for information on the relocation of sections. Refer to subsection 2.2.4, *Subsections*, on page 2-8 for information on defining subsections; subsections allow you to manipulate sections with greater precision.

8.9.1 Default Configuration

If you do not specify a SECTIONS directive, the linker uses a default algorithm for combining and allocating the sections. Section 8.13, *Default Allocation Algorithm*, on page 8-64 describes this algorithm in detail.

8.9.2 SECTIONS Directive Syntax

The SECTIONS directive is specified in a command file by the word SECTIONS (uppercase), followed by a list of output section specifications enclosed in braces.

The general syntax for the SECTIONS directive is:

```
SECTIONS
{
    name : [property, property, property,...]
    name : [property, property, property,...]
    name : [property, property, property,...]
}
```

Each section specification, beginning with *name*, defines an output section. (An output section is a section in the output file.) After the section name is a list of properties that define the section's contents and how the section is allocated. The properties can be separated by optional commas. Possible properties for a section are as follows:

- Load allocation** defines where in memory the section is to be loaded.

Syntax: **load = *allocation*** **or**
 allocation **or**
 > *allocation*

- Run allocation** defines where in memory the section is to be run.

Syntax: **run = *allocation*** **or**
 run > *allocation*

- Input sections** define the input sections that constitute the output section.

Syntax: { *input_sections* }

- Section type** defines flags for special section types.

Syntax: **type = COPY** **or**
 type = DSECT **or**
 type = NOLOAD

For more information on section types, see Section 8.14, *Special Section Types (DSECT, COPY, and NOLOAD)*, on page 8-67.

- Fill value** defines the value used to fill uninitialized holes.

Syntax: **fill = *value*** **or**
 name*: ... { ... } = *value

For more information on creating and filling holes, see Section 8.16, *Creating and Filling Holes*, on page 8-73.

Example 8-4 shows a SECTIONS directive in a sample linker command file. Figure 8-3 shows how these sections are allocated in memory.

Example 8–4. The SECTIONS Directive

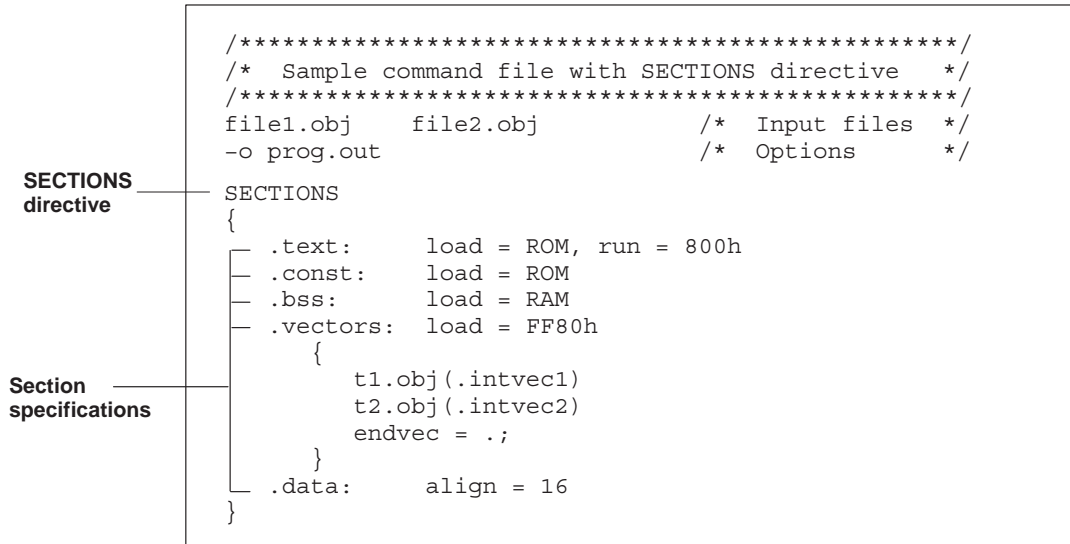
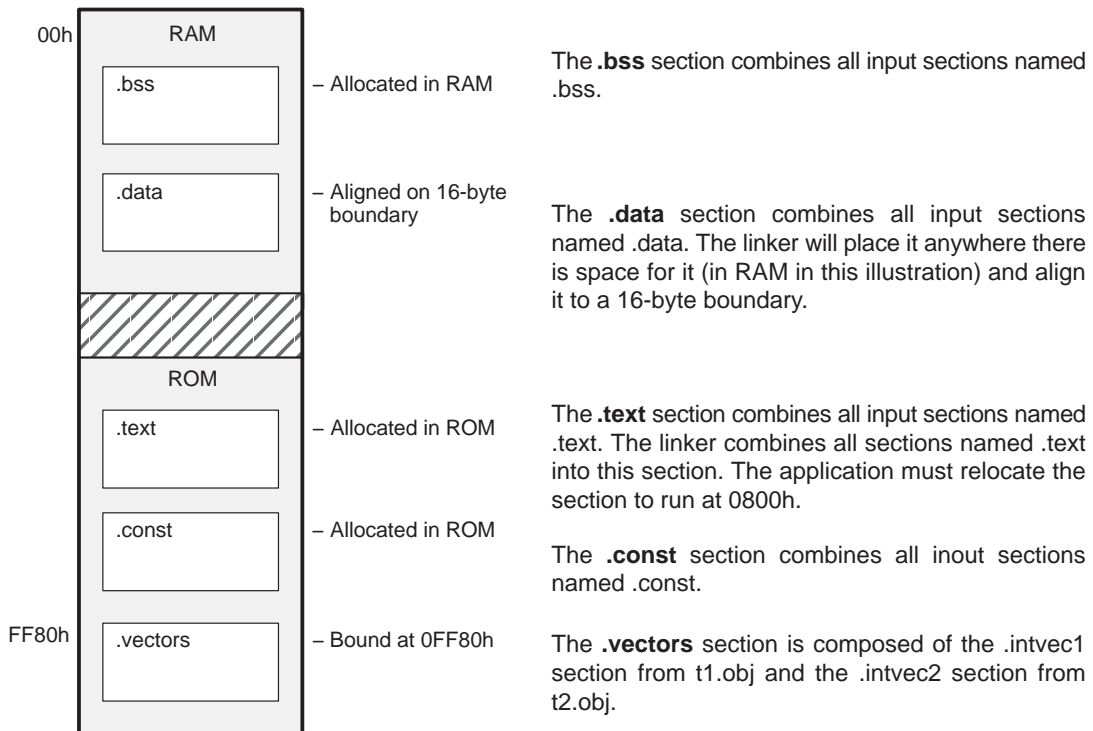


Figure 8–3 shows the five output sections defined by the sections directive in Example 8–4: .vectors, .text, .const, .bss, and .data.

Figure 8–3. Section Allocation Defined by Example 8–4



8.9.3 Memory Placement

The linker assigns each output section two locations in target memory: the location where the section will be loaded and the location where it will be run. Usually, these are the same, and you can think of each section as having only a single address. In any case, the process of locating the output section in the target's memory and assigning its address(es) is called memory placement or allocation. For more information about using separate load and run placements, see Section 8.10, *Specifying a Section's Run-Time Address*, on page 8-45.

If you do not tell the linker how a section is to be placed, it uses a default algorithm to place the section. Generally, the linker puts sections wherever they fit into configured memory. You can override this default placement for a section by defining it within a SECTIONS directive and providing instructions on how to place it.

You control allocation by specifying one or more allocation parameters. Each parameter consists of a keyword, an optional equal sign or greater-than sign, an optional split operator (>>), and a value optionally enclosed in parentheses. If load and run allocation is separate, all parameters following the keyword LOAD apply to load allocation, and those following RUN apply to run allocation. Possible allocation parameters are:

Binding places a section at a specific address.

```
.text: load = 0x1000
```

Memory places the section into a range defined in the MEMORY directive with the specified name (like ROM) or attributes.

```
.text: load > ROM
```

Alignment uses the align keyword to specify that the section should start on an address boundary.

```
.text: align = 0x80
```

To force the output section containing the assignment to also be aligned, assign . (dot) with an align expression. For example, the following will align bar.obj, and it will force outsect to align on a 0x40 byte boundary:

```
SECTIONS
{
    outsect: { bar.obj(.bss)
              . = align(0x40);
            }
}
```

Splitting uses the split operator to list memory areas in which the section can be placed.

```
.text: >> ROM1|ROM2|ROM3
```

Blocking uses the block keyword to specify that the section must fit between two address boundaries: if the section is too big, it will start on an address boundary.

```
.text: block(0x80)
```

Page specifies the memory page to be used (see Section 8.12, *Overlay Pages*, on page 8-59).

```
.text: PAGE 0
```

For the load (usually the only) allocation, you may simply use a greater-than sign and omit the load keyword:

```
.text: > ROM .text: {...} > ROM  
.text: > 0x1000
```

If more than one parameter is used, you can string them together as follows:

```
.text: > ROM align 16 PAGE 2
```

Or, if you prefer, use parentheses for readability:

```
.text: load = (ROM align(16) page (2))
```

8.9.3.1 *Binding*

You can supply a specific starting address for an output section by following the section name with an address:

```
.text: 0x1000
```

This example specifies that the `.text` section must begin at byte location 1000h. The binding address must be a 24-bit constant.

Output sections can be bound anywhere in configured memory (assuming there is enough space), but they cannot overlap. If there is not enough space to bind a section to a specified address, the linker issues an error message.

Note: Binding and Alignment or Named Memory are Incompatible

You cannot bind a section to an address if you use alignment or named memory. If you try to do so, the linker issues an error message.

8.9.3.2 Named Memory

You can allocate a section into a memory range that is defined by the MEMORY directive (see section 8.8 on page 8-28). This example names ranges and links sections into them:

```
MEMORY
{
    ROM (RIX) : origin = 0C00h, length = 1000h
    RAM (RWIX) : origin = 0080h, length = 1000h
}

SECTIONS
{
    .text : > ROM
    .data ALIGN(128) : > RAM
    .bss : > RAM
}
```

In this example, the linker places `.text` into the area called ROM. The `.data` and `.bss` output sections are allocated into RAM. You can align a section within a named memory range; the `.data` section is aligned on a 128-byte boundary within the RAM range.

You can also specify a list of memory areas in which to place an output section. For example, the following statement places `.text` in ROM1 or ROM2 or ROM3. If `.text` won't fit in ROM1, the linker tries ROM2, then ROM3. The areas are always tried in the order in which they are specified.

```
.text: > ROM1|ROM2|ROM3
```

Similarly, you can link a section into an area of memory that has particular attributes. To do this, specify a set of attributes (enclosed in parentheses) instead of a memory name. Using the same MEMORY directive declaration, you can specify:

```
SECTIONS
{
    .text: > (X) /* .text --> executable memory */
    .data: > (RI) /* .data --> read or init memory */
    .bss : > (RW) /* .bss --> read or write memory */
}
```

In this example, the `.text` output section can be linked into either the ROM or RAM area because both areas have the X attribute. The `.data` section can also go into either ROM or RAM because both areas have the R and I attributes. The `.bss` output section, however, must go into the RAM area because only RAM is declared with the W attribute.

You cannot control where in a named memory range a section is allocated, although the linker uses lower memory addresses first and avoids fragmentation when possible. In the preceding examples, assuming that no conflicting assignments exist, the `.text` section starts at address 0. If a section must start on a specific address, use binding instead of named memory.

8.9.3.3 Alignment and Blocking

You can tell the linker to place an output section at an address that falls on an n -byte boundary, where n is a power of 2. For example, the following statement allocates `.text` so that it falls on a 128-byte boundary:

```
.text: load = align(128)
```

Blocking is a weaker form of alignment that allocates a section anywhere *within* a block of size n . If the section is larger than the block size, the section begins on that boundary. As with alignment, n must be a power of 2. For example, the following statement allocates `.bss` so that the section either is contained in a single 128-byte page or begins on a page:

```
bss: load = block(0x80)
```

You can use alignment or blocking alone or in conjunction with a memory area.

8.9.3.4 Specifying Input Sections

An input section specification identifies the sections from input files that are combined to form an output section. The size of an output section is the sum of the sizes of the input sections that comprise it, plus any holes that are created due to alignment or blocking of a given input section. The linker combines input sections by concatenating them in the order in which they are specified, *unless alignment or blocking is specified for any of the input sections*.

When the linker encounters a simple object file reference (with no path specification) in the linker command file, it will try to match the file to any previously-specified input files. If the reference does not match one of the input files, the linker will look for the object file in the current directory and load it if it is found. To disable this functionality, do one of the following:

- Include a path specification with your object file reference in the linker command file
- Specify the `-I` option in front of the input file to get the linker to link in the search path for your input file

If alignment or blocking is specified for any input section, the input sections within an output section are ordered as follows:

- 1) All aligned sections, from largest to smallest
- 2) All blocked sections, from largest to smallest
- 3) All other input sections from largest to smallest

Example 8–5 shows the most common type of section specification; note that no input sections are listed.

Example 8–5. The Most Common Method of Specifying Section Contents

```
SECTIONS
{
    .text:
    .data:
    .bss:
}
```

In Example 8–5 the linker takes all the `.text` sections from the input files and combines them into the `.text` output section. The linker concatenates the `.text` input sections in the order that it encounters them in the input files. The linker performs similar operations with the `.data` and `.bss` sections. You can use this type of specification for any output section.

You can explicitly specify the input sections that form an output section. Each input section is identified by its filename and section name:

```
SECTIONS
{
    .text :           /* Build .text output section      */
    {
        f1.obj(.text) /* Link .text section from f1.obj      */
        f2.obj(sec1)  /* Link sec1 section from f2.obj       */
        f3.obj        /* Link ALL sections from f3.obj       */
        f4.obj(.text,sec2) /* Link .text and sec2 from f4.obj    */
    }
}
```

It is not necessary for input sections to have the same name as each other or as the output section they become part of. If a file is listed with no sections, *all* of its sections are included in the output section. If any additional input sections have the same name as an output section, but are not explicitly specified by the SECTIONS directive, they are automatically linked in at the end of the output section. For example, if the linker found more `.text` sections in the preceding example, and these `.text` sections *were not* specified anywhere in the SECTIONS directive, the linker would concatenate these extra sections after `f4.obj(sec2)`.

The specifications in Example 8–5 are actually a shorthand method for the following:

```
SECTIONS
{
    .text: { *(.text) }
    .data: { *(.data) }
    .bss:  { *(.bss) }
}
```


The specification `*(.text)` means *the unallocated .text sections from all the input files*. This format is useful when:

- ❑ You want the output section to contain all input sections that have a specified name, but the output section name is different than the input sections' name.
- ❑ You want the linker to allocate the input sections *before* it processes additional input sections or commands within the braces.

The following example illustrates the two purposes above:

```
SECTIONS
{
    .text : {
        abc.obj(xqt)
        *(.text)
    }
    .data : {
        *(.data)
        fil.obj(table)
    }
}
```

In this example, the `.text` output section contains a named section `xqt` from file `abc.obj`, which is followed by all the `.text` input sections. The `.data` section contains all the `.data` input sections, followed by a named section `table` from the file `fil.obj`. This method includes all the unallocated sections. For example, if one of the `.text` input sections was already included in another output section when the linker encountered `*(.text)`, the linker could not include that first `.text` input section in the second output section.

8.9.4 Allocating an Archive Member to an Output Section

The linker command file syntax has been extended to provide a mechanism for specifying one or more members of an object library for input to an output section. In other words, the linker allows you to allocate one or more members of an archive library into a specific output section. The syntax for such an allocation is:

```
SECTIONS
{
    .output_sec
    {
        [-]lib_name<obj1 [obj2...objn]> (.sec_name)
    }
}
```

In this syntax, the *lib_name* is the archive library. The `-l` option, which normally implies a path search be made for the named file, is optional in this syntax since the `< >` mechanism requires that the file from which the members are selected must be an archive. In this case, the linker always utilizes a path search to find the archive. However, if the specified *lib_name* contains any path information, then a library path search is *not* performed when looking for the library file.

For more information on the `-l` option, see section 8.4.11, *Alter the File Search Algorithm*, on page 8-12.

Brackets (`<>`) are used to specify the archive member(s). The brackets may contain one or more object files, separated by a space. The *sec_name* is the archive section to be allocated.

For example:

```
SECTIONS
{
    .boot > BOOT1
    {
        /* This is the new support */
        -l rts55.lib<boot.obj> (.text)
        rts.lib< exit.obj strcpy.obj> (.text)
    }
    .rts > BOOT2
    {
        -l rts55.lib (.text)
    }
    .text > RAM
    {
        * (.text)
    }
}
```

In this example, `boot.obj`, `exit.obj`, and `strcpy.obj` are extracted from the run-time-support library and placed in the `.boot` output section.

The remainder of the run-time-support library object that is referenced is allocated to the `.rts` output section. An archive member, or list of members, can now be specified via `< >`'s after the library name.

All other unallocated `.text` sections are placed in the `.text` section.

8.9.5 Memory Placement Using Multiple Memory Ranges

The linker allows you to specify an explicit list of memory ranges into which an output section can be allocated. Consider the following example:

```
MEMORY
{
    P_MEM1 : origin = 02000h, length = 01000h
    P_MEM2 : origin = 04000h, length = 01000h
    P_MEM3 : origin = 06000h, length = 01000h
    P_MEM4 : origin = 08000h, length = 01000h
}

SECTIONS
{
    .text : { } > P_MEM1 | P_MEM2 | P_MEM4
}
```

The “|” operator is used to specify the multiple memory ranges. The `.text` output section will be allocated as a whole into the first memory range in which it fits. The memory ranges are accessed in the order specified. In this example, the linker will first try to allocate the section in `P_MEM1`. If that attempt fails, the linker will try to place the section into `P_MEM2`, and so on. If the output section is not successfully allocated in any of the named memory ranges, the linker issues an error message.

With this type of `SECTIONS` directive specification, the linker can seamlessly handle an output section that grows beyond the available space of the memory range in which it is originally allocated. Instead of modifying the linker command file, you can let the linker move the section into one of the other areas.

8.9.6 Automatic Splitting of Output Sections Among Non-Contiguous Memory Ranges

The linker can split output sections among multiple memory ranges to achieve an efficient allocation. Use the `>>` operator to indicate that an output section can be split, if necessary, into the specified memory ranges. For example:

```
MEMORY
{
    P_MEM1 : origin = 02000h, length = 01000h
    P_MEM2 : origin = 04000h, length = 01000h
    P_MEM3 : origin = 06000h, length = 01000h
    P_MEM4 : origin = 08000h, length = 01000h
}

SECTIONS
{
    .text: { *(.text) } >> P_MEM1 | P_MEM2 | P_MEM3 | P_MEM4
}
```

In this example, the >> operator indicates that the .text output section can be split among any of the listed memory areas. If the .text section grows beyond the available memory in P_MEM1, it is split on an input section boundary, and the remainder of the output section is allocated to P_MEM2 | P_MEM3 | P_MEM4.

The “|” operator is used to specify the list of multiple memory ranges.

You can also use the >> operator to indicate that an output section can be split within a single memory range. This functionality is useful when several output sections must be allocated into the same memory range, but the restrictions of one output section cause the memory range to be partitioned.

Consider the following example:

```
MEMORY
{
    RAM : origin = 01000h, length = 08000h
}

SECTIONS
{
    .special: { f1.obj(.text) } = 04000h
    .text: { *(.text) } >> RAM
}
```

The .special output section is allocated near the middle of the RAM memory range. This leaves two unused areas in RAM: from 01000h to 04000h, and from the end of f1.obj(.text) to 08000h. The specification for the .text section allows the linker to split the .text section around the .special section and use the available space in RAM on either side of .special.

The >> operator can also be used to split an output section among all memory ranges that match a specified attribute combination. For example:

```
MEMORY
{
    P_MEM1 (RWX) : origin = 01000h, length = 02000h
    P_MEM2 (RWI) : origin = 04000h, length = 01000h
}

SECTIONS
{
    .text: { *(.text) } >> (RW)
}
```

The linker attempts to allocate all or part of the output section into any memory range whose attributes match the attributes specified in the SECTIONS directive.

This *SECTIONS* directive has the same effect as:

```
SECTIONS
{
  .text: { *(.text) } >> P_MEM1 | P_MEM2
}
```

Certain output sections should not be split:

- The `.cinit` section, which contains the autoinitialization table for C/C++ programs
- The `.pinit` section, which contains the list of global constructors for C++ programs
- The `.system`, `.stack`, and `.sysstack` sections, which are uninitialized sections for the C memory pool used by the `malloc()` functions and the run-time stacks, respectively.
- An output section with separate load and run allocations. The code that copies the output section from its load-time allocation to its run-time location cannot accommodate a split in the output section.
- An output section with an input section specification that includes an expression to be evaluated. The expression may define a symbol that is used in the program to manage the output section at run time.
- An output section that is a `GROUP` member. The intent of a `GROUP` directive is to force contiguous allocation of `GROUP` member output sections.
- An output section that has a `START()`, `END()`, or `SIZE()` operator applied to it. These operators provide information about a section's load or run address and size. If the section were split, then the integrity of the operator would be compromised.
- `GROUPs` and `UNIONs`, which are used to allocate address and dimension operators.

If you use the `>>` operator in any of these situations, the linker issues a warning and ignores the operator.

8.10 Specifying a Section's Load-Time and Run-Time Addresses

At times, you may want to load code into one area of memory and run it in another. For example, you may have performance-critical code in a ROM-based system. The code must be loaded into ROM, but it would run faster in RAM.

The linker provides a simple way to accomplish this. You can use the `SECTIONS` directive to direct the linker to allocate a section twice: once to set its load address and again to set its run address. For example:

```
.fir: load = ROM, run = RAM
```

Use the *load* keyword for the load address and the *run* keyword for the run address.

Refer to Section 2.5, *Run-Time Relocation*, on page 2-17 for an overview on run-time relocation.

8.10.1 Specifying Load and Run Addresses

The load address determines where a loader will place the raw data for the section. All references to the section (such as labels in it) refer to its run address. The application must copy the section from its load address to its run address; this does *not* happen automatically when you specify a separate run address.

If you provide only one allocation (either load or run) for a section, the section is allocated only once and will load and run at the same address. If you provide both allocations, the section is allocated as if it were two sections of the same size. This means that both allocations occupy space in the memory map and cannot overlay each other or other sections. (The `UNION` directive provides a way to overlay sections; see subsection 8.11.1, *Overlaying Sections With the UNION Statement*, on page 8-53.)

If either the load or run address has additional parameters, such as alignment or blocking, list them after the appropriate keyword. Everything related to allocation after the keyword *load* affects the load address until the keyword *run* is seen, after which, everything affects the run address. You may also specify run first, then load. Use parentheses to improve readability.

If you specify alignment for either the load or run address, the alignment affects both the load and run address. If you specify the `align` option for both the load and run address, the linker redefines the section to the maximum value of both addresses.

8.10.2 Uninitialized Sections

Uninitialized sections (such as `.bss`) are not loaded, so their only significant address is the run address. The linker allocates uninitialized sections only once: if you specify both run and load addresses, the linker warns you and ignores the load address. If you specify only one address, the linker treats it as a run address, regardless of whether you call it load or run. The example below specifies load and run addresses for an uninitialized section:

```
.bss: load = 0x1000, run = RAM
```

A warning is issued, load is ignored, and space is allocated in RAM. All of the following examples have the same effect. The `.bss` section is allocated in RAM.

```
.bss: load = RAM  
.bss: run = RAM  
.bss: > RAM
```

8.10.3 Defining Load-Time Addresses and Dimensions at Link Time

The code generation tools currently support the ability to load program code in one area of (slow) memory and run it in another (faster) area. This is done by specifying separate load and run addresses for an output section or GROUP in the linker command file, then executing a sequence of instructions (the copying code) that moves the program code from its load area to its run area before it is needed.

There are several responsibilities that you take on when setting up a system with this feature. One of these responsibilities is to determine the size and run-time address of the program code to be moved. The current mechanisms to do this involve the use of `.label` directives in the copying code as shown in Example 8-6.

Example 8–6. Using .label to Define a Load-Time Address

```

; program code
    .sect    ".fir"
    .label  fir_src          ; load address of section
fir:      .label  fir_src          ; run address of section
    <.fir section program code>

    .label  fir_end        ; load address of section end

    .text

; copying code
    MOV     #fir_src, AR1
    MOV     #fir
    RPT     #(fir_end - fir_src - 1)
           MOV     *AR1+, *CDP+
    CALL    fir

```

This method of specifying the size and load address of the program code has limitations. While it works fine for an individual input section that is contained entirely within one source file, what if the program code section is spread over several source files? What if you want to copy an entire output section from load space to run space?

8.10.4 Why the Dot Operator Does Not Always Work

The dot operator (.) can be used to define symbols at link-time with a particular address inside of an output section. It is interpreted like a PC. Whatever the current offset within the current section is, that is the value associated with the dot. Consider an output section specification within a SECTIONS directive:

```

outsect:
{
    s1.obj(.text)
    end_of_s1 = .;
    start_of_s2 = .;
    s2.obj(.text)
    end_of_s2 = .;
}

```

This statement creates three symbols:

- end_of_s1—the end address of .text in s1.obj
- start_of_s2—the start address of .text in s2.obj
- end_of_s2—the end address of .text in s2.obj

Suppose there is padding between `s1.obj` and `s2.obj` that is created as a result of alignment. Then `start_of_s2` is not really the start address of the `.text` section in `s2.obj`, but it is the address before the padding needed to align the `.text` section in `s2.obj`. This is due to the linker's interpretation of the dot operator as the current PC. It is also due to the fact that the dot operator is evaluated independently of the input sections around it.

Another potential problem in the above example is that `end_of_s2` may not account for any padding that was required at the end of the output section. You cannot reliably use `end_of_s2` as the end address of the output section. One way to get around this problem is to create a dummy section immediately after the output section in question. For example:

```
GROUP
{
    outsect:
    {
        start_of_outsect = .;
        ...
    }
    dummy: { size_of_outsect = . - start_of_outsect; }
}
```

8.10.5 Address and Dimension Operators

Six new operators have been added to the linker command file syntax:

LOAD_START(<i>sym</i>) START(<i>sym</i>)	Defines <i>sym</i> with the load-time start address of related allocation unit
LOAD_END(<i>sym</i>) END(<i>sym</i>)	Defines <i>sym</i> with the load-time end address of related allocation unit
LOAD_SIZE(<i>sym</i>) SIZE(<i>sym</i>)	Defines <i>sym</i> with the load-time size of related allocation unit
RUN_START(<i>sym</i>)	Defines <i>sym</i> with the run-time start address of related allocation unit
RUN_END(<i>sym</i>)	Defines <i>sym</i> with the run-time end address of related allocation unit
RUN_SIZE(<i>sym</i>)	Defines <i>sym</i> with the run-time size of related allocation unit

Note: Linker Command File Operator Equivalencies

`LOAD_START()` and `START()` are equivalent, as are `LOAD_END()/END()` and `LOAD_SIZE()/SIZE()`.

The new address and dimension operators can be associated with several different kinds of allocation units, including input items, output sections, GROUPS, and UNIONS. The following sections provide some examples of how the operators can be used in each case.

8.10.5.1 Input Items

Consider an output section specification within a SECTIONS directive:

```
outsect:
{
    s1.obj(.text)
    end_of_s1 = .;
    start_of_s2 = .;
    s2.obj(.text)
    end_of_s2 = .;
}
```

This can be rewritten using the START and END operators as follows:

```
outsect:
{
    s1.obj(.text) { END(end_of_s1) }
    s2.obj(.text) { START(start_of_s2), END(end_of_s2) }
}
```

The values of end_of_s1 and end_of_s2 will be the same as if you had used the dot operator in the original example, but start_of_s2 would be defined after any necessary padding that needs to be added between the two .text sections. Remember that the dot operator would cause start_of_s2 to be defined before any necessary padding is inserted between the two input sections.

The syntax for using these operators in association with input sections calls for braces { } to enclose the operator list. The operators in the list are applied to the input item that occurs immediately before the list.

8.10.5.2 Output Section

The START, END, and SIZE operators can also be associated with an output section. Here is an example:

```
outsect: START(start_of_outsect), SIZE(size_of_outsect)
{
    <list of input items>
}
```

In this case, the SIZE operator defines size_of_outsect to incorporate any padding that is required in the output section to conform to any alignment requirements that are imposed.

The syntax for specifying the operators with an output section do not require braces to enclose the operator list. The operator list is simply included as part of the allocation specification for an output section.

8.10.5.3 GROUPS

Here is another use of the START and SIZE operators in the context of a GROUP specification:

```
GROUP
{
    outsect1: { ... }
    outsect2: { ... }
} load = ROM, run = RAM, START(group_start), SIZE(group_size);
```

This can be useful if the whole GROUP is to be loaded in one location and run in another. The copying code can use `group_start` and `group_size` as parameters for where to copy from and how much is to be copied. This makes the use of `.label` in the source code unnecessary.

8.10.5.4 UNIONS

The RUN_SIZE and LOAD_SIZE operators provide a mechanism to distinguish between the size of a UNION's load space and the size of the space where its constituents are going to be copied before they are run. Here is an example:

```
UNION: run = RAM, LOAD_START(union_load_addr),
      LOAD_SIZE(union_ld_sz), RUN_SIZE(union_run_sz)
{
    .text1: load = ROM, SIZE(text1_size) { f1.obj(.text) }
    .text2: load = ROM, SIZE(text2_size) { f2.obj(.text) }
}
```

Here `union_ld_sz` is going to be equal to the sum of the sizes of all output sections placed in the union. The `union_run_sz` value is equivalent to the largest output section in the union. Both of these symbols incorporate any padding due to blocking or alignment requirements.

8.10.6 Referring to the Load Address by Using the .label Directive

An alternative to using the address and dimension operators described in section 8.10.5 is to use the `.label` assembler directive. The `.label` directive defines a special symbol that refers to the section's load address. Thus, whereas normal symbols are relocated with respect to the run address, `.label` symbols are relocated with respect to the load address. For more information on the `.label` directive, see page 4-66.

Example 8-7 shows the use of the `.label` directive.

Example 8–7. Copying a Section From ROM to RAM

```

; define a section to be copied from ROM to RAM
.sect ".fir"
.label fir_src          ; load address of section
fir:                   ; run address of section
    <code here>        ; code for the section
    .label fir_end     ; load address of section end
; copy .fir section from ROM into RAM
.text
    MOV #fir_src,AR1    ; get load address
    MOV BRC0,T1
    MOV T1,BRC1
    MOV #(fir_end - fir_src - 1),BRC0
    RPTB end
end    MOV *AR1+,*CDP+
    MOV BRC1,T1
    MOV T1,BRC0
; jump to section, now in RAM
CALL fir

```

Linker Command File

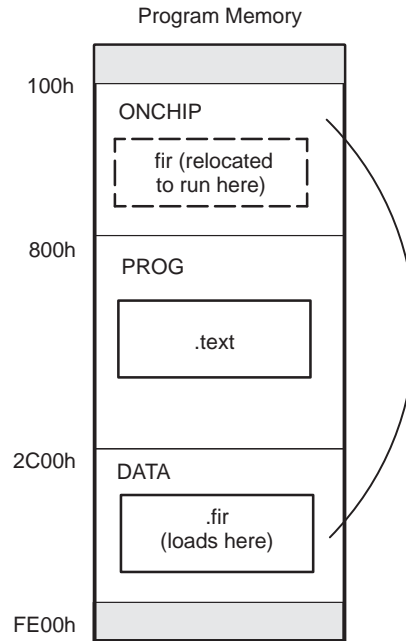
```

/*****
/* PARTIAL LINKER COMMAND FILE FOR FIR EXAMPLE */
*****/
MEMORY
{
    ONCHIP : origin = 000100h, length = 000700h
    PROG   : origin = 000800h, length = 002400h
    DATA  : origin = 002C00h, length = 00D200h
}
SECTIONS
{
    .text: load = PROG
    .fir: load = DATA, run ONCHIP
}

```

Figure 8-4 illustrates the run-time execution of Example 8-7.

Figure 8-4. Run-Time Execution of Example 8-7



8.11 Using UNION and GROUP Statements

Two SECTIONS statements allow you to conserve memory: GROUP and UNION. Specifying a lot of sections in a UNION causes the linker to allocate them to the same run address. Putting sections in a GROUP causes the linker to allocate them contiguously in memory.

8.11.1 Overlaying Sections With the UNION Statement

For some applications, you may want to allocate more than one section to run at the same address. For example, you may have several routines you want in on-chip RAM at various stages of execution. Or you may want several data objects that will not be active at the same time to share a block of memory. The UNION statement within the SECTIONS directive provides a way to allocate several sections at the same run-time address.

In Example 8–8, the .bss sections from file1.obj and file2.obj are allocated at the same address in RAM. In the memory map, the union occupies as much space as its largest component. The components of a union remain independent sections; they are simply allocated together as a unit.

Example 8–8. The UNION Statement

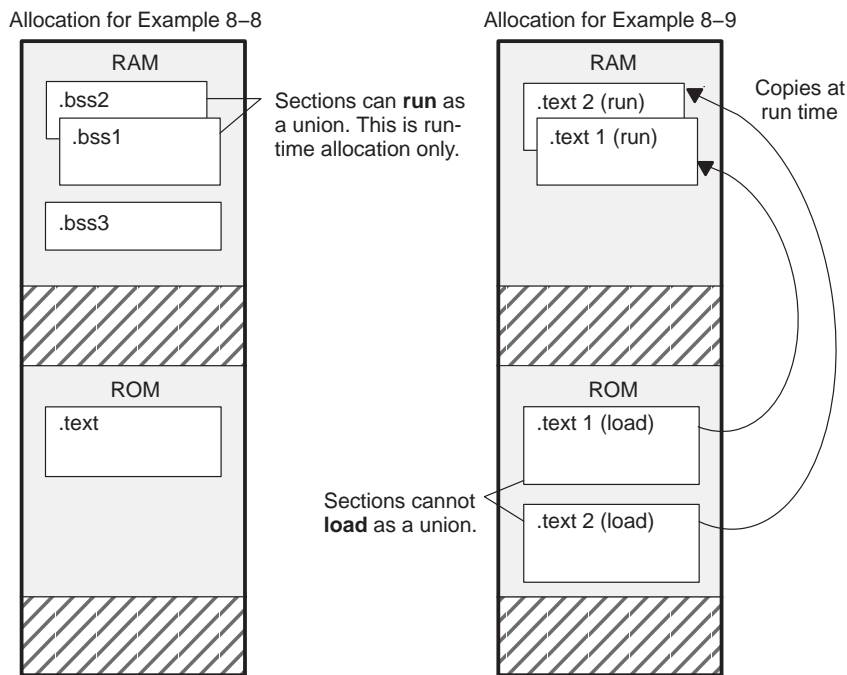
```
SECTIONS
{
    .text: load = ROM
    UNION: run = RAM
    {
        .bss1: { file1.obj(.bss) }
        .bss2: { file2.obj(.bss) }
    }
    .bss3: run = RAM { globals.obj(.bss) }
}
```

Allocation of a section as part of a union affects only its *run address*. Under no circumstances can sections be overlaid for loading. If an initialized section is a union member (an initialized section has raw data, such as .text), its load allocation *must* be separately specified. For example:

Example 8–9. Separate Load Addresses for UNION Sections

```
UNION: run = RAM
{
    .text1: load = ROM, { file1.obj(.text) }
    .text2: load = ROM, { file2.obj(.text) }
}
```

Figure 8–5. Memory Allocation Shown in Example 8–8 and Example 8–9



Since the `.text` sections contain data, they cannot *load* as a union, although they can be *run* as a union. Therefore, each requires its own load address. If you fail to provide a load allocation for an initialized section within a union, the linker issues a warning and allocates load space anywhere it fits in configured memory.

Uninitialized sections are not loaded and do not require load addresses.

The UNION statement applies only to allocation of run addresses, so it is redundant to specify a load address for the union itself. For purposes of allocation, the union is treated as an uninitialized section: any one allocation specified is considered a run address, and, if both are specified, the linker issues a warning and ignores the load address.

The alignment and block attributes of a union are the maximum alignment and block attributes of any of its members.

Note: UNION and Overlay Page Are Not the Same

The UNION capability and the *overlay page* capability (see Section 8.12, *Overlay Pages*, on page 8-59) may sound similar because they both deal with overlays. They are, in fact, quite different. UNION allows multiple sections to be overlaid *within the same memory space*. Overlay pages, on the other hand, define *multiple memory spaces*. It is possible to use the page facility to approximate the function of UNION, but this is cumbersome.

8.11.2 Grouping Output Sections Together

The SECTIONS directive has a GROUP option that forces several output sections to be allocated contiguously. For example, assume that a section named *term_rec* contains a termination record for a table in the .data section. You can force the linker to allocate .data and term_rec together:

Example 8–10. Allocate Sections Together

```
SECTIONS
{
    .text          /* Normal output section          */
    .bss           /* Normal output section          */
    GROUP 1000h : /* Specify a group of sections    */
    {
        .data      /* First section in the group      */
        term_rec   /* Allocated immediately after .data */
    }
}
```

You can use binding, alignment, or named memory to allocate a GROUP in the same manner as a single output section. In the preceding example, the GROUP is bound to byte address 1000h. This means that .data is allocated at byte 1000h, and term_rec follows it in memory.

The alignment and block attributes of a GROUP are the maximum alignment and block attributes of any of its members.

An allocator for a GROUP is subject to the consistency checking rules listed in Section 8.11.4.

8.11.3 Nesting UNIONS and GROUPS

The linker allows arbitrary nesting of GROUP and UNION statements with the SECTIONS directive. By nesting GROUP and UNION statements, you can express different ways of laying out output sections in the same memory space. Example 8–11 shows how two overlays of sections can be grouped together.

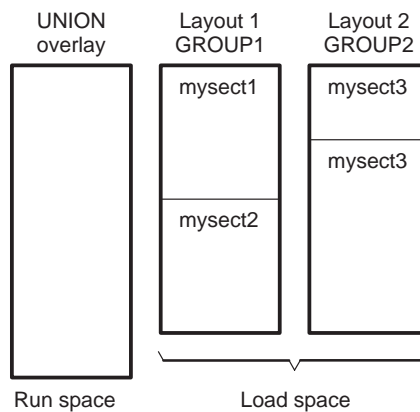
Example 8–11. Nesting GROUP and UNION Statements

```

SECTIONS
{
  UNION:
  {
    GROUP
    {
      mysect1
      mysect2
    } load = ROM
    GROUP
    {
      mysect3
      mysect4
    } load = ROM
  } run = RAM
}

```

Figure 8–6. Memory Overlay Shown in Example 8–11



Given the linker control file in Example 8–11, the linker performs the following allocations:

- The four sections (mysect1, mysect2, mysect3, mysect4) are assigned unique, non-overlapping load addresses in the ROM memory region. This assignment is determined by the particular load allocations given for each section.
- Sections mysect1 and mysect2 are assigned the same run address in RAM.
- Sections mysect3 and mysect4 are assigned the same run address in RAM.
- The run addresses of mysect1/mysect2 and mysect3/mysect4 are allocated contiguously, as directed by the GROUP statement (subject to alignment and blocking restrictions).

To refer to groups and unions, linker diagnostic messages use the notation:

```
GROUP_ n  
UNION_ n
```

In this notation, *n* is a sequential number (beginning at 1) that represents the lexical ordering of the group or union in the linker control file, without regard to nesting. Groups and unions each have their own counter.

8.11.4 Checking the Consistency of Allocators

The linker checks the consistency of load and run allocations specified for unions, groups, and sections. The following rules are used:

- Run allocations are only allowed for top-level sections, groups, or unions (sections, groups, or unions that are not nested under any other groups or unions). The linker uses the run address of the top-level structure to compute the run addresses of the components within groups and unions.
- As discussed in Section 8.11.1, the linker does not accept a load allocation for UNIONS.
- As discussed in Section 8.11.1, the linker does not accept a load allocation for uninitialized sections.
- In most cases, you must provide a load allocation for an initialized section. However, the linker does not accept a load allocation for an initialized section that is located within a group that already defines a load allocator.

- As a shortcut, you can specify a load allocation for an entire group, to determine the load allocations for every initialized section or subgroup nested within the group. However, a load allocation is accepted for an entire group only if all of the following conditions are true:
 - The group is initialized (i.e., it has at least one initialized member).
 - The group is not nested inside another group that has a load allocator.
 - The group does not contain a union containing initialized sections.

If the group contains a union with initialized sections, it is necessary to specify the load allocation for each initialized section nested within the group. Consider the following example:

```
SECTIONS
{
  GROUP: load = ROM, run = ROM
  {
    .text1:
    UNION:
    {
      .text2:
      .text3:
    }
  }
}
```

The load allocator given for the group does not uniquely specify the load allocation for the elements within the union: .text2 and .text3. In this case, the linker will issue a diagnostic message to request that these load allocations be specified explicitly.

8.12 Overlay Pages

Some target systems use a memory configuration in which all or part of the memory space is overlaid by shadow memory. This allows the system to map different banks of physical memory into and out of a single address range in response to hardware selection signals. In other words, multiple banks of physical memory overlay each other at one address range. You may want the linker to load various output sections into each of these banks or into banks that are not mapped at load time.

The linker supports this feature by providing *overlay pages*. Each page represents an address range that must be configured separately with the MEMORY directive. You can then use the SECTIONS directive to specify the sections to be mapped into various pages.

8.12.1 Using the MEMORY Directive to Define Overlay Pages

To the linker, each overlay page represents a completely separate memory comprising the full 24-bit range of addressable locations. This allows you to link two or more sections at the same (or overlapping) addresses if they are on different pages.

Pages are numbered sequentially, beginning with 0. If you do not use the PAGE option, the linker allocates all sections into PAGE 0.

For example, assume that your system can select between two banks of physical memory for data memory space: address range A00h to FFFFh for PAGE 1 and 0A00h to 2BFF for PAGE 2. Although only one bank can be selected at a time, you can initialize each bank with different data. This is how you use the MEMORY directive to obtain this configuration:

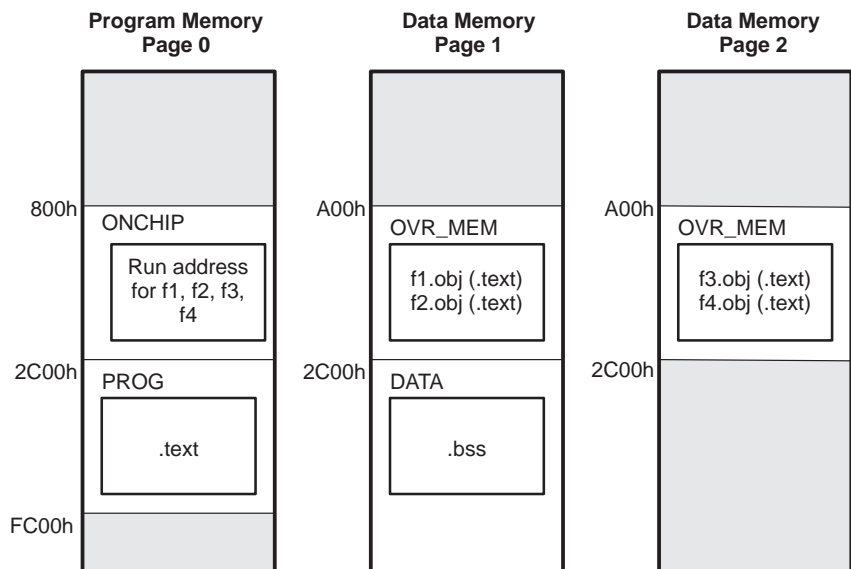
Example 8–12. Memory Directive With Overlay Pages

```
MEMORY
{
  PAGE 0 : ONCHIP   : origin = 0800h,   length = 0240h
          : PROG     : origin = 02C00h,  length = 0D200h
  PAGE 1 : OVR_MEM  : origin = 0A00h,   length = 02200h
          : DATA    : origin = 02C00h,  length = 0D400h
  PAGE 2 : OVR_MEM  : origin = 0A00h,   length = 02200h
}
```

Example 8–12 defines three separate address spaces. PAGE 0 defines an area of on-chip program memory and the rest of program memory space. PAGE 1 defines the first overlay memory area and the rest of data memory space. PAGE 2 defines another area of overlay memory for data space. Both OVR_MEM ranges cover the same address range. This is possible because each range is on a different page and therefore represents a different memory space.

Figure 8–7 shows overlay pages defined by the MEMORY directive in Example 8–12 and the SECTIONS directive in Example 8–13.

Figure 8–7. Overlay Pages Defined by Example 8–12 and Example 8–13



8.12.2 Using Overlay Pages With the SECTIONS Directive

Assume that you are using the MEMORY directive as shown in Example 8–12. Further assume that your code consists of, besides the usual sections, four modules of code that you want to load in data memory space but that you intend to run in the on-chip RAM in program memory space. Example 8–13 shows how to use the SECTIONS directive overlays accordingly.

Example 8–13. SECTIONS Directive Definition for Overlays in Figure 8–7

```
SECTIONS
{
  UNION : run = ONCHIP
  {
    S1 : load = OVR_MEM PAGE 1
    {
      f1.obj (.text)
      f2.obj (.text)
    }
    LOAD_START(s1_load);
    S2 : load = OVR_MEM PAGE 2
    {
      s2_load = 0A00h;
      s2_start = .;
      f3.obj (.text)
      f4.obj (.text)
      s2_length = . - s2_start;
    }
    LOAD_START(s2_load), SIZE(s2_length)

  }
  RUN_START(union_start)
  .text: load = PROG PAGE 0
  .data: load = PROG PAGE 0
  .bss : load = DATA PAGE 1
}
```

The four modules of code are f1, f2, f3, and f4. The modules f1 and f2 are combined into output section S1, and f3 and f4 are combined into output section S2. The PAGE specifications for S1 and S2 tell the linker to link these sections into the corresponding pages. As a result, they are both linked to load address A00h, but in different memory spaces. When the program is loaded, a loader can configure hardware so that each section is loaded into the appropriate memory bank.

Output sections S1 and S2 are placed in a union that has a run address in on-chip RAM. The application must move these sections at run time before executing them. You can use the symbols s1_load and s1_length to move section S1, and s2_load and s2_length to move section S2. The run address for both sections is assigned to union_start applying the RUN_START() operator to the UNION.

Within a page, you can bind output sections or use named memory areas in the usual way. In Example 8–13, S1 could have been allocated:

```
S1 : load = 01200h, page = 1 { . . . }
```

This binds S1 at address 1200h in page 1. You can also use page as a qualifier on the address. For example:

```
S1 : load = (01200h PAGE 1) { . . . }
```

If you do not specify any binding or named memory range for the section, the linker allocates the section into the page wherever it can (just as it normally does with a single memory space). For example, S2 could also be specified as:

```
S2 : PAGE 2 { . . . }
```

Because OVR_MEM is the only memory on page 2, it is not necessary (but acceptable) to specify = OVR_MEM for the section.

8.12.3 Page Definition Syntax

To specify overlay pages as illustrated in Example 8–12 and Example 8–13, use the following syntax for the MEMORY directive:

```
MEMORY
{
  [PAGE 0 :] name 1 [(attr)] : origin = constant , length = constant;
  [PAGE n :] name n [(attr)] : origin = constant , length = constant;
}
```

Each page is introduced by the keyword PAGE and a page number, followed by a colon and a list of memory ranges the page contains. **Bold** portions must be entered as shown. Memory ranges are specified in the normal way. You can define up to 255 overlay pages.

Because each page represents a completely independent address space, memory ranges on different pages can have the same name. Configured memory on any page can overlap configured memory on any other page. Within a single page, however, all memory ranges must have unique names and must not overlap.

Memory ranges listed outside the scope of a PAGE specification default to PAGE 0. Consider the following example:

```
MEMORY
{
    ROM      : org = 0h      len = 1000h
    EPROM    : org = 1000h   len = 1000h
    RAM      : org = 2000h   len = 0E000h
    PAGE1: XROM : org = 0h    len = 1000h
           XRAM : org = 2000h len = 0E000h
}
```

The memory ranges ROM, EPROM, and RAM are all on PAGE 0 (since no page is specified). XROM and XRAM are on PAGE 1. Note that XROM on PAGE 1 overlays ROM on PAGE 0, and XRAM on PAGE 1 overlays RAM on PAGE 0.

In the output link map (obtained with the `-m` linker option), the listing of the memory model is keyed by pages. This provides an easy method of verifying that you specified the memory model correctly. Also, the listing of output sections has a PAGE column that identifies the memory space into which each section will be loaded.

8.13 Default Allocation Algorithm

The MEMORY and SECTIONS directives provide flexible methods for building, combining, and allocating sections. However, any memory locations or sections that you choose *not* to specify must still be handled by the linker. The linker uses default algorithms to build and allocate sections within the specifications you supply. Subsections 8.13.1, *Allocation Algorithm*, and 8.13.2, *General Rules for Output Sections*, describe default allocation.

8.13.1 Allocation Algorithm

If you do not use the MEMORY and SECTIONS directives, the linker allocates output sections as though the following definitions are specified.

Example 8–14. Default Allocation for TMS320C55x Devices

```
MEMORY
{
    ROM (RIX)      :   origin = 0100h,      length = 0FEFFh
    VECTOR (RIX)   :   origin = 0FFFF00h,   length = 0100h
    RAM (RWIX)     :   origin = 010100h,    length = 0FFFFh
}
SECTIONS
{
    .text          > ROM
    .switch        > ROM
    .const         > ROM
    .cinit         > ROM
    .vectors       > VECTOR
    .data          > RAM
    .bss           > RAM
    .systemem     > RAM
    .stack         > RAM
    .sysstack     > RAM
    .cio           > RAM
}
```

All .text input sections are concatenated to form a .text output section in the executable output file, and all .data input sections are combined to form a .data output section. The .text and .data sections are allocated into configured memory on PAGE 0, which is the program memory space. All .bss sections are combined to form a .bss output section. The .bss section is allocated into configured memory on PAGE 1, which is the data memory space.

If you use a SECTIONS directive, the linker performs *no part* of the default allocation. Allocation is performed according to the rules specified by the SECTIONS directive and the general algorithm described in subsection 8.13.2, *General Rules for Output Sections*.

8.13.2 General Rules for Output Sections

An output section can be formed in one of two ways:

- Rule 1** As the result of a SECTIONS directive definition.
- Rule 2** By combining input sections with the same names into an output section that is not defined in a SECTIONS directive.

If an output section is formed as a result of a SECTIONS directive (rule 1), this definition completely determines the section's contents. (See Section 8.9, *The SECTIONS Directive*, on page 8-32 for examples of how to define an output section's content.)

An output section can also be formed when input sections are not specified by a SECTIONS directive (rule 2). In this case, the linker combines all such input sections that have the same name into an output section with that name. For example, suppose the files f1.obj and f2.obj both contain named sections called Vectors and that the SECTIONS directive does not define an output section for them. The linker combines the two Vectors sections from the input files into a single output section named Vectors, allocates it into memory, and includes it in the output file.

After the linker determines the composition of all output sections, it must allocate them into configured memory. The MEMORY directive specifies which portions of memory are configured; if there is no MEMORY directive, the linker uses the default configuration.

The linker's allocation algorithm attempts to minimize memory fragmentation. This allows memory to be used more efficiently and increases the probability that your program will fit into memory. This is the algorithm:

- 1) Output sections for which you have supplied a specific binding address are placed in memory at that address.
- 2) Output sections that are included in a specific, named memory range or that have memory attribute restrictions are allocated. Each output section is placed into the first available space within the named area, considering alignment where necessary.

- 3) Any remaining sections are allocated in the order in which they are defined. Sections not defined in a SECTIONS directive are allocated in the order in which they are encountered. Each output section is placed into the first available memory space, considering alignment where necessary.

Note that the linker pads the end of the final .text section (the grouping of all .text sections from object files in the application) with a non-parallel NOP.

Note: The PAGE Option

If you do not use the PAGE option to explicitly specify a memory space for an output section, the linker allocates the section into PAGE 0. This occurs even if PAGE 0 has no room and other pages do. To use a page other than PAGE 0, you must specify the page with the SECTIONS directive.

8.14 Special Section Types (DSECT, COPY, and NOLOAD)

You can assign three special type designations to output sections: DSECT, COPY, and NOLOAD. These types affect the way that the program is treated when it is linked and loaded. You can assign a type to a section by placing the type (enclosed in parentheses) after the section definition. For example:

```
SECTIONS
{
  sec1 2000h    (DSECT)   : {f1.obj}
  sec2 4000h    (COPY)    : {f2.obj}
  sec3 6000h    (NOLOAD)  : {f3.obj}
}
```

- The DSECT type creates a dummy section with the following qualities:
 - It is not included in the output section memory allocation. It takes up no memory and is not included in the memory map listing.
 - It can overlay other output sections, other DSECTs, and unconfigured memory.
 - Global symbols defined in a dummy section are relocated normally. They appear in the output module's symbol table with the same value they would have if the DSECT had actually been loaded. These symbols can be referenced by other input sections.
 - Undefined external symbols found in a DSECT cause specified archive libraries to be searched.
 - The section's contents, relocation information, and line number information are not placed in the output module.

In the preceding example, none of the sections from f1.obj are allocated, but all of the symbols are relocated as though the sections were linked at byte address 2000h. The other sections can refer to any of the global symbols in sec1.

- A COPY section is similar to a DSECT section, except that its contents and associated information are written to the output module. The .cinit section that contains initialization tables for the TMS320C55x C compiler has this attribute under the RAM model. The .comment section created by pragma IDENT is a COPY section.
- A NOLOAD section differs from a normal output section in one respect: the section's contents, relocation information, and line number information are not placed in the output module. The linker allocates space for it, and it appears in the memory map listing.

8.15 Assigning Symbols at Link Time

Linker assignment statements allow you to define external (global) symbols and assign values to them at link time. You can use this feature to initialize a variable or pointer to an allocation-dependent value.

8.15.1 Syntax of Assignment Statements

The syntax of assignment statements in the linker is similar to that of assignment statements in the C language:

<i>symbol</i>	=	<i>expression</i> ;	assigns the value of expression to symbol
<i>symbol</i>	+=	<i>expression</i> ;	adds the value of expression to symbol
<i>symbol</i>	-=	<i>expression</i> ;	subtracts the value of expression from symbol
<i>symbol</i>	*=	<i>expression</i> ;	multiplies symbol by expression
<i>symbol</i>	/=	<i>expression</i> ;	divides symbol by expression

The symbol should be defined externally. If it is not, the linker defines a new symbol and enters it into the symbol table. The expression must follow the rules defined in subsection 8.15.3, *Assignment Expressions*. Assignment statements *must* terminate with a semicolon.

The linker processes assignment statements *after* it allocates all the output sections. Therefore, if an expression contains a symbol, the address used for that symbol reflects the symbol's address in the executable output file.

For example, suppose a program reads data from one of two tables identified by two external symbols, Table1 and Table2. The program uses the symbol `cur_tab` as the address of the current table. `cur_tab` must point to either Table1 or Table2. You could accomplish this in the assembly code, but you would need to reassemble the program to change tables. Instead, you can use a linker assignment statement to assign `cur_tab` at link time:

```
prog.obj          /* Input file */
cur_tab = Table1; /* Assign cur_tab to one of the tables */
```

8.15.2 Assigning the SPC to a Symbol

A special symbol, denoted by a dot (`.`), represents the current value of the SPC during allocation. The linker's `."` symbol is analogous to the assembler's `$` symbol. The `."` symbol can be used only in assignment statements within a `SECTIONS` directive because `."` is meaningful only during allocation, and `SECTIONS` controls the allocation process. (See Section 8.9, *The SECTIONS Directive*, on page 8-32.) Note that the `."` symbol cannot be used outside of the braces that define a single output section.

The `."` symbol refers to the current run address, not the current load address, of the section.

For example, suppose a program needs to know the address of the beginning of the `.data` section. By using the `.global` directive, you can create an external undefined variable called `Dstart` in the program. Then assign the value of `."` to `Dstart`:

```
SECTIONS
{
    .text:    {}
    .data:   { Dstart = .; }
    .bss:    {}
}
```

This defines `Dstart` to be the first linked address of the `.data` section. (`Dstart` is assigned *before* `.data` is allocated.) The linker will relocate all references to `Dstart`.

A special type of assignment assigns a value to the `."` symbol. This adjusts the SPC within an output section and creates a hole between two input sections. Any value assigned to `."` to create a hole is relative to the beginning of the section, not to the address actually represented by `."`. Assignments to `."` and holes are described in Section 8.16, *Creating and Filling Holes*, on page 8-73.

8.15.3 Assignment Expressions

These rules apply to linker expressions:

- Expressions can contain global symbols, constants, and the C language operators listed in Table 8–1.
- All numbers are treated as long (32-bit) integers.
- Constants are identified by the linker in the same way as by the assembler. That is, numbers are recognized as decimal unless they have a suffix (H or h for hexadecimal and Q or q for octal). C language prefixes are also recognized (O for octal and 0x for hex). Hexadecimal constants must begin with a digit. No binary constants are allowed.
- Symbols within an expression have only the value of the symbol's *address*. No type-checking is performed.
- Linker expressions can be absolute or relocatable. If an expression contains *any* relocatable symbols (and zero or more constants or absolute symbols), it is relocatable. Otherwise, the expression is absolute. If a symbol is assigned the value of a relocatable expression, it is relocatable; if it is assigned the value of an absolute expression, it is absolute.

The linker supports the C language operators listed in Table 8–1 in order of precedence. Operators in the same group have the same precedence. Besides the operators listed in Table 8–1, the linker also has an *align* operator that allows a symbol to be aligned on an *n*-byte boundary within an output section (*n* is a power of 2). For example, the expression

```
. = align(16);
```

aligns the SPC within the current section on the next 16-byte boundary. Because the align operator is a function of the current SPC, it can be used only in the same context as “.” —that is, within a SECTIONS directive.

Table 8–1. Operators Used in Expressions (Precedence)

Symbols	Operators	Evaluation
+ - ~	Unary plus, minus, 1s complement	Right to left
* / %	Multiplication, division, modulo	Left to right
+ -	Addition, subtraction	Left to right
<< >>	Left shift, right shift	Left to right
< <= > >=	Less than, LT or equal, greater than, GT or equal	Left to right
!=, =[=]	Not equal to, equal to	Left to right
&	Bitwise AND	Left to right
^	Bitwise exclusive OR	Left to right
	Bitwise OR	Left to right

Note: Unary +, -, and * have higher precedence than the binary forms.

8.15.4 Symbols Defined by the Linker

The linker automatically defines several symbols that a program can use at run time to determine where a section is linked. These symbols are external, so they appear in the link map. They can be accessed in any assembly language module if they are declared with a `.global` directive. Values are assigned to these symbols as follows:

- .text** is assigned the first address of the `.text` output section. (It marks the *beginning* of executable code.)
- etext** is assigned the first address following the `.text` output section. (It marks the *end* of executable code.)
- .data** is assigned the first address of the `.data` output section. (It marks the *beginning* of initialized data tables.)
- edata** is assigned the first address following the `.data` output section. (It marks the *end* of initialized data tables.)
- .bss** is assigned the first address of the `.bss` output section. (It marks the *beginning* of uninitialized data.)
- end** is assigned the first address following the `.bss` output section. (It marks the *end* of uninitialized data.)

8.15.5 Symbols Defined Only For C Support (-c or -cr Option)

`__STACK_SIZE` is assigned the size of the `.stack` section.

`__SYSSTACK_SIZE` is assigned the size of the `.sysstack` section.

`__SYSTEMEM_SIZE` is assigned the size of the `.systemem` section.

Note: Allocation of `.stack` and `.sysstack` Sections

The `.stack` and `.sysstack` sections must be allocated on the same 64K-word data page.

8.16 Creating and Filling Holes

The linker provides you with the ability to create areas *within output sections* that have nothing linked into them. These areas are called **holes**. In special cases, uninitialized sections can also be treated as holes. The following text describes how the linker handles such holes and how you can fill holes (and uninitialized sections) with a value.

8.16.1 Initialized and Uninitialized Sections

An output section contains *one* of the following:

- Raw data for the *entire* section
- No raw data

A section that has raw data is referred to as *initialized*. This means that the object file contains the actual memory image contents of the section. When the section is loaded, this image is loaded into memory at the section's specified starting address. The `.text` and `.data` sections *always* have raw data if anything was assembled into them. Named sections defined with the `.sect` assembler directive also have raw data.

By default, the `.bss` section and sections defined with the `.usect` directive have no raw data (they are *uninitialized*). They occupy space in the memory map but have no actual contents. Uninitialized sections typically reserve space in RAM for variables. In the object file, an uninitialized section has a normal section header and may have symbols defined in it; however, no memory image is stored in the section.

8.16.2 Creating Holes

You can create a hole in an initialized output section. A hole is created when you force the linker to leave extra space between input sections within an output section. When such a hole is created, *the linker must follow the first guideline above and supply raw data for the hole*.

Holes can be created only *within* output sections. Space can exist *between* output sections, but such space is not holes. There is no way to fill or initialize the space between output sections with the `SECTIONS` directive.

To create a hole in an output section, you must use a special type of linker assignment statement within an output section definition. The assignment statement modifies the SPC (denoted by `."`) by adding to it, assigning a greater value to it, or aligning it on an address boundary. The operators, expressions, and syntaxes of assignment statements are described in Section 8.15, *Assigning Symbols at Link Time*, on page 8-68.

The following example uses assignment statements to create holes in output sections:

```
SECTIONS
{
    outsect:
    {
        file1.obj(.text)
        . += 100h; /* Create a hole with size 100h bytes */
        file2.obj(.text)
        . = align(16); /* Create a hole to align the SPC */
        file3.obj(.text)
    }
}
```

The output section outsect is built as follows:

- The .text section from file1.obj is linked in.
- The linker creates a 256-byte hole.
- The .text section from file2.obj is linked in after the hole.
- The linker creates another hole by aligning the SPC on a 16-byte boundary.
- Finally, the .text section from file3.obj is linked in.

All values assigned to the “.” symbol within a section refer to the *relative address within the section*. The linker handles assignments to the “.” symbol as if the section started at address 0 (even if you have specified a binding address). Consider the statement `. = align(16)` in the example. This statement effectively aligns `file3.obj .text` to start on a 16-byte boundary within `outsect`. If `outsect` is ultimately allocated to start on an address that is not aligned, `file3.obj .text` will not be aligned either.

Note that the “.” symbol refers to the current run address, not the current load address, of the section.

Expressions that decrement “.” are illegal. For example, it is invalid to use the `--` operator in an assignment to “.”. The most common operators used in assignments to “.” are `+=` and `align`.

If an output section contains all input sections of a certain type (such as `.text`), you can use the following statements to create a hole at the beginning or end of the output section:

```
.text: { . += 100h; } /* Hole at the beginning */
.data: {
        *(.data)
        . += 100h; } /* Hole at the end */
```

Another way to create a hole in an output section is to combine an uninitialized section with an initialized section to form a single output section. *In this case, the linker treats the uninitialized section as a hole and supplies data for it.* The following example illustrates this method:

```
SECTIONS
{
    outsect:
    {
        file1.obj(.text)
        file1.obj(.bss)      /* This becomes a hole */
    }
}
```

Because the .text section has raw data, all of outsect must also contain raw data (rule 1). Therefore, the uninitialized .bss section becomes a hole.

Uninitialized sections become holes only when they are combined with initialized sections. If several uninitialized sections are linked together, the resulting output section is also uninitialized.

8.16.3 Filling Holes

When a hole exists in an initialized output section, the linker must supply raw data to fill it. The linker fills holes with a 16-bit fill value that is replicated through memory until it fills the hole. The linker determines the fill value as follows:

- 1) If the hole is formed by combining an uninitialized section with an initialized section, you can specify a fill value for the uninitialized section. Follow the section name with an = sign and a 16-bit constant:

```
SECTIONS
{
    outsect:
    {
        file1.obj(.text)
        file2.obj(.bss) = 00FFh    /* Fill this hole */
    }                               /* with 0FFh    */
}
```

- 2) You can also specify a fill value for all the holes in an output section by supplying the fill value after the section definition:

```
SECTIONS
{
    outsect:fill = 0FF00h /* fills holes with 0FF00h */
    {
        . += 10h;        /* This creates a hole */
        file1.obj(.text)
        file1.obj(.bss) /* This creates another hole*/
    }
}
```

- 3) If you do not specify an initialization value for a hole, the linker fills the hole with the value specified by the `-f` option. For example, suppose the command file `link.cmd` contains the following `SECTIONS` directive:

```
SECTIONS
{
    .text: { .= 100; }      /* Create a 100-byte hole */
}
```

Now invoke the linker with the `-f` option:

```
lnk500 -f 0FFFFh link.cmd
```

This fills the hole with `0FFFFh`.

- 4) If you do not invoke the linker with the `-f` option, the linker fills holes with 0s.

Whenever a hole is created and filled in an initialized output section, the hole is identified in the link map along with the value the linker uses to fill it.

8.16.4 Explicit Initialization of Uninitialized Sections

An uninitialized section becomes a hole only when it is combined with an initialized section. When uninitialized sections are combined with each other, the resulting output section remains uninitialized.

However, you can force the linker to initialize an uninitialized section by specifying an explicit fill value for it in the `SECTIONS` directive. This causes the entire section to have raw data (the fill value). For example:

```
SECTIONS
{
    .bss: fill = 1234h      /* Fills .bss with 1234h */
}
```

Note: Filling Sections

Because filling a section (even with 0s) causes raw data to be generated for the entire section in the output file, your output file will be very large if you specify fill values for large sections or holes.

8.17 Linker-Generated Copy Tables

The linker supports extensions to the linker command file syntax that enable the following:

- Make it easier for you to copy objects from load-space to run-space at boot time
- Make it easier for you to manage memory overlays at run time
- Allow you to split GROUPs and output sections that have separate load and run addresses

8.17.1 A Current Boot-Loaded Application Development Process

In some embedded applications, there is a need to copy or download code and/or data from one location to another at boot time before the application actually begins its main execution thread. For example, an application may have its code and/or data in FLASH memory and need to copy it into on-chip memory before the application begins execution.

One way you can develop an application like this is to create a copy table in assembly code that contains three elements for each block of code or data that needs to be moved from FLASH into on-chip memory at boot time:

- The load location (load page id and address)
- The run location (run page id and address)
- The size

The process you follow to develop such an application might look like this:

- 1) Build the application to produce a .map file that contains the load and run addresses of each section that has a separate load and run placement.
- 2) Edit the copy table (used by the boot loader) to correct the load and run addresses as well as the size of each block of code or data that needs to be moved at boot time.
- 3) Build the application again, incorporating the updated copy table.
- 4) Run the application.

This process puts a heavy burden on you to maintain the copy table (by hand, no less). Each time a piece of code or data is added or removed from the application, you must repeat the process in order to keep the contents of the copy table up to date.

8.17.2 An Alternative Approach

You can avoid some of this maintenance burden by using the `LOAD_START()`, `RUN_START()`, and `SIZE()` operators that are already part of the linker command file syntax. For example, instead of building the application to generate a `.map` file, the linker command file can be annotated:

```
SECTIONS
{
    .flashcode: { app_tasks.obj(.text) }
        load = FLASH, run = PMEM,
        LOAD_START(_flash_code_ld_start),
        RUN_START(_flash_code_rn_start),
        SIZE(_flash_code_size)

    ...
}
```

In this example, the `LOAD_START()`, `RUN_START()`, and `SIZE()` operators instruct the linker to create three symbols:

Symbol	Description
<code>_flash_code_ld_start</code>	load address of <code>.flashcode</code> section
<code>_flash_code_rn_start</code>	run address of <code>.flashcode</code> section
<code>_flash_code_size</code>	size of <code>.flashcode</code> section

These symbols can then be referenced from the copy table. The actual data in the copy table will be updated automatically each time the application is linked. This approach removes step 1 of the process described in section 8.17.1.

While maintenance of the copy table is reduced markedly, you must still carry the burden of keeping the copy table contents in sync with the symbols that are defined in the linker command file. Ideally, the linker would generate the boot copy table automatically. This would avoid having to build the application twice *and* free you from having to explicitly manage the contents of the boot copy table.

For more information on the `LOAD_START()`, `RUN_START()`, and `SIZE()` operators, see section 8.10.5, *Address and Dimension Operators*, on page 8-48.

8.17.3 Overlay Management Example

Consider an application which contains a memory overlay that must be managed at run time. The memory overlay is defined using a UNION in the linker command file as illustrated in Example 8–15:

Example 8–15. Using a UNION for Memory Overlay

```
SECTIONS
{
    ...

    UNION
    {
        GROUP
        {
            .task1: { task1.obj(.text) }
            .task2: { task2.obj(.text) }

        } load = ROM, LOAD_START(_task12_load_start), SIZE(_task12_size)

        GROUP
        {
            .task3: { task3.obj(.text) }
            .task4: { task4.obj(.text) }

        } load = ROM, LOAD_START(_task34_load_start), SIZE(_task_34_size)

    } run = RAM, RUN_START(_task_run_start)

    ...
}
```

The application must manage the contents of the memory overlay at run time. That is, whenever any services from `.task1` or `.task2` are needed, the application must first ensure that `.task1` and `.task2` are resident in the memory overlay. Similarly for `.task3` and `.task4`.

To affect a copy of `.task1` and `.task2` from ROM to RAM at run time, the application must first gain access to the load address of the tasks (`_task12_load_start`), the run address (`_task_run_start`), and the size (`_task12_size`). Then this information is used to perform the actual code copy.

8.17.4 Generating Copy Tables Automatically with the Linker

The linker supports extensions to the linker command file syntax that enable you to do the following:

- ❑ Identify any object components that may need to be copied from load space to run space at some point during the run of an application
- ❑ Instruct the linker to automatically generate a copy table that contains (at least) the load address, run address, and size of the component that needs to be copied
- ❑ Instruct the linker to generate a symbol specified by you that provides the address of a linker-generated copy table. For instance, Example 8–15 can be written as shown in Example 8–16:

Example 8–16. Produce Address for Linker Generated Copy Table

```
SECTIONS
{
    ...

    UNION
    {
        GROUP
        {
            .task1: { task1.obj(.text) }
            .task2: { task2.obj(.text) }

        } load = ROM, table(_task12_copy_table)

        GROUP
        {
            .task3: { task3.obj(.text) }
            .task4: { task4.obj(.text) }

        } load = ROM, table(_task34_copy_table)

    } run = RAM

    ...
}
```

Using the SECTIONS directive from Example 8–16 in the linker command file, the linker generates two copy tables named: `_task12_copy_table` and `_task34_copy_table`. Each copy table provides the load page id, run page id, load address, run address, and size of the GROUP that is associated with the copy table. This information is accessible from application source code using the linker-generated symbols, `_task12_copy_table` and `_task34_copy_table`, which provide the addresses of the two copy tables, respectively.

Using this method, you do not have to worry about the creation or maintenance of a copy table. You can reference the address of any copy table generated by the linker in C/C++ or assembly source code, passing that value to a general purpose copy routine which will process the copy table and affect the actual copy.

8.17.5 The table() Operator

You can use the table() operator to instruct the linker to produce a copy table. A table() operator can be applied to an output section, a GROUP, or a UNION member. The copy table generated for a particular table() specification can be accessed through a symbol specified by you that is provided as an argument to the table() operator. The linker creates a symbol with this name and assigns it the address of the copy table as the value of the symbol. The copy table can then be accessed from the application using the linker-generated symbol.

Each table() specification you apply to members of a given UNION must contain a unique name. If a table() operator is applied to a GROUP, then none of that GROUP's members may be marked with a table() specification. The linker detects violations of these rules and reports them as warnings, ignoring each offending use of the table() specification. The linker does not generate a copy table for erroneous table() operator specifications.

8.17.6 Boot-Time Copy Tables

The linker supports a special copy table name, BINIT (or binit), that you can use to create a boot-time copy table. For example, the linker command file for the boot-loaded application described in section 8.17.2 can be rewritten as follows:

```
SECTIONS
{
    .flashcode: { app_tasks.obj(.text) }
    load = FLASH, run = PMEM,
    table(BINIT)
    ...
}
```

For this example, the linker creates a copy table that can be accessed through a special linker-generated symbol, `__binit__`, which contains the list of all object components that need to be copied from their load location to their run location at boot-time. If a linker command file does not contain any uses of table(BINIT), then the `__binit__` symbol is given a value of -1 to indicate that a boot-time copy table does not exist for a particular application.

You can apply the `table(BINIT)` specification to an output section, GROUP, or UNION member. If used in the context of a UNION, only one member of the UNION can be designated with `table(BINIT)`. If applied to a GROUP, then none of that GROUP's members may be marked with `table(BINIT)`. The linker detects violations of these rules and reports them as warnings, ignoring each offending use of the `table(BINIT)` specification.

8.17.7 Using the `table()` Operator to Manage Object Components

If you have several pieces of code that need to be managed together, then you can apply the same `table()` operator to several different object components. In addition, if you want to manage a particular object component in multiple ways, you can apply more than one `table()` operator to it. Consider the linker command file excerpt in Example 8–17:

Example 8–17. Linker Command File to Manage Object Components

```
SECTIONS
{
  UNION
  {
    .first: { a1.obj(.text), b1.obj(.text), c1.obj(.text) }
           load = EMEM, run = PMEM, table(BINIT), table(_first_ctbl)

    .second: { a2.obj(.text), b2.obj(.text) }
            load = EMEM, run = PMEM, table(_second_ctbl)
  }

  .extra: load = EMEM, run = PMEM, table(BINIT)

  ...
}
```

In this example, the output sections `.first` and `.extra` are copied from external memory (EMEM) into program memory (PMEM) at boot time while processing the BINIT copy table. After the application has started executing its main thread, it can then manage the contents of the overlay using the two overlay copy tables named: `_first_ctbl` and `_second_ctbl`.

8.17.8 Copy Table Contents

In order to use a copy table that is generated by the linker, you must be aware of the contents of the copy table. This information is included in a new run-time-support library header file, `cpy_tbl.h`, which contains a C source representation of the copy table data structure that is automatically generated by the linker.

Example 8–18 shows the C55x copy table header file.

Example 8–18. TMS320C55x cpy_tbl.h File

```

/*****
/* cpy_tbl.h  vxvxxx
/* Copyright (c) 2003 Texas Instruments Incorporated
/*
/* Specification of copy table data structures which can be automatically
/* generated by the linker (using the table() operator in the LCF).
*****/
#ifndef _CPY_TBL
#define _CPY_TBL

#include <stdlib.h>

/*****
/* Copy Record Data Structure
*****/
typedef struct copy_record
{
    unsigned long load_loc;
    unsigned long run_loc;
    unsigned long size;
} COPY_RECORD;

/*****
/* Copy Table Data Structure
*****/
typedef struct copy_table
{
    unsigned short rec_size;
    unsigned short num_recs;
    COPY_RECORD    recs[1];
} COPY_TABLE;

/*****
/* Prototype for general purpose copy routine.
*****/
extern void copy_in(COPY_TABLE *tp);

/*****
/* Prototypes for I/O aware copy routines used in copy_in().
*****/
extern void cpy_io_to_io(void *from, void *to, size_t n);
extern void cpy_io_to_mem(void *from, void *to, size_t n);
extern void cpy_mem_to_io(void *from, void *to, size_t n);

#endif /* !_CPY_TBL */

```

For each object component that is marked for a copy, the linker creates a COPY_RECORD object for it. Each COPY_RECORD contains at least the following information for the object component:

- The load page id
- The run page id
- The load address
- The run address
- The size

The load page id and the load address are combined in the load_loc field of the COPY_RECORD. Likewise, the run page id and the run address are combined in the run_loc field of the COPY_RECORD. In both cases, the page id is encoded in the most significant 8 bits of the load_loc and run_loc fields. The actual load or run address is encoded in the least significant 3 bytes of the load_loc and run_loc fields, respectively. A page id of 0 indicates that the address represented refers to a location in normal C55x memory. A non-zero page id indicates that the address represented refers to a location in I/O memory.

The linker collects all COPY_RECORDs that are associated with the same copy table into a COPY_TABLE object. The COPY_TABLE object contains the size of a given COPY_RECORD, the number of COPY_RECORDs in the table, and the array of COPY_RECORDs in the table. For instance, in the BINIT example in section 8.17.6, the .first and .extra output sections will each have their own COPY_RECORD entries in the BINIT copy table. The BINIT copy table will then look like this:

```
COPY_TABLE __binit__ = { 12, 2,
                        { <load page id and address of .first>,
                          <run page id and address of .first>,
                          <size of .first> },
                        { <load page id and address of .extra>,
                          <run page id and address of .extra>,
                          <size of .extra> } };
```

8.17.9 General Purpose Copy Routine

The cpy_tbl.h file in Example 8–18 also contains a prototype for a general-purpose copy routine, copy_in(), which is provided as part of the run-time-support library. The copy_in() routine takes a single argument: the address of a linker-generated copy table. The routine then processes the copy table data object and performs the copy of each object component specified in the copy table.

The copy_in() function definition is provided in the cpy_tbl.c run-time-support source file shown in Example 8–19.

Example 8–19. Run-Time-Support *cpy_tbl.c* File

```

/*****
/* cpy_tbl.c
/*
/* Copyright (c) 2003 Texas Instruments Incorporated
/*
/* General purpose copy routine. Given the address of a linker-generated
/* COPY_TABLE data structure, effect the copy of all object components
/* that are designated for copy via the corresponding LCF table() operator.
/*
/*****
#include <cpy_tbl.h>
#include <string.h>

/*****
/* Static Function Prototypes for I/O aware copy routines.
/*****
static void cpy_io_to_io(void *from, void *to, size_t n);
static void cpy_io_to_mem(void *from, void *to, size_t n);
static void cpy_mem_to_io(void *from, void *to, size_t n);

/*****
/* COPY_IN()
/*****
void copy_in(COPY_TABLE *tp)
{
    unsigned short i;
    for (i = 0; i < tp->num_recs; i++)
    {
        COPY_RECORD *crp = &tp->recs[i];
        int load_pgid = (int)(crp->load_loc >> 24);
        unsigned char *load_addr = (unsigned char *) (crp->load_loc & 0x7fffff);
        int run_pgid = (int)(crp->run_loc >> 24);
        unsigned char *run_addr = (unsigned char *) (crp->run_loc & 0x7fffff);
        unsigned int cpy_type = 0;

        /*****
        /* If page ID != 0, location is assumed to be in I/O memory.
        /*****
        if (load_pgid) cpy_type += 2;
        if (run_pgid) cpy_type += 1;
    }
}

```

Example 8-19. Run-Time-Support `cpy_tbl.c` File (Continued)

```

/*****
/* Dispatch to appropriate copy routine based on whether or not load */
/* and/or run location is in I/O memory. */
/*****
switch (cpy_type)
{
    case 3: cpy_io_to_io(load_addr, run_addr, crp->size); break;
    case 2: cpy_io_to_mem(load_addr, run_addr, crp->size); break;
    case 1: cpy_mem_to_io(load_addr, run_addr, crp->size); break;
    case 0: memcpy(run_addr, load_addr, crp->size); break;
}
}

/*****
/* CPY_IO_TO_IO() - Move code/data from one location in I/O to another. */
/*****
static void cpy_io_to_io(void *from, void *to, size_t n)
{
    ioport unsigned char *src = (unsigned char *)from;
    ioport unsigned char *dst = (unsigned char *)to;
    register size_t rn;

    for (rn = 0; rn < n; rn++) *dst++ = *src++;
}

/*****
/* CPY_IO_TO_MEM() - Move code/data from I/O to normal system memory. */
/*****
static void cpy_io_to_mem(void *from, void *to, size_t n)
{
    ioport unsigned char *src = (unsigned char *)from;
    unsigned char *dst = (unsigned char *)to;
    register size_t rn;

    for (rn = 0; rn < n; rn++) *dst++ = *src++;
}

/*****
/* CPY_MEM_TO_IO() - Move code/data from normal memory to I/O. */
/*****
static void cpy_mem_to_io(void *from, void *to, size_t n)
{
    unsigned char *src = (unsigned char *)from;
    ioport unsigned char *dst = (unsigned char *)to;
    register size_t rn;

    for (rn = 0; rn < n; rn++) *dst++ = *src++;
}

```

The load and run page id's are unpacked from the `load_loc` and `run_loc` fields and used to select the appropriate subroutine for copying from the source memory type to the destination memory type. A page id of 0 indicates that the specified address is in normal C55x memory, and a non-zero page id indicates that the address is in I/O memory. The general-purpose copy routine utilizes special copy routines if the code/data needs to be moved into and/or out of I/O memory.

A pointer can be qualified with the `ioport` keyword to indicate that any memory reads from that address need to be qualified with a `readport()` instruction modifier or a `port()` operand modifier. Likewise, a memory write to such a pointer needs to be qualified with a `writport()` instruction modifier or a `port()` operand modifier. By qualifying the pointer with the `ioport` keyword, the compiler generates these I/O modifiers automatically.

8.17.10 Linker Generated Copy Table Sections and Symbols

The linker creates and allocates a separate input section for each copy table that it generates. Each copy table symbol is defined with the address value of the input section that contains the corresponding copy table.

The linker generates a unique name for each overlay copy table input section. For example, `table(_first_ctbl)` would place the copy table for the `.first` section into an input section called `.ovly:_first_ctbl`. The linker creates a single input section, `.binit`, to contain the entire boot-time copy table.

Example 8–20 illustrates how you can control the placement of the linker-generated copy table sections using the input section names in the linker command file.

Example 8–20. Controlling the Placement of the Linker-Generated Copy Table Sections

```
SECTIONS
{
  UNION
  {
    .first: { a1.obj(.text), b1.obj(.text), c1.obj(.text) }
           load = EMEM, run = PMEM, table(BINIT), table(_first_ctbl)

    .second: { a2.obj(.text), b2.obj(.text) }
            load = EMEM, run = PMEM, table(_second_ctbl)
  }

  .extra: load = EMEM, run = PMEM, table(BINIT)

  ...

  .ovly: { } > BMEM
  .binit: { } > BMEM
}
```

For the linker command file in Example 8–20, the boot-time copy table is generated into a `.binit` input section, which is collected into the `.binit` output section, which is mapped to an address in the BMEM memory area. The `_first_ctbl` is generated into the `.ovly:_first_ctbl` input section and the `_second_ctbl` is generated into the `.ovly:_second_ctbl` input section. Since the base names of these input sections match the name of the `.ovly` output section, the input sections are collected into the `.ovly` output section, which is then mapped to an address in the BMEM memory area.

If you do not provide explicit placement instructions for the linker-generated copy table sections, they are allocated according to the linker's default placement algorithm.

The linker does not allow other types of input sections to be combined with a copy table input section in the same output section. The linker does not allow a copy table section that was created from a partial link session to be used as input to a succeeding link session.

8.17.11 Splitting Object Components and Overlay Management

In previous versions of the linker, splitting sections that have separate load and run placement instructions was not permitted. This restriction was because there was no effective mechanism for you, the developer, to gain access to the load address or run address of each one of the pieces of the split object component. Therefore, there was no effective way to write a copy routine that could move the split section from its load location to its run location.

However, the linker can access both the load location and run location of every piece of a split object component. Using the `table()` operator, you can tell the linker to generate this information into a copy table. The linker gives each piece of the split object component a `COPY_RECORD` entry in the copy table object.

For example, consider an application which has 7 tasks. Tasks 1 through 3 are overlaid with tasks 4 through 7 (using a `UNION` directive). The load placement of all of the tasks is split among 4 different memory areas (LMEM1, LMEM2, LMEM3, and LMEM4). The overlay is defined as part of memory area PMEM. You must move each set of tasks into the overlay at run time before any services from the set are used.

You can use `table()` operators in combination with splitting operators, `>>`, to create copy tables that have all the information needed to move either group of tasks into the memory overlay as shown in Example 8–21. Example 8–22 illustrates a possible driver for such an application.

Example 8–21. Creating a Copy Table to Access a Split Object Component

```
SECTIONS
{
  UNION
  {
    .task1to3: { *(.task1), *(.task2), *(.task3) }
               load >> LMEM1 | LMEM2 | LMEM4, table(_task13_ctbl)

    GROUP
    {
      .task4: { *(.task4) }
      .task5: { *(.task5) }
      .task6: { *(.task6) }
      .task7: { *(.task7) }

    } load >> LMEM1 | LMEM3 | LMEM4, table(_task47_ctbl)
  } run = PMEM

  ...

  .ovly: > LMEM4
}
```

Example 8–22. Split Object Component Driver

```
#include <cpy_tbl.h>

extern COPY_TABLE task13_ctbl;
extern COPY_TABLE task47_ctbl;

extern void task1(void);
...
extern void task7(void);

main()
{
    ...
    copy_in(&task13_ctbl);
    task1();
    task2();
    task3();
    ...

    copy_in(&task47_ctbl);
    task4();
    task5();
    task6();
    task7();
    ...
}
```

The contents of the `.task1to3` section are split in the section's load space and contiguous in its run space. The linker-generated copy table, `_task13_ctbl`, contains a separate `COPY_RECORD` for each piece of the split section `.task1to3`. When the address of `_task13_ctbl` is passed to `copy_in()`, each piece of `.task1to3` is copied from its load location into the run location.

The contents of the `GROUP` containing tasks 4 through 7 are also split in load space. The linker performs the `GROUP` split by applying the split operator to each member of the `GROUP` in order. The copy table for the `GROUP` then contains a `COPY_RECORD` entry for every piece of every member of the `GROUP`. These pieces are copied into the memory overlay when the `_task47_ctbl` is processed by `copy_in()`.

The split operator can be applied to an output section, `GROUP`, or the load placement of a `UNION` or `UNION` member. The linker does not permit a split operator to be applied to the run placement of either a `UNION` or of a `UNION` member. The linker detects such violations, emits a warning, and ignores the offending split operator usage.

8.18 Partial (Incremental) Linking

An output file that has been linked can be linked again with additional modules. This is known as *partial linking* or incremental linking. Partial linking allows you to partition large applications, link each part separately, and then link all the parts together to create the final executable program.

Follow these guidelines for producing a file that you will relink:

- Intermediate files *must* have symbolic information. By default, the linker retains symbolic information in its output. Do not use the `-s` option if you plan to relink a file, because `-s` strips symbolic information from the output module.
- Intermediate link steps should be concerned only with the formation of output sections and not with allocation. All allocation, binding, and MEMORY directives should be performed in the final link step.
- If the intermediate files have global symbols that have the same name as global symbols in other files and you wish them to be treated as static (visible only within the intermediate file), you must link the files with the `-h` option (See subsection 8.4.9, *Make All Global Symbols Static (-h and -g global_symbol Options)*, on page 8-11.)
- If you are linking C code, don't use `-c` or `-cr` until the final link step. Every time you invoke the linker with the `-c` or `-cr` option the linker will attempt to create an entry point.

The following example shows how you can use partial linking:

Step 1: Link the file `file1.com`; use the `-r` option to retain relocation information in the output file `tempout1.out`.

```
c155 -z -r -o tempout1 file1.com
```

`file1.com` contains:

```
SECTIONS
{
    ss1:    {
            f1.obj
            f2.obj
            .
            .
            fn.obj
        }
}
```

Step 2: Link the file file2.com; use the `-r` option to retain relocation information in the output file tempout2.out.

```
cl55 -z -r -o tempout2 file2.com
```

file2.com contains:

```
SECTIONS
{
    ss2: {
        g1.obj
        g2.obj
        .
        .
        gn.obj
    }
}
```

Step 3: Link tempout1.out and tempout2.out:

```
cl55 -z -m final.map -o final.out tempout1.out temp-
out2.out
```

8.19 Linking C/C++ Code

The TMS320C55x C/C++ compiler produces assembly language source code that can be assembled and linked. For example, a C/C++ program consisting of modules prog1, prog2, etc., can be assembled and then linked to produce an executable file called prog.out:

```
cl55 -z -c -o prog.out prog1.obj prog2.obj ... rts55.lib
```

To use the large memory model, you must specify the rts55x.lib run-time library.

The `-c` option tells the linker to use special conventions that are defined by the C/C++ environment. The run-time library contains C/C++ run-time-support functions.

For more information about C/C++, including the run-time environment and run-time-support functions, see the TMS320C55x *Optimizing C/C++ Compiler User's Guide*.

8.19.1 Run-Time Initialization

All C/C++ programs must be linked with an object module called boot.obj. When a program begins running, it executes boot.obj first. boot.obj contains code and data for initializing the run-time environment. The module performs the following tasks:

- Sets up the system stack
- Sets up the primary and secondary system stacks
- Processes the run-time initialization table and autoinitializes global variables (in the ROM model)
- Disables interrupts and calls `_main`

The run-time-support object library contains boot.obj. You can:

- Use the archiver to extract boot.obj from the library and then link the module in directly.
- Include rts55.lib as an input file (the linker automatically extracts boot.obj when you use the `-c` or `-cr` option).
- Include the appropriate run-time library as an input file (the linker automatically extracts boot.obj when you use the `-c` or `-cr` option).

8.19.2 Object Libraries and Run-Time Support

The TMS320C55x *Optimizing C/C++ Compiler User's Guide* describes additional run-time-support functions that are included in `rts55.lib` and `rts55x.lib`. If your program uses any of these functions, you must link the appropriate run-time library with your object files.

You can also create your own object libraries and link them. The linker includes and links only those library members that resolve undefined references.

8.19.3 Setting the Size of the Stack and Heap Sections

C uses uninitialized sections called `.system`, `.stack`, and `.sysstack` for the memory pool used by the `malloc()` functions and the run-time stacks, respectively. You can set the size of these by using the `-heap` option, `-stack` option, or `-sysstack` option and specifying the size of the section as a constant immediately after the option. The default size for `.system` is 2000 bytes. The default size for `.stack` and `.sysstack` is 1000 bytes.

Note: Allocation of `.stack` and `.sysstack` Sections

The `.stack` and `.sysstack` sections must be allocated on the same 64K-word data page.

For more information, see subsection 8.4.10, *Define Heap Size (`-heap constant Option`)*, on page 8-12, subsection 8.4.16, *Define Stack Size (`-stack constant Option`)*, on page 8-16, or subsection 8.4.17, *Define Secondary Stack Size (`-sysstack`)*, on page 8-17.

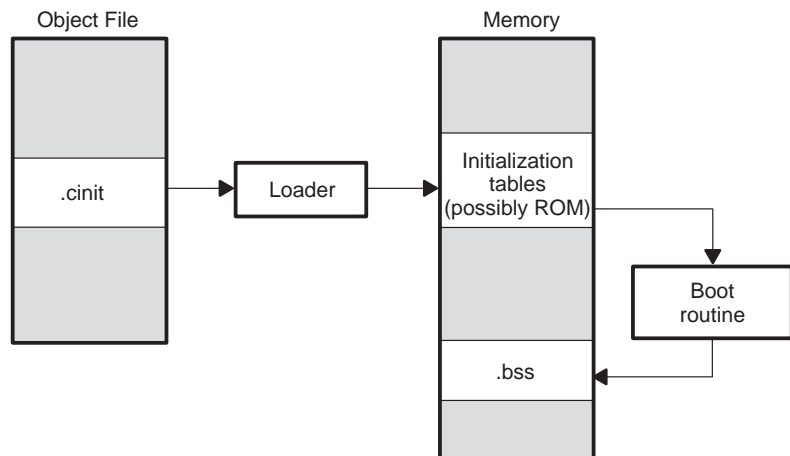
8.19.4 Autoinitialization of Variables at Run Time

Autoinitializing variables at run time is the default method of autoinitialization. To use this method, invoke the linker with the `-c` option.

Using this method, the `.cinit` section is loaded into memory along with all the other initialized sections. The linker defines a special symbol called `cinit` that points to the beginning of the initialization tables in memory. When the program begins running, the C/C++ boot routine copies data from the tables (pointed to by `.cinit`) into the specified variables in the `.bss` section. This allows initialization data to be stored in slow external memory and copied to fast external memory each time the program starts.

Figure 8–8 illustrates the ROM autoinitialization model.

Figure 8–8. Autoinitialization at Run Time



8.19.5 Initialization of Variables at Load Time

Initialization of variables at load time enhances performance by reducing boot time and by saving the memory used by the initialization tables. To use this method, invoke the linker with the `-cr` option.

When you use the `-cr` linker option, the linker sets the `STYP_COPY` bit in the `.cinit` section's header. This tells the loader not to load the `.cinit` section into memory. (The `.cinit` section occupies no space in the memory map.) The linker also sets the `cinit` symbol to `-1` (normally, `cinit` points to the beginning of the initialization tables). This indicates to the boot routine that the initialization tables are not present in memory; accordingly, no run-time initialization is performed at boot time.

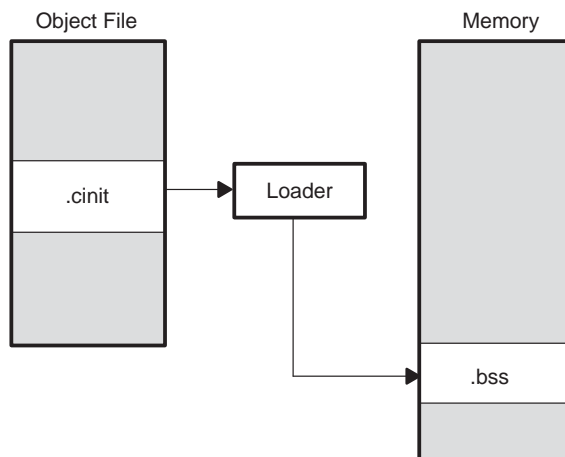
A loader must be able to perform the following tasks to use initialization at load time:

- Detect the presence of the `.cinit` section in the object file.
- Determine that `STYP_COPY` is set in the `.cinit` section header, so that it knows not to copy the `.cinit` section into memory.
- Understand the format of the initialization tables. (This format is described in the TMS320C55x *Optimizing C/C++ Compiler User's Guide*.)

The loader then uses the initialization tables directly from the object file to initialize variables in `.bss`.

Figure 8–9 illustrates the initialization of variables at load time.

Figure 8–9. Initialization at Load Time



8.19.6 The `-c` and `-cr` Linker Options

The following list outlines what happens when you invoke the linker with the `-c` or `-cr` option.

- The symbol `_c_int00` is defined as the program entry point. `_c_int00` is the start of the C/C++ boot routine in `boot.obj`; referencing `_c_int00` ensures that `boot.obj` is automatically linked in from the run-time-support library `rts55.lib`.
- The `.cinit` output section is padded with a termination record to designate to the boot routine (ROM model) or the loader (RAM model) when to stop reading the initialization tables.
- When you autoinitialize at run time (`-c` option), the linker defines `cinit` as the starting address of the `.cinit` section. The C/C++ boot routine uses this symbol as the starting point for autoinitialization.
- When you initialize at load time (`-cr` option):
 - The linker sets the symbol `cinit` to `-1`. This indicates that the initialization tables are not in memory, so no initialization is performed at run time.
 - The `STYP_COPY` flag (0010h) is set in the `.cinit` section header. `STYP_COPY` is the special attribute that tells the loader to perform autoinitialization directly and not to load the `.cinit` section into memory. The linker does not allocate space in memory for the `.cinit` section.

8.20 Linker Example

This example links three object files named `demo.obj`, `fft.obj`, and `tables.obj` and creates a program called `demo.out`. The symbol `SETUP` is the program entry point.

Assume that target memory has the following configuration:

Program Memory

Address Range	Contents
0080 to 7000	On-chip RAM_PG
C000 to FF80	On-chip ROM

Data Memory

Address Range	Contents
0080 to 0FFF	RAM block ONCHIP
0060 to FFFF	Mapped external addresses EXT

Byte Address Range	Contents
000100 to 007080	On-chip RAM_PG
007081 to 008000	RAM block ONCHIP
008001 to 00A000	Mapped external addresses EXT
00C000 to 00FF80	On-chip ROM

The output sections are constructed from the following input sections:

- Executable code, contained in the `.text` sections of `demo.obj`, `fft.obj`, and `tables.obj` must be linked into program ROM.
- Variables, contained in the `var_defs` section of `demo.obj`, must be linked into data memory in block `ONCHIP`.
- Tables of coefficients in the `.data` sections of `demo.obj`, `tables.obj` and `fft.obj` must be linked into RAM block `ONCHIP` in data memory. A hole is created with a length of 100 bytes and a fill value of `07A1Ch`. The remainder of block `ONCHIP` must be initialized to the value `07A1Ch`.
- The `.bss` sections from `demo.obj`, `tables.obj`, and `fft.obj`, which contain variables, must be linked into block `RAM_PG` of program RAM. The unused part of this RAM must be initialized to `0FFFFh`.
- The `xy` section from `demo.obj`, which contains buffers and variables, will have the default linking into block `ONCHIP` of data RAM, since it was not explicitly linked.

Example 8–23 shows the linker command file for this example. Example 8–24 shows the map file.

Example 8–23. Linker Command File, demo.cmd

```

/*****
/****          Specify Linker Options          ****
/*****
-e coeff          /* Define the program entry point */
-o demo.out      /* Name the output file      */
-m demo.map      /* Create an output map      */

/*****
/****          Specify the Input Files          ****
/*****

demo.obj
fft.obj
tables.obj

/*****
/****          Specify the Memory Configurations ****
/*****

MEMORY
{
    RAM_PG:  origin=00100h    length=06F80h
    ONCHIP:  origin=007081h   length=0F7Fh
    EXT:     origin=08001h    length=01FFFh
    ROM:     origin=0C000h    length=03F80h
}

/*****
/****          Specify the Output Sections      ****
/*****

SECTIONS
{
    .text: load = ROM          /* link .text into ROM */
    var_defs: load = ONCHIP    /* defs in RAM      */

    .data: fill = 07A1Ch, load=ONCHIP
    {
        tables.obj(.data) /* .data input */
        fft.obj(.data)   /* .data input */
        . = 100h;        /* create hole, fill with 07A1Ch */
    }
    /* and link with ONCHIP */

    .bss: load=RAM_PG,fill=0FFFFh
    /* Remaining .bss; fill and link */
}

/*****
/****          End of Command File          ****
/*****

```

Invoke the linker with the following command:

```
cl155 -z demo.cmd
```

This creates the map file shown in Example 8–24 and an output file called demo.out that can be run on a TMS320C55x.

Example 8–24. Output Map File, demo.map

```

OUTPUT FILE NAME:  <demo.out>
ENTRY POINT SYMBOL:  0

MEMORY CONFIGURATION
  name      org(bytes)  len(bytes)  used(bytes)  attributes  fill
-----
RAM_PG     00000100  000006f80  00000064    RWIX
ONCHIP    00007081  000000f7f  00000104    RWIX
EXT       00008000  000001fff  00000000    RWIX
ROM       0000c000  000003f80  0000001f    RWIX

SECTION ALLOCATION MAP
  output
  section  page  org(bytes)  org(words)  len(bytes)  len(words)  attributes/
-----
  .text    0    0000c000          0000001f
          0000c000          0000000a
          0000c00a          00000008
          0000c012          0000000c
          0000c01e          00000001
          tables.obj (.text)
          fft.obj (.text)
          demo.obj (.text)
          --HOLE-- [fill = 2020]
var_defs  0          00003841          00000002
          00003841          00000002
          fft.obj (var_defs)
.data     0          00003843          00000080
          00003843          00000001
          tables.obj (.data)
          00003844          00000004
          fft.obj (.data)
          00003848          0000007b
          --HOLE-- [fill = 7a1c]
          000038c3          00000000
          demo.obj (.data)
.bss     0          00000080          00000002
          00000080          00000002
          demo.obj (.bss) [fill=ffff]
          00000082          00000000
          fft.obj (.bss)
          00000082          00000000
          tables.obj (.bss)
xy       0          00000082          00000030
          00000082          00000030
          UNINITIALIZED
          demo.obj (xy)

GLOBAL SYMBOLS:
Sorted alphabetically by name
abs. value/
byte addr  word addr  name
-----
          00000080  .bss
          00003843  .data
0000c000   .text
0000c016   ARRAY
          00003843   TEMP
0000c012   _x42
          000038c3   edata
          00000082   end
0000c01f   etext

Sorted by symbol address
abs. value/
byte addr  word addr  name
-----
          00000080  .bss
          00000082  end
          00003843  .data
          00003843  TEMP
          000038c3  edata
          0000c012  _x42
          0000c000  .text
          0000c016  ARRAY
          0000c01f  etext

```

Archiver Description

The TMS320C55x™ archiver combines several individual files into a single archive file. For example, you can collect several macros into a macro library. The assembler will search the library and use the members that are called as macros by the source file. You can also use the archiver to collect a group of object files into an object library. The linker will include in the library the members that resolve external references during the link.

Topic	Page
9.1 Archiver Overview	9-2
9.2 Archiver Development Flow	9-3
9.3 Invoking the Archiver	9-4
9.4 Archiver Examples	9-6

9.1 Archiver Overview

The TMS320C55x archiver lets you combine several individual files into a single file called an archive or a library. Each file within the archive is called a member. Once you have created an archive, you can use the archiver to add, delete, or extract members.

You can build libraries from any type of files. Both the assembler and the linker accept archive libraries as input; the assembler can use libraries that contain individual source files, and the linker can use libraries that contain individual object files.

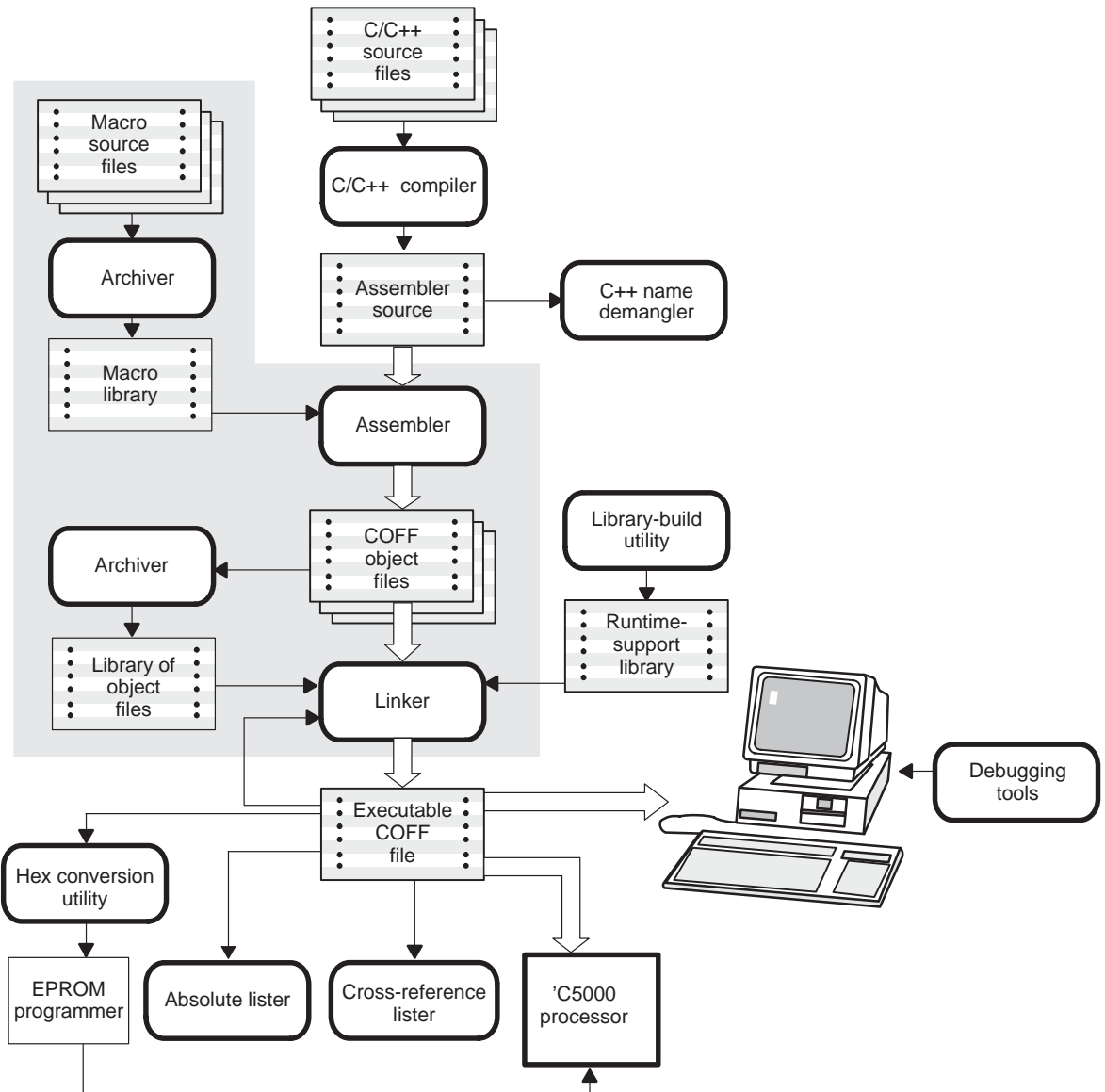
One of the most useful applications of the archiver is building libraries of object modules. For example, you can write several arithmetic routines, assemble them, and use the archiver to collect the object files into a single, logical group. You can then specify the object library as linker input. The linker will search the library and include members that resolve external references.

You can also use the archiver to build macro libraries. You can create several source files, each of which contains a single macro, and use the archiver to collect these macros into a single, functional group. The `.mlib` assembler directive lets you specify the name of a macro library; during the assembly process, the assembler will search the specified library for the macros that you call. Chapter 5, *Macro Language*, discusses macros and macro libraries in detail.

9.2 Archiver Development Flow

Figure 9-1 shows the archiver's role in the assembly language development process. Both the assembler and the linker accept libraries as input.

Figure 9-1. Archiver Development Flow



9.3 Invoking the Archiver

To invoke the archiver, enter:

```
ar55 [-]command[option] libname [filename1 ... filenamen]
```

ar55	is the command that invokes the archiver.
<i>command</i>	tells the archiver how to manipulate the library members. A command can be preceded by an optional hyphen. You must use one of the following commands when you invoke the archiver, but you can use only one command per invocation. Valid archiver commands are:
a	adds the specified files to the library. This command does not replace an existing member that has the same name as an added file; it simply <i>appends</i> new members to the end of the archive.
d	deletes the specified members from the library.
r	replaces the specified members in the library. If you don't specify filenames, the archiver replaces the library members with files of the same name in the current directory. If the specified file is not found in the library, the archiver adds it instead of replacing it.
t	prints a table of contents of the library. If you specify filenames, only those files are listed. If you don't specify any filenames, the archiver lists all the members in the specified library.
x	extracts the specified files. If you don't specify member names, the archiver extracts all library members. When the archiver extracts a member, it simply copies the member into the current directory; it <i>doesn't</i> remove it from the library.

<i>option</i>	tells the archiver how to function. Specify as many of the following options as you want:
-q	(quiet) suppresses the banner and status messages.
-s	prints a list of the global symbols that are defined in the library. (This option is valid only with the -a , -r , and -d commands.)
-v	(verbose) provides a file-by-file description of the creation of a new library from an old library and its constituent members.
<i>libname</i>	names an archive library. If you don't specify an extension for <i>libname</i> , the archiver uses the default extension <i>.lib</i> .
<i>filename</i>	names individual member files that are associated with the library. You must specify a complete filename including an extension, if applicable.

It is possible (but not desirable) for a library to contain several members with the same name. If you attempt to delete, replace, or extract a member, and the library contains more than one member with the specified name, then the archiver deletes, replaces, or extracts the first member with that name.

9.4 Archiver Examples

The following are some archiver examples:

- If you want to create a library called `function.lib` that contains the files `sine.obj`, `cos.obj`, and `flt.obj`, enter:

```
ar55 -a function sine.obj cos.obj flt.obj
TMS320C55x Archiver           Version x.xx
Copyright (c) 2001   Texas Instruments Incorporated
==>   new archive 'function.lib'
==>   building archive 'function.lib'
```

- You can print a table of contents of `function.lib` with the `-t` option:

```
ar55 -t function
TMS320C55x Archiver           Version x.xx
Copyright (c) 2001   Texas Instruments Incorporated
      FILE NAME      SIZE  DATE
-----
      sine.obj       248   Mon Nov 19 01:25:44 2001
      cos.obj        248   Mon Nov 19 01:25:44 2001
      flt.obj        248   Mon Nov 19 01:25:44 2001
```

- If you want to add new members to the library, enter:

```
ar55 -as function atan.obj
TMS320C55x Archiver           Version x.xx
Copyright (c) 2001   Texas Instruments Incorporated
==>   symbol defined: 'symbol_name'
==>   symbol defined: 'symbol_name'
==>   building archive 'function.lib'
```

Because this example doesn't specify an extension for the libname, the archiver adds the files to the library called `function.lib`. If `function.lib` didn't exist, the archiver would create it. (The `-s` option tells the archiver to list the global symbols that are defined in the library.)

- If you want to modify a library member, you can extract it, edit it, and replace it. In this example, assume there's a library named `macros.lib` that contains the members `push.asm`, `pop.asm`, and `swap.asm`.

```
ar55 -x macros push.asm
```

The archiver makes a copy of `push.asm` and places it in the current directory, but it doesn't remove `push.asm` from the library. Now you can edit the extracted file. To replace the copy of `push.asm` in the library with the edited copy, enter:

```
ar55 -r macros push.asm
```

Absolute Lister Description

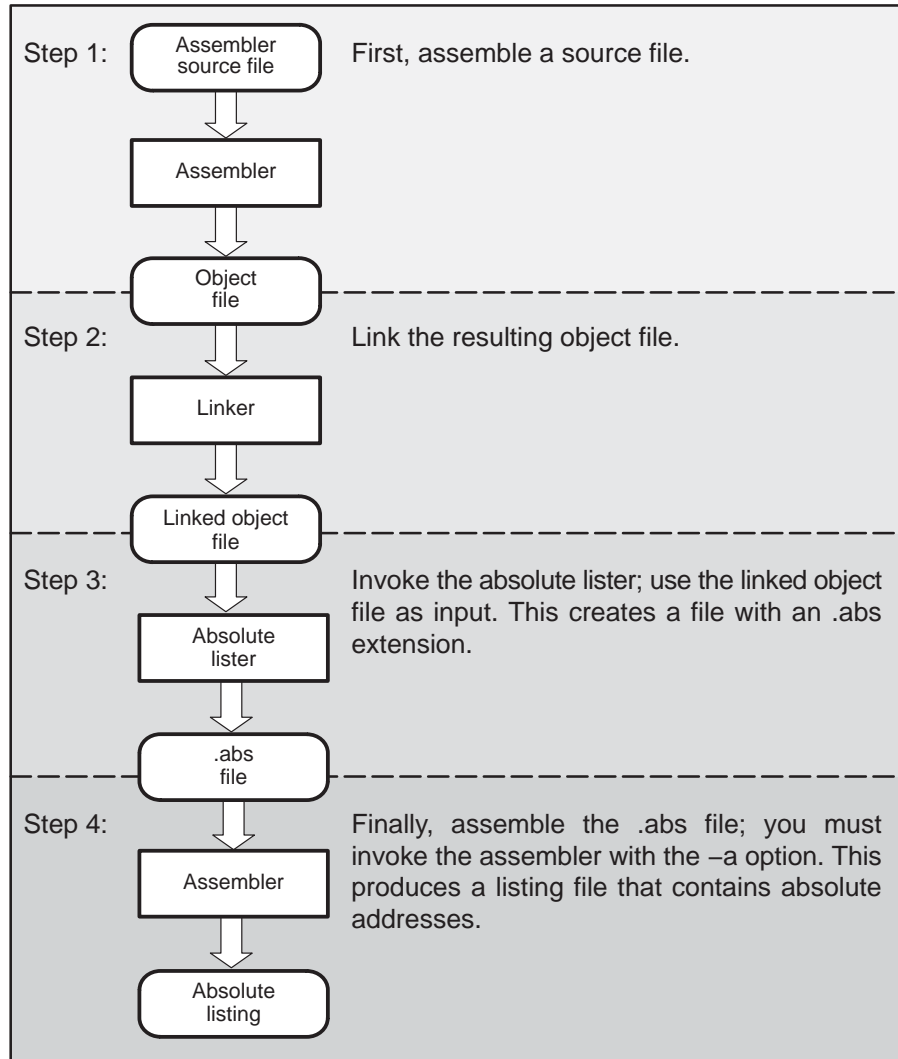
The absolute lister is a debugging tool that accepts linked object files as input and creates .abs files as output. These .abs files can be assembled to produce a listing that shows the absolute addresses of object code. Manually, this could be a tedious process requiring many operations; however, the absolute lister utility performs these operations automatically.

Topic	Page
10.1 Producing an Absolute Listing	10-2
10.2 Invoking the Absolute Lister	10-3
10.3 Absolute Lister Example	10-5

10.1 Producing an Absolute Listing

Figure 10–1 illustrates the steps required to produce an absolute listing.

Figure 10–1. Absolute Lister Development Flow



10.2 Invoking the Absolute Lister

The syntax for invoking the absolute lister is:

```
abs55 [-options] input file
```

- abs55** is the command that invokes the absolute lister.
- options* identifies the absolute lister options that you want to use. Options are not case sensitive and can appear anywhere on the command line following the command. Precede each option with a hyphen (-). The absolute lister options are as follows:
- e** enables you to change the default naming conventions for filename extensions on assembly files, C source files, and C header files. The three options are listed below.
 - ea** [*asmext*] for assembly files (default is .asm)
 - ec** [*cext*] for C source files (default is .c)
 - eh** [*hext*] for C header files (default is .h)

The "." in the extensions and the space between the option and the extension are optional.
 - q** (quiet) suppresses the banner and all progress information.
- input file* names the linked object file. If you do not supply an extension, the absolute lister assumes that the input file has the default extension .out. If you do not supply an input filename when you invoke the absolute lister, the absolute lister will prompt you for one.

The absolute lister produces an output file for each file that was linked. These files are named with the input filenames and an extension of .abs. Header files, however, do not generate a corresponding .abs file.

Assemble these files with the **-a** assembler option as follows to create the absolute listing:

```
masm55 -a filename.abs
```

The **-e** options affect both the interpretation of filenames on the command line and the names of the output files. They should always precede any filename on the command line.

The `-e` options are useful when the linked object file was created from C files compiled with the debugging option (`-g` compiler option). When the debugging option is set, the resulting linked object file contains the name of the source files used to build it. In this case, the absolute lister will not generate a corresponding `.abs` file for the C header files. Also, the `.abs` file corresponding to a C source file will use the assembly file generated from the C source file rather than the C source file itself.

For example, suppose the C source file `hello.csr` is compiled with debugging set; this generates the assembly file `hello.s`. `hello.csr` also includes `hello.hsr`. Assuming the executable file created is called `hello.out`, the following command will generate the proper `.abs` file:

```
abs55 -ea s -ec csr -eh hsr hello.out
```

An `.abs` file will not be created for `hello.hsr` (the header file), and `hello.abs` will include the assembly file `hello.s`, not the C source file `hello.csr`.

10.3 Absolute Lister Example

This example uses three source files. `module1.asm` and `module2.asm` both include the file `globals.def`.

`module1.asm`

```
.bss    array,100
.bss    dflag, 2
.copy   globals.def
.text
MOV #offset,AC0
MOV dflag,AC0
```

`module2.asm`

```
.bss    offset, 2
.copy   globals.def
.text
MOV #offset,AC0
MOV #array,AC0
```

`globals.def`

```
.global dflag
.global array
.global offset
```

The following steps create absolute listings for the files `module1.asm` and `module2.asm`:

Step 1: First, assemble `module1.asm` and `module2.asm`:

```
masm55 module1
masm55 module2
```

This creates two object files called `module1.obj` and `module2.obj`.

Step 2: Next, link `module1.obj` and `module2.obj` using the following linker command file, called `bttest.cmd`:

```
/*
/* File bttest.cmd -- COFF linker command file
/*      for linking TMS320C55x modules
/*
/*
-o bttest.out           /* Name the output file */
-m bttest.map          /* Create an output map */

/*
/*      Specify the Input Files
/*
module1.obj
module2.obj
```



```

/*****
/*      Specify the Memory Configurations      */
*****/
MEMORY
{
    ROM:    origin=2000h    length=2000h
    RAM:    origin=8000h    length=8000h
}

/*****
/*      Specify the Output Sections      */
*****/
SECTIONS
{
    .data:  >RAM
    .text:  >ROM
    .bss:   >RAM
}

```

Step 3: Invoke the linker:

```
c155 -z bttest.cmd
```

This creates an executable object file called `bttest.out`; use this new file as input for the absolute lister.

Step 4: Now, invoke the absolute lister:

```
abs55 bttest.out
```

This creates two files called `module1.abs` and `module2.abs`:

module1.abs:

```

                .nolist
array          .setsym      0004000h
dflag          .setsym      0004064h
offset         .setsym      0004066h
.data          .setsym      0004000h
__data_        .setsym      0004000h
edata         .setsym      0004000h
__edata_       .setsym      0004000h
.text          .setsym      0002000h
__text_        .setsym      0002000h
etext          .setsym      000200fh
__etext_       .setsym      000200fh
.bss           .setsym      0004000h
__bss_         .setsym      0004000h
end            .setsym      0004068h
__end_         .setsym      0004068h
                .setsect    ".text",0002000h
                .setsect    ".data",0004000h
                .setsect    ".bss",0004000h
                .list

```

```

        .text
        .copy          "module1.asm"

module2.abs:

        .nolist
array   .setsym        0004000h
dflag   .setsym        0004064h
offset  .setsym        0004066h
.data   .setsym        0004000h
__data_ .setsym        0004000h
edata   .setsym        0004000h
__edata_ .setsym        0004000h
.text   .setsym        0002000h
__text_ .setsym        0002000h
etext   .setsym        000200fh
__etext_ .setsym        000200fh
.bss    .setsym        0004000h
__bss_  .setsym        0004000h
end     .setsym        0004068h
__end_  .setsym        0004068h
        .setsect      ".text", 02006h
        .setsect      ".data", 04000h
        .setsect      ".bss", 04066h
        .list
        .text
        .copy          "module2.asm"

```

These files contain the following information that the assembler needs when you invoke it in step 4:

- They contain `.setsym` directives, which equate values to global symbols. Both files contain global equates for the symbol `dflag`. The symbol `dflag` was defined in the file `globals.def`, which was included in `module1.asm` and `module2.asm`.
- They contain `.setsect` directives, which define the absolute addresses for sections.
- They contain `.copy` directives, which tell the assembler which assembly language source file to include.

The `.setsym` and `.setsect` directives are not useful in normal assembly; they are useful only for creating absolute listings.

Step 5: Finally, assemble the .abs files created by the absolute lister (remember that you must use the `-a` option when you invoke the assembler):

```
masm55 -a module1.abs
masm55 -a module2.abs
```

This creates two listing files called module1.lst and module2.lst; no object code is produced. These listing files are similar to normal listing files; however, the addresses shown are absolute addresses.

The absolute listing files created are module1.lst (see Figure 10–2) and module2.lst (see Figure 10–3).

Figure 10–2. module1.lst

```
TMS320C55x COFF Assembler      Version x.xx      Wed Oct 16 12:00:05 2001
Copyright (c) 2001      Texas Instruments Incorporated

module1.abs                                PAGE      1

      21 002000          .text
      22                .copy      "module1.asm"
A      1 004000          .bss      array, 100
A      2 004064          .bss      dflag, 2
A      3                .copy      globals.def
B      1                .global  dflag
B      2                .global  array
B      3                .global  offset
A      4 002000          .text

A      5 002000 7640      MOV #offset,AC0
      002002 6608!
A      6 002004 A000%     MOV dflag,AC0

No Errors, No Warnings
```

Figure 10–3. module2.lst

```
TMS320C55x COFF Assembler      Version x.xx      Wed Oct 16 12:00:17 2001
Copyright (c) 2001      Texas Instruments Incorporated

module2.abs                                PAGE      1

      21 002006          .text
      22          .copy      "module2.asm"
A      1 004066          .bss      offset, 2
A      2          .copy      globals.def
B      1          .global  dflag
B      2          .global  array
B      3          .global  offset

A      3 002006          .text
A      4 002006 7640      MOV #offset,AC0
      002008 6680-
A      5 00200a 7640      MOV #array,AC0
      00200c 0080!

No Errors, No Warnings
```



Cross-Reference Lister Description

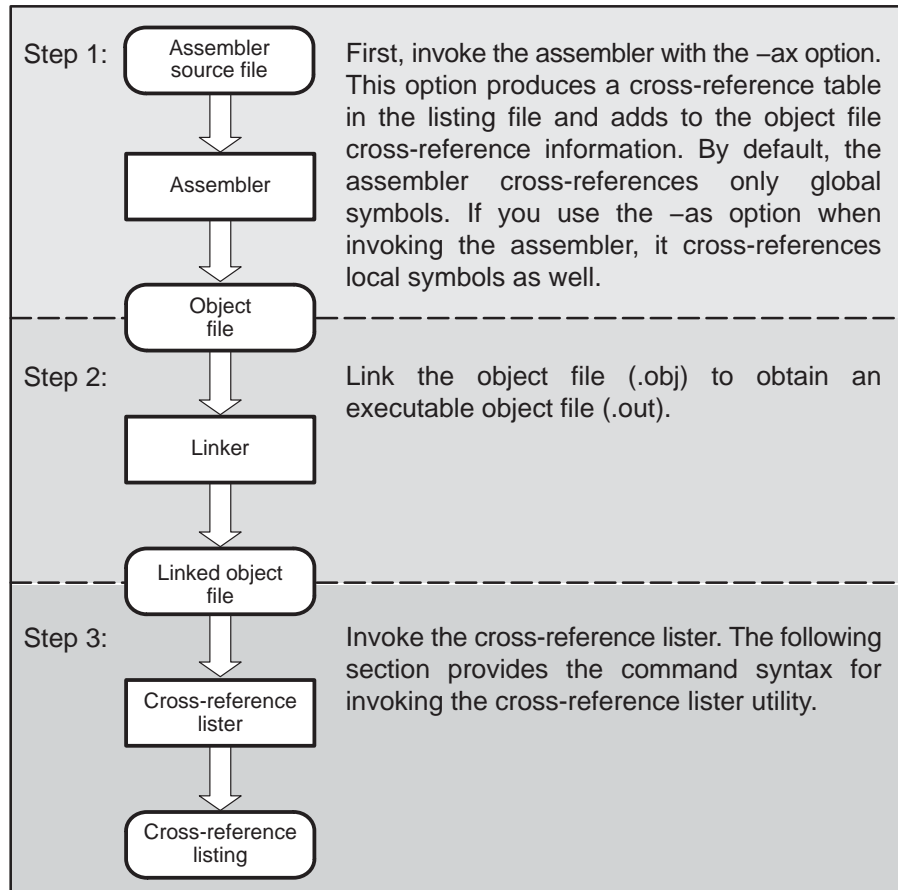
The cross-reference lister is a debugging tool. This utility accepts linked object files as input and produces a cross-reference listing as output. This listing shows symbols, their definitions, and their references in the linked source files.

Topic	Page
11.1 Producing a Cross-Reference Listing	11-2
11.2 Invoking the Cross-Reference Lister	11-3
11.3 Cross-Reference Listing Example	11-4

11.1 Producing a Cross-Reference Listing

Figure 11–1 shows the cross-reference lister development flow.

Figure 11–1. Cross-Reference Lister Development Flow



11.2 Invoking the Cross-Reference Lister

To use the cross-reference utility, the file must be assembled with the correct options and then linked into an executable file. Assemble the assembly language files with the `-ax` option. This option creates a cross-reference listing and adds cross-reference information to the object file.

By default, the assembler cross-references only global symbols, but if assembler is invoked with the `-as` option, local symbols are also added. Link the object files to obtain an executable file.

To invoke the cross-reference lister, enter the following:

```
xref55 [-options] [input filename [output filename]]
```

- xref55** is the command that invokes the cross-reference utility.
- options* identifies the cross-reference lister options you want to use. Options are not case sensitive and can appear anywhere on the command line following the command. Precede each option with a hyphen (-). The cross-reference lister options are as follows:
- l** (lowercase L) specifies the number of lines per page for the output file. The format of the `-l` option is `-lnum`, where `num` is a decimal constant. For example, `-l30` sets the number of lines per page in the output file to 30. The space between the option and the decimal constant is optional. The default is 60 lines per page.
 - q** (quiet) suppresses the banner and all progress information.
- input filename* is a linked object file. If you omit the input filename, the utility prompts for a filename.
- output filename* is the name of the cross-reference listing file. If you omit the output filename, the default filename will be the input filename with an `.xrf` extension.

11.3 Cross-Reference Listing Example

Example 11-1 shows an example of a cross-reference listing.

Example 11-1. Cross-Reference Listing Example

```

=====
Symbol: INIT
Filename      RTYP      AsmVal      LnkVal      DefLn      RefLn      RefLn      RefLn
-----
file1.asm     EDEF      '000000     000080      3           1
file2.asm     EREF      000000     000080      2           11
=====

Symbol: X
Filename      RTYP      AsmVal      LnkVal      DefLn      RefLn      RefLn      RefLn
-----
file1.asm     EREF      000000     000001      2           5
file2.asm     EDEF      000001     000001      5           1
=====

Symbol: Y
Filename      RTYP      AsmVal      LnkVal      DefLn      RefLn      RefLn      RefLn
-----
file2.asm     EDEF      -000000     000080      7           1
=====

Symbol: Z
Filename      RTYP      AsmVal      LnkVal      DefLn      RefLn      RefLn      RefLn
-----
file2.asm     EDEF      000003     000003      9           1
=====

```

The terms defined below appear in the preceding cross-reference listing:

Symbol Name	Name of the symbol listed
Filename	Name of the file where the symbol appears
RTYP	The symbol's reference type in this file. The possible reference types are: STAT The symbol is defined in this file and is not declared as global. EDEF The symbol is defined in this file and is declared as global. EREF The symbol is not defined in this file but is referenced as a global. UNDF The symbol is not defined in this file and is not declared as global.
AsmVal	This hexadecimal number is the value assigned to the symbol at assembly time. A value may also be preceded by a character that describes the symbol's attributes. Table 11–1 lists these characters and names.
LnkVal	This hexadecimal number is the value assigned to the symbol after linking.
DefLn	The statement number where the symbol is defined.
RefLn	The line number where the symbol is referenced. If the line number is followed by an asterisk(*), then that reference may modify the contents of the object. If the line number is followed by a letter (such as A, B, or C), the symbol is referenced in a file specified by a .include directive in the assembly source. "A" is assigned to the first file specified by a .include directive; "B" is assigned to the second file, etc. A blank in this column indicates that the symbol was never used.

Table 11–1 lists the symbol attributes that appear in the cross-reference listing example.

Table 11–1. Symbol Attributes

Character	Meaning
'	Symbol defined in a .text section
"	Symbol defined in a .data section
+	Symbol defined in a .sect section
–	Symbol defined in a .bss or .usect section
=	Symbol defined in a .reg section

Disassembler Description

The COFF disassembler accepts object files and executable files as input and produces an assembly listing as output. This listing shows assembly instructions, their opcodes, and the section program counter values.

The disassembly listing is useful for viewing the:

- Assembly instructions and their size
- Encoding of assembly instructions
- Output of a linked executable file

Topic	Page
12.1 Invoking the Disassembler	12-2
12.2 Disassembly Examples	12-4

12.1 Invoking the Disassembler

Before using the disassembler, consider using the assembler's `-s` option (or the shell's `-as` option) to generate your object files. When files are assembled with this option, local symbols are then included in the disassembly, creating a more comprehensive listing.

To invoke the disassembler, enter the following:

```
dis55 [-options] [input filename [output filename]]
```

- dis55** is the command that invokes the disassembler.
- input filename* is an object file (.obj) or an executable file (.out). If you omit the input filename, the disassembler prompts for a file. If you do not specify a file extension, the disassembler searches for *filename*, *filename.out*, and then *filename.obj*, in that order.
- output filename* is the name of the disassembly listing file. If you omit the output filename, the listing is sent to standard output.
- options* identifies the disassembler options you want to use. Options are not case sensitive and can appear anywhere on the command line following the invocation. Precede each option with a hyphen (-). The disassembler options are as follows:
- a** displays the branch destination address along with labels.
 - b** displays data in bytes. By default, data is displayed in words.
 - c** includes a COFF file description at the top of the listing. This description includes information on the memory model, relocation, line numbers, and local symbols.
 - d** suppresses the display of data sections in the listing.
 - g** (Algebraic) enables assembler source debugging in the source debugger.
 - h** displays a listing of the available disassembler options.
 - i** the disassembler will attempt to disassemble .data sections into instructions.

- q** (quiet) suppresses the banner and all progress information.
- qq** suppresses the banner, all progress information, and the section header information added by the disassembler.
- r** causes the disassembler to use the compiler's convention of enabling the ARMS and CPL bits. By default, the disassembler assumes that ARMS and CPL are disabled. Use **-r** when disassembling any file generated from C/C++ source.
- s** suppresses the display of the opcode and section program counter in the listing. When you use this option along with **-qq**, the disassembly listing looks like the original assembly source file.
- t** suppresses the display of text sections in the listing.

12.2 Disassembly Examples

This section provides examples of the various features of the disassembler.

Consider the following assembly source file called test.asm:

```

                .global GLOBAL
                .global FUNC
CONSTANT       .set    1
                .text
START          MOV     AR1,AR0
                ADD     #CONSTANT,AC0
last           ADD     #GLOBAL,AC0

                .data
                .word  4
foo            .word  1
                .word  FUNC

```

The symbols GLOBAL and FUNC are defined in test2.asm:

```

                .global GLOBAL
                .global FUNC
GLOBAL         .set    100
FUNC:         RETURN

```

The examples below assume that test.asm and test2.asm have been assembled and linked with the following commands:

```

masm55 -qs test.asm
masm55 -qs test2.asm
cl55 -z -q test.obj test2.obj -o test.out

```

To create a standard disassembly listing of an object file, enter:

```

dis55 test.obj
TMS320C55x COFF Disassembler                Version x.xx
Copyright (c) 1996-2001 Texas Instruments Incorporated
Disassembly of test.obj:
TEXT Section .text, 0x8 bytes at 0x0
000000:          START:
000000: 2298          MOV     AR1,AR0
000002: 4010          ADD     #1,AC0
000004:          last:
000004: 7b000000     ADD     #0,AC0,AC0
DATA Section .data, 0x3 words at 0x0
000000: 0004          .word  0x0004
000001:          foo:
000001: 0001          .word  0x0001
000002: 0000          .word  0x0000

```

Notice that the value 1 was encoded into the first ADD instruction, and that the 16-bit ADD instruction was used. For the second ADD instruction, the

use of the global symbol GLOBAL caused the assembler to use the 32-bit ADD instruction. The symbols GLOBAL and FUNC will be resolved by the linker.

- ❑ You can view the COFF file information with the `-c` option. The `-q` option suppresses the printing of the banner.

```
dis55 -qc test.obj
```

```
>> Target is C55x Phase 3, mem=small, call=c55_std
Relocation information may exist in file
File is not executable
Line number information may be present in the file
Local symbols may be present in the file
```

```
TEXT Section .text, 0x8 bytes at 0x0
000000:          START:
000000: 2298          MOV    AR1,AR0
000002: 4010          ADD    #1,AC0
000004:          last:
000004: 7b000000     ADD    #0,AC0,AC0

DATA Section .data, 0x3 words at 0x0
000000: 0004          .word 0x0004
000001:          foo:
000001: 0001          .word 0x0001
000002: 0000          .word 0x0000
```

- ❑ To create a standard disassembly listing of an executable file, enter:

```
dis55 -q test.out
```

```
TEXT Section .text, 0xB bytes at 0x100
000100:          START:
000100: 2298          MOV    AR1,AR0
000102: 4010          ADD    #1,AC0
000104:          last:
000104: 7b006400     ADD    #100,AC0,AC0
000108:          FUNC:
000108: 4804          RET
00010a: 20           NOP
00010b:          ___etext__:
00010b:          etext:

DATA Section .data, 0x3 words at 0x8000
008000: 0004          .word 0x0004
008001:          foo:
008001: 0001          .word 0x0001
008002: 0108          .word 0x0108
```

The disassembly listing displays the addresses used by the instructions and data, as well as the resolved symbol values in the ADD instruction and in the final `.word` directive. Notice that the `.word` directive contains the correct address of the function. The NOP in the `.text` section is used to pad the section.



Object File Utilities Descriptions

This chapter describes how to invoke the following miscellaneous utilities:

- The **object file display utility** prints the contents of object files, executable files, and/or archive libraries in both human readable and XML formats.
- The **name utility** prints a list of names defined and referenced in a COFF object or an executable file.
- The **strip utility** removes symbol table and debugging information from object and executable files.

Topic	Page
13.1 Invoking the Object File Display Utility	13-2
13.2 XML Tag Index	13-3
13.3 Example XML Consumer	13-9
13.4 Invoking the Name Utility	13-16
13.5 Invoking the Strip Utility	13-17

13.1 Invoking the Object File Display Utility

The object file display utility, *ofd55*, is used to print the contents of object files (.obj), executable files (.out), and/or archive libraries (.lib) in both human readable and XML formats.

To invoke the object file display utility, enter the following:

```
ofd55 [-options] input filename [input filename]
```

- ofd55** is the command that invokes the object file display utility.
- input filenames* names the assembly language source file. The file name must contain a .asm extension.
- options* identify the object file display utility options that you want to use. Options are not case sensitive and can appear anywhere on the command line following the command. Precede each option with a hyphen.
- g** appends DWARF debug information to program output.
 - o*filename*** sends program output to *filename* rather than to the screen.
 - x** displays output in XML format.

If the object file display utility is invoked without any options, it displays information about the contents of the input files on the console screen.

13.2 XML Tag Index

Table 13–1 describes the XML tags that are generated by the object file display utility.

Table 13–1. XML Tag Index

Tag Name	Context	Description
<addr>	<line_entry>	PC address
	<row>	PC address
	<value>	Machine address
<addr_class>	<value>	Address class
<addr_size>	<compile_unit>	Size of one machine address (octets)
	<section>	Size of one machine address (octets)
<alignment>	<section>	Alignment factor
<archive>	<ofd>	Archive file (.lib)
<attribute>	<die>	Attribute of a DWARF DIE
<aux_count>	<symbol>	Number of auxiliary entries for this symbol
<banner>	<ofd>	Tool name and version information
<block>	<section>	True if alignment is used as blocking factor
	<value>	Data block
<bss>	<section>	True if this section contains uninitialized data
<bss_size>	<optional_file_header>	Size of uninitialized data
<byte_swapped>	<file_header>	Endianness of build host is opposite of current host
<clink>	<section>	True if this section is conditionally linked
<column>	<line_entry>	Source column number
<compile_unit>	<section>	Compile unit
<const>	<value>	Constant
<copy>	<section>	True if this section is a copy section
<copyright>	<ofd>	Copyright notice
<cpu_flags>	<file_header>	CPU ags
<data>	<section>	True if this section contains initialized data

Table 13–1. XML Tag Index

Tag Name	Context	Description
<data_size>	<optional_file_header>	Size of initialized data
<data_start>	<optional_file_header>	Beginning address of initialized data
<destination>	<register>	Destination register
<die>	<compile_unit>	DWARF debugging information entry (DIE)
<dim_bound>	<dimension>	Dimension upper-bound
<dim_num>	<dimension>	Dimension number
<dimension>	<symbol>	Array dimension
<disp>	<reloc_entry>	Extra address encoding information
<dummy>	<section>	True if this section is a dummy section
<dwarf>	<ti_coff>	DWARF information
<endian>	<file_header>	Endianness of target machine
<entry_point>	<optional_file_header>	Entry point of executable program
<exec>	<file_header>	True if this file is executable
<fde>	<section>	A DWARF frame description entry (FDE)
<field_size>	<reloc_entry>	Size of the field to relocate
<file_header>	<ti_coff>	COFF file header
<file_length>	<file_header>	Size of this file
<file_name>	<line_entry>	Name of source file
	<symbol>	Name of source file
<file_offsets>	<section>	File offsets associated with this section
<flag>	<value>	Flag
<form>	<attribute>	Attribute form
<frame_size>	<symbol>	Size of function frame
<function>	<line_numbers>	Line number entries for one function
<icode>	<section>	True if this section has I-Code associated with it
<index>	<symbol>	Index of this symbol in the symbol table

Table 13–1. XML Tag Index

Tag Name	Context	Description
<indirect_register>	<memory>	Indirect register used for calculating destination address
<initial_location>	<fde>	Start of function referred to by the FDE
<internal>	<reloc_entry>	True if this relocation is internal
<kind>	<symbol>	Kind of symbol (defined, undefined, absolute, symbolic debug)
<length>	<symbol>	Length of section
<line>	<line_entry>	Source line number
	<symbol>	First source line associated with this symbol
<line_count>	<section>	Number of line number entries
	<symbol>	Number of line number entries
<line_entry>	<compile_unit>	Line number entry
	<line_numbers>	Line number entry
<line_numbers>	<section>	Line number entries
<line_ptr>	<file_offsets>	File offset of line number entries
	<symbol>	File offset of line number entries
<Inno_strip>	<file_header>	True if line numbers were stripped from this file
<localsym_strip>	<file_header>	True if local symbols were stripped from this file
<magic>	<optional_file_header>	Optional file header magic number (0x0108)
<math_relative>	<reloc_entry>	True if this relocation is math relative
<memory>	<row>	SOE register is saved to memory
<name>	<fde>	Name of function referred to by the FDE
	<function>	Name of the current function
	<ofd>	Name of an object or archive file
	<section>	Name of this section
	<symbol>	Name of this symbol
<next_symbol>	<symbol>	Index of next symbol after mutlisymbol entity

Table 13–1. XML Tag Index

Tag Name	Context	Description
<noload>	<section>	True if this section is a no-load section
<object_file>	<ofd>	Object file (.obj, .out)
<ofd>		Object file display (OFD) document
<offset>	<memory>	Offset of destination address from indirect register
	<reloc_entry>	Offset of the field from relocatable address
<optional_file_header>	<ti_coff>	Optional file header
<padded>	<section>	True if this section has been padded (C55x only)
<page>	<section>	Memory page
<pass>	<section>	True if this section is passed through unchanged
<physical_addr>	<section>	Physical (run) address of section
<raw_data_ptr>	<file_offsets>	File offset of raw data
<raw_data_size>	<section>	Size of raw data (octets)
<ref>	<value>	Reference
<register>	<row>	SOE register is saved to register
<register_mask>	<symbol>	Mask of saved SOE registers
<regular>	<section>	True if this section is a regular section
<reloc_count>	<section>	Number of relocation entries
	<symbol>	Number of relocation entries
<reloc_entry>	<relocations>	Relocation entry
<reloc_ptr>	<file_offsets>	File offset of relocation entries
<reloc_strip>	<file_header>	True if relocation information was stripped from this file
<relocations>	<section>	Relocation entries
<return_address_register>	<fde>	Register used to pass the return address of this function
<row>	<table>	Table row
<section>	<dwarf>	DWARF section

Table 13–1. XML Tag Index

Tag Name	Context	Description
	<symbol>	Section containing the definition of this symbol
	<ti_coff>	COFF section
<section_count>	<file_header>	Number of section headers
<size_in_addr>	<symbol>	Number of machine-address-sized units in function
<size_in_bits>	<symbol>	Size of symbol (bits)
<source>	<memory>	Source register
	<register>	Source register
<start_symbol>	<symbol>	First symbol in multi-symbol entity
<storage_class>	<symbol>	Storage class of this symbol
<storage_type>	<symbol>	Storage type of this symbol
<string>	<string_table>	String table entry
	<value>	String
<string_table>	<ti_coff>	String table
<string_table_size>	<string_table>	Size of string table
<sym_merge>	<file_header>	True if debug type-symbols were merged
<symbol>	<symbol_table>	Symbol table entry
<symbol_count>	<file_header>	Number of entries in the symbol table
<symbol_relative>	<reloc_entry>	Relocation is relative to the specified symbol
<symbol_table>	<ti_coff>	Symbol table
<table>	<fde>	FDE table
<tag>	<die>	Tag name
<tag_index>	<symbol>	Reference to user-defined type
<target_id>	<file_header>	Target ID; magic number identifying the target machine
<text>	<section>	True if this section contains code
<text_size>	<optional_file_header>	Size of executable code

Table 13–1. XML Tag Index

Tag Name	Context	Description
<text_start>	<optional_file_header>	Beginning address of executable code
<ti_coff>	<object_file>	TI COFF file
<tool_version>	<optional_file_header>	Tool version stamp
<type>	<attribute>	Attribute type
	<reloc_entry>	Type of relocation
<type_ref>	<value>	Type reference
<value>	<attribute>	Attribute value
	<reloc_entry>	Value
	<symbol>	Value
<vector>	<section>	True if this section contains a vector table (C55x only)
<version>	<compile_unit>	DWARF version
	<file_header>	Version ID; structure version of this COFF file
<virtual_addr>	<reloc_entry>	Virtual address to be relocated
	<section>	Virtual (load) address of section
<word_size>	<reloc_entry>	Number of address-sized units containing the relocation field
<xml_version>	<dwarf>	Version of the DWARF XML language
	<ti_coff>	Version of the COFF XML language

13.3 Example XML Consumer

In this section, we present an example of a small application that uses the XML output of `ofd55` to calculate the size of the executable code contained in an object file.

The example contains three source files: `codesize.cpp`, `xml.h`, and `xml.cpp`. When compiled into an executable named `codesize`, it can be used with `ofd55` from the command line as follows:

```
% ofd55 -x a.out | codesize

Code Section Name: .text
Code Section Size: 44736

Code Section Name: .text2
Code Section Size: 64

Code Section Name: .text3
Code Section Size: 64

Total Code Size: 44864
```

13.3.1 The Main Application

The `codesize.cpp` file contains the main application for the object file display utility example.

```

/*****
// CODESIZE.CPP - An example application that calculates the size of the      *
// executable code in an object file using the XML output                    *
// of the OFD utility.                                                       *
/*****
#include "xml.h"
#include <iostream>

using namespace std;

static void parse_XML_prolog(istream &in);

/*****
// main() - List the names and sizes of the code sections (in octets), and  *
//          output the total code size.                                     *
/*****
int main()
{
    //-----
    // Build our tree of XML Entities from standard input (See xml.{cpp,h} for -
    // the definition of the XMLEntity object).                             -
    //-----
    parse_XML_prolog(cin);
    XMLEntity *root = new XMLEntity(cin);

```

```

//-----
// Fetch the XML Entities of the section roots. In other words, get a
// list of all the XMLEntity sub-trees named "section" that are in the
// context of "ofd->object_file->ti_coff", where "ofd" is the root of our
// XML document.
//-----
CEntityList query_result;
const char *section_query[] =
    { "ofd", "object_file", "ti_coff", "section", NULL };

query_result = root->query(section_query);

//-----
// Iterate over the section Entities, looking for code sections.
//-----
CEntityList_CIt pit;
unsigned long total_code_size = 0;

for (pit = query_result.begin(); pit != query_result.end(); ++pit)
{
    //-----
    // Query for the name, text, and raw_data_size sub-entities of each
    // section. XMLEntity::query() always returns a list, even if there
    // will only ever be a maximum of one result. If the tag is not
    // found, an empty list is returned.
    //-----
    const char *section_name_query[] = { "section", "name",          NULL };
    const char *section_text_query[] = { "section", "text",          NULL };
    const char *section_size_query[] = { "section", "raw_data_size", NULL };

    CEntityList sname_l;
    CEntityList stext_l;
    CEntityList ssize_l;

    sname_l = (*pit)->query(section_name_query);
    stext_l = (*pit)->query(section_text_query);
    ssize_l = (*pit)->query(section_size_query);
    //-----
    // If a "text" flag was found, this is a code section. Output
    // the section name and size, and add its size to our total code size
    // counter.
    //-----
    if (stext_l.size() > 0)
    {
        unsigned long size;

        size = strtoul((*ssize_l.begin())->value().c_str(), NULL, 16);

        cout << "Code Section Name: " << (*sname_l.begin())->value() << endl;
        cout << "Code Section Size: " << size << endl;
        cout << endl;

        total_code_size += size;
    }
}

```

```

}

//-----
// Output the total code size, and clean up. -
//-----
cout << "Total Code Size: " << total_code_size << endl;
delete root;

return 0;
}

//*****
// parse_XML_prolog() - Parse the XML prolog, and throw it away. *
//*****
static void parse_XML_prolog(istream &in)
{
    char c;

    while (true)
    {
        //-----
        // Look for the next tag; if it is not an XML directive, we're done. -
        //-----
        for (in.get(c); c != '<' && !in.eof(); in.get(c))
            ; // empty body

        if (in.eof()) return;
        if (in.peek() != '?') { in.unget(); return; }

        //-----
        // Otherwise, read in the directive and continue. -
        //-----
        for (in.get(c); c != '>' && !in.eof(); in.get(c))
            ; // empty body
    }
}

```

13.3.2 xml.h Declaration of the XMLEntity Object

The xml.h file contains the declaration of the XMLEntity object for the codesize.cpp application.

```
//*****
// XML.H - Declaration of the XMLEntity object. *
//*****
#ifndef XML_H
#define XML_H
#include <list>
#include <string>

//*****
// Type Declarations. *
//*****
class XMLEntity;
typedef list<XMLEntity*>          EntityList;
typedef list<const XMLEntity*>   CEntityList;
typedef CEntityList::const_iterator CEntityList_CIT;
typedef EntityList::const_iterator EntityList_CIT;
8
//*****
// CLASS XMLENTITY - A Simplified XML Entity Object. *
//*****
class XMLEntity
{
public:
    XMLEntity (istream &in, XMLEntity *parent=NULL);
    ~XMLEntity ();
    const CEntityList query (const char **context) const;
    const string      &tag   () const { return tag_m;      }
    const string      &value () const { return value_m;    }

private:
    void parse_raw_tag (const string &raw_tag);
    void sub_query     (CEntityList &result, const char **context) const;

    string      tag_m;          // Tag Name
    string      value_m;        // Value
    XMLEntity *parent_m;       // Pointer to parent in XML hierarchy
    EntityList  children_m;     // List of children in XML hierarchy
};
#endif
```

13.3.3 xml.cpp Definition of the XMLEntity Object

The xml.cpp file contains the definition of the XMLEntity object for the codesize.cpp application.

```
//*****
// XML.CPP - Definition of the XMLEntity object. *
//*****
#include "xml.h"
#include <iostream>
#include <string>
#include <list>
#include <cstdlib>

//*****
// XMLEntity::query() - Return the list of XMLEntities a list that reside *
// in the given XML context. *
//*****
const CEntityList XMLEntity::query(const char **context) const
{
    CEntityList result;

    if (!*context) return result;

    sub_query(result, context);

    return result;
}

//*****
// XMLEntity::sub_query() - Recurse through the XML tree looking for a match *
// to the current query. *
//*****
void XMLEntity::sub_query(CEntityList &result, const char **context) const
{
    if (!context[0] || tag() != context[0]) return;

    if (!context[1])
        result.push_front(this);
    else
    {
        EntityList_CIt pit;

        for (pit = children_m.begin(); pit != children_m.end(); ++pit)
            (*pit)->sub_query(result, context+1);
    }
    return;
}

//*****
// XMLEntity::parse_raw_tag() - Cut out the tag name from the complete string *
// we found between the < > brackets. This throws out any attributes. *
//*****
void XMLEntity::parse_raw_tag(const string &raw_tag)
```

```

{
    string attribute;
    int    i;

    for (i = 0; i < raw_tag.size() && raw_tag[i] != ' '; ++i)
        tag_m += raw_tag[i];
}

//*****
// XMLEntity::XMLEntity() - Recursively construct a tree of XMLEntities from *
//                          the given input stream.                          *
//*****
XMLEntity::XMLEntity(istream &in, XMLEntity *parent) :
tag_m(""), value_m(""), parent_m(parent)
{
    string raw_tag;
    char   c;
    int    i;
    //-----
    // Read in the leading '<'.
    //-----
    in.get();

    //-----
    // Store the tag name and attributes in "raw_tag", then call
    // process_raw_tag() to separate the tag name from the attributes and
    // store it in tag_m.
    //-----
    for (in.get(c); c != '>' && c != '/' && !in.eof(); in.get(c))
        raw_tag += c;

    parse_raw_tag(raw_tag);

    //-----
    // If we're reading in an end-tag, read in the closing '>' and return.
    //-----
    if (c == '/') { in.get(c); return; }

    //-----
    // Otherwise, parse our value.
    //-----
    while (true)
    {
        //-----
        // Read in the closing '>', then start reading in characters and add
        // them to value_m. Stop when we hit the beginning of a tag.
        //-----
        for (in.get(c); c != '<'; in.get(c)) value_m += c;

        //-----
        // If we're reading in a start tag, parse in the entire entity, and
        // add it to our child list (recursive constructor call).
        //-----
        if (in.peek() != '/')
            {

```

```

//-----
// Put back the opening '<', since XMLEntity() expects to read it. -
//-----
in.unget();
children_m.push_front(new XMLEntity(in, this));
}
//-----
// Otherwise, read in our end tag, and exit. -
//-----
else
{
    for (in.get(c); c != '>'; in.get(c))
        ; // empty body
    break;
}
}

//-----
// Strip off leading and trailing white space from our value. -
//-----
for (i = 0; i < value_m.size(); i++)
    if (value_m[i] != ' ' && value_m[i] != '\n') break;
value_m.erase(0, i);

for (i = value_m.size()-1; i >= 0; i--)
    if (value_m[i] != ' ' && value_m[i] != '\n') break;
value_m.erase(i+1, value_m.size()-i);
}

/*****
// XMLEntity::~XMLEntity() - Delete a XMLEntity object. *
/*****
XMLEntity::~XMLEntity()
{
    EntityList_CIt pit;

    for (pit = children_m.begin(); pit != children_m.end(); ++pit)
        delete (*pit);
}

```


13.4 Invoking the Name Utility

The name utility, *nm55*, is used to print the list of names defined and referenced in a COFF object (.obj) or an executable file (.out). The value associated with the symbol and an indication of the kind of symbol is also printed.

To invoke the name utility, enter the following:

```
nm55 [-options] [input filename]
```

nm55	is the command that invokes the name utility.
<i>input filename</i>	is a COFF object file (.obj), an executable file (.out), or an archive file. For an archive file, the name utility processes each object file in the archive.
<i>options</i>	identifies the name utility options you want to use. Options are not case sensitive and can appear anywhere on the command line following the invocation. Precede each option with a hyphen (-). The name utility options are as follows: <ul style="list-style-type: none">-a prints all symbols.-c also prints C_NULL symbols.-d also prints debug symbols.-f prepends file name to each symbol.-g prints only global symbols.-h shows the current help screen.-l produces a detailed listing of the symbol information.-n sorts symbols numerically rather than alphabetically.-ofile outputs to the given file.-p causes the name utility to not sort any symbols.-q (quiet mode) suppresses the banner and all progress information.-r sorts symbols in reverse order.-t also prints tag information symbols.-u only prints undefined symbols.

13.5 Invoking the Strip Utility

The strip utility, *strip55*, is used to remove symbol table and debugging information from object and executable files.

To invoke the strip utility, enter the following:

```
strip55 [-p] input filename [input filename]
```

strip55 is the command that invokes the strip utility.

input filename is a COFF object file (.obj) or an executable file (.out).

options identifies the strip utility options you want to use. Options are not case sensitive and can appear anywhere on the command line following the invocation. Precede each option with a hyphen (-). The name utility option is as follows:

- p** removes all information not required for execution. This option causes more information to be removed than the default behavior, but the object file is left in a state that cannot be linked. This option should be used only with executable (.out) files.

When the strip utility is invoked, the input object files are replaced with the stripped version.



Hex Conversion Utility Description

The TMS320C55x™ assembler and linker create object files that are in common object file format (COFF). COFF is a binary object file format that encourages modular programming and provides more powerful and flexible methods for managing code segments and target system memory.

Most EPROM programmers do not accept COFF object files as input. The hex conversion utility converts a COFF object file into one of several standard ASCII hexadecimal formats, suitable for loading into an EPROM programmer. The utility is also useful in other applications requiring hexadecimal conversion of a COFF object file (for example, when using debuggers and loaders). This utility also supports the on-chip boot loader built into the target device, automating the code creation process for the C55x.

The hex conversion utility can produce these output file formats:

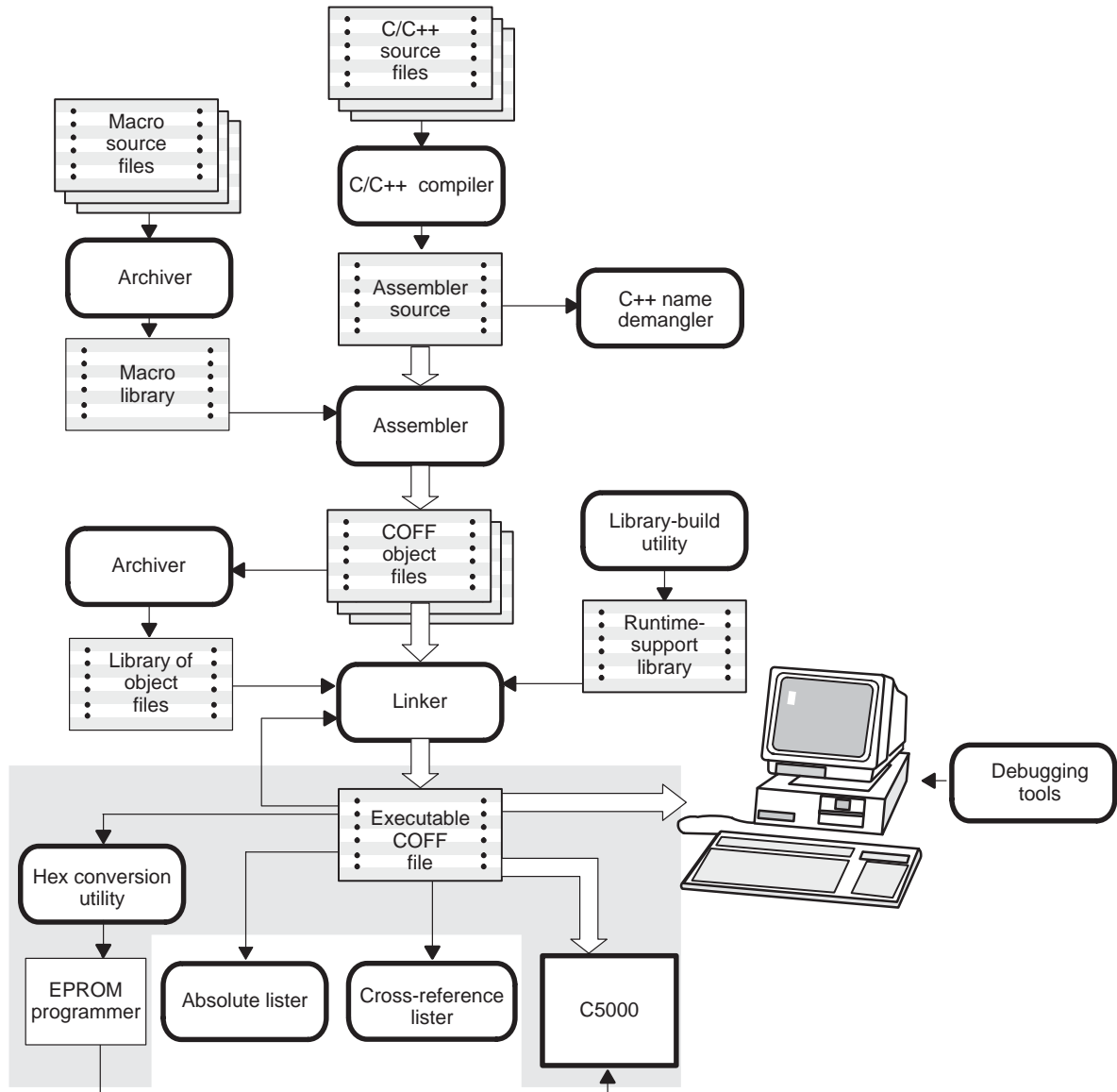
- ASCII-Hex, supporting 16-bit addresses
- Extended Tektronix (Tektronix)
- Intel MCS-86 (Intel)
- Motorola Exorciser (Motorola-S), supporting 16-bit, 24-bit, and 32-bit addresses
- Texas Instruments SDSMAC (TI-Tagged), supporting 16-bit addresses

Topic	Page
14.1 Hex Conversion Utility Development Flow	14-2
14.2 Invoking the Hex Conversion Utility	14-3
14.3 Command File	14-6
14.4 Understanding Memory Widths	14-8
14.5 The ROMS Directive	14-15
14.6 The SECTIONS Directive	14-21
14.7 Excluding a Specified Section	14-23
14.8 Output Filenames	14-24
14.9 Image Mode and the -fill Option	14-26
14.10 Building a Table for an On-Chip Boot Loader	14-28
14.11 Controlling the ROM Device Address	14-34
14.12 Description of the Object Formats	14-38
14.13 Hex Conversion Utility Error Messages	14-44

14.1 Hex Conversion Utility Development Flow

Figure 14–1 highlights the role of the hex conversion utility in the assembly language development process.

Figure 14–1. Hex Conversion Utility Development Flow



14.2 Invoking the Hex Conversion Utility

There are two basic methods for invoking the hex conversion utility:

- ❑ **Specify the options and filenames on the command line.** The following example converts the file `firmware.out` into TI-Tagged format, producing two output files, `firm.lsb` and `firm.msb`.

```
hex55 -t firmware -o firm.lsb -o firm.msb
```

- ❑ **Specify the options and filenames in a command file.** You can create a batch file that stores command line options and filenames for invoking the hex conversion utility. The following example invokes the utility using a command file called `hexutil.cmd`:

```
hex55 hexutil.cmd
```

In addition to regular command line information, you can use the hex conversion utility `ROMS` and `SECTIONS` directives in a command file.

To invoke the hex conversion utility, enter:

```
hex55 [-options] filename
```

hex55 is the command that invokes the hex conversion utility.

-options supplies additional information that controls the hex conversion process. You can use options on the command line or in a command file.

- ❑ All options are preceded by a dash and are not case sensitive.
- ❑ Several options have an additional parameter that must be separated from the option by at least one space.
- ❑ Options with multicharacter names must be spelled exactly as shown in this document; no abbreviations are allowed.
- ❑ Options are not affected by the order in which they are used. The exception to this rule is the `-q` option, which must be used before any other options.

filename names a COFF object file or a command file (for more information on command files, see Section 14.3, *Command Files*, on page 14-6).

Table 14–1. Hex Conversion Utility Options

(a) General options control the overall operation of the hex conversion utility.

Option	Description	Page
<code>-exclude section_name</code>	Ignore specified section	14-23
<code>-map filename</code>	Generate a map file	14-20
<code>-o filename</code>	Specify an output filename	14-24
<code>-q</code>	Run quietly (when used, it must appear <i>before</i> other options)	14-6

(b) Image options create a continuous image of a range of target memory.

Option	Description	Page
<code>-fill value</code>	Fill holes with <i>value</i>	14-27
<code>-image</code>	Specify image mode	14-26
<code>-zero</code>	Reset the address origin to zero	14-35

(c) Memory options configure the memory widths for your output files.

Option	Description	Page
<code>-memwidth value</code>	Define the system memory word width (default 8 bits)	14-9
<code>-order {LS MS}</code>	Specify the memory word ordering	14-13
<code>-romwidth value</code>	Specify the ROM device width (default depends on format used)	14-10

Table 14–1. Hex Conversion Utility Options (Continued)

(d) Output formats specify the format of the output file.

Option	Description	Page
-a	Select ASCII-Hex	14-39
-b	Select binary	
-i	Select Intel	14-40
-m1	Select Motorola-S1	14-41
-m2 or -m	Select Motorola-S2 (default)	14-41
-m3	Select Motorola-S3	14-41
-t	Select TI-Tagged	14-42
-x	Select Tektronix	14-43

(e) Boot-loader options for all C55x devices control how the hex conversion utility builds the boot table.

Option	Description	Page
-boot	Convert all sections into bootable form (use instead of a SECTIONS directive)	14-30
-bootorg <i>value</i>	Specify the source address of the boot loader table	14-30
-bootpage <i>value</i>	Specify the target page number of the boot loader table	14-30
-e <i>value</i>	Specify the entry point at which to begin execution after boot loading. The <i>value</i> can be an address or a global symbol.	14-29
-parallel16	Specify a 16-bit parallel interface boot table (-memwidth 16 and -romwidth 16)	14-32
-parallel32	Specify a 32-bit parallel interface boot table (-memwidth 16 and -romwidth 32)	14-32
-serial8	Specify an 8-bit serial interface boot table (-memwidth 8 and -romwidth 8)	14-32
-serial16	Specify a 16-bit serial interface boot table (-memwidth 16 and -romwidth 16)	14-32
-vdevice:revision	Specify the device and silicon revision number	14-33

14.3 Command File

A command file is useful if you plan to invoke the utility more than once with the same input files and options. It is also useful if you want to use the ROMS and SECTIONS hex conversion utility directives to customize the conversion process.

Command files are ASCII files that contain one or more of the following:

- Options and filenames.** These are specified in a command file in exactly the same manner as on the command line.
- ROMS directive.** The ROMS directive defines the physical memory configuration of your system as a list of address-range parameters. (For more information about the ROMS directive, see Section 14.5, *The ROMS Directive*, on page 14-15.)
- SECTIONS directive.** The SECTIONS directive specifies which sections from the COFF object file should be selected. (For more information about the SECTIONS directive, see Section 14.6, *The SECTIONS Directive*, on page 14-21.)

You can also use this directive to identify specific sections that will be initialized by an on-chip boot loader. (For more information on the on-chip boot loader, see Section 14.10.3, *Building a Table for an On-Chip Boot Loader*, on page 14-29.)

- Comments.** You can add comments to your command file by using the `/*` and `*/` delimiters. For example:

```
/* This is a comment */
```

To invoke the utility and use the options you defined in a command file, enter:

```
hex55 command_filename
```

You can also specify other options and files on the command line. For example, you could invoke the utility by using both a command file and command line options:

```
hex55 firmware.cmd -map firmware.mxp
```

The order in which these options and file names appear is not important. The utility reads all input from the command line and all information from the command file before starting the conversion process. However, if you are using the `-q` option, *it must appear as the first option on the command line or in a command file.*

The `-q` option suppresses the utility's normal banner and progress information.

14.3.1 Examples of Command Files

- Assume that a command file named `firmware.cmd` contains these lines:

```
firmware.out /* input file */
-t          /* TI-Tagged */
-o  firm.lsb /* output file 1, LSBs of ROM */
-o  firm.msb /* output file 2, MSBs of ROM*/
```

You can invoke the hex conversion utility by entering:

```
hex55 firmware.cmd
```

- This example converts a file called `appl.out` into four hex files in Intel format. Each output file is one byte wide and 16K bytes long. The `.text` section is converted to boot loader format.

```
appl.out      /* input file */
-i           /* Intel format */
-map appl.mxp /* map file */
```

```
ROMS
{
  ROW1: origin=01000h len=04000h romwidth=8
        files={ appl.u0 appl.u1 }
  ROW2: origin 05000h len=04000h romwidth=8
        files={ appl.u2 appl.u3 }
}
```

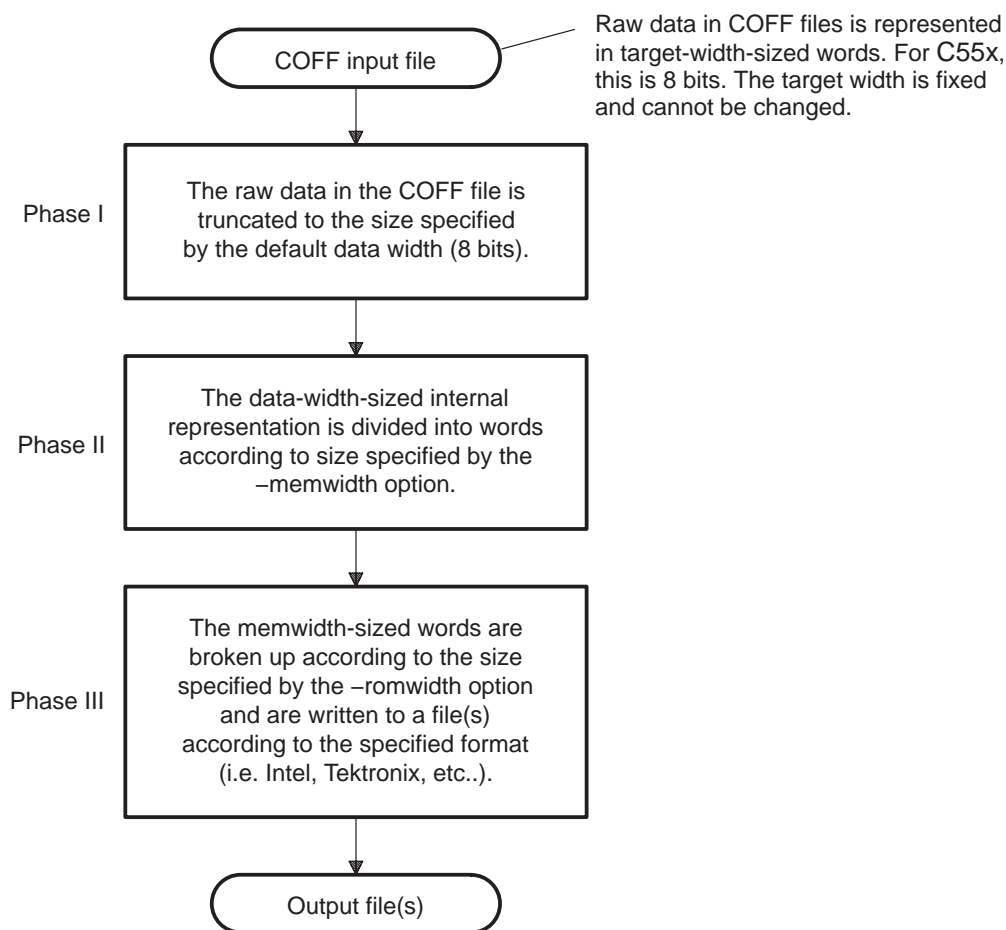
```
SECTIONS
{
  .text: BOOT
  .data, .cinit, .sect1, .vectors, .const:
}
```

14.4 Understanding Memory Widths

The hex conversion utility makes your memory architecture more flexible by allowing you to specify memory and ROM widths. In order to use the hex conversion utility, *you must understand how the utility treats word widths*. Four widths are important in the conversion process: target width, data width, memory width, and ROM width. The terms target word, data word, memory word, and ROM word refer to a word of such a width.

Figure 14–2 illustrates the three separate and distinct phases of the hex conversion utility's process flow.

Figure 14–2. Hex Conversion Utility Process Flow



14.4.1 Target Width

Target width is the unit size (in bits) of raw data fields in the COFF file. This corresponds to the size of an opcode on the target processor. The width is fixed for each target and cannot be changed. The C54x targets have a width of 16 bits. The C55x targets are represented with a width of 16 bits.

14.4.2 Data Width

Data width is the logical width (in bits) of the data words stored in a particular section of a COFF file. Usually, the logical data width is the same as the target width. The data width is fixed at 8 bits for the TMS320C55x and cannot be changed.

14.4.3 Memory Width

Memory width is the physical width (in bits) of the memory system. Usually, the memory system is physically the same width as the target processor width: a 16-bit processor has a 16-bit memory architecture. However, some applications require target words to be broken up into multiple, consecutive, narrower memory words. Moreover, with certain processors like the C55x, the memory width can be narrower than the target width.

The C55x hex conversion utility defaults memory width to 16 bits.

You can change the memory width by:

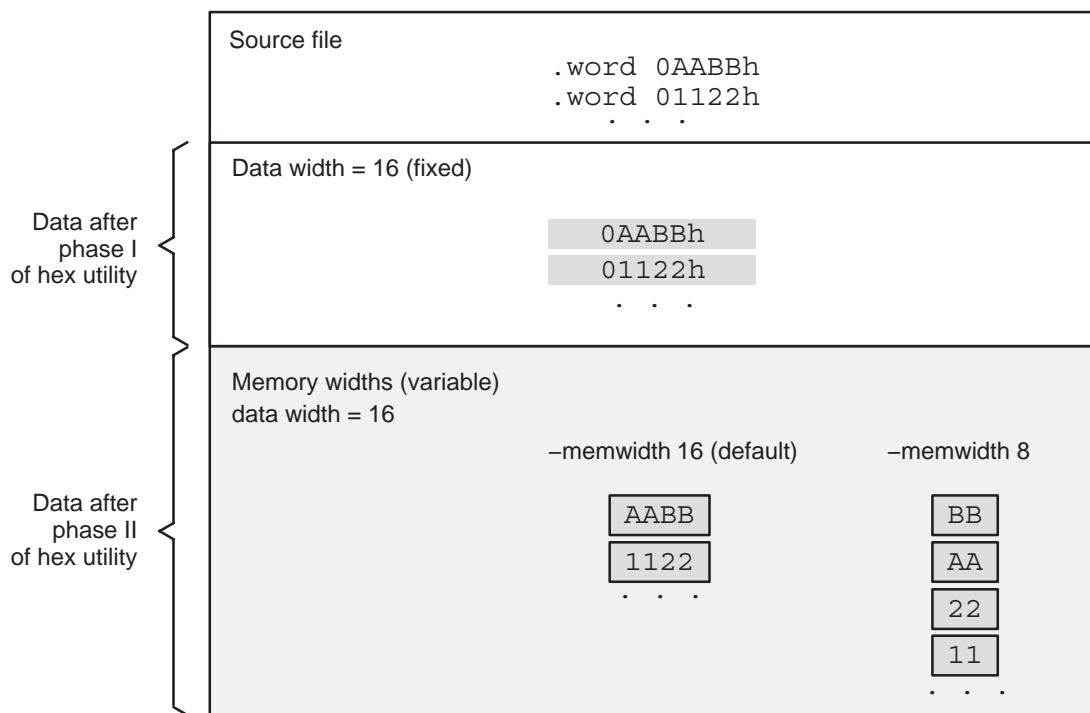
- Using the **-memwidth** option. This changes the memory width value for the entire file.
- Setting the **memwidth** parameter of the ROMS directive. This changes the memory width value for the address range specified in the ROMS directive and overrides the **-memwidth** option for that range. See Section 14.5, *The ROMS Directive*, on page 14-15.

For both methods, use a *value* that is a power of 2 greater than or equal to 8.

You should change the memory width default value of 16 only in exceptional situations: for example, when you need to break single target words into consecutive, narrower memory words. Situations in which memory words are narrower than target words are most common when you use an on-chip boot loader that supports booting from narrower memory. For example, a 16-bit TMS320C55x can be booted from 8-bit memory or an 8-bit serial port, with each 16-bit value occupying two memory locations (this would be specified as **-memwidth 8**).

Figure 14–3 demonstrates how the memory width is related to the data width.

Figure 14–3. Data and Memory Widths



14.4.4 ROM Width

ROM width specifies the physical width (in bits) of each ROM device and corresponding output file (usually one byte or eight bits). The ROM width determines how the hex conversion utility partitions the data into output files. After the target words are mapped to the memory words, the memory words are broken into one or more output files. The number of output files per address range is determined by the following formula, where memory width \geq ROM width:

$\text{number of files} = \text{memory width} \div \text{ROM width}$
--

For example, for a memory width of 16, you could specify a ROM width of 16 and get a single output file containing 16-bit words. Or you can use a ROM width value of 8 to get two files, each containing 8 bits of each word.

For more information on calculating the number of files per address range, see Section 14.5, *The ROMS Directive*, on page 14-15.

The default ROM width that the hex conversion utility uses depends on the output format:

- All hex formats except TI-Tagged are configured as lists of 8-bit bytes; the default ROM width for these formats is 8 bits.
- TI-Tagged is a 16-bit format; the default ROM width for TI-Tagged is 16 bits.

Note: The TI-Tagged Format Is 16 Bits Wide

You cannot change the ROM width of the TI-Tagged format. The TI-Tagged format supports a 16-bit ROM width only.

You can change ROM width (except for TI-Tagged) by:

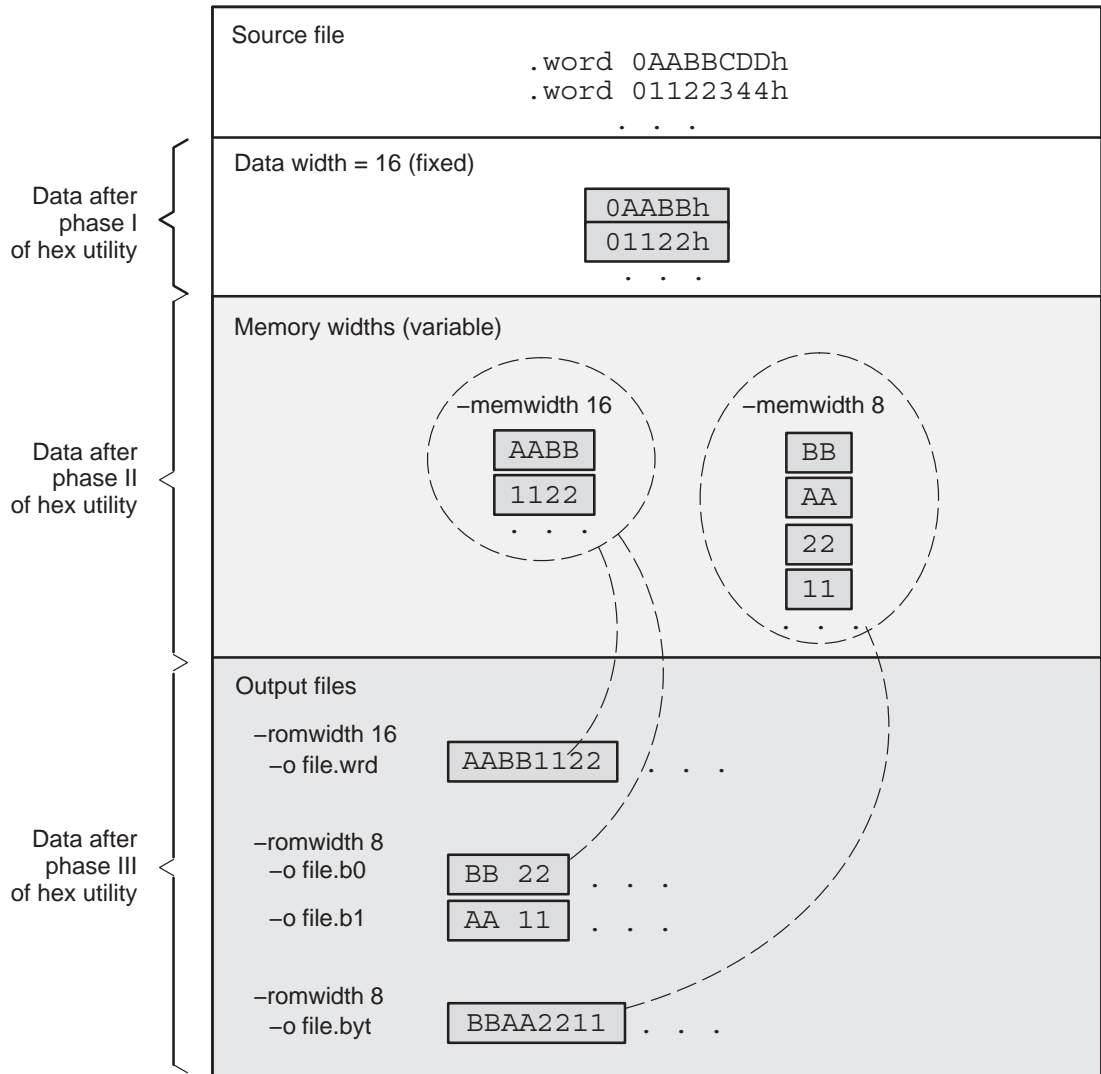
- Using the **-romwidth** option. This changes the ROM width value for the entire COFF file.
- Setting the **romwidth** parameter of the ROMS directive. This changes the ROM width value for a specific ROM address range and overrides the **-romwidth** option for that range. See Section 14.5, *The ROMS Directive*, on page 14-15.

For both methods, use a *value* that is a power of 2 greater than or equal to 8.

If you select a ROM width that is wider than the natural size of the output format (16 bits for TI-Tagged or 8 bits for all others), the utility simply writes multibyte fields into the file.

Figure 14-4 illustrates how the target, memory, and ROM widths are related to one another.

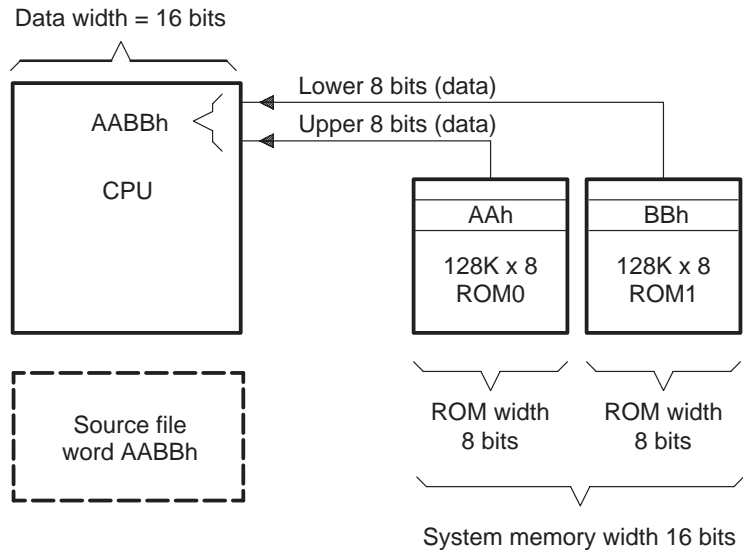
Figure 14–4. Data, Memory, and ROM Widths



14.4.5 A Memory Configuration Example

Figure 14–5 shows a typical memory configuration example. This memory system consists of two 128K × 8-bit ROM devices.

Figure 14–5. C55x Memory Configuration Example



14.4.6 Specifying Word Order for Output Words

When memory words are wider than ROM words (memory width > ROM width), memory words are split into multiple consecutive ROM words. There are two ways to split a wide word into consecutive memory locations in the same hex conversion utility output file:

- order MS** specifies **big-endian** ordering, in which the most significant part of the wide word occupies the first of the consecutive locations
- order LS** specifies **little-endian** ordering, in which the the least significant part of the wide word occupies the first of the consecutive locations

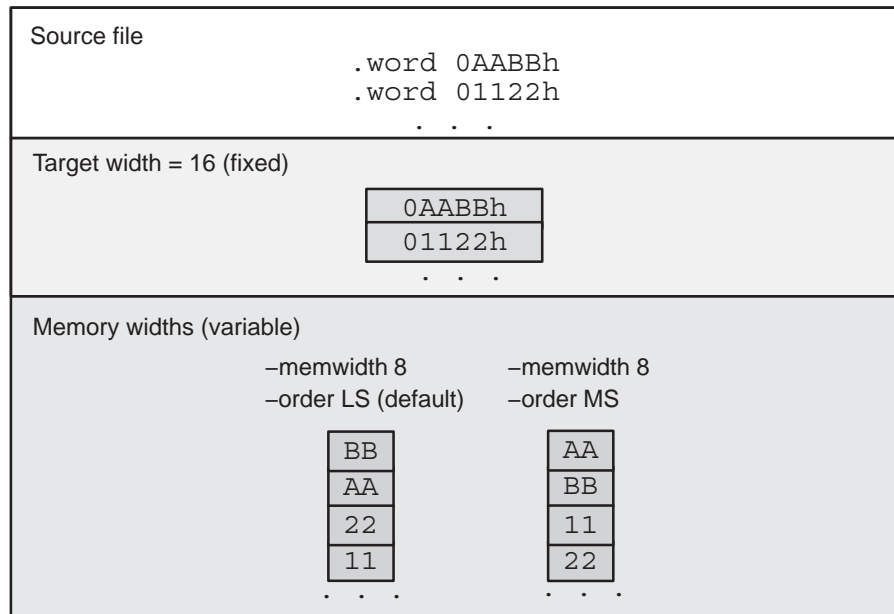
By default, the utility uses little-endian format because the C55x boot loaders expect the data in this order. Unless you are using your own boot loader program, avoid using **–order MS**.

Note: When the `-order` Option Applies

- The `-order` option applies only when you use a memory width with a value greater than 16. Otherwise, `-order` is ignored.
- The `-order` option does not affect the way memory words are split into output files. Think of the files as a set: the set contains a least significant file and a most significant file, but there is no ordering over the set. When you list filenames for a set of files, you *always* list the least significant first, regardless of the `-order` option.

Figure 14–6 demonstrates how `-order` affects the conversion process. This figure, and the previous figure, Figure 14–4, explain the condition of the data in the hex conversion utility output files.

Figure 14–6. Varying the Word Order



14.5 The ROMS Directive

The ROMS directive specifies the physical memory configuration of your system as a list of address-range parameters.

Each address range produces one set of files containing the hex conversion utility output data that corresponds to that address range. Each file can be used to program one single ROM device.

If you do not use a ROMS directive, the utility defines a default memory configuration that includes two address spaces (PAGE 0 and PAGE 1). Each address space contains a single address range. PAGE 0 contains a default range of the entire program address space, and PAGE 1 contains a default range of the entire data address space.

The ROMS directive is similar to the MEMORY directive of the TMS320C55x linker: both define the memory map of the target address space. Each line entry in the ROMS directive defines a specific address range. The general syntax is:

```

ROMS
{
  [PAGE n:]
    romname: [origin=value,] [length=value,] [romwidth=value,]
              [memwidth=value,] [fill=value,]
              [files={filename1, filename2, ...}]

    romname: [origin=value,] [length=value,] [romwidth=value,]
              [memwidth=value,] [fill=value,]
              [files={filename1, filename2, ...}]

  ...
}

```

ROMS begins the directive definition.

PAGE identifies a memory space for targets that use program- and data-address spaces. If your program has been linked normally, PAGE 0 specifies program memory and PAGE 1 specifies data memory. Each memory range after the PAGE command belongs to that page until you specify another PAGE. If you don't include PAGE, all ranges belong to page 0.

romname identifies a memory range. The name of the memory range may be one to eight characters in length. The name has no significance to the program; it simply identifies the range. (Duplicate memory range names are allowed.)

origin specifies the starting address of a memory range. It can be entered as `origin`, `org`, or `o`. The associated value must be a decimal, octal, or hexadecimal constant. If you omit the `origin` value, the `origin` defaults to 0.

The following table summarizes the notation you can use to specify a decimal, octal, or hexadecimal constant:

Constant	Notation	Example
Hexadecimal	0x prefix or h suffix	0x77 or 077h
Octal	0 prefix	077
Decimal	No prefix or suffix	77

length specifies the length of a memory range as the physical length of the ROM device. It can be entered as `length`, `len`, or `l`. The value must be a decimal, octal, or hexadecimal constant. If you omit the `length` value, it defaults to the length of the entire address space.

romwidth specifies the physical ROM width of the range in bits (see subsection 14.4.4, *ROM Width*, on page 14-10). Any value you specify here overrides the `-romwidth` option. The value must be a decimal, octal, or hexadecimal constant that is a power of 2 greater than or equal to 8.

memwidth specifies the memory width of the range in bits (see subsection 14.4.3, *Memory Width*, on page 14-9). Any value you specify here overrides the `-memwidth` option. The value must be a decimal, octal, or hexadecimal constant that is a power of 2 greater than or equal to 8. *When using the `memwidth` parameter, you must also specify the `paddr` parameter for each section in the `SECTIONS` directive.*

fill specifies a fill value to use for the range. In image mode, the hex conversion utility uses this value to fill any holes between sections in a range. The value must be a decimal, octal, or hexadecimal constant with a width equal to the target width. Any value you specify here overrides the `-fill` option. When using `fill`, you must also use the `-image` command line option. See subsection 14.9.2, *Specifying a Fill Value*, on page 14-27.

files identifies the names of the output files that correspond to this range. Enclose the list of names in curly braces and order them from *least significant* to *most significant* output file.

The number of file names should equal the number of output files that the range will generate. To calculate the number of output files, refer to Section 14.4.4, *ROM Width*, on page 14-10. The utility warns you if you list too many or too few filenames.

Unless you are using the `-image` option, all of the parameters defining a range are optional; the commas and equals signs are also optional. A range with no origin or length defines the entire address space. In image mode, an origin and length are required for all ranges.

Ranges on the same page must not overlap and must be listed in order of ascending address.

14.5.1 When to Use the ROMS Directive

If you do not use a ROMS directive, the utility defines a default memory configuration that includes two address spaces (PAGE 0 and PAGE 1). Each address space contains a single address range. PAGE 0 contains a default range of the entire program address space, and PAGE 1 contains a default range of the entire data address space. If nothing is loaded into a particular page, no output is created for that page.

Use the ROMS directive when you want to:

- Program large amounts of data into fixed-size ROMs.** When you specify memory ranges corresponding to the length of your ROMs, the utility automatically breaks the output into blocks that fit into the ROMs.
- Restrict output to certain segments.** You can also use the ROMS directive to restrict the conversion to a certain segment or segments of the target address space. The utility does not convert the data that falls outside of the ranges defined by the ROMS directive. Sections can span range boundaries; the utility splits them at the boundary into multiple ranges. If a section falls completely outside any of the ranges you define, the utility does not convert that section and issues no messages or warnings. In this way, you can exclude sections without listing them by name with the SECTIONS directive. However, if a section falls partially in a range and partially in unconfigured memory, the utility issues a warning and converts only the part within the range.

- ❑ **Use image mode.** When you use the `-image` option, you must use a ROMS directive. Each range is filled completely so that each output file in a range contains data for the whole range. Gaps before, between, or after sections are filled with the fill value from the ROMS directive, with the value specified with the `-fill` option, or with the default value of 0.

14.5.2 An Example of the ROMS Directive

The ROMS directive in Example 14–1 shows how 16K words of 16-bit memory could be partitioned for four $8\text{K} \times 8\text{-bit}$ EPROMs.

Example 14–1. A ROMS Directive Example

```
infile.out
-image
-memwidth 16

ROMS
{
  EPROM1: org = 04000h, len = 02000h, romwidth = 8
          files = { rom4000.b0, rom4000.b1 }

  EPROM2: org = 06000h, len = 02000h, romwidth = 8,
          fill = 0FFh,
          files = { rom6000.b0, rom6000.b1 }
}
```

In this example, EPROM1 defines the address range from 4000h through 5FFFh. The range contains the following sections:

This section	Has this range
.text	4000h through 487Fh
.data	5B80H through 5FFFh

The rest of the range is filled with 0h (the default fill value). The data from this range is converted into two output files:

- ❑ rom4000.b0 contains bits 0 through 7
- ❑ rom4000.b1 contains bits 8 through 15

EPROM2 defines the address range from 6000h through 7FFFh. The range contains the following sections:

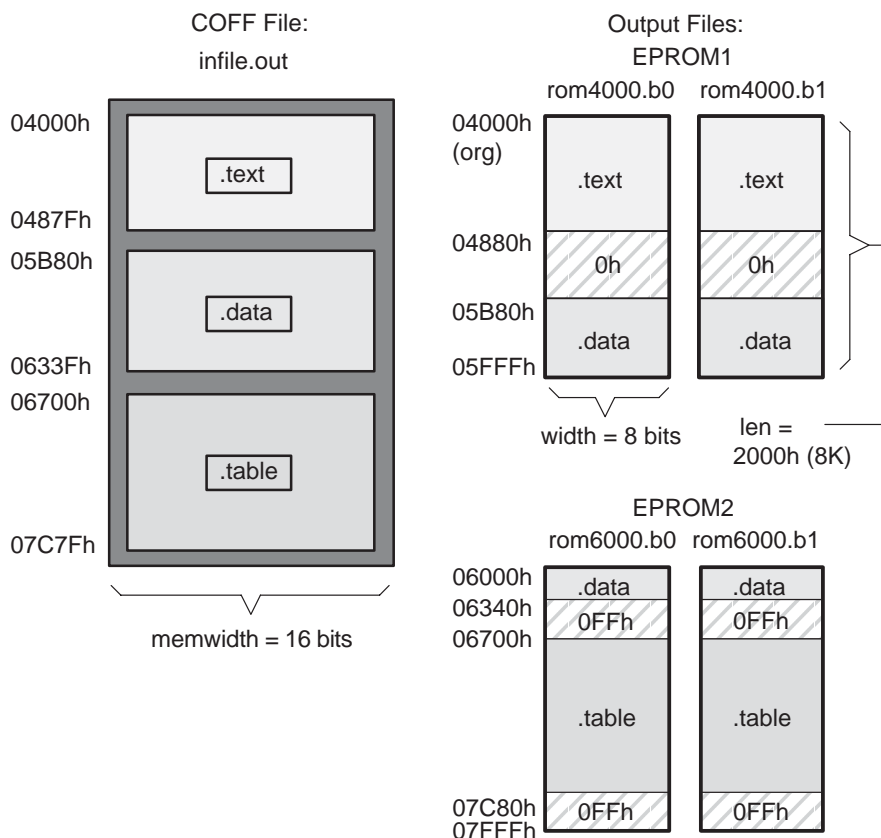
This section	Has this range
.data	6000h through 633Fh
.table	6700h through 7C7Fh

The rest of the range is filled with 0FFh (from the specified fill value). The data from this range is converted into two output files:

- rom6000.b0 contains bits 0 through 7
- rom6000.b1 contains bits 8 through 15

Figure 14–7 shows how the ROMS directive partitions the infile.out file into four output files.

Figure 14–7. The infile.out File From Example 14–1 Partitioned Into Four Output Files



14.5.3 Creating a Map File of the ROMS Directive

The map file (specified with the `-map` option) is advantageous when you use the ROMS directive with multiple ranges. The map file shows each range, its parameters, names of associated output files, and a list of contents (section names and fill values) broken down by address. Following is a segment of the map file resulting from the example in Example 14-1.

Example 14-2. Map File Output From Example 14-1 Showing Memory Ranges

```
-----  
00004000..00005fff Page=0 Width=8 "EPROM1"  
-----  
OUTPUT FILES:  rom4000.b0  [b0..b7]  
                rom4000.b1  [b8..b15]  
  
CONTENTS: 00004000..0000487f .text  
           00004880..00005b7f FILL = 00000000  
           00005b80..00005fff .data  
-----  
00006000..00007fff Page=0 Width=8 "EPROM2"  
-----  
OUTPUT FILES:  rom6000.b0  [b0..b7]  
                rom6000.b1  [b8..b15]  
  
CONTENTS: 00006000..0000633f .data  
           00006340..000066ff FILL = 000000ff  
           00006700..00007c7f .table  
           00007c80..00007fff FILL = 000000ff
```

14.6 The SECTIONS Directive

You can convert specific sections of the COFF file by name with the SECTIONS directive. You can also specify those sections you want the utility to configure for loading from an on-chip boot loader, and those sections that you want to locate in ROM at a different address than the *load* address specified in the linker command file:

- If you use a SECTIONS directive, the utility converts only the sections that you list in the directive and ignores all other sections in the COFF file.
- If you don't use a SECTIONS directive, the utility converts all initialized sections that fall within the configured memory. The TMS320C55x compiler-generated initialized sections include: `.text`, `.const`, `.cinit`, and `.switch`.

Uninitialized sections are *never* converted, whether or not you specify them in a SECTIONS directive.

Note: Sections Generated by the C/C++ Compiler

The TMS320C55x C/C++ compiler automatically generates these sections:

- Initialized sections:** `.text`, `.const`, `.cinit`, and `.switch`.
- Uninitialized sections:** `.bss`, `.stack`, and `.systemem`.

Use the SECTIONS directive in a command file. (For more information about using a command file, see Section 14.3, *Command Files*, on page 14-6.) The general syntax for the SECTIONS directive is:

```
SECTIONS
{
  sname: [paddr=value]
  sname: [paddr=boot]
  sname: [= boot ],
  ...
}
```


SECTIONS begins the directive definition.

sname identifies a section in the COFF input file. If you specify a section that doesn't exist, the utility issues a warning and ignores the name.

paddr specifies the physical ROM address at which this section should be located. This value overrides the section load address given by the linker. (See Section 14.11, *Controlling the ROM Device Address*, on page 14-34). This value must be a decimal, octal, or hexadecimal constant. It can also be the word **boot** (to indicate a boot table section for use with the on-chip boot loader). *If your file contains multiple sections, and if one section uses a paddr parameter, then all sections must use a paddr parameter.*

= boot configures a section for loading by the on-chip boot loader. This is equivalent to using **paddr=boot**. Boot sections have a physical address determined both by the target processor type and by the various boot-loader-specific command line options.

The commas separating section names are optional. For more similarity with the linker's SECTIONS directive, you can use colons after the section names (in place of the equal sign on the boot keyboard). For example, the following statements are equivalent:

```
SECTIONS { .text: .data: boot }
```

```
SECTIONS { .text, .data = boot }
```

In the example below, the COFF file contains six initialized sections: .text, .data, .const, .vectors, .coeff, and .tables. Suppose you want only .text and .data to be converted. Use a SECTIONS directive to specify this:

```
SECTIONS { .text, .data }
```

To configure both of these sections for boot loading, add the boot keyword:

```
SECTIONS { .text = boot, .data = boot }
```

Note: Using the -boot Option and the SECTIONS Directive

When you use the SECTIONS directive with the on-chip boot loader, the -boot option is ignored. You must explicitly specify any boot sections in the SECTIONS directive. For more information about -boot and other command-line options associated with the on-chip boot loader, see Table 14-2, page 14-29.

14.7 Excluding a Specified Section

The `-exclude section_name` option can be used to inform the hex utility to ignore the specified section. If a `SECTIONS` directive is used, it overrides the `-exclude` option.

For example, if a `SECTIONS` directive containing the section name *mysect* is used and an `-exclude mysect` is specified, the `SECTIONS` directive takes precedence and *mysect* is not excluded.

The `-exclude` option has a limited wildcard capability. The `*` character can be placed at the beginning or end of the name specifier to indicate a suffix or prefix, respectively. For example, `-exclude sect*` disqualifies all sections that begin with the characters *sect*.

If you specify the `-exclude` option on the command line with the `*` wildcard, enter quotes around the section name and wildcard. For example, `-exclude"sect*"`. Using quotes prevents the `*` from being interpreted by the hex conversion utility. If `-exclude` is in a command file, then the quotes should not be specified.

14.8 Output Filenames

When the hex conversion utility translates your COFF object file into a data format, it partitions the data into one or more output files. When multiple files are formed by splitting data into byte-wide or word-wide files, *filenames are always assigned in order from least to most significant*. This is true, regardless of target or COFF endian ordering, or of any `-order` option.

14.8.1 Assigning Output Filenames

The hex conversion utility follows this sequence when assigning output filenames:

- 1) **It looks for the ROMS directive.** If a file is associated with a range in the ROMS directive and you have included a list of files (`files = { . . }`) on that range, the utility takes the filename from the list.

For example, assume that the target data is 16-bit words being converted to two files, each eight bits wide. To name the output files using the ROMS directive, you could specify:

```
ROMS
{
  RANGE1: romwidth=8, files={ xyz.b0 xyz.b1 }
}
```

The utility creates the output files by writing the least significant bits (LSBs) to `xyz.b0` and the most significant bits (MSBs) to `xyz.b1`.

- 2) **It looks for the `-o` options.** You can specify names for the output files by using the `-o` option. If no filenames are listed in the ROMS directive and you use `-o` options, the utility takes the filename from the list of `-o` options. The following line has the same effect as the example above using the ROMS directive:

```
-o xyz.b0 -o xyz.b1
```

Note that if both the ROMS directive and `-o` options are used together, the ROMS directive overrides the `-o` options.

- 3) **It assigns a default filename.** If you specify no filenames or fewer names than output files, the utility assigns a default filename. A default filename consists of the base name from the COFF input file plus a 2- to 3-character extension (e.g., filename.abc). The extension has three parts:
- a) A format character, based on the output format:
 - a** for ASCII-Hex
 - i** for Intel
 - t** for TI-Tagged
 - m** for Motorola-S
 - x** for Tektronix
 - b) The range number in the ROMS directive. Ranges are numbered starting with 0. If there is no ROMS directive, or only one range, the utility omits this character.
 - c) The file number in the set of files for the range, starting with 0 for the least significant file.

For example, assume `coff.out` is for a 16-bit target processor and you are creating Intel format output. With no output filenames specified, the utility produces two output files named `coff.i00` and `coff.i01`.

If you include the following ROMS directive when you invoke the hex conversion utility, you would have two output files:

```
ROMS
{
    range1: o = 1000h l = 1000h
    range2: o = 2000h l = 1000h
}
```

These Output Files	Contain This Data
<code>coff.i00</code>	1000h through 1FFFh
<code>coff.i10</code>	2000h through 2FFFh

14.9 Image Mode and the `-fill` Option

This section points out the advantages of operating in image mode and describes how to produce output files with a precise, continuous image of a target memory range.

14.9.1 The `-image` Option

With the `-image` option, the utility generates a memory image by completely filling all of the mapped ranges specified in the ROMS directive.

A COFF file consists of blocks of memory (sections) with assigned memory locations. Typically, all sections are not adjacent: there are gaps between sections in the address space for which there is no data. When such a file is converted *without* the use of image mode, the hex conversion utility bridges these gaps by using the address records in the output file to skip ahead to the start of the next section. In other words, there may be discontinuities in the output file addresses. Some EPROM programmers do not support address discontinuities.

In image mode, there are no discontinuities. Each output file contains a continuous stream of data that corresponds exactly to an address range in target memory. Any gaps before, between, or after sections are filled with a fill value that you supply.

An output file converted by using image mode still has address records because many of the hexadecimal formats require an address on each line. However, in image mode, these addresses will always be contiguous.

Note: Defining the Ranges of Target Memory

If you use image mode, you must also use a ROMS directive. In image mode, each output file corresponds directly to a range of target memory. You must define the ranges. If you don't supply the ranges of target memory, the utility tries to build a memory image of the entire target processor address space—potentially a huge amount of output data. To prevent this situation, the utility requires you to explicitly restrict the address space with the ROMS directive.

14.9.2 Specifying a Fill Value

The `-fill` option specifies a value for filling the holes between sections. The fill value must be specified as an integer constant following the `-fill` option. The width of the constant is assumed to be that of a word on the target processor. For example, for the C55x, specifying `-fill 0FFh` results in a fill pattern of 00FFh. The constant value is not sign extended.

The hex conversion utility uses a default fill value of zero if you don't specify a value with the fill option. *The `-fill` option is valid only when you use `-image`; otherwise, it is ignored.*

14.9.3 Steps to Follow in Image Mode

- Step 1:** Define the ranges of target memory with a ROMS directive. See Section 14.5, *The ROMS Directive*, on page 14-15 for details.
- Step 2:** Invoke the hex conversion utility with the `-image` option. To number the bytes sequentially, use the `-byte` option; to reset the address origin to zero for each output file, use the `-zero` option. See section 14.11.3, *The `-byte` Option*, on page 14-36 for details on the `-byte` option, and page 14-35 for details on the `-zero` option. If you don't specify a fill value with the ROMS directive and you want a value other than the default of zero, use the `-fill` option.

14.10 Building a Table for an On-Chip Boot Loader

Some DSP devices, such as the C55x, have a built-in boot loader that initializes memory with one or more blocks of code or data. The boot loader uses a special table (a *boot table*) stored in memory (such as EPROM) or loaded from a device peripheral (such as a serial or communications port) to initialize the code or data. The hex conversion utility supports the boot loader by automatically building the boot table.

14.10.1 Description of the Boot Table

The input for a boot loader is the boot table. The boot table contains records that instruct the on-chip loader to copy blocks of data contained in the table to specified destination addresses. Some boot tables also contain values for initializing various processor control registers. The boot table can be stored in memory or read in through a device peripheral.

The hex conversion utility automatically builds the boot table for the boot loader. Using the utility, you specify the COFF sections you want the boot loader to initialize, the table location, and the values for any control registers. The hex conversion utility identifies the target device type from the COFF file, builds a complete image of the table according to the format required by that device, and converts it into hexadecimal in the output files. Then, you can burn the table into ROM or load it by other means.

The boot loader supports loading from memory that is narrower than the normal width of memory. For example, you can serially boot a 16-bit TMS320C55x from a single 8-bit EPROM by using the `-serial8-memwidth` option to configure the width of the boot table. The hex conversion utility automatically adjusts the table's format and length. See the boot loader example in the *TMS320C55x DSP CPU Reference Guide* for an illustration of a boot table.

14.10.2 The Boot Table Format

The boot table format is simple. Typically, there is a header record containing values for various control registers. Each subsequent block has a header containing the size and destination address of the block followed by data for the block. Multiple blocks can be entered; a termination block follows the last block. Finally, the table can have a footer containing more control register values. See the boot loader section in the *TMS320C55x DSP CPU Reference Guide* for more information.

14.10.3 How to Build the Boot Table

Table 14–2 summarizes the hex conversion utility options available for the boot loader.

Table 14–2. *Boot-Loader Options*

(a) *Options for all C55x devices*

Option	Description
<code>-boot</code>	Convert all sections into bootable form (use instead of a SECTIONS directive)
<code>-bootorg value</code>	Specify the source address of the boot loader table
<code>-bootpage value</code>	Specify the target page number of the boot loader table
<code>-e value</code>	Specify the entry point at which to begin execution after boot loading. The <i>value</i> can be an address or a global symbol.
<code>-parallel16</code>	Specify a 16-bit parallel interface boot table (<code>-memwidth 16</code> and <code>-romwidth 16</code>)
<code>-parallel32</code>	Specify a 32-bit parallel interface boot table (<code>-memwidth 16</code> and <code>-romwidth 32</code>)
<code>-serial8</code>	Specify an 8-bit serial interface boot table (<code>-memwidth 8</code> and <code>-romwidth 8</code>)
<code>-serial16</code>	Specify a 16-bit serial interface boot table (<code>-memwidth 16</code> and <code>-romwidth 16</code>)
<code>-vdevice:revision</code>	Specify the device and silicon revision number

Table 14–2. Boot-Loader Options (Continued)

(b) Options for C55x LP devices only

Option	Description
<code>-arr value</code>	Set the ABU receive address register value
<code>-bkr value</code>	Set the ABU transmit buffer size register value
<code>-bootorg COMM</code>	Specify the source of the boot loader table as the communications port
<code>-bootorg WARM</code> or <code>-warm</code>	Specify the source of the boot loader table as the table currently in memory
<code>-bscr value</code>	Set the bank-switch control register value for PARALLEL/WARM boot mode
<code>-spc value</code>	Set the serial port control register value
<code>-spce value</code>	Set the serial port control extension register value
<code>-swwsr value</code>	Set the software wait state register value for PARALLEL/WARM boot mode
<code>-tcsr value</code>	Set the TDM serial port channel select register value
<code>-trta value</code>	Set the TDM serial port receive/transmit address register value

14.10.3.1 Building the Boot Table

To build the boot table, follow these steps:

Step 1: Link the file. Each block of the boot table data corresponds to an initialized section in the COFF file. Uninitialized sections are not converted by the hex conversion utility (see Section 14.6, *The SECTIONS Directive*, on page 14-21).

When you select a section for placement in a boot-loader table, the hex conversion utility places the section's *load address* in the destination address field for the block in the boot table. The section content is then treated as raw data for that block.

The hex conversion utility does not use the section run address. When linking, you need not worry about the ROM address or the construction of the boot table—the hex conversion utility handles this.

Step 2: Identify the bootable sections. You can use the `-boot` option to tell the hex conversion utility to configure all sections for boot loading. Or, you can use a `SECTIONS` directive to select specific sections to be configured (see Section 14.6, *The SECTIONS Directive*, on page 14-21). Note that if you use a `SECTIONS` directive, the `-boot` option is ignored.

Step 3: Set the ROM address of the boot table. Use the `-bootorg` option to set the source address of the complete table. For example, if you are using the C55x and booting from memory location 8000h, specify `-bootorg 8000h`. The address field in the the hex conversion utility output file will then start at 8000h.

If you do not use the `-bootorg` option at all, the utility places the table at the origin of the first memory range in a `ROMS` directive. If you do not use a `ROMS` directive, the table will start at the first section load address. There is also a `-bootpage` option for starting the table somewhere other than page 0.

Step 4: Set boot-loader-specific options. Set entry point, parallel interface, or serial interface options as needed. When using revision 1.0 silicon, you must specify the device and silicon revision number with the `-v5510:1` option due to differences in the rev 1.0 bootloader.

Step 5: Describe your system memory configuration. See Section 14.4, *Understanding Memory Widths*, on page 14-8 and Section 14.5, *The ROMS Directive*, on page 14-15 for details.

14.10.3.2 Leaving Room for the Boot Table

The complete boot table is similar to a single section containing all of the header records and data for the boot loader. The address of this section is the boot table origin. As part of the normal conversion process, the hex conversion utility converts the boot table to hexadecimal format and maps it into the output files like any other section.

Be sure to leave room in your system memory for the boot table, especially when you are using the `ROMS` directive. The boot table cannot overlap other nonboot sections or unconfigured memory. Usually, this is not a problem; typically, a portion of memory in your system is reserved for the boot table. Simply configure this memory as one or more ranges in the `ROMS` directive, and use the `-bootorg` option to specify the starting address.

14.10.4 Booting From a Device Peripheral

You can choose to boot from a serial or parallel port by using the `-parallel16`, `-parallel32`, `-serial8`, or `-serial16` option. Your selection of an option depends on the target device and the channel you want to use. For example, to boot a C55x from its 16-bit McBSP port, specify `-serial16` on the command line or in a command file. To boot a C55x from one of its EMIF ports, specify `-parallel16` or `-parallel32`.

Note: On-Chip Boot Loader Concerns

- Possible memory conflicts.** When you boot from a device peripheral, the boot table is not actually in memory; it is being received through the device peripheral. However, as explained in Step 3 on page 14-31, a memory address is assigned.

If the table conflicts with a nonboot section, put the boot table on a different page. Use the `ROMS` directive to define a range on an unused page and the `-bootpage` option to place the boot table on that page. The boot table will then appear to be at location 0 on the dummy page.

- Why the System Might Require an EPROM Format for a Peripheral Boot Loader Address.** In a typical system, a parent processor boots a child processor through that child's peripheral. The boot loader table itself may occupy space in the memory map of the parent processor. The EPROM format and `ROMS` directive address correspond to those used by the parent processor, not those that are used by the child.
-

14.10.5 Setting the Entry Point for the Boot Table

After completing the boot load process, execution starts at the default entry point specified by the linker and contained in the COFF file. By using the `-e` option with the hex conversion utility, you can set the entry point to a different address.

For example, if you want your program to start running at address 0123h after loading, specify `-e 0123h` on the command line or in a command file. You can determine the `-e` address by looking at the map file that the linker generates.

Note: Valid Entry Points

The value can be a constant, or it can be a symbol that is externally defined (for example, with a `.global`) in the assembly source.

14.10.6 Using the C55x Boot Loader

This subsection explains how to use the hex conversion utility with the boot loader for C55x devices. If you are using silicon revision 1.0, you must use the `-v5510:1` option. The C55x boot loader has several different boot table formats.

Format	Option
EMIF 16-bit	<code>-parallel16</code>
EMIF 32-bit	<code>-parallel32</code>
McBSP 8-bit	<code>-serial8</code>
McBSP 16-bit	<code>-serial16</code>

Mode	<code>-bootorg</code> Setting	<code>-memwidth</code> Setting
8-bit parallel I/O	<code>-bootorg PARALLEL</code>	<code>-memwidth 8</code>
16-bit parallel I/O	<code>-bootorg PARALLEL</code>	<code>-memwidth 16</code>
8-bit serial RS232	<code>-bootorg SERIAL</code>	<code>-memwidth 8</code>
16-bit serial RS232	<code>-bootorg SERIAL</code>	<code>-memwidth 16</code>
8-bit parallel EPROM	<code>-bootorg 0x8000</code>	<code>-memwidth 8</code>
16-bit parallel EPROM	<code>-bootorg 0x8000</code>	<code>-memwidth 16</code>

The C55x can also boot from a boot table in memory. To boot from external memory (EPROM), specify the source address of the boot memory by using the `-bootorg` option. Use either `-memwidth 8` or `-memwidth 16`.

For example, the command file in Figure 14–8 allows you to boot the `.text` section of `abc.out` from a byte-wide EPROM at location `0x8000`.

Figure 14–8. Sample Command File for Booting From a C55x EPROM

```

abc.out          /* input file          */
-o abc.i         /* output file         */
-i              /* Intel format       */
-memwidth 8     /* 8-bit memory       */
-romwidth 8     /* outfile is bytes, not words */
-bootorg 0x8000 /* external memory boot */

SECTIONS { .text: BOOT }

```

14.11 Controlling the ROM Device Address

The hex conversion utility output address field corresponds to the ROM device address. The EPROM programmer burns the data into the location specified by the hex conversion utility output file address field. The hex conversion utility offers some mechanisms to control the starting address in ROM of each section and/or to control the address index used to increment the address field. However, many EPROM programmers offer direct control of the location in ROM in which the data is burned.

14.11.1 Controlling the Starting Address

Depending on whether or not you are using the boot loader, the hex conversion utility output file controlling mechanisms are different.

Non-Boot Loader Mode. The address field of the hex conversion utility output file is controlled by the following mechanisms listed from low to high priority:

- 1) **The linker command file.** By default, the address field of the hex conversion utility output file is a function of the load address (as given in the linker command file) and the hex conversion utility parameter values. The relationship is summarized as follows:

$$\text{out_file_addr}^\dagger = \text{load_addr} \times (\text{data_width} \div \text{mem_width})$$

out_file_addr	is the address of the output file.
load_addr	is the linker-assigned load address.
data_width	is specified as 16 bits for the TMS320C55x devices. See subsection 14.4.2, <i>Data Width</i> , on page 14-9.
mem_width	is the memory width of the memory system. You can specify the memory width by the <code>-memwidth</code> option or by the <code>memwidth</code> parameter inside the <code>ROMS</code> directive. See subsection 14.4.3, <i>Memory Width</i> , on page 14-9.

† If `paddr` is not specified

The value of data width divided by memory width is a correction factor for address generation. When data width is larger than memory width, the correction factor *expands* the address space. For example, if the load address is `0x1` and data width divided by memory width is 2, the output file address field would be `0x2`. The data is split into two consecutive locations the size of the memory width.

- 2) **The paddr parameter of the SECTIONS directive.** When the paddr parameter is specified for a section, the hex conversion utility bypasses the section load address and places the section in the address specified by paddr. The relationship between the hex conversion utility output file address field and the paddr parameter can be summarized as follows:

$$\text{out_file_addr}^\dagger = \text{paddr_val} + (\text{load_addr} - \text{sect_beg_load_addr}) \times (\text{data_width} \div \text{mem_width})$$

out_file_addr	is the address of the output file.
paddr_val	is the value supplied with the paddr parameter inside the SECTIONS directive.
sect_beg_load_addr	is the section load address assigned by the linker.

† If paddr is not specified

The value of data width divided by memory width is a correction factor for address generation. The section beginning load address factor subtracted from the load address is an offset from the beginning of the section.

- 3) **The -zero option.** When you use the -zero option, the utility resets the address origin to 0 for each output file. Since each file starts at 0 and counts upward, any address records represent offsets from the beginning of the file (the address within the ROM) rather than actual target addresses of the data.

You must use the -zero option in conjunction with the -image option to force the starting address in each output file to be zero. If you specify the -zero option without the -image option, the utility issues a warning and ignores the -zero option.

Boot Loader Mode. When the boot loader is used, the hex conversion utility places the different COFF sections that are in the boot table into consecutive memory locations. Each COFF section becomes a boot table block whose destination address is equal to the linker-assigned section load address.

In a boot table, the address field of the the hex conversion utility output file is not related to the section load addresses assigned by the linker. The address fields of the boot table are simply offsets to the beginning of the table, multiplied by the correction factor (data width divided by memory width). The section load addresses assigned by the linker will be encoded into the boot table along with the size of the section and the data contained within the section. These addresses will be used to store the data into memory during the boot load process.

The beginning of the boot table defaults to the linked load address of the first bootable section in the COFF input file, unless you use one of the following mechanisms, listed here from low to high priority. Higher priority mechanisms override the values set by low priority options in an overlapping range.

- 1) **The ROM origin specified in the ROMS directive.** The hex conversion utility places the boot table at the origin of the first memory range in a ROMS directive.
- 2) **The `-bootorg` option.** The hex conversion utility places the boot table at the address specified by the `-bootorg` option if you select boot loading from memory.

14.11.2 Controlling the Address Increment Index

By default, the hex conversion utility increments the output file address field according to the memory width value. If memory width equals 16, the address increments on the basis of how many 16-bit words are present in each line of the output file.

14.11.3 Specifying Byte Count

Some EPROM programmers require the output file address field to contain a byte count rather than a word count. If you use the `-byte` option, the output file address increments once for each byte. For example, if the starting address is 0h, the first line contains eight words, and you do not use the `-byte` option, the second line would start at address 8 (08h). In contrast, if the starting address is 0h, the first line contains eight words, and you use the `-byte` option, the second line would start at address 16 (010h). The data in both examples are the same; `-byte` affects only the calculation of the output file address field, not the actual target processor address of the converted data.

The `-byte` option causes the address records in an output file to refer to byte locations within the file, whether or not the target processor is byte-addressable.

14.11.4 Dealing With Address Holes

When memory width is different from data width, the automatic multiplication of the load address by the correction factor might create holes at the beginning of a section or between sections.

For example, assume you want to load a COFF section (.sec1) at address 0x0100 of an 8-bit EPROM. If you specify the load address in the linker command file at location 0x0100, the hex conversion utility will multiply the address by 2 (data width divided by memory width = $16/8 = 2$), giving the output file a starting address of 0x0200. Unless you control the starting address of the EPROM with your EPROM programmer, you could create holes within the EPROM. The programmer will burn the data starting at location 0x0200 instead of 0x0100. To solve this, you can:

- **Use the `paddr` parameter of the `SECTIONS` directive.** This forces a section to start at the specified value. Figure 14–9 shows a command file that can be used to avoid the hole at the beginning of .sec1.

Figure 14–9. Hex Command File for Avoiding a Hole at the Beginning of a Section

```
-i
a.out
-map a.map

ROMS
{
  ROM : org = 0x0100, length = 0x200, romwidth = 8,
      memwidth = 8
}

SECTIONS
{
  sec1: paddr = 0x100
}
```

If your file contains multiple sections and one section uses a `paddr` parameter, then all sections must use the `paddr` parameter.

- **Use the `-bootorg` option or use the `ROMS` origin parameter (for boot loading only).** As described on page 14-35, when you are boot loading, the EPROM address of the entire boot-loader table can be controlled by the `-bootorg` option or by the `ROMS` directive origin.

14.12 Description of the Object Formats

The hex conversion utility converts a COFF object file into one of five object formats that most EPROM programmers accept as input: ASCII-Hex, Intel MCS-86, Motorola-S, Extended Tektronix, or TI-Tagged.

Table 14–3 specifies the format options.

- If you use more than one of these options, the last one you list overrides the others.
- The default format is Tektronix (`-x` option).

Table 14–3. Options for Specifying Hex Conversion Formats

Option	Format	Address Bits	Default Width
<code>-a</code>	ASCII-Hex	16	8
<code>-i</code>	Intel	32	8
<code>-m1</code>	Motorola-S1	16	8
<code>-m2</code> or <code>-m</code>	Motorola-S2	24	8
<code>-m3</code>	Motorola-S3	32	8
<code>-t</code>	TI-Tagged	16	16
<code>-x</code>	Tektronix	32	8

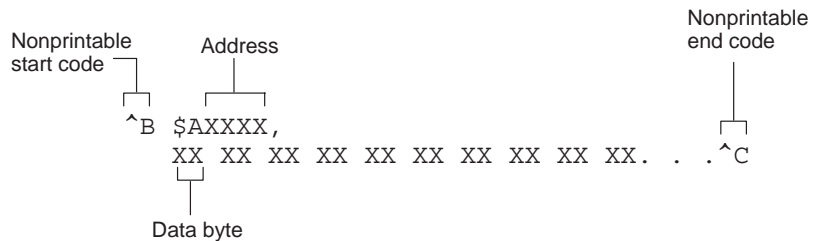
Address bits determine how many bits of the address information the format supports. Formats with 16-bit addresses support addresses up to 64K only. The utility truncates target addresses to fit in the number of available bits.

The **default width** determines the default output width. You can change the default width by using the `-romwidth` option or by using the `romwidth` parameter in the `ROMS` directive. You cannot change the default width of the TI-Tagged format, which supports a 16-bit width only.

14.12.1 ASCII-Hex Object Format (`-a` Option)

The ASCII-Hex object format supports 16-bit addresses. The format consists of a byte stream with bytes separated by spaces. Figure 14–10 illustrates the ASCII-Hex format.

Figure 14–10. ASCII-Hex Object Format



The file begins with an ASCII STX character (ctrl-B, 02h) and ends with an ASCII ETX character (ctrl-C, 03h). Address records are indicated with \$Axxxx, in which xxxx is a 4-digit (16-bit) hexadecimal address. The address records are present only in the following situations:

- When discontinuities occur
- When the byte stream does not begin at address 0

You can avoid all discontinuities and any address records by using the `-image` and `-zero` options. The output created is a list of byte values.

14.12.2 Intel MCS-86 Object Format (-i Option)

The Intel object format supports 16-bit addresses and 32-bit extended addresses. Intel format consists of a 9-character (4-field) prefix—which defines the start of record, byte count, load address, and record type—the data, and a 2-character checksum suffix.

The 9-character prefix represents three record types:

Record Type	Description
00	Data record
01	End-of-file record
04	Extended linear address record

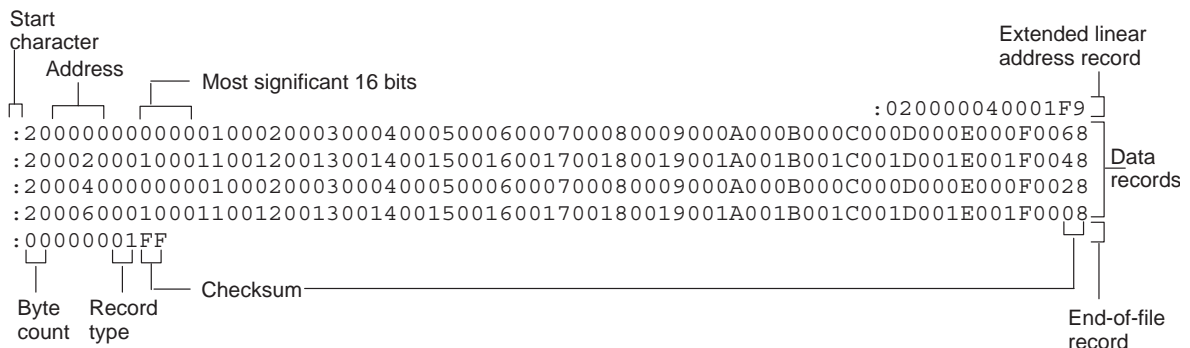
Record type *00*, the data record, begins with a colon (:) and is followed by the byte count, the address of the first data byte, the record type (00), and the checksum. Note that the address is the least significant 16 bits of a 32-bit address; this value is concatenated with the value from the most recent 04 (extended linear address) record to create a full 32-bit address. The checksum is the 2s complement (in binary form) of the preceding bytes in the record, including byte count, address, and data bytes.

Record type *01*, the end-of-file record, also begins with a colon (:), followed by the byte count, the address, the record type (01), and the checksum.

Record type *04*, the extended linear address record, specifies the upper 16 address bits. It begins with a colon (:), followed by the byte count, a dummy address of 0h, the record type (04), the most significant 16 bits of the address, and the checksum. The subsequent address fields in the data records contain the least significant bits of the address.

Figure 14–11 illustrates the Intel hexadecimal object format.

Figure 14–11. Intel Hex Object Format



14.12.4 Texas Instruments SDSMAC Object Format (-t Option)

The TI-Tagged object format supports 16-bit addresses. It consists of a start-of-file record, data records, and end-of-file record. Each of the data records is made up of a series of small fields and is signified by a tag character. The significant tag characters are:

Tag Character	Description
K	followed by the program identifier
7	followed by a checksum
8	followed by a dummy checksum (ignored)
9	followed by a 16-bit load address
B	followed by a data word (four characters)
F	identifies the end of a data record
*	followed by a data byte (two characters)

Figure 14–13 illustrates the tag characters and fields in TI-Tagged object format.

Figure 14–13. TI-Tagged Object Format



If any data fields appear before the first address, the first field is assigned address 0000h. Address fields may be expressed for any data byte, but none is required. The checksum field, which is preceded by the tag character 7, is a 2s complement of the sum of the 8-bit ASCII values of characters, beginning with the first tag character and ending with the checksum tag character (7 or 8). The end-of-file record is a colon (:).

14.12.5 Extended Tektronix Object Format (-x Option)

The Tektronix object format supports 32-bit addresses and has two types of records:

data record contains the header field, the load address, and the object code.

termination record signifies the end of a module.

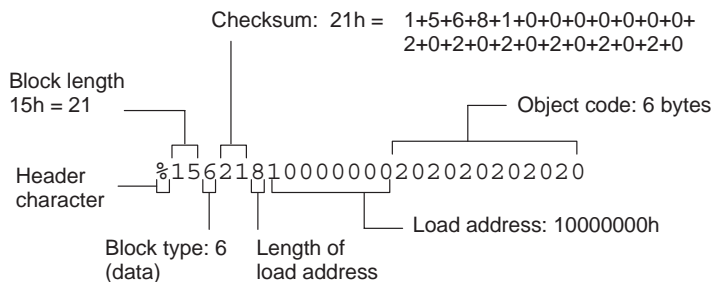
The header field in the data record contains the following information:

Item	Number of ASCII Characters	Description
%	1	Data type is Tektronix format
Block length	2	Number of characters in the record, minus the %
Block type	1	6 = data record 8 = termination record
Checksum	2	A 2-digit hex sum modulo 256 of all values in the record except the % and the checksum itself.

The load address in the data record specifies where the object code will be located. The first digit specifies the address length; this is always 8. The remaining characters of the data record contain the object code, two characters per byte.

Figure 14–14 illustrates the Tektronix object format.

Figure 14–14. Extended Tektronix Object Format



14.13 Hex Conversion Utility Error Messages

section mapped to reserved memory message

Description A section or a boot-loader table is mapped into a reserved memory area listed in the processor memory map.

Action Correct the section or boot-loader address. Refer to the *TMS320C55x DSP CPU Reference Guide* for valid memory locations.

sections overlapping

Description Two or more COFF section load addresses overlap or a boot table address overlaps another section.

Action This problem may be caused by an incorrect translation from load address to hex output file address that is performed by the hex conversion utility when memory width is less than data width. See Section 14.4, *Understanding Memory Widths*, on page 14-8 and Section 14.11, *Controlling the ROM Device Address*, on page 14-34.

unconfigured memory error

Description This error could have one of two causes:

- The COFF file contains a section whose load address falls outside the memory range defined in the ROMS directive.
- The boot-loader table address is not within the memory range defined by the ROMS directive.

Action Correct the ROM range as defined by the ROMS directive to cover the memory range as needed, or modify the section load address or boot-loader table address. Remember that if the ROMS directive is not used, the memory range defaults to the entire processor address space. For this reason, removing the ROMS directive could also be a workaround.

Common Object File Format

The compiler, assembler, and linker create object files in common object file format (COFF). COFF is an implementation of an object file format of the same name that was developed by AT&T for use on UNIX-based systems. This format is used because it encourages modular programming and provides more powerful and flexible methods for managing code segments and target system memory.

Sections are a basic COFF concept. Chapter 2, *Introduction to Common Object File Format*, discusses COFF sections in detail. If you understand section operation, you will be able to use the assembly language tools more efficiently.

This appendix contains technical details about COFF object file structure. Much of this information pertains to the symbolic debugging information that is produced by the C/C++ compiler. The purpose of this appendix is to provide supplementary information about the internal format of COFF object files.

Topic	Page
A.1 COFF File Structure	A-2
A.2 File Header Structure	A-4
A.3 Optional File Header Format	A-5
A.4 Section Header Structure	A-6
A.5 Structuring Relocation Information	A-9
A.6 Symbol Table Structure and Content	A-11

A.1 COFF File Structure

The elements of a COFF object file describe the file's sections and symbolic debugging information. These elements are:

- A file header
- Optional header information
- A table of section headers
- Raw data for each initialized section
- Relocation information for each initialized section
- A symbol table
- A string table

The assembler and linker produce object files with the same COFF structure; however, a program that is linked for the final time does not usually contain relocation entries. Figure A-1 illustrates the overall object file structure.

Figure A-1. COFF File Structure

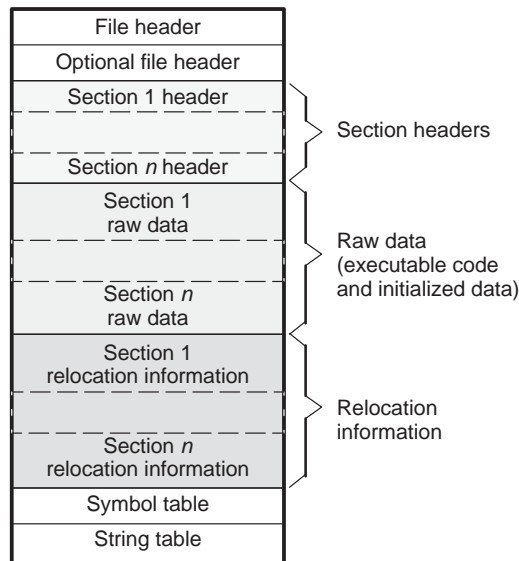
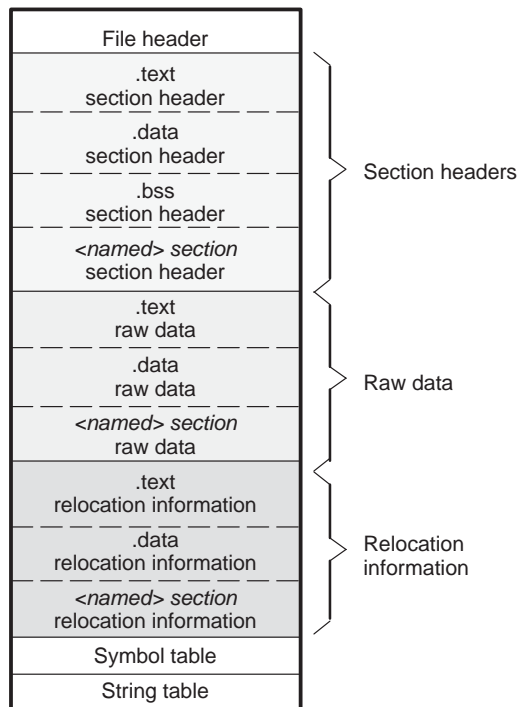


Figure A-2 shows a typical example of a COFF object file that contains the three default sections, .text, .data, and .bss, and a named section (referred to as <named>). By default, the tools place sections into the object file in the following order: .text, .data, initialized named sections, .bss, and uninitialized named sections. Although uninitialized sections have section headers, notice that they have no raw data, relocation information, or line-number entries. This is because the .bss and .usect directives simply reserve space for uninitialized data; uninitialized sections contain no actual code.

Figure A-2. COFF Object File



A.2 File Header Structure

The file header contains 22 bytes of information that describe the general format of an object file. Table A–1 shows the structure of the COFF file header.

Table A–1. File Header Contents

Byte Number	Type	Description
0–1	Unsigned short integer	Version ID; indicates version of COFF file structure
2–3	Unsigned short integer	Number of section headers
4–7	Long integer	Time and date stamp; indicates when the file was created
8–11	Long integer	File pointer; contains the symbol table's starting address
12–15	Long integer	Number of entries in the symbol table
16–17	Unsigned short integer	Number of bytes in the optional header. This field is either 0 or 28; if it is 0, then there is no optional file header
18–19	Unsigned short integer	Flags (see Table A–2)
20–21	Unsigned short integer	Target ID; magic number indicates the file can be executed in a TMS320C55x™ system

Table A–2 lists the flags that can appear in bytes 18 and 19 of the file header. Any number and combination of these flags can be set at the same time (for example, if bytes 18 and 19 are set to 0003h, both F_RELFLG and F_EXEC are set.)

Table A–2. File Header Flags (Bytes 18 and 19)

Mnemonic	Flag	Description
F_RELFLG	0001h	Relocation information was stripped from the file.
F_EXEC	0002h	The file is relocatable (it contains no unresolved external references).
	0004h	Reserved
F_LSYMS	0008h	Local symbols were stripped from the file.
F_LITTLE	0100h	The file has the byte ordering used by C55x devices (16 bits per word, least significant byte first)
F_SYMMERGE	1000h	Duplicate symbols were removed.

A.3 Optional File Header Format

The linker creates the optional file header and uses it to perform relocation at download time. Partially linked files do not contain optional file headers. Table A-3 illustrates the optional file header format.

Table A-3. *Optional File Header Contents*

Byte Number	Type	Description
0-1	Short integer	Magic number (for SunOS or HP-UX it is 108h; for DOS it is 801h)
2-3	Short integer	Version stamp
4-7	Long integer	Size (in bytes) of executable code
8-11	Long integer	Size (in bytes) of initialized .data sections
12-15	Long integer	Size (in bytes) of uninitialized .bss sections
16-19	Long integer	Entry point
20-23	Long integer	Beginning address of executable code
24-27	Long integer	Beginning address of initialized data

A.4 Section Header Structure

COFF object files contain a table of section headers that define where each section begins in the object file. Each section has its own section header. Table A–4 shows the section header contents for COFF files.

Section names that are longer than eight characters are stored in the string table. The field in the symbol table entry that would normally contain the symbol's name contains, instead, a pointer to the symbol's name in the string table.

Table A–4. Section Header Contents

Byte	Type	Description
0–7	Character	This field contains one of the following: 1) An 8-character section name, padded with nulls 2) A pointer into the string table if the section name is longer than 8 characters
8–11	Long integer	Section's physical address
12–15	Long integer	Section's virtual address
16–19	Long integer	Section size in bytes
20–23	Long integer	File pointer to raw data
24–27	Long integer	File pointer to relocation entries
28–31	Long integer	Reserved
32–35	Unsigned long	Number of relocation entries
36–39	Unsigned long	Reserved
40–43	Unsigned long	Flags (see Table A–5)
44–45	Short	Reserved
46–47	Unsigned short	Memory page number

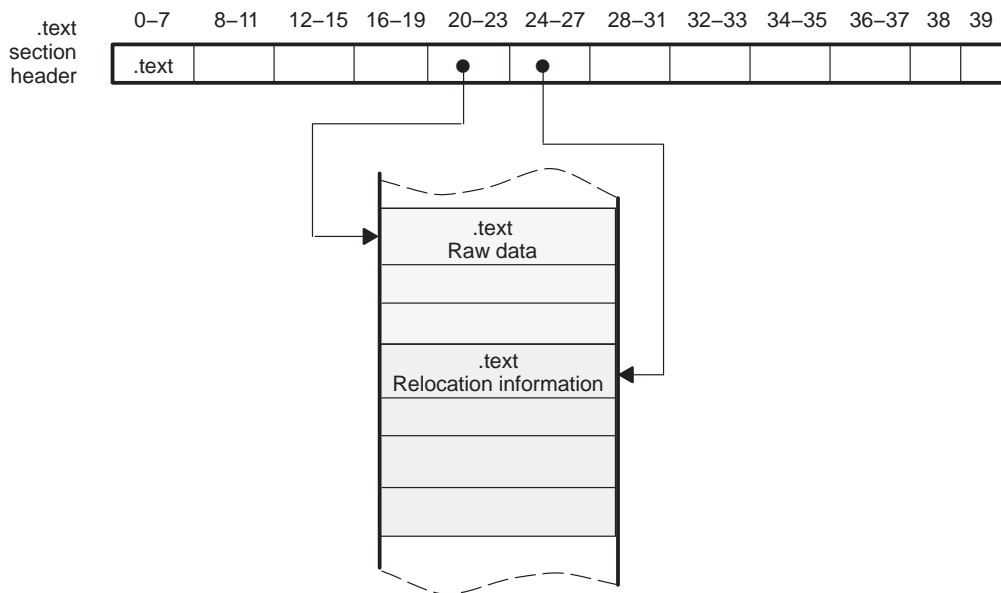
Table A–5 lists the flags that can appear in the section header. The flags can be combined. For example, if the flag's byte is set to 024h, both STYP_GROUP and STYP_TEXT are set.

Table A–5. Section Header Flags

Mnemonic	Flag	Description
STYP_REG	0000h	Regular section (allocated, relocated, loaded)
STYP_DSECT	0001h	Dummy section (relocated, not allocated, not loaded)
STYP_NOLOAD	0002h	Noload section (allocated, relocated, not loaded)
STYP_GROUP	0004h	Grouped section (formed from several input sections)
STYP_PAD	0008h	Padding section (loaded, not allocated, not relocated)
STYP_COPY	0010h	Copy section (relocated, loaded, but not allocated; relocation entries are processed normally)
STYP_TEXT	0020h	Section that contains executable code
STYP_DATA	0040h	Section that contains initialized data
STYP_BSS	0080h	Section that contains uninitialized data
STYP_CLINK	4000h	Section that is conditionally linked

Note: The term *loaded* means that the raw data for this section appears in the object file.

Figure A–3 illustrates how the pointers in a section header would point to the elements in an object file that are associated with the `.text` section.

Figure A-3. Section Header Pointers for the `.text` Section

As Figure A-2 on page A-3 shows, uninitialized sections (created with the `.bss` and `.usect` directives) vary from this format. Although uninitialized sections have section headers, they have no raw data or relocation information. They occupy no actual space in the object file. Therefore, the number of relocation entries and the file pointers are 0 for an uninitialized section. The header of an uninitialized section simply tells the linker how much space for variables it should reserve in the memory map.

A.5 Structuring Relocation Information

A COFF object file has one relocation entry for each relocatable reference. The assembler automatically generates relocation entries. The linker reads the relocation entries as it reads each input section and performs relocation. The relocation entries determine how references within each input section are treated.

COFF file relocation information entries use the 12-byte format shown in Table A–6.

Table A–6. Relocation Entry Contents

Byte Number	Type	Description
0–3	Long integer	Virtual address of the reference
4–7	Unsigned long integer	Symbol table index
8–9	Unsigned short integer	Additional byte used for extended address calculations
10–11	Unsigned short integer	Relocation type (see Table A–7)

The **virtual address** is the symbol's address in the current section *before* relocation; it specifies *where* a relocation must occur. (This is the address of the field in the object code that must be patched.)

Following is an example of code that generates a relocation entry:

```

2          .global  X
3  000000 6A00      B      X
      000001 0000!
```

In this example, the virtual address of the relocatable field is 0001.

The **symbol table index** is the index of the referenced symbol. In the preceding example, this field would contain the index of X in the symbol table. The amount of the relocation is the difference between the symbol's current address in the section and its assembly-time address. The relocatable field must be relocated by the same amount as the referenced symbol. In the example, X has a value of 0 before relocation. Suppose X is relocated to address 2000h. This is the relocation amount (2000h – 0 = 2000h), so the relocation field at address 1 is patched by adding 2000h to it.

You can determine a symbol's relocated address if you know which section it is defined in. For example, if X is defined in .data and .data is relocated by 2000h, X is relocated by 2000h.

If the symbol table index in a relocation entry is -1 (0FFFFh), this is called an *internal relocation*. In this case, the relocation amount is simply the amount by which the current section is being relocated.

The **relocation type** specifies the size of the field to be patched and describes how to calculate the patched value. The type field depends on the addressing mode that was used to generate the relocatable reference. In the preceding example, the actual address of the referenced symbol (X) will be placed in a 16-bit field in the object code. This is a 16-bit direct relocation, so the relocation type is R_RELWORD. Table A-7 lists the relocation types. The flag entries given are octal values.

Table A-7. Relocation Types (Bytes 10 and 11)

Mnemonic	Flag	Relocation Type
R_ABS	0000	No relocation
R_REL24	0005	24-bit direct reference to symbol's address
R_RELBYTE	0017	8-bit direct reference to symbol's address
R_RELWORD	0020	16-bit direct reference to symbol's address
R_RELLONG	0021	32-bit direct reference to symbol's address
R_LD3_DMA	0170	7 MSBs of a byte, unsigned; used in DMA address
R_LD3_MDP	0172	7 bits spanning 2 bytes, unsigned; used as MDP register value
R_LD3_PDP	0173	9 bits spanning 2 bytes, unsigned; used as PDP register value
R_LD3_REL23	0174	23-bit unsigned value in 24-bit field
R_LD3_k8	0210	8-bit, unsigned direct reference
R_LD3_k16	0211	16-bit, unsigned direct reference
R_LD3_K8	0212	8-bit, signed direct reference
R_LD3_K16	0213	16-bit, signed direct reference
R_LD3_l8	0214	8-bit, unsigned, PC-relative reference
R_LD3_l16	0215	16-bit, unsigned, PC-relative reference
R_LD3_L8	0216	8-bit, signed, PC-relative reference
R_LD3_L16	0217	16-bit, signed, PC-relative reference
R_LD3_k4	0220	unsigned 4-bit shift immediate
R_LD3_k5	0221	unsigned 5-bit shift immediate
R_LD3_K5	0222	signed 5-bit shift immediate
R_LD3_k6	0223	unsigned 6-bit immediate
R_LD3_k12	0224	unsigned 12-bit immediate

A.6 Symbol Table Structure and Content

The order of symbols in the symbol table is very important; they appear in the sequence shown in Figure A–4.

Figure A–4. Symbol Table Contents

Static variables
⋮
Defined global symbols
Undefined global symbols

Static variables refer to symbols defined in C/C++ that have storage class static outside any function. If you have several modules that use symbols with the same name, making them static confines the scope of each symbol to the module that defines it (this eliminates multiple-definition conflicts).

The entry for each symbol in the symbol table contains the symbol's:

- Name (or a pointer into the string table)
- Type
- Value
- Section it was defined in
- Storage class

Section names are also defined in the symbol table.

All symbol entries, regardless of class and type, have the same format in the symbol table. Each symbol table entry contains the 18 bytes of information listed in Table A–8. Each symbol may also have an 18-byte auxiliary entry; the special symbols listed in Table A–9 on page A-12 always have an auxiliary entry. Some symbols may not have all the characteristics listed above; if a particular field is not set, it is set to null.

Table A-8. Symbol Table Entry Contents

Byte Number	Type	Description
0-7	Character	This field contains one of the following: 1) An 8-character symbol name, padded with nulls 2) A pointer into the string table if the symbol name is longer than 8 characters
8-11	Long integer	Symbol value; storage class dependent
12-13	Short integer	Section number of the symbol
14-15	Unsigned short integer	Reserved
16	Character	Storage class of the symbol
17	Character	Number of auxiliary entries (always 0 or 1)

A.6.1 Special Symbols

The symbol table contains some special symbols that are generated by the compiler, assembler, and linker. Each special symbol contains ordinary symbol table information as well as an auxiliary entry. Table A-9 lists these symbols.

Table A-9. Special Symbols in the Symbol Table

Symbol	Description
.file	File name
.text	Address of the .text section
.data	Address of the .data section
.bss	Address of the .bss section
etext	Next available address after the end of the .text output section
edata	Next available address after the end of the .data output section
end	Next available address after the end of the .bss output section

A.6.2 Symbol Name Format

The first eight bytes of a symbol table entry (bytes 0–7) indicate a symbol's name:

- If the symbol name is eight characters or less, this field has type *character*. The name is padded with nulls (if necessary) and stored in bytes 0–7.
- If the symbol name is greater than 8 characters, this field is treated as two long integers. The entire symbol name is stored in the string table. Bytes 0–3 contain 0, and bytes 4–7 are an offset into the string table.

A.6.3 String Table Structure

Symbol names that are longer than eight characters are stored in the string table. The field in the symbol table entry that would normally contain the symbol's name contains, instead, a pointer to the symbol's name in the string table. Names are stored contiguously in the string table, delimited by a null byte. The first four bytes of the string table contain the size of the string table in bytes; thus, offsets into the string table are greater than or equal to four.

The address of the string table is computed from the address of the symbol table and the number of symbol table entries.

Figure A–5 is a string table that contains two symbol names, Adaptive-Filter and Fourier-Transform. The index in the string table is 4 for Adaptive-Filter and 20 for Fourier-Transform.

Figure A–5. String Table

38			
'A'	'd'	'a'	'p'
't'	'i'	'v'	'e'
'-'	'F'	'i'	'l'
't'	'e'	'r'	'\0'
'F'	'o'	'u'	'r'
'i'	'e'	'r'	'-'
'T'	'r'	'a'	'n'
's'	'f'	'o'	'r'
'm'	'\0'		

A.6.4 Storage Classes

Byte 16 of the symbol table entry indicates the storage class of the symbol. Storage classes refer to the method in which the C/C++ compiler accesses a symbol. Table A–10 lists valid storage classes.

Table A–10. *Symbol Storage Classes*

Mnemonic	Value	Storage Class	Mnemonic	Value	Storage Class
C_NULL	0	No storage class	C_UNTAG	12	Reserved
C_AUTO	1	Reserved	C_TPDEF	13	Reserved
C_EXT	2	External symbol	C_USTATIC	14	Uninitialized static
C_STAT	3	Static	C_ENTAG	15	Reserved
C_REG	4	Reserved	C_MOE	16	Reserved
C_EXTREF	5	External definition	C_REGPARAM	17	Reserved
C_LABEL	6	Label	C_FIELD	18	Reserved
C_ULABEL	7	Undefined label	C_BLOCK	100	Reserved
C_MOS	8	Reserved	C_FCN	101	Reserved
C_ARG	9	Reserved	C_EOS	102	Reserved
C_STRTAG	10	Reserved	C_FILE	103	Reserved
C_MOU	11	Reserved	C_LINE	104	Used only by utility programs

The `.text`, `.dat`, and `.bss` symbols are restricted to the `C_STAT` storage class.

A.6.5 Symbol Values

Bytes 8–11 of a symbol table entry indicate a symbol's value. The `C_EXT`, `C_STAT`, and `C_LABEL` storage classes hold relocatable addresses.

If a symbol's storage class is `C_FILE`, the symbol's value is a pointer to the next `.file` symbol. Thus, the `.file` symbols form a one-way linked list in the symbol table. When there are no more `.file` symbols, the final `.file` symbol points back to the first `.file` symbol in the symbol table.

The value of a relocatable symbol is its virtual address. When the linker relocates a section, the value of a relocatable symbol changes accordingly.

A.6.6 Section Number

Bytes 12–13 of a symbol table entry contain a number that indicates which section the symbol was defined in. Table A–11 lists these numbers and the sections they indicate.

Table A–11. Section Numbers

Mnemonic	Section Number	Description
None	–2	Reserved
N_ABS	–1	Absolute symbol
N_UNDEF	0	Undefined external symbol
N_SCNUM	1	.text section (typical)
N_SCNUM	2	.data section (typical)
N_SCNUM	3	.bss section (typical)
N_SCNUM	4–32,767	Section number of a named section, in the order in which the named sections are encountered

If there were no .text, .data, or .bss sections, the numbering of named sections would begin with 1.

If a symbol has a section number of 0, –1, or –2, it is not defined in a section. A section number of –1 indicates that the symbol has a value but is not relocatable. A section number of 0 indicates a relocatable external symbol that is not defined in the current file.

A.6.7 Auxiliary Entries

Each symbol table entry may have **one** or **no** auxiliary entry. An auxiliary symbol table entry contains the same number of bytes as a symbol table entry (18). Table A–12 illustrates the format of auxiliary table entries.

Table A–12. Section Format for Auxiliary Table Entries

Byte Number	Type	Description
0–3	Long integer	Section length
4–6	Unsigned short integer	Number of relocation entries
7–8	Unsigned short integer	Number of line-number entries
9–17	—	Not used (zero filled)



Symbolic Debugging Directives

The assembler supports several directives that the TMS320C55x C/C++ compiler uses for symbolic debugging. These directives differ for the two debugging formats, DWARF and COFF.

These directives are not meant for use by assembly-language programmers. They require arguments that can be difficult to calculate manually, and their usage must conform to a predetermined agreement between the compiler, the assembler, and the debugger. This appendix documents these directives for informational purposes only.

Topic	Page
B.1 DWARF Debugging Format	B-2
B.2 COFF Debugging Format	B-3
B.3 Debug Directive Syntax	B-4

B.1 DWARF Debugging Format

A subset of the DWARF symbolic debugging directives is always listed in the assembly language file that the compiler creates for program analysis purposes. To list the complete set used for full symbolic debug, invoke the compiler with the `-g` option, as shown below:

```
cl6x -g -k input_file
```

The `-k` option instructs the compiler to retain the generated assembly file.

To disable the generation of all symbolic debug directives, invoke the compiler with the `-symdebug:none` option:

```
cl6x --symdebug:none -k input_file
```

The DWARF debugging format consists of the following directives:

- The **.dwtag** and **.dwendtag** directives define a Debug Information Entry (DIE) in the `.debug_info` section.
- The **.dwattr** directive adds an attribute to an existing DIE.
- The **.dwpsn** directive identifies the source position of a C/C++ statement.
- The **.dwcie** and **.dwentry** directives define a Common Information Entry (CIE) in the `.debug_frame` section.
- The **.dwfde** and **.dwentry** directives define a Frame Description Entry (FDE) in the `.debug_frame` section.
- The **.dwcfa** directive defines a call frame instruction for a CIE or FDE.

B.2 COFF Debugging Format

COFF symbolic debug is now obsolete. These directives are supported for backwards-compatibility only. The decision to switch to DWARF as the symbolic debug format was made to overcome many limitations of COFF symbolic debug, including the absence of C++ support.

The COFF debugging format consists of the following directives:

- The **.sym** directive defines a global variable, a local variable, or a function. Several parameters allow you to associate various debugging information with the variable or function.
- The **.stag**, **.etag**, and **.utag** directives define structures, enumerations, and unions, respectively. The **.member** directive specifies a member of a structure, enumeration, or union. The **.eos** directive ends a structure, enumeration, or union definition.
- The **.func** and **.endfunc** directives specify the beginning and ending lines of a C/C++ function.
- The **.block** and **.endblock** directives specify the bounds of C/C++ blocks.
- The **.file** directive defines a symbol in the symbol table that identifies the current source filename.
- The **.line** directive identifies the line number of a C/C++ source statement.

B.3 Debug Directive Syntax

Table B–1 is an alphabetical listing of the symbolic debugging directives. For information on the C/C++ compiler, refer to the *TMS320C55x Optimizing C/C++ Compiler User's Guide*.

Table B–1. Symbolic Debugging Directives

Label	Directive	Arguments
	.block	[beginning line number]
	.dwattr	DIE label, DIE attribute name(DIE attribute value)[,DIE attribute name(attribute value) [, ...]
	.dwcfa	call frame instruction opcode[, operand[, operand]]
CIE label	.dwcie	version, return address register
	.dwendentry	
	.dwendtag	
	.dwfde	CIE label
	.dwpsn	“filename”, line number, column number
DIE label	.dwtag	DIE tag name, DIE attribute name(DIE attribute value)[,DIE attribute name(attribute value) [, ...]
	.endblock	[ending line number]
	.endfunc	[ending line number[, register mask[, frame size]]]
	.eos	
	.etag	name[, size]
	.file	“filename”
	.func	[beginning line number]
	.line	line number[, address]
	.member	name, value[, type, storage class, size, tag, dims]
	.stag	name[, size]
	.sym	name, value[, type, storage class, size, tag, dims]
	.utag	name[, size]

XML Link Information File Description

The linker supports the generation of an XML link information file via the `--xml_link_info file` option. This option causes the linker to generate a well-formed XML file containing detailed information about the result of a link. The information included in this file includes all of the information that is currently produced in a linker-generated map file.

As the linker evolves, the XML link information file may be extended to include additional information that could be useful for static analysis of linker results.

This appendix enumerates all of the elements that are generated by the linker into the XML link information file.

Topic	Page
C.1 XML Information File Element Types	C-2
C.2 Document Elements	C-3

C.1 XML Information File Element Types

These element types will be generated by the linker:

- Container elements** represent an object that contains other elements that describe the object. Container elements have an id attribute that makes them accessible from other elements.
- String elements** contain a string representation of their value.
- Constant elements** contain a 32-bit unsigned long representation of their value (with a 0x prefix).
- Reference elements** are empty elements that contain an idref attribute that specifies a link to another container element.

In section C.2, the element type is specified for each element in parentheses following the element description. For instance, the <link_time> element lists the time of the link execution (string).

C.2 Document Elements

The root element, or the document element, is **<link_info>**. All other elements contained in the XML link information file are children of the **<link_info>** element. The following sections describe the elements that an XML information file can contain.

C.2.1 Header Elements

The first elements in the XML link information file provide general information about the linker and the link session:

- The **<banner>** element lists the name of the executable and the version information (string).
- The **<copyright>** element lists the TI copyright information (string).
- The **<link_time>** element lists the time of the link execution (string).
- The **<link_timestamp>** is a timestamp representation of the link time (unsigned 32-bit int)
- The **<output_file>** element lists the name of the linked output file generated (string).
- The **<entry_point>** element specifies the program entry point, as determined by the linker (container) with two entries:
 - The **<name>** is the entry point symbol name, if any (string).
 - The **<address>** is the entry point address (constant).

Example C-1. Header Element for the hi.out Output File

```
<banner>TMS320Cxx COFF Linker      Version x.xx (Jan  6 2003)</banner>
<copyright>Copyright (c) 1996-2003 Texas Instruments Incorporated</copyright>
<link_time>Mon Jan  6 15:38:18 2003</link_time>
<output_file>hi.out</output_file>
<entry_point>
  <name>_c_int00</name>
  <address>0xaf80</address>
</entry_point>
```

C.2.2 Input File List

The next section of the XML link information file is the input file list, which is delimited with a **<input_file_list>** container element. The **<input_file_list>** can contain any number of **<input_file>** elements.

Each **<input_file>** instance specifies the input file involved in the link. Each **<input_file>** has an **id** attribute that can be referenced by other elements, such as an **<object_component>**. An **<input_file>** is a container element enclosing the following elements:

- ❑ The **<path>** element names a directory path, if applicable (string).
- ❑ The **<kind>** element specifies a file type, either archive or object (string).
- ❑ The **<file>** element specifies an archive name or filename (string).
- ❑ The **<name>** element specifies an object file name, or archive member name (string).

Example C-2. Input File List for the hi.out Output File

```
<input_file_list>
  <input_file id="fl-1">
    <kind>object</kind>
    <file>hi.obj</file>
    <name>hi.obj</name>
  </input_file>
  <input_file id="fl-2">
    <path>/tools/lib/</path>
    <kind>archive</kind>
    <file>rtsxxx.lib</file>
    <name>boot.obj</name>
  </input_file>
  <input_file id="fl-3">
    <path>/tools/lib/</path>
    <kind>archive</kind>
    <file>rtsxxx.lib</file>
    <name>exit.obj</name>
  </input_file>
  <input_file id="fl-4">
    <path>/tools/lib/</path>
    <kind>archive</kind>
    <file>rtsxxx.lib</file>
    <name>printf.obj</name>
  </input_file>
  ...
</input_file_list>
```

C.2.3 Object Component List

The next section of the XML link information file contains a specification of all of the object components that are involved in the link. An example of an object component is an input section. In general, an object component is the smallest piece of object that can be manipulated by the linker.

The **<object_component_list>** is a container element enclosing any number of **<object_component>** elements.

Each **<object_component>** specifies a single object component. Each **<object_component>** has an **id** attribute so that it can be referenced directly from other elements, such as a **<logical_group>**. An **<object_component>** is a container element enclosing the following elements:

- ❑ The **<name>** element names the object component (string).
- ❑ The **<load_address>** element specifies the load-time address of the object component (constant).
- ❑ The **<run_address>** element specifies the run-time address of the object component (constant).
- ❑ The **<size>** element specifies the size of the object component (constant).
- ❑ The **<input_file_ref>** element specifies the source file where the object component originated (reference).

Example C–3. Object Component List for the fl–4 Input File

```

<object_component id="oc-20">
  <name>.text</name>
  <load_address>0xac00</load_address>
  <run_address>0xac00</run_address>
  <size>0xc0</size>
  <input_file_ref idref="fl-4"/>
</object_component>
<object_component id="oc-21">
  <name>.data</name>
  <load_address>0x80000000</load_address>
  <run_address>0x80000000</run_address>
  <size>0x0</size>
  <input_file_ref idref="fl-4"/>
</object_component>
<object_component id="oc-22">
  <name>.bss</name>
  <load_address>0x80000000</load_address>
  <run_address>0x80000000</run_address>
  <size>0x0</size>
  <input_file_ref idref="fl-4"/>
</object_component>

```


C.2.4 Logical Group List

The **<logical_group_list>** section of the XML link information file is similar to the output section listing in a linker generated map file. However, the XML link information file contains a specification of GROUP and UNION output sections, which are not represented in a map file. There are three kinds of list items that can occur in a **<logical_group_list>**:

- The **<logical_group>** is the specification of a section or GROUP that contains a list of object components or logical group members. Each **<logical_group>** element is given an id so that it may be referenced from other elements. Each **<logical_group>** is a container element enclosing the following elements:
 - The **<name>** element names the logical group (string).
 - The **<load_address>** element specifies the load-time address of the logical group (constant).
 - The **<run_address>** element specifies the run-time address of the logical group (constant).
 - The **<size>** element specifies the size of the logical group (constant).
 - The **<contents>** element lists elements contained in this logical group (container). These elements refer to each of the member objects contained in this logical group:
 - The **<object_component_ref>** is an object component that is contained in this logical group (reference).
 - The **<logical_group_ref>** is a logical group that is contained in this logical group (reference).
- The **<overlay>** is a special kind of logical group that represents a UNION, or a set of objects that share the same memory space (container). Each **<overlay>** element is given an id so that it may be referenced from other elements (like from an **<allocated_space>** element in the placement map). Each **<overlay>** contains the following elements:
 - The **<name>** element names the overlay (string).
 - The **<run_address>** element specifies the run-time address of overlay (constant).
 - The **<size>** element specifies the size of logical group (constant).

- The **<contents>** container element lists elements contained in this overlay. These elements refer to each of the member objects contained in this logical group:
 - The **<object_component_ref>** is an object component that is contained in this overlay (reference).
 - The **<logical_group_ref>** is a logical group that is contained in this overlay (reference).
- The **<split_section>** is another special kind of logical group which represents a collection of logical groups that is split among multiple memory areas. Each **<split_section>** element is given an id so that it may be referenced from other elements. The id consists of the following elements.
 - The **<name>** element names the split section (string).
 - The **<contents>** element lists elements contained in this split section (container). The **<logical_group_ref>** elements refer to each of the member objects contained in this split section, and each element referenced is a logical group that is contained in this split section (reference).

Example C-4. Logical Group List for the fl-4 Input File

```
<logical_group_list>
  ...
  <logical_group id="lg-7">
    <name>.text</name>
    <load_address>0x20</load_address>
    <run_address>0x20</run_address>
    <size>0xb240</size>
    <contents>
      <object_component_ref idref="oc-34"/>
      <object_component_ref idref="oc-108"/>
      <object_component_ref idref="oc-e2"/>
      ...
    </contents>
  </logical_group>
  ...
  <overlay id="lg-b">
    <name>UNION_1</name>
    <run_address>0xb600</run_address>
    <size>0xc0</size>
    <contents>
      <object_component_ref idref="oc-45"/>
      <logical_group_ref idref="lg-8"/>
    </contents>
  </overlay>
  ...
  <split_section id="lg-12">
    <name>.task_scn</name>
    <size>0x120</size>
    <contents>
      <logical_group_ref idref="lg-10"/>
      <logical_group_ref idref="lg-11"/>
    </contents>
  ...
</logical_group_list>
```

C.2.5 Placement Map

The **<placement_map>** element describes the memory placement details of all named memory areas in the application, including unused spaces between logical groups that have been placed in a particular memory area.

- The **<memory_area>** is a description of the placement details within a named memory area (container). The description consists of these items:
 - The **<name>** names the memory area (string).
 - The **<page_id>** gives the id of the memory page in which this memory area is defined (constant).
 - The **<origin>** specifies the beginning address of the memory area (constant).
 - The **<length>** specifies the length of the memory area (constant).
 - The **<used_space>** specifies the amount of allocated space in this area (constant).
 - The **<unused_space>** specifies the amount of available space in this area (constant).
 - The **<attributes>** lists the RWXI attributes that are associated with this area, if any (string).
 - The **<fill_value>** specifies the fill value that is to be placed in unused space, if the fill directive is specified with the memory area (constant).
 - The **<usage_details>** lists details of each allocated or available fragment in this memory area. If the fragment is allocated to a logical group, then a **<logical_group_ref>** element is provided to facilitate access to the details of that logical group. All fragment specifications include **<start_address>** and **<size>** elements.
 - The **<allocated_space>** element provides details of an allocated fragment within this memory area (container):
 - The **<start_address>** specifies the address of the fragment (constant).
 - The **<size>** specifies the size of the fragment (constant).
 - The **<logical_group_ref>** provides a reference to the logical group that is allocated to this fragment (reference).
 - The **<available_space>** element provides details of an available fragment within this memory area (container):
 - The **<start_address>** specifies the address of the fragment (constant).
 - The **<size>** specifies the size of the fragment (constant).

Example C-5. Placement Map for the fl-4 Input File

```
<placement_map>
  <memory_area>
    <name>PMEM</name>
    <page_id>0x0</page_id>
    <origin>0x20</origin>
    <length>0x100000</length>
    <used_space>0xb240</used_space>
    <unused_space>0xf4dc0</unused_space>
    <attributes>RWXI</attributes>
    <usage_details>
      <allocated_space>
        <start_address>0x20</start_address>
        <size>0xb240</size>
        <logical_group_ref idref="lg-7"/>
      </allocated_space>
      <available_space>
        <start_address>0xb260</start_address>
        <size>0xf4dc0</size>
      </available_space>
    </usage_details>
  </memory_area>
  ...
</placement_map>
```

C.2.6 Symbol Table

The **<symbol_table>** contains a list of all of the global symbols that are included in the link. The list provides information about a symbol's name and value. In the future, the symbol_table list may provide type information, the object component in which the symbol is defined, storage class, etc.

The **<symbol>** is a container element that specifies the name and value of a symbol with these elements:

- The **<name>** element specifies the symbol name (string)
- The **<value>** element specifies the symbol value (constant)

Example C-6. Symbol Table for the fl-4 Input File

```
<symbol_table>
  <symbol>
    <name>_c_int00</name>
    <value>0xaf80</value>
  </symbol>
  <symbol>
    <name>_main</name>
    <value>0xb1e0</value>
  </symbol>
  <symbol>
    <name>_printf</name>
    <value>0xac00</value>
  </symbol>
  ...
</symbol_table>
```



Glossary

A

absolute address: An address that is permanently assigned to a TMS320C55x™ memory location.

absolute lister: A debugging tool that accepts linked files as input and creates .abs files as output. These .abs files can be assembled to produce a listing that shows the absolute addresses of object code. Without the tool, an absolute listing can be prepared with the use of many manual operations.

algebraic: An instruction that the assembler translates into machine code.

alignment: A process in which the linker places an output section at an address that falls on an n -bit boundary, where n is a power of 2. You can specify alignment with the SECTIONS linker directive.

allocation: A process in which the linker calculates the final memory addresses of output sections.

archive library: A collection of individual files that have been grouped into a single file.

archiver: A software program that allows you to collect several individual files into a single file called an archive library. The archiver also allows you to delete, extract, or replace members of the archive library, as well as to add new members.

ASCII: American Standard Code for Information Exchange. A standard computer code for representing and exchanging alphanumeric information.

assembler: A software program that creates a machine-language program from a source file that contains assembly language instructions, directives, and macro directives. The assembler substitutes absolute operation codes for symbolic operation codes, and absolute or relocatable addresses for symbolic addresses.

assembly-time constant: A symbol that is assigned a constant value with the .set directive.

assignment statement: A statement that assigns a value to a variable.

autoinitialization: The process of initializing global C variables (contained in the `.cinit` section) before beginning program execution.

auxiliary entry: The extra entry that a symbol may have in the symbol table and that contains additional information about the symbol (whether it is a filename, a section name, a function name, etc.).

B

binding: A process in which you specify a distinct address for an output section or a symbol.

block: A set of declarations and statements that are grouped together with braces.

.bss: One of the default COFF sections. You can use the `.bss` directive to reserve a specified amount of space in the memory map that can later be used for storing data. The `.bss` section is uninitialized.

C

C compiler: A program that translates C source statements into assembly language source statements.

COFF: Common object file format. A binary object file format that promotes modular programming by supporting the concept of *sections*.

command file: A file that contains options, filenames, directives, or comments for the linker or hex conversion utility.

comment: A source statement (or portion of a source statement) that is used to document or improve readability of a source file. Comments are not compiled, assembled, or linked; they have no effect on the object file.

common object file format: See *COFF*.

conditional processing: A method of processing one block of source code or an alternate block of source code, according to the evaluation of a specified expression.

configured memory: Memory that the linker has specified for allocation.

constant: A numeric value that can be used as an operand.

cross-reference listing: An output file created by the assembler that lists the symbols that were defined, what line they were defined on, which lines referenced them, and their final values.

D

.data: One of the default COFF sections. The .data section is an initialized section that contains initialized data. You can use the .data directive to assemble code into the .data section.

directives: Special-purpose commands that control the actions and functions of a software tool (as opposed to assembly language instructions, which control the actions of a device).

E

emulator: A hardware development system that emulates TMS320C55x operation.

entry point: The starting execution point in target memory.

executable module: An object file that has been linked and can be executed in a TMS320C55x system.

expression: A constant, a symbol, or a series of constants and symbols separated by arithmetic operators.

external symbol: A symbol that is used in the current program module but is defined in a different program module.

F

field: For the TMS320C55x, a software-configurable data type whose length can be programmed to be any value in the range of 1–16 bits.

file header: A portion of a COFF object file that contains general information about the object file (such as the number of section headers, the type of system the object file can be downloaded to, the number of symbols in the symbol table, and the symbol table's starting address).

G

global: A kind of symbol that is either 1) defined in the current module and accessed in another, or 2) accessed in the current module but defined in another.

GROUP: An option of the SECTIONS directive that forces specified output sections to be allocated contiguously (as a group).

H

hex conversion utility: A program that accepts COFF files and converts them into one of several standard ASCII hexadecimal formats suitable for loading into an EPROM programmer.

high-level language debugging: The ability of a compiler to retain symbolic and high-level language information (such as type and function definitions) so that a debugging tool can use this information.

hole: An area between the input sections that compose an output section that contains no actual code or data.

I

incremental linking: Linking files that will be linked in several passes. Often this means a very large file that will have sections linked and then will have the sections linked together.

initialized section: A COFF section that contains executable code or initialized data. An initialized section can be built up with the `.data`, `.text`, or `.sect` directive.

input section: A section from an object file that will be linked into an executable module.

L

label: A symbol that begins in column 1 of a source statement and corresponds to the address of that statement.

line-number entry: An entry in a COFF output module that maps lines of assembly code back to the original C source file that created them.

linker: A software tool that combines object files to form an object module that can be allocated into TMS320C55x system memory and executed by the device.

listing file: An output file, created by the assembler, that lists source statements, their line numbers, and their effects on the SPC.

loader: A device that loads an executable module into TMS320C55x system memory.

M

macro: A user-defined routine that can be used as an instruction.

macro call: The process of invoking a macro.

macro definition: A block of source statements that define the name and the code that make up a macro.

macro expansion: The source statements that are substituted for the macro call and are subsequently assembled.

macro library: An archive library composed of macros. Each file in the library must contain one macro; its name must be the same as the macro name it defines, and it must have an extension of `.asm`.

magic number: A COFF file header entry that identifies an object file as a module that can be executed by the TMS320C55x.

map file: An output file, created by the linker, that shows the memory configuration, section composition, and section allocation, as well as symbols and the addresses at which they were defined.

member: The elements or variables of a structure, union, archive, or enumeration.

memory map: A map of target system memory space, which is partitioned into functional blocks.

mnemonic: An instruction name that the assembler translates into machine code.

model statement: Instructions or assembler directives in a macro definition that are assembled each time a macro is invoked.

N

named section: An initialized section that is defined with a `.sect` directive.

O

object file: A file that has been assembled or linked and contains machine-language object code.

object format converter: A program that converts COFF object files into Intel format or Tektronix format object files.

object library: An archive library made up of individual object files.

operands: The arguments, or parameters, of an assembly language instruction, assembler directive, or macro directive.

optional header: A portion of a COFF object file that the linker uses to perform relocation at download time.

options: Command parameters that allow you to request additional or specific functions when you invoke a software tool.

output module: A linked, executable object file that can be downloaded and executed on a target system.

output section: A final, allocated section in a linked, executable module.

overlay page: A section of physical memory that is mapped into the same address range as another section of memory. A hardware switch determines which range is active.

P

partial linking: The linking of a file that will be linked again.

Q

quiet run: Suppresses the normal banner and the progress information.

R

RAM model: An autoinitialization model used by the linker when linking C code. The linker uses this model when you invoke the linker with the `-cr` option. The RAM model allows variables to be initialized at load time instead of runtime.

raw data: Executable code or initialized data in an output section.

relocation: A process in which the linker adjusts all the references to a symbol when the symbol's address changes.

ROM model: An autoinitialization model used by the linker when linking C code. The linker uses this model when you invoke the linker with the `-c` option. In the ROM model, the linker loads the `.cinit` section of data tables into memory, and variables are initialized at runtime.

ROM width: The width (in bits) of each output file, or, more specifically, the width of a single data value in the file. The ROM width determines how the utility partitions the data into output files. After the target words are mapped to memory words, the memory words are broken into one or more output files. The number of output files is determined by the ROM width.

run address: The address where a section runs.

S

section: A relocatable block of code or data that will ultimately occupy contiguous space in the TMS320C55x memory map.

section header: A portion of a COFF object file that contains information about a section in the file. Each section has its own header; the header points to the section's starting address, contains the section's size, etc.

section program counter: See *SPC*.

sign extend: To fill the unused MSBs of a value with the value's sign bit.

simulator: A software development system that simulates TMS320C55x operation.

source file: A file that contains C code or assembly language code that will be compiled or assembled to form an object file.

SPC (Section Program counter): An element of the assembler that keeps track of the current location within a section; each section has its own SPC.

static: A kind of variable whose scope is confined to a function or a program. The values of static variables are not discarded when the function or program is exited; their previous value is resumed when the function or program is re-entered.

storage class: Any entry in the symbol table that indicates how to access a symbol.

string table: A table that stores symbol names that are longer than 8 characters (symbol names of 8 characters or longer cannot be stored in the symbol table; instead, they are stored in the string table). The name portion of the symbol's entry points to the location of the string in the string table.

structure: A collection of one or more variables grouped together under a single name.

subsection: A smaller section within a section offering tighter control of the memory map. See also *section*.

symbol: A string of alphanumeric characters that represents an address or a value.

symbolic debugging: The ability of a software tool to retain symbolic information so that it can be used by a debugging tool such as a simulator or an emulator.

symbol table: A portion of a COFF object file that contains information about the symbols that are defined and used by the file.

T

tag: An optional *type* name that can be assigned to a structure, union, or enumeration.

target memory: Physical memory in a TMS320C55x system into which executable object code is loaded.

.text: One of the default COFF sections. The `.text` section is an initialized section that contains executable code. You can use the `.text` directive to assemble code into the `.text` section.

U

unconfigured memory: Memory that is not defined as part of the memory map and cannot be loaded with code or data.

uninitialized section: A COFF section that reserves space in the memory map but that has no actual contents. These sections are built up with the `.bss` and `.usect` directives.

UNION: An option of the `SECTIONS` directive that causes the linker to allocate the same address to multiple sections.

union: A variable that may hold objects of different types and sizes.

unsigned: A kind of value that is treated as a positive number, regardless of its actual sign.

W

well-defined expression: An expression that contains only symbols or assembly-time constants that have been defined before they appear in the expression.

word: A 16-bit addressable location in target memory.

-?
 assembler option 3-9
 linker option 8-5
; in assembly language source 3-25
operand prefix 3-24
\$ symbol for SPC 3-31
-@ compiler option 3-4
* in assembly language source 3-25
* operand prefix 3-24

A

-a
 archiver command 9-4
 assembler option 3-9
 disassembler option 12-2
 hex conversion utility option 14-39
 linker option 8-7
 name utility option 13-16
-a option, hex conversion utility 14-5
A_DIR environment variable 3-20, 8-13, 8-14
C_DIR environment variable 8-12 to 8-14
-aa assembler option 3-4
-abs linker option 8-8
absolute address, defined D-1
absolute lister
 creating the absolute listing file 3-8, 10-2
 defined D-1
 described 1-4
 development flow 10-2
 example 10-5 to 10-10
 invoking 10-3
 options 10-3
absolute listing
 -aa assembler option 3-4, 3-9
 -abs linker option 8-8
 producing 10-2
absolute output module
 producing 8-7
 relocatable 8-8
-ac assembler option 3-4
-ad assembler option 3-4, 3-31
addressing, byte vs. word 3-12, 8-21
-ahc assembler option 3-5
-ahi assembler option 3-5
-al assembler option 3-5
algebraic, defined D-1
.align directive 4-16, 4-28
alignment 4-16 to 4-17, 4-28
 defined D-1
 linker 8-38
allocation 4-34
 alignment 4-28, 8-38
 binding 8-36 to 8-100
 blocking 8-38
 default algorithm 8-64 to 8-66
 defined D-1
 described 2-2
 GROUP 8-55
 memory default 2-13, 8-37
 sections 8-35 to 8-44
 UNION 8-53
alternate directories
 linker 8-13
 naming with -i option 3-19
 naming with A_DIR 3-20
 naming with directives 3-19 to 3-21
-apd assembler option 3-5
-api assembler option 3-5
-ar assembler option 3-5
-ar linker option 8-8
ar55 command 9-4

- archive library
 - allocating individual members 8-40
 - alternate directory 8-12
 - back referencing 8-19
 - defined D-1
 - exhaustively reading 8-19
 - macros 4-74
 - object 8-26 to 8-27
 - types of files 9-2
- archiver 1-3
 - commands 9-4
 - defined D-1
 - examples 9-6
 - in the development flow 9-3
 - invoking 9-4
 - options 9-5
 - overview 9-2
- args linker option 8-8
- arguments, passing to the loader 8-8
- arithmetic operators 3-37
- ARMS mode 3-18
- ARMS status bit, setting, using `-ata` assembler option 3-5
- `.arms_off` directive 3-18, 4-25, 4-29
- `.arms_on` directive 3-18, 4-25, 4-29
- `-arr` hex conversion utility option 14-30
- `-as` assembler option 3-5
- ASCII, defined D-1
- ASCII-Hex object format 14-39
- `.asg` directive 4-22, 4-30
 - listing control 4-18, 4-49
 - use in macros 5-7
- asm, listing file, creating with the `-al` option 3-5
- asm55 command 3-8
- `.asmfunc` directive 4-27, 4-32
- assembler
 - assembly profiling file (`-atp` option) 3-6
 - built-in functions 3-39, 5-8
 - C54x status bit initially set (`-atl` option) 3-6
 - character strings 3-29
 - constants 3-26 to 3-28
 - cross-reference listing (`-ax` option) 3-6
 - cross-reference listings 3-11, 3-47
 - defined D-1
 - described 1-3
 - enable pipeline conflict warnings (`-aw` option) 3-6
 - expressions 3-36, 3-37, 3-38
- assembler (continued)
 - faster code when porting C54x (`-ath` option) 3-6
 - file inclusion, listing of (`-api` option) 3-5
 - handling COFF sections 2-4 to 2-11
 - in the development flow 3-3
 - invoking 3-4
 - macros 5-1 to 5-28
 - messages when assembling C54x 7-35
 - options 3-4, 3-8
 - C54x porting support* 7-5
 - `-g` 3-7
 - output listing
 - directive listing* 4-18 to 4-19, 4-49 to 4-103
 - example* 3-43
 - overview 3-2
 - relocation
 - at run time* 2-17
 - described* 2-15 to 2-16
 - during linking* 8-7
 - remarks 7-35
 - suppressing* 4-78
 - remove NOPs in C54x code (`-atn` option) 3-6
 - sections directives 2-4 to 2-11
 - source listings 3-41 to 3-44, 6-4 to 6-6
 - suppress warning messages (`-atw` option) 3-6
 - suppressing remarks 3-5, 3-11, 4-78
 - on shift counts* (`-ats` option) 3-6
 - symbols 3-30, 3-32
 - undefine predefined constant (`-au` option) 3-6
 - warning on using MMR 3-18
- assembler directives 4-1 to 4-27
 - absolute lister
 - `.setsect` 10-7
 - `.setsym` 10-7
 - aligning the section program counter (SPC)
 - `.align` 4-28
 - `.even` 4-28
 - alignment 4-16 to 4-17
 - `.align` 4-16
 - `.even` 4-16
 - controlling the listing 4-18 to 4-19
 - `.drlist` 4-18
 - `.drnolist` 4-18
 - `.fclist` 4-18
 - `.fcnolist` 4-18
 - `.length` 4-18
 - `.list` 4-18
 - `.mlist` 4-18
 - `.mnolist` 4-18
 - `.nolist` 4-18

assembler directives, controlling the listing (continued)

- .option* 4-18
- .page* 4-19
- .sslist* 4-19
- .ssnolist* 4-19
- .tab* 4-19
- .title* 4-19
- .width* 4-19

default directive 2-4

defining assembly-time symbols 4-22 to 4-24

- .asg* 4-22, 4-30
- .cstruct* 4-22, 4-44
- .cunion* 4-22
- .endstruct* 4-23, 4-44, 4-89
- .endunion* 4-23, 4-46, 4-96
- .equ* 4-22, 4-83
- .eval* 4-22, 4-30
- .label* 4-22, 4-66
- .set* 4-22, 4-83
- .struct* 4-23, 4-89
- .tag* 4-23, 4-44, 4-46, 4-89, 4-96
- .union* 4-23, 4-46, 4-96

defining data 4-12 to 4-15

- .byte* 4-12
- .char* 4-12
- .double* 4-14
- .field* 4-12
- .float* 4-13
- .half* 4-13
- .int* 4-13
- .ldouble* 4-14
- .long* 4-14
- .pstring* 4-14
- .short* 4-13
- .space* 4-12
- .string* 4-14
- .ubyte* 4-12
- .uchar* 4-12
- .uhalf* 4-13
- .uint* 4-13
- .ulong* 4-14
- .ushort* 4-13
- .uword* 4-13
- .word* 4-13
- .xfloat* 4-13
- .xlong* 4-14

defining sections 4-10 to 4-11

- .bss* 2-4, 4-10 to 4-11, 4-34
- .clink* 4-10, 4-39

assembler directives, defining sections (continued)

- .data* 2-4, 4-10 to 4-11, 4-47
- .sect* 2-4, 4-10, 4-82
- .text* 2-4, 4-10 to 4-11, 4-93 to 4-103
- .usect* 2-4, 4-10 to 4-11, 4-97

defining specific blocks of code 4-25 to 4-26

- .arms_off* 4-25, 4-29
- .arms_on* 4-25, 4-29
- .asmfunc* 4-27, 4-32
- .c54cm_off* 4-25, 4-38
- .c54cm_on* 4-25, 4-38
- .cpl_off* 4-25, 4-42
- .cpl_on* 4-25, 4-42
- .endasmfunc* 4-27, 4-32
- .lock_off* 4-25, 4-71
- .lock_on* 4-25, 4-71
- .port_for_size* 4-26, 4-81
- .port_for_speed* 4-26, 4-81
- .sst_off* 4-26, 4-87
- .sst_on* 4-26, 4-87
- .vli_off* 4-25
- .vli_on* 4-25, 4-101

enabling conditional assembly 4-21

- .break* 4-21, 4-72
- .else* 4-21, 4-61
- .elseif* 4-21, 4-61
- .endif* 4-21, 4-61
- .endloop* 4-21, 4-72
- .if* 4-21, 4-61
- .loop* 4-21, 4-72

example 2-9 to 2-11

formatting the output listing

- .drlist* 4-49
- .drnolist* 4-49
- .fclist* 4-53
- .fcnolist* 4-53
- .length* 4-67
- .list* 4-68
- .mlist* 4-76
- .mnolist* 4-76
- .nolist* 4-68
- .option* 4-79
- .page* 4-80
- .sslist* 4-85
- .ssnolist* 4-85
- .tab* 4-92
- .title* 4-94
- .width* 4-67

assembler directives (continued)

initializing constants

.byte 4-37
.char 4-37
.double 4-48
.field 4-54
.float 4-56
.half 4-60
.int 4-63
.ldouble 4-48
.long 4-71
.pstring 4-88
.short 4-60
.space 4-84
.string 4-88
.ubyte 4-37
.uchar 4-37
.uhalf 4-60
.uint 4-63
.ulong 4-71
.ushort 4-60
.uword 4-63
.word 4-63
.xfloat 4-56
.xlong 4-71

miscellaneous 4-27

.dp 4-25, 4-49
.emsg 4-27, 4-50
.end 4-27, 4-52
.ivec 4-14, 4-64
.localalign 4-16, 4-69
.mmsg 4-27, 4-50
.newblock 4-27, 4-77
.noremark 4-27, 4-78
.remark 4-27, 4-78
.sblock 4-16, 4-81
.vli_off 4-101
.warn_off 4-27, 4-102
.warn_on 4-27, 4-102
.wmsg 4-27, 4-51

referencing other files 4-20

.copy 4-20, 4-40
.def 4-20, 4-57
.global 4-20, 4-58
.include 4-20, 4-40
.ref 4-20, 4-58

setting STYP_CLINK flag 4-10 to 4-11

summary table 4-2 to 4-9

assembly-time constants 4-83

defined D-1

assignment statement

defined D-2
expressions 8-70 to 8-71

-ata assembler option 3-5
-atb assembler option 3-5
-atc assembler option 3-5
-ath assembler option 3-6
-atl assembler option 3-6
-atn assembler option 3-6, 7-9
-atp assembler option 3-6
-ats assembler option 3-6
-ms assembler option 3-10
-att assembler option 3-6
attr MEMORY specification 8-30
attributes 3-48, 8-30
-atv assembler option 3-6
-atw assembler option 3-6
-au assembler option 3-6

autoinitialization

at load time, described 8-96
at run time, described 8-95
defined D-2
specifying type 8-9

auxiliary entry

defined D-2
described A-15 to A-16
-aw assembler option 3-6
-ax assembler option 3-6

B

-b
disassembler option 12-2
linker option 8-9
-b option, hex conversion utility 14-5
big-endian ordering 14-13
binary integer constants 3-26
binding
defined D-2
named memory 8-36
sections 8-36
-bkr hex conversion utility option 14-30
block, defined D-2
blocking 4-34, 8-38
-boot hex conversion utility option 14-5, 14-29
boot.obj 8-93, 8-97

boot-time copy table generated by linker 8-81 to 8-82

–bootorg hex conversion utility option 14-5, 14-29

–bootpage hex conversion utility option 14-5, 14-29

.break directive 4-21, 4-72

- listing control 4-18, 4-49
- use in macros 5-15

–bscr hex conversion utility option 14-30

.bss directive 4-10, 4-34

- in sections 2-4
- linker definition 8-71

.bss section 4-10, 4-34, A-3

- defined D-2
- holes 8-75
- initializing 8-75

built-in functions 3-39, 5-8

byte addressing 3-12, 8-21

.byte directive 4-12, 4-37

- limiting listing with .option directive 4-18, 4-79

–byte hex conversion utility option 14-36

C

C, system stack 8-17

–c

- assembler option 3-9
- disassembler option 12-2
- linker option 8-9, 8-72
- name utility option 13-16

C code

- linking 8-93 to 8-97
- memory pool 8-12, 8-94
- system stack 8-16, 8-94

C compiler

- COFF technical details A-1
- defined D-2
- linking 8-9, 8-93 to 8-97
- special symbols A-12
- storage classes A-14

–c option, linker 8-95

C/C++ compiler, symbolic debugging directives B-1 to B-14

_c_int00 8-10, 8-97

.c54cm_off directive 3-16, 4-25, 4-38

.c54cm_on directive 3-16, 4-25, 4-38

C54x code on C55x

- development flow 6-2
- differences in the interrupt vector table, .ivec directive 4-64
- initializing stack pointers 6-2
- listing file description 6-4
- memory placement differences 6-2
- reserved C55x names 6-6
- running on C55x 6-1 to 6-6
- updating C54x linker command file 6-3

C54x code to C55x 7-25

- assembler messages 7-35
- C55x temporary registers 7-11
- circular addressing option 7-7
- code example 7-15, 7-19, 7-27
- converting 7-22 to 7-29
- C55x output 7-27*
- integration within Code Composer Studio 7-29*
- differences in interrupt vector table 7-2
- masm55 options 7-5
- mixing ported C54x code with C55x 7-10
- modifying interrupt service routines 7-3
- non-portable C54x coding practices 7-30 to 7-40
- out-of-order execution 7-30 to 7-40
- porting for speed over size 7-6
- register mapping 7-12
- removing NOPs from delay slots 7-9
- RETE instructions 7-4
- RPT differences 7-32
- run-time environment 7-10
- status bit field mapping 7-12
- switching run-time environments 7-14
- unsupported C54x hardware features 7-32

C54x compatibility mode 3-16

- atl assembler option 3-6

C54X_STK stack mode 4-64

C55X_A_DIR environment variable 3-20, 8-13

C55X_C_DIR environment variable 8-13 to 8-14

Calls, encoding, using the –atv assembler option 3-6

.char directive 4-12, 4-37

character

- constant 3-27
- string 3-29

circular addressing, C54x support 7-7

.clink directive 4-10, 4-39

- auxiliary entries A-15 to A-16

- default allocation 8-64
 - defined D-2
 - file structure A-2 to A-3
 - headers
 - file* A-4
 - optional* A-5
 - section* A-6 to A-8
 - in the development flow 8-3, 14-2
 - initialized sections 2-6
 - linker 8-1
 - loading a program 2-18
 - object file example A-3
 - relocation 2-15 to 2-16, A-9 to A-10
 - run-time relocation 2-17
 - sections
 - allocation* 2-2
 - assembler* 2-4 to 2-11
 - described* 2-2 to 2-3
 - linker* 2-12 to 2-14
 - named* 2-7, 8-73
 - special types* 8-67
 - uninitialized* 2-4 to 2-5
 - storage classes A-14
 - string table A-13
 - symbol table
 - structure and content* A-11 to A-16
 - symbol values* A-14
 - symbols 2-19 to 2-20, A-12
 - technical details A-1 to A-16
 - uninitialized sections 2-4 to 2-5
- command file
- appending to command line 3-4
 - defined D-2
 - hex conversion utility 14-6 to 14-7
 - linker
 - byte addresses in* 8-21
 - constants in* 8-25
 - described* 8-22 to 8-25
 - examples* 8-98 to 8-100
 - invoking* 8-4
 - reserved words* 8-24
- comments
- assembler-generated during conversion from C54x to C55x code
 - code example* 7-27
 - expanded macro invocations* 7-26
 - general form* 7-25
 - multiple-line rewrites* 7-25
 - assembler-generated during conversion of C54x to C55x code 7-25 to 7-27
- comments (continued)
- defined D-2
 - extending past page width 4-67
 - field 3-25
 - in a linker command file 8-23
 - in assembly language source code 3-25
 - in macros 5-19
- compiler
- command-line options 7-22
 - options that affect the assembler 7-23
- conditional blocks 5-15
- assembly directives 4-21
 - listing of false conditional blocks 4-53
- conditional processing
- assembly directives
 - in macros* 5-15 to 5-16
 - maximum nesting levels* 5-15
 - defined D-2
 - expressions 3-38
- configured memory
- defined D-2
 - described 8-65
- .const 8-34
- constant
- assembly-time 4-83
 - binary integers 3-26
 - character 3-27
 - decimal integers 3-27
 - defined D-2
 - described 3-26
 - floating-point 4-56
 - hexadecimal integers 3-27
 - in command files 8-25
 - octal integers 3-26
 - symbolic 3-30, 3-31
- converting, C54x code to C55x code 7-22 to 7-29
- .copy directive 3-19, 4-20, 4-40
- copy directive 7-23
- copy file
- .copy directive 3-19, 4-40
 - hc assembler option 3-9
 - i option 3-7, 3-9, 3-19
 - ahc assembler option 3-5
- copy routine, general-purpose 8-84 to 8-87
- COPY section 8-67
- copy tables automatically generated by linker 8-80 to 8-81
- contents 8-82 to 8-84
 - sections and symbols 8-87 to 8-88

CPL mode 3-17
 CPL status bit, setting, using `-atc` assembler option 3-5

`.cpl_off` directive 3-17, 4-25, 4-42

`.cpl_on` directive 3-17, 4-25, 4-42

`-cr` linker option 8-9, 8-72, 8-96

cross-reference lister

creating the cross-reference listing 11-2

example 11-4

in the development flow 11-2

invoking 11-3

options 11-3

symbol attributes 11-6

cross-reference listing

assembler option 3-6, 3-11

defined D-2

described 3-47

producing with the `.option` directive 4-19, 4-79

producing with the cross-reference lister 11-1 to 11-6

`.cstruct` directive 4-22, 4-44

`.cunion` directive 4-22

D

`-d`

archiver command 9-4

assembler option 3-9, 3-31

disassembler option 12-2

name utility option 13-16

`.data` directive 4-10, 4-47

data memory 8-28

`.data` section 2-4, 4-10, 4-47, A-3

defined D-3

symbols 8-71

decimal integer constants 3-27

`.def` directive 4-20, 4-57

identifying external symbols 2-19

default

allocation 8-64

fill value for holes 8-10

memory allocation 2-13

MEMORY configuration 8-64

MEMORY model 8-28

SECTIONS configuration 8-32, 8-64

development

flow 1-2, 8-3, 9-3

tools 1-2

directives

`.asg` 7-25

`.copy` 7-23

`.if`, handling 7-28

`.include` 7-23

`.loop`, handling 7-28

`.set` 7-25

defined D-3

linker

MEMORY 2-12, 8-28 to 8-31

SECTIONS 2-12, 8-32 to 8-44

directory search algorithm

assembler 3-19

linker 8-13

`dis55` command 12-2

disassembler

example 12-4

invoking 12-2

options 12-2

`.double` directive 4-14, 4-48

`.dp` directive 4-25, 4-49

`.drlist` directive 4-18, 4-49

use in macros 5-22

`.drnolist` directive 4-18, 4-49

same effect with `.option` directive 4-18

use in macros 5-22

DSECT section 8-67

dummy section 8-67

E

`-e`

absolute lister option 10-3

hex conversion utility option 14-32

linker option 8-10

`-e` hex conversion utility option 14-5

`.edata` linker symbol 8-71

`.else` directive 4-21, 4-62

use in macros 5-15

`.elseif` directive 4-21, 4-62

use in macros 5-15

`.emsg` directive 4-27, 4-50, 5-19

listing control 4-18, 4-49

emulator, defined D-3

encoding C54x code for speed 7-6

- .end, linker symbol 8-71
 - .end directive 4-27, 4-52
 - .endasmfunc directive 4-27, 4-32
 - .endif directive 4-21, 4-62
 - use in macros 5-15
 - .endloop directive 4-21, 4-72
 - use in macros 5-15
 - .endm directive 5-3
 - .endstruct directive 4-23, 4-89
 - .endunion directive 4-23, 4-45, 4-95
 - entry point
 - defined D-3
 - value assigned 8-10, 8-97
 - environment variables
 - A_DIR 3-20, 8-13
 - C_DIR 8-12, 8-13, 8-14
 - C55X_A_DIR 3-20, 8-13
 - C55X_C_DIR 8-13
 - .equ directive 4-22, 4-83
 - error messages
 - generating 4-27, 4-50
 - hex conversion utility 14-44
 - producing in macros 5-19
 - using MMR address 3-18
 - when assembling C54x code 7-35
 - .etext linker symbol 8-71
 - .eval directive 4-22, 4-30
 - listing control 4-18, 4-49
 - use in macros 5-8
 - evaluation of expressions 3-36
 - .even directive 4-16, 4-28
 - exclude hex conversion utility option 14-4, 14-23
 - executable module, defined D-3
 - executable output 8-7, 8-8
 - expanded macro invocations 7-26
 - expression
 - arithmetic operators in 3-37
 - conditional 3-38
 - conditional operators in 3-38
 - defined D-3
 - described 3-36
 - linker 8-70 to 8-71
 - overflow 3-37
 - precedence of operators 3-36
 - underflow 3-37
 - well-defined 3-38
 - external symbols 2-19
 - defined D-3
- ## F
- f, name utility option 13-16
 - f linker option 8-10
 - .fclist directive 4-18, 4-53
 - listing control 4-18, 4-49
 - use in macros 5-21
 - .fcno list directive 4-18, 4-53
 - listing control 4-18, 4-49
 - use in macros 5-21
 - field, defined D-3
 - .field directive 4-12, 4-54
 - file
 - copy 3-5, 3-9
 - include 3-5, 3-9
 - file header
 - defined D-3
 - structure A-4
 - filenames
 - as character strings 3-29
 - copy/include files 3-19
 - extensions, changing defaults 10-3
 - list file 3-8
 - macros, in macro libraries 5-14
 - object code 3-8
 - files ROMS specification 14-17
 - fill
 - MEMORY specification 8-30
 - ROMS specification 14-16
 - value
 - default 8-10
 - explicit initialization 8-76
 - setting 8-10
 - fill hex conversion utility option 14-4, 14-27
 - .float directive 4-13, 4-56
 - floating-point constants 4-56
 - functions, built-in 3-39, 5-9
- ## G
- g
 - assembler option 3-7, 3-9
 - disassembler option 12-2
 - linker option 8-11
 - name utility option 13-16
 - object file display option 13-2

- global
 - defined D-3
 - symbols 8-11
 - .global directive 4-20, 4-58
 - identifying external symbols 2-19
 - Go To, encoding, using the `-atv` assembler option 3-6
 - GROUP
 - defined D-3
 - linker directive 8-55
- H**
- `-h`
 - assembler option 3-9
 - disassembler option 12-2
 - linker option 8-11
 - name utility option 13-16
 - .half directive 4-13, 4-60
 - limiting listing with `.option directive` 4-18
 - `-hc` assembler option 3-9
 - `-heap` linker option
 - `.system` section 8-94
 - described 8-12
 - `-help`
 - assembler option 3-9
 - linker option 8-5
 - hex conversion utility
 - command file 14-6 to 14-7
 - configuring memory widths
 - defining memory word width (memwidth)* 14-4
 - specifying output width (romwidth)* 14-4, 14-11
 - controlling the boot table
 - 16-bit parallel interface* 14-5
 - 16-bit serial interface* 14-5
 - 32-bit parallel interface* 14-5
 - 8-bit serial interface* 14-5
 - identifying bootable sections `-boot`* 14-5
 - setting the entry point `-e`* 14-5
 - setting the ROM address `-bootorg`* 14-5
 - specifying device and silicon revision `-v`* 14-5
 - specifying the target page number `-boot-page`* 14-5
 - controlling the ROM device address 14-34 to 14-37
 - data width 14-9
 - hex conversion utility (continued)
 - defined D-4
 - described 1-3
 - development flow 14-2
 - error messages 14-44
 - excluding a specified section 14-23
 - generating a map file 14-4, 14-20
 - generating a quiet run 14-4
 - ignore specified section 14-4
 - image mode 14-26 to 14-27
 - filling holes* 14-4
 - invoking* 14-4
 - numbering output locations by bytes* 14-36
 - resetting address origin to 0* 14-4
 - invoking 14-3 to 14-5
 - memory width 14-9 to 14-10
 - object formats 14-38 to 14-43
 - on-chip boot loader 14-28 to 14-33
 - options 14-4 to 14-5
 - ordering memory words 14-13 to 14-14
 - output filenames 14-4, 14-24
 - ROM width 14-10 to 14-12
 - ROMS directive 14-15 to 14-20
 - SECTIONS directive 14-21 to 14-22
 - specifying memory word ordering 14-4
 - target width 14-9
 - hex55 command 14-3
 - hexadecimal integer constants 3-27
 - `-hi` assembler option 3-9
 - high-level language debugging, defined D-4
 - hole
 - creating 8-73 to 8-75
 - default fill value 8-10
 - defined D-4
 - fill value, linker SECTIONS directive 8-33
 - filling 8-75 to 8-76
 - in output sections 8-73 to 8-76
 - in uninitialized sections 8-76

I

 - `-i`
 - assembler option 3-7, 3-9, 3-19
 - disassembler option 12-2
 - hex conversion utility option 14-40
 - linker option 8-13
 - I MEMORY attribute 8-30
 - `-i` option, hex conversion utility 14-5

- .if directive 4-21, 4-61
 - handling 7-28
 - use in macros 5-15
- image hex conversion utility option 14-4, 14-26
- .include directive 3-19, 4-20, 4-40
- include directive 7-23
- include files 3-5, 3-9, 3-19, 4-40
- incremental linking
 - defined D-4
 - described 8-91 to 8-92
- initialized section
 - defined D-4
 - described 8-73
- initialized sections 2-6
 - .data 2-6, 4-47
 - .sect 2-6
 - .text 2-6, 4-93
 - .sect 4-82
- input
 - linker 8-3, 8-26 to 8-27
 - section
 - defined D-4*
 - described 8-38 to 8-40*
- .int directive 4-13, 4-63
- Intel object format 14-40
- interrupt service routines, modifying for C55x 7-3
- interrupt vector table, differences between C54x and C55x 4-64, 7-2
- invoking, object file display utility 13-2
- .ivec directive 4-14, 4-64, 7-2
 - C54X_STK mode 4-64
 - NO_RETA mode 4-64
 - USE_RETA mode 4-64

J

- j, linker option 8-14

K

- keywords
 - allocation parameters 8-35
 - load 2-17, 8-35, 8-45
 - run 2-17, 8-35, 8-45 to 8-47

L

- l
 - assembler option 3-9, 3-41
 - cross-reference lister option 11-3
 - linker option 8-12
 - name utility option 13-16
- label
 - case sensitivity 3-4, 3-9
 - cross-reference list 3-47
 - defined D-4
 - field 3-23
 - in assembly language source 3-23
 - local 3-33, 4-77
 - symbols used as 3-30
 - syntax 3-23
 - using with .byte directive 4-37
- .label directive 4-22, 4-66
- __large_model symbol 3-31
- .ldouble directive 4-14, 4-48
- length
 - MEMORY specification 8-30
 - ROMS specification 14-16
- .length directive 4-18, 4-67
 - listing control 4-18
- library search, using alternate mechanism, –priority
 - linker option 8-19
- library search algorithm 8-12
- library-build utility, described 1-3
- line-number entry, defined D-4
- linker
 - | operator 8-42
 - allocation to multiple memory ranges 8-42
 - archive members, allocating 8-40
 - assigning symbols 8-68
 - assignment expressions 8-68, 8-70 to 8-71
 - automatic splitting of output sections 8-42
 - >> operator 8-42
 - C code 8-9, 8-93 to 8-97
 - COFF 8-1
 - command files 8-4, 8-22 to 8-25, 8-98
 - editing for ported C54x code 6-3*
 - configured memory 8-65
 - defined D-4
 - described 1-3
 - examples 8-98 to 8-100
 - generated copy tables. *See linker-generated copy tables*
 - GROUP statement 8-53, 8-55

- linker (continued)
 - handling COFF sections 2-12 to 2-14
 - in the development flow 8-3
 - input 8-3, 8-22 to 8-25
 - invoking 8-4
 - keywords 8-24, 8-45 to 8-47, 8-62
 - loading a program 2-18
 - MEMORY directive 2-12, 8-28 to 8-31
 - object libraries 8-26 to 8-27
 - operators 8-70
 - options
 - `--args` 8-8
 - `-c` 8-95
 - `-cr` 8-96
 - described* 8-7 to 8-20
 - summary table* 8-5 to 8-6
 - output 8-3, 8-15, 8-98
 - overlay pages 8-59
 - overview 8-2
 - partial linking 8-91 to 8-92
 - section run-time address 8-45
 - sections
 - in memory map* 2-14
 - output* 8-65
 - special* 8-67
 - SECTIONS directive 2-12, 8-32 to 8-44
 - symbols 2-19 to 2-20, 8-68, 8-71
 - table() operator 8-81, 8-82
 - unconfigured memory 8-67
 - UNION statement 8-53 to 8-55, 8-79
 - linker command file, editing for ported C54x code 6-2
 - linker-generated copy tables 8-77 to 8-90
 - automatic 8-80 to 8-81
 - boot-loaded application process 8-77
 - alternative approach* 8-78
 - boot-time copy table 8-81 to 8-82
 - contents 8-82 to 8-84
 - general-purpose copy routine 8-84 to 8-87
 - overlay management 8-89 to 8-90
 - overlay management example 8-79
 - sections and symbols 8-87 to 8-88
 - splitting object components 8-89 to 8-90
 - table() operator 8-81
 - manage object components* 8-82
 - .list directive 4-18, 4-68
 - same effect with .option directive 4-19
 - lister
 - absolute 10-1 to 10-10
 - cross-reference 11-1 to 11-6
 - listing
 - cross-reference listing 4-19, 4-79
 - enabling 4-68
 - file 4-18 to 4-19, 4-49
 - creating with the -al option* 3-5
 - creating with the -l option* 3-9
 - defined* D-4
 - format* 3-41 to 3-44
 - list options 4-79
 - macro listing 4-74, 4-76
 - page eject 4-80
 - page length 4-67
 - page width 4-67
 - substitution symbols 4-85
 - suppressing 4-68
 - tab size 4-92
 - title 4-94
 - little-endian ordering 14-13
 - Ink55 command 8-4
 - load address of a section
 - described 8-45
 - referring to with a label 8-50 to 8-52
 - load linker keyword 2-17, 8-45 to 8-47
 - LOAD_START() linker operator 8-78
 - loader, defined D-4
 - loading a program 2-18
 - local labels 3-33
 - .localalign directive 4-16, 4-69
 - lock() modifier 4-71
 - .lock_off directive 4-25, 4-71
 - .lock_on directive 4-25, 4-71
 - logical operators 3-37
 - .long directive 4-14, 4-71
 - limiting listing with .option directive 4-18, 4-79
 - .loop directive 4-21, 4-72
 - use in macros 5-15
 - loop directive, handling 7-28
- M**
- m, linker option 8-15
 - m1 option, hex conversion utility 14-5
 - m1, hex conversion utility option 14-41
 - m2, hex conversion utility option 14-41
 - m2 option, hex conversion utility 14-5
 - m3, hex conversion utility option 14-41
 - m3 option, hex conversion utility 14-5

- ma assembler option 3-10, 3-18, 4-29
- macro
 - comments 5-19
 - conditional assembly 5-15 to 5-16
 - defined D-5
 - defining 5-3
 - described 5-2
 - directives summary 5-26
 - disabling macro expansion listing 4-18, 4-79
 - formatting the output listing 5-21 to 5-22
 - labels 5-17 to 5-18
 - libraries 5-14, 9-2
 - .mlib assembler directive 3-19
 - .mlist assembler directive 4-76
 - nested 5-23 to 5-25
 - parameters 5-6 to 5-13
 - producing messages 5-19
 - recursive 5-23 to 5-25
 - substitution symbols 5-6 to 5-13
 - using a macro 5-2
- macro call, defined D-5
- macro definition, defined D-5
- .macro directive 4-73, 5-3
 - summary table 5-26
- macro expansion, defined D-5
- macro library, defined D-5
- macros, handling 7-28
- magic number, defined D-5
- _main 8-10
- malloc() 8-12, 8-94
- map file
 - creating 8-15
 - defined D-5
 - example 8-100
- map hex conversion utility option 14-4, 14-20
- masm55 command 3-8
- math functions 3-39
- mc assembler option 3-10, 3-17, 4-42
- member, defined D-5
- memory
 - allocation
 - default 2-13
 - described 8-64 to 8-66
 - map
 - defined D-5
 - described 2-14
 - model 8-28
 - named 8-37
- memory (continued)
 - pool, C language 8-12, 8-94
 - unconfigured 8-29
 - widths
 - described 14-9 to 14-10
 - ordering memory words 14-13 to 14-14
 - ROM width 14-10 to 14-12, 14-16
 - target width 14-9
 - word ordering 14-13 to 14-14
- MEMORY linker directive
 - default model 8-28, 8-64
 - described 2-12, 8-28 to 8-31
 - overlay pages 8-59 to 8-63
 - PAGE option 8-28 to 8-30, 8-66
 - syntax 8-28 to 8-31
- memory modes
 - ARMS mode 3-18
 - C54x compatibility mode 3-16
 - CPL mode 3-17
- memory ranges
 - allocation to multiple 8-42
 - defined 8-28
 - MEMORY directive 8-30
- memwidth hex conversion utility option 14-4
- .mexit directive 5-3
- mg assembler option 3-7
- mh assembler option 3-10, 4-81, 7-6
- migrating a C54x system to C55x 7-1 to 7-40
- mk assembler option 3-10
- ml assembler option 3-10, 4-38
- .mlib directive 4-74, 5-14
 - use in macros 3-19
- .mlist directive 4-18, 4-76
 - listing control 4-18, 4-49
 - use in macros 5-21
- MMR addresses, assembler warning 3-18
- .mmsg directive 4-27, 4-50, 5-19
 - listing control 4-18, 4-49
- mn assembler option 3-10, 7-9
- mnemonic
 - defined D-5
 - field 3-23
- .mnlst directive 4-18, 4-76
 - listing control 4-18, 4-49
 - use in macros 5-21
- model statement, defined D-5
- Motorola-S object format 14-41
- mt assembler option 3-10, 4-87, 7-5

multiple-line rewrites 7-25
 -mv assembler option 3-10, 3-15, 4-101
 -mw assembler option 3-10, 4-102

N

-n name utility option 13-16
 name MEMORY specification 8-30
 name utility
 invoking 13-16
 options 13-16
 named sections 2-7
 COFF format A-3
 defined D-5
 .sect directive 2-7, 4-82
 .usect directive 2-7, 4-97
 nested macros 5-23
 .newblock directive 4-27, 4-77
 nm55 command 13-16
 nm55 utility, invoking 13-16
 .no_remark directive 4-27
 NO_RETA stack mode 4-64
 .nolist directive 4-18, 4-68
 same effect with .option directive 4-18
 NOLOAD section 8-67
 .noremark directive 4-78

O

-o
 linker option 8-15
 name utility option 13-16
 object file display option 13-2
 -o option, hex conversion utility 14-4
 object
 code source listing 3-42
 file defined D-5
 format
 address bits 14-38
 ASCII-Hex 14-39
 Intel 14-40
 Motorola-S 14-41
 output width 14-38
 Tektronix 14-43
 TI-Tagged 14-42
 format converter defined D-5

object (continued)
 library
 altering search algorithm 8-12
 defined D-6
 described 8-26 to 8-27
 run-time support 8-94
 using the archiver to build 9-2
 object file display utility
 invoking 13-2
 options
 -g 13-2
 -o 13-2
 -x 13-2
 object formats
 ASCII-Hex, selecting 14-5
 binary, selecting 14-5
 Intel, selecting 14-5
 Motorola-S, selecting 14-5
 Tektronix, selecting 14-5
 TI-Tagged, selecting 14-5
 octal integer constants 3-26
 ofd6x command 13-2
 on-chip boot loader
 boot table 14-28 to 14-33
 booting from device peripheral 14-32
 controlling ROM device address 14-35 to 14-37
 description 14-28, 14-33 to 14-35
 modes 14-33
 options
 -e 14-32
 summary 14-29
 setting the entry point 14-32
 using the boot loader 14-33 to 14-35
 operands
 defined D-6
 field 3-24
 label 3-30
 local label 3-33
 prefixes 3-24
 source statement format 3-24
 operator precedence order 3-37
 .option directive 4-18, 4-79
 optional header
 defined D-6
 format A-5
 options
 absolute lister 10-3
 archiver 9-5
 assembler 3-4, 3-8, 13-2

- options (continued)
 - cross-reference lister 11-3
 - defined D-6
 - disassembler 12-2
 - hex conversion utility 14-4 to 14-5
 - linker 8-5 to 8-20
 - name utility 13-16
 - strip utility 13-17
- order hex conversion utility option 14-14
- order LS|MS hex conversion utility option 14-4
- ordering memory words 14-13 to 14-14
- origin
 - MEMORY specification 8-30
 - ROMS specification 14-16
- output
 - executable 8-7 to 8-8
 - hex conversion utility 14-4, 14-24
 - linker 8-3, 8-15, 8-98
 - module
 - defined* D-6
 - name* 8-15
 - section
 - allocation* 8-35 to 8-44
 - defined* D-6
 - displaying a message* 8-18
 - rules* 8-65
- output listing 4-18 to 4-19
- output sections, splitting 8-42
- overflow in an expression 3-37
- overlay page
 - defined D-6
 - described 8-59 to 8-63
 - using the SECTIONS directive 8-61 to 8-62
- overlying sections 8-53 to 8-55
 - managing linker-generated copy tables 8-89 to 8-90
- PAGE option MEMORY directive 8-28 to 8-30, 8-62 to 8-64, 8-66
- PAGE ROMS specification 14-15
- pages
 - overlay 8-59 to 8-63
 - PAGE syntax 8-62 to 8-64
- parallel bus conflicts as warnings, using –atb assembler option 3-5
- parallel instructions
 - differences 7-32
 - rules 3-15
- parallel16 hex conversion utility option 14-5, 14-29, 14-32, 14-33
- parallel32 hex conversion utility option 14-5, 14-29, 14-32, 14-33
- parentheses in expressions 3-36
- partial linking
 - defined D-6
 - described 8-91 to 8-92
- .port_for_size directive 4-26, 4-81, 7-6
- .port_for_speed directive 4-26, 4-81, 7-6
- precedence groups 3-36
- predefined names
 - adNAME assembler option 3-4
 - d assembler option 3-9
- prefixes for operands 3-24
- preprocessing assembly files
 - dependency lines (–apd option) 3-5
 - files included (–api option) 3-5
- priority linker option 8-19
- program memory 8-28
- .pstring directive 4-14, 4-88
- purecirc assembler option 3-7, 3-11, 7-7

Q

- P**
- p, name utility option 13-16, 13-17
- paddr SECTIONS specification 14-22
- page
 - eject 4-80
 - length 4-67
 - title 4-94
 - width 4-67
- .page directive 4-19, 4-80
- q
 - absolute lister option 10-3
 - archiver option 9-5
 - assembler option 3-11
 - cross-reference lister option 11-3
 - disassembler option 12-3
 - name utility option 13-16
- q option, hex conversion utility 14-4
- qq, disassembler option 12-3
- quiet run 3-11
 - defined D-6

R

- r
 - archiver command 9-4
 - assembler option 3-11
 - disassembler option 12-3
 - linker option 8-7, 8-91 to 8-92
 - name utility option 13-16
- r assembler option 4-78
- R MEMORY attribute 8-30
- R500n assembler remarks 7-35 to 7-40
- RAM model, defined D-6
- raw data, defined D-6
- read-modify-write instructions 4-71
- READA instruction 7-31
- recursive macros 5-23
- .ref directive 4-20, 4-58
 - identifying external symbols 2-19
- register symbols 3-32
- registers
 - C54x to C55x mapping 7-12
 - C55x temporaries 7-11
- relational operators 3-38
- relocatable, output module 8-7
- relocation
 - at run time 2-17
 - capabilities 8-7 to 8-8
 - defined D-6
 - sections 2-15 to 2-16
 - structuring information A-9 to A-10
- .remark directive 4-27, 4-78
- remarks
 - generated by assembler 7-35 to 7-40
 - suppressing 4-78
- reserved words
 - in C55x 6-6
 - linker 8-24
- resetting local labels 4-77
- RETE instructions 7-4
- ROM
 - device address 14-34 to 14-37
 - model, defined D-6
 - width
 - defined D-7
 - described 14-10 to 14-12
- romname ROMS specification 14-15

- ROMS hex conversion utility directive 14-15 to 14-20
- romwidth hex conversion utility option 14-4, 14-11
- romwidth ROMS specification 14-16
- RPT differences 7-32
- rts.lib 8-93, 8-97
- run address
 - defined D-7
 - of a section 8-45 to 8-47
- run linker keyword 2-17, 8-45 to 8-47
- run-time environment
 - for ported C54x code 7-10
 - switching between C54x and C55x 7-14
- run_abs linker option 8-8
- RUN_START() linker operator 8-78
- run-time initialization and support 8-93, 8-94

S

- s
 - archiver option 9-5
 - assembler option 3-11
 - disassembler option 12-3
 - linker option 8-16, 8-91 to 8-92
- .sblock directive 4-16, 4-81
- search libraries
 - using -priority linker option 8-19
 - using alternate mechanism 8-19
- .sect directive 2-4, 4-10, 4-82
- .sect section 4-10, 4-82
- section header
 - defined D-7
 - described A-6 to A-8
- section number A-15
- section program counter, defined D-7
- SECTIONS, linker directive
 - described 2-12
 - specifying 2-17
- sections
 - allocation 8-64 to 8-66
 - COFF 2-2 to 2-3
 - creating your own 2-7
 - defined D-7
 - in the linker SECTIONS directive 8-33
 - initialized 2-6
 - named 2-2, 2-7
 - overlying with UNION directive 8-53 to 8-55
 - relocation 2-15 to 2-16, 2-17

- sections (continued)
 - special types 8-67
 - specifications 8-33
 - specifying a run-time address 8-45 to 8-52
 - specifying linker input sections 8-38 to 8-40
 - uninitialized 2-4 to 2-5
 - initializing* 8-76
 - specifying a run address* 8-46
- SECTIONS hex conversion utility directive 14-21 to 14-22
- SECTIONS linker directive 8-32 to 8-44
 - alignment 8-38
 - allocation 8-35 to 8-44
 - allocation using multiple memory ranges 8-42
 - binding 8-36
 - blocking 8-38
 - default allocation 8-64 to 8-66
 - default model 8-30
 - fill value 8-33
 - GROUP 8-55
 - input sections 8-33, 8-38 to 8-40
 - .label directive 8-50 to 8-52
 - load allocation 8-33
 - memory 8-37 to 8-100
 - overlay pages 8-59 to 8-63
 - reserved words 8-24
 - run allocation 8-33
 - section specifications 8-33
 - section type 8-33
 - specifying 8-45 to 8-52
 - splitting of output sections 8-42
 - syntax 8-32
 - uninitialized sections 8-46
 - UNION 8-53 to 8-58
 - use with MEMORY directive 8-28
- serial16 hex conversion utility option 14-5, 14-29, 14-32, 14-33
- serial8 hex conversion utility option 14-5, 14-29, 14-32, 14-33
- .set directive 4-22, 4-83
- set directive 7-25
- .setsect directive 10-7
- .setsym directive 10-7
- .short directive 4-13, 4-60
- sign extend, defined D-7
- simulator, defined D-7
- SIZE() linker operator 8-78
- sname SECTIONS specification 14-22
- source file
 - assembler 13-2
 - defined D-7
 - listings 3-41 to 3-44, 6-4 to 6-6
- source statement
 - field 3-42
 - format 3-23 to 3-25
 - number in source listing 3-41
 - syntax 3-22
- .space directive 4-12, 4-84
- SPC
 - aligning
 - by creating a hole* 8-73
 - to word boundaries* 4-16 to 4-17, 4-28
 - assembler symbol 3-23
 - assembler's effect on 2-9 to 2-11
 - assigning a label to 3-23
 - defined D-7
 - described 2-8
 - linker symbol 8-69, 8-73
 - maximum number of 2-8
 - predefined symbol for 3-31
 - value
 - associated with labels* 3-23
 - shown in source listings* 3-41
- spc hex conversion utility option 14-30
- spce hex conversion utility option 14-30
- special section types 8-67
- special symbols A-12
- .sslist directive 4-19, 4-85
 - listing control 4-18, 4-49
 - use in macros 5-21
- .ssnolist directive 4-19, 4-85
 - listing control 4-18, 4-49
 - use in macros 5-21
- SST disabled, masm55 option 7-5
- SST status bit, setting, using -att assembler option 3-6
- .sst_off directive 4-26, 4-87, 7-5
- .sst_on directive 4-26, 4-87, 7-5
- .stack 8-16, 8-18, 8-94
 - stack linker option 8-16, 8-94
- stack mode, specifying with .ivec 4-64
- stack pointers, initializing for ported C54x code 6-2
- __STACK_SIZE 8-16, 8-72

- static
 - defined D-7
 - symbols 8-11
 - variables A-11
- status bits, C54x to C55x mapping 7-12
- storage class
 - defined D-7
 - described A-14
- .string directive 4-14, 4-88
 - limiting listing with .option directive 4-19, 4-79
- string functions 5-9
- string table
 - defined D-7
 - described A-13
- strip utility
 - invoking 13-17
 - option 13-17
- strip6x utility, invoking 13-17
- stripping
 - line number entries 8-16
 - symbolic information 8-16
- .struct directive 4-23, 4-89
- structure
 - .tag 4-23
 - defined D-7
 - .tag 4-44, 4-89
- style and symbol conventions v
- subsections
 - defined D-8
 - initialized 2-6
 - overview 2-8
 - uninitialized 2-5
- substitution symbols
 - arithmetic operations on 4-22, 5-8
 - as local variables in macros 5-13
 - assigning character strings to 3-32, 4-22
 - built-in functions 5-8
 - described 3-32
 - directives that define 5-7 to 5-8
 - expansion listing 4-19, 4-85
 - forcing substitution 5-11
 - in macros 5-6 to 5-13
 - maximum number per macro 5-6
 - passing commas and semicolons 5-6
 - recursive substitution 5-10
 - subscripted substitution 5-12 to 5-13
 - .var macro directive 5-13
- suppressing assembler remarks 4-78
- swwsr hex conversion utility option 14-30
- symbol table
 - creating entries 2-20
 - defined D-8
 - described 2-20
 - index A-9
 - placing unresolved symbols in 8-17
 - special symbols used in A-12
 - stripping entries 8-16
 - structure and content A-11 to A-16
 - values A-14
- symbolic constants 3-31
- symbolic debugging B-1 to B-14
 - as assembler option 3-5
 - b linker option 8-9
 - defined D-8
 - directives B-1 to B-14
 - disable merge for linker 8-9
 - producing error messages in macros 5-19
 - s assembler option 3-11
 - stripping symbolic information 8-16
 - table structure and content A-11 to A-16
- symbols
 - assembler-defined 3-4, 3-9
 - assigning values to 4-23, 4-45, 4-83, 4-89, 4-95
 - at link time 8-68 to 8-72*
 - attributes 3-48
 - case 3-4, 3-9
 - character strings 3-29
 - cross-reference lister 11-6
 - cross-reference listing 3-47
 - defined D-8
 - by the assembler 2-19 to 2-20*
 - by the linker 8-71*
 - only for C support 8-72*
 - described 2-19 to 2-20, 3-30
 - external 2-19, 4-57
 - global 8-11
 - names A-13
 - number of statements that reference 3-47
 - predefined
 - \$ symbol 3-31*
 - __large_model symbol 3-31*
 - memory-mapped registers 3-32*
 - .TOOLS symbol 3-32*
 - reserved words 8-24
 - setting to a constant value 3-30
 - statement number that defines 3-47
 - substitution 3-32
 - unresolved 8-17

symbols (continued)

- used as labels 3-30
 - value assigned 3-47
- syntax
- assignment statements 8-68
 - source statement 3-22
- .system section 8-12
- __SYSTEM_SIZE 8-12, 8-72
- .sysstack 8-17
- sysstack linker option 8-17
- __SYSSTACK_SIZE 8-17, 8-72
- system stack 8-16, 8-94
- system stack, secondary 8-17

T

- t
- archiver command 9-4
 - disassembler option 12-3
 - hex conversion utility option 14-42
 - name utility option 13-16
- t hex conversion utility option 14-5
- .tab directive 4-19, 4-92
- table() linker operator 8-81
- used to manage object components 8-82
- tag, defined D-8
- .tag directive 4-23, 4-44, 4-45, 4-89, 4-95
- target memory, defined D-8
- target width 14-9
- tcsr hex conversion utility option 14-30
- Tektronix object format 14-43
- .text directive 2-4, 4-10
- linker definition 8-71
- .text section 4-10, 4-93, A-3
- defined D-8
- TI-Tagged object format 14-42
- .title directive 4-19, 4-94
- .TOOLS symbol 3-32
- trta hex conversion utility option 14-30

U

- u
- assembler option 3-11
 - linker option 8-17
 - name utility option 13-16

- .ubyte directive 4-12, 4-37
- .uchar directive 4-12, 4-37
- .uhalf directive 4-13, 4-60
- .uint directive 4-13, 4-63
- .ulong directive 4-14, 4-71
- unconfigured memory
- defined D-8
 - described 8-29
 - DSECT type 8-67
- underflow in an expression 3-37
- uninitialized sections 2-4 to 2-5
- .bss 2-5, 4-34
 - .usect 2-5
 - defined D-8
 - described 8-73
 - initialization of 8-76
 - specifying a run address 8-46
 - .usect 4-97

UNION

- defined D-8
- linker directive 8-53 to 8-58

union

- .tag 4-23, 4-45, 4-95
 - defined D-8
 - .union directive 4-23, 4-45, 4-95
- UNION statement, memory overlay example 8-79
- unsigned, defined D-8
- USE_RETA stack mode 4-64
- .usect directive 2-4, 4-10, 4-97
- .usect section 4-10
- .ushort directive 4-13, 4-60
- Using MMR Address warning 3-18
- .uword directive 4-13, 4-63

V

- v
- archiver option 9-5
 - linker option 8-18
- v hex conversion utility option 14-5
- .var directive 4-100, 5-13
- listing control 4-18, 4-49
- variable length instructions 3-15
- variables, local, substitution symbols used as 5-13
- .vectors 8-34
- .vli_off directive 3-15, 4-25, 4-101
- .vli_on directive 3-15, 4-25, 4-101

W

- w linker option 8-18
- W MEMORY attribute 8-30
- .warn_off directive 4-27, 4-102
- .warn_on directive 4-27, 4-102
- warning messages, using MMR address 3-18
- well-defined expression
 - defined D-8
 - described 3-38
- .width directive 4-19, 4-67
 - listing control 4-18
- .wmsg directive 4-27, 4-51, 5-19
 - listing control 4-18, 4-49
- word, defined D-8
- word addressing 3-12, 8-21
- word alignment 4-28
- .word directive 4-13
 - limiting listing with .option directive 4-19, 4-79

WRITA instruction 7-31

X

- x
 - archiver command 9-4
 - assembler option 3-11, 3-47
 - hex conversion utility option 14-43
 - linker option 8-19
- X MEMORY attribute 8-30
- x object file display option 13-2
- x option, hex conversion utility 14-5
- .xfloat directive 4-13, 4-56
- .xlong directive 4-14, 4-71
- xref55 command 11-3

Z

- zero hex conversion utility option 14-4

