



TEREX®

Master Part Manual

Compact Track Loader

PT-60

Part Number: 2030-631
Printed (10-10)

Table of Contents

| | |
|--|---|
| <p>1. Cab (R.O.P.S.) Assembly Serial # DTE 02662-02739 1-A Serial # DTE 02740-Current* 1-B</p> <p>2. Light Bar Assembly Serial # DTE 02662-Current* 2-A</p> <p>3. Enclosed Cab (R.O.P.S.) Assembly (Optional) Serial # DTE 02662-02739 3-A (Optional) Serial # DTE 02740-Current* 3-B</p> <p>4. Chassis Assembly Serial # DTE 02662-2741 4-A Serial # DTE 02742-Current* 4-B</p> <p>5. Hood Assembly Serial # DTE 02662-Current* 5-A</p> <p>6. Radiator/Oil Cooler Assembly Serial # DTE 02662-Current* 6-A</p> <p>7. Hydraulic Reservoir Assembly Serial # DTE 02662-Current* 7-A</p> <p>8. Hydraulic Control Assembly Serial # DTE 02662-Current* 8-A</p> <p>9. Drive/Auxiliary Pump Assembly Serial # DTE 02662-Current* 9-A</p> <p>10. Engine Assembly Serial # DTE 02662-Current* 10-A</p> <p>11. Fuse Panel Assembly Serial # DTE 02662-Current* 11-A</p> <p>12. Torsion Axle Assembly Serial # DTE 02662-Current* 12-A</p> <p>13. Undercarriage Assembly (RT) Serial # DTE 02662-02705 13-A Serial # DTE 02706-Current* 13-B</p> <p>14. Undercarriage Assembly (RT) Serial # DTE 02662-02705 14-A Serial # DTE 02706-Current* 14-B</p> <p>15. Lift Arm Assembly Serial # DTE 02662-02719 15-A Serial # DTE 02720-Current* 15-B</p> | <p>16. Lift Arm Tubes and Fittings Serial # DTE 02662-Current* 16-A</p> <p>17. Quick Attach Assembly Serial # DTE 02662-Current* 17-A</p> <p>18. Hydraulic Quick Attach Assembly (Optional) Serial # DTE 02662-Current* 18-A</p> <p>19. Cab Heater Assembly (Optional) Serial # DTE 02662-Current* 19-A</p> <p>20. Heater/Air Conditioning Assembly (Optional) Serial # DTE 02662-Current* 20-A</p> <p>21. Track Installation Tool (Tool) Serial # DTE 02662-Current* 21-A</p> <p>* Current refers to the machines being produced at the time this manual was printed. See manual cover for print date.</p> |
|--|---|

GENERAL SERVICE ITEMS & LUBRICANTS

| <u>ITEM</u> | <u>MANUFACTURER/DESCRIPTION</u> | <u>PART NUMBER</u> |
|--|---------------------------------|--------------------|
| -Engine Oil Filter | Perkins | 0200-377 |
| -Primary Air Filter | Donaldson (P822768) | 0200-339 |
| -Secondary Air Filter | Donaldson (P822769) | 0200-340 |
| -Engine Fuel Filter | Perkins (26560017) | 0200-213 |
| -Fuel screen | Perkins (130366110) | 0200-561 |
| -Water Separator O-ring | | 0201-985 |
| -Fan Belt (qty: 2 without A/C, 1 with A/C) | Gates | 2045-793 |
| -A/C Belt (qty: 1 with A/C) | Gates (A48K) | 0201-645 |
| -Antifreeze/Coolant (1 gal.) | Ethylene Glycol (long life) | 0300-766 |
| -Antifreeze/Coolant (Case/6 gal.) | Ethylene Glycol (long life) | 0402-841 |
| -Engine Oil (1 qt.) | Multi-Grade 10W-30 | 0300-767 |
| -Engine Oil (Case/12 qt.) | Multi-Grade 10W-30 | 0402-838 |
| -Engine Oil (1 gal.) | Multi-Grade 10W-30 | 0402-839 |
| -Engine Oil (Case/6 gal.) | Multi-Grade 10W-30 | 0402-840 |
| -Grease (1 Tube) | Multi-Purpose Lithium | 0300-769 |
| -Grease (Box/10 Tubes) | Multi-Purpose Lithium | 0402-844 |
| -Grease (Case/40 Tubes) | Multi-Purpose Lithium | 0402-834 |

HYDRAULIC SERVICE ITEMS & LUBRICANTS

| <u>ITEM</u> | <u>DESCRIPTION</u> | <u>PART NUMBER</u> |
|---------------------------------|----------------------------------|--------------------|
| -Hydraulic Oil Filter | MP Filter (MF1003A10HB) | 0200-204 |
| -Hydraulic Oil (5 gal.) | All Season MV | 0400-253 |
| -Hydraulic Oil (55 gal.) | All Season MV | 0402-833 |
| -Kit,Seal,Loader Valve & Relief | Flts Loader Valve (P/N:0304-020) | 2010-094 |

| <u>O-RING</u> | <u>PART NUMBER</u> |
|----------------|--------------------|
| # 4, ORB Type | 0314-366 |
| # 6, ORB Type | 0310-619 |
| # 8, ORB Type | 0307-353 |
| # 10, ORB Type | 0310-620 |
| # 12, ORB Type | 0310-621 |
| # 16, ORB Type | 0307-354 |
| # 20, ORB Type | 0310-832 |

CYLINDER SERVICE ITEMS

Serial #: 2662-2741

- RH-Bucket/Tilt P/N: 2030-287
- LH-Bucket/Tilt P/N: 2030-286
 - Lift-Arm P/N: 2030-285

| <u>ITEM</u> | <u>MANUFACTURER/DESCRIPTION</u> | <u>PART NUMBER</u> |
|---------------------------------|----------------------------------|--------------------|
| -Kit,Seal,Bucket/Tilt Cylinder | Flts Cylinder (P/N:2030-286/287) | 0081-030 |
| -Rod,Bucket/Tilt Cylinder | Flts Cylinder (P/N:2030-286/287) | 0003-044 |
| -End Gland,Bucket/Tilt Cylinder | Flts Cylinder (P/N:2030-286/287) | 0003-045 |
| -Nut,Bucket/Tilt Cylinder | Flts Cylinder (P/N:2030-286/287) | 0003-037 |
| | | |
| -Kit,Seal,Lift Arm Cylinder | Flts Cylinder (P/N:2030-285) | 0081-031 |
| -End Gland,Lift Arm Cylinder | Flts Cylinder (P/N:2030-285) | 0003-045 |
| -Rod,Lift Arm Cylinder | Flts Cylinder (P/N:2030-285) | 0003-050 |
| -Nut,Lift Arm Cylinder | Flts Cylinder (P/N:2030-285) | 0003-037 |

Serial #: 2742-Current

- RH-Bucket/Tilt P/N: 2030-579
- LH-Bucket/Tilt P/N: 2030-578
 - Lift-Arm P/N: 2030-577

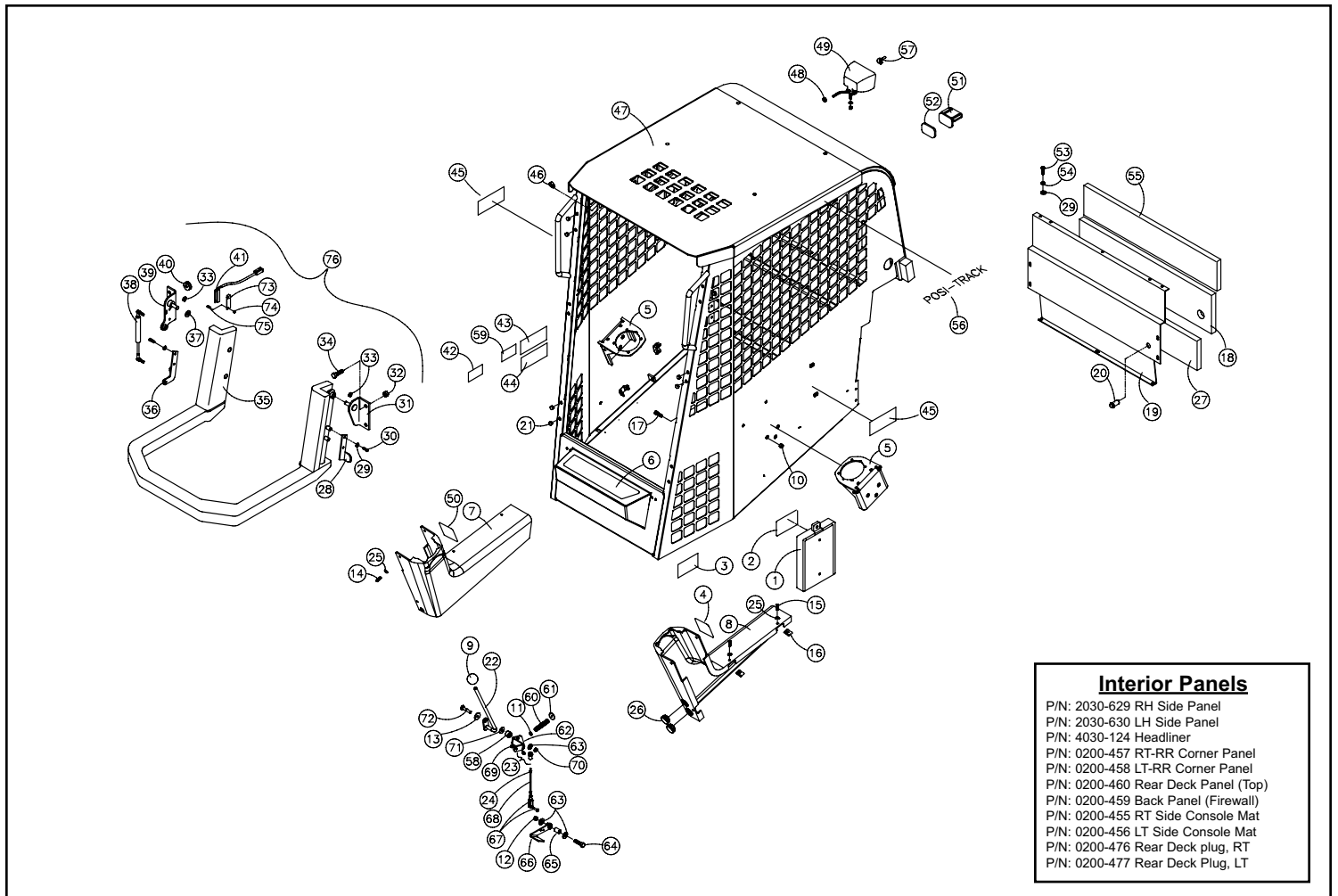
| <u>ITEM</u> | <u>MANUFACTURER/DESCRIPTION</u> | <u>PART NUMBER</u> |
|---------------------------------|----------------------------------|--------------------|
| -Kit,Seal,Bucket/Tilt Cylinder | Flts Cylinder (P/N:2030-578/579) | 2030-650 |
| -Rod,Bucket/Tilt Cylinder | Flts Cylinder (P/N:2030-578/579) | 2030-660 |
| -End Gland,Bucket/Tilt Cylinder | Flts Cylinder (P/N:2030-578/579) | 2030-658 |
| -Nut,Bucket/Tilt Cylinder | Flts Cylinder (P/N:2030-578/579) | 2030-656 |
| | | |
| -Kit,Seal,Lift Arm Cylinder | Flts Cylinder (P/N:2030-577) | 2030-651 |
| -End Gland,Lift Arm Cylinder | Flts Cylinder (P/N:2030-577) | 2030-658 |
| -Rod,Lift Arm Cylinder | Flts Cylinder (P/N:2030-577) | 2030-659 |
| -Nut,Lift Arm Cylinder | Flts Cylinder (P/N:2030-577) | 2030-656 |

* Current refers to the machines being produced at the time this manual was printed. See manual cover for print date.

CAB (R.O.P.S.) ASSEMBLY (Serial #: DTE 02662-02739)

Section 1

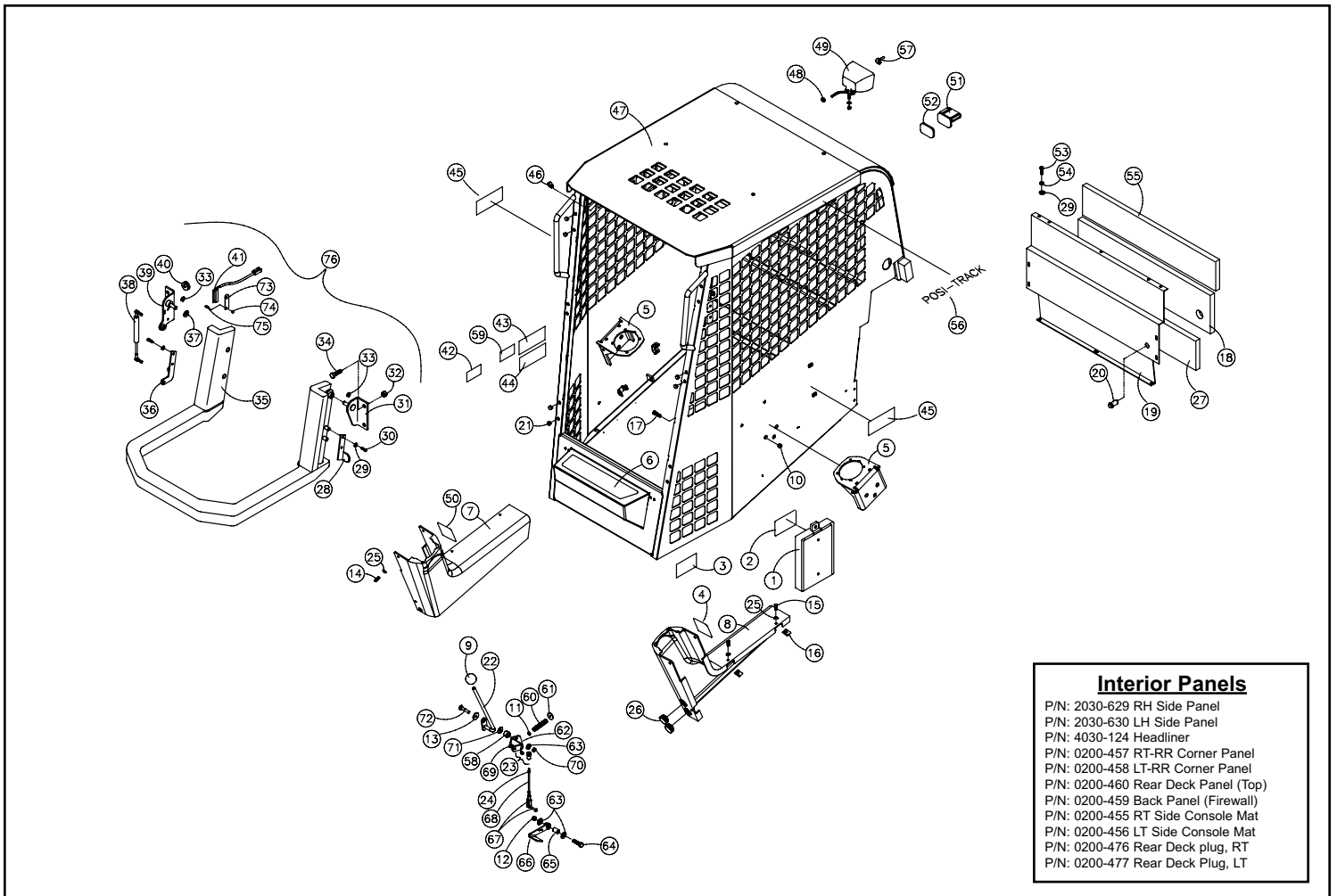
| REF. NO. | PART NUMBER | QTY. | DESCRIPTION | REF. NO. | PART NUMBER | QTY. | DESCRIPTION |
|----------|-------------|------|-----------------------------------|----------|-------------|------|---------------------------------------|
| 1 | 0304-318 | 1 | BOX,OWNERS MANUAL | 41 | 0304-473 | 1 | SENSOR,SWITCH,LAPBAR |
| 2 | 0304-420 | 1 | DECAL OWNERS MANUAL | 42 | 0304-305 | 1 | DECAL THROTTLE |
| 3 | 2030-599 | 1 | DECAL FIRE HAZARD | 43 | 2030-598 | 1 | DECAL READ O&M / ROLLOVER / FALL |
| 4 | 2030-423 | 1 | DECAL CONTROLS LEFT (NO TEXT) | 44 | 2030-596 | 1 | DECAL ROLLOVER / FALL |
| 5 | 0200-600 | 2 | MNTS JOYSTICK | 45 | 2030-602 | 2 | DECAL SKIN OIL INJECTION |
| 6 | 0304-496 | 1 | PAD,SKID | 46 | 0304-400 | 6 | CLIP,FASTENER |
| 7 | 0200-588 | 1 | CONSOLE RH | 47 | 2030-237 | 1 | WLMT ROPS 30/50/60 |
| 8 | 0200-587 | 1 | CONSOLE LH | 48 | 0301-637 | 1 | GROMMET (1840) |
| 9 | 0302-546 | 1 | KNOB,PLASTIC,1-7/8 DIA,1/2-13 | 49 | 0304-247 | 1 | LIGHT,REAR |
| 10 | 0314-269 | 6 | NUT,FLANGE,TOPLK,3/8-16UNC,GDG,ZN | 50 | 2030-424 | 1 | DECAL CONTROLS RIGHT (NO TEXT) |
| 11 | 8050-157 | 1 | WASHER,WROUGHT, #10 3/16,STD,ZN | 51 | 0200-320 | 2 | WLMT,STOP LAP BAR |
| 12 | 8040-486 | 1 | NUT,HEX,NYLOCK,3/8-16 UNC,ZN | 52 | 0200-321 | 2 | PAD,RUBBER,W/ADHESIVE |
| 13 | 2030-357 | 1 | WASHER COMPOSITE | 53 | 8102-044 | 5 | CAPSCREW,HH,1/4-20UNCx1.25,GD8 |
| 14 | 0304-485 | 5 | SCREW,MACH,10-24x3/4,STAINLESS | 54 | 8051-212 | 5 | WASHER,SPRING LOCK,1/4,ZN |
| 15 | 0090-011 | 4 | SCREW OH PH #10 x 1.25 SS | 55 | 0200-290 | 1 | INSULATION,TOP |
| 16 | 0090-010 | 4 | NUT SPEED #10 | 56 | 2030-334 | 2 | DECAL POSI TRACK |
| 17 | 8102-222 | 6 | CAPSCREW,HH,3/8-16 UNCx1.0,GD8,ZN | 57 | 0200-288 | 1 | BULB,HALOGEN |
| 18 | 0200-291 | 1 | INSULATION,MIDDLE | 58 | 0201-867 | 1 | BUSHING |
| 19 | 0200-328 | 1 | PLATE,FIREWALL | 59 | 2030-628 | 1 | DECAL 2 SPEED |
| 20 | 0200-264 | 1 | HOUSING,POWER SOURCE | 60 | 0201-903 | 1 | SPRING,1.75X0.48 |
| 21 | 0304-579 | 6 | PLUG,HOLE,PLASTIC,5/16 | 61 | 0301-033 | 1 | WASHER,FENDER,1/4 x 1 1/4,STL, |
| 22 | 0201-912 | 1 | LEVER,THROTTLE | 62 | 2030-358 | 1 | BRACKET FOOT THROTTLE |
| 23 | 0314-215 | 1 | CONNECTOR,JOINT,BALL | 63 | 8050-282 | 3 | WASHER,WROUGHT,3/8,STD,ZN |
| 24 | 0301-121 | 2 | NUT,JAM,1/4-28 UNF | 64 | 8102-227 | 2 | CAPSCREW,HH,3/8-16UNCx2.0 GD8 |
| 25 | 0090-012 | 8 | WASHER FINISHING #10 SS | 65 | 0201-865 | 1 | BUSHING,FOOT PEDAL |
| 26 | 0307-606 | 4 | PLUG,FINISHING,STEEL,1-3/8" | 66 | 0201-925 | 1 | WLMT,PEDAL |
| 27 | 0200-292 | 1 | INSULATION,BOTTOM | 67 | 0201-902 | 1 | CLEVIS,1/4-28,W/PIN |
| 28 | 0304-466 | 1 | STOP,LAPBAR | 68 | 2030-356 | 1 | ROD, THREADED, 1/4-28 X 6.5" |
| 29 | 8050-240 | 10 | WASHER,STAINLESS,1/4",MS | 69 | 8040-396 | 1 | NUT,HEX,NYLOCK,1/4-28 UNF,ZN |
| 30 | 0304-465 | 4 | CAPSCREW,HH,M6-1.0x16mm | 70 | 8041-500 | 1 | NUT,HEX,NYLOCK,3/8-16 UNC,THIN |
| 31 | 0304-467 | 1 | BRKT,LAPBAR | 71 | 2030-360 | 1 | BELLEVILLE WASHER, 3/8" ID X 1-1/8 OD |
| 32 | 8040-606 | 4 | NUT,HEX,NYLOCK,1/2-13 UNC,ZN | 72 | 8011-227 | 1 | BOLT,CARRIAGE,3/8-16 UNC x 2.0 |
| 33 | 0304-468 | 2 | RING,SNAP,LAPBAR | 73 | 0412-036 | 1 | BRACKET LAP BAR ACTIVATION SWITCH |
| 34 | 8102-404 | 4 | CAPSCREW,HH 1/2-13UNCx1.25 GD8 | 74 | 0310-308 | 1 | NUT,HEX,NYLOCK 4-40,91831A005 |
| 35 | 0304-469 | 1 | LAPBAR | 75 | 0310-307 | 1 | SCREW,MACHINE,4-40x.50 92314A110 |
| 36 | 0304-470 | 1 | MNT,LAPBAR | 76 | 0304-019 | 1 | ASSY,LAP BAR |
| 37 | 0304-477 | 2 | SPACER,LAPBAR | | | | |
| 38 | 0304-471 | 2 | SPRING,GAS,ASSIST | | | | |
| 39 | 0304-472 | 1 | MNT,LAPBAR,SWITCH | | | | |
| 40 | 0304-476 | 1 | GROMMET,RUBBER | | | | |



CAB (R.O.P.S.) ASSEMBLY (Serial #: DTE 02740-Current)

Section 1

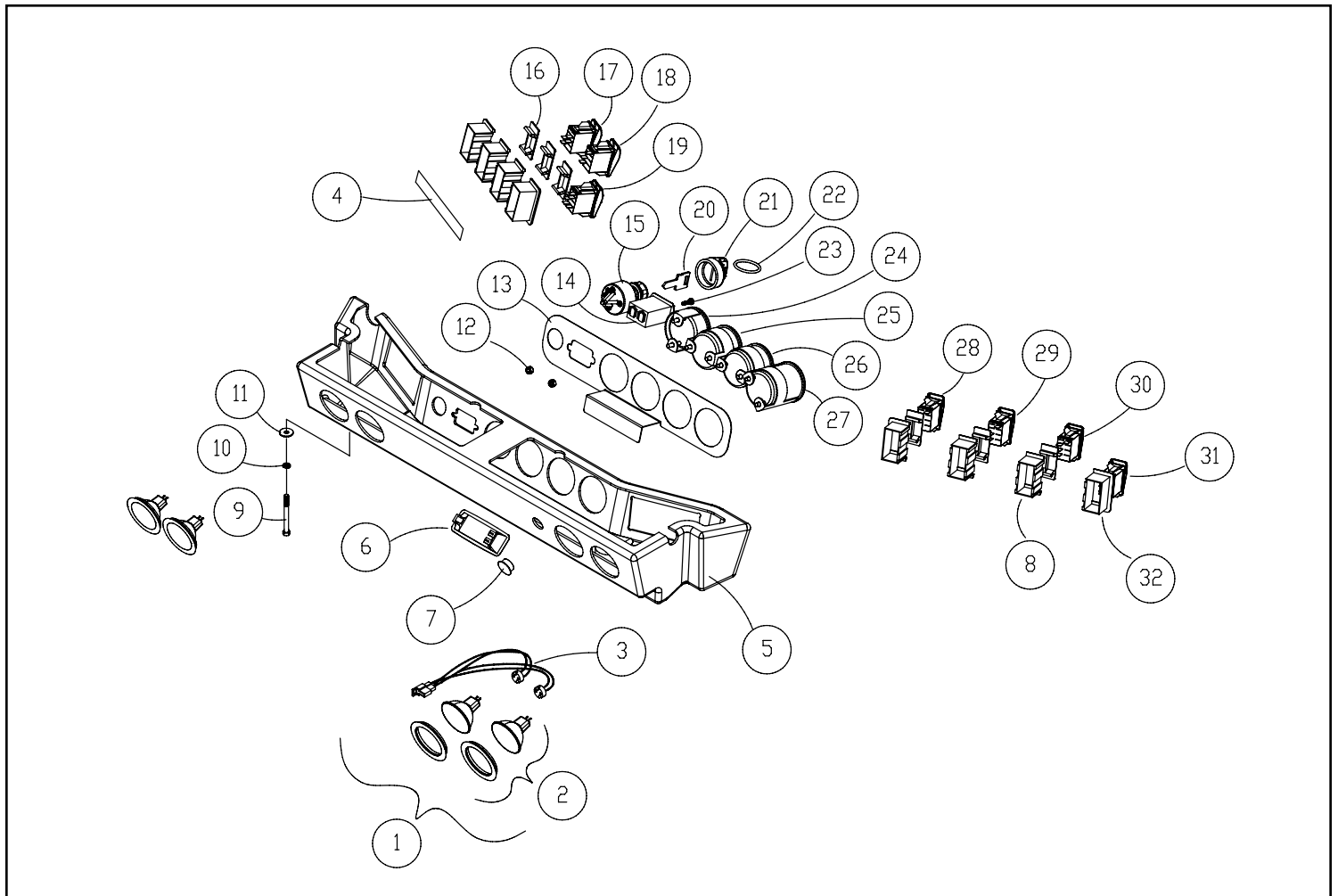
| REF. NO. | PART NUMBER | QTY. | DESCRIPTION | REF. NO. | PART NUMBER | QTY. | DESCRIPTION |
|----------|-------------|------|-----------------------------------|----------|-------------|------|---------------------------------------|
| 1 | 0304-318 | 1 | BOX,OWNERS MANUAL | 41 | 0304-473 | 1 | SENSOR,SWITCH,LAPBAR |
| 2 | 0304-420 | 1 | DECAL OWNERS MANUAL | 42 | 0304-305 | 1 | DECAL THROTTLE |
| 3 | 2030-599 | 1 | DECAL FIRE HAZARD | 43 | 2030-598 | 1 | DECAL READ O&M / ROLLOVER / FALL |
| 4 | 2030-423 | 1 | DECAL CONTROLS LEFT (NO TEXT) | 44 | 2030-596 | 1 | DECAL ROLLOVER / FALL |
| 5 | 0200-600 | 2 | MNTS JOYSTICK | 45 | 2030-602 | 2 | DECAL SKIN OIL INJECTION |
| 6 | 0304-496 | 1 | PAD,SKID | 46 | 0304-400 | 6 | CLIP,FASTENER |
| 7 | 0200-588 | 1 | CONSOLE RH | 47 | 2030-511 | 1 | ROPS PT30/50/60 |
| 8 | 0200-587 | 1 | CONSOLE LH | 48 | 0301-637 | 1 | GROMMET (1840) |
| 9 | 0302-546 | 1 | KNOB,PLASTIC,1-7/8 DIA,1/2-13 | 49 | 0304-247 | 1 | LIGHT,REAR |
| 10 | 0314-269 | 6 | NUT,FLANGE,TOPLK,3/8-16UNC,GDG,ZN | 50 | 2030-424 | 1 | DECAL CONTROLS RIGHT (NO TEXT) |
| 11 | 8050-157 | 1 | WASHER,WROUGHT, #10 3/16,STD,ZN | 51 | 0200-320 | 2 | WLMT,STOP LAP BAR |
| 12 | 8040-486 | 1 | NUT,HEX,NYLOCK,3/8-16 UNC,ZN | 52 | 0200-321 | 2 | PAD,RUBBER,W/ADHESIVE |
| 13 | 2030-357 | 1 | WASHER COMPOSITE | 53 | 8102-044 | 5 | CAPSCREW,HH,1/4-20UNCx1.25,GD8 |
| 14 | 0304-485 | 5 | SCREW,MACH,10-24x3/4,STAINLESS | 54 | 8051-212 | 5 | WASHER,SPRING LOCK,1/4,ZN |
| 15 | 0090-011 | 4 | SCREW OH PH #10 x 1.25 SS | 55 | 0200-290 | 1 | INSULATION,TOP |
| 16 | 0090-010 | 4 | NUT SPEED #10 | 56 | 2030-334 | 2 | DECAL POSI TRACK |
| 17 | 8102-222 | 6 | CAPSCREW,HH,3/8-16 UNCx1.0,GD8,ZN | 57 | 0200-288 | 1 | BULB,HALOGEN |
| 18 | 0200-291 | 1 | INSULATION,MIDDLE | 58 | 0201-867 | 1 | BUSHING |
| 19 | 0200-328 | 1 | PLATE,FIREWALL | 59 | 2030-628 | 1 | DECAL 2 SPEED |
| 20 | 0200-264 | 1 | HOUSING,POWER SOURCE | 60 | 0201-903 | 1 | SPRING,1.75X0.48 |
| 21 | 0304-579 | 6 | PLUG,HOLE,PLASTIC,5/16 | 61 | 0301-033 | 1 | WASHER,FENDER,1/4 x 1 1/4,STL, |
| 22 | 0201-912 | 1 | LEVER,THROTTLE | 62 | 2030-358 | 1 | BRACKET FOOT THROTTLE |
| 23 | 0314-215 | 1 | CONNECTOR,JOINT,BALL | 63 | 8050-282 | 3 | WASHER,WROUGHT,3/8,STD,ZN |
| 24 | 0301-121 | 2 | NUT,JAM,1/4-28 UNF | 64 | 8102-227 | 2 | CAPSCREW,HH,3/8-16UNCx2.0 GD8 |
| 25 | 0090-012 | 8 | WASHER FINISHING #10 SS | 65 | 0201-865 | 1 | BUSHING,FOOT PEDAL |
| 26 | 0307-606 | 4 | PLUG,FINISHING,STEEL,1-3/8" | 66 | 0201-925 | 1 | WLMT,PEDAL |
| 27 | 0200-292 | 1 | INSULATION,BOTTOM | 67 | 0201-902 | 1 | CLEVIS,1/4-28,W/PIN |
| 28 | 0304-466 | 1 | STOP,LAPBAR | 68 | 2030-356 | 1 | ROD, THREADED, 1/4-28 X 6.5" |
| 29 | 8050-240 | 10 | WASHER,STAINLESS,1/4",MS | 69 | 8040-396 | 1 | NUT,HEX,NYLOCK,1/4-28 UNF,ZN |
| 30 | 0304-465 | 4 | CAPSCREW,HH,M6-1.0x16mm | 70 | 8041-500 | 1 | NUT,HEX,NYLOCK,3/8-16 UNC,THIN |
| 31 | 0304-467 | 1 | BRKT,LAPBAR | 71 | 2030-360 | 1 | BELLEVILLE WASHER, 3/8" ID X 1-1/8 OD |
| 32 | 8040-606 | 4 | NUT,HEX,NYLOCK,1/2-13 UNC,ZN | 72 | 8011-227 | 1 | BOLT,CARRIAGE,3/8-16 UNC x 2.0 |
| 33 | 0304-468 | 2 | RING,SNAP,LAPBAR | 73 | 0412-036 | 1 | BRACKET LAP BAR ACTIVATION SWITCH |
| 34 | 8102-404 | 4 | CAPSCREW,HH 1/2-13UNCx1.25 GD8 | 74 | 0310-308 | 2 | NUT,HEX,NYLOCK 4-40,91831A005 |
| 35 | 0304-469 | 1 | LAPBAR | 75 | 0310-307 | 2 | SCREW,MACHINE,4-40x.50 92314A110 |
| 36 | 0304-470 | 1 | MNT,LAPBAR | 76 | 0304-019 | 1 | ASSY,LAP BAR |
| 37 | 0304-477 | 2 | SPACER,LAPBAR | | | | |
| 38 | 0304-471 | 2 | SPRING,GAS,ASSIST | | | | |
| 39 | 0304-472 | 1 | MNT,LAPBAR,SWITCH | | | | |
| 40 | 0304-476 | 1 | GROMMET,RUBBER | | | | |



LIGHT BAR ASSEMBLY (Serial #: DTE 02662-Current)

Section 2

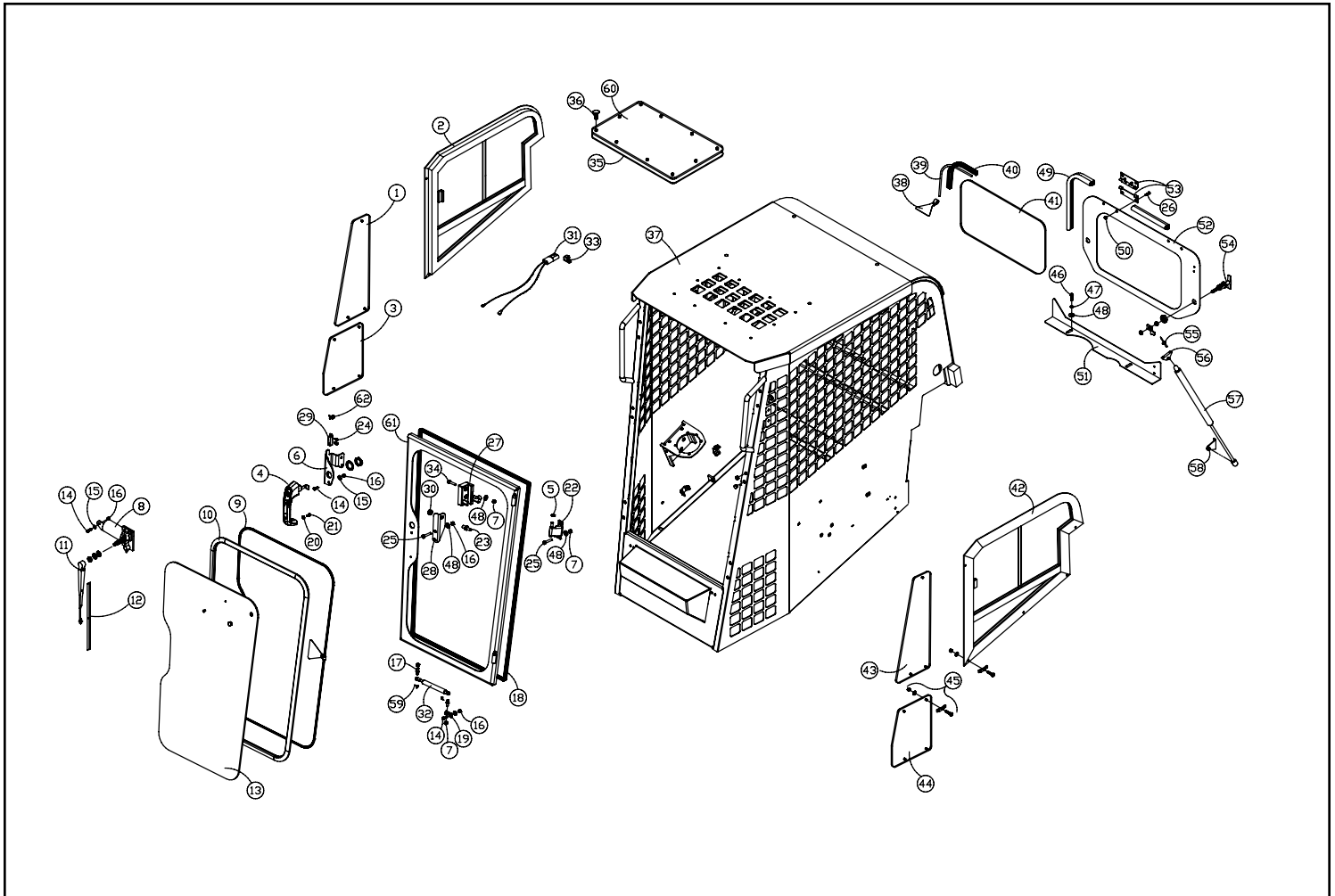
| REF. NO. | PART NUMBER | QTY. | DESCRIPTION | REF. NO. | PART NUMBER | QTY. | DESCRIPTION |
|----------|-------------|------|---|----------|-------------|------|-------------|
| 1 | 2045-755 | 4 | KIT LIGHTS 35W W/ HARNESS | | | | |
| 2 | 2045-756 | 4 | LIGHT 35W W/BEZEL | | | | |
| 3 | 0201-595 | 2 | HARNESS,LIGHT,DOUBLE | | | | |
| 4 | 2030-331 | 1 | DECAL DASH PANEL | | | | |
| 5 | 2030-241 | 1 | CONSOLE MACHINED | | | | |
| 6 | 2030-245 | 1 | LIGHT DOME | | | | |
| 7 | 0304-411 | 1 | PLUG, HOLE, 3/4", PLASTIC | | | | |
| 8 | 0310-137 | 4 | FRAME,MID | | | | |
| 9 | 8102-142 | 2 | CAPSCREW,HH,5/16-18x3.25,GD8 | | | | |
| 10 | 8051-242 | 2 | WASHER,SPRING LOCK,5/16,ZN | | | | |
| 11 | 8050-262 | 2 | WASHER,WROUGHT,5/16,STD,ZN | | | | |
| 12 | 8040-186 | 2 | NUT,NYLOCK 8-32 | | | | |
| 13 | 2030-272 | 1 | PLATE BACKING GAUGES | | | | |
| 14 | 2045-502 | 1 | METER HOUR | | | | |
| 15 | 0304-028 | 1 | SWITCH,IGNITION,RC | | | | |
| 16 | 0310-138 | 6 | PLUG | | | | |
| 17 | 2045-725 | 1 | SWITCH 2 POSITION LOCKING W/ RED BUTTON | | | | |
| 18 | 2045-477 | 1 | SWITCH SELF LEVELER | | | | |
| 19 | 0200-252 | 1 | SWITCH,3 POSITION,LOCKING | | | | |
| 20 | 2045-432 | 1 | KEY IGNITION | | | | |
| 21 | 2045-792 | 1 | COVER KEY IGNITION | | | | |
| 22 | 0304-551 | 1 | RING,KEY | | | | |
| 23 | 0090-038 | 2 | SCREW MACHINE PH 8-32 x .625 SS | | | | |
| 24 | 2030-244 | 1 | GAUGE WARNING INDICATION | | | | |
| 25 | 2030-243 | 1 | GAUGE FUEL | | | | |
| 26 | 2045-378 | 1 | GAUGE,ENGINE,TEMP | | | | |
| 27 | 2030-242 | 1 | TACHOMETER | | | | |
| 28 | 0310-133 | 1 | SWITCH,BEACON | | | | |
| 29 | 0304-123 | 1 | SWITCH,ON/OFF,WIPER | | | | |
| 30 | 0310-128 | 1 | SWITCH,HEATER | | | | |
| 31 | 0310-126 | 1 | SWITCH,LIGHT | | | | |
| 32 | 0310-136 | 4 | FRAME,END | | | | |



ENCLOSED CAB (R.O.P.S.) ASSEMBLY (Serial #: DTE 02662-02739)

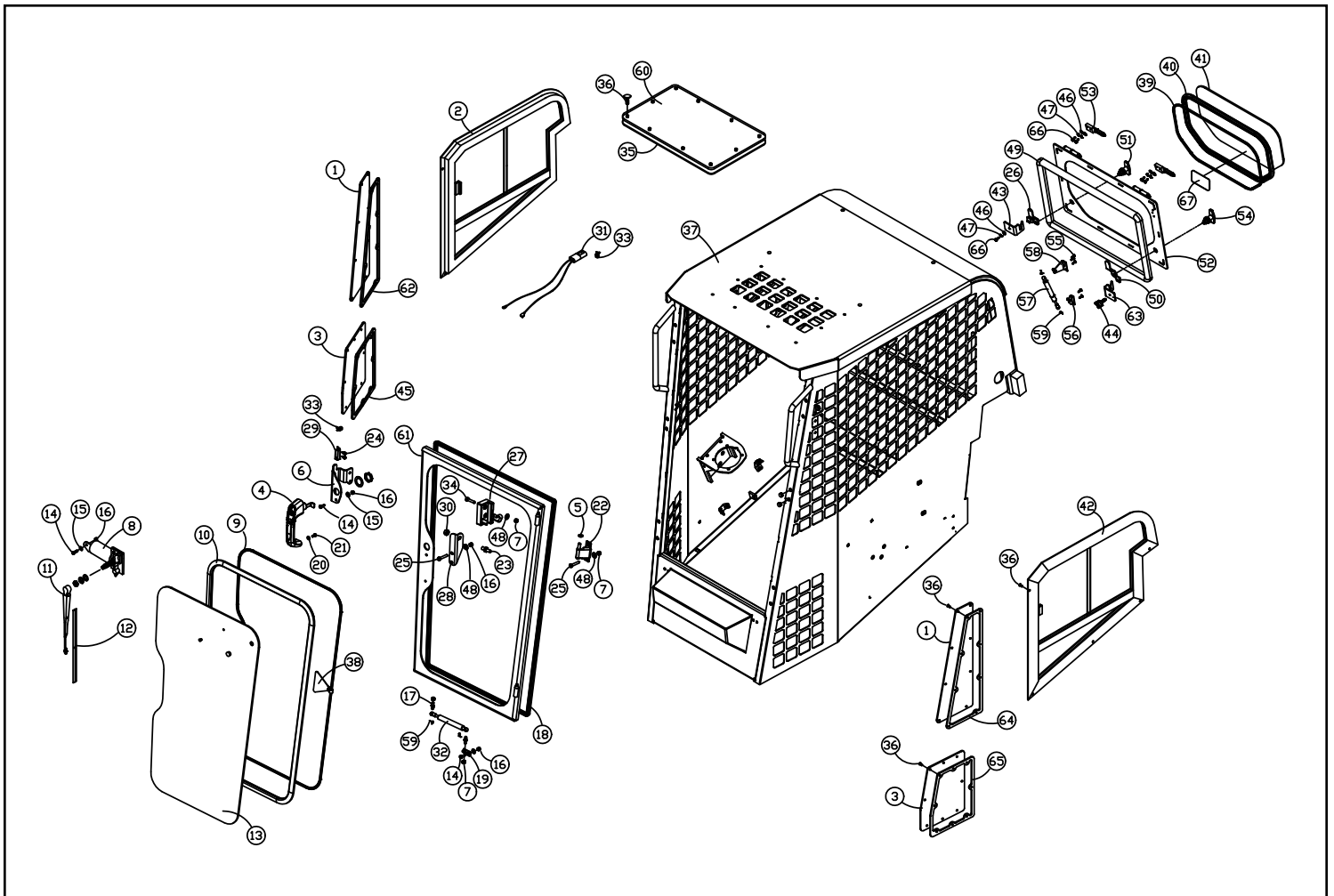
Section 3

| REF. NO. | PART NUMBER | QTY. | DESCRIPTION | REF. NO. | PART NUMBER | QTY. | DESCRIPTION |
|----------|-------------|------|--|----------|-------------|------|--------------------------------|
| 1 | 0402-760 | 1 | GLASS,UPPER,RH | 41 | 0200-298 | 1 | WINDOW,REAR |
| 2 | 0402-769 | 1 | GLASS,SLIDER,SINGLE,RH | 42 | 0402-758 | 1 | GLASS,SLIDER,SINGLE,LH |
| 3 | 0402-762 | 1 | GLASS,LOWER,RH | 43 | 0402-761 | 1 | GLASS,UPPER,LH |
| 4 | 2075-406 | 1 | HANDLE PUSH BUTTON | 44 | 0402-763 | 1 | GLASS,LOWER,LH |
| 5 | 0314-208 | 2 | BUSHING,HINGE | 45 | 0402-826 | 24 | KIT,RETAINER,WINDOW |
| 6 | 2075-409 | 1 | MOUNT DOOR LATCH | 46 | 8102-128 | 2 | CAPSCREW,HH 5/16-18UNCx7/8 GR8 |
| 7 | 8040-426 | 8 | NUT,HEX,NYLOCK,5/16-18 UNC,ZN | 47 | 8051-242 | 2 | WASHER,SPRING LOCK,5/16,ZN |
| 8 | 0304-619 | 1 | MOTOR,WIPER,85^ | 48 | 8050-262 | 8 | WASHER,WROUGHT,5/16,STD,ZN |
| 9 | 0310-495 | 11' | STRIP,LOCK | 49 | 0200-345 | 1 | SEAL,WINDOW,76" |
| 10 | 0304-674 | 1 | SEAL,WINDOW,10FT | 50 | 8040-246 | 8 | NUT,HEX,NYLOCK,10-24 UNC,ZN |
| 11 | 0402-243 | 1 | ARM,WIPER,15-19" | 51 | 0200-324 | 1 | STOP,WINDOW |
| 12 | 0402-244 | 1 | BLADE,FLAT,18" | 52 | 0200-297 | 1 | FRAME,WINDOW,REAR |
| 13 | 0402-881 | 1 | WINDOW,DOOR,RC,LH,RH | 53 | 0307-779 | 2 | HINGE,DETACHABLE |
| 14 | 8102-040 | 8 | CAPSCREW,HH,1/4-20 UNCx.75,GD8 | 54 | 0200-301 | 2 | LATCH,COMPRESSION,1/4 TURN |
| 15 | 8050-222 | 4 | WASHER,WROUGHT,1/4,STD,ZN | 55 | 8061-604 | 4 | RIVET,ALUMINUM,3/16x.575 |
| 16 | 8040-366 | 4 | NUT,HEX,NYLOCK,1/4-20 UNC,ZN | 56 | 0310-641 | 1 | MOUNT,SHOCK,90^ |
| 17 | 0304-495 | 2 | STUD,BALL,10MM STUD | 57 | 0200-232 | 2 | SPRING,GAS ASSIST |
| 18 | 0304-484 | 11 | TRIM,CAB RC-30 | 58 | 0200-552 | 1 | MNT,BRACKET,BALLSTUD |
| 19 | 0304-491 | 1 | MNT,SHOCK | 59 | 0200-545 | 2 | CLIP,SAFETY,GAS SPRING |
| 20 | 8050-240 | 1 | WASHER,STAINLESS,1/4",MS | 60 | 0090-109 | 10 | SCREW TH PH 1/4-20 x 1.00 ZN |
| 21 | 0304-486 | 1 | CAPSCREW,HH,M6-1.0x14 | 61 | 0403-478 | 1 | WLMT,DOOR,W/HINGES |
| 22 | 0403-481 | 2 | ASSY HINGE DOOR CAST LH | 62 | 0090-167 | 2 | TIE CABLE MOUNT |
| 23 | 2075-408 | 1 | STRIKE | | | | |
| 24 | 0090-059 | 2 | SCREW MACHINE #10 x .63 PH SELF DRILLING | | | | |
| 25 | 8102-136 | 6 | CAPSCREW,HH,5/16-18x1.75 ZN GD | | | | |
| 26 | 0304-381 | 14 | SCREW,MACH,PH PAN HD 10-24X0.5 | | | | |
| 27 | 2075-407 | 1 | HANDLE INSIDE | | | | |
| 28 | 2075-416 | 1 | MOUNT STRIKE | | | | |
| 29 | 0403-733 | 1 | HARNESS,DOOR | | | | |
| 30 | 0090-135 | 1 | NUT NYLOCK M12 X 1.0 ZC | | | | |
| 31 | 0304-573 | 1 | HARNESS,WIPER,B | | | | |
| 32 | 0403-630 | 1 | SPRING DAMPENED DOOR | | | | |
| 33 | 0310-587 | 2 | CLAMP,WIRE,3/8,ADHESIVE | | | | |
| 34 | 8102-135 | 2 | CAPSCREW,HH,5/16-18X1.50ZN,GD8 | | | | |
| 35 | 0200-607 | 1 | SEAL PANEL ROOF | | | | |
| 36 | 0200-606 | 1 | PANEL ROOF LEXAN | | | | |
| 37 | 2030-254 | 1 | ASSY,ROPS | | | | |
| 39 | 0310-495 | 7' | STRIP,LOCK | | | | |
| 38 | 0201-748 | 2 | ASSY,TAG,EMERGENCY EXIT | | | | |
| 40 | 1059-015 | 7 | SEAL,WINDOW | | | | |



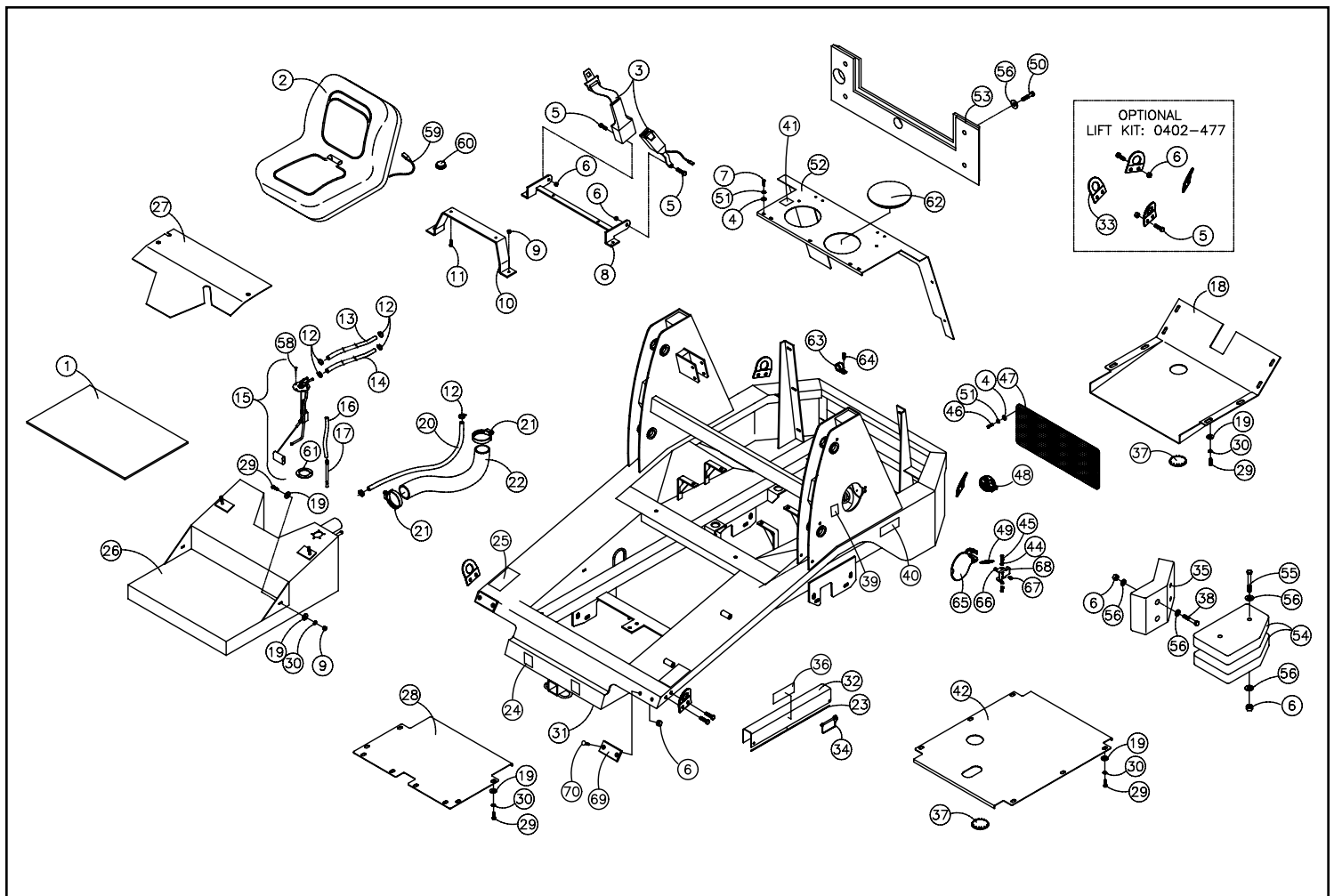
ENCLOSED CAB (R.O.P.S.) ASSEMBLY (Serial #: DTE 02740-Current)

| REF. NO. | PART NUMBER | QTY. | DESCRIPTION | REF. NO. | PART NUMBER | QTY. | DESCRIPTION |
|----------|-------------|------|--|----------|-------------|------|------------------------------------|
| 1 | 0403-762 | 2 | WINDOW UPPER CORNER | 41 | 0403-842 | 1 | WINDOW REAR |
| 2 | 0402-769 | 1 | GLASS,SLIDER,SINGLE,RH | 42 | 0402-758 | 1 | GLASS,SLIDER,SINGLE,LH |
| 3 | 0403-763 | 2 | WINDOW LOWER CORNER | 43 | 0403-854 | 1 | CATCH WINDOW RH |
| 4 | 2075-406 | 1 | HANDLE PUSH BUTTON | 44 | 0090-304 | 1 | KNOB STAR 1.75" RED M6 X 1.1 X 6MM |
| 5 | 0314-208 | 2 | BUSHING,HINGE | 45 | 0403-767 | 1 | SEAL RH UPPER WINDOW |
| 6 | 2075-409 | 1 | MOUNT DOOR LATCH | 46 | 8050-222 | 5 | WASHER,WROUGHT,1/4,STD,ZN |
| 7 | 8040-426 | 8 | NUT,HEX,NYLOCK,5/16-18 UNC,ZN | 47 | 8051-212 | 5 | WASHER,SPRING LOCK,1/4,ZN |
| 8 | 0304-619 | 1 | MOTOR,WIPER,85^ | 48 | 8050-262 | 8 | WASHER,WROUGHT,5/16,STD,ZN |
| 9 | 0310-495 | 12 | STRIP,LOCK | 49 | 0090-272 | 7' | SEAL V-PROFILE 15MM X 16MM |
| 10 | 0304-674 | 1 | SEAL_WINDOW,10FT | 50 | 0403-847 | 1 | LATCH ARM LH |
| 11 | 0402-243 | 1 | ARM,WIPER,15-19" | 51 | 0403-913 | 1 | T-HANDLE NON LOCKING |
| 12 | 0402-244 | 1 | BLADE,FLAT,18" | 52 | 0403-845 | 1 | WLMT FRAME WINDOW REAR |
| 13 | 4030-106 | 1 | WINDOW DOOR PT30/60 CE | 53 | 0403-850 | 2 | HINGE REAR WINDOW MALE |
| 14 | 8102-040 | 4 | CAPSCREW,HH,1/4-20 UNCx.75,GD8 | 54 | 0403-846 | 1 | T-HANDLE LOCKING |
| 15 | 8050-222 | 4 | WASHER,WROUGHT,1/4,STD,ZN | 55 | 8061-604 | 5 | RIVET,ALUMINUM,3/16x.575 |
| 16 | 8040-426 | 2 | NUT,HEX,NYLOCK,5/16-18 UNC,ZN | 56 | 0310-641 | 1 | MOUNT,SHOCK,90^ |
| 17 | 0304-495 | 2 | STUD,BALL,10MM STUD | 57 | 2045-503 | 1 | SPRING GAS ASSIST |
| 18 | 0304-484 | 12 | TRIM,CAB | 58 | 0200-552 | 1 | MNT,BRACKET,BALLSTUD |
| 19 | 2030-348 | 1 | MOUNT SPRING | 59 | 0200-545 | 4 | CLIP,SAFETY,GAS SPRING |
| 20 | 8050-240 | 1 | WASHER,STAINLESS,1/4",MS | 60 | 0200-606 | 1 | PANEL ROOF LEXAN |
| 21 | 0304-486 | 1 | CAPSCREW,HH,M6-1.0x14 | 61 | 0403-478 | 1 | WLMT,DOOR,W/HINGES |
| 22 | 0403-481 | 2 | ASSY HINGE DOOR CAST LH | 62 | 0403-766 | 1 | SEAL LH UPPER WINDOW |
| 23 | 2075-408 | 1 | STRIKE | 63 | 0403-853 | 1 | CATCH WINDOW LH |
| 24 | 0090-059 | 2 | SCREW MACHINE #10 x .63 PH SELF DRILLING | 64 | 0403-764 | 1 | SEAL LH UPPER WINDOW |
| 25 | 8102-136 | 6 | CAPSCREW,HH,5/16-18x1.75 ZN GD | 65 | 0403-765 | 1 | SEAL LH LOWER WINDOW |
| 26 | 0403-848 | 1 | LATCH ARM RH | 66 | 8102-039 | 5 | CAPSCREW,HH,1/4-20UNCx.625,GD8 |
| 27 | 2075-407 | 1 | HANDLE INSIDE | 67 | 2010-592 | 1 | DECAL EMERGENCY EXIT ANSI |
| 28 | 2075-416 | 1 | MOUNT STRIKE | | | | |
| 29 | 0403-733 | 1 | HARNESS,DOOR | | | | |
| 30 | 0090-135 | 1 | NUT NYLOCK M12 X 1.0 ZC | | | | |
| 31 | 0304-573 | 1 | HARNESS,WIPER,B | | | | |
| 32 | 0403-630 | 1 | SPRING DAMPENED DOOR | | | | |
| 33 | 0090-167 | 4 | TIE CABLE MOUNT | | | | |
| 34 | 8102-135 | 2 | CAPSCREW,HH,5/16-18X1.50ZN,GD8 | | | | |
| 35 | 0200-607 | 1 | SEAL PANEL ROOF | | | | |
| 36 | 0090-109 | 42 | SCREW TH PH 1/4-20 x 1.00 ZN P | | | | |
| 37 | 2030-511 | 1 | ROPS PT30/50/60 | | | | |
| 39 | 0310-495 | 5 | STRIP,LOCK | | | | |
| 38 | 0201-748 | 1 | ASSY,TAG,EMERGENCY EXIT | | | | |
| 40 | 1059-015 | 5 | SEAL_WINDOW | | | | |



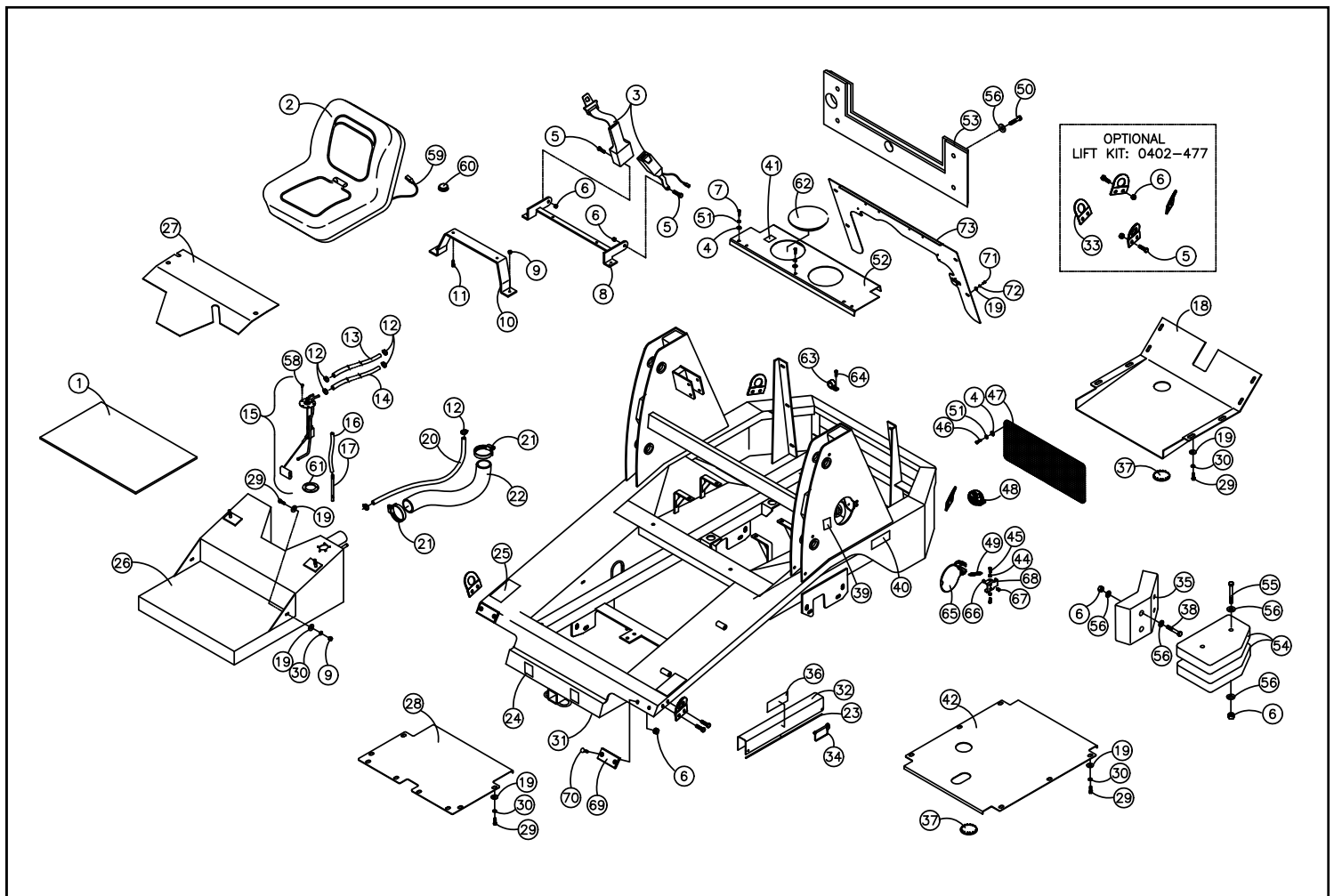
CHASSIS ASSEMBLY (Serial #: DTE 02662-2741)

| REF. NO. | PART NUMBER | QTY. | DESCRIPTION | REF. NO. | PART NUMBER | QTY. | DESCRIPTION |
|----------|-------------|------|--------------------------------|----------|-------------|------|-------------------------------------|
| 1 | 0200-217 | 1 | MAT,FLOOR,50 SERIES. | 41 | 4046-079 | 1 | DECAL CE HYDRAULIC OIL |
| 2 | 0304-045 | 1 | SEAT | 42 | 0200-179 | 1 | PLATE,SKID,CENTER |
| 3 | 0304-248 | 1 | BELT,SEAT 2" RETRACTABLE | 43 | 2030-320 | 1 | SPRING EXTENSION 2.36" |
| 4 | 8050-222 | 5 | WASHER,WROUGHT,1/4,STD,ZN | 44 | 0090-139 | 2 | BUSHING PLASTIC .5 OD X .38 ID |
| 5 | 8102-404 | 10 | CAPSCREW,HH 1/2-13UNCx1.25 GD8 | 45 | 0090-137 | 2 | SCREW SHOULDER-HSH 5/16-18 X 1.00 |
| 6 | 8040-606 | 27 | NUT,HEX,NYLOCK,1/2-13 UNC,ZN | 46 | 8102-040 | 7 | CAPSCREW,HH,1/4-20 UNCx.75,GD8 |
| 7 | 8102-042 | 5 | CAPSCREW, HH 1/4-20UNC 1" GD8 | 47 | 0200-140 | 1 | SCREEN,BACK,CHASSIS |
| 8 | 0304-206 | 1 | WLMT,MNT,SEAT,REAR | 48 | 4046-088 | 1 | CAP FUEL YELLOW |
| 9 | 8040-486 | 4 | NUT,HEX,NYLOCK,3/8-16 UNC,ZN | 49 | 2030-320 | 1 | SPRING EXTENSION |
| 10 | 0304-201 | 1 | MNT,SEAT,FRAME | 50 | 8102-410 | 4 | CAPSCREW,HH 1/2-13UNCx2.75 GD8 |
| 11 | 8102-130 | 4 | CAPSCREW,HH 5/16-18x3/4,GR8 | 51 | 8051-212 | 10 | WASHER,SPRING LOCK,1/4,ZN |
| 12 | 0300-732 | 6 | CLAMP,HOSE,#4 | 52 | 0200-105 | 1 | PLATE,ENGINE,SURROUND |
| 13 | 0200-361 | 1 | HOSE,FUEL,3/16IDx35.00" | 53 | 0200-235 | 1 | WEIGHT,REAR |
| 14 | 0200-353 | 1 | HOSE,FUEL,5/16IDx30.00" | 54 | 0200-167 | 4 | WEIGHT |
| 15 | 0304-600 | 1 | ASSY,UNIT,SENDING,FUEL | 55 | 8102-417 | 4 | CAPSCREW,HH,1/2-13 UNCx5.5,GD8 |
| 16 | 0304-447 | 1 | HOSE,7/16X5/16POLY,1.30FT | 56 | 8050-347 | 24 | WASHER,WROUGHT,1/2,STD,ZN |
| 17 | 0301-375 | 1 | WEIGHT,IN-TANK | 57 | 0090-139 | 2 | BUSHING PLASTIC .5 OD X .38 ID |
| 18 | 0200-139 | 1 | PLATE, SKID, REAR | 58 | 0304-157 | 6 | SCREW,ORING,3/16-32x1/2,STAINL |
| 19 | 8050-262 | 30 | WASHER,WROUGHT,5/16,STD,ZN | 59 | 0304-662 | 1 | HARNESS,SWITCH,SEAT |
| 20 | 0304-509 | 1 | HOSE,FUEL,5/16x26" | 60 | 2010-127 | 1 | SWITCH,SEAT (NEW STYLE) |
| 21 | 0300-686 | 2 | CLAMP,HOSE,2.0,#32 | 61 | 0304-617 | 1 | GASKET,TANK,FUEL |
| 22 | 0304-037 | 1 | HOSE,FILL,DIESEL,FUEL | 62 | 0200-437 | 2 | PLUG,HOLE,6" |
| 23 | 2030-188 | 2 | FOAM,LOADER LOCK,15 1/2" | 63 | 0310-467 | 1 | CLAMP,WIRE,1.0 |
| 24 | 0310-197 | 4 | DECAL,TIE DOWN | 64 | 0302-537 | 1 | SCREW,SELF-TAPPING |
| 25 | 2030-592 | 2 | DECAL BOOM CRUSH PT | 65 | 2030-317 | 1 | WLMT DOOR ARM |
| 26 | 0200-135 | 1 | WLMT,TANK,FUEL | 66 | 0090-003 | 2 | NUT,WELD,HEX,5/16-18 |
| 27 | 0200-307 | 1 | PLATE,FILLER,FLOOR | 67 | 0090-138 | 2 | SCREW CAP HSFH 5/16-18 X .75 BLK ZC |
| 28 | 0200-134 | 1 | PLATE,SKID,FRONT | 68 | 2030-316 | 1 | BRACKET, FUEL DOOR |
| 29 | 8102-222 | 24 | CAPSCREW,HH,3/8-16 UNCx1.0,GD8 | 69 | 0201-066 | 2 | PLATE,BOLT |
| 30 | 8051-272 | 24 | WASHER,SPRING LOCK,3/8,ZN | 70 | 0201-483 | 4 | BOLT,PLOW,1/2-13x2.00" |
| 31 | 2030-304 | 1 | WLMT,CHASSIS,PT60 | | | | |
| 32 | 2030-154 | 1 | LOCK,LOADER,REMOVABLE | | | | |
| 33 | 0314-032 | 4 | PLATE,LIFT,FRONT | | | | |
| 34 | 0201-477 | 2 | PIN,LOCKING,D-RING,3.00" | | | | |
| 35 | 2030-109 | 2 | WEIGHT,REAR SIDE | | | | |
| 36 | 2030-594 | 1 | DECAL LOADER LOCK | | | | |
| 37 | 0310-423 | 2 | PLUG,STEEL,3.00" | | | | |
| 38 | 8102-406 | 8 | CAPSCREW,HH,1/2-13UNCx1.75,GD8 | | | | |
| 39 | 4046-078 | 1 | DECAL CE DIESEL FUEL ONLY | | | | |
| 40 | 2030-593 | 2 | DECAL RUN OVER | | | | |



CHASSIS ASSEMBLY (Serial #: DTE 02742-Current)

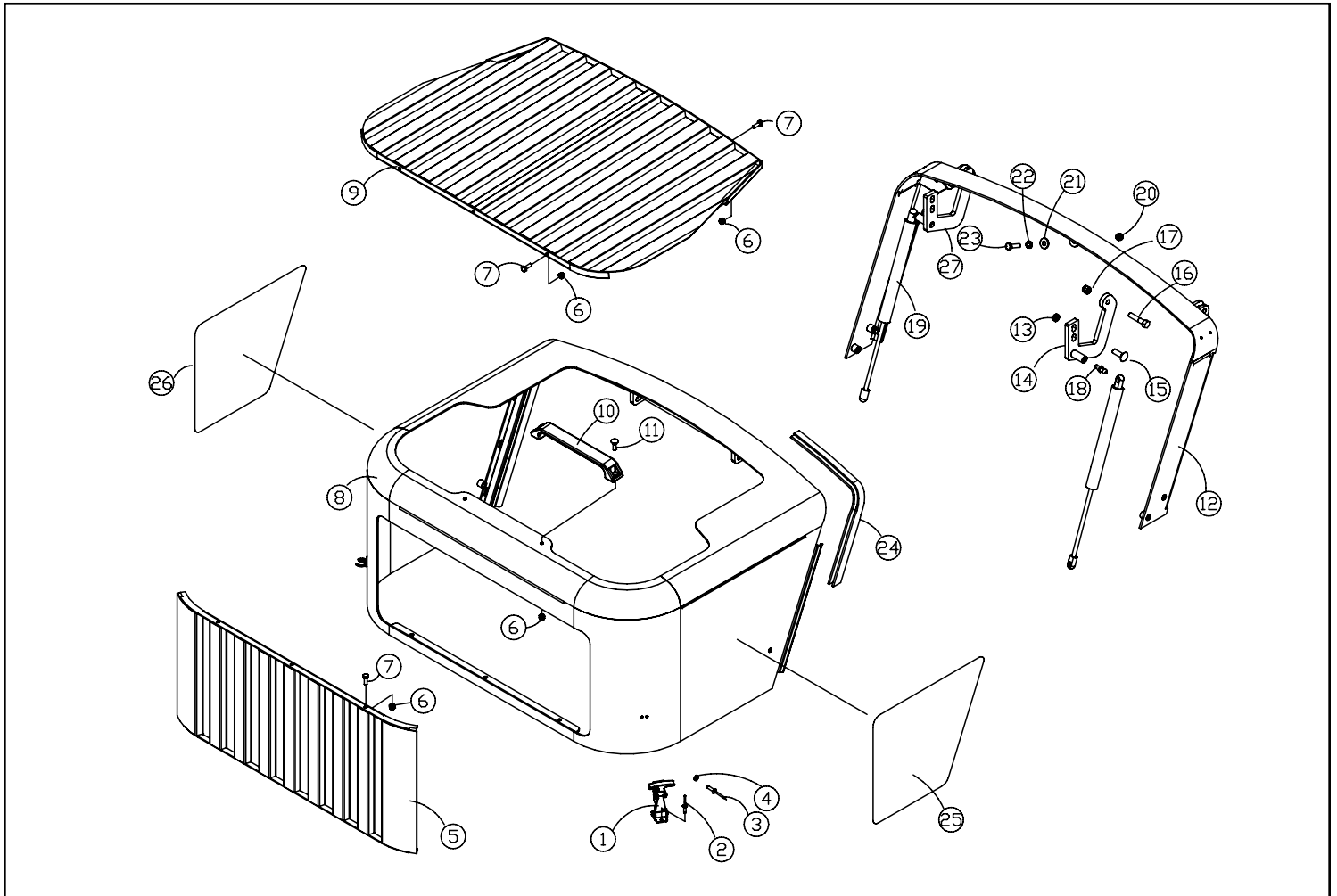
| REF. NO. | PART NUMBER | QTY. | DESCRIPTION | REF. NO. | PART NUMBER | QTY. | DESCRIPTION |
|----------|-------------|------|--------------------------------|----------|-------------|------|-------------------------------------|
| 1 | 0200-217 | 1 | MAT,FLOOR,50 SERIES. | 41 | 4046-079 | 1 | DECAL CE HYDRAULIC OIL |
| 2 | 0304-045 | 1 | SEAT | 42 | 0200-179 | 1 | PLATE,SKID,CENTER |
| 3 | 0304-248 | 1 | BELT,SEAT 2" RETRACTABLE | 43 | 2030-320 | 1 | SPRING EXTENSION 2.36" |
| 4 | 8050-222 | 5 | WASHER,WROUGHT,1/4,STD,ZN | 44 | 0090-139 | 2 | BUSHING PLASTIC .5 OD X .38 ID |
| 5 | 8102-404 | 10 | CAPSCREW,HH 1/2-13UNCx1.25 GD8 | 45 | 0090-137 | 2 | SCREW SHOULDER-HSH 5/16-18 X 1.00 |
| 6 | 8040-606 | 27 | NUT,HEX,NYLOCK,1/2-13 UNC,ZN | 46 | 8102-040 | 7 | CAPSCREW,HH,1/4-20 UNCx.75,GD8 |
| 7 | 8102-042 | 5 | CAPSCREW, HH 1/4-20UNC 1" GD8 | 47 | 0200-140 | 1 | SCREEN,BACK,CHASSIS |
| 8 | 0304-206 | 1 | WLMT,MNT,SEAT,REAR | 48 | 4046-088 | 1 | CAP FUEL YELLOW |
| 9 | 8040-486 | 4 | NUT,HEX,NYLOCK,3/8-16 UNC,ZN | 49 | 2030-320 | 1 | SPRING EXTENSION |
| 10 | 0304-201 | 1 | MNT,SEAT,FRAME | 50 | 8102-410 | 4 | CAPSCREW,HH 1/2-13UNCx2.75 GD8 |
| 11 | 8102-130 | 4 | CAPSCREW,HH 5/16-18x3/4,GR8 | 51 | 8051-212 | 10 | WASHER,SPRING LOCK,1/4,ZN |
| 12 | 0300-732 | 6 | CLAMP,HOSE,#4 | 52 | 0200-105 | 1 | PLATE,ENGINE,SURROUND |
| 13 | 0200-361 | 1 | HOSE,FUEL,3/16IDx35.00" | 53 | 0200-235 | 1 | WEIGHT,REAR |
| 14 | 0200-353 | 1 | HOSE,FUEL,5/16IDx30.00" | 54 | 0200-167 | 4 | WEIGHT |
| 15 | 0304-600 | 1 | ASSY,UNIT,SENDING,FUEL | 55 | 8102-417 | 4 | CAPSCREW,HH,1/2-13 UNCx5.5,GD8 |
| 16 | 0304-447 | 1 | HOSE,7/16X5/16POLY,1.30FT | 56 | 8050-347 | 24 | WASHER,WROUGHT,1/2,STD,ZN |
| 17 | 0301-375 | 1 | WEIGHT,IN-TANK | 57 | 0090-139 | 2 | BUSHING PLASTIC .5 OD X .38 ID |
| 18 | 0200-139 | 1 | PLATE, SKID, REAR | 58 | 0304-157 | 6 | SCREW,ORING,3/16-32x1/2,STAINL |
| 19 | 8050-262 | 30 | WASHER,WROUGHT,5/16,STD,ZN | 59 | 0304-662 | 1 | HARNESS,SWITCH,SEAT |
| 20 | 0304-509 | 1 | HOSE,FUEL,5/16x26" | 60 | 2010-127 | 1 | SWITCH,SEAT (NEW STYLE) |
| 21 | 0300-686 | 2 | CLAMP,HOSE,2.0,#32 | 61 | 0304-617 | 1 | GASKET,TANK,FUEL |
| 22 | 0304-037 | 1 | HOSE,FILL,DIESEL,FUEL | 62 | 0200-437 | 2 | PLUG,HOLE,6" |
| 23 | 2030-188 | 2 | FOAM,LOADER LOCK,15 1/2" | 63 | 0310-467 | 1 | CLAMP,WIRE,1.0 |
| 24 | 0310-197 | 4 | DECAL,TIE DOWN | 64 | 0302-537 | 1 | SCREW,SELF-TAPPING |
| 25 | 2030-592 | 2 | DECAL BOOM CRUSH PT | 65 | 2030-317 | 1 | WLMT DOOR ARM |
| 26 | 0200-135 | 1 | WLMT,TANK,FUEL | 66 | 0090-003 | 2 | NUT,WELD,HEX,5/16-18 |
| 27 | 0200-307 | 1 | PLATE,FILLER,FLOOR | 67 | 0090-138 | 2 | SCREW CAP HSFH 5/16-18 X .75 BLK ZC |
| 28 | 0200-134 | 1 | PLATE,SKID,FRONT | 68 | 2030-316 | 1 | BRACKET, FUEL DOOR |
| 29 | 8102-222 | 24 | CAPSCREW,HH,3/8-16 UNCx1.0,GD8 | 69 | 0201-066 | 2 | PLATE,BOLT |
| 30 | 8051-272 | 24 | WASHER,SPRING LOCK,3/8,ZN | 70 | 0201-483 | 4 | BOLT,PLOW,1/2-13x2.00" |
| 31 | 2030-554 | 1 | WLMT CHASSIS PT50/60 | 71 | 8102-128 | 4 | CAPSCREW,HH 5/16-18UNCx7/8 GR8 ZN |
| 32 | 2030-154 | 1 | LOCK,LOADER,REMOVABLE | 72 | 8051-242 | 4 | WASHER,SPRING LOCK,5/16,ZN |
| 33 | 0314-032 | 4 | PLATE,LIFT,FRONT | 73 | 2030-584 | 1 | FIREWALL |
| 34 | 0201-477 | 2 | PIN,LOCKING,D-RING,3.00" | | | | |
| 35 | 2030-109 | 2 | WEIGHT,REAR SIDE | | | | |
| 36 | 2030-594 | 1 | DECAL LOADER LOCK | | | | |
| 37 | 0310-423 | 2 | PLUG,STEEL,3.00" | | | | |
| 38 | 8102-406 | 8 | CAPSCREW,HH,1/2-13UNCx1.75,GD8 | | | | |
| 39 | 4046-078 | 1 | DECAL CE DIESEL FUEL ONLY | | | | |
| 40 | 2030-593 | 2 | DECAL RUN OVER | | | | |



HOOD ASSEMBLY (Serial #: DTE 02662-Current)

Section 5

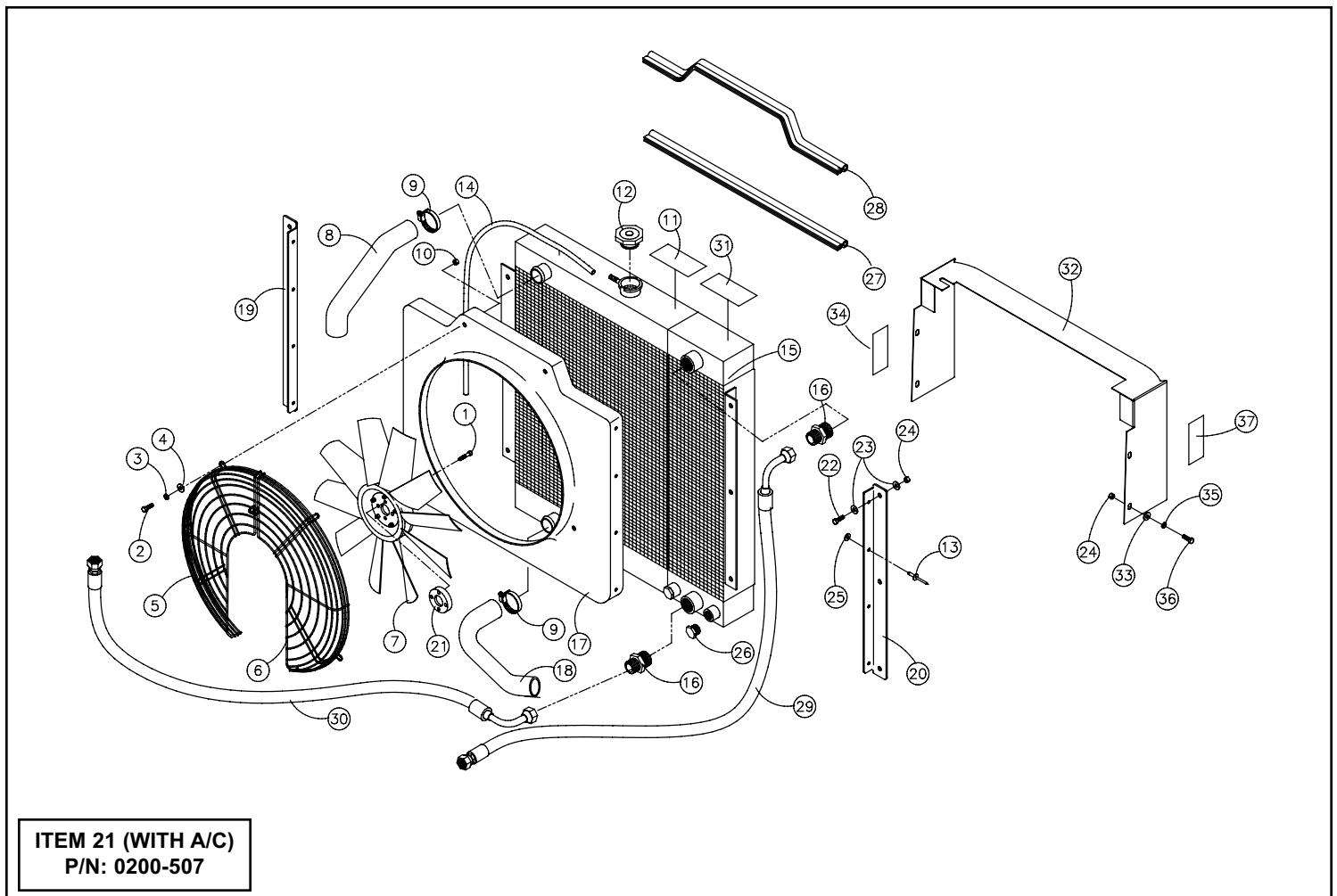
| REF. NO. | PART NUMBER | QTY. | DESCRIPTION | REF. NO. | PART NUMBER | QTY. | DESCRIPTION |
|----------|--------------|------|------------------------------------|----------|-------------|------|-------------|
| 1 | 0302-042 | 2 | LATCH,RUBBER,T-HANDLE | | | | |
| 2 | 8060-731 | 4 | RIVET,STAINLESS,3/16x.575 | | | | |
| 3 | 8060-688 | 4 | RIVET,BLIND,3/16 x .375 ABA | | | | |
| 4 | 0302-965 | 4 | WASHER,RIVET,#7 | | | | |
| 5 | 2040-057 | 1 | WLMT SCREEN REAR | | | | |
| 6 | 8040-366 | 15 | NUT,HEX,NYLOCK,1/4-20 UNC,ZN | | | | |
| 7 | 8102-040 | 13 | CAPSCREW,HH,1/4-20 UNCx.75,GD8 | | | | |
| 8 | 2030-444-wht | 1 | WLMT HOOD PT60 (WHITE) | | | | |
| 9 | 2045-284 | 1 | WLMT SCREEN TOP | | | | |
| 10 | 2045-647 | 1 | HANDLE LIFT HOOD | | | | |
| 11 | 0310-648 | 2 | SCREW,MACH,1/4-20UNCx1.25 | | | | |
| 12 | 2030-445-wht | 1 | WLMT COWL | | | | |
| 13 | 8041-500 | 4 | NUT,HEX,NYLOCK,3/8-16 UNC,THIN | | | | |
| 14 | 2030-457 | 2 | WLMT HINGE RH | | | | |
| 15 | 8011-224 | 4 | BOLT CARRAIGE 3/8-16 UNC X 1.0 ZN | | | | |
| 16 | 8102-226 | 2 | CAPSCREW,HH 3/8-16UNCx1.75 GD8 | | | | |
| 17 | 8040-486 | 2 | NUT,HEX,NYLOCK,3/8-16 UNC,ZN | | | | |
| 18 | 0304-495 | 4 | STUD,BALL,10MM STUD | | | | |
| 19 | 2040-110 | 2 | SPRING GAS 100 LB | | | | |
| 20 | 8040-426 | 5 | NUT,HEX,NYLOCK,5/16-18 UNC,ZN | | | | |
| 21 | 8050-262 | 5 | WASHER,WROUGHT,5/16,STD,ZN | | | | |
| 22 | 8051-242 | 5 | WASHER,SPRING LOCK,5/16,ZN | | | | |
| 23 | 8102-134 | 5 | CAPSCREW,HH,5/16-18UNCx1.25GD8 | | | | |
| 24 | 2040-165 | 1 | TRIM HOOD 140" | | | | |
| 25 | 2030-495 | 1 | DECAL HOOD RIGHT TEREX PT50/60/100 | | | | |
| 26 | 2030-496 | 1 | DECAL HOOD LEFT TEREX PT50/60/100 | | | | |
| 27 | 2030-458 | 2 | WLMT HINGE LH | | | | |



RADIATOR/OIL COOLER ASSEMBLY (Serial #: DTE 02662-Current)

Section 6

| REF. NO. | PART NUMBER | QTY. | DESCRIPTION | REF. NO. | PART NUMBER | QTY. | DESCRIPTION |
|----------|-------------|------|--------------------------------|----------|-------------|------|-------------|
| 1 | 0200-336 | 4 | CAPSCREW,HH,M6x1.0x40 | | | | |
| 2 | 8102-040 | 11 | CAPSCREW,HH,1/4-20 UNCx.75,GD8 | | | | |
| 3 | 8051-212 | 11 | WASHER,SPRING LOCK,1/4,ZN | | | | |
| 4 | 8050-222 | 11 | WASHER,WROUGHT,1/4,STD,ZN | | | | |
| 5 | 0200-225 | 1 | GUARD,FAN,LH | | | | |
| 6 | 0200-226 | 1 | GUARD,FAN,RH | | | | |
| 7 | 0200-103 | 1 | FAN,ENGINE,17" | | | | |
| 8 | 0304-035 | 1 | HOSE,RADIATOR, TOP | | | | |
| 9 | 0300-686 | 4 | CLAMP,HOSE,2.0,#32 | | | | |
| 10 | 8040-366 | 11 | NUT,1/4-20UNC,NYLOK | | | | |
| 11 | 2030-600 | 1 | DECAL BELT / FAN | | | | |
| 12 | 0200-358 | 1 | CAP,RADIATOR,7PSI | | | | |
| 13 | 8060-728 | 8 | RIVET,BLIND3/16X.550 1Y SSB66S | | | | |
| 14 | 0304-444 | 1 | HOSE,7/16 x 5/16 POLY,3FT | | | | |
| 15 | 0200-492 | 1 | ASSY,COOLER | | | | |
| 16 | 2030-097 | 2 | ADAPTER,FS6400-12-16-0 | | | | |
| 17 | 2030-040 | 1 | SHROUD,3024cT | | | | |
| 18 | 0304-036 | 1 | HOSE,RADIATOR,BOTTOM | | | | |
| 19 | 2030-117 | 1 | MNT,SHROUD,RH | | | | |
| 20 | 2030-116 | 1 | MNT,SHROUD,LH | | | | |
| 21 | 0200-152 | 1 | SPACER,FAN,3024C | | | | |
| 22 | 8102-224 | 6 | CAPSCREW,HH,3/8-16UNCx1.25,GD8 | | | | |
| 23 | 8050-262 | 12 | WASHER,WROUGHT,5/16,STD,ZN | | | | |
| 24 | 8040-486 | 10 | NUT,HEX,NYLOCK,3/8-16 UNC,ZN | | | | |
| 25 | 0302-965 | 8 | WASHER,RIVET,#7 | | | | |
| 26 | 0307-439 | 2 | ADAPTER,PLUG,8MB | | | | |
| 27 | 0200-360 | 1 | SEAL,SHROUD,BOTTOM | | | | |
| 28 | 0200-359 | 1 | SEAL,SHROUD, TOP | | | | |
| 29 | 2030-079 | 1 | HOSE,12G1,12FFORX90S,12FFORX,6 | | | | |
| 30 | 2030-078 | 1 | HOSE,12G1,12FFORX90S,12FFORX90 | | | | |
| 31 | 2030-595 | 1 | DECAL RADIATOR | | | | |
| 32 | 2030-278 | 1 | PLATE DAM AIR | | | | |
| 33 | 8050-282 | 8 | WASHER,WROUGHT,3/8,STD,ZN | | | | |
| 34 | 2030-601 | 1 | DECAL HOT SURFACES | | | | |
| 35 | 8051-272 | 4 | WASHER,SPRING LOCK,3/8,ZN | | | | |
| 36 | 8102-222 | 4 | CAPSCREW,HH,3/8-16 UNCx1.0,GD8 | | | | |
| 37 | 2030-603 | 1 | DECAL BATTERY EXPLOSION | | | | |

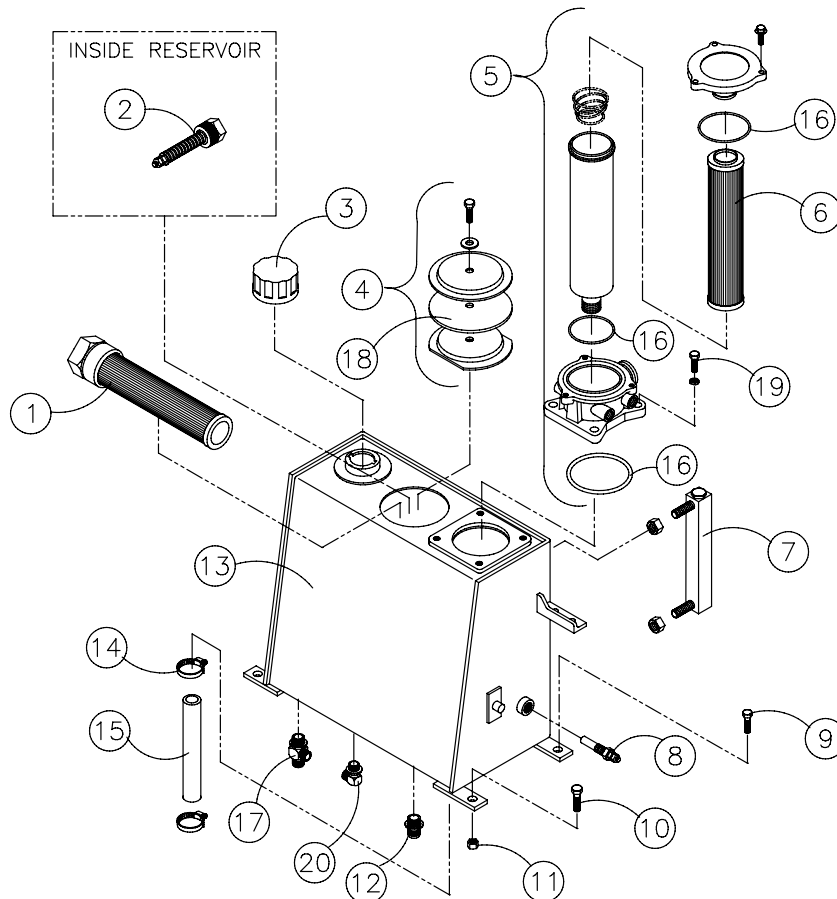


HYDRAULIC RESERVOIR ASSEMBLY (Serial #: DTE 02662-Current)

Section 7

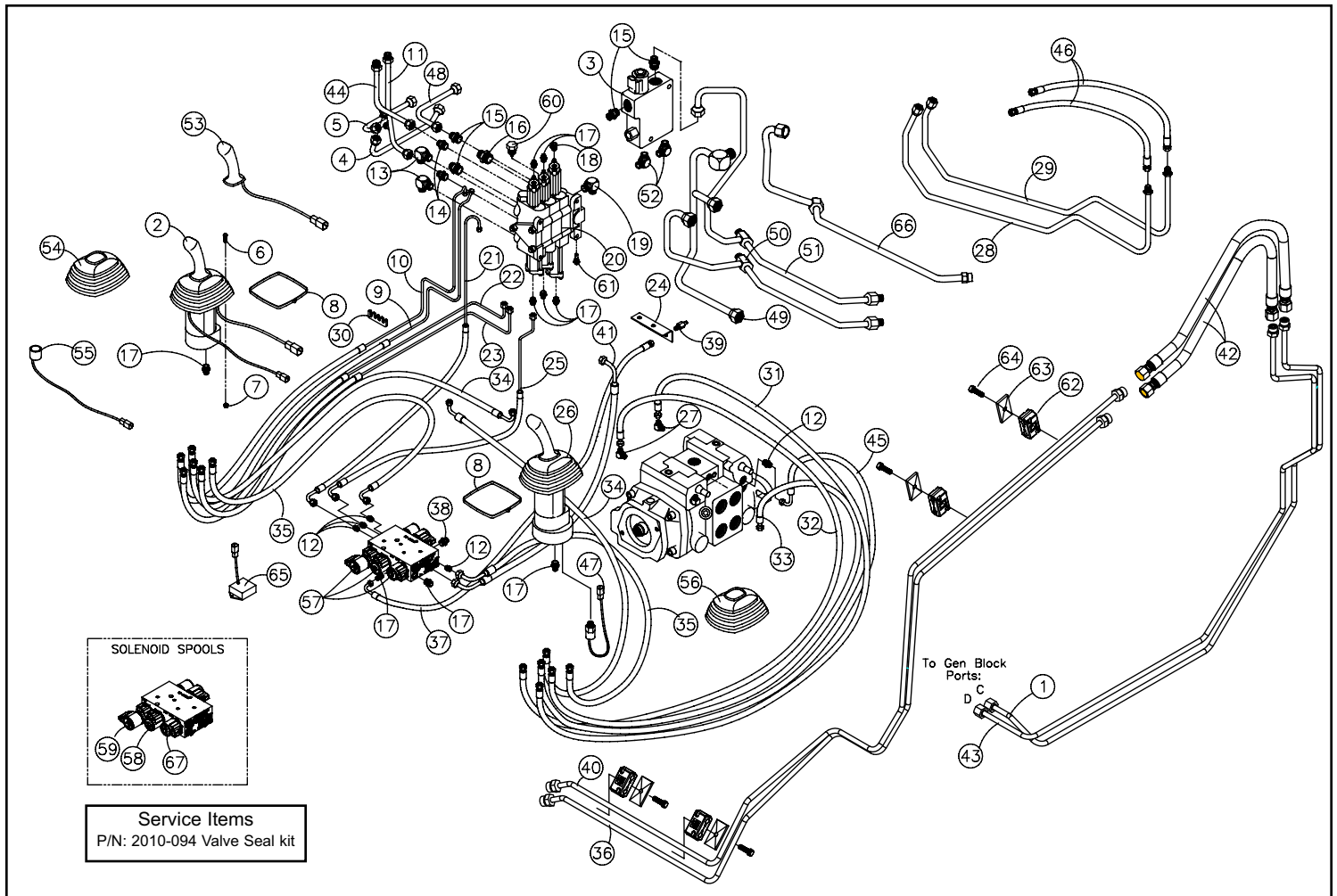
| REF. NO. | PART NUMBER | QTY. | DESCRIPTION | REF. NO. | PART NUMBER | QTY. | DESCRIPTION |
|----------|-------------|------|---------------------------------|----------|-------------|------|-------------|
| 1 | 0200-276 | 1 | SCREEN,SUCTION | | | | |
| 2 | 0304-450 | 1 | VALVE,RELIEF,RES. | | | | |
| 3 | 0304-832 | 1 | CAP,SLOSH PROOF,0 PSI | | | | |
| 4 | 0304-452 | 1 | ASSY,COVER,ACCESS | | | | |
| 5 | 0200-203 | 1 | ASSY,FILTER,HYD,4-BOLT | | | | |
| 6 | 0200-204 | 1 | ELEMENT,FILTER,MP | | | | |
| 7 | 0304-642 | 1 | GAUGE,SIGHT 5" | | | | |
| 8 | 0307-879 | 1 | SWITCH,TEMP,OIL,225^ F | | | | |
| 9 | 8102-134 | 1 | CAPSCREW,HH,5/16-18UNCx1.25GD8 | | | | |
| 10 | 8102-132 | 3 | CAPSCREW,HH,5/16-18UNCx1.0 GD8 | | | | |
| 11 | 8040-426 | 4 | NUT,HEX,NYLOCK,5/16-18 UNC,ZN | | | | |
| 12 | 0302-713 | 1 | ADAPTER,O-RING TO FLARE (4-6) | | | | |
| 13 | 2030-066 | 1 | WLMT,RESERVOIR | | | | |
| 14 | 0304-384 | 2 | CLAMP,HOSE # 16 | | | | |
| 15 | 0304-442 | 1 | HOSE,RES. | | | | |
| 16 | 0200-325 | 1 | O-RING,FILTER CAP | | | | |
| 17 | 0304-621 | 1 | ADAPTER,4MJ-6MB-4MJ | | | | |
| 18 | 0200-221 | 1 | GASKET,COVER,ACCESS | | | | |
| 19 | 8104-132 | 4 | CAPSCREW,HH 5/16-24UNF x 1 GD 8 | | | | |
| 20 | 0310-321 | 1 | ADAPTER,12MFFOR-12MB90ADAPTER | | | | |

ITEM 16 INCLUDES ALL IDENTIFIED O-RINGS



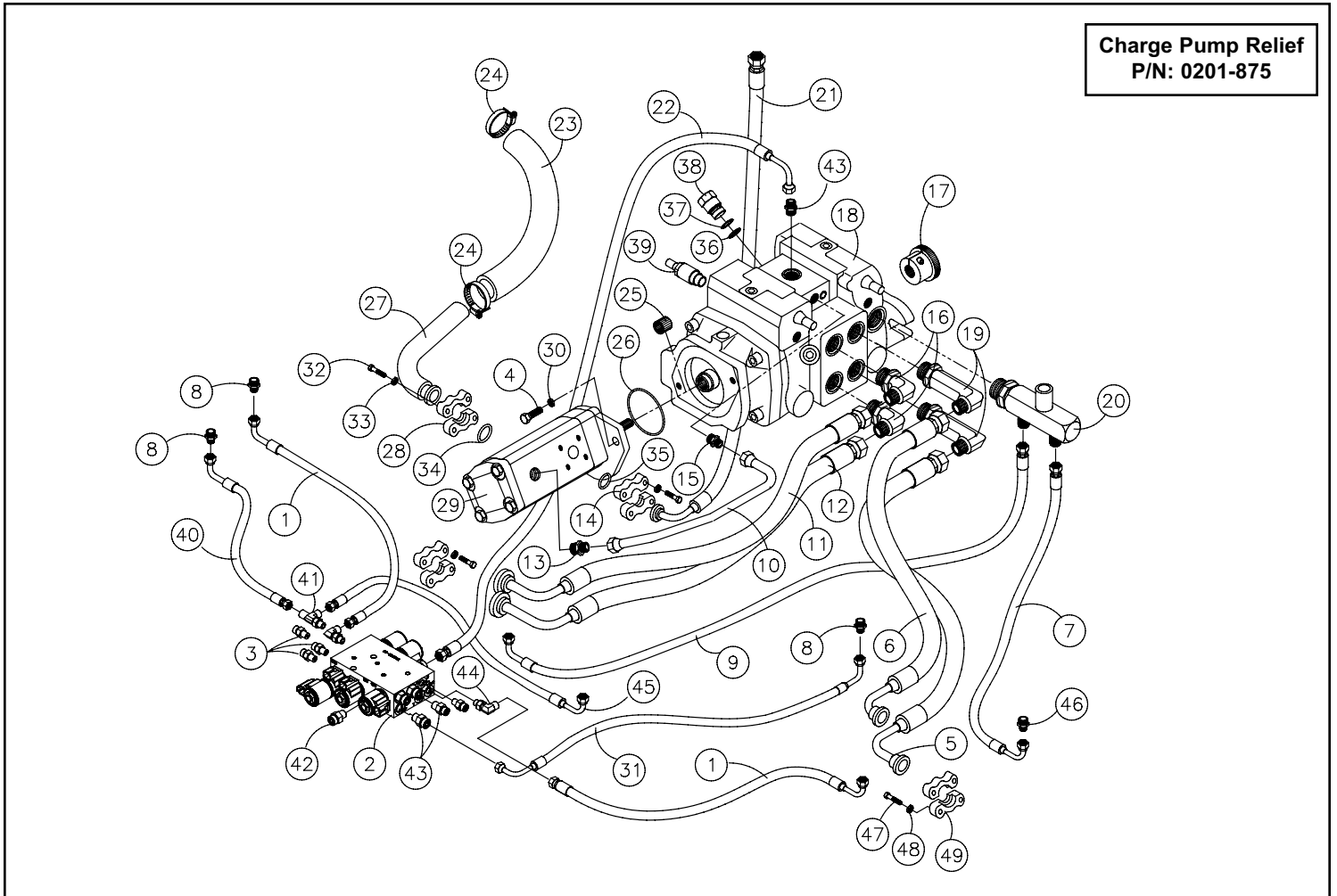
HYDRAULIC CONTROL ASSEMBLY (Serial #: DTE 02662-Current)

| REF. NO. | PART NUMBER | QTY. | DESCRIPTION | REF. NO. | PART NUMBER | QTY. | DESCRIPTION |
|----------|-------------|------|------------------------------------|----------|-------------|------|---|
| 1 | 2030-232 | 1 | TUBE QA C PORT (OPTIONAL) | 41 | 2030-036 | 1 | HOSE,4G1,4FFORX90M,6FFORX,36.0 |
| 2 | 0201-263 | 1 | ASSY,JOYSTICK,RH | 42 | 2030-227 | 2 | HOSE (OPTIONAL) |
| 3 | 0201-625 | 1 | VALVE,SELF-LEVELING | 43 | 2030-233 | 1 | TUBE QA D PORT (OPTIONAL) |
| 4 | 2030-113 | 1 | TUBE,LEVELER,FRONT | 44 | 2030-112 | 1 | TUBE,BUCKET,UPPER,LEVELER |
| 5 | 2030-111 | 1 | TUBE,LEVELER,REAR | 45 | 2030-051 | 1 | HOSE,4G1,4FFORX90S,4FFORX,41.5 |
| 6 | 8104-040 | 8 | CAPSCREW,HH 1/4-28UNFx .75 GD8 | 46 | 2030-071 | 2 | HOSE,10M4K,10FFORX,10FFORX,22. |
| 7 | 8040-396 | 8 | NUT,HEX,NYLOCK,1/4-28 UNF,ZN | 47 | 0304-441 | 1 | SWITCH,PRESSURE |
| 8 | 0307-882 | 2 | TIE,CABLE,BLACK,18.1",W/STL IN | 48 | 2030-103 | 1 | TUBE,LEVELER,TOP |
| 9 | 2030-062 | 1 | ASSY,LINE,CONTROL,UP,LOADER | 49 | 2030-118 | 1 | TUBE,RETURN,VALVE |
| 10 | 2030-059 | 1 | ASSY,LINE,CONTROL,DUMP,BUCKET | 50 | 2030-005 | 1 | TUBE,BOOM,LOWER,VALVE |
| 11 | 2030-110 | 1 | TUBE,BUCKET,LOWER,LEVELER | 51 | 2030-104 | 1 | TUBE,BOOM,LEVELER |
| 12 | 0201-311 | 8 | ADAPTER,FS6400-04-04-0 | 52 | 0201-668 | 2 | ADAPTER,FF6801-10-10NW0 |
| 13 | 0310-330 | 2 | ADAPTER,10MFFOR-8MB-90 | 53 | 0201-152 | 2 | GRIP,CONTROL |
| 14 | 0201-658 | 2 | ADAPTER,10MFFOR-8MB-S | 54 | 0201-775 | 1 | BOOT,JOYSTICK,RH |
| 15 | 0310-318 | 4 | ADAPTER,10MFFOR-10MB | 55 | 0304-516 | 1 | MAGNET,DETENT |
| 16 | 0310-313 | 1 | ADAPTER,12MFFOR-12MB | 56 | 0201-774 | 1 | BOOT,JOYSTICK,LH |
| 17 | 0201-309 | 18 | ADAPTER,FS6400-04-06-0 | 57 | 0200-364 | 6 | SOLENOID,W/DEUTSCH CONNECTOR |
| 18 | 0201-319 | 1 | ADAPTER,FS6801-04-06-NW0 | 58 | 0118-165 | 3 | SPOOL,SOLENOID,2POSITION,3WAY |
| 19 | 0310-321 | 1 | ADAPTER,12MFFOR-12MB90 | 59 | 0118-164 | 1 | SPOOL,SOLENOID,3POSITION,4WAY |
| 20 | 0304-020 | 1 | VALVE,LOADER | 60 | 0304-842 | 1 | VALVE,ANTI-VOID |
| 21 | 2030-067 | 1 | ASSY,LINE,CONTROL,TOP,AUX | 61 | 0201-557 | 1 | VALVE,RELIEF,PORT,3000PSI |
| 22 | 2030-057 | 1 | ASSY,LINE,CONTROL,DOWN,LOADER | 62 | 0201-225 | 4 | CLAMP,SET,T2038-PP (OPTIONAL) |
| 23 | 2030-055 | 1 | ASSY,LINE,CONTROL,CURL,BUCKET | 63 | 0310-584 | 4 | PLATE,COVER TCP-T2 (OPTIONAL) |
| 24 | 0200-330 | 1 | BRACKET,FILTER | 64 | 8102-134 | 4 | CAPSCREW,HH,5/16-18UNCx1.25GD8 (OPTIONAL) |
| 25 | 2030-064 | 1 | ASSY,LINE,CONTROL,BOTTOM,AUX. | 65 | 0201-323 | 1 | RELAY,LATCHING |
| 26 | 0201-264 | 1 | ASSY,JOYSTICK,LH | 66 | 2030-011 | 1 | TUBE,BOOM,UPPER,VALVE |
| 27 | 0201-314 | 3 | ADAPTER,FS6801-04-04-NW0 | 67 | 0118-168 | 1 | SPOOL,SOLENOID,2POSITION,4WAY |
| 28 | 2030-004 | 1 | TUBE,AUX,LOWER,VALVE | | | | |
| 29 | 2030-003 | 1 | TUBE,AUX,TOP,VALVE | | | | |
| 30 | 0304-395 | 2 | CLAMP,PILOT LINES | | | | |
| 31 | 2030-052 | 1 | HOSE,4G1,4FFORX90S,4FFORX,47.5 | | | | |
| 32 | 2030-050 | 1 | HOSE,4G1,4FFORX,4FFORX,51.00" | | | | |
| 33 | 2030-049 | 1 | HOSE,4G1,4FFORX,4FFORX,47.00" | | | | |
| 34 | 2030-054 | 1 | HOSE,4G1,6FFORX90S,4FFORX,48.0 | | | | |
| 35 | 2030-053 | 2 | HOSE,4G1,4FFORX90S,4FFORX,62.0 | | | | |
| 36 | 2030-222 | 1 | TUBE LOWER QUICK ATTACH (OPTIONAL) | | | | |
| 37 | 2030-048 | 1 | HOSE,4G1,4FFORX90S,4FJX,52.00" | | | | |
| 38 | 0310-329 | 3 | ADAPTER,6MFFOR-6MB | | | | |
| 39 | 0200-326 | 1 | ADAPTER,TEST PORT,#4 BLK | | | | |
| 40 | 2030-221 | 1 | TUBE UPPER QUICK ATTACH (OPTIONAL) | | | | |



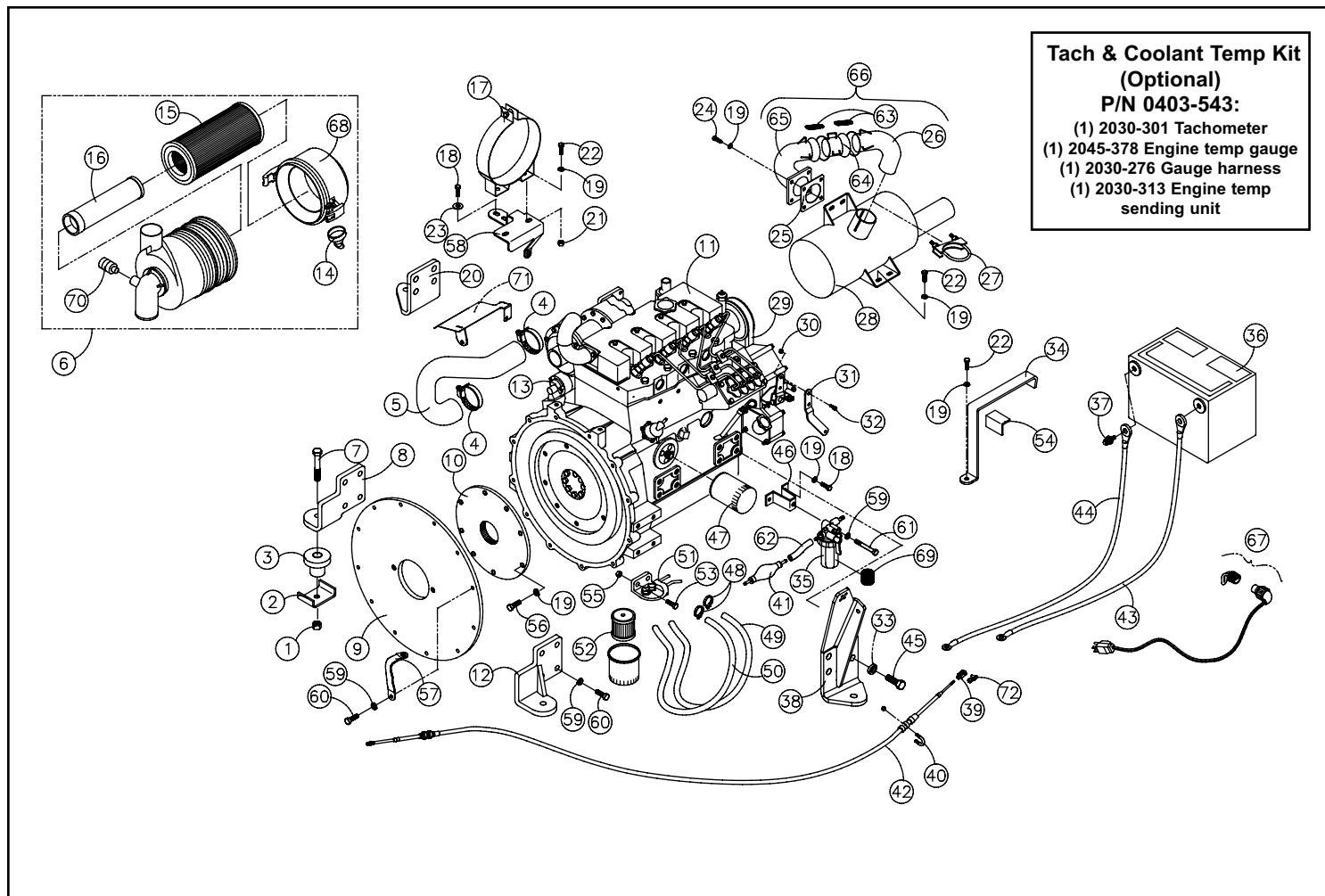
DRIVE/AUXILIARY PUMP ASSEMBLY (Serial #: DTE 02662-Current)

| REF. NO. | PART NUMBER | QTY. | DESCRIPTION | REF. NO. | PART NUMBER | QTY. | DESCRIPTION |
|----------|-------------|------|---------------------------------|----------|-------------|------|---------------------------------|
| 1 | 2030-263 | 2 | HOSE 4GI4FFORX90S4FFORX, 32.25" | 41 | 0201-634 | 1 | ADAPTER,FS6804-04-04-04-NWO-FG |
| 2 | 2030-291 | 1 | BLOCK PILOT GEN W/QA PORTS | 42 | 0201-309 | 2 | ADAPTER,FS6400-04-06-0 |
| 3 | 0201-311 | 3 | ADAPTER,FS6400-04-04-0 | 43 | 0310-329 | 4 | ADAPTER,6MFFOR-6MB |
| 4 | 8102-222 | 2 | CAPSCREW,HH,3/8-16 UNCx1.0,GD8 | 44 | 0201-314 | 2 | ADAPTER,FS6801-04-04-NW0 |
| 5 | 2030-265 | 1 | HOSE DRIVE REAR LH | 45 | 2030-266 | 1 | HOSE 4GI4FFORX454FFORX45,32.25" |
| 6 | 2030-264 | 1 | HOSE DRIVE REVERSE LH | 46 | 0310-345 | 2 | ADAPTER,8MFFOR--8MB |
| 7 | 2030-267 | 1 | HOSE 8GI8FFORX90L8FFORX, 39.5 | 47 | 0700-171 | 16 | CAPSCREW,HH,M10 x 1.5 x 45 |
| 8 | 0201-654 | 4 | ADAPTER,FS,6400,04,06,SHORT | 48 | 0700-170 | 16 | WASHER,21 x 22 x 2.5 |
| 9 | 2030-262 | 1 | HOSE 8GI8FFORX8FFORX90L, 56.0" | 49 | 0700-172 | 8 | FLANGE,HALF,12 |
| 10 | 2030-091 | 1 | TUBE,CHARGE,PRESSURE | | | | |
| 11 | 2030-259 | 1 | HOSE DRIVE REVERSE RH | | | | |
| 12 | 2030-260 | 1 | HOSE DRIVE FORWARD RH | | | | |
| 13 | 0310-314 | 1 | ADAPTER,10MFFOR-8MB | | | | |
| 14 | 0200-172 | 1 | COUPLING,SPLIT,CODE 61,0.75" | | | | |
| 15 | 0201-658 | 1 | ADAPTER,10MFFOR-8MB-S | | | | |
| 16 | 0310-321 | 2 | ADAPTER,12MFFOR-12MB90 | | | | |
| 17 | 0200-104 | 1 | HUB,PUMP DRIVE,1 1/4" x 14 TOO | | | | |
| 18 | 2045-998 | 1 | PUMP,TANDEM,TRANSMISSION | | | | |
| 19 | 0201-316 | 2 | ADAPTER,FS6801-L-12-12-NW0 | | | | |
| 20 | 2030-072 | 1 | MANIFOLD,DRAIN,CASE | | | | |
| 21 | 2030-037 | 1 | HOSE,12M4K,12FL90M,12FFORX,37. | | | | |
| 22 | 2030-047 | 1 | HOSE,6G1,6FFORX90S,6FFORX,41.5 | | | | |
| 23 | 0304-528 | 1 | HOSE,RES,1.5x9 | | | | |
| 24 | 0300-687 | 4 | CLAMP,HOSE,1.5,#24 | | | | |
| 25 | 0200-355 | 1 | ADAPTER,SPLINE | | | | |
| 26 | 0307-169 | 1 | O-RING,4.0" ID x 4-3/16" OD | | | | |
| 27 | 0200-124 | 1 | TUBE,INTAKE,RC 50 | | | | |
| 28 | 0200-171 | 1 | COUPLING,SPLIT,CODE 61,1.25" | | | | |
| 29 | 0200-119 | 1 | PUMP,HYD,AUX | | | | |
| 30 | 8051-272 | 2 | WASHER,SPRING LOCK,3/8,ZN | | | | |
| 31 | 2030-046 | 1 | HOSE,6G1,6FFORX90S,6FFORX90L,2 | | | | |
| 32 | 0310-468 | 8 | CAPSCREW,HH,M10x1.5x35,ZINC PL | | | | |
| 33 | 0301-781 | 8 | WASHER,SPLIT LOCK,10mm,ZN | | | | |
| 34 | 0310-294 | 1 | O-RING,#222,1.50x1.75x.13 | | | | |
| 35 | 0201-558 | 1 | O-RING,0.984IDx0.139CS | | | | |
| 36 | 0403-001 | 4 | O-RING VALVE RELIEF | | | | |
| 37 | 0403-002 | 4 | O-RING BACK-UP VALVE RELIEF | | | | |
| 38 | 0201-876 | 4 | VALVE,RELIEF,5500 PSI | | | | |
| 39 | 0403-100 | 1 | RELIEF POSI POWER | | | | |
| 40 | 2030-261 | 1 | HOSE RH 2-SPD | | | | |



ENGINE ASSEMBLY (Serial #: DTE 0262-Current)

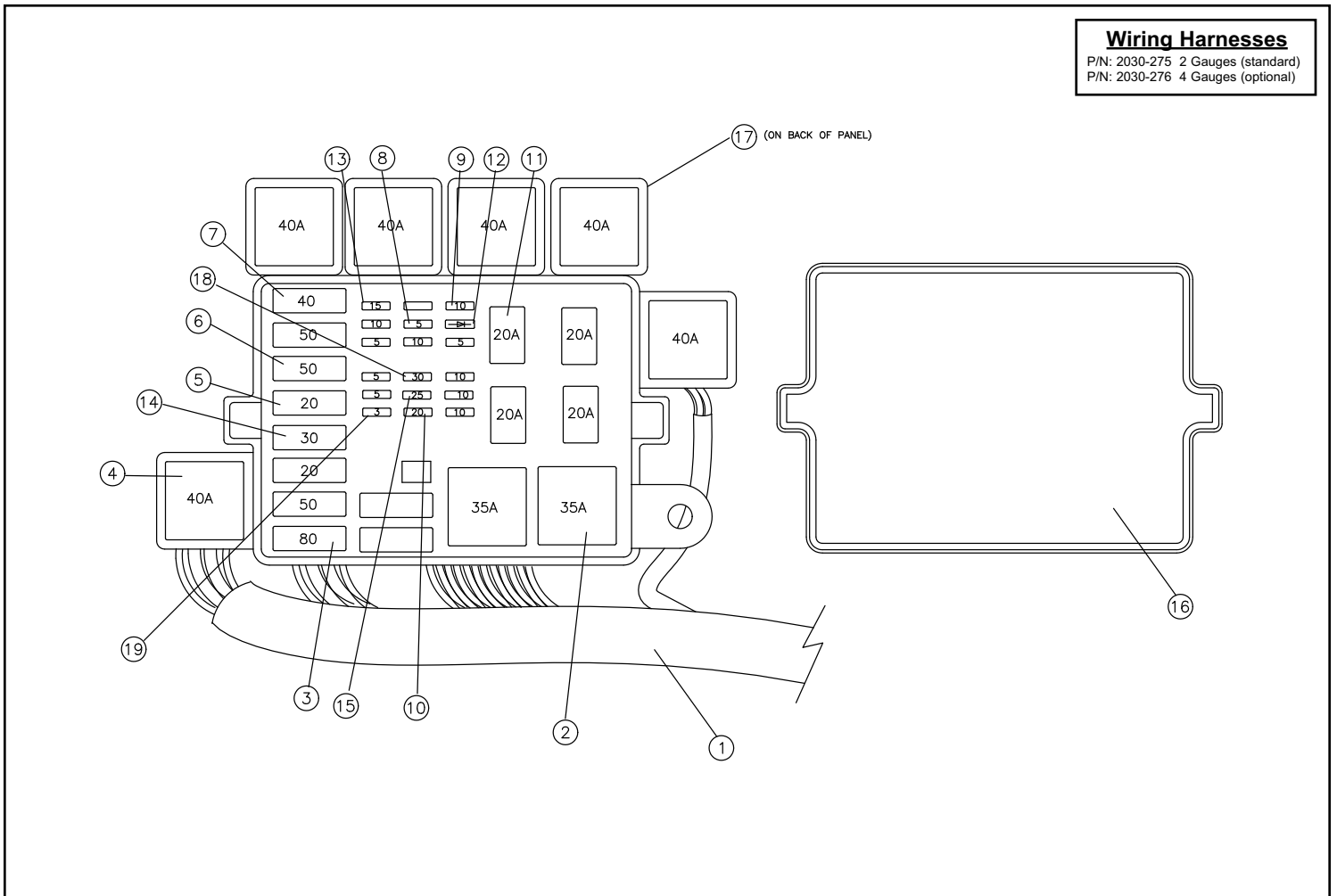
| REF. NO. | PART NUMBER | QTY. | DESCRIPTION | REF. NO. | PART NUMBER | QTY. | DESCRIPTION |
|----------|-------------|------|--------------------------------|----------|-------------|------|--|
| 1 | 8040-726 | 4 | NUT,HEX,NYLOCK,5/8-11 UNC,ZN | 41 | 0304-835 | 1 | BULB,PRIMER |
| 2 | 0304-948 | 4 | LIMITER,MNT,MOTOR | 42 | 0300-455 | 1 | CABLE,THROTTLE |
| 3 | 0300-458 | 4 | MOUNT,ENGINE,REAR | 43 | 2045-489 | 1 | CABLE,BATTERY GROUND |
| 4 | 0300-686 | 2 | CLAMP,HOSE,2.0,#32 | 44 | 0200-199 | 1 | CABLE,BATTERY,POSITIVE |
| 5 | 0200-495 | 1 | HOSE,INTAKE,3024cT | 45 | 0304-131 | 8 | CAPSCREW,HH, M14-1.5 X30MM,GD8 |
| 6 | 0200-157 | 1 | ASSY,CLEANER,AIR | 46 | 0200-178 | 1 | WLMT,BRKT,MNT,FILTER |
| 7 | 8102-591 | 4 | CAPSCREW,HH,5/8-11x3,YZ | 47 | 0200-377 | 1 | FILTER,OIL,ENGINE (PERKINS #140517050) |
| 8 | 0200-165 | 1 | WLMT,MNT,ENGINE,RH | 48 | 0300-732 | 4 | CLAMP,HOSE,#4 |
| 9 | 0304-900 | 1 | MNT,PLATE,PUMP | 49 | 0304-509 | 1 | HOSE,FUEL,5/16x26" |
| 10 | 0304-507 | 1 | PLATE,FLYWHEEL | 50 | 0304-510 | 1 | HOSE,FUEL,5/16x34" |
| 11 | 2030-329 | 1 | ENGINE PERKINS 404D-22T | 51 | 0200-215 | 1 | ASSY,FILTER,FUEL,PERKINS,404C22 |
| 12 | 0200-166 | 1 | WLMT,MNT,ENGINE,LH | 52 | 0200-213 | 1 | FILTER,FUEL,PERKINS,404C22 |
| 13 | 0200-562 | 1 | STARTER (PERKINS #185086600) | 53 | 8102-220 | 2 | CAPSCREW,HH,3/8-16x0.75",GD8 |
| 14 | 0304-503 | 1 | VALVE,DUST | 54 | 0310-501 | 1 | GUARD,BATTERY |
| 15 | 0200-339 | 1 | FILTER,AIR,PRIMARY | 55 | 8040-486 | 2 | NUT,HEX,NYLOCK,3/8-16 UNC,ZN |
| 16 | 0200-340 | 1 | FILTER,AIR,SECONDARY | 56 | 8102-132 | 8 | CAPSCREW,HH,5/16-18UNCx1.0 GD8 |
| 17 | 0200-158 | 1 | BAND,MNT,AIR CLEANER | 57 | 0300-546 | 1 | CABLE,GROUND,ENGINE |
| 18 | 0200-329 | 5 | CAPSCREW,HH,M8x1.25x16MM | 58 | 0200-159 | 1 | BRKT,MNT,AIR CLEANER |
| 19 | 8051-242 | 17 | WASHER,SPRING LOCK,5/16,ZN | 59 | 8051-272 | 21 | WASHER,SPRING LOCK,3/8,ZN |
| 20 | 0200-034 | 1 | MNT,ENGINE,REAR,RH | 60 | 8102-222 | 20 | CAPSCREW,HH,3/8-16 UNCx1.0,GD8 |
| 21 | 8040-426 | 2 | NUT,HEX,NYLOCK,5/16-18 UNC,ZN | 61 | 8102-138 | 1 | CAPSCREW,HH,5/16-18 X 2.25 GD8 |
| 22 | 8102-130 | 2 | CAPSCREW,HH 5/16-18x3/4,GR8 | 62 | 0304-351 | 1 | CHANNEL,TREAD,LOADER RC-30 |
| 23 | 8050-247 | 2 | WASHER,WROUGHT,5/16,SAE,ZN | 63 | 0200-335 | 6 | SPRING,TAILPIPE |
| 24 | 0300-211 | 4 | CAPSCREW,M8 x 1.25 x 25MM LG | 64 | 0200-333 | 1 | TAILPIPE,CENTER |
| 25 | 0304-511 | 1 | GASKET,MUFFLER | 65 | 2030-148 | 1 | PIPE,EXHAUST,FLANGE END |
| 26 | 2030-149 | 1 | PIPE,EXHAUST,MUFFLER END | 66 | 2030-100 | 1 | ASSY,PIPE,EXHAUST,3024cT |
| 27 | 0300-263 | 1 | CLAMP,MUFFLER,2" | 67 | 0304-549 | 1 | HEATER,BLOCK |
| 28 | 0200-122 | 1 | MUFFLER PT60 | 68 | 0200-560 | 1 | CAP,AIR CLEANER |
| 29 | 2030-632 | 1 | BELT FAN | 69 | 0200-617 | 1 | SCREEN,FILTER,WATER |
| 30 | 8040-246 | 2 | NUT,HEX,NYLOCK,10-24 UNC,ZN | 70 | 0200-313 | 1 | INDICATOR,AIRCLEANER |
| 31 | 0304-078 | 1 | LEVER,THROTTLE | 71 | 2030-279 | 1 | GUARD,RAIN, STARTER |
| 32 | 8105-429 | 2 | CAPSCREW,SOC HD,10-24X5/8,BLZN | 72 | 0403-642 | 2 | PIN CLIP |
| 33 | 0304-839 | 8 | WASHER,SPRING LOCK,14MM | | | | |
| 34 | 0200-246 | 1 | STRAP,HOLD-DOWN,BATTERY | | | | |
| 35 | 0200-338 | 1 | ASSY,FILTER,WATER | | | | |
| 36 | 0200-160 | 1 | BATTERY,50 SERIES | | | | |
| 37 | 0304-335 | 2 | BOLT,BATTERY,SIDEMOUNT | | | | |
| 38 | 2030-433 | 1 | WLMT,MNT,ENGINE,LH,REAR | | | | |
| 39 | 0403-641 | 2 | CLEVIS (THROTTLE CABLE) | | | | |
| 40 | 0300-581 | 1 | W/NUTS,U-BOLT,1/4-20 | | | | |



FUSE PANEL ASSEMBLY (Serial #: DTE 02662-Current)

Section 11

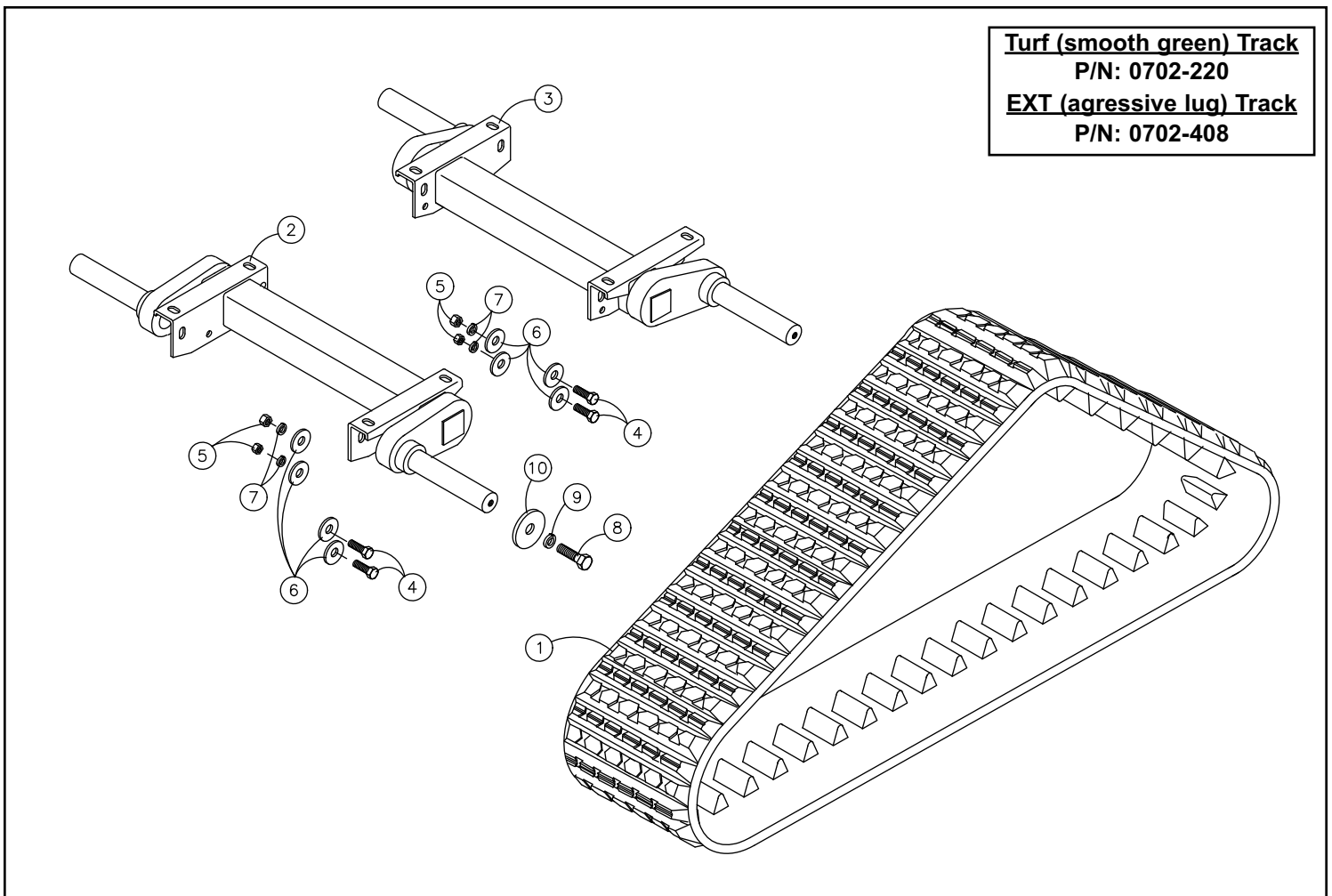
| REF. NO. | PART NUMBER | QTY. | DESCRIPTION | REF. NO. | PART NUMBER | QTY. | DESCRIPTION |
|----------|-------------|------|--------------------------------|----------|-------------|------|-------------|
| 1 | 2030-273 | 1 | HARNESS,W/FUSE PANEL | | | | |
| 2 | 0310-807 | 2 | RELAY,MINI, 35 AMP | | | | |
| 3 | 0310-805 | 1 | FUSE,MAXI, 80 AMP | | | | |
| 4 | 0304-519 | 6 | RELAY,PLUG,GLOW | | | | |
| 5 | 0310-800 | 1 | FUSE,MAXI,20 AMP | | | | |
| 6 | 0310-803 | 2 | FUSE,MAXI, 50 AMP | | | | |
| 7 | 0310-802 | 2 | FUSE,MAXI, 40 AMP | | | | |
| 8 | 0310-794 | 5 | FUSE,MINI, 5 AMP | | | | |
| 9 | 0310-795 | 6 | FUSE,MINI,10 AMP | | | | |
| 10 | 0310-797 | 2 | FUSE,MINI,20 AMP | | | | |
| 11 | 0310-806 | 4 | RELAY,MICRO, 20 AMP | | | | |
| 12 | 0310-811 | 1 | DIODE, 3 AMP | | | | |
| 13 | 0310-796 | 1 | FUSE,MINI,15 AMP | | | | |
| 14 | 0310-801 | 1 | FUSE,MAXI, 30 AMP | | | | |
| 15 | 0310-798 | 1 | FUSE,MINI,25 AMP | | | | |
| 16 | 2030-196 | 1 | COVER,PANEL,FUSE,W/DECALS,RC60 | | | | |
| 17 | 0200-510 | 1 | RESISTOR,330HM/3WATT,OHMITE43F | | | | |
| 18 | 0310-799 | 1 | FUSE,MINI, 30 AMP | | | | |
| 19 | 0310-793 | 1 | FUSE,MINI,2 AMP | | | | |
| | | | | | | | |
| | | | | | | | |
| | | | | | | | |
| | | | | | | | |



TORSION AXLE ASSEMBLY (Serial #: DTE 02662-Current)

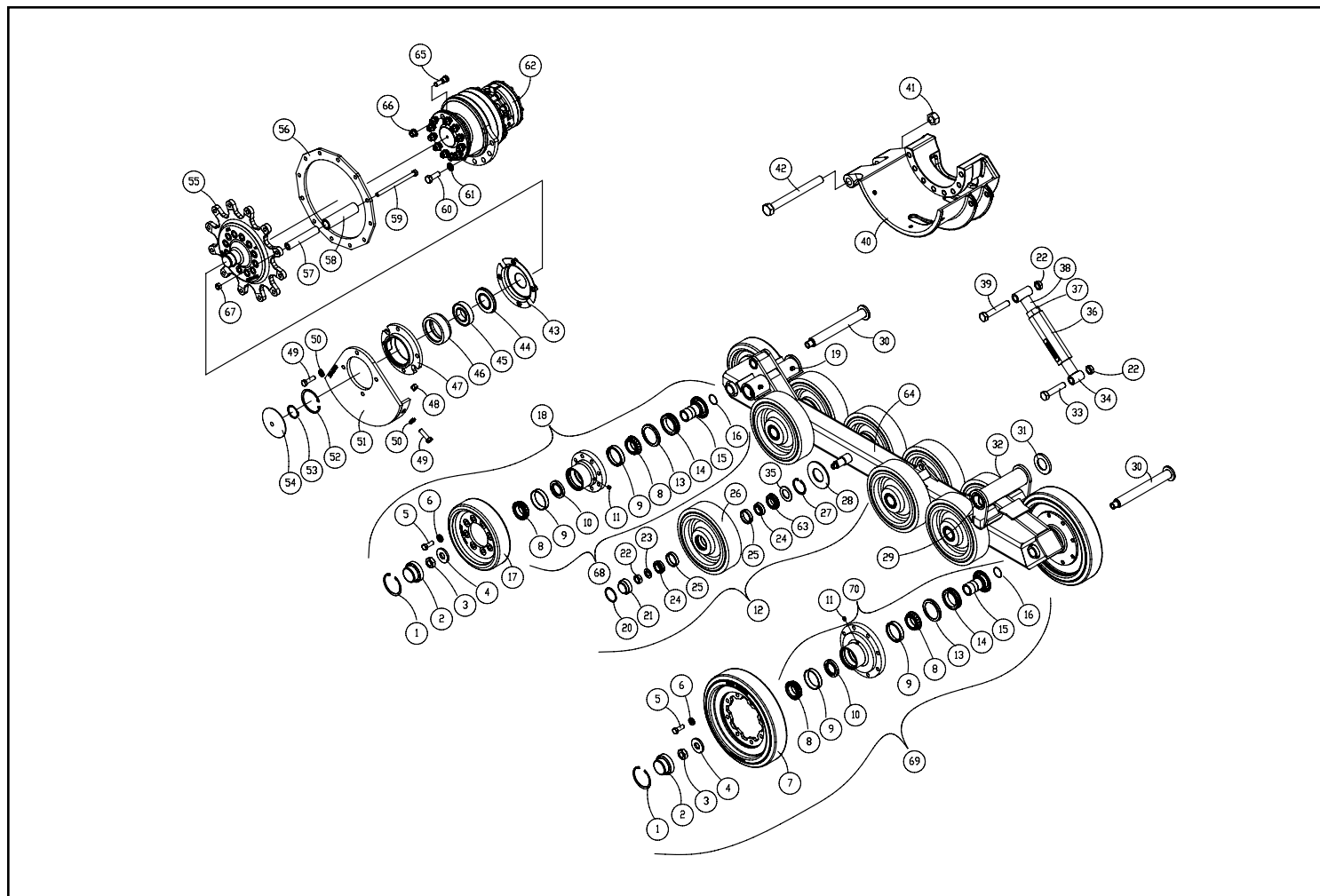
Section 12

| REF. NO. | PART NUMBER | QTY. | DESCRIPTION | REF. NO. | PART NUMBER | QTY. | DESCRIPTION |
|----------|-------------|------|-------------------------------|----------|-------------|------|-------------|
| 1 | 0702-377 | 2 | TRACK,15 x 165.9 | | | | |
| 2 | 2030-204 | 1 | AXLE,TORSION,FRONT | | | | |
| 3 | 2030-205 | 1 | AXLE,TORSION,REAR | | | | |
| 4 | 8102-586 | 16 | CAPSCREW,HH,5/8-11X1.75ZN,GD8 | | | | |
| 5 | 8040-726 | 16 | NUT,HEX,NYLOCK,5/8-11 UNC,ZN | | | | |
| 6 | 8050-408 | 32 | WASHER,FLAT,5/8,THICK | | | | |
| 7 | 8051-431 | 16 | WASHER,SPRING LOCK,5/8,ZN | | | | |
| 8 | 0200-341 | 4 | CAPSCREW,HH,3/4-16x2.25,GD8 | | | | |
| 9 | 8051-440 | 4 | WASHER,SPRING LOCK,3/4,ZN | | | | |
| 10 | 0200-287 | 4 | WASHER,1/2"THICK | | | | |
| | | | | | | | |
| | | | | | | | |
| | | | | | | | |
| | | | | | | | |
| | | | | | | | |
| | | | | | | | |
| | | | | | | | |



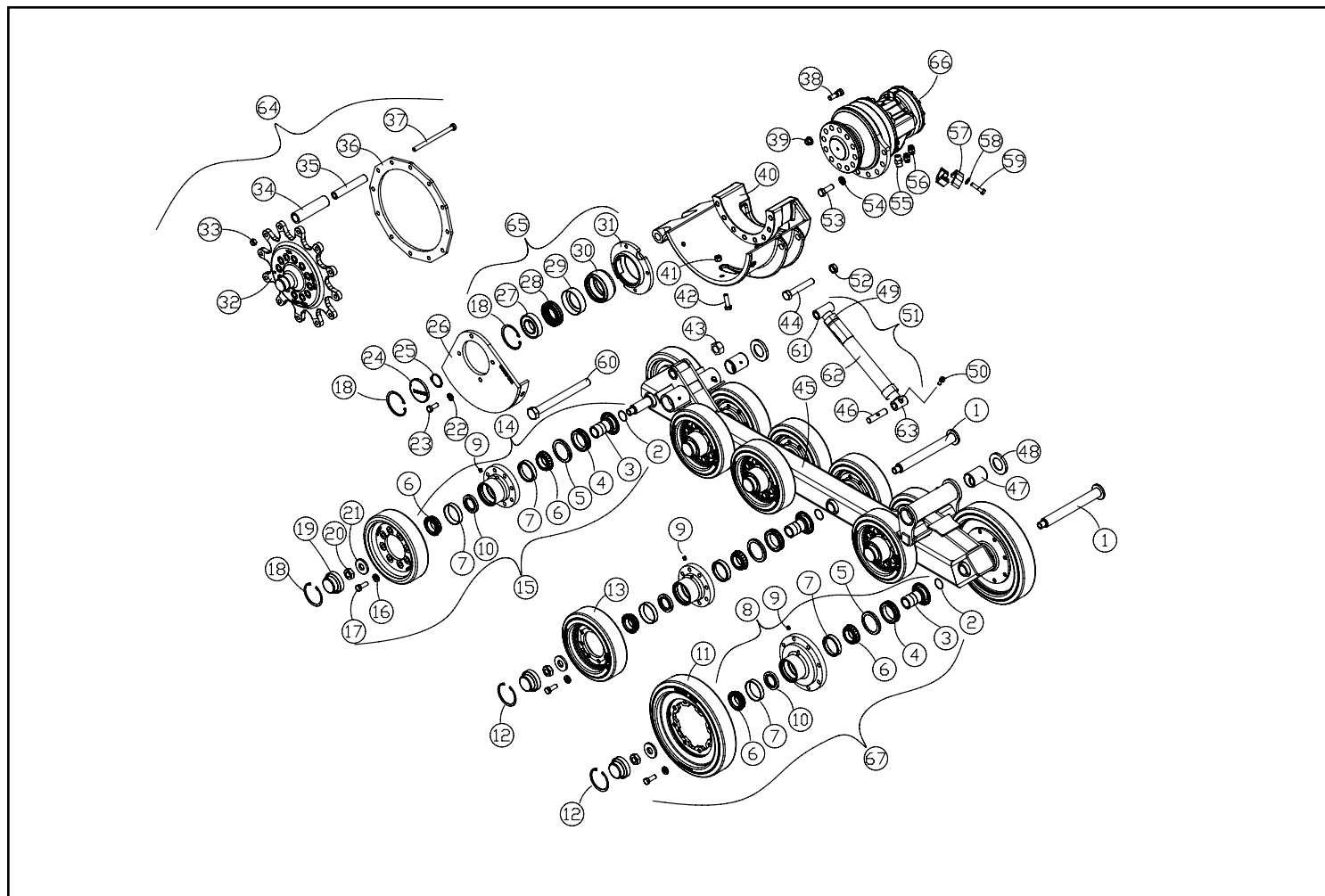
UNDERCARRIAGE ASSEMBLY RT (Serial #: DTE 02662-02705)

| REF. NO. | PART NUMBER | QTY. | DESCRIPTION | REF. NO. | PART NUMBER | QTY. | DESCRIPTION |
|----------|-------------|------|---|----------|-------------|------|--------------------------------|
| 1 | 0702-371 | 4 | SNAP RING .093 x .3,25 | 41 | 8043-806 | 1 | NUT,HEX,1-8 UNC,STEEL LOCK,ZN |
| 2 | 0702-365 | 4 | CAP HUB RUBBER BONDED | 42 | 8102-890 | 1 | CAPSCREW,HH,1.0 x 8UNC x 10.0, |
| 3 | 2035-595 | 4 | NUT HEX JAM LOCKING 7/8-9 UNC | 43 | 0314-304 | 1 | WLMT,GUARD,SEAL |
| 4 | 0702-364 | 4 | WASHER HARD .25 x 2.125 x .935 | 44 | 0303-217 | 1 | SEAL,AP5,50x90x11.4 |
| 5 | 2035-659 | 32 | CAPSCREW HH 1/2-13 x 1.375 GR8 | 45 | 0307-039 | 1 | BEARING (62092RS) |
| 6 | 0090-136 | 32 | WASHER HARD 1.0 X .531 X .197 | 46 | 0700-143 | 1 | HOUSING,SEAL,BEARING |
| 7 | 0702-264 | 2 | WHEEL 14" W/PLATE | 47 | 0307-037 | 1 | FLANGE,BEARING |
| 8 | 0702-363 | 8 | BEARING CONE | 48 | 8040-606 | 3 | NUT,HEX,NYLOCK,1/2-13 UNC,ZN |
| 9 | 0702-362 | 8 | BEARING CUP | 49 | 8102-406 | 7 | CAPSCREW,HH,1/2-13UNCx1.75,GD8 |
| 10 | 0702-368 | 4 | SEAL LIP | 50 | 8051-332 | 7 | WASHER,SPRING LOCK,1/2,ZN |
| 11 | 2035-479 | 1 | PLUG 1/8" NPT HEX CS | 51 | 0702-024 | 1 | WLMT,PLATE,BEARING |
| 12 | 0702-253 | 8 | ASSY, WHEEL 10" | 52 | 0700-144 | 1 | RING,SNAP,INT,85mm |
| 13 | 2035-391 | 4 | RETAINER INNER 53MM | 53 | 0700-145 | 1 | RING,SNAP,EXT,45mm |
| 14 | 2035-438 | 4 | SEAL EKK | 54 | 0307-074 | 1 | PLUG,HOUSING,BEARING |
| 15 | 0702-367 | 4 | WLMT RETAINER 53MM | 55 | 0702-230 | 1 | SPROCKET,CAST,MACHINED |
| 16 | 2035-596 | 4 | O-RING 1/16 x 1.375 x 1.5 NITRILE, -028 | 56 | 0702-048 | 1 | RING,SPROCKET,ALPHA |
| 17 | 2035-652 | 2 | WHEEL 10" MACHINED 8 BOLT | 57 | 0200-004 | 12 | TUBE,INNER |
| 18 | 0702-434 | 2 | ASSY, WHEEL 10" | 58 | 0200-003 | 12 | TUBE,COVER |
| 19 | 0302-435 | 2 | FITTING,GREASE,1/8 NPT,90D | 59 | 8102-423 | 12 | CAPSCREW,HH,1/2-13UNCx7.25,GD8 |
| 20 | 0702-141 | 8 | RING,RETAINING,INTERNAL | 60 | 8102-586 | 8 | CAPSCREW,HH,5/8-11X1.75ZN,GD8 |
| 21 | 0702-132 | 8 | CAP,WHEEL | 61 | 8051-431 | 8 | WASHER,SPRING LOCK,5/8,ZN |
| 22 | 0304-722 | 10 | NUT,HEX,JAM,LOCKING,3/4-10UNC, | 62 | 2051-165 | 1 | MOTOR DRIVE HYD 2-SPEED |
| 23 | 0702-155 | 8 | WASHER,BEARING | 63 | 0303-141 | 8 | SEAL,APY,1.250x2.062x.450 |
| 24 | 0702-075 | 16 | BEARING,CONE | 64 | 2030-296 | 1 | WLMT RAIL RC60 |
| 25 | 0702-076 | 16 | BEARING,CUP | 65 | 0210-001 | 12 | STUD,WHEEL,M14x1.5 174862 |
| 26 | 0702-057 | 8 | WHEEL,10" | 66 | 0200-282 | 12 | NUT,FLANGE,M14x1.5 |
| 27 | 0304-118 | 8 | SNAP,RING | 67 | 0700-124 | 12 | NUT,TOPLock,1/2-13UNC,ZN,GD8 |
| 28 | 0200-331 | 8 | WASHER,4.05x2.1875x0.188 | 68 | 0702-360 | 2 | ASSY, HUB 10" |
| 29 | 2035-214 | 4 | BUSHING,SPRING,1.75x2.00x2.50 | 69 | 0702-374 | 2 | ASSY, WHEEL 14" |
| 30 | 0702-317 | 2 | WLMT AXLE WHEEL | 70 | 0702-369 | 2 | ASSY, HUB 14" |
| 31 | 0702-060 | 2 | SPACER,AXLE | | | | |
| 32 | 0300-946 | 2 | FITTING,GREASE,1/8 NPT | | | | |
| 33 | 8102-683 | 1 | CAPSCREW,HH,3/4-10UNCx3.5 GD 8 | | | | |
| 34 | 0702-117 | 1 | WLMT,ROD,LH | | | | |
| 35 | 0304-117 | 8 | GUARD,BEARING | | | | |
| 36 | 0304-957 | 1 | TENSIONER,TRACK | | | | |
| 37 | 0304-077 | 1 | NUT,HEX,JAM,1 1/4 - 7,RH | | | | |
| 38 | 0702-118 | 1 | WLMT,ROD,RH | | | | |
| 39 | 8102-685 | 1 | CAPSCREW,HH 3/4-10UNCx 4.5 GD8 | | | | |
| 40 | 0702-227 | 1 | TABLE,MACHINED,RH | | | | |



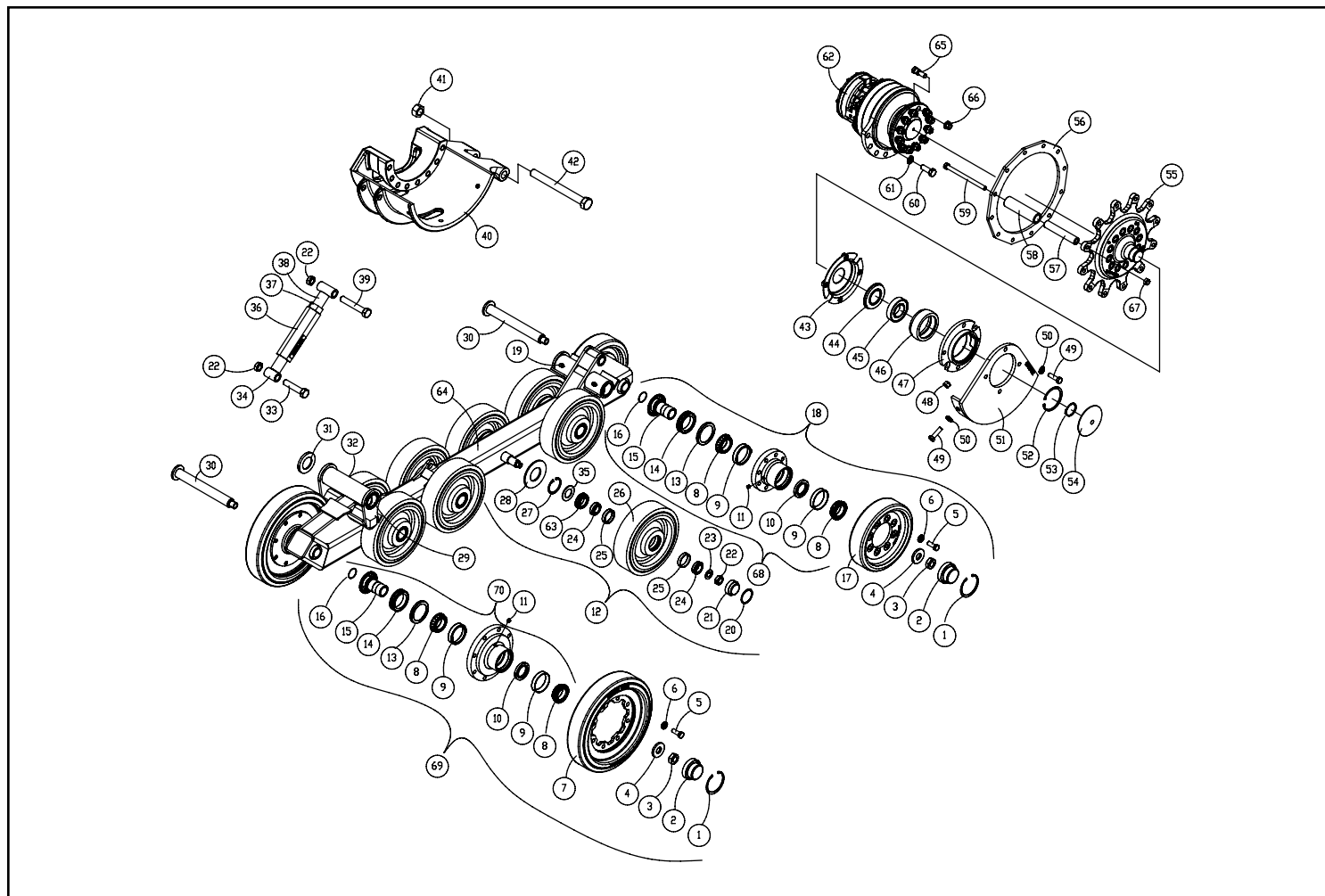
UNDERCARRIAGE ASSEMBLY RT (Serial #: DTE 02706-Current)

| REF. NO. | PART NUMBER | QTY. | DESCRIPTION | REF. NO. | PART NUMBER | QTY. | DESCRIPTION |
|----------|-------------|------|---|----------|-------------|------|--------------------------------|
| 1 | 0702-317 | 6 | WLMT AXLE WHEEL | 41 | 8040-606 | 3 | NUT,HEX,NYLOCK,1/2-13 UNC,ZN |
| 2 | 2035-596 | 12 | O-RING 1/16 x 1.375 x 1.5 NITRILE, -028 | 42 | 8102-406 | 3 | CAPSCREW,HH,1/2-13UNCx1.75,GD8 |
| 3 | 0702-367 | 12 | WLMT RETAINER 53MM | 43 | 8043-806 | 1 | NUT,HEX,1-8 UNC,STEEL LOCK,ZN |
| 4 | 2035-438 | 12 | SEAL EKK | 44 | 8102-685 | 1 | CAPSCREW,HH 3/4-10UNCx 4.5 GD8 |
| 5 | 2035-391 | 12 | RETAINER INNER 53MM | 45 | 0702-308 | 1 | WLMT RAIL ALPHA B SERIES 2 |
| 6 | 0702-363 | 24 | BEARING CONE | 46 | 2035-308 | 1 | PIN,TENSIONER,THREADED |
| 7 | 0702-362 | 24 | BEARING CUP | 47 | 2035-214 | 4 | BUSHING,SPRING,1.75x2.00x2.50 |
| 8 | 0702-369 | 2 | ASSY, HUB 14" | 48 | 0702-060 | 2 | SPACER,AXLE |
| 9 | 2035-479 | 12 | PLUG 1/8" NPT HEX CS | 49 | 0304-077 | 1 | NUT,HEX,JAM,1 1/4 - 7,RH |
| 10 | 0702-368 | 12 | SEAL LIP | 50 | 2035-471 | 1 | CAPSCREW SOC HD 3/8-16 x 1 |
| 11 | 0702-264 | 2 | WHEEL 14" W/PLATE | 51 | 0702-401 | 1 | ASSY TURNBUCKLE ALPHA |
| 12 | 0702-371 | 10 | SNAP RING .093 x .3.25 | 52 | 0304-722 | 1 | NUT,HEX,JAM,LOCKING,3/4-10UNC, |
| 13 | 2035-644 | 10 | WHEEL 10" ALPHA BOLT ON | 53 | 8102-586 | 12 | CAPSCREW,HH,5/8-11X1.75ZN,GD8 |
| 14 | 0702-360 | 10 | ASSY, HUB 10" | 54 | 8051-431 | 12 | WASHER,SPRING LOCK,5/8,ZN |
| 15 | 0702-373 | 10 | WHEEL 10" MACHINED 8 BOLT | 55 | 0310-345 | 1 | ADAPTER,8MFFOR-8MB |
| 16 | 0090-136 | 96 | WASHER HARD 1.0 X .531 X .197 | 56 | 0201-654 | 2 | ADAPTER,FS,6400,04,06,SHORT |
| 17 | 2035-659 | 96 | CAPSCREW HH 1/2-13 x 1.375 GR8 | 57 | 0700-172 | 4 | FLANGE,HALF,12 |
| 18 | 0700-144 | 4 | RING,SNAP,INT,85mm | 58 | 0700-170 | 8 | WASHER,21 x 22 x 2.5 |
| 19 | 0702-365 | 12 | CAP HUB RUBBER BONDED | 59 | 0700-171 | 8 | CAPSCREW,HH,M10 x 1.5 x 45 |
| 20 | 2035-595 | 12 | NUT HEX JAM LOCKING 7/8-9 UNC | 60 | 8102-890 | 1 | CAPSCREW,HH,1.0 x 8UNC x 10.0, |
| 21 | 0702-364 | 12 | WASHER HARD .25 x 2.125 x .935 | 61 | 0702-402 | 1 | WLMT ROD RH |
| 22 | 8051-332 | 4 | WASHER,SPRING LOCK,1/2,ZN | 62 | 0702-405 | 1 | WLMT TENSIONER OPEN |
| 23 | 8102-404 | 4 | CAPSCREW,HH 1/2-13UNCx1.25 GD8 | 63 | 2035-533 | 1 | WLMT ROD TOP ALPHA |
| 24 | 0702-294 | 1 | END CAP 3.346 x .295 | 64 | 0702-196 | 1 | ASSY,SPROCKET ALPHA/RC60/RC50 |
| 25 | 0700-145 | 1 | RING,SNAP,EXT,45mm | 65 | 0403-674 | 1 | ASSY HSG BEARING |
| 26 | 0702-024 | 1 | WLMT,PLATE,BEARING | 66 | 2051-165 | 1 | MOTOR DRIVE HYD 2-SPEED |
| 27 | 0702-324 | 1 | BEARING (6209) | 67 | 0702-374 | 2 | ASSY WHEEL 14" RUBBER |
| 28 | 2035-134 | 1 | SEAL 1.975 x 3.370 x .763 | | | | |
| 29 | 0702-295 | 1 | RETAINER SEAL | | | | |
| 30 | 0702-293 | 1 | HOUSING BEARING | | | | |
| 31 | 0702-292 | 1 | FLANGE BEARING | | | | |
| 32 | 0702-230 | 1 | SPROCKET,CAST,MACHINED | | | | |
| 33 | 0700-124 | 12 | NUT,TOPLock,1/2-13UNC,ZN,GD8 | | | | |
| 34 | 0200-003 | 12 | TUBE,COVER | | | | |
| 35 | 0200-004 | 12 | TUBE,INNER | | | | |
| 36 | 0702-048 | 1 | RING,SPROCKET,ALPHA | | | | |
| 37 | 8102-423 | 12 | CAPSCREW,HH,1/2-13UNCx7.25,GD8 | | | | |
| 38 | 0702-008 | 12 | MOTOR,HYD | | | | |
| 39 | 0200-282 | 12 | NUT,FLANGE,M14x1.5 | | | | |
| 40 | 0702-227 | 1 | TABLE,MACHINED,RH | | | | |



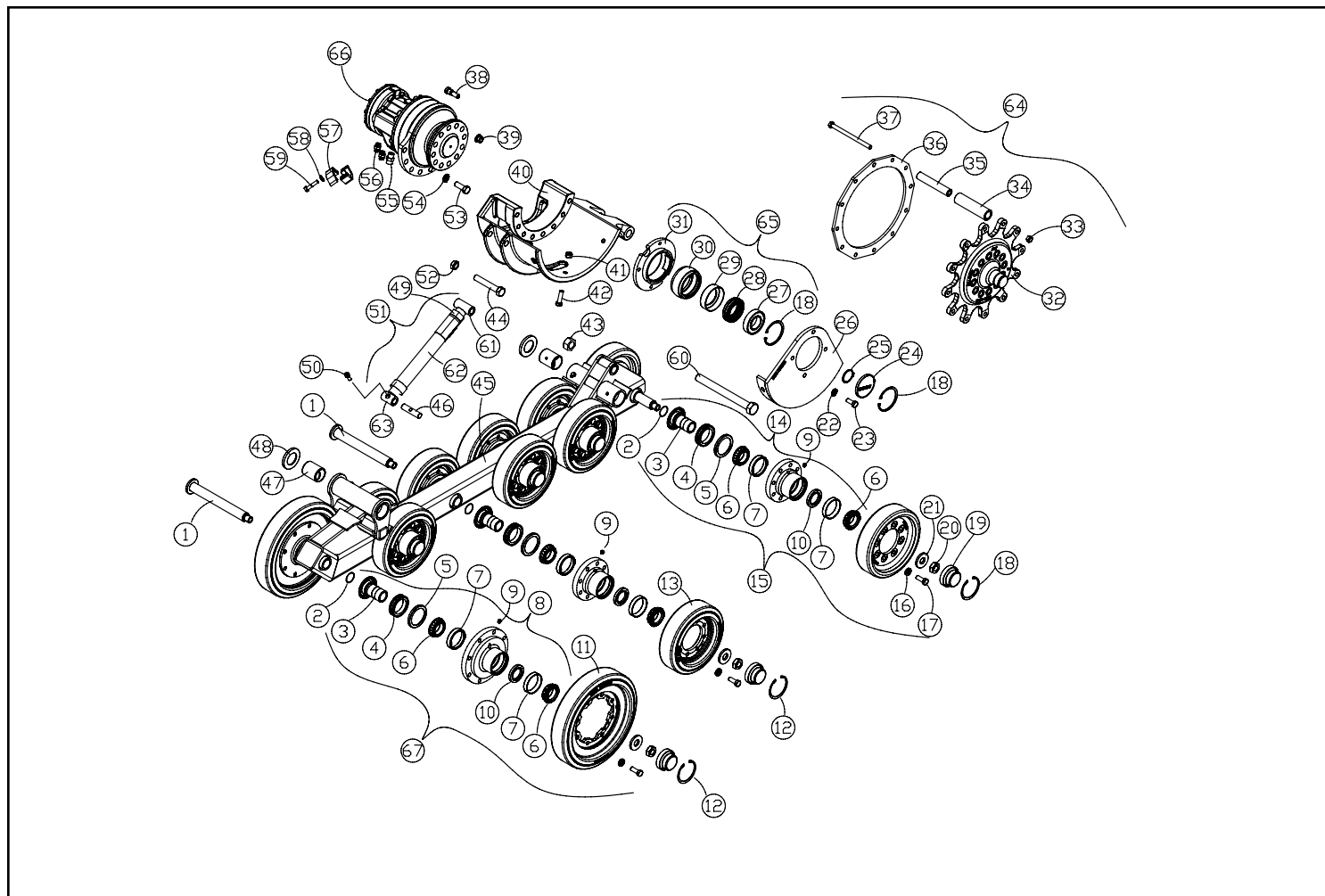
UNDERCARRIAGE ASSEMBLY LT (Serial #: DTE 02662-02705)

| REF. NO. | PART NUMBER | QTY. | DESCRIPTION | REF. NO. | PART NUMBER | QTY. | DESCRIPTION |
|----------|-------------|------|---|----------|-------------|------|--------------------------------|
| 1 | 0702-371 | 4 | SNAP RING .093 x .3.25 | 41 | 8043-806 | 1 | NUT,HEX,1-8 UNC,STEEL LOCK,ZN |
| 2 | 0702-365 | 4 | CAP HUB RUBBER BONDED | 42 | 8102-890 | 1 | CAPSCREW,HH,1.0 x 8UNC x 10.0, |
| 3 | 2035-595 | 4 | NUT HEX JAM LOCKING 7/8-9 UNC | 43 | 0314-304 | 1 | WLMT,GUARD,SEAL |
| 4 | 0702-364 | 4 | WASHER HARD .25 x 2.125 x .935 | 44 | 0303-217 | 1 | SEAL,AP5,50x90x11.4 |
| 5 | 2035-659 | 32 | CAPSCREW HH 1/2-13 x 1.375 GR8 | 45 | 0307-039 | 1 | BEARING (62092RS) |
| 6 | 0090-136 | 32 | WASHER HARD 1.0 X .531 X .197 | 46 | 0700-143 | 1 | HOUSING,SEAL,BEARING |
| 7 | 0702-264 | 2 | WHEEL 14" W/PLATE | 47 | 0307-037 | 1 | FLANGE,BEARING |
| 8 | 0702-363 | 8 | BEARING CONE | 48 | 8040-606 | 3 | NUT,HEX,NYLOCK,1/2-13 UNC,ZN |
| 9 | 0702-362 | 8 | BEARING CUP | 49 | 8102-406 | 7 | CAPSCREW,HH,1/2-13UNCx1.75,GD8 |
| 10 | 0702-368 | 4 | SEAL LIP | 50 | 8051-332 | 7 | WASHER,SPRING LOCK,1/2,ZN |
| 11 | 2035-479 | 1 | PLUG 1/8" NPT HEX CS | 51 | 0702-024 | 1 | WLMT,PLATE,BEARING |
| 12 | 0702-253 | 8 | ASSY, WHEEL 10" | 52 | 0700-144 | 1 | RING,SNAP,INT,85mm |
| 13 | 2035-391 | 4 | RETAINER INNER 53MM | 53 | 0700-145 | 1 | RING,SNAP,EXT,45mm |
| 14 | 2035-438 | 4 | SEAL EKK | 54 | 0307-074 | 1 | PLUG,HOUSING,BEARING |
| 15 | 0702-367 | 4 | WLMT RETAINER 53MM | 55 | 0702-230 | 1 | SPROCKET,CAST,MACHINED |
| 16 | 2035-596 | 4 | O-RING 1/16 x 1.375 x 1.5 NITRILE, -028 | 56 | 0702-048 | 1 | RING,SPROCKET,ALPHA |
| 17 | 2035-652 | 2 | WHEEL 10" MACHINED 8 BOLT | 57 | 0200-004 | 12 | TUBE,INNER |
| 18 | 0702-434 | 2 | ASSY, WHEEL 10" | 58 | 0200-003 | 12 | TUBE,COVER |
| 19 | 0302-435 | 2 | FITTING,GREASE,1/8 NPT,90D | 59 | 8102-423 | 12 | CAPSCREW,HH,1/2-13UNCx7.25,GD8 |
| 20 | 0702-141 | 8 | RING,RETAINING,INTERNAL | 60 | 8102-586 | 8 | CAPSCREW,HH,5/8-11X1.75ZN,GD8 |
| 21 | 0702-132 | 8 | CAP,WHEEL | 61 | 8051-431 | 8 | WASHER,SPRING LOCK,5/8,ZN |
| 22 | 0304-722 | 10 | NUT,HEX,JAM,LOCKING,3/4-10UNC, | 62 | 2051-165 | 1 | MOTOR DRIVE HYD 2-SPEED |
| 23 | 0702-155 | 8 | WASHER,BEARING | 63 | 0303-141 | 8 | SEAL,APY,1.250x2.062x.450 |
| 24 | 0702-075 | 16 | BEARING,CONE | 64 | 2030-296 | 1 | WLMT RAIL RC60 |
| 25 | 0702-076 | 16 | BEARING,CUP | 65 | 0210-001 | 12 | STUD,WHEEL,M14x1.5 174862 |
| 26 | 0702-057 | 8 | WHEEL,10" | 66 | 0200-282 | 12 | NUT,FLANGE,M14x1.5 |
| 27 | 0304-118 | 8 | SNAP,RING | 67 | 0700-124 | 12 | NUT,TOPLock,1/2-13UNC,ZN,GD8 |
| 28 | 0200-331 | 8 | WASHER,4.05x2.1875x0.188 | 68 | 0702-360 | 2 | ASSY, HUB 10" |
| 29 | 2035-214 | 4 | BUSHING,SPRING,1.75x2.00x2.50 | 69 | 0702-374 | 2 | ASSY, WHEEL 14" |
| 30 | 0702-317 | 2 | WLMT AXLE WHEEL | 70 | 0702-369 | 2 | ASSY, HUB 14" |
| 31 | 0702-060 | 2 | SPACER,AXLE | | | | |
| 32 | 0300-946 | 2 | FITTING,GREASE,1/8 NPT | | | | |
| 33 | 8102-683 | 1 | CAPSCREW,HH,3/4-10UNCx3.5 GD 8 | | | | |
| 34 | 0702-117 | 1 | WLMT,ROD,LH | | | | |
| 35 | 0304-117 | 8 | GUARD,BEARING | | | | |
| 36 | 0304-957 | 1 | TENSIONER,TRACK | | | | |
| 37 | 0304-077 | 1 | NUT,HEX,JAM,1 1/4 - 7,RH | | | | |
| 38 | 0702-118 | 1 | WLMT,ROD,RH | | | | |
| 39 | 8102-685 | 1 | CAPSCREW,HH 3/4-10UNCx 4.5 GD8 | | | | |
| 40 | 0702-228 | 1 | TABLE,MACHINED,LH | | | | |



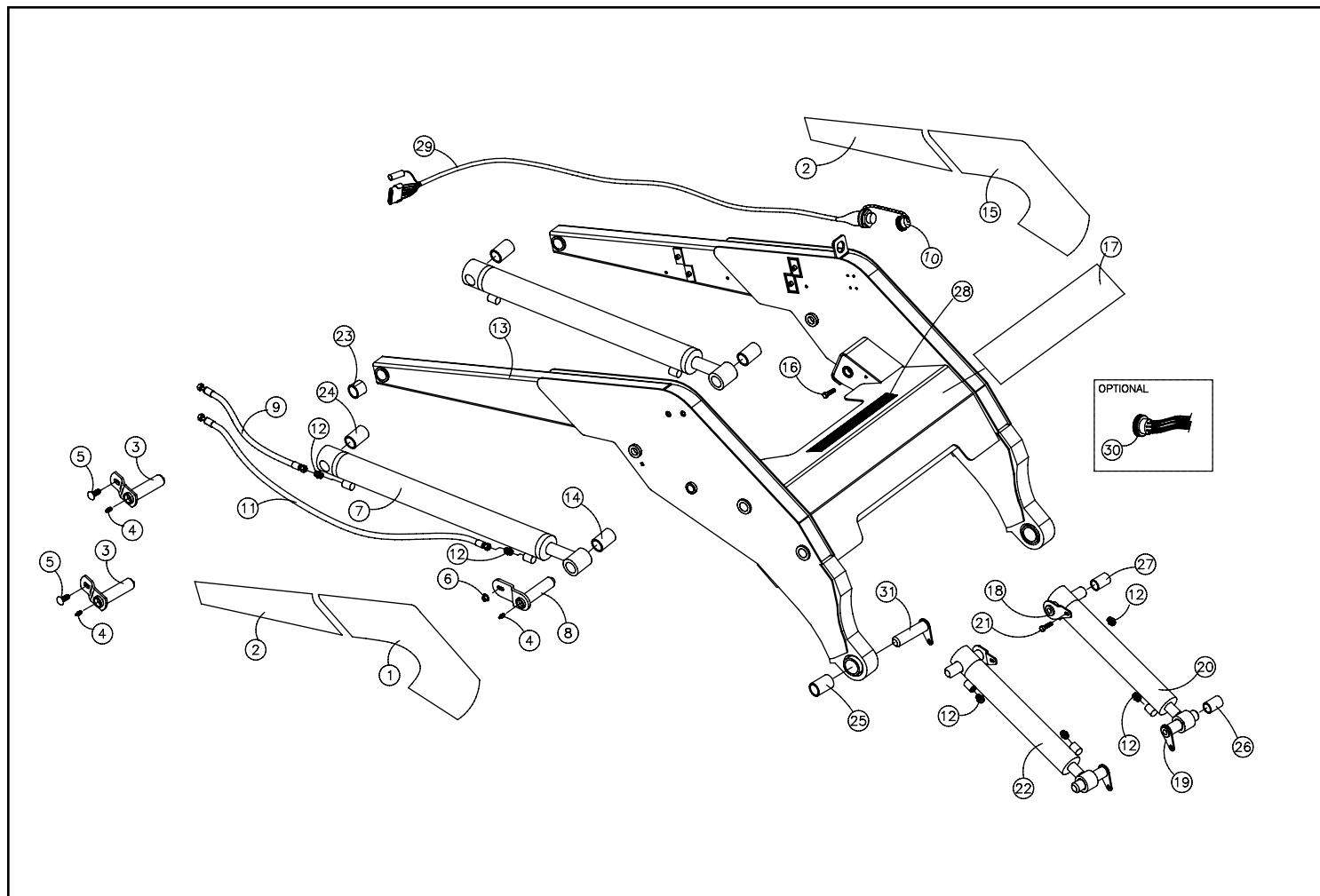
UNDERCARRIAGE ASSEMBLY LT (Serial #: DTE 02706-Current)

| REF. NO. | PART NUMBER | QTY. | DESCRIPTION | REF. NO. | PART NUMBER | QTY. | DESCRIPTION |
|----------|-------------|------|---|----------|-------------|------|--------------------------------|
| 1 | 0702-317 | 6 | WLMT AXLE WHEEL | 41 | 8040-606 | 3 | NUT,HEX,NYLOCK,1/2-13 UNC,ZN |
| 2 | 2035-596 | 12 | O-RING 1/16 x 1.375 x 1.5 NITRILE, -028 | 42 | 8102-406 | 3 | CAPSCREW,HH,1/2-13UNCx1.75,GD8 |
| 3 | 0702-367 | 12 | WLMT RETAINER 53MM | 43 | 8043-806 | 1 | NUT,HEX,1-8 UNC,STEEL LOCK,ZN |
| 4 | 2035-438 | 12 | SEAL EKK | 44 | 8102-685 | 1 | CAPSCREW,HH 3/4-10UNCx 4.5 GD8 |
| 5 | 2035-391 | 12 | RETAINER INNER 53MM | 45 | 0702-308 | 1 | WLMT RAIL ALPHA B SERIES 2 |
| 6 | 0702-363 | 24 | BEARING CONE | 46 | 2035-308 | 1 | PIN,TENSIONER,THREADED |
| 7 | 0702-362 | 24 | BEARING CUP | 47 | 2035-214 | 4 | BUSHING,SPRING,1.75x2.00x2.50 |
| 8 | 0702-369 | 2 | ASSY, HUB 14" | 48 | 0702-060 | 2 | SPACER,AXLE |
| 9 | 2035-479 | 12 | PLUG 1/8" NPT HEX CS | 49 | 0304-077 | 1 | NUT,HEX,JAM,1 1/4 - 7,RH |
| 10 | 0702-368 | 12 | SEAL LIP | 50 | 2035-471 | 1 | CAPSCREW SOC HD 3/8-16 x 1 |
| 11 | 0702-264 | 2 | WHEEL 14" W/PLATE | 51 | 0702-401 | 1 | ASSY TURNBUCKLE ALPHA |
| 12 | 0702-371 | 10 | SNAP RING .093 x .325 | 52 | 0304-722 | 1 | NUT,HEX,JAM,LOCKING,3/4-10UNC, |
| 13 | 2035-644 | 10 | WHEEL 10" ALPHA BOLT ON | 53 | 8102-586 | 12 | CAPSCREW,HH,5/8-11X1.75ZN,GD8 |
| 14 | 0702-360 | 10 | ASSY, HUB 10" | 54 | 8051-431 | 12 | WASHER,SPRING LOCK,5/8,ZN |
| 15 | 0702-373 | 10 | WHEEL 10" MACHINED 8 BOLT | 55 | 0310-345 | 1 | ADAPTER,8MFFOR--8MB |
| 16 | 0090-136 | 96 | WASHER HARD 1.0 X .531 X .197 | 56 | 0201-654 | 2 | ADAPTER,FS,6400,04,06,SHORT |
| 17 | 2035-659 | 96 | CAPSCREW HH 1/2-13 x 1.375 GR8 | 57 | 0700-172 | 4 | FLANGE,HALF,12 |
| 18 | 0700-144 | 4 | RING,SNAP,INT,85mm | 58 | 0700-170 | 8 | WASHER,21 x 22 x 2.5 |
| 19 | 0702-365 | 12 | CAP HUB RUBBER BONDED | 59 | 0700-171 | 8 | CAPSCREW,HH,M10 x 1.5 x 45 |
| 20 | 2035-595 | 12 | NUT HEX JAM LOCKING 7/8-9 UNC | 60 | 8102-890 | 1 | CAPSCREW,HH,1.0 x 8UNC x 10.0, |
| 21 | 0702-364 | 12 | WASHER HARD .25 x 2.125 x .935 | 61 | 0702-402 | 1 | WLMT ROD RH |
| 22 | 8051-332 | 4 | WASHER,SPRING LOCK,1/2,ZN | 62 | 0702-405 | 1 | WLMT TENSIONER OPEN |
| 23 | 8102-404 | 4 | CAPSCREW,HH 1/2-13UNCx1.25 GD8 | 63 | 2035-533 | 1 | WLMT ROD TOP ALPHA |
| 24 | 0702-294 | 1 | END CAP 3.346 x .295 | 64 | 0702-196 | 1 | ASSY,SPROCKET ALPHA/RC60/RC50 |
| 25 | 0700-145 | 1 | RING,SNAP,EXT,45mm | 65 | 0403-674 | 1 | ASSY HSG BEARING |
| 26 | 0702-024 | 1 | WLMT,PLATE,BEARING | 66 | 2051-165 | 1 | MOTOR DRIVE HYD 2-SPEED |
| 27 | 0702-324 | 1 | BEARING (6209) | 67 | 0702-374 | 2 | ASSY WHEEL 14" RUBBER |
| 28 | 2035-134 | 1 | SEAL 1.975 x 3.370 x .763 | | | | |
| 29 | 0702-295 | 1 | RETAINER SEAL | | | | |
| 30 | 0702-293 | 1 | HOUSING BEARING | | | | |
| 31 | 0702-292 | 1 | FLANGE BEARING | | | | |
| 32 | 0702-230 | 1 | SPROCKET,CAST,MACHINED | | | | |
| 33 | 0700-124 | 12 | NUT,TOPLock,1/2-13UNC,ZN,GD8 | | | | |
| 34 | 0200-003 | 12 | TUBE,COVER | | | | |
| 35 | 0200-004 | 12 | TUBE,INNER | | | | |
| 36 | 0702-048 | 1 | RING,SPROCKET,ALPHA | | | | |
| 37 | 8102-423 | 12 | CAPSCREW,HH,1/2-13UNCx7.25,GD8 | | | | |
| 38 | 0702-008 | 12 | MOTOR,HYD | | | | |
| 39 | 0200-282 | 12 | NUT,FLANGE,M14x1.5 | | | | |
| 40 | 0702-228 | 1 | TABLE,MACHINED,LH | | | | |



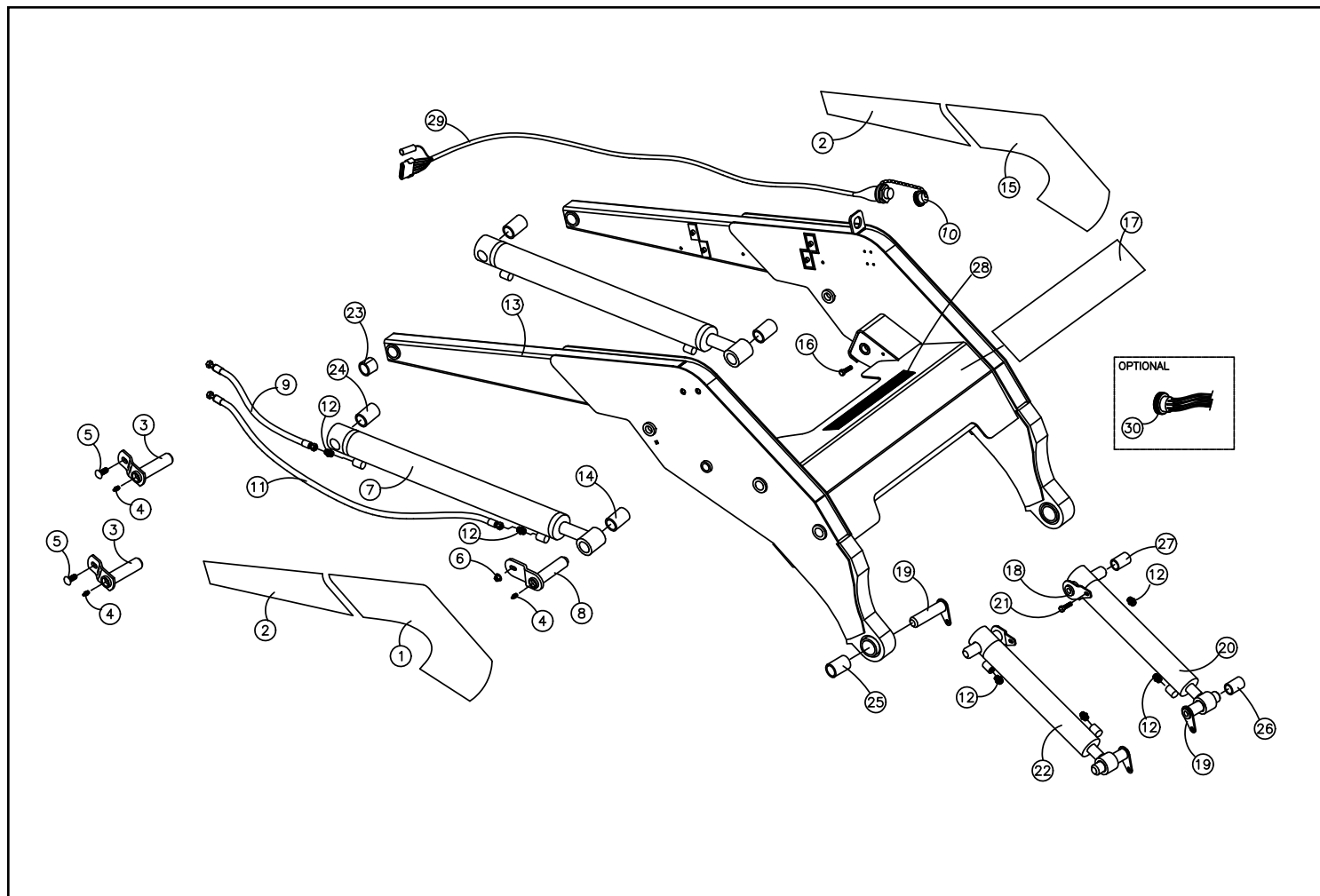
LIFT ARM ASSEMBLY (Serial #: DTE 02662-02719)

| REF. NO. | PART NUMBER | QTY. | DESCRIPTION | REF. NO. | PART NUMBER | QTY. | DESCRIPTION |
|----------|--------------|------|---------------------------------------|----------|-------------|------|-------------|
| 1 | 2030-493 | 1 | DECAL LIFT ARM RIGHT FRONT TEREX PT60 | | | | |
| 2 | 2010-258 | 2 | DECAL 2" TEREX | | | | |
| 3 | 0200-113 | 4 | WLMT,PIN,1.00x4.51 | | | | |
| 4 | 0300-607 | 10 | ZERK,GREASE,1/4-28 | | | | |
| 5 | 8011-222 | 4 | BOLT,CARRIAGE,3/8-16 UNCx1.0,Z | | | | |
| 6 | 0314-269 | 6 | NUT,FLANGE,TOPLK,3/8-16UNC,GDG | | | | |
| 7 | 2030-285 | 2 | CYLINDER BOOM | | | | |
| 8 | 0304-672 | 2 | PIN,1.00"x3.91" | | | | |
| 9 | 2030-069 | 2 | HOSE,10M4K,10FFORX,10FFORX,28. | | | | |
| 10 | 0201-770 | 1 | CAP,W/CHAIN | | | | |
| 11 | 2030-070 | 2 | HOSE,10M4K,10FFORX,10FFORX,50. | | | | |
| 12 | 0310-345 | 8 | ADAPTER,8MFFOR--8MB | | | | |
| 13 | 2030-035-wht | 1 | WLMT,LOADER,PT-60 | | | | |
| 14 | 0003-084 | 2 | BUSHING CYLINDER BOOM ROD END | | | | |
| 15 | 2030-494 | 1 | DECAL LIFT ARM LEFT FRONT TEREX PT60 | | | | |
| 16 | 8102-220 | 2 | CAPSCREW,HH,3/8-16x0.75",GD8 | | | | |
| 17 | 2030-492 | 1 | DECAL CROSS MEMBER BLACK TEREX | | | | |
| 18 | 2030-081 | 2 | WLMT,PIN | | | | |
| 19 | 0201-852 | 4 | WLMT,PIN,6.00" | | | | |
| 20 | 2030-286 | 1 | CYLINDER BUCKET LH | | | | |
| 21 | 8102-222 | 4 | CAPSCREW,HH,3/8-16 UNCx1.0,GD8 | | | | |
| 22 | 2030-287 | 1 | CYLINDER BUCKET RH | | | | |
| 23 | 2030-147 | 2 | BUSHING,1.00IDx1.50ODx3.00 | | | | |
| 24 | 0003-083 | 2 | BUSHING CYLINDER BOOM BASE END | | | | |
| 25 | 0201-233 | 2 | BUSHING,1.50IDx2.00ODx3.00L | | | | |
| 26 | 0003-053 | 2 | BUSHING CYLINDER BUCKET ROD END | | | | |
| 27 | 0003-082 | 2 | BUSHING CYLINDER BUCKET BASE END | | | | |
| 28 | 0304-496 | 1 | PAD,SKID | | | | |
| 29 | 0201-392 | 1 | HARNESS,AUXILIARY | | | | |
| 30 | 0201-771 | 1 | HARNESS,ELEC.AUX.RC100/85/60 | | | | |
| 31 | 0201-002 | 4 | WLMT,PIN | | | | |



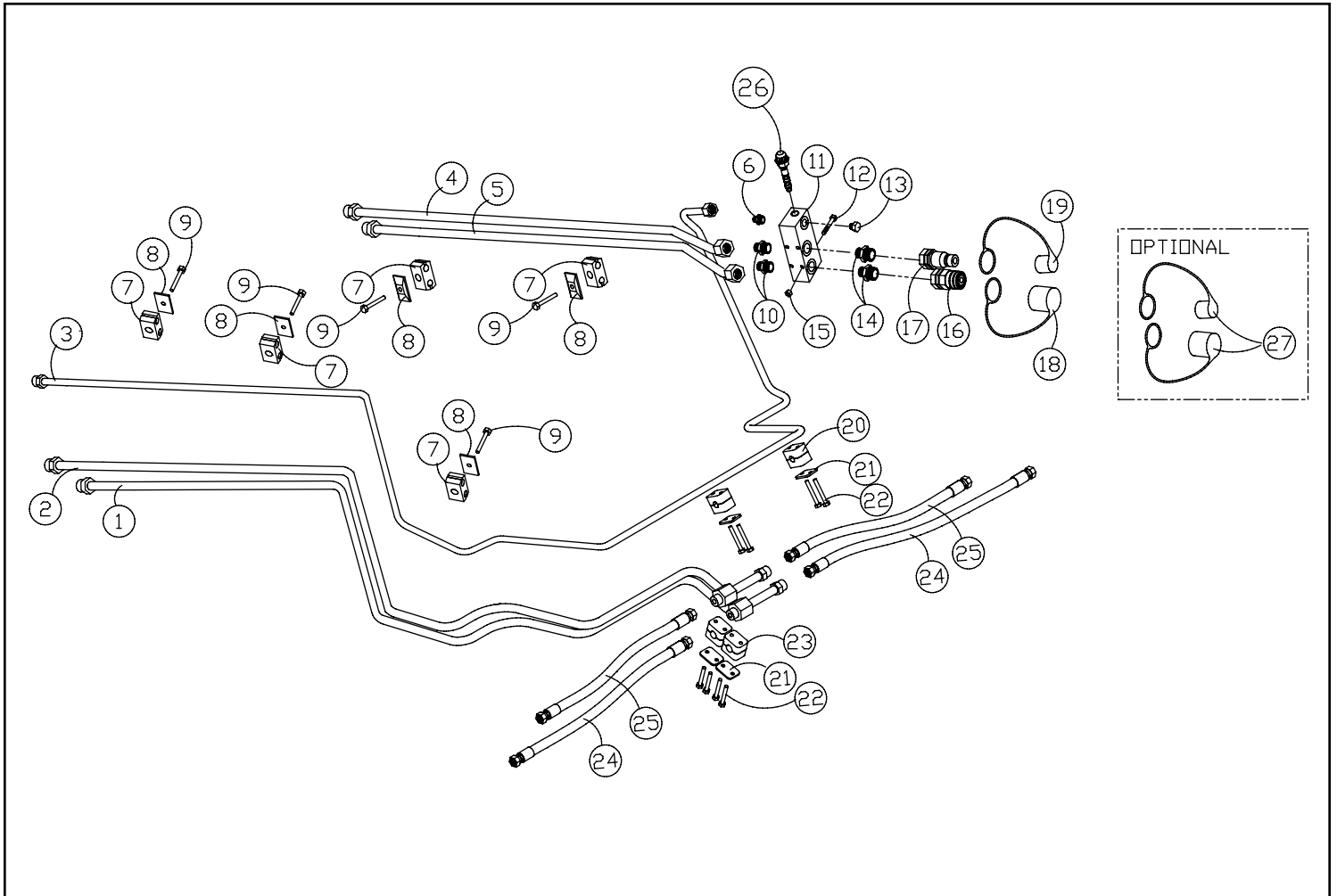
LIFT ARM ASSEMBLY (Serial #: DTE 02720-Current)

| REF. NO. | PART NUMBER | QTY. | DESCRIPTION | REF. NO. | PART NUMBER | QTY. | DESCRIPTION |
|----------|-------------|------|---|----------|-------------|------|-------------|
| 1 | 2030-493 | 1 | DECAL LIFT ARM RIGHT FRONT TEREX PT60 | | | | |
| 2 | 2010-258 | 2 | DECAL 2" TEREX | | | | |
| 3 | 2030-562 | 4 | WLMT PIN 1.5 X 4.51 | | | | |
| 4 | 0300-607 | 10 | ZERK,GREASE,1/4-28 | | | | |
| 5 | 8011-222 | 4 | BOLT,CARRIAGE,3/8-16 UNCx1.0,Z | | | | |
| 6 | 0314-269 | 6 | NUT,FLANGE,TOPLK,3/8-16UNC,GDG | | | | |
| 7 | 2030-577 | 2 | CYLINDER BOOM | | | | |
| 8 | 2030-546 | 2 | WLMT PIN BOOM | | | | |
| 9 | 2030-069 | 2 | HOSE,10M4K,10FFORX,10FFORX,28. | | | | |
| 10 | 0201-770 | 1 | CAP,W/CHAIN | | | | |
| 11 | 2030-070 | 2 | HOSE,10M4K,10FFORX,10FFORX,50. | | | | |
| 12 | 0310-345 | 8 | ADAPTER,8MFFOR--8MB | | | | |
| 13 | 2030-535 | 1 | WLMT LOADER PT50/60 | | | | |
| 14 | 0003-053 | 2 | BUSHING Ø1.50IDx2.00 | | | | |
| 15 | 2030-494 | 1 | DECAL LIFT ARM LEFT FRONT TEREX PT60 | | | | |
| 16 | 8102-220 | 2 | CAPSCREW,HH,3/8-16x0.75",GD8 | | | | |
| 17 | 2030-492 | 1 | DECAL CROSS MEMBER BLACK TEREX | | | | |
| 18 | 2030-550 | 2 | WLMT PIN 1.5" x 5.375" | | | | |
| 19 | 2040-115 | 4 | WLMT PIN 6.00" | | | | |
| 20 | 2030-578 | 1 | CYLINDER BUCKET TILT LH | | | | |
| 21 | 8102-222 | 4 | CAPSCREW,HH,3/8-16 UNCx1.0,GD8 | | | | |
| 22 | 2030-579 | 1 | CYLINDER BUCKET TILT RH | | | | |
| 23 | 2030-573 | 4 | BUSHING CONNEX 1.5ID X 1.75OD x 1 7/16L | | | | |
| 24 | 2030-655 | 2 | BUSHING Ø1.50IDx3.00 | | | | |
| 25 | 2030-580 | 4 | BUSHING SPRING 1.5" ID x 2" OD | | | | |
| 26 | 0003-056 | 2 | BUSHING Ø1.50IDx2.375 | | | | |
| 27 | 2030-654 | 2 | BUSHING Ø1.50IDx2.50 | | | | |
| 28 | 0304-496 | 1 | PAD,SKID | | | | |
| 29 | 0201-392 | 1 | HARNESS,AUXILIARY | | | | |
| 30 | 0201-771 | 1 | HARNESS,ELEC.AUX.RC100/85/60 | | | | |



LIFT ARM TUBES AND FITTINGS (Serial #: DTE 02662-Current)

| REF. NO. | PART NUMBER | QTY. | DESCRIPTION | REF. NO. | PART NUMBER | QTY. | DESCRIPTION |
|----------|-------------|------|--------------------------------|----------|-------------|------|-------------|
| 1 | 2030-010 | 1 | TUBE,BUCKET,LOWER | | | | |
| 2 | 2030-009 | 1 | TUBE,BUCKET,UPPER | | | | |
| 3 | 2030-008 | 1 | TUBE,CASE DRAIN,QD | | | | |
| 4 | 2030-001 | 1 | TUBE,AUX,UPPER,QD | | | | |
| 5 | 2030-002 | 1 | TUBE,AUX,LOWER,QD | | | | |
| 6 | 0310-567 | 1 | ADAPTER,8MFFOR-6MB | | | | |
| 7 | 0310-831 | 4 | CLAMP, SET, T2062-PP | | | | |
| 8 | 0310-584 | 9 | PLATE,COVER TCP-T2 | | | | |
| 9 | 8102-134 | 9 | CAPSCREW,HH,5/16-18UNCx1.25GD8 | | | | |
| 10 | 0201-658 | 2 | ADAPTER,10MFFOR-8MB-S | | | | |
| 11 | 0304-876 | 1 | MANIFOLD,AUX,HYD | | | | |
| 12 | 8102-050 | 4 | CAPSCREW,HH,1/4-20,UNC,2.75ZN, | | | | |
| 13 | 0304-356 | 1 | PLUG,9/16-18,LOADER RC-30 | | | | |
| 14 | 0200-296 | 2 | ADAPTER,O-RING HEX NIPPLE,10-8 | | | | |
| 15 | 8040-366 | 4 | NUT,HEX,NYLOCK,1/4-20 UNC,ZN | | | | |
| 16 | 0310-076 | 1 | COUPLER,QUICK,FF,FEMALE,7/8-14 | | | | |
| 17 | 0310-077 | 1 | COUPLER,QUICK,FF,MALE,7/8-14UN | | | | |
| 18 | 0310-241 | 1 | COVER,DUST,1/2,F | | | | |
| 19 | 0310-240 | 1 | COVER,DUST,1/2,M | | | | |
| 20 | 0201-402 | 5 | CLAMP,SET,2050-PP | | | | |
| 21 | 0201-224 | 7 | COVER,CLAMP,COP-2 | | | | |
| 22 | 8102-044 | 14 | CAPSCREW,HH,1/4-20UNCx1.25,GD8 | | | | |
| 23 | 0201-223 | 2 | CLAMP,SET,2062-PP | | | | |
| 24 | 0201-488 | 2 | HOSE,8M4K,23.50" | | | | |
| 25 | 0201-489 | 2 | HOSE,8M4K,17.50" | | | | |
| 26 | 0201-838 | 1 | SPOOL,VALVE,QD BLOCK | | | | |
| 27 | 0402-886 | 1 | KIT,DUST,COVER,RC60/50 | | | | |

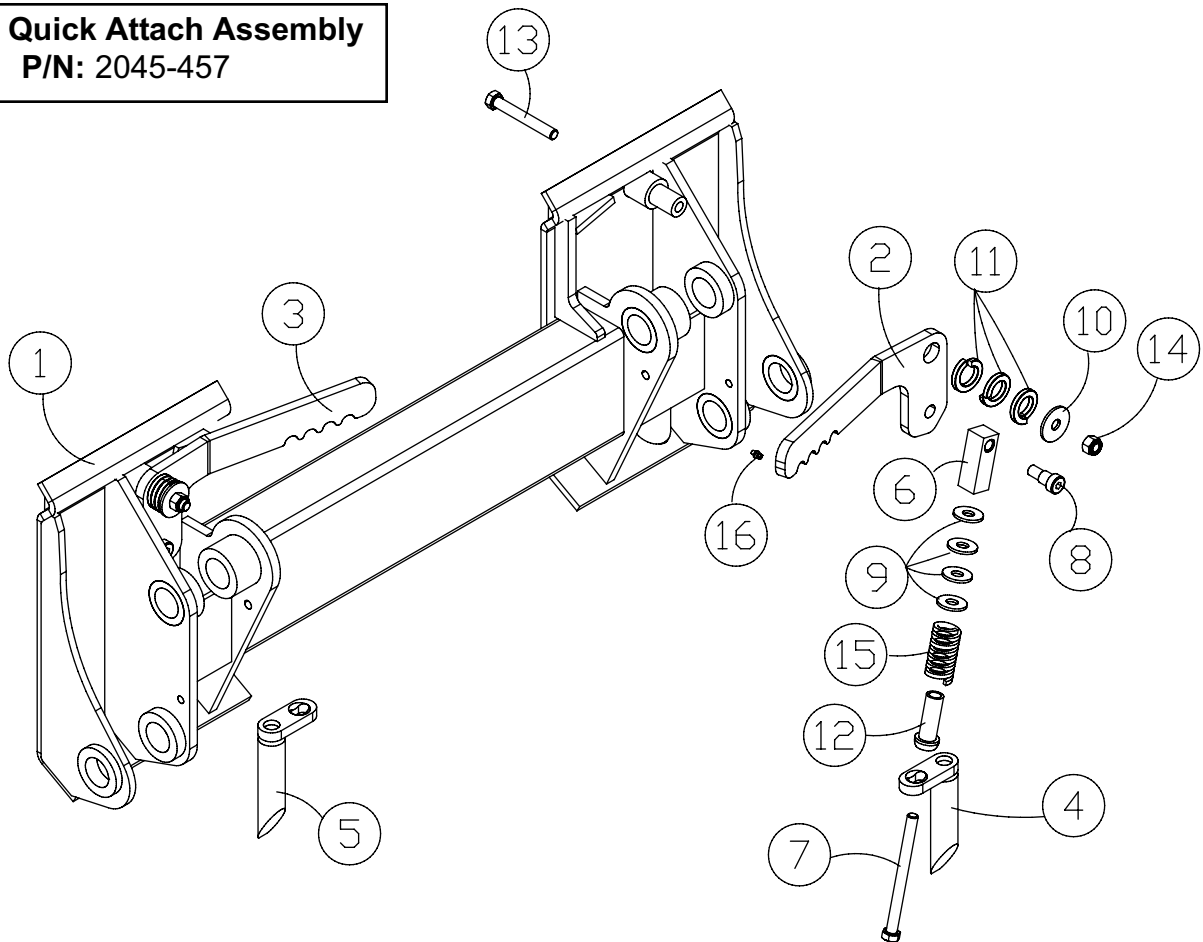


QUICK ATTACH ASSEMBLY (Serial #: DTE 02662-Current)

Section 17

| REF. NO. | PART NUMBER | QTY. | DESCRIPTION | REF. NO. | PART NUMBER | QTY. | DESCRIPTION |
|----------|-------------|------|--------------------------------|----------|-------------|------|-------------|
| 1 | 2045-359 | 1 | WLMT,QUICK-ATTACH,MANUAL | | | | |
| 2 | 2045-761 | 1 | HANDLE,QA,LH | | | | |
| 3 | 2045-762 | 1 | HANDLE,QA,RH | | | | |
| 4 | 2045-242 | 1 | WLMT PIN RH | | | | |
| 5 | 2045-243 | 1 | WLMT PIN LH | | | | |
| 6 | 2045-245 | 2 | BLOCK LATCH | | | | |
| 7 | 8102-418 | 2 | CAPSCREW,HH,1/2-13UNCx 6.0,GD8 | | | | |
| 8 | 0090-002 | 2 | BOLT,SHOULDER,5/8"x.625" GD 8 | | | | |
| 9 | 8050-347 | 8 | WASHER,WROUGHT,1/2,STD,ZN | | | | |
| 10 | 2015-018 | 2 | WASHER,FENDER,1.75x0.53x0.125 | | | | |
| 11 | 8051-620 | 6 | WASHER,SPRING LOCK,1.0,ZN | | | | |
| 12 | 0400-621 | 2 | SPOOL,PIVOT | | | | |
| 13 | 0304-799 | 2 | CAPSCREW,HH,1/2-13UNCx3.75,GD8 | | | | |
| 14 | 8040-606 | 2 | NUT,HEX,NYLOCK,1/2-13 UNC,ZN | | | | |
| 15 | 0400-651 | 2 | SPRING,COMPRESSION | | | | |
| 16 | 0300-607 | 2 | ZERK,GREASE,1/4-28 | | | | |

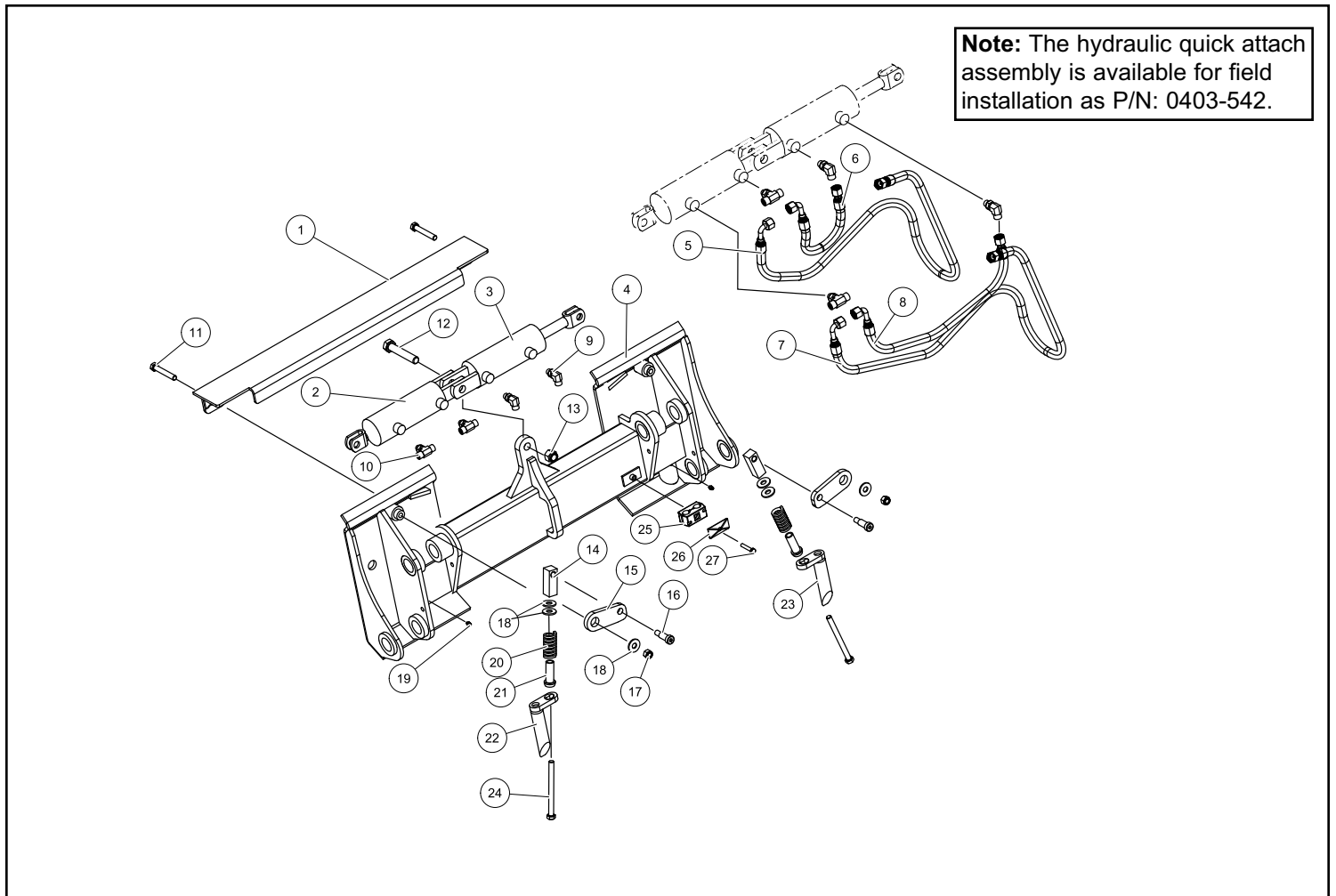
Manual Quick Attach Assembly
P/N: 2045-457



HYDRAULIC QUICK ATTACH ASSEMBLY (OPTIONAL) (Serial #: DTE 02662-Current)

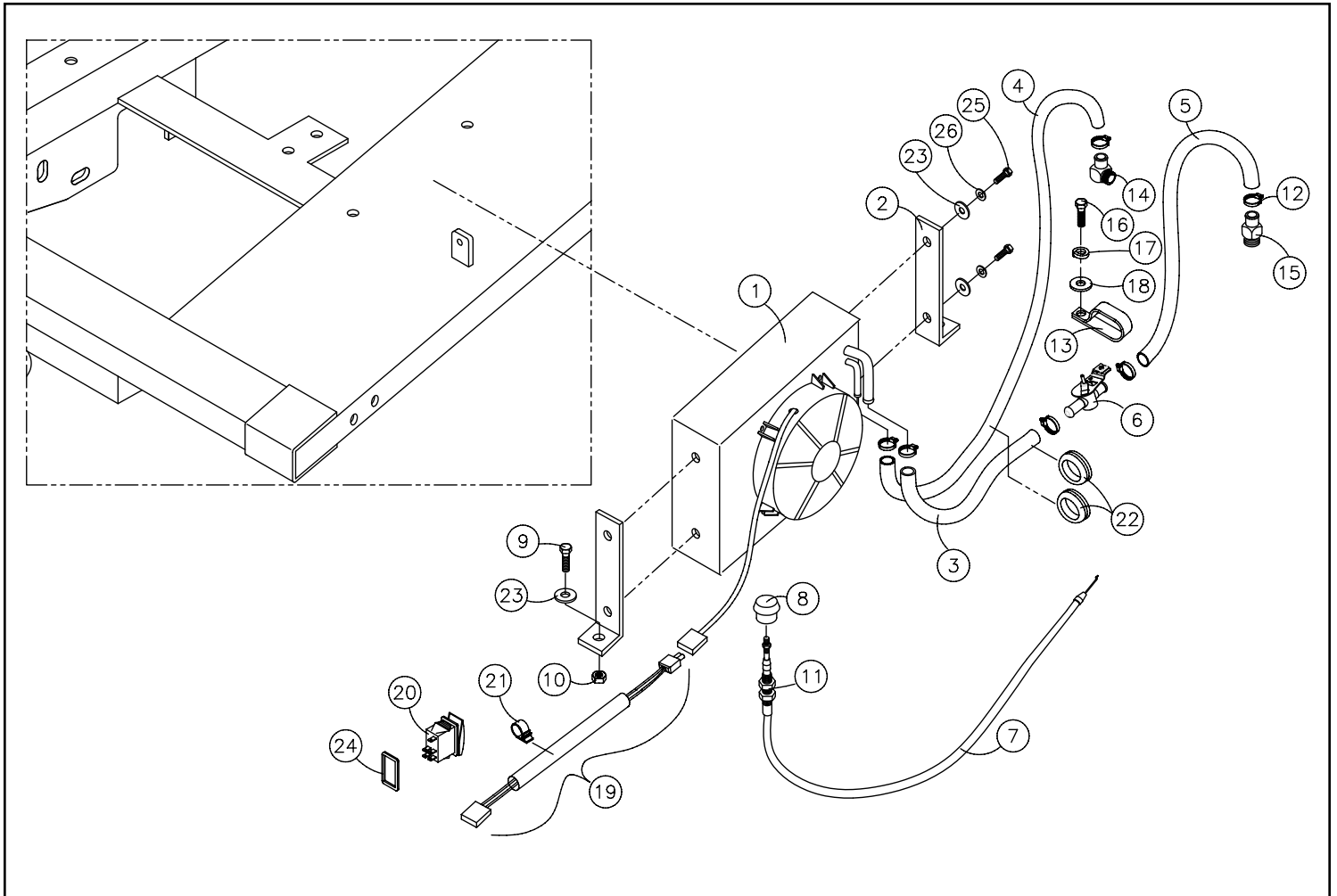
Section 18

| REF. NO. | PART NUMBER | QTY. | DESCRIPTION | REF. NO. | PART NUMBER | QTY. | DESCRIPTION |
|----------|-------------|------|-----------------------------------|----------|-------------|------|-------------|
| 1 | 0201-637 | 1 | WLMT, GUARD, QA | | | | |
| 2 | 0201-970 | 1 | CYLINDER QA LH | | | | |
| 3 | 0201-971 | 1 | CYLINDER QA RH | | | | |
| 4 | 2045-235 | 1 | WLMT QUICK-ATTACH HYD | | | | |
| 5 | 0201-566 | 1 | HOSE, 6M4K-6FFORX90S-6FFORX-49. | | | | |
| 6 | 0201-545 | 1 | HOSE, 6M4K-6FFORX-6FFORX90S-14. | | | | |
| 7 | 0201-565 | 1 | HOSE, 6M4K-6FFORX90S-6FFORX-53. | | | | |
| 8 | 0201-544 | 1 | HOSE, 6M4K-6FFORX-6FFORX90S-25. | | | | |
| 9 | 0310-328 | 2 | ADAPTER, 6MFFOR-6MB-90 | | | | |
| 10 | 0201-542 | 2 | ADAPTER, TEE, 6FS-6FS-6NWO | | | | |
| 11 | 8102-412 | 2 | CAPSCREW, HH, 1/2-13UNCx3.25 GD8 | | | | |
| 12 | 8102-686 | 1 | CAPSCREW, HH, 3/4-10UNCx4.25 GD8 | | | | |
| 13 | 8040-786 | 1 | NUT, HEX, NYLOCK, 3/4-10 UNC, ZN | | | | |
| 14 | 2045-245 | 2 | BLOCK LATCH | | | | |
| 15 | 2045-246 | 2 | LATCH QA | | | | |
| 16 | 0090-001 | 2 | BOLT, SHOULDER, 5/8"x1.25" GD 8 | | | | |
| 17 | 8040-606 | 2 | NUT, HEX, NYLOCK, 1/2-13 UNC, ZN | | | | |
| 18 | 8050-347 | 8 | WASHER, WROUGHT, 1/2, STD, ZN | | | | |
| 19 | 0300-607 | 2 | ZERK, GREASE, 1/4-28 | | | | |
| 20 | 0400-651 | 2 | SPRING, COMPRESSION PLATED | | | | |
| 21 | 0400-621 | 2 | SPOOL, PIVOT | | | | |
| 22 | 2045-243 | 1 | WLMT PIN LH | | | | |
| 23 | 2045-242 | 1 | WLMT PIN RH | | | | |
| 24 | 8102-418 | 2 | CAPSCREW, HH, 1/2-13UNCx 6.0, GD8 | | | | |
| 25 | 0310-733 | 1 | INSERT, CLAMP, TWIN, 75" T3075-PP | | | | |
| 26 | 0310-828 | 1 | COVER, CLAMP, 3/4" TCP-T3 | | | | |
| 27 | 8102-136 | 1 | CAPSCREW, HH, 5/16-18x1.75 ZN GD | | | | |



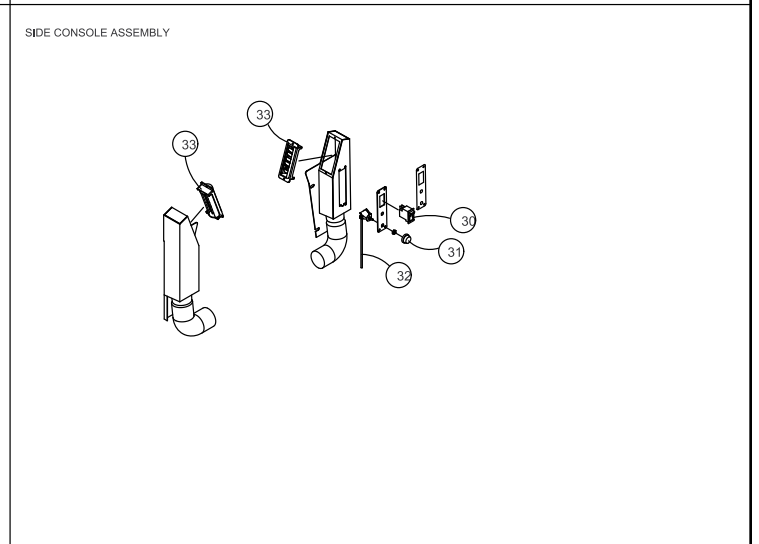
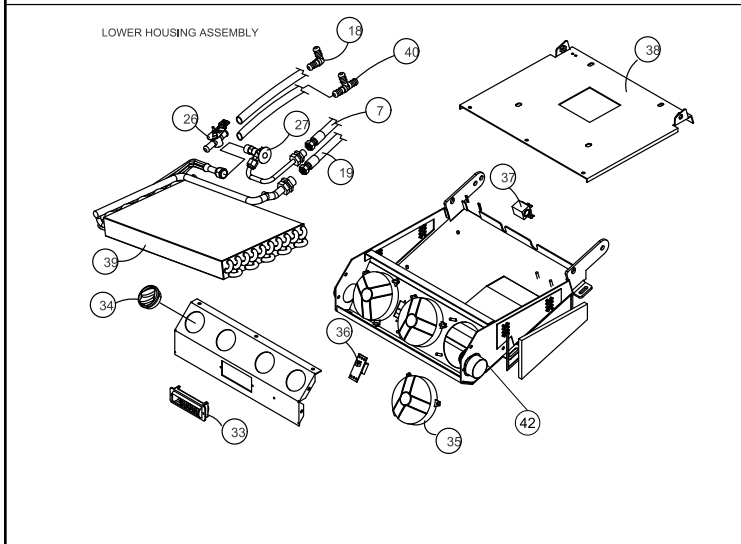
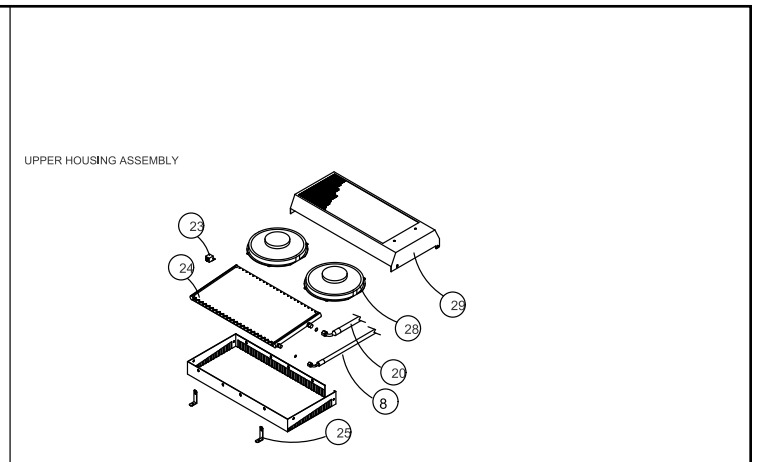
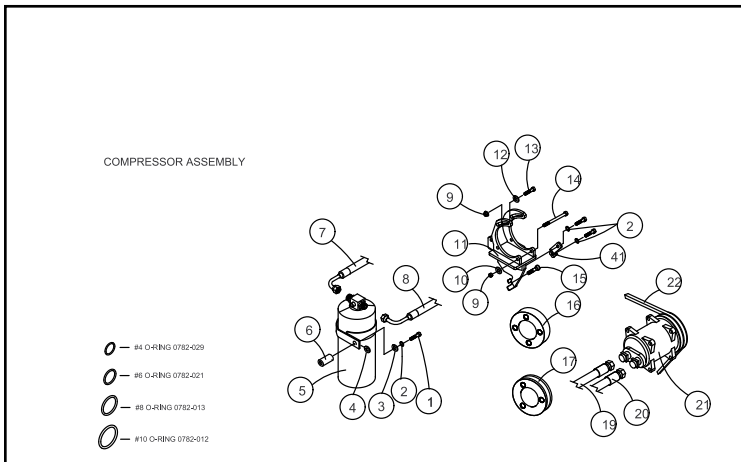
CAB HEATER ASSEMBLY (Serial #: DTE 02662-Current)

| REF. NO. | PART NUMBER | QTY. | DESCRIPTION | REF. NO. | PART NUMBER | QTY. | DESCRIPTION |
|----------|-------------|------|--------------------------------|----------|-------------|------|-------------|
| 1 | 0304-546 | 1 | HEATER,CAB, RC-30 | | | | |
| 2 | 0304-548 | 2 | MNT,HEATER | | | | |
| 3 | 0305-214 | 1 | HOSE,HEATER,5/8 x 33" | | | | |
| 4 | 0304-553 | 1 | HOSE,HEATER,5/8,72" | | | | |
| 5 | 0304-554 | 1 | HOSE,HEATER,5/8,38" | | | | |
| 6 | 0301-558 | 1 | VALVE,FLOW,HEATER | | | | |
| 7 | 0401-975 | 1 | CABLE,PUSH-PULL,HEATER | | | | |
| 8 | 0301-514 | 1 | KNOB,SWITCH,HEATER | | | | |
| 9 | 8102-038 | 2 | CAPSCREW,HH 1/4-20UNCx7/8 GRD8 | | | | |
| 10 | 8040-366 | 2 | NUT,HEX,NYLOCK,1/4-20 UNC,ZN | | | | |
| 11 | 0301-654 | 1 | NUT,JAM,3/8-24 UNF | | | | |
| 12 | 0301-110 | 6 | CLAMP,HOSE,#8 | | | | |
| 13 | 0310-838 | 1 | CLAMP,TUBE,DOUBLE,1.0 | | | | |
| 14 | 0304-670 | 1 | ADAPTER,5/8BARB-3/8MPT-90^ | | | | |
| 15 | 0304-570 | 1 | ADAPTER,6MP-10HOSE,BARB | | | | |
| 16 | 0307-720 | 1 | CAPSCREW,HH,M8x1.25x20 | | | | |
| 17 | 8051-242 | 1 | WASHER,SPRING LOCK,5/16,ZN | | | | |
| 18 | 8050-277 | 1 | WASHER,WROUGHT,3/8,SAE,ZN | | | | |
| 19 | 0304-575 | 1 | HARNESS,HEATER | | | | |
| 20 | 0304-122 | 1 | SWITCH,ON/OFF,HEATER | | | | |
| 21 | 0310-587 | 4 | CLAMP,WIRE,3/8,ADHESIVE | | | | |
| 22 | 2045-748 | 2 | GROMMET 1 3/8" HOLE | | | | |
| 23 | 8050-222 | 6 | WASHER,WROUGHT,1/4,STD,ZN | | | | |
| 24 | 0310-713 | 1 | GASKET, SWITCH | | | | |
| 25 | 8102-039 | 4 | CAPSCREW,HH,1/4-20UNCx.625,GD8 | | | | |
| 26 | 8051-212 | 4 | WASHER,SPRING LOCK,1/4,ZN | | | | |



HEATER-AIR CONDITIONING ASSEMBLY (Serial #: DTE 02662-Current)

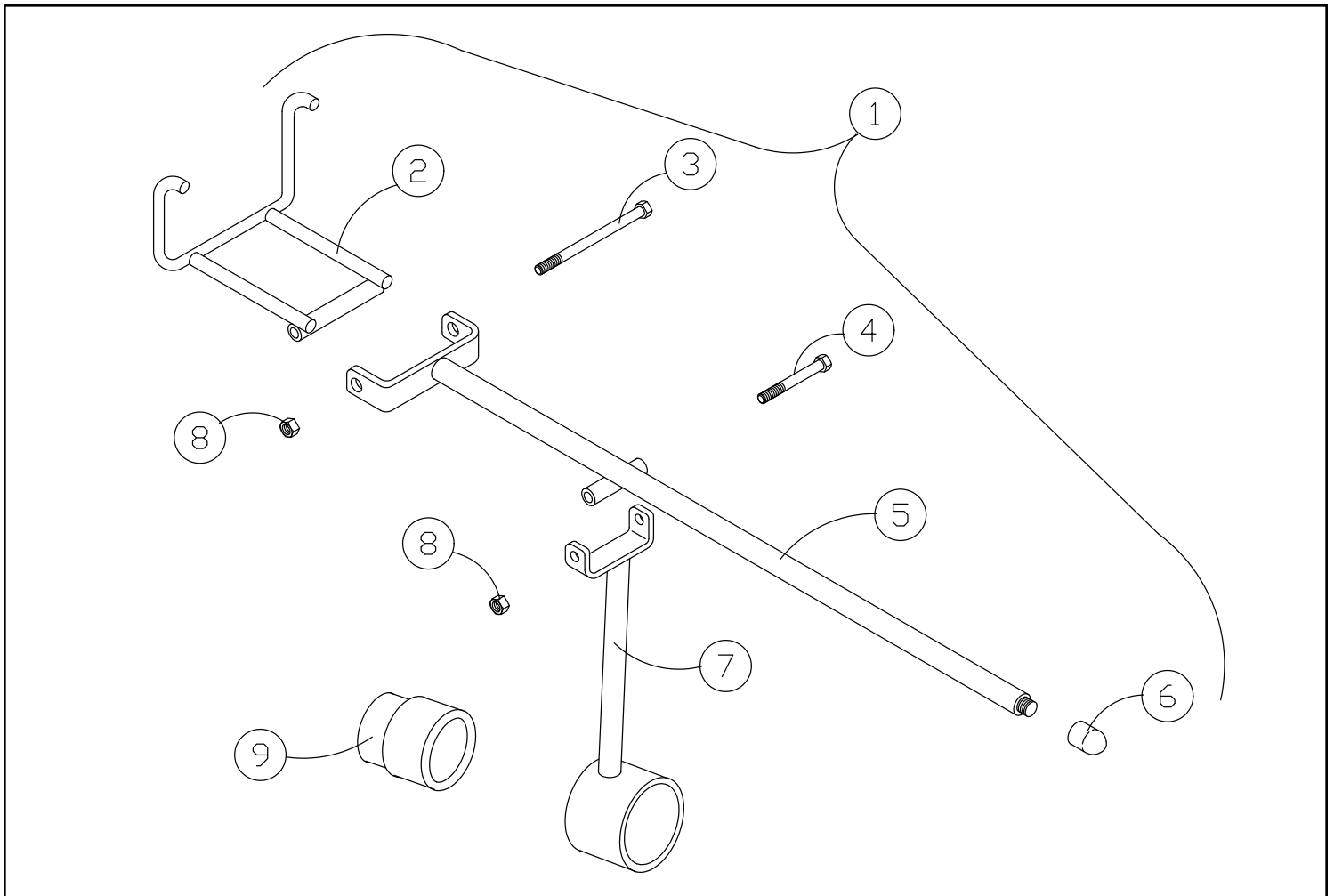
| REF. NO. | PART NUMBER | QTY. | DESCRIPTION | REF. NO. | PART NUMBER | QTY. | DESCRIPTION |
|----------|-------------|------|--------------------------------|----------|-------------|------|------------------------|
| 1 | 8102-139 | 1 | CAPSCREW,HH5/16-18UNCx2.50 GD8 | 41 | 0782-065 | 1 | ARM,TENSION,COMPRESSOR |
| 2 | 8051-242 | 3 | WASHER,SPRING LOCK,5/16,ZN | 42 | 0782-090 | 1 | BASE HOUSING |
| 3 | 8050-222 | 1 | WASHER,WROUGHT,1/4,STD,ZN | | | | |
| 4 | 0201-573 | 1 | SPACER,TUBE, .75x.5x1 | | | | |
| 5 | 0782-019 | 1 | DRYER | | | | |
| 6 | 0201-628 | 1 | SPACER,CLAMP | | | | |
| 7 | 0782-048 | 1 | HOSE,A/C,#6,92.00" | | | | |
| 8 | 0782-053 | 1 | HOSE,A/C,#6,55.50" | | | | |
| 9 | 0314-269 | 3 | NUT,FLANGE,TOPLK,3/8-16UNC,GDG | | | | |
| 10 | 8050-277 | 1 | WASHER,WROUGHT,3/8,SAE,ZN | | | | |
| 11 | 0782-064 | 1 | WLMT,MNT,COMPRESSOR | | | | |
| 12 | 8050-262 | 3 | WASHER,WROUGHT,5/16,STD,ZN | | | | |
| 13 | 8102-225 | 2 | CAPSCREW,HH,3/8-16 UNCx1.5,GD8 | | | | |
| 14 | 8102-236 | 1 | CAPSCREW,HH,3/8-16UNCx5.0 GD8, | | | | |
| 15 | 8102-132 | 1 | CAPSCREW,HH,5/16-18UNCx1.0 GD8 | | | | |
| 16 | 0200-507 | 1 | SPACER,FAN,3024C,A/C | | | | |
| 17 | 0200-508 | 1 | PULLEY,ADDITIONAL,CRANKSHAFT,3 | | | | |
| 18 | 0304-670 | 1 | ADAPTER,5/8BARB-3/8MPT-90 | | | | |
| 19 | 0782-049 | 1 | HOSE,A/C,#10,98.50" | | | | |
| 20 | 0782-052 | 1 | HOSE,A/C,#8,64.80" | | | | |
| 21 | 0782-038 | 1 | COMPRESSOR,AC,RC | | | | |
| 22 | 0201-645 | 1 | BELT,V, A SERIES, 1/2 x 48.00 | | | | |
| 23 | 0782-088 | 1 | RELAY,CONDENSER,12V | | | | |
| 24 | 0782-078 | 1 | COIL,CONDENSER | | | | |
| 25 | 0782-070 | 1 | MNT,CONDENSER,ROOFTOP | | | | |
| 26 | 0301-558 | 1 | VALVE,FLOW,HEATER | | | | |
| 27 | 0782-066 | 1 | VALVE,EXPANSION,905 | | | | |
| 28 | 0782-067 | 2 | ASSY,BLOWER | | | | |
| 29 | 0782-073 | 1 | COVER,AC | | | | |
| 30 | 0782-072 | 1 | SWITCH,TOGGLE,AC | | | | |
| 31 | 0782-082 | 2 | KNOB | | | | |
| 32 | 0782-075 | 1 | CABLE,CONTROL | | | | |
| 33 | 0782-037 | 3 | LOUVER,A/C,PERRIN | | | | |
| 34 | 0782-060 | 4 | LOUVER,ROUND,AC,RC50 | | | | |
| 35 | 0782-085 | 1 | ASSY,FAN | | | | |
| 36 | 0782-069 | 2 | RESISTOR | | | | |
| 37 | 0782-068 | 1 | THERMOSTAT,AC | | | | |
| 38 | 0782-081 | 1 | COVER,HOUSING | | | | |
| 39 | 0782-089 | 1 | ASSY,EVAPORATOR | | | | |
| 40 | 0200-527 | 1 | TEE,5/8,BARBED | | | | |



TRACK INSTALLATION TOOL (Serial #: DTE 02662-Current)

Section 21

| REF. NO. | PART NUMBER | QTY. | DESCRIPTION | REF. NO. | PART NUMBER | QTY. | DESCRIPTION |
|----------|-------------|------|--------------------------------|----------|-------------|------|-------------|
| 1 | 0702-170 | 1 | ASSY,INSTALLATION,TRACK | | | | |
| 2 | 0702-171 | 1 | WLMT,HOOK,TRACK | | | | |
| 3 | 8102-235 | 1 | CAPSCREW,HH,3/8-16UNCx4.5,GD8, | | | | |
| 4 | 8102-232 | 1 | CAPSCREW,HH,3/8-16,UNCx3.25,GD | | | | |
| 5 | 0702-175 | 1 | WLMT,TRACK,HANDLE | | | | |
| 6 | 0702-143 | 1 | CAP,3/4-10 | | | | |
| 7 | 0702-180 | 1 | WLMT,CATCH,TRACK | | | | |
| 8 | 8040-486 | 2 | NUT,HEX,NYLOCK,3/8-16 UNC,ZN | | | | |
| 9 | 0702-219 | 1 | INSERT,WHEEL | | | | |
| | | | | | | | |
| | | | | | | | |
| | | | | | | | |
| | | | | | | | |
| | | | | | | | |
| | | | | | | | |
| | | | | | | | |
| | | | | | | | |



Terex Construction Americas

8800 Rostin Road

Southaven, MS 38671

(888)-201-6008

(662)-393-1800

www.terex.com
