

»» 2017 Buyer's Guide
& Parts Price List

Table of Contents Effective October 1, 2016

Supersedes all price lists of prior dates. Please see Terms & Conditions of Sale, inside back cover.

Section 1.

New Products	1-8
Product Additions, Deletions & Replacements	10

Pumps

TriStar® VS 950	11
TriStar® VS 900	12
TriStar® VS	13
TriStar® Full & Max Rated	14
TriStar Waterfall	15
EcoStar®	16
Super II™	17
Super Pump® VS / Super Pump® VS 115	18
Super Pump®	19
MaxFlo VS™ / MaxFlo VS™ 115V	20
MaxFlo VS™ 500	21
MaxFlo XL™	22
Booster Pump	23
PowerFlo Matrix®	24
PowerFlo LX™ and Power-Flo II™	25
Pump Accessories	17, 24

Filters

CARTRIDGE	
SwimClear™	33
SwimClear™ Single Element	34
StarClear™ Plus	35
StarClear™	36
XStream® Filter System	37
EasyClear™/Micro StarClear™	38
Hayward Genuine Replacement Cartridge	39

DIATOMACEOUS EARTH

ProGrid™ Vertical Grid D.E.	40-41
Perflex® Extended Cycle D.E. EC65A, EC75A	42
EC30, EC40, EC50, EC50AC	43-44

HIGH-RATE SAND

ProSeries™ Plus	45
ProSeries™	
S210S, S244S, S244SV, S310S	46
S200	47
S220T, S244T, S270T, S310T2	48
S144T, S164T, S166T, S180T, S210T	48-50
VL Series	51
Pool Accessories	138

Heating

Heat Pro® Heat Pump	53
Summit XL	54
Universal H-Series Low NOx Heater	55
Universal H-Series Indoor Vent Kit Matrix	56
H-Series Electronic Heater – In-Ground Pools and Spas	57
H-Series Induced Draft Heater – Above-Ground Pools and Spas	58
CSPA – Spa Heaters	59

Cleaners

TriVac™ 700	62
TriVac™ 500	63
AquaVac® 500	64
TigerShark®	65
Hayward SharkVAC XL™/SharkVAC®	66
Navigator® V-Flex™	67
Navigator® Pro	68
PoolVac V-Flex™	69
PoolVac XL™	70
AquaNaut® 200 & 400	71
AquaNaut® 450	72
DV5000/AquaRay®	73
AquaBug®/Penguin/Wanda the Whale®	74
Cleaner Accessories	75-77

Sanitization

HydroRite™ UVO ₃	78
TurboCells	79
AquaTrol®	80
Salt & Swim 3C™	81
Salt & Swim 3C™ ABG	82
AquaRite® 900	83
AquaRite®	84
AquaRite® Pro	85
AquaPlus®	86
Sense and Dispense®	87

Automation

OmniLogic®	91
OmniLogic Configuration Guide	92
ProLogic® – Total Pool Management	93-95
Pick N' Mix Configuration Guide	94
AquaPlus®	96
AquaConnect®	97
AquaPod®	98
ProLogic and AquaPlus® – Accessories	99-101
Actuator	102
ECommand® 4	103
OnCommand®	104
Solar®	105

Lighting

Universal ColorLogic®	106
Universal CrystaLogic® White LED Lights	107
ColorLogic® 320 & 160 LED Lights	108
ColorLogic® 80 & 40 LED Lights	109
CrystaLogic 320 & 160 White LED Lights	110
ColorLogic Light Controller	111
Universal ColorLogic®/CrystaLogic® Junction Boxes & Transformers	112
Universal ColorLogic & CrystaLogic Accessories	113
Universal ColorLogic®/Universal CrystaLogic® Niches	114
ColorLogic® LED Pool/Spa Lighting	115
AstroLite™/AstroLite II™	116-117
Lighting Niches/Stainless Steel Niches	118-119

General Pool/Spa Equipment

Adapters, Hose	135
Anchor Sockets	136
Ball Valves	131
Check Valves	132
Chemical Feeders, Automatic	126
Diverter Valves	131
Directional Flow Outlets	133
Escutcheon Plates	134
Fountains	138
Gutter Drains	134
Hydrotherapy Fittings	136-137
Illuminated Water Features	122
Deck, Jets / Sheers	123
Inlet Fittings	134
Lane Marker Anchors	134
Lights – Replacement & Accessories	120
Incandescent/Halogen Lights, Underwater	116-121
Multi-Port Valves	130
Miscellaneous Accessories	135
Relief Valves	130
Suction Outlets/Accessories	124
Suction Outlets/High Flow Drain Covers	125
Separation Tank	38
Sight Glasses	130
Skim-Vacs	129
Skimmers, Automatic	127-128
Suction Fittings	131-134, 137
Vacuum Cleaning Heads Accessories	138
Union Connectors	132
Valves	40, 44-45, 130-131

Technical Information

Hydraulics—The Basics of Pump/Filter Sizing	26-32
Filtration—Three Methods of Filtration	52
Heater Selection Guide	60
Heater Gas Pipe Sizing	61
Automatic Pool Cleaner Sizing and Installation	77
Salt Facts, Pool Chemistry, Chlorinator Cell Plumbing Installation	88-90

Section 2.

Replacement Parts

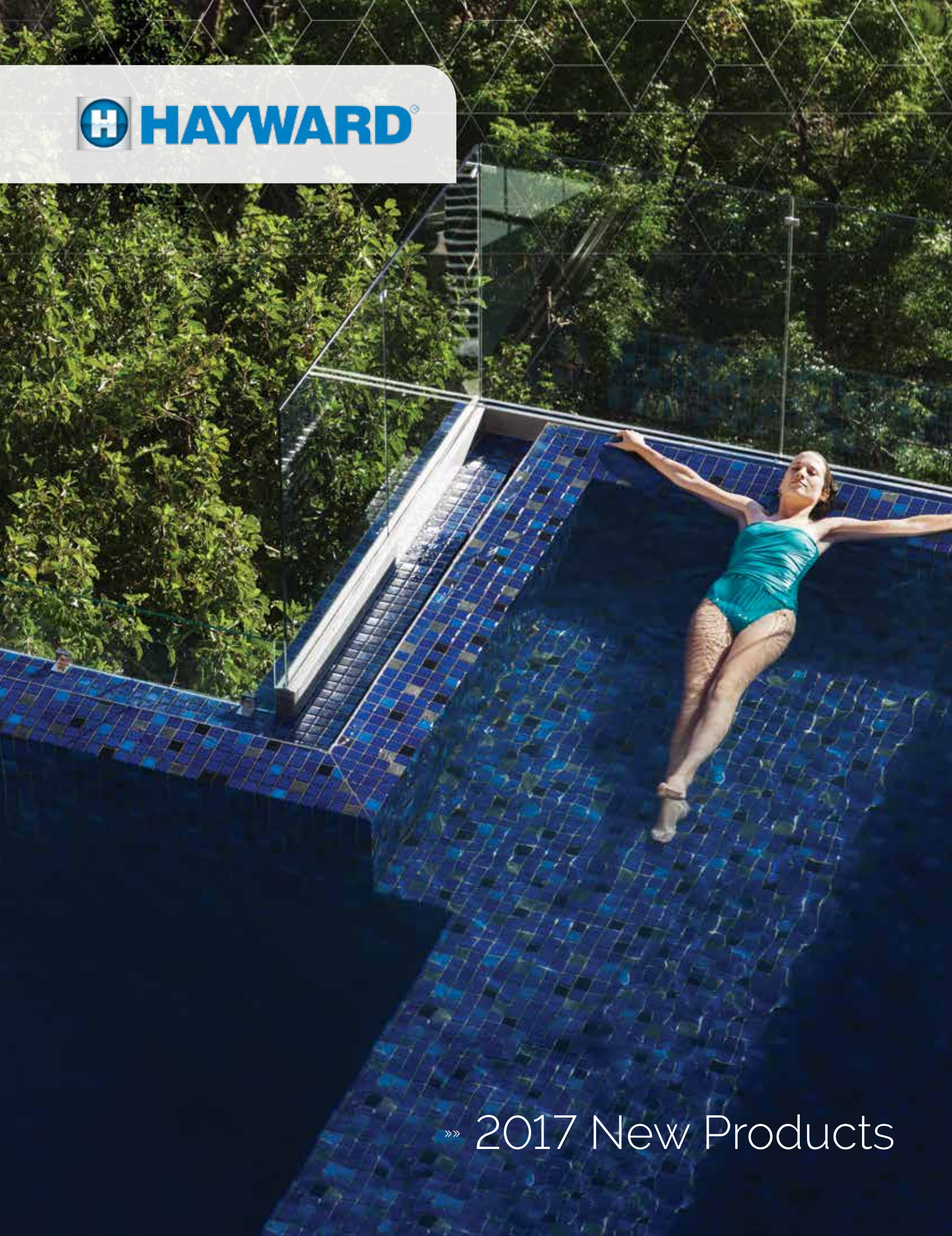
See separate Table of Contents	141-322
--------------------------------------	---------

Section 3.

Literature / Merchandising Tools Reference

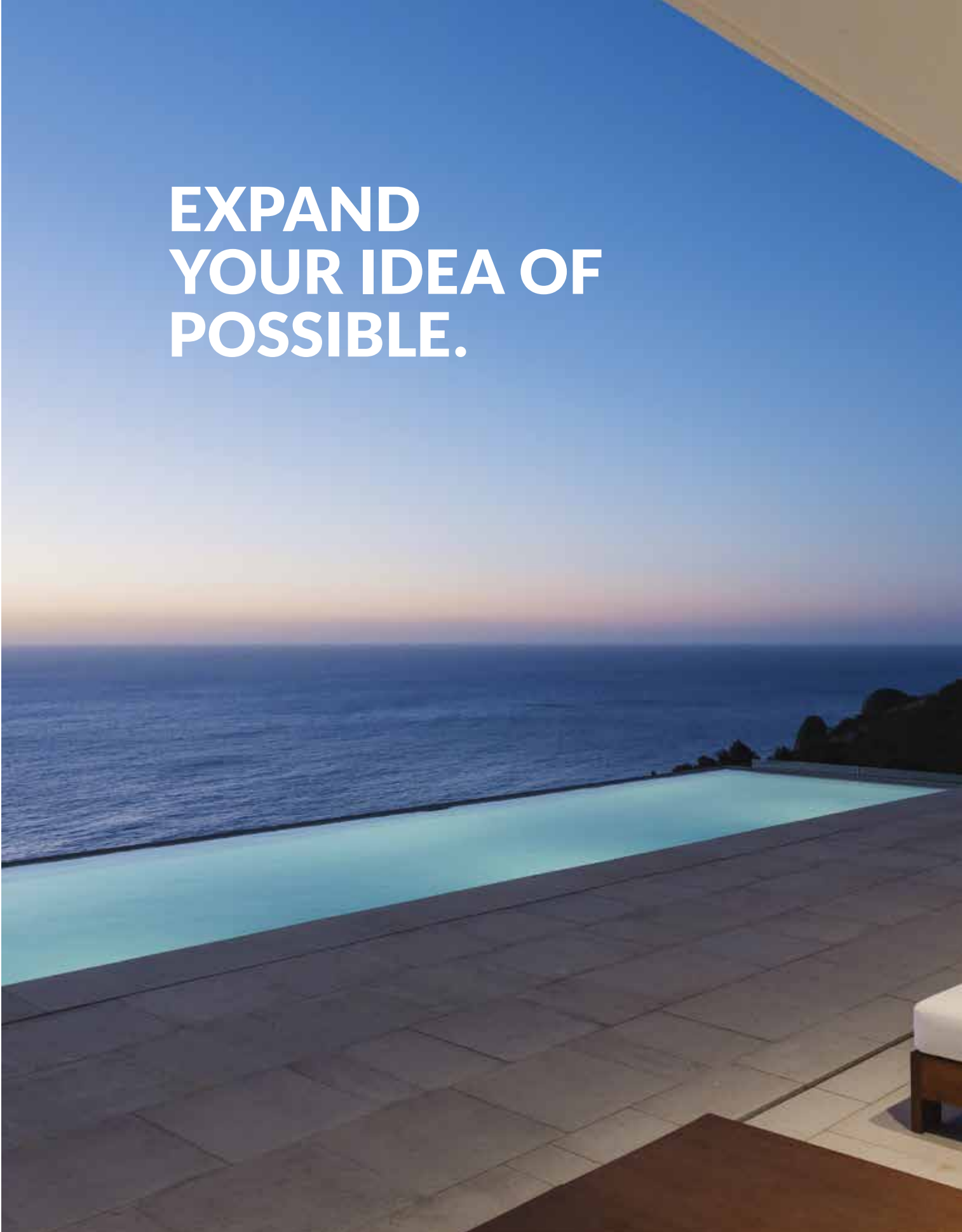
Literature/Merchandising Reference Guide	324-326
Order Forms	Back of Buyer's Guide
Commercial Product Brochure	Back of Buyer's Guide

The List Prices shown do not necessarily represent the prices that products are sold for to retail customers.
 Abbreviations: FIP – Female Iron Pipe Size; SKT – Socket (Solvent Weld - Female) Connection;
 MIP – Male Iron Pipe Size; SLIP – Male Pipe Stub (Solvent Weld – Male) Connection



»» 2017 New Products

**EXPAND
YOUR IDEA OF
POSSIBLE.**





Brand new ways to bring your customers' vision to life.

Exceed expectations like never before with the latest residential and commercial products from Hayward®. From behind-the-scenes options like pumps and heaters to ambiance enhancements like lighting and water features, we're setting a new standard of innovation in 2017.



X EXPERT LINE

Hayward® Expert Line premium products come with extended warranties and are not sold online.

THE ULTIMATE IN ENERGY-EFFICIENT PERFORMANCE.

Our TriStar VS pumps include the most energy-efficient pumps on the market, according to EPA ENERGY STAR® third-party testing. TriStar VS 900 comes with a chemical-resistant Viton® seal and can save you up to 90% on energy costs, while TriStar VS 950 offers all the same benefits plus enough power to replace any single-speed pump up to 3 HP.



TRISTAR® VS 950 | **X**



TRISTAR® VS 900 | **X**



MAXFLO VS™ 500 | **X**

OUR MOST DURABLE MAXFLO YET.

The new MaxFlo VS 500 saves pool owners up to 80% on energy costs over single-speed pumps—and with a durable chemical-resistant Viton seal, it'll save them repair and replacement costs too.



SUMMIT XL HEAT
PUMP | 

SILENT OPERATION FOR A MORE PEACEFUL POOL.

With industry-leading quiet operation, Summit XL heat pumps are a relaxing addition to any pool—and as the newest addition to our Expert Line, they come with valuable extended warranties for added customer peace of mind.



UNIVERSAL H-SERIES
H500FD

INDUSTRY FAVORITES—NOW WITH MORE TO LOVE.

Universal H-Series gas heaters are the most powerful way to help your customers extend the pool season—and with a new sun-protecting cover and redesigned digital interface, our updated Universal H-Series line, including the industry's only residential 500,000 BTU heater, is better than ever.



VL 210 SERIES SYSTEM

THE MOST ADVANCED ABOVE-GROUND SYSTEMS.

The large VL 210 Series system features a 1.5 HP pump that is performance matched to the 21" filter for minimal energy consumption.






THE ONLY SYSTEM WORTH ITS SALT.

AquaRite® 900 combines all the benefits of the world's #1 salt chlorination system with an Extended Life TurboCell® that lasts 25% longer. In other words, enjoying the softest, silkiest water now involves even less maintenance and means more value for your customers.



AQUARITE 900 WITH EXTENDED
LIFE TURBOCELL | 



**THE WORLD'S #1
SALT CHLORINATOR**

CLEAN AND SERENE.



TRIVAC® 700 | X



TRIVAC® 500

CLEAN ON A WHOLE NEW LEVEL.

TriVac series cleaners are the most advanced pressure cleaners on the market.



TriVac 700 is the only cleaner that can skim the pool surface



Both TriVac models thoroughly clean the pool floor, walls and coves



Patented AquaDrive® technology provides complete yet gentle coverage



ABOVE-GROUND POOLS HAVE A NEW BEST FRIEND.

Penguin Above-Ground Pool Cleaner



COLOR FOR EVERY CORNER.

ColorLogic® 80 & 40 LED Lights are .5-inch in diameter and deliver rich, colorful detail for hard-to-illuminate areas such as steps, decking, water features and more.



COLORLOGIC LED POOL, SPA,
FEATURES AND BACKYARD LIGHTS



COLORLOGIC 80/40 LIGHTS



Install in wet or dry environments
in 1/2" PVC conduit



Last 10x longer than incandescent bulbs



Sync with the entire ColorLogic family

Water features they'll fall for.

Bring the beauty of moving water to your customers' backyards with our family of water features. From sheers to bubblers to deck jets, our features are designed for seamless integration with any pool and spa. Installed alone or with lighting, they're a simple way to add ambiance and style.



BUBBLERS



SHEER 500



DECK JET 500

A photograph of a tropical resort pool at dusk. The pool is illuminated with blue lights, and the water reflects the sky. Several lounge chairs and umbrellas are arranged around the pool. Tall palm trees are visible in the background against a sunset sky. The overall atmosphere is serene and luxurious.

**CREATE
THE ULTIMATE
OASIS.**



Cutting-edge innovations for any commercial pool.



HCP 3000 SERIES PUMP

BIG PERFORMANCE IN A RIGHT-SIZED PUMP.

The HCP 3000 Series pumps set a new standard of flow rate for the 3"-union class. Engineered for heavy-duty durability and available in a range of power options, replacement is quick and easy, providing the perfect solution for every pool, without compromise.



SALINE C® 11.0

SILKY SOFT WATER FOR HIGH-VOLUME POOLS.

With Saline C 11.0, our newest commercial salt chlorinator, all they need is one vessel to produce up to 11 pounds of pure chlorine per day. Plus, Saline C's low-cost installation and energy-efficient power supply mean amazing water quality and lower operating costs too.

» hayward.com » 1-888-HAYWARD

Pumps » Filters » Heating » Cleaners » Sanitization » Automation » Lighting » Water Effects » White Goods

Hayward, AquaDrive, AquaRite, ColorLogic, Saline C, TriStar, TriVac and TurboCell are registered trademarks and MaxFlo VS is a trademark of Hayward Industries, Inc. © 2016 Hayward Industries, Inc. ENERGY STAR is a registered mark owned by the U.S. government. All other trademarks not owned by Hayward are the property of their respective owners. Hayward is not in any way affiliated with or endorsed by those third parties.



OUR LATEST AND GREATEST PRODUCTS—ONLY AVAILABLE FROM PROS LIKE YOU.

The Hayward® Expert Line means advanced, trade-exclusive products consumers can't buy online—and with innovative new product offerings for 2017, Expert Line keeps growing so your business can too.



EXPERT LINE



PREMIUM PRODUCTS



NOT SOLD ONLINE



EXTENDED WARRANTIES



PUMP UP THE ENERGY SAVINGS.



Offer your customers unparalleled energy-cost savings with TriStar VS 900, designed with a Viton® seal for added durability. TriStar VS 950, the latest addition to the Expert Line, provides a more powerful, super-efficient option for larger pools with additional features, while the new MaxFlo VS 500 is an attractive upgrade for pools with a basic single-speed pump (available in 230V or 115V).



NEW » TRISTAR® VS 950
(SP32950VSP)



TRISTAR® VS 900
(SP32900VSP)



NEW » MAXFLO VS™ 500
(SP23520VSP & SP23510VSP)



NEW » SUMMIT XL
(SUMXL112 & SUMXL140)

THE COST-EFFICIENT WAY TO KEEP YOUR POOL WARM.

The Summit XL heat pump maintains a constant pre-set temperature so that your customers' pools are always ready to use. Thermally efficient heat-pump technology reduces energy consumption while extending the pool season.

SOFTER, SAFER WATER WITHOUT HARSH CHEMICALS.

Salt chlorination creates the softest, silkiest water your customers have ever experienced, and our easy-to-install AquaRite 900 system minimizes maintenance with a cell that lasts 25% longer. HydroRite UVO₃ is an innovative, secondary sanitization system that combines UV, ozone and advanced oxidants to create the safest, purest water for discerning customers.



AQUARITE® 900 WITH
EXTENDED LIFE TURBOCELL®
(AQR940 & AQR925)



HYDRORITE™ UVO₃
(HYD-UVO)



TRIVAC® 700
(TVP700C)



AQUANAUT® 450
(PBS42CST)



NAVIGATOR® V-FLEX®
(HSC925CC & HSC925CV)



POOLVAC™ V-FLEX®
(HSC2025CC & HSC2025CV)

INDUSTRY-LEADING CLEANERS FOR EVERY POOL.

Take the work out of maintaining a sparkling clean pool with Hayward's wide range of automatic cleaners, including our new TriVac 700—the only pressure cleaner on the market that skims the water's surface. The AquaNaut 450 is ideal for larger pools, while Navigator and PoolVac V-Flex both use Hayward's exclusive V-Flex technology to virtually eliminate cleaner clogs.

2017 Finished Goods & Technical Information



Product Additions, Deletions & Replacements

FINISHED GOODS

Page No.	Part Number	New	Deleted	Replacement
PUMPS				
<i>TriStar® VS 950</i>				
11	SP32950VSPND	*		
<i>TriStar® VS 900</i>				
12	SP32900VSP	*		
<i>TriStar® VS</i>				
13	SP3202VSP	*		
	SP3200VSP		▲	SP3202VSP
<i>Super Pump®</i>				
19	SP2607EE		▲	
<i>MaxFlo VS™ 500</i>				
21	SP23520VSP	*		
	SP23510VSP	*		
<i>PowerFlo Matrix®</i>				
24	SP1500FT		▲	
FILTERS				
<i>XStream™</i>				
37	SP1500FT		▲	
<i>Genuine Replacement Cartridges</i>				
39	All Blue Value 3 oz material cartridges		▲	
HEATING				
<i>Summit XL Heat Pumps</i>				
54	SUMXL112	*		
	SUMXL140	*		
CLEANERS				
<i>TriVac™ 700</i>				
62	TVX7027A-205		▲	
<i>TriVac™ 500</i>				
63	TVX7027A-205		▲	
<i>Navigator® V-Flex</i>				
67	HSC925CC	*		
	HSC925CV	*		
	HSC0925CC		▲	HSC925CC
	HSC0925CV		▲	HSC925CV
<i>AquaNaut® 200 & 400</i>				
71	PHS21CVT		▲	
	PHS41CVT		▲	
<i>AquaNaut® 450</i>				
72	PBS42CST	*		
<i>Penguin</i>				
74	100	*		
<i>Accessories</i>				
77	Automatic Cleaner Hose Guide	*		
SANITIZATION				
<i>HydroRite™</i>				
78	HYD-UV		▲	
<i>TurboCell®</i>				
79	TCeI1940	*		
	TCeI1925	*		
<i>AquaRite®</i>				
84	AQR15-120		▲	
<i>AquaRite® Pro</i>				
85	AQR9-PRO-SD		▲	
	AQL-CHEM2-240		▲	
<i>AquaPlus®</i>				
86	AQL-CHEM2-240		▲	

Page No.	Part Number	New	Deleted	Replacement
SANITIZATION (cont.)				
<i>Sense and Dispense®</i>				
87	AQL-CHEM2-240		▲	
AUTOMATION				
<i>Pick N' Mix</i>				
94-95	PL-PS-8V		▲	
	PL-PS-16V		▲	
	AQ-SOL-KIT-1P		▲	
<i>E-Command® 4</i>				
103	AQL-DC		▲	
<i>OnCommand</i>				
104	ONCOM-ACT-POD2	*		
	ONCOM-ACT-POD		▲	ONCOM-ACT-POD2
	AQL-DEC		▲	
LIGHTING				
<i>ColorLogic® 80 & 40</i>				
109	LMCUNPS005		▲	
<i>ColorLogic® Light Controller</i>				
105	LKCUS1100	*		
	LKCUB1100	*		
<i>ColorLogic® Light Controller</i>				
111	LKCUB1100		▲	
<i>Lighting Niches</i>				
119	SP0606C4		▲	
WATER FEATURES				
<i>ColorLogic® Bubbler</i>				
122	WFB100	*		
	WFBCUS1100	*		
	GLX-BKT-GR	*		
	GLX-BKT-DG	*		
	GLX-BKT-WT	*		
	GLX-BLN-GR	*		
	GLX-BLN-DG	*		
	GLX-BLN-WT	*		
	GLX-BTOOL	*		
<i>Deck Jet 500/Sheer 500</i>				
123	WFS512R6	*		
	WFS512R1	*		
	WFS512B6	*		
	WFS512B1	*		
	WFS524R6	*		
	WFS524R1	*		
	WFS524B6	*		
	WFS524B1	*		
	WFS536R6	*		
	WFS536R1	*		
	WFS536B6	*		
	WFS536B1	*		
	WFS548R6	*		
	WFS548R1	*		
	WFS548B6	*		
	WFS548B1	*		
	WFS560R6	*		
	WFS560R1	*		

According to EPA ENERGY STAR® third-party testing, TriStar VS variable-speed pumps are the most energy-efficient pumps on the market. The TriStar VS 950 goes even further offering unique features such as a Viton® pump seal and a 4 year standard warranty. Tests prove the TriStar VS 950 can save pool owners up to 90% on energy costs compared to single-speed pumps. This newest addition to Hayward's Expert Line of products is exclusively available to Brick and Mortar dealers.

Applications

- In-ground pools
- In-ground spas

Features

- Exclusive for Brick and Mortar dealers
- Extended-life Viton® pump seal for improved resistance against chemical imbalances
- FOUR year standard warranty
- Best-in-class energy efficiency via industry leading hydraulic design plus super-efficient permanent magnet motor saves up to \$1,500* in energy costs year after year.
- Easily installed in all applications: in standalone mode, with Hayward automation systems or with competitors' systems via relay control
- Fully programmable and rotatable digital interface includes a 24-hour clock with up to 8 custom timer functions
- Second base included to align with Pentair® WhisperFlo® for simple retrofit upgrades (SP3202VSP only)
- A separate base is also available (SPX3200SR) to align with Sta-Rite®, Max-E-Pro®, Max-E-Glas® or Dura-Glas®.

*Savings compared to a single speed pump running 12 hours per day, on a 20,000 gallon pool, at an average electrical rate of \$0.15/kWh. Actual savings may vary based on comparison pump model, hours of operation, electrical rate and other hydraulic aspects such as plumbing size and length.



TriStar VS 950 Variable-Speed Pump

TriStar VS 950 Buying Guide

Model Number	Description	Total H.P.	Speed Range	Voltage at 60 Hz	Union Connections	Ctn. Qty.	Ctn. Weight
SP32950VSP*	TriStar VS 950	2.70	600–3450 RPM	230V Single Phase	2" x 2 1/2"	1	65 lbs.

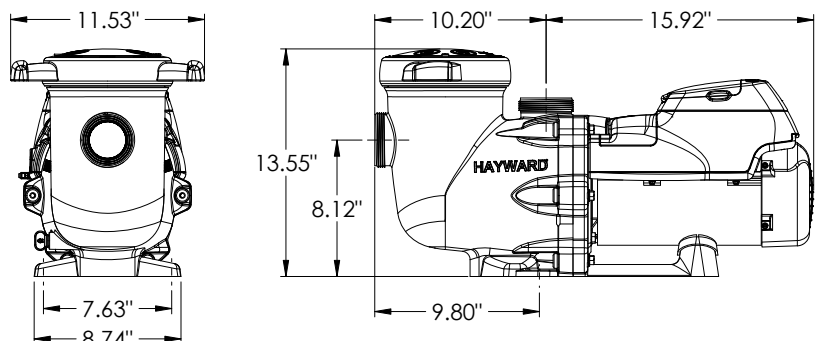
*EXPERT LINE products are not available for online resale.

Performance Data

RPM	Percent Output	Pump Output (GPM) vs. Total Resistance to Flow (Feet of Head)							
		10 ft	20 ft	30 ft	40 ft	50 ft	60 ft	70 ft	80 ft
1375	40%	51	—	—	—	—	—	—	—
1725	50%	80	42	—	—	—	—	—	—
2075	60%	100	82	41	—	—	—	—	—
2425	70%	117	110	90	56	—	—	—	—
2750	80%	133	133	118	100	73	—	—	—
3100	90%	149	149	144	130	117	91	36	—
3450	100%	194	184	172	160	146	130	110	84

NOTE: For complete pump performance curves see page 30.

Overall Dimensions (inches)



TriStar® VS 900

VARIABLE SPEED PUMPS

EXPERT LINE

Pumps



TriStar VS 900 Pumps

TriStar VS 900 Buying Guide

Model Number	Description	Total H.P.	Speed Range	Voltage at 60 Hz	Union Connections	Ctn. Qty.	Ctn. Weight
SP32900VSP*	TriStar VS 900	1.85	600–3450 RPM	230V Single Phase	2" x 2 1/2"	1	52 lbs.

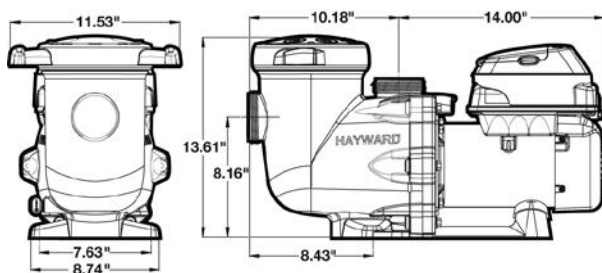
*EXPERT LINE products are not available for online resale.

Performance Data

RPM	Percent Output	Pump Output (GPM) vs. Total Resistance to Flow (Feet of Head)						
		10 ft	20 ft	30 ft	40 ft	50 ft	60 ft	70 ft
1375	40%	29	—	—	—	—	—	—
1725	50%	55	—	—	—	—	—	—
2075	60%	76	52	—	—	—	—	—
2425	70%	94	77	54	—	—	—	—
2750	80%	111	97	80	58	—	—	—
3100	90%	128	116	103	87	67	34	—
3450	100%	145	134	123	110	96	78	54

NOTE: For complete pump performance curves see page 30.

Overall Dimensions (inches)



TriStar® VS 900 is the first of Hayward's variable-speed pumps designed exclusively for the trade. Offering unique features such as a Viton® pump seal for improved resistance against chemical imbalances and a three year standard warranty, this pump delivers exceptional advantages.

TriStar VS 900 is specifically designed to replace most high performance pumps up to 1.5 full-rate and 2.0 max-rate horsepower. Its advanced, permanent magnet, totally enclosed fan-cooled (TEFC) motor offers unparalleled efficiency and reliability saving pool owners up to 90% on pool-related energy costs compared to ordinary single-speed pumps.

According to EPA ENERGY STAR® third-party testing, TriStar VS variable-speed pumps are the most energy-efficient pumps on the market.

Applications

- In-ground pools
- In-ground spas
- Ideal for water features such as waterfalls and fountains

Features

- Exclusive for Brick and Mortar dealers
- Extended-life Viton® pump seal for improved resistance against chemical imbalances
- THREE year standard warranty
- Right-sized for most high performance pump applications
- Easily installed in all applications: in standalone mode, with Hayward automation systems or with competitors' systems via relay control
- Fully programmable and rotatable digital interface includes a 24-hour clock with up to 8 custom timer functions
- 2"x 2.5" union connections make installation easy
- Second base included to align with Pentair® WhisperFlo® for simple retrofit upgrades (SP3202VSP only)
- A separate base is also available (SPX3200SR) to align with Sta-Rite®, Max-E-Pro®, Max-E-Glas® or Dura-Glas®.
- Optional wall-mount kit available (SPX3400DRKIT) to remotely locate the pump user interface



According to EPA ENERGY STAR® third-party testing, TriStar VS variable-speed pumps are the most energy-efficient pumps on the market. They offer energy savings of up to 90% and can pay for themselves faster than larger, more expensive variable-speed pumps. With a super-efficient, ultra-quiet permanent magnet motor and integrated electronic drive, TriStar VS pumps are the perfect replacement for high performance pumps up to 1.5 full-rate HP or 2.0 max-rate HP. In addition, their all-in-one controller compatibility makes them easy to integrate with any new or existing automation system. From installation to operation, they're the industry's easiest, most efficient upgrades.

Applications

- In-ground pools
- In-ground spas
- Ideal for water features such as waterfalls and fountains

Features

- Can save you up to 90% on pool-related energy costs when compared with ordinary single-speed pumps
- All-in-one model simplifies integration with any automation system, including Hayward OmniLogic®. Also works in stand-alone mode and relay control.
- Integrated, programmable digital interface with 24-hour programmable clock and up to 8 custom timer functions (SP3202VSP only)
- Designed to replace high performance pumps up to 1.5 HP full-rate or 2.0 HP max-rate
- Advanced, permanent magnet, totally enclosed fan-cooled (TEFC) motor offers unparalleled efficiency and reliability
- 2"x 2.5" union connections make installation easy
- Second base included to align with Pentair® WhisperFlo® for simple retrofit upgrades (SP3202VSP only)
- A separate base is also available (SPX3200SR) to align with Sta-Rite®, Max-E-Pro®, Max-E-Glas® or Dura-Glas®.
- Optional wall-mount kit available (SPX3400DRKIT) to remotely locate the pump user interface



TriStar VS Pumps

TriStar VS Buying Guide

Model Number	Description	Total H.P.	Speed Range	Voltage at 60 Hz	Union Connections	Ctn. Qty.	Ctn. Weight
SP3202VSP	Stand-Alone, Relay Control or with Hayward Automation*	1.85	600–3450 RPM	230V Single Phase	2" x 2 1/2"	1	52 lbs.
SP3202VSPND	Controlled by Hayward Automation	1.85	600–3450 RPM	230V Single Phase	2" x 2 1/2"	1	50 lbs.

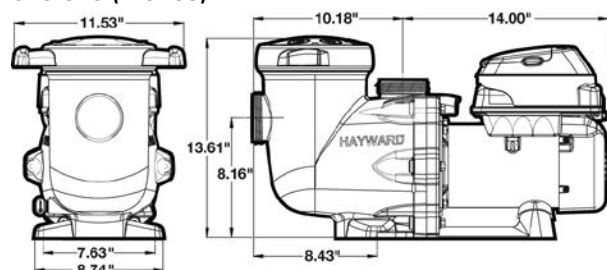
NOTE: *Includes Pump User Interface

Performance Data

RPM	Percent Output	Pump Output (GPM) vs. Total Resistance to Flow (Feet of Head)						
		10 ft	20 ft	30 ft	40 ft	50 ft	60 ft	70 ft
1375	40%	29	—	—	—	—	—	—
1725	50%	55	—	—	—	—	—	—
2075	60%	76	52	—	—	—	—	—
2425	70%	94	77	54	—	—	—	—
2750	80%	111	97	80	58	—	—	—
3100	90%	128	116	103	87	67	34	—
3450	100%	145	134	123	110	96	78	54

NOTE: For complete pump performance curves see page 30.

Overall Dimensions (inches)





TriStar Pump

TriStar Buying Guide

Model Number	Total H.P.	Rated H.P.	Service Factor	Voltage at 60 Hz	Union Connections	Dim. "A"	Ctn. Qty.	Ctn. Weight
Energy Efficient Full Rated Single-Speed								
SP3205EE	0.99	1/2	1.98	115/208-230	2" x 2 1/2"	13 5/8"	1	42 lbs.
SP3207EE	1.39	3/4	1.85	115/208-230	2" x 2 1/2"	13 7/8"	1	44 lbs.
SP3210EE	1.85	1	1.85	115/208-230	2" x 2 1/2"	14 3/8"	1	47 lbs.
SP3215EE	2.40	1 1/2	1.60	115/208-230	2" x 2 1/2"	14 7/8"	1	51 lbs.
SP3220EE	2.70	2	1.35	208-230	2" x 2 1/2"	14 7/8"	1	51 lbs.
SP3230EE	3.60	3	1.20	208-230	2" x 2 1/2"	17 1/8"	1	66 lbs.
SP323063EE*	3.60	3	1.20	208-230/460	2" x 2 1/2"	17 1/8"	1	66 lbs.
SP3250EE	5.0	5	1.00	208-230	2" x 2 1/2"	17 1/8"	1	66 lbs.

NOTE: *Three Phase

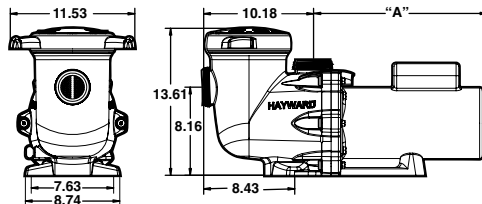
Energy Efficient Full Rated Dual-Speed								
SP32102EE**	1.85	1	1.85	208-230	2" x 2 1/2"	14 3/8"	1	48 lbs.
SP32152EE**	2.40	1 1/2	1.60	208-230	2" x 2 1/2"	14 7/8"	1	52 lbs.
SP32202EE**	2.70	2	1.35	208-230	2" x 2 1/2"	14 7/8"	1	52 lbs.

Standard Efficient Max Rated Single-Speed								
SP3205X7	0.94	3/4	1.25	115/230	2" x 2 1/2"	13 3/8"	1	42 lbs.
SP3207X10	1.25	1	1.25	115/230	2" x 2 1/2"	13 7/8"	1	44 lbs.
SP3210X15	1.65	1 1/2	1.10	115/230	2" x 2 1/2"	13 7/8"	1	47 lbs.
SP3215X20	2.20	2	1.10	115/230	2" x 2 1/2"	15 1/8"	1	51 lbs.
SP3220X25	2.60	2 1/2	1.04	230	2" x 2 1/2"	14 7/8"	1	51 lbs.
SP3225X30	3.45	3	1.15	230	2" x 2 1/2"	15 5/8"	1	66 lbs.

Energy Efficient Max Rated Dual-Speed								
SP3210X152**	1.85	1 1/2	1.23	208-230	2" x 2 1/2"	14 3/8"	1	48 lbs.
SP3215X202**	2.40	2	1.20	208-230	2" x 2 1/2"	14 7/8"	1	52 lbs.
SP3220X252**	2.70	2 1/2	1.08	208-230	2" x 2 1/2"	14 7/8"	1	52 lbs.

NOTE: **ENERGY STAR certified. Requires separate "Hi/Lo" switch when not connected to an automation system or two-speed timeclock.

Overall Dimensions (inches)



The TriStar Pump from Hayward features the industry's most energy efficient hydraulics. Easy to install, service and maintain, TriStar outperforms the competition when it comes to flow, efficiency and value. It's the first to feature a large, no-rib strainer basket design that's quick and easy to clean.

Applications

- In-ground pools of all types and sizes (including in-floor cleaning systems, solar heating systems, water features)
- In-ground spas or in-ground pool/spa combinations
- Fountains

Features

- Save up to 70% on your energy costs with the combination of an advanced hydraulic design and proven two-speed technology
- Higher flow rates can allow for stepping down in pump horsepower compared to less efficient pump models
- 2" x 2 1/2" union connections make installation and servicing fast and easy
- No-rib basket design insures easy debris removal. Extra leaf-holding capacity extends time between cleanings
- Tri-Lock cam and ramp strainer cover design seals with less than a quarter turn
- Pressure testable to 50 psi maximum
- Self-priming (suction lift up to 10' above water level)

TRISTAR 2-SPEED
UP TO **70% SAVINGS**
ON YOUR ENERGY COSTS



Performance Data

Model No.	Pump Output (GPM) vs. Total Resistance to Flow (Feet of Head)								
	20 ft	30 ft	40 ft	50 ft	60 ft	70 ft	80 ft	90 ft	100 ft
Energy Efficient Full Rated									
SP3205EE	87	76	62	45	8	—	—	—	—
SP3207EE	104	94	83	70	54	22	—	—	—
SP3210EE	132	121	110	97	81	60	—	—	—
SP3215EE	159	149	137	125	111	93	70	—	—
SP3220EE	187	175	161	146	130	110	80	—	—
SP3230EE	212	200	186	171	154	138	111	75	—
SP3250EE	240	227	213	193	182	168	150	118	80
Standard Efficient Max Rated									
SP3205X7	87	76	62	45	8	—	—	—	—
SP3207X10	104	94	83	70	54	22	—	—	—
SP3210X15	132	121	110	97	81	60	—	—	—
SP3215X20	159	149	137	125	111	93	70	—	—
SP3220X25	174	162	148	133	116	96	68	—	—
SP3225X30	212	200	186	171	154	138	111	75	—

Performance Data – Low Speed

Full Rated Model No.	Max Rated Model No.	Pump Output (GPM) vs. Total Resistance to Flow (Feet of Head)					
		5 ft	10 ft	15 ft	20 ft	25 ft	30 ft
SP32102EE	SP3210X152	68	57	43	4	—	—
SP32152EE	SP3215X202	81	70	56	32	—	—
SP32202EE	SP3220X252	98	85	71	50	—	—

NOTE: For complete pump performance curves see page 30.

TriStar® Waterfall

HIGH PERFORMANCE WATERFALL PUMPS

The TriStar 75 and 120 GPM Waterfall Pumps are specifically designed for waterfalls, spillways and negative-edge pool applications. These pumps feature heavy-duty, energy efficient motor and pump technology. TriStar Waterfall pumps are easy to install, service and maintain.

Applications

- In-ground waterfalls that require low head applications and up to 75 or 120 gallons per minute

Features

- Runs 60% quieter and uses 60% less electricity than standard single-speed pumps
- Low-head/high-flow specifically designed for large volume waterfall and negative-edge applications
- 2" x 2 1/2" union connections make installation and servicing fast and easy
- No-rib design insures easy debris removal. Extra leaf-holding capacity basket extends time between cleanings.
- Tri-Lock cam and ramp strainer cover design seals with less than a quarter turn
- Pressure testable to 50 psi maximum

Note: The TriStar Waterfall pumps are low-head, high-flow pumps. The piping system should be designed such that the discharge of the waterfall, spillway or cascade is no more than 10 feet above the surface of the water in the pool.



SP36075EE TriStar WaterFall Pump

TriStar Waterfall Buying Guide

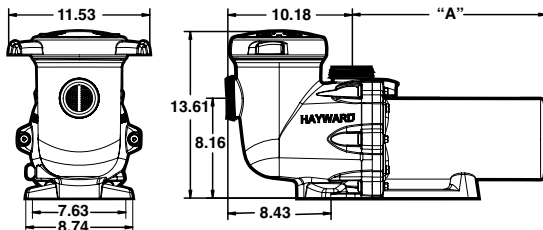
Model Number	GPM	Voltage at 60 Hz	Union Connections	Dim. "A"	Ctn. Qty.	Ctn. Weight
Energy Efficient Full Rated Single-Speed						
SP36075EE	75	115/208-230	2" x 2 1/2"	13 7/8"	1	50 lbs.
SP36120EE	120	115/208-230	2" x 2 1/2"	13 3/8"	1	50 lbs.

Performance Data

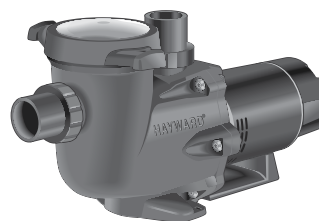
Max Rated Model No.	Pump Output (GPM) vs. Total Resistance to Flow (Feet of Head)				
	10 ft	15 ft	20 ft	25 ft	30 ft
SP36075EE	84	68	47	—	—
SP36120EE	110	96	80	45	—

NOTE: For complete pump performance curves see page 30.

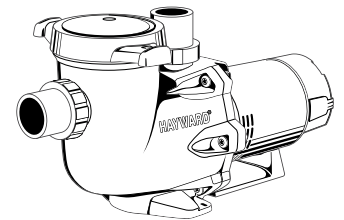
Overall Dimensions (inches)



✂ Clip Art



TriStar Pump



TriStar Pump

EcoStar® and EcoStar SVRS

VARIABLE SPEED PUMPS



PUMPS



EcoStar Variable Speed Pump

Tests prove that EcoStar® can save pool owners up to 90% on energy costs compared to ordinary single speed pumps thanks to a super-efficient permanent magnet, totally enclosed fan cooled (TEFC) motor and industry leading hydraulic design. EcoStar can match pump speed to a pool's needs, versus running at full power 100% of the time.

EcoStar SVRS features an integrated Safety Vacuum Release System (SVRS) that helps prevent suction entrapment without additional devices, plumbing or wiring. It meets or exceeds all relevant ASME/ANSI standards as required by the Virginia Graeme Baker Pool and Spa Safety Act and similar state and local requirements.

EcoStar and EcoStar SVRS Buying Guide

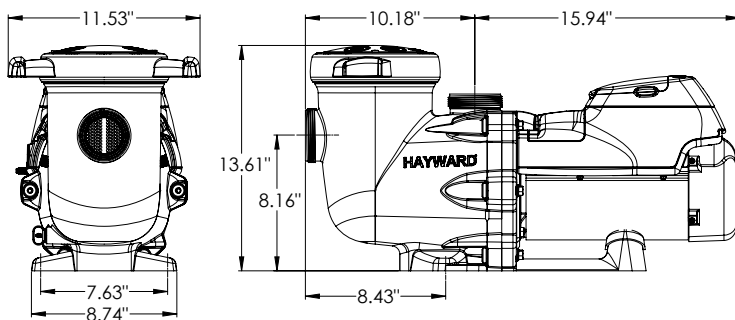
Model Number	Description	Total H.P.	Speed Range	Voltage at 60 Hz	Union Connections	Ctn. Qty.	Ctn. Weight
SP3400VSP	EcoStar	2.70	600–3450 RPM	230V Single Phase	2" x 2 1/2"	1	65 lbs.
SP3400VSPVR	EcoStar SVRS	2.70	1000–3450 RPM	230V Single Phase	2" x 2 1/2"	1	65 lbs.

Performance Data

RPM	Percent Output	Pump Output (GPM) vs. Total Resistance to Flow (Feet of Head)							
		10 ft	20 ft	30 ft	40 ft	50 ft	60 ft	70 ft	80 ft
1375	40%	51	—	—	—	—	—	—	—
1725	50%	80	42	—	—	—	—	—	—
2075	60%	100	82	41	—	—	—	—	—
2425	70%	117	110	90	56	—	—	—	—
2750	80%	133	133	118	100	73	—	—	—
3100	90%	149	149	144	130	117	91	36	—
3450	100%	194	184	172	160	146	130	110	84

NOTE: For complete pump performance curves see page 30.

Overall Dimensions (inches)



Applications

- In-ground pools of all types and sizes, pool/spa combinations
- Ideal for water features such as waterfalls and fountains

Features

- Industry leading hydraulic design, super efficient permanent magnet motor saves up to \$1,500* in energy costs year after year
- Digital control interface rotates to 4 different positions on the pump or can be wall mounted
- Quiet by design
- ENERGY STAR approved and compliant with industry regulations such as Title 20 and APSP-15
- Fully programmable, self-contained 24-hour time clock with up to 8 custom speed and timer functions
- No additional controller or time clock needed
- SVRS model complies with ASME A112.19.17

*Savings compared to a single speed pump running 12 hours per day, on a 20,000 gallon pool, at an average electrical rate of \$0.15/kWh. Actual savings may vary based on comparison pump model, hours of operation, electrical rate and other hydraulic aspects such as plumbing size and length.

Super II is the proven design for both 1 1/2" and 2" high performance installations. Its hydraulic efficiency allows greater flow at lower operating costs. The additional riser base makes Super II a drop-in replacement for most aftermarket installations.

Applications

- In-ground pools of all types and sizes (including in-floor cleaning systems, solar heating systems, water features)
- In-ground spas or in-ground pool/spa combinations
- Fountains

Features

- Full-flow hydraulics allow greater flow at a lower cost of operation
- Save electricity and money with high efficiency single-speed and two-speed models
- 155-cubic-inch basket has rigid construction including load-extender ribbing for free-flow operation
- See-through cover so pool owners know exactly when to empty the extra-large debris basket
- Second base included to align Super II with STA-RITE®, DURA-GLAS® and other pumps for easy retrofit installations
- Self-priming (suction lift up to 10' above water level)
- Includes pump lid removal tool

Performance Data for SP2303VSP

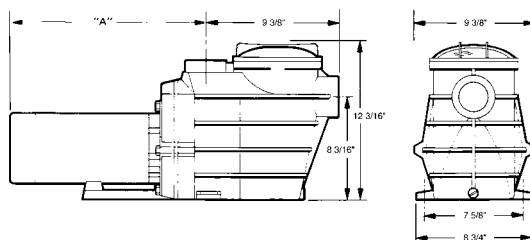
RPM	Percent Output	Pump Output (GPM) vs. Total Resistance to Flow (Feet of Head)				
		10 ft	20 ft	30 ft	40 ft	50 ft
1725	50	30	—	—	—	—
2400	70%	59	40	—	—	—
3000	87	80	68	52	27	—
3450	100	96	85	73	59	40

Performance Data for SP23115VSP

RPM	Percent Output	Pump Output (GPM) vs. Total Resistance to Flow (Feet of Head)				
		10 ft	20 ft	30 ft	40 ft	50 ft
1725	50	30	—	—	—	—
2400	70	59	38	—	—	—
3000	87	80	66	50	24	—
3450	100	96	84	72	58	36

NOTE: For complete pump performance curves see page 33.

Overall Dimensions (inches)



SP3015X20AZ 2 H.P. Super II Pump

Super II Pump Buying Guide

Model Number	Total H.P.	Rated H.P.	Service Factor	Voltage at 60 Hz	Port Size	Dim. "A"	Ctn. Qty.	Ctn. Weight
Energy Efficient Full Rated Single-Speed								
SP3007EECA	0.99	3/4	1.32	115/230	2"	15 1/4"	1	38 lbs.
SP3010EEAZ	1.50	1	1.50	115/230	2"	15 1/4"	1	43 lbs.
SP3015EEAZ	2.00	1 1/2	1.33	115/230	2"	16 1/8"	1	51 lbs.
SP3020EEAZ	2.50	2	1.25	230	2"	16 5/8"	1	57 lbs.
SP3025EEAZ	3.45	3	1.15	230	2"	17 3/4"	1	64 lbs.
SP303063AZ*	3.45	3	1.15	230/460	2"	14 1/2"	1	64 lbs.

NOTE: *Three phase

Standard Efficient Max Rated Single-Speed

SP3005X7AZ	0.75	3/4	1.00	115/230	1 1/2"	14 1/8"	1	35 lbs.
SP3007X10AZ	1.10	1	1.10	115/230	1 1/2"	14 1/2"	1	38 lbs.
SP3007X10AZ2	1.10	1	1.10	115/230	2"	14 1/2"	1	38 lbs.
SP3010X15AZ	1.50	1 1/2	1.00	115/230	2"	15 5/8"	1	43 lbs.
SP3015X20AZ	2.00	2	1.00	115/230	2"	16 5/8"	1	51 lbs.
SP3020X25AZ	2.50	2 1/2	1.00	230	2"	16 5/8"	1	57 lbs.
SP3025X30AZ	3.45	3	1.15	230	2"	17 3/4"	1	64 lbs.

Energy Efficient Max Rated Dual-Speed

SP3010X152AZ**	1.50	1 1/2	1.00	230	2"	14"	1	46 lbs.
SP3015X202AZ**	2.00	2	1.00	230	2"	14 1/2"	1	51 lbs.
SP3020X252AZ**	2.50	2 1/2	1.00	230	2"	17 1/2"	1	58 lbs.

NOTE: **ENERGY STAR certified. Requires separate "Hi/Lo" switch when not connected to an automation system or two-speed timeclock.

Model Number	Description	Ctn. Qty.	Ctn. Weight
--------------	-------------	-----------	-------------

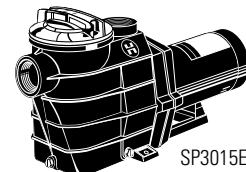
Accessory

SP3100T	Pump Strainer Tool – For 6 1/2" cover/lid	25	14 lbs.
---------	---	----	---------

Clip Art



Super II Pump



SP3015EEAZ

Super Pump® VS

VARIABLE SPEED PUMPS

Pumps

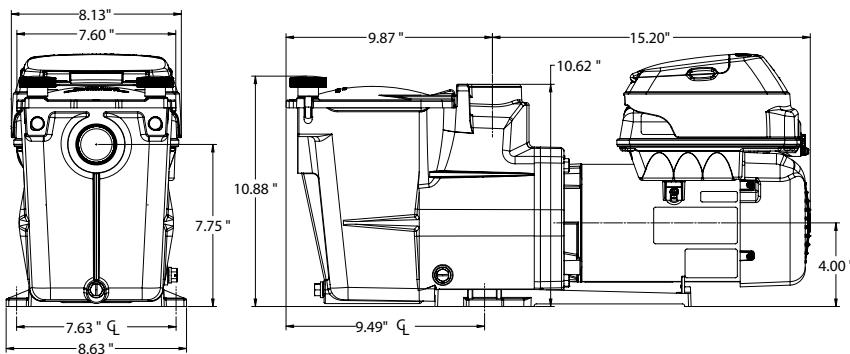


Super Pump VS

Super Pump VS Buying Guide

Model Number	Description	Total H.P.	Speed Range	Voltage at 60 Hz	Port Size	Ctn. Qty.	Ctn. Weight
SP2603VSP	Super Pump VS	1.65	600-3450 RPM	230V Single Phase	1 1/2"	1	42 lbs.
SP26115VSP	Super Pump VS	0.85	600-3450 RPM	115V Single Phase	1 1/2"	1	42 lbs.

Overall Dimensions (inches)



Super Pump variable-speed pumps from Hayward offer energy savings of up to 80% over single-speed pumps and pay for themselves faster than larger, more expensive models.

Super Pump VS 115V is the most energy-efficient pump in its class, according to EPA ENERGY STAR® third-party testing, and Super Pump VS 230V's all-in-one compatibility makes it easy to integrate with any automation system, including Hayward OmniLogic®.

With all of this and more, Super Pump VS pumps are the easiest and most cost effective upgrades from a single speed Super Pump.

Applications

- In-ground pools
- In-ground spas

Features

- With right-sized design, they pay for themselves faster than larger, more expensive models.
- All-in-one compatibility works in standalone mode or with any automation system via relay control; 230V model can connect directly to Hayward automation, including OmniLogic.
- Built with a permanent magnet motor for up to 80% energy savings over single-speed pumps.
- Integrated, programmable, rotatable digital interface with 24-hour clock and up to 8 custom timer functions.
- Optional wall-mount kit available to remotely locate the pump user interface.

Performance Data for SP2603VSP

RPM	Percent Output	Pump Output (GPM) vs. Total Resistance to Flow (Feet of Head)					
		10 ft	20 ft	30 ft	40 ft	50 ft	60 ft
1725	50	34	—	—	—	—	—
2400	70	62	47	18	—	—	—
3000	87	84	73	60	45	—	—
3450	100	100	90	80	69	56	34

Performance Data for SP26115VSP

RPM	Percent Output	Pump Output (GPM) vs. Total Resistance to Flow (Feet of Head)					
		10 ft	20 ft	30 ft	40 ft	50 ft	60 ft
1725	50%	28	—	—	—	—	—
2400	70%	54	38	—	—	—	—
3000	87%	72	62	50	32	—	—
3450	100%	72	62	52	43	34	10

Efficient. Dependable. Proven. The Super Pump has all the quality features you expect from Hayward. For aftermarket and new pool installations, the Super Pump sets the standard of excellence and value.

Applications

- In-ground pools of all types and sizes
- In-ground spas

Features

- Heavy-duty, high-performance motor for quieter, cooler operation
- Exclusive swing-away hand knobs for easier strainer cover removal: no tools required . . . no loose parts . . . no clamps
- 110-cubic-inch basket has extra leaf-holding capacity; load-extender ribbing ensures free flowing operation
- See-through strainer cover lets you see when the basket needs to be cleaned
- Service-ease design gives simple access to all internal parts
- Self-priming (suction lift up to 10' above water level)

Performance Data

Max Rated Model No.	Pump Output (GPM) vs. Total Resistance to Flow (Feet of Head)					
	20 ft	30 ft	40 ft	50 ft	60 ft	70 ft
SP2600X5	48	38	23	—	—	—
SP2605X7	61	52	41	25	—	—
SP2607X10	74	64	54	40	13	—
SP2610X15	83	74	64	52	36	—
SP2615X20	122	111	98	84	66	39
SP2621X25	117	108	97	86	73	58

Performance Data – Low Speed

Max Rated Model No.	Pump Output (GPM) vs. Total Resistance to Flow (Feet of Head)					
	5 ft	10 ft	15 ft	20 ft	25 ft	30 ft
SP2607X102S	44	31	5	—	—	—
SP2610X152S	2	32	18	—	—	—
SP2615X202S	64	53	38	6	—	—

NOTE: For complete pump performance curves see page 31.



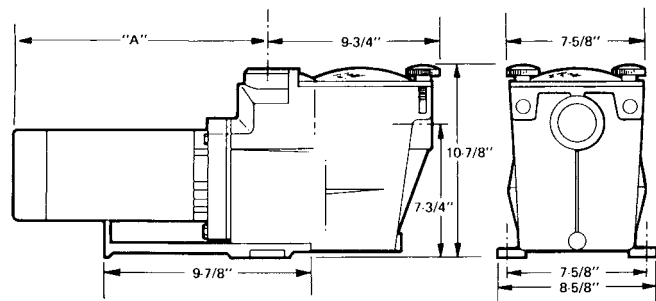
SP2610X15 1 1/2 H.P. Super Pump

Super Pump Buying Guide

Model Number	Total H.P.	Rated H.P.	Service Factor	Voltage at 60 Hz	Port Size	Dim. "A"	Ctn. Qty.	Ctn. Weight
Standard Efficient Max Rated Single-Speed								
SP2600X5	0.60	1/2	1.20	115	1 1/2"	13 1/4"	1	29 lbs.
SP2605X7	0.75	3/4	1.00	115/230	1 1/2"	13 7/8"	1	32 lbs.
SP2607X10	1.10	1	1.10	115/230	1 1/2"	14 1/4"	1	35 lbs.
SP2610X15	1.50	1 1/2	1.00	115/230	1 1/2"	15 3/8"	1	40 lbs.
SP2615X20	2.00	2	1.00	115/230	2"	15 7/8"	1	48 lbs.
SP2621X25	2.50	2 1/2	1.00	230	2"	16 3/8"	1	54 lbs.
Energy Efficient Max Rated Dual-Speed								
SP2607X102S	1.00	1	1.00	230	1 1/2"	13"	1	39 lbs.
SP2610X152S	1.50	1 1/2	1.00	230	1 1/2"	13 3/4"	1	43 lbs.
SP2615X202S	2.00	2	1.00	230	2"	14 1/4"	1	48 lbs.

NOTE: Dual-speed pumps with "S" designation include "Hi/Lo" manual switch.

Overall Dimensions (inches)



MaxFlo VS™

VARIABLE SPEED PUMPS

Pumps



MaxFlo VS Pump

MaxFlo VS Buying Guide

Model Number	Description	Total H.P.	Speed Range	Voltage at 60 Hz	Union Connections	Ctn. Qty.	Ctn. Weight
SP2303VSP	MaxFlo VS	1.65	600-3450 RPM	230V Single Phase	1 1/2" x 2"	1	45 lbs.
SP23115VSP	MaxFlo VS	0.85	600-3450 RPM	115V Single Phase	1 1/2" x 2"	1	45 lbs.

With energy savings of up to 80% over single-speed pumps, MaxFlo variable-speed pumps from Hayward are the drop-in upgrades that pay for themselves faster than larger, more expensive models.

MaxFlo VS 115V provides maximum energy efficiency for 115-volt applications, and MaxFlo VS 230V's all-in-one controller compatibility allows it to work in standalone mode or integrated with any automation system, including Hayward OmniLogic®.

Add up all of MaxFlo VS pumps' valuable features and you'll get greater savings than any other pump on the market—in fact, purchasing one also qualifies you for rebates from your energy service provider (where offered).

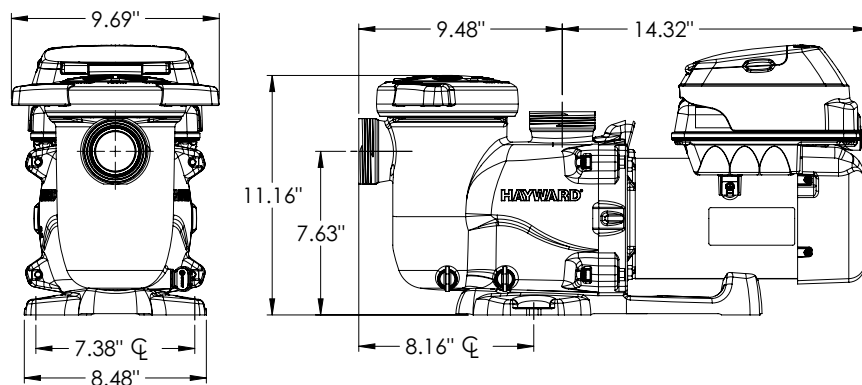
Applications

- In-ground pools
- In-ground spas

Features

- With right-sized design, they pay for themselves faster than larger, more expensive models.
- All-in-one controller compatibility works in standalone mode or with any automation system via relay control; 230V model can also connect directly to Hayward automation, including OmniLogic.
- Built with a permanent magnet motor for up to 80% energy savings over single-speed pumps.
- Integrated, programmable, rotatable digital interface with 24-hour clock and up to 8 custom timer functions.
- Optional wall-mount kit available to remotely locate the pump user interface.

Overall Dimensions (inches)



Performance Data for SP2303VSP

RPM	Percent Output	Pump Output (GPM) vs. Total Resistance to Flow (Feet of Head)				
		10 ft	20 ft	30 ft	40 ft	50 ft
1725	50	30	—	—	—	—
2400	70	59	40	—	—	—
3000	87	80	68	52	27	—
3450	100	96	85	73	59	40

Performance Data for SP23115VSP

RPM	Percent Output	Pump Output (GPM) vs. Total Resistance to Flow (Feet of Head)				
		10 ft	20 ft	30 ft	40 ft	50 ft
1725	50	30	—	—	—	—
2400	70	59	38	—	—	—
3000	87	80	66	50	24	—
3450	100	96	84	72	58	36

MaxFlo VS 500 is one of the new variable-speed pump designed for the trade only. Offering a chemical resistant Viton® pump seal and standard three year warranty, MaxFlo VS 500 will provide years of powerful performance and peace of mind.

With a super-efficient permanent magnet, totally-enclosed fan-cooled motor, MaxFlo VS 500 has an energy-efficient design, providing up to 80% energy savings over single-speed pumps, paying for itself faster than larger, more expensive models.

Universal controller compatibility makes MaxFlo VS 500 an easy, drop-in upgrade that can operate in standalone mode or connect to any automation system, either directly or with relays.

Applications

- In-ground pools
- In-ground spas

Features

- Exclusive for Brick and Mortar dealers
- Extended-life Viton® pump seal for improved resistance against chemical imbalances
- THREE year standard warranty
- Right-sized for the vast majority of medium-head applications
- Easily installed in all applications: in standalone mode, with Hayward automation systems or with competitors' systems via relay control
- Fully programmable and rotatable digital interface includes a 24-hour clock with up to 8 custom timer functions
- Aligns with the original MaxFlo family of pumps for seamless retrofit installations



MaxFlo VS 500

MaxFlo VS 500 Buying Guide

Model Number	Description	Total H.P.	Speed Range	Voltage at 60 Hz	Union Connections	Ctn. Qty.	Ctn. Weight
SP23520VSP*	MaxFlo VS 500	1.65	600-3450 RPM	230V Single Phase	1 1/2" x 2"	1	45 lbs.
SP23510VSP*	MaxFlo VS 500	0.85	600-3450 RPM	115V Single Phase	1 1/2" x 2"	1	45 lbs.

***EXPERT LINE products are not available for online resale.**

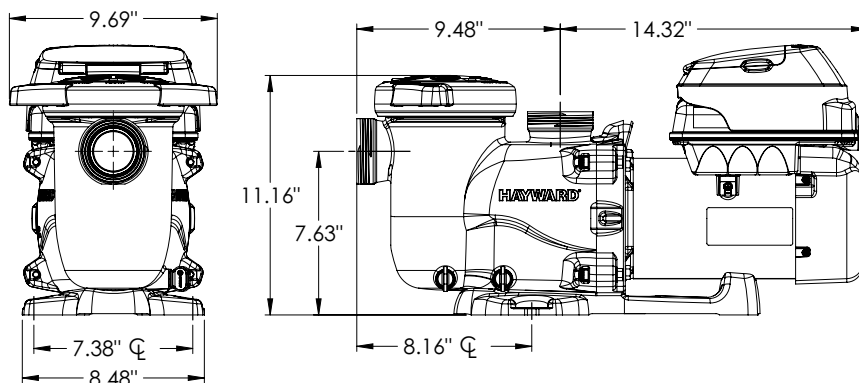
Performance Data for SP23520VSP

RPM	Percent Output	Pump Output (GPM) vs. Total Resistance to Flow (Feet of Head)				
		10 ft	20 ft	30 ft	40 ft	50 ft
1725	50	30	—	—	—	—
2400	70	59	40	—	—	—
3000	87	80	68	52	27	—
3450	100	96	85	73	59	40

Performance Data for SP23510VSP

RPM	Percent Output	Pump Output (GPM) vs. Total Resistance to Flow (Feet of Head)				
		10 ft	20 ft	30 ft	40 ft	50 ft
1725	50	30	—	—	—	—
2400	70	59	38	—	—	—
3000	87	80	66	50	24	—
3450	100	96	84	72	58	36

Overall Dimensions (inches)



MaxFlo XL™

MEDIUM HEAD PUMP SERIES



MaxFlo XL Pump

MaxFlo XL Pump Buying Guide

Model Number	Total H.P.	Rated H.P.	Service Factor	Voltage at 60 Hz	Union Connections	Dim. "A"	Ctn. Qty.	Ctn. Weight
Energy Efficient Max Rated Single-Speed								
SP2305X7EESP*	0.95	¾	1.27	115/208-230	1 ½" x 2"	13 ¾"	1	34 lbs.
SP2305X7EE	0.95	¾	1.27	115/208-230	1 ½" x 2"	13 ¾"	1	34 lbs.
Standard Efficient Max Rated Single-Speed								
SP2305X7	0.95	¾	1.27	115/208-230	1 ½" x 2"	13 ¾"	1	34 lbs.
SP2307X10	1.25	1	1.25	115/208-230	1 ½" x 2"	14 ¼"	1	37 lbs.
SP2310X15	1.65	1 ½	1.1	115/208-230	1 ½" x 2"	15 ½"	1	42 lbs.
SP2315X20	2.10	2.0	1.05	115/208-230	1 ½" x 2"	15 ½"	1	45 lbs.

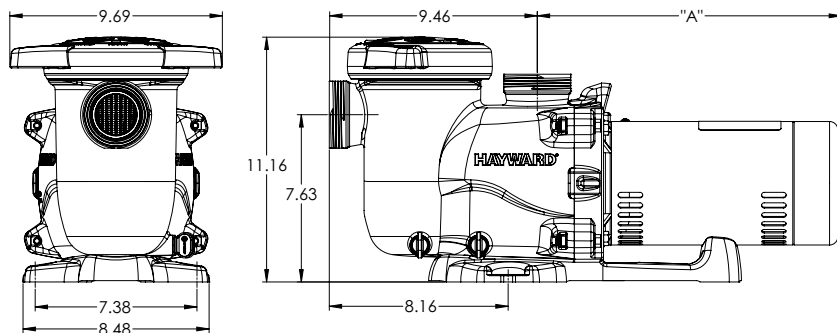
Energy Efficient Max Rated Dual-Speed

SP2307X102**	1.25	1	1.25	230	1 ½" x 2"	15"	1	41 lbs.
SP2310X152**	1.65	1 ½	1.1	230	1 ½" x 2"	15 ½"	1	43 lbs.
SP2315X202**	2.10	2.0	1.05	230	1 ½" x 2"	16"	1	46 lbs.

NOTES: *ENERGY STAR certified.

**ENERGY STAR certified. Requires separate Hi/Lo switch when not connected to an automation system or two-speed timeclock.

Overall Dimensions (inches)



MaxFlo XL is the most energy efficient pump in its class, combining incredible economy and performance. MaxFlo XL physically aligns with the entire MaxFlo™ family of pumps for seamless retrofit installations. Features such as union connections and a variety of energy efficiency single- and dual-speed models make MaxFlo XL an outstanding choice for both new pool and aftermarket installations.

Applications

- In-ground pools of all types and sizes
- In-ground spas

Features

- Advanced hydraulics for increased efficiency and priming ability
- Aligns with the entire MaxFlo line for seamless retrofit installations
- All models include 1 ½" x 2" union connections
- Extra leaf-holding capacity basket extends time between cleaning
- See-through strainer cover lets you see when the basket needs cleaning
- Pressure testable to 50 psi maximum
- Self-priming (suction lift up to 8' above water level)

Performance Data

Max Rated Model No.	Pump Output (GPM) vs. Total Resistance to Flow (Feet of Head)					
	20 ft	30 ft	40 ft	50 ft	60 ft	70 ft
SP2305X7EESP	42	14	—	—	—	—
SP2305X7(EE)	65	55	43	26	—	—
SP2307X10	80	70	57	41	9	—
SP2310X15	92	81	70	55	35	—
SP2315X20	114	103	90	75	55	—

Performance Data – Low Speed

Max Rated Model No.	Pump Output (GPM) vs. Total Resistance to Flow (Feet of Head)					
	5 ft	10 ft	15 ft	20 ft	25 ft	30 ft
SP2307X102	37	22	—	—	—	—
SP2310X152	42	29	2	—	—	—
SP2315X202	55	42	21	—	—	—

NOTE: For complete pump performance curves see page 31.

The Hayward booster pump is exceptionally quiet and uses up to 40% less electricity than other models. Both 1 1/2" pipe unions and 3/4" hose fittings are included to provide easy installation and service for new construction and replacement applications. It is also equipped with an elevated base for increased motor ventilation as well as added protection from flooding.

Features

- Suitable for all pressure cleaners requiring a booster pump
- Exceptionally quiet
- Uses up to 40% less electricity than other booster pumps
- 1 1/2" plumbing union fittings improve performance and allows easy installation and removal
- 3/4" hose barb union adapters allow for easy retrofit to existing installations using flexible hose for booster pump connections
- Tall mounting base allows for increased motor ventilation as well as protection from flooding
- Volute may be re-oriented in the field for horizontal discharge
- Drain plug requires no tools for installation and removal

NOTE: Optional 3/4" retrofit hose kit, 6060HKIT, available separately

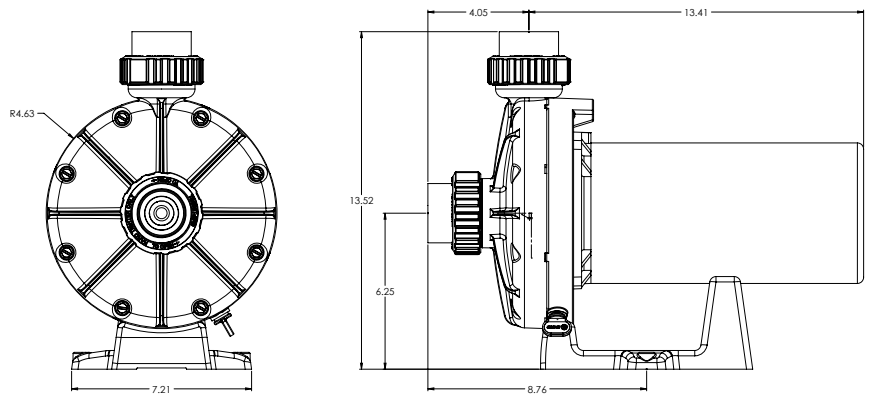


Booster Pump

Booster Pump Buying Guide

Model Number	Total H.P.	Rated H.P.	Service Factor	Voltage at 60 Hz	Ctn. Qty.	Ctn. Weight
6060	1.25	3/4	1.67	115/208-230	1	31 lbs.

Overall Dimensions (inches)



Clip Art



PowerFlo Matrix®

ABOVE-GROUND PUMP SERIES

Pumps



SP1592 1 H.P. PowerFlo Matrix Pump (Inset: Horizontal/Vertical Discharge feature)

The PowerFlo Matrix has been engineered as a uniquely superior above-ground pool pump. With a single push of a button, this truly versatile pump changes from a vertical to a horizontal discharge and back again.

It's large profile and integrated styling makes the PowerFlo Matrix an above-ground pool pump like no other.

Applications

- Above-ground/on-ground pools


Pump Features

- On/Off switch
- Massive size strainer basket for large debris collection with minimal maintenance
- Horizontal/vertical discharge feature — simply converts from vertical to horizontal discharge orientation with the press of a button
- Quick disconnect intake and discharge pipe connection
- C-Clip Connector allows for easy disengagement of strainer housing in a matter of seconds for hassle-free maintenance
- High flow impeller with wide openings to prevent clogging by leaves and debris
- Integral drain plug for easy winterization of pump

PowerFlo Matrix Pump Buying Guide

PowerFlo Matrix Series

Model Number	Total H.P.	Voltage at 60 Hz	Port Size	Dim. "A"	Cord Size	Ctn. Qty.	Ctn. Weight
SP1591	¾	115	1 ½"	10 7/8"	6'	1	25 lbs.
SP1592	1	115	1 ½"	11 3/8"	6'	1	25 lbs.
SP15922S	1hp-2spd	115	1 ½"	11 3/8"	6'	1	25 lbs.
SP1592TL	1	115	1 ½"	11 3/8"	3'	1	25 lbs.
SP1593	1 ½	115	1 ½"	12"	6'	1	26 lbs.
SP15932S	1 ½-2spd	115	1 ½"	12"	6'	1	26 lbs.
SP1593TL	1 ½	115	1 ½"	12"	3'	1	26 lbs.


"TL" pump includes 3' twisting lock cord. 

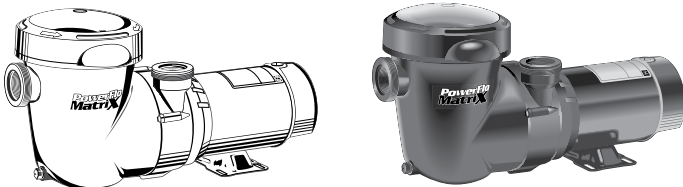
Optional Accessories

Model Number	Description	Ctn. Qty.	Ctn. Weight
SP1500UNPAK2	Set of two (2) quick connect unions	50	32 lbs.

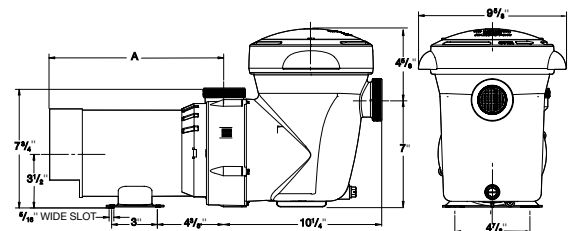
Performance Data

Model Number	Pump Output (GPM) vs. Total Resistance to Flow (Feet of Head)					
	10 ft	20 ft	30 ft	40 ft	50 ft	60 ft
SP1591	80	76	64	44	—	—
SP1592	86	86	75	58	27	—
SP1593	91	91	80	62	32	—

 Clip Art



Overall Dimensions (inches)



PowerFlo LX™ & PowerFlo II™

ABOVE-GROUND PUMP SERIES AND SELF-PRIMING PUMP SERIES

The PowerFlo LX pump series is designed for the rigors of above-ground and on-ground type swimming pools. Combining durable construction with advanced features and with proven features, PowerFlo LX sets the standard for value and performance.

For above-ground and small in-ground pools requiring self-priming action, PowerFlo II is the pool professional's choice for superior performance and unparalleled quality.

Applications – PowerFlo LX

- Above-ground/on-ground pools

Pump Features – PowerFlo LX

- Durable housing for all-weather performance and quiet operation
- Clear cover lets you see when basket needs cleaning
- Drain plug for easy maintenance of pump

Applications – PowerFlo II

- Above-ground, small in-ground pools
- Water fountains
- Small marine aquariums
- Pond circulation

Features – PowerFlo II

- Self-priming
- Durable housing for all-weather performance and quiet operation
- Unique, integral diffuser ensures rapid priming
- Drain plug for easy maintenance of pump

Performance Data

Model Number	Pump Output (GPM) vs. Total Resistance To Flow (Feet of Head)				
	10 ft	20 ft	30 ft	40 ft	50 ft
PowerFlo LX					
SP1580	86	86	75	58	27
SP1580X15	91	91	80	62	32
PowerFlo II					
SP1750	55	45	33	15	—
SP1775	65	57	45	30	8
SP1780	78	69	56	40	15



SP1580 1 H.P. PowerFlo LX Pump



SP1775 3/4 H.P. PowerFlo II Pump


PowerFlo LX Pump Buying Guide

PowerFlo Series

Model Number	Total H.P.	Voltage at 60 Hz	Port Size	Dim. "A"	Cord Size	Ctn. Qty.	Ctn. Weight
SP1540C	40 GPM	115	1 1/2"	9 7/8"	6'	1	22 lbs.

PowerFlo LX Series

SP1580	1	115	1 1/2"	10 1/8"	6'	1	25 lbs.
SP1580TL	1	115	1 1/2"	10 1/8"	3'	1	25 lbs.
SP1580X15	1 1/2	115	1 1/2"	10 5/8"	6'	1	26 lbs.
SP1580X15TL	1 1/2	115	1 1/2"	10 5/8"	3'	1	26 lbs.

NOTE: "TL" pump includes 3' twisting lock cord. 

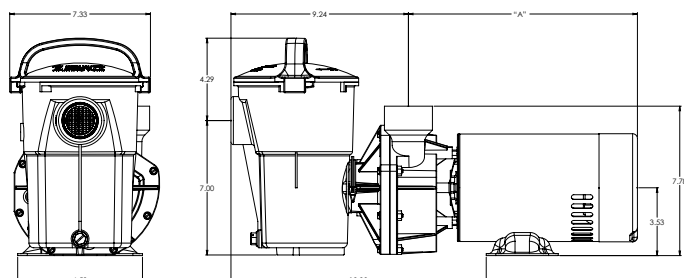
PowerFlo II Pump Buying Guide

Model Number	H.P.	Voltage at 60 Hz	Port Size	Cord Size	Ctn. Qty.	Ctn. Weight
SP1750	1/2	115	1 1/2"	—	1	23 lbs.
SP1775	3/4	115	1 1/2"	—	1	24 lbs.
SP1780	1	115	1 1/2"	—	1	25 lbs.

Model Number	Description	Ctn. Qty.	Ctn. Weight
SP1516	Economy ABS Strainer 1 1/2" FIP Inlet x 1 1/2" MIP Outlet	1	3 lbs.
SPX1250WA	Cord Set, 3 Wire No. 14 AWG, 6' long, with plug and terminals	10	7 lbs.
SPX1550WA1	Cord Set, 3 Wire No. 12 AWG, 3' long, with <i>twist-lock cord</i>	25	18 lbs.

Accessories

Overall Dimensions (inches) for PowerFlo LX



Hydraulics

THE BASICS OF PUMP/FILTER SIZING

Hydraulics is the study and understanding of the behavior of liquids at rest and in motion. We are concerned with water, and the following characteristics of our application:

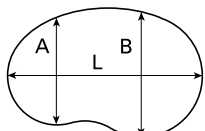
1. How much water do we have (Pool Capacity)?
2. How fast can we safely move the water (Turnover Rate and Water Velocity)?
3. How much resistance will this water meet while moving through the system (Friction Loss)?
4. How will we overcome this resistance (Pump/Filter Sizing)?

Following are step-by-step instructions to answer these four questions and ultimately determine the proper size pump or filter for virtually any installation. Below each step is a calculation based on the following example: 16 ft by 32 ft rectangular pool, 3 ft to 8 ft deep, 2" suction side and return side plumbing. Existing 1 H.P. pump; filter gauge reads 10 PSI (clean).

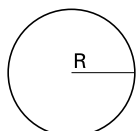
1. Pool Capacity

To determine total gallons, we must first calculate the surface area of the pool in square feet:

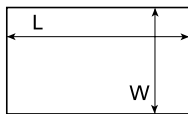
1A. Surface Area



$$\text{Area} = (A+B) \times L \times .45$$



$$\text{Area} = R \times R \times 3.14$$



$$\text{Area} = L \times W$$

$$\underline{\hspace{2cm}} \text{ ft}^2$$

(surface area)

Surface Area: 16 ft x 32 ft = 512 ft²

Next, multiply the surface area by the *average depth* to determine the appropriate *volume* of the pool.

1B. Average Depth

$$\left(\underline{\hspace{1cm}} \text{ ft} + \underline{\hspace{1cm}} \text{ ft} \right) \div 2 = \underline{\hspace{1cm}} \text{ ft}$$

(depth, shallow end) (depth, deep end) (average depth)

Average Depth = (3 ft + 8 ft) ÷ 2 = 5.5 ft

1C. Volume

$$\underline{\hspace{2cm}} \text{ ft}^2 \times \underline{\hspace{2cm}} \text{ ft} = \underline{\hspace{2cm}} \text{ ft}^3$$

(surface area) (average depth) (volume)

Volume = 512 ft² x 5.5 ft = 2,816 ft³

Next, multiply the pool's volume in ft³ by 7.5 to get the pool capacity in gallons:

1D. Pool Capacity

$$\underline{\hspace{2cm}} \text{ ft}^3 \times 7.5 \text{ gallons/ft}^3 = \underline{\hspace{2cm}} \text{ gallons}$$

(volume) (pool capacity)

Pool Capacity = 2,816 ft³ x 7.5 gallons/ft³ = 21,120 gallons

Some of the more common pool sizes are:

Above-Ground Size	Gallons*
15 ft Round	5,293
18 ft Round	7,622
21 ft Round	10,374
24 ft Round	13,550
12 ft x 24 ft Rectangle	8,626
27 ft Round	17,149
*Average Depth: 4 ft	

In-Ground Size	Gallons*
12 ft x 24 ft Rectangle	11,861
16 ft x 32 ft Rectangle	21,086
18 ft x 36 ft Rectangle	26,687
20 ft x 40 ft Rectangle	32,947
*Average Depth: 5.5 ft	

2. Flow Rate

While the actual flow rate of a pump is based on the total resistance of the system as described below, the desired flow rate must be calculated to verify it will satisfy Turnover Rate and Water Velocity requirements.

2A. Turnover Rate

The turnover rate for a swimming pool is the amount of time required to circulate the entire volume of water through the system once to meet reasonably clean, safe water standards. Check with local regulations for the minimum required turnover rate.

Based on the pool's capacity and the desired turnover rate, the *minimum* rate at which the water must be circulated in Gallons Per Minute (GPM) is calculated as follows:

A. Minimum Flow in Gallons per Hour (GPH)

$$\underline{\hspace{2cm}} \text{ gallons} \div \underline{\hspace{2cm}} \text{ hours} = \underline{\hspace{2cm}} \text{ GPH}$$

(pool capacity) (desired turnover rate) (minimum flow, gallons per hour)

Minimum Flow: 21,120 gallons ÷ 10 hours (assumed) = 2,112 gallons per hour

B. Minimum Flow in Gallons per Minute (GPM)

$$\underline{\hspace{2cm}} \text{ gallons per hour} \div 60 \text{ minutes per hour} = \underline{\hspace{2cm}} \text{ GPM}$$

(minimum flow, gallons per hour) (minimum flow, gallons per minute)

Minimum Flow: 2,112 gallons per hour ÷ 60 minutes per hour = 35 gallons per minute

2B. Water Velocity

The *maximum* recommended water velocity is six (6) or eight (8) feet per second for suction lines and ten (10) feet per second for return lines. Check with local regulations for the maximum water velocity for suction and return lines. The table below lists the *maximum* flow in GPM based on plumbing size and water velocity.

Pipe Size	Maximum Flow		
	6.0 ft/sec	8.0 ft/sec	10.0 ft/sec
1 1/2"	38 GPM	51 GPM	63 GPM
2"	63 GPM	84 GPM	105 GPM
2 1/2"	90 GPM	119 GPM	149 GPM
3"	138 GPM	184 GPM	230 GPM

Maximum Flow: 2" suction side plumbing at 6.0 ft/sec = 63 gallons per minute

2C. Desired Flow

The desired flow rate must be between the minimum flow based on the Turnover Rate and the maximum flow based on the Water Velocity. Note that if higher flow rates are needed, such as for water features, the maximum possible flow would have to be increased by using larger size plumbing (e.g. increase from 2" to 2 1/2" plumbing). The use of branch (parallel) plumbing can also be used to reduce the flow and therefore plumbing size. Check with local regulations for proper plumbing sizing.

It is recommended to select a flow that is higher than the minimum to account for decrease in flow that naturally occurs as the filter is loaded with dirt and debris.

Minimum Flow (Turnover Rate): 35 GPM

Maximum Flow (Water Velocity): 63 GPM

Desired Flow: 50 GPM

3. Friction Loss (Head Loss)

Everything that the water must pass through within the circulation system — plumbing and equipment — creates resistance or Friction Loss (also referred to as Head Loss). The friction loss for standard plumbing supplies such as pipe, elbows, fittings, etc. can be found using published reference tables. Friction loss for equipment such as filters, heaters, and chlorination systems can be found in charts and/or curves provided by the manufacturer. The sum of all the resistance is called Total Dynamic Head (TDH) and is typically measured in Feet of Water or Feet of Head.

A properly sized pump will have the ability to overcome the Total Dynamic Head of the system while, at the same time, providing flow that will satisfy Turnover Rate and Water Velocity requirements.

For new installations, it is possible to calculate TDH by using reference tables and manufacturer's data to determine the friction loss associated with every component in the circulation system.

For existing installations, we are often unable to determine the total amount of pipe and fittings . . . it's underground. Therefore, what follows is a simplified "rule-of-thumb" means of determining Total Dynamic Head.

We will need to add the resistance from the vacuum (suction) side of the existing pump to the resistance of the pressure side of the pump. Note this assumes the Static Suction Lift (i.e. vertical distance from the center of the pump's impeller to the surface of the water) is offset by the water returning to the pool.

3A. Friction Loss (Vacuum)

$$\text{_____ inches of mercury} \times 1.13 \text{ ft of water} = \text{_____ ft of water}$$

(vacuum reading) (total resistance, vacuum)

Typically, however, a vacuum reading will not be available, therefore, the table below provides Common Head Loss Factors for today's high-efficiency pumps.

Pump Size	Head Loss Factor*
3/4 H.P.	4.5 to 5.5 ft of water
1 H.P.	7 to 9 ft of water
1 1/2 H.P.	10 to 12.5 ft of water
2 H.P.	13.5 to 16 ft of water

*Assumes 2" suction line, not to exceed 40 ft long, minimal fittings, one (1) 2" valve and full-rated pumps.

Total Resistance (Vacuum): 9 ft of water (existing 1 H.P. pump)

3B. Friction Loss (Pressure)

$$\text{_____ PSI} \times 2.31 \text{ ft of water / PSI} = \text{_____ ft of water}$$

(filter pressure, clean) (total resistance, pressure)

Total Resistance (Pressure): 10 PSI x 2.31 ft of water / PSI = 23 ft of water

3C. Total Dynamic Head

$$\text{_____ ft of water} + \text{_____ ft of water} = \text{_____ ft of water}$$

(total resistance, vacuum) (total resistance, pressure) (total dynamic head)

Total Dynamic Head: 9 ft of water + 23 ft of water = 32 ft of water

4. Pump Sizing

We now have all the information necessary to select the proper size pump and/or filter and then proceed based on new vs. existing installations.

A pump's performance data is provided in GPM (output) vs. Feet of Head (resistance). The specific performance data for Hayward pumps can be found in the Pump Section of this Buyer's Guide.

4A. Pump Sizing, New Installations

For new installations, use the desired flow rate and Total Dynamic Head calculated from tables and manufacturer's data:

Desired Flow = _____ GPM

Total Dynamic Head = _____ ft of water

Using Hayward Pump Performance Curves or Tables, identify which pump's performance comes closest to matching the point where the Desired Flow intersects with the Total Dynamic Head.

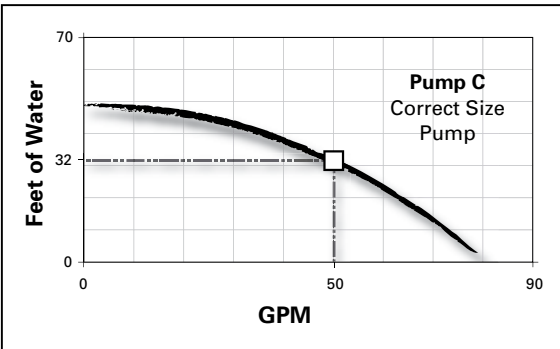
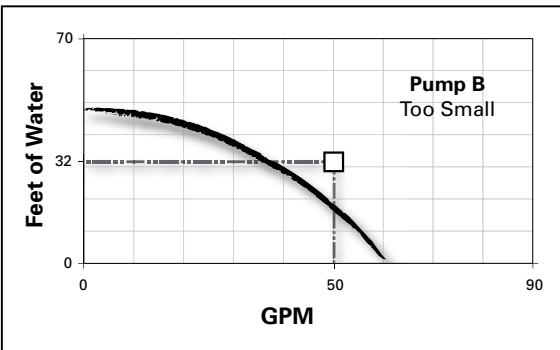
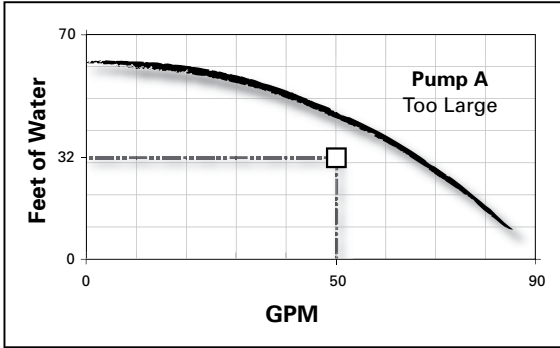
Hydraulics

THE BASICS OF PUMP/FILTER SIZING

PUMPS

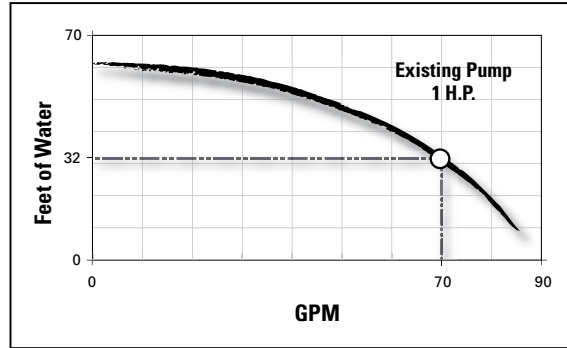
Desired Flow: 50 GPM

Total Dynamic Head: 32 ft of water (assume to be the same as previously determined from Friction Loss calculations)



If the actual flow rate does not meet the Turnover Rate and Water Velocity requirements, you must either modify the system to add or remove restrictions (e.g. use less restrictive plumbing fittings and/or equipment) or vary the flow by changing size of the pump.

In the example below, the flow (70 GPM) that corresponds to 32 ft of water for the given pump exceeds the maximum flow based on the water velocity. The pump should be re-sized.



Important: if you increase or decrease the flow for any reason (e.g. change pump size), Friction Loss will increase or decrease respectively. *You cannot read horizontally across the curve at the same Total Dynamic Head to choose another pump.* You must create a system curve based on the following relationship:

$$\frac{\text{current friction loss}}{\text{ft of water}} \times \left(\frac{\text{new flow rate}}{\text{current flow rate}} \right)^2 = \frac{\text{new friction loss}}{\text{ft of water}}$$

Choose the minimum and maximum flow rates based on Turnover Rate and Water Velocity and calculate the corresponding friction loss using the formula above. Plot each combination of friction loss and flow to create the system curve.

Current Flow: 70 GPM (from chart for existing 1 H.P. pump shown above)
Current Friction Loss: 32 ft of water

Flow Rate per Turnover Requirement = 35 GPM

Friction Loss = (32 ft of water) x (35 GPM ÷ 70 GPM)² = 8 ft of water

Flow Rate per Water Velocity Requirement = 63 GPM

Friction Loss = (32 ft of water) x (63 GPM ÷ 70 GPM)² = 26 ft of water

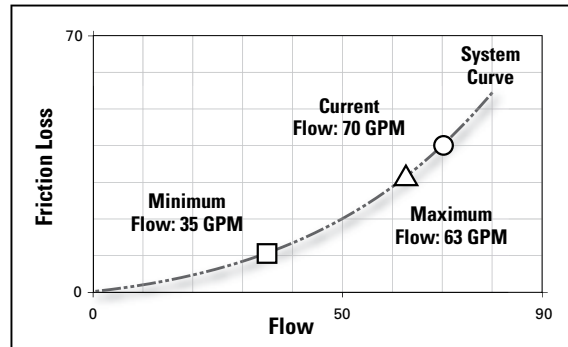
4B. Pump Sizing, Existing Installations

For existing installations, use the Total Dynamic Head calculated from the Friction Loss on the Vacuum and Pressure side of the pump.

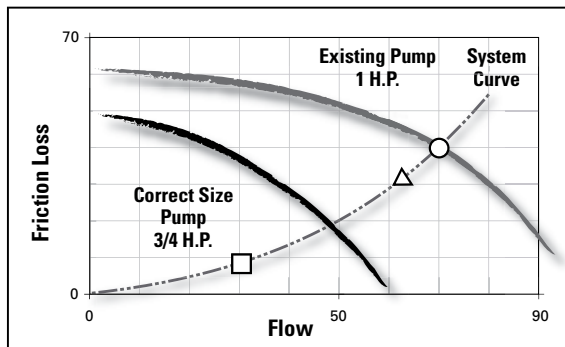
Total Dynamic Head = _____ ft of water

Using the manufacturer's performance curve for the existing pump, find the flow that corresponds to the Total Dynamic Head. This is the actual flow at which the pump is currently operating, which may or may not meet Turnover Rate and Water Velocity requirements. Verify the actual flow rate is between the minimum flow based on the Turnover Rate and the maximum flow based on the Water Velocity.

Total Dynamic Head: 32 ft of water



The point where the performance curve for a particular pump intersects the system curve determines the flow and Total Dynamic Head where that pump will operate.



In this example, the flow for the 3/4 H.P. pump is between the minimum and maximum flow and is therefore properly sized for the application.

Saving Money by Saving Energy

Depending upon utility rates, pool characteristics, and equipment selected, the energy and dollar savings from an energy efficient single, two, or variable speed pump compared to a standard single speed pump can be quite significant.

For example, a system featuring an energy efficient high performance pump drawing 5.34 amps at 230 volts where the local utility rate is \$0.12 per kWh will cost you approximately \$1.78 over a 12 hour period per day. A standard pump drawing 7.0 amps will cost you approximately \$2.32 per day or an extra \$197 annually!

Use this worksheet to help determine your energy savings:

A. Motor Amp Rating	A
B. Voltage (e.g. 115 volts or 230 volts)	B
C. Local Energy Rate (\$ per kWh)*	C
D. Approximate Power Usage (Watts) = A x B**	D
E. Kilowatts = D / 1000	E
F. \$ per hour = E x C	F
G. Hours of Operation	G
H. Cost per Day = F x G	H
J. Monthly Cost = H x 30	J
K. Yearly Cost = H x number of months pool is in operation	K

NOTES: *Refer to your utility bill to determine local rate

**Estimated. It is recommended to use a wattmeter to determine the actual power consumption.

Please visit www.haywardpool.com for a more advanced Energy Calculator that can be used to estimate your savings using Hayward Energy Solutions products.



iPad is registered trademark of Apple Inc.

Hayward Energy Solutions is also available for iPad® from



4B. Filter Sizing

A filter, be it DE, sand, or cartridge, has a Design Flow Rate in GPM as well as a Turnover Capacity in Gallons. See the table below for example. The specific performance data for Hayward filters is provided in the Filter Section of this Buyer's Guide.

Select a filter that meets or exceeds *both* the desired flow rate and turnover capacity in gallons. Filtration is a category where truly "bigger is better" as a larger size will hold more debris and extend the time between cleaning.

Model Number	Effective Filtration Rate Area	Design Flow	Turnover Capacity (Gallons)	
			8 Hours	10 Hours
S180T	1.75 ft ²	35 GPM	16,800	21,000
S210T	2.20 ft ²	44 GPM	21,120	26,400
S220T/T2	2.64 ft ²	52 GPM	24,960	31,200
S244T/T2	3.14 ft ²	62 GPM	29,760	37,200
S270T/T2	3.70 ft ²	74 GPM	35,520	44,400
S310T2	4.91 ft ²	98 GPM	47,040	58,800
S360SX	6.50 ft ²	130 GPM	62,400	78,000

Desired Flow: 50 GPM

Turnover 21,120 gallons in 10 hours

Select S220T (minimum to meet Desired Flow and Turnover)

One additional factor to consider in filter sizing is bather load. Busier pools require larger filters. Also, larger filters provide longer cycles, reducing everyday maintenance required by the consumer during the pool season.

Summary

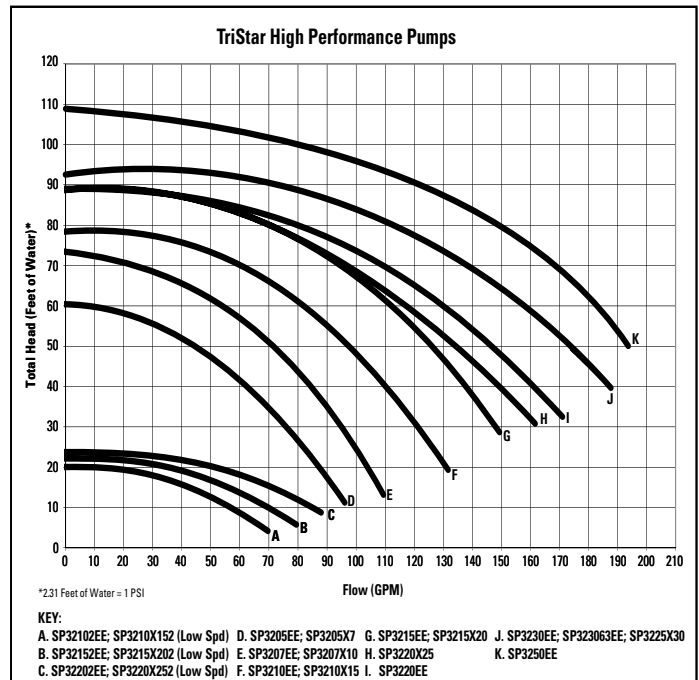
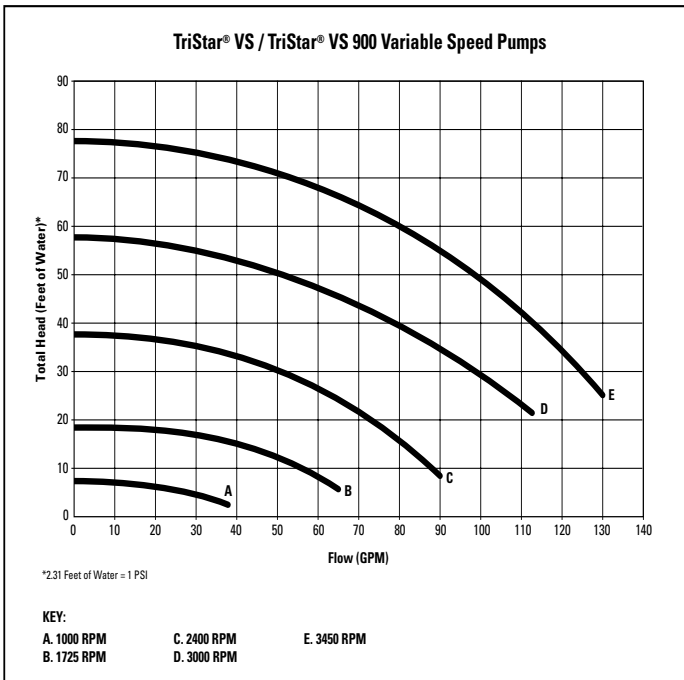
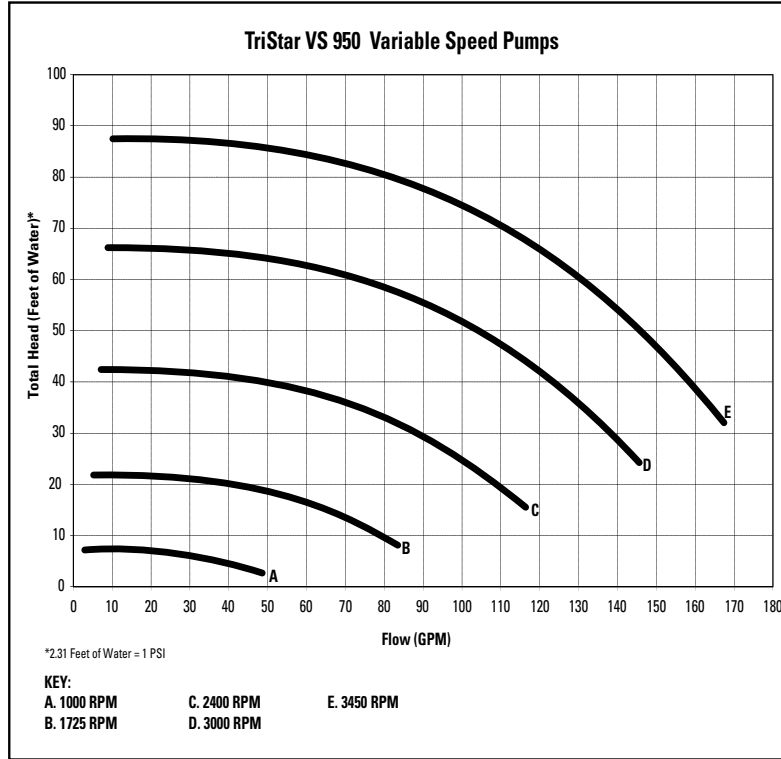
Using the information calculated above, you can properly size the pump, filter, and corresponding equipment, assuring you meet Turnover Rate and Water Velocity requirements while eliminating the electrical waste and potential damage to other system components associated with a needlessly oversized pump.

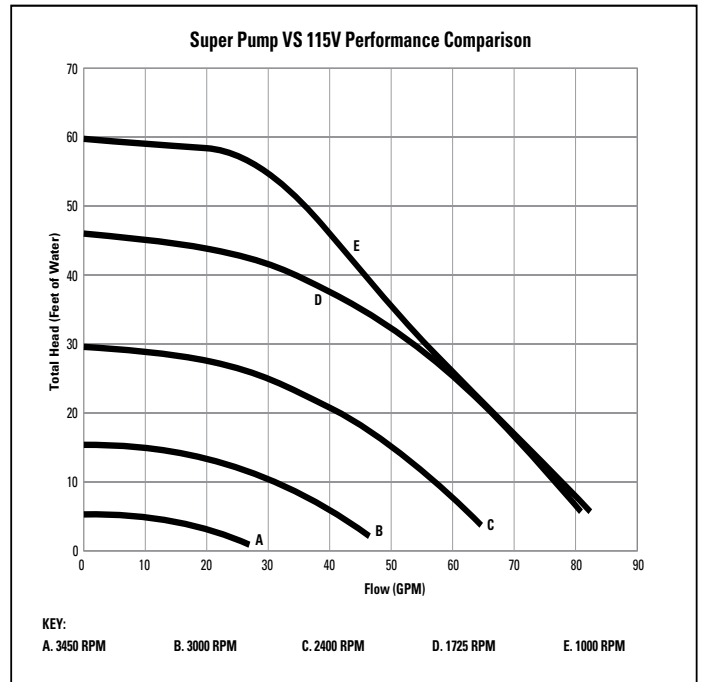
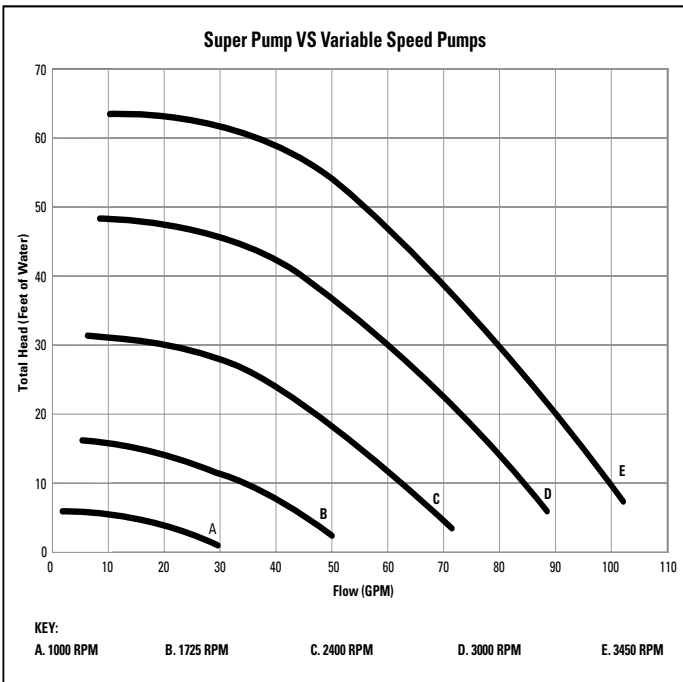
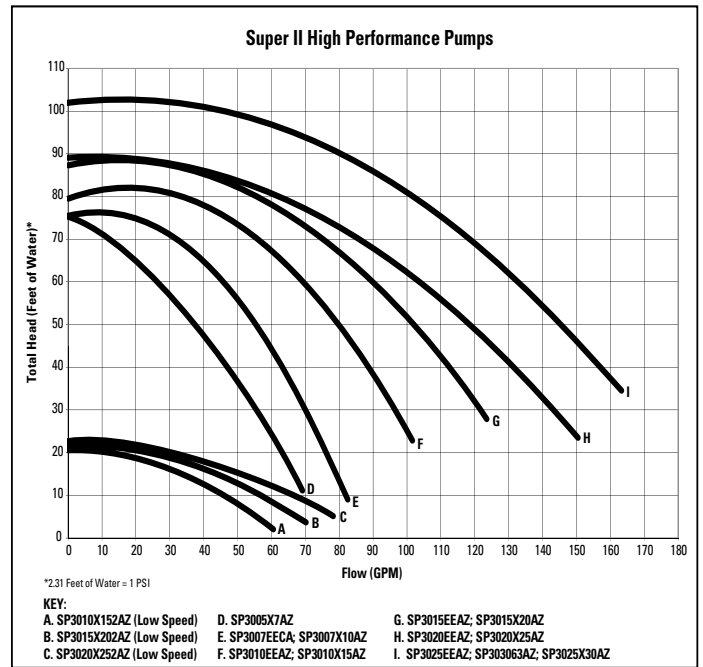
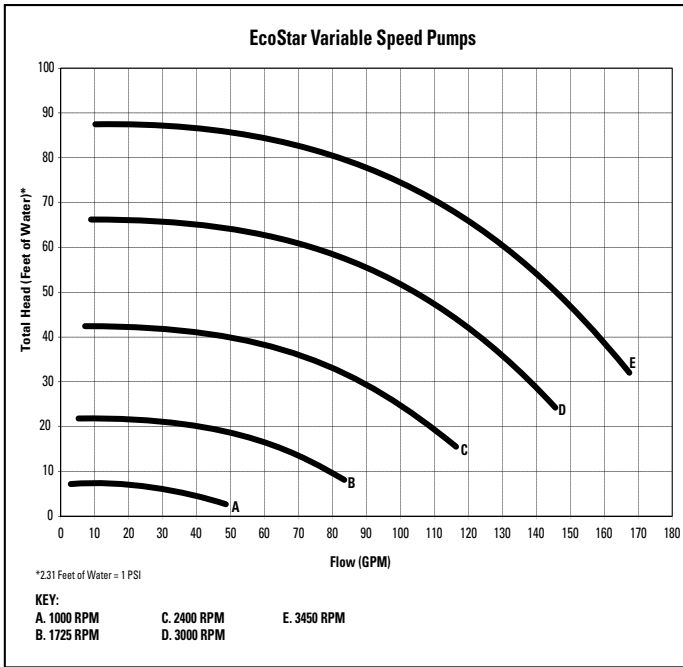
Hydraulics

PUMP PERFORMANCE CURVES

Pumps

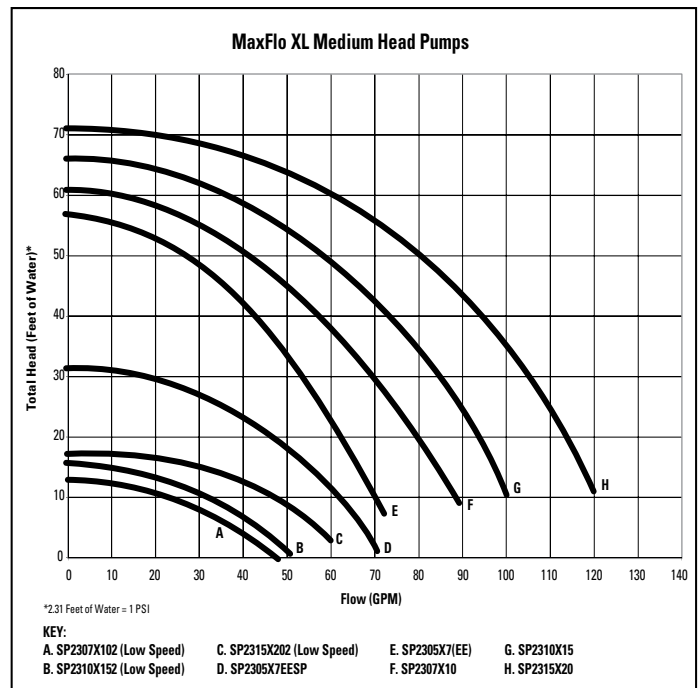
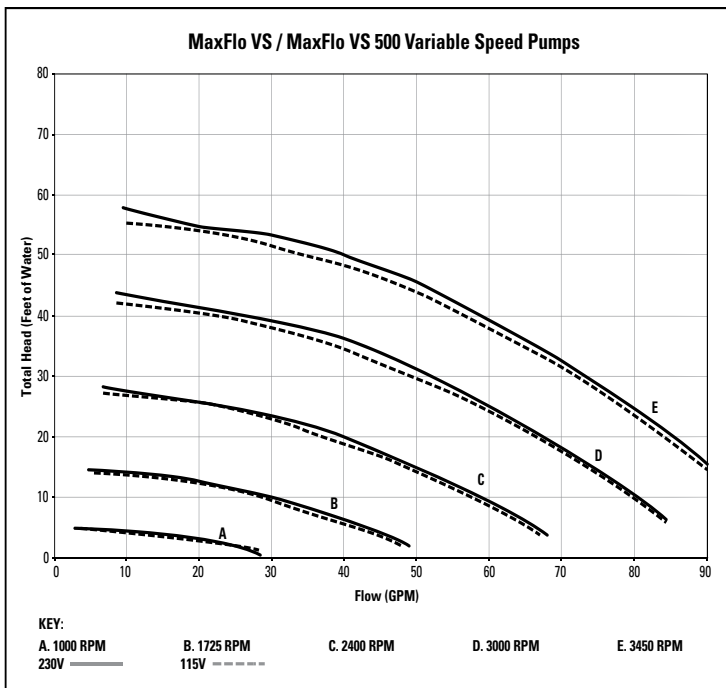
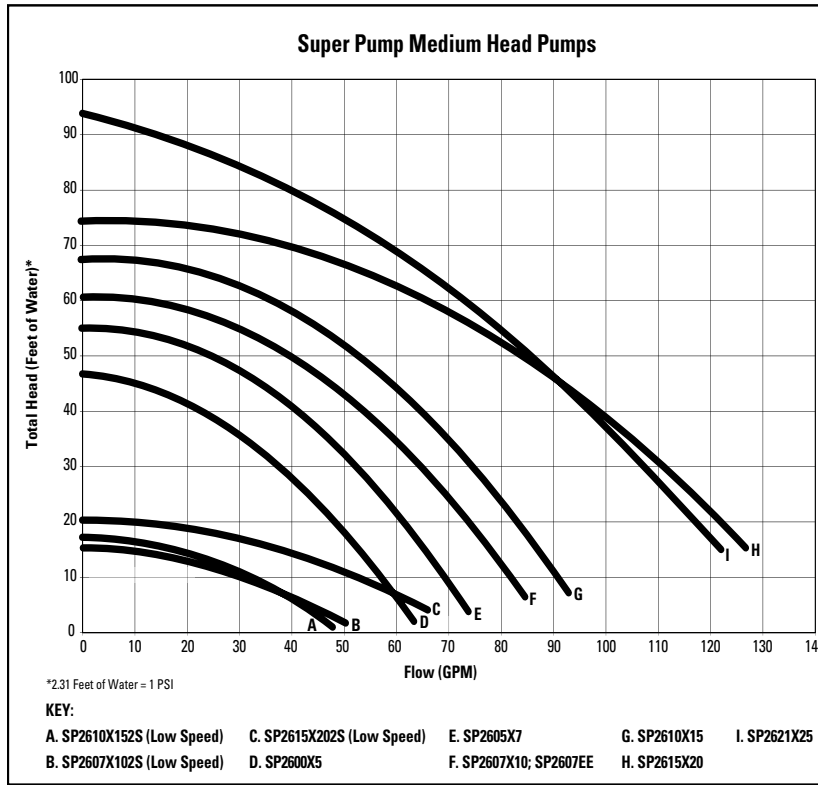
Below are the Performance Curves for Hayward In-Ground Pumps in Flow (measured in Gallons per Minute) and Total Dynamic Head (measured in Feet of Water). See "Pump Sizing" on p. 26 for tips to properly size pumps for both new and existing installations.





Hydraulics

PUMP PERFORMANCE CURVES (continued)





Utilizing a cluster of reusable cartridge elements, SwimClear filters offer a choice of 225, 325, 425, 525 or 700 square feet of heavy-duty dirt-holding capacity for extra-long filter cycles, up to an entire season without cleaning. SwimClear filters will provide years of trouble-free operation and crystal clear, sparkling water.

Applications

- In-ground pools
- In-ground pool/spa combinations
- In-ground spas (residential or commercial)

Features

- High capacity, rapid release manual air relief valve bleeds air with a quick quarter turn of the lever.
- Filter tanks made from durable glass reinforced co-polymer to meet the demands of the toughest applications and environmental conditions, including in-floor cleaning systems.
- Self-aligned tank top and bottom make access to serving the Quad-Cluster™ cartridge elements fast and simple
- Heavy-duty, tamper-proof, one-piece clamp securely fastens tank top and bottom. Allows quick access to all internal components without disturbing piping or connections
- Top manifold configuration provides excellent filtration and hydraulic performance
- Non-corrosive top closure plate prevents elements from lifting and allowing unfiltered water to by-pass into pool or spa during operation
- Quad-Cluster of high-quality polyester cartridge elements provide 225, 325, 425, 525 or 700 square feet of filter area for extra dirt-holding capacity and long filter cycles
- 2" full-flow internal piping and plumbing for less resistance to flow and maximum performance.
- PVC union coupling connection accepts 2" or 2 1/2" piping for plumbing versatility and hydraulic efficiency.
- Full size 1 1/2" integral drain allows for fast, 100% clean-out and easier flushing of tank



C3030 SwimClear Filter



C5030 SwimClear Filter

SwimClear Cartridge Filter Buying Guide

Model Number	Effective Filtration Area	2 1/2" SKT x 2 1/2" SLIP Couplings	Dimensions		Ctn. Qty.	Ctn. Weight
			Width	Height		
C2030	225 ft. ²	•	24"	32 1/2"	1	50 lbs.
C3030	325 ft. ²	•	24"	34 1/2"	1	60 lbs.
C4030	425 ft. ²	•	24"	40 1/2"	1	69 lbs.
C5030	525 ft. ²	•	24"	46 1/2"	1	79 lbs.
C7030	700 ft. ²	•	24"	52 1/2"	1	85 lbs.

Performance Data – Public and APSP-15

Model Number	Effective Filtration Area	Public Design Flow Rate	Turnover (In Gallons)	
			8 Hours	10 Hours
C2030	225 ft. ²	84 GPM	40,320	50,400
C3030	325 ft. ²	122 GPM	58,560	73,200
C4030	425 ft. ²	150 GPM	72,000	90,000
C5030	525 ft. ²	150 GPM	72,000	90,000
C7030	700 ft. ²	150 GPM	72,000	90,000

Public and APSP-15 Design Flow Rate based on .375 GPM/ft.²

*Determined by pump size and piping system hydraulics. 2" piping is recommended for flow rates above 90 GPM. Refer to "Friction Loss" in Hydraulics section, pages 26–29.

Clip Art



C3030



C5030



SwimClear Cartridge Filters

Hayward's newest addition to the SwimClear family is simply the most efficient single element cartridge filter ever produced. It captures more dirt for superior water clarity while the industry's lowest head loss can increase energy savings. SwimClear is the easiest to service: the Easy-Lok™ ring design, comfort grip handles, and lowest lift height provide fast element cleaning and replacement. For energy savings, reliable performance, and the ultimate in service ease, the choice is crystal clear: SwimClear.

Applications

- In-ground pools
- In-ground pool/spa combinations

Features

- Captures more dirt for superior water clarity without the need of any supplemental media
- Industry-leading hydraulic efficiency allows the pump to run at a lower speed or less time, which increases energy savings
- Easy-Lok ring design allows quick access to internal components for quick and simple maintenance
- Ergonomic grip handles provide multiple handling locations without touching fiberglass for easy installation and maintenance
- Lowest body height to lift elements for convenient and quick cleaning and replacement
- Recessed pressure gauge and manual air relief enables user to place head assembly upside down on pool pad, protecting the seal from contamination
- 2" x 2 1/2" union connections makes installation and servicing fast and easy

SwimClear Cartridge Filter Buying Guide

Model Number	Effective Filtration Area	Union Connections	Dimensions		Ctn. Qty.	Ctn. Weight
			Width*	Height		
C100S	100 ft. ²	2" x 2 1/2"	18 1/4"	30 1/2"	1	33 lbs.
C150S	150 ft. ²	2" x 2 1/2"	18 1/4"	33 3/4"	1	37 lbs.
C200S	200 ft. ²	2" x 2 1/2"	18 1/4"	38 3/4"	1	40 lbs.

NOTE: *Based on lock ring — width at base is 13".

Performance Data – Residential

Model Number	Effective Filtration Area	Design Flow Rate	Turnover (In Gallons)	
			8 Hours	10 Hours
C100S	100 ft. ²	100 GPM	48,000	60,000
C150S	150 ft. ²	120 GPM	57,600	72,000
C200S	200 ft. ²	120 GPM	57,600	72,000

Residential Design Flow Rate based on 1 GPM/ft.²

Performance Data – Public and APSP-15

Model Number	Effective Filtration Area	Design Flow Rate	Turnover (In Gallons)	
			8 Hours	10 Hours
C100S	100 ft. ²	38 GPM	18,240	22,800
C150S	150 ft. ²	56 GPM	26,880	33,600
C200S	200 ft. ²	75 GPM	36,000	45,000

Public and APSP-15 Design Flow Rate based on .375 GPM/ft.²

Hayward's StarClear Plus filters offer quality, value and convenience in cartridge filtration. Because of their durable construction, they can handle the most demanding applications and environmental conditions. The precision engineered core provides extra strength and maximum flow. StarClear Plus filters deliver proven performance and value.

Applications

- In-ground pools
- In-ground pool/spa combinations

Features

- Filter tanks made from durable glass reinforced co-polymer material to meet the demands of the toughest applications and environmental conditions, including in-floor cleaning systems
- Single piece injection-molded base and body provides added strength for reliable, corrosion-free performance
- Single locking knob securely fastens head to filter tank, eliminating bolts or clamps
- Extra-large cartridge element with precision engineered core provides extra-strength and maximum flow
- Elevated, filtered water collector and debris sump prevents accidental by-pass of heavy debris to pool when cartridge is removed for cleaning
- 1 ½" or 2" FIP connections for plumbing versatility
- ½" FIP filter drain for fast draining. Also accepts standard spigot valve

Performance Data – Residential

Model Number	Effective Filtration Area	Design Flow Rate*	Turnover (In Gallons)	
			8 Hours	10 Hours
C751	75 ft. ²	75 GPM	36,000	45,000
C900	90 ft. ²	90 GPM	43,200	54,000
C1200	120 ft. ²	120 GPM	57,600	72,000
C17502	175 ft. ²	120 GPM	57,600	72,000

Residential Design Flow Rate based on 1 GPM/ft.²

Performance Data – APSP-15

Model Number	Effective Filtration Area	Design Flow Rate*	Turnover (In Gallons)	
			8 Hours	10 Hours
C751	75 ft. ²	28 GPM	13,500	16,875
C900	90 ft. ²	34 GPM	16,200	20,250
C1200	120 ft. ²	45 GPM	21,600	27,000
C17502	175 ft. ²	66 GPM	31,680	39,600

APSP-15 Design Flow Rate based on .375 GPM/ft.²

*Determined by pump size and piping system hydraulics. 2" piping is recommended for flow rates above 90 GPM. Refer to "Friction Loss" in Hydraulics section, pages 26–29.



C900 StarClear Plus Filter

StarClear Plus Cartridge Filter Buying Guide

Model Number	Effective Filtration Area	Pipe Size	Dimensions		Ctn. Qty.	Ctn. Weight
			Width	Height		
C751	75 ft. ²	1 ½" FIP	13 ¾"	30"	1	26 lbs.
C7512	75 ft. ²	2" FIP	13 ¾"	30"	1	26 lbs.
C900	90 ft. ²	1 ½" FIP	13 ¾"	30"	1	26 lbs.
C9002	90 ft. ²	2" FIP	13 ¾"	30"	1	26 lbs.
C1200	120 ft. ²	1 ½" FIP	13 ¾"	36"	1	29 lbs.
C12002	120 ft. ²	2" FIP	13 ¾"	36"	1	29 lbs.
C17502	175 ft. ²	2" FIP	13 ¾"	42"	1	32 lbs.

Replacement Elements – Page 39



C250 StarClear Filter



C500 StarClear Filter

Hayward StarClear cartridge filters provide crystal clear water and have extra cleaning capacity to accommodate pools and spas of all types and sizes. For replacement or new pool installations, StarClear sets the standard of excellence and value.

Applications

- In-ground pools
- In-ground pool/spa combinations
- In-ground, in-deck or moveable spas
- Hot tubs
- Above-ground pools

Features

- Single locking knob securely fastens head to filter tank, eliminating bolts or clamps
- Attractive, durable filter head may be rotated to conveniently position pressure gauge and manual air relief
- Injection-molded filter tank for dependable, corrosion-free performance
- Extra-large cartridge element with precision engineered core provides extra-strength and maximum flow.
- Elevated, filtered water collector and debris sump prevents accidental by-pass of heavy debris to pool or spa when cartridge is removed for cleaning
- 1 1/2" or 2" FIP, or 2" SKT connections for plumbing versatility
- 1/2" FIP filter drain for fast draining of elevated spas and tubs. Also accepts standard spigot valve

StarClear Cartridge Filter Buying Guide

Model Number	Effective Filtration Area	Pipe Size	Dimensions		Ctn. Qty.	Ctn. Weight
			Width	Height		
StarClear						
C250	25 ft. ²	1 1/2" FIP	10 1/2"	19 1/2"	1	13 lbs.
C500	50 ft. ²	1 1/2" x FIP	10 1/2"	29 1/2"	1	17 lbs.
Micro StarClear™ Cartridge Filters						
Cartridge filters for in-line piping, including spas, hot tubs and above-ground pools.						
C225	25 ft. ²	1 1/2" FIP	7 1/4"	17 7/8"	1	7 lbs.

Performance Data – Residential

Model Number	Effective Filtration Area	Design Flow Rate	Turnover (In Gallons)	
			8 Hours	10 Hours
C250	25 ft. ²	25 GPM	12,000	15,000
C500	50 ft. ²	50 GPM	24,000	30,000

Performance Data – Public

Model Number	Effective Filtration Area	Design Flow Rate	Turnover (In Gallons)	
			8 Hours	10 Hours
C250	25 ft. ²	9 GPM	4,500	5,625
C500	50 ft. ²	18 GPM	9,000	11,250

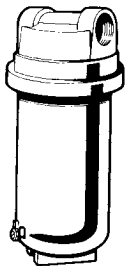
Public Design Flow Rate based on .375 GPM/ft.²

*Determined by pump size and piping system hydraulics.

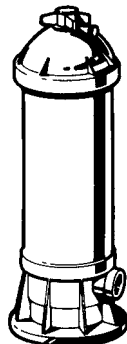
2" piping is recommended for flow rates above 90 GPM.

Refer to "Friction Loss" in Hydraulics section, pages 26–29.

✂ Clip Art



C225



C500

Replacement Elements – Page 39

XStream® Filtration Series

ABOVE-GROUND FULL-FLO CARTRIDGE FILTER SYSTEMS

XStream size for an XStream clean. Once you see the XStream filtration from Hayward, you'll be hooked. Its massive size and incredible performance mean years of trouble-free filtration. It has an extra large capacity for dirt and debris and a quick-release, high-capacity air relief valve.

Applications

- Above-ground pools/on-ground pools

Features

- Designed specifically for the rigors of above-ground filtration
- Longer, more efficient filtering life
- Larger filter body ensures an equal distribution of dirt and debris throughout the filtering element
- Engineered for easy use with flexible or rigid plumbing
- Quick release, high capacity air relief valve
- Durable filter tank will provide years of trouble-free operation
- Easy-Lok™ ring design allows quick access to all internal components in a single turn
- Unique safety catch prevents over-tightening of the lid and efficiently secures the filter for high performance operation

Performance Data

Filter	Effective Filtration Area	Design Flow Rate	Turnover (In Gallons)	
			8 Hours	10 Hours
CC1000	100 ft. ²	80 GPM	38,400	57,600
CC1500	150 ft. ²	120 GPM	57,600	86,400

Replacement Elements – Page 39




CC10092S XStream Filtration Series




CC15093S XStream Filtration Series

XStream Filtration Full-Flo Filter Cartridge System Buying Guide

Model Number	Filter	Dimensions		Pump	H.P.	System Components	Ctn. Qty.	Ctn. Weight
CC10080S	CC1000	21"	30 1/2"	PowerFlo LX™	1	2,3	1	66 lbs.
CC10092S	CC1000	21"	30 1/2"	PowerFlo Matrix®	1	2,3	1	67 lbs.
CC100922S	CC1000	21"	30 1/2"	PowerFlo Matrix	1hp-2spd	2,3,4	1	67 lbs.
CC10092STL	CC1000	21"	30 1/2"	PowerFlo Matrix	1	1,2,3	1	67 lbs.
CC15080X5S	CC1500	21"	37 1/4"	PowerFlo LX	1 1/2	2,3	1	74 lbs.
CC15093S	CC1500	21"	37 1/4"	PowerFlo Matrix	1 1/2	2,3	1	75 lbs.
CC150932S	CC1500	21"	37 1/4"	PowerFlo Matrix	1 1/2hp-2spd	2,3,4	1	75 lbs.
CC15093STL	CC1500	21"	37 1/4"	PowerFlo Matrix	1 1/2	1,2,3	1	75 lbs.

NOTE: "TL" pump includes 3' twisting lock cord. 

System Components

1. 3' twist lock cord 
2. 1 1/2" hose packages include: two (2) 1 1/2" x 6' lengths of hose, hose adapters, hose clamps
3. Union connection
4. 2-speed pump

Optional Accessories

Model Number	Description	Ctn. Qty.	Ctn. Weight
SP1500UNPAK2	Set of two (2) quick connect unions	50	32 lbs.

EasyClear™ & Micro StarClear™

ABOVE GROUND FULL-FLO CARTRIDGE FILTER SYSTEMS

Filters



C4001575XES EasyClear System



C2251540LSS Micro StarClear System

EasyClear full-flo element filters are designed specifically for above-ground pools of all sizes and will provide years of trouble-free operation. Performance-matched with the PowerFlo LX™ pump series, they will turnover at least 24,000 gallons in an eight hour period, easily handling a 24' round above-ground pool. EasyClear filters are mounted on a rugged filter base and use a special reinforced polyester cartridge engineered to provide superior water clarity with minimal care.

Applications

- Above-ground pools

Features

- Easy-Lok™ lid access design provides simple entry to service the cartridge element
- Built-in check valve prevents accidental loss of pool water when cartridge is being removed for cleaning
- Unique safety-catch prevents overtightening of the cover and unwanted entry into the filter
- Cartridge element is uniquely designed of high quality reinforced polyester and a molded center core for easy cleaning, high flows and long life.
- Union connection allows pump or filter to be removed quickly and easily for servicing systems

EasyClear and Micro StarClear Filter System Buying Guide

Model Number	Filter	Dimensions		Pump	H.P.	System Components	Ctn. Qty.	Ctn. Weight
		Width	Height					
Micro StarClear								
C2251540LSS	C225	7 ¼"	17 7/8"	PowerFlo	40 GPM	2,3	1	25 lbs.
EasyClear								
C4001575XES	C400	8 3/8"	24 ½"	PowerFlo LX	1	1,2,3	1	46 lbs.
C5501575XES	C550	8 3/8"	30"	PowerFlo LX	1	1,2,3	1	46 lbs.

System Components

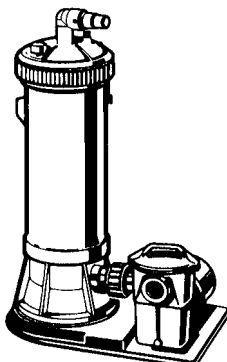
1. EC1161PAK modular platform base
2. 1 ½" hose packages include: two (2) 1 ½" x 6' lengths of hose, hose adapters and hose clamps
3. Union connection

Performance Data

Model Number	Effective Filtration Area	Design Flow Rate	Turnover (In Gallons)	
			8 Hours	10 Hours
C2251540LSS	25 ft. ²	20 GPM	15,000	18,750
C4001575XES	40 ft. ²	50 GPM	24,000	30,000
C5501575XES	55 ft. ²	69 GPM	33,120	41,400

Replacement Elements – Page 39

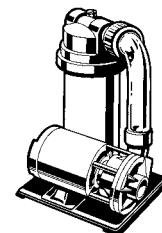
✂ Clip Art



C5501575XES



C4001575XES



C2251540LSS

Genuine Replacement Cartridges

Hayward replacement cartridges are manufactured with premium materials designed to meet NSF's high quality performance and durability standards. All Hayward cartridges provide maximum hydraulic efficiency, exceptional first pass debris removal, extended filtration cycles, reduced cleaning time and multi-season durability.

Clearly, Hayward Genuine Replacement Cartridges are the only replacement cartridges that will maintain the original filter fit and performance in addition to providing the best overall value.

Features

- Premium 4 oz. cartridges include NSF certification when used in Hayward filters providing original filtration quality and durability
- Precision engineered molded and extruded cores provide maximum hydraulic efficiency and overall structural stability
- Available in economical 4 pack configurations to accommodate multi-cartridge filters
- Individually packaged with Hayward name and part number molded into uniquely colored end caps for easy identification as a Hayward Genuine Part
- Compatible with all pool sanitizers



Genuine Replacement Cartridges

Cartridge Elements Buying Guide

Premium 4 oz Material	Hayward Replacement Cartridge Description	Ctn. Qty.
StarClear & StarClear™ Plus Replacement Cartridges		
CX1000RE	Replacement Cartridge – 100 sq ft	1
CX1100RE	Replacement Cartridge – C1100-	1
CX1200RE	Replacement Cartridge – C1200-	1
CX1250RE	Replacement Cartridge – C1250-	1
CX1520RE	Replacement Cartridge – C1502-	1
CX1750RE	Replacement Cartridge – C1750-	1
CX1900RE	Replacement Cartridge – C1900-	1
CX2020RE	Replacement Cartridge – C2002-	1
CX225RE	Replacement Cartridge – C225-	1
CX250RE	Replacement Cartridge – C250-	1
CX410RE	Replacement Cartridge – C400-	1
CX500RE	Replacement Cartridge – C500-	1
CX550RE	Replacement Cartridge – C550-	1
CX750RE	Replacement Cartridge – C750-	1
CX760RE	Replacement Cartridge – C751-	1
CX800RE	Replacement Cartridge – C800-	1
CX850RE	Replacement Cartridge – C850-	1
CX900RE	Replacement Cartridge – C900-	1
SwimClear™ Replacement Cartridges		
CX100XRE	Replacement Cartridge C100S	1
CX150XRE	Replacement Cartridge C150S	1
CX200XRE	Replacement Cartridge C200S	1
CX1280XRE	Replacement Cartridge C5000/C5020/C5025/C5030	1
CX1280XREPAK4	Replacement Cartridges 525 sq ft SwimClear (4 pack)	1
CX1380XRE	Replacement Cartridge C5520-	1
CX1380XREPAK4	Replacement Cartridges 550 sq ft SwimClear (4 pack)	1
CX480XRE	Replacement Cartridge C2000/C2020/C2025/C2030	1
CX480XREPAK4	Replacement Cartridges 225 sq ft SwimClear (4 pack)	1
CX481XRE	Replacement Cartridge C2030-	1
CX481XREPAK4	Replacement Cartridges C2030 – SwimClear (4 pack)	1
CX580XRE	Replacement Cartridge C3000/C3020/C3025/C3030	1
CX580XREPAK4	Replacement Cartridges 325 sq ft SwimClear (4 pack)	1
CX590XRE	Replacement Cartridge C7020-	1
CX590XREPAK4	Replacement Cartridges 700 sq ft SwimClear (4 pack)	1
CX591XRE	Replacement Cartridge Element – C7030-	1
CX591XREPAK4	Replacement Cartridges C7030 – SwimClear (4 pack)	1
CX875XRE	Replacement Cartridge C4520-	1
CX875XREPAK4	Replacement Cartridges 450 sq ft SwimClear (4 pack)	1
CX880XRE	Replacement Cartridge C4000/C4020/C4025/C4030	1
CX880XREPAK4	Replacement Cartridges 425 sq ft SwimClear (4 pack)	1

ProGrid™

VERTICAL GRID D.E. FILTERS

Filters



DE7220 ProGrid Filter with SP0740DE Selecta-Flo™ 4-position Control Valve



DE3620 ProGrid Filter with 2-position Slide Valve

ProGrid vertical grid D.E. filters provide superior water clarity, efficient flow and large cleaning capacity for pools and spas of all types and sizes. ProGrid combines high-technology features and “service-ease” design for an unparalleled filtration value for both new pool and aftermarket installations.

Applications

- In-ground pools
- In-ground spas or in-ground pool/spa combinations

Features

- High capacity, rapid release manual air relief valve bleeds air with a quick quarter turn of the lever
- Filter tanks made from durable glass reinforced copolymer to meet the demands of the toughest applications and environmental conditions, including in-floor cleaning systems
- Self-aligned tank top and bottom make access to servicing the grid elements fast and simple
- Heavy-duty, tamper-proof, one piece flange clamp securely fastens tank top and bottom. Allows quick access to all internal components without disturbing piping or connections.
- High impact grid elements designed for up-flow filtration and top-down backwashing for maximum efficiency
- Integral lift handles and uniform low-profile base make removal of grid nest fast and simple
- Inlet diffuser elbow distributes flow of unfiltered water evenly to all filter elements and provides even distribution of D.E. to grids
- Convenient valve and plumbing options allow for customized control
- 2" full-flow internal piping and plumbing for less resistance to flow and maximum performance
- 72 ft.² filter allows for both commercial and large residential applications and years of non-corrosive, trouble-free performance

ProGrid D.E. Filter Buying Guide

Model Number	Effective Filtration Area	D.E. Required	Dimensions		Ctn. Qty.	Ctn. Weight
			Width*	Height		
DE2420	24 ft. ²	3 lbs.	24"	32 ½"	1	56 lbs.
DE3620	36 ft. ²	4 ½" lbs.	24"	34 ½"	1	65 lbs.
DE4820	48 ft. ²	6 lbs.	24"	40 ½"	1	74 lbs.
DE6020	60 ft. ²	7 ½" lbs.	24"	46 ½"	1	84 lbs.
DE7220	72 ft. ²	9 lbs.	24"	52 ½"	1	94 lbs.

NOTES: All filters include pressure gauge, air relief valve and 1 ½" drain plug.

*Above dimensions are for filter only. Add 12" for 1 ½" and 14" for 2" multiport valves. Add 7" for 2" slide valve.

Model Number	Description	Pipe Size	Valve Positions	Ctn. Qty.	Ctn. Weight
Valve and Coupling Selections					
SP0740DE	Selecta-Flo	2" SKT	4	1	9 lbs.
SP0710XR50	VariFlo	1 ½" FIP	6	1	6 lbs.
SP0715XR50	VariFlo	2" FIP	6	1	9 lbs.
SP0410X502S	Slide Valve	2" SKT	2	1	4 lbs.
DE2400PAK2CS	Coupling	1 ½" SKT x 2" SLIP	—	10	10 lbs.

Performance Data – Filter

Model Number	Effective Filtration Area	Public Design Flow Rate*	Turnover (In Gallons)		Residential Design Flow Rate**	Turnover (In Gallons)	
			8 Hours	10 Hours		8 Hours	10 Hours
DE2420	24 ft. ²	48 GPM	23,040	28,800	60 GPM	28,800	36,000
DE3620	36 ft. ²	72 GPM	34,560	43,200	90 GPM	43,200	54,000
DE4820	48 ft. ²	96 GPM	46,080	57,600	120 GPM	57,600	72,000
DE6020	60 ft. ²	120 GPM	57,600	72,000	150 GPM	72,000	90,000
DE7220	72 ft. ²	144 GPM	69,120	86,400	150 GPM	72,000	90,000

NOTES: *Based on 2 GPM/ft.² (maximum allowable NSF rating).

**Based on 2.5 GPM/ft.² (maximum allowable NSF rating).

Performance Data – Valve Positions

Model Number	Filter	Back-wash	Waste	Recirculate	Rinse	Closed
SP0740DE	•	•	•	•	—	—
SP0710XR50	•	•	•	•	•	•
SP0715XR50	•	•	•	•	•	•
SP0410X502S	•	•	—	—	—	—
DE2400PAK2CS	•	—	—	—	—	—

Designed for vertical grid D.E. filters with up to 80 square feet of filtration area, Hayward D.E. separation tanks are ideal for water conservation and savings during backwashing by returning chemically treated backwash water to the pool. Hayward D.E. separation tanks hold up to 10 lbs. of used D.E. filter powder and compliment both new and existing vertical grid D.E. filter installations.

Features

- For vertical grid D.E. filters with up to 80 ft.² of filtration area
- Rugged, reusable polypropylene containment bag holds up to 10 lbs. of used D.E. filter powder
- Comes complete with 2" FIP or 2" SKT connections for full-flow performance
- Single locking knob for easy access

ProGrid D.E. Filter Accessory Buying Guide

Model Number	Pipe Size	Max. D.E. Holding Capacity	Ctn. Qty.	Ctn. Weight
D.E. Separation Tank				
C9002SEP	2" FIP/2" SKT	10 lbs.	1	22 lbs.

NOTE: Comes complete with 2" FIP or 2" SKT connections for full-flow performance

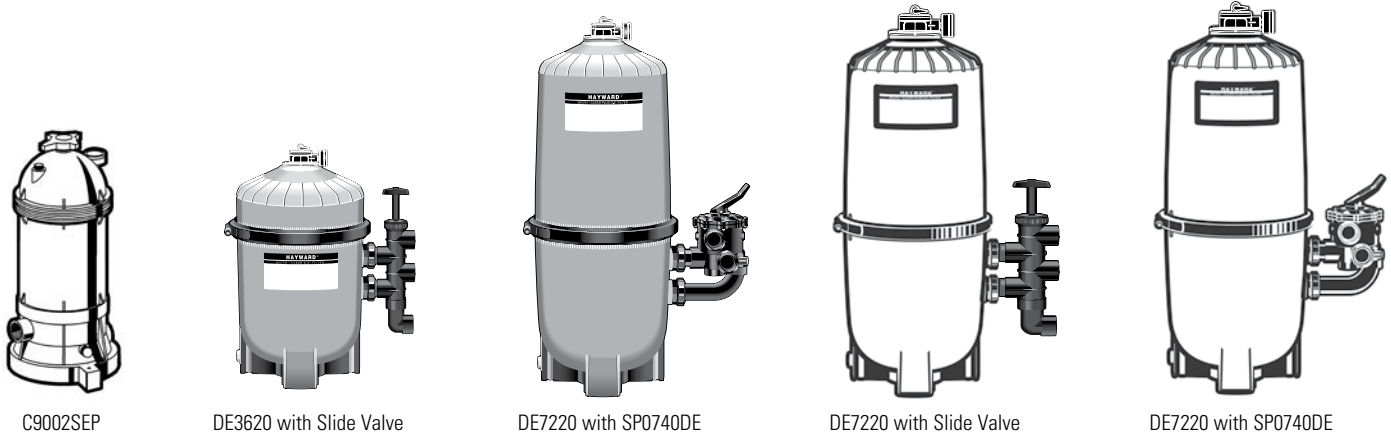
Model Number	Description	Ctn. Qty.	Ctn. Weight
Modular System Base Pak			
S200PAK3	Molded platform base for pump and filter. Complete with rigid, sweep union and hardware. Pre-drilled for Super® and Super II™ Pumps. Use 1 1/2" VariFlo® Valve.	1	11 lbs.



C9002SEP Separation Tank with 2" FIP connections

Filters

✂ Clip Art



C9002SEP

DE3620 with Slide Valve

DE7220 with SP0740DE

DE7220 with Slide Valve

DE7220 with SP0740DE



EC75A Basic Perflex Filter



Perflex System

Perflex Extended-Cycle D.E. Filter Buying Guide

Model Number	1 1/2"	1 1/2"	Check Valve	D.E. Required	Dimensions		Ctn. Qty.	Ctn. Weight
	Drain Valve	Pressure Gauge/ Inspection Port			Width	Height		
EC65A	•	•	•	6 lbs.	21"	31"	1	44 lbs.
EC75A	•	•	•	7 lbs.	21"	31"	1	45 lbs.

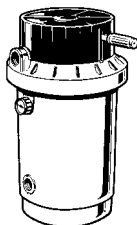
Model Number	Description	Ctn. Qty.	Ctn. Weight
--------------	-------------	-----------	-------------

Modular System Base Pak

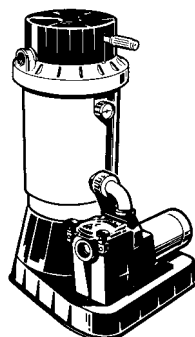
EC65BLP	System III Base Pak for EC65/EC75 (less pump) – for Super® or Super II™ Pumps	1	15 lbs.
---------	---	---	---------

NOTE: Order Super or Super II Pump, EC65A or EC75A basic filter and EC65BLP for a 3 component system.

✂ Clip Art



EC65A, EC75A



EC652605X7 System III

Perflex Extended-Cycle D.E. filters clean pools fast, removing particles as small as one micron the first time through. Its patented Flex-Tube™ design gives longer cycles between cleaning because the same D.E. filter powder is used over and over. Plus, Perflex cleans without backwashing, saving hundreds of gallons of treated pool water. An exceptional value as a replacement filter or for new pool installations. For sparkling, clean pools, step up to Perflex.

Applications

- In-ground pools of all types and sizes

Features

- Exclusive bump handle activates the mechanism causing the Flex-Tubes to instantly and uniformly clean themselves of dirt and filter powder
- Self-venting design automatically expels any air that may be present in the system
- Proven, patented Flex-Tube filter elements efficiently reuse the filter powder and dirt mixture forming a fresh filtering surface
- Combination pressure gauge and threaded inspection/service port is easy to read and remove when filter needs cleaning
- Heavy-duty filter tank injection-molded of high-strength thermoplastic for dependable, corrosion-free performance
- Integral check valve prevents system backflow whenever pump is off

Performance Data

Model Number	Effective Filtration Area	Public Design Flow Rate*	Residential Design Flow Rate**	Turnover (In Gallons)	
				8 Hours	10 Hours
EC65A	27 ft. ²	54 GPM		25,920	40,200
EC75A	40 ft. ²	80 GPM		38,400	48,000
EC65A			67 GPM	32,200	90,250
EC75A			100 GPM	48,000	60,000

NOTES: *Based on 2 GPM/ft.² (maximum allowable NSF rating).

**Based on 2.5 GPM/ft.² (maximum allowable NSF rating).

Perflex Extended-Cycle D.E. filters provide crystal clear, sparkling water at an economical price. Proven over many years, Perflex has set the standard in swimming pool filtration by incorporating the patented Flex-Tube™ design in combination with D.E., the most effective filter media available. The result is superior water clarity, extended filter cleaning cycles — and no backwashing required.

Applications

- Above-ground/on-ground pools
- Small in-ground pools

Features

- Easy access clamp assembly
- Cleans pools fast — removes even the smallest particles the first time through
- Uses D.E. (diatomaceous earth), the most effective filter media available
- Patented Flex-Tube system efficiently reuses D.E. powder and dirt mixture to form fresh cleaning surfaces
- Exclusive bump handle activates the Flex-Tubes, causing them to instantly purge themselves of dirt and powder
- Uniquely designed to expel any air that may be present in the system through the filtered water returning to the pool
- Combination diffuser and lower mixing chamber specifically designed to produce a uniformed coating of D.E. on the Flex-Tubes



EC40AC Perflex Filter



EC50AC Perflex Filter

Perflex Extended-Cycle D.E. Filter Buying Guide

Model Number	Pressure Gauge	Deluxe 1 1/2" Drain Valve	Built-In Check Valve	Service/Inspection Port	D.E. Required	Dimensions Width	Dimensions Height	Ctn. Qty.	Ctn. Weight
EC40AC	•	•	•	—	4 lbs.	16"	26 1/2"	1	26 lbs.
EC50AC	•	•	•	•	5 lbs.	13 1/2"	31 3/8"	1	30 lbs.

NOTE: EC40A Replacement Filter: EC40AC. EC50A Replacement Filter: EC50AC.

Model Number	Description	Ctn. Qty.	Ctn. Weight
EC1161LK	Elevated mounting base with sweep union, adjustable connecting loop, elbow adapter and hardware	1	5 lbs.
EC1161PAK	Modular platform base is pre-drilled for the PowerFlo Series Pump	1	4 lbs.

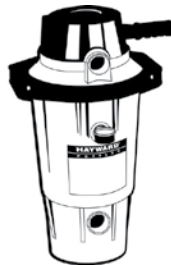
Performance Data

Model Number	Effective Filtration Area	Design Flow Rate	Turnover (In Gallons)	
			8 Hours	10 Hours
EC40AC	20 ft. ²	40 GPM	19,200	24,000
EC50AC	25 ft. ²	50 GPM	24,000	30,000

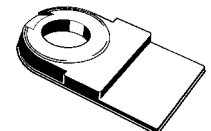
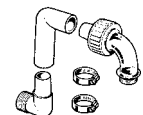
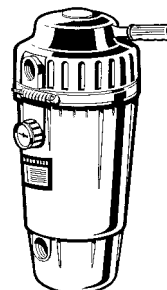
Clip Art



EC40AC



EC50AC



EC1161LK



EC40C92S Perflex System



EC50C93S Perflex System

Perflex filters are performance matched with our above-ground pump series to ensure a system that maximizes its filtration ability. These advanced filtration systems are designed to operate with less resistance than conventional units, thus producing more filtered water with less pump horsepower. Quality, value, dependability and sparkling clear pool water are the Perflex system trademarks.

System Features

- Pump-to-filter union connection provides simple installation and winterization
- Modular platform base accepts optional chlorine feeder

Perflex Extended-Cycle D.E. Filter System Buying Guide

Model Number	Filter ^a	Pump ^b	H.P.	System Components	Ctn. Qty.	Ctn. Weight
EC30 Series						
EC301540ESNV	EC30	PowerFlo	40 GPM	3	1	50 lbs.
EC40 Series						
EC40C80S	EC40AC	PowerFlo LX™	1	2,3	1	56 lbs.
EC40C92S	EC40AC	PowerFlo Matrix®	1	2,3	1	56 lbs.
EC40C92STL	EC40AC	PowerFlo Matrix	1	1,2,3	1	56 lbs.
EC50 Series						
EC50C92S	EC50AC	PowerFlo Matrix	1	2,3	1	64 lbs.
EC50C92STL	EC50AC	PowerFlo Matrix	1	1,2,3	1	64 lbs.
EC50C80X5S	EC50AC	PowerFlo LX	1 ½	2,3	1	66 lbs.
EC50C93S	EC50AC	PowerFlo Matrix	1 ½	2,3	1	66 lbs.
EC50C93STL	EC50AC	PowerFlo Matrix	1 ½	1,2,3	1	66 lbs.

NOTES: a. All filters include SP1022C 1½" drain plug.

b. All pumps have 6' power cord, except system designated with "TL", which incorporates a 3 ft. twist lock cord.

System Components

- 3' twist lock cord
- SP0723 deluxe drain valve
- 1 ½" hose packages include: two (2) 1 ½" x 6' lengths of hose, hose adapters and hose clamps

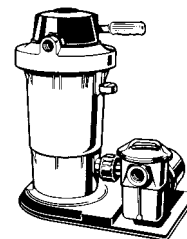
Optional Accessories

Model Number	Description	Ctn. Qty.	Ctn. Weight
SP1500UNPAK2	Set of two (2) quick connect unions	50	32 lbs.

Clip Art

EC301540ESNV includes:

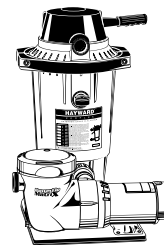
- EC30 Filter
- SP1540, 40 GPM PowerFlo Pump
- Modular Platform Base
- Union Connection
- 1 ½" Hose Package



EC301540ESNV

EC40C92S includes:

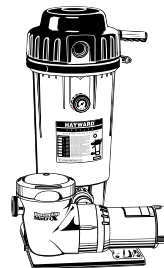
- EC40AC Filter with Clamp
- SP1592, 1 H.P. PowerFlo Matrix Pump
- Modular Platform Base
- Union Connection
- 1 ½" Hose Package



EC40C92S

EC5093S includes:

- EC50AC Filter with Clamp
- SP1593, 1 1/2 H.P. PowerFlo Matrix Pump
- Modular Platform Base
- Union Connection
- 1 ½" Hose Package



EC50C93S

Incorporating the many advanced features of Hayward's ProSeries top-mount and side mount sand filters, the ProSeries Plus satisfies the requirements of the most demanding installations, including pools installed with in-floor cleaning systems, spas, fountains or solar heating systems.

Applications

- Suitable for residential and semi-commercial applications
- In-ground pools installed with in-floor cleaning systems, solar heating systems, water features
- In-ground spas or in-ground pool/spa combinations

Features

- Durable, flanged inspection cover provides convenient access to top of side mount filters
- Flange clamp design allows 360° rotation of valve to simplify plumbing
- Top diffuser ensures even distribution of water over the top of the sand media bed. All internal piping is 2" to give smooth, free-flowing performance
- Large pressure sand/water drain for rapid winterizing or servicing
- Unitized, corrosion-proof, spherical filter tank molded of rugged, colorfast polymeric material for maximum strength and longer life
- Optional valve and coupling selections for plumbing ease and versatility. Choose from 6-position VariFlo® valve, 2-position slide valve or 1 ½" SKT x 2" SLIP connectors for multiple (tandem) filter installations
- Precision engineered umbrella-fold self cleaning laterals for balanced flow and backwashing, plus easy serviceability

Performance Data – Filter

Model Number	Effective Filtration Area	Design Flow Rate*	Turnover (In Gallons)	
			8 Hours	10 Hours
S311SXV	4.95 ft. ²	99 GPM	47,520	59,400
S360SX	6.50 ft. ²	130 GPM	62,400	78,000
S360T2	6.50 ft. ²	130 GPM	62,400	78,000

*Based on 20 GPM/ft.² (maximum allowable NSF rating).

Performance Data – Valve Positions

Model Number	Filter	Back-wash	Waste	Recirculate	Rinse	Closed
SP0710X62	•	•	•	•	•	•
SP0715X62	•	•	•	•	•	•
SP071621	•	•	•	•	•	•
SP0410X602S	•	•	—	—	—	—
DE2400PAK2CS	•	—	—	—	—	—



S311SXV ProSeries Plus 31" Filter with 2" slide valve



S360SX ProSeries Plus 36" Filter

ProSeries Plus Sand Filter Buying Guide

Model Number	Side/Top Mount	Valve	Sand Capacity	Dimensions Width**	Height	Ctn. Qty.	Ctn. Weight
S311SX	Side	Not Included*	350 lbs.	31"	38 5/8"	1	74 lbs.
S311SXV	Side	Slide Valve	350 lbs.	31"	38 5/8"	1	78 lbs.
S360SX	Side	Not Included*	700 lbs.	36"	46"	1	95 lbs.
S360T2	Top	2" VariFlo	700 lbs.	36"	53"	1	134 lbs.

NOTES: *Order valve separately – See "Valve and Coupling Selections" Buying Guide below.

**Above dimensions are for filter only. Add 12" for 1 ½" and 14" for 2" side mount multiport valves. Add 7" for 2" slide valve.

Model Number	Description	Pipe Size	Valve Positions	Ctn. Qty.	Ctn. Weight
--------------	-------------	-----------	-----------------	-----------	-------------

Valve and Coupling Selections

SP0710X62	VariFlo Side Mount	1 ½" FIP	6	1	6 lbs.
SP0715X62	VariFlo Side Mount	2" FIP	6	1	9 lbs.
SP071621	VariFlo Top Mount	2" FIP	6	1	8 lbs.
SP0410X602S	VariFlo Side Mount	2" SKT	2	1	4 lbs.
DE2400PAK2CS	Coupling (2)	1 ½" SKT x 2" SLIP	—	10	12 lbs.

ProSeries™

SIDE MOUNT SAND FILTERS

Filters



S244S ProSeries 24" Filter with 1 1/2" VariFlo Control Valve



S310S ProSeries 30" Filter with optional 2" VariFlo Control Valve

ProSeries high-rate sand filters are molded of durable, corrosion-proof material for long-lasting performance. They feature an advanced, self-cleaning lateral underdrain system for smooth, efficient flow and totally balanced backwashing. For crystal clear water with minimal care, pool professionals choose ProSeries.

Applications

- In-ground pools of all types and sizes
- In-ground spas (residential or commercial)
- Water features (fish ponds, fountains, water gardens)

Features

- Durable, flanged inspection cover provides convenient access to top of filter
- Top diffuser ensures even distribution of water over the top of the sand media bed
- Automatic air relief purges any trapped air during operation of the filter system
- Unitized, corrosion-proof filter tank molded of rugged, colorfast polymeric material for dependable, all weather performance
- Large pressure sand/water drain for rapid winterizing or servicing
- 6-position Hayward VariFlo® control valve with easy-to-use lever-action handle lets you dial any of the 6 valve/filter functions. Integral sight glass lets you see when backwash cycle is completed
- Precision engineered umbrella-fold self cleaning laterals for balanced flow and backwashing, plus easy serviceability

ProSeries Side-Mount Sand Filter Buying Guide

Model Number	Valve	Sand Capacity	Dimensions		Ctn. Qty.	Ctn. Weight
			Width**	Height		
S210S	1 1/2" VariFlo	200 lbs.	20 1/2"	32 1/8"	1	46 lbs.
S244S	1 1/2" VariFlo	300 lbs.	24 1/2"	36"	1	53 lbs.
S244SV	2" Slide Valve	300 lbs.	24 1/2"	36"	1	51 lbs.
S244SLV	Not Included*	300 lbs.	24 1/2"	36"	1	60 lbs.
S310S	Not Included*	500 lbs.	30 1/2"	40"	1	76 lbs.

NOTES: *Order valve separately—See "Valve and Coupling Selections" Buying Guide below.

**Above dimensions are for filter only. Add 12" for 1 1/2" and 14" for 2" multiport valves. Add 7" for 2" slide valve.

Model Number	Description	Pipe Size	Valve Positions	Ctn. Qty.	Ctn. Weight
--------------	-------------	-----------	-----------------	-----------	-------------

Valve and Coupling Selections

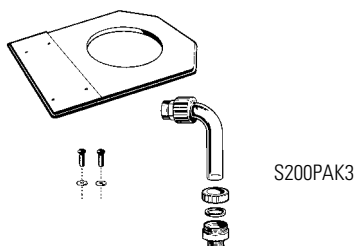
SP0710X62	VariFlo	1 1/2" FIP	6	1	6 lbs.
SP0715X62	VariFlo	2" FIP	6	1	9 lbs.
SP0410X602S	Slide Valve	2" SKT	2	1	4 lbs.
DE2400PAK2CS	Coupling (2)	1 1/2" SKT x 2" SLIP	—	10	12 lbs.

Model Number	Description	Ctn. Qty.	Ctn. Weight
--------------	-------------	-----------	-------------

Modular System

S200PAK3	Heavy-duty, molded platform base for pump and filter. Complete with rigid, clear sweep union and hardware. Pre-drilled for MaxFlo™, Super® and Super II™ Pumps. Use 1 1/2" VariFlo Valve.	1	11 lbs.
----------	---	---	---------

✂ Clip Art



Performance Data – Filter

Model Number	Effective Filtration Area	Design Flow Rate*	Turnover (In Gallons)	
			8 Hours	10 Hours
S210S	2.20 ft. ²	44 GPM	21,120	26,400
S244S	3.14 ft. ²	62 GPM	29,760	37,200
S310S	4.91 ft. ²	98 GPM	47,040	58,800

*Based on 20 GPM/ft.² (maximum allowable NSF rating).

Performance Data – Valve Positions

Model Number	Filter	Back-wash	Waste	Recirculate	Rinse	Closed
SP0710X62	•	•	•	•	•	•
SP0715X62	•	•	•	•	•	•
SP0410X602S	•	•	—	—	—	—
DE2400PAK2CS	•	—	—	—	—	—

A high performance, corrosion-proof filter series that provides both superior filtration and features with ease of operation. The S200 filter series combines high-rate filtration performance and durability.

Applications

- In-ground pools of all types and sizes
- In-ground spas (residential or commercial)
- Water features (fish ponds, fountains, water gardens)

Features

- Durable 6" threaded inspection cover provides convenient access to top of filter
- Top diffuser assures even distribution of water over the top of the sand media bed
- Corrosion-proof, heavy-duty filter tank injection-molded of tough, durable ABS for dependable, all-weather performance
- Large pressure sand/water drain for rapid winterizing or servicing
- Bolted center flange provides extra strength and securely fastens tank top and bottom together. Allows for access to all internal components
- 6-position Hayward VariFlo control valve with easy-to-use lever-action handle lets you dial any of the 6 valve/filter functions. Integral sight glass lets you see when backwash cycle is completed
- Precision engineered umbrella-fold self cleaning laterals for balanced flow and backwashing, plus easy serviceability.

Performance Data – Filter

Model Number	Effective Filtration Area	Design Flow Rate*	Turnover (In Gallons)	
			8 Hours	10 Hours
S200	2.20 ft. ²	44 GPM	21,120	26,400

*Based on 20 GPM/ft.² (maximum allowable NSF rating).

Performance Data – Valve Positions

Model Number	Filter	Back-wash	Waste	Recirculate	Rinse	Closed
SPX0710X32	•	•	•	•	•	•
SPX0715X32	•	•	•	•	•	•



S200 filter with 1 1/2" VariFlo® control valve

S200 Series Sand Filter Buying Guide

Model Number	Valve	Sand Capacity	Dimensions		Ctn. Qty.	Ctn. Weight
			Width*	Height		
S200*	1 1/2" VariFlo	200 lbs.	23 1/2"	37"	1	59 lbs.

NOTE: *Above dimensions are for filter only. Add 12" for 1 1/2" and 14" for 2" multi-port valves.

Modular System Base Paks

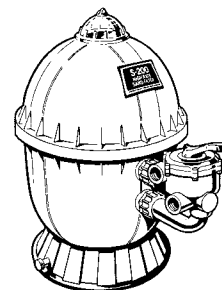
S200PAK3	Heavy-duty, molded platform base for pump and filter. Complete with rigid, clear sweep union and hardware. Pre-drilled for MaxFlo®, Super® and Super II™ Pumps. For S200 filters.	1	11 lbs.
----------	---	---	---------

Accessories

SP1486	Clear sweep union assembly with compression fitting. For S200, when used with MaxFlo, Super or Super II Pumps.	20	34 lbs.
S200KT	Dome wrench for S200 filters.	10	5 lbs.



Clip Art



S200

ProSeries™

TOP-MOUNT SAND FILTERS – S220T, S220T2, S244T, S244T2, S270T, S270T2 AND S310T2 MODELS

Filters



S244T2 ProSeries 24" Filter with 2" VariFlo Control Valve



S310T2 ProSeries 30" Filter with 2" VariFlo Control Valve

ProSeries high-rate sand filters are molded of durable, corrosion-proof material for long-lasting performance. They feature attractive, unitized tank construction for years of trouble-free operation with only minimal care. ProSeries sets the standard for performance, value and dependability.

Applications

- In-ground pools of all types and sizes
- In-ground spas (residential or commercial)
- Water features (fish ponds, fountains, water gardens)

Features

- Flange clamp design allows 360° rotation of valve to simplify plumbing
- Integral top diffuser ensures even distribution of water over the top of the sand media bed. Full-size internal piping provides smooth, free-flowing performance
- Large pressure sand/water drain for rapid winterizing or servicing
- Unitized, corrosion-proof filter tank molded of rugged, colorfast polymeric material for dependable, all-weather performance
- 6 position Hayward 2" VariFlo® control valve with easy-to-use lever-action handle lets you dial any of the valve/filter functions. Integral sight glass lets you see when backwash cycle is completed
- Precision engineered umbrella-fold self cleaning laterals for balanced flow and backwashing, plus easy serviceability

ProSeries Top-Mount Sand Filter Buying Guide

Model Number	Valve	Sand Capacity	Dimensions		Ctn. Qty.	Ctn. Weight
			Width	Height*		
S220T	1 ½" VariFlo	250 lbs.	22 ½"	41"	1	44 lbs.
S220T2	2" VariFlo	250 lbs.	22 ½"	41"	1	44 lbs.
S244T	1 ½" VariFlo	300 lbs.	24 ½"	42"	1	46 lbs.
S244T2	2" VariFlo	300 lbs.	24 ½"	42"	1	46 lbs.
S270T**	1 ½" VariFlo	350 lbs.	27"	43"	1	56 lbs.
S270T2**	2" VariFlo	350 lbs.	27"	43"	1	56 lbs.
S310T2	2" VariFlo	500 lbs.	30 ½"	48"	1	68 lbs.

NOTES: *Above dimensions are to top of valve. **NOT NSF listed.

Model Number	Description	Pipe Size	Valve Positions	Ctn. Qty.	Ctn. Weight
--------------	-------------	-----------	-----------------	-----------	-------------

Valve Selections

SP0714T	VariFlo	1 ½" FIP	7	1	5 lbs.
SP071621	VariFlo	2" FIP	6	1	8 lbs.

Model Number	Description	Ctn. Qty.	Ctn. Weight
--------------	-------------	-----------	-------------

Modular System Base Paks

S160TPAK3	Universal pump and filter mounting base, complete with clear pump-to-filter hose, pipe adapters and hardware. Pre-drilled for PowerFlo LX™ Series, MaxFlo®, Super® and Super II™ Pumps.	1	12 lbs.
-----------	---	---	---------

Performance Data – Filter

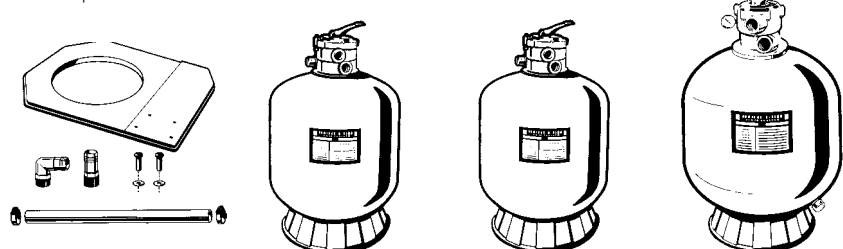
Model Number	Effective Filtration Area	Design Flow Rate*	Turnover (In Gallons)	
			8 Hours	10 Hours
S220T/T2	2.64 ft. ²	52 GPM	24,960	31,200
S244T/T2	3.14 ft. ²	62 GPM	29,760	37,200
S270T/T2	3.70 ft. ²	74 GPM	35,520	44,400
S310T2	4.91 ft. ²	98 GPM	47,040	58,800

*Based on 20 GPM/ft.² (maximum allowable NSF rating).

Performance Data – Valve Positions

Model Number	Filter	Back-wash	Waste	Recirculate	Rinse	Closed	Winter
SP0714T	•	•	•	•	•	•	•
SP071621	•	•	•	•	•	•	—

Clip Art



ProSeries sand filters are high performance filters that blend superior flow characteristics and features with ease of operation. For use in multiple applications, Pro Series will provide clear, sparkling water for years to come.

Applications

- Above-ground/on-ground pools
- Small in-ground pools
- Aquariums (salt or fresh water)
- Ponds

Features

- Durable filter tank for long-lasting, all-weather performance
- 7-position VariFlo® valve provides maximum flow at lower pressure drop
- Large pressure sand/water drain for rapid winterizing or servicing
- Flange clamp design allows 360° rotation for easy installation
- Integral top diffuser ensures even distribution of water over the entire sand bed for maximum use of the filtration area
- Precision engineered umbrella-fold self cleaning laterals for balanced flow and backwashing, plus easy serviceability

Performance Data – Filter

Model Number	Effective Filtration Area	Design Flow Rate	Turnover (In Gallons)	
			8 Hours	10 Hours
S144T	1.07 ft. ²	25 GPM	12,000	15,000
S166T	1.40 ft. ²	30 GPM	14,400	18,000
S180T	1.75 ft. ²	35 GPM	16,800	21,000
S210T	2.20 ft. ²	44 GPM	21,120	26,400

Performance Data – Valve Positions

Model Number	Filter	Back-wash	Waste	Recirculate	Rinse	Closed	Winter
SP0714T	•	•	•	•	•	•	•



S166T ProSeries 16" Filter with VariFlo Control Valve



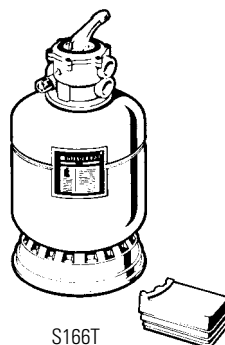
S180T ProSeries 18" Filter with VariFlo Control Valve

ProSeries Filter Buying Guide

Model Number	Filter Control Valve	Filter Base	Sand Capacity	Dimensions		Ctn. Qty.	Ctn. Weight
				Width	Height		
S144T	SP0714T	•	50 lbs.	14 ½"	32"	1	23 lbs.
S166T	SP0714T	•	100 lbs.	16 ½"	33"	1	25 lbs.
S180T	SP0714T	•	150 lbs.	18 ½"	35"	1	32 lbs.
S210T	SP0714T	•	200 lbs.	20 ½"	38"	1	37 lbs.

NOTE: All above filters except S180T and S210T include snap-on molded pump base.

✂ Clip Art



S166T



S180T

ProSeries™

TOP-MOUNT SAND FILTERS SYSTEMS

Filters



S210T93S ProSeries System



S180T1580S ProSeries System

ProSeries sand systems are designed and equipped to offer the ideal combination of energy efficiency and outstanding water clarity. A broad selection of filter sizes, pumps, and accessories allows you to choose and merchandise the system(s) that best suit your above-ground pool program.


System Features

- Systems are designed for quick assembly and precise alignment of components
- Pumps and filters are performance-matched to provide maximum flow and energy efficiency
- 7-position VariFlo™ valve provides maximum flow at low pressure drop
- Durable filter bases for long-lasting, all-weather performance

ProSeries Filter System Buying Guide

Model Number	Filter Control Valve	Pump	H.P.	System Components	Ctn. Qty.	Ctn. Weight
S144T1540S	SP0714T	PowerFlo	40 GPM	3	1	44 lbs.
S166T1580S	SP0714T	PowerFlo LX™	1	3,4	1	52 lbs.
S166T92S	SP0714T	PowerFlo Matrix®	1	2,3,4	1	52 lbs.
S166T92STL	SP0714T	PowerFlo Matrix	1	1,2,3,4	1	52 lbs.
S180T1580S	SP0714T	PowerFlo LX	1	3,4	1	62 lbs.
S180T1580X15S	SP0714T	PowerFlo LX	1 ½	3,4	1	66 lbs.
S180T92S	SP0714T	PowerFlo Matrix	1	2,3,4	1	65 lbs.
S180T92STL	SP0714T	PowerFlo Matrix	1	1,2,3,4	1	65 lbs.
S180T93S	SP0714T	PowerFlo Matrix	1 ½	2,3,4	1	66 lbs.
S180T93STL	SP0714T	PowerFlo Matrix	1 ½	1,2,3,4	1	66 lbs.
S180T932S	SP0714T	PowerFlo Matrix	1 ½/2 SPD	2,3,4	1	66 lbs.
S210T1580X15S	SP0714T	PowerFlo LX	1 ½	2,3,4	1	66 lbs.
S210T93S	SP0714T	PowerFlo Matrix	1 ½	2,3,4	1	67 lbs.
S210T932S	SP0714T	PowerFlo Matrix	1 ½/2 SPD	2,3,4	1	67 lbs.
S210T93STL	SP0714T	PowerFlo Matrix	1 ½	1,2,3,4	1	67 lbs.
S230T1580X15S	SP0714T	PowerFlo LX	1 ½	2,3,4	1	67 lbs.
S230T93S	SP0714T	PowerFlo Matrix	1 ½	2,3,4	1	67 lbs.
S230T932S	SP0714T	PowerFlo Matrix	1 ½/2 SPD	2,3,4	1	80 lbs.

System Components

1. 3' twist lock cord 
2. PowerFlo Matrix pump
3. 1 ½" hose packages include: two (2) 1 ½" x 6' lengths of hose, hose adapters and hose clamps
4. Deluxe one piece base accepts automatic chlorine feeders (CL110ABG/CL220ABG)
5. Includes hose adapters

Optional Accessories

Model Number	Description	Ctn. Qty.	Ctn. Weight
SP1500UNPAK2	Set of two (2) quick connect unions	50	32 lbs.
EC1155	1 ½" Hose Kit With Adapters and Clamps	1	3.5 lbs.
EC1079SPK24	24-piece 1 ½" x 6' Spiral Hose Pack	1	25 lbs.

S180T92S includes:

- 18" Polymeric Tank
- 7-Position Filter Control Valve
- SP1592, 1 H.P. PowerFlo Matrix Pump
- One Piece Deluxe Base
- 1 ½" Hose Package

S210T93S includes:

- 20" Polymeric Tank
- 7-Position Filter Control Valve
- SP1593, 1 1/2 H.P. PowerFlo Matrix Pump
- One Piece Deluxe Base
- 1 ½" Hose Package

S230T93S includes:

- 23" Polymeric Tank
- Same as S210T93S (see above)

 Clip Art



VL Series above-ground systems offer the performance and reliability expected from the world's leading provider of above ground equipment.

The large VL 210 series system features a 1.5 HP pump that is performance matched to the 21" filter for minimal energy consumption. The seven-position VariFlo™ control valve makes changing filter functions simple.

The VL 40 series system is easy to assemble with an integrated pump base, an incredibly quiet pump and proven sand filter technology for trouble-free operation.

System Features

- Systems are designed for quick assembly and precise alignment of components
- Pumps and filters are performance-matched to provide maximum flow and energy efficiency
- Multi-position valve provides maximum flow at low pressure drop
- Durable filter bases for long-lasting, all-weather performance

VL210T1285S includes:

- 21" Polymeric Tank
- 7-Position Filter Control Valve
- 1 ½" HP VL Series Pump
- 1 Piece Deluxe Base
- 1 ½" Hose Package

VL40T32 includes:

- 13" Polymeric Tank
- 4-Position Filter Control Valve
- 30 GPM Pump
- Integrated Pump Base
- 1 ¼" and 1 ½" Hose Adapters



VL 210 Series System




VL 40 Series System

VL Series Filter System Buying Guide

Model Number	Filter Control Valve	Pump	H.P.	System Components	Ctn. Qty.	Ctn. Weight
VL40T32	4 Position	VL 40 Series	30 GPM	4	1	29 lbs.
VL210T1285S	SP0714T	VL 210 Series	1.5	2,3	1	64 lbs.
VL210T1285STL	SP0714T	VL 210 Series	1.5	1,2,3	1	64 lbs.

System Components

1. 3' twist lock cord 
2. 1 ½" hose packages include: two (2) 1 ½" x 6' lengths of hose, hose adapters and hose clamps
3. Deluxe one piece base accepts automatic chlorine feeders (CL110ABG/CL220ABG)
4. Includes hose adapters

Filtration

THREE METHODS OF FILTRATION

The importance of proper swimming pool or spa filtration can not be overstated. The reasons for filtration are obvious — clear water not only looks beautiful, but it is also necessary for health and safety reasons. Much of the material suspended in the water, derived from plant and animal sources, provides food for bacteria and algae. It is these materials that must be removed if a pool or spa is to be maintained in a safe and sanitary condition.

The three most popular types of filtration currently in use in residential pools and spas are high-rate sand, cartridge and diatomaceous earth (D.E.). Each method of filtration is explained below.

High-Rate Sand

The oldest and most popular method of filtration is sand. Sand filters share two things in common: 1) When in the filtration mode, water always flows from top to bottom; 2) They all have some sort of lateral or underdrain with slots to hold back sand while allowing clean, filtered water to pass through.

High-rate sand filters use a special filter sand, normally .45 to .55 mm (also known as pool-grade #20 silica sand), because it has sharp edges that serve to separate particles, allowing filtration to take place. They operate on the basis of “depth” filtration; dirt is driven through the sand bed and trapped in the minute spaces between the particles of sand. Initially, a clean sand bed will remove larger particles, and then, as the bed starts to load up, it will remove finer particles.

Cleaning of the media, or sand bed, is accomplished through reversing the flow through the filter, to the “waste” line. This is known as backwashing.

Cartridge

Cartridge filtration has been available for a relatively long time, but only recently has it begun to enjoy rapid growth and acceptance.

When water passes through a cartridge filter, dirt is screened out at the surface of the cartridge element. When clean, the element will trap larger particles, with finer particles being filtered out as the pores of the element become clogged by the larger debris.

The cartridge element can be removed and cleaned by pressure washing inside and out with a garden hose.

A key benefit of cartridge filtration is that it does not require a backwash valve. This reduces head loss which, in turn, improves the efficiency of the overall system.

Diatomaceous Earth (D.E.)

Many pool professionals consider D.E. filtration to be the finest, because it is capable of removing smaller particles than either sand or cartridge.

Diatomaceous earth is a porous powder with microscopic openings, that, when magnified, look like tiny sponges. Clear water can pass through these openings, but particles, as small as five microns, are trapped the first pass through the media.

All D.E. filters have internal elements that become coated with D.E. It is this “filter cake” that strains dirt, dust, algae and some forms of bacteria from the water.

Similar to sand filters, when a D.E. filter becomes dirty, it is cleaned either by backwashing the clogged D.E. to the “waste” line or regenerating and draining. To restore filtration, a fresh “charge” of D.E. is added to the filter.

Water Chemistry

Whatever method of filtration is selected, it is important to remember that filtration alone does not keep water looking its best. Proper water chemistry must also be maintained for safe, clean water. Most pool owner complaints are directly related to water chemistry or improper sizing of filters and pumps rather than equipment failures.

Technical Data – Filtration

Filtration Method	Suggested Filtration Rate		Approximate Filtration Range (Microns)
	Residential (GPM/ft. ²)	Commercial (GPM/ft. ²)	
High-Rate Sand	20	20	20 to 40
Cartridge	1*	.375	10 to 20
Diatomaceous Earth	2.5	2	5

NOTE: *Use Commercial Filtration Rate (.375 GPM/ft²) to meet APSP-15

Sources: (1) NSPI. Basic Pool & Spa Technology (2/88 Edition; Section 1.4: Filters)
(2) Hayward Pool Products Technical Bulletin TMF-12.

For proper filter sizing techniques, please see “Filter Sizing” section 4B on page 24.



High-Rate Sand Filter



Cartridge Filter



Vertical Grid Diatomaceous Earth (D.E.) Filter



HeatPro® Heat Pumps

FOR IN-GROUND AND ABOVE-GROUND POOLS AND SPAS

The Hayward Titanium HeatPro heat pump provides an energy efficient solution to your pool heating options. With its Titanium Heat Exchanger and Hayward Quiet Technology, HeatPro heat pumps heat pool water more efficiently for a fraction of the cost of gas while maintaining a quiet relaxed backyard environment. Depending on individual use and application of your pool, a heat pump may be right for you.

Titanium Heat Exchanger



Titanium counter-flow heat exchanger for unrivaled, uncompromising and trouble-free performance — even under the harshest conditions.

Quiet Technology



Profiled fan blade design provides improved airflow and quiet operation.



Acoustic compressor cover further reduces compressor sound levels.

High Performance Evaporator Coil and Union Connections



Ultra Gold corrosion resistant evaporator coil fin provides excellent durability near coastal and other corrosive environments.

Digital L.E.D. Control Panel



Easy to read digital temperature display with electronic frost control and temperature lock-out capability.

Footprint



2" x 2 1/2" Union Connections for high efficiency plumbing and easy installation and maintenance.

Compact footprint allows for easy installations, is ideal for retrofit replacements, and has integrated hurricane tie-downs to meet local codes without the need for accessory kits.



HP21104T HeatPro



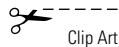
HP21404T HeatPro



Specifications & Dimensions

Model Number	BTU	C.O.P.	Platform	Voltage Hertz/Phase	MIN Circuit Protection	Diameter Width x Depth	Ship Wt. (lbs.)	Unit Wt. (lbs.)
95,000 to 140,000 BTU HEAT								
HP21004T	95,000	5.7	Square	240/60/1	40A	30 1/4" x 34"	37"	270
HP21124T	110,000	5.7	Square	240/60/1	50A	30 1/4" x 34"	37"	285
HP21104T	110,000	5.7	Round	240/60/1	50A	31 1/4"	40"	285
HP21104TC*	110,000	5.7	Round	240/60/1	50A	31 1/4"	40"	285
HP21254T	125,000	5.7	Square	240/60/1	50A	30 1/4" x 34"	37"	285
HP21404T	140,000	5.7	Square	240/60/1	50A	30 1/4" x 34"	44"	320
120,000 BTU HEAT / COOL								
HP31204T	120,000	5.7	Square	240/60/1	50A	30 1/4" x 34"	37"	290
45,000 to 50,000 BTU HEAT								
HP50HA	45,000	5.4	Horizontal Fan	208-230/60/1	20A	41 1/2" x 17 1/4" x 25 1/2"	160	120
HP50TA	50,000	5.4	Square	240/60/1	20A	30 1/4" x 34"	29"	160

NOTE: *Low Ambient Operation



Clip Art



HP21104T HeatPro



HP21404T HeatPro

For replacement parts see pages 226–233.

Summit XL Heat Pumps

FOR IN-GROUND POOLS AND SPAS

EXPERT LINE



Heating



Summit XL Heat Pump

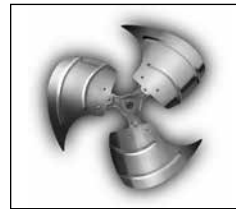
Designed exclusively for the trade, Summit XL heat pumps are the latest addition to the Hayward Expert Line of product. Created to reliably provide an efficient, comfortable and relaxing pool environment, Summit XL heat pumps deliver the ultimate in quiet backyard performance. With the most durable heat exchanger combination of a titanium condenser and corrosion resistant evaporator, Summit XL heat pumps ensure value, reliability and durability. AHRI Certified and Independent lab tested, Summit XL heat pumps have a standard five year part and two year labor warranty.

Specifications & Dimensions

Model Number	BTU	C.O.P.	Platform	Voltage Hertz/Phase	MIN Circuit Protection	Diameter Width x Depth	Ship Wt. (lbs.)	Unit Wt. (lbs.)
SUMXL112*	112,000	5.7	Square	240/60/1	50	30 1/4" x 34"	37"	285
SUMXL140*	140,000	5.7	Square	240/60/1	50	30 1/4" x 34"	44"	320

*EXPERT LINE products are not available for online resale.

Quiet Technology

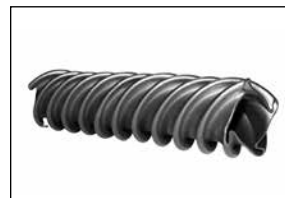


Profiled fan blade design provides improved airflow and quiet operation.



Acoustic compressor cover further reduces compressor sound levels.

Titanium Heat Exchanger



Titanium counter-flow heat exchanger for unrivaled, uncompromising and trouble-free performance — even under the harshest conditions.

Corrosion Resistant Evaporator



Ultra Gold corrosion resistant evaporator coil fin provides excellent durability near coastal and other corrosive environments.

Digital L.E.D. Control Panel



Easy to read digital temperature display with electronic frost control and temperature lock-out capability.

✂ Clip Art



SUMXL112



**All models feature
Cupro Nickel Long Life
Heat Exchanger!**

Universal H-Series Low NOx

FOR IN-GROUND POOLS AND SPAS

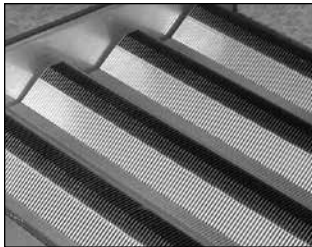
The Hayward Universal H-Series gas heater is the “universal” energy efficient remedy for any new or existing pool or spa. An industry leading hydraulic design reduces circulation pump run time to provide energy savings of up to 18% when compared to less efficient competitors. The energy efficiency of the Universal H-Series gas heater combines with environmentally friendly low NOx emissions, a standard cupro nickel heat exchanger and ultimate installation flexibility on new or existing equipment pads to responsibly heat a pool or spa today and for years to come.

The forced draft system in the Universal H-Series constantly moves air through the combustion chamber at a precise flow rate eliminating outside weather variables that can affect heating performance. Wind conditions are eliminated and there is no need to install a high-wind stack.

Note: Hayward Universal H-Series heaters meet or exceed the South Coast Air Quality Management District (SCAQMD Rule 1146.2) and the San Joaquin Valley (SJAPCD Rule 4308) Low NOx emissions standards in all Low NOx areas that apply the SCAQMD standard.

FOR INDOOR/OUTDOOR USE

State-of-the-Art Finn Plate Heat Exchanger with Cupro Nickel



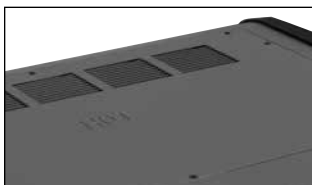
All Hayward heat exchangers are constructed of highly resilient Cupro Nickel for greater durability and longevity even in salt-based, high flow or aggressive water chemistry conditions. Our patented single header “V” baffle design heat exchangers provide for long life and fast heating.

Patented Bypass Design for Superior Hydraulic Performance



Patented polymer header design provides superior hydraulic performance to save energy and protect against the damaging effects of erosion from high flow conditions for greater reliability. 2" x 2 1/2" CPVC unions are perfect for today's larger diameter hydraulically efficient plumbing systems.

Forced Draft System



Forced draft system constantly moves air through the combustion chamber at a precise flow rate, eliminating all outside weather variables that can effect the heating performance, such as high wind conditions — without a high wind stack.

L.E.D. Control Panel



Easy-to-read L.E.D. Control Panel provides digital temperature readout, diagnostics and electronic “lock-out” of temperature set-point.

For replacement parts see pages 236–237.



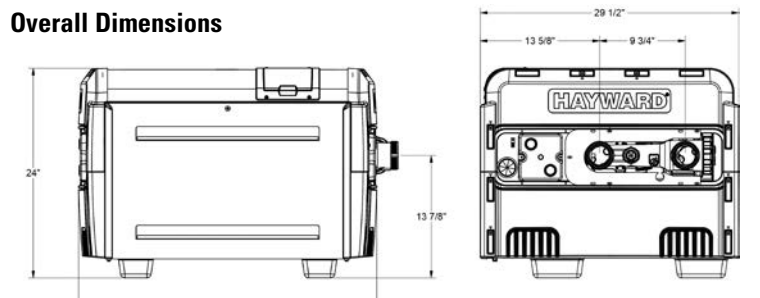
H400FDN Universal H-Series Low NOx Heater

Specifications & Dimensions

115V / 230V 60 Hz with Silicon Nitride Hot Surface Ignition

Model Number	Gas Type	BTU Input	Thermal Efficiency	Heater Width	Ctn. Qty.	Ctn. Weight
H150FDN	Natural	150,000	82.7%	21 1/2"	1	135 lbs.
H150FDP	Propane					
H200FDN	Natural	199,900	83.0%	24 3/4"	1	140 lbs.
H200FDP	Propane					
H250FDN	Natural	250,000	83.0%	28"	1	165 lbs.
H250FDP	Propane					
H300FDN	Natural	300,000	82.7%	30"	1	175 lbs.
H300FDP	Propane					
H350FDN	Natural	350,000	83.0%	33 1/4"	1	195 lbs.
H350FDP	Propane					
H400FDN	Natural	399,900	83.0%	36 1/2"	1	195 lbs.
H400FDP	Propane					
H500FDN	Natural	500,000	83.0%	41"	1	245 lbs.
H500FDP	Propane					

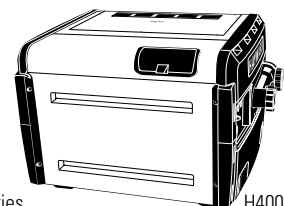
Overall Dimensions



Clip Art



H400FDN Series



H400FDN Series

Universal H-Series Indoor Vent Kit Matrix

INDOOR VENT ADAPTER KITS

Indoor Vent Adapter Kits HORIZONTAL Venting - POSITIVE Pressure

This Kit enables indoor installation where the exhaust vent pipe termination is horizontal with stainless steel vent pipe and vent terminals available from Hayward or special ordered from M&G DuraVent Inc., or from Heatfab Division of Selkirk Corporation. This Kit **DOES NOT** allow the use of galvanized, non-sealed pipe.

Universal H-Series Model No.	Kit Part Number: HORIZONTAL Venting Applications (POSITIVE Pressure)	Vent Pipe Diameter	Vent Termination Requirement	Vent Pipe Material	Vent Pipe Limitations	Description
H150FD	UHXPOSHZ11501	6 inch (Natural / LP)	HORIZONTAL or VERTICAL Termination Immediately Outside Wall of House / Building	Single or Double Wall STAINLESS STEEL SEALED Vent Pipe	(50) Foot MAXIMUM with (1) ELBOW	Indoor Vent Adapter Kit POSITIVE Pressure, HORIZONTAL or VERTICAL Venting Applications
H200FD	UHXPOSHZ12001					
H250FD	UHXPOSHZ12501	6 inch (LP)				
	UHXPOSHZ12502	4 inch (Natural)				
H300FD	UHXPOSHZ13001	8 inch (Natural / LP)				
H350FD	UHXPOSHZ13501					
H400FD	UHXPOSHZ14001	8 inch (LP)				
	UHXPOSHZ14002	6 inch (Natural)				
H500FD	UHXPOSHZ15002	6 inch (Natural / LP)				

Indoor Vent Adapter Kits VERTICAL Venting - NEGATIVE Pressure

This Kit enables indoor installation where the exhaust vent pipe termination is required to be vertically terminated a minimum of 3 feet above the roof and a minimum of 2 feet above any portion of a building within 10 feet horizontally. This Kit **DOES NOT** allow horizontal vent termination.

Universal H-Series Model No.	Kit Part Number: VERTICAL Venting Applications (NEGATIVE Pressure)	Vent Pipe Diameter	Vent Termination Requirement	Vent Pipe Material	Vent Pipe Limitations	Description
H150FD	UHXNEGVT11501	6 inch (Natural / LP)	VERTICAL ONLY: Termination Above Roof of House / Building	Single or Double Wall Galvanized Steel Non-Sealed Vent Pipe	(50) Foot MAXIMUM VERTICAL Height	Indoor Vent Adapter Kit NEGATIVE Pressure, VERTICAL Venting Applications
H200FD	UHXNEGVT12001					
H250FD	UHXNEGVT12501					
H300FD	UHXNEGVT13001	8 inch (Natural / LP)				
H350FD	UHXNEGVT13501					
H400FD	UHXNEGVT14001					
H500FD	UHXNEGVT15001	6 inch (Natural / LP)				

Universal H-Series Indoor Vent Kit Matrix

INDOOR VENT ADAPTER KITS

Vent Pipe and Terminal Specifications for Positive-Pressure Indoor Vent Kits

Heater Model	Hayward Kit Part Number	Maximum Installation Altitude	Nominal Vent Pipe Diameter	Appliance Adapter	Gas	Vent Type	Vent Pipe	Horizontal Vent Terminal	Vertical Vent Terminal
H150FD H200FD	UHXPOSHZ11501 UHXPOSHZ12001	10,100 ft	6 inch	Included in UHX Kit	NAT & LP	Single-Wall	Heatfab Saf-T Vent EZ Seal P/N 960x*	Heatfab P/N 9614TERM	Heatfab P/N 5600CI
						Double-Wall	Heatfab Saf-T Vent CI Plus P/N CCA06Lx**	Heatfab P/N 9614TERM	Heatfab P/N CCA06RC
H250FD	UHXPOSHZ12501	10,100 ft	6 inch	Included in UHX Kit	NAT & LP	Single-Wall	Heatfab Saf-T Vent EZ Seal P/N 960x*	Heatfab P/N 5690CI‡	Heatfab P/N 5600CI
						Double-Wall	Heatfab Saf-T Vent CI Plus P/N CCA06Lx**	Heatfab P/N CCE06WP‡	Heatfab P/N CCA06RC
H250FDN	UHXPOSHZ12502	2,000 ft	4 inch	DuraVent P/N 810009453 (Included in UHX Kit) or Heatfab P/N 1501329001	NAT ONLY	Single-Wall	DuraVent FasNSeal P/N FSVLx04† or Heatfab Saf-T Vent EZ Seal P/N 940x*	DuraVent P/N FSTT4 or Heatfab P/N 9414TERM	DuraVent P/N FSRC4 or Heatfab P/N5400CI
						Double-Wall	DuraVent FasNSeal W2 P/N W2-x04† or Heatfab Saf-T Vent CI Plus P/N CCA04Lx**	DuraVent P/N FSTT4 or Heatfab P/N 9414TERM	DuraVent P/N W2-RC4 or Heatfab P/N CCA04RC
H300FD H350FD H400FD	UHXPOSHZ13001 UHXPOSHZ13501 UHXPOSHZ14001	10,100 ft	8 inch	Included in UHX Kit	NAT & LP	Single-Wall	Heatfab Saf-T Vent EZ Seal P/N 980x*	Heatfab P/N 5890CI‡	Heatfab P/N 5800CI
						Double-Wall	Heatfab Saf-T Vent CI Plus P/N CCA08Lx**	Heatfab P/N CCE08WP‡	Heatfab P/N CCA08RC
H400FD	UHXPOSHZ14002	2,000 ft	6 inch	DuraVent P/N 810009454 (Included in UHX Kit) or Heatfab P/N 1501646501	NAT & LP	Single-Wall	DuraVent FasNSeal P/N FSVLx06† or Heatfab Saf-T Vent EZ Seal P/N 960x*	DuraVent P/N FSTT6 or Heatfab P/N 9614TERM	DuraVent P/N FSRC6 or Heatfab P/N 5600CI
						Double-Wall	DuraVent FasNSeal W2 P/N W2-x06† or Heatfab Saf-T Vent CI Plus P/N CCA06Lx**	DuraVent P/N FSTT6 or Heatfab P/N 9614TERM	DuraVent P/N W2-RC6 or Heatfab P/N CCA06RC
H500FD	UHXPOSHZ15002	10,100 ft	6 inch	DuraVent P/N 810009454 or Heatfab P/N 1501646501	NAT & LP	Single-Wall	DuraVent FasNSeal P/N FSVLx06† or Heatfab Saf-T Vent EZ Seal P/N 960x*	DuraVent P/N FSTT6 or Heatfab P/N 9614TERM	DuraVent P/N FSRC6 or Heatfab P/N 5600CI
						Double-Wall	DuraVent FasNSeal W2 P/N W2-x06† or Heatfab Saf-T Vent CI Plus P/N CCA06Lx**	DuraVent P/N FSTT6 or Heatfab P/N 9614TERM	DuraVent P/N W2-RC6 or Heatfab P/N CCA06RC

NOTES: †For DuraVent vent pipe section length, "x" should be: 6, 12, 18, 24, or 36, indicating the length of the vent pipe section in inches.

*For Heatfab single-wall vent pipe section length, "x" should be: 1, 2, 4, 5, or 7, where 1=6 inches, 2=12 inches, 4=18 inches, 5=24 inches, and 7=36 inches.

**For Heatfab double-wall vent pipe section length, "x" should be: 06, 09, 12, 18, 24, or 36, indicating the length of the vent pipe section in inches.

‡For these horizontal terminals, the wall penetration is included from the vent manufacturer. On all others, it must be ordered separately.

Vent Pipe Diameters for Negative-Pressure Indoor Vent Kits

Heater Model	Indoor Vent Kit Part Number	Maximum Installation Altitude	Vent Pipe Diameter
H150FD H200FD H250FD	UHXNEGVT11501 UHXNEGVT12001 UHXNEGVT12501	10,100 ft	6 inch
H300FD H350FD H400FD	UHXNEGVT13001 UHXNEGVT13501 UHXNEGVT14001		8 inch
H500FD	UHXNEGVT15001	10,100 ft	6 inch

H-Series

INDUCED DRAFT HEATER FOR ABOVE-GROUND POOLS AND SPAS

Induced Draft

Heating



H100ID1 H-Series Induced Draft Heater

Hayward's induced draft heater for above-ground pools and spas combines leading technology with ease of operation and superior performance.

Featuring an electronic, direct spark ignition system and an energy-efficient FireTile® lined combustion chamber, the Hayward heater provides 100,000 BTU input for quick heating.

An integral induced draft system makes this heater completely impervious to any high wind situations. A one-piece copper header/heat exchanger provides for leak-free performance. And a simple plug-in 120 volt electric cord is provided for simple installation.

Applications – Outdoor Use Only

- Above-ground pools
- Spas (above 70 G.P.M. an external bypass is recommended)

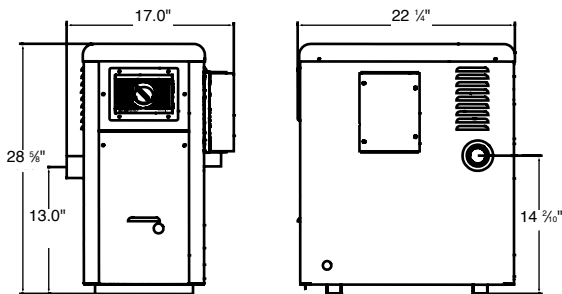
Features

- 100,000 BTU input for above-ground pools and spas of all types and sizes
- Electronic, direct-spark ignition for total control and automatic operation
- Convenient On/Off switch to maintain consistent temperature set point
- Revolutionary induced draft technology ensures optimum heating and all-weather performance, even in high wind situations
- Reduced emissions design provides environment-friendly heating
- FireTile combustion chamber ensures quick heating
- Jet-ported stainless steel burners provide long life and easy maintenance
- One-piece copper header/heat exchanger for leak-free performance
- Cool-to-the-touch cabinet surface temperature ensures worry-free use
- Plug-in 120 volt electric cord for easy installation

H-Series Induced Draft Heater Buying Guide

Model Number	BTU Input	Gas Type	Ctn. Qty.	Ctn. Weight
H100ID1	100,000	Natural	1	75 lbs.
H100IDP1	100,000	Propane	1	75 lbs.

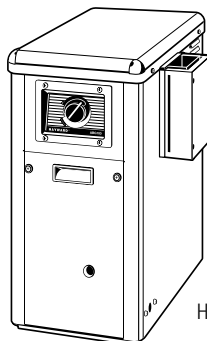
Overall Dimensions



Clip Art



H100ID1 Series



H100ID1 Series

Hayward electric spa heaters contain all of the sophisticated features and capabilities of heaters twice their size. The electric heaters fit into compact spaces — even under spa skirts or steps. Like all Hayward heaters, they are easy to install and service.

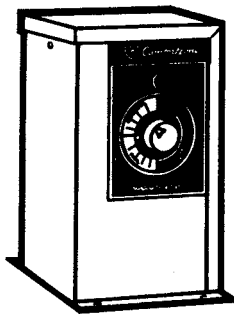
Applications

- Hot Tubs
- Spas (above 70 G.P.M. an external by pass is recommended)

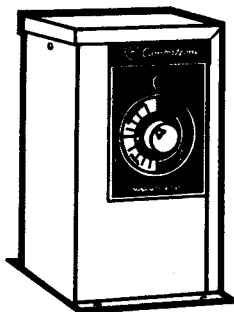
Features

- 304 stainless steel tank
- 304 stainless steel threaded head, safety sensor electric heating element
- Service-ease design gives simple access to internal controls
- Heater on indicator light
- UPS Shippable

Clip Art



CSPAXI11



CSPAXI11



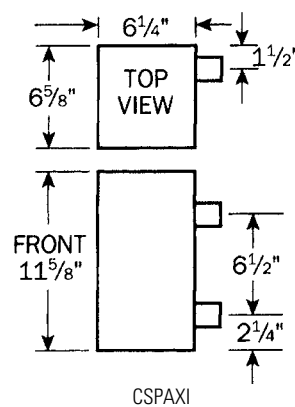
CSPAXI Series Heater

Spa Heater Buying Guide

CSPAXI Electric Spa Heaters

Model Number	KW	Voltage	Pipe Size	Ctn. Qty.	Ctn. Weight
CSPAXI55	5.5	240	1 1/2"	1	14 lbs.
CSPAXI11	11	240	1 1/2"	1	14 lbs.

Overall Dimensions

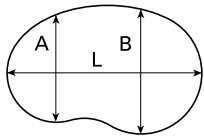


Heater Selection Guide

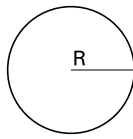
SELECTING THE CORRECT SIZE HEATER FOR POOLS & SPAS

Pool Sizing

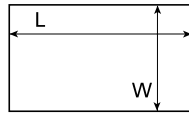
Determine your pool's surface area in square feet:



$$\text{Area} = (A+B) \times L \times .45$$



$$\text{Area} = R \times R \times 3.14$$



$$\text{Area} = L \times W$$

Locate in the desired table below, the surface area equal to or just greater than the pool's surface area, read to the left and select the appropriate heater.

For indoor pool installations divide the pool's surface area by 3.

Tables are based on a 30°F temperature rise, 3 1/2 MPH average wind velocity and elevation of up to 2,000 feet above sea level.

Recommended Universal H-Series for Swimming Pools

Model	Surface Area
H500	1500
H400	1200
H350	1050
H300	900
H250	750
H200	600
H150	450

Example:

Rectangular pool: 20 feet x 30 feet:

$$20 \times 30 = 600 \text{ ft.}^2 \text{ Surface Area}$$

Recommended Universal H-Series Model Heater – H200

Saving Money by Saving Energy



Selecting a high efficiency heater for your new installation, or replacing an older inefficient model can have a significant impact on your fuel bill. Here are some additional energy saving tips.

- Check your pool chemistry regularly to maintain top operating condition.
- Set your pool water's temperature between 78° to 82° for most applications
- Use a pool cover or thermal blanket on your pool when it's not in use. Evaporation accounts for 70% of heat loss from your pool.
- Add wind breaks to your pool. A 7-mph wind at the surface of a pool can increase energy consumption 300%!

Recommended H100 Induced Draft Model for Above Ground Pools

H100 Induced Draft Heater will raise temperature of Above Ground Pool in 8 Hour period as follows:

Temperature Rise in 8 Hours		
Pool Size	Gallons	Avg. Temp Rise (f)
15' Round	5,300	15.2°
18' Round	7,600	10.4°
12' x 24' Rectangle	8,600	9.6°
21' Round	10,000	8.0°
24' Round	13,500	5.6°
27' Round	17,000	4.8°

We highly recommend that your Hayward Above Ground Pool heater be used in conjunction with a solar blanket to maximize your heating efficiency.

Spa Sizing

Determine your spa capacity in gallons (Surface area x average depth x 7 1/2).

The reference tables list the time required in minutes to raise the temperature of the spa/hot tub by 30°F. Locate in the desired table below the spa/hot tub size in gallons equal to or just greater than the spa/hot tub size in gallons.

Select the desired time to raise the spa/hot tub temperature 30°F, read to the left and select the appropriate heater.

This guide can be adjusted for other temperature rises. For example, if you desire a 15°F increase in temperature, simply divide the time for 30°F rise by the ratio of 30/15 = 2.

Note: Heat losses and/or heat absorbed by spa walls or other objects will add to heat-up time.

Spa sizing is based on an insulated and covered spa. Always cover your spa or hot tub when not in use to minimize heat loss and evaporation.

Recommended Universal H-Series for Spas/Hot Tubs

Model	Spa/Tub Size in Gallons								
	200	300	400	500	600	700	800	900	1000
	Time in minutes to Raise Spa/Tub Temperature 30°F								
H500	7	11	14	18	22	25	29	32	35
H400	9	14	18	23	27	32	36	41	45
H350	10	16	21	26	31	36	41	46	52
H300	12	18	24	30	36	42	48	54	60
H250	15	22	29	36	43	51	58	65	72
H200	18	27	36	45	54	63	72	81	90
H150	24	36	48	60	72	84	96	108	120

Recommended H100 Induced Draft Model for Spas

Model	Spa/Tub Size in Gallons								
	200	300	400	500	600	700	800	900	1000
	Time in minutes to Raise Spa/Tub Temperature 30°F								
H100	38	56	74	94	112	132	150	168	188

Recommended CSPaXI Models

Model	Spa/Tub Size in Gallons								
	200	300	400	500	600	700	800	900	1000
	Time in minutes to Raise Spa/Tub Temperature 30°F								
CSPAXI55	160	240	320	400	480	560	640	720	800
CSPAXI11	80	120	160	200	240	280	320	360	400

Example:

Want a 300 gallon spa to go from 70°F to 100°F in 120 minutes.

$$\begin{array}{r} 100^\circ\text{F} \\ \text{subtract} \rightarrow \quad 70^\circ\text{F} \\ \hline 30^\circ\text{F Requested Temperature Rise} \end{array}$$

Recommended CSPa Model Heater – CPAXI11

Heater Technical Information

GAS PIPE SIZING

Hayward heaters use a full gas fire design. To ensure adequate gas firing and proper performance, the following guidelines should be used to size gas piping.

1. Make sure the 1st and 2nd stage regulators are large enough to handle the BTU listed for each model.
2. Reduction of the gas supply pipe or tubing to the inlet of the valve must be made at the valve only – Natural or Propane.
3. Do not use flexible connectors on any gas connections.
4. If more than one appliance is installed on the gas line, contact your local gas company or Hayward for proper pipe size.
5. If you have any question concerning the installation of the proper gas line size, call Hayward before you install the line.

Low Pressure Natural Gas Pipe Sizing: (Based upon an inlet gas pressure of 0.5 psig or less at a pressure drop of 0.5 in-wc)

Distance from gas meter to heater gas valve inlet	Model	H150	H200	H250	H300	H350	H400	H500
	BTU/hr input	150,000	200,000	250,000	300,000	350,000	400,000	500,000
	Line Material	Iron or Plastic Pipe	Iron or Plastic Pipe	Iron or Plastic Pipe	Iron or Plastic Pipe	Iron or Plastic Pipe	Iron or Plastic Pipe	Iron or Plastic Pipe
0 to 50 feet		3/4"	1"	1"	1 1/4"	1 1/4"	1 1/4"	1 1/4"
50 to 100 feet		1"	1"	1 1/4"	1 1/4"	1 1/4"	1 1/4"	1 1/2"
100 to 200 feet		1 1/4"	1 1/4"	1 1/4"	1 1/2"	1 1/2"	1 1/2"	2"
200 to 300 feet		1 1/4"	1 1/4"	1 1/2"	2"	2"	2"	2"

Low Pressure Propane Gas Pipe Sizing: (Based upon an inlet gas pressure of 11 in-wc at a pressure drop of 0.5 inch w.c.)

Distance from tank regulator outlet to heater gas valve inlet	Model	H150		H200		H250		H300		H350		H400		H500	
	BTU/hr input	150,000		200,000		250,000		300,000		350,000		400,000		500,000	
	Line Material	Iron Pipe	Tubing	Iron Pipe	Tubing	Iron Pipe	Tubing	Iron Pipe	Tubing	Iron Pipe	Tubing	Iron Pipe	Tubing	Iron Pipe	Tubing
0 to 50 feet		3/4"	7/8"	3/4"	7/8"	1"	1 1/8"	1"	1 1/8"	1"	1 1/8"	1"	—	1"	—
50 to 100 feet		3/4"	1 1/8"	1"	1 1/8"	1"	1 1/8"	1"	—	1 1/4"	—	1 1/4"	—	1 1/4"	—
100 to 200 feet		1"	1 1/8"	1"	—	1 1/4"	—	1 1/4"	—	1 1/4"	—	1 1/4"	—	1 1/4"	—
200 to 300 feet		1"	—	1 1/4"	—	1 1/4"	—	1 1/4"	—	1 1/4"	—	1 1/2"	—	1 1/2"	—

High Pressure "2-Stage" Systems

High Pressure Natural Gas Pipe Sizing "First Stage": (Based upon an inlet gas pressure of 2 psig at a pressure drop of 1 psi)

Distance from outlet of 1st stage regulator to inlet of 2nd stage regulator	Model	H150	H200	H250	H300	H350	H400	H500
	BTU/hr input	150,000	200,000	250,000	300,000	350,000	400,000	500,000
	Line Material	Iron or Plastic Pipe	Iron or Plastic Pipe	Iron or Plastic Pipe	Iron or Plastic Pipe	Iron or Plastic Pipe	Iron or Plastic Pipe	Iron or Plastic Pipe
0 to 50 feet		1/2"	1/2"	1/2"	1/2"	1/2"	1/2"	1/2"
50 to 100 feet		1/2"	1/2"	1/2"	1/2"	3/4"	3/4"	3/4"
100 to 150 feet		1/2"	1/2"	1/2"	3/4"	3/4"	3/4"	3/4"

Low Pressure Natural Gas Pipe Sizing "Second Stage": (Based upon an inlet gas pressure of 10 in-wc at a pressure drop of 0.5 in-wc)

Distance from outlet of 2nd stage regulator to heater gas valve inlet	Model	H150	H200	H250	H300	H350	H400	H500
	BTU/hr input	150,000	200,000	250,000	300,000	350,000	400,000	500,000
	Line Material	Iron or Plastic Pipe	Iron or Plastic Pipe	Iron or Plastic Pipe	Iron or Plastic Pipe	Iron or Plastic Pipe	Iron or Plastic Pipe	Iron or Plastic Pipe
0 to 10 feet		3/4"	3/4"	3/4"	3/4"	3/4"	3/4"	1"

It is **VERY IMPORTANT** when installing a propane heater on a 2-stage regulation system to follow the gas line sizing chart below without exception.

High Pressure Propane Gas Pipe "First Stage": (Based upon an inlet gas pressure of 10 psig at a pressure drop of 1 psi)

Distance from tank regulator outlet to heater gas valve inlet	Model	H150		H200		H250		H300		H350		H400		H500	
	BTU/hr input	150,000		200,000		250,000		300,000		350,000		400,000		500,000	
	Line Material	Iron Pipe	Tubing	Iron Pipe	Tubing	Iron Pipe	Tubing	Iron Pipe	Tubing	Iron Pipe	Tubing	Iron Pipe	Tubing	Iron Pipe	Tubing
0 to 50 feet		1/2"	1/2"	1/2"	1/2"	1/2"	1/2"	1/2"	1/2"	1/2"	1/2"	1/2"	1/2"	1/2"	1/2"
50 to 100 feet		1/2"	1/2"	1/2"	1/2"	1/2"	1/2"	1/2"	1/2"	1/2"	5/8"	1/2"	5/8"	1/2"	5/8"
100 to 150 feet		1/2"	1/2"	1/2"	1/2"	1/2"	1/2"	1/2"	5/8"	1/2"	5/8"	1/2"	5/8"	1/2"	5/8"

Low Pressure Propane Gas Pipe Sizing "Second Stage": (Based upon an inlet gas pressure of 11 in-wc at a pressure drop of 0.5 in-wc)

Distance from outlet of 2nd stage regulator to heater gas valve inlet	Model	H150	H200	H250	H300	H350	H400	H500
	BTU/hr input	150,000	200,000	250,000	300,000	350,000	400,000	500,000
	Line Material	Iron Pipe	Tubing	Iron Pipe	Tubing	Iron Pipe	Tubing	Iron Pipe
0 to 10 feet		1/2"	5/8"	1/2"	5/8"	1/2"	3/4"	3/4"

TriVac™ 700

DUAL-MODE PRESSURE CLEANER

EXPERT LINE



TriVac 700

TriVac 700 Buying Guide

Model Number	Description	Ctn. Qty.	Ctn. Weight
TVP700C*	TriVac 700 Top Skimming and Bottom/Wall Pressure Cleaner	1	28 lbs.
TVX7027B-205	8 ft. PVC hose kit to be used to extend hose	1	10 lbs.

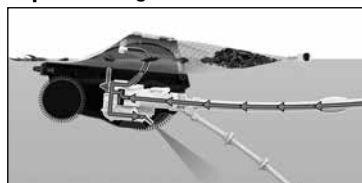
*EXPERT LINE products are not available for online resale.

Product Specifications

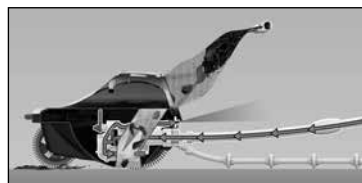
Pool Coverage	Top Skimming Mode (surface skimming); Bottom/Wall Mode (pool floor, walls and covers)
Pool Surface Skimming	Yes
Pool Size*	up to 20' x 40'
Hose Length	30'
Drive/Back-up System	Patented AquaDrive® technology
Cleaning to Backup Ratio	90% – 10%
Optimal Working Pressure	23 PSI
Warranty	2-year

NOTE: *Optional hose kit is available for larger pools or special configurations.

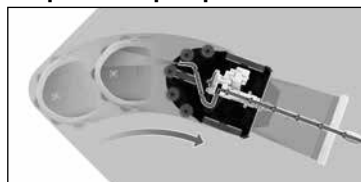
Top Skimming Mode



Bottom/Wall Mode



Unique Back-up Sequence



Forget the net, leave the skimming to us. Introducing the TriVac 700™ pressure cleaner—the only cleaner with Top and Bottom modes capable of skimming debris from the surface of the water in addition to vacuuming the pool floor, walls and covers. Versatile and one-of-a-kind, TriVac 700 features patented AquaDrive® Technology; powerful jets that propel the cleaners easily and efficiently around the pool. No matter the cleaning mode, AquaDrive helps TriVac get the job done faster and with less wear-and-tear.

Applications

- In-ground residential pools – gunite, vinyl, fiberglass, pebble and tile
- Skims debris from the top surface of the water
- Cleans the pool floor, walls and covers

Features

Unique skimming feature

- The only cleaner that captures debris on the top surface of the pool.

Easy access dial for mode selection

- Simple turn of dial allows choice between Skimming Top Mode or Bottom/Wall Mode.

Patented AquaDrive® technology

- Powerful jets propel cleaners easily and efficiently around the pool.
- Unique short back-up sequence helps reduce cleaning time.
- Low-friction wheels eliminate wear-and-tear on pool surfaces.
- Three high-pressure venturi jets and a wide vacuum inlet easily pick up larger debris.

Powerful sweep hose

- Improves coverage by stirring up debris in hard-to-reach areas.

Easy management of dirt and debris

- Patented extra-large debris bag with unique float carries more and requires less maintenance.



Hayward Booster Pump (Model 6060) is exceptionally quiet and uses up to 40% less electricity than other booster pumps (required for operation and sold separately).

When skimming is not required, the TriVac™ 500 provides the perfect solution for superior coverage of the pool floor, walls and coves. Featuring patented AquaDrive® technology, its powerful jets propel the cleaner gently around the entire interior of the pool as its wide vacuum inlet scoops up more dirt and debris. A powerful sweep hose helps the cleaner cover corners and crevices, while a unique short back-up sequence helps it work faster. With an extra-large debris bag and unique float, TriVac 500 can carry that much more.

Applications

- In-ground residential pools – gunite, vinyl, fiberglass, pebble and tile
- Cleans the pool floor, walls and coves

Features

Patented AquaDrive technology

- Powerful jets propel cleaners easily and efficiently around the pool.
- Unique short back-up sequence helps reduce cleaning time.
- Low-friction wheels eliminate wear-and-tear on pool surfaces.
- Three high-pressure venturi jets and a wide vacuum inlet easily pick up larger debris.

Powerful sweep hose

- Improves coverage by stirring up debris in hard-to-reach areas.

Easy management of dirt and debris

- Patented extra-large debris bag with unique float carries more and requires less maintenance.



TriVac 500

TriVac 500 Buying Guide

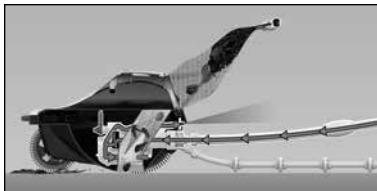
Model Number	Description	Ctn. Qty.	Ctn. Weight
TVP500C	TriVac 500 Bottom/Wall Pressure Cleaner	1	28 lbs.
TVX7027B-205	8 ft. PVC hose kit to be used to extend hose	1	10 lbs.

Product Specifications

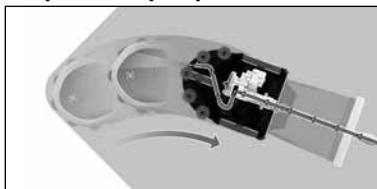
Pool Coverage	Pool floor, walls, coves
Pool Surface Skimming	No
Pool Size*	up to 20' x 40'
Hose Length	30'
Drive/Backup System	Patented AquaDrive technology
Cleaning to Backup Ratio	90% – 10%
Optimal Working Pressure	23 PSI
Warranty	1-year

NOTE: *Optional hose kit is available for larger pools or special configurations.

A superior, faster clean.



Unique back-up sequence.



Hayward Booster Pump (Model 6060) is exceptionally quiet and uses up to 40% less electricity than other booster pumps (required for operation and sold separately).

AquaVac® 500

AUTOMATIC ROBOTIC CLEANER



AquaVac 500

AquaVac 500 Buying Guide

Model Number	Description	Ctn. Qty.	Ctn. Weight
RC3431CU	AquaVac 500 Robotic Cleaner	1	54.7 lbs.
RC3431CUIY	AquaVac 500 Robotic Cleaner with Premium Caddy Cart	1	56 lbs.
RC3400CC	Optional Caddy Cart	1	15 lbs.
RCX70101PAK2	Replacement Filters (<i>Set of 2</i>)	5	4 lbs.
RCX70103PAK2	Spring Clean-up Filters (<i>Pack of 2</i>)	1	1 lb.

Product Specifications

Pool Coverage	Pool floor, walls, coves, waterline
Cleaning Cycle	Fast 90 minutes pool floor only – deep 3 hours full pool coverage
Cleaning Schedule	Integrated recurring timer – clean 1 time or every 24, 48 or 72 hours
Pool Size	Up to 20' x 40'
Pool Surface	Gunite, vinyl, fiberglass, pebble and tile*
Cord	60' Kevlar reinforced with swivel
Filter Media Access	Top access – removable debris container
Warranty	3-year

NOTE: *Tile may require foam roller option



Caddy Cart – RC3400CC included with Model RC3431CUIY (sold separately with Model RC3431CU)



Spring Clean-up Filter Elements for heavier debris – RCX70103PAK2 (sold separately)

AquaVac 500 robotic pool cleaner comes equipped with a microprocessor-based program that determines the most efficient cleaning path possible where pool owners can simply select the cleaning frequency that best matches their pool debris load. Working independently of the pool filtration system, this robotic pool cleaner technology is the most energy efficient cleaning solution.

Applications

- In-ground residential pools – gunite, vinyl, fiberglass, pebble and tile
- Cleans pool floor, walls, coves and waterline

Features

Dual traction system

- With two scrubbing brushes and four wheels it navigates virtually any obstacles, pool surfaces and easily climbs walls
- Brushes and loosens dirt, debris and algae for easy pickup

Two cleaning programs

- Features Dual-Mode technology: fast 90 minute pool floor only or deep 3-hours pool floor, walls, coves and waterline cleaning

Easy top-access to debris

- Top-access debris container and removable cartridge elements makes cleanup easy

Integrated recurring timer

- Allows you to choose cleaning frequencies from a one-time clean to every 24, 48 or 72 hours

Sensors

- Out-of-water sensor protects the motor by preventing cleaners from running out of the water
- Beach-entry sensor reverses direction when pool cleaner starts climbing out of the water

Swivel

- 60 foot cord swivel to eliminate cord tangling

Easy to use

- Requires no hoses or hookups nor additional pumps, just let it clean
- Runs separately from the pool's filtration system so there is less backwashing



Equipped with intelligent microprocessor-based technology, the TigerShark® family is recognized for its superior performance in reliability and efficiency. TigerShark makes sure virtually every area of your pool gets that much cleaner, and fast! The TigerShark® QC automatic robotic cleaner is no exception with a fast 90 minute Quick Clean cycle.

Applications

- In-ground residential pools – gunite, vinyl, fiberglass, pebble and tile
- Cleans pool floor, walls, coves and waterline

Features

Efficient cleaning programs

- All TigerShark models come with a standard 3-hour complete cleaning cycle for full floor, walls, coves and waterline.
- Patented Quick Clean technology (TigerShark QC model) provides a fast 90 minute cycle.

Powerful vacuum strength

- On-board pump for intense vacuum power to suck up dirt and debris.
- Built with an efficient 24-volt motor designed to use less energy and lower cost.

Unique cartridge filter system

- Makes emptying easy, just open the cleaner, remove the cartridge and rinse with a hose.

Easy to use

- No extra hoses, hookups or pumps required.
- Runs separately from the pool's filtration system reducing the frequency of filter backwash cycles.



TigerShark

TigerShark Buying Guide

Model Number	Description	Ctn. Qty.	Ctn. Weight
RC9950CUB	TigerShark Robotic Cleaner	1	42 lbs.
RC9990CUB	TigerShark® QC Robotic Cleaner	1	42 lbs.
RC9955CUB	TigerShark Plus Remote Control Robotic Cleaner	1	42 lbs.

Accessories

RC99385	Premium Caddy Cart	1	17 lbs.
RCX70101PAK2	Replacement Filters (set of 2)	5	4 lbs.
RCX70103PAK2	Spring Clean-up Filters (set of 2)	5	2 lbs.

Product Specifications

	TigerShark	TigerShark Plus	TigerShark QC
Remote Control	No	Yes	No
Pool Coverage	Pool floor, walls, coves, waterline		
Cleaning Cycle	3 hours	3 hours	3 hours/90 minutes Quick Clean
Cleaning Schedule	Manual start		
Pool Size	up to 20' x 40'		
Pool Surface	Gunite, vinyl, fiberglass, pebble and tile*		
Cord Length	55'		
Filter Media Access	Bottom access – removable debris container		
Warranty	1-year	3-year	3-year

NOTE: *Tile may require foam roller option



Optional Premium Caddy Cart – RC99385 (sold separately)



Spring Clean-up Filter Elements for heavier debris – RCX70103PAK2 (sold separately)

SharkVac & SharkVac XL™ by HAYWARD®

ROBOTIC POOL CLEANERS



SharkVac & SharkVac XL

SharkVac & SharkVac XL Buying Guide

Model Number*	Description	Ctn. Qty.	Ctn. Weight
SharkVac			
RC9740CUB	SharkVac Robotic Cleaner	1	48 lbs.
RC9742CUBY	SharkVac Robotic Cleaner with Caddy Cart	1	54 lbs.
SharkVac XL			
RC9740WCCUB	SharkVac XL Robotic Cleaner	1	48 lbs.
RC9742WCCUBY	SharkVac XL Robotic Cleaner with Caddy Cart	1	53 lbs.
Accessories			
RC97385D	Caddy Cart	1	9 lbs.
RCX70101PAK2	Replacement Filters (set of 2)	5	4 lbs.
RCX70103PAK2	Spring Clean-up Filters (set of 2)	5	2 lbs.

Product Specifications

	SharkVac by Hayward®	SharkVac XL™ by Hayward®
Pool Coverage	Pool floor, coves	Pool floor, walls, coves, waterline
Cleaning Cycle	2 hours	3 hours
Cleaning Schedule	Manual start	
Pool Size	up to 20' x 40'	
Pool Surface	Gunitite, vinyl, fiberglass, pebble and tile*	
Cord Length	50'	60'
Filter Media Access	Top access – removable debris container	
Warranty	1-year	2-year

NOTE: *Tile may require foam roller option

Both SharkVac and SharkVac XL™ by Hayward® are built with the highest-quality components and proven technology that create reliable, consistent results while maximizing energy efficiency. Whether you clean your pool floor and coves with SharkVac or cover the floor, walls, coves and waterline with SharkVac XL, the cleaners' robust, low-profile design and top-access filters give them an added bite.

Applications

- In-ground residential pools – gunitite, vinyl, fiberglass, pebble and tile
- Cleans pool floor and coves (SharkVac); cleans pool floor, walls, coves and waterline (SharkVac XL)

Features

Efficient cleaning program

- Features a smart steering technology that provides an efficient cleaning pattern for complete pool coverage.

Easy top-access to debris removal

- Top-access filter allows quick debris removal and easy cleanup.
- 2 fine porosity filter elements – just remove and rinse with garden hose.

Easy to use

- Requires no hoses or hookups nor additional pumps – just let it clean.
- Runs separately from the pool's filtration system, reducing the frequency of filter backwash cycles saving both time and money.

Sensors (SharkVac XL only)

- Out-of-water sensor protects the motor by preventing cleaners from running out of the water.
- Beach-entry sensor reverses direction when pool cleaner starts climbing out of the water.



Caddy Cart – RC97385D included with Model RC9742CUBY and RC9742WCCUBY (sold separately with Model RC9740CUB and RC9740WCCUB)



Spring Clean-up Filter Elements for heavier debris – RCX70103PAK2 (sold separately)

Navigator® V-Flex™ suction cleaner features breakthrough new internal turbine, body and a-frame design, delivering more power, reliability and performance than ever. Equipped with patented V-Flex™ variable vane technology, it allows for larger debris pickup and maximizes suction power at lower flow, making it ideal for use with variable speed pumps. Patented SmartDrive® programmed steering determines the most efficient cleaning path affording unparalleled pool coverage.

Applications

- In-ground residential pools – gunite, vinyl, fiberglass, tile and pebble
- Cleans pool floor, walls* and coves

Features

Patented V-Flex technology

- Features self-adjusting variable vanes for easy handling of larger debris
- Energy-efficient design maximizes suction power at lower flow—ideal for use with variable-speed pumps

New body, A-frame and turbine assembly

- Enhances reliability and performance with less parts to service and maintain

Programmed cleaning

- Exclusive SmartDrive® steering system offers unparalleled pool coverage.

Efficient suction path

- Wide vacuum inlet, unique wing and skirt designed for constant suction power and to pickup more debris faster

Easy to use and install

- Connects in less than 10 minutes to skimmer or suction port, no tools required
- Powered by existing filtration system, does not require booster pump

What is SmartDrive programmed steering?

Hayward's exclusive technology drives the



Navigator V-Flex in an alternating series of right and left-hand turns to systematically clean pool surfaces and ensure the best coverage and most efficient cleaning path. It cleans faster and better than random-style cleaners and reduces the possibility of missed or over-visited zones in the pool.



Navigator V-Flex

Navigator V-Flex Buying Guide

Model Number	Description	Ctn. Qty.	Ctn. Weight
HSC925CC*	Navigator V-Flex Suction Cleaner, Gunite	1	20 lbs.
HSC925CV*	Navigator V-Flex Suction Cleaner, Vinyl	1	20 lbs.

***EXPERT LINE products are not available for online resale.**

Product Specifications

Pool Coverage**	Pool floor, walls, coves
Drive Sequence	SmartDrive programmed steering system
Traction System	Pod and shoes
Turbine Type	Patented V-Flex variable vane technology
Pool Size	up to 20' x 40'
Pool Surface***	Gunite, vinyl, fiberglass, pebble and tile
Hose Length	40'
Warranty	2-year

NOTES: **Wall climbing capability and pool coverage may be affected by specific pool shapes and surfaces. The cleaner may not climb the wall under certain conditions.

***Different shoe types available for different pool surfaces



Leaf Canister



Skimmer Vacuum Plate



VacLock™ Safety Wall Fitting

View Suction Cleaner Accessories on pages 74 to 77.

Navigator® Pro

AUTOMATIC SUCTION CLEANER



Navigator Pro

Navigator Pro Buying Guide

Model Number	Description	Ctn. Qty.	Ctn. Weight
925ADC	Navigator Pro Suction Cleaner, Gunite	1	20 lbs.
925ADV	Navigator Pro Suction Cleaner, Vinyl	1	20 lbs.

Product Specifications

Pool Coverage*	Pool floor, walls, coves
Drive Sequence	SmartDrive programmed steering system
Traction System	Pod and shoes
Turbine Type	Fixed vane technology
Pool Size	up to 20' x 40'
Pool Surface**	Gunite, vinyl, fiberglass, pebble and tile
Hose Length	40'
Warranty	2-year

NOTES: *Wall climbing capability and pool coverage may be affected by specific pool shapes and surfaces. The cleaner may not climb the wall under certain conditions.

**Different shoe types available for different pool surfaces

View Suction Cleaner Accessories on pages 75 to 77.



Leaf Canister



Skimmer Vacuum Plate



VacLock™ Safety Wall Fitting

Navigator® Pro's exclusive SmartDrive® programmed steering moves the cleaner silently in a predetermined series of turns for more thorough cleaning of pool floor, walls and coves. This automatic suction pool cleaner is powered by the existing filtration system where all debris are captured. In addition, pool owners don't have the expense of an energy-consuming booster pump. Getting that sparkling clean pool is easy and effortless with the Navigator Pro automatic suction pool cleaner.

Applications

- In-ground residential pools – gunite, vinyl, fiberglass, pebble and tile
- Cleans pool floor, walls* and coves

Features

Engineered for performance

- Unmatched proven and reliable suction cleaner performance
- Turbine-driven system for smooth, silent operation

Programmed cleaning

- Exclusive SmartDrive® steering system offers complete pool coverage.

Efficient suction path

- Wide vacuum inlet, unique wing and skirt designed for constant suction power and to pickup more debris faster

Easy to install and use

- Connects in less than 10 minutes to skimmer or suction port, no tools required
- Powered by existing filtration system, does not require booster pump

What is SmartDrive programmed steering?

Hayward's exclusive technology drives the Navigator Pro in an alternating series of right and left-hand turns to systematically clean pool surfaces and ensure the best coverage and most efficient cleaning path. It cleans faster and better than random-style cleaners and reduces the possibility of missed or over-visited zones in the pool.



Featuring a breakthrough new internal turbine, body and a-frame design, PoolVac V-Flex™ is equipped with patented variable vane V-Flex™ technology delivering more power, reliability and performance than ever. It allows for larger debris pickup and maximizes suction power even at lower flow—making it the perfect partner for use with variable speed pumps. Its patented AquaPilot® programmed steering determines the most efficient cleaning path around any pool and assists with cleaner maneuverability for complete pool coverage.

Applications

- In-ground residential pools – gunite, vinyl, fiberglass, tile and pebble
- Cleans pool floor, walls* and coves

Features

Patented V-Flex technology

- Features self-adjusting variable vanes for easy handling of larger debris
- Energy-efficient design maximizes suction power at lower flow—ideal for use with variable-speed pumps

New body, A-frame and turbine assembly

- Enhances reliability and performance with less parts to service and maintain

Programmed cleaning

- Exclusive AquaPilot steering system offers unparalleled pool coverage.

Efficient suction path

- Wide vacuum inlet, unique wing and skirt designed for constant suction power and to pickup more debris faster

Easy to use and install

- Connects in less than 10 minutes to skimmer or suction port, no tools required
- Powered by existing filtration system, does not require booster pump

What is AquaPilot programmed steering?

Hayward's exclusive technology drives the PoolVac V-Flex in an alternating series of right and left-hand turns to systematically clean pool surfaces and ensure the best coverage and most efficient cleaning path. It cleans faster and better than random-style cleaners and reduces the possibility of missed or over-visited zones in the pool.



PoolVac V-Flex

PoolVac V-Flex Buying Guide

Model Number	Description	Ctn. Qty.	Ctn. Weight
HSC2025CC*	PoolVac V-Flex Suction Cleaner, Gunite	1	20 lbs.
HSC2025CV*	PoolVac V-Flex Suction Cleaner, Vinyl	1	20 lbs.

*EXPERT LINE products are not available for online resale.

Product Specifications

Pool Coverage**	Pool floor, walls, coves
Drive Sequence	AquaPilot programmed steering system
Traction System	Pod and shoes
Turbine Type	Patented V-Flex variable vane technology
Pool Size	up to 20' x 40'
Pool Surface***	Gunite, vinyl, fiberglass, pebble and tile
Hose Length	40'
Warranty	2-year

NOTES: **Wall climbing capability and pool coverage may be affected by specific pool shapes and surfaces. The cleaner may not climb the wall under certain conditions.

***Different shoe types available for different pool surfaces



Leaf Canister



Skimmer Vacuum Plate



VacLock™ Safety Wall Fitting

View Suction Cleaner Accessories on pages 75 to 77.

PoolVac XL™

AUTOMATIC SUCTION CLEANER



PoolVac XL

PoolVac XL Buying Guide

Model Number	Description	Ctn. Qty.	Ctn. Weight
2025ADC	PoolVac XL Suction Cleaner, Gunite	1	20 lbs.
2025ADV	PoolVac XL Suction Cleaner, Vinyl	1	20 lbs.

Product Specifications

Pool Coverage*	Pool floor, walls, coves
Drive Sequence	AquaPilot programmed steering system
Traction System	Pod and shoes
Turbine Type	Fixed vane technology
Pool Size	up to 20' x 40'
Pool Surface**	Gunite, vinyl, fiberglass, pebble and tile
Hose Length	40'
Warranty	2-year

NOTES: *Wall climbing capability and pool coverage may be affected by specific pool shapes and surfaces. The cleaner may not climb the wall under certain conditions.

**Different shoe types available for different pool surfaces

View Suction Cleaner Accessories on pages 75 to 77.



Leaf Canister



Skimmer Vacuum Plate



VacLock™ Safety Wall Fitting

PoolVac XL™ exclusive AquaPilot® programmed steering moves the cleaner silently in a predetermined series of turns for more thorough cleaning. This automatic suction pool cleaner is powered by the existing filtration system where all debris are captured. In addition, pool owners don't have the expense of an energy-consuming booster pump. For the ultimate in easy, trouble-free operation, leave your pool cleaning to the most sophisticated automatic suction pool cleaner available, Hayward's PoolVac XL.

Applications

- In-ground residential pools – gunite, vinyl, fiberglass, pebble and tile
- Cleans pool floor, walls* and coves

Features

Engineered for performance

- Unmatched proven and reliable suction cleaner performance
- Turbine-driven system for smooth, silent operation

Programmed cleaning

- Exclusive AquaPilot steering system offers complete pool coverage.

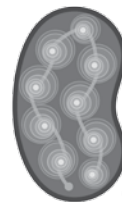
Efficient suction path

- Wide vacuum inlet, unique wing and skirt designed for constant suction power and to pickup more debris faster

Easy to install and use

- Connects in less than 10 minutes to skimmer or suction port, no tools required
- Powered by existing filtration system, does not require booster pump

What is AquaPilot programmed steering? Hayward's exclusive technology drives the



PoolVac XL in an alternating series of right and left-hand turns to systematically clean pool surfaces and ensure the best coverage and most efficient cleaning path. It cleans faster and better than random-style cleaners and reduces the possibility of missed or over-visited zones in the pool.

AquaNaut® 200 & 400

AUTOMATIC SUCTION CLEANERS WITH V-FLEX™ TECHNOLOGY

AquaNaut® 200 & 400 automatic suction pool cleaners are designed with unique patented technologies to deliver a thorough and reliable clean for pools of different shapes, sizes, flow rates and debris types. Available in two or four wheel drive models, AquaNaut features patented self-adjusting variable vanes known as V-Flex™ technology. Because the variable vanes automatically adjust to allow for large debris to pass through the cleaner, V-Flex technology delivers maximum power even at lower flow and provides the peace of mind of clog-free cleaning.

Applications

- In-ground residential pools – concrete, gunite, vinyl, fiberglass, tile and pebble
- AquaNaut 200 is for pools up to 16' x 32'; AquaNaut 400 is for larger pools up to 20' x 40' or pools with deep ends.
- Cleans pool floor, walls* and coves

Features

Handles large debris without clogging

- Patented V-Flex variable vane technology eliminates clogs and maximizes power at lower flow
- Perfect for use with variable-speed pool pumps

Expertly navigates any surface

- Patented robust tire treads provide superior climbing power and obstacle maneuverability

Maintains constant suction

- Patented adjustable roller skirt maintains optimal suction on uneven surfaces.

End-to-end cleaning

- Multiple pre-programmed steering sequences ensure complete pool coverage

Available in 4-wheel drive

- With its 4-wheels, AquaNaut 400 maintains power and balance in larger pools or pools with deep ends

Optimal suction at virtually any flow

- Three easily interchangeable throats improve debris passage and suction performance, making it ideal for use variable-speed pool pumps

View Suction Cleaner Accessories on pages 75 to 77.



Leaf Canister

Skimmer Vacuum Plate

VacLock™ Safety Wall Fitting



AquaNaut 200 & 400

AquaNaut 200 Buying Guide

Model Number	Description	Ctn. Qty.	Ctn. Weight
PHS21CST	2-Wheel Drive Suction Cleaner Super Hump Tire Thread	1	16 lbs.

AquaNaut 400 Buying Guide

Model Number	Description	Ctn. Qty.	Ctn. Weight
PHS41CST	4-Wheel Drive Suction Cleaner Super Hump Tire Thread	1	19 lbs.

Product Specifications

	AquaNaut 200	AquaNaut 400
Pool Coverage*	Pool floor, walls, coves	Pool floor, walls, coves
Drive Sequence	Turns every 8' to 10'	Turns every 11' to 14'
Traction System	2-wheel drive	4-wheel drive
Turbine Type	Patented V-Flex variable vane technology	Patented V-Flex variable vane technology
Pool Size	up to 16' x 32'	up to 20' x 40'
Pool Surface**	Gunite, vinyl, fiberglass, pebble and tile	Gunite, vinyl, fiberglass, pebble and tile
Hose Length	33'	40'
Warranty	2-year	2-year

NOTES: *Wall climbing capability and pool coverage may be affected by specific pool shapes and surfaces. The cleaner may not climb the wall under certain conditions.

**Other tire threads available for different pool surfaces or configurations

AquaNaut® 450

AUTOMATIC SUCTION CLEANERS WITH V-FLEX™ TECHNOLOGY

EXPERT LINE



AquaNaut 450

AquaNaut 450 Buying Guide

Model Number	Description	Ctn. Qty.	Ctn. Weight
PBS42CST*	4-Wheel Drive Suction Cleaner Super Hump Tire Thread	1	19 lbs.

*EXPERT LINE products are not available for online resale.

Product Specifications

Pool Coverage*	Pool floor, walls, coves
Drive Sequence	Turns every 8' to 10'
Traction System	4-wheel drive
Turbine Type	Patented V-Flex variable vane technology
Pool Size	up to 20' x 40'
Pool Surface**	Gunite, vinyl, fiberglass, pebble and tile
Hose Length	40'
Warranty	2-year

NOTES: *Wall climbing capability and pool coverage may be affected by specific pool shapes and surfaces. The cleaner may not climb the wall under certain conditions.

**Other tire threads available for different pool surfaces or configurations

AquaNaut® 450 automatic suction pool cleaners is designed with unique patented technologies to deliver a thorough and reliable clean for pools of different shapes, sizes, flow rates and debris types. Equipped with unique 4 wheel drive, AquaNaut features patented self-adjusting variable vanes known as V-Flex™ technology. Because the variable vanes automatically adjust to allow for large debris to pass through the cleaner, V-Flex technology delivers maximum power even at lower flow and provides the peace of mind of clog-free cleaning.

Applications

- In-ground residential pools – concrete, gunite, vinyl, fiberglass, tile and pebble
- AquaNaut 450 is specially program for pools up to 16' x 32' or pools with deep ends and can be easily adapted for pool up to 20' x 40' using the alternate driving cam (supplied separately).
- Cleans pool floor, walls* and coves

Features

Handles large debris without clogging

- Patented V-Flex variable vane technology eliminates clogs and maximizes power at lower flow
- Perfect for use with variable-speed pool pumps

Expertly navigates any surface

- Patented robust tire treads provide superior climbing power and obstacle maneuverability

Maintains constant suction

- Patented adjustable roller skirt maintains optimal suction on uneven surfaces.

End-to-end cleaning

- Multiple pre-programmed steering sequences ensure complete pool coverage

Offers 4-wheel drive power

- With its 4-wheels, AquaNaut 450 maintains power and balance in larger pools or pools with deep ends

Optimal suction at virtually any flow

- Three easily interchangeable throats improve debris passage and suction performance, making it ideal for use variable-speed pool pumps

View Suction Cleaner Accessories on pages 75 to 77.



Leaf Canister

Skimmer Vacuum Plate

VacLock™ Safety Wall Fitting

DV5000, AquaRay®

AUTOMATIC DISC SUCTION CLEANERS

DV5000

Backed by the most trusted name in swimming pool equipment, the DV5000 scoops up dirt and debris in a single pass. The DV5000 has only one moving part that automatically propels it through the water picking up dirt, debris, twigs and pebbles. Its quiet and efficient operation ensures full coverage of the pool's floor and walls.

Applications

- In-ground residential pools
- Cleans pool floor, walls* and coves

Features

- Diaphragm technology – quiet operation
- Cleans the pool's floor and walls
- One moving part
- Pulls in dirt from 3 intake ports
- Swivel foot pad for easy navigation out of tight corners
- Automatic regulator valve sets the ideal suction for peak performance

AquaRay

AquaRay is an affordable, automatic suction cleaner with only one moving part for added reliability. Backed by the most trusted name in swimming pool equipment, AquaRay scoops up dirt and debris from three separate intake ports. Its gliding motion makes it an ideal choice for cleaning above-ground pools and is easily installed, without tools, in less than 10 minutes.

Applications

- Above-ground pools
- Cleans pool floor and coves

Features

- Flapper technology – only one moving part
- Installs in less than 10 minutes without tools
- Works with your existing filtration system; no extra energy-consuming booster pump is required
- Pulls in dirt from three intake ports
- Automatic regulator valve sets the ideal suction

View Suction Cleaner Accessories on pages 75 to 77.



Leaf Canister

Skimmer Vacuum Plate

VacLock™ Safety Wall Fitting

For replacement parts see pages 304–305.



DV5000



AquaRay

DV5000 Buying Guide

Model Number	Description	Ctn. Qty.	Shipping Weight
DV5000	Diaphragm Disc Cleaner	1	15 lbs.

Product Specifications

Pool Coverage*	Pool floor, walls, coves
Drive Sequence	Random pattern
Propulsion System	Diaphragm
Pool Size	up to 20' x 40'
Pool Surface	Gunite, vinyl, fiberglass, pebble and tile
Hose Length	40'
Warranty	1-year

NOTE: *Wall climbing capability and pool coverage may be affected by specific pool shapes and surfaces. The cleaner may not climb the wall under certain conditions.

AquaRay Buying Guide

Model Number	Description	Ctn. Qty.	Shipping Weight
DV1000	Flapper Disc Cleaner	1	12 lbs.

Product Specifications

Pool Coverage*	Pool floor, walls, coves
Drive Sequence	Random pattern
Propulsion System	Hammer
Pool Size	up to 16' x 32'
Pool Surface	Gunite, vinyl, fiberglass, pebble and tile
Hose Length	32'
Warranty	1-year

NOTE: *Wall climbing capability and pool coverage may be affected by specific pool shapes and surfaces. The cleaner may not climb the wall under certain conditions.

AquaBug®, Wanda the Whale®, Penguin

AUTOMATIC SUCTION CLEANERS FOR ABOVE-GROUND POOLS



500 AquaBug



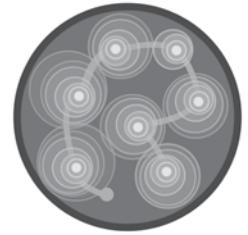
900 Wanda the Whale



100 Penguin

Cleaners

With smart cleaning power, Penguin will be your pool's new best friend. The Hayward family of above-ground pool cleaners are designed to clean the bottom of all sizes and shapes of above-ground/on-ground pools – automatically. They operate off the pool's existing filtration system and feature our exclusive SmartDrive® program steering so it won't miss a spot.



SmartDrive cleaning pattern for above-ground pools.

Applications

- Above-ground pools (flat or dished bottoms)
- On-ground pools

Features

- Patented SmartDrive programmed steering system ensures the entire bottom of the pool is cleaned quickly and completely
- Installs in less than 10 minutes, without tools
- Unique turbine/gearing system provides constant balanced water flow assuring quiet operation and gentle movement across the pool bottom
- Improves water circulation by pulling water from the pool bottom as it moves
- Advanced, contoured head design allows the steering pattern to be completed in minimal time
- Deluxe bumper ring minimizes friction for easy movement away from walls and resumption of the programmed steering pattern
- Attractive 4-color unitized cartons create a professional presentation that will stimulate sales

Tips on Hose Requirements

A simple rule of thumb is to measure from the skimmer (or dedicated suction line) to the farthest point in the pool then add three (3) extra hose lengths.

AquaBug, Wanda the Whale, Penguin Buying Guide

Model Number	Description	32 ft. of Hose*	Skimmer Cone	Ctn. Qty.	Ctn. Weight
100	Penguin	✓	✓	1	21 lbs.
500	AquaBug	✓	✓	1	21 lbs.
900	Wanda the Whale	✓	✓	1	21 lbs.

NOTES: Pallet ordering (24 units per pallet). Mix of 8 units per personality or full pallet of a single character.
*32 feet of hose included



W560



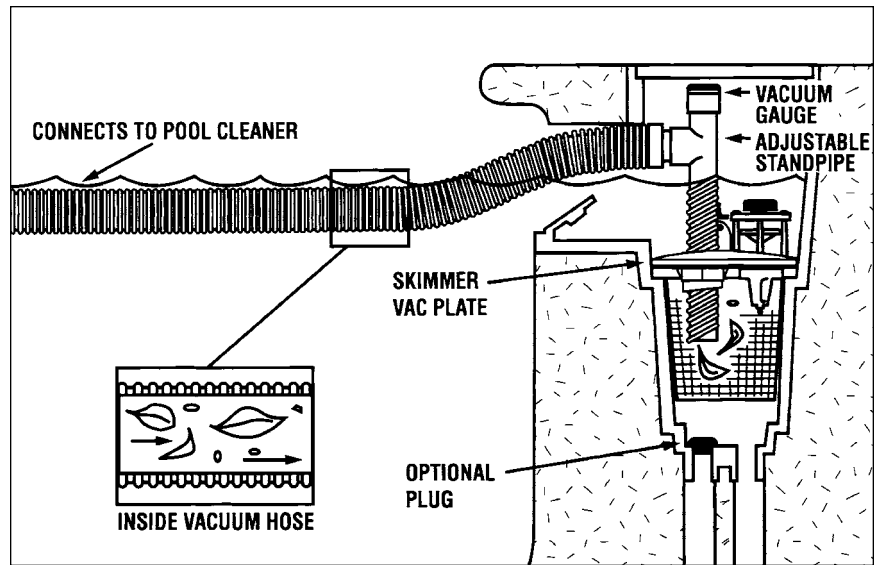
W530

Optional Leaf Canister

The Hayward Skimmer Vac Plate is a great accessory for achieving a pool cleaning balance that automatically alternates between skimming and vacuuming with each cycle of the filtration system's time clock. Features include a pressure relief valve for safety and reinforced ABS construction for strength and durability.

Features

- Automatically alternates between vacuuming the pool and skimming the pool's surface
- Finger-tip dial control for superior skimming action and proper vacuum settings
- Back-mounted vacuum gauge conveniently located for simple and accurate vacuum measurements
- Adjustable standpipe for various skimmer depths
- Factory-set pressure relief valve for added safety
- Reinforced ABS construction for durability



Hayward's Skim Vac Plate is easily installed into the pool's skimmer and attaches directly to the pool vacuum hose line. Debris is deposited into the skimmer basket for easy clean-up.

Skimmer Vacuum Plate Buying Guide

Model Number	Description	Ctn. Qty.	Ctn. Weight
W490R	Automatic skimmer vacuum plate (compatible with Hayward SP1082, SP1084, SP1085, Pac-Fab Skim Clean – not compatible with SP1086C)	12	46 lbs.
W491R	Automatic skimmer vacuum plate (compatible with Hayward SP1070, SP1071, SP1075, All Swim Quip U-3's, American Products, Pac-Fab Bermuda)	12	46 lbs.

Ruggedly built, Hayward leaf/debris canisters are designed with the pool professional in mind. Choose the appropriate canister that fits your individual vacuuming applications.

Features

- Extra-large basket or bag traps leaves and debris before they reach the filter system
- Superior design ensures that water will always bypass debris and maintain proper water flow to pump
- Easy-open lid provides quick access to basket
- See-through body lets you see when basket needs cleaning



W560



W530

Debris/Leaf Canister Buying Guide

Model Number	Description	Ctn. Qty.	Ctn. Weight
W560	Leaf canister*	6	19 lbs.
W530	Large capacity leaf canister with mesh bag	6	26 lbs.
W550	1 1/2" adapter kit (for use with a W450 or W530 with manual vacuum cleaner)	10	1 lb.

NOTES: To utilize leaf canisters with hand vacuums, one of the above adapter kits will be necessary.
*For use with any existing suction-side cleaner.

VacLock Buying Guide

Model Number	Description	Ctn. Qty.	Ctn. Weight
W400BBKP	VacLock Safety Wall Fitting, Black	10	2 lbs.
W400BWHP	VacLock Safety Wall Fitting, White	10	2 lbs.
W400BLGP	VacLock Safety Wall Fitting, Lt. Gray	10	2 lbs.

Accessories

TUNE-UP KITS

Accessories Buying Guide

Part Number	Description	EXPERT LINE	
V-Flex™ Upgrade Kits *EXPERT LINE products are not available for online resale.			
VVX3000CKITBLK*	V-Flex Upgrade Kit – Concrete, Black		
VVX3000CKITWH*	V-Flex Upgrade Kit – Concrete, White		
VVX3000VKITWH*	V-Flex Upgrade Kit – Vinyl, White		
VVX3000SCKITBK*	V-Flex Upgrade Servicer Kit – Concrete, Black		
VVX3000SCKITWH*	V-Flex Upgrade Servicer Kit – Concrete, White		
VVX3000SVKITWH*	V-Flex Upgrade Servicer Kit – Vinyl, White		
V-Flex™ Upgrade Kit Content			
• V-Flex Turbine Kit		• Replacement Wings	
• Bearing Free A-Frame Kit and Retainer		• Suction Inlet (Throat)	
• Replacement Shoes			
V-Flex™ Upgrade Kit Plus			
• V-Flex Turbine Kit		• Suction Inlet (Throat)	
• Bearing Free A-Frame Kit and Retainer		• Pod Kit	
• Replacement Shoes		• Front and Rear Flaps	
• Replacement Wings			
V-Flex™ Complete Propulsion Kit			
AXV925CCWHT	V-Flex Propulsion/Wing Conversion Kit – Concrete, White		

Model Number	Description	Ctn. Qty.	Ctn. Weight
Suction Cleaner Accessories			
V094P	In-line flow regulator valve	10	3 lbs.
V574P	In-line flow gauge	25	7 lbs.
V305P	PoolVac Classic™ and PoolVac Plus™ bumper (assists in steering clear of unusual objects)	25	4 lbs.
SP1048AVH	Suction outlet bumper. Keeps automatic cleaners from sticking to drain cover (for original Hayward 8" SP Series anti vortex drain covers only).	10	2 lbs.
AXW100	Ladder Guard	5	12 lbs.

Turbine Cleaner Tune-Up and Repair Kits

AXV414604WHP	Wing and shoe maintenance kit	50	9 lbs.
AXV621417WHP	A-frame turbine and pod tune up kit	10	10 lbs.
AXV622604WHP	Propulsion and wings rebuild kit	1	3 lbs.
AXW321	Tune-up Kit, PoolVac (vinyl, old style), White	10	5 lbs.
AXW350	Tune-up Kit, PoolVac Plus or Navigator (concrete), White	10	5 lbs.

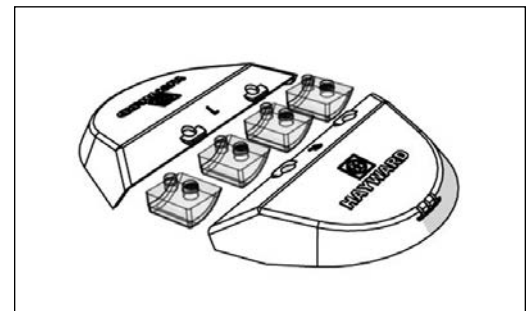
Poolvergnaegen Pool Cleaner Conversion Kits

PVGXH792KIT	PoolCleaner 2 Wheel Next Gen Conversion Kit	1	2.2 lbs.
PVGXH808KIT	PoolCleaner 4 Wheel Next Gen Conversion Kit	1	4.7 lbs.
PVGXH884KIT	PoolCleaner 2 Wheel Limited Next Gen Conversion Kit	1	2.2 lbs.
PVGXH891KIT	PoolCleaner 4 Wheel Limited Next Gen Conversion Kit	1	4.7 lbs.

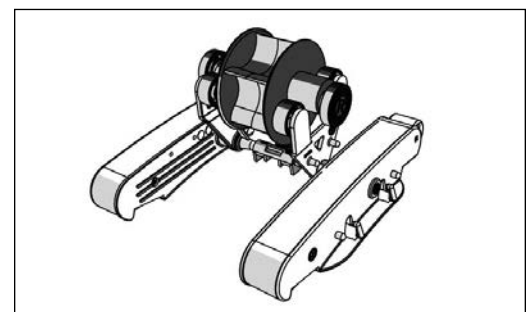
NOTE: AXW series tune up kits include a set of wings, shoes and flaps, a screwdriver and a cleaning brush.

Hayward has a variety of products designed to improve, enhance and maintain our automatic suction cleaner line. New for 2016, most existing PoolVac and Navigator® cleaner models can be easily updated with the new V-Flex™ upgrade kit. Once installed, the cleaners will be equipped with the latest patented internal turbine technology, V-Flex, along with a new body and A-frame design that delivers more power, reliability and performance than ever.

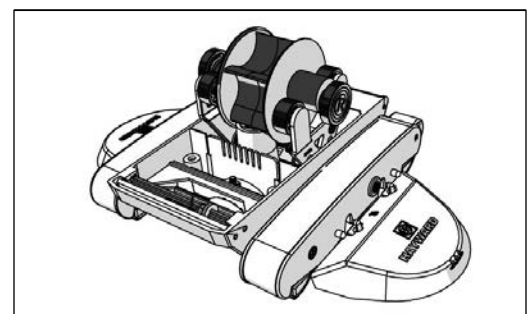
Patented V-Flex variable vane technology allows for larger debris pickup more than any other cleaner on the market and maximizes suction power at lower flow for energy-efficient results, perfect for use with variable speed pumps. All components within the upgrade kit improve the performance of debris handling, energy-efficiency, all with fewer moving parts to maintain.



Wing and Shoe Maintenance Kit



A-Frame Turbine and Pod Tune Up Kit



Propulsion and Wings Rebuild Kit

Automatic Cleaner Hose Guide

AUTOMATIC CLEANER HOSE SELECTION AND SIZING GUIDE

Sizing Automatic Cleaner Hose Length/ Tips on Vacuum Requirements

To correctly size Hayward automatic cleaners, measure from the skimmer or Vac Lock to the farthest point in the pool. Add two hose lengths to provide sufficient mobility for the cleaner.

Example: A 16' x 32' rectangular pool will normally require 8-10 lengths of hose depending on depth and skimmer placement.

After the correct hose length is selected and automatic cleaner installed, use the in-line vacuum gauge to check for proper water flow and adjust to satisfy the formula below.

Proper Vacuum = 1" of vacuum x # of hose lengths

Example: A pool using 8 hose lengths requires 8" of vacuum for proper operation.

If the vacuum level is too high, adjust the filter system valving accordingly. In the absence of sufficient valving, use the optional in-line regulator valve.

Improper vacuum levels can prevent the cleaner from climbing vertical walls in gunite/concrete pools or "sticking" at steps and corners. Maintaining proper vacuum also ensures efficient water flow through the throat for effective cleaning.

For complete installation information, refer to your Hayward automatic pool cleaner's installation manual.



AquaNaut 200

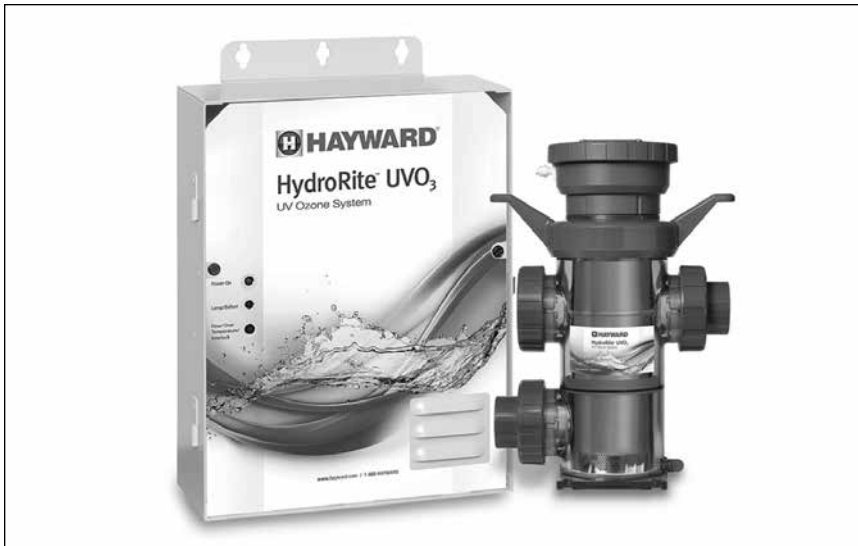


Navigator® V-Flex™

Suction Cleaners Hoses Pack Buying Guide

Model Number	Description	Ctn. Qty.	Ctn. Weight
PoolVac® and Navigator® – ABG Turbine Cleaners			
HSLHK110GRPK12	1M - Leader Hose 12 Pack, Gray Replaces V532LG – V533LG	1	9 lbs.
HSCHK100GRPK12	1M - Connector Hose 12 Pack, Gray Replaces V109LG - V130LG – V1032LG	1	9 lbs.
HSLCHK120GR	Hose Kit 1 Leader, 11 Connector 40', Gray Replaces V530LGP	1	9 lbs.
PoolVac V-Flex™ and Navigator V-Flex			
PVLHK110BKBPK12	1M - Leader Hose 12 Pack, Black and Blue	1	9 lbs.
PVCHK100BKBPK12	1M - Connector Hose 12 Pack, Black and Blue	1	9 lbs.
PVLCHK120BKBL	Hose Kit 1 Leader, 11 Connector 40', Black and Blue	1	9 lbs.
AquaNaut® and The PoolCleaner Limited Edition			
PVLHP1900GRPK10	1M - Leader Hose 10 Pack, Dark Gray	1	9 lbs.
PVCHP1900GRPK10	1M - Connector Hose 10 Pack, Dark Gray	1	9 lbs.
PVCHP1900GRPK24	1M - Connector Hose 24 Pack, Dark Gray	1	13 lbs.
PVCHK1900GR	Hose Kit 1 Leader, 9 Connector 33', Dark Gray	1	9 lbs.
The PoolCleaner			
PVLHP1900WHPK10	1M - Leader Hose 10 Pack, White	1	9 lbs.
PVCHP1900WHPK10	1M - Connector Hose 10 Pack, White	1	9 lbs.
PVCHP1900WHPK24	1M - Connector Hose 24 Pack, White	1	13 lbs.
PVCHK1900WH	Hose Kit 1 Leader, 9 Connector 33', White	1	9 lbs.
Hayward Disc Cleaners			
DC178PAK8	32" - Leader Hose 8 Pack, Green	1	4 lbs.
DC176PAK24	32" - Connector Hose 24 Pack, Green	1	12 lbs.
DC2072PAK24	32" - Connector Hose 24 Pack, Silver	1	12 lbs.

NOTE: Pool Cleaner – AquaNaut Hoses are not interchangeable with PoolVac, Navigator and ABG Hoses. Mixing hoses will result in poor performance of cleaner.



HydroRite UVO₃ 2" Unit and Controller

HydroRite UVO₃ Base System Buying Guide

Model Number	Description	Ctn. Qty.	Shipping Weight
HYD-UVO*	HydroRite UVO ₃ system for residential inground pools up to 60,000 gallons	1	63 lbs.

*EXPERT LINE products are not available for online resale.

To learn more about HydroRite UVO₃, visit hayward.com/hydrorite

HydroRite UVO₃ from Hayward® sets a new standard in water sanitization. For residential new construction and after-market applications, Hayward's combined UV and Ozone system provides superior water quality, while lowering the usage of chlorine and other pool chemicals, and eliminating chloramines to maximize swimmer protection and experience.

HydroRite delivers a powerful trio of disinfectants — UV, Ozone, and Advanced Oxidation — that work synergistically to inactivate harmful chlorine-resistant microorganisms. HydroRite works alongside Hayward Salt Systems or other chlorine sanitizers to create an advanced solution that dramatically reduces chemical usage to reduce chlorine costs by 50% or more, and extend the life of salt chlorination cells.

Applications

- Any pool or pool/spa combination

Features

- Trio of disinfectants provide the best possible water quality for 100% peace of mind
- Reduces overall chemical usage and chlorine demand by 50% or more
- Extends the life of salt chlorination cells
- Reduces chloramines by 50% or more for bather comfort, no red eyes, and improved indoor air quality.
- Inactivates up to 99.9% of harmful, chlorine-resistant microorganisms.
- Reduces overall chlorine demand by 50% or more

Genuine Hayward TurboCells®

SALT CHLORINATION CELLS

TurboCells are the heart of Hayward's Salt Chlorine Generating Systems.

For water that's clean, clear and luxuriously soft, choose the world's #1 salt chlorination cell.

TurboCell Right-sized salt chlorination

Hayward TurboCells are available in three sizes—40,000, 25,000, and 15,000 gallons. The sizes will enable you to choose the TurboCell that gives you the most efficient and cost effective chlorination possible. Delivering reliable salt chlorination to pools for nearly two decades, Genuine Hayward TurboCells are NSF tested and proven to provide the softest, silkiest water possible. These cells automatically generate a self-renewing supply of fresh, pure chlorine to save customers more than 50% over conventional chlorine.

Beware of Imitators

Other salt chlorination cells may talk a good game, but what they don't say will cost you. With other replacement cells, you get what you pay for: lower quality, shorter life, non-certification. Generic cells are not safety certified for use with Hayward salt chlorinators. Through independent tests by the leading authority in electrolytic cells, some generic cells have been shown to have 75% less operating life than a Genuine Hayward T-CELL-15.

Hayward Automation Applications

Hayward TurboCells are optional add-ons to Hayward OmniLogic and ProLogic Automation systems. Our TurboCells offer seamless plug-and-play salt chlorination for homeowners looking to further automate their yard and equipment.

Live in an Arid or Tropical Climate?

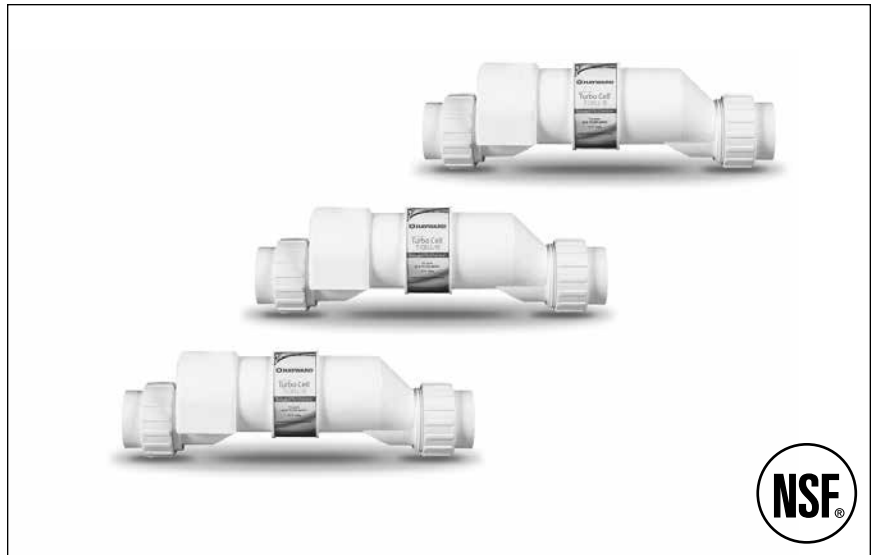
You may need a larger cell. Consider using the next size up or multiple cells for challenging climates.

Commercial Applications

Before using any Hayward Chlorinator for commercial pool or spa application, check local and state codes for requirements. Hayward TurboCells are NSF listed for chlorine output. Combining multiple units is possible to achieve the requisite chlorine delivery rate.

Combining multiple units is possible to achieve the requisite chlorine delivery rate, or view our Commercial Salt Chlorine Generation system, Saline C 6.0 on page 339.

To learn more about Hayward Salt Chlorination, visit haywardsalt.com



TurboCells

TurboCells Buying Guide

Model Number	Description	Ctn. Qty.	Shipping Weight
Salt Chlorinators			
T-Cell-15	40K gallon Cell, 15' cable, 3 year warranty	1	4.3 lbs.
T-Cell-9	25K gallon Cell, 15' cable, 3 year warranty	1	4.3 lbs.
T-Cell-3	15K gallon Cell, 15' cable, 3 year warranty	1	4.3 lbs.
TCell940	Extended Life, 40K gallon Cell, 4 year warranty	1	4.3 lbs.
TCell925	Extended Life, 25K gallon Cell, 4 year warranty	1	4.3 lbs.

Genuine Hayward TurboCells

Cell	Pool Size Rating	Total pounds of free Chlorine produced (as Trichlor)	Cost per pound of Chlorine
Hayward T-Cell-3	15,000 gallons	210 lbs.*	\$
Hayward T-Cell-9	25,000 gallons	385 lbs.*	\$
Hayward T-Cell-15	40,000 gallons	580 lbs.*	\$
Hayward TCell940	40,000 gallons	725 lbs.*	\$
Hayward TCell925	25,000 gallons	480 lbs.*	\$
Leading generic cell	40,000 gallons	145 lbs.	\$\$\$\$

*Based on rating of chlorine delivery by NSF and Denora Tech.

Sanitization



AquaTrol

AquaTrol Buying Guide

Model Number	Description	Ctn. Qty.	Shipping Weight
AQ-TROL-RJ	Return jet fittings, "straight blade" line cord and outlet	1	25 lbs.
AQ-TROL-RJ-TL	Return jet fittings, twist lock line cord and outlet	1	25 lbs.
AQ-TROL-HP	Hose/pipe fittings, "straight blade" line cord and outlet	1	25 lbs.
AQ-TROL-HP-TL	Hose/pipe fittings, twist lock line cord and outlet	1	25 lbs.

To learn more about Hayward Salt Chlorination, visit haywardsalt.com

The AquaTrol Salt Chlorine Generator is designed specifically for above-ground pools up to 18,000 gallons. The AquaTrol has all the same functions and features of the AquaRite® but with a lower chlorine output. The AquaTrol also has an integral time clock for control of the pool filtration pump. Since many above ground pools already have a single electrical outlet for the filter pump, the AquaTrol is designed with an outlet (timer controlled) for the filter pump to plug into, the AquaTrol then plugs into the original outlet the filter pump was using. The AquaTrol system typically installs in less than 30 minutes and is very easy to operate.

Applications

- For all residential above-ground pools up to 18,000 gallons.
- Suitable for new above-ground pools or retrofit.

Features

- Quick and Easy 30 minute installation
- The best water quality attainable
 - ✓ soft silky feel — no more red eyes or dry skin
 - ✓ always crystal clear and ready for swimming
- Digital salt display and 7 diagnostic indicators
- Super chlorinate function
- 24 Hour timer for filter pump control
 - ✓ allows multiple pump periods per day
 - ✓ program in 15 minute increments
 - ✓ manual switch (ON-Auto-OFF)
- Microprocessor automates all functions
- ETL and CETL Listed

2 Cell Mounting Options

- "RJ" models mount the cell directly to the return jet (on the outside of the pool)
- "HP" models include fittings for hose connections or 2" PVC pipe (use standard adapters, not supplied for 1 1/2" pipe)

2 Line Cord and Outlet Options

- NEMA "straight blade" is standard
- "TL" models have twist lock line cord and outlet

Salt & Swim® 3C

AFTERMARKET SALT CHLORINATION FOR IN-GROUND POOLS

Salt & Swim 3C delivers the 3 Cs of Salt Chlorination: **Comfort, Convenience** all at a **Cost** your customers will love.

Pool owners will get unimaginable **Comfort** of silky soft water, that won't turn eyes red, dry out skin and hair or bleach clothing and toys. It's a more natural approach to chlorination that also eliminates the harsh Chlorine odor associated with factory-produced Chlorine.

Convenience means no more mixing, measuring, dispensing and lugging heavy gallons and jugs of harsh Chlorine each season. With Salt Chlorination, sanitizing pools happens automatically by converting ordinary salt into Chlorine. Day in, day out, automatically – now that's **Convenient**.

What if you could offer your customers all the **Comfort** and **Convenience** they desire, but at a savings on chlorination **Costs** of more than 50%? You can, with Salt & Swim 3C. The Salt & Swim 3C salt cell produces a ton of Chlorine, literally, but at more than half off the cost of other forms of Chlorine. A single Salt & Swim 3C Cell produces 200 lbs. of 100% available Chlorine which is equivalent to:

- 225 lbs. Trichlor (90%)
- 208 gallons of Liquid Chlorine (10%) – weighs over 1 ton

Applications

- For residential IG pools up to 30,000 gallons

Features

- Best water quality available
 - ✓ Soft, silky feel to the water
 - ✓ No more red eyes or dry skin
- Produces 200 lbs. of pure Chlorine*
- Conveniently delivers 1.2 lbs. of Chlorine a day automatically
- Operates at low flow rates (15 GPM)
- ETL and CETL Listed

NOTE: *Over its expected life



Salt & Swim 3C (Inset: Control Unit with door open)

Salt & Swim 3C Buying Guide

Model Number	Description	Ctn. Qty.	Shipping Weight
SAS	Salt & Swim 3C Control Unit (Cell sold separately)	1	18 lbs.
SAS-PRO	Professional model Salt & Swim 3C (Cell sold separately)	1	19 lbs.
SAS-CELL	Salt & Swim 3C Salt Cell 30K IG Pools	4	9 lbs.

NOTES: Salt & Swim 3C Salt Cell comes with a 1-year limited warranty from date of purchase (proof of purchase date required).

Salt & Swim 3C Control Unit is backed by a 3-year limited warranty.

Salt & Swim 3C Accessories Buying Guide

Model Number	Description	Ctn. Qty.	Shipping Weight
DIY-POLYPIPE	Salt & Swim 3C Adapter Kit for Polypipe	1	2 lbs.

Replacement Salt Cell Buying Guide

Model Number	Description	Ctn. Qty.	Shipping Weight
SAS-CELL	Salt & Swim 3C replacement Salt Cell	4	9 lbs.

Installation Notes:

1. SAS comes equipped with a 120v power cord and compression fittings for easy Do-It-Yourself Installation
2. SAS-PRO comes equipped with a 120V power cord and glued fittings

To learn more about Hayward Salt Chlorination, visit haywardsalt.com

Salt & Swim® ABG

SALT CHLORINATION FOR ABOVE-GROUND POOLS



Salt & Swim ABG

Salt & Swim ABG Buying Guide

Model Number	Description	Ctn. Qty.	Shipping Weight
SAS-ABG	Salt & Swim above ground, up to 23K gallons, 120V Power Cord, straight blade plug	1	28 lbs.

NOTE: Salt & Swim ABG comes with a 1-year limited warranty from date of purchase (proof of purchase date required).

To learn more about Hayward Salt Chlorination, visit haywardsalt.com

Hayward's Salt & Swim ABG salt chlorine generator is designed specifically for above-ground pools up to 23,000 gallons. Suitable for new pools and aftermarket applications, Salt & Swim ABG is the most convenient and cost effective way to chlorinate your above-ground pool. The Salt & Swim ABG system comes with everything needed to install it.

Installation can be done in less than 20 minutes and the operation of the unit is the simplest in the industry.

Applications

- For residential above-ground pools up to 23,000 gallons
- Suitable for new above-ground pools or retrofit

Features

- Reduces chlorine costs by 50% or more
 - ✓ Cell produces the equivalent of 155 lbs of Trichlor
- Do-it-yourself install in 20 minutes or less
- Automatically chlorinates the pool
- Prevents nuisance algae
- 120V ready – Plug and play
- Simple homeowner operation
 - ✓ Adjust chlorine output from 0–100%
- Easy to understand LED display
 - ✓ Online troubleshooting guide, if needed
- Automatic cell cleaning using reverse polarity technology
- Superchlorinate function
- Weatherproof enclosure and connections
- ETL safety certified

As the global leader in salt chlorination, Hayward provides luxuriously soft water and the most convenient sanitization method on the market to millions of pool owners around the world. With the introduction of AquaRite 900, we're taking our industry-leading technology to the next level. AquaRite 900 is designed to provide the same superior salt chlorination you expect from Hayward, but with an Extended Life TurboCell, it produces 25% more chlorine over its lifetime than our leading AquaRite system. Plus, with an industry best 4-year warranty, you can relax in the comfort of your pool completely worry-free.

Extended Life TurboCell

The Extended Life TurboCell produces 25% more chlorine over its lifetime than our leading AquaRite systems, cutting your annual chlorine costs by 50% or more to less than \$1 per pound.

Applications

- For in-ground pools up to 40,000 gallons or 25,000 gallons
- Use multiple units for larger pools

Features

- Best water quality available
 - ✓ Crystal clear water always ready for swimming
 - ✓ Soft, silky feel
 - ✓ No more red eyes or dry skin
- Simple homeowner operation
 - ✓ Adjust chlorine output from 0–100%
- NSF certified for chlorine delivery rates
- Easy to understand digital display
- Automatic cell cleaning using reverse polarity technology
- Superchlorinate function
- Single unit for 120VAC/240VAC 50/60Hz input
- Weatherproof enclosure and connections
- ETL safety certified



AquaRite 900 with Extended Life TurboCell

AquaRite 900 Buying Guide

Model Number	Description	Ctn. Qty.	Shipping Weight
AQR940*	AquaRite 900 with 40,000 gallon Extended Life TurboCell, 4 year warranty	1	24 lbs.
AQR925*	AquaRite 900 with 25,000 gallon Extended Life TurboCell, 4 year warranty	1	24 lbs.

Extended Life TurboCell Buying Guide

Model Number	Description	Ctn. Qty.	Shipping Weight
TCELL940*	Extended Life TurboCell for pools up to 40,000 gallons with 4 year warranty	1	4.3 lbs.
TCELL925*	Extended Life TurboCell for pools up to 25,000 gallons with 4 year warranty	1	4.3 lbs.

***EXPERT LINE products are not available for online resale.**

Cell	Pool Size Rating	Total pounds of free Chlorine produced (as Trichlor)
Extended Life Cell TCELL940	40,000 gallons	725 lbs.*
Extended Life Cell TCELL925	25,000 gallons	480 lbs.*

*Based on rating of chlorine delivery by NSF and Denora Tech

To learn more about Hayward Salt Chlorination, visit haywardsalt.com



AquaRite

AquaRite Chlorinator Buying Guide

Model Number	Description	Ctn. Qty.	Shipping Weight
AQR3	AquaRite with 15K gallon Cell	1	24 lbs.
AQR9	AquaRite with 25K gallon Cell	1	24 lbs.
AQR15	AquaRite with 40K gallon Cell	1	24 lbs.

AquaRite Options Buying Guide

Model Number	Description	Ctn. Qty.	Shipping Weight
E-KIT	Electrical Installation Kit	1	2 lbs.

Genuine Hayward TurboCells

Cell	Pool Size Rating	Total pounds of free Chlorine produced (as Trichlor)	Cost per pound of Chlorine
Hayward T-Cell-3	15,000 gallons	210 lbs.*	\$
Hayward T-Cell-9	25,000 gallons	385 lbs.*	\$
Hayward T-Cell-15	40,000 gallons	580 lbs.*	\$
Hayward TCell925	25,000 gallons	480 lbs.*	\$
Hayward TCell940	40,000 gallons	725 lbs.*	\$
Leading generic cell	40,000 gallons	145 lbs.	\$\$\$\$

*Based on rating of chlorine delivery by NSF and Denora Tech.

Hayward's AquaRite® is the #1 salt chlorinator in the world. It is the convenient alternative to conventional chlorine — delivering the very best in soft, silky water with no more red eyes, itchy skin, or harsh odors. It's remarkably convenient, too, automatically delivering chlorine for the ultimate swimming experience.

AquaRite is independently certified by the National Sanitation Foundation for consistent chlorine delivery rates and its reliability is backed by experienced technical and customer support teams.

With 50% or more savings over conventional chlorine, it is no wonder AquaRite is the most popular salt chlorinator on the market today.

TurboCell

AquaRite products are pre-packaged with a TurboCell. TurboCells come in three sizes — 40,000, 25,000 and 15,000 gallons. The different sizes enable you to select the right AquaRite product for the most-efficient and cost-effective chlorination possible. Compatible with extended life turbocells

Applications

- For in-ground pools up to 40,000 gallons
- Use multiple units for larger pools

Features

- Best water quality available
 - ✓ Always crystal clear and ready for swimming
 - ✓ Soft, silky feel
 - ✓ No more red eyes or dry skin
- Simple homeowner operation
 - ✓ Adjust chlorine output from 0–100%
- NSF certified for chlorine delivery rates
- Easy to understand digital display
 - ✓ Salt display and 8-diagnostic indicators
- Automatic cell cleaning using reverse polarity technology
- Superchlorinate function
- Single unit for 120VAC/240VAC 50/60 Hz input
- Weatherproof enclosure and connections
- ETL safety certified

To learn more about Hayward Salt Chlorination, visit haywardsalt.com

Professional-grade AquaRite Pro takes pool and spa sanitization and chemistry automation to new levels building upon the industry leading salt chlorinator — AquaRite®. This integrated solution automatically senses ORP and pH levels and dispenses a self-renewing supply of pure chlorine generated from salt, while controlling pH. Integrating chemistry automation with sanitization eliminates the need for an additional device on the pool pad and lowers installation costs.

Sense and Dispense®

This professional-grade ORP and pH sense and dispense technology was previously only available for commercial pools. Hayward offers an economical approach, with the same level of accuracy, for residential in-ground pools.

TurboCell®

All AquaRite Pros come equipped with a 40,000 gallon TurboCell. The cell automatically generates a self-renewing supply of fresh, pure chlorine — for water that’s clean, clear and luxuriously soft.

Applications

- Total Pool Chemistry Sense and Dispense ORP (Chlorine) and pH
- For in-ground pools up to 40,000 gallons
- Use multiple units for larger pools

Features

- Total Pool Chemistry Sense and Dispense ORP (Chlorine) and pH
- Simple homeowner operation
 - ✓ Adjust chlorine output from 1-100%
- The best water quality attainable
 - ✓ Always crystal clear and ready for swimming
 - ✓ Soft silky feel – no more red eyes or dry skin
- Microprocessor automates all functions
- Digital display
- Super chlorinate function
- Automatically cleans the cell by periodically reversing polarity
- Quick, weatherproof connections inside control door
- Single unit for 120VAC/240VAC 50/60 Hz power input
- Locking weatherproof enclosure
- ETL and CETL Listed, NSF certified



AquaRite Pro with Sense and Dispense and TurboCell (AQR15-PRO-SD)

AquaRite Pro Buying Guide

Model Number	Description	Ctn. Qty.	Shipping Weight
AQR15-PRO	AquaRite Pro with 40K gallon TurboCell	1	28 lbs.
AQR15-PRO-SD	AquaRite Pro with Sense and Dispense and 40K gallon TurboCell	1	35 lbs.

AquaRite Pro Options Buying Guide

Model Number	Description	Ctn. Qty.	Shipping Weight
E-KIT	Electrical Installation Kit	1	2 lbs.
HL-CHEM	Chemistry Kit pH and ORP Sense, ORP Dispense	1	9 lbs.
AQL-CHEM2	pH Dispense, 120V Solenoid Valve for CO ₂	1	2 lbs.
AQL-CHEM4-ACID	pH Dispense, Acid Feed System	1	24 lbs.
AQL-CHEM4-CHLOR	Liquid Chlorine Dispense System	1	24 lbs.

NOTES: All AquaRite Pros come equipped with a 40,000 gallon TurboCell. HL-CHEM, AQL-CHEM2, AQL-CHEM4-ACID, and AQL-CHEM4-CHLOR chemistry kit options available only on AquaRite Pro, OmniLogic®, ProLogic® and AquaPlus® products (see Automation).

To learn more about Hayward Salt Chlorination, visit haywardsalt.com



AquaPlus shown with both optional Sense & Dispense and AquaConnect Remote Pool Management

AquaPlus simplifies and enhances pool and spa ownership by combining control and salt chlorination into one easy-to-install, easy-to-operate package.

With AquaPlus, programming essential functions for maximum performance, effectiveness and cost-efficiency is a snap. It lets pool owners set filtration and temperature schedules: steady all week, increasing during busy weekends, or cutting back on weekdays when activity is limited. They can even control other backyard features, including patio and landscape lighting, water features and firepits. And with a variety of remote controllers, they can program and manage it all from practically anywhere; indoors, poolside or even in the pool.

Now with AquaPlus, pool owners can automate water chemistry with our integrated Sense and Dispense® option. Sense and Dispense automatically senses chlorine and pH levels and dispenses chlorine via a salt chlorination system or a liquid chlorine feed tank, and controls pH delivering the most consistent water quality possible.

AquaPlus Base System Buying Guide

Model Number	Description	Ctn. Qty.	Shipping Weight
PL-PLUS	Comes equipped with 4 relays and 3 valve outputs, manages 1 traditional heater and 1 solar heater. Also comes equipped with a salt chlorination cell for pools up to 40,000 gallons.	1	40 lbs.
PL-PLUS-16V	Comes equipped with 8 relays and 4 valve outputs, manages 2 traditional heaters and 1 solar heater. Has 8 programmable soft keys. Also comes equipped with a salt chlorination cell for pools up to 40,000 gallons.	1	40 lbs.

Options and Accessories Buying Guide

Model Number	Description	PL-PLUS	PL-PLUS-16V	Ctn. Qty.	Shipping Weight
AQL2-POD2	AquaPod® waterproof, full function, touch screen remote, wireless	X	X	1	1 lb.
AQL2-SS-RF	6 function waterproof remote, wireless	X	X	1	1 lb.
AQL2-BASE-RF	Wireless antenna	X	X	1	1 lb.
AQL2-Tx-RF-P-4	Wireless tabletop remote, White or Black	X	—	1	2 lbs.
AQL2-Tx-RF-PS16	Wireless tabletop remote, White or Black	—	X	1	2 lbs.
AQL2-Wx-RF-PS16	Wireless wall mount remote, White or Black	—	X	1	2 lbs.
AQL2-Wx-PS-16	Wired wall mount remote, White or Black	—	X	1	2 lbs.
AQL-WW-P-4	Wired wall mount remote, White	X	—	1	1 lb.
AQL-SS-6B-x	Wired 6 function spa-side remote, White or Black	X	X	1	1 lb.
AQL-SS-D-x	Wired digital spa-side remote, White or Black	—	X	1	2 lbs.
AQ-CO-HOMENET	AquaConnect Web and Wi-Fi Home Network Interface	X	X	1	2 lbs.
HL-CHEM	Chemistry Kit, pH and ORP Sense, ORP Dispense	X	X	1	9 lbs.
AQL-CHEM2	pH Dispense, 120V Solenoid Valve for CO ₂	X	X	1	2 lbs.
AQL-CHEM4-ACID	pH Dispense, Acid Feed System	X	X	1	24 lbs.
AQL-CHEM4-CHLOR	Liquid Chlorine Dispense System	X	X	1	24 lbs.
AQL-DC	Direct Connect, Submersible Luminaries	X	X	1	0.5 lb.
AQL-DIM	Dimmer Kit 120V Incandescent Lights only	X	X	1	0.5 lb.
AQL-RELAY-AC-KT	High Voltage Relay Kit (connects to valve output)	X	X	1	0.5 lb.

NOTE: When ordering wireless and/or wired remote controls, please substitute x in the item number with W (White) or B (Black).

Applications

- Any Pool or Spa System
- Chlorinator Sanitizes Pools up to 40,000 Gallons

Features

- Controls up to 4 relays, 3 valve actuators, 1 solar and 1 conventional heater
- Automatically sanitizes pools and spas
- Variable speed pump control
- Uses salt chlorination to deliver fresh chlorine when needed
- Super Chlorinate function
- Displays time, day, pool and spa temperature and ambient air
- Built-in 100A subpanel
- Built-in keypad for complete operation and programming
- Fully programmable automatic control of every output
- Easy to use buttons for manual control

Optional Chemistry Automation

- Sense and Dispense – fully integrated chemistry automation
- Continuously senses sanitization and pH levels and dynamically dispenses what the water needs
- Dispense Carbon Dioxide (CO₂) or Muriatic Acid to control pH

Optional App and Web Control

AquaConnect Remote Pool Management offers four ways to manage pool, spa and backyard control functions: Apps, Wi-Fi, Web, and select Home Automation Serial Interfaces. Enjoy 24/7 access to the AquaConnect platform through all internet and mobile device portals, as well as a serial option for integration with existing home automation systems.

Optional Remotes

- AquaPod 2.0 touchscreen, waterproof, fully programmable handheld remote
- Wired or wireless full function wall-mount displays suitable for indoor or protected outdoor use
- Wireless, full function, rechargeable tabletop
- Wireless, floating spa side remote turns on/off all major pool, spa and auxiliary functions
- Wired 6 or 8 function spa side for exterior spa side mounting

This professional-grade ORP and pH Sense and Dispense technology was previously only available for commercial pools. Hayward offers an economical approach, with the same level of accuracy, for residential pools. Unlike others on the market, Sense and Dispense, uses a proportional feed algorithm that continuously tests the water, sampling pH and sanitizer activity, adjusting chemical feeding on a basis proportional to the demand. Other approaches don't sample the water often enough and release larger doses which, is far less effective and can create highs and lows similar to a manual approach.

Adding the Sense and Dispense option to OmniLogic®, ProLogic®, AquaPlus® or AquaRite® Pro is a fully integrated solution — not an additional box that resides on your pool pad — eliminating additional installation costs. It also provides a single source for status reporting and control.

Sense and Dispense can be used to manage chlorine and/or pH. One chemistry kit senses pH and ORP and dispenses chlorine via a salt chlorine generator or a liquid chlorine feed tank. pH dispense can be achieved using a second kit which connects to a CO₂ tank or a peristaltic pump acid feed tank. Either method is effective at controlling the pH drift that naturally occurs with the use of salt chlorination.

Applications

- OmniLogic, ProLogic or AquaLogic revision 3.00 or higher
- AquaRite Pro revision 1.00 or higher

Features

- Commercial grade sensors
- Fully integrated chemistry automation
- Continuously senses sanitization and pH levels
- Integrates with Hayward Acid Feed System to dynamically control pH
- Integrates with Hayward salt chlorination systems to dynamically control chlorine
- Integrates with Hayward Liquid Chlorine Dispense System to dynamically control chlorine

For replacement parts see pages 251–255.



Sense & Dispense



Acid Feed or Liquid Chlorine Dispense Tank
 (Both SKU's come with Drip Tray)

Sense and Dispense Chemistry Automation Buying Guide

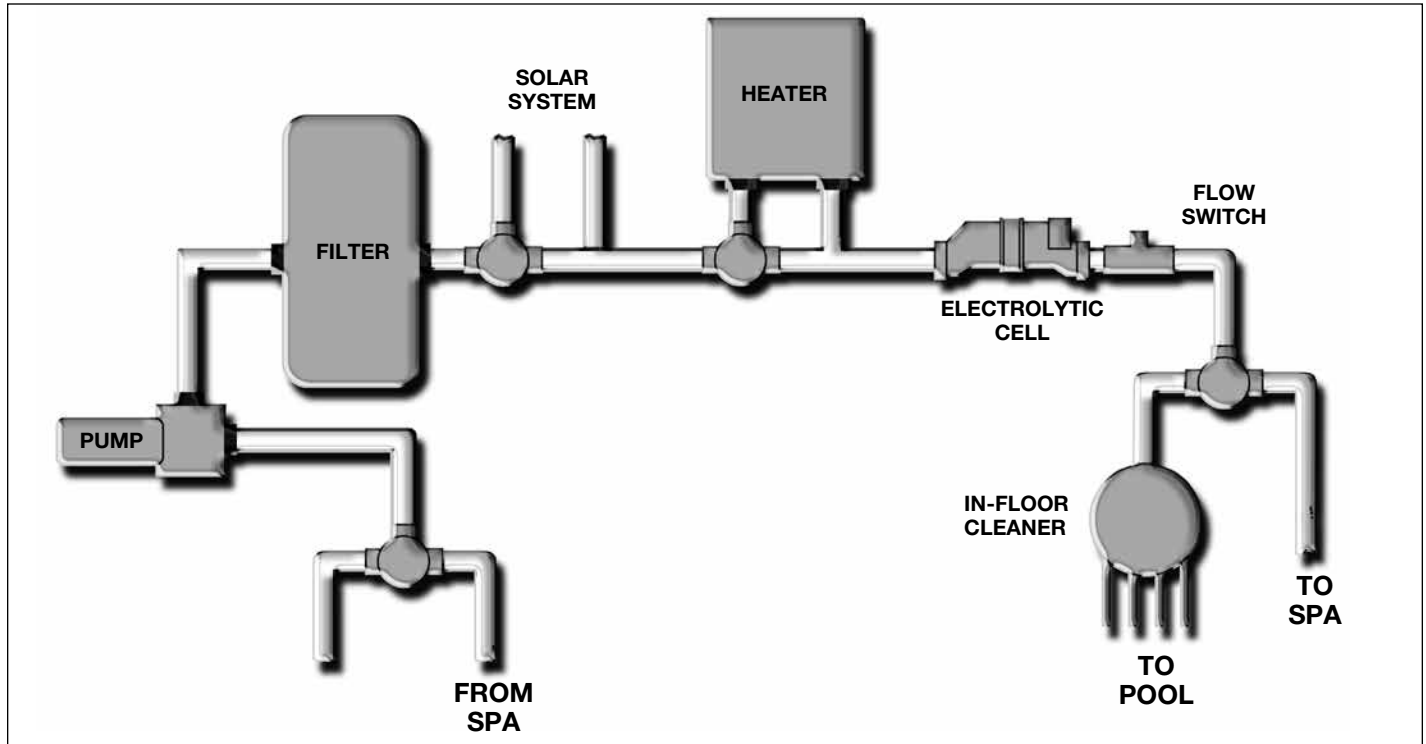
Model Number	Description	Ctn. Qty.	Shipping Weight
HL-CHEM	ORP and pH Sense, ORP Dispense (Sense and Dispense)	1	9 lbs.
AQL-CHEM2	pH Dispense, 120V Solenoid Valve for CO ₂	1	2 lbs.
AQL-CHEM4-ACID	pH Dispense, Acid Feed System	1	24 lbs.
AQL-CHEM4-CHLOR	Liquid Chlorine Dispense System	1	24 lbs.
AQL-CHEM-UPG	ProLogic and AquaLogic Upgrade Kit. Kit includes AQL-CHEM and Main Board (add AQL-CHEM2 or AQL-CHEM4 for pH dispense).	1	15 lbs.

NOTE: HL-CHEM, AQL-CHEM2, AQL-CHEM4-ACID and AQL-CHEM4-CHLOR chemistry kit options available only on AquaRite Pro, OmniLogic, ProLogic and AquaPlus products (see Automation).

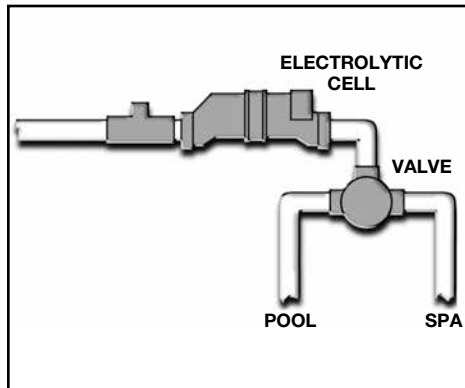
Chlorinator Cell

PLUMBING INSTALLATION

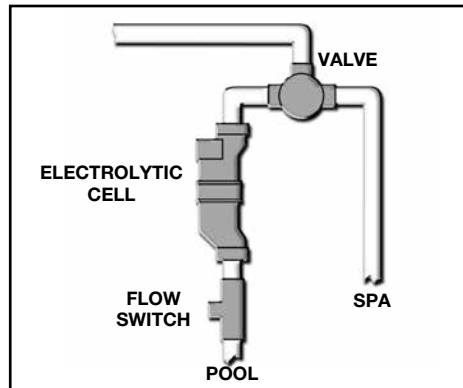
Install the cell and flow switch downstream of all existing equipment, but prior to the pool/spa return valve. The flow switch can be located immediately downstream from the cell (as shown) or can be installed with 12" of straight pipe directly before the mounting tee (option 1 below). For stand-alone installations on pool/spa systems, refer to options 2 or 3 in order to avoid possible over chlorination of the spa. For 2-speed or variable speed pumps and systems with low flow rates, refer to option 4 to ensure complete coverage of the cell electrodes during operation. Note that the chlorinator cell can be mounted in any orientation.



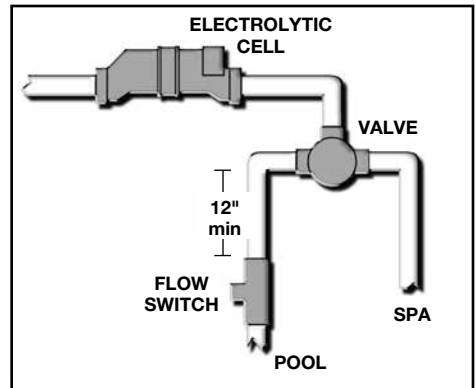
Chlorinator Cell



Optional Configuration #1

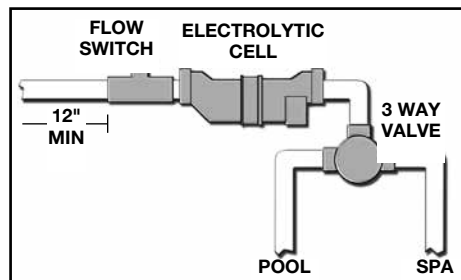


Optional Configuration #2



Optional Configuration #3

**PREFERRED INSTALLATION
WITH 2-SPEED AND V.S. PUMPS
AND SYSTEMS WITH
LOW FLOW RATES**



Hayward Salt Chlorine Generators all produce their own chlorine from a low concentration of salt dissolved into the pool water to create 100% of the pool's sanitizing needs.

Will the pool water taste salty?

No. The concentration of salt in the pool water is approximately 1/10 of the level in the ocean and is below the level of taste for most people. This level of salt is equivalent to 1 teaspoon of salt in a gallon of water. Encourage anybody who is concerned to do a "taste test".

Types of salt

Salt chlorine generators use ordinary food grade, solar salt or water softener salt. Regardless of which type of salt you chose ensure that it is at least 99% pure salt (NaCl). Never use rock salt (ice melt) or salts that have more than 1% of "anti-caking agents", "yellow prussiate of soda", or "sodium ferrocyanide" added as these compounds may cause staining of the pool. Salt is available from most distributors in 40-80 pound bags.

Amount of salt to add to the pool

Hayward and Goldline Controls-brand salt chlorine generation systems require salt levels between 2700 and 3400 ppm. This amount of salt is below the level of taste for most people and is the equivalent of 1 teaspoon of salt per gallon. Since all chlorine added to a pool eventually reverts to salt, it is very important to measure the salt level in existing pools before adding any salt.

How to use this table

1. Locate current salt level (ex. 1400 ppm)
2. Locate pool size (ex. 24,000 gallons)
3. Find intersection of these two values to determine pounds of salt needed to raise water to 3200 ppm salt.

How to add salt

After determining the amount of salt to add from the table below, hold 1 or 2 bags in reserve. Dump the remaining bags directly into the pool and brush the salt around to speed up the dissolving process. Do not allow the salt to sit in a pile at the bottom of the pool. Salt water is heavier than fresh water so the salt water will tend to accumulate at the deepest part of the pool. Run the filter system with the suction coming from the main drain for 24 hours to evenly distribute the salt throughout the pool. Note: For new plaster pools, consult with the applicator for the recommended cure time before adding salt.

Salt Display

The salt display responds slowly to rapid changes in salt level. It takes up to 24 hours of circulation for the salt to be evenly distributed in the pool. Be patient and do not over-react by adding too much salt. If the salt level is still low after 24-48 hours, add the reserve bags (see "How to add salt" above) to the pool.

Pounds of Salt Required for 3200 ppm																	
Current Salt Level (ppm)	Pool Size – Gallons																
	8,000	10,000	12,000	14,000	16,000	18,000	20,000	22,000	24,000	26,000	28,000	30,000	32,000	34,000	36,000	38,000	40,000
0	213	267	320	373	427	480	533	587	640	693	747	800	853	907	960	1013	1067
200	200	250	300	350	400	450	500	550	600	650	700	750	800	850	900	950	1000
400	187	233	280	327	373	420	467	513	560	607	653	700	747	793	840	887	933
600	173	217	260	303	347	390	433	477	520	563	607	650	693	737	780	823	867
800	160	200	240	280	320	360	400	440	480	520	560	600	640	680	720	760	800
1000	147	183	220	257	293	330	367	403	440	477	513	550	587	623	660	697	733
1200	133	167	200	233	267	300	333	367	400	433	467	500	533	567	600	633	667
1400	120	150	180	210	240	270	300	330	360	390	420	450	480	510	540	570	600
1600	107	133	160	187	213	240	267	293	320	347	373	400	427	453	480	507	533
1800	93	117	140	163	187	210	233	257	280	303	327	350	373	397	420	443	467
2000	80	100	120	140	160	180	200	220	240	260	280	300	320	340	360	380	400
2200	67	83	100	117	133	150	167	183	200	217	233	250	267	283	300	317	333
2400	53	67	80	93	107	120	133	147	160	173	187	200	213	227	240	253	267
2600	40	50	60	70	80	90	100	110	120	130	140	150	160	170	180	190	200
2800	27	33	40	47	53	60	67	73	80	87	93	100	107	113	120	127	133
3000	13	17	20	23	27	30	33	37	40	43	47	50	53	57	60	63	67
3200	ideal	ideal	ideal	ideal	ideal	ideal	ideal	ideal	ideal	ideal	ideal	ideal	ideal	ideal	ideal	ideal	ideal
3400	ok	ok	ok	ok	ok	ok	ok	ok	ok	ok	ok	ok	ok	ok	ok	ok	ok

Pool Chemistry

POOL CHEMISTRY FOR SALT CHLORINE GENERATORS

It is important to maintain salt and stabilizer levels in order to prevent scaling and to maximize system effectiveness. Test the water periodically and use standard pool industry procedures to adjust levels.

Salt 2700 to 3400 ppm

Check monthly using an independent salt test. The higher end of the salt level range lets the salt chlorine generator produce more chlorine. The salt chlorine generator will indicate when the salt level drops below 2700 ppm and it will stop operating if the salt drops to 2300 ppm or below. On most pools, the salt level tends to slowly drift downward as fresh water is added to the pool (rain or makeup water for splash-out, back-washing etc.). A good procedure is to add enough salt to be near the top of the range. Add stabilizer (see below) at the same time.

Stabilizer 30 to 50 ppm

Check monthly. Stabilizer is also known as conditioner, cyanuric acid, or isocyanuric acid. Refer to local codes regarding its use. Stabilizer helps maintain the chlorine residual in the pool by protecting it from the UV rays of the sun. Without stabilizer, the salt chlorine generator would have to produce much more chlorine in order to keep the desired residual level in the pool. This can reduce the life of the cell. Add enough stabilizer to be near the top end of the range at the same time you add salt.

Chlorine

Ideally, all of the chlorine in the pool should be “free chlorine” and there should be zero “combined chlorine.” “Free chlorine” means that it is not attached to any contaminants in the pool and is ready to attack any algae or bacteria that it comes in contact with. Note that test kits using the OTO method (yellow color) only test total chlorine and can not differentiate between “free” and “combined”. DPD test kits (red color) do allow for the testing of both total chlorine and “free chlorine”.

pH determines Chlorine effectiveness

The recommended pH range is 7.2 to 7.8. If the pool’s pH rises above the top end of the range, the sanitizing effectiveness of the chlorine can be greatly reduced. For example: The chlorine in a pool with the pH at 7.2 is approximately ten times more effective than the same amount of chlorine in a pool with the pH at 8.2.

Why is water chemistry important?

Continuous filtration, cleaning and sanitization are not enough — balancing pH (potential hydrogen) is vital. Chlorination should keep germs and algae at bay but when pH is unbalanced, it can’t do its job. Let the pH drop too low and the water becomes acidic and attacks anything it touches. When pH drifts up, the water becomes alkaline and creates an environment where mineral deposits

(scale) can form. Furthermore, when pH is high, chlorine becomes less effective at its primary task — killing bacteria and algae.

ORP (oxidation reduction potential) measures the oxidizing capacity in water. It is a proven measurement and maintenance technology mandated for commercial pool sanitization. Unlike most home-test processes, ORP is not fooled by the effects of pH, TDS (total dissolved solids) and other factors. Most home-test kits and strips only report free chlorine and other less effective forms of chlorine. Only ORP can deliver further detailed analysis of the more important free chlorine. It differentiates free chlorine’s components HOCl (hypochlorous acid) and OCl⁻ (hypochlorite ion). OCl⁻ is a slow-acting sanitizer, and HOCl is up to 300 times more effective. ORP targets HOCl, a more fine-tuned measurement of the effectiveness of chlorine and water quality.

Studies have reported on the relationship between ORP and chlorine’s activity with germs and bacteria. They’ve concluded that ORP significantly predicts water bacterial quality better than other methods. As a result, in most states, the highly regulated commercial pool industry requires ORP testing.

What is balanced water?

Water balance is composed of several key factors — pH, total alkalinity, calcium hardness and TDS. All of these factors are important, but none more so than pH. pH is a measurement of the concentration of hydrogen ions in water. It is measured using a logarithmic scale from 0 to 14, with pH 7 being neutral.

For pool water to be in balance, all factors must be in their proper range. That range may vary slightly depending on the finish of the pool and the average temperature of the pool water. The one value that never changes is pH. It must be maintained between 7.2 and 7.8 for a pool to be considered “balanced.”

TurboCell

Right-sized salt chlorination

Hayward TurboCells come in three sizes — 40,000, 25,000 and 15,000 gallons. The new sizes enable you to right-size your pool for the most-efficient and cost-effective chlorination possible. These cells are based on the proven TurboCell technology. They automatically generate a self-renewing supply of fresh, pure chlorine — for water that’s clean, clear and luxuriously soft.

Live in an arid climate?

You may need a larger cell. Contact your local pool professional for more information on right-sizing pools in arid climates.

WATER QUALITY PARAMETER	IDEAL LEVELS
Salt	2700 to 3400 ppm
Free Chlorine	1.0 to 3.0 ppm
pH	7.2 to 7.8
Cyanuric Acid (Stabilizer)	30 to 50 ppm*
Total Alkalinity	80 to 120 ppm
Calcium Hardness	200 to 400 ppm
Metals	0 ppm
Saturation Index	-0.2 to 0.2 (optimal)

NOTE: *Should be lower or even 0 for indoor pools. Follow guidance of a local pool professional.

Introducing OmniLogic—the simplest, most intuitive backyard automation system ever. Designed to be easy for the pool owner to use, while decreasing the time you spend ordering, installing, programming, training, and supporting, OmniLogic meets the needs of both you and your customer.

With OmniLogic, you can expect to:

- **Eliminate Complexity.** With the ability to easily install preconfigured programming, and an icon-based touchscreen directly on the base unit, OmniLogic can save you hours of complicated set-up time.
- **Easily Scale-up and Expand.** Easily expand all capacities and seamlessly add features— from heaters to pumps to lighting.
- **Stay Cutting Edge.** OmniLogic was designed and engineered to advance with automation technology. Our innovative system architecture allows you to easily propagate new capabilities, and install and restore configurations quickly and effortlessly.
- **Simply order and stock parts.** Modular configuration provides flexibility and ease of ordering. No other system makes it as simple for builders to order and stock parts that support any configuration.
- **Wow your Customer.** Modern, intuitive apps for iPhone®, iPad® and Android™ provide the look and feel of leading-edge consumer electronics. Adjustable favorites buttons and backyard theme functions allow your customer to not only customize, but personalize their backyard.

The performance, look and feel of an elite application is just as important as the technology behind it. OmniLogic combines the best in connectivity, versatility and energy-efficient functionality with an intuitive interface that makes the whole system simple to install, program, and use. When you choose OmniLogic, you choose the best—for you and your customer.

Applications

- Any pool or pool/spa combination
- Single and dual equipment

Standard Features

- Built-in touch display for easy configuration and programming
- Fully programmable, automatic control of every output
- 4 High-voltage relays upgradeable to 10
- 4 Valve Actuator relays upgradeable to 8
- Controls up to 16 EcoStar Pumps without using a relay
- Controls up to 5 heaters
- 125A Subpanel with 12 Breaker Slots
- 50 Configurable Favorites Buttons
- 25 Unique Programmable Themes
- Salt Chlorination Ready
- Built in Ethernet connectivity
- FREE website for backyard control from any desktop or internet device
- FREE Apps for iPhone, iPad, and Android



OmniLogic shown with free apps for iPhone and iPad, and optional Sense & Dispense®, TurboCell®, and wireless waterproof handheld remote

OmniLogic Base System Buying Guide

Model Number	Description	Ctn. Qty.	Shipping Weight
HLBASE	OmniLogic 4-Relay Base	1	63 lbs.

Options and Accessories Buying Guide

Model Number	Description	Ctn. Qty.	Shipping Weight
HLRELAYBANK	OmniLogic 4 Relay Module	1	5 lbs.
HLRELAY	OmniLogic 1 Relay Module	1	1 lb.
HLIOEXPAND	OmniLogic 4x4x4 Valves, Sensors, Inputs	1	1 lb.
HLEXPAND	OmniLogic Expansion Panel	1	63 lbs.
HLWLAN	OmniLogic Wireless Network Antenna	1	2 lbs.
HLWALLMOUNT	OmniLogic Wall-Mount Remote	1	3 lbs.
HLWIRELESS	OmniLogic Wireless Waterproof Remote	1	5 lbs.
GVA-24	Hayward Actuator, 24 Volt	1	3 lbs.
T-CELL-15	40,000 Gallon Salt Cell	1	4.3 lbs.
P-KIT	Hayward Salt Plumbing Kit	1	4.3 lbs.
HL-CHEM	OmniLogic Sense & Dispense	1	9 lbs.
AQL-CHEM4-ACID	pH Dispense, Acid Feed System, 120V	1	24 lbs.

*Discover how Hayward can help you sell more pools, more features, more everything!
Learn about the Omni Interactive Sales tool at hayward.com/interactive*

OmniLogic® 5-Step Modular Configuration Guide

CONFIGURATION GUIDE

OmniLogic's innovative system architecture makes it easier than ever to stock and order parts. This scalable automation system is made up of 5 Core SKUs and has a universal base unit that can meet the needs of virtually all pool/spa combinations.

OmniLogic Configuration Guide

1. Order OmniLogic Base Panel

Model Number	Description	Ctn. Qty.	Shipping Weight
HLBASE	OmniLogic 4-Relay Base	1	63 lbs.

The OmniLogic base panel offers fully programmable, automatic control of every output including:

- 4 High-voltage relays
- 4 Valve Actuator relays
- Controls up to 16 EcoStar Pumps without using a relay
- Controls up to 5 heaters
- 125A Subpanel with 12 Breaker Slots
- Ethernet Connection

2. Identify power control and valve needs

Ability to add a relay bank and two individual relays for a total of 6 additional relays for further feature control.

Model Number	Description	Ctn. Qty.	Shipping Weight
HLRELAYBANK	OmniLogic 4 Relay Module	1	5 lbs.
HLRELAY	OmniLogic 1 Relay Module	1	1 lb.
GVA-24	Hayward Actuator, 24 Volt	1	3 lbs.

3. Optional OmniLogic System Expansion

I/O Expansion board plugs directly into base unit and provides 4 additional valve actuating relays, 4 additional low voltage relays, and 4 additional temperature sensors. The OmniLogic Expansion panel adds an additional system panel with the same capabilities as the base unit.

Model Number	Description	Ctn. Qty.	Shipping Weight
HLIOEXPAND	OmniLogic 4x4x4 Valves, Sensors, Inputs	1	1 lb.
HLEXPAND	OmniLogic Expansion Panel	1	63 lbs.

4. Choose Remote Control

If wired Ethernet is unavailable, choose the wireless bridge for web and app use. Optional remotes include a wired full-function touchscreen wall-mount display for indoor or protected outdoor use, or a wireless waterproof full function touchscreen remote for pool, spa or indoor use. FREE website and apps are available for use on iPhone®, iPad®, and Android™.

Model Number	Description	Ctn. Qty.	Shipping Weight
HLWLAN	OmniLogic Wireless Network Antenna	1	2 lbs.
HLWALLMOUNT	OmniLogic Wall-Mount Remote	1	3 lbs.
HLWIRELESS	OmniLogic Wireless Waterproof Remote	1	5 lbs.

5. Identify Sanitization Needs

OmniLogic comes Salt-Ready—choose TurboCell® based on pool size, see page 73 for full TurboCell sizing options. Sense & Dispense® also optional for fully integrated chemistry automation.

Model Number	Description	Ctn. Qty.	Shipping Weight
T-CELL-15	TurboCell 40,000 gallons, 15' cable, 3 yr. warranty	1	4.3 lbs.
P-KIT	Hayward Salt Plumbing Kit	1	4.3 lbs.
HL-CHEM	OmniLogic Sense & Dispense	1	9 lbs.
AQL-CHEM4-ACID	pH Dispense, Acid Feed System, 120V	1	24 lbs.



GOLDLINE®

ProLogic® Total Pool Management®

POOL, SPA AND CHEMISTRY AUTOMATION

ProLogic is a Total Pool Management system that suits any backyard environment. It takes the work out of owning a pool and spa by automating all essential pool and spa functions, water chemistry with Sense and Dispense®, salt chlorination, custom light shows with Universal ColorLogic® LED lights and other backyard features like water features, lights and foggers. ProLogic gives pool owners the freedom to monitor and control their pool, spa and backyard functions using standard remotes, over their home network, or remotely using the AquaConnect app for iPhone®, iPad® and Android™. They can turn up the spa heater; adjust cleaning, filtration or lighting schedules or check out how the water's pH and sanitization levels look.

Automating variable speed and 2-speed pumps can save pool owners up to 70% on energy costs. Whether homeowners have basic pool functions or a more complex backyard, the ProLogic series offers the right level of control for any environment.

Applications

- Any pool or pool/spa combination
- Single or dual equipment

Standard Features

- Cost effective automation
- Digital display of time, day, temperature of pool/spa and ambient air
- Built-in 100A sub panel, standard
- Built-in keypad for complete operation and programming
- Controls up to 16 relays, 8 valves, 2 heaters and solar
- Fully programmable, automatic control of every output
- Programmable macros or group functions (PS Series)
- Variable speed pump control



Pick your controller, then your options.

Optional Salt Chlorination TurboCell® Sizes

- TurboCells – 15,000, 25,000 and 40,000 gallons
- Cell sizes enable home owners to right-size their pools
- Generate up to 1.45 lbs. of chlorine per day

Optional Sense and Dispense

- Sense and Dispense – fully integrated chemistry automation
- Continuously senses sanitization and pH levels and dynamically dispenses what the water needs
- Uses salt chlorination to deliver fresh chlorine when needed
- Dispense Carbon Dioxide (CO₂) or Muriatic Acid to control pH

Optional AquaConnect®

- AquaConnect offers four ways to manage pool, spa and backyard control functions: Apps, Wi-Fi, Web, and select Home Automation Serial Interfaces. Enjoy 24/7 access to the AquaConnect platform through all internet and mobile device portals, as well as a serial option for integration with existing home automation systems.

Optional Remotes

- Full function, programmable, waterproof AquaPod® 2.0
- Wired or wireless full function wall-mount displays suitable for indoor or protected outdoor use
- Wireless, full function, rechargeable tabletop
- Wireless, floating spa side remote turns on/off all major pool, spa and auxiliary functions
- Wired 6 or 8 function spa side for exterior spa side mounting



ProLogic shown with optional TurboCell, Sense and Dispense, AquaPod 2.0 and AquaConnect Remote Pool Management

ProLogic Base System Buying Guide

Model Number	Description	Ctn. Qty.	Shipping Weight
PL-P-4	4 relays, 3 valves, 1 heater, solar	1	37 lbs.
PL-PS-4	4 relays, 4 valves, 2 heaters, solar	1	37 lbs.
PL-PS-8	8 relays, 4 valves, 2 heaters, solar	1	37 lbs.
PL-PS-16	16 relays, 8 valves, 2 heaters, solar	2	74 lbs.

Options and Accessories Buying Guide

Model Number	Description	Ctn. Qty.	Shipping Weight
AQL2-POD2	AquaPod® 2.0	1	1 lb.
AQL2-SS-RF	Wireless Spa Side	1	1 lb.
AQL2-BASE-RF	Wireless Antenna	1	1 lb.
AQL2-Tx-RF-P-4*	P-4 Wireless Tabletop	1	2 lbs.
AQL2-Tx-RF-PS-4*	PS-4 Wireless Tabletop	1	2 lbs.
AQL2-Tx-RF-PS-8*	PS-8 Wireless Tabletop	1	2 lbs.
AQL2-Tx-RF-PS-16*	PS-16 Wireless Tabletop	1	1.5 lbs.
AQL2-WW-RF-PS-4	PX-4 White Wireless Wall Mount	1	1.5 lbs.
AQL2-WW-RF-PS-8	PX-8 White Wireless Wall Mount	1	1.5 lbs.
AQL2-WW-RF-PS16	PX-16 White Wireless Wall Mount	1	1.5 lbs.
AQL-WW-P-4	P-4 White Wired Wall Mount	1	1 lb.
AQL2-WW-PS-4	PS-4 White Wired Wall Mount	1	1 lb.
AQL2-WW-PS-8	PS-8 White Wired Wall Mount	1	1 lb.
AQL2-WW-PS16	PS-16 White Wired Wall Mount	1	1 lb.
AQL-SS-6B-x*	6 Function Wired Spa Side	1	3 lbs.
AQL-SS-6B-BOX	6 Function Mud Box for Cement Applications	1	3 lbs.
AQL-SS-D-x*	8 Function Digital Spa Side	1	3 lbs.
AQL-SS-D-BOX	8 Function Mud Box for Cement Applications	1	3 lbs.
	Remote Controls		

NOTE: When ordering wireless and/or wired remote controls, please substitute x in the item number with W (White) or B (Black).

FOR OTHER ACCESSORY BUYING INFORMATION, REFER TO PICK N' MIX BUYING GUIDE ON PAGE 94.



Pick N' Mix ordering system is easy — pick your controls solution, then your options. ProLogic® is a scalable, flexible line of Total Pool Management™ controls solutions that is easily customizable to suit any backyard environment — control that can be added to as the environment changes.

1. Pick your Controller

Pick N' Mix Controller Buying Guide

Model Number	Description	Ctn. Qty.	Shipping Weight
Controller			
PL-P-4	ProLogic P-4 4 relays, 3 valves, 1 heater and solar	1	37 lbs.
PL-PS-4	ProLogic PS-4 4 relays, 4 valves, 2 heaters and solar	1	37 lbs.
PL-PS-8	ProLogic PS-8 8 relays, 4 valves, 2 heaters and solar	1	37 lbs.
PL-PS-16	ProLogic PS-16 16 relays, 8 valves, 2 heaters and solar	2	74 lbs.

2. Pick your Options

Pick N' Mix Options Buying Guide

Model Number	Description	Ctn. Qty.	Shipping Weight
Salt Chlorination			
T-CELL-15	40,000 gallon TurboCell®, 15' cable, 3 year warranty	1	4.3 lbs.
T-CELL-9*	25,000 gallon TurboCell, 15' cable, 3 year warranty	1	4.3 lbs.
T-CELL-3*	15,000 gallon TurboCell, 15' cable, 3 year warranty	1	4.3 lbs.
P-KIT	Salt Chlorination Plumbing Kit (required with TurboCell for salt chlorination)	1	4.3 lbs.
Chemistry Automation			
HL-CHEM	Sense and Dispense® Chemistry Kit pH and ORP Sense, ORP Dispense	1	9 lbs.
AQL-CHEM2	Sense and Dispense Chemistry Kit pH Dispense Solenoid valve for CO ₂ , 120V	1	2 lbs.
AQL-CHEM4-ACID	pH Dispense, Acid Feed System, 120V	1	24 lbs.
AQL-CHEM-UPG	ProLogic and AquaLogic® Upgrade Kit. Kit includes AQL-CHEM and Main Board (add AQL-CHEM2 or AQL-CHEM3 for pH dispense).	1	15 lbs.
Wireless and Wired Remote Control			
AQL2-POD2	AquaPod® 2.0	1	1 lb.
AQL2-SS-RF	Wireless Spa Side	1	1 lb.
AQL2-Tx-RF-P-4	P-4 Wireless Tabletop	1	2 lbs.
AQL2-Tx-RF-PS-4	PS-4 Wireless Tabletop	1	2 lbs.
AQL2-Tx-RF-PS-8	PS-8 Wireless Tabletop	1	2 lbs.
AQL2-Tx-RF-PS-16	PS-16 Wireless Tabletop	1	2 lbs.
AQL2-WW-RF-PS-4	PS-4 White Wireless Wall Mount	1	1.5 lbs.
AQL2-WW-RF-PS-8	PS-8 White Wireless Wall Mount	1	1.5 lbs.
AQL2-WW-RF-PS16	PS-16 White Wireless Wall Mount	1	1.5 lbs.
AQL2-BASE-RF	Wireless Antenna (required with all AQL2 wireless remotes)	1	1 lb.
AQL-WW-P-4	P-4 White Wired Wall Mount	1	1 lb.
AQL2-WW-PS-4	PS-4 White Wired Wall Mount	1	1 lb.
AQL2-WW-PS-8	PS-8 White Wired Wall Mount	1	1 lb.
AQL2-WW-PS16	PS-16 White Wired Wall Mount	1	1 lb.
AQL-SS-6B-x	6 Function Wired Spa Side	1	3 lbs.
AQL-SS-6B-BOX	6 Function Mud Box for Cement Applications	1	3 lbs.
AQL-SS-D-x	8 Function Digital Spa Side	1	3 lbs.
AQL-SS-D-BOX	8 Function Mud Box for Cement Applications – Wireless and Wired Remote Controls	1	3 lbs.
Remote Pool Management via Apps, Internet, WiFi or Home Automation			
AQ-CO-HOMENET	AquaConnect® Web and Wi-Fi Home Network Interface	1	2 lbs.
AQ-CO-SERIAL**	Home Automation Interface for Crestron, AMX, Savant, Vantage and others	1	1 lb.
LED Lighting			
AQL-COLOR-MODHV**	Universal ColorLogic and ColorLogic LED Communication Module, High Voltage 120V	1	4 lbs.
AQL-DC	Direct Connect, Submersible Luminaries	1	3 lbs.
Solar			
AQ-SOL-KIT-2P	Actuator and 2" 3-Port Valve and Sensor	1	1 lb.

NOTES: When ordering wireless and/or wired remote controls, please substitute x in the item number with W (White) or B (Black).

*TurboCells require minimum ProLogic software requirement of 4.10 or greater. **PS Series only

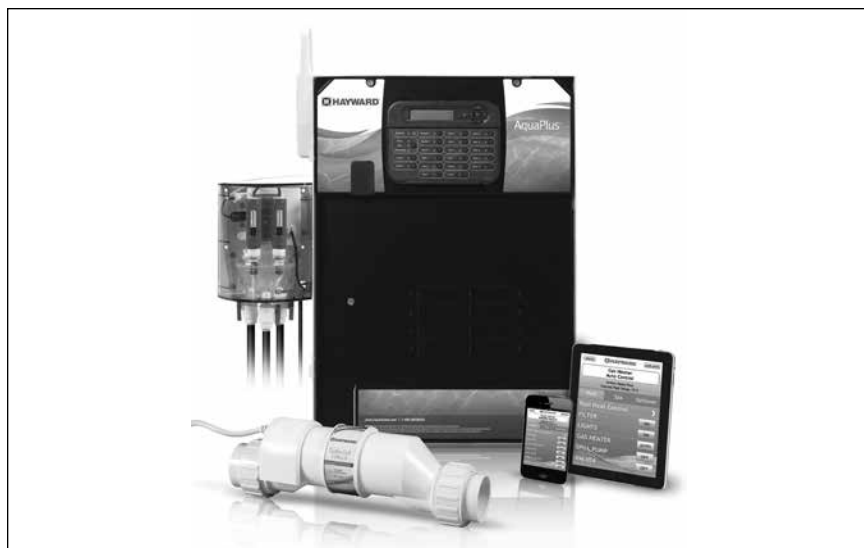
Automation



Use the chart below to select the ProLogic model that matches your system requirements.
Also refer to pages 95–100 for more information on the optional ProLogic accessories.

Feature	P-4	PS-4	PS-8	PS-16	Comments
Auxiliary relay outputs	4	4	8	16**	3HP, 120/240VAC (PS-16 in 2 enclosures)
Gas heater/heat pump control	1	2*	2*	2*	Dry contacts
Valve control	3	4*	4*	8*, **	24VAC, purchase GVA-24 valve actuators separately *Using 2nd heater disables 4th valve output **Valves 5-8 use same logic as 7-10 aux relays
Built-in subpanel	1	1	1	2	100 amps, 8 position, industry standard
Knockouts of optional GFI outlet	1	1	1	2	on side of enclosure, GFI outlet not included
Built-in display keypad	✓	✓	✓	✓	allows programming at pool equipment pad
Groups or Macros		✓	✓	✓	perform multiple functions with one button
Soft Keys					additional keys for assigning functions
AquaRite® interface	✓	✓	✓	✓	controls 1 or more AquaRites for additional chlorination
Shared equipment for pool & spa	✓	✓	✓	✓	operates pool/spa suction and return valves, allows spillover
Dual equipment for pool & spa		✓	✓	✓	solar function not available with dual equipment
Dual equipment w/shared heater		✓	✓	✓	controls a single heater to heat both pool and spa
Variable Speed Pump Control	✓	✓	✓	✓	Up to 8 pumps (based on available relays) Up to 2 pumps (with multiple speed configuration)
Filter pump timer					
1 speed filter pump	✓	✓	✓	✓	4 programmable on/off periods per day
2 speed filter pump	✓*	✓*	✓*	✓*	2 programmable high speed and low speed periods
Freeze protection	✓	✓	✓	✓	disable or enable with adjustable threshold 33-42°F *use 2 relay positions, no special 2-speed relay required
Spa timer					
Timeclock programmable	✓	✓	✓	✓	2 periods per day, spa has priority over all other functions
Manual with countdown timer	✓	✓	✓	✓	5 minutes to 21 hours
Auxiliary output functions					
programmable names		✓	✓	✓	examples: "spa jets", "blower", "water feature", etc.
manual on/off	✓	✓	✓	✓	
countdown timer (egg timer)	✓	✓	✓	✓	manual on, automatically turns off after programmed elapsed time
timeclock	✓	✓	✓	✓	24 hour timeclock, weekday/weekend capability
solar boost pump	✓	✓	✓	✓	turns on when solar heat is available
interlock function	✓	✓	✓	✓	enable/disable, output off when filter pump off or in spa-only mode
freeze protection	✓	✓	✓	✓	enable/disable for each output
Valve output functions					
manual on/off		✓	✓	✓	
countdown timer (egg timer)		✓	✓	✓	manual on, automatically turns off after programmed time
timeclock	✓	✓	✓	✓	24 hour timeclock, weekday/weekend capability
solar	✓	✓	✓	✓	turns on when solar heat is available
in-floor cleaner	✓	✓	✓	✓	30 minutes in one position, 30 minutes in the other
interlock function	✓	✓	✓	✓	enable/disable, output off when filter pump off or in spa-only mode
freeze protection	✓	✓	✓	✓	enable/disable for each output
Gas heater/heatpump control					
separate settings for pool & spa	✓	✓	✓	✓	65-104°F, with off position
heater cooldown	✓	✓	✓	✓	enable/disable, runs filter pump for 5 minutes after heater turns off
heater extend	✓	✓	✓	✓	enable/disable, extends normal filter time if pool is not up to temperature
manual off-automatic button		✓	✓	✓	
Solar control built in	✓	✓	✓	✓	enable/disable, 65-104°F, separate pool and spa settings
Optional Accessories					
Sense and Dispense®	✓	✓	✓	✓	Chemistry Automation
AquaConnect® Home Network Interface		✓	✓	✓	Remote pool management from anywhere via the Internet
AquaConnect Serial Adapter for Home Automation		✓	✓	✓	Remote pool management via select Home Automation systems
Salt Chlorination	✓	✓	✓	✓	Choose a 40K, 25K or 15K cell; plumbing kit required, includes flow switch and unions
Light hub	✓	✓	✓	✓	eliminates junction box
Universal ColorLogic® and ColorLogic® 4.0	✓	✓	✓	✓	
Wireless wall remote display/keypad			✓	✓	includes plug-in wall power supply
Wireless table top display/keypad	✓	✓	✓	✓	rechargeable battery powered
Wireless spaside remote	✓	✓	✓	✓	6 functions, waterproof, floats
Wireless antenna	✓	✓	✓	✓	required to communicate with all wireless remotes
Wired wall remote display/keypad	✓	✓	✓	✓	max. 3 per system, 4 conductor cable up to 500 ft. away
6 button spaside wired remote	✓	✓	✓	✓	control up to 6 outputs at the spa location
AquaPod® 2.0	✓	✓	✓	✓	waterproof, hand held remote control
Digital spaside wired remote			✓	✓	multi-function spaside remote with digital readout
Light dimmer "relay"	✓	✓	✓	✓	off 20-40-60-80-100%

Automation



AquaPlus shown with both optional Sense & Dispense and AquaConnect Remote Pool Management

AquaPlus Base System Buying Guide

Model Number	Description	Ctn. Qty.	Shipping Weight
PL-PLUS	Comes equipped with 4 relays and 3 valve outputs, manages 1 traditional heater and 1 solar heater. Also comes equipped with a salt chlorination cell for pools up to 40,000 gallons.	1	40 lbs.
PL-PLUS-16V	Comes equipped with 8 relays and 4 valve outputs, manages 2 traditional heaters and 1 solar heater. Has 8 programmable soft keys. Also comes equipped with a salt chlorination cell for pools up to 40,000 gallons.	1	40 lbs.

Options and Accessories Buying Guide

Model Number	Description	PL-PLUS	PL-PLUS-16V	Ctn. Qty.	Shipping Weight
AQL2-POD2	AquaPod® waterproof, full function, touch screen remote, wireless	X	X	1	1 lb.
AQL2-SS-RF	6 function waterproof remote, wireless	X	X	1	1 lb.
AQL2-BASE-RF	Wireless antenna	X	X	1	1 lb.
AQL2-Tx-RF-P-4	Wireless tabletop remote, White or Black	X	—	1	2 lbs.
AQL2-Tx-RF-PS16	Wireless tabletop remote, White or Black	—	X	1	2 lbs.
AQL2-WW-RF-PS16	Wireless wall mount remote, White	—	X	1	2 lbs.
AQL2-WW-PS-16	Wired wall mount remote, White	—	X	1	2 lbs.
AQL-WW-P-4	Wired wall mount remote, White	X	—	1	1 lb.
AQL-SS-6B-x	Wired 6 function spa-side remote, White or Black	X	X	1	1 lb.
AQL-SS-D-x	Wired digital spa-side remote, White or Black	—	X	1	2 lbs.
AQ-CO-HOMENET	AquaConnect Web and Wi-Fi Home Network Interface	X	X	1	2 lbs.
HL-CHEM	Chemistry Kit, pH and ORP Sense, ORP Dispense	X	X	1	9 lbs.
AQL-CHEM2	pH Dispense, 120V Solenoid Valve for CO ₂	X	X	1	2 lbs.
AQL-CHEM2-240	pH Dispense, 240V Solenoid Valve for CO ₂	X	X	1	2 lbs.
AQL-CHEM4-ACID	pH Dispense, Acid Feed System, 120V	X	X	1	24 lbs.
AQL-CHEM4-CHLOR	Liquid Chlorine Dispense System, 120V	X	X	1	24 lbs.
AQL-DIM	Dimmer Kit 120V Incandescent Lights only	X	X	1	0.5 lb.
AQL-RELAY-AC-KT	High Voltage Relay Kit (connects to valve output)	X	X	1	0.5 lb.

NOTE: When ordering wireless and/or wired remote controls, please substitute x in the item number with W (White) or B (Black).

AquaPlus simplifies and enhances pool and spa ownership by combining control and salt chlorination into one easy-to-install, easy-to-operate package.

With AquaPlus, programming essential functions for maximum performance, effectiveness and cost-efficiency is a snap. It lets pool owners set filtration and temperature schedules: steady all week, increasing during busy weekends, or cutting back on weekdays when activity is limited. They can even control other backyard features, including patio and landscape lighting, water features and firepits. And with a variety of remote controllers, they can program and manage it all from practically anywhere; indoors, poolside or even in the pool.

Now with AquaPlus, pool owners can automate water chemistry with our integrated Sense and Dispense® option. Sense and Dispense automatically senses chlorine and pH levels and dispenses chlorine via a salt chlorination system or a liquid chlorine feed tank, and controls pH delivering the most consistent water quality possible.

Applications

- Any Pool or Spa System
- Chlorinator Sanitizes Pools up to 40,000 Gallons

Features

- Controls up to 4 relays, 3 valve actuators, 1 solar and 1 conventional heater
- Automatically sanitizes pools and spas
- Variable speed pump control
- Uses salt chlorination to deliver fresh chlorine when needed
- Super Chlorinate function
- Displays time, day, pool and spa temperature and ambient air
- Built-in 100A subpanel
- Built-in keypad for complete operation and programming
- Fully programmable automatic control of every output
- Easy to use buttons for manual control

Optional Chemistry Automation

- Sense and Dispense – fully integrated chemistry automation
- Continuously senses sanitization and pH levels and dynamically dispenses what the water needs
- Dispense Carbon Dioxide (CO₂) or Muriatic Acid to control pH

Optional App and Web Control

AquaConnect Remote Pool Management offers four ways to manage pool, spa and backyard control functions: Apps, Wi-Fi, Web, and select Home Automation Serial Interfaces. Enjoy 24/7 access to the AquaConnect platform through all internet and mobile device portals, as well as a serial option for integration with existing home automation systems.

Optional Remotes

- AquaPod 2.0 touchscreen, waterproof, fully programmable handheld remote
- Wired or wireless full function wall-mount displays suitable for indoor or protected outdoor use
- Wireless, full function, rechargeable tabletop
- Wireless, floating spa side remote turns on/off all major pool, spa and auxiliary functions
- Wired 6 or 8 function spa side for exterior spa side mounting

AquaConnect Apps

The AquaConnect App can be downloaded to the iPhone®, iPad®, or Android®. The intuitive App streamlines the pool and spa management process, adapting what users see when using smart devices. This makes settings and adjustments easier to use, and places more simple platform navigation at your fingertips.

AquaConnect Home Network

Now pool owners and their servicers can monitor and adjust more than 100 pool functions from an office computer or over the web. AquaConnect can send automatic trouble alerts to a home Wi-Fi network or a web-enabled device Wi-Fi network or a web-enabled smart device. It's even available in a version that works with a home automation system.

AquaConnect Home Automation

With AquaConnect, there is a serial option for integration with an existing home automation system, giving pool owners the opportunity to manage an entire household via one keypad or display panel. AquaConnect Home Automation provides a seamless connection for a simplified control solution. The serial interface is compatible with home automation platforms manufactured by Crestron, AMX, Savant, and Vantage. Available for ProLogic®.

Features

- Monitor water quality and function continuously
- Monitor hundreds of sites simultaneously
- Get complete reporting and diagnostics
- Make adjustments without service calls
- Receive alerts by email and/or text message 24/7/365
- Extend the time between regularly scheduled maintenance

Some everyday possibilities with AquaConnect

- Pool owners can use mobile devices to turn lights on and off while away from home.
- Pool owners can turn up pool and spa heaters before heading home from work.
- Check on second home's pool when away.
- Receive alerts when a function goes out of the predetermined acceptable range.
- Access easy to read graphs that display trends to evaluate parameters that are important in making adjustments.



AquaConnect

AquaConnect Buying Guide

Model Number	Description	Ctn. Qty.	Ctn. Weight
AQ-CO-HOMENET	AquaConnect Home Network, Internet and Wi-Fi remote control. Minimum ProLogic 4.20 software required, minimum AquaRite Pro 1.20 software required.	1	2 lbs.
AQ-CO-SERIAL	AquaConnect Home Automation Serial Interface	1	1 lb.
AQL2-BASE-RF	Wireless antenna	1	1 lb.


AquaConnect works with the following Hayward Automation Systems:

- ProLogic (4.20 software or later required)
- AquaPlus (4.20 software or later required)
- AquaRite Pro (1.20 software or later required)
- OnCommand (1.10 software or later required)*
- E-Command 4 (1.10 software or later required)*

NOTE: *OnCommand® and E-Command® 4 require AquaConnect with software 1.10 or later and AQL2-Base with software 4.10 or later.

NOTE: Go to www.aquaconnectweb.com to activate your account. A wireless antenna is required for web access.

iPhone, iPad, iPod and iPod Touch are registered trademarks of Apple Inc.

iPhone and iPad App available from 

Android is a trademark of Google Inc. Android App available from 



AquaPod 2.0 Remote in Charger



Wireless Antenna

AquaPod Buying Guide

Model Number	Description	Ctn. Qty.	Shipping Weight
AQL2-POD2	AquaPod 2.0 touchscreen waterproof wireless remote	1	1 lb.

Wireless Base Buying Guide

Model Number	Description	Ctn. Qty.	Shipping Weight
AQL2-BASE-RF	Wireless Antenna	1	1 lb.

Take Control Right into the Water

Thanks to its over-molded sealed design and fully rechargeable battery, AquaPod 2.0 isn't just water resistant, it's completely waterproof and totally programmable. When teamed with our ProLogic®, OnCommand® or AquaPlus® pool and spa automation and controls, it offers control over everything from Chemistry Automation to Universal ColorLogic® custom light shows. No matter where you are — in the house, by the pool or in the water.

AquaPod 2.0 floats horizontally and its large 4.3" touch screen display makes finding it and viewing pool and spa functions easy — even at night.

Applications

- OnCommand Controller
- ProLogic or AquaPlus revision 2.6 or higher software
- **Wireless Antenna AQL2-BASE-RF required**

Features

- 100% Waterproof
- Built in rechargeable batteries (charging station included) can operate while charging
- Floats Horizontally
- Color LCD Display for Convenient Night-time Viewing
- Full Functional Control of Pool, Spa and Other Outdoor Features
- Multiple Heater and Chlorination Controls
- Program Macro/Group Functions
- Light Dimming Control when available
- Dual Equipment Capable
- Similar User Interface to ProLogic and AquaPlus Controls (no learning of new interface)

Wireless Antenna

Installs directly onto the side of the ProLogic, AquaPlus or OnCommand main control unit at the equipment pad and communicates with all other wireless accessories.

Applications

- Compatible with ProLogic, AquaPlus and OnCommand systems
- Only 1 wireless base required per system.



Wireless Spa Remote



Wireless Antenna

All ProLogic®, OnCommand®, E-Command® 4 and AquaPlus® wireless accessories use advanced radio communication technology to ensure reliable and secure operations over distances up to 500 ft. and up to 200 ft. through walls. In addition, each wireless base has a unique ID code to prevent any other wireless devices from operating a pool owner's system.

Wireless Spa Side Remote

The ultimate convenience—pool owners can control their system operation while sitting in the spa.

Applications

- Use with any ProLogic, AquaPlus, OnCommand or E-Command 4 systems
- **Wireless Antenna AQL2-BASE-RF required**

Features

- Waterproof, floats
- Factory installed battery provides years of use before replacement
- 6 functions
 - ✓ Filter Pump
 - ✓ Pool/Spa valves
 - ✓ Heater (on/off)
 - ✓ Lights
 - ✓ 2 Auxiliary outputs
- Allows override of heater setting
- LED to confirm communication

Wireless Antenna

Installs directly onto the side of the ProLogic, AquaPlus, OnCommand or E-Command 4 main control unit at the equipment pad and communicates with all other wireless accessories.

Applications

- Compatible with ProLogic, AquaPlus, OnCommand and E-Command 4 systems
- Only 1 wireless antenna required per system.

Wireless Spa Side Remote Buying Guide

Model Number	Description	Ctn. Qty.	Shipping Weight
AQL2-SS-RF	6 function, waterproof, floats	1	1 lb.

Wireless Antenna Buying Guide

Model Number	Description	Ctn. Qty.	Shipping Weight
AQL2-BASE-RF	Wireless Antenna	1	1 lb.

ProLogic® & AquaPlus®

WIRELESS TABLE TOP DISPLAY/KEYPAD & WIRELESS WALL MOUNT DISPLAY



Wireless Table Top Display



Wireless Wall Mount Display

Wireless Table Top Display

This portable display/keypad with rechargeable batteries allows the homeowner to control and program ProLogic or AquaPlus from anywhere around the pool area or inside the house. It operates for distances up to 500 ft. and up to 200 ft. through walls. Designed for indoor or outdoor use but must be protected from direct rain contact.

Applications

- Use with ProLogic P-4, PS-4/8/16 or AquaPlus
- Order model to match system type
- **Wireless Antenna AQL2-BASE-RF required**

Features

- Rechargeable batteries
- Available in White, some models in Black
- Manual operation of all equipment
- LED indicators indicate on/off status of all equipment
- Complete programming of automatic functions
- System Off button turns all equipment off with a single button press
- Plug-in transformer for battery charging included

Wireless Wall Mount Display/Keypad

Wireless wall mount display/keypad eliminates the expense and hassle of running a communication wire from the equipment pad into the house. It operates for distances up to 500 ft. and up to 200 ft. through walls. Uses plug-in wall transformer for power.

Applications

- Use with ProLogic PS-4/8/16
- Order model to match system type
- **Wireless Antenna AQL2-BASE-RF required**

Features

- Available in White, some models in Black
- Manual operation of all equipment
- LED indicators indicate on/off status of all equipment
- Complete programming of automatic functions
- System Off button turns all equipment off with a single button press
- Plug-in transformer for power included

Wireless Table Top Display Buying Guide

Model Number	Description	Ctn. Qty.	Shipping Weight
AQL2-TW-RF-P-4	White, for use with P-4 system, AquaPlus	1	2 lbs.
AQL2-TW-RF-PS-4	White, for use with PS-4 system	1	2 lbs.
AQL2-TW-RF-PS-8	White, for use with PS-8 system	1	2 lbs.
AQL2-TW-RF-PS-16	White, for use with PS-16 system	1	2 lbs.
AQL2-TB-RF-P-4	Black, for use with P-4 system, AquaPlus	1	2 lbs.
AQL2-TB-RF-PS-4	Black, for use with PS-4 system	1	2 lbs.
AQL2-TB-RF-PS-8	Black, for use with PS-8 system	1	2 lbs.
AQL2-TB-RF-PS-16	Black, for use with PS-16 system	1	2 lbs.

Wireless Wall Mount Display Buying Guide

Model Number	Description	Ctn. Qty.	Shipping Weight
AQL2-WW-RF-PS-4	White, for use with PS-4 system	1	1.5 lbs.
AQL2-WW-RF-PS-8	White, for use with PS-8 system	1	1.5 lbs.
AQL2-WW-RF-PS-16	White, for use with PS-16 system	1	1.5 lbs.

Wireless Antenna Buying Guide

Model Number	Description	Ctn. Qty.	Shipping Weight
AQL2-BASE-RF	Wireless Antenna	1	1 lb.

Automation

Wired 6 Button Spa Side Remote Control

The AQL-SS-6B is a 6 button remote control for use with all ProLogic or AquaPlus Pool/Spa controls.

Applications

- Use with ProLogic or AquaPlus
- Waterproof design intended to mount at spa location
- Offers configurable button functions on all P4 and PS systems (requires software version 2.4 or higher)

Features

- On/Off operation of heater and pool/spa equipment
- LED indicators show status of each function
- Allows override of heater setting
- Backlit Identification of each function – for day or night convenience
- 150 ft. cable length standard
- Can be vertically mounted on surface or flush

Wired Digital Spa Side Remote Control with Display

The AQL-SS-D is an 8 function remote control with digital readout for use with ProLogic PS Pool/Spa controls. This digital remote allows the user to control 8 pool/spa functions, set the heater temperature, and view spa/air temperatures directly from the spa location.

Applications

- Use with ProLogic PS-4/8/16
- Waterproof design intended to mount at spa location
- Offers configurable button functions on all PS systems (requires software version 2.4 or higher)

Features

- Remote adjustment of heater temperature setting
- Digital readout of pool/spa and air temperatures
- ON/OFF operation of heater and pool/spa equipment
- LED indicators show status of each function
- Allows override of heater setting
- Backlit Identification of each function – for day or night convenience
- 150 ft. cable length standard
- Can be vertically mounted on surface or flush

Wired Remote Display/Keypad

Allows control of all ProLogic or AquaPlus system functions from inside the house. Up to 3 wired remotes can be installed on any ProLogic or AquaPlus system.

Applications

- Use with ProLogic P-4, PS-4/8/16 or AquaPlus
- Order model to match system type

Features

- Manual operation of all equipment
- LED indicators indicate on/off status of all equipment
- Complete programming of automatic functions
- System Off button turns all equipment off with a single button press
- Install up to 500 ft. away from main control unit
- Uses industry standard 4 conductor cable



6 and 8 Button Wired Spa Side Remote Controls



Wired Remote Display/Keypad

Wired 6 Button Spa Side Remote Control Buying Guide

Model Number	Description	Ctn. Qty.	Shipping Weight
6 Function			
AQL-SS-6B-W	6 function, White	1	3 lbs.
AQL-SS-6B-B	6 function, Black	1	3 lbs.
AQL-SS-6B-BOX	6 function mud box for cement applications	1	3 lbs.

Wired Digital Spa Side Remote Control Buying Guide

Model Number	Description	Ctn. Qty.	Shipping Weight
8 Function			
AQL-SS-D-W	8 function wired digital spa side, White	1	3 lbs.
AQL-SS-D-B	8 function wired digital spa side, Black	1	3 lbs.
AQL-SS-D-BOX	8 function mud box for cement applications	1	3 lbs.

Wired Remote Display/Keypad Buying Guide

Model Number	Description	Ctn. Qty.	Shipping Weight
AQL-WW-P-4	White, for use with P-4 system, AquaPlus	1	1 lb.
AQL2-WW-PS-4	White, for use with PS-4 system	1	1 lb.
AQL2-WW-PS-8	White, for use with PS-8 system	1	1 lb.
AQL2-WW-PS-16	White, for use with PS-16 system	1	1 lb.

Controls

VALVE ACTUATOR



Valve Actuator

Valve Actuator Buying Guide

Model Number	Description	Ctn. Qty.	Shipping Weight
Actuator			
GVA-24	Valve actuator, 24V, .75A, 15 ft. cable	1	3 lbs.
Valve and Actuator Kits			
V&A-1P	Valve actuator + 3-port/1 1/2" valve	1	5 lbs.
V&A-2P	Valve actuator + 3-port/2" valve	1	5 lbs.
Solar Kits			
AQ-SOL-KIT-1P	Valve actuator + 3-port/1 1/2" valve + temp sensor	1	5 lbs.
AQ-SOL-KIT-2P	Valve actuator + 3-port/2" valve + temp sensor	1	5 lbs.

The GVA-24 Valve Actuator rotates 2-port and 3-port valves automatically. Use it with OmniLogic®, ProLogic®, AquaPlus®, E-Command® 4 or OnCommand® to automate pool/spa operation, cleaner operation, water features, or a variety of other uses. The industry standard configuration of the GVA-24 means that it is compatible with all major manufacturer's valves and pool automation systems. The unique cam setting feature ensures a quick and easy installation with the precise control of water flow.

For the installers' convenience, kits that combine the GVA-24 valve actuator with 3-port valves are available. For solar heating installations, solar kits are available that combine a valve actuator, 3-port valve and temperature sensor.

Applications

- Pool/Spa suction and return valves
- Water feature valves
- Cleaner valves
- Solar valves
- Any 2-port or 3-port valve

Features

- Industry standard configuration, use with any valves
- Operates 2-port or 3-port valves
- Easy to adjust cams
 - ✓ Allows actuator to be in mounted in any position
 - ✓ Up to 180 degree rotation with 12.8 degree increments
- Manual Switch
 - ✓ Mounted underneath actuator to minimize tampering
 - ✓ ON1-OFF-ON2
- Allows manual rotation in the event of a power outage
- Highest torque rating available
- 20 ft. cable with industry standard plug
- UL and CUL Listed



E-Command® 4

AUTOMATION FOR ENTRY-LEVEL POOLS AND SPAS

Control Pool or Spa Functions and Costs

E-Command 4 is the easy and cost-effective way to automate essential pool or spa functions. Control filter, pump and lighting. Automate schedules to turn lights on at night or manage an energy saving 2-speed or variable speed pump for better efficiency. Functions can be set up to run automatically or can be controlled from an optional wireless remote. The base system has a built-in electrical subpanel and supports 4 high-voltage relays, 3 valve actuators, 1 heater and solar. What ever the function, pool owners can maintain basic control of their pool or spa with E-Command 4.

Applications

- Controls single body of water – pool only, spa only or pool/spa combination with shared equipment

Features

- Built-in electrical subpanel
- Cost-effective, entry-level control and automation for single bodies of water
- Comes equipped with 4 high-voltage relays, 3 valves, 1 heater and solar
- On-board control and diagnostics displays time, day, water and air temperatures, and all control functions
- Programs easily in minutes
- Manages energy saving 2-speed or variable speed pumps (California Title 20 compliant) and other backyard functions to maximize energy savings
- LED light control

Options and Accessories

- Optional AquaConnect Web and Wifi Home Network Interface and Remote App Control
- Optional AC relay kit
- Optional sensor kit
- Optional 6-function wireless remote with a range up to 500' feet

AquaConnect Remote Pool Management

AquaConnect offers four ways to manage pool, spa and backyard control functions: Apps, Wi-Fi, Web, and select Home Automation Serial Interfaces. Customers can enjoy 24/7 access to the AquaConnect platform through all internet and mobile device portals, as well as a serial option for integration with existing home automation systems.



E-Command 4 with AquaConnect Remote Pool Management and 6-function remote

E-Command 4 Base System Buying Guide

Model Number	Description	Ctn. Qty.	Shipping Weight
HPC-4	E-Command 4 Base Controller	1	28 lbs.
HPC-4-RC	E-Command 4, 6 Function Remote	1	30 lbs.
HPC-4-ACT-RC	E-Command 4, 2 Actuators, 6 Function Remote	1	39 lbs.
HPC4-AQC	E-Command 4, Antenna, AquaConnect®	1	30 lbs.
HPC4-ACT-AQC	E-Command 4, 2 Actuators, Antenna, AquaConnect	1	37 lbs.

Options and Accessories Buying Guide

Model Number	Description	Ctn. Qty.	Shipping Weight
AQL2-SS-RF	Wireless Spa Side	1	1 lb.
AQL2-BASE-RF	Wireless Antenna	1	1 lb.
AQ-CO-HOMENET	AquaConnect Web and Wi-fi Home Network Interface	1	2 lbs.
GVA-24	Value Actuator, 24V, 75A, 15 ft. Cable	1	3 lbs.
AQ-SOL-KIT-1P	Actuator and 1 ½" 3-Port Valve and Sensor	1	1 lb.
AQ-SOL-KIT-2P	Actuator and 2" 3-Port Valve and Sensor	1	1 lb.
AQL-RELAY-AC-KT	AC Relay Kit	1	0.5 lb.



OnCommand with AquaConnect Remote Pool Management

OnCommand Buying Guide

Model Number	Description	Ctn. Qty.	Shipping Weight
ONCOM	OnCommand Base Controller	1	8 lbs.
ONCOM-ACT	OnCommand with 2 actuators	1	15 lbs.
ONCOM-RC	OnCommand with 6 button remote control and wireless antenna	1	10 lbs.
ONCOM-ACT-RC	OnCommand with 6 button remote control, 2 actuators and wireless antenna	1	17 lbs.
ONCOM-ACT-POD2	OnCommand with AquaPod 2.0 remote, 2 actuators and wireless antenna	1	10 lbs.
ONCOM-AQC	OnCommand, Antenna, AquaConnect	1	10 lbs.
ONCOM-ACT-AQC	OnCommand, 2 Actuators, Antenna, Aquaconnect	1	17 lbs.

Options and Accessories Buying Guide

Model Number	Description	Ctn. Qty.	Shipping Weight
AQL2-POD2	AquaPod® 2.0 Waterproof, Wireless, Touchscreen Remote	1	1 lb.
AQL2-SS-RF	6 Function Waterproof Remote	1	1 lb.
AQL2-BASE-RF	Wireless Antenna	1	1 lb.
AQ-CO-HOMENET	AquaConnect Web and Wi-fi home network interface	1	2 lbs.
GVA-24	Valve Actuator, 24V, 75A, 15 ft. Cable	1	3 lbs.
V&A-1P	Actuator and 1 1/2" 3-port Valve	1	5 lbs.
V&A-2P	Actuator and 2" 3-port Valve	1	5 lbs.
AQL-DIM	Dimmer Kit	1	0.5 lb.
AQL-Relay-AC-KT	High Voltage Relay Kit	1	0.5 lb.

OnCommand re-defines automation for aftermarket pools and spas.

OnCommand is a new way to bring simple and cost-effective automation to existing pools and spas. Control pump, filter, heater, cleaner, lighting and more. Automate schedules to turn lights on at night or to manage energy-saving two-speed or variable speed pumps that can save pool owners up to 70% on energy costs. OnCommand can be set to run automatically or be controlled from an optional wireless, floating remote providing the ultimate in convenience and poolside enjoyment.

Applications

- Controls single body of water—pool only, spa only and pool and spa combinations with shared equipment

Features

- Cost-effective entry-level control and automation for new or existing pools
- Designed for fast and simple installation with large and easily accessible wiring area.
- Separate and easily accessible compartments for low and high voltage areas
- Manages energy saving 2-speed or variable speed pumps (California Title 20 compliant) and other backyard functions to maximize energy savings
- Intuitive programming and easy-to-read large digital display allows you to set up the controller in minutes
- Fully featured control equipped with:
 - ✓ 4 high voltage relays
 - ✓ support for 3 motorized valves
 - ✓ 3 temperature sensors (air, water and solar)
 - ✓ 1 group function
- On-board diagnostics and separate high voltage and low voltage compartments for easy and safe servicing
- Two different floating remote control devices enable operation up to 500 feet away
- Optional AquaConnect Web and Wifi Home Network Interface and Remote App Control

AquaConnect Remote Pool Management

AquaConnect offers four ways to manage pool, spa and backyard control functions: Apps, Wi-Fi, Web, and select Home Automation Serial Interfaces. Customers can enjoy 24/7 access to the AquaConnect platform through all internet and mobile device portals, as well as a serial option for integration with existing home automation systems.



AquaSolar® – Total Solar Control System with dual digital display of pool water, solar collector and auxiliary sensor temperatures plus full system diagnostic LEDs. Single-dial adjustment lets pool owners set desired pool temperature effortlessly. Other user-customizable features include selectable high limit (from 70°F to 140°F), programmable recirculation freeze protection and nocturnal cooling.

AquaSolar® TC – AquaSolar Time Clock model provides all the capabilities of the AquaSolar plus an integral time clock for 24-hour control of the pool's main pump and filtration system. The time clock is programmable in 15-minute increments and can have multiple on/off times. There's also an exclusive solar override feature that maximizes solar gain while minimizing electricity usage.

AquaSolar® GL-235 – America's best-selling solar control is designed for easy and dependable operation. Its microprocessor-based technology ensures reliable and accurate performance. Advanced features include differential temperature control, selectable high limit, programmable recirculation freeze protection, nocturnal cooling, and optional booster pump control.

Features

- Automatically maximizes solar heat collection
- Precise, easy-to-read, calibrated temperature setting
- Electronics in UV-protected locking weatherproof enclosure
- LED indicators show status of system operations
- Automatic switching (selectable) from solar pool heating to nocturnal pool cooling
- Single-setting adjustment for desired pool/spa temperature
- Recirculation freeze protection
- Installer-programmable features for any-system adaptability
- cULus or cETLus approved

Benefits

- Quick, accurate, easy-to-set desired temperature controls
- Ensures protection from the elements; guards against tampering
- Easy to read, understand and operate
- One-control for just right automation
- Selectable option activates solar when ambient temperature nears 32°F
- Assurance of safety and performance

Application

- AquaSolar Control for pool or spa heating and cooling



AquaSolar TC



AquaSolar GL-235

AquaSolar Buying Guide

Model Number	Description	Ctn. Qty.	Ctn. Weight
Solar Pool Controls			
GL-235	AquaSolar pool control, 12/24VAC and 120/240VAC output	1	8 lbs.
AQ-SOL-LV	AquaSolar with LV output	1	25 lbs.
AQ-SOL-LV-TC	AquaSolar with LV and HV output, timeclock 3 HP relay	1	25 lbs.
GLX-RELAY	Optional 3 H.P. relay for AquaSolar HV outputs	1	1 lb.
Sensors			
SB	Bolt onto surface or strap onto pipe	1	1 lb.
PC*	Pool combo sensor (can be used as drill-in/insolation)	1	1 lb.

NOTE: *All sensors are interchangeable thermistor type: 10K ohm @ 77°F/25°C.

AquaSolar Control Combination Packages Ordering Info

How to Order:

Specify the desired valve and sensor pack to be included with the combo.

Example for:

AQ-SOL-LV control with 1 1/2"/2" 3 way positive seal valve and 2 PC sensors

ASC-**1P-A**-LV

Model Number	Description
GLC-___	GL-235 control with valve actuator and sensors
ASC-___-LV	AQ-SOL-LV control with valve actuator and sensors
ASC-___-TC	AQ-SOL-LV-TC control with valve actuator and sensors

3 Way Valve choice of:

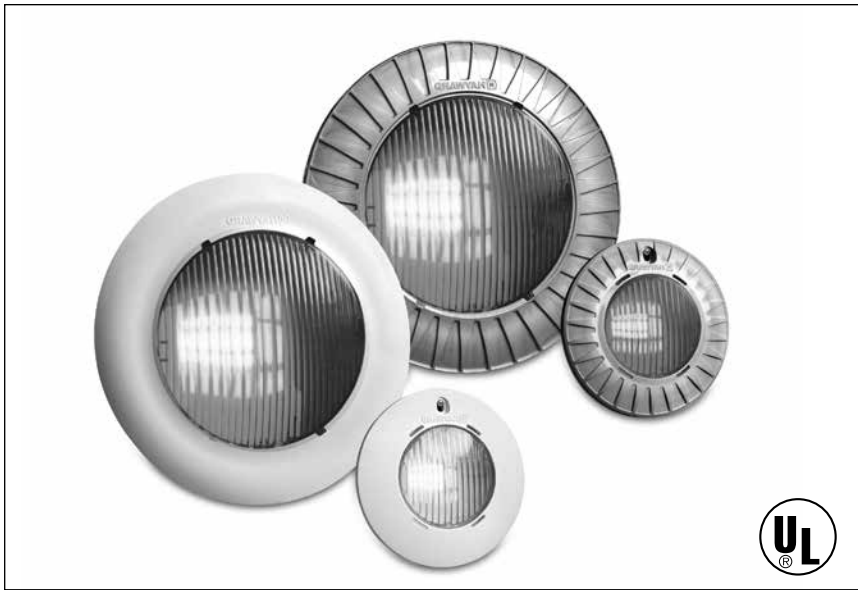
- 1P 1 1/2"/2" 3-way positive seal valve
- 2P 2"/2 1/2" 3-way positive seal valve

Sensor Pack choice of:

- A 2 PC sensors
- B 1 PC sensor, 1 SC-1/4 sensor

Universal ColorLogic®

12V LED POOL AND SPA LIGHTS



Universal ColorLogic Pool and Spa Lights

Universal ColorLogic® Buying Guide

Standard Switched Light	Hayward Automation Networked Lights	Pool or Spa	Voltage	Cord Length	Ctn. Qty.	Ctn. Weight
LPCUS11030	LPCUN11030	Pool	12	30'	1	7 lbs.
LPCUS11050	LPCUN11050	Pool	12	50'	1	9 lbs.
LPCUS11100	LPCUN11100	Pool	12	100'	1	14 lbs.
LPCUS11150	LPCUN11150	Pool	12	150'	1	19 lbs.
LSCUS11030	LSCUN11030	Spa	12	30'	1	4 lbs.
LSCUS11050	LSCUN11050	Spa	12	50'	1	6 lbs.
LSCUS11100	LSCUN11100	Spa	12	100'	1	11 lbs.
LSCUS11150	LSCUN11150	Spa	12	150'	1	16 lbs.

View amazing pool transformations at hayward.com/colorlogic

Universal ColorLogic is the first color LED pool and spa light bright enough to illuminate the millions of pools with just one light. 100% brighter than any LED pool light available, these energy-efficient lights deliver spectacular color while replacing conventional incandescent lights.

These low-voltage lights can save up to 86% on energy costs and last 10 times longer than incandescent bulbs.

Pool owners can choose from 10 solid colors and 7 dynamic, color-changing light shows to set the perfect theme for any occasion. Plus, when integrated with a Hayward Automation System, ColorLogic networked LED lights expand to offer 101 colors and 11 light shows — all adjustable for speed, motion and brightness. Discover how Hayward's brilliant pool and spa lighting can transform any backyard environment into an oasis of color.

Aftermarket

- 100% brighter than any color LED light available on the market
- Only LED pool light UL Listed for safe installation in virtually any manufacturer's niche
- Lasts 10 times longer than incandescent bulbs
- J-Box Retrofit transformer available in popular models for easy conversion
- Can convert system and install low voltage LED light in as little as 20 minutes with Hayward J-Box Retrofit kits shown on page 106.
- Use 86% less energy than typical incandescent pool lights
- Color shows that match current ColorLogic® or Pentair® SAm™ light shows – so you only have to replace one light at a time

New Construction

- Low Profile Niche doesn't require a bond, ground, GFCI breaker, rebar cage, extra dig or Scotchcast to install
- UCL Niche lowers installation costs by up to \$200 per light
- Easy Twist Lock no tool light installation
- Can be installed on the wall or in the floor in as little as 4 inches of water
- All plastic construction with no gaskets increases reliability



Universal CrystaLogic®

12V LED WHITE POOL AND SPA LIGHTS

Universal CrystaLogic® White LED Lighting represents a breakthrough technology for the illumination of any water feature or body of water. The optimized LED and optic design delivers both extraordinary lumen per watt energy efficiency and associated long lifetime cost. Our 500W equivalent LED Light is the only white LED light to deliver lumens equal to that of a 500W incandescent light. Our 300W pool equivalent delivers the same lumens as the leading competitor's claimed 500W equivalent and offers savings of 86% vs. incandescent equivalents.

CrystaLogic presents a compelling opportunity for any owner/operator to drastically cut operational cost while delivering game-changing performance. Its all-plastic construction is truly universal – it's UL listed to retrofit virtually any installed niches, allowing most lights to be upgraded. These 12V, 2-wire, all-plastic lights can be installed as close as 4 inches from the waterline, and even upward facing without a rock guard, opening a wide range of new applications.

Features and Benefits

- Brightest 100W Spa, 300W and 500W pool equivalent LED lights
- Uses up to 86% less energy than incandescent lights and lasts up to 10 times longer
- Energy and maintenance savings can deliver a payback in less than two years
- UL listed to retrofit into most manufacturers' installed inches makes CrystaLogic truly universal
- 12V, 2-wire, all-plastic construction with an unbreakable lens make these lights intrinsically safe and easy to install
- Can be installed as close as 4" from the waterline and upward facing without a rock guard, suitable for main pool/spa illumination, beach entries, steps, shelves, water features, etc.
- UCL Thin Niche provides incredible installation savings for new construction
- Multiple color trim rings available to match surface finish. Ships with white and silver luster starburst trim rings
- Visit www.haywardnet.com/calculators to use our online CrystaLogic Energy Savings Calculator to estimate total cost savings.

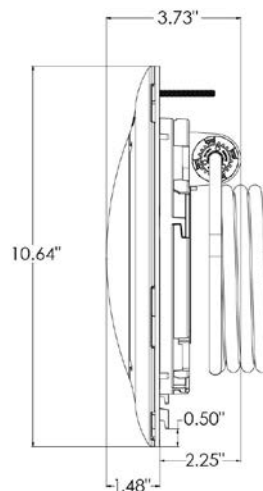


Universal CrystaLogic White LED Lights

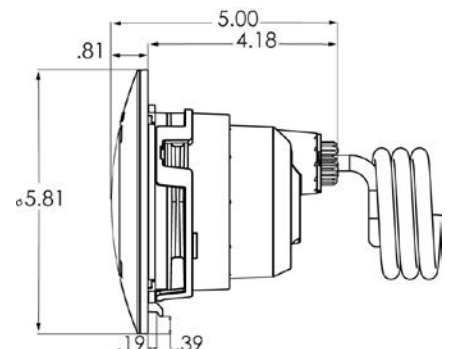
Universal CrystaLogic White LED Buying Guide

Model Number	Equivalent Brightness	Pool or Spa	Voltage	Cord Length	Ctn. Qty.	Shipping Weight
LSLUS11030	100W	Spa	12	30'	1	4 lbs.
LSLUS11050	100W	Spa	12	50'	1	6 lbs.
LSLUS11100	100W	Spa	12	100'	1	11 lbs.
LSLUS11150	100W	Spa	12	150'	1	16 lbs.
LPLUS11030	300W	Pool	12	30'	1	7 lbs.
LPLUS11050	300W	Pool	12	50'	1	9 lbs.
LPLUS11100	300W	Pool	12	100'	1	14 lbs.
LPLUS11150	300W	Pool	12	150'	1	19 lbs.
LPWUS11030	500W	Pool	12	30'	1	7 lbs.
LPWUS11050	500W	Pool	12	50'	1	9 lbs.
LPWUS11100	500W	Pool	12	100'	1	14 lbs.
LPWUS11150	500W	Pool	12	150'	1	19 lbs.

Overall Dimensions



LED Pool Light



LED Spa Light

ColorLogic® 320 & 160

12V LED POOL, SPA AND BACKYARD LIGHTS



ColorLogic 320 & 160 1.5-inch LED Lights

ColorLogic® 320 & 160 1.5-inch LED lights are ideal for discreet pool and spa lighting, or highlighting water features, baja shelves, steps, landscaping and more. Available in two brightness levels and able to be installed in wet or dry environments, these versatile lights can meet the needs of any backyard application. Featuring the same 10 fixed colors and 7 color-changing shows as Universal ColorLogic, ColorLogic 320 & 160 lights offer total color coordination of all water environments. Plus, these low-voltage LED lights use far less energy than incandescent bulbs to save your customer's money, and last up to 10 times longer, virtually eliminating service calls to replace bulbs. With ColorLogic, you can expect to offer a striking, expertly coordinated environment for all your customer's backyard occasions.

ColorLogic 320 & 160 LED Lights Buying Guide

Standard Switched Lights	Description	Ctn. Qty.	Ctn. Weight
--------------------------	-------------	-----------	-------------

High Lumen ColorLogic 320 12V LED Lights

LACUS11030	1.5-inch LED light, 30 ft. cord	1	4 lbs.
LACUS11050	1.5-inch LED light, 50 ft. cord	1	5.2 lbs.
LACUS11100	1.5-inch LED light, 100 ft. cord	1	8.2 lbs.
LACUS11150	1.5-inch LED light, 150 ft. cord	1	11.2 lbs.

Standard Lumen ColorLogic 160 12V LED Lights

LYCUS11030	1.5-inch LED light, 30 ft. cord	1	4 lbs.
LYCUS11050	1.5-inch LED light, 50 ft. cord	1	5.2 lbs.
LYCUS11100	1.5-inch LED light, 100 ft. cord	1	8.2 lbs.
LYCUS11150	1.5-inch LED light, 150 ft. cord	1	11.2 lbs.

Hayward Automation Networked Lights	Description	Ctn. Qty.	Ctn. Weight
-------------------------------------	-------------	-----------	-------------

High Lumen ColorLogic 320 LED Lights

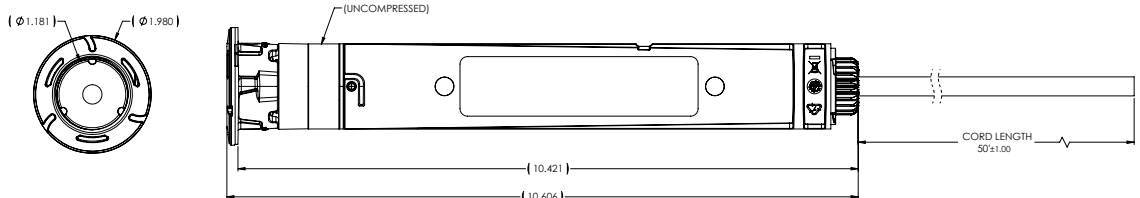
LACUN11030	1.5-inch LED light, 30 ft. cord, Networked	1	4.5 lbs
LACUN11050	1.5-inch LED light, 50 ft. cord, Networked	1	5.7 lbs
LACUN11100	1.5-inch LED light, 100 ft. cord, Networked	1	8.7 lbs
LACUN11150	1.5-inch LED light, 150 ft. cord, Networked	1	11.7 lbs.

Standard Lumen ColorLogic 160 LED Lights

LYCUN11030	1.5-inch LED light, 30 ft. cord, Networked	1	4.5 lbs
LYCUN11050	1.5-inch LED light, 50 ft. cord, Networked	1	5.7 lbs
LYCUN11100	1.5-inch LED light, 100 ft. cord, Networked	1	8.7 lbs
LYCUN11150	1.5-inch LED light, 150 ft. cord, Networked	1	11.7 lbs.

NOTE: See page 113 for accent light wall fittings

Overall Dimensions (inches)



Applications

- Pool/Spa Lighting
- Water Feature Lighting
- Wet or Dry Backyard Lighting

Features

- Easiest 1.5-inch lights to install at just 4 inches below the waterline and in as little as 8 inches* of PVC Conduit
- Ideal for lighting steps, water features, baja shelves, bubblers and more
- Can be installed wet or dry
- Lasts 10 times longer than incandescent lights
- 10 fixed colors and 7 color-changing shows
- 101 colors and 11 color-changing shows when networked with Hayward Automation Systems
- Available in two brightness levels
- UL-listed for safe wall or floor installation

View amazing pool transformations at hayward.com/colorlogic

ColorLogic® 80 & 40

12V LED POOL, SPA AND BACKYARD LIGHTS

For a sophisticated, architectural way to accent water and landscape features, Hayward's ColorLogic 80 & 40 .5" LED lights deliver rich, colorful detail. These discreet lights are designed to brighten hard-to-illuminate areas such as steps, decking, water features and more—allowing backyard creativity to shine. Easy to install in wet or dry environments, these versatile lights install in ½" PVC conduit and last 10 times longer than incandescent bulbs. Plus, ColorLogic 80 & 40s sync seamlessly with all lights in Hayward's low-voltage ColorLogic family for an expertly coordinated backyard oasis.



ColorLogic 80 & 40 .5 inch LED Lights

Applications

- Pool/Spa Lighting
- Water Feature Lighting
- Wet or Dry Backyard Lighting

Features

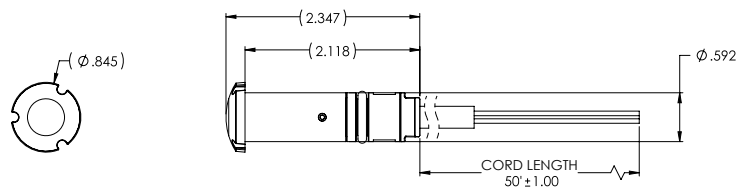
- Illuminate hard to reach areas, such as steps, water features, landscaping, decking, sun shelves, sheer cascades, waterfalls and more.
- Discreet design lets you enjoy backyard ambience without seeing the source.
- Simple to sync with the 12V ColorLogic family of lights, offering 10 fixed colors and 7 dynamic color-changing shows to match your mood.
- Compression installation provides the industry's easiest and most flexible set-up.
- Install in wet or dry environments in ½ inch PVC conduit and as little as 4 inches of water.
- 86% more efficient than typical incandescent bulbs.
- Available in two brightness levels.

ColorLogic 80 & 40 White LED Lights Buying Guide

Model Number	Description	Cord Length	Ctn. Qty.	Shipping Weight
LMCUS11050	ColorLogic 80* .5 inch LED Light – High Lumen	50 ft.	1	2.75 lbs.
LNCUS11050	ColorLogic 40* .5 inch LED Light – Standard Lumen	50 ft.	1	2.75 lbs.
LMCUSPS005	ColorLogic Driver, Switched Version	50 ft.	1	3.1 lbs.

NOTES: *Lights require LMCUSPS005 ColorLogic Driver for operation, up to 5 lights per Driver.
See page 113 for accent light wall fittings

Overall Dimensions (inches)



CrystaLogic® 320 & 160

12V LED WHITE POOL, SPA AND BACKYARD LIGHTING



CrystaLogic 320 and 160 White LED Light

CrystaLogic® 320 & 160 1.5-inch white LED lights are ideal for discreet pool and spa lighting, or highlighting water features, baja shelves, steps, landscaping and more. Available in two brightness levels and able to be installed in wet or dry settings, these versatile lights can meet the needs of any backyard application. These low-voltage LED lights use far less energy than incandescent bulbs to save your customer's money, and last up to 10 times longer, virtually eliminating service calls to replace bulbs. With CrystaLogic, you can expect to offer the best in small white lighting for the pool and spa environment.

CrystaLogic 320 & 160 White LED Lights Buying Guide

Model Number	Description	Cord Length	Ctn. Qty.	Shipping Weight
LAWUS11030	High Lumen CrystaLogic 320 12V Lights	30	1	4 lbs.
LAWUS11050	High Lumen CrystaLogic 320 12V Lights	50	1	5.2 lbs.
LAWUS11100	High Lumen CrystaLogic 320 12V Lights	100	1	8.2 lbs.
LAWUS11150	High Lumen CrystaLogic 320 12V Lights	150	1	11.2 lbs.
LYWUS11030	Standard Lumen CrystaLogic 160 12V Lights	30	1	4 lbs.
LYWUS11050	Standard Lumen CrystaLogic 160 12V Lights	50	1	5.2 lbs.
LYWUS11100	Standard Lumen CrystaLogic 160 12V Lights	100	1	8.2 lbs.
LYWUS11150	Standard Lumen CrystaLogic 160 12V Lights	150	1	11.2 lbs.

NOTE: See page 113 for accent light wall fittings

Applications

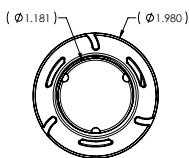
- Pool/Spa Lighting
- Water Feature Lighting
- Wet or Dry Backyard Lighting

Features

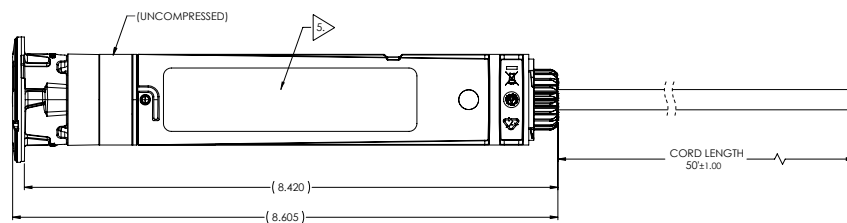
- The easiest 1.5-inch lights to install at just 4 inches below the waterline and as little as 8 inches* of PVC conduit
- Ideal for lighting steps, water features, baja shelves, bubblers and more
- Can be installed wet or dry
- Last 10 times longer than incandescent bulbs
- Available in two brightness levels and multiple cord lengths
- UL-listed for safe wall or floor installation

*Networked lights are 10 inches in length

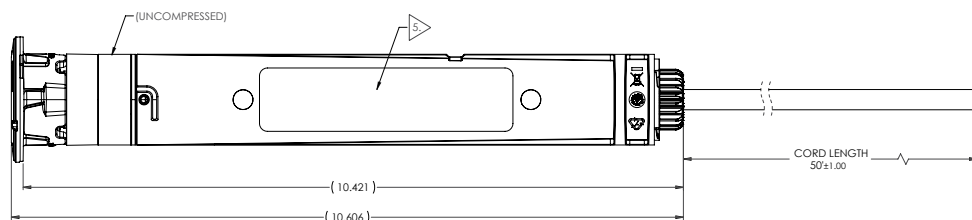
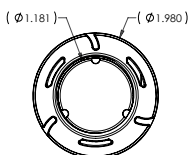
Overall Dimensions



Standard Switched Lights



Hayward Automation Networked Lights



ColorLogic® Light Controller

12V LED POOL, SPA AND BACKYARD LIGHT WALL SWITCH

The ColorLogic Light Controller puts the power of colorful, customizable low-voltage ColorLogic LED lighting at your fingertips. Turn lights on or off with the push of a button, or set a countdown timer or schedule to do so automatically. With the ColorLogic Light Controller's sleek, simple design, homeowners can instantly view and choose from 10 beautiful fixed colors and 7 color-changing light shows. When you select an option, the color or show displays in the innovative Preview window at the top of the controller so that you can see what it will look like, giving homeowners an additional level of control over their backyard ambiance.

The ColorLogic Light Controller is the only lighting controller that retrofits easily into an existing light switch, so it's easier to install than any other controller on the market. It's also compatible with Universal ColorLogic and ColorLogic 320, 160, 80 and 40 pool, spa and backyard lights, so you can completely coordinate an entire backyard.

Applications

- Control of Pool, Spa and Backyard Lighting
- Indoor or protected outdoor use

Features

- The only wall controller on the market that retrofits easily into an existing light switch.
- Innovative preview window that let's users view all ColorLogic colors and shows before choosing.
- Indicator LED lights illuminate to show the currently selected color or light show.
- Resync button allows you to easily resync lights in multiple-light installations.
- Schedule button allows you to input recurring light settings.
- Saves energy with internal lights that dim automatically.

This product ONLY WORKS WITH:

- Hayward Universal ColorLogic 12V LED Pool Light
- Hayward Universal ColorLogic 12V LED Spa Light
- Hayward ColorLogic 320, 160, 80, 40 12V LED Lights

NOTE: This product requires a neutral connection with the wall junction box.

Gang box must be a minimum of 14 cubic inches/2.75 inches deep



ColorLogic Light Controller

ColorLogic Light Controller Buying Guide

Model Number	Description	Ctn. Qty.	Shipping Weight
LKCUS1100	ColorLogic Light Controller, Standalone	6	3.6 lbs.

Voltage.....	120V
Amps.....	3A
Total Allowable Watts.....	300

Junction Boxes & Transformers

POOL, SPA, AND BACKYARD LIGHTING



Hayward Junction Box Transformer and Junction Box

Installing lights during new pool or spa construction, or converting existing lighting to low voltage has never been easier with Hayward's full line of Junction Boxes, Transformers, and J-Box Retrofit Kits. Hayward offers Junction Box Retrofit Kits for the most popular J-Boxes on the market so you can convert 120V lighting systems to low-voltage in less than 20 minutes. Plus, for new construction try our new Junction Box Transformer which has the ability to support one or two light configurations, making it the most cost-effective solution for 12V lighting.

Hayward Junction Box

Every pool, spa and backyard light whether 120V or 12V has a Junction Box. The junction box makes it easier to wire a light to the power source by bringing the connection closer to the light itself.

- Comes with strain relief to support one light or two lights
- UL-listed
- Adaptable to ¾" and 1-inch power entries
- Ideal for 120V lighting and low-voltage lighting

Hayward Junction Box Transformer

Ideal for low-voltage, new construction lighting applications, Hayward's patented J-Box Transformer design can support one or two lights from the same Junction Box, making it the most cost-effective solution for 12V lighting.

- Comes in two models—one with the ability to power one light (70W total), one with the ability to power two lights (140W total)
- Patented design, unique to Hayward
- UL-listed

Hayward Wall-Mount Transformer

Hayward's wall-mount transformer can be paired with Hayward's junction box for multi-light, new construction installations.

- UL-listed
- Includes kit for direct connection to pool or spa lights
- Can be used with various combinations of Hayward lighting option

Junction Box Retrofit Kits

Easily convert any existing 120V system to low-voltage in as little as 20 minutes using our Junction Box Retrofit Kits, available for the most popular Junction Boxes.

- Hayward, Pentair, Thermocraft, Intermatic brands available
- UL-listed

Junction Boxes & Transformers Buying Guide

Hayward Junction Box	Kits		Ctn. Qty.	Ctn. Weight
LJBUY00PP1	Hayward		1	2 lbs.

Hayward Junction Box Transformer	Kits	Watts	Ctn. Qty.	Ctn. Weight
LTBUY11H70	Hayward	70	1	4 lbs.
LTBUY11H14	Hayward	140	1	8 lbs.

Hayward Wall-Mount Transformer

LTBUY11300	Hayward	300	1	11.5 lbs.
------------	---------	-----	---	-----------

Junction Box Retrofit Kits

LRBUY11H65*	Hayward	70	1	3 lbs.
LRBUY11P65	Pentair	70	1	3 lbs.
LRBUY11T65	Thermocraft	70	1	3 lbs.
LRBUY11M65	Intermatic	70	1	3 lbs.
LRBUY11M13	Intermatic	140	1	7 lbs.

NOTE: *This kit is for Hayward Junction box models SP0680, SP0681

Universal ColorLogic and CrystaLogic Trim Rings

All Universal ColorLogic and CrystaLogic LED lights ship with Smooth White and Silver Luster Starburst trim rings. Additional rings to match your pool and spa are also available: White Starburst, Black, Blue, Beige, Dark Gray, and Commercial White.

ColorLogic and CrystaLogic 320 & 160 Trim Rings

All ColorLogic and CrystaLogic 320 & 160 LED Lights ship with dark gray wall bulkheads. Additional bulkhead colors include: black, gray and white. Bulkheads are available for gunite, fiberglass and vinyl applications.



ColorLogic Family Trim Rings

Universal ColorLogic and Universal CrystaLogic Buying Guide

Model Number	Description	Ctn. Qty.	Ctn. Weight
Pool and Spa Trim Rings			
LNBUY1000	Pool Trim Ring, Black	10	4 lbs.
LNEUY1000	Pool Trim Ring, Beige	10	4 lbs.
LNFUY1000	Pool Trim Ring, Blue	10	4 lbs.
LNGUY1000	Pool Trim Ring, Dark Gray	10	4 lbs.
LNVUY1000	Pool Trim Ring, White Burst	10	4 lbs.
LQBUY1000	Spa Trim Ring, Black	5	1 lb.
LQEUY1000	Spa Trim Ring, Beige	5	1 lb.
LQFUY1000	Spa Trim Ring, Blue	5	1 lb.
LQGUY1000	Spa Trim Ring, Dark Gray	5	1 lb.
LQZUY1000	Spa Trim Ring, Gray Luster Burst	5	1 lb.
LQVUY1000	Spa Trim Ring, White Burst	5	1 lb.
LQRUY1000	Spa Trim Ring, White	5	1 lb.
Accent Light Wall Fitting			
SP0536AF	Accent Light Wall Fitting, Gunite, White	20	5 lbs.
SP0536AFGR	Accent Light Wall Fitting, Gunite, Gray	20	5 lbs.
SP0536AFDGR	Accent Light Wall Fitting, Gunite, Dark Gray	20	5 lbs.
SP0536AFBLK	Accent Light Wall Fitting, Gunite, Black	20	5 lbs.
SP0537AF	Accent Light Wall Fitting, Fiberglass, White	20	5 lbs.
SP0537AFGR	Accent Light Wall Fitting, Fiberglass, Gray	20	5 lbs.
SP0537AFDGR	Accent Light Wall Fitting, Fiberglass, Dark Gray	20	5 lbs.
SP0537AFBLK	Accent Light Wall Fitting, Fiberglass, Black	20	5 lbs.
SP0538AF	Accent Light Wall Fitting, Vinyl, White	20	5 lbs.
SP0538AFGR	Accent Light Wall Fitting, Vinyl, Gray	20	5 lbs.
SP0538AFDGR	Accent Light Wall Fitting, Vinyl, Dark Gray	20	5 lbs.
SP0538AFBLK	Accent Light Wall Fitting, Vinyl, Black	20	5 lbs.
SP0536PR15	Accent Light Gunite Seal Ring, Gray	20	5 lbs.



ColorLogic and CrystaLogic 320 & 160 ships with an easy to use installation tool (SP0536CTOOL).

Universal ColorLogic® & Universal CrystaLogic™

FIXTURE HOUSING (NICHES)



Fixture Housing Niche

Universal ColorLogic & CrystaLogic Housing Buying Guide

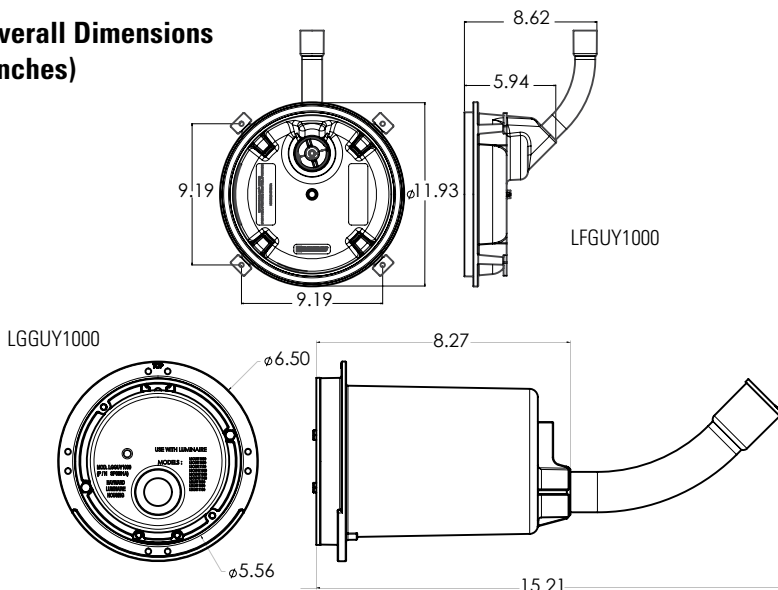
Model Number	Pool Type	Conduit Size	Conduit Outlet	Ctn. Qty.	Ctn. Weight
Pool Light Fixture					
LFGUY1000	Concrete	1" or 3/4" SKT	Rotatable at 90°	1	4 lbs.
LFVUY1000	Vinyl/Fiberglass	1" or 3/4" SKT	Rotatable at 90°	1	5 lbs.
Spa Light Fixture					
LGGUY1000	Concrete	1" or 3/4" SKT	45°, rear	1	2 lbs.

Light Compatibility Guide

UCL series niches accept the following light fixtures:

Universal ColorLogic and CrystaLogic Pool	LPCUS, LPCUN, LPLUS and LPWUS lights
Universal ColorLogic and CrystaLogic Spa	LSCUS, LSCUN and LPLUS lights

Overall Dimensions (inches)



Universal ColorLogic and CrystaLogic (UCL) Fixture Housing for new pool construction and renovations

UCL's niche differentiates itself from all other niches by providing incredible cost savings and low profile installation for new pool construction and simplicity for renovation projects.

Features – Common to all models

- All plastic lighting system eliminates the need for bonding and grounding.
- Injection-molded PVC fixture housing for corrosion-free performance
- Socket conduit connection designed for quick and simple gluing to PVC pipe. Provides a clean, reliable seal
- U.L. approved sweep elbow fitting, coupling and reducer included with UCL pool and spa niches
- All 1" outlets can quickly be converted to 3/4" with a U.L. approved reducing adapter (included)
- Internally-threaded connection for pressure testing of conduit line

Features – Pool Niche Concrete (LFGUY1000)

- UCL thin niche design can save you up to \$200 per light installation.
- Slim design eliminates the need for a re-bar light cage or secondary dig to install.
- All plastic lighting system eliminates the need for bonding, grounding, GFCI and potting per the NEC code.
- Quick and easy no tool twist lock light installation
- Deep and large plaster ledge makes it easier to get a great bond using any plaster.
- Guniting and plaster cover protect the niche and mounting area during guniting and plastering
- Unique mounting flanges make it simple to secure the niche anywhere in the re-bar during installation.
- Unique installation design, allows for cord exit to be configured at any 90 degree increment
- Easy sealing with included compression cord seal kit

Features – Spa Niche Concrete (LGGUY1000)

- UCL spa niche design lowers installation cost for each light
- All plastic lighting system eliminates the need for bonding, grounding, GFCI and potting per the NEC code.
- 3/4" set-back plaster flange with tie-off holes to secure to re-bar and assure positioning during guniting.
- Unique 90 degree ledge at the flange bottom prevents "slumping" during plastering.
- Guniting and plaster cover protect the niche and mounting threads during guniting and plastering
- This spa niche has extra space for easy coiling and storage of the additional cord.



ColorLogic® 4.0

120V POOL AND SPA LIGHTS

ColorLogic 4.0 120 Volt, color LED pool and spa lights are a terrific step up from white incandescent lights. They can last 10 times longer and are energy efficient — saving pool owners as much as 79% on their energy costs.

ColorLogic 4.0 delivers impactful nighttime ambiance with 5 fixed colors and 7 color-changing shows. When integrated with ProLogic automation, pool owners will have access to 4 additional light shows for a total of 11, plus a full spectrum of 101 colors.

Low Voltage Solution

Are you looking for a 12 Volt solution? One that is UL-listed for safe installation into virtually any manufacture's niche. Check out Universal ColorLogic LED lighting on page 115.

Applications

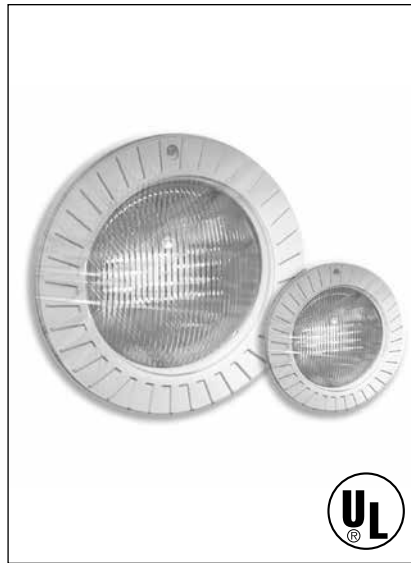
- 120 Volt color LED lighting for in-ground pools and spas

Key Bonus Features

when integrating ColorLogic 4.0 with OmniLogic and ProLogic®

- 5 fixed colors and 7 color-changing lights shows
- When networked with Hayward ProLogic Automation System, upgrade to 101 fixed colors and 11 color-changing shows — all adjustable for speed, motion and brightness.
- Speed adjustments allow light shows to be controlled with 9 different settings
- Motion control puts the lights in action to add excitement and patterns in pool and spa
- Brightness control sets the intensity of the lights from 20% to 100%
- Power line communication technology built into every light allows communication between single and groups of lights with no additional relays or wiring required
- All white light override feature for added safety
- No Moving parts.

Special Note: Hayward does not recommend the installation of 120 Volt lights with cable length above 150'. For 120 Volt lights requiring longer than 150' cable, Hayward recommends using our Junction Box LJBUY00PP1 for 3/4" conduit or LJBUY00PP1 for 1" conduit, and a light with cable length needed from the lighting fixture to the Junction Box. Lights with cords up to 200' are UL listed.



Pool and Spa Lights with plastic faceplate



Pool and Spa Lights with stainless steel faceplate

ColorLogic 4.0 LED Pool Light Buying Guide

Plastic Face Rim	Stainless Steel Face Rim	Voltage	Cord Length	Ctn. Qty.	Ctn. Weight
Line Voltage					
SP0527LED30	SP0527SLED30	120 Volt	30 ft.	1	9 lbs.
SP0527LED50	SP0527SLED50	120 Volt	50 ft.	1	11 lbs.
SP0527LED100	SP0527SLED100	120 Volt	100 ft.	1	15.5 lbs.

ColorLogic 4.0 LED Spa Light Buying Guide

Plastic Face Rim	Stainless Steel Face Rim	Voltage	Cord Length	Ctn. Qty.	Ctn. Weight
Line Voltage					
SP0535LED30	SP0535SLED30	120 Volt	30 ft.	1	8.5 lbs.
SP0535LED50	SP0535SLED50	120 Volt	50 ft.	1	10.5 lbs.
SP0535LED100	SP0535SLED100	120 Volt	100 ft.	1	15 lbs.

See Niche Chart on page 119



SP058015 AstroLite (thermoplastic)

SP0583SL30 AstroLite (stainless steel)

AstroLite Series Lights Buying Guide

Thermoplastic Face Rim Model	Stainless Steel Face Rim Model	Voltage	Wattage	Cord Length	Ctn. Qty.	Ctn. Weight
Low Voltage						
SP058015	SP0580S15	12 Volt	100 Watt	15 ft.	1	7 lbs.
SP058030	SP0580S30	12 Volt	100 Watt	30 ft.	1	8 lbs.
SP058050	SP0580S50	12 Volt	100 Watt	50 ft.	1	10 lbs.
SP058075*	SP0580S75*	12 Volt	100 Watt	75 ft.	1	12 lbs.
SP0580100*	SP0580S100*	12 Volt	100 Watt	100 ft.	1	14 lbs.
SP058115	SP0581S15	12 Volt	300 Watt	15 ft.	1	8 lbs.
SP058130	SP0581S30	12 Volt	300 Watt	30 ft.	1	10 lbs.
SP058150	SP0581S50	12 Volt	300 Watt	50 ft.	1	12 lbs.
SP058175*	SP0581S75*	12 Volt	300 Watt	75 ft.	1	14 lbs.
SP0581100*	SP0581S100*	12 Volt	300 Watt	100 ft.	1	16 lbs.
Line Voltage						
SP0582L15	SP0582SL15	120 Volt	300 Watt	15 ft.	1	7 lbs.
SP0582L30	SP0582SL30	120 Volt	300 Watt	30 ft.	1	8 lbs.
SP0582L50	SP0582SL50	120 Volt	300 Watt	50 ft.	1	10 lbs.
SP0582L75	SP0582SL75	120 Volt	300 Watt	75 ft.	1	12 lbs.
SP0582L100	SP0582SL100	120 Volt	300 Watt	100 ft.	1	14 lbs.
—	SP0584SLB30	120 Volt	400 Watt	30 ft.	1	8 lbs.
—	SP0584SLB50	120 Volt	400 Watt	50 ft.	1	10 lbs.
—	SP0584SLB75	120 Volt	400 Watt	75 ft.	1	12 lbs.
—	SP0584SLB100	120 Volt	400 Watt	100 ft.	1	14 lbs.
—	SP0584SL30	120 Volt	400 Watt	30 ft.	1	8 lbs.
—	SP0584SL50	120 Volt	400 Watt	50 ft.	1	10 lbs.
—	SP0584SL100	120 Volt	400 Watt	100 ft.	1	14 lbs.
SP0583L15	SP0583SL15	120 Volt	500 Watt	15 ft.	1	7 lbs.
SP0583L30	SP0583SL30	120 Volt	500 Watt	30 ft.	1	8 lbs.
SP0583L50	SP0583SL50	120 Volt	500 Watt	50 ft.	1	10 lbs.
SP0583L75	SP0583SL75	120 Volt	500 Watt	75 ft.	1	12 lbs.
SP0583L100	SP0583SL100	120 Volt	500 Watt	100 ft.	1	14 lbs.
—	SP0583SLB100	120 Volt	500 Watt	100 ft.	1	14 lbs.

NOTES: Models with suffix "L" are equipped with Automatic Thermal Switch (ATS). Models with suffix "B" indicate blue lens. Special cable lengths are available for all 120 Volt models above 100' in 25' increments. Special cable lengths are available for all 12 Volt models above 100' in 50' increments. Special cable orders have a non standard lead time.

Available in a choice of attractive face rim models, from an injection-molded patterned design, made of rugged, non-corrosive glass-filled polypropylene; to a smooth, machine-polished stainless steel design, AstroLite Series light fixtures come standard in a wide range of voltages, wattages, and cord lengths to satisfy any installation. Combined with Hayward's niches, no other pool lighting system provides such value.

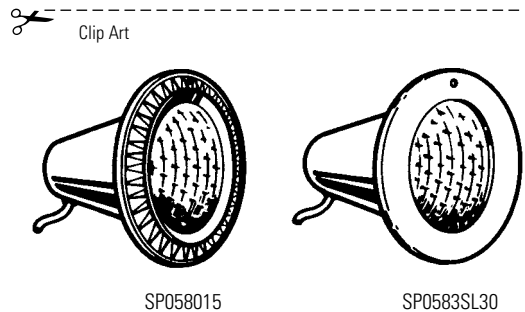
Features

- Patterned, thermoplastic or smooth, stainless steel face rim designs for corrosion-free performance
- E-Z Lock™ clamp and reflector assembly for simple relamping
- Blue lens available on SP0584 and SP0583 with stainless faceplate only. 30', 50' and 100' cord lengths.
- 12 Volt, 100 and 300 Watt; 120 Volt, 300, 400 and 500 Watt models for any installation requirement
- 100% tested for safety and quality assurance
- UL Listed

NOTE: AstroLite Series light fixtures mount in the following fixture housings (niches) only:	
SP0600U/SP0600 DuraNiche	Concrete
SP0607U/SP0607 DuraNiche	Vinyl/Fiberglass
SP0604C/SP0609C Series Stainless Steel	Concrete

NOTE: SP0600 and SP0607 Niches are no longer manufactured.

Lighting Accessories – Page 120



***Special Note:** Hayward does not recommend the installation of these 12 Volt lights with cable length above 50' (voltage available to the light is diminished to a level that significantly reduces light output). Hayward does not recommend the installation of 120 Volt lights with cable length above 150'. For 12 Volt lights requiring longer than 50' cable or 120 Volt lights requiring longer than 150' cable, Hayward recommends using our Junction Box LJBUY00PP1 for 3/4" or 1" conduit, and a light with cable length needed from the lighting fixture to the Junction Box. Lights with cords up to 200' are UL listed.

Hayward's AstroLite II series lights offers you quality, versatility and ease of use you would expect from Hayward, and does it all at a price that gives you the value you expect. AstroLite II series lights feature machine-polished stainless steel face rims, a choice of halogen lighting, and a wide range of voltages, wattages and cord lengths. Combined with Hayward's niches, they make an unparalleled value in lighting systems for all concrete or gunite spas, or for pools where a small diameter light is preferred.

Features

- Snap-on white plastic faceplate included which fits over stainless steel faceplate
- Machine polished stainless steel face rim
- E-Z Lock™ clamp and reflector assembly for simple relamping
- When used with Hayward's plastic or new stainless steel niches, provides extra space for easy coiling and storage of the relamping cord length
- Blue and red colored lens kit included, offering even greater value
- 12 Volt, 75 Watt Halogen
- 120 Volt, 100 Watt Halogen or 250 Watt Halogen
- 100% tested for safety and quality assurance
- UL Listed

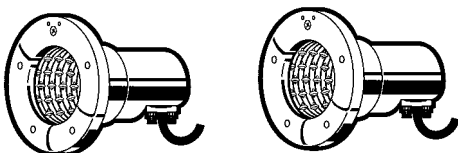
NOTE: AstroLite II Series light fixtures mount in the following fixture housing (niche) only:

SP0601U/SP0601 DuraNiche™	Concrete
SP0606C/SP0610C Series Stainless Steel	Concrete
SP0608U Jiffy Niche™	Vinyl/Fiberglass

NOTE: SP0600 and SP0607 Niches are no longer manufactured.

Lighting Accessories – Page 120

Clip Art



SP0590HSL15



SP0590HSL15 AstroLite II with SP0601 Concrete Niche

AstroLite II Series Lights Buying Guide

Model Number	Voltage	Wattage	Cord Length	Ctn. Qty.	Ctn. Weight
Low Voltage – Incandescent					
SP0590SL15	12 Volt	100 Watt	15 ft.	1	4 lbs.
SP0590SL30	12 Volt	100 Watt	30 ft.	1	5 lbs.
SP0590SL50	12 Volt	100 Watt	50 ft.	1	7 lbs.
SP0590SL75*	12 Volt	100 Watt	75 ft.	1	9 lbs.
SP0590SL100*	12 Volt	100 Watt	100 ft.	1	12 lbs.
Low Voltage – Halogen					
SP0590HSL15	12 Volt	75 Watt	15 ft.	1	4 lbs.
SP0590HSL30	12 Volt	75 Watt	30 ft.	1	5 lbs.
SP0590HSL50	12 Volt	75 Watt	50 ft.	1	7 lbs.
SP0590HSL75*	12 Volt	75 Watt	75 ft.	1	9 lbs.
SP0590HSL100*	12 Volt	75 Watt	100 ft.	1	12 lbs.
Line Voltage – Halogen					
SP0591HSL30	120 Volt	100 Watt	30 ft.	1	5 lbs.
SP0591HSL50	120 Volt	100 Watt	50 ft.	1	7 lbs.
SP0591HSL75	120 Volt	100 Watt	75 ft.	1	9 lbs.
SP0591HSL100	120 Volt	100 Watt	100 ft.	1	12 lbs.
SP0592HSL30	120 Volt	250 Watt	30 ft.	1	5 lbs.
SP0592HSL50	120 Volt	250 Watt	50 ft.	1	7 lbs.
SP0592HSL75	120 Volt	250 Watt	75 ft.	1	9 lbs.
SP0592HSL100	120 Volt	250 Watt	100 ft.	1	12 lbs.

NOTES: All AstroLite II models are equipped with an Automatic Thermal Switch (ATS).

Special cable lengths are available for all 120 Volt models above 100' in 25' increments.

Special cable lengths are available for all 12 Volt models above 100' in 25' increments.

***Special Note:** Hayward does not recommend the installation of these 12 Volt lights with cord lengths above 50' (voltage available to the light is diminished to a level that significantly reduces light output). Hayward does not recommend the installation of 120 Volt lights with cable lengths above 100'. For 12 Volt lights requiring longer than 50' cable or 120 Volt lights requiring cable longer than 100', Hayward recommends using our Junction Box LJB00PP1 for 3/4" or 1" conduit, and a light with cable length needed from the lighting fixture to the Junction Box. Lights with cords up to 200' are UL listed.

Lighting Niches

FIXTURE HOUSING (NICHE)



SP0600U DuraNiche for concrete pools (cover-up plate included – not shown)



SP0608U Jiffy Niche fixture housing and installation tool for Vinyl/Fiberglass spas

DuraNiche and Jiffy Niche Fixture Housings Buying Guide

Model Number	Pool Type	Conduit Size	Conduit Outlet	Ctn. Qty.	Ctn. Weight
SP0600U	Concrete	1" or 3/4" SKT	45°, top or rear	1	6 lbs.
SP0607U*	Vinyl/Fiberglass	1" or 3/4" SKT	45°, top or rear	1	7 lbs.

NOTE: Vinyl/Fiberglass model includes Duralon face plate, back-up ring (with drilled tabs), gaskets and screws.
*Available in Dark Gray. Add suffix DGR for Dark Gray

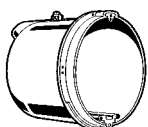
Model Number	Spa Type	Conduit Size	Conduit Outlet	Ctn. Qty.	Ctn. Weight
SP0601U	Concrete	1" or 3/4" SKT	45°, rear	1	6 lbs.
SP0608U*	Vinyl/Fiberglass	1" or 3/4" SKT	45°, rear	1	4 lbs.

NOTE: *Available in Dark Gray. Add suffix DGR for Dark Gray

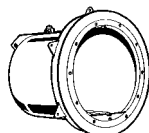
NOTE: DuraNiche series niches accept the following light fixtures:

AstroLite	SP0580, SP0580S Series
AstroLite II	SP0590S, SP0590HS Series
ColorLogic 4.0	SP0527 and SP0535 Series
Universal ColorLogic	LPCUS, LPCUN, LSCUS, LSCUN
Universal CrystaLogic	LPLUS, LPWUS, LSLUS

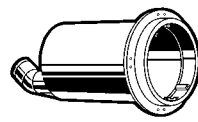
✂ Clip Art



SP0607U



SP0601U



Jiffy Niche™ and DuraNiche™ fixture housings are injection-molded of PVC for superior performance, non-corrosive durability and plumbing versatility — plus the lowest installed cost. DuraNiche comes in for concrete/gunite pools, vinyl/fiberglass pools, or for concrete/gunite spas. When paired with Hayward's AstroLite™, ColorLogic 4.0, Universal ColorLogic® or Universal CrystaLogic™ lighting fixtures, you have the best quality and value in a lighting system available anywhere.

Features – Common to all models

- Injection-molded PVC fixture housing for corrosion-free performance
- Socket conduit connection designed for quick and simple gluing to PVC pipe. Provides a clean, reliable seal
- U.L. approved sweep elbow fitting, coupling and reducer, included in SP0600U, SP0607U and SP0601U, meet the highest standard and provide the most convenient installation
- All SP0600U and SP0607U niches have a 45° 1" outlet, which can be adjusted for top or rear conduit connection using the 45° U.L. approved sweep elbow (included). The SP0601U niche has a 1" rear outlet, which can be adjusted to 45°
- All 1" outlets can quickly be converted to 3/4" with a U.L. approved reducing adapter (included)
- All SP0600U and SP0607U have easily accessible connections for grounding/bonding
- Internally-threaded connection for pressure testing of conduit line
- UL Listed
- Complies with NEC 2002 with over 9 square inches of bonding surface area

(SP0600U and SP0601U)

- 3/4" set-back plaster flange with tie-off holes to secure to re-bar and assure positioning during guniting
- Unique 90° ledge at the flange bottom prevents "slumping" during plastering
- Cover plate, included with each niche, protects the niche and mounting threads during guniting
- The SP0601 small diameter niche has extra space for easy coiling and storage of the relamping cord

Features – Vinyl/Fiberglass

(SP0607U)

- Attractive, injection-molded Duralon™ face rim assembly for corrosion-free performance
- Fits all standard punch designs, no tooling modifications are required
- Incorporates the dependability of Hayward's proven wall panel sealing method

(SP0608U)

- Spacious, small niche
- Screw on mounting nut design. No screws required to mount through pool wall.
- Standard 6" hole size
- Comes with installation tool

For replacement parts see pages 306–309.

Lighting Niches

STAINLESS STEEL NICHES

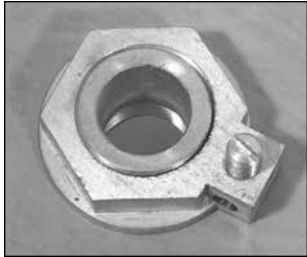
Hayward's stainless steel niches are built from solid, non-corrosive stainless steel. When combined with Hayward Astrolite™, Astrolite II™, ColorLogic® 2.5/4.0, Universal ColorLogic or Universal CrystaLogic™ you have the best value available.

Features

- Unibody construction (no front ring) ensures a secure, watertight seal
- No spot welds
- Both large and small niches are available with rear or side mount connection
- UL Listed
- Complies with NEC 2002 with over 9 square inches of bonding surface area
- Gunite shield can be used to protect the niche or can be reversed to protect the light



SP0610C (Inset – Unibody Construction)



Threaded nut and bolt are not welded

Stainless Steel Fixture Housing Buying Guide

Model Number	Pool Type	Conduit Size	Conduit Outlet	Carton Weight
Large Niches				
SP0604C	Concrete	1/2"	Side	2.1 lbs.
SP0604C1	Concrete	1"	Side	2.1 lbs.
SP0604C4	Concrete	3/4"	Side	2.1 lbs.
SP0609C	Concrete	1/2"	Rear	2.1 lbs.
Small Niches				
SP0610C	Concrete	1/2"	Side	4.3 lbs.

Hayward Pool Products Light to Niche Matrix			NICHES	LFGUY1000	LGGUY1000	LFVUY1000	SP0500S	SP0600A & 600U	SP0601A & 601U	SP0604C & SP0609C	SP0610C	SP0607U	SP0608U
LIGHTS	SPECS	Pool Type	SPECS	2.75" deep			5.5" deep						6" round
			Pool Type	C	C	C	C	C	C	C	C	V	V/FG
			Material	Plastic	Plastic	Plastic	Copper	Plastic	Plastic	S.S.	S.S.	Plastic	Plastic
LPCxx/LPLxx, LPWxxx	Universal ColorLogic/ CrystaLogic Pool	All		X		X		X		X		X	
LSCxx/LSLxx	Universal ColorLogic/ CrystaLogic Pool	All			X				X		X		X
SP0501/502	Sealed Beam 12V						X						
SP0503	400W: 110-120V	C					X						
SP0520	ColorLogic 2.5/4.0 Pool	C						X		X		X	
SP0530	ColorLogic 2.5/4.0 Spa	All							X		X		X
SP570N	Replacements 10" mounting diameter	All						*					
SP0580's	Standard 9.375" mounting diameter	All								X		X	
SP0590's	Spa (small) light	All							X		X		X

NOTES: *New lights are only UL listed when installed with a Hayward niche. Models SP0502xx and SP0503xx are no longer UL listed. They are produced for replacement only. Models SP501, SP502 and SP503 utilize a bronze mounting rim (SP0503H).

SP0570 Series lights are direct replacements for older SP0540 and SP0560 Series lights. As of 2004, niches 600 will not accept 570 lights because there is no place for the lower shoulder screw. If a new niche is needed, replace niche and light fixture using the 580 Series lights.

Lighting

REPLACEMENT LIGHTS AND ACCESSORIES



SP0570N50 DuraLite Replacement Light

Hayward replacement lights are available in minimum cord lengths of 50 ft. Longer cord lengths are available in increments of 50 ft., but please note that a special order applies. Hayward's multi-colored lens kits add an elegant touch to pool and spa lighting, to create a special effect or a special mood. Our U.L. approved junction boxes provide a convenient way to wire virtually any light installation.

Replacement Lights Buying Guide

Model Number	Voltage	Wattage	Cord Length	Ctn. Qty.	Ctn. Weight
Low Voltage					
SP0570N50*	12 Volt	100 Watt	50 ft.	1	11 lbs.
SP0571N30	12 Volt	300 Watt	30 ft.	1	13 lbs.
SP0571N50	12 Volt	300 Watt	50 ft.	1	16 lbs.
SP050250**	12 Volt	300 Watt	50 ft.	1	19 lbs.
Line Voltage					
SP0572LN50	120 Volt	300 Watt	50 ft.	1	12 lbs.
SP0573LN50	120 Volt	500 Watt	50 ft.	1	12 lbs.
SP0503100**	120 Volt	400 Watt	100 ft.	1	15 lbs.

NOTES: All above lights are for replacement only and are not intended for new code installations.

*SP0570 replaces SP0560 model.

**SP0502 and SP0503 are no longer UL listed.

Model Number	Description	Ctn. Qty.	Ctn. Weight
Accessories			
SP0580L	Select-a-Color Lens Kit. For AstroLite, DuraLite and StarLite. Includes: one each – amber, light blue, dark blue and red snap-on lens	12	12 lbs.
SPX0590K	Blue and red replacement lens kit for AstroLite II	12	5 lbs.
SP0580LLB	Light Blue Lens Cover only	50	9 lbs.
LJBUY00PP1	3/4" or 1" pipe size	1	1.32 lbs.

NOTES: Models with suffix "L" are equipped with an Automatic Thermal Switch (ATS)

Special cable lengths are available for all 12 Volt replacement models above 50' in 50' increments.

Special cable lengths are available for all 120 Volt replacement models above 50' in 50' increments.

Special Note: Hayward does not recommend the installation of these 12 Volt lights with cord lengths above 50' (voltage available to the light is diminished to a level that significantly reduces light output). Hayward does not recommend the installation of 120 Volt lights with cable lengths above 150'. For 12 Volt lights requiring longer than 50' cable or 120 Volt lights requiring longer than 150' cable, Hayward recommends using our Junction Box LJBUY00PP1 for 3/4" or 1" conduit, and a light with cable length needed from the lighting fixture to the Junction Box. 12 Volt lights with more than 100' cable or 120 Volt lights with more than 150' cable are not UL listed.

NOTE: DuraLite Series light fixtures mount in the following fixture housings (niches) only:	
SP0600U DuraNiche™	Concrete
SP0607U DuraNiche	Vinyl/Fiberglass
SP0555 Series (Stainless Steel)*	Concrete
SP0506/SP0507 Series (Stainless Steel)*	Vinyl/Fiberglass

*no longer manufactured

Hayward Light/Niche Matrix

Please refer to page 119

Hayward's Elite Underwater Quartz is specifically engineered for installation in above-ground pools. The optical lens disburse the light for full pool coverage. The through-the-wall in-ground design can be installed anywhere around the pool for optimum lighting and doesn't interfere with the pool's filtration. The multi-colored lens kit adds an elegant touch to the pool's lighting, to create a special effect or enhance the mood. The light housing comes pre-wired with 25 feet of cord and a 120V/12V transformer with on/off switch. The Hayward Elite Underwater Quartz Halogen Flood Light is packed with features at a value price!

Features

- Efficient, low-voltage, 50 Watt halogen light. Increases safety, fun, appearance and pool use!
- Position the light anywhere around the pool. Flexible 360°, wall positioning. Through-wall, in-ground design.
- Allows proper water circulation. Does not interfere with filtration.
- Mood enhancing color lens kit included.
- Easy, do-it-yourself installation. Kit includes: Light, pre-wired 12 Volt transformer with on/off switch, 25 ft. cord, wall cutting tool and color lenses.



SP056525 (Installed)



SP056525 (Kit Components)

Elite Quartz Halogen Flood Light Buying Guide

Model Number	Voltage	Wattage	Cord Length	Ctn. Qty.	Ctn. Weight
SP056525	120 Volt/12 Volt transformer	50 Watt	25 ft.	6	55 lbs.

Replacement Parts Buying Guide

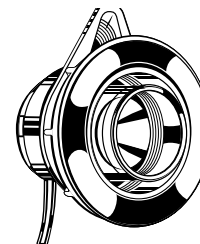
Model Number	Description	Ctn. Qty.	Ctn. Weight
SPX0565Z1	Replacement 12 Volt/50 Watt halogen lamp with reflector	20	2.5 lbs.
SPX0565B	Lens	1	1 lb.
SPX0565G	Gasket	10	1 lb.
SPX0565L	Color Filter Kit (3 lenses)	5	1 lb.

(sets of 3)

Clip Art



SP056525



SP056525

Illuminated Water Features

COLORLOGIC® BUBBLER



ColorLogic Bubbler

ColorLogic Bubbler Buying Guide

Model Number	Description	Ctn. Qty.	Ctn. Weight
WFB100	ColorLogic Bubbler	1	9 lbs.
WFBCUS1100	ColorLogic Bubbler with 100 ft. ColorLogic 320	1	12 lbs.

Optional Accessories

GLX-BKT-GR	Bubbler Kit, Gray	1	5 lbs.
GLX-BKT-DG	Bubbler Kit, Dark Gray	1	5 lbs.
GLX-BKT-WT	Bubbler Kit, White	1	5 lbs.
GLX-BLN-GR	Nozzle Kit, Gray	1	7 lbs.
GLX-BLN-DG	Nozzle Kit, Dark Gray	1	7 lbs.
GLX-BLN-WT	Nozzle Kit, White	1	7 lbs.
GLX-BTOOL	Bubbler Replacement Tool	1	5 lbs.

The ColorLogic® Bubbler creates a cascading column of water that when matched with Hayward's ColorLogic Lighting creates the ultimate in backyard ambiance.

The ColorLogic Bubbler is easy to customize with the ability to change outer ring colors. In addition, Hayward offers the industry's best plume height at 12" creating a wider variety of installation options.

Features

- **Synchronize your Lighting:** Illuminate the ColorLogic Bubbler utilizing ColorLogic or CrystaLogic 320 and 160 lighting for a wide variety of options.
- **Blends with the Environment:** Small footprint with interchangeable color trim options and a flush design for seamless integration to the pool surface.
- **Adjustable Performance:** Multiple nozzles offer a wide variety of water heights and widths to match any pool environment
- **Industry's Best Plume Height:** With an installation range of 2"-12" below the water surface, the Hayward ColorLogic Bubbler offers the industry's best plume height creating a wider variety of installation options.

For Installers:

Two part design incorporates plaster ring for ability to adjust angle or height to match surface of pool.

Deck Jet 500 & Sheer 500

DECK JETS AND SHEERS

With simple customization and stress-free installation, Hayward water features are an effortless way to elevate any backyard environment.

All Hayward water features are designed to connect quickly and easily, reducing installation headaches and costs.

Thoughtful design and construction help Hayward water features blend into your backyard better than any other options on the market. Elevate the visual and acoustic appeal of your pool surroundings with premium water features from Hayward.

Features

Deck Jet 500

- Best in class nozzle with adjustable direction and flow—no tools required
- Industry's only height adjustment mechanism ensures perfect deck alignment even after settling
- Premium bronze colored cover
- Includes plug for pressure test and winterization

Sheer 500

- Brilliant effect when used in combination with Hayward's ColorLogic® LED Lighting
- Accommodate a wide range of installation requirements (1 ft.–5 ft. lengths)
- Clear lips (available in 1" and 6" models) blend into pool surroundings and accommodate straight and curved wall applications
- Rear or bottom connection options make installation quick and simple
- 1.5" x 2" connections are compatible with larger plumbing for maximum water flow



Deck Jet 500



Sheer 500

Deck Jet 500 Buying Guide

Model Number	Description	Ctn. Qty.	Ctn. Weight
WFXJ500PAK4	Deck Jet 500 (4 Pack)	4	4 lbs.

Spares

WFXJ500CPAK4	Replacement Cover (4 Pack)	50	1 lb.
WFXJ500KIT	Internal Kit (nozzle, retainer kit, and winterizing ball)	50	1 lb.

Sheer 500 Buying Guide

Model Number	Description	Ctn. Qty.	Ctn. Weight
--------------	-------------	-----------	-------------

Rear Mount

WFS512R6	Sheer, 1 ft. width, 6" lip	1	7 lbs.
WFS512R1	Sheer, 1 ft. width, 1" lip	1	5 lbs.
WFS524R6	Sheer, 2 ft. width, 6" lip	1	8 lbs.
WFS524R1	Sheer, 2 ft. width, 1" lip	1	8 lbs.
WFS536R6	Sheer, 3 ft. width, 6" lip	1	16 lbs.
WFS536R1	Sheer, 3 ft. width, 1" lip	1	11 lbs.
WFS548R6	Sheer, 4 ft. width, 6" lip	1	21 lbs.
WFS548R1	Sheer, 4 ft. width, 1" lip	1	14 lbs.
WFS560R6	Sheer, 5 ft. width, 6" lip	1	26 lbs.
WFS560R1	Sheer, 5 ft. width, 1" lip	1	18 lbs.

Bottom Mount

WFS512B6	Sheer, 1 ft. width, 6" lip	1	7 lbs.
WFS512B1	Sheer, 1 ft. width, 1" lip	1	5 lbs.
WFS524B6	Sheer, 2 ft. width, 6" lip	1	11 lbs.
WFS524B1	Sheer, 2 ft. width, 1" lip	1	8 lbs.
WFS536B6	Sheer, 3 ft. width, 6" lip	1	16 lbs.
WFS536B1	Sheer, 3 ft. width, 1" lip	1	11 lbs.
WFS548B6	Sheer, 4 ft. width, 6" lip	1	20 lbs.
WFS548B1	Sheer, 4 ft. width, 1" lip	1	14 lbs.

Suction Outlets

ROUND SUMPS, COVERS, FRAMES AND ACCESSORIES



VGB Act
Compliant

NSF®

WG1154S



VGB Act
Compliant

NSF®

WG1049AV

For concrete, vinyl and fiberglass pools, Hayward round suction outlets are available in a wide range of plumbing configurations, plaster collar options and colors. Whether installing frames and covers or sump-type outlets for new construction or replacement covers on existing applications, Hayward suction outlets set the standard for quality and value.

All Hayward WG Series suction outlets and replacement covers are VGB compliant and are tested to ASME A112 19.8b-2009 and ANSI/APSP-16 standards as well as meeting CPSC requirements.

Applications

- Residential and commercial pools
- Concrete, vinyl and fiberglass surfaces
- New construction and replacement covers
- All Hayward drain covers can be used as a single replacement cover when installed on the same suction line as an EcoStar® SVRS or a Stratum® SVRS (see page 14 for more information on EcoStar SVRS) (see page 104 for more information on Stratum SVRS)

Features

- Sumps accommodate the use of SP1056 hydrostatic relief valve
- Replacement covers retrofit to existing Hayward frames
- 7 year life
- 1 year limited warranty

✂ Clip Art



WG1154AV



WG1054AV

Suction Outlet Buying Guide

Model Number	Cover Size	Cover Open Area Sq. Inch	Approved Flow GPM Floor (Horizontal)	Approved Flow GPM Wall (Vertical)	Side Outlet Pipe Size	Bottom Outlet Pipe Size	Ctn. Qty.	Ctn. Weight
Concrete								
Cover and frame (2 pack)								
WG1030AVPAK2*	8" dia.	8.10	125	72	—	—	24	46 lbs.
Replacement cover for floor or wall								
WGX1048E*	8" dia.	8.10	125	72	—	—	10	5 lbs.
Outlet-dual suction (2 pack)								
WG1051AVPAK2	8" dia.	8.10	125	72	1 ½" FIP	1 ½" FIP	6	35 lbs.
WG1052AVPAK2	8" dia.	8.10	125	72	2" FIP	1 ½" FIP	6	35 lbs.
WG1053AVPAK2	8" dia.	8.10	125	72	1 ½" FIP	2" FIP	6	35 lbs.
WG1054AVPAK2	8" dia.	8.10	125	72	2" FIP	2" FIP	6	35 lbs.
Outlet-dual suction with adjustable plaster collar (2 pack)								
WG1153AVPAK2	8" dia.	8.10	125	72	1 ½" FIP	2" FIP	6	35 lbs.
WG1154AVPAK2	8" dia.	8.10	125	72	2" FIP	2" FIP	6	35 lbs.
WG1154SPAK2*	8" dia.	8.10	125	72	2" SKT	2" FIP	6	35 lbs.
(Vinyl/Fiberglass)								
WG1048AVPAK2**	8" dia.	8.10	125	72	1 ½" FIP	1 ½" FIP	6	37 lbs.
WG1049AVPAK2**	8" dia.	8.10	125	72	2" FIP	1 ½" FIP	6	37 lbs.

NOTES: *Available in Gray, Dark Gray and Black. Add letters GR for Gray, DGR for Dark Gray and BLK for Black after "AV", "E" or "S" in the model number.

**Also available in Dark Gray. Add letters DGR for Dark Gray after the AV in the model number.

Model Number	Description	Ctn. Qty.	Shipping Weight
--------------	-------------	-----------	-----------------

Accessories

WG1051X	Adjustable plaster collar (1") for concrete	10	4 lbs.
WGX1153B*	Extension collar with inserts	10	5 lbs.
SP1055PAK2	2" or 1 ½" MIP Slotted Collector Tube – Black (Set of 2)	10	7 lbs.
SP1056	2" or 1 ½" MIP Hydrostatic Relief Valve	25	5 lbs.
SP1056T	Installation and removal tool for SP1056	20	36 lbs.

NOTE: *Available in Gray, Dark Gray and Black. Add letters GR for Gray, DGR for Dark Gray and BLK for Black.

Safety

Suction Outlets

SQUARE DRAIN COVERS AND FRAMES

For residential and commercial concrete pools, Hayward square drain covers are available in a wide range of sizes and flow designs to satisfy any installation requirement. Whether the application demands frames and covers for new construction or replacement cover assemblies for existing installations, Hayward suction outlets set the standard for quality and value.

Hayward's new Low Velocity suction outlets are specifically designed for applications with requirements limiting the maximum flow velocity to 1.5 feet per second. In addition, Hayward's High Flow covers have some of the industry's highest ASME approved flow rates. Each size and flow design cover retrofit to existing Hayward frames and are designed for an extensive 7 year life span. All Hayward WG Series suction outlets and replacement covers are VGB compliant and are tested to ASME A112 19.8b-2009 and ANSI/APSP-16 standards as well as meeting CPSC requirements.

Installation of anything other than the recommended Hayward drain cover on a Hayward frame or Hayward sump may not be ASME A112 19.8b-2009 and ANSI/APSP-16 compliant. Likewise, the installation of a Hayward drain cover on a non-Hayward frame may not be compliant.

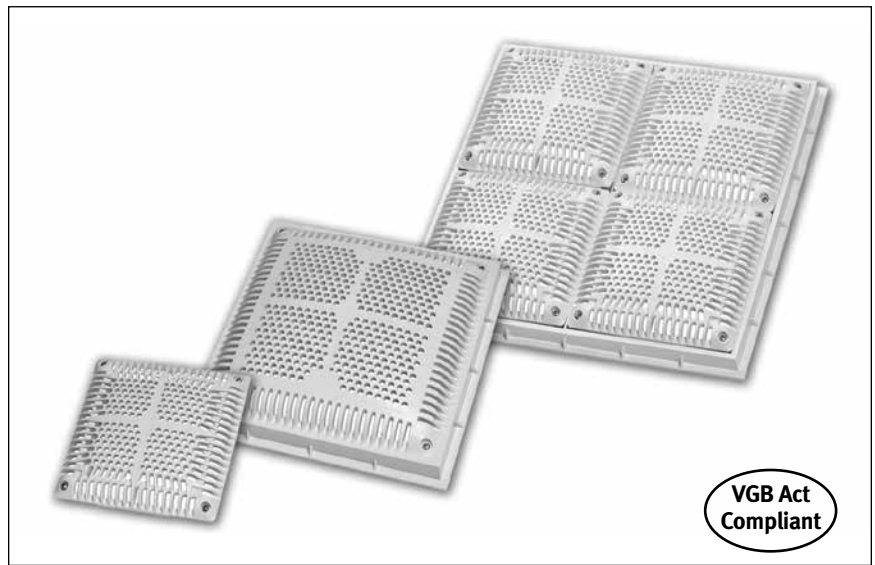
Applications

- Meets various flow category requirements
- Installations in concrete, residential and commercial pools
- All Hayward drain covers can be used as a single replacement cover when installed on the same suction line as an EcoStar® SVRS or a Stratum® SVRS (see page 16 for more information on EcoStar SVRS) (see page 106 for more information on Stratum SVRS)

Features

- Certified to ASME A112.19b-2009, ANSI/APSP-16 and CPSC requirements
- ASME approved flow rates
- Retrofits to all Hayward existing frames
- 7 year life
- 1 year limited warranty

For replacement parts see page 310.



9", 12" and 18" Drain Covers and Frames

Drain Covers & Frames Buying Guide

Model Number	Size	Cover Open Area Sq. Inch	1.5 ft/sec. Flow Rate GPM	Approved Flow GPM Floor (Horizontal)	Approved Flow GPM Wall (Vertical)	Ctn. Qty.	Ctn. Weight
Low Velocity							
Replacement cover and inner frame							
WG1031BLV2	9" x 9"	45.80	190	190	108	10	12 lbs.
WG1032BLV2	12" x 12"	83.40	390	392	260	10	18 lbs.
WG1033BLV2	18" x 18"	183.20	520	520	520	10	39 lbs.
Cover, inner frame and outer frame (2 pack)							
WG1031LV2PAK2	9" x 9"	45.80	190	190	108	4	18 lbs.
WG1032LV2PAK2	12" x 12"	83.40	390	392	260	4	30 lbs.
WG1033LV2PAK2	18" x 18"	183.20	520	520	520	2	31 lbs.
3" suction outlet sump with cover (2 pack)							
WG1061LV2PAK2	9" x 9"	45.80	190	190	108	1	6 lbs.
High Flow							
Replacement cover and inner frame							
WG1031BHF2	9" x 9"	23.96	112	264	224	10	12 lbs.
WG1032BHF2	12" x 12"	41.07	192	515	308	10	18 lbs.
WG1033BHF2	18" x 18"	124.10	580	812	732	10	39 lbs.
Cover, inner frame and outer frame (2 pack)							
WG1031HF2PAK2	9" x 9"	23.96	112	264	224	4	18 lbs.
WG1032HF2PAK2	12" x 12"	41.07	192	515	308	4	30 lbs.
WG1033HF2PAK2	18" x 18"	124.10	580	812	732	2	31 lbs.
3" suction outlet sump with cover (2 pack)							
WG1061HF2PAK2	9" x 9"	23.96	112	264	224	1	6 lbs.



WG1061HF2PAK2

Automatic Chemical Feeders

CHLORINATORS AND BROMINATORS



CL200 In-Line Chlorinator



CL220 Off-Line Chlorinator

Hayward automatic chlorinators and brominators are ideal for in-ground and above ground applications during new pool construction or after market installations. Models are available for in-line and off-line configurations to accommodate most capacity, plumbing and space considerations. All units incorporate a durable ABS body along with a high quality Viton seal and an ergonomically designed cover to allow for simple lid removal.

Features:

- Uses large or small, slow dissolving, Trichlor or Bromine tablets
- Dial control valve allows for easy feed rate adjustment
- Multiple connection options provide a wide range of use and simplified installation
- Easy-Lok threaded cover for safe and convenient access to add tablets
- Unique finger-release catch provides extra security

Automatic Chemical Feeder Buying Guide

Model Number	Pipe Size	Chemical Capacity	Feeder Width	Feeder Height	Ctn. Qty.	Ctn. Weight
In-Line Chlorinators						
CL100	1 1/2" FIP	4.2 lbs.	8 1/4"	15 1/4"	10	30 lbs.
CL200*	1 1/2" FIP	9 lbs.	9"	14 3/4"	10	45 lbs.
CL2002S**	2" SKT	9 lbs.	9"	14 3/4"	10	55 lbs.

NOTES: *Includes mounting base.

**Features 2" inlet and outlet ports for applications with 50 gpm to 90 gpm flow rates.

Off-Line Chlorinators

CL110	—	4.2 lbs.	6 3/4"	13"	10	30 lbs.
CL220	—	9 lbs.	8 1/4"	15 1/2"	10	46 lbs.

Off-Line Chlorinators for Above Ground Pools

CL110ABG	—	4.2 lbs.	6 3/4"	13"	10	28 lbs.
CL220ABG	—	9 lbs.	8 1/4"	15 1/2"	10	51 lbs.

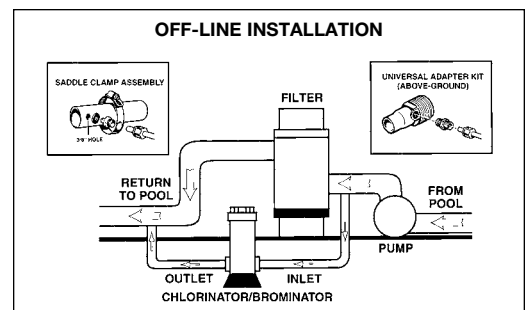
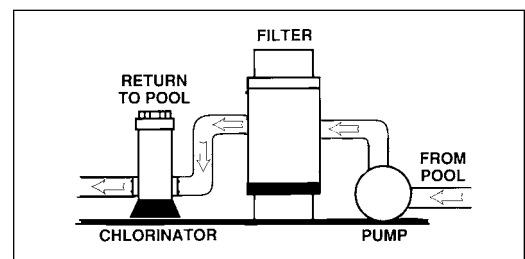
Packaged with a universal adapter kit for all Hayward above ground filter systems – Perflex®, sand or cartridge.

Off-Line Brominators

CL220BR	—	9 lbs.	8 1/4"	15 1/2"	10	46 lbs.
---------	---	--------	--------	---------	----	---------

Accessories

SP1500UNMPAK1	Flush Union Connector with 1 1/2" Male Nipple. For mounting in-line chlorine feeders.				50	24 lbs.
SP1500UNPAK2	Set of two Flush Union Connectors. Fits CL100 and CL200 Chlorinators inlet and outlet.				50	32 lbs.
SPX0327	Hayward Jack's Formula 327 Multilube – 1 oz. Tube				50	4 lbs.

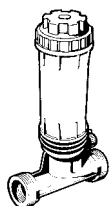


NOTE: Chemical feeders should always be installed on the return line after the last heating appliance.

CAUTION: Extreme care must be exercised when adding chemicals to your pool. Concentrated chemicals may react violently if they mix in the chemical feeder, causing a fire or explosion, which may result in **PROPERTY DAMAGE, PERSONAL INJURY** or **DEATH**.

CAUTION: Never use petroleum based lubricants on any of the chlorinator o-rings. Regular cover o-ring lubrication is necessary to maintain easy cover removal. Use non petroleum based lubricants such as Hayward Jack's Formula 327 Multilube (SPX0327).

Clip Art



CL100



CL110ABG



CL200



CL220

Automatic Skimmers

SKIMMASTER®, AUTO-SKIM™ SERIES FOR IN-GROUND CONCRETE OR GUNITE POOLS

SkimMaster is a large capacity automatic surface skimmer featuring a round, tamper proof access cover, self adjusting 8" weir with a stainless steel spring, dual outlets and threaded internal connections to accommodate pressure testing. The optional float valve and bypass valve assemblies provide a suction outlet thru-skimmer system and an automatic bypass during low water conditions. The SkimMaster series skimmers also include a 3/4" knockout port that can be used as a pool water fill line or to guard against a pool overflow situation.

Auto-Skim features include an adjustable cover collar for round or square skimmer lids, snap-in weir assembly, large capacity basket, integral flow control slide plate and a choice of port sizes for plumbing versatility.

The float valve and equalizer kits provide maximum flexibility for all swimming pool applications. Any SkimMaster Series or Auto-Skim model with a square cover can be adapted to meet NSF commercial requirements by adding the appropriate float valve and equalizer kit in conjunction with the NSF listed cover.

Applications

- In-ground concrete, gunite, residential and commercial pools and spas

Features – SkimMaster

- 3/4" knockout fill/overflow port
- Durable unibody construction
- Color options available
- Adjustable deck collar
- Self-adjusting 8" weir with stainless steel spring
- Large and durable debris basket
- Optional float valve for thru skimmer suction outlet system

Features – Auto-Skim

- 1.5" and 2" port sizes for plumbing versatility
- Cover collar allowing 1.5" vertical adjustment
- Integral Flo-Control slide plate
- Optional float valve for thru skimmer suction outlet system
- Optional extension collar allows 2.5" additional vertical height
- Optional stackable notched extension collar allows infinite vertical adjustment

For replacement parts see pages 312–314.



SP1070 SkimMaster Series



SP1082 Auto-Skim Series

In-Ground Skimmer Buying Guide

Model Number	Pipe Size	Cover Style	Throat Length	Ctn. Qty.	Ctn. Weight
SP1070 SkimMaster Series					
SP1070	1 1/2" FIP	Round	4 1/2"	1	8 lbs.
SP1070S	1 1/2" SKT	Round	4 1/2"	1	8 lbs.
SP10712	2" FIP	Round	4 1/2"	1	8 lbs.
SP10712S**	2" SKT	Round	4 1/2"	1	8 lbs.

NOTES: *Available in Gray, Dark Gray and Black. Add suffix GR for Gray, DGR for Dark Gray and BLK for Black.

**Available with tan collar and cover. Add suffix 10 to model number.

For skimmer packaged with float valve, add suffix FVA to model number.

NSF Listed Skimmer & Accessories

Model Number	Description	Ctn. Qty.	Ctn. Weight
WG10712SFVA	2" SKT	1	12 lbs.
SP1070FVEKIT	Float valve and equalizer kit for SP1070 Series skimmers	10	12 lbs.
SP1080FVEKIT	Float valve and equalizer kit for SP1080 Series skimmers	10	12 lbs.
WGX1070C	NSF listed replacement cover for SP1070 Series skimmers	10	15 lbs.
WGX1082E	NSF listed replacement cover for SP1080 Series skimmers	10	15 lbs.

NOTE: For commercial applications, add appropriate float valve and equalizer kit with NSF listed cover to any SkimMaster or Auto-Skim model with a square cover.

SP1080 Auto-Skim Series

SP10821	1 1/2" FIP	Square	5 1/4"	1	10 lbs.
SP10821R	1 1/2" FIP	Round	5 1/4"	1	10 lbs.
SP1082†	2" FIP	Square	5 1/4"	1	10 lbs.
SP1082RC†	2" FIP	Round	5 1/4"	1	10 lbs.

NOTE: †Available in Dark Gray. Add suffix DGR to model number for Dark Gray

SP1096 Auto-Skim PT and Economy Series

SP1096	1 1/2" FIP	Round	6"	1	6 lbs.
--------	------------	-------	----	---	--------

Accessories

SP1070FV	Float valve assembly for SP1070 Series	24	25 lbs.
SP1078	Equalizer valve for SP1070 and SP1080 Series	25	4 lbs.
SP1070P	Extension collar for SP1070 Series	50	30 lbs.
SP1070TPK	Pressure test plug kit for SP1070 Series	15	7 lbs.
SP1082FV	Float valve assembly for SP1080 Series	24	36 lbs.
SP1082GV	Skimmer-to suction outlet valve assembly for SP1080 Series	24	18 lbs.
SP1084P1	Extension collar for SP1080 Series	20	15 lbs.

Automatic Skimmers

AUTO-SKIM™ SERIES FOR IN-GROUND VINYL AND FIBERGLASS POOLS



SP1084 Auto-Skim Series



SP1085 Wide Track Auto-Skim

Manufactured to Hayward's uncompromising standards, these large capacity skimmers for vinyl and fiberglass applications install easily and perform flawlessly even in the most difficult environments. The bodies are molded out of durable ABS plastic and do not contain any assembly seams below water level. They feature a standard square or round cover and collar assembly allowing up to 1.5" vertical adjustment. Additional extension collar accessories are available to meet needs for all applications.

The Auto-Skim Wide Track Series includes all of the same high quality features in addition to an expansive 15.5" skimmer face and a choice of two throat lengths. The enlarged opening and added installation flexibility allows for increased skimming action and reduced time for debris removal.

Add optional float valve and equalizer kit with a NSF approved cover to any Auto-Skim model with a square cover to accommodate commercial requirements.

Applications

- In-ground, vinyl, fiberglass, residential and commercial pools and spas

Features

- 1.5" and 2" port sizes for plumbing versatility
- Standard cover and collar assembly with 1.5" vertical adjustment
- Color options available
- Integral Flo-Control slide plate
- Optional float valve for thru skimmer suction outlet system
- Optional extension collar allows 2.5" additional vertical height
- Optional stackable notched extension collar allows infinite vertical adjustment

In-Ground (Vinyl/Fiberglass) Skimmer Buying Guide

All vinyl/fiberglass pool skimmers are packaged with face plate, gaskets and screws.

Model Number	Pipe Size	Cover Style	Throat Length	Ctn. Qty.	Ctn. Weight
SP1080 Auto-Skim Series					
SP10841*	1 ½" FIP	Square	8 ½"	1	13 lbs.
SP10841R*	2" FIP	Round	8 ½"	1	13 lbs.
SP108410M**	1 ½" FIP	Square	8 ½"	1	13 lbs.
SP108410MR**	1 ½" FIP	Round	8 ½"	1	13 lbs.
SP1084**	2" FIP	Square	8 ½"	1	13 lbs.
SP1084R**	2" FIP	Round	8 ½"	1	13 lbs.
SP1080 Auto-Skim Wide Track Series					
SP108510M	1 ½" FIP	Square	12 ¼"	1	17 lbs.
SP10852*	1 ½" FIP	Square	9 ¼"	1	16 lbs.
SP108520M**	1 ½" FIP	Square	9 ¼"	1	16 lbs.

NOTES: *Skimmer includes standard and extra long 1 ¼" screws.

**Available in Dark Gray – add suffix DGR for Dark Gray.

"R" designation indicates round collar and cover assembly

OM designation indicates thru-wall, outside mount for metal wall installations.

SP1097 Auto-Skim PT and Economy Series

SP1097	1 ½" FIP	Round	12 ½"	1	9 lbs.
--------	----------	-------	-------	---	--------

Model Number	Description	Ctn. Qty.	Ctn. Weight
--------------	-------------	-----------	-------------

Accessories

SP1080FVEKIT	Float valve and equalizer kit for SP1080 Series skimmers	10	12 lbs.
WGX1082E	NSF listed replacement cover for square SP1080 Series skimmers	10	15 lbs.
SP1084F†	Face plate cover – "Snap On" for SP1084 skimmers	30	10 lbs.
SP1085F†	Face plate cover – "Snap On" for SP1085 skimmers	18	10 lbs.
SP1078	Equalizer valve for SP1070 and SP1080 Series	50	30 lbs.
SP1082FV	Float valve assembly for SP1080 Series	24	36 lbs.
SP1082GV	Skimmer-to-suction outlet valve assembly for SP1080 Series	24	18 lbs.
SP1084P1	Extension collar for SP1080 Series	20	15 lbs.

NOTE: †Available in Gray, Dark Gray and Black. Add suffix GR for Gray, DGR for Dark Gray and BLK for Black.

Automatic Skimmers/Skim Vacs

ABOVE-GROUND AND IN-GROUND POOLS

Hayward automatic skimmers have been an industry standard for more than 30 years. The Dyna-Skim skimmers have been redesigned to match the needs of today's above ground pools, while remaining applicable for use on existing pool models.

Application – Dyna-Skim

- Above-ground pools

Dyna-Skim Features

- Heavy duty UV resistant construction
- Large debris collection basket
- Top and front basket access
- One piece body construction
- Snap-in and removable weir
- 1 1/2" female straight pipe threads
- Quick disconnect pipe connection
- Compatible with wide top seat pools

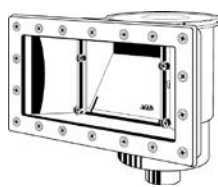
Skim Vacs have revolutionized the process of vacuuming pools. By utilizing the skimmer basket instead of the pump strainer basket, the need to turn the pump on and off has been eliminated. Simply attach the appropriate Skim Vac to the vacuum hose, locate over the skimmer basket and begin vacuuming.

Application – Skim Vac

- In-ground pools
- Above-ground pools



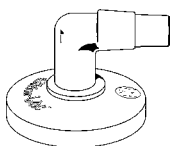
Clip Art



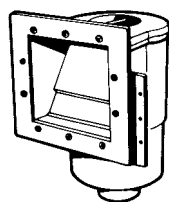
SP1091WM



SP1091LX



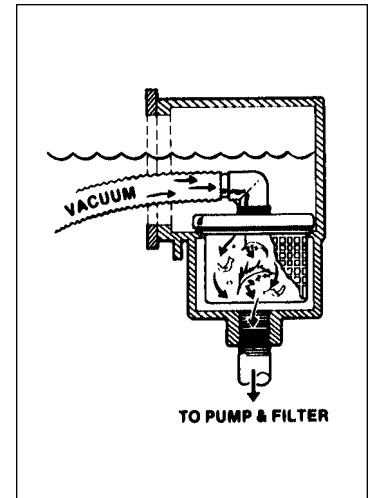
SP11041



SP1092



SP1091WM Wide Mouth Dyna-Skim



Skim Vac Action

Dyna-Skim Above-Ground Skimmer Buying Guide

Model Number	Front/Top Basket Access	Low Profile	Hydrosweep Recirculation Pkg.	Pipe Size	Ctn. Qty.	Ctn. Weight
SP1089	•	—	1	1 1/2" FPT	1	9 lbs.
SP1091WM*	•	Wide-Mouth	2	1 1/2" FPT	6	46 lbs.
SP1092	Front Only	•	—	1 1/2" FPT	1	5 lbs.
SP1091LX**	•	•	2	1 1/2" FPT	6	32 lbs.
SP1094WF	•	—	3	1 1/2" FPT	1	4 lbs.

NOTES: *Replaces SP1090WM

**Replaces SP1090, SP1091ES and SP1095ES

1—Includes SP11071 Skim Vac.

2—Includes SP1023, SP1419D, (2) 1 1/2" x 1 1/2" hose adapters, and SP11041 Skim Vac.

3—Includes SP1094D Skim Vac.

Skim Vac Buying Guide

Model Number	Skimmer Application	Hose Connection	Rubber Gasket	Ctn. Qty.	Ctn. Weight
Above-Ground					
SP1094D	SP1094, SP1095	1 1/4"/1 1/2" Elbow	No	20	5 lbs.
SP11041	SP1090, 1091, 1092	1 1/4"/1 1/2" Elbow	No	50	22 lbs.
SP11051	SP1090, 1091, 1096, 1097 and 1098	1 1/2" Straight Barb	Yes	50	22 lbs.
SP11052	SP1090, 1091, 1092	1 1/4" Elbow	Yes	50	25 lbs.
SP11054	SP1090, 1091, 1092	1 1/4"/1 1/2" Combo Adapter	Yes	50	23 lbs.
In-Ground					
SP1106	SP1082, 1084, 1085, 1075	1 1/2" Straight	Yes	20	13 lbs.
SP11063	SP1070	1 1/2" Straight	No	20	11 lbs.
SP1107	SP1082, 1084, 1085, 1070 and 1075	1 1/2" Straight	No	20	8 lbs.
SP11071	SP1089	1 1/4"/1 1/2" Elbow	No	20	11 lbs.

Valves

VARI-FLO® CONTROL VALVES, IN-LINE SIGHT GLASSES



SP0710XALL VariFlo Control Valve



SP0714T VariFlo XL Control Valve

Hayward's VariFlo® XL multiport control valves, engineered for maximum flow at lower pressure drops are the professional's choice in multiport valves.

All VariFlo control valves feature an easy-to-use lever action handle that lets you "dial" up to seven valve/filter functions: filter, backwash, waste, rinse, closed, winter or recirculate. Complete with an integral sight glass that lets you see when the backwashing cycle is completed, our wide selection of valve configurations allows you to match the right VariFlo valve to the proper application; residential, commercial, top-mount or side mount.

VariFlo Valve Buying Guide

Model Number	Valve Positions	Pipe Size	Body Color	Mounting Location	Closure Design	Ctn. Qty.	Ctn. Weight
SP0710XALL ⁽¹⁾	6	1 1/2" FIP	White	Side	—	10	50 lbs.
SP071621	6	2" FIP	Black	Top	Clamp	1	8 lbs.
SP07121 ⁽²⁾	6	1 1/2" FIP	Black	Top	Thread	1	5 lbs.
SP07122 ⁽³⁾	6	1 1/2" FIP	Black	Top	Thread	1	5 lbs.
SP0714T	7	1 1/2" FIP	Black	Top	Clamp	1	5 lbs.
SP0715ALL ⁽⁴⁾	6	2" FIP	White	Side	—	8	70 lbs.

NOTES:

- (1) Includes two 1 1/2" pipe plugs
- (2) S160T style with built-in diffuser
- (3) Pac-Fab style with built-in diffuser
- (4) Includes two 2" pipe plugs

SP0704 Replacement Valve: SP0714T

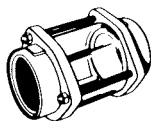
Model Number	Pipe Size	Description	Ctn. Qty.	Ctn. Weight
SP1072S	1 1/2" SKT	ABS, Horizontal in-line style	24	28 lbs.
SP1074S	2" SKT	ABS, Horizontal in-line style	50	39 lbs.

Sight Glasses

Clip Art



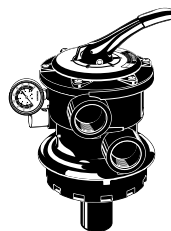
SP0715ALL



SP1072S



SP0714T



SP0714T

VariFlo Control Valve Functions

FILTER – For normal filtering and regular vacuuming.

BACKWASH – For cleaning filter sand bed of accumulated debris.

RINSE – Use after completing backwash cycle to ensure all dirty water is rinsed out of the filter to waste.

WASTE – By-passes the filter for draining or lowering pool water level and for vacuuming heavy debris directly to waste line.

RECIRCULATE – Water is recirculated through the valve, by-passing the filter.

CLOSED – Shuts off the flow from the pump to the filter.

Winter – For winterizing (SP0714T only).

White Goods

Hayward PSV Series 2-way and 3-way diverter valves and check valves make water flow management simple and maintenance free. Durable CPVC body and lid construction provide greater heat tolerance, preventing warping and leaks in the most demanding environments. All components are made of corrosion resistant materials allowing for proper function over an extended life. PSV Series valves are available in multiple material, size and port configurations to accommodate most new construction and aftermarket scenarios.

PSV3SM and PSV3SMDGR models feature externally treaded ports for use with one SP1500UNPAK1 union fitting included with each valve.

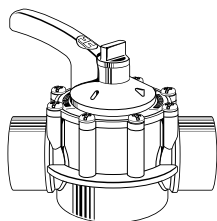


3-way PSV Valve



PSV Check Valve

Clip Art



PSV2



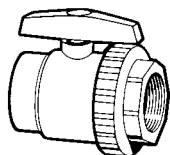
PSCV2S2

Hayward ball valves are designed for maximum flow efficiencies and pressure ratings up to 50 psi. They feature a dial handle for easy flow regulation and visual indication of valve setting. Teflon seats and union end connectors accurately align the ball and provide a dependable sealing surface.

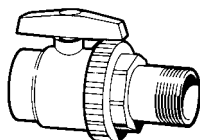


SP0722S Trimline Ball Valve

Clip Art



SP0722



SP0723

For replacement parts see page 317.

PSV Diverter & Check Valve Buying Guide

Model Number	Description	Pipe Size	Material	Ctn. Qty.	Ctn. Weight
PSV2S	2-way	1 1/2" - 2"	CPVC	20	35 lbs.
PSV2S2	2-way	2" - 2 1/2"	CPVC	20	38 lbs.
PSV3S	3-way	1 1/2" - 2"	CPVC	20	38 lbs.
PSV3S2	3-way	2" - 2 1/2"	CPVC	20	40 lbs.
PSV3SM	3-way	External Union Thread	CPVC	20	47 lbs.
PSV2SDGR	2-way	1 1/2" - 2"	PVC	20	35 lbs.
PSV2S2DGR	2-way	2" - 2 1/2"	PVC	20	38 lbs.
PSV3SDGR	3-way	1 1/2" - 2"	PVC	20	38 lbs.
PSV3S2DGR	3-way	2" - 2 1/2"	PVC	20	40 lbs.
PSV3SMDGR	3-way	External Union Thread	PVC	20	47 lbs.
PSCV2S	Check Valve	1 1/2" x 2"	CPVC	20	35 lbs.
PSCV2S2	Check Valve	2" x 2 1/2"	CPVC	20	38 lbs.
PSCV2SDGR	Check Valve	1 1/2" x 2"	PVC	20	35 lbs.
PSCV2S2DGR	Check Valve	2" x 2 1/2"	PVC	20	38 lbs.

Ball Valve Buying Guide

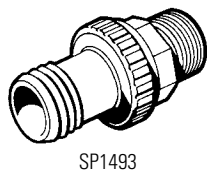
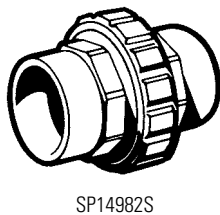
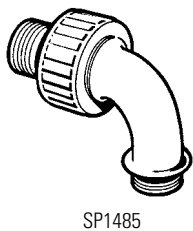
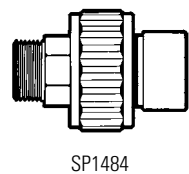
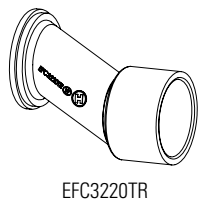
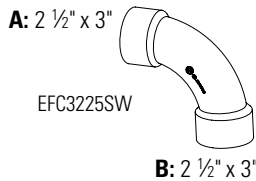
Model Number	Description	Pipe Size	Material	Ctn. Qty.	Ctn. Weight
Deluxe					
SP0727	3-way	1 1/2" MIP	ABS	20	19 lbs.
SP0730	3-way	1 1/2" FIP	ABS	20	32 lbs.
SP0735	4-way	1 1/2" FIP	ABS	20	33 lbs.
SP0735S	4-way	1 1/2" SKT	ABS	20	33 lbs.
Trimline					
SP0722	2-way	1 1/2" FIP	ABS	24	21 lbs.
SP0722S	2-way	1 1/2" SKT	PVC	24	21 lbs.
SP0723	2-way	1 1/2" MIP x 1 1/2" FIP	ABS	24	23 lbs.
SP0723S	2-way	1 1/2" MIP x 1 1/2" SKT	ABS	24	23 lbs.
Trimline Deluxe					
SP0724S	2-way	2" SKT	ABS	20	24 lbs.
Econoline					
SP0729	2-way	1 1/2" MIP x Hose Adapter	ABS	24	12 lbs.

NOTE: For commercial ball valves see page 352.

Connection Fittings and Unions

MULTIPURPOSE CONNECTION FITTINGS

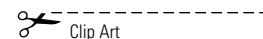
Clip Art



Connection Fitting and Union Buying Guide

Model Number	Pipe Size	Description	Material	Ctn. Qty.	Ctn. Weight
EcoFlo Fittings					
EFC3220SW	A: 2" x 2 1/2" B: 2"	EcoStar®/TriStar® 2" x 2 1/2" Sweep	PVC	20	10 lbs.
EFC3225SW	A: 2 1/2" x 3" B: 2 1/2" x 3"	EcoStar/TriStar 2 1/2" x 3" Sweep	PVC	10	10 lbs.
EFC3220TR	2" x 2 1/2"	2" x 2 1/2" Heater Transition	CPVC	30	10 lbs.
Full-Flo Self-Aligning Unions					
SP1480BLK	1 1/2" MIP	Self-Aligning Double Male End Union, Black	ABS	50	36 lbs.
SP1481	1 1/2" SLIP	Self-Aligning Slip Union	ABS	24	37 lbs.
SP1482	1 1/2" MIP x 1 1/2" SLIP	Self-Aligning Male/Slip Union	ABS	50	37 lbs.
SP1484	1 1/2" MIP x 1 1/2" SKT	Self-Aligning Male/Female Union	ABS	50	37 lbs.
SP1485	1 1/2" MIP	Self-Aligning Double Male End Union End Sweep 90°, short	ABS	20	27 lbs.
SP1486	1 1/2" MIP	Clear, Self-Aligning Double Male End Union and Compression Fitting-90° Sweep, 10" long	ABS/LEXAN	20	34 lbs.
Flush Unions					
SP14952	1 1/2" FIP	Flush Female Union	ABS	50	32 lbs.
SP14952S	1 1/2" SKT(ID) or 2" SLIP(OD)	Flush Female Socket Union	ABS	50	29 lbs.
SP14952S50	1 1/2" SKT(ID) or 2" SLIP(OD)	Bulk Pack of 50 SP14952S	ABS	1	26 lbs.
SP14953S	1 1/2" MIP x 1 1/2" SKT(ID) or 2" SLIP(OD)	Flush Male/Female Socket Union	ABS	50	29 lbs.
SP14982S	2" SKT	Flush Female Socket Union	PVC	50	40 lbs.
SP14983S	2" MIP x 2" SKT	Flush Male/Female Socket Union	PVC	50	40 lbs.
Econo-Unions					
SP1493	1 1/2" MIP	Quick Disconnect – 1 1/2" hose (barb)	ABS	50	15 lbs.
Union Check Valves					
SP1091CV	1 1/2" MIP	In-Line Combo 1 1/2" x 1 1/4" Hose Adapter and Check Valve	ABS	40	9 lbs.
SP1445S	1 1/2" SKT	In-Line Check Valve	PVC	50	15 lbs.
SP14461S	1 1/2" SKT	Union Check Valve	ABS	50	37 lbs.
Union Connectors					
SP1500UNPAK2	1 1/2" SKT	Flush Union Connector Set (2 pack) 1.5" SKT	ABS	50	12 lbs.
SP1500UNMPAK1	1 1/2" MIP	Flush Union Connector Set (1 Adapter, Nut, O-Ring) 1.5" MIP	ABS	50	24 lbs.

Fittings & Accessories Buying Guide



Model Number	Pipe Size	Description	Ctn. Qty.	Ctn. Weight
Directional Flow Inlet Fittings – Standard (Return to Pool)				
SP1419A*	1 1/2" MIP	Hydrosweep slotted opening	50	7 lbs.
SP1419B*	1 1/2" MIP	Hydrostream 3/8" opening	50	7 lbs.
SP1419C*	1 1/2" MIP	Hydrostream 1/2" opening	50	7 lbs.
SP1419D*	1 1/2" MIP	Hydrostream 3/4" opening	50	7 lbs.
SP1419E*	1 1/2" MIP	Hydrostream 1" opening	50	7 lbs.
SP1420	1 1/2" MIP	Hydrostream, 1" rubber nozzle	25	5 lbs.
SP1421D*	1 1/2" SLIP	Hydrostream Insider Fitting – 3/4" opening	25	5 lbs.
SP1421E	1 1/2" SLIP	Hydrostream Insider Fitting – 1" opening	25	5 lbs.
SP1419T	—	Seat Removal Tool for Hydrosweep/Hydrostreams	100	5 lbs.

NOTE: *Available in Gray, Dark Gray and Black. Add suffix GR for Gray, DGR for Dark Gray and BLK for Black.

Directional Flow Inlet Fittings – Extended Flange

SP1418D*	1 1/2" MIP	Hydrostream, large – 3/4" opening	50	10 lbs.
SP1422D	1 1/2" SLIP	Hydrostream Insider – 3/4" opening	50	12 lbs.
SP1422E	1 1/2" SLIP	Hydrostream Insider – 1" opening	50	11 lbs.

The following fittings all have 1 1/2" internal threads for use with directional fittings, plugs, grate inserts, outlet covers and Jet-Air hydrotherapy fittings. Choose the appropriate fittings for concrete, vinyl or fiberglass applications.

Inlet Receptacles & Vacuum Fittings – Concrete Pools

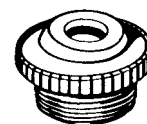
SP1022*	1 1/2" FIP	1.5" Threaded Return Fitting	50	11 lbs.
SP1022S*	1 1/2" SKT	1.5" Socket Return Fitting	50	11 lbs.
SP1022S2*	2" SKT	2" Socket PVC Return Fitting	50	15 lbs.
SP1022INS	1 1/2" INS	Fitting (1 1/2" FIP face x 1 1/2" SLIP stub end)	50	11 lbs.
SP1022B**	1 1/2" MIP	Flush Plug with Gasket	100	5 lbs.
SP1022C**	1 1/2" MIP	All Purpose Plug with O-Ring	100	6 lbs.
SP1022C2BLK	2" MIP	All Purpose Plug With O-Ring	50	5 lbs.
SP1044*	1 1/2" SKT(ID) or 2" SLIP (OD)	Flush Return Fitting with PVC Body – 3/4" opening and mud cover	50	25 lbs.
SP1044INS*	1 1/2" INS	Insider Flush Return Fitting with PVC Body – 3/4" opening and mud cover	50	25 lbs.

NOTES: *Available in Gray, Dark Gray and Black. Add suffix GR for Gray, DGR for Dark Gray and BLK for Black.

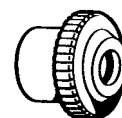
**Available in Gray and Black. Add suffix GR for Gray and BLK for Black.

Vac Lock Safety Wall Fitting

W400BWHP		Vac Lock Safety Wall Fitting, White	10	2.5 lbs.
W400BBKP		Vac Lock Safety Wall Fitting, Black	10	2.5 lbs.
W400BDGR		Vac Lock Safety Wall Fitting, Dark Gray	10	2.5 lbs.
W400BLGP		Vac Lock Safety Wall Fitting, Lt. Gray	10	2.5 lbs.



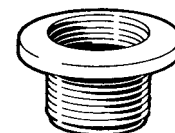
SP1419D



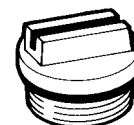
SP1421D



SP1418D



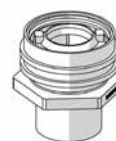
SP1022



SP1022C



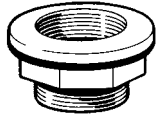
SP1044



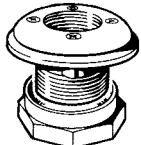
SP1044INS

Fittings & Accessories

Clip Art



SP1023



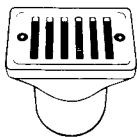
SP1408



SP1026



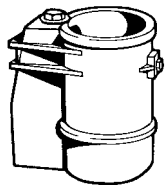
SP1425



SP1019



SP1040



SP1392

Fittings & Accessories Buying Guide

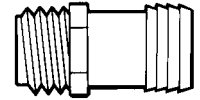
Model Number	Pipe Size	Description	Ctn. Qty.	Ctn. Weight
Inlet Fittings – Vinyl/Fiberglass Pools, Spas, Hot Tubs				
SP1023	1 1/2" FIP 1.5"	Threaded Return Fitting for Fiberglass	50	17 lbs.
SP1023S*	1 1/2" SKT	1 1/2" Socket Return Fitting for Fiberglass	50	17 lbs.
SP1023S2*	2" SKT	2" PVC Body Return Fitting for Fiberglass	50	23 lbs.
SP1023G	1 1/2" FIP	SP1023 Return Fitting With Sandwich Gasket for ABG Pools	50	19 lbs.
SP1026*	1 1/2" MIP	Grate Insert	50	4 lbs.
SP1408*	1 1/2" FIP	1 1/2" Threaded Return Fitting for Vinyl	50	28 lbs.
SP1408S2*	2" SKT	2" PVC Body Return Fitting for Vinyl	50	34 lbs.
Wall/Floor Inlet Fittings – Concrete Pools				
SP1424	1 1/2" FIP x 2" MIP	Adjustable Inlet	50	26 lbs.
SP1424S	1 1/2" SKT x 2" MIP	Adjustable Inlet	50	26 lbs.
SP1425	1 1/2" FIP x 2" MIP	Adjustable Floor Inlet	50	27 lbs.
SP1425S	1 1/2" SKT x 2" MIP	Adjustable Floor Inlet	50	26 lbs.
Deck Drains				
SP1019**	1 1/2" FIP + 2" COUP	Socket/Deck Drain	50	25 lbs.
SP1019BA	—	Rectangular Grate, with screws	100	7 lbs.
Lane Marker Anchors				
SP1040		Bar Type Anchor, ABS (concrete pools)	50	23 lbs.
SP0404		Eyebolt Assembly, ABS – with locknut and gasket (vinyl, fiberglass pools)	50	18 lbs.
Anchor Sockets				
SP1392	1 1/2"	Anchor Socket, ABS, heavy-duty	50	26 lbs.
Escutcheons				
SP1041	1 1/2"	Escutcheon Plate, ABS	50	7 lbs.
SP1041100	1 1/2"	Bulk pack of 100 SP1041	1	13 lbs.
SP1042	1 1/2"	Escutcheon Plate, ABS, Chrome Plated	50	7 lbs.

NOTES: *Available in Gray, Dark Gray and Black. Add suffix GR for Gray, DGR for Dark Gray and BLK for Black.
 **Also available in Gray and Black. Add suffix GR for Gray and BLK for Black.

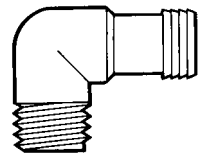
Miscellaneous Accessories Buying Guide

Clip Art

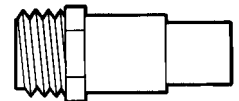
Model Number	Description	Ctn. Qty.	Ctn. Weight
Hose Kit and Hose Adapters			
EC1155	1 ½" Hose Kit with Adapters and Clamps	1	4 lbs.
SPX1091Z2PAK2	1 ½" MIP x 1 ½" Hose Barb Adapter (<i>Set of 2</i>)	10	3 lbs.
SPX1105Z4	1 ½" MIP x 1 ½" Hose – Combination Insert Elbow	50	13 lbs.
SPX1082Z3	2" MIP x 1 ½" Hose – Male (Smooth) Red. Adapter	50	8 lbs.
SPX1091Z1	1 ½" MIP x 1 ¼" Hose – Male (Smooth) Red. Adapter	50	5 lbs.
SPX1105Z2	1 ½" MIP x 1 ¼" Hose – Male (Smooth) Red. Elbow Adapter	50	8 lbs.
SPX1105Z3	1 ½" MIP x 1 ½" Hose – Combination (Smooth) Elbow	50	8 lbs.
SPX1091Z4	1 ½" MIP x 1 ½" Hose – Male (Smooth) Adapter	50	5 lbs.
SPX1091Z7PAK2	1 ½" MIP x 1 ½" and 1 ¼" Hose Adapter (<i>Set of 2</i>)	25	12 lbs.
SPX1091Z9	1 ½" MIP x 1 ½" FIP – Threaded Extension Coupling	100	12 lbs.
Pipe Plugs			
SPX1600V	¼" – Pipe Plug	100	1 lb.
SPX1051Z1	1 ½" – Pipe Plug	100	8 lbs.
SP1022CBLK	1 ½" – Threaded Plug With O-Ring – Black	100	7 lbs.
SPX1053Z1	2" – Pipe Plug	100	11 lbs.
SP1022C2BLK	2" – Threaded Plug With O-Ring – Black	100	9 lbs.
Hose Clamps and Pressure Gauges			
SPX1091Z3	Double Wire Hose Clamp – 1 ¼" Hose	50	2 lbs.
SPX1091Z6	Double Wire Hose Clamp – 1 ½" Hose	50	3 lbs.
ECX18028	Stainless Steel Strap Clamp – 1 ½" Hose	50	13 lbs.
ECX270861	¼" Side Mount Pressure Gauge	100	26 lbs.
ECX271261	¼" Side Mount Pressure Gauge with Indicators	50	15 lbs.
ECX27091	¼" Back Mount Pressure Gauge	25	8 lbs.
ECX2712B1	¼" Back Mount Pressure Gauge with Indicators	50	15 lbs.
Miscellaneous			
EC10SC50	1 lb. DE Scoop (Case of 50)	1	12 lbs.
EC2024	Jet Action Cleaning Wand	10	4 lbs.
SPX0327	Jack's Formula 327 Multilube – 1 oz. Tube	50	4 lbs.
SPX1090Z4	Teflon Tape – 60" Roll	10	1 lb.
SP022310	10" Bobby Disposable Filter	20	13 lbs.
SP022320	20" Bobby Disposable Filter	20	20 lbs.



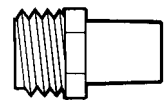
SPX1091Z2



SPX1105Z4



SPX1091Z7



SPX1091Z1

Hydrotherapy Fittings

JETAIR® III SERIES SPA FITTINGS



SP1437 Whirl-Flo Jet



SP1434 VariFlo Jet

Hayward's JetAir III and Adjustable JetAir III systems offer interchangeable jet nozzles, allowing for multiple configuration options to achieve the type of hydro-massage action you want, where you want it. With the adjustable JetAir III system, you can control the water and air flow right at the jet face providing a variety of therapy options at your fingertips.

Features

- Nozzle interchangeability allows custom jet configurations
- Balanced hydraulics lets user mix and match jet nozzles without affecting performance of the system
- Universal nozzle retrofitability allows consumers to update to the nozzle of their choice at any time
- Modular packaging: A – Bodies/Bulkheads; B – Jet nozzles

Hydrotherapy Fitting Buying Guide

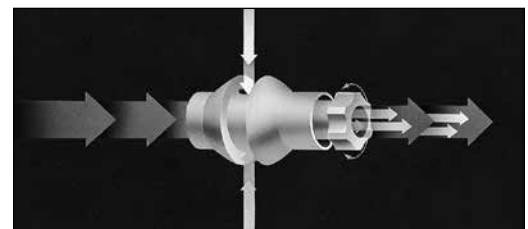
Model Number	Description	Ctn. Qty.	Ctn. Weight
JetAir III Common Body Assembly			
Includes combo air/water connection body, bulkhead fitting and gasket. All connections are socket.			
SP1434PAKA*	1 ½" air x 1 ½" water	25	26 lbs.
SP14341PAKA	1" air x 1" water	15	15 lbs.
SP14343PAKA	1" air x 1 ½" water	15	15 lbs.

Model Number	Description	Ctn. Qty.	Ctn. Weight
JetAir III Nozzle Assembly			
Fits both JetAir III and Adjustable JetAir III Systems			
SP1434PAKB*	VariFlo Nozzle Assembly – Adjustable	25	6 lbs.
SP1436PAKB	Pulse-Flo Nozzle Assembly – Rotating	25	4 lbs.
SP1437PAKB	Whirl-Flo Nozzle Assembly – Whirlpool	25	3 lbs.

NOTE: *Available in Gray and Dark Gray. Add suffix GR for Gray and DGR for Dark Gray. All nozzle assemblies will retrofit previously installed SP1434 Series JetAir III fittings.

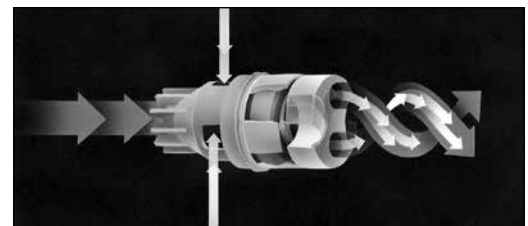
Accessories

SP1434T	Combination Tool for Bulkhead and Nozzle	50	20 lbs.
SP1434TP	Test Plug Tool	20	13 lbs.

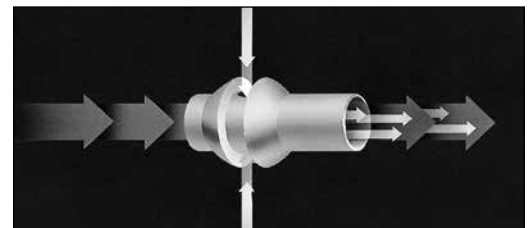


SP1434 VariFlo – Fully adjustable and directional

NOTE: Not for use with the adjustable JetAir III system.



SP1436 Pulse-Flo – Pulsation and rotation for the ultimate hydro-massage action



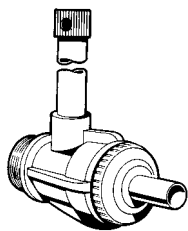
SP1437 Whirl-Flo – Powerful, fully directional whirlpool jet provides 10-30 GPM range

Hydrotherapy Fittings

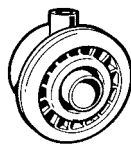
JETAIR®, TURBO-BOOST AND SPA FITTINGS

Hydrotherapy Fitting Buying Guide

Model Number	Pipe Size	Description	Ctn. Qty.	Ctn. Weight
JetAir® Hydrotherapy Fittings				
SP1430	1 1/2" FIP x 1 1/2" MIP	JetAir Fitting, for permanent installation. Fits any 1 1/2" FIP hub	50	20 lbs.
SP1430S	1 1/2" SKT x 1 1/2" MIP	JetAir Fitting, for permanent installation. Fits any 1 1/2" FIP hub	50	20 lbs.
SP1430T	—	JetAir Nozzle Removal Tool	25	11 lbs.
SP14311	1 1/2" MIP x 1 1/2" FIP	JetAir Fitting. For in-pool installation. Removable 18" air supply tube with cap and SP1420	25	25 lbs.
SP1433	1 1/2" FIP	JetAir Fitting Package. Includes SP1430 JetAir Fitting, SP1022 Receptacle, SP1420 Nozzle	50	34 lbs.
SP1433S	1 1/2" SKT	Same as SP1433, except includes SP1430S	50	34 lbs.
Turbo-Boost Jets				
SP1450T	1 1/2" SKT	Turbo-Boost Spa Jet Fitting. Includes body with high flow directional nozzle, bulkhead fitting, gasket and 1 1/2" sweep elbow	20	36 lbs.
SP1450WP2	—	Winterizing Plug with O-ring. For SP1450T Series	10	5 lbs.
Surface Skimmers				
SP1099S	1 1/2" SKT x 2" SLIP	Front Access Spa Skimmer with gasket, 1 1/4" screws, washers, nuts and face cover plate (white)	1	3 lbs.



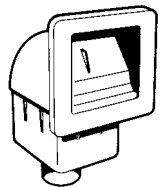
SP14311



SP1450T



SP1450WP2



SP1099S

Cleaning Equipment

POWER-VAC™ AND SUPER-VAC™



SP1068 Super-Vac



SP1067 Power-Vac

The Hayward Power-Vac and Super-Vac family of vacuum cleaning heads are molded of tough, durable thermoplastic and are engineered to handle all types and sizes of swimming pools. The 360° swivel hose connector allows you to easily maneuver the vac head in the pool, while the "see-thru" head lets you view the bottom while cleaning. These deluxe vac heads are the industry standard.

Applications

- In-ground pools
- Above-ground pools

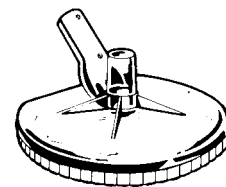
Features

- "See-thru" design for fast and easy cleaning
- Long-wearing brushes quickly loosen tough algae spots
- Contoured shape provides for easy corner and step cleaning
- 360° swivel connector ends aggravating hose tangling
- Optional weight package for extra vacuuming convenience
- Supplied in professional point-of-sale packaging

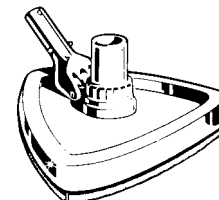
Vacuum Cleaner Head Buying Guide

Model Number	Description	Ctn. Qty.	Ctn. Weight
Vinyl, Fiberglass Pools			
SP1067	12" Circular Vacuum Head. Wrap-around brush (1-piece). 1 1/2" hose connection. Quick-snap handle connector.	5	16 lbs.
SP1068	See-thru Triangular Vacuum Head with 3 brushes. 1 1/4" and 1 1/2" swivel hose connections included. Optional weights. Quick-snap handle connector. For in-ground and above-ground applications.	10	33 lbs.
SP1068DL	Deluxe Vacuum Head that includes the SP1068 package and three (3) 1/2 lb. weights	10	43 lbs.
Accessory			
SP1068FA	1 lb. Weight Pak (3 1/2 lb. weights) for SP1068, SP1069	25	25 lbs.

Clip Art



SP1067



SP1068

2017 Replacement Parts



The most energy-efficient family of pumps
introduces its first trade-only member.



TriStar® VS 900

EXPERT LINE
NOT SOLD ONLINE



According to EPA ENERGY STAR® third-party testing, Hayward's TriStar® VS residential pool pumps are the most energy-efficient pumps on the market.

With yearly energy cost savings of up to 90%, a chemical-resistant Viton® seal and a 3-year warranty, TriStar VS 900 is our best TriStar yet—and because it's part of our Expert Line, your customers can only get it from you. Install TriStar VS 900 for powerful, efficient performance your customers will enjoy for years to come.

For more information on the TriStar VS 900 pump, visit hayward.com or contact your Hayward sales representative. To learn more about the EPA's energy-efficiency rankings, visit energystar.gov/productfinder and click Pool Pumps.

Hayward and TriStar are registered trademarks of Hayward Industries, Inc. © 2016 Hayward Industries, Inc. All other trademarks not owned by Hayward are the property of their respective owners. Hayward is not in any way affiliated with or endorsed by those third parties. ENERGY STAR is a registered mark owned by the U.S. government.

 **HAYWARD®**

Supersedes all price lists of prior dates. Please see Terms & Conditions of Sale, inside back cover.

Parts Additions, Deletions and Replacements	142
---	-----

PUMPS

TriStar® VS 950	143
TriStar® VS 900	144
TriStar® VS	145
TriStar®	146–148
EcoStar®	149
NorthStar™ – SP4000 Series	150
NorthStar – SP4000X Series	151
Super II™ – SP3000 Series	152
Super II – SP3000X Series	153
Super Pump® VS	154
Super Pump 115V	155
Super Pump® – SP1600X Series	156
Super Pump – SP2600X Series	157
MaxFlo VS	158
MaxFlo VS™ 500	159
MaxFlo XL®	160
MaxFlo II™	161
MaxFlo® – SP1800X Series	162
MaxFlo – SP2800X Series	163
Booster Pump	164
PowerFlo Matrix®	165
PowerFlo LX™ – SP1580 Series	166
PowerFlo® – SP1500 Series	167
PowerFlo II™ – SP1700 Series	168
PowerFlo Pump Replacement Motors (pumps on pages 151–152)	169

FILTERS

SwimClear™ Cartridge	170–173
SwimClear™ Single Element	174–175
Super StarClear™ Cartridge Duralon and PermaGlass XL Models	176–177
StarClear™ Plus Cartridge	178–179
StarClear™ Cartridge	180–181
StarClear II Cartridge	182–183
XStream® System	184–185
EasyClear™ Cartridge	186
Micro StarClear™	187
ASL Cartridge	188–189
ProGrid™ Vertical Grid D.E.	190–191
MicroClear™ Vertical Grid D.E. Duralon and PermaGlass XL Models	192–193
Perflex® D.E. EC65, EC75	194–195
EC50A, EC50AC	196–197
EC30, EC40	198–199
ReGenX™	200–201
ProSeries™ Plus High-Rate Sand S311SX, S311SXV, S360SX	202–203
S210S, S220S, S244S, S310S	204–205
S240 High-Rate Sand	206–207
S200 High-Rate Sand	208–209
S310T/S310T2	210
S140T, S144T	211
S180T, S210T, S220T, S244T	212–213
S164T, S166T	214–215
V210	216–217
VL Series	218–219
S160T High-Rate Sand	220–221
S245T, S190T	222–223

HEATERS — PARTS DIAGRAMS

CSPA XI Series	224–225
Universal H-Series Low NOx Heater	234–235

HEATERS — PARTS DIAGRAMS (cont.)

Universal H-Series Low NOx Induced Draft	236–237
H-Series Electronic	238–239
H-Series Electronic Heater – In-Ground Pools and Spas	240–241
H-Series Induced Draft – Above-Ground	242–243

HEAT PUMP — PARTS DIAGRAM

Heat Pro® / Summit XL	226–233
-----------------------------	---------

HEATER — REPLACEMENT PARTS PRICES

All Heaters	244–249
-------------------	---------

AUTOMATION & SANITIZATION

Actuator	250
Controls, Salt Chlorination	251–255

CLEANERS

TriVac® 700	256–257
TriVac® 500	258–259
AquaVac® 500	260–261
TigerShark®, TigerShark® QC	262–263
SharkVAC™ XL	264–265
SharkVAC	266–267
Navigator® V-Flex™	268–269
Navigator® Pro	270–271
PoolVac V-Flex™	272–273
PoolVac XL™	274–275
AquaNaut® 200	276–277
AquaNaut® 400	278–279
PoolVac Classic™	280–281
Navigator®	282–283
PV Ultra	284–285
Poolvergneugen 2 Wheel/4 Wheel	286–289
KingRay®/DV5000	290
AquaRay®/SunRay®	291
Phantom Turbo®	292–293
Viio Turbo® & Viper	294–295
AquaBug®	296–297
Penguin/WandaWhale®/Diver Dave®	298–299

Parts Kits:

AquaBug®/Penguin/WandaWhale/Diver Dave	300–301
PoolVac & Navigator®	302–303
Leaf Canisters	304
Skimmer Vacuum Plates	305

GENERAL POOL/SPA EQUIPMENT

Chemical Feeders Automatic	311
Fittings	321–322
Hydrotherapy Fittings	322
Junction Boxes	320
Lights, Underwater	306–309
Separation Tank	312–314
Sight Glasses	320
Skimmers, Automation	315–319
Suction Outlets	310
Schmear Misc.	320
Union	320
Vacuum Release System	310
Valves	316–319

NOTE: The number that appears in the “CTN. QTY.” (Carton Quantity) is the pre-packaged, recommended ordering quantity for a part. The List Prices shown do not necessarily represent the prices that products are sold for to retail customers.

Product Additions, Deletions & Replacements

REPLACEMENT PARTS

Page	Product		Description of Change
PUMPS			
143	TriStar® VS 950	Added	Schematic and Parts Breakout
144	TriStar® VS 900	Added	Schematic and Parts Breakout
145	TriStar VS	Added	SPXHKIT100 H-KIT Quick Pump Repair
148	TriStar Waterfall / Energy Solutions	Deleted	SPX3220VSCLCDA Interface
149	EcoStar	Added	GLX-ACT-CONN
154	Super Pump VS	Added	SPX2610C Impeller SPX2607C Impeller SPX2603Z1VSPE Power End Assembly SPX26115Z1VSPE Power End Assembly
157	MaxFlo VS™ 500	Added	Schematic and Parts Breakout
158	MaxFlo VS	Added	Schematic and Parts Breakout

FILTERS			
191	ProGrid™	Added	DEX2420DC Filter Element <i>replaces</i> DEX2400DA
217	VL210T System	Added	SX202S <i>replaces</i> SCN202S SX180K <i>replaces</i> SX180J

HEATING			
225	C Spa Heater	Deleted	CZXGKT9216
229	HeatPro®	Deleted	SMX01024512 SMX260224728 SMX26024537
230	Summit XL	Added	Schematic and Parts Breakout
235	Universal H-Series	Added	FDXLBCP1150, 1200, 1250, 1300, 1350, 1400, 1500
243	H-Series Above Ground Heater	Deleted	IDXJKT100, IDXBWRT1935, IDXWHA1931, IDXCST1930
244-249	Heater Replacement Parts	Deleted	FDXLMAN1150, 1200, 1250, 1300, 1350, 1400, 1500 FDXLTFP1150, 1200, 1250, 1300, 1350, 1400, 1500, 1500A HAXBOP1931, HAXBOP1932 HAXCIA1930, HAXCNK0001, 0002, 0003, 0004, 0009, 0010, 0011, 0012, 0017, 0019, 0020 HAXUBA1930, HAXWFN1930, HAXWHA004 IDXL2JKT120, IDXL2PBA1250, IDXLBON1930, IDXLBOP1930, IDXLBOP1932 IDXLLRA1930, IDXLURA1930, IDXLWHM1931, IDXWHA1930, IHXAPS1920, IHXBLS1930 UHXPOSHZ15001

Page	Product		Description of Change
SANITIZATION/AUTOMATION			
254	HydroRite™	Added	TCellI925-W; Warranty Cell for TCELL925, 1 year warranty TCellI940-W; Warranty Cell for TCELL940, 1 year warranty
		Deleted	GLX-HYDCTLUV; Controller, UV GLX-HYD-LAMPUV; Residential Lamp, NON-Ozone Producing GLX-CELL-15LL-W; TurboCell 40K gallon, long life, 1 year warranty

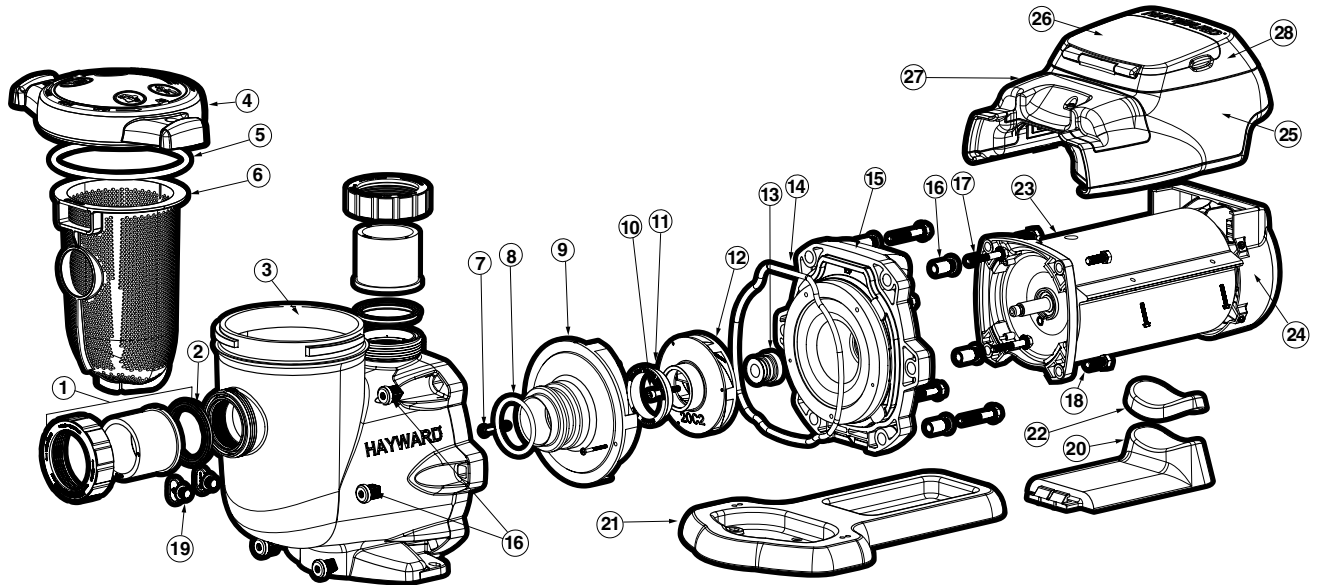
CLEANERS			
259	TriVac 500	Added	TVX5000BA; Bag Float TVX7000HA-01; Hose Kit TVX5000TU; Tune-up Kit
262	TigerShark	Added	New Schematic
264	SharkVac XL	Added	New Schematic
266	SharkVac	Added	New Schematic
271	Navigator® Pro	Deleted	AVX016P; Pod Plug
273	PoolVac™ V-Flex	Deleted	HSXVVO15CLO-237; Access Cover Assembly HSXV3020; Turbine Bearing
275	PoolVac XL™	Deleted	AXV016P; Pod Plug
277	AquaNaut® 200	Added	PVXS007; Shaft Retainer
266-267	AquaNaut 400 / 450	Deleted	PVXH013BKPK4; Bracket Skirt; Black
281	PoolVac Classic	Deleted	AXV016P; Pod Plug
283	Navigator	Deleted	AXV016P; Pod Plug
285	PoolVac Ultra®	Deleted	AXV016P; Pod Plug
286-287	Poolvergnuegen; 2 Wheel PoolCleaner	Added	Schematic and Parts Breakout
288-289	Poolvergnuegen; 4 Wheel PoolCleaner	Added	Schematic and Parts Breakout
290	DV5000 / KingRay®	Deleted	DC176PAK24 Connector Hose Pack; Green DC2072PAK24 Connector Hose Pack; Silver
291	AquaRay® / SunRay®	Deleted	DC176PAK24 Connector Hose Pack; Green DC2072PAK24 Connector Hose Pack; Silver
298-299	Penguin	Added	Schematic and Parts Breakout

WHITE GOODS			
313	Skimmers	Added	SPX0097E Gasket <i>replaces</i> SPX1084BPAK2
321	Fittings	Deleted	SPX1023BS2; Locknut for 2" SP1023S2 Fitting SPX1023Z3S2; Fiber Slip Washer for 2" SP1023S Fitting

TriStar® VS 950

PUMP SERIES REPLACEMENT PARTS

Parts for Pump Models: SP32950VSP



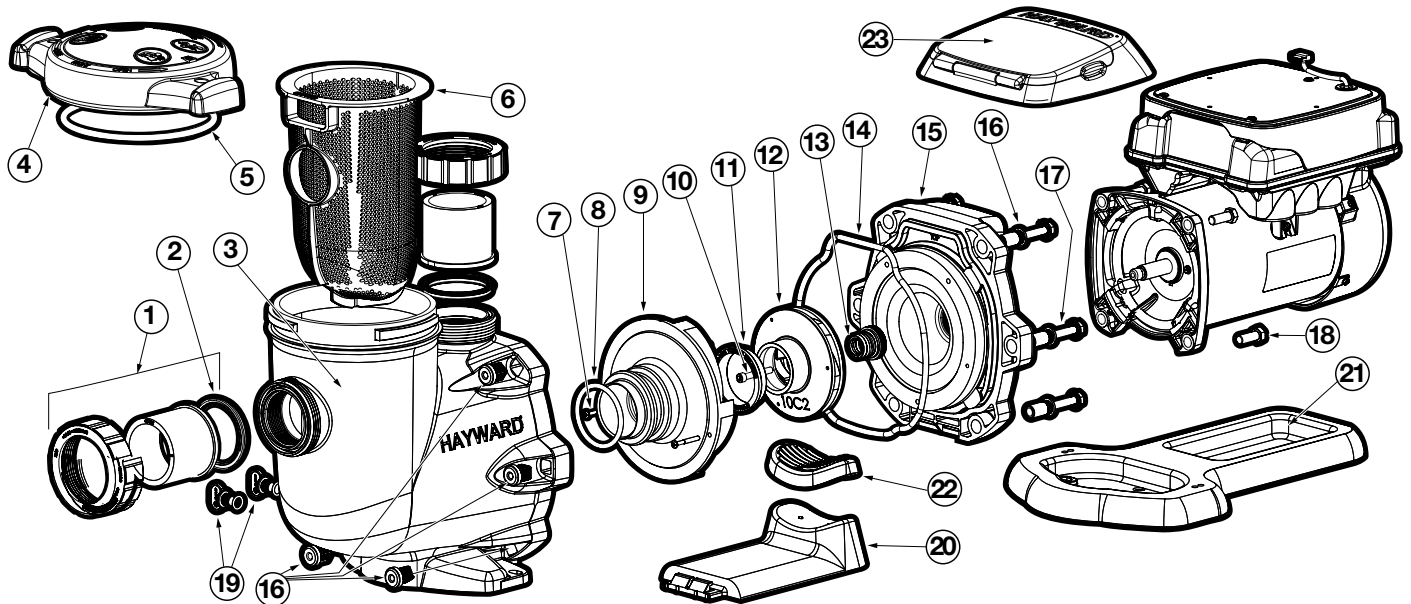
Ref. No.	Part No.	Description	Ctn. Qty.	List Price
1	SPX3200UNKIT	Union Connector Kit (Includes Union Nut, Union Connector, Union Gasket – 2 ea.)	10	\$44.57
2	SPX3200UG	Union Gasket	100	11.65
3	SPX3200A	Pump Strainer Housing, 2" x 2 1/2" with Drain Plugs, Threaded Style	1	284.20
4	SPX3200DLS	Strainer Cover Kit (Includes Strainer Cover, Lock Ring, O-Ring)	10	75.81
	SPX3200DLSB	Strainer Cover Kit (Biguanide Sanitizer Applications Only; NOT Pressure Testable)	10	75.81
5	SPX3200S	Strainer Cover O-Ring	50	12.85
6	SPX3200M	Strainer Basket	2	17.29
7	SPX3200Z8	Diffuser Screw	50	10.10
8	SPX4000Z1	Diffuser O-Ring	50	11.52
9	SPX3200B3	Diffuser	5	37.57
10	SPX3200Z1	Impeller Screw	50	6.30
11	SPX3021R	Impeller Ring	50	5.42
12	SPX3220C	Impeller with Impeller Screw	10	48.29
13	SPX4000SAV	Shaft Seal Assembly (Viton®)	10	23.79
14	SPX3200T	Housing O-Ring	50	9.95
15	SPX3200E	Seal Plate	5	49.07
16	SPX3200Z211	Housing Insert/Seal Plate Spacer Kit	50	22.26
17	SPX3200Z3	Housing Bolt	50	4.14
18	SPX3200Z5PAK4	Motor Bolt Kit	50	8.89
19	SPX4000FG	Drain Plug with O-Ring	100	4.06
20	SPX3200GA	Bracket, Motor Support	5	38.07
21	SPX3200WF	Riser Base Aligns with Pentair® WhisperFlo® Ports	1	36.69
21	SPX3200SR	Riser Base Aligns with Sta-Rite® Max-E-Pro™, Max-E-Glas®, Dura-Glas® and Dura-Glass II® Ports	1	36.00
22	SPX3200Q	Adapter-Motor Support	100	9.43
23	SPX3400Z1ECM	Motor Assembly	1	704.93
24	SPX3400FAN	Motor Fan Shroud	5	28.66
25	SPX3400DR	Motor Drive (Includes Digital Control Interface)	1	967.61
26	SPX3400DR4	Motor Drive Display Cover	5	38.19
27	SPX3400DR2	Motor Drive Wiring Cover	5	80.59
28	SPX3400LCD	Digital Control Interface Assembly	1	394.31
—	SPX3400DRKIT	Wall Mount Kit for Digital Control Interface	5	108.29
—	SPX3400DRCBL	Wall Mount Display Cable	5	54.37
—	SPXHKIT100	H-KIT Quick Pump Repair (Includes items 5, 8, 13, 14 and Jack's Lube)	10	32.21
—	GLX-ACT-CONN	Actuator Connector	100	10.44

TriStar® VS 900

PUMP SERIES REPLACEMENT PARTS

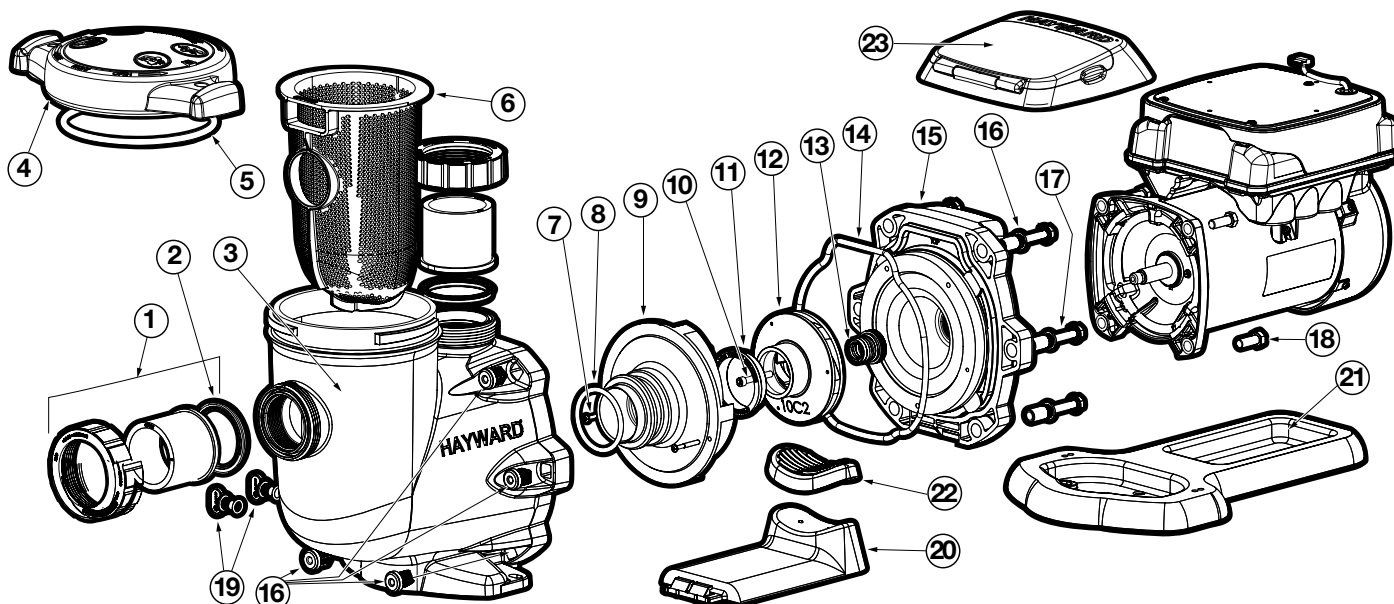
Pumps

Parts for Pump Models: SP32900VSP



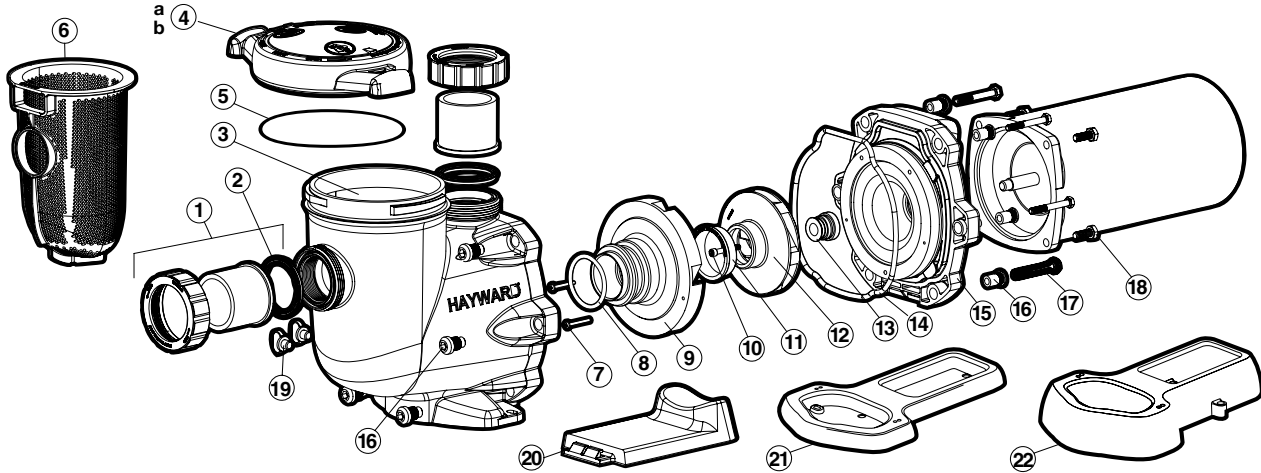
Ref. No.	Part No.	Description	Ctn. Qty.	List Price
1	SPX3200UNKIT	Union Connector Kit (Includes Union Nut, Union Connector, Union Gasket – 2 ea.)	10	\$43.48
2	SPX3200UG	Union Gasket	100	11.35
3	SPX3200A	Pump Strainer Housing, 2" x 2 1/2" with Drain Plugs, Threaded Style	1	277.25
4	SPX3200DLS	Strainer Cover Kit (Includes Strainer Cover, Lock Ring, O-Ring)	10	73.97
	SPX3200DLSB	Strainer Cover Kit (Biguanide Sanitizer Applications Only; NOT Pressure Testable)	10	73.97
5	SPX3200S	Strainer Cover O-Ring	50	12.66
6	SPX3200M	Strainer Basket	2	17.04
7	SPX3200Z8	Diffuser Screw	50	9.95
8	SPX4000Z1	Diffuser O-Ring	50	11.35
9	SPX3200B3	Diffuser	5	36.66
10	SPX3200Z1	Impeller Screw	50	6.20
11	SPX3021R	Impeller Ring	50	5.29
12	SPX3210C	Impeller with Impeller Screw	10	34.10
13	SPX4000SAV	Shaft Seal Assembly (Viton®)	10	23.44
14	SPX3200T	Housing O-Ring	50	9.80
15	SPX3200E	Seal Plate	5	47.87
16	SPX3200Z211	Housing Insert/Seal Plate Spacer Kit	50	21.72
17	SPX3200Z3	Housing Bolt	50	4.09
18	SPX3200Z5	Motor Bolt	50	7.71
19	SPX4000FG	Drain Plug with O-Ring	100	3.96
20	SPX3200GA	Bracket, Motor Support	5	37.13
21	SPX3200WF	Riser Base Aligns with Inlet Port of Pentair® WhisperFlo® Pump	1	35.80
	SPX3200SR	Riser Base Aligns with Sta-Rite® Max-E-Pro™, Max-E-Glas®, Dura-Glas® and Dura-Glass II® Ports	1	36.00
22	SPX3200Q2	Adapter-Motor Support	100	9.04
23	SPX3400DR4	Motor Drive Display Cover (Cover only)	5	37.25
—	SPX3200LCD	Digital Control Interface Assembly	20	478.57
—	SPX3400DRKIT	Wall Mount Kit	5	105.66
—	SPX3400DRCBL	Wall Mount Display Cable	5	53.04
—	SPX3202Z1VSP	Power End Assembly (Includes parts #7-15 and 18, Motor, Drive and Display)	1	1,298.02

Parts for Pump Models: SP3200VSP, SP3202VSP, SP3200VSPND, SP3202VSPND



Ref. No.	Part No.	Description	Ctn. Qty.	List Price
1	SPX3200UNKIT	Union Connector Kit (Includes Union Nut, Union Connector, Union Gasket – 2 ea.)	10	\$44.57
2	SPX3200UG	Union Gasket	100	11.65
3	SPX3200A	Pump Strainer Housing, 2" x 2 1/2" with Drain Plugs, Threaded Style	1	284.20
4	SPX3200DLS	Strainer Cover Kit (Includes Strainer Cover, Lock Ring, O-Ring)	10	75.81
	SPX3200DLSB	Strainer Cover Kit (Biguanide Sanitizer Applications Only; NOT Pressure Testable)	10	75.81
5	SPX3200S	Strainer Cover O-Ring	50	12.85
6	SPX3200M	Strainer Basket	2	17.29
7	SPX3200Z8	Diffuser Screw	50	10.10
8	SPX4000Z1	Diffuser O-Ring	50	11.52
9	SPX3200B3	Diffuser	5	37.57
10	SPX3200Z1	Impeller Screw	50	6.30
11	SPX3021R	Impeller Ring	50	5.42
12	SPX3210C	Impeller with Impeller Screw	10	34.96
13	SPX3200SA	Shaft Seal Assembly	10	23.79
14	SPX3200T	Housing O-Ring	50	9.95
15	SPX3200E	Seal Plate	5	49.07
16	SPX3200Z211	Housing Insert/Seal Plate Spacer Kit	50	22.26
17	SPX3200Z3	Housing Bolt	50	4.14
18	SPX3200Z5	Motor Bolt	50	7.83
19	SPX4000FG	Drain Plug with O-Ring	100	4.06
20	SPX3200GA	Bracket, Motor Support	5	38.07
21	SPX3200WF	Riser Base Aligns with Inlet Port of Pentair® WhisperFlo® Pump	1	36.69
	SPX3200SR	Riser Base Aligns with Sta-Rite® Max-E-Pro™, Max-E-Glas®, Dura-Glas® and Dura-Glass II® Ports	1	36.00
22	SPX3200Q2	Adapter-Motor Support	100	9.26
23	SPX3400DR4	Motor Drive Display Cover (Cover only)	5	38.19
—	SPX3200LCD	Digital Control Interface Assembly	1	382.86
—	SPX3400DRKIT	Wall Mount Kit	5	108.29
—	SPX3400DRCBL	Wall Mount Display Cable	5	54.37
—	SPXHKIT100	H-KIT Quick Pump Repair for TriStar® (Includes items 5, 8, 13, 14 and Jack's Lube)	10	32.21
—	SPX3200Z1VSP	Power End Assembly for SP3200VSP (Includes parts #7-15 and 18, Motor, Drive and Display)	1	1,298.02
—	SPX3200Z1VSPNDPE	Power End Assembly (No Display "ND" Models) (Includes parts #7-15 and 18, Motor and Drive)	1	1,373.94
—	SPX3202Z1VSP	Assembly for SP3202VSP (Includes parts #7-15 and 18, Motor and Drive)	1	1,375.91

Parts for Pump Models: SP3205EE, SP3207EE, SP3210(2)EE, SP3215(2)EE, SP3220(2)EE, SP322063EEV, SP3230EE, SP3250EE, SP323063EE



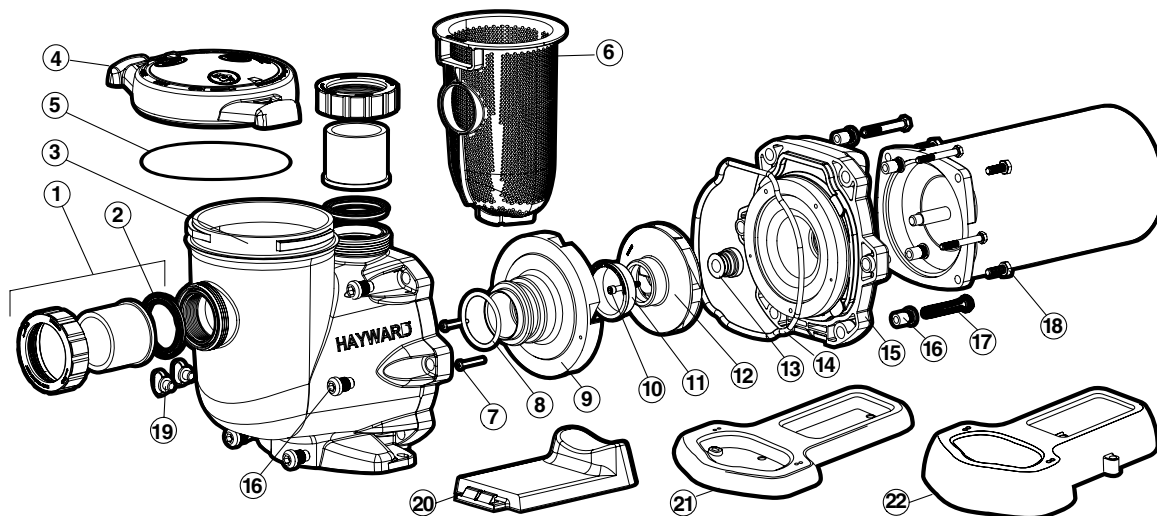
Ref. No.	Part No.	Description	Ctn. Qty.	List Price
1	SPX3200UNKIT	Union Connector Kit (Includes Nut, Connector, Gasket)	10	\$44.57
2	SPX3200UG	Union Gasket (T-seal), 50 duro EPDM (2 per pack)	100	11.65
3	SPX3200A	Pump Strainer Housing, 2" x 2" with Drain Plugs, Threaded Style	1	284.20
4a	SPX3200DLS	Strainer Cover Kit (Includes Strainer Cover, Lock Ring, O-Ring)	10	75.81
4b	SPX3200DLSB	Strainer Cover Kit for Biguanide Sanitizers (Includes Strainer Cover, Lock Ring, T-Ring NOT Pressure Testable)	10	75.81
5	SPX3200S	Strainer Cover O-Ring	50	12.85
6	SPX3200M	Strainer Basket	2	17.29
7	SPX3200Z8	Diffuser Screws (2 per)	50	10.10
8	SPX4000Z1	Diffuser O-Ring	50	11.52
9	SPX3200B3	Diffuser	5	37.57
10	SPX3200Z1	Impeller Screw	50	6.30
11	SPX3021R	Impeller Ring	50	5.42
12	SPX3205C	Impeller for 1/2 H.P. with Impeller Screw	10	33.61
12	SPX3207CM	Impeller for 3/4 H.P. with Impeller Screw	10	32.01
12	SPX3210C	Impeller for 1 H.P. with Impeller Screw	10	34.96
12	SPX3215C	Impeller for 1 1/2 H.P. with Impeller Screw	10	41.22
12	SPX3220C	Impeller for 2 H.P. with Impeller Screw	10	48.29
12	SPX3230C	Impeller for 3 H.P. with Impeller Screw	10	48.29
12	SPX3230C5	Impeller for 5 H.P. with Impeller Screw	10	48.29
13	SPX3200SA	Shaft Seal Assembly	10	23.79
14	SPX3200T	Housing O-Ring	50	9.95
15	SPX3200E	Seal Plate	5	49.07
16	SPX3200Z211	Housing Insert and Seal Plate Spacer Kit	50	22.26
17	SPX3200Z3	Housing Bolt	50	4.14
18	SPX3200Z5	Motor Bolt	50	7.83
19	SPX4000FG	Drain Plug with O-Ring	100	4.06
20	SPX3200GA	Bracket, Motor, Support	5	38.07
21	SPX3200WF	Riser Base Aligns with Pentair® WhisperFlo® Ports	1	36.69
22	SPX3200SR	Riser Base Aligns with Sta-Rite® Max-E-Pro™, Max-E-Glas®, Dura-Glas® and Dura-Glass II® Ports	1	36.00
—	SPXHKIT100	H-KIT Quick Pump Repair for TriStar (Includes items 5, 8, 13, 14 and Jack's Lube)	10	32.21

Power Ends*/Motor Part No.

SPX3205Z1PE/SPX3205Z1BER	1/2 H.P. Energy Efficient Full Rate	1	\$483.72/\$335.49
SPX3207Z1PE/SPX3207Z1BER	3/4 H.P. Energy Efficient Full Rate	1	511.54/359.03
SPX3210Z1PE/SPX3210Z1BER	1 H.P. Energy Efficient Full Rate	1	532.37/365.06
SPX3215Z1PE/SPX3215Z1BER	1 1/2 H.P. Energy Efficient Full Rate	1	530.33/395.04
SPX3220Z1PE/SPX3220Z1BER	2 H.P. Energy Efficient Full Rate	1	629.68/457.17
SPX3230Z1PE/SPX3230Z1BER	3 H.P. Energy Efficient Full Rate	1	820.66/562.31
SPX3250Z1PE/SPX3240Z1MER	5 H.P. Energy Efficient Full Rate	1	1,011.27/779.44
SPX3210Z2PE/SPX3210Z2BER	1 H.P. 2 speed Energy Efficient Full Rate	1	644.73/464.19
SPX3215Z2PE/SPX3215Z2BER	1 1/2 H.P. 2 speed Energy Efficient Full Rate	1	787.07/588.49
SPX3220Z2PE/SPX3220Z2BER	2 H.P. 2 speed Energy Efficient Full Rate	1	957.71/739.62
SPX3220Z1PE3V/SPX3220Z1DRV	2 H.P. 3 phase Energy Efficient Full Rate	1	539.12/496.23
SPX3230Z1PE3	3 H.P. 3 phase Energy Efficient Full Rate	1	573.25

NOTE: *Power End includes Motor, Seal Plate, Seal Diffuser (Includes Ref. #7-18 and Motor)

Parts for Pump Models: SP3205X7, SP3207X10, SP3210X15(2), SP3215X20(2), SP3220X25(2), SP3225X30



Ref. No.	Part No.	Description	Ctn. Qty.	List Price
1	SPX3200UNKIT	Union Connector Kit (Includes Nut, Connector, Gasket)	10	\$44.57
2	SPX3200UG	Union Gasket (T-seal), 50 duro EPDM (2 per pack)	100	11.65
3	SPX3200A	Pump Strainer Housing, 2" x 2" with Drain Plugs, threaded style	1	284.20
4a	SPX3200DLS	Strainer Cover Kit (Includes Strainer Cover, Lock Ring, O-Ring)	10	75.81
4b	SPX3200DLSB	Strainer Cover Kit for Biguanide Sanitizers (Includes: Strainer Cover, Lock Ring, T-Ring NOT Pressure Testable)	10	75.81
5	SPX3200S	Strainer Cover O-Ring	50	12.85
6	SPX3200M	Strainer Basket	2	17.29
7	SPX3200Z8	Diffuser Screws (2 per)	50	10.10
8	SPX4000Z1	Diffuser O-Ring	50	11.52
9	SPX3200B3	Diffuser	5	37.57
10	SPX3200Z1	Impeller Screw	50	6.30
11	SPX3021R	Impeller Ring	50	5.42
12	SPX3205C	Impeller for 3/4 H.P. with Impeller Screw	10	33.61
12	SPX3207CM	Impeller for 1 H.P. with Impeller Screw	10	32.01
12	SPX3210C	Impeller for 1 1/2 H.P. with Impeller Screw	10	34.96
12	SPX3215C	Impeller for 2 H.P. with Impeller Screw	10	41.22
12	SPX3220CM	Impeller for 2 1/2 H.P. with Impeller Screw	10	48.24
12	SPX3230C	Impeller for 3 H.P. with Impeller Screw	10	48.29
13	SPX3200SA	Shaft Seal Assembly	10	23.79
14	SPX3200T	Housing O-Ring	50	9.95
15	SPX3200E	Seal Plate	5	49.07
16	SPX3200Z211	Housing Insert and Seal Plate Spacer Kit	50	22.26
17	SPX3200Z3	Housing Bolt	50	4.14
18	SPX3200Z5	Motor Bolt	50	7.83
19	SPX4000FG	Drain Plug with O-Ring	100	4.06
20	SPX3200GA	Bracket, Motor, Support	5	38.07
21	SPX3200WF	Riser Base Aligns with Pentair® WhisperFlo® Ports	1	36.69
22	SPX3200SR	Riser Base Aligns with Sta-Rite® Max-E-Pro™, Max-E-Glas®, Dura-Glas® and Dura-Glass II® Ports	1	36.00
—	SPXHKIT100	H-KIT Quick Pump Repair for TriStar (Includes items 5, 8, 13, 14 and Jack's Lube)	10	32.21

Power Ends*/Motor Part No.

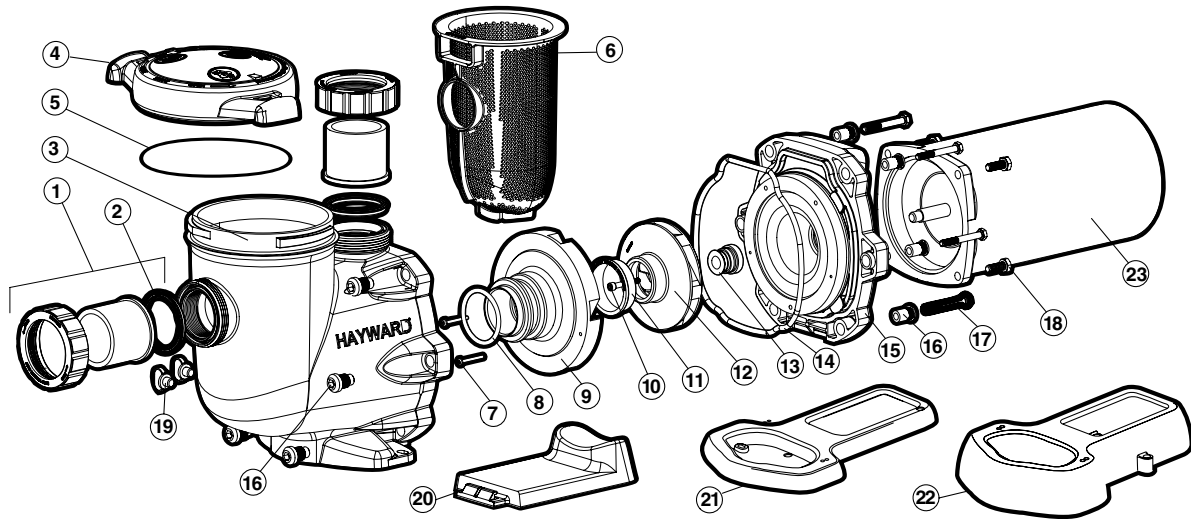
SPX3205X7Z1PE/SPX3205Z1MR	3/4 H.P. Standard Efficient Max Rate	1	\$371.61/\$279.52
SPX3207X10Z1PE/SPX3207Z1MR	1 H.P. Standard Efficient Max Rate	1	398.55/279.52
SPX3210X15Z1PE/SPX3210Z1MR	1 1/2 H.P. Standard Efficient Max Rate	1	437.01/312.10
SPX3215X20Z1PE/SPX3215Z1MR	2 H.P. Standard Efficient Max Rate	1	515.60/360.01
SPX3220X25Z1PE/SPX3220Z1MR	2 1/2 H.P. Standard Efficient Max Rate	1	610.80/447.79
SPX3225X30Z1PE/SPX3225Z1MR	3 H.P. Standard Efficient Max Rate	1	765.06/523.95
SPX3210X15Z2PE/SPX3210Z2MER	1 1/2 H.P. 2 speed Standard Efficient Max Rate	1	646.70/464.19
SPX3215X20Z2PE/SPX3215Z2MER	2 H.P. 2 speed Standard Efficient Max Rate	1	785.08/588.49
SPX3220X25Z2PE/SPX3220Z2MER	2 1/2 H.P. 2 speed Standard Efficient Max Rate	1	921.39/698.65

NOTE: *Power End includes Motor, Seal Plate, Seal Diffuser (Includes Ref. #7–18 and Motor)

TriStar® Waterfall & Energy Solution® Pumps

PUMP SERIES REPLACEMENT PARTS

Parts for Pump Models: SP36075EE, SP36120EE, SP3220VSC, SP3220VSCAQL



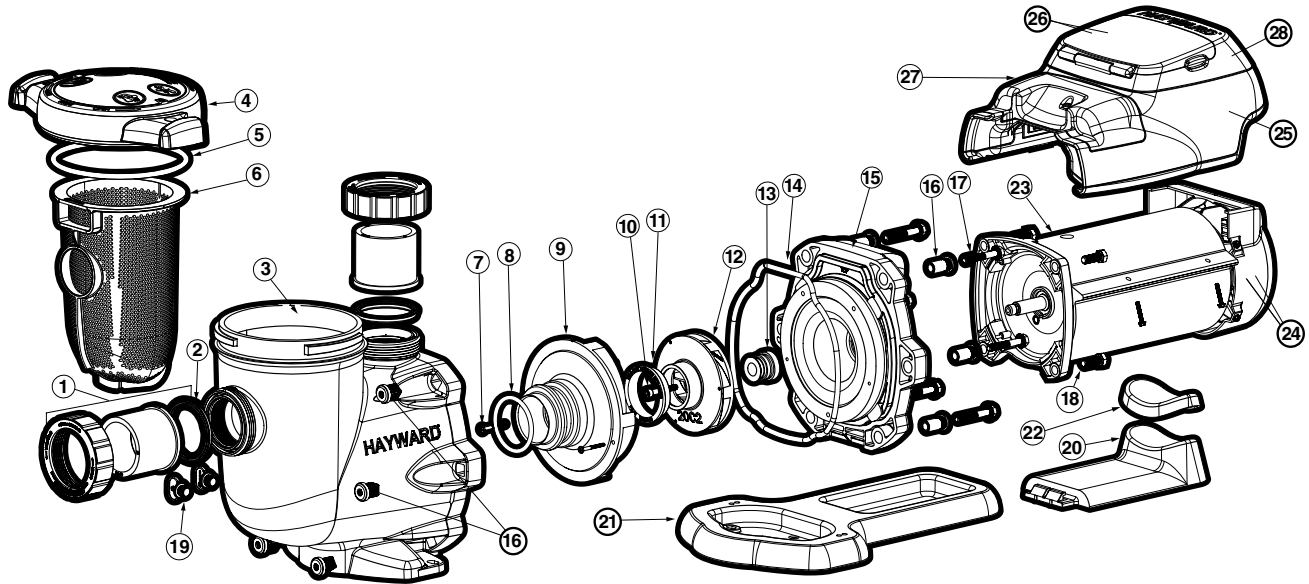
Ref. No.	Part No.	Description	Ctn. Qty.	List Price
Waterfall Pumps				
1	SPX3200UNKIT	Union Connector Kit (Includes Nut, Connector, Gasket)	10	\$44.57
2	SPX3200UG	Union Gasket (T-seal), 50 duro EPDM (2 per pack)	100	11.65
3	SPX3200A	Pump Strainer Housing, 2" x 2" with Drain Plugs, Threaded Style	1	284.20
4a	SPX3200DLS	Strainer Cover Kit (Includes Strainer Cover, Lock Ring, O-Ring)	10	75.81
4b	SPX3200DLSB	Strainer Cover Kit for Biguanide Sanitizers (Includes Strainer Cover, Lock Ring, T-Ring) NOT Pressure Testable)	10	75.81
5	SPX3200S	Strainer Cover O-Ring	50	12.85
6	SPX3200M	Strainer Basket	2	17.29
7	SPX3200Z8	Diffuser Screws (2 per)	50	10.10
8	SPX4000Z1	Diffuser O-Ring	50	11.52
9	SPX3200B3	Diffuser	5	37.57
10	SPX3200Z1	Impeller Screw	50	6.30
11	SPX3021R	Impeller Ring	50	5.42
12	SPX3220C	Impeller for 75 GPM with Impeller Screw	10	48.29
12	SPX3230CU	Impeller for 120 GPM with Impeller Screw	10	47.33
13	SPX3200SA	Shaft Seal Assembly	10	23.79
14	SPX3200T	Housing O-Ring	50	9.95
15	SPX3200E	Seal Plate	5	49.07
16	SPX3200Z211	Housing Insert and Seal Plate Spacer Kit	50	22.26
17	SPX3200Z3	Housing Bolt	50	4.14
18	SPX3200Z5	Motor Bolt	50	7.83
19	SPX4000FG	Drain Plug with O-Ring	100	4.06
20	SPX3200GA	Bracket, Motor, Support	5	38.07
21	SPX3200WF	Riser Base Aligns with Pentair® WhisperFlo® Ports	1	36.69
22	SPX3200SR	Riser Base Aligns with Sta-Rite® Max-E-Pro™, Max-E-Glas®, Dura-Glas® and Dura-Glass II® Ports	1	36.00
23	SPX3605Z1BER	Motor – Waterfall, 75-120 GPM	1	559.41
—	SPXHKIT100	H-KIT Quick Pump Repair for TriStar (Includes items 5, 8, 13, 14 and Jack's Lube)	10	32.21

Energy Solution Variable Speed Pumps*

1	SPX3220VSCCLCDA	Interface, TriStar Variable Speed Control, Aqua Logic	6	\$677.77
---	-----------------	---	---	----------

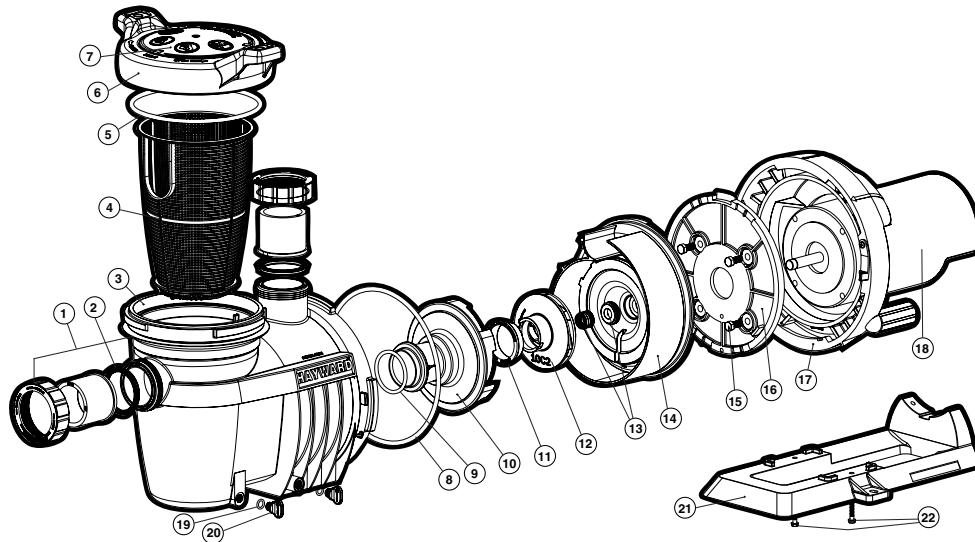
NOTE: *Interface assemblies include user interface board mounted to interface panel, and RS485 data cable.

Parts for Pump Models: SP3400VSP, SP3400VSPVR



Ref. No.	Part No.	Description	Ctn. Qty.	List Price
1	SPX3200UNKIT	Union Connector Kit (Includes Union Nut, Union Connector, Union Gasket – 2 ea.)	10	\$44.57
2	SPX3200UG	Union Gasket	100	11.65
3	SPX3200A	Pump Strainer Housing, 2" x 2 1/2" with Drain Plugs, Threaded Style	1	284.20
4	SPX3200DLS	Strainer Cover Kit (Includes Strainer Cover, Lock Ring, O-Ring)	10	75.81
	SPX3200DLSB	Strainer Cover Kit (Biguanide Sanitizer Applications Only; NOT Pressure Testable)	10	75.81
5	SPX3200S	Strainer Cover O-Ring	50	12.85
6	SPX3200M	Strainer Basket	2	17.29
7	SPX3200Z8	Diffuser Screw	50	10.10
8	SPX4000Z1	Diffuser O-Ring	50	11.52
9	SPX3200B3	Diffuser	5	37.57
10	SPX3200Z1	Impeller Screw	50	6.30
11	SPX3021R	Impeller Ring	50	5.42
12	SPX3220C	Impeller with Impeller Screw	10	48.29
13	SPX3200SA	Shaft Seal Assembly	10	23.79
14	SPX3200T	Housing O-Ring	50	9.95
15	SPX3200E	Seal Plate	5	49.07
16	SPX3200Z211	Housing Insert/Seal Plate Spacer Kit	50	22.26
17	SPX3200Z3	Housing Bolt	50	4.14
18	SPX3200Z5PAK4	Motor Bolt Kit	50	8.89
19	SPX4000FG	Drain Plug with O-Ring	100	4.06
20	SPX3200GA	Bracket, Motor Support	5	38.07
21	SPX3200WF	Riser Base Aligns with Pentair® WhisperFlo® Ports	1	36.69
21	SPX3200SR	Riser Base Aligns with Sta-Rite® Max-E-Pro™, Max-E-Glas®, Dura-Glas® and Dura-Glass II® Ports	1	36.00
22	SPX3200Q	Adapter-Motor Support	100	9.43
23	SPX3400Z1ECM	Motor Assembly	1	704.93
24	SPX3400FAN	Motor Fan Shroud	5	28.66
25	SPX3400DR	Motor Drive (Includes Digital Control Interface)	1	967.61
25	SPX3400DRVR	Motor Drive, SVRS (Includes Digital Control Interface)	1	1,276.87
26	SPX3400DR4	Motor Drive Display Cover	5	38.19
27	SPX3400DR2	Motor Drive Wiring Cover	5	80.59
28	SPX3400LCD	Digital Control Interface Assembly	1	394.31
—	SPX3400DRKIT	Wall Mount Kit for Digital Control Interface	5	108.29
—	SPX3400DRCBL	Wall Mount Display Cable	5	54.37
—	SPXHKIT100	H-KIT Quick Pump Repair for EcoStar and TriStar (Includes items 5, 8, 13, 14 and Jack's Lube)	10	32.21
—	GLX-ACT-CONN	Actuator Connector	100	10.44

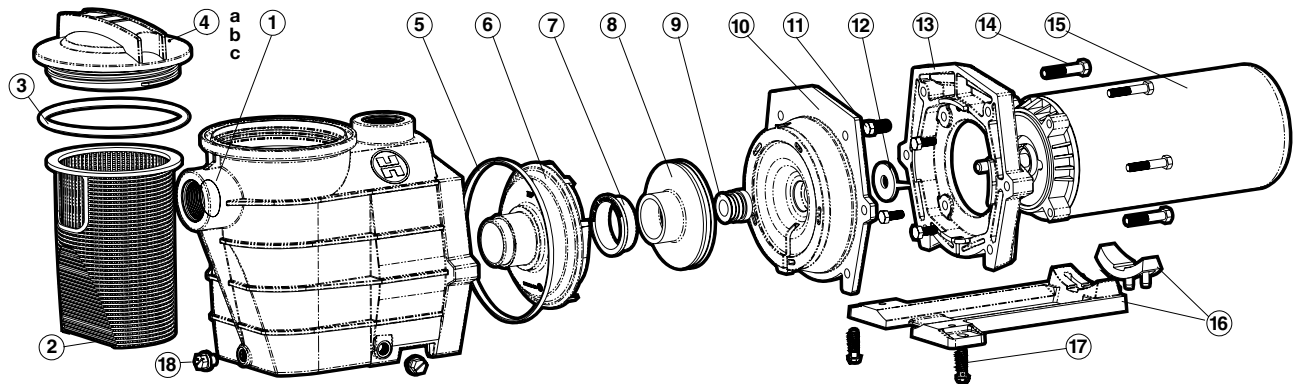
Parts for All Pump Models



Ref. No.	Part No.	Description	Ctn. Qty.	List Price
1	SPX3200UNKIT	Union Connector Kit (Includes 2 ea. Union Nut, Connector and Gasket) (2008 and later)	10	\$44.57
	SPX4000UNPAK1	Union Connector Kit (Includes 1 ea. Union Nut, Connector and Gasket) (2007 and Prior)	15	21.77
	SPX4000UNPAK2	Union Connector Kit (Includes 1 ea. Curved Union Connector, O-Ring and Nut) (2007 and Prior)	15	26.64
—	SPX4000HSGKIT	Housing Kit (Includes Union Connector Kit (#1), Pump Housing (#3), Strainer Basket (#4), Strainer Cover Kit (#6 & 7) and Drain Plug with O-Ring (#19 & 20))	1	410.44
2	SPX3200UG	Union Gasket (T-Seal), 50 Duro EPDM (2008 and later)	100	11.65
	SPX4000Z1	Union O-Ring (2007 and Prior)	50	11.52
3	SPX4020TP	Pump Housing, Threaded Port (2008 and later)	1	357.16
4	SPX4000M	Strainer Basket	2	25.63
5	SPX4000S	Strainer Cover O-Ring (2008 and later)	50	28.41
	SPX4000TS	Strainer Cover T-Ring (2003-2007)	50	29.84
	CX400G	Strainer Cover O-Ring (Prior to 2003)	100	30.90
	GMX600F	Pressure Test O-Ring (2007 and earlier)	100	14.36
6 & 7	SPX4000CLO	Strainer Cover Kit (Includes Strainer Cover, Lock Ring and O-Ring) (2008 and later)	4	94.63
	SPX4000DLT	Strainer Cover Kit (Includes Strainer Cover, Lock Ring and O-Ring) (2007 and Prior)	7	103.29
	SPX4000DLTB	Strainer Cover Kit for Biguanide Sanitizers (2007 and Prior NOT Pressure Testable)	7	103.29
8	SPX4000T	Seal Plate O-Ring	50	23.61
9	SPX4000Z1	Diffuser O-Ring	50	11.52
10	SPX4000B	Diffuser	5	35.41
11	SPX3021R	Impeller Ring	50	5.42
12	SPX4007CKIT	Impeller for 3/4 H.P. Full-Rate / 1 H.P. Max-Rate with Impeller Ring and Seal Assembly	5	55.57
	SPX4010CKIT	Impeller for 1 H.P. Full-Rate / 1 1/2 H.P. Max-Rate with Impeller Ring and Seal Assembly	5	58.13
	SPX4015CKIT	Impeller for 1 1/2 H.P. Full-Rate / 2 H.P. Max-Rate with Impeller Ring and Seal Assembly	5	62.84
	SPX4020CKIT	Impeller for 2 H.P. Full-Rate / 2 1/2 H.P. Max-Rate with Impeller Ring and Seal Assembly	5	62.84
	SPX4025CKIT	Impeller for 3 H.P. Max-Rate with Impeller Ring and Seal Assembly	5	62.84
	SPX4030CKIT	Impeller for 3 H.P. Full-Rate with Impeller Ring and Seal Assembly	5	62.84
13	SPX3200SA	Seal Assembly	10	23.79
14	SPX4000E	Seal Plate	2	57.20
15	SPX0125Z44	Motor Bolt	100	8.54
16	SPX4000F	Motor Mounting Plate	15	50.38
17	SPX4000K	Motor Lock Ring	1	62.05
18	SPX1605Z1BNS	Motor, 1/2 H.P. Full-Rate	1	368.90
	SPX1607Z1BNS	Motor, 3/4 H.P. Full-Rate	1	430.02
	SPX1607Z1MNS	Motor, 1 H.P. Max-Rate	1	430.02
	SPX1610Z1BNS	Motor, 1 H.P. Full-Rate	1	469.09
	SPX1610Z1MNS	Motor, 1 1/2 H.P. Max-Rate	1	469.09
	SPX1610Z2MNS	Motor, 1 1/2 H.P. Max-Rate, 2-Speed	1	500.17
	SPX1615Z1BNS	Motor, 1 1/2 H.P. Full-Rate	1	521.34
	SPX1615Z1MNS	Motor, 2 H.P. Max-Rate	1	521.64
	SPX1615Z2MNS	Motor, 2 H.P. Max-Rate, 2-Speed	1	612.47
	SPX1620Z1BNS	Motor, 2 H.P. Full-Rate	1	581.50
	SPX1620Z1MNS	Motor, 2 1/2 H.P. Max-Rate	1	581.57
	SPX1620Z2MNS	Motor, 2 1/2 H.P. Max-Rate, 2-Speed	1	624.19
	SPX1625Z1MNS	Motor, 3 H.P. Max-Rate	1	746.89
	SPX1630Z1BNS	Motor, 3 H.P. Full-Rate	1	839.79
19 & 20	SPX4000FG	Drain Plug with O-Ring	100	4.06
21 & 22	SPX4000GA	Mounting Base with (2) Cap Screws	5	43.71
	SPX1600Z52	Mounting Base Cap Screws (set of 2)	100	4.46

NOTE: For models prior to 2003, when replacing either the impeller or seal assembly, must purchase the impeller kit to replace both to ensure compatibility.

Parts for Pump Models: SP3007(EEAZ) (EECA), SP3010(EEAZ), SP3015(EEAZ), SP3020(EEAZ), SP3025(EEAZ), SP3030(EEAZ)



Ref. No.	Part No.	Description	Ctn. Qty.	No. Req'd	List Price
1	SPX3000AA	Pump Housing/Strainer, 1 1/2" x 1 1/2", with Drain Plugs	1	1	\$291.09
1	SPX3100AAZ	Pump Housing/Strainer, 1 1/2" x 1 1/2", with Drain Plugs, Threaded Style	1	1	291.09
1	SPX3020AA	Pump Housing/Strainer, 2" x 2", with Drain Plugs	1	1	303.45
1	SPX3120AAZ	Pump Housing/Strainer, 2" x 2", with Drain Plugs, Threaded Style	1	1	294.86
2	SPX3000M	Basket	5	1	16.10
3	SPX3000S	Strainer Cover O-Ring	100	1	12.80
4a	SPX3000D	Strainer Cover, Hand-Knob Style, Clear	10	1	55.97
4b	SPX3100D	Strainer Cover, Threaded Style	10	1	55.43
4c	SPX3100DB	Strainer Cover for Biguanide Sanitizers NOT Pressure Testable	10	1	55.97
—	SP3100T	Pump Lid Removal Tool	25	1	18.42
5	SPX3000T	Housing Gasket	20	1	9.09
—	SPX1600R	Diffuser Gasket - Not Shown	25	1	3.37
—	SPXHKIT2	H-KIT Quick Pump Repair for Super II (Includes items 3, 5, 9, SPX1600R and Jack's Lube)	10	1	27.97
6	SPX2600B	Diffuser, for 3/4 through 2 H.P. (1987 and Prior)	10	1	31.64
6	SPX3000BN	Diffuser, for 3/4 through 1 1/2 H.P. (after 1988)	10	1	34.03
6	SPX3000B	Diffuser, for 2 1/2 and 3 H.P. (1989 and Prior)	10	1	35.04
6	SPX3021B	Diffuser, for 2, 2 1/2 and 3 H.P. (after 1990)	10	1	35.78
7	SPX3005R	Impeller Ring – 3/4 through 1 1/2 H.P. (3000 Series Impellers only)	50	1	4.97
7	SPX3021R	Impeller Ring – 2 through 3 H.P. (3000 Series Impellers only)	50	1	5.42
9	SPX1600Z2	Seal Assembly	10	1	20.29
10	SPX3000E	Seal Plate, for SP2600 Series Impellers	8	1	46.86
10	SPX3020E	Seal Plate, for SP3000 Series Impellers	8	1	45.72
11	SPX0125Z44	Motor Cap Screw (Set of 4)	100	4	8.54
12	SPX0125F	Slinger	50	1	3.35
13	SPX3000F	Motor Mounting Plate	10	1	45.26
14	SPX1600Z4	Housing Cap Screw	25	6	4.60
—	SPX3000Z26	Washer, 3/8" – for cap screw (Set of 6) – Not Shown	500	6	4.24
16	SPX3000GA	Mounting Bracket with Adapter and 2 Cap Screws	10	1	38.95
17	SPX1600Z52	Mounting Foot Cap Screw (Set of 2)	100	2	4.46
—	SPX3000SR	Riser Base Aligns with Sta-Rite® Dura-Glas® Port	1	1	57.74
18	SPX1600V	1/4" Drain Plug (1991 and Prior)	50	2	2.02
18	SPX4000FG	1/4" Drain Plug with Gasket	100	2	4.06

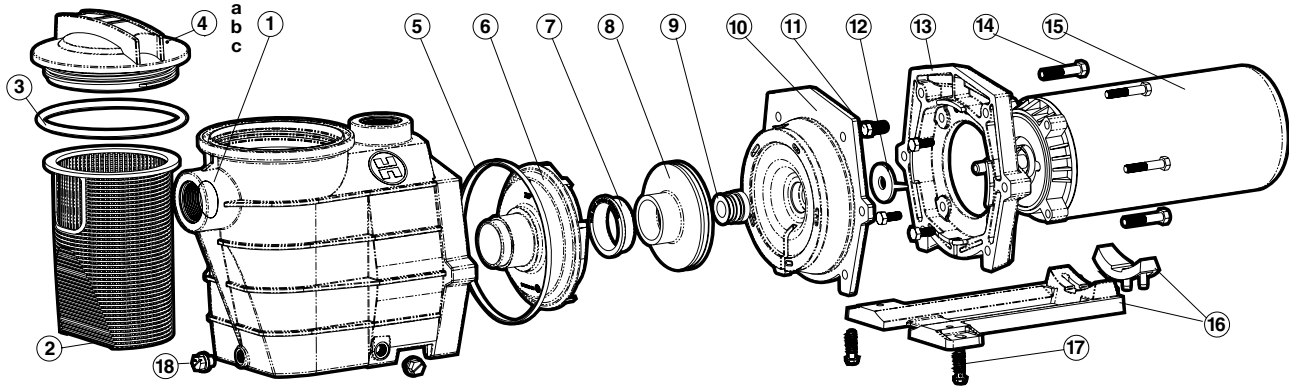
Parts listed below must be ordered for specific model and H.P.:

	1987	1988				
8	SPX2607C	SPX3007C	Impeller, for 3/4 H.P.	10	1	\$32.26
8	SPX2610C	SPX3010C	Impeller, for 1 H.P.	20	1	33.09
8	SPX2615C	SPX3015C	Impeller, for 1 1/2 H.P.	25	1	40.80
	1989 and prior	1990 and later				
8	—	SPX3016C	Impeller, for 1 1/2 H.P.	25	1	44.49
8	SPX3020CKIT	SPX3021C	Impeller, for 2 H.P.	20	1	50.16
8	SPX3025CKIT	SPX3026C	Impeller, for 3 H.P.	20	1	61.34
15	SPX1607Z1BE		Motor, 3/4 H.P., Threaded Shaft (Single Phase, 60 Cycle 115/230V)	1	1	362.06
15	SPX1610Z1BEE		Motor, 1 H.P., Threaded Shaft (Single Phase, 60 Cycle 115/230V)	1	1	375.55
15	SPX1615Z1BEE		Motor, 1 1/2 H.P., Threaded Shaft (Single Phase, 60 Cycle 115/230V)	1	1	449.91
15	SPX1620Z1BEE		Motor, 2 H.P., Threaded Shaft (Single Phase, 60 Cycle 230V)	1	1	544.22
15	SPX1625Z1M		Motor, 3 H.P., Threaded Shaft (Single Phase, 60 Cycle 230V)	1	1	730.19
15	SPX0160Z1D		Motor, 3 H.P., Threaded Shaft (Three Phase, 60 Cycle 230/460V)	1	1	808.89

Super II™

SP3000X PUMP SERIES (MAX-RATED) REPLACEMENT PARTS

Parts for Pump Models: SP3005X7(AZ), SP3007X10(AZ)(2), SP3010X15(2)(AZ), SP3015X20(2)(AZ), SP3020X25(2)(AZ), SP3025X30(AZ)



Ref. No.	Part No.	Description	Ctn. Qty.	No. Req'd	List Price
1	SPX3000AA	Pump Housing/Strainer, 1 1/2" x 1 1/2", with Drain Plugs	1	1	\$291.09
1	SPX3100AAZ	Pump Housing/Strainer, 1 1/2" x 1 1/2", with Drain Plugs, Threaded Style	1	1	291.09
1	SPX3020AA	Pump Housing/Strainer, 2" x 2", with Drain Plugs	1	1	303.45
1	SPX3120AAZ	Pump Housing/Strainer, 2" x 2", with Drain Plugs, Threaded Style	1	1	294.86
2	SPX3000M	Basket	5	1	16.10
3	SPX3000S	Strainer Cover O-Ring	100	1	12.80
4a	SPX3000D	Strainer Cover, Hand-Knob Style, Clear	10	1	55.97
4b	SPX3100D	Strainer Cover, Threaded Style	10	1	55.43
4c	SPX3100DB	Strainer Cover for Biguanide Sanitizers NOT Pressure Testable	10	1	55.97
—	SP3100T	Pump Lid Removal Tool	25	1	18.42
5	SPX3000T	Housing Gasket	20	1	9.09
—	SPX1600R	Diffuser Gasket – Not Shown	25	1	3.37
—	SPXHKIT2	H-KIT Quick Pump Repair for Super II (Includes items 3, 5, 9, SPX1600R and Jack's Lube)	10	1	27.97
6	SPX2600B	Diffuser, for 3/4 through 2 H.P. (1987 and Prior)	10	1	31.64
6	SPX3000BN	Diffuser, for 3/4 through 1 1/2 H.P. (after 1988)	10	1	34.03
6	SPX3000B	Diffuser, for 2 1/2 and 3 H.P. (1989 and Prior)	10	1	35.04
6	SPX3021B	Diffuser, for 2, 2 1/2 and 3 H.P. (after 1990)	10	1	35.78
7	SPX3005R	Impeller Ring – 3/4 through 2 H.P. (3000 Series Impellers only)	50	1	4.97
7	SPX3021R	Impeller Ring – 2 1/2 through 3 H.P. (3000 Series Impellers only)	50	1	5.42
9	SPX1600Z2	Seal Assembly	10	1	20.29
10	SPX3000E	Seal Plate, for SP2600 Series Impellers	8	1	46.86
10	SPX3020E	Seal Plate, for SP3000 Series Impellers	8	1	45.72
11	SPX0125Z44	Motor Cap Screw (Set of 4)	100	4	8.54
12	SPX0125F	Slinger	50	1	3.35
13	SPX3000F	Motor Mounting Plate	10	1	45.26
14	SPX1600Z4	Housing Cap Screw	25	6	4.60
—	SPX3000Z26	Washer, 3/8" – for cap screw (Set of 6) – Not Shown	500	6	4.24
16	SPX3000GA	Mounting Bracket with Adapter and 2 Cap Screws	10	1	38.95
17	SPX1600Z52	Mounting Foot Cap Screw (Set of 2)	100	2	4.46
—	SPX3000SR	Riser Base Aligns with Sta-Rite® Dura-Glas® Port	1	1	57.74
18	SPX1600V	1/4" Drain Plug (1991 and Prior)	50	2	2.02
18	SPX4000FG	1/4" Drain Plug with Gasket	100	2	4.06

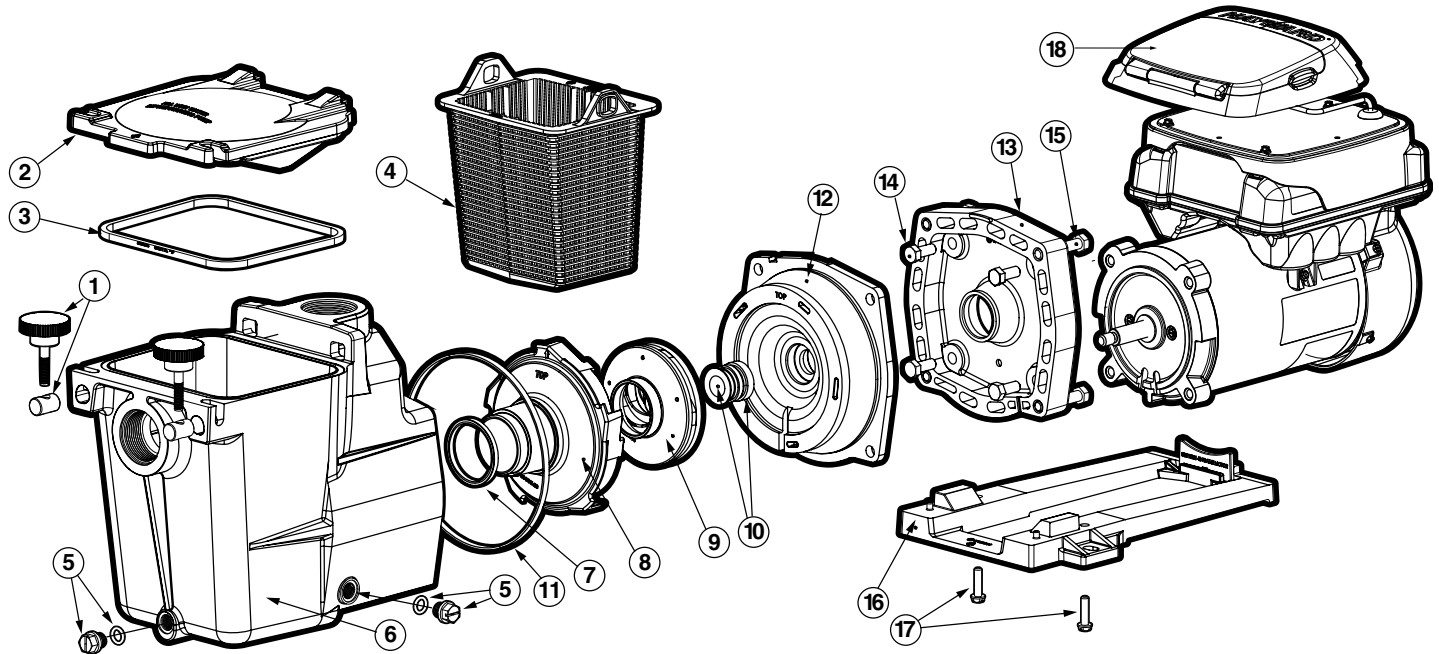
Parts listed below must be ordered for specific model and H.P.:

	1987	1988				
8	SPX2605C	SPX3005C	Impeller, for 3/4 H.P.	20	1	\$31.25
8	SPX2607C	SPX3007C	Impeller, for 1 H.P.	10	1	32.26
8	SPX2610C	SPX3010C	Impeller, for 1 1/2 H.P.	20	1	33.09
8	SPX2615C	—	Impeller, for 2 H.P.	25	1	40.80
	1989	1990				
8	—	SPX3016C	Impeller, for 2 H.P.	25	1	44.49
8	SPX3020CKIT	SPX3021C	Impeller, for 2 1/2 H.P.	20	1	50.16
8	SPX3025CKIT	SPX3026C	Impeller, for 3 H.P.	20	1	61.34
15	SPX1605Z1M		Motor, 3/4 H.P., Threaded Shaft (Single Phase, 60 Cycle 115/230V)	1	1	287.50
15	SPX1607Z1M		Motor, 1 H.P., Threaded Shaft (Single Phase, 60 Cycle 115/230V)	1	1	318.77
15	SPX1610Z1M		Motor, 1 1/2 H.P., Threaded Shaft (Single Phase, 60 Cycle 115/230V)	1	1	358.34
15	SPX1615Z1M		Motor, 2 H.P., Threaded Shaft (Single Phase, 60 Cycle 115/230V)	1	1	463.63
15	SPX1620Z1M		Motor, 2 1/2 H.P., Threaded Shaft (Single Phase, 60 Cycle 230V)	1	1	544.34
15	SPX1625Z1M		Motor, 3 H.P., Threaded Shaft (Single Phase, 60 Cycle 230V)	1	1	730.19
15	SPX1610Z2M		Motor, 1 1/2 H.P., Threaded Shaft, 2-speed (Single Phase, 60 Cycle 230V)	1	1	536.44
15	SPX1615Z2M		Motor, 2 H.P., Threaded Shaft, 2-speed (Single Phase, 60 Cycle 230V)	1	1	640.02
15	SPX1620Z2M		Motor, 2 1/2 H.P., Threaded Shaft, 2-speed (Single Phase, 60 Cycle 230V)	1	1	713.82

Super Pump VS

REPLACEMENT PARTS

Parts for Pump Models: SP2603VSP, SP26115VSP



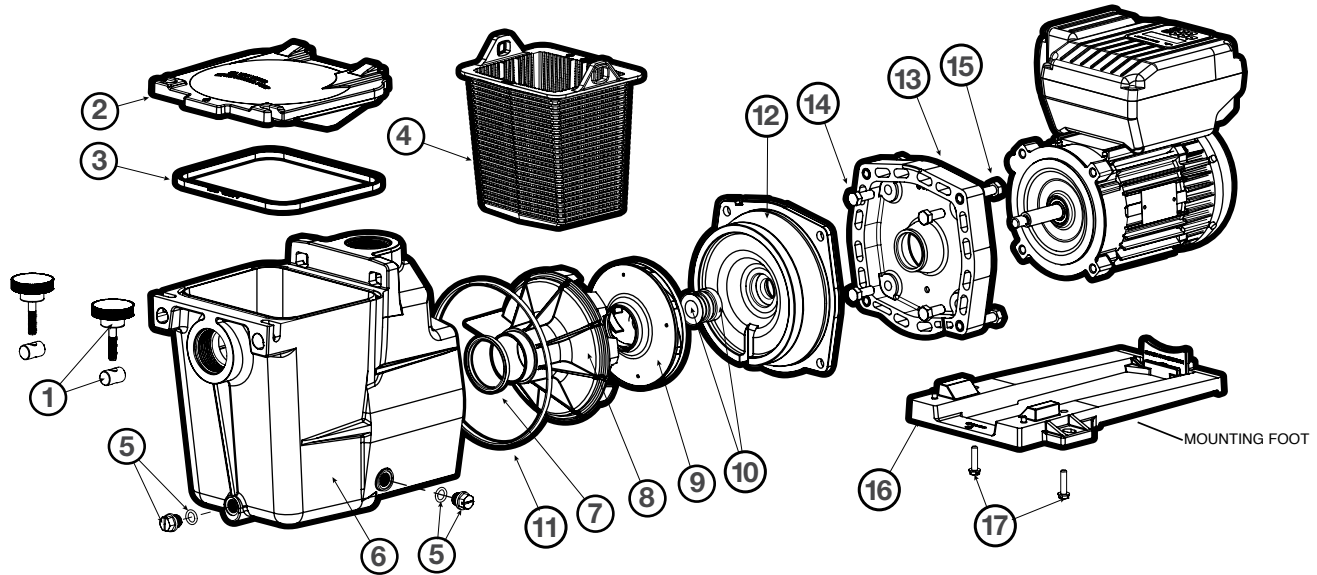
Ref. No.	Part No.	Description	Ctn. Qty.	List Price
1	SPX1600PN	Swivel Nut and Hand Knob	100	\$13.47
2	SPX1600D	Strainer Cover	10	55.87
3	SPX1600S	Strainer Cover Gasket	100	10.14
4	SPX1600M	Basket	20	14.60
5	Spx1700FG	Drain Plug with Gasket	50	4.19
6	SPX1600AA	Pump/Strainer Housing with Gasket	1	252.14
7	SPX1600R	Diffuser Gasket	25	3.37
8	SPX2600B	Diffuser	10	31.64
9	SPX2607C	Impeller for SP2603VSP	10	32.26
—	SPX2607C	Impeller for SP26115VSP	10	32.26
10	SPX1600Z2	Shaft Seal Assembly	10	20.29
11	SPX1600T	Housing Gasket	50	8.47
12	SPX2600E5	Seal Plate	10	42.20
13	SPX1600F5	Motor Mounting Plate	10	39.64
14	SPX0125Z44	Motor Cap Screws (Set of 4)	100	8.54
15	SPX1600Z4	Housing Cap Screw	25	4.60
16	SPX2600G1	Mounting Foot (Includes Screws)	10	15.83
17	SPX1600Z52	Mounting Foot Screws (Set of 2)	100	4.46
18	SPX3400DR4	Motor Drive Display Cover (Cover only)	5	38.19
—	SPX3200LCD	Digital Control Interface Assembly	1	382.86
—	SPX3400DRKIT	Wall Mount Kit	5	108.29
—	SPXHKIT3	Quick Fix Kit (Includes #3, 7, 10, 11 and Jack's Lube)	10	25.71
POWER END				
—	SPX26115Z1VSPE	Power End Assembly for SP26115VSP (Includes #7-14, motor and drive)	1	\$1,199.26
—	SPX2603Z1VSPE	Power End Assembly for SP2603VSP (Includes #7-14, motor and drive)	1	1,216.20

Super Pump® VS

SP2600VSP PUMP SERIES REPLACEMENT PARTS

Pumps

Parts for Pump Models: SP2600VSP, SP2602VSP



Ref. No.	Part No.	Description	Ctn. Qty.	List Price
1	SPX1600PN	Hand Knob	100	\$13.47
2	SPX1600D	Strainer Cover	10	55.87
3	SPX1600S	Strainer Cover Gasket	100	10.14
4	SPX1600M	Basket	20	14.60
5	SPX1700FG	Drain Plug with Gasket	50	4.19
6	SPX1600AA	Pump/Strainer Housing with Gasket	1	252.14
7	SPX1600R	Diffuser Gasket	25	3.37
8	SPX1616B	Diffuser	10	39.32
9	SPX1621C	Impeller	20	50.82
10	SPX1600Z2	Shaft Seal Assembly	10	20.29
11	SPX1600T	Housing Gasket	50	8.47
12	SPX1611E5	Seal Plate	5	52.67
13	SPX1600F5	Motor Mounting Plate	10	39.64
14	SPX0125Z44	Motor Cap Screws (Set of 4)	100	8.54
15	SPX1600Z4	Housing Cap Screw	25	4.60
16	SPX2600G1	Mounting Foot (Includes Screws)	10	15.83
17	SPX1600Z52	Mounting Foot Cap Screws (Set of 2)	100	4.46
—	SPXHKIT3	Quick Fix Kit (Includes #3, 7, 10, 11 & Jack's Lube)	10	25.71

POWER END

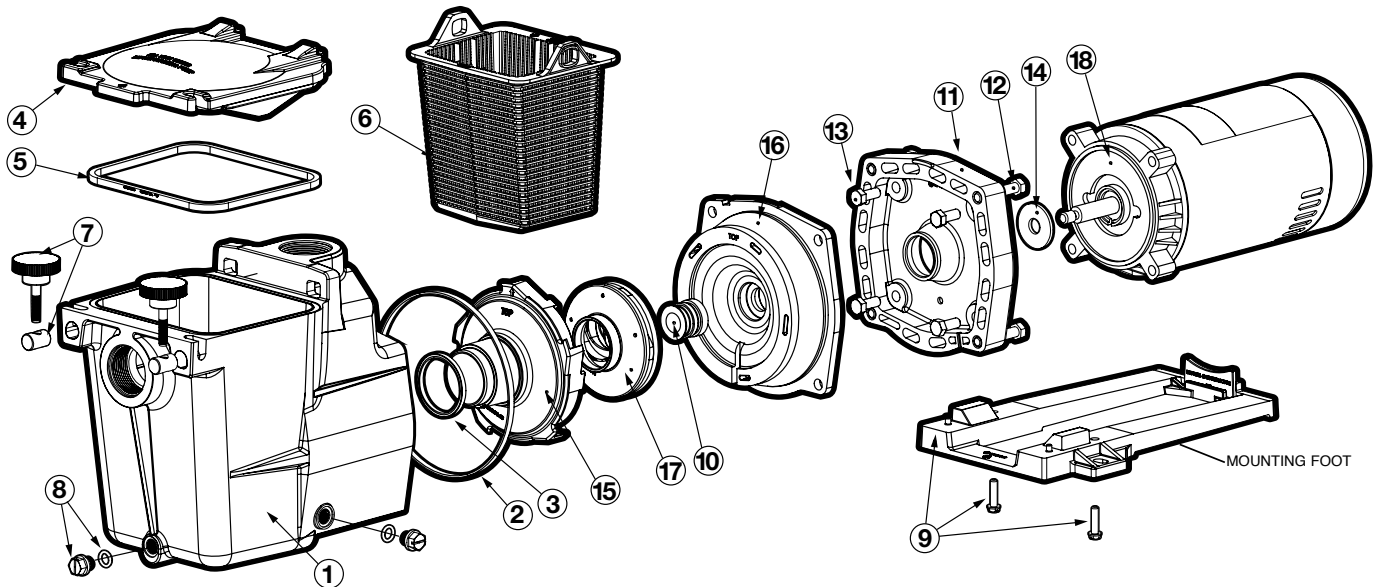
—	SPX2600Z1VSPE	Power End Assembly (Includes parts #8–15, Motor and Drive)	1	\$1,189.88
---	---------------	--	---	------------

Super Pump®

SP1600X PUMP SERIES (MAX-RATED) REPLACEMENT PARTS

Parts for Pump Models: SP1600X5, SP1605X7, SP1607X10, SP1608X10, SP1610X15, SP1611X15, SP1615X20, SP1616X20, SP1621X25

Pumps



Ref. No.	Part No.	Description	Ctn. Qty.	List Price
1	SPX1600AA	Pump Housing/Strainer, 1 1/2" x 1 1/2", with Drain Plugs	1	\$252.14
1	SPX1620AA	Pump Housing/Strainer, 2" x 2", with Drain Plugs	1	263.27
2	SPX1600T	Housing Gasket	50	8.47
3	SPX1600R	Diffuser Gasket	25	3.37
—	SPX1600TRA	Seal Assembly Kit (Includes Seal Assembly, Housing and Diffuser Gaskets)	10	30.95
4	SPX1600D	Strainer Cover, Clear	10	55.87
4	SPX1600DB	Strainer Cover for Biguanide Sanitizers NOT Pressure Testable	10	56.44
5	SPX1600S	Strainer Cover Gasket	100	10.14
6	SPX1600M	Basket	20	14.60
7	SPX1600PN	Hand Knob Kit (Includes Swivel Nut and Hand Knob)	100	13.47
—	SPX1600V	1/4" Drain Plug (1991 and Prior)	50	2.02
8	SPX1700FG	1/4" Drain Plug with Gasket (1992 and later)	50	4.19
9	SPX2600G1	Mounting Foot with Adapter and Screws	10	15.83
—	SPX1600Z52	Mounting Foot Cap Screw (Set of 2 – 2 Sets Required)	100	4.46
10	SPX1600Z2	Seal Assembly	10	20.29
11	SPX1600F5	Motor Mounting Plate	10	39.64
12	SPX1600Z4	Housing Cap Screw	25	4.60
13	SPX0125Z44	Motor Cap Screw (Set of 4)	100	8.54
14	SPX0125F	Slinger	50	3.35
—	SPXHKIT3	H-KIT Quick Pump Repair for Super Pump (includes SPX1600T, SPX1600S, SPX1600R, SPX1600Z2 and Jack's Lube)	10	25.71

Med. Hd. High Hd. Parts listed below must be ordered for specific model and H.P.:

—	SPX2600CKIT*	—	1/2 H.P. Drive Train Upgrade	1	\$164.65
—	SPX2605CKIT*	—	3/4 H.P. Drive Train Upgrade	1	152.79
—	SPX2607CKIT*	—	1 H.P. Drive Train Upgrade	1	154.31
—	SPX2610CKIT*	—	1 1/2 H.P. Drive Train Upgrade	1	156.16
—	SPX2615CKIT*	—	2 H.P. Drive Train Upgrade	1	159.53
(All above kits Include Impeller, Diffuser, Seal Plate, Housing Gasket, Diffuser Gasket and Motor Mounting Plate)					
16	—	SPX1611E5	Seal Plate 2 1/2 H.P.	5	52.67
17	—	SPX1621C	Impeller, for 2 1/2 H.P. Max Rated	20	50.82
18	SPX1600Z1M	—	Motor, 1/2 H.P., Threaded Shaft (Single Phase, 60 Cycle 115V)	1	263.59
18	SPX1605Z1M	—	Motor, 3/4 H.P., Threaded Shaft (Single Phase, 60 Cycle 115/230V)	1	287.50
18	SPX1607Z1M	—	Motor, 1 H.P., Threaded Shaft (Single Phase, 60 Cycle 115/230V)	1	318.77
18	SPX1610Z1M	—	Motor, 1 1/2 H.P., Threaded Shaft (Single Phase, 60 Cycle 115/230V)	1	358.34
18	SPX1615Z1M	—	Motor, 2 H.P., Threaded Shaft (Single Phase, 60 Cycle 115/230V)	1	463.63
18	SPX1620Z1M	—	Motor, 2 1/2 H.P., Threaded Shaft (Single Phase, 60 Cycle 230V)	1	544.34

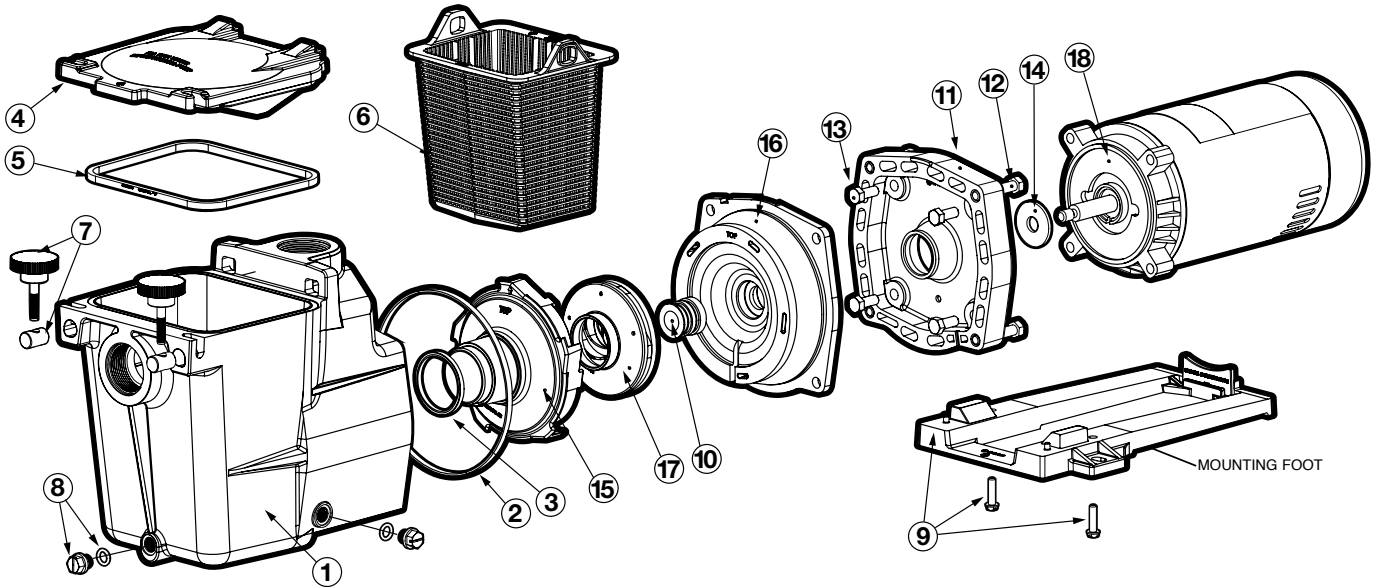
NOTE: For pumps with an "SP1600X—" part number (manufactured before 1983), the use of these new kits (SPX2600CKIT – SPX2615CKIT) will upgrade the old pump to our current "SP2600X—" series. This will improve flow, reduce noise and provide slightly better energy efficiencies. All individual components included in the kits are not available.

Super Pump®

SP2600X PUMP SERIES (MAX-RATED) REPLACEMENT PARTS

Pumps

Parts for Pump Models: SP2600X5, SP2605X7, SP2607X10(2S), SP2607EE, SP2610X15(2S), SP2615X20(2S), SP2621X25

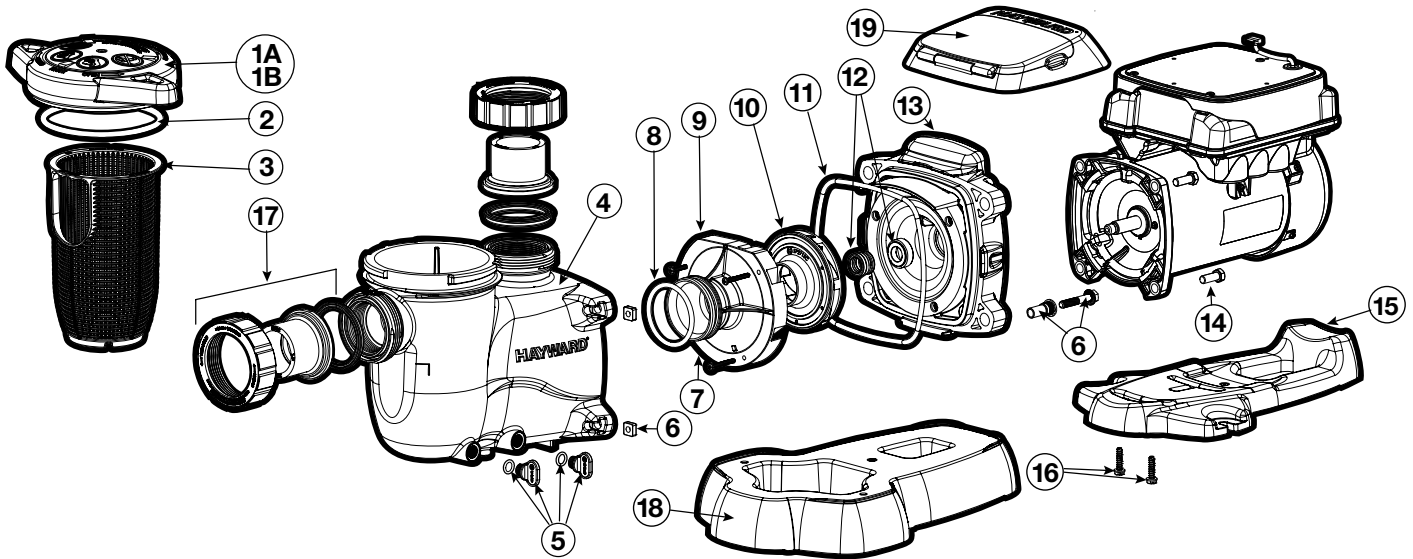


Ref. No.	Part No.	Description	Ctn. Qty.	List Price
1	SPX1600AA	Pump Housing/Strainer, 1 1/2" x 1 1/2", with Drain Plugs	1	\$252.14
1	SPX1620AA	Pump Housing/Strainer, 2" x 2", with Drain Plugs	1	263.27
2	SPX1600T	Housing Gasket	50	8.47
3	SPX1600R	Diffuser Gasket	25	3.37
—	SPX1600TRA	Seal Assembly Kit (Includes Seal Assembly, Housing and Diffuser Gaskets)	10	30.95
4	SPX1600D	Strainer Cover, Clear	10	55.87
4	SPX1600DB	Strainer Cover for Biguanide Sanitizers NOT Pressure Testable	10	56.44
5	SPX1600S	Strainer Cover Gasket	100	10.14
6	SPX1600M	Basket	20	14.60
7	SPX1600PN	Hand Knob Kit (Includes Swivel Nut and Hand Knob)	100	13.47
—	SPX1600V	1/4" Drain Plug (1991 and Prior)	50	2.02
8	SPX1700FG	1/4" Drain Plug with Gasket (1992 and later)	50	4.19
9	SPX2600G1	Mounting Foot with Adapter and Screws	10	15.83
—	SPX1600Z52	Mounting Foot Cap Screw (Set of 2 – 1995 and Prior, 2 sets required)	100	4.46
10	SPX1600Z2	Seal Assembly	10	20.29
11	SPX1600F5	Motor Mounting Plate	10	39.64
12	SPX1600Z4	Housing Cap Screw	25	4.60
13	SPX0125Z44	Motor Cap Screw (Set of 4)	100	8.54
14	SPX0125F	Slinger	50	3.35
15	SPX2600B	Diffuser, for 1/2 thru 2 H.P.	10	31.64
15	SPX1616B	Diffuser, for 2 1/2 H.P. only	10	39.32
16	SPX2600E5	Seal Plate, 1/2 thru 2 H.P.	10	42.20
16	SPX1611E5	Seal Plate, for 2 1/2 H.P. only	5	52.67
—	SPXHKIT3	H-KIT Quick Pump Repair for Super Pump (includes SPX1600T, SPX1600S, SPX1600R, SPX1600Z2 and Jack's Lube)	10	25.71

Parts listed below must be ordered for specific model and H.P.:

17	SPX2600C	Impeller, for 1/2 H.P.	20	\$32.06
17	SPX2605C	Impeller, for 3/4 H.P.	20	31.25
17	SPX2607C	Impeller, for 1 H.P.	10	32.26
17	SPX2610C	Impeller, for 1 1/2 H.P.	20	33.09
17	SPX2615C	Impeller, for 2 H.P.	25	40.80
17	SPX1621C	Impeller, for 2 1/2 H.P.	20	50.82
18	SPX1600Z1M	Motor, 1/2 H.P., Threaded Shaft (Single Phase, 60 Cycle 115V)	1	263.59
18	SPX1605Z1M	Motor, 3/4 H.P., Threaded Shaft (Single Phase, 60 Cycle 115/230V)	1	287.50
18	SPX1607Z1BECAG	Motor, 3/4 H.P., Energy Efficient, Threaded Shaft (Single Phase, 60 Cycle 115/230V)	1	375.70
18	SPX1607Z1M	Motor, 1 H.P., Threaded Shaft (Single Phase, 60 Cycle 115/230V)	1	318.77
18	SPX1610Z1M	Motor, 1 1/2 H.P., Threaded Shaft (Single Phase, 60 Cycle 115/230V)	1	358.34
18	SPX1615Z1M	Motor, 2 H.P., Threaded Shaft (Single Phase, 60 Cycle 115/230V)	1	463.63
18	SPX1620Z1M	Motor, 2 1/2 H.P., Threaded Shaft (Single Phase, 60 Cycle 230V)	1	544.34
18	SPX1607Z2MS	Motor, 1 H.P., Threaded Shaft, 2-Speed (Single Phase, 60 Cycle 230V)	1	555.05
18	SPX1610Z2MS	Motor, 1 1/2 H.P., Threaded Shaft, 2-Speed (Single Phase, 60 Cycle 230V)	1	607.05
18	SPX1615Z2MS	Motor, 2 H.P., Threaded Shaft, 2-Speed (Single Phase, 60 Cycle 230V)	1	786.38

Parts for Pump Models: SP23520VSP, SP23510VSP



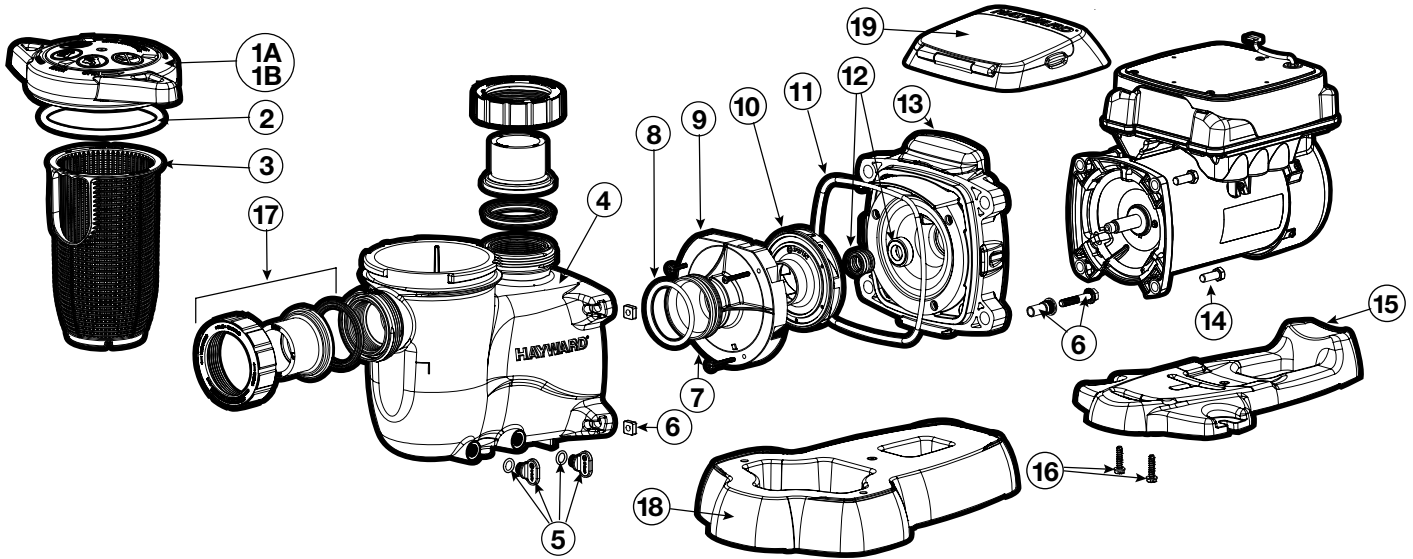
Ref. No.	Part No.	Description	Ctn. Qty.	List Price
1A	SPX2300DLS	Strainer Cover Kit (Includes Strainer Cover, Lock-Ring, O-Ring)	10	\$72.88
1B	SPX2300DLSB	Strainer Cover Kit for Biguanide Sanitizers (Includes Strainer Cover, Lock-Ring, O-Ring) NOT Pressure Testable	10	82.54
2	SPX2300Z4	Strainer Cover O-Ring	50	12.34
3	SPX2300M	Strainer Basket	5	14.95
4	SPX2300AA	Pump Strainer Housing with Drain Plugs	1	328.52
5	SPX4000FG	Drain Plug with O-Ring	100	4.06
6	SPX2700ZPAK	Hardware Pack (Includes 4 Housing Bolts, Seal-Plate Spacers and Square Nuts)	10	36.84
7	SPX2300Z3PAK3	Diffuser Screws (3 Pack)	50	5.37
8	SX220Z2	Diffuser O-Ring	500	9.06
9	SPX2300B	Diffuser	5	32.06
10	SPX2300CVS	Impeller	10	40.80
11	GMX600F	Housing O-Ring	100	14.36
12	SPX2700SAV	Viton® Shaft Seal Assembly	10	34.98
13	SPX2300E	Seal Plate	5	42.60
14	SPX3200Z5PAK4	Motor Bolt (4 Pack)	50	8.89
15	SPX2300G	Motor Support with Base Mount Screws	5	41.27
16	SPX1600Z52	Motor Support Base Mount Screws	100	4.46
17	SPX2700UNKIT	Union Connector Kit (Includes 2 Nuts, Connectors, Gaskets)	10	55.35
OPTIONAL				
18	SPX2300GR	Optional Riser Base Aligns with Sta-Rite® Dyna-Pro®	1	\$34.45
POWER END				
—	SPX2303Z1VSPE	Power End Assembly for SP23520VSP (Includes parts #7–14, Motor and Drive)	1	\$1,193.25
—	SPX23115Z1VSPE	Power End Assembly for SP23510VSP (Includes parts #7–14, Motor and Drive)	1	1,477.70

MaxFlo VS™

VARIABLE SPEED PUMP SERIES

Pumps

Parts for Pump Models: SP2303VSP, SP23115VSP



Ref. No.	Part No.	Description	Ctn. Qty.	List Price
1A	SPX2300DLS	Strainer Cover Kit (Includes Strainer Cover, Lock-Ring, O-Ring)	10	\$72.88
1B	SPX2300DLSB	Strainer Cover Kit for Biguanide Sanitizers (Includes Strainer Cover, Lock-Ring, O-Ring) NOT Pressure Testable	10	82.54
2	SPX2300Z4	Strainer Cover O-Ring	50	12.34
3	SPX2300M	Strainer Basket	5	14.95
4	SPX2300AA	Pump Strainer Housing with Drain Plugs	1	328.52
5	SPX4000FG	Drain Plug with O-Ring	100	4.06
6	SPX2700ZPAK	Hardware Pack (Includes 4 Housing Bolts, Seal-Plate Spacers and Square Nuts)	10	36.84
7	SPX2300Z3PAK3	Diffuser Screws (3 Pack)	50	5.37
8	SX220Z2	Diffuser O-Ring	500	9.06
9	SPX2300B	Diffuser	5	32.06
10	SPX2300CVS	Impeller	10	40.80
11	GMX600F	Housing O-Ring	100	14.36
12	SPX2700SA	Seal Shaft Assembly	10	21.05
13	SPX2300E	Seal Plate	5	42.60
14	SPX3200Z5PAK4	Motor Bolt (4 Pack)	50	8.89
15	SPX2300G	Motor Support with Base Mount Screws	5	41.27
16	SPX1600Z52	Motor Support Base Mount Screws	100	4.46
17	SPX2700UNKIT	Union Connector Kit (Includes 2 Nuts, Connectors, Gaskets)	10	55.35

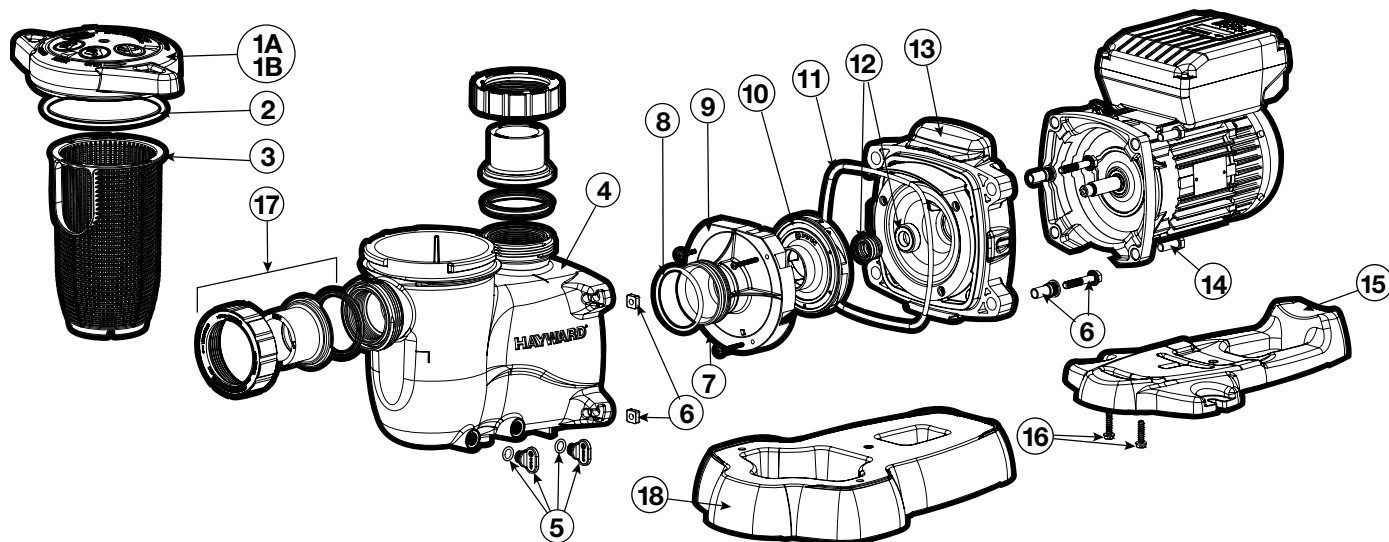
OPTIONAL

18	SPX2300GR	Optional Riser Base Aligns with Sta-Rite® Dyna-Pro®	1	\$34.45
----	-----------	---	---	---------

POWER END

SP23520VSP	SPX2303Z1VSPE	Power End Assembly for SP2303VSP (Includes parts #7–14, Motor and Drive)	1	\$1,219.67
SPX2303Z1VSPE	SPX23115Z1VSPE	Power End Assembly for SP23115VSP (Includes parts #7–14, Motor and Drive)	1	1,188.55

Parts for Pump Models: SP2300VSP, SP2302VSP, SP2302VSPND



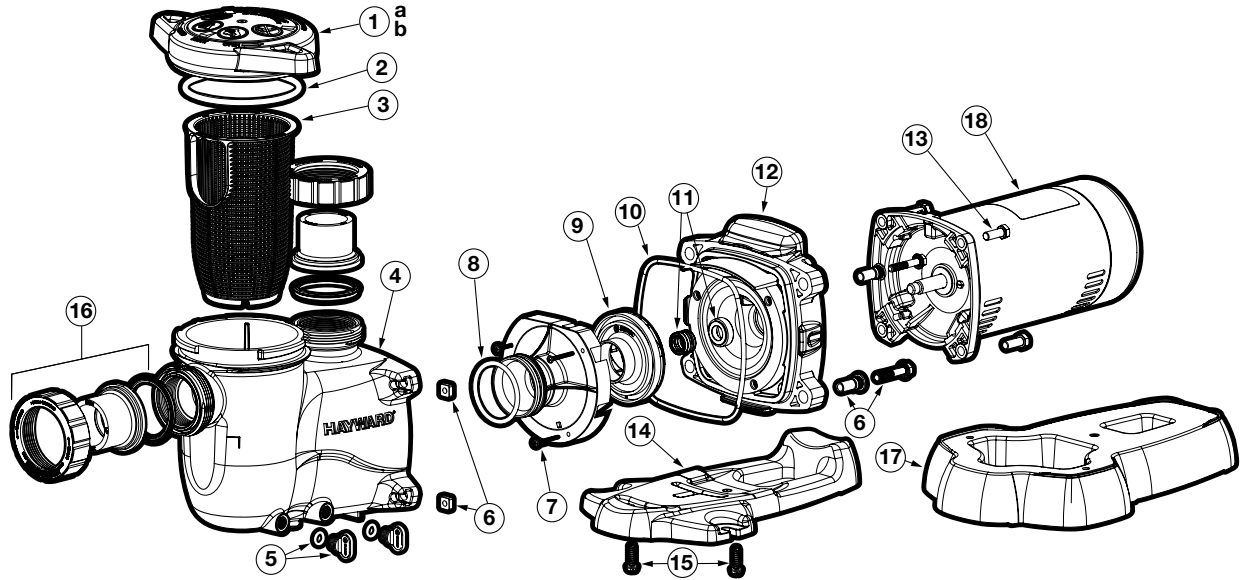
Ref. No.	Part No.	Description	Ctn. Qty.	List Price
1A	SPX2300DLS	Strainer Cover Kit (Includes Strainer Cover, Lock-Ring, O-Ring)	10	\$72.88
1B	SPX2300DLSB	Strainer Cover Kit for Biguanide Sanitizers (Includes Strainer Cover, Lock-Ring, O-Ring) NOT Pressure Testable	10	82.54
2	SPX2300Z4	Strainer Cover O-Ring	50	12.34
3	SPX2300M	Strainer Basket	5	14.95
4	SPX2300AA	Pump Strainer Housing with Drain Plugs	1	328.52
5	SPX4000FG	Drain Plug with O-Ring	100	4.06
6	SPX2700ZPAK	Hardware Pack (Includes 4 Housing Bolts, Seal-Plate Spacers and Square Nuts)	10	36.84
7	SPX2300Z3PAK3	Diffuser Screws (3 Pack)	50	5.37
8	SX220Z2	Diffuser O-Ring	500	9.06
9	SPX2300B	Diffuser	5	32.06
10	SPX2300CVS	Impeller	10	40.80
11	GMX600F	Housing O-Ring	100	14.36
12	SPX2700SA	Shaft Seal Assembly	10	21.05
13	SPX2300E	Seal Plate	5	42.60
14	SPX3200Z5PAK4	Motor Bolt (4 Pack)	50	8.89
15	SPX2300G	Motor Support with Base Mount Screws	5	41.27
16	SPX1600Z52	Motor Support Base Mount Screws	100	4.46
17	SPX2700UNKIT	Union Connector Kit (Includes 2 Nuts, Connectors, Gaskets)	10	55.35
OPTIONAL				
18	SPX2300GR	Optional Riser Base Aligns with Sta-Rite® Dyna-Pro®	1	\$34.45
POWER END				
—	SPX2300Z1VSPE	Power End Assembly (Includes parts #7–14, Motor and Drive)	1	\$1,193.25
—	SPX2300Z1VSNDE	Power End Assembly for Automation (Includes parts #7–14, Motor and Drive)	1	1,477.70

MaxFlo XL™

SP2300X PUMP SERIES (MAX-RATED) REPLACEMENT PARTS

Pumps

Parts for Pump Models: SP2305X7(EE)(SP), SP2307X10(2), SP2310X15(2), SP2315X20(2)



Ref. No.	Part No.	Description	Ctn. Qty.	List Price
1a	SPX2300DLS	Strainer Cover Kit (Includes Strainer Cover, Lock-Ring, O-Ring)	10	\$72.88
1b	SPX2300DLSB	Strainer Cover Kit for Biguanide Sanitizers (Includes Strainer Cover, Lock-Ring, O-Ring) NOT Pressure Testable	10	82.54
2	SPX2300Z4	Strainer Cover O-Ring	50	12.34
3	SPX2300M	Strainer Basket	5	14.95
4	SPX2300AA	Pump Strainer Housing with Drain Plugs	1	328.52
5	SPX4000FG	Drain Plug with O-Ring	100	4.06
6	SPX2700ZPAK	Hardware Pack (Includes 4 Housing Bolts, Seal-Plate Spacers and Square Nuts)	10	36.84
7	SPX2300Z3PAK3	Diffuser Screws (Pack of 3)	50	5.37
8	SX220Z2	Diffuser O-Ring	500	9.06
9	SPX2700C	Impeller for 3/4 H.P. Max-Rate Pump	10	32.06
	SPX2700CSP	Impeller for Pump Model SP2305X7EESP	1	32.40
	SPX2707CM	Impeller for 1 H.P. Max-Rate Pump	10	30.34
	SPX2710CM	Impeller for 1 1/2 H.P. Max-Rate Pump	10	31.22
	SPX2715CM	Impeller for 2 H.P. Max-Rate Pump	1	38.88
10	GMX600F	Housing O-Ring	100	14.36
11	SPX2700SA	Shaft Seal Assembly	10	21.05
13	SPX2300E	Seal Plate	5	42.60
13	SPX3200Z5PAK4	Motor Bolt (Pack of 4)	50	8.89
14	SPX2300G	Motor Support with Base Mount Screws	5	41.27
15	SPX1600Z52	Motor Support Base Mount Screws	100	4.46
16	SPX2700UNKIT	Union Connector Kit (Includes 2 Nuts, Connectors, Gaskets)	10	55.35

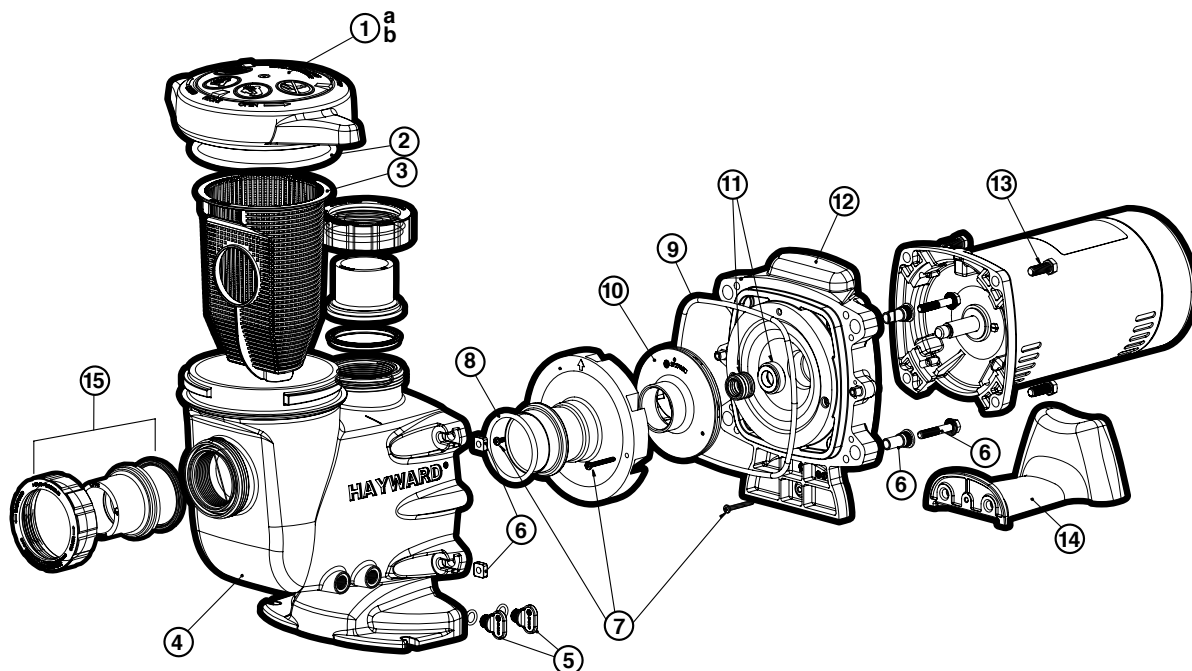
OPTIONAL

17	SPX2300GR	Optional Riser Base Aligns with Sta-Rite® Dyna-Pro®	1	\$34.45
----	-----------	---	---	----------------

MOTORS

	SPX2705Z1M	Motor, 3/4 H.P., Threaded Shaft (Single Phase, 60 Cycle 115V/208-230V)	1	\$293.36
	SPX2705Z1ME	Motor, 3/4 H.P., Energy Efficient Threaded Shaft (Single Phase, 60 Cycle 115/208-230V)	1	345.12
	SPX2707Z1M	Motor, 1 H.P., Threaded Shaft (Single Phase, 60 Cycle 115/208-230V)	1	327.73
	SPX2710Z1M	Motor, 1 1/2 H.P., Threaded Shaft (Single Phase, 60 Cycle 115/208-230V)	1	367.13
	SPX2715Z1ME	Motor, 2 H.P., Energy Efficient, Threaded Shaft (Single Phase, 60 Cycle 115/208-230V)	1	476.92
	SPX2707Z2M	Motor, 1 H.P., 2-Speed, Threaded Shaft (Single Phase, 60 Cycle 230V)	1	527.20
	SPX2710Z2M	Motor, 1 1/2 H.P., 2-Speed, Threaded Shaft (Single Phase, 60 Cycle 230V)	1	539.61
	SPX2715Z2M	Motor, 2 H.P., 2-Speed, Threaded Shaft (Single Phase, 60 Cycle 230V)	1	698.63

Parts for Pump Models: SP2705X7(EE), SP2707X10(2), SP2710X15(2), SP2715X20(2)



Ref. No.	Part No.	Description	Ctn. Qty.	List Price
1a	SPX2700DLS	Strainer Cover Kit (Includes Strainer Cover, Lock-Ring, O-Ring)	10	\$72.88
1b	SPX2700DLSB	Strainer Cover Kit for Biguanide Sanitizers (Includes Strainer Cover, Lock-Ring, O-Ring) NOT Pressure Testable	10	83.32
2	SPX2700Z4	Strainer Cover O-Ring	50	12.34
3	SPX2700M	Strainer Basket	5	15.98
4	SPX2700AA	Pump Strainer Housing (Includes Strainer Cover Assembly, Basket and Drain Plugs)	1	331.79
5	SPX4000FG	Drain Plug with O-Ring	100	4.06
6	SPX2700ZPAK	Housing Hardware Kit (Includes 4 Housing Bolts, Spacers and Nuts)	10	36.84
7	SPX2700Z3	Diffuser Screw Kit (Pack of 5)	50	5.42
8	SX220Z2	Diffuser O-Ring	500	9.06
9	GMX600F	Housing O-Ring	100	14.36
11	SPX2700SA	Shaft Seal Assembly	10	21.05
12	SPX2700EKIT	Seal Plate and Diffuser Kit	1	68.40
13	SPX3200Z5	Motor Bolt	50	7.83
14	SPX2700G	Motor Support	5	38.44

OPTIONAL

15	SPX2700UNKIT	Union Connector Kit (Includes 2 Nuts, Connectors, Gaskets)	10	\$55.35
—	SPX3200UG	Union Gasket (Pack of 2)	100	11.65

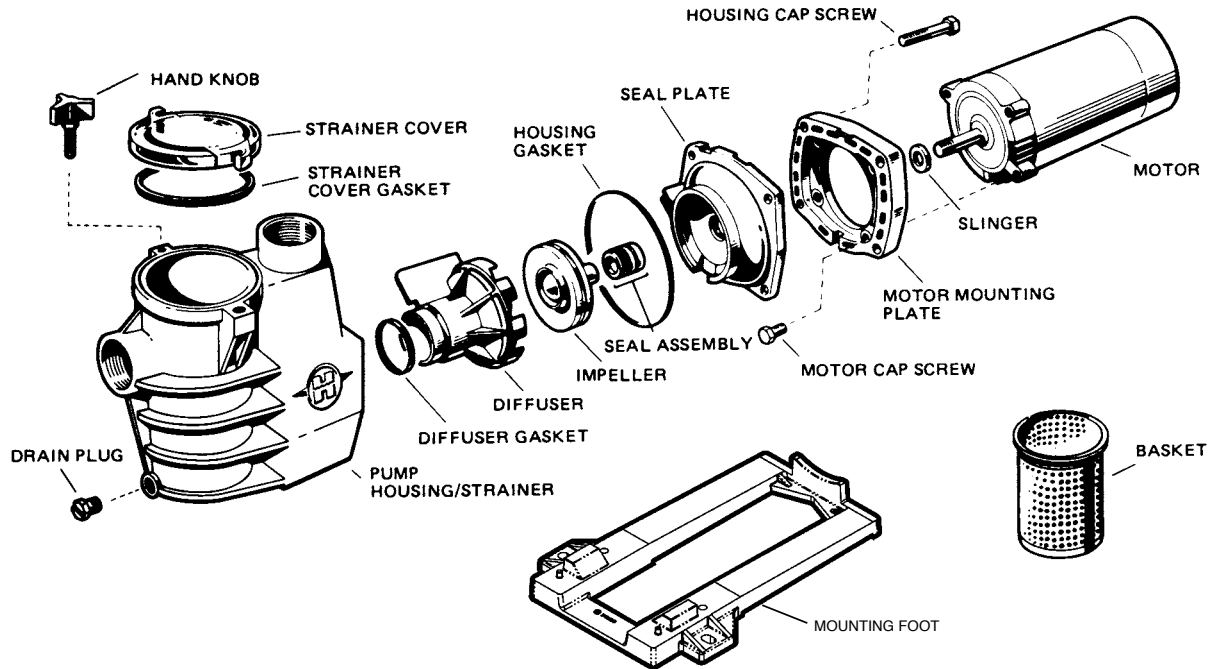
Parts listed below must be ordered for specific model and H.P.

10	SPX2700C	Impeller for 3/4 H.P.	10	\$32.06
10	SPX2707CM	Impeller for 1 H.P.	10	31.10
10	SPX2710CM	Impeller for 1 1/2 H.P.	10	32.01
10	SPX2715CM	Impeller for 2 H.P.	10	40.80

MOTORS

SPX2705Z1M	Motor, 3/4 H.P., Threaded Shaft (Single Phase, 60 Cycle, 115/208-230V)	1	\$293.36
SPX2705Z1ME	Motor, 3/4 H.P. Energy Efficient, Threaded Shaft (Single Phase, 60 Cycle, 115/208-230V)	1	345.12
SPX2707Z1M	Motor, 1 H.P., Threaded Shaft (Single Phase, 60 Cycle, 115/208-230V)	1	327.73
SPX2710Z1M	Motor, 1 1/2 H.P., Threaded Shaft (Single Phase, 60 Cycle, 115/208-230V)	1	367.13
SPX2715Z1ME	Motor, 2 H.P., Threaded Shaft (Single Phase, 60 Cycle, 115/208-230V)	1	476.92
SPX2707Z2M	Motor, 1 H.P., 2-Speed, Threaded Shaft (Single Phase, 60 Cycle, 230V)	1	527.20
SPX2710Z2M	Motor, 1 1/2 H.P., 2-Speed, Threaded Shaft (Single Phase, 60 Cycle, 230V)	1	539.61
SPX2715Z2M	Motor, 2 H.P., 2-Speed, Threaded Shaft (Single Phase, 60 Cycle, 230V)	1	698.63

Parts for Pump Models: SP1800X5, 1805X7, 1807X10, 1808X10, 1810X15, 1811X15

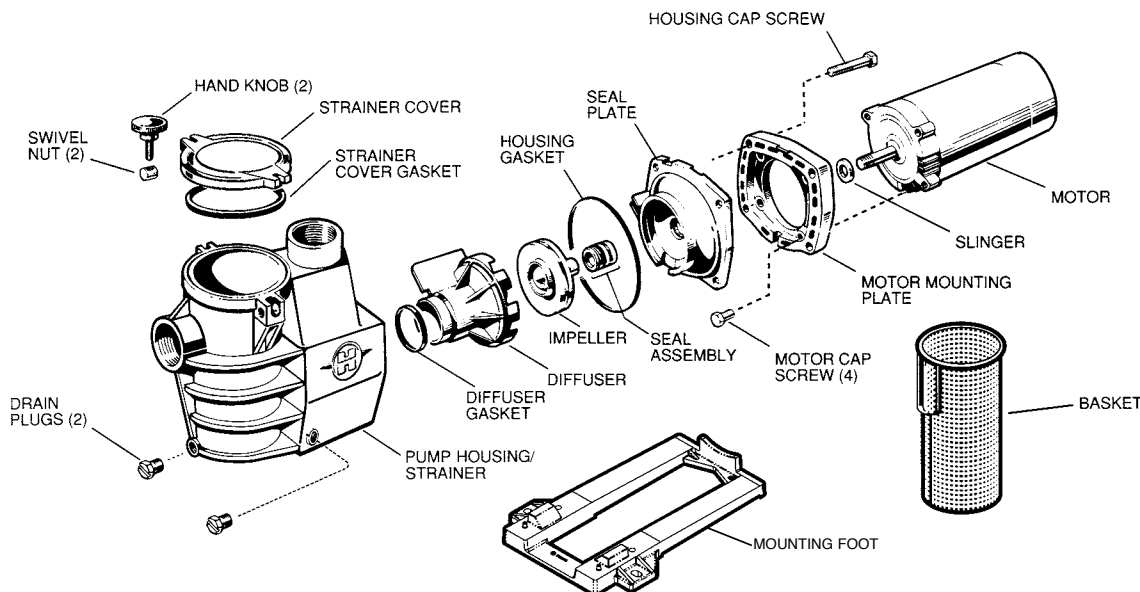


Part No.	Description	Ctn. Qty.	List Price
SPX2800AAC	Complete Housing Conversion Kit. Includes housing, strainer cover and gasket, basket, round hand knobs (2), and swivel nuts (2)	1	\$281.59
SPX1600T	Housing Gasket	50	8.47
SPX1600R	Diffuser Gasket	25	3.37
SPX1600TRA	Seal Assembly Kit (Includes Seal Assembly, Diffuser and Housing Gaskets)	10	30.95
SPX1250LA	Strainer Cover, clear with Gasket	10	39.32
SPX1250LAB	Strainer Cover, with Gasket for Biguarnide Sanitizers NOT Pressure testable	10	37.77
SPX0125T	Strainer Cover Gasket	100	6.03
SPX1250RA	Basket	10	10.93
SPX1250Z4	Hand Knob	50	18.49
SPX1600V	1/4" Drain Plug (1991 and Prior)	50	2.02
SPX1700FG	1/4" Drain Plug with Gasket	50	4.19
SPX2600G1	Mounting Foot with Adapter and Screws	10	15.83
SPX1600Z52	Mounting Foot Cap Screw (Set of 2 – 2 Sets Required)	100	4.46
SPX1600Z2	Seal Assembly	10	20.29
SPX1600F5	Motor Mounting Plate	10	39.64
SPX1600Z4	Housing Cap Screw	25	4.60
SPX0125Z44	Motor Cap Screw (Set of 4)	100	8.54
SPX0125F	Slinger	50	3.35
SPXHKIT1	H-KIT Quick Pump Repair for MaxFlo (Includes SPX1600T, SPX0125T, SPX1600R, SPX1600Z2 and Jack's Lube)	10	27.80

Med. Hd.	High Hd.	Parts listed below must be ordered for specific model & H.P.:	Ctn. Qty.	List Price
SPX2805CKIT*	—	3/4 H.P. Drive Train Upgrade	1	\$164.95
SPX2807CKIT*	—	1 H.P. Drive Train Upgrade	1	166.57
SPX2810CKIT*	—	1 1/2 H.P. Drive Train Upgrade	1	168.35
(All above kits include: Impeller, Diffuser, Seal Plate, Housing Gasket, Diffuser Gasket and Motor Mounting Plate)				
—	SPX1600SKIT2	Seal Plate – 1/2, 3/4, 1, 1 1/2, 2 H.P.	1	88.22
SPX1600Z1M	—	Motor, 1/2 H.P., Threaded Shaft (Single Phase, 60 Cycle 115V)	1	263.59
SPX1605Z1M	—	Motor, 3/4 H.P., Threaded Shaft (Single Phase, 60 Cycle 115/230V)	1	287.50
SPX1607Z1M	—	Motor, 1 H.P., Threaded Shaft (Single Phase, 60 Cycle 115/230V)	1	318.77
SPX1610Z1M	—	Motor, 1 1/2 H.P., Threaded Shaft (Single Phase, 60 Cycle 115/230V)	1	358.34

NOTES: *For pumps with an "SP1800X—" part number (manufactured before 1983), the use of these new kits (SPX2800CKIT – SPX2815CKIT) will upgrade the old pump to our current "SP2800X—" series. This will improve GPM, reduce noise and provide slightly better energy efficiencies. All individual components included in kits are not available.

Parts for Pump Models: SP2800X5, SP2805X7, SP2807X10, SP2810X15(2), SP2815X20



Part No.	Description	Ctn. Qty.	List Price
SPX2800AA*	Pump Housing/Strainer accepts Swing Away Knobs, 1 1/2" x 1 1/2", with Drain Plugs (1995 and Prior)	1	\$235.52
SPX1250LA	Strainer Cover, clear with Gasket (Fits All Models)	10	39.32
SPX1250LAB	Strainer Cover, with Gasket for Biguarnide Sanitizers NOT Pressure testable	10	37.77
SPX0125T	Strainer Cover Gasket	100	6.03
SPX1250RA	Basket (1994 and Prior)	10	10.93
SPX2800M	Basket (1995)	10	10.96
SPX1250Z4	Hand Knob, Three Pointed (1994 and Prior)	50	18.49
SPX1600PN	Hand Knob Kit (1995, Includes Swivel Nut and Hand Knob)	100	13.47
SPX1600T	Housing Gasket	50	8.47
SPX1600R	Diffuser Gasket	25	3.37
SPX1600TRA	Seal Assembly Kit (Includes Seal Assembly, Housing and Diffuser Gaskets)	10	30.95
SPX1600V	1/4" Drain Plug (1991 and Prior)	50	2.02
SPX1700FG	1/4" Drain Plug with Gasket	50	4.19
SPX2600G1	Mounting Foot with Adapter and Screws	10	15.83
SPX1600Z52	Mounting Foot Cap Screw (Set of 2 – 1995 and Prior, 2 sets required)	100	4.46
SPX1600Z2	Seal Assembly	10	20.29
SPX1600F5	Motor Mounting Plate	10	39.64
SPX1600Z4	Housing Cap Screw	25	4.60
SPX0125Z44	Motor Cap Screw (Set of 4)	100	8.54
SPX0125F	Slinger	50	3.35
SPX2800B	Diffuser, for all H.P.'s	15	32.03
SPX2600E5	Seal Plate	10	42.20
SPXHKIT1	H-KIT Quick Pump Repair for MaxFlo (Includes SPX1600T, SPX0125T, SPX1600R, SPX1600Z2 and Jack's Lube)	10	27.80

Housing Conversion Kit —To Swing Away Knob Style

SPX2800AAC*	Complete Housing Conversion Kit. Includes housing, strainer cover and gasket, basket, round hand knobs (2), and swivel nuts (2).	1	\$281.59
-------------	--	---	----------

Parts listed below must be ordered for specific model & H.P.:

SPX2600C	Impeller, for 1/2 H.P. Max Rated	20	\$32.06
SPX2605C	Impeller, for 3/4 H.P. Max Rated	20	31.25
SPX2607C	Impeller, for 1 H.P. Max Rated	10	32.26
SPX2610C	Impeller, for 1 1/2 H.P. Max Rated	20	33.09
SPX2615C	Impeller, for 2 H.P. Max Rated	25	40.80
SPX1600Z1M	Motor, 1/2 H.P., Threaded Shaft (Single Phase, 60 Cycle 115V)	1	263.59
SPX1605Z1M	Motor, 3/4 H.P., Threaded Shaft (Single Phase, 60 Cycle 115/230V)	1	287.50
SPX1607Z1M	Motor, 1 H.P., Threaded Shaft (Single Phase, 60 Cycle 115/230V)	1	318.77
SPX1610Z1M	Motor, 1 1/2 H.P., Threaded Shaft (Single Phase, 60 Cycle 115/230V)	1	358.34
SPX1615Z1M	Motor, 2 H.P., Threaded Shaft (Single Phase, 60 Cycle 115/230V)	1	463.63
SPX1610Z2M	Motor, 1 1/2 H.P., Threaded Shaft, Two-speed (Single Phase, 60 Cycle, 230V)	1	536.44

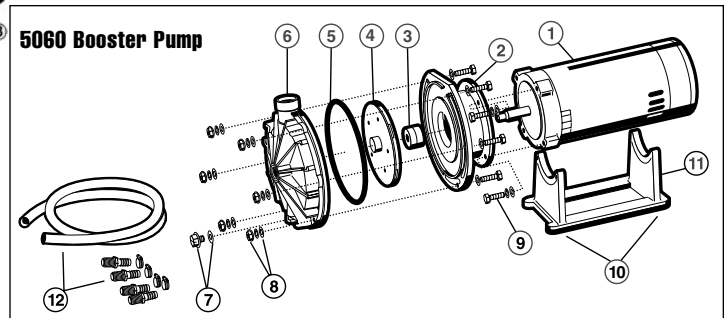
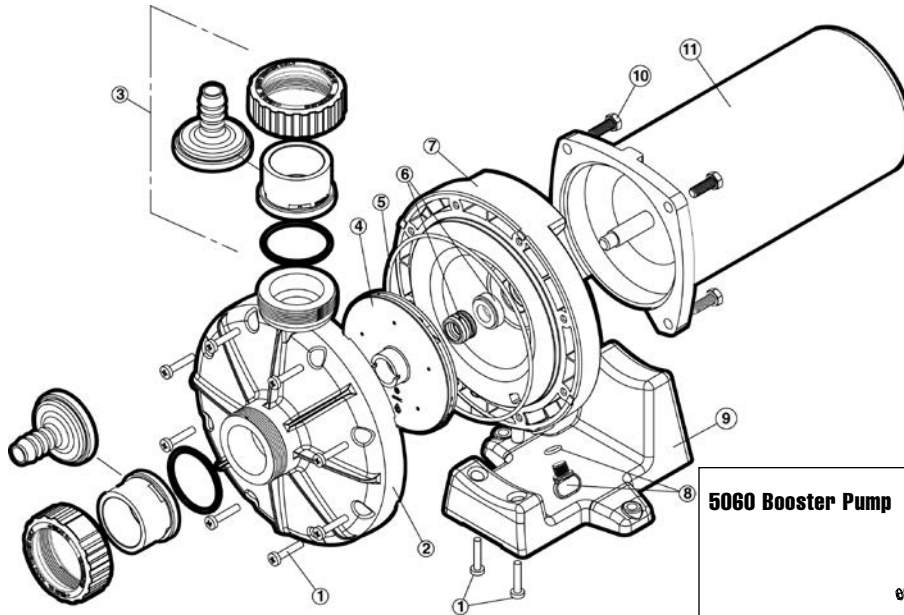
NOTE: *SP2800AAC is a complete substitute for SPX2800AA.

Booster Pump

6060, 5060 BOOSTER PUMP REPLACEMENT PARTS

Pumps

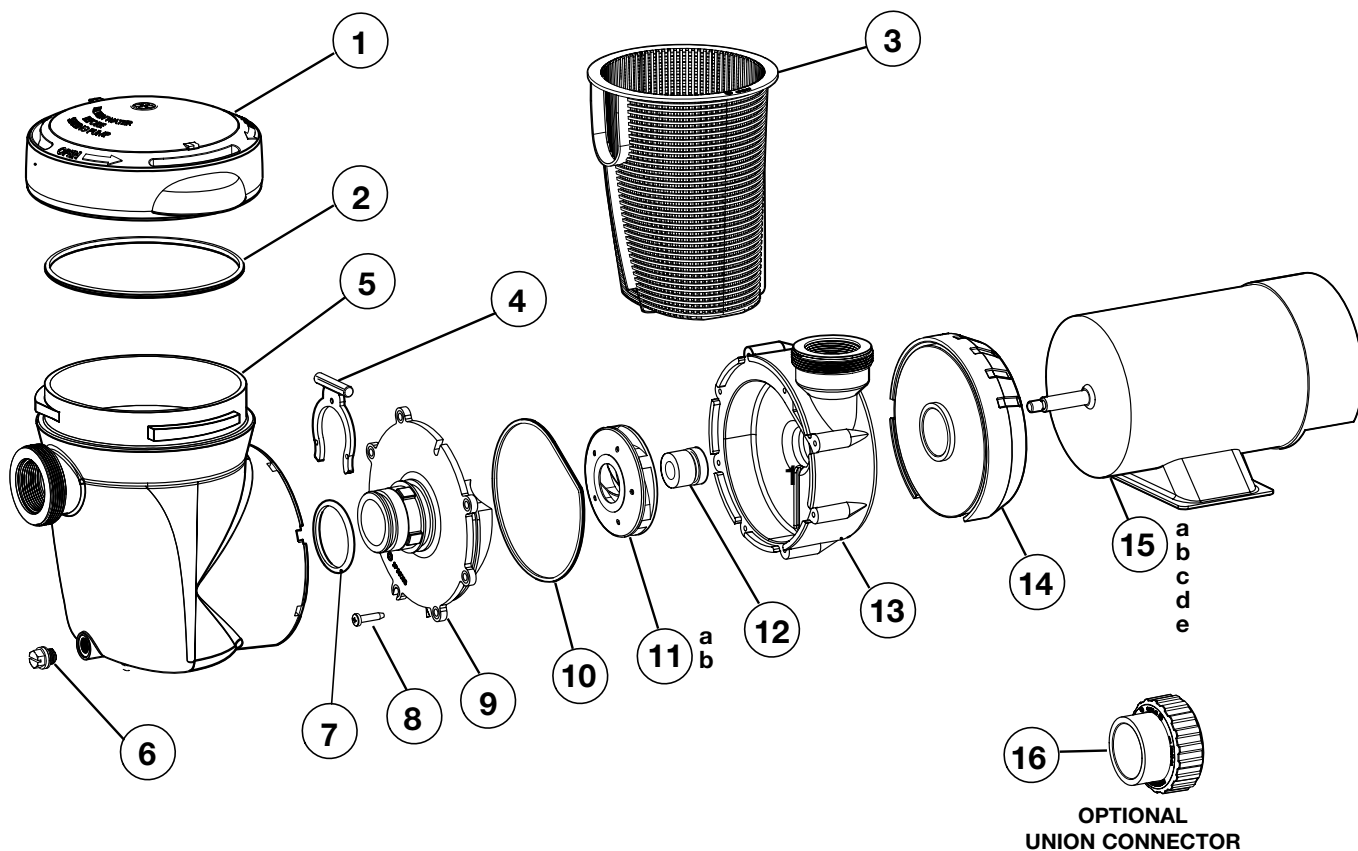
Parts for Booster Pump Models: 6060, 5060



Ref. No.	Part No.	Description	Ctn. Qty.	List Price
6060 Booster Pump Parts				
1	AX6060Z1	Screws	10	\$11.28
2	AX6060A	Volute	1	54.32
3	AX6060UNPAK	Union Fittings Kit (2 Unions with O-Rings)	5	33.44
—	SPX1495Z1	Union O-Ring	50	2.51
4	AX6060C	Impeller Assembly	5	33.14
5	AX6060S	O-Ring	50	12.26
6	SPX2700SA	Seal Assembly	10	21.05
7	AX6060E	Seal Plate Assembly (Seal Plate with Drain Plug and O-Ring)	1	54.59
8	SPX4000FG	Drain Plug with O-Ring	100	4.06
9	AX6060G	Motor Support	1	56.19
10	SPX3200Z5	Motor Bolts	50	7.83
11	SPX2707Z1B	Motor (3/4 H.P., 60 Cycles)	1	333.57
—	6060HKIT	6060 Booster Pump Hose Kit	5	50.94

5060 Booster Pump Parts				
1	AX5060M	Motor (3/4 H.P. 60 Cycles)	1	\$417.65
2	AX5060B2	Seal Plate (2004 and beyond)	10	55.11
3	SPX1250XZ2C	Spring Seal with Seat	10	32.99
4	AX5060C	Impeller Assembly	10	33.78
5	AX5060J	Ribbon Gasket (2004 and beyond)	100	14.04
6	AX5060A	Volute 3/4 NPT-F	10	54.88
7	SPX1700FG	Pipe Plug with Gasket	50	4.19
8	AX5060Z2A1	Nut, Bolt and Washer Kit (6 pack)	10	12.07
9	AX5060RSA1	Motor Bolt with Washer Kit (4 pack)	10	11.47
10	AX5060P	Stem Bumper	10	5.69
11	AX5060D	Base	1	61.36
12	AX5060HKIT	5060 Booster Pump Hose Kit	10	55.11

Parts for Pump Models: SP1591, SP1592, SP1593 Series



OPTIONAL UNION CONNECTOR

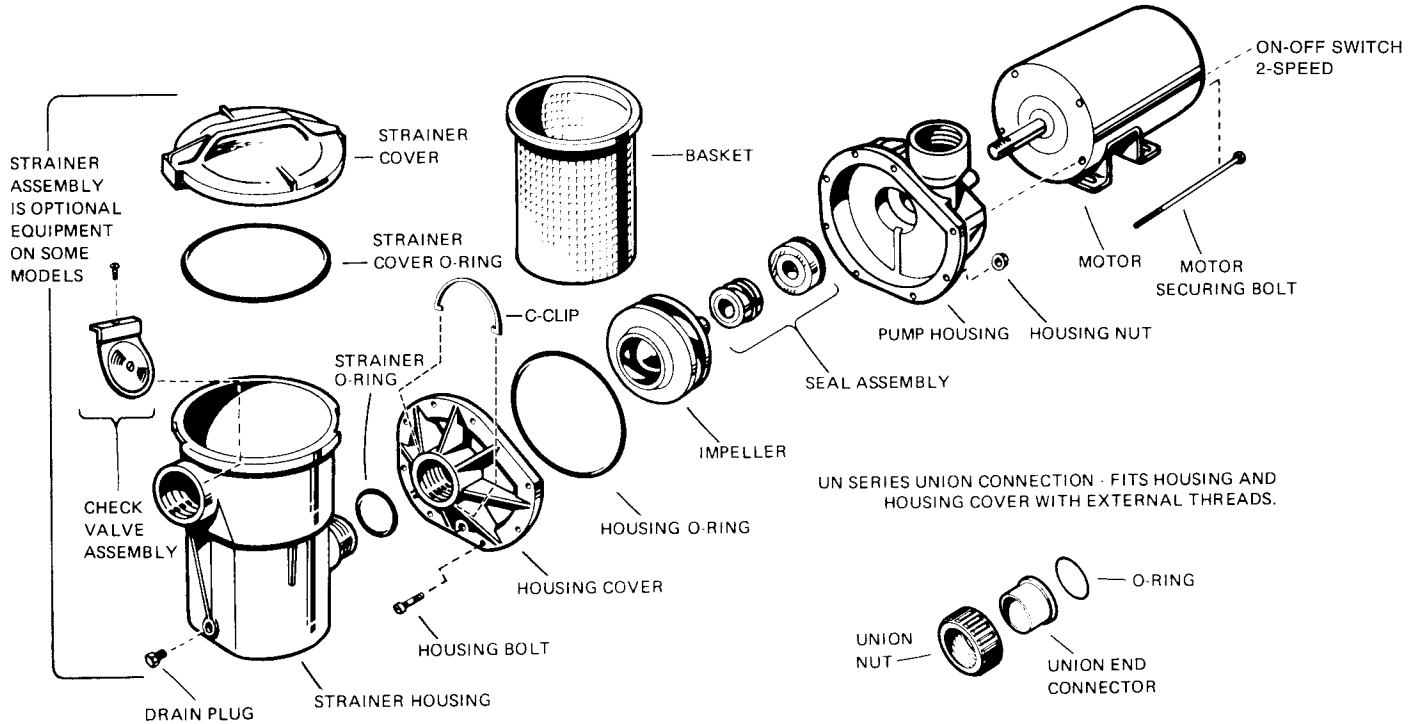
Ref. No.	Part No.	Description	Ctn. Qty.	No. Req'd	List Price
1	SPX5500D	Strainer Cover with Lock Ring and O-Ring	10	1	\$71.18
2	SPX5500H	Strainer Cover O-Ring	50	1	7.26
3	SPX5500F	Strainer Basket	10	1	18.49
4	SPX5500G	Strainer Retainer/'C' Clip	10	1	7.44
5	SPX5500C	Strainer Housing	1	1	81.75
6	SPX1700FG	Drain Plug with Gasket	50	1	4.19
7	SPX5500K	Strainer O-Ring	100	1	3.20
8	SPX0714Z48	Screw, #14 x 1/4" Type B Pan Head	100	1	22.26
9	SPX5500B	Pump Cover	4	1	65.50
10	SPX0710XZ5	Housing O-Ring	100	1	9.92
11a	SPX1500F	Impeller Assembly (reference part number on original equipment)	10	1	28.59
11b	SPX1500L	Impeller Assembly (reference part number on original equipment)	25	1	29.50
12	SPX1500KA	Shaft Seal Assembly	10	1	28.00
13	SPX5500A	Pump Housing	4	1	75.27
14	SPX5500E	Shroud Assembly	4	1	33.96
15a	SPX1510Z1E	3/4 H.P. Single Speed Motor with Switch, Flex 48	1	1	237.69
15b	SPX1510Z1XE	1 H.P. Single Speed Motor with Switch, Flex 48	1	1	266.94
15c	SPX1515Z1E	1 1/2 H.P. Single Speed Motor with Switch, Flex 48	1	1	312.27
15d	SPX1510Z24XE	1 H.P. Two Speed Motor with Switch, Flex 48	1	1	331.75
15e	SPX1515Z2ES	1 1/2 H.P. Two Speed Motor with Switch, Flex 48	1	1	385.64
16 (optional)	SP1500UNPAK2	Union Connector Assembly	50	2	15.19
	SPXHKIT12MTX	H-KIT Quick Pump Repair for PowerFlo Matrix (Includes items 2, 7, 10, 12 and Jack's Lube)	10	1	31.74

PowerFlo LX™

SP1580 PUMP SERIES REPLACEMENT PARTS

Pumps

Parts for Pump Models: SP1575LX, SP1580, SP1580X15, SP1520UN, EP1500LX and SP1680 Series



Part No.	Description	Ctn. Qty.	List Price
SPX1580AAP	Pump Housing	4	\$74.80
SPX1580BP	Housing Cover	10	61.53
SPX1500KA	Seal Assembly with Cup	10	28.00
SPX1580Z1	Housing O-Ring	25	9.92
SPX1500N2	Housing Bolt, No. 10-24 Hex. Head	25	1.82
SPX1500Y2	Housing Nut, No. 10-24 Hex.	25	1.67
SPX1500F	Impeller (refer to part number on original equipment)	10	28.59
SPX1500L	Impeller (refer to part number on original equipment)	25	29.50
SPX1500CAP	Strainer Housing with Basket	1	71.53
SPX1500D2A	Strainer Cover with O-Ring	10	42.40
SPX1500P	Strainer Cover O-Ring	50	7.21
SPX1250RA	Strainer Basket (1992 and Prior)	10	10.93
SPX1500LX	Strainer Basket – Large, 4 1/2" x 7"	10	13.39
SPX1500RA	Check Valve Assembly (1990 and Prior)	50	25.76
SPX1500W	Strainer O-Ring	50	3.20
SPX1700FG	Drain Plug with Gasket	50	4.19
SPX1515C	Strainer Housing C-Clip (2000-2003)	50	7.36
SPX1515CN	Strainer Housing C-Clip (2004-)	100	7.61
SPXHKIT12	H-KIT Quick Pump Repair for PowerFlo (Includes SPX1500KA, SPX1580Z1, SPX1500P, SPX1500W, SPX1500H, SPX1705Z1 and Jack's Lube)	10	32.87

SP1520UN LX Parts same as SP1580 Series except as listed below:

SPX1580AAT	Pump Housing with External Thread	4	\$74.07
SPX1520BT	Housing Cover with External Thread, 1, 1 1/2 and 2 H.P.	10	64.61
SPX1500LH	1 H.P. Hi-Performance Impeller	25	31.86
SPX1580CH	1 1/2 H.P. Hi-Performance Impeller	25	33.19
SPX1525CH	2 H.P. Hi-Performance Impeller	20	35.70
SPX3005R	Impeller Ring – for Hi-Performance Impellers	50	4.97

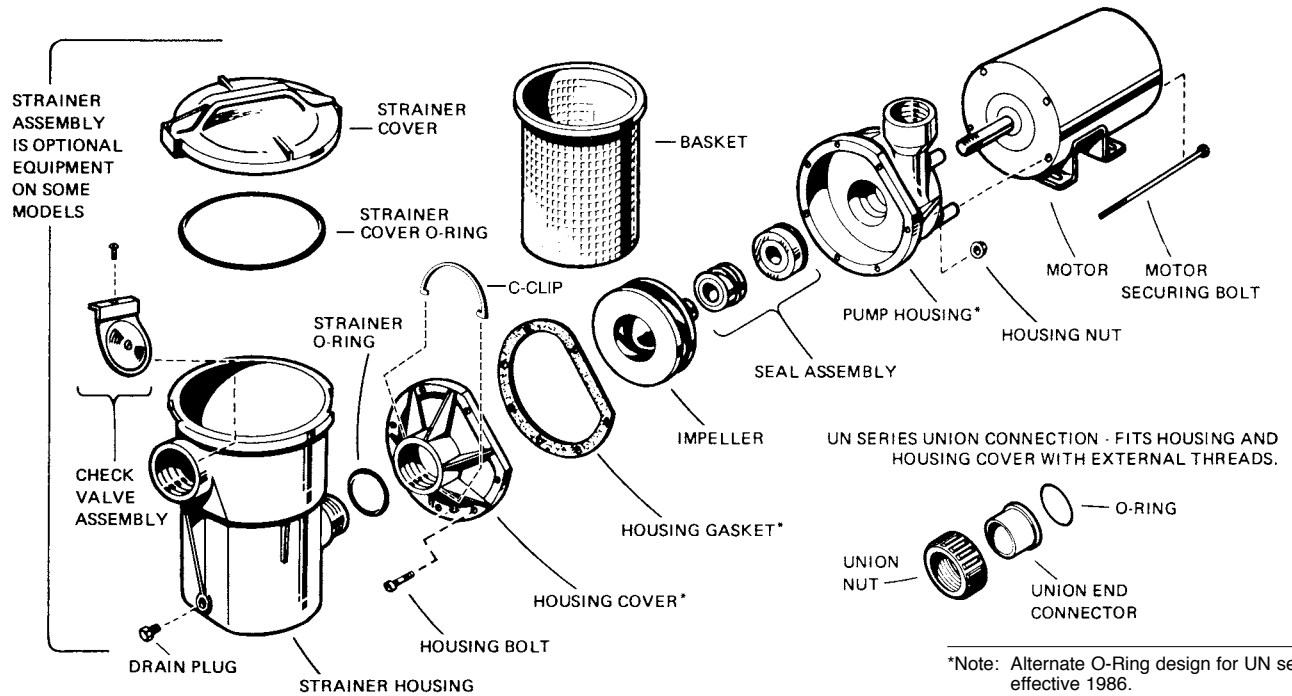
SP1680 Series Parts same as SP1580 except as listed below*:

SPX1680GA*	Basket	10	\$18.71
------------	--------	----	----------------

NOTES: *Limited Quantity Available.

Parts for PowerFlo Pump Motors are listed on page 169.

Parts for Pump Models: SP1500, SP1510, SP1511, SP1550, SP1575, EP1500 Series; and Pump Strainer SP1516



*Note: Alternate O-Ring design for UN series only, effective 1986.

Part No.	Description	Ctn. Qty.	List Price
SPX1500AA	Pump Housing	1	\$55.89
SPX1500B	Housing Cover	20	40.63
SPX1500KA	Seal Assembly with Cup	10	28.00
SPX1500H	Housing Gasket	100	8.99
SPX1500N2	Housing Bolt, No. 10-24 Hex. Head	25	1.82
SPX1500Y2	Housing Nut, No. 10-24 Hex.	25	1.67
SPX1500E	Impeller (refer to part number on original equipment)	25	29.06
SPX1500F	Impeller (refer to part number on original equipment)	10	28.59
SPX1500CAP	Strainer Housing with Basket	1	71.53
SPX0710Z3	Strainer Cover O-Ring – for solid cover (1978 and Prior)	50	9.04
SPX1500D2A	Strainer Cover, with O-Ring	10	42.40
SPX1500P	Strainer Cover O-Ring	50	7.21
SPX1250RA	Strainer Basket (1992 and Prior)	10	10.93
SPX1500LX	Strainer Basket – Large, 4 1/2" x 7"	10	13.39
SPX1500RA	Check Valve Assembly (1990 and Prior)	50	25.76
SPX1500W	Strainer O-Ring	50	3.20
SPX1700FG	Drain Plug with Gasket	50	4.19
SPX1515C	Strainer Housing C-Clip (2000-2003)	50	7.36
SPX1515CN	Strainer Housing C-Clip (2004-)	100	7.61
SPXHKIT12	H-KIT Quick Pump Repair for Power Flo (Includes SPX1500KA, SPX1580Z1, SPX1500P, SPX1500W, SPX1500H, SPX1705Z1 and Jack's Lube)	10	32.87

SP1500UN Parts same as SP1500 Series except as listed below:

SPX1500AAT	Pump Housing with External Thread (1985 and Prior)	4	\$64.96
SPX1501AAT	Pump Housing with External Thread – O-Ring style	4	64.36
SPX1500B1T	Housing Cover with External Thread (1985 and Prior)	15	46.37
SPX1501BT	Housing Cover with External Thread – O-Ring style	15	44.49
SPX1500L	Impeller, 1 H.P.	25	29.50
SPX1082Z5B	O-Ring, Pump Housing	100	8.20
SPX1500JS	Union End Connector – Socket	25	12.90
SPX1500JT	Union End Connector – Threaded	5	13.74
SPX1500G	Union Nut	10	10.19
SPX1495Z1	O-Ring, End Connector	50	2.51

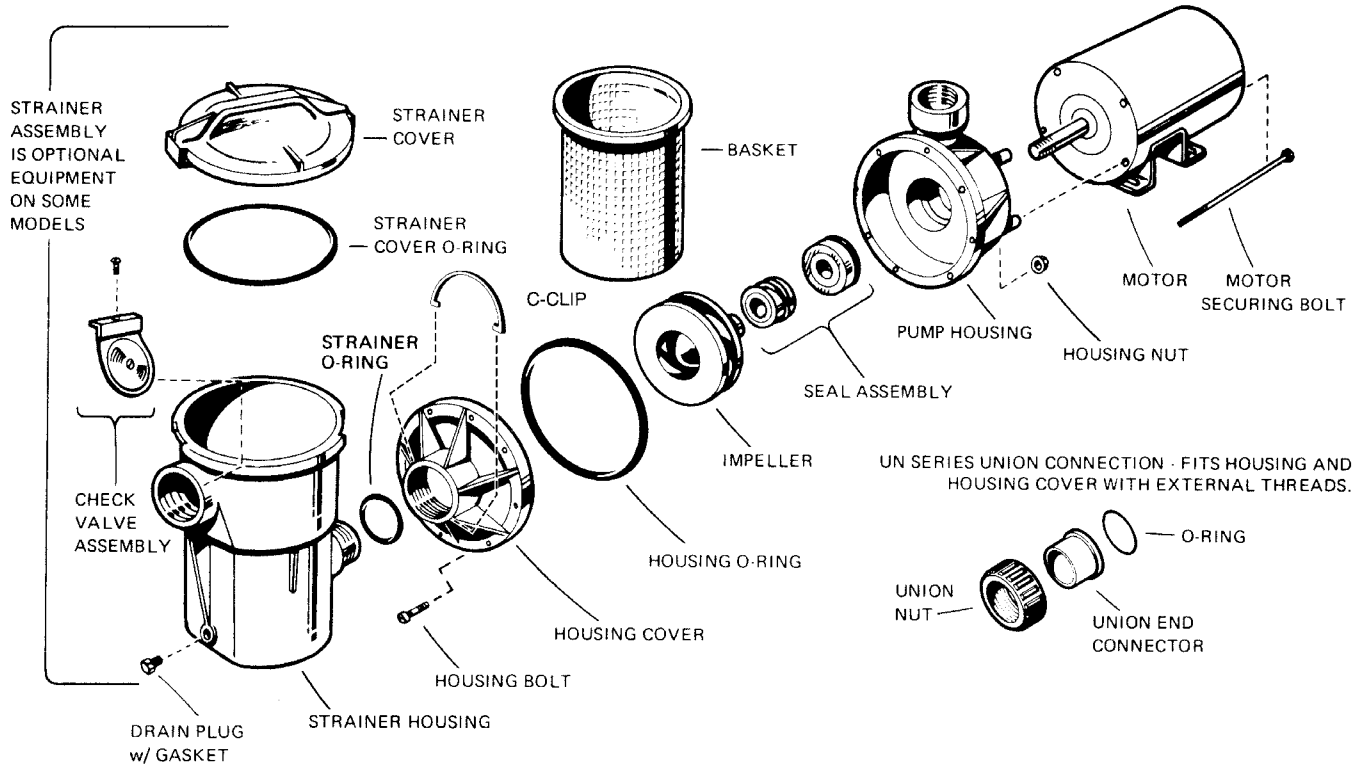
NOTE: Parts for PowerFlo Pump Motors are listed on page 169.

PowerFlo II™

SP1700 PUMP SERIES REPLACEMENT PARTS

Pumps

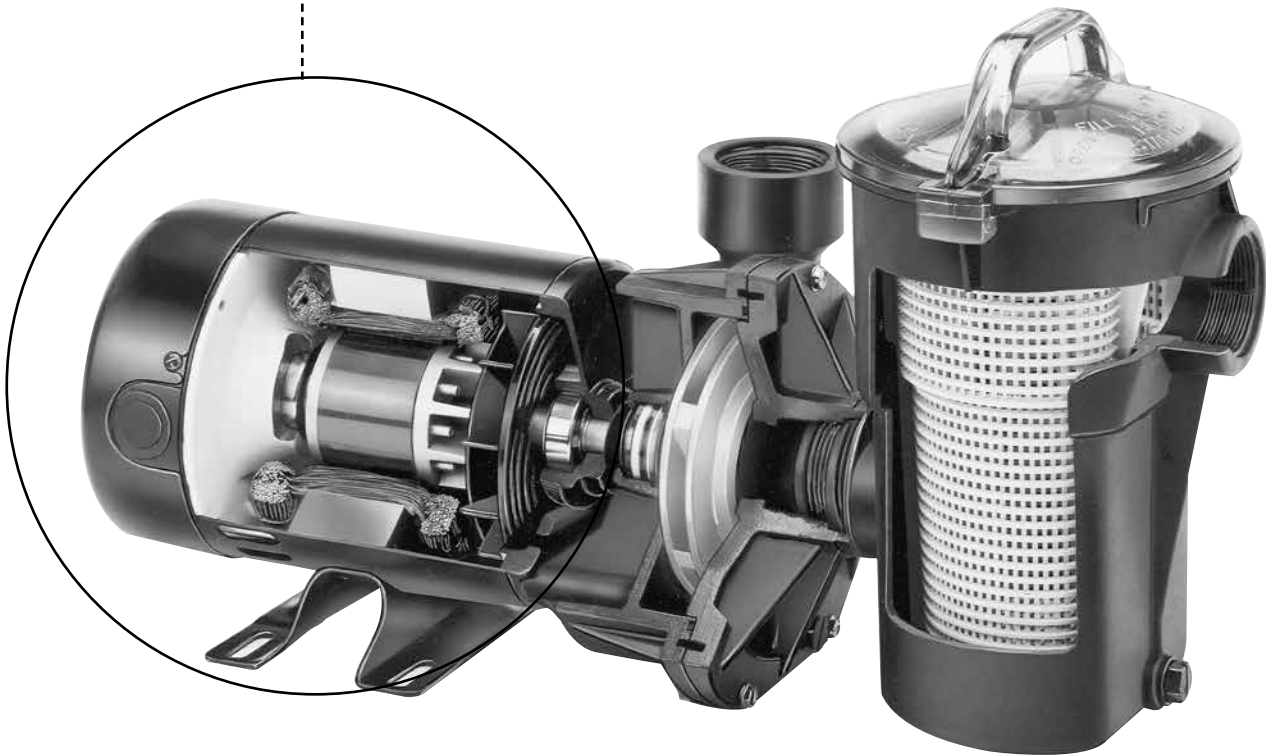
Parts for Pump Models: SP1705, SP1710, SP1711, SP1720, SP1725, SP1750, SP1775, SP1780



Part No.	Description	Ctn. Qty.	List Price
SPX1705AA	Pump Housing	5	\$67.47
SPX1705B	Housing Cover with Integral Diffuser (SP1700 Series, PowerFlo II)	20	52.57
SPX1500KA	Seal Assembly with Cup	10	28.00
SPX1720KA	Seal Assembly (PowerFlo II, 1 and 1 1/2 H.P.)	50	33.98
SPX1705Z1	Housing O-Ring Gasket	10	12.63
SPX1500N2	Housing Bolt, No. 10-24 Hex. Head	25	1.82
SPX1500Y2	Housing Nut, No. 10-24 Hex.	25	1.67
SPX1705C	Impeller, 1/2 H.P. (SP1700 Series, PowerFlo II)	10	30.53
SPX1707C	Impeller, 3/4 H.P. (SP1700 Series, PowerFlo II)	10	30.63
SPX1711C	Impeller, 1 H.P.	10	32.45
SPX2607C	Impeller (PowerFlo III, 1 H.P.)	10	32.26
SPX2610C	Impeller (PowerFlo III, 1 1/2 H.P.)	20	33.09
SPX1500CAP	Strainer Housing with Basket	1	71.53
SPX1500D2A	Strainer Cover with O-Ring	10	42.40
SPX1500P	Strainer Cover O-Ring	50	7.21
SPX1250RA	Strainer Basket	10	10.93
SPX1500LX	Strainer Basket – Large, 4 1/2" x 7" (1992)	10	13.39
SPX1500RA	Check Valve Assembly (1992 and Prior)	50	25.76
SPX1500W	Strainer O-Ring	50	3.20
SPX1700FG	Drain Plug with Gasket – SP1700 Series Housing	50	4.19
SPX1515C	Strainer Housing C-Clip (2000-2003)	50	7.36
SPX1515CN	Strainer Housing C-Clip (2004-)	100	7.61
SPX1500JS	Union End Connector – Socket	25	12.90
SPX1500JT	Union End Connector – Threaded	5	13.74
SPX1500G	Union Nut	10	10.19
SPX1495Z1	O-Ring, End Connector	50	2.51
SPXHKIT12	H-KIT Quick Pump Repair for PowerFlo (Includes SPX1500KA, SPX1580Z1, SPX1500P, SPX1500W, SPX1500H, SPX1705Z1 and Jack's Lube)	10	32.87

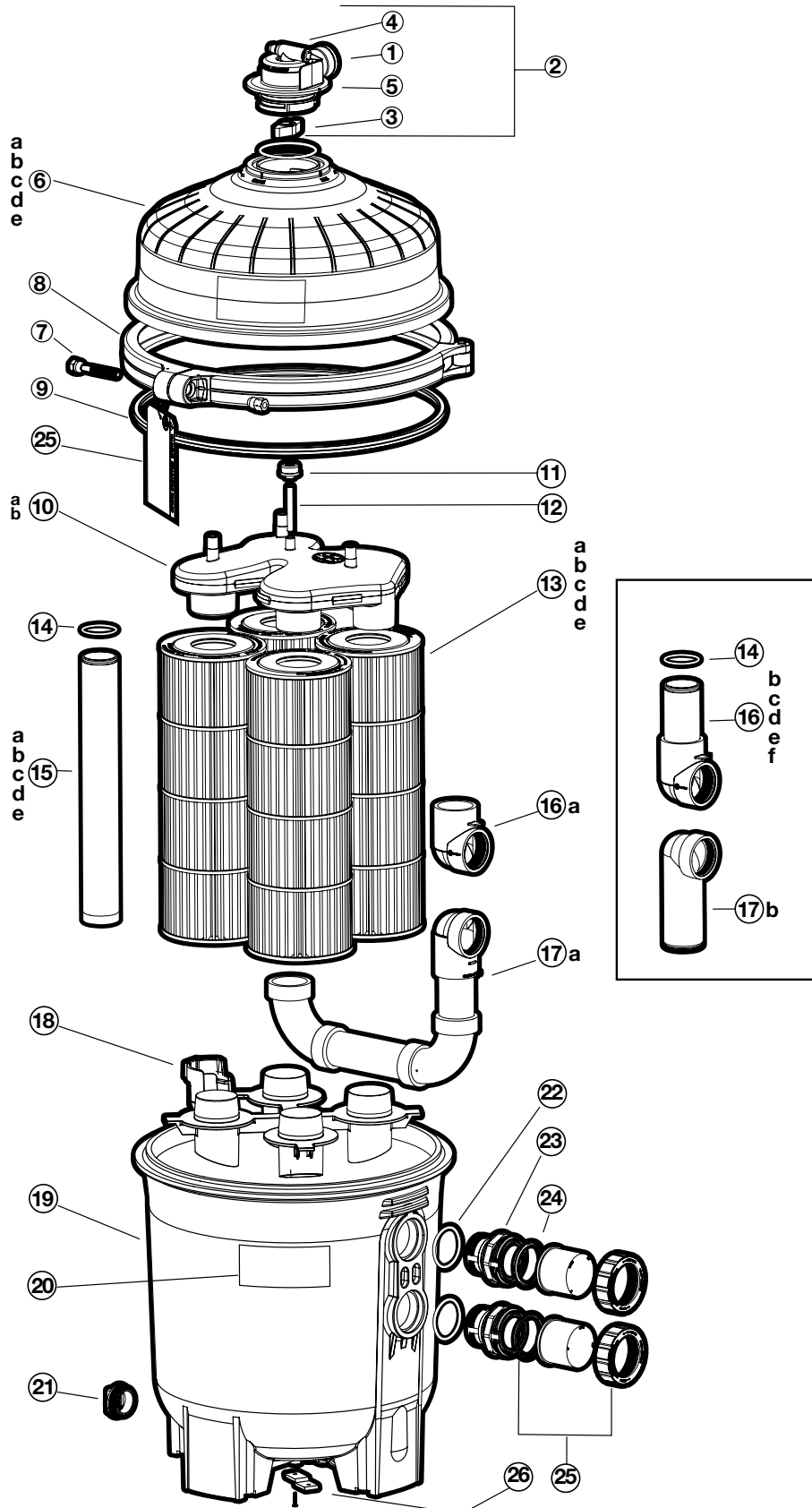
NOTE: Parts for PowerFlo Pump Motors are listed on page 169.

Parts for PowerFlo Pump Motors for Pumps listed on pages 166 and 167



Part No.	Description	Ctn. Qty.	List Price
SPX1500Z1E	Motor, 1/2 H.P. Single Phase, 60 Cycle	1	\$238.25
SPX1510Z1E	Motor, 3/4 H.P. Single Phase, 60 Cycle	1	237.69
SPX1510Z1XE	Motor, 1 H.P. Single Phase, 60 Cycle	1	266.94
SPX1515Z1E	Motor, 1 1/2 H.P., Single Phase, 60 Cycle	1	312.27
SPX1520Z1ESC	Motor, 2 H.P. Single Phase, 60 Cycle	1	367.99
SPX1510Z24XE	Dual Speed Motor, 1 H.P., Single Phase, 60 Cycle	1	331.75
SPX1520Z2ES	Dual Speed Motor, 2 H.P., Single Phase, 60 Cycle	1	456.68
SPX1500Z15S	Motor Canopy, Flex 48, with On-Off Switch	1	53.60
SPX1500Z15T	Motor Canopy, Flex 48 2-Speed, with 3-Position Switch	1	61.04
SPX1500S8	Motor Switch – On-Off for Flex 48	10	21.37
SPX1500S9	Motor Switch – 3 Position for 2 Speed Flex 48	10	46.83
SPX1250WA	Motor Cord 14/3 6 ft.	10	27.73
SPX1550WA1	Motor Cord 12/3 3 ft. Twist Lock	25	41.98
SPX1540Z1E	Motor, 40 GPM, Single Phase, 60 Cycle	1	277.82

Parts Diagram



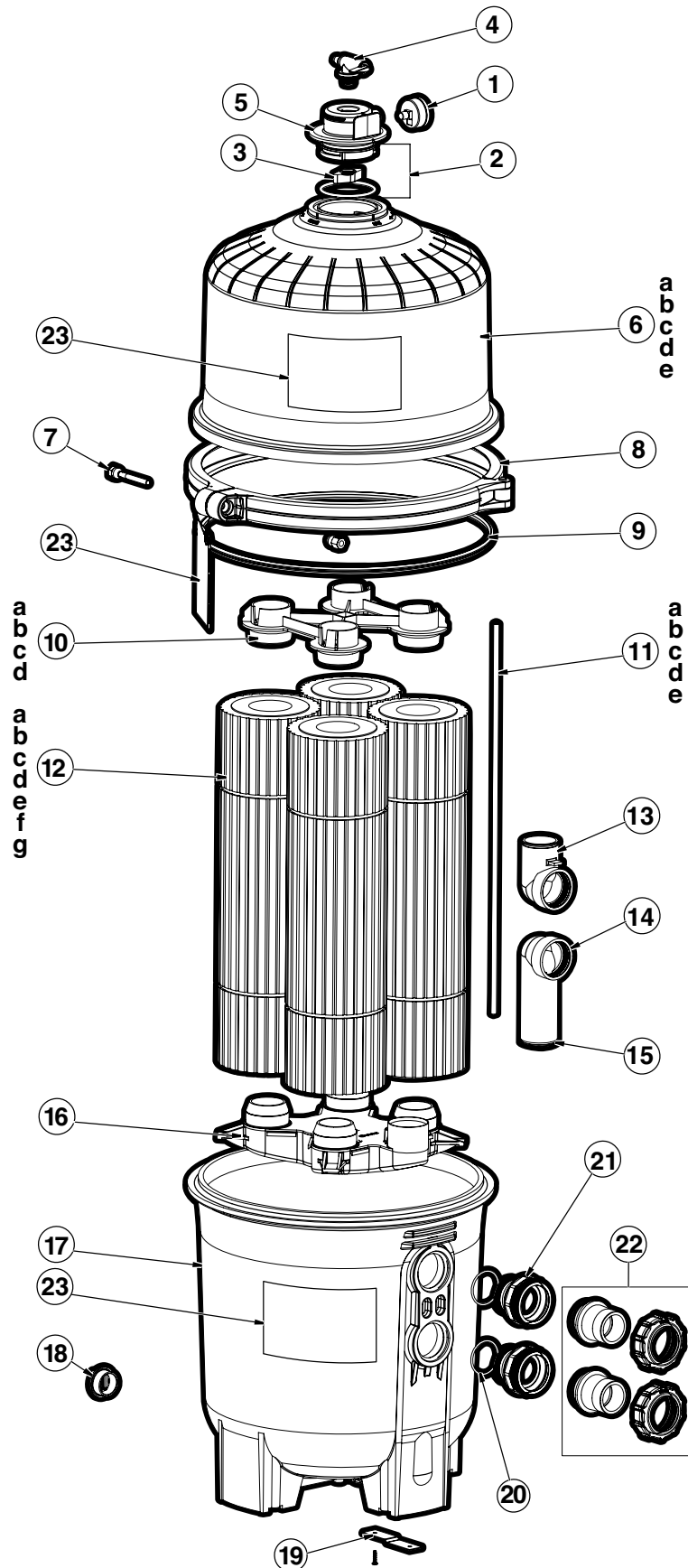
Filters

Parts Listing

Ref. No.	Part No.	Description	Ctn. Qty.	List Price
1	ECX2712B1	Pressure Gauge	100	\$20.90
2	DEX2420Z8A	O-Ring Kit (<i>set of 2</i>)	10	26.25
3	CCX1000N	Air Relief Valve Nut	50	3.45
4	CCX1000V	Manual Air Relief with O-Ring	50	10.81
5	DEX2420MAR2	Manual Air Relief Assembly	1	137.94
6a	DEX2420BTC	Upper Filter Body with Clamp C2030	1	484.51
6b	DEX3620BTC	Upper Filter Body with Clamp C3030	1	555.89
6c	DEX4820BTC	Upper Filter Body with Clamp C4030	1	624.46
6d	DEX6020BTC	Upper Filter Body with Clamp C5030	1	682.03
6e	DEX7220BTC	Upper Filter Body with Clamp C7030	1	742.46
7	DEX2421J2	Clamp Bolt and Nut	10	31.49
8	DEX2421JKIT	Clamp System (Includes Clamp, Clamp Nut and Bolt, Hang Tag, Metal Reinforced Seal, and Labels)	1	374.37
9	DEX2422Z2	Metal Reinforced Seal	1	62.00
10a	CX3030C	Top Manifold C2030, C3030, C4030	1	81.92
10b	CX5030C	Top Manifold C5030, C7030	1	81.95
11	CX3000J1	Air Relief Filter	100	13.79
12	CX2030Z3	Air Relief Tube	10	11.01
13a	CX481XRE	Cartridge Element C2030	1	54.98
	CX481XREPAK4	Cartridge Elements (4 Pack) C2030	1	208.93
13b	CX580XRE	Cartridge Element C3030	1	75.40
	CX580XREPAK4	Cartridge Elements (4 Pack) C3030	1	286.54
13c	CX880XRE	Cartridge Element C4030	1	96.79
	CX880XREPAK4	Cartridge Elements (4 Pack) C4030	1	367.82
13d	CX1280XRE	Cartridge Element C5030	1	121.07
	CX1280XREPAK4	Cartridge Elements (4 Pack) C5030	1	460.03
13e	CX591XRE	Cartridge Element C7030	1	77.14
	CX591XREPAK4	Cartridge Elements (4 Pack) C7030	1	293.19
	CX7020M	Mid Plate Connector C7030	1	57.13
14	DEX2400Z5	Outlet Pipe O-Ring	500	5.22
15a	CX3031F6	Outlet Pipe C2030	1	25.58
15b	CX3031F7	Outlet Pipe C3030	1	27.92
15c	CX3031F8	Outlet Pipe C4030	1	32.53
15d	CX3031F9	Outlet Pipe C5030	1	45.18
15e	CX3031F10	Outlet Pipe C7030	1	49.84
16a	CX3030F	Inlet Elbow (after Sept. 2012)	5	9.97
16b	CX3030F1	Outlet Elbow with Pipe C2030 (prior to Sept. 2012)	5	53.80
16c	CX3030F2	Outlet Elbow with Pipe C3030 (prior to Sept. 2012)	5	52.74
16d	CX3030F2	Outlet Elbow with Pipe C4030 (prior to Sept. 2012)	5	52.74
16e	CX3030F4	Outlet Elbow with Pipe C5030 (prior to Sept. 2012)	5	54.86
16f	CX3030F5	Outlet Elbow with Pipe C7030 (prior to Sept. 2012)	5	54.02
17a	CX3030H	SwimClear Lower Piping Assembly (after Sept. 2012)	1	93.67
17b	CX3020FB	Outlet Elbow (prior to Sept. 2012)	5	50.28
18	CX3030D	Bottom Cartridge Mounting Plate	1	51.34
19	DEX2420ATC	Lower Filter Body with Clamp	1	697.94
20	DEX2420LA6PAK	Label Pack (Includes all Warning and Operation Labels, Hang Tag, Wire Tie, Owner's Manual)	10	29.82
21	SP1022CBLK	1 ½" Drain Plug with O-Ring (Black)	100	1.53
22	SX220Z2	Bulkhead O-Ring	500	9.06
23	CX3035F	Bulkhead Fitting	25	28.71
24	SPX3200UG	Union Gasket (<i>set of 2</i>)	100	11.65
25	SPX3200UNKIT	Union Connection Kit (2 each of nuts, connectors, gaskets)	10	44.57
26	DEX2420DCKIT	(Optional) Tie Down – Strap Kit (2 each of straps, screws)	25	47.40

Parts Diagram

Filters

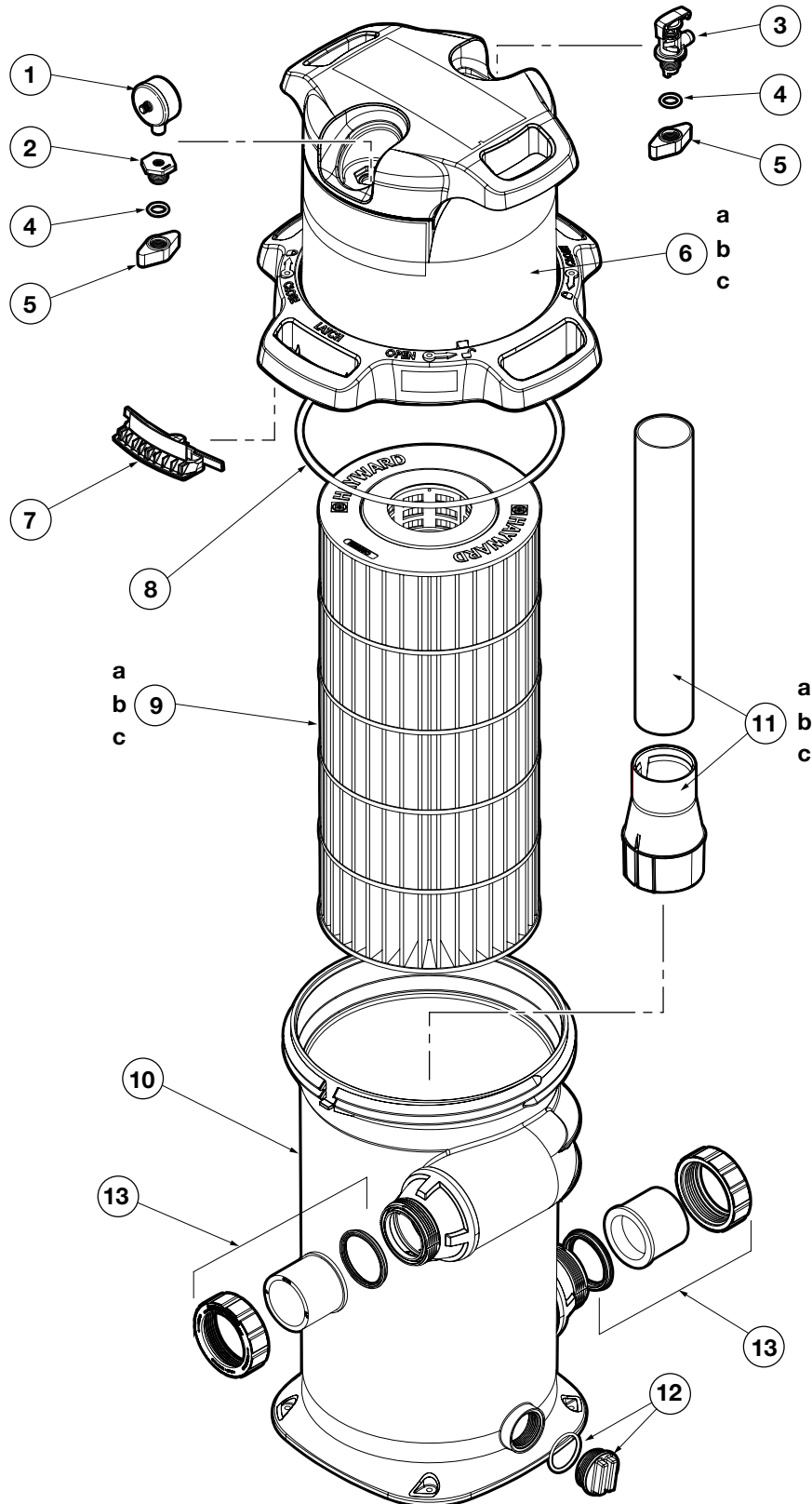


Parts Listing

Ref. No.	Part No.	Description	Ctn. Qty.	List Price
1	ECX2712B1	Pressure Gauge	100	\$20.90
2	DEX2420Z8A	O-Ring Kit (<i>Set of 2</i>)	10	26.25
3	CCX1000N	Manual Air Relief Valve Nut	50	3.45
4	CCX1000V	Manual Air Relief Valve with O-Ring	50	10.81
5	DEX2420MAR2	Manual Air Relief Assembly	1	137.94
6a	DEX2420BTC	Filter Head (C2020/C2025)	1	484.51
6b	DEX3620BTC	Filter Head (C3020/C3025)	1	555.89
6c	DEX4820BTC	Filter Head (C4020/C4025)	1	624.46
6d	DEX6020BTC	Filter Head (C5020/C5025)	1	682.03
6e	DEX7220BTC	Filter Head (C7000/C7020)	1	742.46
7	DEX2421J2*	Clamp Bolt and Nut	10	31.49
8	DEX2421JKIT	Clamp Assembly (Including Clamp, Clamp Nut and Bolt, Warning Hang Tag, Metal Reinforced Seal and Labels)	1	374.37
9	DEX2422Z2*	Metal Reinforced Seal	1	62.00
10a	CX2020DA	Top Closure Plate (C2020/C2025)	1	80.79
10b	CX3020DA	Top Closure Plate (C3020/C3025, C4020/C4025)	1	55.87
10c	CX5020DA	Top Closure Plate (C5020/C5025)	1	50.75
10d	CX3020D4	Top Closure Plate (C7000/C7020)	1	53.23
11a	CX800Z4	Air Relief Tube Assembly (C2020/C2025)	20	9.23
11b	CX3000Z3	Air Relief Tube Assembly (C3020/C3025)	50	9.70
11c	CX4000Z3	Air Relief Tube Assembly (C4020/C4025)	50	10.34
11d	CX5000Z3	Air Relief Tube Assembly (C5020/C5025)	50	11.77
11e	CX7000Z3	Air Relief Tube Assembly (C7000/C7020)	8	13.32
12a	CX480XRE	Replacement Element (C2020/C2025)	1	54.98
	CX480XREPAK4	Cartridge Elements (C2020, C2025) – 4 Pack	1	208.93
12b	CX580XRE	Replacement Element (C3020/C3025)	1	75.40
	CX580XREPAK4	Cartridge Elements (C3020, C3025) – 4 Pack	1	286.54
12c	CX880XRE	Replacement Element (C4020/C4025)	1	96.79
	CX880XREPAK4	Cartridge Elements (C4020, C4025) – 4 Pack	1	367.82
12d	CX875XRE	Replacement Element (C4520)	1	113.78
	CX875XREPAK4	Cartridge Elements (C4520) – 4 Pack	1	432.40
12e	CX1280XRE	Replacement Element (C5020/C5025)	1	121.07
	CX1280XREPAK4	Cartridge Elements (C5020, C5025) – 4 Pack	1	460.03
12f	CX1380XRE	Replacement Element (C5520 Series)	1	126.46
	CX1380XREPAK4	Cartridge Elements (C5520) – 4 Pack	1	480.52
12g	CX590XRE	Replacement Element (C7000/C7020)	1	77.14
	CX590XREPAK4	Cartridge Elements (C7000, C7020) – 4 Pack	1	293.19
—	CX7020M	Mid Plate Connector (C7000/C7020 Models Only)	1	57.13
13	CX3000F1B	Inlet Elbow	5	52.32
14	CX3020FB	Outlet Elbow	5	50.28
15	DEX360M	O-Ring	100	3.67
16	CX3000C	Bottom Collector Manifold	1	82.14
17	DEX2420ATC	Filter Body	1	697.94
18	SP1022CBLK	1 ½" Drain Plug with O-Ring	100	1.53
19	DEX2420DCKIT	Strap Kit (Optional)	25	47.40
20	SX220Z2	O-Ring	500	9.06
21	DEX2420F	Bulkhead Fitting	25	28.71
22	DE2400PAK2CS	Plumbing Kit (Includes 2 O-Rings, 2 Slip Connectors and 2 Locknuts)	10	36.59
23	DEX2420LA6PAK	Label Pack (Includes all Warning and Operation Labels, Hang Tag (#24), Wire Tie and Owner's Manual)	10	29.82

NOTE: *Compatible only with DEX2421JKIT clamp system for Hayward Pro-Grid™ D.E. and SwimClear™ cartridge filters.

Parts Diagram



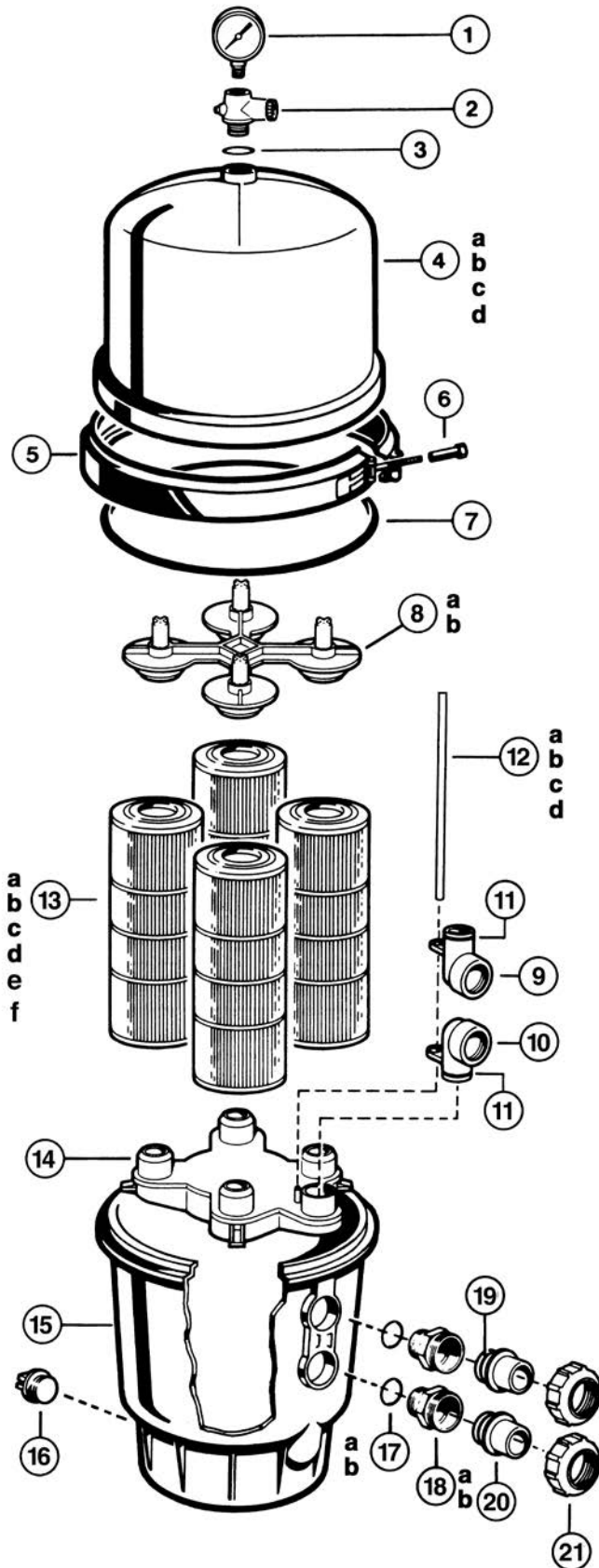
Parts Listing

Ref. No.	Part No.	Description	Ctn. Qty.	List Price
1	ECX271261	Pressure Gauge	100	\$20.90
2	CCX1000L	Threaded Adapter for Pressure Gauge	50	2.46
3	CXRLV1001	Air Relief Assembly with O-Ring	20	11.06
4	CXGAR1001PAK2	O-Ring Kit (<i>Set of 2</i>)	20	2.12
5	CCX1000N	Adapter Nut (<i>Set of 2</i>)	50	3.45
6a	CX100B	Filter Head Assembly, C100S	1	206.32
6b	CX150B	Filter Head Assembly, C150S	1	253.67
6c	CX200B	Filter Head Assembly, C200S	1	303.97
7	CXLRL1001	Latch for Lock Ring	10	9.70
8	CXFHR1001	O-Ring for Filter Head	10	13.62
9a	CX100XRE	Cartridge Element C100S	1	119.72
9b	CX150XRE	Cartridge Element C150S	1	127.08
9c	CX200XRE	Cartridge Element C200S	1	163.64
10	CXFBA1001	Filter Body Assembly	1	534.34
11a	CXFDA100	Filter Diffuser Assembly C100S	1	22.60
11b	CXFDA150	Filter Diffuser Assembly C150S	1	24.45
11c	CXFDA200	Filter Diffuser Assembly C200S	1	25.98
12	SP1022CBLK	Drain Plug with O-Ring	100	1.53
13	SPX3200UNKIT	Union Connection Kit (2 each of Nuts, Connectors and Gaskets)	10	44.57
OPTIONAL				
—	CX100XREBVS	Blue Value Cartridge Element C100S	1	\$94.36
—	CX150XREBVS	Blue Value Cartridge Element C150S	1	100.17
—	CX200XREBVS	Blue Value Cartridge Element C200S	1	128.98
—	SPX1500JS	Union Connector 1.5" Socket	25	12.90
—	SPX1500JT	Union Connector 1.5" FIP	5	13.74

Super StarClear™

C2000, C3000, C4000, C5000 CARTRIDGE FILTER SERIES REPLACEMENT PARTS (Duralon™ and PermaGlass XL™)

Parts Diagram



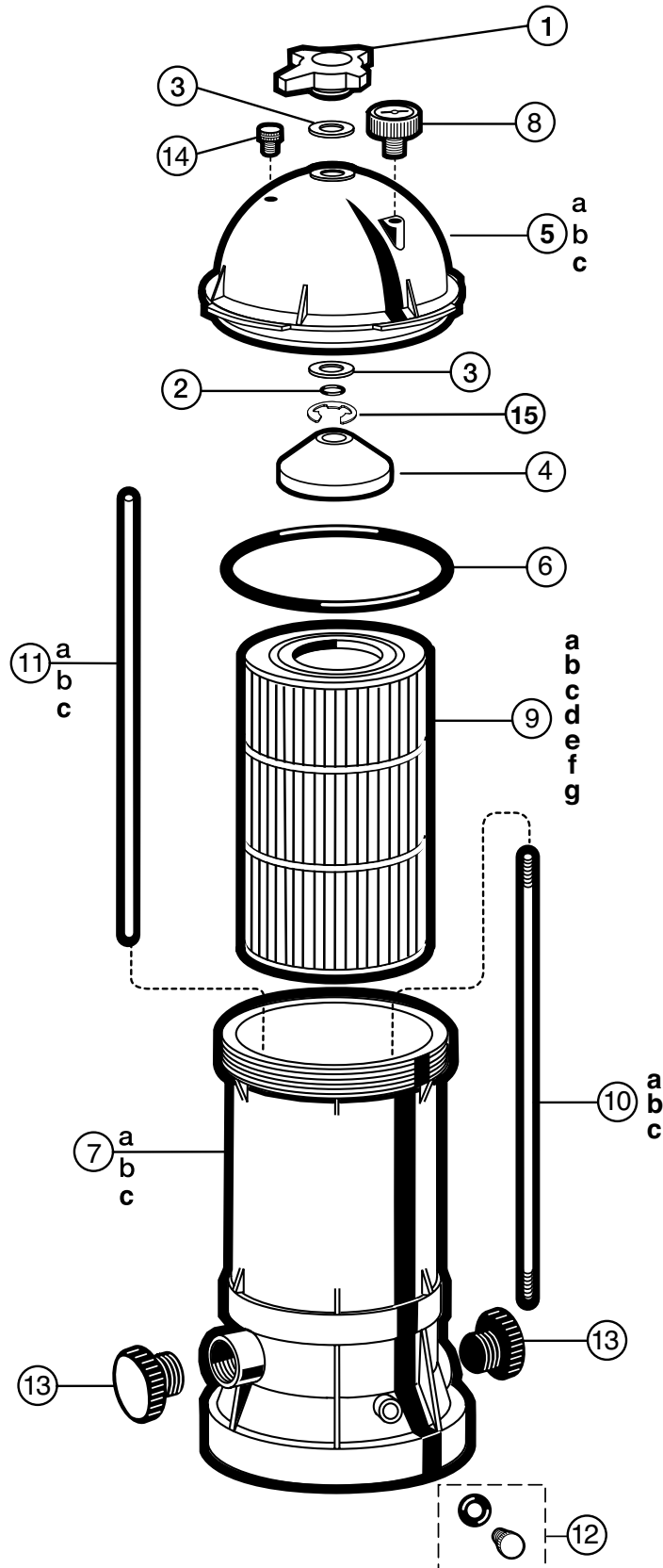
Parts Listing

Ref. No.	Part No.	Description	Ctn. Qty.	List Price
1	ECX270861	Pressure Gauge	50	\$20.81
2	DEX2400S	Relief Valve/Gauge Adapter Assembly	100	28.98
—	DEX2400Z3A	O-Ring for Relief Valve Stem (<i>Set of 3</i>)	100	8.59
3	SX200Z5	Relief Valve Assembly O-Ring	50	2.12
4a	DEX2400BT	Filter Head (C2000)	—	Discont'd
4b	DEX3600BT	Filter Head (C3000)	—	Discont'd
4c	DEX4800BT	Filter Head (C4000)	—	Discont'd
4d	DEX6000BT	Filter Head (C5000)	—	Discont'd
5	DEX2400J	Clamp Assembly	—	Discont'd
6	DEX2400JN	Brass Sleeve Nut	—	Discont'd
7	DEX2400K	Filter Tank O-Ring	—	Discont'd
8a	CX3000DA	Top Closure Plate (C3000/4000)	—	Discont'd
8b	CX5000DA	Top Closure Plate (C5000)	—	Discont'd
9	CX3000F1B	Inlet Elbow	5	52.32
10	CX3000FB	Buttress Thread Outlet Elbow Assembly	—	Discont'd
11	DEX360M	O-Ring	100	3.67
12a	CX800Z4	Air Relief Tube (C2000)	20	9.23
12b	CX3000Z3	Air Relief Tube (C3000)	50	9.70
12c	CX4000Z3	Air Relief Tube (C4000)	50	10.34
12d	CX5000Z3	Air Relief Tube (C5000)	50	11.77
13a	CX480XRE	Replacement Element (C2000)	1	54.98
	CX480XREPAK4	Cartridge Element (C2000) – 4 Pack	1	208.93
13b	CX580XRE	Replacement Element (C3000)	1	75.40
	CX580XREPAK4	Cartridge Element (C3000) – 4 Pack	1	286.54
13c	CX880XRE	Replacement Element (C4000)	1	96.79
	CX880XREPAK4	Cartridge Element (C4000) – 4 Pack	1	367.82
13d	CX875XRE	Replacement Element (C4500)	1	113.78
	CX875XREPAK4	Cartridge Element (C4500) – 4 Pack	1	432.40
13e	CX1280XRE	Replacement Element (C5000)	1	121.07
	CX1280XREPAK4	Cartridge Element (C5000) – 4 Pack	1	460.03
13f	CX1380XRE	Replacement Element (C5500)	1	126.46
	CX1380XREPAK4	Cartridge Element (C5500) – 4 Pack	1	480.52
14	CX3000C	Bottom Collector Manifold	1	82.14
15	DEX2400A1T	Filter Body	—	Discont'd
16	SP1022CBLK	1 1/2" Drain Plug with O-Ring	100	—
17a	SX200Z3	O-Ring (1995 and Prior)	50	4.21
17b	SX360Z1	O-Ring (after 1996)	25	7.58
18a	DEX360F	Bulkhead Fitting	—	Discont'd
18b	DEX360FB	Buttress Thread Bulkhead Fitting	—	Discont'd
19	SX200Z4PAK2	Valve/Union O-Ring (<i>Set of 2</i>)	25	5.93
20	SX240F	1 1/2" SKT x 2" SLIP Connector	5	13.52
21	SX200R	Locknut	25	6.75

StarClear™ Plus

CARTRIDGE FILTER SERIES AND SEPARATION TANK REPLACEMENT PARTS

Parts Diagram

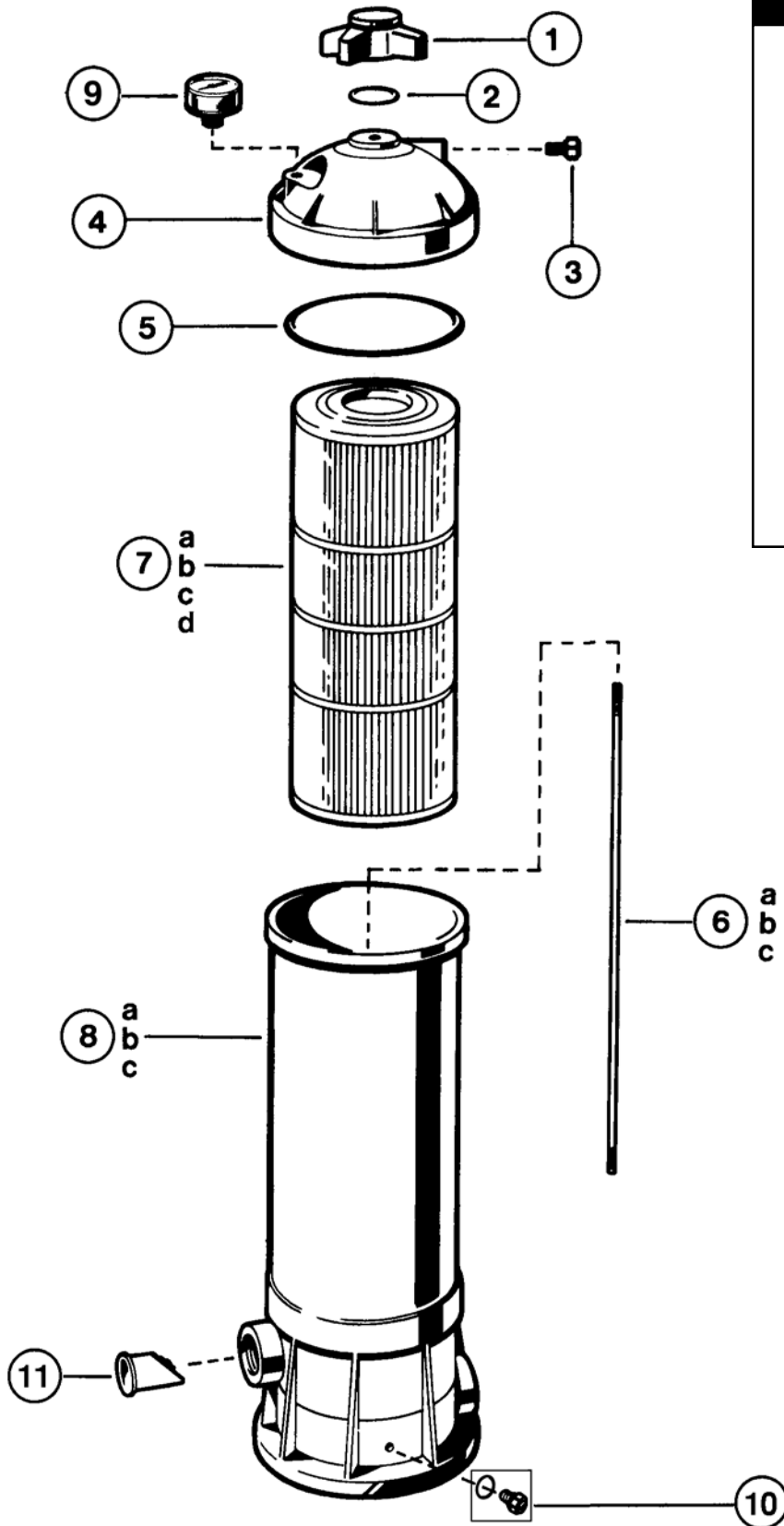


Parts Listing

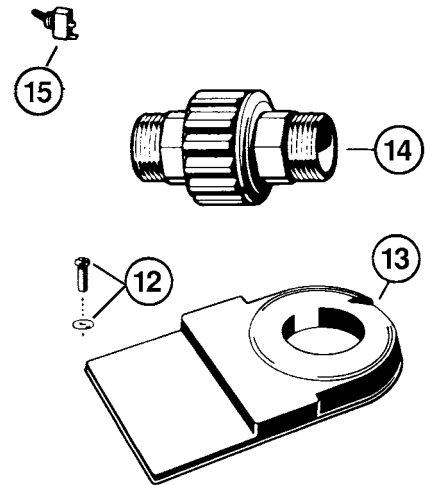
Ref. No.	Part No.	Description	Ctn. Qty.	List Price
1	CX900G	Locking Knob (C751, C900, C1200, C1502 Series)	5	\$44.47
	CX900DA	Knob Accessory Kit (Includes Plastic Washers, O-Ring, Guide Cone and E-Clip)	20	17.48
	CX1750G	Locking Knob (C1750, C2002 Series)	5	56.39
2	CX900H	Knob O-Ring	50	3.05
3	CX900WPAK2	Knob Washer (Set of 2)	25	7.83
4	CX900D	Guide Cone	10	7.34
5a	CX900B	Filter Head with Directional Vent Valve (C751, C900 Series)	1	121.00
5b	CX1200B	Filter Head with Directional Vent Valve (C1200, C1502 Series)	1	173.94
5c	CX1750B	Filter Head with Directional Vent Valve (C1750, C2002 Series)	1	252.75
6	CX900F	Filter Head O-Ring	50	27.04
7a	CX900AA	Filter Body – 1 1/2" FIP (C751, C900)	1	524.05
	CX900AA2	Filter Body – 2" FIP (C7512, C9002, C9002S)	1	518.90
7b	CX1200AA	Filter Body – 1 1/2" FIP (C1200)	1	560.89
	CX1200AA2	Filter Body – 2" FIP (C12002, C12002S, C1502)	1	560.89
7c	CX1750AA2	Filter Body – 2" FIP (C17502, C17502S, C2002)	1	602.97
8	ECX271261	Pressure Gauge	100	20.90
9a	CX760RE	Cartridge Element (C751 Series)	1	91.57
9b	CX900RE	Cartridge Element (C900 Series)	1	102.65
9c	CX1200RE	Cartridge Element (C1200 Series)	1	128.26
9d	CX1520RE	Cartridge Element (C1502 Series)	1	165.59
9e	CX2020RE	Cartridge Element (C2002 Series)	1	215.75
9f	CX1750RE	Cartridge Element (C1750 Series)	1	185.63
9g	CX1900RE	Cartridge Element (C1900 Series)	1	196.76
10a	CX800Z2	Tie Rod (C751, C900 Series)	1	122.18
10b	CX1100Z2	Tie Rod (C1200, C1502 Series)	1	140.42
10c	CX1750Z2	Tie Rod (C1750, C2002 Series)	1	178.79
11a	CX800Z4	Air Relief Tube (C751, C900 Series)	20	9.23
11b	CX1100Z4	Air Relief Tube (C1200, C1502 Series)	10	10.05
11c	CX1750Z4	Air Relief Tube (C1750, C2002 Series)	1	14.90
12	CX250Z14A	Drain Plug Kit (Includes Plug and O-Ring)	50	5.81
13	CX900K	2" PVC Socket Connector	20	31.15
14	ECX1322A	Directional Vent Valve with O-Ring	50	8.35
15	CX900J	E-Ring	50	10.07
D.E. SEPARATION TANK Parts are same as C900 except replace cartridge element with option below.				
—	CX900DB	D.E. Collector Bag Assembly (May 2004 and Prior)	1	\$202.03
—	CX900DBA	D.E. Collector Bag Assembly (after May 2004)	1	184.43

Parts Diagram

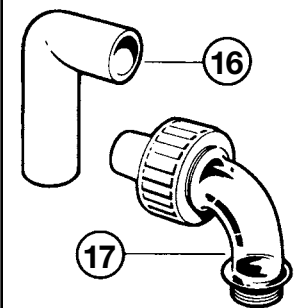
Filters



C SERIES SYSTEMS



FLEX LOOP SYSTEM



Parts Listing

Ref. No.	Part No.	Description	Ctn. Qty.	List Price
1	CX250G	Locking Knob	10	\$18.74
2	CX250Z7	O-Ring	20	2.63
3	ECX1322A	Directional Vent Valve with O-Ring	50	8.35
4	CX250C	Filter Head (Dome) with Air Relief Valve	4	72.86
5	CX250F	Filter Head Gasket	50	24.30
6a	CX250Z2S	Tie Rod (C250), 18 9/32"	1	56.44
6b	CX500Z2S	Tie Rod (C500), 28 3/32"	1	71.68
6c	CX750Z2S	Tie Rod (C750, C100), 38 1/16"	1	97.43
7a	CX250RE	Cartridge Element (C250)	1	44.96
7b	CX500RE	Cartridge Element (C500)	1	64.12
7c	CX750RE	Cartridge Element (C750)	1	85.93
7d	CX1000RE	Cartridge Element (C100)	1	108.37
8a	CX250AA1	Filter Body with Tie Rod Assembly (C250)	1	331.40
8b	CX500AA1	Filter Body with Tie Rod Assembly (C500)	1	352.11
8c	CX750AA1	Filter Body with Tie Rod Assembly (C750, C100)	1	452.84
9	ECX27091	Pressure Gauge, Back Mount	25	22.87
10	CX250Z14A	Drain Plug Kit	50	5.81
11	ECX4077B1	Check Valve (optional)	100	16.33

C Series Systems

—	SPX1250WA	6 ft. Cord Set— No. 14/3 AWG	10	\$27.73
—	ECX1248	Cord Strain Relief	1	4.14
12	ECX1108A	Pump Mounting Screw with Washer	10	4.21
13	EC1161PAK	Platform Base with Screws – Low Profile	2	—
14	SP1480BLK	1 1/2" Male Union	50	—
15	ECX1325	Switch Assembly	10	14.48

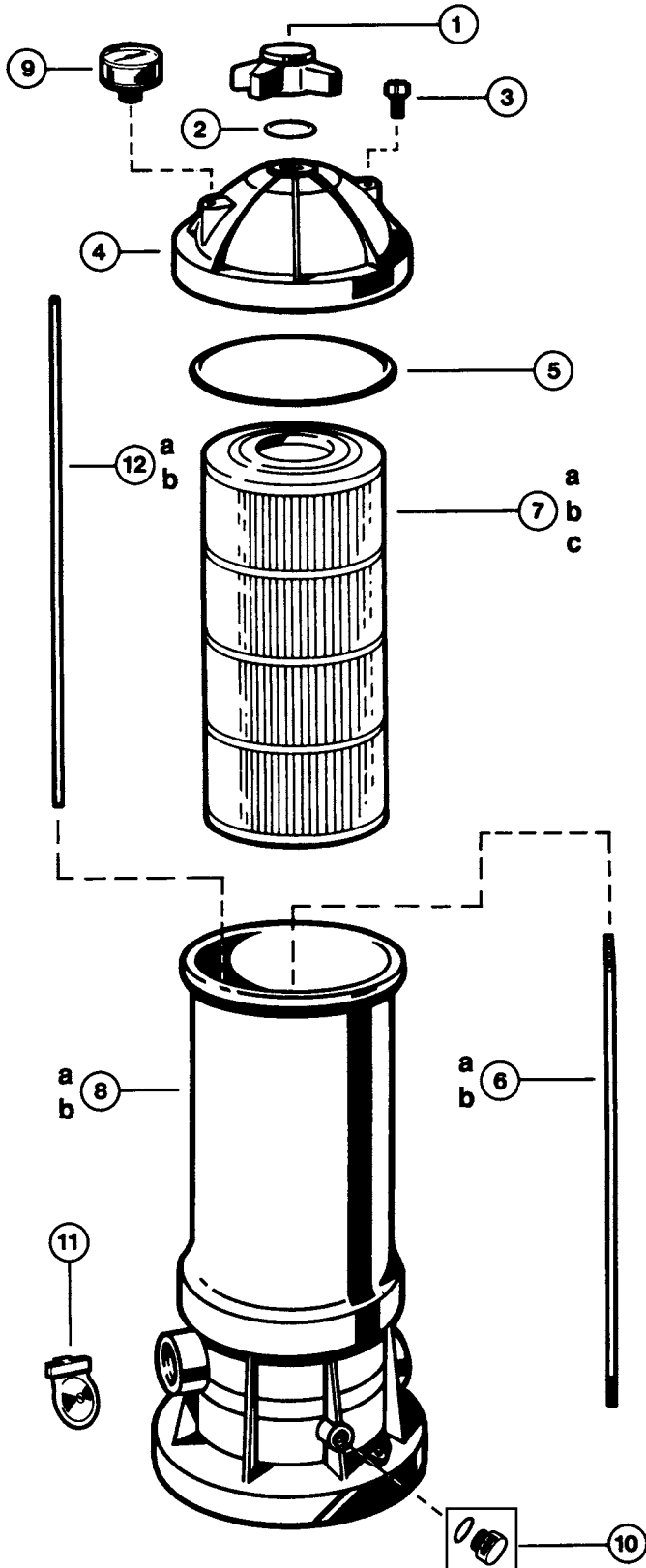
Modular Flex Loop Systems

16	ECX1326A	Flex Loop Elbow	20	\$18.07
17	SPX14853	Sweep Elbow Union Assembly	20	47.13

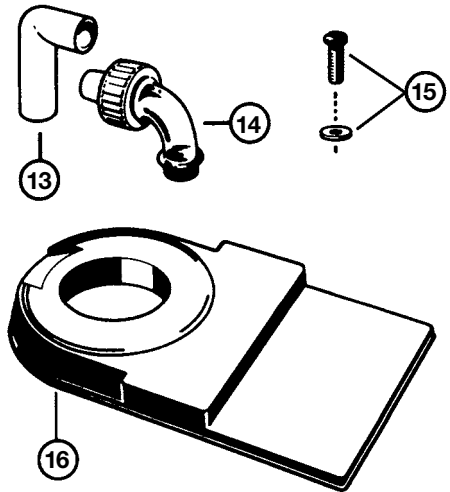
StarClear II™

CARTRIDGE FILTER SERIES AND SEPARATION TANK REPLACEMENT PARTS

Parts Diagram



StarClear II SELECT-A-SYSTEMS



Parts Listing

Ref. No.	Part No.	Description	Ctn. Qty.	List Price
1	CX800G	Locking Knob	10	\$27.90
2	CX250Z7	O-Ring	20	2.63
3	ECX1322A	Directional Vent Valve with O-Ring	50	8.35
4	CX800C	Filter Head (Cover) with Air Relief Valve	1	93.25
5	CX800F	Filter Head O-Ring	30	26.96
6a	CX800Z2	Tie Rod (C800)	1	122.18
6b	CX1100Z2	Tie Rod (C1100)	1	140.42
7a	CX800RE	Cartridge Element (C800)	1	94.08
7b	CX1100RE	Cartridge Element (C1100)	1	122.08
7c	CX800RE	Cartridge Element (C1500) – 2 Required	1	94.08
—	CX1500C	Cartridge Joiner (to join two C800RE cartridges in C1500 Filter)	5	10.91
8a	CX800AA*	Filter Tank Body – 1 1/2" (C800)	1	549.24
8b	CX1500AA*	Filter Tank Body – 1 1/2" (C1500)	—	Discont'd
9	ECX27091	Pressure Gauge	25	22.87
10	CX250Z14A	Drain Plug Kit (Includes Plug and O-Ring)	50	5.81
11	CX800HA	Check Valve Assembly (optional)	—	Discont'd
12a	CX800Z4	Auto Air Relief Tube (C800)	20	9.23
12b	CX1100Z4	Auto Air Relief Tube (C1100)	10	10.05

Modular Selecta-Systems

13	ECX1326A	Flex Loop Elbow	20	\$18.07
14	SPX14853	Sweep Elbow Union Assembly	20	47.13
15	ECX1108A	5/16" x 3/4" Mounting Screws (2) and 5/16" Washers (2) Kit	10	4.21
16	EC1161PAK	Platform Base with Screws – Low Profile	1	—

D.E. SEPARATION TANK Parts are same as C1100 except replace cartridge element with bag below.

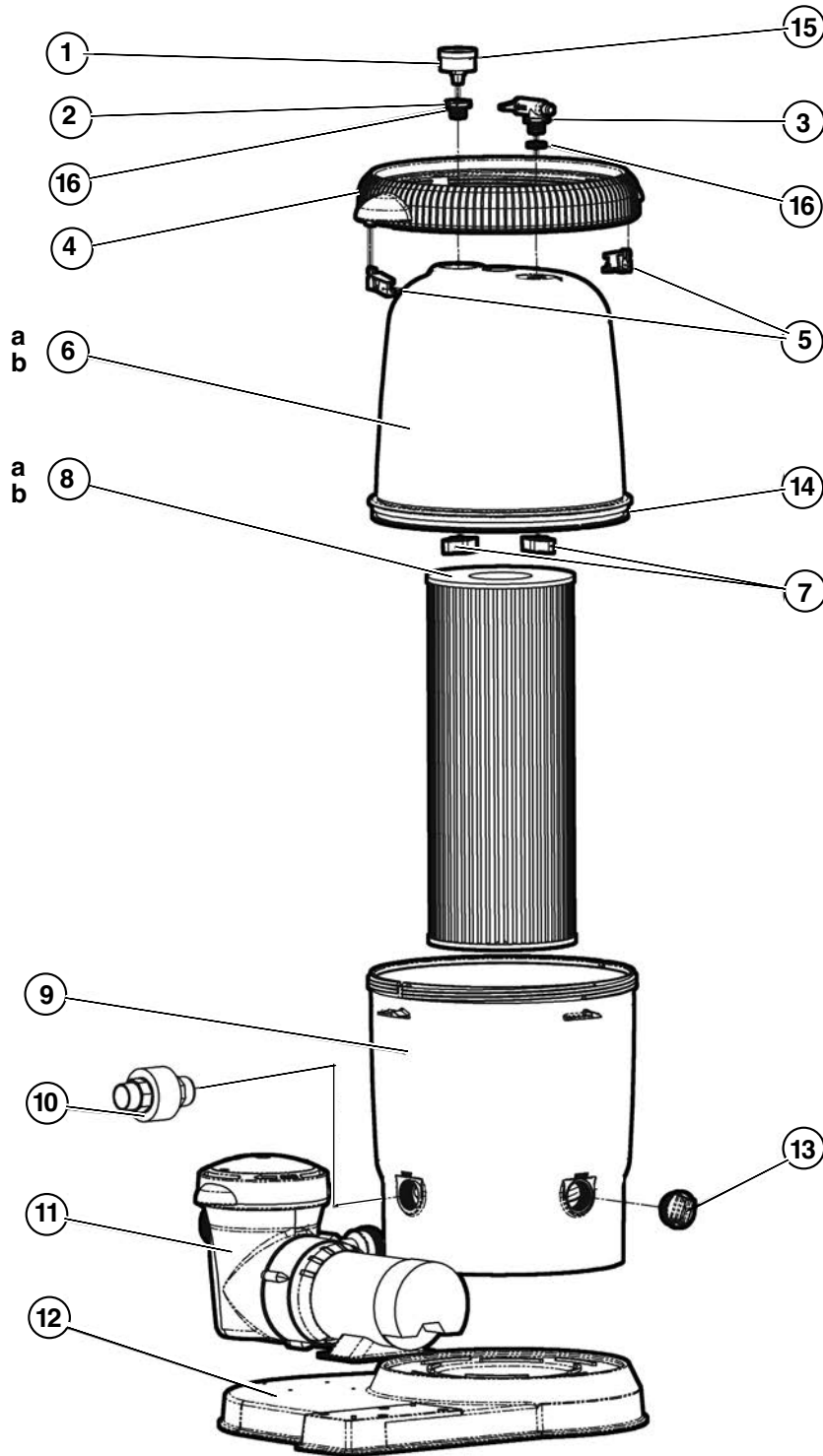
—	CX1100DB	D.E. Collector Bag Assembly	1	\$268.64
---	----------	-----------------------------	---	-----------------

NOTE: *1 1/2" NPT ports are standard. Add suffix 2 to part number for 2" NPT ports or 2S for 2" socket connections.

XStream® Filtration Series

CARTRIDGE FILTER SERIES REPLACEMENT PARTS

Parts Diagram



XStream® Filtration Series

CARTRIDGE FILTER SERIES REPLACEMENT PARTS

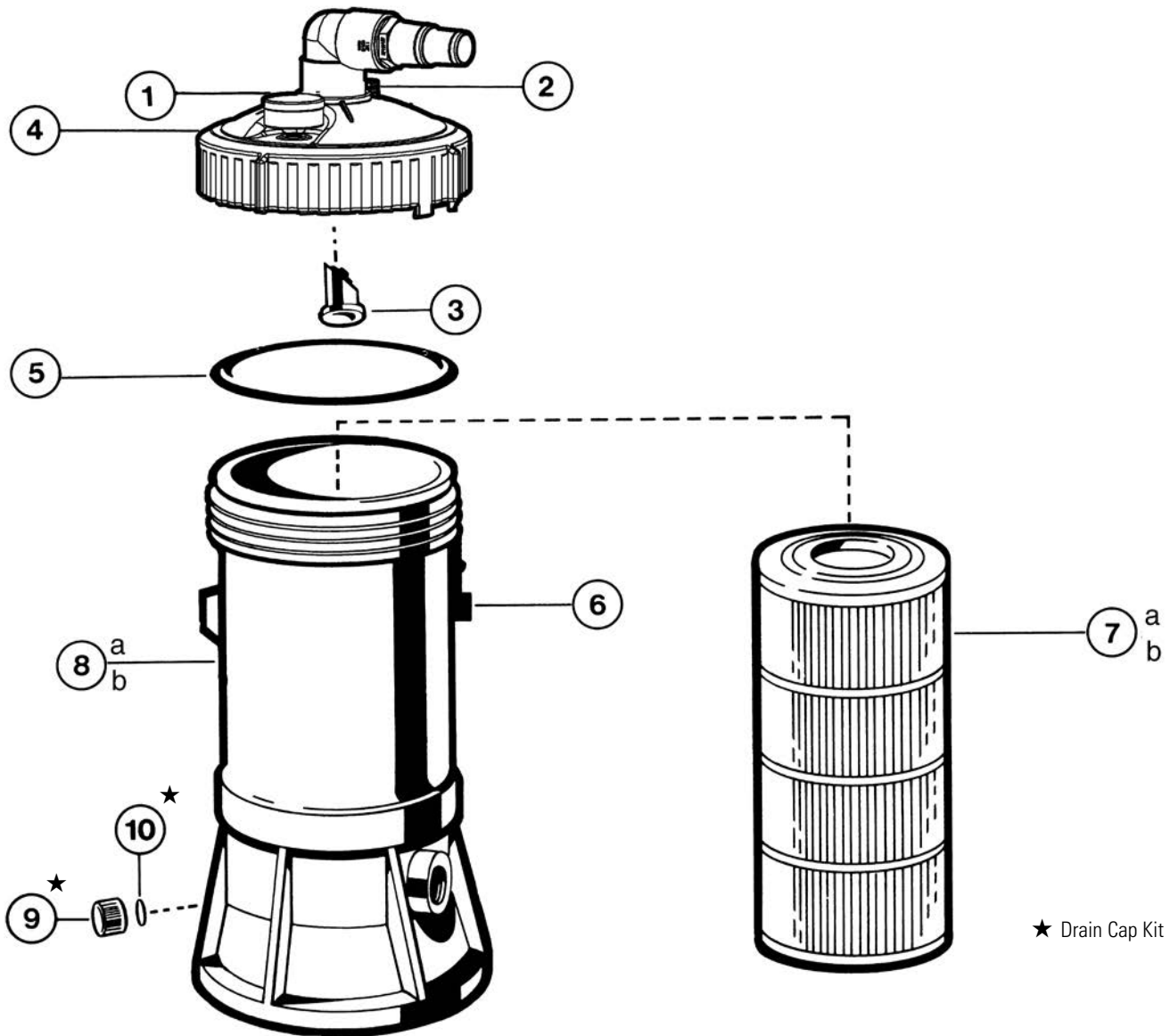
Parts Listing

Ref. No.	Part No.	Description	Ctn. Qty.	No. Req'd	List Price
1	ECX2709A1	Pressure Gauge	10	1	\$21.57
2	CCX1000L	Threaded Adapter for Pressure Gauge	50	1	2.46
3	CCX1000V	Air Relief Assembly with O-Ring	50	1	10.81
4	CCX1000D	Lock Ring Assembly with 2 Safety Clips	1	1	197.80
5	CCX1000H	Safety Clips for Lock Ring (<i>Set of 2</i>)	50	2	5.71
6a	CCX1000C	Filter Lid with Lock Ring, 100 sq. ft.	1	1	321.31
6b	CCX1500C	Filter Lid with Lock Ring, 150 sq. ft.	1	1	351.74
7	CCX1000N	Adapter Nut (<i>Set of 2</i>)	50	2	3.45
8a	CCX1000RE	Cartridge Element, 100 sq. ft.	1	1	79.21
8b	CCX1500RE	Cartridge Element, 150 sq. ft.	1	1	109.23
9	CCX1000B	Filter, Lower Body	1	1	205.97
10	SP1480BLK	Self Aligning Union, Black	50	1	—
11	Varies per model	Above-ground Pump	1	1	—
12	CCX1000A	Base, Standard	1	1	115.95
13	SP1022CBLK	Drain Plug with O-Ring, Threaded 1 1/2", Black	100	1	—
14	CCX1000G	Body O-Ring	50	1	18.37
15	SPX1500W	Pressure Gauge O-Ring	50	1	3.20
16	CCX1000Z5	O-Ring for Gauge Adapter and Air Relief	100	2	3.35

EasyClear™

C400, 550 CARTRIDGE FILTER SERIES REPLACEMENT PARTS

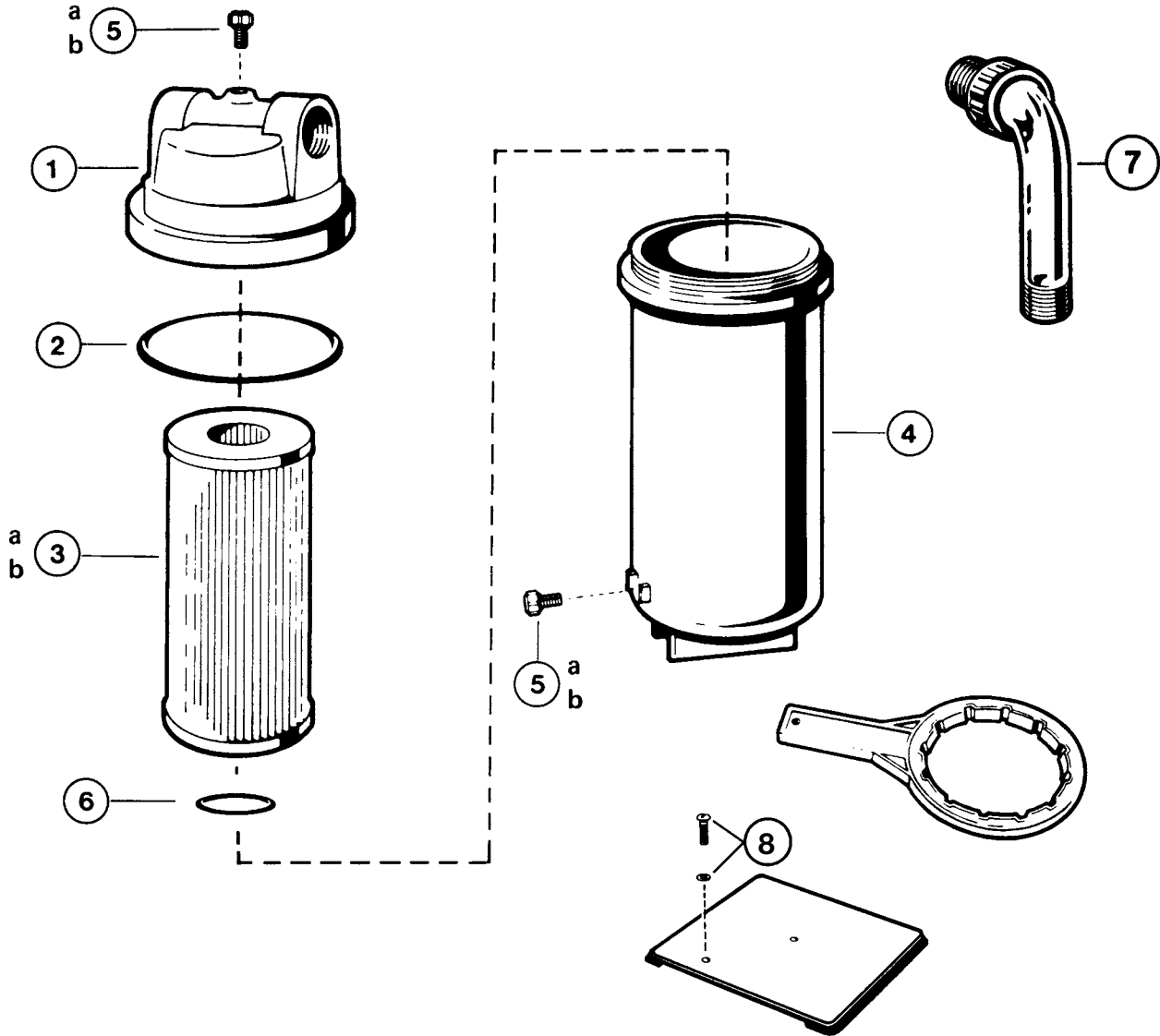
Parts Diagram and Parts Listing



★ Drain Cap Kit

Ref. No.	Part No.	Description	Ctn. Qty.	No. Req'd	List Price
1	ECX27091	Gauge	25	1	\$22.87
2	ECX1322A	Vent Valve with O-Ring	50	1	8.35
3	ECX4077B1	Check Valve	100	1	16.33
4	CX400BA	Filter Head (Cover) with Check Valve and Locking Ring	1	1	111.52
5	CX400G	Filter Head (Cover) O-Ring	100	1	30.90
6	CX400D	Locking Ring Latch	10	1	9.21
7a	CX410RE	Filter Element (40 sq. ft.)	1	1	67.34
7b	CX550RE	Filter Element (55 sq. ft.)	1	1	75.08
8a	CX400AA	Filter Body (C400)	1	1	213.88
8b	CX550AA	Filter Body (C550)	1	1	277.48
9	SX200Z8	Drain Cap	—	1	Discont'd
10	SX200Z9	Gasket	25	1	1.43
★	SX200Z8A	Drain Cap Kit (Includes #9 & 10)	50	1	4.48

Parts Diagram and Parts Listing



Ref. No.	Part No.	Description	Ctn. Qty.	No. Req'd	List Price
1	CX120AA	Filter Head with Vent Valve – 1 1/2" NPT	1	1	\$57.15
2	CX120D	O-Ring	100	1	11.79
3	CX225RE	Cartridge Element – 25 sq. ft. (C225)	12	1	36.93
4	CX120B	Filter Body Housing	1	1	79.88
5a	ECX1321A*	Air Relief Valve with O-Ring	—	2	Discont'd
5b	ECX1322A	Directional Vent Valve with O-Ring	50	1	8.35
—	CX250Z15	By-Pass Plug (Internal)	1	1	1.28
6	SPX1485C	Gasket	25	1	4.28
7	SPX1485BPAK	Threaded Elbow Union Assembly	10	1	56.14
—	S200KT	Wrench Tool for Body Housing (optional)	1	—	—
8	ECX1108A	Pump Mounting Screw with Washer	10	2	4.21

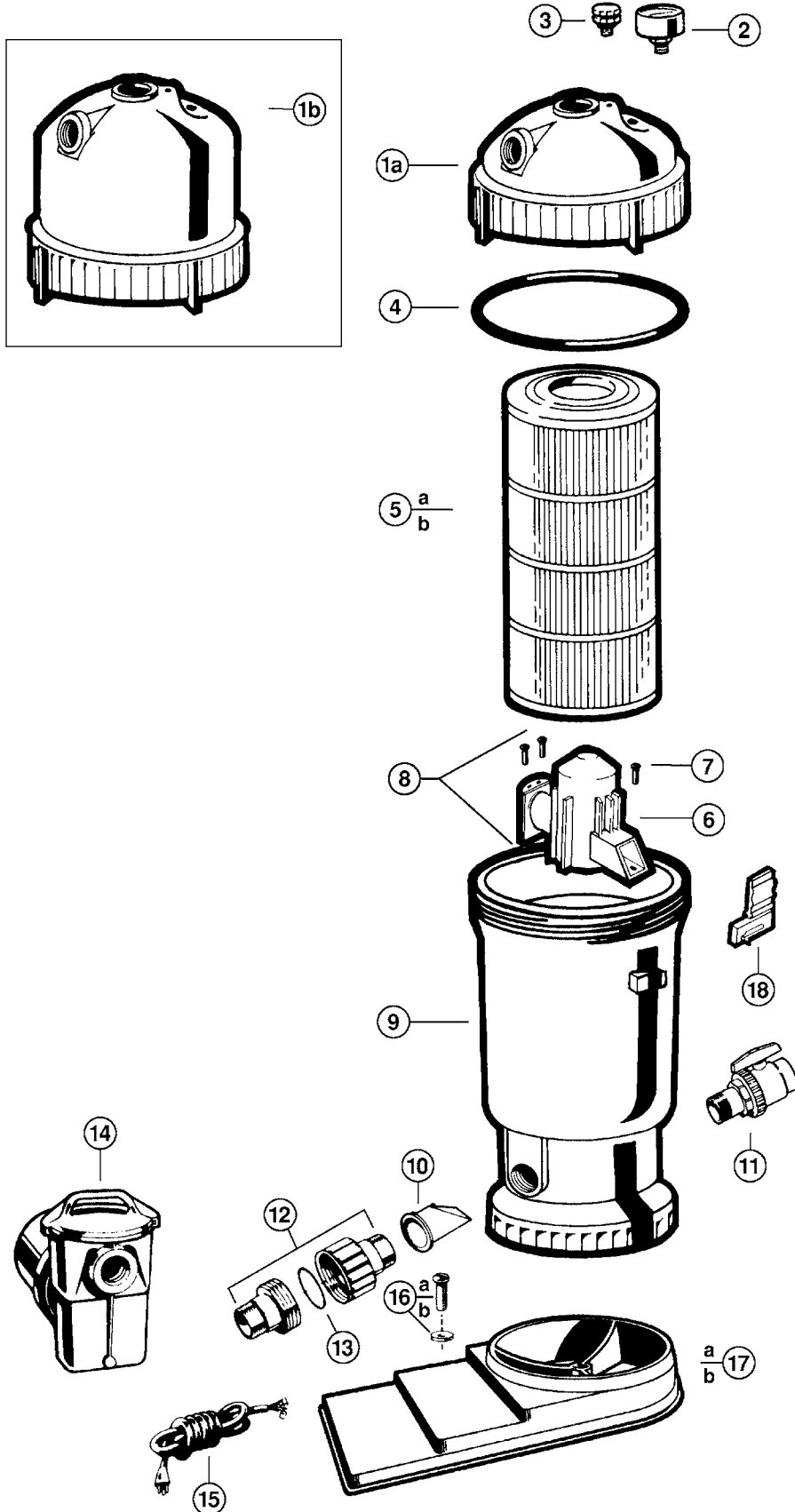
NOTE: *Replace with ECX1322A.

ASL Filter Series

C850, C1250 CARTRIDGE FILTER SERIES REPLACEMENT PARTS

Parts Diagram and Parts Listing

Filters



ASL Filter Series

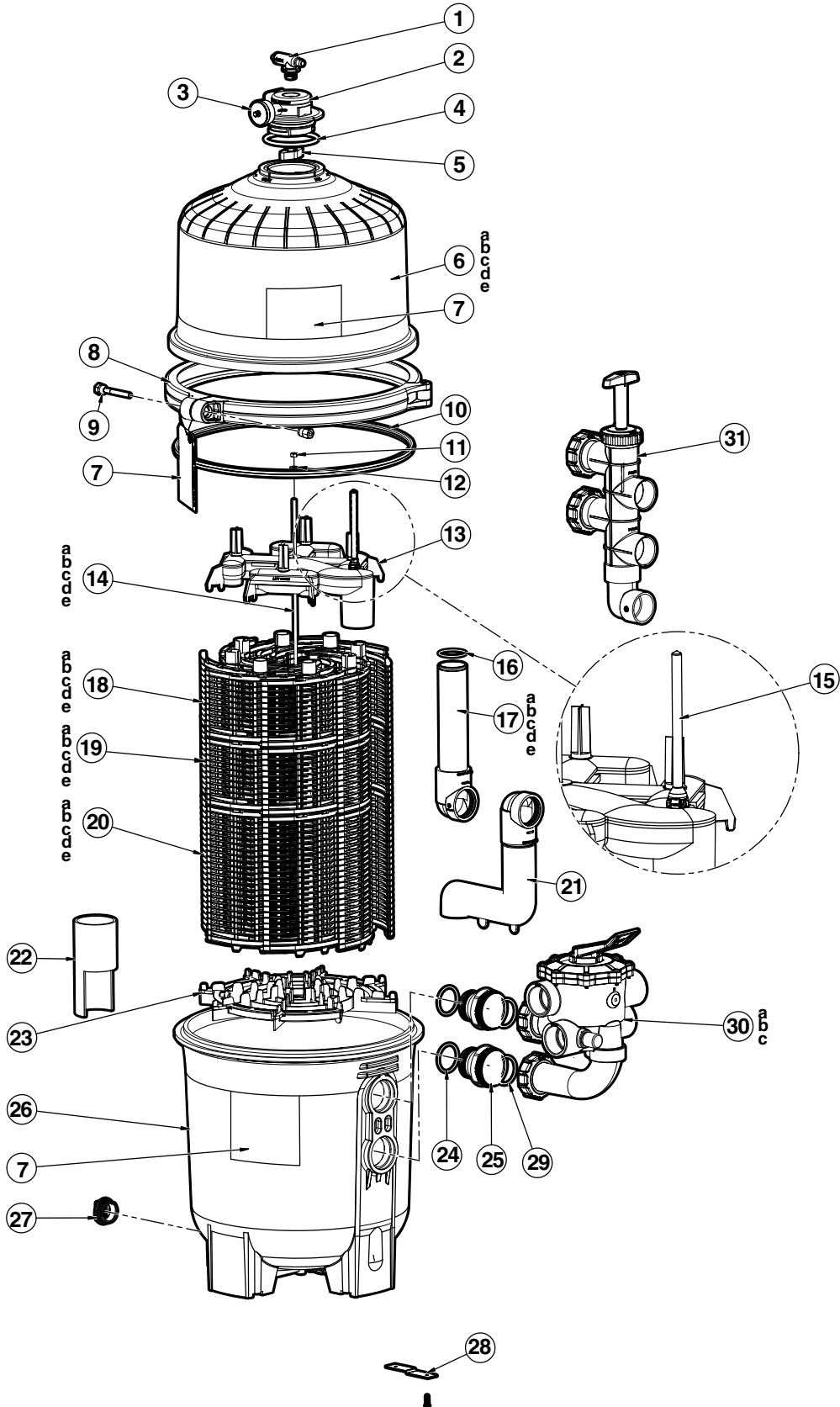
C850, C1250 CARTRIDGE FILTER SERIES REPLACEMENT PARTS

Parts Listing

Ref. No.	Part No.	Description	Ctn. Qty.	No. Req'd	List Price
1a	SCX45BC	C850 Lid with Locking Ring	1	1	\$202.35
1b	SCX70BC	C1250 Lid with Locking Ring	1	1	240.94
2	ECX27091	Pressure Gauge	25	1	22.87
3	ECX1322A	Directional Vent Valve with O-Ring	50	1	8.35
4	RGX45G	Filter Head O-Ring	10	1	30.88
5a	CX850RE	Cartridge Element	1	1	96.84
5b	CX1250RE	Cartridge Element	1	1	127.57
6	RGX45D*	Diffuser	10	1	47.01
7	RGX45Z1	Diffuser Screws	50	3	Discont'd
8	RGX45DA	Diffuser and Diffuser Screws (3) (Includes #6 & 7)	10	1	52.08
9	RGX45AA	Filter Body	1	1	381.88
10	ECX4077B1	Check Valve	100	1	16.33
—	ECX1005A	Snap Ring for Check Valve	—	1	Discont'd
11	SP0723	Ball Valve	24	1	—
12	SP1480	1 1/2" Male Union	50	1	—
13	SPX1425Z6	O-Ring	25	1	2.78
14	Varies per model	Power-Flo Pump	1	1	—
15	SPX1250WA	6 ft. Cord Set	10	4	27.73
16a	ECX1108A	Pump Mounting Screw with Washer	10	4	4.21
16b	ECX1161Z2	Pump Mounting Screw Set with Washer	10	4	6.99
17a	EC1169PAK	Modular Platform Base	—	1	Discont'd
17b	EC1161PAK	Modular Platform Base	1	1	—
18	CX400D	Locking Ring Latch	10	1	9.21

NOTE: *Limited Quantity Available – Replace with RGX45DA

Parts Diagram



Filters

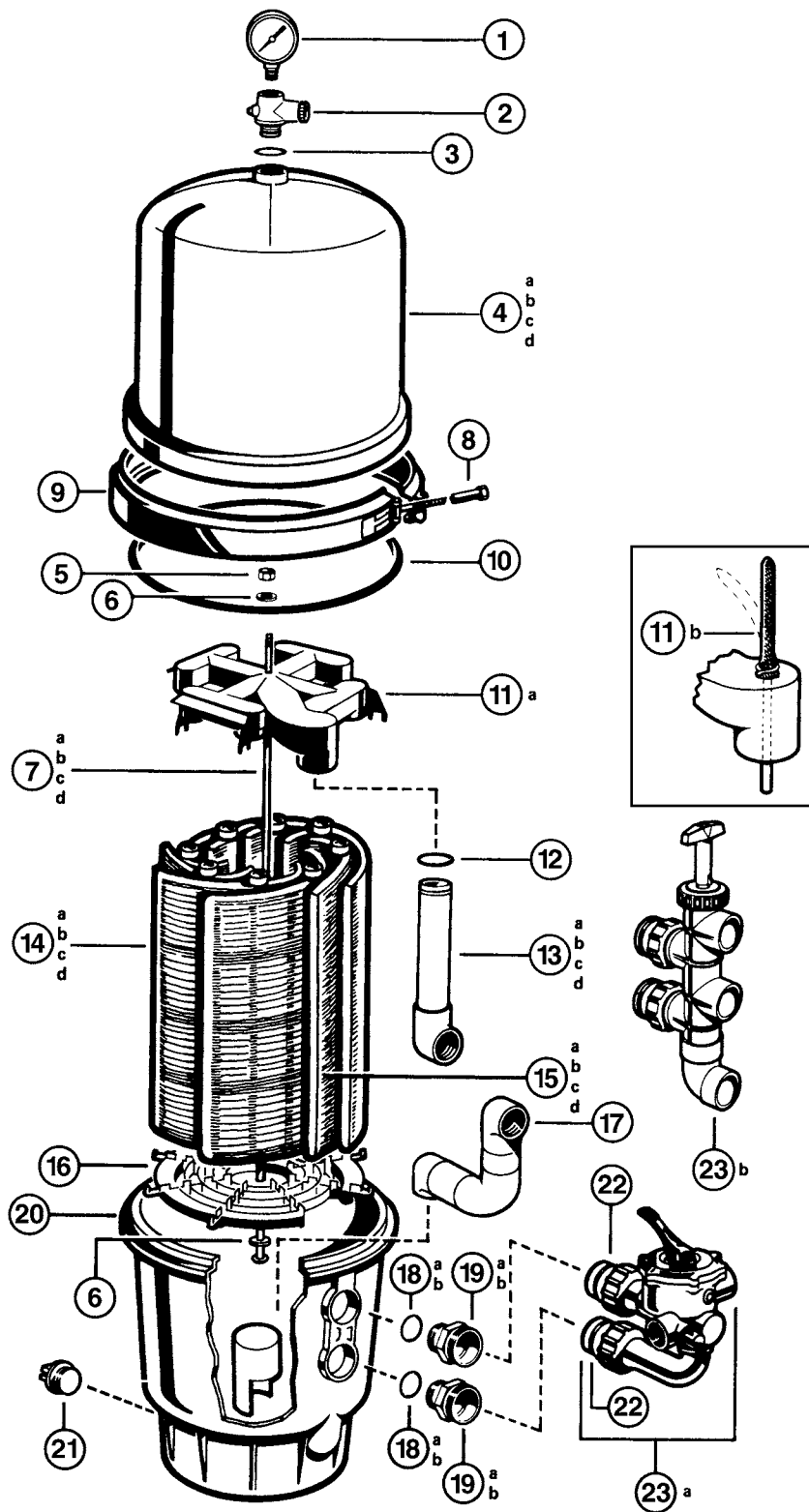
Parts Listing

Ref. No.	Part No.	Description	Ctn. Qty.	No. Req'd	List Price
1	CCX1000V	Manual Air Relief Valve with O-Ring	50	1	\$10.81
2	DEX2420MAR2	Manual Air Relief Assembly	1	1	137.94
3	ECX2712B1	Pressure Gauge	100	1	20.90
4	DEX2420Z8A	O-Ring Kit (<i>Set of 2</i>)	10	1	26.25
5	CCX1000N	Manual Air Relief Valve Nut	50	1	3.45
6a	DEX2420BTC	Filter Head (DE2420)	1	1	484.51
6b	DEX3620BTC	Filter Head with Clamp (DE3620)	1	1	555.89
6c	DEX4820BTC	Filter Head with Clamp (DE4820)	1	1	624.46
6d	DEX6020BTC	Filter Head with Clamp (DE6020)	1	1	682.03
6e	DEX7220BTC	Filter Head (DE7220)	1	1	742.46
7	DEX2420LA6PAK	Label Pack (Includes all warning and operation labels, hang tag (#10), wire tie and owner's manual)	10	1	29.82
8	DEX2421JKIT	Clamp System including: Clamp, Clamp Nut and Bolt, Warning Hang Tag, Metal Reinforced Seal and Labels	1	1	374.37
9	DEX2421J2*	Clamp Bolt and Nut	10	1	31.49
10	DEX2422Z2*	Metal Reinforced Seal	1	1	62.00
11	ECX176865	Retainer Nut, 5/16" – 18	25	1	2.19
12	ECX1109	Washer, 5/16" (2 Required)	10	2	1.65
13	DEX2400C	Top Collector Manifold with Flex Air Relief Assembly	1	1	70.74
14a	DEX2400R	Retainer Rod (DE2420)	5	1	48.21
14b	DEX3600R	Retainer Rod (DE3620)	5	1	52.67
14c	DEX4800R	Retainer Rod (DE4820)	5	1	59.91
14d	DEX6000R	Retainer Rod (DE6020)	5	1	72.39
14e	DEX7200R	Retainer Rod (DE7220)	5	1	82.41
15	DEX2400CR	Flex Air Relief Assembly	50	1	20.12
16	DEX2400Z5	Outlet Elbow O-Ring	500	1	5.22
17a	DEX2420EA	Outlet Elbow Assembly with O-Ring (DE2420)	5	1	67.17
17b	DEX3620EA	Outlet Elbow Assembly with O-Ring (DE3620)	10	1	68.55
17c	DEX4820EA	Outlet Elbow Assembly with O-Ring (DE4820)	5	1	73.47
17d	DEX6020EA	Outlet Elbow Assembly with O-Ring (DE6020)	5	1	77.54
17e	DEX7220EA	Outlet Elbow Assembly with O-Ring (DE7220)	5	1	80.98
18a	DEX2420DC	Filter Element Cluster Assembly (DE2420)	1	1	426.77
18b	DEX3600DC**	Filter Element Cluster Assembly (DE3620)	1	1	529.12
18c	DEX4800DC**	Filter Element Cluster Assembly (DE4820)	1	1	621.71
18d	DEX6000DC**	Filter Element Cluster Assembly (DE6020)	1	1	740.36
18e	DEX7200DC**	Filter Element Cluster Assembly (DE7220)	1	1	883.13
19a	DEX2400DA	Filter Element (DE2420)	10	7	18.86
19b	DEX3600DA	Filter Element (DE3620)	10	7	25.29
19c	DEX4800DA	Filter Element (DE4820)	10	7	29.50
19d	DEX6000DA	Filter Element (DE6020)	10	7	36.86
19e	DEX7200DA	Filter Element (DE7220)	10	7	42.57
20a	DEX2400DS	Filter Element – Short (DE2420)	10	1	19.75
20b	DEX3600DS	Filter Element – Short (DE3620)	10	1	24.20
20c	DEX4800DS	Filter Element – Short (DE4820)	10	1	30.48
20d	DEX6000DS	Filter Element – Short (DE6020)	10	1	38.07
20e	DEX7200DS	Filter Element – Short (DE7220)	10	1	43.43
21	DEX2420GA	Inlet Elbow	5	1	80.39
22	DEX2420T	Element Spacer (DE2420 Only)	5	1	37.21
23	DEX2400H	Filter Element Locator	1	1	46.41
24	SX220Z2	Bulkhead O-Ring (2 Required)	500	2	9.06
25	DEX2420F	Bulkhead Fitting (2 Required)	25	2	28.71
26	DEX2420ATC	Filter Body with Clamp	1	1	697.94
27	SP1022CBLK	1 ½" Drain Plug with O-Ring	100	1	—
28	DEX2420DCKIT	Strap Kit: 2 Straps, 2 Screws (Optional)	25	1	47.40
29	SX200Z4PAK2	Valve/Union O-Ring (<i>Set of 2</i>)	25	1	5.93
30a	SP0740DE	Selecta-Flo™ Valve Assembly – 2" SKT	1	1	—
30b	SP0710XR50	Vari-Flo™ Valve Assembly – 1 ½" NPT	1	1	—
30c	SP0715XR50	Vari-Flo Valve Assembly – 2" NPT	1	1	—
31	SP0410X5025	Slide Valve Assembly – 2" SKT	1	1	—

NOTES: *Compatible only with DEX2421JKIT clamp system for Hayward ProGrid D.E. and SwimClear cartridge filters.

**Assembled set of filter elements, manifold flex air relief, retainer rod and element locator.

Parts Diagram



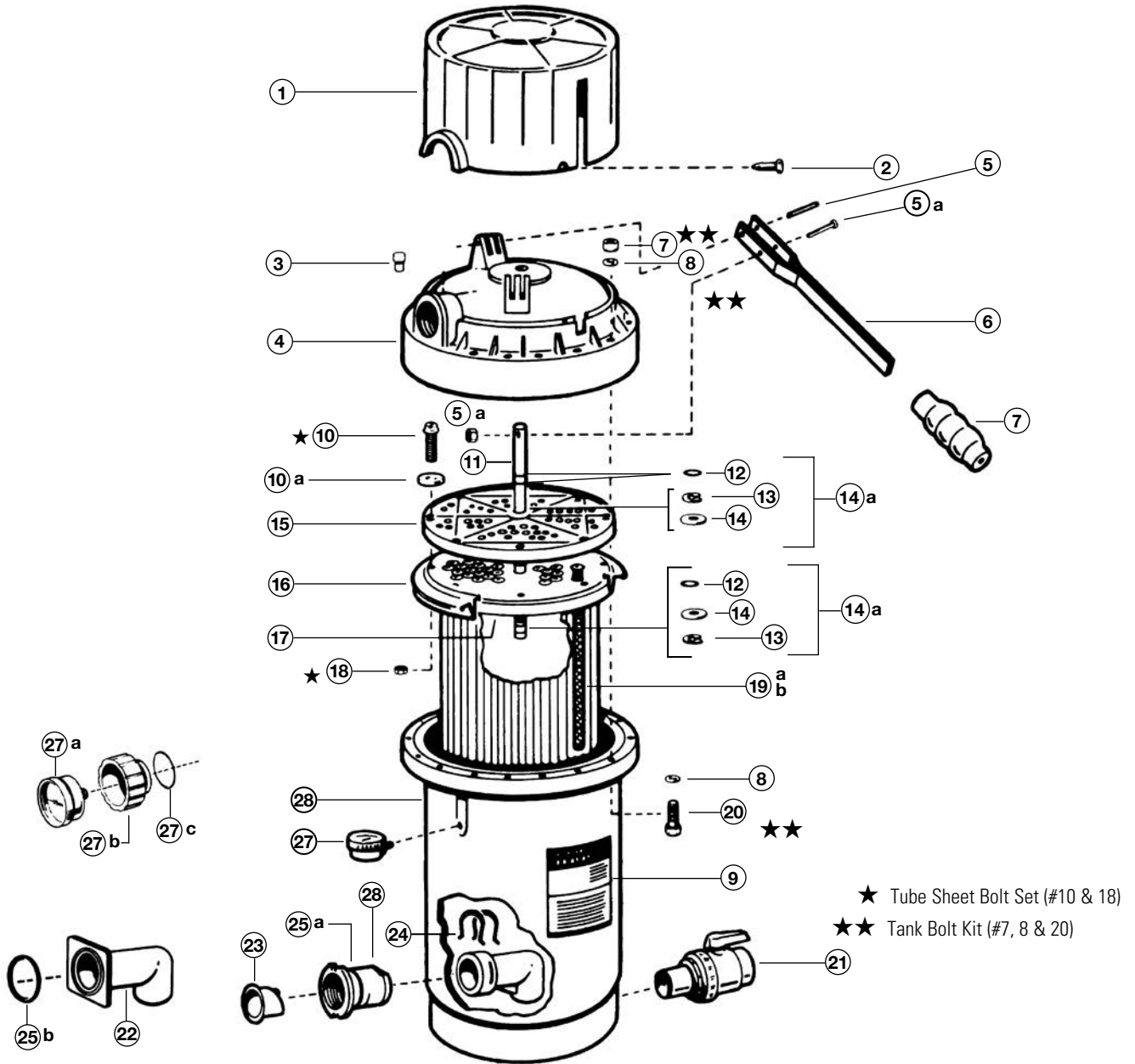
Filters

Parts Listing

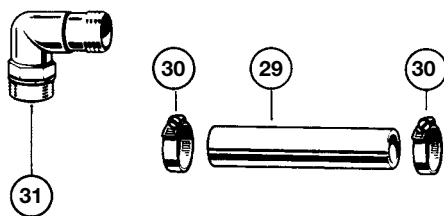
Ref. No.	Part No.	Description	Ctn. Qty.	No. Req'd	List Price
1	ECX270861	Pressure Gauge	50	1	\$20.81
2	DEX2400S	Relief Valve/Gauge Adapter Assembly	100	1	28.98
—	DEX2400Z3A	O-Ring for Relief Valve Stem (<i>Set of 3</i>)	100	1	8.59
3	SX200Z5	Relief Valve Assembly O-Ring	50	1	2.12
4a	DEX2400BT	Filter Head (DE2400)	—	—	Discont'd
4b	DEX3600BT	Filter Head (DE3600)	—	—	Discont'd
4c	DEX4800BT	Filter Head (DE4800)	—	—	Discont'd
4d	DEX6000BT	Filter Head (DE6000)	—	—	Discont'd
5	ECX176865	Retainer Nut, 5/16" – 18	25	1	2.19
6	ECX1109	Washer, 5/16"	10	2	1.65
7a	DEX2400R	Retainer Rod (DE2400)	5	1	48.21
7b	DEX3600R	Retainer Rod (DE3600)	5	1	52.67
7c	DEX4800R	Retainer Rod (DE4800)	5	1	59.91
7d	DEX6000R	Retainer Rod (DE6000)	5	1	72.39
8	DEX2400JN	Brass Sleeve Nut, 5/16" – 24	—	—	Discont'd
9	DEX2400J	Clamp Assembly with Spring Assemblies	—	—	Discont'd
10	DEX2400K	Filter Tank O-Ring	—	—	Discont'd
11a	DEX2400C	Top Collector Manifold with Flex Air Relief	1	1	70.74
11b	DEX2400CR	Flex Air Relief Assembly	50	1	20.12
12	DEX2400Z5	Outlet Elbow O-Ring	500	1	5.22
13a	DEX2400EAB	Outlet Elbow Assembly (DE2400)	—	—	Discont'd
13b	DEX3600EAB	Outlet Elbow Assembly (DE3600)	—	—	Discont'd
13c	DEX4800EAB	Outlet Elbow Assembly (DE4800)	—	—	Discont'd
13d	DEX6000EAB	Outlet Elbow Assembly (DE6000)	—	—	Discont'd
14a	DEX2400DA	Filter Element (DE2400)	10	7	18.86
14b	DEX3600DA	Filter Element (DE3600)	10	7	25.29
14c	DEX4800DA	Filter Element (DE4800)	10	7	29.50
14d	DEX6000DA	Filter Element (DE6000)	10	7	36.86
15a	DEX2400DS	Filter Element – Short (DE2400)	10	1	19.75
15b	DEX3600DS	Filter Element – Short (DE3600)	10	1	24.20
15c	DEX4800DS	Filter Element – Short (DE4800)	10	1	30.48
15d	DEX6000DS	Filter Element – Short (DE6000)	10	1	38.07
16	DEX2400H	Filter Element Locator	1	1	46.41
17	DEX2400GAB	Inlet Elbow Assembly	—	—	Discont'd
18a	SX200Z3	O-Ring (1995 and Prior)	50	2	4.21
18b	SX360Z1	O-Ring (1996-)	25	2	7.58
19a	DEX360F	Bulkhead Fitting	—	—	Discont'd
19b	DEX360FB	Buttress Thread Bulkhead Fitting	—	—	Discont'd
20	DEX2400A1T	Filter Body	—	—	Discont'd
21	SP1022CBLK	1 1/2" Drain Plug with O-Ring	1	1	1.53
22	SX200Z4PAK2	Valve/Union O-Ring (<i>Set of 2</i>)	25	1	5.93
23a	SP0710XR50	Vari-Flo Valve Assembly – 1 1/2" NPT	1	1	—
—	SP0715XR50	Vari-Flo Valve Assembly – 2" NPT	1	1	—
—	SP0740DE	Selecta-Flo Valve Assembly – 2" SKT	1	1	—
23b	SP0410X502S	Slide Valve Assembly – 2" SKT	1	1	—
—	DEX2400DC*	Filter Element Cluster Assembly (DE2400)	1	1	Discont'd
—	DEX3600DC*	Filter Element Cluster Assembly (DE3600)	1	1	529.12
—	DEX4800DC*	Filter Element Cluster Assembly (DE4800)	1	1	621.71
—	DEX6000DC*	Filter Element Cluster Assembly (DE6000)	1	1	740.36

NOTE: *Assembled set of filter elements, manifold, flex air relief, retainer rod and element locator.

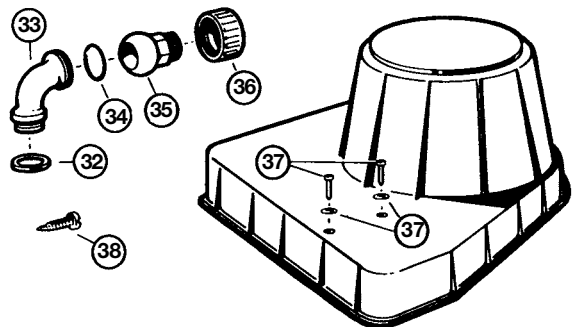
Parts Diagram



SERIES EC65 – STANDARD



SERIES EC65 SYSTEM III



Parts Listing

Ref. No.	Part No.	Description	Ctn. Qty.	No. Req'd	List Price
1	ECX11206	Bump Mechanism Cover	1	1	\$50.62
2	ECX1019	Cover Screw (1981 and Prior) – Not Available	10	1	1.90
3	ECX1322A	Vent Valve (Threaded) with O-Ring	50	1	8.35
4	ECX11194AT	Filter Head with New Vent Valve	1	1	235.05
5	ECX100Z9	Roll Pin	50	2	3.79
5a	ECX4236A	Bump Screw Kit	1	1	4.63
6	ECX1040	Bump Handle Assembly (Includes Pin, Shoulder Screw, Nut)	5	1	35.56
—	ECX1037B	Bump Handle Grip	50	1	9.43
7	ECX1642A	Tank Bolt Set	20	15	5.52
8	ECX1077	¼" x 1 ⅛" O.D. Flat Washer	50	30	1.01
9	ECX1230	Decal – Operation	100	1	6.06
10	SPX1500N1	Tube Sheet Screw	50	16	1.85
10a	ECX1641125	Flat Washer (1989 and Prior)	25	16	0.81
11	ECX1110	Bump Shaft	25	1	47.67
12	ECX9611246PAK3	Shaft O-Ring Kit (Set of 3)	25	1	2.98
13	ECX1014PAK2	Retainer Clip (Set of 2)	25	1	6.38
14	ECX1011	Thrust Washer	25	2	2.66
14a	ECX1014A	Shaft Kit (Includes #12, 13 & 14)	25	1	13.27
15	ECX1104	Tube Sheet (Top)	10	1	40.31
16	ECX1105	Diaphragm Gasket	10	1	75.79
17	ECX1103	Tube Sheet (Bottom)	10	1	40.31
18	SPX1500Y1	Tube Sheet Nut	50	16	1.31
19a	ECX1031PAK5	EC65 Flex Tube 13 ⅜" Long (Set of 5)	10	12	26.91
19b	ECX1032PAK10	EC75 Flex Tube 16 ¼" Long (Set of 10)	10	24	65.87
20	ECX1642215	¼" – 20 x 1 ¾" Hex. Head Bolt	25	15	3.20
21	SP0723	Ball-Type Drain Valve	24	1	—
22	ECX4220A	Elbow Assembly with Check Valve	10	1	46.19
23	ECX4077B1	Check Valve	100	1	16.33
24	ECX4212A	Retainer Clip (1989 and Prior)	10	2	10.51
25a	SPX1425Z6	O-Ring (1989 and Prior)	25	1	2.78
25b	SPX1500W	O-Ring (1990)	50	1	3.20
26	ECX4201CA	Inlet Fitting with ECX4077B1 Check Valve	10	1	52.47
27	ECX2712B1	Pressure Gauge	100	1	20.90
27a	ECX27091	Pressure Gauge, Back Mount	25	1	22.87
27b	ECX12866	Gauge/Port Adapter	10	1	17.73
27c	ECX1287	Adapter O-Ring	25	1	4.33
28	ECX11184AT	Filter Body with new Elbow Assembly	1	1	443.09
★	SPX1500NYA	Tube Sheet Bolt Set (Includes #10 & 18)	50	1	3.57
★★	ECX1642A	Tank Bolt Kit (EC65, 75 – Includes #7, 8 & 20)	20	15	5.52
—	ECX1251	Flex-Tube Nest (EC65) – Includes Items 10 thru 19	1	—	847.67
—	ECX125175	Flex-Tube Nest (EC75) – Includes Items 10 thru 19	1	—	982.48

Series EC65 – Standard

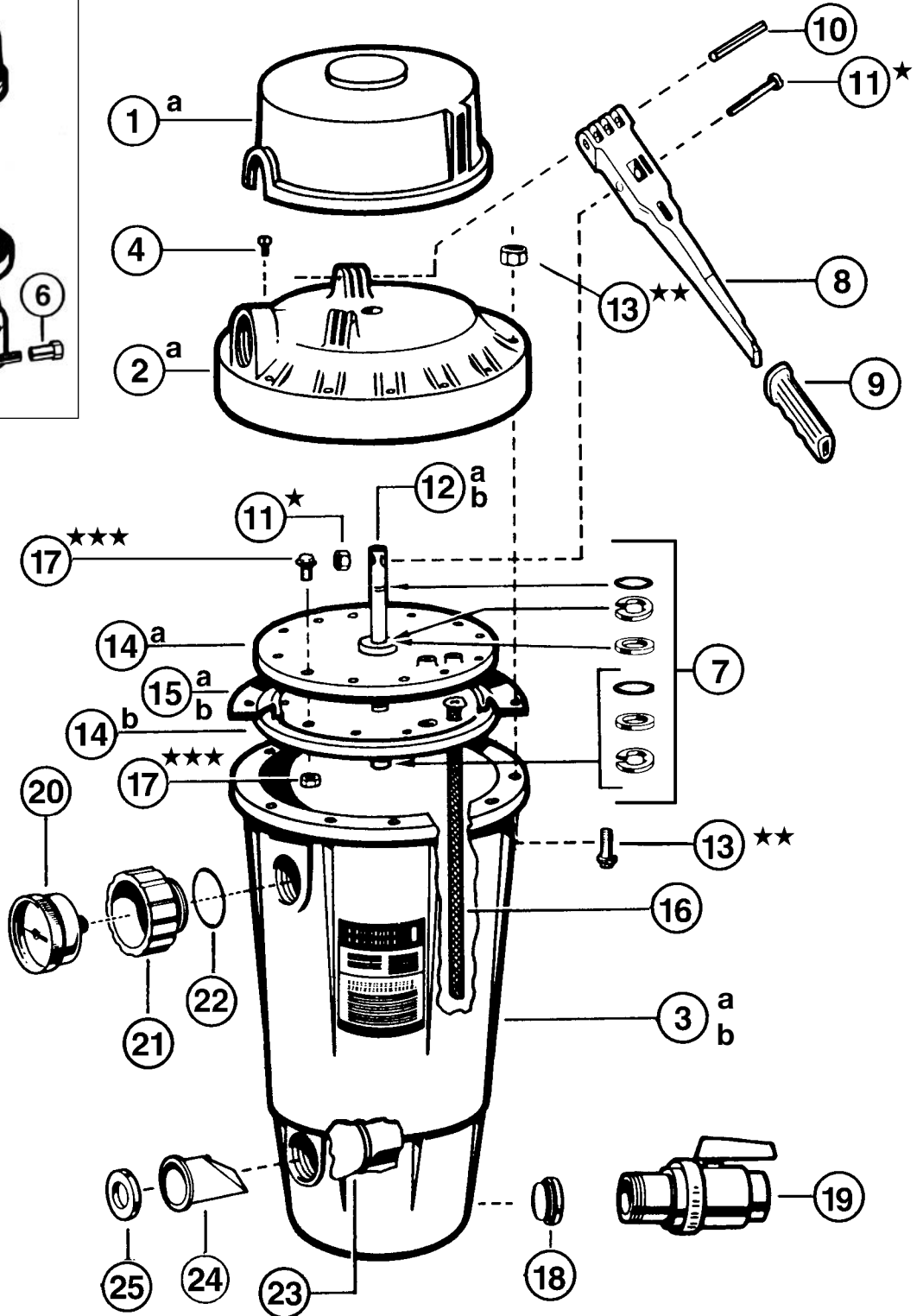
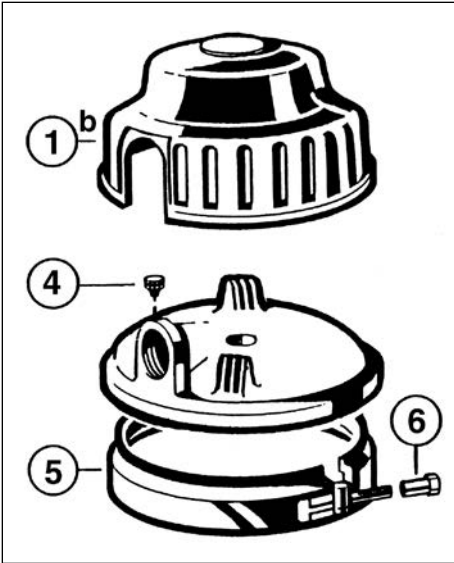
29	ECX27071	1 9/16" I.D. Clear Hose	2	1	\$20.09
30	ECX18028	Hose Clamp	25	2	3.79
31	SPX1105Z4	1 ½" Elbow Hose Adapter	50	2	6.40

Series EC65 System III

32	SPX1485C	Gasket	25	1	\$4.28
33	SPX1485B	Pump Discharge Elbow	10	1	22.51
34	SPX1425Z6	O-Ring	25	1	2.78
35	SPX1485A	Union Ball End	10	1	18.02
36	SPX1480C	Union Nut	10	1	11.38
37	ECX1161Z2	Pump Mounting Screw Set	10	2	6.99
38	SPX1600Z52	Anchor Screw (Pkg. of 2)	100	2	4.46

Parts Diagram

Filters



- ★ Bump Handle Screw Kit
- ★★ Filter Head Screw Kit
- ★★★ Tube Sheet Hex Screw Set

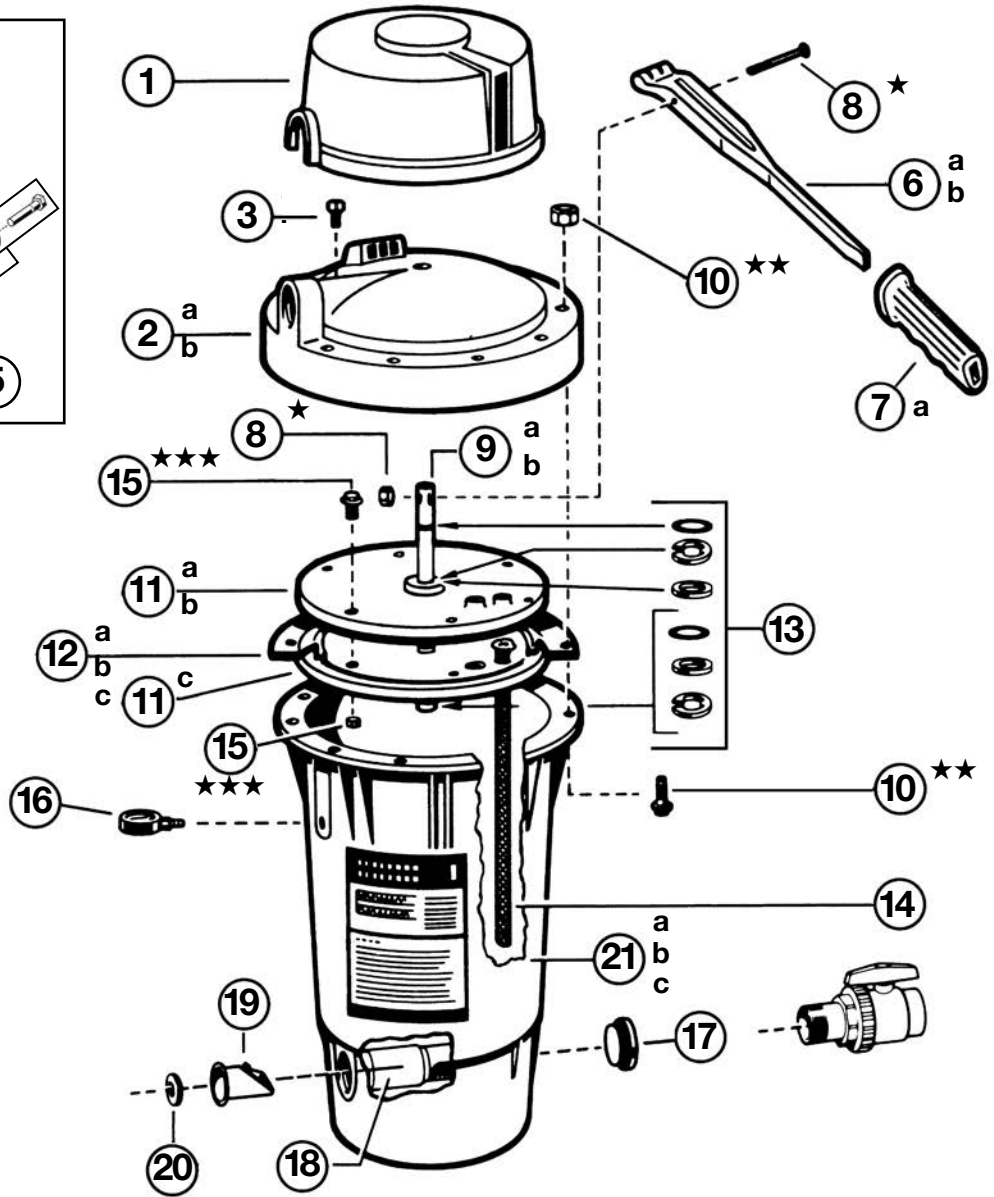
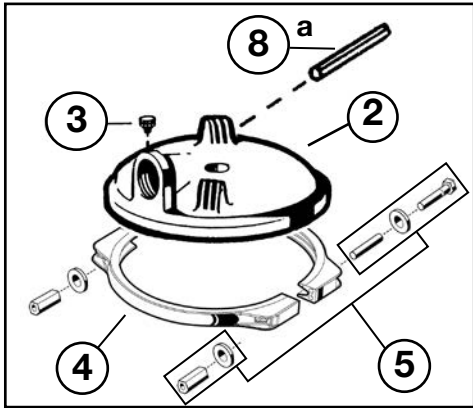
Parts Listing (Parts unique to a specific series are designated)

Ref. No.	Part No.	Description	Ctn. Qty.	No. Req'd	List Price
1a	ECX11156	Bump Mechanism Cover – EC50A	7	1	\$39.25
1b	ECX5000D	Bump Mechanism Cover – EC50AC	1	1	52.57
2a	ECX10334P	Filter Head with Vent Valve – EC50A	1	1	149.98
2b	ECX5000BP	Filter Head with Vent Valve – EC50AC	1	1	164.41
3a	ECX11344P	Filter Body with Flow Diffuser – EC50A	1	1	373.73
3b	ECX5000AP	Filter Body with Flow Diffuser – EC50AC	1	1	391.04
4	ECX1322A	Directional Vent Valve with O-Ring	50	1	8.35
5	ECX5000C	Clamp Assembly with Springs – EC50AC	1	1	183.29
6	ECX360JN	Nickel Plated Sleeve Nut, 5/16" – EC50AC	10	1	15.81
7	ECX1014A	Bump Shaft Kit	25	1	13.27
8	ECX1040	Bump Handle Assembly – Xyron	5	1	35.56
9	ECX1037B	Bump Handle Grip – Xyron	50	1	9.43
10	ECX100Z9	Pivot Pin (long)	50	1	3.79
11	ECX4236A	Bump Handle Screw Kit	1	1	4.63
12a	ECX1009	Bump Shaft, 1/2" – EC50A	25	1	41.59
12b	ECX5000F	Bump Shaft, 1/2" – EC50AC	25	1	46.14
13	ECX10271A	Filter Head Screw Set – EC50A only	20	12	7.24
14a	ECX1004A	Tube Sheet (Top)	10	1	35.80
14b	ECX1004	Tube Sheet (Bottom)	10	1	35.80
15a	ECX1003	Diaphragm Gasket – EC50A	10	1	57.08
15b	ECX5000G	Diaphragm Gasket – EC50AC	10	1	59.81
16	ECX1032PAK10	Flex Tube 16 1/4" Long (Set of 10)	10	12	65.87
17	SPX1500NYA	Tube Sheet Hex Screw Set	50	12	3.57
18	SP1022CBLK	Plug with Gasket	100	1	—
19	SP0723	Ball-Type Drain Valve with Nipple	24	1	—
20	ECX27091	Pressure Gauge – Back Mount	25	1	22.87
21	ECX12866	Gauge/Inspection Port Adapter	10	1	17.73
22	ECX1287	O-Ring for Gauge Adapter	25	1	4.33
23	ECX1256	Flow Diffuser with Check Valve	20	1	37.80
24	ECX4077B1	Check Valve	100	1	16.33
25	ECX1055	Flow Controller	10	1	5.32
—	ECX1036*	Flex-Tube Nest (EC50A)	2	1	587.65
—	ECX1037*	Flex-Tube Nest (EC50AC)	1	1	587.65

NOTE: *Includes bump shaft, shaft kit, top and bottom tube sheet, diaphragm gasket and 12 tube sheet screw sets.

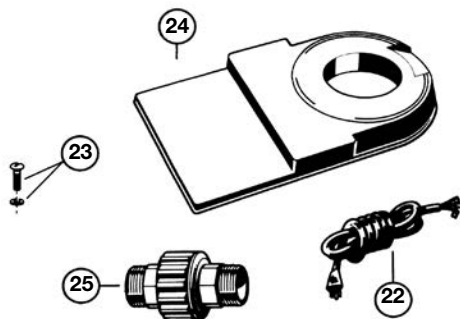
Parts Diagram

Filters

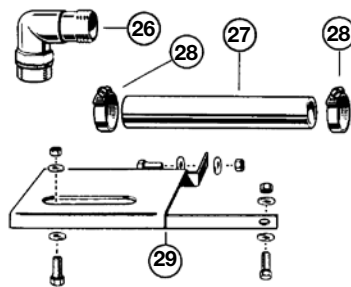


- ★ Bump Handle Screw Kit
- ★★ Filter Head Screw Set
- ★★★ Tube Sheet Hex Screw Set

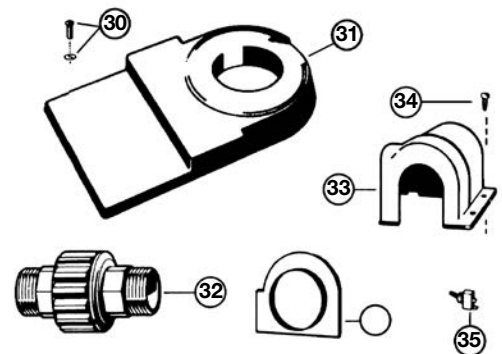
EC301500 SERIES SYSTEMS



SERIES EC40F KIT



SERIES EC4075 & EC40C75 FILTERS



Parts Listing (Parts unique to a specific series are designated)

Ref. No.	Part No.	Description	Ctn. Qty.	No. Req'd	List Price
1	ECX10066	Bump Mechanism Cover	4	1	\$38.49
2a	ECX1131P	Filter Head with Vent Valve – EC30	1	1	155.52
2b	ECX10334P	Filter Head with Vent Valve – EC40	1	1	149.98
2c	ECX5000BP	Filter Head with Vent Valve – EC40AC	1	1	164.41
3	ECX1322A	Vent Valve (Threaded) with O-Ring	50	1	8.35
4	ECX4000C	Clamp Assembly with Hardware (2 Bolts, 2 Nuts, 2 Spacers, 4 Washers)	1	1	102.09
5	ECX4000CHK	Hardware Kit for Clamp Assembly (2 Bolts, 1 Nut, 1 Spacer, 2 Washers)	15	1	37.82
6a	ECX1037A	Bump Handle Grip – EC30	10	1	29.97
6b	ECX1040	Bump Handle Assembly – EC40/EC40AC	5	1	35.56
7a	ECX1037B	Bump Handle Grip – EC30/40	50	1	9.43
8	ECX4236A	Bump Handle Screw Kit	1	1	4.63
8a	ECX100Z9	Pivot Pin (Long) – EC40AC only	50	1	3.79
9a	ECX1009	Bump Shaft, 1/2" – EC30/EC40	25	1	41.59
9b	ECX5000F	Bump Shaft – EC40AC	25	1	46.14
10	ECX10271A	Filter Head Screw Set – EC30/EC40	20	10/12	7.24
11a	ECX1038	Tube Sheet (Bottom) – EC30 (top) – ECX1038A	10	2	37.23
11b	ECX1004A	Tube Sheet (Top) – EC40/EC40AC	10	2	35.80
11c	ECX1004	Tube Sheet (Bottom) – EC40/EC40AC	10	2	35.80
12a	ECX1039	Diaphragm Gasket – EC30	10	1	55.43
12b	ECX1003	Diaphragm Gasket – EC40	10	1	57.08
12c	ECX5000G	Diaphragm Gasket – EC40AC	10	1	59.81
13	ECX1014A	Bump Shaft Kit	25	1	13.27
14	ECX1031PAK5	Flex Tube 13 3/8" Long (Set of 5) – 54 for EC30, 72 for EC40	10	11/15	26.91
15	SPX1500NYA	Tube Sheet Hex Screw Set – EC30/EC40	50	6/12	3.57
16	ECX270861	Pressure Gauge	50	1	20.81
17	SP1022C	Plug with Gasket	100	1	—
—	SP0723	Ball-Type Drain Valve with Nipple	24	1	—
18	ECX1256	Flow Diffuser with Check Valve	20	1	37.80
19	ECX4077B1	Check Valve	100	1	16.33
20	ECX1055	Flow Controller	10	1	5.32
21a	ECX1132P	Filter Body with Flow Diffuser – EC30	—	1	Discont'd
21b	ECX10344P	Filter Body with Flow Diffuser – EC40	1	1	321.77
21c	ECX4034	Filter Body with Flow Diffuser – EC40AC	1	1	321.77
—	ECX1133	Flex Tube Nest (Includes 9, 11-15) – EC30	2	2	448.93
—	ECX1035	Flex Tube Nest (Includes 9, 11-15) – EC40	2	2	524.05
—	ECX4035	Flex Tube Nest (Includes 9, 11-15) – EC40AC	2	2	524.05

EC301500 Series Systems

22	SPX1250WA	6 Ft. Cord Set – No. 14/3 AWG	10	1	\$27.73
23	ECX1108A	5/16" x 3/4" Mounting Screws and 5/16" Washers (2) Kit	10	1	4.21
24	EC1161PAK	Platform Base with Screws	1	1	—
25	SP1480BLK	1 1/2" Male Union	50	1	—

Series EC40F Kit

26	SPX1105Z4	1 1/2" Elbow Hose Adapter	50	2	\$6.40
27	ECX27071	1 9/16" I.D. Clear Hose	2	1	20.09
28	ECX18028	Hose Clamp	25	2	3.79
29	ECX10992	Pump Mounting Base	3	1	Discont'd

Series EC4075 and EC4075UL Filters

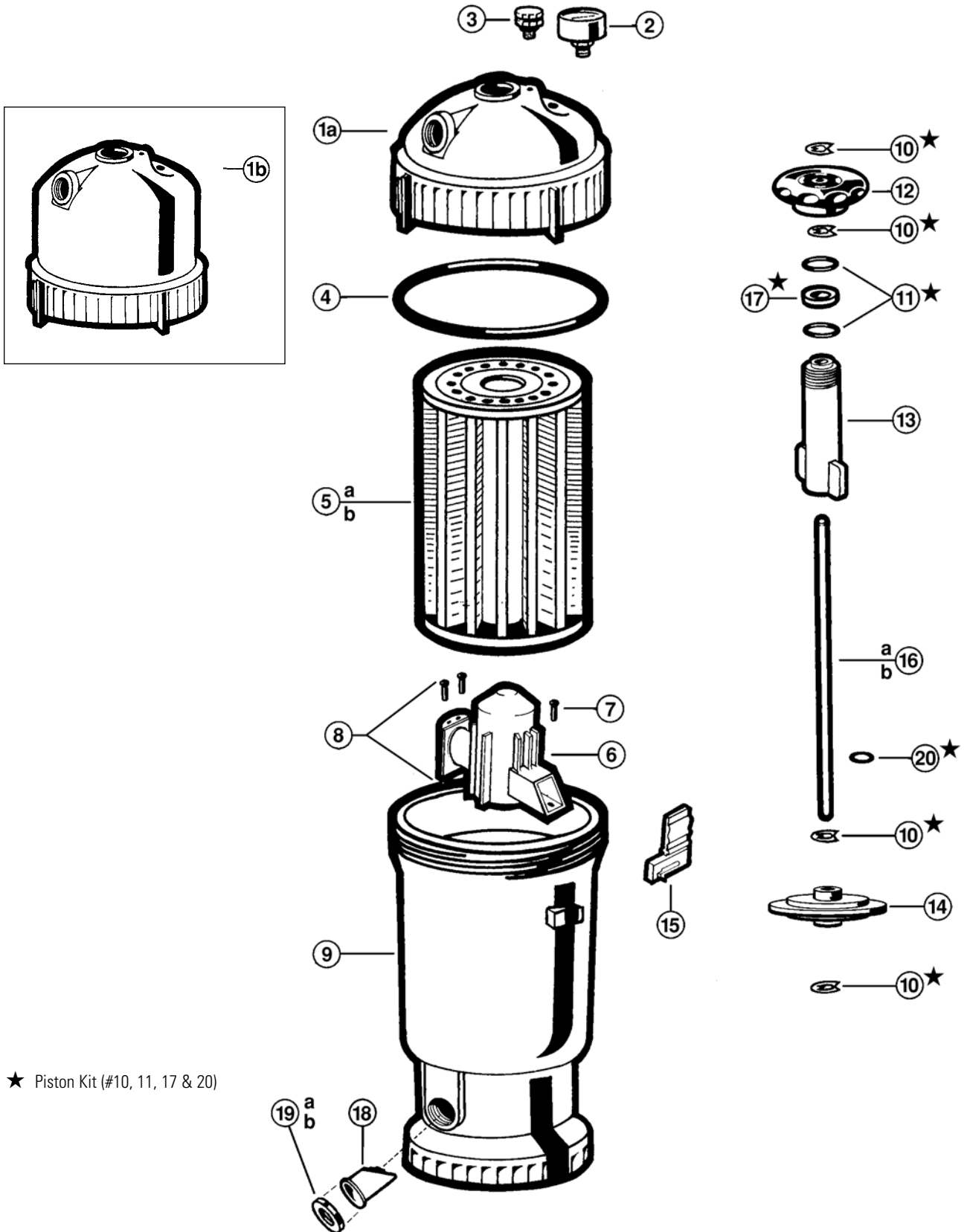
30	ECX1108A	5/16" x 3/4" Mounting Screws (2) and 5/16" Washers (2) Kit	10	1	\$4.21
31	EC1161PAK	Platform Base with Screws	—	1	—
32	SP1480BLK	1 1/2" Male Union	—	1	—
33	ECX1121	Rainshield Cover Assembly	—	1	Discont'd
34	SPX1411Z3	Pan Head Hilo Screw	25	4	1.67
35	ECX1325	Switch Assembly	10	1	14.48
—	SPX1250WA	6 ft. Cord Set – No. 14/3 AWG	10	1	27.73

ReGenX™

GRID ELEMENT D.E. FILTER REPLACEMENT PARTS

Parts Diagram

Filters



★ Piston Kit (#10, 11, 17 & 20)

Parts Listing

Ref. No.	Part No.	Description	Ctn. Qty.	No. Req'd	List Price
1a	RGX45BC	Filter Head with Locking Ring (RG450)	1	1	\$217.25
1b	RGX70BC	Filter Head with Locking Ring (RG700, SC700)	1	1	237.98
2	ECX27091	Pressure Gauge	25	1	22.87
3	ECX1322A	Directional Vent Valve with O-Ring	50	1	8.35
4	RGX45G	Filter Head O-Ring	10	1	30.88
5a	RGX55GE	Grid Element (RG450)	1	1	321.77
5b	RGX70GE	Grid Element (RG700, SC700)	1	1	321.77
6	RGX45D*	Diffuser	10	1	47.01
7	RGX45Z1	Diffuser Screws	50	3	Discont'd
8	RGX45DA	Diffuser and Diffuser Screws (3) (Includes #6 & 7)	10	1	52.08
9	RGX45AA	Filter Body	1	1	381.88
10	RGX45R1**	Retainer Ring	10	4	3.08
11	SPX1082Z410**	Piston O-Ring (<i>Pkg. of 10</i>)	100	2	5.69
12	RGX45K	Piston Knob	60	1	27.31
13	RGX45J	Seal Locator	60	1	18.47
14	RGX55PA	Piston Mechanism	60	1	49.37
15	CX400D	Locking Ring Latch	10	1	9.21
16a	RGX45R	Piston Rod (RG450)	20	1	73.99
16b	RGX70R	Piston Rod (RG700)	—	1	Discont'd
17	RGX45F**	Polyethylene Washer	—	1	Discont'd
18	ECX4077B1	Check Valve	100	1	16.33
19a	ECX1055	Flow Controller (RG450, RG550)	10	1	5.32
19b	ECX1056	Flow Controller (RG700, SC700)	150	1	5.49
20	SPX3000Z26**	Washer (<i>Set of 6</i>)	500	1	4.24
★	RGX45RA	Piston Seal Kit (Includes 10, 11, 17 & 20)	100	1	28.96

NOTES: *Limited Quantity Available – Replace with RGX45DA

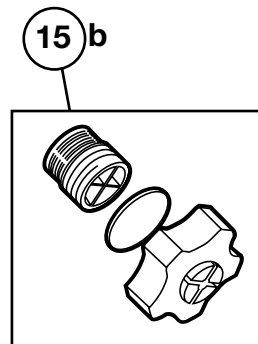
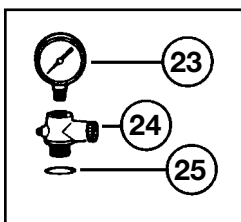
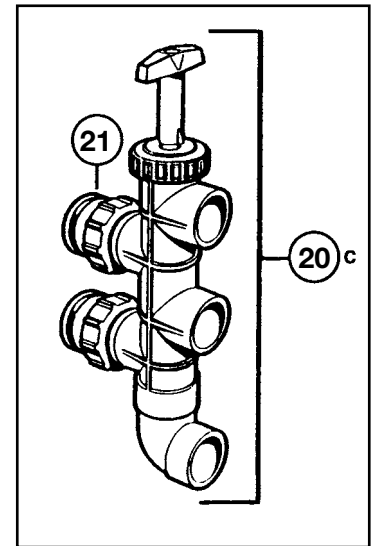
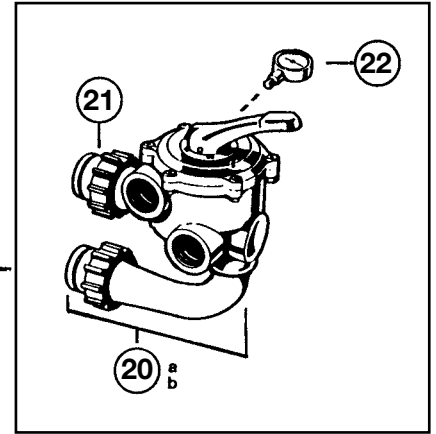
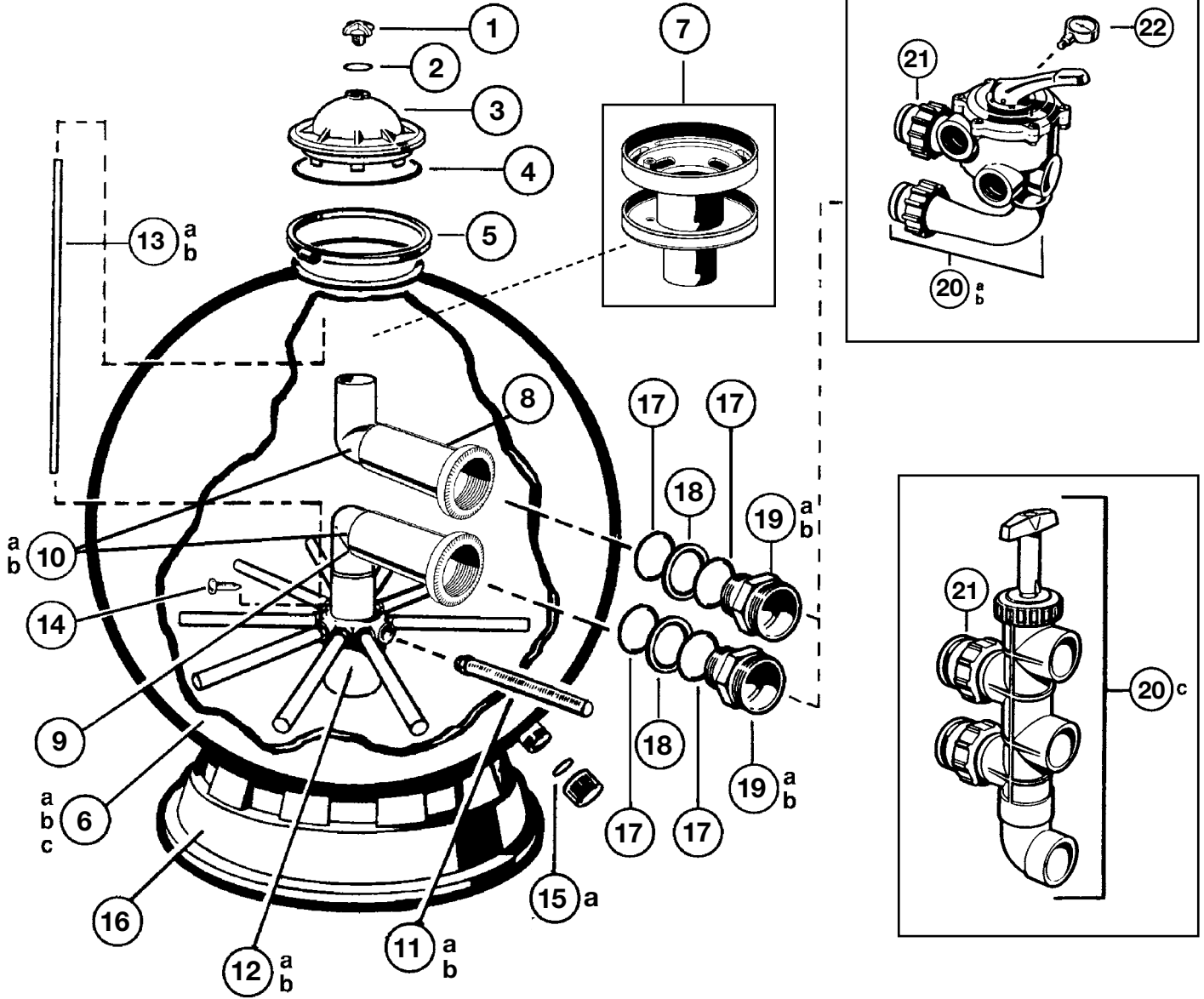
**Limited Quantity Available – Replace with RGX45RA

ProSeries™ Plus

S311SX, S311SXV, S360SX SAND FILTER SERIES REPLACEMENT PARTS

Parts Diagram

Filters



Drain Cap Kit

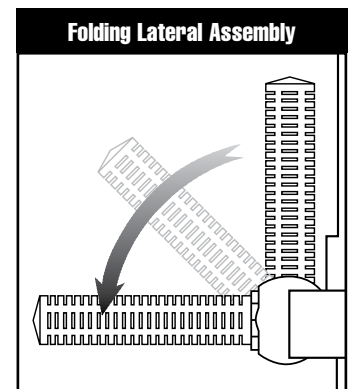


Diagram A

Parts Listing

Ref. No.	Part No.	Description	Ctn Qty.	No. Req'd	List Price
1	SX200G	Manual Air Relief	10	1	\$6.43
2	SX200Z5	O-Ring	50	1	2.12
3	SX244K	Top Closure Dome	5	1	58.28
4	GMX600F	Tank O-Ring	100	1	14.36
5	SX310N	Flange Clamp	5	1	53.19
6a	SX311AA2FW	S311 Filter Tank with Drain Cap and Base	1	1	1,156.07
6b	SX360AA2FW	S360 Filter Tank with Drain Cap and Base	1	1	1,441.48
7	SX244G	Top Diffuser Assembly	5	1	35.26
8	SX311CD1FW	Top Elbow Assembly (S311)	1	1	77.54
9	SX311CD2FW	Bottom Elbow Assembly (S311)	2	1	77.54
10a	SX360CD	Top and Bottom Elbow Assembly (S360) (1999 and Prior)	1	2	111.52
10b	SX360CDFW	Top and Bottom Elbow Assembly (S360) (after 1999)	2	2	110.43
11a	SX310HNPAK10	Pivot/Ball Lateral (Set of 10)	10	1	70.37
11b	SX310HAPAK10	Threaded Lateral (Set of 10)	10	1	72.88
12a	SX311DA	Folding Lateral Assembly (S311) (See Diagram A)	1	1	115.09
12b	SX242MA3	Folding Lateral Assembly (S360) (See Diagram A)	1	1	106.57
13a	CX1100Z4	Air Tube (S311)	10	1	10.05
13b	SX360Z2	Air Tube (S360)	1	1	15.12
14	SX200Z2	Air Tube Lock Screw	10	1	1.63
15a	SX180HG	Drain Cap Kit (2005 and Prior)	25	1	5.12
—	SX200H	Bottom Drain Screen (2005 and Prior)	10	1	5.22
15b	SX180LA	Drain Cap Kit (See Diagram)	25	1	6.35
16	SX310J	Filter Support Stand	1	1	131.68
17	SX360Z1	O-Ring (S311, S360 – after 1995)	25	4	7.58
18	SX360E	O-Ring Spacer (S311, S360 – after 1995)	10	2	10.44
19a	SX244P	Bulkhead Fitting (S311 after 1996, S360 after 1999)	10	2	27.33
19b	SX311F	Bulkhead Fitting (S360) (1999 and Prior)	10	2	42.75
20a	SP0710X62	Vari-Flo Valve Assembly – 1 1/2" FIP	1	1	—
20b	SP0715X62	Vari-Flo Valve Assembly – 2" FIP	1	1	—
20c	SP0410X602S	Slide Valve Assembly – 2" SKT	1	1	—
21	SX200Z4PAK2	Valve/Union O-Ring (Set of 2)	25	1	5.93
22	ECX270861	Pressure Gauge	50	1	20.81

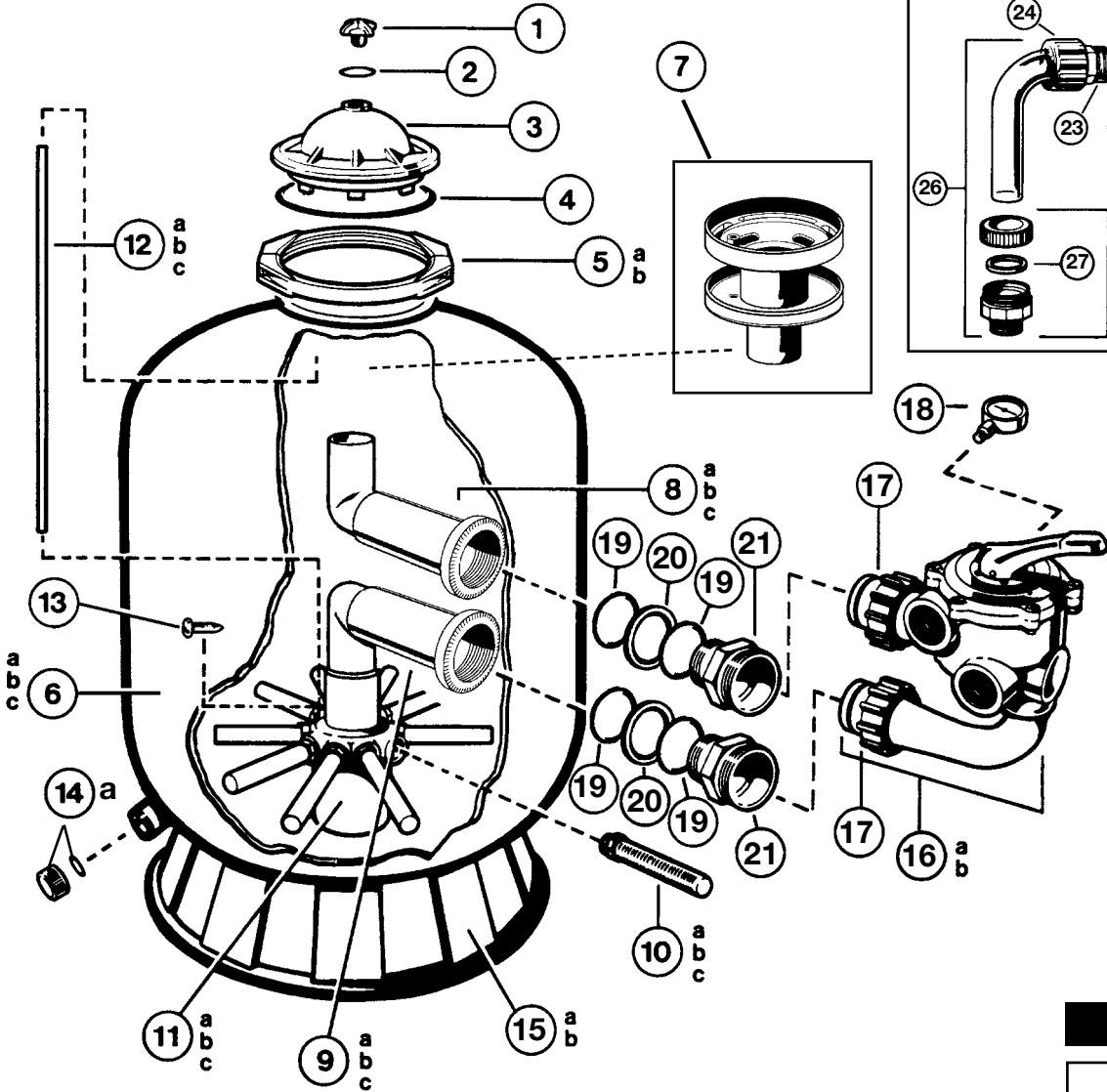
Optional (Supplied with Model S311SXV Slide Valve Unit Only)

23	ECX270861	Pressure Gauge	50	1	\$20.81
24	DEX2400S	Relief Valve/Gauge Adapter Assembly	100	1	28.98
—	DEX2400Z3A	O-Ring for Relief Valve Stem (Set of 3)	100	1	8.59
25	SX200Z5	O-Ring	50	1	2.12

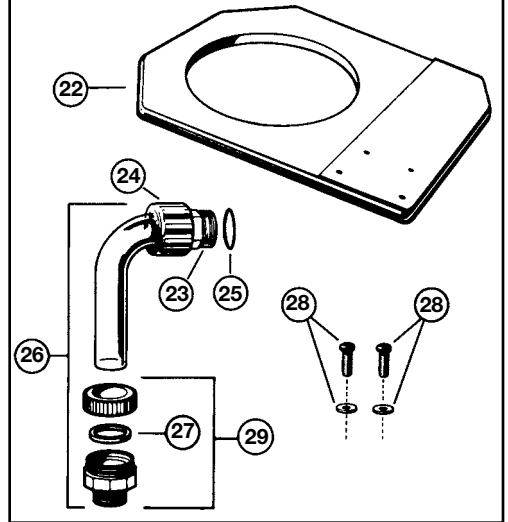
ProSeries™

S210S, 244S, 310S SAND FILTER SERIES REPLACEMENT PARTS

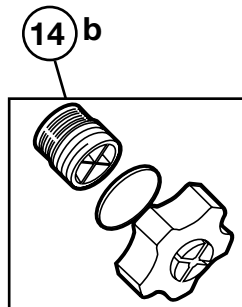
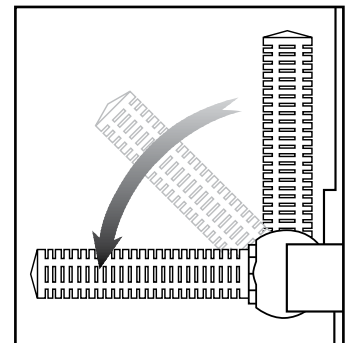
Parts Diagram



SYSTEM BASE ASSEMBLY



Folding Lateral Assembly



Drain Cap Kit

Diagram A

Filters

Parts Listing

Ref. No.	Part No.	Description	Ctn Qty.	No. Req'd	List Price
1	SX200G	Manual Air Relief	10	1	\$6.43
2	SX200Z5	O-Ring	50	1	2.12
3	SX244K	Top Closure Dome	5	1	58.28
4	GMX600F	Tank O-Ring	100	1	14.36
5a	GMX600NM	Flange Clamp (S210S, S244S)	20	1	40.43
5b	SX310N	Flange Clamp (S310S)	5	1	53.19
6a	SX210AA2FW	S210S Filter Tank with Drain Cap and Base	1	1	—
6b	SX244AA2FW	S244S Filter Tank with Drain Cap and Base	1	1	—
6c	SX310AA2FW	S310S Filter Tank with Drain Cap and Base	1	1	—
7	SX244G	Top Diffuser Assembly	5	1	35.26
8a	SX210CD1FW	Top Elbow Assembly, S210S	1	1	49.15
8b	SX244CD1FW	Top Elbow Assembly, S244S	2	1	64.54
8c	SX310CD2FW	Top Elbow Assembly, S310S	2	1	65.55
9a	SX210CD2FW	Bottom Elbow Assembly, S210S	5	1	48.16
9b	SX244CD2FW	Bottom Elbow Assembly, S244S	2	1	64.61
9c	SX310CD2FW	Bottom Elbow Assembly, S310S	2	1	65.55
10a	SX200QNPAAK10	S210S Pivot/Ball Lateral (Set of 10)	10	1	50.11
10b	SX240DNPAK10	S244S Pivot/Ball Lateral (Set of 10)	10	1	50.11
10c	SX310HNPAK10	S310S Pivot/Ball Lateral (Set of 10)	10	1	70.37
11a	SX242MA	Folding Umbrella Lateral Holder Assembly (S210S, 1997-) See Diagram A	1	1	83.18
11b	SX242MA1	Folding Umbrella Lateral Holder Assembly (S244S, 1999-) See Diagram A	1	1	89.38
11c	SX242MA2	Folding Umbrella Lateral Holder Assembly (S310S, 1999-) See Diagram A	1	1	103.79
12a	CX3000Z2	Plastic Air Tube (S210S)	—	1	Discont'd
12b	CX1100Z4	Plastic Air Tube (S244S)	10	1	10.05
12c	SX200Z1	Plastic Air Tube (S310S)	1	1	14.43
13	SX200Z2	Air Tube Lock Screw	10	1	1.63
14a	SX180HG	Drain Cap Kit (2005 and Prior)	25	1	5.12
—	SX200H	Bottom Drain Screen (2005 and Prior)	10	1	5.22
14b	SX180LA	Drain Cap Kit (See Diagram)	25	1	6.35
15a	SX200J	Filter Support Stand (S210S, S244S)	1	1	85.86
15b	SX310J	Filter Support Stand (S310S)	1	1	131.68
16a	SP0710X62	Vari-Flo Valve Assembly – 1 1/2" FIP	1	1	—
16b	SP0715X62	Vari-Flo Valve Assembly – 2" FIP	1	1	—
17	SX200Z4PAK2	Valve/Union O-Ring (Set of 2)	25	1	5.93
18	ECX270861	Pressure Gauge	50	1	20.81
19	SX360Z1	O-Ring	25	4	7.58
20	SX360E	O-Ring Spacer (after 1995)	10	2	10.44
21	SX244P	Bulkhead Fitting (after 1996)	10	2	27.33

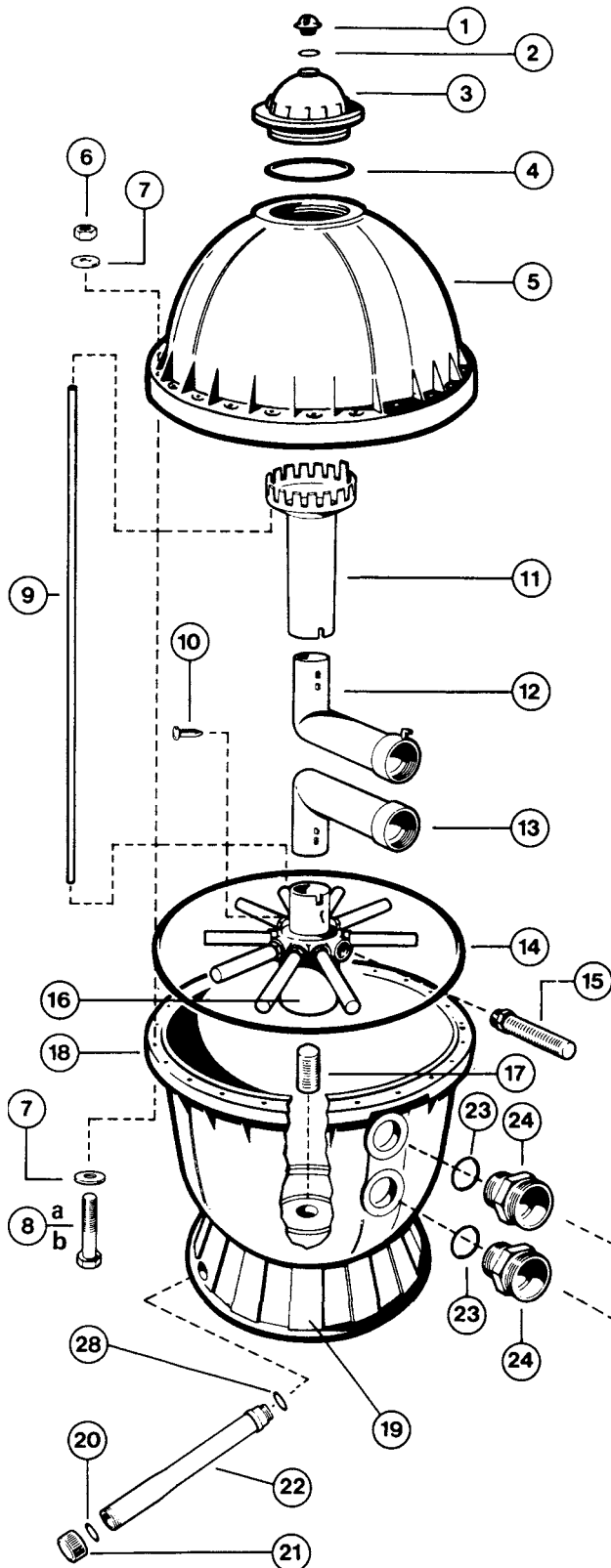
S200PAK 3 System Base

22	ECX1291	Standard Pump/Filter Mounting Base	2	1	\$203.56
23	SPX1480A	Union Ball End	10	1	11.57
24	SPX1480C	Union Nut	10	1	11.38
25	SPX1425Z6	O-Ring	25	1	2.78
26	SPX1485B3	Union Elbow with Compression Assembly	10	1	55.06
27	SPX1485G	Compression Gasket	100	1	4.43
28	ECX1161Z2	Mounting Screw Set with Washers	10	2	6.99
29	SPX1485DA	Compression Fitting with Gasket	25	1	25.21

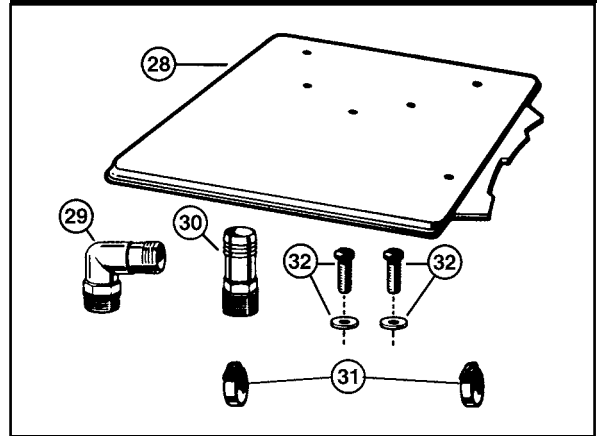
S240

SAND FILTER SERIES REPLACEMENT PARTS

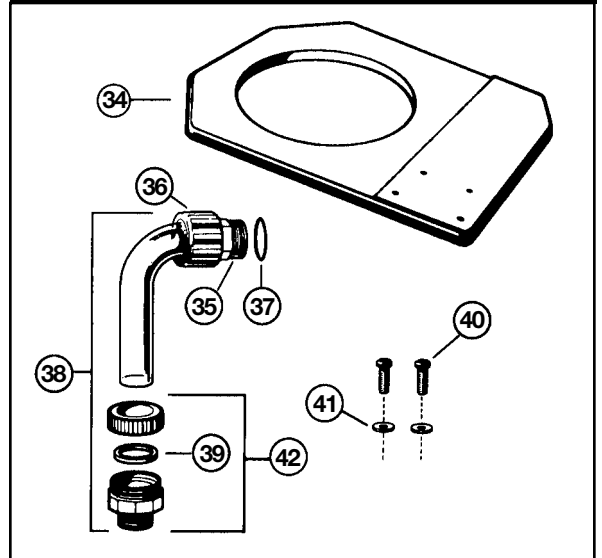
Parts Diagram



S240PAK 1



S240PAK 3 and System II



Folding Lateral Assembly

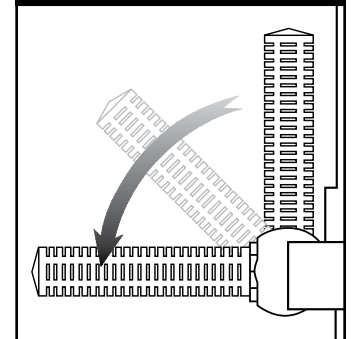


Diagram A

Parts Listing

Ref. No.	Part No.	Description	Ctn. Qty.	No. Req'd	List Price
1	SX200G	Manual Air Relief	10	1	\$6.43
2	SX200Z5	O-Ring	50	1	2.12
3	SX200K	Access Cover	5	1	48.29
4	SX200Z6	O-Ring	50	1	14.11
5	SX240B	Filter Tank Head (Top)	—	—	Discont'd
6	ECX1645	Hex Nut with Washer	1	30	2.24
7	ECX1077	Flat Washer	50	60	1.01
8a	SX240Z3	Hex. Head Bolt	25	30	5.00
8b	SX240Z4	Hex. Head Bolt with Washer	—	30	Discont'd
9	SX240Z2	Air Tube	1	1	14.45
10	SX200Z2	Air Tube Lock Screw	10	1	1.63
11	SX200L	Top Diffuser	5	1	35.31
12	SX240C	Internal Diffuser Elbow Pipe (Top or Bottom)	5	1	44.10
13	SX240C	Internal Diffuser Elbow Pipe (Top or Bottom)	5	1	44.10
14	SX240Z1	O-Ring	20	1	50.40
15	SX240DNPAK10	S240 Pivot/Ball Lateral (Set of 10)	10	1	50.11
16	SX242DA	Folding Lateral Assembly (See Diagram A)	1	1	110.19
17	SX200H	Bottom Screen	10	1	5.22
18	SX240AA1	Filter Tank Bottom	—	—	Discont'd
19	SX200J	Filter Support Stand	1	1	85.86
20	SX200Z9	Gasket	25	1	1.43
21	SX200Z8A	Drain Cap Kit (Includes Cap and Gasket)	50	1	4.48
22	SX200EB	Drain Pipe Assembly (Includes Pipe, O-Ring, Cap and Gasket)	50	1	21.32
23	SX200Z3	O-Ring	50	2	4.21
24	SX200D	Bulkhead Fitting	5	2	21.67
25a	SPX0710X32	Vari-Flo Control Valve Assembly – 1 1/2"	1	1	210.28
25b	SPX0715X32	Vari-Flo Control Valve Assembly – 2"	1	1	304.44
26	ECX270861	Pressure Gauge	50	1	20.81
27	SX200Z4PAK2	Valve/Union O-Ring (Set of 2)	25	1	5.93
28	SX200Z14	O-Ring	50	1	2.22
—	S200KT	Dome Wrench	10	—	—

S240PAK 1

28	ECX1289	Standard Pump Mounting Base	1	1	Discont'd
29	SPX1105Z4	1 1/2" Elbow Hose Adapter	50	1	\$6.40
30	SPX1091Z2PAK2	1 1/2" Straight Hose Adapter (Set of 2)	10	1	8.45
31	ECX18028	Hose Clamp	25	2	3.79
32	ECX1161Z2	Mounting Screw Set with Washers	10	2	6.99

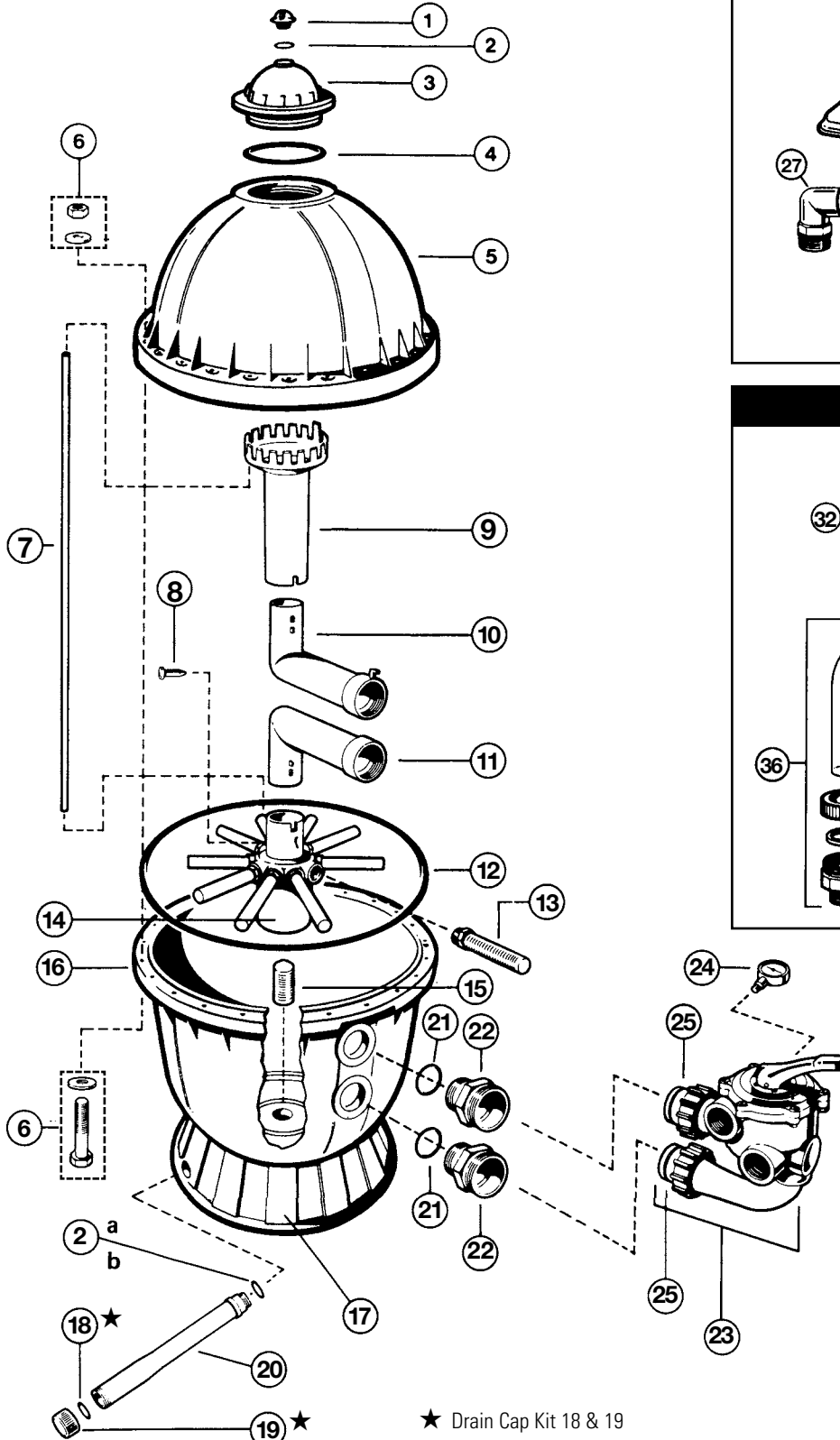
S240PAK 2, 3 and System II

34	ECX1291	Standard Pump/Filter Mounting Base	2	1	\$203.56
35	SPX1480A	Union Ball End	10	1	11.57
36	SPX1480C	Union Nut	10	1	11.38
37	SPX1425Z6	O-Ring	25	1	2.78
38	SPX1485B6	Union Elbow with Compression Assembly (does not include #36, 37)	20	1	68.50
39	SPX1485G	Compression Gasket	100	1	4.43
—	SPX1485C	Gasket – Old Style Elbow (1986 and Prior)	25	1	4.28
40	ECX1275	5/16" x 1 1/4" Mounting Screw	—	2	Discont'd
41	ECX1109	5/16" Washer	10	2	1.65
42	SPX1485DA	Compression Fitting with Gasket	25	1	25.21

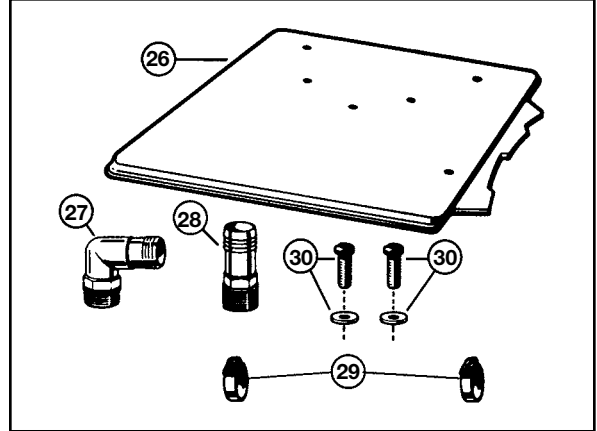
S200

SAND FILTER SERIES REPLACEMENT PARTS

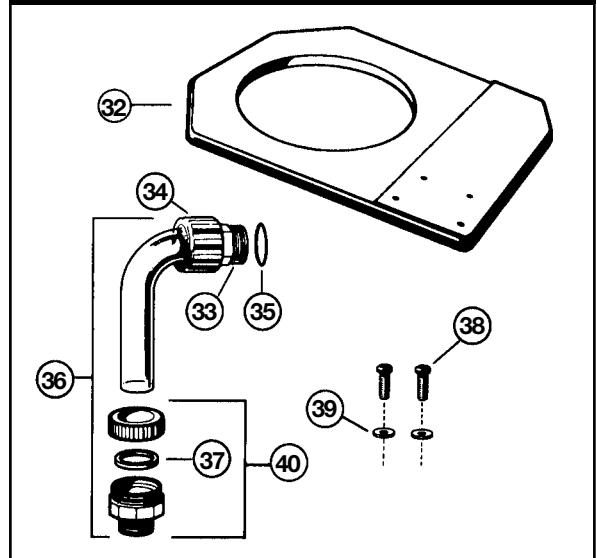
Parts Diagram



S200PAK 1



S200PAK 3 and System II



Folding Lateral Assembly

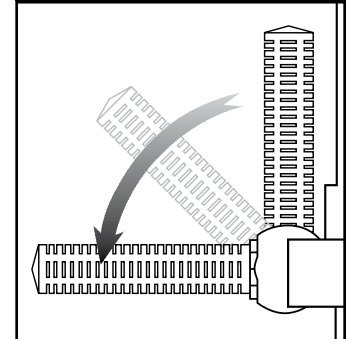


Diagram A

★ Drain Cap Kit 18 & 19

Parts Listing

Ref. No.	Part No.	Description	Ctn. Qty.	No. Req'd	List Price
1	SX200G	Manual Air Relief	10	1	\$6.43
2	SX200Z5	O-Ring	50	1	2.12
3	SX200K	Access Cover	5	1	48.29
4	SX200Z6	O-Ring	50	1	14.11
5	SX200BT	Filter Head (Taupe)	1	1	452.84
6	ECX1642A	Head Bolt Kit (Includes Hex Nut, Head Bolt and Washer)	20	1	5.52
7	SX200Z1	Plastic Air Tube	1	1	14.43
8	SX200Z2	Air Tube Lock Screw	10	1	1.63
9	SX200L	Top Diffuser	5	1	35.31
10	SX200C	Internal Diffuser Elbow Pipe (Top)	5	1	38.07
11	SX200C1	Internal Elbow Pipe (Bottom)	5	1	Discont'd
12	SX200Z7	O-Ring	100	1	34.37
13	SX200QNPAK10	S200 Pivot/Ball Lateral (<i>Set of 10</i>)	10	1	50.11
14	SX202QA	Folding Lateral Assembly (See Diagram A)	1	1	92.66
15	SX200H	Bottom Screen	10	1	5.22
16	SX200AA1T	Filter Tank Bottom with Drain Assembly (Taupe)	1	1	580.02
17	SX200J	Filter Support Stand	1	1	85.86
18	SX200Z9	Gasket	25	1	1.43
19	SX200Z8A	Drain Cap Kit (Includes Cap and Gasket)	50	1	4.48
20	SX200EB	Drain Pipe Assembly (Includes Pipe, O-Ring, Cap and Gasket)	50	1	21.32
21	SX200Z3	O-Ring	50	2	4.21
22	SX200D	Bulkhead Fitting	5	2	21.67
23	SPX0710X32	Vari-Flo Control Valve Assembly – 1 1/2"	1	1	210.28
24	ECX270861	Pressure Gauge	50	1	20.81
25	SX200Z4PAK2	Valve/Union O-Ring (<i>Set of 2</i>)	25	1	5.93
—	S200KT	Dome Wrench	10	—	—

S200PAK 1

26	ECX1289	Standard Pump Mounting Base	1	1	Discont'd
27	SPX1105Z4	1 1/2" Elbow Hose Adapter	50	1	\$6.40
28	SPX1091Z2PAK2	1 1/2" Straight Hose Adapter (<i>Set of 2</i>)	10	1	8.45
29	ECX18028	Hose Clamp	25	2	3.79
30	ECX1161Z2	Mounting Screw Set with Washers	10	2	6.99

S200PAK 2, 3 and System II

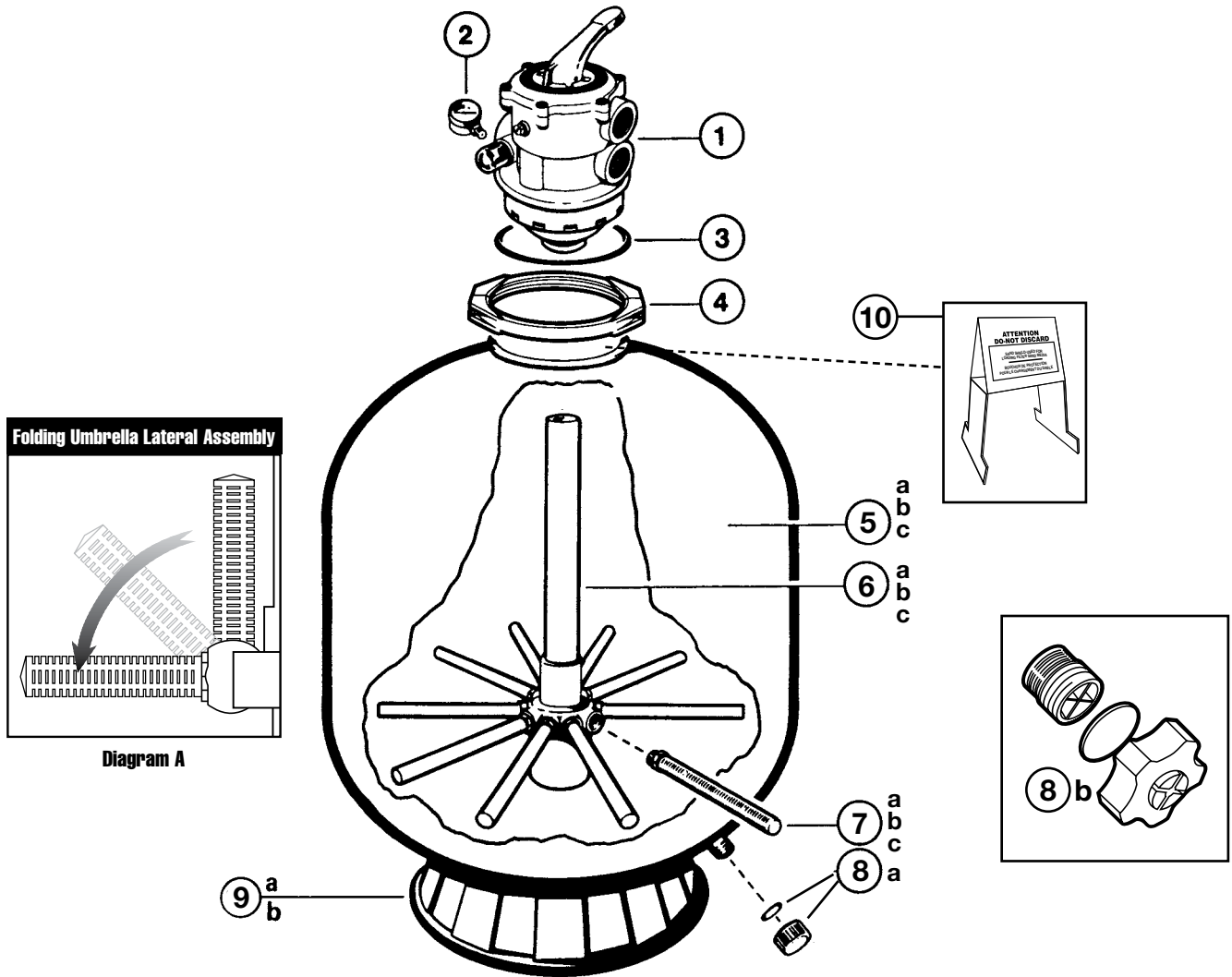
32	ECX1291	Standard Pump/Filter Mounting Base	2	1	\$203.56
33	SPX1480A	Union Ball End	10	1	11.57
34	SPX1480C	Union Nut	10	1	11.38
35	SPX1425Z6	O-Ring	25	1	2.78
36	SPX1485B3	Union Elbow with Compression Assembly (does not include #34, 35)	10	1	55.06
37	SPX1485G	Compression Gasket	100	1	4.43
38	ECX1275	5/16" x 1 1/4" Mounting Screw	—	2	Discont'd
39	ECX1109	5/16" Washer	10	2	1.65
40	SPX1485DA	Compression Fitting Assembly with Gasket	25	1	25.21

ProSeries™

S270T2, S310T2, S360T2 SAND FILTER SERIES REPLACEMENT PARTS

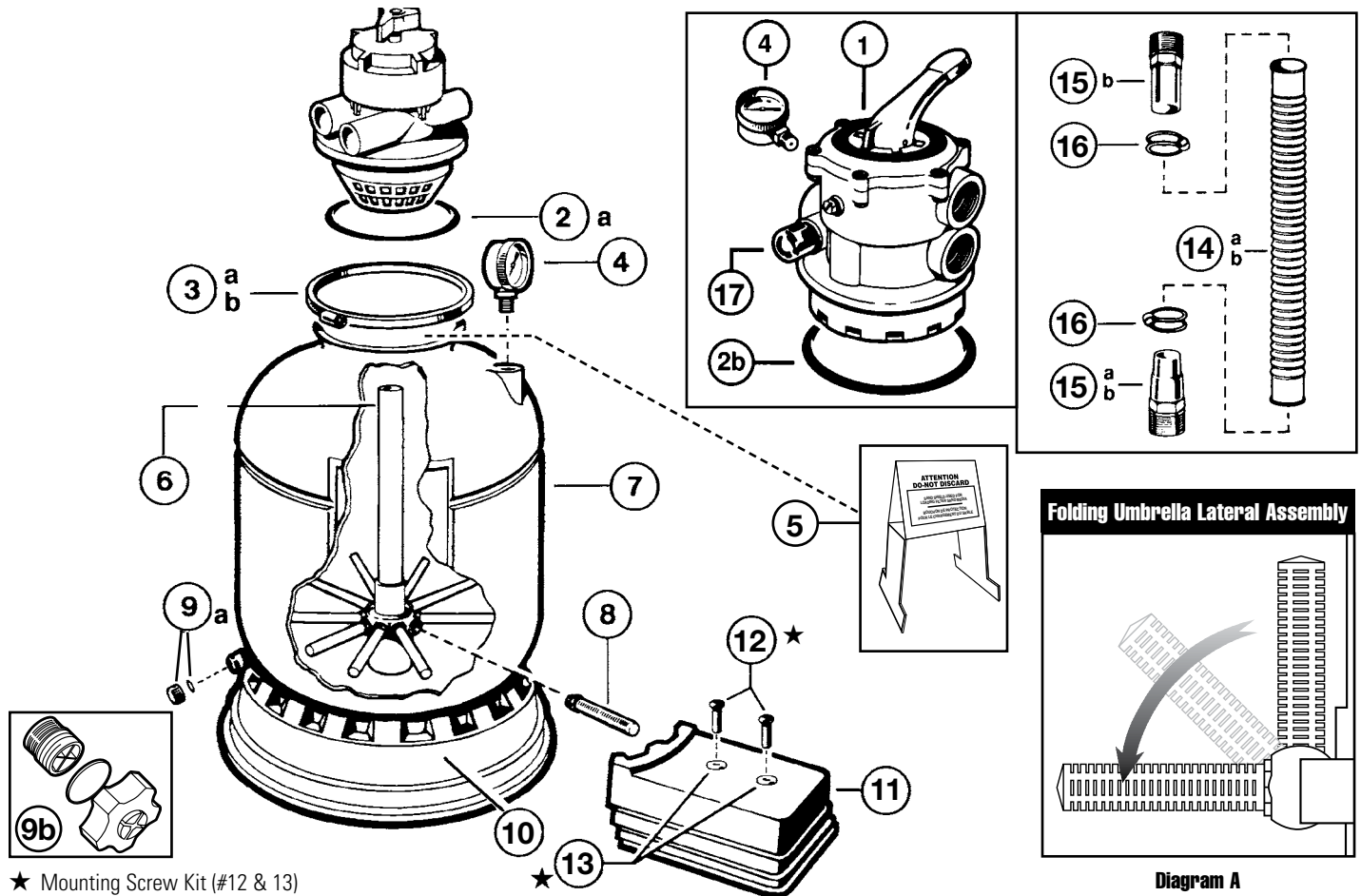
Parts Diagram and Parts Listing

Filters



Ref. No.	Part No.	Description	Ctn. Qty.	No. Req'd	List Price
1	SP071621	Vari-Flo Control Valve – 2"	1	1	—
2	ECX271261	Pressure Gauge Back Mount	100	1	\$20.90
3	GMX600F	Tank O-Ring	100	1	14.36
4	GMX600NM	Flange Clamp	20	1	40.43
5a	SX270AA1	Filter Tank With Skirt, Drain and Lateral Assembly (S270T)	1	1	692.37
5b	SX310AA1	Filter Tank With Skirt, Drain and Lateral Assembly (S310T)	1	1	1,465.56
5c	SX360AA2	Filter Tank With Skirt, Drain and Lateral Assembly (S360T)	1	1	1,122.36
6a	SX270DA2X	Folding Lateral Assembly with Center Pipe (S270T2)	1	1	104.06
6b	SX310DA2	Folding Lateral Assembly with Center Pipe (S310T)	1	1	130.99
6c	SX360DA	Folding Lateral Assembly with Center Pipe (S360T)	1	1	120.46
7a	SX240DNPAK10	S270T Pivot/Ball Lateral (Set of 10)	10	1	50.11
7b	SX310HAPAK10	S310T & S360T Threaded Lateral (Set of 10)	10	1	72.88
7c	SX310HNPAK10	S310T & S360T Pivot/Ball Lateral (Set of 10)	10	1	70.37
8a	SX180HG	Drain Cap (2005 and Prior)	25	1	5.12
8b	SX180LA	Drain Cap Kit (see Diagram)	25	1	6.35
—	SX200H	Bottom Drain Screen (2005 and Prior)	10	1	5.22
9a	SX200J	Filter Support Stand (S270T)	1	1	85.86
9b	SX310J	Filter Support Stand (S310T, S360T)	1	1	131.68
10	SX202S	Sand Shield	25	1	5.00

Parts Diagram and Parts Listing



★ Mounting Screw Kit (#12 & 13)

Ref. No.	Part No.	Description	Ctn. Qty.	No. Req'd	List Price
1	SP0714T*	Vari-Flo Control Valve 7-position (S144T)	1	1	—
2a	GMX400F	Valve/Tank O-Ring (S140T)	10	1	\$15.17
2b	GMX600F	Valve/Tank O-Ring (S144T)	100	1	14.36
3a	GMX400K	Flange Clamp – Valve – Tank (S140T)	20	1	40.06
3b	GMX600NM	Flange Clamp – Valve – Tank (S144T)	20	1	40.43
4	ECX270861	Pressure Gauge	50	1	20.81
5	SX202S	Sand Shield – 2004 Corrugated Design	25	1	5.00
6	SX144DA	Folding Lateral Assembly with Center Pipe (S144T) (1997 and after)	1	1	86.53
7	SX144AA1	Filter Tank with Skirt, Lateral Assembly, Drain (S144T)	1	1	495.64
8	SX200SNPAK10	Pivot/Ball Lateral (Set of 10)	10	1	50.11
9a	SX180HG	Drain Cap Kit (2005 and Prior)	25	1	5.12
9b	SX180LA	Drain Cap Assembly, Gasket, Screen	25	1	6.35
—	SX200H	Bottom Drain Screen (2005 and prior)	10	1	5.22
10	SX164B	Filter Support Stand (Skirt)	1	1	60.55
11	SX164C	Pump Base	2	1	32.48
12	ECX1108A	5/16" x 3/4" Mounting Screw and 5/16" Washer (2) Kit	10	1	4.21
13	ECX1109	5/16" Washer	10	2	1.65
★	ECX1108A	5/16" x 3/4" Mounting Screws (2) and 5/16" Washers (2) Kit (Includes 12 & 13)	10	1	4.21
14a	GMX142Z15	1 1/4" Hose – Ribbed (S140T)	—	1	Discont'd
14b	SX144Z1	1 1/2" Hose – Ribbed (S144T)	5	1	20.07
15a	SPX1091Z7PAK2	1 1/2"/1 1/4" Hose Adapter (Set of 2)	25	1	3.00
15b	SPX1091Z4	1 1/2" Straight Hose Adapter (S144T)	25	2	3.00
16	SPX1091Z6	Hose Clamp	50	2	2.41
17	SPX0710MA	Sight Glass for SP0714T Valve	50	1	7.02

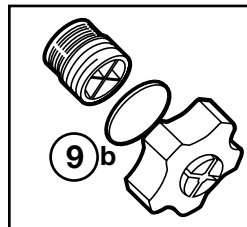
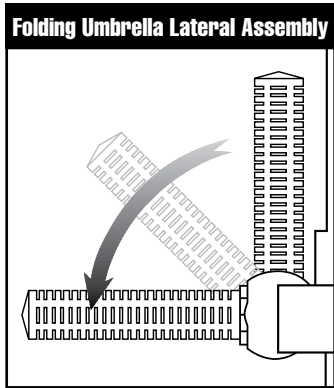
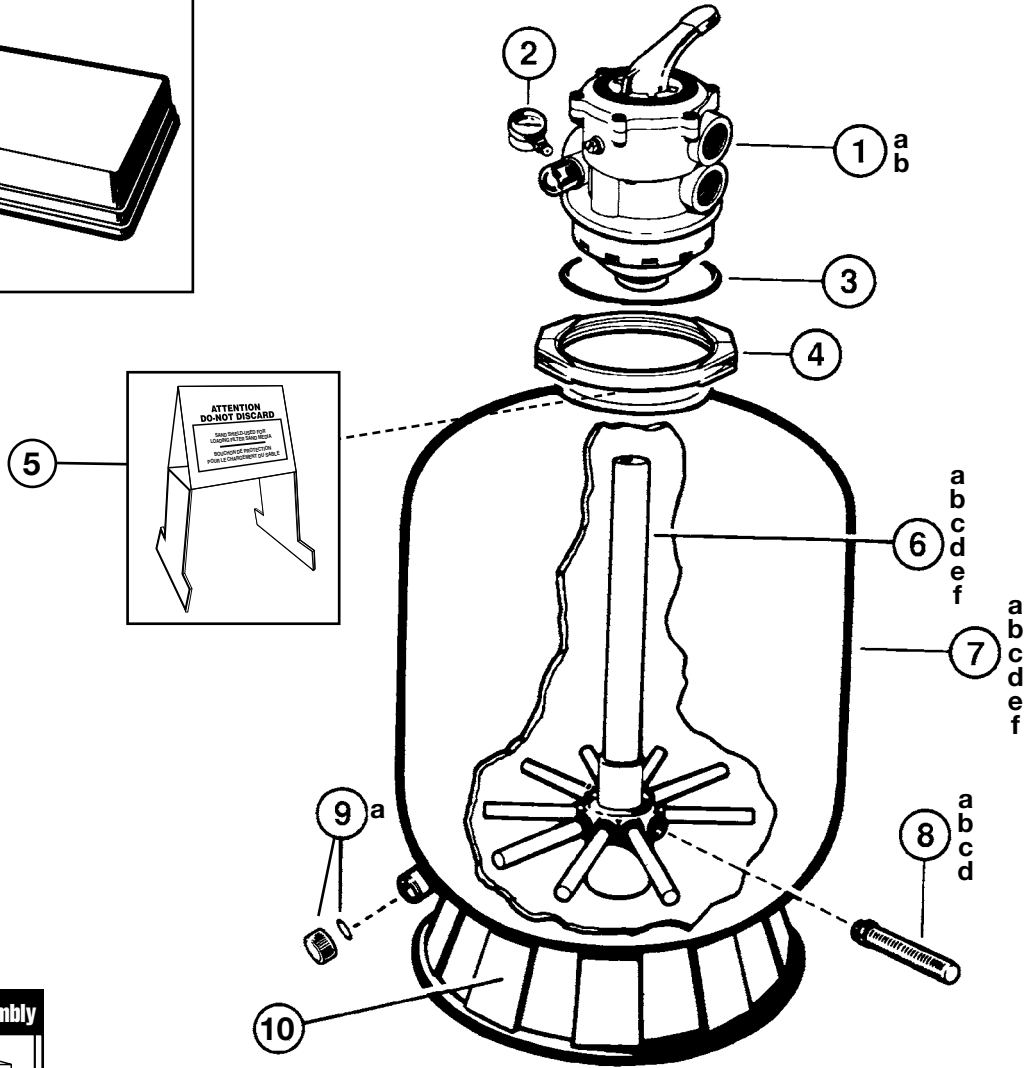
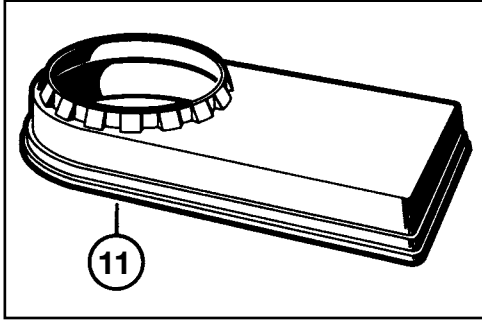
NOTE: *SP0714T Vari-Flo Control Valve used as replacement for GM600 Valve.

ProSeries™

S180T, 210T, 220T, 220T2, 230T, 244T, 244T2, S270T SAND FILTER SERIES REPLACEMENT PARTS

Parts Diagram

Filters



Parts Listing

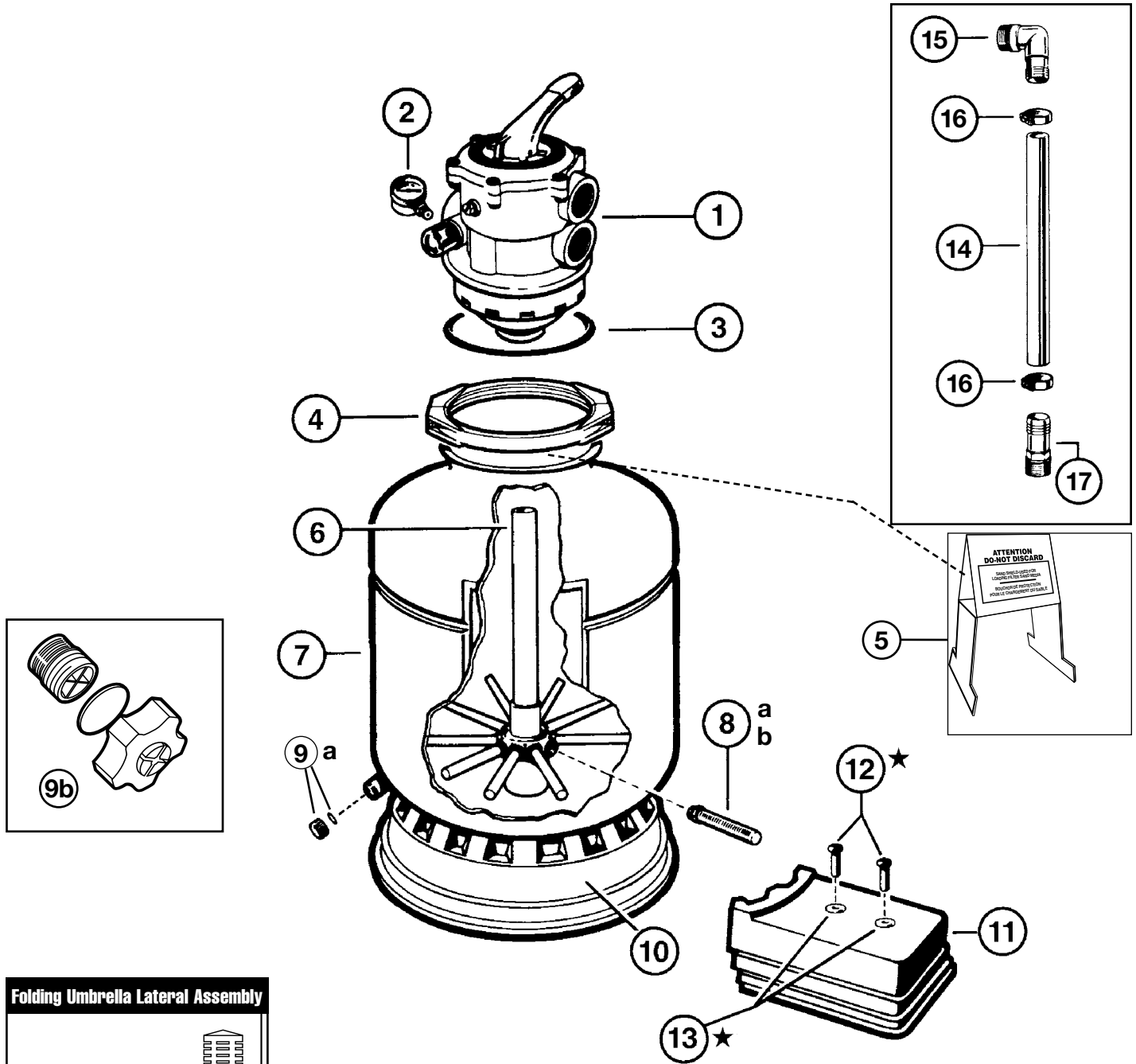
Ref. No.	Part No.	Description	Ctn. Qty.	No. Req'd	List Price
1a	SP0714T	Vari-Flo XL Control Valve – 1 1/2"	1	1	—
1b	SP071620T	Vari-Flo XL Control Valve – 2"	1	1	—
2	ECX270861	Pressure Gauge	50	1	\$20.81
3	GMX600F	Valve/Tank O-Ring	100	1	14.36
4	GMX600NM	Flange Clamp	20	1	40.43
5	SX202S	Sand Shield – 2004 Corrugated Design	25	1	5.00
6a	SX180DA	Folding Lateral Assembly with Center Pipe (S180T) (1997-)	1	1	89.43
6b	SX210DA	Folding Lateral Assembly with Center Pipe (S210T) (1997-)	1	1	91.30
6c	SX220DA	Folding Lateral Assembly with Center Pipe (S220T) (1997-)	1	1	95.76
6d	SX230DA	Folding Lateral Assembly with Center Pipe (S230T) (2003-)	1	1	99.60
6e	SX244DA	Folding Lateral Assembly with Center Pipe (S244T, S270T) (1997-)	1	1	103.05
6f	SX244DA2X	Folding Lateral Assembly with Center Pipe (S244T2)	1	1	99.13
7a	SX180AA2	Filter Tank with Skirt, Drain, Lateral Assembly (S180T)	1	1	467.64
7b	SX210AA1	Filter Tank with Skirt, Drain, Lateral Assembly (S210T)	1	1	512.82
7c	SX220AA1	Filter Tank with Skirt, Drain, Lateral Assembly (S220T)	1	1	548.87
7d	SX230AA1	Filter Tank with Skirt, Drain (S230T)	1	1	602.92
7e	SX244AA1	Filter Tank with Skirt, Drain, Lateral Assembly (S244T)	1	1	649.50
7f	SX270AA1	Filter Tank with Skirt, Lateral Assembly (S270T)	1	1	692.37
8a	SX200QPAK10	S180T Threaded Lateral (<i>Set of 10</i>)	10	1	46.34
8b	SX240DPAK10	S210T, S220T, S230T, S244T Threaded Lateral (<i>Set of 10</i>)	10	1	48.58
8c	SX200QNPAPAK10	S180T Pivot/Ball Lateral (<i>Set of 10</i>)	10	1	50.11
8d	SX240DNPAK10	S210T, S220T, S230T, S244T Pivot/Ball Lateral (<i>Set of 10</i>)	10	1	50.11
9a	SX180HG	Drain Cap Kit (2005 and Prior)	25	1	5.12
9b	SX180LA	Drain Cap Assembly – Cap, Gasket, Screen	25	1	6.35
—	SX200H	Bottom Drain Screen (2005 and Prior)	10	1	5.22
10	SX200J	Filter Support Stand (Skirt)	1	1	85.86
11	SX180K	System Base – S180T Systems	1	1	102.21

ProSeries™

S164T, S166T SAND FILTER SERIES REPLACEMENT PARTS

Parts Diagram

Filters



★ Mounting Screw Kit (#12 & 13)

Folding Umbrella Lateral Assembly

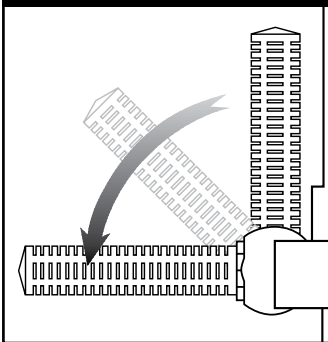


Diagram A

Parts Listing

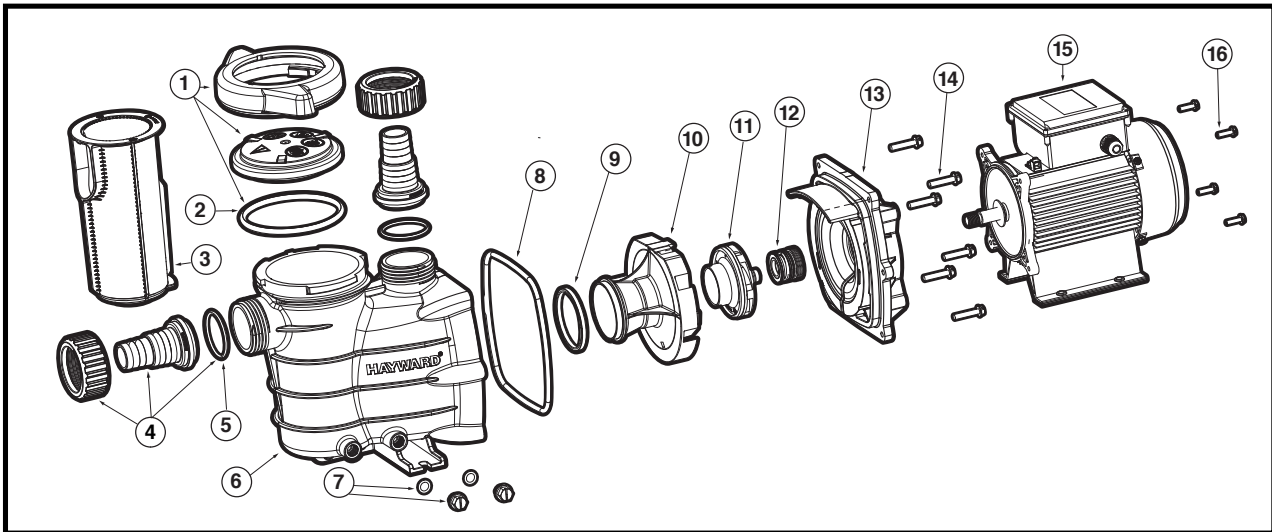
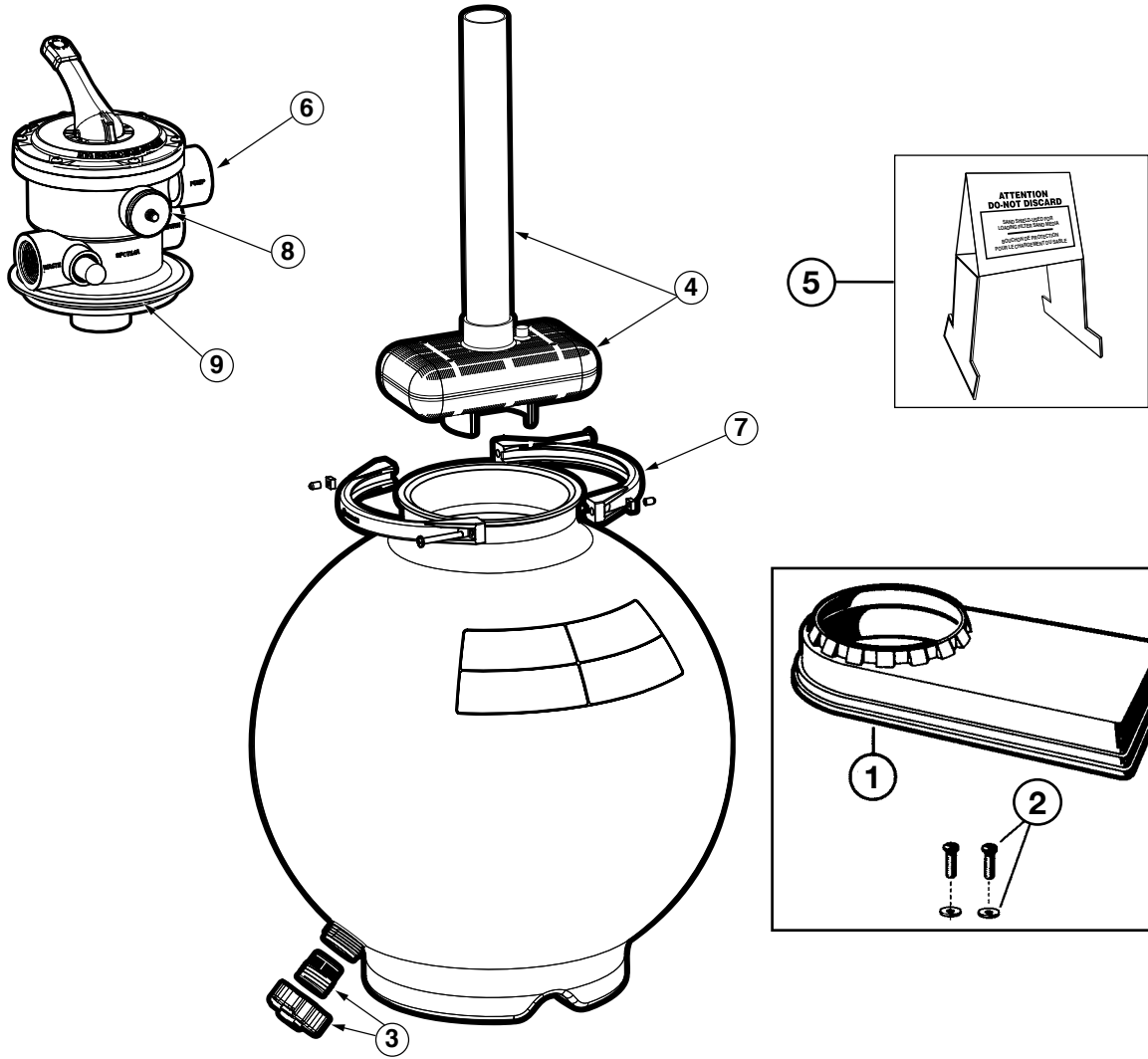
Ref. No.	Part No.	Description	Ctn. Qty.	No. Req'd	List Price
1	SP0714T*	Vari-Flo XL Control Valve – 6 position	1	1	—
2	ECX270861	Pressure Gauge	50	1	\$20.81
3	GMX600F	Valve/Tank O-Ring	100	1	14.36
4	GMX600NM	Flange Clamp (Valve-Tank)	20	1	40.43
5	SX202S	Sand Shield	25	1	5.00
6	SX164DA	Folding Lateral Assembly with Center Pipe (1997-)	1	1	86.53
7	SX164AA1	Filter Tank with Skirt, Drain and Lateral Assembly	1	1	514.87
8a	SX200QPAK10	Threaded Lateral (<i>Set of 10</i>)	10	1	46.34
8b	SX200QNPAAK10	Pivot/Ball Lateral (<i>Set of 10</i>)	10	1	50.11
9a	SX180HG	Drain Cap Kit – Cap and Gasket (2005 and Prior)	25	1	5.12
—	SX200H	Bottom Drain Screen (2005 and Prior)	10	1	5.22
9b	SX180LA	Drain Cap Assembly – Cap, Gasket, Screen	25	1	6.35
10	SX164B	Filter Support Stand (Skirt)	1	1	60.55
11	SX164C	Pump Base	2	1	32.48
—	SX180K	System Base (S166T Series 1999-)	1	1	102.21
12	ECX1108A	5/16" x 3/4" Mounting Screw and 5/16" Washer (2) Kit	10	1	4.21
13	ECX1109	5/16" Washer	10	2	1.65
★	ECX1108A	5/16" x 3/4" Mounting Screws (2) and 5/16" Washers (2) Kit (Includes #12 & 13)	10	1	4.21
14	SX160Z5	22" Long Hose	2	1	38.24
15	SPX1105Z4	1 1/2" Elbow Hose Adapter	50	1	6.40
16	ECX18028	Hose Clamp	25	2	3.79
17	SPX1091Z2PAK2	1 1/2" Straight Hose Adapter (<i>Set of 2</i>)	10	1	8.45

NOTE: *SP0714T Vari-Flo Control Valve used as replacement for SP0704 Valve.

VL210 Series

VL210 SAND FILTER SERIES REPLACEMENT PARTS

Parts Diagram



Filters

VL210 Series

VL210 SAND FILTER SERIES REPLACEMENT PARTS

Parts Listing

Ref. No.	Part No.	Description	Ctn. Qty.	List Price
Filter				
1	SX180K	System Base	1	\$102.21
2	ECX1108A	Pump Mounting Screw Kit	10	4.21
3	SX180LA	Drain Cap and Gasket	25	6.35
4	VLX210DA	Underdrain Assembly – VL210T1285S	1	38.71
5	SX202S	Sand Shield	25	5.00
6	SP0714T	MultiPort Valve	1	—
7	GMX600NM	Clamp Assembly	20	40.43
8	ECX271261	Pressure Gauge	100	20.90
9	GMX600F	Valve O-Ring	100	14.36
Pump				
1	SPX8100LDS	Strainer Cover Assembly	20	\$42.23
2	SPX8100S	Strainer Cover O-Ring	120	7.29
3	SPX8100M	Strainer Basket	10	13.00
4	SPX8100UNBPAK	Male Adapter Kit	20	15.59
5	SPX8100UNO	Male Adapter O-Ring	100	3.84
6	SPX8100AA	Pump Housing	4	74.80
7	SPX1700FG	Drain Plug Assembly	50	4.19
8	GMX600F	Seal Plate O-Ring	100	14.36
9	SPX8100R	Diffuser Gasket	100	3.37
10	SPX8100B	Diffuser	12	15.88
11	VLX1280TB	Impeller	15	27.90
12	SPX1600Z2	Shaft Seal Assembly	10	20.29
13	SPX8100E	Seal Plate	20	30.48
14	6060XZ1	Housing Screw Kit	1	10.86
15	VLX1285Z1C	Motor	1	285.48
16	SPX8100Z1	Motor Mounting Screw	50	4.65
—	VLX1280WAT	6' Cord Set	40	27.73
—	EPX1280WA1	3' Cord Set Twist Lock	40	41.98

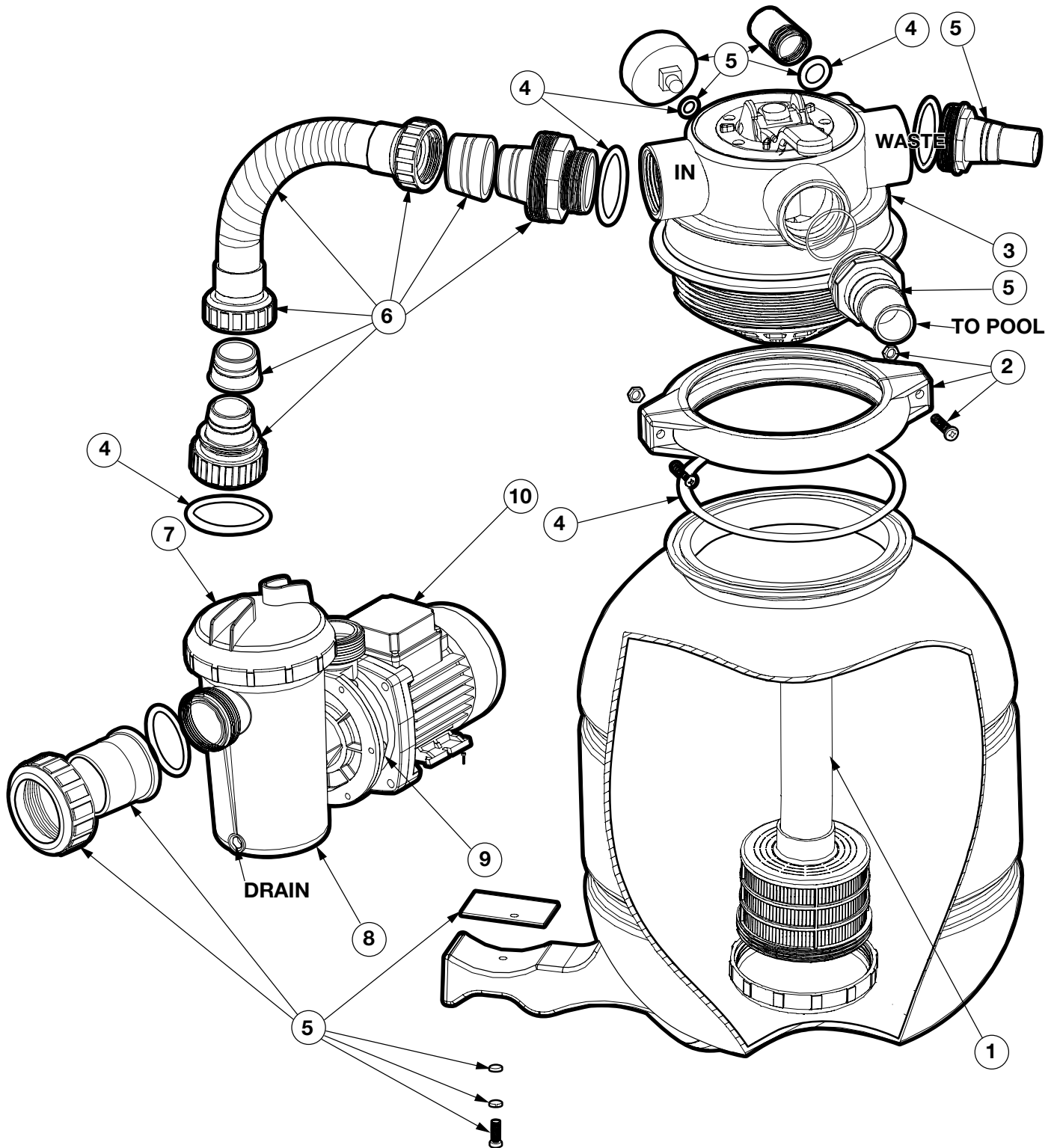
Filters

VL Series

REPLACEMENT PARTS

Parts Diagram

Filters



VL Series

REPLACEMENT PARTS

Parts Listing

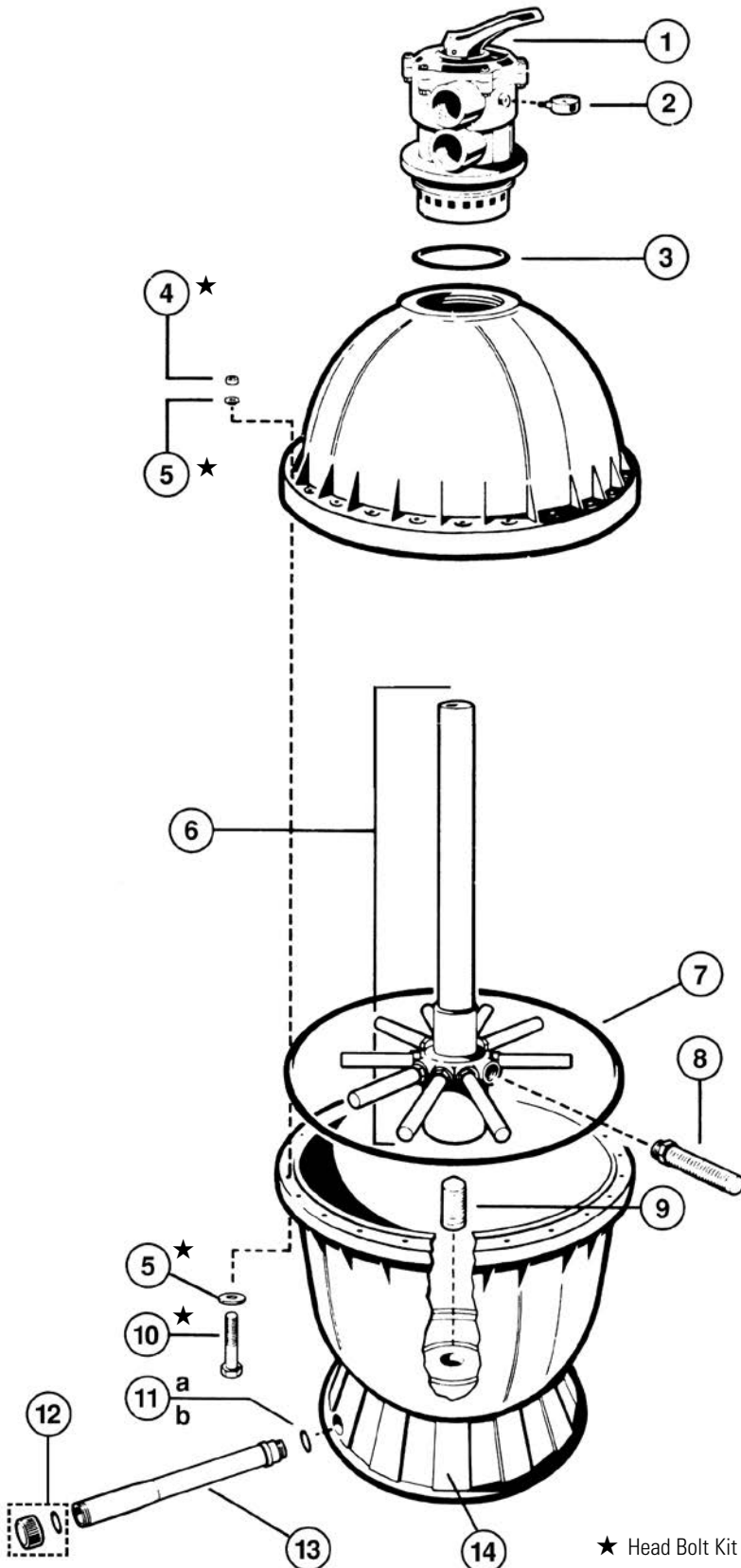
Ref. No.	Part No.	Description	Ctn. Qty.	No. Req'd	List Price
1	VLX4001A	Stand Pipe and Underdrain Assembly	8	1	\$18.94
2	VLX4002A	Clamp and Clamp Hardware	10	1	21.20
3	VLX4003A	Multi-Port Valve	4	1	130.62
4	VLX4004A	O-Ring Kit: All O-Rings on Strainer and Filter	10	1	15.73
5	VLX4005A	Accessory Kit: All Hose Adapters for Pump and Valve, Pressure Gauge, Sight Glass and Drain Plug with O-Ring	10	1	45.16
6	VLX4006A	Pump to Filter Hose including Adapters	10	1	28.32
7	VLX4007A	Strainer Lid, Basket with Handle and Strainer O-Ring	8	1	27.85
8	VLX4007K	Strainer Housing Kit: Strainer Housing with Drain Plug, O-Ring and Pump Interlocking Nut	4	1	46.29
9	VLX4008	Pump Shaft Seal and Pump Body O-Ring	10	1	26.08
10	VLX4009	Pump without Strainer	1	1	385.74

Filters

S160T

SAND FILTER SERIES REPLACEMENT PARTS

Parts Diagram



★ Head Bolt Kit (Includes #4, 5 & 10)

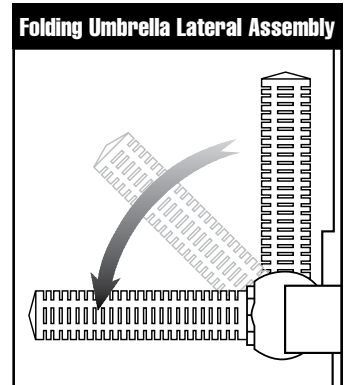
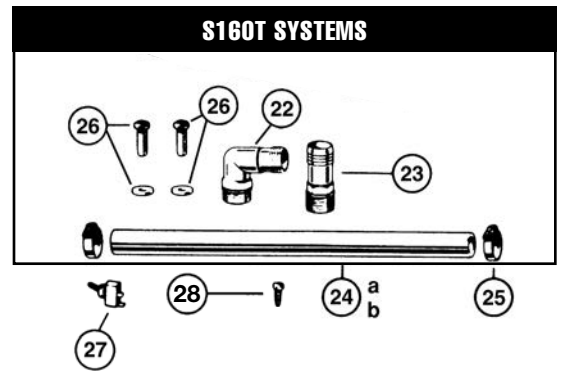
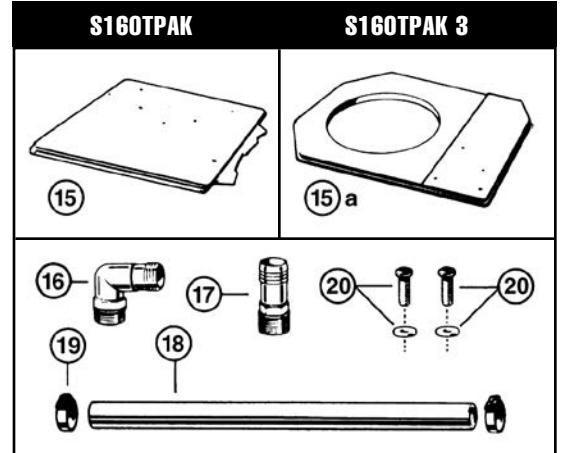


Diagram A

Parts Listing

Ref. No.	Part No.	Description	Ctn. Qty.	No. Req'd	List Price
1	SP07121	Vari-Flo Control Valve Assembly	1	1	—
2	ECX270861	Pressure Gauge	50	1	\$20.81
3	SX200Z6	O-Ring	50	1	14.11
4	ECX1642A	Tank Bolt Set	20	16	5.52
5	ECX1077	1/4" x 1 1/16" O.D. Flat Washer	50	32	1.01
6	SX160QA	Folding Lateral Assembly with Center Pipe – See Diagram A	1	1	89.95
7	SX160Z1	O-Ring	20	1	37.25
8	SX200QPAK10	Threaded Lateral	10	1	46.34
9	SX200H	Bottom Screen	10	1	5.22
10	ECX1642215	1/4" – 20 x 1 3/4" Hex. Head Bolt	25	16	3.20
11a	SX200Z5	Drain Pipe O-Ring, 1 3/16" O.D.	50	1	2.12
11b	SX200Z14	O-Ring, 1" O.D. (after 1980)	50	1	2.22
12	SX200Z8A	Drain Cap and Gasket	50	1	4.48
13	SX200EB	Drain Pipe Assembly (Includes Cap and Gasket)	50	1	21.32
14	SX200J	Filter Support Stand (Skirt)	1	1	85.86
★	ECX1642A	Head Bolt Kit (Includes #4, 5 and 10)	20	1	5.52

S160TPAK 1 and PAK 3

15	ECX1289	Standard Pump Mounting Base	1	1	Discont'd
15a	ECX1291	Pump and Filter Mounting Base	2	1	\$203.56
16	SPX1105Z4	1 1/2" Elbow Hose Adapter	50	1	6.40
17	SPX1091Z2PAK2	1 1/2" Straight Hose Adapter	10	1	8.45
18	SX201Z1	33" Long Hose	2	1	51.07
19	ECX18028	Hose Clamp	25	2	3.79
20	ECX1161Z2	Mounting Screw Set with Washer	10	2	6.99

S160T Systems

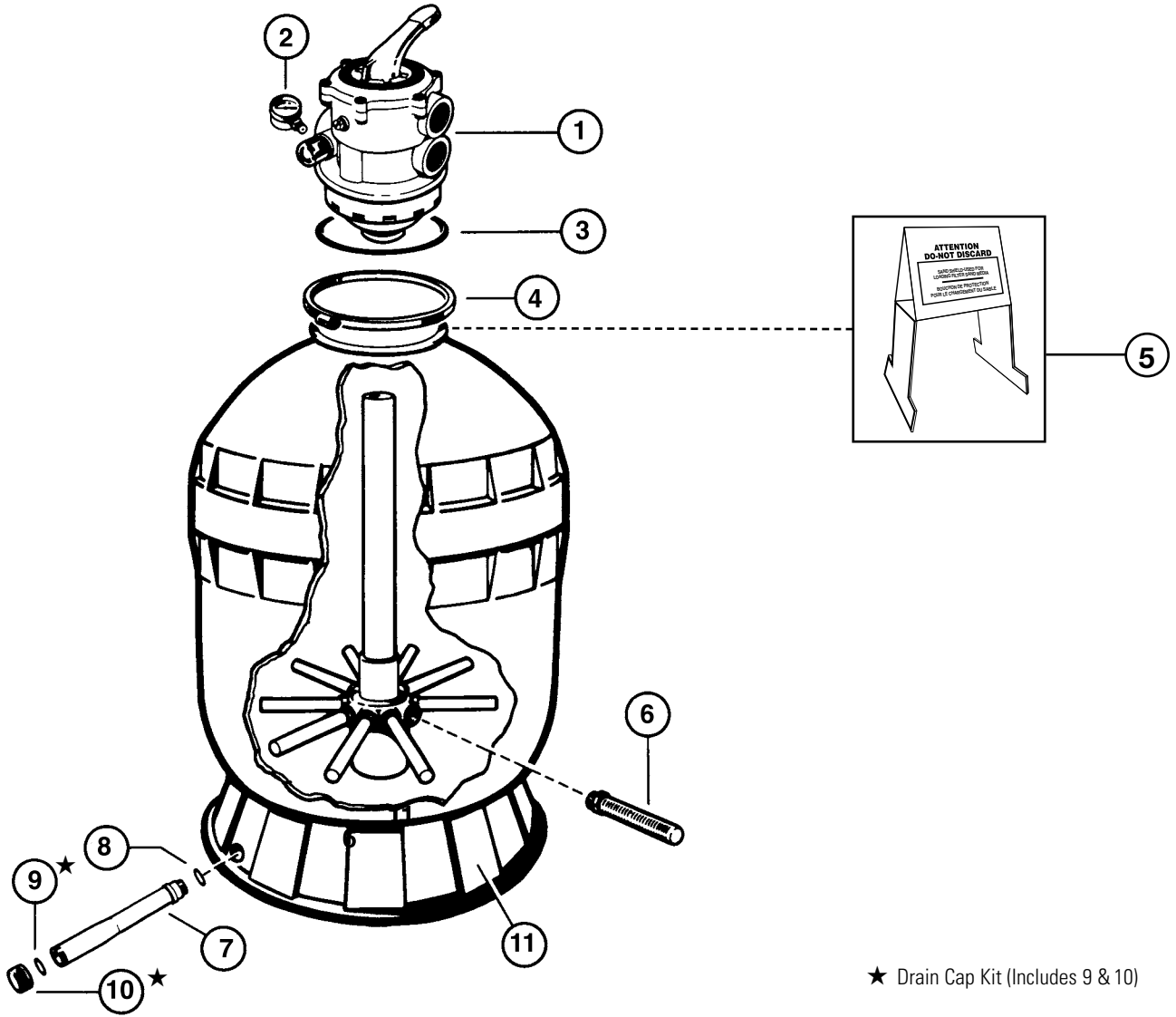
22	SPX1105Z4	1 1/2" Elbow Hose Adapter	50	1	\$6.40
23	SPX1091Z2PAK2	1 1/2" Straight Hose Adapter	10	1	8.45
24a	SX160Z4	26" Long Hose (1700 Systems)	2	1	45.06
24b	SX160Z3	31" Long Hose (1500 Systems)	1	1	45.33
25	ECX18028	Hose Clamp	25	2	3.79
26	ECX1161Z2	Mounting Screw Set with Washer	10	2	6.99
27	ECX1325	Switch Assembly	10	1	14.48
28	SPX1411Z3	Pan Head Hilo Screw	25	4	1.67
—	SPX1250WA	6 ft. Cord Kit for Pump	10	1	27.73

S245T & S190T

SAND FILTER SERIES REPLACEMENT PARTS

Parts Diagram

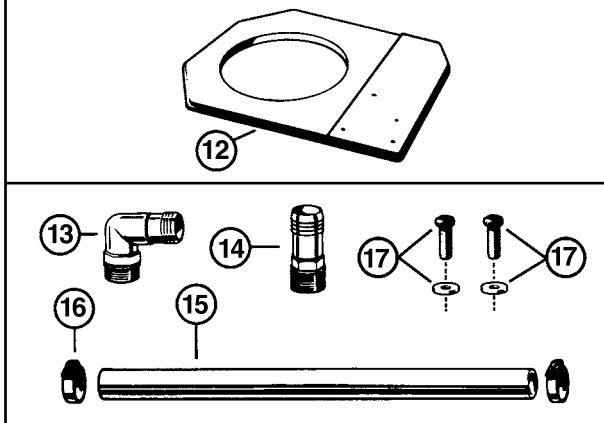
Filters



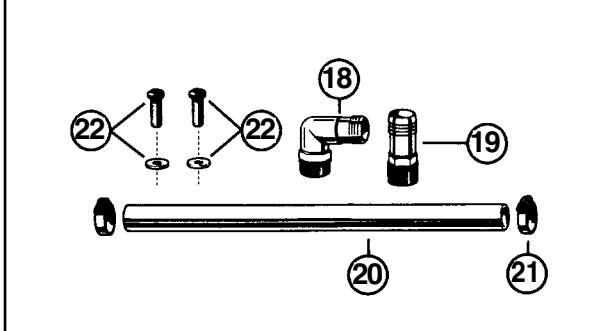
★ Drain Cap Kit (Includes 9 & 10)

S190T and S245T SERIES PAKS

S160TPAK 3



S190T SYSTEMS



S245T & S190T

SAND FILTER SERIES REPLACEMENT PARTS (Also GM-Series Nos. GM195, 225 and 245 – 1986 and prior)

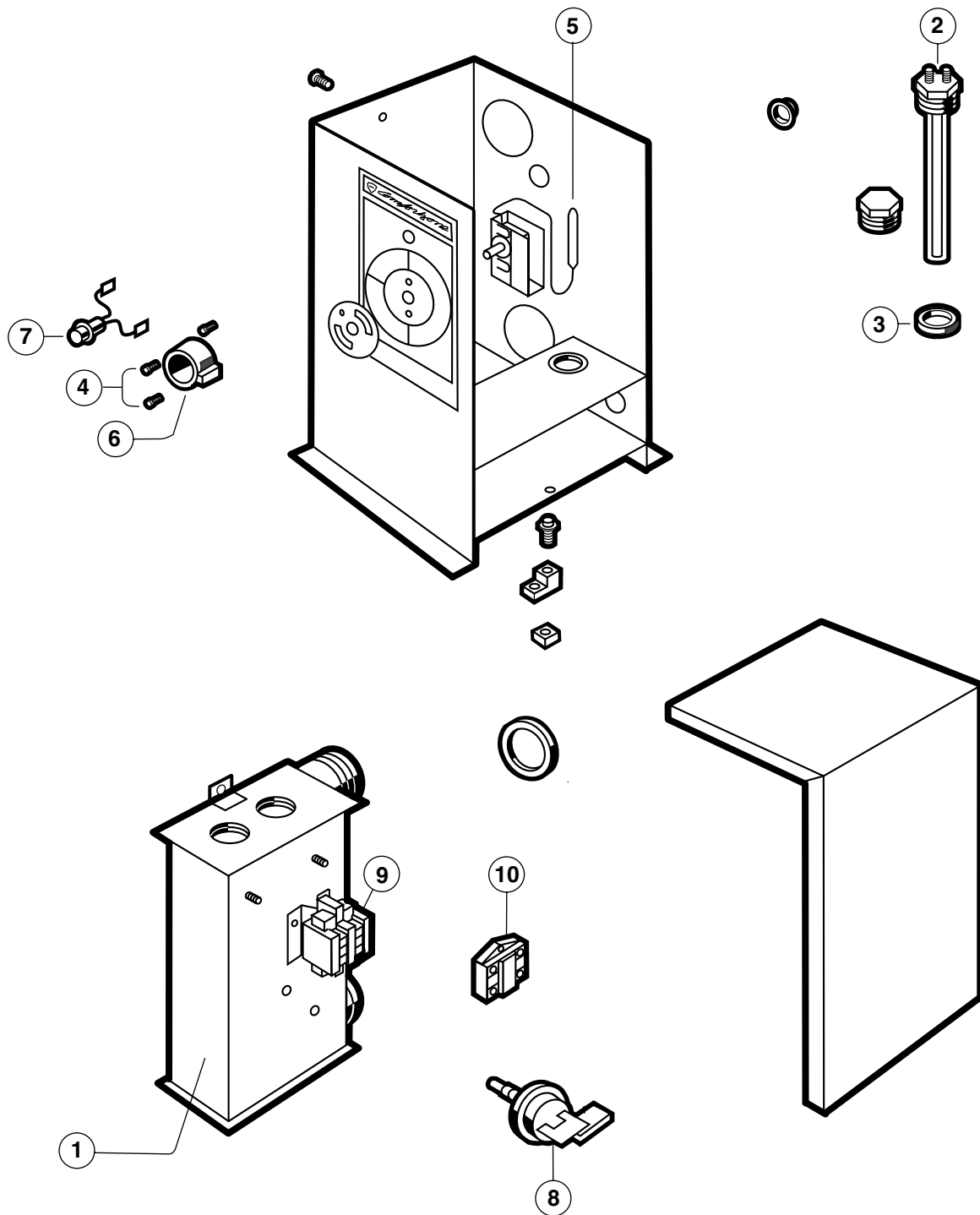
Parts Listing

Ref. No.	Part No.	Description	Ctn. Qty.	No. Req'd	List Price
S190T Series					
1	SP0714T	Vari-Flo XL Control Valve Assembly	1	1	—
2	ECX270861	Pressure Gauge	50	1	\$20.81
3	GMX600F	Valve/Tank O-Ring	100	1	14.36
4	GMX600N	Flange Clamp (Valve – Tank)	10	1	44.10
5	SX202S	Sand Shield	25	1	5.00
6	SX200PAK10	Threaded Lateral	10	1	46.34
7	SX200EB	Drain Pipe Assembly (Includes Cap and Gaskets, O-Rings)	50	1	21.32
8	SX200Z14	Drain Pipe O-Ring	50	1	2.22
9	SX200Z9	Drain Cap Gasket	25	1	1.43
10	SX200Z8A	Drain Cap Kit (Includes #9 & 10)	50	1	4.48
11	SX200J	Filter Support Stand	1	1	85.86
S245T Series (not illustrated) – Parts same as S190T, except:					
6	SX240DPAK10	Threaded Lateral	10	1	\$48.58
S160TPAK1 and PAK3					
12	ECX1291	Pump and Filter Mounting Base	2	1	\$203.56
13	SPX1105Z4	1 1/2" Elbow Hose Adapter	50	1	6.40
14	SPX1091Z2PAK2	1 1/2" Straight Hose Adapter	10	1	8.45
15	SX201Z1	33" Long Hose	2	1	51.07
16	ECX18028	Hose Clamp	25	2	3.79
17	ECX1161Z2	Mounting Screw Set with Washer	10	2	6.99
S190T Systems					
18	SPX1105Z4	1 1/2" Elbow Hose Adapter	50	1	\$6.40
19	SPX1091Z2PAK2	1 1/2" Straight Hose Adapter	10	1	8.45
20	SX160Z3	31" Long Hose	1	1	45.33
21	ECX18028	Hose Clamp	25	2	3.79
22	ECX1161Z2	Mounting Screw Set with Washer	10	2	6.99

C-Spa XI Models 1.5 – 5.5 – 11

HEATER REPLACEMENT PARTS

Parts Diagram



C-Spa XI Models 1.5 – 5.5 – 11

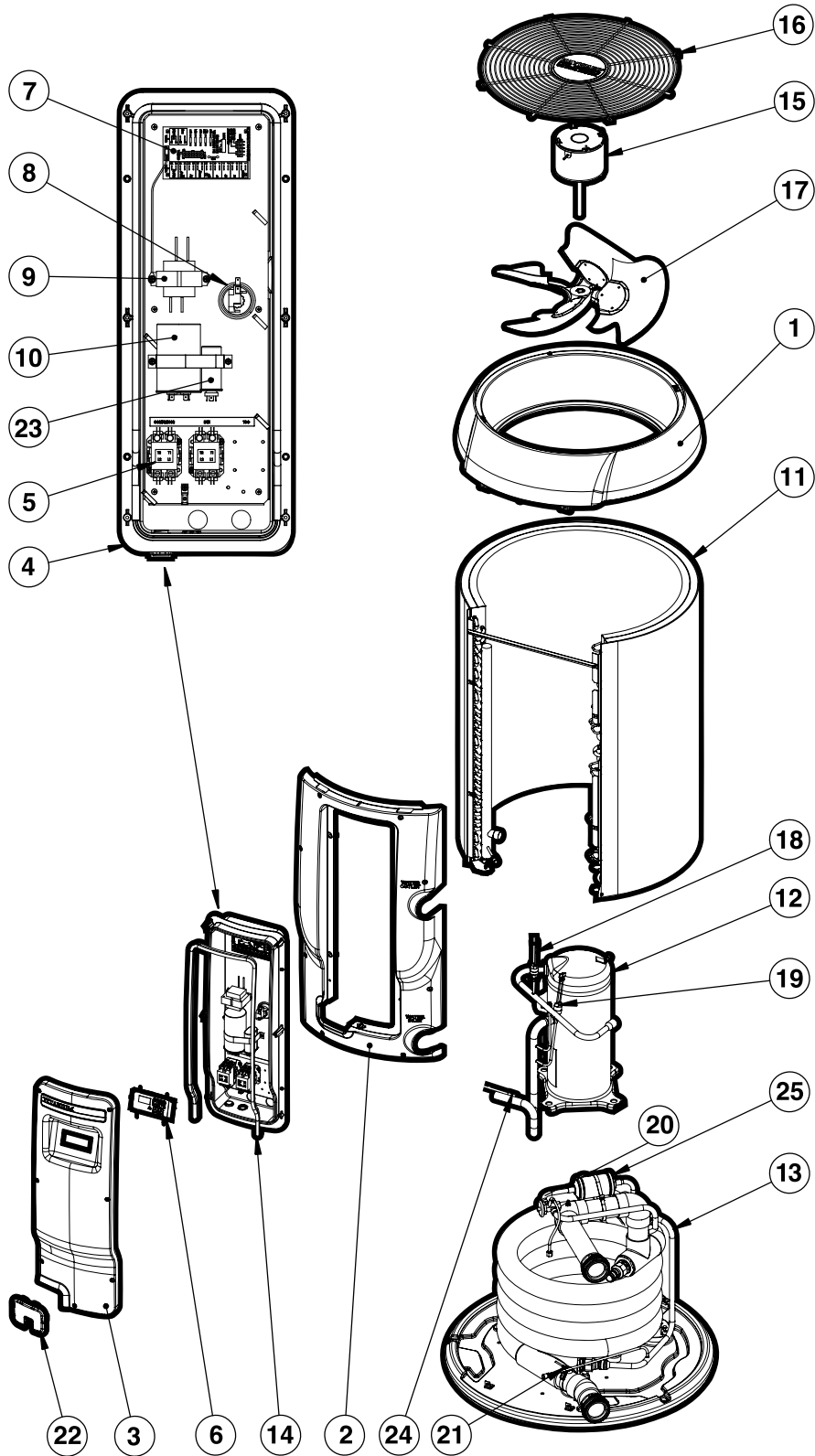
HEATER REPLACEMENT PARTS

Parts Listing

Ref. No.	Part No.	Description	Ref. No.	Part No.	Description
1	CZXTNK6607	Tank	6	CZXTSK2003	Thermostat Knob
2	CZXELE7623	Element – 5500 watts 240 volts	7	CZXLIT3613	Indicator Light 240 volts
3	CZXGKT7627	Element Gasket	8	CZXPRS1105	Pressure Switch
4	CZXSCR3003	Thermostat Screw	9	CZXCON3645	Contactator
5	CZXTST3006	Thermostat	10	CZXHLC3105	High Limit

Parts Diagram: HP20654T, HP20654BT, HP20854BT, HP20854T, HP21104T, HP21104TC

Heating



Parts Listing: HP20654T, HP20654BT, HP20854T, HP20854BT, HP21104T, HP21104TC

Ref. No.	Part No.	Description	List Price
1	HPX01023502	Fan Top for HP20654T, HP20854T, HP21104T and HP21104TC	\$95.93
2	HPX01023503	Side Panel for HP20654T, HP20854T, HP21104T and HP21104TC	59.42
3	HPX01023504	Control Box Cover	73.18
4	HPX01023505	Control Box	99.08
5	HPX1985	Contactora	60.74
6	HPX26024139	Control Board Assembly	204.08
7	HPX11024130	Interface Board	98.20
8	HPX2181	Water Pressure Switch	51.19
9	HPX11023693	Transformer	43.07
10	HPX11024270	Compressor Run Capacitor for HP20654T and HP20654BT	32.77
10	HPX11024272	Compressor Run Capacitor for HP20854T and HP20854BT	36.96
10	SMX11022320	Compressor Run Capacitor for HP21104T and HP21104TC	43.41
11	HPX24024238	Bent Coil with Guard for HP20654T and HP20854T	1,630.63
11	HPX24024241	Bent Coil with Guard for HP21104T and HP21104TC	2,038.68
12	HPX11024257	Compressor for HP20654T and HP20654BT	1,586.36
12	HPX11024204	Compressor for HP20854T and HP20854BT	1,516.16
12	HPX11024203*	Compressor for HP21104T and HP21104TC	1,750.20
12	SMX11012753**	Compressor for HP21104T and HP21104TC	1,571.44
13	HPX24012850	Condenser for HP21104T	1,566.09
13	HPX24012851	Condenser for HP21104TC and HP21104TC	1,566.09
13	HPX24024712	Condenser for HP20654T, HP20854T, HP20654BT and HP20854BT	1,566.09
14	HPX05023549	Cover Gasket	21.91
15	HPX11023564	Fan Motor, 1/3 H.P.	273.22
16	HPX01023561	Fan Guard	84.04
17	HPX15024321	Fan Blade	104.97
18	HPX11024258	High Pressure Switch	50.38
19	HPX11024259	Low Pressure Switch	53.85
20	HPX15012844	Thermostatic Expansion Valve for HP20654T and HP20654BT	118.81
20	HPX15012843	Thermostatic Expansion Valve for HP20854T and HP20854BT	118.81
20	HPX15012842*	Thermostatic Expansion Valve for HP21104T and HP21104TC	219.46
20	HPX15012852**	Thermostatic Expansion Valve for HP21104T and HP21104TC	118.81
21	HPX2169	Temperature Sensor	36.34
22	HPX01023760	Electrical Entry Plug	17.97
23	HPX11024151	Fan Run Capacitor	22.26
24	HPX11024169	Defrost Sensor	28.27
25	HPX1462	Filter Drier	78.40

NOT PICTURED

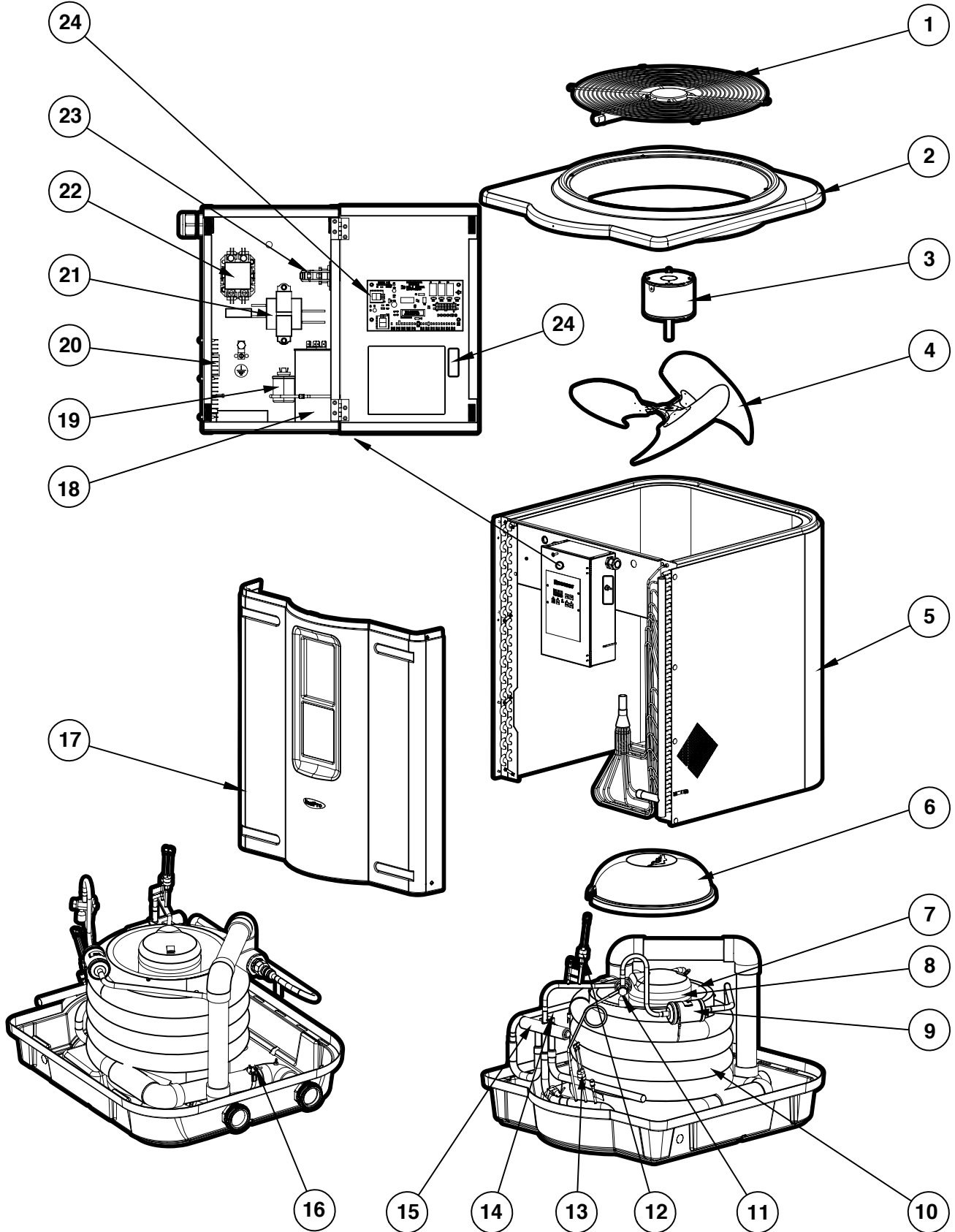
—	HPX10023517	HPC Cable	\$37.62
—	HPX02024108	Compressor Blanket	99.60
—	HPX0054	Compressor Mount Kit	22.55
—	HPX10024732	Compressor Electrical Plug for HP20654T and HP20654BT	27.09
—	HPX10024289*	Compressor Electrical Plug for HP20854T, HP21104T, HP20854BT and HP21104TC	28.39
—	HPX10024732**	Compressor Electrical Plug for HP21104T and HP21104TC	27.09
—	SMX15026191	Hot Gas Bypass Valve for HP21104TC	266.37

NOTES: *Used on units prior to s/n 21131410102317001

**Used on units after s/n 21131410102458001

Parts Diagram: HP21404T, HP21004T, HP21254T, HP31154T, HP31204T, HP21124T

Heating



Parts Listing: HP21404T, HP21004T, HP21254T, HP31154T, HP31204T, HP21124T

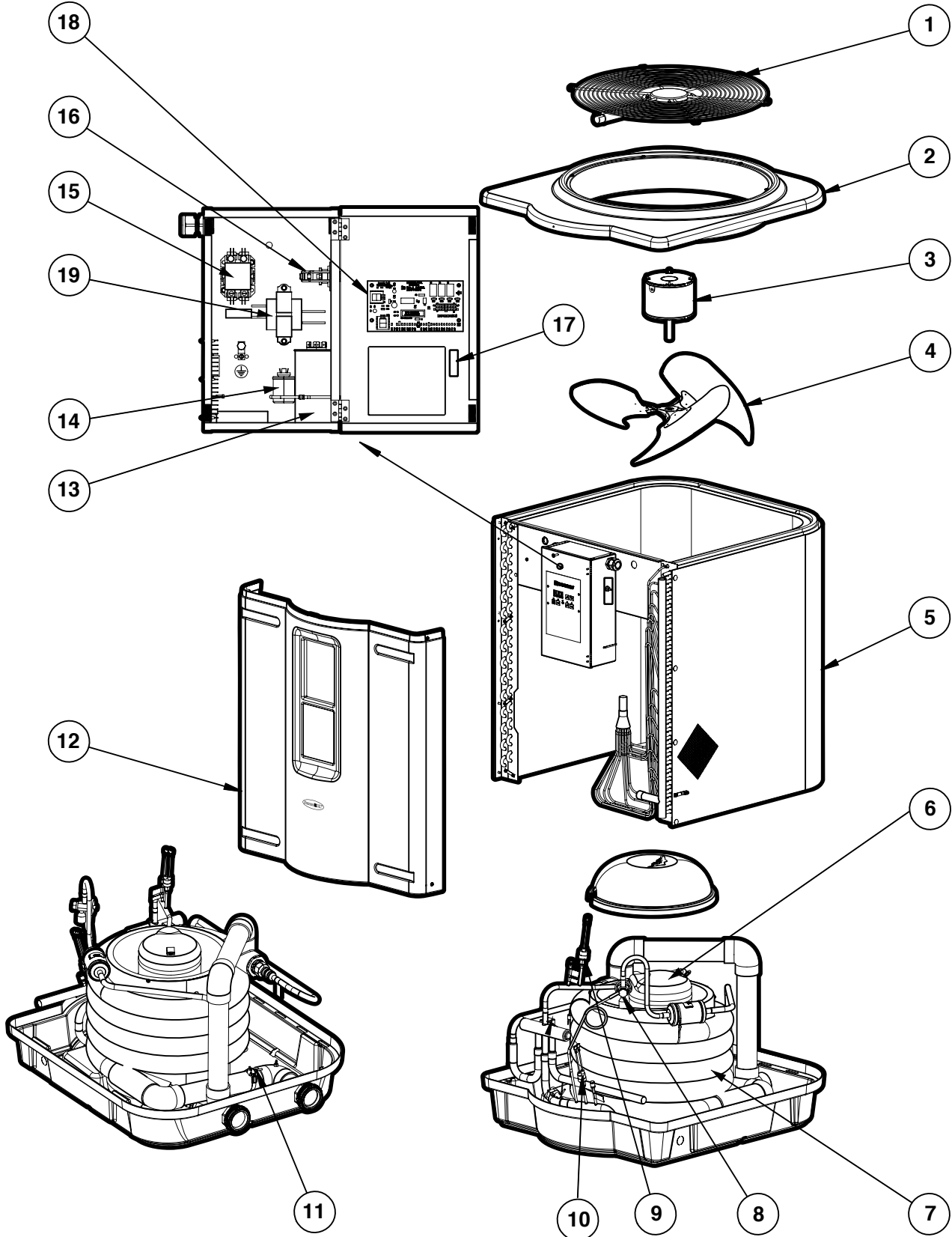
Ref. No.	Part No.	Description	List Price
1	SMX305000004	Fan Guard	\$96.28
2	SMX309077011	Top Panel	500.83
3	SMX300055036	Fan Motor	225.96
4	SMX303140003	Fan Blade	210.50
5	SMX305099004	Evaporator for HP21404T	3,383.86
	SMX240244008	Evaporator for HP31154T, HP21254T, HP21124T and HP31204T	2,115.70
	SMX24024414	Evaporator for HP21004T	1,665.92
6	SMX11017204	Compressor for HP21004T prior to serial number 21131501105230001	1,549.65
	SMX301150010	Compressor for HP21124T prior to serial number 21131501102140001	2,255.02
	SMX11024201	Compressor for HP21254T prior to serial number 21131405101250001	2,417.61
	SMX11024201	Compressor for HP21404T prior to serial number 21131404105240001	2,417.61
	SMX301150010	Compressor for HP31154T	2,255.02
	SMX11012754	Compressor for HP31204T	1,534.31
	SMX11012751	Compressor for HP21004T after serial number 21131501105230001	1,571.44
	SMX11012753	Compressor for HP21124T after serial number 21131501102140001	1,571.44
	SMX11012755	Compressor for HP21254T after serial number 21131405101250001	1,571.44
	SMX11012755	Compressor for HP21404T after serial number 21131404105240001	1,571.44
	SMX10024715	Compressor Plug (not shown) for HP21004T prior to serial number 21131501105230001	39.72
	SMX10024715	Compressor Plug (not shown) for HP21124T prior to serial number 21131501102140001	39.72
	SMX10024715	Compressor Plug (not shown) for HP21254T prior to serial number 21131405101250001	39.72
	SMX10024715	Compressor Plug (not shown) for HP21404T prior to serial number 21131404105240001	39.72
	SMX10024715	Compressor Plug (not shown) for HP31154T	39.72
	SMX10024899	Compressor Wire Harness (not shown) for HP31204T	40.73
	SMX10022329	Compressor Plug (not shown) for HP21004T after serial number 21131501105230001	42.47
	SMX10022329	Compressor Plug (not shown) for HP21124T after serial number 21131501102140001	42.47
	SMX10022329	Compressor Plug (not shown) for HP21254T after serial number 21131405101250001	42.47
	SMX10022329	Compressor Plug (not shown) for HP21404T after serial number 21131404105240001	42.47
7	HPX1462	Filter – Drier for all except HP31204T and HP31154T	78.40
	SMX15022309	Filter – Drier for HP31204T and HP31154T	76.55
8	SMX24024864	Heat-Exchanger for HP21404T	1,918.82
	SMX24024942	Heat-Exchanger for HP31154T	2,223.28
	SMX24022306	Heat Exchanger for HP31204T	1,916.68
	SMX24022371	Heat Exchanger for HP21254T	1,665.67
	SMX24022372	Heat Exchanger for HP21004T	1,665.67
	SMX24024509	Heat Exchanger for HP21124T	1,665.67
9	SMX15024595	Thermal Expansion Valve (TXV) for HP21004T prior to serial number 21131501105230001	123.53
	SMX15024595	Thermal Expansion Valve (TXV) for HP21124T prior to serial number 21131501102140001	123.53
	SMX15024907	Thermal Expansion Valve (TXV) for HP21254T prior to serial number 21131405101250001	123.53
	SMX15024907	Thermal Expansion Valve (TXV) for HP21404T prior to serial number 21131404105240001	123.53
	SMX15024595	Thermal Expansion Valve (TXV) for HP31154T	123.53
	SMX15024595	Thermal Expansion Valve (TXV) for HP31204T	123.53
	SMX15012865	Thermal Expansion Valve (TXV) for HP21004T after serial number 21131501105230001	123.53
	SMX15022368	Thermal Expansion Valve (TXV) for HP21124T after serial number 21131501102140001	223.87
	SMX15024595	Thermal Expansion Valve (TXV) for HP21254T after serial number 21131405101250001	123.53
	SMX15024916	Thermal Expansion Valve (TXV) for HP21404T after serial number 21131404105240001	123.53
10	HPX11024258	High Pressure Switch	50.38
11	HPX11024259	Low Pressure Switch	53.85
12	SMX306000023	Defrost Sensor	32.08
13	SMX15024966	Solenoid Coil for HP31154T	36.27
14	SMX306000024	Water Temperature Sensor for HP21404T, HP21004T, HP21254T and HP21124T	32.08
	SMX11024957	Water Temperature Sensor for HP31154T and HP31204T	58.48
15	SMX309099016	Front Panel for HP21404T	431.47
	SMX309099013	Front Panel for HP31154T and HP31204T	392.81
	SMX309099023	Front Panel for HP21004T, HP21254T and HP21124T	392.81
16	SMX11022320	Compressor Run Capacitor	43.41
17	HPX11024151	Fan Capacitor	22.26
18	HPX11023509	Interface Board for HP31154T and HP31204T	106.45
19	HPX11023693	Transformer	43.07
20	HPX1985	Contactors	60.74
21	HPX2181	Water Pressure Switch	51.19
22	SMX306000016	Control Board for HP21404T, HP21004T, HP21124T and HP21254T	312.69
	SMX11023511	Control Board for HP31154T and HP31204T	200.70
23	SMX1101191101	Master On/Off Switch	17.73
24	HAXTBK1931	Terminal Block	16.18
NOT PICTURED			
	HPX10023517	Control Board Cable for HP31154T and HP31204T	\$37.62
	SMX14024927	Consumer Kit	40.23
	SMX300055113	Cover-Winter	64.32
	SMX150 22324	Charge Compensator for HP31204T	90.78
	SMX15024941	Reversing Valve for HP31154T	665.68
—	SMX15022313	Reversing Valve for HP31204T	695.97

Summit XL

HEAT PUMP REPLACEMENT PARTS

Parts Diagram: SUMXL112, SUMXL140

Heating



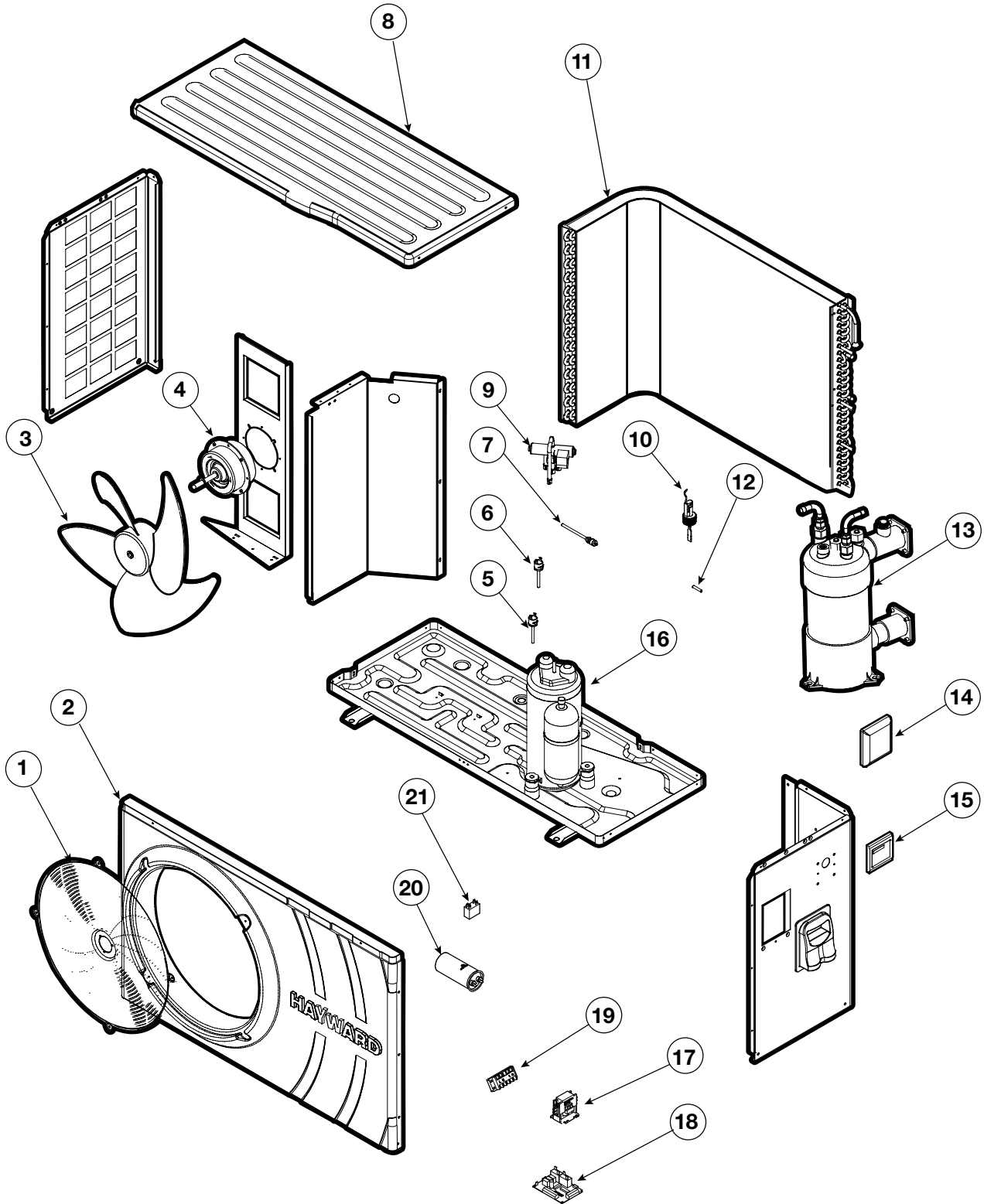
Parts Listing: HP21404T, HP21004T, HP21254T, HP31154T, HP31204T, HP21124T

Ref. No.	Part No.	Description	List Price
1	SMX305000004	Fan Guard	\$96.28
2	SMX309077011	Top Panel	500.83
3	SMX300055036	Fan Motor	225.96
4	SMX303140003	Fan Blade	210.50
5	SMX305099004	Evaporator for SUMXL140	3,383.86
	SMX24024408	Evaporator for SUMXL112	2,115.70
6	SMX11012753	Compressor for SUMXL112	1,571.44
	SMX11012755	Compressor for SUMXL140	1,571.44
	SMX10022329	Compressor Plug (not shown) for SUMXL112	42.47
	SMX10022329	Compressor Plug (not shown) for SUMXL140	42.47
7	SMX24024864	Heat-Exchanger for SUMXL140	1,918.82
	SMX24024509	Heat Exchanger for SUMXL112	1,665.67
8	SMX15022368	Thermal Expansion Valve (TXV) for SUMXL112	223.87
	SMX15024916	Thermal Expansion Valve (TXV) for SUMXL140	123.53
9	HPX11024258	High Pressure Switch	50.38
10	HPX11024259	Low Pressure Switch	53.85
11	SMX306000024	Water Temperature Sensor	32.08
12	SMX309099016	Front Panel for SUMXL140	431.47
	SMX309099023	Front Panel for SUMXL112	392.81
13	SMX11022320	Compressor Run Capacitor	43.41
14	HPX11024151	Fan Capacitor	22.26
15	HPX1985	Contactora	60.74
16	HPX2181	Water Pressure Switch	51.19
17	SMX1101191101	Master On/Off Switch	15.00
18	SMX306000016	Control Board	312.69
19	HPX11023693	Transformer	43.07
NOT PICTURED			
—	SMX306000023	Defrost Sensor	\$32.08
—	HAXTBK1931	Terminal Block	16.18

HP50HA

HEAT PUMP REPLACEMENT PARTS

Parts Listing: HP50HA



Parts Listing: HP50HA

Ref. No.	Part No.	Description	List Price
1	HPX20000-220188	Fan Guard	\$28.32
2	HPX32012-220044	Front Panel Cover	196.07
3	HPX3500-2701	Fan Blade	32.28
4	HPX20000-330124	Fan Motor	206.64
5	HPX2000-3603	Low Pressure Switch	27.04
6	HPX2001-3605	High Pressure Switch	27.04
7	HPX20000-140153	Needle Valve	16.33
8	HPX32012-220045	Top Panel Cover	107.28
9	HPX2001-1418	4 Way Valve	87.78
10	HPX20000-360005	Water Pressure Switch	55.03
11	HPX32012-120037	Evaporator	662.28
12	HPX2000-3242	Temperature Sensor	6.82
13	HPX32012-120014	Titanium Tube Heat Exchanger	946.09
14	HPX2000-2111	Water Proof Cover for Display	30.06
15	HPXLCD50	LCD Control Display	234.56
16	HPX20000-110041	Compressor	1,461.37
17	HPX20000-360006	Contactora	35.56
18	HPXMCB50	Main Control Board	112.70
19	HPX2001-3907	Wiring Terminal	19.82
20	HPX2000-3505	Compressor Capacitor	32.65
21	HPX20000-350012	Fan Capacitor	7.85

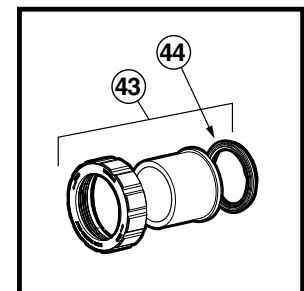
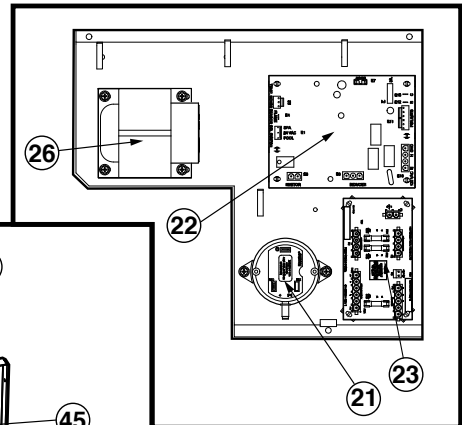
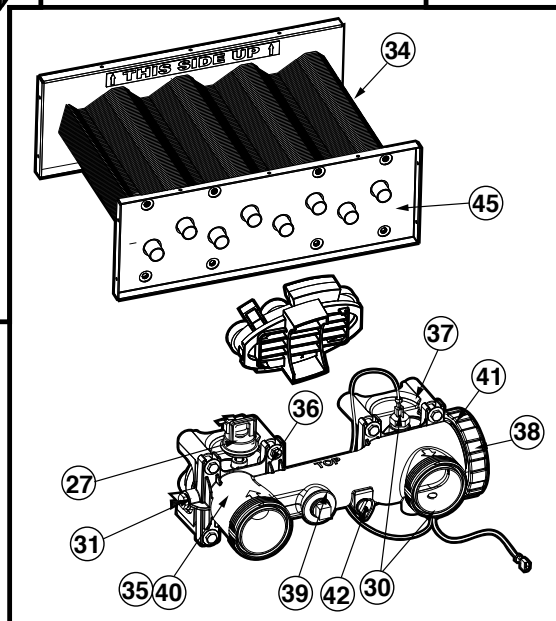
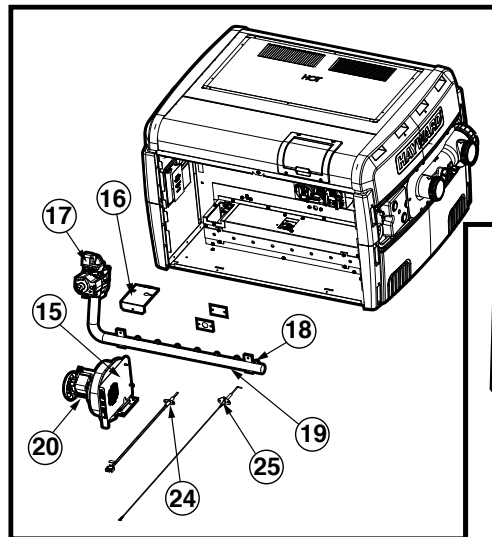
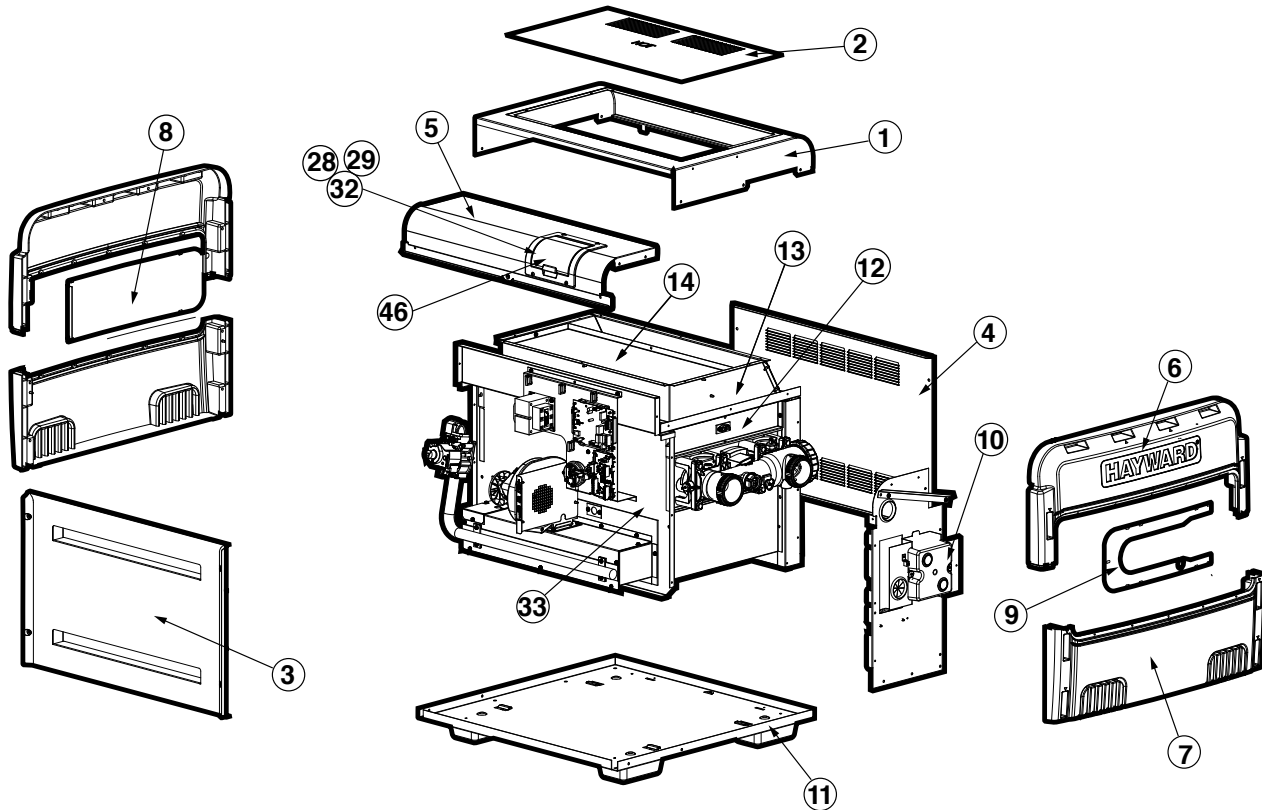
NOT SHOWN

—	HPX2001-1351	Drain Plug	\$3.20
---	--------------	------------	--------

Universal H-Series Low NOx

REPLACEMENT PARTS

Parts Diagram: H150FD, H200FD, H250FD, H300FD, H350FD, H400FD, H500FD



Universal H-Series Low NOx

REPLACEMENT PARTS

Parts Listing: H150FD, H200FD, H250FD, H300FD, H350FD, H400FD, H500FD

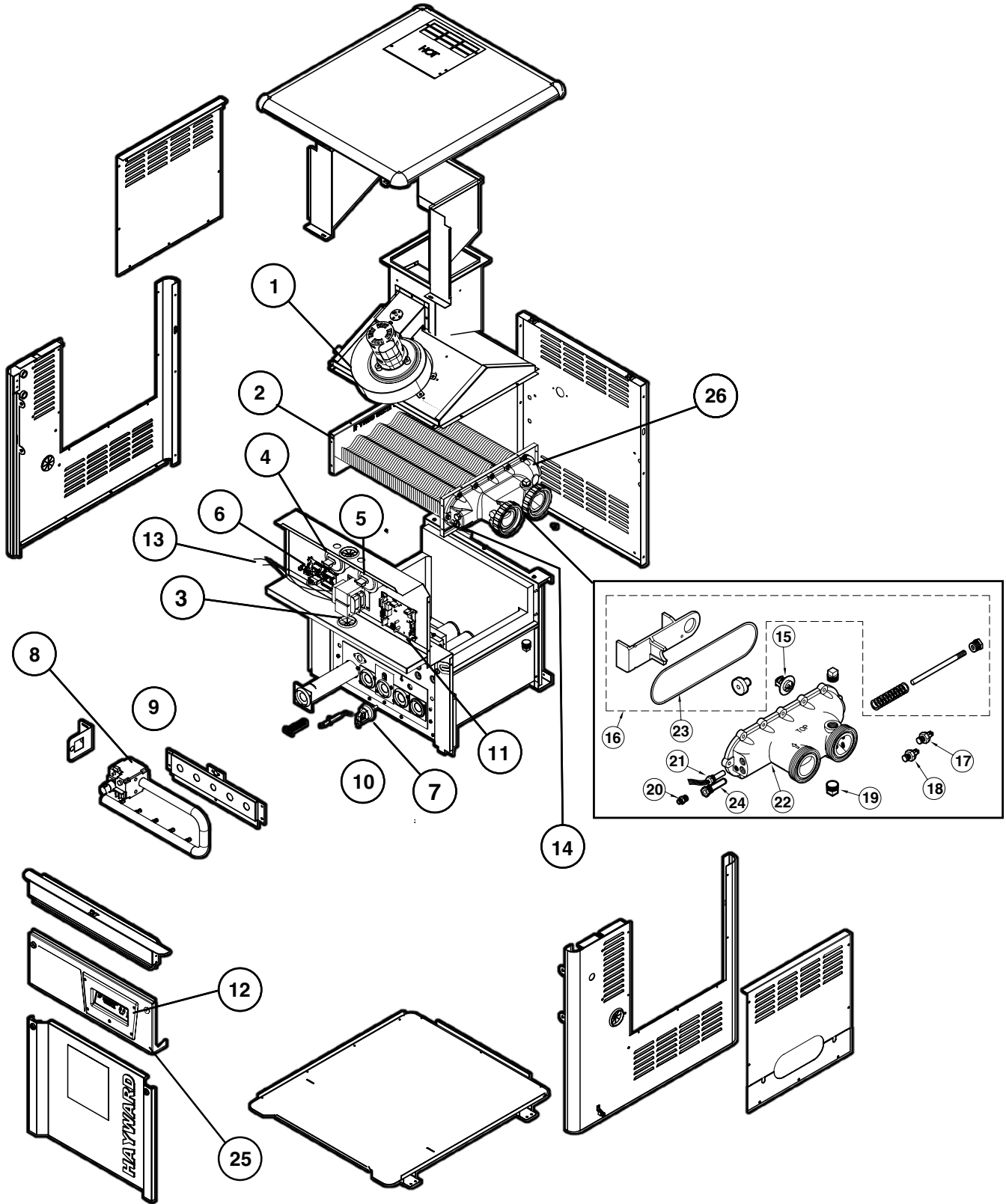
Ref. No.	Part No.	Description	Ref. No.	Part No.	Description	Ref. No.	Part No.	Description
1	FDXLJK1150	Jacket Top and Flue Cover – H150FD	14	FDXLHBP1500	Heat Barrier Panel – H500FD	—	FDXLCKN0004	Conversion Kit – LP to NA, H500FD
1	FDXLJK1200	Jacket Top and Flue Cover – H200FD	15	FDXLBBN1150	Blower Inlet Baffle – H150FD	—	FDXLDRV1930A	Drain Valve, ASME
1	FDXLJK1250	Jacket Top and Flue Cover – H250FD1	15	FDXLBBN1200	Blower Inlet Baffle – H200FD	—	FDXLFSK1930	Fuse Service Kit – FD
1	FDXLJK1250A	Jacket Top, Gray, ASME – H250FD	15	FDXLBBN1250	Blower Inlet Baffle – H250FD	—	FDXLFSKC30	Fuse Kit, 3.0A, for Integrated Control Board (Qty. 10)
1	FDXLJK1300	Jacket Top and Flue Cover – H300FD	15	FDXLBBN1300	Blower Inlet Baffle – H300FD	—	FDXLFSKF15	Fuse Kit, 1.5A, for Field Wiring Panel (Qty. 10)
1	FDXLJK1350	Jacket Top and Flue Cover – H350FD	15	FDXLBBN1350	Blower Inlet Baffle – H350FD	—	FDXLFSKF25	Fuse Kit, 2.5A, for Field Wiring Panel (Qty. 10)
1	FDXLJK1400	Jacket Top and Flue Cover – H400FD	15	FDXLBBN1400	Blower Inlet Baffle – H400FD	—	FDXLFSKF30	Fuse Kit, 3.0A, for Field Wiring Panel (Qty. 10)
1	FDXLJK1400A	Jacket Top, Gray, ASME – H400FD	15	FDXLBBN1500	Blower Inlet Baffle – H500FD	—	FDXLGND1930	Heat Exchanger Bonding Kit
1	FDXLJK1500	Jacket Top and Flue Cover – H500FD	16	FDXLIAC1930	Ignitor Access Cover	—	FDXLGSK1930	Gasket Kit – Air Side (all models)
1	FDXLJK1500A	Jacket Top, Gray, ASME – H500FD	17	FDXLGSV0001	Gas Valve Natural Gas – FD	—		includes:
2	FDXLTF1150	Top/Flue Cover – H150FD	17	FDXLGSV0002	Gas Valve Propane Gas – FD			Gasket, Blower Mounting
2	FDXLTF1200	Top/Flue Cover – H200FD	17	FDXLGSV1500N	Gas Valve Natural Gas – H500FD Only			Gasket, Ignitor Cover
2	FDXLTF1250	Top/Flue Cover – H250FD	17	FDXLGSV1500P	Gas Valve Propane Only – H500FD Only			Gasket, Cover/Air Box Front
2	FDXLTF1250A	Top/Flue Cover, Gray, ASME – H250FD	18	FDXLBN1930	Burner Orifice Kit Natural Gas – FD			Gasket, Manifold/Air Box
2	FDXLTF1300	Top/Flue Cover – H300FD	18	FDXLBN1930	Burner Orifice Kit Propane Gas – FD			Gasket Kit – Exhaust Side (all models)
2	FDXLTF1350	Top/Flue Cover – H350FD	18	FDXLBN1500	Burner Orifice Kit Natural Gas – H500FD Only	—	FDXLGSK1931	includes:
2	FDXLTF1400	Top/Flue Cover – H400FD	18	FDXLBNP1500	Burner Orifice Kit Propane Gas – H500FD Only			Gasket, Flue Collector Side
2	FDXLTF1400A	Top/Flue Cover, Gray, ASME – H400FD	19	FDXLGCK1150NP	Conversion Kit, NA to LP, H150FD			Gasket, Rain Guard Side
2	FDXLTF1500	Top/Flue Cover – H500FD	19	FDXLGCK1150NP	Conversion Kit, LP to NA, H150FD			Gasket, Rain Guard Bottom Side
2	FDXLTF1500A	Top/Flue Cover, Gray, ASME – H500FD	19	FDXLGCK1200NP	Conversion Kit, NA to LP, H200FD			Gasket, Flue Collector Top
3	FDXLFAD1150†	Front Access Door Assembly – H150FD	19	FDXLGCK1200NP	Conversion Kit, NA to LP, H200FD			Gasket, Rain Guard Front and Rear
3	FDXLFAD1200†	Front Access Door Assembly – H200FD	19	FDXLGCK1250NP	Conversion Kit, NA to LP, H250FD			Gasket, Rain Guard Bottom Front and Rear
3	FDXLFAD1250†	Front Access Door Assembly – H250FD	19	FDXLGCK1250NP	Conversion Kit, LP to NA, H250FD	—	FDXLGSK1933	Insulation, Return Side Tube Sheet – FD
3	FDXLFAD1250A†	Front Door Assembly, Gray, ASME – H250FD	19	FDXLGCK1300NP	Conversion Kit, NA to LP, H300FD	—	FDXLHAK1930	Conversion Kit, H150FD-H400FD High-Altitude, 2,000-10,100 ft
3	FDXLFAD1300†	Front Access Door Assembly – H300FD	19	FDXLGCK1300NP	Conversion Kit, LP to NA, H300FD			1/8" NPT Brass Plug
3	FDXLFAD1350†	Front Access Door Assembly – H350FD	19	FDXLGCK1350NP	Conversion Kit, NA to LP, H350FD	—	FDXLPLG1930	Tie-Down Kit – FD
3	FDXLFAD1400†	Front Access Door Assembly – H400FD	19	FDXLGCK1350NP	Conversion Kit, LP to NA, H350FD	—	FDXLTKD1930	ASME Union Flange Kit
3	FDXLFAD1400A†	Front Door Assembly, Gray, ASME – H400FD	19	FDXLGCK1400NP	Conversion Kit, LP to NA, H400FD	—	FDXLTKD1930A	(includes Flange Fittings, Bolts, Gaskets)
3	FDXLFAD1401†	Rear Access Door Assembly – H150FD	19	FDXLGCK1400NP	Gas Conversion Kit, LP to NA, H500FD	—	FDXLVPS1930	Vent Pressure Switch, Indoor, 0–2,000 ft
3	FDXLFAD1401A†	Rear Access Door Assembly – H200FD	19	FDXLGCK1500NP	Gas Conversion Kit, LP to NA, H500FD	—	FDXLVPS1931	Vent Pressure Switch, Indoor, 2,000–10,100 ft
3	FDXLFAD1401A†	Rear Access Door Assembly – H250FD	20	FDXLBWR1930	Combustion Blower – FD	—	FDXLVJS1930	Voltage Selector Jumpers
3	FDXLFAD1401A†	Rear Access Door Assembly – H300FD	20	FDXLBWR1930	Combustion Blower – H500FD Only	—	FDXLWHA0001*	Wiring Harness Kit Complete – FD
3	FDXLFAD1401A†	Rear Access Door Assembly – H350FD	21	FDXLBVS1930	Blower Vacuum Switch	—	FDXLWHA1930**	Wiring Harness Kit Complete – FD
3	FDXLFAD1401A†	Rear Access Door Assembly – H400FD	22	FDXLICB1930	Integrated Control Board – FD	—	IDXLTMB1931	Terminal Block – Remote Connection
3	FDXLFAD1500	Front Access Door Assembly – H500FD	23	FDXLFWP1930	Field Wiring Panel – FD	—	UHXTFP1930	Water Flow Switch and Temp/Press Gauge Kit
3	FDXLFAD1500A	Front Door Assembly, Gray, ASME – H500FD	24	FDXLIGN1930	Ignitor – FD	—	UHXFSW1930	Water Flow Switch Kit
4	FDXLRAD1150	Rear Access Door Assembly – H150FD	25	IDXLFLS1930	Flame Sensor	—	UHXHD8ELBOW	Heatfab Stainless Vent Kit, 6" 90° Elbow
4	FDXLRAD1200	Rear Access Door Assembly – H200FD	26	IDXLTRF1930	Transformer	—	UHXHD8ELBOW	Heatfab Stainless Vent Kit, 8" 90° Elbow
4	FDXLRAD1250	Rear Access Door Assembly – H250FD	27	FDXLWPS1930	Water Pressure Switch	—	UHXHD8ELTERM	Heatfab Stainless Vent Kit, 6" Horizontal Elbow Terminal
4	FDXLRAD1300	Rear Access Door Assembly – H300FD	28	IDXLDB1930	Display Board Only	—	UHXHD6PIPE18	Heatfab Stainless Vent Kit, 6" Vent Pipe, 18" Long
4	FDXLRAD1350	Rear Access Door Assembly – H350FD	29	FDXLBKP1930	Bezel and Keypad Assembly, Taupe	—	UHXHD6PIPE24	Heatfab Stainless Vent Kit, 6" Vent Pipe, 24" Long
4	FDXLRAD1400	Rear Access Door Assembly – H400FD	29	FDXLBKP1932	Bezel and Keypad Assembly, Blue	—	UHXHD6PIPE36	Heatfab Stainless Vent Kit, 6" Vent Pipe, 36" Long
4	FDXLRAD1500	Rear Access Door Assembly – H500FD	30	FDXLHLI1930	High Limit Kit	—	UHXHD8PIPE18	Heatfab Stainless Vent Kit, 8" Vent Pipe, 18" Long
5	FDXLTFP1150†	Top and Front Panel – H150FD	31	FDXLTER1930	Thermistor	—	UHXHD8PIPE24	Heatfab Stainless Vent Kit, 8" Vent Pipe, 24" Long
5	FDXLTFP1151††	Top and Front Panel – H150FD	32	FDXLGSK1932	Gasket, Bezel/Top – FD	—	UHXHD8PIPE36	Heatfab Stainless Vent Kit, 8" Vent Pipe, 36" Long
5	FDXLTFP1200†	Top and Front Panel – H200FD	32	FDXLHXA1500	Heat Exchanger Assembly – H500FD	—	UHXHD6STERM	Heatfab Stainless Vent Kit, 6" Horizontal Straight Terminal
5	FDXLTFP1201††	Top and Front Panel – H200FD	32	FDXLHXA1500A	Heat Exchanger Assembly, ASME – H500FD	—	UHXHD8STERM	Heatfab Stainless Vent Kit, 8" Horizontal Straight Terminal
5	FDXLTFP1250†	Top and Front Panel – H250FD	33	FDXLGSK1934	Gasket, CC Front/Air Box – FD All Models	—	UHXLOK1930	Control Bezel Lock-Out Kit
5	FDXLTFP1251††	Top and Front Panel – H250FD	34	FDXLHXA1150	Heat Exchanger Assembly – H150FD	—	UHXNEGVT11501	Indoor Vent Adapter Kit, H150FD, Negative-Pressure (Vertical)
5	FDXLTFP1250A†	Top Front Panel, Gray, ASME – H250FD	34	FDXLHXA1200	Heat Exchanger Assembly – H200FD	—	UHXNEGVT12001	Indoor Vent Adapter Kit, H200FD, Negative-Pressure (Vertical)
5	FDXLTFP1300†	Top and Front Panel – H300FD	34	FDXLHXA1250	Heat Exchanger Assembly – H250FD	—	UHXNEGVT12501	Indoor Vent Adapter Kit, H250FD, Negative-Pressure (Vertical)
5	FDXLTFP1301††	Top and Front Panel – H300FD	34	FDXLHXA1250A	Heat Exchanger Assembly, ASME – H250FD	—	UHXNEGVT13001	Indoor Vent Adapter Kit, H300FD, Negative-Pressure (Vertical)
5	FDXLTFP1350†	Top and Front Panel – H350FD	34	FDXLHXA1300	Heat Exchanger Assembly – H300FD	—	UHXNEGVT13501	Indoor Vent Adapter Kit, H350FD, Negative-Pressure (Vertical)
5	FDXLTFP1351††	Top and Front Panel – H350FD	34	FDXLHXA1350	Heat Exchanger Assembly – H350FD	—	UHXNEGVT14001	Indoor Vent Adapter Kit, H400FD, Negative-Pressure (Vertical)
5	FDXLTFP1400†	Top and Front Panel – H400FD	34	FDXLHXA1400	Heat Exchanger Assembly – H400FD	—	UHXNEGVT15001	Indoor Vent Adapter Kit, H500FD, Negative-Pressure (Vertical)
5	FDXLTFP1400A†	Top Front Panel, Gray, ASME – H400FD	34	FDXLHXA1400A	Heat Exchanger Assembly, ASME – H400FD	—	UHXPOSHZ15002	Indoor Vent Adapter Kit, H500FD, Positive-Pressure (Horizontal)
5	FDXLTFP1500	Top and Front Panel – H500FD	35	FDXLFHA1930	Header Assembly	—	UHXPOSHZ11501	Indoor Vent Adapter Kit, H150FD, Positive-Pressure (Horizontal)
5	FDXLTFP1500A	Top Front Panel, Gray, ASME – H500FD	—	FDXLEGL1930	Exhaust Gas Temp Limit	—	UHXPOSHZ12001	Indoor Vent Adapter Kit, H200FD, Positive-Pressure (Horizontal)
6	FDXLU1930	Upper End Cap – FD	36	FDXLHDW1930	Header Hardware Kit	—	UHXPOSHZ12501	Indoor Vent Adapter Kit, H250FD, Positive-Pressure (Horizontal)
7	FDXLL1930	Lower End Cap – FD	37	FDXLHMB1930	Header Mounting Base Kit	—	UHXPOSHZ13001	Indoor Vent Adapter Kit, H300FD, Positive-Pressure (Horizontal)
8	FDXLLTP1930	Left Trim Panel Kit	38	FDXLBP1930	Bypass Cartridge Kit	—	UHXPOSHZ13501	Indoor Vent Adapter Kit, H350FD, Positive-Pressure (Horizontal)
9	FDXLRT1930	Right Trim Panel Kit	39	CHXPLG1930	3/4" NPT Brass Plug	—	UHXPOSHZ14002	Indoor Vent Adapter Kit, H400FD, Positive-Pressure (Horizontal)
10	FDXLCB1930*	Left Connection Box – FD	40	FDXLFHA1930	Header Assembly	—	UHXPOSHZ14002	Indoor Vent Adapter Kit, H400FD, Positive-Pressure (Horizontal)
10	FDXLCR1930*	Right Connection Box – FD	41	FDXLCRN1930	Header Cartridge Retaining Nut	—	UHXPOSHZ14002	Indoor Vent Adapter Kit, H400FD, Positive-Pressure (Horizontal)
10	FDXLJC1930†††	Junction Box Cover, Left	42	SPX4000FG	Drain Plug with Gasket	—	UHXPOSHZ14002	Indoor Vent Adapter Kit, H400FD, Positive-Pressure (Horizontal)
10	FDXLJRC1930†††	Junction Box Cover, Right	43	SPX3200UNKIT	Union Kit	—	UHXPOSHZ14002	Indoor Vent Adapter Kit, H400FD, Positive-Pressure (Horizontal)
10	FDXLP1930†††	Polymer Junction Box Cover, Left and Right	44	SPX3200UG	Union Gasket (Pack of 2)	—	UHXPOSHZ14002	Indoor Vent Adapter Kit, H400FD, Positive-Pressure (Horizontal)
11	FDXLPBL1930	Base Leg – FD (4)	45	FDXLP1930	Kit-Key Pad Cover UHS	—	UHXPOSHZ14002	Indoor Vent Adapter Kit, H400FD, Positive-Pressure (Horizontal)
12	FDXLFCS1931	Flue Collector Side Panel with High Limit	46	FDXLKPC1930	Kit-Polymer Return Manifold	—	UHXPOSHZ14002	Indoor Vent Adapter Kit, H400FD, Positive-Pressure (Horizontal)
13	FDXLRGK1151	Rain Guard Assembly – H150FD	—	FDXLBCP1150	Kit-Bezel Control Panel 150	—	UHXPOSHZ14002	Indoor Vent Adapter Kit, H400FD, Positive-Pressure (Horizontal)
13	FDXLRGK1201	Rain Guard Assembly – H200FD	—	FDXLBCP1200	Kit-Bezel Control Panel 200	—	UHXPOSHZ14002	Indoor Vent Adapter Kit, H400FD, Positive-Pressure (Horizontal)
13	FDXLRGK1251	Rain Guard Assembly – H250FD	—	FDXLBCP1250	Kit-Bezel Control Panel 250	—	UHXPOSHZ14002	Indoor Vent Adapter Kit, H400FD, Positive-Pressure (Horizontal)
13	FDXLRGK1301	Rain Guard Assembly – H300FD	—	FDXLBCP1300	Kit-Bezel Control Panel 300	—	UHXPOSHZ14002	Indoor Vent Adapter Kit, H400FD, Positive-Pressure (Horizontal)
13	FDXLRGK1351	Rain Guard Assembly – H350FD	—	FDXLBCP1350	Kit-Bezel Control Panel 350	—	UHXPOSHZ14002	Indoor Vent Adapter Kit, H400FD, Positive-Pressure (Horizontal)
13	FDXLRGK1401†	Rain Guard Assembly – H400FD	—	FDXLBCP1400	Kit-Bezel Control Panel 400	—	UHXPOSHZ14002	Indoor Vent Adapter Kit, H400FD, Positive-Pressure (Horizontal)
13	FDXLRGK1500	Rain Guard Assembly – H500FD	—	FDXLBCP1500	Kit-Bezel Control Panel 500	—	UHXPOSHZ14002	Indoor Vent Adapter Kit, H400FD, Positive-Pressure (Horizontal)
14	FDXLHBP1150	Heat Barrier Panel – H150FD	—		NOT SHOWN:	—		
14	FDXLHBP1200	Heat Barrier Panel – H200FD	—	FDXLBRN1930	Burner	—		
14	FDXLHBP1250	Heat Barrier Panel – H250FD	—	FDXLCBC1930*	Control Box Cover Assembly	—		
14	FDXLHBP1300	Heat Barrier Panel – H300FD	—	FDXLCKN0001	Conversion Kit – NA to LP	—		
14	FDXLHBP1350	Heat Barrier Panel – H350FD	—	FDXLCKN0002	Conversion Kit – LP to NA	—		
14	FDXLHBP1400	Heat Barrier Panel – H400FD	—	FDXLCKN0003	Conversion Kit – NA to LP, H500FD	—		

NOTES: *Used only on Heaters made before 9/9/08, serial #21130809100177001 **Used only on Heaters made after 9/9/08, serial #21130809100177001
***Used only on models after 10/14, serial #21131410102639001 †Used only on heaters made before 7/13, serial #21131307100333001. ††Used only on heaters made after 7/13, serial #21131307100333001
†††Used only on heaters made before 10/14. †††Used only on heaters made before 11/20/14, serial #21131411103613001. †††Used only on heaters made after 11/20/14, serial #21131411103613001.

H-Series Low NOx

INDUCED DRAFT HEATER REPLACEMENT PARTS

Parts Diagram



Heating

H-Series Low NOx

INDUCED DRAFT HEATER REPLACEMENT PARTS

Parts Listing

Ref. No.	Part No.	Description	Ref. No.	Part No.	Description
1	IDXLBWR1930	Combustion Blower – 240V	13	IDXLWHM1930	Wire Harness Main – 240V
	**IDXLBWR1931	Combustion Blower – 120V		**IDXLBWHM1930	Wire Harness Main – 240V
	IDXLBWR1931	Combustion Blower – 120V		IDXLWHM1931	Wire Harness Main – 120V
2	IDXLHXA1250	Heat Exchanger Assembly – H250IDL	14	HAXWHA0006	Wire Harness Hi-Limits
	IDXLHXA1400	Heat Exchanger Assembly – H400IDL	15	HAXFCT1930	Flow Control Thermostat
3	IHXTRF1930	Transformer – 240V	16	**HAXBPK1932	Bi-Pass Valve Kit
	**IDXL2TRF1930	Transformer – 240V	17	HAXHLI1930	Hi-Limit 135°F
4	IDXLVPS1930	Vent Pressure Switch	18	HMXHLI2932	Hi-Limit 160°F
	**IDXL2VPS1930	Vent Pressure Switch	19	HAXDRV1930	Drain Valve Assembly
5	IDXLBVS1930	Blower Vacuum Switch	20	CHXPSA1930	Pressure Switch Adapter
	**IDXL2BVS1930	Blower Vacuum Switch	21	IDXLTER1930	Thermistor – Temp Sensor
6	**IDXL2FSB1930	Fuse Board	22	HAXFHD1931	Front Header Only
7	HAXPSA1930	Pressure Switch Assembly	23	HAXHOR1930	Header O-Ring
8	IDXLGSV0001	Gas Valve – Natural	24	HAXTBW1930	Bulb Well
	IDXLGSV0002	Gas Valve – Propane	25	IDXL2PBA1250	Control Panel Assembly – H250IDL
9	IDXLIGN1930	Ignitor – 240V		IDXL2PBA1400	Control Panel Assembly – H400IDL
	IDXLIGN1931	Ignitor – 120V		IDXL2PBA1931	Control Panel Assembly – Californian
	**IDXL2IGN1930	Ignitor – Silicone Nitride		IDXLCPA1401	Control Panel Assembly – H400EDLCAL
10	IDXLFLS1930	Flame Sensor	26	IDXLFHA1930	Front Header Assembly
11	IHXILS1930	Interlock Switch – 240V	—	IDXL2SNT1930	Combustion Blower Tube Kit
	IHXILS1930	Interlock Switch – 120V	—	HAXWFN1930	Header Mounting Nut Kit (Pack of 12)
	**IDXL2ICB1931	Integrated Control Board	—	IDXLTMB1931	Terminal Block
12*	IDXLCPA1930	Control Bezel Assembly			
	**IDXL2BKP1930	Control Bezel & Keyboard Assembly			
	IDXL2DB1930	Display Board Only			
	IDXLCPA1931	Control Bezel Assembly – H400IDLCAL			
	**IDXL2PBA1931	Control Bezel Assembly – H400IDLCAL			
	IDXL2BKP1930	Bezel and Keypad Assembly			
	IDXL2BKP1931	Bezel and Keypad Assembly Californian			
	IDXL2DB1930	Display Board Only			

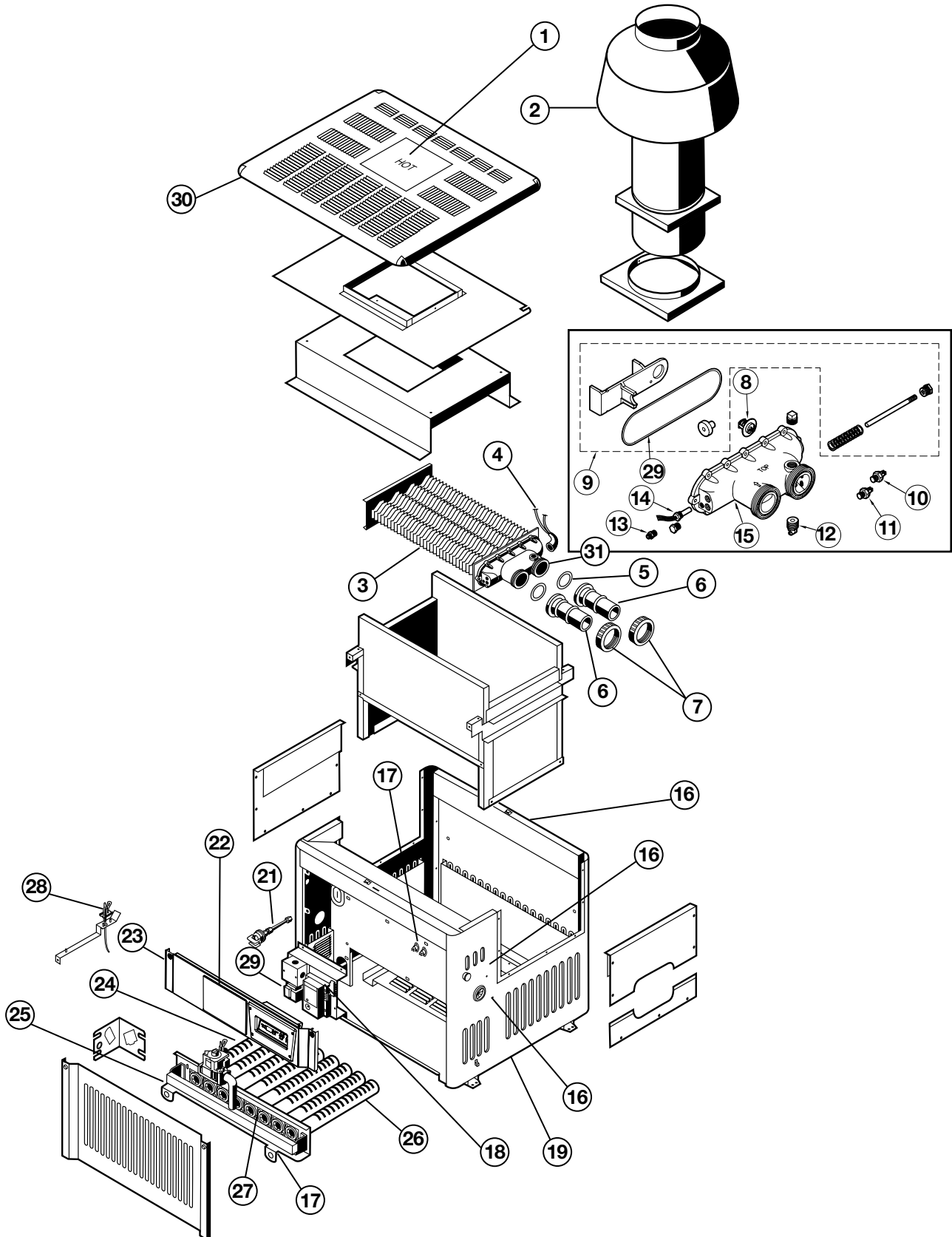
NOTES: *Can be used after 8/19/2002 production, starting SN #20840098.

**Indicates new part incorporated on all IDL Heaters built after 9/20/04.

H-Series – Electronic (ED2 Style)

HEATER REPLACEMENT PARTS

Parts Diagram



Heating

H-Series – Electronic (ED2 Style)

HEATER REPLACEMENT PARTS

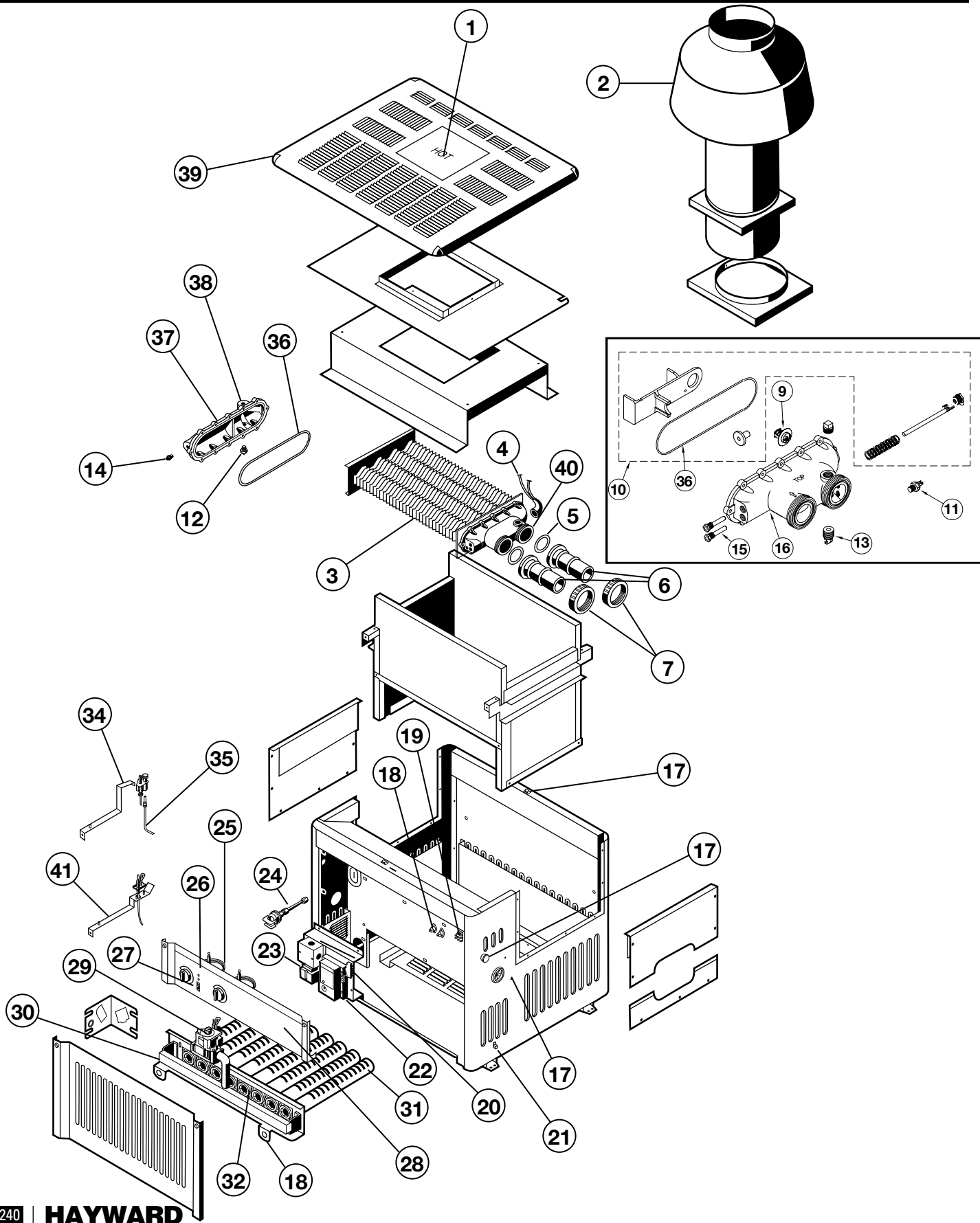
Parts Listing

Ref. Part No.	Part Number	Description	Ref. Part No.	Part Number	Description	Ref. Part No.	Part Number	Description
1	HAXDHO1930	DHO Insert	5	HAXFOR1930	O-Rings	23	HAXCPA3253	Control Panel Assembly – 250 DS
2	DHI150	Indoor Drafthood – 150	6	HAXNIP1930	Flange Pipe Nipples	23	HAXCPA3303	Control Panel Assembly – 300 DS
2	DHI200	Indoor Drafthood – 200	7	HAXNUT1930	Union Nuts	23	HAXCPA3353	Control Panel Assembly – 350 DS
2	DHI250	Indoor Drafthood – 250	8	HAXFCT1930	Flow Control Thermostat	23	HAXCPA3403	Control Panel Assembly – 400 DS
2	DHI300	Indoor Drafthood – 300	9	HAXBPK1932	By-Pass Valve Kit	24	HAXGSV0004	Gas Valve, DS Propane
2	DHI350	Indoor Drafthood – 350	10	HAXHLI1930	Hi-Limit 135°F	24	HAXGSV0005	Gas Valve, DS Natural Gas
2	DHI400	Indoor Drafthood – 400	11	HMXHLI2932	Hi-Limit 160°F	25	HAXMAN1200	Gas Manifold – 200
2	HWS150	High Wind Stack – 150	12	HAXDRV1930	Drain Valve Assembly	25	HAXMAN1250	Gas Manifold – 250
2	HWS200	High Wind Stack – 200	13	HAXPSA1930	Pressure Switch Adapter	25	HAXMAN1400	Gas Manifold – 400
2	HWS250	High Wind Stack – 250	14	IDXLTER1930	Thermistor	26	HAXBRN1930	Burner Tube
2	HWS300	High Wind Stack – 300	15	HAXFHD1931	Front Header Only	27	HAXBON1930	Burner Orifice, Natural Gas
2	HWS350	High Wind Stack – 350	16	HAXPHK1930	Plastic Hardware Kit	27	HAXBON1931	Burner Orifice, Natural Gas HA
2	HWS400	High Wind Stack – 400	17	HAXTLK1930	Temperature Limiters Kit	27	HAXBOP1931	Burner Orifice, Propane HA
3	HAXHXA1153	Heat Exchanger Assembly – 150	18	IDXLTMB1931	6-Pole Terminal Block	27	HAXBOP1932	Burner Orifice, Propane
3	HAXHXA1203	Heat Exchanger Assembly – 200	19	CHXGRL1930	TA-2 Ground Lug	28	HAXIGN1931	Ignitor Assembly
3	HAXHXA1253	Heat Exchanger Assembly – 250	20	CHXTRF1930	Transformer	29	HAXHOR1930	Header O-Ring
3	HAXHXA1303	Heat Exchanger Assembly – 300	21	HAXPSA1930	Pressure Switch Assembly	30	HAXCIA1930	Corner Piece Kit (4)
3	HAXHXA1353	Heat Exchanger Assembly – 350	22	HAXCPA1932	Control Bezel Assembly	31	IDXLFHA1930	Front Header Assembly
3	HAXHXA1403	Heat Exchanger Assembly – 400	23	HAXCPA3153	Control Panel Assembly – 150 DS	—	HAXWHA0008	Main Wire Harness (not shown)
4	HAXWHA0007	Rear Wire Harness, DS	23	HAXCPA3203	Control Panel Assembly – 200 DS	—	HAXWFN1930	Header Mounting Nut Kit (Pack of 12)

H-Series – Millivolt/Electronic (ED1 Style)

HEATER REPLACEMENT PARTS

Parts Diagram



Heating

H-Series – Millivolt/Electronic (ED1 Style)

HEATER REPLACEMENT PARTS

Parts Listing

Ref. No.	Part Number	Description	Ref. No.	Part Number	Description	Ref. No.	Part Number	Description
1	HAXDHO1930	DHO Insert	12	HMXHLI2932	Hi-Limit 160° F	29	HAXGSV0003	Gas Valve, MV Propane
2	DHI150	Indoor Drafthood – 150	13	HAXDRV1930	Drain Valve Assembly	29	HAXGSV0004	Gas Valve, DS Propane
2	DHI200	Indoor Drafthood – 200	14	CHXPSA1930	Pressure Switch Adapter	29	HAXGSV0005	Gas Valve, DS Natural Gas
2	DHI250	Indoor Drafthood – 250	15	CHXTBW1930	Bulb Well	30	HAXMAN1150	Gas Manifold – 150
2	DHI300	Indoor Drafthood – 300		HAXTBW1930▲▲	Bulb Well, Cotherm	30	HAXMAN1250	Gas Manifold – 250
2	DHI350	Indoor Drafthood – 350	16	HAXFHD1930	Front Header Only	30	HAXMAN1400	Gas Manifold – 400
2	DHI400	Indoor Drafthood – 400		HAXFHD1931††	Front Header Only	31	HAXBRN1930	Burner Tube
2	HWS150	High Wind Stack – 150	17	HAXPHK1930	Plastic Hardware Kit	32	HAXBON1930	Burner Orifice, Natural Gas
2	HWS200	High Wind Stack – 200	18	HAXTLK1930	Temperature Limiters Kit	32	HAXBON1931	Burner Orifice, Natural Gas HA
2	HWS250	High Wind Stack – 250	19	HAXTBK1931	2-Pole Terminal Block	32	HAXBON210	Burner Orifice, Natural, H210 Only
2	HWS300	High Wind Stack – 300	20	HAXTBK1933	4-Pole Terminal Block	32	HAXBOP1930	Burner Orifice, Propane
2	HWS350	High Wind Stack – 350	21	CHXGRL1930	TA-2 Ground Lug	32	HAXBOP1931	Burner Orifice, Propane HA
2	HWS400	High Wind Stack – 400	22	HAXMOD1930	Control Module	32	HAXBOP210	Burner Orifice, Propane, H210 Only
3	HAXHXA1153	Heat Exchanger Assembly – 150	23	CHXTRF1930	Transformer	33	HAXIGN1931	Ignitor Assembly
3	HAXHXA1203	Heat Exchanger Assembly – 200	24	HAXPSA1930	Pressure Switch Assembly	34	HAXPLT1931	Pilot – Natural Gas
3	HAXHXA1210	Heat Exchanger Assembly – 210	25	HAXTST1930	Thermostat	34	HAXPLT1932	Pilot – Propane
3	HAXHXA1253	Heat Exchanger Assembly – 250	26	HAXLDK1930	LED Kit	35	HAXTRK1930	Pilot Tube Replacement Kit
3	HAXHXA1303	Heat Exchanger Assembly – 300	27	CHXTSW1930	System Switch Single	36	HAXHOR1930	Header O-Ring
3	HAXHXA1353	Heat Exchanger Assembly – 350	27	CHXTSW1931	System Switch Dual	37	HAXRHD1930†††	Rear Header Only
3	HAXHXA1403	Heat Exchanger Assembly – 400	28	HAXCPA2150▲	Control Panel Assembly – 150 MV	38	HAXPLG1930	1/4" NPT Brass Plug
4	HAXWHA0002	Rear Wire Harness, MV	28	HAXCPA2200▲	Control Panel Assembly – 200 MV	39	HAXCIA1930	Corner Piece Kit (4)
	HAXWHA0006††	Rear Wire Harness, MV	28	HAXCPA2250▲	Control Panel Assembly – 250 MV	40	HAXFHA1930†††	Front Header Assembly
4	HAXWHA0003	Rear Wire Harness, DS	28	HAXCPA2300▲	Control Panel Assembly – 300 MV		HAXFHA1931	Front Header Assembly
	HAXWHA0007††	Rear Wire Harness, DS	28	HAXCPA2350▲	Control Panel Assembly – 350 MV	—	HAXWHA0005	Wire Harness, Main DS (not shown)
5	HAXFOR1930	O-Rings	28	HAXCPA2400▲	Control Panel Assembly – 400 MV	—	HAXWHA0004	Wire Harness, Control Panel (not shown)
6	HAXNIP1930	Flange Pipe Nipples	28	HAXCPA2151▲	Control Panel Assembly – 150 DS	—	FDXLGND1930	Heat Exchanger Bonding Kit
7	HAXNUT1930	Union Nuts	28	HAXCPA2201▲	Control Panel Assembly – 200 DS	—	HAXWHA0001	Wire Harness, Main MV (not shown)
8	HAXFCT1930	Flow Control Thermostat	28	HAXCPA2251▲	Control Panel Assembly – 250 DS	—	HAXRFK1930	Retro Fit Kit (not shown)
9	CHXPLG1930	3/4" NPT Brass Plug	28	HAXCPA2301▲	Control Panel Assembly – 300 DS	—	HAXWFN1930	Header Mounting Nut Kit (Pack of 12)
10	HAXBPK1931†††	By-Pass Valve Kit	28	HAXCPA2351▲	Control Panel Assembly – 350 DS	—	CHXMSI1930	Manual Piezo Spark Igniter
	HAXBPK1932††	By-Pass Valve Kit	28	HAXCPA2401▲	Control Panel Assembly – 400 DS	—	CHXGEN1930	Millivolt Pilot Generator
11	HAXHLI1930	Hi-Limit 135° F	29	HAXGSV0001	Gas Valve, MV Natural Gas			

NOTES: *Used, Started at Serial No. 00421078

**Used, Started at Serial No. 0032018

***Used, Started at Serial No. 00424651

†Used, Started at Serial No. 00424851

††Used on heaters made after 10/28/00

†††Used on heaters made before 10/28/00

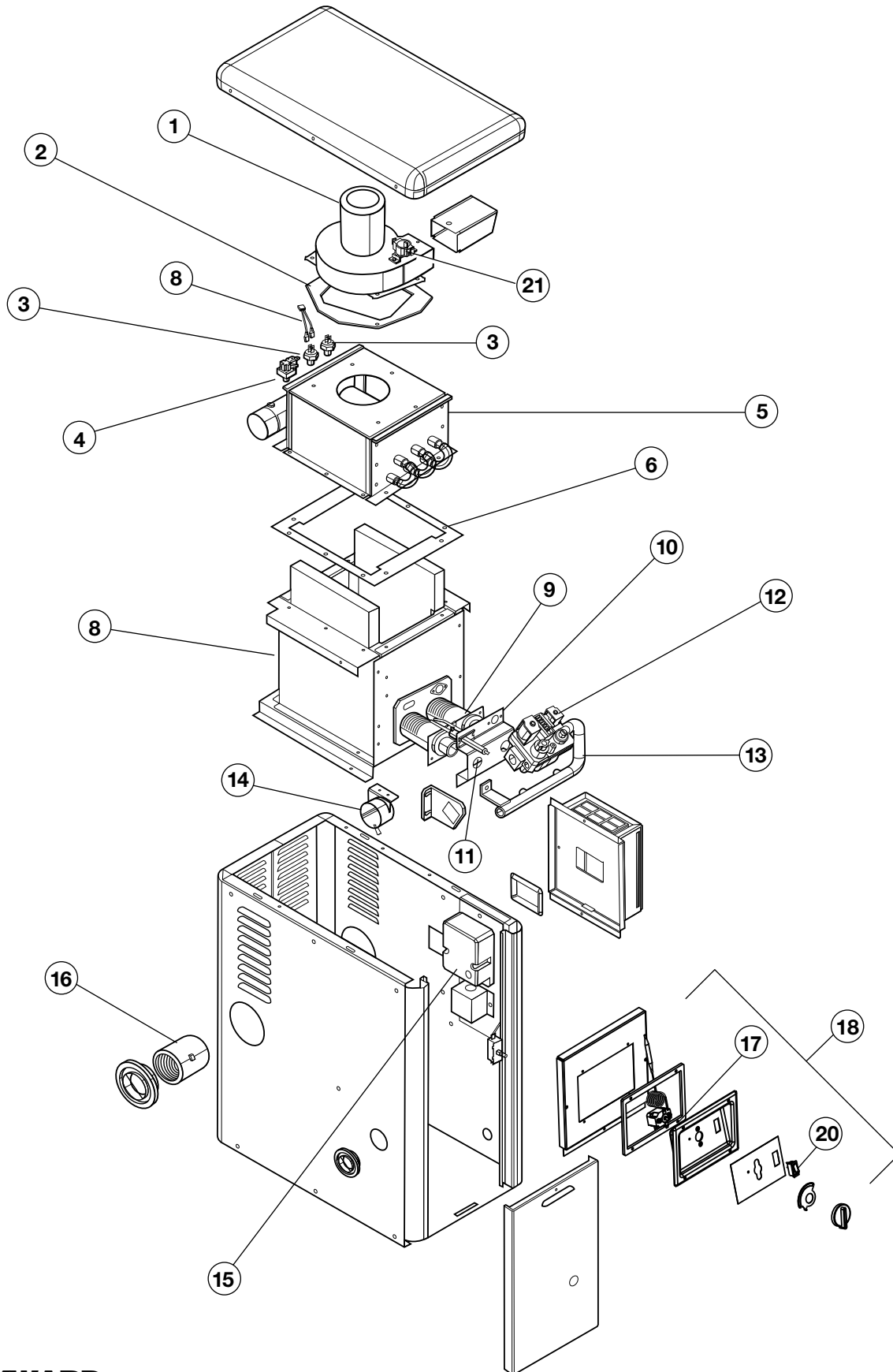
▲Used on heaters made after 5/8/98

▲▲Used on heaters made after 6/1/01

H-Series

ABOVE-GROUND – INDUCED DRAFT HEATER REPLACEMENT PARTS

Parts Diagram



Heating

Parts Listing

Ref. No.	Part No.	Description	Ref. No.	Part No.	Description
1	IDXBWR1936 ^{††}	Combustion Blower	12	IDXVAL1931	Gas Valve
2	IDXBLG1930 [†]	Blower Gasket	13	IDXMAN1100	Gas Manifold
	IDXBLG1931 ^{††}	Blower Gasket	14	IDXAPS1930	Air Pressure Switch
3	IDXHLC1930	Hi Limits, Kit	15	IDXMOD1930	Control Module with Ignitor
4	CZXPRS1105	Water Pressure Switch	16	IDXCPG1931	Coupling
5	IDXHXA1101 [†]	Heat Exchanger Assembly	17	IDXTST1930	Thermostat
	IDXHXA1102 ^{††}	Heat Exchanger Assembly	18	IDXCPA1100	Control Panel Assembly
6	IDXGKT1930	Heat Exchanger Gasket	19	IDXFAD1101 ^{**}	Front Access Door
7	IDXWHA1931 ^{**}	Wire Harness	20	CHXTSW1930	On/Off Switch
8	IDXBRG1930	Burner Gasket	21	IDXBLS1930 [†]	Blower Switch
9	IDXBNR1930	Burner		IDXBLS1931 ^{††}	Blower Switch
10	IDXAGK1930	Burner Orifice and Air Orifice Bracket Kit – Natural			CONVERSION KITS
	IDXAGK1931	Burner Orifice and Air Orifice Bracket Kit – Propane	—	IDXCNK1933	Natural to Propane
			—	IDXCNK1934	Propane to Natural
11	IDXIGN1930	Ignitor			

NOTES: *Used only on heaters made before January 2000, S/N 20A01209.

**Used only on heaters made after January 2000, S/N 20A01209.

[†]Used only on heaters made before April 16, 2013, S/N 21131304101440001.

^{††}Used only on heaters made after April 16, 2013, S/N 21131304101440001.

Heater Replacement Parts

PRICES

Part Number	Part Description	List Price	Part Number	Part Description	List Price
CHXGEN1930	Pilot Generator All Millivolt	\$58.11	FDXLBWR1500	Combustion Blower – H500FD Only	\$255.56
CHXMSI1930	Clicklite Manual Spark Ignitor H-Series,	36.17	FDXLBWR1930	Combustion Blower – FD	229.56
	CZ, HM2, CPS		FDXLCBC1930	Control Box Cover Assembly	50.53
CHXPRS1931	Pressure Switch	50.45	FDXLCBC1930*	Control Box Cover Assembly	50.53
CHXPSA1930	Pressure Switch	17.93	FDXLCNK0001	Conversion Kit – NA to LP	186.62
CHXRLV1930	Relief Valve	64.68	FDXLCNK0002	Conversion Kit – LP to NA	186.62
CHXTBW1930	Thermostat Bulb Well, All Gas	25.41	FDXLFAD1150‡	Front Access Door Assembly – H150FD	156.48
CHXTRF1930	D/V Transformer CZ & HM2 Series	55.89	FDXLFAD1200‡	Front Access Door Assembly – H200FD	163.45
CHXTSK1930	Thermostat Knob	22.53	FDXLFAD1250A‡	Front Door Assembly, Gray, ASME – H250FD	175.78
CHXTST1930	Thermostat without Knob	64.68	FDXLFAD1300‡	Front Access Door Assembly – H300FD	178.37
CHXTSW1930	On/Off Switch	17.73	FDXLFAD1350‡	Front Access Door Assembly – H350FD	181.32
CHXTSW1931	3-Way Toggle Switch CZ & HM2 Series	18.79	FDXLFAD1400‡	Front Access Door Assembly – H400FD	182.51
CZXCON3645	Contactora CSPA XI 240 Volt Coil	150.50	FDXLFAD1400A‡	Front Door Assembly, Gray, ASME – H400FD	156.23
CZXELE7623	Element 5500W 208/240V	63.40	FDXLFAD1500	Front Access Door Assembly – HS00FD	208.04
CZXGKT7627	Element Gasket	11.70	FDXLFAD1500A	Front Door Assembly, Gray, ASME – H500FD	208.04
CZXHLC3105	Hi Limit Spa XI CSPA XI	75.59	FDXLFHA1930	Header Assembly	225.20
CZXLIT3613	Power Ind. Lite Assembly 240V	24.18	FDXLFOR1930	Header O-Ring Kit	24.50
CZXTNK6607	Tank CSPA XI	458.97	FDXLFOSK1930	Fuse Service Kit – FD	31.05
CZXTSK2003	Thermostat Knob Slip On – Replace with CZK	19.58	FDXLFOSK30	Fuse Kit, 3.0A, for Integrated Control Board (Qty. 10)	21.15
CZXTST3006	Thermostat Mears Electric	78.40	FDXLFOSK15	Fuse Kit, 1.5A, for Field Wiring Panel (Qty. 10)	21.15
FFDXLBBN1500	Blower Inlet Baffle – H500FD	31.42	FDXLFOSK25	Fuse Kit, 2.5A, for Field Wiring Panel (Qty. 10)	21.15
FDXLBKP1930	Bezel & Keypad Assembly	84.88	FDXLFOSK30	Fuse Kit, 3.0A, for Field Wiring Panel (Qty. 10)	41.66
FDXLBKP1931	Bezel & Keypad Assembly – CAL	123.02	FDXLFWP1930	Field Wiring Panel – FD	69.24
FDXLBON1500	Burner Orifice Kit Natural Gas – H500FD Only	38.98	FDXLGCK1150NP	Conversion Kit, NA to LP, Quick-Change – H150FD	171.62
FDXLBOP1500	Burner Orifice Kit Propane Gas – H500FD Only	38.98	FDXLGCK1150PN	Conversion Kit, LP to NA, Quick-Change – H150FD	171.62
FDXLBON1930	Burner Orifice Kit Natural Gas – FD	39.91	FDXLGCK1200NP	Conversion Kit, NA to LP, Quick-Change – H200FD	172.48
FDXLBOP1930	Burner Orifice Kit Propane Gas – FD	39.91	FDXLGCK1200PN	Conversion Kit, LP to NA, Quick-Change – H200FD	172.48
FDXLBRN1930	Burner	293.21	FDXLGCK1250NP	Conversion Kit, NA to LP, Quick-Change – H250FD	173.35
FDXLBVS1930	Blower Vacuum Switch	32.77	FDXLGCK1250PN	Conversion Kit, LP to NA, Quick-Change – H250FD	173.35

NOTES: If the part number you are looking for is not in this price book it is no longer available.

*Used only on heaters made before 9/9/08, serial #21130809100177001.

‡Used on heaters made before 7/13, serial #21131307100333001.

‡‡Used on heaters made after 7/13, serial #21131307100333001.

Heater Replacement Parts

PRICES

Part Number	Part Description	List Price	Part Number	Part Description	List Price
FDXLGCK1300NP	Conversion Kit, NA to LP, Quick-Change – H300FD . . .	\$170.12	FDXLHXA1250	Heat Exchanger Assembly – H250FD	\$1,079.91
FDXLGCK1300PN	Conversion Kit, LP to NA, Quick-Change – H300FD . . .	174.21	FDXLHXA1300	Heat Exchanger Assembly – H300FD	1,126.97
FDXLGCK1350NP	Conversion Kit, NA to LP, Quick-Change – H350FD . . .	170.93	FDXLHXA1350	Heat Exchanger Assembly – H350FD	1,250.99
FDXLGCK1350PN	Conversion Kit, LP to NA, Quick-Change – H350FD . . .	170.93	FDXLHXA1400	Heat Exchanger Assembly – H400FD	1,341.02
FDXLGCK1400NP	Conversion Kit, NA to LP, Quick-Change – H400FD . . .	175.88	FDXLHXA1500	Heat Exchanger Assembly – H500FD	1,583.33
FDXLGCK1500NP	Gas Conversion Kit, NA to LP, H500FD	203.29	FDXLHXA1500A	Heat Exchanger Assembly, ASME – H500FD	3,652.84
FDXLGCK1500PN	Gas Conversion Kit, LP to NA, H500FD	571.15	FDXLIAC1930	Ignitor Access Cover	29.23
FDXLGND1930	Heat Exchanger Bonding Kit	26.62	FDXLICB1930	Integrated Control Board – FD	321.82
FDXLGCK1400PN	Conversion Kit, LP to NA, Quick-Change – H400FD . . .	175.88	FDXLIGN1930	Ignitor – FD	81.72
FDXLGSK1930	Gasket Kit – Air Side (All Models)	60.55	FDXLJKT1150	Jacket Top & Flue Cover – H150FD	163.40
FDXLGSK1931	Gasket Kit – Exhaust Side (All Models)	114.99	FDXLJKT1200	Jacket Top & Flue Cover – H200FD	172.34
FDXLGSK1932	Gasket, Bezel/Top – FD	26.81	FDXLJKT1250	Jacket Top & Flue Cover – H250FD	179.26
FDXLGSK1933	Insulation, Return Side Tube Sheet – FD	29.82	FDXLJKT1300	Jacket Top & Flue Cover – H300FD	181.37
FDXLGSK1934	Gasket, CC Front/Air Box – FD (All Models)	55.62	FDXLFSKF30	Fuse Kit, 3.0A, for Field Wiring Panel (Qty. 10)	41.66
FDXLGSV0001	Gas Valve Natural Gas – FD	241.97	FDXLFWP1930	Field Wiring Panel – FD	69.24
FDXLGSV0002	Gas Valve Propane Gas – FD	241.97	FDXLGCK1150NP	Conversion Kit, NA to LP, Quick-Change – H150FD . . .	171.62
FDXLGSV1500N	Gas Valve Natural Gas – HS00FD Only	570.17	FDXLGCK1150PN	Conversion Kit, LP to NA, Quick-Change – H150FD . . .	171.62
FDXLGSV1500P	Gas Valve Propane Only – H500FD Only	252.29	FDXLGCK1200NP	Conversion Kit, NA to LP, Quick-Change – H200FD . . .	172.48
FDXLHBP1150	Heat Barrier Panel – H150FD	87.93	FDXLGCK1200PN	Conversion Kit, LP to NA, Quick-Change – H200FD . . .	172.48
FDXLHBP1200	Heat Barrier Panel – H200FD	89.55	FDXLGCK1250NP	Conversion Kit, NA to LP, Quick-Change – H250FD . . .	173.35
FDXLHBP1250	Heat Barrier Panel – H250FD	91.15	FDXLGCK1250PN	Conversion Kit, LP to NA, Quick-Change – H250FD . . .	173.35
FDXLHBP1300	Heat Barrier Panel – H300FD	92.75	FDXLGCK1300NP	Conversion Kit, NA to LP, Quick-Change – H300FD . . .	170.12
FDXLHBP1350	Heat Barrier Panel – H350FD	94.43	FDXLGCK1300PN	Conversion Kit, LP to NA, Quick-Change – H300FD . . .	174.21
FDXLHBP1400	Heat Barrier Panel – H400FD	96.18	FDXLGCK1350NP	Conversion Kit, NA to LP, Quick-Change – H350FD . . .	170.93
FDXLHDW1930	Header Hardware Kit	41.66	FDXLGCK1350PN	Conversion Kit, LP to NA, Quick-Change – H350FD . . .	170.93
FDXLHLI1930	High Limit 135°F	53.21	FDXLGCK1400NP	Conversion Kit, NA to LP, Quick-Change – H400FD . . .	175.88
FDXLHMB1930	Header Mounting Base Kit	42.75	FDXLGCK1500NP	Gas Conversion Kit, NA to LP, H500FD	203.29
FDXLHXA1150	Heat Exchanger Assembly – H150FD	1,049.92	FDXLGCK1500PN	Gas Conversion Kit, LP to NA, H500FD	571.15
FDXLHXA1200	Heat Exchanger Assembly – H200FD	1,058.74	FDXLGND1930	Heat Exchanger Bonding Kit	26.62

NOTES: If the part number you are looking for is not in this price book it is no longer available.

Heating

Heater Replacement Parts

PRICES

Part Number	Part Description	List Price
FDXLGCK1400PN	Conversion Kit, LP to NA, Quick-Change – H400FD ..	\$175.88
FDXLGSK1930	Gasket Kit – Air Side (All Models)	60.55
FDXLGSK1931	Gasket Kit – Exhaust Side (All Models)	114.99
FDXLGSK1932	Gasket, Bezel/Top – FD	26.81
FDXLGSK1933	Insulation, Return Side Tube Sheet – FD	29.82
FDXLGSK1934	Gasket, CC Front/Air Box – FD (All Models)	55.62
FDXLGSV0001	Gas Valve Natural Gas – FD	241.97
FDXLGSV0002	Gas Valve Propane Gas – FD	241.97
FDXLGSV1500N	Gas Valve Natural Gas – HS00FD Only	570.17
FDXLGSV1500P	Gas Valve Propane Only – H500FD Only	252.29
FDXLHBP1150	Heat Barrier Panel – H150FD	87.93
FDXLHBP1200	Heat Barrier Panel – H200FD	89.55
FDXLHBP1250	Heat Barrier Panel – H250FD	91.15
FDXLHBP1300	Heat Barrier Panel – H300FD	92.75
FDXLHBP1350	Heat Barrier Panel – H350FD	94.43
FDXLHBP1400	Heat Barrier Panel – H400FD	96.18
FDXLHDW1930	Header Hardware Kit	41.66
FDXLHLI1930	High Limit 135°F	53.21
FDXLHMB1930	Header Mounting Base Kit	42.75
FDXLHXA1150	Heat Exchanger Assembly – H150FD	1,049.92
FDXLHXA1200	Heat Exchanger Assembly – H200FD	1,058.74
FDXLHXA1250	Heat Exchanger Assembly – H250FD	1,079.91
FDXLHXA1300	Heat Exchanger Assembly – H300FD	1,126.97
FDXLHXA1350	Heat Exchanger Assembly – H350FD	1,250.99
FDXLHXA1400	Heat Exchanger Assembly – H400FD	1,341.02
FDXLHXA1500	Heat Exchanger Assembly – H500FD	1,583.33
FDXLHXA1500A	Heat Exchanger Assembly, ASME – H500FD	3,652.84
FDXLIAC1930	Ignitor Access Cover	29.23
FDXLICB1930	Integrated Control Board – FD	321.82

Part Number	Part Description	List Price
FDXLIGN1930	Ignitor – FD	\$81.72
FDXLJKT1150	Jacket Top & Flue Cover – H150FD	163.40
FDXLJKT1200	Jacket Top & Flue Cover – H200FD	172.34
FDXLJKT1250	Jacket Top & Flue Cover – H250FD	179.26
FDXLJKT1300	Jacket Top & Flue Cover – H300FD	181.37
FDXLJKT1350	Jacket Top & Flue Cover – H350FD	190.34
FDXLJKT1400	Jacket Top & Flue Cover – H400FD	203.76
FDXLJKT1500	Jacket Top and Flue Cover – H500FD	226.85
FDXLJKT1500A	Jacket Top, Gray, ASME – H500FD	226.85
FDXLLCB1930*	Left Connection Box – FD	60.13
FDXLLC1930	Lower End Cap – FD	90.71
FDXLLJC1930	Junction Box Cover, Left	23.88
FDXLLTP1930	Left Trim Panel Kit	81.31
FDXLPBL1930	Base Leg – FD	39.18
FDXLRAD1150	Rear Access Door Assembly – H150FD	112.16
FDXLRAD1200	Rear Access Door Assembly – H200FD	114.40
FDXLRAD1250	Rear Access Door Assembly – H250FD	120.31
FDXLRAD1300	Rear Access Door Assembly – H300FD	118.93
FDXLRAD1350	Rear Access Door Assembly – H350FD	127.89
FDXLRAD1400	Rear Access Door Assembly – H400FD	134.24
FDXLRAD1500	Rear Access Door Assembly – HS00FD	149.44
FDXLRAD1500A	Rear Door Assembly, Gray, ASME – H500FD	149.44
FDXLRBC1930*	Right Connection Box – FD	54.66
FDXLRGK1151**	Rain Guard Assembly – H150FD	184.52
FDXLRGK1201**	Rain Guard Assembly – H200FD	184.52
FDXLRGK1251**	Rain Guard Assembly – H250FD	184.52
FDXLRGK1301**	Rain Guard Assembly – H300FD	184.52
FDXLRGK1351**	Rain Guard Assembly – H350FD	184.52
FDXLRGK1401**	Rain Guard Assembly – H400FD	184.52

NOTES: If the part number you are looking for is not in this price book it is no longer available.

*Used only on heaters made before 9/9/08, serial #21130809100177001.

**Used only on heaters made after 9/9/08, serial #2113080910017701.

Heater Replacement Parts

PRICES

Part Number	Part Description	List Price	Part Number	Part Description	List Price
FDXLRGK1500	Rain Guard Assembly – H500FD	\$205.45	HAXCPA2400	Control Panel Assembly – 400 MV (after 5/98) . . .	\$242.44
FDXLHBP1500	Heat Barrier Panel – H500FD	107.09	HAXCPA3153	Control Panel Assembly H150ED2	631.51
FDXLRJC1930	Junction Box Cover, Right	27.95	HAXCPA3203	Control Panel Assembly H200ED2	632.98
FDXL RTP1930	Right Trim Panel Kit	78.42	HAXCPA3253	Control Panel Assembly H250ED2	636.45
FDXLTDK1930	Tie-Down Kit – FD	59.54	HAXCPA3303	Control Panel Assembly H300ED2	639.90
FDXLTER1930	Thermistor	39.25	HAXCPA3353	Control Panel Assembly H350ED2	642.71
FDXL TFC1150	Top/Flue Cover – H150FD	75.57	HAXCPA3403	Control Panel Assembly H400ED2	645.86
FDXL TFC1200	Top/Flue Cover – H200FD	78.82	HAXDHO1930	DHO Insert	58.65
FDXL TFC1250	Top/Flue Cover – H250FD	85.71	HAXDRV1930	Drain Valve Assembly	60.08
FDXL TFC1300	Top/Flue Cover – H300FD	85.84	HAXFCT1930	Flow Control Thermostat	52.35
FDXL TFC1350	Top/Flue Cover – H350FD	94.60	HAXFHA1931	Assembly, Front Header – H Series (after 10/28/00) . .	366.56
FDXL TFC1400	Top/Flue Cover – H400FD	102.01	HAXFHD1930	Front Header Only	160.84
FDXL TFC1500	Top/Flue Cover – H500FD	113.54	HAXFHD1931	Front Header Only (after 10/28/00)	150.50
FDXL TFC1500A	Top/Flue Cover, Gray, ASME – H500FD	113.54	HAXFOR1930	Flange O-Ring	7.68
FDXLUEC1930	Upper End Cap – FD	86.53	HAXGSV0001	Gas Valve 150 – 400 NA MV	439.91
FDXLVPS1930	Vent Pressure Switch, Indoor, 0–2,000 ft.	50.21	HAXGSV0003	Gas Valve 150 – 400 LP MV	439.91
FDXLVPS1931	Vent Pressure Switch, Indoor, 2,000–10,100 ft.	79.51	HAXGSV0004	Gas Valve 150 – 400 LP DS	395.69
FDXLWHA0001*	Wiring Harness Kit Complete – FD	102.28	HAXGSV0005	Gas Valve 150 – 400 NA DS	395.69
FDXLWHA1930**	Wiring Harness Kit Complete – FD	167.56	HAXHLI1930	Hi-Limit 135°F	37.33
FDXLWPS1930	Water Pressure Switch	34.03	HAXHOR1930	Header O-Ring	14.38
HAXBON1930	Burner Orifice NA	15.27	HAXHXA1153	Heat Exchanger Assembly – H150	1,099.07
HAXBON1931	Burner Orifice NA HA	16.45	HAXHXA1203	Heat Exchanger Assembly – H200	1,237.80
HAXBON210	Burner Orifice, NA, H210 Only	15.83	HAXHXA1210	Heat Exchanger Assembly – H210	1,327.45
HAXBOP210	Burner Orifice, LP, H210 Only	13.47	HAXHXA1253	Heat Exchanger Assembly – H250	1,440.44
HAXBRN1930	Main Burner – H Series	83.74	HAXHXA1303	Heat Exchanger Assembly – H300	1,512.86
HAXCPA1932	Control Bezel Assembly	632.98	HAXHXA1353	Heat Exchanger Assembly – H350	1,608.00
HAXCPA2150	Control Panel Assembly – 150 MV (after 5/98)	192.55	HAXHXA1403	Heat Exchanger Assembly – H400	1,753.50
HAXCPA2250	Control Panel Assembly – 250 MV (after 5/98)	215.94	HAXIGN1931	Ignitor	80.96
HAXCPA2300	Control Panel Assembly – 300 MV (after 5/98)	278.02	HAXMOD1930	Control Module	310.82

NOTE: If the part number you are looking for is not in this price book it is no longer available.

Heater Replacement Parts

PRICES

Part Number	Part Description	List Price	Part Number	Part Description	List Price
HAXNIP1930	Union Connector	\$42.13	IDXHXA1102	Heat Exchanger Assembly	\$841.93
HAXNUT1930	Union Nut	19.82	IDXIGN1930	Ignitor	91.03
HAXPLT1931	Pilot, NA MV PSE-NA15	169.90	IDXJKT1100	Jacket Top	62.84
HAXPLT1932	Pilot, LP MV PSE-LP15	169.90	IDXKIT1930	Consumer Kit	50.87
HAXPNT1930	Touch-up Paint, H-Series	65.96	IDXL2BVS1930	Blower Vacuum Switch	50.11
HAXPSA1930	Pressure Switch Assembly Kit	61.56	IDXL2DB1930	Display Board Only – FD & IDL2	282.55
HAXRHD1930	Rear Header Only	75.10	IDXL2FSB1930	Fuse Board	309.98
HAXRSA1930	Roll Out Switch Kit	67.69	IDXL2FSK1930	Complete Set of Fuses	40.41
HAXTLK1930	Temperature Limiters Kit	79.11	IDXL2ICB1931	Integrated Control Board	285.38
HAXTRK1930	Pilot Tube Replacement Kit	31.25	IDXL2IGN1930	Silicone Nitride Ignitor	94.18
HAXTST1930	Thermostat with Knob	65.50	IDXL2SNT1930	Silicon Tube 2.5	44.72
HAXWHA0001	Wire Harness MV Front H	113.78	IDXL2TRF1930	Transformer	116.71
HAXWHA0002	Wire Harness MV Rear H, ID Series	38.95	IDXL2VPS1930	Vent Pressure Switch	71.06
HAXWHA0003	Wire Harness DS Rear H	37.18	IDXL2WHM1930	Wire Harness Main – 120V	120.21
HAXWHA0005	Wire Harness (Electronic)	96.52	IDXLBVS1930	Blower Vacuum Hitch	50.11
HAXWHA0006	Wire Harness Rear, ID Series (after 10/16/00)	164.06	IDXLBWR1930	Combustion Blower – 240V	548.35
HAXWHA0007	Rear Wire Harness	164.06	IDXLBWR1931	Combustion Blower – 120V	533.11
HAXWHA0008	Main Wire Harness	116.57	IDXLCPA1250	Control Panel Assembly – H250IDL	641.18
HMXHLI2932	Immersion Hi Limit Rear Header 160° HM	37.33	IDXLCPA1400	Control Panel Assembly – H400IDL	644.43
IDXAPS1930	Air Pressure Switch	79.43	IDXLCPA1930	Control Panel Assembly	633.15
IDXBLG1930	Blower Gasket	17.70	IDXLFLS1930	Flame Sensor	60.08
IDXBNR1930	Burner, Natural or Propane	259.82	IDXLHXA1250	Heat Exchanger Assembly – H250IDL	1,447.61
IDXBRG1930	Burner Gasket	11.62	IDXLHXA1400	Heat Exchanger Assembly – H400IDL	1,788.22
IDXCNK1933	Conversion Kit, Natural to Propane, H100	55.25	IDXLIGN1930	Ignitor – 240V	119.91
IDXCNK1934	Conversion Kit, Propane to Natural, H100	55.25	IDXLTER1930	Thermistor	117.55
IDXCPG1931	Coupling – 2"	27.65	IDXLTMB1931	Terminal Block – 5 Pole	33.88
IDXFAD1101	Front Access Door (after S/N 20A01209)	85.76	IDXLVPS1930	Vent Pressure Switch	80.44
IDXHKL1930	Hi-Limit Kit	131.12	IDXLWHM1930	Wire Harness Main – 240V	167.31
IDXHXA1101	Heat Exchanger Assembly	702.67	IDXMAN1100	Manifold	98.34

NOTE: If the part number you are looking for is not in this price book it is no longer available.

Heater Replacement Parts

PRICES

Part Number	Part Description	List Price	Part Number	Part Description	List Price
IDXMOD1930	Ignition Module	\$361.02	UHXNEGVT12501	Indoor Vent Adapter Kit, H250FD, Negative-Pressure (Vertical)	\$247.12
IDXWHA1931	Wire Harness.	38.95	UHXNEGVT13001	Indoor Vent Adapter Kit, H300FD, Negative-Pressure (Vertical)	247.12
IHXILS1930	Interlock Switch – 240V	54.34	UHXNEGVT13501	Indoor Vent Adapter Kit, H350FD, Negative-Pressure (Vertical)	247.12
IHXMOD1931	Control Module	380.20	UHXNEGVT14001	Indoor Vent Adapter Kit, H400FD, Negative-Pressure (Vertical)	247.12
IHXTRF1930	Transformer – 240V.	84.68	UHXNEGVT15001	Indoor Vent Adapter Kit, H500FD, Negative-Pressure (Vertical)	247.12
UHXFSW1930	Water Flow Switch Kit	327.46	UHXPOSHZ11501	Indoor Vent Adapter Kit, H150FD, Positive-Pressure (Horizontal)	392.34
UHXHD6ELBOW	Heatfab Stainless Vent Kit, 6" 90° Elbow	408.47	UHXPOSHZ12001	Indoor Vent Adapter Kit, H200FD, Positive-Pressure (Horizontal)	392.34
UHXHD6PIPE18	Heatfab Stainless Vent Kit, 6" Vent Pipe, 18" Long	264.13	UHXPOSHZ12501	Indoor Vent Adapter Kit, H250FD, Positive-Pressure (Horizontal)	392.34
UHXHD6PIPE24	Heatfab Stainless Vent Kit, 6" Vent Pipe, 24" Long	349.42	UHXPOSHZ13001	Indoor Vent Adapter Kit, H300F, Positive-Pressure (Horizontal)	392.34
UHXHD6PIPE36	Heatfab Stainless Vent Kit, 6" Vent Pipe, 36" Long	414.50	UHXPOSHZ13501	Indoor Vent Adapter Kit, H350FD, Positive-Pressure (Horizontal)	392.34
UHXHD6STERM	Heatfab Stainless Vent Kit, 6" Horizontal Straight Terminal	731.50	UHXPOSHZ14001	Indoor Vent Adapter Kit, H400FD, Positive-Pressure (Horizontal)	392.34
UHXHD8ELBOW	Heatfab Stainless Vent Kit, 8" 90° Elbow	532.37	UHXPOSHZ15002	Indoor Vent Adapter Kit, H500FD, Positive-Pressure (Horizontal)	364.27
UHXHD8PIPE18	Heatfab Stainless Vent Kit, 8" Vent Pipe, 18" Long	371.81	UHXTPP1930	Water Flow Switch & Temp/ Pressure Gauge Kit	568.10
UHXHD8PIPE24	Heatfab Stainless Vent Kit, 8" Vent Pipe, 24" Long	447.08			
UHXHD8PIPE36	Heatfab Stainless Vent Kit, 8" Vent Pipe, 36" Long	623.77			
UHXHD8STERM	Heatfab Stainless Vent Kit, 8" Horizontal Straight Terminal	818.91			
UHXNEGVT11501	Indoor Vent Adapter Kit, H150FD, Negative-Pressure (Vertical)	247.12			
UHXNEGVT12001	Indoor Vent Adapter Kit, H200FD, Negative-Pressure (Vertical)	247.12			

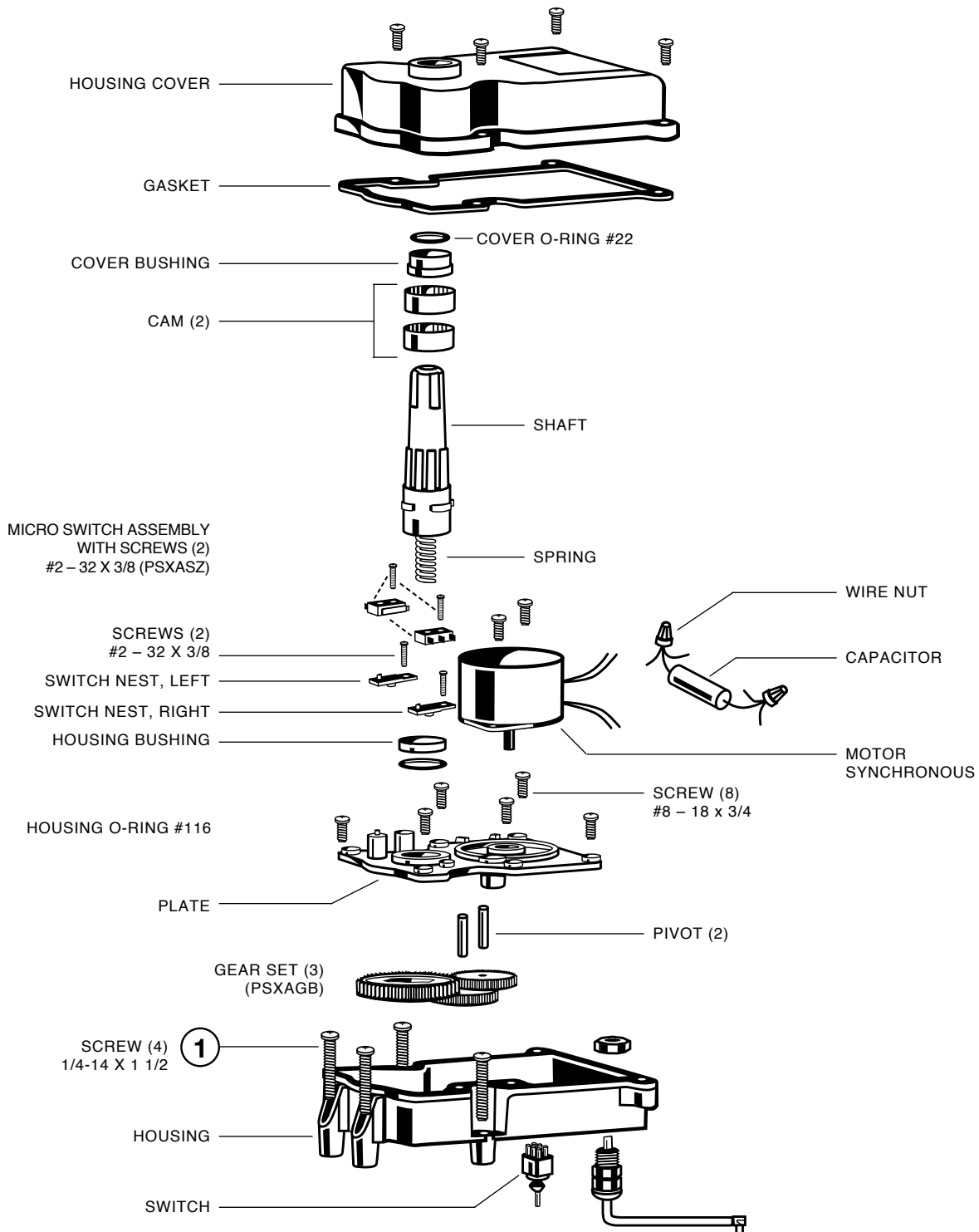
Heating

NOTE: If the part number you are looking for is not in this price book it is no longer available.

Actuator

GVA-24 REPLACEMENT PARTS

Parts Listing



Ref. No.	Part No.	Description	Ctn. Qty.	No. Req'd	List Price
1	GLX-GVA-4SCR	Mounting Screws (Set of 4)	8	1	\$18.71

PROLOGIC®

Part No.	Description	List Price
GLX-PS-AQC	Main PCB-PRO ProLogic® with AquaConnect Bundle	\$1,285.86
GLX-PCB-PRO*	Main PCB, ProLogic	927.77
GLX-PL-LOC-P-4	Display, Local, ProLogic, P-4	513.68
GLX-PL-LOC-PS4	Display, Local, ProLogic, PS-4	763.61
GLX-PL-LOC-PS8	Display, Local, ProLogic, PS-8	805.24
GLX-PL-LOC-PS16	Display, Local, ProLogic, PS-16	833.02
AQL2-TB-RF-P-4	Wireless Remote, Tabletop, P-4, Black	794.36
AQL2-TW-RF-P-4	Wireless Remote, Tabletop, P-4, White	794.36
AQL2-TB-RF-PS-4	Wireless Remote, Tabletop, PS-4, Black	794.36
AQL2-TW-RF-PS-4	Wireless Remote, Tabletop, PS-4, White	794.36
AQL2-TB-RF-PS-8	Wireless Remote, Tabletop, PS-8, Black	860.52
AQL2-TW-RF-PS-8	Wireless Remote, Tabletop, PS-8, White	860.52
AQL2-TB-RF-PS-16	Wireless Remote, Tabletop, PS-16, Black	985.66
AQL2-TW-RF-PS-16	Wireless Remote, Tabletop, PS-16, White	985.66
AQL2-WW-PS-4	Wired Remote, Wall Mount, PS-4, White	489.80
AQL2-WW-PS-8	Wired Remote, Wall Mount, PS-8, White	549.46
AQL2-WW-PS-16	Wired Remote, Wall Mount, PS-16, White	625.47
AQL2-WW-RF-PS-4	Wireless Remote, Wall Mount, PS-4, White	612.30
AQL2-WW-RF-PS-8	Wireless Remote, Wall Mount, PS-8, White	625.47
AQL2-WW-RF-PS-16	Wireless Remote, Wall Mount, PS-16, White	751.94
GLX-STDOFFPAK20	Display Standoff (<i>Pack of 20</i>)	15.51
GLX-ACT-CONN	Actuator Connector	10.44

NOTE: *For units produced after October 2008.

AQUALOGIC

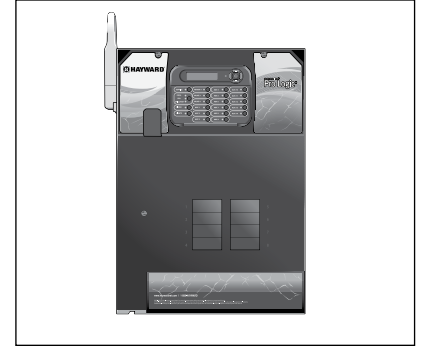
Part No.	Description	List Price
GLX-PCB-MAIN	Main PCB, AquaLogic	\$847.20
GLX-PCB-EXP	PCB, Expansion Unit for PS-16	847.20
GLX-LOCAL-P-4	Display, Local, P-4	319.31
GLX-LOCAL-PS-4	Display, Local, PS-4	617.81
GLX-LOCAL-PS-8	Display, Local, PS-8	645.56
GLX-LOCAL-PS-16	Display, Local, PS-16	687.25
GLX-BASE-RF	Wireless Antenna for AquaLogic	315.96
GLX-STDOFFPAK20	Display Standoff (<i>Pack of 20</i>)	15.51
GLX-ACT-CONN	Actuator Connector	10.44

AQUAPLUS®

Part No.	Description	List Price
GLX-PS-AQC	Main PCB-PRO, AquaPlus with AquaConnect Bundle	\$1,285.86
GLX-PCB-PRO	Main PCB, AquaPlus	927.77
GLX-PL-LOC-P-4	Display, Local, AquaPlus	513.68

ONCOMMAND®

Part No.	Description	List Price
GLX-ONCOM-AQC	Main PCB OnCommand with AquaConnect Bundle	\$1,028.18
GLX-PCB-ONCOM	Main PCB, OnCommand	742.55
GLX-LOC-ONCOM	Display, Local, OnCommand	417.65
GLX-DOOR-ONCOM	Enclosure Door, OnCommand	106.67



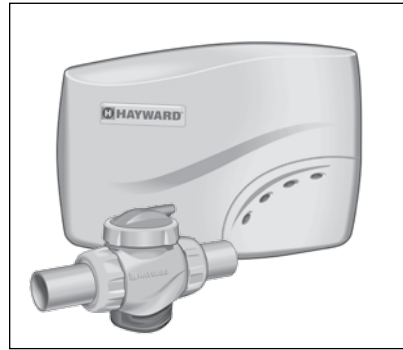
ProLogic



OnCommand

Automation & Sanitization

REPLACEMENT PARTS



Salt & Swim 3C



AquaRite

E-COMMAND®, E-COMMAND 4

Part No.	Description	List Price
GLX-PCB-HPC-4	Main PCB, E-Command 4	\$742.55
GLX-HPC4-AQC	Main PCB E-Command 4 with AquaConnect Bundle	1,028.18
GLX-LOCAL-P-4	Display, Local, E-Command	319.31
GLX-PL-LOC-P-4	Display, Local, E-Command 4	513.68
GLX-RF-3B	3 Button Remote Control	386.80

SALT & SWIM® 3C

Part No.	Description	List Price
SAS-CELL	Salt & Swim 3C Replacement Cell	\$383.21
GLX-CTL-DIY	Salt & Swim 3C Control Box	809.48
GLX-DIY-CORD	Salt & Swim 3C Replacement Power Cord	60.99
GLX-DIY-CABLE	Salt & Swim 3C Replacement Cell Cable	101.84
GLX-DIY-DOOR	Salt & Swim 3C Replacement Door	32.82
GLX-DIY-VESSEL	Salt & Swim 3C Replacement Vessel	160.84
GLX-DIY-CCN15	1.5" Ring, Collar and Nut Set	67.00
GLX-DIY-CCN2	2" Ring, Collar and Nut Set	67.00
GLX-DIY-CUP	Cell Cleaning Cup	20.63
GLX-DIY-ORING	O-Ring for Salt Cell	21.82
GLX-DIY-UNION	Salt & Swim 3C Pro Union Kit	44.44

AQUARITE PRO®

Part No.	Description	List Price
GLX-CTL-AR-PRO	Control Unit, AquaRite Pro	\$1,557.45
GLX-PCB-AR-PRO	Main PCB, AquaRite Pro	934.47
GLX-AR-PRO-MEM	Display, Membrane Key Pad, dead front	417.65

AQUARITE

Part No.	Description	List Price
GLX-CTL-RITE	Control Unit, AquaRite	\$1,395.11
GLX-PCB-RITE	Main PCB, AquaRite	401.35
GLX-PCB-DSP	Display PCB, AquaRite	169.90
GLX-FLO-RPPAK10	Replacement Flow Switch (Pack of 10)	836.84
GLX-FLO-RP	Replacement Flow Switch – 15' cable (no tee)	168.05
GLX-FLO-RP-25	Replacement Flow Switch – 25' cable (no tee)	156.33
GLX-FLO-T	Flow Switch Tee	27.92
GLX-XFMR	Transformer	237.88
GLX-R-10PK	Rectifier (10 pack)	233.23
GLX-F20-10PK	20 Amp Glass Fuse (10 pack)	60.65
GLX-F20A-10PK	20 Amp Yellow Fuse (10 pack)	68.11
GLX-FUSE-20	Fuse Holder Kit	35.38
GLX-CELLSTAND	Salt Cell Cleaning Stand	38.41
GLX-CELL-UNION	Salt Cell Union – Tailpiece, Nut and O-Ring	29.42
GLX-CELL-PIPE	Salt Cell Placeholder	54.32
GLX-SALTMETER	Handheld Digital Salt Meter	237.66
GLX-STDOPPAK20	Display Standoff (Pack of 20)	15.51

Automation & Sanitization

REPLACEMENT PARTS

SENSE AND DISPENSE®

Part No.	Description	List Price
GLX-PROBE-ORP	Probe, ORP Replacement	\$448.85
GLX-PROBE-PH	Probe, pH Replacement	435.80
GLX-SD-ELEC-MOD	Sense and Dispense Electronics Module	423.27
GLX-SD-FLOW*	Flow Cell, Sense and Dispense only	213.36
GLX-WINTER-KIT	Kit-Replacement, Winterizing	60.52
GLX-SADDLE	Saddle Clamp	25.02

NOTE: *This SKU replaces GLX-FLOW-CELL

AQUATROL®

Part No.	Description	List Price
GLX-CTL-TR-HP	Control Unit, AquaTrol – HP, straight blade	\$1,033.28
GLX-CTL-TR-HP-T	Control Unit, AquaTrol – HP, twist lock	1,033.28
GLX-CTL-TR-RJ	Control Unit, AquaTrol – RJ, straight blade	1,033.28
GLX-CTL-TR-RJ-T	Control Unit, AquaTrol – RJ, twist lock	1,033.28
GLX-RJ-ELBOW	Fitting, Return Jet	58.63
GLX-TROL-TIMER	24 hour Timeclock	88.47
GLX-PCB-TROL-RJ	Main PCB, AquaTrol RJ	425.76
GLX-PCB-TROL-HP	Main PCB, AquaTrol HP	425.76
GLX-CELL-5	TurboCell, 20K gallons	645.54

NOTE: TurboCell Replacements available – see pages 79, 84, 94–95.

SALT & SWIM® ABOVE GROUND

Part No.	Description	List Price
GLX-CTL-SASAG	Salt & Swim Above Ground Control Box with 120V power cord, straight blade	\$809.48
GLX-CTL-SASAG-T	Salt & Swim Above Ground Control Box with 120V power cord, twist lock	809.48
SAS-CELL-ABG	Salt & Swim Above Ground Replacement Cell	318.92

Automation & Sanitization

REPLACEMENT PARTS

HYDRORITE®

Part No.	Description	List Price
GLX-HYDCTLUVO	Controller, UV/Ozone	\$2,428.39
GLX-HYDVESUVO	Vessel Body, UV/Ozone with Unions	1,542.31
GLX-HYDXFMR	Power Transformer	238.77
GLX-HYDPCB	Interconnect PCB	639.48
GLX-HYDFUSE	PCB Fuse Kit (<i>Quantity of 10</i>)	29.50
GLX-HYDBALLAST	Ballast with Cable Harnesses	597.11
HYXSLACA	UV Lamp Cable	198.76
HYXSFANA	Fan Assembly	91.23
GLX-HYDSLEEVE	Stainless Steel Sleeve with O-Ring	585.71
GLX-HYDMAN	Ozone Manifold and Interlock Switch	158.55
HYX2DQSA	Quartz Sleeve Assembly	195.36
GLX-HYD-LAMPUVO	Residential Lamp, Ozone Producing	239.06
GLX-HYDVENKIT	Venturi Tube Kit	201.32
GLX-HYDVEN	2" Venturi, Residential	546.01
ECX12S	2" PVC Pipe Connector Socket	43.36
ECX12T	2" PVC Pipe Connector Threaded	34.25
TBX122	2" PVC Union Nut	26.27
BSX1CAP2	2" PVC Port Cap	38.46
BSX1PLUG2	PVC Vessel Drain Plug	38.46
SB2KIT	Vessel O-Ring Kit	35.88
GVA-24	Valve Actuator	218.43
PSV3S2	3-Port Diverter Valve	78.97

AQUACONNECT®

Part No.	Description	List Price
GLX-HOMENET	Replacement Wireless Mini-server, Home Network	\$593.88
GLX-HOMENET-PS	Replacement Power Supply for AQ-CO-HOMENET	53.97

SALT CHLORINATOR CELLS (for AquaRite®, AquaRite® Pro, AquaPlus®, ProLogic®, AquaLogic®)

Part No.	Description	List Price
GLX-CELL-3-W	TurboCell, 15K gallons, 1 year warranty	\$406.03
GLX-CELL-5-W	TurboCell, 20K gallons, 1 year warranty	587.85
GLX-CELL-9-W	TurboCell, 25K gallons, 1 year warranty	660.63
GLX-CELL-15-W	TurboCell, 40K gallons, 1 year warranty	918.07
TCELL925-W	Warranty Cell for TCELL925, 1 year warranty	785.47
TCELL940-W	Warranty Cell for TCELL940, 1 year warranty	1,063.71
GLX-CELL-PIPE	Straight Pipe Placeholder for TurboCell	54.32
GLX-CELL-UNION	2" Cell Union Kit (1 each of nut, tailpiece, O-Ring)	29.42
GLX-CELL-5	TurboCell, 20K gallons, 3 year warranty	645.54
GLX-CELL-15-25	TurboCell, 40K gallons, 3 year warranty, 25 ft. cord	1,045.37
GLX-CELLSTAND	Cleaning Stand for TurboCells	38.41
GLX-UNION-ORING	TurboCell Union O-Ring (<i>pack of 12</i>)	15.66

OMNIOLOGIC®

Part No.	Description	List Price
HLX-DSP-MOUNT	Local Display Mounting Kit	\$36.24
HLX-LOC-DSP	Local Display	758.26
HLX-PCB-MAIN	Main Control Board	1,093.36
HLX-PCB-TCELL	T-Cell PCB Board	112.75
HLX-PSUPPLY	Power Supply Assembly	501.50
HLX-RELAY	OmniLogic Relay	109.67
HLX-TRNSFM	OmniLogic Transformer	215.08

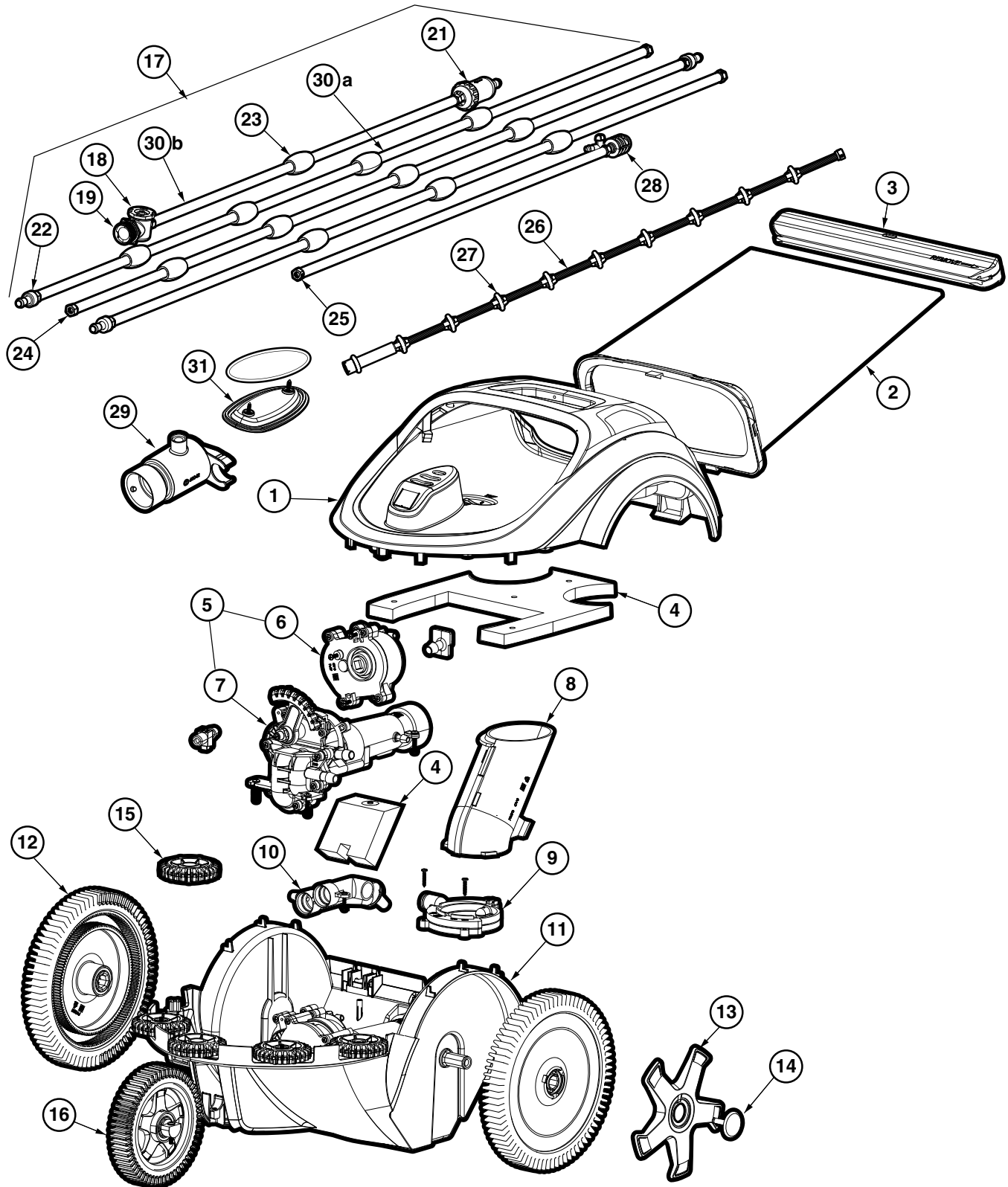
COMMON REPLACEMENT PARTS

Part No.	Description	List Price
GLX-DRK	Rectifier Upgrade	\$70.79
GLX-FLO-RPPAK10	Replacement Flow Switch (<i>Pack of 10</i>)	836.84
GLX-FLO-RP	Flow Switch (15' cable, no tee)	168.05
GLX-FLO-RP-25	Flow Switch (25' cable, no tee)	156.33
GLX-FLO-T	Tee for Flow Switch	27.92
GLX-XFMR	Transformer	237.88
GLX-R-10PK	Rectifier (<i>10 pack</i>)	233.23
GLX-F20-10PK	Fuse Kit, 20A (<i>10 pack</i>) (for AquaRite/Trol before 11/04)	60.65
GLX-F20A-10PK	Fuse Kit, 20A/yellow (<i>10 pack</i>) (all AquaLogic/Rite/Trol after 11/04)	68.11
GLX-F3A-10PK	Fuse Kit, 3A/violet (<i>10 pack</i>) (AquaLogic only)	68.11
GLX-FUSE-20	Fuse Holder Kit (fuse holder and wires for Rite/Trol before 11/04)	35.38
GLX-PC-12-KIT	Temperature Sensor with 15' leads and hose clamp	55.18
GLX-RF-EXTEND	AQL2-BASE-RF extension 50'	139.74
GLX-RELAY	Relay, 3 H.P.	113.93
GLX-PWR-X	Power Supply, wall plug-in, for wireless remotes X = W (White), B (Black)	43.83
GLX-GVA-4SCR	Screws (4) for mounting GVA-24 Valve Actuator	18.71
GLX-FLO	Flow Switch (15' cable with tee)	156.70
GLX-FLO-25	Flow Switch (25' cable with tee)	179.77
GLX-TLOUTLET-20	120V/15 amp Twist Lock Pump Outlet	133.73
GLX-OUTLET-15A	120V/15 amp Pump Outlet	67.00
GLX-ELEC-KIT	Chlorinator Hook-up, line voltage	69.36
GLX-POD-CHGR	Battery Charger for AquaPod	86.48
GLX-CELLST-STD	Stand for Cell Tester	608.61
GLX-CELL-TESTER	Tester for all TurboCell Electrolytic Cells	1,178.87
GLX-SS-RF	Wireless Spaside Remote Control	501.62
GLX-STDOFFPAK20	Display Standoff (<i>Pack of 20</i>)	15.51
GLX-ACT-CONN	Actuator Connector Plug Kit	10.44

TriVac™ 700

REPLACEMENT PARTS

Parts Diagram



Cleaners

Parts Listing

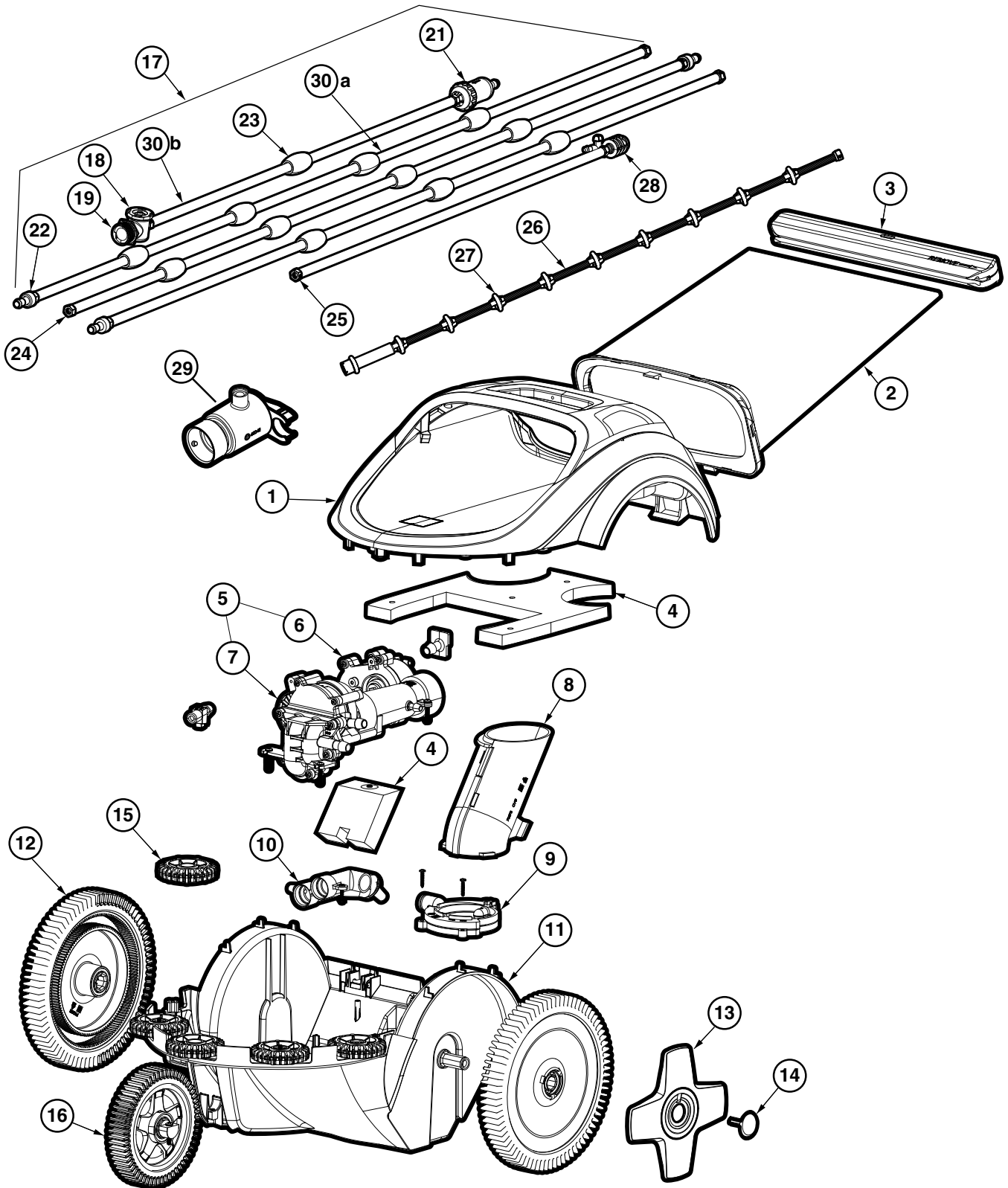
Ref. No.	Part No.	Description	Ctn. Qty.	List Price
1	TVX7000TA-01	Top Assembly Kit	1	\$146.14
2	TVX7000BA	Bag Kit (Float Included)	25	60.52
3	TVX6009EA	Float Debris Bag Kit	10	15.64
4	TVXFOAM	Foam Kit	10	34.72
5	TVX7000TV	Timer-Valve Kit	10	141.41
6	TVX7000TM	Timer Kit	10	50.16
7	TVX7000VA	Valve Kit	10	100.54
8	TVX7057-01	Assembly Vacuum Tube	10	13.47
9	TVX7000BM-01	Bottom Manifold Kit	10	25.12
10	TVX7000SM-01	Manifold Skim Thrust Kit	10	33.49
11	TVX7000LA-01	Lower Assembly Kit	1	228.16
12	TVX7000RW-01	Wheel Kit, Rear	10	65.94
13	PVXS005PK2-237	Wheel Styling 5 Spoke <i>(Set of 2)</i>	20	10.12
14	PVXS0006-237	Wheel Retainer Clip <i>(Set of 2)</i>	10	5.22
15	TVX7036-234	Roller Kit, Side	10	9.97
16	TVX7000FW-01	Wheel Kit, Front	10	18.02
17	TVX7000HA-01	Hose Kit	1	351.62
18	TVX7000HWA-01	Hose Wall Connection Kit	10	29.72
19	TVX7015-205	Universal Wall Fitting Kit	10	6.65
20	TVX7000WCA-01	Wall Connection Kit	10	33.14
21	TVX7000HFA-01	Hose Filter Kit	10	42.84
22	TVX7000SA-01	Swivel Kit	10	23.10
23	TVX7025PK3-205	Float Kit <i>(Set of 4)</i>	10	20.34
24	TVX7000MNP3	Mender Nut Kit, Gray <i>(Set of 3)</i>	25	13.12
25	TVX6000MNP3	Mender Nut Kit, White <i>(Set of 3)</i>	25	4.36
26	TVX7000HST-01	Sweep Tail Kit	10	61.21
27	TVX7081-01	Roller, Sweep Tail Kit <i>(Set of 3)</i>	25	10.19
28	TVX7059-205	Unit Connector Kit	25	21.00
29	TVX6000PTA	Pressure Tester Kit	5	40.04
30a	TVX7027A-205	PVC Hose .50ID x .75OD x 8 ft Kit	5	80.52
30b	TVX7027B-205	PVC Hose .50ID x .75OD x 4 ft Kit	5	44.05
31	TVX7031	Damper Cover Assembly	10	15.95
—	TVX7000TU	Tune Up Kit (2,12,15,16)	10	115.60
—	TVX7000CHA-01	Cleaner Head	1	525.87

Cleaners

TriVac™ 500

REPLACEMENT PARTS

Parts Diagram



Cleaners

Parts Listing

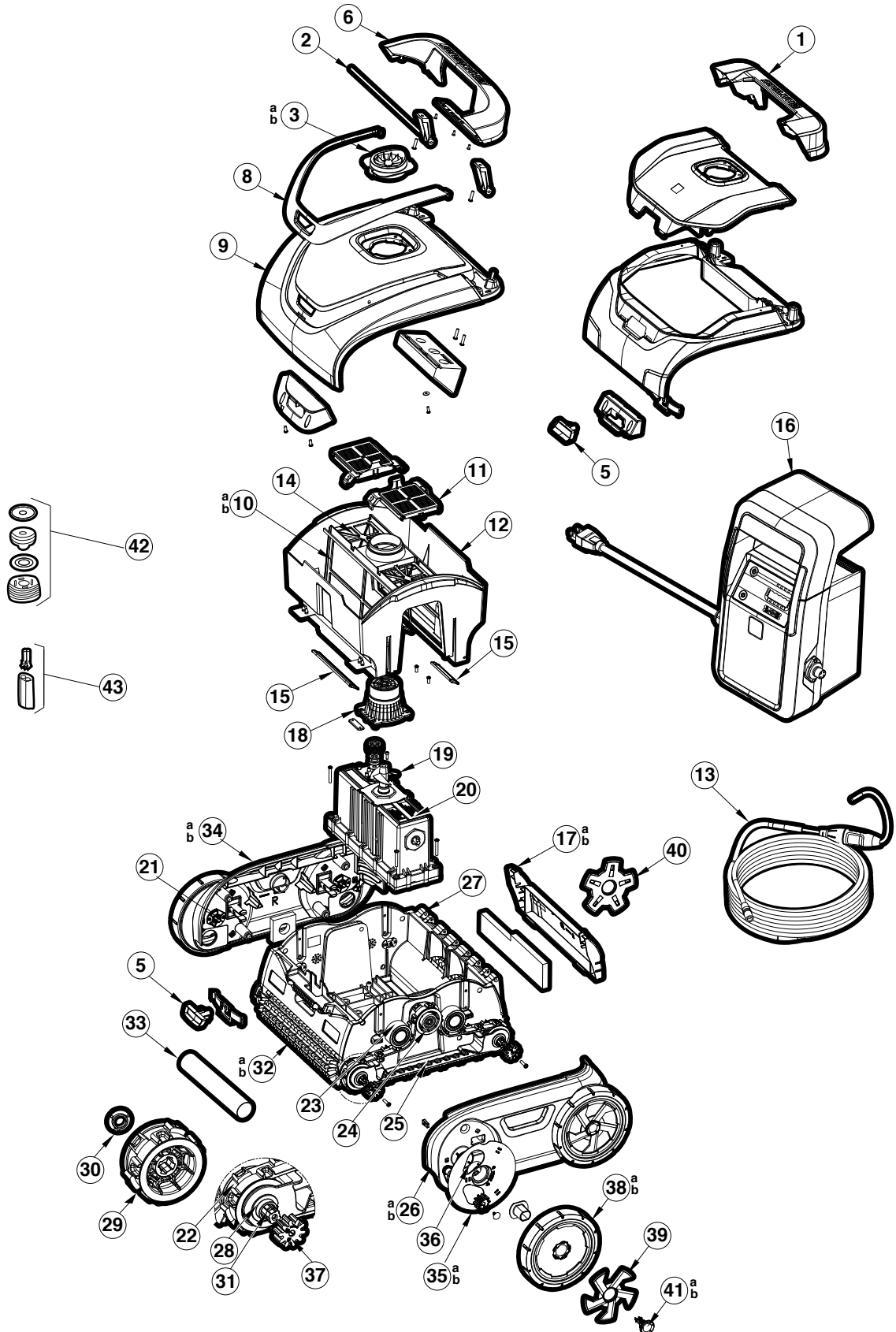
Ref. No.	Part No.	Description	Ctn. Qty.	List Price
1	TVX7000TA-02	Top Assembly Kit	1	\$146.14
2	TVX5000BA	Bag Kit (Float Included)	1	60.52
3	TVX6009EA	Float Debris Bag Kit	10	15.64
4	TVXFOAM	Foam Kit	10	34.72
5	TVX7500TV	Timer-Valve Kit	1	141.41
6	TVX7000TM	Timer Kit	10	50.16
7	TVX7500VA	Valve Kit	1	100.54
8	TVX7057-01	Assembly Vacuum Tube	10	13.47
9	TVX7000BM-01	Bottom Manifold Kit	10	25.12
10	TVX7000SM-01	Manifold Skim Thrust Kit	10	33.49
11	TVX7000LA-02	Lower Assembly Kit	1	228.16
12	TVX7000RW-01	Wheel Kit, Rear	10	65.94
13	PVXE003PK2-237	Wheel Styling 4 Spoke <i>(Set of 2)</i>	20	10.71
14	PVXS0006-237	Wheel Retainer Clip <i>(Set of 2)</i>	10	5.22
15	TVX7036-234	Roller Kit, Side	10	9.97
16	TVX7000FW-01	Wheel Kit, Front	10	18.02
17	TVX7000HA-01	Hose Kit	1	351.62
18	TVX7000HWA-01	Hose Wall Connection Kit	10	29.72
19	TVX7015-205	Universal Wall Fitting Kit	10	6.65
20	TVX7000WCA-01	Wall Connection Kit	10	33.14
21	TVX7000HFA-01	Hose Filter Kit	10	42.84
22	TVX7000SA-01	Swivel Kit	10	23.10
23	TVX7025PK3-205	Float Kit <i>(Set of 4)</i>	10	20.34
24	TVX7000MNP3	Mender Nut Kit, Gray <i>(Set of 3)</i>	25	13.12
25	TVX6000MNP3	Mender Nut Kit, White <i>(Set of 3)</i>	25	4.36
26	TVX7000HST-01	Sweep Tail Kit	10	61.21
27	TVX7081-01	Roller, Sweep Tail Kit <i>(Set of 3)</i>	25	10.19
28	TVX7059-205	Unit Connector Kit	25	21.00
29	TVX6000PTA	Pressure Tester Kit	5	40.04
30a	TVX7027A-205	PVC Hose .50ID x .75OD x 8 ft Kit	5	80.52
30b	TVX7027B-205	PVC Hose .50ID x .75OD x 4 ft Kit	5	44.05
—	TVX5000TU	Tune Up Kit (2,12,15,16)	1	115.60
—	TVX7000CHA-02	Cleaner Head	1	525.87

Cleaners

AquaVac® 500

ROBOTIC CLEANER REPLACEMENT PARTS

Parts Diagram and Parts Listing



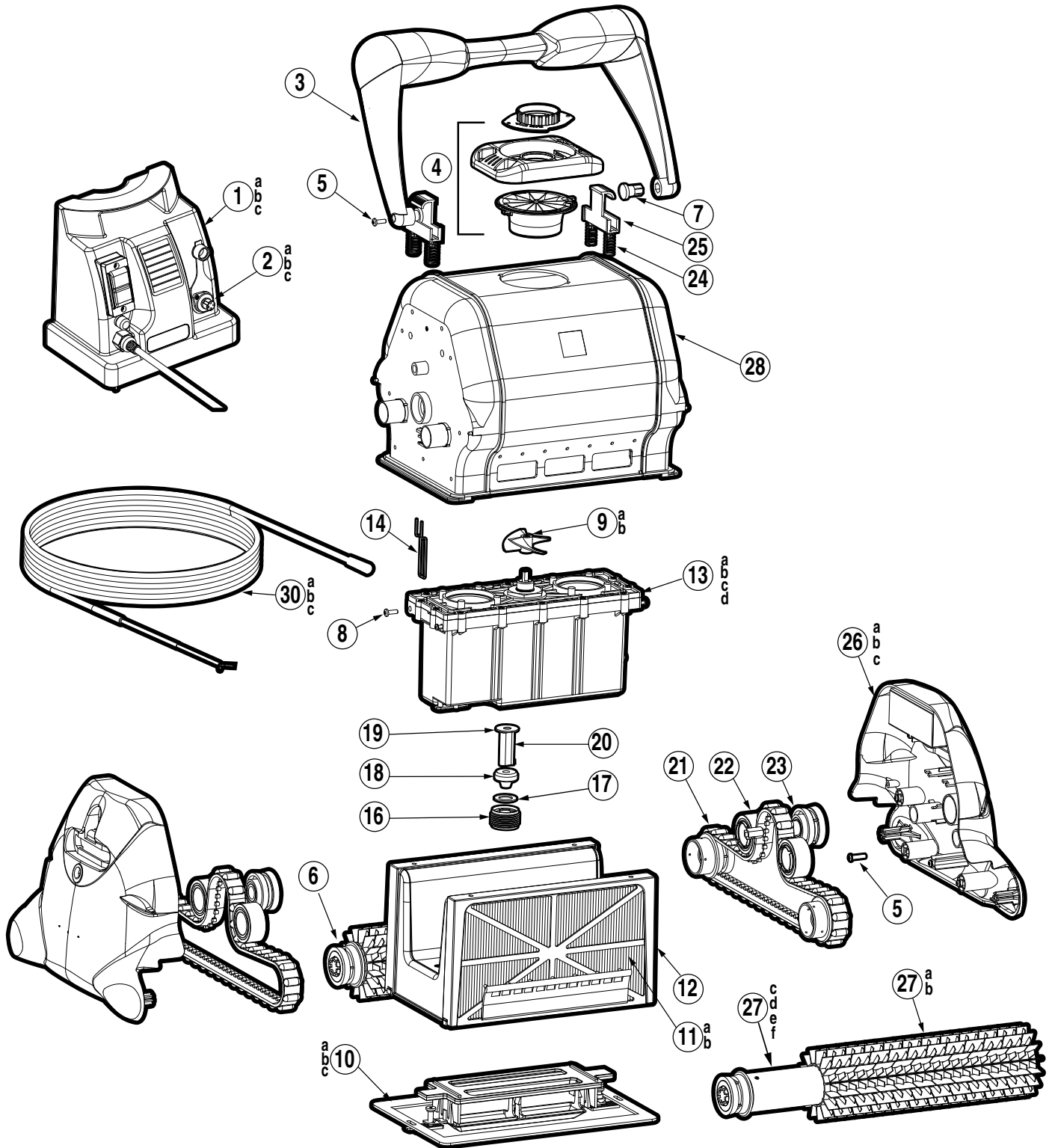
Parts Listing

Ref. No.	Part No.	Description	Ctn. Qty.	List Price
1	RCX341203OR	Handle Assembly, Orange Met	1	\$32.60
2	RCX97429	Hood Hinge Axle	10	7.29
3a	RCX341242BK	Hood Exhaust Nozzle, Black Met	5	12.66
3b	RCX341242GR2	Hood Exhaust Nozzle, Gray Met	5	12.66
4	RCXHD2AAV500C	Hood Assembly, Gray 2, AV500C	1	145.28
5	RCX341205GR4	Button Assembly, Gray Met	5	15.56
6	RCX341107BL	Handle Assembly, Blue Met	1	31.20
7	RCXHD1CAV500	Hood Assembly, Gray/Black, AV500	1	145.28
8	RCX341106BK	Hood Trim, Black Met	1	11.55
9	RCX341108BK	Button Assembly, Black Met	5	15.34
10a	RCX70103PAK2	Filter Cartridges <i>(Set of 2)</i>	5	20.63
10b	RCX70103PAK2	Spring Cleanup Filters <i>(Set of 2)</i>	5	20.63
11	RCX97417	Door, Filter	1	7.36
12	RCX97414	Filter Bucket Assy SV/EV	1	75.62
13a	RCX341190	60 ft. Cord Assembly with Swivel	1	415.66
13b	RCX341190A	75 ft. Cord Assembly with Swivel	1	453.85
14	RCX97417SPAK2	Door Filter Element <i>(Set of 2)</i>	1	7.24
15	RCX974057KIT	Drain Flap Kit	5	16.52
16	RCX341161A	Power Supply Assembly	1	588.12
17a	RCX341103BK	Rear Panel, Black Met	1	18.84
17b	RCX341103GR4	Rear Panel, Gray Met	1	18.84
18	RCX97455	Impeller Cover Kit	10	5.84
19	RCX341241BK	Impeller, Aquavac Black	10	9.80
20	RCX341195	Motor Assembly	1	594.32
21	RCX341111PAK2	Wheel Hub Kit <i>(Set of 2)</i>	5	4.97
22	RCX97505PAK2	Drive Track Wheel Kit <i>(Set of 2)</i>	5	14.38
23	RCX26000PAK2	Pulley Bearing Kit <i>(Set of 2)</i>	5	20.68
24	RCX97502KIT	Drive Shaft and Bearing Kit	5	56.81
25	RCX97501GR	Drive Track Belt	5	26.10
26a	RCX341101BK	Left Side Cover, Black Met	1	27.68
26b	RCX341101GR4	Left Side Cover, Gray Met	1	27.68
27	RCX341142-236	Base, Black Met	1	74.16
28	RCX97506PAK2	Roller Bushing Kit <i>(Set of 2)</i>	5	24.55
29	RCX97509PAK2	Drive Wheel Kit <i>(Set of 2)</i>	5	40.87
30	RCX97435PAK2	Roller Shaft Bushing Kit <i>(Set of 2)</i>	5	9.87
31	RCX97507PAK2	Roller Wheel Shaft <i>(Set of 2)</i>	5	11.97
32a	RCX26008	Roller Brush	5	26.40
32b	RCX26011WCE	Foam Roller Assembly	5	76.23
33	RCX97410	Wheel Tube with Caps	5	42.20
34a	RCX341102BK	Right Side Cover, Black Met	1	38.34
34b	RCX341102GR4	Right Side Cover, Gray Met	1	27.68
35a	RCX341127BK	Wheel Shield, Black Met	5	6.35
35b	RCX341127GR4	Wheel Shield, Gray Met	5	6.35
36	RCX341109PAK2	Wheel Bushing Kit <i>(Set of 2)</i>	5	5.44
37	RCX341145KIT	Wheel Drive Gear Kit	5	8.10
38a	RCX341113BKBL	Wheel Rim and Tire, Black/Blue	5	40.75
38b	RCX341113GR4BK	Wheel Rim and Tire, Gray4/Black	5	40.75
39	RCX341123GR1	Boots, Wheel Style, Gray Met	10	3.92
40	RCX341206OR	Starfish Wheel Style, Orange Met	10	3.92
41a	RCX341112GR1	Wheel Axle Plug, Gray Met	10	10.17
41b	RCX341112OR	Wheel Axle Plug, Orange Met	10	10.17
42	RCX59004KIT	Motor Cord Seal Kit (no RTV Sealant required)	5	10.19
43	RCX59002KIT	Motor Cord Connector Kit	5	5.44

TigerShark®, TigerShark® QC, TigerShark® Plus

REPLACEMENT PARTS

Parts Diagram



Cleaners

TigerShark®, TigerShark® QC, TigerShark® Plus

REPLACEMENT PARTS

Parts Listing

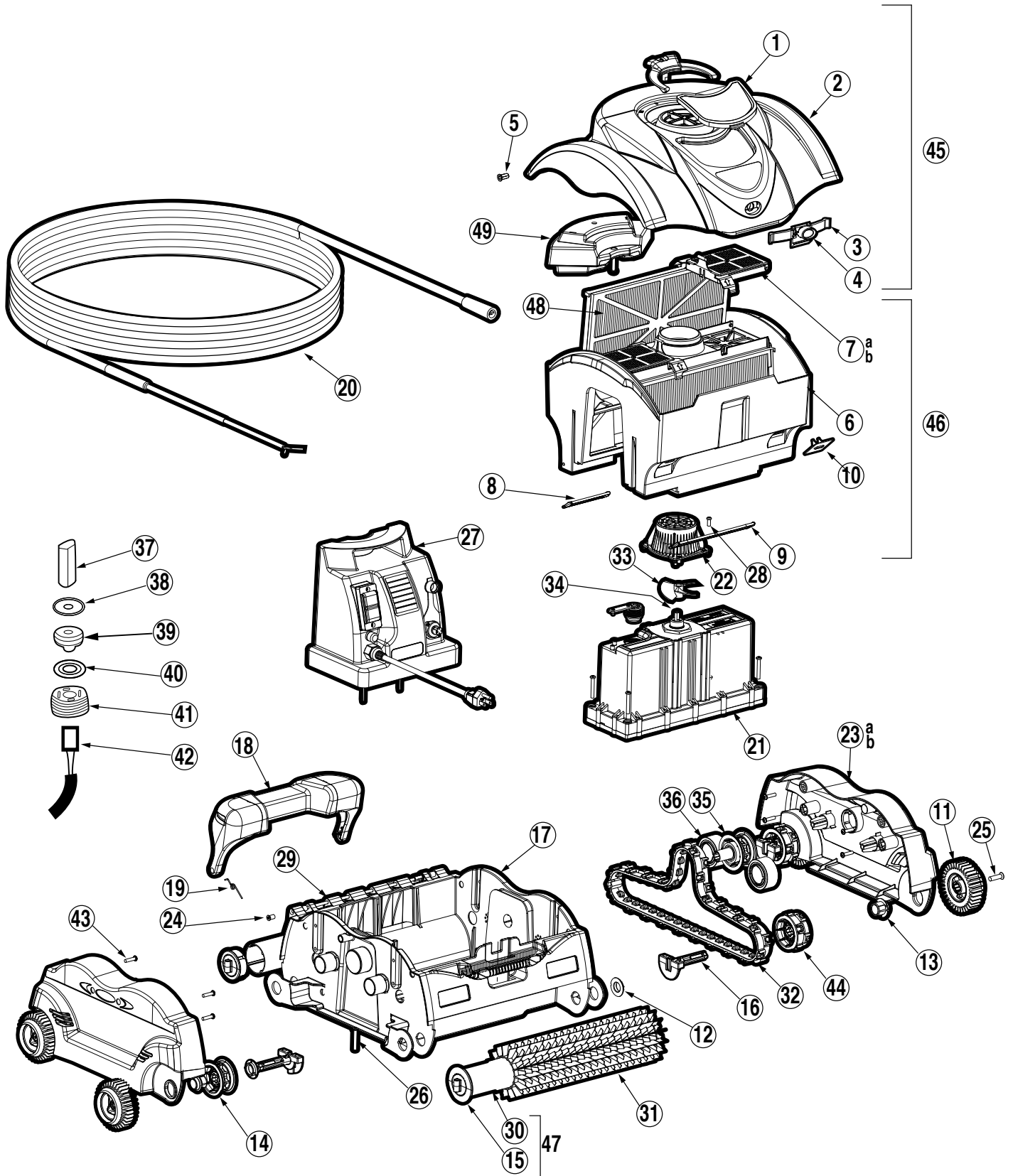
Ref. No.	Part No.	Description	Ctn. Qty.	List Price
1a	RCX97453	Power Supply-110VAC, TigerShark	1	\$327.49
1b	RCX3000RC	Power Supply-110VAC, TigerShark Plus	1	571.65
1c	RCX97453QC	Power Supply-110VAC, Quikclean	1	374.49
2a	RCX31013A	Power Supply Circuit Breaker 3A	50	9.31
2b	RCX31012	Power Supply Switch 16A	50	4.95
2c	RCX31012A	Power Supply Switch Membrane Cover	50	14.31
2d	RCX31018	Power Supply Output Connector	50	34.47
3	RCX76008-234	Handle Assembly - TS, TS Plus, TSQC, Blue	5	47.72
4	RCX11208BK	Venturi Assembly, Black	1	24.55
5	RCX12011	Screw, M5x20 T-20 (Set of 5)	10	4.43
6	RCX26001	Bearing, Guide Roller	10	30.93
7	RCX14000	Handle Arm Slide	10	4.70
8	RCX12001	Screw M4x12 T-20 (Set of 5)	10	3.32
9a	RCX11000	Impeller	10	11.55
9b	RCX12002	Screw M4x2 Flat Head T-15 (Set of 5)	10	3.40
10a	RCX75000-236	Bottom Lid Assembly, Black	1	62.81
10b	RCX78005	Bottom Lid Filter Gasket	10	20.63
10c	RCX75005	Inlet Flap	10	4.28
11a	RCX70101PAK2	Filter Cartridges (Set of 2)	5	62.42
11b	RCX70103PAK2	Spring Cleanup Filters (Set of 2)	5	20.63
12	RCX70100	Filter Cartridge Assembly, Frame and Filters	1	94.23
13a	RCX40000D	Motor Unit, Upgrade Kit for TigerShark AC	1	889.95
13b	RCX40000DC	Motor Unit, 4 hr. for TigerShark DC	1	540.62
13c	RCX43000	Motor Unit, 4 hr. for TigerSharkQC DC	1	624.71
13d	RCX4000RC	Motor Unit, 4 hr. for TigerShark Plus DC	1	662.97
14	RCX11400	Clip Lid (Set of 2)	10	4.58
15	RCX59006	Connector Socket, Molex	50	2.04
16	RCX59004	Seal Plug	10	4.56
17	RCX12302	Washer, Plastic Connector, Large Hole	10	2.83
18	RCX59003	Compression Plug	10	6.50
19	RCX12301	Washer, Plastic Connector, Small Hole	10	2.83
20	RCX59002	Connector Hosing	10	4.28
21	RCX23002	Drive Track, Soft Tread	5	35.60
22	RCX26000PAK2	Pulley Bearing Kit (Set of 2)	5	20.68
23	RCX26002	Bearing, Drive Pulley Assembly (Includes RC260031 insert)	10	31.20
24	RCX12100	Spring Handle Latch	10	3.15
25	RCX14100	Handle Latch	1	5.66
26a	RCX13220TS-237	Side Cover, TS (right and left)	1	34.18
26b	RCX13220TSP-237	Side Cover, TS Plus (right and left)	1	34.18
26c	RCX13220TSQC237	Side Cover, TSQC (right and left)	1	34.18
27a	RCX26008	Roller Brush	5	26.40
27b	RCX26011	Roller Foam with Tube	5	39.32
27c	RCX26003	Wheel Tube Assembly without Brush	5	62.37
27d	RCX26004	Wheel Tube	5	11.03
27e	RCX26005	Wheel Tube Bearing	10	25.24
27f	RCX3406	Wheel Tube Screws (Pack of 10)	10	3.52
28	RCX13001C	Main Case, TS, TSP, TSQC	1	98.10
29	RCX40117	Drive Pin Assembly	50	10.74
30a	RCX50061	Floating Cord Assembly - 55 ft. (TS, TSQC)	1	167.29
30b	RCX50110	Floating Cord Assembly - 100 ft. (TS2)	1	294.24
30c	RCX50070	Floating Cord Assembly - 55 ft. (TS Plus)	1	352.95
—	RCX97500GR	Drive Train Upgrade Kit	1	127.37
—	RCX17000	High Velocity Inlet	10	9.04
—	RCX11206	Restrictor Plate Kit	10	4.19
—	RCX11207	New Style Restrictor Plate	5	9.31
—	RCX40209	Hand-held Wireless Remote (2007 and Prior) 418 Mhz	1	208.46
—	RCX40215	Hand-held Wireless Remote (2008-present) 433 Mhz	10	208.46
—	RCX42000	Solenoid Assembly for Remote (TS Plus)	1	178.12

Cleaners

SharkVAC XL™ by HAYWARD®

ROBOTIC POOL CLEANER REPLACEMENT PARTS

Parts Diagram

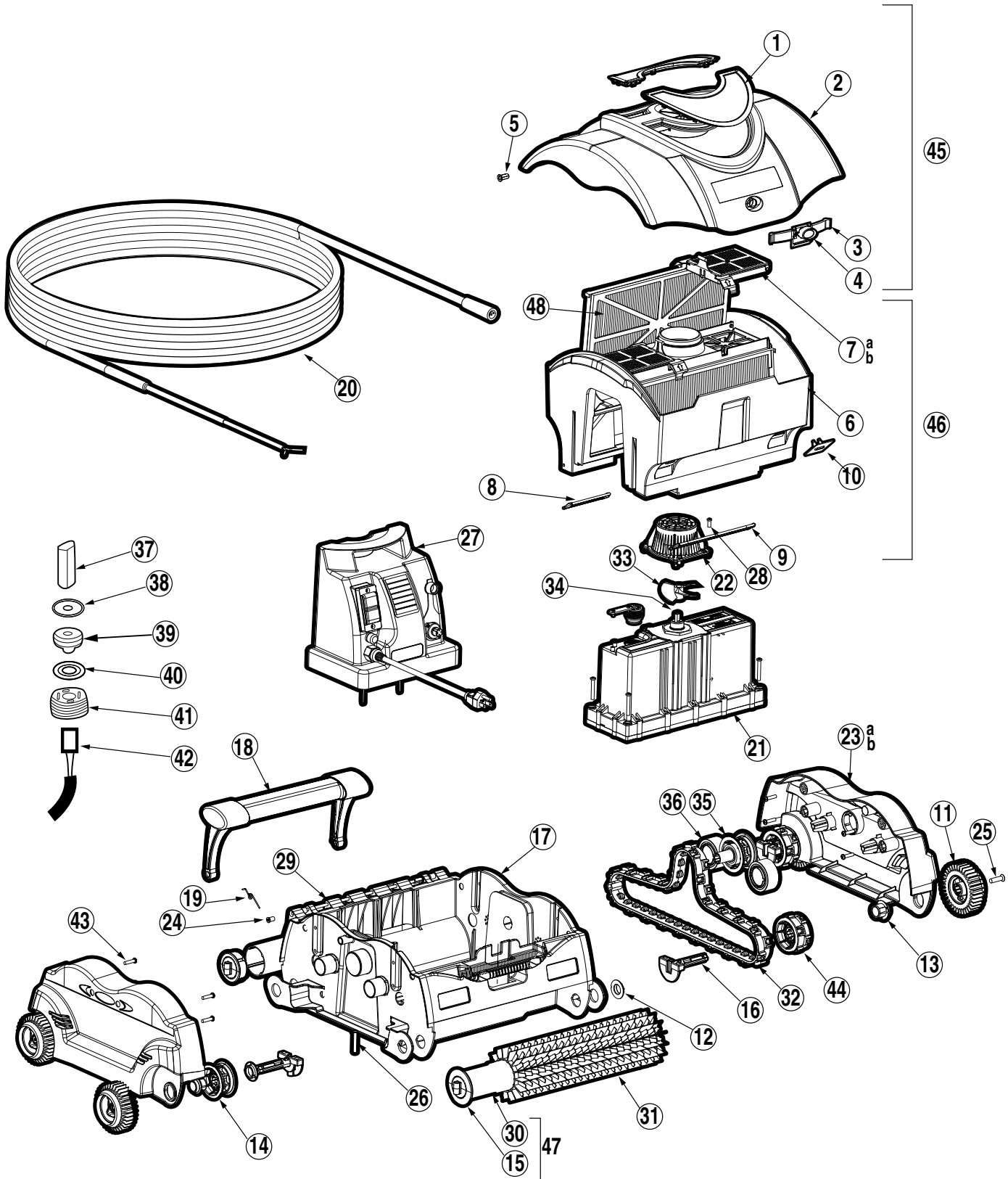


Cleaners

Parts Listing

Ref. No.	Part No.	Description	Ctn. Qty.	List Price
1	RCX97472	Window, Dome Clear SV	1	\$17.19
2	RCX97470SB-237	Dome, SV Gray	1	55.03
3	RCX97431	Spring, Flat SV/EV	5	3.64
4	RCX97433	Button SV, Black	1	4.58
5	RCX97423	Bushing, Dome, SV	5	4.70
6	RCX97415	Housing, Filter Bucket	1	31.67
7a	RCX97417	Door, Filter	1	7.36
7b	RCX97417SPAK2	Door, Filter Element <i>(Set of 2)</i>	1	7.24
8	RCX97405	Flap, Drain Small SV	1	4.58
9	RCX97407	Flap, Drain Large SV	1	8.57
10	RCX97445	Flap, Rubber SV	1	9.26
11	RCX97508GR	Wheel Rim with Tire SV	5	10.05
12	RC97435PAK2	Roller Shaft Bushing Kit <i>(Set of 2)</i>	5	9.87
13	RCX97506PAK2	Bushing SV <i>(Set of 2)</i>	5	24.55
14	RCX97505PAK2	Drive Track Wheel Kit SV <i>(Set of 2)</i>	5	14.38
15	RCX97441	Roller End SV	10	11.23
16	RCX97507PAK2	Roller Wheel Shaft SV <i>(Set of 2)</i>	5	11.97
17	RCX341142-236	Base SV, Black	1	74.16
18	RCX97480SB-234	Handle Assembly SV, Blue	1	64.14
19	RCX97427	Spring, Handle	25	4.70
20	RCX97413	Cord, Assembly 50' SV/EV	1	110.14
21	RCX97490	Motor Assembly SV/EV	1	819.28
22	RCX97455	Tube Vent	10	5.84
23a	RCX97403XL-236	Panel, Side SV XL, Black	1	20.14
23b	RCX97403P-236	Panel, Side EV Pro, Black	1	20.14
24	RCX97459	Screw M7X10MM Flat TORX <i>(Set of 5)</i>	5	12.78
25	RCX12011	Screw M7X25MM Flat TORX <i>(Set of 5)</i>	10	4.43
26	RCX97461	Screw M5X35MM PT <i>(Set of 5)</i>	10	10.59
27	RCX97453	Power Supply SV	1	327.49
—	RCX31013A	Power Supply Circuit Breaker 3A	50	9.31
—	RCX31012	Power Supply Switch 16A	50	4.95
—	RCX31012A	Power Supply Switch Membrane Cover	50	14.31
—	RCX31018	Power Supply Output Connector	50	34.47
28	RCX12010	Screw M5X12 Pan TORX HD T-20	10	7.07
29	RCX97429	Shaft, Hinge S.S. SV/EV	10	7.29
30	RCX97520ABK	Tube Wheel, Black, SharkVac	1	17.33
31	RCX26008	Roller Brush	5	26.40
32	RCX97501GR	Drive Track, Soft Tread	5	26.10
33	RCX11000	Impeller	10	11.55
34	RCX40117	Drive Pin Assembly	50	10.74
35	RCX97502GR	Drive Bearing Assembly	5	31.20
36	RCX26000PAK2	Pulley Bearing Kit <i>(Set of 2)</i>	5	20.68
37	RCX59002	Connector Housing	10	4.28
38	RCX12301	Washer Plastic Connector	10	2.83
39	RCX97462	Compression Seal	1	6.43
40	RCX12302	Washer Plastic Connector	10	2.83
41	RCX59004	Seal Plug	10	4.56
42	RCX59006	Connector Socket Molex	50	2.04
43	RCX12011	Screw M5 X 20 Pan TORX HD T-20	10	4.43
44	RCX97509PAK2	Drive Wheel Kit	5	40.87
45	RCX97471SB-237	Dome Assembly SV, Gray	1	179.72
46	RCX97414	Filter Bucket Assembly SV/EV (6, 7, 8, 9, 10)	1	75.62
47	RCX97410	Tube, Wheel Assembly SV	5	42.20
48	RCX70101PAK2	Filter Cartridges <i>(Set of 2)</i>	5	62.42
—	RCX70103PAK2	Spring Cleanup Filters <i>(Set of 2)</i>	5	20.63
49	RCX97477	Float Assembly SV XL/EV Pro	1	76.53

Parts Diagram



Cleaners

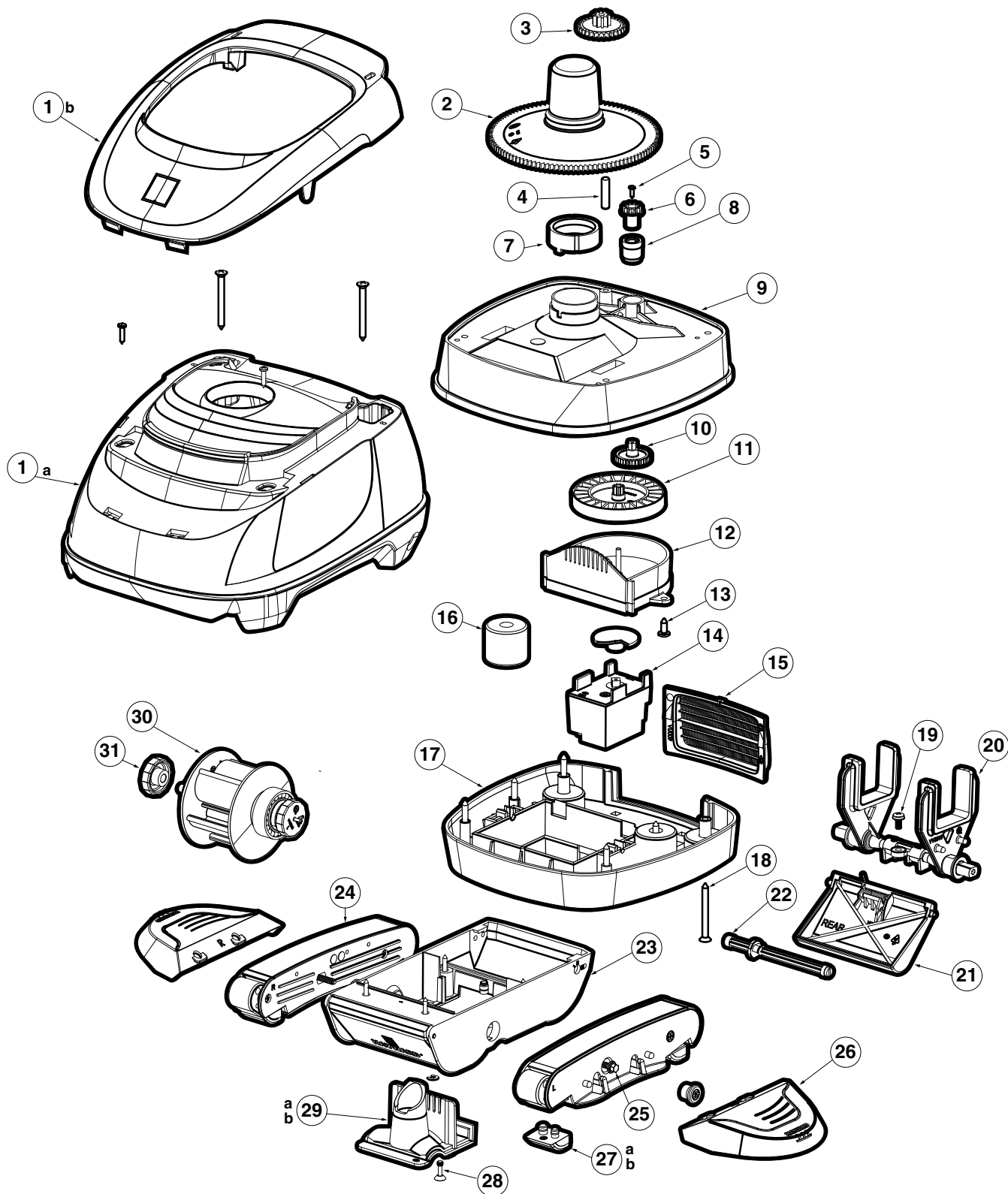
Parts Listing

Ref. No.	Part No.	Description	Ctn. Qty.	List Price
1	RCX97421	Window, Dome Clear SV	1	\$6.28
2	RCX97419-237	Dome, SV Gray	1	91.89
3	RCX97431	Spring, Flat SV/EV	5	3.64
4	RCX97433	Button SV	1	4.58
5	RCX97423	Bushing, Dome, SV	5	4.70
6	RCX97414	Housing, Filter Bucket	1	75.62
7a	RCX97417	Door, Filter	1	7.36
7b	RCX97417SPAK2	Door, Filter Element (Set of 2)	1	7.24
8	RCX97405	Flap, Drain Small SV	1	4.58
9	RCX97407	Flap, Drain Large SV	1	8.57
10	RCX97445	Flap, Rubber SV	1	9.26
11	RCX97508GR	Wheel Rim with Tire SV	5	10.05
12	RC97435PAK2	Roller Shaft Bushing Kit (Set of 2)	5	9.87
13	RCX97506PAK2	Bushing 2W SV	5	24.55
14	RCX97505GR	Ring, Drive SV	5	4.46
15	RCX97441	Roller End SV	10	11.23
16	RCX97507GR	Shaft SV	10	11.87
17	RCX341142-236	Base SV Black	1	74.16
18	RCX97425-234	Handle Assembly SV, Blue	1	26.91
19	RCX97427	Spring, Handle	25	4.70
20	RCX97413	Cord, Assembly 50' SV/EV	1	110.14
21	RCX97400	Motor Assembly SV/EV	1	421.72
22	RCX97455	Tube Vent	10	5.84
23	RCX97403-236	Panel, Side SV, Black	1	20.14
24	RCX97459	Screw M7X10MM Flat TORX	5	12.78
25	RCX97457	Screw M7X25MM Flat TORX	10	10.81
26	RCX97461	Screw M5X35MM PT	10	10.59
27	RCX97453	Power Supply SV	1	327.49
—	RCX31013A	Power Supply Circuit Breaker 3A	50	9.31
—	RCX31012	Power Supply Switch 16A	50	4.95
—	RCX31012A	Power Supply Switch Membrane Cover	50	14.31
—	RCX31018	Power Supply Output Connector	50	34.47
28	RCX12010	Screw M5X12 Pan TORX HD T-20	10	7.07
29	RCX97429	Shaft, Hinge S.S. SV/EV	10	7.29
30	RCX97520ABK	Tube Wheel, Black, SharkVac	1	17.33
31	RCX26008	Brush Roller	5	26.40
32	RCX97501GR	Drive Track, Soft Tread	5	26.10
33	RCX11000	Impeller	10	11.55
34	RCX40117	Drive Pin Assembly	50	10.74
35	RCX97502GR	Bearing, Drive Assembly	5	31.20
36	RCX26000PAK2	Pulley Bearing Kit (Set of 2)	5	20.68
37	RCX59002	Connector Housing	10	4.28
38	RCX12301	Washer Plastic Connector	10	2.83
39	RCX97462	Compression Seal	1	6.43
40	RCX12302	Washer Plastic Connector	10	2.83
41	RCX59004	Seal Plug	10	4.56
42	RCX59006	Connector Socket Molex	50	2.04
43	RCX12011	Screw M5 X 20 Pan TORX HD T-20	10	4.43
44	RCX97509PAK2	Ring, Drive with Rubber Assembly	5	40.87
45	RCX97418-237	Dome Assembly SV, Gray (1, 2, 3, 4, 5)	1	93.67
46	RCX97414	Filter Bucket Assembly SV/EV (6, 7, 8, 9, 10)	1	75.62
47	RCX97410	Tube, Wheel Assembly SV	5	42.20
48	RCX70101PAK2	Filter Cartridges (Set of 2)	5	62.42
—	RCX70103PAK2	Spring Cleanup Filters (Set of 2)	5	20.63

Navigator® V-Flex™

REPLACEMENT PARTS

Parts Diagram



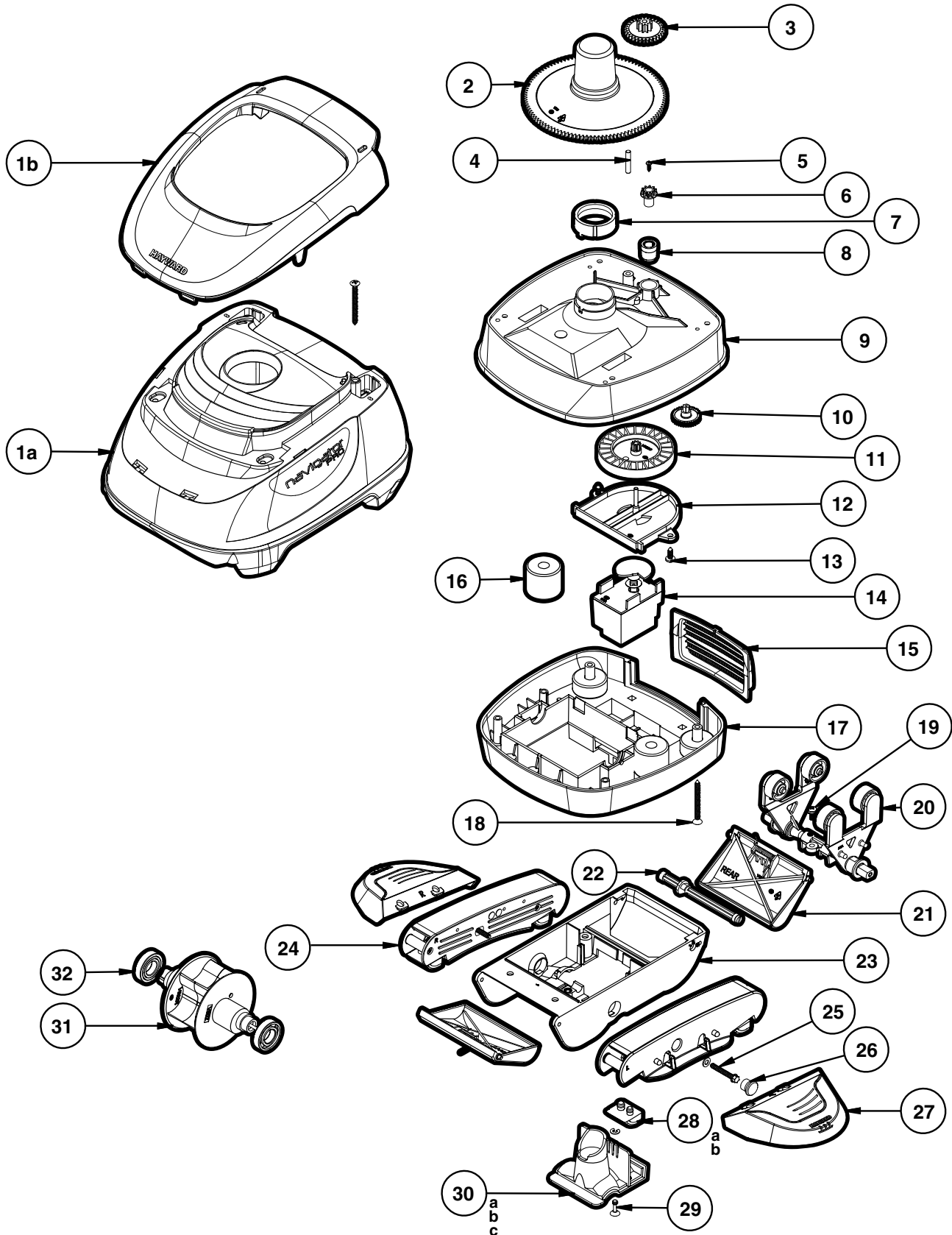
Parts Listing

Ref. No.	Part No.	Description	Ctn. Qty.	List Price
1a	HSXVV0906SA	Assembly, Navi Shell with Logo, Skirt	1	\$288.60
1b	HSXVV008SA-234	Assembly, Handle-Navi V-Flex	1	115.61
2	AXV070	Cone Gear, Clear	10	88.67
3	AXV301	Inter Gear	25	12.53
4	AXV309	Inter Gear, Shaft	50	2.51
5	AXV068	Spindle Gear Screw	50	2.24
6	AXV303	Cone Spindle Gear	25	12.53
7	AXV306	Cone Gear Bushing	25	12.78
8	AXV066A	Cone Spindle Gear Bushing	25	14.87
9	HSXV060R237	Mid Body, Upper Housing	1	95.34
10	AXV064A	Medium Turbine Drive Gear	25	14.87
11	AXV062C	Medium Turbine	25	21.84
12	AXV009	Medium Turbine Case/Axle Assembly	25	50.62
13	AXV065P	Upper Body Screw	25	10.69
14	AXV408P	Gear Box Assembly	25	23.84
15	AXVU009-237	Screen Kit	1	10.12
16	AXV054FH	Float Kit	25	28.71
17	HSXV050C237	Lower Body, Housing	1	87.43
18	AXV057P	Middle Body, Screw (6 pack)	25	17.83
19	AXV313	Lower Body Screw	25	8.84
20	HSXVV3010SA	Kit, Turbine/A-Frame 5 Vane	10	66.64
21	AXV434-237	Flap Kit (2 flaps, front and rear springs)	50	26.95
22	AXV031B	Flap Adjuster	25	13.39
23	AXV230D-237	Open Lower Body	10	47.14
24	AXV417-237	Pod Kit	25	50.86
25	AXSCR4008	Pod Screw Kit (2 screws and 2 washers)	10	8.94
26	AXV604-237	Wing Kit	50	15.04
27a	AXV414P	Shoes, Concrete (4 pack)	25	16.52
27b	AXV413P	Shoes, Vinyl (4 pack)	25	20.54
28	AXV314P	Captive Screw with Clip	25	4.56
29a	HSXVV015SAC-237	Access Cover Assembly, Concrete	25	13.74
29b	HSXVV015SAC-237	Access Cover Assembly, Vinyl	25	13.74
30	HSXVV3000SAC	Turbine Kit (turbine and 2 turbine shaft retainers)	1	81.84
31	HSXVV3020	Turbine Shaft Retainer (2 pack)	25	17.51

Navigator® Pro

REPLACEMENT PARTS

Parts Diagram



Cleaners

Parts Listing

Ref. No.	Part No.	Description	Ctn. Qty.	List Price
1a	AXVU016	Navigator Pro Skirt Assembly	1	\$282.94
1b	AXVU005	Navigator Pro Handle Assembly	1	113.34
2	AXV070	Cone Gear, Clear	10	88.67
3	AXV301	Inter Gear	25	12.53
4	AXV309	Inter Gear Shaft	50	2.51
5	AXV068	Spindle Gear Screw	50	2.24
6	AXV303	Cone Spindle Gear	25	12.53
7	AXV306	Cone Gear Bushing	25	12.78
8	AXV066A	Cone Spindle Gear Bushing	25	14.87
9	AXV060VWH	Upper Middle Body	10	93.47
10	AXV064A	Medium Turbine Drive Gear	25	14.87
11	AXV062C	Medium Turbine	25	21.84
12	AXV009	Medium Turbine Case/Axle Assembly	25	50.62
13	AXV065P	Upper Body Screw (6 pack)	25	10.69
14	AXV408P	Gear Box Assembly	25	23.84
15	AXVU009*	Screen Kit	50	9.92
16	AXV054FH	Float Kit	25	28.71
17	AXV050CWH	Lower Middle Body	10	85.71
18	AXV057P	Middle Body Screw (6 pack)	25	17.83
19	AXV313	Lower Body Screw	25	8.84
20	AXV621DAT	Kit-Universal, Turbine/A-Frame	10	62.22
21	AXV434WHP**	Flap Kit (2 flaps, front and rear springs)	50	26.42
22	AXV031B	Flap Adjuster	25	13.39
23	AXV230DWH	Open Lower Body	10	46.22
24	AXV417WHP**	Pod Kit	25	49.86
25	AXSCR4008	Pod Screw Kit (2 screws and 2 washers)	10	8.94
26	AXV016P	Pod Plug (6 pack)	100	8.66
27	AXV604WHP**	Wing Kit	50	14.75
28a	AXV414P	Shoes, Concrete (4 pack)	25	16.52
28b	AXV413P	Shoes, Vinyl (4 pack)	25	20.54
29	AXV314P	Captive Screw with Clip	25	4.56
30a	AXV603	Access Cover Assembly, Concrete	25	13.47
30b	AXV603A	Access Cover Assembly, Vinyl	25	16.72
30c	AXV603CLO	Access Cover Assembly, Concrete – Large Skids	25	13.47
31	AXV602P	Turbine Kit (turbine and 2 turbine bearings)	25	47.79
32	AXV055P	Turbine Bearing (2 pack)	50	17.16

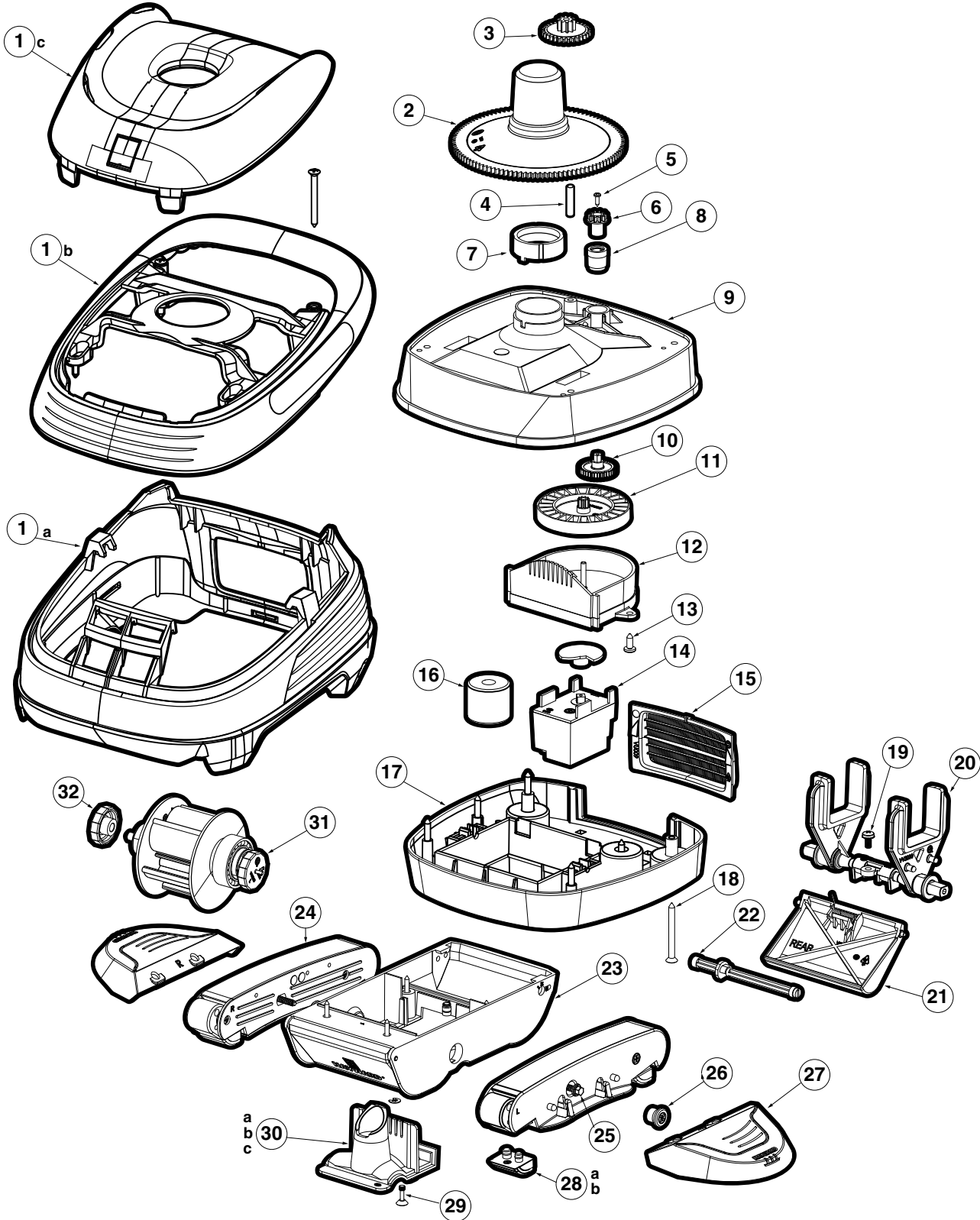
NOTES: *Add BK to end of part number for Black.

**Remove WHP from end of part number and replace with BLK for Black.

PoolVac V-Flex™

REPLACEMENT PARTS

Parts Diagram



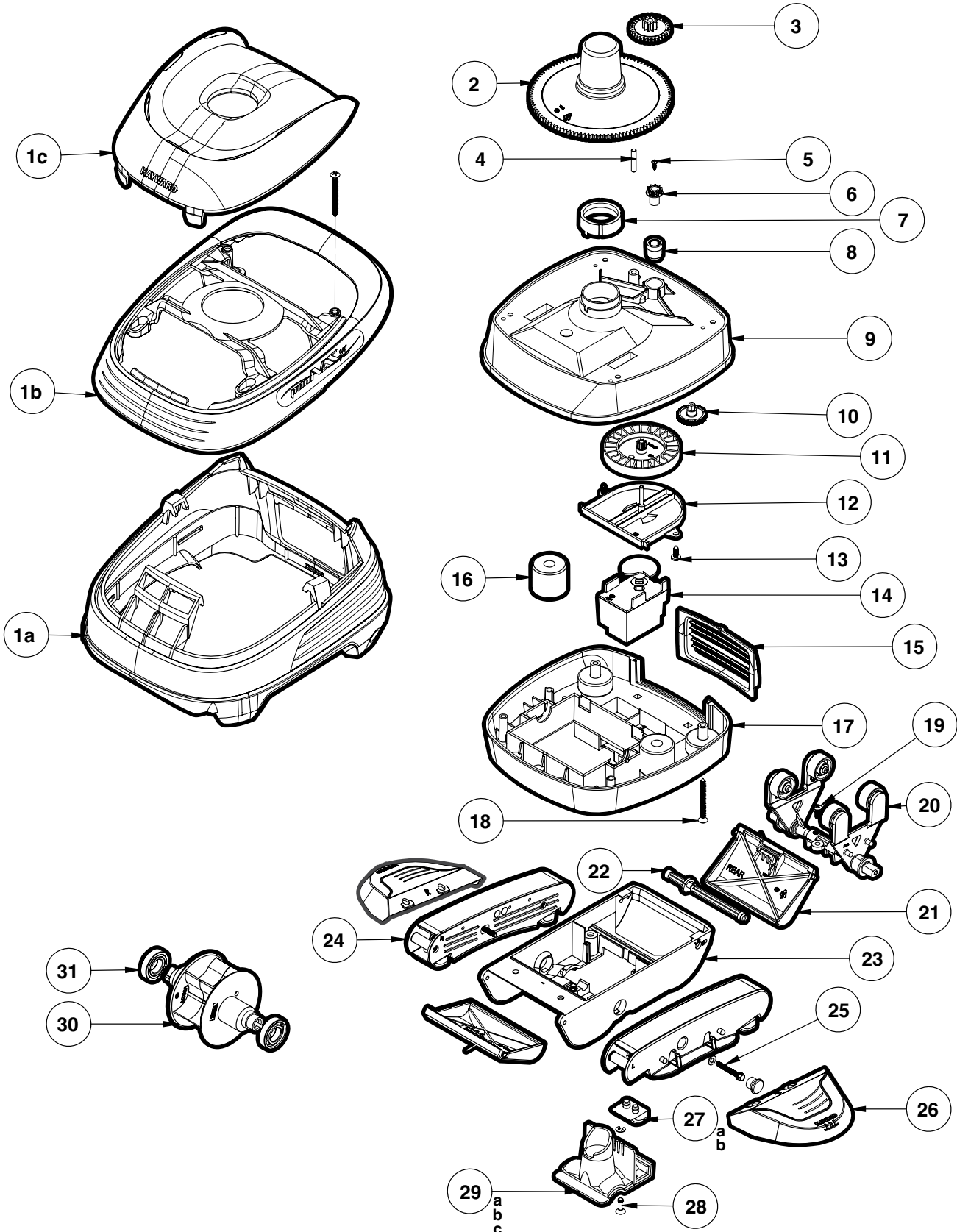
Parts Listing

Ref. No.	Part No.	Description	Ctn. Qty.	List Price
1a	AXVU015-237	Assembly, Shell and Skirt, PV V-Flex	1	\$288.60
1b	HSXVV018SA-236	Assembly, Handle-PV V-Flex	1	144.66
1c	HSXVV017SA-237	Assembly, Cover-PV V-Flex	1	173.77
2	AXV070	Cone Gear, Clear	10	88.67
3	AXV301	Inter Gear	25	12.53
4	AXV309	Inter Gear, Shaft	50	2.51
5	AXV068	Spindle Gear Screw	50	2.24
6	AXV303	Cone Spindle Gear	25	12.53
7	AXV306	Cone Gear Bushing	25	12.78
8	AXV066A	Cone Spindle Gear Bushing	25	14.87
9	HSXV060R237	Mid Body, Upper Housing	1	95.34
10	AXV064A	Medium Turbine Drive Gear	25	14.87
11	AXV062C	Medium Turbine	25	21.84
12	AXV009	Medium Turbine Case/Axle Assembly	25	50.62
13	AXV065P	Upper Body Screw	25	10.69
14	AXV408P	Gear Box Assembly	25	23.84
15	AXVU009-237	Screen Kit	1	10.12
16	AXV054FH	Float Kit	25	28.71
17	HSXV050C237	Lower Body, Housing	1	87.43
18	AXV057P	Middle Body, Screw (6 pack)	25	17.83
19	AXV313	Lower Body Screw	25	8.84
20	HSXVV3010SA	Kit, Turbine/A-Frame 5 Vane	10	66.64
21	AXV434-237	Flap Kit (2 flaps, front and rear springs)	50	26.95
22	AXV031B	Flap Adjuster	25	13.39
23	AXV230D-237	Open Lower Body	10	47.14
24	AXV417-237	Pod Kit	25	50.86
25	AXSCR4008	Pod Screw Kit (2 screws and 2 washers)	10	8.94
26	AXV016-237	Pod Plug (6 pack)	1	8.83
27	AXV604-237	Wing Kit	50	15.04
28a	AXV414P	Shoes, Concrete (4 pack)	25	16.52
28b	AXV413P	Shoes, Vinyl (4 pack)	25	20.54
29	AXV314P	Captive Screw with Clip	25	4.56
30a	HSXVV015SAC-237	Access Cover Assembly, Concrete	25	13.74
30b	HSXVV015SAC-237	Access Cover Assembly, Vinyl	25	13.74
31	HSXVV3000SAC	Turbine Kit (turbine and 2 turbine bearings)	1	81.84
32	HSXVV3020	Turbine Shaft Retainer (2 pack)	25	17.51

PoolVac XL™

REPLACEMENT PARTS

Parts Diagram



Cleaners

Parts Listing

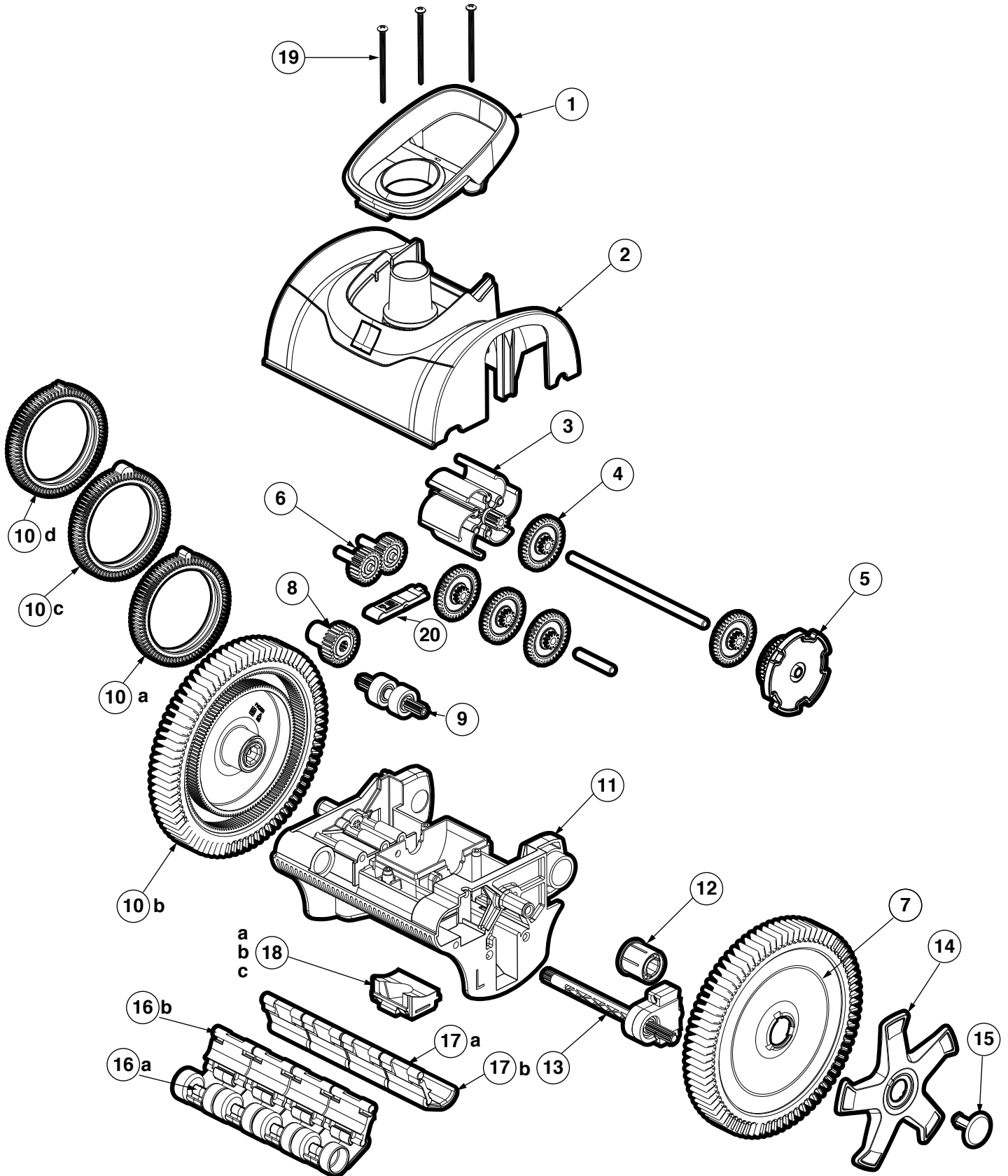
Ref. No.	Part No.	Description	Ctn. Qty.	List Price
1a	AXVU015	PoolVac XL Skirt Assembly	1	\$282.94
1b	AXVU019	PoolVac XL Handle Assembly	1	141.83
1c	AXVU018	PoolVac XL Cover Assembly	1	170.37
2	AXV070	Cone Gear, Clear	10	88.67
3	AXV301	Inter Gear	25	12.53
4	AXV309	Inter Gear Shaft	50	2.51
5	AXV068	Spindle Gear Screw	50	2.24
6	AXV303	Cone Spindle Gear	25	12.53
7	AXV306	Cone Gear Bushing	25	12.78
8	AXV066A	Cone Spindle Gear Bushing	25	14.87
9	AXV060WH	Upper Middle Body	10	93.47
10	AXV064A	Medium Turbine Drive Gear	25	14.87
11	AXV062C	Medium Turbine	25	21.84
12	AXV009	Medium Turbine Case/Axle Assembly	25	50.62
13	AXV065P	Upper Body Screw (6 pack)	25	10.69
14	AXV408P	Gear Box Assembly	25	23.84
15	AXVU009	Screen Kit	50	9.92
16	AXV054FH	Float Kit	25	28.71
17	AXV050CWH	Lower Body	10	85.71
18	AXV057P	Middle Body Screw (6 pack)	25	17.83
19	AXV313	Lower Body Screw	25	8.84
20	AXV621DAT	Kit-Universal, Turbine/A-Frame	10	62.22
21	AXV434WHP	Flap Kit (2 flaps, front and rear springs)	50	26.42
22	AXV031B	Flap Adjuster	25	13.39
23	AXV230DWH	Open Lower Body	10	46.22
24	AXV417WHP	Pod Screw Kit	25	49.86
25	AXSCR4008	Pod Screw Kit (2 screws and 2 washers)	10	8.94
26	AXV604WHP	Wing Kit	50	14.75
27a	AXV414P	Shoes, Concrete (4 pack)	25	16.52
27b	AXV413P	Shoes Vinyl (4 pack)	25	20.54
28	AXV314P	Captive Screw with Clip	25	4.56
29a	AXV603	Access Cover Assembly, Concrete	25	13.47
29b	AXV603A	Access Cover Assembly, Vinyl	25	16.72
29c	AXV603CLO	Access Cover Assembly, Concrete – Large Skids	25	13.47
30	AXV602P	Turbine Kit (turbine and 2 turbine bearings)	25	47.79
31	AXV055P	Turbine Bearing (2 pack)	50	17.16

Cleaners

AquaNaut® 200

REPLACEMENT PARTS

Parts Diagram



Cleaners

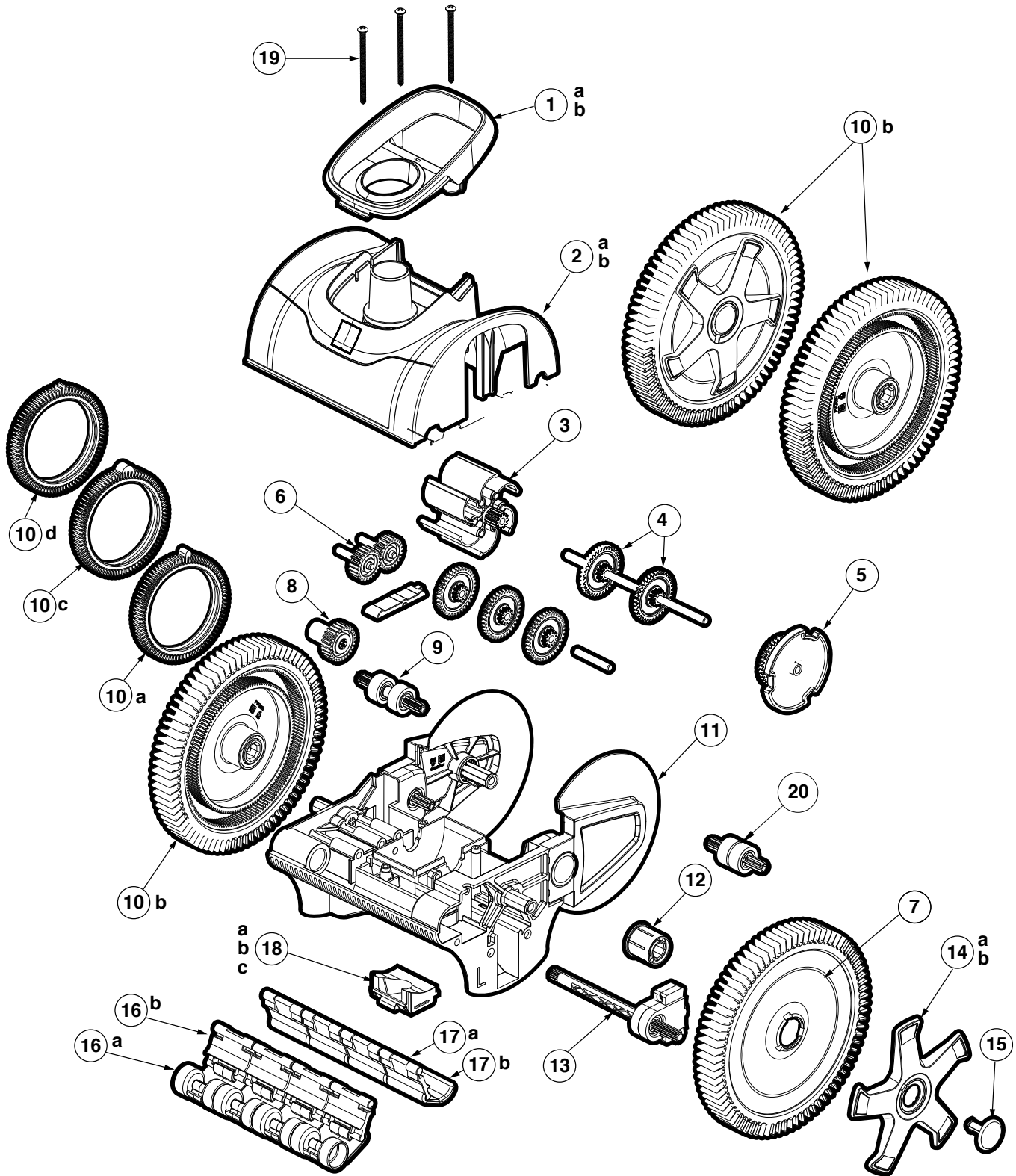
Parts Listing

Ref. No.	Part No.	Description	Ctn. Qty.	List Price
1	PVXS0002-234-01	Handle, 200 Blue Met Printed	10	\$23.27
2	PVXS01SA-237-01	Upper Body, Blue Logo	1	40.50
3	PVXH038SA	Turbine, 6-Vane Kit	10	32.72
4	PVXH009PK5	Gear, Reduction (5 Pack)	20	7.49
5	PVXH036009	Steering Cam Gear 2x2	10	11.03
6	PVXH008PK2	Gear, Drive, Small (2 Pack)	20	8.57
7	PVX051-236	Wheel Hub, Black Met	20	22.36
8	PVXH007	Gear, Drive, Large	25	9.16
9	PVXH019SA	Shaft Bearing	25	34.15
10a	PVXS11PK2-234	Wheel Tread Super, Blue Met (2 Pack)	10	49.84
10b	PVXS16PK2-234	Wheel Tread, Blue Met (2 Pack) – Optional	10	42.40
10c	PVX679PK2	Wheel Tread, Blue Super Super (2 Pack)	10	54.86
10d	PVX075PK2-234	Wheel Tread, Finger Hump, Blue Met (2 Pack)	10	49.84
11	PVX792SA-236	Lower Body, Black Met	1	32.33
12	PVX976PK2	Wheel Bearing (2 Pack)	10	18.39
13	PVXH011SA	Steering Bracket Roller	20	48.29
14	PVXS005PK2-237	Wheel Style, 5-Spoke Gray Met (2 Pack)	20	10.12
15	PVXS0006-237	Wheel Retainer, Gray Met	10	5.22
16a	PVX043042BKPK4	Roller Skirt, Black (4 Pack)	10	17.06
16b	PVXH014BKPK4	Bracket Skirt, Black (4 Pack)	10	11.50
17a	PVXH013BKPK4	Skirt Black (4 Pack)	10	11.50
17b	PVXH014BKPK4	Bracket Skirt Black (4 Pack)	10	11.50
18a	PVX990S-236	Inlet, Suction Small, Black Met	10	5.96
18b	PVX990M-236	Inlet, Suction Medium, Black Met	10	5.96
18c	PVX990L-236	Inlet, Suction Large, Black Met	10	5.96
19	SCRX4012PK3	Screw, #10 x 3 18-8 (3 Pack)	20	11.50
20	PVXS0007	Shaft Retainer, White Plastic	25	4.97

AquaNaut® 400 & 450

REPLACEMENT PARTS

Parts Diagram



Cleaners

AquaNaut® 400 & 450

REPLACEMENT PARTS

Parts Listing

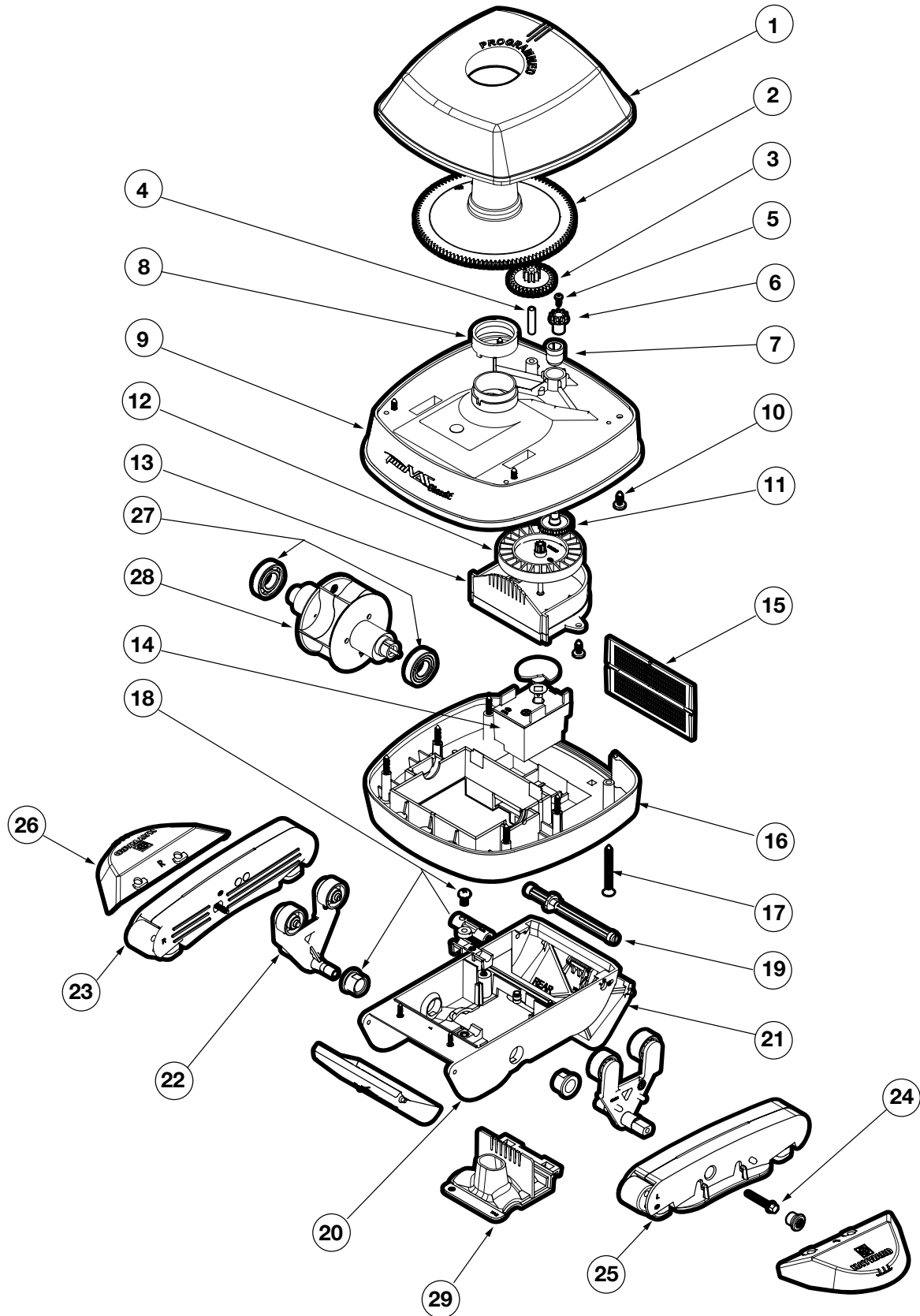
Ref. No.	Part No.	Description	Ctn. Qty.	List Price
1a	PVXS0002-234-02	Handle, 400 Blue Met, Upper Body 400, Blue Logo	10	\$23.27
1b	PVXE0002-234-02	Handle, 450 Blue Met	10	23.27
2a	PVXS01SA-237-01	Upper Body, Blue Logo	1	40.50
2b	PVXE0001SA-237	Upper Body 450, Blue Logo	1	40.50
3	PVXH038SA	Turbine, 6-Vane Kit	10	32.72
4	PVXH009PK5	Gear, Reduction (5 Pack)	20	7.49
5	PVXH010009	Steering Cam Gear 4x4	10	11.03
6	PVXH008PK2	Gear, Drive, Small (2 Pack)	20	8.57
7	PVX051-236	Wheel Hub, Black Met	20	22.36
8	PVXH007	Gear, Drive, Large	25	9.16
9	PVXH019SA	Shaft Bearing	25	34.15
10a	PVXS11PK2-234	Wheel Tread Super, Blue Met (2 Pack)	10	49.84
10b	PVXS16PK2-234	Wheel Tread, Blue Met (2 Pack)	10	42.40
10c	PVX679PK2	Wheel Tread, Blue Super Super (2 Pack)	10	54.86
10d	PVX075PK2-234	Wheel Tread Finger Hump, Blue Met (2 Pack)	10	49.84
11	PVXS0009-236	Lower Body, 4-Wheel, Black Met	1	48.58
12	PVX976PK2	Wheel Bearing (2 Pack)	10	18.39
13	PVXH011SA	Steering Bracket Roller	20	48.29
14a	PVXS005PK2-237	Wheel Style 400, 5-Spoke Gray Met (2 Pack)	20	10.12
14b	PVXE003PK2-237	Wheel Syle 450, 4-Spoke Gray Met (2 Pack)	20	10.71
15	PVXS0006-237	Wheel Retainer, Gray Met	10	5.22
16a	PVX043042BKPK4	Roller Skirt, Black (4 Pack)	10	17.06
16b	PVXH014BKPK4	Bracket Skirt, Black (4 Pack)	10	11.50
17a	PVX013028BK	Rear Skirt, 2 hinges	10	11.50
17b	PVXH014BKPK4	Bracket Skirt, Black (4 Pack)	10	11.50
18a	PVX990S-236	Inlet, Suction Small, Black Met	10	5.96
18b	PVX990M-236	Inlet, Suction Medium, Black Met	10	5.96
18c	PVX990L-236	Inlet, Suction Large, Black Met	10	5.96
19	SCRX4012PK3	Screw, #10 x 3 18-8 (3 Pack)	20	11.50
20	PVXH020SA	Gear Shaft, Rear	25	34.15
21	PVXS0007	Shaft Retainer, White Plastic	25	4.97

Cleaners

PoolVac Classic™

REPLACEMENT PARTS

Parts Diagram



Cleaners

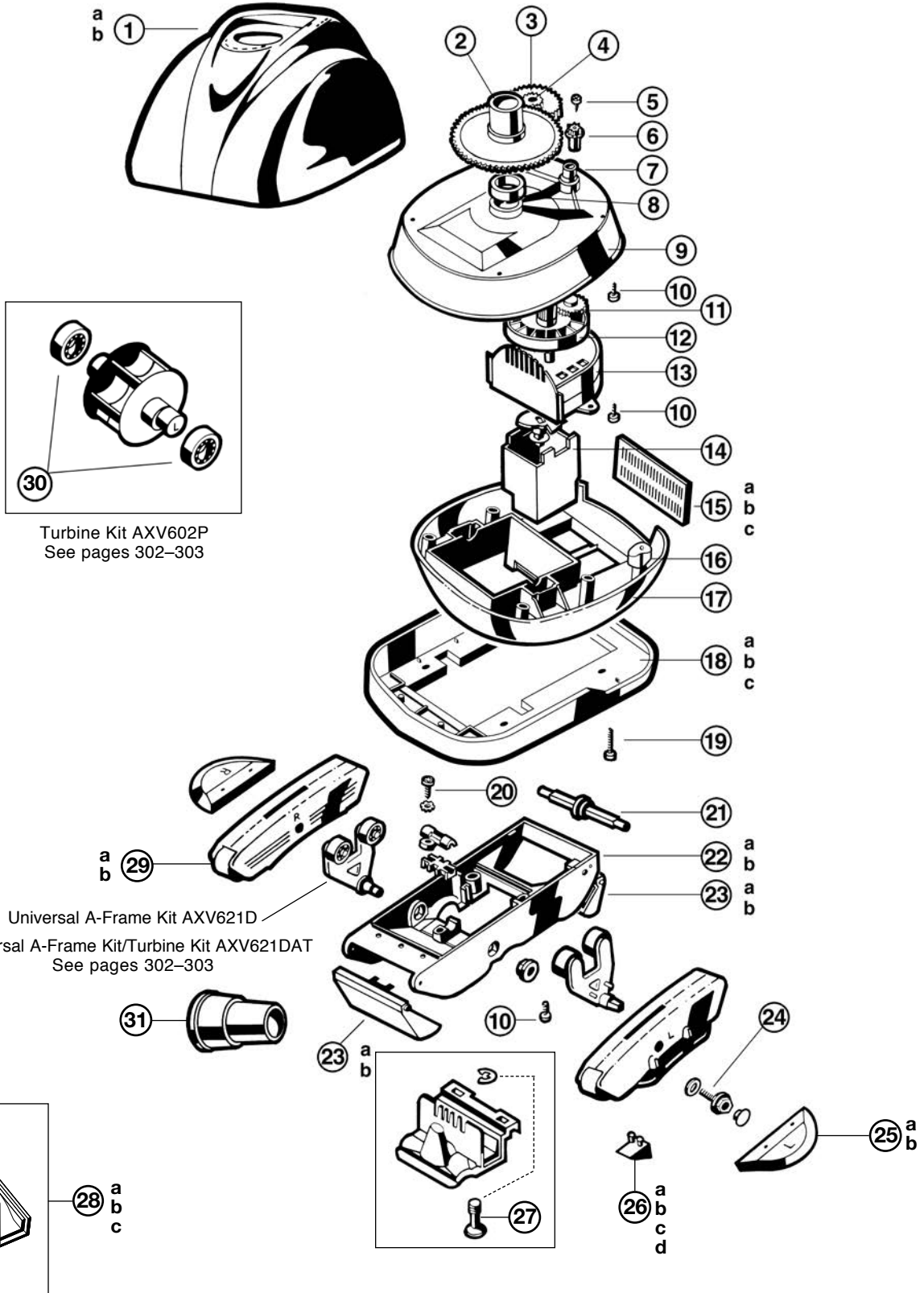
Parts Listing

Ref. No.	Part No.	Description	Ctn. Qty.	List Price
1	AXV700BL	Top Cover	1	\$282.94
2	AXV070	Cone Gear, Clear	10	88.67
3	AXV301	Intermediate Gear	25	12.53
4	AXV309	Intermediate Gear Shaft	50	2.51
5	AXV068	Spindle Gear Screw	50	2.24
6	AXV303	Cone Spindle Gear	25	12.53
7	AXV066A	Spindle Gear Bushing	25	14.87
8	AXV306	Cone Gear Bushing	25	12.78
9	AXV060VH	Upper Middle Body	10	93.47
10	AXV065P	Upper Body Screw (6 pack)	25	10.69
11	AXV064A	Medium Turbine Drive Gear	25	14.87
12	AXV062C	Medium Turbine	25	21.84
13	AXV009	Medium Turbine Case with Axle	25	50.62
14	AXV408P	Gear Box Assembly	25	23.84
15	AXV051AWH	Screen	50	9.46
16	AXV050CWH	Lower Middle Body	10	85.71
17	AXV057P	Middle Body Screw (6 pack)	25	17.83
18	AXV699P	A-Frame Bushing Saddle Kit	25	7.34
19	AXV031B	Flap Adjuster	25	13.39
20	AXV230DWH	Lower Body	10	46.22
21	AXV434WHP	Flap Kit (2 flaps, front and rear with springs)	50	26.42
22	AXV621D	A-Frame Kit	25	45.50
23	AXV417WHP	Pod Kit	25	49.86
24	AXSCR4008	Pod Screw Kit (2 screws and 2 washers)	10	8.94
25	AXV014P	Pod Shoes, Concrete (4 pack)	25	20.09
26	AXV604WHP	Wing Kit	50	14.75
27	AXV055P	Turbine Bearing Kit (2 pack)	50	17.16
28	AXV112P	Turbine Kit (turbine and 2 bearings)	25	47.79
29	AXV141	Access Door	25	13.47

Navigator®

CONCRETE AND VINYL MODEL REPLACEMENT PARTS

Parts Diagram



Cleaners

Parts Listing

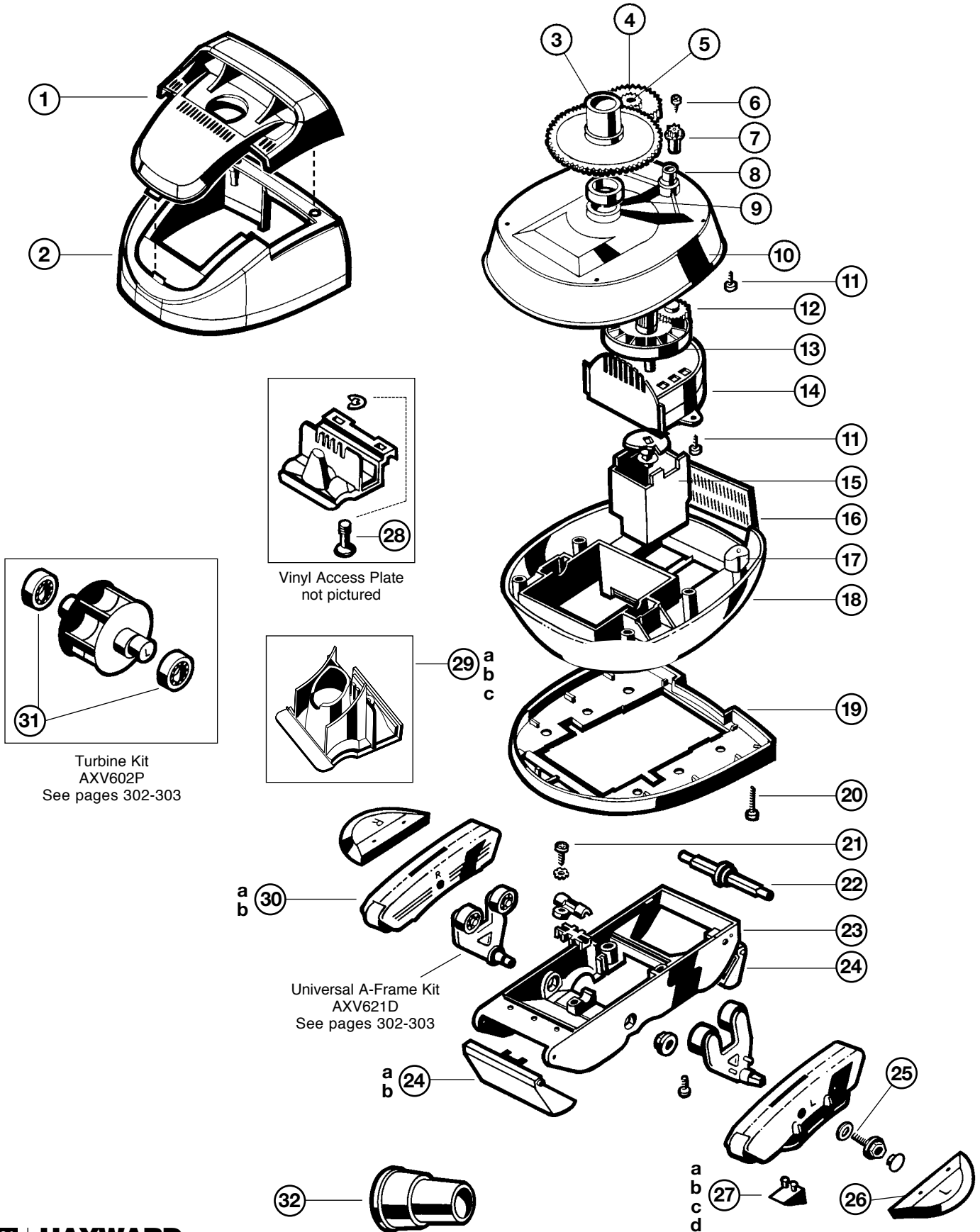
Ref. No.	Part No.	Description	Ctn. Qty.	List Price
1a	AXV411LG	Top Shell for Navigator, Concrete, Light Gray	—	Discont'd
1b	AXV416BG	Top Shell for Navigator, Vinyl, Burgundy	—	Discont'd
2	AXV070	Cone Gear, Clear	10	\$88.67
3	AXV301	Intermediate Gear	25	12.53
4	AXV309	Intermediate Gear Shaft	50	2.51
5	AXV068	Spindle Gear Screw	50	2.24
6	AXV303	Spindle Gear	25	12.53
7	AXV066A	Spindle Gear Bushing	25	14.87
8	AXV306	Cone Gear Bushing	25	12.78
9	AXV060WH*	Upper Middle Body	10	93.47
10	AXV065P	Upper Body Screw (6 pack)	25	10.69
11	AXV064A	Medium Turbine Drive Gear	25	14.87
12	AXV062C	Medium Turbine	25	21.84
13	AXV009	Medium Turbine Case with Axle	25	50.62
14	AXV408P	Gear Box Assembly	25	23.84
15a	AXV051AWH	Screen, White	50	9.46
15b	AXV051ABK	Screen, Black	—	Discont'd
15c	AXV051ABG	Screen, Burgundy	—	Discont'd
16	AXV054P	Float (2 pack)	100	14.92
17	AXV050CWH*	Lower Middle Body	10	85.71
18a	AXV605WHP	Bumper, White	10	20.19
18b	AXV605BKP	Bumper, Black	—	Discont'd
18c	AXV605LGP	Bumper, Light Gray	—	Discont'd
19	AXV057P	Middle Body Screw (6 pack)	25	17.83
20	AXV313	Lower Body Screw (4 pack)	25	8.84
21	AXV031B	Flap Adjuster	25	13.39
22a	AXV230DWH	Lower Body, White	10	46.22
22b	AXV230DBK	Lower Body, Black	—	Discont'd
23a	AXV434WHP	Flap Kit, White (2 flaps, front and rear springs)	50	26.42
23b	AXV434BKP	Flap Kit, Black (2 flaps, front and rear springs)	50	27.18
24	AXSCR4008	Pod Screw Kit (2 screws and 2 washers)	10	8.94
25a	AXV604WHP	Wing Kit, White	50	14.75
25b	AXV604BKP	Wing Kit, Black	50	15.29
26a	AXV414P	Pod Shoes, Concrete (4 pack)	25	16.52
26b	AXV413P	Pod Shoes, Vinyl (4 pack)	25	20.54
26c	AXV014CP	Pod Shoes, Ceramic (4 pack)	25	27.50
26d	AXV014SP	Pod Shoes, Slotted (4 pack)	25	20.09
27	AXV314P	Captive Screw and Retaining Clip	25	4.56
28a	AXV603	Access Cover Assembly, Concrete	25	13.47
28b	AXV603A	Access Cover Assembly, Vinyl	25	16.72
28c	AXV603CLO	Access Cover Assembly, Concrete – Large Skids	25	13.47
29a	AXV417WHP	Pod Kit, White	25	49.86
29b	AXV417BKP	Pod Kit, Black	25	51.71
30	AXV055P	Turbine Bearings (2 pack)	50	17.16
31	AXV093CP	Skimmer Cone	50	14.18
—	V574P	Flow Gauge	25	35.31
—	AXV414604WHP	Shoe and Wing Maintenance Kit	50	29.70
—	AXV621417WHP	A-Frame and Pod Tune Up Kit	10	106.49
—	AXV622604WHP	Propulsion and Wing Rebuild Kit	1	235.57

NOTE: *Replace WH on end of part number with BK for Black.

PoolVac Ultra®

CONCRETE AND VINYL MODEL REPLACEMENT PARTS

Parts Diagram



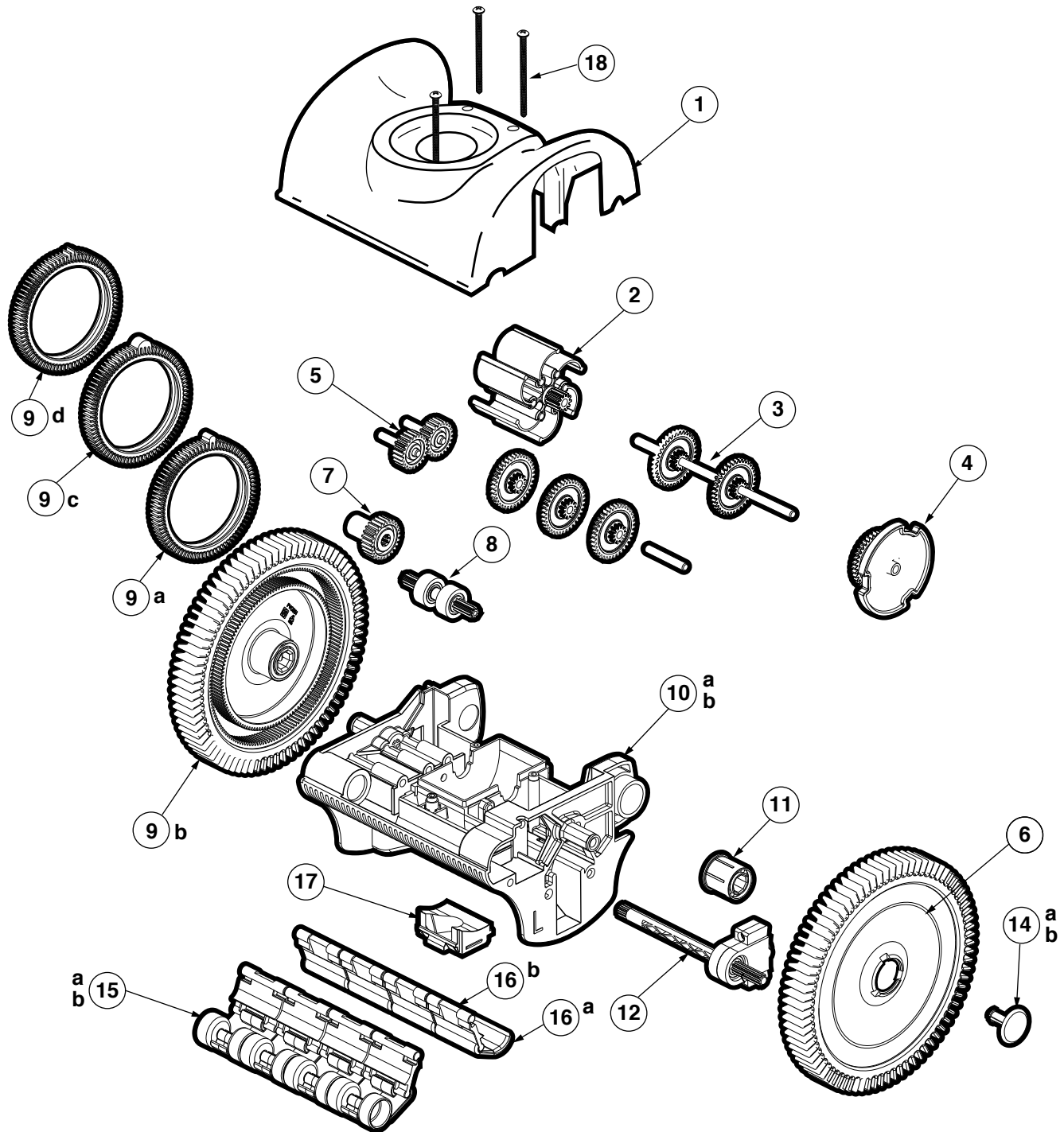
Parts Listing

Ref. No.	Part No.	Description	Ctn. Qty.	List Price
1	AXV436LG	Top Cover for PoolVac Ultra	1	\$113.34
2	AXV439	Body for PoolVac Ultra	1	170.37
3	AXV070	Cone Gear, Clear	10	88.67
4	AXV301	Intermediate Gear	25	12.53
5	AXV309	Intermediate Gear Shaft	50	2.51
6	AXV068	Spindle Gear Screw	50	2.24
7	AXV303	Spindle Gear	25	12.53
8	AXV066A	Spindle Gear Bushing	25	14.87
9	AXV306	Cone Gear Bushing	25	12.78
10	AXV060WH	Upper Middle Body	10	93.47
11	AXV065P	Upper Body Screw (6 pack)	25	10.69
12	AXV064A	Medium Turbine Drive Gear	25	14.87
13	AXV062C	Medium Turbine	25	21.84
14	AXV009	Medium Turbine Case with Axle	25	50.62
15	AXV408P	Gear Box Assembly	25	23.84
16	AXV051AWH	Screen, White	50	9.46
17	AXV054P	Float (2 pack)	100	14.92
18	AXV050CWH	Lower Middle Body, White	10	85.71
19	AXV429WHP	Bumper Assembly	10	26.94
20	AXV057P	Middle Body Screw (6 pack)	25	17.83
21	AXV313	Lower Body Screw (4 pack)	25	8.84
22	AXV031B	Flap Adjuster	25	13.39
23	AXV230DWH	Lower Body, White	10	46.22
24	AXV434WHP	Flap Kit, White (2 flaps, front and rear springs)	50	26.42
25	AXSCR4008	Pod Screw Kit (2 screws and 2 washers)	10	8.94
26	AXV604WHP	Wing Kit, White	50	14.75
27a	AXV414P	Pod Shoes, Concrete (4 pack)	25	16.52
27b	AXV413P	Pod Shoes, Vinyl (4 pack)	25	20.54
27c	AXV014CP	Pod Shoes, Ceramic (4 pack)	25	27.50
27d	AXV014SP	Pod Shoes, Slotted (4 pack)	25	20.09
28	AXV314P	Captive Screw and Retaining Clip	25	4.56
29a	AXV603	Access Cover Assembly, Concrete	25	13.47
29b	AXV603A	Access Cover Assembly, Vinyl	25	16.72
29c	AXV603CLO	Access Cover Assembly, Concrete – Large Skids	25	13.47
30	AXV417WHP	Pod Kit, White	25	49.86
31	AXV055P	Turbine Bearings (2 pack)	50	17.16
32	AXV093CP	Skimmer Cone	50	14.18
—	AXV079VP	Medium Turbine/Spindle Gear Kit, Vinyl (medium turbine, drive gear, bushing, vinyl spindle gear, screw, medium turbine axle, intermediate gear, intermediate gear axle)	25	49.54
—	RCX97500GR	Drive Train Upgrade Kit	1	127.37
—	V574P	Flow Gauge	25	35.31
—	AXV414604WHP	Shoe and Wing Maintenance Kit	50	29.70
—	AXV621417WHP	A-Frame and Pod Tune Up Kit	10	106.49
—	AXV622604WHP	Propulsion and Wing Rebuild Kit	1	235.57

Poolvergnetzen - The PoolCleaner 2 Wheel

REPLACEMENT PARTS

Parts Diagram



Cleaners

Poolvergnuegen - The PoolCleaner 2 Wheel

REPLACEMENT PARTS

Parts Listing

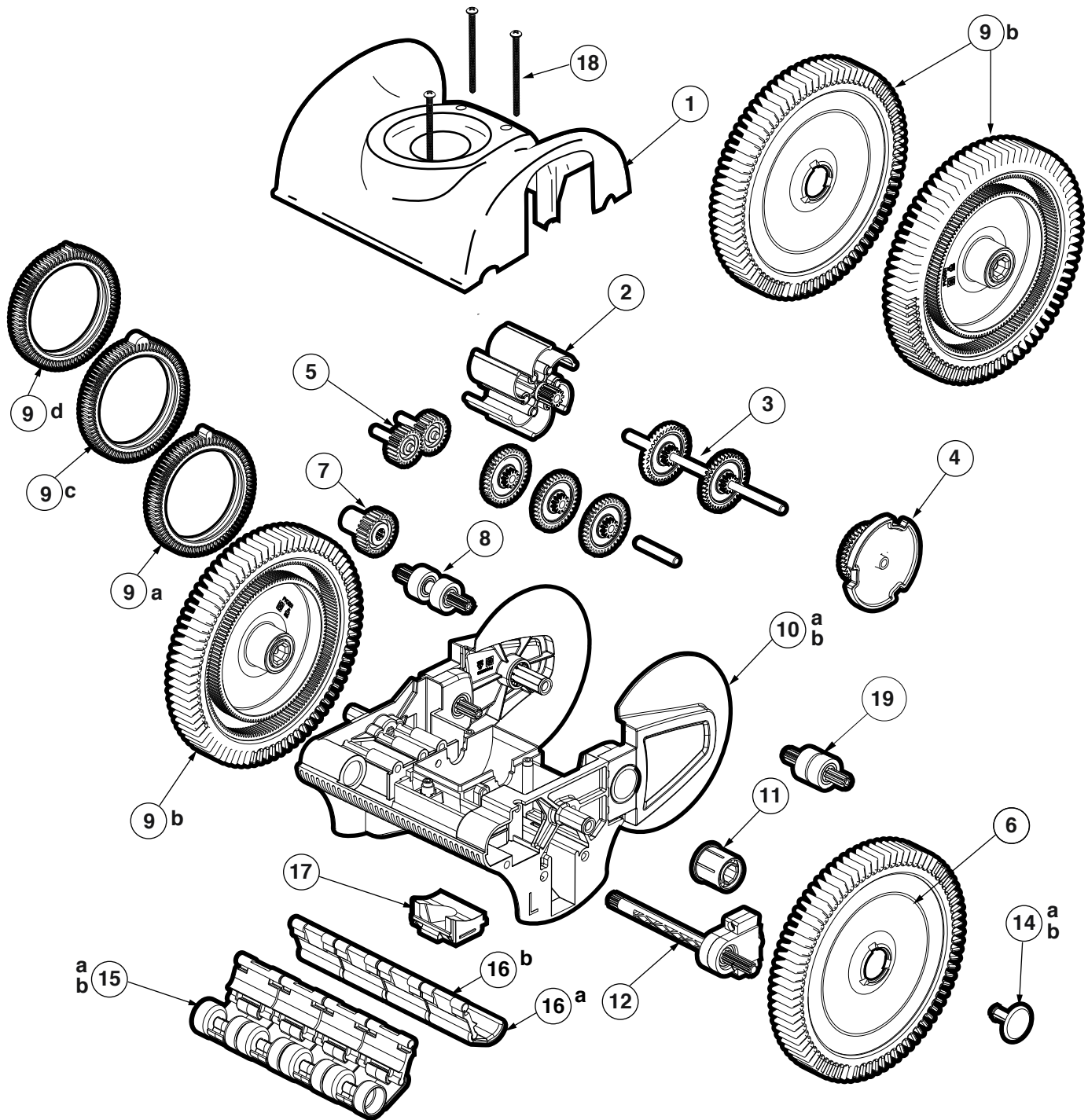
Ref. No.	Part No.	Description	Ctn. Qty.	List Price
1a	896584000-181	Upper Body Assembly with (3) Screws, White	1	\$34.15
1b	896584000-600	Upper Body Assembly with (3) Screws, Gray – Limited Edition	1	37.50
2	PVXH038SA	Turbine Kit 6 Vanes	10	32.72
3	PVXH009PK5	Gear Reduction (5 pack)	20	7.49
4	PVXH036009	Steering Cam 2 Wheel	10	11.03
5	PVXH008PK2	Small Gear Drive (2 pack)	20	8.57
6a	896584000-051	Wheel Hub, White	10	22.36
6b	896584000-532	Wheel Hub, Gray – Limited Edition	10	24.57
7	PVXH007	Large Gear Drive	25	9.16
8	PVXH019SA	Shaft Bearing	25	34.15
9a	896584000-143	Standard Tires with SUPER Hump, Light Blue (2 pack)	10	49.84
	896584000-594	Standard Tires with SUPER Hump, Black (2 pack)	10	54.71
9b	896584000-082	No Hump Tire (Back) Replacement, Light Blue (2 pack)	10	42.40
	896584000-563	No Hump Tire (Back) Replacement, Black (2 pack)	10	46.56
9c	PVX679PK2	Super Super Hump Tires, Light Blue – BIG Obstacles (2 pack)	10	54.86
	896584000-723	Super Super Hump Tires, Black – BIG Obstacles (2 pack)	10	57.37
9d	896584000-075	3 Fingers Hump Tire, Light Blue (2 pack)	10	42.40
	896584000-556	3 Fingers Hump Tires, Black (2 pack)	10	46.56
10a	PVX2LB1900WH	2 Wheel Lower Body, White – EMPTY	1	32.21
10b	PVX2LB1900GR	2 Wheel Lower Body, Gray – EMPTY	1	32.21
11	PVX976PK2	Wheel Bearing (2 pack)	10	18.39
12	PVXH011SA	Steering Bracket Roller	20	48.29
14a	PVXWLC1900WH	Wheel Retainer Clip, White	20	2.27
14b	PVXWLC1900BLK	Wheel Retainer Clip, Black	10	2.27
15a	896584000-259	Front Skirts with Rollers, White – 2 Wheel and 4 Wheel (4 per Kit)	10	17.06
	PVX043042BKPK4	Front Skirts with Rollers, White – 2 Wheel and 4 Wheel (4 per Kit)	10	17.06
15b	896584000-419	Bracket for Skirts, White – 2 Wheel and 4 Wheel (4 per Kit)	10	11.50
	PVXH014BKPK4	Bracket for Skirts, Black – 2 Wheel and 4 Wheel (4 per Kit)	10	11.50
16a	896584000-099	Rear Skirts, White – 2 Wheel (4 per Kit)	10	11.50
	PVXH013BKPK4	Rear Skirts, Black – 2 Wheel (4 per Kit)	10	11.50
16b	896584000-419	Bracket for Skirts, White – 2 Wheel and 4 Wheel (4 per Kit)	10	11.50
	PVXH014BKPK4	Bracket for Skirts, Black – 2 Wheel and 4 Wheel (4 per Kit)	10	11.50
17	PVXSSI1900WH	Suction Inlet Small, White	10	2.63
	PVXMSI1900WH	Suction Inlet Medium, White	10	2.63
	PVXLSI1900WH	Suction Inlet Large, White	10	2.63
	PVXSSI1900GR	Suction Inlet Small, Gray – Limited Edition	10	2.63
	PVXMSI1900GR	Suction Inlet Medium, Gray – Limited Edition	10	2.63
	PVXLSI1900GR	Suction Inlet Large, Gray – Limited Edition	10	2.63
18	896584000-204	Upper Body Assembly Screw Kit (3 screws per kit)	25	11.50

Cleaners

Poolvergnergen - The PoolCleaner 4 Wheel

REPLACEMENT PARTS

Parts Diagram



Cleaners

Poolvergnuegen - The PoolCleaner 4 Wheel

REPLACEMENT PARTS

Parts Listing

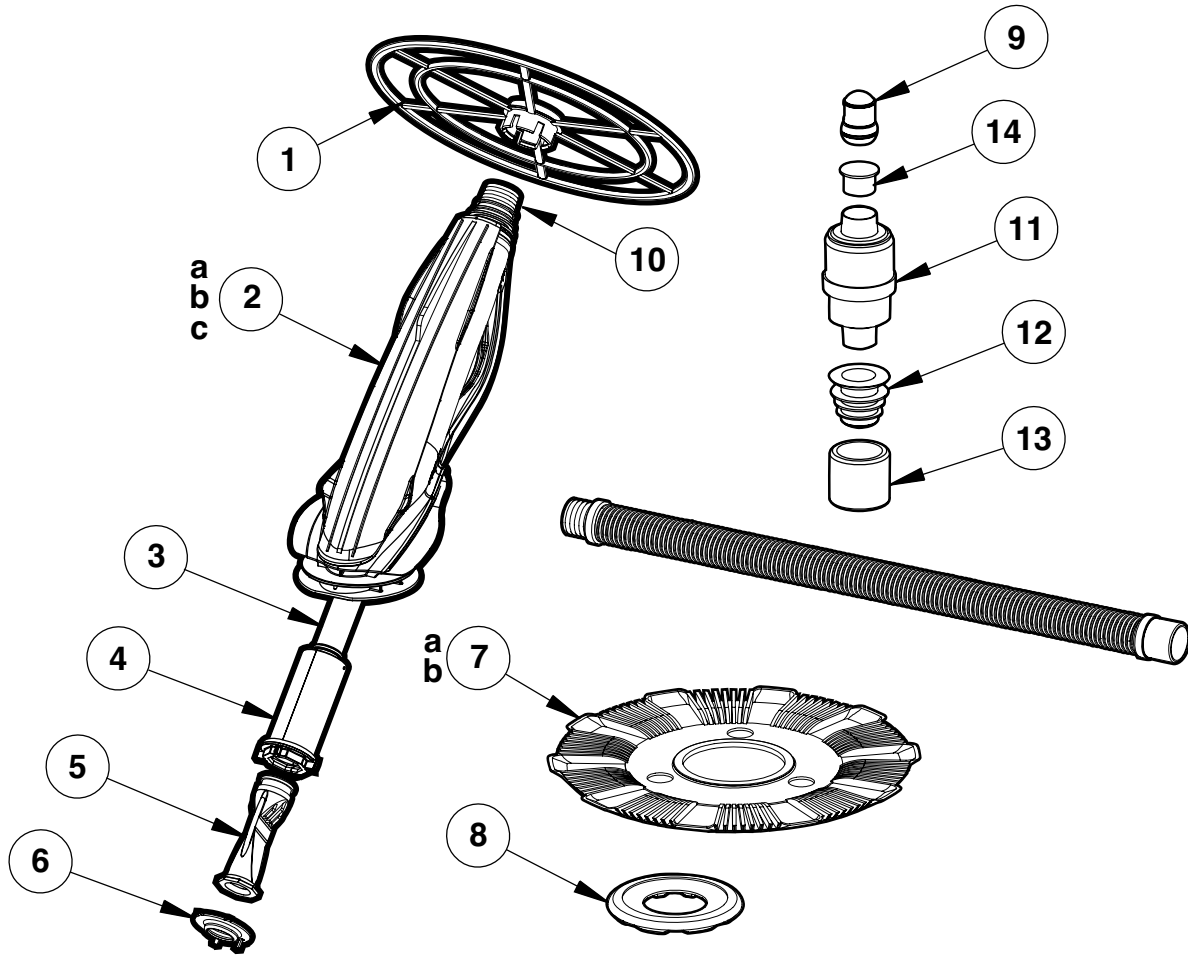
Ref. No.	Part No.	Description	Ctn. Qty.	List Price
1a	896584000-181	Upper Body Assembly with (3) Screws, White	1	\$34.15
1b	896584000-600	Upper Body Assembly with (3) Screws, Gray – Limited Edition	1	37.50
2	PVXH038SA	Turbine Kit 6 Vanes	10	32.72
3	PVXH009PK5	Gear Reduction (5 pack)	20	7.49
4	PVXH010009	Steering Cam 4 Wheel	10	11.03
5	PVXH008PK2	Small Gear Drive (2 pack)	20	8.57
6a	896584000-051	Wheel Hub, White	10	22.36
6b	896584000-532	Wheel Hub, Gray – Limited Edition	10	24.57
7	PVXH007	Large Gear Drive	25	9.16
8	PVXH019SA	Shaft Bearing	25	34.15
9a	896584000-143	Standard Tires with Super Hump, Light Blue (2 pack)	10	49.84
	896584000-594	Standard Tires with Super Hump, Black (2 pack)	10	54.71
9b	896584000-082	No Hump Tire (Back) Replacement, Light Blue (2 pack)	10	42.40
	896584000-563	No Hump Tire (Back) Replacement, Black (2 pack)	10	46.56
9c	PVX679PK2	Super Super Hump Tires, Light Blue (2 pack) – Big Obstacles	10	54.86
	896584000-723	Super Super Hump Tires, Black (2 pack) – Big Obstacles	10	57.37
9d	896584000-075	3 Fingers Hump Tires, Light Blue (2 pack)	10	42.40
	896584000-556	3 Fingers Hump Tires, Black (2 pack)	10	46.56
10a	PVX4LB1900WH	4 Wheel Lower Body, White – Empty	1	42.35
10b	PVX4LB1900GR	4 Wheel Lower Body, Gray – Empty	1	42.35
11	PVX976PK2	Wheel Bearing (2 pack)	10	18.39
12	PVXH011SA	Steering Bracket Roller	20	48.29
14a	PVXWLC1900WH	Wheel Retainer Clip, White	20	2.27
14b	PVXWLC1900BLK	Wheel Retainer Clip, Black	10	2.27
15a	896584000-259	Front Skirts with Rollers, White, 2 Wheel and 4 Wheel (4 per Kit)	10	17.06
	PVX043042BKPK4	Front Skirts with Rollers, Black, 2 Wheel and 4 Wheel (4 per Kit)	10	17.06
15b	896584000-419	Bracket for Skirts, White, 2 Wheel and 4 Wheel (4 per Kit)	10	11.50
	PVXH014BKPK4	Bracket for Skirts, Black, 2 Wheel and 4 Wheel (4 per Kit)	10	11.50
16a	896584000-105	Rear Skirt Kit, White (2 Hinged / 2 Non-Hinged) – 4 Wheel only	10	11.50
	PVX013028BK	Rear Skirt Kit, Black (2 Hinged / 2 Non-Hinged) – 4 Wheel only	10	13.79
16b	896584000-419	Bracket for Skirts, White, 2 Wheel and 4 Wheel (4 per Kit)	10	11.50
	PVXH014BKPK4	Bracket for Skirts, Black, 2 Wheel and 4 Wheel (4 per Kit)	10	11.50
17	PVXSSI1900WH	Suction Inlet Small, White	10	2.63
	PVXMSI1900WH	Suction Inlet Medium, White	10	2.63
	PVXLSI1900WH	Suction Inlet Large, White	10	2.63
	PVXSSI1900GR	Suction Inlet Small, Gray – Limited Edition	10	2.63
	PVXMSI1900GR	Suction Inlet Medium, Gray – Limited Edition	10	2.63
	PVXLSI1900GR	Suction Inlet Large, Gray – Limited Edition	10	2.63
18	896584000-204	Upper Body Assembly Screw Kit (3 screws per kit)	25	11.50
19	PVXH020SA	Gear Shaft 4 Wheel	25	34.15

Cleaners

DV5000/KingRay®

REPLACEMENT PARTS

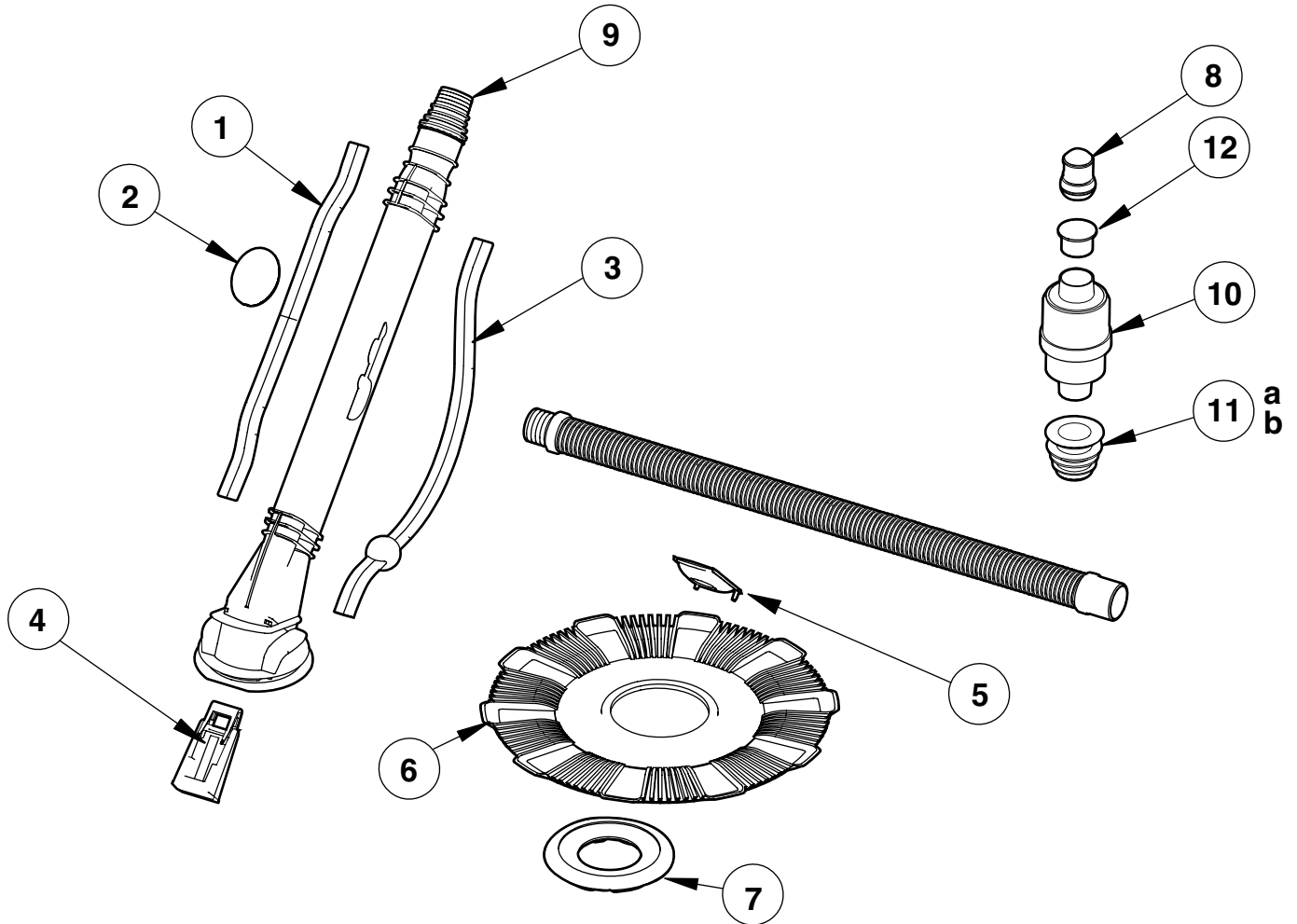
Parts Diagram and Parts Listing



Ref. No.	Part No.	Description	Ctn Qty.	List Price
1	DCX110	Halo	1	\$39.69
2a	DCX353	Body Halves, Right and Left (DV5000)	1	19.58
2b	DCX332	Body Top Cover (DV5000)	10	9.73
2c	DCX334	Body Set Screws and Plugs (DV5000)	10	9.46
3	DCX108	Internal Tube	10	44.00
4	DCX105	Cassette Assembly (Includes Item 5, Diaphragm)	10	141.16
5	DCX105C	Diaphragm	10	45.65
6	DCX106	Retainer, Cassette	10	14.85
7a	DCX152	Disc, KingRay	1	51.17
7b	DCX152SV	Disc (DV5000)	1	51.17
8	DCX150	Foot	10	35.92
9	DCX212	Diverter, Eyeball	10	9.73
10	DCX212	Swivel Assembly	10	9.73
11	DCX180	Flow Regulator	1	70.50
12	DCX172	Adapter	10	11.52
13	DCX174	Weight, Hose	10	18.12
14	DCX182	Bypass Lid	10	9.53

NOTE: DV5000 and AquaRay do not require a leader hose.

Parts Diagram and Parts Listing



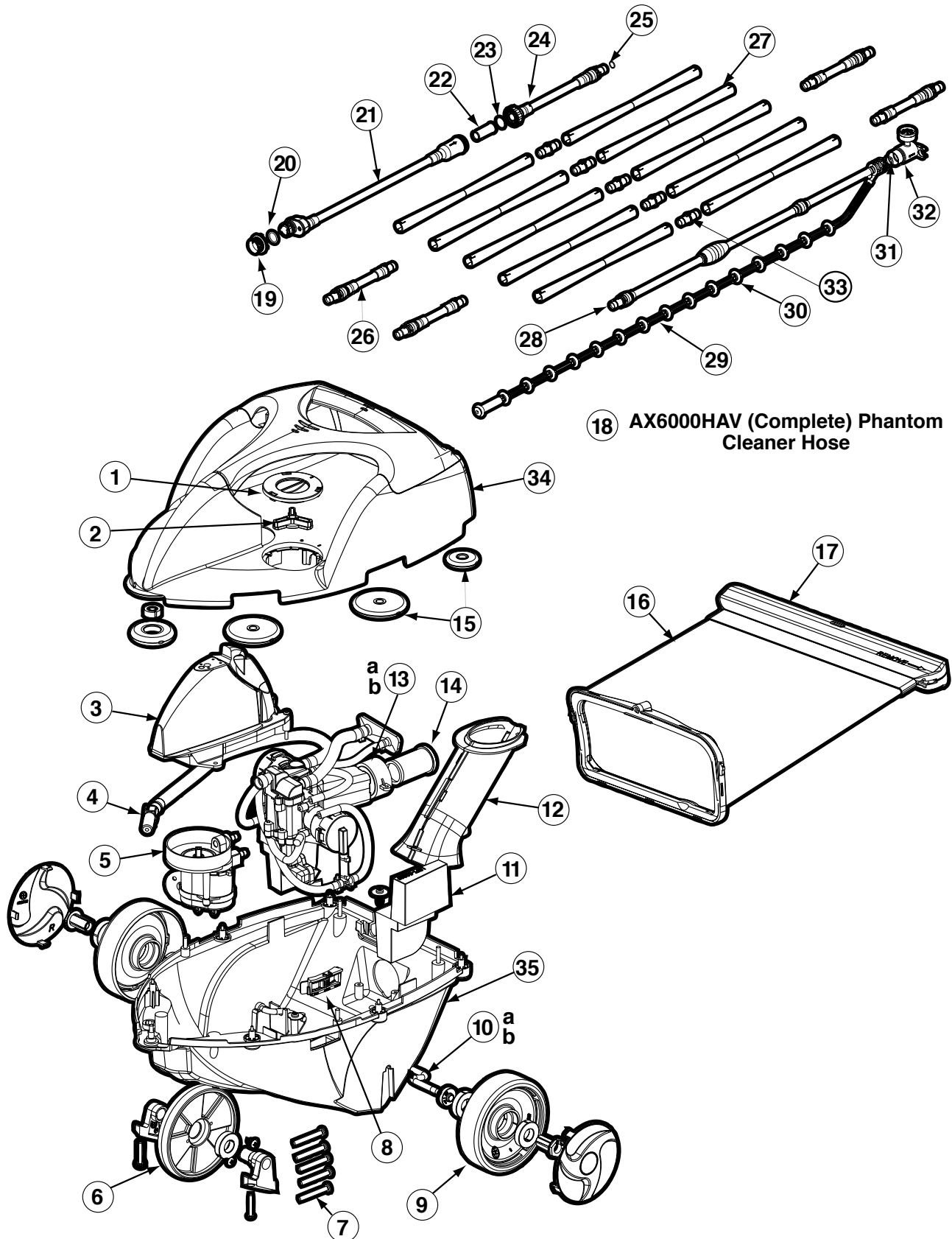
Ref. No.	Part No.	Description	Ctn Qty.	List Price
—	DCX192	Body Assembly (SunRay)	—	Discont'd
—	DCX235	Tube Cover, Blue (AquaRay)	10	\$9.82
—	DCX230	Internal Tube, White (AquaRay)	10	9.73
1	DCX126	Float Handle	10	27.73
2	DCX124	Float	10	21.52
3	DCX128	Deflector	1	50.99
4	DCX120	Hammer and Spring Clip Kit	10	26.30
5	DCX122	Hammer Retainer	10	14.85
6	DCX162	Disc	1	51.17
7	DCX150	Footpad	10	35.92
8	DCX170	Eyeball Diverter	10	9.31
9	DCX212	Swivel Assembly	10	9.73
10	DCX180	Flow Regulator	1	70.50
11a	DCX172	Adapter	10	11.52
11b	DCX1091	Cone Style Adapter	10	9.65
12	DCX172	Adapter	10	11.52

NOTE: DV5000 and AquaRay do not require a leader hose.

Phantom & Phantom Turbo®

REPLACEMENT PARTS

Parts Diagram



18 AX6000HAV (Complete) Phantom Cleaner Hose

Phantom & Phantom Turbo®

REPLACEMENT PARTS

Parts Listing

Ref. No.	Part No.	Description	Ctn. Qty.	List Price
1	AX6001F	Cam Cap	10	\$12.29
2	AX5003M	Cams (<i>3 pack</i>)	10	12.63
3	AX6000TNKA	Nose Jet Tank	5	65.74
4	AX6008M	Front Spin-out Jet (with hose and tie)	10	18.02
5	AX6000GA	Gearbox (with cams, hose and ties)	10	81.85
6	AX6009BF	Front Wheel (with retainer and bearings)	10	26.08
7	AX5010D4	Screws (<i>5 pack</i>)	10	6.23
8	AX6000SWA	Top/Auto/Bot Switch	10	18.02
9	AX6009B	Rear Wheel Kit (wheels, bearings, nuts and hubcaps)	10	60.33
10a	AX5009E1	Split Rear Axle (for units manufactured after June 2006)	25	23.15
10b	AX5009E	One Piece Rear Axle	—	Discont'd
11	AX5500EF	Floats (left and right)	5	10.51
12	AX5000B	Vac Tube	5	12.63
13a	AX6000MA3	Turbo Manifold Assembly	1	173.15
13b	AX6000MA3GA	Turbo Manifold and Gear Box Assembly Kit	1	231.78
14	AX6004R1	Manifold Filter Screen (only for use in AX6000MA3 manifold)	25	19.80
15	AX6000D	Soft Rollers (<i>7 pack with Bearing</i>)	10	29.77
16	AX6000BA	Large Capacity Debris Bag (Complete)	25	58.50
17	AX6000FC	Bag Closure	10	16.23
18	AX6000HAV	Rigid Pressure Hose (Complete)	1	421.89
19	AX5004L1	Universal Wall Fitting	10	5.39
20	AX5010G10	Wall Quick Connect O-Ring	100	3.62
21	AX6000HWA1	Wall Quick Connect Hose, Bottom In-Line Filter Assembly	10	80.47
22	AX6009S	In-Line Filter Screen	25	19.80
23	AX5010G19	In-Line Filter O-Ring	100	5.44
24	AX6000HWA2V	Pressure Hose and Top of In-Line Filter Cap Assembly	10	55.23
25	AX5010G20	Pipe Connector O-Ring (<i>6 pack</i>)	100	11.01
26	AX6000HFA	Hose Swivel Assembly	10	42.92
27	AX6000HE	Rigid Hose Section (Includes 2 Rigid Pipes, 1 Coupling, 1 Swivel Assembly)	10	48.09
28	AX6000HCA	Pressure Hose Cleaner End Assembly (without sweep hose)	5	110.24
29	AX5000RSHA	Sweep Hose (with rollers and mender nut)	10	71.06
30	AX5006A	Wear Rollers (<i>10 pack</i>)	10	16.23
31	AX5010G18	Cleaner Connector O-Ring	100	5.44
32	AX6000PTA	Set Up Pressure Gauge	5	47.33
33	AX6004CA	Rigid Pipe Couplings (<i>4 pack</i>)	10	16.92
34	AX6000TA	Deck (with wing and cam cap)	1	194.96
35	AX5000A2	Bottom Housing	1	206.96

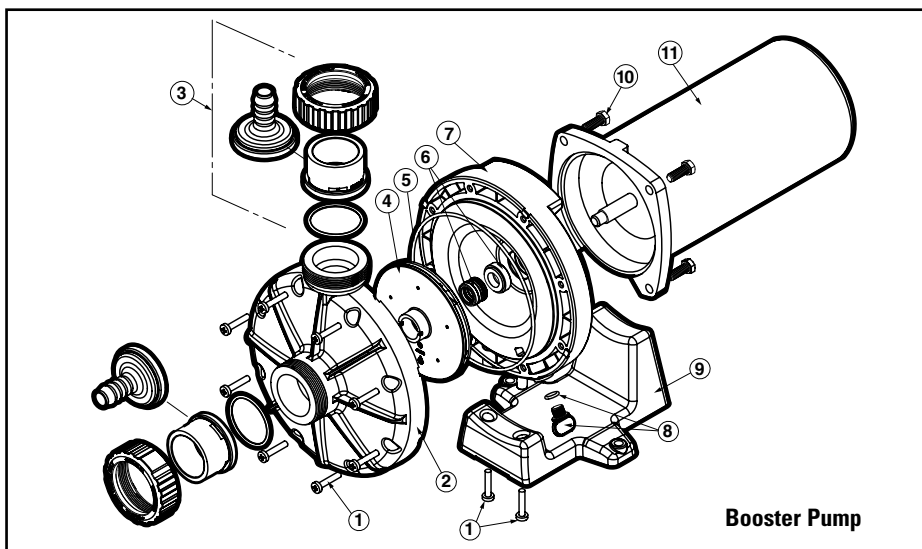
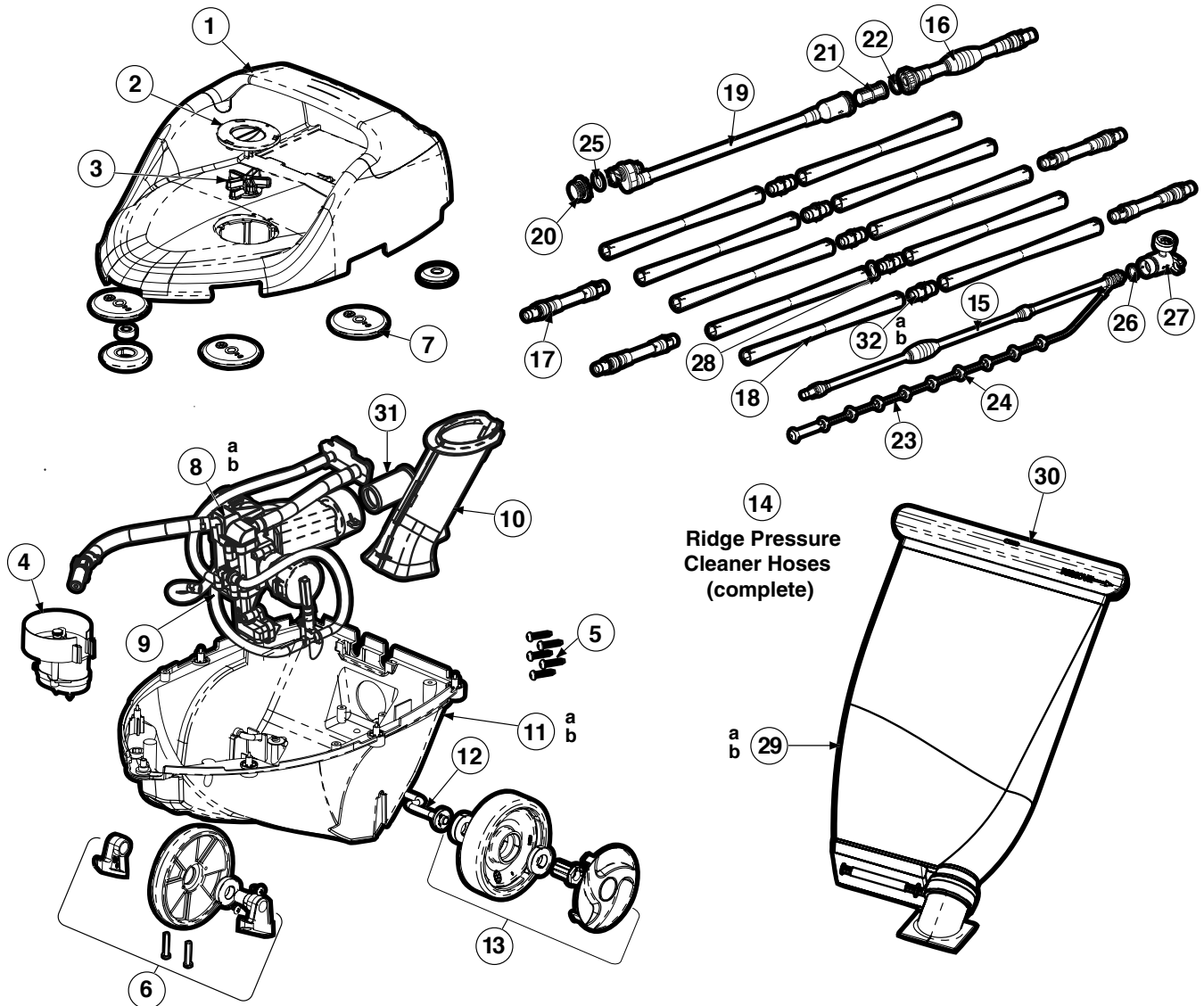
NOTES: When ordering replacement parts for black model add BK to end of part number. Parts available on limited quantities.

Cleaners

Viio Turbo® & Viper

REPLACEMENT PARTS

Parts Diagram



Cleaners

Parts Diagram

Ref. No.	Part No.	Description	Ctn. Qty.	List Price
1	AX5500TA4	Deck (with wing end and cam cap), Yellow	1	\$194.13
2	AX5501F	Cam Cap	10	12.98
3	AX5003M	Cams (3 pack)	10	12.63
4	AX5500GA	Gearbox (with cams, hose and ties)	10	67.57
5	AX5010D4	Screws (5 pack)	10	6.23
6	AX6009BF	Front Wheel (with retainer and bearings)	10	26.08
7	AX6000D	Soft Rollers (7 pack with bearing)	10	29.77
8a	AX5500MA3V	Turbo Manifold Assembly	1	189.08
8b	AX5500MA3GAV	Kit – Manifold, G-Box, Viio, Turbo	1	224.76
9	AX5000CVA	Check Valve (with hose and ties)	10	41.54
10	AX5000B	Vac Tube	5	12.63
11a	AX5000A4	Bottom Housing (with retainers), Blue	1	204.91
11b	AX5000A	Bottom Housing (with retainers), Gray	1	176.05
12	AX5009E1	Rear Axle Split (2 pack)	25	23.15
13	AX6009B	Rear Wheel Kit (wheels, bearings, nuts and hubcaps)	10	60.33
14	AX6000HAV	Rigid Pressure Hose (Complete)	1	421.89
15	AX6000HCA	Pressure Hose Cleaner End Assembly (without sweep hose)	5	110.24
16	AX6000HWA2V	Pressure Hose and Top of In-Line Filter Cap Assembly	10	55.23
17	AX6000HFA	Hose Swivel Assembly	10	42.92
18	AX6000HE	Rigid Hose Section (Includes 2 Rigid Pipes, 1 Coupling, 1 Swivel Assembly)	10	48.09
19	AX6000HWA1	Wall Quick Connect Hose, Bottom In-Line Filter Assembly	10	80.47
20	AX5004L1	Wall Fitting	10	5.39
21	AX6009S	In-Line Filter Screen (hose)	25	19.80
22	AX5010G19	In-Line Filter O-Ring	100	5.44
23	AX5000RSHA	Sweep Hose Assembly	10	71.06
24	AX5006A	Wear Rollers (10 pack)	10	16.23
25	AX5010G10	Wall Quick Connect O-Ring	100	3.62
26	AX5010G18	Cleaner Connector O-Ring	100	5.44
27	AX6000PTA	Pressure Tester Assembly	5	47.33
28	AX5010G20	Pipe Connector O-Ring (3 pack)	100	11.01
29a	AX5500BFLA4	Large Capacity Debris Bag (with float Complete), Yellow	10	48.04
29b	AX5500BFA	Large Capacity Debris Bag (with float Complete), White	10	48.04
30	AX6000FC	Float Closure	10	16.23
31	AX6004R1	Inlet Filter Screen (manifold)	25	19.80
32a	AX6004CA	Hard Pipe Coupling Assembly (4 pack)	10	16.92
32b	AX6004CABK	Hard Pipe Coupling Assembly (4 pack), Black	10	16.92

NOTE: When ordering replacement parts for Black model add BK to end of part number

Viper only Hose Spares

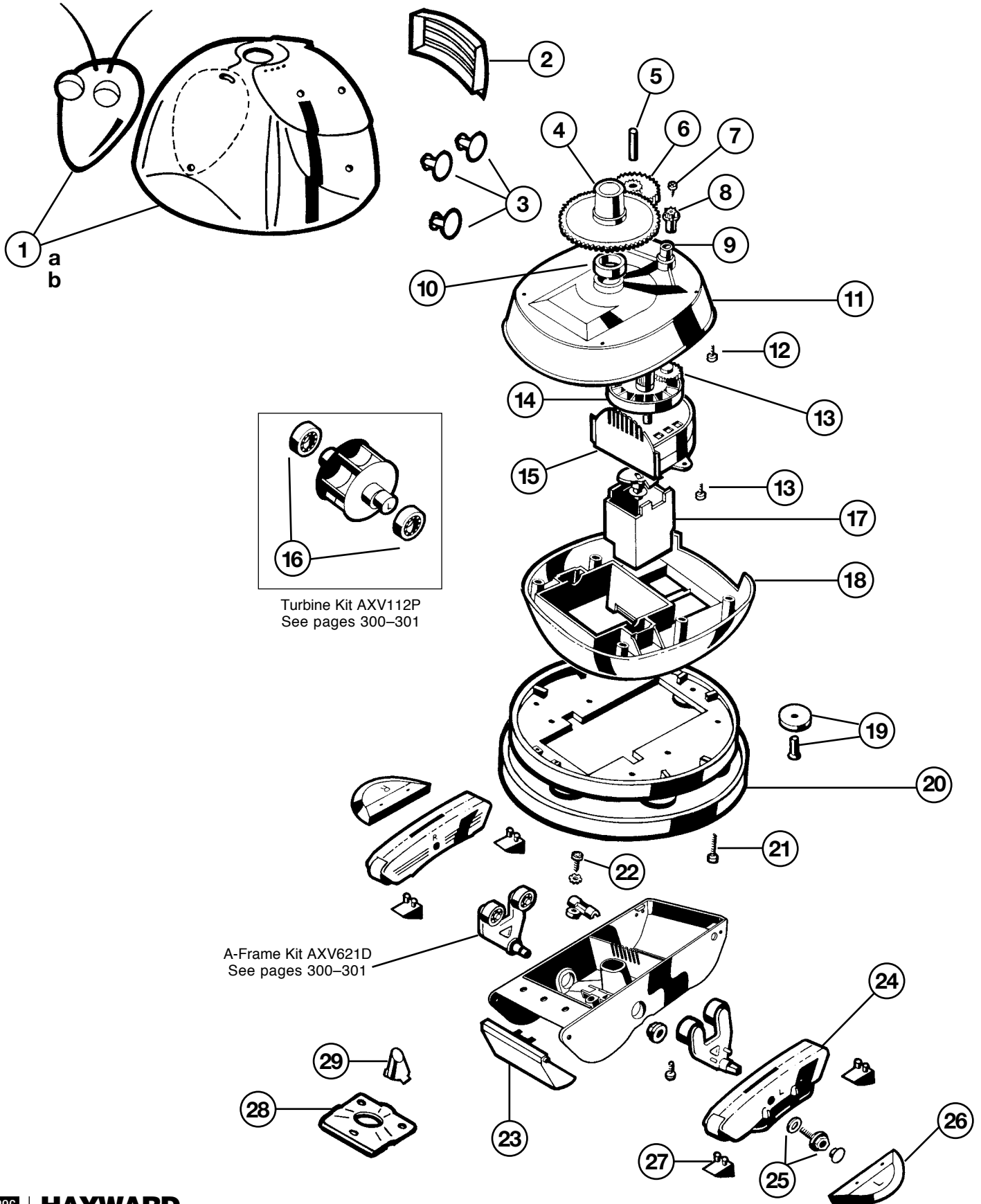
—	AX5600HCA	Pressure Hose Cleaner End Assembly (without sweep hose)	10	\$101.13
—	AX5600HWA1	Wall Quick Connect Hose, Bottom In-Line Filter Assembly	7	78.20
—	AX5600HWA2	Pressure Hose and Top of In-Line Filter Cap Assembly	10	56.04
—	AX5010I1	Pressure Hose (10 feet)	10	42.50
—	AXS038	Hose Floats (5 pack)	10	39.99
—	AX5000SA	Hose Swivels (3 pack)	10	47.77
—	AX5004B	Mender Nuts (4 pack)	20	5.44
—	AX5500HE	10 Foot Pressure Hose Extension (Complete)	10	69.66

Booster Pump Parts

1	AX6060Z1	Screws	10	\$11.28
2	AX6060A	Volute	1	54.32
3	AX6060UNPAK	Union Fittings Kit (2 unions with O-Rings)	5	33.44
—	SPX1495Z1	Union O-Ring	50	2.51
4	AX6060C	Impeller Assembly	5	33.14
5	AX6060S	O-Ring	50	12.26
6	SPX2700SA	Seal Assembly	10	21.05
7	AX6060E	Seal Plate Assembly (seal plate with drain plug and O-Ring)	1	54.59
8	SPX4000FG	Drain Plug with O-Ring	100	4.06
9	AX6060G	Motor Support	1	56.19
10	SPX3200Z5	Motor Bolts	50	7.83
11	SPX2707Z1B	3/4 H.P. Square Flange Motor	1	333.57

NOTE: Parts available on limited quantities.

Parts Diagram



Turbine Kit AXV112P
See pages 300-301

A-Frame Kit AXV621D
See pages 300-301

Parts Listing

Ref. No.	Part No.	Description	Ctn Qty.	No. Req'd	List Price
1a	AXV500AQR	Shell Assembly Kit AquaBug, Orange	1	1	\$235.07
1b	AXV500AYL	Shell Assembly Kit Aqua Critter, Yellow	1	1	235.07
2	AXV513BK	AquaBug Screen, Black	10	1	13.52
3	AXV443	AquaBug Spots, 4 large and 2 small	25	1	13.20
4	AXV070	Cone Gear	10	1	88.67
5	AXV309	Intermediate Gear Shaft	50	1	2.51
6	AXV301	Intermediate Gear	25	1	12.53
7	AXV068	Spindle Gear Screw	50	1	2.24
8	AXV303	Spindle Gear	25	1	12.53
9	AXV066A	Spindle Gear Bushing	25	1	14.87
10	AXV306	Cone Gear Bushing	25	1	12.78
11	AXV060WH	Upper Middle Body	10	1	93.47
12	AXV065P	Lower/Upper Body Screw <i>(6 pack)</i>	25	1	10.69
13	AXV064A	Medium Turbine Drive Gear	25	1	14.87
14	AXV062C	Medium Turbine	25	1	21.84
15	AXV009	Medium Turbine Case with Axle	25	1	50.62
16	AXV055P	Turbine Bearings (2)	50	1	17.16
17	AXV518P	Gear Box	25	1	29.13
18	AXV050CWH	Lower Middle Body	10	1	85.71
19	AXV551P	Wheel Kit (6 wheels, axles)	25	1	42.18
20	AXV458	AquaBug Ring	5	1	31.94
21	AXV057P	Middle Body Screw <i>(6 pack)</i>	25	1	17.83
22	AXV313	Lower Body Screw	25	1	8.84
23	AXV442	Flap Kit, White (2 flaps, front and rear)	50	1	26.40
24	AXV417WHP	Pod Kit	25	1	49.86
25	AXV015P	Pod Screw Kit (2 hex head screws and 2 washers)	100	1	8.84
26	AXV552WHP	Wing Kit, White	50	1	17.53
27	AXV014SP	Slotted Santoprene Shoes <i>(4 pack)</i>	25	1	20.09
28	AXV304A	Bottom Plate	20	1	31.62
29	AXV512A	Nozzle	50	1	8.52

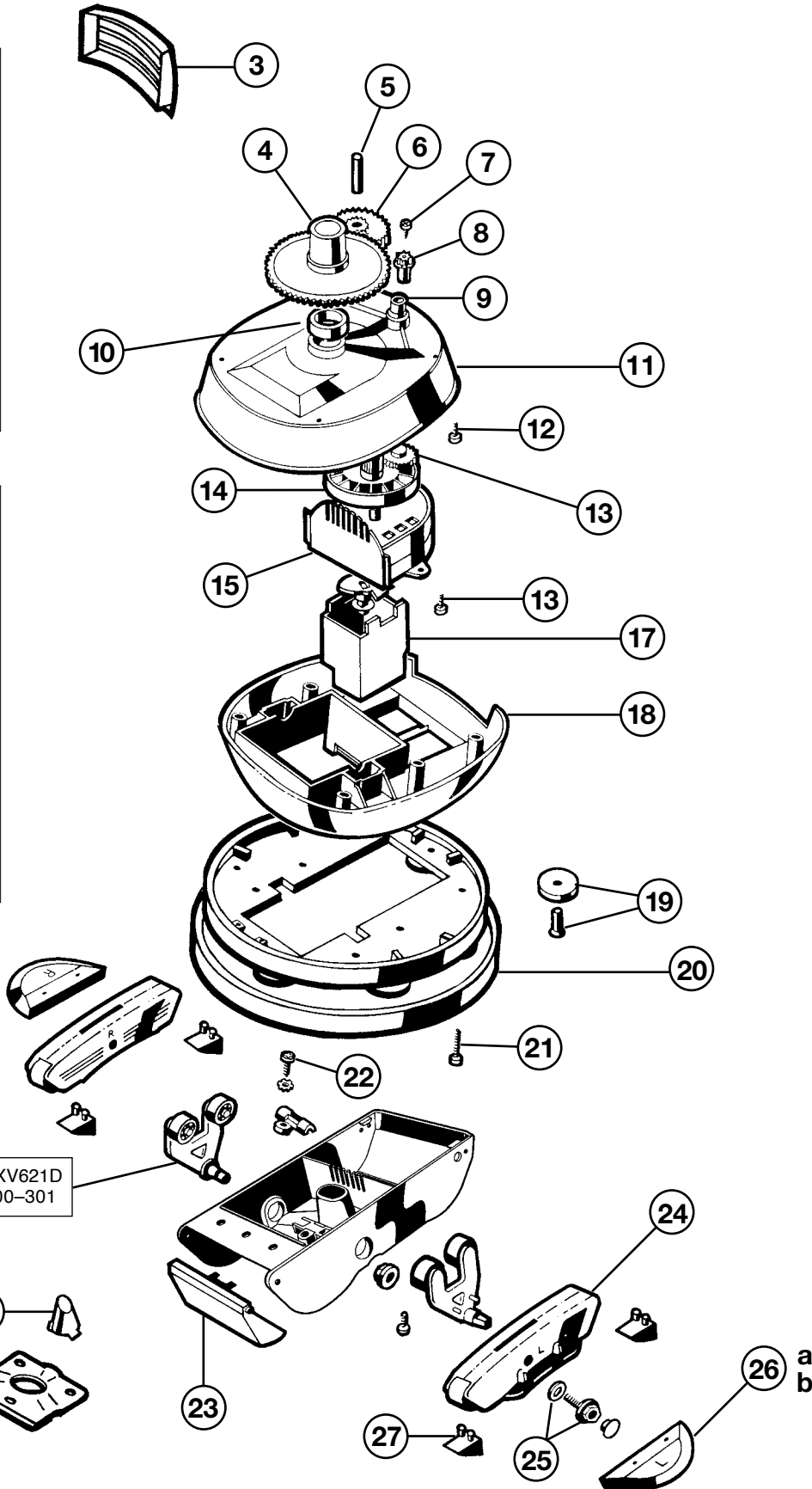
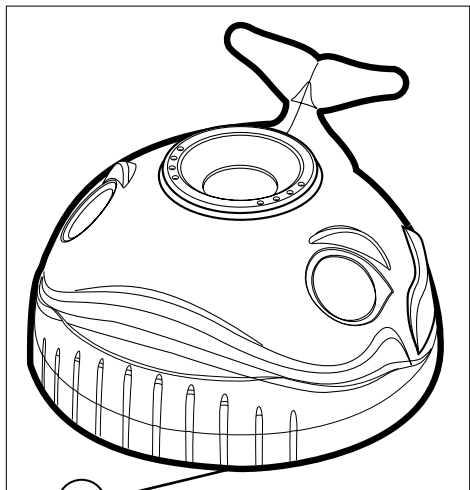
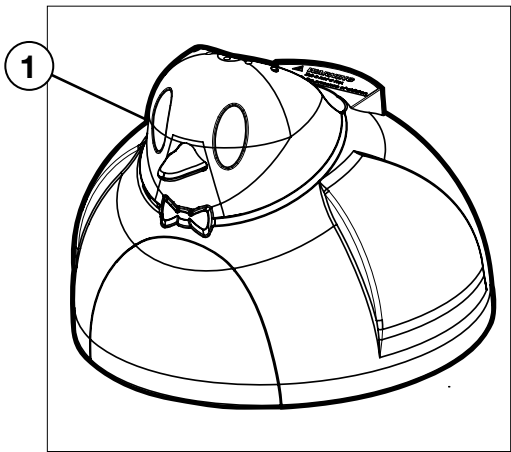
NOTES: *Special Order.

**Limited Quantity Available.

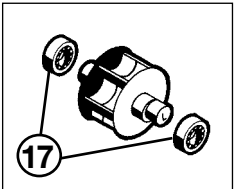
Penguin/Wanda the Whale®/Diver Dave®

ABOVE-GROUND CLEANER REPLACEMENT PARTS

Parts Diagram



A-Frame Kit AXV621D
See pages 300-301



Turbine Kit AXV112P
See pages 300-301

Cleaners

Penguin/Wanda the Whale®/Diver Dave®

ABOVE-GROUND CLEANER REPLACEMENT PARTS

Parts Listing

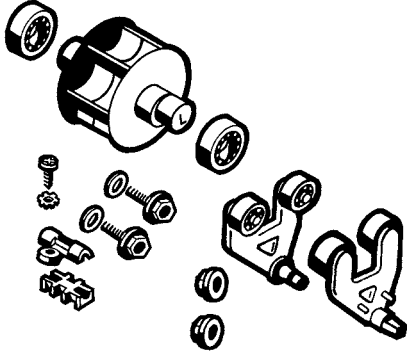
Ref. No.	Part No.	Description	Ctn Qty.	No. Req'd	List Price
1	AXV100P	Shell Assembly Kit, Penguin	1	1	\$235.07
2	AXV900W	Shell Assembly Kit, Wanda the Whale	1	1	235.07
3	AXV513BK	Screen, Black	10	1	13.52
4	AXV070	Cone Gear	10	1	88.67
5	AXV309	Intermediate Gear Shaft	50	1	2.51
6	AXV301	Intermediate Gear	25	1	12.53
7	AXV068	Spindle Gear Screw	50	1	2.24
8	AXV303	Spindle Gear	25	1	12.53
9	AXV066A	Spindle Gear Bushing	25	1	14.87
10	AXV306	Cone Gear Bushing	25	1	12.78
11	AXV060WH	Upper Middle Body	10	1	93.47
12	AXV065P	Lower/Upper Body Screw (6 pack)	25	1	10.69
13	AXV064A	Medium Turbine Drive Gear	25	1	14.87
14	AXV062C	Medium Turbine	25	1	21.84
15	AXV009	Medium Turbine Case with Axle	25	1	50.62
16	AXV055P	Turbine Bearings (2)	50	1	17.16
17	AXV518P	Gear Box	25	1	29.13
18	AXV050CWH	Lower Middle Body	10	1	85.71
19	AXV551P	Wheel Kit (6 wheels, axles)	25	1	42.18
20	AXV458	Ring, Black	5	1	31.94
21	AXV057P	Middle Body Screw (6 pack)	25	1	17.83
22	AXV313	Lower Body Screw	25	1	8.84
23	AXV442	Flap Kit, White (2 flaps, front and rear)	50	1	26.40
24	AXV417WHP	Pod Kit	25	1	49.86
25	AXV015P	Pod Screw Kit (2 hex head screws and 2 washers)	100	1	8.84
26a	AXV552WHP	Wing Kit, White	50	1	17.53
26b	AXV552ORP	Wing Kit, Orange	50	1	17.53
27	AXV014SP	Slotted Santoprene Shoes (4 pack)	25	1	20.09
28	AXV304A	Bottom Plate	20	1	31.62
29	AXV512A	Nozzle	50	1	8.52

AquaBug®, Penguin, Wanda the Whale® & Diver Dave®

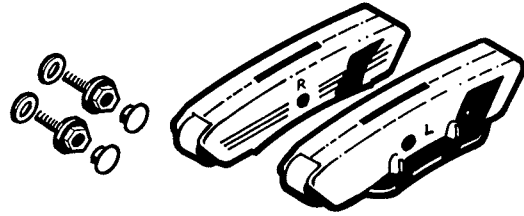
PARTS KITS AND ACCESSORIES FOR ABOVE-GROUND CLEANERS

Parts Diagram

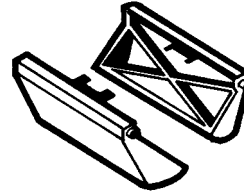
AXV621DAT Universal A-Frame/Turbine Kit



AXV417WHP Pod Kit, White



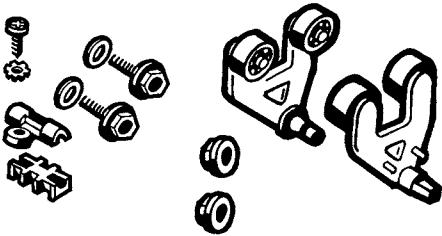
AXV434WHP Propulsion/Conversion Kit



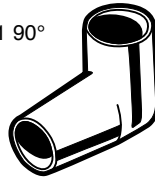
AXV055P Turbine Bearings



AXV621D Universal A-Frame Kit



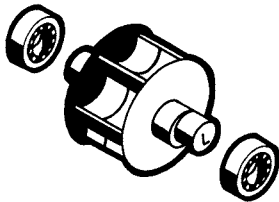
AXV151 90°
Elbow



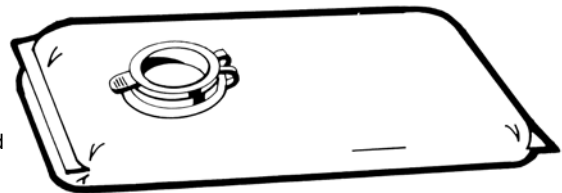
AXV093BP
Skimmer Adapter Cone



AXV112P Turbine Kit Above Ground



AXW100
Ladder Guard



AquaBug®, Penguin, Wanda the Whale® & Diver Dave®

PARTS KITS FOR ABOVE-GROUND CLEANERS

Parts Listing

Part No.	Description	Ctn. Qty.	No. Req'd	List Price
AXV014SP	Pod Shoes, Fiberglass (4 pack)	25	1	\$20.09
AXV014FNP	Pod Shoe Kit, Vinyl (4 pack)	25	1	20.19
AXV434WHP	Flap Kit, White (Includes front and rear flap assemblies)	50	1	26.42
AXV621DAT	A-Frame/Turbine Kit (Includes two A-frames and bushings, saddle, keeper, main turbine and bearings, hex head pod screws and pod screw washers)	10	1	62.22
AXV055P	Turbine Bearing Kit (2 pack)	50	1	17.16
AXV057P	Middle Body Screw Kit (6 pack)	25	1	17.83
AXV065P	Upper Body Screw Kit (6 pack)	25	1	10.69
AXV079VP	Medium Turbine/Spindle Gear Kit, Vinyl (medium turbine, drive gear, bushing, spindle gear, screw, medium turbine axle, intermediate gear, intermediate gear axle)	25	1	49.54
AXV621D	A-Frame Kit (Includes two A-frames and bushings, saddle, keeper, two hex head pod screws and two pod screw washers)	25	1	45.50
AXV112P	Turbine Kit, Above Ground (Includes main turbine and two turbine bearings)	25	1	47.79
AXV417WHP	Pod Kit, White (Includes right and left pod assemblies)	25	1	49.86
AXV699P	A-Frame Bushing/Saddle Kit	25	1	7.34
AXV552WHP	Wing Kit, White (Includes left and right wings)	50	1	17.53
AXV552ORP	Wing Kit, Orange (Includes left and right wings)	50	1	17.53

NOTES: For Tune-up Kits see page 76.

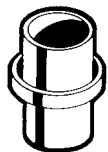
Cleaners

PoolVac & Navigator®

PARTS KITS AND ACCESSORIES FOR CONCRETE AND VINYL MODELS

Parts Diagram

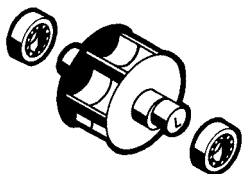
AXV092 Hose Connector



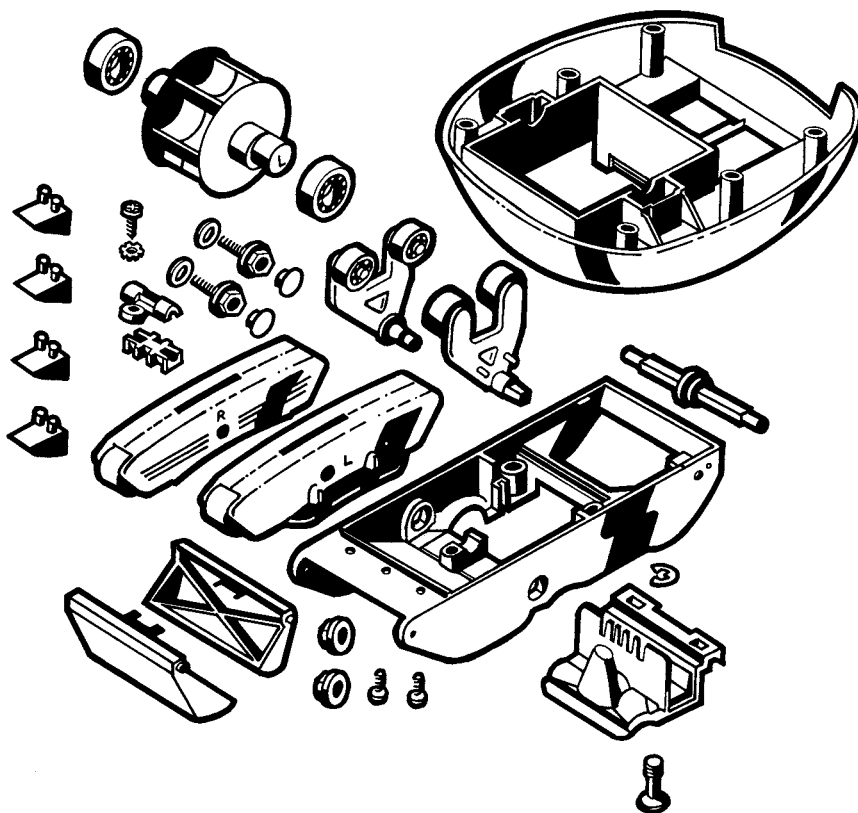
AXV098 Hose Adapter



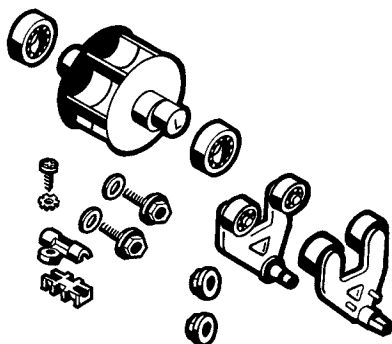
AXV602P Turbine Kit



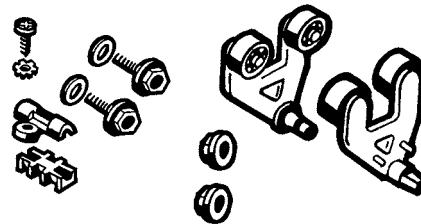
AXV622DPK Propulsion/Conversion Kit



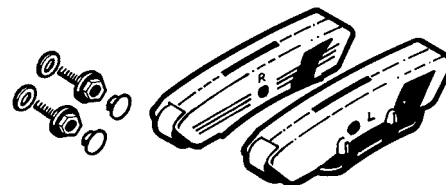
AXV621DAT Universal Model A-Frame/Turbine Kit



AXV621D Universal A-Frame Kit



AXV417WHP Pod Kit



PoolVac & Navigator®

PARTS KITS AND ACCESSORIES FOR CONCRETE AND VINYL MODELS

Parts Listing

Part No.	Black	Description	Ctn. Qty.	List Price
AXV414604WHP	—	Shoe and Wing Maintenance Kit (Includes one set of concrete shoes and one set of wings)	50	\$29.70
AXV079VP	—	Medium Turbine/Spindle Gear Kit (Includes medium turbine, drive gear bushing, spindle gear, screw, medium turbine axle, intermediate gear, intermediate gear axle)	25	49.54
AXV621D	—	Universal A-Frame Kit (Includes two A-frames and bushings, saddle, keeper, two hex head pod screws and pod screw washers)	25	45.50
AXV602P	—	Turbine Kit (Includes main turbine and two turbine bearings)	25	47.79
AXV621417WHP		A-Frame and Pod Tune Up Kit (Includes two soft roller A-frames and bushings, saddle, keeper, main turbine and bearings, hex head pod screws, pod screw washers, right and left pods and pod plugs)	10	106.49
AXV621DAT	—	Universal A-Frame/Turbine Kit (Includes two soft roller A-frames and bushings, saddle, keeper, main turbine and bearings, hex head pod screws and pod screw washers)	10	62.22
AXV417WHP	AXV417BKP	Pod Kit (Includes right and left pods and pod plugs)	25	49.86
AXV699P	—	A-Frame/Bushing/Saddle Kit (Includes two bushings, saddle, keeper, screw and washer)	25	7.34
AXV622DPK	AXV622DPKBK	Concrete Universal Propulsion/Conversion Kit (Includes access cover assembly, lower body and screws, A-frames and bushings, saddle, keeper, screw and washer, pods, hex head pod screws and washers, flaps and springs, flap adjuster, turbine and bearings, shoes and lower middle body)	1	235.52
AXV622604WHP	—	Propulsion and Wing Rebuild Kit (Includes access cover assembly, lower body and screws, A-frames and bushings, saddle, keeper, screw and washer, pods, hex head pod screws and washers, flaps and springs, flap adjuster, turbine and bearings, shoes and lower middle body)	1	235.57
AXV092	—	Hose Connector	25	9.11
AXV098	—	Hose Adapter	25	8.25
V574P	—	Flow Gauge	25	35.31

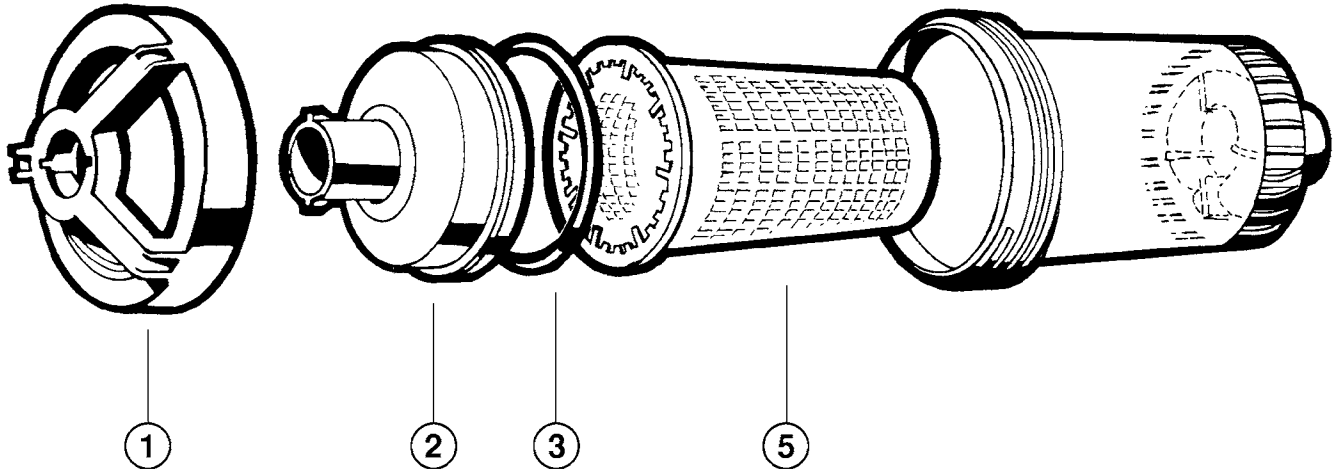
Cleaners

Leaf Canisters

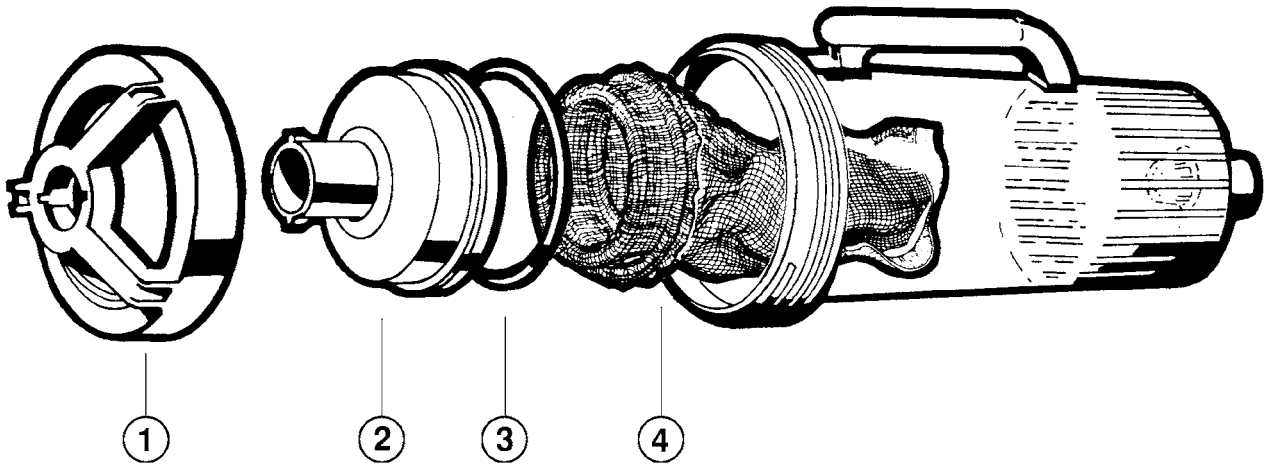
W530 AND 560 SERIES REPLACEMENT PARTS

Parts Diagram

W560 LEAF CANISTER Standard Capacity



W530 LEAF CANISTER Large Capacity

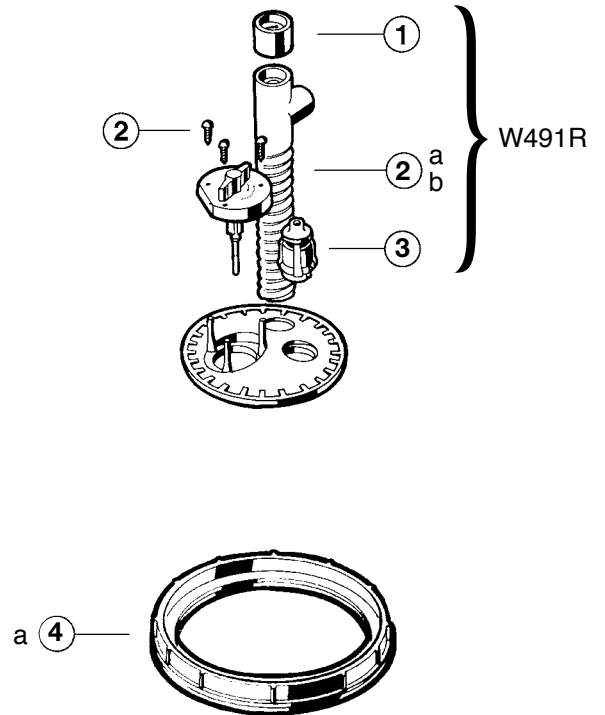
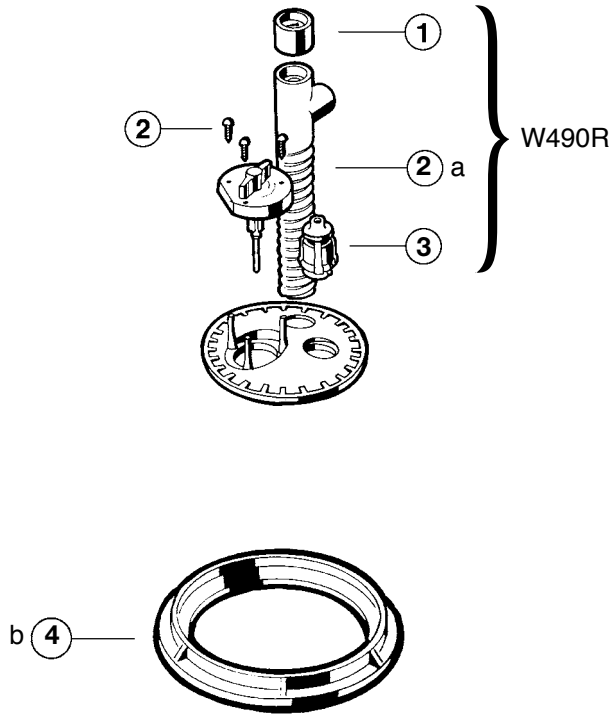


Ref. No.	Part No.	Description	Ctn. Qty.	List Price
1	AXW532	Lock Ring for W530 and W560	5	\$23.32
2	AXW533A	Lid with O-Ring Assembly	10	38.19
3	AXW542	Leaf Canister O-Ring for W530 and W560	25	10.34
4	AXW538	Permanent Bag for W530	5	30.34
5	AXW431A	Leaf Basket for W560	8	9.73
—	AXV098	Hose Adapter for W530 and W560	25	8.25

Skimmer Vacuum Plates

W490R, W491R SERIES REPLACEMENT PARTS

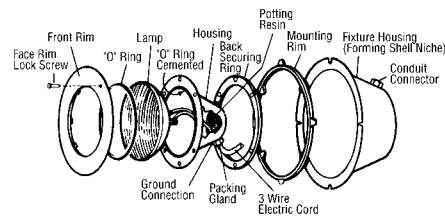
Parts Diagram



Ref. No.	Part No.	Description	Ctn. Qty.	List Price
1	AXV096GR	Vacuum Gauge	20	\$29.47
2a	AXW424	Stand Pipe, Long (for Baker Hydro only)	12	28.17
2b	AXW473	Stand Pipe, Short	8	23.37
3	AXW428A	Pressure Relief Valve Assembly	25	27.09
4a	AXW436A	Adapter Ring with Gasket for W491R	10	26.67
4b	AXW475	Adapter Ring with Gasket for W490R	10	61.11

Underwater Lights & Accessories

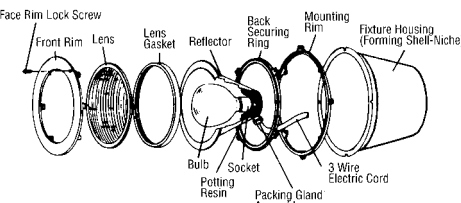
REPLACEMENT PARTS



SP0500, 0501, 0502

Cat. Nos. SP0500, 0501, 0502 Sealed Beam Series

Part No.	Description	Ctn. Qty.	List Price
SPX0502Z1	Bulb, 300W, 12V, PAR 56 WFL	12	\$103.00
SPX0501HJ	O-Rings, Large and Small (Set), Special Hi-Temp	60	40.53
SPX0503Z20A	Face Rim Lockscrew with Washer	100	8.45
SPX0502A	Front Rim, CPB	10	169.50
SPX0502Z66	Securing Rim Screw (Set of 6)	100	8.35

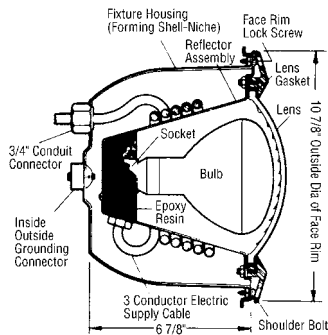


SP0503, 0504

Cat. Nos. SP0503 (400W, 120V), SP0504 (500W, 110V)

Part No.	Description	Ctn. Qty.	List Price
SPX0503Z5	Bulb, 400W, 120V, G/FL	1	\$44.86
SPX0504Z4	Bulb, 500W, 120V, R-40 Mogul Base (1958-1970)	1	76.43
SPX0504Z7	Bulb, 500W, 120V, R-40 Medium Base	12	63.63
SPX0503Z2C	Lens Clear (Tempered), 8 3/8"	1	53.21
SPX0503W	Lens Gasket, Special Hi-Temp	50	29.15
SPX0503Z20A	Face Rim Lockscrew with Washer	100	8.45
SPX0503A	Front Rim, CPB	10	166.01
SPX0503Z76	Securing Rim Screw (Set of 6)	100	8.05

Cat. Nos. SP0540, 0541, 0542, 0543 (StarLite Series)



SP0540, 0541, 0542, 0543

Part No.	Description	Ctn. Qty.	List Price
SPX0540A	Molded Face Rim with Studs	5	\$50.03
SPX0540Z1	Lens – Clear 7 9/16" Diameter (Tempered)	10	37.75
SPX0540Z2	Lens Gasket, Special Hi-Temp	100	22.73
SPX0540Z16A	Face Rim Lockscrew with Fastener	100	12.21
SPX0555Z2	Lower Mounting Screw	10	4.43
SPX0540Z4A	No. 10-24 Hex. Nut with Washer for Face Rim Studs	10	1.99
SPX1392G10	Washer – Pkg. of 10	10	5.22
SPX0510A	100W, 12V, Bulb R-30	1	46.71
SPX0541Z1	300W, 12V, Bulb R-40	12	70.72
SPX0542Z4	300W, 120V, Bulb R-40	1	63.45
SPX0504Z7	500W, 120V, Bulb R-40	12	63.63

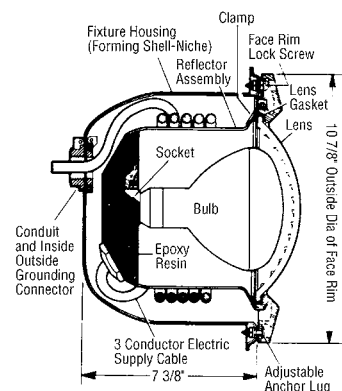
Underwater Lights & Accessories

REPLACEMENT PARTS (continued)

Cat. Nos. SP0560, 0570 (DuraLite Series)

Part No.	Description	Ctn. Qty.	List Price
SPX0580A1	Molded Face Plate (for 570 Series with N Suffix)	20	\$42.13
SPX0570A	Molded Face Rim with Integral Flange (Smooth)	5	33.59
SPX0560EA	Clamp Screw with Nut and Washer	100	5.79
SPX0540Z16A	Retainer Screw Set	100	12.21

NOTE: All other parts same as standard SP0580 Astrolite Series.



SP0560, 0570 SERIES

Cat. Nos. SP0580, 0580S (AstroLite Series)

Part No.	Description	Ctn. Qty.	List Price
SPX0580A	Molded Face Rim	4	\$33.71
SPX0580AS	Stainless Steel Face Rim	20	56.83
SPX0580Z2	Lens Gasket	100	23.74
SPX0580B	Assembly Clamp with Screw, Nut and Washer (SP0580 Series)	20	23.84
SPX0580BS	Assembly Clamp with Screw, Nut and Washer (SP0580S Series)	20	24.43
SPX0580Z3	Face Rim Lockscrew with Fastener – SP580S	20	11.08
SPX0580Z1	Face Rim Lockscrew with Fastener – SP580	100	11.65
SPX0584Z2	120V, 400W Bulb – Incandescent	12	64.22
SPX0540Z1B	Blue Lense	1	70.91

NOTE: All other parts same as Starlite Series.

Cat. Nos. SP0590S, 0590HS (AstroLite II Series)

Part No.	Description	Ctn. Qty.	List Price
SPX0590A	Stainless Steel Face Rim	5	\$47.47
SPX0590E	Snap-on Plastic Face Rim	50	7.09
SPX0590Z1	Lens	10	33.19
SPX0590G	Lens Gasket	10	22.28
SPX0590Z2A	Face Rim Lockscrew with Fastener	10	9.80
SPX0550Z4	12V, 100W Bulb – Incandescent	12	46.17
SPX0551Z4	120V, 100W Bulb – Incandescent	1	28.41
SPX0590H	12V, 75W Bulb – Halogen	12	27.73
SPX0591H	120V, 100W Bulb – Halogen	12	82.04
SPX0590K	Blue and Red Replacement Lens Cover Kit	12	20.88
SPX0592H	120V, 250W Bulb – Halogen	24	79.41
SPX0608C	Face Ring Assembly	10	20.58
SPX0608G	Gasket	10	7.24
SPX0608CP	Card Seal Kit	10	7.19

Underwater Lights & Accessories

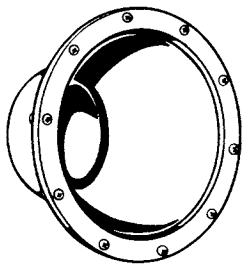
REPLACEMENT PARTS (continued)

Cat. Nos. SP0520, 0530 (ColorLogic Series)

Part No.	Description	Ctn. Qty.	List Price
SPX0525AS	Stainless Steel Face Rim (Large)	10	\$53.85
SPX0533AS	Stainless Steel Face Rim (Small)	10	45.85
SPX0525Z1	Screw Set for Stainless Steel Face Rim (Large)	100	15.83
SPX0533Z1	Screw Set for Stainless Steel Face Rim (Small)	100	16.13

Cat. Nos. SP0600, 0607, 0608U PVC Niches

Part No.	Description	Ctn. Qty.	List Price
SPX0600G	Grounding Bracket Assembly	100	\$42.20
SPX0555Z2	Bottom Mounting Screw (SP0600 and SP0607)	10	4.43
SPX0507A1	Front Frame, White (SP0607)	5	30.06
SPX0507A1DGR	Front Frame, Dark Gray (SP0607)	5	29.94
SPX0506D	Gasket (607)	10	14.68
SPX0507D	Back Retaining Ring (SP0607)	25	28.46
SPX0607Z1A	Screw Set	25	14.31
SPX0608C	Face Ring Assembly, White	10	20.58
SPX0608CDGR	Face Ring Assembly, Dark Gray	10	20.51
SPX0608G	Gasket	10	7.24
SPX0608CP	Cord Seal Kit	10	7.19



SP0506

Cat. Nos. LFGUY1000 & LGGUY1000 PVC Niches

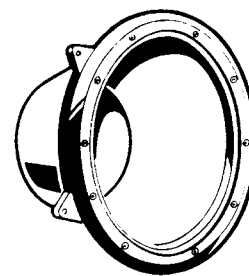
Part No.	Description	Ctn. Qty.	List Price
SPX0608CP	Cord Seal Kit	10	\$7.19
SPX0601N	Niche Shield for LGGUY1000	10	9.43
SPX0800J	Shallow Niche Shield	10	14.23
SPX0800LPAK2	Latch for Shallow Niche	10	4.63
SPX0506A	Front Frame, CPB	5	191.79
SPX0506D	Gasket	10	14.68
SPX0506Z1A	Screw Set	100	18.47
SPX0800Z1	UCL Pool Light Retainer Screw Kit	10	8.15
SPX0601Z2PAK4	UCL Spa Light Plastic Retainer Screw Kit	10	2.81

Underwater Lights & Accessories

REPLACEMENT PARTS (continued)

Cat. No. SP0507 Shell Assemblies

Part No.	Description	Ctn. Qty.	List Price
SPX0507A1	Front Frame, ABS, White	5	\$30.06
SPX0506D	Gasket	10	14.68
SPX0507D	Back Retaining Rim	25	28.46
SPX0507Z1KIT	Long and Short Screw Set, Self-Tapping (SP0507)	100	27.01



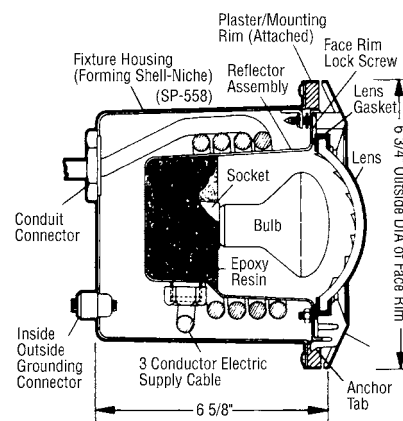
SP0507, 0607

Cat. Nos. SP0550, 0551 (StarLite II Series)

Part No.	Description	Ctn. Qty.	List Price
SPX0550Z2	Lens Gasket, Hi-Temp	20	\$21.35
SPX0540Z4A	No. 10-24 Hex. Nut with Washer for Studs	10	1.99
SPX0550Z4	100 Watt, 12 Volt Bulb, R-20	12	46.17
SPX0551Z4	100 Watt, 120 Volt Bulb, R-20	1	28.41

Cat. No. SP056525, SP056525A – Elite Above-Ground Light

Part No.	Description	Ctn. Qty.	List Price
SPX0565Z1	Replacement 12 Volt/50 Watt Halogen Lamp with Reflector	20	\$52.35
SPX0565BA	Lens for Model SP056525A	6	111.17
SPX0565G	Gasket	10	18.89
SPX0565L	Color Filter Kit	1	20.49
SPX0565N	Fastening Nut	10	12.29



SP0550

Cat. No. LACUx11xxx – 320/160

Part No.	Description	Ctn. Qty.	List Price
GLX-HAL-CRING	Replacement Compression Ring for 320/160	1	\$14.70

Suction Outlets

REPLACEMENT PARTS



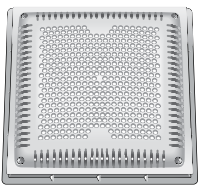
WG1051AVPAK2



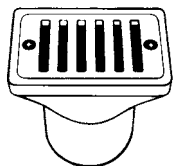
WG1153AVPAK2



WG1030AVPAK2



WG1032HF2PAK2



SP1019

Suction Outlets

Part Number	Description	Ctn. Qty.	List Price
SPX1411Z5A	Grate Securing Screw (<i>Set of 2</i>) – SP1048C	25	\$5.39
WGX1153B*	Extension Collar with Inserts	10	13.91
SPX1058DPAK2	Gasket Kit (<i>Set of 2</i>) – SP1058, SP1059	25	19.11
WGX1048B*	Vinyl Ring, 7 7/8" O.D. (SP1048, SP1049, WG1048, WG1049)	40	11.43
SPX1048DPAK2	Gasket Kit (<i>Set of 2</i>) – SP1048, SP1049, WG1048, WG1049	50	10.12
SPX1039Z18	Vinyl Ring Screw (<i>Set of 8</i>) (SP1048, SP1049, WG1048, WG1049)	100	8.74
WGX1048E**,**	Cover, Suction Outlet – White (All Round Suction Outlets)	10	18.76
SPX1030Z1A	Cover Screw (<i>Set of 2</i>) (SP1048E only)	25	3.15
WGX1030Z1A	Cover Screw (<i>Set of 2</i>) (WGX1048E on drains without metal inserts only)	100	3.82
WGX1030Z1AM	Cover Screw (<i>Set of 2</i>) (WGX1048E on drains with metal inserts only)	100	3.82
SPX1030Z2A	Cover Screw (<i>Set of 2</i>) (SPX1048E on SP1048, SP1049 drains only)	25	3.10
WGX1030Z2A	Cover Screw (<i>Set of 2</i>) (WGX1048E on SP1048, SP1049 drains without metal inserts only)	100	3.79
WGX1030Z2AM	Cover Screw (<i>Set of 2</i>) (WGX1048E on SP1048, SP1049 drains with metal inserts only)	100	3.74
SPX1051Z1	1 1/2" Plastic Pipe Plug	50	3.15
SPX1053Z1	2" Plastic Pipe Plug	100	3.32
SPX1035B	Gasket (SP1035AV)	10	3.99

NOTES: *Available in Gray, Dark Gray and Black – add suffix GR for Gray, DGR for Dark Gray and BLK for Black.

**Includes all necessary cover screw sets for use on sumps and frames with or without metal inserts.

Gutter Drains

Part Number	Description	Ctn. Qty.	List Price
SP1019BA	Grate with Screw Set (SP1019)	100	—

Stratum® Vacuum Release System

Part Number	Description	Ctn. Qty.	List Price
VRX100BF	5/16" Tube Bulkhead Fitting	1	Discont'd
VRX100E	Solenoid Valve	12	Discont'd
VRX100PAK	Tube Replacement Kit	5	\$47.92
VRX100H	Electrical Fuses (<i>pack of 10</i>)	5	65.37
VRX100F	Vent Filter	5	Discont'd
VRX100KIT2	Saddle Clamp Kit	5	Discont'd
CLX220J25	5/16" Tube x 25'	5	89.68
VRXPCBA	Circuit Board	1	1,432.74
VRXPCBANT	Circuit Board (without timer)	1	1,446.62

Chlorine & Bromine Feeders

REPLACEMENT PARTS

CL100 and CL110 Series Chlorine Feeders

Part No.	Description	Ctn. Qty.	List Price
CLX110C*	Cover	8	\$18.69
CLX110K	O-Ring, Special Composition Viton	100	23.39
CLX110DA	Dial Control Valve Assembly	50	20.81
CLX110FA	Control Knob Assembly (CL100)	100	15.27

NOTES: Fittings, tubing, clamps, drain plug and check valve are same as CL200 and CL220 Series.

*For bromine feeders, add a "2" to the end of the part number.

CL200 and CL220 Series Chlorine Feeders

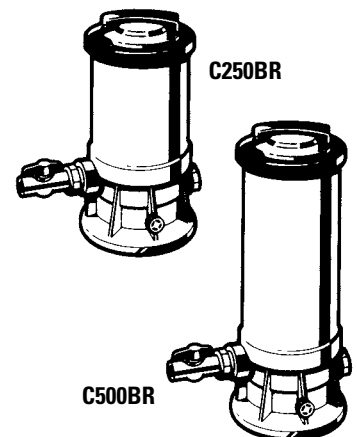
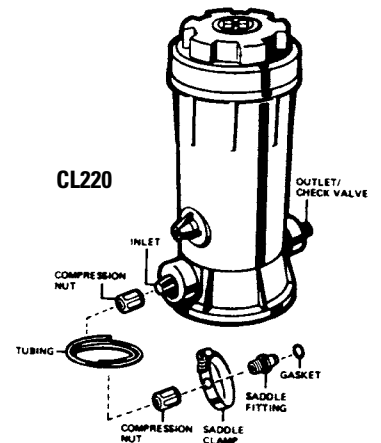
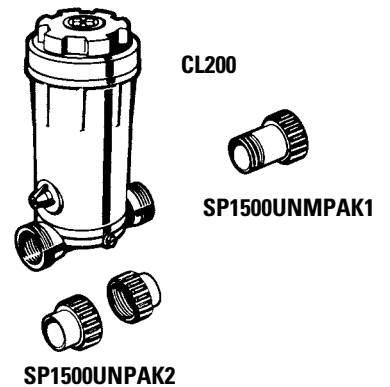
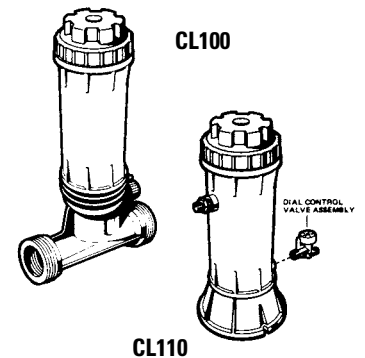
Part No.	Description	Ctn. Qty.	List Price
CLX200EGA	Cover Retaining Screw with Slip Washers and Center Cap	50	\$10.12
CLX200C*	Cover Cap	5	22.65
CLX200CA	Cover and Cap Assembly (Includes O-Ring)	5	77.81
CLX200B*	Cover	5	18.84
CLX200K	O-Ring, Special Composition Viton	100	26.03
CLX200H	Feeder Tube	100	5.39
CLX200PA	Control Knob Assembly with O-Rings (Viton) – large (1989)	100	15.76
SPX1700FGV	Drain Plug with Gasket	100	4.95
CLX220B	Base (CL220)	10	15.93
CLX200BS	Base (CL200)	10	17.53
CLX220EA	Check Valve and Inlet Fitting Adapter Assembly	100	13.69
CLX220G	Saddle Fitting	100	3.10
CLX220GA	Saddle Fitting, Nut, Gasket, Saddle Clamp and 4 ft. Tubing	20	20.02
CLX220K	Saddle Clamp	50	7.73
CLX220J	8 ft. Length Chlorinator Tubing	25	12.73
CLX220HPAK4	Compression Nut (Set of 4)	25	9.68
CLX220P	1/4" Adapter Fitting	50	2.39
SPX1091Z7TC	Combo Adapter with 1/4" Tap	50	6.40
SPX1105Z4TC	Elbow Adapter with 1/4" Tap	10	8.59
SPX1480BTC	Union End with 1/4" Tap	50	16.25
SP1500UNPAK2	Female Union End Connector Pak (Includes 2 each Socket Connector, Union Nut, O-Ring)	50	—
SP1500UNMPAK1	Male Union End Connector Pak (includes 1 each 1 1/2" MPT Nipple Connector, Union Nut, O-Ring)	50	—

NOTE: *For bromine feeders, add a "2" to the end of the part number.

C250CF, 500CF, 1100CF, 1800CF Chemical Feeders (see note)

Part No.	Description	Ctn. Qty.	List Price
SPX3100D	Cover	10	\$54.07
SP3100T	Cover Removal Tool	25	—
SPX3000SV	Cover O-Ring, Special Composition Viton	50	42.65
CX500J	Strainer	1	16.77
CX250Z14A	1/2" Drain Plug	50	5.74
SPX0605Z2V	Drain Plug O-Ring, Special Composition Viton	10	6.53
CX500BV	3/4" Control Valve with Dial Indicator (C250BR, 500BR)	15	46.66
CX500CV	3/4" Check Valve (C250BR, 500BR)	25	44.10
CX500P	Handle for Control Valve	—	Discont'd
CX1100BV	1 1/2" Control Valve with Dial Indicator	4	86.50
CX1100CV	1 1/2" Check Valve	5	100.68
CX1100P	Handle for Control Valve	100	9.85

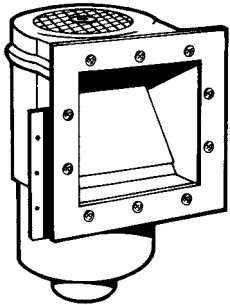
NOTE: Formerly "BR" (Bromine) and "BRC" (Chlorine) feeders.



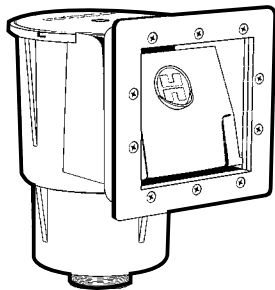
White Goods

Automatic Skimmers

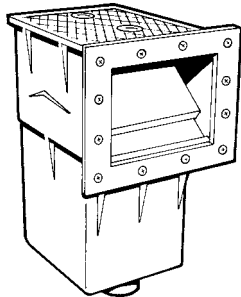
REPLACEMENT PARTS



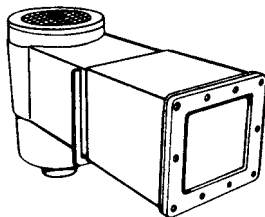
SP1092



SP1091LX



SP1089



SP1097

Cat. Nos. SP1090, SP1090WM, 1092

Part No.	Description	Ctn. Qty.	List Price
SPX1096CA	Basket, 5 1/8" O.D. x 3"	10	\$9.87
SPX1096B	Cover	10	13.32
SPX1096A2	Basket Support Ring	50	5.91
SPX1096K	Weir	10	17.58
SPX1090D	Face Plate	50	17.75
SPX1094GPAK2	Gasket (Set of 2)	25	9.14
SPX1090GA	Throttle Plate with Screw	100	11.72
SPX1090Z1A	Face Plate Screw Set	100	11.40
SPX1030Z1C	Face Plate Screw Set—1 1/4" long	10	11.01
SPX1090AA	Body with Basket Ring	1	121.74
SPX1092C	Access Plug	100	17.43

Wide Mouth Skimmer Parts – No. SP1090WM:

SPX1090WMCV	Cover	10	\$19.26
SPX1090WMSB	Skimmer Basket	10	12.26
SPX1090WMW	Weir	10	22.55
SPX1090WMVA	Vacuum Adapter	10	18.69
SPX1090WMFP	Face Plate	10	25.41
SPX1090WMSG	Sealing Gasket (Set of 2)	50	29.18

Cat. Nos. SP1091LX, SP1091WM

Part No.	Description	Ctn. Qty.	List Price
SPX1091B	Skimmer Cover	10	\$13.32
SPX1091C	Basket with Handle	12	9.46
SPX1091K1	Weir	10	16.74
SPX1091D	Face Plate Standard	10	16.99
SPX1091E	Widemouth Extension	1	29.97
SPX1091F	Face Plate Widemouth	10	19.26
SPX1091G	Gasket STD, Butterfly	50	8.64
SPX1091GW	Gasket Widemouth, Butterfly	50	15.46
SPX1090Z6A	Standard Screw Set	50	11.52
SPX1090Z7A	Widemouth Screw Set	50	21.96

Cat. Nos. SP1094, 1094SPA, 1094H, 10950M

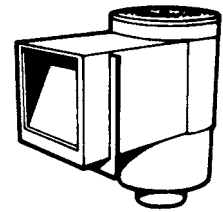
Part No.	Description	Ctn. Qty.	List Price
SPX1094FA	Basket—4 3/4" O.D. x 3"	10	\$9.41
SPX1094C	Cover	24	14.60
SPX1094K	Weir	10	17.58
SPX1094B	Face Plate	10	15.64
SPX1094GPAK2	Gasket Kit (Set of 2)	25	9.14
SPX1030Z1C	Face Plate Screw Set—1 1/4" (SP1094SPA)	10	11.01
SPX1094R	Face Plate Cover—Snap-On	30	14.85
SPX1090Z1A	Face Plate Screw Set	100	11.40

Automatic Skimmers

REPLACEMENT PARTS (continued)

Cat. No. SP1089

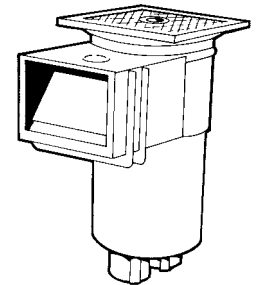
Part No.	Description	Ctn. Qty.	List Price
SPX1088B	Cover	20	\$23.98
SPX1088GA	Basket Assembly	10	29.13
SPX1089K	Weir	10	25.58
SPX1084L	Face Plate	20	11.62
SPX0097E	Gasket	10	00.00
SPX1084Z4A	Face Plate Screw Set	100	12.85



SP1096

Cat. Nos. SP1096, 1097, 1098

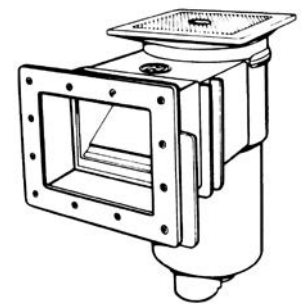
SPX1096B	Cover	10	\$13.32
SPX1096AX	Adjusting Collar	10	17.38
SPX1096CA	Basket, 5 1/8" O.D. x 3"	10	9.87
SPX1096A2	Basket Support Ring	50	5.91
SPX1096K	Weir	10	17.58
SPX1097D	Face Plate (SP1097, 1098)	5	19.62
SPX0097E	Gasket	10	11.45
SPX1090Z1A	Face Plate Screw Set	100	11.40



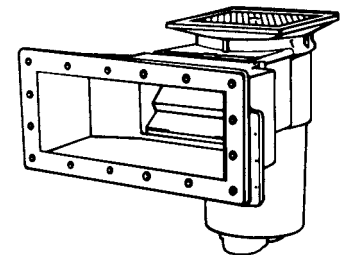
SP1082

Cat. Nos. SP1082, 1083, 1084, 1085, 1086

SPX1082E*	Cover, Square	10	\$17.46
SPX1082Z1	Cover Screw (Square Cover)	25	1.43
SPX1082F	Adjusting Collar, Square	5	32.90
SPX1082EFDGR	Square Collar and Cover Assembly – Dark Gray	4	45.58
SPX1084R**	Cover, Round	10	28.51
SPX1084RADGR	Round Collar and Cover Assembly – Dark Gray	5	40.28
SPX1084Z9	Cover Screw (Round Cover)	100	3.18
SPX1084P**	Round Extension Collar	10	22.55
SPX1082CA	Basket with Handle, 6 1/2" O.D. x 5"	18	11.30
SPX1082N2	Handle for SPX1082CA Basket	50	2.51
SPX1082D	Basket Support Ring	40	5.91
SPX1082K**	Weir	10	17.06
SPX1082H1A	Slide Plate with Screw	100	6.40
SPX1082Z3	Vacuum Hose Adapter	20	6.75
SPX1053Z1	2" Pipe Plug	100	3.32
SPX1082Z2	2" x 1 1/2" Reducing Bushing	75	12.85
SPX1084L**	Face Plate (SP1084)	20	11.62
SPX1085B**	Face Plate (SP1085)	10	21.96
SPX1084BPAK2	Gasket Kit (SP1084) (Set of 2)	25	11.45
SPX1085DPAK2	Gasket Kit (SP1085) (Set of 2)	50	20.58
SPX1084C	Spacer (SP1084)	100	12.98
SPX1084Z1A	Face Plate Screw Set (Fine Threads) SP1084	100	14.48
SPX1084Z4A	Face Plate Screw Set (Coarse Threads) SP1084	100	12.85
SPX1084Z4AM	Face Plate Screw Set 1 1/4" Long (Coarse Threads) SP1084	25	13.47
SPX1085Z1A	Face Plate Screw Set (Coarse Threads) SP1085	25	17.93
SPX1085Z1AM	Face Plate Screw Set 1 1/4" Long (Coarse Threads) SP1085	50	20.90
SPX1084B3PAK2	Gasket Kit (SP1084OM) (Set of 2)	25	12.43
SPX1084B3PAK2	Gasket Kit (SP1085OM) (Set of 2)	25	12.43
SPX1080EA	Basket with Sleeve	5	19.80
SPX1080AA	Flo-Selector Control with Valve	5	43.09
SPX1080D	Skimmer Throttling Plate	5	13.15
WGX1082E	NSF listed replacement cover (Auto-Skim, Square)	10	29.74



SP1084



SP10851

Turbo Skimmer Parts – Skimmer Nos. SP1082T, 1084T Series:

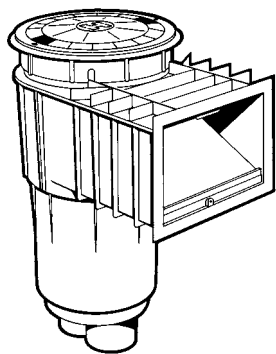
SPX1084KA	Turbo Boost Valve Assembly	5	\$32.33
-----------	----------------------------	---	---------

NOTES: *Available in Gray, Dark Gray and Black. Add suffix GR for Gray, DGR for Dark Gray and BLK for Black.

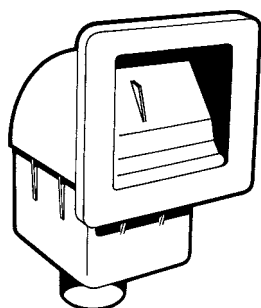
**Also available in Dark Gray. Add suffix DGR for Dark Gray.

Automatic Skimmers

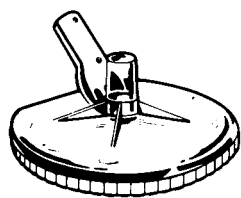
REPLACEMENT PARTS (continued)



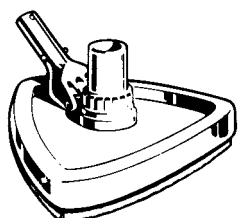
SP1071



SP1099S



SP1067



SP1068

Cat. Nos. SP1075, 1075T, 1076, 1077

Part No.	Description	Ctn. Qty.	List Price
SPX1075C1	Cover, White	10	\$22.43
SPX1084Z9	Cover Screw	100	3.18
SPX1075B	Adjusting Collar	10	18.22
SPX1082K	Weir	10	17.06
SPX1082CA	Basket – 6 1/2" O.D. x 5"	18	11.30
SPX1075F	Flo-Control Slide Plate with Screw	50	11.47
SPX1075L	Multi-Flo Valve Control (SP1075T)	25	23.81
SPX1084L	Face Plate (SP1076)	20	11.62
SPX1085B	Face Plate (SP1077)	10	21.96
SPX1084BPAK2	Gasket Kit (Set of 2) – SP1076	25	11.45
SPX1085DPAK2	Gasket Kit (Set of 2) – SP1077	50	20.58
SPX1084Z4A	Face Plate Screw Set (Self-Tapping) (SP1076)	100	12.85
SPX1084Z4AM	Face Plate Screw Set – 1 1/4" long (Self-Tapping)	25	13.47
SPX1085Z1A	Face Plate Screw Set (Self-Tapping) (SP1077)	25	17.93
SPX1085Z1AM	Face Plate Screw Set – 1 1/4" long (Self-Tapping)	50	20.90

Cat. No. SP1070, SP1071 Series Skim-Master

SPX1070Z3PAK2	Cover Retaining Screw (Set of 2)	25	\$2.81
SPX1070C*	Cover	10	24.35
SPX1070C10	Cover, Tan	10	24.35
SPX1070B	Adjusting Collar, White	5	19.70
SPX1070B10	Adjusting Collar, Tan	5	19.53
SPX1070BA*	Adjusting Collar and Cover Assembly	5	—
SPX1070E2	Basket Handle	100	6.53
SPX1070KHR	Weir Assembly with Bumper Pad (for 1070 Series)	10	26.67
SPX1071K*	Weir Assembly with Bumper Pad (for 1071 Series)	10	24.23
SPX1070E	Basket – 8 1/4" O.D. x 5 1/4"	12	12.48
SPX1082H1B	Flo-Control Slide Plate with Screw	100	6.40
SP1070FV	Float Valve Assembly	24	35.53
SPX1070FA	Flo-Control Trimmer Plate with Screw	100	4.83
WGX1070C	NSF listed replacement cover (Round)	10	28.91

Cat. No. SP1099S Spa Skimmer

SPX1099B	Basket	10	\$16.52
SPX1099K	Weir	10	21.37
SPX1099C	Cover Plate, ABS	50	11.94
SPX1099E	Gasket	100	6.25
SPX1099FG	Air Relief Valve Kit	100	8.69

NOTES: *Available in Gray, Dark Gray and Black. Add suffix GR for Gray, DGR for Dark Gray and BLK for Black.

VACUUM CLEANER HEADS

Cat. No. SP1067 / SP1067R (Rubber) Power-Vacs

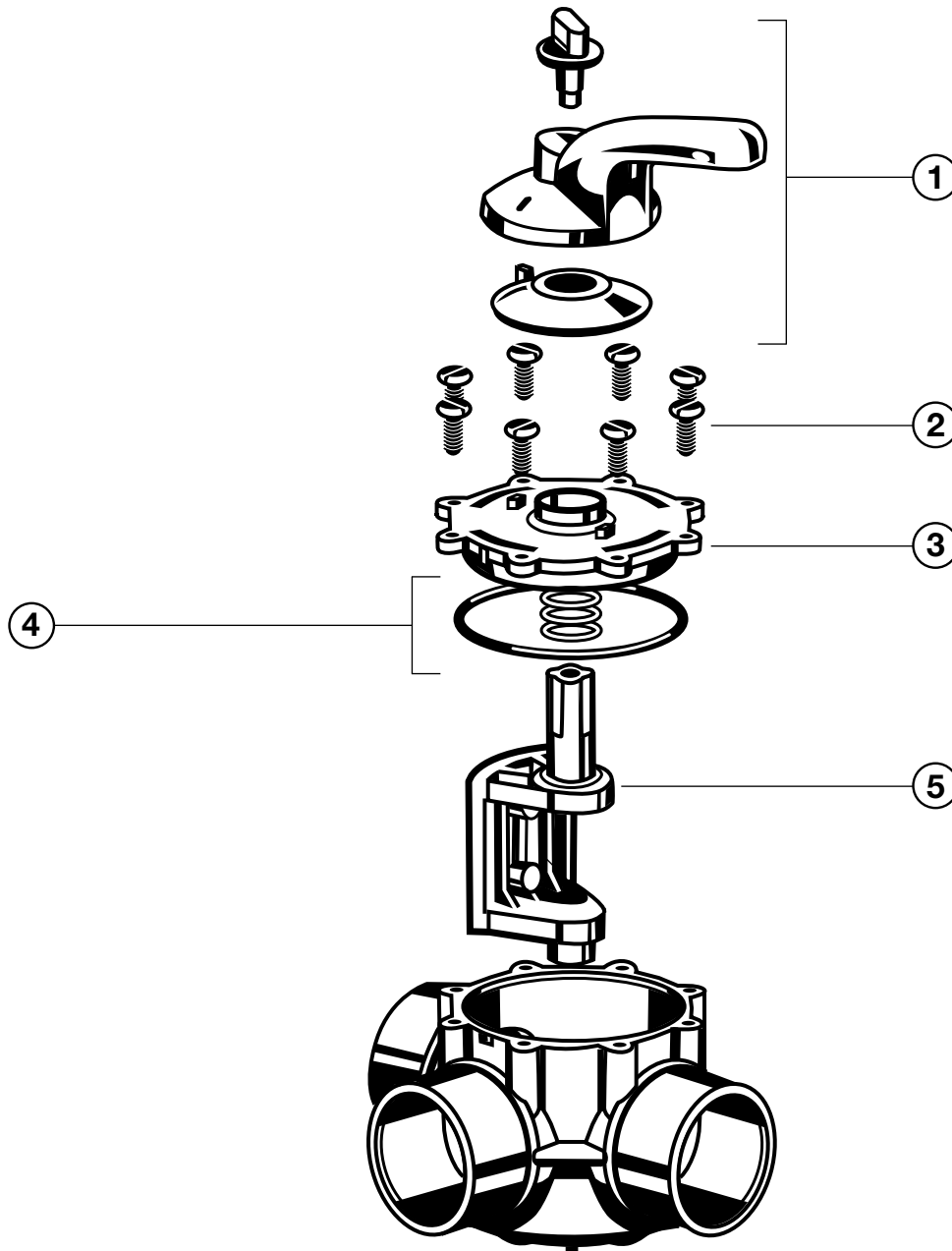
Part Number	Description	Ctn. Qty.	List Price
SPX1067C	Brush Set	10	\$29.40
SPX1067QA	Quik-Snap Handle Connector with Spring	25	15.96
SPX0068Z1A	Bracket Bolt with Nut	100	4.63

Cat. No. SP1068 / SP1068DL / 1069 / 1069DL Super-Vacs

SPX1068G3	Brush (Set of 3) – for SP1068	40	\$29.47
SPX1069B3	Brush (Set of 3) – for SP1069	50	34.45
SPX1068C	Knurled Locknut	10	5.39
SPX1068DE	Swivel Hose Connector Set, 1 1/4" and 1 1/2"	50	9.21
SP1068FA	Weight Pak (Set of 3)	25	18.42
SPX0068Z1A	Bracket Bolt with Nut	100	4.63
SPX1067QA	Quik-Snap Handle Connector with Spring	25	15.96
SPX1067S	Snap-Spring only	25	2.68

PSV Series Diverter & Check Valves

REPLACEMENT PARTS



Parts Listing

Ref. No.	Part No.	Description	Ctn Qty.	No. Req'd	List Price
1	PSXVCA*	Handle/Index Kit	10	1	\$10.14
2	PSXVZ1A*,**	Screw Set (8 pcs.)	1	1	11.20
3	PSXVB*	Cover	10	1	13.25
4	PSXVZ2A*,**	Key and Cover O-Ring Kit	1	1	6.50
5	PSXVDE*	Valve Key Assembly	10	1	29.62
—	PSXVBCA*	Upper Valve Kit (Includes #s 1-5)	10	1	68.92
—	PSXCVBA**	Check Valve Cover and Flapper Replacement Kit	1	1	26.10

NOTE: *Parts used on Diverter Valves. **Parts used on Check Valves.

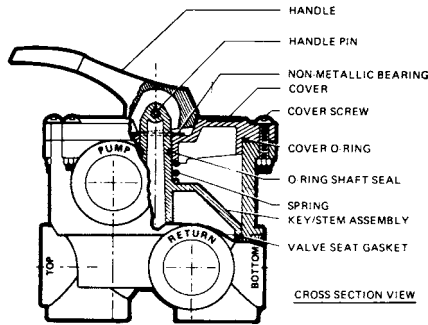
Multiport Valves

REPLACEMENT PARTS

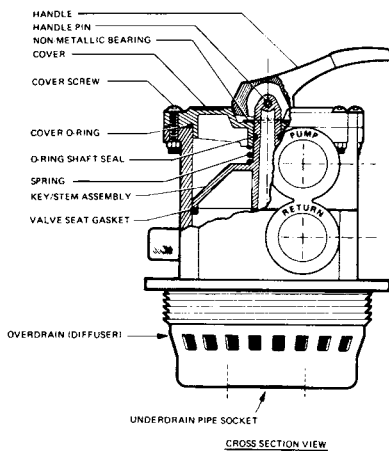
Cat. Nos. SP0710, 0710X, 0711, 0712, 1 1/2" Vari-Flo Valves (1976-)

Part No.	Description	Ctn. Qty.	List Price
SPX0710XF	Handle	10	\$12.93
SPX0710XZ7	Handle Pin	50	5.15
SPX0710Z16	Non-Metallic Bearing (<i>Pack of 5</i>)	50	3.52
SPX0710XZ5	Cover O-Ring	100	9.78
SPX0735GA	O-Ring/Teflon Shaft Seal	100	5.15
SPX0710G	Valve Position Label	50	4.90
SPX0710Z1A	Cover Screw with Nut (<i>Set of 6 each</i>)	100	15.46
SPX0603S	Spring	50	11.20
SPX0710Z62	Spring Washers (<i>Set of 2</i>)	100	4.95
SPX0710K	1/4" Plastic Pipe Plug	10	2.36
SPX0710XD	Valve Seat Gasket, 5 Spoke – for "X" Valve Body	50	15.09
SPX0710XC	Key/Stem Assembly	50	35.70
SPX0710XBA	Key, Cover and Handle Assembly, White	15	91.84
SPX0710XBA17	Key, Cover and Handle Assembly, Black	15	91.84
SPX0710MA	Threaded Sight Glass with Gasket	50	6.85
SX200Z9	Gasket for Threaded Sight Glass	25	1.40
SPX0710XALLAA	Valve Body with Gasket and Sight Glass – Style "ALL"	10	116.86
SPX0710XA3A	Valve Body with Gasket and Sight Glass – Style 3	—	Discont'd
SPX0710X32AA	Valve Body with Gasket and Sight Glass – with Filter Tank Pipes and Locknuts – for S200, S240 only	1	150.64
SPX0710XR50AA	Valve Body and Sight Glass – with Filter Tank Pipes and Locknuts. "Reverse" style – for DE Series only	1	150.64
SPX0710X62AA	Valve Body with Gasket and Sight Glass – with Filter Tank Pipes and Locknuts – for Pro Series (Side Mount) only	1	167.51
SPX0712AA	Top Mount <i>Threaded</i> Valve Body with Gasket, Sight Glass and Diffuser (for Hayward Filters)	1	139.37
SPX07122AA	Top Mounted <i>Threaded</i> Valve Body with Gasket, Sight Glass and Diffuser (for Pac-Fab; 6" UNC)	1	141.75
SPX0710Z9	3M Adhesive, 5 oz. tube for Valve Seat Gasket	10	49.59
NOTE: Parts below are for SP0710 and 0711 Series (1969–1975). These parts are <i>NOT</i> interchangeable with current production models.			
SPX0710Z7	Handle Pin	1	\$4.95
SPX0710Z3	Cover O-Ring	50	8.91
SPX0603Z2A	O-Ring/Teflon Shaft Seal	100	5.59
SPX0710D	Valve Seat Gasket, 6 Spoke	100	19.77
SPX0710XBA	Key, Cover and Handle Assembly – Replaces SPX0710B (cover) and SPX0710C	15	91.84

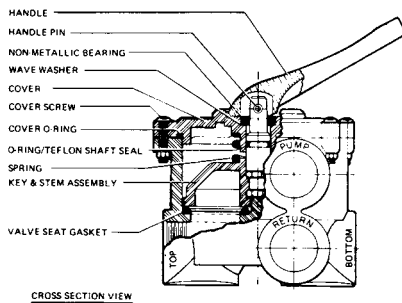
SP0710X SERIES (1977)



SP0712 SERIES



SP0710 SERIES (1969–1975)



Multiport Valves

REPLACEMENT PARTS (continued)

Cat. Nos. SP0715, 0716, 2" Vari-Flo Valves

Part No.	Description	Ctn. Qty.	List Price
SPX0710FL	Handle, Large	25	\$19.80
SPX0715F	Handle, Standard	—	Discont'd
SPX0710XZ7	Handle Pin	50	5.15
SPX0710Z16	Non-Metallic Bearing (Pack of 5)	50	3.52
SPX0715G	Valve Position Label	10	4.80
SPX0710Z1A	Cover Screw with Nut (Set of 6 each)	100	15.46
SPX0715Z1	Cover O-Ring	100	10.98
SPX0603S	Spring	50	11.20
SPX0710Z62	Spring Washers (Set of 2)	100	4.95
SPX0735GA	O-Ring/Teflon Shaft Seal	100	5.15
SPX0710K	1/4" Plastic Pipe Plug	10	2.36
SPX0715D	Valve Seat Gasket	50	23.07
SPX0715C	Key/Stem Assembly – Noryl	10	54.12
SPX0715BA	Key, Cover and Handle Assembly, White	1	133.65
SPX0715BA3	Key, Cover and Handle Assembly, Black	1	143.92
SPX0715ALLAA	Valve Body with Gasket and Sight Glass – Style "ALL"	10	195.65
SPX0715XR50AA	Valve Body with Gasket and Sight Glass – with Filter	1	259.40
	Tank Pipes and Locknuts. "Reverse" style – for DE only		
SPX0710MA	Threaded Sight Glass with Gasket	50	6.85
SX200Z9	Gasket for Threaded Sight Glass	25	1.40

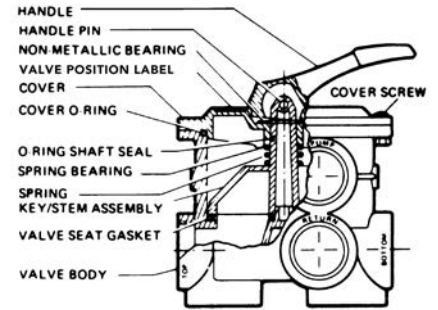
Cat. No. SP0704, 1 1/2" Vari-Flo Valve – 4 Position

Part No.	Description	Ctn. Qty.	List Price
SPX0710XF	Handle	10	\$12.93
SPX0710XZ7	Handle Pin	50	5.15
SPX0710Z16	Non-Metallic Bearing (Pack of 5)	50	3.52
SPX0704B2	Cover, Black	15	25.51
SPX0704F	Cover O-Ring	100	6.35
SPX0704HA	O-Ring/Teflon Shaft Seal	100	5.69
SPX0704Z1A	Cover Screw (Set of 6)	100	11.75
SPX0603S	Spring	50	11.20
SPX0710Z62	Spring Washers (Set of 2)	100	4.95
SPX0704D	Valve Key Gasket	50	16.25
SPX0704CA	Key and Gasket Assembly	50	41.17
SPX0704BA	Key, Cover, Gasket and Handle Assembly	15	96.67
SPX0704AA	Valve Body with Diffuser	1	103.17

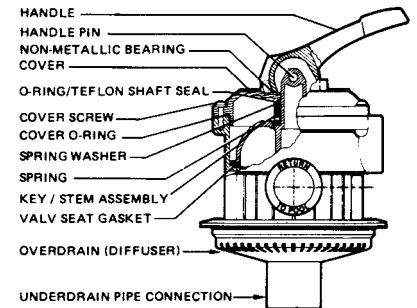
Cat. Nos. SP0410X Series Slide Valve

Part No.	Description	Ctn. Qty.	List Price
SPX0410BA	Handle and Piston Assembly	15	\$92.11
SPX0410BK	Piston only with Pin	10	16.25
SPX0722D2	Bonnet Nut, Black	50	7.41
SPX0722GH	Bonnet O-Ring Kit	100	4.88
ECX9611246	Shaft O-Ring	—	Discont'd
ECX9611246PAK3	Shaft O-Ring (Set of 3)	25	2.93
SPX0410Z2	Piston O-Ring, Large	100	10.61
SPX0410K	Drive Pin	50	4.26
SPX0410Z1	Piston O-Ring, Small	100	10.61
SX200Z4PAK2	Valve/Union O-Ring (Set of 2)	25	5.84

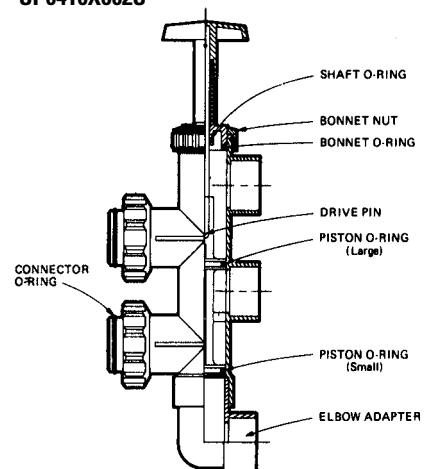
SP0715 SERIES



SP0704 SERIES



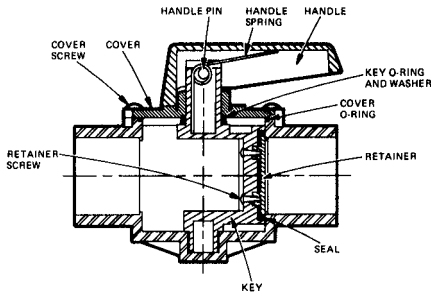
SP0410X602S



Multiport Valves

REPLACEMENT PARTS (continued)

SP0733S



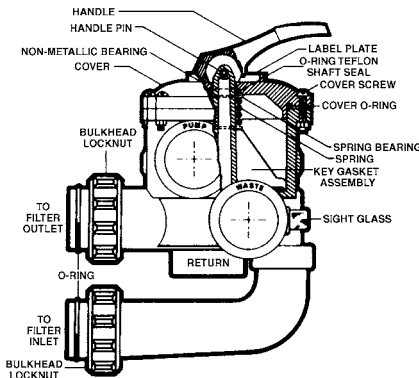
Cat. No. SP0733 Series Dial-A-Flo Valves

Part No.	Description	Ctn. Qty.	List Price
SPX0733D	Handle	10	\$10.29
SPX0733H	Handle Pin	1	3.87
SPX0733J	Handle Spring	100	4.58
SPX0733B	Cover with Label	50	22.16
SPX0733Z3A	Cover Screw (Set of 8)	50	9.48
SPX0733Z2A	Cover O-Ring with Washer and Spacer	100	12.95
SPX0733Z1A	Spacer O-Ring with Washer and Spacer	100	9.95
SPX0733E	Seal	100	6.33
ECX1019	Retainer Screw	10	1.87
SPX0733CA	Key and Seal Assembly with O-Ring	50	29.40
SPX0733BA	Key, Seal, Cover and Handle Assembly	20	59.88

Cat. No. SP0727 Perflex Diverter Valve (Not Illustrated)

Part No.	Description	Ctn. Qty.	List Price
SPX0727D	Handle	100	\$10.81
SPX0733H	Handle Pin	1	3.87
SPX0727J	Handle Spring	100	4.58
SPX0727K	O-Ring, Cover	1	4.41
SPX0733Z3A	Cover Screw (Pkg. of 8)	50	9.48
SPX0727H	Seal	100	6.23
SPX0733Z1	O-Ring (Key)	50	3.77
SPX1483C	O-Ring (Union)	500	3.40
SPX0727E	Union Nut	10	16.84

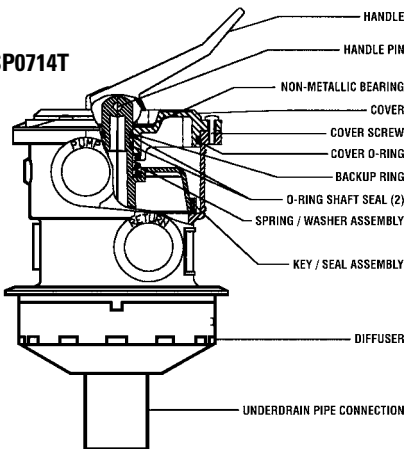
SP0740DE



Cat. No. SP0740DE 2" Selecta-Flo™ Valve

Part No.	Description	Ctn. Qty.	List Price
SPX0710FL	Handle, Large	25	\$19.80
SPX0710XZ7	Handle Pin	50	5.15
SPX0710Z16	Non-Metallic Bearing (Pack of 5)	50	3.52
SPX0740B	Cover	10	46.22
SPX0710Z1A	Cover Screw with Nut (Set of 6 each)	100	15.46
SPX0715Z1	Cover O-Ring	100	10.98
SPX0603S	Spring	50	11.20
SPX0704HA	O-Ring/Teflon Shaft Seal	100	5.69
SPX0710Z62	Spring Washers (Set of 2)	100	4.95
SPX0740D	Valve Seat Gasket	50	22.26
SPX0740C	Key/Stem Assembly	10	51.81
SPX0740BA	Key, Cover, Handle Assembly	1	146.11
SPX0740AA	Valve Body with Gasket and Sight Glass – with Tank Pipes and Locknuts	1	257.58
SX200Z4PAK2	Valve/Union O-Ring (Set of 2)	25	5.84

SP0714T



Cat. No. SP0714T Vari-Flo™ XL Valve

Part No.	Description	Ctn. Qty.	List Price
SPX0710XF	Handle	10	\$12.93
SPX0710XZ7	Handle Pin	50	5.15
SPX0710Z16	Non-Metallic Bearing (Pack of 5)	50	3.52
SPX0714G	Valve Position Label	50	4.14
SPX0714BA	Key, Cover and Handle Assembly	5	103.37
SPX0714Z1	Cover Screw (Set of 6)	100	12.93
SPX0714L	Cover O-Ring	50	7.53
SPX0735GA*	O-Ring Shaft Seal Assembly	100	5.15
SPX0710Z62	Spring Washers (Set of 2)	100	4.95
SPX0714CA	Key/Seal Assembly	10	39.22
SPX0714D	Diffuser	5	37.99
SPX0714A	Valve Body with Gasket and Sight Glass	1	155.47

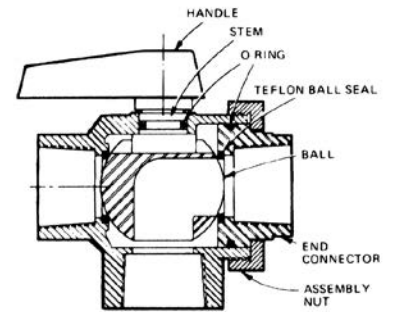
NOTE: *Two required for each valve.

Ball Valves

REPLACEMENT PARTS

Cat. Nos. SP0720, 0730, 0735 Ball Valves

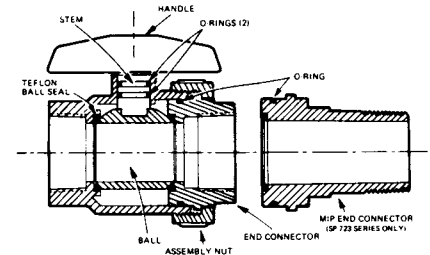
Part No.	Description	Ctn. Qty.	List Price
SPX0735D	Handle	10	\$9.87
SPX0735F	Stem	100	7.02
SPX0735GH	O-Ring, Stem and End Connector	100	6.80
SPX0735E	Assembly Nut	50	7.34
SPX0720P2	Teflon Ball Seal (Set of 2)(SP0720, 0730)	10	8.37
SPX0735P2	Teflon Ball Seal (Set of 2)(SP0735)	100	8.69
SPX0720B	End Connector – Threaded (SP0720, 0730)	50	24.20
SPX0735B	End Connector – Threaded (SP0735)	40	13.74
SPX0735C	Ball (SP0735)	5	24.50



SP0735

Cat. Nos. SP0722, 0723 and UN, 1 1/2" Trimline Ball Valves

Part No.	Description	Ctn. Qty.	List Price
SPX0722F	Handle	100	\$5.10
SPX0722B7	Stem	10	4.70
SPX0720P2	Teflon Ball Seal (Set of 2)– 1976 and Prior	10	8.37
SPX0722P2	Teflon Ball Seal (Set of 2)	100	9.41
SPX0722GH	Bonnet O-Ring Kit	100	4.88
SPX0722D	Assembly Nut	10	7.41
SPX0722C7	Ball	10	10.96
SPX0722ET7	End Connector – FIP	50	11.97
SPX0722ES7	End Connector – SKT	40	9.14
SPX0723ET7	End Connector – MIP	40	11.33
SPX0722UT	Union End Connector – FIP (UN Series only)	—	Discont'd
SPX0722US	Union End Connector – SKT (UN Series only)	50	7.61
SPX1495Z1	End Connector O-Ring (UN Series only)	50	2.46



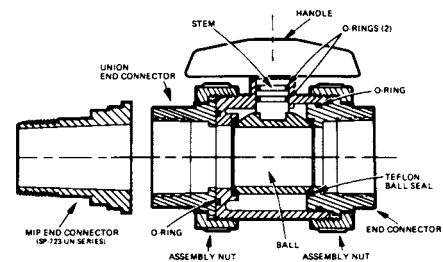
SP0722, 0723

Cat. Nos. SP0729 1 1/2" 2-Way Ball Valves

Part No.	Description	Ctn. Qty.	List Price
SPX0728D	Handle	10	\$5.61
SPX0728H	O-Ring, End Connector	10	3.10

Cat. Nos. SP0724, 0725, 0726, 2" Trimline Ball Valves

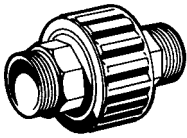
Part No.	Description	Ctn. Qty.	List Price
SPX0724J	Handle	100	\$10.71
SPX0724B	Stem	—	Discont'd
SPX0724GA	Teflon Ball Seal (Set of 2) with O-Ring Stem and End Connector	1	17.24



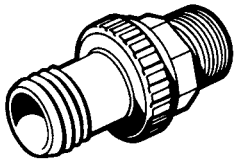
SP0722UN, 0723UN

Unions

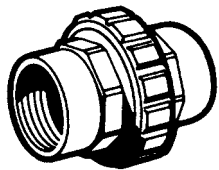
REPLACEMENT PARTS



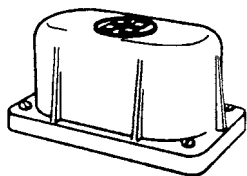
**SP1480
SERIES**



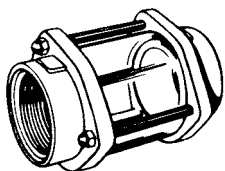
SP1493



SP1495



SP0680



SP1072

Cat. Nos. SP1480, 1482, 1484, 1485 Self-Align Unions

Part No.	Description	Ctn. Qty.	List Price
SPX1480C	Union Nut	10	\$11.20
SPX1425Z6	O-Ring	25	2.73
SPX1485C	Gasket	25	4.19

Cat. Nos. SP1491, 1492, 1493 Econo-Unions

SPX1491B	O-Ring	10	\$2.39
SPX1068C	Union Nut	10	5.39

Cat. Nos. SP1495 (1 1/2") and SP1498 (2") Flush Unions

SPX1495Z1	O-Ring	50	\$2.46
SPX1495C	Union Nut	50	7.34
SX200Z3	O-Ring (2")	50	4.14
SPX1498C	Union Nut (2")	50	28.00

JUNCTION BOXES

Cat. No. LJBUR10UU1

SPX1500NPAK4	Screw and Nut Kit (Set of 4)	10	\$5.07
--------------	------------------------------	----	---------------

Cat. Nos. SP0680, 0681 (Lexan®)

SPX0680LA	Packing Gland Nut, Bushing and Washer, 10-3	30	\$13.35
SPX0680J	3/4" Noryl® Pipe Plug	—	Discont'd

IN-LINE SIGHT GLASSES

Cat. Nos. SP1072, 1074 (Cyclocac)

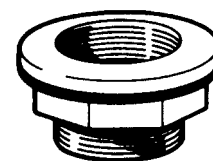
SPX0072D	Cylinder, 2 1/2" O.D. x 2 3/8"	25	\$21.37
SPX107242	Gasket (Set of 2)	100	5.05
SPX10723A	Bolt with Nut	100	7.31

Miscellaneous

SPX0404A	Threaded Eyebolt – for SP0404	10	\$4.88
SPX0392BA	Brass Wedge, Bolt with Washer – for SP392, 393	50	32.18
SPX1392CA	Wedge, Bolt with Washer – for SP1392	50	13.27
ECX1308	"Schmear" Compound for Field Repairs, White	1	37.45
ECX1308BLK	"Schmear" Compound for Field Repairs, Black	1	37.82
ECX1308IVY	"Schmear" Compound for Field Repairs, Ivory	1	36.74

Cat. Nos. SP1023, 1023G, 1024, 1025

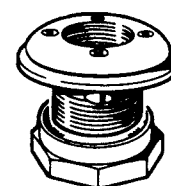
Part No.	Description	Ctn. Qty.	List Price
SPX1023B	Locknut for 1 1/2" SP1023 Fitting	50	\$5.39
SPX1023Z3	Fiber Slip Washer for 1 1/2" SP1023 Fitting	20	1.97
SPX0023Z12	Gaskets for 1 1/2" SP1023 Fitting (Set of 2)	100	5.61
SPX0023Z2	Butterfly Gasket for SP1023G Fitting	25	8.45
SPX1025Z12	Gasket (Set of 2) – (SP1025)	100	7.17
SPX1025Z3	Fiber Slip Washer – (SP1025)	50	2.78
SPX0023Z1S2	Gaskets for 2" SP1023S2 Fitting (Set of 2)	10	6.87
SPX1408ADT*	2" to 1 1/2" Adapter and O-Ring (SP1408S2, SP1023S2, SP1022S2)	10	3.59



SP1023

Cat. Nos. SP1411, 14071, 1408

Part No.	Description	Ctn. Qty.	List Price
SPX1411B	Face Plate (SP1411, 14071)	25	\$7.17
SPX1408B*	Faceplate for 1 1/2" SP1408 Fitting	100	1.53
SPX1411Z12PAK2	Gasket Kit (SP1411, SP14071) (Set of 2)	50	6.77
SPX1408C	Gasket for 1 1/2" SP1408 Fitting	25	3.64
SPX1411Z1A	Faceplate Screw Set for SP1411 (Set of 4)	25	10.51
SPX1407D	Locknut Spacer (SP14071, 1408, 1025)	10	6.33
SPX1039Z1A	Faceplate Screw Set for SP1408 (Set of 4)	50	5.86
SPX1407DS2	Locknut Spacer for 2" SP1408S2 Fitting	10	8.22
SPX1408CS2	Gasket for 2" SP1408S2 Fitting	25	4.65
SPX1408BS2*	Faceplate for 2" SP1408S2 Fitting	10	1.77
SPX1408ADT*	2" to 1 1/2" Adapter and O-Ring (SP1408S2, SP1023S2, SP1022S2)	10	3.59
SPX1408Z1APAK6	Faceplate Screw Set for 2" SP1408S2 (Set of 6)	50	8.59

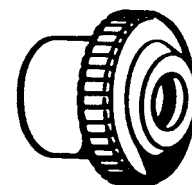


SP1408

NOTE: *Available in Gray, Dark Gray and Black. Add suffix GR for Gray, DGR for Dark Gray and BLK for Black.

Cat. Nos. SP1419, SP1420, SP1421 Series

Part No.	Description	Ctn. Qty.	List Price
SPX1419B1	Ball Seat	10	\$4.36
SPX1419C1, 2, 3, 4, 5	Ball, Slotted or 3/8", 1/2", 3/4", 1" Hole	10	4.68
SPX1419D1	Lock Ring	50	2.56
SPX1420A1	Rubber Flow Director	50	5.10



SP1421

Cat. No. SP1039

Part No.	Description	Ctn. Qty.	List Price
SPX1039BA	Face Plate with Gasket (2) and Screws (4)	25	\$25.24

Cat. Nos. SP1423, 1424, 1425

Part No.	Description	Ctn. Qty.	List Price
SPX1425C	Face Plate Grate (SP1423, 1424)	50	\$5.39
SPX1425DA	Spinner Valve Assembly (SP1424, 1425)	25	10.05
SPX1425B	Top Diffuser Plate (SP1425)	50	6.70
SPX1425Z32	Face Plate Screw (Set of 2) (SP1423, 1424, 1425)	25	2.95
SPX1425Z6	O-Ring (SP1425)	25	2.73

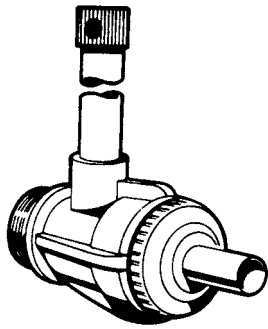


SP1425

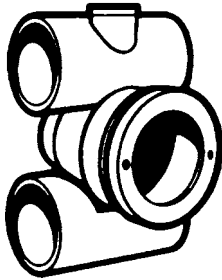
White Goods

Hydrotherapy Fittings

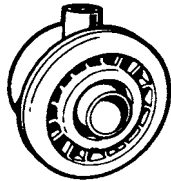
REPLACEMENT PARTS



SP14311, 2



SP1434



SP1450T

Cat. Nos. SP1430, 1431, 1432 Jet-Air® Fittings

Part No.	Description	Ctn. Qty.	List Price
SPX1430B	Small Nozzle (for SP1430)	25	\$7.17
SPX14311S	1/2" x 18" Air Supply Tube (Complete)	25	19.08
SPX14312S	1/2" x 24" Air Supply Tube (Complete)	50	20.44
SPX1430Z1A	Air Tube Adjustment Cap with Air Tube Bushing	100	9.90
SPX1430B1	SPA Insert Bushing	10	2.76

Cat. Nos. SP1434, 1436, 1437 Series Jet-Air III Fittings

Part No.	Description	Ctn. Qty.	List Price
SPX1434EA*	Bulkhead Fitting with Gasket	25	\$9.50
SPX1434DF	Lock Ring – for Ball Assembly with Nozzle Retaining Clip	100	10.24
SPX1434JA	Seal Rings and O-Ring Kit	100	7.85
SPX0720PE2	Seal Ring (Set of 2)	150	7.98

NOTE: *Available in Gray and Dark Gray. Add suffix GR for Gray and DGR for Dark Gray.

Cat. No. SP1450T Turbo Boost Spa Jet

Part No.	Description	Ctn. Qty.	List Price
SPX1450BG	Bulkhead Fitting with Gasket	25	\$12.43

Cat. Nos. SP1440, 1444 Suction Fittings

Part No.	Description	Ctn. Qty.	List Price
SPX0023Z12	Gasket (Set of 2)	100	\$5.61

2017 Literature & Merchandising Materials



Literature & Merchandising Materials

REFERENCE GUIDE

Literature

Pumps

LITECOSB15	EcoStar® and EcoStar™ SVRS Brochure
LITECOSSTF10	EcoStar Stuffers
LITTSFAMB16	TriStar Family Brochures
LITTSFR15	TriStar® (Full-Rate)
LITTSMR15	TriStar (Max-Rate)
LITTSVS15	TriStar VS Pump
LITTSVS90016	TriStar VS 900
LITTSVSSTF14	TriStar VS Stuffers
LITTSWF13	TriStar (Waterfall)
LITPWFLABG15	PowerFlo ABG
LITMAXFL15	MaxFlo Pump Series
LITMAXFLVS16	MaxFlo VS™
LITMFVS500S16	MaxFlo VS 500
LITMXFVSSTF16	MaxFlo VS Stuffers
LITMAXFLXL15	MaxFlo® XL
LITSUPER15	Super Pump® Series
LITSUPVS11515	Super Pump® VS 115V
LITSUPVS16	Super Pump VS
LITSUPVSSTF16	Super Pump VS – Stuffers
LITSUPIIFR16	Super II™ AZ Pump Series (Full-Rate)
LITSUPIIMX14	Super II AZ Pump Series (Max-Rate)
LITBP15	Booster Pump

DE Filters

LITPERABG15	Perflex ABG – EC30,EC40,EC50 Extended Cycle
LITPERING12	Perflex ING EC65, EC75 Extended Cycle
LITPG15	Pro-Grid Vertical Grid

Sand Filters

LITPROABG15	ProSeries ABG,S144T, S164, S166T, S180T, S210T
LITPROPL16	ProSeries Plus S311SX and S360SX Spherical
LITPROSM14	ProSeries S210S,S244S, S310S Series
LITPROTM15	ProSeries Top Mount S210T,S220T, S244T, S310T Series
LITS20011	ProSeries S200
LITVL13	VL 40 Series
LITVL21015	VL210 Series



Cartridge Filters

LITXSABG15	XStream Filtration
LITSC14	SwimClear Single Element C100S
LITSWC16	SwimClear C2025, C3025, C4025, C5025 Series
LITSTARC16	StarClear C250, C500 Series
LITSCP13	StarClear Plus C900, C1200, C1750 Series
LITREPT16	Replacement Cartridge

Literature

Heat Pumps

LITHTPRO16	Heat Pro In-ground Brochure
LITHTPROSTF16	Heat Pro In-ground Stuffers
LITHPABG11	ABG Heat Pump

Heaters

LITHS16	H-Series Line Brochure
LITHSABGST13	H-Series ABG Stuffers
LITCZSPA12	CZ Spa

Automatic Pool Cleaners

LITAQB10	AquaBug® Stuffers
LITAQNTBR15	AquaNaut Series Brochure
LITAQNTSTF15	AquaNaut 200 & 400 Stuffers
LITAQNT45BR15	AquaNaut 450 Brochure
LITAQRAY14	AquaRay (DV1000)
LITAQV50016	AquaVac 500
LITDD10	Diver Dave Stuffers
LITDV514	DV5000
LITNAVIPRO11	Navigator Pro
LITNAVIPSTF10	Navigator Pro Stuffers
LITNAVVF16	Navigator V-Flex Brochure
LITPVCL12	PoolVac Classic
LITPVXLSTF10	PoolVac XL Stuffers
LITPVGPWG14	The PoolCleaner Pressure
LITPVGSG14	The PoolCleaner 2 & 4 Wheel Gray
LITPVGSWH14	The PoolCleaner 2 & 4 Wheel White
LITPVVF16	PoolVac V-Flex Brochure
LITPVXL16	PoolVac XL
LITSHVAC16	SharkVac Series
LITSHVACSTF10	SharkVac by Hayward® Stuffers
LITTGR16	TigerShark Series
LITTRIVAC5716	TriVac Series Brochure
LITTV7STF16	TriVac 700 Stuffers
LITWW10	Wanda the Whale Stuffers

Pool Vacuums

LITVAC11	Super Vac and Power Vac Vacuum Heads
----------	--------------------------------------

Sanitization (Salt) and UV/OZONE

LITACFESS15	Liquid Feed System
LITAQPLUS15	AquaPlus®
LITAQR90015	AquaRite® 900
LITAQRSTF16	AquaRite Tri Fold
LITHYUVO16	HydroRite UVO ₃ Brochure
LITSLTB15	Salt Chlorination Brochure
LITSLTPAMP16	Pool Professionals Guide to Salt Chlorination
LITTCGENSS15	Genuine Hayward TurboCell
LITSLSW3CB13	Salt & Swim 3C™ Brochure
LITSLSW3CS13	Salt & Swim 3C
LITSLSW3CTF13	Salt & Swim 3C Stuffer
LITSSABGSS13	Salt & Swim ABG

Automation

LITAQCONB15	AquaConnect® Brochure
LITAQPLUS15	AquaPlus®
LITAUTOB15	Automation Brochure
LITOMLOBRO15A	OmniLogic® Brochure
LITONCOM15	OnCommand® and E-Command®

Lights

LITACLISS14A	ColorLogic® 320 & 160 Sell Sheet
LITCOLBRO14	ColorLogic 4.0 Brochure
LITLEDFAM16	ColorLogic Family Brochure
LITLEDSTF16	ColorLogic Family Stuffer
LITWALLSS15	ColorLogic Light Controller Sell Sheet
LITASTRO15	AstroLite™/DuraNiche Brochure
LITJBOXSS14	Junction Box & Transformer Sell Sheet

Solar

LITSOLAR15	Solar Controls
------------	----------------

Valves/Chem Feeders

LITCHEM16	Chemical Feeder
-----------	-----------------

2017 Buyers Guide and Misc.

LITPLC17	2017 Buyers Guide
LITPROF16	Pool Professional Brochure
LITWTRFFAM16	Water Features Brochure
LITEXPTBR16	Expert Line Brochure

Commercial Literature

REFERENCE GUIDE

Commercial Pool Literature



Full Line Products

LITCRNG17 2017 Commercial Catalog

Pumps

LITCHPA12 HCP Series Pump
LITCHP300017 HCP 3000 Pump Series Brochures
LITCHPEA16 EcoStar C Pump

Filters

LITCHFB13 HCF Series Next Gen Sand Filter
LITCHCFCA11 HCF Series Cartridge Filter

Heaters

LITCAHB16 ASME Heater

Automation

LITCC1000A11 CAT 1000
LITCC2000A14 CAT 2000
LITCC4000A14 CAT 4000
LITCC5000A15 CAT 5000
LITCC3555A14 CAT 3500 and CAT 5500
LITCH1000A11 HCC 1000
LITCH2000A15 HCC 2000
LITHCCSENA16 Universal Sensors
LITCCPCA15 PoolComm

Robotic Cleaners

LITCCAV500CA14 AquaVac 500C Commercial Robotic Cleaner
LITCCTIGRSA14 TigerShark 2 Commercial Robotic Cleaner

Lighting

LITCUCLWLA14 Universal CrystalLogic™ White LED Lighting
LITCCAWLA14 CrystalLogic 320 & 160 White LED Lighting

Sanitization

LITCSCBA15 Saline C 6.0 Commercial Salt Chlorine Generator
LITCHRBA15 HydroRite Commercial UV Ozone System
LITCSCBA17 Saline C Series Brochures

Order Form

LITERATURE & MERCHANDISING MATERIALS

Ordering Information

Please complete information below, detach order form and mail or fax.

HAYWARD POOL PRODUCTS
620 Division Street
Elizabeth, NJ 07201

ATTN: Literature Fulfillment
FAX: Elizabeth, NJ (908) 351-5675
Pomona, CA (909) 598-6905

Company Name _____

Attn: _____

Street Address _____

City / State / Zip _____

Telephone Number () _____

Extension _____

PLEASE NOTE: All **literature** is shrink wrapped in 50 pieces per pack. You cannot break a package and **must order by piece**, but in quantities of 50, unless otherwise specified (example: 50 pieces, 100 pieces, 150 pieces).

Literature

Pumps (must be ordered in quantities of 50 pieces)

Qty.

LITECOSB15	EcoStar® and EcoStar™ SVRS Brochure	_____
LITECOSSTF10	EcoStar Stuffers	_____
LITTSFAMB16	TriStar Family Brochures	_____
LITTSFR15	TriStar® (Full-Rate)	_____
LITTSMR15	TriStar (Max-Rate)	_____
LITTSVS15	TriStar VS Pump	_____
LITTSVS90016	TriStar VS 900	_____
LITTSVSSTF14	TriStar VS Stuffers	_____
LITTSWF13	TriStar (Waterfall)	_____
LITPWFLABG15	PowerFlo ABG	_____
LITMAXFL15	MaxFlo Pump Series	_____
LITMAXFLVS16	MaxFlo VS™	_____
LITMFVS500S16	MaxFlo VS 500	_____
LITMXFVSSTF16	MaxFlo VS Stuffers	_____
LITMAXFLXL15	MaxFlo® XL	_____
LITSUPER15	Super Pump® Series	_____
LITSUPVS11515	Super Pump® VS 115V	_____
LITSUPVS16	Super Pump VS	_____
LITSUPVSSTF16	Super Pump VS – Stuffers	_____
LITSUPIIFR16	Super II™ AZ Pump Series (Full-Rate)	_____
LITSUPIIMX14	Super II AZ Pump Series (Max-Rate)	_____
LITBP15	Booster Pump	_____

DE Filters (must be ordered in quantities of 50 pieces)

Qty.

LITPERABG15	Perflex ABG – EC30,EC40,EC50 Extended Cycle	_____
LITPERING12	Perflex ING EC65, EC75 Extended Cycle	_____
LITPG15	Pro-Grid Vertical Grid	_____

Sand Filters (must be ordered in quantities of 50 pieces)

Qty.

LITPROABG15	ProSeries ABG,S144T, S164, S166T, S180T, S210T	_____
LITPROPL16	ProSeries Plus S311SX and S360SX Spherical	_____
LITPROSM14	ProSeries S210S,S244S, S310S Series	_____
LITPROTM15	ProSeries Top Mount S210T,S220T, S244T, S310T Series	_____
LITS20011	ProSeries S200	_____
LITVL13	VL 40 Series	_____
LITVL21015	VL210 Series	_____

Cartridge Filters (must be ordered in quantities of 50 pieces)

Qty.

LITXSABG15	XStream Filtration	_____
LITSC14	SwimClear Single Element C100S	_____
LITSWC16	SwimClear C2025, C3025, C4025, C5025 Series	_____
LITSTARC16	StarClear C250, C500 Series	_____
LITSCP13	StarClear Plus C900, C1200, C1750 Series	_____
LITREPT16	Replacement Cartridge	_____

Heat Pumps (must be ordered in quantities of 50 pieces)

Qty.

LITHTPRO16	Heat Pro In-ground Brochure	_____
LITHTPROSTF16	Heat Pro In-ground Stuffers	_____
LITHPABG11	ABG Heat Pump	_____

Heaters (must be ordered in quantities of 50 pieces)

Qty.

LITHS16	H-Series Line Brochure	_____
LITHSABGST13	H-Series ABG Stuffers	_____
LITCZSPA12	CZ Spa	_____

Order Form

LITERATURE & MERCHANDISING MATERIALS

Literature

Automatic Pool Cleaners

(must be ordered in quantities of 50 pieces)

	Qty.	
LITAQB10	AquaBug® Stuffers	_____
LITAQNTBR15	AquaNaut Series Brochure	_____
LITAQNTSTF15	AquaNaut® 200 & 400 Stuffers	_____
LITAQRAY14	AquaRay® (DV1000)	_____
LITAQV50016	AquaVac® 500	_____
LITDD10	Diver Dave® Stuffers	_____
LITDV514	DV5000	_____
LITNAVIPRO11	Navigator® Pro	_____
LITNAVIPSTF10	Navigator Pro Stuffers	_____
LITNAVVF16	Navigator® V-Flex™ Brochure	_____
LITPVCL12	PoolVac Classic	_____
LITPVXLSTF10	PoolVac XL™ Stuffers	_____
LITPVGPWG14	The PoolCleaner Pressure	_____
LITPVGSG14	The PoolCleaner 2 & 4 Wheel Gray	_____
LITPVGSWH14	The PoolCleaner 2 & 4 Wheel White	_____
LITPVVF16	PoolVac V-Flex™ Brochure	_____
LITPVXL16	PoolVac XL™	_____
LITSHVAC16	SharkVac Series	_____
LITSHVACSTF10	SharkVac by Hayward® Stuffers	_____
LITTGR16	TigerShark® Series	_____
LITTRIVAC5716	TriVac Series Brochure	_____
LITTV7STF16	TriVac™ 700 Stuffers	_____
LITWW10	Wanda the Whale® Stuffers	_____

Pool Vacuums

(must be ordered in quantities of 50 pieces)

	Qty.	
LITVAC11	Super Vac and Power Vac Vacuum Heads	_____

Sanitization (Salt) & UV/OZONE

(must be ordered in quantities of 50 pieces)

	Qty.	
LITACFESS15	Liquid Feed System	_____
LITAQPLUS15	AquaPlus®	_____
LITAQR90015	AquaRite® 900	_____
LITAQRSTF16	AquaRite Tri Fold	_____
LITHYUVO16	HydroRite™ UVO ₃ Brochure	_____
LITSLTB15	Salt Chlorination Brochure	_____
LITSLTPAMP16	Pool Professionals Guide to Salt Chlorination	_____
LITTCGENSS15	Genuine Hayward TurboCell	_____
LITSLSW3CB13	Salt & Swim 3C™ Brochure	_____
LITSLSW3CS13	Salt & Swim 3C	_____

Sanitization (Salt) & UV/OZONE (cont.)

(must be ordered in quantities of 50 pieces)

	Qty.	
LITSLSW3CTF13	Salt & Swim 3C Stuffer	_____
LITSSABGSS13	Salt & Swim ABG	_____
LITAQCONB15	AquaConnect® Brochure	_____
LITAQPLUS15	AquaPlus®	_____
LITAUTOB15	Automation Brochure	_____
LITOMLOBRO15A	OmniLogic® Brochure	_____
LITONCOM15	OnCommand® and E-Command®	_____

Automation

(must be ordered in quantities of 50 pieces)

	Qty.	
LITAQCONB15	AquaConnect® Brochure	_____
LITAQPLUS15	AquaPlus®	_____
LITAUTOB15	Automation Brochure	_____
LITOMLOBRO15A	OmniLogic® Brochure	_____
LITONCOM15	OnCommand® and E-Command®	_____

Lights

(must be ordered in quantities of 50 pieces)

	Qty.	
LITACLISS14A	ColorLogic® 320 & 160 Sell Sheet	_____
LITCOLBRO14	ColorLogic® 4.0 Brochure	_____
LITLEDFAM16	ColorLogic Family Brochure	_____
LITLEDSTF16	ColorLogic Family Stuffer	_____
LITLEDFAM14	ColorLogic Family Brochure	_____
LITLEDSTF15	ColorLogic Family Stuffer	_____
LITWALLSS15	ColorLogic Light Controller Sell Sheet	_____
LITASTRO15	AstroLite™/DuraNiche Brochure	_____
LITJBOXSS14	Junction Box & Transformer Sell Sheet	_____

Solar

(must be ordered in quantities of 50 pieces)

	Qty.	
LITSOLAR15	Solar Controls	_____

Valves/Chem Feeders

(must be ordered in quantities of 50 pieces)

	Qty.	
LITCHEM16	Chemical Feeder	_____

2017 Buyers Guide and Misc.

(must order single piece quantities)

	Qty.	
LITPLC17	2017 Buyer's Guide	_____
LITNP17	2017 New Products Brochure	_____
LITPROF16	Pool Professional Brochure	_____
LITWTRFFAM16	Water Features Brochure	_____
LITEXPTBR16	Expert Line Brochure	_____

Order Form

LITERATURE & MERCHANDISING MATERIALS

Ordering Information

Please complete information below, detach order form and mail or fax.

HAYWARD POOL PRODUCTS
620 Division Street
Elizabeth, NJ 07201

ATTN: Literature Fulfillment
FAX: Elizabeth, NJ (908) 351-5675
Pomona, CA (909) 598-6905

Company Name _____

Attn: _____

Street Address _____

City / State / Zip _____

Telephone Number () _____

Extension _____

PLEASE NOTE: All **literature** is shrink wrapped in 50 pieces per pack. You cannot break a package and **must order by piece**, but in quantities of 50, unless otherwise specified (example: 50 pieces, 100 pieces, 150 pieces).

Literature

Pumps (must be ordered in quantities of 50 pieces)

Qty.

LITECOSB15	EcoStar® and EcoStar™ SVRS Brochure	_____
LITECOSSTF10	EcoStar Stuffers	_____
LITTSFAMB16	TriStar Family Brochures	_____
LITTSFR15	TriStar® (Full-Rate)	_____
LITTSMR15	TriStar (Max-Rate)	_____
LITTSVS15	TriStar VS Pump	_____
LITTSVS90016	TriStar VS 900	_____
LITTSVSSTF14	TriStar VS Stuffers	_____
LITTSWF13	TriStar (Waterfall)	_____
LITPWFLABG15	PowerFlo ABG	_____
LITMAXFL15	MaxFlo Pump Series	_____
LITMAXFLVS16	MaxFlo VS™	_____
LITMFVS500S16	MaxFlo VS 500	_____
LITMXFVSSTF16	MaxFlo VS Stuffers	_____
LITMAXFLXL15	MaxFlo® XL	_____
LITSUPER15	Super Pump® Series	_____
LITSUPVS11515	Super Pump® VS 115V	_____
LITSUPVS16	Super Pump VS	_____
LITSUPVSSTF16	Super Pump VS – Stuffers	_____
LITSUPIIFR16	Super II™ AZ Pump Series (Full-Rate)	_____
LITSUPIIMX14	Super II AZ Pump Series (Max-Rate)	_____
LITBP15	Booster Pump	_____

DE Filters (must be ordered in quantities of 50 pieces)

Qty.

LITPERABG15	Perflex ABG – EC30,EC40,EC50 Extended Cycle	_____
LITPERING12	Perflex ING EC65, EC75 Extended Cycle	_____
LITPG15	Pro-Grid Vertical Grid	_____

Sand Filters (must be ordered in quantities of 50 pieces)

Qty.

LITPROABG15	ProSeries ABG,S144T, S164, S166T, S180T, S210T	_____
LITPROPL16	ProSeries Plus S311SX and S360SX Spherical	_____
LITPROSM14	ProSeries S210S,S244S, S310S Series	_____
LITPROTM15	ProSeries Top Mount S210T,S220T, S244T, S310T Series	_____
LITS20011	ProSeries S200	_____
LITVL13	VL 40 Series	_____
LITVL21015	VL210 Series	_____

Cartridge Filters (must be ordered in quantities of 50 pieces)

Qty.

LITXSABG15	XStream Filtration	_____
LITSC14	SwimClear Single Element C100S	_____
LITSWC16	SwimClear C2025, C3025, C4025, C5025 Series	_____
LITSTARC16	StarClear C250, C500 Series	_____
LITSCP13	StarClear Plus C900, C1200, C1750 Series	_____
LITREPT16	Replacement Cartridge	_____

Heat Pumps (must be ordered in quantities of 50 pieces)

Qty.

LITHTPRO16	Heat Pro In-ground Brochure	_____
LITHTPROSTF16	Heat Pro In-ground Stuffers	_____
LITHPABG11	ABG Heat Pump	_____

Heaters (must be ordered in quantities of 50 pieces)

Qty.

LITHS16	H-Series Line Brochure	_____
LITHSABGST13	H-Series ABG Stuffers	_____
LITCZSPA12	CZ Spa	_____

Order Form

LITERATURE & MERCHANDISING MATERIALS

Literature

Automatic Pool Cleaners

(must be ordered in quantities of 50 pieces)

	Qty.	
LITAQB10	AquaBug® Stuffers	_____
LITAQNTBR15	AquaNaut Series Brochure	_____
LITAQNTSTF15	AquaNaut® 200 & 400 Stuffers	_____
LITAQRAY14	AquaRay® (DV1000)	_____
LITAQV50016	AquaVac® 500	_____
LITDD10	Diver Dave® Stuffers	_____
LITDV514	DV5000	_____
LITNAVIPRO11	Navigator® Pro	_____
LITNAVIPSTF10	Navigator Pro Stuffers	_____
LITNAVVF16	Navigator® V-Flex™ Brochure	_____
LITPVCL12	PoolVac Classic	_____
LITPVXLSTF10	PoolVac XL™ Stuffers	_____
LITPVGPWG14	The PoolCleaner Pressure	_____
LITPVGSG14	The PoolCleaner 2 & 4 Wheel Gray	_____
LITPVGSWH14	The PoolCleaner 2 & 4 Wheel White	_____
LITPVVF16	PoolVac V-Flex™ Brochure	_____
LITPVXL16	PoolVac XL™	_____
LITSHVAC16	SharkVac Series	_____
LITSHVACSTF10	SharkVac by Hayward® Stuffers	_____
LITTGR16	TigerShark® Series	_____
LITTRIVAC5716	TriVac Series Brochure	_____
LITTV7STF16	TriVac™ 700 Stuffers	_____
LITWW10	Wanda the Whale® Stuffers	_____

Pool Vacuums

(must be ordered in quantities of 50 pieces)

	Qty.	
LITVAC11	Super Vac and Power Vac Vacuum Heads	_____

Sanitization (Salt) & UV/OZONE

(must be ordered in quantities of 50 pieces)

	Qty.	
LITACFESS15	Liquid Feed System	_____
LITAQPLUS15	AquaPlus®	_____
LITAQR90015	AquaRite® 900	_____
LITAQRSTF16	AquaRite Tri Fold	_____
LITHYUVO16	HydroRite™ UVO ₃ Brochure	_____
LITSLTB15	Salt Chlorination Brochure	_____
LITSLTPAMP16	Pool Professionals Guide to Salt Chlorination	_____
LITTCGENSS15	Genuine Hayward TurboCell	_____
LITSLSW3CB13	Salt & Swim 3C™ Brochure	_____
LITSLSW3CS13	Salt & Swim 3C	_____

Sanitization (Salt) & UV/OZONE (cont.)

(must be ordered in quantities of 50 pieces)

	Qty.	
LITSLSW3CTF13	Salt & Swim 3C Stuffer	_____
LITSSABGSS13	Salt & Swim ABG	_____
LITAQCONB15	AquaConnect® Brochure	_____
LITAQPLUS15	AquaPlus®	_____
LITAUTOB15	Automation Brochure	_____
LITOMLOBRO15A	OmniLogic® Brochure	_____
LITONCOM15	OnCommand® and E-Command®	_____

Automation

(must be ordered in quantities of 50 pieces)

	Qty.	
LITAQCONB15	AquaConnect® Brochure	_____
LITAQPLUS15	AquaPlus®	_____
LITAUTOB15	Automation Brochure	_____
LITOMLOBRO15A	OmniLogic® Brochure	_____
LITONCOM15	OnCommand® and E-Command®	_____

Lights

(must be ordered in quantities of 50 pieces)

	Qty.	
LITACLISS14A	ColorLogic® 320 & 160 Sell Sheet	_____
LITCOLBRO14	ColorLogic® 4.0 Brochure	_____
LITLEDFAM16	ColorLogic Family Brochure	_____
LITLEDSTF16	ColorLogic Family Stuffer	_____
LITLEDFAM14	ColorLogic Family Brochure	_____
LITLEDSTF15	ColorLogic Family Stuffer	_____
LITWALLSS15	ColorLogic Light Controller Sell Sheet	_____
LITASTRO15	AstroLite™/DuraNiche Brochure	_____
LITJBOXSS14	Junction Box & Transformer Sell Sheet	_____

Solar

(must be ordered in quantities of 50 pieces)

	Qty.	
LITSOLAR15	Solar Controls	_____

Valves/Chem Feeders

(must be ordered in quantities of 50 pieces)

	Qty.	
LITCHEM16	Chemical Feeder	_____

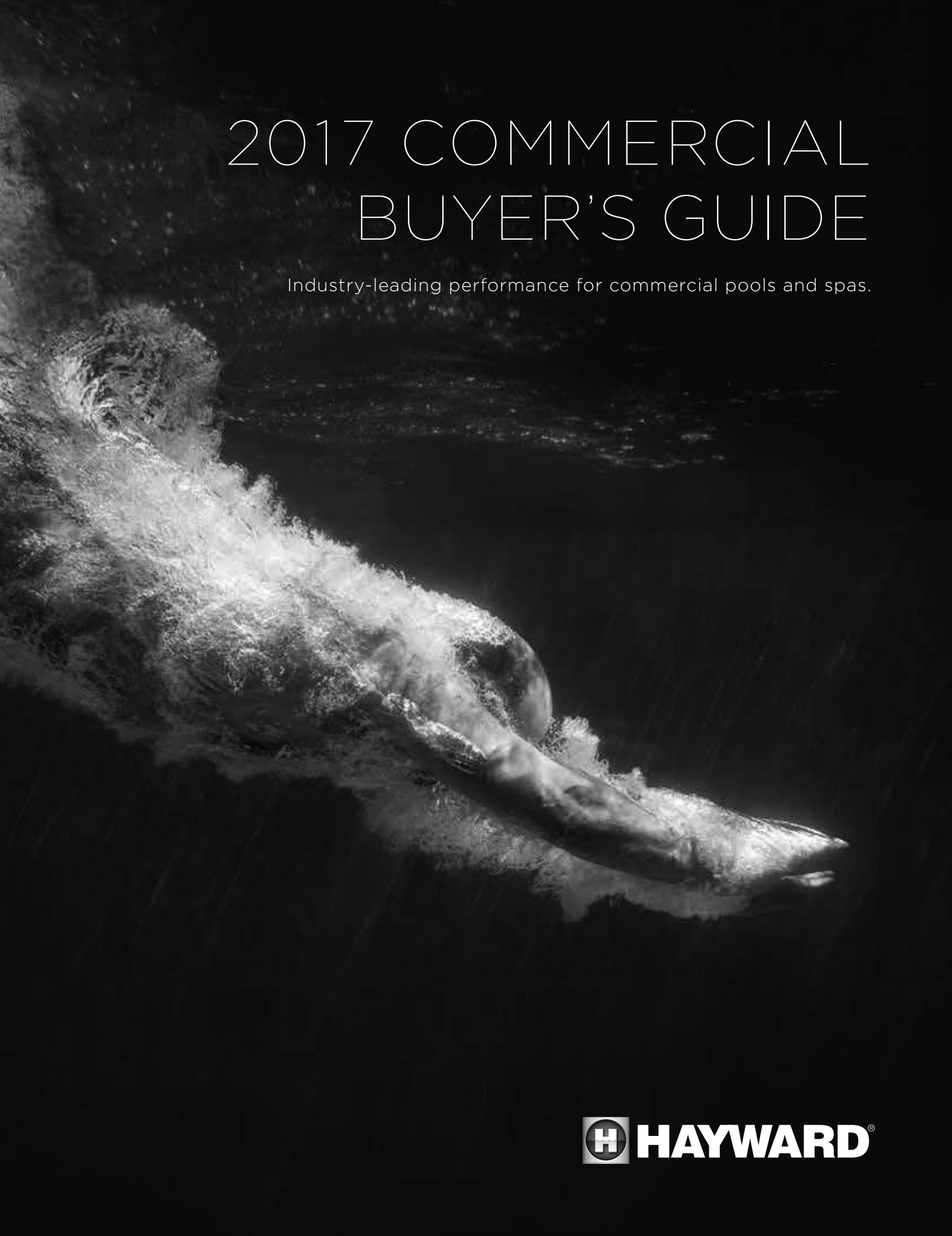
2017 Buyers Guide and Misc.

(must order single piece quantities)

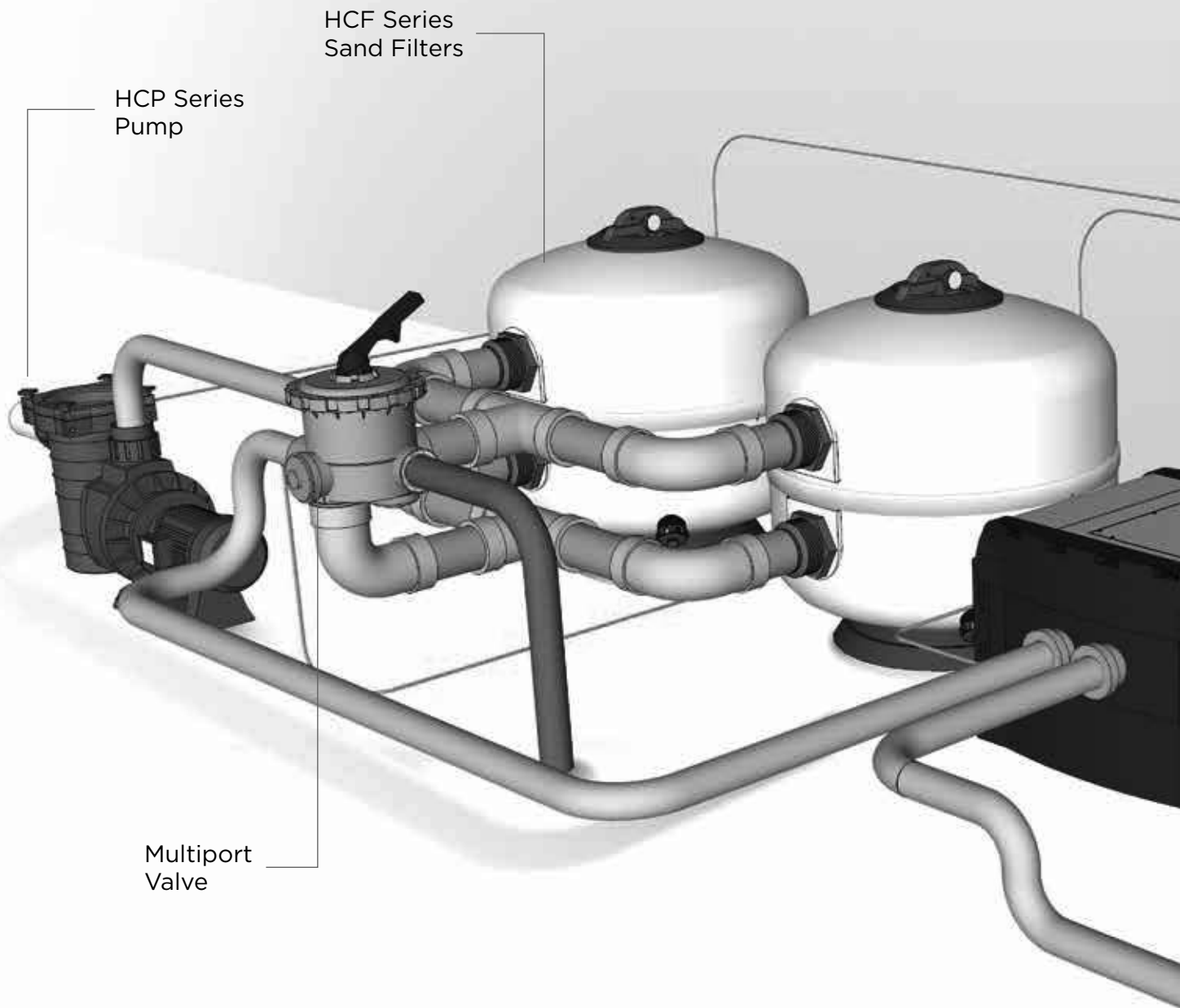
	Qty.	
LITPLC17	2017 Buyer's Guide	_____
LITNP17	2017 New Products Brochure	_____
LITPROF16	Pool Professional Brochure	_____
LITWTRFFAM16	Water Features Brochure	_____
LITEXPTBR16	Expert Line Brochure	_____

2017 COMMERCIAL BUYER'S GUIDE

Industry-leading performance for commercial pools and spas.



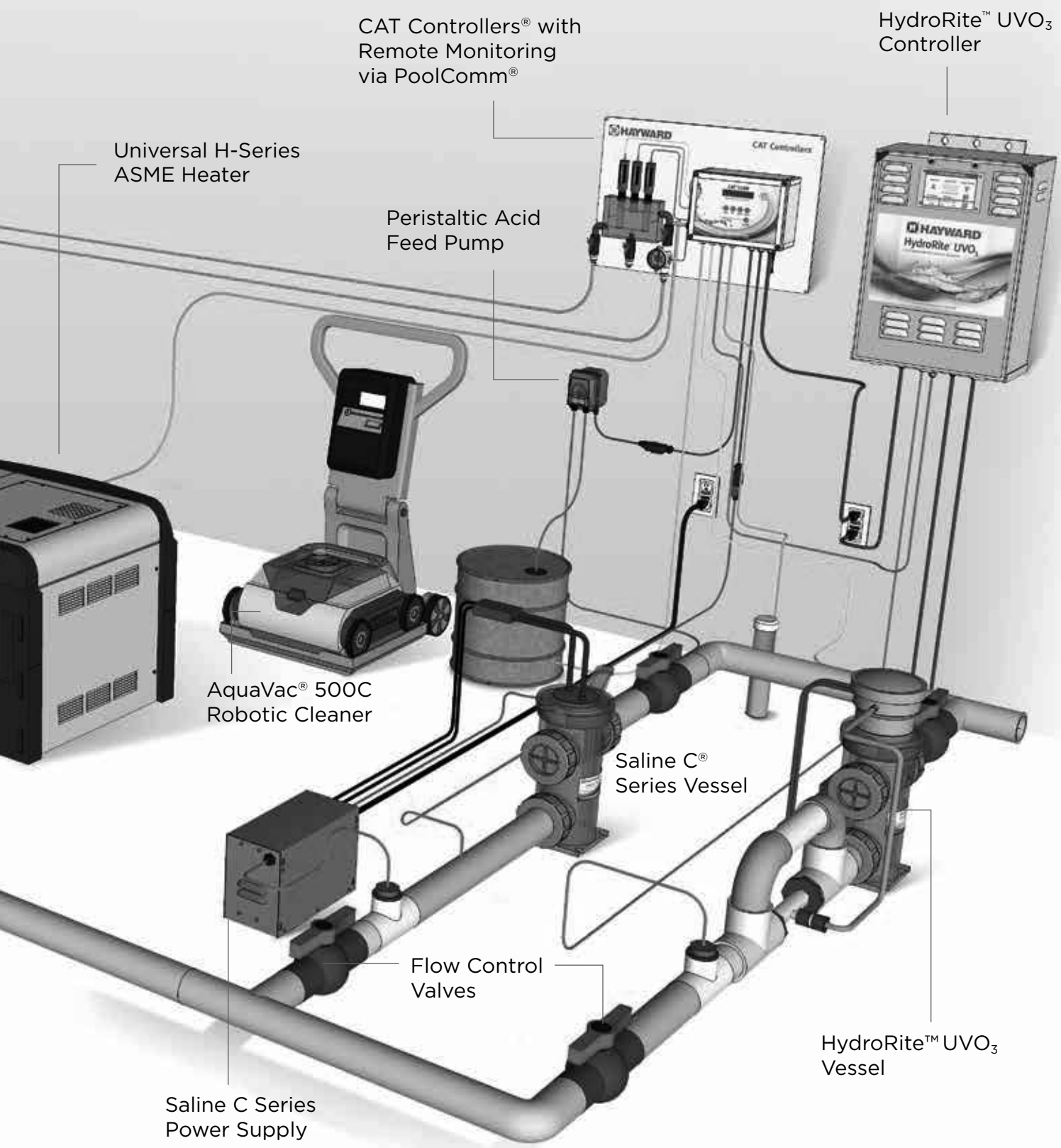
 **HAYWARD®**



THE POWER BEHIND EVERY
COMMERCIAL POOL AND SPA
STARTS HERE.

Hayward® Commercial Pool takes you behind the scenes to experience the very best in:

Innovation | Performance | Energy Efficiency | Total Pool Management



Universal H-Series
ASME Heater

AquaVac® 500C
Robotic Cleaner

Saline C Series
Power Supply

Flow Control
Valves

Saline C®
Series Vessel

Peristaltic Acid
Feed Pump

CAT Controllers® with
Remote Monitoring
via PoolComm®

HydroRite™ UVO₃
Controller

HydroRite™ UVO₃
Vessel

Hayward® Commercial Pool

POOL EQUIPMENT AND ACCESSORIES

■ Hydraulic Performance and Recirculation Systems

337 Commercial Pumps

343 Commercial Filters

■ Water Quality Management Solutions

349 Commercial Sanitization

353 Commercial Automation

361 Commercial Cleaners

■ Ambiance and Comfort

363 Commercial Heaters

365 Commercial Lighting

■ White Goods and Valves

371 Commercial Flow Control

377 Commercial White Goods

381 Replacement Parts

NEW FOR 2017



HCP 3000 SERIES PUMPS



SALINE C® 11.0 SALT CHLORINATOR



HYDRORITE™ UV OZONE SYSTEM

Whether you're a long-time partner of ours or just started thinking about working with us, we're eager to show you what Hayward Commercial Pool has in store for 2017. Give us a call at 1.800.657.2287 or visit us at HaywardCommercialPool.com for more information.



SMARTER, MORE VERSATILE INNOVATIONS DESIGNED TO ENHANCE EVERY COMMERCIAL POOL.

Introducing the 2017 Commercial Product range from Hayward:

At Hayward Commercial Pool, it's our mission to bring advanced product technologies to as many pools as possible. That's why our 2017 product lineup includes innovative solutions specifically designed to suit a wider range of aquatic requirements. Check out some of the exciting ways we're anticipating your needs and exceeding your expectations this year.

The new HCP 3000 Series pumps provide unmatched power, efficiency and versatility for a wide range of commercial pools. Available in a variety of model options, they feature 3" union connections for easy installation and a chemical-resistant Viton® seal for durability.

With our new Saline C 11.0 salt chlorination system—capable of producing up to 11 lbs of chlorine per day from a single cell—larger pools will benefit from luxurious water quality while completely satisfying sanitization requirements. Saline C 11.0 features compact design and simple installation, combining lower cost of ownership with the highest possible water quality.

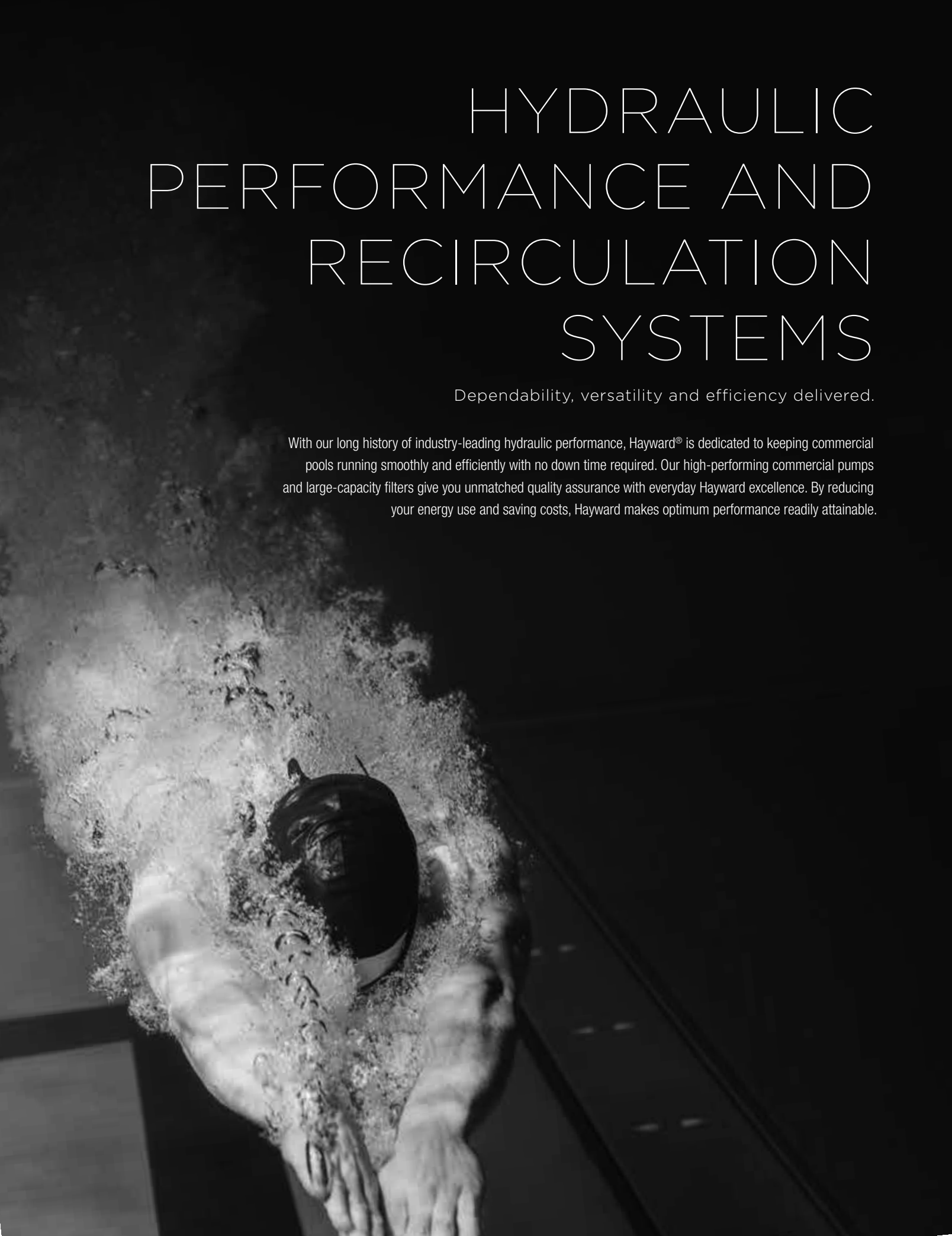
Our NSF-Certified HydroRite UVO₃ sanitization system uses UV, Ozone and Advanced Oxidants to inactivate 99.9% of harmful microorganisms, reduce chemical costs and ensure compliance with supplemental sanitization guidelines as set forth in the Model Aquatic Health Code. And with CAT 3500® and CAT 5500®—the most versatile automated wireless water-quality controllers on the market—you'll get seamless automation and integration of all your sanitization systems.

Our commercial team is dedicated to providing our builders, servicers, pool designers, engineers and aquatic facility operators with all the tools necessary to help specify Hayward equipment and stay at the forefront of commercial pool technology. We invite you to stay connected with our Commercial POOLSIDE eNewsletter and earn rewards for your purchases with the Totally Hayward® Partner Program. For more information, visit haywardrewards.net.

HYDRAULIC PERFORMANCE AND RECIRCULATION SYSTEMS

Dependability, versatility and efficiency delivered.

With our long history of industry-leading hydraulic performance, Hayward® is dedicated to keeping commercial pools running smoothly and efficiently with no down time required. Our high-performing commercial pumps and large-capacity filters give you unmatched quality assurance with everyday Hayward excellence. By reducing your energy use and saving costs, Hayward makes optimum performance readily attainable.



COMMERCIAL PUMPS

Hayward® Commercial Pool offers a complete line of technologically advanced self-priming pumps. From the industry's most energy-efficient model, the variable-speed EcoStar® C, to the best-in-class hydraulics and flow rate of our new HCP 3000 Series pumps, we've got the ideal pump to suit any commercial pool.

HCP 4000 Series Pumps

Hayward Commercial Pool's HCP self-priming pumps provide a technologically advanced alternative to traditional bronze or cast-iron pumps. Their lightweight Noryl® thermoplastic housings make one-man installation easy. The all-plastic housing construction and modern TEFC motor design afford a high level of protection and reliability in the commercial pump-room environment. A transparent lid with a tool-free opening mechanism allows visual inspection of the strainer basket, simplifying maintenance. Four pumps in the Hayward Commercial Series, ranging from 5.5 to 12.5 hp, allow right-sizing for most high-flow, medium head applications.



- Suitable for commercial swimming pools, spas and water features
- Lightweight, glass-reinforced Noryl hydraulic body
- Impeller and flange made from glass-reinforced Noryl for maximum strength-to-weight ratio
- Transparent lid allows visual inspection of the strainer basket
- Modern Totally Enclosed Fan Cooled (TEFC) motor design for greater protection and high reliability
- Elevated base ensures better ventilation, protection from flooding and improved serviceability

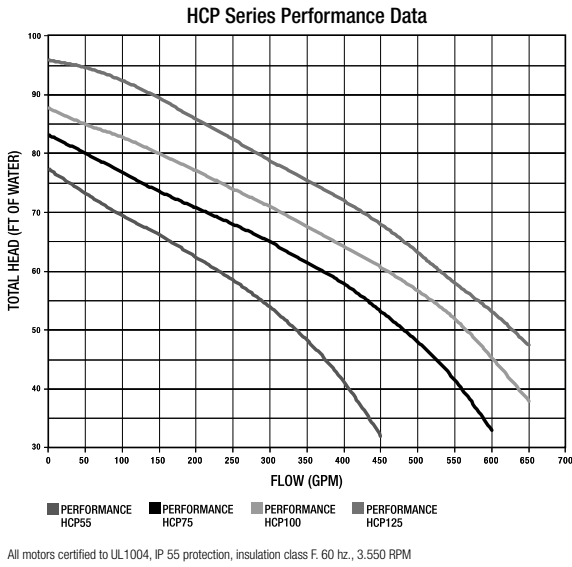
- Tool-free, quick-release bolted lid mechanism for fast and easy access to strainer basket
- 1-year limited warranty
- NSF/ANSI Standard 50 Certified

TECHNICAL SPECIFICATIONS

Part Number	Horsepower	Voltage	Amps	Carton Quantity	Carton Weight (lbs.)
HCP40553	5.5	230/460 Three Phase	14.6/7.3	1	110.0
HCP40753	7.5	230/460 Three Phase	21.0/10.5	1	125.0
HCP401003	10.0	230/460 Three Phase	26.1/13.0	1	142.5
HCP401253	12.5	230/460 Three Phase	31.6/15.8	1	155.0

‡ Noryl is a registered trademark of Sabic Innovative Plastics.

PERFORMANCE DATA

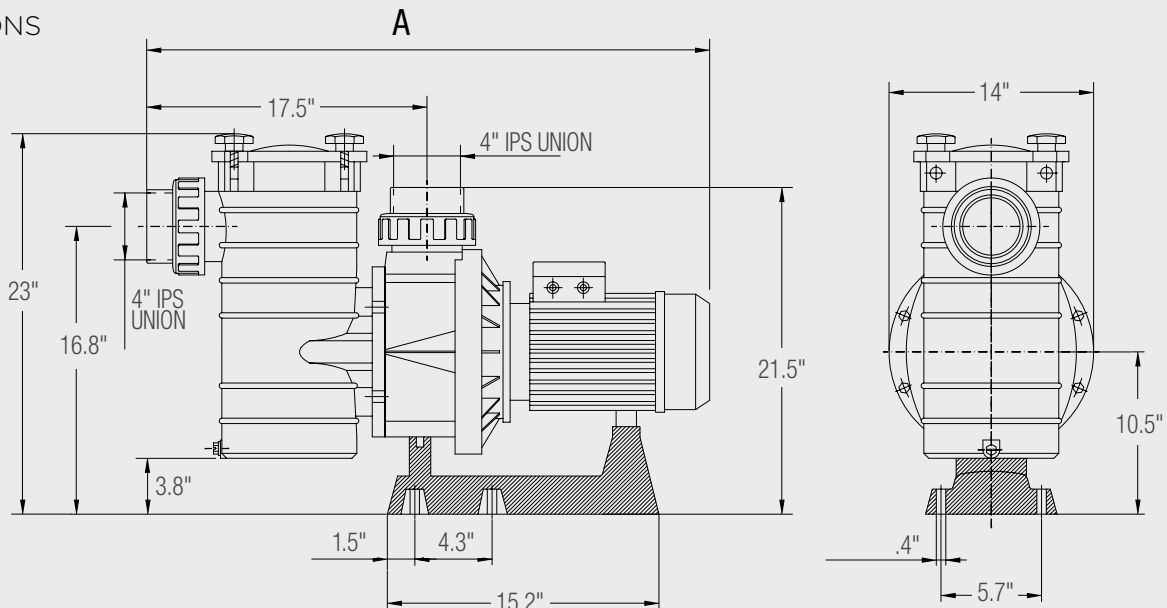


HEAD LOSS (FT) - HCP SINGLE SPEED PUMPS

GPM	Performance HCP40553	Performance HCP40753	Performance HCP401003	Performance HCP401253
0	77.4	83.2	87.78	95.9
50	73.3	80.1	85	94.64
100	69.5	76.8	82.8	92.44
150	66.2	73.6	80	89.42
200	62.4	70.8	77.1	85.9
250	58.5	68	74	82.43
300	53.9	65	71	78.8
350	48.3	61.4	67.7	75.5
400	41.2	57.9	64.2	72
450	32	53.2	60.7	68
500		48	56.7	63.2
550		41.5	51.9	58
600		33	45.33	53.2
650			38	47.4
700				

Part Number	HP	PUMP OUTPUT (GPM) VS. TOTAL RESISTANCE TO FLOW (PER FT OF HEAD)								Length A (Inches)
		25	30	35	40	45	50	55	60	
Flow Rate (GPM)										
HCP40553	5.5	476	450	431	406	374	333	291	235	34.2
HCP40753	7.5	641	614	588	561	526	481	430	369	36.0
HCP401003	10.0	721	695	669	635	602	570	521	461	37.2
HCP401253	12.5	815	776	739	709	668	631	580	536	37.2

DIMENSIONS



HCP 3000 Series Pumps

HCP 3000 Series pumps are game changers in commercial pump performance and versatility. Engineered for heavy-duty durability, they set a new standard of flow rate for the 3" union class. A variety of power options, including single or variable speed, means you can provide the optimum solution for a wide range of pools, delivering maximum performance without compromising efficiency.



- Suitable for virtually any small- to mid-sized commercial pool
- First 3" pumps to achieve hydraulic efficiency of more than 250 gallons per minute at 60' head, saving more energy than any comparable pump on the market
- Totally Enclosed Fan Cooled (TEFC) motors in all models provide a higher level of reliability
- Chemical-resistant Viton® seal for long-term durability
- Removable, oversized strainer basket reduces daily cleaning and maintenance and can be remotely mounted for increased versatility

- 3" union connections for simple, drop-in replacement in almost any application
- 2.7 HP variable-speed version available
- 1-year limited warranty
- NSF/ANSI Standard 50 Certified



Variable-Speed Pump Model

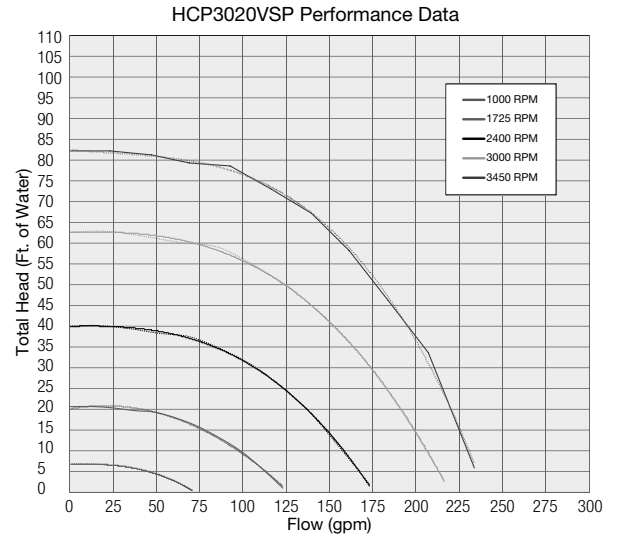
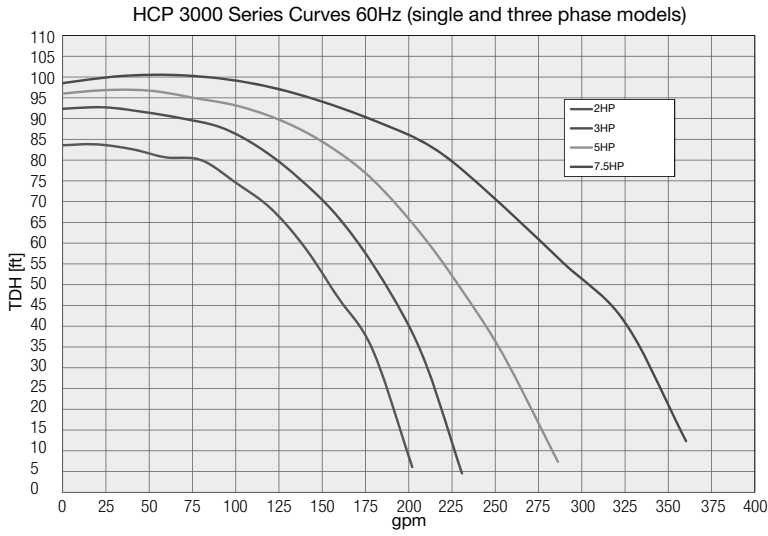


Removable Strainer Basket

TECHNICAL SPECIFICATIONS

Part Number	Rated Horsepower	Voltage	Rated Current (Amps)	Carton Quantity	Carton Weight (lbs.)
HCP3020VSP	2.7	230V Single Phase, Variable Speed	10.9	1	64.0
HCP30201	2.0	208-230V Single Phase, Single Speed	8.7-7.9	1	90.0
HCP30301	3.0	208-230V Single Phase, Single Speed	11.7-11.5	1	95.0
HCP30501	5.0	208-230V Single Phase, Single Speed	21.0-20.0	1	100.0
HCP30203	2.0	208-230/460V Three Phase, Single Speed	7.8-7.6/3.8	1	90.0
HCP30303	3.0	208-230/460V Three Phase, Single Speed	9.2-9.0/4.5	1	95.0
HCP30503	5.0	208-230/460V Three Phase, Single Speed	13.6-13.2/6.6	1	100.0
HCP30703	7.0	230/460V Three Phase, Single Speed	17.2-8.6	1	105.0

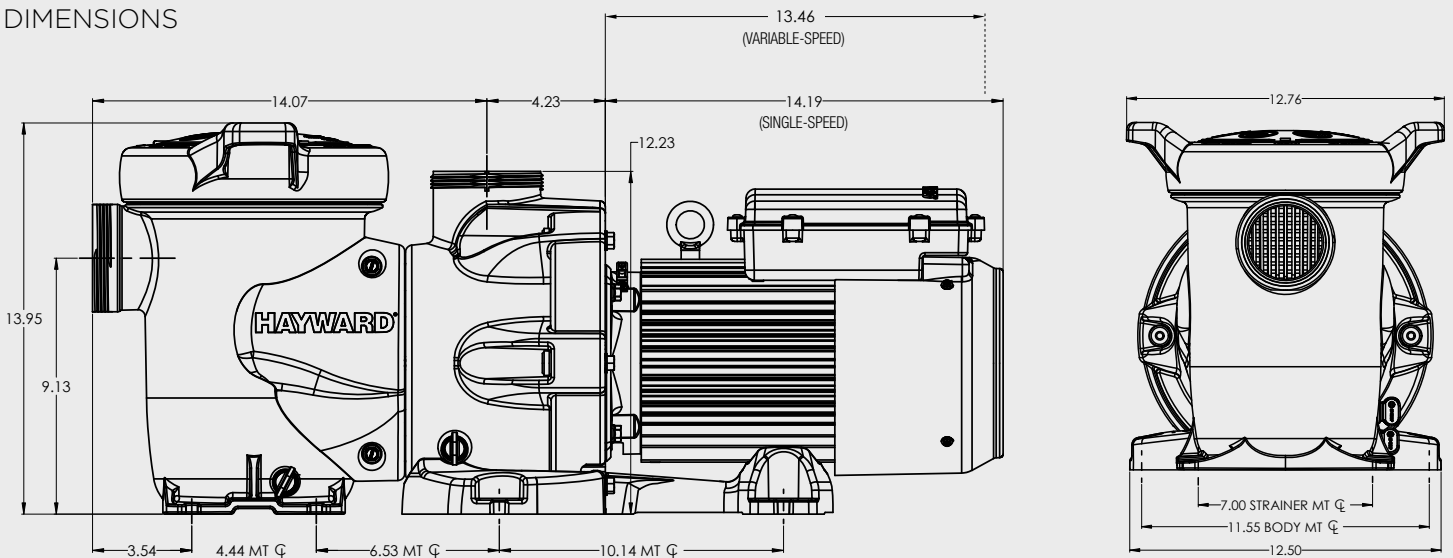
PERFORMANCE DATA



PUMP OUTPUT (GPM) VS. TOTAL RESISTANCE TO FLOW (PER FT OF HEAD)

Part Number	HP	Flow Rate (GPM)					
		40	50	60	70	80	90
HCP30201 / HCP30203	2.0	165	150	135	115	80	—
HCP30301 / HCP30303	3.0	200	185	160	140	100	—
HCP30501 / HCP30503	5.0	230	215	195	165	140	110
HCP30703	7.0	335	310	280	260	225	185

DIMENSIONS



HCP 2500 Series Pumps

EcoStar® C

EcoStar C is the industry's most energy-efficient variable-speed pump. It's fully compliant with energy efficiency regulations such as Title 20 and APSP-15 with up to eight custom speed and timer functions, and it's settings can be "locked out" for authorized access only. EcoStar C's advanced hydraulic design moves water more efficiently, operating at lower RPMs to minimize noise and save pool operators up to 90% on energy costs. The system is available with or without integrated SVRS that is fully compliant with the Virginia Graeme Baker Pool & Spa Safety Act.



- Permanent Magnet, Totally Enclosed Fan Cooled (TEFC) motor
- Passcode protection of configuration menus to prevent unauthorized access to timer or speed settings
- Unique on-pump, multi-position digital control interface; unit can also be detached and wall mounted for added convenience
- Large ribless basket for extended time between cleanings
- Pump available with or without VGB-compliant integrated SVRS, features automatic restart
- 15 ft. communications cable for remote interface mounting
- 2" x 2 1/2" union connections
- Industry-leading hydraulic design
- Interchangeable bases for easy retrofitting
- 3-year limited warranty
- NSF/ANSI Standard 50 Certified



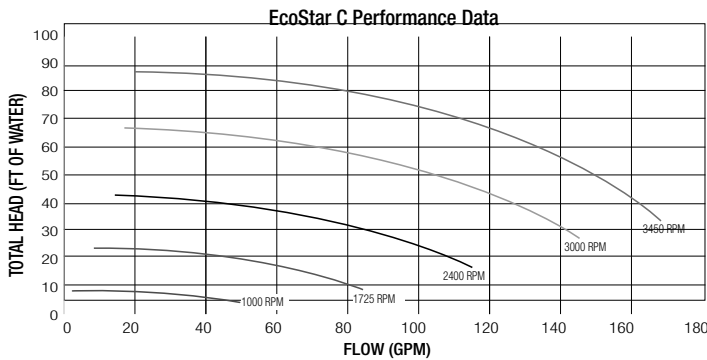
OPTION 1:

Control interface can be rotated on the pump for convenient access and viewing.

OPTION 2:

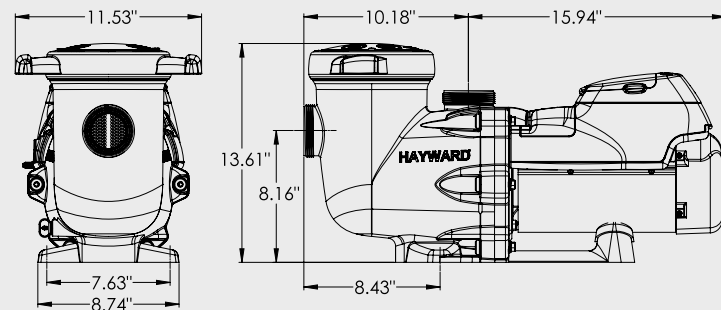
For ultimate flexibility, detach the control interface and attach to wall using included mounting kit and communication cable.

PERFORMANCE DATA



EcoStar C runs efficiently in all of these ranges.

DIMENSIONS



TECHNICAL SPECIFICATIONS

Part Number	Description	Speed Range	Voltage	Carton Quantity	Carton Weight (lbs.)
HCP3400VSP	EcoStar C	600-3450 RPM	230V Single Phase	1	63.0
HCP3400VSPVR	EcoStar C SVRS	1000-3450 RPM	230V Single Phase	1	63.0

HCP 2000 Series Pumps

TriStar®

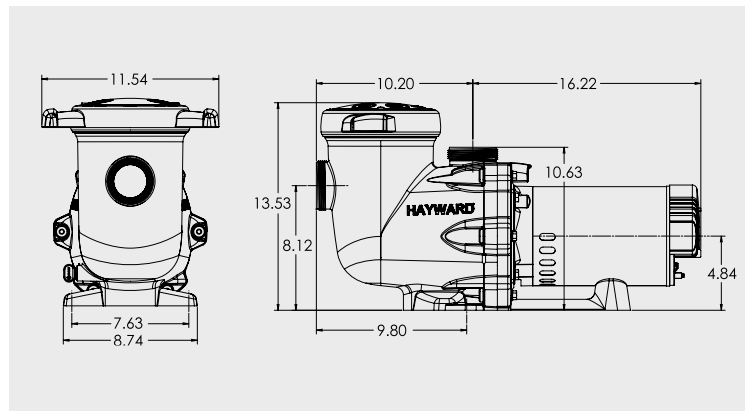
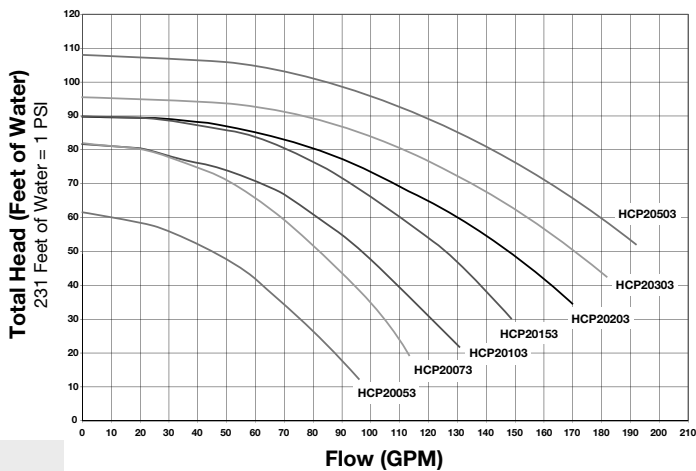
The TriStar Pump features the industry's most energy efficient hydraulics with the 3 to 5 HP pumps providing unmatched performance in semi-commercial applications. Easy to install, service and maintain, TriStar outperforms the competition when it comes to flow, efficiency and value. It's the first to feature a large, no-rib strainer basket design that is quick and easy to clean.

- 2" x 2 1/2" union connections make installation and servicing fast and easy
- No-rib basket design ensures easy debris removal. Extra leaf-holding capacity extends time between cleanings
- Tri-Lock strainer cover design seals with less than a quarter turn
- Self-priming (suction lift up to 10' above water level)
- Elevated base ensures better ventilation and protection from flooding
- 3-year limited warranty
- NSF/ANSI Standard 50



TECHNICAL SPECIFICATIONS

Part Number	Rated H.P.	Voltage	Amps	Union Connections	Carton Qty.	Carton Weight (lbs.)	PUMP OUTPUT (GPM) VS. TOTAL RESISTANCE TO FLOW PER FT OF HEAD								
							20	30	40	50	60	70	80	90	100
HCP20053	.5	208-230/460	3.8-3.6/1.8	2" x 2.5"	1	41.0	87	76	62	44	14	—	—	—	—
HCP20073	.75	208-230/460	5-4.6/2.3	2" x 2.5"	1	49.0	104	95	85	71	53	23	—	—	—
HCP20103	1	208-230/460	6.4-5.8/2.9	2" x 2.5"	1	49.0	131	122	110	97	82	60	16	—	—
HCP20153	1.5	208-230/460	6.8-7/3.5	2" x 2.5"	1	49.0	150	148	140	126	112	94	70	—	—
HCP20203	2	208-230/460	8-8.4/4.2	2" x 2.5"	1	49.0	170	170	162	148	130	110	80	26	—
HCP20303	3	208-230/460	10.8-11.4/5.7	2" x 2.5"	1	49.0	190	190	186	174	155	138	114	72	—
HCP20503	5	208-230/460	13.4/6.7	2" x 2.5"	1	65.0	200	200	200	193	182	167	150	126	75



COMMERCIAL FILTERS

Hayward® Commercial Pool offers the latest in filtration technology with the HCF Series of high-performance sand and cartridge filters, well-positioned to meet the most demanding filtration requirements. Our next generation, heavy-duty fiberglass sand filters provide unprecedented sizes, innovative features and a 5-year warranty. Our dual-quad cluster HCF7030C cartridge system features increased hydraulic efficiency, reducing operation costs.

HCF Series Fiberglass Sand Filters

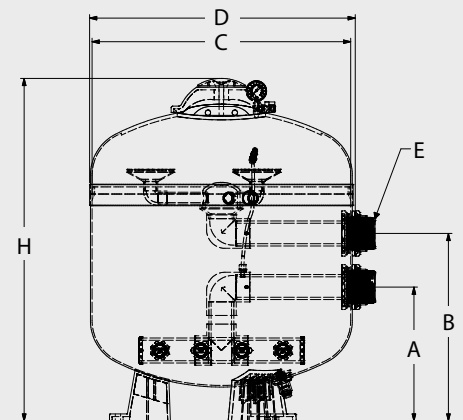
Our HCF Series Sand Filter sets a new standard for quality and performance in the recreational water market—now with a 5-year warranty. A new rapid open/close, tool-free lid mechanism features industrial-grade yoke assembly and a massive 12" x 16" man-way with two viewing windows allows for visual inspection while filter is in operation. Non-corrosive glass-filled ABS legs allow for better serviceability and convenience in media loading and filter inspection. Its infusion molded, gel-coated thermoset fiberglass structure is complemented with oversized grid-array laterals to improve filtration and lengthen filter cycle time.

- Tool-free, injection-molded, internally mounted 14" x 18" industrial-grade lid and yoke assembly with two viewing windows and O-ring seal
- Commercial-grade, 1 1/2", self-cleaning, injection-molded 180° slotted laterals arranged in a grid-array provide superior filtration performance
- Industrial-grade, infusion-molded, gel-coated, multi-layer, glass-reinforced, thermoset composite structure
- Large 12" x 16" top opening for easy media loading and filter inspection
- Full 1" bottom media drain including 3/4" integral water drain with media screen
- 5-year limited warranty
- NSF/ANSI Standard 50 Certified



DIMENSIONS

Part No.	A	B	C	D	E	H	Sand (lbs.)
HCF302T	16.5"	24"	30"	30.625"	2"	42.5"	650.0
HCF342T	18.75"	26.25"	34"	34.5"	2"	47.5"	950.0
HCF343T	18.75"	26.25"	34"	34.5"	3"	47.5"	950.0
HCF343F	18.5"	26.22"	34"	34.5"	3"	47.5"	950.0
HCF362T	18.75"	26.25"	36.25"	37"	2"	48.5"	1050.0
HCF363T	18.75"	26.25"	36.25"	37"	3"	48.5"	1050.0
HCF363F	18.5"	26.22"	36.25"	37"	3"	48.5"	1050.0



TECHNICAL SPECIFICATIONS & PERFORMANCE DATA

Part Number	HCF302T	HCF342T	HCF343T	HCF343F	HCF362T	HCF363T	HCF363F
Size of Fiberglass Sand Filter	30"	34"	34"	34"	36"	36"	36"
Filtration Area ft ²	4.9	6.3	6.3	6.3	7.2	7.2	7.2
Filtration Rate gpm/ft ²	5 - 20	5 - 20	5 - 20	5 - 20	5 - 20	5 - 20	5 - 20
Filtration Flow Rate at 15gpm/ft ² (GPM)	73.5	94.5	94.5	94.5	108	108	108
Filtration Flow Rate at 20gpm/ft ² (GPM)	98	126	126	126	143	143	143
Backwash Flow Rate (GPM)	25 - 98	32 - 126	32 - 126	32 - 126	36 - 143	36 - 143	36 - 143
Maximum Working Pressure (PSI)	50	50	50	50	50	50	50
Vertical Clearance	42.5"	47.5"	47.5"	47.5"	48.5"	48.5"	48.5"
Side Clearance	30"	34"	34"	34"	36.25"	36.25"	36.25"
Inlet/Outlet Connections	2" Threaded	2" Threaded	3" Threaded	3" Flanged	2" Threaded	3" Threaded	3" Flanged
Carton Dimensions (L x W x H)	38.0 x 38.3 x 54.3	38.0 x 38.3 x 54.3	38.0 x 38.3 x 54.3	38.0 x 38.3 x 54.3	38.0 x 38.3 x 54.3	38.0 x 38.3 x 54.3	38.0 x 38.3 x 54.3
Carton Weight (lbs.)	185.0	196.0	196.0	200.0	201.0	201.0	204.0



34" Model Designed for Renovation/Replacement Market



ProSeries™ Plus Semi-Commercial Sand Filters

The ProSeries Plus satisfies the requirements of most semi-commercial installations, including pools, spas, fountains and interactive water features. Its spherical tank design evenly distributes the high pressure and stress associated with these applications, resulting in greater strength and longer life.

- Durable, flanged inspection cover provides convenient access to top of filter
- Unitized, corrosion-proof, spherical filter tank molded of rugged, colorfast polymeric material for maximum strength and longer life
- Optional valve and coupling selections for plumbing ease and versatility. Choose from 6-position VariFlo® valve or 1½" socket x 2" slip connectors for multiple (tandem) filter installations
- Precision engineered umbrella-fold self cleaning laterals for balanced flow and backwashing, plus easy serviceability
- 3-year limited warranty



TECHNICAL SPECIFICATIONS

Part Number	Valve	Sand Required	Dimensions		Carton Quantity	Carton Weight (lbs.)
			Width**	Height		
S311SX	Not Included*	350 lbs.	31"	38 5/8"	1	74.0
S360SX	Not Included*	700 lbs.	36"	46"	1	95.0

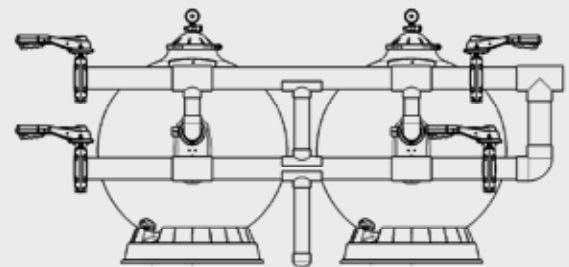
*Order valve separately. Part number SP0715X62.
 **Above dimensions are for filter only. Add 14" for 2" multiport valves.

PERFORMANCE DATA

Part Number	Effective Filtration Area	Design Flow Rate*	Maximum Working Pressure	Turnover	
				8 Hours	10 Hours
S311SX	4.95 ft. ²	99 GPM	50 psi	47,520 gal.	59,400 gal.
S360SX	6.50 ft. ²	130 GPM	50 psi	62,400 gal.	78,000 gal.

*Based upon 20 GPM per ft.². Maximum allowable NSF rating.

FILTER MANIFOLD ASSEMBLY



Commercial Filter Accessories

Hayward® Commercial Pool's HCF Series Sand Filters can be installed individually or configured in multi-filter banks to suit the filtration requirements of any swimming pool or spa. Hayward Multiport Valves simplify installation and operation and are engineered for maximum flow and minimal pressure drop. The six-position valves facilitate selection of filter, backwash, waste, rinse, closed or recirculate modes at the turn of a single lever.

2" Multiport Valve Kit

Hayward's 2" Multiport Valve Kit is factory plumbed for use with Hayward HCF302T, HCF342T and HCF362T (up to 125 GPM) commercial sand filters, complete with 2" union connections. The six-position valve facilitates selection of filter, backwash, waste, rinse, closed or recirculate modes at the turn of a single lever. The integral sight glass allows the operator to visually monitor the backwash stream.

- Factory plumbed to fit Hayward HCF302T, HCF342T and HCF362T (up to 125 GPM) commercial sand filters
- Simplifies filter installation and operation
- Six mode selections at the turn of a single lever
- 2" union connectors included
- Accommodates flow rates to 125 GPM



3" Multiport Valve Kit

Rated for a maximum flow of 325 GPM, the Hayward 3" Multiport Valve is the perfect complement to the Hayward HCF343T and HCF363T commercial sand filters. For optimum flexibility in the commercial setting, the valve features 3" NPT ports for in-filled configuration and plumbing. The six-position valve facilitates selection of filter, backwash, waste, rinse, closed or recirculate modes at the turn of a single lever.

- Valve body features both side-mount and bottom-mount ports for filter connections
- Durable ABS construction
- Accommodates flow rates to 325 GPM
- Six mode selections at the turn of a single lever
- Plumbing kit available



Part Number	Size	Description	Carton Quantity	Carton Weight (lbs.)
HCV275	2"	2" Commercial Multiport Valve Kit	1	10.8
HCV375	3"	3" Commercial Multiport Valve	1	22.0
HCV375KIT	3"	3" Commercial Multiport Valve Plumbing Kit	1	12.0

HCF Series Cartridge Filters

The Dual-Quad-Cluster commercial HCF7030C cartridge filter system features a massive 700 ft² of filter area providing heavy-duty, dirt-holding capacity and extra-long filter cycles. The HCF7030C will prove to be a major contributor to any pool or spa operator driving to provide the ultimate in clear, fresh and safe water. It will reduce operation costs and enhance the eco-friendliness of the facility by saving thousands of gallons of carefully balanced, heated pool water per month through the elimination of backwashing. Ideal for new construction or retrofits, the HCF7030C can accommodate commercial flow rates to 150 GPM. The filter exterior is molded from a glass-reinforced co-polymer material capable of meeting the rigorous demands of the commercial environment.

- 700 ft² of high-performance filter media, effective particulate removal of 10-20 microns vs. 20-40 microns with sand
- Easy access to eight compact cartridges for fast, manageable cleaning
- 2" or 2 1/2" connections with full 2" internal piping
- Capable of handling 150 GPM flow rates
- 1-year limited warranty
- NSF/ANSI Standard 50 Certified

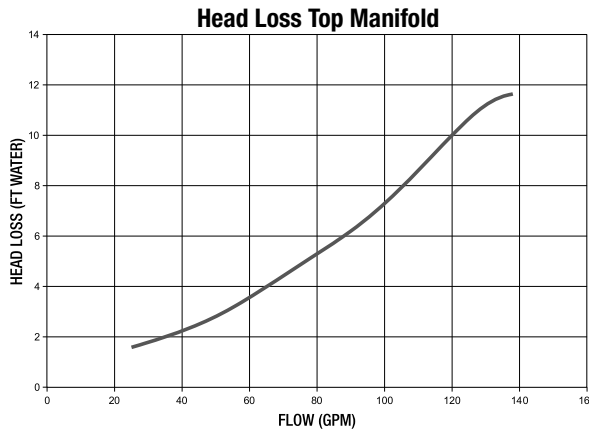
TECHNICAL SPECIFICATIONS AND PERFORMANCE DATA

Part Number	HCF7030C
Product Dimensions	52.5" Tall, 26" Diameter
Effective Filtration Area	700 ft ²
Design Flow Rate	150 GPM*
Filter Type	Dual Quad-Cluster Polyester Cartridge
Filter Tank	Injection Molded Glass-Reinforced Co-Polymer
Filter Elements	Eight Reinforced Polyester Cartridges
Performance Range	1/2 to 3 HP (30 to 150 GPM) .37 to 2.24 kW (114 to 568 LPM)
Maximum Working Pressure	50 psi
Turnover (in gallons) 8 hrs	72,000
Turnover (in gallons) 10 hrs	90,000
Product Weight	77 lbs.

*Determined by pump size and piping system hydraulics, 2 1/2" piping is recommended for flow rates equal to or greater than 90 GPM (341 LPM). Hayward doesn't recommend flow rates above 150 GPM.



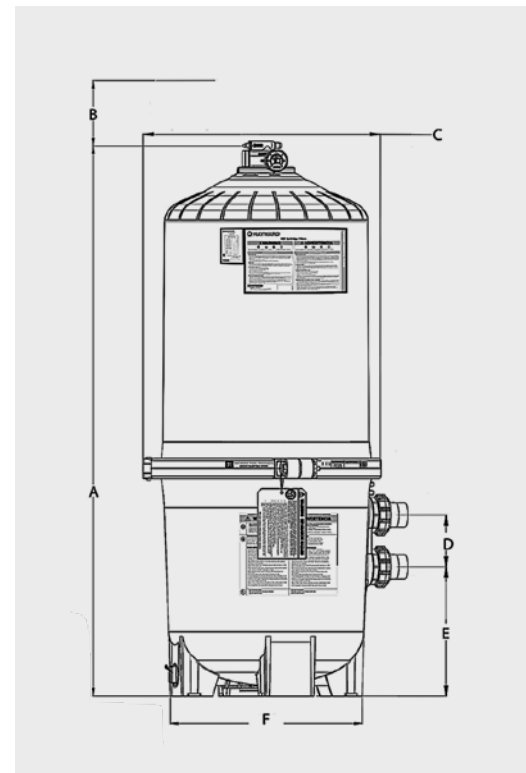
GPM	HLF
0	-0.5
25	1.58
50	2.81
75	4.86
100	7.29
125	10.66
138	11.64



DIMENSIONS

A	B**	C	D	E	F
52.5 in.	28 in.	26 in.	5 in.	12.5 in.	18 in.

**B = Vertical Clearance





WATER QUALITY MANAGEMENT SOLUTIONS

The clearest water, pure and simple.

Ensuring swimmers' health and safety is your top priority and ours too. Hayward® Commercial Pool's advancements in efficient sanitization provide the purest water possible while our wireless water chemistry automation allows for effortless remote management. So as you put swimmers safety first, you'll enjoy peace of mind, energy cost savings and total control over water quality in all of your facilities.

COMMERCIAL SANITIZATION

With our sanitization solutions, commercial pools and spas benefit from the clearest, safest water possible and the same natural comforts of salt chlorination so common in the residential market. New HydroRite UVO₃ supplementary disinfectant treatment system supports the Model Aquatic Health Code (MAHC), provides protection against recreational waterborne illnesses (RWIs) and reduces chlorine demand by at least 50%. Pair with Saline C® 6.0 for a completely automated sanitization system.

HydroRite™ UVO₃ Commercial UV Ozone Advanced Water Treatment System

Eliminate 99.9% of bacteria for 100% peace of mind.

HydroRite UVO₃ from Hayward Commercial Pool sets a new standard in water quality, utilizing UV, Ozone and Advanced Oxidants to drastically reduce the threat of deadly recreational waterborne illnesses (RWIs). Used as a supplementary disinfectant system as recommended by the U.S. Centers for Disease Control's Model Aquatic Health Code guidelines, HydroRite delivers a powerful trio of disinfectants that work synergistically to inactivate more than 99.9% of harmful chlorine-resistant microorganisms. NSF Certified HydroRite UVO₃ makes it easier and more affordable than ever to provide your facility the most advanced all-in-one UV and Ozone system the industry has ever seen.



Low-risk investment for high-risk environments.

- Supplementary disinfection as recommended by CDC's Model Aquatic Health Code
- Advanced water treatment system combining 3 powerful disinfectants
- Inactivates more than 99.9% of harmful chlorine-resistant microorganisms such as *Cryptosporidium* and *Giardia*
- Reduces irritating chloramines by 50% or more, improving indoor air quality
- Reduces overall chemical usage and chlorine demand by 50% or more, lowering operating costs and extending the life of salt chlorination cells
- NSF/ANSI Standard 50 Certified

Stay on the safest side of sanitization.

High bather loads create higher bacteria levels—most left untreated by chlorine alone. As a proactive measure, the U.S. Centers for Disease Control (CDC) has created the Model Aquatic Health Code (MAHC), which highly recommends the use of UV or Ozone as a supplementary disinfectant treatment. Hayward's HydroRite UVO₃ will ensure that your commercial facilities stay on the cutting-edge of swimmer safety by reducing waterborne illnesses due to harmful chlorine-resistant microorganisms.

The process behind the technology.

Hayward®'s technology utilizes three types of supplementary sanitization: UV, Ozone and Advanced Oxidants (hydroxyl radicals).

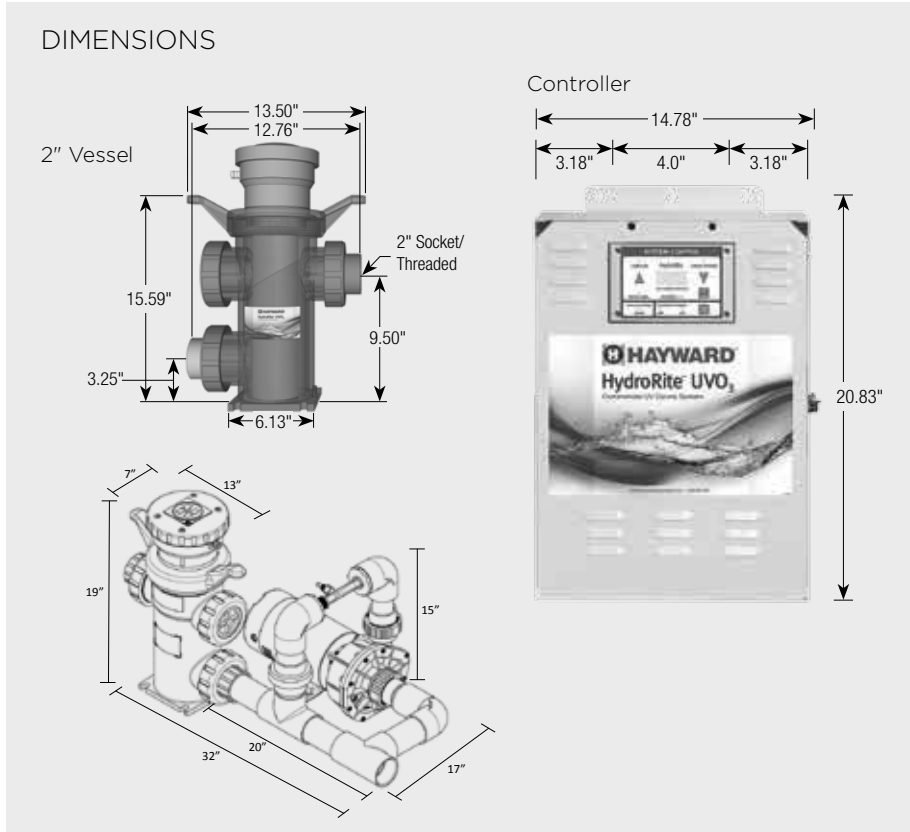
Step 1 – HydroRite™ utilizes dual wavelength UV lamps to produce both germicidal UV and Ozone. On contact with water, the germicidal UV breaks down the protein structure of algae, bacteria and viruses, rendering them inactive.

Step 2 – Ozone is captured and injected into the pool water just before it enters the main UV reaction vessel where it oxidizes any organics.

Step 3 – The germicidal UV interacts with the Ozone, creating hydroxyl free radicals, which have more oxidation potential than Ozone. This is known as Advanced Oxidation Process (AOP).

Step 4 – These 3 disinfectants work synergistically to inactivate more than 99.9% of microorganisms, providing an entirely new level of safe water quality.

Learn and watch the power of HydroRite UVO₃ at Hayward.com/HydroRite



TECHNICAL SPECIFICATIONS

	2" Commercial System
Part Numbers	HYR2CSC-UVO
Certifications	NSF50 UL 1081/1563 CSA C22.2
Electrical Enclosure Dimensions	23.0" H x 14-39/50" W x 4-16/25" D
Vessel Dimensions	18-3/4" H x 13-1/2" W x 6-13/100" D
Housing Inlet/Outlet	2" Union inlet/outlet
Reaction Chamber Style	Clear plastic
Power Input	120VAC, 60Hz
Flow Sensor	Magnetic with embedded reed switch
Operating Configuration	3 Lamps
Vessel Rated Pressure	50 psi
Sanitization	>99.9% removal of <i>E. faecium</i> and <i>P. aeruginosa</i> bacteria
Environment	Indoor use
Cable Length	9.5ft (2.9m) from ballast to lamp
Safety System	No flow safety shutoff Thermal limit shutoff Lid removal shutoff Lamp error indicator
Warranty	Vessel 3-years Lamp 1-year

*Currently undergoing NSF testing.

Commercial Salt Chlorine Generators

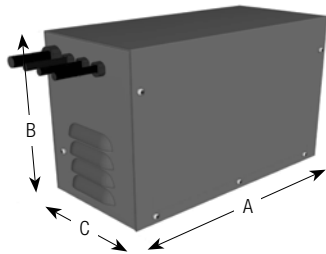
The Saline C Series of electronic chlorine generators provides an elegant, rugged solution specifically designed to meet the demands of commercial installation. The new Saline C 11.0 model is capable of generating 11 lbs of chlorine per day, complementing the current Saline C 6.0, which is capable of generating 6 lbs per day. Both systems deliver all of the benefits of salt chlorination without the wasted space and extra cost of multiplexing multiple residential units.

Saline C® Series

- One Saline C 6.0 unit can handle a up to a 60,000-gallon outdoor pool or a 90,000-gallon indoor pool*
- One Saline C 11.0 unit can handle a up to a 110,000-gallon outdoor pool or a 165,000-gallon indoor pool*
- Compact design with single electrolytic cell
- 110V plug-in efficient switch mode power supply
- Industrial-grade, clear vessel for easy inspection
- Plug N' Play chemical automation
- Reduce chloramines and associated odors/corrosion
- Simple, low-cost installation vs. multi-cell alternatives
- NSF Certified
- 2-year limited warranty

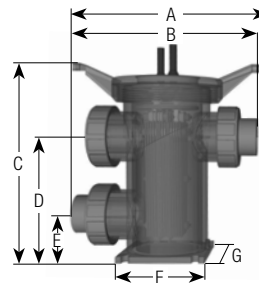
*Please check local codes. The sizing provided is based on:
 1 lb of chlorine production per 10,000 gallons of water volume (outdoor pools)
 1/2 lb of chlorine production per 10,000 gallons of water volume (indoor pools)

Power Supply



	Saline C 6.0	Saline C 11.0
A	12"	12.75"
B	8"	8"
C	5.625"	11.125"

Vessel



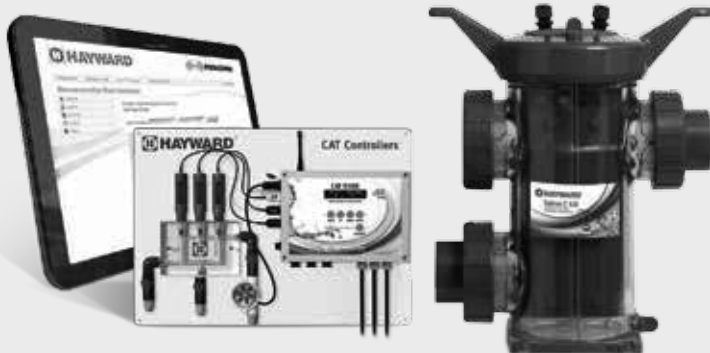
	Saline C 6.0	Saline C 11.0
A	13.5"	16.06"
B	12.875"	15.56"
C	15.75"	22.42"
D	9.5"	14.83"
E	3.25"	4.83"
F	6"	6"
G	6"	6"



SALINE C® 11.0



SALINE C® 6.0



The perfect fit with pH/ORP CAT Controllers® and NEW HydroRite UV Ozone System.

For total efficiency and maximum control, HydroRite™ UV₃ is the perfect complement to Saline C Series salt chlorine generators and our pH/ORP CAT Controllers, like new CAT 5500®. When these products are installed together, this complete sanitization system becomes an advanced automated water quality solution. Connect with PoolComm® to enjoy effortless remote monitoring (now including conductivity/NaCl) and audit tracking.

SALINE C® SERIES TECHNICAL SPECIFICATIONS

Part Number	HCSC60	Commercial Salt Chlorine Generator	HCSC110	Commercial Salt Chlorine Generator
Power Supply Dimensions	12" W x 8" H x 5.625" D		12.75" W x 8" H x 11.125" D	
Vessel Dimensions	13.5" W x 15.75" H x 6" D		16.06" W x 22.42" H x 9.28" D	
Certifications	UL1081 CSA C22 NSF/ANSI 50		UL1081 CSA C22 NSF/ANSI 50	
LCD Display	Output adjustable 0 - 100%		(2) Output adjustable 0 - 100%	
Flow Sensor	2" Magnetic with embedded reed switch		4" Magnetic with embedded reed switch	
Power Input (Power Supply)	USA: 6.5 amps, 120V/60Hz International: 4.0 amps, 230V/50Hz		USA: 6.5 amps, 120V/60Hz International: 5.0 amps, 230V/50Hz	
ORP Input	Cord with male pigtail connected (supplied blue cord)		Cord with male pigtail connected (supplied blue cord)	
Vessel Rated Pressure	50 psi		50 psi	
Housing Inlet/Outlet	2" Union inlet/outlet		4" Union inlet/outlet	
Reaction Chamber Style	Clear plastic		Clear plastic	
Flow Required	40 gpm through cell to achieve rated production		80 gpm through cell to achieve rated production	
Maximum Flow Rate	125 GPM		250 GPM	
Salt Operating Range	3,500 - 5,000 ppm		3,500 - 5,000 ppm	
Electrode Stack	Reverse polarity 4mm plate gap		Reverse polarity 4mm plate gap	
Production Capacity	5.0 lbs. @ 3,500 ppm* 6.0 lbs. @ 5,000 ppm*		9.2 lbs. @ 3,500 ppm** 10.8 lbs. @ 5,000 ppm**	
Safety System	5 gpm low flow shutoff Low salt indicator Low salt shutoff (2,500 - 3,000 ppm) Over voltage and over current protection Conformal coated electronics for environmental protection		5 gpm low flow shutoff Low salt indicator Low salt shutoff (2,500 - 3,000 ppm) Over voltage and over current protection Conformal coated electronics for environmental protection	
Warranty	2-year warranty Warranty pro-rated on electrode stack		2-year warranty Warranty pro-rated on electrode stack	

*NSF Certified at 5 lbs. per day,
**NSF Certified at 10 lbs. per day.

Saline C® Series Accessories

Part Number	Description	Carton Quantity	Carton Weight (lbs.)
HCSBP3-KIT	3" Commercial Salt Chlorine Generator - Bypass Kit	1	16.0
HCSBP4-KIT	4" Commercial Salt Chlorine Generator - Bypass Kit	1	19.0
HCSJBOX-BU	Junction Box for Sanitizer Back-up	1	3.0
HCSCECK15	15' Cell to Power Supply - Extension Cable Kit	1	5.0
HCSCECFS15	15' Flow Sensor to Power Supply - Extension Cable Kit	1	5.0

Watch the power of Saline C Series at
Hayward.com/SalineCVideo



Bypass Kit

Junction Box

COMMERCIAL AUTOMATION

Thousands of commercial pools, spas, water parks and water treatment facilities worldwide rely on CAT Controllers[®] certified to NSF/ANSI Standard 50, to provide enhanced water quality management and reduced operational costs. Every model provides unmatched control over pH, ORP, and sanitization for chlorine, bromine or salt chlorinated pools. Our wireless, web-based models are available with Wi-Fi[®] and cellular connectivity to allow unparalleled remote monitoring and control through PoolComm[®] (PoolComm.com or PoolComm App). Our HCC 1000 and HCC 2000 Complete Package Controllers provide you the ultimate user convenience and one-stop-shop automation.

CAT Controller Model Guide

		CAT 1000 [®]	CAT 2000 [®]	CAT 2000 [®] (PP2000)	CAT 3500 [®]	CAT 4000 [®]	CAT 5000 [®]	CAT 5500 [®]
Monitoring and Controls	pH	•	•	•	•	•	•	•
	ORP		•	•	•	•	•	•
	Temp				•		•	•
	Water Level				•	•	•	•
	Tank Level				•	•	•	•
	Digital Flow				•	•	•	•
	Total Dissolved Solids				•			•
	NaCl (Salt)				•			•
	Backup Sanitization				•	•	•	•
Features and Capabilities	Auxiliary Relays				1	1	2	2
	PVC Backboard	•		•	•	•	•	•
	Flow Cell/Flow Sensor	•		•	•	•	•	•
	Installation Kit ¹	•		•	•	•	•	•
	Wireless, Web-based Communications ²					Wi-Fi, Cellular and Reflex	Wi-Fi, Cellular and Satellite	Wi-Fi, Cellular and Satellite
	Gold ORP Sensor (for Salt Chlorination) ³	Optional	Optional	Optional	•	Optional	Optional	•
	Machined Flow Cell & Rotary Flow Sensor ⁴	Optional	Optional	•	Optional	Optional	Optional	Optional

¹ Installation kit includes two quick connect fittings and 30' of 3/8" OD poly tubing.

² Specify transceiver type when ordering.

³ Specify -AU option for Gold ORP Sensor.

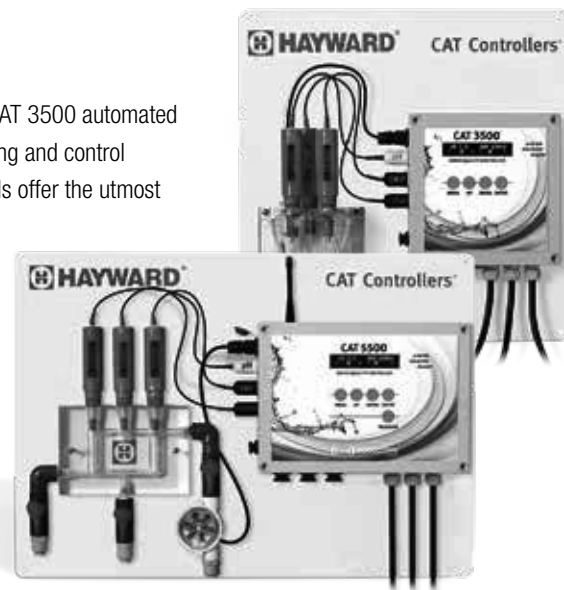
⁴ Specify -075 option for Machined Acrylic Flow Cell with Rotary Flow Sensor.

CAT 5500® and CAT 3500® Automated pH/ORP Controllers with TDS and Salt Monitoring Capabilities

Discover the latest in powerful water chemistry controllers complete with TDS and Salt monitoring. CAT 3500 automated controller and CAT 5500 wireless communicating controller are equipped with state-of-the-art sensing and control capabilities tailored specifically for salt chlorine applications. Powerful and intuitive, these new models offer the utmost in convenience in pH, ORP, conductivity/NaCl, backup sanitization and Internet-based monitoring.

- pH and ORP controller with conductivity/NaCl monitoring
- Dual sanitizer set points for back-up ORP control; temperature sensor for heater control
- Auxiliary relays for control versatility; 1 relay CAT 3500, 2 relays CAT 5500
- Communicates wirelessly to PoolComm*
- Comes complete with CAT Professional Series pH, ORP and conductivity sensors for unsurpassed performance
- Perfect complement to Saline C® 6.0 Salt Chlorine Generator
- 5-year limited warranty on controller; 2-year warranty on sensors
- NSF/ANSI Standard 50 Certified

*Applies to CAT 5500 only



Part Number	Description	Carton Quantity	Carton Weight (lbs.)
CAT-3500	CAT 3500 pH, ORP and NaCl (Salt) Water Chemistry Controller	1	15.0
CAT-3500075	CAT 3500 with Machined Flow Cell and RFS	1	20.0
CAT-5500-WIFI	CAT 5500 pH, ORP, Temp and NaCl (Salt) with Wi-Fi Transceiver	1	20.0
CAT-5500-CELL	CAT 5500 pH, ORP, Temp and NaCl (Salt) with Cellular Transceiver	1	20.0
CAT-5500-DS100	CAT 5500 pH, ORP, Temp and NaCl (Salt) with Satellite Transceiver	1	20.0
CAT-5500075-WIFI	CAT 5500 with Wi-Fi Transceiver, Machined Flow Cell and RFS	1	20.0
CAT-5500075-CELL	CAT 5500 with Cellular Transceiver, Machined Flow Cell and RFS	1	20.0
CAT-5500075-DS100	CAT 5500 with Satellite Transceiver, Machined Flow Cell and RFS	1	20.0



CAT 5000® Automated pH/ORP/Temperature Controller with Global Communications

CAT 5000 is the world's first wireless, Internet-based water quality controller employing both satellite and terrestrial communications to provide worldwide coverage. Now you can take advantage of affordable wireless technology and Internet-based monitoring to experience control like never before.

The CAT 5000 offers unprecedented product quality, value and ease of use. Simply install the factory-assembled CAT 5000 system and log onto PoolComm® to activate your wireless account and begin monitoring. Using your personal PoolComm account, you can view water quality data, print charts, analyze graphs, customize your settings and receive alarm notifications via email or SMS.



- State-of-the-art microprocessor-based water quality controller with integrated global communications
- Eliminates the cost of installing and maintaining dedicated analog telephone lines
- With 4 different wireless communication protocols ranging from Wi-Fi®, reflex, cellular to satellite, the CAT 5000 will communicate wirelessly, 24/7, from anywhere in the world



- Monitor and maintain via web browser from any Internet-enabled computer, mobile device, or via PoolComm App for iPhone® or Android™
- 5-year limited warranty on controller; 2-year warranty on sensors
- NSF/ANSI Standard 50 Certified

Part Number	Description	Carton Quantity	Carton Weight (lbs.)
CAT-5000-WIFI	CAT 5000 with Wi-Fi Transceiver	1	20.0
CAT-5000-CELL	CAT 5000 with Cellular Transceiver	1	20.0
CAT-5000-DS100	CAT 5000 with Satellite Transceiver	1	20.0
CAT5000075-WIFI	CAT 5000 with Wi-Fi Transceiver, Machined Flow Cell and RFS	1	20.0
CAT5000075-CELL	CAT 5000 with Cellular Transceiver, Machined Flow Cell and RFS	1	20.0
CAT5000075DS100	CAT 5000 with Satellite Transceiver, Machined Flow Cell and RFS	1	20.0
CAT5000-WIFI-UL	CAT 5000 with Wi-Fi Transceiver, UL Listed	1	20.0
CAT5000-CELL-UL	CAT 5000 with Cellular Transceiver, UL Listed	1	20.0
CAT5000DS100UL	CAT 5000 with Satellite Transceiver, UL Listed	1	20.0
CAT5000075WIFIUL	CAT 5000 with Wi-Fi Transceiver, Machined Flow Cell and RFS, UL Listed	1	20.0
CAT5000075CELLUL	CAT 5000 with Cellular Transceiver, Machined Flow Cell and RFS, UL Listed	1	20.0
CAT500075D100UL	CAT 5000 with Satellite Transceiver, Machined Flow Cell and RFS, UL Listed	1	20.0

CAT 4000® Automated pH/ORP Controller with Wireless Communications

Using the CAT 4000 system, you can easily log onto PoolComm® to activate your wireless account and begin monitoring your water quality. Using your personal PoolComm account, you can view water quality data, print charts, analyze graphs, customize your settings and receive alarm notifications via email or SMS.

- Wireless link to the PoolComm site with extensive North American coverage and 24/7 monitoring
- Incredibly simple to install and operate via simple menus and a bright alphanumeric display
- Compatible with existing chemical feed equipment, so initial investment is minimized
- Comes complete with CAT Professional Series pH and ORP sensors for unsurpassed performance
- Optional Wi-Fi communications protocol provides users free PoolComm access
- 5-year limited warranty on controller; 2-year warranty on sensors
- NSF/ANSI Standard 50 Certified



Part Number	Description	Carton Quantity	Carton Weight (lbs.)
CAT-4000-WIFI	CAT 4000 with Wi-Fi Transceiver	1	15.0
CAT-4000-CELL	CAT 4000 with Cellular Transceiver	1	15.0
CAT4000075-WIFI	CAT 4000 with Wi-Fi Transceiver, Machined Flow Cell and RFS	1	20.0
CAT4000075-CELL	CAT 4000 with Cellular Transceiver, Machined Flow Cell and RFS	1	20.0

CAT 2000® Automated pH/ORP Controller

Chemical automation is recognized by health officials and industry leaders as the safest, most effective method of maintaining precise, healthy water balance. The CAT 2000 constantly monitors pH and sanitizer activity (chlorine, bromine, even salt chlorine systems) and automatically implements chemical feeding in proportion to demand for picture-perfect water quality at all times.

- Simple installation, setup and operation
- Compatible with all types of chemical feed equipment
- 5-year limited warranty on controller; 2-year warranty on sensors
- Factory-assembled system includes: controller, sensors, machined acrylic flow cell, rotary flow sensor and PVC backboard
- NSF/ANSI Standard 50 Certified



Part Number	Description	Carton Quantity	Carton Weight (lbs.)
CAT-2000	CAT 2000 Controller and Sensors Only	1	6.0
CAT-PP2000	CAT 2000 Professional Package (Includes PVC backboard, flow cell, flow sensor and complete installation kit)	1	20.0

CAT 1000[®] Automated pH Controller

Most cases of red eyes and itchy skin after pool use are caused by poor pH maintenance. With the CAT 1000, pH levels in your pool are continuously monitored and adjusted automatically. Chlorine is also the most effective in keeping water safe when pH is optimally maintained. Maintaining proper pH protects the costly pool surface and equipment, extending service life while reducing repairs and warranty issues.

- The perfect enhancement for salt-chlorine systems
- Protect your investment
- Spend more time enjoying your pool instead of making routine pH adjustments
- 5-year limited warranty on controller; 2-year limited warranty on sensors
- NSF/ANSI Standard 50 Certified



Part Number	Description	Carton Quantity	Carton Weight (lbs.)
CAT-1000-PH	CAT 1000 pH Controller Package	1	10.0
CAT-1000-CO2	CAT 1000 pH Controller Package with CO ₂ Feeder	1	15.0
CAT-1000-PTC	CAT 1000 pH Controller Package with Pump Tank Combo	1	37.0
CAT-1000-ORP	CAT 1000 ORP Controller Package	1	10.0
CAT-1000ORPPTC	CAT 1000 ORP Controller Package with Pump Tank Combo	1	15.0
CAT-1000-PH-UL	CAT 1000 pH Controller Package, UL Listed	1	10.0
CAT-1000-CO2-UL	CAT 1000 pH Controller Package with CO ₂ Feeder, UL Listed	1	15.0
CAT-1000-PTC-UL	CAT 1000 pH Controller Package with Pump Tank Combo, UL Listed	1	37.0
CAT-1000-ORP-UL	CAT 1000 ORP Controller Package, UL Listed	1	10.0
CAT1000ORPPTCUL	CAT 1000 pH Controller Package with Pump Tank Combo, UL Listed	1	15.0



PoolComm® Wireless Web-Based Management

PoolComm is a revolutionary way to manage the water quality of multiple commercial pools and spas from a single remote location. This interface allows detailed monitoring and adjustment of pH, ORP, conductivity/NaCl, compliance documentation and more, all through the internet or PoolComm mobile app. Any computer, iPhone®, Android™ or web-enabled mobile device can manage a pool. The PoolComm App affords commercial pool servicers, operators and managers greater convenience and flexibility when monitoring water quality at their various facilities. The app is now available for FREE download on iPhone and Android.

- Wi-Fi® communications option allows free access to PoolComm anytime
- Get direct control of systems from any web browser
- Monitor and display multiple facilities simultaneously
- Receive near real-time detection of pH and ORP problems
- Get color-coded alarm display, with notification by email or SMS
- Promote customer satisfaction by proactively solving problems



Watch the PoolComm App Tutorial at Hayward.com/PoolCommAppTutorial

Remote water quality management at your fingertips.



Download FREE PoolComm® App for iPhone or Android.



HCC 2000 Automated pH/ORP Controller

The HCC 2000 Series are powerful yet affordable microprocessor-based pH/ORP controllers. The controllers feature proportional feed to ensure precise water chemistry and reduced maintenance. The HCC 2000 complete package is complemented by reliable chemical feed equipment, providing the ultimate one-stop-shop experience. This water chemistry controller package comes complete with flow cell, flow sensor and pre-mounted peristaltic feed pumps for pH and chlorine adjustment.

- Advanced microprocessor-based design technology
- Comes with chemical feed equipment compatible with all existing chemical feed systems: chlorine, bromine, electronic chlorine (salt) generators, acid and CO₂
- Simple-to-operate user interface with easy-to-read LED display
- Complete package offers a total chemical automation system for easy installation and ultimate convenience
- 1-year limited warranty on controller and sensors
- NSF/ANSI Standard 50 Certified (HCC 2000 only)



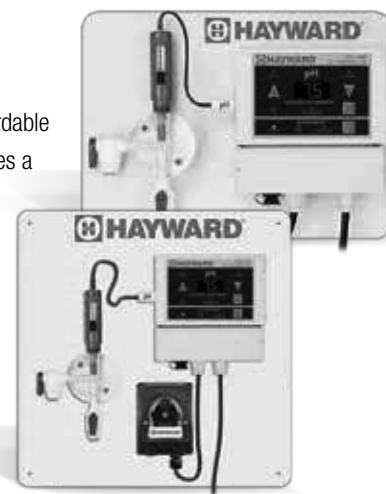
Part Number	Description	Carton Quantity	Carton Weight (lbs.)
HCC2000	HCC 2000 pH and ORP Water Chemistry Controller	1	11.0
HCC2000-AU	HCC 2000 pH and ORP Controller with Gold ORP Sensor	1	11.0
HCC2000-CP	HCC 2000 pH and ORP Complete Package with Pre-mounted Chemical Feed Pumps	1	20.0
HCC2000-INT*	HCC 2000 pH and ORP Water Chemistry Controller 220V/50HZ	1	15.0
HCC2000-CP-INT*	HCC 2000 pH and ORP Water Chemistry Controller with Pumps 220V/50HZ	1	20.0
HCC2000-LP-INT*	HCC 2000 pH and ORP Water Chemistry Controller with Large Pumps 220V/50HZ	1	20.0

*CE Certified

HCC 1000 Automated pH Controller

The HCC 1000 is a single channel pH water chemistry controller that provides powerful technology in a simple, affordable package. The controller ensures pH is precisely maintained to optimize chlorine effectiveness. The HCC 1000 features a pH sensor, water chemistry controller, flow cell and pressure sensor, all factory-assembled and pre-mounted on a durable PVC backboard. The complete package additionally includes a chemical feed pump mounted on the PVC backboard for ultimate convenience.

- Perfect for new and existing applications, especially saltwater pools
- Proper pH maintenance enhances chlorine effectiveness, bather comfort and safety
- Factory engineered, pre-configured to ensure simple professional installation
- 1-year limited warranty on controller and sensors
- NSF/ANSI Standard 50 Certified (HCC 1000 only)



Part Number	Description	Carton Quantity	Carton Weight (lbs.)
HCC1000-pH	HCC 1000 pH Controller	1	10.0
HCC1000-CO2	HCC 1000 pH Controller with CO ₂ Feeder	1	15.0
HCC1000-ORP	HCC 1000 ORP Controller	1	10.0
HCC1000-pH-CP	HCC 1000 pH Complete Package with Pre-mounted Chemical Feed Pump	1	15.0

Commercial Automation Accessories

Part Number	Description	Carton Qty.	Carton Weight (lbs.)
AC003	Residential CO ₂ pH Control System	1	5.0
AC004	Standard CO ₂ System	1	7.0
AC005	High Output CO ₂ System	1	7.0
AC006	Auto Switch Over	1	6.0
AC015	110 VAC Brass Body Solenoid Valve	1	3.0
AC016	24 VAC Brass Body Valve 3/4"	1	3.0
AC018	110 VAC Stainless Steel Body Solenoid Valve	1	3.0
AC025	Stenner Pump Variable Pump Output	1	9.0
AC030	Stenner Pump Fixed Pump Output	1	9.0
AC0317	BNC Sensor Connector Adaptor	1	1.0
AC035	Peristaltic Feed Pump	1	5.0
AC063	Molded Flow Cell Complete w/Valves and Floating Flow Sensor	1	2.0
AC065	Molded Flow Cell Complete for Conductivity Sensor	1	2.0
AC075	Machined Flow Cell w/Rotary Flow Sensor	1	6.0
AC080	Acrylic Flow Cell Complete for Conductivity Sensor	1	5.0
AC315	AutoPilot® Interface Cable	1	2.0
AC316	CAT 5000® Temperature Sensor	1	1.0
*AQL-CHEM4-ACID	Complete pH Chemical Feed System with 15 Gallon Tank and Containment Tray	1	24.0
AQL-CHEM4-CHLOR	Complete Cl Chemical Feed System with 15 Gallon Tank and Containment Tray	1	24.0
DF010	Digital Flow Meter	1	2.0
DF015-1-5	Saddle Clamp Kits 1.5" for Sch 40	1	1.0
DF020-2-5	Saddle Clamp Kits 2.5" for Sch 40	1	1.0
DF030-3	Saddle Clamp Kits 3.0" for Sch 40	1	2.0
DF040-4	Saddle Clamp Kits 4.0" for Sch 40	1	2.0
DF060-6	Saddle Clamp Kits 6.0" for Sch 40	1	2.0
DF080-8	Saddle Clamp Kits 8.0" for Sch 40	1	2.0
DF100-10	Saddle Clamp Kits 10.0" for Sch 40	1	2.0
DF120-12	Saddle Clamp Kits 12.0" for Sch 40	1	2.0
DF815-1-5	Saddle Clamp 1.5" for Sch 80	1	1.0
DF820-2	Saddle Clamp 2.0" for Sch 80	1	1.0
DF825-2-5	Saddle Clamp 2.5" for Sch 80	1	1.0
DF830-3	Saddle Clamp 3.0" for Sch 80	1	1.0

AutoPilot is a registered trademark of AquaCal AutoPilot Inc.
Wi-Fi is a registered trademark of the Wi-Fi Alliance.

Part Number	Description	Carton Qty.	Carton Weight (lbs.)
DF840-4	Saddle Clamp 4.0" for Sch 80	1	1.0
DF860-6	Saddle Clamp 6.0" for Sch 80	1	1.0
DF880-8	Saddle Clamp 8.0" for Sch 80	1	1.0
DF8100-10	Saddle Clamp 10" for Sch 80	1	1.0
DF8120-12	Saddle Clamp 12" for Sch 80	1	1.0
LS010	Optical Level Sensor	1	1.0
LS020	Top Mount Tank MTG Level Kit	1	1.0
PRO15-2	pH Probe 24" Cable	1	1.0
PRO15-10	pH Probe 120" (10') Cable	1	1.0
PRO25-AU-2	ORP Probe 24" Cable AU=Gold Tip	1	1.0
PRO25-AU-10	ORP Probe 120" (10') Cable AU=Gold Tip	1	1.0
PRO25-2	ORP Probe 24" Cable	1	1.0
PRO25-10	ORP Probe 120" (10') Cable	1	1.0
PRO55-2	Conductivity Probe NaCl 24" Cable	1	1.0
PS001	Probe Saver Kit	1	2.0
RA015	Remote Dome Antenna	1	1.0
RA020	Remote Whip/Satellite Antenna	1	1.0
RA024	25' Antenna Extension Cable	1	3.0
RA025	50' Antenna Extension Cable	1	6.0
RA026	100' Antenna Extension Cable	1	12.0
RA030W	Remote Wi-Fi® Antenna - 2.5GH Frequency - with 10' Cable	1	5.0
RA035C	Remote Cellular Antenna - Penta Band - with 10' Cable	1	5.0
SV015	15 Gallon Solution Vat	1	22.0
SV030	30 Gallon Solution Vat	1	30.0
WL010	Water Level Control Kit	1	5.0
VR1K	Stratum® Vacuum Release Interface Kit	1	3.0
PTC15	Pump Tank Combo 15/45M5	1	27.0
PTC30	Pump Tank Combo 30/45M5	1	35.0
PTCRES	Pump Tank Combo Residential 15/45MP1	1	27.0

*Complete pH Chemical Feed System (AQL-CHEM4- ACID)



COMMERCIAL CLEANERS

Hayward® Commercial Pool offers commercial cleaners ideal for the Class B/HMAC recreational water market. Our TigerShark 2 is designed for durability and backed by a nationwide network of factory-authorized service centers. AquaVac 500C, our latest robotic pool cleaner, scrubs from floor to waterline with computer efficiency and superior performance.

TigerShark® 2 and TigerShark 2 Plus with Remote

- On-board computer calculates pool size and most efficient cleaning pattern
- Preset 7-hour clean cycle automatically turns off when done
- Powerful on-board pumps vacuum dirt and debris
- Scours pool bottom, walls, inclines and steps for a complete clean
- Patented easy-clean removable cartridge can be rinsed with a garden hose
- TigerShark 2 Plus includes wireless remote for easy spot cleaning

AquaVac® 500C

- New microprocessor-based program calculates most efficient cleaning path
- Dual-Mode technology with two cleaning programs: fast 90-minute bottom only or deep 3-hour bottom, wall and waterline cleaning
- Out-of-water sensor, ideal for zero entry pools
- Swivel with 75' floating tangle-free cable
- Large, top-access cartridge chamber for quick access to debris removal and easy clean-up
- Cartridge filter elements (optional spring clean-up elements for larger debris)
- Powerful dual scrubbing brushes clean pool floor, coves, walls and waterline
- One carton system—including robust Caddy Cart
- Optional foam brush



	TigerShark 2/TigerShark 2 Plus	AquaVac 500C
Part Number	RC9956GRCC/RC9965GRCC*	RC3432AU7
Rec. Pool Size	Up to 30' x 60'	Up to 30' x 60'
Gallons Circulated	4500 GPH	4500 GPH
Filter Micron Porosity/Area	5/1000 in. ²	5/1000 in. ²
Motor System	Non-oil filled, microprocessor	Non-oil filled, microprocessor
Cleaning Speed	55 ft. ² /minute	42 ft. ² /minute
Dual-Mode Cleaning Cycles	7-hours bottom, wall and waterline	90-minutes bottom only/3-hours bottom, wall and waterline
Recurring Cleaning Cycle	Not Available	Programmable cleaning every 24hr, 48hr and 72hr
Cord Length	100'	75'
Voltage	120V/60Hz	120V/60Hz
Height/Width/Length	11" x 16" x 16"	30" x 18" x 25"
Caddy Cart	Included	Included
Carton Quantity	1	1
Carton Weight (lbs.)	44.0	26.0
Warranty	1-year limited warranty	1-year limited warranty
Sensors	N/A	Out-of-water, beach entry

*TigerShark 2 Plus has wireless remote controls.

AMBIANCE AND COMFORT

The most efficient ways to set the mood and extend the pool season.

The best commercial pools are the ultimate haven for your customers and guests. From lighting to heating, Hayward® turns an everyday swim into an unforgettable experience. Our industry-leading heaters excel in long-lasting performance and unmatched energy efficiency, while our lighting options change the game completely.

Whether you're looking for vibrant color-saturated light shows or the brightest-in-the-industry LED lighting, Hayward saves you up to 84% on energy costs—without sacrificing an ounce of brilliance. You provide the swimmers, we'll provide the memories. It's the Hayward way.



COMMERCIAL HEATERS

Building on our proven line of industry-leading heaters, Hayward offers unmatched performance and superior engineering with the Universal H-Series ASME commercial gas heaters. All Hayward Commercial heaters employ a forced draft design and provide exceptional corrosion resistance and hydraulic performance. **The new 500,000 BTU models boast the fastest speed-to-heat capability in their class and are designed for ultimate performance, durability and energy efficiency.**

Universal H-Series ASME Gas Heaters

Hayward Commercial Pool's Universal H-Series ASME gas heaters are designed and certified for commercial use. The flagship of our H-Series line encompasses high-end features and construction materials as **standard**. They combine industry-leading hydraulics, exceptional performance, energy efficiency and reliability with planet-friendly low NOx emissions. Flexible connection options make them ideal for new or existing applications.



- Choose from 6 models (250,000, 400,000 and 500,000 BTU natural gas or propane)
- 500,000 BTU provides unprecedented speed to heat, with just 2 models delivering 1 million BTU's while using minimal pump room space
- Patented Cupro Nickel Finn Plate™ heat exchanger with bronze header included as standard on all models
- Independent left- or right-side electric, water and gas connections
- 2" x 2 1/2" CPVC flanged plumbing connections
- ASME pressure relief valve included as standard

- Electronic lock-out feature prevents unauthorized access to configuration settings
- Easy installation and service via single front panel access
- Easy gas valve adjustment
- Easy dual-voltage conversion with fuse-protected circuit boards
- 3-year limited warranty on parts and labor



TECHNICAL SPECIFICATIONS

Part Number	BTU	Description	Pipe Size	Max. Allowed Working Pressure	Dimensions (L x W x H)	Carton Quantity	Carton Weight (lbs.)
H250FDNASME	250,000	Natural Gas	2" x 2 1/2"	125 psi	28" x 29 1/2" x 24"	1	195.0
H400FDNASME	400,000	Natural Gas	2" x 2 1/2"	125 psi	36 1/2" x 29 1/2" x 24"	1	225.0
H500FDNASME*	500,000	Natural Gas	2" x 2 1/2"	125 psi	40 1/2" x 29 1/2" x 24"	1	240.0
H250FDPASME	250,000	Propane	2" x 2 1/2"	125 psi	28" x 29 1/2" x 24"	1	195.0
H400FDPASME	400,000	Propane	2" x 2 1/2"	125 psi	36 1/2" x 29 1/2" x 24"	1	225.0
H500FDPASME*	500,000	Propane	2" x 2 1/2"	125 psi	40 1/2" x 29 1/2" x 24"	1	240.0

*Includes flow and pressure sensor.

ELECTRONIC TEMPERATURE LOCK-OUT

- Prevents unauthorized access to temperature settings
- Optional mechanical control bezel lock-out cover available

LOW-PROFILE 24" HEIGHT CABINET

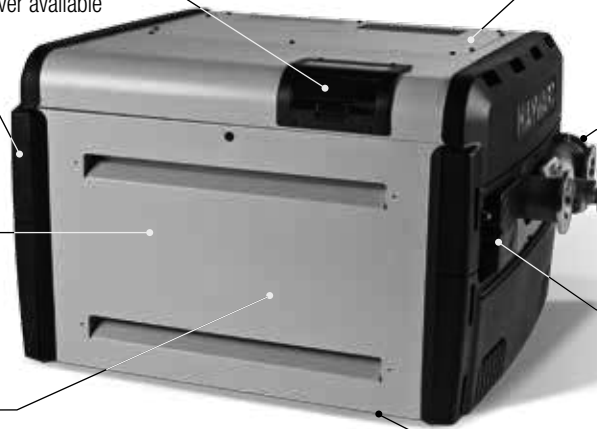
- Lowest industry height for an unobtrusive equipment pad
- Can be raised off floor, closer to ceiling for small equipment rooms or pads

FORCED DRAFT COMBUSTION

- Reliable, low NOx environmentally responsible heating
- Certified for high-altitude applications up to 10,000 ft. standard

SUITABLE FOR INDOOR INSTALLATIONS

- Now with 4", 6" and 8" venting kit options for Natural Gas applications



PATENTED CUPRO NICKEL FINN PLATE™ HEAT EXCHANGER ON ALL MODELS

- Totally managed flow design provides industry-best hydraulic efficiency
- High flow and chemical resistance suitable for saltwater applications

LOW LEAD BRONZE HEADER AS STANDARD WITH PATENTED HEADER BYPASS DESIGN

- Industry-leading hydraulic performance
- Up to 18% energy savings via reduced circulation pump time

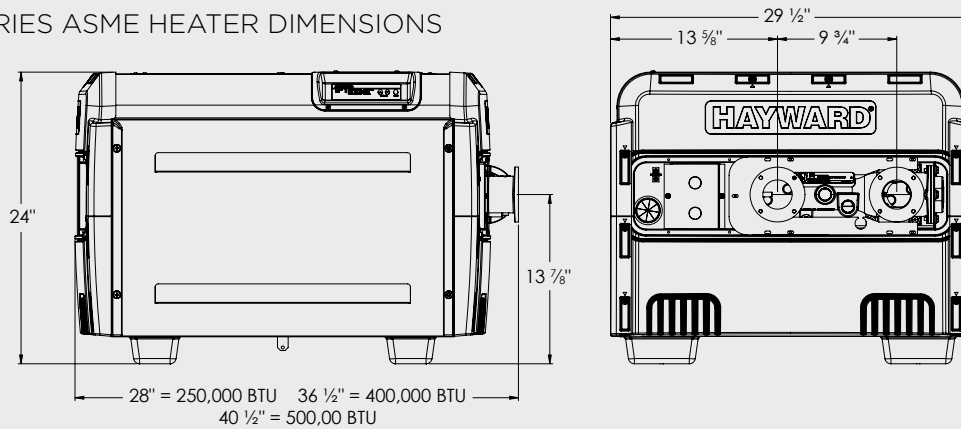
UNIVERSAL DESIGN FOR LEFT- OR RIGHT-SIDE PLUMBING, GAS AND ELECTRICAL

- Easily retrofits to pre-existing or new pad configurations
- Certified for installation on combustible surfaces

NONCORROSIVE FEET

- No rust or other corrosion on wet pads

UNIVERSAL H-SERIES ASME HEATER DIMENSIONS



Commercial Heater Accessories

Hayward offers a complete range of venting kit options for all ASME heaters. Also offered is a flow switch and a temperature/pressure gauge that is required for installation into specific commercial pool markets, such as Texas. This kit will ensure the H-Series ASME heater is compliant with boiler and health code regulations. (Included with 500,000 BTU)

VENTING KIT OPTIONS AND ACCESSORIES

Part Number	Description
UHXNEGVT12501	6" Indoor Vent Adapter Kit, H250FD, Negative-Pressure (Vertical)
UHXPOSHZ12501	6" Indoor Vent Adapter Kit, H250FD, Positive-Pressure (Horizontal)
UHXPOSHZ12502	4" Indoor Vent Adapter Kit, H250FD, Positive-Pressure (Horizontal)
UHXNEGVT14001	8" Indoor Vent Adapter Kit, H400FD, Negative-Pressure (Vertical)
UHXPOSHZ14001	8" Indoor Vent Adapter Kit, H400FD, Positive-Pressure (Horizontal)
UHXPOSHZ14002	6" Indoor Vent Adapter Kit, H400FD, Positive-Pressure (Horizontal)
UHXPOSHZ15002	6" Indoor Vent Adapter Kit, H500FD, Positive-Pressure (Horizontal)
UHXTFP1930	Texas Heater Kit - Temp/Pressure and Flow Switch Kit
UHXFSW1930	Texas Heater Kit - Flow Switch Only

Note: The Vent Kits are the Adapters ONLY – to be used with either Heatfab, DuraVent or Z-Flex vent piping.



COMMERCIAL LIGHTING

Hayward® Commercial Pool gives you brilliant, versatile lighting options for both new construction and remodels to transform any body of water. First to be UL Listed to retrofit virtually all existing manufacturers' niches, Universal CrystaLogic® White LED and Universal ColorLogic® Lighting are designed with industry-leading technology to cut operation costs and deliver unparalleled performance. CrystaLogic and ColorLogic 320 and 160 Accent Lights provide total coordination of all water environments by putting smaller pool and spa features in the spotlight.

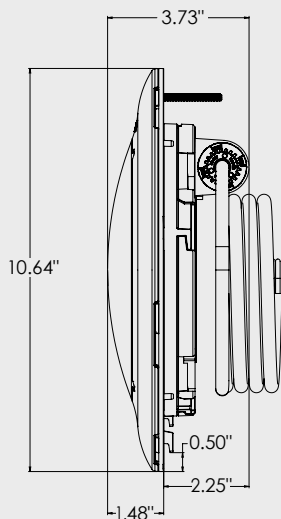
Universal CrystaLogic® White LED Lights

The industry's brightest and most versatile 100W spa, 300W and 500W equivalent white LED pool lights for any water feature or recreational body of water, Universal CrystaLogic will drastically reduce operation costs and deliver dynamic lighting performance you simply have to see to believe. They're exceptionally bright and remarkably efficient, offering savings of up to 84% over incandescent, lasting 10 times longer and delivering a payback in less than two years. These 12V, 2-wire, all-plastic lights are truly universal and UL Listed for safe installation into virtually any manufacturer's niches.



- Brightest 100W spa, and 300W and 500W equivalent white LED pool lights*
- Use up to 84% less energy than incandescent lights and last up to 10 times longer
- UL Listed to retrofit into most manufacturers' installed niches, making them virtually universal
- 12V, 2-wire, all-plastic construction with an unbreakable lens makes them intrinsically safe and easy to install
- Energy and maintenance savings can deliver a payback in less than two years
- Can be installed as close as 4 inches from the waterline and upward facing without a rock guard, suitable for main pool/spa illumination, beach entries, steps, shelves, water features, etc.
- UCL Thin Niche provides incredible installation savings for new construction
- 1-year limited warranty

*Based on measured test data at the time of print.



UNIVERSAL CRYSTALOGIC WHITE LED LIGHTS

Part Number	Equivalent Brightness	Lumens*	Pool or Spa	Cord Length (ft.)
LSLUS11030	100W	1000	Spa	30
LSLUS11050	100W	1000	Spa	50
LSLUS11100	100W	1000	Spa	100
LSLUS11150	100W	1000	Spa	150
LPLUS11030	300W	3250	Pool	30
LPLUS11050	300W	3250	Pool	50
LPLUS11100	300W	3250	Pool	100
LPLUS11150	300W	3250	Pool	150
LPWUS11030	500W	4900	Pool	30
LPWUS11050	500W	4900	Pool	50
LPWUS11100	500W	4900	Pool	100
LPWUS11150	500W	4900	Pool	150

CrystaLogic® 320 & 160 White LED Lights

CrystaLogic 320 & 160 Lights provide an elegant solution for commercial swimming pool and spa lighting. They can also illuminate smaller features or landscapes, bringing brilliance to areas that are difficult to reach with traditional lighting. The easiest 1.5-inch lights to install, at just 4 inches below waterline and in as little as 8 inches of PVC conduit, our 320 & 160 lights are ideal for steps, water features, jets, bubblers, baja shelves, fountains, spray/splash pads, landscape features and more.

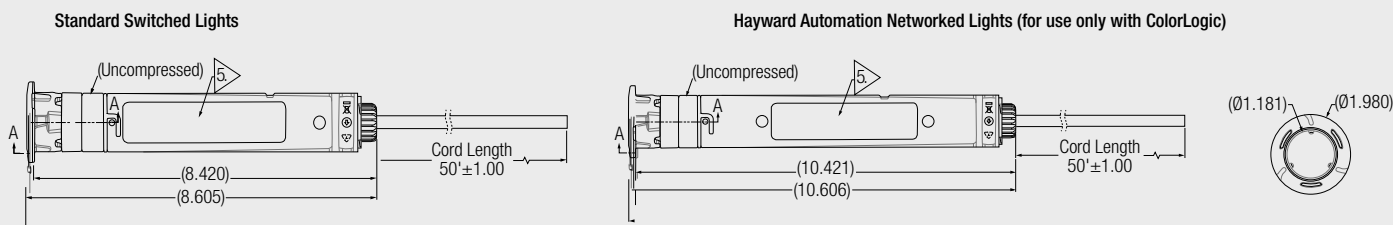
- Allow for total coordination of all water environments
- Easiest 1.5-inch lights to install at just 4 inches below waterline in any depth of water and in as little as 8 inches of PVC conduit
- Ideal for commercial pool/spa lighting or lighting steps, water features, baja shelves, bubblers, spray/splash pads and more
- Can be installed in dry/landscape applications
- Last 10 times longer than incandescent lights
- Available in two brightness levels with multiple cord lengths
- Vinyl, Fiberglass, and Concrete low-profile installations
- Comes with simple installation tool
- UL Listed for safe floor or wall installation
- 1-year limited warranty



CRYSTALOGIC 320 & 160 LIGHTS

	Lumens	Standard Switched Lights	Cord Length (ft.)
High Lumen CrystaLogic 320 12V Lights	1100	LAWUS11030	30
		LAWUS11050	50
		LAWUS11100	100
		LAWUS11150	150
Standard Lumen CrystaLogic 160 12V Lights	600	LYWUS11030	30
		LYWUS11050	50
		LYWUS11100	100
		LYWUS11150	150

DIMENSIONS FOR STANDARD SWITCHED OR HAYWARD AUTOMATION NETWORKED LIGHTS





Universal ColorLogic® Color LED Lights

Hayward® Universal ColorLogic Lights are the first automated color-changing LED lights designed to illuminate nearly any existing pool or spa, even those with just one light. UL Listed to retrofit virtually any existing light niche, these lights come standard with 10 vibrant colors and 7 light shows, plus an expanded spectrum of 101 colors when networked with Hayward Automation.

Universal ColorLogic Lights shine 100% brighter* than any other color LED lighting and last up to 10 times longer than incandescent bulbs. Best of all, they offer energy savings of up to 86% when compared with incandescent.

- 100% brighter* than any color LED light
- Use up to 86% less energy than incandescent lights and last up to 10 times longer
- 12V, 2-wire, all-plastic construction and an unbreakable lens makes them intrinsically safe and easy to install
- UL Listed to retrofit most manufacturers' installed niches
- Can be installed as close as 4 inches from the waterline or upward facing without a rock guard, suitable for main pool/spa illumination, beach entries, steps, shelves, water features, etc.
- UCL Thin Niche provides incredible installation savings for new construction

*Based on measured test data at the time of print.



UP TO
86%
SAVINGS



- Color trim rings for pool and spa lights include smooth white and silver luster starburst—both ship with product
- Additional trim ring options include white starburst, black, blue, beige and gray
- Brilliant 10 fixed colors and 7 color-changing shows
- 1-year limited warranty

ColorLogic 320 & 160 Color LED Lights

Bringing commercial pool and spa features to life is easier than ever with ColorLogic 320 & 160 Lights. Ideal for low-profile full pool and spa lighting or for highlighting steps, jets, bubblers, baja shelves, fountains, landscaping and more, these versatile lights lend total color coordination to any environment. Available in two brightness levels, and able to be installed in wet or dry applications, ColorLogic 320 & 160 1.5" LED lights create a striking environment in any setting.

- Allow for total coordination of all water environments
- Easiest 1.5-inch lights to install at just 4 inches below waterline in any depth of water and in as little as 8 inches of PVC conduit
- Ideal for commercial pool/spa lighting or lighting steps, water features, baja shelves, bubblers, spray/splash pads and more
- Can be installed in dry/landscape applications
- Last 10 times longer than incandescent lights
- Available in two brightness levels with multiple cord lengths
- Vinyl, Fiberglass, and Concrete low-profile installations
- Come with simple installation tool
- UL Listed for safe floor or wall installation
- ColorLogic 320 & 160 lights provide 10 fixed colors and 7 color-changing shows, and when networked with Hayward Automation, an expanded spectrum of 101 fixed colors and 11 color changing shows
- 1-year limited warranty



COLORLOGIC 320 & 160 LIGHTS

	Standard Switched Lights	Hayward Automation Networked Lights	Cord Length (ft.)
High Lumen ColorLogic 320 12V Lights	LACUS11030	LACUN11030	30
	LACUS11050	LACUN11050	50
	LACUS11100	LACUN11100	100
	LACUS11150	LACUN11150	150
Standard Lumen ColorLogic 160 12V Lights	LYCUS11030	LYCUN11030	30
	LYCUS11050	LYCUN11050	50
	LYCUS11100	LYCUN11100	100
	LYCUS11150	LYCUN11150	150

Accessories for Universal CrystaLogic®, Universal ColorLogic® and CrystaLogic/ColorLogic 320 & 160 Lights

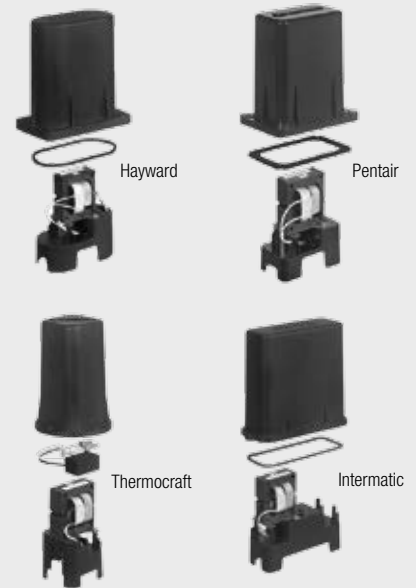
UCL CONCRETE NICHE



Part Number	Description	Approved Light	Pool or Spa
LFGUY1000	Non-Bonded, Non-Grounded Low-Profile Plastic Pool Niche for Concrete Pools	Universal ColorLogic and CrystaLogic	Pool
LGGUY1000	Non-Bonded, Non-Grounded Plastic Spa Niche for Concrete Spas	Universal ColorLogic and CrystaLogic	Spa

J-BOX TRANSFORMER RETROFIT KIT

Part Number	Kits	Watts
LRBUY11H65	Hayward®	70W
LRBUY11P65	Pentair®	70W
LRBUY11T65	Thermocraft®	70W
LRBUY11M65	Intermatic®	70W
LRBUY11M13	Intermatic	140W



ACCESSORIES FOR HAYWARD AUTOMATION NETWORKED LIGHTS



SKU #AQL-COLOD-MODHV

Part Number	Description
LKBUN1000	Works with ColorLogic Networked Lights Only
AQL-COLOD-MODHV	Communication Modem for Networked Lights



Installation Tool Included
SKU #SP0536CTOOL

J-BOX & WALL-MOUNT POOL LIGHTING TRANSFORMERS

Part Number	Transformer	Watts
LTBUY11H70	Hayward	70W
LTBUY11H14	Hayward	140W
LTBUY11300	Hayward	300W



LTBUY11300
Wall-Mount
Transformer

LTBUY11H14
Able to
Support
Two Lights

See Your Savings When Using Hayward's LED Lighting.

Calculate financial savings when switching from an incandescent to UCL: Hayward.com/UCLCalculator
Calculate per-niche savings when using a UCL Thin Niche: Hayward.com/NicheCalculator

WHITE GOODS AND VALVES

Engineered thermoplastic solutions for optimal hydraulic performance.

Hayward's full line of industrial thermoplastic valves and process control products are designed and engineered to be the most reliable in the industry. We employ precision manufacturing processes and rigorous quality assurance procedures to make sure our flow control products and white goods deliver optimum performance and long-lasting durability while meeting or exceeding industry standards and regulations. In other words, we take care of the details so you can focus on the big picture: building the very best commercial pools.



COMMERCIAL FLOW CONTROL

Hayward® Flow Control has manufactured industrial thermoplastic valves and process control products since the inception of the thermoplastic valve industry over 50 years ago. We have earned an unsurpassed reputation for product design, manufacturing precision, quality assurance, experience and know-how and a total commitment to customer satisfaction and support.

Compact Ball Valves – QVC Series (Gray and White)

- Pressure Rating 150 psi
- EPDM Seals
- Santoprene® Seats



Part Number	Size/Description	Carton Quantity	Carton Weight (lbs.)
QVC1005SSEG	.5" Socket Gray	10	2.0
QVC1010SSEG	1" Socket Gray	10	5.0
QVC1015SSEG	1.5" Socket Gray	5	5.5
QVC1020SSEG	2" Socket Gray	5	7.5
QVC1025SSEG	2.5" Socket Gray	1	2.8
QVC1030SSEG	3" Socket Gray	1	5.2
QVC1040SSEG	4" Socket Gray	1	7.3
QVC1005SSEW	.5" Socket White	10	2.0
QVC1010SSEW	1" Socket White	10	5.0
QVC1015SSEW	1.5" Socket White	5	5.5
QVC1020SSEW	2" Socket White	5	7.5
QVC1025SSEW	2.5" Socket White	1	2.8
QVC1030SSEW	3" Socket White	1	5.2
QVC1040SSEW	4" Socket White	1	7.3
QVC1005TSEG	.5" Threaded Gray	10	2.0
QVC1010TSEG	1" Threaded Gray	10	5.0
QVC1015TSEG	1.5" Threaded Gray	5	5.5
QVC1020TSEG	2" Threaded Gray	5	7.5
QVC1025TSEG	2.5" Threaded Gray	1	2.8
QVC1030TSEG	3" Threaded Gray	1	5.2
QVC1040TSEG	4" Threaded Gray	1	7.3
QVC1005TSEW	.5" Threaded White	10	2.0
QVC1010TSEW	1" Threaded White	10	5.0
QVC1015TSEW	1.5" Threaded White	5	5.5
QVC1020TSEW	2" Threaded White	5	7.5
QVC1025TSEW	2.5" Threaded White	1	2.8
QVC1030TSEW	3" Threaded White	1	5.2
QVC1040TSEW	4" Threaded White	1	7.3

True Union Compact Ball Valves – QTA Series (Gray and White)

- Pressure Rating 150 psi
- EPDM Seals
- Santoprene Seats



Part Number	Size/Description	Carton Quantity	Carton Weight (lbs.)
QTA1010CSEG	1" Socket/Threaded Gray	1	0.9
QTA1015CSEG	1.5" Socket/Threaded Gray	1	2.0
QTA1020CSEG	2" Socket/Threaded Gray	1	3.2
QTA1010CSEW	1" Socket/Threaded White	1	0.9
QTA1015CSEW	1.5" Socket/Threaded White	1	2.1
QTA1020CSEW	2" Socket/Threaded White	1	3.5

True Union PVC Ball Valves – TBB Series

- Pressure Rating 225 psi
- EPDM Seals
- PTFE Seats
- Double O-Ring Stem Seals



Part Number	Size/Description	Carton Quantity	Carton Weight (lbs.)
TBB1005CPEG	.5" Socket/Threaded	1	0.5
TBB1007CPEG	.75" Socket/Threaded	1	0.8
TBB1010CPEG	1" Socket/Threaded	1	1.2
TBB1012CPEG	1.25" Socket/Threaded	1	1.9
TBB1015CPEG	1.5" Socket/Threaded	1	2.8
TBB1020CPEG	2" Socket/Threaded	1	4.9

Santoprene is a registered trademark of Advanced Elastomer Systems.

True Union PVC Ball Valves - TB Series

- Pressure Rating
250 psi: ½" – 2"
235 psi: 2 ½" – 4"
150 psi: 6"
- EPDM or FPM Seals
- Reversible PTFE Seats
- Double O-Ring Stem Seals
- Easily Automated
- Full Port Design Through 4"
- NSF/ANSI Standard 61 Certified (½" – 4")



Part Number	Size/Description	Carton Quantity	Carton Weight (lbs.)
TB1050STE	.5" Socket/Threaded	1	0.8
TB1050ST	.5" Socket/Threaded	1	0.8
TB1075STE	.75" Socket/Threaded	1	1.1
TB1075ST	.75" Socket/Threaded	1	1.1
TB1100STE	1" Socket/Threaded	1	1.5
TB1100ST	1" Socket/Threaded	1	1.5
TB1125STE	1.25" Socket/Threaded	1	2.9
TB1125ST	1.25" Socket/Threaded	1	2.9
TB1150STE	1.5" Socket/Threaded	1	3.0
TB1150ST	1.5" Socket/Threaded	1	3.0
TB1200STE	2" Socket/Threaded	1	4.3
TB1200ST	2" Socket/Threaded	1	4.3
TB1250TE or TB1250SE	2.5" Socket or Threaded	1	11.0
TB1250T or TB1250S	2.5" Socket or Threaded	1	11.0
TB1300TE or TB1300SE	3" Socket or Threaded	1	11.2
TB1300T or TB1300S	3" Socket or Threaded	1	11.2
TB1400TE or TB1400SE	4" Socket or Threaded	1	19.1
TB1400T or TB1400S	4" Socket or Threaded	1	19.1
TB1600FE (Flanged Only)	6" Flanged	1	33.7
TB1600F (Flanged Only)	6" Flanged	1	33.7

Actuated Ball Valves - EAU Series

- Pressure Rating 250 psi
- True Union Design
- EPDM or FPM Seals
- PTFE Seats
- Double O-Ring Stem Seals
- Assembled with Actuator and Linkage

Electric Actuator Details

- 90-Degree Operation
- UL/CSA Listed Motor
- Standard 120 Volt
- Light Weight and Compact Design



Part Number	Size/Description	Carton Quantity	Carton Weight (lbs.)
EAUTB105STE	.5" EPDM Socket/Threaded	1	5.4
EAUTB107STE	.75" EPDM Socket/Threaded	1	5.7
EAUTB110STE	1" EPDM Socket/Threaded	1	6.7
EAUTB115STE	1.5" EPDM Socket/Threaded	1	7.9
EAUTB120STE	2" EPDM Socket/Threaded	1	8.2
EAUTB105STV	.5" FPM Socket/Threaded	1	6.2
EAUTB107STV	.75" FPM Socket/Threaded	1	5.7
EAUTB110STV	1" FPM Socket/Threaded	1	6.8
EAUTB115STV	1.5" FPM Socket/Threaded	1	7.3
EAUTB120STV	2" FPM Socket/Threaded	1	9.5

True Union Three-Way Ball Valves - TW Series

- Pressure Rating 150 psi
- Position Indicator
- EPDM Seals
- PTFE Seats
- Double O-Ring Stem Seals
- Actuator Ready Available (HCTN Series)

(Lateral three-way valves also available)



Part Number	Size/Description	Carton Quantity	Carton Weight (lbs.)
TW1050STE	.5" Socket/Threaded	1	1.2
TW1075STE	.75" Socket/Threaded	1	1.8
TW1100STE	1" Socket/Threaded	1	2.5
TW1125STE	1.25" Socket/Threaded	1	7.4
TW1150STE	1.5" Socket/Threaded	1	6.8
TW1200STE	2" Socket/Threaded	1	7.1
TW1250SE	2.5" Socket	1	17.1
TW1250TE	2.5" Threaded	1	17.3
TW1300SE	3" Socket	1	17.1
TW1300TE	3" Threaded	1	17.3
TW1400SE	4" Socket	1	27.7
TW1400TE	4" Threaded	1	27.9
TW1600FE	6" Flanged	1	51.0

True Union PVC Ball Check Valves – TC Series

- Pressure Rating
150 psi: 2 1/2" – 6"
235 psi: 1/2" – 2"
- EPDM Seals
- For Horizontal or Vertical Installation
- NSF/ANSI Standard 61 Certified (1/2" – 4")



Part Number	Size/Description	Carton Qty	Carton Weight (lbs.)
TC10050STE	.5" Socket/Threaded	1	0.7
TC10075STE	.75" Socket/Threaded	1	0.9
TC10100STE	1" Socket/Threaded	1	1.3
TC10125STE	1.25" Socket/Threaded	1	2.5
TC10150STE	1.5" Socket/Threaded	1	2.7
TC10200STE	2" Socket/Threaded	1	4.1
TC1250TE or TC1250SE	2.5" Socket or Threaded	1	9.8
TC1300TE or TC1300SE	3" Socket or Threaded	1	10.1
TC1400TE or TC1400SE	4" Socket or Threaded	1	17.5
TC1600FE (Flanged Only)	6" Flanged	1	33.0

Full Pattern PVC Wafer Check Valves – WCV Series

- Pressure Rating 150 psi
- One-Piece Disk and Shaft Design
- FPM or EPDM Gasket and Face Seal
- Full Pattern Body – No Need for Spacers or Specialty Flanges
- Contoured Inlet Port for Easy Flow
- Can Be Installed in Vertical or Horizontal Position



Part Number	Size/Description	Carton Qty	Carton Weight (lbs.)
WCV1200E	2" EPDM Wafer Check	1	1.3
WCV1250E	2.5" EPDM Wafer Check	1	1.9
WCV1300E	3" EPDM Wafer Check	1	2.2
WCV1400E	4" EPDM Wafer Check	1	4.4
WCV1600E	6" EPDM Wafer Check	1	6.0
WCV1800E	8" EPDM Wafer Check	1	14.0
WCV1200V	2" FPM Wafer Check	1	1.3
WCV1250V	2.5" FPM Wafer Check	1	1.9
WCV1300V	3" FPM Wafer Check	1	2.2
WCV1400V	4" FPM Wafer Check	1	4.6
WCV1600V	6" FPM Wafer Check	1	6.8
WCV1800V	8" FPM Wafer Check	1	14.7

Full Pattern PVC Wafer Check Valves – WCV Series

- Pressure Rating 150 psi
- One-Piece Disk and Shaft Design
- FPM or EPDM Gasket and Face Seal
- Full Pattern Body – No Need for Spacers or Specialty Flanges
- Contoured Inlet Port for Easy Flow
- Can Be Installed in Vertical or Horizontal Position
- 316 SS Disc Spring



Part Number	Size/Description	Carton Qty	Carton Weight (lbs.)
WCV1200ES	2" EPDM Wafer Check w/Spring	1	1.2
WCV1250ES	2.5" EPDM Wafer Check w/Spring	1	1.9
WCV1300ES	3" EPDM Wafer Check w/Spring	1	2.2
WCV1400ES	4" EPDM Wafer Check w/Spring	1	4.4
WCV1600ES	6" EPDM Wafer Check w/Spring	1	6.2
WCV1800ES	8" EPDM Wafer Check w/Spring	1	14.4
WCV1200VS	2" FPM Wafer Check w/Spring	1	1.3
WCV1250VS	2.5" FPM Wafer Check w/Spring	1	1.9
WCV1300VS	3" FPM Wafer Check w/Spring	1	2.2
WCV1400VS	4" FPM Wafer Check w/Spring	1	4.5
WCV1600VS	6" FPM Wafer Check w/Spring	1	6.1
WCV1800VS	8" FPM Wafer Check w/Spring	1	14.5

Butterfly Valves
(Lever Operated) -
Pure-Blu® BYCN Series

- Pressure Rating 150 psi
- PVC Body and Disc
- EPDM Liner
- 316 SS Stem
- 9-Position Throttle Plate
- NSF/ANSI Standard 61 Certified



Part Number	Size / Description	Carton Qty	Carton Weight (lbs.)
BYCN1020E1LGB	2" Lever	1	5.0
BYCN1025E1LGB	2.5" Lever	1	5.0
BYCN1030E1LGB	3" Lever	1	6.1
BYCN1040E1LGB	4" Lever	1	8.3
BYCN1050E1LGB	5" Lever	1	12.0
BYCN1060E1LGB	6" Lever	1	15.0
BYCN1080E1LGB	8" Lever	1	20.0

Butterfly Valve (Gear Operated) -
Pure-Blu® BYCN Series

- Pressure Rating 150 psi
- PVC Body and Disc
- EPDM Liner
- 316 SS Stem
- Robust Aluminum Gear Operator with Stainless Steel Shaft, IP65 Rating
- NSF/ANSI Standard 61 Certified



Part Number	Size/Description	Carton Qty	Carton Weight (lbs.)
BYCN1020E1GGB	2" Gear	1	11.0
BYCN1025E1GGB	2.5" Gear	1	11.0
BYCN1030E1GGB	3" Gear	1	16.6
BYCN1040E1GGB	4" Gear	1	19.0
BYCN1050E1GGB	5" Gear	1	21.0
BYCN1060E1GGB	6" Gear	1	23.2
BYCN1080E1GGB	8" Gear	1	30.0

Butterfly Valves (Lever Operated) -
BYV Series

- Pressure Rating 150 psi
- PVC Body and Disc
- EPDM Liner
- 1 Piece 316 SS Stem
- 19 Position Throttle Plate
- Hydro Dynamic Disc
- External Disc Position and Flow Indication
- NSF/ANSI Standard 61 Certified



Part Number	Size/Description	Carton Qty	Carton Weight (lbs.)
BYV11020A0EL000	2" Lever	1	6.0
BYV11025A0EL000	2.5" Lever	1	6.5
BYV11030A0EL000	3" Lever	1	7.0
BYV11040A0EL000	4" Lever	1	10.0
BYV11060A0EL000	6" Lever	1	16.0
BYV11080A0EL000	8" Lever	1	22.0

Butterfly Valves (Gear Operated) -
BYV Series

- Pressure Rating 150 psi
- PVC Body and Disc
- EPDM Liner
- 1 Piece 316 SS Stem
- 19 Position Throttle Plate
- Hydro Dynamic Disc
- External Disc Position and Flow Indication
- NSF/ANSI Standard 61 Certified



Part Number	Size/Description	Carton Qty	Carton Weight (lbs.)
BYV11020A0EG000	2" Lever	1	12.0
BYV11025A0EG000	2.5" Gear	1	12.5
BYV11030A0EG000	3" Gear	1	17.0
BYV11040A0EG000	4" Gear	1	19.0
BYV11060A0EG000	6" Gear	1	25.0
BYV11080A0EG000	8" Gear	1	32.0
BYV11100A0EG000	10" Gear	1	39.0
BYV11120A0EG000	12" Gear	1	45.0

PVC Simplex Basket Strainer – SB Series

- Pressure Rating 150 psi
- PVC Body and Basket
- EPDM or FPM Seals
- Multiple Basket Material Options
- Ergonomic Hand-Removable Cover
- True Union Connections
- Each Strainer Includes a Standard Basket
- ½" – 1" Standard ½" Perforation
- 1 ½" – 8" Standard ⅛" Perforation
- NSF/ANSI Standard 61 Certified



Part Number	Size/Description	Carton Qty	Carton Weight (lbs.)
SB1100STE132	1" Socket/Threaded EPDM	1	7.0
SB1100ST132	1" Socket/Threaded FPM	1	7.0
SB1150STE18	1.5" Socket/Threaded EPDM	1	17.0
SB1150ST18	1.5" Socket/Threaded FPM	1	17.0
SB1200STE18	2" Socket/Threaded EPDM	1	17.0
SB1200ST18	2" Socket/Threaded FPM	1	17.0
SB1250SE18	2.5" Socket EPDM	1	31.0
SB1250S18	2.5" Socket FPM	1	31.0
SB1250TE18	2.5" Threaded EPDM	1	31.0
SB1250T18	2.5" Threaded FPM	1	31.0
SB1300SE18	3" Socket EPDM	1	24.0
SB1300S18	3" Socket FPM	1	24.0
SB1300TE18	3" Threaded EPDM	1	24.0
SB1300T18	3" Threaded FPM	1	24.0
SB1400SE18	4" Socket EPDM	1	24.0
SB1400S18	4" Socket FPM	1	24.0
SB1400TE18	4" Threaded EPDM	1	24.0
SB1400T18	4" Threaded FPM	1	24.0
SB1600FTE18	6" Flanged Only EPDM	1	122.0
SB1600FT18	6" Flanged Only FPM	1	122.0
SB1800FTE18	8" Flanged Only EPDM	1	143.0
SB1800FT18	8" Flanged Only FPM	1	143.0

True Union Solenoid Valves – SV Series

- Available in PVC and CPVC
- Available With FPM or EPDM Seals
- Continuous or 100% Duty Applications
- Corrosion-Resistant Polyester Coil
- No Pressure Differential Required for Operation
- Four-Position Electrical Connection
- ½" Conduit or SJ Type Cord Electrical Connection
- 110 VAC Is Standard
- Normally Closed Design



Part Number	Size/Description	Carton Qty	Carton Weight (lbs.)
SV20025STV	.25" CPVC Socket/Threaded FPM	1	3.0
SV20025STE	.25" CPVC Socket/Threaded EPDM	1	3.0
SV10050STV	.5" PVC Socket/Threaded FPM	1	3.3
SV10050STE	.5" PVC Socket/Threaded EPDM	1	3.3
SC20050STV	.5" CPVC Socket/Threaded FPM	1	3.3
SV20050STE	.5" CPVC Socket/Threaded EPDM	1	3.3
SV10075STV	.75" PVC Socket/Threaded FPM	1	3.5
SV10075STE	.75" PVC Socket/Threaded EPDM	1	3.5
SV20075STV	.75" CPVC Socket/Threaded FPM	1	3.7
SV20075STE	.75" CPVC Socket/Threaded EPDM	1	3.7
SV10100STV	1" PVC Socket/Threaded FPM	1	3.6
SV10100STE	1" PVC Socket/Threaded EPDM	1	3.6
SV20100STV	1" CPVC Socket/Threaded FPM	1	3.6
SV20100STE	1" CPVC Socket/Threaded EPDM	1	3.8

NOTE: Flanged connections are available. Please call for part number and pricing information.

- All Hayward® Flow Control products have a 2-year warranty as standard.
- All Hayward Flow Control items are based on a per-unit cost with the exception of all QVC Series Ball Valves, which are sold as bag quantities ONLY. If bag quantities are broken, there will be a 25% upcharge.
- All Flow Control products manufactured are in compliance with ISO 9001:2008 standards.



Backed by Hayward Flow Control's Exclusive Two-Year Warranty



COMMERCIAL WHITE GOODS

Complementing our extensive Residential line of white goods, Hayward® offers a wide variety of Commercial white goods products that provide premium features and years of long-lasting performance. Our SkimMaster® and Auto-Skim™ Series skimmers offer multiple configurations for plumbing and have an extra-large capacity collection basket for debris removal.

Hayward provides suction outlets with some of the industry's highest approved flow rates for use in new commercial pool and spa construction or retrofit into existing Hayward frames. All of our suction outlets are VGB compliant and tested to ANSI/APSP-16 standards in addition to meeting CPSC requirements.

VGB Act-Compliant High-Flow and Low-Velocity Drain Covers

High-Flow and Low-Velocity suction outlets provide multiple options for accommodating various design flow rates as well as ANSI/APSP-16 standards. Models are available in 9" x 9", 12" x 12" and 18" x 18" to satisfy installation requirements for commercial pools and spas. Each suction outlet cover includes a certificate of compliance and is embossed with the VGB logo and 7 year life.



	Part Number	Size/Description	Carton Qty	Carton Weight (lbs.)
Low-Velocity	WG1031LV2PAK2	Cover, Inner Frame and Outer Frame 9" x 9"	4	18.0
	WG1032LV2PAK2	Cover, Inner Frame and Outer Frame 12" x 12"	4	30.0
	WG1033LV2PAK2	Cover, Inner Frame and Outer Frame 18" x 18"	2	31.0
	WG1061LV2PAK2	3" Suction Outlet Sump with Cover 9" x 9"	1	6.0
High-Flow	WG1031HF2PAK2	Cover, Inner Frame and Outer Frame 9" x 9"	4	18.0
	WG1032HF2PAK2	Cover, Inner Frame and Outer Frame 12" x 12"	4	30.0
	WG1033HF2PAK2	Cover, Inner Frame and Outer Frame 18" x 18"	2	31.0
	WG1061HF2PAK2	3" Suction Outlet Sump with Cover 9" x 9"	1	6.0



Auto-Skim™ Series Skimmers

Our Auto-Skim Series skimmers are designed for demanding commercial and residential applications providing precision, large capacity and automatic surface skimming. They are molded from noncorrosive, nonconductive ABS material.

- Optional float/bypass valve
- Stackable notched extension collar allows infinite vertical adjustment
- NSF Certified (approved when used with commercial cover and equalizer)



	Part Number	Size/Description	Carton Qty	Carton Weight (lbs.)
Auto-Skim Series	SP1082*	Auto-Skim Square Skimmer 2" Fit in Place 5 1/4" Throat	1	10.0
	SP1084**	Auto-Skim Square Skimmer 2" Fit in Place 8 1/2" Throat	1	13.0
	SP1084R**	Auto-Skim Round Skimmer 2" Fit in Place 8 1/2" Throat	1	13.0
Auto-Skim Wide Track Series	SP10852*	Auto-Skim Square Skimmer 1 1/2" Fit in Place 9 1/4" Throat	1	16.0
	WG1082E***	NSF Listed Replacement Cover for SP1080 Series Skimmers	10	15.0
	SP1080FVEKIT	Float Valve and Equalizer Kit for SP1080 Series Skimmers	10	12.0

NOTE: Hayward Recommends additionally adding the float valve and equalizer kit for commercial applications.

*Available in Dark Gray. Add suffix DGR to model number.

**Available in Dark Gray. To order Dark Gray, add suffix DGR to part number. The "R" designation indicates round collar and cover assembly. OM designation indicates thru-wall, outside mount for metal wall installations.

***This part number must be ordered with any of the part numbers above to ensure it is NSF Certified.

SkimMaster® Series Skimmers

Our SkimMaster Series is a non-corrosive, large capacity automatic surface skimmer featuring a round, tamper-proof access cover, self-adjusting 8-inch weir with stainless steel spring for added strength, dual outlets and threaded internal connections for pressure testing. The optional float/bypass valve provides a suction outlet through skimmer system and an automatic pump bypass for low water conditions. No glue is used in manufacturing, ensuring maximum strength and longevity.

- Adjustable deck collar and access cover
- Large debris basket and multiple plumbing connections for easier connections
- Automatic bypass for low water conditions



Part Number	Description/Size	Carton Qty	Carton Weight (lbs.)
SP10712S*	SkimMaster Round Skimmer 2" Socket with Overflow Port 4 1/2" Throat	1	8.0
SP1070SQ	SkimMaster Square Skimmer 1 1/2" Fit in Place 4 1/2" Throat	1	8.0
SP10712SSQ	SkimMaster Square Skimmer 2" Socket 4 1/2" Throat	1	8.0
WG1070C**	NSF Listed Replacement Cover for SP1070 Series Skimmers	10	15.0
SP1070FVEKIT	Float Valve and Equalizer Kit for SP1070 Series Skimmers	10	12.0

*Available in Gray, Dark Gray and Black. To order specific colors, add suffix GR for Gray, DGR for Dark Gray and BLK for Black. Also available with tan collar and cover, add suffix 10 to model number. For skimmer packaged with float valve, add suffix FVA to model number.

**This part number must be ordered with any of the part numbers above to ensure it is NSF Certified.

Specify Hayward

The information you're looking for is just a click away.

For more information and access to all design resources and Commercial Pool Product specifications, visit Hayward.com/CommercialPoolSpecifications.

- CAD Drawings
- Bid Specifications
- Technical Data
- Product Images
- Certifications

Hayward Resources:
Hayward.com/CommercialPoolSpecifications



Commercial POOLSIDE News eNewsletter

Stay on the cutting edge of commercial pools and spas.

Sign up to stay current on all Hayward Commercial Pool advancements. Each Commercial POOLSIDE News issue will highlight new product launches, industry events, tricks, tips and more. Sign up today at Hayward.com/CommercialPoolsideNews.

Sign Up Today:
Hayward.com/CommercialPoolsideNews







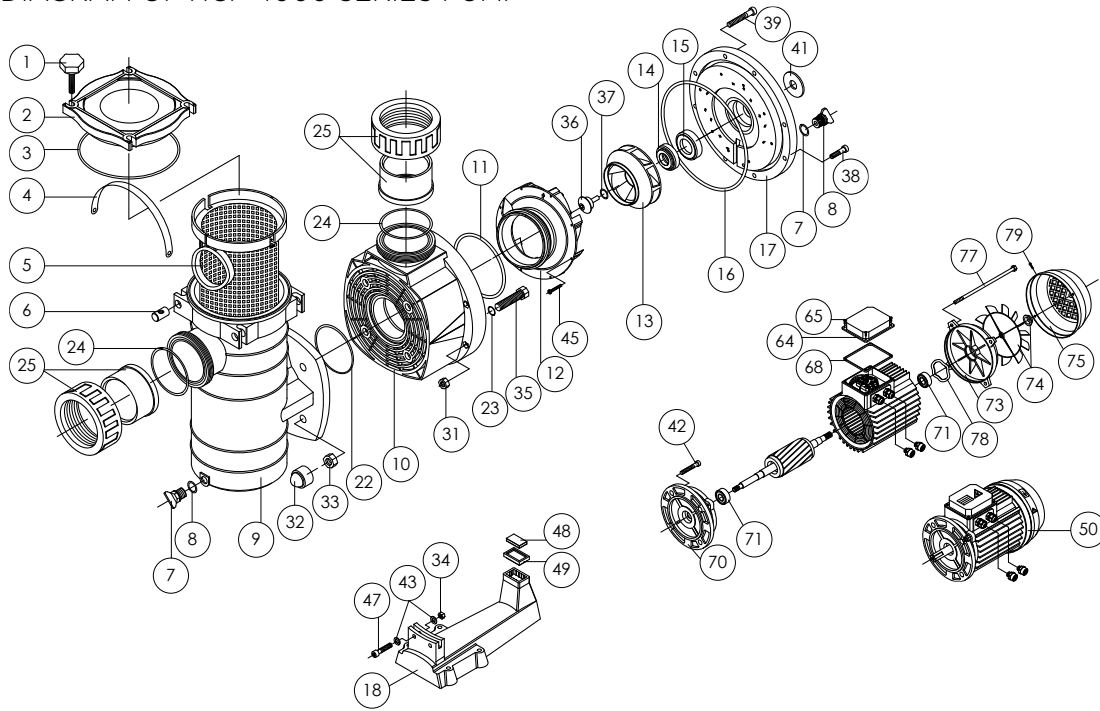
Hayward® Commercial Pool

REPLACEMENT PARTS

- 382 Commercial Pumps
- 386 Commercial Filters
- 389 Commercial Automation
- 390 Commercial Sanitization
- 392 Commercial Heaters
- 394 Commercial Cleaners
- 402 Commercial Flow Control

COMMERCIAL PUMPS

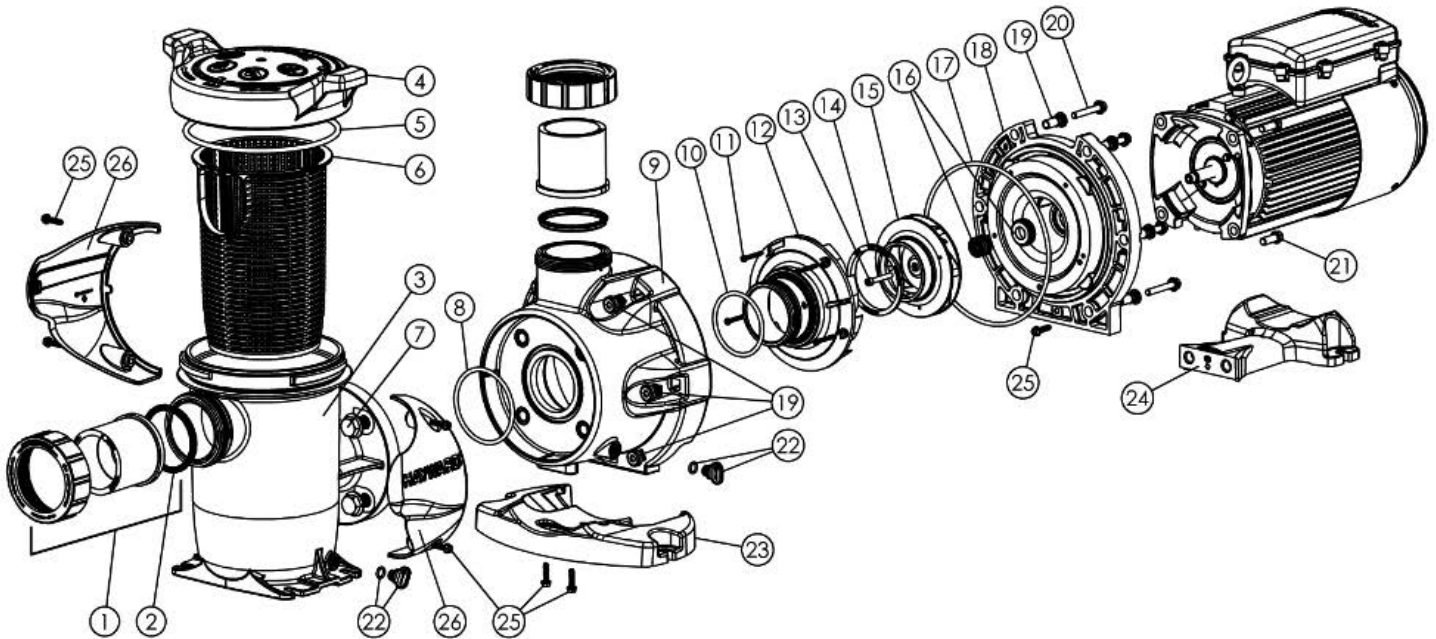
EXPLODED DIAGRAM OF HCP 4000 SERIES PUMP



Part Number	Size / Description	List Price	GTIN	Components	Drawing Number	Carton Qty
HCP 4000 SERIES						
HCXP6000A	Lid Bolt Set	\$96.18	0610377136143	Cover Screw Pin	1 6	1
HCXP6001A	Pump Lid	\$286.71	0610377136150	Pump Lid Pump Lid O-ring	2 3	1
HCXP6002A	Filter Basket	\$339.94	0610377136167	Filter Basket Handle	5 4	1
HCXP6004A	Seal Set	\$121.69	0610377136181	Diffuser Gasket Seal - spring Seal - ceramic Flange O-ring Impeller O-ring	11 14 15 16 37	1
HCXP6005A	Diffuser (HCP55/HCP75)	\$270.11	0610377136198	Diffuser 501/751 Screw DIN 7985 M3-45	12 45	1
HCXP6006A	Diffuser (HCP100/HCP125)	\$270.11	0610377136204	Diffuser 1001/1251 Screw DIN 7985 M3-45	12 45	1
HCXP6007A	Impeller HCP55	\$486.20	0610377136211	Impeller 501 - 60Hz Impeller Stopper Impeller O-ring	13 36 37	1
HCXP6008A	Impeller HCP75	\$486.20	0610377136228	Impeller 751 - 60Hz Impeller Stopper Impeller O-ring	13 36 37	1
HCXP6009A	Impeller HCP100	\$486.20	0610377136235	Impeller 1001 - 60Hz Impeller Stopper Impeller O-ring	13 36 37	1
HCXP6010A	Impeller HCP125	\$486.20	0610377136242	Impeller 1251 - 60Hz Impeller Stopper Impeller O-ring	13 36 37	1
HCXP6011A	Pump Casing	\$740.56	0610377136259	Pump Casing O-ring Screw Pump Casing 16 x 3 O-ring Pump Casing 124 x 4	17 23 22	1
HCXP6012A	Pump Support	\$89.43	0610377136266	Pump Support Rubber Pad Supplement	18 48 49	1

Part Number	Size / Description	List Price	GTIN	Components	Drawing Number	Carton Qty
HCP 4000 SERIES, continued						
HCXP6013A	Drain Plug Set	\$15.81	0610377136273	Drain Drain O-ring	7 8	1
HCXP6014A	Pump Lid O-ring	\$17.33	0610377136280	Pump Lid O-ring	3	1
HCXP6015A	Diffuser O-ring	\$49.44	0610377136297	Diffuser Gasket	11	1
HCXP6016A	Flange O-ring	\$30.43	0610377136303	Pump Casing O-ring	16	1
HCXP6017A	Seal Plate	\$309.68	0610377136310	Plastic Flange	17	1
HCXP6018A	Seal Plate Screw Set	\$65.47	0610377136327	Nut DIN 934 M10 Screw DIN 912 M10 x 30 Screw DIN 912 M10 x 130	31 38 39	1
HCXP6019A	Union Connection Set (Qty of 2)	\$302.54	0610377136334	O-ring Tail Piece & Nut	24 25	1
HCXP6020A	Motor Mounting Screws (Qty of 4)	\$37.82	0610377136341	Screw DIN 933 M10 x 25	42	1
HCXP6021A	Pump Casing Bolts (Qty of 4)	\$76.87	0610377136358	Screw DIN 933 M16 x 40 Nut DIN 934 M16 O-ring 16 x 3 Cover Screw	10 33 23 32	1
HCXP6022A	Pump Strainer Body	\$1,166.93	0610377136365	Filter Basket Body O-ring Pump Casing 124 x 4	9 22	1
HCXP6023A	Pump Support Bolt Set	\$37.82	0610377136372	Screw DIN 912 M8 x 40 Washer DIN 125 M8 Nut DIN 934 M8	47 43 34	1
HCXP6024A	Kit Adaptor PG21 - 3/4" (Qty of 2)	\$121.34	0610377136389	PG21 by 3/4" NPT Adaptor	—	1
HCXP6025A	Strain Body O-ring	\$19.82	0610377209793	O-ring Pump Casing 124 x 4	22	1
HCXP55MOTOR	HCP55 Motor	\$3,059.77	0610377136396	Motor 60Hz HCP 55	50	1
HCXP75MOTOR	HCP75 Motor	\$4,109.23	0610377136402	Motor 60Hz HCP 75	50	1
HCXP100MOTOR	HCP100 Motor	\$4,218.09	0610377136419	Motor 60Hz HCP 100	50	1
HCXP125MOTOR	HCP125 Motor	\$4,759.96	0610377136426	Motor 60Hz HCP 125	50	1
HCXP6050A	Bearings Set - HCP55	\$265.98	0610377136433	Bearing HCP 55	71	1
HCXP6051A	Bearings Set - HCP75/100/125	\$376.31	0610377136440	Bearing HCP 75/100/125	71	1
HCXP6055A	Motor Cover - HCP55	\$262.63	0610377136457	For HCP 55 - 60Hz	73	1
HCXP6056A	Motor Cover - HCP75/100/125	\$335.41	0610377136464	For HCP 75/100/125 - 60Hz	73	1
HCXP6060A	Fan - HCP55	\$92.39	0610377136471	Fan for HCP 55 - 60Hz Clamp	74	1
HCXP6061A	Fan - HCP75/100/125	\$155.44	0610377136488	Fan for HCP 75/100/125 - 60Hz Clamp	74	1
HCXP6065A	Fan Cover - HCP55	\$100.71	0610377136495	Fan Cover for HCP 55 - 60Hz Fan Cover Screw	75 79	1
HCXP6066A	Fan Cover - HCP75/100/125	\$140.30	0610377136501	Fan Cover for HCP 75/100/125 - 60Hz Fan Cover Screw	75 79	1
HCXP6070A	Motor Flange - HCP55	\$413.07	0610377136518	Motor Flange HCP 55	70	1
HCXP6071A	Motor Flange - HCP75/100/125	\$636.65	0610377136525	Motor Flange HCP 75/100/125	70	1
HCXP6075A	Electrical Connection Lid	\$141.16	0610377136532	Connection Box Lid Lid Screw Motor Connection Box Gasket	64 65 68	1
HCXP6052A	Washer Set - HCP55	\$37.82	0610377136549	Compensation Washer Set 6207	78	1
HCXP6053A	Washer Set - HCP75/100/125	\$37.82	0610377136556	Compensation Washer Set 6208	78	1
HCXP6077A	Motor Tie Rods - HCP55 (Qty of 4)	\$50.28	0610377136563	Motor Screws HCP 55 Motor 60Hz	77	1
HCXP6078A	Motor Tie Rods - HCP75/100 (Qty of 4)	\$52.87	0610377136570	Motor Screws HCP 75/100 Motor 60Hz	77	1
HCXP6079A	Motor Tie Rods - HCP125 (Qty of 4)	\$62.25	0610377136587	Motor Screws HCP 125 Motor 60Hz	77	1

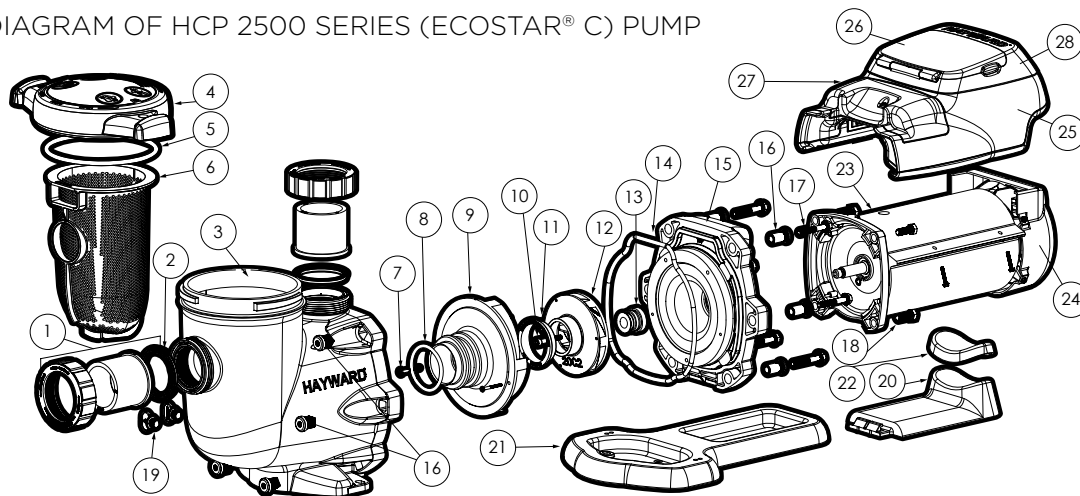
EXPLODED DIAGRAM OF HCP 3000 SERIES PUMP



Part Number	Size / Description	List Price	Drawing Number	Carton Qty
HCP 3000 SERIES				
HCXP3000UNKIT	Union Connector Kit (Includes Union Nut, Union Connector, Union Gasket - 2 each)	\$119.65	1	*
HCXP3000UG	Union Gasket	\$23.62	2	*
HCXP3000H	Strainer Housing with Drain Plug	\$257.54	3	*
HCXP3000DLS	Strainer Cover Kit (Includes Strainer Cover, Lock Ring, O-ring)	\$85.18	4	*
SPX4000S	Strainer Cover O-ring	*	5	*
HCXP3000M	Strainer Basket	\$60.56	6	*
HCXP3000Z3	Strainer Housing Flange Bolt/Washer - 4 each	\$35.93	7	*
HCXP343V70	Strainer Housing Flange O-ring	\$11.31	8	*
HCXP3000A	Pump Housing w/Drain Plug	\$144.28	9	*
HCXP338V60	Diffuser O-ring	\$26.09	10	*
SPX2700Z3SSPAK4	Diffuser Screws (4 Pack)	\$21.16	11	*
HCXP3000B	Diffuser, 2 - 5 HP	\$119.65	12	*
HCXP3000B2	Diffuser, 7 HP	\$144.28	12	*
SPX3200Z1	Impeller Screw	*	13	*
HCXP3000R	Impeller Ring, 2 - 5 HP	\$11.31	14	*
HCXP3001R	Impeller Ring, 7 HP	\$11.31	14	*
HCXP3020C	2 HP Impeller with Impeller Screw	\$70.41	15	*
HCXP3030C	3 HP Impeller with Impeller Screw	\$77.79	15	*
HCXP3050C	5 HP Impeller with Impeller Screw	\$82.72	15	*
HCXP3070C	7 HP Impeller with Impeller Screw	\$87.64	15	*
SPX4000SAV	Shaft Seal Assembly	*	16	*
HCXP369V70	Pump Housing O-ring	\$11.31	17	*
HCXP3000E	Seal Plate	\$119.65	18	*
SPX3200Z211	Housing Insert/Seal Plate Spacer - 6 each	*	19	*
SPX3200Z3	Housing Bolt	*	20	*
SPX3200Z34PAK4	Motor Bolt (4 Pack)	\$23.62	21	*
SPX4000FG	Drain Plug with O-ring	*	22	*
HCXP3000F	Pump Housing Base	\$48.25	23	*
HCXP3000G	Motor Support Base	\$48.25	24	*
SPX1600Z5SSPAK7	Base Screws (7 Pack)	*	25	*
HCXP3000N-251	Right and Left Side Plate Set, Blue Color	\$55.63	26	*
HCXP3000N-250	Right and Left Side Plate Set, Platinum Color	\$55.63	26	*

*Missing prices and carton quantities will be confirmed by January 1, 2017. See Hayward.com for details.

EXPLODED DIAGRAM OF HCP 2500 SERIES (ECOSTAR® C) PUMP

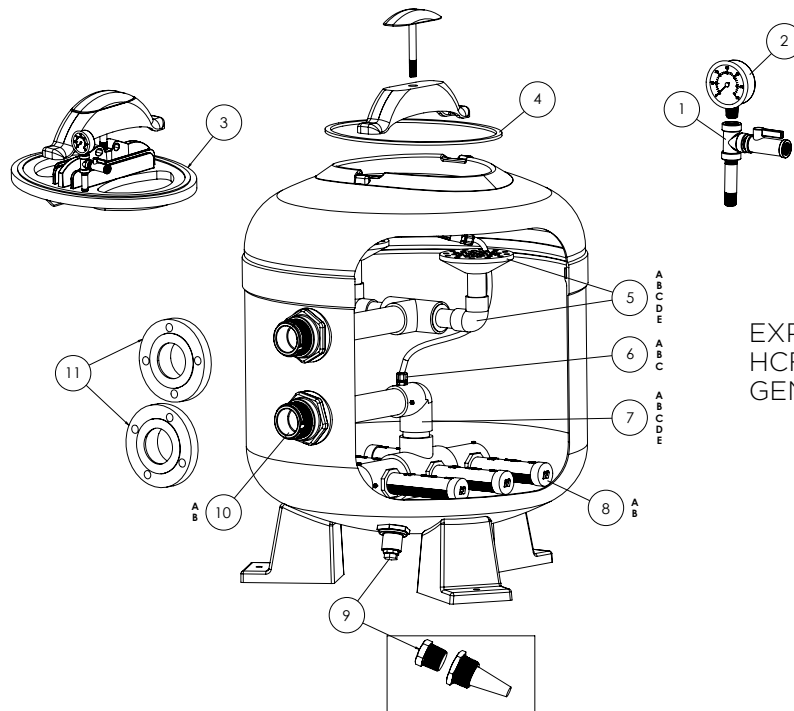


Part Number	Size / Description	List Price	GTIN	Drawing Number	Carton Qty
HCP 2500 SERIES (ECOSTAR® C)					
SPX3200UNKIT	Union Connector Kit (Includes Union Nut, Union Connector, Union Gasket) (Qty of 2)	\$42.47	0610377912068	1	1
SPX3200UG	Union Gasket, 50D EPDM (Qty of 2)	\$11.08	0610377912075	2	1
SPX3200A	Pump Strainer Housing, 2" x 2-1/2" w/Drain Plugs, Threaded Style	\$270.75	0610377911900	3	1
SPX3200DLS	Strainer Cover Kit (Includes Strainer Cover, Lock Ring, O-ring)	\$72.24	0610377911948	4	10
SPX3200DLSB	Strainer Cover Kit (Biguanide Sanitizer Applications Only: Not Pressure Testable)	\$72.24	0610377059619	—	10
SPX3200S	Strainer Cover O-ring	\$12.36	0610377911993	5	10
SPX3200M	Strainer Basket	\$16.65	0610377911979	6	15
SPX3200Z8	Diffuser Screw	\$9.73	0610377912051	7	1
SPX4000Z1	Diffuser O-ring	\$11.08	0610377563666	8	10
SPX3200B3	Diffuser	\$35.80	0610377911924	9	1
SPX3200Z1	Impeller Screw	\$6.06	0610377912013	10	1
SPX3021R	Impeller Ring	\$5.17	0610377041393	11	1
SPX3220C	Impeller for 2 HP w/Impeller Screw	\$46.00	0610377912129	12	10
SPX3200SA	Shaft Seal Assembly	\$22.90	0610377013123	13	10
SPX3200T	Housing O-ring	\$9.58	0610377912006	14	10
SPX3200E	Seal Plate	\$46.73	0610377911955	15	1
SPX3200Z211	Housing Insert/Seal Plate Spacer Kit	\$21.20	0610377912020	16	1
SPX3200Z3	Housing Bolt	\$3.99	0610377912037	17	10
SPX3200Z5	Motor Bolt	\$7.53	0610377912044	18	1
SPX4000FG	Drain Plug w/O-ring	\$3.87	0610377551908	19	10
SPX3200GA	Bracket, Motor Support	\$36.27	0610377911962	20	1
SPX3200WF	Riser Base, Pentair® WhisperFlo®	\$34.96	0610377032605	21	1
SPX3200SR	Riser Base, Sta-Rite® Max-E-Pro™ Max-E-Glas®, Dura-Glas® and Dura-Glas II®	\$34.30	0610377032674	21	1
SPX3200Q	Adapter-Motor Support	\$8.99	0610377134408	22	10
SPX3400Z1ECM	Motor Assembly	\$678.24	0610377134453	23	1
SPX3400FAN	Motor Fan Shroud	\$27.31	0610377134507	24	5
HCXP3400DR	Motor Drive	\$1,573.53	0610377141048	25	1
HCXP3400DRVR	Motor Drive, SVRS	\$1,853.30	0610377141055	25	1
SPX3400DR4	Motor Drive Display Cover, Black	\$36.39	0610377134415	26	5
HCXP3400DR4C	Motor Drive Display Cover, Clear	\$40.06	0610377141062	26	5
SPX3400DR2	Motor Drive Wiring Cover	\$76.77	0610377134422	27	5
HCXP3400LCD	Digital Control Interface Assembly	\$481.16	0610377141079	28	1
SPX3400DRKIT	Wall Mount Kit	\$103.17	0610377135474	—	5

HCP 2000 SERIES (TRISTAR®) PUMP

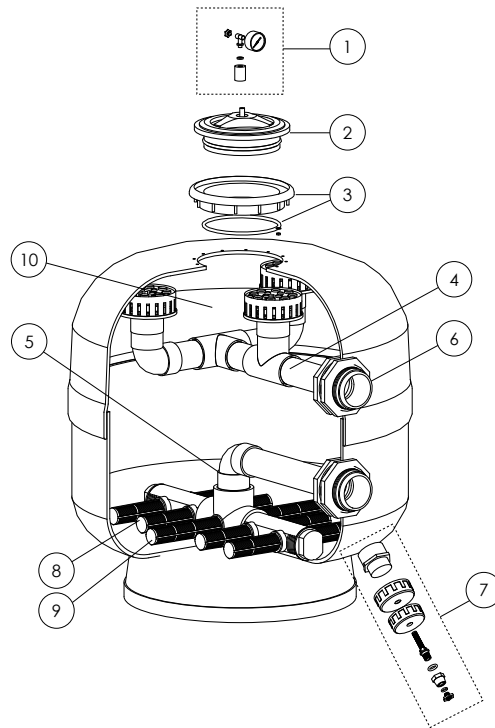
Refer to Parts Information in the Residential section on page 146

COMMERCIAL SAND FILTERS



EXPLODED DIAGRAM OF HCF SERIES NEXT GENERATION FILTER

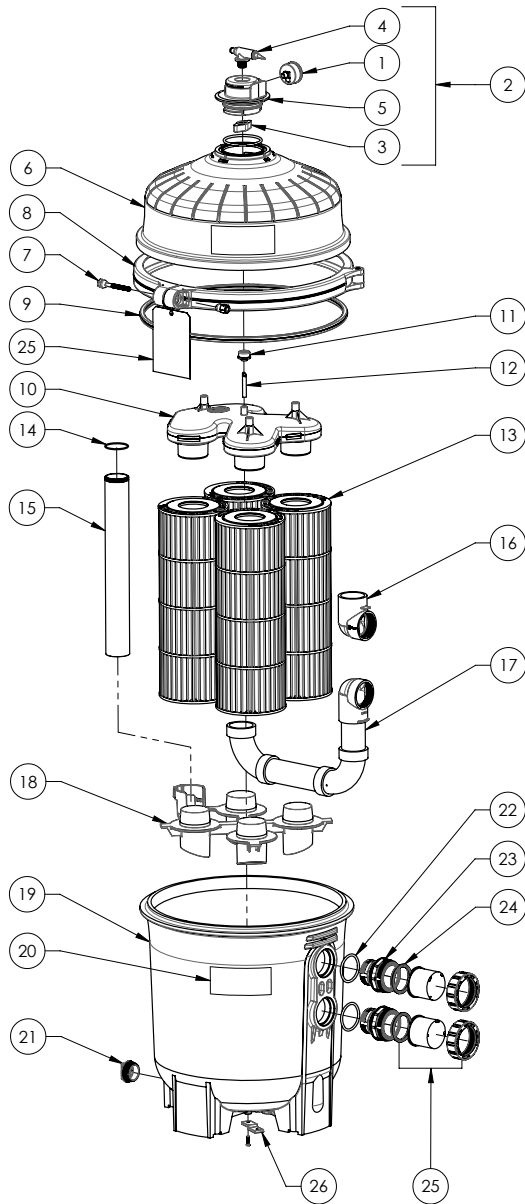
Part Number	Size / Description	List Price	GTIN	Drawing Number	Carton Qty
HCF SERIES NEXT GENERATION SAND FILTER					
HCXFARV1000	External Air Relief Valve Assembly	\$49.10	0610377234689	1	1
HCXFPGB1000	Pressure Gauge - 1/4" BTM MT	\$19.62	0610377227353	2	1
HCXFMWC1000	Manway Cover Assembly (does not include air relief & gauge)	\$517.13	0610377242868	3	1
HCXFMCG1000	Manway Cover Gasket	\$37.67	0610377235105	4	1
HCXFDMA1000	Distribution Manifold Assembly (HCF302T)	\$432.65	0610377242776	5a	1
HCXFDMA1001	Distribution Manifold Assembly (HCF342T)	\$531.19	0610377242783	5b	1
HCXFDMA1002	Distribution Manifold Assembly (HCF343T, HCF343F)	\$596.34	0610377242837	5c	1
HCXFDMA1003	Distribution Manifold Assembly (HCF362T)	\$531.63	0610377242844	5d	1
HCXFDMA1004	Distribution Manifold Assembly (HCF363T, HCF363F)	\$640.98	0610377242851	5e	1
HCXFARA1000	Internal Air Relief Assembly (HCF302T)	\$96.50	0610377242561	6a	1
HCXFARA1001	Internal Air Relief Assembly (HCF342T, HCF343T, HCF343F)	\$98.61	0610377242592	6b	1
HCXFARA1002	Internal Air Relief Assembly (HCF362T, HCF363T, HCF363F)	\$98.61	0610377242608	6c	1
HCXFCMA1000	Collector Manifold Assembly (HCF302T)	\$429.94	0610377242707	7a	1
HCXFCMA1001	Collector Manifold Assembly (HCF342T)	\$439.72	0610377242714	7b	1
HCXFCMA1002	Collector Manifold Assembly (HCF343T, HCF343F)	\$465.13	0610377242738	7c	1
HCXFCMA1003	Collector Manifold Assembly (HCF362T)	\$435.95	0610377242745	7d	1
HCXFCMA1004	Collector Manifold Assembly (HCF363T, HCF363F)	\$498.05	0610377242752	7e	1
HCXFCLK1000	Lateral Kit (HCF302T)	\$193.86	0610377242677	8a	1
HCXFCLK1001	Lateral Kit (HCF342T, HCF343T, HCF343F, HCF362T, HCF363T, HCF363F)	\$245.00	0610377242684	8b	1
HCXFDA1000	Drain Fitting Assembly	\$145.82	0610377242769	9	1
HCXFBFA1000	Bulkhead Fitting Assembly (HCF302T, HCF342T, HCF362T)	\$60.01	0610377227322	10a	2
HCXFBFA1001	Bulkhead Fitting Assembly (HCF343T, HCF343F, HCF363T, HCF363F)	\$125.31	0610377227315	10b	2
HCXFFFK1000	Filter Flange Kit 3" (HCF343F, HCF363F)	\$147.69	0610377227346	11	2



EXPLODED DIAGRAM OF HCF SERIES SAND FILTER

Part Number	Size / Description	List Price	GTIN	Drawing Number	Carton Qty
HCF SERIES SAND FILTER					
HCXF2780001	Gauge Assembly	\$59.02	0610377132190	1	1
HCXF2780002	Filter Lid	\$260.78	0610377132206	2	1
HCXF2780003	Neck Assembly w/Hardware	\$159.34	0610377132213	3	1
HCXF2780004	Drain Assembly	\$106.84	0610377132220	7	1
HCXF2780243	Diffuser Assembly, HCF302, Single	\$168.67	0610377132237	4	1
HCXF2780244	Lateral Manifold, 30," HCF302	\$202.40	0610377132244	5	1
HCXF1645143	Diffuser Assembly, HCF363, Triple	\$517.25	0610377132251	4	1
HCXF1645144	Lateral Manifold, 36," HCF363	\$236.13	0610377132268	8, 9	1
HCXF27802LAT	Lateral Kit, 30," HCF302	\$71.97	0610377132275	8, 9	1
HCXF27857LAT	Lateral Kit, 36," HCF362	\$81.53	0610377132282	8, 9	1
HCXF16451LAT	Lateral Kit, 36," HCF363	\$81.53	0610377132299	8, 9	1
HCXF2785743	Diffuser Assembly, HCF362, Triple	\$493.69	0610377132305	4	1
HCXF2785744	Lateral Manifold, 36," HCF362	\$219.29	0610377132312	5	1

COMMERCIAL CARTRIDGE FILTERS



EXPLODED DIAGRAM OF HCF SERIES CARTRIDGE FILTER

Part Number	Size / Description	List Price	GTIN	Drawing Number	Carton Qty
HCF SERIES CARTRIDGE FILTER					
ECX2712B1	Pressure Gauge	\$20.09	0610377809702	1	10
DEX2420Z8A	O-ring Kit (Set of 2)	\$25.24	0610377619578	2	10
CCX1000N	Air Relief Valve Nut	\$3.32	0610377845663	3	10
CCX1000V	Manual Air Relief w/O-ring	\$10.29	0610377845649	4	1
DEX2420MAR2	Manual Air Relief Assembly	\$131.41	0610377011105	5	1
DEX7220B3C	Upper Filter Body HCF7030C	\$707.39	0610377121439	6	1
DEX2421J2	Clamp Bolt & Nut	\$30.29	0610377105989	7	10
DEX2421JKIT	Clamp System (Includes Clamp, Clamp Nut & Bolt, Hang Tag, Metal Reinforced Seal and Labels)	\$356.66	0610377105972	8	1
DEX2422Z2	Metal Reinforced Seal	\$59.07	0610377105996	9	1
CX5030C	Top Manifold HCF7030C	\$78.08	0610377139571	10	1
CX3000J1	Air Relief Filter	\$13.12	0610377129206	11	1
CX2030Z3	Air Relief Tube	\$10.49	0610377139588	12	1
CX591XRE	Cartridge Element (8 Required)	\$76.01	0610377138543	13	1
CX591XREPAK4	Cartridge Elements (4 Pack)	\$288.85	0610377188166	—	1
CX7020M	Mid Plate Connector HCF7030C	\$57.13	0610377770699	—	1
DEX2400Z5	O-ring	\$4.97	0610377021135	14	1
CX3031F10	Outlet Pipe HCF7030C	\$44.20	0610377210065	15	1
CX3030F	Inlet Elbow	\$9.50	0610377210225	16	5
CX3030H	Assy, SwimClear™ Piping	\$89.23	0610377210232	17	1
CX3030D	Bottom Seal Plate	\$48.90	0610377139649	18	1
DEX2420A3C	Lower Filter Body	\$664.97	0610377121422	19	1
DEX2420LA6PAK	Label Pack (Includes All Warning & Operation Labels, Hang Tag, Wire Tie, Owner's Manual)	\$26.45	0610377106009	20	1
SPI022CBLK	1-1/2" Drain Plug w/ O-ring (Black)	\$1.45	0610377762106	21	100
SX220Z2	O-ring	\$8.84	0610377055048	22	1
CX3035F	Bulkhead Fitting	\$27.36	0610377139656	23	1
SPX3200UG	Union Gasket (T-Seal)	\$11.08	0610377912075	24	1
SPX3200UNKIT	Union Connection Kit (Includes Nut, Connector, Gasket)	\$42.47	0610377912068	25	1
DEX2420DCKIT	Strap Kit (Optional)	\$42.03	0610377618496	26	1

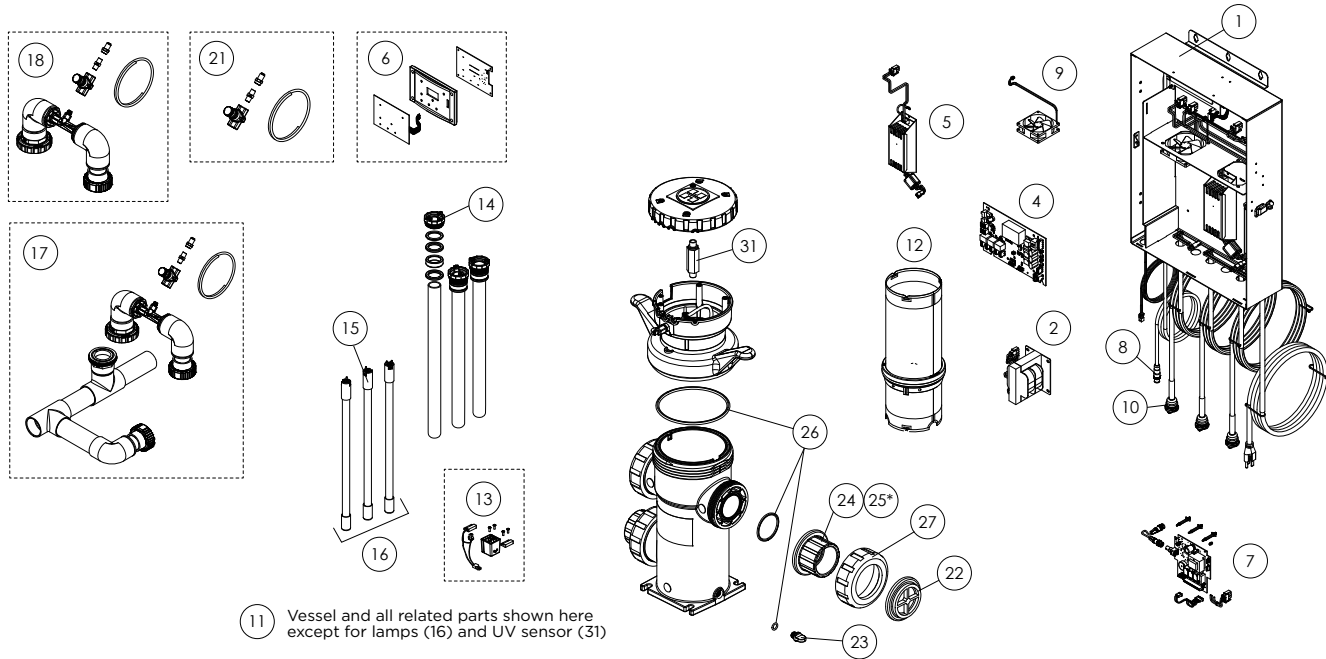
COMMERCIAL AUTOMATION

Part Number	Size / Description	List Price	GTIN	Carton Qty
CAX-20100	5 Amp Fuse	\$37.94	0761418012510	1
CAX-20101	1 Amp Fuse	\$37.70	0761418012527	1
CAX-20102	4 Amp Fuse	\$38.14	0761418012534	1
CAX-20275	10 Amp Fuse	\$38.56	0761418013135	1
CAX-20104	24 VAC Conversion Kit	\$58.13	0761418012558	1
CAX-20105	110 VAC Pigtail	\$51.14	0761418012565	1
CAX-20106	Enclosure Clear Cover	\$271.74	0761418012572	1
CAX-20109	Thermal Printer w/Serial Interface	\$1,630.34	0761418012602	1
CAX-20110	Thermal Printer Paper Per Roll	\$27.16	0761418012619	1
CAX-20269	Thermal Printer Cable	\$181.15	0761418013074	1
CAX-20150	Replacement Coil For AC015 or AC018	\$249.73	0761418012626	1
CAX-20151	1/8" SS Solenoid Valve	\$271.74	0761418012633	1
CAX-20152	Replacement CO ₂ Injector	\$72.47	0761418012640	1
CAX-100DM	Stenner Adjustable Double Head Pump	\$1,589.02	0761418012657	1
CAX-AK4010W	Stenner Lead Tube - White 100' x 1/4"	\$100.51	0761418012688	1
CAX-UCCP201-1	Stenner #1 Pump Tube (Qty of 2)	\$80.59	0761418013340	1
CAX-UCCP201-2	Stenner #2 Pump Tube (Qty of 2)	\$80.59	0761418013357	1
CAX-UCCP201-3	Stenner #3 Pump Tube (Qty of 2)	\$80.59	0761418013364	1
CAX-UCCP201-4	Stenner #4 Pump Tube (Qty of 2)	\$80.59	0761418013371	1
CAX-UCCP201-5	Stenner #5 Pump Tube (Qty of 2)	\$80.59	0761418012695	1
CAX-MCCP201-1	Stenner #1 Pump Tube (Qty of 5)	\$178.20	0761418013388	1
CAX-MCCP201-2	Stenner #2 Pump Tube (Qty of 5)	\$178.20	0761418013395	1
CAX-MCCP201-3	Stenner #3 Pump Tube (Qty of 5)	\$178.20	0761418013401	1
CAX-MCCP201-4	Stenner #4 Pump Tube (Qty of 5)	\$178.20	0761418013418	1
CAX-MCCP201-5	Stenner #5 Pump Tube (Qty of 5)	\$178.20	0761418013425	1
CAX-20200	Pressure Switch Complete w/Cable	\$144.93	0761418012718	1
CAX-20201	Pressure Switch Only	\$72.47	0761418012725	1
CAX-20202	Flow Sensor Cable Only	\$72.47	0761418012732	1
CAX-20203	Rotary Flow Sensor	\$452.87	0761418012749	1
CAX-20204	Clear Lens and O-ring	\$90.59	0761418012756	1
CAX-20205	Blue Rotor and Ceramic Pin	\$90.59	0761418012763	1
CAX-20206	Float Style Flow Switch For Molded Flow Cell	\$90.59	0761418012770	1
CAX-20250	Probe Adaptor For Professional Series Sensors	\$44.47	0761418012787	1
CAX-20251	Flow Cell Kit w/o Rotary Flow Sensor	\$724.58	0761418012794	1
CAX-50251	Flow Cell Kit w/o Rotary Flow Sensor for Cond.	TBD	TBD	1
CAX-20252	3/8" OD Blue Flexible Tubing by the Foot	\$6.50	0761418012800	1
CAX-20271	3/8" OD Black UV Flexible Tubing by the Foot	\$1.18	0761418013432	1
CAX-20253	1/4" NPTM x 3/8" OD Speedfit Connectors	\$10.88	0761418012817	1
CAX-20254	1/4" Asahi Ball Valves	\$72.47	0761418012824	1
CAX-20255	1/4" Check Valve	\$39.69	0761418012831	1
CAX-20256	1/4" In-Line Strainer	\$66.33	0761418012848	1
CAX-20257	Flow Cell Arm Assembly	\$108.69	0761418012855	1
CAX-20258-1	PVC Backboard 10" x 14"	\$181.15	0761418012947	1
CAX-20258-2	PVC Backboard 16" x 16"	\$181.15	0761418012930	1
CAX-20258-3	PVC Backboard 16" x 21"	\$181.15	0761418012954	1
CAX-20258-4	PVC Backboard 24" x 24"	\$181.15	0761418012961	1
CAX-20260	1/4" Parker Straight Valve	\$72.47	0761418012886	1
CAX-20272	Flow Cell, Molded	\$72.47	0761418013449	1
CAX-50272	Flow Cell, Molded for Conductivity Sensor	TBD	TBD	1
CAX-20273	Cover Replacement Cover - CO ₂	\$84.88	0761418013111	1
CAX-20274	Probe Storage Cap	\$42.60	0761418013128	1
CAX-20276	Screen for 1/4" In-Line Strainer	\$9.31	0610377143233	1
CAX-3504	AC035 - PVC Crystal Suction Tube (Soft/Clear) (13' Roll)	\$23.27	0610377205504	1
CAX-3505	AC035 - PVC Crystal Suction Tube (Soft/Clear) (300' Roll)	\$154.61	TBD	1
CAX-3506	AC035 - PP Injection Check Valve (Qty of 3)	\$113.14	0610377186421	1
CAX-3508	AC035 - 3 x 7 Santoprene* Feed Tube 6.14GPD	\$27.65	0610377205528	1
CAX-3509	AC035 - Roller Assembly	\$29.89	0610377205535	1
CAX-3510	AC035 - Foot Filter - Weighted Suction Strainer - Polypropylene - w/Ceramic Weight	\$17.90	0610377233002	1
CAX-3511	AC035 - Next Gen. 1/4" Injection Check Valve	\$47.77	0610377261692	1
CAX-3512	AC035 - 3 x 7 Santoprene Feed Tube - 31GPD	\$27.65	0610377261708	1
CAX-3513	AC035 - Clear Front Cover	\$17.61	0610377258692	1
HCC015	HCC2000 pH Sensor - w/Hayward® Label	\$422.11	0610377142144	1
HCC025	HCC2000 ORP Sensor - w/Hayward Label	\$422.11	0610377142151	1
HCC025AU	HCC2000 ORP Sensor Gold - w/Hayward Label	\$422.11	0610377142168	1

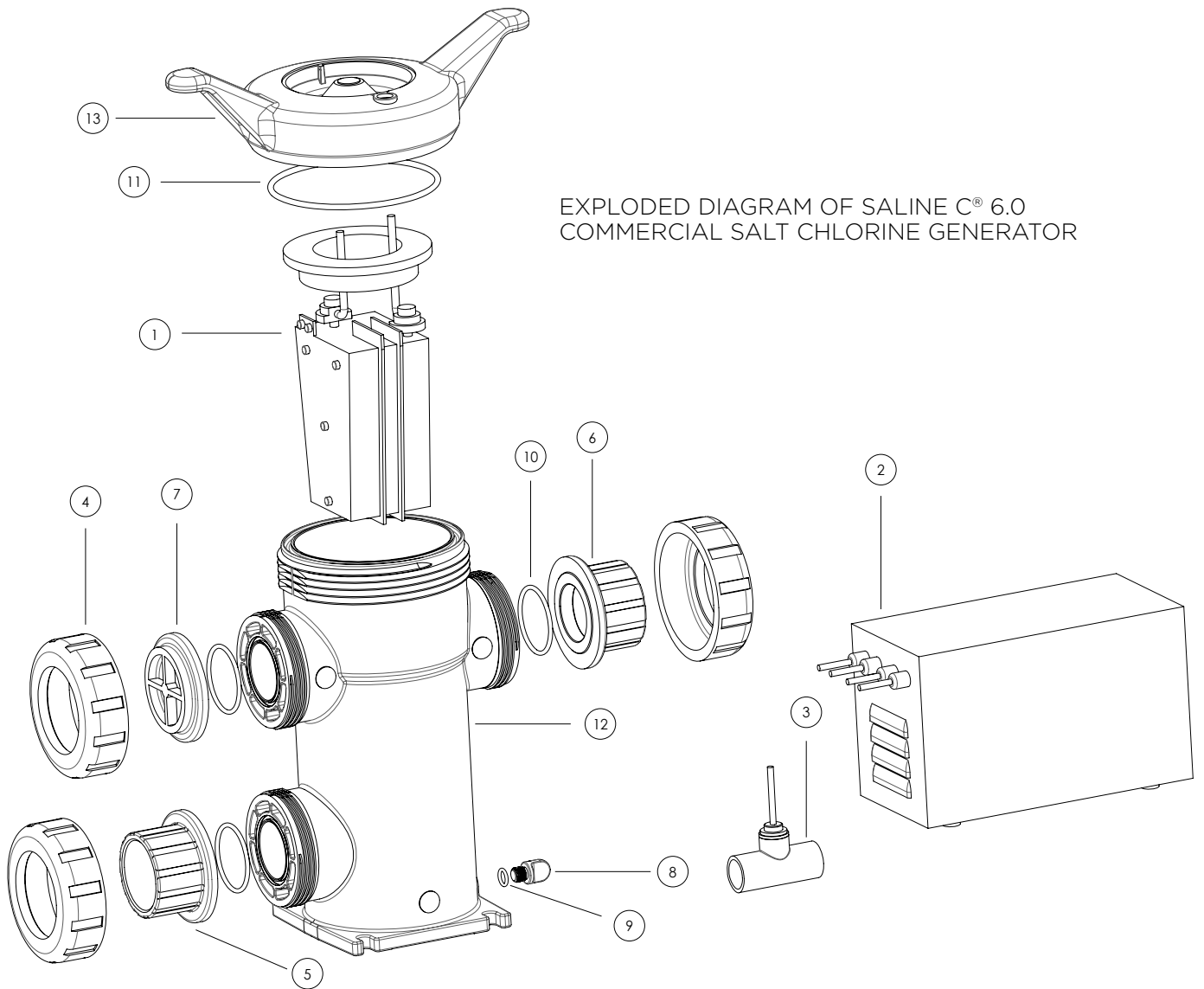
*Santoprene is a registered trademark of Advanced Elastomer Systems.

COMMERCIAL SANITIZATION

EXPLODED DIAGRAM OF HYDRORITE™ UV OZONE SYSTEM



Part Number	Size / Description	List Price	GTIN	Drawing Number	Carton Qty
HYDRORITE™ UV OZONE SYSTEM					
HYX2CCPS	2" Commercial Controller UVO - Controller Only	\$5,214.85	610377312905	1	1
HYX2C-XFMR	2" Commercial Power Transformer - 250 VAC	\$293.55	610377305839	2	1
HYX2CFK25	Fuse Kit for 2" Commercial Interconnect PCB - 10 Pack	\$28.81	610377305877	3	10
HYX2CSIPCB	Interconnect PCB for 2" Commercial Controller	\$639.48	6103773105907	4	1
HYXSBCA	Ballast and Cable Harness for 2" Commercial Controller	\$597.11	610377305945	5	1
HYXSDIAS	Digital Display and Keypad Assembly	\$502.01	610377305952	6	1
HYXSPCBA	PCB Assembly for Digital Display Panel	\$742.65	610377305969	7	1
HYXSSECA	Cable Assembly for UV sensor	\$158.79	610377305976	8	1
HYXSFAA	Fan Assembly	\$91.23	610377305983	9	1
HYXSLACA	Cable and Connectors for UV Lamp - Lamp Not Included	\$198.76	610377310253	10	1
HYX2CVES-C	2" Commercial Vessel Body With Unions - UV	\$1,871.94	610377314954	11	1
GLX-HYDSLEEVE	Stainless Steel Sleeve With O-rings for 2" Commercial Vessel	\$573.10	610377302197	12	1
HYX-MAN2	Ozone Manifold for 2" Commercial Vessel	\$154.78	610377314947	13	1
HYX2DQSA	Quartz Sleeve Assembly for 2" Vessel UV Lamps	\$191.14	610377302166	14	1
HYX2DLAS	2" Commercial Lamp, UV/03- Dual Wavelength	\$239.06	610377310697	15	1
HYX2DLAS-3PK	2" Commercial Lamp, UV/03- Dual Wavelength - Pack of 3	\$692.03	610377312936	16	3
HYX2DVEN-CK	Complete Venturi Kit for 2" Commercial System - No Pump	\$677.13	610377314336	17	1
HYX2DVEN-TM	Venturi Injector for 2" Commercial System - No Pump	\$422.41	610377314343	18	1
HYX-HCPBP	1 HP Venturi Booster Pump for Commercial System	\$592.53	610377299350	19	1
HYX-HCPJB	Junction Box for Commercial Venturi Booster Pump	\$738.69	610377313377	20	1
HYX2DVTA	Venturi Ozone Tube Assembly Kit	\$238.77	610377302210	21	1
BSX1CAP2	2" Simplex PVC Port Cap - 2" Commercial Only	\$38.46	0610377122108	22	1
BSX1PLUG2	1" PVC Drain Plug	\$38.46	610377872768	23	1
ECX12S	2" PVC Pipe Connector Socket - 2" Commercial Only	\$43.36	610377191463	24	1
ECX12T	2" PVC Pipe Connector Threaded - 2" Commercial Only	\$34.25	610377191470	25	1
SB2KIT	2" Vessel O-ring Kit - 2" Commercial Only	\$35.88	610377872706	26	1
TBX122	2" PVC TB NUT - 2" Commercial Only	\$26.27	610377776097	27	1
CAX-20100	FUSE - .5 AMP	\$44.59	761418012510	28	1
CAX-20101	FUSE - 1 AMP	\$44.32	761418012527	29	1
CAX-20102	FUSE - 4 AMP	\$44.81	761418012534	30	1
HYX2SUVSE	UV Sensor	\$984.92	610377314329	31	1



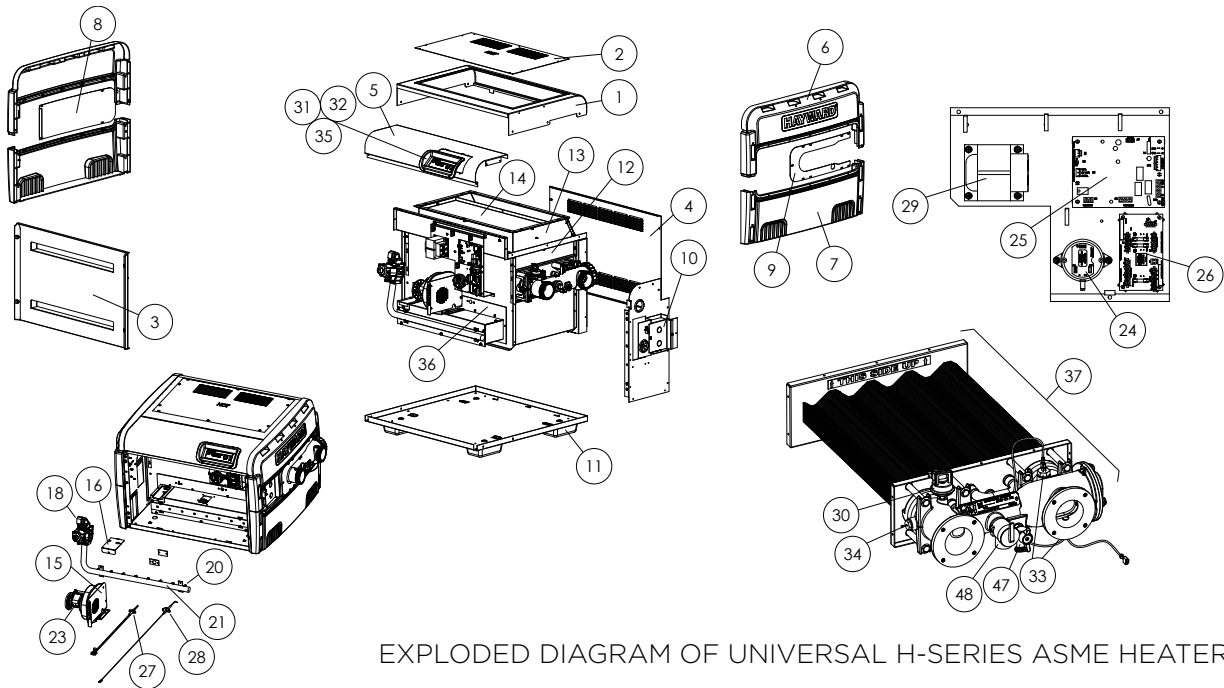
EXPLODED DIAGRAM OF SALINE C® 6.0
COMMERCIAL SALT CHLORINE GENERATOR

Part Number	Size / Description	List Price	GTIN	Drawing Number	Carton Qty
SALINE C® 6.0					
HCXSCCELL6	Replacement Cell & Cover	\$3,142.51	0610377218368	1	1
HCXSPS6	Power Supply	\$5,279.41	0610377218399	2	1
HCXSFLOS6	Flow Sensor	\$377.10	0610377218405	3	1
HCXCCCC	Replacement Cell Cables, Connector & Gray Cap	\$189.28	0610377269247	—	1
BSXC201CK	2" Clear Body	\$422.75	0610377225991	12	1
TBX122	2" PVC True Union Ball Valve Assembly Nut	\$26.22	061037776097	4	3
ECX12S	2" PVC Pipe Connector Socket	\$38.76	0610377191463	6	2
ECX12T	2" PVC Pipe Connector Threaded	\$32.80	0610377191470	5	2
BSX1CAP2	2" PVC Port Cap	\$35.09	0610377122108	7	1
BSX1PLUG2	1" PVC Plug	\$36.81	0610377122108	8	1
ORX352V70	Piston Lid O-ring	\$57.00	0610377018388	13	1
SB2KIT	O-ring #111 Viton 70 Duro - OR111V70	\$32.38	0610377872706	9	3
	O-ring #227 Viton 70 Duro - OR227V70			10	
	O-ring #357 Viton 70 Duro - OR357V70			11	

SALINE C® 11.0

Replacement parts will be confirmed by January 1, 2017. See Hayward.com for details.

COMMERCIAL HEATERS



EXPLODED DIAGRAM OF UNIVERSAL H-SERIES ASME HEATER

Part Number	Size / Description	List Price	GTIN	Drawing Number
UNIVERSAL H-SERIES ASME HEATERS				
FDXLJKT1250A	Jacket Top, Gray, ASME - H250FD	\$170.78	0610377135658	1
FDXLJKT1400A	Jacket Top, Gray, ASME - H400FD	\$194.13	0610377135641	1
FDXLTCF1250A	Top Flue Cover, Gray, ASME - H250FD	\$81.65	0610377135672	2
FDXLTCF1400A	Top Flue Cover, Gray, ASME - H400FD	\$97.19	0610377135665	2
FDXLFAD1250A*	Front Door Assembly, Gray, ASME - H250FD	\$168.30	0610377135535	3
FDXLFAD1400A*	Front Door Assembly, Gray, ASME - H400FD	\$179.82	0610377135528	3
FDXLRAD1250A	Rear Door Assembly, Gray, ASME - H250FD	\$114.62	0610377135634	4
FDXLRAD1400A	Rear Door Assembly, Gray, ASME - H400FD	\$127.89	0610377135627	4
FDXLTFP1250A	Top Front Panel, Gray, ASME - H250FD	\$81.50	0610377072571	5
FDXLTFP1400A	Top Front Panel, Gray, ASME - H400FD	\$93.47	0610377135702	5
FDXLUCE1930	Upper End Cap	\$82.44	0610377072557	6
FDXLLCE1930	Lower End Cap	\$86.43	0610377072564	7
FDXLLTP1930	Left Trim Panel Kit	\$79.31	0610377072571	8
FDXLRTP1930	Right Trim Panel Kit	\$76.50	0610377072588	9
FDXLLJC1930	Junction Box Cover, Left	\$22.75	0610377131247	10
FDXLRJC1930	Junction Box Cover, Right	\$26.62	0610377131254	10
FDXLPBL1930	Base Leg	\$37.33	0610377072618	11
FDXLFCS1930	Flue Collector Side Panel	\$61.31	0610377072625	12
FDXLRGK1251	Rain Guard Assembly - H250FD	\$175.81	0610377132435	13
FDXLRGK1401	Rain Guard Assembly - H400FD	\$175.81	0610377132466	13
FDXLHBP1250	Heat Barrier Panel - H250FD	\$86.85	0610377072663	14
FDXLHBP1400	Heat Barrier Panel - H400FD	\$91.65	0610377072687	14
FDXLBBI1250	Blower Inlet Baffle - H250FD	\$27.55	0610377072694	15
FDXLBBI1400	Blower Inlet Baffle - H400FD	\$27.55	0610377072717	15
FDXLIAC1930	Ignitor Access Cover	\$28.51	0610377072724	16
FDXLGSV0001	Gas Valve, Natural Gas	\$230.52	0610377072748	18
FDXLGSV0002	Gas Valve, Propane Gas	\$230.52	0610377072755	18
FDXLBON1930	Burner Orifice Kit, Natural Gas	\$38.02	0610377072786	20
FDXLBOP1930	Burner Orifice Kit, Propane Gas	\$38.02	0610377072793	20
FDXLMANI250	Gas Manifold - H250FD	\$69.90	0610377072809	21
FDXLMANI400	Gas Manifold - H400FD	\$75.86	0610377072823	21
FDXLGCK1250NP	Conversion Kit, NA to LP, Quick-Change - H250FD	\$165.15	0610377137782	21
FDXLGCK1250PN	Conversion Kit, LP to NA, Quick-Change - H250FD	\$165.15	0610377137799	21

*Used only on heaters made before July 2013, Serial # 21131307100333001

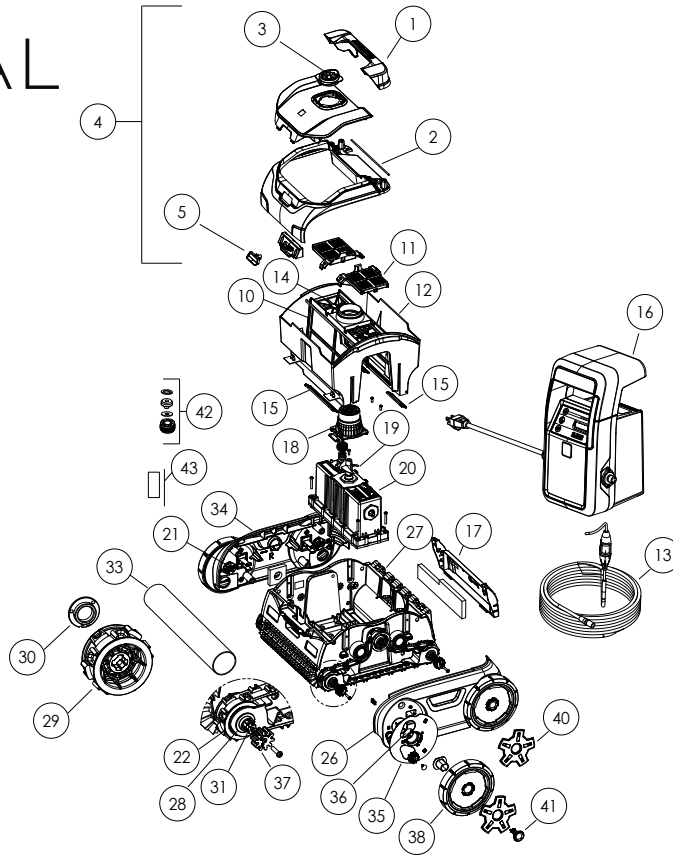
Part Number	Size / Description	List Price	GTIN	Drawing Number
UNIVERSAL H-SERIES ASME HEATERS, continued				
FDXLGCK1400NP	Conversion Kit, NA to LP, Quick-Change - H400FD	\$167.58	0610377137720	21
FDXLGCK1400PN	Conversion Kit, LP to NA, Quick-Change - H400FD	\$167.58	0610377137737	21
FDXLBWR1930	Combustion Blower	\$218.73	0610377072847	23
FDXLBVS1930	Blower Vacuum Switch	\$31.25	0610377079907	24
FDXLICB1930	Integrated Control Board	\$306.61	0610377072854	25
FDXLFWP1930	Field Wiring Panel	\$65.96	0610377072861	26
FDXLIGN1930	Ignitor	\$77.86	0610377072878	27
IDXLFLS1930	Flame Sensor	\$57.22	0610377625968	28
IDXL2TRF1930	Transformer	\$111.20	0610377854443	29
FDXLWPS1930	Water Pressure Switch	\$32.40	0610377074230	30
IDXL2DB1930	Display Board Only	\$269.20	0610377896740	31
FDXLBKP1931	Bezel and Keypad Assembly, ASME	\$80.86	0610377072908	32
UHXLOK1930	Control Bezel Lock-Out Kit	\$58.92	0610377187084	—
FDXLHLI1930	High Limit 135°F	\$50.70	0610377073783	33
FDXLTER1930	Thermistor	\$37.40	0610377073790	34
FDXLGSK1932	Gasket, Bezel/Top	\$25.53	0610377072946	35
FDXLGSK1934	Gasket, CC Front/Air Box - All Models	\$52.99	0610377072960	36
FDXLHXA1250A	Heat Exchanger Assembly, ASME - H250FD	\$2,804.33	0610377135610	37
FDXLHXA1400A	Heat Exchanger Assembly, ASME - H400FD	\$3,017.67	0610377135603	37
FDXLDRV1930A	Drain Valve, ASME	\$28.98	0610377135818	47
CHXRLV1930	Pressure Relief Valve	\$61.63	0610377003179	48
FDXLB RN1930	Burner	\$279.37	0610377072762	—
FDXLFSK1930	Fuse Service Kit	\$29.57	06103771072915	—
FDXLFSKF30	Fuse Kit, 3.0A, for Field Wiring Panel (Qty of 10)	\$39.69	0610377123105	—
FDXLFSKF15	Fuse Kit, 1.5A, for Field Wiring Panel (Qty of 10)	\$20.14	0610377123129	—
FDXLFSKF25	Fuse Kit, 2.5A, for Field Wiring Panel (Qty of 10)	\$20.14	0610377123112	—
FDXLFSKC30	Fuse Kit, 3.0A, for Integrated Control Board (Qty of 10)	\$20.14	0610377123136	—
FDXLUNK1930A	ASME Union Flange Kit (Includes Flange Fittings, Bolts, Gaskets)	\$87.95	0610377135801	—
FDXLGSK1930	Gasket Kit - Air Side - All Models Includes: • Gasket, Blower Mounting • Gasket, Cover/Air Box Front • Gasket, Manifold/Air Box	\$57.69	0610377072922	—
FDXLGSK1931	Gasket Kit - Exhaust Side - All Models Includes: • Gasket, Flue Collector Side • Gasket, Rain Guard Side • Gasket, Rain Guard Bottom Side • Gasket, Flue Collector Top • Gasket, Rain Guard Front and Rear • Gasket, Rain Guard Bottom Front and Rear	\$109.55	0610377072939	—
FDXLGSK1933	Insulation, Return Side Tube Sheet	\$29.08	0610377072953	—
FDXLTDK1930	Tie-Down Kit	\$56.73	0610377072977	—
FDXLWHA1930	Wiring Harness Kit Complete	\$159.63	0610377110730	—
FDXLVSJ1930	Voltage Selector Jumpers	\$40.43	0610377119870	—
FDXLCNK0001	Conversion Kit - NA to LP	\$177.80	0610377080095	—
FDXLCNK0002	Conversion Kit - LP to NA	\$177.80	0610377080101	—
FDXLHAK1930	Conversion Kit, All Models, High-Altitude 2,000-10,100'	\$112.28	0610377104326	—
UHXNEGVT12501	Indoor Vent Adapter Kit, H250FD, Negative-Pressure (Vertical)	\$229.61	0610377106191	—
UHXNEGVT14001	Indoor Vent Adapter Kit, H400FD, Negative-Pressure (Vertical)	\$229.61	0610377106214	—
UHXPOSHZ12501	Indoor Vent Adapter Kit, H250FD, Positive-Pressure (Horizontal)	\$382.76	0610377106184	—
UHXPOSHZ14001	Indoor Vent Adapter Kit, H400FD, Positive-Pressure (Horizontal)	\$382.76	0610377106160	—
UHXPOSHZ12502	4" Indoor Vent Adapter Kit, H250FD, Positive-Pressure (Horizontal) (HF/DV)	\$180.56	0610377261760	—
UHXPOSHZ14002	6" Indoor Vent Adapter Kit, H400FD, Positive-Pressure (Horizontal) (HF/DV)	\$180.56	0610377261777	—
UHXPOSHZ15002	6" Indoor Vent Adapter Kit, H500FD, Positive-Pressure (Horizontal) (HF/DV)	\$180.56	0610377280075	—
FDXLVPS1930	Vent Pressure Switch, Indoor, 0-2,000'	\$47.82	0610377099387	—
FDXLVPS1931	Vent Pressure Switch, Indoor, 2,000-10,100'	\$77.56	0610377105392	—
UHXHD6STERM	Heatfab Stainless Vent Kit, 6" Horizontal Straight Terminal	\$592.23	0610377145664	—
UHXHD6ELBOW	Heatfab Stainless Vent Kit, 6" 90° Elbow	\$330.71	0610377145565	—
UHXHD6PIPE18	Heatfab Stainless Vent Kit, 6" Vent Pipe, 18" Long	\$213.85	0610377145596	—
UHXHD6PIPE24	Heatfab Stainless Vent Kit, 6" Vent Pipe, 24" Long	\$282.92	0610377145602	—
UHXHD6PIPE36	Heatfab Stainless Vent Kit, 6" Vent Pipe, 36" Long	\$335.59	0610377145619	—
UHXHD8STERM	Heatfab Stainless Vent Kit, 8" Horizontal Straight Terminal	\$663.02	0610377145657	—
UHXHD8ELBOW	Heatfab Stainless Vent Kit, 8" 90° Elbow	\$431.02	0610377145572	—
UHXHD8PIPE18	Heatfab Stainless Vent Kit, 8" Vent Pipe, 18" Long	\$301.04	0610377145626	—
UHXHD8PIPE24	Heatfab Stainless Vent Kit, 8" Vent Pipe, 24" Long	\$361.96	0610377145633	—
UHXHD8PIPE36	Heatfab Stainless Vent Kit, 8" Vent Pipe, 36" Long	\$505.02	0610377145640	—

H500 GAS HEATER

Replacement parts will be confirmed by January 1, 2017. See Hayward.com for details.

COMMERCIAL CLEANERS

EXPLODED DIAGRAM OF
AQUAVAC® 500C



Part Number	Size / Description	List Price	GTIN	Drawing Number	Carton Qty
AQUAVAC 500C COMMERCIAL ROBOTIC CLEANER					
RCX341203OR	Handle Assembly - Orange	\$31.96	0610377267991	1	1
RCX341242GR2	Hood Exhaust Nozzle - Gray 2	\$12.41	0610377268011	3	1
RCXHD2AAV500C	Hood Assembly - Gray 2, AV500C	\$142.42	0610377273152	4	1
RCX341205GR4	Button Assembly - Gray 4	\$15.27	0610377268073	5	5
RCX70101PAK2	Filter Cartridges (Set of 2)	\$61.19	0610377268332	10	5
RCX70103PAK2	Spring Cleanup Cartridges (Set of 2)	\$20.24	0610377268349	10	10
RCX97417	Filter Door	\$7.21	0610377107372	11	10
RCX97414	Filter Bucket	\$74.14	0610377107358	12	1
RCX341190A	75 Ft Cord Assy With Swivel	\$690.94	0610377271028	13	1
RCX97417SPAK2	Filter Door Element (Set of 2)	\$7.09	0610377243193	14	10
RCX974057KIT	Drain Flap Kit	\$16.20	0610377268363	15	5
RCX341161A	Power Supply	\$576.60	0610377268387	16	1
RCX341103GR4	Rear Panel - Gray 4	\$18.47	0610377268455	17	5
RCX97455	Turbine Vent	\$5.71	0610377107570	18	10
RCX11000BK	Impeller - AquaVac Black	\$9.60	0610377270991	19	10
RCX341195	Motor Assembly	\$582.68	0610377268479	20	1
RCX341111PAK2	Wheel Hub Kit (Set of 2)	\$4.88	0610377268486	21	5
RCX97505PAK2	Drive Track Wheel Kit (Set of 2)	\$14.11	0610377268493	22	5
RCX26000PAK2	Pulley Bearing Kit (Set of 2)	\$20.29	0610377268509	23	5
RCX97502KIT	Drive Shaft & Bearing Kit	\$19.50	0610377268516	24	5
RCX97501GR	Belt Drive Track	\$25.58	0610377198233	25	5
RCX341101GR4	Left Side Cover - Gray 4	\$27.13	0610377268561	26	1
RCX341142GR	Cleaner Base	\$72.71	0610377268585	27	1
RCX97506PAK2	Roller Bushing Kit (Set of 2)	\$2.19	0610377268592	28	5
RCX97509PAK2	Drive Wheel Kit (Set of 2)	\$8.37	0610377268608	29	5
RCX97435PAK2	Roller Shaft Bushing Kit (Set of 2)	\$3.23	0610377268615	30	5
RCX97507PAK2	Roller Wheel Shaft (Set of 2)	\$11.72	0610377268622	31	5
RCX26008	Brush	\$25.88	0610377061797	32	5
RCX97410	Tuве Wheel Assembly	\$16.99	0610377107815	33	5
RCX341102GR4	Right Side Cover - Gray 4	\$27.13	0610377268684	34	1
RCX341127GR4	Wheel Shield - Gray 4	\$6.23	0610377268752	35	5
RCX341109PAK2	Wheel Bushing Kit (Set of 2)	\$5.34	0610377268776	36	5
RCX341145KIT	Wheel Drive Gear Kit	\$7.95	0610377268783	37	5
RCX341113GR4BK	Wheel Rim & Tire-Gray 4/Black	\$39.96	0610377269100	38	5
RCX341206OR	Starfish Wheel Style - Orange	\$3.84	0610377268905	40	10
RCX341112OR	Wheel Axle Plug - Orange (Set of 2)	\$4.88	0610377268486	41	10
RCX59004KIT	Motor Cord Seal Kit	\$10.00	0610377268981	42	5
RCX59002KIT	Motor Cord Connector Kit	\$5.34	0610377268998	43	5

Part Number	Size / Description	List Price	GTIN	Carton Qty
OTHER COMMERCIAL ROBOTIC CLEANERS				
RCXP1225L	Rod - Tie, Filter	\$21.62	0610377062787	10
RCXP2300	Impeller - Prince, Six Blades	\$17.61	0610377062374	10
RCXP230015	Impeller - 6 Blades (Qty of 15)	\$70.50	0610377131315	1
RCXP4060	Rotor Shaft Leeson, KS	\$168.67	0610377069496	5
RCXP4175	Motor - 1/2 HP, 110/50, NSPI	\$768.93	0610377103640	1
RCXP4190	Motor - 1/2 HP, Prince 110/60 NSP	\$773.83	0610377065160	1
R CXRI0ZZ	Bearing, Metal Caddy and HH	\$20.14	0610377062800	10
R CXR4ZZ	Bearing - 5/8"	\$15.09	0610377069540	10
RCX11000	Impeller	\$11.33	0610377062015	10
RCX1102A	Collar - Drive MS, MS2, KS	\$13.79	0610377064217	10
RCX1104A	Impeller - Only Flex MS, MS2	\$13.79	0610377062848	10
RCX1113	Key - Drive Wheel, MS, MS2, KS	\$13.12	0610377065078	10
RCX1114A	Button - Wheel, MS, MS2, KS, KS2	\$3.45	0610377062732	1
RCX11206L	Kit - Restrictor Plate, TS, EX	\$6.85	0610377061971	10
RCX11207	Plate - Restrictor, New Style	\$9.14	0610377101264	5
RCX11208	Assembly - Venturi, New Style	\$24.06	0610377096645	10
RCX11209	Restrictor - Tube Insert	\$8.40	0610377101295	5
RCX11400	Clip - Lid (Qty of 2)	\$4.48	0610377062527	10
RCX12000	Screw - M2.9 x 13 Flat (Qty of 5)	\$3.52	0610377064699	10
RCX12001	Screw - M4 x 12 Pan (Qty of 5)	\$3.25	0610377064149	10
RCX12002	Screw - M4 x 12 Flat (Qty of 5)	\$3.32	0610377062916	10
RCX12008	Screw - M2.9 x 12 Pan (Qty of 5)	\$3.37	0610377064163	10
RCX12009	Screw - M2.9 x 8 Pan (Qty of 5)	\$3.52	0610377062855	10
RCX12011	Screw - MS x 20 Pan (Qty of 5)	\$4.33	0610377062459	10
RCX1206	Spring - Sensor Slide, MS, MS2, KS	\$18.54	0610377063487	10
RCX12100	Spring - Handle Latch	\$3.08	0610377064224	10
RCX12101	Spring - Bottom Lid	\$3.13	0610377064323	1
RCX12102	Spring - Retainer	\$3.59	0610377064385	1
RCX12301	Connector - Plastic Washer	\$2.78	0610377063456	10
RCX12302	Washer - Plastic Connector	\$2.78	0610377062992	10
RCX13001	Assembly - Outer Casing TS	\$96.18	0610377067188	1
RCX13002	Assembly - Outer Casing TS2	\$124.20	0610377083188	1
RCX13004	Casing - Outer Assembly, QuickClean	\$82.93	0610377101349	1
RCX13007	Asst - Outer Case, Gray on Gray	\$93.42	0610377096454	1
RCX1303	Hood - Gray, MS, MS2, KS	\$57.84	0610377064866	10
RCX1307V	Belt - Drive, Short MS, MS2, KS	\$32.01	0610377062817	10
RCX1309	Rope - Queen 5' 3/8", Poly Pro	\$9.06	0610377101400	1
RCX1312	Rope - K 10' 3/8" Poly Pro T	\$11.52	0610377065337	10
RCX13150	Assy - Side Cover	\$29.15	0610377065542	1
RCX13200	Cover Side	\$15.19	0610377061995	5
RCX1308	Hood - MS DC (New)	\$100.66	0610377109024	1
RCX1308CY	Hood - Cyan Color MS2 (New)	\$100.66	0610377148030	1
RCX1308BL	Hood - Blue Color KS (New)	\$100.66	0610377148023	1
RCX14000	Handle - Arm Slide	\$4.60	0610377063678	10
RCX14100	Latch - Handle	\$5.54	0610377064774	1
RCX1506	Bag - Adapter, MS2	\$16.20	0610377065184	10
RCX1507	Bag - Leaf w/Header	\$28.51	0610377064880	10
RCX1508	Bag - Sand and Silt, w/Header	\$28.24	0610377064132	10
RCX1510	Foam - Guide - Rope, 16/3	\$28.24	0610377062152	1
RCX1511	Foam - Clamp Motor, 16/3	\$4.21	0610377064422	1
RCX1516	Foam - Clamp Motor, 14/6	\$4.88	0610377065221	10
RCX1517	Clamp Motor Foam Lo-Volt	\$11.70	0610377082051	10
RCX1600A	Plate Wheel, Inside MS, MS2, KS	\$18.86	0610377062268	10
RCX1600A25	Plate Wheel, Inside MS (Qty of 25)	\$94.50	0610377131780	1
RCX1600L	Assembly - Drive Wheel, Left, MS, MS2, KS	\$164.46	0610377063012	10
RCX1600R	Assembly - Drive Wheel, Right, MS, MS2, KS	\$164.46	0610377063005	10
RCX1601	Plate - Outside Wheel, MS2, KS	\$23.98	0610377062381	1
RCX160125	Plate - Outside Wheel, MS2 (Qty of 25)	\$367.10	0610377131773	1
RCX1602	Gear - Set Wheel Planetary MS, MS2	\$51.91	0610377063494	5
RCX1602B	Ring - Gear, MS, MS2, KS Wheel	\$20.73	0610377063968	10
RCX1603	Gear - 1" Planet MS, MS2, KS Wheel	\$7.66	0610377067249	10
RCX1604	Gear - 3" Sun MS, MS2, KS Wheel	\$15.54	0610377067256	10
RCX1605	Washer - Wheel, Plastic M (Qty of 10)	\$5.74	0610377062497	10
RCX1606	Lock Wheel Drive - Stud MS, MS2	\$10.05	0610377061926	10
RCX1606A	Locknut - 10-24 Low Profile	\$1.95	0610377062862	10
RCX160650	Lock Wheel Drive - Stud (Qty of 50)	\$113.59	0610377131407	1

COMMERCIAL CLEANERS

Part Number	Size / Description	List Price	GTIN	Carton Qty
COMMERCIAL ROBOTIC CLEANERS, continued				
RCX1607A	Wheel - Piston, MS2, KS (Qty of 10)	\$21.82	0610377064408	10
RCX1608	E-Clip - Drive Wheel, MS, MS2, KS	\$5.22	0610377061803	10
RCX1608100	E-Clip - Drive Wheel, MS (Qty of 100)	\$38.93	0610377131445	1
RCX1610A	Nut - #10-32 SS, MS, MS2, KS, KS2	\$2.46	0610377062923	10
RCX1610B	Locknut - #10-32 SS, MS, MS2, KS	\$2.98	0610377062510	10
RCX1610B82	Nut - Slotted Head, #10-32 SS, MS	\$5.88	0610377062763	10
RCX17000	Inlet High Velocity	\$8.86	0610377062084	10
RCX170089	Base - Plate NS, MS, MS2, KS	\$61.78	0610377064835	10
RCX1701	Cable Assembly, w/Instructions, MS2	\$14.18	0610377061889	10
RCX1702	Wheel Front - V, MS, MS2, KS	\$16.35	0610377061940	10
RCX1702A	Ring - Snap, 3/8", MS, MS2, KS	\$3.20	0610377062411	10
RCX170225	Wheel Front - V, MS2, KS (Qty of 25)	\$120.55	0610377131346	1
RCX1703	Arm Reversing - MS, MS2, KS	\$13.79	0610377061964	10
RCX1703B	Washer - #10, SS, INT. ST (Qty of 10)	\$2.07	0610377063883	10
RCX1703D	Pin Cotter - Hair 1/8 Shaft	\$5.76	0610377061827	10
RCX170325	Arm Reversing - MS2, KS (Qty of 25)	\$81.50	0610377131353	1
RCX1705	Arm - Adjusting, MS, MS2, KS	\$14.06	0610377062367	10
RCX170525	Arm - Adjusting, MS2, KS (Qty of 25)	\$149.17	0610377131360	1
RCX1707	Slide - Sensor Bar, MS, MS2, KS	\$12.68	0610377061834	10
RCX170725	Slide - Sensor Bar, MS2, KS (Qty of 25)	\$165.56	0610377131377	1
RCX1710	Sensor Bar - Bumpers, MS, MS2	\$38.19	0610377061988	10
RCX17100	Flap - Drain, TS	\$9.75	0610377063821	10
RCX1711	Blade - Intake, MS, MS2, KS	\$5.10	0610377062343	10
RCX1712	Holder - Intake Blade MS, MS2, KS	\$7.36	0610377064316	10
RCX1713	Bolt - Hex Head #8-32 x 1/2" (Qty of 10)	\$3.96	0610377063739	10
RCX1714	Guide - Pin Assembly, MS, MS2, KS, KS2	\$16.67	0610377062060	10
RCX1714A	Pin - Sleeve-Guide, MS2 (Qty of 10)	\$33.41	0610377062121	10
RCX1714C	Bolt - #10-32 x 1-1/2" (Qty of 10)	\$5.91	0610377063944	10
RCX1715	Screw - #10-32 x 1/2" TRA (Qty of 10)	\$4.24	0610377061902	10
RCX1715A	Screw - #10-32 x 1/2" Slot Pan SS	\$3.42	0610377064255	10
RCX1717	Sensor - Bar, MS DC (New)	\$83.03	0610377109031	1
RCX1719	Slide - Sensor Bar (Qty of 2) (New)	\$14.97	0610377109048	1
RCX1720	Bolt - Hex, 5/16, 18 x 1" MS, MS2	\$3.74	0610377101561	10
RCX1721	Axle - Front, MS, MS2, KS	\$23.10	0610377064736	10
RCX1722	Nut - Adjusting Arm, MS, MS2, KS	\$6.67	0610377063852	10
RCX1723	Bolt - Adjusting Arm, MS, MS2, KS	\$14.18	0610377065009	10
RCX1800F	Gearbox - Flex, MS, MS2, KS	\$438.12	0610377063555	1
RCX1801	Housing - Gear Box	\$34.37	0610377067300	1
RCX1802B	Washer - #8 Flat SS, MS, MS2, KS	\$4.21	0610377064750	10
RCX1806	Gear - Worm, Steel, MS2, KS	\$64.22	0610377068253	1
RCX1808	Bolt - 1/4-20 x 1-1/4" Hex Head	\$5.12	0610377064170	10
RCX1809	Screw - #8-32 x 3/4" Slot Round Head SS	\$2.41	0610377064668	1
RCX1811A	Seal - Ceramic, w/ Rubber Washer	\$12.63	0610377068277	1
RCX1811B	Washer - 5/8 x 1-3/16" x .06 (Qty of 10)	\$4.06	0610377061919	10
RCX1811C	Washer - 5/8 x 1-3/16" x .032	\$10.34	0610377064804	10
RCX1811D	Washer - 5/8 x 1-3/16" x .020	\$6.75	0610377101622	10
RCX1811E	Seal - Double Lip Wave	\$54.32	0610377068284	10
RCX1811E25	Seal - Double Lip Wave (Qty of 25)	\$266.81	0610377131766	1
RCX1811F	Sleeve - Worm Shaft Wear	\$70.35	0610377068291	10
RCX1811XP	Adapter - Seal Lip For Motor	\$122.99	0610377068314	1
RCX1812E	Shaft - Worm Drive, Wave Seal Flex	\$22.65	0610377068321	10
RCX1812G	Assembly - Worm Drive, Flex	\$110.88	0610377068338	1
RCX1813	Pin - Drive, 1/16" x 7/16" 416 SS	\$5.32	0610377064842	1
RCX1814	Assembly - Drive Shaft, Bronze Gear	\$233.99	0610377068345	1
RCX1814A	Axle - Drive, MS2, KS	\$94.68	0610377068352	10
RCX1814B	Gear - Bronze, MS2, KS	\$177.83	0610377068369	1
RCX1814C	Washer - 7/16" Flat SS, MS, MS2	\$1.63	0610377061865	10
RCX1814D	Ring - Snap, 1/2", MS (Qty of 10)	\$20.66	0610377062756	10
RCX1818A	Plug - Brass Pipe, Square Head 1/8"	\$8.17	0610377068376	10
RCX2101	Assembly - Impeller Drive Collar, Lo-Volt	\$39.32	0610377069564	10
RCX2102	Collar - Drive, KS2, KS2 Plus	\$22.92	0610377069588	10
RCX2102A	Assembly - Impeller Drive Collar, KS2	\$42.60	0610377069601	10
RCX2102B	Screw - #10-32 1-1/4" Slot Round Head KS	\$2.81	0610377069618	10

Part Number	Size / Description	List Price	GTIN	Carton Qty
COMMERCIAL ROBOTIC CLEANERS, continued				
RCX2103	Impeller, KS2, KS2 Plus	\$15.39	0610377069625	10
RCX2103A	Ring - Impeller Retaining	\$5.10	0610377065207	10
RCX2106	Assembly - Gearbox Roller, KS2, KS2 Plus	\$248.67	0610377069663	10
RCX2106E	Gearbox - Roller w/End Caps, KS2	\$144.44	0610377069687	10
RCX2107	Bolt - Hex Head, 1/4 - 20 x 1/2", KS2	\$2.73	0610377101653	10
RCX2107A	Washer - 5/16", Split Lock SS	\$2.36	0610377101660	10
RCX2108	Key - Drive Wheel, KS2, KS2 Plus	\$8.82	0610377069694	10
RCX2111	Shaft - Worm, Coupling, KS2, KS2 Plus	\$167.39	0610377069717	1
RCX2111A	Snap Ring - 5/8" Waldes, KS	\$5.91	0610377069724	1
RCX2111B	Plate - Seal Cover, KS2, KS2 Plus	\$12.31	0610377069748	10
RCX2113	Gear - Bronze, KS2, KS2 Plus	\$273.96	0610377069779	1
RCX2114	Assembly - Drive Shaft and Gear KS2, KS	\$393.13	0610377069786	1
RCX2116A	Seal - Adapter Worm Shaft, KS2 Plus	\$8.84	0610377069793	5
RCX2121B	Bolt - 1/4 - 20 x 3/4" HE (Qty of 10)	\$4.26	0610377069830	10
RCX2121C	Screw - 1/4 - 20 Flat MHS Slot KS2	\$3.84	0610377069847	10
RCX2121D	Bolt - 5/16 - 18 x 3/4" Hex Head, KS2	\$3.57	0610377069854	10
RCX2121E	Washer - 5/16" Flat SS	\$2.56	0610377069861	10
RCX2121F	Screw - 1/4 - 20 x 5/8" (Qty of 10)	\$3.96	0610377069878	10
RCX2123A	Snap Ring - Waldes 5/8"	\$34.69	0610377069885	10
RCX2123B	Adapter - Drive Axle Seal	\$5.52	0610377069892	1
RCX2125	Coupling - Worm Shaft, Motor	\$28.88	0610377069915	10
RCX2126A	Screw - #10-32 x 3/4" Round Head SS	\$3.30	0610377069946	10
RCX2126P	Cover - Worm Shaft, Plastic Gear	\$4.04	0610377069953	10
RCX2140L	Assembly - Solenoid, Left	\$231.16	0610377069977	1
RCX2140R	Assembly - Solenoid, Right	\$231.16	0610377069991	1
RCX2143	Solenoid - Complete, Enclosed	\$128.65	0610377070010	1
RCX2144L	Bracket - Mounting, Hook, Left	\$62.39	0610377070027	10
RCX2144R	Bracket - Mounting, Hook, Right	\$62.39	0610377070041	10
RCX2145L	Hook - Wheel Locking, LC	\$44.20	0610377070058	10
RCX2145R	Hook - Wheel Locking, RC	\$44.20	0610377070065	10
RCX2146	Screw - #10-32 x 1/2" Slot Flat	\$2.46	0610377070089	10
RCX2147	Pin - Hinge	\$4.04	0610377070102	1
RCX2148	U-Bolt - Solenoid Mounting Bracket C	\$28.14	0610377070119	1
RCX2149	Screw - #8-32 x 7/8" Slot Flat Head	\$3.15	0610377070126	10
RCX2201C81	Base - Front Axle, NS, KS2, KS2 Plus	\$539.32	0610377070140	1
RCX2202V	Wheel - Front, V, KS2	\$16.35	0610377070133	10
RCX2202V50	Wheel - Front, V, KS2 (Qty of 50)	\$275.33	0610377131414	1
RCX2203	Arm - Reversing, Left or Right, KS2	\$14.18	0610377070096	10
RCX220340	Arm - Reversing, Left or Right (Qty of 40)	\$328.69	0610377131391	1
RCX2204C	Washer - 10 Flat SS, Q, P, K, C, T	\$2.22	0610377061780	100
RCX2204C200	Washer - 10 Flat SS, MS2 (Qty of 200)	\$14.04	0610377131452	1
RCX2206	Arm - Adjusting, Polished, KS2 Plus	\$74.46	0610377070072	10
RCX2207L	Spring - Long, SS, K	\$2.27	0610377070034	10
RCX2208W	Slide - Bar, Sensor, Weighted, O/S	\$37.08	0610377069922	1
RCX2212	Assembly - Cable, 14-1/2", Short, KS2	\$36.32	0610377069762	10
RCX2212A	Screw - #10-32 x 5/8", Slot, Round Head	\$2.56	0610377069700	10
RCX221281	Assembly - Cable, 16-1/2" Long, KS2	\$64.00	0610377069731	10
RCX22128120	Assembly - Cable, 16-1/2" Long, KS2 (Qty of 20)	\$1,386.69	0610377131322	5
RCX2219A	Ring - 1/4" Snap, WALD (Qty of 10)	\$14.77	0610377069649	10
RCX2220B	Washer - 1/4 x 5/8", Flat, SS (Qty of 10)	\$2.31	0610377069571	10
RCX2222	Hook - Cable, KS2	\$14.87	0610377101776	1
RCX2225	Stabilizer - Intake, NS, KS2	\$25.16	0610377069472	10
RCX2226	Manifold - Intake, KS2	\$34.03	0610377069441	1
RCX2226A	Wire - Intake, Baffle, KS2	\$11.52	0610377069427	10
RCX23002	Drive Track - Soft Tread	\$34.92	0610377061810	5
RCX2302A	Screw, 1/4 - 20 x 5/8" (Qty of 10)	\$4.46	0610377064156	10
RCX2303V	Belt - Drive, KS2	\$64.29	0610377069342	10
RCX2303V10	Belt - Drive, KS2 (Qty of 10)	\$186.89	0610377131285	1
RCX2304L	Pin - 4," K Stanchion, KS2	\$60.50	0610377069328	10
RCX2305	Pin - Idler, Telescoping, KS2	\$19.23	0610377069304	10
RCX2306	Idler - Roller, KS2	\$8.89	0610377067928	10
RCX230620	Idler - Roller, KS2 (Qty of 20)	\$69.24	0610377131339	1

COMMERCIAL CLEANERS

Part Number	Size / Description	List Price	GTIN	Carton Qty
COMMERCIAL ROBOTIC CLEANERS, continued				
RCX2307	Spring - Stanchion, KS2	\$2.59	0610377067935	10
RCX2308	Pin - Cotter, 3-32 x 1/2" (Qty of 10)	\$2.91	0610377067942	10
RCX2310	Roller - Support, Bottom, KS2	\$10.05	0610377067959	10
RCX231001	Roller - Side Support, Bottom	\$10.05	0610377067966	10
RCX2311S	Axle - Roller, Support, Short, KS2	\$15.54	0610377067997	10
RCX2312	Handle - Floating, KS2	\$19.23	0610377068000	10
RCX2314	Rope - 5', Handle, Floating	\$13.79	0610377068017	1
RCX2317	Guide - Roller, Side Belt, KS2	\$10.05	0610377068031	10
RCX2317A	Bushing - Oilless, Bronze, KS2	\$14.18	0610377068048	10
RCX2408A	Screw - 10 x 3/8"	\$3.05	0610377101875	10
RCX2504B	Adapter - PVC, Leaf Bag, O/S, KS2	\$29.25	0610377068062	1
RCX2505	Bag - Filter, KS2	\$81.55	0610377068079	10
RCX2600	Plate - Wheel, Inside, KS2	\$17.95	0610377068086	10
RCX26000	Pulley - Bearing Idler	\$10.69	0610377062114	10
RCX26001	Roller - Bearing Guide	\$30.31	0610377062039	10
RCX26002	Assembly - Drive Bearing Pulley	\$30.58	0610377061841	10
RCX260025	Plate - Wheel, Inside, KS2 (Qty of 25)	\$22.14	0610377131742	1
RCX26003	Assembly - Wheel Tube w/o Brush	\$61.14	0610377062954	5
RCX26004	Tube - Wheel	\$10.81	0610377062398	5
RCX26008	Brush - Roller, Clear, TS	\$25.88	0610377061797	5
RCX2601C	Washer - 1/4" Flat, KS2	\$2.36	0610377068093	10
RCX2601RL	Plate - Wheel, Outside, Left or Right	\$25.24	0610377068109	1
RCX2601RL25	Plate - Wheel, Outside, Left or Right (Qty of 25)	\$412.61	0610377131759	1
RCX26011	Roller - Foam w/ Tube	\$38.56	0610377133920	5
RCX26012	Foam Roller Assembly	\$63.80	0610377121774	5
RCX2602	Set - Gear, Finished, KS2	\$77.46	0610377068116	25
RCX2602B	Gear - Ring, Finished, KS2	\$25.90	0610377068123	10
RCX2603	Gear - 1-1/4," Planetary, K	\$12.93	0610377068130	10
RCX2604	Gear - 4," Sun, K	\$19.97	0610377068147	10
RCX2605	Washer - Wheel, Inside, KS2 (Qty of 10)	\$7.98	0610377068154	10
RCX2606	Lock - Wheel, Drive, Current, KS2	\$12.80	0610377068161	10
RCX2606A	Screw - #10-32 x 1", Slot Round Head, SS	\$2.73	0610377068178	10
RCX260650	Lock - Wheel, Drive, Current (Qty of 50)	\$288.16	0610377131421	1
RCX2608L	Wheel - Drive, Left, KS2	\$192.99	0610377068185	10
RCX2608R	Wheel - Drive, Right, KS2	\$192.99	0610377068192	10
RCX2810	Screw - Phil Pan Head #8-16 x 3/4"	\$7.19	0610377065115	10
RCX97453	Assembly - Power Supply, 115 VDC	\$321.06	0610377064200	1
RCX30000RC	Power Supply - Remote, TS 110V	\$560.44	0610377065559	1
RCX3050	Assembly - Harness, Wiring, Solenoid	\$83.69	0610377068208	10
RCX31000	Power Supply, 240 VAC	\$333.44	0610377068413	1
RCX97454	Power Supply, 240 VDC	\$314.76	0610377068420	1
RCX31000RC	Power Supply Remote, TS 240V	\$570.83	0610377068444	1
RCX3105P	Assembly - Gearbox, Plastic, KS2	\$897.75	0610377068246	1
RCX3121	Housing - Pump, Screw Plate, KS2	\$162.86	0610377069120	1
RCX3124P	Housing - Pump	\$25.16	0610377069144	10
RCX3126	Screw - 1/4-20 x 3/8," Hex, Nylon, B	\$3.10	0610377069151	10
RCX3207	Housing - Bell, Plastic, KS2, KS2 Plus	\$62.39	0610377069243	1
RCX3208	Slide - Bar, Sensor	\$14.18	0610377069267	10
RCX3209	Nut - Lock, 1/4-20 Hex SS KS2	\$2.68	0610377062930	10
RCX3210	Bar - Sensor, C LP	\$59.96	0610377067416	10
RCX321010	Bar - Sensor, C LP (Qty of 10)	\$157.93	0610377131292	1
RCX3211	Assembly - Bar, Sensor, C LP	\$76.43	0610377067423	1
RCX3213	Rivet - Bar, Sensor	\$2.49	0610377067430	10
RCX328	Insert - Carton, MS2	\$38.31	0610377065306	1
RCX3304	Bracket - Rope	\$46.29	0610377067447	1
RCX3309	Washer - Hood, LP C (Qty of 10)	\$14.50	0610377067454	10
RCX3310G	Hood - Granite, KS2	\$258.59	0610377067461	1
RCX3310GS	Hood - Granite, Swivel, KS2 Plus	\$284.57	0610377067478	1
RCX3315	Washer - 1/4" Fender 1" x .05	\$2.76	0610377071123	10
RCX3330	Handle - KS2	\$26.72	0610377067485	1
RCX3350	Kit - Handle, KS2, KS2 Plus	\$150.52	0610377067492	1
RCX3400	Assembly - Filter, C LP	\$399.66	0610377067508	1
RCX340004	Assembly - Filter, KS2, Quick Release	\$399.66	0610377067515	1
RCX340005	Assembly - Filter, KS2, Conversion	\$258.59	0610377067522	1

Part Number	Size / Description	List Price	GTIN	Carton Qty
COMMERCIAL ROBOTIC CLEANERS, continued				
RCX3401	Intake - Filter Housing, KS2	\$15.24	0610377067539	10
RCX3402	Screw - 4 x 3/8," Phil, Round Head, SS, K	\$2.24	0610377067553	10
RCX3403	Baffle - Filter Housing, KS2	\$6.38	0610377067560	10
RCX3405	Knob - Tie Rod, Filter, KS2	\$9.31	0610377067577	10
RCX3406	Screw - SS #4 x 3/8" (Qty of 10)	\$3.05	0610377063708	10
RCX3409	Housing - Filter, C LP	\$138.95	0610377067584	1
RCX3415	Bag - Adapter Filter	\$72.71	0610377096799	1
RCX3416	Assembly - Back Plate, KS, KS2 Plus	\$192.99	0610377067591	1
RCX3416QR	Assembly - Back Plate, Quick Release	\$213.78	0610377067614	1
RCX341603	Assembly - Back Plate, KS, KS2 Plus	\$192.99	0610377067607	1
RCX3420A	Screw - Phil Flat Head Self #6 x 3/4"	\$2.24	0610377065238	1
RCX3422	Base - Release	\$11.77	0610377067621	1
RCX3424	Screw - #10-32 x 1-1/4" Slot Flat	\$3.40	0610377064903	1
RCX3431	Assembly - Stud, Retainer, Filter, KS2	\$26.94	0610377067645	10
RCX3432	Assembly - Saddle, NS, C LP	\$63.60	0610377067652	1
RCX3440	Assembly - Hook, Utility	\$9.41	0610377070362	10
RCX3460	Assembly - Post, KS2, Quick Release	\$50.92	0610377067669	10
RCX3470	Assembly - Handle, KS2, Quick Release	\$77.93	0610377067676	10
RCX350K	Wheel - Cart, Caddy, KS2	\$47.52	0610377067706	2
RCX350K10	Wheel - Cart, Caddy, KS2 (Qty of 10)	\$188.22	0610377131308	1
RCX3500	Assembly - Bag, Leaf	\$168.89	0610377067683	1
RCX351A	Nut - 1/4 - 20 Hex SS K, Q, P	\$2.76	0610377064811	10
RCX354	Tips - Leg, White AG16	\$4.33	0610377065405	1
RCX97453QC	Supply - Power, 115V, QuickClean	\$367.15	0610377065061	1
RCX97454QC	Power Supply QuickClean	\$549.76	0610377083195	1
RCX360299	Box - Control, Intl, 240V, 50/60C, 360	\$2,542.32	0610377067744	1
RCX3604	Remote - Wired, Intermatic	\$524.49	0610377067751	1
RCX3650	Switch - Membrane, Commercial 13286	\$62.94	0610377067812	1
RCX3700	Box - Control, Crdls, 110V/60, Remote	\$2,497.88	0610377067829	1
RCX370104	Antenna - 416 Hex, KS2 Plus	\$45.43	0610377067843	6
RCX373804	Assembly - Remote Control, KS2	\$201.96	0610377065030	1
RCX373806	Remote Control KS2 + (433MHz)	\$201.98	0610377096836	10
RCX3741	Board - PC Relay, KS2, Antex	\$463.97	0610377067874	1
RCX3752	Board - Timer, Digital, KS2 Plus	\$160.32	0610377067881	1
RCX380	Screw - #10-32 x 2" Slot Round Head	\$3.52	0610377064248	1
RCX3842	Receptacle - Female 8 Pin Control	\$131.68	0610377066488	1
RCX3843	Receptacle - Male 8 Pin Control	\$113.44	0610377066495	1
RCX3891	Assembly - Plug, Liquid Tite	\$28.12	0610377066501	1
RCX3891A	Connector - Liquid Tite #3210	\$7.04	0610377068598	1
RCX390C	Zinc Plated Hub Cap 1/2"	\$5.29	0610377066549	1
RCX3903	Pully	\$33.41	0610377066525	1
RC39186	Cart - Caddy - KS2 Plus (Old Part Number RCX391)	\$682.57	0610377071277	1
RCX395	Cart - Caddy, Lo-Volt, KS2 Plus	\$826.64	0610377066556	1
RCX40000D	Assembly - Motor Unit, 4 Hr	\$872.49	0610377063395	1
RCX40000DC	Motor - Unit, 4 Hr DC Input	\$530.01	0610377062022	1
RCX40000RC	Assembly - Motor Unit, Remote 4 Hr	\$649.97	0610377064934	1
RCX400088	Motor - NSPI 1/3 Hp 110/60	\$720.22	0610377065085	1
RCX400388	Motor - 3/4 Hp, 110/60, NS, PI, KS2	\$744.18	0610377066570	1
RCX4011	Motor - 3/4 Hp, Swivel, LP, 110/60	\$836.49	0610377066587	1
RCX40117	Assembly - Drive Pin, for Drive Motor	\$10.51	0610377062879	50
RCX4012	Motor - 3/4 Hp, Swivel, LP, 110/50	\$807.63	0610377131667	1
RCX4020	Motor - 3/4 Hp, Swivel, KS2, 110/60	\$890.51	0610377066594	1
RCX40209	Assembly - Control - Remote, TS, TS2	\$204.37	0610377065054	1
RCX40215	Remote - Hand Held	\$204.37	0610377083348	10
RCX4022	Motor - Swivel, C, 240/50/60	\$898.39	0610377066600	1
RCX41000D	Assembly - Motor Unit, 7 Hr	\$880.96	0610377064781	1
RCX41000DC	Motor - Unit, 7 Hr DC Input	\$530.01	0610377063838	1
RCX41000RC	Assembly - Remote Motor Unit 7 Hr	\$662.48	0610377065566	1
RCX411582	Housing - Motor, Anodized NS	\$141.58	0610377068833	1
RCX411682	Housing - Motor, 3/4 Hp, NS	\$152.96	0610377066624	1
RCX411882	Cap - End, Direct Wired Queen	\$118.95	0610377102360	1
RCX411993	Cap - End, Motor, Swivel, KS2	\$187.82	0610377066679	1
RCX4125CL	Shaft - Rotor, 1/3 Hp, Leeson	\$179.87	0610377068864	1

COMMERCIAL CLEANERS

Part Number	Size / Description	List Price	GTIN	Carton Qty
COMMERCIAL ROBOTIC CLEANERS, continued				
RCX4129CL	Shaft - Rotor, 3/4 Hp, Leeson	\$185.48	0610377068888	1
RCX413	Cord - 8/C, #16AWG, 20/3 Lo-Volt	\$1,469.82	0610377066693	1
RCX4133	Assembly - Rotor Shaft, 1/2 Hp KS2	\$237.34	0610377066754	1
RCX4148P82	Housing - Pump Plastic	\$137.62	0610377064675	10
RCX4151A	Bearing - Nachi 6203-2, NSK	\$12.68	0610377062978	10
RCX4157	O-ring - Seal, #160 Buna NS	\$4.78	0610377068925	1
RCX4168	Washer - Pressure Plate	\$7.14	0610377068932	10
RCX4169	Washer - Spring	\$12.24	0610377068949	10
RCX417A1000	Cable - Foam, 16/3	\$2,979.75	0610377066952	1
RCX4170D	Grommet - For Lo-Volt End Cap	\$7.95	0610377068963	1
RCX4170D07	Grommet, Rubber Lo-Volt	\$23.27	0610377096805	10
RCX4171D	Screw - 6-32 x 3/8" Pan Head Slot	\$2.07	0610377064972	10
RCX417182	Capacitor - Start Up, MFD216, 259	\$25.16	0610377066921	1
RCX4172A	Plate - Switch, Stationary Mec	\$30.24	0610377068970	10
RCX4172C	Screw - Flat Head	\$2.34	0610377065498	1
RCX4173	Spacer - Nylon, 1/4" Long (Qty of 10)	\$5.07	0610377063616	10
RCX4181A82	Bolt, 10-32 x 3-1/4," Motor, NS, KS2	\$18.34	0610377066983	1
RCX4187A	O-ring - #025 #568 Buna	\$3.35	0610377065436	1
RCX4187B	Connector - Plate Plug	\$5.15	0610377069007	10
RCX4188	Conductor - Socket Jones 3	\$5.15	0610377062251	10
RCX4188B	Plug - Retainer	\$8.32	0610377064309	1
RCX418825	Conductor - Socket Jones 3 (Qty of 25)	\$161.65	0610377131384	1
RCX4189	Cover - Plug, PI Motor	\$7.09	0610377063586	10
RCX4189A	O-ring - 128 Buna, 586 NSPI MS2, KS	\$2.51	0610377066990	10
RCX4190E	Switch - 60Hz Centrifugal	\$24.18	0610377069014	1
RCX4190F	Switch - 50Hz Centrifugal	\$32.77	0610377067010	10
RCX420A	Nut - Hex #8-32, SS (Qty of 10)	\$2.39	0610377062985	10
RCX42000	Assembly - Solenoid, TS Remote	\$174.63	0610377069038	1
RCX42022	Foot - Solenoid	\$7.46	0610377069052	5
RCX4208	Screw - 1/4-20 x 1-1/4" Slot RHMS	\$3.72	0610377067072	10
RCX4209	Pad - Motor Rubber NS	\$7.61	0610377063647	10
RCX4222	Assembly - Cord, Cap, 150', Lo-Volt, Kit, KS	\$1,545.51	0610377067096	1
RCX43000	Motor Unit, 4 Hr DC QuickClean	\$612.47	0610377064965	1
RCX4500B88	Motor - 1/3 Hp, 240/50/60 NSPI	\$679.89	0610377069083	1
RCX47	Guide - Rope, Lo-Volt DC	\$12.24	0610377081962	1
RCX5	Clamp - Cord for Motor KS, MS	\$8.40	0610377065139	10
RCX50000A	Kit - Cord Changing, TG, Pinn	\$14.75	0610377063425	10
RCX50060	Assembly - Power Cord, Floating 55' Old Style	\$162.31	0610377069199	1
RCX50061	Assembly - Power Cord, Floating, 55'	\$164.01	0610377062749	1
RCX50070	Assembly - Cord, 55', Remote TS	\$346.03	0610377065474	1
RCX50075	Assembly - Cord, 100', TS2 Remote	\$427.77	0610377065269	1
RCX505	Set - Cord, 55' MS2, NSP	\$220.89	0610377065023	1
RCX507	Set - Cord, 100' KS, NSPI	\$260.63	0610377063784	1
RCX508	Set - Cord, 75' MS2, NSP	\$227.42	0610377064279	1
RCX510	Set - Cord, 150' KS2, NSPI	\$466.51	0610377067362	1
RCX512	Set - Cord, Swivel, 150'; KS2	\$518.51	0610377067379	1
RCX513	Set - Cord, Swivel, 150'; KS2 Plus	\$1,101.34	0610377067393	1
RCX514	Set - Cord, 125'; KS, NSPI	\$307.44	0610377065375	1
RCX56	Clamp - Hose, 3" #6356	\$4.88	0610377063975	1
RCX59001	Connector - Cable, Float Cable Male	\$37.06	0610377062480	10
RCX59002	Housing - Connector	\$4.21	0610377062435	10
RCX59003	Seal - Compression	\$6.38	0610377061858	10
RCX59004	Plug - Seal	\$4.46	0610377062961	10
RCX59006	Connector - Socket Molex	\$1.99	0610377062145	50
RCX59007	Plate - Cover, Strain Relief	\$4.48	0610377063807	10
RCX59008	Connector - 4 Pin, Remote TS	\$6.53	0610377065351	10
RCX5919	Plug - Electrical	\$26.52	0610377063548	10
RCX5983	Housing - Female Receptacle, 50 Amp	\$112.33	0610377065702	1
RCX5986	Housing - Male Plug, 50 Amp	\$127.42	0610377065801	1
RCX5987	Pins - #12, Male	\$7.63	0610377065849	1
RCX5988	Pins - #8, Male	\$33.68	0610377065863	10
RCX5990	Washer - Lock, Lo-Volt Receptacle	\$6.72	0610377065894	10
RCX6	Float - Orange 20"; 2' Rope Q	\$43.88	0610377065146	1
RCX6130	Assembly - Cord and Cap, Lo-Volt 100'	\$1,236.10	0610377069250	1
RCX615P	Cord Set 150'; KS2	\$1,478.44	0610377132091	1

Part Number	Size / Description	List Price	GTIN	Carton Qty
COMMERCIAL ROBOTIC CLEANERS, continued				
RCX616	Cord, 6C/16AWG DC Unit	\$1,865.83	0610377131841	1
RCX6518	Motor - DC, 24V/30A	\$742.68	0610377103350	1
RCX6923	Stator - 1/2 Hp 24/50/60 Leeson	\$373.60	0610377069298	1
RCX7	Float - 2' Rope 30"	\$65.52	0610377065368	1
RCX70100	Assembly - Filter Cartridge	\$92.39	0610377062046	1
RCX70102	Frame - Filter	\$33.44	0610377063630	1
RCX70200	Assembly - Filter, Antimicrobial	\$159.88	0610377096843	1
RCX70201	Set - Refill - Filter, Antimicrobial	\$74.56	0610377096850	5
RCX75000	Assembly - Bottom Lid	\$61.58	0610377063609	5
RCX75001	Lid - Bottom	\$15.36	0610377063524	5
RCX75002	Clip - Support	\$4.73	0610377064231	1
RCX75003	Plate - Locking	\$4.60	0610377062831	10
RCX75004	Clip - Follower	\$4.48	0610377064347	1
RCX75005	Flap - Inlet	\$4.21	0610377062473	10
RCX75006	Cover - Inlet	\$8.54	0610377064392	10
RCX76000	Assembly - Handle, QuickClean, Teal	\$54.22	0610377062466	5
RCX76020	Float - Handle, (Qty of 2)	\$10.61	0610377070201	10
RCX7800DC	Assembly - Filter, MS2 DC	\$308.87	0610377109055	1
RCX7800G	Assembly - Filter, KS	\$357.94	0610377065092	1
RCX78005	Gasket - Filter, Bottom Lid	\$20.24	0610377062138	10
RCX7801	Assembly - Filter Body	\$114.60	0610377064590	1
RCX7801P	Assembly - Filter, Body Gray	\$234.07	0610377064859	1
RCX7802	Adapter - Handle Riser	\$15.83	0610377063463	10
RCX7802B	Handle - Riser Hat	\$6.50	0610377064514	10
RCX7803	Clip - Queen Tie Rod Push	\$7.90	0610377061896	10
RCX7804A	Screw - #8-32 x 3/4" Fillister HD SS	\$2.39	0610377063715	10
RCX780482	Ring - Adapter, Clamp NS	\$22.65	0610377064538	10
RCX7805	Handle - Queen Plastic	\$12.93	0610377064187	10
RCX7806	Pin - Handle for AQ	\$12.21	0610377064194	10
RCX7807	Cartridge - Filter, MS2, KS (Qty of 2)	\$64.93	0610377061957	5
RCX7807L	Cartridge - Filter, KS (Qty of 2)	\$80.15	0610377062428	5
RCX7808PC	Rod - Tie Filter	\$26.45	0610377063760	10
RCX7809	Knob - Filter, Small, Q, P, K, C	\$9.41	0610377062442	10
RCX781093	Plate - Back, MS2 NS	\$48.01	0610377064361	1
RCX781093G	Assembly - Filter Cover Back Plate	\$61.85	0610377064620	1
RCX7813	Gasket - Oval, 1/4" Q, LPC	\$4.14	0610377062008	10
RCX7815	Rod - Tie, Filter, Queen NS	\$25.90	0610377062503	10
RCX7825	Adapter - Ring, Clamp No Hole	\$12.11	0610377064989	10
RCX79000	Kit - Service Tool, TS	\$797.14	0610377069359	1
RCX79002	Wrench - Spanner	\$95.00	0610377069366	1
RCX79003	Spreader - Belt	\$148.77	0610377069373	5
RCX79005	Screwdriver - Torque, Seekonk BT	\$400.42	0610377069397	3
RCX79006	Tool - Pin Extractor	\$65.84	0610377069410	10
RCX80000	Scanner - Pin, TS, TS2	\$411.62	0610377069434	2
RCX8001	Cover - 3/8 NPT, Plug, Swivel	\$8.20	0610377066235	10
RCX8002	Assembly - Swivel, Service, KS2	\$616.85	0610377066242	1
RCX8005	Connector - Plug, Female	\$11.52	0610377066259	10
RCX8010	Connector - Plug, Male	\$10.64	0610377066266	10
RCX8023	Clamp - Snap Grip	\$8.20	0610377070898	10
RCX8025	Clamp - 1/2" Plastic Hose	\$4.95	0610377064828	10
RCX8030B	Shaft - Swivel, NS Barb End	\$62.44	0610377069465	1
RCX8055	Spring - Wave	\$11.43	0610377066297	1
RCX8130	Cover - Plug, AKC	\$7.95	0610377066303	10
RCX8140	Relief - Strain, Watertite Gland	\$10.24	0610377066310	10
RCX8145	Relief - Strain, Watertite Gland	\$10.14	0610377066327	10
RCX8150	Clamp - 3/4" Hose, KS2 Cord	\$6.20	0610377066334	10
RCX8180	Bracket - Mounting, Swivel	\$61.85	0610377066358	1
RCX8185	Bracket - Mounting, Swivel, Clamp	\$24.23	0610377066365	1
RCX8190	Adapter - Plug, Plate	\$12.80	0610377066372	10
RCX8202	Assembly - Swivel, KS2 Plus	\$691.14	0610377066389	1
RCX8325	Clamp - Swivel Cord, KS2, Gray	\$9.09	0610377066402	1
RCX97007	Assembly - Handle, AV Dark Gray	\$46.39	0610377118989	5
RCX9716	Solenoid Cover - Dark Gray	\$10.27	0610377083140	10
RCX9716DBL	Solenoid Cover - Dark Blue	\$9.53	0610377130561	1

COMMERCIAL FLOW CONTROL

Part Number	Size / Description	List Price	GTIN	Carton Qty
TRUE UNION BALL VALVE PARTS - TB SERIES				
TUX1052	1/4," 3/8," 1/2" PVC True Union Ball Valve Assembly Nut (Qty of 1)	\$12.31	0610377006224	1
TBX10752	3/4" PVC True Union Ball Valve Assembly Nut (Qty of 1)	\$10.74	0610377849500	1
TBX11002	1" PVC True Union Ball Valve Assembly Nut (Qty of 1)	\$10.74	0610377032957	1
TBX11502	1-1/4" - 1-1/2" PVC True Union Ball Valve Assembly Nut (Qty of 1)	\$21.32	0610377779128	1
TBX122	2" PVC True Union Ball Valve Assembly Nut (Qty of 1)	\$26.25	0610377776097	1
TBX132	2-1/2" - 3" PVC True Union Ball Valve Assembly Nut (Qty of 1)	\$62.10	0610377193047	1
TBX142	4" PVC True Union Ball Valve Assembly Nut (Qty of 1)	\$136.58	0610377193061	1
TUX100254S	1/4" PVC True Union Ball Valve Socket End Connector (Qty of 1)	\$12.31	0610377193689	1
TUX100254T	1/4" PVC True Union Ball Valve Threaded End Connector (Qty of 1)	\$12.31	0610377193696	1
TUX100374S	3/8" PVC True Union Ball Valve Socket End Connector (Qty of 1)	\$12.31	0610377193702	1
TUX100374T	3/8" PVC True Union Ball Valve Threaded End Connector (Qty of 1)	\$12.31	0610377193719	1
ECX15S	1/2" PVC True Union Ball Valve Socket End Connector (Qty of 1)	\$12.31	0610377191524	1
ECX15T	1/2" PVC True Union Ball Valve Threaded End Connector (Qty of 1)	\$12.31	0610377191531	1
ECX17S	3/4" PVC True Union Ball Valve Socket End Connector (Qty of 1)	\$13.84	0610377191548	1
ECX17T	3/4" PVC True Union Ball Valve Threaded End Connector (Qty of 1)	\$13.84	0610377191555	1
ECX11S	1" PVC True Union Ball Valve Socket End Connector (Qty of 1)	\$15.86	0610377191425	1
ECX11T	1" PVC True Union Ball Valve Threaded End Connector (Qty of 1)	\$15.86	0610377191432	1
ECX112S	1-1/4" PVC True Union Ball Valve Socket End Connector (Qty of 1)	\$23.81	0610377730457	1
ECX112T	1-1/4" PVC True Union Ball Valve Threaded End Connector (Qty of 1)	\$23.81	0610377717076	1
ECX115S	1-1/2" PVC True Union Ball Valve Socket End Connector (Qty of 1)	\$25.78	0610377191449	1
ECX115T	1-1/2" PVC True Union Ball Valve Threaded End Connector (Qty of 1)	\$25.78	0610377191456	1
ECX12S	2" PVC True Union Ball Valve Socket End Connector (Qty of 1)	\$32.82	0610377191463	1
ECX12T	2" PVC True Union Ball Valve Threaded End Connector (Qty of 1)	\$32.82	0610377191470	1
ECX13S	3" PVC True Union Ball Valve Socket End Connector (Qty of 1)	\$75.99	0610377191487	1
ECX13T	3" PVC True Union Ball Valve Threaded End Connector (Qty of 1)	\$75.99	0610377191494	1
ECX14S	4" PVC True Union Ball Valve Socket End Connector (Qty of 1)	\$148.72	0610377191500	1
ECX14T	4" PVC True Union Ball Valve Threaded End Connector (Qty of 1)	\$148.72	0610377191517	1
TUX101004F	1" PVC True Union Ball Valve Flanged End Connector w/Assembly Nut (Qty of 1)	\$97.21	0610377120654	1
TUX101254F	1-1/4" PVC True Union Ball Valve Flanged End Connector w/Assembly Nut (Qty of 1)	\$97.21	0610377105002	1
TUX101504F	1-1/2" PVC True Union Ball Valve Flanged End Connector w/Assembly Nut (Qty of 1)	\$105.61	0610377193795	1
TUX102004F	2" PVC True Union Ball Valve Flanged End Connector w/Assembly Nut (Qty of 1)	\$156.68	0610377196147	1
TUX103004F	3" PVC True Union Ball Valve Flanged End Connector w/Assembly Nut (Qty of 1)	\$226.14	0610377193825	1
TUX104004F	4" PVC True Union Ball Valve Flanged End Connector w/Assembly Nut (Qty of 1)	\$450.18	0610377193849	1
SRX15	1/4," 3/8," 1/2" PVC True Union Ball Valve Seal Retainer	\$7.90	0610377192682	1
SRX11	1" PVC True Union Ball Valve Seal Retainer	\$8.17	0610377192651	1
SRX115	1-1/4" - 1-1/2" PVC True Union Ball Valve Seal Retainer	\$12.46	0610377060950	1
SRX12002	2" PVC True Union Ball Valve Seal Retainer	\$14.65	0610377746267	1
SRX13	3" PVC True Union Ball Valve Seal Retainer	\$45.58	0610377192668	1
SRX14	4" PVC True Union Ball Valve Seal Retainer	\$103.12	0610377192675	1
TBX1050PAK	1/4," 3/8," 1/2" Ball, Stem and Handle Kit for True Union Ball Valve	\$23.51	0610377116022	1
TBX1075PAK	3/4" Ball, Stem and Handle Kit for True Union Ball Valve	\$24.87	0610377116039	1

Part Number	Size / Description	List Price	GTIN	Carton Qty
TRUE UNION BALL VALVE PARTS - TB SERIES, continued				
TBX1100PAK	1" Ball, Stem and Handle Kit for True Union Ball Valve	\$32.18	0610377116046	1
TBX1150PAK	1-1/4" - 1-1/2" Ball, Stem and Handle Kit for True Union Ball Valve	\$39.30	0610377116060	1
TBX1200PAK	2" Ball, Stem and Handle Kit for True Union Ball Valve	\$57.89	0610377116077	1
TBX1300PAK	3" Ball, Stem and Handle Kit for True Union Ball Valve	\$167.68	0610377195713	1
TBX1400PAK	4" Ball, Stem and Handle Kit for True Union Ball Valve	\$229.76	0610377195737	1
HLX23	1/4," 3/8," 1/2," 3/4" Orange Handle Replacement for True Union Ball Valve	\$16.28	0610377114318	1
HLX24	1" Orange Handle Replacement for True Union Ball Valve	\$19.26	0610377114325	1
HLX22	1-1/4," 1-1/2," 2" Orange Handle Replacement for True Union Ball Valve	\$19.26	0610377114301	1
TBX138	3" Orange Handle Replacement for True Union Ball Valve	\$33.14	0610377193054	1
TBX148	4" Orange Handle Replacement for True Union Ball Valve	\$33.14	0610377193078	1
TBX050PAKE	1/4," 3/8," 1/2" PTFE Seat and EPDM Seal Repair Kit for True Union Ball Valve	\$25.41	0610377115971	1
TBX075PAKE	3/4" PTFE Seat and EPDM Seal Repair Kit for True Union Ball Valve	\$29.52	0610377115988	1
TBX100PAKE	1" PTFE Seat and EPDM Seal Repair Kit for True Union Ball Valve	\$35.11	0610377116015	1
TBX150PAKE	1-1/4" - 1-1/2" PTFE Seat and EPDM Seal Repair Kit for True Union Ball Valve	\$47.57	0610377116114	1
TBX200PAKE	2" PTFE Seat and EPDM Seal Repair Kit for True Union Ball Valve	\$64.14	0610377116145	1
TBX300PAKE	3" PTFE Seat and EPDM Seal Repair Kit for True Union Ball Valve	\$107.06	0610377195850	1
TBX400PAKE	4" PTFE Seat and EPDM Seal Repair Kit for True Union Ball Valve	\$228.25	0610377195881	1
TRUE UNION 3-WAY BALL VALVE PARTS				
HLX23	1/2," 3/4" 3-Way True Union Ball Valve Handle Replacement	\$16.28	0610377114318	1
TWX1HL1	1" 3-Way True Union Ball Valve Handle Replacement	\$18.44	0610377135016	1
TWX1HL2M	1-1/4," 1-1/2," 2" 3-Way True Union Ball Valve Handle Replacement	\$18.44	0610377122658	1
LAX1HL3	2-1/2," 3" 3-Way True Union Ball Valve Handle Replacement	\$55.65	0610377078641	1
LAX1HL4	4," 6" 3-Way True Union Ball Valve Handle Replacement	\$61.16	0610377007450	1
TWX15PAK	1/2" Ball, Stem and Handle Kit for 3-Way True Union Ball Valve	\$61.16	0610377871129	1
TWX17PAK	3/4" Ball, Stem and Handle Kit for 3-Way True Union Ball Valve	\$66.70	0610377871136	1
TWX11PAK	1" Ball, Stem and Handle Kit for 3-Way True Union Ball Valve	\$78.33	0610377871167	1
TWX12PAK	1-1/4," 1-1/2," 2" Ball, Stem and Handle Kit for 3-Way True Union Ball Valve	\$88.99	0610377871174	1
TWX13PAK	2-1/2," 3" Ball, Stem and Handle Kit for 3-Way True Union Ball Valve	\$252.11	0610377871181	1
TWX14PAK	4," 6" Ball, Stem and Handle Kit for 3-Way True Union Ball Valve	\$320.59	0610377871198	1
NTX100503B	1/2" PVC 3-Way True Union Ball Valve TN Ball	\$69.49	0610377192002	1
NTX100753B	3/4" PVC 3-Way True Union Ball Valve TN Ball	\$93.59	0610377742658	1
NTX101003B	1" PVC 3-Way True Union Ball Valve TN Ball	\$145.69	0610377192019	1
NTX102003B	1-1/4," 1-1/2," 2" PVC 3-Way True Union Ball Valve TN Ball	\$216.26	0610377192026	1
NTX103003B	2-1/2," 3" PVC 3-Way True Union Ball Valve TN Ball	\$293.80	0610377192033	1
NTX104003B	4," 6" PVC 3-Way True Union Ball Valve TN Ball	\$657.06	0610377192040	1
TUX1052	1/2" PVC 3-Way True Union Ball Valve Assembly Nut (Qty of 1)	\$12.31	0610377006224	1
TBX10752	3/4" PVC 3-Way True Union Ball Valve Assembly Nut (Qty of 1)	\$10.74	0610377849500	1
TBX11002	1" PVC 3-Way True Union Ball Valve Assembly Nut (Qty of 1)	\$10.74	0610377032957	1
TBX122	1-1/4," 1-1/2," 2" PVC 3-Way True Union Ball Valve Assembly Nut (Qty of 1)	\$26.25	0610377776097	1
TBX132	2-1/2," 3" PVC 3-Way True Union Ball Valve Assembly Nut (Qty of 1)	\$45.43	0610377190787	1
TBX142	4" PVC 3-Way True Union Ball Valve Assembly Nut (Qty of 1)	\$136.58	0610377193061	1
BSX142	4" PVC 3-Way True Union Ball Valve Assembly Nut Required for 3rd Port (Qty of 1)	\$79.16	0610377870733	1
ECX15S	1/2" PVC 3-Way True Union Ball Valve Socket End Connector (Qty of 1)	\$12.31	0610377191524	1
ECX17S	3/4" PVC 3-Way True Union Ball Valve Socket End Connector (Qty of 1)	\$13.84	0610377191548	1

COMMERCIAL FLOW CONTROL

Part Number	Size / Description	List Price	GTIN	Carton Qty
TRUE UNION 3-WAY BALL VALVE PARTS, continued				
ECX11S	1" PVC 3-Way True Union Ball Valve Socket End Connector (Qty of 1)	\$15.86	0610377191425	1
SBX1EC12S	1-1/4" PVC 3-Way True Union Ball Valve Socket End Connector (Qty of 1)	\$44.20	0610377870757	1
SBX1EC15S	1-1/2" PVC 3-Way True Union Ball Valve Socket End Connector (Qty of 1)	\$32.16	0610377870764	1
ECX12S	2" PVC 3-Way True Union Ball Valve Socket End Connector (Qty of 1)	\$32.82	0610377191463	1
ECX125S	2-1/2" PVC 3-Way True Union Ball Valve Socket End Connector (Qty of 1)	\$77.83	0610377723275	1
ECX13S	3" PVC 3-Way True Union Ball Valve Socket End Connector (Qty of 1)	\$75.99	0610377191487	1
ECX14S	4" PVC 3-Way True Union Ball Valve Socket End Connector (Qty of 1)	\$148.72	0610377191500	1
ECX14SBS	4" PVC 3-Way True Union Ball Valve Socket End Connector Required for 3rd Port (Qty of 1)	\$118.63	0610377870795	1
ECX15T	1/2" PVC 3-Way True Union Ball Valve Threaded End Connector (Qty of 1)	\$12.31	0610377191531	1
ECX17T	3/4" PVC 3-Way True Union Ball Valve Threaded End Connector (Qty of 1)	\$13.84	0610377191555	1
ECX11T	1" PVC 3-Way True Union Ball Valve Threaded End Connector (Qty of 1)	\$15.86	0610377191432	1
SBX1EC12T	1-1/4" PVC 3-Way True Union Ball Valve Threaded End Connector (Qty of 1)	\$44.05	0610377870788	1
SBX1EC15T	1-1/2" PVC 3-Way True Union Ball Valve Threaded End Connector (Qty of 1)	\$32.16	0610377870771	1
ECX12T	2" PVC 3-Way True Union Ball Valve Threaded End Connector (Qty of 1)	\$33.66	0610377191470	1
ECX125T	2-1/2" PVC 3-Way True Union Ball Valve Threaded End Connector (Qty of 1)	\$77.78	0610377686594	1
ECX13T	3" PVC 3-Way True Union Ball Valve Threaded End Connector (Qty of 1)	\$75.99	0610377191494	1
ECX14T	4" PVC 3-Way True Union Ball Valve Threaded End Connector (Qty of 1)	\$148.72	0610377191517	1
ECX14TBS	4" PVC 3-Way True Union Ball Valve Threaded End Connector Required for 3rd Port (Qty of 1)	\$118.63	0610377870801	1
TUX100504F	1/2" PVC 3-Way True Union Ball Valve Flanged End Connector (Qty of 1)	\$62.69	0610377138420	1
TUX100754F	3/4" PVC 3-Way True Union Ball Valve Flanged End Connector (Qty of 1)	\$101.94	0610377673938	1
TUX101004F	1" PVC 3-Way True Union Ball Valve Flanged End Connector w/Assembly Nut (Qty of 1)	\$97.21	0610377120654	1
TUX101254F	1-1/4" PVC 3-Way True Union Ball Valve Flanged End Connector w/Assembly Nut (Qty of 1)	\$97.21	0610377105002	1
TUX101504F	1-1/2" PVC 3-Way True Union Ball Valve Flanged End Connector w/Assembly Nut (Qty of 1)	\$105.61	0610377193795	1
TUX102004F	2" PVC 3-Way True Union Ball Valve Flanged End Connector w/Assembly Nut (Qty of 1)	\$156.68	0610377196147	1
TUX102504F	2-1/2" PVC 3-Way True Union Ball Valve Flanged End Connector w/Assembly Nut (Qty of 1)	\$161.28	0610377117371	1
TUX103004F	3" PVC 3-Way True Union Ball Valve Flanged End Connector w/Assembly Nut (Qty of 1)	\$226.14	0610377193825	1
TUX104004F	4" PVC 3-Way True Union Ball Valve Flanged End Connector w/Assembly Nut (Qty of 1)	\$450.18	0610377193849	1
LAX144F	4" PVC 3-Way True Union Ball Valve Flanged End Connector required for 3rd Port (Qty of 1)	\$420.68	0610377138338	1
TUX106004F	6" PVC 3-Way True Union Ball Valve Flanged End Connector w/Assembly Nut (Qty of 1)	\$509.72	0610377130790	1
LAX164F	6" PVC 3-Way True Union Ball Valve Flanged End Connector required for 3rd Port (Qty of 1)	\$509.72	0610377138345	1
LAX5PAKE	1/2" PTFE Seat and EPDM Seal Repair Kit for 3-Way True Union Ball Valve	\$12.39	0610377870894	1
LAX7PAKE	3/4" PTFE Seat and EPDM Seal Repair Kit for 3-Way True Union Ball Valve	\$12.85	0610377870900	1
LAX1PAKE	1" PTFE Seat and EPDM Seal Repair Kit for 3-Way True Union Ball Valve	\$13.44	0610377870917	1
LAX2PAKE	1-1/4," 1-1/2," 2" PTFE Seat and EPDM Seal Repair Kit for 3-Way True Union Ball Valve	\$19.21	0610377870924	1
LAX3PAKE	2-1/2," 3" PTFE Seat and EPDM Seal Repair Kit for 3-Way True Union Ball Valve	\$43.78	0610377870931	1
LAX4PAKE	4," 6" PTFE Seat and EPDM Seal Repair Kit for 3-Way True Union Ball Valve	\$74.19	0610377870948	1

Part Number	Size / Description	List Price	GTIN	Carton Qty
TRUE UNION BALL CHECK VALVE PARTS - TC SERIES				
TCX100503	1/2" PVC Ball for True Union Ball Check Valve	\$7.49	0610377193276	1
TCX100753	3/4" PVC Ball for True Union Ball Check Valve	\$14.50	0610377193290	1
TCX101003	1" PVC Ball for True Union Ball Check Valve	\$17.19	0610377193313	1
TCX101253	1-1/4" PVC Ball for True Union Ball Check Valve	\$21.47	0610377193337	1
TCX101503	1-1/2" PVC Ball for True Union Ball Check Valve	\$24.06	0610377193344	1
TCX102003	2" PVC Ball for True Union Ball Check Valve	\$67.54	0610377193351	1
TCX103003	2-1/2" PVC Ball for True Union Ball Check Valve	\$127.03	0610377193313	1
TCX103003	3" PVC Ball for True Union Ball Check Valve	\$127.03	0610377193368	1
TCX104003	4" PVC Ball for True Union Ball Check Valve	\$527.99	0610377193375	1
TCX0050PAKE	1/2" EPDM Seat and Seal Repair Kit for True Union Ball Check Valve	\$18.37	0610377195959	1
TCX0075PAKE	3/4" EPDM Seat and Seal Repair Kit for True Union Ball Check Valve	\$22.19	0610377195973	1
TCX0100PAKE	1" EPDM Seat and Seal Repair Kit for True Union Ball Check Valve	\$22.36	0610377195997	1
TCX0125PAKE	1-1/4" EPDM Seat and Seal Repair Kit for True Union Ball Check Valve	\$29.89	0610377196017	1
TCX0150PAKE	1-1/2" EPDM Seat and Seal Repair Kit for True Union Ball Check Valve	\$36.27	0610377196031	1
TCX0200PAKE	2" EPDM Seat and Seal Repair Kit for True Union Ball Check Valve	\$47.25	0610377196055	1
TCX300PAKE	2-1/2," 3" EPDM Seat and Seal Repair Kit for True Union Ball Check Valve	\$72.39	0610377196116	1
TCX400PAKE	4" EPDM Seat and Seal Repair Kit for True Union Ball Check Valve	\$128.26	0610377196130	1
BYV SERIES BUTTERFLY VALVE PARTS				
BYXV3HLKIT	2" BYV Lever Assembly	\$126.32	0610377254632	1
BYXV3HLKIT	2-1/2" BYV Lever Assembly	\$126.32	0610377254632	1
BYXV3HLKIT	3" BYV Lever Assembly	\$126.32	0610377254632	1
BYXV4HLKIT	4" BYV Lever Assembly	\$126.32	0610377254656	1
BYXV6HLKIT	6" BYV Lever Assembly	\$146.26	0610377254663	1
BYXV8HLKIT	8" BYV Lever Assembly	\$146.26	0610377254717	1
BYXVTP4	2" - 4" BYV Throttle Plate	\$39.89	0610377254779	1
BYXVTP8	6" - 8" BYV Throttle Plate	\$66.48	0610377254786	1
BYXV020KITE	2" BYV Valve EPDM Liner and Seal Kit	\$114.61	0610377244398	1
BYXV025KITE	2-1/2" BYV Valve EPDM Liner and Seal Kit	\$121.06	0610377244404	1
BYXV030KITE	3" BYV Valve EPDM Liner and Seal Kit	\$127.45	0610377244411	1
BYXV040KITE	4" BYV Valve EPDM Liner and Seal Kit	\$176.84	0610377244428	1
BYXV060KITE	6" BYV Valve EPDM Liner and Seal Kit	\$224.91	0610377244435	1
BYXV080KITE	8" BYV Valve EPDM Liner and Seal Kit	\$354.81	0610377244497	1
BYXV100KITE	10" BYV Valve EPDM Liner and Seal Kit	\$714.15	0610377244503	1
BYXV120KITE	12" BYV Valve EPDM Liner and Seal Kit	\$804.43	0610377244510	1
BYXV030ORKITE	2" - 3" BYV VLV EPDM O-ring WS Kit	\$15.16	0610377254878	1

Part Number	Size / Description	List Price	GTIN	Carton Qty
BYV SERIES BUTTERFLY VALVE PARTS, continued				
BYXV040ORKITE	4" BYV VLV EPDM O-ring WS Kit	\$17.55	0610377254885	1
BYXV060ORKITE	6" BYV VLV EPDM O-ring WS Kit	\$20.74	0610377254892	1
BYXV080ORKITE	8" BYV VLV EPDM O-ring WS Kit	\$24.73	0610377254908	1
BYXV100ORKITE	10" BYV VLV EPDM O-ring WS Kit	\$29.52	0610377254915	1
BYXV120ORKITE	12" BYV VLV EPDM O-ring WS Kit	\$35.10	0610377254922	1
BYXV10202	2" BYV Valve Disc PVC	\$84.30	0610377243872	1
BYXV10252	2-1/2" BYV Valve Disc PVC	\$93.54	0610377243889	1
BYXV10302	3" BYV Valve Disc PVC	\$116.94	0610377243896	1
BYXV10402	4" BYV Valve Disc PVC	\$120.00	0610377243902	1
BYXV10602	6" BYV Valve Disc PVC	\$176.84	0610377243919	1
BYXV10802	8" BYV Valve Disc PVC	\$240.00	0610377243933	1
BYXV11002	10" BYV Valve Disc PVC	\$265.93	0610377243940	1
BYXV11202	12" BYV Valve Disc PVC	\$299.17	0610377243957	1

BUTTERFLY VALVE PARTS - BYCN SERIES

LEX2B	2" 2-1/2" Lever Handle Replacement For Butterfly Valve (BYCN)	\$15.93	0610377209205	1
LEX4B	3" 4" Lever Handle Replacement For Butterfly Valve (BYCN)	\$18.12	0610377207270	1
LEX6B	5" 6" 8" Lever Handle Replacement For Butterfly Valve (BYCN)	\$32.11	0610377209212	1

BASKET STRAINER PARTS

BSX1111ASSYE	1/2" - 1" PVC Simplex or Duplex Cover Assembly w/EPDM O-ring	\$61.21	0610377872522	1
BSX1211ASSYE	1-1/4" - 2" PVC Simplex or Duplex Cover Assembly w/EPDM O-ring	\$94.85	0610377872591	1
BSX1411ASSYE	2-1/2" - 4" PVC Simplex or Duplex Cover Assembly w/EPDM O-ring	\$148.11	0610377872614	1
BSX1611ASSYE	6" - 8" PVC Simplex or Duplex Cover Assembly w/EPDM O-ring	\$341.69	0610377872652	1
BSX1PLUG2	1/2" - 2" PVC Simplex or Duplex Plug Replacement w/FPM O-ring	\$28.88	0610377872768	1
BSX1PLUG2E	2-1/2" - 8" PVC Simplex or Duplex Plug Replacement w/EPDM O-ring	\$23.64	0610377872775	1

BASKET STRAINERS: SIMPLEX AND DUPLEX EXTRA/REPLACEMENT BASKETS

BS11001/32	1/32" PVC Perf Basket Replacement for 1/2," 3/4" and 1" Strainers	\$217.59	0610377659635	1
BS11001/16	1/16" PVC Perf Basket Replacement for 1/2," 3/4" and 1" Strainers	\$217.59	0610377797665	1
BS11001/8	1/8" PVC Perf Basket Replacement for 1/2," 3/4" and 1" Strainers	\$217.59	0610377797917	1
BS11003/16	3/16" PVC Perf Basket Replacement for 1/2," 3/4" and 1" Strainers	\$217.59	0610377797924	1
BS71020	20 MESH 316 SS Basket Replacement for 1/2," 3/4" and 1" Strainers	\$419.33	0610377111584	1
BS71040	40 MESH 316 SS Basket Replacement for 1/2," 3/4" and 1" Strainers	\$419.33	0610377111614	1
BS71060	60 MESH 316 SS Basket Replacement for 1/2," 3/4" and 1" Strainers	\$419.33	0610377111621	1
BS71080	80 MESH 316 SS Basket Replacement for 1/2," 3/4" and 1" Strainers	\$419.33	0610377111638	1
BS710100	100 MESH 316 SS Basket Replacement for 1/2," 3/4" and 1" Strainers	\$419.33	0610377111577	1
BS7101/32	1/32" 316 SS Perf Basket Replacement for 1/2," 3/4" and 1" Strainers	\$419.33	0610377017398	1
BS7101/16	1/16" 316 SS Perf Basket Replacement for 1/2," 3/4" and 1" Strainers	\$419.33	0610377017411	1
BS7101/8	1/8" 316 SS Perf Basket Replacement for 1/2," 3/4" and 1" Strainers	\$419.33	0610377017466	1
BS7103/16	3/16" 316 SS Perf Basket Replacement for 1/2," 3/4" and 1" Strainers	\$419.33	0610377017596	1
BS12001/32	1/32" PVC Perf Basket Replacement for 1-1/4," 1-1/2" and 2" Strainers	\$273.41	0610377793063	1
BS12001/16	1/16" PVC Perf Basket Replacement for 1-1/4," 1-1/2" and 2" Strainers	\$273.41	0610377111355	1
BS12001/8	1/8" PVC Perf Basket Replacement for 1-1/4," 1-1/2" and 2" Strainers	\$273.41	0610377793070	1
BS12003/16	3/16" PVC Perf Basket Replacement for 1-1/4," 1-1/2" and 2" Strainers	\$273.41	0610377793087	1

Part Number	Size / Description	List Price	GTIN	Carton Qty
BASKET STRAINERS: SIMPLEX AND DUPLEX EXTRA/REPLACEMENT BASKETS, continued				
BS72020	20 MESH 316 SS Basket Replacement for 1-1/4," 1-1/2" and 2" Strainers	\$520.18	061037711829	1
BS72040	40 MESH 316 SS Basket Replacement for 1-1/4," 1-1/2" and 2" Strainers	\$520.18	061037711850	1
BS72060	60 MESH 316 SS Basket Replacement for 1-1/4," 1-1/2" and 2" Strainers	\$520.18	061037711867	1
BS72080	80 MESH 316 SS Basket Replacement for 1-1/4," 1-1/2" and 2" Strainers	\$520.18	061037711874	1
BS720100	100 MESH 316 SS Basket Replacement for 1-1/4," 1-1/2" and 2" Strainers	\$520.18	061037711812	1
BS7201/32	1/32" 316 SS Perf Basket Replacement for 1-1/4," 1-1/2" and 2" Strainers	\$520.18	0610377018654	1
BS7201/16	1/16" 316 SS Perf Basket Replacement for 1-1/4," 1-1/2" and 2" Strainers	\$520.18	0610377018685	1
BS7201/8	1/8" 316 SS Perf Basket Replacement for 1-1/4," 1-1/2" and 2" Strainers	\$520.18	0610377018777	1
BS7203/16	3/16" 316 SS Perf Basket Replacement for 1-1/4," 1-1/2" and 2" Strainers	\$520.18	0610377018791	1
BS14001/32	1/32" PVC Perf Basket Replacement for 2-1/2," 3" and 4" Strainers	\$695.65	0610377857505	1
BS14001/16	1/16" PVC Perf Basket Replacement for 2-1/2," 3" and 4" Strainers	\$695.65	0610377852579	1
BS14001/8	1/8" PVC Perf Basket Replacement for 2-1/2," 3" and 4" Strainers	\$695.65	0610377693257	1
BS14003/16	3/16" PVC Perf Basket Replacement for 2-1/2," 3" and 4" Strainers	\$695.65	0610377852586	1
BS74020	20 MESH 316 SS Basket Replacement for 2-1/2," 3" and 4" Strainers	\$1,109.81	0610377060691	1
BS74040	40 MESH 316 SS Basket Replacement for 2-1/2," 3" and 4" Strainers	\$1,109.81	0610377081870	1
BS74060	60 MESH 316 SS Basket Replacement for 2-1/2," 3" and 4" Strainers	\$1,109.81	0610377112086	1
BS74080	80 MESH 316 SS Basket Replacement for 2-1/2," 3" and 4" Strainers	\$1,109.81	0610377072052	1
BS740100	100 MESH 316 SS Basket Replacement for 2-1/2," 3" and 4" Strainers	\$1,109.81	0610377057233	1
BS7401/32	1/32" 316 SS Perf Basket Replacement for 2-1/2," 3" and 4" Strainers	\$1,109.81	0610377018500	1
BS7401/16	1/16" 316 SS Perf Basket Replacement for 2-1/2," 3" and 4" Strainers	\$1,109.81	0610377018524	1
BS7401/8	1/8" 316 SS Perf Basket Replacement for 2-1/2," 3" and 4" Strainers	\$1,109.81	0610377018555	1
BS7403/16	3/16" 316 SS Perf Basket Replacement for 2-1/2," 3" and 4" Strainers	\$1,109.81	0610377018579	1
BS16001/32	1/32" PVC Perf Basket Replacement for 6" Strainers	\$1,975.30	0610377298087	1
BS16001/16	1/16" PVC Perf Basket Replacement for 6" Strainers	\$1,975.30	061037726443	1
BS16001/8	1/8" PVC Perf Basket Replacement for 6" Strainers	\$1,975.30	0610377149860	1
BS16003/16	3/16" PVC Perf Basket Replacement for 6" Strainers	\$1,975.30	0610377149877	1
BS76001420	20 MESH 316 SS Basket Replacement for 6" Strainers	\$2,152.66	0610377151221	1
BS76001440	40 MESH 316 SS Basket Replacement for 6" Strainers	\$2,152.66	0610377151252	1
BS76001480	60 MESH 316 SS Basket Replacement for 6" Strainers	\$2,152.66	0610377151276	1
BS76001460	80 MESH 316 SS Basket Replacement for 6" Strainers	\$2,152.66	0610377151269	1
BS760014100	100 MESH 316 SS Basket Replacement for 6" Strainers	\$2,152.66	0610377151214	1
BS76001/32	1/32" 316 SS Perf Basket Replacement for 6" Strainers	\$2,303.85	0610377151184	1
BS76001/16	1/16" 316 SS Perf Basket Replacement for 6" Strainers	\$2,303.85	0610377151160	1
BS76001/8	1/8" 316 SS Perf Basket Replacement for 6" Strainers	\$2,303.85	0610377151207	1
BS76003/16	3/16" 316 SS Perf Basket Replacement for 6" Strainers	\$2,303.85	0610377151283	1
BS18001/32	1/32" PVC Perf Basket Replacement for 8" Strainers	\$2,728.08	0610377790604	1
BS18001/16	1/16" PVC Perf Basket Replacement for 8" Strainers	\$2,728.08	0610377104777	1
BS18001/8	1/8" PVC Perf Basket Replacement for 8" Strainers	\$2,728.08	0610377149914	1
BS18003/16	3/16" PVC Perf Basket Replacement for 8" Strainers	\$2,728.08	0610377149921	1
BS78001420	20 MESH 316 SS Basket Replacement for 8" Strainers	\$2,941.24	0610377151405	1
BS78001440	40 MESH 316 SS Basket Replacement for 8" Strainers	\$2,941.24	0610377151436	1
BS78001460	60 MESH 316 SS Basket Replacement for 8" Strainers	\$2,941.24	0610377151443	1
BS78001480	80 MESH 316 SS Basket Replacement for 8" Strainers	\$2,941.24	0610377151450	1

Part Number	Size / Description	List Price	GTIN	Carton Qty
-------------	--------------------	------------	------	------------

BASKET STRAINERS: SIMPLEX AND DUPLEX EXTRA/REPLACEMENT BASKETS, continued

BS780014100	100 MESH 316 SS Basket Replacement for 8" Strainers	\$2,941.24	0610377151399	1
BS78001/32	1/32" 316 SS Perf Basket Replacement for 8" Strainers	\$3,149.62	0610377151368	1
BS78001/16	1/16" 316 SS Perf Basket Replacement for 8" Strainers	\$3,149.62	0610377151344	1
BS78001/8	1/8" 316 SS Perf Basket Replacement for 8" Strainers	\$3,149.62	0610377151382	1
BS78003/16	3/16" 316 SS Perf Basket Replacement for 8" Strainers	\$3,149.62	0610377151467	1

SOLENOID VALVE PARTS

SVX1VCART	PVC Cartridge and FPM Seal Kit for 1/4" - 1/2" NPD Solenoid Valve	\$233.77	0610377739429	1
SVX1ECART	PVC Cartridge and EPDM Seal Kit for 1/4" - 1/2" NPD Solenoid Valve	\$220.65	0610377739405	1
SVX2VCART	CPVC Cartridge and FPM Seal Kit for 1/4" - 1/2" NPD Solenoid Valve	\$233.77	0610377739375	1
SVX2ECART	CPVC Cartridge and EPDM Seal Kit for 1/4" - 1/2" NPD Solenoid Valve	\$249.58	0610377739382	1
SVX452B	Bonnet Nut Replacement for 1/4" - 1/2" NPD Solenoid Valve	\$55.08	0610377308977	1
SVX5BCOIL120A	Coil 120 Volt Bonnet, Nut and Clip Replacement for 1/4" - 1/2" NPD Solenoid Valve	\$436.10	0610377862745	1
SVX5BCOIL220A	Coil 220 Volt Bonnet, Nut and Clip Replacement for 1/4" - 1/2" NPD Solenoid Valve	\$711.95	0610377862752	1
SVX5BCOIL12A/D	Coil 12 VAC or 12 VDC Bonnet, Nut and Clip Replacement for 1/4" - 1/2" NPD Solenoid Valve	\$711.95	0610377862769	1
SVX5BCOIL24A/D	Coil 24 VAC or 24 VDC Bonnet, Nut and Clip Replacement for 1/4" - 1/2" NPD Solenoid Valve	\$711.95	0610377862776	1
SVX17VCART	PVC Cartridge and FPM Seal Kit for 3/4" - 1" NPD Solenoid Valve	\$257.61	0610377739443	1
SVX17ECART	PVC Cartridge and EPDM Seal Kit for 3/4" - 1" NPD Solenoid Valve	\$246.99	0610377739412	1
SVX27VCART	CPVC Cartridge and FPM Seal Kit for 3/4" - 1" NPD Solenoid Valve	\$257.61	0610377780476	1
SVX27ECART	CPVC Cartridge and EPDM Seal Kit for 3/4" - 1" NPD Solenoid Valve	\$246.99	0610377780483	1
SVX472B	Bonnet Nut Replacement for 3/4" - 1" NPD Solenoid Valve	\$70.91	0610377308960	1
SVX1BCOIL120A	Coil 120 Volt Bonnet, Nut and Clip Replacement for 3/4" - 1" NPD Solenoid Valve	\$451.81	0610377862783	1
SVX1BCOIL220A	Coil 220 Volt Bonnet, Nut and Clip Replacement for 3/4" - 1" NPD Solenoid Valve	\$727.88	0610377862790	1
SVX1BCOIL12A/D	Coil 12 VAC or 12 VDC Bonnet, Nut and Clip Replacement for 3/4" - 1" NPD Solenoid Valve	\$727.88	0610377862806	1
SVX1BCOIL24A/D	Coil 24 VAC or 24 VDC Bonnet, Nut and Clip Replacement for 3/4" - 1" NPD Solenoid Valve	\$727.88	0610377862813	1

NOTE: 1/2", 3/4" and 1" Basket Strainers are supplied with standard 1/32" PVC Perf.
 NOTE: 1-1/2" through 8" Basket Strainers are supplied with standard 1/8" PVC Perf.





Hayward Commercial Pool

10101 Molecular Dr. | Suite 200 | Rockville, MD 20850

Visit us at haywardcommercialpool.com

Hayward® Commercial Pool is ready to jump in. | 1-800-657-2287

Our toll-free line will put you in direct contact with an experienced, technical, commercial products specialist. We're here to serve you.

Total System: Pumps | Filters | Heating | Cleaners | Sanitization | Automation | Lighting | Safety | White Goods | Flow Control

Terms & Conditions of Sale

Ordering: To insure prompt and proper shipment, please order by catalog number and description. Hayward reserves the right to consider each order, or addition, as separate and subject separately to the terms and conditions as herein outlined.

Shipments: All shipments are F.O.B., Clemmons, NC or Pomona, CA. Freight allowed on shipments with a net value of \$20,000 or more for finished goods and/or \$1,500 or more for parts to one destination, within Continental limits of United States and Canada excluding consolidated shipments for export. Prices include standard domestic packing only. Crating and export packing extra.

Shipping weights are approximate and are for use as a guide only. Carton weight is weight of Carton Quantity indicated.

Carton Quantity: Most products are individually boxed or bagged. Smaller products are normally individually boxed or bagged and packaged in a master carton (Ctn. Qty.).

Broken Master Carton Upcharge-Whole Goods: A charge of 25% of the net price of the individual item will be applied for broken master cartons of whole goods only.

Claims: All Claims must be made within ten days after receipt of merchandise. If any shipment is received in a damaged condition your claim must be filed with the delivering carrier and noted on the freight bill before you accept the merchandise.

Returns: All returns are subject to our written approval, and must be accompanied by a "RETURN GOODS AUTHORIZATION" form obtained from Hayward Pool Products, Inc., prior to shipment. Unauthorized returns will NOT be accepted. Freight must be prepaid. Material returned for credit, if in original condition and resaleable, is subject to a 20% handling charge and adjustment of prorated original outbound freight.

Taxes: Any Federal or State Excise or Sales Tax for which we may be liable on any sale will be charged to and paid by the buyer. Buyer is responsible for furnishing resale certificate.

Minimum Billing Charges:

Finished Goods \$200. Parts \$100. Finished goods and parts must be on separate orders and may not be combined. Parts are all items with an "X" in the prefix number.

Prices and products are subject to change without notice.

Contract. This Invoice is the entire contract between Hayward Pool Products, Inc., 620 Division Street, Elizabeth, New Jersey ("Hayward") and the Buyer named on the face of the Invoice with respect to the good or materials purchased and any related services (collectively, "Goods") and it supercedes any prior communications or agreements between the parties about the Goods. Any documents incorporated or referred to in this Invoice or in any releases or orders issued to Buyer hereunder are a part of this Invoice, except that any references to Buyer's order or other form is for information only and Hayward rejects all terms and conditions proposed by Buyer therein. These Terms and Conditions ("Terms") will apply to all sales by Hayward under this Invoice and any related releases unless modified or waived by any specific different terms stated on the face of the Invoice or release, regardless of any course of dealing or industry practice to the contrary.

Acceptance. Buyer's written acknowledgement of this Invoice, acceptance of any Goods hereunder, or payment of the amount due by Buyer as indicated on the Invoice will constitute its acceptance of these Terms. Without Hayward's written consent, no additional or different terms proposed by Buyer in its acknowledgement or otherwise will be effective to modify this Invoice and Buyer will be deemed to have accepted the Invoice without such modifications.

Delivery Of Goods. Delivery by Hayward to a carrier shall constitute delivery to Buyer. Even though Goods are shipped to the order of Hayward, Buyer assumes all responsibility for shortage, loss, delay, or damage in transit on issuance to Hayward by carrier of a bill of lading.

Limited Warranty. To Buyer, as original purchaser of the Goods, Hayward warrants its products free from defects in materials and workmanship for a period of one year from the date of purchase. Parts which fail or become defective during the warranty period, except as a result of freezing, negligence, improper installation, use or care, shall be repaired or replaced, at our option, within 90 days of the receipt of the defective product, barring unforeseen delays.

To obtain warranty, replacements or repair, defective components or parts should be returned, transportation paid, to the place of purchase, or the nearest authorized Hayward service center. No returns may be made directly to the factory without the express written authorization of Hayward Pool Products, Inc.

Pump housing/strainers which become defective during the warranty period, except as a result of freezing, negligence, improper installation, use or care, or as the result of a use in association with an automatic valving system, shall be repaired or replaced, at Hayward's option, without charge.

All other conditions and terms of the standard warranty apply.

Hayward shall not be responsible for cartage, removal and/or reinstallation labor or any other such costs incurred in obtaining warranty replacements.

The foregoing warranty does not apply to components manufactured by others. For such products, the warranty established by the respective manufacturer will apply.

Disclaimer. NO OTHER EXPRESS WARRANTY HAS BEEN MADE OR WILL BE MADE ON BEHALF OF HAYWARD WITH RESPECT TO THE GOODS OR THE INSTALLATION, OPERATION, REPAIR OR REPLACEMENT OF THE GOODS. HAYWARD SHALL NOT BE RESPONSIBLE FOR DAMAGE, LOSS OF USE OF THE UNIT, INCONVENIENCE, LOSS OR DAMAGE TO PERSONAL PROPERTY, WHETHER DIRECT OR INDIRECT, AND WHETHER ARISING IN CONTRACT OR TORT. Some states do not allow the exclusion or limitation of incidental or consequential damages, so the above limitation or exclusion may not apply to Buyer. This warranty gives Buyer specific legal rights, and Buyer may also have other rights which vary from state to state.

LIMITATION ON IMPLIED WARRANTIES. IMPLIED WARRANTIES, INCLUDING ANY WARRANTY OF MERCHANTABILITY IMPOSED ON THE SALE OF THE GOODS UNDER STATE LAW, ARE LIMITED TO ONE YEAR DURATION FOR THE GOODS OR ANY PARTS. SOME STATES DO NOT ALLOW LIMITATIONS ON HOW LONG AN IMPLIED WARRANTY LASTS, SO THE ABOVE LIMITATION MAY NOT APPLY TO BUYER.

Limitations Of Liability. Hayward's liability and Buyer's sole remedy, whether in contract, under any warranty, in tort (including negligence), in strict liability or otherwise, shall not exceed the return of the amount of the purchase price paid by Buyer, and under no circumstances shall Hayward be liable for any special or consequential damages, including, but not limited to, personal injury, property damage, damage to or loss of equipment, lost profits or revenue, costs of renting replacements, and other additional expenses, even if the seller has been advised of the possibility of such damages. The price stated for the equipment is a consideration in limiting Hayward's liability and Buyer's remedy. Some states do not allow exclusion or limitation of incidental or consequential damages, so the above limitation or exclusion may not apply to Buyer. Hayward will not be liable for any damages, losses, or expenses as a result of Buyer's negligence, whether deemed active or passive and whether or not any such negligence is the sole cause of any such damage, loss, or expense.

This warranty gives Buyer specific legal rights, and Buyer may also have other rights which vary from state to state.

Sale On Credit. The goods shall be shipped by Hayward to Buyer on 30 days credit. The credit period shall commence to run from the date of shipment.

Delay in the transmission of this invoice from Hayward to Buyer, resulting from any cause arising after the dispatch of this invoice by Hayward to Buyer and over which Hayward has no control, shall not extend the period for payment.

Buyer will furnish to seller any requested financial and credit information pertaining to the Buyer's business enterprise for the establishment and/or continuation of a credit line.

Failure To Pay Within 30 Days. If Buyer fails to pay the invoice amount within 30 days of the date of shipment, Hayward may recover from Buyer: (i) interest at the rate of 1½% per month (18% annual percentage rate) of the total amount outstanding, and (ii) any expenses and/or attorney's fees incurred in connection with attempts to collect the outstanding balance.

Fair Labor Standards Act. This is to certify that the merchandise listed in this invoice has been produced in accordance with the Fair Labor Standards Act of 1938, as amended.

Indemnification. Buyer will defend and indemnify Hayward and its directors, employees, agents, customers, end users, successors and assigns from and against all actual and alleged claims, liabilities, suits, damages, losses and expenses (including attorney's fees and legal costs) arising from or caused, in whole or in part, by Buyer's breach of any provision, term or condition of this Invoice.

Binding Effect. This Invoice is binding on the parties and their respective directors, officers, employees, agents, subcontractors, successors and permitted assigns.

Cumulative Remedies. Hayward's remedies herein are cumulative and in addition to any other further remedies available to it at law or equity.

No Waiver. Hayward's failure to enforce any right provided herein or to which it is entitled at law or equity will not constitute a waiver of that right or of any other rights to which it is entitled.

Governing Law. This Invoice will be interpreted and enforced under the laws of the State of New Jersey, USA (including, without limitation, the provisions of the Uniform Commercial Code as adopted by New Jersey), without recourse to the conflict of laws provision thereof. In no event will the provisions of the U.N. Convention on the International Sale of Goods apply to this Invoice. The parties agree that any action or proceeding arising out of or in connection with this Invoice will be brought exclusively in a state or federal court in the State of New Jersey.

How to contact us

Hayward Pool Products	Hayward Pool Products	Hayward Pool Products	Hayward Pool Products	Hayward Commerical Pool Products	Hayward Canada	Hayward Europe	Hayward/IMG International	Hayward Pool Products Wuxi
620 Division Street Elizabeth, NJ 07201 USA Tel: 908.351.5400 Fax: 908.351.5675	2875 Pomona Blvd. Pomona, CA 91768 USA Tel: 909.594.1600 Fax: 909.598.6905	1 Hayward Industrial Drive Clemmons, NC 27012 USA Tel: 336.712.9900 Fax: 336.712.9523	61 Whitecap Drive North Kingstown, RI 02852 USA Tel: 401.583.1100 Fax: 401.583.1200	10101 Molecular Drive Suite 200 Rockville, MD 20850 USA Tel: 301.838.4001 Fax: 301.838.4007	2880 Plymouth Drive Oakville, Ontario CANADA, L6H 5R4 Tel: 905.829.2880 Fax: 905.829.3636	Parc Industriel de la Plaine de L'Ain Alles Des Chenes 01150 Saint Vulbas FRANCE Tel: 33.474.46.24.70 Fax: 33.474.46.24.87	Marketing Group 2875 Pomona Blvd. Pomona, CA 91768 USA Tel: 909.594.0082 Fax: 909.444.0327	Block K4-A, Export Proc Zone Wuxi New District Jiangsu Province PRC 214028 Wuxi, China

• hayward.com • 1-888-HAYWARD

Pumps • Filters • Heating • Cleaners • Sanitization • Automation • Lighting • Water Effects • White Goods

Hayward and Hayward Energy Solutions are registered trademarks of Hayward Industries, Inc. © 2016 Hayward Industries, Inc. All other trademarks not owned by Hayward are the property of their respective owners. Hayward is not in any way affiliated with or endorsed by those third parties.

LITPLC17

