

SF-SI4027-BK, SF-SI4432-BK Model: SF-INS30-BK Installation Instructions -



Leave this manual with party responsible for use and operation.

CAUTION! Risk of Cuts, Abrasions or Flying Debris.
Wear protective gloves and safety glasses during installation. Sheet metal edges are sharp.

CAUTION! Do not install damaged components.

INTRODUCTION

The surround is required for the finished installation of the SF-INS30-BK. The surround is designed to overlap the existing opening of the existing fireplace or constructed chase.

SURROUND KIT COMPONENTS

- (1) Surround
- (4) ST4X8 Screws (attached to shipping bracket)

TOOLS NEEDED

- Magnetic Phillips Screwdriver

Install Surround

1. Remove the surround and hardware from the packaging.
 2. Remove protective bag from the surround.
 3. Remove the shipping bracket by removing the four screws that attach the bracket to the surround. Keep the four screws to use later to attach surround to appliance. Discard the bracket. See Figure 1.
 4. Locate the surround on the appliance and attach it to the appliance with four ST4X8 screws. See Figure 2.
- Verify that the surround is securely attached to the appliance.

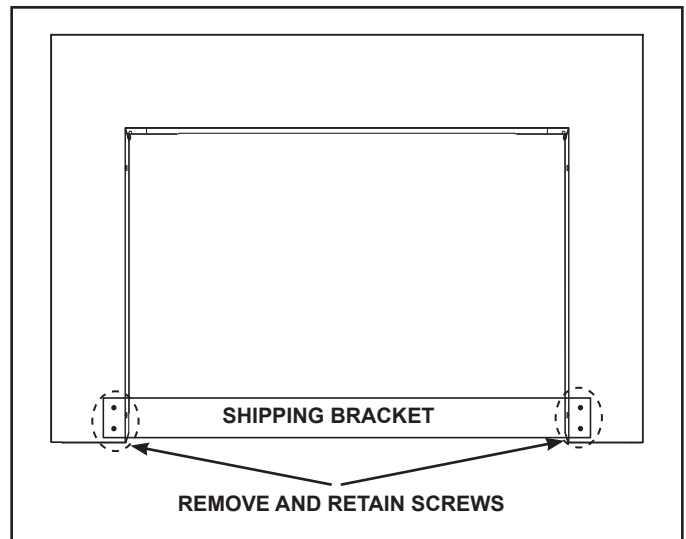


Figure 1

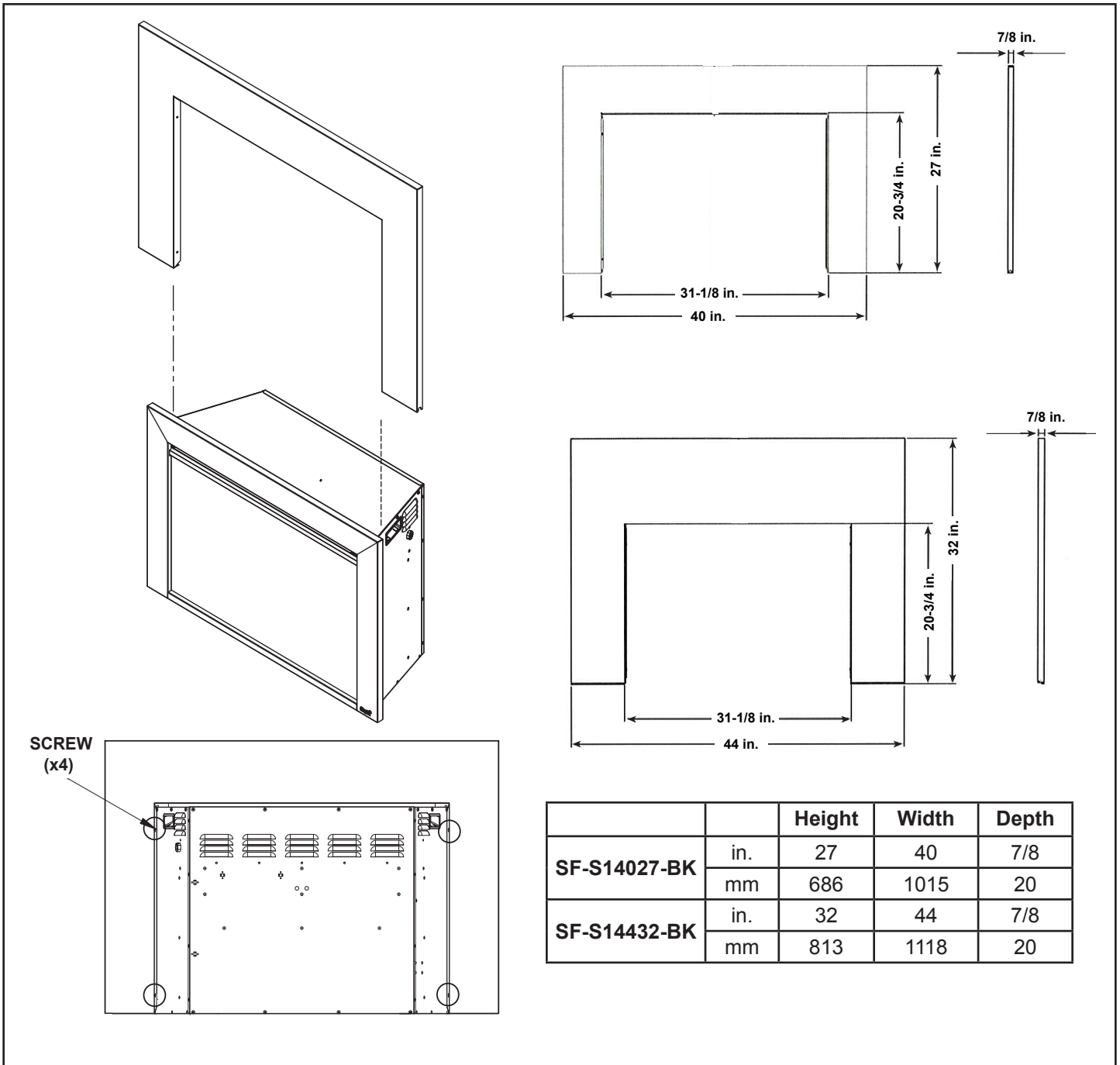


Figure 2

SimpliFire, a brand of Hearth & Home Technologies
 7571 215th Street West, Lakeville, MN 55044
www.hearthnhome.com

Please contact your SimpliFire dealer or customer / technical support
 (877-320-0730) with any questions or concerns.
 For the location of your nearest SimpliFire dealer,
 please visit www.hearthnhome.com.