

Read the Product Safety Guide first, then read this Quick Setup Guide for the correct installation procedure.

⚠ WARNING

WARNING indicates a potentially hazardous situation which, if not avoided, could result in death or serious injuries.

NOTE

NOTE specifies the operating environment, conditions for installation, or special conditions of use.

Unpack the machine and check the components

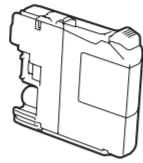


Watch our FAQ Videos for help with setting up your Brother machine.
solutions.brother.com/videos



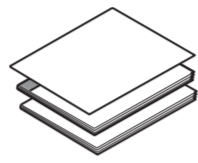
Visit the Brother support website
<http://support.brother.com>

1. Remove the protective tape and film covering the machine.
2. Make sure you have all components.
 - *The components included in the box may differ depending on your country.*



Introductory Ink Cartridges [x4]

- Black
- Yellow
- Cyan
- Magenta



**Quick Setup Guide
Basic User's Guide
Product Safety Guide**



CD-ROM



Power Cord



USB Interface Cable

⚠ WARNING

Plastic bags are used in the packing of your machine. To avoid the danger of suffocation, keep these plastic bags away from babies and children. Plastic bags are not toys.

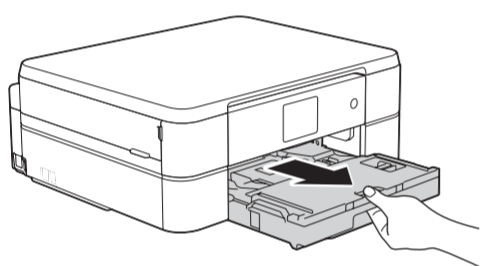
NOTE

- Save all packing materials and the box in case for any reason you must ship your machine.
- **Please use the supplied USB cable for a USB connection.**

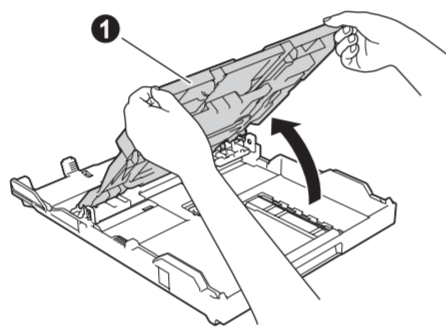
USB cable

We recommend using a USB 2.0 cable (Type A/B) that is no more than 2 metres long.

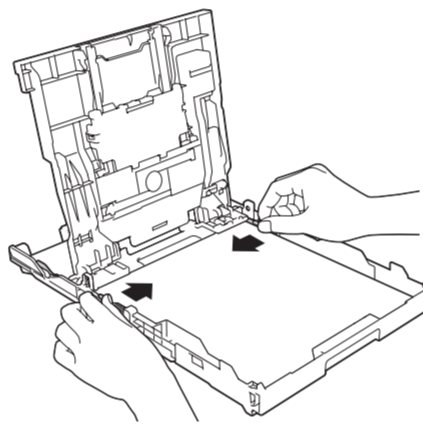
1 Load plain A4 paper



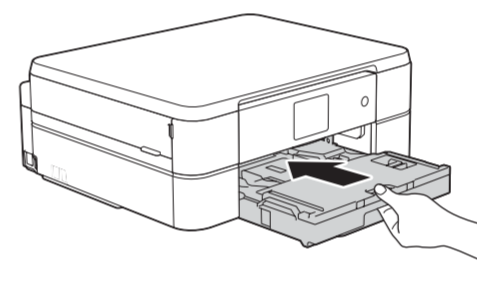
Pull the paper tray completely out of the machine.



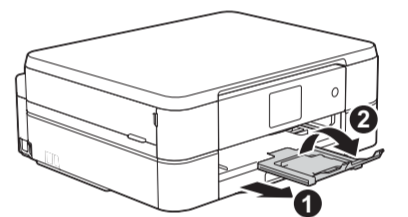
Open the output paper tray cover ❶.



Fan the paper well and load it in the tray, and then adjust the paper guides.



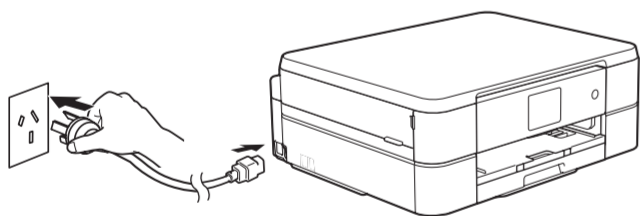
Close the output paper tray cover, and then slowly push the tray completely into the machine.



NOTE

Pull out the paper support ❶, and unfold the paper support flap ❷ so that the printed pages do not fall.

2 Connect the power cord

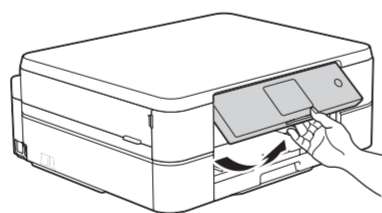


(Example for Australia)

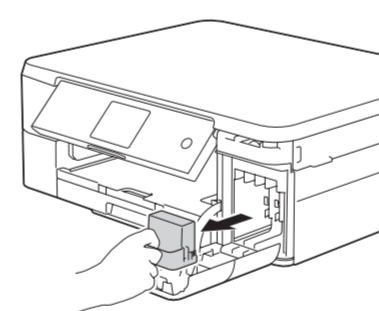
Connect the power cord. The machine will power on automatically.

NOTE

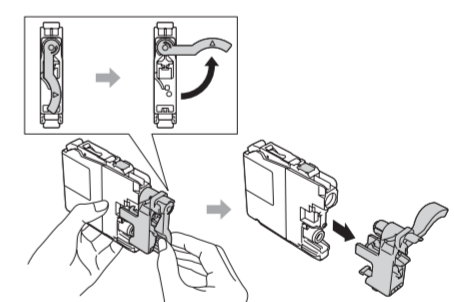
You can adjust the control panel angle to read the Touchscreen more easily.



3 Install introductory ink cartridges



Open the ink cartridge cover, and then remove the orange protective part from the machine.



Follow the Touchscreen instructions to install the ink cartridges. The machine will prepare the ink tube system for printing.

4 Machine settings

When the machine has finished the initial cleaning process, follow the Touchscreen instructions to configure the machine settings.

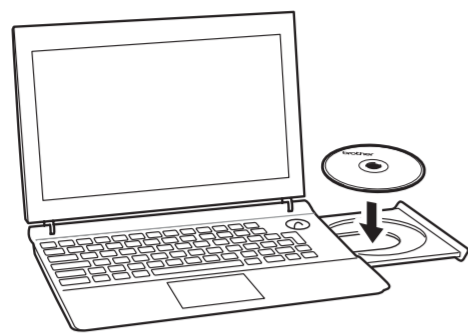
- Check print quality
- Set date and time
- View operation tips
- Set New Function Notice
- Print the installation sheet



5 Print from a computer

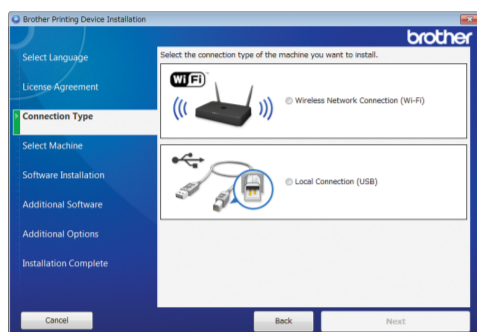
Put the CD-ROM into your CD/DVD drive.

- If you do not have a CD/DVD drive, download the software:
For Windows®: solutions.brother.com/windows
For Macintosh: solutions.brother.com/mac



When the device installation screen appears, follow the on-screen instructions.

When you reach **Connection Type**, select the connection type you want.

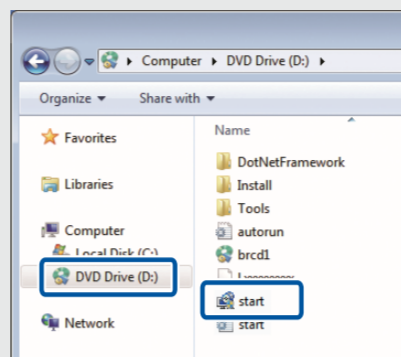


If you select **Local Connection (USB)**, DO NOT connect the USB cable until instructed. Follow the on-screen instructions to continue installation.

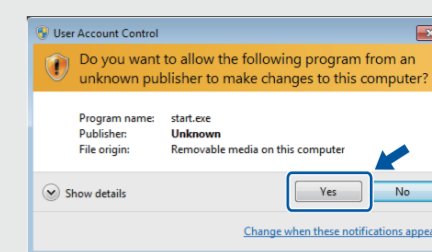
Continue to follow the on-screen instructions. When **Installation Complete** appears, your Brother machine is successfully installed. Click **Finish**.

If wireless connection is not successful, connect your machine manually using the control panel, following the instructions below in **Using the Wireless Setup Wizard**.

- If the Brother screen does not appear automatically, click **(Start) > Computer (My Computer)**. (For Windows® 8: click the **File Explorer** icon on the taskbar, and then go to **Computer (This PC)**.) Double-click the CD/DVD-ROM icon, and then double-click **start.exe**.

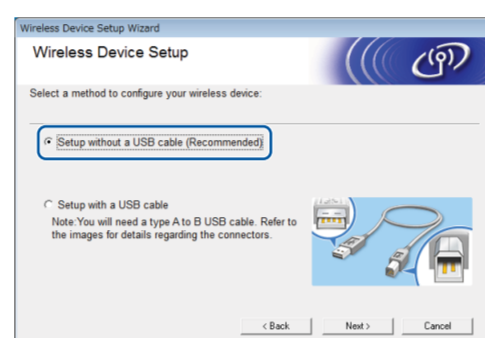


- If the **User Account Control** screen appears, click **Yes** to continue installation.



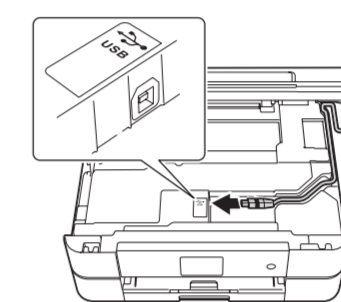
- To install the machine on additional computers, repeat this procedure for each computer.

If you selected **Wireless Network Connection (Wi-Fi)**:
When the **Wireless Device Setup** screen appears, select **Setup without a USB cable (Recommended)**.



If you selected **Local Connection (USB)**:

Wait until the on-screen instructions tell you to connect to your computer: lift the scanner cover, insert your cable into the indicated socket, and guide the cable out the back of the machine. Close the scanner cover, and then connect the cable to your computer.

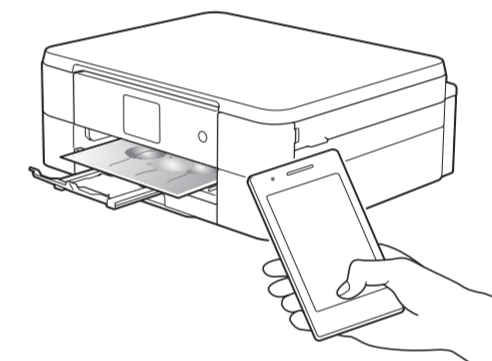


Print from a smartphone or other mobile device



Print from and scan to smartphones and other mobile devices using our free application **Brother iPrint&Scan**.

Download and install **Brother iPrint&Scan** at solutions.brother.com/ips or



You can also use AirPrint, a mobile printing solution that lets you wirelessly print photos, emails, webpages, and documents from your iPad, iPhone and iPod touch without the need to install a driver. For more information about using AirPrint, see the *AirPrint Guide* on your model's **Manuals** page.

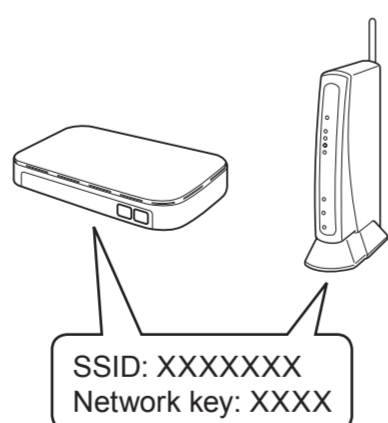
Your smartphone or mobile device must be connected to the Brother machine wirelessly. Connect your smartphone or mobile device to a wireless access point/router, and connect your Brother machine to the same wireless access point/router, using the Wireless Setup Wizard. See **Using the Wireless Setup Wizard**.



Using the Wireless Setup Wizard

Use Brother's Wireless Setup Wizard to manually connect your Brother machine to your wireless network. Your computer, smartphone, or mobile device must be connected to the same wireless network if you want to print wirelessly.

- Turn off your wireless access point/router, wait 10 seconds, and then turn it on again.
- Find your SSID (Network Name) and Network Key (Password) on your wireless access point/router and write them in the table provided below. If you cannot find this information, ask your network administrator or wireless access point/router manufacturer.
- Press **WiFi** on your Brother machine's Touchscreen, and then press [Setup Wizard].



SSID (Network Name)	
Network Key (Password)	



- Select the SSID (Network Name) you found in **2**, and then press [OK].
- Enter the Network Key (Password) you found in **2**, and then press [OK].
- When wireless setup is successful, the Touchscreen displays [Connected]. Press [OK], and then return to step **5** to install the driver. If the machine does not connect to the network, verify your Network Key (Password) and repeat these steps. For additional help, see your model's **FAQs & Troubleshooting** page on the Brother Solutions Center at <http://support.brother.com>

