



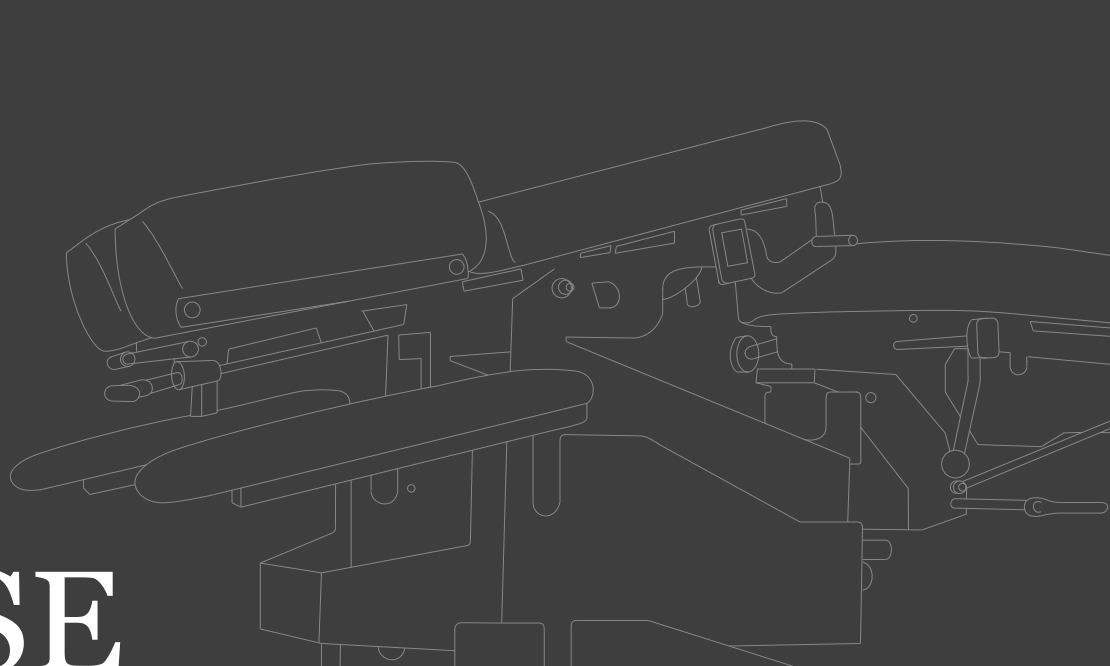
PHSChiropractic
by Pivotal Health Solutions

phschiropractic.com | 800.743.7738

2020-2021 CHIROPRACTIC EQUIPMENT CATALOG

ADJUSTING TO YOUR NEEDS.





WHY CHOOSE PHS CHIROPRACTIC?

Since our launch in 2009, PHS Chiropractic, a brand of Pivotal Health Solutions, has become an industry leader in beautifully designed, configurable chiropractic tables, and accessories. Our products are built to help practices succeed. We are constantly moving forward and improving, striving to deliver unmatched value to our customers in product, service, and performance.

QUALITY • DIVERSITY • LEAD TIME

Our wide range of products are continually being updated to adapt to emerging needs to better serve the chiropractic community. Most orders ship within 4 weeks!



What is a Pivotal Practice?

A Pivotal Practice incorporates a multi-disciplinary approach to related areas of health care such as chiropractic, massage and physical therapy using a variety of PHS products and equipment. A diverse course of treatment options opens your practice to greater opportunities and allows you to successfully treat a wider selection of conditions and patients adding value to your practice.

See page 20 for more information on Creating Your Pivotal Practice



2020 NEW PRODUCTS

As your practice grows and evolves, so do our products. We strive to stand out and foster innovative thinking to solve problems and push the creative barriers of product selection, performance, and price. We want you to succeed and that is why we design and build products that give your practice value. By continually improving our product lines, we create more opportunities for our customers and for ourselves.

Kiosks - 30", 42" or 48"



**Smart Step
Wellness Mats**



**TradeBasic
Bench**



**ErgoBasic with
Manual Pump
Elevation**



**ErgoStyle
Elevating
HYLO Table**



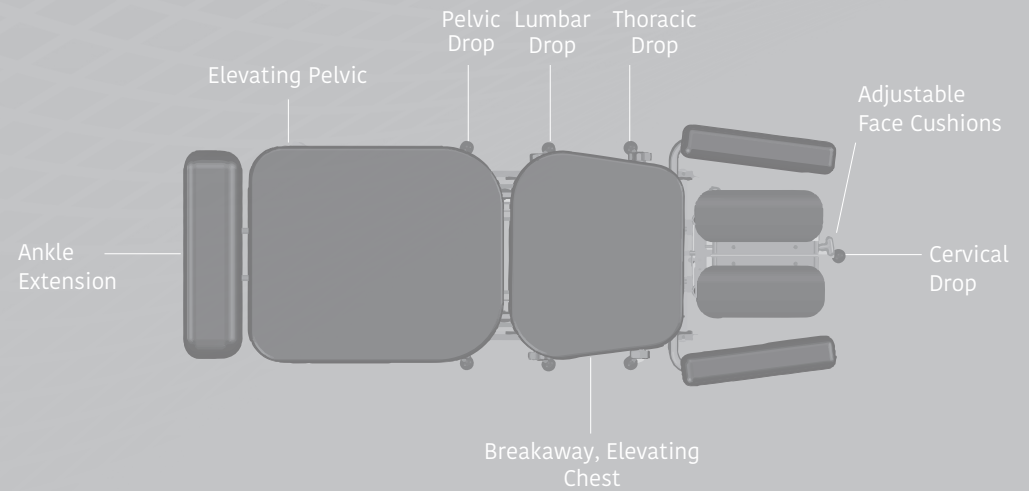
**EB Portable
Chiropractic
Table**



Visit our website for complete details.
www.PHSChiropractic.com

ErgoStyle™ ES2000 GEN II

The ErgoStyle™ ES2000 Gen II takes the table you know one step further. With smooth electric elevation and easy upgrades, you can customize your table to your practice setting. Our patented ErgoStyle drop elevates across the entire cushion, rather than a single pin, allowing for improved accuracy and a smoother adjustment with less force-for less stress on you and your patient. It's also fully modular, allowing for easy modifications and upgrades in the field, both now or later as your techniques and practice grow.



ErgoStyle™
ES2000 GEN II
ES9300
SHOWN WITH OPTIONS

**VERSATILE.
SMOOTH.
ERGONOMIC.**

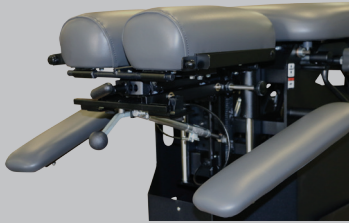
LIFTING CAPACITY
400 lbs.

OVERALL DIMENSIONS
70"L x 28"W x 20-32"H

EXTENDED MAXIMUM LENGTH
76"L with ankle extension

CUSHION WIDTH
22.5"W

Pivotal Points



Headpiece: Tilt, Elevation, Forward Drop, Toggle Drop & Adjustable Face Cushion Options



Auto-Cocking Drop Option (Includes Thoracic, Lumbar & Pelvic Drops)



Full Length Patented Accelerator III Drops



ErgoStyle™
ES2000 GEN II
ES9300
SHOWN WITH OPTIONS



Visit our website for complete table details.
www.PHSChiropractic.com

ErgoStyle™ ES2000 GEN II

ES2000 GEN II ES9300
Elevating Adjusting Treatment Table

ES2000 GEN II ES9320
Elevating Adjusting Treatment Table with 3 Auto-Cocking Drops

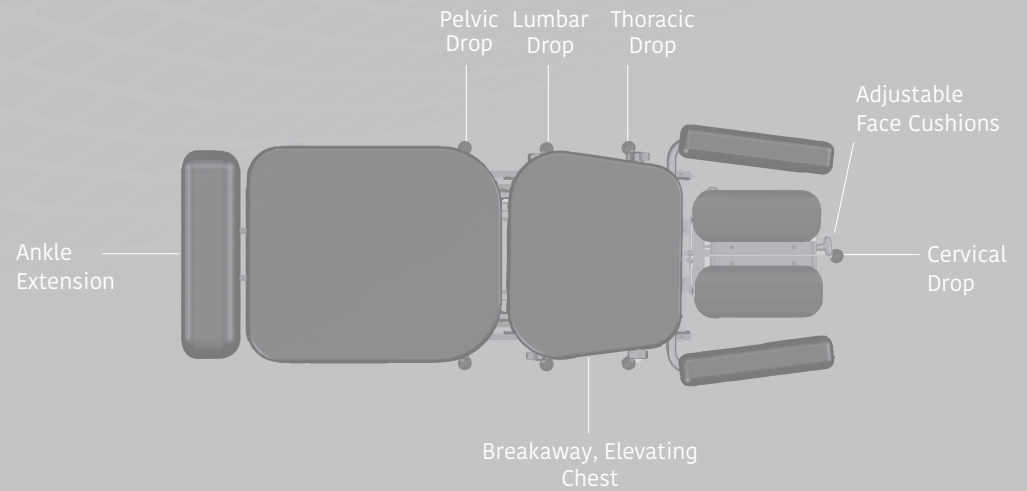
Standard Features:

- Lifting capacity: 400 lbs.
- Overall dimensions: 70"L x 28"W x 20-32"H
- Extended maximum length: 76"L with ankle extension
- Electric elevation from 20-32"
- Single foot pedal for elevation
- Expanding covers over lifting mechanism
- Tilting headpiece with adjustable sewn face cushions
- 22.5" wide seamless cushions with multi-density foam
- Locking 6" extending ankle rest
- Stationary chest
- Fixed pelvic section
- Paper roll holder and cutter
- Durable powder coat finish
- Dual auto-cocking foot pedal included with auto-cocking drops
- ADA compliant

NOTE: International (240V) option available

ErgoStyle™ FX

The ErgoStyle™ FX offers full, ultra-smooth counterbalanced flexion, distraction or circumduction, effortlessly meeting the core needs of your practice. Manual flexion/distraction is built right in, with infinitely variable electric spring tension so you can move the caudal section in any direction with just the touch of a finger. For added flexibility, the table also quietly elevates from its lowest height of 20" to its full height of 32". The fully modular design allows for upgrades now or in the future, including manual drops, auto-cocking drops, auto flexion, various headpieces, and many other options.



ErgoStyle™ FX
ES5820
SHOWN WITH OPTIONS

**DESIGNED
FOR THE
DOCTOR.**

**Smoother adjustments with
less force - for less stress
on you & your patients.**

LIFTING CAPACITY
400 lbs.

OVERALL DIMENSIONS
70"L x 28"W x 20-32"H

EXTENDED MAXIMUM LENGTH
78"L with ankle extension

CUSHION WIDTH
22.5"W

Pivotal Points



Digital Interface Control



Headpiece: Tilt, Elevation, Forward Drop, Toggle Drop, Adjustable Face Cushion Options



Breakaway, Elevating Chest Option with Single or Dual Side Control



ErgoStyle™ FX
SHOWN WITH OPTIONS



Visit our website for complete table details.
www.PHSChiropractic.com

ErgoStyle™ FX

FX ES5820
Elevating Manual Flexion Distraction Table

FX ES5822
Elevating Manual Flexion Distraction Table with 3 Auto-Cocking Drops

Standard Features:

- Lifting capacity: 400 lbs.
- Overall dimensions: 70"L x 28"W x 20-32"H
- Extended maximum length: 78"L with ankle extension
- Electric elevation from 20-32"
- Single foot pedal for elevation
- Expanding covers over lifting mechanism
- Tilting headpiece with adjustable sewn face cushions
- 22.5" wide seamless cushions with multi-density foam
- Manual flexion/distraction
(Flexion: 15°; Extension: 12°; Side Bending: 30° total)
- Single tension foot pedal (manual flexion only)
- Locking 8" extending ankle rest with ankle cuffs
- Stationary chest
- Paper roll holder and cutter
- Durable powder coat finish
- Single auto-cocking foot pedal included with auto-cocking drops
- ADA Compliant

NOTE: International (240V) option available

ErgoStyle™

HYLO

HYLO EH9510
Standard HYLO Table

HYLO EH9530
HYLO Table with 3 Auto-Cocking Drops

Standard Features:

- Lifting capacity: 400 lbs.
- Overall dimensions: 64-78"L x 28"W x 23.5"H
- Extended maximum length: 78"L with ankle extension, 23.5" Fixed table height
- 64-78" Adjustable table length, 0-63° tilting
- Tilting mechanism: gear drive hydraulics with a "soft stop" in the down position
- Single foot pedal for tilt mechanism
- Constant tilt speed with automatic weight compensation, regardless of patient's weight and height
- Controlled safety system: 2-Step tilt-down control
- Powered front and rear sections
- Single side controls to power chest and pelvic extensions
- Tilting headpiece with adjustable sewn face cushions
- Stationary chest
- Fixed pelvic section
- Fixed ankle rest with foldaway foot plate
- 23.5" wide seamless cushions with multi-density foam
- Paper roll holder and cutter
- Durable powder coat finish
- Single auto-cocking foot pedal included with auto-cocking drops
- ADA Compliant

NOTE: International (240V) option available

The ErgoStyle™ HYLO reinvents today's adjusting table with numerous upgradeable features. Our base table expands your practice with its advanced tilt mechanism, featuring a controlled safety system and constant tilt speed. Upgrade your table by adding manual drops, auto-cocking drops, various headpieces, and many other options.

"Having this table has helped me grow my practice..."

[It gives] me the flexibility to treat acute and elderly patients without having them 'climb' onto a table. As a result of seeing these types of patients they have commented how much they appreciate me having this option for them. I would suggest every office offer a HYLO table from Pivotal Health."

Dr. David Timmerman, D.C.
Advanced Chiropractic & Wellness



ErgoStyle™ HYLO
EH9510
SHOWN WITH OPTIONS

LIFTING CAPACITY
400 lbs.

OVERALL DIMENSIONS
64-78"L x 28"W x 23.5"H

EXTENDED MAXIMUM LENGTH
78"L with ankle extension

CUSHION WIDTH
23.5"W



Visit our website for complete table details.
www.PHSChiropractic.com



ErgoStyle™ Elevating HYLO is feature-rich with smooth elevation and up to 63° tilting capabilities that reduce stress on you and your patients. The ErgoStyle Elevating HYLO Table also features a tuck away foot plate allowing better access to the end of the table. Because it's fully modular, it accommodates easy modifications and upgrades as your practice and techniques grow. Choose from manual drops, various adjustable headpieces, breakaway chest, and many other options to customize your table to your practice needs.



ErgoStyle™ Elevating HYLO
EH9400
SHOWN WITH OPTIONS

LIFTING CAPACITY
400 lbs.

OVERALL DIMENSIONS
70"L x 28"W x 20-30"H

EXTENDED MAXIMUM LENGTH
76"L with ankle extension

CUSHION WIDTH
22.5"W



Visit our website for complete table details.

www.PHSChiropractic.com

2020 NEW PRODUCT

ErgoStyle™ Elevating HYLO

Elevating HYLO EH9400
Elevating HYLO Table

Standard Features:

- Lifting capacity: 400 lbs.
- Overall dimensions: 70"L x 28"W x 20-30"H
- Extended maximum length: 76"L with ankle extension
- Electric elevation from 20-30"
- 0-63° tilting
- Single foot pedal for elevation & HYLO
- Tilting headpiece with adjustable sewn face cushions
- 22.5" wide seamless cushions with multi-density foam
- Locking 6" extending ankle rest
- Stationary chest
- Fixed pelvic section
- Foldaway foot plate
- Paper roll holder and cutter
- Durable powder coat finish
- ADA compliant

ErgoBasic SERIES

ErgoBasic EB9040
Soft Foam

ErgoBasic EB9050
Firm Foam



2020 NEW PRODUCT

ErgoBasic with Manual Pump Elevation



EB9060



Standard Features:

- Load capacity: 350 lbs.
- Overall dimensions: 27"W x 65"L x 18-24"H
- Tilt headpiece
- Accelerator™ III pelvic drop
- Unitized steel frame
- 20.5" Wide seamless cushions
- Paper roll holder and cutter
- Shipped fully assembled
- ADA Compliant

The **ErgoBasic Series** offers a critical mix of adjusting features that is praised by many practitioners.

**SLEEK, ELEGANTLY
SIMPLE, YET STILL
AFFORDABLE.**

Standard Features:

- Load capacity: 400 lbs.
- Overall dimensions: 27.25"W x 69.5"L x 18-24"H
- Manual hydraulic pump elevation
- Tilting headpiece with adjustable sewn face cushions
- 20.5" wide seamless cushions
- Firm Foam
- Paper roll holder and cutter
- Durable powder coat finish
- Accelerator™ III Pelvic Drop
- ADA Compliant

The ErgoBasic helps you to work smarter...

A streamlined design at an affordable price, the ErgoBasic with Manual Pump Elevation offers style and innovation with a variety of adjustable features to help practitioners deliver the best care.

ErgoBench SERIES

Fixed TopEB9020-U
Soft Foam

Tilt HeadEB9000-U
Soft Foam

Fixed TopEB9030-U
Firm Foam

Tilt HeadEB9010-U
Firm Foam



Standard Features:

- Load capacity: 350 lbs.
- Overall dimensions:
24"W x 73"L x 18-24"H
- Unitized steel frame
- 24"W seamless cushions
- Multi-fit arm rests
- Paper roll holder and cutter
- Bottleneck shape

The ErgoBench Series

brings uncompromised stability and style to any office at an affordable price. It has an 18-24" height adjustment and features a smooth, flat surface, unitized steel frame with a bottleneck shape, seamless cushions, multi-fit arm rests, and a paper roll holder and cutter.

EB Bench SERIES

EB Bench EB8020
Fixed Top

EB Bench EB8000
Tilt Head



*EB8020
with shelf*

Standard Features:

- Load capacity: 600 lbs.
- Overall dimensions:
24"W x 73"L x 22"H
- 2" Firm foam
- Black powder coat steel frame
- 24"W Seamless cushions with folded cushion edges
- Extended arm rests for comfort
- Paper roll holder and cutter
- Bottleneck shape

The **EB Bench Series** offers stability and style, plus a firm and workable adjusting surface - all at an affordable price.

This bench has a 600 lb. load capacity!

TradeMark SERIES

TradeMark E9012
Adjusting Table

Standard Features:

- Lifting capacity: 350 lbs.
- Overall dimensions: 65"L x 28"W x 19"H
- Extended maximum length: 73"L with ankle extension
- Stationary table height is 19"
- Adjustable face cushion and tilting headpiece
- 8" Ankle extension with elevation
- Breakaway and elevating abdominal cushion
- 22" Wide comfort cushions
- Long, ergonomic arm pads
- Steel base
- Paper roll holder and cutter
- ADA Compliant

NOTE: International (240V) option available

The TradeMark Adjusting Table is engineered for excellence and designed as an affordable choice for a growing practice or as a starter table. Standard features include adjustable face cushions, 8" ankle extension with elevation, and breakaway abdominal with elevation. Quality options include all three drops (thoracic and lumbar in a single chest cushion, as well as pelvic), elevation, and a variety of headpieces.



Headpiece: Tilt, Elevation, Forward Drop, Toggle Drop, Adjustable Face Cushion Options



TradeMark
E9012
SHOWN WITH OPTIONS

**An affordable choice
for your practice.**

LIFTING CAPACITY	OVERALL DIMENSIONS	EXTENDED MAXIMUM LENGTH	CUSHION WIDTH
350 lbs.	65"L x 28"W x 19"H	73"L with ankle extension	22"W



Visit our website for complete table details.
www.PHSChiropractic.com

The TradeFlex Series features electric tension controls, optional cervical, thoracic, lumbar and pelvic drops, and the ability to perform figure-8 range of motion. The pelvic drop can be used in any position. We offer thoracic and lumbar drops in a single chest cushion. Lock the P/A and lateral flexion in any position.

“This table offers so much versatility...

...allowing for optimum correction of spinal/extremity misalignments or disc and compression issues yet still functioning as an exam, adjusting and therapy table.”

Dr. Galen Stolp

Integrated Chiropractic and Rehab



TradeFlex E9017
SHOWN WITH OPTIONS



TradeFlex E9018
SHOWN WITH OPTIONS

**ELEVATION OPTION
AVAILABLE
21-29" H**

LIFTING CAPACITY
350 lbs.

OVERALL DIMENSIONS
73"L x 28"W x 20"H

EXTENDED MAXIMUM LENGTH
83"L with ankle extension

CUSHION WIDTH
22"W



Visit our website for complete table details.

www.PHSChiropractic.com

TradeFlex SERIES

TradeFlex E9017

TradeFlex Manual Flexion Table

TradeFlex E9018

TradeFlex Auto Flexion Table

Standard Features:

- Lifting capacity: 350 lbs.
- Overall dimensions: 73"L x 28"W x 20"H
- Extended maximum length: 83"L with ankle extension
- Stationary table height is 20"
- P/A Flexion 15°
- Rear lateral flexion 15° (30° total)
- Electric spring tension
- 10" Ankle extension
- Breakaway abdominal
- 22" Wide comfort cushions
- Tilting headpiece with adjustable face cushions
- Steel base
- Short T bar and SST strap
- Paper roll holder and cutter

NOTE: International (240V) option available

2020

NEW PRODUCT

TradeBasic Bench



EB9070



Standard Features:

- Load capacity: 350 lbs.
- Overall dimensions: 27"W x 74"L x 18-24"H
- Tilt headpiece with adjustable face cushions
- Pelvic drop
- Unitized steel frame
- 22"W Comfort cushions
- Paper roll holder and cutter
- Ships fully assembled

The **TradeBasic Bench** is engineered for excellence and designed as an affordable choice for a growing practice or a starter table. Standard features include a tilt headpiece with adjustable face cushions and a pelvic drop. Quality options include a lumbar and thoracic drop and a tilt headpiece with cervical drop.

Max Metal Drop Table

Max Metal Drop Table Z2051



Standard Features:

- Load capacity: 400 lbs.
- Overall dimensions: 21.5"W x 71.5"L
- Height ranges: 18-19", 20-21", 22-23" or 24-26"
- Stationary face cushion
- Extension/flexion headpiece
- Paper roll holder and cutter
- 8" Ankle extension
- 22" Wide comfort cushions
- Black base

The **Max Metal Drop Table** with its classic design offers an affordable way for you to start your practice. Fully upgradeable, choose cervical, thoracic or lumbo-pelvic drops, headpieces and other options.



Thoracic Drop

Basic Pro

Portable Chiropractic Table



Standard Features:

- Load capacity: 400 lbs.
- Overall dimensions: 21.5"W x 70"L
- Folded Table: 21.5"W x 37"L x 8"H
- Height range: 18.5-22.4"
- Table weight: 46 lbs.
- Thoracic & pelvic drops
- Narrow shoulder design
- 5 Angle adjustable headpiece
- Adjustable ankle extension
- Adjustable height, folding legs
- 2" Multi-layer foam cushion with black upholstery
- Hand rests
- Paper holder
- Black carry case

The Basic Pro Portable Chiropractic Table is beautifully portable yet tough enough to withstand the requirements of the most demanding use.

2020

NEW PRODUCT

EB Portable

Chiropractic Table

EB Portable
Chiropractic Table . . .PCT1000



Standard Features:

- Load capacity: 350 lbs
- Table weight: 35 lbs.
- Overall dimensions: 68"L x 22"W x 19"H
- Folded dimensions: 34"L x 9"W x 21.75"H
- Foldable with handle for easy transport
- Fixed arm rests
- Fixed height
- 2" High density foam
- Bottleneck shape
- ADA Compliant

The EB Portable Chiropractic Table is the perfect design for portability and function in a chiropractic table. This table is strong, stable, and easy to transport and set up.

This table provides a viable alternative to bulky stationary designs.

ME2002

Elevating Table - The Bolt

ME2002 Elevating Table
- The Bolt ME2002



ME2002 with Pelvic Drop

HY2002 IAT

HYLO Elevating Table



HY2002 with Pelvic Drop

Standard Features:

- Lifting Capacity: 400 lbs.
- Overall dimensions: 80"L x 28"W x 20-36"H
- Electric Elevation Range: 24-36"
- 3" High density foam cushion with face opening
- White powder coat steel base
- 2 sliding doors on each side of table
- Ankle rest with 3.5" elevation
- 2 Foot pedals (1 on each end)
- 1 Mounted hand control
- ADA Compliant

The ME2002 Elevating Table - The Bolt has been designed and built with the highest standards of quality, integrity, and innovation.



ME2002 with Pelvic Drop

Standard Features:

- Lifting Capacity: 350 lbs.
- Overall dimensions: 80"L x 28"W x 20-34"H
- 20-34" Height range
- Steel base with white powder coat
- 0-63° Tilting
- Ankle rest with 3.5" elevation
- Electric foldaway foot plate
- Single hand control for elevation and tilt
- 26" Handles below cushions
- 3" High density foam cushions
- Low profile locking casters
- ADA Compliant



HY2002

ErgoWave Roller Massage Table

ErgoWave Roller Massage Table EW9080



Standard Features:

- Load Capacity: 350 lbs.
- Overall dimensions: 78"L x 25"W x 24"H
- Quick height adjustments: Gas spring makes roller height adjustments quick and easy
- Ultra quiet operation: high-quality motor for nearly silent operation without disturbing vibrations
- Built-in storage shelf
- Welded steel frame for stability
- 30-Minute timer
- 3" Roller height adjustment

The ErgoWave Roller Massage Table covers all areas of the spine isolating the lumbar, thoracic or cervical regions. Three, independent rollers repeat every 13 seconds delivering a unique wave action that travels up the spine. A powerful, yet nearly silent motor never disturbs your patient's relaxation and you can add a leg bolster or head pillow for added comfort.

ATT-300 Intersegmental Roller Massage Table



ATT-300

Standard Features:

- Load capacity: 350 lbs.
- Overall dimensions: 22"W x 72"L x 25"H
- Clockwise and counter-clockwise rotation
- Travel indicator
- Automatic lowering device
- Adjustable massage pressure
- Vibration
- LED roller height indicator
- 30 Minute timer
- (1) Cervical bolster and (1) knee bolster
- 4" Roller height adjustment
- Casters



**Now available
in wood!**

ATT-300-W

CREATE YOUR PIVOTAL PRACTICE



Pivotal Health Solutions offers a wide selection of innovative products to enhance your overall practice. Our products are designed to help your practice succeed from every aspect of patient comfort, ease of use, durability, practitioner convenience, versatility and successful patient outcomes.

Providing innovative furniture and equipment to the markets we serve.

SHOP OUR OTHER BRANDS

CUSTOM CRAFTWORKS
by Pivotal Health Solutions
CustomCraftworks.com

PHSMedical
by Pivotal Health Solutions
PHSMedicalSolutions.com

ATHLETIC EDGE
TeamEdgeAthletics.com

Introducing rev.247

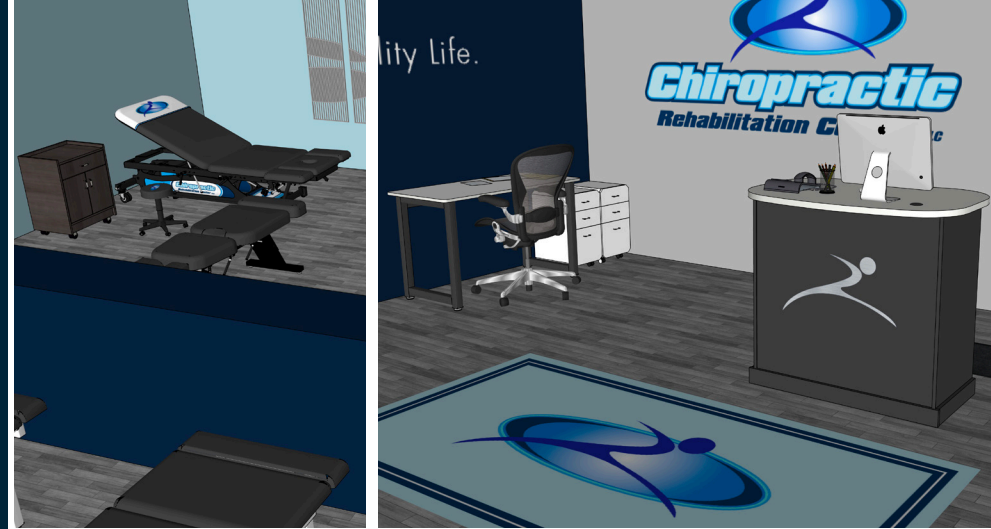
WORKSPACE REINVENTED

How you work is just as important as the work you do. We created REV.247 to provide innovative products and solutions including adjustable height desks, mobile workstations, office chairs and tables, and convenient storage options.

Watch for our new product launch this fall!

Be the Difference.

pivotalhealthsolutions.com





What people ARE SAYING...



"I currently have been treating patients on two **ErgoStyle FX** chiropractic tables over the past 10 years...The manual drops are smooth, and I have had no serious mechanical issues with these tables. My techniques are diversified, Gonstead and Thompson. I would definitely recommend the **ErgoStyle FX**."

Jeff Alexander, D.C.
Active Chiropractic



"I have been very pleased with the Apollo Cold Laser by Pivotal Health Solutions. My staff is trained to perform the treatment sessions while I am able to attend to other patients. It has been a great addition to the types of care offered in my office. The support team at Pivotal Health Solutions has likewise been pleasant and professional to work with."

Dr. Mary Ann Bough
Hoosier Family Chiropractic



DOC Decompression TABLE

DOC Decompression E9011-B
120V Targeting of Axial Rotation and Lateral Flexion

DOC Decompression E9014-B
240V Targeting of Axial Rotation and Lateral Flexion

Standard Features:

- Lifting Capacity: 350 lbs.
- Overall Dimensions: 30"W x 77"L x 21"H
- Electric Elevation Range: 21-29"
- Lateral Flexion Positioning and Axial Rotation
- Cervical capture headpiece
- Traction belting system enhances restraint for optimal decompression
- User-defined treatment hold and relax times
- Real-time digital treatment tracking
- Speed control
- Pre-programmed lumbar and cervical decompression protocols
- Digital Command Center includes:
 - Specific vertebral targeting
 - Separate lumbar and cervical traction/decompression programming
 - Continuous readout and graphing of treatment parameters
 - Interactive color display
 - Reference library - including patient setup and training materials
- ADA Compliant

The **DOC Decompression Table** takes your chiropractic practice to the next level with its unique design and impressive list of standard features. The state-of-the-art digital command center controls specific vertebral targeting, including axial rotation and lateral flexion; correctly positions patients in antalgic posture; offers separate lumbar and cervical decompression programming; and delivers continuous readout and graphing of treatment protocols. The digital command center also controls table elevation and rear flexion, all at the push of a button. Patients may be treated in supine or prone positions and from various angles.



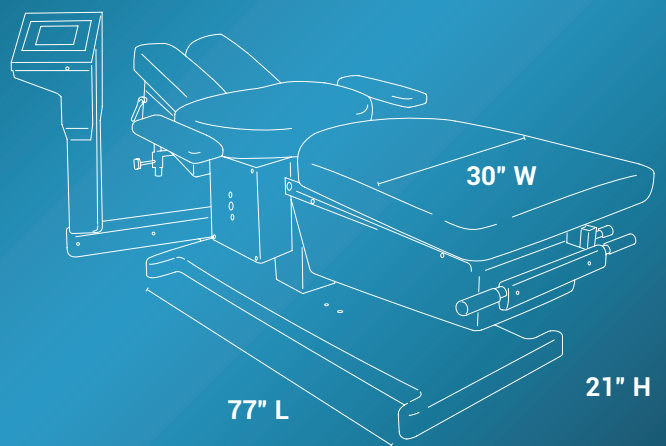
“Adding this treatment to my office was essential.

We have been using the Spinal Decompression table for the past 9 months and we couldn't be happier. I'm very happy with our table and have seen awesome results and highly recommend you look into the Spinal Decompression table.”

- Dr. Alexander Bohatiuk, Bear Chiropractic Center



The DOC Decompression Table offers optimal patient comfort and safety.



Trusted
all over
the world

- FDA Cleared
- EU Certified
- Licensed in Canada



Visit our website for complete table details.
www.PHSChiropractic.com



Supine Flexion

Great for patients suffering from conditions where flexion improves symptoms.

Supine Extension

The ideal position for older or heavier patients who can't tolerate prone decompression but benefit from extension with disc herniations or disc bulging.



Prone Flexion

The ideal patient position for patients suffering from symptoms of Spinal Stenosis.

Prone Extension

The ideal patient position for younger patients who can tolerate prone positioning for symptoms of disc herniations and disc bulges.



Lateral Flexion

Laterally flexing away from a disc herniation can dramatically help improve disc herniation outcomes. It is also effective for symptoms of analgic patients.



Rotation

Effective patient positioning for analgic patients.

iTrac[®] Spine REMODELING SYSTEM

iTrac[®] Spine
Remodeling System T9000
120V iTrac[®] Spine Remodeling System Computer,
modality cart and Chin Strap

Standard Features:

- Table Dimensions: 23"W x 48"L x 43" H
- Cart Dimensions: 24"W x 18"D x 38"H
- Precise Computer Control results in consistent, repeatable treatments
- Digital Data Processing and file storage allows instant development, administration and viewing of patient treatment plans.
- State-of-the-art ergonomic design enhances your modern office environment
- Preloaded 15" laptop with a direct ethernet connection to your iTrac[®] unit
- Effective patient management software that allows you to record and monitor patient progress
- Valuable report tool that allows you to print professional treatment recommendation and progress reports
- Variable rate progressive traction specifically designed to match viscoelastic property of soft tissues, maximizes patient comfort and effectiveness of traction treatments
- ADA Compliant seat with black upholstery and deboss logo



“iTrac[®] has helped us take the guesswork out of challenging spinal cases.

We've simply added iTrac[®] Therapy sessions to patient's current treatment plans. Their progress is tracked using posture analysis software, which allows the patient to understand the relationship between their condition/symptoms, x-rays and posture.”

- Dr. Luis Perez, Perez Chiropractic Center



What are the benefits of LASER THERAPY?

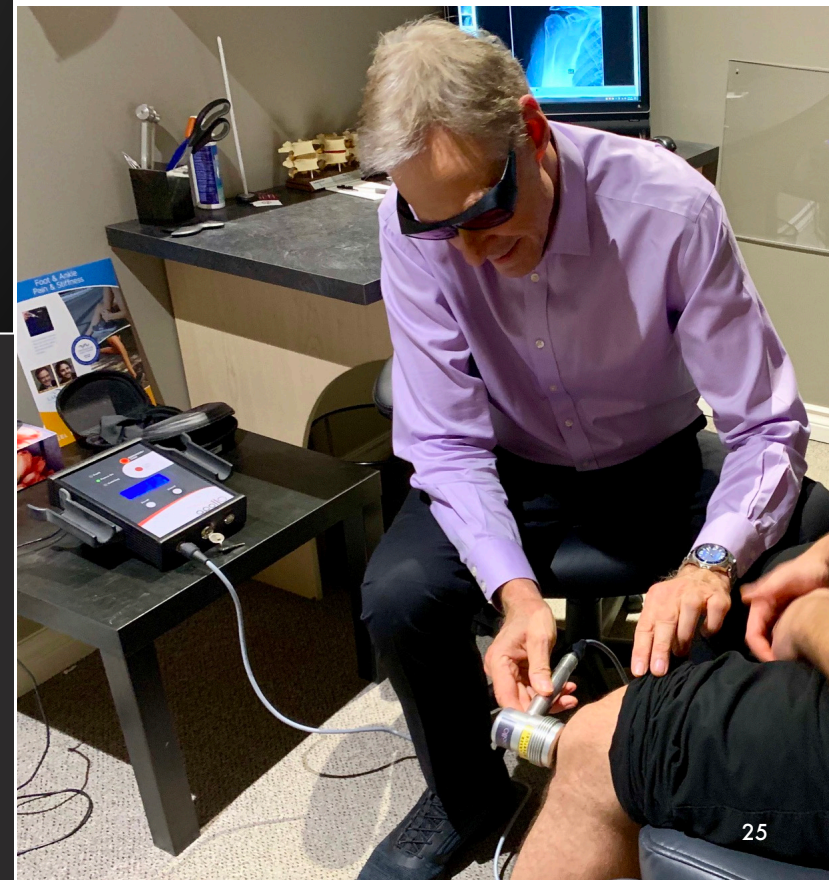
The Apollo Laser is a therapeutic, non-surgical, medical grade laser used by doctors, athletic trainers, physical therapists and chiropractors. It non-invasively and painlessly penetrates 3-5 inches deep into the body with visible light into an injured area to reduce pain and inflammation and stimulate healing.

For more than 40 years, laser has been used worldwide for the treatment of pain, wound healing and musculoskeletal problems.



STANDARD FEATURES of the Desktop Apollo Laser:

- 9"W x 11.25"D x 4.5"H
- 2 Channel desktop unit with choice of probe
- Heavy-duty construction for office and clinic environments
- Probe holders on both sides of the unit that can accommodate two probes and both right and left handed practitioners
- Elevated face for easy viewing and control
- Two timers allow you to treat 2 patients at the same time

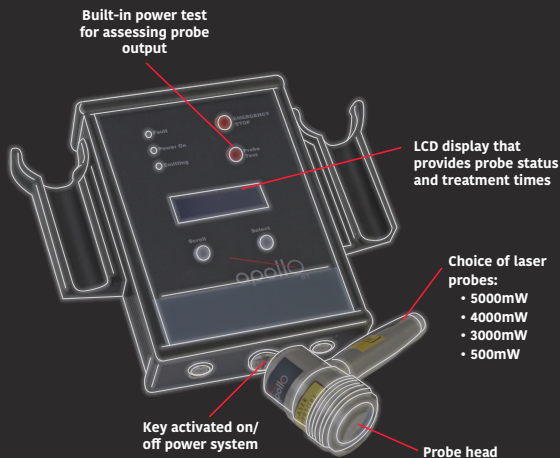


Why APOLLO?



The **Portable Apollo** can be battery operated or plugged into a standard wall socket.

The **Desktop Apollo** has two channels to allow for the use of two probes.





Smart Step WELLNESS MATS

Our line of high-performance Smart Step Wellness Mats deliver the comfortable support you need to help reduce stress, strain and fatigue while you work, play or exercise. Each mat features extra-durable construction, non-slip tops and bottoms, and an easy-to-clean, antimicrobial surface.

STANDARD FEATURES:

- Unmatched Comfort and Support
- 99.99% Anti-Microbial
- Will Not Separate, Bubble, or Delaminate
- Perfected and Tested for Over 10 Years
- Proudly Made in the USA
- Gradual Edges Will Never Curl
- Non-Slip Top and Bottom Surfaces
- ¾" SmartTech™ Polyurethane Technology
- 10-Year Manufacturer's Warranty

Add your company branding to your Smart Step Wellness Mats. Contact us for a FREE mockup.

phschiropractic.com | 800.743.7738



FMST TOOLS



FMSTTOOLS

Fluid Motion Soft Tissue Tools are the soft tissue mobilization tools that can take myofascial manipulation and mobilization to the next level in your practice. The design of the two tools available enables you, the practitioner, to work over all surfaces of the body quickly and easily. The tools help reduce scar tissue problems from old injuries/surgeries and achieve greater results with pain control, joint and muscle flexibility.

FEATURES:

- Custom molded, non-slip thumb grips create maximum angular pressure without over use by the therapist.
- Ambidextrous design: no more switching through multiple tools to find the right edge or angle. Both tools are designed to be used on both sides and on every surface for increased compatibility of treatment on multiple body areas.

Kiosks, Carts & Cabinets

2020 NEW PRODUCTS



K42

Kiosks

Our kiosks can take on a wide range of tasks, enabling your staff to focus on what's most important: patient care. Three configurations are available including 30", 42" and 48" widths. Each kiosk is constructed of a high quality laminate with a durable counter top and toe-kick base. Custom configurations and colors are available upon request.



SR-003



SMC-002
with options

Stor-Edge Carts

MULTI-PURPOSE CARTS: Choose from many model choices for the right solution to organizing your weights, resistance bands and other tools and equipment.

MODALITY CARTS: Small with ample storage, our Stor-Edge Modality Carts come in standard and deluxe versions, with multiple drawer and shelf options.



Stor-Edge Cabinets

Modular, functional, durable and aesthetically pleasing, our line of Stor-Edge Medical Cabinets is cost-effective and suited for multiple applications. Apply custom branding for a finishing touch.

CABINET GROUPINGS AVAILABLE



Innovative Care Solutions

PHS Medical manufactures a wide variety of innovative therapy and pain management products designed and manufactured in our Watertown, SD and Springfield, OR facilities.

In 2013, PHS Medical became a brand of Pivotal Health Solutions, and has evolved into an industry leading manufacturer driven by standards of safety, reliability and high quality.



**5 Section Thera-P
Electric Treatment
Table with options**



*PT9060-650
with options*

Leg and Shoulder Therapy (LAST) Table

Ergonomically designed, the LAST Leg & Shoulder Therapy Table with Hi-Lo Elevating Base is the first treatment/exercise table that supports bilateral training and specific anatomical positioning to achieve the desired results for both professional athletes and weekend warriors. The elevating base ensures that even athletes with limited mobility have easy access in any setting.

NEW! Aluma Elite Basic Treatment Table

The extraordinary load capacity of 650lbs. and the welded aluminum frame make the Aluma Elite Basic Treatment Table the perfect table for your office, clinic, gym, or facility. Each table comes standard with welded aluminum frame, H-brace construction, comfortable 2" high density foam cushion, and softly rounded corners.



*A4327
with options*



I9390AE

Portable Aluminum Treatment Table

The Portable Aluminum Treatment Table is rugged yet lightweight and functional. It comes standard with 2" firm foam, rounded corners, adjustable height leg system, four field feet, face rest and standard carry case. In addition, this table offers a lightweight aluminum frame, 11-layer plywood base with finger-joint craftsmanship and auto-hold hinge system.



PTST-001-WHR-ADA

Pass Through Staircase

The Pass Through Staircase features a small footprint with a 30"W x 24"D x 12"H platform, (2) 30"W x 9"D x 6"H steps and (3) 30"W x 9"D x 4"H steps. The uprights are constructed of 2" steel and the handrails are made from solid hardwood. Anti-slip safety treads are installed on the platform and all steps for increased safety. ADA compliant staircases are also available that include 11"D steps and handrails with 12" of overhang.



ME2001 Bariatric Elevating Treatment Table

The ME2001 Bariatric Elevating Table is a durable, yet handsome elevating table perfect to add versatility to your practice. With a wider top, the ME2001 will give you the flexibility to work with a larger athlete without sacrificing comfort. The sleek, white powder coat steel base and the two sliding doors on each side of the table give a polished and sophisticated look while providing storage.

The height range from 24" to 36" gives patients easy access to the table at the press of the foot pedal.

Create Your Pivotal Practice: PHYSICAL THERAPY

Chiropractic and Physical Therapy work great in conjunction with each other. Adding physical therapy to your practice can expand your services, allow you to treat a wider population of people and offer a more thorough treatment experience for your patients.

Chiropractors can address joint and skeletal issues while physical therapists can strengthen and stabilize the problem areas. Together, treatments can be more effective and convenient for patients.

A Pivotal Practice is one that encompasses a variety of PHS products to be used in different areas of chiropractic as well as massage and physical therapy. Having a diverse list of treatment options opens your practice up to more opportunities and gives you the ability to successfully treat a wider selection of patients.

Learn more about how chiropractic and massage work together on page 29.

PHSmedicalsolutions.com
800.743.7738

CUSTOM CRAFTWORKS

by Pivotal Health Solutions

Quality Crafted Massage Equipment

A touch above the rest.

Custom Craftworks has a long standing reputation for building thoughtfully constructed, long-lasting products. The company was acquired by Pivotal Health Solutions in 2009, and has been crafting high-quality massage tables since 1986. Custom Craftworks has proven to be one of the top brands for massage and spa equipment in the industry. We constantly move forward and improve, striving to deliver unmatched value to our customers in product, service and performance.



Add your company branding and custom powder coat base colors on all Hands Free Tables!

Classic Series Pro Electric Table

- Basic** - ELPro
- Lift Back** - TELPro
- Deluxe** - SELPro



Table is ADA compliant
(Consult your tax professional about eligibility for a Section 44 ADA Tax Credit)



ELPro

One of our most popular lines since 2009, the Pro Electric Massage Table offers smooth, silent lift, superior craftsmanship and excellent value. The classic design also includes a dual action face rest and pillow, 3" foam, plus a standard single foot pedal for height adjustment.

Classic Series Hands Free Electric Table

The Classic Series Hands Free Electric Table allows therapists to easily control the height of the table with the hands-free dual foot bar control that is built-in along both bottom sides of the table. The easy-to-use dual foot bar control raises the table as you gently push down on it with your foot and lowers as you lift up. Because of the table's design and functionality, therapists can move freely around the table without losing contact with their client.

- Basic** - TThera-P
- Lift Back** - TThera-P
- Deluxe** - SThera-P



Table is ADA compliant
(Consult your tax professional about eligibility for a Section 44 ADA Tax Credit)



TThera-P



Add a bolster!

See page 30 for more accessories

I9301

Solutions Series Heritage Table

The Heritage table offers rounded corners, dual knobs, a strong and flat working surface, and ergonomically designed Reiki end panels. The Heritage also provides ample working space for mobility all around the table.



BBK CHA

Massage Table Kits

Establish yourself by investing in one of our convenient and affordable Portable Table Kits and Packages. Each kit includes one of our most popular massage tables, plus all the accessories you need to start your practice today.

Bolsters, Stools & More!

See page 30 for more accessories

Classic Series Athena Table



AT

Built from premium materials, including North American hard rock maple, American poplar, birch and aircraft-quality cables, this table's unmatched craftsmanship is full of thoughtful, therapist-friendly details. Each Athena table is also rigorously tested to withstand up to 650 pounds of pressure.

Create Your Pivotal Practice: MASSAGE

Most people know the benefits of chiropractic care, as well as the relaxing effects of massage therapy. But did you know that getting both regular massages and routine chiropractic adjustments can enhance your overall wellness?

That's right, many chiropractors and massage therapists work in tandem, because their treatments are so complementary.

Your muscles function through coordinated movements and timing because of messaging they receive from your nervous system, via your spinal cord. By reducing inflammation and restriction in both your muscles and your nervous system, you are allowing optimal function and communication throughout the body. That's why regular massage therapy and routine chiropractic care make the up perfect combo for wellness.

After a massage, your muscles are loosened up, which can make chiropractic treatment more effective and your pain relief last longer. In addition, the soft tissues treated with massage heal quicker once the joints are realigned. Ongoing, regular treatment with both massage and chiropractic will help keep the pain from coming back.

CustomCraftworks.com
800.627.2387

ROLLING STOOLS

Our rolling stools combine comfort with control thanks to a 3" deluxe seat cushion, a five-star base with heavy-duty casters and pneumatic controls that adjust seat height.

FEATURES:

- 16"W x 16"D
- Load Capacity: 300 lbs.
- Padded vinyl seat
- 3" deluxe foam cushion
- Heavy duty casters
- Swivel stool

NEW!

Medical Rolling Stool



MRS



19332



19310

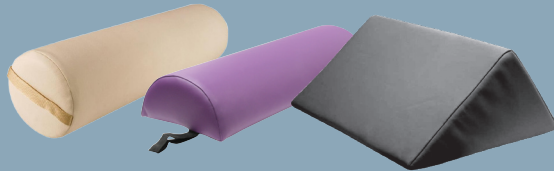
OMNI CERVICAL RELIEF PILLOW

This pillow uses an ergonomically contoured shape to comfortably "cradle" the head and neck, allowing total relaxation of neck, shoulder and back muscles.



CEBL-1001
Omni Cervical Relief Pillow

VISIT OUR WEBSITE
FOR BOLSTERS &
OTHER ACCESSORIES



NEW STYLES AVAILABLE



www.PHSChiropractic.com



Standard Chiropractic Upholstery Color Choices:



Pivotal PROFESSIONALS

Our Pivotal Professionals are here to help support and grow your practice.



Dr. Brian Self - DOC Decompression

Brian currently owns three highly successful spinal decompression clinics in Arizona, West Virginia and Saudi Arabia, specializing in spinal decompression and cold laser techniques.



Dr. Curtis Turchin - Apollo Lasers

Curtis Turchin, M.A., D.C. is considered one of the experts in the fields of gentle adjusting, soft tissue work, light and laser therapy. He has been using LEDs and lasers for approximately 34 years. Dr. Turchin has taught therapists and doctors in the U.S., Europe, Japan, Brazil, Canada, and Guatemala.



Dr. Jarrod Nichols - iTrac Therapy

Dr. Jarrod Nichols is a chiropractic physician, entrepreneur and innovator. Dr. Nichols opened Nichols Chiropractic in 2005 where he continues to treat patients. In 2006, he established Nichols Therapy Systems. Dr. Nichols trains clinicians worldwide how to successfully integrate iTrac® Spine Remodeling into their clinical protocols.



Dr. Nathan Unruh - Business Trainer

Dr. Nathan Unruh is the Chief Experience Officer at SIDECAR, home of the world's leading chiropractic business training system: Overdrive. His methods of creating chiropractic affluence have helped hundreds of doctors build thriving practices and balanced lives that allow them to live out their chiropractic dream. He is also the Director of Chiropractic at Envine.



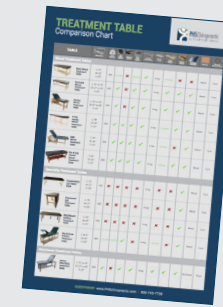
Dr. Jerad Bludorn - FMST Tools

Jerad is a chiropractic physician and acupuncturist with an extensive background in soft-tissue therapy, functional movement and stability. He developed FMST Tools to assist him in improving his outcomes. Jerad has successfully implemented FMST Tools into many different types of practices, including physical therapy, chiropractic, massage therapy, occupational therapy and athletic training.

EDUCATION



eBook: 10 Advantages of Choosing the DOC Spinal Decompression Table



TREATMENT TABLE Comparison Chart



WEBINAR: Apollo Lasers and how they are...EASY, FAST, POWERFUL & AFFORDABLE
Speaker: Curtis Turchin, DC



BLOG: DETAILS MATTER
The appearance, condition and quality of your tables contribute to a patient's overall impression of your clinic.

EBOOKS, INFOGRAPHICS, WEBINARS & INFORMATIONAL BLOGS

Visit our website to learn more about our products and to download other valuable education:

www.PHSChiropractic.com



PHSChiropractic
by Pivotal Health Solutions

phschiropractic.com
800.743.7738

**OTHER BRANDS OF
PIVOTAL HEALTH SOLUTIONS:**

