

AIRSTREAM

AN AMERICAN LEGEND

SPORT TRAILER

Parts Book

2012

2012 SPORT
TABLE OF CONTENTS
SECTION I
A through B

APPLIANCES

Air Conditioner	I-1
Furnace	I-1
Water Heater	I-1
Microwave	I-2
Range/Cook Top	I-2
Refrigerator	I-2

BODY

End shell, Aft	I-3
End shell, Front	I-7
Roof	I-11
RS Wall, 16'	I-13
CS Wall, 16'	I-15
RS Wall, 22'	I-17
CS Wall, 22'	I-19
Underbelly Wraps	I-21
Wrap Protector	I-21
Body Interior	I-22

2012 SPORT
TABLE OF CONTENTS
SECTION II
C through E

CHASSIS

Axles, Shocks	II-1
Tires, Wheels	II-1
Step	II-1
Hose Carrier	II-2
Safety Chains	II-2
Hitch Jacks	II-2
Stabilizing Jacks	II-2
Hatch, Access	II-3

DECALS/EXTERIOR TRIM	II-4
--	------

DOORS/WINDOWS/AWNING

Doors	II-5
Windows	II-11
Stone Guard	II-14
Awning	II-15

DRAPES/BLINDS	II-18
-------------------------------------	-------

ELECTRICAL

110 volt	II-21
12 volt	II-23

ENTERTAINMENT	II-27
-------------------------------------	-------

2012 SPORT
TABLE OF CONTENTS
SECTION III
F through H

FLOOR COVERING

Mats	III-1
Vinyl Flooring	III-1

FURNITURE

Interior Doors	III-2
Lounge	III-3
Galley	III-10
Lavatory	III-28
Bedroom	III-43

HARDWARE

Exterior locks/hinges	III-53
Interior Cabinet Latches/Hinges	III-57
Bath Accessories	III-60
Wardrobe/Drapes	III-60
Sewer Hose/Water Fill Key/Silverware Tray	III-60
Detectors/Fire Extinguisher	III-61
Clothesline	III-61
Rivets	III-62

2012 SPORT
TABLE OF CONTENTS
SECTION IV
L through Z

[LABELS and TAGS](#) IV-1

PLUMBING

[LPG](#) IV-2
[Exterior Propane Port](#) IV-3
[Fresh Water](#) IV-7
[Faucets/Sinks](#) IV-13
[Drain Water](#) IV-14
[Toilet](#) IV-20

[SEALER](#) IV-24

[GASKETS/PAINT](#) IV-25

UPHOLSTERY

[Pillow Kits](#) IV-26
[Bedspread, Mattress](#) IV-28
[Dinette/Sofa Seat Covers/Foam](#) IV-29

[VENTS/FANS](#) IV-30

[SKY LIGHTS](#) IV-30

[PLYWOOD/PANELING](#) IV-31

[EDGEBANDING/LAUAN](#) IV-32

[INTERIOR TRIM/WOOD/PLASTIC](#) IV-33

2012 SPORT

APPLIANCES

Air Conditioners

690323-02	AIR CONDITIONER, 13,500, MANUAL, 22'
690323-40	AIR BOX CEILING ASSY, 22'
690380-11	ADAPTER, DUCT USE W/690380-10, 22'
195329-143	AIR CONDITIONER 11,000 BTU, 16'
690323-03	AIR CONDITIONER, DOMETIC HEATSTRIP, 16'
690323-05	AIR BOX/RETURN GRILL MANUAL, 16'
511252	PLUG PHONE 4 CONDUCTOR, 16'
201809	PAN AIR CONDITIONER
601240-01	Black drain tubing, 1/2" ID
203724	Kit, A/C Drain
203722	Gasket, A/C Drain Kit

Furnace

690573-04	FURNACE, 12K BTU #7912-11, 16', 22'
690613-02	DOOR, FURNACE, BROWN, INTERIOR, 16', 22'
690608-01	VENT, FURNACE EXTENSION, 3.63" TO 7.12, 22'
690608-02	VENT, FURNACE EXTENSION, 3.63" TO 7.12, 16'
600247	Hose, 4", flex heat duct
600193	Hose, 2", flex heat duct
600526	Flange, 4"
601244-03	REGISTER-ROTAIRE #3840-96 4", BLACK
511228	Thermostat, furnace, off white
601348	TEE, HEAT DUCT, 4 X 4 X 2
601244-02	REGISTER, ROTAIRE #3840-96, 4", WHITE

Water Heater

690199	Water heater, electronic ignition
690209	Access cover, brushed aluminum
381648	COVER LATCH HOLE, WATER HEATER
601671	ELBOW, STREET, 90DEG 1/2", GALVENIZED
967194	STAND ASSY, WATER HEATER
511731-01	SWITCH, WATER HEATER BLACK, 16'

2012 SPORT

APPLIANCES

Microwave, 22' FB

690605-01 Microwave, convection, stainless steel, 22' FB
690605-02 Trim ring, microwave, stainless steel, 22' FB

Microwave, 16'

690579 MICROWAVE-GE BLACK SPACEMAKER, 16'
454583 BRACKET-MICRO MOUNTING
382025 STRAP, NYLON LOOP 3/4"
454730 BRACKET-R/L SUPPORT
386236 LABEL, MICRO CONNECTION

Range/Cook Top

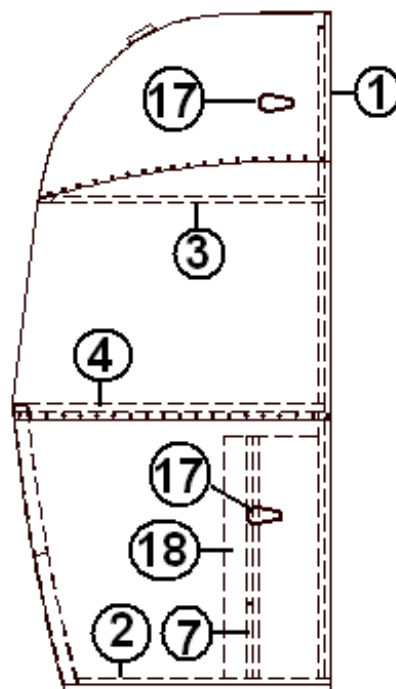
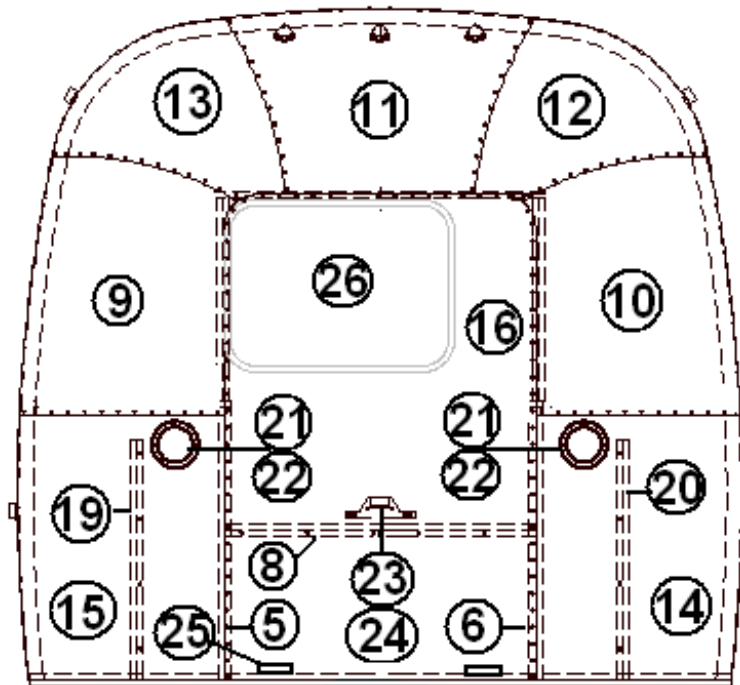
690576 COOKTOP-2 BURNER SMEV 8022 ST

Refrigerators

690604-01 REFRIGERATOR, 4CF, LH DOOR, RM8501LB, BLACK
FRONT, 22' FRONT BED
965934-08 INSERT, DOOR, REFRIGERATOR, 20" X 29.25", 22'
FRONT BED
690470-02 REFRIGERATOR, 3CF, RH DOOR RM2351RB, 16'
801728-04 INSERT, DOOR, REFRIGERATOR, 19.81 X 26.25H,
16'
690394 POWER VENTILATOR, REFRIGERATOR
511836 SWITCH, REFRIGERATOR/FAN, WHITE
114883-01 BAFFLE, REFRIGERATOR CABINET, 25.50", 16' 22'
FRONT BED
365194 TAPE, ALUMINUM FOIL, 2"
365013-01 TAPE CHARCOAL LOW DENSITY FOAM
381830 WIPER, RUBBER, 1.125" X 2" LONG

2012 SPORT EXTERIOR BODY

Aft End, 22'



See next page for P/N.

2012 SPORT

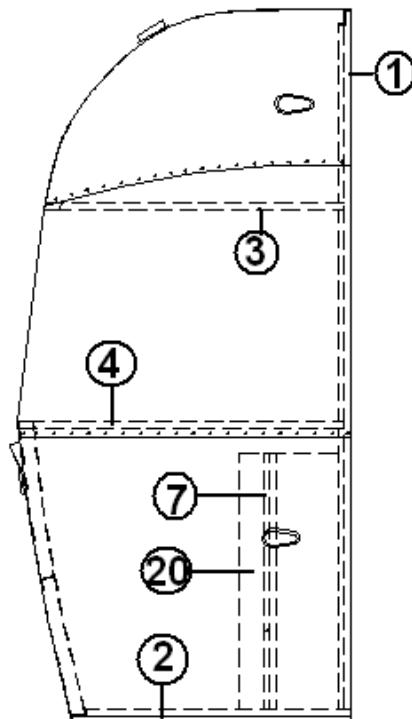
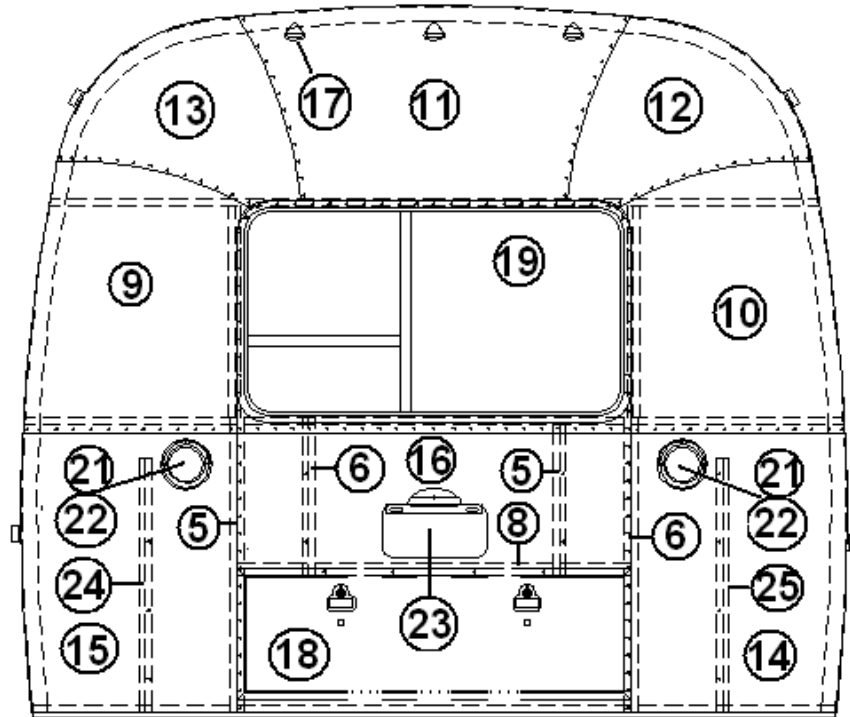
EXTERIOR BODY

Aft End, 22'

967108	END SHELL, AFT
1. 99900M-015	ZERO BOW
2. 115384	FLOOR BOW
3. 99900M-016	BOW, UPPER WINDOW
4. 99900M-017	BOW, LOWER WINDOW
5. 114505-01	BRACE, FRONT, VERTICAL ,CS
6. 114505-02	BRACE, FRONT, VERTICAL, RS
7. 101315	BRACE, VERTICAL, REAR
8. 104408	EXTRUSION, Z RIB
9. 114888	SEGMENT, CENTER LEFT "BRIGHT"
10. 114889	SEGMENT, CENTER RIGHT "BRIGHT"
11. 99900M-049	SEGMENT, CENTER
12. 114890	SEGMENT, #26 "BRIGHT"
13. 114891	SEGMENT, #27 "BRIGHT"
14. 114894	SEGMENT, #28 "BRIGHT"
15. 114895	SEGMENT, #29 "BRIGHT"
16. 114880-201	ALUMINUM SHEET .040" X 51" X 201"
17. 512227	LIGHT, CLEARANCE, RED, LED
18. 114849-03	ALUMINUM SHEET, .060" X 36"W X 8', GRAY
19. 101315-01	BRACE, VERTICAL, REAR, LH
20. 101315-02	BRACE, VERTICAL, REAR, RH
21. 511860-01	LIGHT, 4"LED, RED
22. 511860-02	BEZEL, 4" ROUND, CHROME W/VISOR
23. 512455	LICENSE PLATE HOLDER W/LED LIGHT BLACK
24. NLA	GASKET, BLACK FOR LICENSE PLATE LIGHT
25. 510446	REFLECTOR, RED STICK-ON
26. 371426-05	WINDOW, Silver Frame, W/8" VENT

2012 SPORT EXTERIOR BODY

Aft End, 16'



See next page for P/N.

2012 SPORT

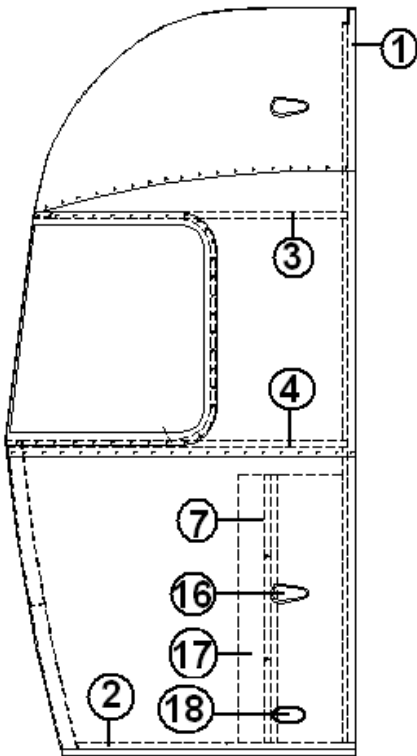
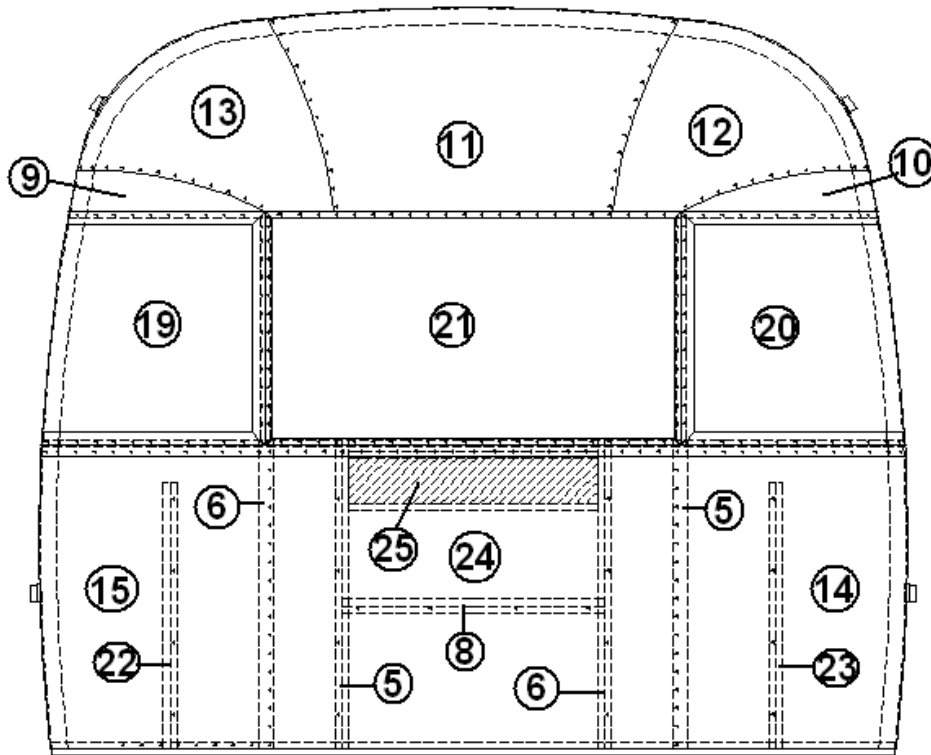
EXTERIOR BODY

Aft End, 16'

923027	END SHELL, REAR
1. 114994	ZERO BOW, "NB"
2. 104463	BOW, FLOOR, NARROW BODY
3. 115480	BOW, UPPER WINDOW, NB
4. 104343	BOW, LOWER WINDOW, NARROW BODY
5. 114505-01	BRACE, FRONT, VERTICAL, CS
6. 114505-02	BRACE, FRONT, VERTICAL, RS
7. 101315	BRACE, VERTICLE, REAR
8. 104408	EXTRUSION, Z RIB
9. 114888	SEGMENT, CENTER LEFT
10. 114889	SEGMENT, CENTER RIGHT
11. 114892	SEGMENT, #25 NARROW
12. 114890	SEGMENT, #26
13. 114891	SEGMENT, #27
14. 114894	SEGMENT, #28
15. 114895	SEGMENT, #29
16. 114880-307	ALUMINUM SHEET, CUT TO 45.25" X 25"
17. 512227	LIGHT, CLEARANCE, LED, RED
18. 922711	DOOR ASSEMBLY, TRUNK
19. 371426-02	WINDOW, VERTICLE EGRESS, SILVER
20. 114849-03	ALUMINUM SHEET, GRAY, CUT TO 12" X 29"
21. 511860-01	LIGHT, 4"LED RED
22. 511860-02	BEZEL, 4" ROUND, CHROME, W/VISOR
23. 512455	LICENSE PLATE HOLDER W/LED LIGHT BLACK
24. 101315-01	BRACE, VERTICAL REAR
25. 101315-02	SUPPORT, LOWER END SHELL RH

2012 SPORT EXTERIOR SHELL

FRONT END, 16'



Part Numbers are on the Next Page

2012 SPORT

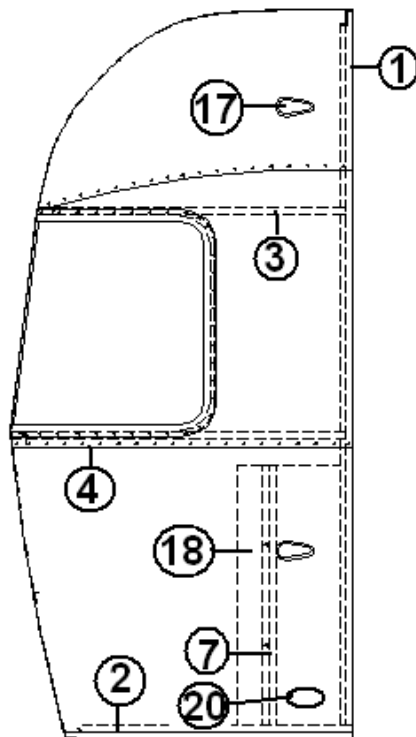
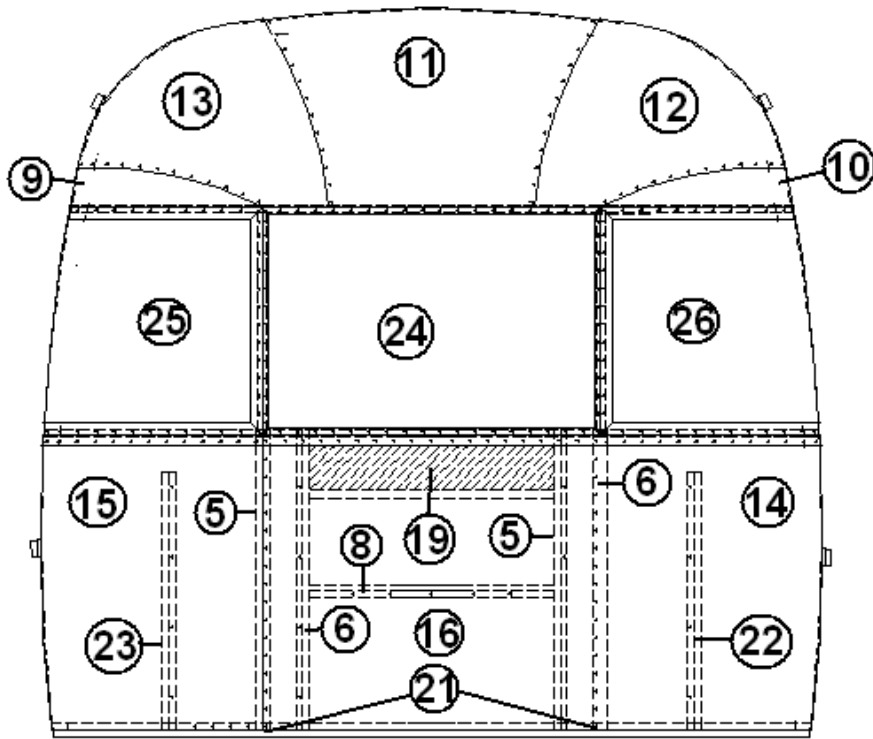
EXTERIOR SHELL

FRONT END, 16'

- | | |
|----------------|--|
| 922626 | Front End Shell |
| 1. 114994 | Weldment, end bow, NB |
| 2. 104463 | Floor bow, captive extrusion |
| 3. 115480 | Upper, window bow |
| 4. 104343 | Lower, window bow |
| 5. 114505-01 | Support, lower end shell, left-hand |
| 6. 114505-02 | Brace, vertical rear |
| 7. 101315 | Brace, vertical rear |
| 8. 104408 | Rib bow |
| 9. 114888 | Segment, center left, bright |
| 10. 114889 | Segment, center right, bright |
| 11. 114892 | Segment, #25, NB, bright |
| 12. 114890 | Segment, #26, bright |
| 13. 114891 | Segment, #27, bright |
| 14. 114894 | Segment, #28, bright |
| 15. 114895 | Segment, #29, bright |
| 16. 512226 | Light, clearance, amber LED |
| 17. 114849-03 | Aluminum sheet, 060 x 12.00" x 29.00" |
| 18. 500096 | Reflector, amber |
| 19. 372088-101 | RS front panoramic window |
| 20. 372089-101 | CS front panoramic window |
| 21. 371328 | Front window, complete assembly |
| 22. 371328-100 | Front window glass w/Hardware only |
| 23. 101315-01 | Brace, vertical, rear, LH |
| 24. 101315-02 | Brace, vertical, rear, RH |
| 25. 114880-307 | Aluminum sheet, .040" x 5" x 307", "cut down to size and hole punched" |
| 26. 453629 | Hat section, 27.25" long, Front dinette models only |

2012 SPORT EXTERIOR BODY

Front End 22'



See next page for P/N.

2012 SPORT

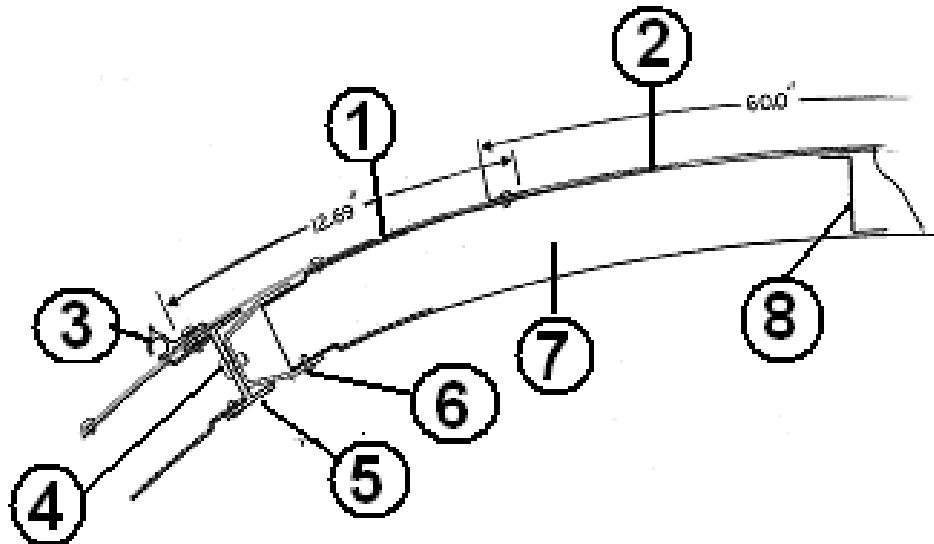
EXTERIOR BODY

Front End, 22'

967333	END SHELL, FRONT
1. 99900M-015	ZERO BOW
2. 115384	FLOOR BOW
3. 99900M-016	BOW, UPPER WINDOW
4. 99900M-017	BOW, LOWER WINDOW
5. 114505-01	BRACE, FRONT, VERTICAL ,CS
6. 114505-02	BRACE, FRONT, VERTICAL, RS
7. 101315	BRACE, VERTICAL, REAR
8. 104408	EXTRUSION, Z RIB
9. 114888	SEGMENT, CENTER LEFT "BRIGHT"
10. 114889	SEGMENT, CENTER RIGHT "BRIGHT"
11. 99900M-049	SEGMENT, CENTER
12. 114890	SEGMENT, #26 "BRIGHT"
13. 114891	SEGMENT, #27 "BRIGHT"
14. 114894	SEGMENT, #28 "BRIGHT"
15. 114895	SEGMENT, #29 "BRIGHT"
16. 114880-307	ALUMINUM SHEET, CUT TO 41" X 37.55"
17. 512226	Light, clearance, amber LED
18. 114849-03	ALUMINUM SHEET, GRAY, CUT TO 12" X 19"
19. 453629	HAT SECTION, DINETTE TABLE SUPPORT
20. 500096	REFLECTOR, AMBER
21. 114813	ANGLE, 1'X 1.5"X 1.25"
22. 101315-01	BRACE, VERTICAL, REAR,, LH
23. 101315-02	BRACE, VERTICAL, REAR, RH
24. 99900P-049	WINDOW, FRONT, W/SQUARE CORNERS
25. 372089-101	ROADSIDE WRAP WINDOW
26. 372088-101	CURBSIDE WRAP WINDOW

2012 SPORT EXTERIOR BODY

Roof



- | | |
|---------------|---|
| 1. 114362 | Aluminum sheet, .050 x 7", white |
| 2. 114489-262 | Aluminum sheet, white, .032 x 60" x 262 |
| 3. 114290-02 | Extrusion, awning/drip rail |
| 4. 340123-02 | Rivet, Huck, 3/16 x 1/2" |
| 5. 104707-01 | Extrusion, "I" beam |
| 6. 114987-02 | Extrusion, roof corner |
| 7. 99900M-001 | Roof bow |
| 8. 104408 | Extrusion, Z bar, horizontal |
| 325000-03 | Rivet, buck, white, 1/8" x 1/4" |

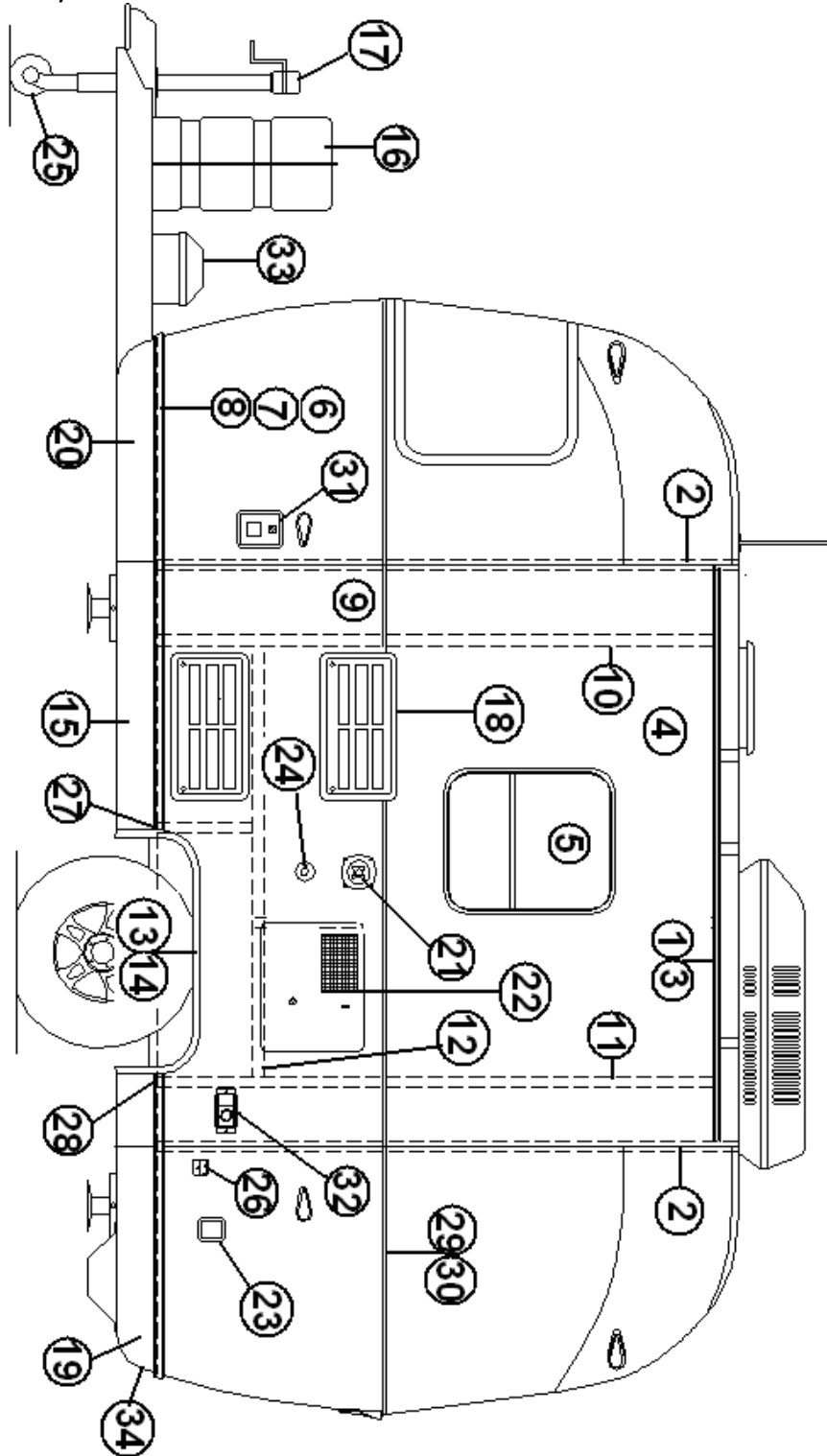
Shell Attachment

- | | |
|-----------|-------------------------------|
| 300023-02 | WASHER, HOLD DOWN-HOLE OFFSET |
|-----------|-------------------------------|

2012 SPORT
NOTES

2012 SPORT EXTERIOR BODY

Wall, Roadside, 16'



Part numbers on the next page

2012 SPORT

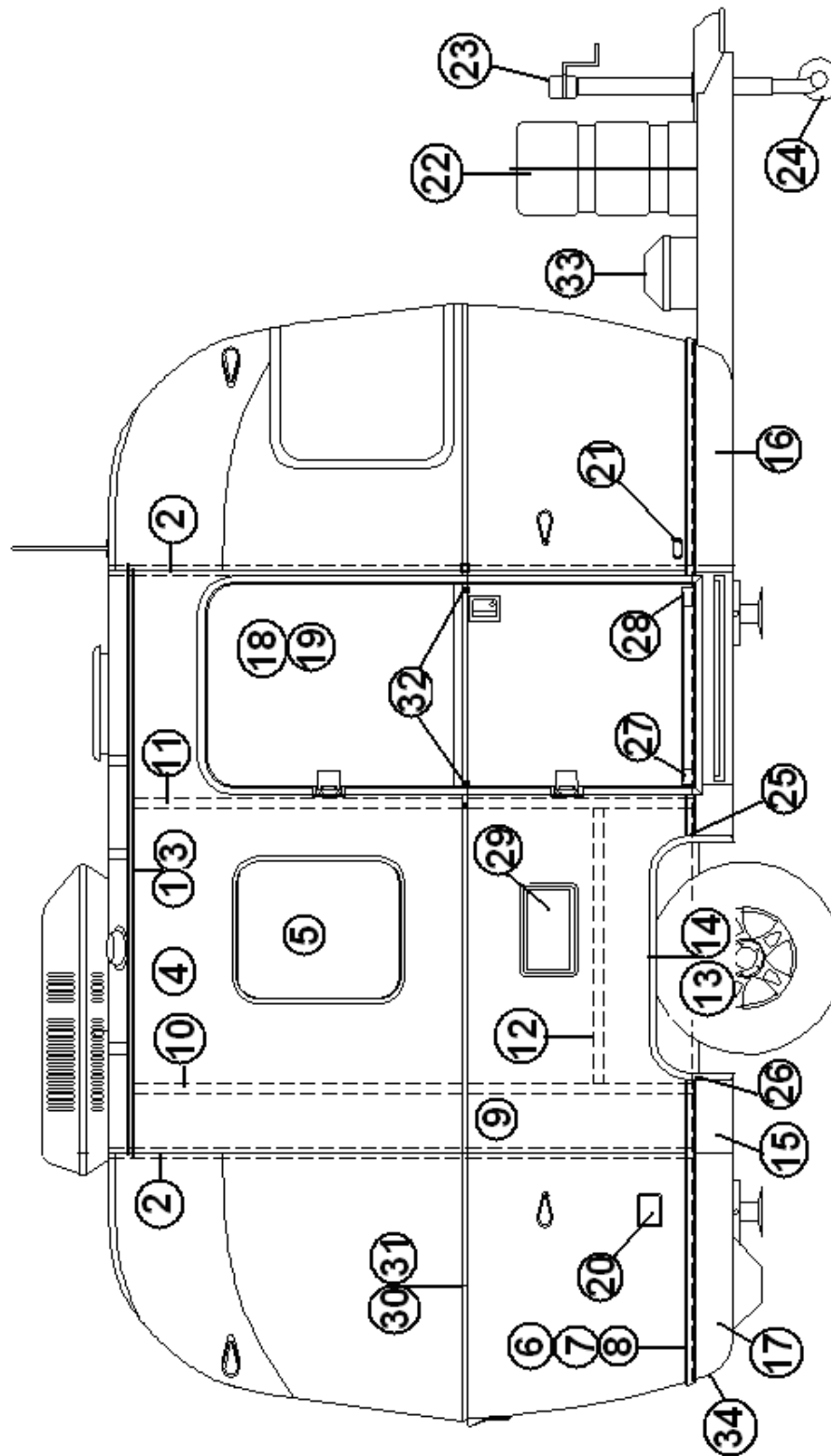
EXTERIOR BODY

Wall, Roadside, 16'

1. 114290-01 Extrusion, awning/drip rail
2. 114994 Rib, end bow
3. 104707-01 Extrusion, "I" beam
4. 114880-262 Aluminum sheet, upper, .040 x 51 x 262"
5. 371426-01 WINDOW, 19.38" X 22.88", 8" VENT SILVER
6. 115546 Extrusion, rub rail
7. 201763-01 Insert, rub rail, chrome, 1"
8. 100986 Floor channel
9. 114879-262 Aluminum sheet, lower, .040 x 33 x 262"
10. 114387-02 Bow, Z rib, L
11. 114387-01 Bow, Z rib, RH
12. 100986 Wheel well stiffener (floor channel)
13. 114003-03 Wheel well trim, inner, single axle
14. 114004-03 Wheel well trim, outer, single axle
15. 203304 Underbelly roll, black plastic
16. 915778 COVER ASSY-LP BOTTLE, 16', Units mfg. prior to 1/2/2012.
16. 203732 COVER ASSY-LP BOTTLE, 16' Units mfg. on or after 1/2/2012.
17. 410945 Hitch Jack
18. 690470-01 Door assembly, refrigerator access
19. 203303-03 Banana wrap, black, RS rear
20. 203303-01 Banana wrap, black, RS front
21. 601392-05 City water fill
22. 690199 Water Heater
23. 512401-02 Power inlet, 30A, 125V, MALE
24. 601441 Black tank flush
25. 410946 Hitch jack wheel
26. 512402 INLET, TV/SATELLITE, TITANIUM
27. 114466-02 Casting, rub rail end, wheel well, LH
28. 114466-01 Casting, rub rail end, wheel well, RH
29. 114328 EXTRUSION, BELT MOLDING
30. 201912 MOLDING, CHROME, BELT LINE
31. 601194 Water fill, fresh
32. 690573-04 Furnace, 12,000 BTU
33. 511595 BATTERY BOX
34. 203671 WRAP, UNDERBELLY CENTER REAR

2012 SPORT EXTERIOR BODY

Wall, Curbside, 16'



Part numbers on the next page

2012 SPORT

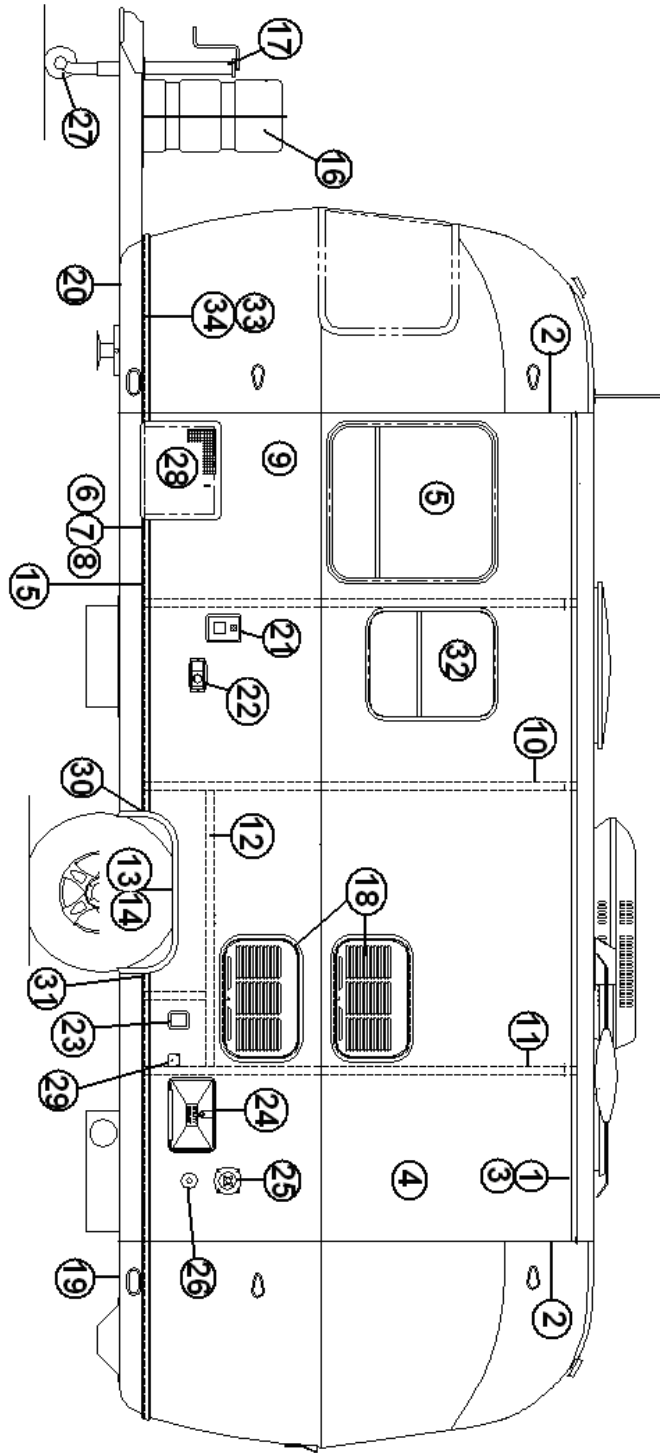
EXTERIOR BODY

Wall, Curbside, 16'

- | | |
|---------------|---|
| 1. 114290-01 | Extrusion, awning/drip rail |
| 2. 114994 | Rib, end bow |
| 3. 104707-01 | Extrusion, "I" beam |
| 4. 114880-262 | Aluminum sheet, upper, .040 x 51 x 262" |
| 5. 371426-03 | WINDOW, 19.38" X 22.88", FIXED SILVER |
| 6. 115546 | Extrusion, rub rail |
| 7. 201763-01 | Insert, rub rail, chrome, 1" |
| 8. 100986 | Floor channel |
| 9. 114879-262 | Aluminum sheet, lower, .040 x 33 x 262" |
| 10. 114387-02 | Bow, Z rib, L |
| 11. 114387-01 | Bow, Z rib, RH |
| 12. 100986 | Wheel well stiffener (floor channel) |
| 13. 114003-03 | Wheel well trim, inner, single axle |
| 14. 114004-03 | Wheel well trim, outer, single axle |
| 15. 203304 | Underbelly roll, black plastic |
| 16. 203303-02 | Banana wrap, black, CS front |
| 17. 203303-04 | Banana wrap, black, CS rear |
| 18. 115207-09 | Door, main, LH hinge, Sport |
| 19. 114654 | Screen door, main, LH hinge |
| 20. 512399 | COVER, EXTERIOR OUTLET, GREY |
| 21. 512252 | Step light, LED, S.S. |
| 22. 915778 | COVER ASSY-LP BOTTLE, 16' For Units mfg.
prior to 1/2/2012. |
| 203732 | COVER ASSY-LP BOTTLE, 16' FOR Units mfg.
on or after 1/2/2012. |
| 23. 410945 | Hitch Jack |
| 24. 410946 | Hitch jack wheel |
| 25. 114466-01 | Casting, rub rail end, wheel well, RH |
| 26. 114466-02 | Casting, rub rail end, wheel well, LH |
| 27. 114465-01 | Casting, rub rail end, RH |
| 28. 114465-02 | Casting, rub rail end, LH |
| 29. 601876 | Shower, exterior, white |
| 30. 114328 | EXTRUSION, BELT MOLDING |
| 31. 201912 | MOLDING, CHROME, BELT LINE |
| 32. 114417 | CASTING, CLOSE OUT, BELT LINE |
| 33. 511595 | BATTERY BOX |
| 34. 203671 | WRAP, UNDERBELLY CENTER REAR |

2012 SPORT EXTERIOR BODY

Wall, Roadside, 22'



Part numbers on the next page

2012 SPORT

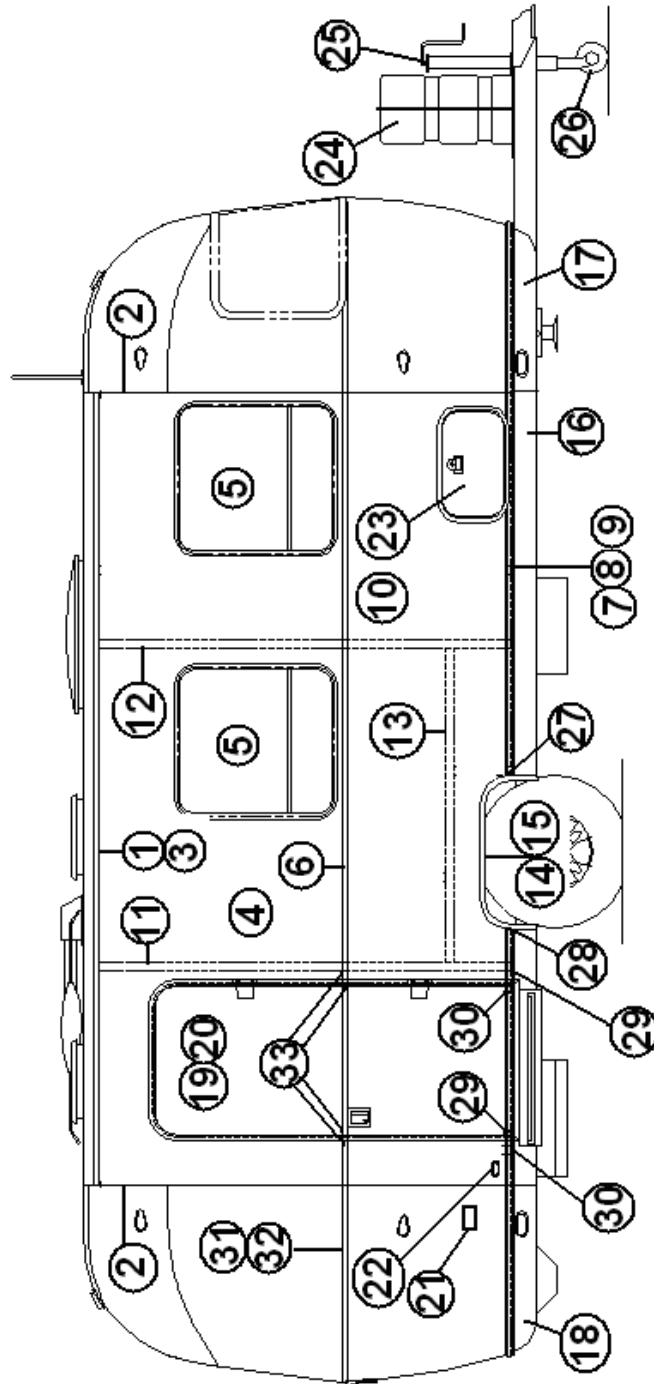
EXTERIOR BODY

Wall, Roadside, 22'

- | | |
|---------------|---|
| 1. 114290-02 | Extrusion, awning/drip rail |
| 2. 99900M-015 | Rib, end bow |
| 3. 104707-01 | Extrusion, "I" beam |
| 4. 114880-201 | Aluminum sheet, upper, .040 x 51 x 201" |
| 5. 371426-04 | Window, 28.25 x 29.75, egress, Silver |
| 6. 115546 | Extrusion, rub rail |
| 7. 201763-01 | Insert, rub rail, chrome, 1" |
| 8. 100986 | Floor channel |
| 9. 114879-201 | Aluminum sheet, lower, .040 x 33 x 201" |
| 10. 114387-02 | Bow, Z rib, L |
| 11. 114387-01 | Bow, Z rib, RH |
| 12. 100986 | Wheel well stiffener (floor channel) |
| 13. 114003-04 | Wheel well trim, inner, single axle |
| 14. 114004-04 | Wheel well trim, outer, single axle |
| 15. 203621 | Underbelly roll, black plastic |
| 16. 203617 | Cover, 20# LPG bottles, plastic, For Units mfg.
prior to Sept. 2011. 1 st Unit #526382. |
| 203732 | COVER ASSY-LP BOTTLE, FOR Units mfg.
after Sept. 2011. 1 st Unit #526382. |
| 17. 410945 | Hitch Jack |
| 18. 922243 | Door assembly, refrigerator assess |
| 19. 203303-03 | Banana wrap, black, RS rear |
| 20. 203303-01 | Banana wrap, black, RS front |
| 21. 601194 | Water fill, fresh |
| 22. 690573-04 | Furnace, 12,000 BTU |
| 23. 512401-02 | Power inlet, 30A, 125V, MALE |
| 24. 601876 | Shower, exterior, white |
| 25. 601392-05 | City water fill |
| 26. 601441 | Black tank flush |
| 27. 410946 | Hitch jack wheel |
| 28. 690199 | Water heater |
| 29. 512402 | INLET, TV/SATELLITE, TITANIUM |
| 30. 114466-02 | Casting, rub rail end, wheel well, LH |
| 31. 114466-01 | Casting, rub rail end, wheel well, RH |
| 32. 371426-01 | Window, 19.25 X 22.75, 8" Vent, Silver |
| 33.114328 | EXTRUSION, BELT MOLDING |
| 34. 201912 | MOLDING, CHROME, BELT LINE |

2012 SPORT EXTERIOR BODY

Wall, Curbside, 22'



Part numbers on the next page

2012 SPORT

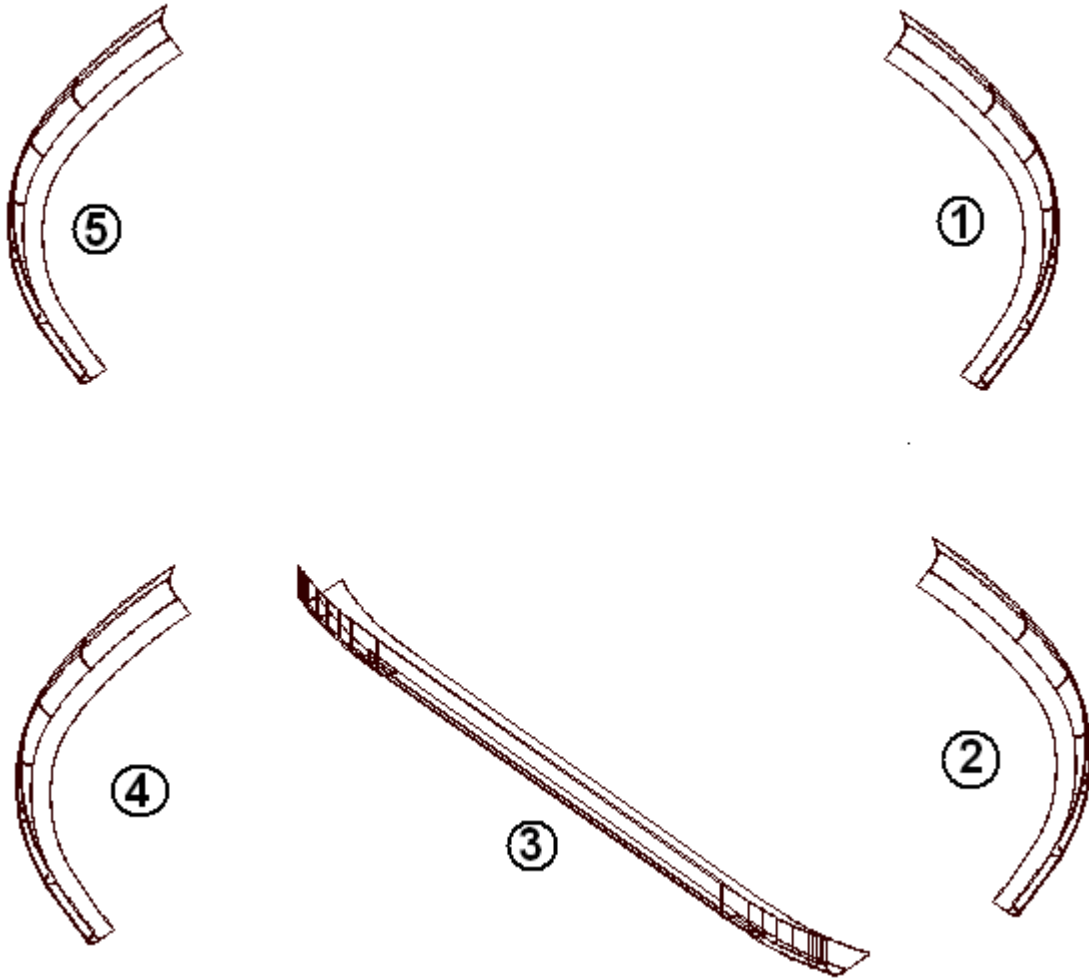
EXTERIOR BODY

Wall, Curbside, 22'

- | | |
|----------------|---|
| 1. 114290-02 | Extrusion, awning/drip rail |
| 2. 99900M-015 | Rib, end bow |
| 3. 104707-01 | Extrusion, "I" beam |
| 4. 114880-201 | Aluminum sheet, upper, .040 x 51 x 201" |
| 5. 371426-06 | Window, 28.25" x 29.75" w/8" vent, Silver |
| 6. 100034 | "Z" bar, 48" |
| 7. 115546 | Extrusion, rub rail |
| 8. 201763-01 | Insert, rub rail, chrome, 1" |
| 9. 100986 | Floor channel |
| 10. 114879-201 | Aluminum sheet, lower, .040 x 33 x 201" |
| 11. 114387-02 | Bow, Z rib, L |
| 12. 114387-01 | Bow, Z rib, RH |
| 13. 100986 | Wheel well stiffener (floor channel) |
| 14. 114003-04 | Wheel well trim, inner, single axle |
| 15. 114004-04 | Wheel well trim, outer, single axle |
| 16. 203621 | Underbelly roll, black plastic |
| 17. 203303-02 | Banana wrap, black, CS front |
| 18. 203303-04 | Banana wrap, black, CS rear |
| 19. 115207-08 | Door, main, RH hinge, Sport |
| 20. 114654-01 | Screen door, main, RH hinge |
| 21. 512399 | COVER-EXT.OUTLET, GREY |
| 21. 500563-03 | RECEPTACLE, WHITE 15 AMP |
| 22. 512252 | Step light, LED, S.S. |
| 23. 100679-01 | Side access door assembly, 20" x 11" |
| 24. 203617 | Cover, 20# LPG bottles, plastic. For Units mfg.
prior to Sept. 2011. 1 st Unit #526382. |
| 203732 | COVER ASSY-LP BOTTLE, FOR Units mfg.
after Sept. 2011. 1 st Unit #526382. |
| 25. 410945 | Hitch Jack |
| 26. 410946 | Hitch jack wheel |
| 27. 114466-01 | Casting, rub rail end, wheel well, RH |
| 28. 114466-02 | Casting, rub rail end, wheel well, LH |
| 29. 114465-01 | Casting, rub rail end, RH |
| 30. 114465-02 | Casting, rub rail end, LH |
| 31. 114328 | Extrusion, belt molding |
| 32. 201912 | Molding, Chrome Beltline |
| 33. 114417 | Casting, Close out, Beltline |

2012 SPORT EXTERIOR BODY

Underbelly Skin/Wraps



1. 203303-01 Banana wrap, black, RS Front
 2. 203303-02 Banana wrap, black, RS Rear
 3. 203671 Underbelly wrap, center rear
 4. 203303-03 Banana wrap, black, CS Rear
 5. 203303-04 Banana wrap, black, CS Front
- 114679 Aluminum underbelly, .019" x 65.75 x coil

Wrap Protector

- | | |
|-----------|---------------------------------|
| 203618-01 | FILM, 3D BODY, RS, 34.11 X 38.5 |
| 203618-02 | FILM, 3D BODY, CS, 34.11 X 38.5 |

2012 SPORT

INTERIOR BODY

Interior Skin

114445	Aluminum sheet, .032" x 34" x coil
114853-01	Aluminum sheet, .032" x 57" x coil
114879-262	Aluminum sheet, .040" x 33" x coil
114880-262	Aluminum sheet, .040" x 51" x coil

Wheel Well Insulator

203289	LINER, WHEEL WELL ABS
201568	FOAM, 3 TUFCOTE ACOUSTICAL

Main Door Threshold

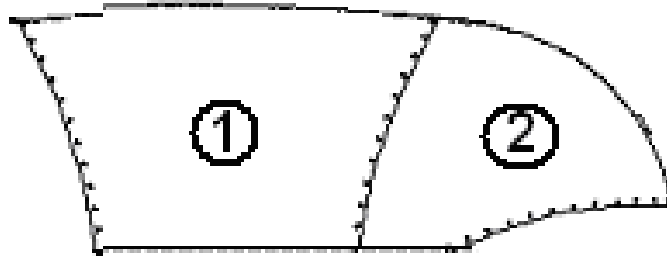
702963	VINYL EMBOSSED 1.75W THRESHOLD
--------	--------------------------------

Wall/Skin Trim

203225	Trim, flexible, "U", white
203225-01	Trim, flexible, "U", GRAY

2012 SPORT
INTERIOR BODY

Interior Aft End Segments



1. 114892-01 Interior Center Segment
2. 114890-01 Interior Segment

Galley Wall Board/Back splash

- | | |
|--------|---|
| 111786 | Galley backsplash, 22' FB w/Galley Window |
| 114070 | J-trim, Aluminum |

2012 SPORT

CHASSIS

Axles

410980-04 Axle, 4500#, 22'

410980-10 Axle, 3500#, 16'

Tire/Wheel, 16'

410944 TIRE/WHEEL ASSY 14" ALUMINUM

400985 CENTER CAP, STAINLESS STEEL

400923 LUG NUT, 1/2" ACORN TYPE

410848-01 TIRE/WHEEL ASSY 14"STEEL, SPARE

Tire/Wheel, 22'

410949 TIRE/WHEEL, 15" ALUMINUM

400844-01 COVER, HUB DUST, 4" STAINLESS

400923 LUG NUT, 1/2" ACORN TYPE

410843-01 TIRE/WHEEL ASSY 15" "D" SPARE

Spare Tire Carrier

450414 "A" frame spare tire carrier

994073 BRACKET FOR SPARE TIRE

Step, Single

400962 STEP-MAIN DOOR STEEL 24"

2012 SPORT

CHASSIS

Hose Carrier

601544-02 E-Z Hose carrier, 46in., black
104704-01 SHIM, 3 X 3, 22'
454422 SPACER, SEWER HOSE CARRIER, 16'

Safety Chain Hook

400945 5/16" clevis, safety slip hook

Hitch Jack

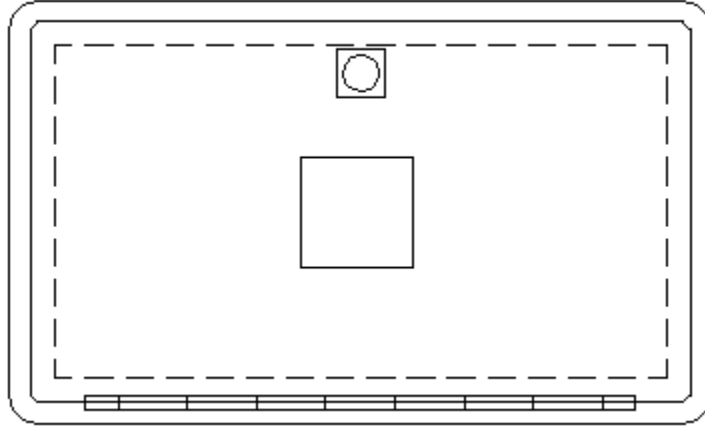
410945 JACK, ECLIPSE, MANUAL
410946 WHEEL, JACK, JOCKEY

Jacks, Stabilizing

400914-03 STABILIZER JACK 20", LIGHTWEIGHT
400914-02 HANDLE, 15" (STABILIZER JACK)
400914-04 FOOT PADS, STABILIZER JACK (Set of Four)
454425 SPACER, STABILIZER JACK

2012 SPORT
CHASSIS

Access Hatch, 16'



381766

Access Hatch, 7.75" x 12.63"

2012 SPORT

DECALS/EXTERIOR TRIM

Decals/Logos/Nameplates

386219	NAMEPLATE, SPORT, 3" X 10"
386205	DECAL, "AIRSTREAM", CHROME, 16"
386068	MEDALLION 3" LOGO, AIRSTREAM
386152	DECAL, AIRSTREAM, 2.4"X 28", ALUMINUM
386126	NAMEPLATE-BAMBI BLACK/GRAY

Beltline

114328	Extrusion, belt line molding
201912	Molding, belt line insert, chrome
114417	Casting, belt line close out

Rub Rail trim

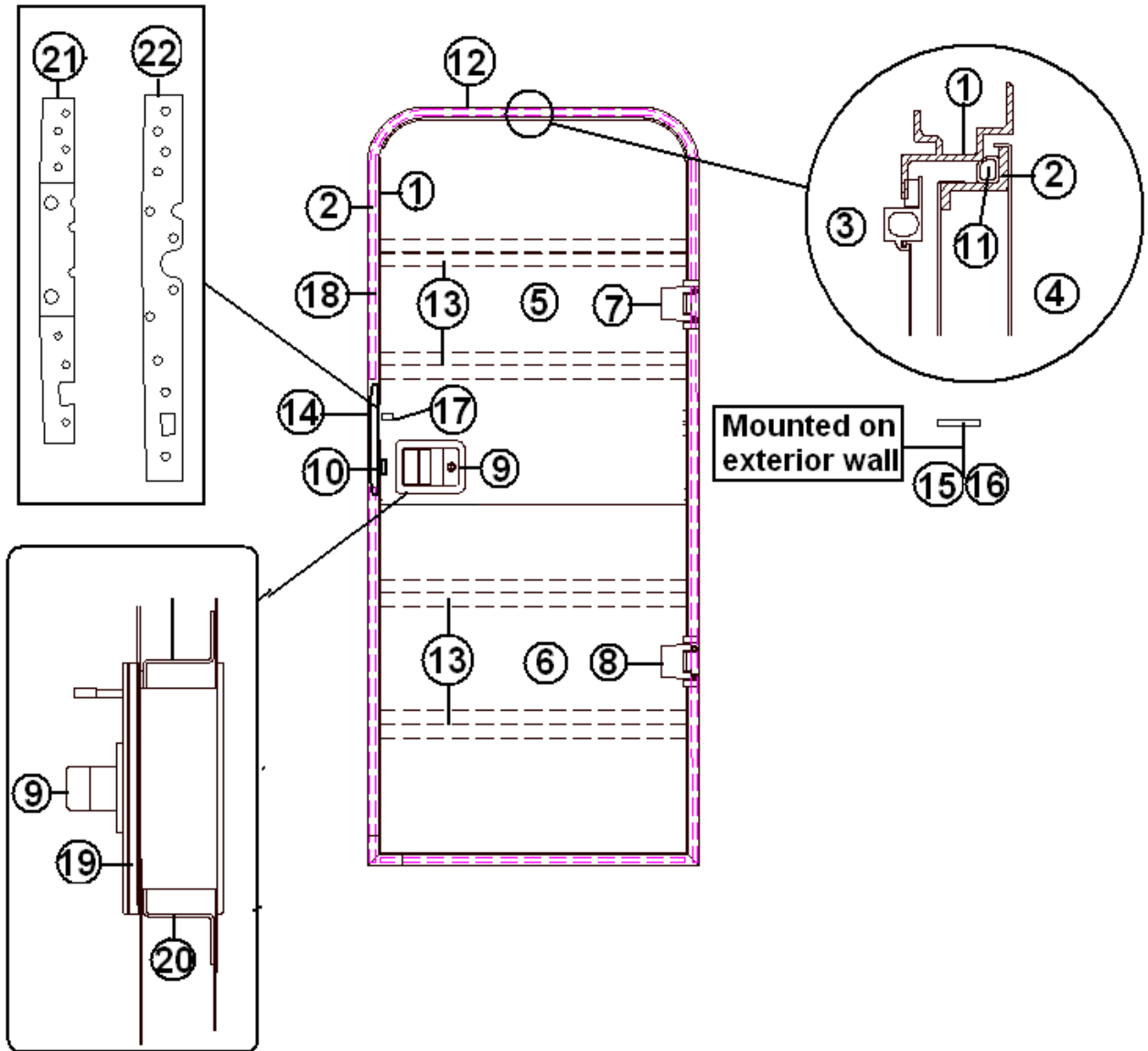
115546	Extrusion, rub rail
201763-01	Insert, rub rail, chrome, 1"
114466-01	Close out, casting, rub rail, angled RH
114466-02	Close out, casting, rub rail, angled LH
114465-01	Close out, casting, rub rail RH
114465-02	Close out, casting, rub rail LH

Reflectors

500096	REFLECTOR, AMBER
500095	REFLECTOR, RED
510446	REFLECTOR, RED, STICK-ON

2012 SPORT DOORS/WINDOWS/AWNING

Main Door, RH Hinge



Part numbers on the next page

2012 SPORT

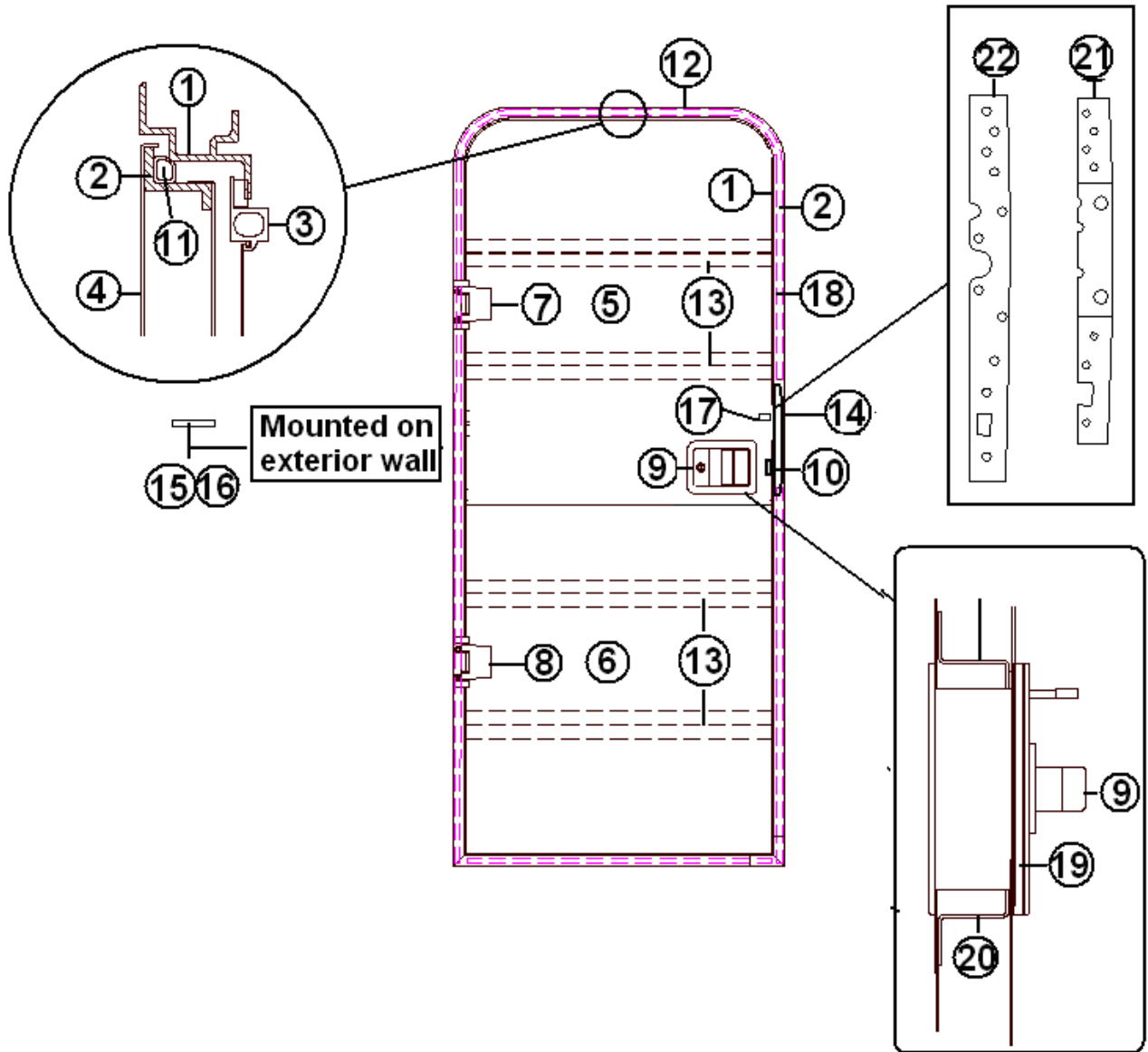
DOORS/WINDOWS/AWNING

Main Door, RH Hinge

- 115207-08 Main door assembly, RH Hinge
- 1. 114652-01 Jamb, main door, pre-formed
- 2. 114653-01 Frame, main door, pre-formed
- 3. 114654-01 Screen door assembly, RH Hinge
- 4. 114448-03 Skin, exterior, upper main door
- 5. 114449-03 Skin, exterior, lower main door
- 6. 114475 MAIN DOOR SKIN INNER
- 7. 381552-02 HINGE ASSY. MAIN DOOR UPPER
- 8. 381552-01 HINGE ASSY. MAIN DOOR LOWER
- 9. Trimark latch assembly parts shown in hardware section
- 10. 385595 Pocket strike, main door
- 11. 365232 Seal, main door
- 12. 114363 Drip cap, main door
- 13. 114658 Inner door, "Z" bar, upper & lower
- 14. 101171 HANDLE, CAST ALUMINUM
- 14. 382074 Gasket, grab handle, main door
- 15. 380290 Housing. Latch, mounted on side sheet
- 16. 380291 Latch assembly, mounted on side sheet
- 17. 201056 Striker, main door, black plastic
- 18. 114507-03 Trim, main door
- 19. 203370 Spacer, door latch
- 20. 114657 Hat section, formed, main door
- 21. 382067 OUTER LATCH, REINFORCEMENT, RH/LH
- 22. 382068 Inner reinforcement plate, RH hinged door

2012 SPORT DOORS/WINDOWS/AWNING

Main Door, LH Hinge



Part numbers on the next page

2012 SPORT

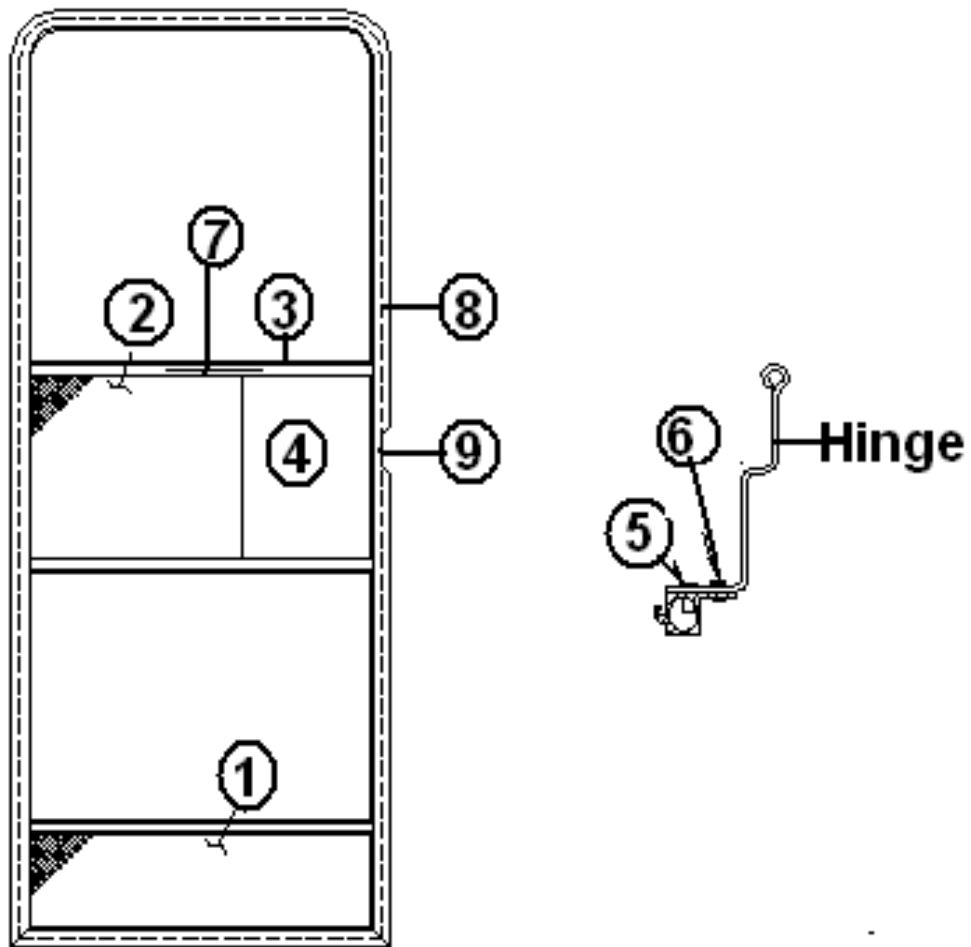
DOORS/WINDOWS/AWNING

Main Door, LH Hinge

- 115207-09 Main door assembly, RH Hinge
- 1. 114652 Jamb, main door, pre-formed
- 2. 114653 Frame, main door, pre-formed
- 3. 114654 Screen door assembly, RH Hinge
- 4. 114448-03 Skin, exterior, upper main door
- 5. 114449-03 Skin, exterior, lower main door
- 6. 114475 MAIN DOOR SKIN INNER
- 7. 381552-03 HINGE ASSY. MAIN DOOR UPPER
- 8. 381552-04 HINGE ASSY. MAIN DOOR LOWER
- 9. Trimark latch assembly parts shown in hardware section
- 10. 385595 Pocket strike, main door
- 11. 365232 Seal, main door
- 12. 114363 Drip cap, main door
- 13. 114658 Inner door, "Z" bar, upper & lower
- 14. 101171 HANDLE, CAST ALUMINUM
- 14. 382074 Gasket, grab handle, main door
- 15. 380290 Housing. Latch, mounted on side sheet
- 16. 380291 Latch assembly, mounted on side sheet
- 17. 201056 Striker, main door, black plastic
- 18. 114507-03 Trim, main door
- 19. 203620 Spacer, door latch
- 20. 114657 Hat section, formed, main door
- 21. 382067 OUTER LATCH, REINFORCEMENT, RH/LH
- 22. 382066 Inner reinforcement plate, LH hinged door

2012 SPORT
DOORS/WINDOWS/AWNING

Screen Door



Part numbers on the next page

2012 SPORT

DOORS/WINDOWS/AWNING

Screen Door

114654	SCREEN DOOR ASSY. LH HINGE
114654-01	SCREEN DOOR ASSY. RH HINGE
1. 114648-01	Kick panel screen door
2. 114561-01	Panel, slider, screen door
3. 104784-78	EXTR.SCREEN DOOR STIFENER #VH-9
4. 203287-02	Close out, plastic, screen door
5. 330130-02	RIVET POP, A52ABS
6. 325122	Rivet, hard, 5/32
7. 380004	HANDLE WITH 8/32 X 1 SCREW
8. 365013-01	Gasket, screen door, foam tape
9. 683946	BUG SEAL, edge of screen door close out
115171-01	SCREEN DOOR GUARD TOP
115171-02	SCREEN DOOR GUARD BOTTOM
380079	Screen, gray
200518	Spline, gray, screen insert
701624	VELCRO LOOP 5/8" WIDE
701625	VELCRO HOOK, 5/8" WIDE
381454	Screen door hold back latch, Bullet
386068	MEDALLION 3" LOGO, AIRSTREAM
381531-01	Hinge, screen door, upper
381531-02	Hinge, screen door, lower

2012 SPORT

DOORS/WINDOWS/AWNING

Refrigerator Exterior Access Door, 22' Front bed

922243	Door, refrigerator access, assembly
922156	REFRIGERATOR access door only
104417	Jamb, refrigerator access door
104439	Louvered panel, refrigerator access door
380988	HINGE, CONTINUOUS .5IN LEAF 16IN
203225	Trim, flexible
381812	Latch, twist Lock

Refrigerator Exterior Access Door, 16'

690470-01 VENT, SIDE WALL, REFRIGERATOR

Exterior Shower Door

601876 Shower Door, exterior, white

Access Door, Small, Side

100679-01	Small, access door assembly
365035	Seal, side access door
380773	HINGE, ACCESS DOOR
380770	LOCK & CASTING ASSEMBLY
115295	SPACER, FORMED COMPARTMENT DOOR
115296	JAMB, FORMED COMPARTMENT DOOR

2012 SPORT

DOORS/WINDOWS/AWNING

Access Door, 16' Rear End

922711	DOOR ASSEMBLY, TRUNK
115158	PANEL, OUTER TRUNK DOOR
115159	PANEL, INNER TRUNK DOOR
115157	JAMB, TRUNK DOOR
380203-01	PIANO HINGE
380770	LOCK & CASTING ASSEMBLY, BLACK
360016	BUMP-ON, RUBBER
365035	RUBBER SEAL, ACCESS DOOR
701538-01	CARPET, ECONOLIER W/PSA BACK
381065-10	10" CABLE SUPPORT

Windows, Standard

371426-01	Window, 19.25 X 22.75, 8" Vent, 16', 22', Silver
371426-02	WINDOW, 44.00" X 24.25", REAR END, VERTICAL EGRESS, 16', SILVER
371426-03	WINDOW, 19.38" X 22.88", FIXED, 16', SILVER
371426-05	WINDOW, FLAT, w/8" vent, aft end, 22', Silver
99900P-049	Window, 36.25" x 24.19", front end, 22', Silver
371426-04	Window, 28.25 x 29.75, egress, RS, 22', Silver
371426-06	Window, 28.25" x 29.75" w/8" vent, CS, 22', Silver
371328	Front window, 16', Silver
382117	GASKET-WINDOW RECTANGLE
380230-03	KNOB, WINDOW ARM, PLASTIC/SILVER
195467-05	LATCH, HANDLE, RED
345320	SCREW, SET, 6-32 X 1/8, INTERNAL HEX
382116-03	CAP, SCREW RUBBER 5/32 X .5'

2012 SPORT

DOORS/WINDOWS/AWNING

Windows, Panoramic

99900P-049	WINDOW, FRONT, W/SQUARE CORNERS
371328	FRONT WINDOW, GLASS ONLY
372089-101	ROADSIDE WRAP WINDOW
372088-101	CURBSIDE WRAP WINDOW
320127-04	SCREW SHEET METAL #8 QDPH BLK
371347-03	SCREEN, FRONT WINDOW, 22'
380230-03	KNOB, WINDOW ARM, PLASTIC/SILVER

Window Screens, 16'

372176-03	SCREEN, REAR WINDOW, 16'
372173-02	SCREEN, FRONT WINDOW, 16'

Window Trim

110460-13	Trim ring, window, 36.25" X 24.19", White
110460-11	Trim ring, window, 19.38 X 22.75, Aluminum finish
110460-12	Trim ring, window, 26.25 x 19.25, Aluminum finish
110460-17	Trim ring, window, 28.25 X 29.75, Aluminum finish
110460-15	TRIM RING, WINDOW, 19.38 X 22.75, WHITE
110460-16	TRIM RING, WINDOW, 42.69 X 22.44, WHITE
203225	TRIM LOK, WHITE, EDGE TRIM
203225-01	TRIM LOK, GRAY, EDGE TRIM

2012 SPORT

DOORS/WINDOWS/AWNING

Window Stone Guard, Panoramic Window

685275-101	CURBSIDE WRAP SOLAR GRAY STONEGUARD
685275-102	ROADSIDE WRAP SOLAR GRAY STONEGUARD
110102-05	Rock guard, center piece only, 22'
685275-103	Rock guard, center, narrow body, 16'
683960	Arm support
683959	Arm support bracket
114749	HINGE "Y" ASSY.
114750	HINGE "J"
685364	BRKT, UPPER HINGE-45.375-STONEGUARD
381021-01	Latch, draw flexible
685360	BRACKET, STONEGUARD, UPPER WRAP
290812-01	PLEXIGLASS, 1/8 X 28 X 84
685362	RETAINER, SPLIT RING

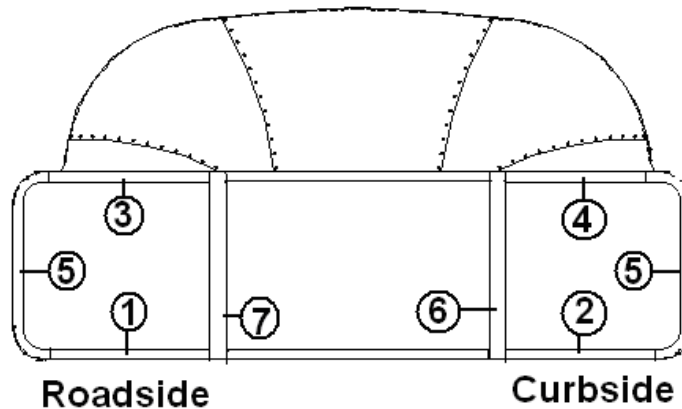
Stone guard frame

114815-01	Extrusion, frame aluminum
685354	Front window key, 90-degree angle riveted to inside corner of metal frame
685378-01	1/4" rubber spline
685351	Rubber frame, black
101401	Extrusion, door latch housing
685355	SLIP JOINT S.S.HINGE

2012 SPORT

DOORS/WINDOWS/AWNING

Panoramic Window Trim



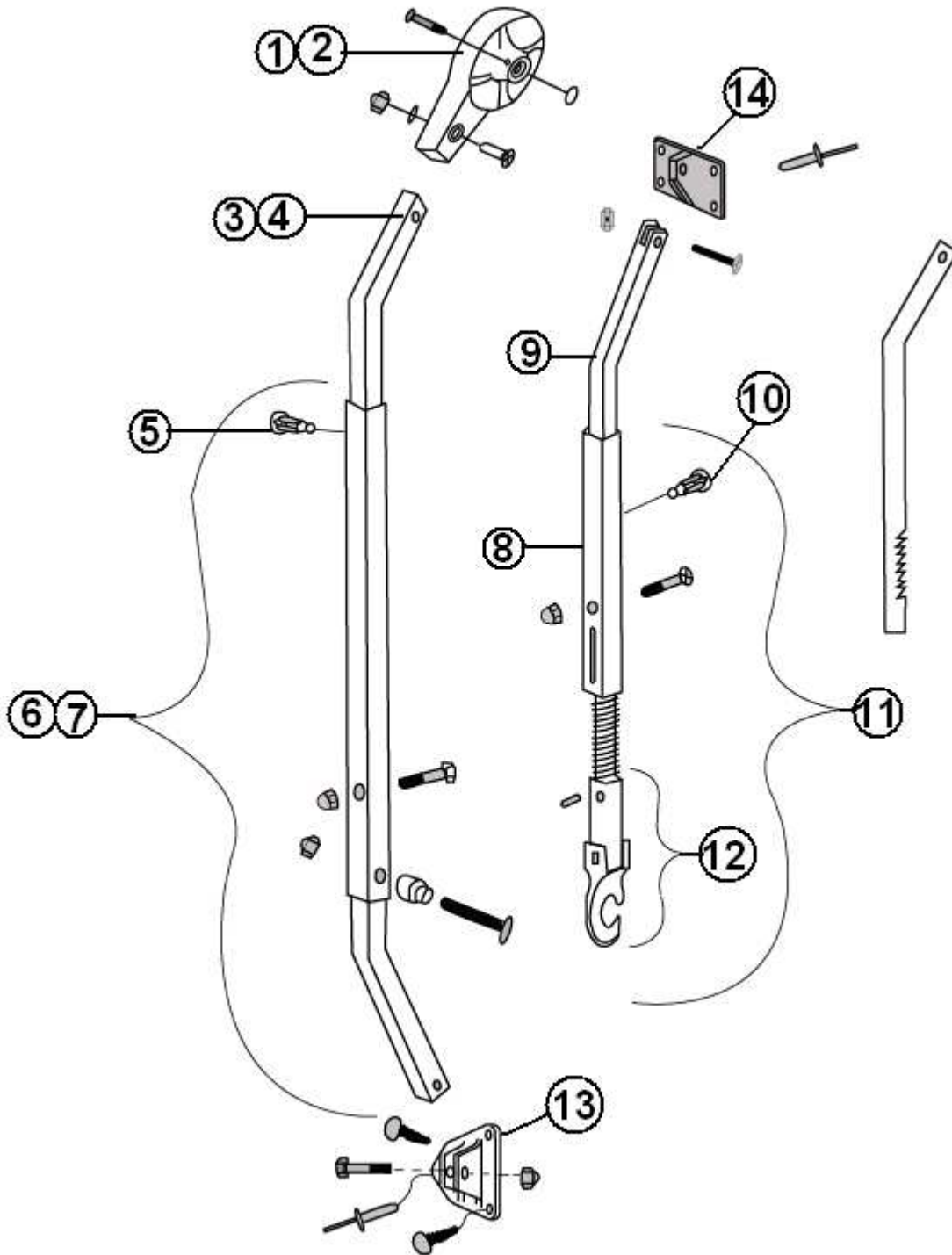
- | | |
|--------------|------------------------------|
| 1. 201579-02 | TRIM RING, LOWER, ALUMINUM |
| 2. 201580-02 | TRIM RING, LOWER, ALUMINUM |
| 3. 201581-05 | TRIM RING, UPPER, ALUMINUM |
| 4. 201581-06 | TRIM RING, UPPER, ALUMINUM |
| 5. 201578-02 | END CAP, TRIM RING, ALUMINUM |
| 6. 110900-03 | TRIM FORMED, ALUMINUM, RH |
| 7. 110900-04 | TRIM FORMED, ALUMINUM, LH |
| 203225-01 | TRIM LOK, ALUMINUM .75" |

Awnings, Patio

- | | |
|-----------|---------------------------------------|
| 703727-06 | Awning, patio, 6' 8.25", Zip Dee, 16' |
| 703727-02 | Awning, patio, 9' 8", Zip Dee, 22' |
| 703727-01 | Hardware package, Zip Dee |
| 385577 | TAPE CLEAR WEAR STRIP 3.5" WIDE |

2012 SPORT HARDWARE

Awning Hardware, Lightweight, Patio



Part numbers on the next page

2012 SPORT

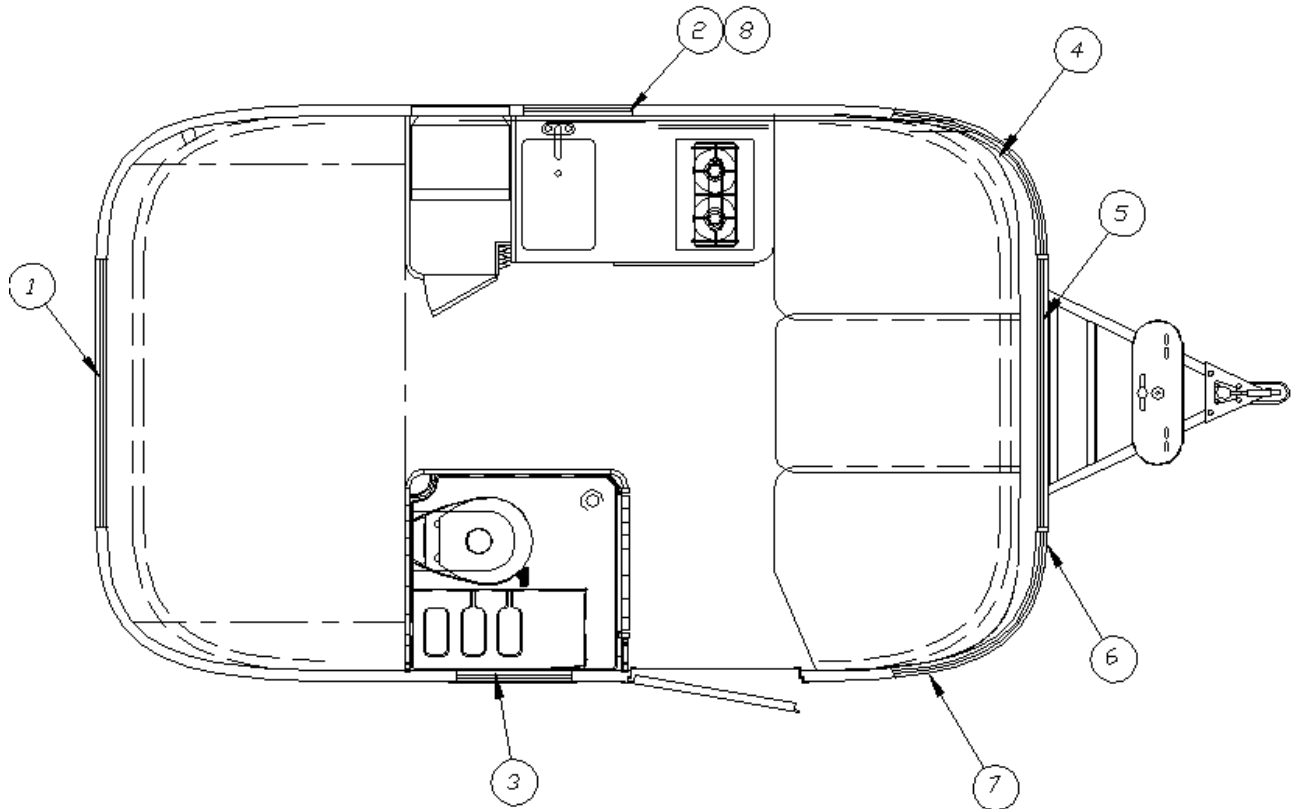
HARDWARE

Awning Hardware, Lightweight, Patio

703727-01	Awning hardware, complete package
1. 74043W-08	Front head casting
2. 74043W-09	Rear head casting
3. 74047W-13	Main arm bar, front
4. 74047W-14	Main arm bar, rear
5. 74054W	Snap stud assembly
6. 74048WS-18	Front main tube bar assembly
7. 74048WS-19	Rear main tube bar assembly
8. 74063W-05	Rafter arm tube
9. 74061WS-09	Rafter arm bar
10. 74072W	Ratchet stud
11. 74048WS-20	Rafter arm tube assembly
12. 74068W-05	Claw bar assembly
13. 74055W	Base hinge
14. 74056W-02	Rafter base, flat

2012 SPORT DRAPES/BLINDS

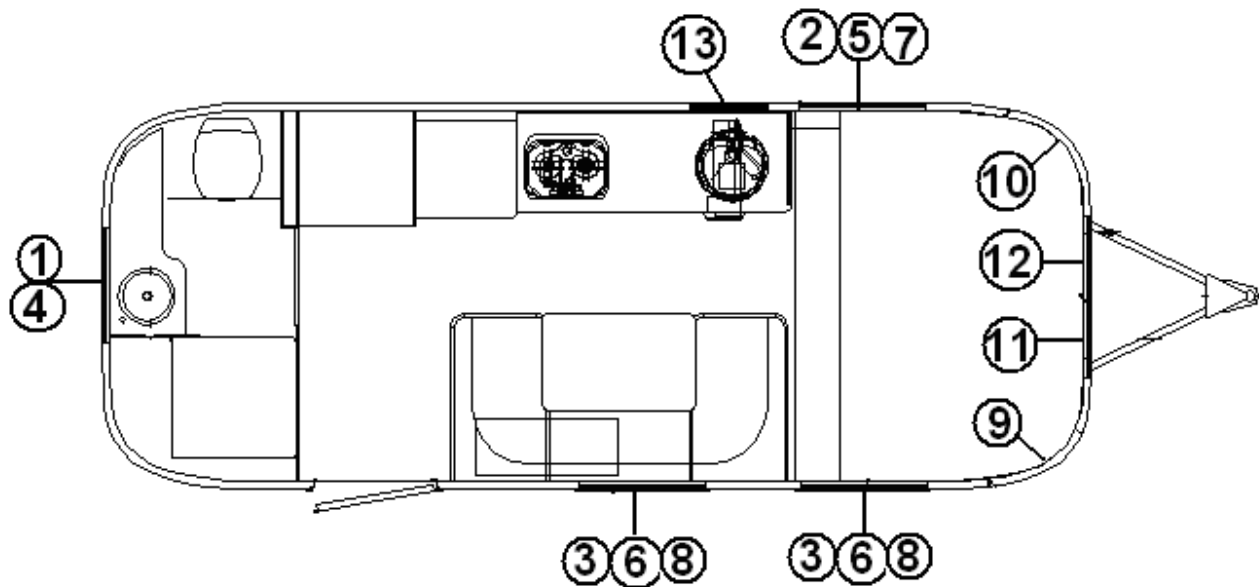
Drapes/Blinds 16'



1. 998171-09 CURTAIN ASSEMBLY, 28.5" X 25.5"
2. 703191-04 BLIND, MINI, METAL, 21" X 23", ALUMINUM
3. 703445-05 SHADE, PULL, 21.00W X 34.00L, WHITE
4. 998144-11 DRAPE, RS SIDE PANEL, 40" X 25.5"
5. 998144-12 DRAPE, RS FRONT PANEL, 23" X 25.5"
6. 998144-10 DRAPE, CS FRONT PANEL, 23" X 25.5"
7. 998144-09 DRAPE, CS SIDE PANEL 40" X 25.5
8. 115425-05 VALANCE, 22.125", ALUMINUM
- 702355-01 SHADE, PULL, MICHELL, 20-1/8 X 30

2012 SPORT DRAPES/BLINDS

Drapes/Blinds, 22'



- | | | |
|-----|------------|---|
| 1. | 703191-07 | MINI BLIND, METAL, 27.5W X 22L |
| 2. | 703191-21 | MINI BLIND, ALUMINUM, 29.00 X 32.00 |
| 3. | 703191-22 | MINI BLIND, ALUMINUM, 31.00 X 32.00 |
| 4. | 115396-03 | BLIND COVER, 27.5" |
| 5. | 115396-02 | BLIND COVER, 29.0" |
| 6. | 115396-01 | BLIND COVER, 31" |
| 7. | 115425-01 | VALANCE, ALUMINUM, 29.75" |
| 8. | 115425-02 | VALANCE, ALUMINUM, 38.75" |
| 9. | 998144-09 | DRAPE, CS SIDE PANEL, 37" X 25.50" |
| 10. | 998144-11 | DRAPE, RS SIDE PANEL, 37" X 25.50" |
| 11. | 998144-13 | DRAPE, CS REAR PANEL |
| 12. | 998144-14 | DRAPE, RS REAR PANEL |
| 13. | 703191-04 | MINI-BLIND, 21" X 23", BRUSHED ALUMINUM |
| | 345353-03 | SCREW, #6 X 0.75, FLAT HEAD, PHIL |
| | 195329-202 | ROUND STCK ON BUMPER, CLEAR |

2012 SPORT

DRAPES/BLINDS

Drapes, Installation

345353-03	SCREW, #6 X 0.75 FLAT HD, PHILIPS
195329-202	HEMISPHERE, CLEAR BUMP-ON
703905	LINING, MICHELLE WHITE
703903	FABRIC WYETH - OFF WHITE
700045	GLIDES CURTAIN G3 W/ELASTIC
700020	PILE, VELCRO
700021	HOOK, VELCRO, WHITE
101225	EXTRUSION, ALUMINUM CURTAIN TRACK
101217	EXTRUSION CURTAIN TRACK
101220	TRACK, STAND-OFF, CURTAIN
200784	ENDS, CURTAIN TRACK, RH WHITE
200785	ENDS, CURTAIN TRACK, LH WHITE

2012 SPORT
ELECTRICAL, 110 VOLT

Shore Line Cord

512401-01 CORD, POWER, 30A, 30'
512401-02 POWER INLET, 30A, 125V, MALE

Converter

512237 POWER CENTER, AC/DC, BLACK
510743 GROUND BAR, 3 ½" LONG

Breakers

510564-2020 BREAKER, TYPE BRD, BD 20-20
510564-3020 BREAKER, TYPE BRD, BD 30-20
510564-20GFI BREAKER, TYPE BR, 20 GFI

Switches

500913-03 SWITCH T & B WHITE
511327 SWITCH BODY W/ROCKER SWITCH, 1 GANG
500563-04 PLATE, DECORATOR, 1-GANG, WHITE
500967-01 COVER, BLANK, IVORY
511665 SWITCH, CEILING WHITE
511669 SWITCH, SHOWER WHITE

Exterior Outlet/Circuit Tester

512399 COVER, EXTERIOR OUTLET, GREY
500563-03 RECEPTACLE, WHITE 15 A
511023 Circuit tester (loose item)

2012 SPORT
ELECTRICAL, 110 VOLT

Receptacles

511287	Receptacle, 15 amp, single
511814-01	RECEPTACLE, DUPLEX GRAY SELF CONTAINED
511814-02	PLATE, DECORATOR 1 GANG GRAY
500563-03	RECEPTACLE, WHITE, 15 AMP
500563-04	PLATE, 1-GANG
512481-02	RECEPTACLE, 20A SINGLE, BROWN
512481-03	PLATE, BROWN COVER W/SCREWS

Microwave Pre-Wire

512025-01	JUNCTION DEVICE, WHITE
512025-02	PLATE, SNAP ON, ONE GANG, WHITE

2012 SPORT

ELECTRICAL, 12 VOLT

Battery/Battery Box

511596	BATTERY-DEEP CYCLE GRP.24
381613	Cover, black plastic for hold down wing nut
500836-02	Positive battery cable
500837	Negative Battery cable
511595	BATTERY BOX

7-Way Cable

500886-01	7-Way cable w/plug
510947-20	20 amp BREAKER, 12V DC, TYPE II, #12V20
510946-06	Bracket, 6 PO Breaker, 12V, #8536-2
510947-30	Breaker, 12V DC, TYPE II, #12V30
510743	GROUND BAR, 3 ½" LONG

Switches, 12 Volt

512245	Switch assembly, 2-way, white
511745	SWITCH ASSY- THREE GANG WHITE
510658	SWITCH W/WEATHER-PROOF BOOT
511836	SWITCH, REFRIGERATOR/FAN WHITE #AH-AS
511566-02	SWITCH COVER, 2 GANG, WHITE
511567-02	SWITCH BODY W/ROCKER, 2 GANG
511980	SWITCH ASSY, 4 GANG BLACK
511658	SWITCH BODY W/COVER, 3-GANG
511672	SWITCH BODY W/COVER 3 GANG BLACK
511673	SWITCH COVER, TWO GANG BLACK
511674	SWITCH COVER, ONE GANG BLACK
511975	SWITCH ASSY, 4 GANG, BLACK
511731-01	SWITCH, WATER HEATER BLACK, 16'
511999	SWITCH ASSY, 2 GANG BLACK
511288	FACE PLATE, ON/OFF TOGGLE SWITCH

2012 SPORT
ELECTRICAL, 12 VOLT

Receptacle, 12 Volt

195466-250 12V RECEPTACLE SOCKET W/COVER, 22'
510807 OUTLET 12 VOLT, 16'
510888-05 RECEPTACLE W/COVER, GFI, WHITE
512562 RECEPTACLE GASKET W/ADHESIVE BACK, BLACK

Battery Disconnect

510626 Switch, master battery disconnect

Break Away Switch

0300027 Break away switch, Bargman
454526 BRACKET, BREAK AWAY SWITCH

Monitor Panel and Sensor

511788-01 Monitor panel, CATCON Micropulse
511789-01 BOOT-SENSOR #500-20010-05
511789 SENSOR, TANK MONITOR
511286-01 WIRE FLAT TELEPHONE 26 GA. BLACK
511286-02 WIRE FLAT TELEPHONE 26 GA. IVORY
511252 PLUG PHONE 4 CONDUCTOR
511393 COUPLER-MODULAR EXTENSION, 4 CONDUCTOR

External TV Jack Inlet

512402 INLET, TV/SAT.

Breakers, 12 Volt

510947-20 20 amp BREAKER, 12V DC, TYPE II, #12V20
510947-30 Breaker, 12V DC, TYPE II, #12V30

2012 SPORT
ELECTRICAL, 12 VOLT

Interior Lights

512243	LIGHT, 12V DLB W/SWITCH
512242	LIGHT, 12V SINGLE BULB W/SWITCH
511410	LIGHT, SHOWER, INCANDESCENT, SINGLE, 16'
512462	LIGHT, READING, LED, FROST LENS

Exterior Lights

512252	STEP LIGHT, L.E.D., SS
510732-02	CSA PORCH LIGHT
512227	Red LED clearance light
512227-01	Chrome base, red LED clearance light
512227-02	Sealed light bezel, red LED clearance light
512227-03	Foam gasket, red LED clearance light
512226	Amber LED clearance light
512226-01	Chrome base, amber LED clearance light
512226-02	Sealed light bezel, amber LED clearance light
512226-03	Foam gasket, amber LED clearance light
512455	License Plate Light w/Holder LED Black
500095	Reflector, red Oblong oval
500096	Reflector, amber
510446	Reflector, Red stick on
512252	Step light, LED St.St.
512533	Light, Auxiliary LED

2012 SPORT
ELECTRICAL, 12 VOLT

Tail Light Assembly

511860-01 LIGHT, 4"LED, RED
511860-02 BEZEL, 4" ROUND, CHROME W/VISOR
381873 GASKET, TAILLIGHT

12 Volt Interior Receptacle

195466-250 12 Receptacle w/cover

Fuses

500773-03 FUSE, ATC, 12V DC, 3 AMP
512318 FUSE HOLDER W/1 AMP AGC FUSE
500883-01 FUSE 12, CSA 1 AMP
681936 AGC-1 FUSE
510696 HOLDER, FUSE, IN-LINE

2012 SPORT ENTERTAINMENT

Radio/Antenna

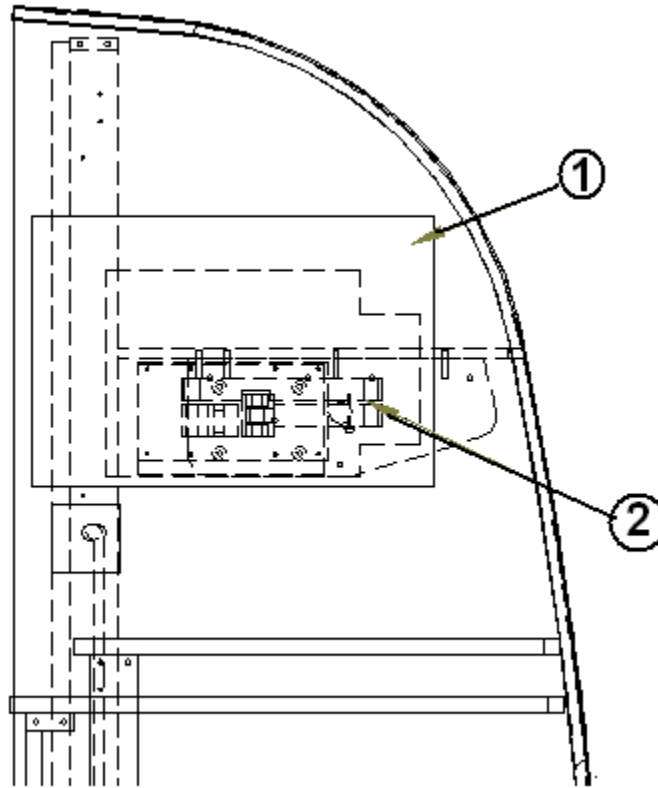
512239	Radio, AM/FM/CD
500913-03	SWITCH, T & B WHITE
511807	Antenna, AM/FM rubber, 13"
500484-05	ANTENNA LEAD & EXTENSION, 72"
511339-01	SPEAKER, AUDIOVOX, 5.25"
511339-02	GRILL, SPEAKER, WHITE, 6"
512215-01	SPEAKER 6.5", 16'
512215-02	GRILL, 6.5", WHITE, 16'
512150	Adaptor, radio plug
512318	HOLDER W/1 AMP FUSE, IN-LINE
681936	AGC-1 FUSE
512407	Cable-RG6 Coax

TV Antenna/Jack

510788-03	Amplifier, TV antenna
510788-09	ANTENNA, SHORT BOOM W/RV WIND
510788-04	Hardware package, interior, Winegard
115484	TROUGH, TV ANTENNA
510623	Connector, coax, male to male
511534	Dual coax plate, Satellite TV, hook up
511375	JACK MODULAR TELEPHONE TA-1020
511834	PATCH CORD, 30' DUAL MALE TO MALE
511835	PATCH CORD, 30' 3-WAY, MALE TO MALE
511703	CORD, PATCH, MALE/MALE, 2-WAY 20'
511655-03	CABLE, BDO/1, 20 FT
512402	INLET, TV/SATELLITE, TITANIUM

2012 SPORT ENTERTAINMENT

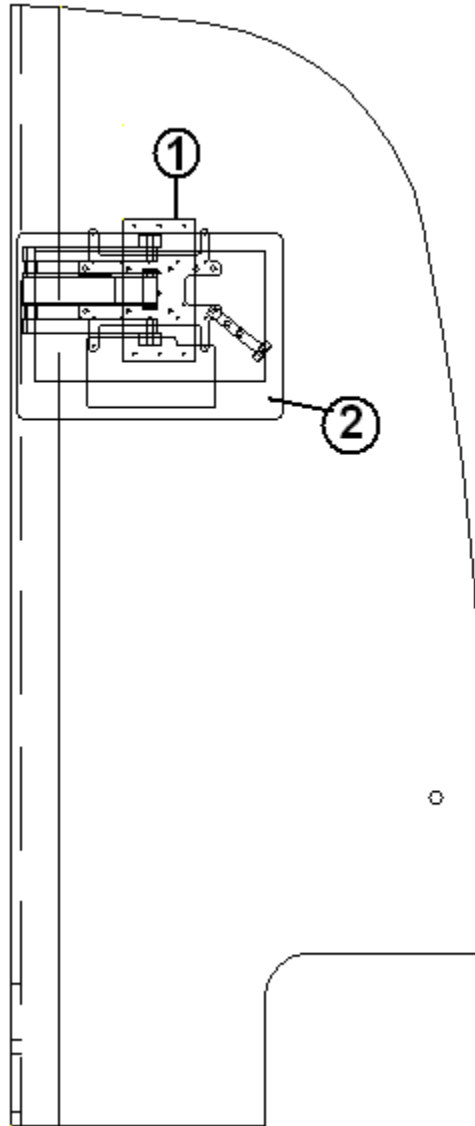
TV Installation, 22'



- | | |
|-----------|------------------------------------|
| 1. 690629 | TV-LED W/DVD 19" SANSUI |
| 1. 512457 | ARM, ARTICULATING MOVIEV MSDSL |
| 320157 | SCREW-PH M4 X 12MM STEEL |
| 345468-01 | SCREW-#12 X.625"PH PHIL BLK HD |
| 512499 | CABLE-MINI COAX 48" TRL |
| 512405-01 | COAX, LEAD/JUMPER W/CONNECTOR, 6" |
| 512405-02 | COAX, LEAD/JUMPER W/CONNECTOR, 12" |

2012 SPORT ENTERTAINMENT

TV Installation, 16'



- | | |
|-----------|---------------------------------|
| 1. 512400 | ARM, ARTICULATING, MOVIEW |
| 2. 320157 | SCREW, PH M4 X 12MM, STEEL |
| 690629 | TV W/DVD LED 19" |
| 512499 | CABLE, MINI COAX, 48" |
| 512025-01 | JUNCTION DEVICE, WHITE |
| 512025-02 | PLATE, SNAP ON, ONE GANG, WHITE |

2012 SPORT
FLOOR COVERING

Floor Mats

703852 MATT, ENTRANCE, AIRSTREAM LOGO

Vinyl Flooring

703835 FLOORING, VINYL, YASMINE W/DURAB
203594-02 FLOOR TRIM, ASH GREY
801492-0114 THRESHOLD, MAIN DOOR, GOLD ALCHEMY
114869 EXTRUSION, THRESHOLD, COMPARTMENT CLEAR
ANODIZED.

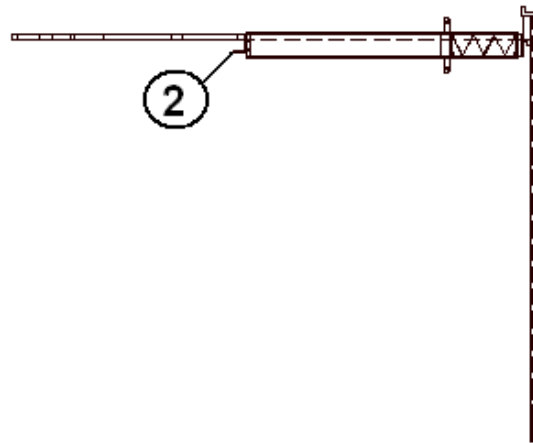
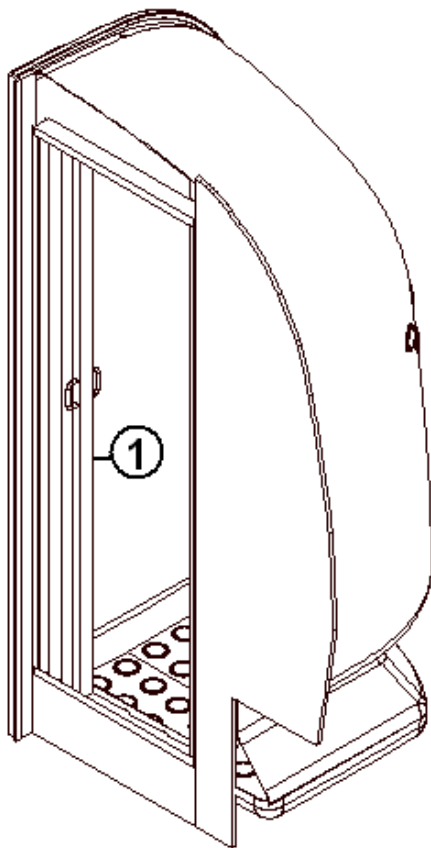
2012 SPORT

FURNITURE, DOORS

Doors, Roof Locker

967104-01	DOOR, TAMBOUR, 9.88 X 25.38
967104-06	DOOR, TAMBOUR, 9.88" X 28.25"
967104-07	DOOR, TAMBOUR, 9.88 X 29.13
967104-08	DOOR, TAMBOUR, 9.88 X 20.63
101265-01	EXTRUSION, BLACK, TAMBOUR DOOR HANDLE
201163-01	ENDCAP, BLACK, TAMBOUR DOOR HANDLE

Door, Shower, 22'



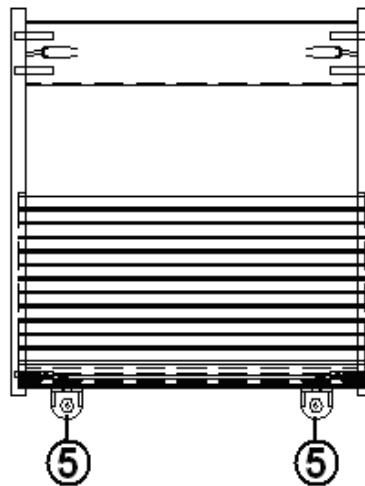
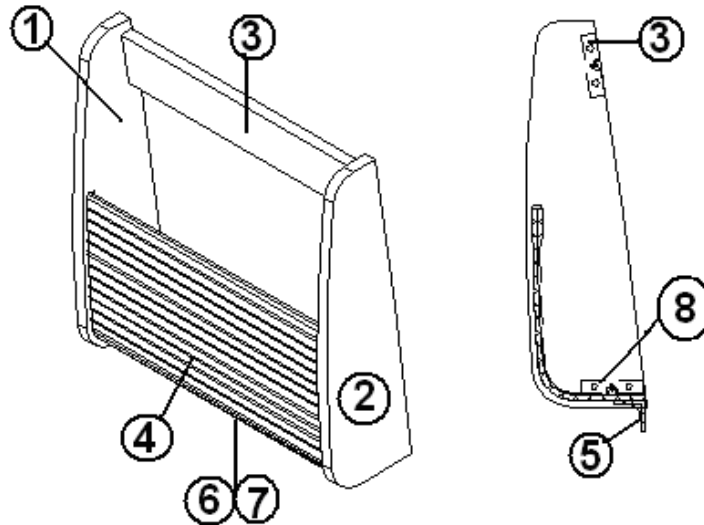
- 1. 703725
- 2. 454734

SHOWER DOOR
Angle formed 65" shower door

2012 SPORT

FURNITURE, LOUNGE

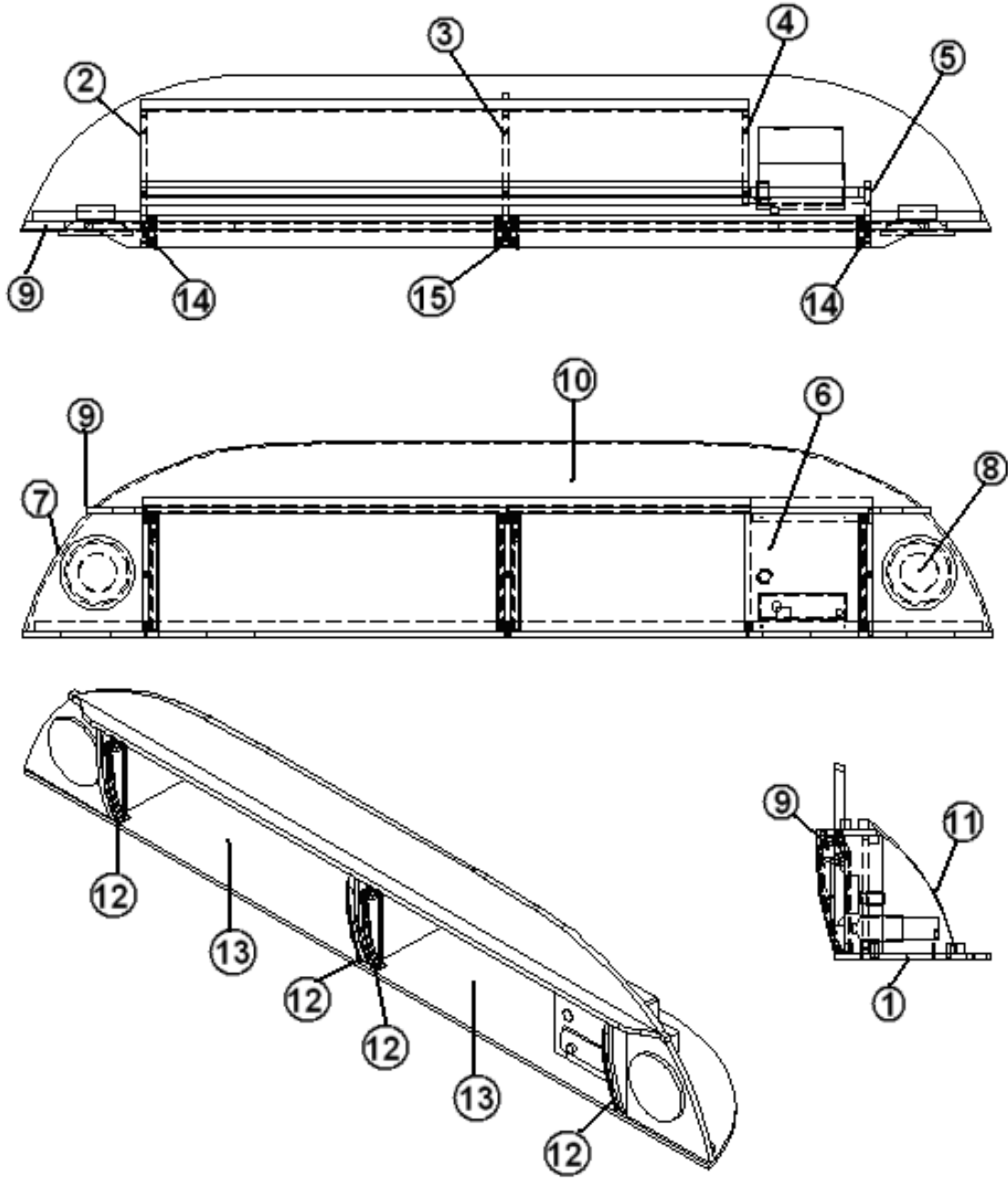
Magazine Rack, 22' Front Bed



- | | |
|--|---|
| <p>967483</p> <p>1. 967483-1</p> <p>2. 967483-2</p> <p>3. 967483-4</p> <p>4. 967104-06</p> <p>5. 385963</p> <p>6. 101265-01</p> <p>7. 201163-01</p> <p>8. 967483-3</p> <p>381609-05</p> <p>381610-01</p> | <p>MAGAZINE RACK</p> <p>PANEL, MAGAZINE RACK, 4.25 X 14</p> <p>PANEL, MAGAZINE RACK, 4.25 X 14</p> <p>PANEL, MAGAZINE RACK, 2.25 X 12</p> <p>DOOR, TAMBOUR, 9.88" X 28.25"</p> <p>BRACKET, ANGLED, LAMBREQUIN</p> <p>EXTRUSION, BLACK DOOR HANDLE</p> <p>ENDCAP, BLACK HANDLE (PR)</p> <p>PANEL, MAGAZINE RACK, 2.25 X 12</p> <p>SCREW HAFELE EUROPEAN #9 1 1/2</p> <p>COVER CAP PLAS. EUROPEAN WHITE</p> |
|--|---|

2012 SPORT FURNITURE, LOUNGE

Liner Locker Assy., Front, 16'



Parts Listed on Next Page

2012 SPORT

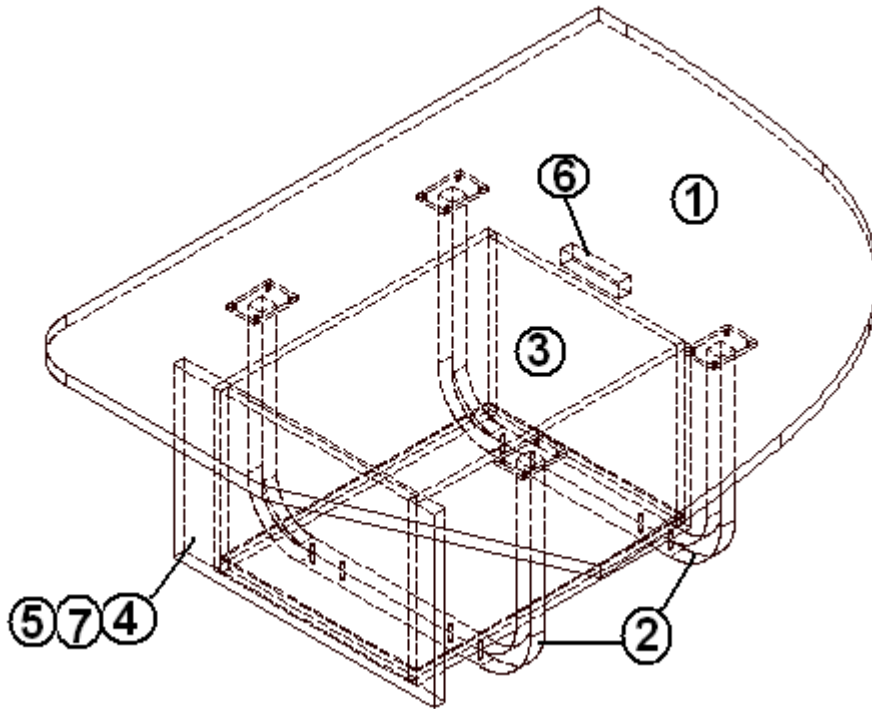
FURNITURE, LOUNGE

Liner Locker Assy., Front, 16'

- | | |
|-----------------|--|
| 967498-08 | Liner Locker Assy., Front |
| 1. 967498-081 | Panel, Roof locker 13" x 80.57" |
| 2. 967498-082 | Panel, Roof locker 11.46" x 9.81" |
| 3. 967498-083 | Panel, Roof locker 11.21" x 9.81" |
| 4. 967498-084 | Panel, Roof locker 7.15" x 9.81" |
| 5. 967498-085 | Panel, Roof locker 5.48" x 9.81" |
| 6. 967498-086 | Panel, Roof locker 10.19" x 9.81" |
| 7. 967498-087 | Panel, Roof locker 9.94" x 9.81" |
| 8. 967498-088 | Panel, Roof locker 9.94" x 9.81" |
| 9. 967498-089 | Panel, Roof locker 5.00" x 70.09" |
| 10. 967498-0810 | Panel, Roof locker 5.50" x 69.00" |
| 11. 967498-0811 | Panel, Roof locker 13.50" x 50.5" |
| 12. 201164-02 | Spirals, Roof locker, platinum gray |
| 13. 967104-07 | Door, Tambour 9.88" x 29.13" |
| 14. 115382-01 | Trim, Aluminum Roof locker .688" x 10" |
| 15. 115382-02 | Trim, Aluminum Roof locker 1.88" x 10" |
| 201673 | Reverse cove molding, White |
| 365348-02 | Edge band .94" Brushed Aluminum |

2012 SPORT
FURNITURE, LOUNGE

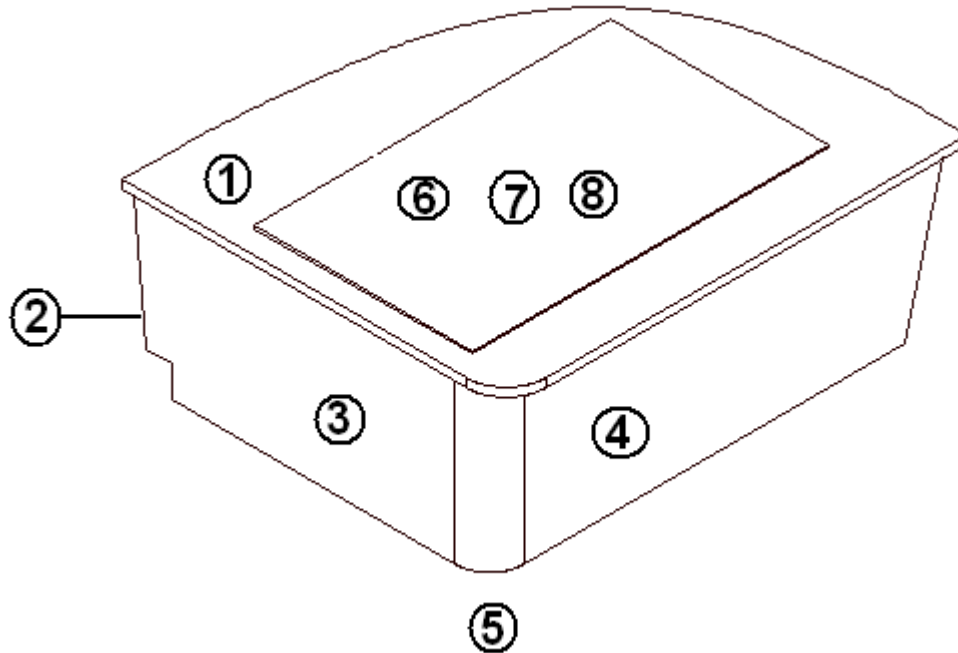
Dinette Seat, 16' Curbside



- | | |
|---------------|-----------------------------------|
| 966961-08 | SEAT ASSY, CS DINETTE |
| 1. 966961-081 | PANEL, 33.38 X 40.19 |
| 2. 454177 | LEG, DINETTE ALUM |
| 3. 964909-11 | DRAWER BOX ASSY, 10" X 14.00 X 19 |
| 4. 966961-084 | PANEL, 18 X 11.5 |
| 5. 381833-01 | DRAWER SLIDE, UNDER SHELF 18"PR |
| 6. 800581-01 | LUMBER, OAK, 13/16 X 1.5 |
| 7. 381074 | CATCH BULL DOG |

2012 SPORT
FURNITURE, LOUNGE

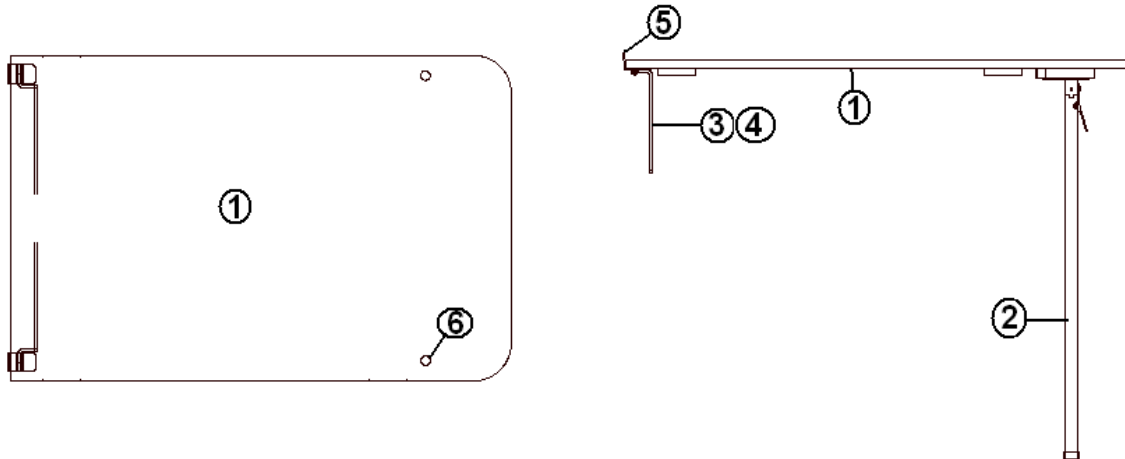
Dinette Seat, 16', Roadside



- | | |
|---------------|-------------------------------|
| 966962-08 | SEAT, ROADSIDE DINETTE |
| 1. 966962-081 | PANEL, 33.44 X 40.19 |
| 2. 967785 | SUB ASSY-RS DINETTE |
| 3. 966964-081 | RS DIN SUB ASSY, 28 X 13.88 |
| 4. 966964-082 | RS DIN SUB ASSY-37.03 X 13.88 |
| 5. 801345 | RADIUS PLYWOOD, .75"X 3"X 8' |
| 6. 966962-085 | LUAN PANEL, 31.13 X 19 |
| 7. 966962-086 | LUAN PANEL, 28.75 X 16.88 |
| 8. 701538-01 | CARPET-ECONOLIER |

2012 SPORT
FURNITURE, LOUNGE

Dinette Table, 16'

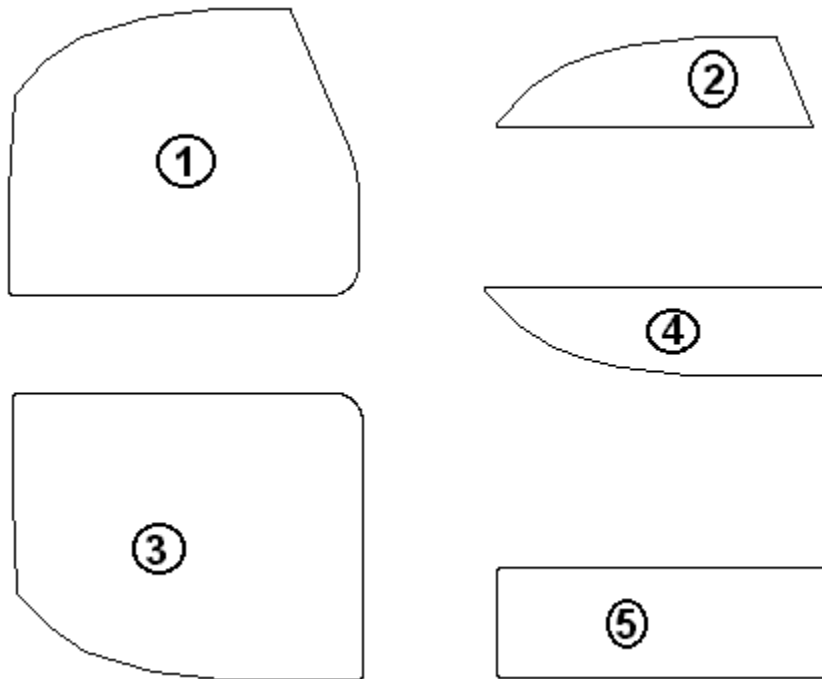


- | | |
|---------------|------------------------------------|
| 967153-08 | TABLE ASSY, DINETTE |
| 1. 967153-081 | TABLE TOP, 26" X 40" |
| 2. 381881-04 | LEG, FOLDING TABLE |
| 3. 380284-02 | TABLE HINGE BRACKET |
| 4. 380284-03 | TABLE HINGE BRACKETS |
| 5. 340018 | CATCH PLATE J-1 |
| 6. 381136 | RUBBER BUMPER |
| 115177 | TRIM, COUNTER TOP, 1.25", ALUMINUM |

2012 SPORT

FURNITURE, LOUNGE

Dinette Seat Cushions, 16'

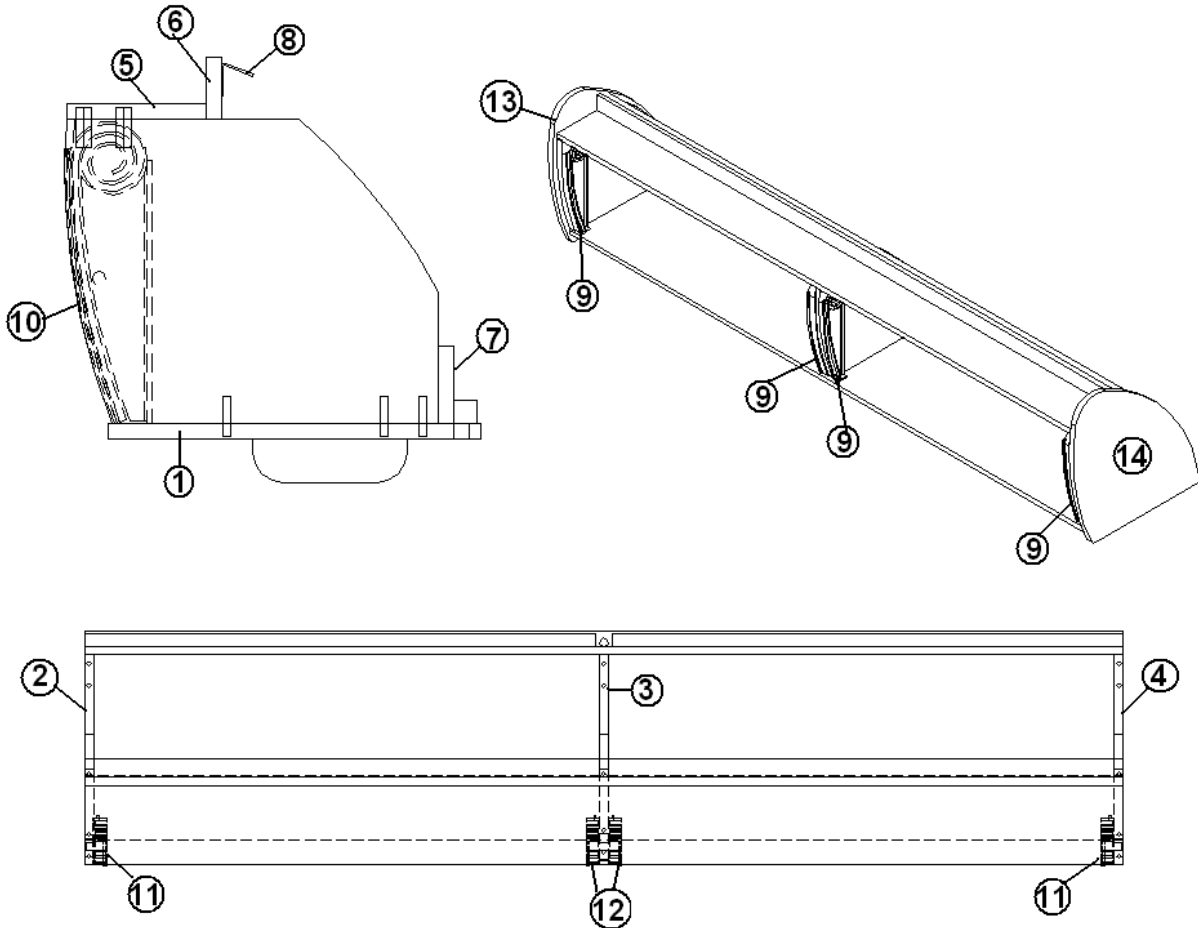


- | | | |
|-----|------------|---------------------------------|
| 1. | 998150-01 | SEAT ASSEMBLY-CS DINETTE |
| 1a. | 703368-01 | FOAM-SEAT CS DINETTE |
| 1b. | 998150-101 | COVER, CS DINETTE SEAT |
| 2. | 998150-02 | FILLER ASSEMBLY-CS DINETTE BACK |
| 2a. | 703368-02 | CS BACK FILLER |
| 2b. | 998150-102 | COVER, CS DINETTE BACK |
| 3. | 998150-04 | SEAT ASSEMBLY-RS DINETTE |
| 3a. | 703368-04 | FOAM-RS DINETTE SEAT |
| 3b. | 998150-104 | COVER, RS DINETTE SEAT |
| 4. | 998150-05 | FILLER ASSEMBLY-RS DINETTE SEAT |
| 4a. | 703368-05 | FOAM-RS BACK FILLER |
| 4b. | 998150-106 | COVER, RS DINETTE SEAT FILLER |
| 5. | 998150-06 | BACK REST ASSEMBLY-RS DINETTE |
| 5a. | 703368-06 | FOAM-RS BACK REST |
| 5b. | 998150-106 | COVER, BACK REST ASSEMBLY |
| | 700022 | ZIPPER |
| | 700020 | PILE VELCRO |
| | 700021 | HOOK, VELCRO, WHITE |
| | 703446 | SILK FILM SHEETING #SFS 36 AIR |

2012 SPORT

FURNITURE, GALLEY

Roof Locker, Galley, 22' Front Bed



967482

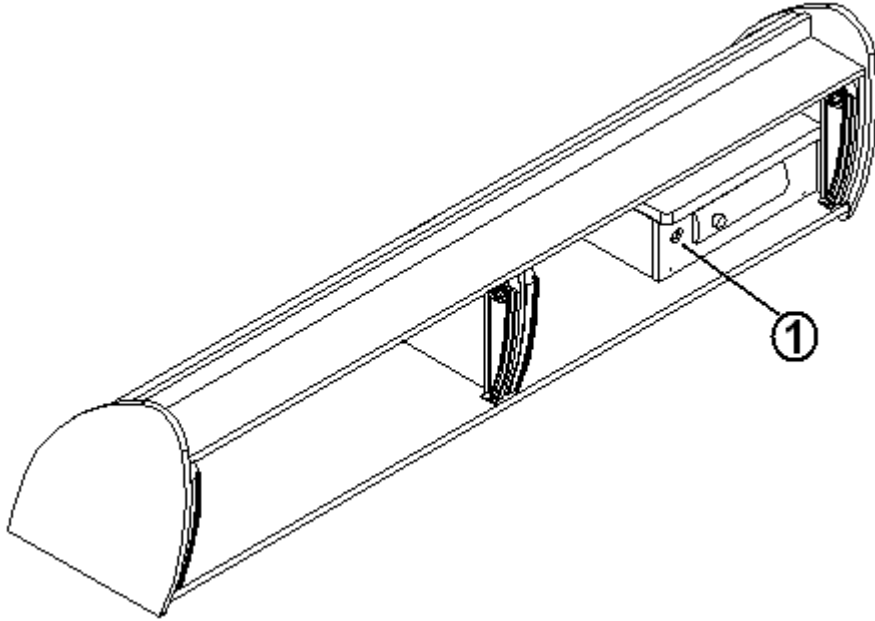
Roof locker, galley

1. 967482-1
2. 967482-2
3. 967482-3
4. 967482-4
5. 967482-5
6. 967482-6
7. 967482-7
8. 104821
9. 201164-02
10. 967104-06
11. 115382-01
12. 115382-02
13. 967482-15
14. 967482-16

- Roof locker panel, 12.00" x 59.50"
- Roof locker panel, 12.05" x 9.81"
- Roof locker panel, 11.79" x 9.81"
- Roof locker panel, 12.04" x 8.81"
- Roof locker panel, 4.50" x 59.50"
- Roof locker panel, 2.00" x 59.50"
- Roof locker panel, 2.50" x 59.50"
- Support, roof locker, 74"
- Roof locker spirals, platinum
- Door, Tambour, 9.88" x 28.25"
- Aluminum trim, .63" x 10.00"
- Aluminum trim, .1.75" x 10.00"
- Roof locker panel, 14.57" x 14.74"
- Roof locker panel, 14.57" x 14.74"

2012 SPORT
FURNITURE, GALLEY

Roof Locker Radio Shelf, 22' Front Bed

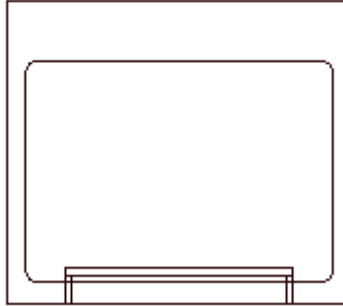


1. 967434

SHELF, STEREO

2012 SPORT
FURNITURE, GALLEY

Microwave Option Face Frame, 22' FB

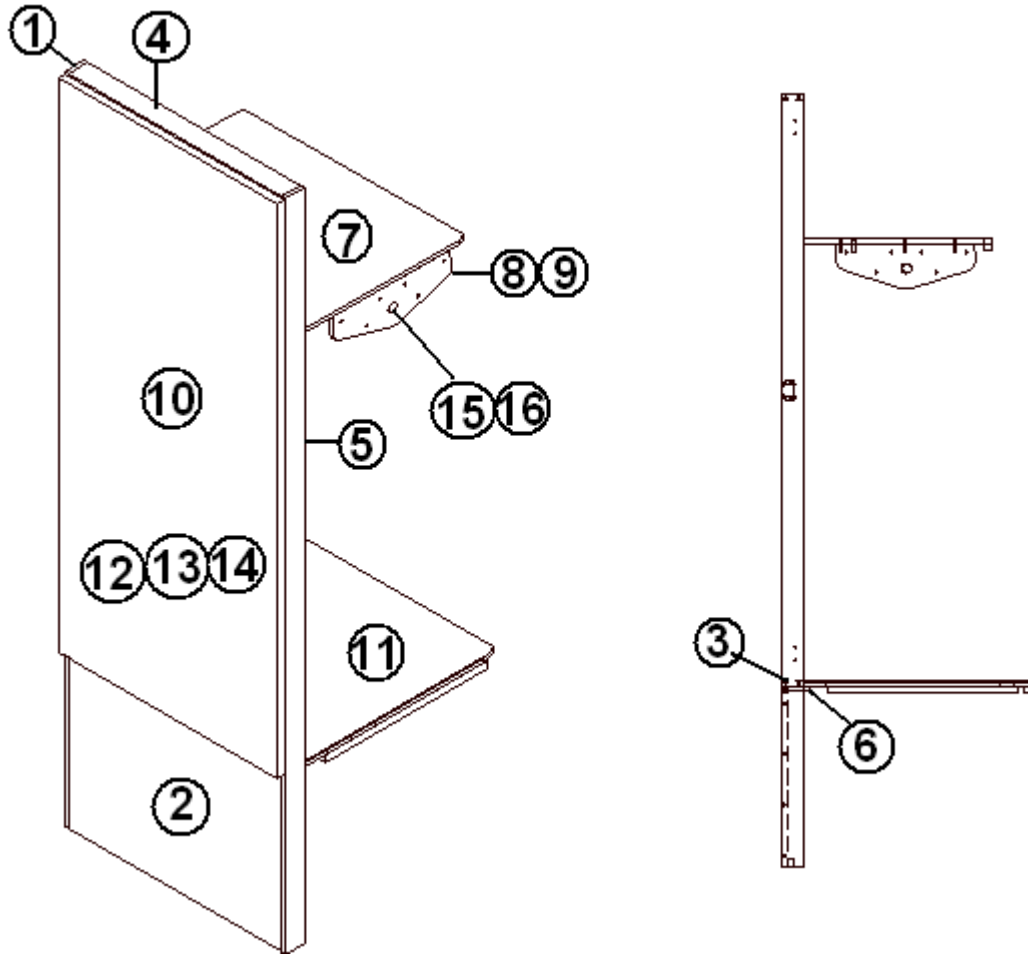


967267-081

FACE FRAME MICROWAVE OVEN OPTION

2012 SPORT
FURNITURE, GALLEY

Storage Cabinet, Roadside, 22' Front Bed



Part numbers on the next page.

2012 SPORT
FURNITURE, GALLEY

Storage Cabinet, Roadside, 22' Front Bed

967253-08	STORAGE CABNET
1. 967253-081	PANEL, 2.25 X 77.75
2. 967253-083	PANEL, 27 X 17.5
3. 967253-084	PANEL, 2.25 X 27
4. 967253-085	PANEL, 2.25 X 27
5. 967253-086	PANEL, 2.25 X 77.75
6. 967253-087	PANEL, 2.25 X 27
7. 967253-0810	PANEL, 18.75 X 28
8. 967253-0811	PANEL, 14 X 4.4
9. 967253-0812	PANEL, 14.25 X 5.5
10. 967253-0813	PANEL, 27.62 X 59.38
11. 701538-01	CARPET, ECONOLIER W/PSA BACK
12. 382044	HANDLE-BRUSHED NICKEL
13. 381607	HINGE ASSY
14. 381228	CATCH, GRABBER DOOR
15. 380045	TUBING, 3/4"
16. 200975-04	CONDUIT, FLEXIBLE, BLACK PLASTIC

2012 SPORT
FURNITURE, GALLEY

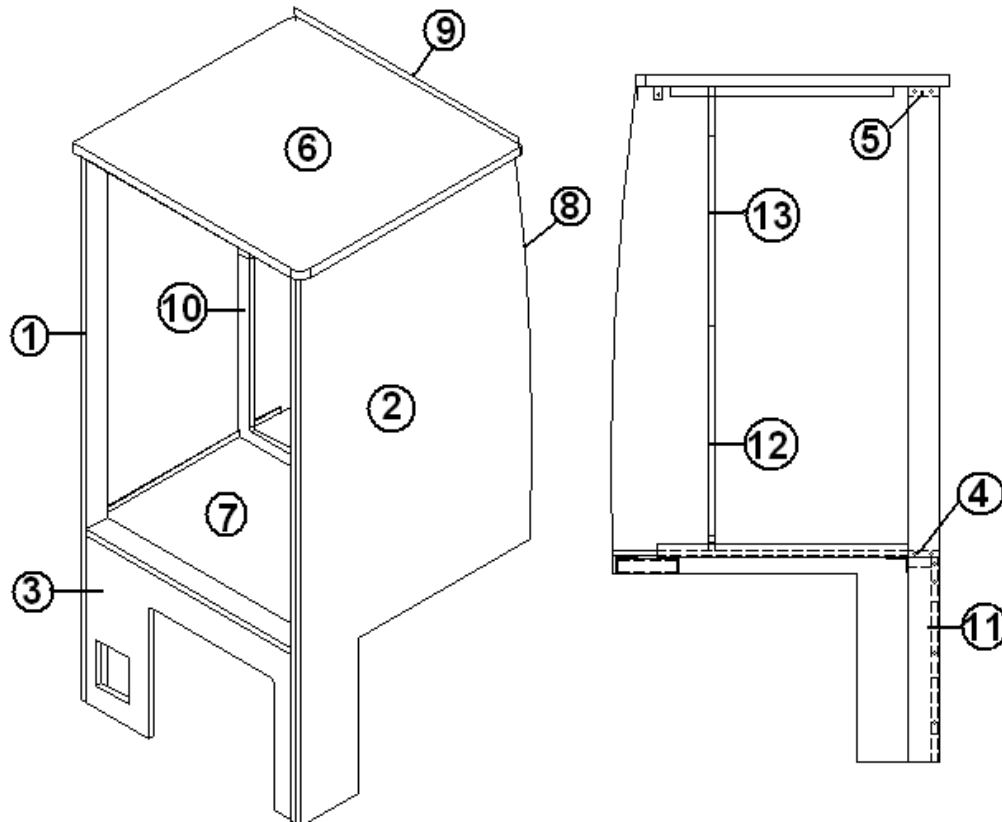
Spice rack, 22' Front Bed

382052 SPICE RACK, CHROME

2012 SPORT

FURNITURE, GALLEY

Refrigerator Cabinet, 22' Front Bed

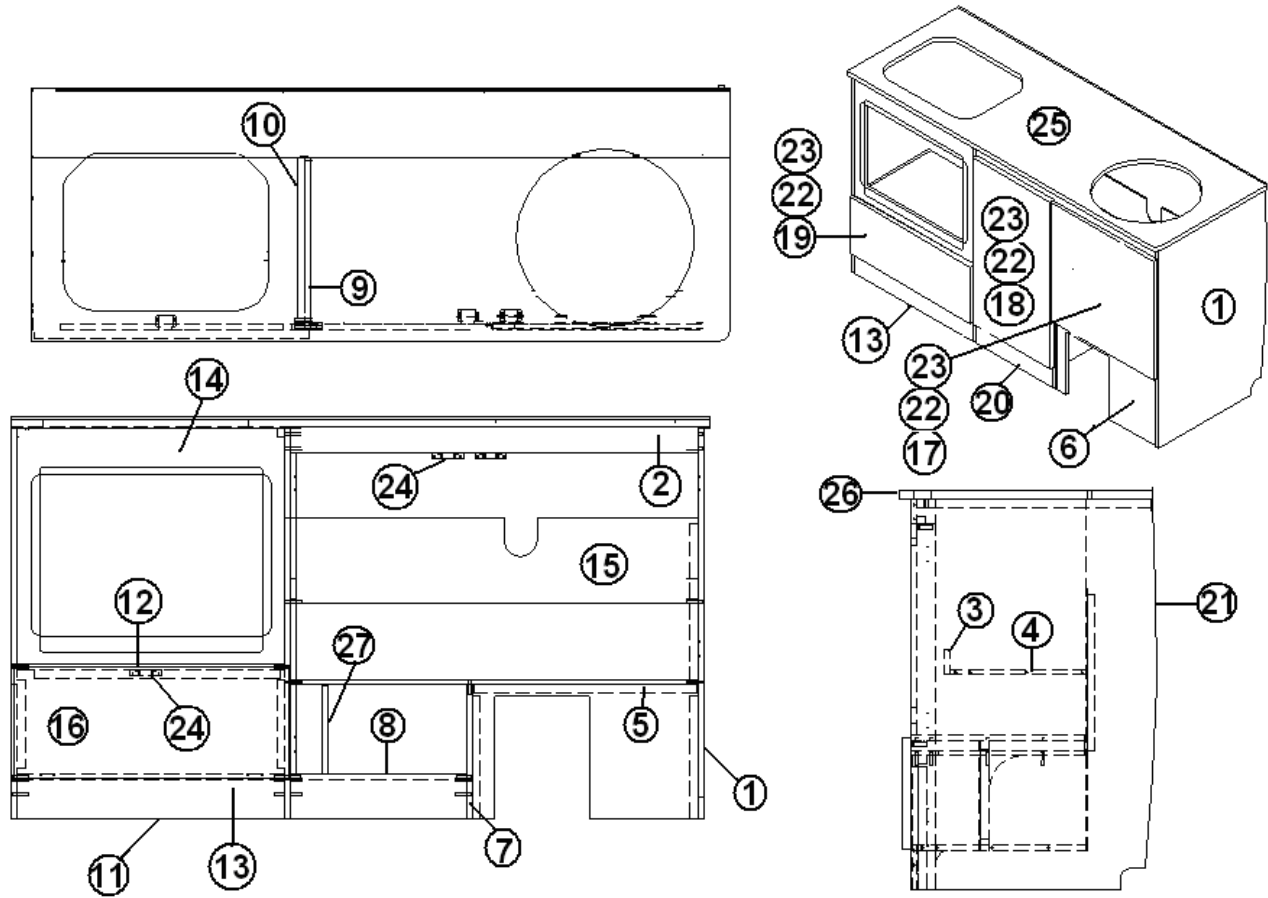


967441 CABINET, REFRIGERATOR

- 1. 967441-1 PANEL, REFER CABINET, 23.51 X 48.38
- 2. 967441-2 PANEL, REFER CABINET, 23.5 X 48.38
- 3. 967441-3 PANEL, REFER CABINET, 21 X 14.62
- 4. 967441-4 PANEL, REFER CABINET, 2.25 X 21.00
- 5. 967441-5 PANEL, REFER CABINET, 2.25 X 21.00
- 6. 967441-6 PANEL, REFER CABINET, 22.75 X 22.46
- 7. 967442 REFRIGERATOR STAND
- 8. 203138-01 EXTRUSION, PLASTIC WALL, WHITE
- 9. 114812 ALUMINUM ANGLE, 1.00 X 1.00
- 10. 967441-19 PANEL, REFER CABINET, 2.25 X 48.38
- 11. 967441-20 PANEL, REFER CABINET, 1.69 X 20.75
- 12. 967441-21 PANEL, REFER CABINET, 1.75 X 16.00
- 13. 967441-22 PANEL, REFER CABINET, 21.75 X 17.25

2012 SPORT FURNITURE, GALLEY

Galley, 22' Front Bed



Part numbers on the next page.

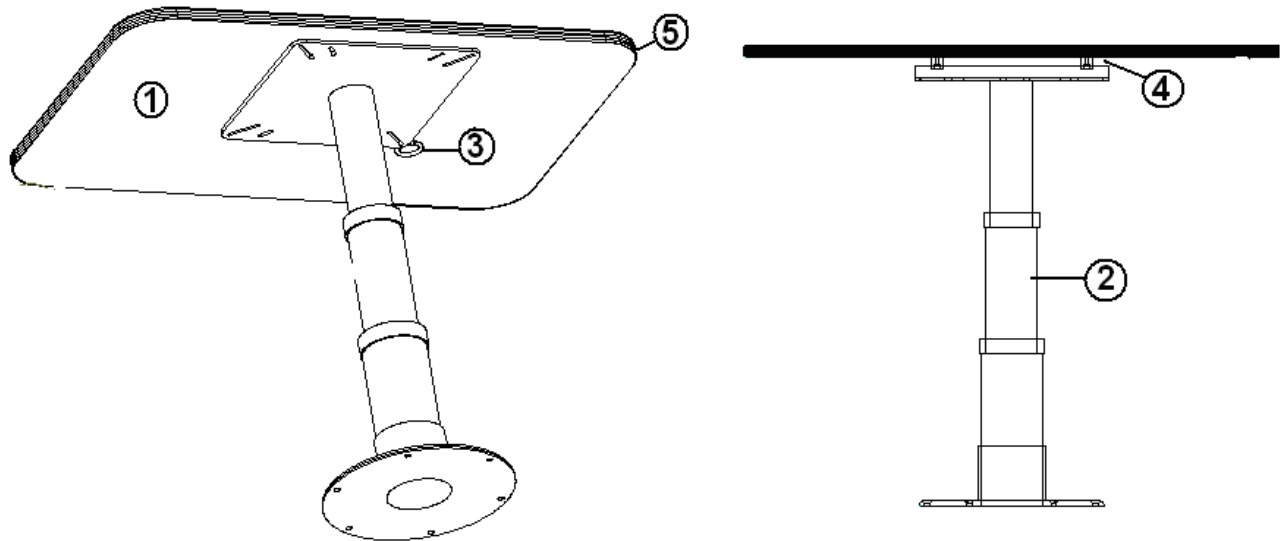
2012 SPORT
FURNITURE, GALLEY

Galley, 22' Front Bed

967439	GALLEY ASSY.
1. 967439-1	PANEL, GALLEY, 21.96 X 35.00
2. 967439-2	PANEL, GALLEY, 2.25 X 36.50
3. 967439-3	PANEL, GALLEY, 2.25 X 36.50
4. 967439-4	PANEL, GALLEY, 12.12 X 36.50
5. 967439-5	PANEL, GALLEY, 15.62 X 36.50
6. 967439-6	PANEL, GALLEY, 20.25 X 12.00
7. 967439-7	PANEL, GALLEY, 15.62 X 12.00
8. 967439-8	PANEL, GALLEY, 15.12 X 15.75
9. 967439-9	PANEL, GALLEY, 2.25 X 28.75
10. 967439-10	PANEL, GALLEY, 15.62 X 35.00
11. 967439-11	PANEL, GALLEY, 4.00 X 24.00
12. 967439-12	PANEL, GALLEY, 15.50 X 24.00
13. 967439-13	PANEL, GALLEY, 5.63 X 24.00
14. 967439-14	PANEL, GALLEY, 15.55 X 35.00
15. 967439-15	PANEL, GALLEY, 37.00 X 23.50
16. 967439-16	PANEL, GALLEY, 24.00 X 9.81
17. 967439-17	DOOR, GALLEY, 20.75 X 20.88
18. 967439-18	DOOR, GALLEY, 15.75 X 29.38
19. 967439-19	PANEL, GALLEY, 24.63 X 9.94
20. 967439-20	PANEL, GALLEY, 4.00 X 15.75
21. 203138-01	EXTRUSION, PLASTIC WALL, WHITE
22. 382044	HANDLE, BRUSHED NICKEL
23. 381607	HINGE ASSY.
24. 381228-01	CATCH, GRABBER, DOOR
25. 967440	TOP, GALLEY
26. 115064	TRIM, ALUMINUM COUNTER TOP
27. 967439-30	PANEL, GALLEY, 9.50 X 12.00
201051	DRAWER, 10 X 22

2012 SPORT
FURNITURE, GALLEY

Dinette Table, 22' Front Bed

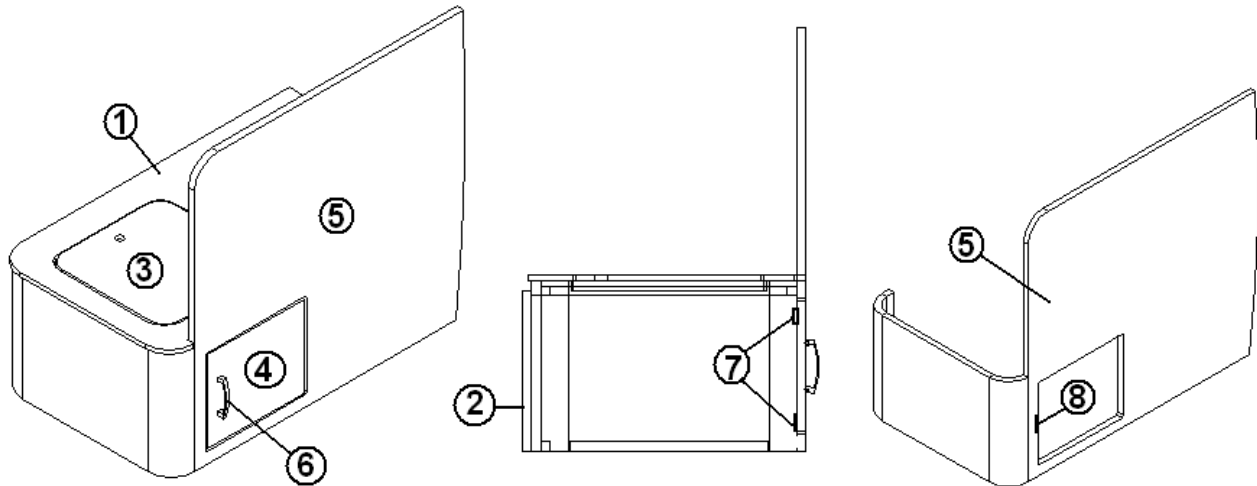


- 967484 DINETTE TABLE
1. 967484-1 DINETTE TABLE TOP, 34.75 X 21.88
 2. 382073-01 BRACKET, PEDESTAL TABLE
 3. 381109-01 BUNK LATCH, W/FLAT U STRIKE
 4. 381400-01 DRAWER SLIDE, 12"
 5. 115472 TRIM, ALUMINUM COUNTER TOP

2012 SPORT

FURNITURE, GALLEY

Dinette Seat, Rear, 22' Front Bed

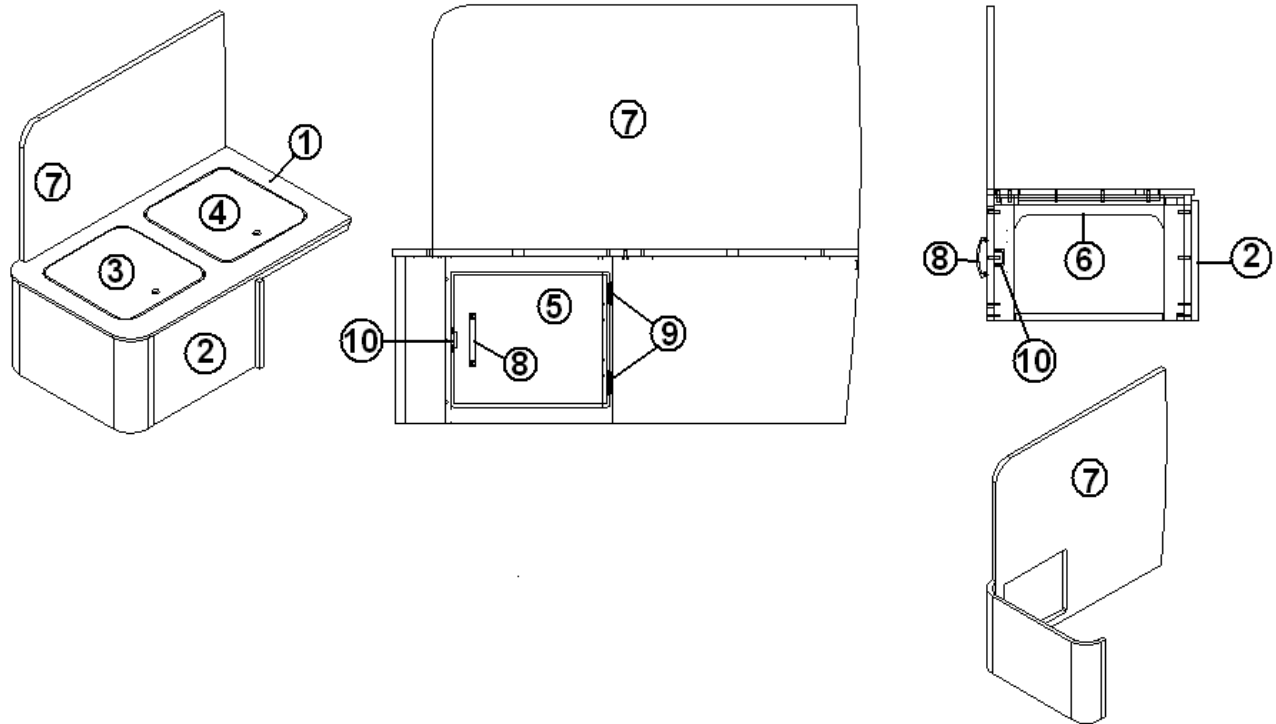


- | | |
|--------------|------------------------------------|
| 967446 | SEAT ASSY, REAR DINETTE |
| 1. 967446-1 | PANEL, DINETTE SEAT, 22.5 X 38.08 |
| 2. 967446-2 | PANEL, DINETTE SEAT, 14.25 X 33.81 |
| 3. 967446-3 | PANEL, DINETTE SEAT, 14.5 X 15.50 |
| 4. 967446-6 | PANEL, DINETTE SEAT, 12.5 X 10.50 |
| 5. 967443 | DINETTE SEAT SUB ASSY. |
| 6. 382044 | HANDLE, BRUSHED NICKEL |
| 7. 381607 | HINGE ASSY. |
| 8. 381228-01 | CATCH, GRABBER, DOOR |

2012 SPORT

FURNITURE, GALLEY

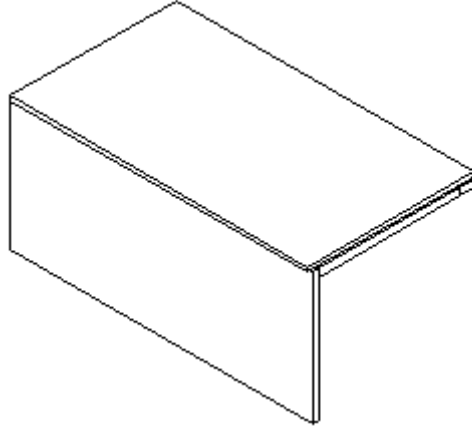
Dinette Seat, Forward, 22' Front Bed



- | | |
|---|---|
| <p>967447</p> <p>1. 967447-1</p> <p>2. 967447-2</p> <p>3. 967447-3</p> <p>4. 967447-4</p> <p>5. 967447-7</p> <p>6. 967447-8</p> <p>7. 967444</p> <p>8. 382044</p> <p>9. 381607</p> <p>10. 381228-01</p> | <p>SEAT ASSEMBLY, FORWARD, DINETTE</p> <p>PANEL, DINETTE SEAT, 22.5 X 38.08</p> <p>PANEL, DINETTE SEAT, 13.75 X 33.81</p> <p>PANEL, DINETTE SEAT, 14.5 X 15.50</p> <p>PANEL, DINETTE SEAT, 14.5 X 15.50</p> <p>PANEL, DINETTE SEAT, 12.5 X 10.50</p> <p>PANEL, DINETTE SEAT, 20.75 X 13.75</p> <p>FORWARD DINETTE SEAT SUB ASSEMBLY</p> <p>HANDLE, BRUSHED NICKEL</p> <p>HINGE ASSY</p> <p>CATCH, GRABBER, DOOR</p> |
|---|---|

2012 SPORT
FURNITURE, GALLEY

Dinette Seat, Middle, 22' Front Bed

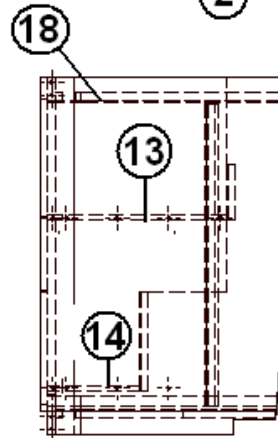
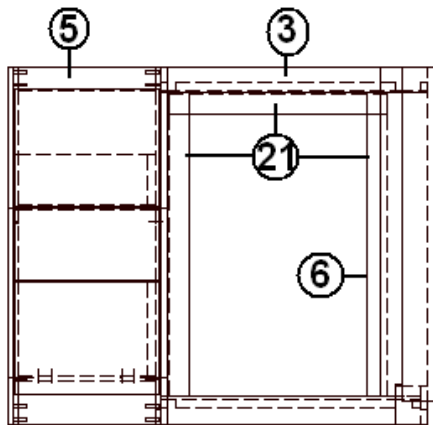
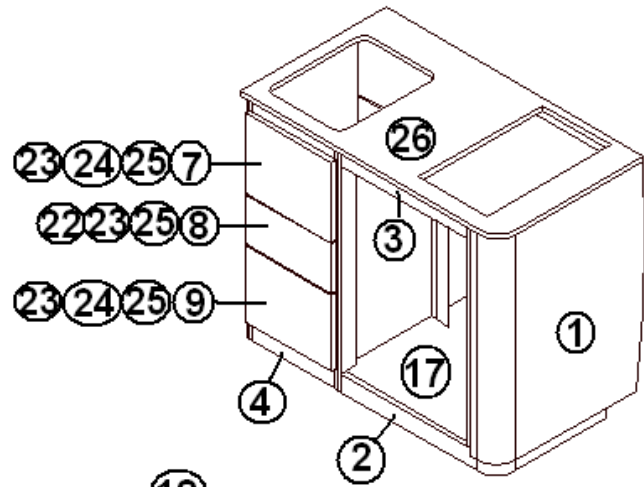
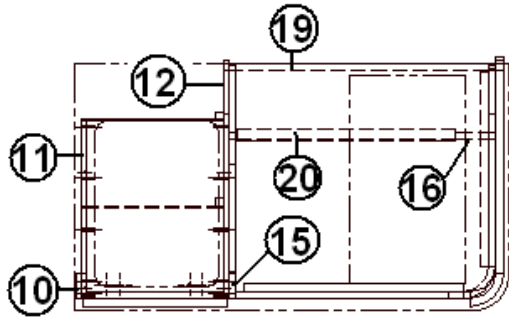


967445

DINETTE SEAT, MIDDLE DINETTE

2012 SPORT FURNITURE, GALLEY

Galley, 16', For units mfg. prior to 1/2/2012.



Part Numbers are on the next page.

2012 SPORT

FURNITURE, GALLEY

Galley, 16' – For units mfg. prior to 1/2/2012.

**967021-08	GALLEY ASSY
1. 967022-08	PANEL, SUB ASSY, GALLEY
2. 967023-08	TOE KICK SUB ASSY
3. 967021-083	PANEL, GALLEY 20.75 X 2.5
4. 967021-084	PANEL, GALLEY 13.5 X 4.25
5. 967021-085	PANEL, GALLEY 13.5 X 2.25
6. 967021-086	PANEL, GALLEY 2.25 X 32.25
7. 967021-087	DR-GALLEY 14.13 X 11.44
8. 967021-088	DR-GALLEY 14.13 X 7.06
9. 967021-089	DR-GALLEY 14.13 X 10.94
10. 967021-0810	PANEL, GALLEY 2.5 X 35
11. 967021-0811	PANEL, GALLEY 17.5 X 35
12. 967021-0812	PANEL, GALLEY 23.46 X 35
13. 967021-0813	PANEL, GALLEY 17.5 X 13.5
14. 967021-0814	PANEL, GALLEY 13.5 X 9
15. 967021-0815	PANEL, GALLEY 2.5 X 35
16. 967021-0816	PANEL, GALLEY 4 X 29.75
17. 967021-0817	PANEL, LAUAN, 3/8" x 21.69 x 25.50
18. 967021-0818	PANEL, LAUAN, 1/8" x 22.38 x 26.25
19. 967021-0820	PANEL, GALLEY 14 X 5.5
20. 967021-0821	PANEL, GALLEY 14 X 9.75
21. 381830	WIPER-RUBBER 1.125" X 2"
22. 967145-01	Drawer box, 4.63" x 13.50" x 14.88"
23. 382044	HANDLE-BRUSHED NICKEL
24. 381607-01	HINGE, GRASS EURO
25. 381228-01	CATCH GRABBER DOOR
26. 967501	TOP ASSY, GALLEY
381773-09	DRAWER SLIDE, 4-5/8"H X 15-3/4"L
115064	TRIM, ALUMINUM. COUNTER TOP

**For units mfg. prior to 1/2/2012.

First production unit is #526773, and prototype # 526597.)

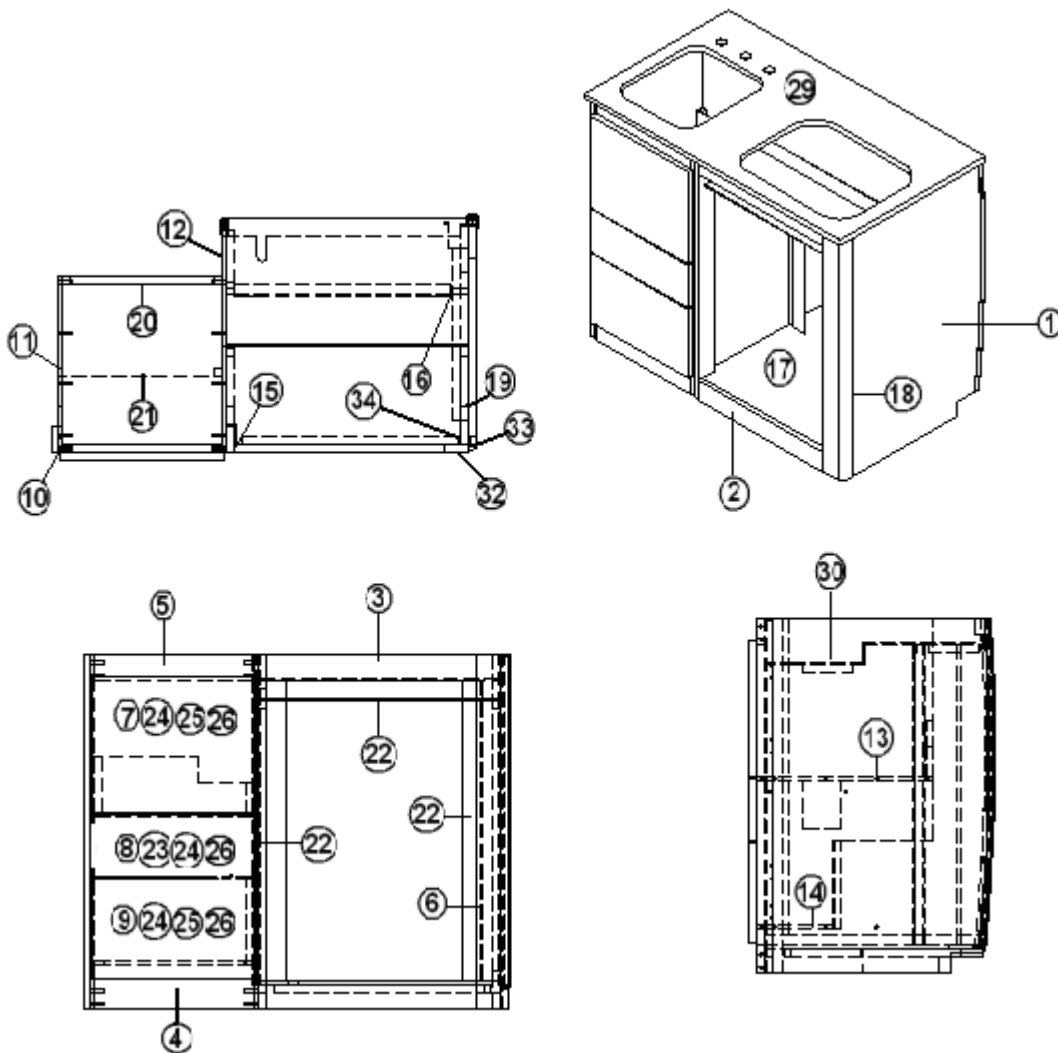
New galley listed on next page.

2012 SPORT

FURNITURE, GALLEY

Galley, 16'

First unit to receive the new galley was prototype unit #526597.
Production units started in January, 2012 on unit #526773.



Parts Listed on Next Page

2012 SPORT

FURNITURE, GALLEY

Galley, 16'

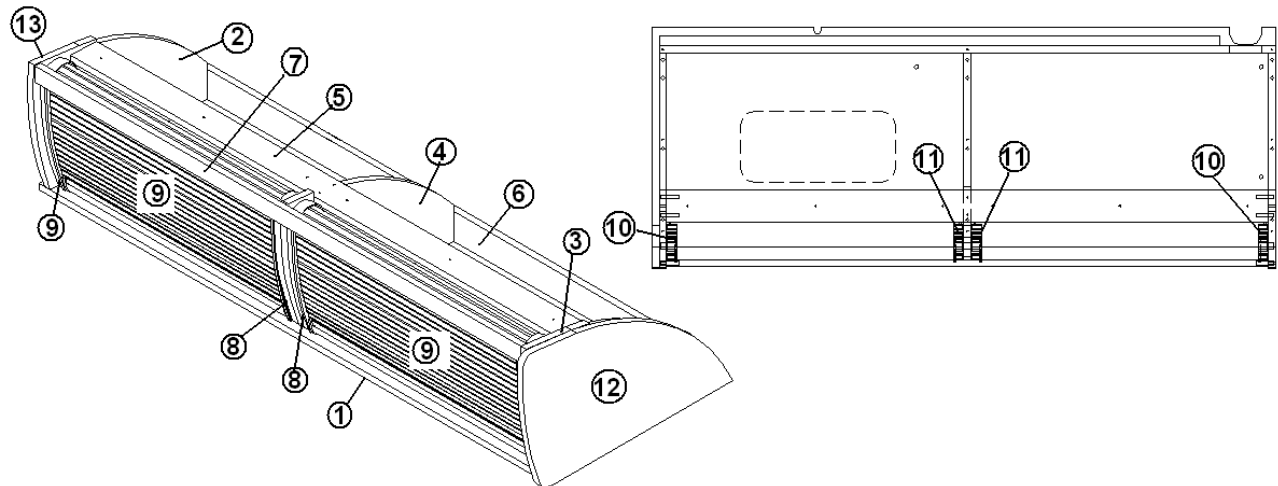
First unit to receive the new galley was prototype unit #526597. Production units started in January, 2012, unit #526773.

1.	967790	GALLEY ASSEMBLY
2.	967790-1	PANEL, GALLEY 35 X 21.76
3.	967790-2	PANEL, GALLEY 20.75 X 2.75
4.	967790-3	PANEL, GALLEY 20.75 X 2.5
5.	967790-4	PANEL, GALLEY 15.75 X 4.25
6.	967790-5	PANEL, GALLEY 15.75 X 2.5
7.	967790-6	PANEL, GALLEY 2.43 X 35
8.	967790-7	DOOR GALLEY 16.38 X 13.44
9.	967790-8	DOOR GALLEY 16.38 X 6.19
10.	967790-9	DOOR GALLEY 16.38 X 9.94
11.	967790-10	PANEL, GALLEY 2.5 X 35
12.	967790-11	PANEL, GALLEY 17.5 X 35
13.	967790-12	PANEL, GALLEY 23.46 X 35
14.	967790-13	PANEL, GALLEY 17.5 X 15.75
15.	967790-14	PANEL, GALLEY 15.75 X 9
16.	967790-15	PANEL, GALLEY 2.5 X 35
17.	967790-16	PANEL, GALLEY 1.75 X 29.75
18.	800507-03	LAUAN, 3/8" X 4' X 8'
19.	801706-0014	TRIM CORNER 90D 1"R ALCHEMY 84
20.	800025-01	PINE 3/4" X 3/4" STAINED
21.	967790-20	PANEL, GALLEY 15.75 X 5.5
22.	967790-21	PANEL, GALLEY 16.25 X 8.75
23.	381830	WIPER RUBBER 1.125" X 2" L
24.	967145-02	DWR BOX ASSY 4.5 X 14.53 X 14.88
25.	382044	HANDLE BRUSHED NICKEL
26.	381607	HINGE ASSY GRASS EURO
27.	381228-01	CATCH GRABBER DOOR C3803
28.	365343-01	EDGEBANDING.63" GOLD ALCHEMY
29.	365343-02	EDGEBANDING .94" GOLD ALCHEMY
30.	967795	TOP ASSY GALLEY 16 SP
31.	967791	CLOSEOUT GALLEY 16 SP
32.	967790-32	PANEL, GALLEY 21.82 X 3.75
33.	800507-02	LAUAN, 1/4" X 4' X 8'
34.	967790-34	PANEL, GALLEY 2.25 X 31.25

2012 SPORT

FURNITURE, GALLEY

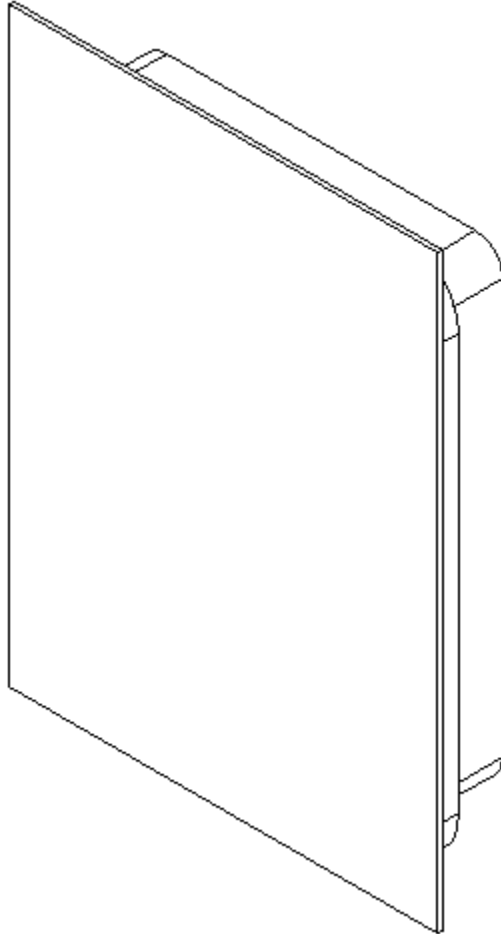
Roof Locker, Galley, 16'



<p>967500-08 1. 967500-081 2. 967500-082 3. 967500-083 4. 967500-084 5. 967500-085 6. 967500-086 7. 967500-087 8. 201164-02 9. 967104-08 9. 101265-01 9. 201163-01 10. 115382-01 11. 115382-02 12. 967500-0814 13. 967500-0815</p>	<p>LOCKER, GALLEY PANEL, ROOF LOCKER, 15.63 X 43.75 PANEL, ROOF LOCKER, 15.3 X 10.20 PANEL, ROOF LOCKER, 15.3 X 10.20 PANEL, ROOF LOCKER, 14.67 X 10.12 PANEL, ROOF LOCKER, 2.25 X 42.75 PANEL, ROOF LOCKER, 2.25 X 42.75 PANEL, ROOF LOCKER, 1.25 X 42.75 SPIRALS-ROOF LOCKER, PLATINUM, LH/RH DOOR, TAMBOUR, 9.88 X 20.63 EXTRUSION, BLACK, TAMBOUR DOOR HANDLE ENDCAP, BLACK, TAMBOUR DOOR HANDLE TRIM, ALUMINUM ROOF LOCKER, .688 X 10.00 TRIM, ALUMINUM, ROOF LOCKER, 1.88 X 10.00 PANEL, ROOF LOCKER, 18.5 X 11.00 PANEL, ROOF LOCKER, 18.5 X 11.00</p>
---	--

2012 SPORT
FURNITURE, BATH

Medicine Cabinet w/Mirror, 16'



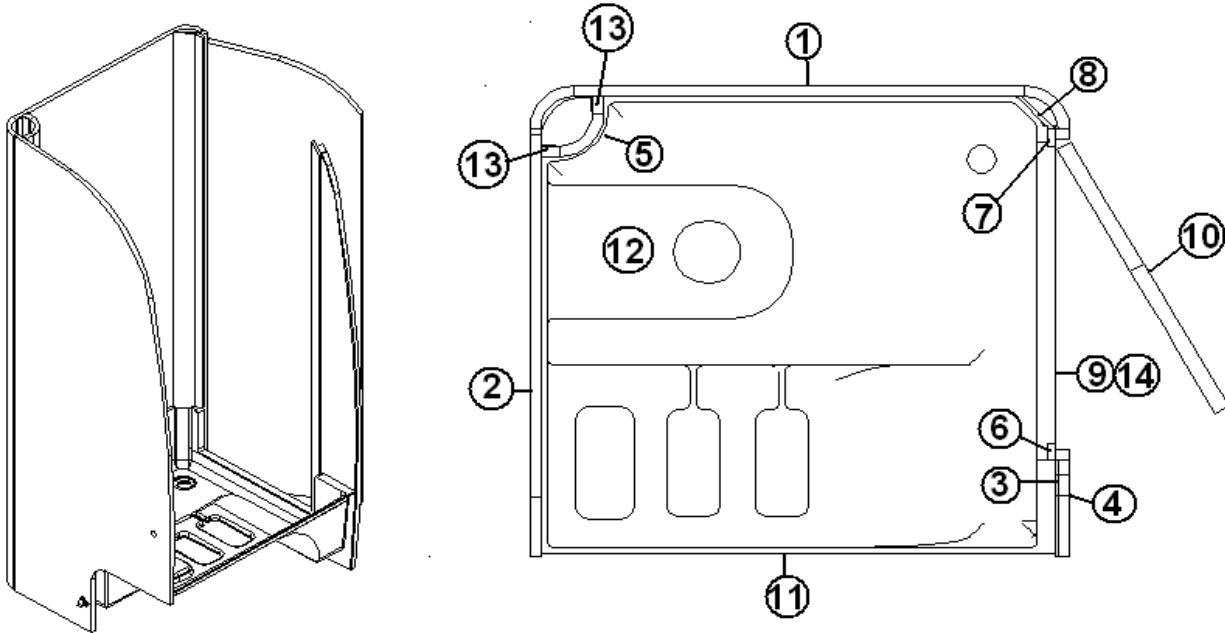
601847

CABINET, MEDICINE W/MIRROR 16"X 22"

2012 SPORT

FURNITURE, BATH

Bath Module, 16' (**Discontinued usage approx. 1/3/2012.)



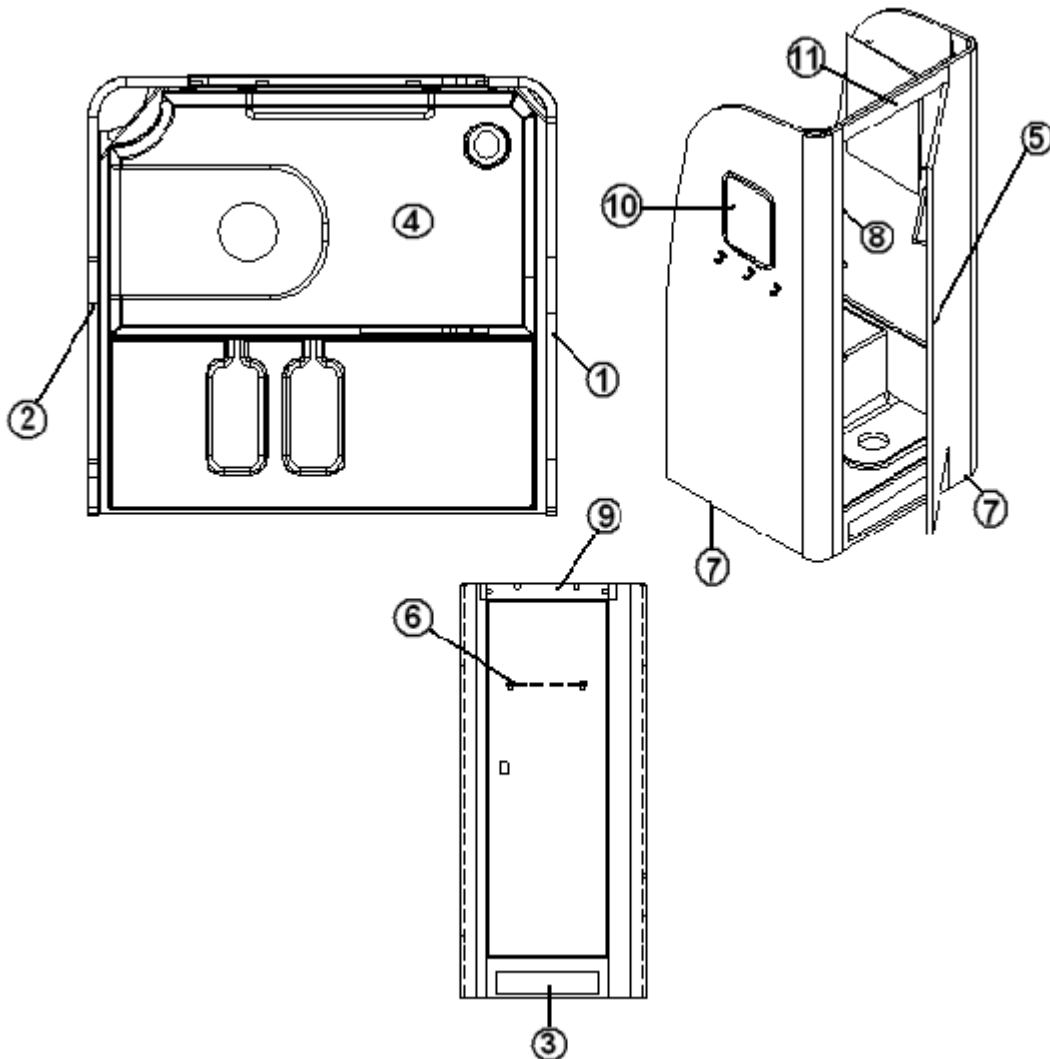
- | | | |
|-----|------------|----------------------------------|
| 1. | 967011-08 | WALL ASSY, WET BATH |
| 2. | 801351 | LITE PLY, 18MM (.75") 4'X 8' |
| 3. | 800507-02 | LAUAN, 1/4"X 4'X 8' |
| 4. | 967012-08 | SUB ASSY, FORWARD WALL |
| 5. | 967013-08 | CLOSEOUT ASSY, WET BATH |
| 6. | 111588-086 | PANEL, WET BATH 1.25 X 64.00 |
| 7. | 111588-087 | PANEL, WET BATH 1.25 X 64.47 |
| 8. | 111588-8 | PANEL, WET BATH 3.43 X 70.44 |
| 9. | 111588-089 | PANEL, WET BATH 24.5 X 6.25 |
| 10. | 967014-08 | DOOR ASSY-WET BATH |
| 11. | 203444-01 | BASE-SHOWER FIBERGLASS WHITE |
| 12. | 690472 | TOILET-CHINA HI PROFILE WHITE |
| 13. | 104913 | EXTRUSION, ANGLE, 1" X 1" X 1/8" |
| 14. | 201666 | MOLDING, J-3/16 PLASTIC, ALMOND |

**This bath module was replaced by 111999 (see next page). The prototype to receive new assy. was unit number #526597. The first production unit was #526773 with a start date of 1/3/12. Units mfg. after 1/3/12 will use the new replacement wet bath. See below.

2012 SPORT FURNITURE, BATH

111999 Bath Module, 16', Side Entry

**The first prototype to receive new assy. unit number 526597.
The first production unit was #526773 with a start date of 1/3/12.
Units mfg. after 1/3/12 will use the new replacement wet bath.



Parts Listed on Next Page

2012 SPORT

FURNITURE, BATH

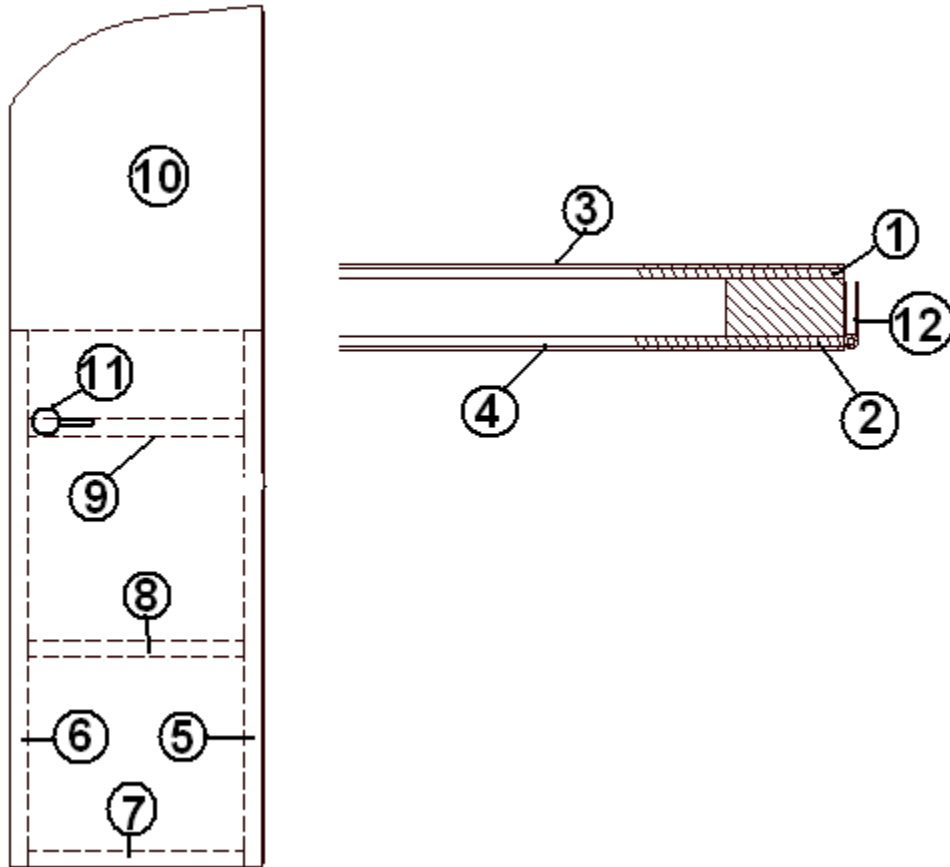
111999 Bath Module, 16'

**The prototype to receive new assy. was unit number 526597.
The first production unit was #526773 with a start date of 1/3/12.
Units mfg. after 1/3/12.

1. 967781 Wall Assembly, Fwd. Wet Bath
2. 967783 Wall Assembly, Rear Wet Bath
3. 111999-5 Panel, Bath 23.5" x 7.5"
4. 203729-01 Shower Base, Side Entry
5. 967782 Door Assembly, Wet Bath
6. 382098 Handle, Glass Chrome 14.25"
7. 114879-201 Aluminum sheet
8. 115538 Trim, Aluminum Angle .5" x .75"
9. 111999-17 Panel, Bath 23.5" x 3"
10. 111639 Hook, Dry/Erase Install (See pageIII-37 for components.)
11. 111999-23 Panel, 26.50 x 3.00" Wet Bath
- 345418 Screw, #6 x .75" S.S.
- 300140-01 Washer 1.5" OD
- 382063 Retractable clothes line
- 967784 Closeout assy., Wet Bath

2012 SPORT
FURNITURE, BATH

Door, Bath, 16', Units mfg. prior to 1/3/2012.



967014-08	DOOR ASSY, WET BATH
1. 967014-081	PANEL, DOOR, WET BATH 23.5 X 75.5
2. 967014-082	PANEL, WET BATH DR. 23.5 X 75.5
3. 801635-01	LAMINATE, ALMOND VERTICAL
4. 801355-01	LAMINATE, FROST WHITE
5. 967014-5	PANEL, LAUAN, 1.50 X 19.25
6. 967014-6	PANEL, LAUAN, 1.50 X 19.25
7. 967014-7	PANEL, LAUAN, 1.50 X 19.25
8. 967014-8	PANEL, LAUAN, 1.50 X 45.78
9. 967014-9	PANEL, LAUAN, 1.50 X 45.78
10. 967014-0810	PANEL, WET BATH DOOR, 22.25 X 27.75
11. 381771	LATCH-LEVER LOCKSET PRIVACY
12. 380203-01	PIANO HINGE 1/8" PIN CLEAR ANODIZED
454320	DOOR HANDLE COVER

2012 SPORT
FURNITURE, BATH

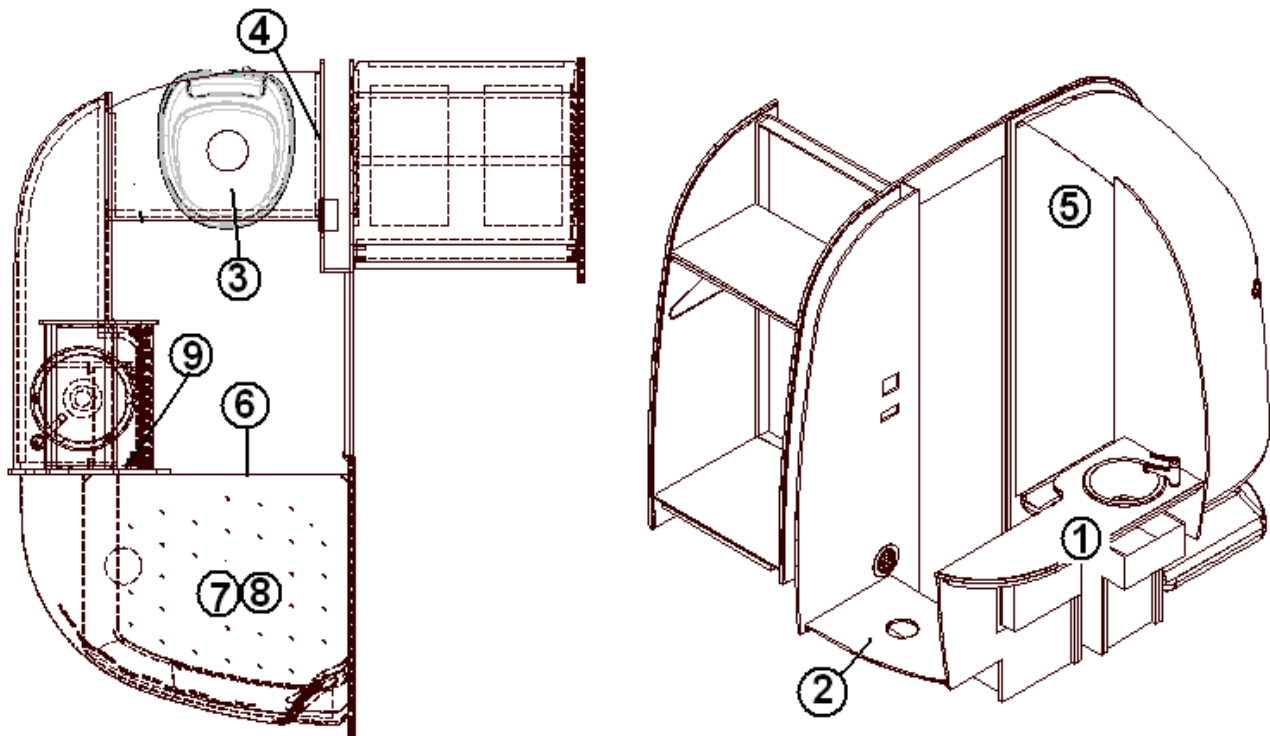
Shower Curtain, 16'

703467-01	SHOWER CURTAIN, SQUARE CORNER
*703467-02	SHOWER CURTAIN, CONTOURED
703467-04	SHOWER CURTAIN, SIDE ENTRY BATH
703460	FABRIC PENNE OFF WHITE, SHOWER
700103	WEBBING 1/2IN FOR SHOWER CURTAIN
700045	GLIDES CURTAIN G3 W/ELASTIC
700044	GLIDES, CURTAIN W/ELASTIC, T-2
700021	HOOK, VELCRO, WHITE
700020	PILE VELCRO
703467-03	STRAP-SHOWER CURTAIN
381581	STRAP CLEAR PLASTIC .75" WIDE
700811	BUTTON CAP, HANDY
700812	BUTTON BOTTOM, HANDY
101225	Extrusion, aluminum curtain track attachment
101217	Extrusion, curtain track
200785	Ends, Curtain track LH White
200784	Ends, Curtain track RH White

*Discontinued usage when bath changed to side entry. January, 2012.

2012 SPORT FURNITURE, BATH

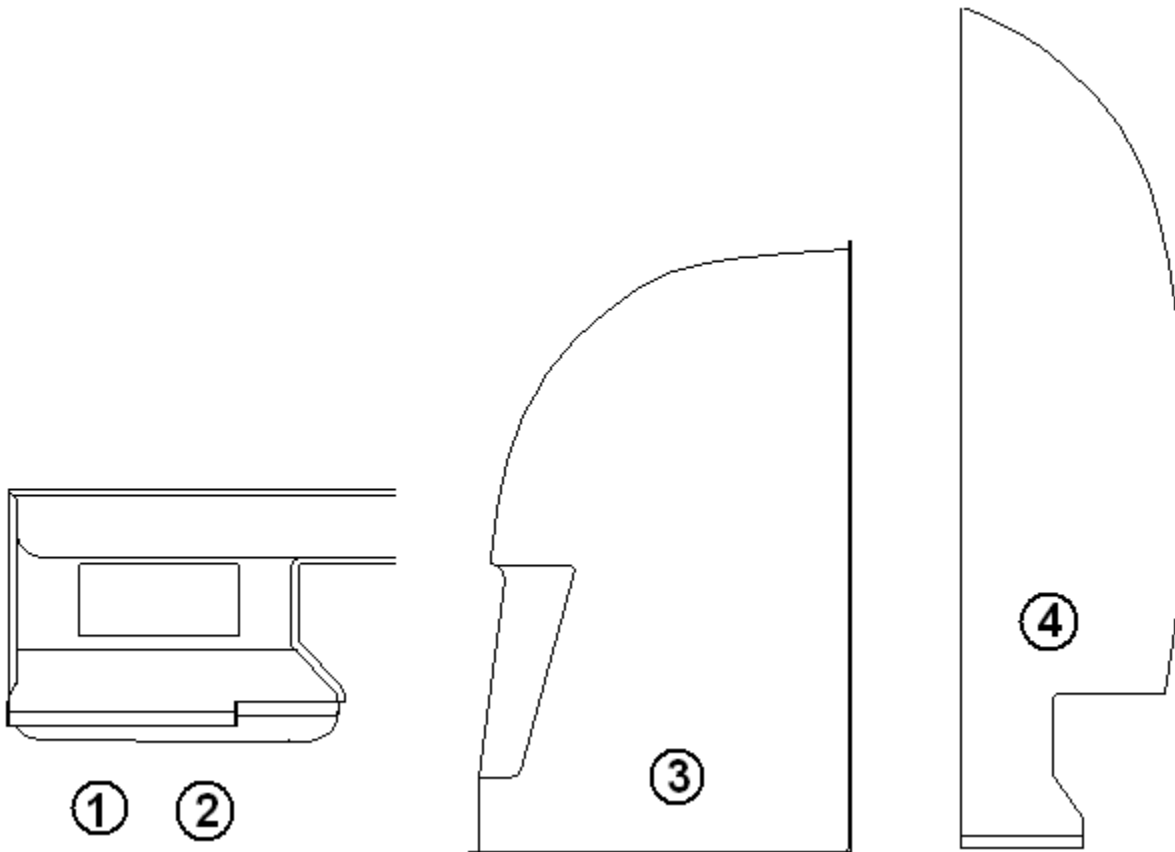
Bath Module, 22' Front Bed



- | | |
|--------------|--|
| 1. 967255 | LAVATORY ASSEMBLY |
| 2. 967254 | STAND, TOILET |
| 3. 690495-01 | TOILET, THETFORD, AQUAMAGIC V-LO |
| 4. 382098 | Handle, 14.25", Glass Chrome (Towel bar) |
| 5. 203615 | SHOWER ASSEMBLY |
| 6. 703725 | DOOR, SHOWER |
| 7. 967113 | SHOWER STAND |
| 8. 967114 | SHOWER SEAT SUPPORT |
| 9. 371423-02 | MIRROR, WALL MOUNT, NICKEL |

2012 SPORT
FURNITURE, BATH

Shower Assembly, 22' Front Bed



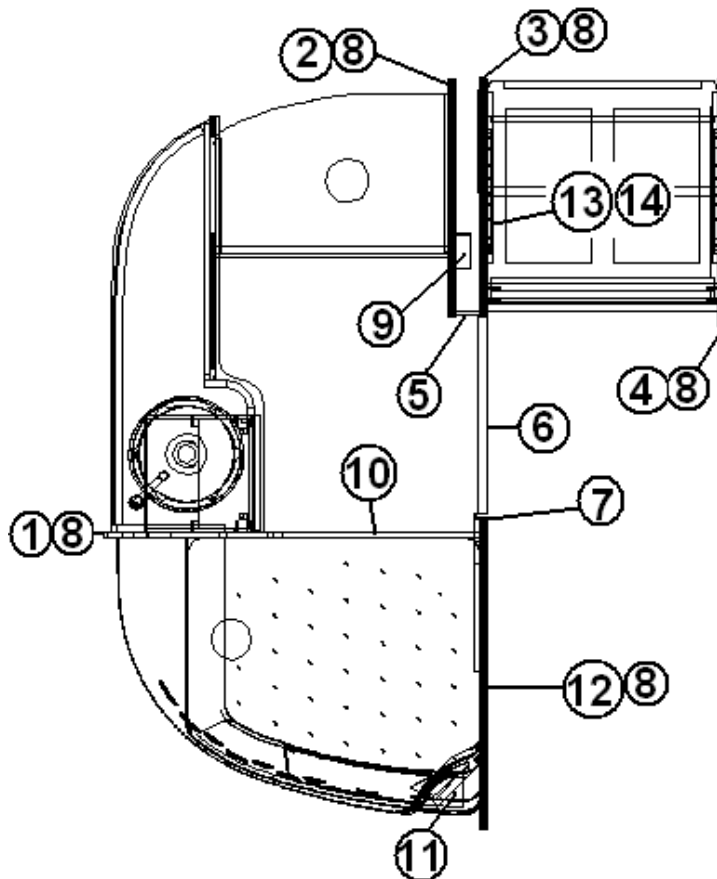
- | | |
|---------------|----------------------|
| 203615 | SHOWER ASSEMBLY |
| 1. *203692 | Shower base assembly |
| 2. *203615-02 | Shower base assembly |
| 3. 203615-03 | Shower surround |
| 4. 203615-04 | Shower panel |

*Items 1 & 2 are bonded together at the vendor before delivery.

2012 SPORT

FURNITURE, BATH

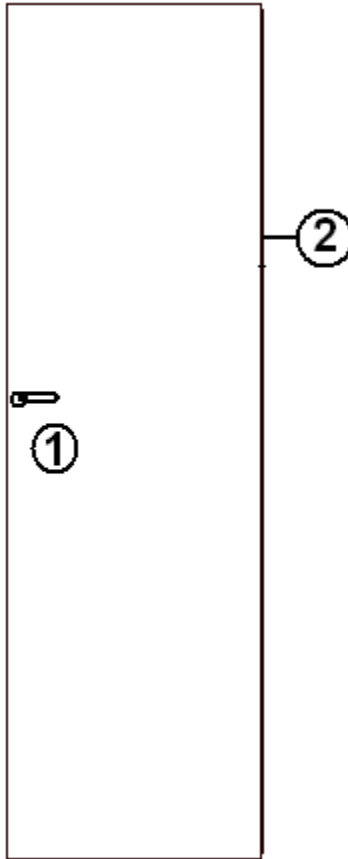
Bath Panels, 22' Front Bed



- | | |
|-----------------|----------------------------------|
| 1. 111718-082 | PANEL, BATH, 18.92 X 79.19 |
| 2. 111718-083 | PANEL, BATH, 26.38 X 78.05 |
| 3. 111718-084 | PANEL, BATH, 26.23 X 77.09 |
| 4. 111718-085 | PANEL, BATH, 27.51 X 79.14 |
| 5. 111718-086 | PANEL, BATH, 3.00 X 78.06 |
| 6. 967257 | DOOR, BATH 22" X 72" |
| 7. 801665-WH | MOLDING-L, DOOR JAMB |
| 8. 203138-01 | EXTRUSION, PLASTIC, 1/2", WHITE |
| 9. 601244-02 | REGISTER, ROTAIRE, 4", WHITE |
| 10. 111718-0817 | PANEL, BATH, 23.25 X 7.25 |
| 11. 111718-0822 | PANEL, BATH, 5.5 X 5.5 |
| 12. 967273 | SUB ASSEMBLY, FORWARD BATH PANEL |
| 13. 111718-0824 | PANEL, BATH, 5.50 X 5.50 |
| 14. 111718-0825 | PANEL, BATH, 9.50 X 9.50 |
| 382063 | CLOTHESLINE, RETRACTABLE |

2012 SPORT
FURNITURE, BATH

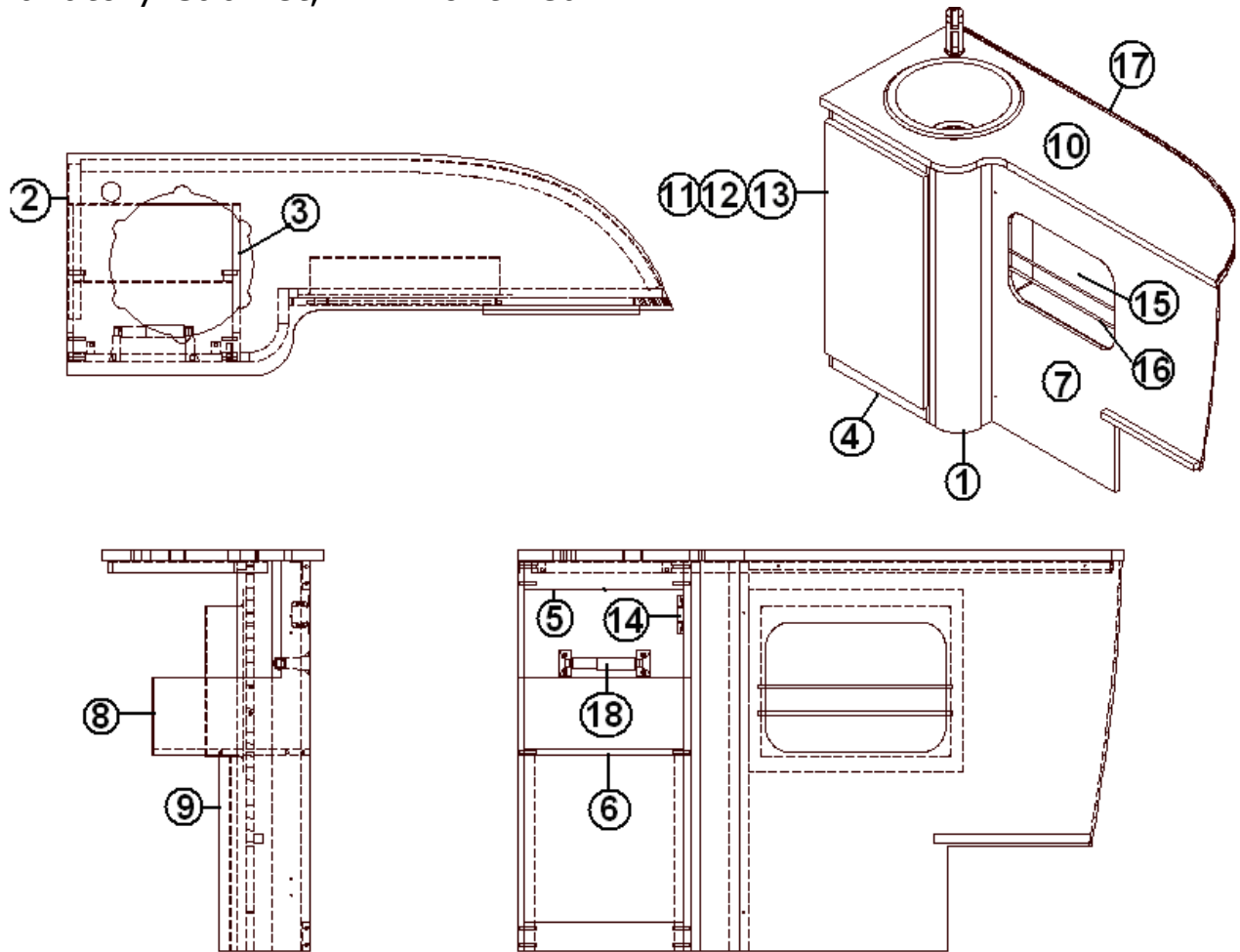
Bath Door, 22' Front Bed



- | | |
|--------------|-----------------------|
| 967257 | DOOR, BATH, 22" X 72" |
| 1. 381771 | LATCH, LEVER |
| 2. 380203-01 | PIANO HINGE, 1/8" PIN |

2012 SPORT
FURNITURE, BATH

Lavatory Cabinet, 22' Front Bed



Part numbers on the next page.

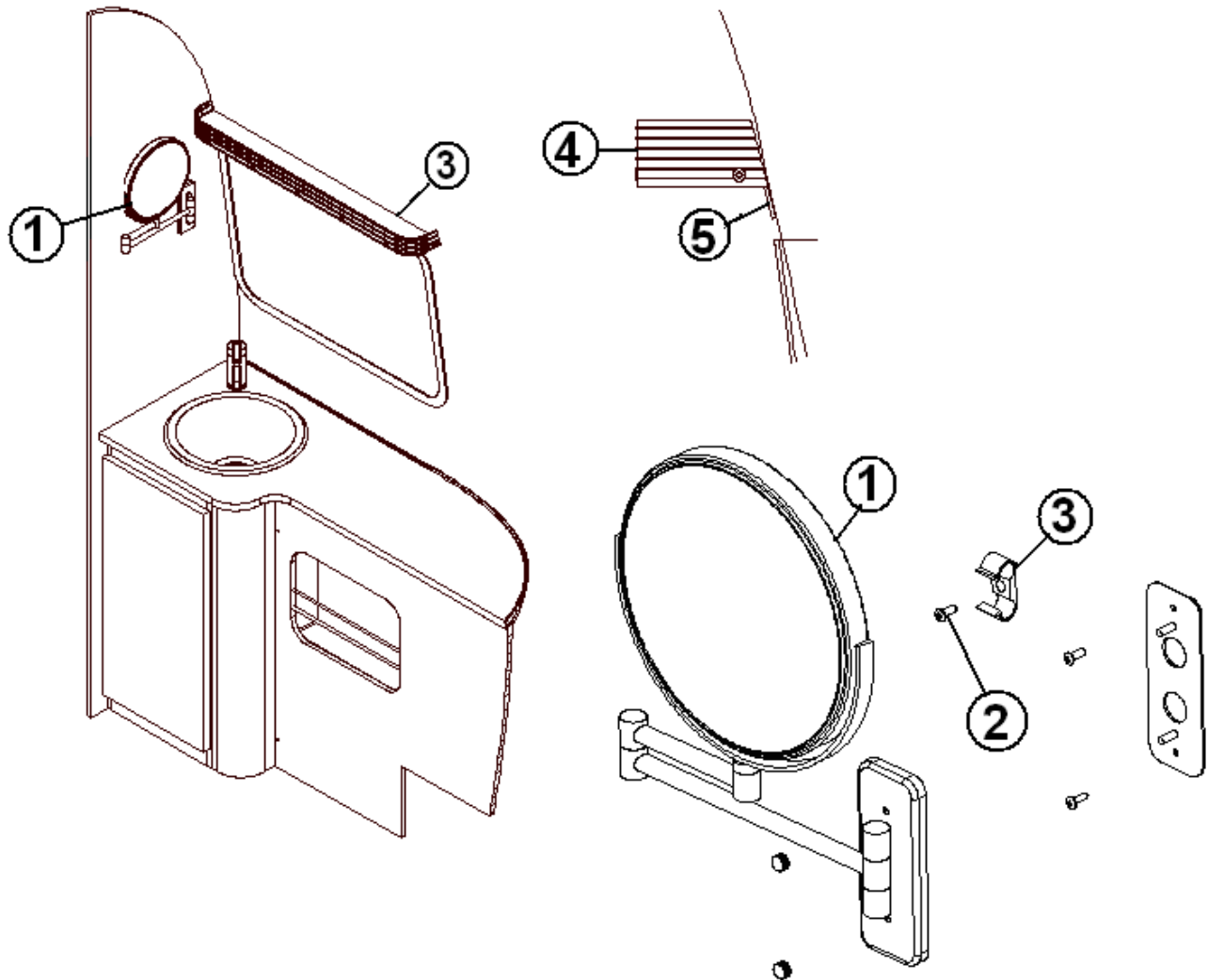
2012 SPORT
FURNITURE, BATH

Lavatory Cabinet, 22' Front Bed

967255	LAVATORY CABINET
1. 967256	LAVATORY RADIUS ASSEMBLY
2. 967255-082	PANEL, LAVATORY, 12 X 30
3. 967255-083	PANEL, LAVATORY, 12 X 30
4. 967255-084	PANEL, LAVATORY, 2.25 X 12.23
5. 967255-085	PANEL, LAVATORY, 2.25 X 12.23
6. 967255-086	PANEL, LAVATORY, 11.94 X 12.23
7. 967255-087	PANEL, LAVATORY, 31.53 X 30
8. 967255-088	PANEL, LAVATORY, 13.23 X 6
9. 967255-089	PANEL, LAVATORY, 12.23 X 15
10. 967255-0810	PANEL, LAVATORY, 17.05 X 46.53
11. 967255-0811	DOOR, LAVATORY 12.85 X 26.13
12. 381607	HINGE ASSEMBLY
13. 382044	PULL, BAR, BRUSHED NICKEL
14. 381228-01	CATCH GRABBER, DOOR
15. 203383	RACK, MAGAZINE ABS
16. 115042	ROD, .25", ALUMINUM, 6' LENGTH
17. 115064	TRIM, ALUMINUM COUNTER TOP
18. 380034	TOILET PAPER HOLDER, CHROME
114812	ALUMINUM ANGLE, 1.00 X 1.00
203445	T-MOLDING BLK FLEXIBLE POLY .5

2012 SPORT
FURNITURE, BATH

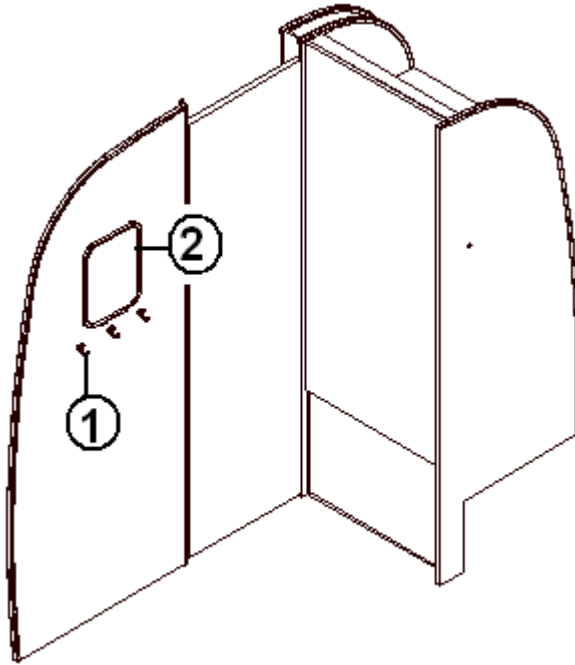
Lavatory Mirror/Rear Bath Shelf, 22' Front Bed



- | | |
|--------------|---------------------------------|
| 1. 371423-02 | MIRROR, WALL MOUNT NICKEL |
| 2. 320035 | SCREW 8 X 1/2 PH TYPE A PHIL WD |
| 3. 371423-01 | RETAINER CLIP, 1 7/8" LONG |
| 4. 967135 | SHELF-REAR BATH |
| 5. 115394 | ANGLE, REAR BATH SHELF |

2012 SPORT
FURNITURE, BATH

Dry Erase Board/Coat Hooks, 16' Side Entry Wet Bath & 22' Front Bed

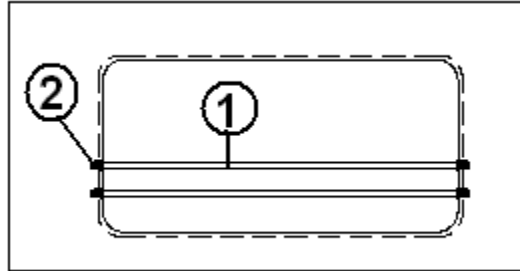


1. 381945
2. 381834

BOARD, DRY/ERASE 11" X 14", MAGNET
ALUMINUM COAT HOOK

2012 SPORT
FURNITURE, BATH

Shower Shelf Rods, 22' Front Bed

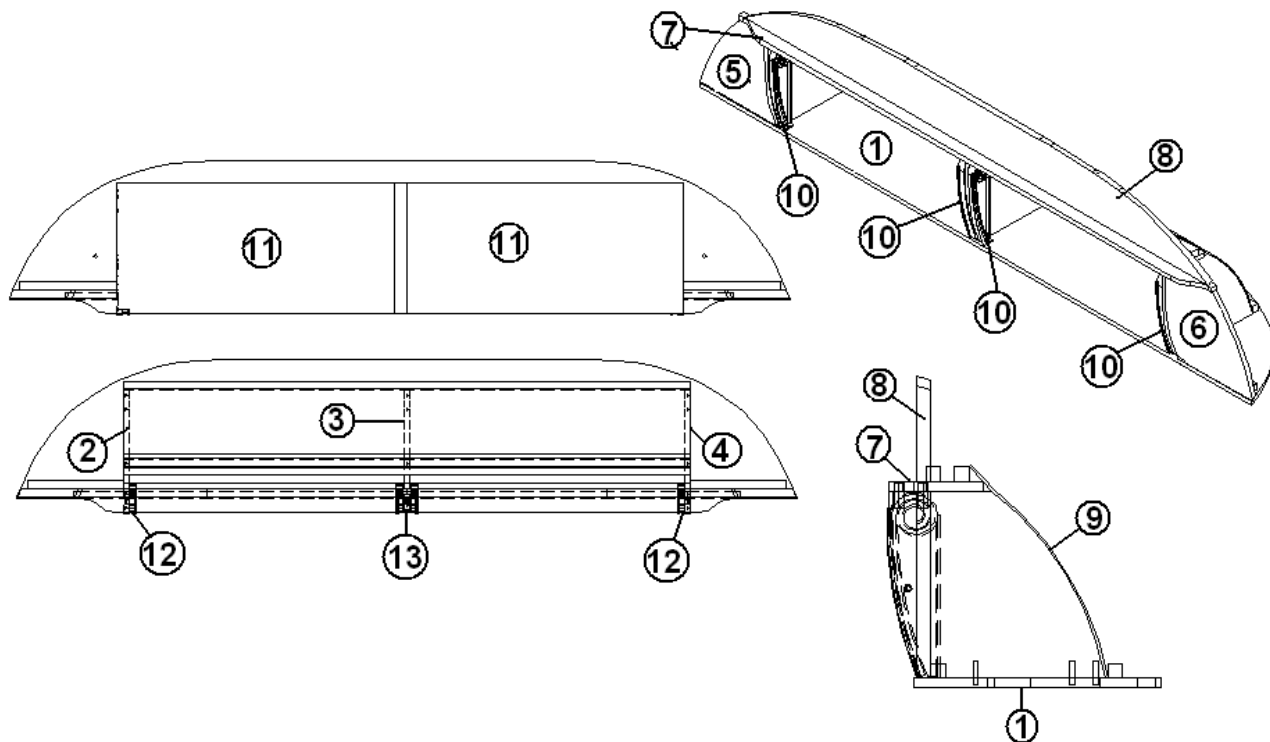


- | | |
|--------------|------------------------------|
| 1. 115042 | Rod, aluminum, 1/4", 6' long |
| 2. 380019-01 | Bushing, snap, 1/4" |

2012 SPORT

FURNITURE, BEDROOM

Roof Locker, Front, 22' Front Bed

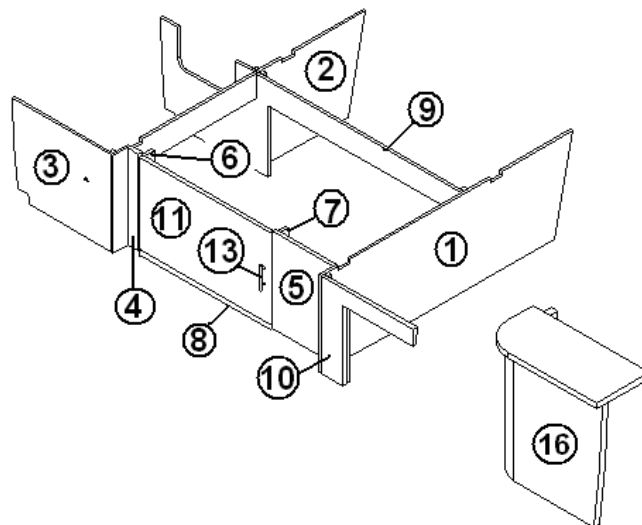
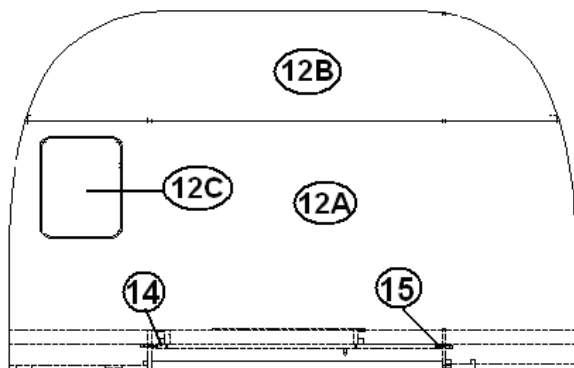


- | | |
|---|--|
| <ul style="list-style-type: none"> 967435 1. 967435-1 2. 967435-2 3. 967435-3 4. 967435-4 5. 967435-5 6. 967435-6 7. 967435-7 8. 967435-8 9. 967435-9 10. 201164-02 11. 967104-01 12. 115382-01 13. 115382-02 | <p>ROOF LOCKER, FRONT</p> <ul style="list-style-type: none"> PANEL, FRONT ROOF LOCKER, 13.00 X 72.87 PANEL, FRONT ROOF LOCKER, 9.46 X 9.81 PANEL, FRONT ROOF LOCKER, 9.21 X 9.81 PANEL, FRONT ROOF LOCKER, 9.46 X 9.81 PANEL, FRONT ROOF LOCKER, 9.94 X 9.81 PANEL, FRONT ROOF LOCKER, 9.94 X 9.81 PANEL, FRONT ROOF LOCKER, 5.00 X 62.39 PANEL, FRONT ROOF LOCKER, 5.50 X 61.30 PANEL, FRONT ROOF LOCKER, 13.50 X 42.80 SPIRALS, R/L, PLATINUM, LH/RH DOOR, TAMBOUR, 9.88 X 25.25 TRIM, ALUMINUM, ROOF LOCKER, 6.88 X 10.00 TRIM, ALUMINUM, ROOF LOCKER, 1.88 X 10.00 |
|---|--|

2012 SPORT

FURNITURE, BEDROOM

Bed, 22' Front Bed

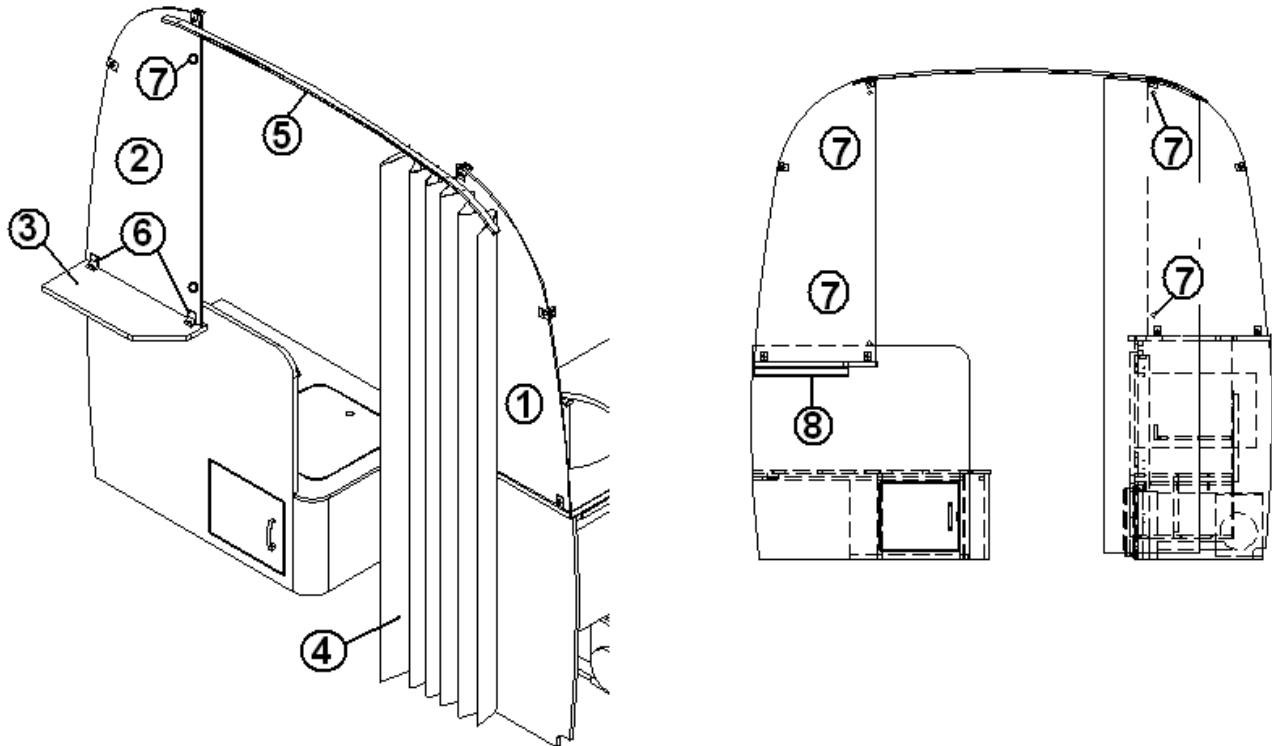


- | | |
|-----------------|---------------------------|
| 967436 | BED ASSY. |
| 1. 967436-1 | PANEL, BED, 17.50 X 52.29 |
| 2. 967436-2 | PANEL, BED, 17.50 X 52.53 |
| 3. 967436-3 | PANEL, BED, 20.38 X 17.50 |
| 4. 967436-4 | PANEL, BED, 2.25 X 17.50 |
| 5. 967436-5 | PANEL, BED, 12.63 X 17.50 |
| 6. 967436-6 | PANEL, BED, 2.25 X 16.75 |
| 7. 967436-7 | PANEL, BED, 2.25 X 16.75 |
| 8. 967436-8 | PANEL, BED, 2.25 X 27.00 |
| 9. 967436-9 | PANEL, BED, 17.50 X 62.69 |
| 10. 967436-10 | PANEL, BED, 19.14 X 17.50 |
| 11. 967436-11 | DOOR, BED, 27.63 X 16.50 |
| 12A. 967436-12A | BED TOP |
| 12B. 967436-12B | BED TOP |
| 12C. 967436-12C | BED TOP DOOR |
| 13. 382044 | HANDLE, BRUSHED NICKEL |
| 14. 381607 | HINGE ASSY. |
| 15. 381228-01 | CATCH, GRABBER, DOOR |
| 16. 967451 | BED CLOSEOUT |

2012 SPORT

FURNITURE, BEDROOM

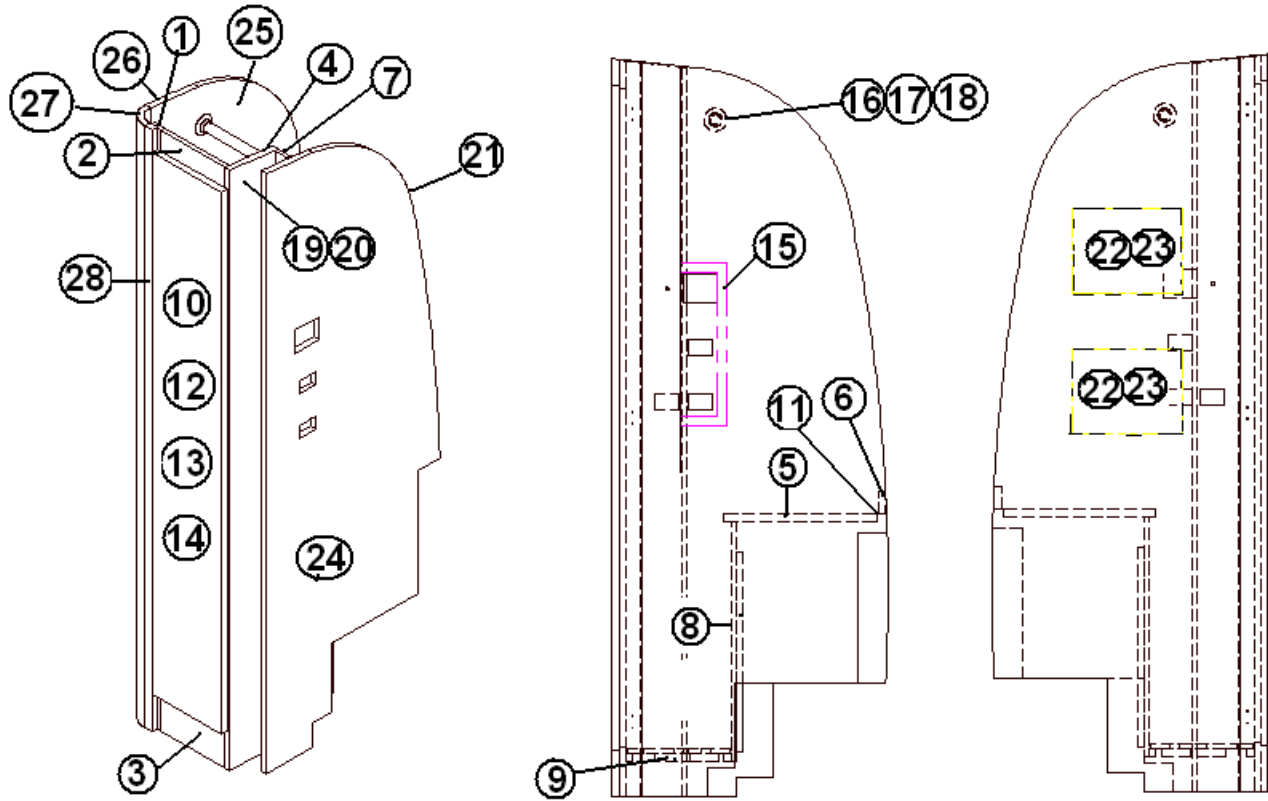
Privacy Panels, Curtain, 22' Front Bed



- | | |
|--------------|--|
| 1. 203658 | PANEL, PRIVACY, RS |
| 2. 203659 | PANEL, PRIVACY, CS |
| 3. 967452 | SHELF, BEDROOM |
| 4. 703801 | CURTAIN, DIVIDING, 51" X 76" |
| 5. 381563-01 | FOLDETTTE DOOR TRACK, STRAIGHT, 60" GRAY |
| 6. 381782 | PULL, GLASS DOOR, CHROME PLATED |
| 7. 700822 | HOOK, VELCRO, CIRCLE, ADHESIVE |
| 8. 115455 | ANGLE, ALUMINUM, .25 X 1.5 X 2.5 X 300" |

2012 SPORT FURNITURE, BEDROOM

Wardrobe, 16', Roadside



Part numbers are on the next page.

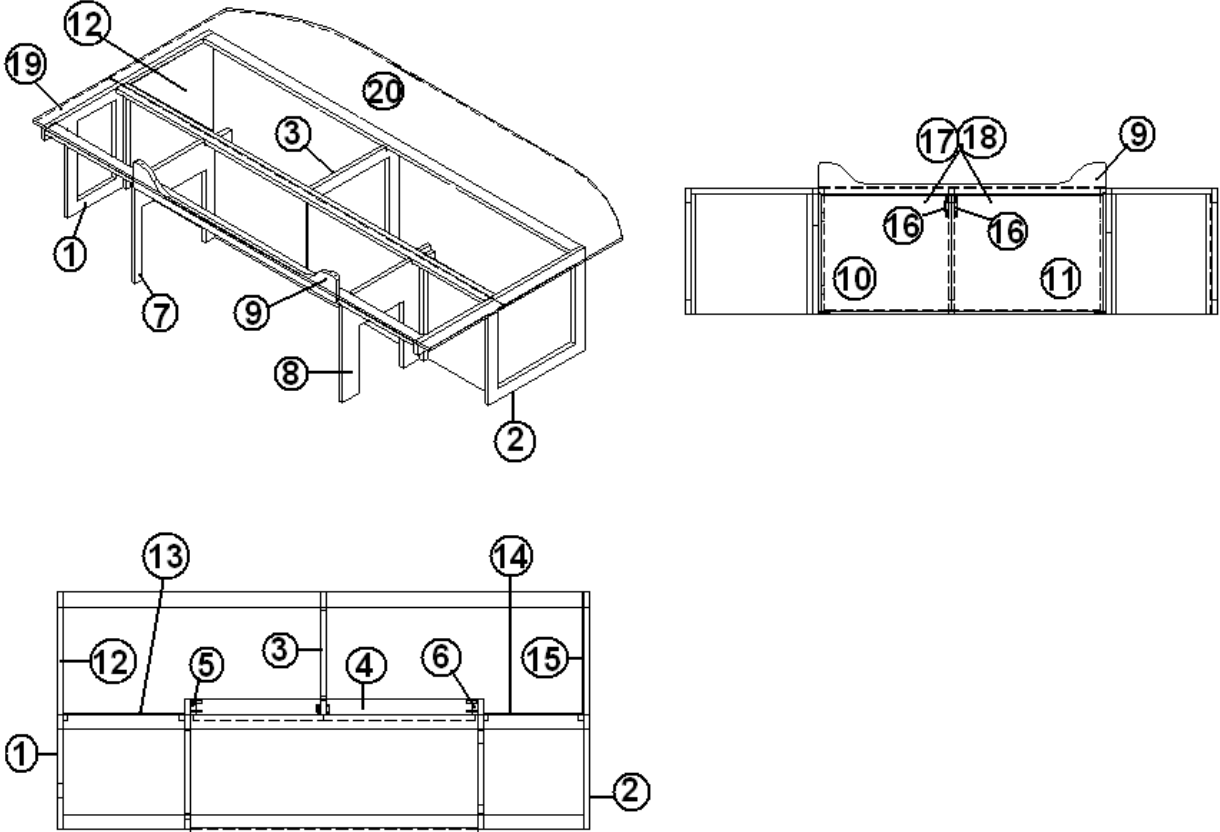
2012 SPORT
FURNITURE, BEDROOM

Wardrobe, 16', Roadside

967020-08	ROADSIDE WARDROBE
1. 967020-081	PANEL, 1.5 X 78.28
2. 967020-082	PANEL, 9.75 X 3
3. 967020-083	PANEL, 9.75 X 5.25
4. 967020-084	PANEL, 6.5 X 78.28
5. 967020-085	PANEL, 18.25 X 16.25
6. 967020-086	PANEL, 2.5 X 16.25
7. 967020-087	PANEL, 2.25 X 77.55
8. 967020-088	PANEL, 16.5 X 25.5
9. 967020-089	PANEL, 16.25 X 10.92
10. 967020-0811	DOOR, 10.44X70.66
11. 380203-01	PIANO HINGE
12. 381607-01	HINGE, GRASS EURO
13. 382044	HANDLE, BRUSHED NICKEL
14. 381228-01	CATCH GRABBER DOOR
15. 200773	CLOSEOUT, READING LIGHT
16. 380045	TUBING 3/4", ELECTRICAL, METALLIC
17. 380046	FLANGE CHROME
18. 200975-04	CONDUIT, FLEXIBLE BLACK PLASTIC
19. 381838-01	TRACK, FOLDETTE DOOR
20. 702681-08	DOOR, FOLDETTE 60" X 73" BEIGE
21. 203464-03	TRIM, PANEL, WHITE, 3/4"
22. 386106-01	RACK-MAGAZINE WHITE
23. 386107	ROD-MAGAZINE RACK
24. 967020-0826	PANEL, 26.25 X 78.17
25. 967026-08	PANEL, SUB ASSY, AFT WARDROBE
26. 967026-081	PANEL, AFT WARDROBE
27. 801345	RADIUS PLYWOOD, .75" X 3' X 8'
28. 967026-082	PANEL, 1 X 78.5

2012 SPORT
FURNITURE, BEDROOM

Bed, 16'



Part numbers on the next page

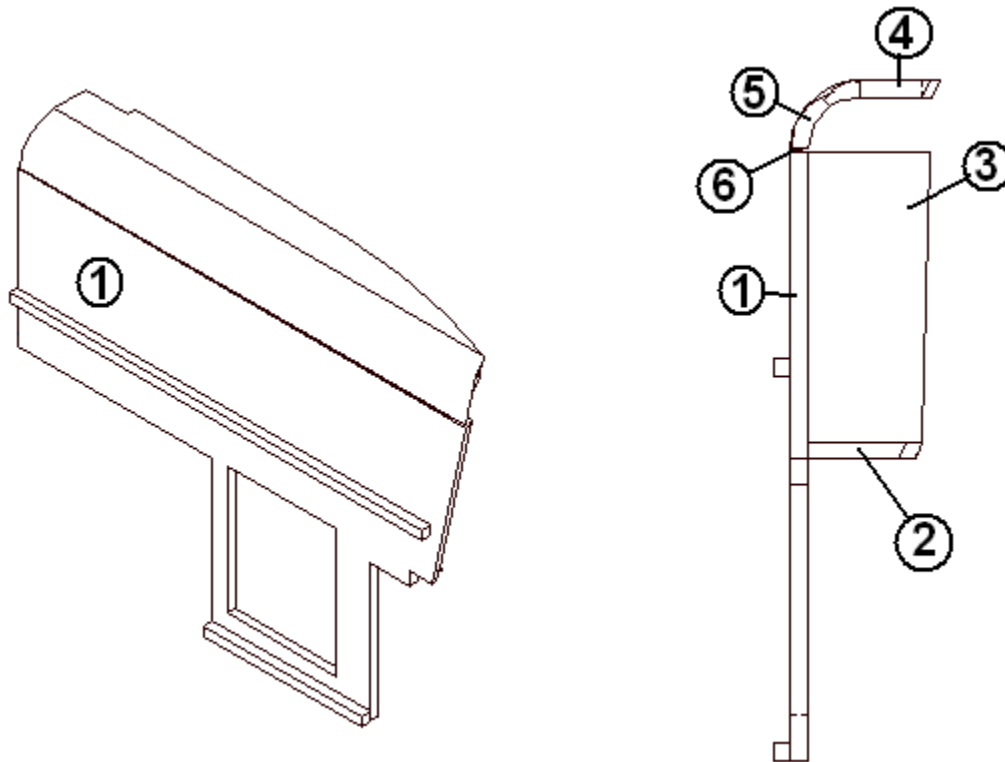
2012 SPORT
FURNITURE, BEDROOM

Bed, 16'

967008-08	BED ASSY
1. 967008-081	PANEL, BED 33 X 17.5
2. 967008-082	PANEL, BED 33 X 17.5
3. 967008-083	PANEL, BED 17 X 17.5
4. 967008-084	PANEL, BED 2.25 X 38.5
5. 967008-085	PANEL, BED 2.25 X 17.5
6. 967008-086	PANEL, BED 2.25 X 17.5
7. 967008-087	PANEL, BED 18.25 X 17.5
8. 967008-088	PANEL, BED 18.25 X 17.5
9. 967008-089	PANEL, BED 4.5 X 40
10. 967008-0810	DOOR, BED 18 X 16
11. 967008-0811	DOOR, BED 21 X 16
12. 967008-0812	PANEL, BED 16.88 X 16.75
13. 967008-0813	PANEL, BED 17 X 17.5
14. 967008-0814	PANEL, BED 14 X 17.5
15. 967008-0815	PANEL, BED 16.88 X 16.75
16. 381228-01	CATCH, GRABBER DOOR
17. 381607-01	HINGE, GRASS EURO
18. 382044	HANDLE, BRUSHED NICKEL
19. 967008-22	PANEL, BED TOP 15 X 78
20. 967008-23	PANEL, BED TOP 30.24 X 78
703695	MATTRESS, 48 X 78, W/DBL RADIUS CORNER
703975	MATTRESS, DBL RAD CORNER 47.5 X 78 Pillowtop
203439	STORAGE BOX, 17"L X 11.13"W X 6.38"
203636	STORAGE BOX, 24.5"X17.75" X 7.25"

2012 SPORT
FURNITURE, BEDROOM

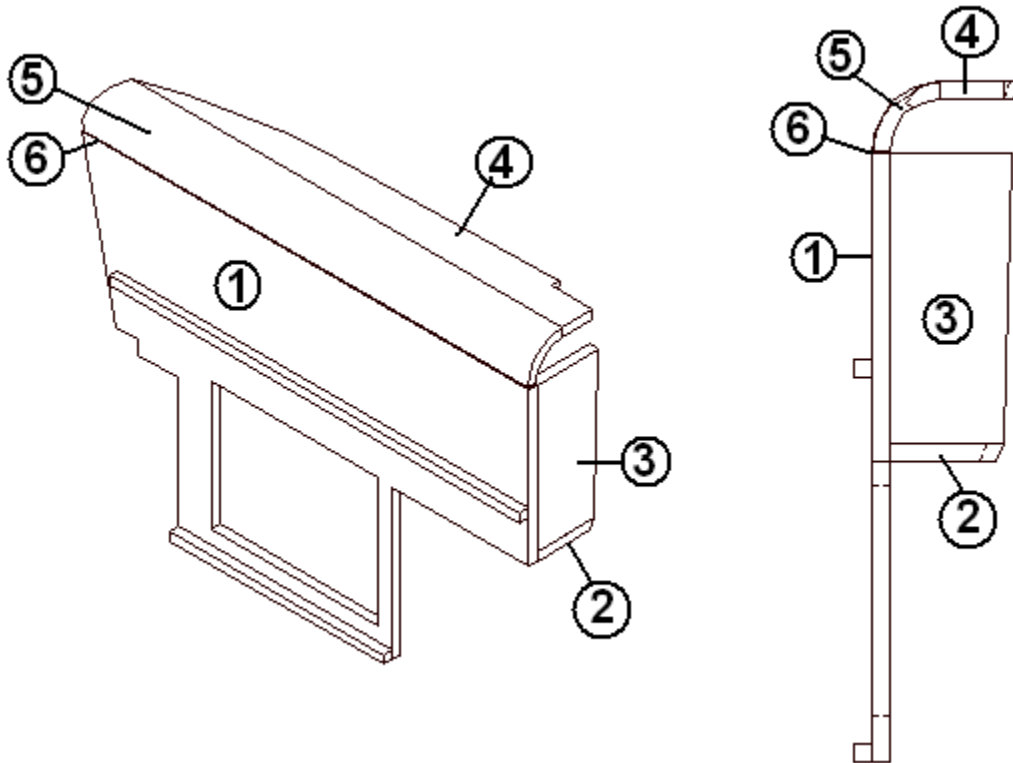
Hamper-Headboard LH, 16'



- | | |
|-------------|---------------------------------|
| 967017 | HAMPER/HEADBOARD-LH |
| 1. 967017-1 | PANEL, HAMPER/HEAD 39.25 X 26.5 |
| 2. 967017-2 | PANEL, HAMPER/HEAD 4.96 X 36.24 |
| 3. 967017-3 | PANEL, HAMPER/HEAD 5.35 X 12.63 |
| 4. 967017-4 | PANEL, HAMPER/HEAD 3.47 X 37.68 |
| 5. 801345 | RADIUS PLYWOOD, .75" X 3" X 8' |
| 6. 380458 | HINGE, PIANO COPPER |
| 702482-03 | HEADLINER SPECTRA OPAL |

2012 SPORT
FURNITURE, BEDROOM

Hamper-Headboard RH, 16'

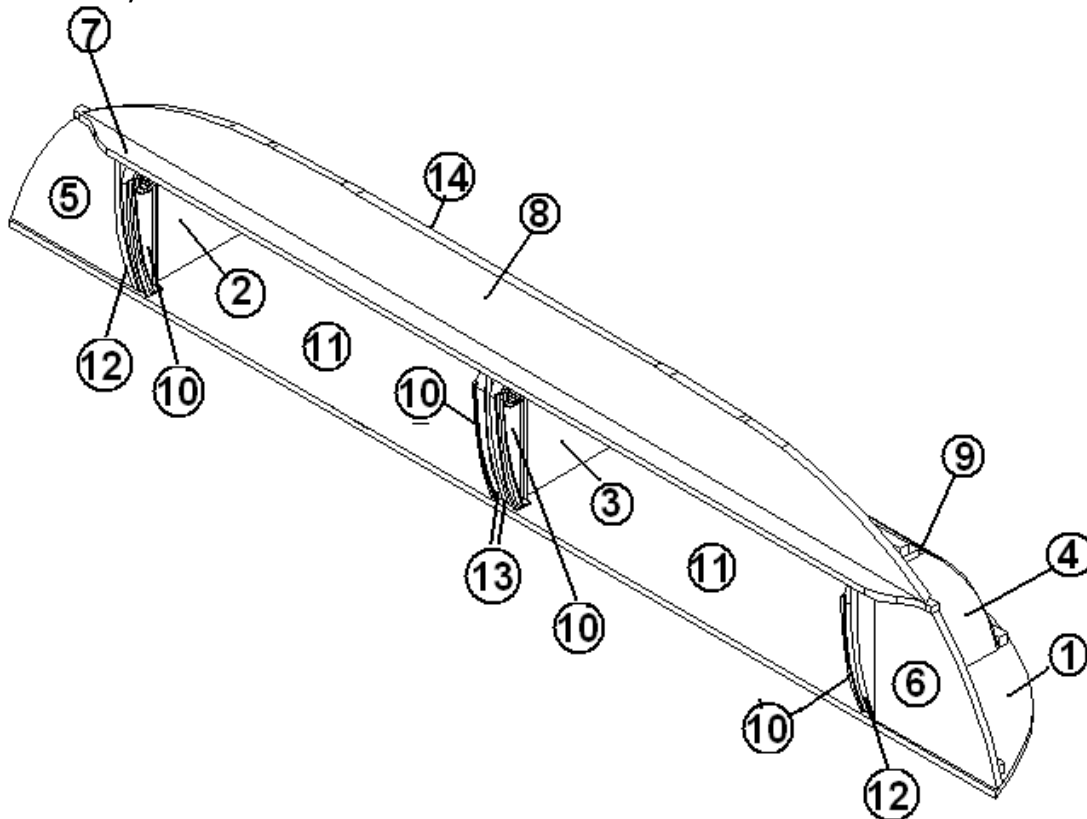


- | | |
|-------------|------------------------------------|
| 967018 | HAMPER/HEADBOARD, RH |
| 1. 967018-1 | PANEL, HAMPER/HEAD RH 39.25 X 26.5 |
| 2. 967018-2 | PANEL, HAMPER/HEAD RH 4.96 X 36.24 |
| 3. 967018-3 | PANEL, HAMPER/HEAD RH 5.35 X 12.63 |
| 4. 967018-4 | PANEL, HAMPER/HEAD RH 3.47 X 37.68 |
| 5. 801345 | RADIUS PLYWOOD .75"X 3"X 8' |
| 6. 380458 | HINGE, PIANO COPPER |
| 702482-03 | HEADLINER SPECTRA OPAL |

2012 SPORT

FURNITURE, BEDROOM

Roof Locker, 16'

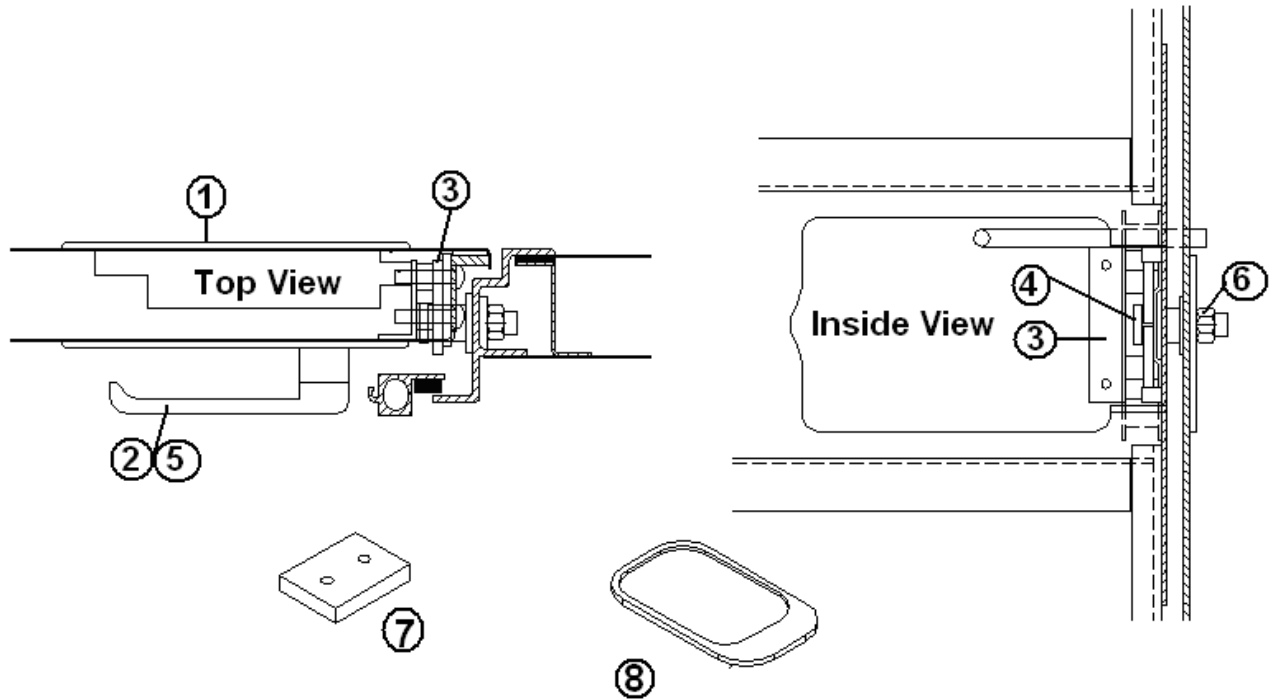


- | | |
|---|--|
| <p>967499-08</p> <p>1. 967499-081</p> <p>2. 967499-082</p> <p>3. 967499-083</p> <p>4. 967499-084</p> <p>5. 967499-085</p> <p>6. 967499-086</p> <p>7. 967499-087</p> <p>8. 967499-088</p> <p>9. 967499-089</p> <p>10. 201164-02</p> <p>11. 967104-07</p> <p>12. 115382-01</p> <p>13. 115382-02</p> <p>14. 201673</p> <p>101265-01</p> <p>201163-01</p> | <p>LOCKER ASSY, REAR</p> <p>PANEL, R/L 13 X 80.57</p> <p>PANEL, R/L 11.46 X 9.81</p> <p>PANEL, R/L 11.21 X 9.81</p> <p>PANEL, R/L 11.46 X 9.91</p> <p>PANEL, R/L 9.94 X 9.81</p> <p>PANEL, R/L 9.94 X 9.81</p> <p>PANEL, R/L 5 X 70.09</p> <p>PANEL, R/L 5.5 X 69</p> <p>PANEL, R/L 13.5 X 60.70</p> <p>SPIRALS, R/L, PLATINUM, LH/RH</p> <p>DOOR, TAMBOUR, 9.88 X 29.13</p> <p>TRIM, ALUMINUM, .6.88 X 10.00</p> <p>TRIM, ALUMINUM, 1.88 X 10.00</p> <p>REVERSE COVE MOLDING, WHITE, PLASTIC</p> <p>EXTRUSION, BLACK, DOOR HANDLE</p> <p>ENDCAP, BLACK HANDLE, (PAIR)</p> |
|---|--|

2012 SPORT

HARDWARE

Main Door Lock

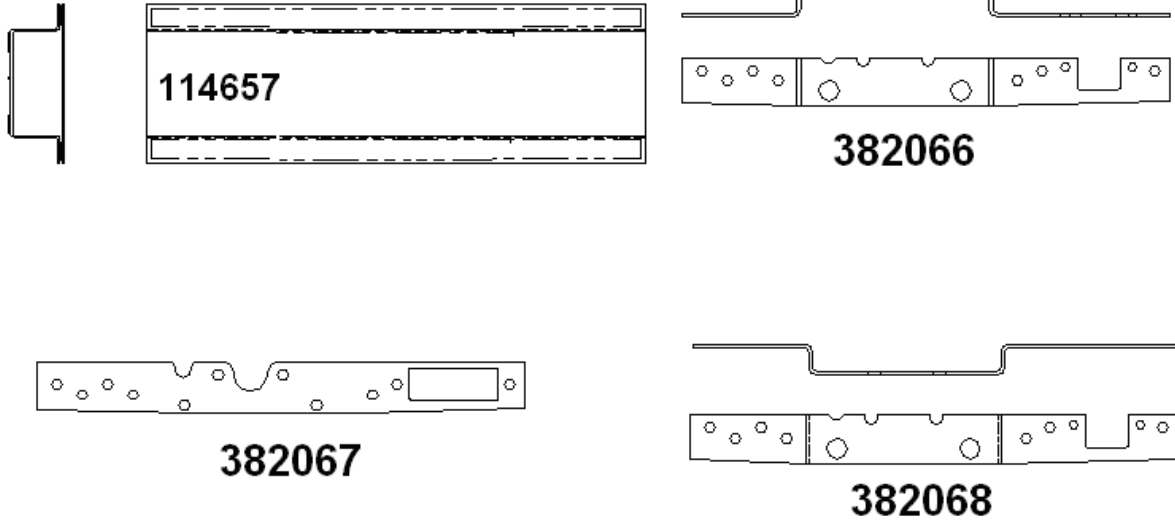


- | | | |
|----|-----------|---|
| 1. | 381547-09 | Main door lock, outside, housing, RH Hinge |
| 1. | 381547-01 | Main door lock, outside housing LH Hinge |
| 2. | 381547-11 | Main door lock, inside plate, RH Hinge |
| 2. | 381547-07 | Main door lock, inside plate, LH Hinge |
| 3. | 381547-10 | Double rotary latch, main door lock, RH Hinge |
| 3. | 381547-03 | Double rotary latch, main door LH Hinge |
| 4. | 381547-04 | Striker bolt w/washer main door lock |
| 5. | 381547-08 | Screw package, main door lock |
| 6. | 381550 | Plate, Striker Bolt |
| 7. | 203620 | SPACER, STRIKER MAIN DOOR |
| 8. | 203494 | BASE PLATE DOOR LATCH |
| | 385595 | POCKET-STRIKE |
| | 300162 | WASHER, NYLON, 6/6 5/16 ID |
| | 300163 | WASHER, FELT, .25"ID X .75" OD |

2012 SPORT

HARDWARE

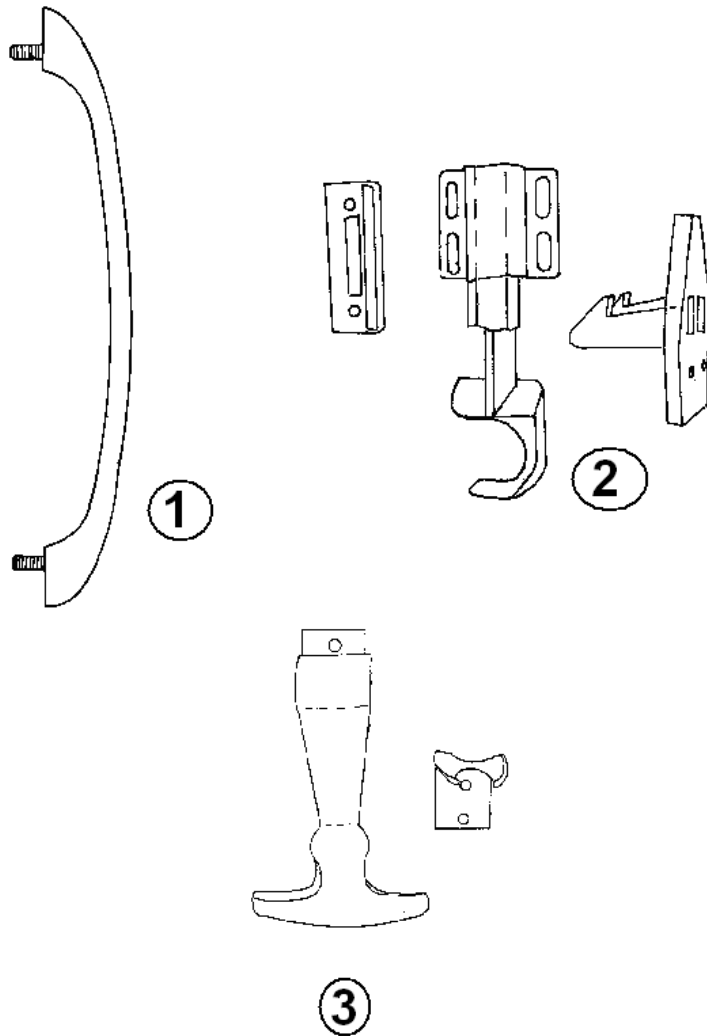
Main Door Latch Stiffener Plates



- | | |
|--------|--|
| 382069 | Deadbolt assembly, round, Trimark |
| 114657 | Door hat section |
| 382066 | Inner reinforcement plate, LH hinged door |
| 382067 | Outer reinforcement plate, RH/LH hinged door |
| 382068 | Inner reinforcement plate, RH hinged door |

2012 SPORT HARDWARE

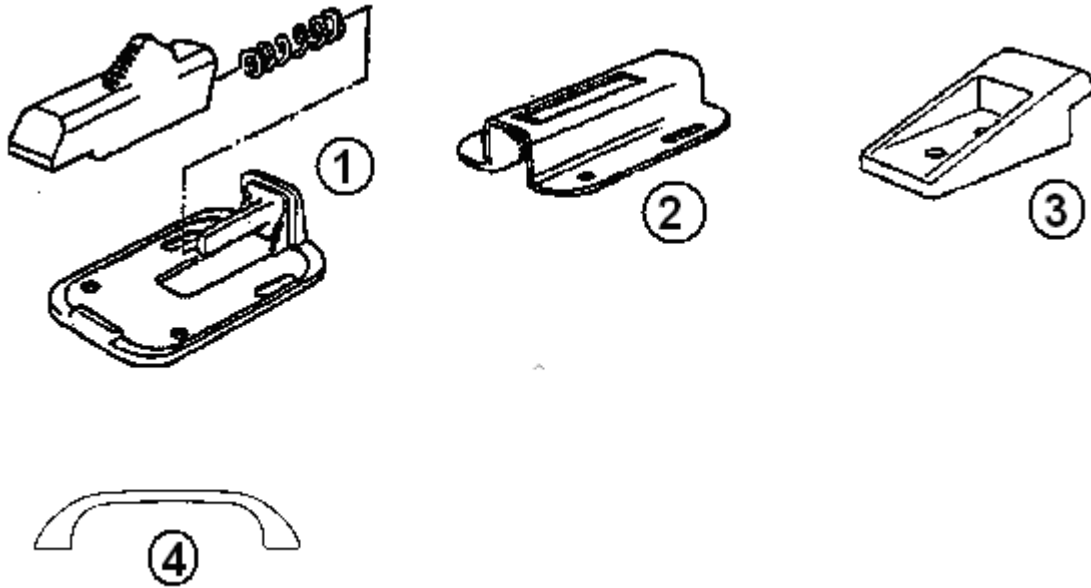
Exterior Latches/Locks



- | | |
|--------------|------------------------------------|
| 1. 101171 | Grab handle, main door |
| 1. 382074 | Gasket, grab handle, main door |
| 2. 381454 | Latch, screen door, Bullet |
| 3. 381021-01 | Rubber T handle, 90 degree bracket |

2012 SPORT HARDWARE

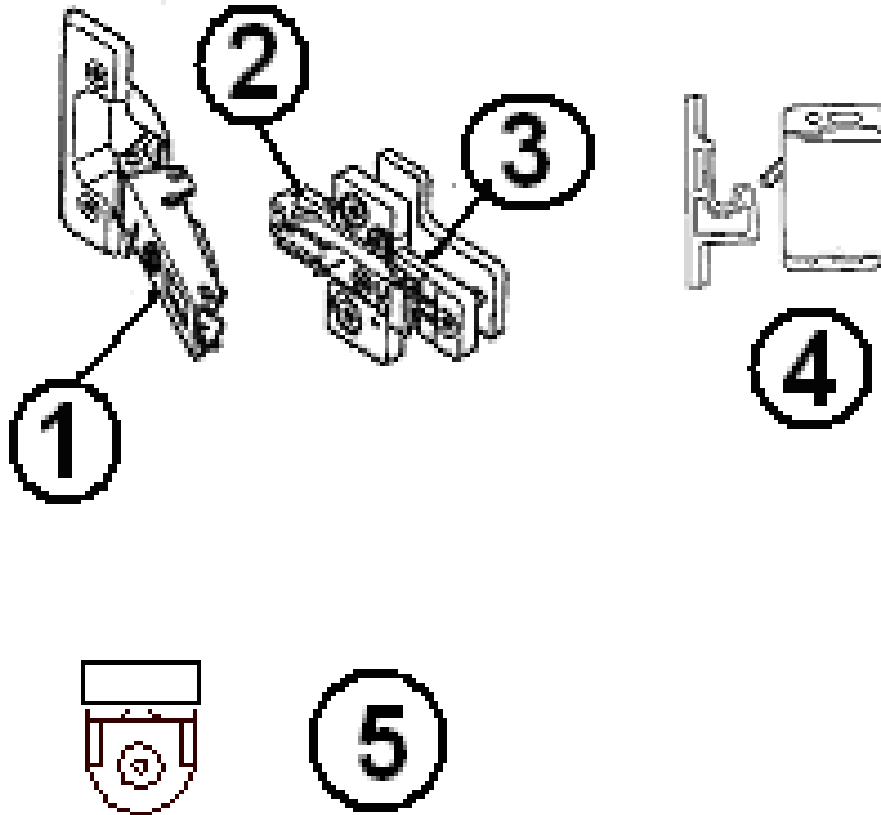
Exterior Latches/Locks



1. 380291 Main door holdback, (use w/housing # 380290)
2. 380290 Latch housing, holdback
3. 201056 Catch, main door
4. 380004 Handle, screen door

2012 SPORT HARDWARE

Interior Cabinet/Latches/Hinges



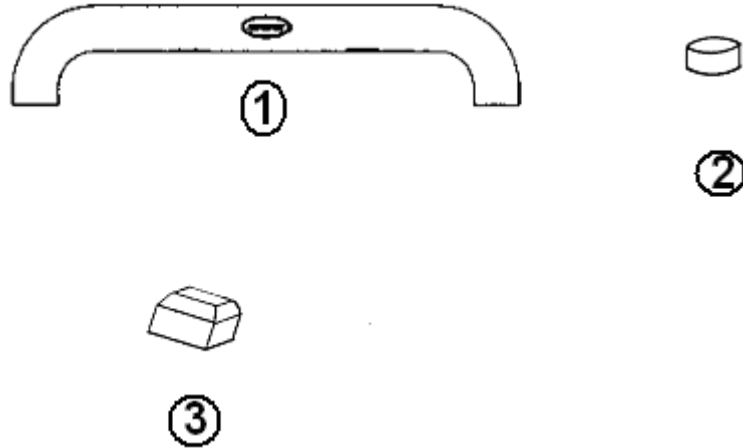
- | | |
|--------------|--|
| 1. 381607-01 | Hinge, cabinet |
| 2. 381607-02 | Base, metal |
| 3. 381607-03 | Base, plastic |
| 3. 381607-04 | HINGE SCREW |
| 4. 381228-01 | Grabber door, latch w/catch, 3lb. Rating |
| 5. 385963 | BRACKET, ANGLED, LAMBREQUIN |

2012 SPORT HARDWARE

Interior Hinges

380203-01 PIANO HINGE, BATH DOOR

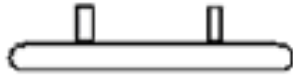
Main Door Head Knocker, Rubber Bumpers



1. 381772 Head knocker, white (mounts on interior top door jamb).
2. 360012 Bumper, rubber white, stick-on, cylindrical
2. 360012-01 Bumper, rubber brown, stick-on, cylindrical
3. 360016 Bump on, rubber gray, square 3/8" x 3/8"
- 381610-01 COVER CAP PLAS. EUROPEAN WHITE
- 381610-04 COVER, BLACK, PLASTIC

2012 SPORT
HARDWARE

Interior Latches/Hinges



①



②



③

1. 382044
2. 381737
3. 381771

HANDLE, BRUSHED NICKEL

Grab bar, interior, mounts on interior doorjamb

Latch Swinging bath door

2012 SPORT

HARDWARE

Bathroom Accessories

380034	Toilet paper holder, chrome
382098	Handle, 14.25", Glass Chrome (Towel bar)
381776	TOWEL BAR, CHROME 18", 16' Model
382175	Towel Bar, Chrome 18"

Wardrobe Clothes Rod

380045	Clothes rod
200975-04	Conduit, flexible, black (covers clothes rod)
380046	Bracket, clothes rod

Drapes

700005	FASTENER, CAP
700006	FASTENER SOCKET
700020	PILE VELCRO
700021	HOOK, VELCRO, WHITE

Sewer Hose Clamp/Water Fill key/Silverware Tray/Key Holder

340084-52	CLAMP, HOSE SAE #52
381647	KEY WATER FILL CH 751
195329-240	SEWER HOSE ADAPTOR, elbow
200980-01	TRAY, SILVERWARE, ALMOND, 9" X 13"
382122	KEYCHAIN-AIRSTREAM LOGO
385229	KEY HOLDER PLASTIC AIRSTREAM BLUE

2012 SPORT

HARDWARE

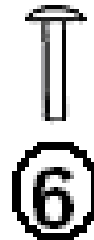
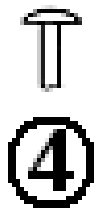
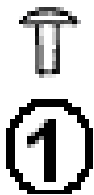
Detectors, Fire Extinguishers

510781	Smoke detector
510891	Smoke Detector CSA
512539-01	Detector LP Black 12V
512318	HOLDER W/1 AMP FUSE, IN-LINE
511411	JUNCTION BOX-7 TERMINAL 50-10-170
511375	JACK MODULAR TELEPHONE TA-1020
452412	BRACKET, FUSE BLOCK, 12V
600162-01	Fire extinguisher
600162-02	Fire extinguisher, CSA
203387	POCKET, RECESSED, EXTINGUISHER BRACKET
372213	TRIM, BRUSHED CHROME, 1/8"
512178	DETECTOR CARBON MONOXIDE 9 VOLT
Clothesline	
382063	Clothesline, retractable

2012 SPORT

Hardware

Rivets, Buck

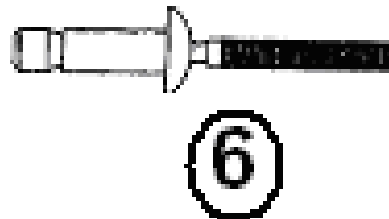
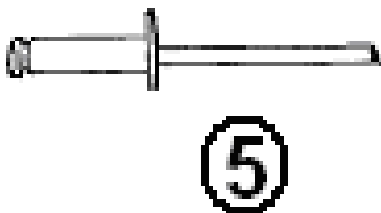
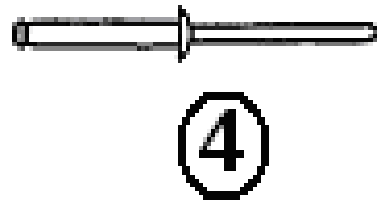
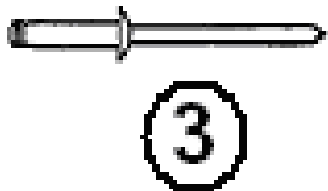
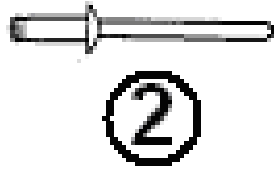
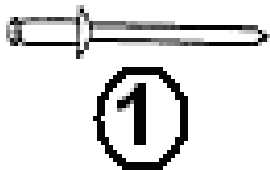


- | | |
|--------------|---|
| 1. 325043 | Rivet, 1/8", 1/4" length (hard) |
| 2. 325000-01 | Rivet, 1/8", 1/4" length anodized clear |
| 2. 325000 | Rivet, 1/8", 1/4" length clear |
| 3. 325000-03 | Rivet, 1/8", length 1/4", long, anodized white |
| 4. 325001-01 | Rivet, 1/8", length 5/16", anodized clear |
| 5. 325002-01 | Rivet, 1/8", length 3/8", anodized clear |
| 5. 325002 | Rivet, 1/8", length 3/8" |
| 6. 325004-01 | Rivet, 1/8", length 1/2", anodized clear |
| 7. 330127-03 | Rivet, grip range .063-.125, aluminum body,
aluminum mandrel |
| 8. 300101 | 1/8" I.D., Washer, aluminum |

2012 SPORT

Hardware

Rivets, Pop



1. 330126-02 Pop Rivet, diameter 1/8", grip range .126-.187, S.S. body and mandrel
2. 330126-03 Pop Rivet, diameter 1/8", 1/8" grip range .126-.250, S.S. body and mandrel
3. 330148 Pop Rivet, AD43-45ABS
4. 330127-080 Pop Rivet, diameter 1/8", grip range .325"-.565" aluminum, body & mandrel
5. 330038 Pop Rivet, diameter 1/8" .150". (#20 bit) grip range .126-.250, aluminum body & mandrel (used-screen door hinge)
6. 325103 Pop Rivet, diameter 1/8"1/4" grip range .080-.325, SS body, steel mandrel
- 330152 Rivet, 1/8" Alum. Body w/Steel mandrel

2012 SPORT

LABELS AND TAGS

Labels and Tags

385193	Label, "12V distribution panel inside"
386119	Label, "DON'T USE AREA FOR STORAGE"
385068	Tag, cooking appliance warning
386118	Label, LP gas warning/fill
385517	Label, kill switch warning
385521	Label, emergency egress window
386122	Warning label/cooking appliance
386121	Label, LP gas warning label (odor)
385465	Exit label, English
385560	Label, air conditioner rating
385812	Label, Calif. hazardous substance
386120	Label, smoke detector
385359	Label, microwave or air conditioner
385837	Label, refrigeration ignition
386012	Label warning, water heater
386123	LABEL "POTABLE WATER ONLY"
386114	LABEL-RVIA SILVER
386192	HANG TAG: SMOKE/CO DETECTOR BATTERY
386193	LABEL WHEEL TORQUE WARNING
386098	LABEL, FUSE, 12 V
386082	DECAL, THOR, .75" X 5.25"
385418-01	Label, Federal registration
386019	LABEL 1 AMP FUSE MAX.
386226	LABEL, RV MASTER WEIGHT LABEL
385020	STICKER SELF ADHERING, JACK
385062	Decal, 110-125 voltage AC
385565	Label, holding tank flushing
386097	LABEL, FUSE 12 VOLT
386232	LABEL, WARNING-SECURE PRIVACY CURTAIN

2012 SPORT

PLUMBING, LPG SYSTEM

Gas Bottles

- 601781 LP gas bottle, 20lb. steel, For units mfg. prior to 1/2/2012.
- 602319 LP gas bottle, 20 lb. steel, For units mfg. on or after 1/2/2012.
- 601686 Base plate, LP tank mounting
- 601687 Hold down kit, LP tank

Gas regulator and Fittings

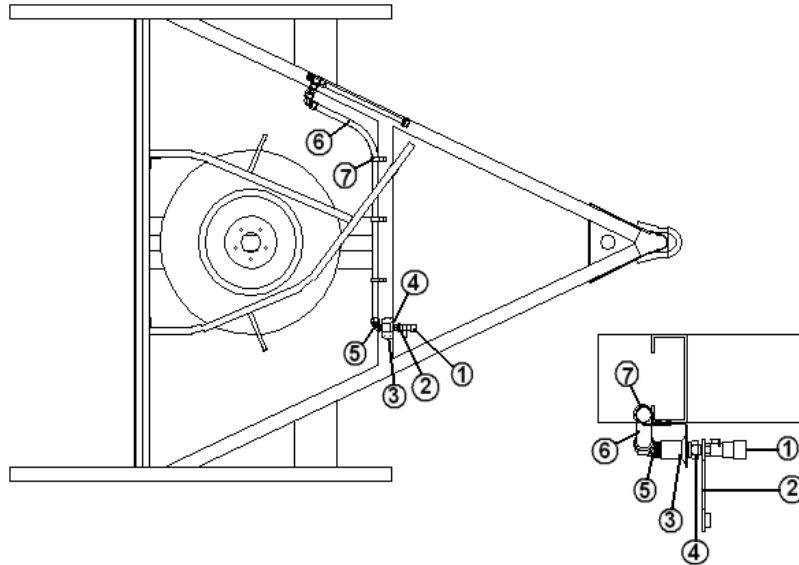
- 601731 LP regulator, w/pigtails, mounting
Bracket & cover, Units mfg. prior to 1/2/2012.
- 602321 Regulator Kit, hold down hardware, Units mfg. prior to 1/2/2012.

- 602321-02 Pan, Black for regulator kit, Units mfg. on or after 1/2/2012.
- 601685-02 LP hose, 1/2" FPT x 3/8" flare, CSA
- 600004 Copper tubing, 5/8"
- 600008 Copper tubing, 3/8"
- 600435 Flare nut, forged, 3/8"
- 600436 Flare nut, forged, 5/8"
- 600000 Tee, brass, 5/8" x 5/8" x 3/8"
- 600661 GROUNDING CLAMP 1/2 TO 1 SIZE
- 500038 LUG GROUND
- 500839 WIRE, BARE COPPER 8 GA.
- 601698-01 E-PEX 1/2" TUBING
- 380887 GROMMET, FLOOR
- 380886 GROMMET, FLOOR
- 600010 NUT, BRASS, FLARE, 3/8"
- 600003 TEE 5/8 X 3/8 X 3/8

2012 SPORT

PLUMBING, LPG SYSTEM

PROPANE PORT – EXTERIOR, Units mfg. on or after 1/2/2012.

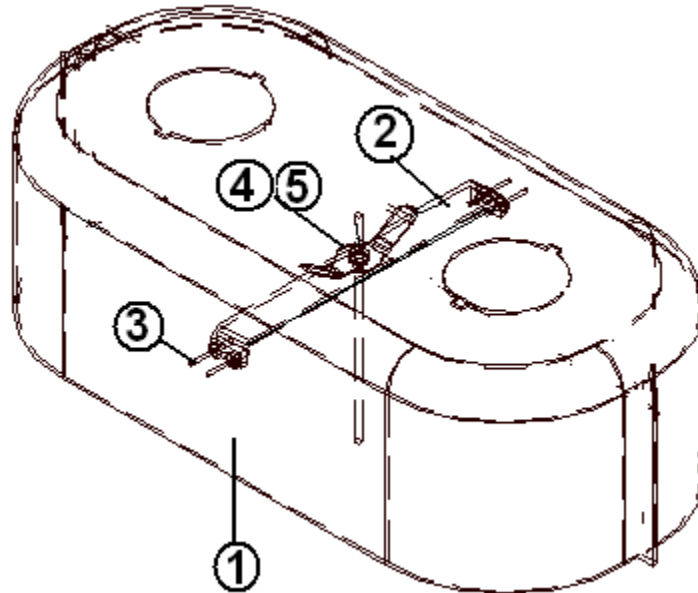


- | | |
|---|---|
| <p>112008</p> <p>*112008-01</p> <p>1. 602109-01</p> <p>2. 602109-03</p> <p>3. 454901</p> <p>4. 602286</p> <p>5. 602313</p> <p>6. *602315</p> <p>6. *602315-01</p> <p>7. 340085-07</p> <p>8. 201267-11</p> <p>386250</p> | <p>EXTERIOR PROPANE PORT</p> <p>EXTERIOR PROPANE PORT – 16'</p> <p>COUPLER, QUICK DISCONNECT</p> <p>DUST PLUG</p> <p>BRACKET – LP QUICK DISCONNECT PORT</p> <p>NIPPLE, 1/2" MNPT – 1/4" MNPT</p> <p>FITTING 1/2" MPT X 1/2" FLR 90 DEGREE</p> <p>LP HOSE 1/2" FLR SWV 36.00"</p> <p>18" LP HOSE.</p> <p>CLAMP, LOOP, STEEL W/RUB 1"</p> <p>CONDUIT CONVOLUTED 1.00" DIA</p> <p>LABEL-LPG SERVICE PORT</p> |
|---|---|

*602315 IS REPLACED WITH PART NUMBER 602315-01, 18" HOSE.
16' TRAILER

2012 SPORT
PLUMBING, LPG SYSTEM

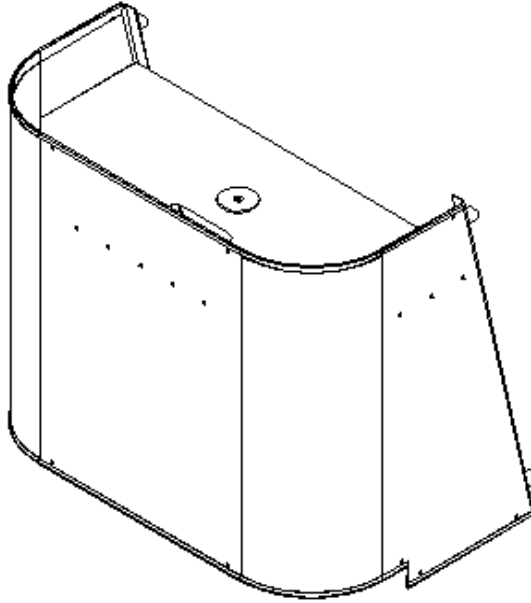
Gas Bottle Cover, 22'



-
- | | |
|-----------|-------------------|
| 1. 203617 | Gas bottle cover |
| 2. 454645 | Bracket, LP cover |
| 3. 330034 | AD 68 Pop rivet |
| 4. 381814 | Nut, wing, 5/16" |
| 5. 381613 | LP wing handle |

2012 SPORT
PLUMBING, LPG SYSTEM

LP Bottle Cover, 16'

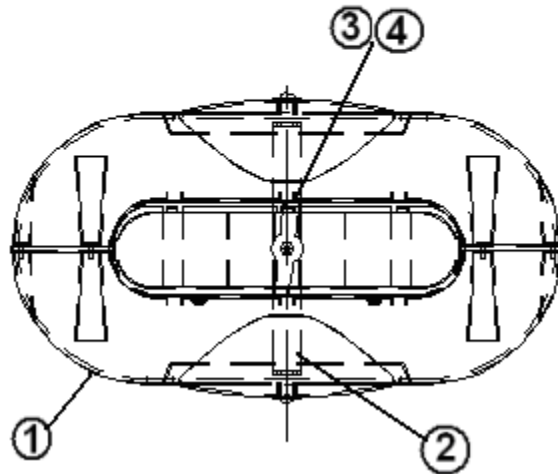
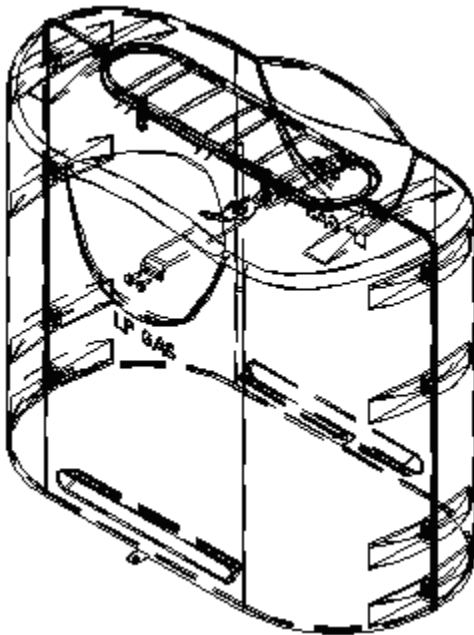


915778	COVER ASSY-LP BOTTLE, 16'
115202	LID LP BOTTLE COVER
115201	WRAP, LP BOTTLE COVER
381136	RUBBER BUMPER
114070	EXTRUSION. J-TRIM, MILL FINISH

2012 SPORT

PLUMBING, LPG SYSTEM

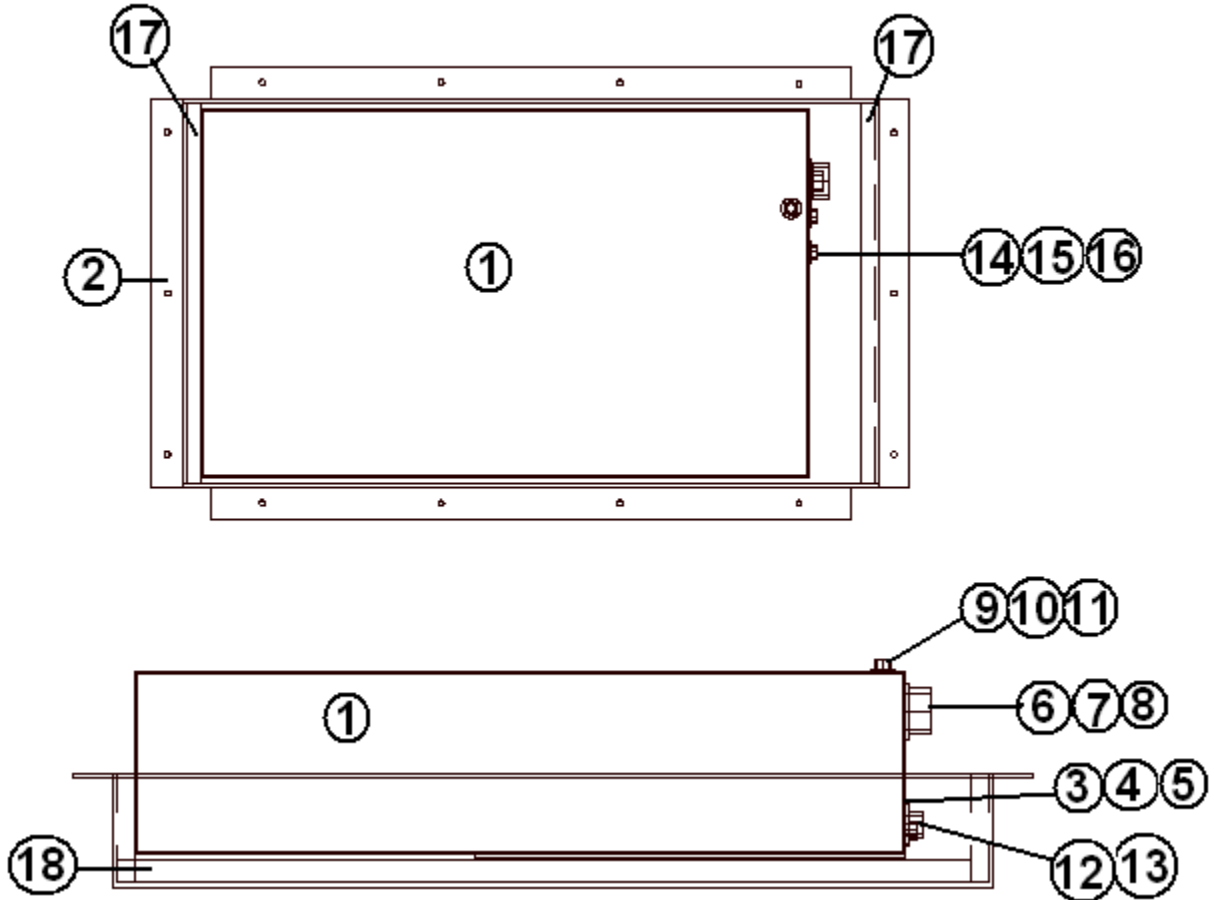
LP Bottle Cover, 16'



- | | |
|-----------|---------------------------------|
| 1. 203732 | Cover Assy. |
| 2. 454906 | Bracket, LP Cover |
| 3. 381814 | Wing Nut, 5/16" #1809 |
| 4. 381613 | Plastisol Cover, LP Wing Handle |
| 300012 | Washer, Aluminum 3/16 ID |

2012 SPORT PLUMBING, FRESH WATER

Fresh Water Tank, 22'



Part Numbers on the Next Page

2012 SPORT

PLUMBING, FRESH WATER

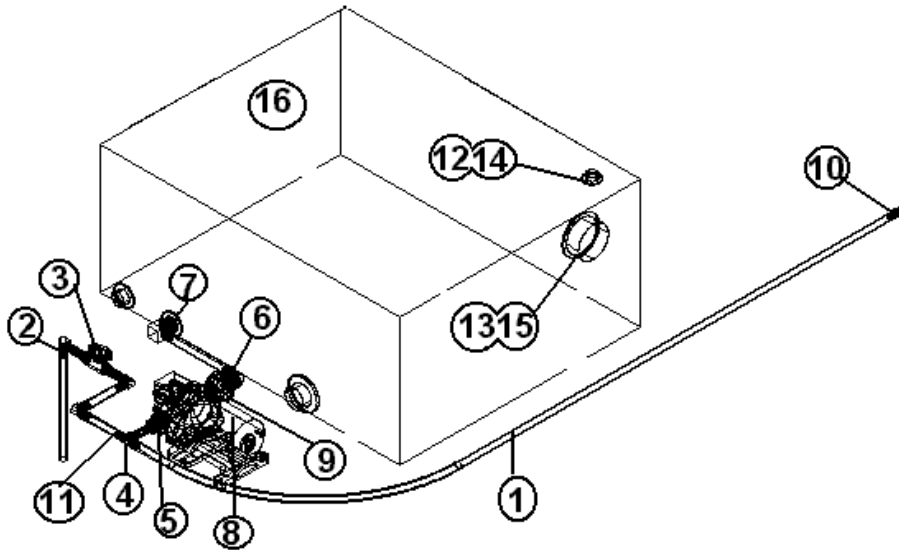
Fresh Water Tank, 22'

1. 602168 TANK, FRESH WATER
2. 454627 PAN, FRESH WATER TANK
3. 601810 VALVE-1/2"FPT X 1/2" FPT KBI
4. 601811 ELBOW-1/2"MPT X 1/2" FPT STREET
5. 601812 NIPPLE-BRASS 1/2" X 2"
6. 601237 ELBOW 90 D 1.25 MPT X 1.25 BAR
7. 601239 TUBING 1.375 I.D. RIBBED
8. 0260043-20 WORM CLAMP #20
9. 602256-04 ELBOW, 1/2"BARB X 1/2"MPT
10. 601240-01 TUBING 1/2 I.D. X 3/32 WALL THREAD
11. 340086 MINIATURE SCREW TYPE HOSE CLAMP
12. 602256-04 ELBOW, 1/2"BARB X 1/2"MPT
13. 601698-01 E-PEX 1/2" TUBING
14. 601698-15 1/2", CRIMP RING
15. 602185-01 Drain Valve, 90 degree
16. 602256-03 COUPLER, 1/2"BARB X 1/2"FPT
17. 200507 STYROFOAM, 1 X 25 X 55
18. 200152 STYROFOAM, 1/2' X 6 X 42

2012 SPORT

PLUMBING, FRESH WATER

Fresh Water System, 16'



- | | |
|---------------|---|
| 1. 601698-01 | E-PEX 1/2" TUBING |
| 2. 602256-10 | QQE33X 1/2" BARB EL |
| 3. 602256-22 | BALL VALVE 1/4" TURN |
| 4. 602256-11 | QQT333X 1/2" BARB TEE |
| 5. 602256-03 | QQSFC33XPXP 1/2" B X 1/2", SWIVEL ADAPTOR |
| 6. 602256-05 | QQE33BSXP 1/2" B X 1/2" FPT SWIVEL |
| 7. 602256-04 | QQE33BTX 1/2" BX1/2" MPT BARB EL |
| 8. 602307 | WATER PUMP SHURFLO #4008-101-A6 |
| 9. 601668-01 | WATER PUMP PRE-FILTER |
| 10. 602256-08 | QQC33X 1/2" BARB COUPLING |
| 11. 601698-15 | 1/2" CRIMP RING |
| 12. 601240-01 | TUBING 1/2" I.D. X 3/32 WALL |
| 13. 601239-01 | TUBING 1.375" I.D. RIBBED |
| 14. 340084-12 | CLAMP, HOSE |
| 15. 340084-20 | CLAMP, HOSE |
| 16. 601861-01 | Fresh water tank |
| 602204 | HOSE 1/2" FLEX |
| 602308 | CHECK VALVE, 1/2" MPT x 1/2" MPT |
| 601531 | FITTING-90 DEGREE 3" H X ST |
| 203085 | PLUG WATER LINE 1/2" PLASTIC BLACK |
| 601658 | VALVE 1/2" STOP CPVC |
| 601659 | RISER 1/2" FPT X 12" CPVC |
| 602185-01 | DRAIN VALVE 90 DEG TURN |
| 454065 | STRAP-WATER TANK |

2012 SPORT

PLUMBING, FRESH WATER

Water Fill/Pump and Fittings

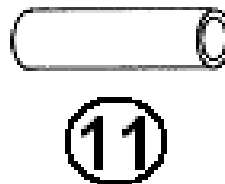
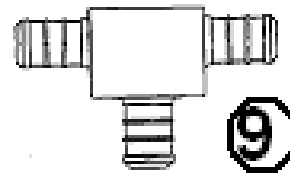
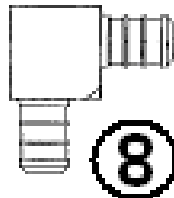
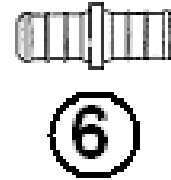
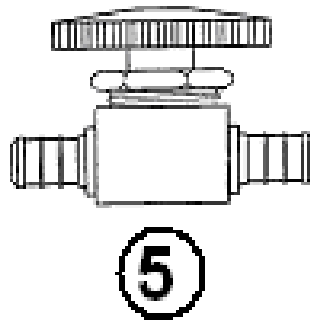
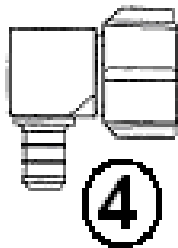
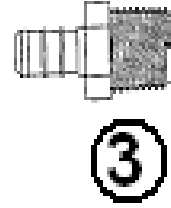
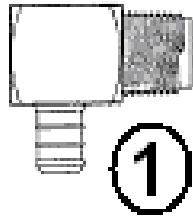
601194	Water fill w/lock, gray
601237	Plastic elbow, 90 degree, 1.25" MPT x 1.25" barb
601239-01	Tubing, 1.375" I.D., flexible, water fill hose
601061-03	Water pump, Shurflo
602202	WATER PUMP SMART SENSOR
602204	HOSE, 1/2" FLEX, WATER PUMP
601668-01	Filter, pre water pump
602185-01	Valve, 90 degree
601531	FITTING-90 DEGREE 3" H X ST
203085	PLUG WATER LINE 1/2" PLASTIC BLK
601659	RISER 1/2" FPT X 12" CPVC
601392-05	CITY WATER FILL W/REGULATOR CHROME
601197-02	Water hook up, chrome

City Water Hookup

600362	Connector, 1/2" FPT x water hose, swivel
600336	Plug with chain
601690	Nipple, 1/2" MPT x 2.50"
601689	Drop ell, 90 degree, 1/2" FPT
600315	PUMP GUARD FILTER
602256-01	NIPPLE, POLY .5"MPT X .5"MPT
601237	ELBOW 90 D 1.25 MPT X 1.25 BAR
601267-02	NIPPLE THREADED ONE END ONLY

2012 SPORT PLUMBING, FRESH WATER

Fresh Water Fittings



Part Numbers Are On The Next page

2012 SPORT

PLUMBING, FRESH WATER

Fresh Water Fittings

1. 602256-04 Elbow, 1/2" barb x 1/2" MPT
2. 602256-03 Coupler, 1/2" barb x 1/2" FPT
3. 602256-02 Coupler, 1/2" barb x 1/2" MPT
4. 602256-05 Elbow 1/2 barb x 1/2" FPT
5. 602256-22 Shut-off, 1/2" barb x 1/2" barb
6. 602256-08 Coupler, 1/2" x 1/2" barb
7. 602256-09 Plug, 1/2" barb
8. 602256-10 Elbow 1/2" barb x 1/2" barb
9. 602256-11 Tee, 1/2" x 1/2" x 1/2"
10. 10.601698-15 Crimp ring, 1/2E-Pex, 1/2" (black)
11. 601698-01 E-Pex tube, 1/2
12. 11.601698-21 E-Pex tube, 1/2", Red
- 601237 ELBOW 90 D 1.25 MPT X 1.25 BAR
- 601810 VALVE, 1/2" FPT X 1/2" FPT KBI
- 601811 ELBOW, 1/2" MPT X 1/2' FPT STREET
- 601812 NIPPLE-BRASS 1/2" X 2.0"
- 340085-06 CLAMP, LOOP, STEEL W/RUBBER, .75

2012 SPORT

PLUMBING, FRESH WATER

Faucet, Trim Kit, Shower, 22'

601358 SHOWER HARDWARE UNIT, CHROME
602170-01 SHOWER VALVE, CHROME
602170-02 ELBOW 6401, SHOWER KIT
602256-01 NIPPLE, ½", BRASS, HEX

Sink/Faucet, Galley, 22'

602197 SINK w/FAUCET, FLUSH SMEV S.S. SATIN, GALLEY
602153 FAUCET ONLY, WATER TAP, STAINLESS STEEL
195362-39 STRAINER, 2"

Sink/Faucet, Lavatory, 22'

602294-01 FAUCET, LAVY, SINGLE LEVER
602294-02 AERATOR, 1.5 GPM (FOR 602294-01)
601804-01 SINK, LAVY, YUKON ROUND
601813 TAIL PIECE, LIFT/TURN DRAIN
600594 STRAINER W/WHITE RUBBER STOPPER

Sink/Faucet, Galley, 16'

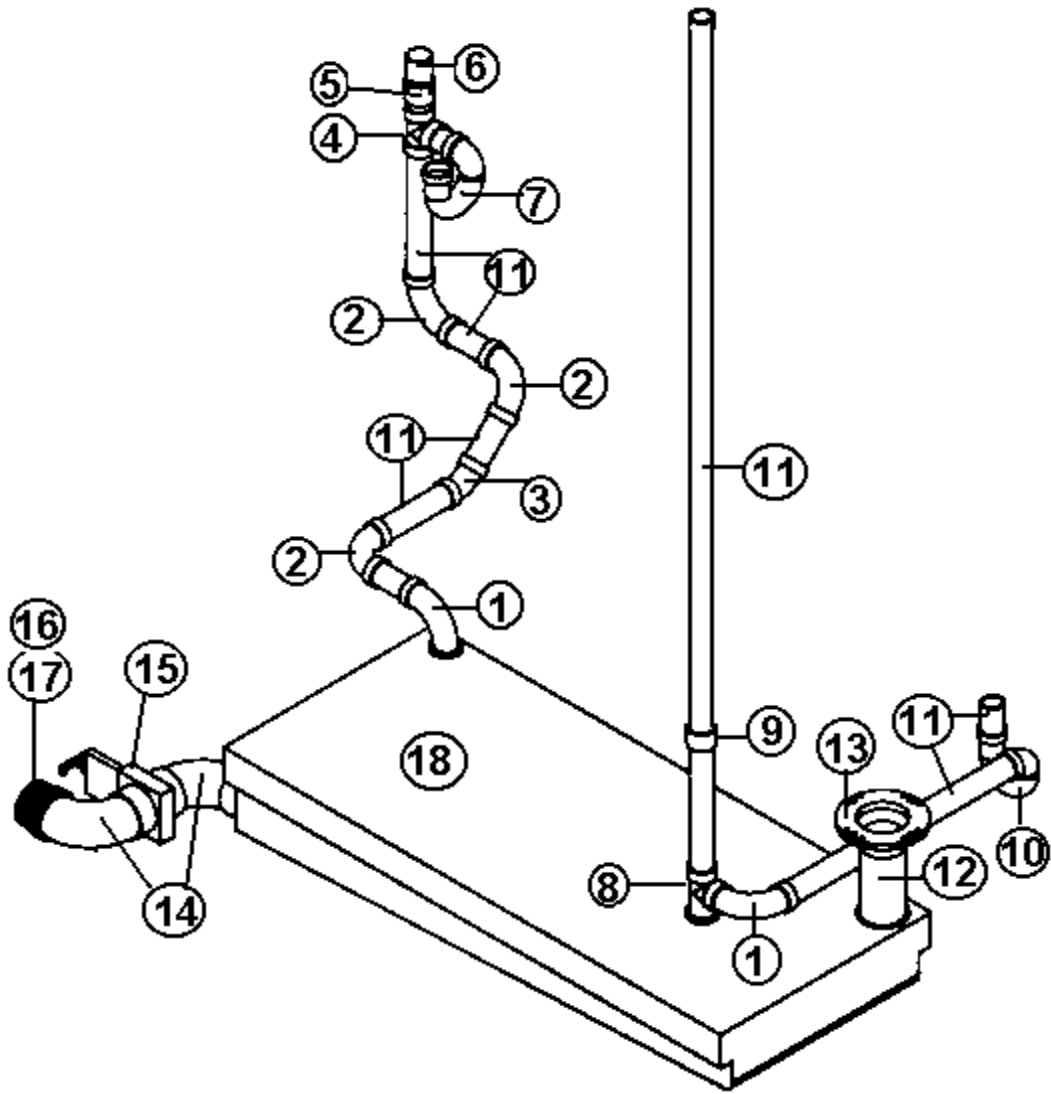
602250 SINK, SS, SINGLE BOWL, 13" X 15"
601714-01 TAIL PIECE 1-1/2X4"(GALLEY DRAIN)
601714-02 1.5" SLIP NUT W/WINGS
601714-03 105" BLACK RUBBER WASHER
601714-04 TAILPIECE, GALLEY DRAIN
602243 FAUCET, GALLEY MOEN
600968 BASKET STRAINER
203673 COVER, SINK, .5, NATURAL OAK, 14.25 X 12.25

Shower Valve 16'

604877-01 SHOWER VALVE, W/FLAT WASHER
604877-03 ELBOW, ½" CHROME SUPPLY
604877-04 VACUUM BREAKER, BRASS
604877-05 AMCOR CHROME 4 POS HH SHOWER HEAD
604877-06 AMCOR MET/FLEX BLK & CHROME 59" HOSE
604877-07 AMCOR CHROME WALL BRKT FOR HH SHOWER
601884 CENTER SET NUT, PLASTIC

2012 SPORT
PLUMBING, DRAIN

DRAIN SYSTEM, 16'



P/N on Next Page

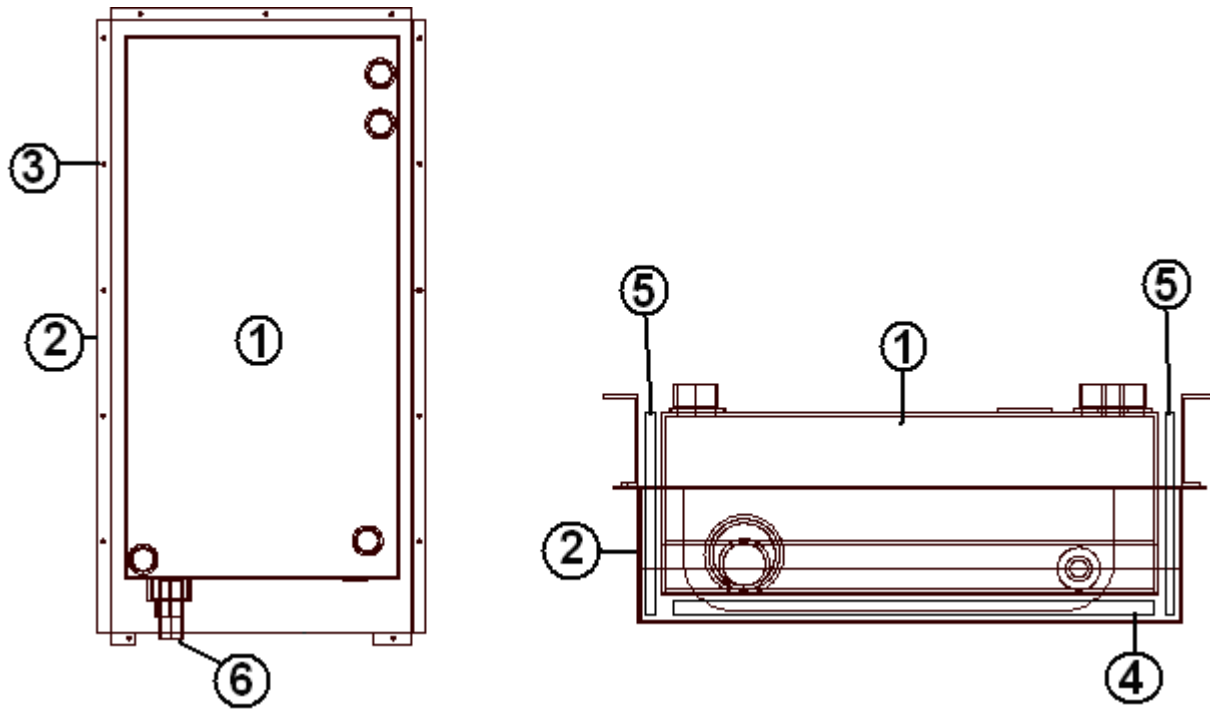
2012 SPORT
PLUMBING, DRAIN

DRAIN SYSTEM, 16'

1. 600431 Elbow, 90, 1.5"
2. 600035 Ell, ABS, Long sweep, 1.5"
3. 600030 Ell. 45 degrees, long turn
4. 600156 Tee, sanitary
5. 600308 Adaptor, ABS, female, Sloan #2891
6. 600538 Vent, V-200 automatic
7. 600622 P-trap, 1.5" w/slip nut & washer
8. 601868 Sanitary tee, spig x hub x hub
9. 600227 Plastic couplings
10. 600144-01 P-trap, ABS DVW, 1.5"
11. 601160-02 Pipe, ABS, DVW, 1.5"
12. 601267-04 Nipple, 3" Dia. THD one, 10" long
13. 601266 Flange, closet, 3' x4", slip fit
14. 600820 3" single socket, 90 degree
15. 601607-14 Dump valve, 3"
16. 601607-06 Termination adaptor, 3" hub x 3" bay
17. 601607-07 Termination cap, 3" bay
18. 601844-05 Tank, black/gray combination, Prior to 1/3/2012.
- 18.601844-07 Tank, black/gray combination, 1st Usage 1/3/2012, Unit # 526773.
19. 115555 Bracket, Dump Valve
20. 600027 Elbow, 45 degree, short
- 511789 SENSOR-TANK MONITOR #500-10050
- 453945-07 Close off, plumbing, black
- 601869 Tank pan
- 200507 STYROFOAM, 1 X 25 X 55"
- 200152 STYROFOAM 1/2 X 6 X 42"
- 602164-01 P TRAP W/COMPRESSION NUT 1.5"
- 602164-02 TAILPIECE W/NUTS & WASHERS 1.5
- 601727 Shower drain w/grid top

2012 SPORT PLUMBING, DRAIN

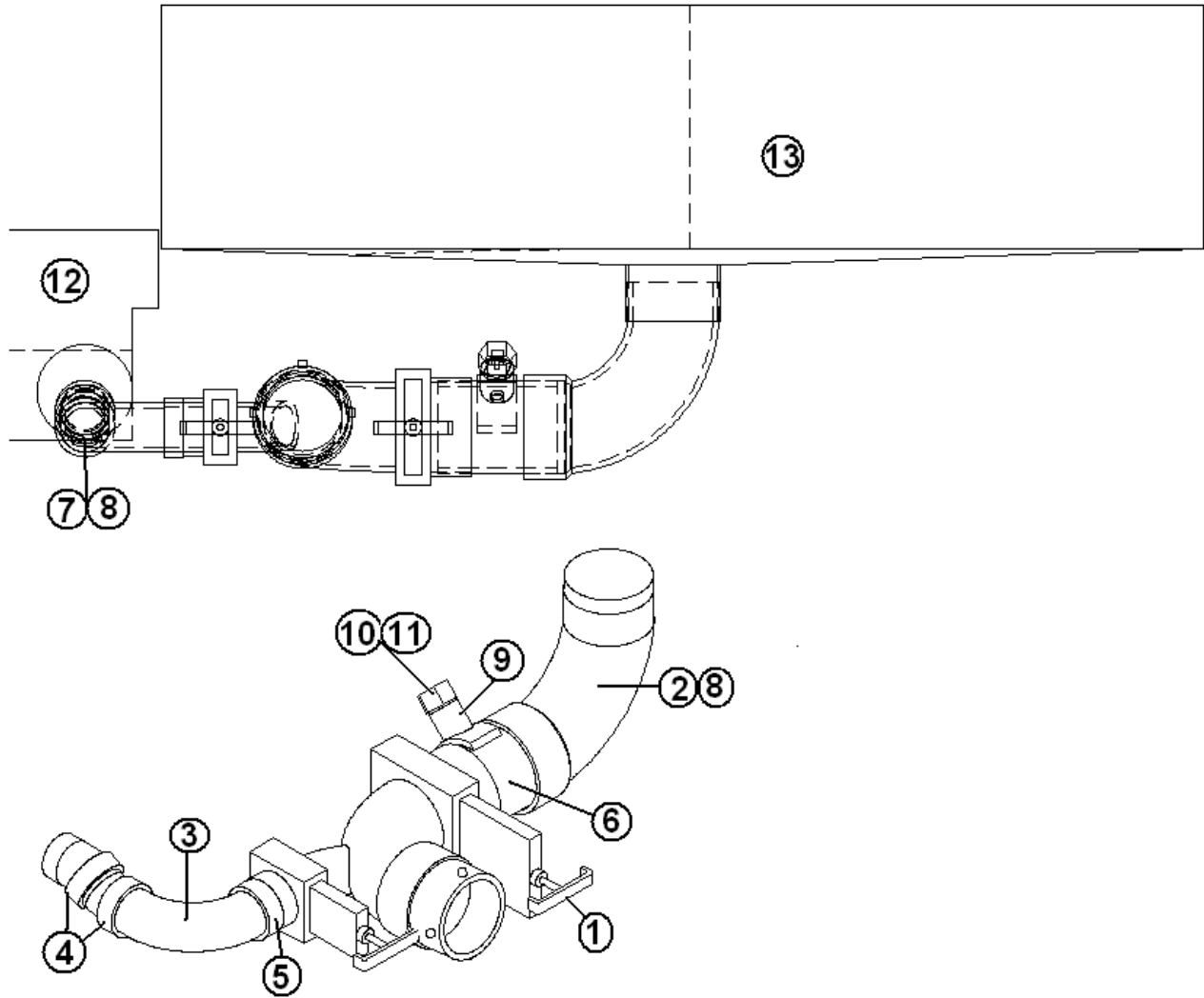
Grey Tank, 22' Front bed



- | | |
|--------------|--|
| 1. 602166 | TANK, GRAY, HOLDING, 24 GALLON |
| 2. 602167 | PAN, GRAY TANK |
| 3. 345074-05 | SCREW 5/16-18 X 7/8, HEX WASHER |
| 4. 200507 | STYROFOAM, 1" X 25" X 55", WATER TIGHT |
| 5. 200152 | STYROFOAM, 1/2" X 6" X 42" |
| 6. 601160-02 | PIPE, ABS DVW, 1-1/2" |
| 454642 | STRAP, BLACK TANK FORWARD |
| 454641 | STRAP, BLACK TANK AFT |

2012 SPORT PLUMBING, DRAIN

Drain Valves/Tanks, 22' Front Bed



Part numbers on the next page.

2012 SPORT

PLUMBING, DRAIN

Drain Valves/Tanks, 22' Front Bed

1. 601482 Dump Valve Rotating assembly
2. 600820 3" Ell, 90 degree
3. 600431 Elbow, 90, 1½"
4. 601800 Street Ell, 1.5", 22.5 Degrees, ABS
5. 601160-02 Pipe, ABS DVW, 1½"-2.00" Long
6. 601160-04 Pipe, ABS DVW, 3"- 4" Long
7. 195329-229 Reducer adaptor, 3" to 1.5"
8. 340092 Clamp, worm type T40C-75-388-SB
9. 601846 ADAPTOR-3"PIPE, CATCON
10. 511789 Sensor, tank monitor
11. 511789-01 Boot, Sensor
12. 602166 Holding tank, gray
13. 601854-02 Black tank
- 114916 Bracket, dump valve
- 200507 STYROFOAM, 1" X 25" X 55"
- 200152 STYROFOAM, ½" X 6" X 42"
- 601266 FLANGE, CLOSET, 3 X 4, SLIP FIT

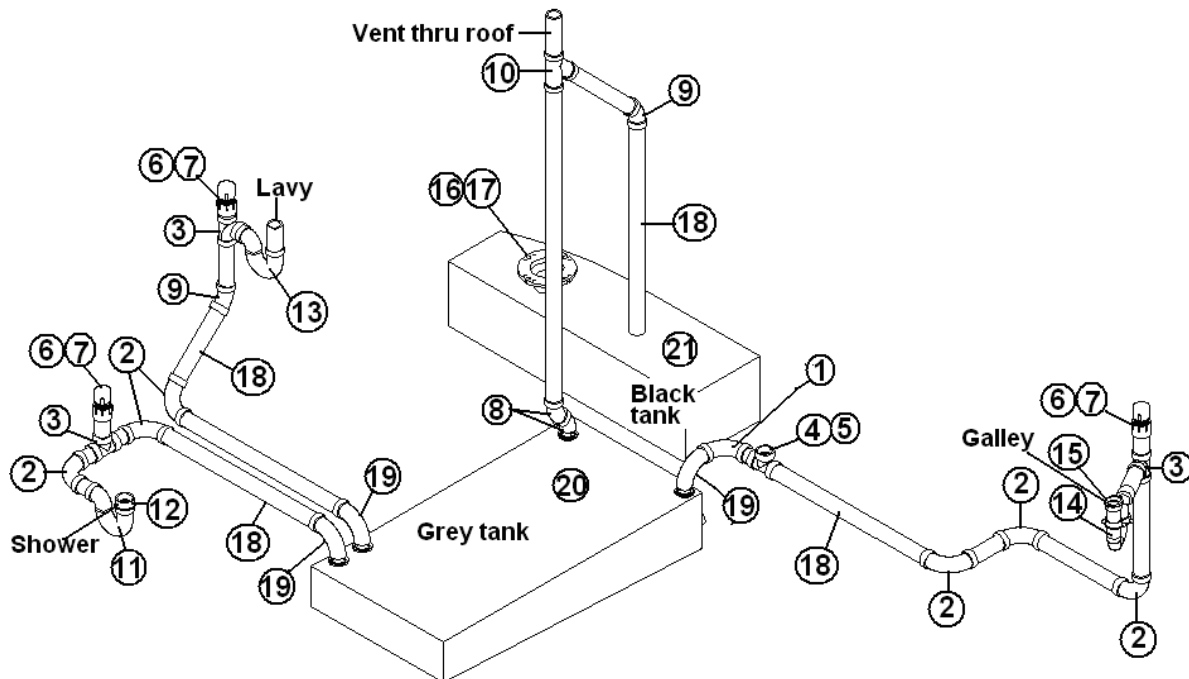
Black Tank Flush

- 601441 Tank flush system

2012 SPORT

PLUMBING, DRAIN

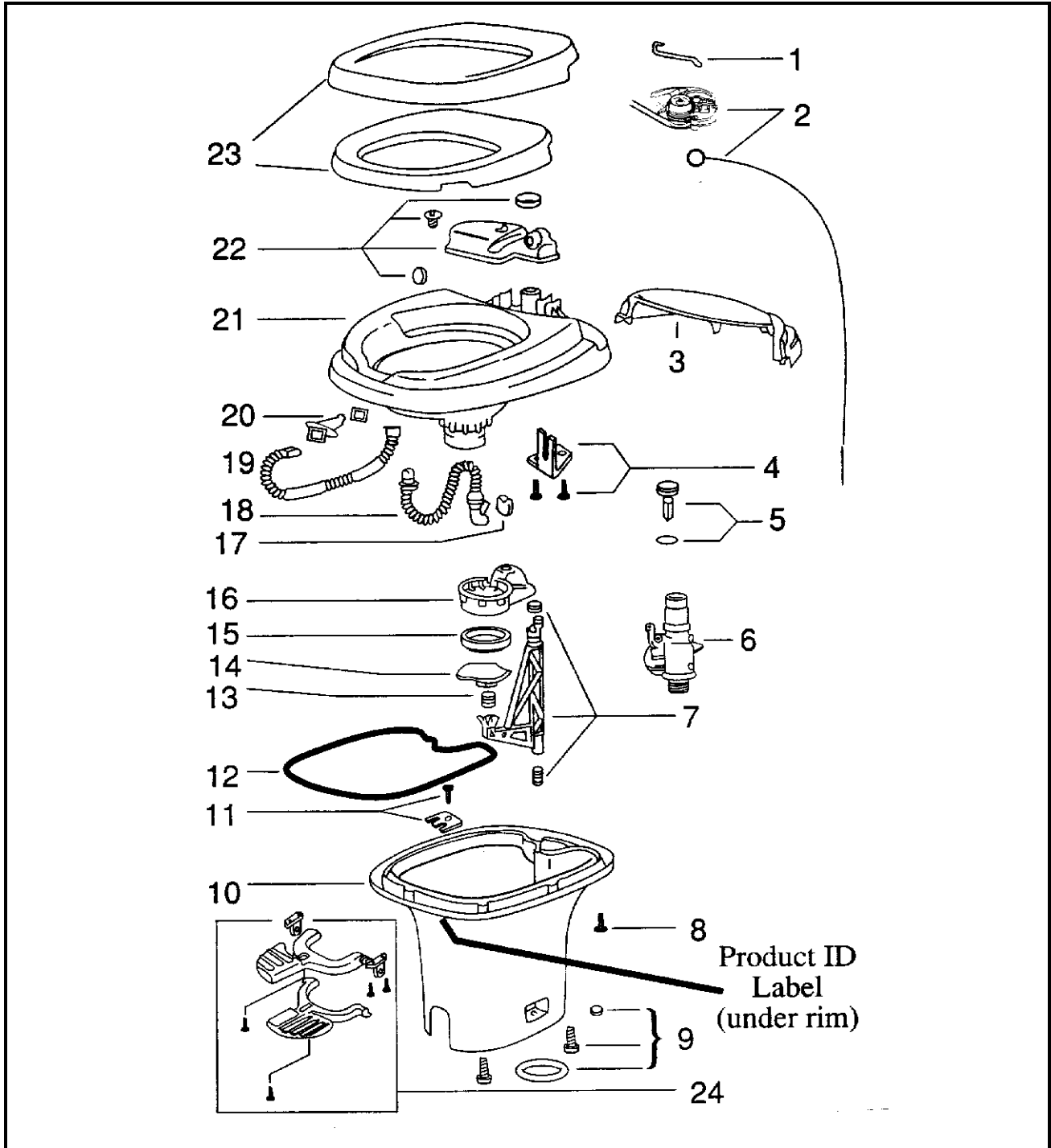
Drain System, 22 Front Bed



- | | |
|---------------|-------------------------------------|
| 1. 600431 | ELBOW, 90 DEGREE, 1.5" |
| 2. 600035 | ELL ABS LONG SWEEP, 1.5" |
| 3. 600156 | TEE SANITARY |
| 4. 601318 | TEE BI-DIRECTIONAL CLEANOUT |
| 5. 600155 | PLUG, CLEANOUT, 1.5" |
| 6. 600538 | VENT, V-200, AUTOMATIC |
| 7. 600308 | ADAPTER, ABS, FEMALE SLOAN |
| 8. 600027 | ELBOW, ABS, LONG ST, 45 DEGREES |
| 9. 600030 | ELL, ABS, 45 DEGREES, LONG TURN |
| 10. 600094 | WYE |
| 11. 602164-01 | P TRAP W/COMPRESSION NUT ,1.5" |
| 12. 602164-02 | TAILPIECE, W/NUTS & WASHERS 1.5" |
| 13. 600144 | P TRAP, ABS, 1.5" |
| 14. 600622 | P-TRAP, 1.5", W/SLIP NUT & WASHER |
| 15. 601714-01 | TAIL PIECE, 1.5" X 4"(GALLEY DRAIN) |
| 16. 601266 | FLANGE, CLOSET, 3" X 4", SLIP FIT |
| 17. 601267-02 | NIPPLE, THREADED ONE END, 6" LONG |
| 18. 601160-02 | PIPE, ABS DVW, 1.5" |
| 19. 600662 | 1.5" ELBOW, SHORT RADIUS |
| 20. 602166 | GRAY HOLDING TANK |
| 21. 601854-02 | BLACK HOLDING TANK |

2012 SPORT PLUMBING, DRAIN

Toilet, 22'



2012 SPORT
PLUMBING, DRAIN

Toilet, 22'

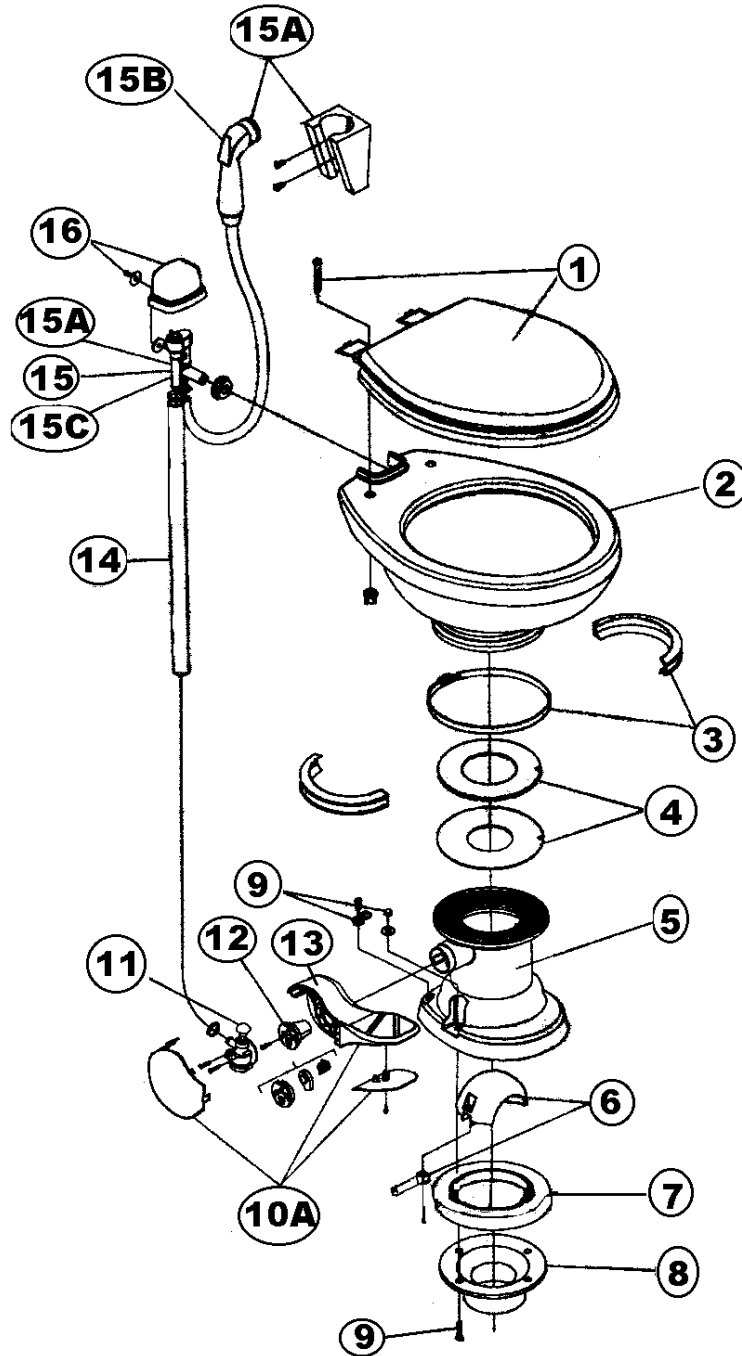
690495-02

Aqua Magic V, Low Profile

- | | |
|----------------|---------------------------------|
| 1) 690387-513 | Water valve link |
| 2) 690387-571 | Wire replacement package |
| 3) 690387-562 | Mechanism cover, white |
| 4) 690387-634 | Bracket assembly |
| 5) 690387-631 | Float assembly |
| 6) 690387-168 | Water valve replacement package |
| 7) 690387-632 | Actuator assembly |
| 8) 690387-659 | Screw base to bowl |
| 9) 690387-524 | Closet bolt package |
| 10) 690387-356 | Base, white, low |
| 11) 690387-636 | Retainer assembly |
| 12) 690387-387 | Sealant, base to bowl |
| 13) 690387-519 | Blade spring |
| 14) 690387-262 | Blade |
| 15) 690387-481 | Blade seal |
| 16) 690387-520 | Blade track |
| 17) 690387-512 | Flapper |
| 18) 690387-511 | Overflow tube |
| 19) 690387-509 | Flush tube |
| 20) 690387-637 | Nozzle assembly |
| 21) 690387-726 | Bowl |
| 22) 690387-630 | Reservoir tank assembly |
| 23) 690387-162 | Seat and cover assembly |
| 24) 690387-821 | Pedal package |
| 601266 | FLANGE, CLOSET, 3 X 4, SLIP FIT |

2012 SPORT PLUMBING, DRAIN

Toilet, 16'



P/N Next Page

2012 SPORT
PLUMBING, DRAIN

Toilet, 16'

- 690472 Sealand, Traveler Lite, White, HIGH PROFILE, 16'
- 1. 344088 Seat Assembly
- 2. 310790 China bowl kit
- 3. 310025 Ring & half clamp kit
- 4. 316140 Teflon & rubber seal kit
- 5. 310792 Base kit, includes 3, 4, 6, 7, 9, 10A, 11 & 12
- 6. 310681 Ball, shaft, cartridge kit
- 7. 343938 Floor flange seal
- 8. 600065 Flange, floor, threaded, Airstream
- 8a. 601266 TOILET, FLANGE, CLOSET, 3" X 4", SLIP FIT
- 9. 310794 Floor bolt mounting kit
- 10. 310117 Pedal cover kit
- 10A. 310682 Flush pedal kit (includes 12)
- 11. 314349 Water valve kit
- 12. 310683 Spring cartridge kit
- 13. Pedal included w/Part 10A
- 14. 340177 Supply hose
- 15. 310687 Vacuum breaker kit
- 15A. 319054 Vacuum breaker kit w/spray
- 15B. 340683 Hand spray
- 15C. 230335 Vacuum breaker (used w/spray)
- 16. 310795 Vacuum breaker cover kit
- 601884 CENTER SET NUT, PLASTIC

2012 SPORT
SEALER/GASKETS/PAINT

SEALER

360001	Sealant, #884058
360209	Sealant, seam
360176	Sealant, Almond, kitchen and bath
360180	Sealant, Sika-flex, gray
360180-04	Sealant, Sikaflex #221, black
360210	Sealant, Paralastic 4334-014
360283-01	SEALANT SILICONE CORIAN G. WHITE
365330-03	SEALANT, ALUMINUM/GREY
360258	SEALANT, ACRYLIC LATEX CAULK
360258-03	SEALANT, LATEX CAULK CLEAR

2012 SPORT

GASKETS/PAINT

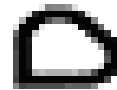
Gaskets



①



②



③

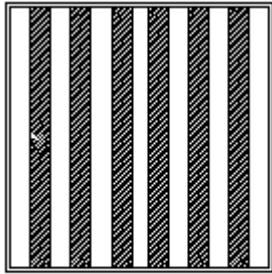
- | | |
|--------------|--|
| 1. 365035 | Gasket Access door jamb, access doors |
| 2. 365013-01 | Gasket screen door |
| 3. 365232 | Gasket main door |
| 365208 | Gasket seal, Excel Windows |
| 382117 | Gasket, Window Rectangle – |
| 365016 | Tape, foam, double face, 1/2" wide |
| 365001-02 | Tape, vinyl foam, double face, 3/4" wide |
| 685510 | SEAM TAPE, BLACK 1/32" X 7/8" X 200 |
| 683946 | BUG SEAL, edge of screen door close out |
| 365190 | Rubber seal, refrigerator compartment |
| 382074 | Gasket, grab handle, main door |
| 365222 | TAPE DOUBLE COATED,.08 X 3/4" |

Paint

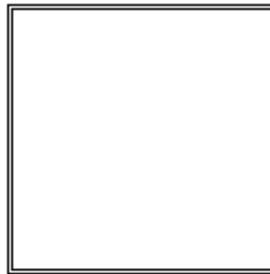
- | | |
|------------|-------------------------------------|
| 360213 | Paint, aluminum metallic |
| 360213-100 | Paint, aluminum metallic, 16 OZ CAN |
| 360151 | Paint, gray metallic, Centari |
| 360346 | PAINT, SILVER, PPG |
| 360347 | PAINT, BLACK, PPG |
| 360260-01 | Paint, Pewter, 16 OZ CAN |

2012 SPORT
UPHOLSTERY/FOAM/MATTRESS

Pillow Kit, Sharksfin



①



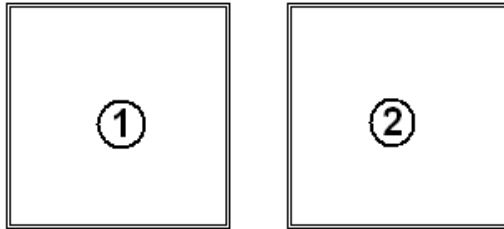
②

- | | |
|--------------|-------------------------------|
| 703736-03 | Pillow Kit, Sharksfin, 22' FB |
| 703736-04 | Pillow Kit, Sharksfin, 16' |
| 1. 703736-01 | Pillow, Sharksfin |
| 2. 703736-02 | Pillow, Sharksfin |

2012 SPORT

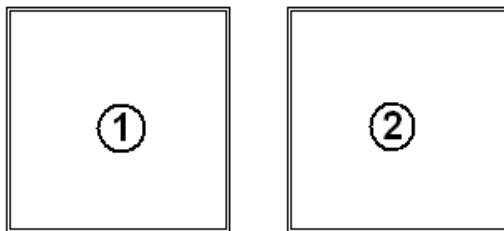
UPHOLSTERY/FOAM/MATTRESS

Pillow Kit, MOCHABLUE



- 703793-03 Pillow kit, MOCHABLUE, 22' FB
- 703793-04 Pillow kit, MOCHABLUE, 16'
- 1. 703793-01 Pillow, AMBROSIA PEWTER FABRIC
- 2. 703793-02 Pillow, SOLILIQUE MOCHABLUE FABRIC

Pillow Kit, Cinnabar



- 703792-03 Pillow Kit, Cinnabar, 22' FB
- 703792-04 Pillow Kit, Cinnabar, 16'
- 1. 703792-01 Pillow, Cinnabar, ambrosia fabric
- 2. 703792-02 Pillow, Cinnabar, soliloque fabric

Pillow

- 701611 NLA - PILLOW, 21" X 31"
- 703987 PILLOW BED, PLUMP POLY FILL 20"X30"

2012 SPORT

UPHOLSTERY/FOAM/MATTRESS

Bedsread, Mattress, 22' Front Bed

703804	MATTRESS, 54" X 83.25"
703980	MATTRESS, 54" X 83" PILLOW TOP 2012 1/2
703880-129	BEDSPREAD, 55 X 84, CINNABAR 22'
703880-139	BEDSPREAD, 55 X 84, MOCHABLUE 22'
703880-068	BEDSPREAD, 55 X 84, SHARKSFIN 22'

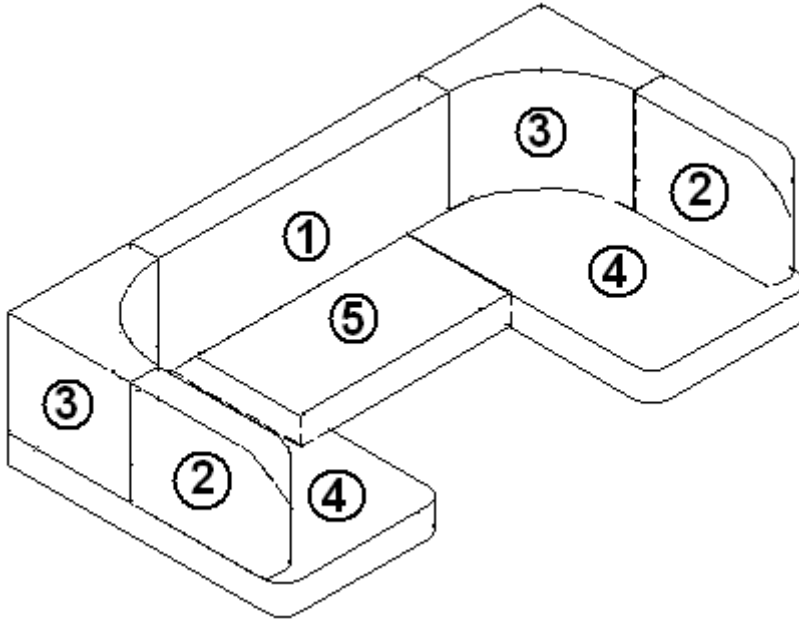
Bedsread, Mattress, 16'

703695	MATTRESS, 48 X 78, W/DBL RADIUS CORNER
703975	MATTRESS, 47.5 X 78, PILLOWTOP
703363-129	BEDSPREAD, REVERSE SHAM, CINNABAR 16'
703363-139	BEDSPREAD, REVERSE SHAM, MOCHABLUE 16'
703363-068	BEDSPREAD, REVERSE SHAM, SHARKSFIN 16'

2012 SPORT

UPHOLSTERY/FOAM/MATTRESS

Dinette Seat Foam/Covers, 22' Front Bed



- | | |
|--------------|------------------------------|
| 1. 998204-01 | SEAT COVER, MIDDLE BACK REST |
| 1. 703802-01 | FOAM, MIDDLE BACK REST |
| 2. 998204-02 | SEAT COVER, SIDE BACK REST |
| 2. 703802-02 | FOAM, SIDE BACK REST |
| 3. 998204-03 | SEAT COVER, CORNER BACK REST |
| 3. 703802-03 | FOAM, CORNER BACK REST |
| 4. 998204-04 | SEAT COVER, SEAT BOTTOM |
| 4. 703802-04 | FOAM, SEAT BOTTOM |
| 5. 998204-05 | SEAT COVER, CENTER SEAT BACK |
| 5. 703802-05 | FOAM, CENTER SEAT BACK |
| 703802 | FOAM KIT, COMPLETE |

2012 SPORT

VENTS/FANS/SKY LIGHTS

Vent, Black Tank, Roof

690264-03 Vent pipe cover, white
380228 Wire, hardware cloth
382165 GASKET, CORLON ,VENT CAP

Vent Fan, Refrigerator

690394 Power ventilator, refrigerator
511836 Switch, refrigerator fan

Vent, Power, Roof

512253 NLA - VENT, COMFORT AIR, EXHAUST ONLY
512538 VENT, EXHAUST ONLY, MANUAL
690266-01 VENTILATOR, POWER, ROUND

Sky light, 19" x 19"

381318-05 Skylight, 19.5" x 19.5"
201962 Trim, skylight, 19.5" x 19.5"
702804-03 Shade, skylight, pleated, 19.50" x 20"
114485 Mounting Frame, Sky light
382053 Corner brace, skylight mounting frame

2012 SPORT
WOOD/LAMINATES/TRIM

PLYWOOD

800506-04	Plywood, 3/4" x 4' x 8'
800506-06	Plywood, 3/4" x 4' x 8'
800506-05	Plywood, 5/8" x 4' x 8'
800976-01	Plywood, tongue and groove, 19/32' (floor)
801351	LITE PLY-18MM (.75") 4' X 8'

PANELING

801355-01	LAMINATE, FROSTY WHITE ,VERTICAL
801368	18MM WHITELINER/WHITELINER
800368-02	TAMBOUR, SILVER, 4' X 8' SHEET
801369	PANEL, FROST WHITE/WHITELINER
801378	18MM WHITELINER/BACKER
801392	12MM GOLD ALCHEMY/LINER
801438	PANEL, FROST WHITE VINYL/RAW 2.7MM
801697	PANEL, FROSTY/FROSTY 12MM
801703	12MM FROSTY WHITE/WHITE LINER
801725	3MM BRUSHED STAINLESS STEEL/RAW
801745	LAMINATE, ABET 292 LUCIDA
801757	18MM WHITE DÉCOR MAPLE/WHITE LINER
801793-01	LAMINATE, GOLD ALCHEMY VERTICAL
801795-01	18MM GOLD ALCHEMY/WHITELINER
801797-01	12MM GOLD ALCHEMY/LINER

2012 SPORT

WOOD/LAMINATES/TRIM

Edge banding

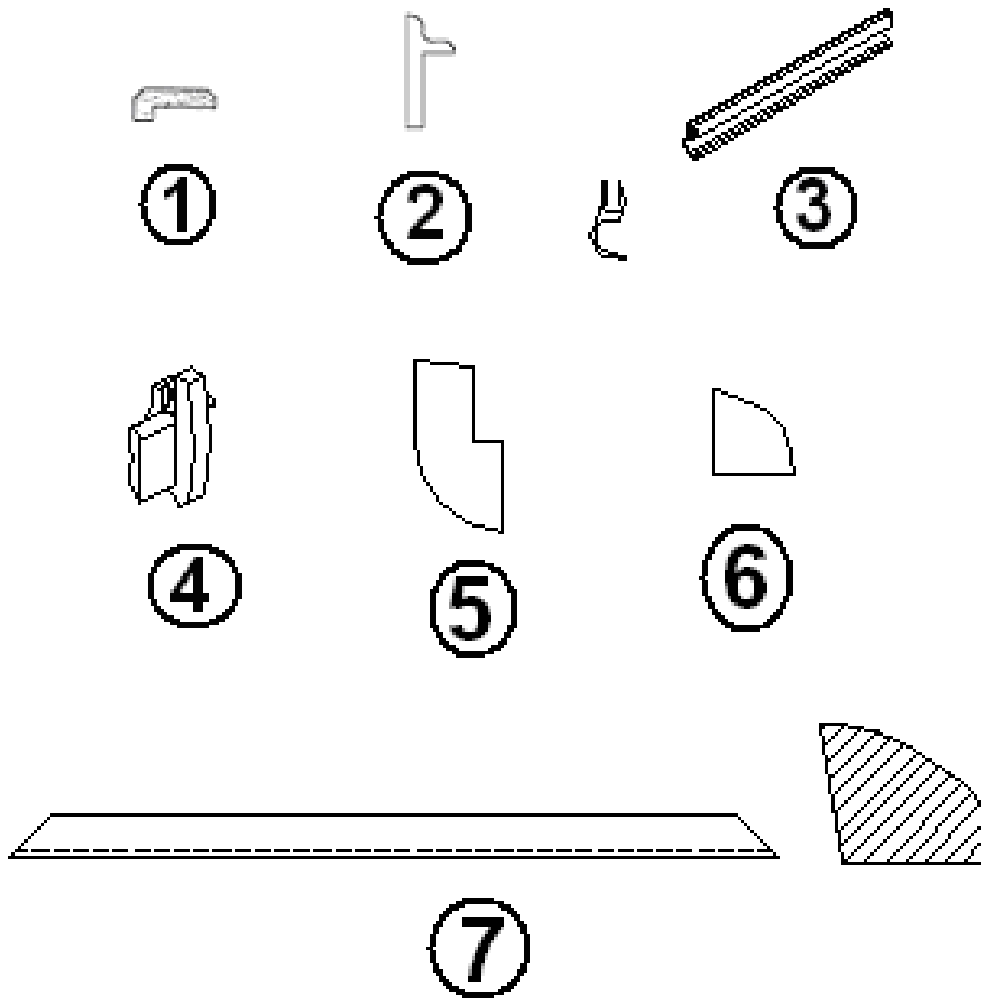
365305-02	EDGEBANDING, BRUSHED ALUMINUM, 5/8"
365313-01	EDGEBANDING, .63", GOLD ALCHEMY
365313-02	EDGEBANDING, 94", GOLD ALCHEMY
365238-04	EDGEBANDING TAPE PVC 5/8", WHITE
365238-05	EDGEBANDING, TAPE PVC, 1.25", WHITE
365238-06	EDGEBANDING, TAPE PVC, 1.3125", WHITE
365267-01	EDGEBANDING, .63", WHITE
365267	EDGEBANDING, .1.125", WHITE
365305-01	EDGEBANDING, 15/16", BRUSHED ALUMINUM
365305-02	EDGEBANDING, .63", BRUSHED ALUMINUM

LAUAN

800507-01	Panel, Lauan, 1/8 x 4' x 8'
800507-02	Panel, Lauan, 1/4" x 4' x 8', raw/raw
800507-03	Panel, Lauan, 3/8" x 4' x 8', raw/raw
800507-04	Panel, Lauan, 1/2" x 4' x 8', raw/raw
800507-06	Panel, Lauan, .75" x 4' x 8', raw/raw

2012 SPORT
WOOD/LAMINATES/TRIM

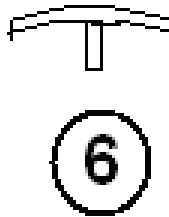
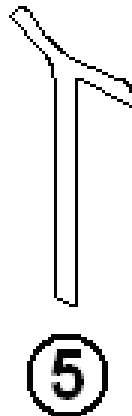
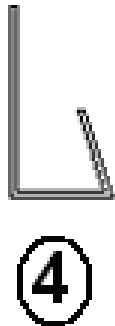
TRIM, WOOD



- | | |
|--|---|
| <ul style="list-style-type: none"> 1. 801665-WH 2. 115064 3. 101265-01 4. 201163-01 5. 801706-0114 6. 800638-0114 7. 801492-0114 801492-006 801178-07 | <ul style="list-style-type: none"> MOLDING-L, DOOR JAMB Trim, Aluminum Counter top EXTRUSION, BLACK DOOR HANDLE ENDCAP-BLACK HANDLE (PR) Molding, corner trim, 90 degree, Gold Alchemy Molding, quarter round, Gold Alchemy THRESHOLD MAIN DOOR, unit w/linoleum Threshold Main Door, N.Oak TRIM, FLAT, FROSTY WHITE |
|--|---|

2012 SPORT
WOOD/LAMINATES/TRIM

TRIM, PLASTIC



- | | |
|--------------|--|
| 1. 203225 | Trim lock, WHITE |
| 1. 203225-01 | Trim lock, GRAY |
| 2. 201728-06 | Extrusion plastic, ceiling trim, gray |
| 3. 203138-01 | Extrusion, plastic Panel edging, WHITE |
| 3. 203464-03 | Extrusion, plastic Panel edging, White |
| 4. 201666 | MOLDING, J-3/16, PLASTIC, ALMOND |
| 5. 201673 | Molding, cove, roof lockers, WHITE |
| 6. 203445 | T-Molding, 9/16", BLACK |
| 6. 203445-02 | T-Molding, 9/16", YELLOW |
| 7. 201728-01 | EXTRUSION, CEILING TRIM RETAINER |

