



Alber USA LLC
1005 International Drive
Oakdale



e-fix[®] E35 E36 Plus

ORDER QUOTATION

- Standard
- Optional field
- Mandatory fields:¹⁾

Invoice address

Customer No.

PO No.

Company

Street

City ST ZIP

Shipping address (if different from invoice address)

Company

Street

City ST ZIP

Type of order

Dealer installation *Pending service dept approval*

Installation by Alber USA in factory \$ 45.00

e-fix E35 (260 lbs max.) \$ 7,295.00

Battery pack, 6 Ah (216 Wh) \$ 0.00
Standard for E35

Battery pack, 7.5 Ah (270 Wh) (additional charge) \$ 300.00

Size of drive wheel 22"
 24"

Order marked for

e-fix E36 Plus (350 lbs max.) \$ 7,895.00

Battery pack, 7.5 Ah (270 Wh) \$ 0.00
Standard for E36

Battery pack, 6 Ah (216 Wh) (price reduction) - \$ 300.00

Size of drive wheel 24"

****REQUIRED****

Wheelchair details

Wheelchair manufacturer (ex. Invacare)

Model (ex. Myon)

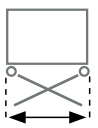
Year of construction

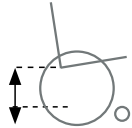
Equipped with vehicle retention system

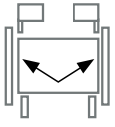
EZ Lock Tiedown

Amputee axle plate

****REQUIRED****


Seat width (seat tube measured on the outside) inch


Rear seat height inch


Standard control unit mounting Left (instead of right) Right

****DRUM BRAKES MUST BE REMOVED!****

Important hardware

Wheelchair mounting bracket \$ 0.00
Possible additional fee for brackets dependent on chair – contact Alber USA with questions

Anti-tippers with jack-up function (pair) \$ 400.00
Not compatible with all wheelchairs – contact Alber USA with questions

****REQUIRED****

Armrest style

Tubular or swing away

Desk or full pad style: With transfer loop Without transfer loop

No user access (if attendant mount)

Comments (mounting, delivery, etc.)



e-fix[®] E35 E36 Plus

2

- Standard
- Optional field
- Mandatory fields:**
The order cannot be processed without details!

Control unit accessories

- Swing away arm \$ 495.00
- Protection bumper \$ 99.00
- Attendant mount (for standard controller) \$ 295.00

- Side:** **Style**
- Right Push handle
 - Left Stroller handle

Battery accessories

- Spare battery, 6.0 Ah (216 Wh) \$ 950.00
- Spare battery, 7.5 Ah (270 Wh) \$ 1,250.00
- Transport bag for spare battery \$ 110.50
- Attachment set for transport bag \$ 38.50
- Spare battery charger \$ 435.00

Joystick option

- Option special, 40 mm/1.57 inch \$ 55.00
- Option soft, 70 mm/2.76 inch \$ 55.00
- Option T-handle \$ 178.00

Spoke covers for drive wheels

- Alber logo, 24" (pair) \$ 252.00
- Alber logo, 22" (pair) \$ 252.00
- Transparent, 24" (pair) \$ 252.00
- Transparent, 22" (pair) \$ 252.00

Extension for speed preselection (larger speed dial)

- Extension for speed preselection \$ 76.00

Extension for coupling ring

- Set for one drive wheel \$ 205.50
- Set for two drive wheels \$ 400.50

Remote interface for external devices and controls

- Opti-Box (Remote interface) \$ 562.00
- Opti-Box bracket \$ 154.00

Switches (Opti-Box required)

- External on/off switch – Buddy button \$ 203.50
- Speed stop/Speed limit switch \$ 130.00
(need for standing wheelchairs)

Intuitive attendant control

- Intuitive attendant control unit (Push/Brake aid) \$ 995.00
- Opposing push handle \$ 115.00
- Intuitive control mounting hardware \$ 285.00

- Side:** **Style**
- Right Push handle
 - Left Stroller handle

External charging socket

- External charger socket incl. clip \$ 188.50

Contact Name: Email:

Date: / / Signature of ordering party: