



Cold Shrink

Cable Accessory Sealing Kits

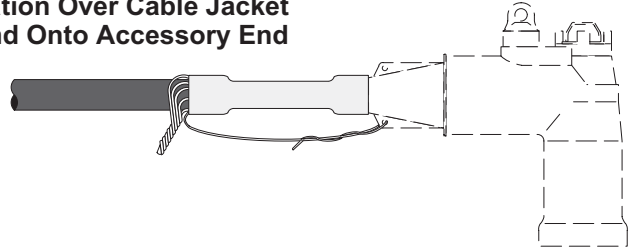
Instruction Sheet

ANSI C119.1

Kit Contents:

- 1 3M™ Cold Shrink Sealing Tube
- 3 Mastic Sealing Strips for 8452
- 3 Mastic Sealing Strips for 8452L
- 4 Mastic Sealing Strips for 8453
- 6 Mastic Sealing Strips for 8454
- 1 Instruction Sheet

Installation Over Cable Jacket End And Onto Accessory End



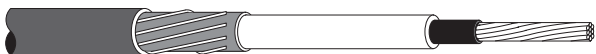
Installation Over Cable Jacket End Only



Kit Selection Chart

Kit Number	Minimum Seal Diameter	Maximum Installed Diameter	Cable Size (AWG or kcmil)		
			15 kV	25 kV	35 kV
8452	0.95 in. (24 mm)	1.94 in. (49 mm)	2 – 4/0	2 – 2/0	1/0
8452L	0.95 in. (24 mm)	1.94 in. (49 mm)	2 – 4/0	2 – 2/0	1/0
8453	1.28 in. (33 mm)	2.67 in. (68 mm)	2/0 – 1000	1/0 – 750	1/0 – 500
8454	1.60 in. (41 mm)	3.50 in. (89 mm)	750 – 1500	600 – 1250	350 – 1000

Table 1

 <p>Jacketed Concentric Neutral (JCN)</p>	<h2 style="margin: 0;">3M™ Cold Shrink</h2> <h3 style="margin: 0;">Cable Accessory Sealing Kits</h3> <p style="margin: 0;">for Jacketed Concentric Neutral (JCN) Cable</p> <p style="margin: 10px 0 10px 0;">8452 8452L 8453 8454</p>
<p>⚠ CAUTION</p> <p>Working around energized systems may cause serious injury or death. Installation should be performed by personnel familiar with good safety practice in handling electrical equipment. De-energize and ground all electrical systems before installing product.</p>	78-8121-1116-5-B

A. Prepare Cable

1. Remove cable jacket.

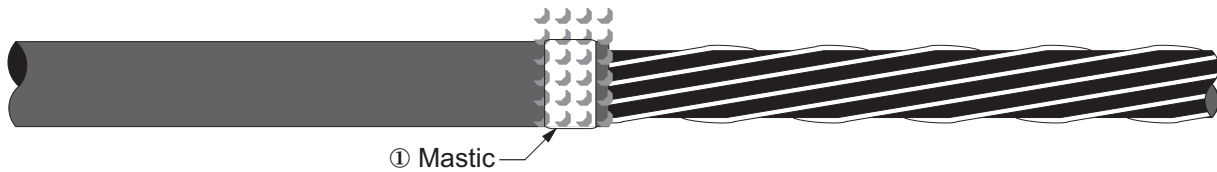
NOTE #1: When sealing accessory end and cable jacket end, the distance the jacket is removed should be in agreement with Elbow manufacturer's (or other accessory) instructions. The exposed cable semi-con between the cable jacket end and the accessory end should be no more than 2 inches (50 mm).

NOTE #2: When sealing cable jacket end only, remove jacket from cable end for a distance to allow installation of accessory plus additional distance as desired.

2. On the cable jacket, 1/2 inch (13 mm) from the jacket end, wrap 1 layer of mastic around the cable ①.

NOTE: Do not stretch mastic when applying.

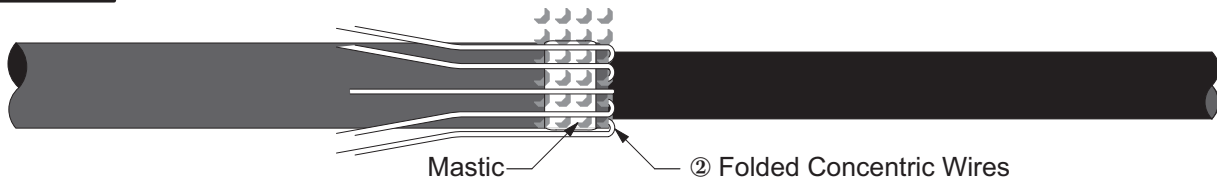
Figure 1



3. Bend the concentric wires back over the cable jacket end and individually press them onto the mastic ②.

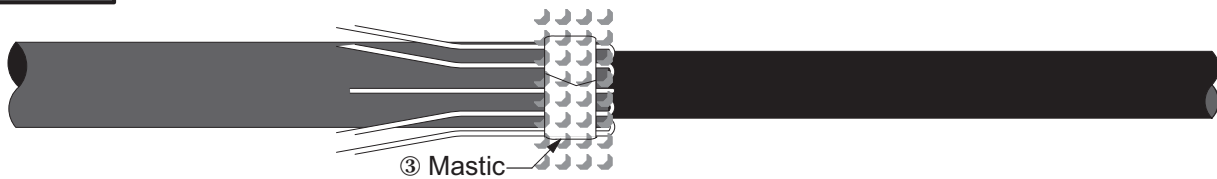
NOTE: Concentric wires should not touch each other when pressed into mastic.

Figure 2



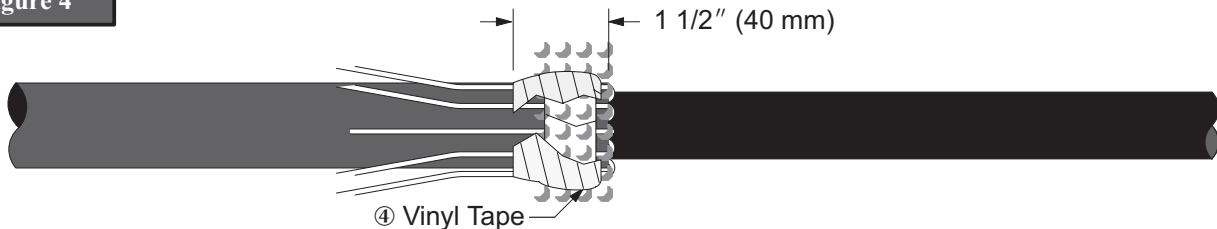
4. Wrap a second mastic strip over the folded wires and previously applied mastic, pressing to fill voids ③.

Figure 3



5. Tightly overwrap the mastic and concentric wires with 3/4 inch (19 mm) wide vinyl tape for a distance of approximately 1 1/2 inch (40 mm) ④.

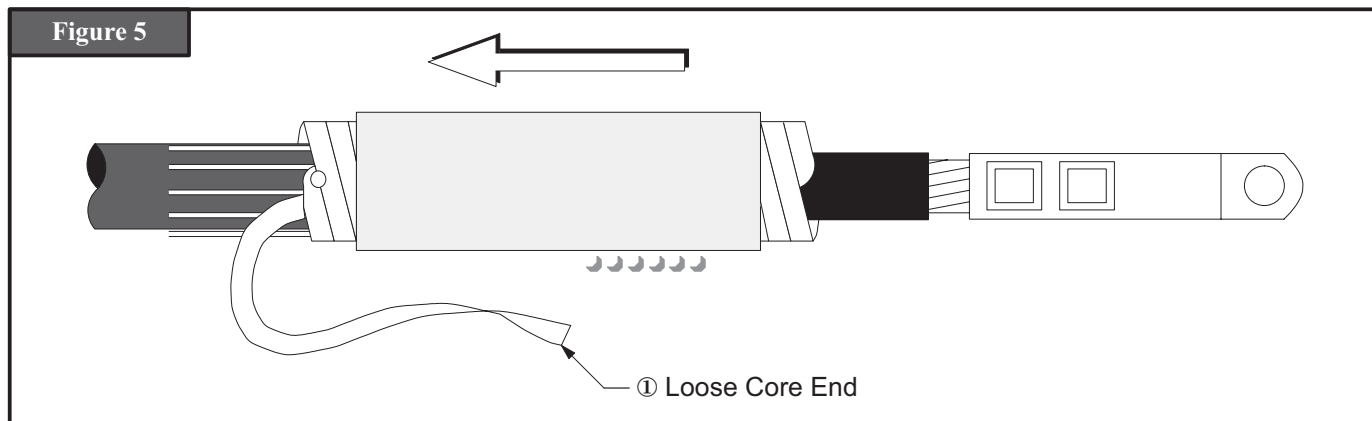
Figure 4



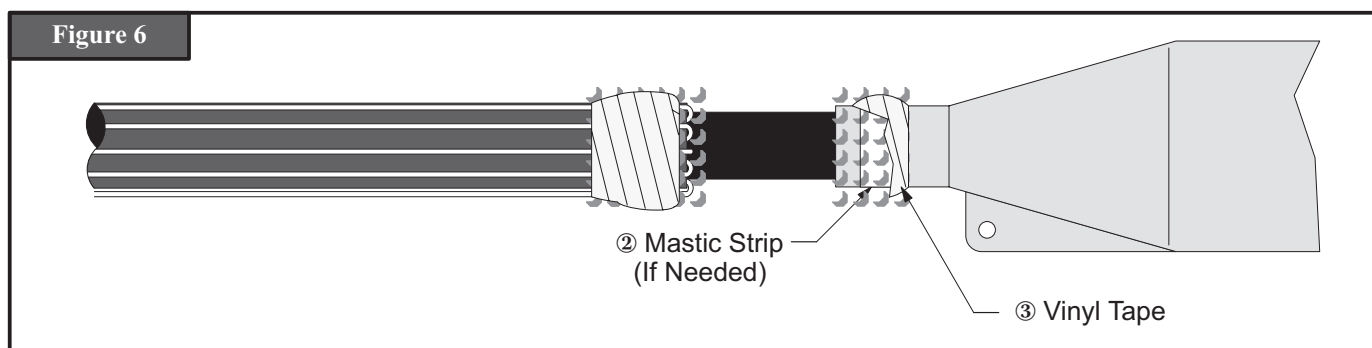
6. Prepare the cable and install the connector per manufacturer's instruction provided with the cable accessory.
7. Proceed to Installation Procedure B or C depending on what type of installation is chosen.

B. Installation Procedures To Seal Both Accessory End And Cable Jacket End

1. Slide the 3M™ Cold Shrink Cable Accessory Sealing Tube onto the cable. The tube end with the loose core end should go on first, away from the connector ①.

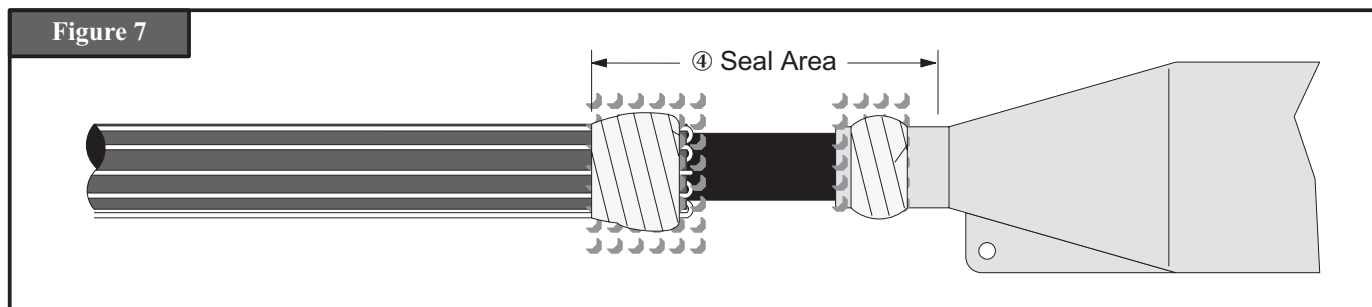


2. Install cable accessory per manufacturer's instruction.
3. If surface irregularities exist in the seal area of the installed accessory, wrap a mastic strip around the end of the installed accessory ②. Over wrap mastic with two lapped layers of vinyl tape ③.

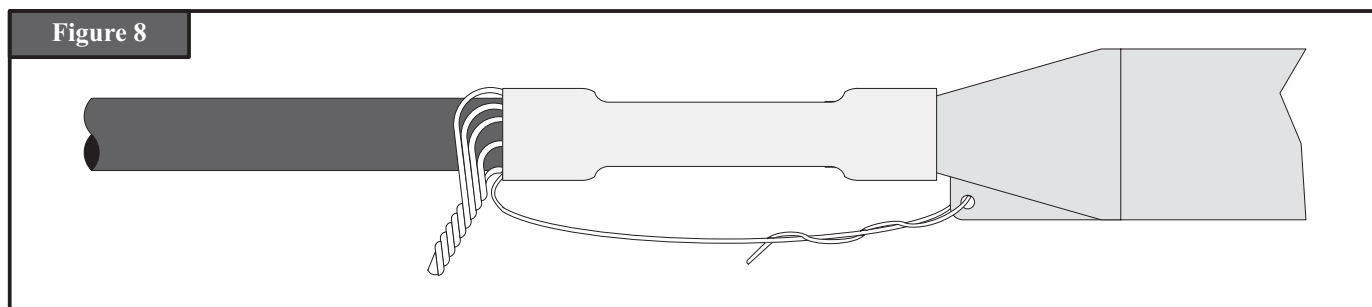


4. Position the Cold Shrink tube over the seal area ④ and remove the core by unwinding the loose core end counter-clockwise.

TIP: An occasional tug on the core end will aid in its removal.

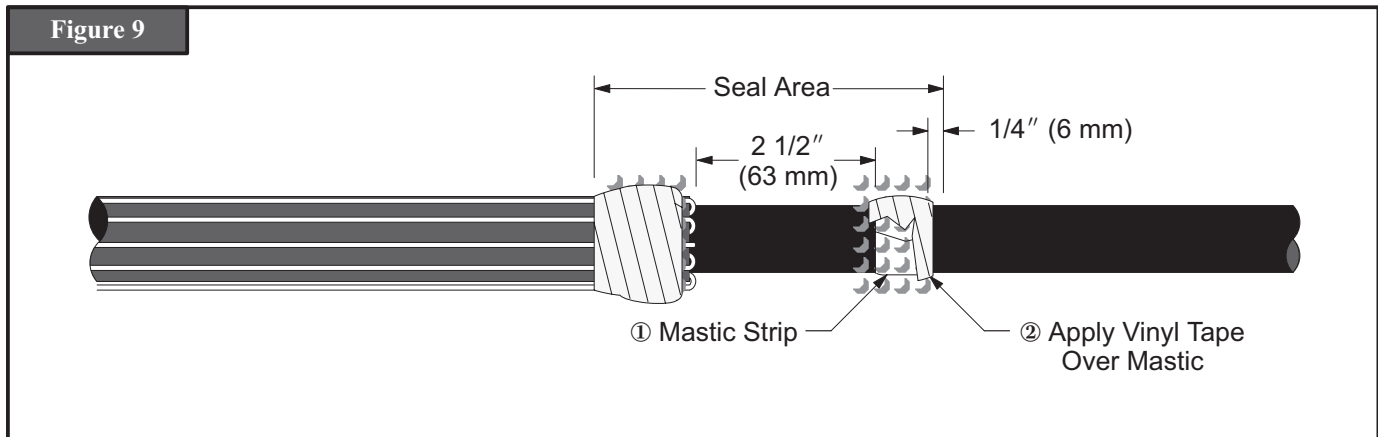


5. Connect concentric wire to cable accessory per accessory manufacturer's instruction.

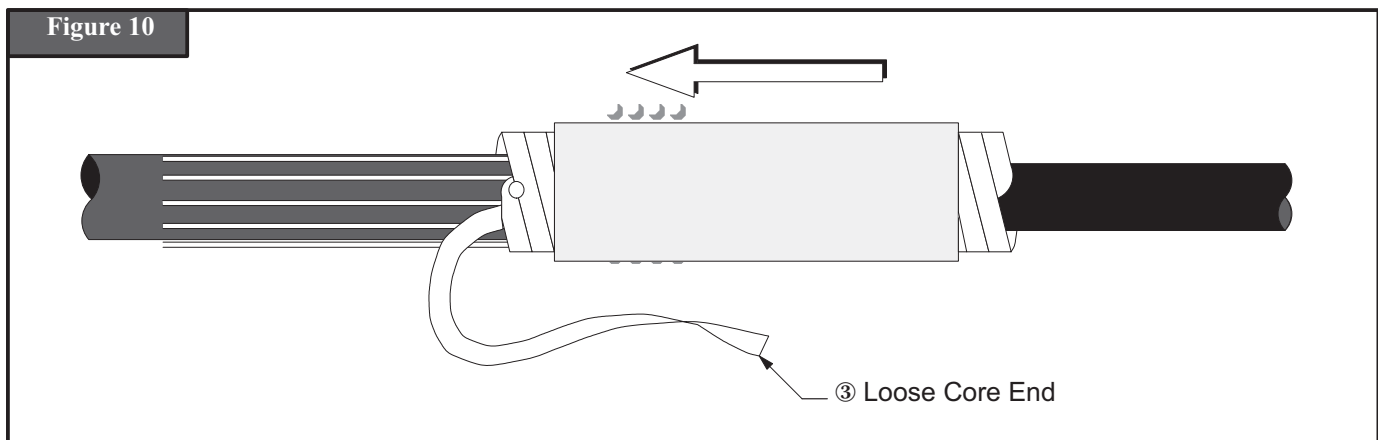


C. Installation Procedures To Seal Cable Jacket End Only

1. Wrap two lapped layers of mastic around cable semi-con, 2 1/2 inch (63 mm) from folded neutral wires ①.
DO NOT STRETCH MASTIC WHEN APPLYING. Over wrap mastic with two lapped layers of vinyl tape ②.

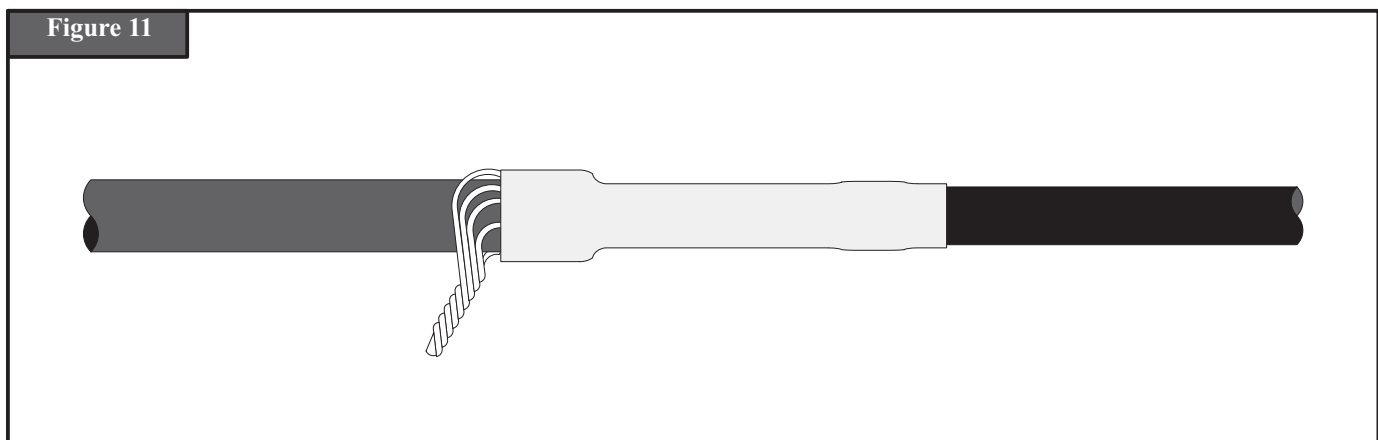


2. Slide 3M™ Cold Shrink Cable Accessory Sealing Tube onto the cable. The Tube end with the loose core end should go on first, away from cable end ③.



3. Position the Cold Shrink tube over the seal area and remove the core by unwinding the loose core end counter-clockwise.

TIP: An occasional tug on the core end will aid in its removal.



4. Install cable accessory per manufacturer's instruction.
5. Connect concentric wire to cable accessory per accessory manufacturer's instruction.

3M is a trademark of 3M Company.

Important Notice

All statements, technical information, and recommendations related to 3M's products are based on information believed to be reliable, but the accuracy or completeness is not guaranteed. Before using this product, you must evaluate it and determine if it is suitable for your intended application. You assume all risks and liability associated with such use. Any statements related to the product which are not contained in 3M's current publications, or any contrary statements contained on your purchase order shall have no force or effect unless expressly agreed upon, in writing, by an authorized officer of 3M.

Warranty; Limited Remedy; Limited Liability.

This product will be free from defects in material and manufacture for a period of one (1) year from the time of purchase. **3M MAKES NO OTHER WARRANTIES INCLUDING, BUT NOT LIMITED TO, ANY IMPLIED WARRANTY OF MERCHANTABILITY OR FITNESS FOR A PARTICULAR PURPOSE.** If this product is defective within the warranty period stated above, your exclusive remedy shall be, at 3M's option, to replace or repair the 3M product or refund the purchase price of the 3M product. **Except where prohibited by law, 3M will not be liable for any indirect, special, incidental or consequential loss or damage arising from this 3M product, regardless of the legal theory asserted.**



Electrical Markets Division

6801 River Place Blvd.
Austin, TX 78726-9000
800-245-3573
Fax 800-245-0329
www.3M.com/electrical

Please Recycle. Printed in USA.
© 3M 2009. All Rights Reserved.
78-8121-1116-5-B