

AIRSTREAM

**390/395/396
XL**

2003
Parts Book



2003 LAND YACHT 390 XL SERIES DIESEL TABLE of CONTENTS

SECTION I A Through C

APPLIANCES

Air conditioner	I-1
Range	I-1
Refrigerator	I-2
Microwave	I-2
Furnace	I-3
Water heater	I-4

BODY

Curbside wall, 390	I-6
Curbside 390 Skydeck	I-8
Curbside Wall, 395-396	I-10
Roadside Wall 390 Skydeck	I-12
Roadside wall, 390-395-396	I-14
Slide out extrusion	I-15
Slide out gasket	I-16
Front end	I-18
Aft end	I-20
Roof	I-21

CHASSIS

Hitch	I-22
Step	I-22
Mud flap	I-22
Fuel fill pipe	I-22
Tire valve extender	I-22
Generator tray	I-22
Auxiliary Airline Kit	I-23
Air conditioner	I-23

2003 LAND YACHT 390 XL SERIES DIESEL TABLE of CONTENTS

SECTION II D Through E

DASH	II-1
DECALS	II-2
DOORS/WINDOWS/AWNINGS	
Roadside, 390-395-396	II-4
Roadside 390 Sky Deck	II-6
Curbside 390	II-8
Curbside 390 Sky Deck	II-10
Curbside 395-396	II-12
Main/screen door	II-14
DRAPES/BLINDS/VALANCES	II-15
ELECTRICAL	
110 volt	II-16
12 volt chassis	II-18
12 volt general	II-19
12 volt dash switches/lens	II-20
12 volt interior switches	II-21
12 volt interior lights	II-21
12 volt exterior lights	II-23
12 volt Misc.	II-24
Windshield wiper	II-26
ENTERTAINMENT	
Television system	II-27
Radio/sound system	II-28
Monitor, back-up	II-29
Speaker Headphone System	II-29
Satellite System	II-29

2003 LAND YACHT 390 XL SERIES DIESEL TABLE of CONTENTS

SECTION III F Through H

FASTENERS

Rivets	III-1
Screws	III-3

FLOOR COVERING

Carpet	III-4
Tile	III-4
Mats	III-4

FURNITURE

Interior doors	III-5
Mirrors	III-7
Drawer faces/ boxes	III-8
Bedroom, common	III-9
Bedroom 395/396	III-10
Wardrobe Slide-out 395/396	III-11
Bath 390/395,396	III-13
Bath 395/396	III-15
Bath 396, only	III-16
Galley	III-17
Cab/lounge	III-19
Sky Deck Roof	III-22
Sky Deck Only Interior	III-26

HARDWARE

Main/ screen door	III-28
Lower compartments	III-31
Slide out	III-33
Interior hardware	III-38

2003 LAND YACHT 390 XL SERIES DIESEL TABLE of CONTENTS

SECTION IV L through Z

[LABELS/TAGS](#)IV-1

[OPTIONS](#)IV-3

PLUMBING

[LPG](#)IV-6

[Utility compartment](#)IV-7

[Fresh water](#)IV-8

[Faucets](#)IV-11

[Black/Grey water](#)IV-15

[Toilet](#)IV-19

[Safety Equipment](#)IV-20

SEALS/SEALER/PAINT

[Gaskets](#)IV-21

[Sealer](#)IV-24

[Adhesives](#)IV-25

[Paint](#)IV-25

[UPHOLSTERY/FOAM/MATTRESSES](#)IV-26

[VENTS/FANS](#)IV-28

[WOOD/INTERIOR WOOD TRIM](#)IV-30

2003 LAND YACHT 390 XL SERIES DIESEL

APPLIANCES

DUO THERM AIR CONDITIONER

690323-33	Air conditioner, 13,500 Penquin
690323-32	Air conditioner, 13,500 BTU w/H. Pump CCC
690323-31	Comfort Control Center
690323-100	Shroud, exterior, Penquin
203069-01	Register, almond, 4" x 8"
690323-23	Cover, return grill
385582-01	Decal, Airstream w/bar, gray
690380-08	Sensor, dual air
690323-28	Bolt, cover kit
601611-02	DUCTING Y-CONNECTORS AC/HEAT
601611-01	DUCTING A/C-HEAT 2" X 7.5 "X 8' CEILING
511594	TUBING-PVC CLEAR .875" ID
511252	PLUG PHONE 4 CONDUCTOR
511378	CABLE THERMOSTAT 7 CONDUCTOR
690323-28	BOLT COVER KIT A/C

RANGE

690396-08	COOKTOP AMANA 3 BURNER DROP IN
690396-07	Range top, 3 burners, Magic Chef
690396-03	Range cover, bi-fold
964383-02	Range covers, Corian, set
114876	Trim ring, range recess

2003 LAND YACHT 390 XL SERIES DIESEL

APPLIANCES

DOMETIC REFRIGERATOR (800-366-3842)

690425-05	Refrigerator, 10 CF 2-WAY RM1062RBIMH BLACK, w/ice maker
*690425-07	Refrigerator-10 CU FT 2-WAY RM1062 RH BK w/o icemaker
801278-01Z	Panel, refrigerator door insert, 20.28"x15.50"
801278-02Z	Panel, refrigerator door insert, 20.38"x38.38"
801448-07	Upper door insert, Skydeck
801448-08	Lower door insert, Skydeck
690426-02	Refrigerator, 12CF, 2-way, RH, DR1292 w/ice
801278-03Z	Refrigerator door insert, 54.88 x 10.38
801278-04Z	Refrigerator door insert, 54.88 x 16.69
690426-03	Refrigerator, 12 CF, NDR1292, Sky Deck
801448-09	LH door insert, Skydeck
801448-10	RH door insert, Skydeck
690391-01	Refer door, exterior, flush mount 15" x 30"
690340-03	Door, refrigerator, exterior access, 10 cu. ft.
690259-03	Mounting flange, refrigerator exterior access
381207-03	Vent, roof, Dometic, polar white
690415	Kit, dairy, meat and ice tray

*Replaced by 690425-09 NDR1062RBF during model year.

MICROWAVE

690368-01	Microwave/convection oven, Sharp
690368-02	Microwave/convection oven, Sharp, CSA

2003 LAND YACHT 390 XL SERIES DIESEL

APPLIANCES

FURNACE, HYDROFLAME

(800-825-4328)-dealer only

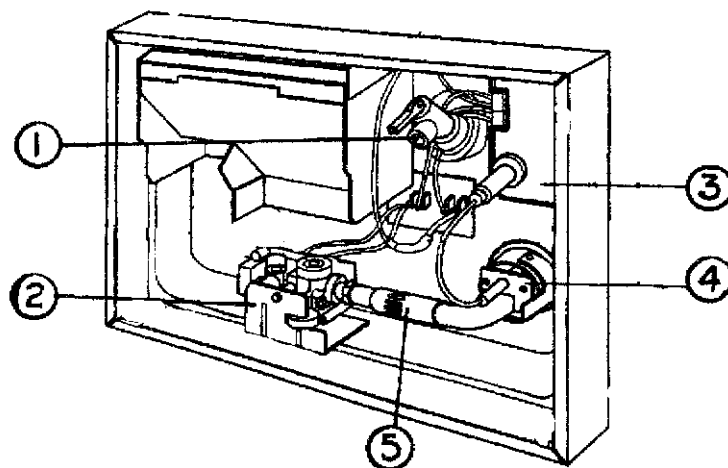
690274-02	Furnace, Hydro-flame, 16,000 BTU
690274	Furnace, Hydro-flame, #8535-IV, 34000BTU
690244-06	Mounting flange
690274-06	Door exterior, Hydro-flame
601244-03	Register, rotaire, black
601244-02	Register, rotiare, white
601244-01	REGISTER-ROTAIRE #3840-96 4"BROWN
601751	DUCT-END P DOUBLE HOLE
601754	DUCT-END CAP TOP HOLE
601750-02	Duct, heat 108.75"
360175	DUCT-END P TOP HOLE
601752	TORPEDO BOOT- 2.25" X 10.00 X 4.0
601753	STACK BOOT-2.25" X 10.00" X 4.00"
203070	REGISTER PLASTIC BROWN 2"X10"
600969-01	Grille, 6 x 4,sand
600247	4" duct hose, flexible
600526	FLANGE, 4 "
600193	2" DUCT THERMAFLEX FLEXIBLE AIR
601348	TEE, HEAT DUCT, 4 X 4 X 2
114079	ADAPTER-DUCT, 4.00" TO 2.00"
690431	VENT-2" INLET CLOSE ANGLE
690480	Icemaker, U-Line, Sky Deck
801448-11	Icemaker door panel insert, 12.94" x 13.47"
690475	BBQ Grille, Sky Deck

2003 LAND YACHT 390 XL SERIES DIESEL

APPLIANCES

ATWOOD WATER HEATER, GCH10A-3E

690417-01	Water heater, 10 gal. Elec. ignition, 110 volt/gas
500933-02	Switch, water heater, electronic, brown
690417-02	Access cover, white
690417-03	Mounting flange, white, 10gal.
381648	Latch hole cover
385988	Decal, water heater



Front of water heater

1) 091604	Relief valve, pressure/temperature
2) 093870	Solenoid valve
3) 093865	Circuit board
4) 093868	Spark probe
5) 093221	Main burner

Back of water heater

091160	Heating element, 110volt
091873	ECO thermostat, 110 volt
091092	On/off switch, 110Volt

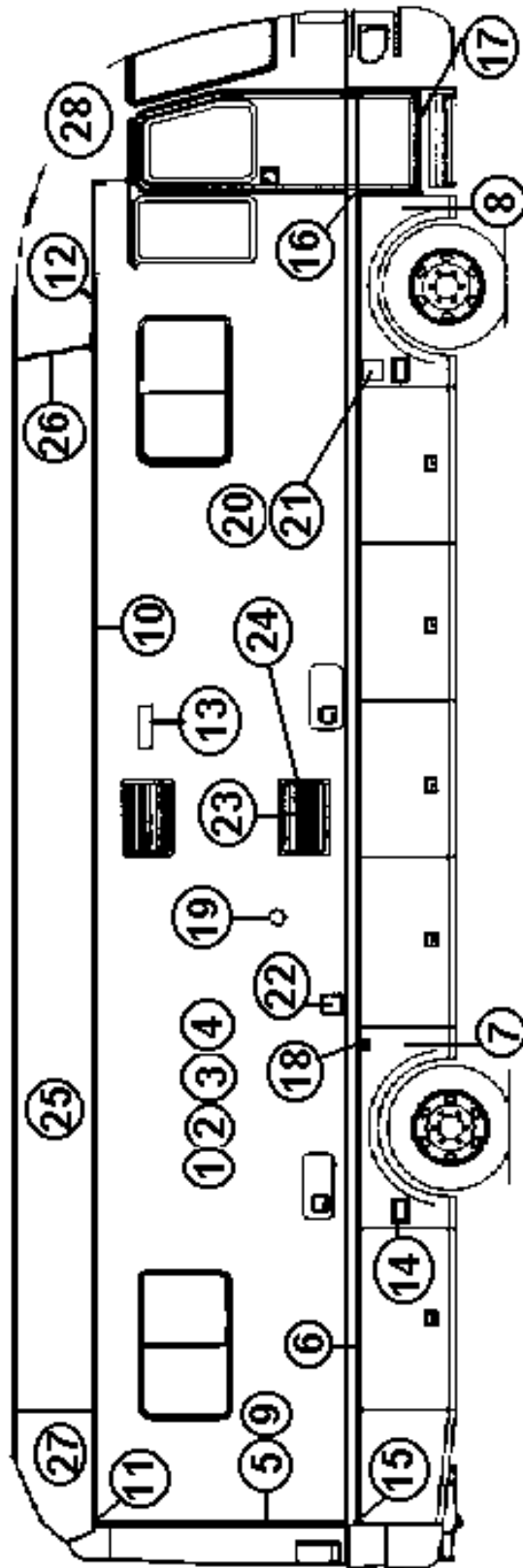
2003 LAND YACHT 390 XL SERIES DIESEL

CURBSIDE WALL **390 Only**

- 1) 801002-17 Sheet fiberglass, Frost White, 77.5 x 435"
- 2) 801386 Panel, interior, G1S, 1/8 x 4' x7' Spring Forest
- 3) 203075 Styrofoam sheet, 1 1/2"
- 4) 915506 Weldment, C/S wall, XL 390
- 5) 114862-01 Extrusion, end cap trim
- 6) 114865 Extrusion, rub rail
- 7) 203211 Fender, C/S rear
- 8) 203213 Fender, C/S front w/fill
- 9) 320124-06 Screw, #6 x 1", stainless steel, white
- 10) 114570 Extrusion, awning rail
- 11) 386093 Awning rail cap, LH
- 12) 386094 Awning rail cap, RH
- 13) 511509 Light, entrance door, fluorescent
- 14) 511101-01 Docking light, stainless steel
- 15) 114914-02 Cap, end, rub rail extrusion, LH
- 16) 114914-01 Cap, end, rub rail extrusion, RH
- 17) 203215 Panel, step skirt
- 18) 510984-02 Light, side marker, amber
- 19) 381539 Vent cover, washer/dryer
- 20) 203047 Bezel, fuel fill
- 21) 381641 Door, fuel fill access
- 22) 601194-03 Water fill
- 23) 690340-03 Door, refrigerator, exterior access
- 24) 690259-03 Mounting flange, refrigerator exterior access
- 25) 114568 Extrusion roof corner cap
- 26) 114862-01 Extrusion end cap

2003 LAND YACHT 390 XL SERIES DIESEL

Curbside Wall 390 Skydeck



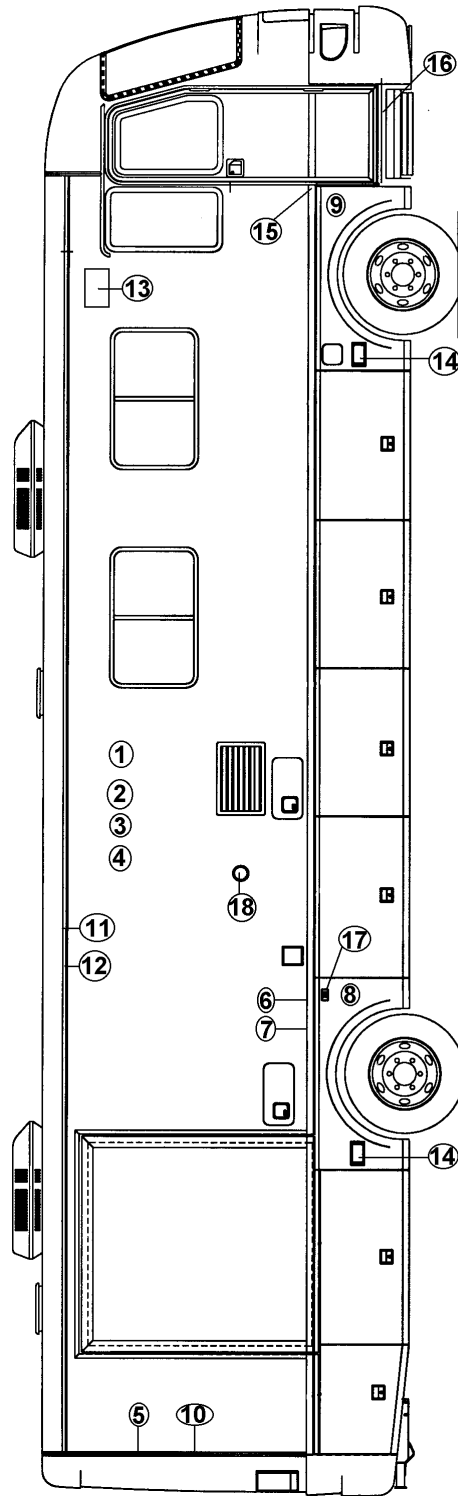
2003 LAND YACHT 390 XL SERIES DIESEL

Curbside Wall 390 Skydeck

- | | |
|---------------|--|
| 1) 801002-17 | Sheet fiberglass, Frost White, 77.5 x 435" |
| 2) 801386 | Panel, interior, G1S, 1/8 x 4' x7' Spring Forest |
| 3) 203075 | Styrofoam sheet, 1 1/2" |
| 4) 915506 | Weldment, C/S wall, XL 390 |
| 5) 114862-01 | Extrusion, end cap trim |
| 6) 114865 | Extrusion, rub rail |
| 7) 203211 | Fender, C/S rear |
| 8) 203213 | Fender, C/S front w/fill |
| 9) 320124-06 | Screw, #6 x 1", stainless steel, white |
| 10) 114570 | Extrusion, awning rail |
| 11) 386093 | Awning rail cap, LH |
| 12) 386094 | Awning rail cap, RH |
| 13) 511509 | Light, entrance door, fluorescent |
| 14) 511101-01 | Docking light, stainless steel |
| 15) 114914-02 | Cap, end, rub rail extrusion, LH |
| 16) 114914-01 | Cap, end, rub rail extrusion, RH |
| 17) 203215 | Panel, step skirt |
| 18) 510984-02 | Light, side marker, amber |
| 19) 381539 | Vent cover, washer/dryer |
| 20) 203047 | Bezel, fuel fill |
| 21) 381641 | Door, fuel fill access |
| 22) 601194-03 | Water fill |
| 24) 690259-03 | Mounting flange, refrigerator exterior access |
| 25) 203411 | CS Fiberglass roof streamliner |
| 26) 114862-01 | Extrusion end cap |
| 27) 203414 | Rear Fiberglass roof streamliner |
| 28) 203413 | Front Fiberglass roof streamliner |
| 114070 | J-Trim, Aluminum, streamliner trim |

2003 LAND YACHT 390 XL SERIES DIESEL

CURBSIDE WALL 395-396 Only



2003 LAND YACHT 390 XL SERIES DIESEL

CURBSIDE WALL **395-396 Only**

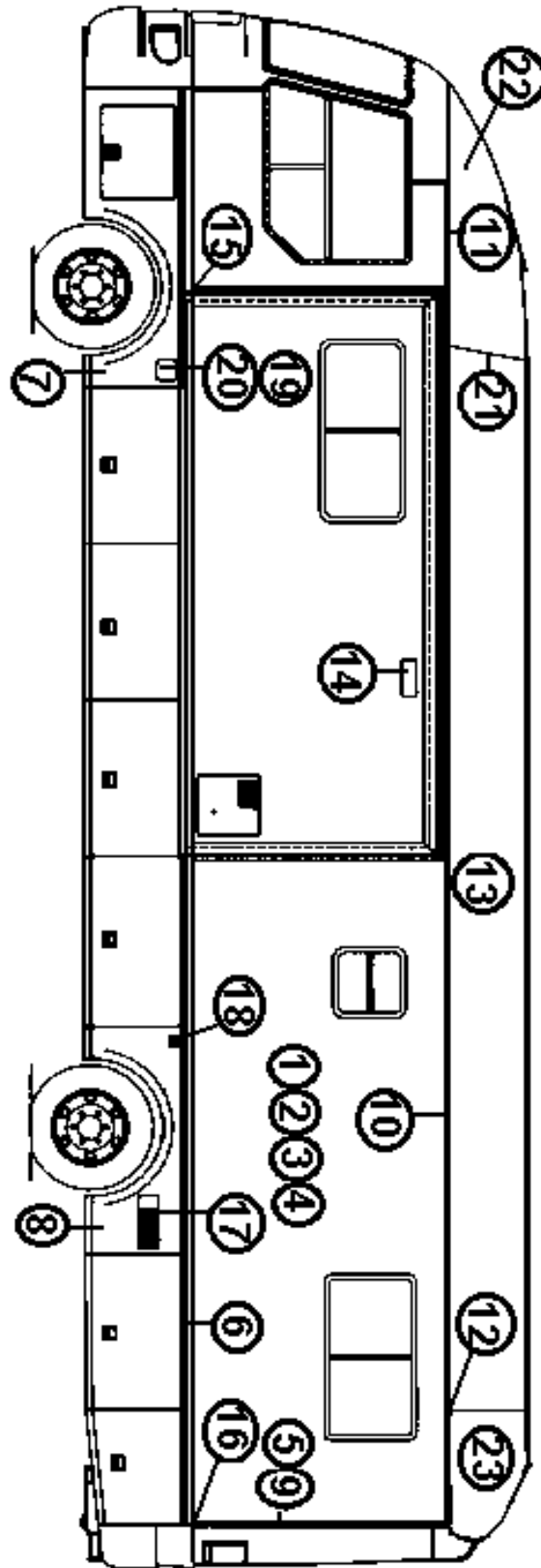
- 1) 801002-17 Sheet fiberglass, Frost White, 77.5 x 435"
- 2) 801386 Panel, interior, G1S, 1/8 x 4' x7' Spring Forest
- 3) 203075 Styrofoam sheet, 1 1/2"
- 4) 915636 Weldment, C/S wall
- 5) 114862-01 Extrusion, end cap trim
- 6) 114865 Extrusion, rub rail
- 7) No vinyl trim on this unit. 114865 is painted
- 8) 203211 Fender, C/S rear
- 9) 203213 Fender, C/S front w/fill
- 10) 320124-06 Screw, #6 x 1", stainless steel, white
- 11) 114570 Extrusion, awning rail
- 386093 Awning rail cap, LH
- 386094 Awning rail cap, RH
- 12) 114568 Extrusion, roof corner cap
- 13) 511509 Light, entrance door, fluorescent
- 14) 511101-01 Docking light, stainless steel
- 15) 114914-02 Cap, end, rub rail extrusion, LH
- 15A) 114914-01 Cap, end, rub rail extrusion, RH
- 16) 203215 Panel, step skirt
- 17) 510984-02 Light, side marker, amber
- 18) 381539 Vent cover, washer/dryer

Not shown

- 386064-03 Medallion, 3" black

2003 LAND YACHT 390 XL SERIES DIESEL

Roadside Wall 390 Skydeck



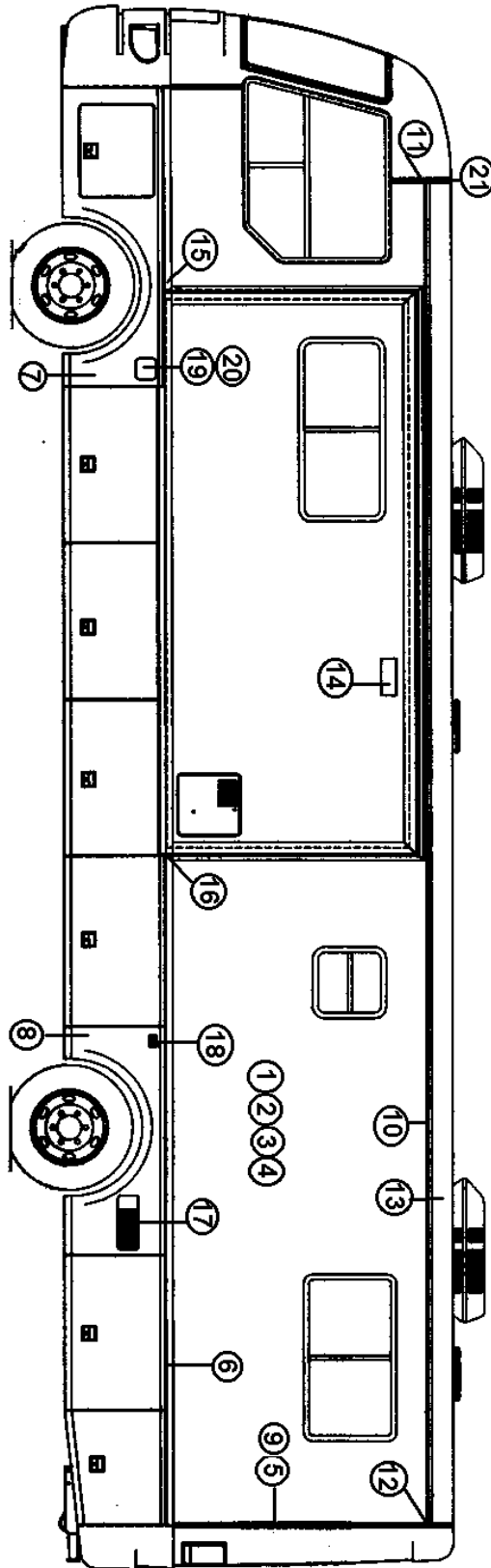
2003 LAND YACHT 390 XL SERIES DIESEL

Roadside Wall 390 Skydeck

- | | |
|---------------|--|
| 1) 801002-17 | Sheet fiberglass, Frost White, 77.5 x 435" |
| 2) 801386 | Panel, interior, G1S, 1/8 x 4' x7' Spring Forest |
| 3) 203075 | Styrofoam sheet, 1 1/2" |
| 4) 915507 | Weldment, R/S wall, XL 390 |
| 5) 114862-01 | Extrusion, end cap trim |
| 6) 114865 | Extrusion, rub rail |
| 7) 203214 | Fender, R/S front w/fill & door |
| 8) 203212 | Fender, R/S rear w/intake |
| 9) 320124-06 | Screw, #6 x 1", stainless steel, white |
| 10) 114570 | Extrusion, awning rail |
| 11) 386093 | Awning rail cap, LH |
| 12) 386094 | Awning rail cap, RH |
| 13) 203412 | RS Fiberglass roof streamliner |
| 14) 511152-01 | Vent cover, exterior, range exhaust |
| 15) 114917-01 | Cap, end, rub rail, RH, at slide out |
| 16) 114917-02 | Cap, end, rub rail, LH, at slide out |
| 17) 453754 | Screen, air intake |
| 18) 510984-02 | Light, side marker, amber |
| 19) 203047 | Bezel, fuel fill |
| 20) 381641 | Door, fuel fill access |
| 21) 114862-01 | Extrusion end cap |
| 22) 203413 | Front Fiberglass roof streamliner |
| 23) 203414 | Rear Fiberglass roof streamliner |
| 114070 | J-Trim, Aluminum, streamliner trim |

2003 LAND YACHT 390 XL SERIES DIESEL

R/S WALL 390-395-396



See next page for P/N

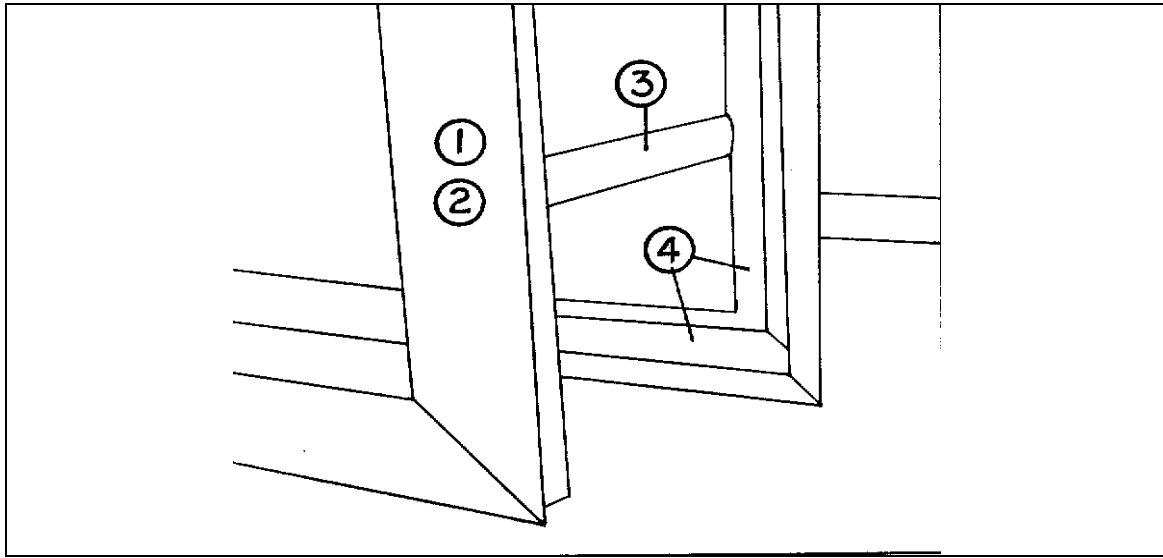
2003 LAND YACHT 390 XL SERIES DIESEL

ROADSIDE WALL 390-395-396

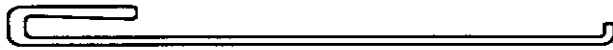
- 1) 801002-17 Sheet fiberglass, Frost White, 77.5 x 435"
- 2) 801386 Panel, interior, G1S, 1/8 x 4' x7' Spring Forest
- 3) 203075 Styrofoam sheet, 1 1/2"
- 4) 915507 Weldment, R/S wall, XL 390
- 5) 114862-01 Extrusion, end cap trim
- 6) 114865 Extrusion, rub rail
- 7) 203214 Fender, R/S front w/fill & door
- 8) 203212 Fender, R/S rear w/intake
- 9) 320124-06 Screw, #6 x 1", stainless steel, white
- 10) 114570 Extrusion, awning rail
- 11) 386093 Awning rail cap, LH
- 12) 386094 Awning rail cap, RH
- 13) 114568 Extrusion, roof corner cap
- 14) 511152-01 Vent cover, exterior, range exhaust
- 15) 114917-01 Cap, end, rub rail, RH, at slide out
- 16) 114917-02 Cap, end, rub rail, LH, at slide out
- 17) 453754 Screen, air intake
- 18) 510984-02 Light, side marker, amber
- 19) 203047 Bezel, fuel fill
- 20) 381641 Door, fuel fill access
- 21) 114862-01 Extrusion end cap

2003 LAND YACHT 390 XL SERIES DIESEL

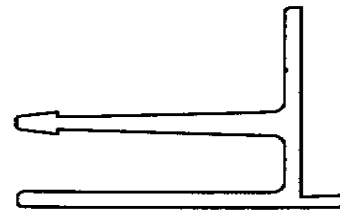
SLIDE OUT EXTRUSION



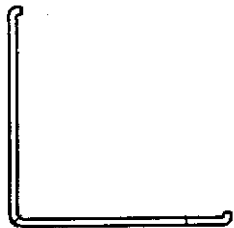
Lower rear corner, extended



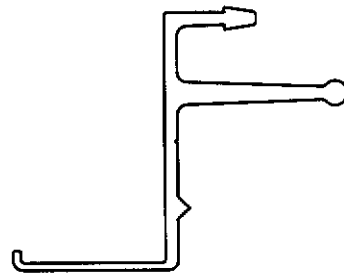
*1)114771 Extrusion, slide out trim



2)114770 Extrusion, slide out box(fits behind 1)



3)114768 Extrusion, slide out corner trim

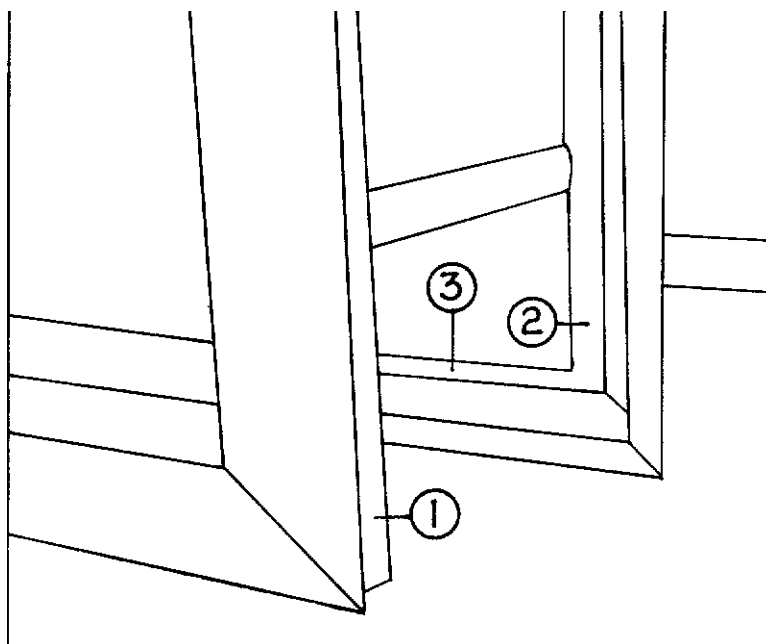


4)114726 Extrusion, slide out frame

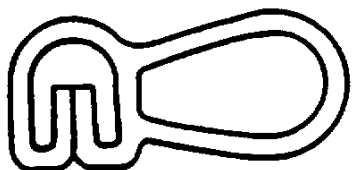
*This trim is slotted to allow adjustment to the sidewall Cutout. Fitting will be required.

2003 LAND YACHT 390 XL SERIES DIESEL

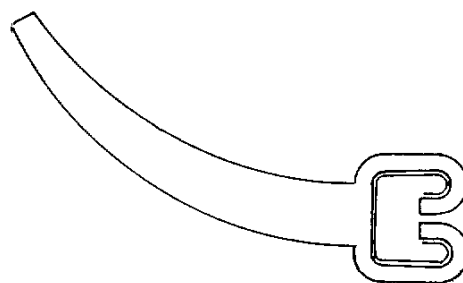
* SLIDE OUT GASKETS



Lower rear corner, extended



1) 381594 Rubber extrusion
Bulb type, black



2) 381587 rubber extr.
wiper



3) 381589 Rubber extrusion
floor wiper

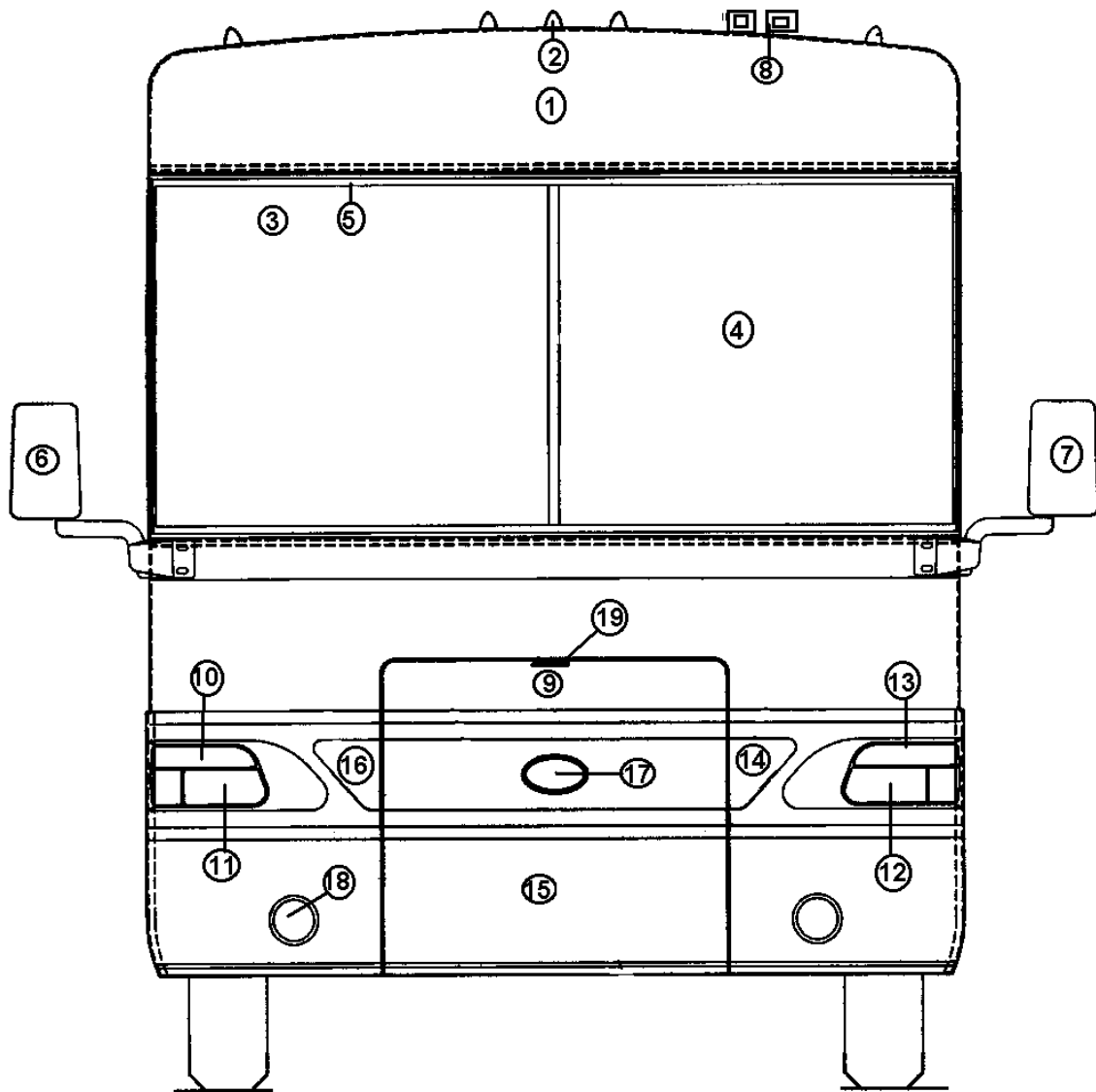


381663 Rubber extrusion,
bulb

*Note: Mounting brackets can be found in hardware

2003 LAND YACHT 390 XL SERIES DIESEL

FRONT END



See next page for P/N

2003 LAND YACHT 390 XL SERIES DIESEL

FRONT END

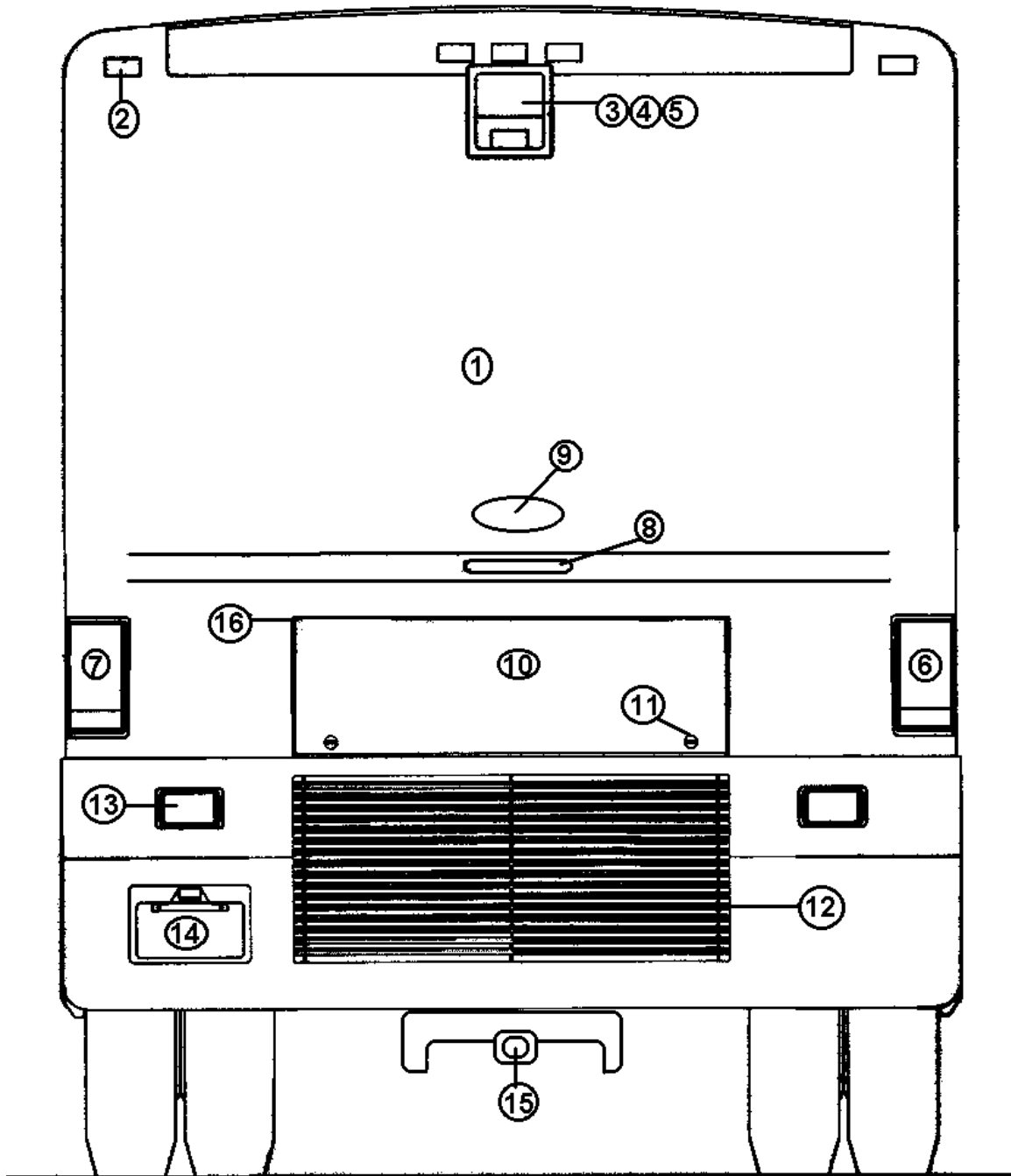
- 1) 203231 Front nose/cap, XL diesel
- 2) 511400 Light clearance, tear drop, amber
- 3) 371370 Windshield, C/S
- 4) 371369 Windshield, R/S
- 5) 381640 Gasket, windshields (surrounds both sides)

- 6) 511512-02 Mirror, cab, black, C/S
- 7) 511512-01 Mirror, cab, black, R/S
- 8) 510804 Horn, air, chrome
- 510804-01 Elbow kit, air horns
- 9) 203232 Access cover, generator, fiberglass
- 10) 511398-02 Parking light/turn signal C/S
- 11) 511397-02 Head light, C/S
- 12) 511397-01 Head light, R/S
- 13) 511398-01 Parking light/turn signal, R/S
- 14) 453773-01 Panel, nose, stainless steel, R/S
- 15) 453773-03 Panel, nose, stainless steel, center
- 16) 453773-02 Panel, nose, stainless steel, C/S
- 17) 386043-03 Medallion, AIRSTREAM, black
- 18) 511153 Fog light, clear, round
- 19) 381702-01 HANDLE PADDLE NO LOCK W/ROD GEN.
Door

- 511399 BRKT-HEADER PANEL FORD #8190A
- 381652 RETAINER-PARK LAMP #811169-S
FORD

2003 LAND YACHT 390 XL SERIES DIESEL

AFT END



See next page for P/N

2003 LAND YACHT 390 XL SERIES DIESEL

AFT END

- 1) 203216 Rear cap, XL diesel
 - 2) 510984-01 Light clearance, red
 - 3) 510918-01 Monitor, Sony Watchman
 - 4) 203181 Cover, back up camera
 - 5) 511044-03 Actuator, two position, push/pull
 - 6) 511589-01 Tail light assembly, R/S
 - 7) 511589-02 Tail light assembly, C/S
- RS-CS includes:
- a) 511584 Socket, turn signal, Ford
 - b) 511585 Socket, Stop/tail light, Ford
 - c) 511586 Socket, Back-up light, Ford
 - d) 511587 Bulb, 3357, stop/tail
 - e) 511588 Bulb, 3156, turn/back-up
 - f) 511589 Taillight assy, Ford w/o sockets and bulbs
- 8) 511154-02 Light strip, 3rd brake
 - 9) 386043-03 Medallion, AIRSTREAM, black
 - 10) 203217 Door, rear access
 - 11) 381227-01 Latch, vise-action, curved pawl
 - 12) 922538 Louver assembly, rear
 - 13) 511101-01 Docking light, stainless steel
 - 14) 511407 License plate light w/holder
 - *15) 410830 Hitch, Reese, 5,000lbs.
 - 16) 381434 HINGE, S.S., 3 X 3

Running line change to P/N 400968 hitch. Increased hitch weight from 5,000 lbs. to 10,000 lbs due to chassis upgrade. Start with Motorhome Serial Number 810839

2003 LAND YACHT 390 XL SERIES DIESEL

ROOF

203379	Fiberglass sheet, roof exterior, 106"wide, smooth
114739-04	Extrusion, roof/wall attachment
114570	Extrusion, awning rail
386093	Awning rail cap, LH
386094	Awning rail cap, RH
114532-02	Bow, roof, two hole
114532-06	BOW-ROOF 3-HOLE
114532-07	BOW-ROOF 5 HOLE
114532-05	BOW-ROOF 4-HOLE
702992	Headliner, ceiling vinyl, Petra Cuddy
800507-01	Paneling, luan, ceiling liner backing
201728-01	Extrusion, ceiling trim retainer
201728-05	Extrusion, ceilings trim

2003 LAND YACHT 390 XL SERIES DIESEL

CHASSIS

*410830	Reese hitch, XL Land Yacht diesel
410825-03	Jack kit complete, Power Gear
913938	ASSY., BRACKET - 7 WAY PLUG
511485	Step, double, electric, Kwikkee #903206
511486	Switch, magnetic, round, black, in doorjamb
511022-100	Motor, double step
511485-100	Control box, main, black, Kwikkee #909506
381733	Tray, generator S/O
914341	Generator tail pipe
452424	FLANGE GEN. EXHAUST
381456	CABLE COATED
381455	LOOP SLEEVE, STAINLESS STEEL
381388	BRACKET, MUFFLER HANGER #155-1234
381697	Step cover, sliding
381697-01	Air kit complete, sliding step
114973	Stair trim, black plastic extrusion
451811	Extender, tire valve, pr.
921197-01	Mud flap assembly, roadside, notched
921197-02	Mud flap assembly, curbside, notched
921197-03	Mud flap assembly, roadside
203229	Splash guard, only
410773	Hose, fuel fill 2" I.D.
410838	Pipe, 'S' fuel fill, 2.0"
6000326	HOSE, VENT LINE .625" I.D. x 36"
203047	Bezel, fuel fill
451811	Extender, tire valve, pr.

*Running line change to P/N 400968 hitch. Increased hitch weight from 5,000 lbs. to 10,000 lbs due to chassis upgrade. Start with Motorhome Serial Number 810839

2003 LAND YACHT 390 XL SERIES DIESEL

CHASSIS

Auxiliary air line kit

381179 HOSE, COILED, AIR 50 FT.
381180 COUPLER, AIR HOSE, MALE #5139-11
381181 AIR CHUCK, DUAL FOOT, #401
381182 TIRE GAUGE, DUAL FOOT, #8102A
410821 VALVE TUBELESS CLAMP IN TR416

690462-00 DASH AIR CONDITIONER/HEATER

Specific Climate Systems Inc.
1200 West Risinger Road
Fort Worth, Texas
Technical Assistance: 1-800-275-7524

SERVICE PARTS SCS has requested you to call them on the 800 number listed above should you experience any service problems. They are usually able to help get any repairs needed at an air conditioner repair facility close to your location.

The following pages include wiring diagrams and vacuum line diagrams.

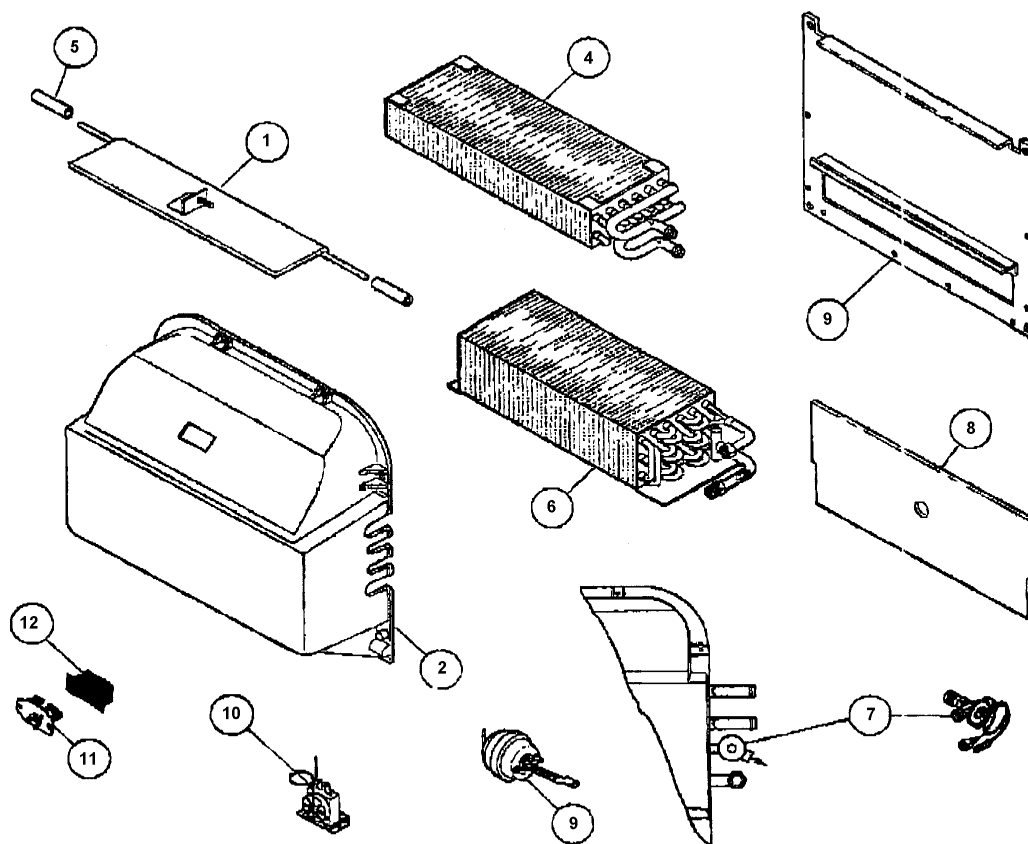
Airstream installed parts

601556 HOSE AC #6 5/16
601557 HOSE AC #8 13/32
601558 HOSE AC #12 5/8
690429 LOUVER-2" BLACK ROUND
601599 HOSE DUCT 2"
203316 TRANSITION-DEFROST
601720-03 FITTING #8X8 F-OR BEAD LOCK
601720-04 FITTING #10X12 F-OR BEAD LOCK
690461 DEFROST BOX 4 HOLE BLACK
511112 PUMP VACUUM #4570568

2003 LAND YACHT 390 XL SERIES DIESEL

DASH AIR CONDITIONER/HEATER

SCS/Frigette Motorhome HVAC Systems



- 1. 087-00219 DOOR ASSEMBLY
- 2. 062-00605 CASE
- 3. 030-00046 VACUUM MOTOR
- 4. 042-00044 HEATER COIL

- 5. 062-00623 BUSHING
- 6. 041-00157 EVAPORATOR COIL
- 7. 034-00029 EXPANSION VALVE
- 8. 045-00521 INSULATION

- 9. 071-00680 BACK PANEL
- 10. 033-00003 THERMOSTAT
- 11. 035-00006 RESISTOR
- 12. 071-00143 SHIELD

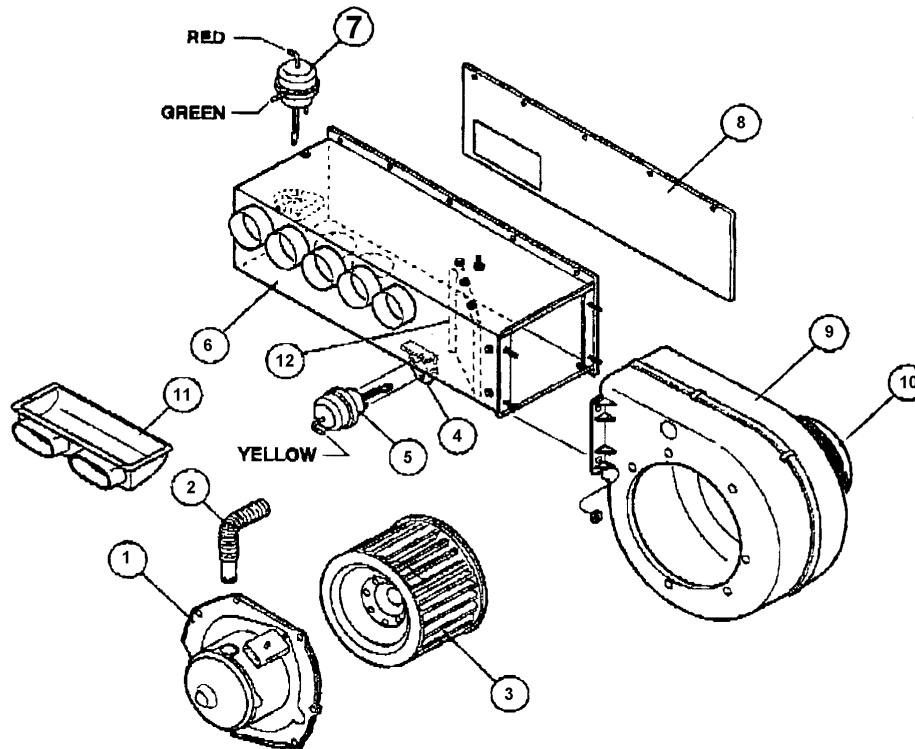
SPECIFIC CLIMATE SYSTEMS, INC.
1200 WEST RISINGER ROAD
FORT WORTH, TEXAS 76134
TEL. 817-283-5313

MASTER SERVICE MANUAL
KIT NO. 090-00439; EVAPORATOR
ASSEMBLY 088-00347

PAGE
A-71
1/9/01

2003 LAND YACHT 390 XL SERIES DIESEL

DASH AIR CONDITIONER/HEATER



- 1. 030-00109 BLOWER MOTOR
- 2. 051-00034 VENT HOSE
- 3. 062-00010 BLOWER WHEEL
- 4. 070-00234 VAC. MOTOR BRACKET

- 5. 030-00025 VACUUM MOTOR
- 6. 071-00763 HOUSING ASSEMBLY
- 7. 030-00048 VACUUM MOTOR
- 8. 071-00762 BACK PANEL

- 9. 062-00113 BLOWER HOUSING
- 10. 060-00135 INLET GUIDE
- 11. 060-00497 HEATER BOX
- 12. 071-00645 DIVIDER

SPECIFIC CLIMATE SYSTEMS, INC.
1200 WEST RISINGER ROAD
FORT WORTH, TEXAS 76134
TEL. 817-293-5313

MASTER SERVICE MANUAL
KIT NO. 093-00598; PLENUM
ASSEMBLY 087-00250

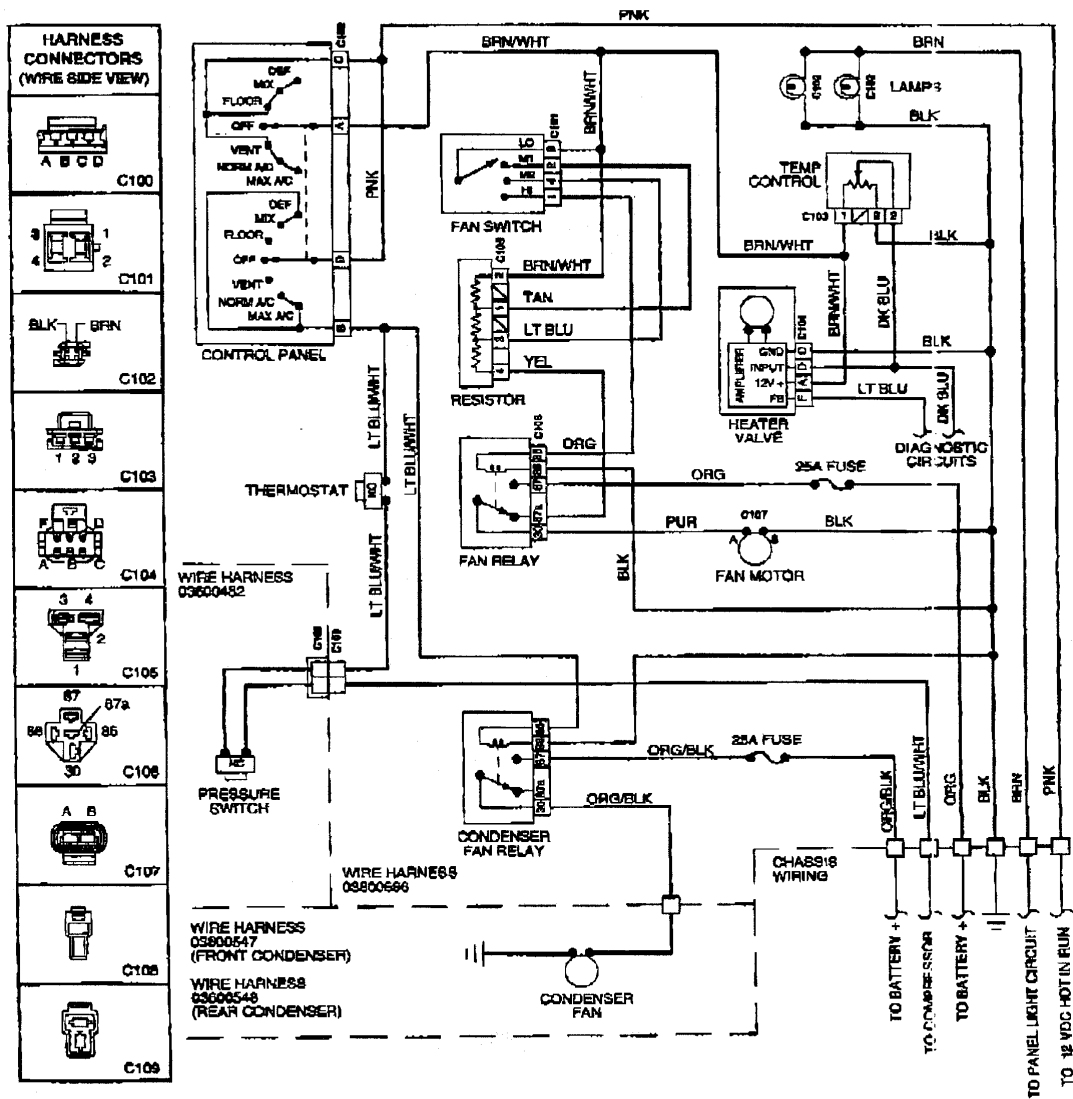
PAGE
C-41
1/2/01

2003 LAND YACHT 390 XL SERIES DIESEL

DASH AIR CONDITIONER/HEATER

SCS/Frigette

MOTORHOME HVAC SYSTEMS



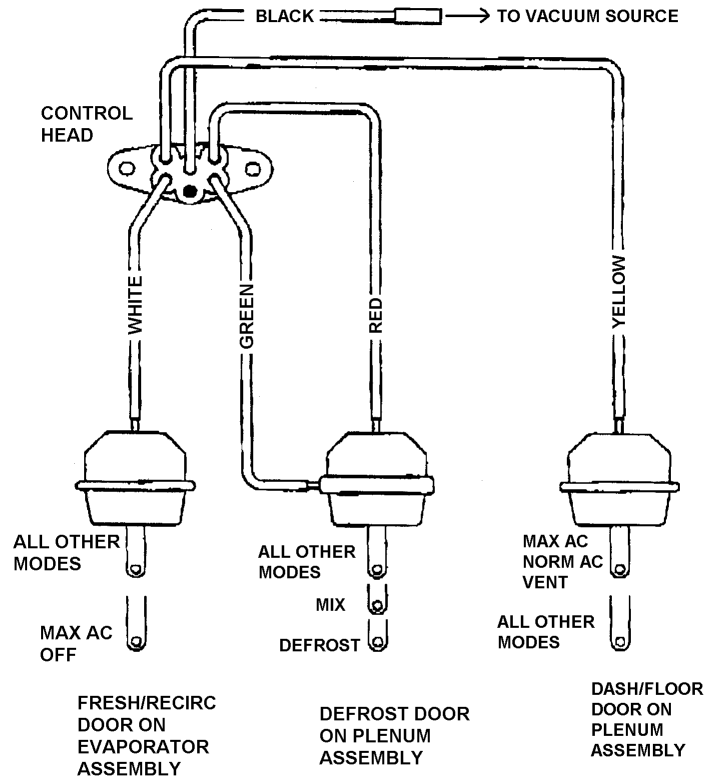
SPECIFIC CLIMATE SYSTEMS, INC. 1200 WEST RISINGER ROAD FORT WORTH, TEXAS 76134 TEL. 817-293-5313	MASTER SERVICE MANUAL WIRING DIAGRAM	PAGE E-40 2501
---	---	-----------------------------

2003 LAND YACHT 390 XL SERIES DIESEL

DASH AIR CONDITIONER/HEATER

SCS/Frigette

MOTORHOME HVAC SYSTEMS



SPECIFIC CLIMATE SYSTEMS, INC.
1200 WEST RISINGER ROAD
FORT WORTH, TEXAS 76134
TEL. 817-293-5315

MASTER SERVICE MANUAL

VACUUM DIAGRAM

PAGE

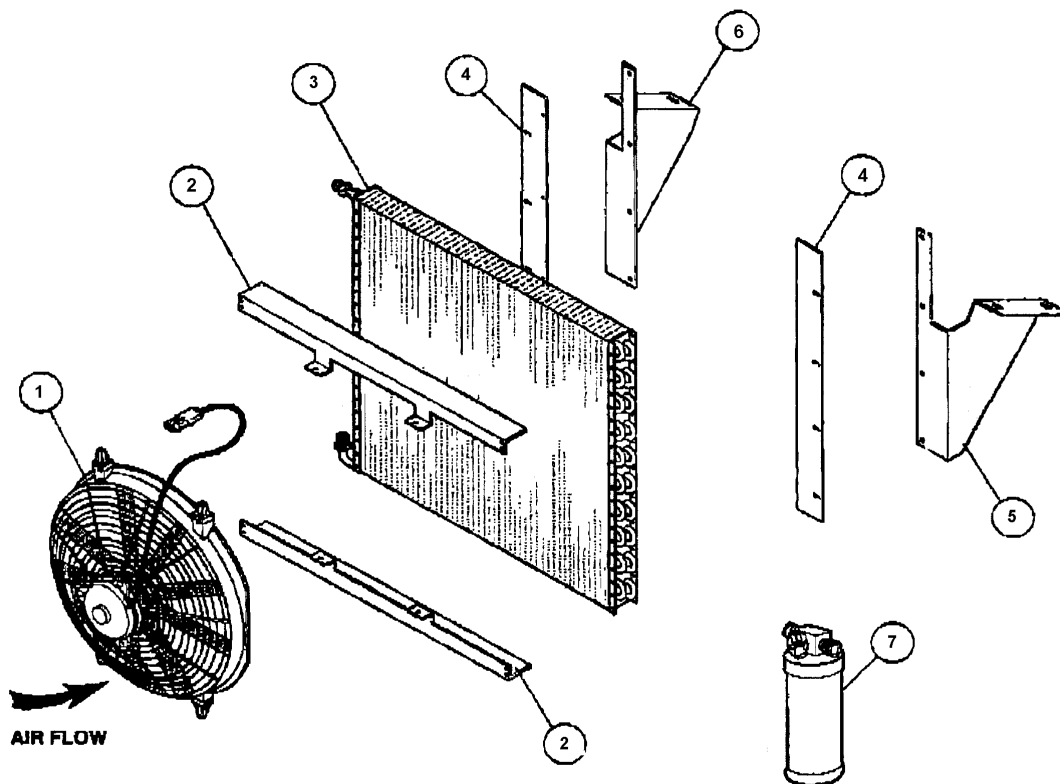
F-04

7/28/97

2003 LAND YACHT 390 XL SERIES DIESEL

DASH AIR CONDITIONER/HEATER

SCS/Frigette MOTORHOME HVAC SYSTEMS



- 1. 086-00329 FAN ASSEMBLY
- 2. 070-00638 BRACKET
- 3. 040-00096 CONDENSER COIL

- 4. 070-00646 BRACKET
- 5. 070-00637 BRACKET
- 6. 070-00647 BRACKET

- 7. 054-00019 RECEIVER DRIER
NS 036-00547 WIRE HARNESS*

*NS = NOT SHOWN

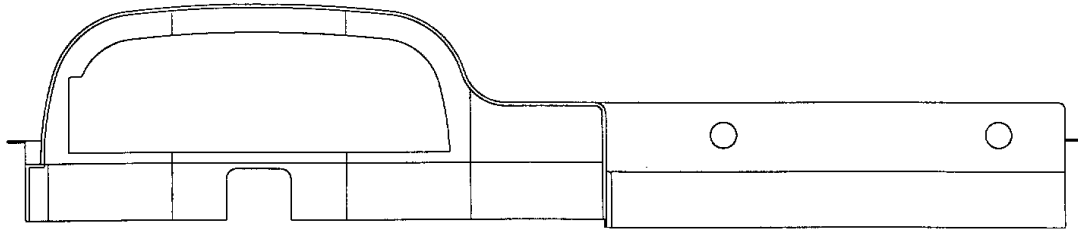
SPECIFIC CLIMATE SYSTEMS, INC.
1200 WEST RISINGER ROAD
FORT WORTH, TEXAS 76134
TEL. 817-293-5313

MASTER SERVICE MANUAL
KIT NO. 091-00116; CONDENSER
ASSEMBLY 084-00229

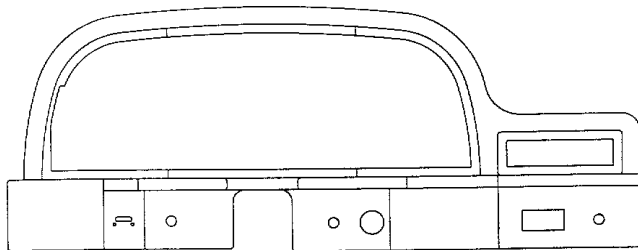
PAGE
B-37
8/5/98

2003 LAND YACHT 390 XL SERIES DIESEL

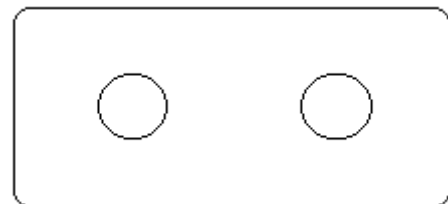
DASH



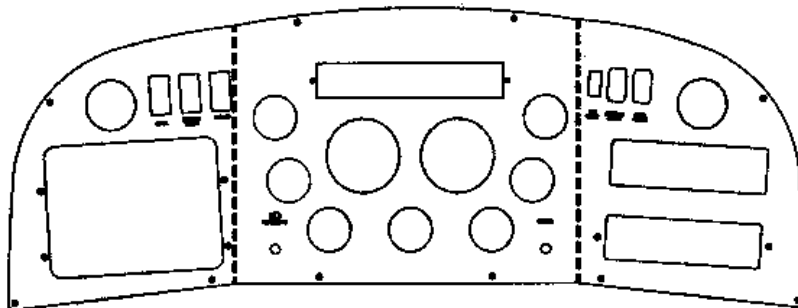
203247-01 Dash, vinyl wrapped



203248-01
Trim ring, I.P. vinyl



*511573
Vent plate, black



511706 Panel, dash cluster, black

- 690459 ROTAIRE VENT, 2.5" CLOSEABLE, BLACK
- 690458 LOUVER VENT, 2.0" ROUND, BLACK
- 114958 BRACKET, DASH LH SUPPORT
- 114957 BRACKET, DASH RH SUPPORT
- 690315-05 # 410-200 GRILLE, DEFROSTER DUCT

*Revised on units after and including unit 810837 to have 2" duct hose and fittings

2003 LAND YACHT 390/395/396 DIESEL

DECALS, EXTERIOR

There are few decals on the exterior of the Land Yacht XL 390 Diesel. Many places may appear to be decals but are actually painted.

Each vehicle has been provided with a sheet listing the color codes for paint on that particular motorhome. Each motorhome is also shipped with touch-up paint for each color.

A back-up color chart for each motorhome is kept in Airstream's files. If calling Airstream this information ask for "Sales" and have the serial number available for them.

DECALS, EXTERIOR

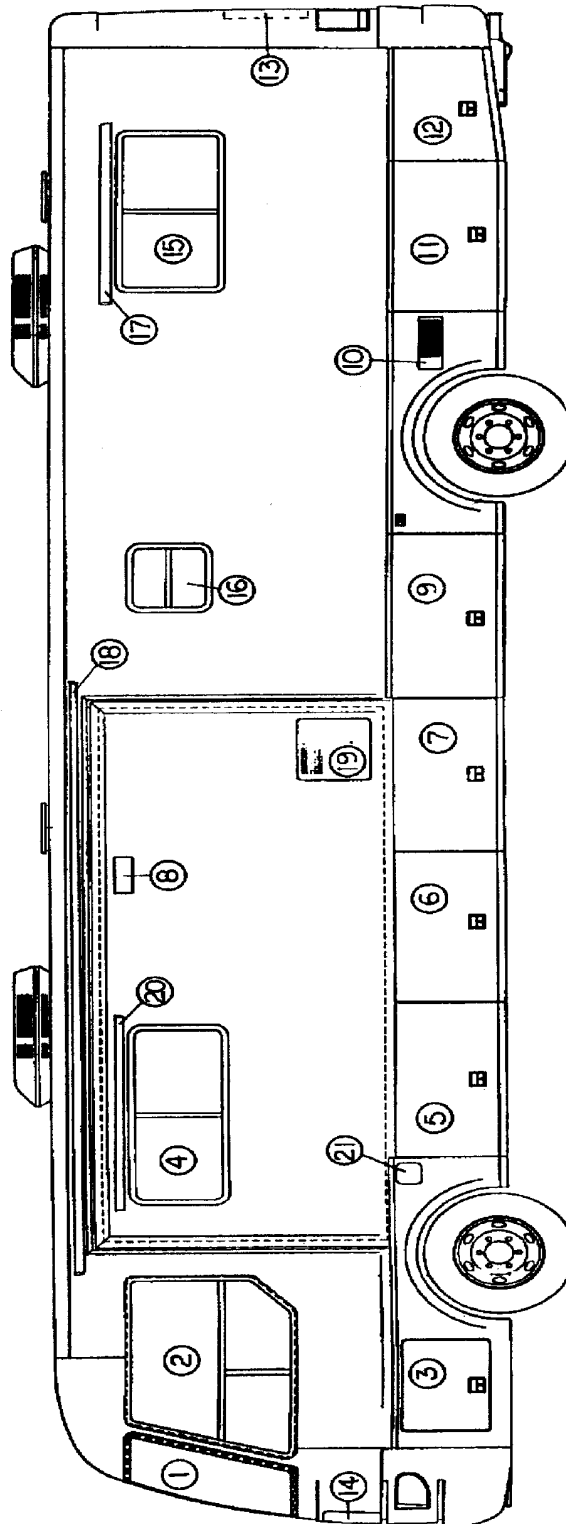
365274	Decal, "Roof Patio", Skydeck
365275	Decal, Skydeck Sunburst
365276	Tape, reflective, yellow/black

DECALS, INTERIOR

386034	Decal, "AIRSTREAM", 7.5"
386033	Decal, "LAND YACHT", 7.5"

2003 LAND YACHT 390 XL SERIES DIESEL

390-395-396
DOORS/WINDOWS-R/S



See next page for P/N

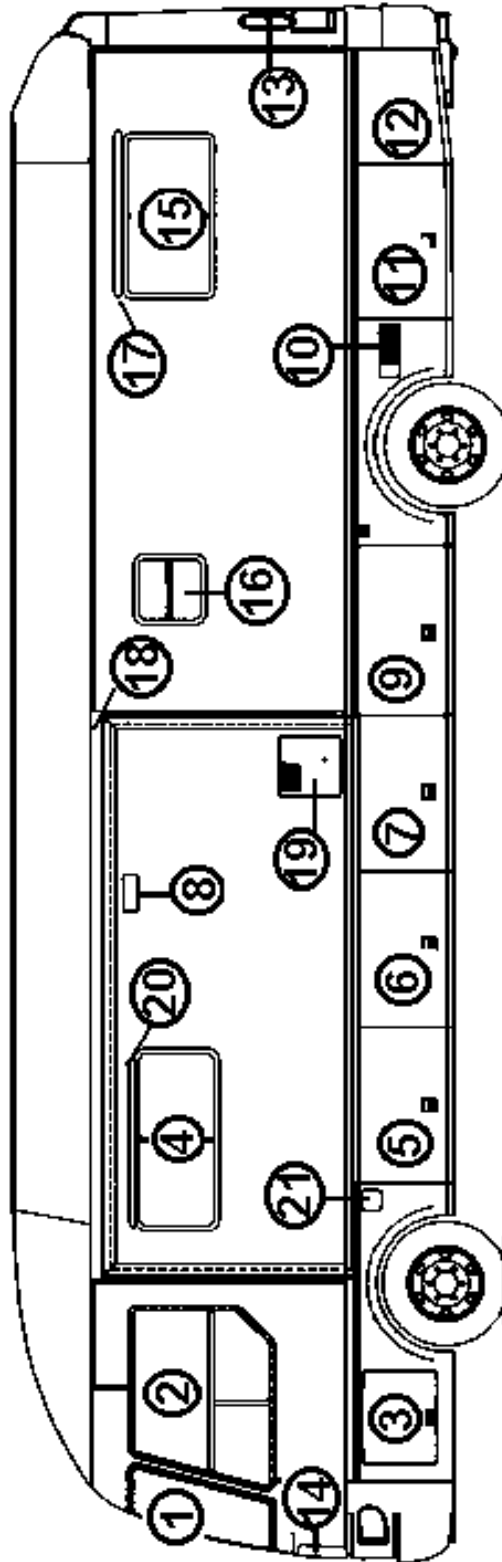
2003 LAND YACHT 390/395/396 DIESEL

390-395-396 DOORS/WINDOWS-R/S

- | | |
|---------------|--|
| 1) 371369 | Windshield, R/S |
| 2) 371382-01 | Cab window, R/S |
| 3) 922561 | Door assembly, front fender access |
| 203218 | Door only |
| 4) 371366-25 | Window, R/S horizontal slider, 22 x 43" |
| 5) 921196 | Door, compartment, 46.69,short (under slide out) |
| 6) 921196 | Door, compartment, 46.69,short (under Slide-out) |
| 7) 921196 | Door, compartment, 46.69,short (under Slide out) |
| 8) 511152-01 | Vent cover, exterior, range exhaust |
| 9) 921190 | Door, compartment, 50.75" |
| 10) 453754 | Screen, air intake |
| 11) 921191 | Door, compartment, 46.25" |
| 12) 921193 | Door, compartment, R/S, angled, 34" |
| 13) 203217 | Door, rear access |
| 14) 203232 | Access cover, generator, fiberglass |
| 15) 371366-24 | Window, R/S horizontal slide w/egress 26 x 43" |
| 16) 371366-28 | Tinted slider |
| 17) 702679-53 | Awning, window, 4' Black Shadow |
| -49 | Teal |
| -57 | Sapphire |
| 18) 702949-05 | Cover, galley slide out |
| 702949-01 | Cover, galley slide, hardware |
| 19) 690417-02 | Door, water heater access |
| 690417-03 | Flange, water heater mounting |
| 20) 702679-53 | Awning, window, 4' Black Shadow |
| -49 | Teal |
| -57 | Sapphire |
| 702679-12 | Hardware, awning window, Satin |
| 21) 381641 | Door, fuel fill access |

2003 LAND YACHT 390 XL SERIES DIESEL

DOORS/WINDOWS 390 Skydeck Roadside



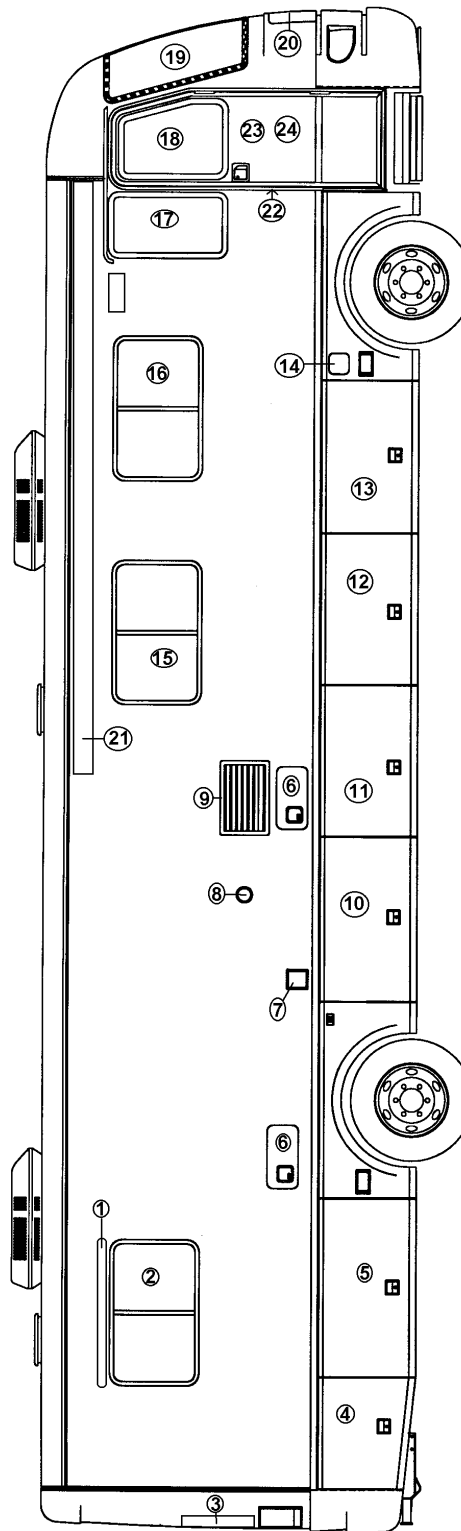
2003 LAND YACHT 390/395/396 DIESEL

DOORS/WINDOWS 390 Skydeck Roadside

- 1) 371369 Windshield, R/S
- 2) 371382-01 Cab window, R/S
- 3) 922561 Door assembly, front fender access
203218 Door only
- 4) 371366-25 Window, R/S horizontal slider, 22 x 43"
- 5) 921196 Door, compartment, 46.69,short (under slide out)
- 6) 921196 Door, compartment, 46.69,short (under Slide-out)
- 7) 921196 Door, compartment, 46.69,short (under Slide out)
- 8) 511152-01 Vent cover, exterior, range exhaust
- 9) 921190 Door, compartment, 50.75"
- 10) 453754 Screen, air intake
- 11) 921191 Door, compartment, 46.25"
- 12) 921193 Door, compartment, R/S, angled, 34"
- 13) 203217 Door, rear access
- 14) 203232 Access cover, generator, fiberglass
- 15) 371366-24 Window, R/S horizontal slide w/egress
26 x 43"
- 16) 371366-28 Tinted slider
- 17) 702679-61 Awning, window, 4' Charcoal Tweed
- 18) 702949-05 Cover, galley slide out
702949-01 Cover, galley slide, hardware
- 19) 690417-02 Door, water heater access
690417-03 Flange, water heater mounting
- 20) 702679-61 Awning, window, 4' Charcoal Tweed
702679-12 Hardware, awning window, Satin
- 21) 381641 Door, fuel fill access

2003 LAND YACHT 390 XL SERIES DIESEL

DOORS/WINDOWS-Curbside **390 ONLY**



See next page for P/N

2003 LAND YACHT 390/395/396 DIESEL

DOORS/WINDOWS

390 ONLY

CURBSIDE

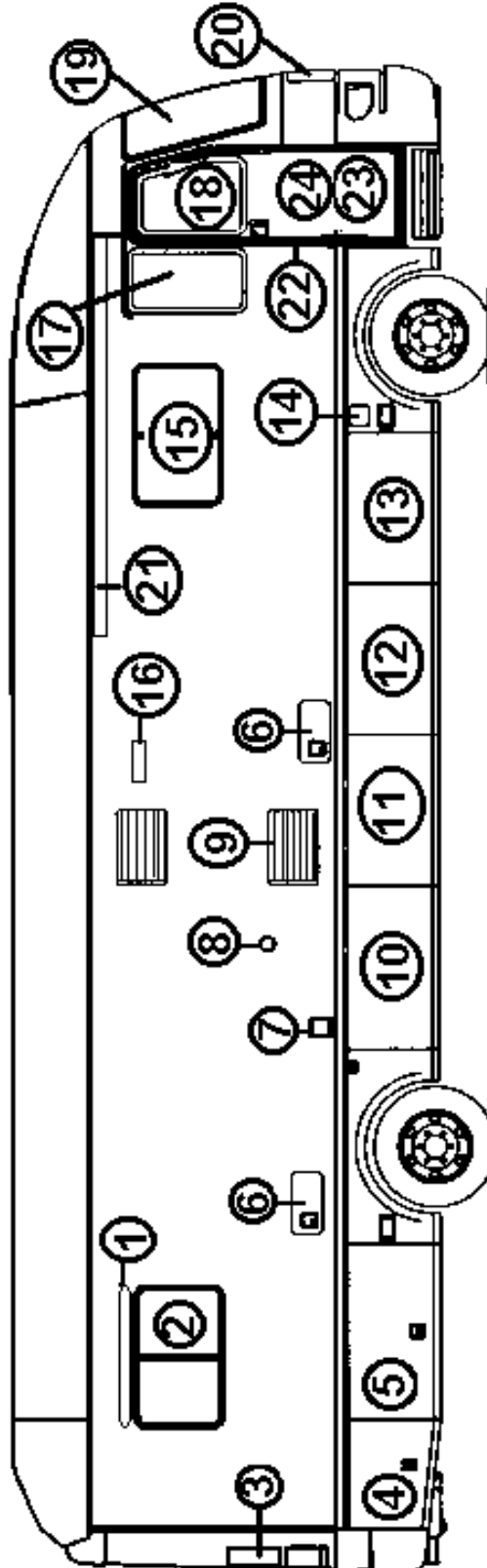
- | | |
|-----------------|---|
| 1) 702679-53* | Awning, window, 4' Black Shadow |
| 702679-12 | Hardware, 4'. awning, satin |
| 2) 371366-23 | Window, C/S horizontal slider 26 x 43" |
| 3) 203217 | Door, rear access |
| 4) 921192 | Door, C/S, angled 34" |
| 5) 921194 | Door, compartment 54.25 |
| 6) 690274-06 | Door, exterior, Hydroflame |
| 7) 601194-03 | Water fill, potable water |
| 8) 381539 | Vent cover, washer/dryer |
| 9) 690340-03 | Door, exterior refrigerator access |
| 9a) 690259-03 | Mounting flange, refrigerator access door |
| 10) 921190 | Door, compartment 50.75" |
| 11) 921195 | Door, compartment, C/S, 46.69 |
| 12) 921195 | Door, compartment, C/S, 46.69 |
| 13) 921195 | Door, compartment, C/S, 46.69 |
| 14) 381641 | Door, fuel fill access |
| 15) 371366-23 | Window, C/S horizontal slider, 26 x 43" |
| 16) 371366-23 | Window, C/S horizontal slider, 26 x 43" |
| 17) 371366-15 | Window, vertical slider 35.62 x 18.5" |
| 18) 371366-16 | Window, angled, main door |
| 19) 371370 | Windshield, C/S |
| 20) 203232 | Access cover, generator, fiberglass |
| 21) 702679-57** | Awning, 19ft. patio, Sapphire |
| 702679-11 | HARDWARE AWNING PATIO, SATIN |
| 22) 922519 | Jamb assembly, main door |
| 23) 922521-100 | Main door assembly |
| 24) 922522 | Screen door assembly |

*-49 Teal
-57 Sapphire

** -56 Teal
-52 Black shadow

2003 LAND YACHT 390 XL SERIES DIESEL

DOORS/WINDOWS 390 Skydeck Curbside



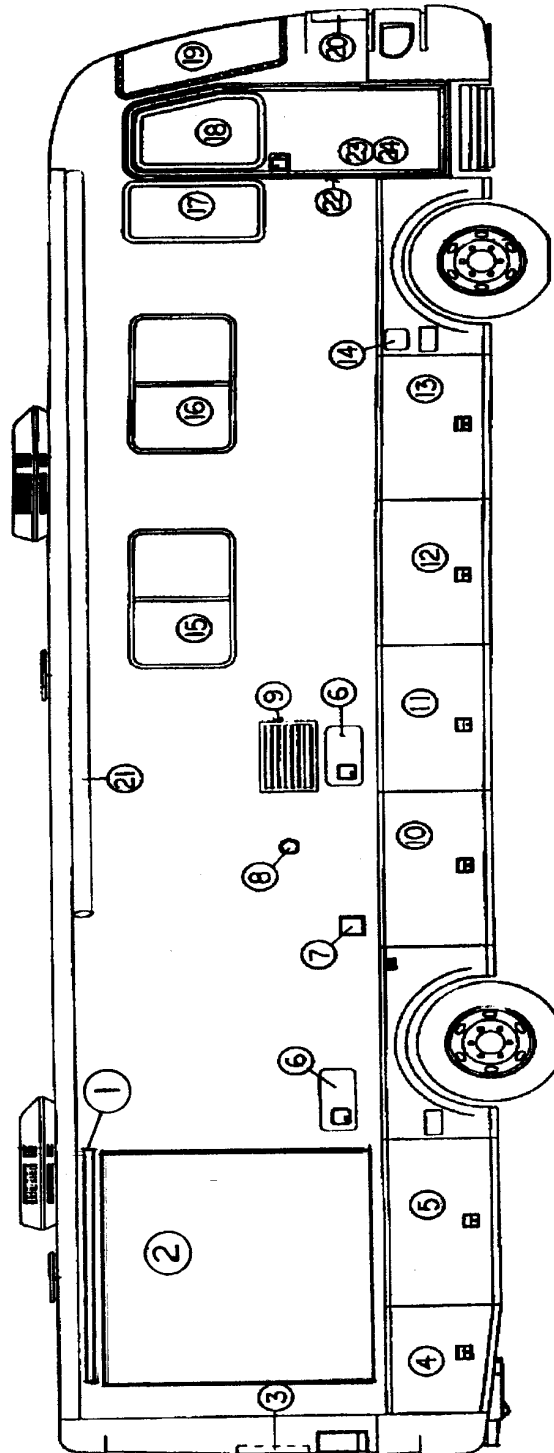
2003 LAND YACHT 390/395/396 DIESEL

DOORS/WINDOWS **390 Skydeck Curbside**

- | | |
|----------------|---|
| 1) 702679-60 | Awning, window, 4' Charcoal Tweed |
| 702679-12 | Hardware, 4'. awning, satin |
| 2) 371366-23 | Window, C/S horizontal slider 26 x 43" |
| 3) 203217 | Door, rear access |
| 4) 921192 | Door, C/S, angled 34" |
| 5) 921194 | Door, compartment 54.25 |
| 6) 690274-06 | Door, exterior, Hydroflame |
| 7) 601194-03 | Water fill, potable water |
| 8) 381539 | Vent cover, washer/dryer |
| 9) 690340-03 | Door, exterior refrigerator access |
| 9a) 690259-03 | Mounting flange, refrigerator access door |
| 10) 921190 | Door, compartment 50.75" |
| 11) 921195 | Door, compartment, C/S, 46.69 |
| 12) 921195 | Door, compartment, C/S, 46.69 |
| 13) 921195 | Door, compartment, C/S, 46.69 |
| 14) 381641 | Door, fuel fill access |
| 15) 371366-23 | Window, C/S horizontal slider, 26 x 43" |
| 16) 511509 | Light, exterior, fluorescent |
| 17) 371366-15 | Window, vertical slider 35.62 x 18.5" |
| 18) 371366-16 | Window, angled, main door |
| 19) 371370 | Windshield, C/S |
| 20) 203232 | Access cover, generator, fiberglass |
| 21) 702679-60 | Awning, 19ft. patio, Sapphire |
| 702679-11 | HARDWARE AWNING PATIO, SATIN |
| 22) 922519 | Jamb assembly, main door |
| 23) 922521-100 | Main door assembly |
| 24) 922522 | Screen door assembly |
| 702679-62 | Awning, 4' Door, Charcoal Tweed |

2003 LAND YACHT 390 XL SERIES DIESEL

Doors/Windows CS
395-396 ONLY



See next page for P/N

2003 LAND YACHT 390/395/396 DIESEL

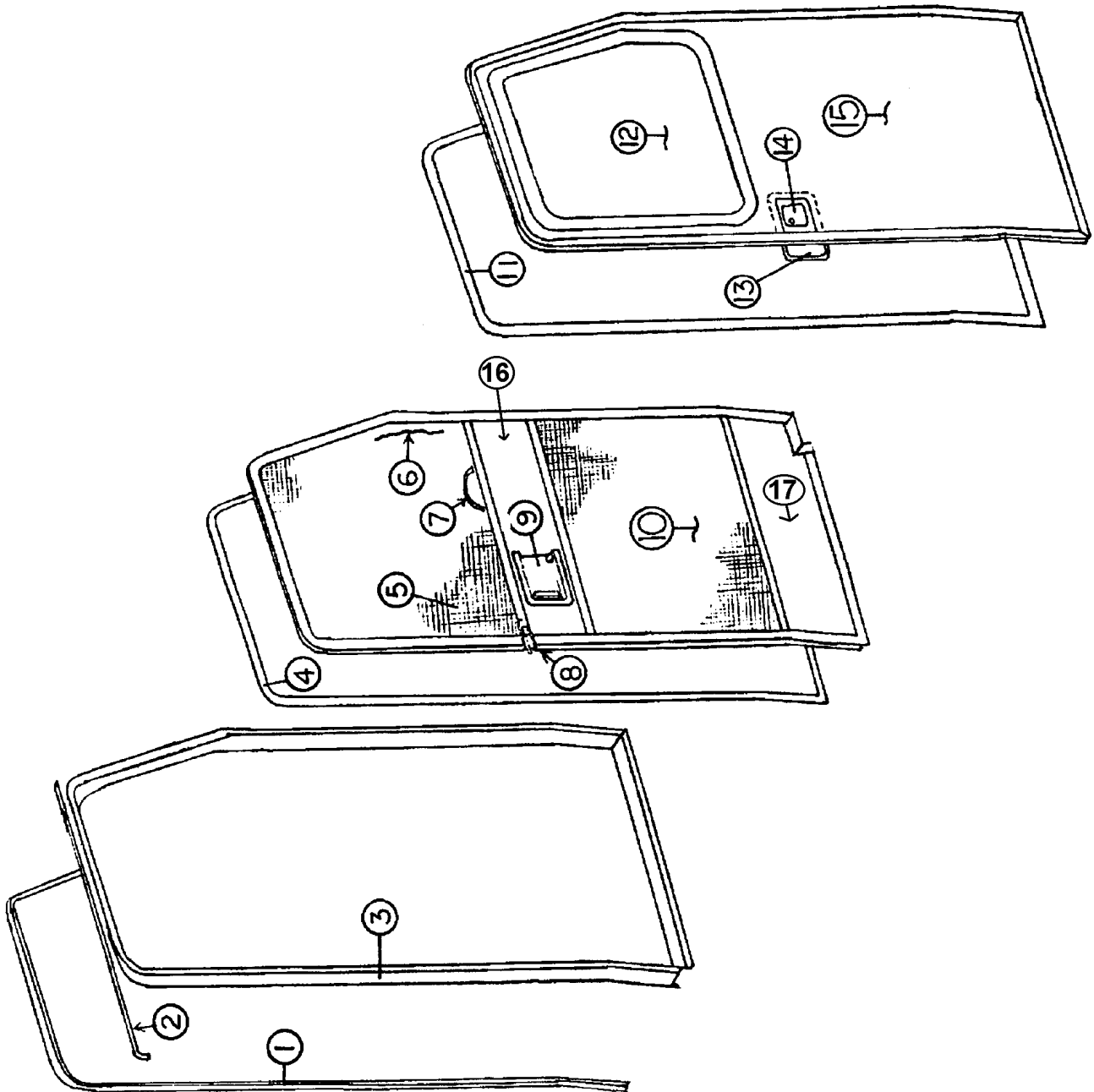
Doors/Windows CS **395-396 ONLY**

- 1) 702949-06 Awning, over rear slide
- 1A). 702949-07 Hardware, cover, wardrobe slide out
- 2) Slide out room. For reference only
- 3) 203217 Door, rear access
- 4) 921200 Door, C/S, angled 34"
- 5) 921199 Door, compartment 54.25
- 6) 690274-06 Door, exterior, Hydroflame
- 7) 601194-03 Water fill, potable water
- 8) 381539 Vent cover, washer/dryer
- 9) 690340-03 Door, exterior refrigerator access
- 9a) 690259-03 Mounting flange, refrigerator access door
- 10) 921190 Door, compartment 50.75"
- 11) 921195 Door, compartment, C/S, 46.69
- 12) 921195 Door, compartment, C/S, 46.69
- 13) 921195 Door, compartment, C/S, 46.69
- 14) 381641 Door, fuel fill access
- 15) 371366-23 Window, C/S horizontal slider, 26 x 43"
- 16) 371366-23 Window, C/S horizontal slider, 26 x 43"
- 17) 371366-15 Window, vertical slider 35.62 x 18.5"
- 18) 371366-16 Window, angled, main door
- 19) 371370 Windshield, C/S
- 20) 203232 Access cover, generator, fiberglass
- 21) 702679-57 Awning, 19ft. patio, Sapphire
- 21A) 702679-11 Hardware, patio awning, Satin
- 22) 922519 Jamb assembly, main door
- *23) 922521-100 Main door assembly
- *24) 922522 Screen door assembly

*More detail can be found on the following page

2003 LAND YACHT 390 XL SERIES DIESEL

MAIN and SCREEN DOOR



See Next Page for Part numbers.

2003 LAND YACHT 390/395/396 DIESEL

MAIN AND SCREEN DOOR

- 1) 114829 Trim, inside doorjamb
- 2) 114966 Drip cap, main door/window
- 3) 922519 Jamb, main door
- 4) 365013-01 Gasket, screen door, low-density foam
- 5) 380079 Screen, plastic mesh
- 6) 200518 Spline, gray, round, screen installation
- 7) 380004 Pull handle, screen door w/screws
- 8) 381454 Latch, screen door, double action, Bullet
- 9) 203000 Close out, plastic, sliding, screen door, (Gizzy)
- 10) 922522 Screen door assembly
- 11) 365045 Seal, main door
- 12) 371366-16 Window, angled, main door
- 13) 203127 Cover, inner door lock pocket, plastic
- 14) Door lock--the main door lock is made up of five separate parts- see hardware in Section III for listing
- 15) 922521-100 Main door assembly
- 16) 114561 PANEL SLIDER SCREEN DOOR
- 17) 114837 KICK PANEL, SCREEN DOOR

Not shown

Main Door Stop

- 381632 Prop, gas spring
- 381634 Bracket, prop, curved
- 203156 Cover, bottom doorstop, black plastic
- 381633 BRACKET PROP 2" 10MM
- 381632-01 CLIP SAFETY 10MM STL END FITTING

2003 LAND YACHT 390 XL SERIES DIESEL

DRAPES/BLINDS/VALANCES

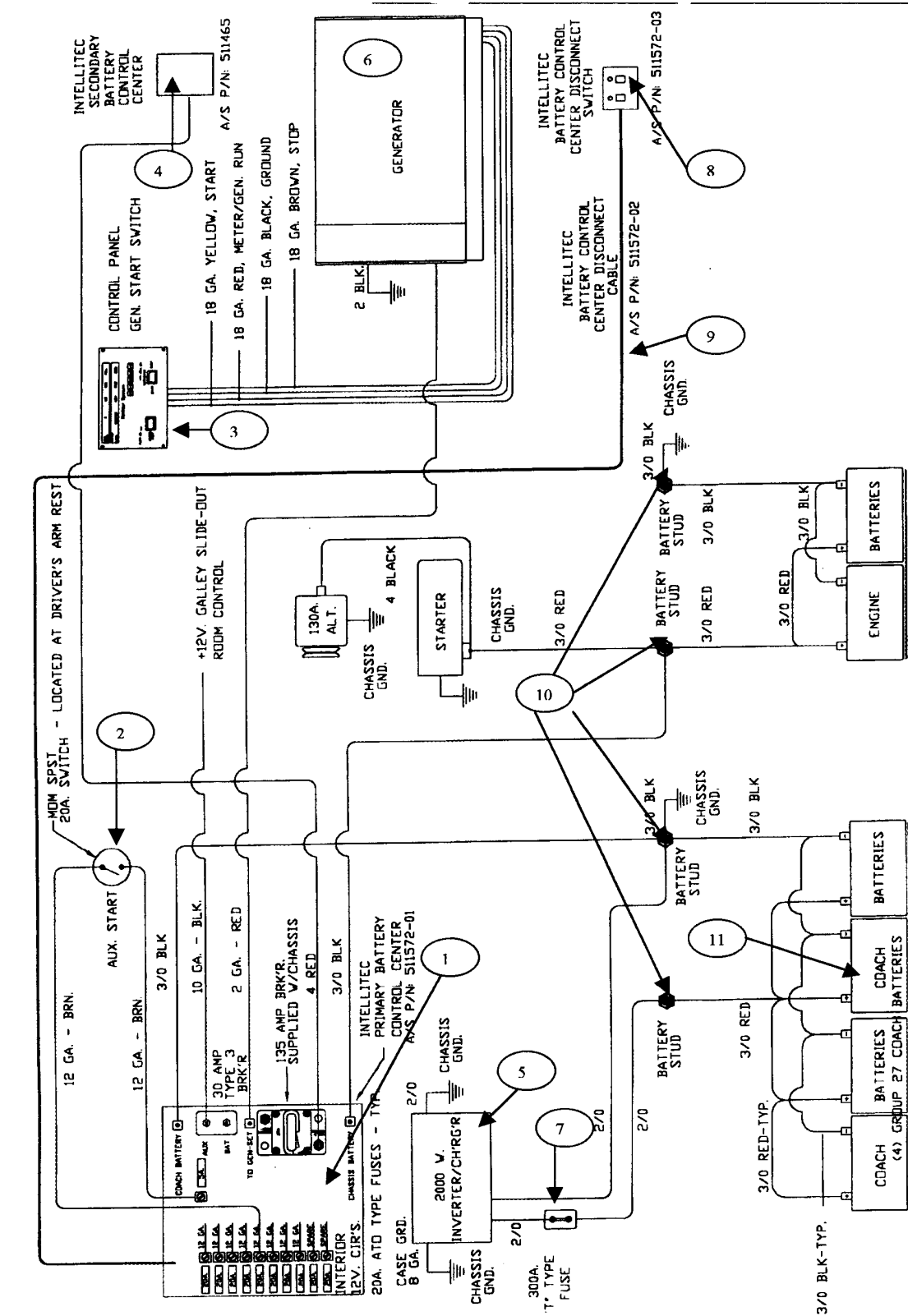
702975	Windshield wrap curtain w/track & strap
964900-014	Stop, front windshield, Wrap, CS
964900-024	Stop, front windshield, Wrap, RS
101220	TRACK, STAND-OFF, CURTAIN
101225	EXTRUSION ALUM CURTAIN TRACK ATTACH
101217	EXTRUSION CURTAIN TRACK
114021	EXTRUSION CURTAIN TRACK STANDOFF
100097	EXTRUSION ALUM CURTAIN TRACK
200784	ENDS, CURTAIN TRACK, RH WHITE
200785	ENDS, CURTAIN TRACK LH WHITE
702818	Shade, Kool Screen, black
965637-16	Shadow box, (43" x 26" Lounge & B/R window)
965637-17	Shadow box, (43" x 22" Lounge window)
965637-17	Valance, CS Lounge, Sky Deck, remove
703273-35	SHADE NIGHT 34.5" X 25"

2003 LAND YACHT 390/395/396 DIESEL

ELECTRICAL 110 VOLT

511149-04	Power cord, 36 ft.
511260	Cover, weather proof, single
10469W	Adapter plug, 30M-50 Amp, 18 in.
381435	Hatch, 4", white, power cord exit
511418-01	Inverter/charger, 2000 Watt
511418-02	Panel, inverter on/off, remote
511418-05	Sensor, battery temperature
511418-03	Fuse and holder, 300-amp TFB300R
510723	Breaker box, Square D, 30 amp
510662	Breaker, 20 amp
510663	Breaker, 30 amp
510678	Breaker, 20 amp, square D
511533	Switch, auto transfer, 50 amp
10469W	30M-50F ADAPTER PLUG W/18IN CORD
500785	Outlet, duplex, brown
511023	Tester, circuit analyzer (loose item)
511278	Lock out, 110 volt disconnect, front TV
500913-02	SWITCH, T & B BROWN, water heater
511580	Generator, Onan 8.0 QD
510103	Hour meter, exterior
511506	Switch, generator start
511289	BREAKER KIT 30 AMP ONAN
511686	Hour meter w/deluxe bezel, interior
510888-05	RECEPTACLE W/COVER GFI WHITE
511330	BOX, SWITCH 3" X 2" X 3.5", CSA
511729	Duplex outlet cover, waterproof, Skydeck

2003 LAND YACHT 390 XL SERIES DIESEL



2003 LAND YACHT 390/395/396 DIESEL

*ELECTRICAL 12 VOLT-CHASSIS

- 1) 511572-01 Primary battery control center, Intellitec
- 2) 511579-103 Auxiliary start switch, located in armrest
- 3) 511446 Control panel, Generator start switch
- 4) 511465 Secondary battery control panel
- 5) 511418-01 2000 W inverter/converter
- 6) 511580 Generator, 8.0 QD
- 7) 511418-03 Fuse holder & fuse (300 amps)
- 511418-04 300-amp fuse only
- 8) 511572-03 Battery disconnect switch, Intellitec
- 9) 511572-02 Disconnect switch cable, Intellitec
- 10) 511510-02 Junction block, stud type, Red.
(Paint black for ground)
- 11) 511505 Battery, deep cycle, 4D
- Not Shown:
- 511571 Load center, 100A w/flush cover, 395/396
- 511571-01 Load center, 100A w/flush cover, 395/396,
CSA only
- 510724 Breaker, double pole, 50 amp
- 511510-01 JUNCTION STUD-PASS THRU BLACK
- 511554 WING NUT-GROUNDING "GREEN"
- 511555 BATTERY LUG -1/4"STUD 2-1 AWGR
- 195466-251 Fuse holder w/cover, 30 amp
- 511112 Vacuum pump
- 511333 CABLE-BATTERY 2/0 BLACK
- 511089-01 TERMINAL-BATTERY-NEGATIVE
- 511089-02 TERMINAL BATTERY POSITIVE 2/0

- 511572-05 ONE GANG SWITCH PANEL BROWN
- 511615 W.P. GFI/DEC COVER W/GASKET
- 511616-01 RECEPTACLE MOUNTING-SINGLE WHITE

- 10469W 30M-50F ADAPTER PLUG W/18IN CORD

*See ENTERTAINMENT section for radio, VCR, TV, antennas
Etc.

2003 LAND YACHT 390 XL SERIES DIESEL

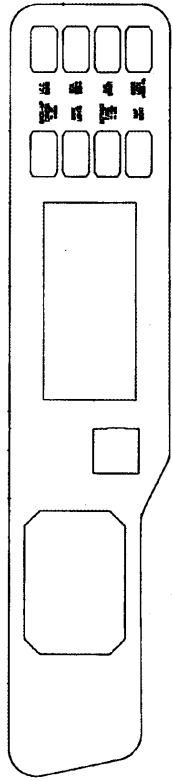
ELECTRICAL

12 VOLT-GENERAL

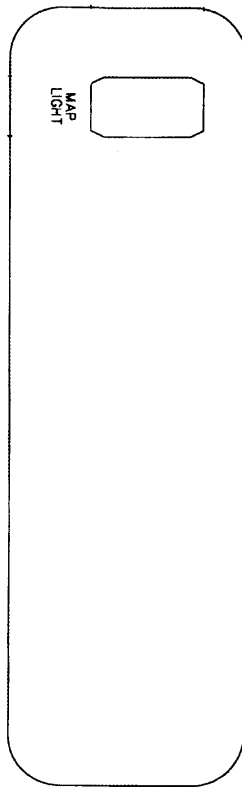
511505	Battery, 4D Interstate
453716	Tray, battery
453716-01	Strap, tray
511273	TRAY BATTERY HOLD DOWN
511465	12-volt distribution center, ATC type
511392	Fuse holder, 15amp,in-line
500883-01	FUSE 12, CSA 1 AMP
510696	HOLDER, FUSE, IN-LINE
511086	COVER BOX METAL
511283	BOX HANDY 2"X4" METAL
511084	RECEPTACLE TRAILER SINGLE
510817-01	SINGLE GANG WEATHER PROOF BOX
510857-04	CONDUIT, FLEX. LIQUID TIGHT ½"
511255	STRAIN RELIEF
510596	Cigarette lighter
510807	Outlet, 12 volt, lighter receptacle
511276	Cover, 12-volt outlet, black
511740	Warning light panel, Safety Rail
510843	Flasher, heavy duty
511078	Switch, rocker, 4-gang, by door
511508-01	COVER-SWITCH BLANK 1-2 GANG BLACK
511508-02	COVER-SWITCH BLANK 1-2 GANG WHITE
511567-01	SWITCH BODY W/ROCKER, 2 GANG BLACK

2003 LAND YACHT 390/395/396 DIESEL

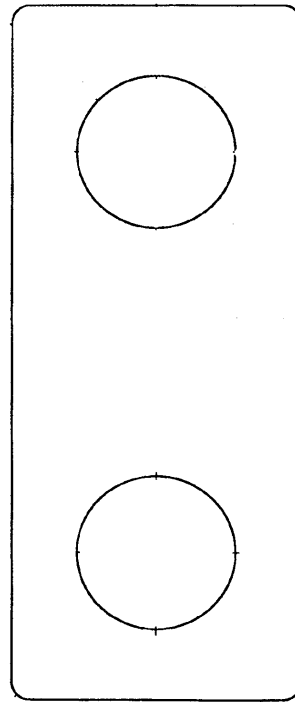
ARMREST, CENTER CONSOLE SWITCH & DASH PANELS



511576
Driver switch
Panel
w/switches



511574
Pass. Switch
Panel
w/switch



511573
Center Console
(center of dash)

Switches

511579-100	Back-up camera, Door lock
511579-101	Drive, map, aisle, docking lights
511579-102	Defrost fans, HI-LO
511579-103	Aux start, I.C.C. blink
511579-104	Generator stop/start
511579-105	Switch blank (if needed)
511579-106	LED light & Bezel door unlocked warning
511305-10	Remote exterior mirror
511419-06	Wiper/washer

2003 LAND YACHT 390 XL SERIES DIESEL

12-VOLT-INTERIOR SWITCHES

511327-01	Switch body w/rocker switch, single, black
511507	Switch body w/rocker switches, 3 gang, black
511325	Switch body w/rocker switches, 4-gang
511325-01	Switch body, 4-gang, black
511327	Switch body w/rocker switch, single, white
511328	Cover, single, white
511329	Switch, rocker, SPDT, white
510868-03	Switch panel, 4 gang, white
500933-02	Switch, water heater, brown
511040	Switch, door, momentary, normally on
962203-01	Switch cluster, main door
511078	Switch body, illuminated, door entrance
511083-02	Cover, switch, 3 & 4 gang, door entrance
511474-02	Switch, dimmer, black
520316	Switch, remote, slide out
511506	Switch, generator start, bedroom
511730	Switch panel, 4-gang, black
511771	Switch Assembly, two-gang white

12 VOLT-INTERIOR LIGHTS

511513	Light, green LED, switch indicator at main door
500960-02	Light, fluorescent, recessed, 20.63"
680085	Bulb, fluorescent, #F8T5-CW
500960-01	Light, fluorescent, recessed, 14.75"
680084	Bulb, fluorescent, #F8T5-CW
511494	Wall lamp, 12 volt, lounge
511495-100	Bulb, 71-921 wedge base
511495	Wall lamp, bedroom
511495-100	Bulb 71-921F

2003 LAND YACHT 390/395/396 DIESEL

ELECTRICAL

12 VOLT-INTERIOR LIGHTS

511248 50085-02	Light, incandescent single, square Bulb incandescent, #1141
500842 680084	Light, fluorescent, 12 x 5.5 x 1" Bulb, fluorescent, F8T5-CW
511361	Light, courtesy, flush mount, black (no separate bulb)
511648 511137-100	Light, reading & Sky Deck end table, halogen, white Bulb, 12 volt, JC-10
511492	Light, medicine cabinet, three bulbs Bulb 71-9019F(reference only)
511477 511137-100	Reading light, round, halogen Bulb, 12volt, JC-10, wedge base
511493 511493-100	Light, dinette, hanging, 3-bulb w/switch Bulb, 71-921, wedge base
511410 500956 511490-01 511490-02 511452 500773-01 500883-01 510696 511392 500883-05 500883-15 195466-251 500773-30 511418-03	LIGHT-SHOWER INCANDESCENT SINGLE LIGHT, WDRB, #PD210-111BRN, W/SWITCH LIGHTING-FLEXIBLE, #STO12-TC CONNECTOR KIT-FLEX LIGHTING FUSE HOLDER 15A WEATHERPROOF ATC FUSE ATC 12V DC 1 AMP FUSE 12, CSA 1 AMP HOLDER, FUSE, IN-LIN FUSE HOLDER-IN LINE 15A FUSE, 12 VOLT-AGC,5 AMP FUSES, 12V, CSA 15 AMP 30 AMP FUSE HOLDER W/COVER FUSE, ATC, 12 VDC, 30 AMP FUSE & HOLDER-300 AMP

2003 LAND YACHT 390 XL SERIES DIESEL

ELECTRICAL

12 VOLT-EXTERIOR LIGHTS

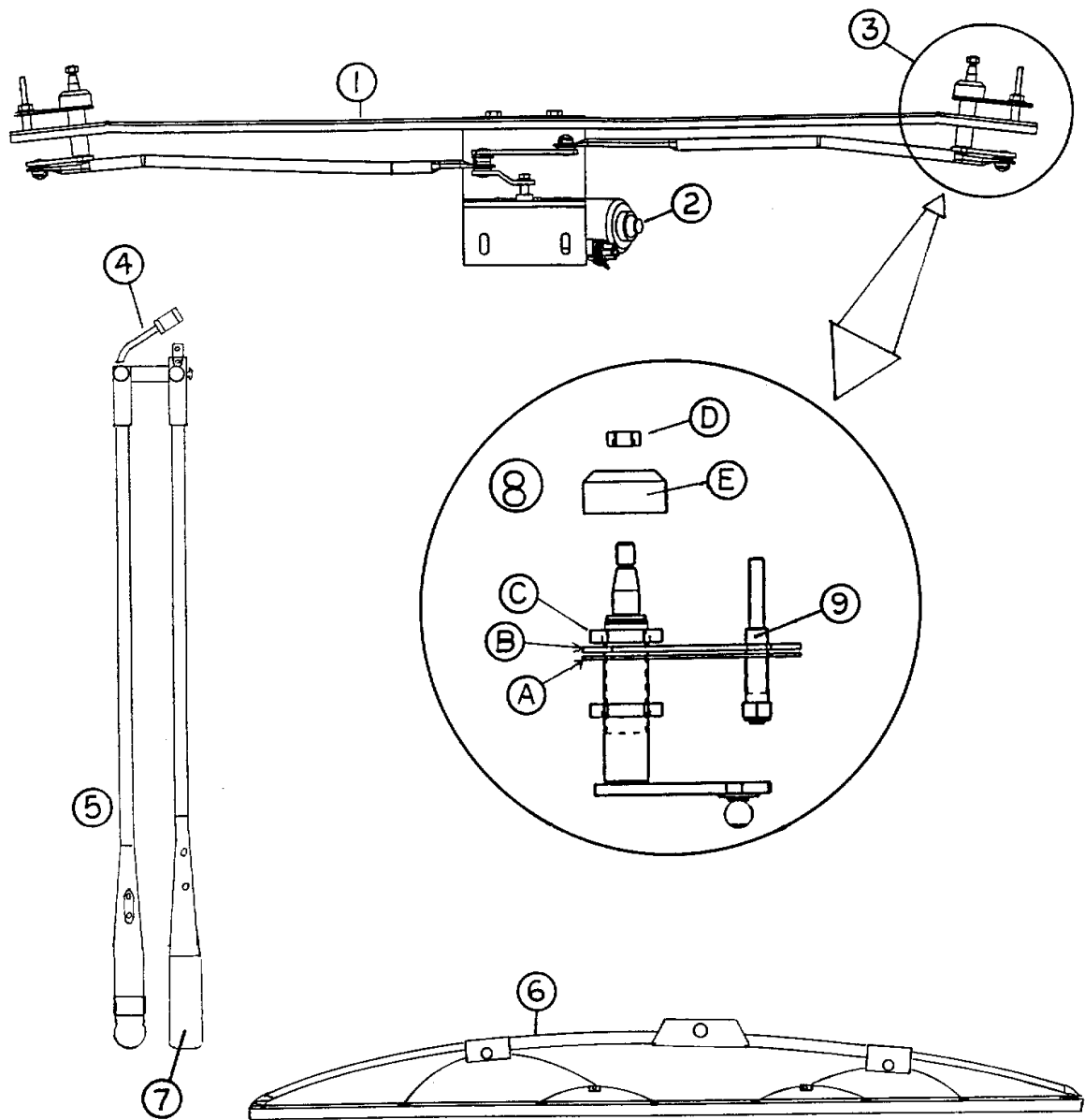
510672-02	Light, porch, white
510732	Utility light
511163	Light, compartment
510732-02	CSA PORCH LIGHT
511509	Light, entrance door, fluorescent
680084	Bulb, fluorescent, F8T5/CW
511101-01	Light, docking, halogen, S.S., bezel
201991	Housing, docking light
511589-01	Light, tail lamp, LH
511589-02	Light, tail lamp, RH
511154-02	Light strip, 3rd brake light, 1"x10"
510984-01	Light, clearance, red
511407	Light, license plate w/holder
511400	Light, front top marker, tear drop, amber
511397-02	Head light, C/S
511398-01	Head light, R/S
511402	Socket and pigtail, headlight
511477	Spot light, halogen
511406	Socket, front turn and parking light
511408	Socket, side marker w/194NA bulb
510984-02	Light, side marker, amber
511398-01	Park lamp, R/S
511398-02	Park lamp, C/S
511153	Light, fog, round, clear

2003 LAND YACHT 390/395/396 DIESEL

12 VOLT-MICS., EQUIPMENT

511512-01	Mirror, cab, bus style, black, R/S
511512-02	Mirror, cab, bus style, black, C/S
511305-10	Switch, remote, heated mirror, R/S
511446	Monitor panel
511162-01	Keyless entry w/remote (opt)
511162-02	Transmitter, 4 channel
510802-01	Actuator, door lock, 5 wires
511352	Module, locking, centralized
451486	FLAT LINKAGE ELECTRIC DOOR LOCK
451485	WIRE LINKAGE, ELECTRIC DOOR LOCK
511572-04	Charge controller, Solar panel, option
511572-06	Monitor panel, charge controller, solar panel
511142-01	Solar panel, 53 watt
511142-02	Mounting bracket (4), solar panel
510781	Detector, smoke
511309	Detector, LPG, flush mount
511343	Detector, carbon monoxide, 9 volt
510734	Alarm, back up
510804	Horns, air, chrome
510804-01	ELBOW KIT, AIR HORN
510976	Buzzer, headlamp, warning
511605	Exterior water pump switch
500976	OUTLET, TV, COAX
510914	TERMINAL, RELAY BLOCK
510844-01	Relay, Bosch
510844-02	Socket, Bosch relay
511452	Fuse holder, 15-amp, weather proof, ATC
510624-01	MODULAR PHONE QUICK JACK WHITE
511726	Stowaway light base, Sky Deck Roof
511727	Frosted Globe A/R Light w\o collar
511742	Lever switch, safety rail warning light

2003 LAND YACHT 390 XL SERIES DIESEL



See next page for P/N

2003 LAND YACHT 390/395/396 DIESEL

ELECTRICAL

WINDSHIELD WIPER

- 1) 511440 Windshield wiper assy, XL
- 2) 511440-100 Wiper motor, Ford/Freightliner
- 3) 511440-102 Pivot and link assembly, Trico
- 4) 511419-103 Washer jet and tubing, Trico
- 5) 511419-104 Pantograph arm assembly, Trico
- 6) 511419-105 Blade assembly, 28", Trico
- 7) 511419-106 Head cover, main arm, black, Trico
- 8) 511440-107 Hardware kit, includes the following:
 - a) Gasket
 - b) Face plate
 - c) Thin nut
 - d) 8 mm nut
 - e) Rain shield

- 9) 511440-108 Swivel assembly, slave arm, Trico

Not shown:

511419-06 Switch, wiper/washer, Freightliner

2003 LAND YACHT 390 XL SERIES DIESEL

ENTERTAINMENT

*690451 TV, Sony, 20", cab overhead
511517-01 Remote commander, Sony
511278 Lock out, 110 volt disconnect
511633 Patch cord, male to male, 10 ft.
511634 PATCH CORD 3-WAY M/M RCA 6'

**690436-02 TV-COLOR 20"SONY, KV-20FS12MT12, Bed
114909-01 Bracket, TV mount, bedroom, RH
114909-02 Bracket, TV mount, bedroom, LH
500975 Headphones, light weight

690441 TV COLOR 20" STEREO JVC

690479 Sony DAVS-450, DVD/CD, Dolby System
690479-01 Cube Speaker
690479-02 Main DVD-CD unit
690479-03 Base module
690479-04 Remote control (RM-SS450)

510788-01 Antenna, TV, Winegard
510788-03 Amplifier, TV antenna
511735 Antenna TV, Omni-directional-Roadster
510788-04 Hardware package, TV antenna
500976 Outlet, TV jack
500996 Jack, TV/phone, gray

690413 VCR, Sony Hi-Fi, SLV-N51
690445 VCR-4 HEAD HI FI JVC
114925 BRACKET-VCR MOUNTING

511191 CD changer, 10 Disc, Sony, CDX-646
511191-02 Patch cord, RCA, male to male, 5.5 meter
511191-01 CD changer data cable, 5.5 meter
*RLC to 690487 20" TV beginning unit 810868
** RLC to 690488 20" TV beginning unit 810868

2003 LAND YACHT 390/395/396 DIESEL

ENTERTAINMENT

- 690481 JVC DVD Digital Theatre Sound System
Parts available through :
Midwest Sales and Service P/N THA30
800-772-7262
- *511383-01 Radio w/CD player XR-C600, replaced by
*511732 Radio w/CD player CDX-CA 400 on unit
810845 and after
511720 SPEAKER-6.5"BLK JVC #CS-V620
511722 MOUNT-SPEAKER BLACK #SATS-B
511385-01 Switch, electronic, source selector
511383-02 Remote control, Sony, for P/N 511383-01
only
511310 Video control center
511409 TERMINAL-FEMALE QUICK DISC.AA2134
511570 PATCH CORD, RCA, MALE TO MALE 50'
511488-03 Patch cord, radio to amplifier
511423 PLUG-EARPHONE W/6" WIRE #30421W
- 511723 RADIO-AM/FM/CD #KD-SX780
511720 SPEAKER-6.5"BLK JVC #CS-V620
511722 MOUNT-SPEAKER BLACK #SATS-B
- 511721 JVC, 12 Disc CD Changer
- *500994 Antenna, radio
511597 Replaces, antenna rubber 500994 Antenna,
radio
511458 Antenna, side mount, CB
500484-07 ANTENNA LEAD & EXTENSION 144"
- 511728 Sky Deck roof, entertainment center
511733 Speaker, 5", white

2003 LAND YACHT 390 XL SERIES DIESEL

ENTERTAINMENT

511642 MONITOR SYSTEM-WELDEX, 390 Sky Deck
453968 BRACKET-CAMERA
454967 BRACKET-DASH MONITOR
345414 SPRING-CAMERA BRACKET
203029 MOUNTING INNER REAR MONITOR
203030 COVER OUTER REAR MONITOR

510918-01 Monitor, Sony Watchman, 390-395-396
452667 BRACKET MONITOR MOUNT
453032 BRACKET CAMERA
511579-100 Switch, backup camera
203181 Cover, back up monitor
203031 MOUNTING INNER REAR MONITOR
452667 BRACKET MONITOR MOUNT
453032 BRACKET CAMERA

Common Parts to Both Systems

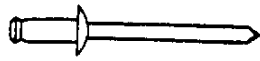
511044-03 Actuator, two position, rear camera
453031 BRASS BRACKET SPRING
511044-05 HOLE INSERT W-2234982
511044-04 PIGTAIL FOR ACTUATOR
381542 THREADED STUD, MONITOR SUPPORT

511464-07 Speaker/headphone system, Includes:
511464-02 Speaker, 4", 5-Watt max., 8 ohm
511464-03 Speaker grille, black
511464-01 Headphone\dual speaker control
511464-06 Speaker harness

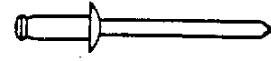
511624-01 Satellite system, auto, stationary
690449 Receiver, satellite, DSS, Sony
511635 Plate-Dual cable, Dome entry
511384-tab Satellite pre-wire kit, includes:
-01 RG-6 Coax cable
-02 RG-coax cable connector
-03 Decals, widow, roof, pre-wire brochure

2003 LAND YACHT 390 XL SERIES DIESEL

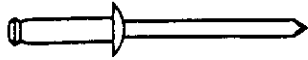
*FASTENERS



330126-02
Rivet, pop
dia. 1/8 "dia.
Grip range .126-.187
Stainless steel body
Stainless steel mandrel



330126-03
rivet, pop
1/8 "
grip range .126-.250
stainless steel body
stainless steel mandrel



330136-04
Rivet, pop
Dia. 1/8"
Grip range .313-.375
Stainless steel body
Stainless steel mandrel



330031-03
rivet, pop
dia. 3/16"
grip range .125-.250
stainless steel body
stainless steel mandrel



330031-03
Rivet, pop
Dia. 3/16"
Grip range .126-.250
Stainless steel body
Steel mandrel

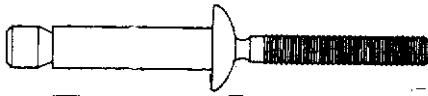


320108-01
rivet, bulb tite, /washer
dia., /16"
grip range .050-.187
aluminum body
aluminum mandrel

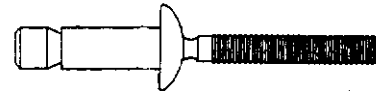
*Common bolts and screws readily available at local hardware outlets have not been listed.

2003 LAND YACHT 390/395/396 DIESEL

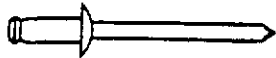
*FASTENERS



330139-02
Dia. 1/4"
Grip range .350-.625
Stainless steel body
Stainless steel mandrel



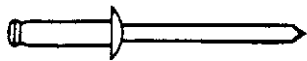
330139-01
dia. 1/4"
grip range .080-.375
stainless steel body
stainless steel mandrel



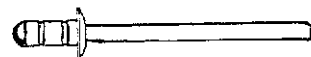
330127-03
Dia. 1/8"
Grip range .063-.125
Aluminum body
Aluminum mandrel



300101
1/8" I.D.
washer, aluminum



330127-05
Dia. 1/8"
Grip range .251-.312
Aluminum body
Aluminum mandrel



330137
dia. 1/8"
grip range .039-.189
aluminum body
steel mandrel

*Common bolts and screws available at local hardware outlets have not been listed.

2003 LAND YACHT 390 XL SERIES DIESEL

*FASTENERS



320122
Screw, pan head, Phillips
Black
#4x1/8" (glove box tray)



320114-04
screw wood oval, Phillips
antique brass
#5x1/2"



320114-05
Screw wood, oval head, Phillips
Antique brass
#5x5/8"



320115-06
screw wood, and
flat head, Phillips
stainless steel
#6x1.00"



320124-06
Screw, flathead, Phillips
Stainless w/white head

320037-00 Screw, #6 FH type A, SMS, Zinc, Mirror clip

*Common bolts and screws are readily available at local hardware, outlets have not been listed.

2003 LAND YACHT 390/395/396 DIESEL

FLOOR COVERING

703135-320* Carpet inlay, 390/395 S-style (Golden Oak)
702277-422* Carpet inlay, 390/395, Ribbon (Cashmere)
702277-432* Carpet inlay, 390/395, Ribbon (Sumatra)
702277-442* Carpet inlay, 390/395, Ribbon (Spice Trader)

703173 Carpet padding, 3/8"
700173-01 Carpet padding, 1/2"
703292-04** Carpet, Mercado Grey, Spice Trader
-03*** Carpet, Mercado, Linen, Cashmere, Golden oak
-01 Carpet, Foliage, Sumatra

**RLC to 703136-02 Frost

***RLC to 703313-03 Tapioca

701538-01 Carpet, Velour black, storage compartments
702979-01 Vinyl flooring cover, compartment bottoms
702550-01 Matt, entrance, step well
702549 Matt, entrance, w/Airstream logo
702893 FLOORING-SMOOTH RUBBER .13" X 31" W
702812-02 FLOORING-STEP TREAD BLACK 72"
703312 FLOORING-VINYL TERRA COTTA 6.5' W, SD
702903-05 Shluter Strip
702903-13 Tile, galley
702903-11 GRANI RAPID POWDER, white
702903-12 GRANI RAPID LIQUID
702903-03 MATT RIBBED, (TILE FLOOR ASSY.)
702903-07 Grout, epoxy, Ivory

365279 Skydeck floor, non-skid tape

703014-05 Throw rug, bath area, (Golden Oak)
703014-08 Throw rug, bath, (Blue Dimensions)
703276 Vinyl Linoleum, Skydeck

*Changing the -(dash) number changes the color:

-320 = Golden Oak
-422 = Cashmere
-432 = Sumatra
-442 = Spice Trader

2003 LAND YACHT 390 XL SERIES DIESEL

FURNITURE DOORS-INTERIOR

801253-01Z	Door, raised panel	9.00 x 16.25
801253-02Z	Door, raised panel	14.50 x 11.25
801253-03Z	Door, raised panel	14.50 x 16.25
801253-04Z	Door, raised panel	18.38 x 11.25
801253-05Z	Door, raised panel	10.50 x 20.50
801253-06Z	Door, raised panel	10.50 x 34.00
801253-07Z	Door, raised panel	18.38 x 23.00
801253-08Z	Door, raised panel	11.50 x 16.25
801253-09Z	Door, raised panel	16.00 x 12.75
801253-10Z	Door, raised panel	24.50 x 12.75
801253-11Z	Door, raised panel	12.75 x 27.00
801253-12Z	Door, raised panel	14.25 x 34.00

MISCELLANEOUS DOORS

801278-01Z	Door panel, refer, 20.38 x 15.5, oak
801278-02Z	Door panel, refer, 20.38 x 38.38, oak
702991	Shower door, 390, 396
703070	Shower door, 395
964814-00Z	Door, sliding, 29.25 x 71.5
965207-04	Door guide, stop block
965067-00Z	STOP BLOCK, SLIDING DOOR, S. OAK
801178-04	MOLDING-FLAT, .81" W/CHAMFER, S. FOREST
800881-13Z	DOOR LOUVERED 24.50 X 12.50 S. OAK
965164-00Z	Door, sliding, 3400x71.50
381643-02	Door, sliding, 34.0 x 73.0
964815-00Z	Door, folding, 16.5 x 74.5
964919-00Z	Door, folding, 16.94 x 74.5
801255-05Z	Door, louvered, 16 1/2" x 34 3/8"
964813-00Z	Door, swinging, 24.00x74.00
381443-01	SLIDING DOOR SET #71-222-5'
381100	SLIDING DOOR GUIDE

Continued

2003 LAND YACHT 390/395/396 DIESEL

FURNITURE

MISCELLANEOUS DOORS

801255-01Z	Door, louvered,	27.0 x 12.0
801255-02Z	Door louvered,	12.75 x 36.0
801255-03Z	Door, louvered,	16.75 x 12.0
801255-04Z	Door, louvered,	14.25 x 12.00
371374-01	Glass, tinted, 9.88 x 21.57, front roof locker	
371375-02	Glass, tinted, 8.38 x 17.81, front roof locker	
381727-02	Door, sliding wardrobe, 58.25 x 46.00	
801256-01Z	Doorframes only	16.5 x 69.00
801256-02Z	Doorframes only	10.5 x 34.5
801256-03Z	Doorframe only	11.50 x 16.25
801256-04Z	Doorframe only	9.00 x 34.50
801256-05Z	Doorframe only	14.50 x 69.00

2003 LAND YACHT 390 XL SERIES DIESEL

FURNITURE

MIRRORS

372203-25	Mirror, safety glass	7.50 x 21.25
372203-26	Mirror, safety glass	13.62 x 58.50
372203-11	Mirror, safety glass	17.00 x 21.25
371262-68	Mirror, safety glass	17.50 x 70.38
372211-01	Mirror, beveled three sides	15.25 x 16.75
372210-12	Mirror, beveled	6.00 x 22.00
372210-13	Mirror, beveled	6.00 x 41.50
372210-14	Mirror, beveled	7.62 x 31.62
372210-15	Mirror, beveled	13.62 x 33.62
372210-17	Mirror, beveled	15.25 x 22.62
372210-20	Mirror, beveled	6.12 x 31.62
372210-21	Mirror, beveled	11.62 x 32.62
371262-68	Mirror, sliding wardrobe door, 24" x 73"	
371387	Mirror (Headboard), 10 V w/bevel	

2003 LAND YACHT 390/395/396 DIESEL

DRAWER FACES

801254-01Z	Drawer face	8.00 x 14.50
801254-02Z	Drawer face	12.00 x 14.25
801254-03Z	Drawer face	4.75 x 21.50
801254-04Z	Drawer face	8.00 x 21.50
801254-05Z	Drawer face	12.00 x 21.50
801254-06Z	Drawer face	4.75 x 33.00
801254-07Z	Drawer face	8.00 x 10.50
801254-08Z	Drawer face	12.00 x 10.50
801254-09Z	Drawer face	8.00 x 20.00
801254-10Z	Drawer face	12.00 x 20.00
801254-11Z	Drawer face	4.75 x 18.38
801254-12Z	Drawer face	6.75 x 27.50
801254-13Z	Drawer face	6.50 x 16.00
801254-14Z	Drawer face	8.00 x 60.75
801254-16Z	Drawer face	4.75 x 14.25
801254-17Z	Drawer face	8.00 x 9.00
801254 18Z	Drawer face	12.00 x 9.00

DRAWER BOXES

964906-01	Drawer box	2.75 x 6.00 x 18.00
964906-02	Drawer box	2.75 x 19.5 x 18.00
964906-15	Drawer box	2.57 x 12.25 x 18.00
964907-02	Drawer box	6.00 x 8.50 x 18.00
964907-03	Drawer box	6.00 x 19.50 x 18.00
964907-05	Drawer box	6.00 x 18.00 x 18.00
964907-07	Drawer box	6.00 x 12.25 x 22.00
964907-10	Drawer box	6.00 x 8.50 x 14.00
964909-01	Drawer box	10.00 x 8.50 x 18.00
964909-02	Drawer box	10.00 x 19.50 x 18.00
964909-03	Drawer box	10.00 x 12.25 x 18.00
964909-04	Drawer box	10.00 x 18.00 x 18.00
964909-05	Drawer box	10.00 x 12.25 x 22.00

2003 LAND YACHT 390 XL SERIES DIESEL

FURNITURE REAR BEDROOM

964846-01	Wardrobe assembly, C/S rear 390
964782-00Z	Face frame, C/S rear wardrobe
964847-01	Wardrobe assembly, R/S rear 390
964783-00Z	Face frame, R/S rear wardrobe
964799-00Z	Face frame, nightstand pocket
964848-01	Roof locker assembly, RS rear, 390/395/396
964784-00Z	Face frame, rear roof locker
964796-00Z	Rail, light cover
965172	Bed assembly, 390/395/396
965180	Top, rear bed
703021-01	Head board, Roman Sands
703021-09	Headboard, Blue Dimensions
703021-10	Headboard, Portifina
703021-11	Headboard, Autumn Blue
964935	TV cabinet assembly, rear bedroom, 390
964781-00Z	Face frame, TV cabinet
114909-01	Bracket, TV mount RH, bedroom
114909-02	Bracket, TV mount LH, bedroom
381310	Bracket, gas prop, upper
381362	Bracket w/ ball, gas prop angle
381569-04	Gas prop, 20 lbs.
114960	Bracket, TV roller support
965083-02	End table assembly, 390/395/396
965084-00Z	Face frame, end table
203265	Engine cover base, fiberglass, 390/395/396
203266	Engine coverlid, fiberglass
365263	Gasket, engine cover
381735	Latch, engine cover lid, non locking
381735-01	Gasket, engine cover latch

2003 LAND YACHT 390/395/396 DIESEL

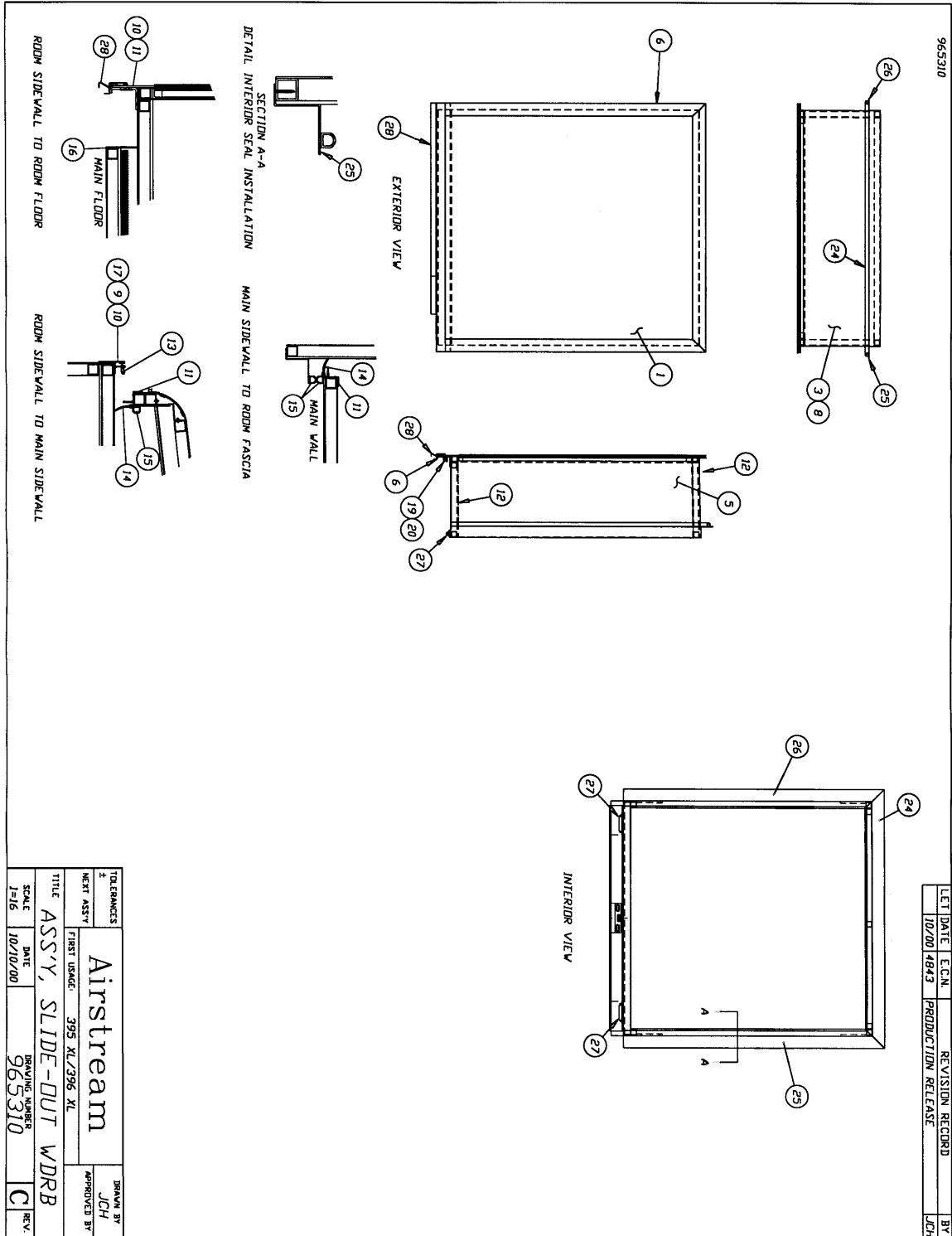
FURNITURE

REAR BEDROOM **395/396**

965171-01	Wardrobe assy RS rear
965161-00Z	Face frame, RS wardrobe
964799-00Z	Face frame N/S pocket
965170-01	WARDROBE ASSY-CS REAR
965160-00Z	Face frame, CS closet
965263	TV CABINET ASSY-BEDROOM 395XL
965162-00Z	FACE FRAME-TV B. BEDROOM
965262-00Z	SHELF FRONT-TV
114909-01	BRACKET TV MOUNT BEDROOM RH
114909-02	BRACKET TV MOUNT BEDROOM LH
965179-01	SHELF ASSY-BEDROOM 395XL
965173-01	Wardrobe assy CS, slide-out, 395-396
965166-00Z	FACE FRAME-WARDROBE S/O
965176-01	STILE-WARDROBE SIDE LH
965176-02	STILE-WARDROBE SIDE RH
965177-00Z	HEADER-WARDROBE
381727-02	Door, sliding, wardrobe
965164-004	Door, sliding, 34.00 x 71.50
965422-01	Vanity Assembly

2003 LAND YACHT 390 XL SERIES DIESEL

965310 Assembly Slide-out Wardrobe 395, 396



SEE NEXT PAGE FOR P/N

2003 LAND YACHT 390/395/396 DIESEL

965310 Assembly Slide-out Wardrobe 395, 396

- 1) 965307 Main wall assembly WDRB slide, 395 XL
- 2) 965309 Floor assembly, slide-out, 395 XL
- 3) 965308 Roof assembly, WDRB S/O
- 4) 965306-01 Wall assembly, aft S/O, 395 XL
- 5) 965306-02 Wall assembly, aft S/O, 369 XL
- 6) 965299 Assembly, S/O WDRB mounting angle
- 7) 381709 Travel-bar, 18.50"
- 8) 114851-02 Roof wrap, bedroom, wardrobe slide out
- 9) 114770 Extrusion, slide-out box
- 10) 114771 Extrusion, slide-out trim
- 11) 114726 Extrusion, slide-out trim
- 12) 114768 Extrusion, slide-out corner trim
- 13) 381594 Rubber extrusion, bulb
- 14) 381587 Rubber extrusion, wiper
- 15) 381588 Rubber extrusion, bulb with tape
- 16) 381589 Rubber extrusion, floor wiper
- 17) 365235 Tape a double coated, .12 x 1.00
- 18) 114816 Drain pan, slide out-room
- 19) 345406 Carriage bolt, 3/8-16 x 1 1/4" long
- 20) 350170 Nut, 3/8-16
- 21) 330139-01 Rivet Magnalok, stainless steel, 1/4 inch, GR .080-.375
- 22) 330139-02 Rivets Magnalok, stainless steel 1/4 inch, GR.350-.625
- 23) 385946 Warning label, slide operation
- 24) 453925 Interior seal wardrobe, top
- 25) 453926-02 Interior seal wardrobe, right hand side
- 26) 453926-01 Interior seal wardrobe, left-hand side
- 27) 381623 Roller floor, slide-out
- 28) 114970 Trim, lower slide-out

702482

HEADLINER SPECTRA OPAL X

2003 LAND YACHT 390 XL SERIES DIESEL

FURNITURE

*BATH AREA

964819-004	Jamb, LH, swinging bath door, 390/395/396
381352	PULL, FLUSH, POLISHED BRASS
964820-004	Jamb, RH, swinging bath door
964821-004	Header, swinging bath door
964818-00Z	Header, sliding door
964899-00Z	Header, folding door
381740	CAP-DOOR BI FOLD
964903-00Z	TOP-FOLDING DOOR
964814-00Z	DOOR SLIDING 29.25" X 71.5"
381691	POCKET DOOR PASSAGE LOCK
381690	BOLT-FLUSH LEVER 12"
801267-00Z	MOLDING, CROWN
203254-01	Tub/shower stall, 395/396
203210-01	Shower stall, 390
964828-01	Lavatory cabinet assembly, 390/395/396
964775-00Z	Face frame, lavatory cabinet
601832	Lavy top & bowl, Corian, Glacier White
965634	Lavy top, Skydeck
601741-02	Side splash, lavy top, LH
601740-02	Side splash, lavy top, RH
964828-02	Lavatory cabinet assembly, 390 Sky Deck
964829	Medicine cabinet assembly, 390/395/396
964776-00Z	Face frame, medicine cabinet

*Bath fixtures may be found in the hardware section-
if connected to or drains water look in plumbing.

2003 LAND YACHT 390/395/396 DIESEL

FURNITURE

BATH AREA

965088	Magazine rack assembly-bath, 390/395/396
964918-00Z	Top assembly, magazine rack
965697	Top assembly, bath magazine rack Skydeck
965087-00Z	Magazine rack, face frame assy., w/sides
964921 -01	Laundry cabinet assembly, lower, 390/395/396
964774-00Z	Face frame, laundry cabinet
964920-02	Top assembly, laundry cabinet
965636	Top assembly, laundry cabinet, 390 Skydeck
964922 -01	Laundry cabinet, upper 390-395
965709	Laundry cabinet, upper 390 Sky Deck
964904-00Z	Face frame, upper laundry cabinet
964834-00Z	SHELF FACER LAUNDRY CABINET
965078-004	FRAME WINDOW SURROUND BATH
801267-00Z	MOLDING - CROWN
964925	Chest of drawers 390-395
964780-00Z	Face frame, chest of drawers
964867	Storage cabinet, stool room, 390/395/396
964791-00Z	Face frame, stool room storage cabinet
964831 -01	Linen cabinet assembly 390-395
964778-00Z	Face frame, linen closet
964832-002	Shelf face, 10.44
964843	Wardrobe assembly-sliding door 390-395
964779-00Z	Face frame, R/S wardrobe
964789-00Z	Face frame, bath control panel

2003 LAND YACHT 390 XL SERIES DIESEL

FURNITURE Bath Area 395/396

965168-01	Linen cabinet assembly 395-396
965158-00Z	Face frame, linen closet
965159-00Z	Facer, shelf, linen cabinet
964832-002	Shelf face, 10.44
965167-01	Storage cabinet assembly, stool room, 395
965163-004	Face frame, stool room cabinet
965165-00z	Header, sliding door, aft 395-396
965087-00z	Magazine rack, bath all
965423	Vanity mirror assembly

2003 LAND YACHT 390/395/396 DIESEL

FURNITURE

Bath area

965323	Roadside linen cabinet assembly, 396 XL
965322-00z	Face Frame Roadside linen closet
964832-00z	Shelf face, 10.44
964818-00z	Header, sliding door 29.81 in., 396 XL
964814-00z	Door, sliding 29.25 inches by 71.5 in.
965165-00z	Header, sliding door aft, 396 XL
965164-00z	Door, sliding 34 inches by 71.5 in.
965067-00z	Stop block, sliding door
965207-00z	Door guide/stop block

2003 LAND YACHT 390 XL SERIES DIESEL

FURNITURE GALLEY AREA

964856-02	Galley assembly, cook top section, 3-burner w/oven, 390/395/396
964856-03	Galley assembly, cook top section, 3-burner w/oven, 390 Sky Deck
964762-00Z	Face frame, galley cook top section
964859-01	Top, Corian, galley
964383-02	Range covers, Corian, front/back
381491	Trashcan, roll out
964858-01	Galley assembly, drawer box section, 390/395/396
964761-00Z	Face frame, galley drawer box section
964855-01	Galley assembly, sink section, 390/395/396
964764-00Z	Face frame, galley sink section
964911	SHELF INSERT-GALLEY
381686	Tray, tip out, 14", plastic
965274-03	Sink cover, RH
964275-04	Sink cover, LH
200980-01	Tray, silverware
381678	Splash protector, glass galley
964926-01	Refrigerator cabinet assembly, 390/395/396
964916-00Z	Face frame, refrigerator cabinet
964854-01	Galley spice cabinet assembly, 390/395/396
964766-00Z	Face frame, galley spice cabinet
964788-00Z	Face frame, galley control panel
964860-01	Corian, galley shelf assembly
965698	Galley shelf assembly, Skydeck
965092-01	END CAP ASSY-LOCKER
964773-014	FRAME-LOCKER END CAP LH, S. OAK
700414	FOAM 3/8 X 72"X 52'

2003 LAND YACHT 390/395/396 DIESEL

FURNITURE GALLEY AREA

- 964861-01 Table assembly, dinette
703009-05 Chair, folding type, used w/oak & hickory
703009-04 Chair, folding type, used with walnut
453807 Bracket, dinette table
**381525 Sash lock
**Replaced with 381228-01, Grabber catch during model year.
*703145-432 Chair, residential, Sumatra
- [964853](#) Refer cabinet assy, optional 12 CF,
390/395/396/390Sky Deck
964871-004 Face frame, cabinet assy.
- [964862-01](#) Galley roof locker, LH, 390/395/396
964771-00Z Face frame, galley roof locker, LH
- [964866-01](#) Dinette roof locker, RH, 390/395/396
964787-00Z Face frame, RH dinette roof locker
- [964865-01](#) Dinette roof locker, 390/395/396
964768-00Z Face frame, dinette roof locker
- 964767-00Z FRAME-MICROWAVE TOPPER
- [965046-01](#) Galley assembly, optional oven
- [964941](#) Wire run post, RS
964941-01 Wire run post, RS, delete Solar Panel hole for Sky Deck

- *Changing the -(dash) number changes the color
-320 = Golden Oak
-271 = Blue Dimensions
-422 = Cashmere
-442 = Spice Trader

2003 LAND YACHT 390 XL SERIES DIESEL

CAB and LOUNGE

703298-05	Seat, drivers, power/Vibrasonic
511503	Kit, Vibrasonic seat
703279-02	Seat, passenger
702897-02	Seat, drivers, power, Sky Deck only
965069	Roof locker, front, over dash, 390/395/396
965061-00Z	Face frame, front roof locker
965271	TV CABINET ASSY- OVERHEAD, 390/395/396
965386-00Z	UPPER FRONT TV CABINET
965073	Cab side panel assembly, C/S, 390/395/396
965066-00Z	FACE FRAME, cab side cabinet, CS
965072	Cab side panel assembly, R/S, 390/395/396
965065-00Z	FACE FRAME, Cab side cabinet, RS
702988-01	Wall weave, 1/8" Hydrophonic Runes
703020	Wall weave, Allure Cocoa
965071-01	Cab cabinet assembly, 390/395/396
965068-00Z	Face frame, cab cabinet
203234	POP OUT CUP HOLDER-BLACK
965082-004	FRAME, WAINSCOT LOUNGE WALL, S. OAK
965190-01	Beverage tray, Corian, J-lounge option only

Continued on next page

2003 LAND YACHT 390/395/396 DIESEL

CAB and LOUNGE

- [964864-01](#) Roof locker assembly, C/S lounge,
390/395/396
- 964769-00Z Face frame, C/S lounge roof locker
- [964863-01](#) Roof locker assembly R/S lounge,
390/395/396
- 964770-00Z Face frame, R/S lounge roof locker
- 965082-00Z FRAME, WAINSCOT LOUNGE WALL
- 703047-02 Recliner, Avantiglide, w/ottoman, ultra
leather
- *703268-320 Sofa cloth, 74", Golden Oak
- *703268-02 Sofa, Ultra Leather

*Changing the -(dash) number changes the color

- 320 = Golden Oak
- 271 = Blue Dimensions
- 422 = Cashmere
- 442 = Spice Trader

Continued on next page

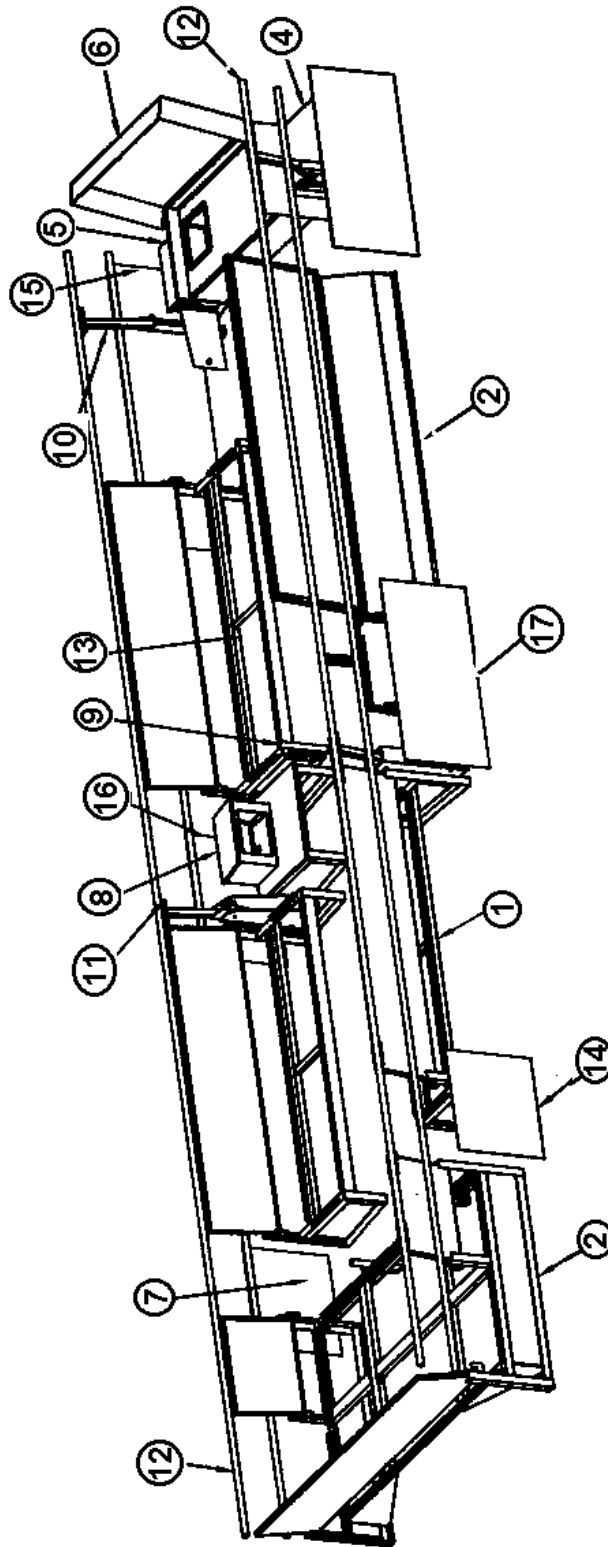
2003 LAND YACHT 390 XL SERIES DIESEL

CAB and LOUNGE

965353	FLIP SHELF ASSY.- CORIAN, 390/395/396
381614	FOLDING SHELF BRACKET
801265-004	MOLDING, CHAIR RAIL
801266-004	MOLDING, BASEBOARD
965001 -01	Magazine cabinet assembly, 390/395/396
965001-02	Magazine cabinet assembly, 390 Sky Deck
964886-00Z	Face frame, magazine cabinet
964885-00Z	Magazine rack, lounge
964888-01	Top assembly, magazine rack, 390/395/396
965696	Top assembly, magazine rack, Skydeck
964889-01	Shelf top magazine cabinet
381756-01	SUN VISOR ADJUSTABLE 96-777-3LHR
381756-02	SUN VISOR ADJUSTABLE 96-777-3RHR
203197	Cover, steering column, 390/395/396
203198-06	Cover "A" pillar, C/S, 390/395/396
203198-04	Cover "A" pillar, R/S, 390/395/396
203040-01	Cover, interior, center windshield post
964546-02	Armrest assembly, R/S, 390/395/396
203194	SIDE PANEL CAB LH ABS
964547-02	Armrest assembly, C/S, 390/395/396
203222-01	PANEL CAB CS 38 X 24 ABS
702192-09	Pocket map
203223	Cup holder, black
201787-01	POCKET DEADBOLT INTERIOR

2003 LAND YACHT 390/395/396 DIESEL

390 XL Skydeck Roof Furniture



Assembly Numbers on Next Page

2003 LAND YACHT 390 XL SERIES DIESEL

390 XL Skydeck Roof Furniture

1. [454058](#) Assembly, 80 in. sofa
 - 454058-01 Sofa frame
 - 454058-02 Sofa lid
 - 345420 3/8" x 1 1/4", S.S. shoulder bolt
 - 300138 3/8" ID nylon flat washer
 - 345420 3/8" x 1 1/4", S.S. shoulder bolt

2. [454059](#) Assembly, sun lounger
 - 454059-01 Frame, Sun Lounger
 - 454059-02 Lid, Sun Lounge, RH-LH
 - 454059-03 Back-Lid, Sun Lounger
 - 345420 3/8" x 1 1/4", S.S. shoulder bolt
 - 300138 3/8" ID nylon flat washer
 - 350174 5/16" x 18 S.S. Nylox nut

3. [454056](#) Assembly, hatch
 - 454056-01 Assembly, hatch frame
 - 454056-02 Assembly, hatch lid
 - 454056-03 Assembly, hatch door
 - 381793 Latch, hatch door
 - 380203 Aluminum hinge, continuous
 - 381786 Seal, extrusion, hatch door
 - 381785 Bulb seal hatch lid
 - 454079-01 Safety rail, side
 - 454079-02 Safety Rail, end
 - 381811 Safety Rail, hinge, .040 x 1 x 14"
 - 385982 Safety locking pin
 - 345366-08 1/4 x 20 x 1.625 bolt
 - 300125 Washer, flat
 - 345377 1/4 x 20, stainless steel Nylock nut
 - 381791 Weather seal, hatch door

2003 LAND YACHT 390/395/396 DIESEL

390 XL Skydeck Roof Furniture

4. 454074	Assembly, barbecue table, R.H.
5. 454075	Assembly, barbecue table, L.H.
454074-01	Table top, RH
454075-01	Table top, LH
454074-02	Door
454074-03	Frame assembly
381809	Door latch cam
380203	Hinge, 2" piano
6. 454060	Assembly, barbecue grill table
454060-01	Assembly, BBQ frame
454060-02	Assembly, BBQ lid
TBD	Nylon Tree rivets
380203	Hinge, stainless steel, 2" continuous
381783	Handle, chrome, grille
7. 454081	Assembly, end table
454081-01	Frame, end table
454081-02	Top, end table
8. 454087	Assembly, radio table
454087-01	Assembly, radio table frame
454087-02	Lower top
454077-03	Upper top
454077-01	Assembly, radio box
9. 454063	Umbrella holder
10. 454061	Assembly, stanchion
345420	3/8" x 1 1/4", S.S. shoulder bolt
300138	3/8" ID nylon flat washer
350174	5/16" x 18 S.S. Nylox nut

2003 LAND YACHT 390 XL SERIES DIESEL

390 XL Skydeck Roof Furniture

11. 454093	Assembly, power lift, housing
12. 454062	Safety rail, main
381792	Plug, 1.5" Safety Rail end
381790	Cord elastic, Safety rail
13. 454079	Safety rail, hatch
14. 115104-08	Panel, close out
15. 115104-09	Panel, close out
16. 114104-10	Panel, close out
17. 115104-11	Panel, close out
454091	Safety rail power lift actuator
703262	Roof umbrella
381784	Ladder, Quick escape, Sky Deck
965710	Cushion Assemblies, 80" Sofa, Sky Deck
801426	Marine fabric, Gray Dawn
801427	Marine fabric, Blue Berry
801430-03	Cushion assembly, seat
801430-07	Cushion assembly, backrest
965712	Cushion Assemblies, Sun Lounger, Sky deck
801426	Marine fabric, Gray Dawn
801427	Marine fabric, Blue Berry
801430-09	Cushion assembly, center seat (2)
801430-05	Cushion assembly, backrest
801430-06	Cushion assembly, backrest sides (2)
700617	Velcro, hook, seat cushion fastener
700617	Velcro, loop, seat cushion fastener
368276	Tape, reflective, yellow and black

2003 LAND YACHT 390/395/396 DIESEL

390 Sky Deck Only

965720	Assembly, stairway
965699	Assembly, steps, stairway
800428	1" Oak
801259-00Z	Panel, 1/2" wood veneer/Raw
101134	Aluminum angle, 1/8" x 1" x 1 1/2"
965700	Assembly, outer wall, stairway
965701	Assembly, Inner wall, stairway
965702	Cabinet, icemaker, stairway
965704	Cabinet, chair storage, stairway
454073	Perforated metal, 14" x 14"
381607	Hinge, inset, 110 degrees
381566	Loop, footman, steel
965653	Assembly, stair railing, stairway
801417	Handrail, Natural oak
801419	Baluster, Natural oak
801418	Shoe rail, Natural Oak
801420	1/4" fillet, Natural oak
801421	Box, newel, natural Oak
800881-13Z	DOOR LOUVERED 24.50 X 12.50 S. OAK
965968	Refrigerator cabinet assembly
965670-00Z	Face frame, refrigerator cabinet, 10 cu. ft.
*381551-01	Pantry basket, 15" x 45"
*381551-02	Wire basket, 4" wide, white
800573-01Z	Molding, flat, 1.13"
*Replaced by 381631-01-Pantry pullout and 381831-05 white basket during model year.	
965661-01	Lift Up Table Cabinet Assembly
965662-00Z	Credenza Leg, Oak
961958	Top assembly

Continued

2003 LAND YACHT 390 XL SERIES DIESEL

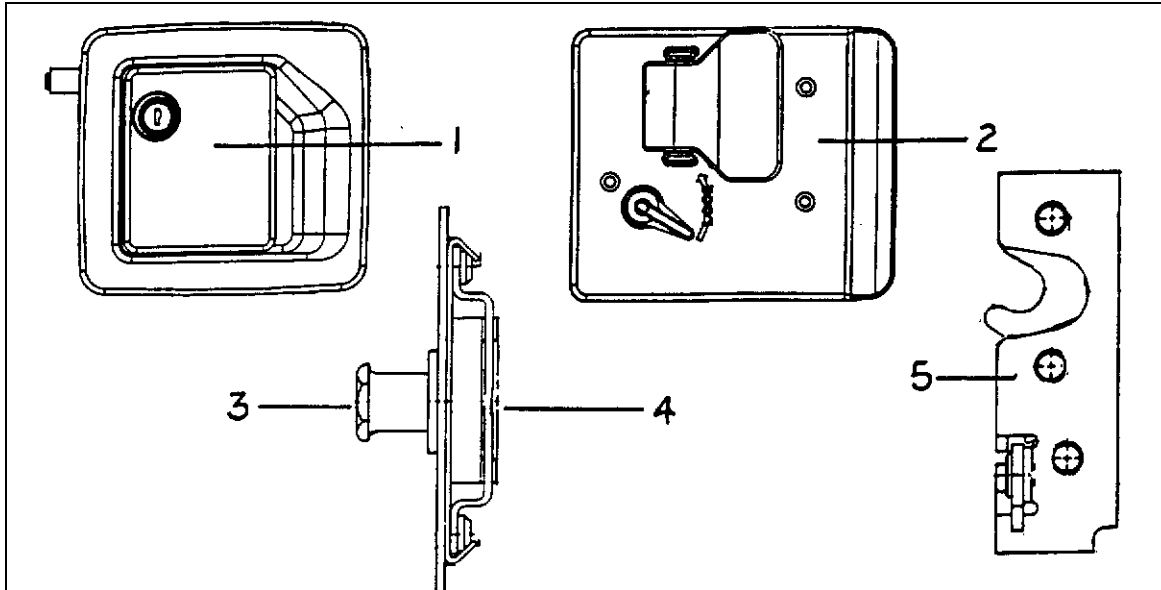
390 Sky Deck Only

<u>965759</u>	Assembly Overhead TV Cabinet, Sky Deck
965758-00Z	Face frame, overhead TV cabinet
965063-00Z	Side, RH, overhead TV cabinet
965064-00Z	Side, LH, overhead TV cabinet
801259-00Z	Panel, .5" wood veneer/veneer
965262-00Z	Shelf, front, TV cabinet
690429	Louver, 2" round
965760-00Z	Top cap
115123-01	Bracket, LH TV mount
115123-02	Bracket, RH TV mount
<u>964848</u>	Roof locker Assembly, RS rear, 390 Sky Deck
964784-00z	Face frame, Rear liner locker
964796-00z	Rail, rear roof locker, light cover
114812	Aluminum angle, 1" x 1"
701538-01	Carpet liner, black
801253-09z	Door, raised panel, 16" x 12.75"
801253-10z	Door, raised panel, 24.5" x 12.75"
381726	Door knob, Acrylic/Brass
391683	Door hinges, hidden
381228-01	Door grabber catch
511464-07	Speaker/Headphone system
381147	Door support
<u>965793</u>	Handrail Assembly
965972-00Z	Board, handrail, mounting
800405	Plug, button, hardwood, oak
381815	End caps, Brass 1.5" ID
965975-00Z	Handrail, 1.5" Dia. X 40.125"
320021	Screw, Type A, Phil HD, 8 x 1.5"
320136	Screw, Phil 8 x .75 FLT W/S Brass
320135	Screw, Phil 8 x 2.5 FLT Zinc
965803	Assembly, stairway molding
965803-02	Assembly, RH top stairway molding
965803-01	Assembly, header top stairway

2003 LAND YACHT 390/395/396 DIESEL

HARDWARE EXTERIOR-MAIN/SCREEN DOOR

TRI-MARK main door lock



- 1) 381521-01 outside lock housing
- 2) 381521-02 inside lock plate
- 3) 381284 Striker bolt
- 4) 381521-04 Caged nut
- 5) 381521-03 Rotary latch
- 381521-05 Screws, inside lock plate

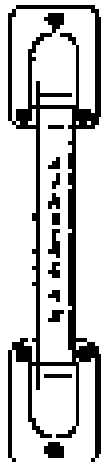
Dead bolt-Tri-mark

- 510802-01 Actuator, door lock, 5-wire
- 381323-01 Dead bolt assembly
- 452030 Bolt, Tri-mark dead bolt
- 381326 Striker, 10007 w/Tri-mark dead bolt
- 345321-12 Screw, #8-32,flat head, black
- 200772 Pan, plastic, dead bolt, interior

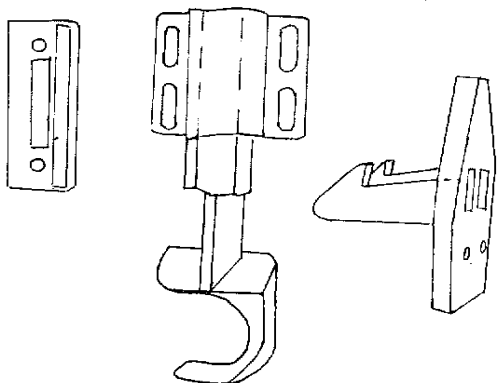
2003 LAND YACHT 390 XL SERIES DIESEL

HARDWARE

EXTERIOR-MAIN/SCREEN DOOR



381696
Main door Grab handle
Embossed "AIRSTREAM"



381454 Latch, screen door,



380004 Handle, Screen

2003 LAND YACHT 390/395/396 DIESEL

HARDWARE

EXTERIOR MAIN/SCREEN DOOR

960699	Hinge assembly, main entrance door
381334	Hinge leaf, jamb, main door
381336	Hinge leaf, door, main
381377	Hinge leaf, screen door
385599-075	Bearing, sleeve, main door hinge
300118-01	Washer, nylon, main door hinge
310024	Hinge pin, .250 x 6.0"
203127	Cover, inner door lock
203000	Close-out, screen door, plastic slide

WINDOW, SE-GE CO.

371366-100	Weep hole cover, SE-GI window
371366-101	Sweep latch, SE-GI window

REAR ACCESS DOOR

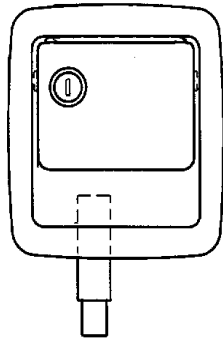
381569-05	Gas spring, 30#-rear access
381262	Bracket, prop w/ball
381310	Bracket, gas prop, upper
381227-01	Latch, vise action, curved pawl

GENERATOR DOOR

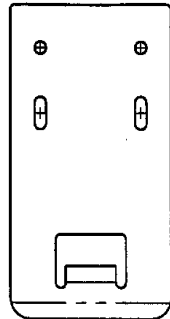
381702-03	Latch, double rotary, LH, straight panel
381702-02	Latch, double rotary, RH, straight panel
381702-01	Handle, paddle, non-lock

2003 LAND YACHT 390 XL SERIES DIESEL

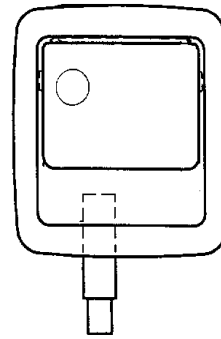
HARDWARE EXTERIOR-LOWER COMPARTMENT



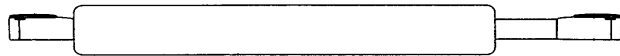
381637-01
Latch, lower comp.
Locking



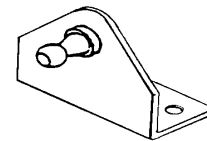
453707
Strike plate,
comp., latch



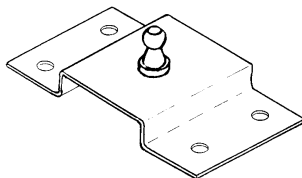
381637-02
Latch, lower
non-locking



381569-01 Prop, gas spring, 50#
381569-03 Prop, gas spring, 40#
381569-04 Prop, gas spring, 20#
381569-05 Prop, gas spring, 30 #



381672
w/ball, tall



381673 Prop bracket,
raised, jamb mount

LPG door only;
381659-01 Prop, 16" mech.
381659-02 Bracket, 16", prop
381659-03 Clip, 16", prop

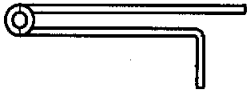
Not shown

381262 Bracket, prop w/ball angled
381637-03 Plate, latch back
381637-04 Key, baggage door TM 500
381637-05 Latch mtg. Brkt., lower compartment

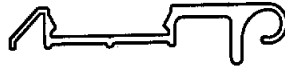
2003 LAND YACHT 390/395/396 DIESEL

HARDWARE

EXTERIOR-LOWER COMPARTMENT



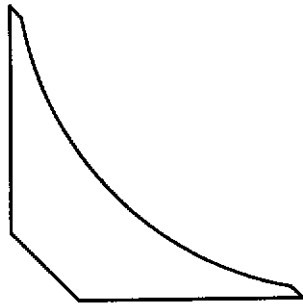
381650
Hinge, lower
(Used on short doors
Below slide outs)



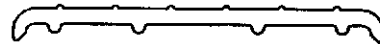
114864
Hinge, lower
comp. body side



114863
Hinge, lower
door side



203184 Corner trim
Lower compartment
Black plastic



114869
Extrusion, threshold
lower compartment

381662
381661
114822

S-HOOK STD
CHAIN, SASH
DRIP COMPARTMENT DOOR

203218
381672
381673
380203-01

DOOR, FRONT FENDER ACCESS
BRACKET SL 503HP
BRACKET SL 66P3-1
PIANO HINGE 1/8" PIN CLEAR ANODIZED

2003 LAND YACHT 390 XL SERIES DIESEL

HARDWARE SLIDE OUT ROOM GALLEY-WARDROBE

Power Gear 800-334-4712

- *410826 Slide out system, Power Gear, galley (Vendor part number 530071)
- 510113 Electronics kit
 - 510116 Control limiter
 - 520316 Switch bezel assembly
- 530072 Cross shaft kit LPSO
 - 15-1006 Lock nut, 1/4 x 20
 - 15-1091 Screw, HHC 1/4 x 20, 1.75 GR5
 - 16-1037 Flat washer
 - 520044 Drive shaft, short 55"/60"
- 531058 Beam kit, Lo Profile II
 - 15-1348 Nut, 3/4-10 UNC, spin-lock
 - 530037 Stud plate, room mounting
 - 5301-125 Shim low, pro slide 1/8"
 - 531002 Beam assembly, master
 - 531019 Beam assembly, follower

*For reference only, Airstream does not stock Power Gear parts. See next page for diagram.

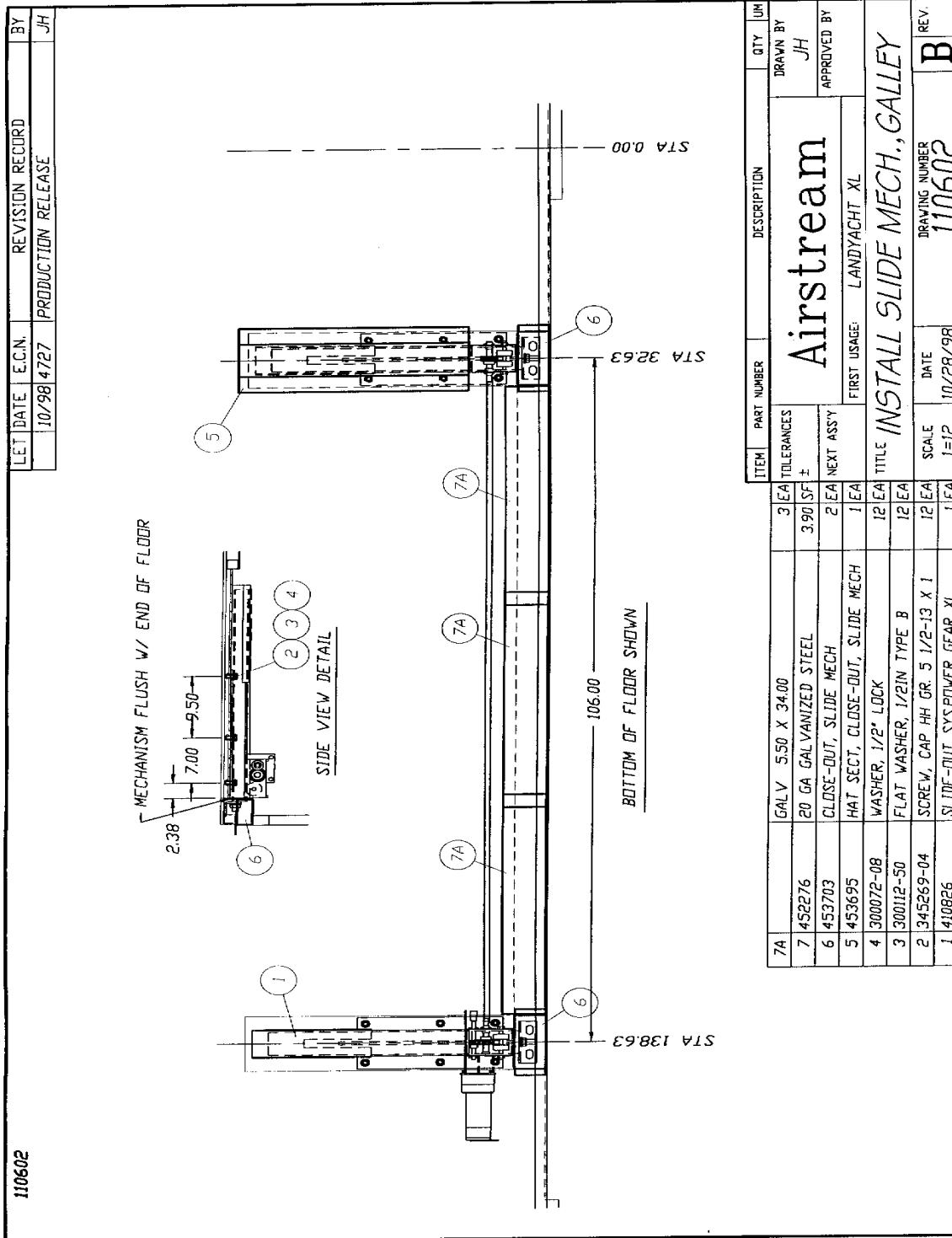
- 381623 Roller, floor slide out
- 453703 CLOSE OUT – SLIDE MECHANISM
- 114970 TRIM SLIDE-OUT LOWER
- 965074 BOOT, SLIDE OUT SHAFT
- 381709 Bar, travel lock, 18.50"
- 381730 FELT PAD, SELF ADHESIVE 1.5"DIA.
- 340093-06 CLIP, "J" VINYL COATED, 3/4" ID
- 203376 DISK-ACRYLIC 1/4"X 2.00" DIA

Slide out Awning Covers

- 702949-05 Cover, galley slide out, Dometic
- 702949-01 Hardware, slide out cover
- 702949-06 Awning, slide-out wardrobe
- 702949-07 Hardware cover, slide-out

2003 LAND YACHT 390/395/396 DIESEL

HARDWARE GALLEY SLIDE MECHANISM



2003 LAND YACHT 390 XL SERIES DIESEL

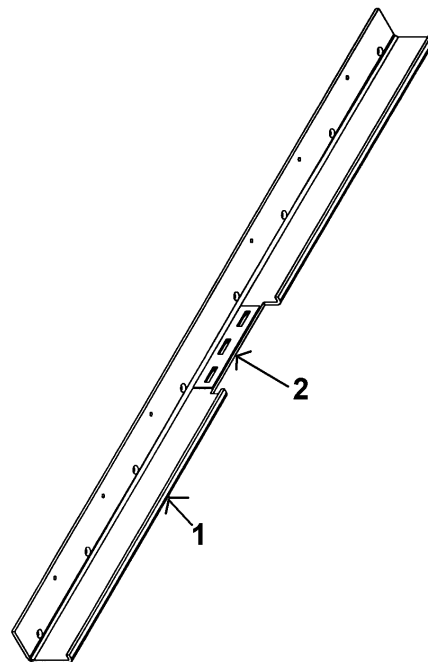
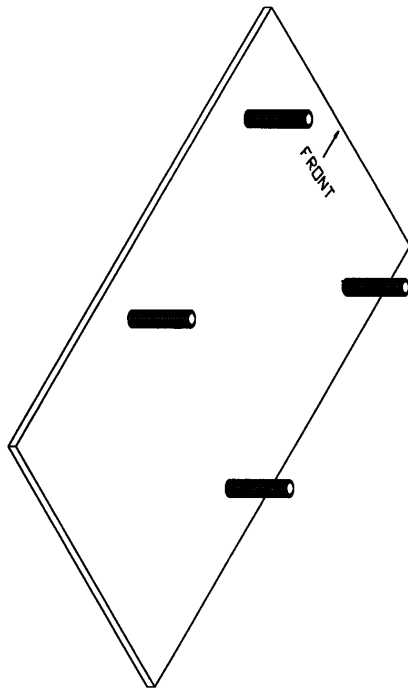
SLIDE-OUT WARDROBE

400952 *Slide out system, Power Gear, galley
See next page for drawing

*For reference only-Airstream does not stock Power Gear parts.

Power Gear 800-334-4712

381623 Roller, floor slide out
381709 Bar, travel lock, 18.50", Wardrobe



453905 mounting plate
WDRB slide-out motor

965299 WDRB MTG. Angle
1) 453901 MTG Bracket
2) 453902 Brkt. support

2003 LAND YACHT 390/395/396 DIESEL

LET DATE	E.C.N.	REVISION RECORD	BY
9/00	4843	PRODUCTION RELEASE	JCH

FRONT

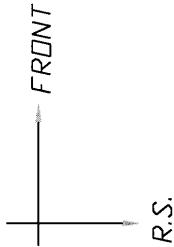
SIDE VIEW SHOWN

BOTTOM OF FLOOR SHOWN

ITEM	PART NUMBER	DESCRIPTION	QTY	UM
6A	5.50 X 63.50		1	EA
6	452276	20 GA GALVANIZED STEEL	3.00	SF
5	453937	CLOSE-OUT, SLIDE MECH.	1	EA
4	453938	HAT SECT CLOSE-OUT, SLIDE MECH	1	EA
3	350132	NUT, FLANGED MAC-LOCK 1/2-13	6	EA
2	345405	CARRIAGE BOLT, 1/2"-13, 3.5" LONG	6	EA
1	400952	SLIDE-OUT SYS. PWR GR. WDRB	1	EA

<p>TOLERANCES</p> <p>±</p>		<p>Airstream</p>	<p>DRAWN BY</p> <p>JCH</p>
<p>NEXT ASSY</p>			<p>APPROVED BY</p>
<p>FIRST USAGE: 395XL/396XL</p>		<p>TITLE</p> <p>INSTALL WDRB S/D MECH</p>	
<p>SCALE</p> <p>1=1</p>	<p>DATE</p> <p>09/20/00</p>	<p>DRAWING NUMBER</p> <p>110799</p>	<p>REV.</p> <p>A</p>

110799



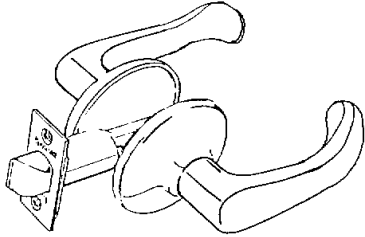
2003 LAND YACHT 390 XL SERIES DIESEL

NOTES

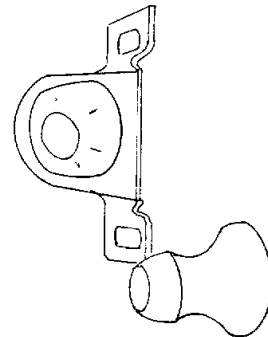
2003 LAND YACHT 390/395/396 DIESEL

HARDWARE

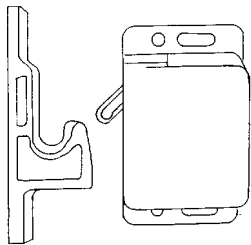
INTERIOR LATCHES/HINGES



381684 Latch, lever handle
bath door



381074 Bull dog
door catch



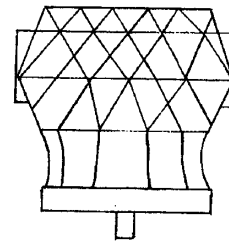
381228 Grabber door
latch w/catch, 10lb.rating
-01 3 lb. rating



800405-00z
plug, hardwood



381681 Door handle,
brass/acrylic

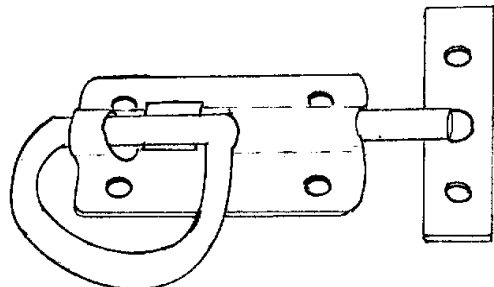


381726 Knob, door,
Acrylic w/ brass base

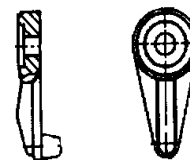
2003 LAND YACHT 390 XL SERIES DIESEL

HARDWARE

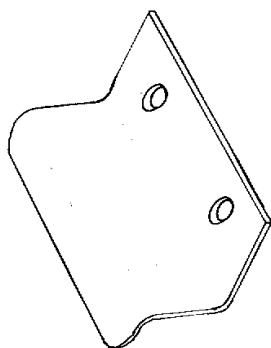
INTERIOR LATCHES/HINGES



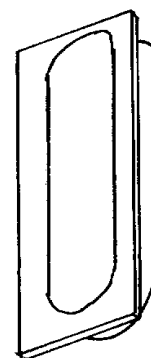
381109 Slide bolt latch



381754 Clip, mirror
retainer, metal



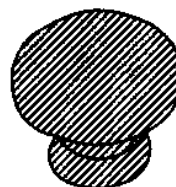
385940 Mirror pull, brass



381352 Pull, flush mount
, brass



*381795 Door handle,
Satin/Chrome

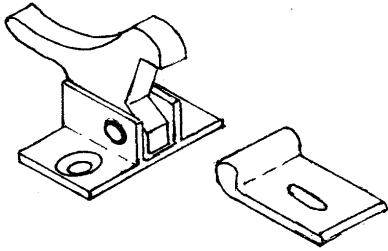


*381796 Knob, door,
1.25" diameter, hollow
Satin/Chrome

Beginning with unit 810864 use 381599 in place of 381795
and 381576 in place of 381796

2003 LAND YACHT 390/395/396 DIESEL

HARDWARE INTERIOR LATCHES/HINGES



381724 Elbow catch
Solid brass



360016
Bump-on, rubber
Main door



381081-01 Snap cap for Philip head screw, white
381610-03 Cover cap, for screw, European pine

Not shown

381691 Latch, passage, pocket door, shower
381690 Bolt, flush lever, 12"
381692 HINGES BATH DOOR 3 X 3 BRIGHT BRASS

381443-02 Stop, bumper, medicine cabinet
381688 Bumper on

381227-01 Latch, vise action, curved

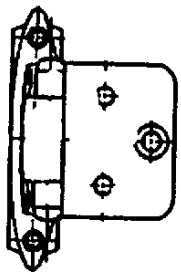
381735 LATCH-ENGINE COVER LID- NON LOCK
381735-01 FLANGE, FOR GASKET, ENGINE COVER
203276 INSULATOR, ENGINE COVER
203277 INSULATOR, SOUND, BED LINER
453881 BRACKET-PADDLE LATCH, ENGINE COVER
381434 HINGE, S.S., 3 X 3, ENGINE COVER
365263 GASKET-ENGINE COVER 390/395/360

381675 HARDWARE BI-FOLD BATH DOOR

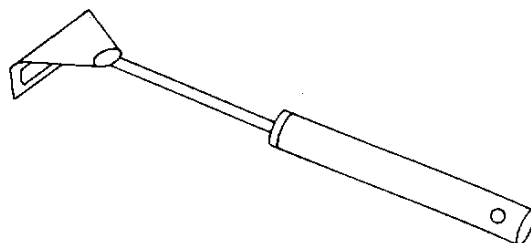
2003 LAND YACHT 390 XL SERIES DIESEL

HARDWARE

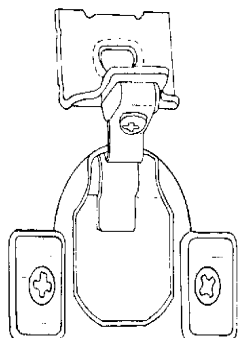
INTERIOR LATCHES/HINGES



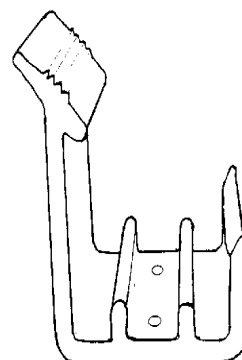
381601 Hinge, Antique
Brass



381147 Door support
spring loaded



381683 Hinge, Euro
style hidden

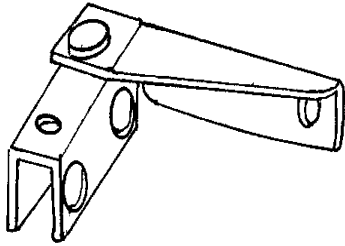


381643-01
Travel latch, rear wardrobe
sliding doors

2003 LAND YACHT 390/395/396 DIESEL

HARDWARE

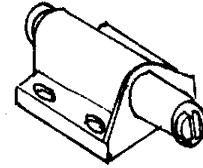
INTERIOR



381654
Hinge, non bore
glass door, black



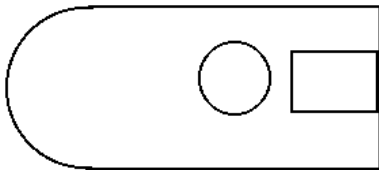
381707
Strike, glass door,
black



381653
Latch, single
touch, black



381736-01 Handle, exit, interior, wall, 32.50"
381736-02 Handle, exit, interior, dash, 20.50"



381735 LATCH-ENGINE COVER LID- NON LOCK
381735-01 FLANGE, FOR GASKET, ENGINE COVER

381527 Shelf strips, Speedy, wardrobe shelves

2003 LAND YACHT 390 XL SERIES DIESEL

HARDWARE-INTERIOR

381526-01	Drawer slide, 950RV, 14
381526-03	Drawer slide, 950RV, 18"
381526-05	Drawer slide, 700 series, 22"
381526-06	Rear bracket, adjustable, drawer slide
381090	Drawer slide, 22", magazine rack
380045	Clothes rod
200975-04	Conduit, flexible, black plastic (covers rod)
380046	Clothes rod mounting bracket
381298	"J" bracket, center clothes rod support

390/395/396

381679	Towel bar, brass
381255	Soap holder, brass
381275	Toilet paper holder, brass w/hood
381254	Holder, toothbrush and tumbler, brass
381680	Robe hook, brass
381695	Towel ring, brass

390 Sky Deck

381626-02	TOWEL BAR 18" CHROME & BRASS
601358	SHOWER HARDWARE UNIT, CHROME
380248	HOLDER SOAP
380034	TOILET PAPER HOLDER, CHROME
380017	HOLDER TUMBLER & TOOTHBRUSH

2003 LAND YACHT 390/395/396 DIESEL

HARDWARE-INTERIOR

381549	Gas spring prop, rear bed
381262	Bracket, prop, w/ball, angle
381263	Bracket, prop, w/ball, straight
381569-04	Gas spring, 20#, TV cabinet
381310	Bracket, upper, gas prop, TV cabinet
381262	Bracket, prop, w/ball, angle
114960	Bracket, TV roller support
381443-05	Carrier, rear TV
381227-01	Latch, vise action, curved pawl
381685	Hinge, scissor tray, sink
381313	Squeegee w/telescoping handle

2003 LAND YACHT 390 XL SERIES DIESEL

LABELS AND TAGS

385103	Plate, RVIA
385531	FMVSS certification label
385815	Name plate, motorhome hitch rating
385095	Tag registry #11999
385465	Label, exit warning (English)
386122	Label, warning label/cooking appliance
386121	Label, LP gas warning label (odor)
385788	Warning label, pilot light/refuel
385101	Tag, auxiliary tank dump valve handle
385099	Tag, black tank dump valve handle
385063	Label, drain cap
385062	Decal, 110-125 voltage AC
385309	Decal, fuel fill
386118	LP gas warning/fill label
385141	Tag, seat, clear w/black letters
385518	Label, dimension and clearance
385193	Label, 12Volt distribution inside
385560	Air conditioner rating label
385561	Generator rating label
385565	Label, holding tank flushing
385805-01	A/C priority switch label-front
385805-02	A/C priority switch label-rear
385812	Label, Calif. hazardous substance
386120	Label, smoke detector
385612	Label, parking brake warning
385620	Label, unleaded fuel only
385829	Decal, fuse and relay
385828	Decal, fuse panel warning
385851	Label, cellular phone
386096	Label, warning (roof), SLIPPERY WHEN WET

(continued)

2003 LAND YACHT 390/395/396 DIESEL

LABELS AND TAGS

385933	Label, name set relay
385941	Label, waste water holding
385942	Label, sewage holding tank
385943	Label, "cap must be in place"
385947	Label, 10amp fuse maximum
385098	Label, seat occupancy
386012	Label, warning, water heater
385931-01	Decal sheet, utility compartment
385946	Label, warning, slide out operation
385966	Label, inverter circuit
386038	Label, C/SA holding tanks fresh water
386057	Label, washer/dryer vent
381741	KEY FOB INSTRUCTIONAL PLAQUE
386019	LABEL 1 AMP FUSE MAX.
385800	LABEL, HOT WATER DISPENSER
385835	LABEL CARBURETOR WARNING
386039	LABEL AIRSTREAM ALIGNMENT
385608	LABEL, SEWER HOSE
386040	LABEL AIRSTREAM FLEXIBLE
386059	DEL, ENGINE BLOCK HEATER SWITCH
386061	LABEL, REMOVE PANEL FOR ACCESSORY
386082	LABEL THOR 5.25" X .75"
386095	Label, Towing warning
386096	Label, Warning, Slippery When Wet (smooth roof)
385984	LABEL SET, COAX CABLE
386101	LABEL SLEEPING ACCOMMODATION
386110	LABEL-OK TO SHIP
386115	LABEL-CAUTION STAIRWAY
386116	LABEL-CAUTION UMBRELLA
386117	LABEL-WARNING CAPACITY, SKY DECK

2003 LAND YACHT 390 XL SERIES DIESEL

OPTIONS

203153-01	Skylight, 22 x 22 clear
203152-05	Skylight trim out 21.5 X 21.5"
702804-02	Shade, pleated, 20.25 x 21.00
690396-08	Range, 3-burner cooktop, Amana
690396-07	Range top, Range, 3 burners, Amana, CSA
690396-03	Range cover, bi-fold
964383-01	Range covers, Corian, set
114876	Trim ring, range recess
690434-03	Range, 21", CSA RV-2131BGPXN
690434-02	Bi-fold burner cover
114876	Trim ring, range recess
964383-01	Range covers, Corian, set
*690424	Washer/dryer combo, Splendide 2000
*690424-01	RLC to washer/dryer, Splendide 2000S
381539	Vent kit, louvered, round
511497	Search light w/remote
511511	Mirror, exterior, chrome, pair, -01 RS, -02 CS
381639-01	Ladder, rear roof

2003 LAND YACHT 390/395/396 DIESEL

OPTIONS

Power Awning

703129-14	19' power awning, Taupe, 390/395/396
703129-15	Teal, /-16, Black Shadows /-17, Sapphire
703129-13	Hardware, basement, One-step awning, Satin
703300-12	19' power awning, Charcoal Tweed, Sky Deck
703300-02	Hardware, basement, Weatherpro, Satin
703300-03	Control Box, Weatherpro Awning
381674	Slide 42", slide out tray
381674-01	Trim, "U" channel, 48", for slide
690435	Digital Video Display Center, Sony DVP-5360
703047	Recliner, Avantiglide w/ stool
511496	Retractor, power cord
203228	Tub, power cord storage
964934-01	Flip shelf assembly, Corian
381614	FOLDING SHELF BRACKET
702897-07	Seat, passenger, w/power, footrest
702967-02	Buddy seat, passenger w/foot rest
511503	Kit, Vibrasonic

2003 LAND YACHT 390 XL SERIES DIESEL

OPTIONS

703143-70	Recliner, Villa 1000 leather
703009-05	Folding chair, Sky Deck lounge table
702679-38	Front door awning Blue
702679-48	Front door awning Emerald
702679-54	Front door awning LT. Driftwood, Gold
702679-54	Front door awning LT. Steel Blue
702679-62	Awning, 4' Door, Charcoal Tweed
702679-27	Hardware kit, frt. Door awning
690323-37	A/C, Brisk air, 15,000 BTU, w/ heat pump
690323-12	Cover, air return grille, Briskair option
690323-34	Electronic relay box
110723	Rear mud flap assy. w/logo
453919-01	Bracket, mud flap RS
453919-02	Bracket, mud flap, CS
381760	Floor safe
965388	Safe stand assembly
381564-02	Vent w/wall thermostat, Fantastic #2000TRS

2003 LAND YACHT 390/395/396 DIESEL

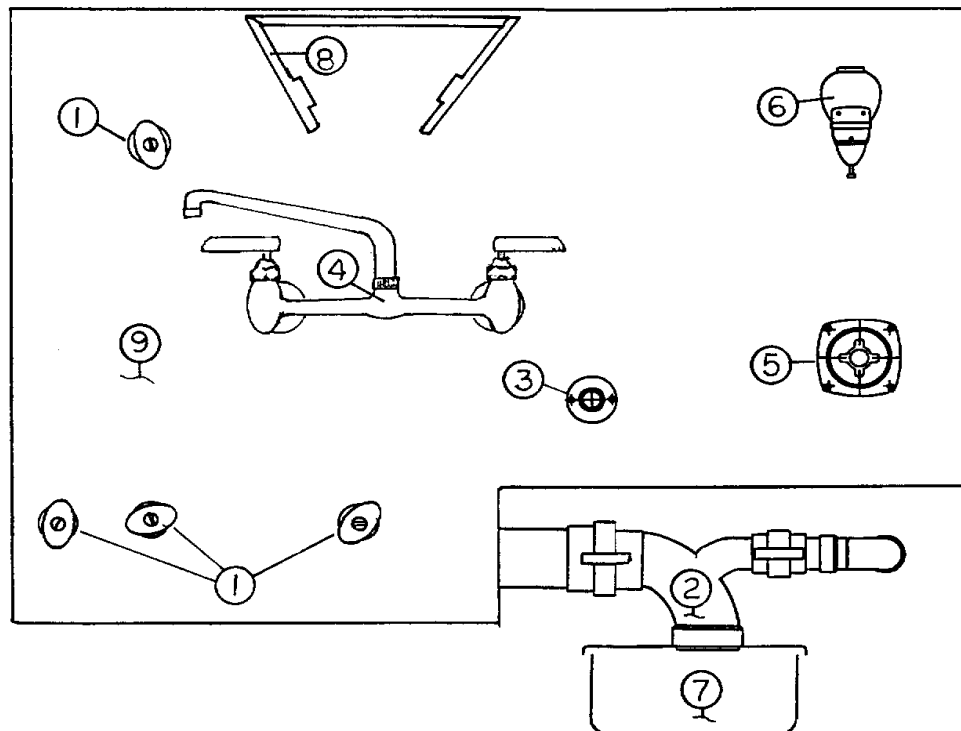
PLUMBING

LPG

601736	LP tank, 181# w/sender
511229	Sending unit, 90 ohm, Snap-on
410653	Bracket, L.P. tank, RH
453654	Bracket, L.P. tank, LH
601674	Regulator, LP gas, 2-stage
203135	Cover, for 2-stage regulator
452546	Bracket, LP regulator mounting
201649	Access cover LP regulator
601527-02	LP hose, high pressure, 51"
601673-01	LP hose, low pressure, 3/8 x 48"
601732	LP hose, tank to regulator, 36"
601412-08	Connector, 1/2 pipe to 3/8 flare
601412-12	Connector, 1/2 pipe to 5/8 flare
600003	Tee, 5/8 x 3/8 x 3/8 brass, flare
601280	Elbow, brass, 90degree 1/4MPT x 1/4FPT
601515	Coupler, brass 1/4 x 1/4 inverted flare
600004	Tubing, copper, 5/8in.
600008	Tubing, copper, 3/8in.
600436	Flare nuts, forged, 5/8in.
600435	Flare nuts, forged, 3/8
601408	1/2" 90 DEGREE ELBOW
601409	1/2" TEES
601407-23	PIPE STEEL 1/2", BLACK, 23.00"
601407-29	PIPE STEEL 1/2" BLACK, 102.25
601407-25	PIPE STEEL 1/2" I.D. BLACK, 36.5
601407-37	PIPE-STEEL, 1/2", BLACK, 45"
601411	1 1/2" MALE ADAPTOR
600238	3/8" FLARE UNION
601675	UNION 3/8" M FL X 3/8" M NPT #1517

2003 LAND YACHT 390 XL SERIES DIESEL

PLUMBING Utility Compartment



- 1) 601698-22 Shut-off, 1/2 barb x 1/2 barb
- 2) 601482 Dump valves, includes gray and black w/drop out
- 3) 601786 Water hook up, black water flush
- 4) 601742 Faucet, BK, heavy duty
- 5) 601392-04 City water hook up w/ regulator
- 6) 381651 Dispenser, liquid soap
- 7) 203201 Pan, sewer hose storage
- 8) 203035 Holder, paper towel

Not shown

- 511045-02 Hatch, electrical, polar white
- 381463-02 Hatch, sewer hose, black, 5"
- 385931-01 Decal sheet, all panel decals
- 801281 Utility panel support
- 690264-03 PLUMBING FLASHING V-2049-1 WHITE

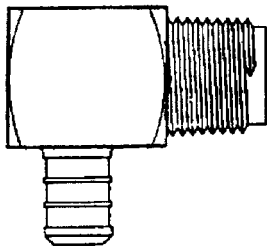
2003 LAND YACHT 390/395/396 DIESEL

PLUMBING

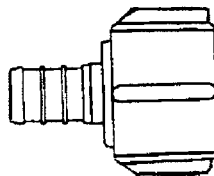
FRESH WATER

601621-02	Tank, fresh water
114517	STRAP FRESH WATER TANK
601238	Adaptor 1.25MPT X 1.25 Barb
601239	Hose, 1.375I.D.water tank fill
310028	LYNCH PIN, 1/4" PIN DIA.
601791-03	Water pump, Aquatec
943576	HOSE-WATER PUMP
601791-02	FITTINGS-SLIP IN (AQUATEC PUMP)
601392-04	City water hook-up w/regulator
601733	Hose, 36" vinyl riser (used on galley slide out)
690423	Faucet, washer/dryer
601738	Box, valve control, washer/dryer
601658	VALVE 1/2" STOP CPVC

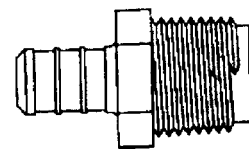
FITTINGS



601698-04
Elbow, 1/2" barb
x 1/2" MPT



601698-03
Coupler, 1/2" barb
x 1/2" FPT

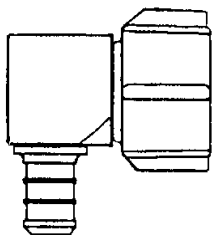


601698-02
Coupler, 1/2" barb
x 1/2" MPT

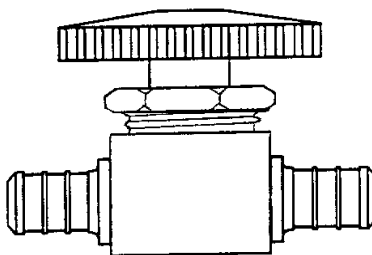
Continued.

2003 LAND YACHT 390 XL SERIES DIESEL

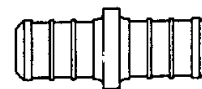
PLUMBING FRESH WATER-FITTINGS



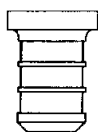
601698-05
Elbow 1/2" barb x
1/2" FPT



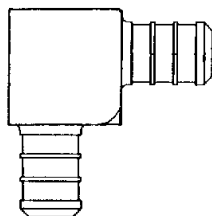
601698-22
Shut-off, 1/2" barb x
1/2" barb, 1/4 turn



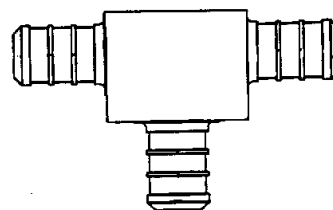
601698-08
Coupler
1/2" x 1/2" barb



601698-09
Plug, 1/2" barb



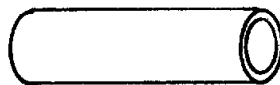
601698-10
Elbow 1/2" barb x
1/2" barb



601698-11
Tee, 1/2" x 1/2" x
1/2" barb



601698-15
Crimp ring, 1/2"
E-Pex, 1/2"(black)



601698-01
E-Pex tube, 1/2"

(Continued)

2003 LAND YACHT 390/395/396 DIESEL

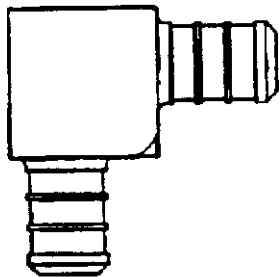
PLUMBING FRESH WATER-FITTINGS



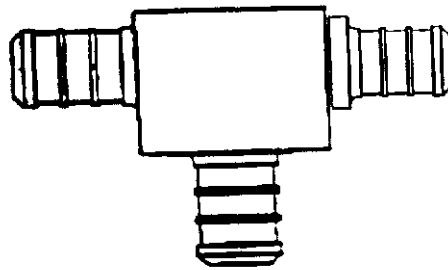
601698-16
Crimp ring, $\frac{3}{4}$ "
E-Pex, black



601698-12
E-Pex tube, $\frac{3}{4}$ "



601698-13
Elbow, $\frac{3}{4}$ " x $\frac{3}{4}$ " barb

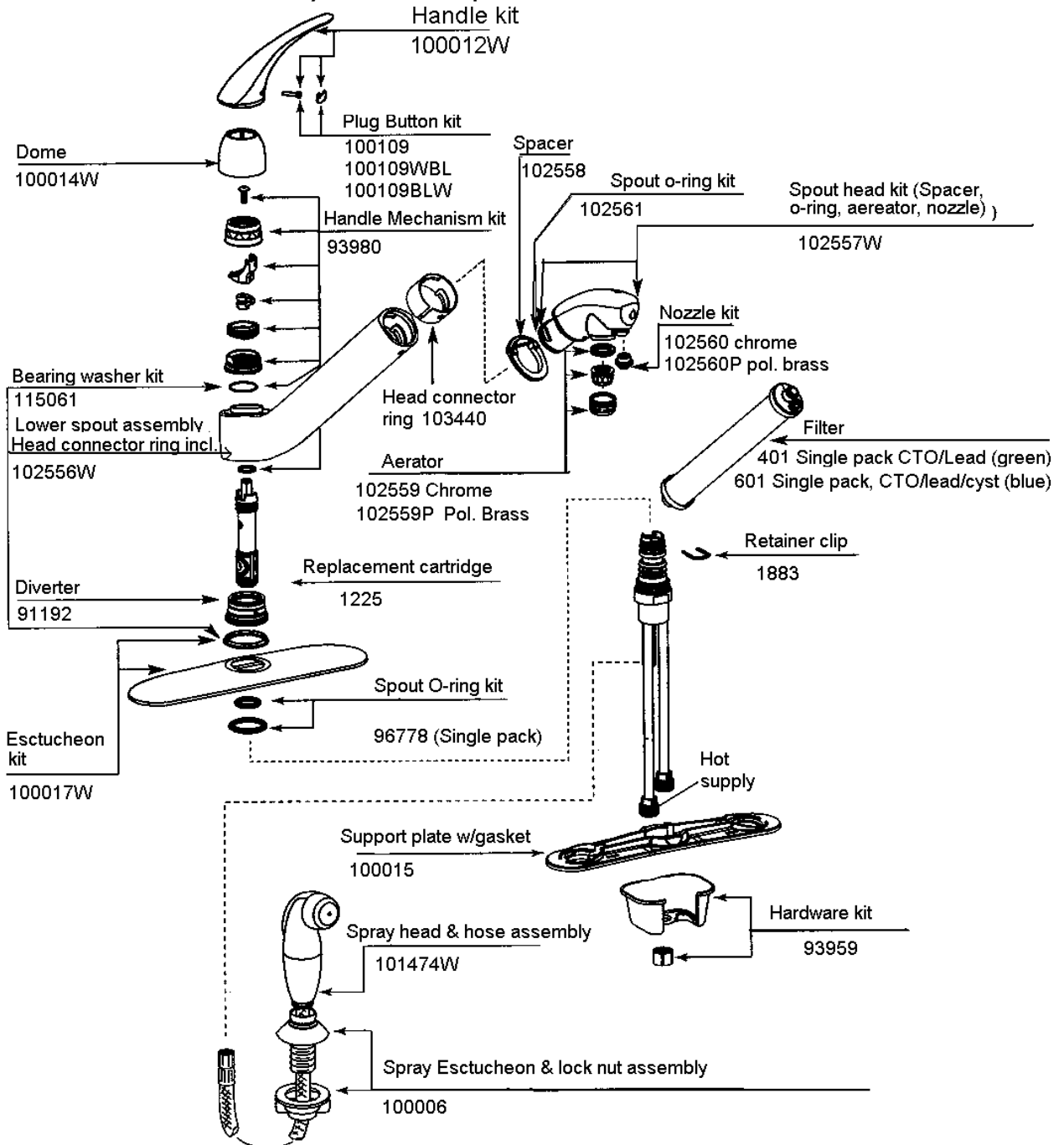


601698-18
Tee, $\frac{3}{4}$ " x $\frac{1}{2}$ " x $\frac{3}{4}$ " barb
601698-20
Tee, $\frac{3}{4}$ " x $\frac{3}{4}$ " x $\frac{1}{2}$ " barb

2003 LAND YACHT 390 XL SERIES DIESEL

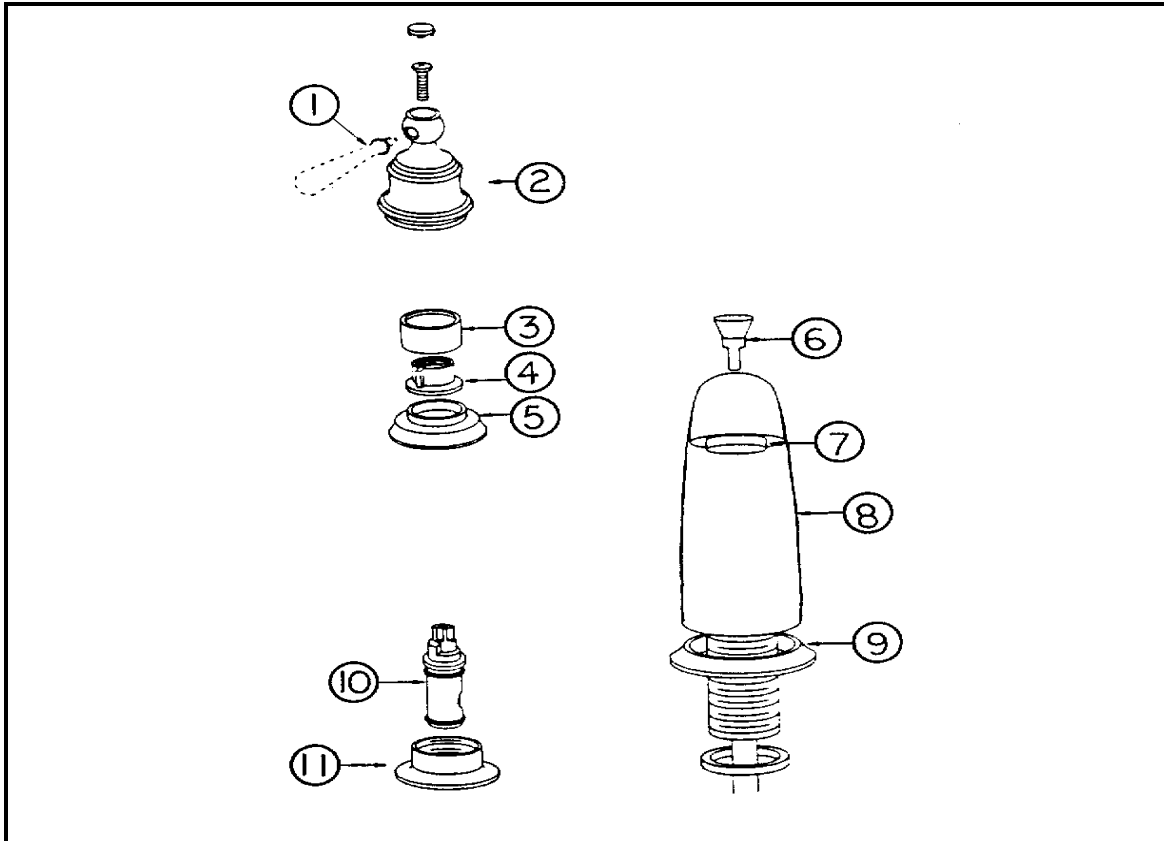
PLUMBING-FAUCETS

601828, MDL 7050W, Glacier, Moen Pure Touch
Contact direct Moen at 1-800-BUY-MOEN for warranty and
your local parts outlet.



2003 LAND YACHT 390/395/396 DIESEL

PLUMBING FRESH WATER-FAUCETS 390/395/396



690421 Faucet, lavatory, brass, Moen #5951P

- | | |
|----------------|--------------------------------------|
| 1) 690421-01 | Handles, Moen (separate from faucet) |
| 2) 690421-100 | Hub, lever handle, hot, Moen #5951P |
| 2a) 690421-101 | Hub, lever handle, cold, Moen #5951P |
| 3) 690421-102 | Handle adapter kit, Moen #5951P |
| 4) 690421-104 | Lift rod and knob, Moen#5951P |
| 5) 690421-105 | Flowrator aerator, Moen #5951P |
| 6) 690421-106 | Spout kit, Moen faucet #5951P |
| 7) 690421-107 | Escutcheon, spout, Moen #5951P |
| 8) 690421-108 | Cartridge, Moen faucet #5951P |
| 9) 690421-109 | Handle escutcheon, Moen #5159P |

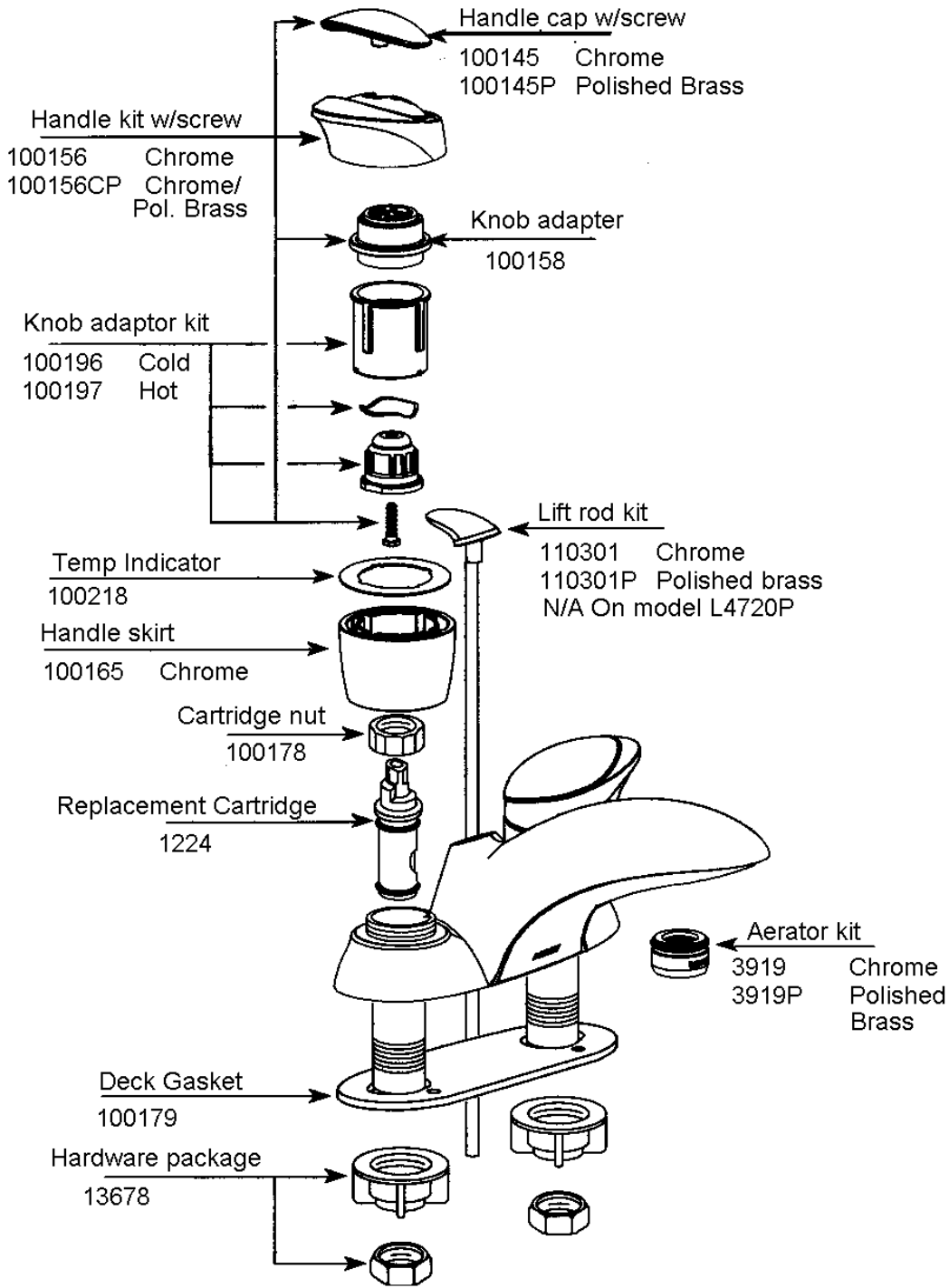
2003 LAND YACHT 390 XL SERIES DIESEL

PLUMBING-FAUCETS

390 Sky Deck Only

601823 FAUCET MOEN VILLETA, 4720CP

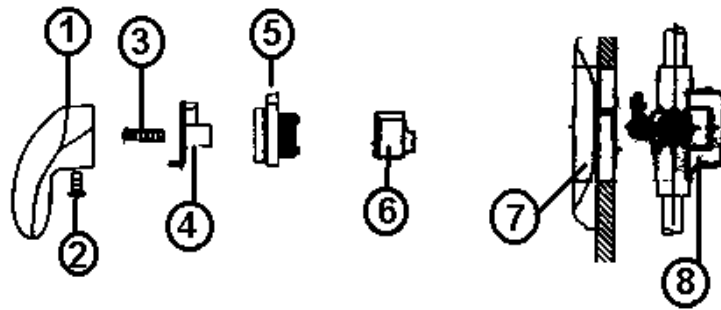
Contact direct Moen at 1-800-BUY-MOEN for warranty and your local parts outlet.



2003 LAND YACHT 390/395/396 DIESEL

PLUMBING FRESH WATER-FAUCETS

Contact Moen at 1-800-BUY-MOEN for warranty and local parts distributor.



601830 Brass shower faucet trim kit, Moen Valetta MDL
TL2391CP

Includes:

1. Lever handle
2. Set screw
3. Handle screw
4. Handle adaptor
5. Brake
6. Key stop
7. Escutcheon
8. 601831, sold separately, 4-port posi-temp valve

690422	Showerhead, w/bar, brass
601661	Coupler, 1/2" MPT, brass
601772	Spout, 395 tub
601761	DROP ELBOW, POLISHED BRASS, MOEN

601820	Wet bar, faucet, Sky Deck
--------	---------------------------

2003 LAND YACHT 390 XL SERIES DIESEL

PLUMBING DRAIN SYSTEM

601718-01	Holding tank, gray
453757	ANGLE-TANK STOP 10"
453756	BRACE-FRESH WATER TANK
601719-01	Holding tank, black
453135	SPLASH GUARD BLACK TANK
963557	SPACER BLACK TANK GAS BUS
203227	SLOPE PAD-.60" X 43" X 61"
601441	Tank flush, no-fuss (vacuum breaker and Check valve)
601441-01	Nozzle, tank mounted, no-fuss flush
601607-08	Sewer hose, 20', w/hose adaptor
203201	Pan, sewer hose storage

FITTINGS-BELOW FLOOR

601482	Dump valves, rotating assy. valves
195329-229	Reducer adapter, 3" to 1.5"
600820	3" Single socket, 90 degree
601160-02	Pipe, ABS, 1.5"
601160-04	Pipe, ABS, 3.0"
01664	Cap, positive seal, Thetford, 3"

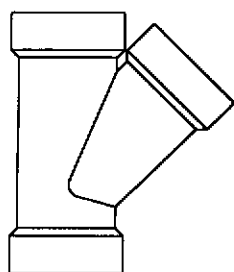
2003 LAND YACHT 390/395/396 DIESEL

PLUMBING

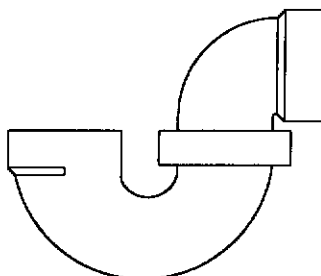
601266 ADP.	DRAIN SYSTEM-ABOVE FLOOR Closet flange, 3 x 4, slip fit, tank to toilet
203210-01 601362-01	Shower stall Drain, shower, polished brass
601832	Lavatory bowl, Corian, Glacier White
601633-05 600968 381635 601570-05	Sink, galley, porcelain, White Basket strainer SINK CLIP, UNDER MOUNT TRIM RING-GALLEY SINK 390, Sky Deck
601819 195362-39 600622 601714-01 104527-01 SILVER	Sink, wet bar, Sky Deck 2" STRAINER ,MODEL # 7466JR P-TRAP 1-1/2 W/SLIP NUT & WASHER TAIL PIECE 1-1/2" X 4" EXTRUSION, J-TRIM-BRITE ANODIZED
203286-01	Sink, lavatory, Skydeck
601700-01	Hose, drain, Kaf-Flex 1.5, galley slide out

2003 LAND YACHT 390 XL SERIES DIESEL

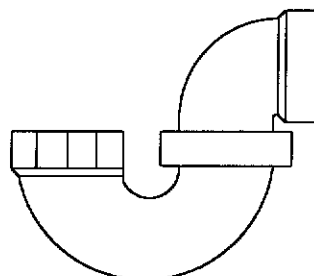
FITTINGS, 1.5' PLASTIC



**WYE
#2301
600094**



**P-TRAP
1.5" W/O SLIP NUT
600144**



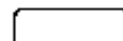
**P-TRAP
1.5" WITH SLIP NUT
600622**



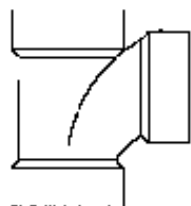
**VENT 1.5"
600558**



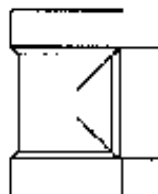
**PLUG 1.5"
600155**



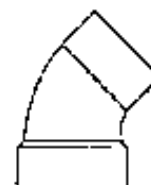
**CAP 1.5"
601677**



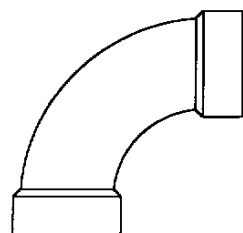
**TEE-SANITARY
1.5"
600156**



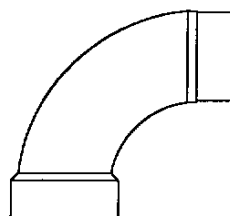
**TEE-BI DIRECTIONAL
CLEAN-OUT 1.5"
601318**



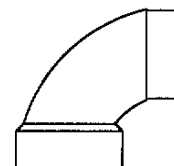
**ELBOW 45D
LONG ST
600027**



**ELBOW 90D
LONG TURN
600035**



**ELBOW 90D
LONG ST
600431**

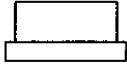


**ELBOW 90D
SHORT ST
600662**

2003 LAND YACHT 390/395/396 DIESEL

PLUMBING

FITTINGS, 1.5" PLASTIC



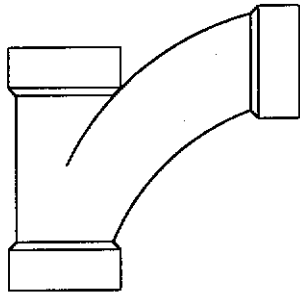
**REDUCER 1.5" TO 1.25"
601263**



**ADAPTER
601676**



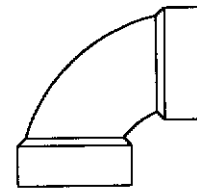
**ADAPTER
W/FEMALE THREADS
600308**



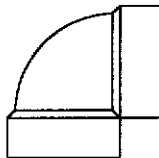
**WYE 1.5"
1/8" BEND
600182**



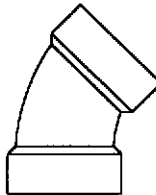
**COUPLING
1.5"
600227**



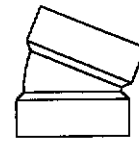
**ELBOW 90D
SHORT SWEEP
601636**



**ELBOW VENT
90D
600033**



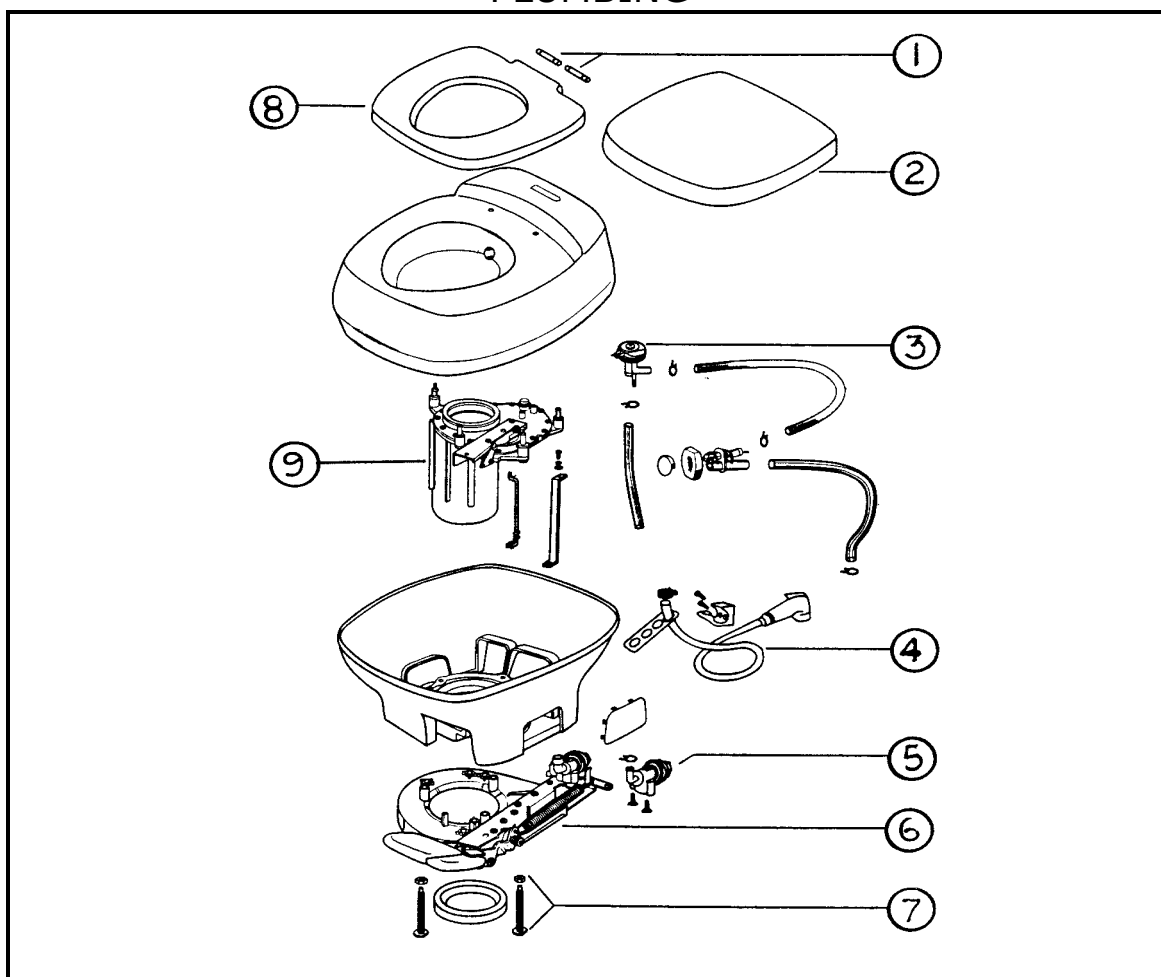
**ELBOW 45D
LONG TURN
600030**



**ELBOW 22.5D
SHORT TURN
600116**

2003 LAND YACHT 390 XL SERIES DIESEL

PLUMBING



690386 Toilet, Thetford China, Aurora, bone

- | | |
|---------------|--|
| 1) 690386-101 | Hinge pins, seat, Aurora |
| 2) 690386-102 | Seat cover, bone, Aurora |
| 3) 690386-103 | Vacuum breaker, Aurora |
| 4) 690386-104 | Hand spray kit, Aurora |
| 5) 690386-105 | Ball valve kit, Aurora |
| 6) 690386-106 | Lower mechanism assembly, bone, Aurora |
| 7) 690386-107 | Closet flange seal & bolt kit |
| 8) 690386-108 | Seat, bone, Aurora |
| 9) 690386-109 | Upper mechanism assembly, bone, Aurora |

2003 LAND YACHT 390/395/396 DIESEL

SAFETY EQUIPMENT

510781	Detector, smoke #1056 w/silencer
511343	Detector, carbon monoxide-9 volt
511309	Detector, LPG
510734	Alarm, back-up
381069	Seat belt kit, cocktail chair
453676	Bracket, dinette seat belt, LH-double
453677	Bracket, dinette seat belt, RH-single
600162-01	Fire extinguisher
380188	Emergency warning triangle, set of 3
104315	BRACKET, FRONT LICENSE PLATE, MH.

2003 LAND YACHT 390 XL SERIES DIESEL

SEALER, GASKETS, PAINT, ADHESIVES GASKETS



1) 381663



2) 365237-01



3) 365232



4) 365214



5) 365045



6) 201260



7) 381640



8) 381665



9) 365013-01



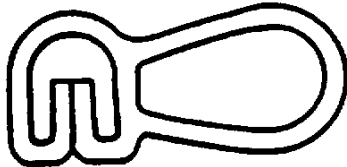
10) 365009

- | | |
|--------------|---|
| 1) 381663 | Gasket, lower compartment door |
| 2) 365237-01 | Seal, dust, compartment door edge |
| 3) 365232 | Seal, main door/compartment door jamb |
| 4) 365214 | Gasket, seal-compartment door hinge and main doorjamb |
| 5) 365045 | Seal, main door |
| 6) 201260 | Insert, windshield gasket, rubber |
| 7) 381640 | Gasket, windshield, includes center strip |
| 8) 381665 | Gasket, window to body, door jamb |
| 9) 365013-01 | Gasket, screen door, low-density foam |
| 10) 365009 | Gasket, screen door, at bottom notch |

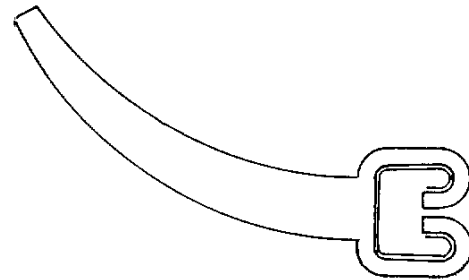
2003 LAND YACHT 390/395/396 DIESEL

SEALER, GASKETS, PAINT, ADHESIVES GASKETS

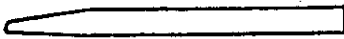
Slide out Room



1) 381594 Rubber extrusion
bulb type, black



2) 381587 rubber extrusion,
wiper



3) 381589 Rubber extrusion
floor wiper



381663 Rubber floor,
extrusion, bulb w/tape
used on inside wall

Not Shown:

381396 Gasket, clearance light, neoprene

365263 Gasket, engine cover

381830 Gasket, wiper, refer compartment seal. 1.12" x 2"

2003 LAND YACHT 390 XL SERIES DIESEL

SEALS

Sealer, gaskets, paint, adhesives

GASKETS-SE-GI WINDOWS



1) 371366-103



2) 371366-102



3) 371366-104



4) 371366-105

1) 371366-103

Track, window screen, Se-Gi

2) 371366-102

Track, sliding pane, Se-Gi

3) 371366-104

Wiper seal, vertical, Se-Gi

4) 371366-105

Screw cover, clamp ring, Se-Gi

2003 LAND YACHT 390/395/396 DIESEL

SEALER, GASKETS, PAINT, ADHESIVES

SEALER

360209-02	Sealer, black, windshield
360052	Vulkem sealer, black,
360180	Sika flex #221
360268-01	Liqua Seal, roof, white
360281	Sealant, thermoplastic rubber (clear)
360180-01	Sealant, Bostik urethane
365256	ADHESIVE, INDUSTRIAL #4799
365001	Tape, double coated foam
365235	TAPE DBL COATED .12 X 1.00
365245	TAPE, .045" X 1" X 36' DBL COATED
365577	Tape, clear, 3.5", awning
360074	Sealant, GE RTV, white
360001	Butyl sealant
360002	Vulkem sealant, gray
360176	Sealant, almond, bathroom
360210	Sealant, paralastic #4334-04 (refrigerator compartment sealer)
360283-01	Silicone sealer, Corian, Glacier White
360190	Sealant, white
360286	Sealant, gray
360259	Silicone glazing sealant, range
360069-01	Sealer, 1/8 x 1 1/4 putty tape

2003 LAND YACHT 390 XL SERIES DIESEL

SEALER, GASKETS, PAINT, ADHESIVES

ADHESIVES

800639-02	Adhesive, oak plank flooring
360261-01	Glue, urethane
601704-03	Adhesive, cameo white, Corian
360284	Adhesive, panel, Corian

PAINT

Each vehicle has been provided with a sheet listing the paint color codes on that particular motorhome. Also, each motorhome is shipped with touch-up paint for each color.

A back up color chart for each motorhome is kept in Airstream's files. If calling Airstream for this information ask for "Sales" and have the serial number available for them.

365244	Lacquer, clear, used on wood
--------	------------------------------

MISCELLANEOUS

360179	Undercoat, Pennzoil II
6000329	Tape, silver, 2" wide

2003 LAND YACHT 390/395/396 DIESEL

UPHOLSTERY/FOAM/MATTRESS

702987	Mattress, pillow top
701611	Pillow 21 x 31"
703024-320	Bedsread, Homestyle, Golden oak only
703473-320	Bedsread, Golden Oak only
*703274-	Throw, lounge
*703275-	Throw, bedroom
702754	Under belly cloth, Darco, 105" wide, black
	Golden Oak Cashmere Spice Trader
*703260-	Duvet/duster kit
Includes:	
703260-01	Duvet, 86" x 80", w/zipper top
703260-02	Duster w/boxed pleats
965265-01	Headboard assembly, two-tone
*703269-	Sofa, 74", cloth
703269-02	Sofa, 74", Leather option
702965-02	Sofa, 1000 Style, leather, J-lounge option
703117	Love seat, 52", Villa, Oyster Bay

Wall Material

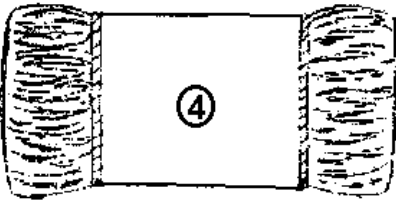
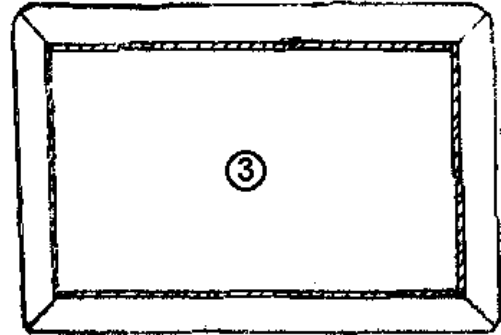
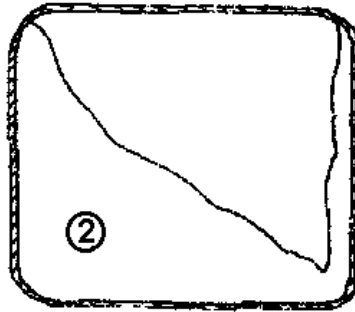
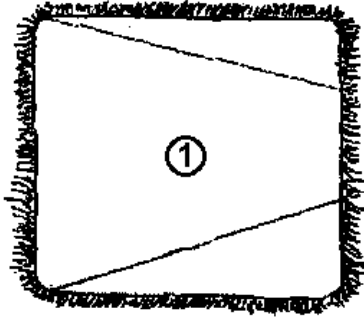
702988-01	WALL WEAVE 1/8" HYROGLYPHIC RUNES
703020	WALL WEAVE-ALLURE, COCOA , 3/16" BACK
703278-051	Seat, driver, power w/belts
703279-021	Seat, passenger, manual, w/belts
703278-071	Seat, passenger, power, w/belts, option

*Changing the -(dash) number changes the color:

- 320 = Golden Oak
- 422 = Cashmere
- 432 = Sumatra
- 442 = Spice Trader

2003 LAND YACHT 390 XL SERIES DIESEL

UPHOLSTERY/FOAM/MATTRESS PILLOW KIT



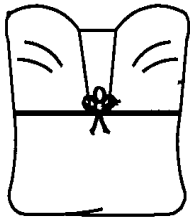
Pillow Kits			
Item	Cashmere	Sumatra	Spice Trader
1. Sofa	703243-01	703245-01	703247-01
2. Sofa	703243-02	703245-02	703247-02
3. Bed	703243-03	703245-03	703247-03
4. Accent	703243-04	703245-04	703247-04
5. Accent	703243-05	703245-05	703247-05

2003 LAND YACHT 390/395/396 DIESEL

UPHOLSTERY/FOAM/MATTRESS

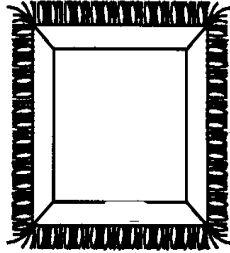
PILLOW KIT, GOLDEN OAK

703090-01



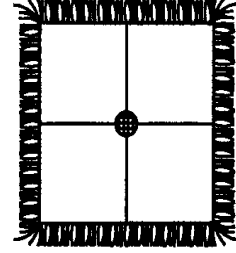
SIZE 16" X 16"

703090-02



SIZE 16" X 16"

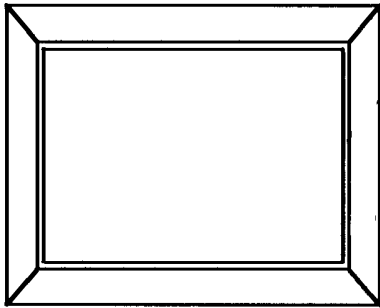
703090-03



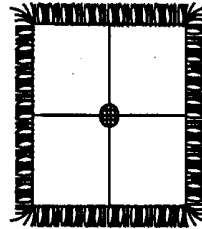
SIZE 16" X 16"

703090-05

QUEEN SHAM

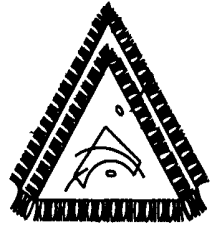


703090-06

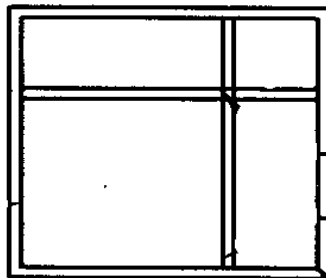


SIZE 16" X 16"

703090-07



703090-04



SIZE 16" X 16"

2003 LAND YACHT 390 XL SERIES DIESEL

VENTS/FANS

381207-02	Vent w/screen, refrigerator, roof
511152-01	Vent cover, exterior, range exhaust
381541-06	Roof vent w/power lift
381541-02	Switch, roof vent
381541-04	Trim ring, ceiling vent, birch white
690266-01	Ventilator, round, bath
381450-02	Vent roof, #6000, light beige
511547	Fan, defrost
203148-01	Skylight, 14.5 x 22.5
203148-02	Inner trim, dome, skylight, 14 x 22
702804-01	Shade, pleated, skylight, 12.75" X 21.25"
203153-02	SKYLIGHT 14 X 22 CLEAR
203152-04	SKYLIGHT PLASTIC. 13.25 X 21 Cream
381541-04	Trim ring, ceiling vent, birch white
381539	Vent kit, louvered, round, washer/dryer

2003 LAND YACHT 390/395/396 DIESEL

WOOD/INTERIOR TRIM

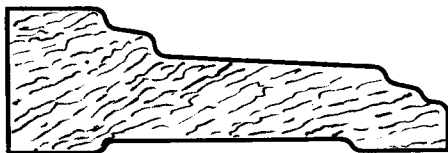
801386	Panel, interior, G1S, 1/8 x 4' x7' Spring Forest
801260-004	Paneling 5/32"x4'x7', G1S, oak/raw
801259-004	Paneling, 1/2"x4'x7', G1S, oak/raw
801258-004	Paneling 1/2"x4'x7', G2S, oak/oak
801391-00Z	Paneling 1/2" G2S, S. Oak/Southern Forest
801388	Paneling, 1/2", Spring Forest/Raw, G1S
801389	Paneling, 1/2" Spring Forest/ Spring Forest, G2S
800397-01	Cedar, planked, 5/32"x4'x 8'
365270-01	Tape, seam, Spring Forest Stone, 1 1/8" wide
365270-02	Tape, seam, Spring Forest Stone, 8" wide
365270-03	Tape, seam, Spring Forest Stone, 12" wide
365270-04	Tape, seam, Spring Forest Stone, 48" wide
964914-004	MIRROR TRIM-SIDES S. OAK
964822-00Z	MOLDING SHOWER STALL TRIM, S. OAK

Dinette Wainscot

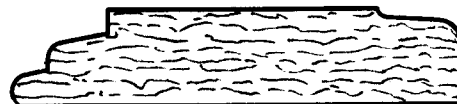
965081-004	FRAME, WAINSCOT DINETTE WALL, S. OAK
965080-004	FRAME, WAINSCOT REFER WALL, S. OAK
703020	WALL WEAVE-ALLURE COCOA 3/16 BACK
964808-004	POST-WIRE RUN CS, Spring Oak
801300-004	DECORATIVE BOARD BELOW POST, CS, Spring Oak

2003 LAND YACHT 390 XL SERIES DIESEL

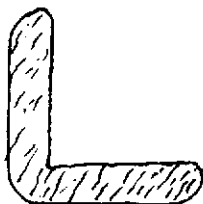
WOOD/INTERIOR



1) 801266-00Z



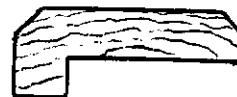
2) 801265-00Z



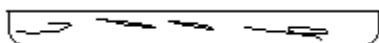
3) 801175-05



4) 800571-01Z



5) 800617-01Z



6) 800573-60Z

- | | |
|----------------|--|
| 1) 801266-00Z | Molding, base board |
| 2) 801265-004Z | Molding, chair rail, oak |
| 3) 801175-05 | Molding, corner, Antiquity Buff |
| 4) 800571-014Z | Molding, Oak, flat .25"H x .52"W x 80"L |
| 4a) 800571-60 | Molding, Walnut, flat
.25" H x .52" W x 80" L |
| 5) 800617-01Z | Molding, Wainscot, oak |
| 6) 800573-60Z | Molding, flat radius, 1.09" oak |
- (Trim continued)

2003 LAND YACHT 390/395/396 DIESEL

WOOD/INTERIOR TRIM



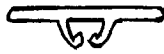
1) 800573-01Z



2) 800572-014Z



3) 201728-05



4) 201728-01



5) 203159-03



6) 201666-01



7) 201790-01



8) 203138-02
8a) 203138-03



9) 203157

1) 800573-01Z

Molding, door edge, Oak 1 3/32x80"

1a) 800573-60

Molding, door edge, Walnut

2) 800572-01Z

Molding, panel edge, Oak 23/32x80"

2a) 800572-60

Molding, panel edge, Walnut

3) 201728-05

Extrusion, ceiling trim, almond

4) 201728-01

Extrusion, ceiling trim retainer

5) 203159-03

Trim, divider bar, interior panels, decorative, Spring Forest

6) 201666-01

J-Molding, 3/16, plastic, Almond

7) 201790-01

Molding, cove, white, ceiling to wall

8) 203138-02
edging)

Extrusion, wall, plastic, brown (panel

8a) 203138-03

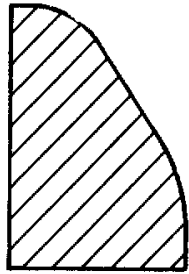
Extrusion, wall, plastic, beige

9) 203157

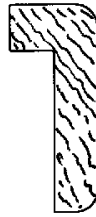
Molding, baseboard, PVC

2003 LAND YACHT 390 XL SERIES DIESEL

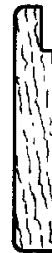
WOOD/INTERIOR TRIM



1) 800576-01Z



2) 964822-00Z



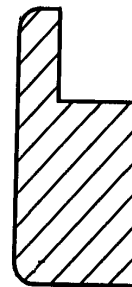
3) 964914-00Z



4) 801268-00Z



5) 801267-00Z



6) 801270-00Z

- 1) 800576-01Z
- 1a) 800576-60
- 2) 964822-00Z
- 3) 964914-00Z
- 4) 801268-00Z
- 5) 801267-00Z
- 6) 801270-00Z

- Molding, bath doorstop, oak
- Molding, bath doorstop, Walnut
- Molding, shower stall
- Mirror trim, sides
- Molding, inside corner
- Molding, crown
- Molding, panel end trim

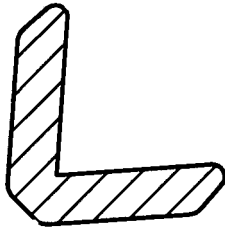
Not shown

- 201785-01
- 800638-024
- 800638-60
- 702963

- TRIM-OUT, FLOOR, 3-1/2" ROUND
- Molding, 1/2" quarter round, Oak
- Molding, 1/2', quarter round, Walnut
- VINYL EMBOSSED 1.75W THRESHOLD,
- Sky Deck roof hatch

2003 LAND YACHT 390/395/396 DIESEL

WOOD/INTERIOR TRIM



1) 800575-01Z
Molding, hardwood,
Corner



801178-04
Molding, flat
.81" w/chamfer
Spring Forest

EDGE BANDING

365250-004
601704-03

Edge banding, 5/8", oak
ADHESIVE-CAMEO WHITE

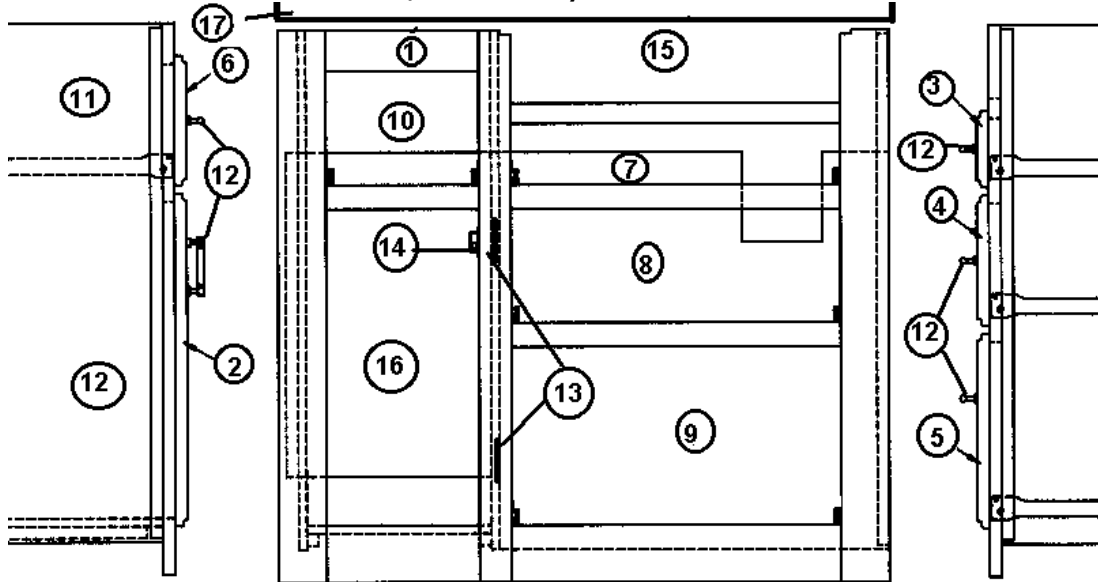
SLIDE-OUT ROOM INTERIOR TRIM

964902-00Z

Facia, 5.5 x 72" w/groove

2003 LAND YACHT 390 XL SERIES DIESEL

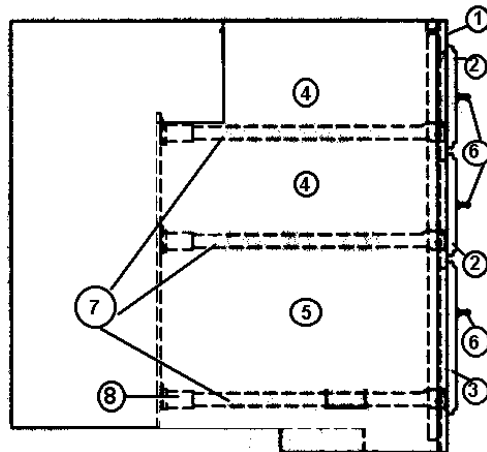
964856-02 Galley Assembly, Cooktop Section 390/395/396
 964856-03 Galley assembly, cook top section, 3-burner
 w/oven, 390 Sky Deck



- | | |
|--|---|
| 1. 964762-00z | Face frame, Galley, cook top section |
| 2. 801253-05z | Door, raised panel, 10.50" x 20.5" |
| 3. 801254-03z | Drawer face, 4.75" x 21.50" |
| 4. 801254-04z | Drawer face, 8.00" x 21.50" |
| 5. 801254-05z | Drawer face, 12.00" x 21.50" |
| 6. 801254-07z | Drawer face, 8.00" x 10.50" |
| 7. 964906-02 | Drawer box, 2.75" x 19.50" x 18.00" |
| 8. 964907-03 | Drawer box, 6.00" x 19.50" x 18.00" |
| 9. 964909-02 | Drawer box, 10.00" x 19.50" x 18.00" |
| 10. 964907-02 | Drawer box, 6.00" x 8.50" x 18.00" |
| 11. 381526-03 | Drawer slide, 18", pair |
| 12. *381795 | Drawer/Door handle, 3", Satin/Chrome |
| 13. 381683 | Door hinges |
| 14. 381228-01 | Door grabber catch |
| 15. 690396-08 | Cooktop, 3-burner, Amana |
| 16. 381491 | Trash can, roll out |
| 17. 964859-01 | Corian galley top |
| *381681 | Brass/Acrylic handles used on Sky Deck. |
| *Beginning with unit 810864 use 381599 in place of 381795. | |

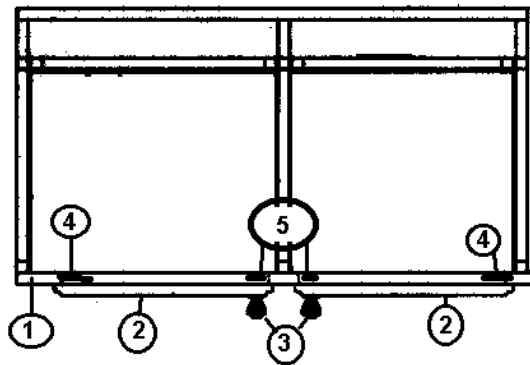
2003 LAND YACHT 390/395/396 DIESEL

964858-01 Galley Assembly, Drawer Section 390/395/396



- | | |
|--|--|
| 1. 964761-00z | Face frame, Galley drawer section |
| 2. 801254-01z | Drawer face, 8.00" x 14.25" |
| 3. 801254-02z | Drawer face, 12.00" x 14.25" |
| 4. 964907-07 | Drawer box, 6.00" x 12.25" x 22.00" |
| 5. 964909-05 | Drawer box, 10.00" x 12.25" x 22.00" |
| 6. *381795 | Drawer/Door handle, 3", Satin/Chrome |
| 7. 381526-05 | Drawer slide, 22" pair |
| 8. 381526-06 | Drawer slide, Adjustable rear bracket |
| *381681 | Brass/Acrylic handles used on Sky Deck |
| *Beginning with unit 810864 use 381599 in place of 381795. | |

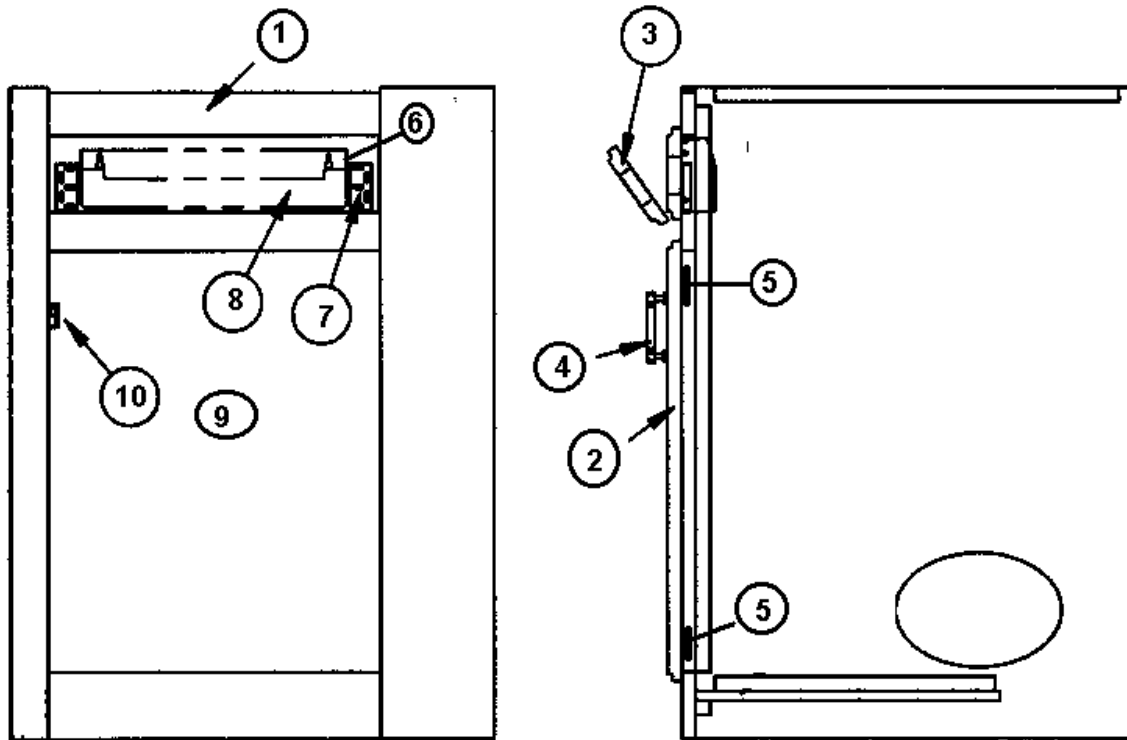
964862-01 Locker Assembly, LH Galley



- | | |
|---------------|-------------------------------------|
| 1. 964771-00z | Face frame, LH Galley |
| 2. 801253-03z | Door, raised panel, 14.50" x 16.25" |
| 3. 381726 | Door knob, hollow, 1.25" diameter |
| 4. 381683 | Door hinges |
| 5. 381228-01 | Door grabber catch |

2003 LAND YACHT 390 XL SERIES DIESEL

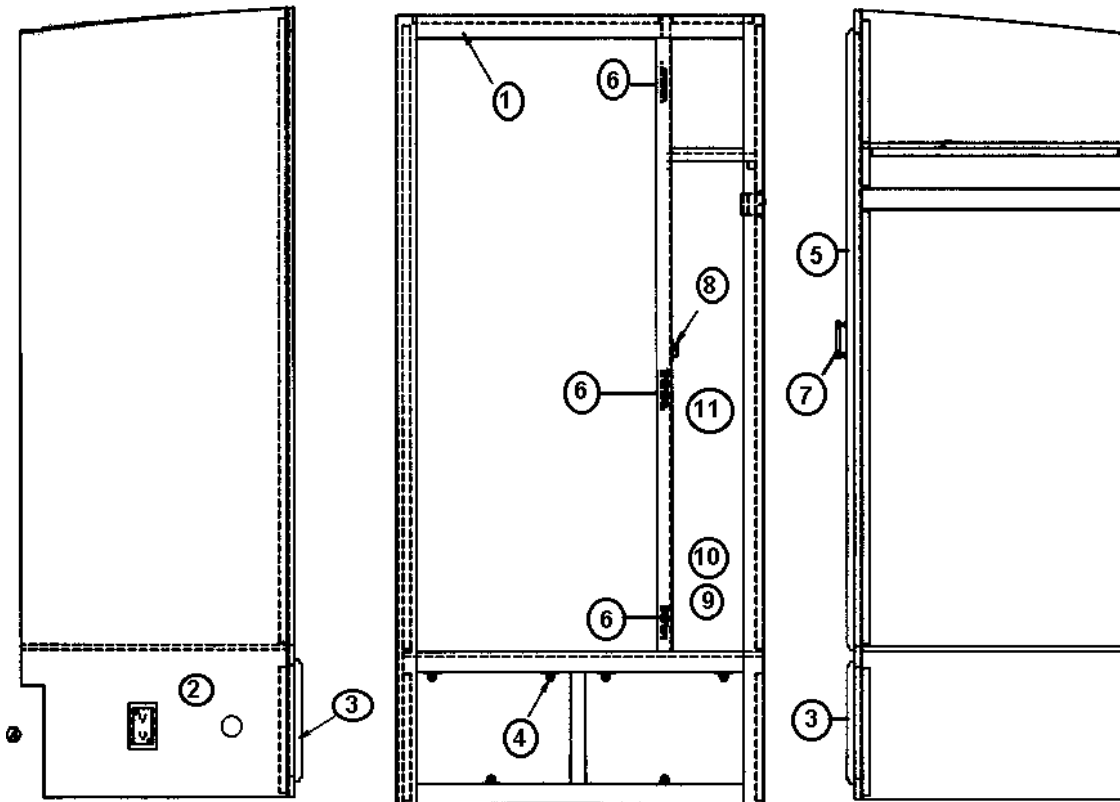
964855-01 Galley Assembly, Sink Section 390/395/396 XL



- | | |
|--|--|
| 1. 964764-00z | Face frame, galley sink section |
| 2. 801253-07z | Door raised panel, 18.38" x 23.00" |
| 3. 801254-11z | Drawer face, 4.75' x 18.38" |
| 4. *381795 | Drawer/Door handle, 3", Satin/Chrome |
| 5. 381683 | Door hinges |
| 6. 385940 | Mirror pull, brass |
| 7. 381685 | Scissor hinge, sink tip-out tray |
| 8. 381686 | Tray, plastic, 14" |
| 9. 964911 | Shelf insert assembly |
| 10. 381228-01 | Door grabber catch |
| *381681 | Brass/Acrylic handles used on Sky Deck |
| *Beginning with unit 810864 use 381599 in place of 381795. | |

2003 LAND YACHT 390/395/396 DIESEL

964926-01 Refrigerator, Cabinet, Assembly, 390/395/396
XL



- 1. 964916-00z Face frame, refer, 10 CF
- 2. 922526 Refer stand
- 3. 801255-03z Door, louvered, 16.75" x 12.00"
- 4. 381074 Bull dog catch
- 5. 801254-14z Drawer face, 8.00" x 60.75"
- 6. 381683 Door hinges
- 7. *381795 Drawer/Door handle, 3", Satin/Chrome
- 8. 381228 Door grabber catch
- 9. **381551-01 Pantry rack, 1.5" W x 45" H, white
- 10. **381551-02 Wire basket, 4" wide, white
- 11. 381109 Bunk latch, pantry

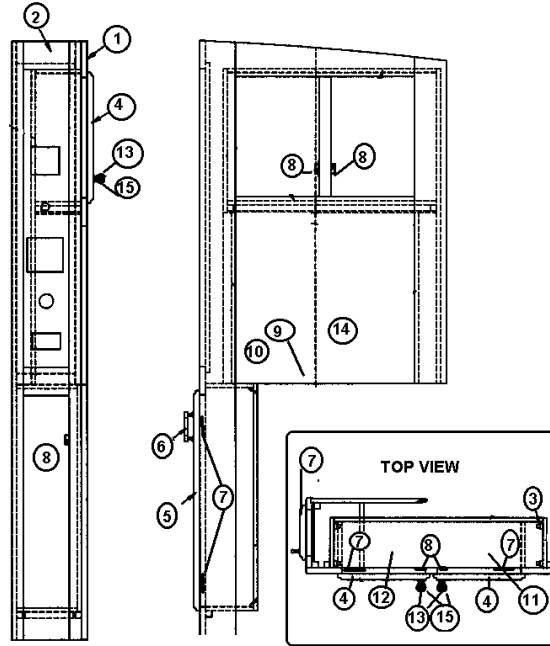
**Replaced by 381631-01-Pantry pullout and 381831-05 white basket during model year.

*381681 Brass/Acrylic handles used on Sky Deck

*Beginning with unit 810864 use 381599 in place of 381795.

2003 LAND YACHT 390 XL SERIES DIESEL

964854-01 Galley Spice Cabinet Assembly, 390/395/396 XL
 964854-02 Galley Spice Cabinet Assembly, 390 XL Skydeck

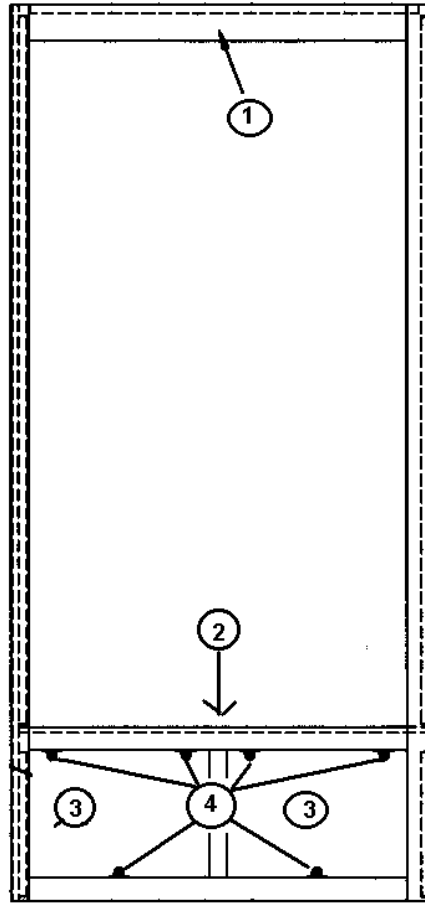


- | | |
|---------------|--|
| 1. 964766-00z | Face frame, galley spice cabinet |
| 2. 964788-00z | Face frame, galley control panel |
| 3. 381527 | Speedy shelf strips |
| 4. 801256-03z | Door, frame |
| 5. 801254-12z | Drawer face, 6.75" x 27.50" |
| 6. *381795 | Drawer/Door handle, 3", |
| Satin/Chrome | |
| 7. 381683 | Door hinges |
| 8. 381228-01 | Door grabber catch |
| 9. 964860-01 | Corian, galley shelf assembly |
| 9a. 965698 | Galley shelf assembly, Skydeck |
| 10. 371377-01 | Glass shelf, 1/4" x 5.75" x 25.38" |
| 11. 381687-01 | Glass Dec RH, 8.62" x 13.38" |
| 12. 381687-02 | Glass Dec LH, 8.62" x 13.38" |
| 13. *381796 | Door knob, hollow, 1.25" |
| 14. 372210-17 | Mirror, 15.25" x 22.92" |
| 14a. 381754 | Mirror clip |
| *381681 | Brass/Acrylic handles used on Sky Deck |

*Beginning with unit 810864 use 381599 in place of 381795
 and 381576 in place of 381796

2003 LAND YACHT 390/395/396 DIESEL

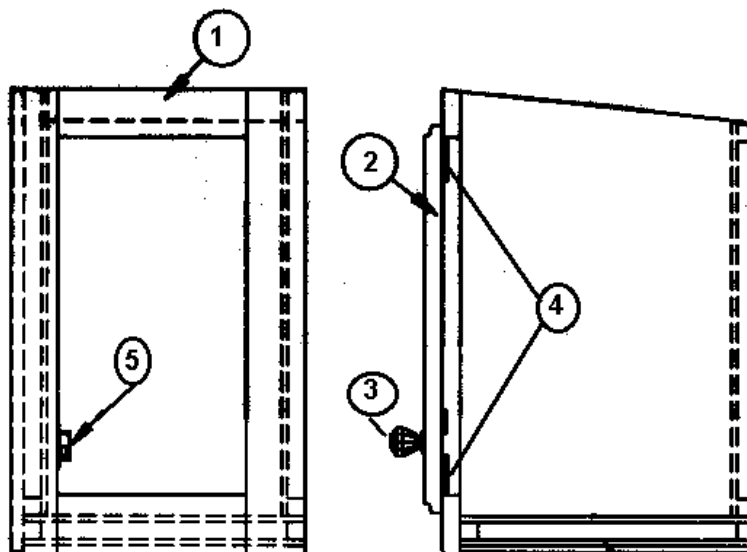
964853 Refrigerator Cabinet Assembly, 12 CF ,optional
390/395/396 XL



- | | |
|---------------|---|
| 1. 964871-00z | Face frame, refer cab, side x side, 12 CF |
| 2. 922526 | Refer stand assembly |
| 3. 801255-03z | Door, louvered, 16.75" x 12.00' |
| 4. 381074 | Bull dog catch |

2003 LAND YACHT 390 XL SERIES DIESEL

964866-01 Locker Assembly, Dinette RH, 390/395/396 XL



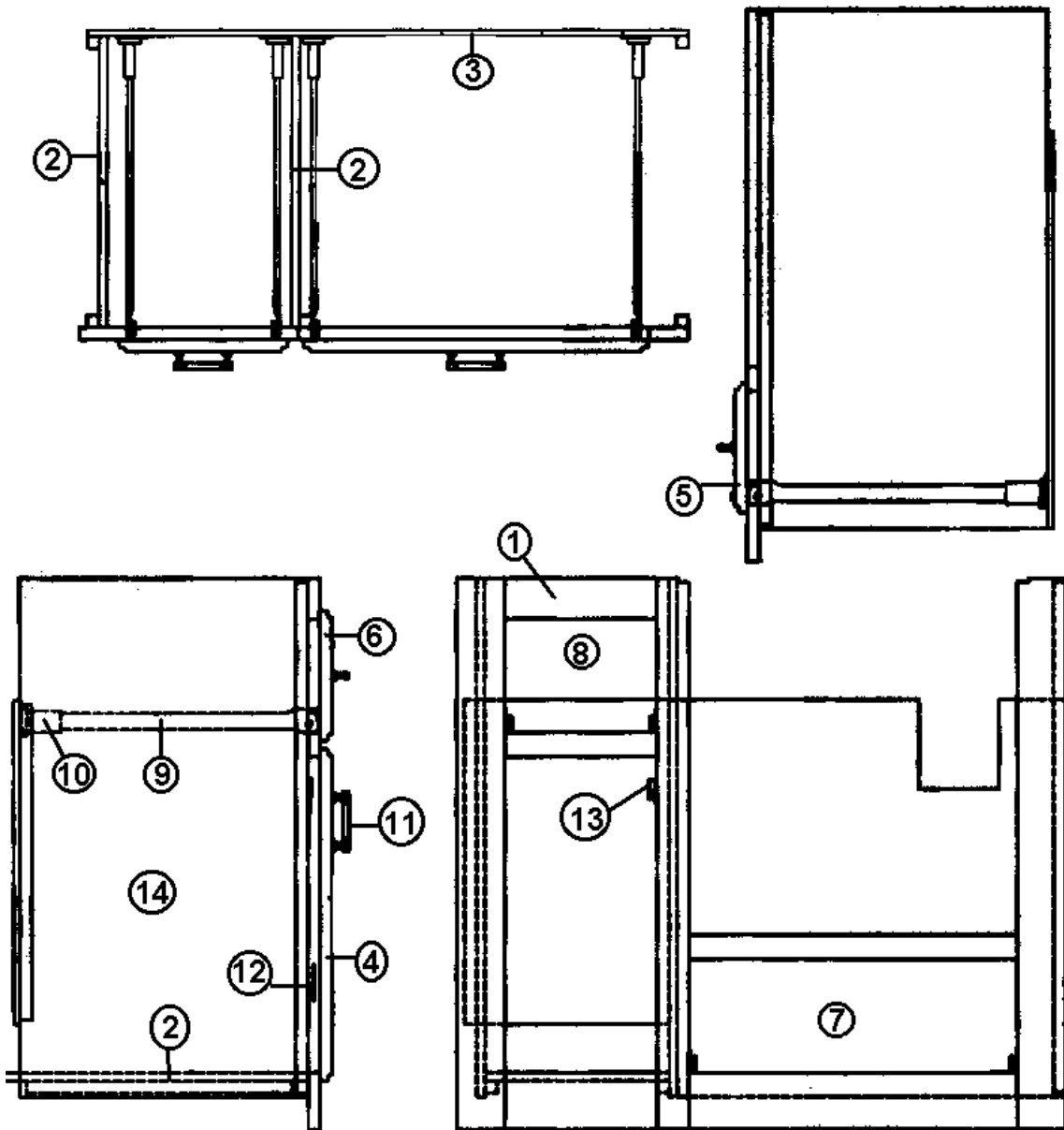
- 1. 964787-00z Face frame, dinette overhead
- 2. 801253-01z Door, raised panel, 9.00" x 16.25"
- 3. *381796 Door knob, hollow, 1.25" diameter
- 4. 381683 Door hinges
- 5. 381228-01 Door grabber catch

*381681 Brass/Acrylic handles used on Sky Deck

*Beginning with unit 810864 use 381576 in place of 381796

2003 LAND YACHT 390/395/396 DIESEL

965046-01 Galley assembly, optional oven
965046-02 Galley assembly, optional oven, Skydeck



Part numbers on the next page

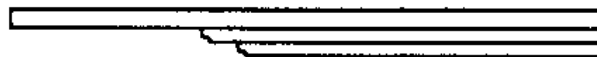
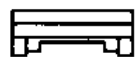
2003 LAND YACHT 390 XL SERIES DIESEL

965046-01 Galley assembly, optional oven
965046-02 Galley assembly, Skydeck

1. 964763-004 FACE FRAME GALLEY, FULL OVEN SECTION, S. OAK
 2. 801258-004 PANEL 1/2" S. OAK/S. OAK G2S
 3. 800507-03 LAUAN, 3/8" X 4' X 8'
 4. 801253-05Z DOOR RAISED PANEL 10.5" X 20.5", S. OAK
 5. 801254-04Z DRAWER FACE 8" X 21.5", S. OAK
 6. 801254-07Z DRAWER FACE 8" X 10.5", S. OAK
 7. 964907-03 DRAWER BOX- 19.50" X 18.00" X 6.00"
 8. 964907-02 DRAWER BOX- 8.50" X 18.00" X 6.00"
 9. 381526-03 DRAWER SLIDE-950-RV 18", PR
 10. 381526-06 BRACKET ADJUSTABLE REAR (PAIR)
 - 11.*381795 Door/drawer handle, 3", Satin/Chrome
 - 12.381683 DOOR HINGES, HIDDEN
 - 13.381228-01 CATCH GRABBER DOOR
 - 14.381491 TRASH CAN, ROLL OUT
 - 15.381688 BUMP ON
 16. 965635 Galley top, Skydeck
- *381681 Brass/Acrylic handles used on Sky Deck
*Beginning with unit 810864 use 381599 in place of 381795.

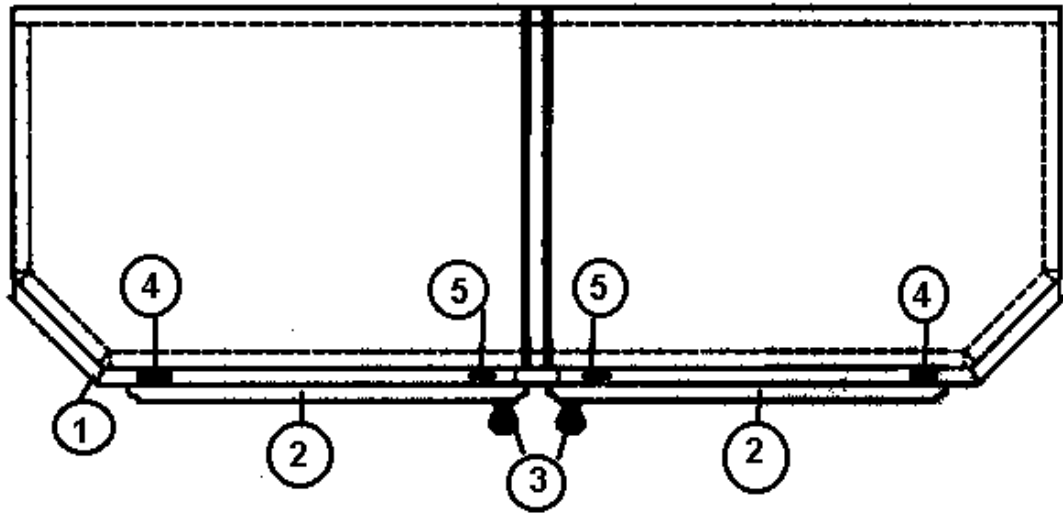
964841 Wire Run Post, RS

964841-01 Wire Run Post, RS, Sky Deck (delete solar panel hole)



2003 LAND YACHT 390/395/396 DIESEL

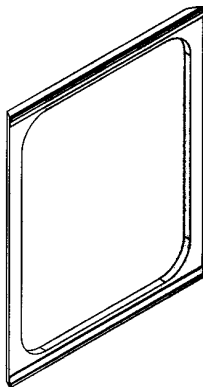
964865-01 Locker Assembly, Dinette, 390/395/396



- 1. 964768-00z Face frame, dinette roof locker
- 2. 801253-04z Door, raised panel, 18.38" x 11.25"
- 3. *381796 Door knob, hollow, 1.25" diameter
- 4. 381683 Door hinges, hidden
- 5. 381228-01 Door grabber catch

*381681 Brass/Acrylic handles used on Sky Deck

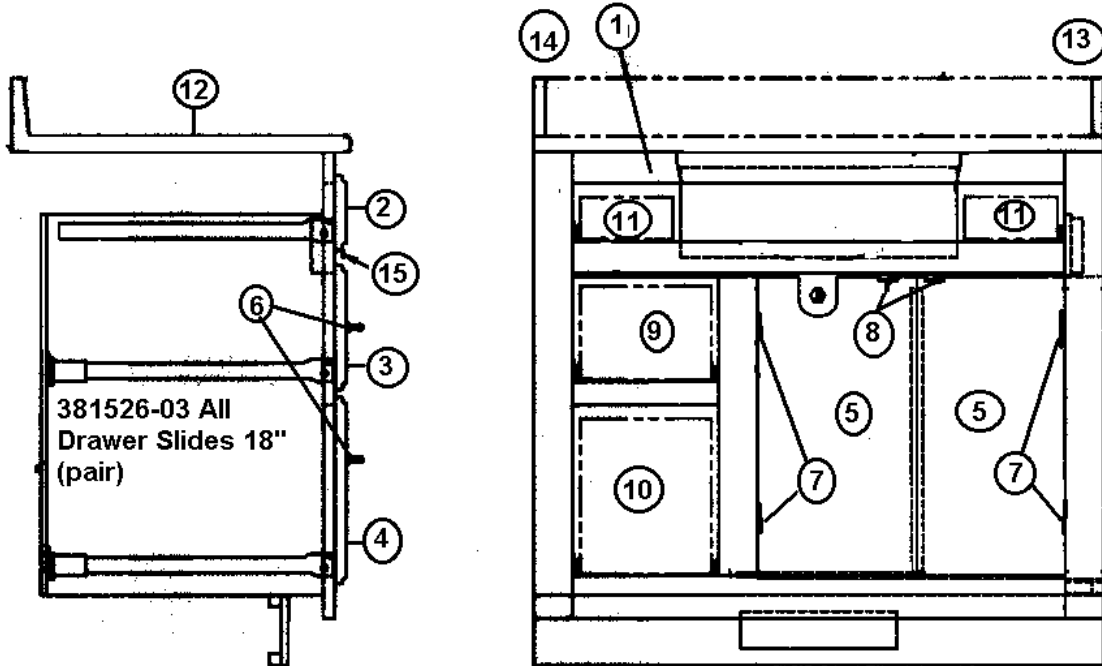
*Beginning with unit 810864 use 381576 in place of 381796
965423 Vanity Mirror Assembly, 395/396



- 801259-00z PANEL-.5" S. OAK/RAW G1S
- 372203-29 GLASS SAFETY MIRROR 16.00" X19.00"
- 372213 TRIM-BRIGHT CHROME 1/8"
- 381386 DUAL LOCK #170

2003 LAND YACHT 390 XL SERIES DIESEL

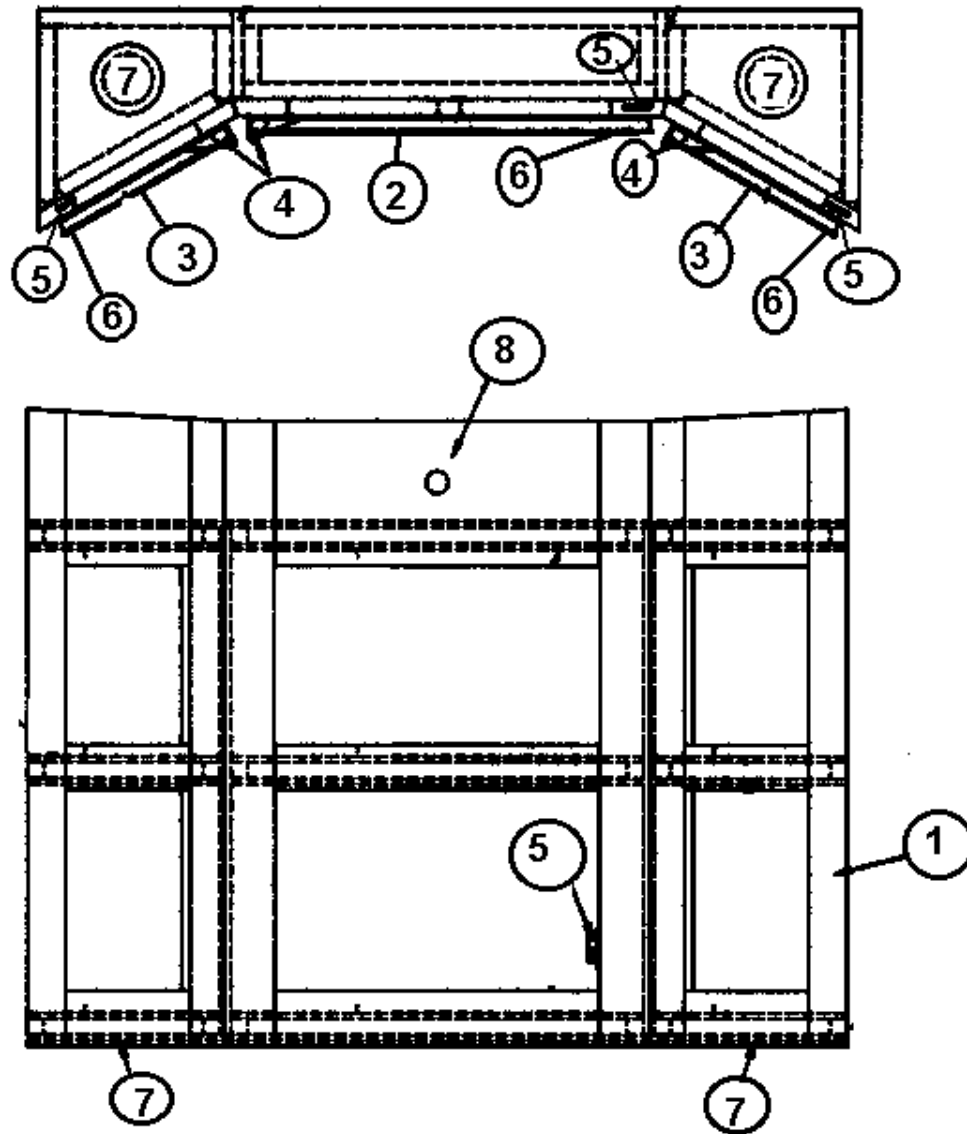
964828-01 Lavy Cabinet Assembly, 390/395/396
 964828-02 Lavy Cabinet Assembly, 390 XL Skydeck



- | | |
|----------------|--|
| 1. 964775-00z | Face frame, Lavy cabinet |
| 2. 801254-06z | Drawer face, 4.75" x 33.00" |
| 3. 801254-07z | Drawer face, 8.00" x 10.50" |
| 4. 801254-08z | Drawer face, 12.00" x 10.50" |
| 5. 801253-05z | Door, raised panel, 10.5" x 20.50" |
| 6. *381795 | Door/drawer handle, 3", Satin/Chrome |
| 7. 381683 | Hinge, hidden |
| 8. 381228-01 | Door grabber catch |
| 9. 964907-02 | Drawer box, 6.00" x 8.50" x 18.00" |
| 10. 964909-01 | Drawer box, 10.00" x 8.50" x 18.00" |
| 11. 964906-01 | Drawer box, 2.75" x 6.00' x 18.00" |
| 12. 601832 | Lavy top & bowl, Corian, Glacier White |
| 12a. 965634 | Lavy top, Laminated, Skydeck |
| 12b. 203286-01 | Lavy bowl, Sky Deck |
| 13. 601740-02 | Side splash, Corian, RH |
| 14. 601741-02 | Side splash, Corian, LH |
| 15. 385940 | Mirror pull, brass |
| *381681 | Brass/Acrylic handles used on Sky Deck |
- *Beginning with unit 810864 use 381599 in place of 381795.

2003 LAND YACHT 390/395/396 DIESEL

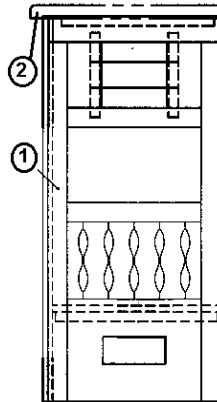
964829 Medicine Cabinet, 390/395/396 XL



1. 964776-00Z Face frame, Medicine cabinet
2. 372203-11 Glass, safety, mirrored, 17" x 21.25"
3. 372203-25 Glass, safety, mirrored, 7.50" x 21.25"
4. 381601 Hinge, antique brass
5. 381228-01 Door grabber catch
6. 385940 Mirror pull, brass
7. 511477 Spot light, Brass halogen
8. 511492 Light, medicine cabinet

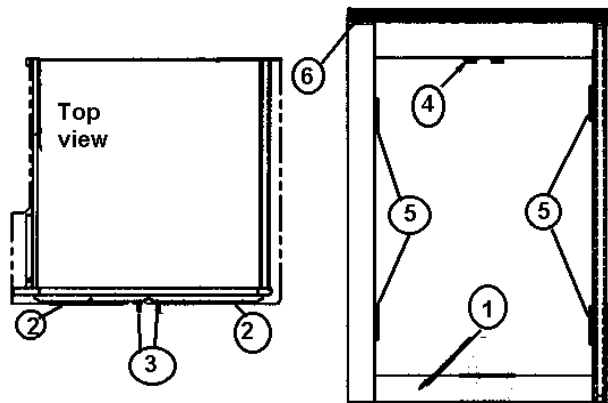
2003 LAND YACHT 390 XL SERIES DIESEL

965088 Magazine Rack, 390/395/396 XL
 965088-01 Magazine Rack, 390 XL Skydeck



- 1. 965087-00Z Magazine rack, bath
- 2. 964918-01 Top assembly, bath magazine rack
- 2A. 965697 Top assembly, bath magazine rack Skydeck

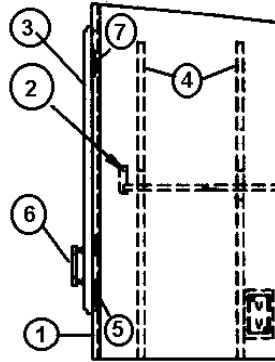
964921-01 Laundry Cabinet, Lower 390/395/396 XL
 964921-02 Laundry Cabinet, Lower 390 XL Skydeck



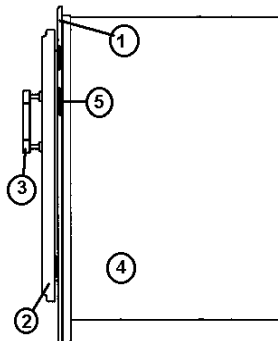
- 1. 964774-00z Face frame, laundry cabinet
 - 2. 801255-02z Door, louvered, 12.75" x 36.00"
 - 3. *381795 Drawer/Door handle, 3", Satin/Chrome
 - 4. 381228-01 Door grabber catch
 - 5. 381683 Hinge, hidden
 - 6. 964920-02 Top assembly
 - 6a. 965636 Top assembly, 390 Skydeck
 - *381681 Brass/Acrylic handles used on Sky Deck
- *Beginning with unit 810864 use 381599 in place of 381795.

2003 LAND YACHT 390/395/396 DIESEL

964922-01 Laundry Cabinet, Upper 390/395 XL
 965709 Laundry cabinet, upper 390 Sky Deck



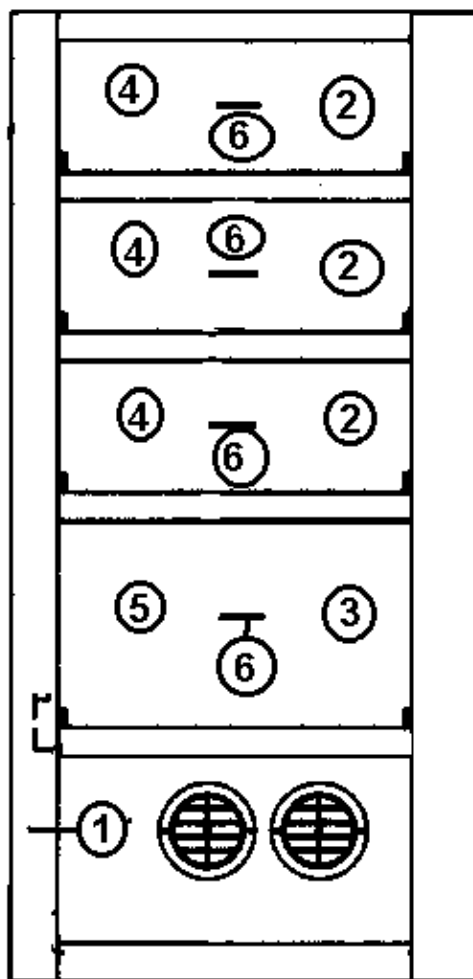
- 1. 964904-00z Face frame, laundry cabinet
- 2. 964834-00z Shelf facer laundry cabinet
- 3. 801253-11z Door, raised panel, 12.75" x 27.00'
- 4. 381527 Speedy shelf strips
- 5. 381228-01 Door grabber catch
- 6. *381795 Drawer/Door handle, 3", Satin/Chrome
- 7. 381683 Door hinges, hidden
- 8. 800573-00Z Molding, door edge, 1 3/32" x 80"
- *381681 Brass/Acrylic handles used on Sky Deck
- 964867 Storage Cabinet Assembly, Stool Room



- 1. 964791-00z Face frame, water closet
 - 2. 801253-03z Door, raised panel, 14.50" x 16.25"
 - 3. *381795 Drawer/Door handle, 3", Satin/Chrome
 - 4. 381683 Door hinges, hidden
 - 5. 381228-01 Door grabber catch
 - *381681 Brass/Acrylic handles used on Sky Deck
- *Beginning with unit 810864 use 381599 in place of 381795.

2003 LAND YACHT 390 XL SERIES DIESEL

964925 Chest of Drawers, 390/395 XL

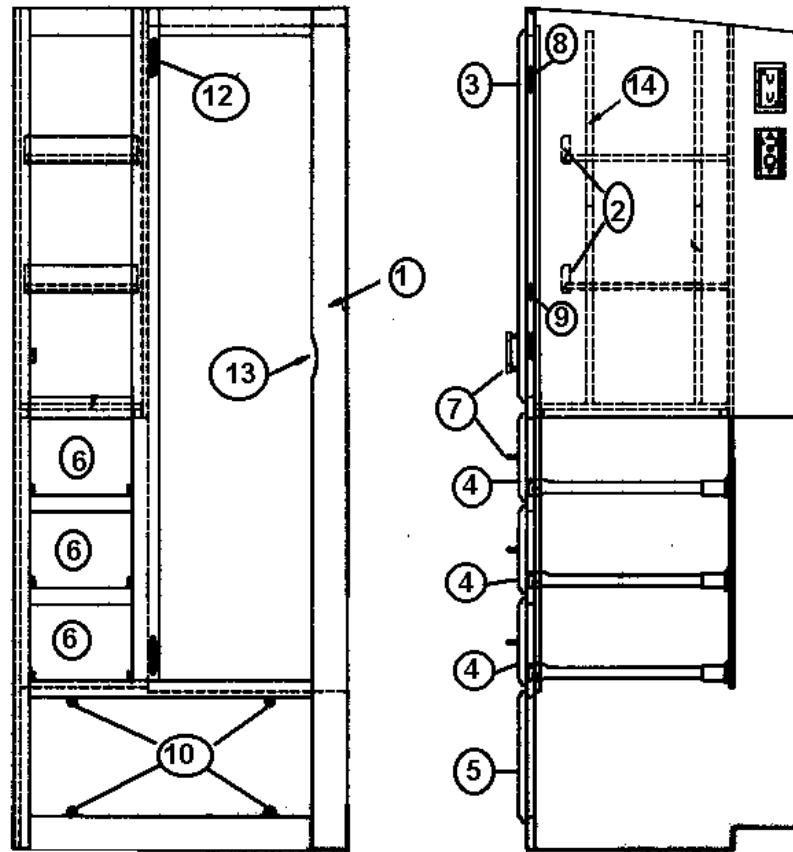


- | | |
|---------------|--|
| 1. 964780-00z | Face frame, chest of drawers |
| 2. 964907-05 | Drawer box, 6.00" x 18.00" x 18.00" |
| 3. 964909-04 | Drawer box, 10.00" x 18.00" x 18.00" |
| 4. 801254-09z | Drawer face, 8.00" x 20.00" |
| 5. 801254-10z | Drawer face, 12.00' x 20.00" |
| 6. *381795 | Drawer/Door handle, 3", Satin/Chrome |
| 7. 381526-03 | Drawer slides, 18", not shown |
| 8. 381526-06 | Rear drawer slide bracket, not shown |
| *381681 | Brass/Acrylic handles used on Sky Deck |

*Beginning with unit 810864 use 381599 in place of 381795.

2003 LAND YACHT 390/395/396 DIESEL

964831-01 Linen Cabinet Assembly 395/396 XL

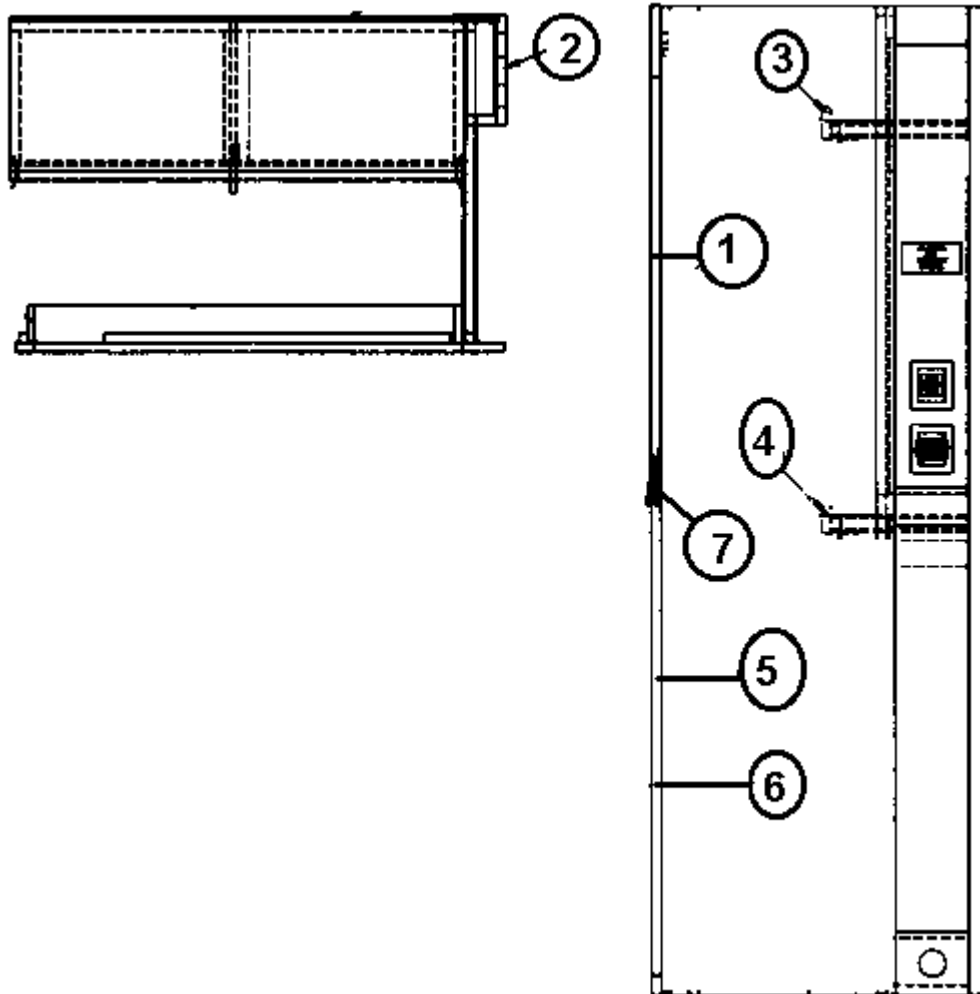


1. 964778-00z Face frame, linen cabinet
2. 964932-00z Shelf facer, linen cabinet
3. 801253-06z Door, raised panel, 10.50" x 34.00"
4. 801254-07z Drawer face, 8.00" x 10.50"
5. 801255-01z Door, louvered, 27.00" x 12.00"
6. 964907-02 Drawer box, 6.00" x 8.50" x 18.00"
7. *381795 Drawer/Door handle, 3", Satin/Chrome
8. 381683 Door hinges, hidden
9. 381228-01 Door grabber catch
10. 380074 Bull dog catch
11. 372203-26 Glass, safety mirror, 13.62" x 58.50"
12. 385935 Brass pivot hinge
13. 385940 Mirror pull, Brass
14. 381527 Speedy shelf strips
- *381681 Brass/Acrylic handles used on Sky Deck

*Beginning with unit 810864 use 381599 in place of 381795.

2003 LAND YACHT 390 XL SERIES DIESEL

964843 Wardrobe Assembly, Sliding Door 390/395 XL



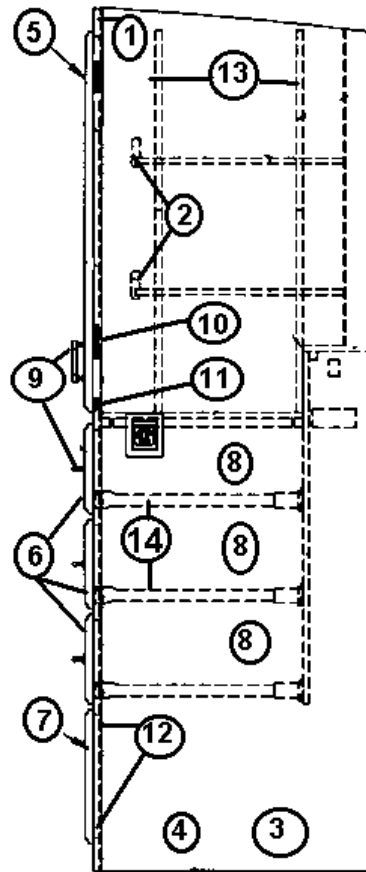
- | | |
|---------------|------------------------------------|
| 1. 964779-00z | Face frame, RS Wardrobe |
| 2. 964789-00z | Face frame, Center panel |
| 3. 964824-00z | Stile, wardrobe shelf, front upper |
| 4. 964825-00z | Stile, wardrobe shelf, front lower |
| 5. 381643-02 | Door, sliding Wardrobe 34" x 73" |
| 6. 371262-68 | Safety mirror, 17.5" x 70.38" |
| 7. 381643-01 | Travel catch, wardrobe doors |

Cloths Rod Assembly

- | | |
|-----------|----------------------------------|
| 380045 | TUBING, 3/4", ELECTRIC METALLIC |
| 380046 | FLANGE CHROME |
| 200975-04 | CONDUIT, FLEXIBLE BLACK PLASTIC |
| 381298 | SUPPORT CLOTHES ROD LENGTH 5.25" |

2003 LAND YACHT 390/395/396 DIESEL

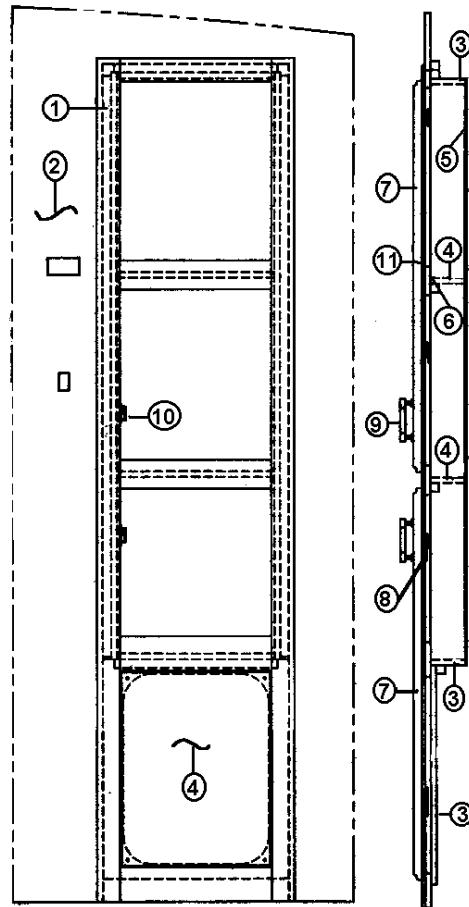
965168-01 Linen Cabinet Assembly 395/396 XL



- | | |
|---------------|--------------------------------------|
| 1. 965158-00z | Face frame, linen cabinet |
| 2. 965159-00z | Facer shelf, linen cabinet |
| 3. 801273-14 | Panel, forward linen cabinet |
| 4. 801273-16 | Panel, aft, linen cabinet |
| 5. 801253-12z | Door, raised panel, 14.25" x 34.00" |
| 6. 801254-01z | Drawer face, 8.00" x 14.25" |
| 7. 801255-04z | Door, louvered, 14.25" x 12.00" |
| 8. 964907-04 | Drawer box, 12.25" x 18.00" x 6.00" |
| 9.*381795 | Drawer/Door handle, 3", Satin/Chrome |
| 10. 381683 | Door hinges |
| 11. 381228-01 | Door grabber catches |
| 12. 381074 | Bull dog catch |
| 13. 381527 | Speedy shelf strips |
| 14. 381526-03 | Drawer slide, 18", pair |
- *381681 Brass/Acrylic handles used on Sky Deck
 *Beginning with unit 810864 use 381599 in place of 381795.

2003 LAND YACHT 390 XL SERIES DIESEL

965167-01 Stool Room Cabinet Assembly, 395



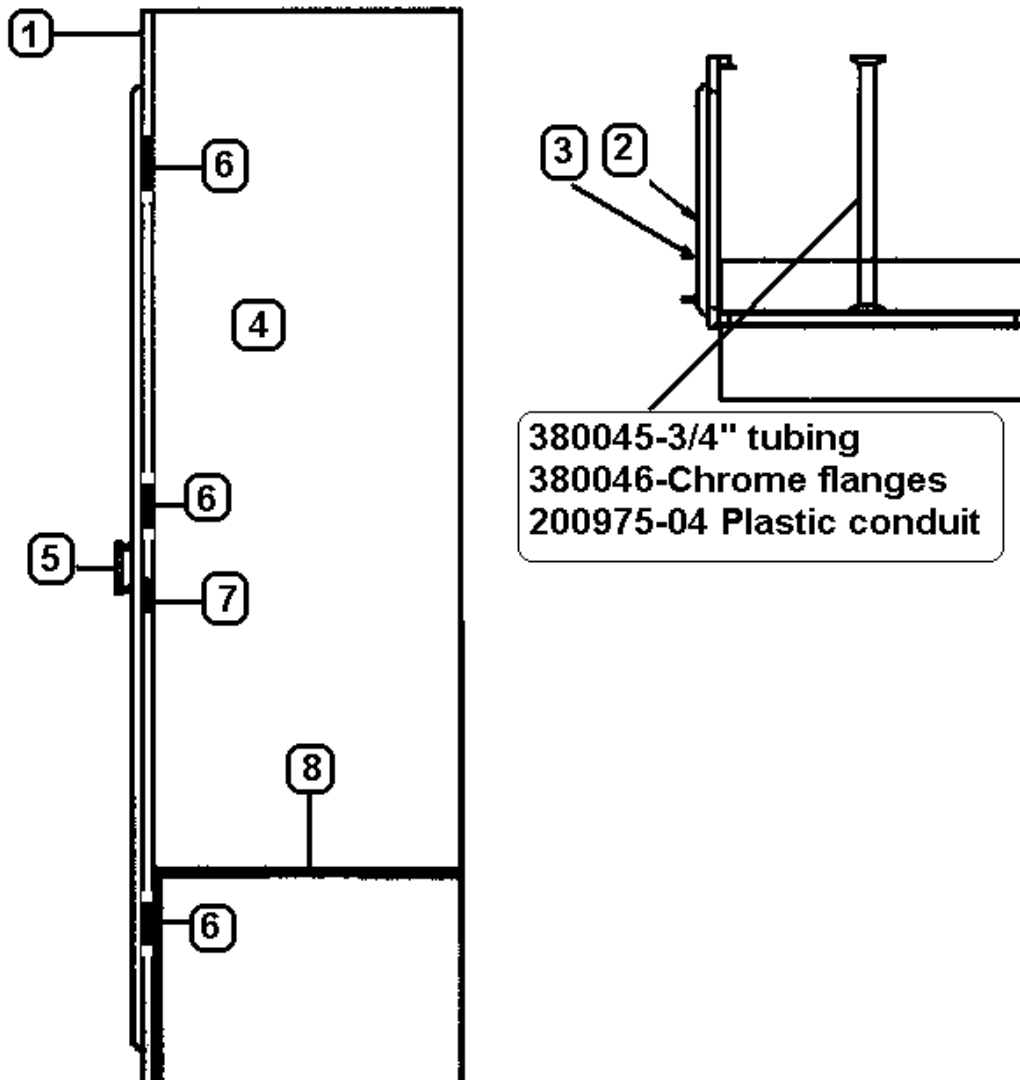
- | | |
|----------------|--|
| 1. 965163-00Z | FACE FRAME-STOOL ROOM CABINET OAK |
| 2. 801388 | PANEL, SPRING FOREST/RAW, G1S |
| 3. 801259-00Z | PANEL-.5" S. OAK/RAW G1S |
| 4. 801258-00Z | PANEL 1/2" S. OAK/SOAK G2S |
| 5. 801260-00Z | PANEL-.156" S. OAK/RAW G1S |
| 6. 365250-00Z | EDGE BANDING 5/8", S. OAK |
| 7. 801253-124 | DOOR-RAISED PANEL 14.25" X 34.00" |
| 8. 381683 | DOOR HINGES - HIDDEN |
| 9. *381795 | PULL OPEN ARCH 3"CTR SATIN CHROME |
| 10. 381228-01 | CATCH GRABBER DOOR |
| 11. 381688 | BUMP ON |
| 12. 801270-00z | MOLDING-PANEL, END TRIM, S. OAK, NOT SHOWN |

*381681 Brass/Acrylic handles used on Sky Deck

*Beginning with unit 810864 use 381599 in place of 381795.

2003 LAND YACHT 390/395/396 DIESEL

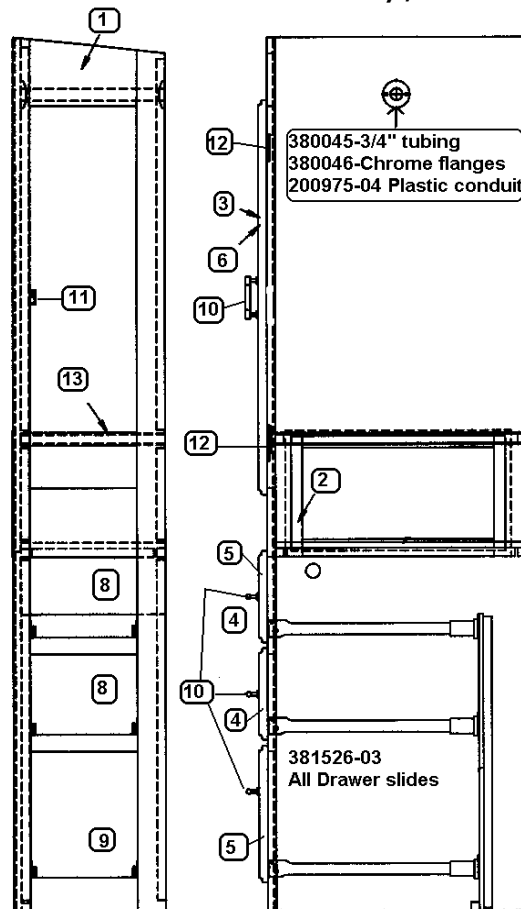
964846-01 Wardrobe Assembly, CS Rear-390 XL



- | | |
|--|--|
| 1. 964782-00z | Face frame, CS closet |
| 2. 801256-01z | Door, frame only, 16.5" x 69.00" |
| 3. 372210-15 | Glass, beveled 13.62" x 32.62" |
| 4. 381754 | Mirror retaining clips, Not Shown |
| 5. *381795 | Door/Drawer handle, 3", Satin/Chrome |
| 6. 381683 | Door hinges, hidden |
| 7. 381228 | Door grabber catch |
| 8. 701538 | Carpet liner, black |
| *381681 | Brass/Acrylic handles used on Sky Deck |
| *Beginning with unit 810864 use 381599 in place of 381795. | |

2003 LAND YACHT 390 XL SERIES DIESEL

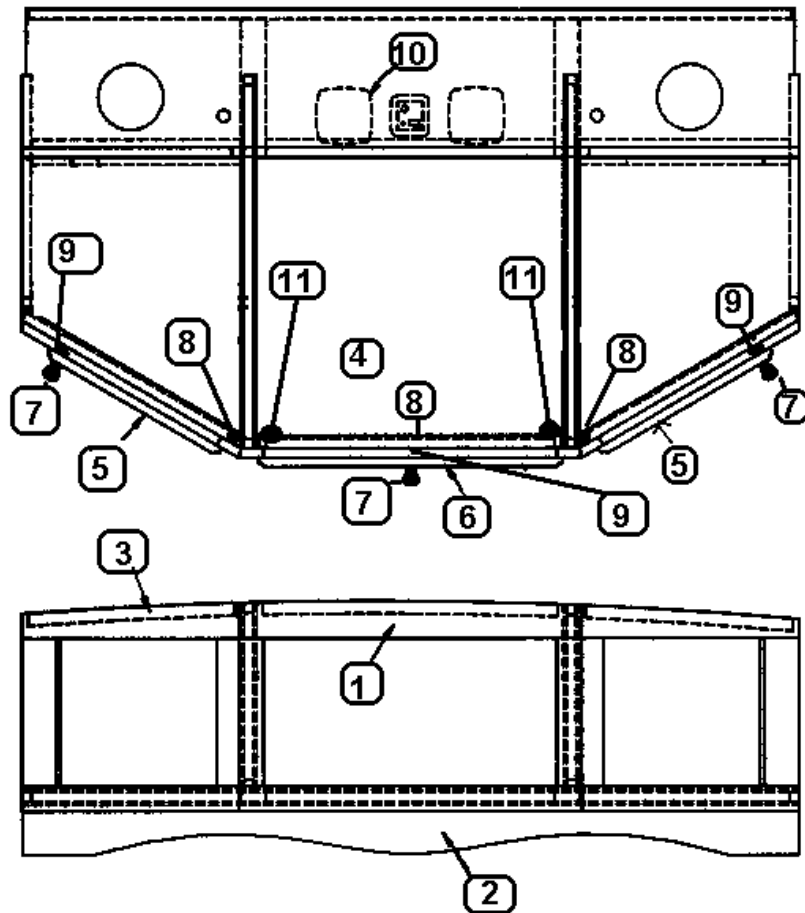
964847-01 Wardrobe Assembly, RS rear, 390 XL



- | | |
|---------------|--------------------------------------|
| 1. 964783-00z | Face frame, RS corner wardrobe |
| 2. 964799-00z | Face frame, Nightstand pocket |
| 3. 801256-02z | Door, frame only, 10.5" x 34.5" |
| 4. 801254-07z | Drawer face, 8.00" x 10.5" |
| 5. 801254-08z | Drawer face, 12.00" x 10.5" |
| 6. 372210-14 | Mirror, beveled, 7.62" x 31.62" |
| 7. 381754 | Mirror clips, not shown |
| 8. 964907-02 | Drawer box, 6" x 8.5" x 18" |
| 9. 964907-01 | Drawer box, 10" x 8.5" x 18" |
| 10. *381795 | Door/Drawer handle, 3", Satin/Chrome |
| 11. 381228-01 | Door grabber catch |
| 12. 381683 | Door hinges, hidden |
| 13. 800573-60 | Molding, door edge |
- *381681 Brass/Acrylic handles used on Sky Deck
 *Beginning with unit 810864 use 381599 in place of 381795.

2003 LAND YACHT 390/395/396 DIESEL

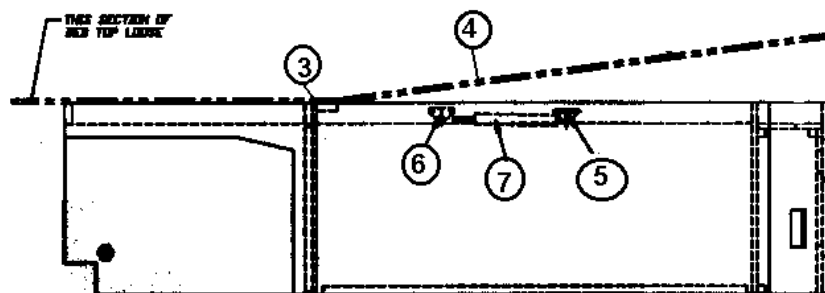
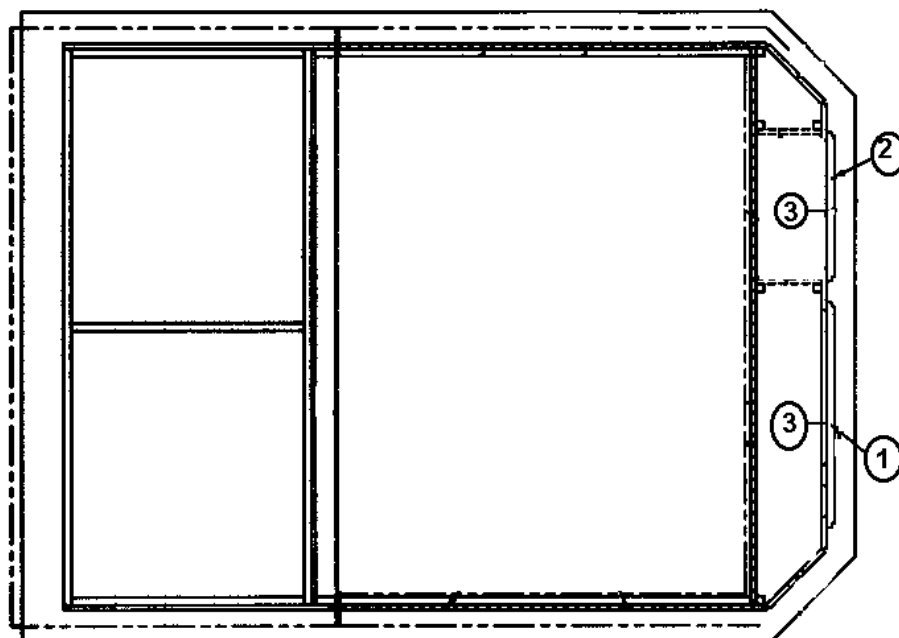
964848-01 Roof locker Assembly, RS rear, 390/395/396



- | | |
|---|-------------------------------------|
| 1. 964784-00z | Face frame, Rear liner locker |
| 2. 964796-00z | Rail, rear roof locker, light cover |
| 3. 114812 | Aluminum angle, 1" x 1" |
| 4. 701538 | Carpet liner, black |
| 5. 801253-09z | Door, raised panel, 16" x 12.75" |
| 6. 801253-10z | Door, raised panel, 24.5" x 12.75" |
| 7. *381796 | Door knob, hollow, 1.25" diameter |
| 8. 391683 | Door hinges, hidden |
| 9. 381228-01 | Door grabber catch |
| 10. 511464-07 | Speaker/Headphone system |
| 11. 381147 | Door support |
| *381726 | Brass/Acrylic knob used on Sky Deck |
| *Beginning with unit 810864 use 381576 in place of 381796 | |

2003 LAND YACHT 390 XL SERIES DIESEL

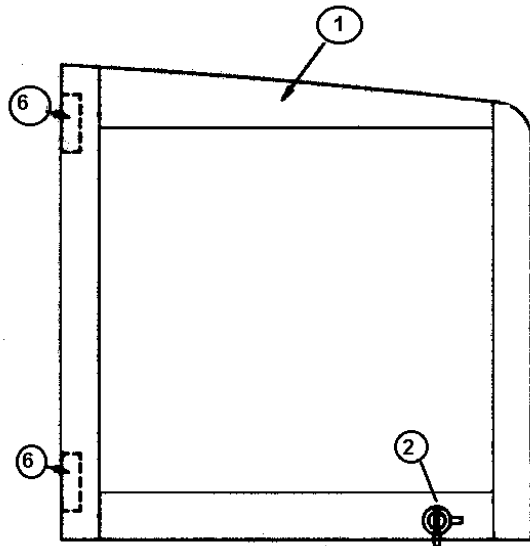
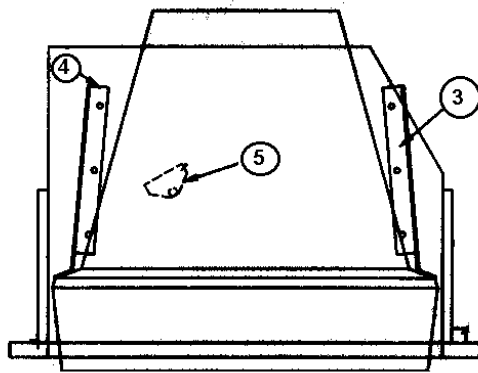
965172 Bed Assembly, 390/395/396



- | | |
|---------------|---------------------------------|
| 1. 800254-05z | Drawer face, 12" x 21.50" |
| 2. 800254-02z | Drawer face, 12" x 14.25" |
| 3. 381601 | Hinge, Antique Brass |
| 4. 965180 | Bed top assembly |
| 5. 381262 | Bracket, prop, w/ball, straight |
| 6. 381263 | Bracket, prop, w/ball, angled |
| 7. 381549 | Gas spring, 150 lbs. |
| Not shown | |
| 385940 | Mirror pull, brass |
| 380203 | HINGE PIANO 1/8" PIN |
| 381228-01 | CATCH GRABBER DOOR |

2003 LAND YACHT 390/395/396 DIESEL

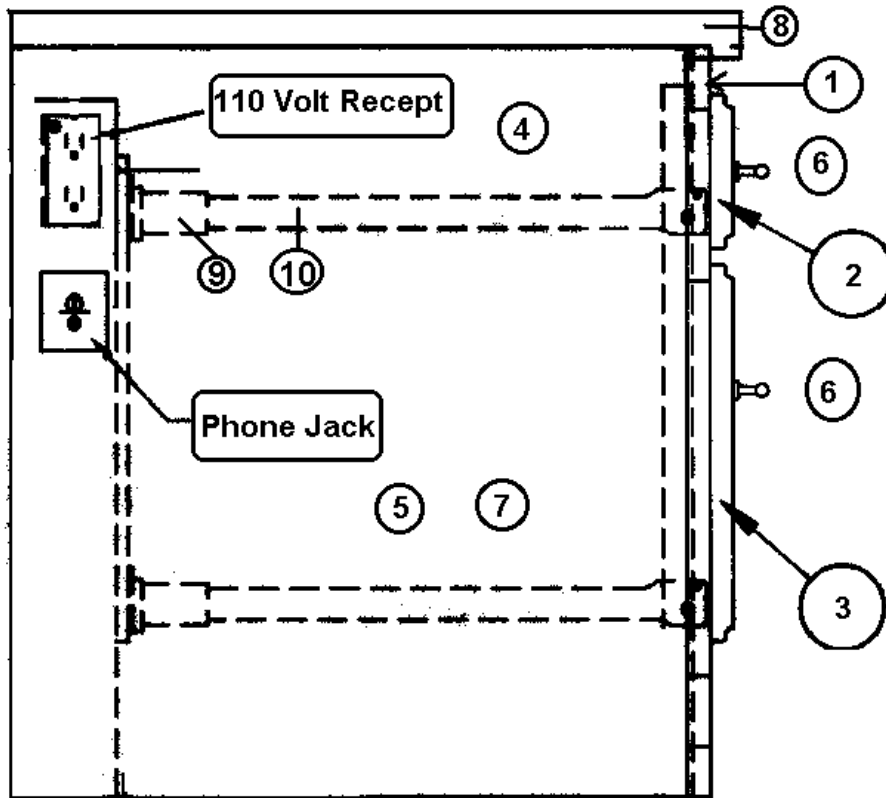
964935 TV cabinet assembly, 390 XL



- | | |
|---------------|--------------------------------------|
| 1. 964781-00z | Face frame, TV cabinet |
| 2. 381227-01 | Vice-action latch |
| 3. 114909-01 | TV Bracket, RH |
| 4. 114909-012 | TV Bracket, LH |
| 5. 381310 | Gas prop bracket assy. upper |
| 6. 381072 | Hinge, 3" x 1 7/8" open, gold |
| Not Shown: | |
| 381262 | BRACKET, PROP, W/BALL, #004002 ANGLE |
| 114960 | BRACKET-TV ROLLER SUPPORT |
| 381443-05 | CARRIER #7000 |
| 300133 | WASHER EXTERNAL STAR 7/8ID ZINC |

2003 LAND YACHT 390 XL SERIES DIESEL

965083-02 End table assembly, 390/395/396 XL



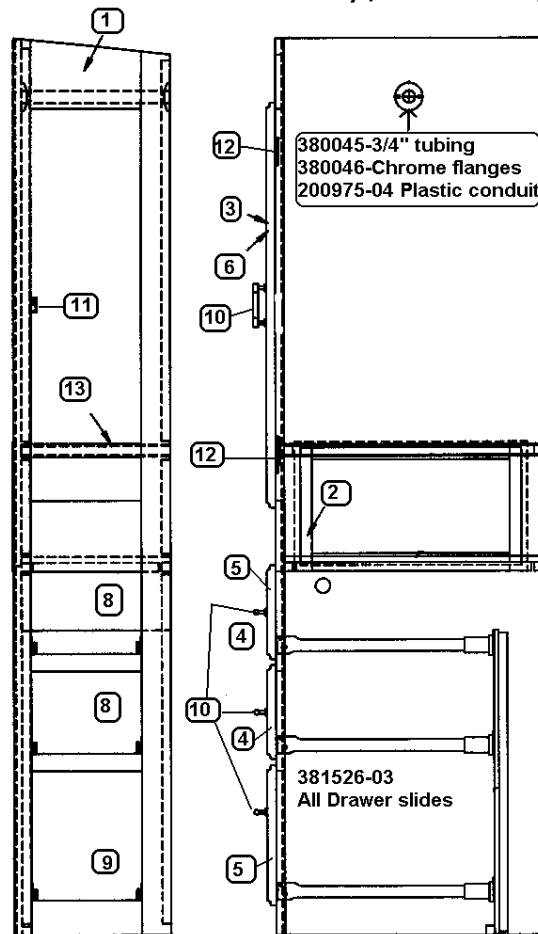
- | | |
|---------------|--------------------------------------|
| 1. 965084-00z | Face frame, End Table |
| 2. 801254-16z | Drawer face, 4.75" x 14.25" |
| 3. 801254-02z | Drawer face, 12.00" x 14.25" |
| 4. 964906-15 | Drawer box, 12.25" x 18.00" x 2.75" |
| 5. 964909-03 | Drawer box, 12.25" x 18.00" x 10.75" |
| 6. *381795 | Door/Drawer handle, 3", Satin/Chrome |
| 7. 114961 | Hanger, file folder, Not shown |
| 8. 965059-01 | Top assembly, end table |
| 9. 381526-03 | Drawer slide, 18" |
| 10. 381526-06 | Bracket, adjustable, rear |

*381681 Brass/Acrylic handles used on Sky Deck

*Beginning with unit 810864 use 381599 in place of 381795.

2003 LAND YACHT 390/395/396 DIESEL

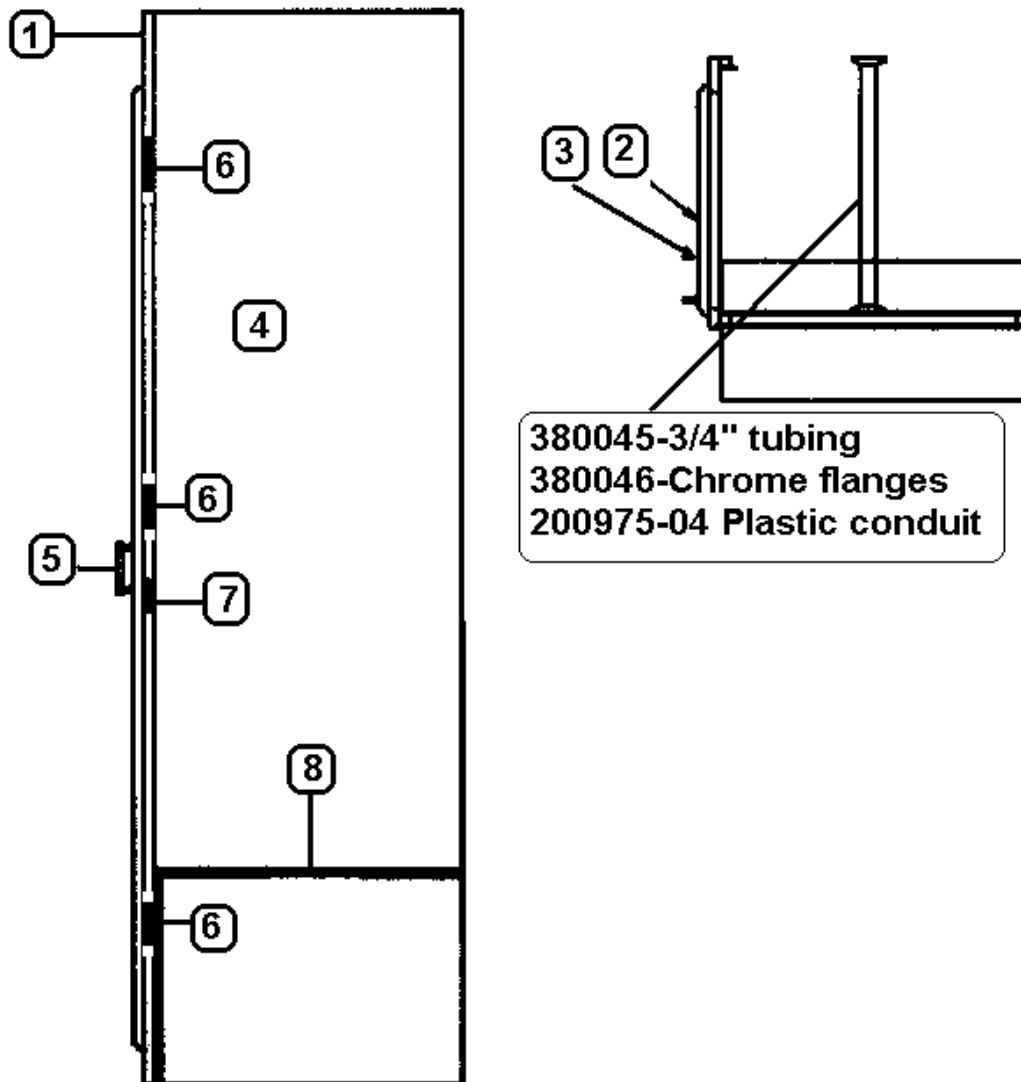
965171-01 Wardrobe Assembly, RS rear, 395/396 XL



1. 965161-00z-00z Face frame, RS rear wardrobe
 2. 964799-00z Face frame, Nightstand pocket
 3. 801256-04z Door, frame only, 9.00" x 34.5"
 4. 801254-17z Drawer face, 8.00" x 9.00"
 5. 801254-18z Drawer face, 12.00" x 10.5"
 6. 372210-20 Mirror, beveled, 6.12" x 31.62"
 7. 381754 Mirror clips, not shown
 8. 964907-12 Drawer box, 7.00" x 18.00" x 6.00"
 9. 964909-09 Drawer box, 7.00" x 18.00" x 6.00"
 10. *381795 Door/Drawer handle, 3", Satin/Chrome
 11. 381228-01 Door grabber catch
 12. 381683 Door hinges, hidden
 13. 800573-60 Molding, door edge
- *381681 Brass/Acrylic handles used on Sky Deck
- *Beginning with unit 810864 use 381599 in place of 381795.

2003 LAND YACHT 390 XL SERIES DIESEL

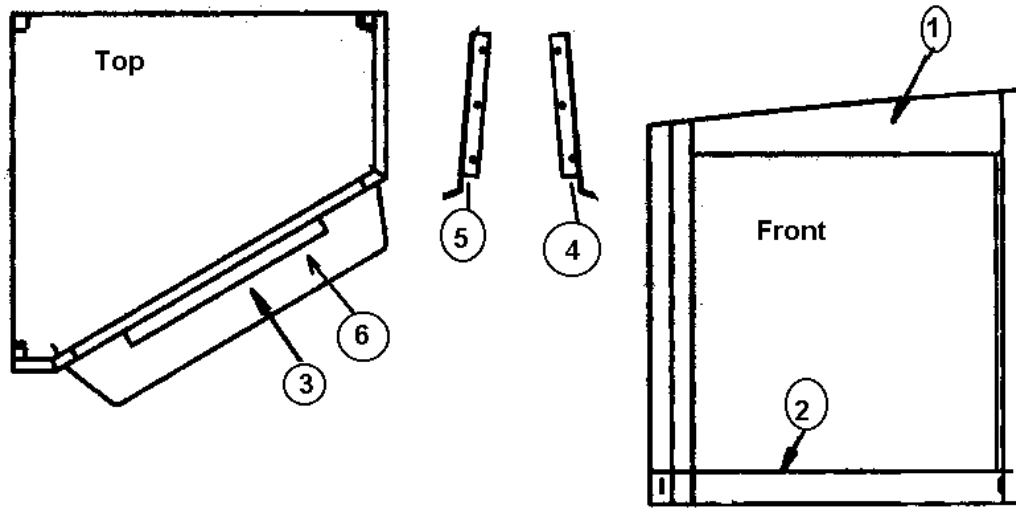
965170-01 Wardrobe Assembly, CS rear, 395/396 XL



- | | |
|--|---|
| 1. 965160-00z | Face frame, CS closet |
| 2. 801256-05z | Door, frame only, 14.5" x 69.00" |
| 3. 372210-21 | Glass, beveled 11.62" x 32.62" |
| 4. 381754 | Mirror retaining clips, Not Shown |
| 5. *381795 | Door/Drawer handle, 3", Satin/Chrome |
| 6. 381683 | Door hinges, hidden |
| 7. 381228 | Door grabber catch |
| 8. 701538 | Carpet liner, black |
| 9. 800573-00Z | Door edge molding, 1 3/32" x 80", not shown |
| *381681 | Brass/Acrylic handles used on Sky Deck |
| *Beginning with unit 810864 use 381599 in place of 381795. | |

2003 LAND YACHT 390/395/396 DIESEL

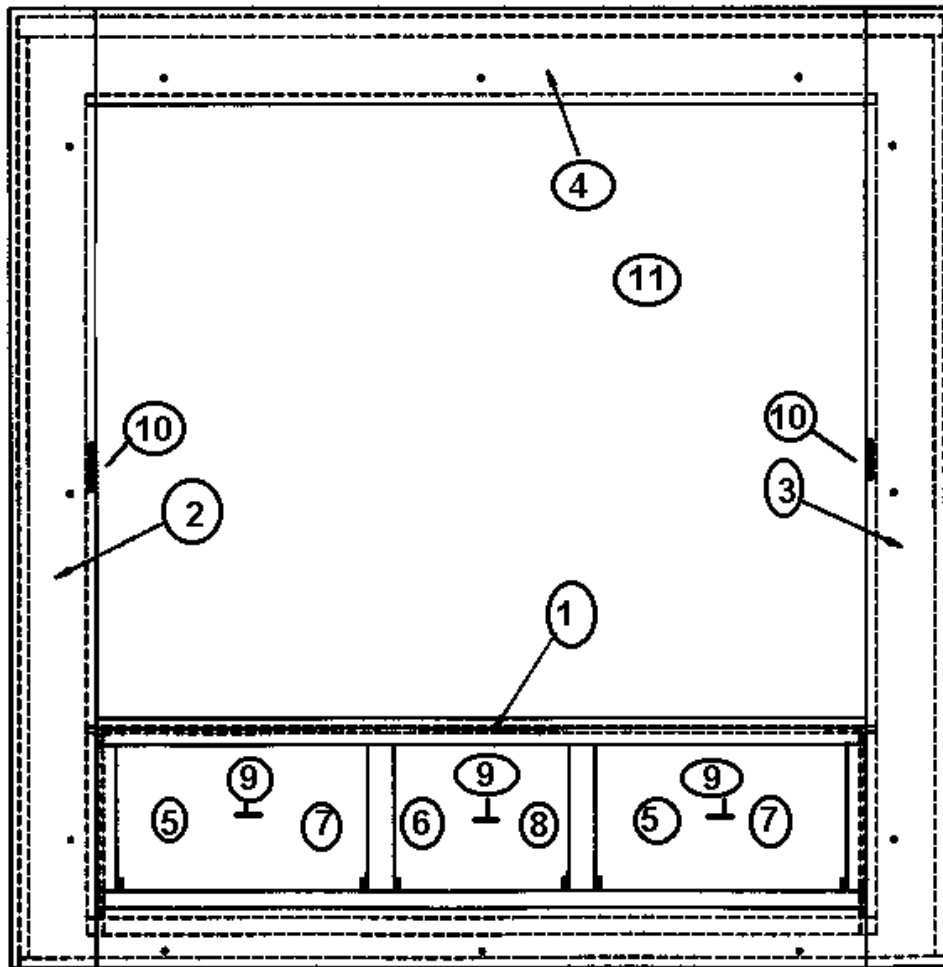
965263 TV Cabinet Assembly, Bedroom, 395/396 XL



1. 965162-00z Face frame, TV cabinet
2. 801260-00z Panel, 1/2", G1S, Wood Veneer/Raw
3. 965262-00z Shelf, front
4. 114909-01 Bracket, TV mount, RH
5. 114909-02 Bracket, TV mount, LH
6. 965179-01 Shelf assembly

2003 LAND YACHT 390 XL SERIES DIESEL

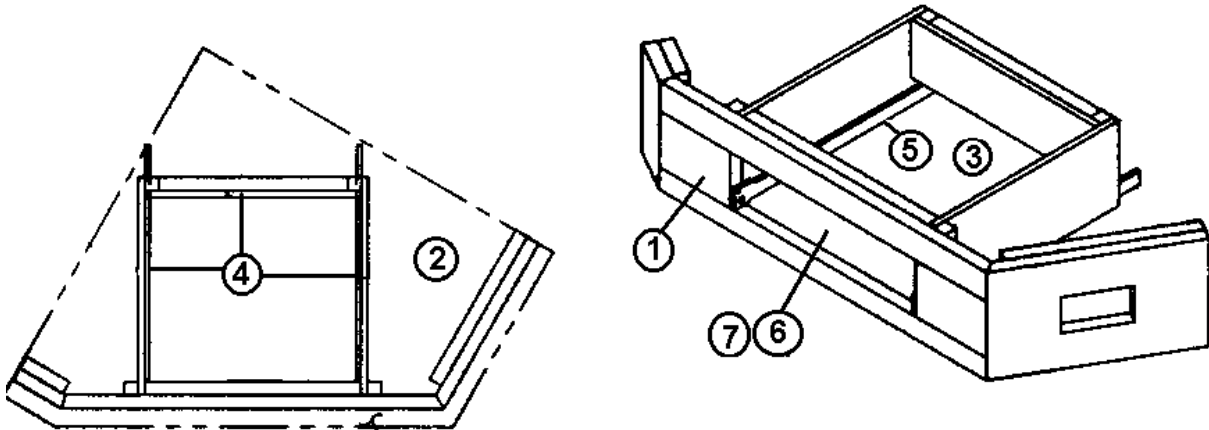
965173-01 Wardrobe Assembly, Slide out, CS Rear, 395/396 XL



- | | |
|---------------|---|
| 1. 965166-00z | Face frame, wardrobe, slide out, 395/396 XL |
| 2. 965176-01z | Stile, wardrobe, LH |
| 3. 965176-02z | Stile, wardrobe, RH |
| 4. 965177-00z | Header, wardrobe |
| 5. 801254-10z | Drawer face, 12.00" x 20.00" |
| 6. 801254-02z | Drawer face, 12.00" x 14.25" |
| 7. 964909-04 | Drawer box, 18.00" x 18.00" x 10.00" |
| 8. 964909-03 | Drawer box, 12.25" x 18.00" x 10.00" |
| 9.*381795 | Door/Drawer handle, 3", Satin/Chrome |
| 10. 381228-01 | Door grabber catch |
| 11. 381727-02 | Wardrobe door, mirrored, sliding |
- *381681 Brass/Acrylic handles used on Sky Deck
 *Beginning with unit 810864 use 381599 in place of 381795.

2003 LAND YACHT 390/395/396 DIESEL

965422-01 Vanity Assembly,



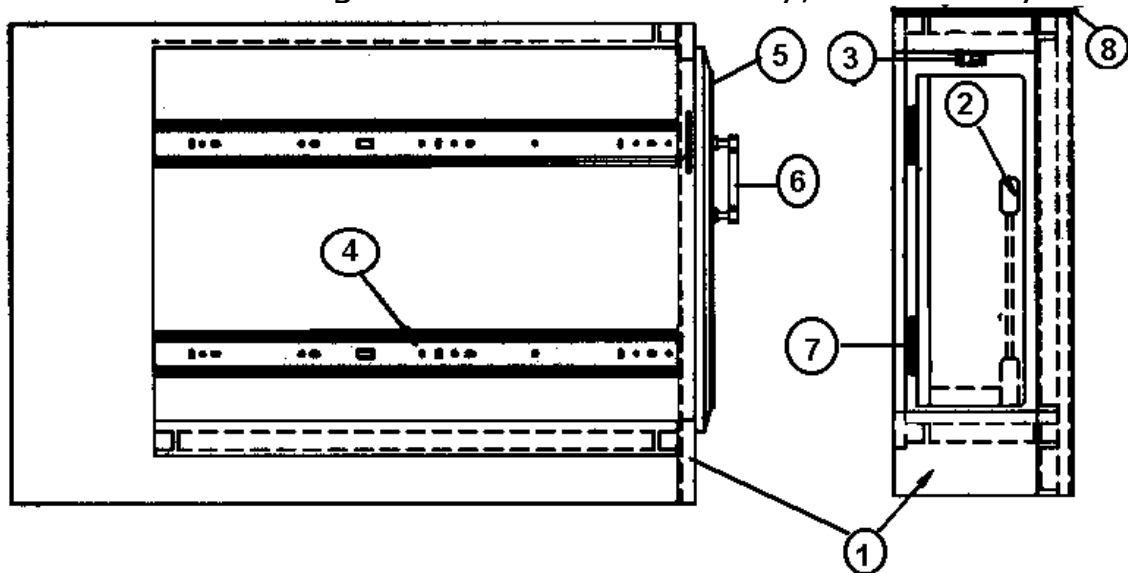
- | | |
|---------------|---|
| 1. 965421-00z | VANITY FRONT-BEDROOM, 395/396 |
| 2. 965364-01 | SHELF-TOP TV BEDROOM |
| 3. 964906-18 | DRAWER BOX ASSEMBLY-2.75" X 11.00" X 11.00" |
| 4. 800507-03 | LAUAN, 3/8" X 4' X 8' |
| 5. 381526-01 | DRAWER SLIDE, 14" |
| 6. 801254-164 | DRAWER FACE - 4.75 X 14.25 OAK |
| 7. *381795 | PULL OPEN ARCH 3"CTR SATIN CHROME |

*381681 Brass/Acrylic handles used on Sky Deck

*Beginning with unit 810864 use 381599 in place of 381795.

2003 LAND YACHT 390 XL SERIES DIESEL

965001-01 Magazine Cabinet Assembly, 390/395/396 XL
 965001-02 Magazine Cabinet Assembly, 390 XL Skydeck



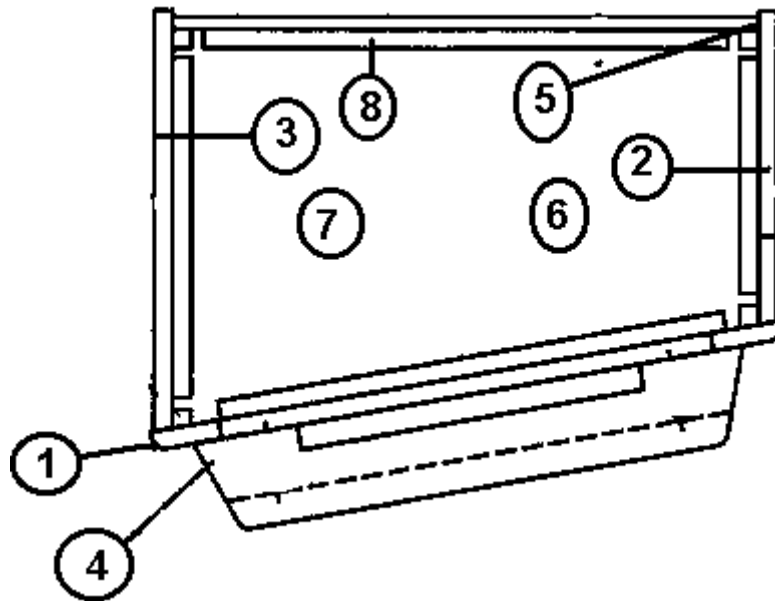
- | | |
|---------------|--|
| 1. 964886-00z | Face frame, magazine cabinet |
| 2. 964885-00z | Face frame, magazine rack |
| 3. 381228-01 | Door grabber catch |
| 4. 381090 | Drawer slide, 22" |
| 5. 801254-13z | Drawer face, 6.50" x 16" |
| 6. *381795 | Door/Drawer handle, 3", Satin/Chrome |
| 7. 381683 | Door hinges |
| 8. 964888-01 | Top assembly, magazine rack |
| 8a. 965696 | Top assembly, magazine rack, Skydeck |
| 9. 964889-01 | Shelf top, magazine rack assembly, (Not shown) |

*381681 Brass/Acrylic handles used on Sky Deck

*Beginning with unit 810864 use 381599 in place of 381795.

2003 LAND YACHT 390/395/396 DIESEL

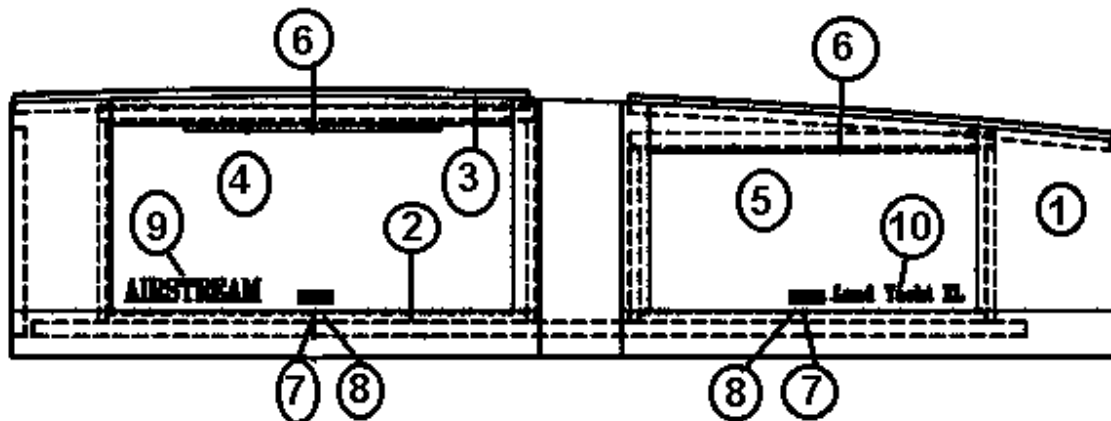
965271 TV Cabinet Assembly, Overhead, 390/395/396 XL



- | | |
|---------------|----------------------------------|
| 1. 965272-00z | Face frame, TV cabinet, overhead |
| 2. 965063-00z | RH side, TV cabinet |
| 3. 965064-00z | LH side, TV cabinet |
| 4. 965262-00z | Shelf front, TV cabinet |
| 5. 800571-01z | Flat molding, .52" Wide x 80" |
| 6. 690457 | Grille, return air |
| 7. 114909-01 | TV mounting bracket, RH bedroom |
| 8. 114909-02 | TV mounting bracket, LH bedroom |

2003 LAND YACHT 390 XL SERIES DIESEL

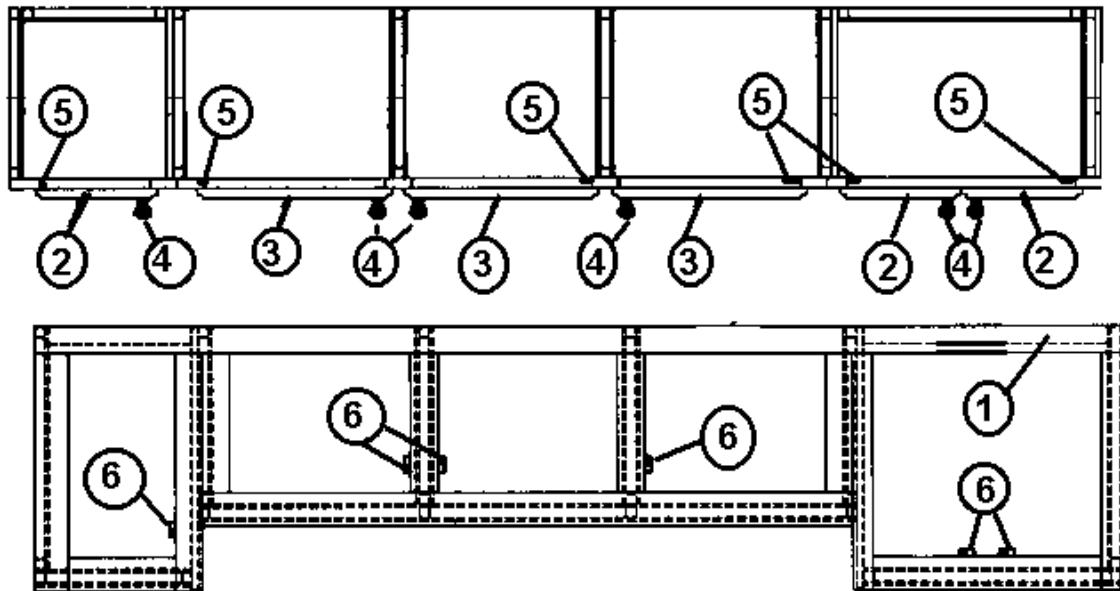
965069 Front Liner Locker Assembly, 390/395/396 XL



- | | |
|---------------|--------------------------------------|
| 1. 965061-00z | Face frame, front liner locker |
| 2. 701538 | Velour black carpet |
| 3. 702992 | Headliner, vinyl |
| 4. 371374-01 | Glass, 3/16" Tint, 9.88" x 21.56" |
| 5. 371375-02 | Glass, 3/16" Tint, 8.38" x 17.81" |
| 6. 381654 | Glass door hinge, non-bore, black XL |
| 7. 381653 | Latch, single touch black |
| 8. 381707 | Strike, w/pull, glass door, black |
| 9. 386034 | Decal, AIRSTREAM 7.5" |
| 10. 386033 | Decal, Land Yacht, 7.5" |

2003 LAND YACHT 390/395/396 DIESEL

964864-01 Locker Assembly, CS Lounge, 390/395/396 XL



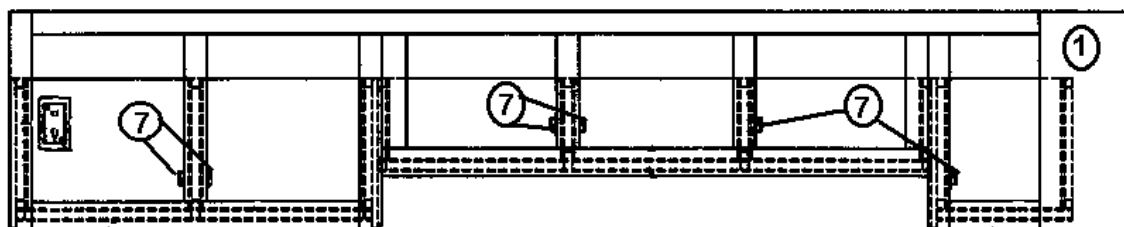
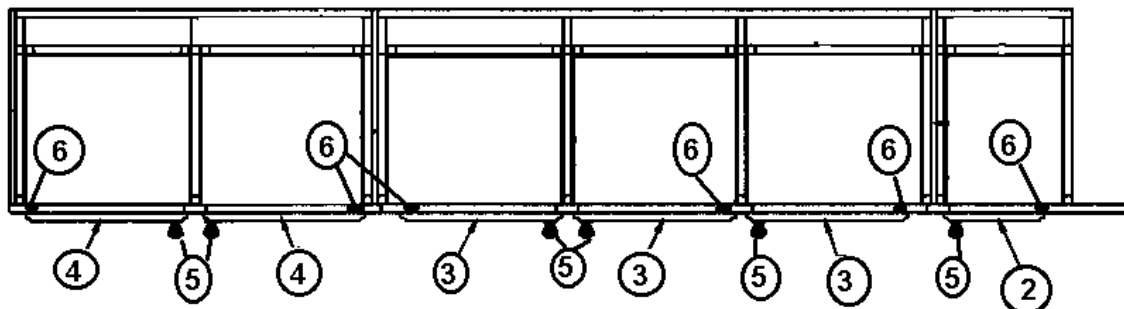
- | | |
|---------------|------------------------------------|
| 1. 964769-00z | Face frame, CS lounge, roof locker |
| 2. 801253-01z | Door, raised panel, 9.00' x 16.25" |
| 3. 801253-02z | Door, raised panel, 14.5" x 11.25" |
| 4. *381796 | Door knob, hollow, 1.25" diameter |
| 5. 381683 | Door hinges |
| 6. 381228-01 | Door grabber catch |

*381681 Brass/Acrylic handles used on Sky Deck

*Beginning with unit 810864 use 381576 in place of 381796

2003 LAND YACHT 390 XL SERIES DIESEL

964863-01 Locker Assembly, RS Lounge390/395/396 XL



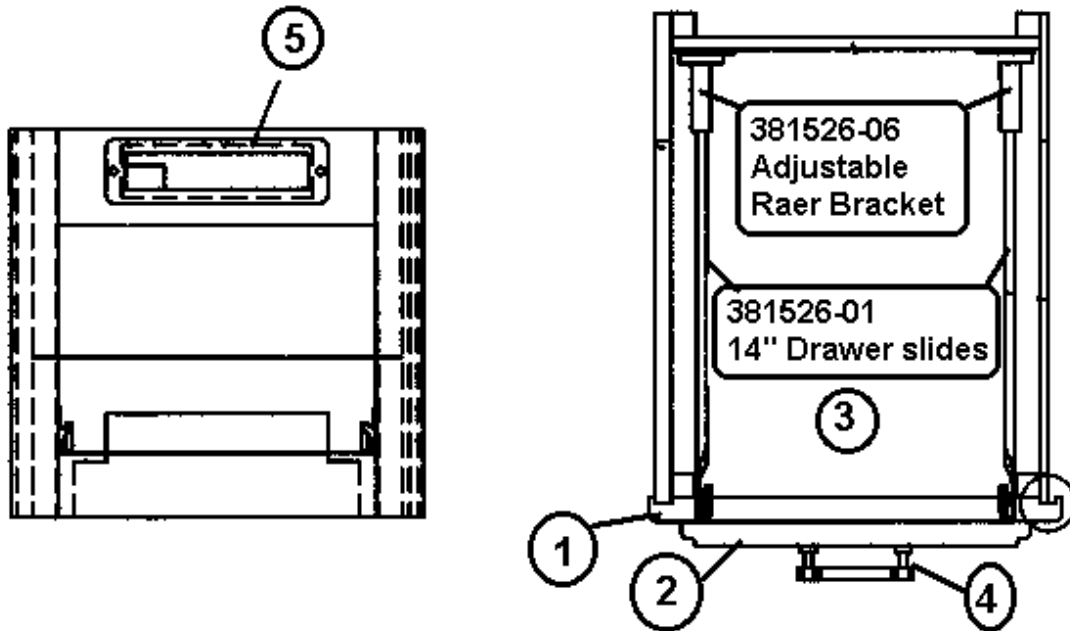
- | | |
|---------------|------------------------------------|
| 1. 964770-00z | Face frame, RS lounge, roof locker |
| 2. 801253-01z | Door raised panel, 9.00" x 16.25" |
| 3. 801253-02z | Door raised panel, 14.50" x 11.25" |
| 4. 801253-03z | Door raised panel, 14.50" x 16.25" |
| 5. *381796 | Door knob, hollow, 1.25" diameter |
| 6. 381683 | Door hinges |
| 7. 381228-01 | Door grabber catch |

*381726 Brass/Acrylic knob used on Sky Deck

*Beginning with unit 810864 use 381576 in place of 381796

2003 LAND YACHT 390/395/396 DIESEL

965071-01 Cab Cabinet Assembly 390/395/396 XL



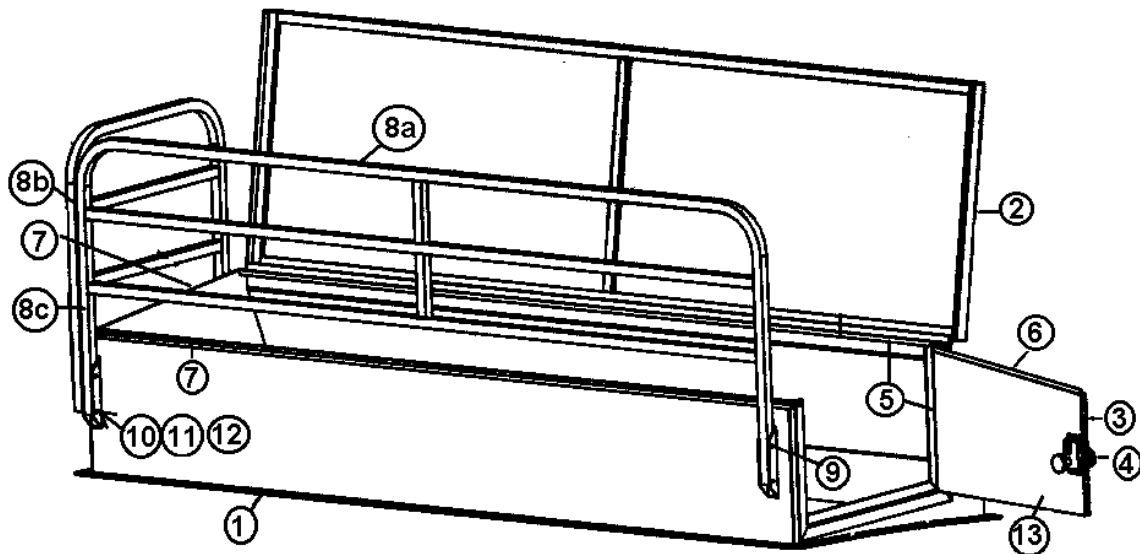
- | | |
|---------------|--------------------------------------|
| 1. 965086-00z | Face frame, cab cabinet |
| 2. 801254-07z | Drawer face, 8.00" x 10.50" |
| 3. 964907-10 | Drawer box, 6.00" x 14.00" x 8.50" |
| 4. *381795 | Door/Drawer handle, 3", Satin/Chrome |
| 5. 203234 | Pop up cup holder, black |

*381681 Brass/Acrylic handles used on Sky Deck

*Beginning with unit 810864 use 381599 in place of 381795.

2003 LAND YACHT 390 XL SERIES DIESEL

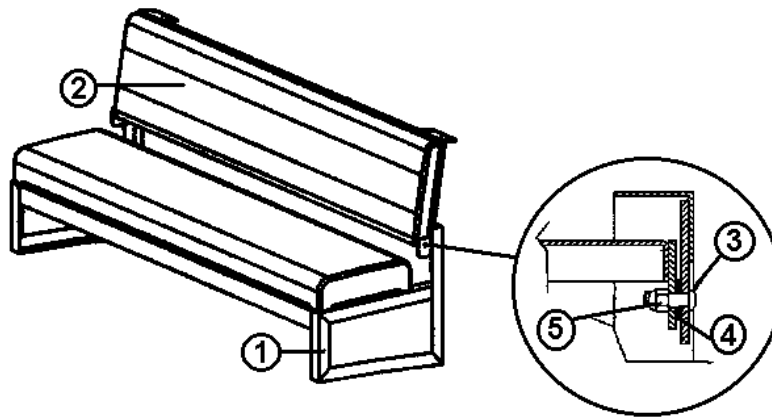
454056 Hatch Assembly, 390 XL Skydeck



- | | |
|---------------|--------------------------------------|
| 1. 454056-01 | Assembly, hatch frame |
| 2. 454056-02 | Assembly, hatch lid |
| 3. 454056-03 | Assembly, hatch door |
| 4. 381793 | Latch, hatch door |
| 5. 380203 | Aluminum hinge, continuous |
| 6. 381786 | Seal, extrusion, hatch door |
| 7. 381785 | Bulb seal hatch lid |
| 8a. 454079-01 | Safety rail, side |
| 8b. 454079-02 | Safety Rail, end |
| 8c. 381811 | Safety Rail, hinge, .040 x 1 x 14" |
| 9. 385982 | Safety locking pin |
| 10. 345366-08 | 1/4 x 20 x 1.625 bolt |
| 11. 300125 | Washer, flat |
| 12. 345377 | 1/4 x 20, stainless steel Nylock nut |
| 13. 381791 | Weather seal, hatch door |
| 381021 | Rubber T-Handle latch |
| 381789 | Knob, chrome |

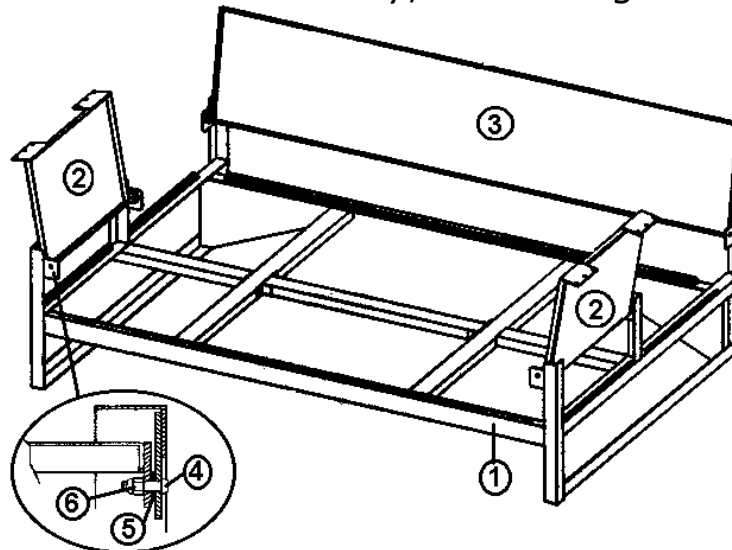
2003 LAND YACHT 390/395/396 DIESEL

454058 Assembly, 80" Sofa



1. 454058-01 Sofa frame
2. 454058-02 Sofa lid
3. 345420 3/8" x 1 1/4", S.S. shoulder bolt
4. 300138 3/8" ID nylon flat washer
5. 345420 3/8" x 1 1/4", S.S. shoulder bolt

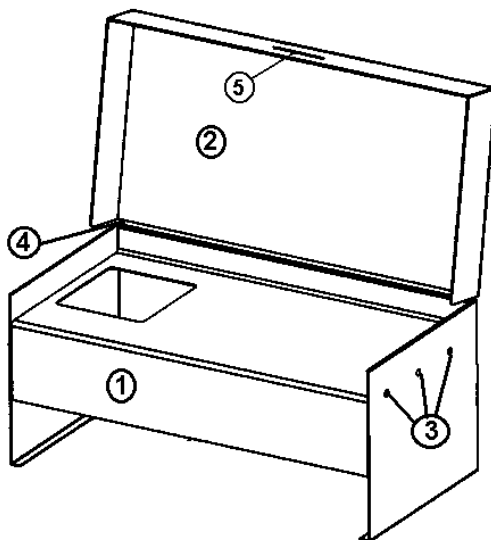
454059 Assembly, Sun Lounger



1. 454059-01 Frame, Sun Lounger
2. 454059-02 Lid, Sun Lounge, RH-LH
3. 454059-03 Back-Lid, Sun Lounger
4. 345420 3/8" x 1 1/4", S.S. shoulder bolt
5. 300138 3/8" ID nylon flat washer
6. 350174 5/16" x 18 S.S. Nylox nut

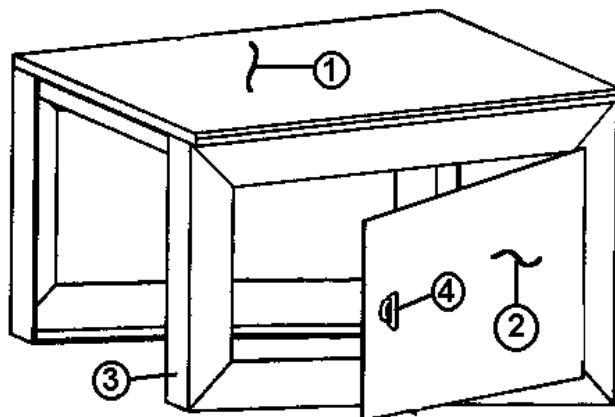
2003 LAND YACHT 390 XL SERIES DIESEL

454060 Assembly, Grille Table



- | | |
|--------------|---------------------------------------|
| 1. 454060-01 | Assembly, BBQ frame |
| 2. 454060-02 | Assembly, BBQ lid |
| 3. TBD | Nylon Tree rivets |
| 4. 380203 | Hinge, stainless steel, 2" continuous |
| 5. 381783 | Handle, chrome, grille |

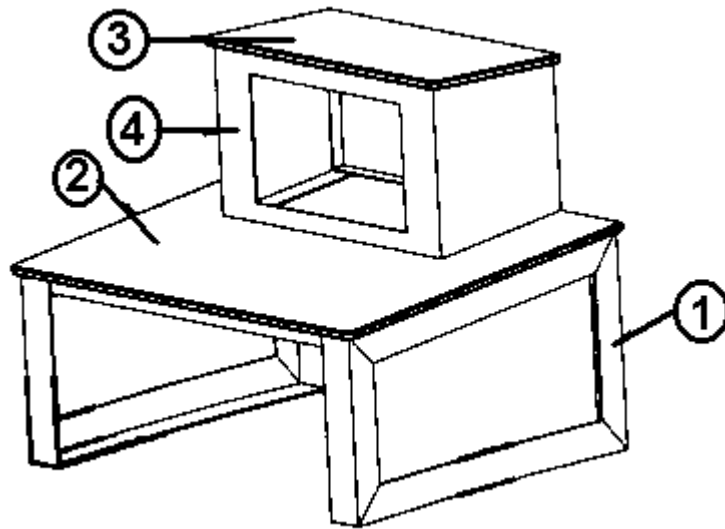
454074 Assembly, BBQ Table-RH, Shown 454075 Assembly, BBQ Table-LH, Mirror Image



- | | |
|--------------|-----------------|
| 1. 454074-01 | Table top, RH |
| 454075-01 | Table top, LH |
| 2. 454074-02 | Door |
| 3. 454074-03 | Frame assembly |
| 4. 381809 | Door latch cam |
| 5. 380203 | Hinge, 2" piano |

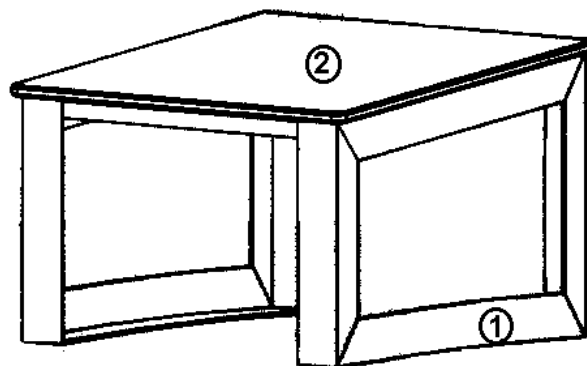
2003 LAND YACHT 390/395/396 DIESEL

454087 Assembly, Radio Table



- 1. 454087-01 Assembly, radio table frame
- 2. 454087-02 Lower top
- 3. 454077-03 Upper top
- 4. 454077-01 Assembly, radio box

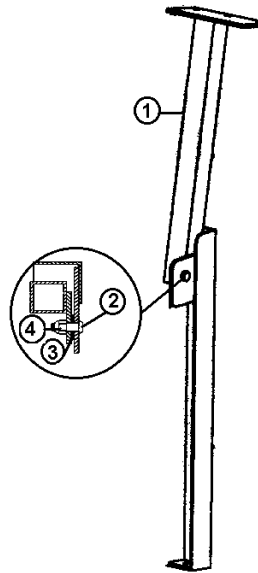
454081 Assembly, End Table



- 1. 454081-01 Frame, end table
- 2. 454081-02 Top, end table

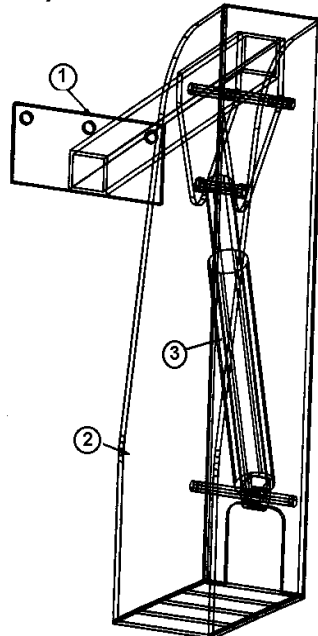
2003 LAND YACHT 390 XL SERIES DIESEL

454061 Safety Rail Stanchion



- | | |
|-----------|-----------------------------------|
| 1. 454061 | Safety rail stanchion |
| 2. 345420 | 3/8" x 1 1/4", S.S. shoulder bolt |
| 3. 300138 | 3/8" ID nylon flat washer |
| 4. 350174 | 5/16" x 18 S.S. Nylox nut |

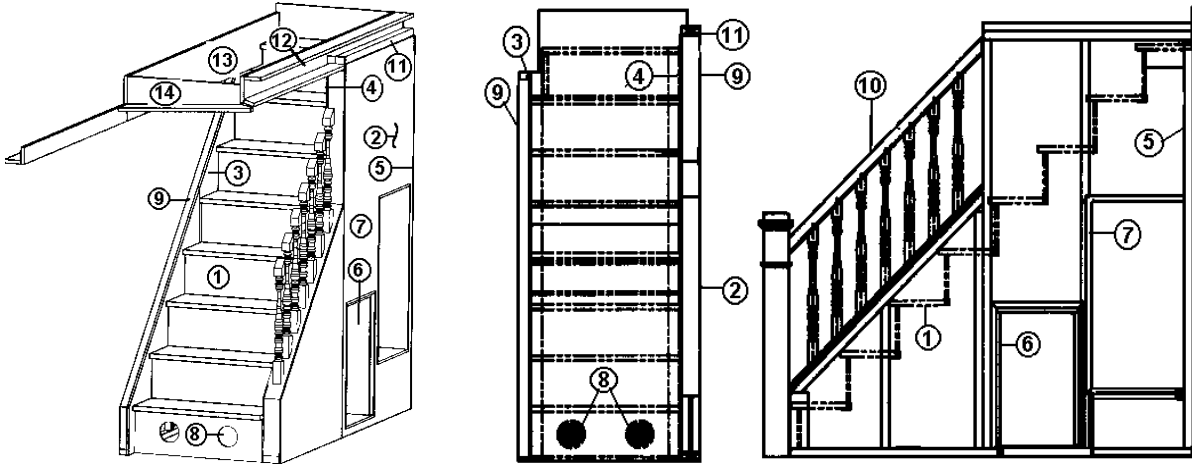
454091 Safety Rail Power Lift Assembly



- | | |
|--------|----------------------|
| 454092 | Power lift pivot arm |
| 454093 | Power lift housing |
| 511734 | Power lift motor |

2003 LAND YACHT 390/395/396 DIESEL

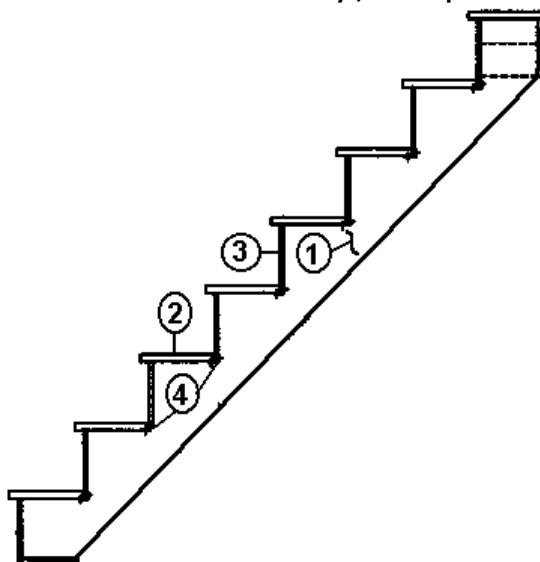
965720 Assembly, Stairway



- | | |
|----------------|--------------------------------------|
| 1. 965699 | Assembly, steps |
| 2. 965700 | Assembly, outer wall |
| 3. 965701 | Assembly, Inner wall |
| 4. 801258-00Z | Panel, 1/2" wood veneer/wood veneer |
| 5. 800500 | Mounting cleat, fir, 1 1/2" x 3 1/2" |
| 6. 965702 | Cabinet, icemaker |
| 7. 965704 | Cabinet, chair storage |
| 8. 601244-01 | Register, Rotaire |
| 9. 800575-01Z | Molding, corner |
| 10. 965653 | Assembly, stair railing |
| 11. 801267-00Z | Molding, crown |
| 12. 965705-00Z | Assembly, LH top stairway molding |
| 13. 96570600Z | Assembly, RH top stairway molding |
| 14. 965707-00Z | Header top stairway |

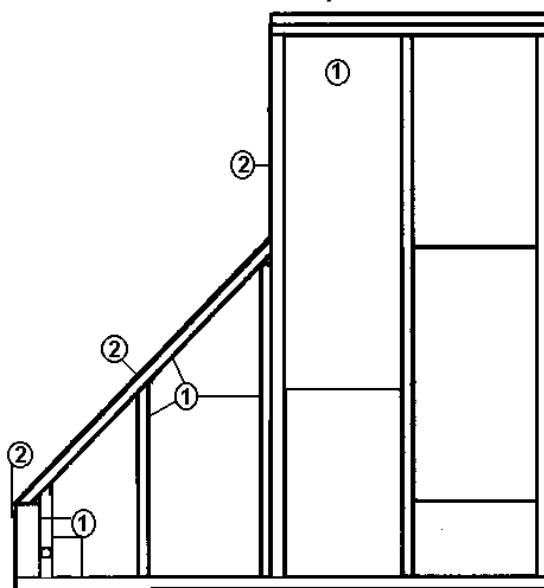
2003 LAND YACHT 390 XL SERIES DIESEL

965699 Assembly, Steps



1. Construction Grade Lumber, 2" x 12"
2. 800428 1" Oak
3. 801259-00Z Panel, 1/2" wood veneer/Raw
4. 101134 Aluminum angle, 1/8" x 1" x 1 1/2"

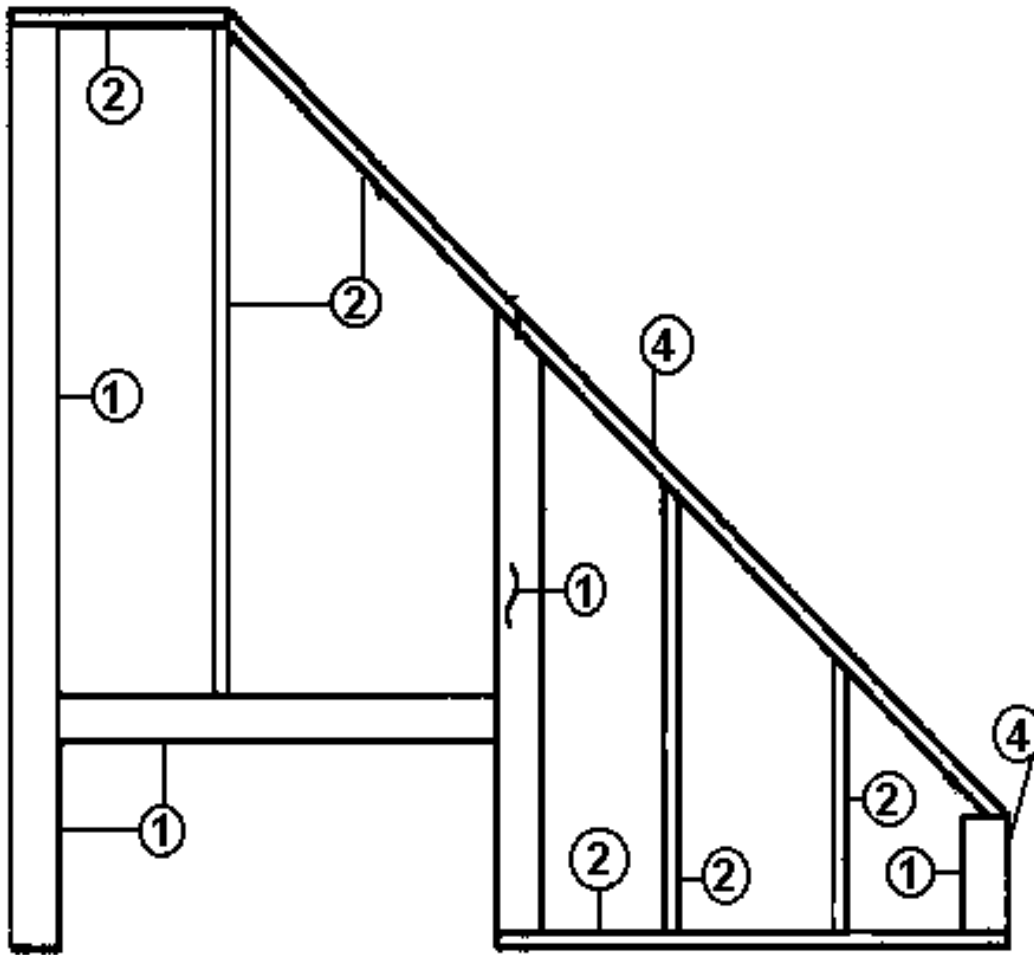
965700 Assembly Outer Wall



1. 800500 Fir, 1 1/2" x 3 1/2"
2. 801181-00Z Panel, Natural Oak, Oak/Raw

2003 LAND YACHT 390/395/396 DIESEL

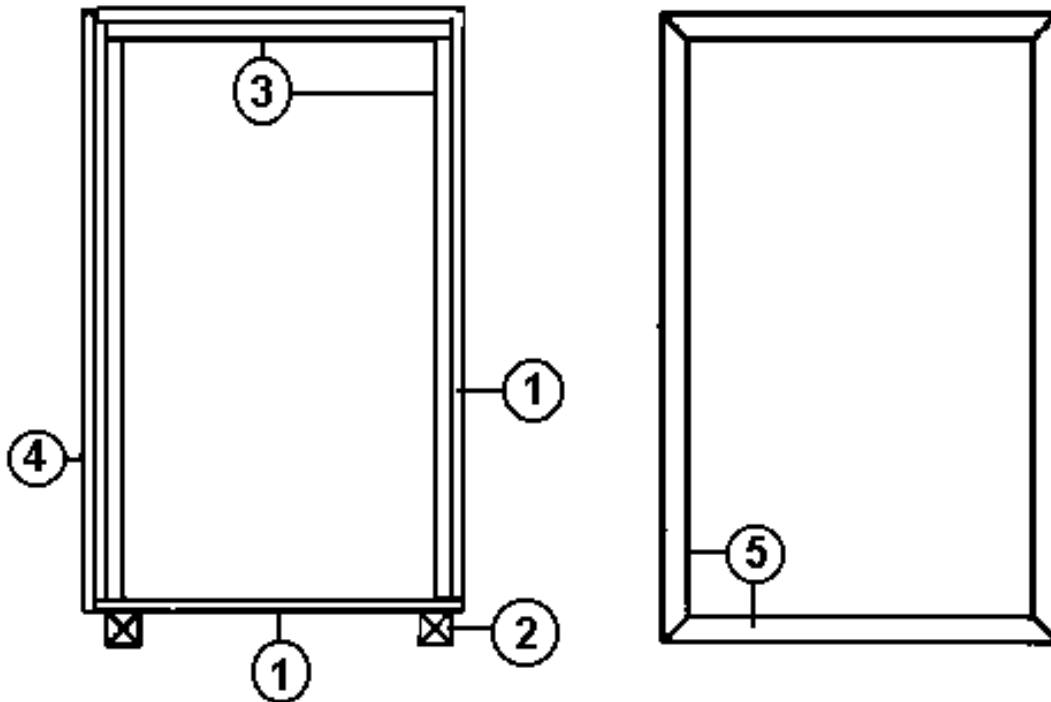
965701 Assembly, Inner wall



- | | |
|---------------|------------------------------|
| 1. 800500 | Fir, 1 1/2" x 3 1/2" |
| 2. 800478 | Pine, 1 1/2' x 1 1/8" |
| 3. 801259-00Z | Panel, 1/2" oak veneer/raw |
| 4. 801260-00Z | Panel, 5/32", Oak Veneer/raw |

2003 LAND YACHT 390 XL SERIES DIESEL

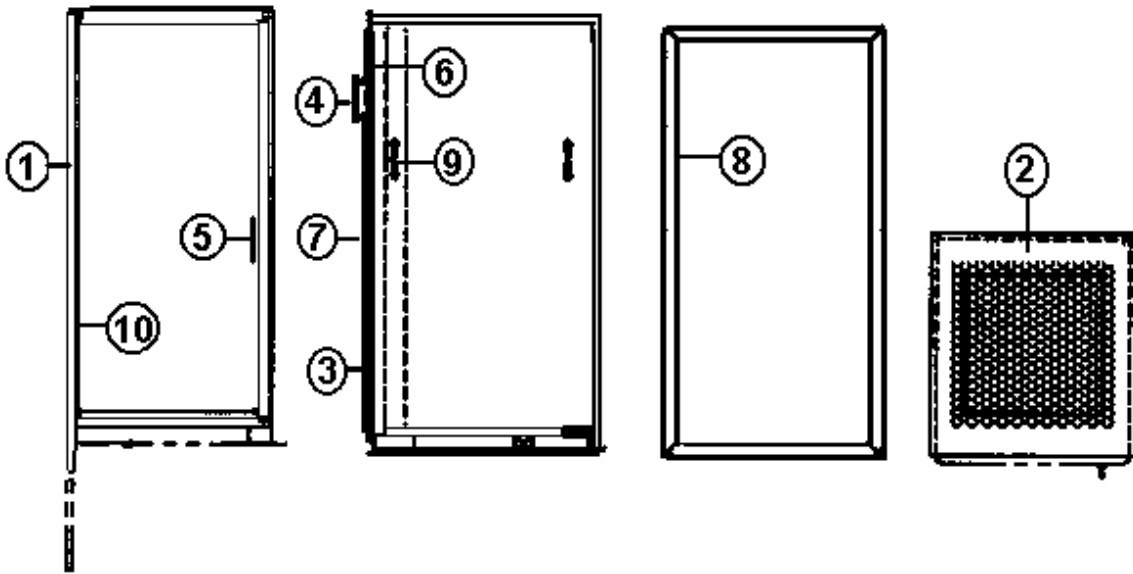
965702 Assembly, Icemaker Cabinet



- | | |
|---------------|---------------------------|
| 1. 801179-00Z | Panel, 1/2" Oak Vinyl/Raw |
| 2. 800478 | Pine, 1 1/2" x 1 1/8" |
| 3. 800506-06 | 1/2" plywood |
| 4. 800506-04 | 3/4" plywood |
| 5. 80573-01Z | Flat Molding, 1 1/8" |

2003 LAND YACHT 390/395/396 DIESEL

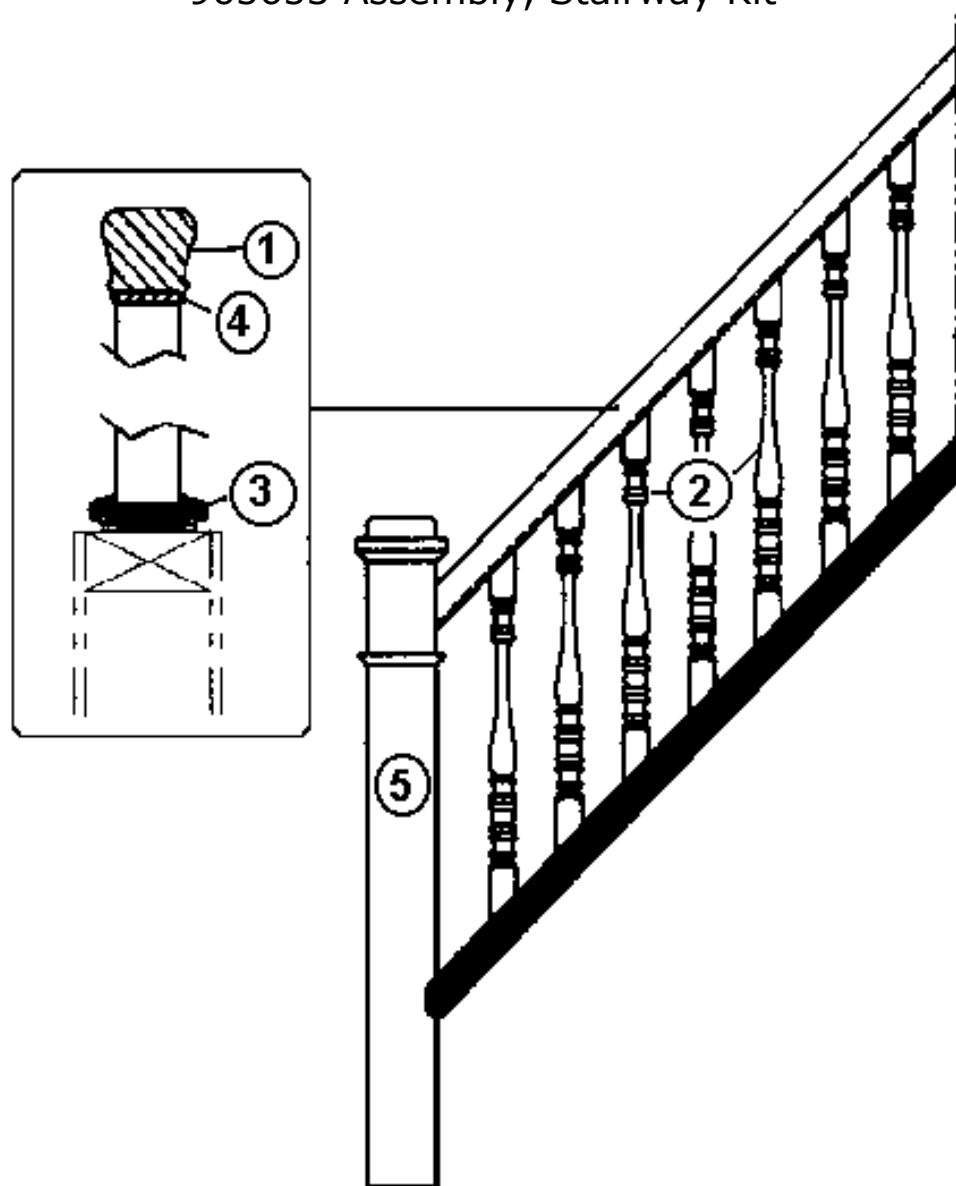
965704 Closet, Chair Storage



- | | |
|---------------|-----------------------------------|
| 1. 801259-00Z | Panel, 1/2" oak veneer/raw |
| 2. 454073 | Perforated metal, 14" x 14" |
| 3. 801255-05Z | Door, louvered, 16 1/2" x 34 3/8" |
| 4. 381681 | Door handle, Brass/Acrylic |
| 5. 381228-01 | Door grabber catch |
| 6. 381607 | Hinge, inset, 110 degrees |
| 7. 381688 | Rubber bump on |
| 8. 800573-01Z | Flat molding, 1 1/8" |
| 9. 381566 | Loop, footman, steel |
| 10. 800610 | Panel, 1/2" oak, G1S |

2003 LAND YACHT 390 XL SERIES DIESEL

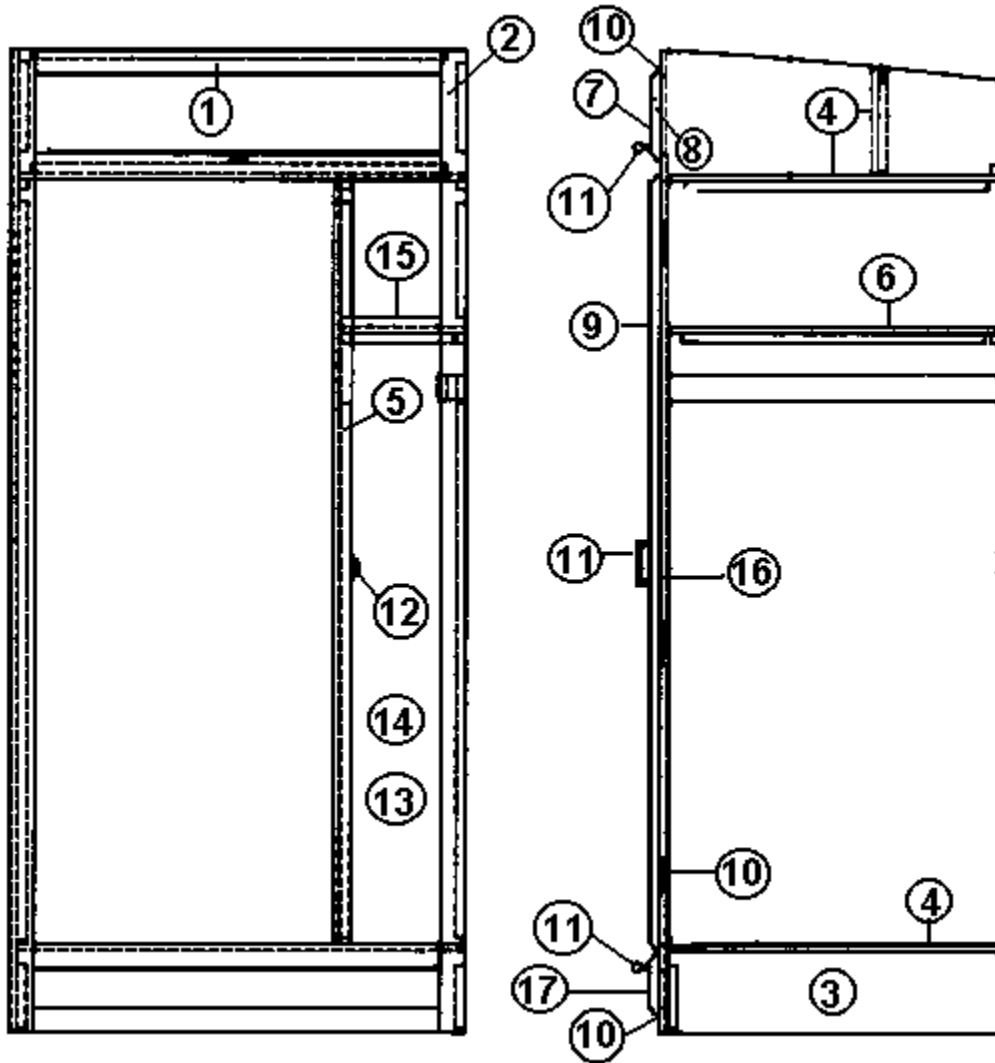
965653 Assembly, Stairway Kit



- | | |
|-----------|-------------------------|
| 1. 801417 | Handrail, Natural oak |
| 2. 801419 | Baluster, Natural oak |
| 3. 801418 | Shoe rail, Natural Oak |
| 4. 801420 | ¼" fillet, Natural oak |
| 5. 801421 | Box, newel, natural Oak |

2003 LAND YACHT 390/395/396 DIESEL

965968 Refrigerator Cabinet Assembly



See P/N on the next page.

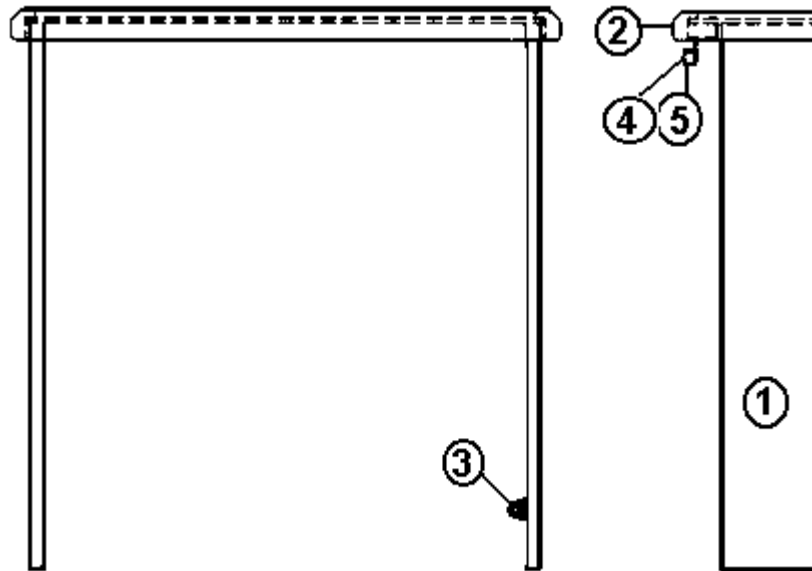
2003 LAND YACHT 390 XL SERIES DIESEL

965968 Refrigerator Cabinet Assembly

1. 965670-00Z Face frame, refrigerator cabinet, 10 cu. ft.
 2. 801422 Refer panel, forward
 3. 922661 Refrigerator stand assembly
 4. 801179-00Z Panel, 1/2" oak vinyl/raw
 5. 801181-00Z Panel, 5/32" wood/raw
 6. 801180-00Z Panel, 1/2" wood/wood
 7. 801254-19Z Drawer face, 7.00" x 33.00"
 8. 381147 Spring prop
 9. 801254-14Z Drawer face, 8.00" x 60.75"
 10. 381683 Door hinges, hidden
 11. 381681 Door handles, brass/acrylic
 12. 381228 Grabber catch
 13. *381551-01 Pantry basket, 15" x 45"
 - 14.*381551-02 Wire basket, 4" wide, white
 15. 800573-01Z Molding, flat, 1.13"
 16. 381109 Bunk latch, pull out pantry
 17. 801254-06Z Drawer face, 4.75" x 33.00"
- *Replaced by 381631-01-Pantry pullout and 381831-05 white basket during model year.

2003 LAND YACHT 390/395/396 DIESEL

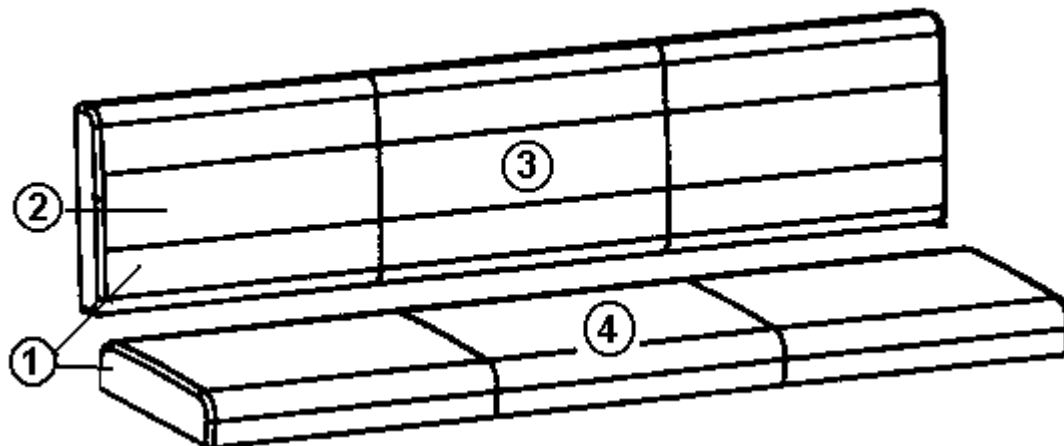
965661-01 Lift Up Table Cabinet Assembly



965662-00Z	Credenza Leg, Oak
961958	Top assembly
381074	Bulldog catch
380203	Hinge, 1.00" leaf, 24.00 long
101253	Extrusion, table hinge, 24.00" long

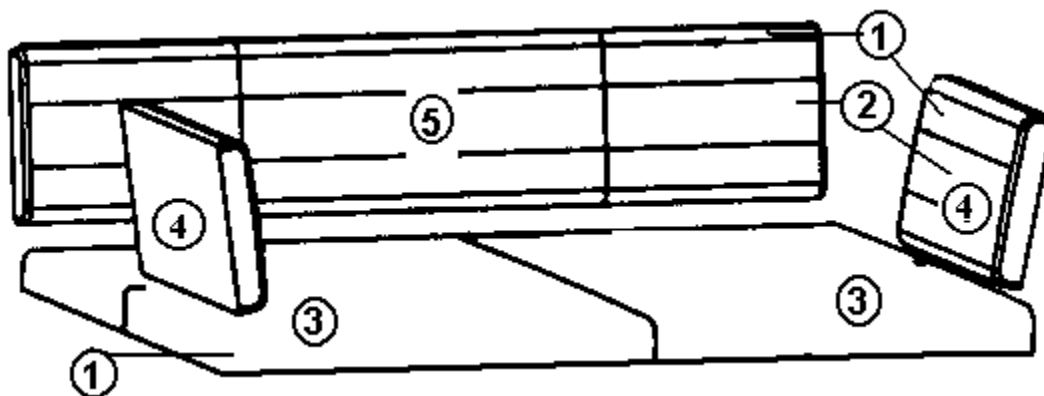
2003 LAND YACHT 390 XL SERIES DIESEL

965710 Cushion Assemblies, 80" Sofa, Sky Deck



- | | |
|--------------|----------------------------|
| 1. 801426 | Marine fabric, Gray Dawn |
| 2. 801427 | Marine fabric, Blue Berry |
| 3. 801430-03 | Cushion assembly, seat |
| 4. 801430-07 | Cushion assembly, backrest |

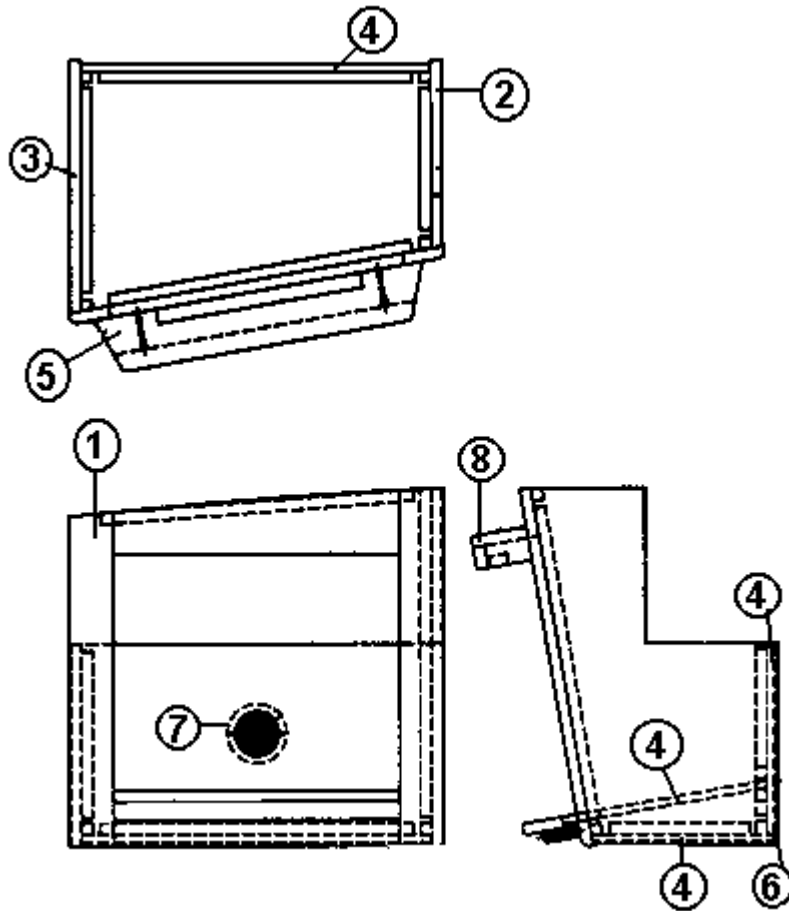
965712 Cushion Assemblies, Sun Lounger, Sky deck



- | | |
|--------------|----------------------------------|
| 1. 801426 | Marine fabric, Gray Dawn |
| 2. 801427 | Marine fabric, Blue Berry |
| 3. 801430-09 | Cushion assembly, LH/RH seat (2) |
| 4. 801430-06 | Cushion assembly, backrest sides |
| 5. 801430-05 | Cushion assembly, backrest |

2003 LAND YACHT 390/395/396 DIESEL

965759 Assembly Overhead TV Cabinet, Sky Deck



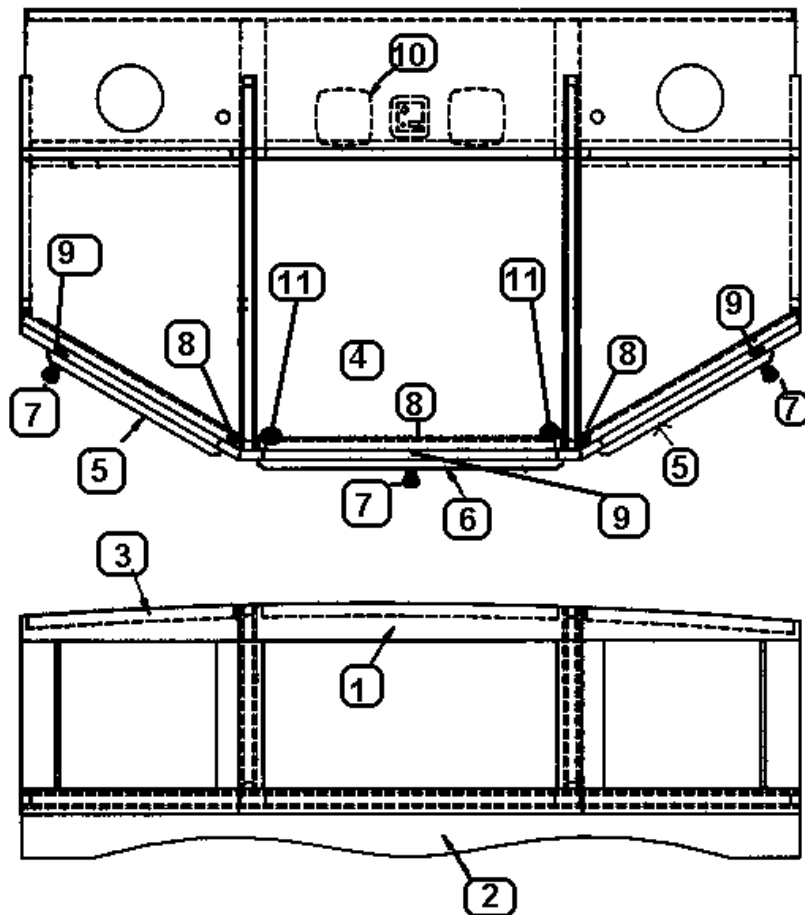
- | | |
|---------------|---------------------------------|
| 1. 965758-00Z | Face frame, overhead TV cabinet |
| 2. 965063-00Z | Side, RH, overhead TV cabinet |
| 3. 965064-00Z | Side, LH, overhead TV cabinet |
| 4. 801259-00Z | Panel, .5" wood veneer/veneer |
| 5. 965262-00Z | Shelf, front, TV cabinet |
| 6. 690429 | Louver, 2" round |
| 7. 965760-00Z | Top cap |

Not shown:

- | | |
|-----------|----------------------|
| 115123-01 | Bracket, LH TV mount |
| 115123-02 | Bracket, RH TV mount |

2003 LAND YACHT 390 XL SERIES DIESEL

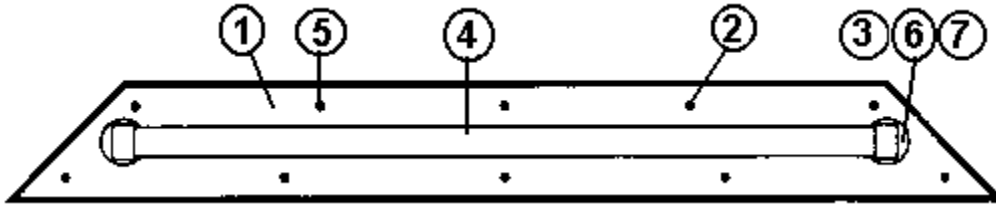
964848 Roof locker Assembly, RS rear, 390 Sky Deck



- | | |
|---------------|-------------------------------------|
| 1. 964784-00z | Face frame, Rear liner locker |
| 2. 964796-00z | Rail, rear roof locker, light cover |
| 3. 114812 | Aluminum angle, 1" x 1" |
| 4. 701538 | Carpet liner, black |
| 5. 801253-09z | Door, raised panel, 16" x 12.75" |
| 6. 801253-10z | Door, raised panel, 24.5" x 12.75" |
| 7. 381682 | Door knob, Acrylic/Brass |
| 8. 391683 | Door hinges, hidden |
| 9. 381228-01 | Door grabber catch |
| 10. 511464-07 | Speaker/Headphone system |
| 11. 381147 | Door support |

2003 LAND YACHT 390/395/396 DIESEL

965793 Handrail Assembly



- | | |
|---------------|-----------------------------------|
| 1. 965972-00Z | Board, handrail, mounting |
| 2. 800405 | Plug, button, hardwood, oak |
| 3. 381815 | End caps, Brass 1.5" ID |
| 4. 965975-00Z | Handrail, 1.5" Dia. X 40.125" |
| 5. 320021 | Screw, Type A, Phil HD, 8 x 1.5" |
| 6. 320136 | Screw, Phil 8 x .75 FLT W/S Brass |
| 7. 320135 | Screw, Phil 8 x 2.5 FLT Zinc |

2003 LAND YACHT 390 XL SERIES DIESEL

NOTES

