

For Maintenance and Safety

OWNER'S MANUAL 2021

Indian[®]
MOTORCYCLE

Manufactured for Indian
by Razor USA LLC



©2020 Indian Motorcycle International, LLC. All Rights Reserved.

CONTENTS

Safety Warnings.....	1-2	Usage.....	8
Before You Begin.....	3	Repair and Maintenance.....	8-10
Assembly and Set-Up.....	4-6	Troubleshooting Guide.....	11-12
Charging the Battery.....	7	Product Parts.....	13
Pre-Ride Checklist.....	7	Warranty and Contact Information.....	15

SAFETY WARNINGS

⚠ WARNING: Riding an electric motor bike does present potential risks and caution is required. Like any riding product, an electric motor bike has inherent hazards associated with its use (for example, falling off or riding it into a hazardous situation). Like any riding product, electric motor bikes can and are intended to move and it is therefore, of course, possible to lose control or otherwise get into dangerous situations. Both children, and adults responsible for supervising them, must recognize that if such things occur, a rider can be seriously injured or die even when using safety equipment and other precautions. **RIDE AT YOUR OWN RISK AND USE COMMON SENSE.**

⚠ WARNING: PARENTAL AND ADULT RESPONSIBILITY AND SUPERVISION NECESSARY: This manual contains important safety information. It is your responsibility to review this information and make sure that all riders understand all warnings, cautions, instructions and safety topics, and assure that young riders are able to safely and responsibly use these products. Razor recommends that you periodically review and reinforce the information in this manual with younger riders, and that you inspect and maintain your children's product to insure their safety.

⚠ WARNING: PARENT CONTROLLED HIGH/LOW SPEED SWITCH: The Indian Youth eFTR has a HIGH-LOW speed switch which can be manually set by an adult before children ride it. This switch allows parents to reduce the Indian Youth eFTR speed for novice riders. See page 6.

Manufacturer's suggested minimum rider age is 14+ in the HIGH speed setting and 8+ in the LOW speed setting. The default setting is LOW.

⚠ WARNING: THE Indian Youth eFTR IS NOT FOR CHILDREN UNDER AGE 8 OR HEAVIER THAN 175 LB (79 KG). Because products, like electric motor bikes, can and do present potential hazards plainly associated with their use, it is well recognized THE NEED FOR EXERCISE OF PARENTAL RESPONSIBILITY IN SELECTING RIDING PRODUCTS APPROPRIATE TO THE AGE OF A CHILD, OR PARENTAL SUPERVISION IN SITUATIONS IN WHICH CHILDREN OF VARIOUS AGES MAY HAVE ACCESS TO THE SAME RIDING PRODUCTS, IS IMPORTANT. Not every product is appropriate for every age or size of child, and different age recommendations are found within this category of product which are intended to reflect the nature of the hazards and the expected mental or physical ability, or both, of a rider to cope with the hazards.

Razor recommends that children under the age of 8 not be permitted to use the Indian Youth eFTR. This recommendation is based not just on age or weight or height – it reflects consideration of expected maturity and skills as well as physical size. The recommended rider age of 8 years or older for Indian Youth eFTR are only estimates and can be affected by the rider's size, weight or skills – not every child 8 years old will be suited to the Indian Youth eFTR. Certainly, any rider unable to fit comfortably on the Indian Youth eFTR should not attempt to ride it, but **a parent's decision to allow his or her child to ride these products should be based on the child's maturity, skill, and ability to follow rules. Razor emphasizes that adults are strongly advised not to disregard Razor's recommendations or permit younger children to ride the Indian Youth eFTR.**

DO NOT EXCEED THE WEIGHT LIMIT OF 175 lb (79 kg) for Indian Youth eFTR. Rider weight alone also does not necessarily mean a person's size is appropriate to fit or maintain control of the Indian Youth eFTR. Keep these products away from small children and remember that these products are intended for use only by persons who are, at a minimum, completely comfortable and competent while operating these products.

Persons with any mental or physical conditions that may make them susceptible to injury, impair their physical dexterity or mental capabilities to recognize, understand, and follow safety instructions and to be able to understand the hazards inherent in a product's use, should not use or be permitted to use products inappropriate for their abilities. Persons with heart conditions, head, back or neck ailments (or prior surgeries to these areas of the body), or pregnant women, should be cautioned not to operate these products.

CHECK AND MAINTAIN MOTOR BIKE CONDITIONS

Before use, check to confirm that any and all chain guards or other covers and guards are in place and in serviceable condition. Check that the brakes are functioning properly, and that tires are inflated properly and have sufficient tread remaining. The motor bike should be maintained and repaired in accordance with the manufacturer's specifications, using only the manufacturer's authorized replacement parts, and should not be modified from the manufacturer's original design and configuration.

ACCEPTABLE RIDING PRACTICES AND CONDITIONS

Always check and obey any local laws or regulations, which may affect the locations where the electric motor bike may be used. Keep safely away from cars and motor vehicle traffic at all times, and only use where allowed and with caution.

Do not activate the speed control on the hand grip unless you are on the motor bike and in a safe, outdoor environment suitable for riding.

The normal powered top speed of the Indian eFTR will be approximately 15 mph (24 km/h) in the HIGH speed setting and 10 mph (16 km/h) in the LOW speed setting, which can be affected by conditions, such as rider weight, inclines, tire inflation and battery charge level. Avoid excessive speeds that can be associated with downhill rides.

Maintain a hold on the handlebars at all times. Do not touch the brakes or motor on your motor bike when in use or immediately after riding, as these parts can become very hot.

Ride defensively. Watch out for potential obstacles that could catch your wheel or force you to swerve suddenly or lose control. Be careful to avoid pedestrians, skaters, skateboards, scooters, bikes, children or animals who may enter your path, and respect the rights and property of others.

These electric motor bikes are intended for use on flat, dry surfaces, such as pavement or level ground, without loose debris, such as sand, leaves, rocks or gravel. Wet, slick, bumpy, uneven or rough surfaces may impair traction and contribute to possible accidents. Do not ride your motor bike in mud, ice, puddles or water. Watch out for potential obstacles that could catch your wheel or force you to swerve suddenly or lose control. Avoid sharp bumps, drainage grates, and sudden surface changes.

SAFETY WARNINGS

Do not attempt or do stunts or tricks on your electric motor bike. These motor bikes are not made to withstand abuse from misuse, such as jumping, curb grinding or any other type of stunts. Racing, stunt riding, or other maneuvers also enhance risk of loss of control, or may cause uncontrolled rider actions or reactions.

Never allow more than one person at a time to ride the motor bike.

Do not ride at night or when visibility is limited.

Never use near steps or swimming pools.

Do not allow hands, feet, hair, body parts, clothing, or similar articles to come in contact with moving parts, wheels, or drive train chain while the motor is running.

Never use headphones, a cell phone or text when riding.

Never hitch a ride with a vehicle.

Do not ride your motor bike in wet or icy weather and never immerse the motor bike in water, as the electrical and drive components could be damaged by water or create other possibly unsafe conditions. Never risk damaging surfaces, such as carpet or flooring, by use of an electric motor bike indoors.

PROPER RIDING ATTIRE

Always wear proper protective equipment, such as an approved safety helmet (with chin strap securely buckled), elbow pads and kneepads. A helmet may be legally required by local law or regulation in your area. A long-sleeved shirt, long pants, and gloves are recommended. Always wear athletic shoes (lace-up shoes with rubber soles) and keep shoelaces tied and out of the way of the wheels, motor and drive system. Never ride barefooted or in sandals.

USING THE CHARGER

The charger supplied with the electric motor bike should be regularly examined for damage to the cord, plug, enclosure and other parts. In the event of such damage, the motor bike must not be charged until the charger has been repaired or replaced.

Use only with the recommended charger.

Use caution when charging.

The charger is not a toy. Charger should be operated by an adult.

Do not operate charger near flammable materials.

Unplug charger and disconnect from motor bike when not in use.

Always disconnect from the charger prior to wiping down and cleaning your motor bike with damp cloth.

FAILURE TO USE COMMON SENSE AND HEED THE ABOVE WARNINGS INCREASES RISK OF SERIOUS INJURY. USE WITH APPROPRIATE CAUTION AND SERIOUS ATTENTION TO SAFE OPERATION.

Need Help? Visit our website for replacement parts, product support, a list of authorized service centers in the US and customer service contact information at www.razor.com. Please have the product I.D. code (located on the white label of your product) available for better assistance. Additional Customer Service contact information is listed at the back of this manual.

BEFORE YOU BEGIN

Remove contents from box. Remove the separators that protect the components from damage during shipping. Inspect the contents of the box for scratches in the paint, dents or kinked cables that may have occurred during shipping. Because the motor bike was 95 percent assembled and packed at the factory, there should not be any problems, even if the box has a few scars or dents.

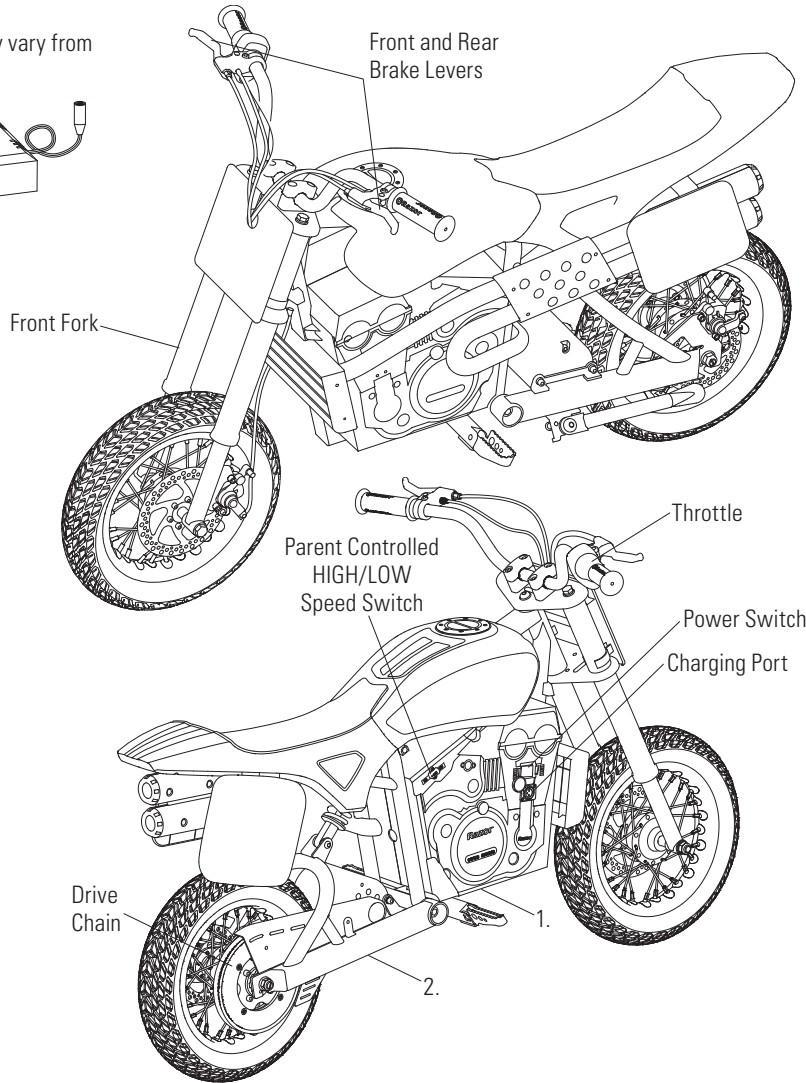
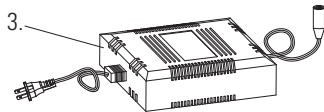
MAKE SURE POWER SWITCH IS TURNED "OFF" BEFORE CONDUCTING ANY ASSEMBLY OR MAINTENANCE PROCEDURES.

Estimated Assembly and Set-Up Time

Razor recommends assembly by an adult with experience in bicycle mechanics. Allow up to 30 minutes for assembly, not including initial charge time. Allow up to 12 hours for charge (see page 7 for charging information).

Charger

(Note: Charger design may vary from one shown)



WARNING:

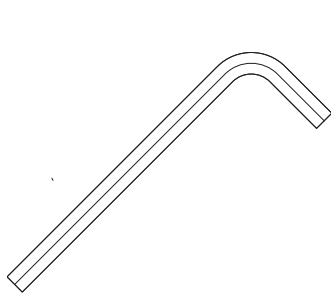
DO NOT USE NON-RAZOR PRODUCTS WITH YOUR RAZOR ELECTRIC MOTOR BIKE. The motor bike has been built to certain Razor design specifications. The original equipment supplied at the time of sale was selected on the basis of its compatibility with the frame, fork and all other parts. Certain aftermarket products may not be compatible and will void the warranty.

Product ID Locations:

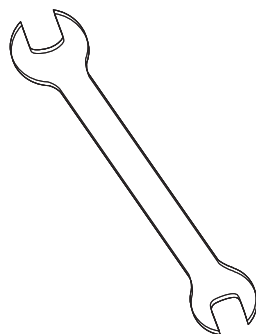
(See locations to the left)

1. Battery cover
2. Frame (underneath unit)
3. Charger
4. Box - side of UPC (not shown)

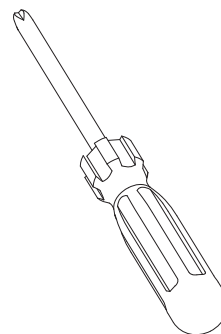
Required Tools



5 mm and 6 mm
Allen Wrenches



10 mm, 17 mm and 19 mm
Wrenches



Phillips Screwdriver

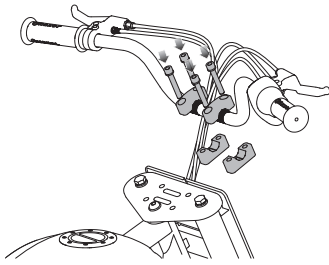
Plastic Bag Contents:

- Charger
- Handlebar Clamps
- Front Number Plate
- Front Axle Bolt
- Tools
- Owner's Manual

ASSEMBLY AND SET-UP

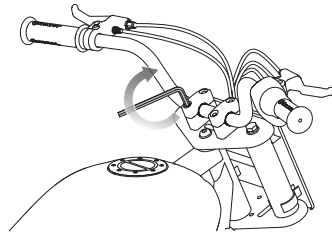
□ Attaching the Handlebars

Required Tools: 5 mm Allen Wrench and 6 mm Allen Wrench

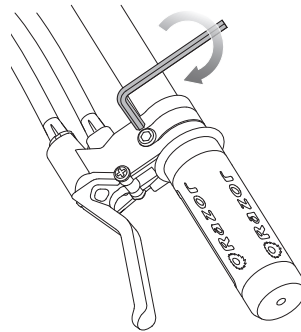


1 Place the handlebars in the handlebar clamps.

Note: Handlebar clamps are located in the plastic bag with tools and manual.

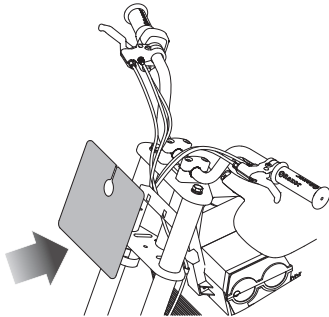


2 Align parallel to the fork and tighten the bolts using a 6 mm Allen wrench. When properly tightened, the handlebars should not move forward or backward.



3 Adjust the brake lever adjuster to the proper place and tighten it with the 5 mm Allen wrench.

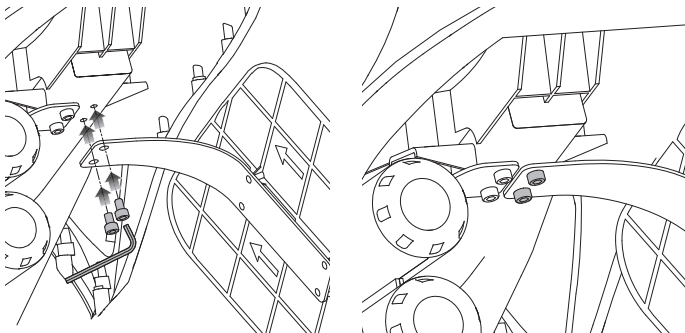
□ Attaching the Front Number Plate



1 Slip the cables through the slit on the top of the number plate. Align the number plate with the holes on the fork and snap on the number plate.

□ Attaching the Rear Number Plate

Required Tool: 6 mm Allen Wrench



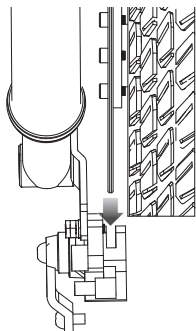
1 Attach the number plate to the rear of the frame by using the 6 mm Allen wrench to tighten the two (2) bolts as shown above.

Need Help? Visit our website for replacement parts, product support, a list of authorized service centers in the US and customer service contact information at www.razor.com. Please have the product I.D. code (located on the white label of your product) available for better assistance. Additional Customer Service contact information is listed at the back of this manual.

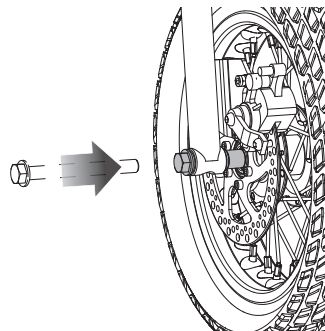
ASSEMBLY AND SET-UP

□ Installing the Front Wheel

Required Tools: 17 mm Wrench and 19 mm Wrench

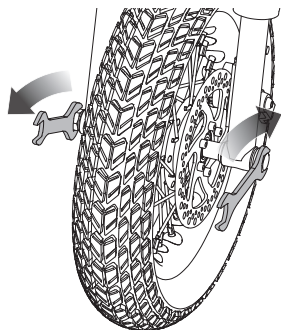


1 Position wheel in front fork and slide disc brake into caliper.

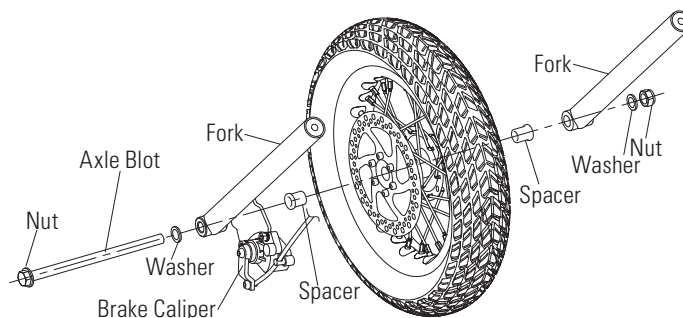


2 Slide axle through fork, spacer and wheel hub. When axle passes through the other side of the wheel hub, add the other spacer, and slide through the fork. Secure with washer and nut.

Note: Front axle is installed with the spacer between the fork and wheel.

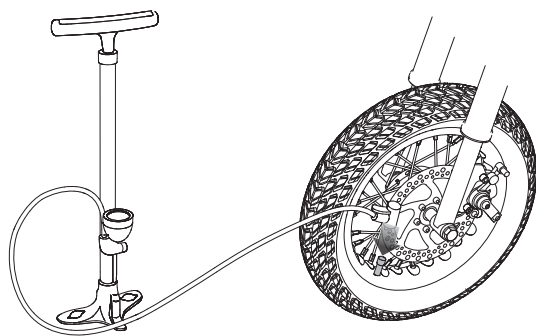


3 With a 17mm and 19mm wrench, tighten the front wheel.



□ Inflating the Tires

Tires are inflated when shipped, but they invariably lose some pressure between the point of manufacturing and your purchase.



1 Using a bicycle-style tire pump equipped for a Schrader-type valve, inflate the front tire to the correct PSI indicated on the sidewall of the tire.

⚠ WARNING: Failing to properly adjust and tighten the nuts and bolts that affix the fork can cause you to lose control and fall.

⚠ WARNING:

Do not over inflate, as this could damage tire or wheel.

Note: The pressurized air supplies found at gasoline stations are designed to inflate high-volume automobile tires. If you decide to use such an air supply to inflate your motor bike tires, first make sure the pressure gauge is working, then use very short bursts to inflate to the correct PSI. If you inadvertently over-inflate the tire, release the excess pressure immediately.

ASSEMBLY AND SET-UP

Parent Controlled HIGH/LOW Speed Switch

Your Indian Youth eFTR features a hidden speed control switch that allows parents to discreetly reduce (or raise) the Indian Youth eFTR's top speed. This limiter is intended for parents of younger children and those needing extra practice time to learn how the Indian Youth eFTR moves. It is recommended that all riders use the LOW setting while learning how to operate the Indian Youth eFTR. Once the rider is comfortable with using the Indian Youth eFTR in the LOW setting, and has acquired the necessary skills to safely ride the Indian Youth eFTR, the parent has the option to change the setting to the HIGH setting.

The switch has been hidden inside the Indian Youth eFTR's speed control switch cover, such that riders cannot access it without using a Phillips screwdriver. There are two settings:

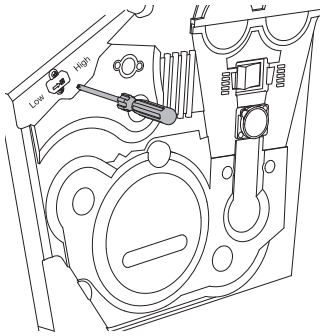
- When the switch is in the HIGH position, the Indian Youth eFTR has a top speed of 15 mph (24 km/h) and the recommended minimum rider age is 14 years old.
- When the switch is in the LOW position, the Indian Youth eFTR's top speed is limited to 10 mph (16 km/h). This is the default setting and recommended for riders age 8 and older.

□ Setting Speed Control Switch to LOW

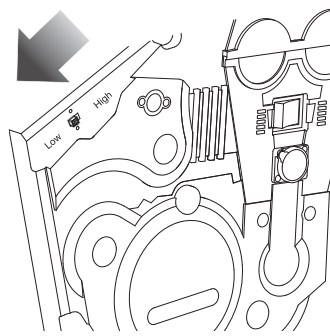
Required Tool: Phillips Screwdriver

The LOW setting allows for speeds up to 10 mph (16 km/h).

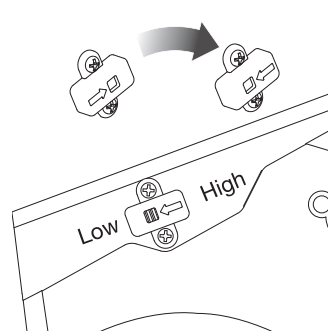
Note: The Indian Youth eFTR is set on the LOW speed setting at the factory.



1 With a Phillips screwdriver remove the speed control cover by unscrewing the two (2) screws. **Do not discard the cover or screws.**



2 Slide the speed control switch to the left until it clicks to set the speed to the LOW speed mode.



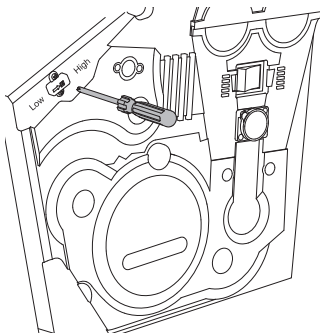
3 Rotate and reinstall the speed control cover so that the arrow on the cover is pointing to the left indicating the LOW speed mode.

Note: The red speed switch is located on the side of the battery compartment.

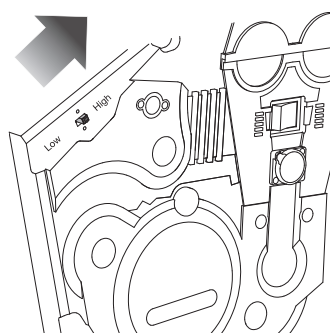
□ Setting Speed Control Switch to HIGH

Required Tool: Phillips Screwdriver

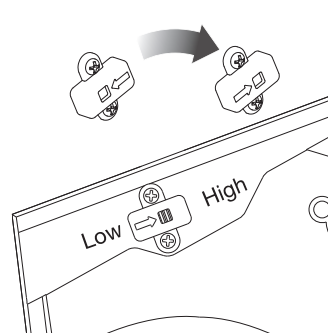
The HIGH setting allows for speeds up to 15 mph (24 km/h).



1 With a Phillips screwdriver remove the speed control cover by unscrewing the two (2) screws. **Do not discard the cover or screws.**



2 Slide the speed control switch to the right until it clicks to set the speed to the HIGH speed mode.



3 Rotate and reinstall the speed control cover so that the arrow on the cover is pointing to the right indicating the HIGH speed mode.

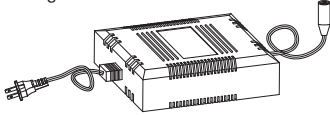
Need Help? Visit our website for replacement parts, product support, a list of authorized service centers in the US and customer service contact information at www.razor.com. Please have the product I.D. code (located on the white label of your product) available for better assistance. Additional Customer Service contact information is listed at the back of this manual.

CHARGING THE BATTERY

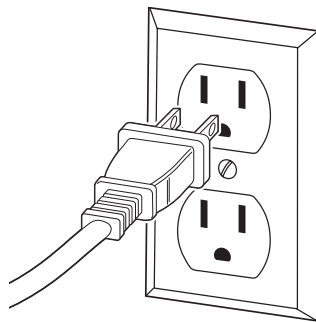
Your electric motor bike may not have a fully charged battery; therefore you must charge the battery prior to use.

- Initial charge time: 12 hours.
- Recharge time: up to 12 hours, even if the light turns green. Recommended maximum charging time is 24 hours.
- Always charge the battery immediately after riding.
- Fully charge battery before storing for extended periods of time.
- Unplug charger from the wall outlet when not in use.
- Failure to recharge battery periodically may result in a battery that will not accept a charge.
- Make sure the power switch is turned **OFF** when unit is not in use. If the power switch is left on for an extended period of time, the battery may reach a stage at which it will no longer hold a charge.
- To ensure long battery life, never store the product in freezing or below freezing temperatures! Freezing will permanently damage the battery.
- Run time: Up to 65 minutes of continuous ride time. Run time may vary depending on riding conditions, rider weight, climate, and/or proper maintenance.
- Battery life can vary depending on proper maintenance and usage of the unit.

Charger

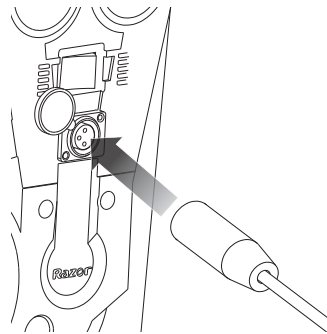


Note: Make sure power is turned **OFF** when unit is not in use. If the power switch is left on for an extended period of time, the battery may reach a stage at which it will no longer hold a charge.



1 Plug the charger into a wall outlet. The light on the charger should be green.

Note: If green light (LED) does not light up, try a different outlet.



2 Make sure power switch is in the **OFF** position. Plug the charger into the charger port. The light on the charger should turn red during charging then back to green when charging is complete.

⚠ WARNING: Use **ONLY** with the recommended charger. Batteries are only to be charged under adult supervision. The charger is not a toy. Always disconnect the charger before wiping down and/or cleaning the motor bike with a damp cloth.

The charger supplied with the motor bike should be regularly examined for damage to the cord, plug, enclosure and other parts. In the event of such damage, the electric motor bike must not be charged until it has been repaired or replaced.

Chargers have built-in overcharge protection to prevent battery from being overcharged.

Note: If the charger gets warm during regular use, this is a normal response and is no cause for concern. If your charger does not get warm during use, it does not mean that it is not working properly.

Wall outlet - Green
Wall outlet and unit - Red (charging)
Wall outlet and unit - Green (charged)

Note: Continue charging unit even if light turns green prior to 12 hours.

⚠ WARNING: Failure to recharge the battery at least once a month may result in a battery that will no longer accept a charge.

PRE-RIDE CHECKLIST



Brakes

Check the brakes for proper function. When you squeeze the brake levers, the brakes should provide positive braking action. Make sure that brakes are not rubbing when the brake levers are released.



Tires

Periodically inspect the tires for excess wear and regularly check the tire pressure. Reinflate as necessary.



Frame, Fork and Handlebars

Check for cracks or broken connections. Although broken frames are rare, it is possible for an aggressive rider to run into a curb or object, and wreck and bend or break a frame. Get in the habit of inspecting your motor bike on a regular basis.



Hardware/Loose Parts

Before every ride, check all parts, such as nuts, bolts, cables, fasteners, etc., to ensure they are secure and assembled correctly. There should not be any unusual rattles or sounds from loose parts or broken components. If the unit is damaged, do not ride. Reference "Safety Warnings" on pages 1 and 2 of this manual.



Safety Gear

Always wear proper protective gear, such as an approved safety helmet. Elbow pads and kneepads are recommended. Always wear athletic shoes (lace-up shoes with rubber soles) and keep shoelaces tied and out of the way of the wheels, motor and drive system. **NEVER RIDE BAREFOOTED OR IN SANDALS.**



Laws and Regulations

Always check and obey any local laws or regulations.



Insurance

Do not assume that your existing insurance policies necessarily provide coverage for motor bike use. Check with your insurance company for information regarding insurance.

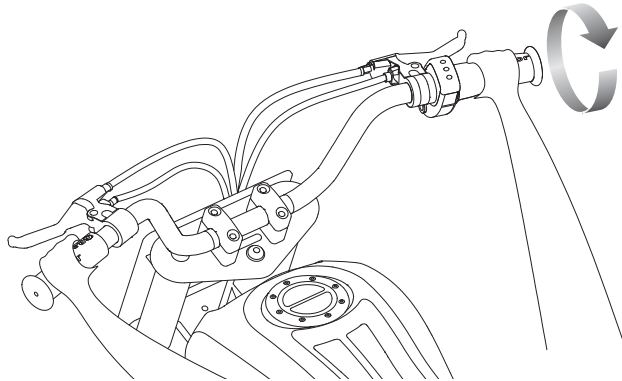
USAGE

Starting the Electric Product

Turn power switch to "ON."

Place both hands on the handlebars. Slowly push forward with one foot and apply the throttle.

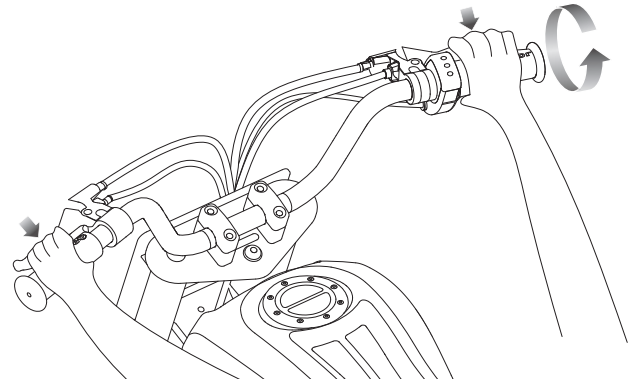
Note: Keep both feet on the foot pegs when unit is in motion.



Stopping the Electric Product

Release the throttle and apply the brakes.

Note: When coming to a complete stop, place both feet on the ground to balance the unit.



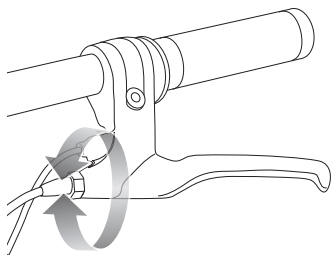
REPAIR AND MAINTENANCE

Turn power switch "OFF" before beginning repair or maintenance:

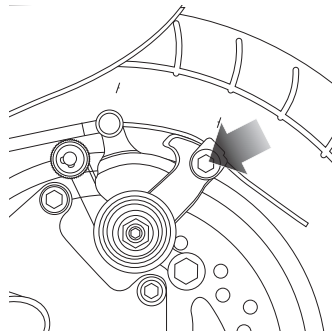
- Read the instructions
- Remove charger plug
- Turn the power switch off
- Secure the unit under repair
- Exercise caution around exposed parts
- Contact Razor customer service if unsure about any repair or maintenance

Adjusting the Front and Rear Brakes

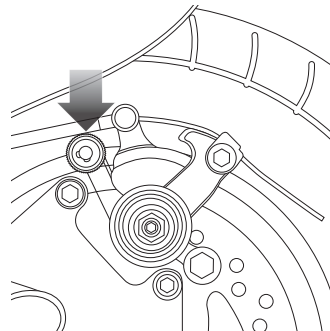
Required Tool: 5 mm Allen Wrench



1 To adjust brake cable play, thread the brake lever adjuster in or out 1/4 to 1/2 turn until the desired brake adjustment is attained. Most adjustments are complete at this step. If brake still needs further adjustment, proceed to step 2.



2 If the brake has too much slack, loosen the rear anchor bolt with a 5 mm Allen wrench and pull the brake wire tighter. The distance of the brake wire between the end of the cable and the anchor bolt should be between 37 mm and 44 mm.



3 If the brake rotor is dragging on the brake pads, use your fingers to twist the caliper adjuster in either direction until rotor is centered between pads.

WARNING: The brakes are capable of causing the electric motor bike to skid the tire throwing an unsuspecting rider. Practice in an open area free from obstacles until you are familiar with the brake function. Avoid skidding to a stop as this can cause you to lose control or damage the rear tire.

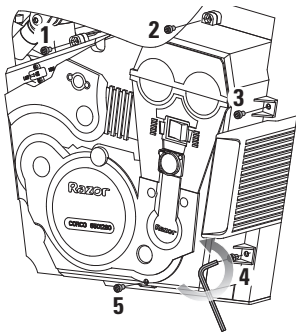
Testing the Brakes. To use the brakes, squeeze the brake levers to increase the pressure on the brakes. The brake levers are fitted with a cable adjuster to compensate for cable stretch and/or to fine-tune the lever movement to brake engagement. If brakes are not engaging properly, follow instructions for adjusting the brakes.

Need Help? Visit our website for replacement parts, product support, a list of authorized service centers in the US and customer service contact information at www.razor.com. Please have the product I.D. code (located on the white label of your product) available for better assistance. Additional Customer Service contact information is listed at the back of this manual.

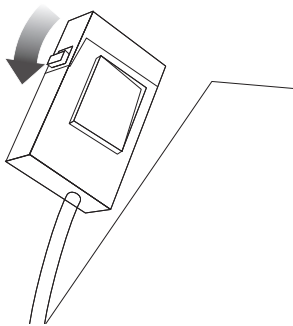
REPAIR AND MAINTENANCE

❑ Replacing the Fuse

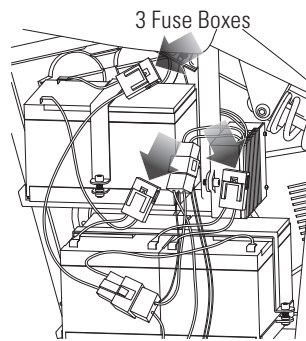
Required Tool: 5 mm Allen Wrench



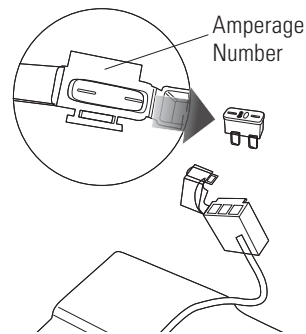
1 Remove the battery cover by unscrewing the five (5) bolts with an Allen wrench.



4 Close the fuse cover and reattach the seat fairing.



2 Remove the seat fairing and battery cover to locate the three (3) fuse boxes attached to the batteries.



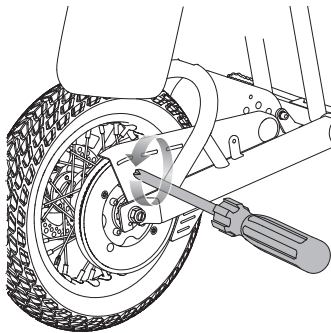
3 Check all three (3) fuses to see if the fuse(s) have burned out. Remove any fuse that is damaged or burned out and replace with a new one of equal amperage.

Note: Amperage is located on top of fuse.

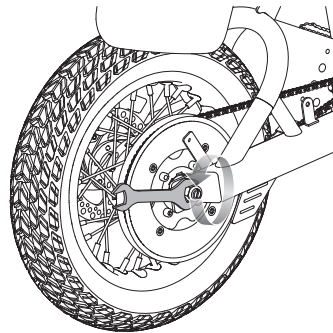
⚠ WARNING: To prevent shock, please follow the instructions accordingly and do not skip any steps.

❑ Replacing the Chain and Tire

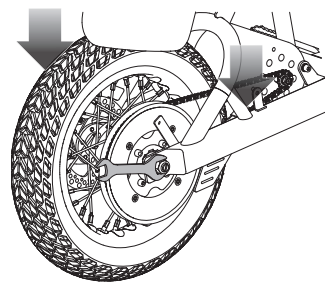
Required Tools: Phillips Screwdriver and Two (2) 19 mm Wrenches



1 Loosen screws and remove chain guard.

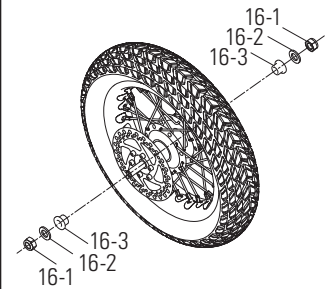


2 Using two 19 mm wrenches, loosen both axle nuts.



3 Push the chain tensioner down to loosen the chain and remove the chain from the wheel sprocket and motor sprocket. Push and remove the wheel downward.

Note: Your hands will get greasy doing this.



Note: The arrangement of the hardware sequence:

Right Side (Throttle)

16-1 Nut
16-2 Washer

Frame

16-3 Spacer

Left Side (Brake)

16-1 Nut
16-2 Washer

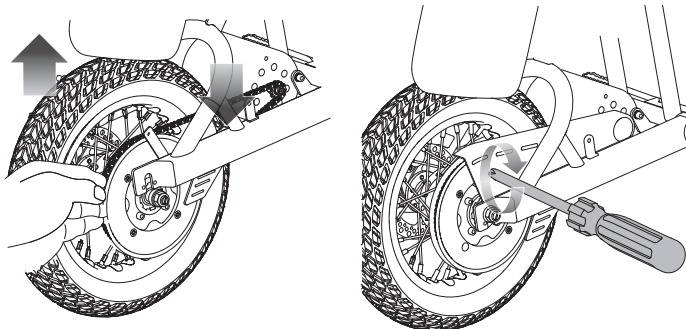
Frame

16-3 Spacer

REPAIR AND MAINTENANCE

❑ Replacing the Chain and Tire

Required Tools: Phillips Screwdriver and Two (2) 19 mm Wrenches



4 Install the new chain or wheel by slipping the chain around the axle. Slide the axle into the slots on the frame. Slide the chain tensioner down and maneuver the chain onto the rear sprocket and motor sprocket.

5 Reattach the chain guard. Test ride and check. Readjust as needed.

❑ Battery Care and Disposal

Never store the product in freezing or below freezing temperatures! Freezing will permanently damage the battery. Failure to recharge the battery at least once a month may result in a battery that will no longer accept a charge.



CONTAINS SEALED LEAD-ACID BATTERIES. BATTERIES MUST BE RECYCLED.

Disposal: Your Razor product uses sealed lead-acid batteries which must be recycled or disposed of in an environmentally safe manner. Do not dispose of a lead-acid battery in a fire; the battery may explode or leak. Do not dispose of a lead-acid battery in your regular household trash. The incineration, land filling or mixing of sealed lead-acid batteries with household trash is prohibited by law in most areas. Return exhausted batteries to a federal or state approved lead-acid battery recycler or a local seller of automotive batteries. If you live in Florida or Minnesota, it is prohibited by law to throw away lead-acid batteries in the municipal waste stream.

❑ Charger

The charger supplied with the electric motor bike should be regularly examined for damage to the cord, plug, enclosure and other parts, and in the event of such damage, the product must not be charged until it has been repaired or replaced.

Use ONLY with the recommended charger.

❑ Wheels

Wheels and drive system are subject to normal wear and tear. It is the responsibility of the user to periodically inspect wheels for excess wear and adjust and replace drive train components as required.

❑ Replacement Parts

The most frequently requested replacement parts are available for purchase at some Razor retail partners. For the complete selection of replacement parts visit www.razor.com.

❑ Repair Centers

For a list of authorized Razor service centers:

- Check online at www.razor.com.
- Additional Customer Service contact information is listed at the back of this manual.



In the US and Canada only:

For more information regarding recycling of rechargeable batteries, call toll free 1-800-822-8837, or visit <http://www.call2recycle.org>

⚠ WARNING: If a battery leak develops, avoid contact with the leaking acid and place the damaged battery in a plastic bag. Refer to the disposal instructions at left. If acid comes into contact with skin or eyes, flush with cool water for at least 15 minutes and contact a physician.

⚠ WARNING: Battery posts, terminals and related accessories contain lead and lead compounds. **Wash your hands after handling.**

Need Help? Visit our website for replacement parts, product support, a list of authorized service centers in the US and customer service contact information at www.razor.com. Please have the product I.D. code (located on the white label of your product) available for better assistance. Additional Customer Service contact information is listed at the back of this manual.

TROUBLESHOOTING GUIDE

*Unit(s) should be turned **OFF** and fully charged prior to doing any troubleshooting.

NOTE: All troubleshooting steps should be performed by an adult only.

Problem	Possible Cause	Solution
Does not work	Battery not fully charged	Charge unit for a full 12 hours.
	Loose connection(s)	Check for loose connections/wires. Check power to wall outlet and/or try a different outlet.
No longer works	Burned-out fuse	The fuse will burn out and automatically shut off the power if the motor is overloaded. An excessive overload, such as too heavy a rider or too steep a hill, could cause the motor to overheat. Replace the fuse(s) with a new one of equal amperage. Correct the conditions that caused the fuse to burn out and avoid repeatedly burning out fuse. Refer to "Replacing the Fuse" on page 9.
	Motor or electrical switch damage	Contact your local Razor authorized service center for diagnosis and repair.
	Loose connection(s)	Check for loose connections/wires. Check power to wall outlet and/or try a different outlet.
	Charger not working	Check lights on charger: Plugged into wall - Green Plugged into wall & unit - Red (charging) Plugged into wall & unit - Green (charging complete) No lights/Blinking lights - Replace Charger Secure unit, turn power ON with no weight on the unit, carefully lift up back end and apply the throttle to engage the motor. If motor engages - replace battery.
	Battery will not hold a charge	If motor does not engage, but makes a clicking sound - Replace Battery. If motor does not engage, no clicking sound - Replace Control Module.
Short run time/runs slow	Rider weight	Do not exceed the weight limit of 175 lb (79 kg).
	Battery not fully charged	Charge unit for a full 12 hours.
	Old/damaged battery	Check all connectors. Make sure the charger connector is tightly plugged into the charging port, and that the charger is plugged into the wall. Secure unit, turn power ON with no weight on the unit, carefully lift up back end and apply the throttle to engage the motor. If motor engages - replace battery.
	Improper battery maintenance	Charge battery periodically when not in use. Do not store unit in freezing or below freezing temperatures. Freezing will permanently damage the battery and greatly reduce ride time. Refer to page 7 "Charging the Battery".
	Tire is not properly inflated	Tire will lose some pressure over time. Verify correct tire pressure.
	Brakes are not adjusted properly	Refer to "Adjusting the Brakes" on page 8.

TROUBLESHOOTING GUIDE

Problem	Possible Cause	Solution
Runs intermittently	Loose connection(s) Motor or electrical switch damage	Check for loose connections/wires. Contact your local Razor authorized service center for diagnosis and repair.
Motor bike does not stop when applying the brakes	Brakes are not adjusted properly	Refer to "Adjusting the Brakes" on page 8.
Motor bike makes loud noises or grinding sounds	Chain is too dry	Apply a lubricant, such as 3 in 1™ or Tri-Flow™ to the chain.

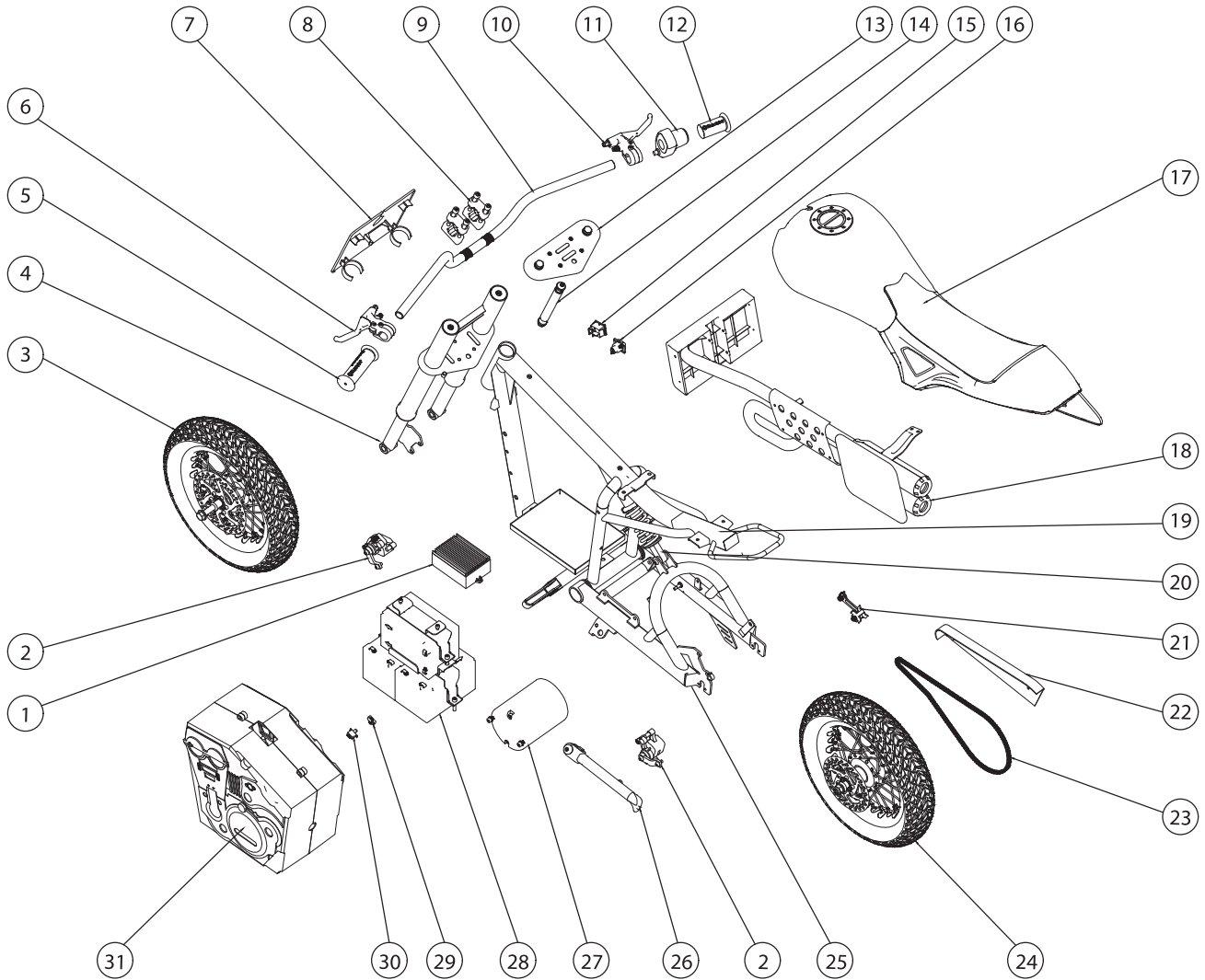
For more troubleshooting tips, a list of available replacement parts or to locate an authorized Service Center in your area, visit our website at www.razor.com or call toll free +1 866-467-2967 to speak to a live Customer Service Representative.

Need Help? Visit our website for replacement parts, product support, a list of authorized service centers in the US and customer service contact information at www.razor.com. Please have the product I.D. code (located on the white label of your product) available for better assistance. Additional Customer Service contact information is listed at the back of this manual.

PRODUCT PARTS

Keep your electric motor bike running for years with genuine Razor parts. Visit our website for more information on spare part availability. (Illustrations may not reflect exact appearance of actual product. Specifications subject to change without notice.)

- | | | |
|-----------------------------------|--------------------------|--------------------------------|
| 1. Control Module | 12. Right Handlebar Grip | 23. Chain |
| 2. Caliper Brake (Front and Rear) | 13. Crown Plate | 24. Rear Wheel Complete |
| 3. Front Wheel Complete | 14. Steering Bolt | 25. Swing Arm |
| 4. Fork | 15. ON/OFF Switch | 26. Kickstand |
| 5. Left Handlebar Grip | 16. Charger Port | 27. Motor |
| 6. Left Brake Lever Assembly | 17. Seat | 28. Battery (3-12V/12 Ah) |
| 7. Front Number Plate | 18. Exhaust | 29. Speed Control Switch Cover |
| 8. Handlebar Clamps (x2) | 19. Frame | 30. Speed Control Switch |
| 9. Handlebar | 20. Shock Absorber | 31. Battery Cover (Right/Left) |
| 10. Right Brake Lever Assembly | 21. Chain Tensioner | |
| 11. Throttle | 22. Chain Guard | |



Need Help? Visit our website for replacement parts, product support, a list of authorized service centers in the US and customer service contact information at www.razor.com. Please have the product I.D. code (located on the white label of your product) available for better assistance. Additional Customer Service contact information is listed at the back of this manual.

NOTICE: INSURANCE

YOUR INSURANCE POLICIES MAY NOT PROVIDE COVERAGE FOR ACCIDENTS INVOLVING THE USE OF THIS SCOOTER/ELECTRIC RIDE-ON PRODUCT. TO DETERMINE IF COVERAGE IS PROVIDED, YOU SHOULD CONTACT YOUR INSURANCE COMPANY OR AGENT.

FCC COMPLIANCE

This device complies with Part 15 of the FCC Rules. Operation is subject to the following two conditions: (1) This device may not cause harmful interference, and (2) this device must accept any interference received, including interference that may cause undesired operation.

Note: This equipment has been tested and found to comply with the limits for a Class B digital device, pursuant to part 15 of the FCC Rules. These limits are designed to provide reasonable protection against harmful interference in a residential installation. This equipment generates, uses and can radiate radio frequency energy and, if not installed and used in accordance with the instructions, may cause harmful interference to radio communications. However, there is no guarantee that interference will not occur in a particular installation. If this equipment does cause harmful interference to radio or television reception, which can be determined by turning the equipment off and on, the user is encouraged to try to correct the interference by one or more of the following measures:

- Reorient or relocate the receiving antenna.
- Increase the separation between the equipment and receiver.
- Connect the equipment into an outlet on a circuit different from that to which the receiver is connected.
- Consult the dealer or an experienced radio/TV technician for help.

⚠ WARNING: Changes or modifications to this product not expressly approved by Razor USA LLC, could void the user's authority to operate the equipment.

WARRANTY

Razor Limited Warranty

The manufacturer warrants this product to be free of manufacturing defects for a period of 90 days from date of purchase. This Limited Warranty does not cover normal wear and tear, wheel, or any damage, failure or loss caused by improper assembly, maintenance, storage or use of the electric product.

This Limited Warranty will be void if the product is ever:

- used in a manner other than for recreation or transportation;
- modified in any way;
- rented.

The manufacturer is not liable for incidental or consequential loss or damage due directly or indirectly to the use of this product.

Razor does not offer an extended warranty. If you have purchased an extended warranty, it must be honored by the store at which it was purchased.

For your records, save your original sales receipt with this manual and write the serial number below.

CUSTOMER SERVICE CONTACT INFORMATION

Need Help? Visit our website for product support, a list of authorized service centers in the US and customer service contact information at www.razor.com. Please have the product I.D. code (located on the white label of your product) available for better assistance. Additional Customer Service contact information is listed below:

AMERICAS

Razor USA LLC
P.O. Box 3610
Cerritos, CA 90703
USA

+1 866 467 2967
Monday - Friday
8:00 AM - 5:00 PM Pacific Time
customersupport@razorusa.com

Printed in China for Razor USA LLC.

Copyright © 2003-2020 Razor USA, LLC. All rights reserved. Razor® and the Razor logo design are among the registered trademarks of Razor USA LLC in the United States and/or select foreign countries. All other copyrights and trademarks are the property of their respective owners, used with permission.