

20
10

2010 CANNONDALE BICYCLES



CANNONDALE EUROPE
© 2009 CANNONDALE BICYCLE CORPORATION.
WWW.CANNONDALE.COM

cannondale

cannondale

ROAD

12	Supersix
18	Six Carbon
20	Caad9
22	Caad8
24	Synapse
28	Slice
32	Synapse Flatbar
33	Cyclocross

MOUNTAIN

38	Flash
43	HeadShok
46	Scalpel
49	Trail SL
53	Rush
54	RZ One Twenty
58	RZ One Forty
64	Moto

RECREATION & URBAN

68	Bad Boy
73	Capo
74	Hooligan
76	Quick CX
78	Quick Carbon
80	Tesoro
83	Vintage
85	Street
86	Tandems

FÉMININE

92	Flash Féminine
93	Scalpel Féminine
94	Trail SL Féminine
95	RZ One Twenty Féminine
96	RZ One Forty Féminine

INFO

97	Specifications
108	Geometry Charts
113	Distributors

CANNONDALE AUTHORIZED DISTRIBUTORS

*The following lists are subject to change without notice. *Denotes Apparel and Accessory Distributor only.*

CROATIA: Keindl Sport, Reljkoviceva 2, 10000 Zagreb, Croatia, tel: +385 13708323, fax: +385 13708324, email: keindsport@inet.hr

CZECH REPUBLIC: Aspire Sports s.r.o., Karasek 11, Brno, 62100, tel: +420 532 199 540, fax: +420 532 199 554, email: marek.dolezal@aspire.cz, http://www.aspire.cz

ESTONIA: Extreme Sport, Kadaka Tee 84C, Tallin 12618, tel: +372 650 8686, fax: +372 650 8687, email: priit@extreme.ee, http://www.extreme.ee

GREECE: Gatsoulis Imports, Vitisinis 26, T.T14342, New Filadelfia Athens, GRD, tel: +30 210 251 2779, fax: +30 210 253 3960, email: gatsoulis@gatsoulis.gr

HUNGARY: Mali Bicycle Technology, Szinesfem u. 22-24, H-1211 Budapest, Hungary, tel: 0036-1420-5032, fax: 0036-142-0532

ICELAND: GA Petursson Ltd., Faxafen 7, 108 Reykjavik, Box 8176, Iceland, tel: +354 5200 200, fax: +354 5200 301, email: mogens@gap.is, http://www.gap.is

KAZAKHSTAN: Limpopo Outdoor, 534 Seifallin Str., Alamaty, 050022, tel: 73272617061, fax: 73272617265, email: limpop@nursat.kz, http://www.limpopo.kz

LATVIA: Aqua Pro SIA, Elijas 17-408, Riga, LV1050, tel: +371 762 6025, fax: +371 789 2053, email: pauls@aquapro.lv, http://www.fans.lv

MALTA: Pedal Power, 56 Triq Is-Stazzjon, B'Kara BKR 12, Malta, tel: +356 212 27265, fax: +356 212 227265, email: musco@global.net.mt

POLAND: PGR Sp. Z.O.O., ul Rydygiera 8/bud.20B, lok 227, Warszawa 01-793, tel: +48 22 6699690, email: armar@sklepowerowy.pl, http://www.grupapgr.pl

ROMANIA: Maros Bike, Aurel Vlaicu no. 120, Cluj Napoca, tel: +40 2644 10779, email: marossport@yahoo.com, http://www.marosbike.ro

RUSSIA: Velomir Group, Lusinovskaya st 53, 115093, Moscow, RUS, tel: 0074952368278, fax: 0074952378463, email: info@velomir.ru

SLOVENIA: Sport trade 2000 d.o.o., Celovska 280, Ljubljana, 1000, tel: +386-15104940, fax: +385-151 82163, email: sandi.gabrovsek@siol.net, http://www.funsports.si

TURKEY: Delta Bisiklet HQ, BosnaHersek Cd. 20/D, 06510, Emek Ankara, Turkey, tel: +90312 2236027, fax: +90312 2223492, email: info@deltabisiklet.com, http://www.deltabisiklet.com

UKRAINE: Velotrade, Enakievskaya 2E, Kharkov,Ukraine, tel: +38057 7544980, fax: +38057 7544 981, email: info@velotrade.kharkov.com, www.velotrade.com.ua

MOLDAVIA: Veloservice-Paralax: str. Tighina 52, 2001 Kishinev, tel: +373 222 70876, email: paralax@velo.md, http://www.velo.md

SERBIA: Planet Bike Co. doo, Nova Mokroluska 5, 11050 Belgrade, tel: +381 11 3478 156, fax: +381 11 2887251, email: office@planetbike.rs, http://www.planetbike.rs

EUROPEAN DISTRIBUTORS: distributors@cannondale.com, tel: 0041 61 4879387, fax: 0041 61 4879385 0031-541-573587, fax: 0031-541-514240

EUROPEAN TOURISM AND RESORTS: distributors@cannondale.com, tel: 0041 61 4879387, fax: 0041 61 4879385, 0031-541-573587, fax: 0031-541-514240

EUROPEAN APPAREL AND ACCESSORIES DEALERS: distributors@cannondale.com, tel: 0041 61 4879387, fax: 0041 61 4879385

INTERNATIONAL SALES: 172 Friendship Village RD, Bedford, PA 15522 USA, tel: 814-623-4391, fax: 814-623-2107, international@cannondale.com

ARGENTINA: Lauro Competicion, Avda. San Pedrito 577, Buenos Aires Argentina 01406, tel: 4613-8859, fax: 54-11-4612-8805; www.cannondaleargentina.com

CANNONDALE USA

Cannondale Bicycle Corporation
172 Friendship Road, Bedford, Pennsylvania, 15522-6600, USA
(Voice): 1-800-BIKE-USA
(Fax): 814-623-6173
custserv@cannondale.com
www.cannondale.com

BERMUDA: The New Winners Edge, 34 Church Street, Hamilton HM11, Bermuda, tel: 441-295-6012, fax: 411-292-1904

BOLIVIA: Visal Import & Export, C.Ballivian/Esq. Potosi, Edificio Salvatierra, Casilla 561, Santa Cruz, Bolivia, tel: 591-333-47145, fax: 591-333-47345

BORNEO: Cannasia Pte. Ltd., 101 Frankel Avenue, Singapore, 458224, tel: 65-6441-4772, cannasia@singnet.com.sg, www.cannasia.com

BRAZIL: Cannondale Brasil, Av Prof. Sylla Matos, 370. CEP 014182-010 Sao Paulo, Brazil, tel: 2264-2167/2264-2143, www.cannondale.com.br/

BRUNEI: Cannasia, 101 Frankel Ave., Singapore, 458224, tel: 65-6441-4772, email: cannasia@mbox5.singnet.com.sg, www.cannasia.com

CHILE: Inversiones Intercycles Ltda., Av. Neuva Las Condes, 12.270 #101, Santiago, Chile, South America, tel: 562-215-3470, fax: 562-217-3167, email: cycles@cannondale.cl

CHINA: Kele ShanGu Trading Co. LTD (Shenzhen) F2-28 Arc De Triomphe Str City Valle Shahe West Road 2029 Nanshan Shenzhen PR China, tel: 755-267-54695

COLOMBIA: USA Bikes E.U, CRA 43A# 23-50, Medellin, Colombia, tel: 574 262 2820, fax: 574 262 2880 sportbike@epm.net.co

COSTA RICA: Xcesso S.A., San José, Costa Rica, tel: 506-290-5696, fax: 506-290-3412, xcesso@racsa.co.cr

DOMINICAN REPUBLIC: Aro & Pedal, 27 de Febrero #112, Santo Domingo, Dominican Republic, tel: (809) 686-5861, fax: (809) 687-6548, email: aro.pedal2@codotel.net.do

ECUADOR: X-Bikes, Shiry's N41-206 e Isla Floreana Quito, Ecuador, tel: 593-99-2170, fax: 593-22-440312

EL SALVADOR: Grupo Extremo, Blvd Santa Elena, Atrium Plata, 5 y 6, Antiquo Cuscattan, San Salvador, El Salvador, tel: 508-228-99636

GUAM: Hornet Bicycles, PO Box 8294, Tamuning, Guam 96931, tel: 671-646-9191, fax: 671-646-1900, email: hikko@guamcell.net

GUATEMALA: Bike Center, S. A., 20 Calle 24-67 Zona 10, Paris Plaza, Local 2-3, Guatemala City Guatemala, tel: 502-333-4388, fax: 502-333-7394, email:bikecenter@intelnett.com

HONDURAS: Hondubikes, Col.Humuya Av. Sabana Tegucigalpa, Honduras, tel: & fax: 504-239-2192

HONG KONG: Flying Ball Bicycle, 478 Castle Peak Road, Cheung Sha Wan, Hong Kong, tel: 852-238-13661, fax: 852-239-74406, email: fbbikeshop@gmail.com, http://www.flyingball.com

INDIA: TI Cycles of India, Post Box No. 5, M.T.H Road, Ambattur, Chennai 600053, India, tel: +91 44 420 93 434, fax: +91 44 420 93 457, website: www.ticyclesindia.com, website: www.trackandtrail.in

INDONESIA: Cannasia Pte. Ltd., 101 Frankel Ave., Singapore, 458224, tel: 65-6441-4772, email: cannasia@mbox5.singnet.com.sg, www.cannasia.com

ISRAEL: DAA Sport Marketing LP, P.O. Box 6035, 42160, Netanya, Israel, tel: +972-9-865-6960, fax: +972-9 885-0144, email: daa@daa.co.il, http://www.daa.co.il

JAMAICA: Hi Tech Industries LTD., 8 Dumfries Road Kingston 10 Jamaica W. Indies, tel: 876 855 8888, fax: 876 978 7414

KAZAKHSTAN: Doctor Can, 158 Makataeva Street, 61 app, Rep. of Kazakhstan, 480090, tel: 7 3272 338943

KOREA: Sanbada Sports, #402, Doohyun Bldg, 233 Nonhyun-dong, Kangnam-Gu, Seoul, Korea, tel: 822-543-6390, fax: 822-3442-6391, email: sanbada1@umitel.co.kr

KUWAIT: Silicon Valley Group, CannondaleStore, Shuwaikh Industrial Area, Kuwait City, Kuwait, tel: 965-482-6723, email: svg.svg1@yahoo.com

LEBANON: VO2 MAX, Asco Center, Sassine, Beirut, Lebanon, tel: 961-132-6111, fax: 961-132-8666, www.vo2maxlb.com

MALAYSIA: Cannasia Pte. Ltd., 101 Frankel Avenue, Singapore, 458224, tel: 65-6441-4772, cannasia@singnet.com.sg www.cannasia.com

CANNONDALE EUROPE

mail: Postbus 5100
visits: Hanzepoort 27
7570 GC, Oldenzaal, Netherlands
(Voice): + 41 61.4879380
(Fax): 31-5415-14240
servicedeskeurope@cannondale.com

CANNONDALE AUSTRALIA

Unit 6, 4 Prosperity Parade,
Warriewood N.S.W., 2102, Australia
(Voice): (02) 9979 5851
(Fax): (02) 9979 5688
cannondaleaustralia@cannondale.com

CANNONDALE JAPAN

Namba Sumiso Building 9F,
4-19, Minami Horie 1-chome,
Nishi-ku, Osaka 550-0015, Japan
(Voice): 06-6110-9390
(Fax): 06-6110-9361
cjcustserv@cannondale.com

MAURITIUS: Emarc Ltd, Old Moka Road, Bell Village, Republic of Mauritius, tel: 230-208-6335, fax: (230) 212-5952

MEXICO: Viansi Triathlon Boutique, Av. Division Del Norte #2957, Col. Rosedal Coyoacan, Mexico 04330, D.F., tel: 525-5549-5291, fax: 525-549-5291, viansi_bici@infosel.net.mx

NETHERLAND ANTILLES: Tri-Sport N.V., #14B Airport Blvd Simpsonbay, St. Maarten, Netherlands Antilles, tel: (599) 545-4385, fax: (599) 545-4384, trisport@sintmaarten.net

NEW CALEDONIA: Royal Motors SA., 9, route de la Baie des Dames B.P. 2548, Nouméa, New-Caledonia, 98846, tel: 687 285 912, fax: 687 286 320, r.motors@groupepdang.nc

NEW ZEALAND: WH Worrall and Co LTD PO Box 12481 Penrose Auckland New Zealand tel: 649-636-0641

PANAMA: Distrubuidora Rali, Via Tocumen, Apartado 87-052, Zona 7, Panama, tel: 507-220-3844, fax: 507-220-5303, disrali@sinfo.net

PERU: Cycling S.R.L., Av. Tomas Marsano 2851, Higuiereta-Surco, Lima, Peru, tel/fax: 511-271-0247, cycling@terra.com.pe

PHILIPPINES: Newton Multi-Sales, 71 Kundiman, Cor. Ilagan St., SFDM, Quezon City, Philippines, 1105, tel: (0632)3725127-28 & 3717231, fax: (0632) 3735439, wash@pacific.net.ph

PUERTO RICO: Seamount Corporation, Bori Street #1500 Local 4, San Juan, Puerto Rico, 00927, tel: 1-787-763-4369, fax: 1-787-765-6520, info@ciclomundo.com

PUERTO RICO: TL Bicycle Distributor Inc, 670 Ave. Ponce De Leon #318, San Juan, Puerto Rico, tel: 1-787-613-1040, Tonylugopr@gmail.com

***PUERTO RICO:** Jupiter Enterprises Inc, Carr 307 km. 3.5, PO Box 26, Cabo Rojo Puerto Rico 00623, tel: 787-851-4591, email: f2jupiter@choicecable.net

SINGAPORE: Cannasia Pte. Ltd., 101 Frankel Avenue, Singapore 458224, tel: 65-6441-4772, Cannasia@singnet.com.sg, www.cannasia.com

SOUTH AFRICA: Omnico (PTY) LTD PO Box 257 Rondebosch Cape Town 7701, tel: 27-21-691-0110

TAIWAN: Three Peaks Bicycle Company No. 222 Jin-Xian 8th Rd, Taichung, Taiwan, tel: 886-424-368842, fax: 886 424 369 237, http://www.threepeaks.com.tw

THAILAND: CYCOHOLIC, 45/39 Soi Atthakrawee 1, Shkhumvit 26 Road (Soi Aree), Bangkok, Thailand 10110, tel: 661 332 8687, fax: 662 253 3464, thaicann@asiaaccess.net.th, www.thaicannasia.com

TRINIDAD: Motorcycles Etc., 89 Eastern Main Road, Barataria, Trinidad and Tobago, tel: 868-675-2453, fax: 868-675-3816, larrya@wow.net

TRINIDAD: Sports & Games 47 Tissue Drive Trincity, Trindad tel: 868-640-2507, fax: 868-640-0505

UNITED ARAB EMIRATES: Prozone P.O. Box # 123500 Dubai (United Arab Emirates), tel: +9714 2219669, fax: +9714 2219559, email: Info@prozoneltl.com, website: www.dubaicycles.com

URUGUAY: Motociclo S.A. Av.Sayago 1385 Montevideo Uruguay, tel: (598 2)7069918, web: www.motociclosports.com.uy

VENEZUELA: Bici Bikes, 2A AV., Ed. Artelito local 5 (WINDCTR) Los Palos Grandes, Caracas, Venezuela 1041, tel: 58-212-286-0285; fax: 58-212-283-7466

VENEZUELA: Bicimania C.A., C.C., M Ave. Bolivar, Porlamar, Margarita Island, Venezuela, tel: 58-295-262-9116, fax: 58-295-262-9116, bicimania@cantv.net

VENEZUELA: Bike Sports/Venezuela-Centro Comercial Ibarra, Local 3A, Calle Garcilazo, Colinas de Bello Monte, Caracas, Venezuela, tel: 58-212-751-9730, fax: 58-212-753-5071

WORLD WIDE MILITARY SALES: tel: 814 623 4391; fax: 814 623 2107, international@cannondale.com

WORLD WIDE TOURISM & RESORTS: tel: 814 623 4391; fax: 814 623 2107, international@cannondale.com

SINCE 1971...

There's something about the spirit of the people that work at Cannondale.

It's a mindset that's fiercely competitive. Not so much with other bicycle companies or the various disciplines of the sport. But rather with an invention that, in it's simplest form, hasn't changed for more than 150 years.

Today, we live and ride in a world where millimeters and grams can make a difference. The expansion of a tube here and the machining away of a gram there can be significant in how a bike performs.

Performance at this level requires starting every project with a blank sheet of paper where standards don't exist.

Sometimes our creations might look different in order to make them perform better. We find that the term 'conventional wisdom' is not appropriate to our goals.

We like to think that our struggle with form and function, millimeters and grams can make a difference. When executed correctly, fresh bike designs can put more "butts on bikes". And that's better for everybody involved.

These are the things we fight for.

It's a good fight.





LEFTY.

The Last Word in Suspension. So revolutionary that it still turns heads more than 10 years after it was released. The Lefty continues to gain converts and gather accolades because it is a no-holds-barred performer. It is, in fact, the last word in suspension: Stiffer and lighter than the competition, the Lefty outperforms every other fork in its class.





HOLLOWGRAM.

Lighter. Better. Faster. Stronger.

At 570 grams, the Hollowgram Si SL could be the difference in a bunch sprint or alpine climb. It remains the lightest production crankset in the industry and boasts the best stiffness-to-weight numbers of any crank available today.



S.A.V.E.

Ride Longer. Ride Faster. Ride More. Cannondale S.A.V.E. stays are organically shaped to function like a micro-suspension system, absorbing road vibrations without sacrificing the lateral stiffness needed for pedaling efficiency. The result is improved comfort, improved control and increased enjoyment. Road, MTB and recreational cyclists can ride longer or ride more, and multisport athletes come off the bike fresher for the run. Save yourself!



URGLASS

350





CANNONDALE

BB30.

Oversized Matters. First we revolutionized BB size for ourselves. Then we did it for the industry. Put simply, we freely released our BB30 standard to the rest of the industry so that riders everywhere could benefit from the improved torsional resistance and increased power transfer. Lighter and stiffer than other systems, the BB30 is the barometer of bottom bracket performance.

Liquigas rider Brian Vandborg enduring another cold and wet stage in the break at the 2009 Tour of California. Chris Milliman



ROAD.
RACE READY.



LIQUIGAS

LIQUIGAS

cannondale

Nalini

LIQUIGAS

metzia
FURNITURE

LIQUIGAS

SUPERSIX



SUPERSIX HI-MOD ULTIMATE

Exposed Carbon (matte) (CRB)

Frame	SuperSix Carbon HI-MOD	Crank	Cannondale Hollowgram SL BB30, 39/53, black	Brakes	Zero Gravity, black
Fork	Cannondale SuperSix HI-MOD+, Full Carbon	Rear Derailleur	SRAM RED	Saddle	Fi'zi:k Antares with Carbon rails
Wheelset	DT Swiss RRC425F and RRC 525R	Shifters	SRAM RED	Sizes	52,54,56,58cm



A REVOLUTION HITS THE ROAD.
Pellizotti won the Tour de France KOM aboard one.
The unmatched power transfer on the new SuperSix made Pelli's run possible.

1 STIFFNESS-TO-WEIGHT:

Cannondale's engineers have again shaved weight without sacrificing stiffness, making the new SuperSix an extraordinarily efficient road machine. For riders, the SuperSix wastes none of their energy.

2 POWER TRANSFER:

The SuperSix uses matching-radius overwraps on the massively oversized BB shell and chain stays. The design does away with flexy lugs and maximizes carbon contact surfaces – resulting in superior power transfer.

3 COMPLIANCE:

Some carbon frames ride like dead wood. Cannondale perfected 'lively' ride feel with alloy frames and have injected carbon frames with the same ride qualities via our proprietary layup methods. Snappy, responsive frames instantly transmit pavement conditions for improved road manners and performance.



SUPERSIX HI-MOD SUPER RECORD

Liquigas Team Replica (gloss) (LIQ)

Frame	SuperSix Carbon HI-MOD	Crank	Cannondale Hollowgram SL BB30, 39/53, black	Brakes	Campagnolo Super Record D-Skeleton, black
Fork	Cannondale SuperSix HI-MOD+, Full Carbon	Rear Derailleur	Campagnolo Super Record, 11S	Saddle	Fi'zi:k Antares with Carbon rails
Wheelset	Mavic Cosmic Carbon SLR	Shifters	Campagnolo Super Record QS Carbon ErgoShifters 11S	Sizes	48,50,52,54,56,58,60,63cm



SUPERSIX HI-MOD DI2

Exposed Carbon (matte) (CRB)

Frame	SuperSix Carbon HI-MOD	Crank	Shimano Dura Ace, 39/53	Brakes	Shimano Dura Ace
Fork	Cannondale SuperSix HI-MOD+, Full Carbon	Rear Derailleur	Shimano Dura Ace Di2	Saddle	Fi'zi:k Antares with Carbon rails
Wheelset	Zipp 404 Clincher	Shifters	Shimano Dura Ace Di2	Sizes	52,54,56,58 cm



SUPERSIX HI-MOD DURA ACE

Race Red (gloss) (RED)

Frame	SuperSix Carbon Hi-MOD	Crank	Cannondale Hollowgram SL BB30, 39/53, FSA 7900 rings	Brakes	Shimano Dura Ace 7900
Fork	Cannondale SuperSix Hi-MOD+, Full Carbon	Rear Derailleur	Shimano Dura Ace 7900	Saddle	Fi'zi:k Arione CX w/ Kium rails
Wheelset	Mavic Ksyrium SL	Shifters	Shimano Dura Ace 7900	Sizes	48,50,52,54,56,58,60,63cm



SUPERSIX HI-MOD SRAM RED

Race Red (gloss) (RED)

Frame	SuperSix Carbon Hi-MOD	Crank	SRAM RED, BB30, 34/50	Brakes	SRAM RED
Fork	Cannondale SuperSix Hi-MOD+, Full Carbon	Rear Derailleur	SRAM RED	Saddle	Fi'zi:k Arione Mg rails
Wheelset	Mavic Ksyrium Elite	Shifters	SRAM RED	Sizes	48,50,52,54,56,58,60,63cm



Triple Crank: FSA SL-K Light
BB30 Triple, 30/39/52



SUPER SIX ULTEGRA COMPACT – SUPER SIX ULTEGRA TRIPLE

White w/ Red and Black accents (gloss) (RED)
Carbon (gloss front, matte rear) (BLK)

Frame	SuperSix Carbon	Compact Crank	FSA SL-K Light Carbon BB30, 34/50	Brakes	Shimano Ultegra 6700
Fork	Cannondale SuperSix Carbon, alloy Dropout	Rear Derailleur	Shimano Ultegra 6700; Triple: Shimano Ultegra 6700 Long Cage	Saddle	Fi'zi:k Arione Mg rails
Wheelset	Mavic Ksyrium Elite	Shifters	Shimano Ultegra 6700; Triple: Shimano Ultegra 6700 Triple	Sizes	48,50,52,54,56,58,60,63cm



Lined up and ready to roll. Liquigas team camp, Spain. Chris Milliman



SUPERSIX SRAM RIVAL

Cannondale Yellow (gloss) (YEL)

Carbon (gloss front, matte rear) (BLK)

Frame	SuperSix Carbon
Fork	Cannondale SuperSix Carbon, alloy Dropout
Wheelset	Mavic Ksyrium Equipe

Crank	FSA SL-K Light Carbon BB30, 39/53
Rear Derailleur	SRAM Rival
Shifters	SRAM Rival

Brakes	SRAM Rival
Saddle	Fizik Arione Mg rails
Sizes	48,50,52,54,56,58,60,63cm

SIX CARBON

1 MONOCOQUE:

More than 100 grams lighter than the '09 version, the Six Carbon retains an ultra stiff, precisely oriented uni-directional monocoque front triangle that boosts lateral and torsional stiffness for excellent power transfer in the final sprint.

2 BB30:

The Cannondale-developed BB30 standard brings new levels of efficiency to BB shells and crank sets. The oversized design resists power loss from twisting and allows our engineers to shave weight.

3 COMPLIANCE:

The 15mm hourglass-shaped seat stays lend compliance for greater rider comfort over the long haul, but yield no energy-sapping lateral movement.



Triple Crank: FSA SL-K Light BB30 Triple, 30/39/52



Race Red (gloss) (RED)



SIX CARBON ULTEGRA COMPACT – SIX CARBON ULTEGRA TRIPLE

New Team Blue (gloss) (BLU)

Frame	Six Carbon	Compact Crank	FSA SL-K Light Carbon BB30, 34/50	Brakes	Shimano Ultegra 6700
Fork	Cannondale Six Carbon	Rear Derailleur	Shimano Ultegra 6700; Triple: Shimano Ultegra 6700 Long Cage	Saddle	Fi'zi:k Arione Mg rails
Wheelset	Mavic Ksyrium Equipe	Shifters	Shimano Ultegra 6700; Triple: Shimano Ultegra 6700 Triple	Sizes	48,50,52,54,56,58,60,63cm



Triple Crank: FSA Gossamer BB30 Triple, 30/39/52



SIX CARBON 105 COMPACT – SIX CARBON 105 TRIPLE

Race Red (gloss) (RED)
Jet Black w/ Carbon (matte) (BBQ)

Frame	Six Carbon	Compact Crank	FSA Gossamer BB30, 34/50	Brakes	Shimano 105
Fork	Cannondale Six Carbon	Rear Derailleur	Shimano 105; Triple: Shimano 105 Long Cage	Saddle	Fi'zi:k Arione Mg rails
Wheelsset	Mavic Aksium Race	Shifters	Shimano 105; Triple: Shimano 105 Triple	Sizes	48,50,52,54,56,58,60,63cm

CAAD9

1 ALLOY PERFORMANCE:

The legendary CAAD9 is, quite simply, the finest alloy road frame on the planet. Cannondale's quarter century of aluminum design experience means the CAAD9 is the most refined and technologically advanced alloy frame available. So good, it puts most carbon frame to shame.

2 BB30:

Now on the CAAD9! The BB30 was invented to give riders everywhere more power from every pedal revolution. Shave weight, minimize pedaling effort and ride faster. With the Hollowgram Si SL, it's the lightest crankset/BB combo in the world.

3 VERSATILITY:

As an Elite frame in Cannondale's road line, the CAAD9 has Pro-Tour geometry that's at home in continental pelotons. But it's equally suited for multi-day charity rides and remains a cult favorite when knocking elbows at the local crit race.



Jet Black (matte) (BBQ)



CAAD9 ULTEGRA COMPACT

Liquigas Team Replica (gloss) (REP)

Frame	CAAD9 BB30	Crank	FSA SL-K Light Carbon BB30, 34/50	Brakes	Shimano Ultegra 6700
Fork	Cannondale Premium Full Carbon, alloy Dropout	Rear Derailleur	Shimano Ultegra 6700	Saddle	Fi'zi:k Pave CX Sport
Wheelset	Fulcrum Racing 7	Shifters	Shimano Ultegra 6700	Sizes	48,50,52,54,56,58,60,63cm



Triple Crank: FSA Gossamer BB30 Triple, 30/39/52



CAAD9 105 COMPACT – CAAD9 105 TRIPLE

Compact: Race Red (gloss) (RED)

Triple: Liquigas Team Replica (gloss) (REP)
Compact & Triple: Jet Black (matte) (BBQ)

Frame	CAAD9 BB30
Fork	Cannondale Ultra Carbon
Wheelset	Shimano RS10

Compact Crank	FSA Gossamer BB30, 34/50
Rear Derailleur	Shimano 105; Triple: Shimano 105 Long Cage
Shifters	Shimano 105; Triple: Shimano 105 Triple

Brakes	Shimano 105
Saddle	Fi'zi:k Pave CX Sport
Sizes	48,50,52,54,56,58,60,63cm



Triple Crank: Shimano Tiagra Triple, 30/39/50



CAAD9 TIAGRA COMPACT – CAAD9 TIAGRA TRIPLE

Compact: Liquigas Team Replica (gloss) (REP)
Triple: Race Red (gloss) (RED)
Compact & Triple: Jet Black (matte) (BBQ)

Frame	CAAD9 BB30
Fork	Cannondale Ultra Carbon
Wheelset	Shimano WHR 500A

Compact Crank	Shimano Tiagra, 34/50
Rear Derailleur	Shimano Tiagra; Triple: Shimano Tiagra Long Cage
Shifters	Shimano Tiagra; Triple: Shimano Tiagra Triple

Brakes	Shimano Tiagra
Saddle	Fi'zi:k Pave CX Sport
Sizes	48,50,52,54,56,58,60,63cm

CAAD8

1 COMPLIANCE:

Like those stays found on our more expensive road frames, the hourglass-shaped seat stays lend compliance for greater rider comfort over the long haul, but yield no energy-sapping lateral movement.

2 GEOMETRY:

A slightly more upright riding position gives riders comfortable, predictable handling. The geometry straddles Elite and Performance ride characteristics for the best of both worlds.

3 MANUFACTURING QUALITY:

Cannondale's trademark double-pass smooth-welded technology virtually eliminates the stress risers possible on machine-welded frames and gives the frames a finished, handcrafted aesthetic.



CAAD8 105 COMPACT

Magnesium White (gloss) (WHT)

Frame	CAAD8	Crank	FSA Gossamer MegaExo, 34/50	Brakes	Tektro 580
Fork	Cannondale Ultra Carbon	Rear Derailleur	Shimano 105	Saddle	Cannondale Stage w/ Cromoly rails
Wheelset	Shimano WHR 500A	Shifters	Shimano 105	Sizes	48,51,54,56,58,61cm



CAAD8 TIAGRA

Magnesium White w/ Berzerker Green (gloss) (GRN)

Frame	CAAD8	Crank	FSA Omega MegaExo, 30/39/50	Brakes	Cannondale C4 w/ Cartridge Pads
Fork	Cannondale Ultra Carbon	Rear Derailleur	Shimano Tiagra Long Cage	Saddle	Cannondale Stage w/ Steel rails
Wheelset	Maddux DRX 4000	Shifters	Shimano Tiagra Triple	Sizes	48,51,54,56,58,61cm



CAAD8 SORA

Race Red (gloss) (RED)

Frame	CAAD8	Crank	FSA Vero, 30/39/50	Brakes	Cannondale C4 w/ Cartridge Pads
Fork	Cannondale Ultra Carbon	Rear Derailleur	Shimano Sora Long Cage	Saddle	Cannondale Stage w/ Steel rails
Wheelset	Maddux DRX 4000	Shifters	Shimano Sora Triple	Sizes	48,51,54,56,58,61cm

SYNAPSE



SYNAPSE HI-MOD DI2

Magnesium White (gloss) (WHT)

Frame	Synapse Carbon HI-MOD	Crank	Shimano Dura Ace, 34/50	Brakes	Shimano Dura Ace
Fork	Cannondale Synapse HI-MOD S.A.V.E.+, Full Carbon	Rear Derailleur	Shimano Dura Ace Di2	Saddle	fi'zi:k Aliante Carbon Gamma Kium rails
Wheelset	Mavic Cosmic Carbon SLR	Shifters	Shimano Dura Ace Di2	Sizes	54,56,58 cm



COMPETE. COMMUTE. REPEAT.
Proven at Paris-Roubaix and Granfondos! A supremely comfortable, stylish road bike that's purpose-built for performance and comfort. From Saint-Python to Giaole, ride cobbles without pain.

1 S.A.V.E.:

The Synapse's Active Vibration Damping eliminates numbing road buzz and high frequency vibrations without any power loss.

2 GEOMETRY:

A more upright riding position gives riders comfortable, predictable handling. The result is ride-all-day handling qualities – vitally important for long-distance charity events or relaxed training days.

3 RIDE FEEL:

Rocketship-like acceleration and the comfort of S.A.V.E. stays. The Synapse has it all, matching Elite-level ride performance with the stable handling and comfort-enhancing traits every rider can love.



Liquigas Rider M. Quinzio on the Synapse in the Tour of Flanders. Chris Milliman



SYNAPSE HI-MOD DURA ACE

Magnesium White (gloss) (WHT)

Frame	Synapse Carbon HI-MOD	Crank	Cannondale Hollowgram SL BB30, 34/50, black	Brakes	Shimano Dura Ace 7900
Fork	Cannondale Synapse HI-MOD S.A.V.E.+ , Full Carbon	Rear Derailleur	Shimano Dura Ace 7900	Saddle	Fi'zi:k Allante Gamma w/ Kium rails
Wheelset	Mavic Ksyrium SL	Shifters	Shimano Dura Ace 7900	Sizes	48,51,54,56,58,61 cm



SYNAPSE HI-MOD ULTEGRA COMPACT

Magnesium White (gloss) (WHT)

Frame	Synapse Carbon Hi-MOD
Fork	Cannondale Synapse Hi-MOD S.A.V.E.+, Full Carbon
Wheelset	Mavic Ksyrium Elite

Crank	FSA SL-K Light Carbon BB30, 34/50
Rear Derailleur	Shimano Ultegra 6700
Shifters	Shimano Ultegra 6700

Brakes	Shimano Ultegra 6700
Saddle	Fi'zi:k Aliante Delta Mg rails
Sizes	48,51,54,56,58,61cm



Triple Crank: FSA SL-K Light Carbon BB30, 30/39/52



SYNAPSE CARBON ULTEGRA COMPACT – SYNAPSE CARBON ULTEGRA TRIPLE

Race Red (gloss) (RED)
Jet Black (gloss) (BLK)

Frame	Synapse Carbon
Fork	Cannondale Synapse Carbon S.A.V.E., Full Carbon
Wheelset	DT Swiss R-1900

Compact Crank	FSA SL-K Light Carbon BB30, 34/50
Rear Derailleur	Shimano Ultegra 6700; Triple: Shimano Ultegra 6700 Long Cage
Shifters	Shimano Ultegra 6700; Triple: Shimano Ultegra 6700 Triple

Brakes	Shimano Ultegra 6700
Saddle	Fi'zi:k Aliante Delta Mg rails
Sizes	48,51,54,56,58,61cm



Triple Crank: FSA Gossamer BB30 Triple, 30/39/52



SYNAPSE CARBON 105 COMPACT – SYNAPSE CARBON 105 TRIPLE

Jet Black (gloss) (BLK)
Berzerker Green (gloss) (GRN)

Frame	Synapse Carbon
Fork	Cannondale Synapse Carbon S.A.V.E., Full Carbon
Wheelset	Mavic Aksium Race

Compact Crank	FSA Gossamer BB30, 34/50
Rear Derailleur	Shimano 105; Triple: Shimano 105 Long Cage
Shifters	Shimano 105; Triple: Shimano 105 Triple

Brakes	Shimano 105
Saddle	Fi'zi:k Pave CX Mg rails
Sizes	48,51,54,56,58,61cm

SLICE



SLICE HI-MOD ULTIMATE

Magnesium White (gloss) (WHT)

Frame	Slice Carbon HI-MOD	Crank	Cannondale Hollowgram SL BB30, 42/54 K-Force rings	Brakes	SRAM RED w/ Zipp brake pads
Fork	Cannondale Slice Aero HI-MOD	Rear Derailleur	SRAM RED	Saddle	Fi'zi:k Arione TR12, Carbon rails
Wheelset	Zipp, Front 808 Tubular, Rear 1080 Tubular	Shifters	SRAM 1090 R2C	Sizes	51,54,56,58,60cm



WEAPON OF CHOICE.

Don't just beat the competition. Demoralize them. Demolish your personal best times. Do it aboard the Slice and S.A.V.E. yourself for the run.

1 S.A.V.E.:

Transition off the bike with more energy for the run! That's the benefit of the Slice's Active Vibration Damping, which soaks up road buzz so riders don't have to. Chrissie Wellington has broken world records using the Slice, so imagine what it can do for you.

2 AERO DESIGN:

Class-leading aerodynamics achieve higher bike speeds. Our reduction of laminar drag has been confirmed by third-party wind tunnels and at Tour magazine's labs. Smooth bikes go faster.

3 LIGHTWEIGHT:

The Slice frameset is one of the absolute lightest on the planet, and has the best stiffness-to-weight ratio in the industry. Light bikes climb easier and get up to speed faster after the transition.



SLICE HI-MOD SRAM FORCE

Magnesium White (gloss) (WHT)

Frame	Slice Carbon HI-MOD	Crank	SRAM Force BB30, 39/53 TT rings	Brakes	SRAM Force
Fork	Cannondale Slice Aero HI-MOD	Rear Derailleur	SRAM Force	Saddle	Fi'zi:k Arione TR12, Mg rails
Wheelset	Mavic Ksyrium Elite	Shifters	SRAM TT 500	Sizes	51,54,56,58,60cm



SLICE 105

Berzerker Green (gloss) (GRN)

Frame	Slice Carbon	Crank	FSA Gossamer BB30, 38/52	Brakes	Shimano 105
Fork	Cannondale Slice Aero Carbon	Rear Derailleur	Shimano 105	Saddle	Fi'zi:k Arione TR12, Mg rails
Wheelset	Fulcrum Racing 7	Shifters	Shimano Dura Ace bar-end	Sizes	51,54,56,58,60cm



Chrissie Wellington successfully defends her 2008 title at Port McQuarie, Australia. Gareth Christian

SYNAPSE FLAT BAR

1 HIGH-SPEED COMMUTE:

Synapse Flat Bar bikes give riders the speed of a road bike platform with a more upright body position. Refinements to the geometry encourage stable handling and better steering precision.

2 S.A.V.E.:

From Puerta del Sol to the Brandenburg Gate, fitness bikes and fast commuters have never been more comfortable. S.A.V.E. stays absorb road faults and protect riders from the constant jarring that saps energy.

3 MANUFACTURING QUALITY:

Cannondale's trademark double-pass smooth-welded technology virtually eliminates the stress risers possible on machine-welded frames and gives the frames a finished, handcrafted aesthetic.



SYNAPSE FLAT BAR 105

Jet Black (matte) (BBQ)

Frame	Synapse Flat Bar
Fork	Cannondale Synapse S.A.V.E. Ultra
Wheelset	Shimano RS10

Crank	FSA Gossamer MegaExo, 30/39/50
Rear Derailleur	Shimano 105 Long Cage
Shifters	Shimano R770 RapidFire Plus

Brakes	Shimano R650 long reach
Saddle	Cannondale Metro
Sizes	S,M,L,XL



SYNAPSE FLAT BAR TIAGRA

Jet Black (matte) (BBQ)

Frame	Synapse Flat Bar
Fork	Cannondale Synapse S.A.V.E. Ultra
Wheelset	Shimano WHR 500A

Crank	FSA Omega MegaExo, 30/39/50
Rear Derailleur	Shimano Tiagra Long Cage
Shifters	Shimano R440

Brakes	Shimano R450 long reach
Saddle	Cannondale Metro
Sizes	S,M,L,XL

CYCLOCROSS

1 BB30:

The Cannondale-developed BB30 standard brings new levels of efficiency to BB shells and crank sets. The oversized design resists power loss from twisting and allows our engineers to shave weight.

2 PODIUM-READY:

The winningest North American team last year rode CAAD9 'crossers to victory. Spec'd by in-house former racers, these 'cross bikes have competition-ready geometry and are bred for action right out of the box.

3 COMMUTER OR COMPETITOR?

It can do both. Cannondale's 'cross frames are comfortable on the street or on course. The clearance to run fatter tires makes these 'cross bikes capable commuters, too!



CX9 ULTEGRA

Jet Black (matte) (BBQ)

Frame	CAAD9 BB30 Cyclocross	Crank	FSA SL-K Light Carbon BB30, 36/46	Brakes	TRP Eurox Alloy, black
Fork	Easton EC 90 X Full Carbon	Rear Derailleur	Shimano 6700	Saddle	Fi'zi:k Pave CX, Mg rails
Wheelset	Fulcrum Racing 7	Shifters	Shimano 6700	Sizes	47,50,52,54,56,58,60cm



CX9 105

Jet Black (matte) (BBQ)
Race Red (gloss) (RED)

Frame	CAAD9 BB30 Cyclocross	Crank	CAAD9 BB30 Cyclocross	Brakes	Tektro CR720, black
Fork	Cannondale Ultra SI XR	Rear Derailleur	Cannondale Ultra SI XR	Saddle	Fi'zi:k Pave CX Sport
Wheelset	Shimano RS10	Shifters	Shimano RS10	Sizes	47,50,52,54,56,58,60cm



CX9 TIAGRA

Race Red (gloss) (RED)
Jet Black (matte) (BBQ)

Frame	CAAD9 BB30 Cyclocross	Crank	FSA Omega Mega Exo, 36/46	Brakes	Tektro CR520, silver
Fork	Cannondale Ultra SI XR	Rear Derailleur	Shimano Tiagra	Saddle	Fi'zi:k Pave CX Sport
Wheelset	Shimano WHR 500A	Shifters	Shimano Tiagra	Sizes	47,50,52,54,56,58,60cm



En route to the Italian national cyclocross title, Enrico Franzoi of Team Liquigas is crushing it aboard the Cannondale CAAD9 'crosser. Bettini

Muddy legs. Cannondale Factory Racing Team after
Maremma Cup in Massa Marittima, Italy. Chris Milliman

***GET DIRTY WITH
MOUNTAIN. LEA***



***WITH THE BEST.
HAVE THE REST.***

FLASH



FLASH TEAM

Cannondale Factory Racing Team (gloss) (REP)

Frame	Flash HI-MOD S.A.V.E. BB30	Tires	Schwalbe Furious Fred EVO 2.0"	Shifters	SRAM XX MatchMaker
Fork	Lefty Speed Carbon SL	Crank	Cannondale SI Hollowgram SL BB30	Brakes	SRAM XX MatchMaker
Wheelset	DT Swiss XCR 1.2 carbon	Derailleurs (R/F)	SRAM XX / XX	Sizes	S, M, L, X



RIDE TO WIN.

Lighter, stiffer, stronger, faster. Seriously. At 7530 grams, the Flash is a purebred race machine. Combined with the Lefty, it's the most efficient, lightweight hardtail frame on the World Cup scene.

1 ULTRA-EFFICIENT:

For 25 years, Cannondale has been shaping and optimizing tubing to continuously better frame performance. The Flash is no different. A radically shaped seat tube and top tube junction unifies the front triangle, giving this race-ready hardtail the stiffest frame ever.

2 LAYUP WITH PURPOSE:

No bull: Fibers want to be straight. After all, that's when they're lightest and strongest. The Flash's use of continuous-fiber technology allows carbon fiber orientation to run uninterrupted the length of the frame, maximizing torsional stiffness and minimizing weight.

3 SINGLETRACK PERFORMER:

Oversized head tube diameter stiffens the top tube to down tube junction for the best possible steering precision. The ultra-efficient frame and point-and-shoot steering of the Flash make it a natural for technical singletrack.



FLASH HI-MOD 1

Carbon through clearcoat w/ Berzerker Green (gloss) (GRN)

Frame	Flash Hi-MOD S.A.V.E. BB30	Tires	Schwalbe Racing Ralph EVO 2.1"	Shifters	Shimano XTR
Fork	Lefty Speed Carbon SL	Crank	FSA K-Force 386 BB30	Brakes	Avid Elixir CR Mag Carbon
Wheelset	Mavic CrossMax SLR Disc	Derailleurs (R/F)	Shimano XTR / XTR	Sizes	S, M, L, X



FLASH HI-MOD 2

Carbon through clearcoat w/ Berzerker Green (gloss) (GRN)

Frame	Flash Hi-MOD S.A.V.E. BB30	Tires	Schwalbe Racing Ralph EVO 2.1"	Shifters	SRAM X-0 twisters
Fork	Lefty Speed Carbon DLR	Crank	FSA Afterburner BB30 w/carbon spider	Brakes	Avid Elixir CR Carbon
Wheelset	DT Swiss XCR 1.4	Derailleurs (R/F)	SRAM X-0 / Shimano XT	Sizes	S, M, L, X



FLASH CARBON 3

Team Blue (gloss) (BLU)

Race Red (gloss) (RED)

Frame	Flash Carbon S.A.V.E. BB30
Fork	Lefty Speed Carbon DLR
Wheelset	DT Swiss XCR 1.7

Tires	Schwalbe Racing Ralph EVO 2.1"
Crank	FSA Afterburner BB30
Derailleurs (R/F)	Shimano XTR / SLX

Shifters	Shimano XT
Brakes	Avid Elixir R Carbon
Sizes	S, M, L, X



FLASH CARBON 4

Race Red (gloss) (RED)

Team Blue (gloss) (BLU)

Frame	Flash Carbon S.A.V.E. BB30
Fork	RockShox SID Race
Wheelset	DT Swiss XCR 1.7

Tires	Schwalbe Racing Ralph EVO 2.1"
Crank	FSA V-Drive BB30
Derailleurs (R/F)	SRAM X-9 / Shimano SLX

Shifters	SRAM X-9 triggers
Brakes	Avid Elixir 5
Sizes	S, M, L, X



F1

Lightning White (gloss) (WHT)

Frame	Flash S.A.V.E. BB30
Fork	Lefty Speed DLR
Wheelset	DT Swiss XCR 1.7

Tires	Schwalbe Racing Ralph EVO 2.1"
Crank	Truvativ Stylo OCT 3.3
Derailleurs (R/F)	SRAM X-0 / Shimano SLX

Shifters	SRAM X-9 triggers
Brakes	Avid Elixir R Carbon
Sizes	S, M, L, X, J



F2

Race Red (gloss) (RED)

Frame	Flash S.A.V.E. BB30
Fork	HeadShok Super Fatty Ultra DLR80
Wheelset	Mavic XM317 w/Shimano M525

Tires	Hutchinson Toro 2.15" wb
Crank	Shimano SLX
Derailleurs (R/F)	Shimano XT / SLX

Shifters	Shimano XT
Brakes	Avid Elixir R
Sizes	S, M, L, X, J



Jet Black w/ Berzerker Green (gloss) (GRN)



F3

Jet Black w/ Berzerker Green (gloss) (GRN)

Frame	Flash S.A.V.E. BB30
Fork	HeadShok Super Fatty Ultra DL80
Wheelset	Mach1 Sub Zero w/ Shimano M525

Tires	Hutchinson Toro 2.15" wb
Crank	Truvativ FireX 3.3
Derailleurs (R/F)	SRAM X-9 / Shimano SLX

Shifters	SRAM X-7
Brakes	Avid Elixir 5
Sizes	S, M, L, X, J



Team Blue (gloss) (BLU)

HEADSHOK

1 SYSTEM INTEGRATION:

Constrained by industry standards? Never! Cannondale's System Integration philosophy encourages engineers to push product to the next level. We know that you can't ride a frame, a fork, or any individual component: You ride the whole bike. So, when bolt-on off-the-shelf products are not good enough, our engineers set to work on a truly new and innovative design like the Lefty that is lighter, stronger, and out performs everything out there.

2 INVERTED DOUBLE-CLAMP DESIGN:

The head tube sees an amazing amount of stress. Forces come from the trail and get transmitted through the wheel, and forces come via the rider through the handlebar. Because of this, the Lefty's unique inverted structure puts the largest and strongest parts at this highest-stressed area of the fork – at the top and bottom of the head tube – to get optimum fore, aft, and lateral stiffness.

3 88 NEEDLE BEARING TECHNOLOGY:

At the heart of all HeadShok suspension, this single sided telescoping design relies on four strips of stainless steel needle bearings. These bearings are sandwiched between flat inner and outer races to smoothly roll through the fork's travel – instead of sliding like traditional, flexy bushing-equipped forks. The result is the Lefty's stiction-free travel, greater durability, and un-paralleled steering precision.

4 ONE PIECE INTEGRATION (OPI):

At Cannondale "less equals more." By capitalizing on 25 years of metal forming experience, our engineers are able to replace multiple parts with a single forged part. The end result is the elimination of overlapping material and hardware, which creates a lighter system without any loss in stiffness.

5 PBR W/NEW POP TOP PISTON:

Building on the success of the first-generation PBR damper, this latest version maintains the intuitive and easy to reach button-and-dial assembly but combines it with a new, blowoff-equipped platform piston. The new Pop Top piston gives riders a second performance option on the trail: With the Pop Top mode engaged, the rider will feel a firm threshold which offers greater efficiency on climbs and smoother trails.

Innovator, adventurer, gentleman: Cannondale's Doug Dalton puts a new Lefty to the test near Park City, Utah. Doug Dalton

HEADSHOK

LEFTY MAX

All-mountain forks at XC fork weights.

- 140 mm
- Featured on RZ One Forty
- On/Off platform button on PBR models controls new blowoff piston
- Solo Air spring system is light and makes set-up easy on all PBR models
- FOX RLC is full featured and coil sprung to tackle any terrain
- All-mountain specific clamps and carbon layup for outer tube give added stiffness and steering precision



LEFTY MAX

CARBON W/PBR

CARBON W/FOX RLC

W/PBR

2.83 lbs./1284 g

3.41 lbs./ 1545 g

3.08 lbs./ 1395 g

LEFTY ULTRA

The Lefty Ultra has perfect balance of light weight and performance for Marathon and 24-hour riders.

- 120 mm
- Featured on RZ One Twenty
- On/Off platform button on PBR models controls new blowoff piston
- Solo Air spring system is light and makes set-up easy
- OPI technology on alloy outer and spindle saves weight without sacrificing steering precision



LEFTY ULTRA

W/PBR

3.08 lbs. / 1395 g

LEFTY SPEED

A no-compromises race fork. Our competition sacrifices stiffness and performance to save weight, but the Speed has it all.

- 110 mm
- Featured on Scalpel, Flash
- DLR damper is race proven to be fast and reliable
- Solo Air spring system is light and makes set-up easy on all models
- Carbon SL model optimizes carbon leg and clamps to save weight
- OPI technology on alloy outer and spindle saves up to 180 grams over 09 versions



LEFTY SPEED

CARBON SL W/DLR

CARBON W/DLR

W/DLR

2.56 lbs. / 1159 g

2.92 lbs. / 1325 g

3.01 lbs. / 1365 g

SUPER FATTY

The original HeadShok design still is stiffer and lighter than other 80mm forks on the market.

- 80 mm of travel
- Featured on Flash, Trail SL
- DLR damper air spring is ultra light
- Unparalleled steering precision with the Fatty blades
- On/Off lockout lever w/integrated rebound knob on DLR forks is easy-to-actuate



SUPER FATTY

W/DLR

W/DL

2.85 lbs. / 1290 g

2.85 lbs. / 1290 g

SCALPEL

1 LIGHTEN THE LOAD:

The new magnesium link ensures the same great performance from the Zero Pivot suspension system on the Scalpel, AND lightens total frame weight by 30 grams!

2 ULTRA-EFFICIENT:

New for 2010, the Hi-MOD layup of the Scalpel Team bike optimizes lateral and torsional stiffness while shaving an astounding 100 grams from the frame weight. The winningest frame on the World Cup circuit continues to get better.

3 LATERALLY STIFF:

The seat stay bridge has been redesigned for improved lateral stiffness. More power now transfers directly to the rear wheel for better climbs, improved rear wheel tracking, and sprint-winning finishes at UCI races.



SCALPEL TEAM

Cannondale Factory Racing Team (gloss) (REP)

Frame Scalpel Hi-Mod Zero Pivot BB30

Tires Schwalbe Furious Fred EVO 2.0"

Shifters SRAM XX MatchMaker

Suspension (R/F) RockShox Monarch 4.2 / Lefty Speed Carbon SL

Crank Cannondale SI Hollowgram SL BB30

Brakes SRAM XX MatchMaker

Wheelset Mavic CrossMax SLR Disc

Derailleurs (R/F) SRAM XX / XX

Sizes S, M, L, X



Cannondale Factory Racing rider Martin Gujan chases teammate Marco Aurelio Fontana on a Scalpel at the 2009 Offenburg World Cup, Germany. Armin Küstenbrück



SCALPEL HI-MOD 1

Jet Black w/ Berzerker Green (gloss) (GRN)

Frame	Scalpel Hi-MOD Zero Pivot BB30	Tires	Schwalbe Racing Ralph EVO 2.1"	Shifters	Shimano XTR
Suspension (R/F)	Fox RPL / Lefty Speed Carbon SL	Crank	FSA Afterburner BB30 w/carbon spider	Brakes	Avid Elixir R Carbon
Wheelset	DT Swiss XCR 1.4	Derailleurs (R/F)	Shimano XTR / XT	Sizes	S, M, L, X



SCALPEL HI-MOD 2

Jet Black w/ Berzerker Green (gloss) (GRN)

Frame	Scalpel Hi-MOD Zero Pivot BB30	Tires	Schwalbe Racing Ralph EVO 2.1"	Shifters	SRAM X-9 triggers
Suspension (R/F)	Fox RPL / Lefty Speed Carbon DLR	Crank	FSA Afterburner BB30	Brakes	Avid Elixir R Carbon
Wheelset	DT Swiss XCR 1.7	Derailleurs (R/F)	SRAM X-0 / Shimano SLX	Sizes	S, M, L, X



SCALPEL 3

Race Red (gloss) (RED)

Frame	Scalpel Zero Pivot BB30	Tires	Schwalbe Racing Ralph EVO 2.1"	Shifters	Shimano XT
Suspension (R/F)	Fox RPL / Lefty Speed DLR	Crank	FSA Afterburner BB30	Brakes	Avid Elixir R
Wheelset	DT Swiss XCR 1.7	Derailleurs (R/F)	Shimano XT / XT	Sizes	S, M, L, X



Jet Black w/ Berzerker Green (gloss) (GRN)

TRAIL SL

1 MANUFACTURING QUALITY:

Cannondale's trademark double-pass smooth-welded technology virtually eliminates the stress risers possible on machine-welded frames and gives the frames a finished, handcrafted aesthetic.

2 DOUBLE-BUTTED:

We know alloy frame manufacturing better than anyone else. After all, we've been at it longer than anyone else. That's why the Trail SL uses double-butteted tubing for an increase in frame strength and stiffness with no weight penalty.

3 STEER STRAIGHT:

The Trail uses the OnePointFive Standard head tube. The oversized design is part of our belief in System Integration, which simultaneously lightens and stiffens the frame. Stiffer frames steer better.



Lightning White (gloss) (WHT)



TRAIL SL 1

Jet Black (matte) (BBQ)

Frame	Trail SL S.A.V.E.	Tires	Hutchinson Toro 2.15" wb	Shifters	Shimano SLX
Fork	HeadShok Super Fatty Ultra DL80	Crank	Shimano Deore	Brakes	Avid Elixir 5
Wheelset	Mach1 Sub Zero w/ Shimano MS25	Derailleurs (R/F)	Shimano XT / Deore	Sizes	S, M, L, X, J



Kyle Rudell,
keeping it safe
on campus.
San Diego,
California.
John Segesta



TRAIL SL 2

Lightning White (gloss) (WHT)

Jet Black (matte) (BBQ)

Frame	Trail SL S.A.V.E.	Tires	Hutchinson Iguana 2.0" wb	Shifters	Shimano SLX
Fork	RST Deuce Air 1.5"	Crank	Shimano Deore	Brakes	Shimano M486
Wheelset	Maddux DC 3.0 w/ Shimano M525	Derailleurs (R/F)	Shimano XT / Deore	Sizes	S, M, L, X, J



TRAIL SL 3

Jet Black (gloss) (BLK)

Race Red (gloss) (RED)

Frame	Trail SL S.A.V.E.
Fork	RST Deuce Air 1.5"
Wheelset	Maddux DC 3.0 w/ Shimano M475

Tires	Hutchinson Iguana 2.0" wb
Crank	Shimano M442 Octalink
Derailleurs (R/F)	Shimano SLX / Deore

Shifters	Shimano Deore
Brakes	Shimano M486
Sizes	S, M, L, X, J



TRAIL SL 4

Race Red (gloss) (RED)

Jet Black (gloss) (BLK)

Frame	Trail SL S.A.V.E.
Fork	RST First Coil
Wheelset	Maddux DC 3.0 w/ Shimano M475

Tires	Hutchinson Iguana 2.0" wb
Crank	Shimano M442 Octalink
Derailleurs (R/F)	Shimano Deore / Deave

Shifters	Shimano Deore
Brakes	Tektro Auriga Comp
Sizes	S, M, L, X, J



TRAIL SL 5

Lightning White (gloss) (WHT)

Race Red (gloss) (RED)

Frame	Trail SL S.A.V.E.	Tires	Hutchinson Iguana 2.0" wb	Shifters	Shimano Deore
Fork	RST Omega TnL	Crank	Truvativ Five D 3.1	Brakes	Tektro IO
Wheelset	Maddux DC 3.0 w/ Formula DC	Derailleurs (R/F)	Shimano Deore / Deore	Sizes	S, M, L, X, J



TRAIL SL 6

Lightning White (gloss) (WHT)

Race Red (gloss) (RED)

Frame	Trail SL S.A.V.E.	Tires	Hutchinson Iguana 2.0" wb	Shifters	Shimano Alivio
Fork	RST Gila Pro TnL	Crank	Suntour XCT V2	Brakes	Tektro IO
Wheelset	Maddux DC 3.0 w/ Formula DC	Derailleurs (R/F)	Shimano Alivio / Altus	Sizes	S, M, L, X, J

RUSH

1 ULTRA-EFFICIENT:

The Hi-MOD layup and distinctive, purposeful tube shapes of the Rush's main triangle optimizes lateral and torsional stiffness while shaving frame weight. The Rush is the 110mm choice for long-distance riders.

2 PEDALING EFFICIENCY:

No other bottom bracket offers the power transfer of the Cannondale-developed BB30. Whether riders want to cross the Alps or just get across town, Cannondale's oversize bottom bracket maximizes performance.

3 SINGLE-PIVOT IS BETTER:

For long-distance riders looking for excellent suspension response and lower maintenance requirements, Cannondale's use of a single-pivot design makes sense. Marathon riders don't need to worry about link flex or losing energy to an inefficient suspension set-up.



RUSH HI-MOD 1

Race Red (gloss) (RED)

Frame	Rush Carbon Hi-MOD BB30	Tires	Schwalbe Rocket Ron EVO 2.25"	Shifters	Shimano SLX
Suspension (R/F)	Fox RP23 / Fox 32 Float RL FIT 1.5"	Crank	FSA Afterburner BB30	Brakes	Avid Elixir R
Wheelset	Mavic CrossRide	Derailleurs (R/F)	Shimano XT / SLX	Sizes	S, M, L, X



RUSH HI-MOD 2

Race Red (gloss) (RED)

Frame	Rush Carbon Hi-MOD BB30	Tires	Schwalbe Rocket Ron Performance 2.25"	Shifters	SRAM X-7
Suspension (R/F)	Fox RP2 / Fox 32 Flo at RL open bath 1.5"	Crank	FSA V-Drive BB30	Brakes	Avid Elixir 5
Wheelset	Mavic XM317 w/ Shimano M525	Derailleurs (R/F)	SRAM X-9 / Shimano SLX	Sizes	S, M, L, X

RZ ONE TWENTY



RZ ONE TWENTY 1

Jet Black (gloss) (BLK)

Frame	RZ One Twenty BB30	Tires	Schwalbe Rocket Ron EVO 2.25"	Shifters	SRAM X-9 triggers
Suspension (R/F)	Fox RP23 Boost Valve / Lefty Ultra PBR	Crank	FSA Afterburner BB30	Brakes	Avid Elixir R
Wheelset	DT Swiss XCR 1.7	Derailleurs (R/F)	SRAM X-0 / Shimano SLX	Sizes	S, M, L, X



THE ENDURANCE MASTER.

As an improved, shorter-travel version of the much-heralded RZ One Forty, the One Twenty is ideal for ultra-endurance riders. Rising-rate suspension, excellent rear wheel tracking and light weight make the One Twenty a perfect choice for the trail.

1 BACKBONE:

Borrowed from the RZ One Forty, the one-piece seat tube, BB shell and lower pivot housing on the RZ One Twenty are three-dimensionally forged for the ultimate in strength. No welds. No weak points.

2 THE DETAILS:

Sometimes small things matter most on a ride. Like the fact that the smallest size of the RZ One Twenty still can fit a water bottle in the main frame. No more reaching under the down tube in hairy conditions. Small details matter.

3 IMPROVED STANDOVER:

Using size-appropriate links lowers standover clearance on smaller sizes – ideal for female and short-statured riders. It also boosts maneuverability in tight technical terrain for unmatched trail performance.



RZ ONE TWENTY 2

Lightning White (gloss) (WHT)

Jet Black (matte) (BBQ)

Frame	RZ One Twenty BB30
Suspension (R/F)	Fox RP2 / Fox 32 Float RL open bath 1.5"
Wheelset	Mavic CrossRide

Tires	Schwalbe Rocket Ron Performance 2.25"
Crank	Shimano SLX
Derailleurs (R/F)	Shimano XT / Deore

Shifters	Shimano SLX
Brakes	Avid Elixir 5
Sizes	S, M, L, X



RZ ONE TWENTY 3

Jet Black (matte) (BBQ)

Lightning White (gloss) (WHT)

Frame	RZ One Twenty BB30
Suspension (R/F)	RockShox Monarch 3.3 / Recon Race SA 1.5"
Wheelset	Mavic XM317 w/ Shimano M525

Tires	Schwalbe Rocket Ron Performance 2.25"
Crank	FSA V-Drive BB30
Derailleurs (R/F)	SRAM X-9 / Shimano Deore

Shifters	SRAM X-7
Brakes	Avid Juicy 3S
Sizes	S, M, L, X

Maritime fun. Leana Gerrard & Jerome Clementz
 enjoy Theoule Sur Mer, France. Razor Image



RZ ONE TWENTY 4

Lightning White (gloss) (WHT)

Jet Black (matte) (BBQ)

Frame	RZ One Twenty BB30
Suspension (R/F)	RockShox Monarch 3.1 / Recon SL Coil 1.5"
Wheelset	Mach1 Sub Zero w/ Shimano M525

Tires	Hutchinson Toro 2.15" wb
Crank	Shimano M521
Derailleurs (R/F)	Shimano XT / Deore

Shifters	Shimano Deore
Brakes	Avid Juicy 3S
Sizes	S, M, L, X

RZ ONE FORTY



RZ ONE FORTY CARBON 1

Jet Black (gloss) (BLK)

Frame	RZ One Forty Carbon BB30	Tires	Schwalbe Nobby Nic Evo 2.25"	Shifters	SRAM X-0 triggers
Suspension (R/F)	RockShox Monarch 4.2 / Lefty Max Carbon PBR	Crank	Cannondale SI Hollowgram SL BB30	Brakes	Avid Elixir CR Mag Carbon
Wheelset	DT Swiss XCR 1.2	Derailleurs (R/F)	SRAM X-0 / Shimano XTR	Sizes	S, M, L, X



ONE BIKE TO RULE THEM ALL.
Whether built into a flyweight all-mountain ride or a fast-and-furious 4X racing rig, the RZ One Forty wins over riders – even justifiably picky bike journalists who’ve heaped praise upon the RZ One Forty since its release.

1 BACKBONE:

The RZ One Forty introduced new metal forming technology to the industry. The one-piece seat tube, BB shell and lower pivot housing are three-dimensionally forged for the ultimate in strength and better power transfer. No welds. No weak points.

2 PEDALING EFFICIENCY:

Easy climbing on a bike with 140mm of suspension? They said it couldn’t be done. But that was before the RZ One Forty! Perfect power transfer is achieved via the BB30 and the ISCG tabs on select models (for the innovative HammerSchmidt™ system), to make molehills out of mountains.

3 EXCELLENT TRACKING:

Nobody likes riding flexy bikes with a wandering rear wheel. That’s why the swingarm on the RZ One Forty uses an oversized bridge that maximizes torsional stiffness for better control. Asymmetric chain stays also transfer pedaling forces for the ultimate power output.



RZ ONE FORTY CARBON 2

Lightning White (gloss) (WHT)

Race Red (gloss) (RED)

Frame	RZ One Forty Carbon BB30
Suspension (R/F)	Fox RP23 Boost Valve / Lefty Max Carbon RLC
Wheelset	Mavic CrossMax ST

Tires	Schwalbe Nobby Nic EVO 2.25" UST
Crank	Cannondale SI Carbon BB30
Derailleurs (R/F)	Shimano XTR / XTR

Shifters	Shimano XTR
Brakes	Avid Elixir CR Carbon
Sizes	S, M, L, X



RZ ONE FORTY CARBON 3

Race Red (gloss) (RED)

Lightning White (gloss) (WHT)

Frame	RZ One Forty Carbon BB30
Suspension (R/F)	RockShox Monarch 3.3 / Lefty Max PBR
Wheelset	DT Swiss XCR 1.4

Tires	Schwalbe Nobby Nic EVO 2.25"
Crank	FSA Afterburner BB30 w/carbon spider
Derailleurs (R/F)	SRAM X-0 / Shimano XTR

Shifters	SRAM X-0 triggers
Brakes	Avid Elixir CR
Sizes	S, M, L, X

Mountain biking in the Mediterranean: Richard Delaunay in Esterel, France. Jerome Picard



RZ ONE FORTY CARBON 4

Lightning White (gloss) (WHT)

Race Red (gloss) (RED)

Frame	RZ One Forty Carbon BB30
Suspension (R/F)	Fox RP2 / Fox 32 Talas RL o/b thru15 1.5"
Wheelset	DT Swiss X 430 w/ DT Swiss 370

Tires	Schwalbe Nobby Nic EVO 2.25"
Crank	Shimano SLX
Derailleurs (R/F)	Shimano XT / SLX

Shifters	Shimano SLX
Brakes	Avid Elixir R
Sizes	S, M, L, X



RZ ONE FORTY 5

Lightning White (gloss) (WHT)

Jet Black (matte) (BBQ)

Frame	RZ One Forty BB30 w/ carbon seatstays	Tires	Schwalbe Nobby Nic EVO 2.25"	Shifters	Shimano SLX
Suspension (R/F)	RockShox Monarch 3.3 / Lefty Max PBR	Crank	Shimano SLX	Brakes	Avid Elixir R
Wheelset	Mavic XM317 w/ DT Swiss 370 & Lefty	Derailleurs (R/F)	Shimano XT / SLX	Sizes	S, M, L, X



RZ ONE FORTY 6

Jet Black (matte) (BBQ)

Lightning White (gloss) (WHT)

Frame	RZ One Forty BB30 w/ carbon seatstays	Tires	Schwalbe Nobby Nic EVO 2.25"	Shifters	Shimano SLX
Suspension (R/F)	Fox RP2 / Fox 32 Float RL FIT thru15 1.5"	Crank	Shimano SLX	Brakes	Avid Elixir R
Wheelset	Mavic XM317 w/ DT Swiss 370	Derailleurs (R/F)	Shimano XT / SLX	Sizes	S, M, L, X



RZ ONE FORTY 7

Jet Black (matte) (BBQ)

Lightning White (gloss) (WHT)

Frame	RZ One Forty BB30 w/ carbon seatstays
Suspension (R/F)	RockShox Monarch 3.1 / Revelation SL DA thru20
Wheelset	Mach1 Sub Zero w/ Shimano M525 & Formula

Tires	Schwalbe Nobby Nic Performance 2.25"
Crank	Truvativ FireX 3.3
Derailleurs (R/F)	SRAM X-9 / Shimano Deore

Shifters	SRAM X-7
Brakes	Avid Elixir 5
Sizes	S, M, L, X



RZ ONE FORTY X

Galvanized (gloss) (GZD)

Frame	RZ One Forty BB30 w/ ISCG
Suspension (R/F)	Fox RP2 / Fox 32 Van RL a/b thru15.1.5"
Wheelset	Mach1 2.30 w/ Shimano M525 & Formula

Tires	Schwalbe Nobby Nic EVO 2.25" / 2.4"
Crank	Truvativ FireX 2.2
Derailleurs (R/F)	SRAM X-9 / Shimano SLX

Shifters	SRAM X-7
Brakes	Avid Elixir R
Sizes	S, M, L, X

MOTO

1 UPDATED LINKS:

New suspension links hone suspension response and lower the BB shell for better handling in tight technical terrain. Tackle all the trails on the best-performing long-travel bike available today.

2 HATCHET DRIVE:

The design re-oriens shock forces in two directions for better force dispersion and, because it actuates from two directions, it breaks seal stiction faster for premium suspension performance.

3 STAGED TRAVEL:

The pivot location and link design creates a slightly regressive curve that provides an added climbing platform at the beginning of travel. The curve flattens in the middle, and at speed it provides a linear feel for pedaling performance that beats other all-mountain options.



Berzerker Green (gloss) (GRN)



MOTO CARBON 1

Carbon through clearcoat (gloss) w/ Jet Black (matte) (BLK)

Frame	Moto Carbon w/ new geometry	Tires	Schwalbe Nobby Nic EVO 2.4"	Shifters	SRAM X-9 triggers
Suspension (R/F)	Fox DHX Air 5.0 / Fox 36 Talas RC2 1.5"	Crank	Shimano XTR	Brakes	Magura Louise BAT Carbon
Wheelset	Mavic CrossMax ST	Derailleurs (R/F)	SRAM X-0 / XT	Sizes	S, M, L, X



MOTO CARBON 2

Berker Green (gloss) (GRN)

Carbon through clearcoat (gloss) w/ Jet Black (matte) (BLK)

Frame	Moto Carbon w/ new geometry
Suspension (R/F)	Fox DHX Air 4.0 / Fox 36 Float R o/b 1.5"
Wheelset	DT Swiss X 430 w/ Sun Ringle Jumping Flea

Tires	Schwalbe Nobby Nic EVO 2.4"
Crank	Truvativ Stylo OCT 3.3
Derailleurs (R/F)	Shimano XT / Deore

Shifters	Shimano SLX
Brakes	Magura Louise BAT
Sizes	S, M, L, X



MOTO 3

Galvanized (gloss) (GZD)

Frame	Moto w/ new geometry & ISCG
Suspension (R/F)	RockShox Monarch 4.2 / Lyric IS 2-step Air 1.5"
Wheelset	Mach1 2.30 / Formula DHL

Tires	Schwalbe Fat Albert Performance 2.4"
Crank	Truvativ Hammerschmidt AM
Derailleurs (R/F)	SRAM X-9 / none

Shifters	SRAM X-9 triggers
Brakes	Magura Louise BAT
Sizes	S, M, L, X



MOTO 4

Galvanized (gloss) (GZD)

Frame	Moto w/ new geometry & ISCG
Suspension (R/F)	RockShox Monarch 3.1 / Lyric DFR Coil UT 1.5"
Wheelset	Mach1 2.30 / Formula DHL

Tires	Schwalbe Fat Albert Performance 2.4"
Crank	Shimano SLX
Derailleurs (R/F)	Shimano SLX / Deore

Shifters	Shimano SLX
Brakes	Magura Louise
Sizes	S, M, L, X



***RECREATION &
URBAN
FOR FITNESS, FU***



UN, AND TRAVEL.

BAD BOY

1 CAFÉ RACER:

The bike that started the matte black revolution is now even more coffee house avant garde. The 2010 Stealth shaped Bad Boy brings industrial design in the world of bicycles to a whole new level with aluminium tube shaping found nowhere else than in The Cannondale design language. No wonder the Bad Boy has won the most sought after design award in the industry.

2 THE ORIGINAL BLACK BIKE:

A decade ago, Cannondale mechanics and product managers developed a bike that could swap disc-equipped 26-inch wheels with 700c wheels. Originally, it was a race-one-day, train-the-next-day bike for our XC racers. Then we painted it matte black and sold it to the masses. Since then, black bikes have become de rigeur.

3 CANNONDALE FATTY SI FORKS:

Cannondale specific SI forks in different versions as Rigid, HeadShok or Solo make these bikes unique. Leight weight with 1.290 gr. for the Headshok fork.



BAD BOY V-BRAKE 26"

Jet Black/Black Reflective Decals (BBQ)

Frame	Bad Boy SI classic	Tires	Schwalbe Kojak Bad Boy Edition 559 x 50	Shifters	Shimano SL-M360
Fork	Cannondale Fatty SI	Crank	FSA Alphasdrive alloy rings black 48/36/26	Brakes	Tektro 855-V-Brake
Wheels	C3 rim/Formula/RM30	Rear Derailleur	Shimano Alivio	Sizes	S,M,L,X



Cannondale's Dean Cirone duking it out with cabbies and touristas, Times Square, NYC. Kathy Ceconi



BAD BOY DISC 26"

Jet Black/Black Reflective Decals (BBQ)

Frame	Bad Boy SL classic	Tires	Schwalbe Kojak Bad Boy Edition 559 x 35	Shifters	Shimano Deore new
Fork	Cannondale Fatty SL	Crank	FSA Alphasdrive alloy rings black 48/36/26	Brakes	Auriga Sub - black rotors
Wheels	C2 rim/DC20/Deore	Rear Derailleur	Shimano Deore new	Sizes	S,M,L,X



BAD BOY 700

Jet Black/Black Reflective Decals (BBQ)

Frame	Bad Boy Stealth SL	Tires	Schwalbe Kojak Bad Boy Edition 622 x 28	Shifters	Shimano SL-R440
Fork	Cannondale Fatty SL	Crank	FSA Gossamer Pro 46/36	Brakes	Auriga Sub - black rotors
Wheels	C2 rim/Deore/Deore black	Rear Derailleur	Shimano SLX	Sizes	S,M,L,X



BAD BOY ULTRA SOLO 26"

Jet Black/Black Reflective Decals (BBQ)

Frame	Bad Boy SI Stealth HeadShok
Fork	Cannondale Fatty SI Solo Ultra
Wheels	C2 rim/Lefty/XT

Tires	Schwalbe Kojak Bad Boy Edition 559 x 35
Crank	FSA Gossamer Pro 46/36
Rear Derailleur	Shimano SLX

Shifters	Shimano SL-R440
Brakes	Auriga Sub - black rotors
Sizes	S,M,L,X



BAD BOY ULTRA 700C

Jet Black/Black Reflective Decals (BBQ)

Frame	Bad Boy SI Stealth HeadShok
Fork	Cannondale Fatty SI Ultra
Wheels	C2 rim/Deore/XT

Tires	Schwalbe Kojak Bad Boy Edition 622 x 28
Crank	FSA Gossamer Pro 46/36
Rear Derailleur	Shimano SLX

Shifters	Shimano SL-R440
Brakes	Auriga Sub - black rotors
Sizes	S,M,L,X



BAD BOY SOLO 3-SPEED

Jet Black/Black Reflective Decals (BBQ)

Frame	Bad Boy SI Stealth
Fork	SI Fatty Solo
Wheels	C2 rim/Lefty/Sram 3-Speed

Tires	Schwalbe Kojak Bad Boy Edition 622 x 28
Crank	Single Speed CNC chainring 1/2" x 1/8"
Rear Derailleur	Sram I-Motion 3-Speed Disc black

Shifters	Sram Twister
Brakes	Auriga Sub - black rotors
Sizes	S,M,L,X



BAD BOY 8

Jet Black/Black Reflective Decals (BBQ)

Frame	Bad Boy SI Stealth	Tires	Schwalbe Kojak Bad Boy Edition 622 x 28	Shifters	Shimano Alfine
Fork	SI Fatty Solo	Crank	Truvativ Firex 1.1. 42T	Brakes	Auriga Sub - black rotors
Wheels	C2 rim/Lefty/Alfine	Rear Derailleur	Shimano Alfine 8-speed	Sizes	S,M,L,X



BAD BOY 8 ULTRA

Jet Black/Black Reflective Decals (BBQ)

Frame	Bad Boy SI Stealth HeadShok	Tires	Schwalbe Kojak Bad Boy Edition 622 x 28	Shifters	Shimano Alfine
Fork	Cannondale Fatty SI Ultra	Crank	Truvativ Firex 1.1. 42T	Brakes	Auriga Sub - black rotors
Wheels	C2 rim/XI/Rohloff	Rear Derailleur	Shimano Alfine 8-speed	Sizes	S,M,L,X



BAD BOY ROHLOFF

Jet Black/Black Reflective Decals (BBQ)

Frame	Bad Boy SI classic HeadShok Rohloff	Tires	Schwalbe Kojak Bad Boy Edition 622 x 28	Shifters	Rohloff Twister
Fork	Cannondale Fatty SI Ultra	Crank	Truvativ Shylo 1.1 42T	Brakes	Auriga Sub - black rotors
Wheels	C2 rim/Deore/Alfine	Rear Derailleur	Rohloff Speedhub	Sizes	S,M,L,X

1 LEGIT:

Impress all your hardcore bike friends: With track wheels and choice of drops or a flat bar, the 2010 Capo is a modern day iteration of the famous CAAD 5 Road Frame used in the Tour de France from our Saeco Team and Mario Chippolini. Race it in the local keirin or against the city's fleet of cabbies.

2 SIMPLICITY:

Riding a one-speed bike – whether it's fixed or freewheel – is a commentary on simplicity. It's the embrace of austerity and wholesale rejection of complexity. All of which makes Cannondale's pure alloy craftsmanship and powerfully raw tube shapes the perfect ride for the Luddites among us.

3 USA ENGINEERED:

Cannondale's engineers design each tube shape to maximize performance. On the PowerPyramid, the tube wall is thicker at the head tube junction for impact resistance, while the oversized, thinner wall diameter at the BB shell resists torsional flex.



CAPO

Ball Burnished Silver/Black decals (BBS)

Frame	CAAD5 Track USA handmade	Tires	Schwalbe Lugano 622 x 23	Shifters	N/A
Fork	Cannondale Fatty SI Track	Crank	Single Speed CNC chainring 1/2" x 1/8" black	Brakes	Cannondale R520
Wheels	C3 rim/Formula track/Flip/Flop	Rear Derailleur	Single Speed	Sizes	52, 54, 56, 58, 60cm

HOOLIGAN

1 DELTA V:

One of the strongest frame designs on the market, Cannondale's venerable Delta V frame has been resurrected for use on the Hooligan. It's ready for anything – from shenanigans on the front steps of city hall, to long commutes on pothole-filled streets.

2 PLAY BIKE POTENTIAL:

The best 'play' bike on the market is the Hooligan. It's nimble, fast and fun. But it's loaded with enough performance that riders won't suffer when they join their families on long Sunday rides along the rail trail. The adjustable stem allows riders to fine tune their fit.

3 URBAN SOLUTION:

Small wheels might just be the ultimate solution for urban environments. The 20-inch wheels are incredibly nimble to better deal with dodgy traffic, but they also reduce the overall wheelbase – which makes the Hooligan more convenient to carry up to second-story duplexes.



HOOLIGAN 3

Pearl White/Red Decals (WHT)

Frame	Hooligan SI lite
Fork	Cannondale Fatty SI Solo
Wheels	DC3.0 rim/Lefty/Sram 3-speed

Tires	Schwalbe Kojak 406 x 35
Crank	FSA Vero single speed 46T double bashguard red ano
Rear Derailleur	Sram I-Motion 3-speed Disc black

Shifters	Sram Twister
Brakes	Avid BB5 Disc Brake
Sizes	One Size



Cannondale

SERIE
SERIA
Smalli

CANNONDALE
RORY MASON

On the loose in Italy:
Cannondale's Rory Mason
modified a Hooligan and decked
it out in Liquigas decals to suit
his purposes. Smithpics

QUICK CX

1 ALL-WEATHER COMMUTER:

With an Urban specific frame design, Cannondale Fatty fork and fast roiling, yet grippy 700c tires, the Quick CX is a dream bike on the street and in the wilderness. The flat bars give an upright seating position for dodging urban traffic and the geometry is designed for Optimal cross countryside performance.

2 GO EVERYWHERE IN STYLE:

Even people who haven't thought about bikes in years are drawn to the Quick CX: Thoughtful spec, anodized bits, and the practicality of nimble 700c wheels with front suspension, rack and fender eyelets and internal cable routing make it an go-anywhere choice.

3 COMPLETE INTEGRATION:

Cannondale's history of System Integration makes bikes lighter and improves performance. For example, HeadShok Fatty forks give 80mm of air-sprung travel at 1290 grams – and have the best stiffness-to-weight ratio in the industry. The stiction-free performance ensures you'll roll along in comfort! SI Drop-outs with integrated disc-mount.



QUICK CX

Alloy Brushed/Black Decals (RAW)

Frame	Quick CX SI	Tires	Schwalbe CX Comp Cannondale edition 622 x 35	Shifters	Shimano SL-M360
Fork	Cannondale Fatty SI dual brake	Crank	FSA Alphasdrive alloy rings black 48/36/26	Brakes	Tektro 855 -V-Brake
Wheels	TC05 rim/Formula/RM30	Rear Derailleur	Shimano Alivio	Sizes	Men 48, 52, 56, 60cm



QUICK CX 700

Dark Grey/Silver Decals

Frame	Quick CX SI	Tires	Schwalbe CX Comp Cannondale edition 622 x 35	Shifters	Shimano SL-R440
Fork	Cannondale Fatty SI dual brake	Crank	FSA Gossamer Pro 46/36	Brakes	Cannondale TKB18 V-brake
Wheels	TC05 rim/Deore/Deore	Rear Derailleur	Shimano SLX	Sizes	Men 48, 52, 56, 60cm



QUICK CX ULTRA – QUICK CX ULTRA MIXTE



Black/Dark Silver Grey Decals (BLK)

Frame	Quick CX SI HeadShok	Tires	Schwalbe CX Comp Cannondale edition 622 x 35	Shifters	Shimano SL-R440
Fork	Cannondale Fatty SI Ultra	Crank	FSA Gossamer Pro 46/36	Brakes	Auriga Sub disc brake
Wheels	DC03 rim/Deore/Deore	Rear Derailleur	Shimano XT	Sizes	Men 48, 52, 56, 60cm; Mixte 48, 53, 55cm



QUICK CX 8 – QUICK CX 8 MIXTE



Dark Grey Metallic/Black Decals (GRY)

Frame	Quick CX SI	Tires	Schwalbe CX Comp Cannondale edition 622 x 35	Shifters	Shimano Nexus SL8-S20
Fork	Cannondale Fatty SI dual brake	Crank	Truvative FivED 1.0	Brakes	Avid Single Digit 5
Wheels	TC05 rim/Deore/Nexus 8	Rear Derailleur	Shimano Nexus Inter-8	Sizes	Men 48, 52, 56, 60cm; Mixte 48, 53, 55cm

QUICK CARBON

1 PERFORMANCE:

At EUROBIKE 2009, spectators' jaws dropped when they saw the Stealth Concept bike. The 2010 Quick Carbon brings the industrial design of that concept bike to the street, it includes performance-oriented System Integration like BB30, boasts comfort features like S.A.V.E. and has the utility features of Urban bikes – such as eyelets for rack and fenders.

2 S.A.V.E.:

Borrowed from the Synapse for the Quick, the Active Vibration Elimination gives compliance in the stays for rider comfort, but retains lateral stiffness for no power loss or pedaling inefficiency. From Navy Pier to Nashville, commuters and fitness riders alike can enjoy the comfort of S.A.V.E. stays.

3 PEDALING EFFICIENCY:

Cross bikes should have performance features, too. The Cannondale-developed BB30 shell on the Quick delivers superb power transfer and allows riders to use the Hollowgram – the lightest crank set on the market.



QUICK ULTIMATE

Carbon/Silver decals (CRB)

Frame	Quick Full Carbon SI	Tires	Schwalbe Racing Ralph foldable 622 x 35	Shifters	Shimano SL-R440
Fork	Cannondale Quick Full Carbon SI	Crank	FSA SLK light 50/34 Carbon	Brakes	Cannondale TRP CX09 V-Brake
Wheels	DT Swiss R1900	Rear Derailleur	Shimano XTR Carbon	Sizes	Men 46, 51, 57 cm



Peter Bradshaw and his Quick: part of the pedestrian traffic near Boston Harbor. Chris Milliman

TESORO

1 PRACTICAL & SPORTY:

Think of it as a flat-bar tourer. Or commuter. Or whatever you want it to be. It is bicycling's equivalent to the estate car – all-weather, a little sporty, and very functional. It is an all-conditions choice with Urban styling and Cannondale's System Integration.

2 S.A.V.E.:

Borrowed from the Synapse, the Active Vibration Elimination gives compliance in the stays for rider comfort, but retains lateral stiffness for no power loss or pedaling inefficiencies.

3 AN EVERYDAY RIDE:

A choice for everyday, go-anywhere cyclists, the Tesoro line is spec'ed with all the necessities you need: Lights, rack, fenders and lock. The frame even uses internally housed cables for the clean, maintenance-free look that you will appreciate on every ride, every day, every week.



TESORO 700 – TESORO 700 MIXTE

Black Tint Clear/Silver Decals (BTC)

Frame	Tesoro SI	Tires	Schwalbe Supreme 622 x 37	Shifters	Shimano Alivio
Fork	Cannondale Fatty SI dual brake	Crank	Truvativ FiveD 48/36/26	Brakes	Avid Single Digit 3 black
Wheels	TC05 rim/DH2-N35/Deore	Rear Derailleur	Shimano Alivio	Sizes	Men 48, 52, 56, 60cm; Mixte 48, 53, 55cm



Alloy Brushed/Dark Grey Decals (RAW)

TESORO LIGHT – TESORO LIGHT MIXTE

Frame	Tesoro SL	Tires	Schwalbe Supreme 622 x 37	Shifters	Shimano Deore
Fork	Cannondale Fatty SL dual brake	Crank	Shimano FC-M521	Brakes	Avid Single Digit 5 black
Wheels	TC05 rim/Deore/Deore	Rear Derailleur	Shimano SLX	Sizes	Men 48, 52, 56, 60cm; Mixte 48, 53, 55cm



Jet Black/Silver Decals (BBQ)

TESORO ULTRA – TESORO ULTRA MIXTE

Frame	Tesoro SL HeadShok	Tires	Schwalbe Supreme 622 x 37	Shifters	Shimano Deore
Fork	Cannondale Fatty SL Ultra	Crank	Shimano FC-M521	Brakes	Magura HS33 black
Wheels	TC05 rim/HD Affine/Deore	Rear Derailleur	Shimano XT	Sizes	Men 48, 52, 56, 60cm; Mixte 48, 53, 55cm



TESORO TRAVELER ROHLOFF

Jet Black/Dark Silver Grey Decals (BBQ)

Frame	Tesoro Traveler HeadShok Rohloff	Tires	Schwalbe Surpreme 622 x 37	Shifters	Rohloff Twister
Fork	SI Fatty Ultra	Crank	Truvativ Stylo 1.1 42T	Brakes	Auriga Sub - black rotors
Wheels	DC03 rim/HD Alfine/Rohloff	Rear Derailleur	Rohloff Speed hub silver polish	Sizes	Men 48, 53, 57, 61cm



TESORO TRAVELER ULTRA

Charcoal Grey/Dark Silver Grey Decals (GRY)

Frame	CO2 SL SI HeadShok	Tires	Schwalbe Marathon 559 x 50	Shifters	Shimano Deore
Fork	SI Fatty Ultra	Crank	Shimano FC-M521	Brakes	Magura HS33 black
Wheels	Mach 1 Nitro/HD Alfine/Deore	Rear Derailleur	Shimano XT	Sizes	S, M, L, X



TESORO TRAVELER CLASSIC

Touring Green/Crème Decals (GRY)

Frame	Touring Classic	Tires	Schwalbe Surpreme 622 x 37	Shifters	Shimano 105 black
Fork	SI Fatty	Crank	Shimano 105 Triple black	Brakes	Tektro Oryx Canti-Brake
Wheels	TC05 rim/LX/LX	Rear Derailleur	Shimano 105 black	Sizes	S, M, L, X, J

1 VINTAGE STYLE:

For those who shun Lycra but love tweed and know that sometimes Old School is the best school. For them, there's Cannondale's Vintage line. The Vintage is a stylish, versatile ride – without sacrificing function to fashion. It has classic looks with the amenities, like fenders, rack and lights, that every urban rider or commuter can appreciate.

2 GEOMETRY:

The upright riding position on the Vintage gives riders comfortable, predictable handling. It makes the bike comfortable to ride and safer in busy urban traffic.

3 MANUFACTURING QUALITY:

Cannondale's trademark double-pass smooth-welded technology virtually eliminates the stress risers possible on machine-welded frames and gives the frames a finished, handcrafted aesthetic.

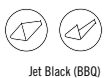


VINTAGE & VINTAGE MIXTE

Frame	Vintage SI lite
Fork	SI Fatty
Wheels	C2 rim/HD Aflin/Deore

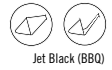
Tires	Schwalbe Supreme 622 x 37
Crank	Shimano FC-M443 black 44/32/32
Rear Derailleur	Shimano Deore

Shifters	Shimano Deore
Brakes	Auriga Sub - black rotors
Sizes	Men 48, 53, 57, 61cm; Féminine 44, 48, 53cm





VINTAGE 8 – VINTAGE 8 FÉMININE

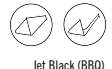


Jet Black (BBQ)

Frame	Vintage SI lite	Tires	Schwalbe Surpreme 622 x 37	Shifters	Shimano Alfine
Fork	SI Fatty Disc specific	Crank	Truvative FiveD 1.0	Brakes	Auriga Sub - black rotors
Wheels	C2 rim/HD Alfine/Alfine 8	Rear Derailleur	Shimano Alfine 8-speed	Sizes	Men 48,53,57,61cm; Féminine 44,48,53cm



VINTAGE 8 ULTRA – VINTAGE 8 ULTRA FÉMININE



Jet Black (BBQ)

Frame	Vintage SI lite HeadShok	Tires	Schwalbe Surpreme 622 x 37	Shifters	Shimano Alfine
Fork	SI Fatty Ultra	Crank	Truvative FiveD 1.0	Brakes	Auriga Sub - black rotors
Wheels	C2 rim/HD Alfine/Alfine 8	Rear Derailleur	Shimano Alfine 8-speed	Sizes	Men 48,53,57,61cm; Féminine 44,48,53cm



VINTAGE ULTRA – VINTAGE ULTRA MIXTE



Jet Black (BBQ)

Frame	Vintage SI lite HeadShok	Tires	Schwalbe Surpreme 622 x 37	Shifters	Shimano SLX
Fork	SI Fatty Ultra	Crank	Truvativ Firex 3.3 44/32/22	Brakes	Auriga Sub - black rotors
Wheels	C2 rim/HD Alfine/XT	Rear Derailleur	Shimano XT	Sizes	Men 48,53,57,61cm; Féminine 44,48,53cm

1 VERSATILITY

The Street is maintenance free commuting at its best. A premium everyday ride with all the technicality you could ask for in a package you notice only for its elegant tubeshapes and comfortable ride.

2 RACK AND FENDER READY:

Like most of Cannondale's recreational bikes, the Street is ready for duty. Eyelets for racks, clearance for fenders, and the ability to pull a trailer all define Cannondale's recreational series of bikes.

3 HANDCRAFTED:

Not every bike can claim the handcrafted, aesthetic appeal of Cannondale's double-pass, smooth-weld technology. For riders who appreciate craftsmanship as much as function, Cannondale's Street line is a winner.



STREET SPORT NEXUS – STREET SPORT NEXUS FÉMININE



Black/Silver decals (BLK)

Frame	SI Street Lite	Tires	Schwalbe Road Cruiser Light 622 x 37	Shifters	Shimano Nexus 8-Speed
Fork	Suntour SF-CR9	Crank	Suntour Singlespeed	Brakes	Shimano Rollerbrakes
Wheels	DC03 rim/DH2-N35/Nexus 8	Rear Derailleur	N/A	Sizes	Men 48, 53, 57, 61cm; Féminine 44, 48, 53cm

TANDEMS

1 INCREDIBLE PERFORMANCE:

Steel tandem frames simply can't match the power transfer of Cannondale's tandems. A redesigned boom tube, oversized pilot seat tube, PowerPyramid downtube, giant chainstays and dropouts all ensure that maximum power is applied to the rear wheel.

2 REVISED GEOMETRY:

Taller head tube and shorter top tube give the captain better control and more comfort, while a longer top tube for the stoker gives a more comfortable position.

3 DOUBLE YOUR FUN

A sidekick. A comrade. A friend. Whatever you call it, most everything in life is better with a partner in crime. That's no less true with Cannondale's tandems. Get out and ride and take someone with you. You'll love it. We promise.



MOUNTAIN TANDEM

Jet Black (gloss) (BLK)

Frame	MTB Tandem USA handmade	Tires	Schwalbe Nobby Nic Evo 559 x 2,25	Shifters	Shimano Deore
Fork	SI Fatty Ultrastrong Tandem 26"	Crank	Truvativ Firex Tandem 48/36/26 front/rear	Brakes	Avid Code hydraulic Disc Brake 203 mm rotor
Wheels	SUN Rhyno lite/Deore/DT Swiss 540	Rear Derailleur	Shimano XT	Sizes	LM, LS, MS, XM, XS



ROAD TANDEM

Lightning White (gloss) (WHT)

Frame	Road Tandem USA handmade
Fork	SI Fatty Ultrastrong Tandem 28"
Wheels	Mavic A719 / White Industries front/rear

Tires	Schwalbe Marathon Racer Light 622 x 35
Crank	FSA Gossamer Tandem triple front/rear
Rear Derailleur	Shimano Ultegra

Shifters	Shimano 105 STI
Brakes	Avid BB7 mechanical Disc Brake
Sizes	JM, LS, MS, XS



TOURING TANDEM

Jet Black (matte) (BBQ)

Frame	MTB Tandem USA handmade
Fork	SI Fatty Ultrastrong Tandem 26"
Wheels	SUN Rhyno lite / DH2-N35/DT Swiss 540

Tires	Schwalbe Marathon 559 x 2,0
Crank	Truvativ Firex Tandem 48/36/26 front/rear
Rear Derailleur	Shimano XT

Shifters	Shimano Deore
Brakes	Magura HS33 black
Sizes	LM, LS, MS, XM, XS

Kymerli Fant tackling a gradual climb well ahead of the gang, northern California. Chris Milliman

FÉMININE
FOR YOU.



SYNAPSE FÉMININE

1 FÉMININE BENEFITS:

The most comfortable bike in Cannondale's road line is now spec'd with bars, saddles, and the thoughtful geometry choices that give women and short-statured riders a more comfortable riding position.

2 S.A.V.E.:

Nobody wants a sore bum or numb wrists on a long ride. That's why the Synapse's Active Vibration Damping gives compliance in the stays to reduce annoying road buzz, but retains lateral stiffness for no power loss or pedaling inefficiencies.

3 GEOMETRY:

A more upright riding position gives riders comfortable, predictable handling. The result is ride-all-day handling qualities – vitally important for long-distance charity events or relaxed training days.



SYNAPSE CARBON FÉMININE 105

Magnesium White w/ Neon Spring (gloss) (WHT)

Frame	Synapse Carbon Féminine	Crank	FSA Gossamer BB30, 30/39/52	Brakes	Shimano 105
Fork	Cannondale Synapse Carbon S.A.V.E.	Rear Derailleur	Shimano 105 Long Cage	Saddle	Prologo Kappa Dea
Wheelset	Mavic Aksium Race	Shifters	Shimano R700 Féminine	Sizes	44,48,51,54cm

Kymerli Fant waits for her riding partners, northern California. Chris Milliman



SYNAPSE FÉMININE TIAGRA

Magnesium White w/ Ruby Red (gloss) (WHT)

Frame	Synapse Féminine
Fork	Cannondale Synapse S.A.V.E. Ultra
Wheelset	Shimano WHR 500A

Crank	Shimano Tiagra, 30/39/50
Rear Derailleur	Shimano Tiagra Long Cage
Shifters	Shimano Tiagra

Brakes	Shimano R450 long reach
Saddle	Cannondale Raven Féminine
Sizes	44,48,51,54cm

FLASH FÉMININE

1 FÉMININE BENEFITS:

The race-ready and ultra light alloy Flash is crafted from 6061-T6 aluminum. But you know what would make it even better? Sizes for the ladies! Thoughtful geometry choices and careful component selection will make the Flash a sure winner.

2 ULTRA-EFFICIENT:

For 25 years, Cannondale has used shaped tubing to optimize frame performance. The Flash is no different. Radically shaped tubing unifies the front triangle, giving this competition-ready hardtail the stiffest, most-efficient frame ever.

3 SINGLETRACK PERFORMER:

Oversized head tube diameter stiffens the top tube to down tube junction for the best possible steering precision. The ultra-efficient frame and point-and-shoot steering of the Flash make it a natural for technical singletrack.



F3 FÉMININE

Jet Black (matte) (BBQ)

Frame	Flash Féminine S.A.V.E. BB30
Fork	HeadShok Super Fatty Ultra DL80
Wheelset	Mach1 Sub Zero w/ Shimano M525

Tires	Hutchinson Toro 2.15" wb
Crank	Truvativ FireX 3.3
Derailleurs (R/F)	SRAM X-9 / SLX

Shifters	SRAM X-7
Brakes	Avid Elixir 5
Sizes	P, S, M

SCALPEL FÉMININE

1 FÉMININE BENEFITS:

With more cross-country podiums under its belt than the competition, the Scalpel is a perfect choice for women who race in the dirt. Components, geometry and paint packages are all tuned to appeal to women who race in the big ring.

2 LATERALLY STIFF:

The seat stay bridge has been redesigned for improved lateral stiffness. More power now transfers directly to the rear wheel for better climbs, improved rear wheel tracking, and sprint-winning finishes at UCI races.

3 PEDALING EFFICIENCY:

No other bottom bracket offers the power transfer of the Cannondale-developed BB30. Whether riders want to cross the Alps or just get across town, Cannondale's oversize bottom bracket maximizes performance.



SCALPEL FÉMININE

Lightning White (gloss) (WHT)

Frame	Scalpel Féminine Zero Pivot BB30	Tires	Schwalbe Racing Ralph EVO 2.1"	Shifters	Shimano XT
Suspension (R/F)	Fox RPL / Lefty Speed DLR	Crank	FSA Afterburner BB30	Brakes	Avid Elixir R
Wheelset	DT Swiss XCR 1.7	Derailleurs (R/F)	Shimano XT / XT	Sizes	P, S, M

TRAIL SL FÉMININE

1 FÉMININE BENEFITS:

Alloy bikes remain a favorite because they are so versatile. This remains true for the women-friendly Trail SL hardtail – with narrower bars, better saddles, and revised geometry, the Trail SL is near perfect!

2 MANUFACTURING QUALITY:

Cannondale's trademark double-pass smooth-welded technology virtually eliminates the stress risers possible on machine-welded frames and gives the frames a finished, handcrafted aesthetic.

3 STEER STRAIGHT:

The Trail SL uses the OnePointFive Standard head tube. The oversized design is part of our belief in System Integration, and simultaneously lightens and stiffens the frame. Stiffer frames steer better.



TRAIL SL 3 FÉMININE

Lightning White (gloss) (WHT)

Frame	Trail SL Féminine S.A.V.E.	Tires	Hutchinson Iguana 2.0" wb	Shifters	Shimano Deore
Fork	RST Deuce Air 1.5"	Crank	Shimano M442 Octalink	Brakes	Shimano M486
Wheelset	Maddux DC 3.0 w/ Shimano M475	Derailleurs (R/F)	Shimano Deore / Deore	Sizes	P, S, M



TRAIL SL 6 FÉMININE

Lightning White (gloss) (WHT)

Frame	Trail SL Féminine S.A.V.E.	Tires	Hutchinson Iguana 2.0" wb	Shifters	Shimano Alivio
Fork	RST Gila Pro TnL w/ softer springs	Crank	Suntour XCT V2	Brakes	Tektro IO
Wheelset	Maddux DC 3.0 w/ Formula DC	Derailleurs (R/F)	Shimano Alivio / Altus	Sizes	P, S, M

RZ ONE TWENTY FÉMININE

1 FÉMININE BENEFITS:

For a bit more travel on a bike that fits, try the RZ One Twenty. For all-conditions trail riding, a general-purpose fun bike, or a marathon racer, the One Twenty is perfect for hard-core women riders.

2 IMPROVED STANDOVER:

Using size-appropriate links improves suspension performance and lowers standover clearance on the small sizes. It also gives size-specific handling for better maneuverability in tight terrain.

3 BACKBONE:

Borrowed from the RZ One Forty, the one-piece seat tube, BB shell and lower pivot housing on the One Twenty are three-dimensionally forged for the ultimate in strength. No welds. No weak points.



RZ ONE TWENTY FEMININE

Lightning White (matte) (WHT)

Frame	RZ One Twenty Féminine BB30	Tires	Schwalbe Rocket Ron Performance 2.25"	Shifters	SRAM X-7
Suspension (R/F)	RockShox Monarch 3.3 / Recon Race SA 1.5"	Crank	FSA V-Drive BB30	Brakes	Avid Juicy 3S
Wheelset	Mavic XM317 w/ Shimano M525	Derailleurs (R/F)	SRAM X-9 / Shimano Deore	Sizes	P, S, M

RZ ONE FORTY FÉMININE

1 FÉMININE BENEFITS:

For a bit more travel on a bike that fits, try the RZ One Twenty. For all-conditions trail riding, a general-purpose fun bike, or a marathon racer, the One Twenty is perfect for hard-core women riders.

2 BACKBONE:

The RZ One Forty introduced new metal forming technology to the industry. The one-piece seat tube, BB shell and lower pivot housing are three-dimensionally forged for the ultimate in strength. No welds. No weak points.

3 BETTER TRACKING:

Nobody likes riding flexy bikes. That's why the swingarm on the RZ One Forty uses an oversized bridge that maximizes torsional stiffness for better control. Asymmetric chain stays also transfer pedaling forces for exceptional power output.



RZ ONE FORTY FÉMININE

Jet Black (matte) (BBQ)

Frame	RZ One Forty Féminine BB30 w/ carbon seatstays	Tires	Schwalbe Nobby Nic Performance 2.25"	Shifters	SRAM X-7
Suspension (R/F)	RockShox Monarch 3.1 / Revelation SL DA thru20	Crank	Truvativ FireX 3.3	Brakes	Avid Elixir 5
Wheelset	Mach1 Sub Zero w/ Shimano M525 & Formula	Derailleurs (R/F)	SRAM X-9 / Shimano Deore	Sizes	S, M

	SUPERSIX HI-MOD ULTIMATE	SUPERSIX HI-MOD SUPER RECORD	SUPERSIX HI-MOD D12	SUPERSIX HI-MOD DURA ACE	SUPERSIX HI-MOD SRAM RED
Code	ORSSSL	ORSSDD	ORSSD12	ORSS1D	ORSS2C
Frame	SuperSix Carbon Hi-MOD	SuperSix Carbon Hi-MOD	SuperSix Carbon Hi-MOD	SuperSix Carbon Hi-MOD	SuperSix Carbon Hi-MOD
Fork	Cannondale SuperSix Hi-MOD+, Full Carbon	Cannondale SuperSix Hi-MOD+, Full Carbon	Cannondale SuperSix Hi-MOD+, Full Carbon	Cannondale SuperSix Hi-MOD+, Full Carbon	Cannondale SuperSix Hi-MOD+, Full Carbon
Rims	DT Swiss RRC425F and RRC 525R	Mavic Cosmic Carbon SLR	Zipp 404 Clincher	Mavic Ksyrium SL	Mavic Ksyrium Elite
Hubs	DT Swiss RRC425F and RRC 525R	Mavic Cosmic Carbon SLR	Zipp 404 Clincher	Mavic Ksyrium SL	Mavic Ksyrium Elite
Spokes	DT Swiss RRC425F and RRC 525R	Mavic Cosmic Carbon SLR	Zipp 404 Clincher	Mavic Ksyrium SL	Mavic Ksyrium Elite
Tires	Schwalbe Ultremo Tubular, Super light version, 700x21c	Schwalbe Ultremo Black, 700x23c	Schwalbe Ultremo, 700x23c	Schwalbe Ultremo, 700x23c	Schwalbe Ultremo, 700x23c
Cranks	Cannondale Hollowgram SL BB30, 39/53, black	Cannondale Hollowgram SL BB30, 39/53, black w/ Campy rings	Shimano Dura Ace, 39/53	Cannondale Hollowgram SL BB30, 39/53, black w/ FSA 7900 chainrings	SRAM RED, BB30, 34/50
Bottom Bracket	Cannondale BB30 ceramic bearings	Cannondale BB30 ceramic bearings	Shimano Dura Ace w/ adapter	Cannondale BB30 ceramic bearings	SRAM RED, BB30
Chain	SRAM PC-1090	Campagnolo Record 11 Speed	Shimano Dura Ace	Shimano Dura Ace 7900	SRAM PC-1070
Rear Cogs	SRAM OG-1090, 11-26	Campagnolo Super Record, 11S, 12- 25	Shimano Dura Ace 12-25	Shimano Dura Ace 7900, 12-25	SRAM PG-1070, 12-26
Front Derailleur	SRAM RED, Clamp 34.9mm	Campagnolo Super Record, 11S, Clamp 34.9mm	Shimano Dura Ace D12 Braze On with Clamp 34.9mm	Shimano Dura Ace 7900, Clamp 34.9mm	SRAM RED, Clamp 34.9mm
Rear Derailleur	SRAM RED	Campagnolo Super Record, 11S	Shimano Dura Ace D12	Shimano Dura Ace 7900	SRAM RED
Shifters	SRAM RED	Campagnolo Super Record QS Carbon Ergo Shifters.11S	SHIMANO DURA ACE D12	Shimano Dura Ace 7900	SRAM RED
Handlebar	Zipp SL Ergo, 31.8mm	FSA K-Force Carbon Compact RK-220S, 31.8mm	FSA K-Force Carbon Compact RK-220S, 31.8mm	FSA K-Force Carbon Compact RK-220S, 31.8mm	FSA Wing Pro Compact, 31.8mm
Stem	FSA OS-99 (31.8mm, 1 1/8")	FSA OS-99 CSI (31.8mm, 1 1/8")	FSA OS-99 CSI (31.8mm, 1 1/8")	FSA OS-99 (31.8mm, 1 1/8")	FSA OS-99 (31.8mm, 1 1/8")
Headset	Cannondale SuperSix, 1 1/8"-1.5", Carbon Top Cap	Cannondale SuperSix, 1 1/8"-1.5", Carbon Top Cap	Cannondale SuperSix, 1 1/8"-1.5", Carbon Top Cap	Cannondale SuperSix, 1 1/8"-1.5", Carbon Top Cap	Cannondale SuperSix, 1 1/8"-1.5", Carbon Top Cap
Brakes	Zero Gravity, black	Campagnolo Super Record D-Skeleton, black	Shimano Dura Ace	Shimano Dura Ace 7900	SRAM RED
Brake Levers	SRAM RED	Campagnolo Super Record	Shimano Dura Ace	Shimano Dura Ace 7900	SRAM RED
Saddle	Fi'zi:k Antares with Carbon rails	Fi'zi:k Antares with Carbon rails	Fi'zi:k Antares with Carbon rails	Fi'zi:k Arione CX w/ Kium rails	Fi'zi:k Arione Mg rails
Seatpost	USE Alien Cyclops Carbon, 31.6mm, 250mm	FSA K-Force Carbon SP-RK-160, 31.6mm, 350mm	FSA K-Force Carbon SP-RK-160, 31.6mm, 350mm	FSA K-Force Carbon SP-RK-160, 31.6mm, 350mm	FSA SLK Carbon SP-RK-260, 31.6mm, 350mm
Sizes	52,54,56,58 cm	48,50,52,54,56,58,60,63 cm	52,54,56,58 cm	48,50,52,54,56,58,60,63 cm	48,50,52,54,56,58,60,63 cm
Color	Exposed Carbon (matte) (CRB)	Liquigas Team Replica (gloss) (LIQ)	Exposed Carbon (matte) (CRB)	Race Red (gloss) (RED)	Race Red (gloss) (RED)
Extras	Tune QR, Power Cordz		Battery Charger		

	SUPERSIX ULTEGRA COMPACT	SUPERSIX ULTEGRA TRIPLE	SUPERSIX SRAM RIVAL	SIX CARBON ULTEGRA COMPACT	SIX CARBON ULTEGRA TRIPLE
Code	ORSS3C	ORSS3T	ORSS4D	OR SX1C	OR SX1T
Frame	SuperSix Carbon	SuperSix Carbon	SuperSix Carbon	Six Carbon	Six Carbon
Fork	Cannondale SuperSix Carbon, alloy Dropout	Cannondale SuperSix Carbon, alloy Dropout	Cannondale SuperSix Carbon, alloy Dropout	Cannondale Six Carbon	Cannondale Six Carbon
Rims	Mavic Ksyrium Elite	Mavic Ksyrium Elite	Mavic Ksyrium Equipe	Mavic Ksyrium Equipe	Mavic Ksyrium Equipe
Hubs	Mavic Ksyrium Elite	Mavic Ksyrium Elite	Mavic Ksyrium Equipe	Mavic Ksyrium Equipe	Mavic Ksyrium Equipe
Spokes	Mavic Ksyrium Elite	Mavic Ksyrium Elite	Mavic Ksyrium Equipe	Mavic Ksyrium Equipe	Mavic Ksyrium Equipe
Tires	Schwalbe Ultremo, 700x23c	Schwalbe Ultremo, 700x23c	Schwalbe Ultremo, 700x23c	Schwalbe Blizzard, 700x23c	Schwalbe Blizzard, 700x23c
Cranks	FSA SL-K Light Carbon BB30, 34/50	FSA SL-K Light Carbon BB30, 30/39/52	FSA SL-K Light Carbon BB30, 39/53	FSA SL-K Light Carbon BB30, 34/50	FSA SL-K Light Carbon BB30, 30/39/52
Bottom Bracket	FSA BB30	FSA BB30	FSA BB30	FSA BB30	FSA BB30
Chain	Shimano Ultegra 6700	Shimano Ultegra 6700	SRAM PC-1050	Shimano Ultegra 6700	Shimano Ultegra 6700
Rear Cogs	Shimano Ultegra 6700, 12-25	Shimano Ultegra 6700, 12-25	SRAM PG-1070, 12-26	Shimano Ultegra 6700, 12-25	Shimano Ultegra 6700, 12-25
Front Derailleur	Shimano Ultegra 6700, Clamp 34.9mm	Shimano Ultegra 6700 Triple, Clamp 34.9mm	SRAM Rival, Clamp 34.9mm	Shimano Ultegra 6700, Clamp 34.9mm	Shimano Ultegra 6700 Triple, Clamp 34.9mm
Rear Derailleur	Shimano Ultegra 6700	Shimano Ultegra 6700 Long Cage	SRAM Rival	Shimano Ultegra 6700	Shimano Ultegra 6700 Long Cage
Shifters	Shimano Ultegra 6700	Shimano Ultegra 6700 Triple	SRAM Rival	Shimano Ultegra 6700	Shimano Ultegra 6700 Triple
Handlebar	FSA Wing Pro Compact, 31.8mm	FSA Wing Pro Compact, 31.8mm	FSA Wing Pro Compact, 31.8mm	Cannondale C2 Compact	Cannondale C2 Compact
Stem	FSA OS-99 (31.8mm, 1 1/8")	FSA OS-99 (31.8mm, 1 1/8")	FSA ST-OS-150 XT (31.8 mm, 1 1/8")	Cannondale C2, 31.8mm	Cannondale C2, 31.8mm
Headset	Cannondale SuperSix, 1 1/8"-1.5", Carbon Top Cap	Cannondale SuperSix, 1 1/8"-1.5", Carbon Top Cap	Cannondale SuperSix, 1 1/8"-1.5", Carbon Top Cap	Cane Creek Six Carbon SI, 1 1/8"	Cane Creek Six Carbon SI, 1 1/8"
Brakes	Shimano Ultegra 6700	Shimano Ultegra 6700	SRAM Rival	Shimano Ultegra 6700	Shimano Ultegra 6700
Brake Levers	Shimano Ultegra 6700	Shimano Ultegra 6700	SRAM Rival	Shimano Ultegra 6700	Shimano Ultegra 6700
Saddle	Fi'zi:k Arione Mg rails	Fi'zi:k Arione Mg rails	Fi'zi:k Arione Mg rails	Fi'zi:k Arione Mg rails	Fi'zi:k Arione Mg rails
Seatpost	FSA SLK Carbon SP-RK-260, 31.6mm, 350mm	FSA SLK Carbon SP-RK-260, 31.6mm, 350mm	Cannondale C2, UD Carbon, 31.6mm, 300mm	Cannondale C2, UD Carbon, 31.6mm, 300mm	Cannondale C2, UD Carbon, 31.6mm, 300mm
Sizes	48,50,52,54,56,58,60,63 cm	48,50,52,54,56,58,60,63 cm	48,50,52,54,56,58,60,63 cm	48,50,52,54,56,58,60,63 cm	48,50,52,54,56,58,60,63 cm
Color 1	Carbon (gloss front, matte rear) (BLK)	Carbon (gloss front, matte rear) (BLK)	Carbon (gloss front, matte rear) (BLK)	New Team Blue (gloss) (BLU)	New Team Blue (gloss) (BLU)
Color 2	White w/ Red and Black accents (gloss) (RED)	White w/ Red and Black accents (gloss) (RED)	Cannondale Yellow (gloss) (YEL)	Race Red (gloss) (RED)	Race Red (gloss) (RED)

WWW.CANNONDALE.COM

Please visit cannondale.com to learn more about Cannondale's culture and the 2010 bikes! Specifications subject to change without notice. Please refer to www.cannondale.com for the most recent specifications.

NO WEIGHTS?

Don't believe everything you read. Scales differ, and marketing departments have been known to fib. The best way to compare bike weights is to head to your local bike shop. Grab two comparably spec'd and built bikes, and ask the proprietor for a scale. Hang 'em high, and see who's the lightest.

Registered Trademarks ® of the Cannondale Bicycle Corporation:

Cannondale®, the Cannondale "C" logo, Fatty®, Lefty®, Optimo®, Rize®, Scalpel®, Slice®, Synapse®.

Trademarks™ of the Cannondale Bicycle Corporation:

BB30™, CAAD™ (Cannondale Advanced Aluminum Design), Caffeine™, Cannondale Factory Racing Team™, Capo™, C02™, HeadShok™, Hi-MOD™, Hollowgram™, Moto™, PowerPyramid™, Quick™, Q-Lab™, RZ™ One Forty, RZ™ One Twenty, Rush™, S.A.V.E.™, Si™, SuperSix™, System Integration™.

Liquigas and Monavie are registered trademarks and are used with their permission. FOX and FOX RLC are registered trademarks of FOX Factory Inc. and are used with their permission, #6581948. Solo Air and RockShok are registered trademarks of SRAM and are used with their permission.

Cannondale® frames and HeadShok™ forks are covered by one or more of the following U.S. Patents:

4,808,147 5,020,819 5,201,537 5,249,818 5,308,099 5,320,374 5,449,155 5,494,302 5,509,674
5,634,653 5,702,092 5,924,714 6,007,056 6,145,862 6,155,541 6,896,006 7,140,628 7,217,037
other U.S. patents pending.

Call 0041.61.4879380 for more information. www.cannondale.com

	<i>SIX CARBON 105 COMPACT</i>	<i>SIX CARBON 105 TRIPLE</i>	<i>CAAD9 ULTEGRA COMPACT</i>	<i>CAAD9 105 COMPACT</i>	<i>CAAD9 105 TRIPLE</i>
Code	ORSX2C	ORSX2T	ORA91C	ORA92C	ORA92T
Frame	Six Carbon	Six Carbon	CAAD9 BB30	CAAD9 BB30	CAAD9 BB30
Fork	Cannondale Six Carbon	Cannondale Six Carbon	Cannondale Premium Full Carbon, alloy Dropout	Cannondale Ultra Carbon	Cannondale Ultra Carbon
Rims	Mavic Aksium Race	Mavic Aksium Race	Fulcrum Racing 7	Shimano RS10	Shimano RS10
Hubs	Mavic Aksium Race	Mavic Aksium Race	Fulcrum Racing 7	Shimano RS10	Shimano RS10
Spokes	Mavic Aksium Race	Mavic Aksium Race	Fulcrum Racing 7	Shimano RS10	Shimano RS10
Tires	Schwalbe Blizzard, 700x23c	Schwalbe Blizzard, 700x23c	Schwalbe Lugano, 700x23c	Schwalbe Lugano, 700x23c	Schwalbe Lugano, 700x23c
Cranks	FSA Gossamer BB30, 34/50	FSA Gossamer BB30, 30/39/52	FSA SL-K Light Carbon BB30, 34/50	FSA Gossamer BB30, 34/50	FSA Gossamer BB30, 30/39/52
Bottom Bracket	FSA BB30	FSA BB30	FSA BB30	FSA BB30	FSA BB30
Chain	Shimano 105	Shimano 105	Shimano Ultegra 6700	Shimano 105	Shimano 105
Rear Cogs	Shimano 105, 12-25	Shimano 105, 12-25	Shimano Ultegra 6700, 12-25	Shimano 105, 12-25	Shimano 105, 12-25
Front Derailleur	Shimano 105, Clamp 34.9mm	Shimano 105 Triple, Clamp 34.9mm	Shimano Ultegra 6700, Clamp 34.9mm	Shimano 105, Clamp 34.9mm	Shimano 105 Triple, Clamp 34.9mm
Rear Derailleur	Shimano 105	Shimano 105 Long Cage	Shimano Ultegra 6700	Shimano 105	Shimano 105 Long Cage
Shifters	Shimano 105	Shimano 105 Triple	Shimano Ultegra 6700	Shimano 105	Shimano 105 Triple
Handlebar	Cannondale C2 Compact	Cannondale C2 Compact	FSA Omega Compact, 31.8mm	Cannondale C3, 31.8mm	Cannondale C3, 31.8mm
Stem	Cannondale C2, 31.8mm	Cannondale C2, 31.8mm	FSA ST-05-150 LX (31.8 mm, 11/8")	Cannondale C3, 31.8mm	Cannondale C3, 31.8mm
Headset	Cane Creek Six Carbon SI, 11/8"	Cane Creek Six Carbon SI, 11/8"	Cane Creek CAAD9 SI, 11/8"	Cane Creek CAAD9 SI, 11/8"	Cane Creek CAAD9 SI, 11/8"
Brakes	Shimano 105	Shimano 105	Shimano Ultegra 6700	Shimano 105	Shimano 105
Brake Levers	Shimano 105	Shimano 105	Shimano Ultegra 6700	Shimano 105	Shimano 105
Saddle	Fi'zi:k Arione Mg rails	Fi'zi:k Arione Mg rails	Fi'zi:k Pave CX Sport	Fi'zi:k Pave CX Sport	Fi'zi:k Pave CX Sport
Seatpost	Cannondale C2, UD Carbon, 31.6mm, 300mm	Cannondale C2, UD Carbon, 31.6mm, 300mm	FSA 250 SBS, 27.2mm, 350mm	Cannondale C2 Alloy, 27.2mm, 300mm	Cannondale C2, Alloy, 27.2mm, 300mm
Sizes	48,50,52,54,56,58,60,63 cm	48,50,52,54,56,58,60,63 cm	48,50,52,54,56,58,60,63cm	48,50,52,54,56,58,60,63 cm	48,50,52,54,56,58,60,63 cm
Color 1	Race Red (gloss) (RED)	Race Red (gloss) (RED)	Liquigas Team Replica (gloss) (REP)	Race Red (gloss) (RED)	Liquigas Team Replica (gloss) (REP)
Color 2	Jet Black w/ Carbon (matte) (BBQ)	Jet Black w/ Carbon (matte) (BBQ)	Jet Black (matte) (BBQ)	Jet Black (matte) (BBQ)	Jet Black (matte) (BBQ)

	<i>CAAD9 TIAGRA COMPACT</i>	<i>CAAD9 TIAGRA TRIPLE</i>	<i>CAAD8 105 COMPACT</i>	<i>CAAD8 TIAGRA</i>	<i>CAAD8 SORA</i>
Code	ORA93C	ORA93T	ORA80C	ORA81T	ORA82T
Frame	CAAD9 BB30	CAAD9 BB30	CAAD8	CAAD8	CAAD8
Fork	Cannondale Ultra Carbon	Cannondale Ultra Carbon	Cannondale Ultra Carbon	Cannondale Ultra Carbon	Cannondale Ultra Carbon
Rims	Shimano WHR 500A	Shimano WHR 500A	Shimano WHR 500A	Jalco DRX 4000	Jalco DRX 4000
Hubs	Shimano WHR 500A	Shimano WHR 500A	Shimano WHR 500A	Formula RB-51 and RB-52, 32h	Formula RB-51 and RB-52, 32h
Spokes	Shimano WHR 500A	Shimano WHR 500A	Shimano WHR 500A	Stainless Steel, black	Stainless Steel, black
Tires	Schwalbe Lugano 700x23c	Schwalbe Lugano, 700x23c	Schwalbe Lugano, 700x23c	Schwalbe Lugano, 700x23c	Schwalbe Lugano, 700x23c
Cranks	Shimano Tiagra, 34/50	Shimano Tiagra, 30/39/50	FSA Gossamer MegaExo, 34/50	FSA Omega MegaExo, 30/39/50	FSA Vero, 30/39/50
Bottom Bracket	Shimano Tiagra w/adaptor	Shimano Tiagra w/adaptor	FSA MegaExo	FSA MegaExo	FSA Vero
Chain	Shimano HG-53	Shimano HG-53	KMC DX10SC	KMC Z9000	KMC Z9000
Rear Cogs	Shimano HG-50, 12-25	Shimano HG-50, 12-25	Shimano 105, 12-25	Sram PG-950 12-26	Sram PG-950 12-26
Front Derailleur	Shimano Tiagra, Clamp 34.9mm	Shimano Tiagra Triple, Clamp 34.9mm	Shimano 105, Clamp 34.9mm	Shimano Tiagra Triple, Clamp 34.9mm	Shimano Sora Triple, Clamp 34.9mm
Rear Derailleur	Shimano Tiagra	Shimano Tiagra Long Cage	Shimano 105	Shimano Tiagra Long Cage	Shimano Sora Long Cage
Shifters	Shimano Tiagra	Shimano Tiagra Triple	Shimano 105	Shimano Tiagra Triple	Shimano Sora Triple
Handlebar	Cannondale C3, 31.8mm	Cannondale C3, 31.8mm	Cannondale C3, 31.8mm	Cannondale C3, 31.8mm	Cannondale C3, 31.8mm
Stem	Cannondale C3, 31.8mm	Cannondale C3, 31.8mm	Cannondale C4, 31.8mm	Cannondale C4, 31.8mm	Cannondale C4, 31.8mm
Headset	Cane Creek CAAD9 SI, 11/8"	Cane Creek CAAD9 SI, 11/8"	Cane Creek CAAD8 SI, 11/8"	Cane Creek CAAD8 SI, 11/8"	Cane Creek CAAD8 SI, 11/8"
Brakes	Shimano Tiagra	Shimano Tiagra	Tektro 580	Cannondale C4 w/ Cartridge Pads	Cannondale C4 w/ Cartridge Pads
Brake Levers	Shimano Tiagra	Shimano Tiagra	Shimano 105	Shimano Tiagra	Shimano Sora
Saddle	Fi'zi:k Pave CX Sport	Fi'zi:k Pave CX Sport	Cannondale Stage w/ Cromoly rails	Cannondale Stage w/ Steel rails	Cannondale Stage w/ Steel rails
Seatpost	Cannondale C2, Alloy, 27.2mm, 300mm	Cannondale C2, Alloy, 27.2mm, 300mm	Cannondale C3 Alloy, 31.6mm, 350mm	Cannondale C3 Alloy, 31.6mm, 350mm	Cannondale C3 Alloy, 31.6mm, 350mm
Sizes	48,50,52,54,56,58,60,63 cm	48,50,52,54,56,58,60,63 cm	48,51,54,56,58,61 cm	48,51,54,56,58,61 cm	48,51,54,56,58,61 cm
Color 1	Liquigas Team Replica (gloss) (REP)	Race Red (gloss) (RED)	Magnesium White (gloss) (WHT)	Magnesium White w/ Berzerker Green (gloss) (GRN)	Race Red (gloss) (RED)
Color 2	Jet Black (matte) (BBQ)	Jet Black (matte) (BBQ)	N/A	N/A	N/A

WARNINGS!

Bicycling has risks of serious injury or death that cannot be completely avoided. Risk can be minimized by: Reading and following all warnings and instructions in owner's manuals, owner's manual supplements, always wearing a helmet, practice and step-by-step learning, riding in control and within your capabilities.

Catalog text and descriptions are marketing materials, not instructions or guidelines for use!

Visit <http://www.cannondale.com/bikes/tech/safety> for warnings, technical documents, and safety guidelines.

Warning: Reflectors are not a substitute for proper lights. It is your responsibility to equip your bicycle with all state and locally mandated lights. Riding at dawn, at dusk, at night or at other times of poor visibility without a bicycle lighting system which meets local and state laws and without reflectors is dangerous and may result in serious injury or death.

If you ride your bike before dawn or after dusk, your bicycle must be equipped with lights so that you can see the road and avoid road hazards, and so that others can see you. Traffic laws treat

bicycles like any other vehicle. That means you must have a white front and a red rear light operating if you are riding after dusk. Your bike dealer can recommend a battery or generator powered lighting system appropriate to your needs.

Cannondale also strongly urges you to use a flashing light or strobe. All of us at Cannondale who ride at night or in conditions of lower visibility use flashers. They can save your life

Please note: Despite our nagging, members of the Liquigas pro road racing team (and other professional sponsored teams) may appear or race without helmets. We don't think it's a good idea, but they are experienced, professional cyclists and they know the risks. They are also adults, so we respect their right to choose. Despite the intransigence of any teams, we strongly advocate the use of helmets on every ride. Wearing a helmet is perhaps your single best defense against a major medical catastrophe while riding, so buckle up!

Warning: FreeRiding is inherently dangerous. Read FreeRide Warning at <http://www.cannondale.com/bikes/tech/safety.html>

SYNAPSE HI-MOD D12

Code	ORCLD12
Frame	Synapse Carbon Hi-MOD
Fork	Cannondale Synapse Hi-MOD S.A.V.E.+, Full Carbon
Rims	Mavic Cosmic Carbon SLR
Hubs	Mavic Cosmic Carbon SLR
Spokes	Mavic Cosmic Carbon SLR
Tires	Schwalbe Ultrero, 700x23c
Cranks	Shimano Dura Ace, 34/50
Bottom Bracket	Shimano Dura Ace w/ adapter
Chain	Shimano Dura Ace
Rear Cogs	Shimano Dura Ace 12-25
Front Derailleur	Shimano Dura Ace D12 braze-on
Rear Derailleur	Shimano Dura Ace D12
Shifters	SHIMANO DURA ACE D12
Handlebar	FSA K-Force Carbon Compact RK-220S, 31.8mm
Stem	FSA OS-99 CSI (31.8mm, 11/8")
Headset	Cane Creek Synapse Carbon SI, 11/8"
Brakes	Shimano Dura Ace
Brake Levers	Shimano Dura Ace
Saddle	Fi'zi:k Aliante Carbon Gamma Kium rails
Seatpost	Cannondale Synapse Aero Hi-MOD
Sizes	48,51,54,56,58,61 cm
Color 1	Magnesium White (gloss) (WHT)
Color 2	N/A
Extras	Battery Charger

SYNAPSE HI-MOD DURA ACE

Code	ORCL1C
Frame	Synapse Carbon Hi-MOD
Fork	Cannondale Synapse Hi-MOD S.A.V.E.+, Full Carbon
Rims	Mavic Ksyrium SL
Hubs	Mavic Ksyrium SL
Spokes	Mavic Ksyrium SL
Tires	Schwalbe Ultrero, 700x23c
Cranks	Cannondale Hollowgram SL BB30 w/ FSA 7900 chainrings
Bottom Bracket	Cannondale BB30 ceramic bearings
Chain	Dura Ace
Rear Cogs	Shimano Dura Ace 7900, 12-25
Front Derailleur	Shimano Dura Ace 7900 braze-on
Rear Derailleur	Shimano Dura Ace 7900
Shifters	Shimano Dura Ace 7900
Handlebar	FSA SL-K Compact, 31.8mm
Stem	FSA OS-99 (31.8mm, 11/8")
Headset	Cane Creek Synapse Carbon SI, 11/8"
Brakes	Shimano Dura Ace 7900
Brake Levers	Shimano Dura Ace 7900
Saddle	Fi'zi:k Aliante Gamma w/ Kium rails
Seatpost	Cannondale Synapse Aero Hi-MOD
Sizes	48,51,54,56,58,61 cm
Color 1	Magnesium White (gloss) (WHT)
Color 2	N/A
Extras	

SYNAPSE HI-MOD ULTEGRA COMPACT

Code	ORCL2C
Frame	Synapse Carbon Hi-MOD
Fork	Cannondale Synapse Hi-MOD S.A.V.E.+, Full Carbon
Rims	Mavic Ksyrium Elite
Hubs	Mavic Ksyrium Elite
Spokes	Mavic Ksyrium Elite
Tires	Schwalbe Ultrero, 700x23c
Cranks	FSA SL-K Light Carbon BB30, 34/50
Bottom Bracket	FSA BB30
Chain	Shimano Ultegra 6700
Rear Cogs	Shimano Ultegra 6700, 12-25
Front Derailleur	Shimano Ultegra 6700 braze-on
Rear Derailleur	Shimano Ultegra 6700
Shifters	Shimano Ultegra 6700
Handlebar	FSA Wing Pro Compact, 31.8mm
Stem	FSA OS-99 (31.8mm, 11/8")
Headset	Cane Creek Synapse Carbon SI, 11/8"
Brakes	Shimano Ultegra 6700
Brake Levers	Shimano Ultegra 6700
Saddle	Fi'zi:k Aliante Delta Mg rails
Seatpost	Cannondale Synapse Aero Hi-MOD
Sizes	48,51,54,56,58,61 cm
Color 1	Magnesium White (gloss) (WHT)
Color 2	N/A
Extras	

SYNAPSE CARBON ULTEGRA COMPACT

Code	ORCS1C
Frame	Synapse Carbon
Fork	Cannondale Synapse Carbon S.A.V.E., Full Carbon
Rims	DT Swiss R-1900
Hubs	DT Swiss R-1900
Spokes	DT Swiss R-1900
Tires	Schwalbe Blizzard, 700x25c
Cranks	FSA SL-K Light Carbon BB30, 34/50
Bottom Bracket	FSA BB30
Chain	Shimano Ultegra 6700
Rear Cogs	Shimano Ultegra 6700, 12-25
Front Derailleur	Shimano Ultegra 6700 braze-on
Rear Derailleur	Shimano Ultegra 6700
Shifters	Shimano Ultegra 6700
Handlebar	Cannondale C2 Compact
Stem	Cannondale C2, 31.8mm
Headset	Cane Creek Synapse SI, 11/8"
Brakes	Shimano Ultegra 6700
Brake Levers	Shimano Ultegra 6700
Saddle	Fi'zi:k Aliante Delta Mg rails
Seatpost	Cannondale Synapse Aero Carbon
Sizes	48,51,54,56,58,61 cm
Color 1	Race Red (gloss) (RED)
Color 2	Jet Black (gloss) (BLK)
Extras	

SYNAPSE CARBON ULTEGRA TRIPLE

Code	ORCS1T
Frame	Synapse Carbon
Fork	Cannondale Synapse Carbon S.A.V.E., Full Carbon
Rims	DT Swiss R-1900
Hubs	DT Swiss R-1900
Spokes	DT Swiss R-1900
Tires	Schwalbe Blizzard, 700x25c
Cranks	FSA SL-K Light Carbon BB30, 30/39/52
Bottom Bracket	FSA BB30
Chain	Shimano Ultegra 6700
Rear Cogs	Shimano Ultegra 6700, 12-25
Front Derailleur	Shimano Ultegra 6700 Triple braze-on
Rear Derailleur	Shimano Ultegra 6700 Long Cage
Shifters	Shimano Ultegra 6700 Triple
Handlebar	Cannondale C2 Compact
Stem	Cannondale C2, 31.8mm
Headset	Cane Creek Synapse SI, 11/8"
Brakes	Shimano Ultegra 6700
Brake Levers	Shimano Ultegra 6700
Saddle	Fi'zi:k Aliante Delta Mg rails
Seatpost	Cannondale Synapse Aero Carbon
Sizes	48,51,54,56,58,61 cm
Color 1	Race Red (gloss) (RED)
Color 2	Jet Black (gloss) (BLK)
Extras	

SYNAPSE CARBON 105 COMPACT

Code	ORCS2C
Frame	Synapse Carbon
Fork	Cannondale Synapse Carbon S.A.V.E., Full Carbon
Rims	Mavic Aksium Race
Hubs	Mavic Aksium Race
Spokes	Mavic Aksium Race
Tires	Schwalbe Blizzard, 700x25c
Cranks	FSA Gossamer BB30, 34/50
Bottom Bracket	FSA BB30
Chain	Shimano 105
Rear Cogs	Shimano 105, 12-25
Front Derailleur	Shimano 105 braze-on
Rear Derailleur	Shimano 105
Shifters	Shimano 105
Handlebar	Cannondale C2 Compact
Stem	Cannondale C2, 31.8mm
Headset	Cane Creek Synapse SI, 11/8"
Brakes	Shimano 105
Brake Levers	Shimano 105
Saddle	Fi'zi:k Pave CX Mg rails
Seatpost	Cannondale Synapse Aero Carbon
Sizes	48,51,54,56,58,61 cm
Color 1	Berzker Green (gloss) (GRN)
Color 2	Jet Black (gloss) (BLK)
Extras	

SYNAPSE CARBON 105 TRIPLE

Code	ORCS2T
Frame	Synapse Carbon
Fork	Cannondale Synapse Carbon S.A.V.E., Full Carbon
Rims	Mavic Aksium Race
Hubs	Mavic Aksium Race
Spokes	Mavic Aksium Race
Tires	Schwalbe Blizzard, 700x25c
Cranks	FSA Gossamer BB30, 30/39/52
Bottom Bracket	FSA BB30
Chain	Shimano 105
Rear Cogs	Shimano 105, 12-25
Front Derailleur	Shimano 105 Triple braze on
Rear Derailleur	Shimano 105 Long Cage
Shifters	Shimano 105 Triple
Handlebar	Cannondale C2 Compact
Stem	Cannondale C2, 31.8mm
Headset	Cane Creek Synapse SI, 11/8"
Brakes	Shimano 105
Brake Levers	Shimano 105
Saddle	Fi'zi:k Pave CX Mg rails
Seatpost	Cannondale Synapse Aero Carbon
Sizes	48,51,54,56,58,61 cm
Color 1	Berzker Green (gloss) (GRN)
Color 2	Jet Black (gloss) (BLK)
Extras	

SLICE HI-MOD ULTIMATE

Code	ORM1
Frame	Slice Carbon Hi-MOD
Fork	Cannondale Slice Aero Hi-MOD
Rims	Zipp, Front 808 Tubular, Rear 1080 Tubular
Hubs	Zipp, Front 808 Tubular, Rear 1080 Tubular
Spokes	Zipp, Front 808 Tubular, Rear 1080 Tubular
Tires	Schwalbe Ultrero Tubular, 700x22c
Cranks	Cannondale Hollowgram SL BB30, 42/54 w/FSA K-Force TT rings
Bottom Bracket	Cannondale BB30 ceramic bearings
Chain	SRAM PC-1090
Rear Cogs	SRAM OG-1090, 11-26
Front Derailleur	SRAM RED, braze-on
Rear Derailleur	SRAM RED
Shifters	SRAM 1090 R2C
Handlebar	FSA Manta Carbon SI, 31.8mm
Stem	FSA OS-99 CSI (31.8mm, 11/8")
Headset	Cane Creek Slice, Carbon SI, 11/8"
Brakes	SRAM RED w/ Zipp brake pads
Brake Levers	SRAM TT 900
Saddle	Fi'zi:k Arione TR12, Carbon rails
Seatpost	Cannondale Slice Carbon Aero Hi-MOD
Sizes	51,54,56,58,60 cm
Color 1	Magnesium White (gloss) (WHT)
Color 2	N/A
Extras	

SLICE HI-MOD SRAM FORCE

Code	ORM2
Frame	Slice Carbon Hi-MOD
Fork	Cannondale Slice Aero Hi-MOD
Rims	Mavic Ksyrium Elite
Hubs	Mavic Ksyrium Elite
Spokes	Mavic Ksyrium Elite
Tires	Schwalbe Ultrero, 700x23c
Cranks	SRAM Force BB30, 39/53 TT rings
Bottom Bracket	SRAM Force BB30
Chain	SRAM PC-1070
Rear Cogs	SRAM PG-1070, 12-25
Front Derailleur	SRAM Force, braze-on
Rear Derailleur	SRAM Force
Shifters	SRAM TT 500
Handlebar	Profile Cobra Wing, 31.8mm + Profile T2 Cobra Carbon Clip On
Stem	FSA ST-OS-150 XT (31.8 mm, 11/8")
Headset	Cane Creek Slice, Carbon SI, 11/8"
Brakes	SRAM Force
Brake Levers	FSA BL Aero
Saddle	Fi'zi:k Arione TR12, Mg rails
Seatpost	Cannondale Slice Carbon Aero Hi-MOD
Sizes	51,54,56,58,60 cm
Color 1	Magnesium White (gloss) (WHT)
Color 2	N/A
Extras	

SLICE 105

Code	ORM3
Frame	Slice Carbon
Fork	Cannondale Slice Aero Carbon
Rims	Fulcrum Racing 7
Hubs	Fulcrum Racing 7
Spokes	Fulcrum Racing 7
Tires	Schwalbe Blizzard, 700x23c
Cranks	FSA Gossamer BB30, 38/52
Bottom Bracket	FSA BB30
Chain	Shimano 105
Rear Cogs	Shimano 105, 12-25
Front Derailleur	Shimano 105 braze-on
Rear Derailleur	Shimano 105
Shifters	Shimano Dura Ace bar-end
Handlebar	Cannondale C3 Aero, 31.8mm + Profile T2 Alloy bar-ends
Stem	FSA ST-OS-150 LX (31.8 mm, 11/8")
Headset	Cane Creek Slice, SI, 11/8"
Brakes	Shimano 105
Brake Levers	Cannondale C2
Saddle	Fi'zi:k Arione TR12, Mg rails
Seatpost	Cannondale Slice Carbon Aero
Sizes	51,54,56,58,60 cm
Color 1	Berzker Green (gloss) (GRN)
Color 2	N/A
Extras	

SYNAPSE FLAT BAR 105	
Code	OHASIT
Frame	Synapse Flat Bar
Fork	Cannondale Synapse S.A.V.E. Ultra
Rims	Shimano RS10
Hubs	Shimano RS10
Spokes	Shimano RS10
Tires	Schwalbe Durano Race Guard, 700x25c
Cranks	FSA Gossamer MegaExo, 30/39/50
Bottom Bracket	FSA MegaExo
Chain	Shimano 105
Rear Cogs	Shimano 105, 12-25
Front Derailleur	Shimano 105 Triple, Clamp 34.9mm
Rear Derailleur	Shimano 105 Long Cage
Shifters	Shimano R770 RapidFire Plus
Handlebar	Cannondale C3 flat, 25.4mm
Stem	Cannondale C3, 25.4mm
Headset	Cane Creek, 1 1/8"
Brakes	Shimano R650 long reach
Brake Levers	Cannondale Comfort
Saddle	Cannondale Metro
Seatpost	Cannondale C2, Alloy, 27.2mm, 300mm
Sizes	S,M,L,XL
Color 1	Jet Black (matte) (BBQ)
Color 2	N/A

SYNAPSE FLAT BAR TIAGRA	
Code	OHAS2T
Frame	Synapse Flat Bar
Fork	Cannondale Synapse S.A.V.E. Ultra
Rims	Shimano WHR 500A
Hubs	Shimano WHR 500A
Spokes	Shimano WHR 500A
Tires	Schwalbe Durano Race Guard, 700x25c
Cranks	FSA Omega MegaExo, 30/39/50
Bottom Bracket	FSA MegaExo
Chain	Shimano HG-53
Rear Cogs	Shimano HG-50, 12-25
Front Derailleur	Shimano Tiagra Triple, Clamp 34.9mm
Rear Derailleur	Shimano Tiagra Long Cage
Shifters	Shimano R440
Handlebar	Cannondale C3 flat, 25.4mm
Stem	Cannondale C3, 25.4mm
Headset	Cane Creek, 1 1/8"
Brakes	Shimano R450 long reach
Brake Levers	Cannondale Comfort
Saddle	Cannondale Metro
Seatpost	Cannondale C2, Alloy, 27.2mm, 300mm
Sizes	S,M,L,XL
Color 1	Jet Black (matte) (BBQ)
Color 2	N/A

CX9 ULTEGRA	
Code	OXR1
Frame	CAAD9 BB30 Cyclocross
Fork	Easton EC 90 X Full Carbon
Rims	Fulcrum Racing 7
Hubs	Fulcrum Racing 7
Spokes	Fulcrum Racing 7
Tires	Schwalbe Racing Ralph, 700x35c
Cranks	FSA SL-K Light Carbon BB30, 36/46
Bottom Bracket	FSA BB30
Chain	Shimano Ultegra 6700
Rear Cogs	Shimano Ultegra 6700, 12-25
Front Derailleur	Shimano Ultegra 6700, Clamp 34.9mm
Rear Derailleur	Shimano 6700
Shifters	Shimano 6700
Handlebar	FSA Omega Compact, 31.8mm
Stem	FSA ST-05-150 XT (31.8 mm, 11/8")
Headset	Cane Creek CX9 SI, inkl. Cablehanger 11/8"
Brakes	TRP Eurox Alloy, black
Brake Levers	Shimano Ultegra 6700
Saddle	Fi'zi:k Pave CX, Mg rails
Seatpost	FSA 250 SBS, 27.2mm, 350mm
Sizes	47,50,52,54,56,58,60 cm
Color 1	Jet Black (matte) (BBQ)
Color 2	N/A

CX9 105	
Code	OXR2
Frame	CAAD9 BB30 Cyclocross
Fork	Cannondale Ultra SI XR
Rims	Shimano RS10
Hubs	Shimano RS10
Spokes	Shimano RS10
Tires	Schwalbe Sammy Slick 700x35C
Cranks	FSA Gossamer BB30, 36/46
Bottom Bracket	FSA BB30
Chain	Shimano 105
Rear Cogs	Shimano 105, 12-27
Front Derailleur	Shimano 105, Clamp 34.9mm
Rear Derailleur	Shimano 105
Shifters	Shimano 105
Handlebar	FSA Vero Compact, 31.8mm
Stem	FSA ST-05-150 LX (31.8 mm, 11/8")
Headset	Cane Creek CX9 SI, inkl. Cablehanger 11/8"
Brakes	Tektro CR720, black
Brake Levers	Shimano 105
Saddle	Fi'zi:k Pave CX Sport
Seatpost	Cannondale C2, Alloy, 27.2mm, 300mm
Sizes	47,50,52,54,56,58,60 cm
Color 1	Race Red (gloss) (RED)
Color 2	Jet Black (matte) (BBQ)

CX9 TIAGRA	
Code	OXR3
Frame	CAAD9 BB30 Cyclocross
Fork	Cannondale Ultra SI XR
Rims	Shimano WHR 500A
Hubs	Shimano WHR 500A
Spokes	Shimano WHR 500A
Tires	Schwalbe CX Comp, 700x35c
Cranks	FSA Omega Mega Exo, 36/46
Bottom Bracket	FSA Mega Exo w/ adapter
Chain	Shimano HG-53
Rear Cogs	Shimano HG-50, 12-25
Front Derailleur	Shimano Tiagra, Clamp 34.9mm
Rear Derailleur	Shimano Tiagra
Shifters	Shimano Tiagra
Handlebar	FSA Vero Compact, 31.8mm
Stem	FSA ST-05-150 LX (31.8 mm, 11/8")
Headset	Cane Creek CX9 SI, inkl. Cablehanger 11/8"
Brakes	Tektro CR520, silver
Brake Levers	Shimano Tiagra
Saddle	Fi'zi:k Pave CX Sport
Seatpost	Cannondale C2, Alloy, 27.2mm, 300mm
Sizes	47,50,52,54,56,58,60 cm
Color 1	Race Red (gloss) (RED)
Color 2	Jet Black (matte) (BBQ)

FLASH TEAM	
Code	OFS0S
Frame	new Flash Hi-MOD S.A.V.E. BB30 specific, w/ 1.5" HeadShok head tube
Fork	Lefty Speed Carbon SL 110mm Solo Air OPI
Rims	new DT Swiss XCR 1.2 carbon
Hubs	new DT Swiss XCR 1.2
Spokes	new DT Swiss XCR 1.2
Tires	custom Schwalbe Furious Fred 2.0" EVO Triple Nano
Pedals	N/A
Cranks	Cannondale SI Hollowgram SL BB30 for SRAM XX 42/28t
Bottom Bracket	Cannondale BB30 ceramic
Chain	SRAM PC-1090R 10sp
Rear Cogs	SRAM XX 11-36t 10sp
Front Derailleur	SRAM XX direct mount
Rear Derailleur	SRAM XX
Shifters	SRAM XX MatchMaker
Handlebar	FSA K-Force XC flat
Grips	new Cannondale LE SuperLight lock-on
Stem	Cannondale SI stem/steerer 3D forged
Headset	Cannondale SI HeadShok
Brakes	SRAM XX MatchMaker
Saddle	new Fizik Antares w/ carbon rails
Seatpost	Flash carbon - USE Sumo SAVE 27.2mm w/ 10mm offset
Sizes	S,M,L,X
Color 1	Cannondale Factory Racing Team (gloss) (REP)
Color 2	N/A
Extras	DT Swiss tubeless kit & RWS Ti rear

FLASH HI-MOD 1	
Code	OFS1S
Frame	new Flash Hi-MOD S.A.V.E. BB30 specific, w/ 1.5" HeadShok head tube
Fork	Lefty Speed Carbon SL 110mm Solo Air OPI
Rims	Mavic CrossMax SLR
Hubs	Mavic CrossMax SLR
Spokes	Mavic CrossMax SLR
Tires	Schwalbe Racing Ralph 2.1" EVO Triple Nano
Pedals	N/A
Cranks	new FSA K-Force 386 BB30 42/27t
Bottom Bracket	BB30, included with crank
Chain	KMC X9SL CP
Rear Cogs	Shimano XTR M970 Ti 11-34t 9sp
Front Derailleur	Shimano XTR direct mount
Rear Derailleur	Shimano XTR Shadow
Shifters	Shimano XTR
Handlebar	new FSA SL-K flat
Grips	new Cannondale LE SuperLight lock-on
Stem	Cannondale SI stem/steerer 3D forged
Headset	Cannondale SI HeadShok
Brakes	new Avid Elixir CR Mag Carbon
Saddle	new Fizik Antares w/ kium rails
Seatpost	Flash carbon - USE Sumo SAVE 27.2mm w/ 10mm offset
Sizes	S,M,L,X
Color 1	Carbon through clearcoat w/ Berzker Green (gloss) (GRN)
Color 2	N/A

FLASH HI-MOD 2	
Code	OFS2S
Frame	new Flash Hi-MOD S.A.V.E. BB30 specific, w/ 1.5" HeadShok head tube
Fork	new Lefty Speed Carbon DLR 110mm Solo Air
Rims	DT Swiss XCR 1.4
Hubs	DT Swiss XCR 1.4
Spokes	DT Swiss XCR 1.4
Tires	Schwalbe Racing Ralph 2.1" EVO Triple Nano
Pedals	N/A
Cranks	custom FSA Afterburner BB30 w/carbon spider 44/32/22t
Bottom Bracket	BB30, included with crank
Chain	SRAM PG-971 9sp
Rear Cogs	SRAM PG-990 11-32t 9sp
Front Derailleur	Shimano XT direct mount
Rear Derailleur	SRAM X-0
Shifters	SRAM X-0 twisters
Handlebar	new FSA SL-K flat
Grips	SRAM for twist shifters
Stem	Cannondale SI stem/steerer 3D forged
Headset	Cannondale SI HeadShok
Brakes	Avid Elixir CR Carbon
Saddle	Fizik Tundra w/ kium rails
Seatpost	Flash carbon - USE Sumo SAVE 27.2mm w/ 10mm offset
Sizes	S,M,L,X
Color 1	Carbon through clearcoat w/ Berzker Green (gloss) (GRN)
Color 2	N/A
Extras	DT Swiss tubeless kit & RWS rear

FLASH CARBON 3	
Code	OFS3S
Frame	new Flash Carbon S.A.V.E. BB30 specific, w/ 1.5" HeadShok head tube
Fork	new Lefty Speed Carbon DLR 110mm Solo Air
Rims	DT Swiss XCR 1.7
Hubs	DT Swiss XCR 1.7
Spokes	DT Swiss XCR 1.7
Tires	Schwalbe Racing Ralph 2.1" EVO Triple Nano
Pedals	CrankBrothers Eggbeater C
Cranks	FSA Afterburner BB30 44/32/22t
Bottom Bracket	BB30, included with crank
Chain	Shimano HG73 9sp
Rear Cogs	Shimano HG61 11-32t 9sp
Front Derailleur	Shimano SLX direct mount
Rear Derailleur	Shimano XTR Shadow
Shifters	Shimano XT
Handlebar	FSA XC180 flat
Grips	new Cannondale LE SuperLight lock-on
Stem	Cannondale SI stem/steerer 3D forged
Headset	Cannondale SI HeadShok
Brakes	Avid Elixir R Carbon
Saddle	Fizik Tundra w/ manganese rails
Seatpost	Cannondale C3 27.2mm w/ 15mm offset
Sizes	S,M,L,X
Color 1	Race Red (gloss) (RED)
Color 2	Team Blue (gloss) (BLU)

FLASH CARBON 4	
Code	OFS4S
Frame	new Flash Carbon S.A.V.E. BB30 specific, w/ 1.5" HeadShok head tube
Fork	RockShox SID Race 100mm MC R,C,L w/ 1-1/8" alloy steerer
Rims	DT Swiss XCR 1.7
Hubs	DT Swiss XCR 1.7
Spokes	DT Swiss XCR 1.7
Tires	Schwalbe Racing Ralph 2.1" EVO Triple Nano
Pedals	CrankBrothers Eggbeater C
Cranks	FSA V-Drive BB30 44/32/22t
Bottom Bracket	BB30, included with crank
Chain	SRAM PC-951 9sp
Rear Cogs	SRAM PG-970 11-32t 9sp
Front Derailleur	Shimano SLX direct mount
Rear Derailleur	SRAM X-9
Shifters	SRAM X-9 triggers
Handlebar	FSA XC180 flat
Grips	new Cannondale Morse
Stem	FSA 150 XTC 1-1/8"
Headset	Cane Creek 1-1/8" integrated
Brakes	new Avid Elixir 5
Saddle	Fizik Tundra w/ manganese rails
Seatpost	Cannondale C3 27.2mm w/ 15mm offset
Sizes	S,M,L,X
Color 1	Race Red (gloss) (RED)
Color 2	Team Blue (gloss) (BLU)

	F1	F2	F3	SCALPEL TEAM	SCALPEL HI-MOD 1
Code	OFS1	OFS2	OFS3	OVPO	OVPI
Frame	new Flash alloy S.A.V.E. BB30 w/ 1.5" HeadShok head tube	new Flash alloy S.A.V.E. BB30 w/ 1.5" HeadShok head tube	new Flash alloy S.A.V.E. BB30 w/ 1.5" HeadShok head tube	new Scalpel HI-MOD 100mm Zero Pivot S.A.V.E. BB30, staged travel w/ magnesium link, w/ 1.5" HeadShok head tube	new Scalpel HI-MOD 100mm Zero Pivot S.A.V.E. BB30, staged travel w/ magnesium link, w/ 1.5" HeadShok head tube
Fork	new Lefty Speed alloy DLR 110mm Solo Air w/ one-piece outer	HeadShok Super Fatty Ultra DLR80	HeadShok Super Fatty Ultra DL80	Lefty Speed Carbon SL 110mm Solo Air OPI	Lefty Speed Carbon SL 110mm Solo Air OPI
Rear Shock	N/A	N/A	N/A	RockShox Monarch 4.2	Fox RPL
Rims	DT Swiss XCR 1.7	Mavic XM317 Disc	Mach1 Sub Zero Disc Xtra Lite	Mavic CrossMax SLR	DT Swiss XCR 1.4
Hubs	DT Swiss XCR 1.7	Shimano M525	Shimano M525	Mavic CrossMax SLR	DT Swiss XCR 1.4
Spokes	DT Swiss XCR 1.7	DT Swiss Champion	DT Swiss Champion	Mavic CrossMax SLR	DT Swiss XCR 1.4
Tires	Schwalbe Racing Ralph 2.1" EVO Triple Nano	Hutchinson Toro 2.15" 60tpi wb	Hutchinson Toro 2.15" 60tpi wb	custom Schwalbe Furious Fred 2.0" EVO Triple Nano	Schwalbe Racing Ralph 2.1" EVO Triple Nano
Pedals	Shimano M520 clipless	Shimano M520 clipless	Shimano M520 clipless	N/A	N/A
Cranks	Truvativ Stylo Oct 3.3 44/32/22t	Shimano SLX 44/32/22t	Truvativ FireX 3.3 44/32/22t	Cannondale SI Hollowgram SL BB30 for SRAM XX 42/28t	custom FSA Afterburner BB30 w/carbon spider 44/32/22t
Bottom Bracket	included with crank	included with crank	included with crank	Cannondale BB30 ceramic	BB30, included with crank
Chain	SRAM PC-951 9sp	Shimano HG53 9sp	SRAM PC-951 9sp	SRAM PC-1090R 10sp	Shimano HG73 9sp
Rear Cogs	SRAM PG-970 11-32t 9sp	Shimano HG61 11-32t 9sp	SRAM PG-970 11-32t 9sp	SRAM XX 11-36t 10sp	Shimano XT M770 11-32t 9sp
Front Derailleur	Shimano SLX	Shimano SLX	Shimano SLX	SRAM XX	Shimano XT
Rear Derailleur	SRAM X-0	Shimano XT Shadow	SRAM X-0	SRAM XX	Shimano XTR Shadow
Shifters	SRAM X-9 triggers	Shimano XT	new SRAM X-7 triggers	SRAM XX MatchMaker	Shimano XTR
Handlebar	Cannondale C3 flat	Cannondale C3 flat	Cannondale C3 flat	new FSA SL-K flat	FSA XC180 flat
Grips	new Cannondale LE SuperLight lock-on	new Cannondale Morse	new Cannondale Morse	new Cannondale LE SuperLight lock-on	new Cannondale LE SuperLight lock-on
Stem	Cannondale SI stem/steerer 3D forged	Cannondale XC3 HeadShok	Cannondale XC3 HeadShok	Cannondale SI stem/steerer 3D forged	Cannondale SI stem/steerer 3D forged
Headset	Cannondale SI HeadShok	Cannondale SI HeadShok	Cannondale SI HeadShok	Cannondale SI HeadShok	Cannondale SI HeadShok
Brakes	Avid Elixir R Carbon	Avid Elixir R	new Avid Elixir 5	SRAM XX MatchMaker	Avid Elixir R Carbon
Saddle	new Cannondale Stage w/ crmo rails	new Cannondale Stage w/ crmo rails	new Cannondale Stage w/ crmo rails	new Fizik Antares w/ kium rails	Fizik Tundra w/ kium rails
Seatpost	Cannondale C3 31.6mm w/ 15mm offset	Cannondale C3 31.6mm w/ 15mm offset	Cannondale C3 31.6mm w/ 15mm offset	new FSA SL-K 27.6mm w/ 20mm offset	Cannondale C3 27.2mm w/ 15mm offset
Sizes	S,M,L,X,J	S,M,L,X,J	S,M,L,X,J	S,M,L,X	S,M,L,X
Color 1	Lightning White (gloss) (WHT)	Race Red (gloss) (RED)	Team Blu (gloss) (BLU)	Cannondale Factory Racing Team (gloss) (REP)	Jet Black w/ Berzerker Green (gloss) (GRN)
Color 2	N/A	Jet Black w/ Berzerker Green (gloss) (GRN)	Jet Black w/ Berzerker Green (gloss) (GRN)	N/A	N/A
Extras					DT Swiss tubeless kit & RWS rear

	SCALPEL HI-MOD 2	SCALPEL 3	TRAIL SL 1	TRAIL SL 2	TRAIL SL 3
Code	OV2	OV3	OF1	OF2	OF3
Frame	new Scalpel HI-MOD 100mm Zero Pivot S.A.V.E. BB30, staged travel w/ magnesium link, w/ 1.5" HeadShok head tube	Scalpel alloy 100mm Zero Pivot S.A.V.E. BB30, staged travel w/ alloy link, w/ 1.5" HeadShok head tube	new Trail SL S.A.V.E. w/ 1.5" HeadShok head tube, disc only	new Trail SL S.A.V.E. w/ 1.5" head tube, disc only	new Trail SL S.A.V.E. w/ 1.5" head tube, disc only
Fork	new Lefty Speed carbon DLR 110mm Solo Air	new Lefty Speed alloy DLR 110mm Solo Air w/ one-piece outer	HeadShok Super Fatty Ultra DL80	RST Deuce Air 100mm w/ 1.5" alloy steerer	RST Deuce Air 100mm w/ 1.5" alloy steerer
Rear Shock	Fox RPL	Fox RPL	N/A	N/A	N/A
Rims	DT Swiss XCR 1.7	DT Swiss XCR 1.7	Mach1 Sub Zero Disc Xtra Lite	new Maddux DC 3.0 Disc	new Maddux DC 3.0 Disc
Hubs	DT Swiss XCR 1.7	DT Swiss XCR 1.7	Shimano M525	Shimano M525	Shimano M475
Spokes	DT Swiss XCR 1.7	DT Swiss XCR 1.7	DT Swiss Champion	CN	CN
Tires	Schwalbe Racing Ralph 2.1" EVO Triple Nano	Schwalbe Racing Ralph 2.1" EVO Triple Nano	Hutchinson Toro 2.15" 60tpi wb	Hutchinson Iguana 2.0" 33tpi wb	Hutchinson Iguana 2.0" 33tpi wb
Pedals	CrankBrothers Eggbeater C	CrankBrothers Eggbeater C	Shimano M520 clipless	Wellgo flat w/ alloy cage, clip and straps	Wellgo flat w/ alloy cage, clip and straps
Cranks	FSA Afterburner BB30 44/32/22t	FSA Afterburner BB30 44/32/22t	new Shimano Deore 44/32/22t	new Shimano Deore 44/32/22t	Shimano M442 Octalink 44/32/22t
Bottom Bracket	BB30, included with crank	BB30, included with crank	included with crank	included with crank	Shimano ES25 Octalink
Chain	SRAM PC-951 9sp	Shimano HG53 9sp	Shimano HG53 9sp	Shimano HG53 9sp	Shimano HG53 9sp
Rear Cogs	SRAM PG-970 11-32t 9sp	Shimano XT M770 11-32t 9sp	Shimano HG50 11-32t 9sp	Shimano HG50 11-32t 9sp	Shimano HG50 11-32t 9sp
Front Derailleur	Shimano SLX	Shimano XT	new Shimano Deore	new Shimano Deore	new Shimano Deore
Rear Derailleur	SRAM X-0	Shimano XT Shadow	Shimano XT Shadow	Shimano XT Shadow	Shimano SLX shadow
Shifters	SRAM X-9 triggers	Shimano XT	Shimano SLX	Shimano SLX	new Shimano Deore
Handlebar	FSA XC180 flat	Cannondale C3 flat	Cannondale C3 riser	Cannondale C4 riser	Cannondale C4 riser
Grips	new Cannondale LE SuperLight lock-on	new Cannondale LE SuperLight lock-on	new Cannondale Morse	new Cannondale Morse	new Cannondale Morse
Stem	Cannondale SI stem/steerer 3D forged	Cannondale SI stem/steerer 3D forged	Cannondale XC3 HeadShok	Cannondale C4 1.5"	Cannondale C4 1.5"
Headset	Cannondale SI HeadShok	Cannondale SI HeadShok	Cannondale SI HeadShok	Cane Creek 1.5" semi-integrated	Cane Creek 1.5" semi-integrated
Brakes	Avid Elixir R Carbon	Avid Elixir R	new Avid Elixir 5	Shimano M486	Shimano M486
Saddle	Fizik Tundra w/ manganese rails	new Cannondale Stage w/ crmo rails	new Cannondale Stage w/ steel rails	new Cannondale Stage w/ steel rails	new Cannondale Stage w/ steel rails
Seatpost	Cannondale C3 27.2mm w/ 15mm offset	Cannondale C3 27.2mm w/ 15mm offset	Cannondale C4 31.6mm w/ zero offset	Cannondale C4 31.6mm w/ zero offset	Cannondale C4 31.6mm w/ zero offset
Sizes	S,M,L,X	S,M,L,X	S,M,L,X,J	S,M,L,X,J	S,M,L,X,J
Color 1	Jet Black w/ Berzerker Green (gloss) (GRN)	Jet Black w/ Berzerker Green (gloss) (GRN)	Jet Black (matte) (BBQ)	Jet Black (matte) (BBQ)	Jet Black (gloss) (BLK)
Color 2	N/A	Race Red (gloss) (RED)	Lightning White (gloss) (WHT)	Lightning White (gloss) (WHT)	Race Red (gloss) (RED)

	TRAIL SL 4
Code	OFE4
Frame	new Trail SL S.A.V.E. w/ 1.5" head tube, disc only
Fork	RST First Coil 100mm
Rear Shock	N/A
Rims	new Maddux DC 3.0 Disc
Hubs	Shimano M475
Spokes	CN
Tires	Hutchinson Iguana 2.0" 33tpi wb
Pedals	Wellgo flat w/ clip and straps
Cranks	Shimano M442 Octalink 44/32/22t
Bottom Bracket	Shimano ES25 Octalink
Chain	Shimano HG53 9sp
Rear Cogs	Sunrace 11-32t 9sp
Front Derailleur	new Shimano Deore
Rear Derailleur	new Shimano Deore
Shifters	new Shimano Deore
Handlebar	Cannondale C4 riser
Grips	new Cannondale Morse
Stem	Cannondale C4 1-1/8"
Headset	Cane Creek 1-1/8" external
Brakes	Tektro Auriga Comp custom
Saddle	new Cannondale Stage w/ steel rails
Seatpost	Cannondale C4 31.6mm w/ zero offset
Sizes	S,M,L,X,J
Color 1	Jet Black (gloss) (BLK)
Color 2	Race Red (gloss) (RED)

	TRAIL SL 5
Code	OFE5
Frame	new Trail SL S.A.V.E. w/ 1.5" head tube, disc only
Fork	RST Omega TrL 100mm
Rear Shock	N/A
Rims	new Maddux DC 3.0 Disc
Hubs	Formula
Spokes	CN
Tires	Hutchinson Iguana 2.0" 33tpi wb
Pedals	Wellgo flat w/ clip and straps
Cranks	Truvativ Five D 3.1 for 9s 44/32/22t
Bottom Bracket	Truvativ LE square
Chain	Shimano HG53 9sp
Rear Cogs	Sunrace 11-32t 9sp
Front Derailleur	new Shimano Deore
Rear Derailleur	new Shimano Deore
Shifters	new Shimano Deore
Handlebar	Cannondale C4 riser
Grips	new Cannondale Morse
Stem	Cannondale C4 1-1/8"
Headset	Cane Creek 1-1/8" external
Brakes	Tektro IO mechanical w/ Cannondale levers
Saddle	new Cannondale Stage w/ steel rails
Seatpost	Cannondale C4 31.6mm w/ zero offset
Sizes	S,M,L,X,J
Color 1	Lightning White (gloss) (WHT)
Color 2	Race Red (gloss) (RED)

	TRAIL SL 6
Code	OFE6
Frame	new Trail SL S.A.V.E. w/ 1.5" head tube, disc only
Fork	RST Gila Pro TrL 100mm
Rear Shock	N/A
Rims	new Maddux DC 3.0 Disc
Hubs	Formula
Spokes	CN
Tires	Hutchinson Iguana 2.0" 33tpi wb
Pedals	Wellgo flat w/ clip and straps
Cranks	Suntour XCT V2 44/32/22t
Bottom Bracket	Suntour XCM
Chain	Shimano HG50 8sp
Rear Cogs	Sunrace 12-32t 8sp
Front Derailleur	Shimano Altus M311
Rear Derailleur	Shimano Alivio
Shifters	Shimano Alivio
Handlebar	Cannondale C4 riser
Grips	new Cannondale Morse
Stem	Cannondale C4 1-1/8"
Headset	Cane Creek 1-1/8" external
Brakes	Tektro IO mechanical w/ Cannondale levers
Saddle	new Cannondale Stage w/ steel rails
Seatpost	Cannondale C4 31.6mm w/ zero offset
Sizes	S,M,L,X,J
Color 1	Lightning White (gloss) (WHT)
Color 2	Race Red (gloss) (RED)

	RUSH HI-MOD 1
Code	OVMI
Frame	Rush Carbon HI-MOD 110mm BB30 w/ 1.5" HeadShok head tube
Fork	new Fox 32 Float RL FIT 120mm w/ custom 1.5" steerer
Rear Shock	Fox RP23
Rims	Mavic CrossRide
Hubs	Mavic CrossRide
Spokes	Mavic CrossRide
Tires	Schwalbe Rocket Ron 2.25" EVO triple nano
Pedals	CrankBrothers Candy
Cranks	FSA Afterburner BB30 44/32/22t
Bottom Bracket	BB30, included with crank
Chain	Shimano HG73 9sp
Rear Cogs	Shimano HG61 11-32t 9sp
Front Derailleur	Shimano SLX
Rear Derailleur	Shimano XT Shadow
Shifters	Shimano SLX
Handlebar	FSA XC 282 riser
Grips	new Cannondale White Mamba lock-on
Stem	Cannondale XC3 1.5"
Headset	Cane Creek 1.5" integrated
Brakes	Avid Elixir R
Saddle	Fizik Tundra w/ manganese rails
Seatpost	Cannondale C3 27.2mm w/ 15mm offset
Sizes	S,M,L,X
Color 1	Race Red (gloss) (RED)
Color 2	N/A

	RUSH HI-MOD 2
Code	OVMI2
Frame	Rush Carbon HI-MOD 110mm BB30 w/ 1.5" HeadShok head tube
Fork	new Fox 32 Float RL open bath 120mm w/ custom 1.5" steerer
Rear Shock	Fox RP2
Rims	Mavic XM317 Disc
Hubs	Shimano M525
Spokes	DT Swiss Champion
Tires	Schwalbe Rocket Ron 2.25" Performance folding
Pedals	N/A
Cranks	FSA V-Drive BB30 44/32/22t
Bottom Bracket	BB30, included with crank
Chain	SRAM PC-951 9sp
Rear Cogs	SRAM PG-950 11-32t 9sp
Front Derailleur	Shimano SLX
Rear Derailleur	SRAM X-9
Shifters	new SRAM X-7 triggers
Handlebar	Cannondale C3 riser
Grips	new Cannondale Morse
Stem	Cannondale C3 1-1/8"
Headset	Cane Creek 1.5" integrated
Brakes	new Avid Elixir 5
Saddle	new Cannondale Stage w/ crmo rails
Seatpost	Cannondale C3 27.2mm w/ 15mm offset
Sizes	S,M,L,X
Color 1	Race Red (gloss) (RED)
Color 2	N/A

	RZ ONE TWENTY 1
Code	OV11
Frame	new RZ One Twenty alloy 120mm w/ BB30 BackBone, staged travel, w/ 1.5" HeadShok head tube
Fork	new Lefty Ultra alloy PBR 120mm Solo Air OPI
Rear Shock	Fox RP23
Rims	DT Swiss XCR 1.7
Hubs	DT Swiss XCR 1.7
Spokes	DT Swiss XCR 1.7
Tires	Schwalbe Rocket Ron 2.25" EVO triple nano
Pedals	CrankBrothers Candy
Cranks	FSA Afterburner BB30 44/32/22t
Bottom Bracket	BB30, included with crank
Chain	SRAM PC-951 9sp
Rear Cogs	SRAM PG-950 11-32t 9sp
Front Derailleur	Shimano SLX
Rear Derailleur	SRAM X-0
Shifters	SRAM X-9 triggers
Handlebar	Cannondale C3 riser
Grips	new Cannondale Black Mamba lock-on
Stem	Cannondale SI stem/steerer 3D forged
Headset	Cannondale SI HeadShok
Brakes	Avid Elixir R
Saddle	Fizik Tundra w/ manganese rails
Seatpost	Cannondale C3 31.6mm w/ 15mm offset
Sizes	S,M,L,X
Color 1	Jet Black (gloss) (BLK)
Color 2	N/A
Extras	

	RZ ONE TWENTY 2
Code	OV12
Frame	new RZ One Twenty alloy 120mm w/ BB30 BackBone, staged travel, w/ 1.5" HeadShok head tube
Fork	new Fox 32 Float RL open bath 120mm w/ custom 1.5" steerer
Rear Shock	Fox RP2
Rims	Mavic CrossRide
Hubs	Mavic CrossRide
Spokes	Mavic CrossRide
Tires	Schwalbe Rocket Ron 2.25" Performance folding
Pedals	CrankBrothers Candy
Cranks	Shimano SLX 44/32/22t
Bottom Bracket	included with crank
Chain	Shimano HG53 9sp
Rear Cogs	Shimano HG61 11-32t 9sp
Front Derailleur	new Shimano Deore
Rear Derailleur	Shimano XT Shadow
Shifters	Shimano SLX
Handlebar	Cannondale C3 riser
Grips	new Cannondale Morse
Stem	Cannondale XC3 1.5"
Headset	Cane Creek 1.5" integrated
Brakes	new Avid Elixir 5
Saddle	Fizik Tundra w/ manganese rails
Seatpost	Cannondale C3 31.6mm w/ 15mm offset
Sizes	S,M,L,X
Color 1	Jet Black (matte) (BBQ)
Color 2	Lightning White (gloss) (WHT)

	RZ ONE TWENTY 3
Code	OV13
Frame	new RZ One Twenty alloy 120mm w/ BB30 BackBone, staged travel, w/ 1.5" HeadShok head tube
Fork	RockShox Recon Race Solo Air 120mm MC w/ custom 1.5" alloy steerer
Rear Shock	RockShox Monarch 3.3
Rims	Mavic XM317 Disc
Hubs	Shimano M525
Spokes	DT Swiss Champion
Tires	Schwalbe Rocket Ron 2.25" Performance folding
Pedals	Shimano M520 clipless
Cranks	FSA V-Drive BB30 44/32/22t
Bottom Bracket	BB30, included with crank
Chain	SRAM PC-951 9sp
Rear Cogs	SRAM PG-950 11-32t 9sp
Front Derailleur	new Shimano Deore
Rear Derailleur	SRAM X-9
Shifters	new SRAM X-7 triggers
Handlebar	Cannondale C3 riser
Grips	new Cannondale Morse
Stem	Cannondale XC3 1.5"
Headset	Cane Creek 1.5" integrated
Brakes	Avid Juicy 3S
Saddle	new Cannondale Stage w/ crmo rails
Seatpost	Cannondale C3 31.6mm w/ 15mm offset
Sizes	S,M,L,X
Color 1	Jet Black (matte) (BBQ)
Color 2	Lightning White (gloss) (WHT)

	RZ ONE TWENTY 4
Code	OV14
Frame	new RZ One Twenty alloy 120mm w/ BB30 BackBone, staged travel, w/ 1.5" HeadShok head tube
Fork	RockShox Recon SL Coil 120mm w/ custom 1.5" alloy steerer
Rear Shock	RockShox Monarch 3.1
Rims	Mach1 Sub Zero Disc Xtra Lite
Hubs	Shimano M525
Spokes	DT Swiss Champion
Tires	Hutchinson Toro 2.15" 60tpi wb
Pedals	Wellgo flat w/ alloy cage, clip and straps
Cranks	Shimano M521 44/32/22t
Bottom Bracket	Shimano ES25 Octalink
Chain	Shimano HG53 9sp
Rear Cogs	Shimano HG50 11-32t 9sp
Front Derailleur	new Shimano Deore
Rear Derailleur	Shimano XT Shadow
Shifters	new Shimano Deore
Handlebar	Cannondale C3 riser
Grips	new Cannondale Morse
Stem	Cannondale XC3 1.5"
Headset	Cane Creek 1.5" integrated
Brakes	Avid Juicy 3S
Saddle	new Cannondale Stage w/ steel rails
Seatpost	Cannondale C3 31.6mm w/ 15mm offset
Sizes	S,M,L,X
Color 1	Jet Black (matte) (BBQ)
Color 2	Lightning White (gloss) (WHT)

	RZ ONE FORTY CARBON 1
Code	OV11
Frame	RZ Carbon 140mm, carbon seatstays, w/ BB30 BackBone, staged travel, w/ 1.5" HeadShok head tube
Fork	new Lefty Max Carbon PBR 140mm Solo Air OPI
Rear Shock	RockShox Monarch 4.2
Rims	new DT Swiss XCR 1.2 carbon
Hubs	new DT Swiss XCR 1.2
Spokes	new DT Swiss XCR 1.2
Tires	custom new Schwalbe Nobby Nic 2.25" EVO Triple Nano
Pedals	N/A
Cranks	Cannondale SI Hollowgram SL BB30 44/32/22t
Bottom Bracket	Cannondale BB30 ceramic
Chain	KMC X9SL CP
Rear Cogs	Shimano XTR M970 Ti 11-32t 9sp
Front Derailleur	Shimano XTR
Rear Derailleur	SRAM X-0
Shifters	SRAM X-0 MatchMaker triggers
Handlebar	FSA K-Force XC riser
Grips	new Cannondale LE lock-on SuperLight
Stem	Cannondale SI stem/steerer 3D forged
Headset	Cannondale SI HeadShok
Brakes	new Avid Elixir CR Mag Carbon MatchMaker
Saddle	new Fizik Antares w/ carbon rails
Seatpost	FSA K-Force 31.6mm w/ zero offset
Sizes	S,M,L,X
Color 1	Jet Black (gloss) (BLK)
Color 2	N/A
Extras	DT Swiss tubeless kit & RWS Ti rear

	RZ ONE FORTY CARBON 2	RZ ONE FORTY CARBON 3	RZ ONE FORTY CARBON 4	RZ ONE FORTY 5	RZ ONE FORTY 6
Code	OV2	OV3	OV4	OV5	OV6
Frame	RZ Carbon 140mm, carbon seatstays, w/ BB30 BackBone, staged travel, w/ 1.5" HeadShok head tube	RZ Carbon 140mm, carbon seatstays, w/ BB30 BackBone, staged travel, w/ 1.5" HeadShok head tube	RZ Carbon 140mm, carbon seatstays, w/ BB30 BackBone, staged travel, w/ 1.5" HeadShok head tube	RZ 140mm, carbon seatstays, w/ BB30 BackBone, staged travel, w/ 1.5" HeadShok head tube	RZ 140mm, carbon seatstays, w/ BB30 BackBone, staged travel, w/ 1.5" HeadShok head tube
Fork	new Lefty Max carbon w/ Fox RLC 140mm OPI	new Lefty Max alloy PBR 140mm Solo Air OPI	new Fox 32 Talas RL open bath 140mm thru15 w/ 1.5" steerer	new Lefty Max alloy PBR 140mm Solo Air OPI	new Fox 32 Float RL FIT 140mm thru15 w/ custom 1.5" steerer
Rear Shock	new Fox RP23 w/Boost Valve	RockShox Monarch 3.3	Fox RP2	RockShox Monarch 3.3	Fox RP2
Rims	new Mavic CrossMax ST	DT Swiss XCR 1.4	DT Swiss X 430	Mavic XM317 Disc	Mavic XM317 Disc
Hubs	new Mavic CrossMax ST	DT Swiss XCR 1.4	DT Swiss 370	Lefty SL & DT Swiss 370	DT Swiss 370
Spokes	new Mavic CrossMax ST	DT Swiss XCR 1.4	DT Swiss Competition	DT Swiss Competition	DT Swiss Competition
Tires	new Schwalbe Nobby Nic 2.25" UST EVO triple nano	new Schwalbe Nobby Nic 2.25" EVO Triple Nano	new Schwalbe Nobby Nic 2.25" EVO Triple Nano	new Schwalbe Nobby Nic 2.25" EVO Triple Nano	new Schwalbe Nobby Nic 2.25" EVO Triple Nano
Pedals	N/A	CrankBrothers Candy	CrankBrothers Candy	CrankBrothers Candy	CrankBrothers Candy
Cranks	Cannondale SI Carbon BB30 44/32/22t	custom FSA Afterburner BB30 w/carbon spider 44/32/22t	Shimano SLX 44/32/22t	Shimano SLX 44/32/22t	Shimano SLX 44/32/22t
Bottom Bracket	BB30, included with crank	BB30, included with crank	included with crank	included with crank	included with crank
Chain	Shimano HG73 9sp	SRAM PC-971 9sp	Shimano HG53 9sp	Shimano HG53 9sp	Shimano HG53 9sp
Rear Cogs	Shimano XT M770 11-32t 9sp	SRAM PG-990 11-32t 9sp	Shimano HG61 11-32t 9sp	Shimano HG61 11-32t 9sp	Shimano HG61 11-32t 9sp
Front Derailleur	Shimano XTR	Shimano XTR	Shimano SLX	Shimano SLX	Shimano SLX
Rear Derailleur	Shimano XTR Shadow	SRAM X-0	Shimano XT Shadow	Shimano XT Shadow	Shimano XT Shadow
Shifters	Shimano XTR	SRAM X-0 triggers	Shimano SLX	Shimano SLX	Shimano SLX
Handlebar	new FSA SL-K riser	FSA XC 190 riser	FSA XC 282 riser	FSA XC 282 riser	FSA XC 282 riser
Grips	new Cannondale White Mamba lock-on	new Cannondale White Mamba lock-on	new Cannondale Black Mamba lock-on	new Cannondale Black Mamba lock-on	new Cannondale Morse
Stem	Cannondale SI stem/steerer 3D forged	Cannondale SI stem/steerer 3D forged	Cannondale XC3 1.5"	Cannondale SI stem/steerer 3D forged	Cannondale XC3 1.5"
Headset	Cannondale SI HeadShok	Cannondale SI HeadShok	Cane Creek 1.5" integrated	Cannondale SI HeadShok	Cane Creek 1.5" integrated
Brakes	Avid Elixir CR Carbon	Avid Elixir CR	Avid Elixir R	Avid Elixir R	Avid Elixir R
Saddle	Fizik Gobi XM w/ kium rails	Fizik Gobi XM w/ kium rails	Fizik Gobi XM w/ manganese rails	Fizik Gobi XM w/ manganese rails	new Cannondale Stage w/ crmo rails
Seatpost	new FSA SL-K 31.6mm w/ zero offset	FSA XC 190 SuperLight 31.6mm w/ zero offset	FSA FR 270 31.6mm w/ zero offset	FSA FR 270 31.6mm w/ zero offset	FSA FR 270 31.6mm w/ zero offset
Sizes	S,M,L,X	S,M,L,X	S,M,L,X	S,M,L,X	S,M,L,X
Color 1	Race Red (gloss) (RED)	Race Red (gloss) (RED)	Race Red (gloss) (RED)	Lightning White (gloss) (WHT)	Lightning White (gloss) (WHT)
Color 2	Lightning White (gloss) (WHT)	Lightning White (gloss) (WHT)	Lightning White (gloss) (WHT)	Jet Black (matte) (BBQ)	Jet Black (matte) (BBQ)
Extras	N/A	DT Swiss tubeless kit & RWS rear	N/A	N/A	N/A

	RZ ONE FORTY 7	RZ ONE FORTY X	MOTO CARBON 1	MOTO CARBON 2	MOTO 3
Code	OV7	OVX	OV1	OV2	OV3
Frame	RZ 140mm, carbon seatstays, w/ BB30 BackBone, staged travel, w/ 1.5" HeadShok head tube	new RZ 140mm w/ BB30 BackBone, alloy seatstays, staged travel, ISCG 05, w/ 1.5" HeadShok head tube	new Moto Carbon 160mm w/ carbon Hatchet Linkage, staged travel & floating shock technology, 9mm dropouts, w/ 1.5" head tube	new Moto Carbon 160mm w/Carbon Hatchet Linkage, staged travel & floating shock technology, thru12 dropouts, w/ 1.5" head tube	new Moto alloy 160mm w/ Hatchet Linkage, staged travel & floating shock technology, ISCG 05, Made dropouts, w/ 1.5" head tube
Fork	RockShox Revelation SL Dual Air 140mm MC w/ Maxle Lite	new Fox 32 Van RL open bath 140mm thru15 w/ custom 1.5" steerer	Fox 36 Talas RC2 Black '09 160mm 1.5"	new Fox 36 Float R open bath 160mm 1.5"	RockShox Lyric IS 2-step Air 160mm 1.5"
Rear Shock	RockShox Monarch 3.1	Fox RP2	Fox DHX Air 5.0 '09	Fox DHX Air 4.0 '09	RockShox Monarch 4.2
Rims	Mach1 Sub Zero Disc Xtra Lite	Mach1 2.30 Disc HoneyComb	new Mavic CrossMax ST	DT Swiss X 430	Mach1 2.30 Disc HoneyComb
Hubs	Formula DH91 & Shimano M525	Formula DC71 & Shimano M525	new Mavic CrossMax ST	Sun Ringle Jumping Flea	Formula DHL91 & DHL-135
Spokes	DT Swiss Champion	DT Swiss Champion	new Mavic CrossMax ST	DT Swiss Revolution	DT Swiss Competition
Tires	new Schwalbe Nobby Nic 2.25" Performance folding	new Schwalbe Nobby Nic 2.4" EVO Snake Skin front, 2.25" EVO Triple Nano rear	new Schwalbe Nobby Nic 2.4" EVO Snake Skin	new Schwalbe Nobby Nic 2.4" EVO Snake Skin	Schwalbe Fat Albert 2.4" Performance Folding
Pedals	CrankBrothers Candy	Cannondale Grind flat	N/A	N/A	CrankBrothers Acid 1.0
Cranks	Truvativ FireX 3.3 44/32/22t	Truvativ FireX 2.2 BG/36/24t	Shimano XTR 44/32/22t	Truvativ Stylo OCT 3.3 44/32/22t	Truvativ Hammerschmidt AM 24t
Bottom Bracket	included with crank	included with crank	included with crank	included with crank	Truvativ HammerSchmidt
Chain	SRAM PC-951 9sp	SRAM PC-951 9sp	SRAM PC-971 9sp	Shimano HG73 9sp	SRAM PC-951 9sp
Rear Cogs	SRAM PG-950 11-32t 9sp	SRAM PG-950 11-34t 9sp	SRAM PG-980 11-32t 9sp	Shimano HG61 11-32t 9sp	SRAM PG-950 11-34t 9sp
Front Derailleur	new Shimano Deore	Shimano SLX	Shimano XT	new Shimano Deore	N/A
Rear Derailleur	SRAM X-9	SRAM X-9	SRAM X-0	Shimano XT Shadow	SRAM X-9
Shifters	new SRAM X-7 triggers	new SRAM X-7 triggers	SRAM X-9 triggers	Shimano SLX	SRAM X-9 triggers, HammerSchmidt front
Handlebar	Cannondale C3 riser	FSA XC 280 riser	FSA Gravity Light riser	FSA Gravity Light riser	FSA XC 280 riser
Grips	new Cannondale Morse	new Cannondale Morse	new Cannondale White Mamba lock-on	new Cannondale White Mamba lock-on	new Cannondale Black Mamba lock-on
Stem	Cannondale C3 1-1/8"	Cannondale OnePointFive	FSA Gravity Light 1.5"	FSA Gravity Light 1.5"	Cannondale XC3 1.5"
Headset	Cane Creek 1-1/8" integrated	Cane Creek 1.5" integrated	Cane Creek 1.5" integrated for Moto	Cane Creek 1.5" integrated for Moto	Cane Creek 1.5" external
Brakes	new Avid Elixir 5	Avid Elixir R	Magura Louise BAT Carbon	Magura Louise BAT	Magura Louise BAT
Saddle	new Cannondale Stage w/ crmo rails	new Cannondale Nebula w/ crmo rails	Fizik Gobi XM w/ manganese rails	Fizik Gobi XM w/ manganese rails	new Cannondale Nebula w/ crmo rails
Seatpost	Cannondale C3 31.6mm w/ zero offset	Cannondale C3 31.6mm w/ zero offset	FSA XC 190 SuperLight 31.6mm w/ zero offset	FSA XC 190 SuperLight 31.6mm w/ zero offset	Cannondale C3 31.6mm w/ zero offset
Sizes	S,M,L,X	S,M,L,X	S,M,L,X	S,M,L,X	S,M,L,X
Color 1	Lightning White (gloss) (WHT)	Galvanized (gloss) (GZD)	Carbon through clearcoat (gloss) w/ Jet Black (matte) (BLK)	Carbon through clearcoat (gloss) w/ Jet Black (matte) (BLK)	Galvanized (gloss) (GZD)
Color 2	Jet Black (matte) (BBQ)	N/A	Berzker Green (gloss) (GRN)	Berzker Green (gloss) (GRN)	N/A
Extras	N/A	DT Swiss RWS rear	N/A	DT Swiss RWS rear thru12	RockShox Maxle rear thru12

	MOTO 4	BAD BOY V-BRAKE 26"	BAD BOY DISC 26"	BAD BOY 700	BAD BOY ULTRA SOLO 26"
Code	OVB4	OBR	OBRD	OBRD7	OBS5
Frame	new Moto alloy 160mm w/ Hatchet Linkage, staged travel & floating shock technology, ISCG 05, Maxle dropouts, w/ 1.5" head tube	Bad Boy SI classic	Bad Boy SI classic	Bad Boy Stealth SI	Bad Boy SI Stealth HeadShok
Fork	RockShox Lyric DFR Coil U-Turn 160mm 1.5"	Cannondale Fatty SI V-Brake	Cannondale Fatty SI disc	Bad Boy Stealth SI	Cannondale Fatty Solo Ultra SI
Rear Shock	RockShox Monarch 3.1	N/A	N/A	N/A	N/A
Rims	Mach1 2.30 Disc HoneyComb	Cannondale C3 black 26"	Cannondale C2 black 26"	Cannondale C2 black	Cannondale C2 black 26"
Hubs	Formula DHL91 & DHL-135	Formula/Shimano RM30	Formula DC20/Shimano Deore	Shimano Deore/Shimano Deore	Lefty/Shimano XT
Spokes	DT Swiss Competition	stainless black/black	stainless black/black	DT Swiss black/black	DT Swiss black/black
Tires	Schwalbe Fat Albert 2.4" Performance Folding	Schwalbe Kojak Bad Boy Edition 559 x 50	Schwalbe Kojak Bad Boy Edition 559 x 35	Schwalbe Kojak Bad Boy Edition 622 x 28	Schwalbe Kojak Bad Boy Edition 559 x 35
Pedals	Cannondale Grind flat	MTB M-21	MTB-M21	Octopus	Octopus
Cranks	Shimano SLX 44/32/22t	FSA Alphasdrive alloy rings black 48/36/26	FSA Alphasdrive alloy rings black 48/36/26	FSA Gossamer Pro 46/36	FSA Gossamer Pro 46/36
Bottom Bracket	included with crank	Cartridge black	Cartridge black	MegaExo	MegaExo
Chain	Shimano HG53 9sp	KMC Z51 black nano finish	KMC X9 black nano finish	KMC X9 black nano finish	KMC X9 black nano finish
Rear Cogs	Shimano HG61 11-32t 9sp	CS 66 black polish - 11-32	CSM 96 black polish - 11-32	CSM 96 black polish - 11-32	CSM 96 black polish - 11-32
Front Derailleur	new Shimano Deore	Shimano FD-360	Shimano Deore new	Shimano FD-440	Shimano FD-440
Rear Derailleur	Shimano SLX shadow	Shimano Alivio	Shimano Deore new	Shimano SLX	Shimano SLX
Shifters	Shimano SLX	Shimano SL-M360	Shimano Deore new	Shimano SL-R440	Shimano SL-R440
Handlebar	FSA XC 280 riser	Cannondale Urban flat black 31.8	Cannondale Urban flat black 31.8	Cannondale Urban flat black 31.8	Cannondale Urban flat black 31.8
Grips	new Cannondale Morse	Cannondale "Cityscape" black chrome rings	Cannondale "Cityscape" black chrome rings	Cannondale "Cityscape" black chrome rings	Cannondale "Cityscape" black chrome rings
Stem	Cannondale XC3 1.5"	Cannondale C4 black	Cannondale C4 black	Cannondale C3 black	Cannondale HeadShok stealth
Headset	Cane Creek 1.5" external	Cane Creek black/black chrome	Cane Creek black/black chrome	Cane Creek black/black chrome	HeadShok bearing
Brakes/Levers	Magura Louise	Tektro 855 -V-Brake, Cannondale XL95	Auriga Sub - black rotors, Auriga Sub	Auriga Sub - black rotors, Auriga Sub black	Auriga Sub - black rotors, Auriga Sub black
Saddle	new Cannondale Nebula w/ crmo rails	Cannondale Stage	Cannondale Stage	Fizik Pave incl. ICS black	Fizik Pave incl. ICS black
Seatpost/Clamp	Cannondale C3 31.6mm w/ zero offset	Cannondale C4/Gorilla Park black chrome	Cannondale C4/Gorilla Park black chrome	Cannondale C3/Gorilla Park black chrome	Cannondale C3/Gorilla Park black chrome
Sizes	S,M,L,X	S,M,L,X	S,M,L,X	S,M,L,X	S,M,L,X
Color	Galvanized (gloss) (GZD)	Jet Black/Black Reflective Decals (BBQ)	Jet Black/Black Reflective Decals (BBQ)	Jet Black/Black Reflective Decals (BBQ)	Jet Black/Black Reflective Decals (BBQ)
Extras	RockShox Maxle rear thru12			ICS Bad Boy Edition Lights	ICS Bad Boy Edition Lights

	BAD BOY ULTRA 700C	BAD BOY SOLO 3-SPEED	BAD BOY 8	BAD BOY 8 ULTRA	BAD BOY ROHLOFF
Code	OBS	OBR3	OBR8	OBS8	OBR5
Frame	Bad Boy Stealth SI	Bad Boy SI Stealth	Bad Boy SI Stealth	Bad Boy SI Stealth HeadShok	Bad Boy SI classic HeadShok Rohloff
Fork	Cannondale Fatty SI	Cannondale Fatty SI Solo	Cannondale Fatty SI Solo	Cannondale Fatty Ultra SI	Cannondale Fatty SI Ultra
Rear Shock	N/A	N/A	N/A	N/A	N/A
Rims	Cannondale C2 black	Cannondale C2 black	Cannondale C2 black	Cannondale C2 black	Cannondale C2 black
Hubs	Shimano Deore/Shimano Deore	Lefty/Sram I-Motion 3 Speed Disc black	Lefty/Shimano Affine	Shimano Deore/Shimano Affine	Shimano XT/Rohloff Speedhub
Spokes	DT Swiss black/black	DT Swiss black/black	DT Swiss black/black	DT Swiss black/black	DT Swiss black/black
Tires	Schwalbe Kojak Bad Boy Edition 622 x 28	Schwalbe Kojak Bad Boy Edition 622 x 28	Schwalbe Kojak Bad Boy Edition 622 x 28	Schwalbe Kojak Bad Boy Edition 622 x 28	Schwalbe Kojak Bad Boy Edition 622 x 28
Pedals	Octopus	Octopus	Octopus	Octopus	Octopus
Cranks	FSA Gossamer Pro 46/36	Single Speed CNC chainring 1/2" x 1/8"	Truvativ Firex 1.1. 42T	Truvativ Firex 1.1. 42T	Truvativ Stylo 1.1 42T
Bottom Bracket	MegaExo	Cartridge black	Cartridge black	Cartridge black	Truvative GigaXpipe
Chain	KMC X9 black nano finish	KMC Z510HX 1/2" x 1/8" black nano finish	KMC Z610HX black nano finish	KMC Z610 black nano finish	KMC Z610HX black nano finish
Rear Cogs	CSM 96 black polish - 11-32	Sram 17T	Shimano 18T	Shimano 18T	Rohloff 16T
Front Derailleur	Shimano FD-440	N/A	N/A	N/A	No
Rear Derailleur	Shimano SLX	Sram I-Motion 3 Speed Disc black	Shimano Affine	Shimano Affine	Rohloff Speedhub black
Shifters	Shimano SL-R440	Sram Twister	Shimano Affine	Shimano Affine	Rohloff Twister
Handlebar	Cannondale Urban flat handlebar black 31.8	Cannondale Urban riserbar black chrome 31.8	Cannondale Urban flat handlebar black 31.8	Cannondale Urban flat handlebar black 31.8	Cannondale Urban flat handlebar black 31.8
Grips	Cannondale "Cityscape" black chrome rings	Cannondale "Cityscape" black chrome rings	Cannondale "Cityscape" black chrome rings	Cannondale "Cityscape" black chrome rings	Cannondale "Cityscape" black chrome rings
Stem	Cannondale C3 black	Cannondale C3 black chrome	Cannondale C3 black	Cannondale HeadShok stealth	Cannondale HeadShok stealth
Headset	Cane Creek black/black chrome	Cane Creek black/black chrome	Cane Creek black/black chrome	HeadShok bearing	HeadShok bearing
Brakes/Levers	Auriga Sub - black rotors, Auriga Sub black	Auriga Sub - black rotors, Auriga Sub black	Auriga Sub - black rotors, Auriga Sub black	Auriga Sub - Rohloff rotors	Auriga Sub - Rohloff rotors, Auriga Sub black
Saddle	Fizik Pave black	Fizik Pave incl. ICS black	Fizik Pave incl. ICS black	Fizik Pave incl. ICS black	Fizik Pave incl. ICS black
Seatpost/Clamp	Cannondale C3/Gorilla Park black chrome	Cannondale C3/Gorilla Park black chrome	Cannondale C3/Gorilla Park black chrome	Cannondale C3/Gorilla Park black chrome	Cannondale C3/Gorilla Park black chrome
Sizes	S,M,L,X	S,M,L,X	S,M,L,X	S,M,L,X	S,M,L,X
Color	Jet Black/Black Reflective Decals (BBQ)	Jet Black/Black Reflective Decals (BBQ)	Jet Black/Black Reflective Decals (BBQ)	Jet Black/Black Reflective Decals (BBQ)	Jet Black/Black Reflective Decals (BBQ)
Extras	ICS Bad Boy Edition Lights	ICS Bad Boy Edition Lights	ICS Bad Boy Edition Lights	ICS Bad Boy Edition Lights	ICS Bad Boy Edition Lights

	CAPO	HOOLIGAN 3	QUICK CX	QUICK CX 700	QUICK CX ULTRA QUICK CX ULTRA MIXTE
Code	OPR1	OHL3	QOR	QOR7	QOS – QOSM
Frame	Original USA handmade CAAD5 Track frame	Hooligan SL lite	Quick CX SL	Quick CX SL	Quick CX SL HeadShok
Fork	Cannondale Track	Cannondale Fatty SL F Solo	Cannondale Fatty SL I Dual Brake	Cannondale Fatty SL I Dual Brake	Cannondale Fatty SL Ultra
Rims	Cannondale C3 black	Cannondale DC 3.0	Cannondale TC05	Cannondale TC05	Cannondale DC03
Hubs	Formula Track/Track Flip-Flop, 32h	Lefty/Sram I-Motion 3 Speed Disc black	Formula/Shimano RM30	Shimano Deore/Shimano Deore	Shimano Deore/Shimano Deore
Spokes	DT Swiss silver/black	stainless black/black	stainless black/red ano	stainless black/red ano	DT Swiss black/red ano
Tires	Schwalbe Lugano 622 x 23	Schwalbe Kojak 406 x 35	Schwalbe CX Comp Cannondale edition 622 x 35	Schwalbe CX Comp Cannondale edition 622 x 35	Schwalbe CX Comp Cannondale edition 622 x 35
Pedals	Track R025 with toeclip and leather strap	Octopus	MTB M-21	MTB M-21	Trekking WPD M17C single side click
Cranks	Single Speed CNC chainring 1/2" x 1/8" black	FSA Vero single speed 46T double bashguard red ano	FSA Alphasdrive alloy rings black 48/36/26	FSA Gossamer Pro 46/36	FSA Gossamer Pro 46/36
Bottom Bracket	Cartridge black	Cartridge black	Cartridge black	MegaExo	MegaExo
Chain	KMC Z510HX 1/2" x 1/8" black nano finish	KMC Z610HX black nano finish	KMC Z51 silver finish	KMC X9 silver finish	Shimano HG 53
Rear Cogs	Shimano 16T	Sram 16T black	CSG 66 black polish - 11-32	Shimano HG50 11-32	Shimano HG50 11-32
Front Derailleur	N/A	N/A	Shimano FD-360	Shimano FD-440	Shimano FD-440
Rear Derailleur	single Speed	Sram I-Motion 3 Speed Disc black	Shimano Alivio	Shimano SLX	Shimano XT
Shifters	N/A	Sram Twister	Shimano SL-M360	Shimano SL-R440	Shimano SL-R440
Handlebar	Cannondale Urban riserbar black chrome 31.8	Cannondale C3 riserbar	Cannondale C3 riserbar	Cannondale C3 riserbar	Cannondale C3 riserbar
Grips	Cannondale "Cityscape" black chrome rings	Cannondale "Cityscape" red ano rings	Cannondale "Cityscape" red ano rings	Cannondale "Cityscape" red ano rings	Cannondale "Cityscape" red ano rings
Stem	Cannondale C3 black chrome	Cannondale C3 adjustable black	Cannondale C3 adjustable black	Cannondale C3 adjustable black	Cannondale C3 HeadShok adjustable black
Headset	Cane Creek black	Cane creek black/red ano	Cane creek black/red ano	Cane creek black/red ano	HeadShok bearing
Brakes/Levers	Cannondale R520, Canondale Cyclecross RL720	Avid BB5 Disc Brake, Cannondale XL95	Tektro 855 -V-Brake, Cannondale XL95	Cannondale TKB18 V-brake, Cannondale XL95	Auriga Sub disc brake, Auriga Sub
Saddle	Cannondale Stage	Cannondale Stage	Cannondale Stream	Cannondale Stream	Cannondale Stream
Seatpost/Clamp	Cannondale C3 black chrome/Cannondale black	Hooligan superior/Gorilla Park black chrome	Cannondale C3/Cannondale red ano	Cannondale C3/Cannondale red ano	Cannondale C3/Cannondale red ano
Sizes	52, 54, 56, 58cm, 60 cm	One Size	Mens 48, 52, 56, 60 cm	Mens 48, 52, 56, 60 cm	Men 48, 52, 56, 60 cm Mixte 48, 53, 55 cm
Color	Ball Burnished Silver/Black decals (BBS)	Pearl White/Red Decals (WHT)	Alloy Brushed/Black Decals(RAW)	Dark Grey/Silver Decals (GRY)	Black/Dark Silver Grey Decals (BLK)

	QUICK CX 8 QUICK CX 8 MIXTE	QUICK ULTIMATE	TESORO 700 TESORO 700 MIXTE	TESORO LIGHT TESORO LIGHT MIXTE	TESORO ULTRA TESORO ULTRA MIXTE
Code	QOR8 – QOR8M	QORC	OTK – OTK7M	OTKL – OTKLM	OTKS – OTKSM
Frame	Quick CX SL	Quick Full Carbon SL	Tesoro SL	Tesoro SL	Tesoro SL HeadShok
Fork	Cannondale Fatty SL	Cannondale Quick Full Carbon SL	Cannondale SL Fatty (dual break)	Cannondale SL Fatty (dual brake)	Cannondale Fatty SL Ultra
Rims	Cannondale DC03	Wheel Set DT Swiss R1900	Cannondale TC05	Cannondale TC05	Cannondale TC05
Hubs	Shimano Deore/Shimano Nexus Inter-8	Wheel Set DT Swiss R1900	Shimano Hubdynamo DH2-N35 QR/Shimano Deore	Shimano Deore/Shimano Deore	Shimano hubdynamo Affine/Shimano Deore
Spokes	DT Swiss silver/black	Wheel Set DT Swiss R1900	DT Swiss silver/black	DT Swiss silver/red	DT Swiss silver/red
Tires	Schwalbe CX Comp Cannondale edition 622 x 35	Schwalbe Racing Ralph foldable 622 x 35	Schwalbe Supreme 622 x 37	Schwalbe Supreme 622 x 37	Schwalbe Supreme 622 x 37
Pedals	MTB M-21	Octopus	Trekking WPD-C32	Trekking WPD-C32	Trekking WPD-C32
Cranks	Truvative FiveD 1.0	FSA SLK light 50/34 Carbon BB30	Truvativ FiveD 44/32/22	Shimano FC-M521 44/32/22	Shimano FC-M521 44/32/22
Bottom Bracket	Cartridge black	BB30	Cartridge black	Shimano Octalink	Shimano Octalink
Chain	KMC Z610HX silver antirust	KMC X9 superlight hole punched gold	KMC Z51 silver finish	Shimano HG-53	Shimano HG-53
Rear Cogs	Shimano 18T	Shimano XT 11-32	CSM66 11-32	Shimano HG-50	Shimano HG-50
Front Derailleur	N/A	Shimano FD-440	Shimano Alivio	Shimano SLX	Shimano SLX
Rear Derailleur	Shimano Nexus Inter-8	Shimano XTR Carbon	Shimano Alivio	Shimano SLX	Shimano XT
Shifters	Shimano Nexus SL8-S20	Shimano SL-R440	Shimano Alivio	Shimano Deore	Shimano Deore
Handlebar	Cannondale C3 riserbar	FSA K-Force Carbon	Cannondale Trekking black	Cannondale Trekking black	Cannondale Trekking black
Grips	Cannondale "Cityscape" silver	Cannondale "Cityscape" red ano rings	Cannondale "Metro" silver ring	Cannondale "Metro" red ano ring	Cannondale "Metro" silver ring
Stem	Cannondale C3 adjustable black	FSA OS-99 CSI Carbon	Cannondale UP C3 adjustable black	Cannondale UP C3 adjustable black	Cannondale C3 HeadShok adjustable black
Headset	Cane creek black/silver	Cane creek black/red ano	Cane Creek black	Cane Creek black/red ano	Cane Creek black
Brakes/Levers	Avid Single Digit 5, Avid FR5	Cannondale TRP CX09 V-Brake, TRP ML930	Avid Single Digit 3 black, Avid FR5 black	Avid Single Digit 5 black, Avid FR5 black	Magura HS33 black, Magura HS33 black
Saddle	Cannondale Stream	Fizik Aliante kyum rail	Selle Royal Freccchia	Selle Royal Freccchia	Selle Royal Freccchia
Seatpost/Clamp	Cannondale C3/chrome	Cannondale Synapse/integrated carbon	Cannondale C3/chrome plated	Cannondale C3/red ano	Cannondale C3/red ano
Sizes	Mens 48, 52, 56, 60 cm Mixte 48, 53, 55 cm	Men 46, 51, 57 cm	Mens 48, 52, 56, 60 cm Mixte 48, 53, 55 cm	Mens 48, 52, 56, 60 cm Mixte 48, 53, 55 cm	Mens 48, 52, 56, 60 cm Mixte 48, 53, 55 cm
Color	Dark Grey Metallic/Black Decals (GRY)	Carbon/Silver decals (CRB)	Black Tint Clear/Silver Decals (BTC)	Alloy Brushed/Dark Grey Decals (RAW)	Jet Black/Silver Decals (BBQ)
Rack	N/A	N/A	Cannondale rack with plate black	Tubus Lightit	Tubus Lightit
Lights	N/A	N/A	Spanninga Micro FF LED front/ Hermanns Google LED rear	Spanninga Luceo LED front/ Hermanns Google LED rear	Spanninga Micro FF LED front/ Hermanns Google LED rear
Chainguard	N/A	N/A	Hesling Esencia	Hesling Esencia	Hesling Esencia
Fenders	N/A	N/A	Cannondale Curana lite	Cannondale Curana lite silver	Cannondale Curana lite
Lock	N/A	N/A	Axa Defender black	N/A	Axa Defender black
Kickstand	N/A	N/A	Cannondale Atran Stylo SL	Cannondale Atran Stylo SL	Cannondale Atran Stylo SL

TESORO TRAVELER ROHOFF

Code	OTS1
Frame	Tesoro Traveler Rohloff HeadShok
Fork	Cannondale Fatty SI Ultra
Rims	Cannondale DC03
Hubs	Shimano hubdynamo Affine/Rohloff Speed hub
Spokes	DT Swiss silver/black
Tires	Schwalbe Suprreme 622 x 37
Pedals	Trekking WPD M17C single side click
Cranks	Truvativ Stylo 1.1 42T
Bottom Bracket	Truvativ GigaXpipe
Chain	Z610HX silver antirust
Rear Cogs	Rohloff
Front Derailleur	
Rear Derailleur	Rohloff Speed hub silver polish
Shifters	Rohloff Twister
Handlebar	Cannondale C3 riserbar
Grips	Cannondale "Metro" silver ring
Stem	Cannondale C3 HeadShok adjustable black
Headset	HeadShok bearing
Brakes/Levers	Auriga Sub - rotor for Rohloff, Auriga Sub black
Saddle	Cannondale Metro
Seatpost/Clamp	Cannondale C3/chrome plated
Sizes	Mens 48, 53, 57, 61 cm
Color	Jet Black/Dark Silver Grey Decals (BBQ)
Rack	Tube Logo rear/Tube Ergo front
Lights	Spanninga Micro FF LED front/ Hermanns Google LED rear
Chainguard	N/A
Fenders	Cannondale Curana lite
Lock	N/A
Kickstand	Cannondale Atran Stylo

TESORO TRAVELER ULTRA

Code	OTS2
Frame	Tesoro Traveler Touring SL HeadShok
Fork	Cannondale Fatty SI Ultra
Rims	Mach 1 Nitro
Hubs	Shimano hubdynamo Affine/Shimano Deore
Spokes	DT Swiss silver/black
Tires	Schwalbe Marathon 559 x 50
Pedals	Trekking WPD M17C single side click
Cranks	Shimano FC-M521
Bottom Bracket	Shimano Octalink
Chain	Shimano HG-53
Rear Cogs	Shimano HG-50
Front Derailleur	Shimano XT
Rear Derailleur	Shimano XT
Shifters	Shimano Deore
Handlebar	Cannondale C3 riserbar
Grips	Cannondale "Metro" silver ring
Stem	Cannondale C3 HeadShok adjustable black
Headset	HeadShok bearing
Brakes/Levers	Magura HS33 black, Magura HS33 black
Saddle	Brooks B17 black
Seatpost/Clamp	Cannondale C3/chrome plated
Sizes	S, M, L, X,
Color	Charcoal Grey/Dark Silver Grey Decals (GRY)
Rack	Tube Logo
Lights	Spanninga Micro FF LED front/ Hermanns Google LED rear
Chainguard	N/A
Fenders	Cannondale Curana lite
Lock	N/A
Kickstand	N/A

TESORO TRAVELER CLASSIC

Code	OTR
Frame	Tesoro Traveler Classic
Fork	Cannondale Fatty SI
Rims	Cannondale TC05
Hubs	Shimano LX/Shimano LX
Spokes	DT Swiss silver/black
Tires	Schwalbe Suprreme 622 x 37
Pedals	Trekking WPD M17C single side click
Cranks	Shimano 105 Triple black
Bottom Bracket	Shimano 105
Chain	Shimano 105
Rear Cogs	Shimano 105
Front Derailleur	Shimano 105 black
Rear Derailleur	Shimano 105 black
Shifters	Shimano 105 black
Handlebar	Cannondale C3 Road
Grips	Cannondale Gel Tape black
Stem	Cannondale C3
Headset	Cane creek black/black
Brakes/Levers	Tektro Orx Cant-Brake, Shimano 105 black
Saddle	Brooks B17 Black
Seatpost/Clamp	Cannondale C3
Sizes	S, M, L, X, J
Color	Touring Green/Crème Decals (GRY)
Rack	Tube Logo/Tube Duo Lowrider
Lights	N/A
Chainguard	N/A
Fenders	Cannondale Curana lite
Lock	N/A
Kickstand	N/A

VINTAGE VINTAGE MIXTE

Code	OVRR - OVRM
Frame	Vintage SI lite
Fork	Cannondale Fatty SI
Rims	Cannondale C2 black
Hubs	Shimano hubdynamo Affine/Shimano Deore disc
Spokes	DT Swiss black/black
Tires	Schwalbe Suprreme 622 x 37
Pedals	Octopus
Cranks	Shimano FC-M443 black 44/32/32
Bottom Bracket	Shimano Octalink
Chain	KMC X9 black nano finish
Rear Cogs	CSM96 black polish 11-32
Front Derailleur	Shimano Deore
Rear Derailleur	Shimano Deore
Shifters	Shimano Deore
Handlebar	Cannondale Metro black
Grips	Cannondale "Vintage" leather chrome rings
Stem	Cannondale UP C3 adjustable black
Headset	Cane Creek black/black chrome
Brakes/Levers	Auriga Sub - black rotors, Auriga Sub
Saddle	Brooks 17 Cannondale edition
Seatpost/Clamp	Cannondale C3/chrome plated
Sizes	Mens 48,53,57,61 cm Fémiline 44,48,53 cm
Color	Jet Black (BBQ)
Rack	Cannondale SI Rack
Lights	Spanninga Micro FF LED front/ Hermanns Google LED rear
Chainguard	Hesling Esencia
Fenders	Cannondale Curan lite black
Lock	N/A
Kickstand	Cannondale Atran Stylo

VINTAGE 8 VINTAGE 8 FÉMININE

Code	OVRR8 - OVR8F
Frame	Vintage SI lite
Fork	Cannondale Fatty SI
Rims	Cannondale C2 black
Hubs	Shimano hubdynamo Affine/Shimano Affine
Spokes	DT Swiss black/black
Tires	Schwalbe Suprreme 622 x 37
Pedals	Octopus
Cranks	Truative FiveD 1.0
Bottom Bracket	Cartridge black
Chain	KMC 610HX black nano finish
Rear Cogs	Shimano 18T
Front Derailleur	
Rear Derailleur	Shimano Affine 8-speed
Shifters	Shimano Affine
Handlebar	Cannondale Metro black
Grips	Cannondale "Vintage" leather chrome rings
Stem	Cannondale UP C3 adjustable black
Headset	Cane Creek black/black chrome
Brakes/Levers	Auriga Sub - black rotors, Auriga Sub
Saddle	Brooks 17 Cannondale edition
Seatpost/Clamp	Cannondale C3/chrome plated
Sizes	Mens 48,53,57,61 cm Fémiline 44,48,53 cm
Color	Jet Black (BBQ)
Rack	Cannondale SI Rack
Lights	Spanninga Micro FF LED front/ Hermanns Google LED rear
Chainguard	Cannondale Curana black
Fenders	Cannondale Curan lite black
Lock	N/A
Kickstand	Cannondale Atran Stylo

VINTAGE 8 ULTRA VINTAGE 8 ULTRA FÉMININE

Code	OVS8 - OVS8F
Frame	Vintage SI lite HeadShok
Fork	Cannondale Fatty SI Ultra
Rims	Cannondale C2 black
Hubs	Shimano hubdynamo Affine/Shimano Affine
Spokes	DT Swiss black/black
Tires	Schwalbe Suprreme 622 x 37
Pedals	Octopus
Cranks	Truative FiveD 1.0
Bottom Bracket	Cartridge black
Chain	KMH 610HX black nano finish
Rear Cogs	Shimano 18T
Front Derailleur	Shimano 18T
Rear Derailleur	Shimano Affine 8-speed
Shifters	Shimano Affine
Handlebar	Cannondale Metro black
Grips	Cannondale "Vintage" leather chrome rings
Stem	Cannondale C3 HeadShok adjustable black
Headset	HeadShok bearing
Brakes/Levers	Auriga Sub - black rotors, Auriga Sub
Saddle	Brooks 17 Cannondale edition
Seatpost/Clamp	Cannondale C3/chrome plated
Sizes	Mens 48,53,57,61 cm Fémiline 44,48,53 cm
Color	Jet Black (BBQ)
Rack	Cannondale SI Rack
Lights	Spanninga Micro FF LED front/ Hermanns Google LED rear
Chainguard	Cannondale Curana black
Fenders	Cannondale Curan lite black
Lock	N/A
Kickstand	Cannondale Atran Stylo

VINTAGE ULTRA VINTAGE ULTRA MIXTE

Code	OVS - OVS M
Frame	Vintage SI lite HeadShok
Fork	Cannondale Fatty Ultra SI
Rims	Cannondale C2 black
Hubs	Shimano hubdynamo Affine/Shimano XT
Spokes	DT Swiss black/black
Tires	Schwalbe Suprreme 622 x 37
Pedals	Octopus
Cranks	Truativ Firex 3.3 44/32/22
Bottom Bracket	Truative GigaXpipe
Chain	KMC X9 black nano finish
Rear Cogs	CSM96 black polish 11-32
Front Derailleur	Shimano SLX
Rear Derailleur	Shimano XT
Shifters	Shimano SLX
Handlebar	Cannondale Metro black
Grips	Cannondale "Vintage" leather chrome rings
Stem	Cannondale C3 HeadShok adjustable black
Headset	HeadShok bearing
Brakes/Levers	Auriga Sub - black rotors, Auriga Sub
Saddle	Brooks 17 Cannondale edition
Seatpost/Clamp	Cannondale C3/chrome plated
Sizes	Mens 48,53,57,61 cm Mixte 44,48,53 cm
Color	Jet Black (BBQ)
Rack	Cannondale SI Rack
Lights	Spanninga Micro FF LED front/ Hermanns Google LED rear
Chainguard	Hesling Esencia
Fenders	Cannondale Curan lite black
Lock	N/A
Kickstand	Cannondale Atran Stylo

STREET SPORT NEXUS/STREET SPORT NEXUS FÉMININE

Code	OSR5M - OSR5NF
Frame	Street Lite SI
Fork	Suntour SF-CR9
Rims	Cannondale DC03 36 h
Hubs	Shimano Hub Dynamo DH2-N35 Rollerbrake/ Shimano Nexus 8-Speed
Spokes	DT Champion 1,8 mm black/silver
Tires	Schwalbe Road Cruiser Light 622 x 37
Pedals	Alloy/Kraton Anti Slip
Cranks	Suntour Singelspeed
Bottom Bracket	Shimano Cartridge
Chain	Shimano Nexus anti rust
Rear Cogs	Shimano 18T
Front Derailleur	N/A
Rear Derailleur	N/A
Shifters	Shimano Nexus
Handlebar	Street Comfort
Grips	Cannondale Metro Silver Rings
Stem	Cannondale Adjustable Ahead stem
Headset	1 1/8 semi integrated
Brakes/Levers	Shimano Rollerbrakes, Ergonomic
Saddle	Selle Royal Freccia RVL
Seatpost/Clamp	Cannondale Alloy 31,6/silver
Sizes	Mens 48,53,57,61 cm Fémiline 44,48,53 cm
Color	Black/Silver decals (BLK)
Rack	Cannondale Alloy with Springclamp
Lights	B&M Lumotec Fly Senso/ Hermanns Google Auto LED
Chainguard	Hesling Miranda
Fenders	SKS
Lock	Axa Defender
Kickstand	Atran Stylo

MOUNTAIN TANDEM

Code	OMT
Frame	Original USA handmade Tandem frame
Fork	Fatty Ultrastrong Tandem 26"
Rims	Mavic XM321 Disc 36h 26"
Hubs	Shimano Deore Disc/DT Swiss 540 Tandem
Spokes	DT Champion 2,0 mm black
Tires	Schwalbe Nobby Nic 26 x 2,25
Pedals	N/A
Cranks	Truativ FireX Tandem 48/36/26, Front/Rear
Bottom Bracket	Truative GigaXpipe
Chain	Shimano HG73
Rear Cogs	Sram PG 950 11-32
Front Derailleur	Shimano XT
Rear Derailleur	Sram X9
Shifters	Sram X7 Trigger
Handlebar	Cannondale C3 front/rear
Grips	Cannondale V-Tech
Stem	Cannondale/Cannondale Stoker
Headset	Cane Creek S1
Brakes/Levers	Avid Code hydraulic Disc Brake, Avid Code
Saddle	Fizik Nisene front/rear
Seatpost/Clamp	Suspension Seatpost
Sizes	MS,LS,LM,XS,XM
Color	Jet Black (gloss) (BLK)
Rack	N/A
Lights	N/A
Chainguard	N/A
Fenders	N/A
Lock	N/A
Kickstand	N/A

ROAD TANDEM

Code	ORT
Frame	Original USA handmade Tandem frame
Fork	Fatty Ultrastrong Tandem 28"
Rims	N/A
Hubs	Mavic A719 Disc 40h 28"
Spokes	White Industries/White Industries
Tires	DT Champion 2,0 mm black
Pedals	Schwalbe Marathon Racer Light 35 mm.
Cranks	N/A
Bottom Bracket	Truativ Elita Tandem 52/39/30, Front/Rear
Chain	Truative GigaXpipe
Rear Cogs	Shimano 105
Front Derailleur	Shimano 105 12-27
Rear Derailleur	Shimano 105 triple
Shifters	Shimano Ultegra
Handlebar	Shimano 105 STI
Grips	Cannondale
Stem	Cannondale Tape
Headset	Cannondale/Cannondale Stoker
Brakes/Levers	Avid BB7 mechanical Disc Brake,
Saddle	Fizik Pave CX front/Fizik Vitesse rear
Seatpost/Clamp	Suspension Seatpost
Sizes	MS,LS,XS,XM, JL
Color	Lightning White (gloss) (WHT)
Rack	N/A
Lights	N/A
Chainguard	N/A
Fenders	N/A
Lock	N/A
Kickstand	N/A

TOURING TANDEM

Code	OST
Frame	Original USA handmade Tandem frame
Fork	Fatty Ultrastrong Tandem 26"
Rear Shock	N/A
Rims	Mavic A719 Disc 40h 26"
Hubs	Shimano Hub Dynamo DH2-N30/DT Swiss 540 Tandem
Spokes	DT Champion 2,0 mm black
Tires	Schwalbe Marathon Suprem 26 x 2,0
Pedals	Octopus 2
Cranks	Truvativ FireX Tandem 48/36/26, Front/Rear
Bottom Bracket	Truvativ GigaPipe
Chain	Shimano HG53
Rear Cogs	Sram PG 950 11-32
Front Derailleur	Shimano XT
Rear Derailleur	Shimano XT
Shifters	Shimano Deore
Handlebar	Cannondale C3 front/rear
Grips	Cannondale Ergo chrome rings
Stem	Cannondale/Cannondale Stoker
Headset	Cane Creek S1
Brakes/Levers	Magura HS33 hydraulic Brake, Magura HS33
Saddle	Selle Royal Viper RVL front/rear
Seatpost/Clamp	Suspension Seatpost
Sizes	MS,LS,LM,XS,XM
Color	Jet Black (matte) (BBQ)
Rack	Tube Cargo
Lights	Spanninga Micro FF LED/ Hermanns google LED rear
Fenders	SKS
Bottle/Bottle	Tacx/Tacx

SYNAPSE CARBON FÉMININE 105

Code	ORWC1T
Frame	Synapse Carbon Féminine
Fork	Cannondale Synapse Carbon S.A.V.E.
Rear Shock	N/A
Rims	Mavic Aksium Race
Hubs	Mavic Aksium Race
Spokes	Mavic Aksium Race
Tires	Schwalbe Blizzard, 700x25c
Pedals	N/A
Cranks	FSA Gossamer BB30, 30/39/52
Bottom Bracket	FSA BB30
Chain	Shimano 105
Rear Cogs	Shimano 105, 12-27
Front Derailleur	Shimano 105 Triple, braze-on
Rear Derailleur	Shimano 105 Long Cage
Shifters	Shimano R700 Féminine
Handlebar	Cannondale C2 Féminine, 31.8mm
Grips	N/A
Stem	Cannondale C3 Féminine (31.8mm, 11/8")
Headset	Cannondale Synapse SI, 11/8"
Brakes/Levers	Shimano 105, Shimano R700 Féminine
Saddle	Prologo Kappa Dea
Seatpost/Clamp	Cannondale Synapse Aero Carbon
Sizes	44,48,51,54 cm
Color	Magnesium White w/ Neon Spring (gloss) (WHT)
Rack	N/A
Lights	N/A
Fenders	N/A
Bottle/Bottle	N/A

SYNAPSE FÉMININE TIAGRA

Code	ORWA1T
Frame	Synapse Féminine
Fork	Cannondale Synapse S.A.V.E. Ultra
Rear Shock	N/A
Rims	Shimano WHR 500A
Hubs	Shimano WHR 500A
Spokes	Shimano WHR 500A
Tires	Schwalbe Lugano, 700x23c
Pedals	N/A
Cranks	Shimano Tiagra, 30/39/50
Bottom Bracket	Shimano Tiagra
Chain	Shimano HG-53
Rear Cogs	Shimano HG-50, 12-25
Front Derailleur	Shimano Tiagra Triple, Clamp 34.9mm
Rear Derailleur	Shimano Tiagra Long Cage
Shifters	Shimano Tiagra
Handlebar	Cannondale C2 Féminine, 31.8mm
Grips	N/A
Stem	Cannondale C3 Féminine (31.8mm, 11/8")
Headset	Cane Creek, 11/8"
Brakes/Levers	Shimano R450 long reach, Shimano Tiagra
Saddle	Cannondale Féminine
Seatpost/Clamp	Cannondale C2, Alloy, 27.2mm, 300mm
Sizes	44,48,51,54 cm
Color	Magnesium White w/ Ruby Red (gloss) (WHT)
Rack	N/A
Lights	N/A
Fenders	N/A
Bottle/Bottle	N/A

F3 FÉMININE

Code	OF5W
Frame	new Flash alloy women specific SAVE BB30 w/ 1.5" HeadShok head tube
Fork	HeadShok Super Fatty Ultra DL80
Rear Shock	N/A
Rims	Mach1 Sub Zero Disc Xtra Lite
Hubs	Shimano M525
Spokes	DT Swiss Champion
Tires	Hutchinson Toro 2.15" 60tpi wb
Pedals	Shimano M520 cliplless
Cranks	Truvativ FireX 3.3 44/32/22t
Bottom Bracket	included with crank
Chain	SRAM PC-951 9sp
Rear Cogs	SRAM PG-970 11-32t 9sp
Front Derailleur	Shimano SLX
Rear Derailleur	SRAM X-9
Shifters	new SRAM X-7 triggers
Handlebar	Cannondale C3 riser
Grips	new Cannondale Morse
Stem	Cannondale XC3 HeadShok
Headset	Cannondale SI HeadShok
Brakes/Levers	new Avid Elixir 5
Saddle	Prologo Kappa Dea
Seatpost/Clamp	Cannondale C3 31.6mm w/ zero offset
Sizes	P,S,M
Color	Jet Black (matte) (BBQ)

SCALPEL FÉMININE

Code	OVPW
Frame	Scalpel alloy 100mm women specific Zero Pivot SAVE BB30, staged travel w/ alloy link, w/ 1.5"
Fork	new Lefty Speed alloy DLR 110mm Solo Air
Rear Shock	Fox RPL
Rims	DT Swiss XCR 1.7
Hubs	DT Swiss XCR 1.7
Spokes	DT Swiss XCR 1.7
Tires	Schwalbe Racing Ralph 2.1" EVO Triple Nano
Pedals	CrankBrothers Eggbeater C
Cranks	FSA Afterburner BB30 44/32/22t
Bottom Bracket	BB30, included with crank
Chain	Shimano HG53 9sp
Rear Cogs	Shimano XT M770 11-32t 9sp
Front Derailleur	Shimano XT
Rear Derailleur	Shimano XT Shadow
Shifters	Shimano XT
Handlebar	Cannondale C3 riser
Grips	new Cannondale LE SuperLight lock-on
Stem	Cannondale SI stem/steerer 3D forged
Headset	Cannondale SI HeadShok
Brakes/Levers	Avid Elixir R
Saddle	Prologo Kappa Dea
Seatpost/Clamp	Cannondale C3 27.2mm w/ zero offset
Sizes	P,S,M
Color	Lightning White (gloss) (WHT)

TRAIL SL 3 FÉMININE

Code	OF5W3
Frame	new Trail SL women specific SAVE w/ 1.5" head tube, disc only
Fork	RST Deuce Air 100mm 1.5"
Rear Shock	N/A
Rims	new Maddux DC 3.0 Disc w/ eyelets
Hubs	Shimano M475
Spokes	CN
Tires	Hutchinson Iguana 2.0" 33tpi wb
Pedals	Wellgo flat w/ alloy cage, clip and straps
Cranks	Shimano M442 Octalink 44/32/22t
Bottom Bracket	Shimano ES25 Octalink
Chain	Shimano HG53 9sp
Rear Cogs	Shimano HG50 11-32t 9sp
Front Derailleur	new Shimano Deore
Rear Derailleur	new Shimano Deore
Shifters	new Shimano Deore
Handlebar	Cannondale C4 Féminine riser
Grips	new Cannondale Morse
Stem	Cannondale OnePointFive
Headset	Cane Creek 1.5" semi-integrated
Brakes/Levers	Shimano M486
Saddle	Cannondale Donna w/ steel rails
Seatpost	Cannondale C4 31.6mm w/ zero offset
Sizes	P,S,M
Color	Lightning White (gloss) (WHT)

TRAIL SL 6 FÉMININE

Code	OF5W6
Frame	new Trail SL women specific SAVE w/ 1.5" head tube, disc only
Fork	RST Gila Pro Tr.L 100mm w/ softer springs
Rear Shock	N/A
Rims	new Maddux DC 3.0 Disc
Hubs	Formula
Spokes	CN
Tires	Hutchinson Iguana 2.0" 33tpi wb
Pedals	Wellgo flat w/ clip and straps
Cranks	Suntour XCT V2 44/32/22t
Bottom Bracket	Suntour XCM
Chain	Shimano HG50 8sp
Rear Cogs	Sunrace 12-32t 8sp
Front Derailleur	Shimano Altus M311
Rear Derailleur	Shimano Alivio
Shifters	Shimano Alivio
Handlebar	Cannondale C4 Féminine riser
Grips	new Cannondale Morse
Stem	Cannondale C4 1-1/8"
Headset	Cane Creek 1-1/8" external
Brakes/Levers	Tektro IO mechanical w/ Cannondale levers
Saddle	Cannondale Donna w/ steel rails
Seatpost	Cannondale C4 31.6mm w/ zero offset
Sizes	P,S,M
Color	Lightning White (gloss) (WHT)

RZ ONE TWENTY FÉMININE

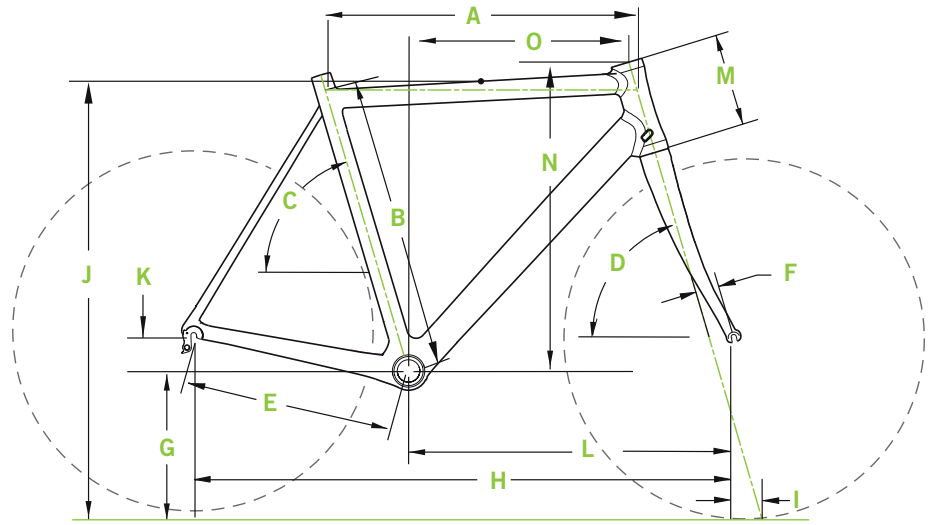
Code	OV1W
Frame	new RZ One Twenty alloy women specific, 120mm w/ BB30 BackBone, staged travel, w/ 1.5" HeadShok head tube
Fork	RockShox Recon Race Solo Air 120mm MC w/ custom 1.5" alloy steerer
Rear Shock	RockShox Monarch 3.3
Rims	Mavic XM317 Disc
Hubs	Shimano M525
Spokes	DT Swiss Champion
Tires	Schwalbe Rocket Ron 2.25" Performance folding
Pedals	Shimano M520 cliplless
Cranks	FSA V-Drive BB30 44/32/22t
Bottom Bracket	BB30, included with crank
Chain	SRAM PC-951 9sp
Rear Cogs	SRAM PG-950 11-32t 9sp
Front Derailleur	new Shimano Deore
Rear Derailleur	SRAM X-9
Shifters	new SRAM X-7 triggers
Handlebar	Cannondale C3 riser
Grips	new Cannondale Morse
Stem	Cannondale XC3 1.5"
Headset	Cane Creek 1.5" integrated
Brakes/Levers	Avid Juicy 3S
Saddle	Prologo Kappa Dea
Seatpost	Cannondale C3 31.6mm w/ zero offset
Sizes	P,S,M
Color	Lightning White (matte) (WHT)

RZ ONE FORTY FÉMININE

Code	OV1W
Frame	RZ 140mm women specific, carbon seatstays, w/ BB30 BackBone, staged travel, w/ 1.5" HeadShok head tube
Fork	RockShox Revelation SL Dual Air 140mm MC w/ Maxle Lite
Rear Shock	RockShox Monarch 3.1
Rims	Mach1 Sub Zero Disc Xtra Lite
Hubs	Formula DH91 & Shimano M525
Spokes	DT Swiss Champion
Tires	new Schwalbe Nobby Nic 2.25" Performance folding
Pedals	CrankBrothers Candy
Cranks	Truvativ FireX 3.3 44/32/22t
Bottom Bracket	included with crank
Chain	SRAM PC-951 9sp
Rear Cogs	SRAM PG-950 11-34t 9sp
Front Derailleur	new Shimano Deore
Rear Derailleur	SRAM X-9
Shifters	new SRAM X-7 triggers
Handlebar	Cannondale C3 riser
Grips	new Cannondale Morse
Stem	Cannondale OnePointFive
Headset	Cane Creek 1-1/8" integrated
Brakes/Levers	new Avid Elixir 5
Saddle	Prologo Kappa Dea
Seatpost	Cannondale C3 31.6mm w/ zero offset
Sizes	S,M
Color	Jet Black (matte) (BBQ)

1. ROAD GEOMETRY

CHART 1	SPECIFICATIONS
A	Horizontal Top Tube Length (cm)
B*	Measured Size (cm)*
C	Seat Tube Angle (degrees)
D	Head Tube Angle (degrees)
E	Chainstay Length (cm)
F	Fork Rake (cm)
G	Bottom Bracket Height (cm)
H	Wheelbase (cm)
I	Trail (cm)
J	Standover at Top Tube Midpoint (cm)
K	Bottom Bracket Drop (cm)
L	Front Center Distance (cm)
M	Head Tube Length (cm)
N	Stack (CM)
O	Reach (CM)



Size	SUPERSEX HI-MOD CARBON SUPERSEX CARBON CAAD9 BB30, OPTIMO ALLOY									SIX CARBON									CAAD8 ALLOY								
	48	50	52	54	56	58	60	63	63	48	50	52	54	56	58	60	63	63	48	51	54	56	58	61			
A	51.5	52.5	53.5	54.5	56.0	57.5	59.0	60.0	60.0	51.5	52.5	53.5	54.5	56	57.5	59	60	60	51	53	54.5	56	57.5	59.5			
B	46	48	50	52	54	56	58	61	61	45	47	49	51	53	55	57	60	60	45	49	52	54	57	59			
C	74.5	74.5	74	73.5	73.5	73	72.5	72	72.5	74.5	74.5	74	73.5	73.5	73	72.5	72	72	75	74.5	73.5	73.5	73	72.5			
D	72	72.5	73	73	73	73.5	73.5	73.5	73.5	72	72.5	73	73	73	73.5	73.5	73.5	73.5	72	72.5	73	73	73	73.5			
E	40.5	40.5	40.5	40.5	40.5	40.5	40.8	40.8	40.8	40.5	40.5	40.5	40.5	40.5	40.5	40.8	40.8	40.8	40.8	40.8	40.8	40.8	40.8	40.8			
F	4.5	★	★	★	★	★	★	★	★	4.5	★	★	★	★	★	★	★	★	5	5	4.5	★	★	★			
G	26.5	26.5	26.5	26.8	26.8	27.0	27.0	27.0	27.0	26.5	26.5	26.5	26.8	26.8	27.0	27.0	27.0	27.0	26.5	26.5	26.8	26.8	270	270			
H	95.9	96.6	96.8	97.5	99.2	99.6	100.1	101.3	101.3	95.9	96.6	96.8	97.5	99.0	99.6	100.9	101.3	101.3	96.6	97.9	97.8	99.3	99.9	101.3			
I	6.2	5.9	5.6	5.6	5.6	5.3	5.3	5.3	5.3	6.2	5.9	5.6	5.6	5.6	5.3	5.3	5.3	5.3	5.7	5.4	5.6	5.6	5.3	5.3			
J	74	75.3	76.5	78.5	80.1	82.2	83.8	86.6	86.6	74.4	75.5	76.8	78.5	80.2	82.4	83.9	86.5	86.5	74.6	76.8	79.2	80.8	82.9	85.7			
K	7.2	7.2	7.2	6.9	6.9	6.7	6.7	6.7	6.7	7.2	7.2	7.2	6.9	6.9	6.7	6.7	6.7	6.7	7.2	7.2	6.9	6.9	6.7	6.7			
L	56.5	57.2	57.4	58.0	59.7	60.1	61.0	61.4	61.4	56.5	57.2	57.4	58.0	59.5	60.1	61.0	61.4	61.4	56.9	58.2	58.0	59.5	60.0	61.5			
M	11	11.5	12.0	14.0	15.5	17.5	19.0	22.0	22.0	12.5	13	14	15.5	17	19	20.5	23.5	23.5	12.5	14.0	15.5	17.0	19.0	22.0			
N	51.7	52.3	52.9	54.6	56.0	57.9	59.3	62.2	62.2	53.1	53.7	54.9	56.0	57.4	59.3	60.8	63.6	63.6	52.9	54.5	56.0	57.4	59.3	62.2			
O	36.8	37.8	38.2	38.3	39.4	39.9	40.4	39.9	39.9	36.3	37.3	37.6	37.9	38.9	39.4	40.0	39.5	39.5	36.3	37.6	37.9	38.9	39.4	40.0			

*The measured size is from the center of the bottom bracket to the top of the top tube, measured along the seat tube axis. All sizes have a slightly sloping top tube.

Size	SYNAPSE HI-MOD CARBON SYNAPSE CARBON						SLICE HI-MOD CARBON SLICE CARBON						SYNAPSE SPEED FLAT BAR				CAAD9 BB30 CYCLOCROSS					
	48	51	54	56	58	61	51	54	56	58	60	Small	Medium	Large	X-Large	47	50	52	54	56	58	60
A	51	52.5	54	56	58	60	50.5	53.5	55	56.5	58	54	56	58	60.5	52	52.5	54	55	57	59	60
B	42	45	48	51	53	56	50	51.5	53.5	55.5	57.5	44	47	50	54	47	50	52	54	56	58	60
C	74.5	74	74	73.5	73	72.5	*variable	variable	variable	variable	variable	74.5	74	73	72.5	74.5	74	73.5	73.5	73	73	72.5
D	71	72	72	72.5	73	73	71.5	71.5	72	72	72	71	72	72.5	73	70.5	71	71.5	72	72.5	72.5	72.5
E	★	★	★	★	★	★	40	★	★	★	★	41.5	★	★	★	43.2	★	★	★	★	★	★
F	5.0	5.0	4.5	★	★	★	4.5	★	★	★	★	5.0	★	★	★	4.5	★	★	★	★	★	★
G	26.5	26.5	26.8	26.8	27.0	27.0	26.5	26.5	26.5	26.5	26.5	26.5	26.5	26.8	26.8	28.1	★	★	★	★	★	★
H	97.0	97.5	98.7	99.9	101.1	102.6	95.4	98.5	99.7	101.3	102.6	100.5	101.5	102.5	103.6	100.5	100.5	101.1	101.7	102.8	104.8	105.3
I	6.3	5.7	6.2	5.9	5.6	5.6	6.5	6.5	6.2	6.2	6.2	6.3	5.7	5.4	5.1	7.5	7.2	6.9	6.6	6.2	6.2	6.2
J	72.1	74.4	77.1	79.1	81.1	83.4	74.9	76.4	78.3	80.2	82.2	73.8	76.5	78.9	82.9	77.4	79.3	80.8	82.0	83.2	85.1	87.0
K	★	7.2	6.9	6.9	6.7	6.7	7.2	★	★	★	★	7.2	7.2	6.9	6.9	6.7	★	★	★	★	★	★
L	57.1	57.6	58.7	59.9	61.0	62.5	56.5	59.6	60.7	62.3	63.9	60.1	61.1	61.9	63.0	58.3	58.1	58.8	59.4	60.5	62.5	63.0
M	13	14.5	16.5	18	20	22	9	10.5	12.5	14.5	17	14.5	16.5	20	22	13	14	15	15.5	16	18	20
N	53.0	54.8	56.6	58.2	60.1	62.0	**49.4	50.9	52.9	54.8	57.2	54.5	56.7	60.3	62.4	53.6	54.7	55.9	56.5	57.2	59.1	61
O	35.5	36.3	37.4	38.6	39.6	40.5	**37.1	39.8	40.7	41.7	42.5	38.1	39.3	39.5	40.9	36.5	36.4	37.2	38.1	39.5	40.9	40.8

*Measured size is from the center of the bottom bracket to the top of the top tube, measured along the seat tube axis.

*The Slice seat post has two positions for mounting the saddle. A full range of angles from 73 to 78 degrees is achievable depending on the rider's preference and/or the event.

*Measured size is from the center of the bottom bracket to the top of the top tube, measured along the seat tube axis.

If you ride a size 56 cm Cannondale road bike, you should choose a 54 cm Cyclocross frame. This will give you a similar top tube length but more standover height.

**Stack is measured vertically from the center of the BB to the top of the head tube, reach is measured horizontally from the center of the BB to the top of the head tube.

If you ride a 56 road frame, you should choose a size 56 Slice frame.

All sizes have 700c wheels

CHART 1. SPECIFICATIONS		CAPO - CAAD5 TRACK								
		Size								
		48	50	52	54	56	58	60	63	
A	Horizontal Top Tube Length (cm)	51.5	52.5	53.5	54.5	56.0	57.5	59.0	60.0	
B*	Measured Size (cm)*	47	49	51	53	56	58	60	63	
C	Seat Tube Angle (degrees)	75.5	75.5	75	75	74.5	74.5	74	74	
D	Head Tube Angle (degrees)	72.5	72.5	73	★	★	★	73.5	73.5	
E	Chainstay Length (cm)	40.5	★	★	★	★	★	★	★	
F	Fork Rake (cm)	4.5	★	★	★	★	★	★	★	
G	Bottom Bracket Height (cm)	28.2	28.2	28.2	28.2	28.2	28.2	28.2	28.2	
H	Wheelbase (cm)	97.1	98.1	98.4	99.5	100.6	102.1	102.6	103.7	
I	Trail (cm)	6.0	6.0	5.7	★	★	★	5.4	5.4	
J	Standover at Top Tube Midpoint (cm)	75.4	76.6	78.4	80.3	82.1	84.1	85.8	88.7	
K	Bottom Bracket Drop (cm)	5.8	★	★	★	★	★	★	★	
L	Front Center Distance (cm)	57.3	58.4	58.6	59.7	60.7	62.3	62.8	63.8	
M	Head Tube Length (cm)	11.4	11.9	13.6	15.6	16.8	18.8	20.5	23.5	
N	Stack (CM)	50.5	51.0	52.8	54.7	55.8	57.7	59.6	62.4	
O	Reach (CM)	38.2	39.1	39.2	39.7	40.5	41.4	41.9	42.1	

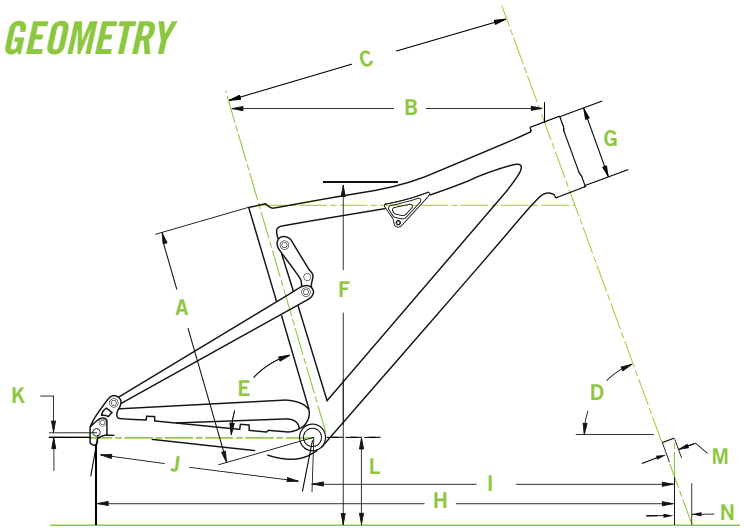
* For proper fit, sizes 48-54 have a seat tube that is lowered 1 cm and a head tube that is raised 1 cm. This results in a slightly sloping top tube. The measured size is from the center of the bottom bracket to the top of the top tube along the seat tube axis.

CHART 1. SYNAPSE CARBON FÉMININE SYNAPSE ALLOY FÉMININE		Size			
		44	48	51	54
A		50	51	52.5	53.5
B		38	42	45	49
C		76	74.5	74	74
D		70.5	71	72	72.5
E		41	★	★	★
F		5.0	★	★	★
G		26.5	★	★	★
H		97.2	97.0	97.5	98.2
I		6.6	6.3	5.7	5.4
J		69.8	72.1	74.4	77.0
K		7.2	★	★	★
L		57.3	57.1	57.6	58.3
M		12.5	13	14.5	16
N		52.4	53.0	54.8	56.4
O		35.3	35.5	36.3	37.1

* Measured size is from the center of the bottom bracket to the top of the top tube, measured along the seat tube axis.

2. FULL-SUSPENSION MOUNTAIN GEOMETRY

CHART 2. SPECIFICATIONS	
A	Seat Tube Length (cm/in)
B	Top Tube Horizontal (cm/in)
C	Top Tube Actual (cm/in)
D	Head Tube Angle
E	Seat Tube Angle
F	Standover (cm/in)
G	Head Tube Length - Carbon (cm/in)
G	Head Tube Length - Alloy (cm/in)
H	Wheelbase (cm/in)
I	Front Center (cm/in)
J	Chain Stay Length (cm/in)
K	Bottom Bracket Drop (cm/in)
L	Bottom Bracket Height (cm/in)
M	Fork Rake (cm/in)
N	Trail (cm/in)



Size	SCALPEL CARBON SCALPEL ALLOY				RUSH CARBON				RZ ONE TWENTY				RZ ONE FORTY CARBON RZ ONE FORTY ALLOY				MOTO CARBON MOTO ALLOY			
	Small	Medium	Large	X-Large	Small	Medium	Large	X-Large	Small	Medium	Large	X-Large	Small	Medium	Large	X-Large	Small	Medium	Large	X-Large
A	40.5/15.9	43.0/16.9	48.0/18.9	50.0/19.7	43.2/17.0	45.7/18.0	48.3/19.0	50.8/20.0	43.2/17.0	45.7/18.0	48.3/19.0	50.9/20.0	43.2/17.0	45.7/18.0	48.3/19.0	50.8/20.0	41.0/16.1	42.9/16.9	48.2/19.0	53.7/21.1
B	56.0/22.0	58.7/23.1	61.6/24.2	64.3/25.3	56.0/22.0	58.8/23.1	61.5/24.2	64.0/25.2	56.0/22.0	58.7/23.1	61.3/24.1	64.1/25.2	56.0/22.0	58.8/23.1	61.5/24.2	64.0/25.2	56.3/22.1	58.9/23.2	61.9/24.4	64.7/25.5
C	53.9/21.2	56.4/22.2	59.5/23.4	62.4/24.6	53.3/21.0	56.0/22.0	58.9/23.2	61.4/24.2	53.5/21.1	56.2/22.1	59.1/23.3	61.9/24.4	53.3/21.0	56.0/22.0	58.9/23.2	61.4/24.2	53.5/21.1	56.0/22.0	59.0/23.2	62.5/24.6
D	69.5°	★	★	★	68.0°	★	★	★	69.0°	★	★	★	68.0°	★	★	★	67.0°	★	★	★
E	74.0°	★	★	★	72.0°	★	★	★	73.5°	★	★	★	72.0°	★	★	★	72.0°	★	★	★
F	73.3/28.9	73.4/28.9	73.9/29.1	73.9/29.1	75.9/29.9	77.7/30.6	78.1/30.7	77.5/30.5	73.1/28.8	76.0/29.9	76.1/30.0	76.0/29.9	75.9/29.9	77.7/30.6	78.1/30.7	77.5/30.5	74.8/29.4	76.4/30.1	80.7/31.8	82.0/32.3
G (CARBON)	13.8/5.4	★	★	★	13.4/5.3	★	★	16.0/6.3	na	na	na	na	13.4/5.3	★	★	16.0/6.3	13.6/5.3	13.6/5.3	16.1/6.3	16.1/6.3
G (ALLOY)	13.8/5.4	★	★	★	na	★	★	na	13.4/5.3	★	★	16.0/6.3	13.4/5.3	★	★	16.0/6.3	11.4/4.5	11.4/4.5	14.0/5.5	14.0/5.5
H	107.9/42.5	110.6/43.5	113.5/44.7	116.2/45.7	108.1/42.6	110.8/43.6	113.6/44.7	116.3/45.8	107.6/42.4	110.3/43.4	113.0/44.5	116.0/45.7	108.1/42.6	110.8/43.6	113.6/44.7	116.3/45.8	110.0/43.3	112.7/44.4	115.9/45.6	118.7/46.7
I	65.5/25.8	68.2/26.9	71.1/28.0	73.8/29.1	65.6/25.8	68.3/26.9	71.1/28.0	73.8/29.1	65.2/25.7	67.8/26.7	70.5/27.8	73.5/28.9	65.6/25.8	68.3/26.9	71.1/28.0	73.8/29.1	67.9/26.7	70.6/27.8	73.8/29.0	76.6/30.1
J	42.4/16.7	★	★	★	42.5/16.7	★	★	★	42.5/16.7	★	★	★	42.5/16.7	★	★	★	42.2/16.6	★	★	★
K	0.5/0.2	★	★	★	-0.3/-0.1	★	★	★	0.0/0.0	★	★	★	-0.3/-0.1	★	★	★	2.3/0.9	★	★	★
L	32.5/12.8	★	★	★	33.3/13.1	★	★	★	33.0/13.0	★	★	★	33.3/13.1	★	★	★	35.3/13.9	★	★	★
M	4.5/1.8	★	★	★	4.5/1.8	★	★	★	4.5/1.8	★	★	★	4.5/1.8	★	★	★	4.5/1.8	★	★	★
N	7.5/3.0	★	★	★	7.8/3.1	★	★	★	7.8/3.1	★	★	★	7.8/3.1	★	★	★	9.2/3.6	★	★	★

CHART 2. **RZ ONE FORTY ALLOY FÉMININE** **RZ ONE TWENTY FÉMININE** **SCALPEL ALLOY FÉMININE**

Size	Small	Medium	Petite	Small	Medium	Petite	Small	Medium
A	43.2/17.0	45.7/18.0	40.6/16.0	43.2/17.0	45.7/18.0	40.5/15.9	40.5/15.9	41.5/16.3
B	56.0/22.0	58.8/23.1	53.0/20.9	56.0/22.0	57.5/22.6	52.9/20.8	56.0/22.0	57.2/22.5
C	53.3/21.0	56.0/22.0	50.8/20.0	53.5/21.1	55.0/21.7	51.0/20.1	53.9/21.2	55.0/21.7
D	68.0°	★	68.5°	69.0°	69.0°	69.5°	★	★
E	72.0°	★	73.5°	★	★	74.0°	★	★
F	75.9/29.9	77.7/30.6	72.9/28.7	73.1/28.8	75.9/29.9	73.3/28.9	★	★
G	13.4/5.3	★	★	★	★	★	★	★
H	108.1/42.6	110.8/43.6	105.2/41.4	107.6/42.4	109.1/43.0	104.8/41.3	107.9/42.5	109.2/43.0
I	65.6/25.8	68.3/26.9	62.8/24.7	65.2/25.7	66.6/26.2	62.4/24.6	65.5/25.8	66.8/26.3
J	42.5/16.7	★	★	★	★	★	★	★
K	-0.3/-0.1	★	0.0/0.0	★	★	0.5/0.2	★	★
L	33.3/13.1	★	33.0/13.0	★	★	32.5/12.8	★	★
M	4.5/1.8	★	★	★	★	★	★	★
N	7.8/3.1	★	8.2/3.2	7.8/3.1	7.8/3.1	7.5/3.0	★	★

3. HARDTAIL MOUNTAIN GEOMETRY

CHART 3. **SPECIFICATIONS**

A	Seat Tube Length (cm/in)
B	Top Tube Horizontal (cm/in)
C	Top Tube Actual (cm/in)
D	Head Tube Angle (degrees)
E	Seat Tube Angle (degrees)
F	Standover at Top Tube Midpoint (cm/in)
G	Head Tube Length (cm/in)
H	Wheelbase (cm/in)
I	Front Center (cm/in)
J	Chain Stay Length (cm/in)
K	Bottom Bracket Drop (cm/in)
L	Bottom Bracket Height (cm/in)
M	Fork Rake (cm/in)
N	Trail (cm/in)

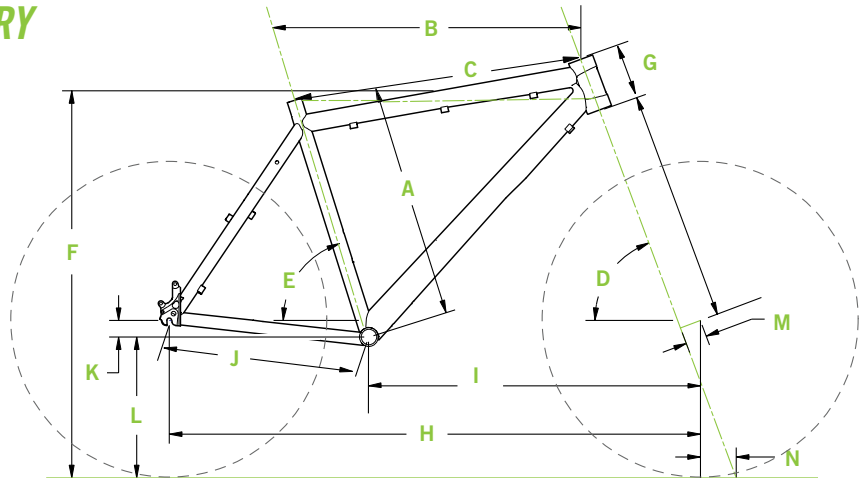


CHART 3. **FLASH CARBON** **FLASH ALLOY** **TRAIL SL**

Size	Small	Medium	Large	X-Large	Small	Medium	Large	X-Large	Small	Medium	Large	X-Large	Jumbo
A	38.2/15	43.2/17	48.2/19	53.2/20.9	38.0/15	43.3/17	47.5/18.7	52.5/20.7	38.0/15	43.3/17	47.5/18.7	52.5/20.7	57.0/22.4
B	55.5/21.9	58.5/23	61.5/24.2	64.0/25.2	55.0/21.7	58.4/23	61.4/24.2	62.9/24.8	55.0/21.7	58.4/23	61.4/24.2	62.9/24.8	63.7/25.1
C	54.8/21.6	56.6/22.3	59.1/23.3	61.8/24.3	54.1/21.3	56.4/22.2	58.8/23.1	60.3/23.7	54.1/21.3	56.4/22.2	58.8/23.1	60.3/23.7	61.5/24.2
D	69.8°	70.1°	70.3°	70.5°	70.0°	70.0°	70.0°	70.0°	70.0°	★	★	★	★
E	73.9°	73.6°	73.3°	73.0°	73.5°	73.5°	73.0°	72.5°	73.5°	73.5°	73.0°	72.5°	72.5°
F	75.2/29.6	77.5/30.5	79.9/31.5	82.0/32.3	74.9/29.5	77.5/30.5	79.4/31.3	83.0/32.7	74.9/29.5	77.5/30.5	79.4/31.3	83.0/32.7	85.1/33.5
G	13.4/5.3	★	★	★	★	★	★	16.0/6.3	11.4/4.5	11.4/4.5	11.4/4.5	14.4/5.7	14.4/5.7
H	105.8/41.7	108.1/42.6	110.6/43.5	112.5/44.3	104.7/41.2	108.2/42.6	110.6/43.5	111.7/44	104.7/41.2	108.2/42.6	110.6/43.5	111.7/44	112.4/44.3
I	63.8/25.1	66.2/26.1	68.6/27	70.5/27.8	62.6/24.6	66.0/26	68.4/26.9	69.5/27.4	62.6/24.6	66.0/26	68.4/26.9	69.5/27.4	70.2/27.6
J	42.2/16.6	★	★	★	42.4/16.7	★	★	★	★	★	★	★	★
K	3.5/1.4	★	★	★	★	★	★	★	★	★	★	★	★
L	29.5/11.6	★	★	★	29.0/11.4	★	★	★	★	★	★	★	★
M	4.5/1.8	★	★	★	★	★	★	★	★	★	★	★	★
N	7.3/2.9	7.2/2.8	7.0/2.8	6.9/2.7	7.0/2.8	★	★	★	★	★	★	★	★

CHART 3. **CO2 SL (TESORO TRAVELLER ULTRA 26")**

Size	Small	Medium	Large	X-Large	Jumbo
A	38.0/15	43.3/17	47.5/18.7	52.5/20.7	57.0/22.4
B	55.1/21.7	58.4/23	61.4/24.2	63.0/24.8	63.6/25
C	53.8/21.2	56.3/22.2	58.9/23.2	60.5/23.8	61.3/24.1
D	70.0°	★	★	★	★
E	73.5°	73.5°	73.0°	72.5°	72.5°
F	73.8/29.1	76.9/30.3	79.2/31.2	82.2/32.4	85.7/33.7
G	10.5/4.1	11.5/4.5	12.2/4.8	13.5/5.3	16.5/6.5
H	104.7/41.2	108.2/42.6	110.6/43.5	111.7/44	112.4/44.3
I	62.6/24.6	66.0/26	68.5/27	69.5/27.4	70.3/27.7
J	42.4/16.7	★	★	★	★
K	3.5/1.4	★	★	★	★
L	29.0/11.4	★	★	★	★
M	4.5/1.8	★	★	★	★
N	7.0/2.8	★	★	★	★

CHART 3. **FLASH ALLOY FÉMININE** **TRAIL SL FÉMININE**

Size	Petite	Small	Medium	Tall	Petite	Small	Medium	Tall
A	37.0/14.6	38.0/15	40.0/15.7	45.0/17.7	37.0/14.6	38.0/15	40.0/15.7	45.0/17.7
B	52.2/20.6	55.0/21.7	57.0/22.4	58.9/23.2	52.2/20.6	55.0/21.7	57.0/22.4	58.9/23.2
C	52.7/20.7	54.1/21.3	55.6/21.9	56.7/22.3	52.7/20.7	54.1/21.3	55.6/21.9	56.7/22.3
D	70.0°	70.0°	70.0°	70.0°	70.0°	★	★	★
E	75.0°	73.5°	73.5°	73.5°	75.0°	73.5°	73.5°	73.5°
F	74.4/29.3	74.9/29.5	75.9/29.9	78.3/30.8	74.4/29.3	74.9/29.5	75.9/29.9	78.3/30.8
G	13.4/5.3	13.4/5.3	13.4/5.3	13.4/5.3	11.4/4.5	★	★	★
H	103.6/40.8	104.7/41.2	106.8/42	108.7/42.8	103.6/40.8	104.7/41.2	106.8/42	108.7/42.8
I	61.4/24.2	62.6/24.6	64.6/25.4	66.5/26.2	61.4/24.2	62.6/24.6	64.6/25.4	66.5/26.2
J	42.4/16.7	★	★	★	★	★	★	★
K	3.5/1.4	★	★	★	★	★	★	★
L	29.0/11.4	★	★	★	★	★	★	★
M	4.5/1.8	★	★	★	★	★	★	★
N	7.0/2.8	★	★	★	★	★	★	★

4. RECREATION/URBAN GEOMETRY

CHART 4. SPECIFICATIONS

A*	Measured Size (cm)*
A	Seat Tube Length Overall (cm)
B	Seat Tube Angle
C	Head Tube Angle
D	Horizontal Top Tube Length (cm)
E	Chain Stay Length (cm)
F	Fork Rake (cm)
G	Bottom Bracket Height (cm)
H	Wheelbase (cm)
I	Trail (cm)
J	Standover Height (cm)
K	Bottom Bracket Drop (cm)
L	Front Center (cm)
M	Head Tube Length (cm)

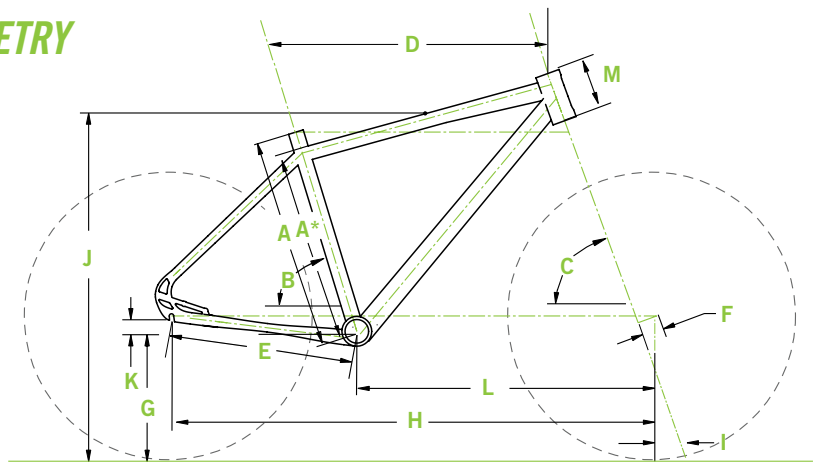


CHART 4. BAD BOY HEADSHOK 700C BAD BOY HEADSHOK 26" BAD BOY HEADSHOK 700C BAD BOY RIGID 700C BAD BOY ROHLOFF HEADSHOK 700C HOOLIGAN 700C

Size	Small	Medium	Large	X-Large	Small	Medium	Large	X-Large	Small	Medium	Large	X-Large	Small	Medium	Large	X-Large	Small	Medium	Large	X-Large	One Size	
A	39/15.4	46/18.1	51/20.1	56/22.0	39/15.4	46/18.1	51/20.1	56/22.0	39/15.4	46/18.1	51/20.1	56/22.0	39/15.4	46/18.1	51/20.1	56/22.0	39/15.4	44/17.3	49/19.3	53/20.9	37.0/14.6	
B	74.5	73.5	73	72.5	74.5	73.5	73	72.5	74.5	73.5	73	72.5	74.5	73.5	73	72.5	74.5	73.5	73	72.5	73	
C	70	71	71	71	70	71	71	71	70	71	71	71	70	71	71	71	70	70	★	★	★	70
D	55	57.5	60	62	55	57.5	60	62	55	57.5	60	62	55	57.5	60	62	55.5	59	61	61.5	57.3	
E	★	★	★	★	43.5	★	★	★	★	★	★	★	★	★	★	★	★	★	★	★	★	40
F	★	★	★	★	★	★	★	★	★	★	★	★	★	★	★	★	★	★	★	★	★	★
G	29.5	29.5	29.5	29.5	28.0	★	★	★	29.5	29.5	29.5	29.5	29.5	29.5	29.5	29.5	31.0	★	★	★	★	27.5
H	104.4	105.8	108.1	109.8	104.4	105.8	108.1	109.8	104.4	105.8	108.1	109.8	104.4	105.8	108.1	109.8	104.4	107.6	109.5	109.7	106.0	
I	7.8	7.2	7.2	7.2	7.4	6.8	6.8	6.8	7.8	7.2	7.2	7.2	7.8	7.2	7.2	7.2	7.8	7.2	7.2	7.2	2.6	
J	77	80.4	82.6	84.7	75.5	78.9	81.1	83.2	77	80.4	82.6	84.7	73.9	78.2	81.4	84.5	76.5	79.0	81.0	83.0	60	
K	★	★	★	★	5.1	★	★	★	★	★	★	★	★	★	★	★	★	★	★	★	★	6.6
L	61.4	62.8	65.1	66.8	61.4	62.8	65.1	66.8	61.4	62.8	65.1	66.8	61.4	62.8	65.1	66.8	62.2	65.5	67.3	67.6	66.2	
M	★	★	★	★	★	★	★	★	★	★	★	★	13	15	17	19	11.4	★	★	★	★	17.1

CHART 4. QUICK FULL CARBON QUICK CX HEADSHOK TESORO HEADSHOK QUICK CX HEADSHOK MIXTE TESORO HEADSHOK MIXTE QUICK CX RIGID TESORO RIGID QUICK CX RIGID MIXTE TESORO RIGID MIXTE

Size	Small	Medium	Large	X-Large	Small	Medium	Large	X-Large	Small	Medium	Large	Small	Medium	Large	X-Large	Small	Medium	Large
A*	38.5/15.2	41/16.1	46/18.1	51/20.1	48/18.9	52/20.5	56/22.0	60/23.6	48/18.9	53/20.9	55/21.7	48/18.9	52/20.5	56/22.0	60/23.6	48/18.9	53/20.9	55/21.7
B	75	76	74.5	73	73.5	73	73	72.5	74	73.5	73	73.5	73	73	72.5	74	73.5	73
C	71	71	71.5	72	70.5	71	71.5	72	70.5	70.5	71	70.5	71	71.5	72	70.5	70.5	71
D	53.5	53.5	56	58.5	55	56.5	58	60.5	53	56	58	55	56.5	58	60.5	53	56	58
E	43	43	★	★	★	★	★	★	44	★	★	★	★	★	★	★	★	★
F	5.0	5.0	★	★	★	★	★	★	4.5	★	★	★	★	★	★	★	★	★
G	27.4	27.4	27.4	27.4	28.0	★	★	★	★	★	★	★	★	★	★	★	★	★
H	101.4	102.3	103.9	104.8	103.6	104.4	105.5	107.1	102.0	104.8	106.0	103.6	104.4	105.5	107.1	102.0	104.8	106.0
I	6.6	6.5	6.2	5.9	7.5	7.2	6.8	6.5	7.5	7.5	7.2	7.5	7.2	6.8	6.5	7.5	7.5	7.2
J	74.3	75.0	78.7	82.8	79.5	81.4	83.3	85.1	69.8	71.7	72.2	77.9	80.3	82.5	85.0	68.0	70.4	71.3
K	7.0	★	★	★	6.7	★	★	★	★	★	★	★	★	★	★	★	★	★
L	59.5	60.4	61.9	62.8	60.4	61.2	62.4	64.0	58.9	61.7	62.8	60.4	61.2	62.4	64.0	58.9	61.7	62.8
M	14	13	16	19	11.4	★	★	★	★	★	★	15	16	17	18	15	16	17

*Measured size is from the center of the bottom bracket to the top of the top tube, measured along the seat tube axis.

CHART 4. VINTAGE HEADSHOK VINTAGE HEADSHOK MIXTE VINTAGE HEADSHOK FÉMININE VINTAGE RIGID VINTAGE RIGID MIXTE VINTAGE RIGID FÉMININE

Size	48	53	57	61	44	48	53	44	48	53	48	53	57	61	44	48	53	44	48	53
A*	48/18.9	53/20.9	57/22.4	60/23.6	44/17.3	48/18.9	53/20.9	44/17.3	48/18.9	53/20.9	48/18.9	53/20.9	57/22.4	60/23.6	44/17.3	48/18.9	53/20.9	44/17.3	48/18.9	53/20.9
B	75	★	★	★	★	★	★	★	★	★	★	★	★	★	★	★	★	★	★	★
C	71	★	★	★	★	★	★	★	★	★	★	★	★	★	★	★	★	★	★	★
D	57.2	57.7	58.4	59.3	55.9	57.2	58	55.9	57.2	58	57.2	57.7	58.4	59.3	55.9	57.2	58	55.9	57.2	58
E	45.8	★	★	★	★	★	★	★	★	★	★	★	★	★	★	★	★	★	★	★
F	4.5	★	★	★	★	★	★	★	★	★	★	★	★	★	★	★	★	★	★	★
G	29.0	★	★	★	★	★	★	★	★	★	★	★	★	★	★	★	★	★	★	★
H	109.8	110.7	111.6	112.8	108.2	109.8	110.7	108.2	109.8	110.7	109.8	110.7	111.6	112.8	108.2	109.8	110.7	108.2	109.8	110.7
I	7.2	★	★	★	★	★	★	★	★	★	★	★	★	★	★	★	★	★	★	★
J	81.5	83.0	85.0	87.5	71.5	72.5	73.5	66.0	66.0	66.0	77.5	81.5	84.5	86.0	68.5	71.5	72.5	59.5	61.0	61.5
K	5.8	★	★	★	★	★	★	★	★	★	★	★	★	★	★	★	★	★	★	★
L	64.6	65.5	66.5	67.6	63.0	64.6	65.5	63.0	64.6	65.5	64.6	65.5	66.5	67.6	63.0	64.6	65.5	63.0	64.6	65.5
M	11.4	★	★	★	★	★	★	★	★	★	★	13.6	17.1	18.7	13.6	17.1	18.7	13.6	17.1	18.7

*Measured size is from the center of the bottom bracket to the top of the top tube, measured along the seat tube axis.

CHART 4. TOURING CLASSIC 700C					
Size	Small	Medium	Large	X-Large	Jumbo
A	17/43.2	19/48.3	21/53.3	23/58.4	25/63.5
B	74.5	74	73	73	72.5
C	70	71	71	71.5	72
D	21/53.3	21.5/54.6	22/55.9	22.7/57.7	23.5/59.7
E	18/45.7	★	★	★	★
F	1.97/5	★	★	★	★
G	11.1/28.2	★	★	★	★
H	41.4/105.1	41.6/105.7	41.8/106.2	42.4/107.7	42.8/122.4
I	2.8/7.1	2.4/6.1	2.5/6.3	2.4/6.1	2.3/5.8
J	29.1/73.9	30.1/76.4	31.5/80	33.1/84	34.6/87.9
K	2.6/6.6	★	★	★	★
L	23.787	24.046	24.178	24.753	25.164
M	4.5/11.4	4.5/11.4	5.5/14	6.5/16.5	8/20.3

CHART 4. STREET				STREET FÉMININE			
Size	48	53	57	61	44	48	53
A*	48/18.9	53/20.9	57/22.4	60/23.6	44/17.3	48/18.9	53/20.9
B	75	★	★	★	★	★	★
C	71	★	★	★	★	★	★
D	57.2	57.7	58.4	59.3	55.9	57.2	58
E	★	★	★	★	45.8	45.8	45.8
F	4.5	★	★	★	★	★	★
G	29.0	★	★	★	★	★	★
H	109.8	110.7	111.6	112.8	108.2	109.8	110.7
I	7.2	★	★	★	★	★	★
J	77.5	81.5	84.5	86.0	68.5	71.5	72.5
K	5.8	★	★	★	★	★	★
L	64.6	65.5	66.5	67.6	63.0	64.6	65.5
M	13.6	17.1	18.7	18.7	13.6	17.1	18.7

*Measured size is from the center of the bottom bracket to the top of the top tube, measured along the seat tube axis.

*Measured size is from the center of the bottom bracket to the top of the top tube, measured along the seat tube axis.

5. TANDEM GEOMETRY

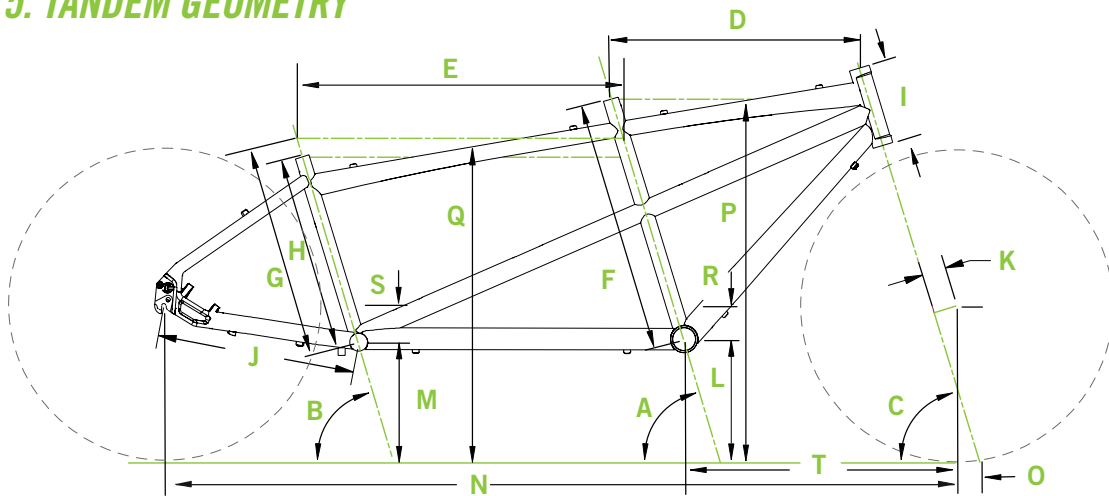


CHART 5. SPECIFICATIONS	Size	ROAD TANDEM				MOUNTAIN AND TOURING TANDEM			
		M/S	L/S	X/S	J/M	M/S	L/S	X/S	J/M
A	Front Seat Tube Angle (degrees)	73	★	★	★	★	★	★	★
B	Rear Seat Tube Angle (degrees)	73	★	★	★	★	★	★	★
C	Head Tube Angle (degrees)	73	★	★	★	71	★	★	★
D	Horizontal Front Top Tube Length (in/cm)	21.5/54.5	22.0/56.0	22.6/57.5	23.6/60.0	22.5/57.1	23.0/58.5	23.6/60.0	24.6/62.5
E	Horizontal Rear Top Tube Length (in/cm)	28.6/72.6	★	★	29.1/73.9	28.6/72.6	★	★	29.1/73.9
F	Rear Seat Tube Overall Length (in/cm)	19.0/48.3	20.0/50.8	22.0/55.9	23.0/58.4	18.0/45.7	19.0/48.3	21.0/53.3	22.0/55.9
G	Rear Seat Tube Measured Length (in/cm)	17.0/43.2	★	★	19.0/48.3	17.0/43.2	★	★	19.0/48.3
H	Rear Seat Tube Measured Length (in/cm)	15.6/39.7	15.6/39.7	17.0/43.2	19.0/48.3	15.6/39.7	15.6/39.7	17.0/43.2	19.0/48.3
I	Headtube Length (in/cm)	5.9/15.0	6.5/16.5	7.1/18.0	7.9/20.0	5.9/15.0	6.5/16.5	7.1/18.0	7.9/20.0
J	Chainstay Length (in/cm)	17.4/44.2	★	★	★	17.4/44.2	★	★	★
K	Fork Rake (in/cm)	2.1/5.3	★	★	★	2.1/5.3	★	★	★
L	Front Bottom Bracket Height (in/cm)	10.8/27.4	★	★	★	11.5/29.2	★	★	★
M	Rear Bottom Bracket Height (in/cm)	10.5/26.7	★	★	★	11.2/28.5	★	★	★
N	Wheelbase (in/cm)	68.4/173.6	69.0/175.1	69.5/176.6	71.0/180.4	70.7/179.6	71.3/181.1	72.0/182.7	73.5/186.6
O	Trail (in/cm)	2.0/5.1	★	★	★	2.3/5.8	★	★	★
P	Front Standover at Top Tube midpoint (in/cm)	28.2/71.7	30.6/77.7	31.6/80.3	32.5/82.6	27.6/70.2	29.8/75.8	30.9/78.6	31.8/80.8
Q	Rear Standover at Top Tube midpoint (in/cm)	25.4/64.6	26.3/66.8	27.6/70.2	29.5/74.0	25.7/65.2	26.4/67.3	27.8/70.6	29.3/74.4
R	Front Bottom Bracket Drop (in/cm)	2.9/7.4	★	★	★	1.5/3.8	★	★	★
S	Rear Bottom Bracket Drop (in/cm)	3.2/8.1	★	★	★	1.8/4.6	★	★	★
T	Front Center Distance (in/cm)	22.9/58.3	23.5/59.7	24.1/61.2	25.1/63.7	24.9/63.2	25.5/64.7	26.1/66.4	27.2/69.0