

# DECKING

DECKING



# DECKING AND FASCIA RECOMMENDED FASTENERS

	TREX PRODUCT LINES				
	Transcend®	Enhance®	Select®	Accents®	Escapes®
Trex Hideaway® Universal Hidden Fastener	X	X	X	X	X
Trex Hideaway® Connector Clip	X	X		X	X
TigerClaw® TC-G Hidden Fastener			X		
FastenMaster® TrapEase 3 Ultimate Composite Deck Screw	X	X	X	X	X
Simpson Strong Tie Deck Drive™ DCU Composite Screw (Collated and Handdrive)	X	X	X	X	
Quick Drive® Composi-Lok Deck Screw				X	
Dexxter® Composite Screw - 6 Lobe Drive Only	X	X	X	X	
UFO Ballistic NailScrews®				X	
Fastenmaster® TrimTop Screw					X
Scrudini™ Hand Drive Screws					X
Camo™ Marksman Pro®					X
DeckFast® Cap-Tor® xd/HeadCote® Cap-Tor® xd	X	X	X	X	X
DeckFast® Cap-Tor® xd/HeadCote® Cap-Tor® xd Collated (for Muro CH7390 Driver)	X	X	X	X	
Screw Products C-Deck Exterior Star Drive Composite Deck Screw	X	X	X		
Phillips II Plus® Pozisquare	X	X	X		
Cortex® Concealed Fasteners**	X	X	X	X	
Muro® T-Screw Torx Stainless Steel Screw - Collated (TX0212SFD or M-TX0300SEP)	X	X	X	X	
Kameleon™ GRKFasteners™			X		
Starborn® DeckFast® (or HeadCote®) Fascia System	X	X	X		

## NOTES:

- » 2-3/4" (70 mm) or 3" (76 mm) screws can be used with Trex 2x6 product.
- » Muro T-Screw M-TX0300SEP listed above is approved for 2x6 decking (can also be used with standard 1" (25 mm) decking as listed above). This screw is collated and can be used with Muro Auto Feed Screw Gun FDLV41 Speed Driver. **(NOTE THIS IS NOT A COLOR-MATCH SCREW.)**
- » All decking products are approved for use with Trex Hideaway Hidden Fasteners, thus all decking products can be routed according to our instructions.
- » Fascia system screws listed above can only be used with composite fascia profiles, cannot be used with standard thickness decking boards used as fascia. Use Headcote Fascia System Stainless Steel screws near water applications.
- » Simpson Strong Tie Deck Drive DCU Composite Screw in collated versions works with Quik Drive gun.
- » \*\* Not for use with sleeper systems. Refer to FastenMaster® literature for more information.

If any condition occurs which is attributable to the use of non-recommended fasteners, such condition shall not be covered under Trex's Limited Warranty.

FastenMaster® TrapEase® II, TrapEase® 3, FastenMaster® TrimTop™, and Cortex® are registered trademarks of OMG, Inc.

Camo® and Marksman Pro® are registered trademarks of National Nail Corp.

Quik Drive® and Dexxter™ are registered trademarks and Composi-Lok™ is a trademark of Simpson Strong-Tie Company, Inc.

NailScrews® is a registered trademark of Universal Fastener Outsourcing, LLC.

Scrudini™ is a trademark of Swan Secure Products, Inc.

DeckFast® Cap-Tor® xd and HeadCote® Cap-Tor® xd are registered trademarks of Starborn Industries Inc.

C-Deck Exterior Star Deck Composite Deck Screw is a product of Screw Products Inc.

Phillips II Plus® is a registered trademark of Phillips Fasteners LLC.

**Trex recommends the use of two screws per joist.**

**All recommended screws are designed to be installed flush with decking surface, do not countersink screws.**

**Use recommended stainless steel screws in any areas near bodies of salt water.**

MINIMUM FASTENER SIZE		
SCREWS		
Profile	Length	No.
1x6	2-1/2" (63.5 mm) or 2-3/4" (70 mm)	#8, #10
2x6	2-3/4" (70 mm) or 3" (76 mm)	#8, #10

1x6 (25 mm X 152 mm), 2x6 (51 mm x 152 mm)

**NOTE: Construction methods are always improving. Please refer to [www.trex.com](http://www.trex.com) for the most up-to-date installation requirements.**

## TREX® FASCIA INSTALLATION RECOMMENDATIONS (DOES NOT INCLUDE TREX TRIM INSTALL RECOMMENDATIONS)

Trex Fascia utilized around the perimeter of a deck must be gapped with the same requirements as Trex decking to allow for air flow and expansion/contraction of the fascia.

The gapping requirements are as follows:

WIDTH-TO-WIDTH GAP	
Below 40°F (4.5°C)	3/8" (10 mm)
Above 40°F (4.5°C)	1/4" (6 mm)

END-TO-END/END-TO-WIDTH & ABUTTING GAP		
	End-to-End/ End-to-Width	Abutting
Above 40°F (4.5°C)	1/8" (3 mm)	1/4" (6 mm)
Below 40°F (4.5°C)	3/16" (5 mm)	1/2" (13 mm)

Trex recommends the use of Starborn® DeckFast® Fascia System, for all composite Trex fascia profiles. For near water applications, you can also use Fascia System HeadCote® stainless steel screws.

If using 2 x 8 framing, use two screws every 18" (457 mm). If using 2 x 10 or greater framing, use three screws every 18" (457 mm). Follow manufacturer instructions for further install instructions and ALWAYS remember to gap fascia properly. A secondary glue is not required when using these fasteners.

### If using standard decking as fascia or stair risers:

This does not apply to standard decking boards when used in fascia applications as this product can only be used with 1/2" (13 mm) to 3/4" (19 mm) standard composite fascia profiles. If you are using a decking board for fascia applications, use three Trex-recommended composite decking screws every 12" (305 mm). The top screw should be placed 1" (25 mm) from the top of the rim joist, the second screw in the center of the rim joist, and the third screw 1" (25 mm) from the bottom of the rim joist. In addition, also use a weather-resistant, construction-grade adhesive (adhesives that work with wood will work with Trex products) as a SECONDARY fastener when attaching fascia. *Remember to wipe away any excess before drying or allowing to drip on other Trex surfaces.*

### ADDITIONAL TIPS:

- » 10" (254 mm) rim joists allow for an easier and more aesthetically pleasing installation.
- » Miter cuts at butt joints and corners allow for a more aesthetically pleasing installation.

## FRAMING AND FASTENING TIPS

### FASTENING TIPS FOR TREX ESCAPES\*

You can fasten Trex Escapes with the recommended fasteners at least 1/2" (13 mm) and not more than 4" (102 mm) from the board edge without splitting. **You do not have to pre-drill with Trex Escapes.**

*\*Use Trex Universal Hideaway Hidden Fasteners for Escapes grooved product. This includes additional screws for installation.*

### FASTENING TIP FOR TREX ESCAPES, TREX TRANSCEND, TREX ENHANCE, AND TREX SELECT

**NOTE:** When using pneumatic or battery-operated equipment, adjust the pressure so that you only shoot the head of the screw to be flush with the board's cap. **DO NOT** shoot the fastener head completely through the cap.

### TREX AND STATIC ELECTRICITY

The buildup of static electricity on a flat surface can affect walking surfaces. This phenomenon can occur in dry climates, where hot dry winds and dust-born particles can create static electricity on the surface of the decking. (This static electricity is the same as when people drag their feet on a dry day or rub a balloon on fur or wool.) In most cases, hosing down the decking surface will dissipate the static charge, however if this continues the deck can be grounded. Consult with an electrician to determine the best methods for this.

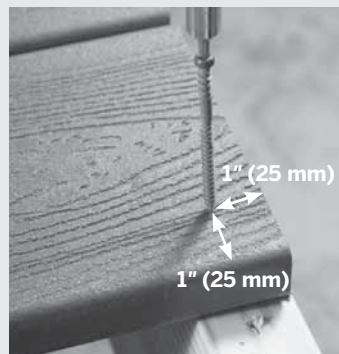
### TREX PRODUCTS NEAR LOW-E WINDOWS

Low-E glass reflects more sunlight, and it has been observed that the extra reflectivity combined with any concavity in the glass can act like that of a concave mirror, concentrating sunlight onto outdoor objects, including that of decking and railing. This can result in an extreme amount of heat concentrated on areas of the decking surface, which in turn can sometimes char the decking surface or cause the decking to slightly bow.

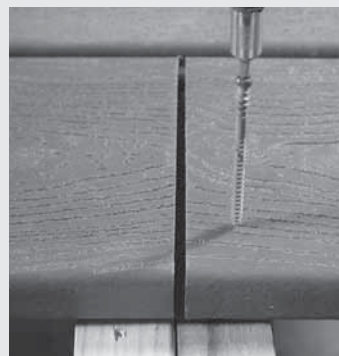
Composite decking is a great alternative to traditional wood decking. When building your deck and railing, it is recommended that code-approved structural material be used as the framing and joists. One option is using Trex Elevations® steel deck framing. Refer to [www.trex.com](http://www.trex.com) for more information on Trex Elevations. Check your local building codes for restrictions. Trex decking cannot be used for structural applications.

**DO NOT** attach Trex decking directly to any solid surface or watertight system. See *Sleeper Systems* on page 24. In most cases, install fasteners at a 90° angle (perpendicular to the board).

At board ends on the deck's edge, you can install screws placed perpendicularly at the recommended distance, at minimum of 1" (25 mm) from the board end and edge, without splitting the board.



For butt joints, where boards meet over a single joist, add a 2" x 4" (51 mm x 102 mm) "nailer" board at the butt joint. This allows you to install a screw at a 90° angle.

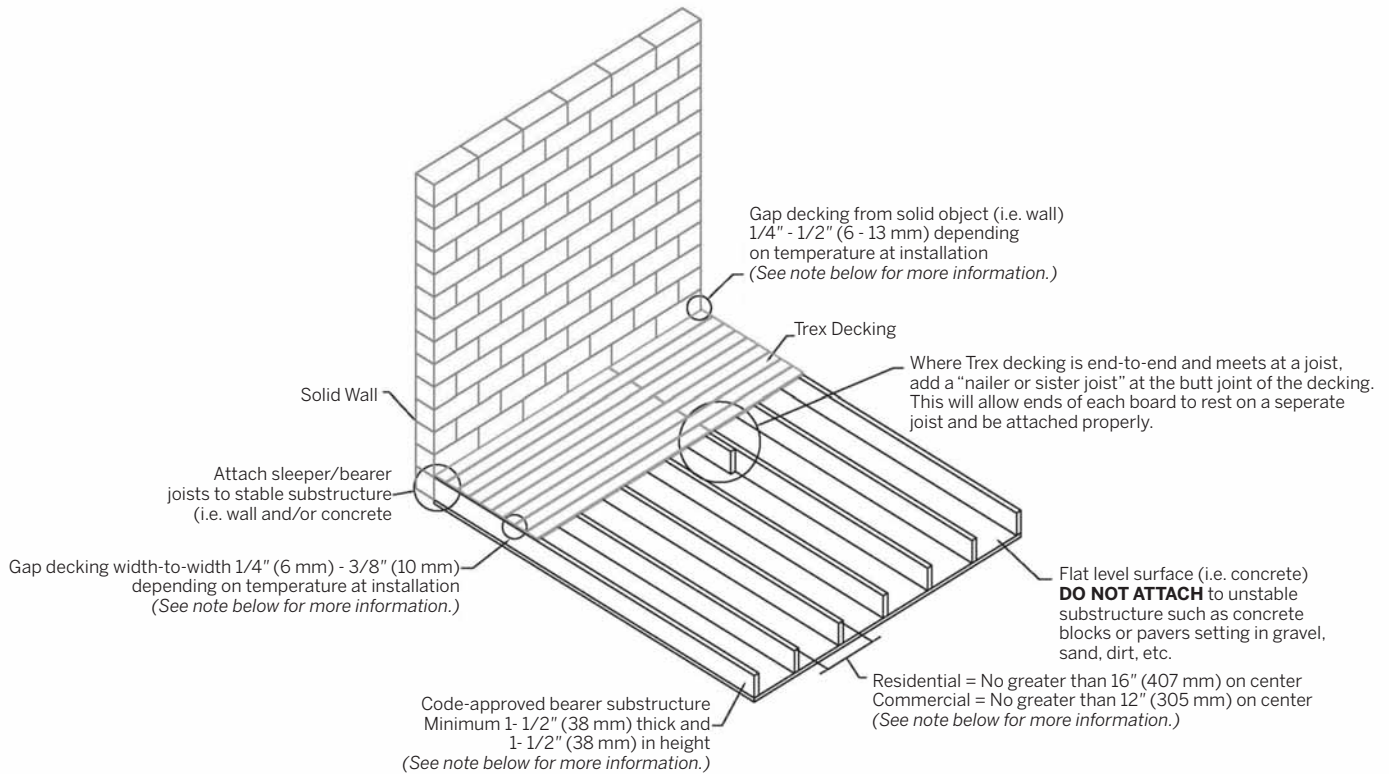


### DOCK APPLICATIONS

Trex decking contains no materials that will harm marine life and is safe for the environment. As long as dock is in intermittent contact with water, i.e., splashing and not in continuous direct contact with water, the durability of the Trex decking should not be affected. For docks, a 3/8" (10 mm) width-to-width gap between boards is recommended to allow for increased drainage due to increased contact with water. In addition, stainless steel fasteners should be used. If there is sufficient contact with the dock and gasoline, grounding of the dock is also recommended.

# ROOFTOP AND SLEEPER DECK SYSTEMS

A sleeper system is a substructure between a solid surface and Trex decking. Drainage, access, and airflow are critical. Water must be able to flow through and away from the deck. For repairs and removal of debris, joist system access may be necessary.



- » It is recommended that building code approved structural material be used as the supports.
- » Gapping rules are required when installing Trex decking:

	TYPE OF GAP	
	Above 40°F (4.5°C)	Below 40°F (4.5°C)
Width-to-Width	1/4" (6 mm)	3/8" (10 mm)
End-to-End	1/8" (3 mm)	3/16" (5 mm)
End-to-Width	1/8" (3 mm)	3/16" (5 mm)
Abutting Solid Objects	1/4" (6 mm)	1/2" (13 mm)

- » This system should not be allowed to float; it must be attached in a manner that secures the framing/system.
- » The sleeper system must be level and have no uneven undulations. Any uneven areas of the substructure will transfer to the Trex decking, resulting in uneven decking.
- » Trex, when used with a sleeper system, must be supported below its entire length and if using in a roofing application, the supports must run the direction of the pitch of the roof to facilitate proper drainage. Sleeper should be placed perpendicular to the deck board orientation.

- » For Commercial applications it is recommended to consult local building code official for specific requirements.
- » If installing decking at angle, decrease spans 4" (100 mm) for each of the above. (12" (305 mm) for residential and 8" (204 mm) for commercial.)
- » For sleeper systems where little debris (pine needles, leaves, sand, dirt) can accumulate either between or under deck boards, a minimum of 1-1/2" (38 mm) height is allowable and Trex Universal Hidden Fasteners can be used. (**NOTE:** Trex recommended composite decking screws are too long when using 1-1/2" (38 mm) height as this will penetrate through the sleeper.) For areas with the potential for debris buildup, a minimum 3-1/2" (89 mm) or greater height is recommended to allow the debris to be removed along with the use of either Trex Universal Hidden Fasteners or Trex-recommended screws.
- » ALWAYS consult your local building code authority for proper details on roof and railing installation to the roof structure if required.
- » Any deviation from these recommendations could result in the voiding of the Trex warranty.

# CODE COMPLIANCE

## Joist Spanning for Decking

Trex decking meets all applicable national model building codes. The joists must be spaced on center according to the chart below. Be sure that joists are level and plumb. Trex decking must span at least three joists. For heavy items such as hot tubs, planters, etc., consult a local building engineer or inspector for span recommendations. If you want to minimize the appearance of joists through the spaces between boards, paint the top of your joists black.

## Code Listings

Trex complies with major model building codes and has been evaluated by the International Code Council evaluation service.

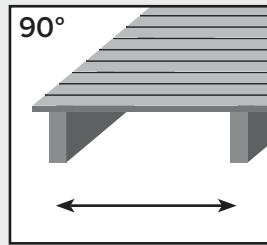
For a Safety Data Sheet (SDS), please visit [www.trex.com](http://www.trex.com)

## Trex Transcend and Trex Escapes

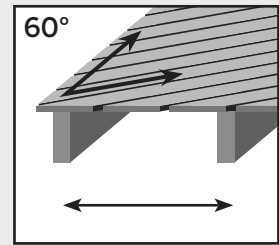
Trex Transcend and Trex Escapes are compliant with the Wildland-Urban Interface, California State and San Diego County fire codes.

For more information, e-mail [question@www.trex.com](mailto:question@www.trex.com) or call 1-800-BUY-TREX (1-800-289-8739).

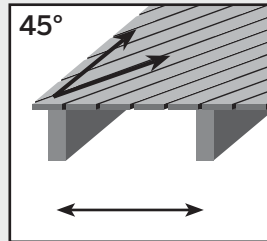
## ADJUST JOIST SPANNING TO ACCOMMODATE ANGLED DECKING PATTERNS



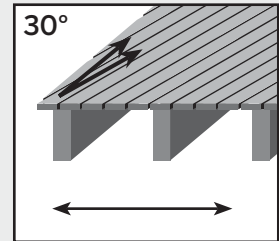
90°  
Perpendicular to joists. See chart below.



60°  
At a 60° angle, maximum joist spanning is 2" (51 mm) less than listed in the chart below.



45°  
At a 45° angle, maximum joist spanning is 4" (102 mm) less than listed in the chart below.



30°  
At a 30° angle, maximum joist spanning is 1/2 of the distance listed in the chart below.

### TREX DECKING SPAN CHART (On Center)

	Residential Decks, Light Duty Docks, Residential/Day Care Playground	Commercial Decks, Boardwalks and Marinas	
Decking Loading	100 psf = 4.8 kN/m <sup>2</sup>	100 psf = 4.8 kN/m <sup>2</sup>	200 psf = 9.5 kN/m <sup>2</sup>
1" (25 mm) Boards (including Porch), and .875" (22 mm) Select Boards	16" (406 mm)	16" (406 mm)	12" (305 mm)
2" x 6" (51 mm x 152 mm) Boards	24" (610 mm)	24" (610 mm)	16" (406 mm)

### TREX RAILING SPAN CHART

#### Maximum Railing Span for all Applications

Transcend, Select railing, and Reveal railing	96" on center (2438 mm) for Transcend, 72" on center (1829 mm) for Select, 96" (2438 mm) clear span for Reveal
---	--

**NOTE: Construction methods are always improving. Please refer to [www.trex.com](http://www.trex.com) for the most up-to-date installation requirements.**

## GAPPING and OVERHANG

You must gap Trex decking, both end-to-end and width-to-width. Gapping is necessary for drainage and the slight thermal expansion and contraction of Trex decking boards. Gapping also allows for the shrinkage of the wood joist system.

- » **ALWAYS** follow Trex-recommended gapping guidelines.
- » Maximum allowable perpendicular overhang for all Trex decking is 1/2" (13 mm).
- » All decks require air circulation to keep them dry and looking good. To improve air flow, leave openings under the decking or increase gapping to 3/8" (10 mm).

WIDTH-TO-WIDTH GAP	
Above 40°F* (4.5°C)*	1/4" (6 mm)
Below 40°F* (4.5°C)*	1/4" (6 mm)

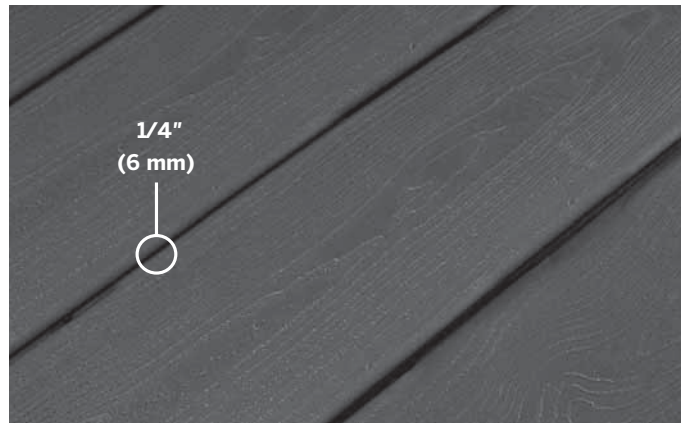
\*Temperature at installation.

END-TO-END/END-TO-WIDTH AND ABUTTING GAP		
	End-to-End/ End-to-Width	Abutting Gap
Above 40°F* (4.5°C)*	1/8" (3 mm)	1/4" (6 mm)
Below 40°F* (4.5°C)*	3/16" (5 mm)	1/2" (13 mm)

\*Temperature at installation.

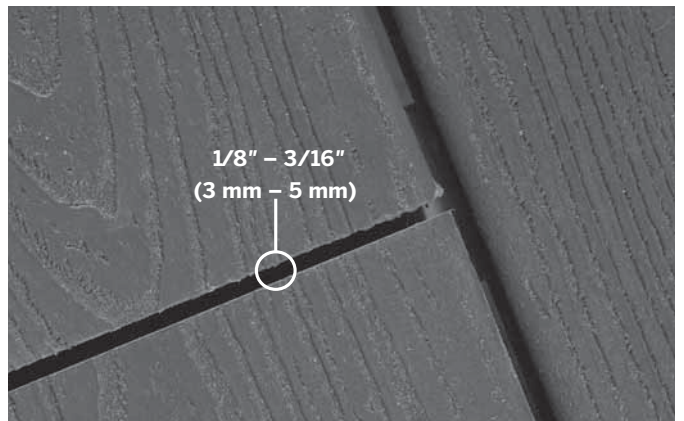
**When you use the recommended hidden fasteners, the placement of the hidden fastener establishes the designated gap size.**

**When installing fascia, gapping rules must apply.**



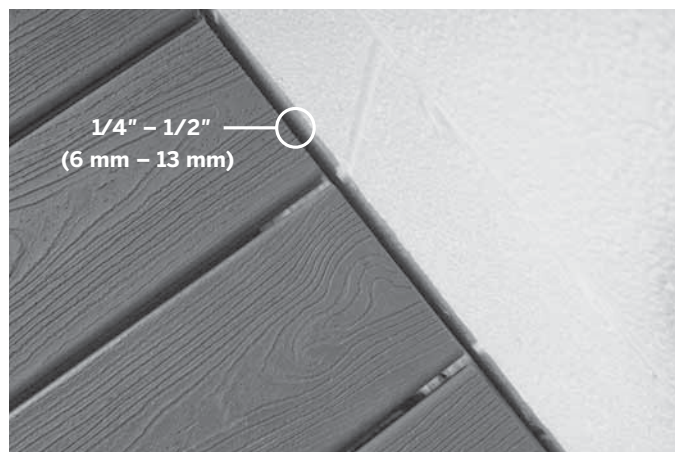
### Width-to-Width

The minimum required width-to-width gapping is 1/4" (6 mm). This is allowed for both hot and cold weather installations. For docks and heavily wooded areas, Trex recommends a 3/8" (10 mm) gap as well. No gapping should ever exceed 1/2" (13 mm).



### End-to-End/End-to-Width

Gap Trex decking end-to-end, based upon the temperature at installation. See chart at left. For fastening tips, see page 23.



### Abutting Solid Objects

When decking is abutting a wall, you must also gap it 1/4" - 1/2" (6 - 13 mm) depending on the temperature at installation. See chart at left.

# STAIRS

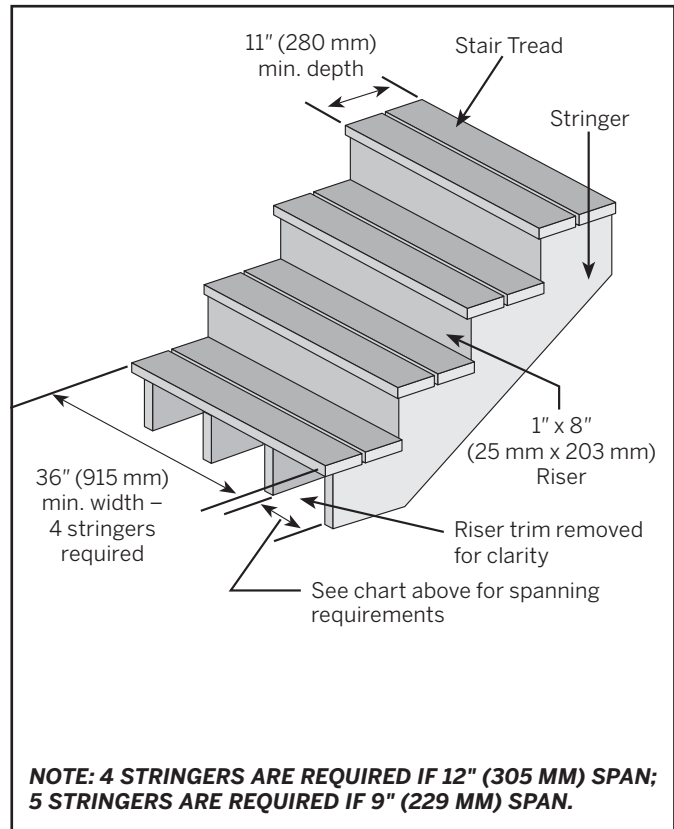
## Stairway Detail

- » Stair treads built with Trex meet requirements by the major national building codes. Consult your local municipality for specific requirements.
- » Fasten stair treads continuously across at least four stringers.
- » See chart (*at right*) for center-to-center spacing of profiles.
- » Dress the sides of the stringers and risers with trim or Trex fascia for a finished look.
- » Most model building codes require the stair treads to be constructed under the following requirements:
  - › Stairways must be at least 36" (914 mm) wide\*
  - › Stair treads must be at least 11" (280 mm) deep
- » Gapping between Trex boards on stair treads must be 1/4" - 3/8" (6 mm - 10 mm).
- » The overhang of the stair tread is not to exceed 1/2" (13 mm).

\* For railings that are installed directly over stair treads, the stair treads may need to be larger than 36" (914 mm) wide. Refer to local building code regulations for details prior to installing stairs and railings.

**NOTE:** Trex rails meet all major building codes for use as a guardrail system. Local municipalities may require a graspable handrail on stairways. Check with your local building code official for local requirements. See Trex ADA Handrail System on pages 89-92.

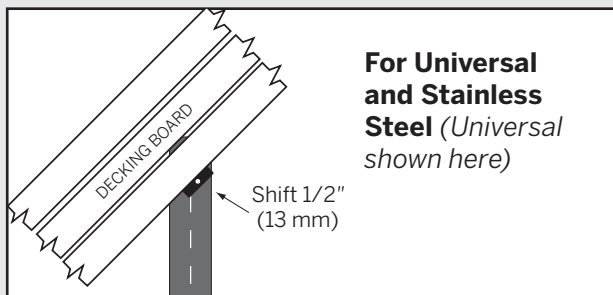
MAXIMUM SPACING ON CENTER OF STAIR STRINGER	
Transcend & Enhance 1" X 6" Actual dimensions - .94" X 5.5" (24 mm x 140 mm)	12" (305 mm)
Select and Escapes 1" X 6" Actual dimensions - .82" x 5.5" (20 mm x 140 mm)	9" (229 mm)
Transcend & Select 2" x 6" Actual dimensions - 1.3" x 5.5" (33 mm x 140 mm)	12" (305 mm)





# TIPS FOR INSTALLING A TREX HIDEAWAY® HIDDEN FASTENING SYSTEM

## Installing Angled Deck Boards in Corners

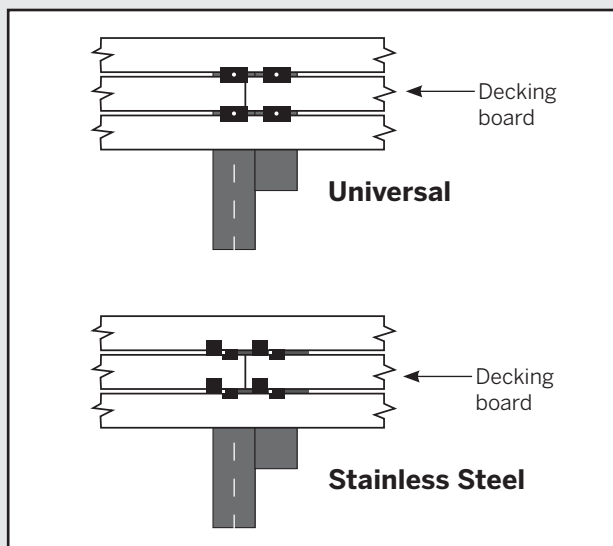


**For Universal and Stainless Steel** (Universal shown here)

Shift 1/2" (13 mm)

**ALWAYS** start in corner with a small triangular piece of decking at 45° and work outwards. Install Trex Hideaway Hidden Fasteners 1/2" (13 mm) off center to keep fastener screws in middle of joists.

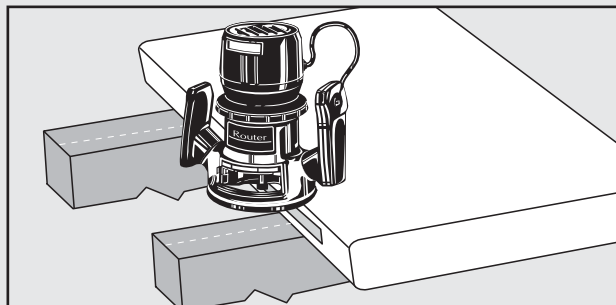
## How to Butt Seams



1. Install 10" - 12" (254 - 305 mm) framing boards along joists where seams will butt.
2. Place additional fasteners on the adjacent board over the joist and framing boards where the seam will be.
3. Put the first board of the seam in place and secure with fastener.
4. Following proper gapping for abutting boards (see page 26), place second board in proper location and secure with fastener.
5. Place second set of fasteners on each side of butt seam for each board.

## Routing Square Edge Boards for Trex Hideaway Hidden Fasteners

**NOTE:** The following Trex Square Edge decking boards (Trex Transcend, Trex Enhance, Trex Escapes, Trex Accents, and Trex Select), either 1x6 or 2x6, can be routed.



Using a Trex router bit/groove cutter available at your local Trex dealer:

1. Rout from bottom side of board.
2. Rout the entire length of the board, or at every intersection where board is over support joists.

## Connector Clip (stainless steel)



**Universal Fastener**

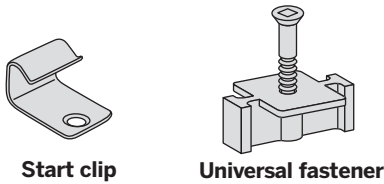
**NOTE:** Hidden Fasteners **MUST** be used at every joist.

Refer to [www.trex.com](http://www.trex.com) for technical bulletin on how to install connector clips with Trex Transcend, Enhance and Select decking products.

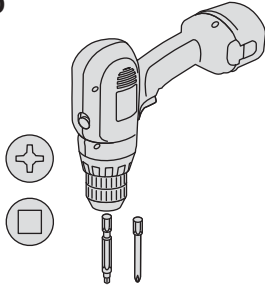
# HOW TO INSTALL TREX HIDEAWAY UNIVERSAL HIDDEN FASTENERS (TREX TRANSCEND, ENHANCE, ESCAPES, ACCENTS, AND SELECT)

**NOTE:** See page 30 for additional instructions if installing Escapes.

## PARTS

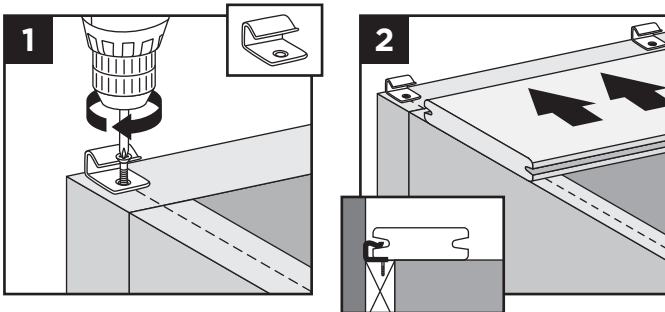


## TOOLS NEEDED



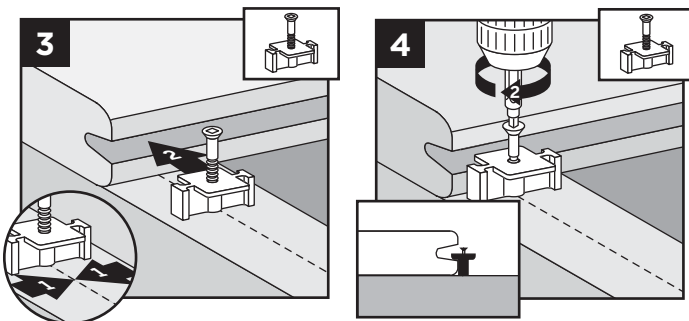
**NOTE:** Maximum spacing of deck boards using Hideaway system is 16" (406 mm) on center. Fasteners provide 1/4" (6 mm) gap when installed correctly.

## Installing Start Clips and First Board



1. Install start clips on edge of ledger board, centered on each joist. Secure clips with screws.
2. Push grooved edge of deck board into start clips.  
**Important:** First board **MUST** be straight and well secured.

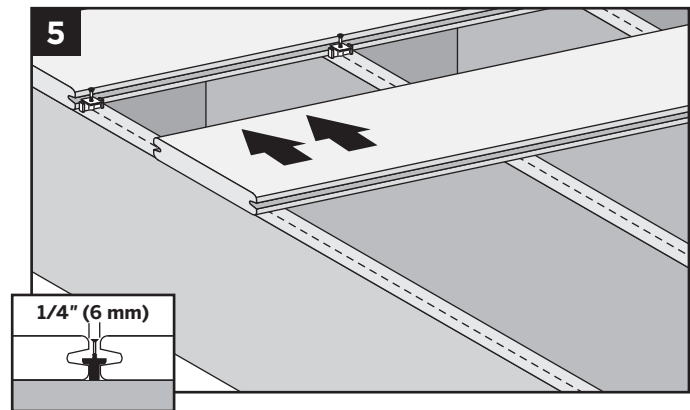
## Installing Universal Fasteners



3. Insert fastener into grooved edge of deck board.
4. Align screw hole in fastener with center of joist. Continue along the length of the board at every joist.

**NOTE:** Screw only halfway down. **DO NOT** fully tighten.

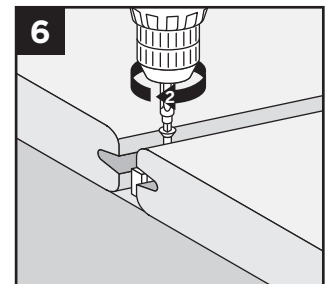
## Installing Second Board



5. Slide second board into place, making sure fasteners fit into groove. Install the next universal fastener on the other side of the second board in the same manner as Steps 3 and 4. **DO NOT** fully tighten the screw.

## Complete Installation

6. Tighten screws on fasteners in first row. Proceed with Steps 3 through 5, tightening down each row after board that follows is in place. Be sure to use a long #1 square bit.



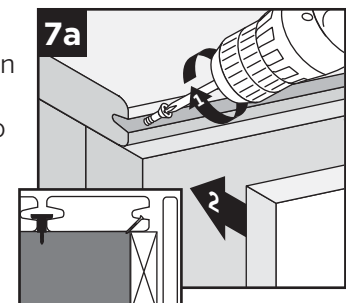
## Installing Last Board

### Option 1:

**NOTE:** If boards are slightly bowed up, you can use this option to draw boards down on the final joist. This can also help eliminate overall movement of the boards in areas prone to wide temperature changes.

### Using Fascia Board

- 7a. Pre-drill pilot holes at an angle through grooved edge of deck board into ledger board. Install 2-1/2" (64 mm) screws through pilot holes to secure. Attach a fascia board flush with deck surface.

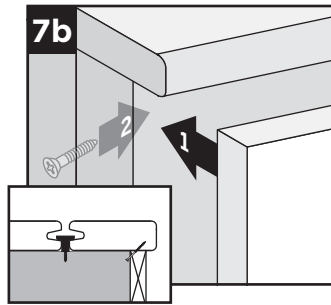


## HOW TO INSTALL TREX HIDEAWAY UNIVERSAL HIDDEN FASTENERS/CONTINUED

### Option 2:

#### With Deck Board Overhang (Using Square Edge Board as Final Board)

7b. Pre-drill pilot holes at 45° angle from below deck surface through rim joist. Seat last board into fasteners overhanging rim joist. Secure board with 2-1/2" (64 mm) screws using pilot holes. Position fascia board below overhanging deck board.



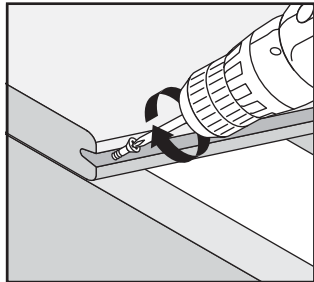
### Option 3:

#### Face Screwing Both Decking and Fascia

8. Both decking and fascia can be attached using approved face screw fasteners.

## HOW TO INSTALL ESCAPES BOARDS WITH TREX HIDEAWAY UNIVERSAL HIDDEN FASTENERS

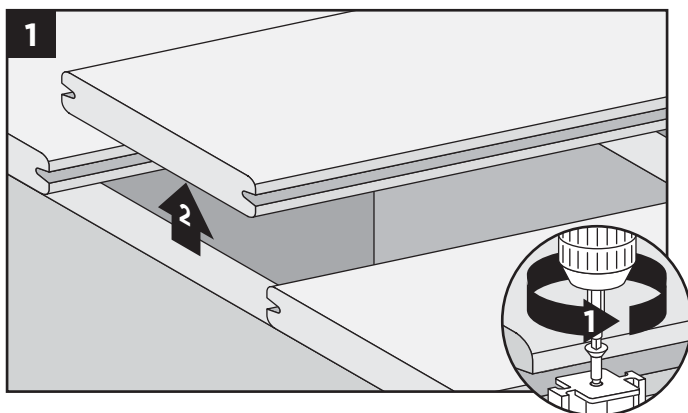
1. Follow Steps 1-2 for installing start clips and first board. See page 29.
2. At both ends and center of first board, toenail screw (provided with Hideaway universal hidden fasteners), at an angle through grooved edge of deck board.



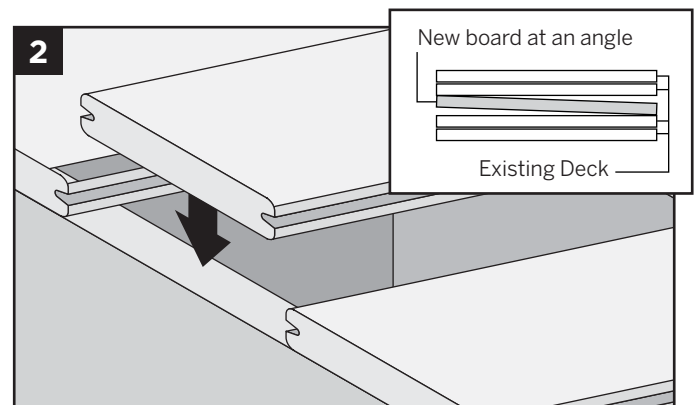
3. Follow Steps 3-5 for installing universal fasteners. See page 29.
4. For every consecutive board installed, toenail screw at an angle through grooved edge of deckboard as stated in Step 2.
5. Follow remaining steps for completing installation and installing last board. See page 29.

## HOW TO REPLACE TREX BOARDS INSTALLED WITH TREX HIDEAWAY UNIVERSAL FASTENERS (TREX TRANSCEND, ENHANCE, ESCAPES, AND SELECT)

### Universal Fasteners



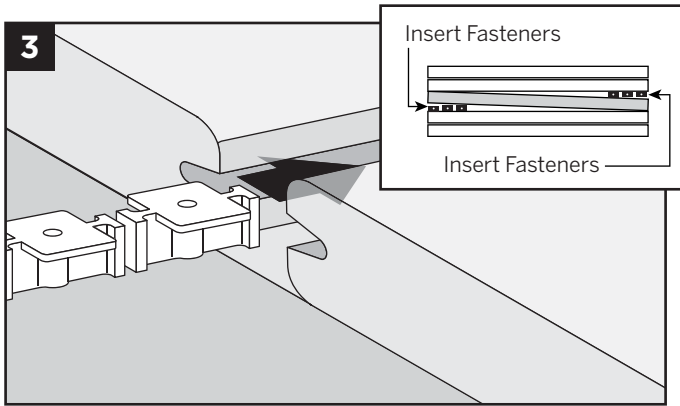
1. Remove screws from fasteners on both sides of board to be replaced and remove board.



2. Angle new board to place. See inset box (above).

**NOTE: Construction methods are always improving. Please refer to [www.trex.com](http://www.trex.com) for the most up-to-date installation requirements.**

## HOW TO REPLACE TREX BOARDS/CONTINUED INSTALLED WITH TREX HIDEAWAY UNIVERSAL FASTENERS (TREX TRANSCEND, ENHANCE, ESCAPES, AND SELECT)



### Universal Fasteners

- Slide a fastener for each joist into board grooves from both ends of the board.

**NOTE:** You may have to loosen adjacent boards to slide fasteners into position.

- Position replacement board and secure fasteners on center of each joist.

## HOW TO INSTALL STAIR TREADS (TREX TRANSCEND, ENHANCE, ESCAPES, ACCENTS, AND SELECT)

### Installation Options

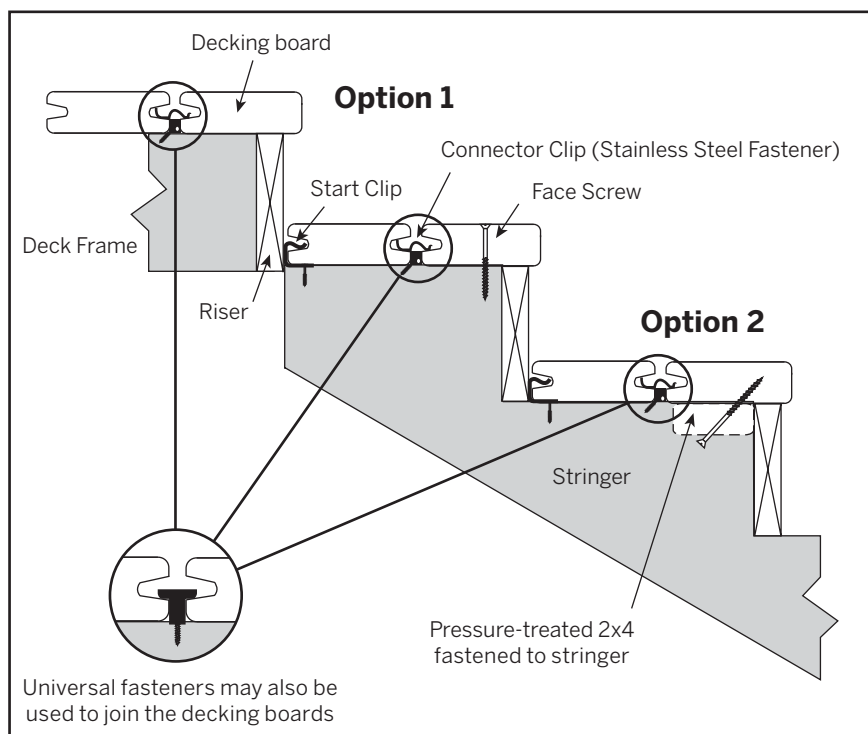
**NOTE:** For best results, use square edge decking and manually route sides that will be used to attach hidden fasteners.

#### Option 1: Face Screw

- Install start clips against riser on each step.
- Install first board. *Follow steps on page 29.*
- Install second board. *Follow steps on page 29.*
- Secure with screws from top of second board into stringer boards.

#### Option 2: Using 2" x 4" (51 mm x 102 mm) Wood Support Blocks

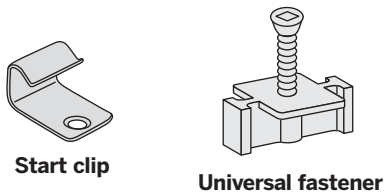
- Install start clips against riser on each stair tread.
- Install first board. *Follow steps on page 29.*
- Attach 2" x 4" (51 mm x 102 mm) blocks between stringers.
- Pre-drill holes up through blocks.
- Install second board. *Follow steps on page 29.*
- Secure with screws from bottom through blocks and into stair treads.



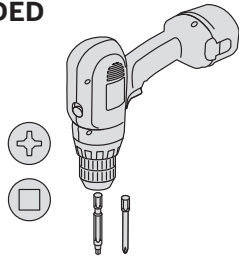
# HOW TO INSTALL TREX TRANSCEND PORCH BOARDS

**NOTE:** When installing Trex Porch boards in a non-covered environment, the porch structure should be slightly sloped to help allow for proper drainage. Joists should be sloped 1/8" (3 mm) per foot away from the house to facilitate drainage. Refer to your local building code official for recommendations BEFORE building substructure. When installing Trex Porch boards under cover of a roof, no slope is required.

## PARTS

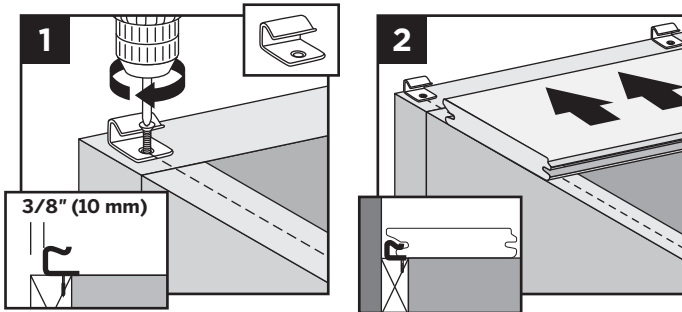


## TOOLS NEEDED



**NOTE:** Refer to page 25 for proper joist spanning requirements.

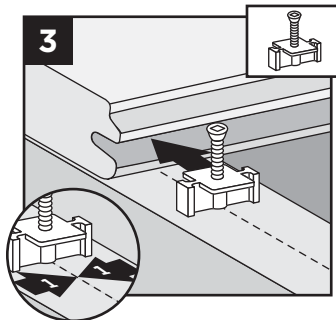
## Installing Start Clips and First Porch Board



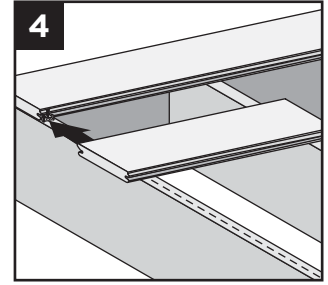
1. Measure 3/8" (10 mm) off of edge of ledger board, and install start clip onto ledger board, centered on each joist. Secure clips with screws.
2. Push grooved edge (longer edge side) of porch floorboard into start clips. **Important:** First board **MUST** be straight and well secured.

## Installing Trex Hideaway Universal Hidden Fasteners

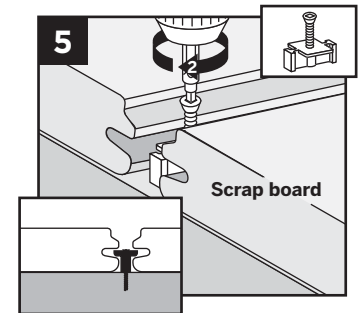
3. Insert fastener into grooved edge (shorter edge side) of porch board, making sure to align screw hole in fastener with center of each joist.



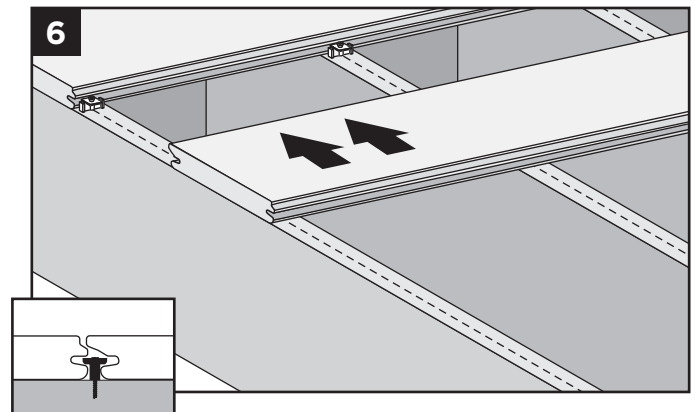
4. IT IS SUGGESTED THAT IN ORDER TO KEEP THE FASTENER STRAIGHT AND SECURE, CUT AN 18" (457 mm) PIECE OF PORCH SCRAP BOARD AND USE THIS AS AN AID (USE SMALLER LIP SIDE) TO HELP HOLD THE HIDDEN FASTENER DOWN BEFORE SCREWING THIS IN. This will help make sure the fastener stays fully straight for remaining boards to be attached.



5. Fully tighten (but **DO NOT** over tighten) the screw into each joist while keeping the scrap board in firm place against the hidden fastener.



## Installing Second Porch Board



6. Slide second porch board into place, making sure fasteners fit into groove. Install the next universal fastener on the other side of the second porch board in the same manner as Steps 3 - 5.

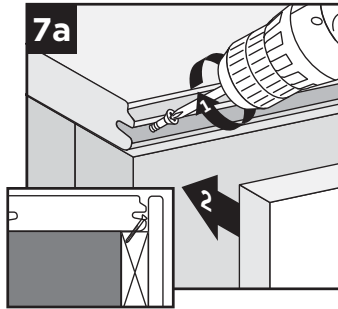


# HOW TO INSTALL TREX TRANSCEND PORCH BOARDS/CONTINUED

## Installing Last Porch board

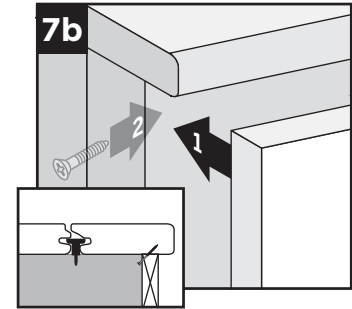
### Option 1: Using Fascia Board

7a. Pre-drill pilot holes at an angle through grooved edge of porch board into ledger board. Install 2-1/2" (64 mm) screws through pilot holes to secure. Attach fascia board flush with porch board surface.



### Option 2: With Porch Board Overhang

**NOTE:** This side of porch board will have to be cut flush to not show grooves. Note that color of porch board will be slightly different at cut edge.



7b. Pre-drill pilot holes at 45° angle from below deck surface through rim joist. Seat last porch board into fasteners overhanging rim joist. Secure porch board with 2-1/2" (64 mm) screws using pilot holes. Position fascia board below overhanging porch board.

**NOTE:** In most cases there will be additional screws that come with the Trex Hideaway Universal Hidden Fasteners. These screws can also be used for attachment of the last board in the method shown above.

## HOW TO INSTALL PORCH STAIR TREADS

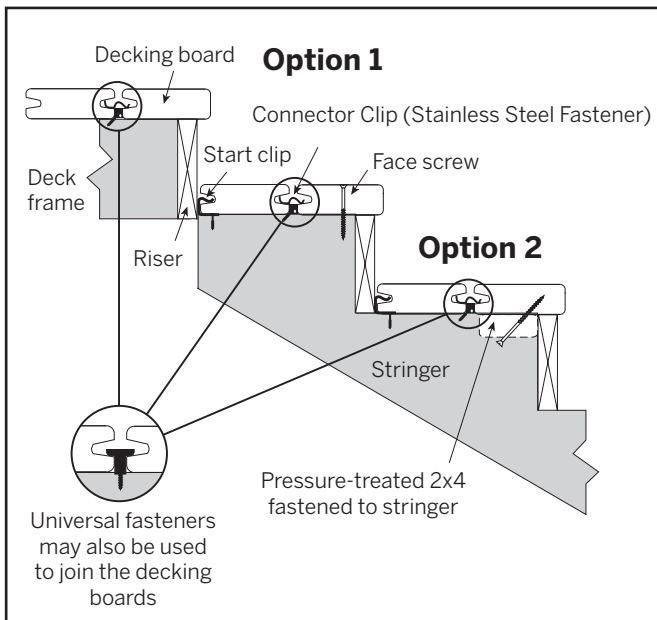
**NOTE:** Use square edge composite decking boards and manually route these on one side to allow for use with hidden fasteners.

### Option 1: Using Hidden Fasteners and Face Screwing

1. Install start clips against riser on each step.
2. Install first board. *Follow steps on page 29.*
3. Install second board. *Follow steps on page 29.*
4. Secure with screws from top of second board into stringer boards.

### Option 2: Using Hidden Fasteners and 2" x 4" (51 mm x 102 mm) Wood Support Blocks

1. Install start clips against riser on each stair tread. *Follow steps on page 29.*
2. Install first board. *Follow steps on page 29.*
3. Attach 2" x 4" (51 mm x 102 mm) blocks between stringers.
4. Pre-drill holes up through blocks.
5. Install second board. *Follow steps on page 29.*
6. Secure with screws from bottom through blocks and into stair treads.



**NOTE:** Construction methods are always improving. Please refer to [www.trex.com](http://www.trex.com) for the most up-to-date installation requirements.

# LOCATION AND INSTALLATION OF SURFACE MOUNT POST

**IMPORTANT NOTES:**

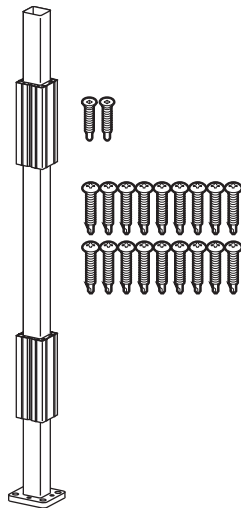
- » **EACH POST MUST BE ATTACHED AS SHOWN TO ENSURE A CODE-COMPLIANT AND SAFE INSTALLATION.**
- » **ALWAYS REFER TO YOUR LOCAL BUILDING CODE OFFICIAL PRIOR TO INSTALLING ANY RAILING SYSTEM TO ENSURE ALL CODE AND SAFETY REQUIREMENTS ARE MET. TREX CANNOT BE HELD RESPONSIBLE FOR IMPROPER OR NON-RECOMMENDED INSTALLATIONS.**
- » **WHEN INSTALLING TREX POST MOUNTS ON ACQ OR CCA SURFACES, USE AN APPROPRIATE ISOLATION BARRIER BETWEEN POST AND SURFACE (CONTACT LOCAL BUILDING CODE OFFICIAL IF NEEDED).**
- » **ENSURE THAT CORRECT SKU HARDWARE IS ORDERED FOR THE TYPE OF RAILING BEING INSTALLED.**
- » **CANNOT BE USED WITH TREX TRANSCEND COCKTAIL RAILING.**

**TOOLS AND MATERIALS NEEDED**

- » Drill and/or screw gun
- » 1/2" (13 mm) drill bit for wood
- » Blocking - 2" x 8" (51 mm x 203 mm) pressure-treated Southern Yellow Pine or equivalent
- » Qty: 36 (per post) - 3" (76 mm) pressure-treated compatible wood screws

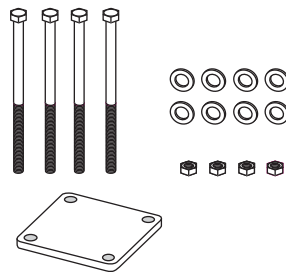
**PARTS**

- » (1) Post mount
- » (2) Guide blocks
- » (18) #8-15 x 1-1/4" (32 mm) Self-tapping screw
- » (2) 10 x 1" (25 mm) Self-tapping screws



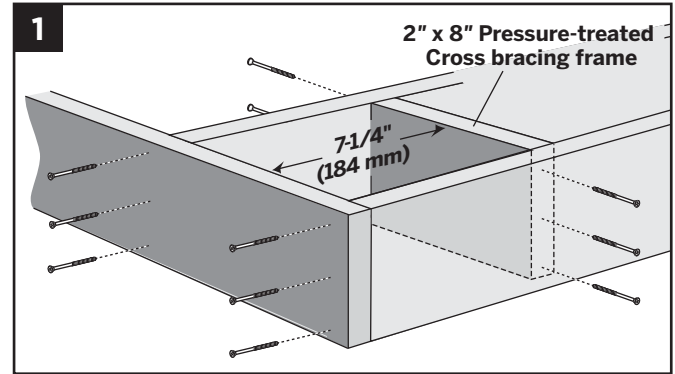
**SKU ALPOSTHWDECK** (this SKU **SOLD SEPARATELY** and must be used for code-approved applications)

- » (4) 3/8" x 6" (10 mm x 152 mm) Hex cap bolts\*
- » (1) Back plate\*
- » (8) Flat washers\*
- » (4) Hex nuts\*

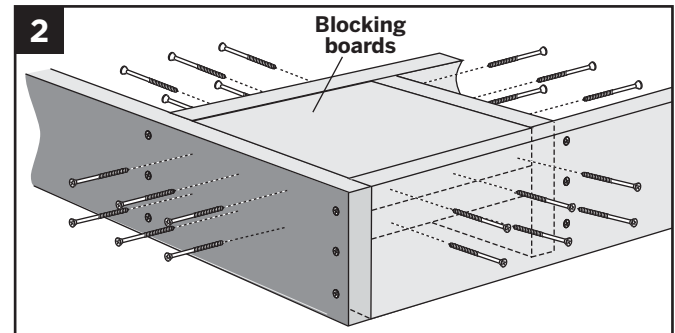


## How to Install Post Mounts on Pressure-Treated Wood Framing

### Corner Post Installation



1. Install 2" x 8" (51 mm x 203 mm) cross bracing frame in between joists at 7-1/4" (184 mm). Attach a total of 12 – 3" (76 mm) pressure-treated compatible screws (not provided).



2. Install two 2" x 8" (51 mm x 203 mm) boards as blocking under post location. Securely attach blocking using a total of 24 – 3" (76 mm) pressure-treated compatible screws (not provided).

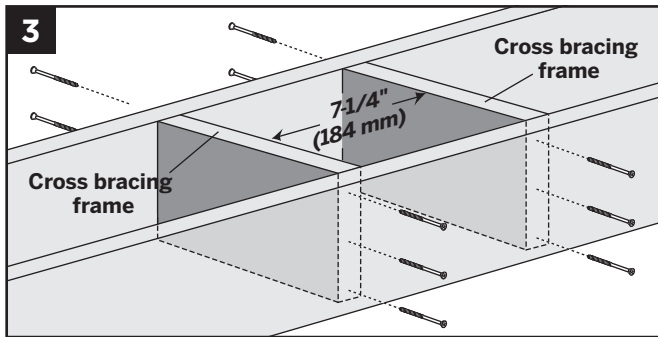
**NOTE:** TO ENSURE THE BLOCKING IS FULLY SECURE, USE THE AMOUNT OF SCREWS INDICATED ABOVE.

**TIP:** USE TWO ADDITIONAL SCREWS TO "SANDWICH" BLOCKING BOARDS TOGETHER FOR EASIER ATTACHMENT TO FRAMING.

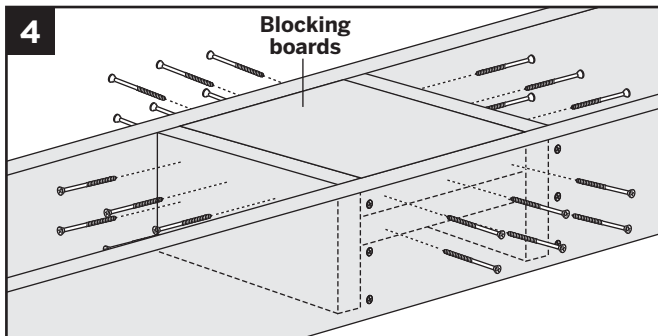


## LOCATION AND INSTALLATION OF SURFACE MOUNT POST/CONTINUED

### Line Post Installation



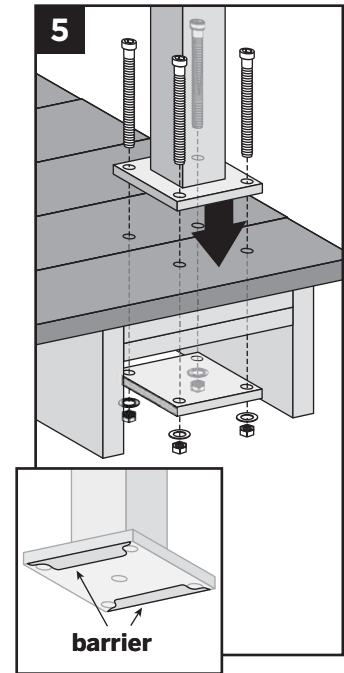
3. Install two 2" x 8" (51 mm x 203 mm) cross bracing frames in-between joists at 7-1/4" (184 mm). Attach a total of 12 – 3" (76 mm) pressure-treated compatible screws (*not provided*).



4. Install two 2" x 8" (51 mm x 203 mm) boards as blocking under post location. Securely attach blocking using a total of 24 – 3" (76 mm) pressure-treated compatible screws (*not provided*).

5. **NOTE:** RIM JOIST REMOVED TO SHOW PROPER ATTACHMENT OF HARDWARE.

Insert the two (2) stainless steel barrier strips under the mounting bolt holes. Use composite shims or similar material (*not provided*) if posts are not plumb. Ensure that post is placed on decking surface so that it clears the rim joist and there is enough clearance on the underside blocking for the back plate to be installed.



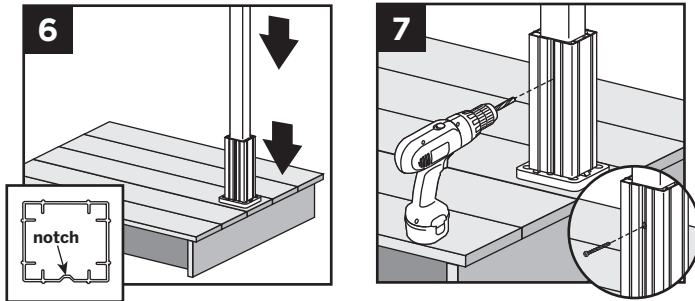
Attach posts using four 3/8" x 6" (10 mm x 152 mm) hex cap bolts, washers, and nuts, along with aluminum back plate on underside of blocking. If the project requires IRC compliance, this back plate be installed under the decking to ensure this will meet code compliance. *Reference SKU part number ALPOSTHWDECK for required hardware and aluminum plate. (Consult local code official for more information on IRC Compliance.)*



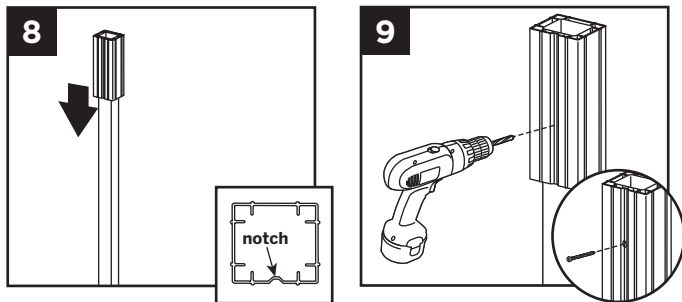
## LOCATION AND INSTALLATION OF SURFACE MOUNT POST/CONTINUED

### How to Install Guide Blocks

**NOTE:** Pre-drilling is not required but is optional for attachment of guide blocks to post. Use a drill bit slightly smaller in size than that of screw being installed.



6. Place or rest bottom aluminum guide block on bottom of post. Place guide on post so that notch is on a side that does not require railing to be attached.
7. Attach bottom guide block using one 10 x 1" self-tapping screw (provided) in notch to lock guide block onto post.



8. Location of top guide block will vary slightly based on type and height of railing being installed. Determine this measurement and place top guide block in location where top bracket for desired railing would be approximately on center of the top railing bracket location.
9. Attach top guide block using one 10 x 1" (25 mm) self-tapping screw (provided) in notch to lock guide block onto post.

### How to Install Railing System of Choice

#### NOTES:

- » Quantity of 18 self-tapping screws are provided to cover all types of Trex railing bracket installations (Transcend, Reveal, and Select). Depending on the type railing being installed, you may have screws that are not used.
- » Pre-drilling IS REQUIRED when attaching brackets to designated posts. Use a 9/64" drill bit to pre-drill at specified locations according to instructions provided with railing kits.
- » If using 6x6 post sleeves, attach designated railing brackets using #8-15 x 1-3/4" (44 mm) 316 stainless steel self-tapping screws (not provided).

**NOTE:** If installing Trex DeckLighting on the posts, drill hole through support blocks to allow wiring for lights to be below the surface of the decking.