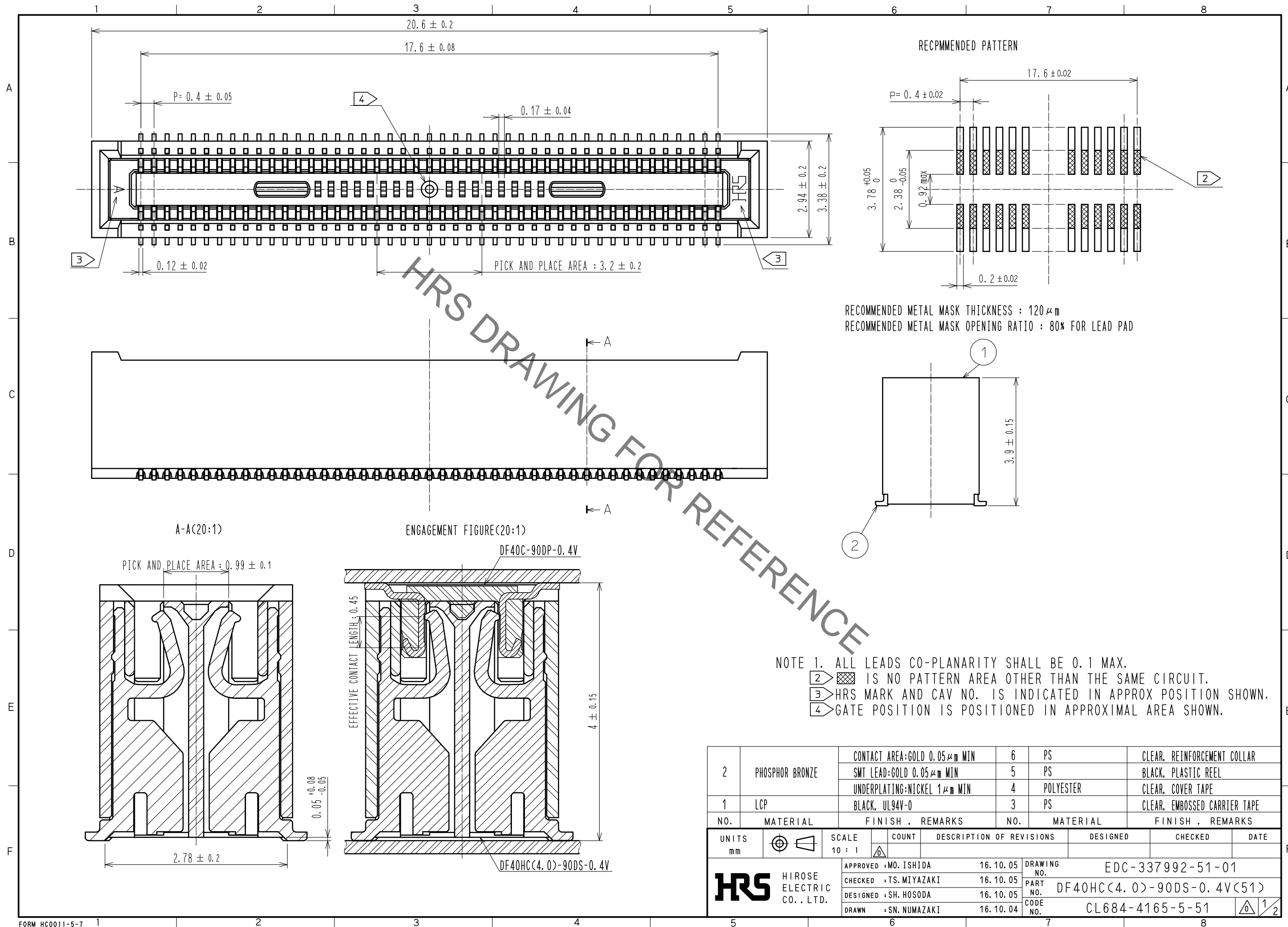


Sep.1.2021 Copyright 2021 HIROSE ELECTRIC CO., LTD. All Rights Reserved.
In case of consideration for using Automotive equipment / device which demand high reliability, kindly contact our sales window correspondents.

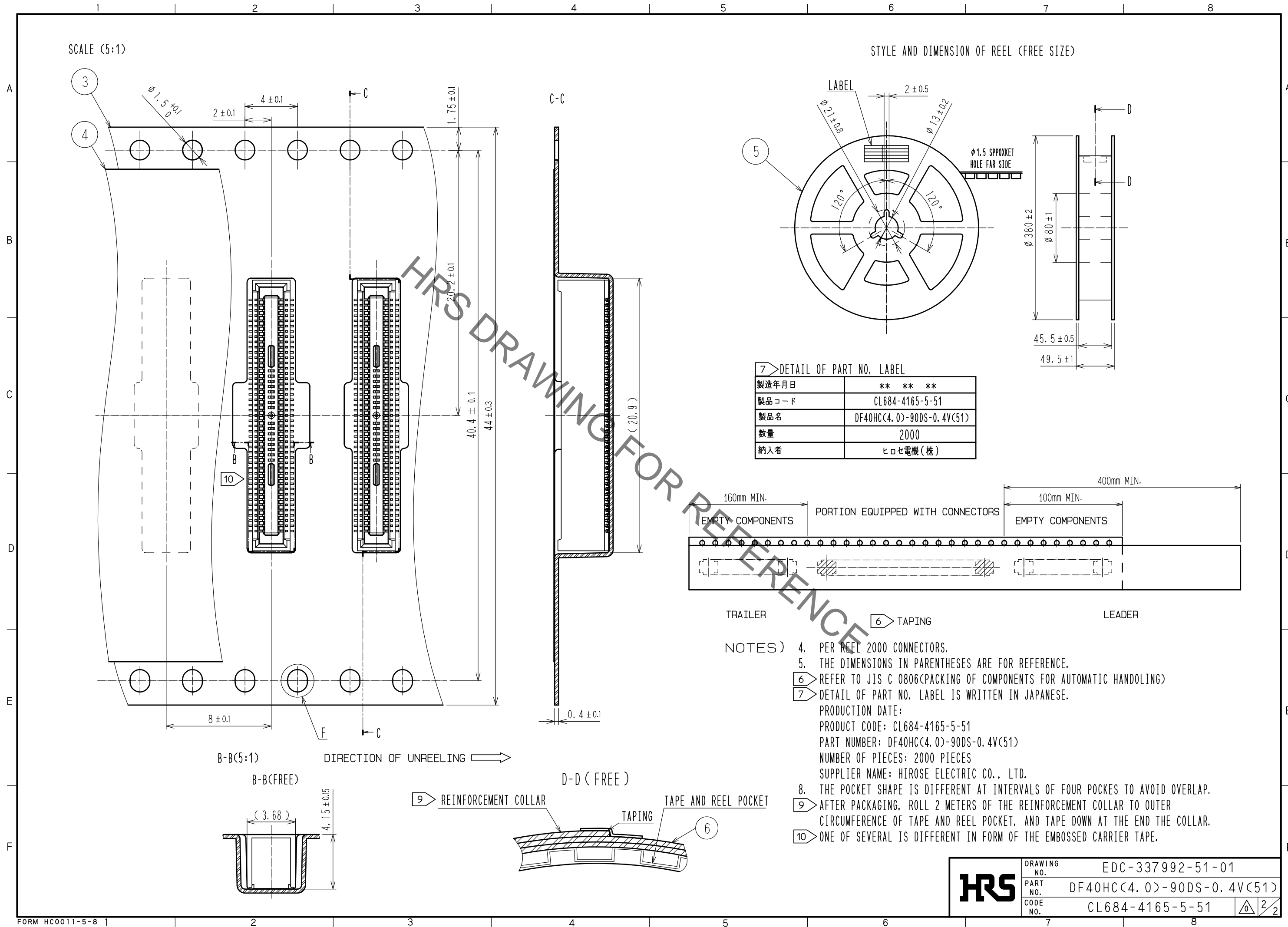


2	PHOSPHOR BRONZE	CONTACT AREA:GOLD 0.05 μm MIN	6	PS	CLEAR, REINFORCEMENT COLLAR		
		SMT LEAD:GOLD 0.05 μm MIN	5	PS	BLACK, PLASTIC REEL		
		UNDERPLATING:NICKEL 1 μm MIN	4	POLYESTER	CLEAR, COVER TAPE		
1	LCP	BLACK, UL94V-0	3	PS	CLEAR, EMBOSSED CARRIER TAPE		
NO.	MATERIAL	FINISH . REMARKS	NO.	MATERIAL	FINISH . REMARKS		
UNITS mm		SCALE 10 : 1	COUNT	DESCRIPTION OF REVISIONS	DESIGNED	CHECKED	DATE
HRS HIROSE ELECTRIC CO., LTD.		APPROVED : MO. ISHIDA	16.10.05	DRAWING NO. EDC-337992-51-01			
		CHECKED : TS. MIYAZAKI	16.10.05	PART NO. DF40HC(4.0)-90DS-0.4V(51)			
		DESIGNED : SH. HOSODA	16.10.05	CODE NO. CL684-4165-5-51			
		DRAWN : SN. NUMAZAKI	16.10.04	1/2			

Sep.1.2021 Copyright 2021 HIROSE ELECTRIC CO., LTD. All Rights Reserved.
In case of consideration for using Automotive equipment / device which demand high reliability, kindly contact our sales window correspondents.

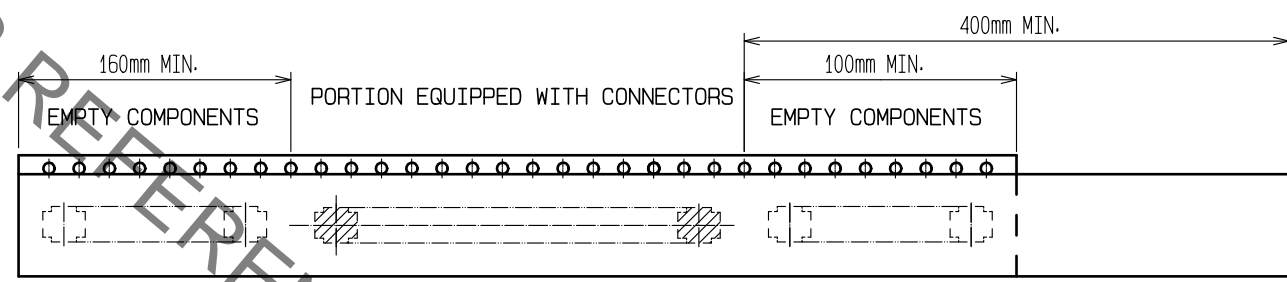
SCALE (5:1)

STYLE AND DIMENSION OF REEL (FREE SIZE)

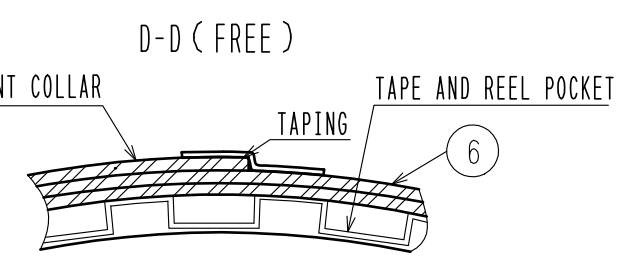
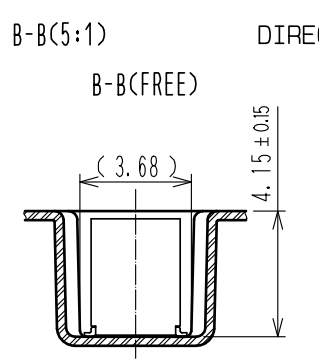


7) DETAIL OF PART NO. LABEL

製造年月日	** ** *
製品コード	CL684-4165-5-51
製品名	DF40HC(4.0)-90DS-0.4V(51)
数量	2000
納入者	ヒロセ電機(株)



- NOTES)
- 4. PER REEL 2000 CONNECTORS.
 - 5. THE DIMENSIONS IN PARENTHESES ARE FOR REFERENCE.
 - 6) REFER TO JIS C 0806(PACKING OF COMPONENTS FOR AUTOMATIC HANDLING)
 - 7) DETAIL OF PART NO. LABEL IS WRITTEN IN JAPANESE.
- PRODUCTION DATE:
 PRODUCT CODE: CL684-4165-5-51
 PART NUMBER: DF40HC(4.0)-90DS-0.4V(51)
 NUMBER OF PIECES: 2000 PIECES
 SUPPLIER NAME: HIROSE ELECTRIC CO., LTD.
- 8. THE POCKET SHAPE IS DIFFERENT AT INTERVALS OF FOUR POKCES TO AVOID OVERLAP.
 - 9) AFTER PACKAGING, ROLL 2 METERS OF THE REINFORCEMENT COLLAR TO OUTER CIRCUMFERENCE OF TAPE AND REEL POCKET, AND TAPE DOWN AT THE END THE COLLAR.
 - 10) ONE OF SEVERAL IS DIFFERENT IN FORM OF THE EMBOSSED CARRIER TAPE.



HRS	DRAWING NO.	EDC-337992-51-01	
	PART NO.	DF40HC(4.0)-90DS-0.4V(51)	
	CODE NO.	CL684-4165-5-51	2/2