



9" PLASTIC NET.MEDIA CENTER

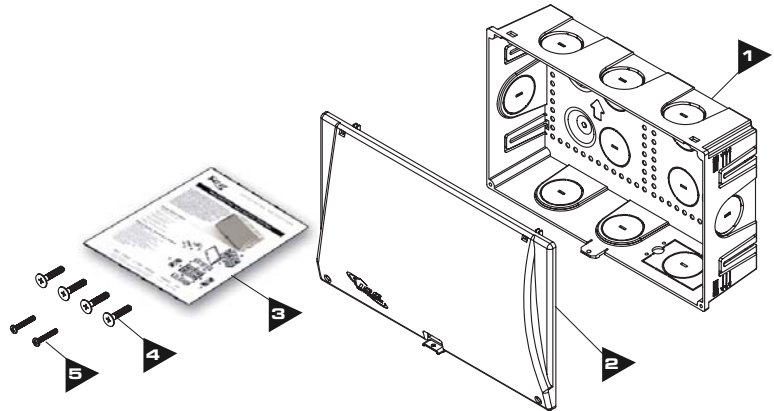
ICRESDC9PE

ICC's new 9" Plastic Net.Media Center is designed to be installed in a residence; such as small homes, multi-unit dwellings and retrofitting existing homes and serve as the central distribution point for voice, data, audio and video connectivity. Its compact size makes it perfect for smaller types of structured cabling installations allowing it to fit in tight and confined areas. The base is designed to fit between 16" wall studs and offers a variety of mounting options. It can be installed inside the wall for a professional clean appearance, or wall mounted if the walls have already been installed and painted. ICC's 9" Plastic Net.Media Center can be configured with any ICC Net.Media Center connectivity module. Holds up to 4 mounting modules.



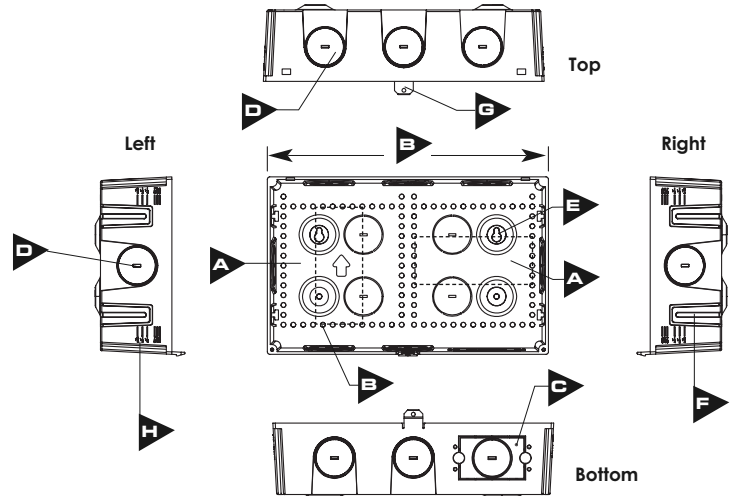
Package Content/Contenido

- 1. Enclosure 1ea.
Caja (14.25" x 9.00" x 3.625")
- 2. Cover 1ea.
Cubierto (15.00" x 9.40" x 1.00")
- 3. Installation Instructions 1ea.
Manual de instalacion
- 4. #10 x 1" Wood Screws 4 pieces
Tornillo de Madera
- 5. #6-32 x 1" Machine Screw 2 pieces
Tornillos



Features / Características

- A. Light-weight ABS plastic construction
Construccion de plastico ligero ABS
- B. Holds up to 4 mounting modules
Soporta hasta cuatro modulos
- C. 110 power knockout for an AC power outlet (optional)
Accepta cajas electricas de 110V
- D. 3 top, 3 bottom, 4 rear, and 2 side cable entry knockouts
Entradas y salidas para cable
- E. 4 surface screw mounts
Cuatro agujeros para montar en superficie
- F. Extendable mounting tabs
Lenguetas extensibles para montar entre postes
- G. Padlock option for additional security (padlock not included)
Opcion para candado de seguridad
- H. Dry wall markings
Marcas de guia para pared



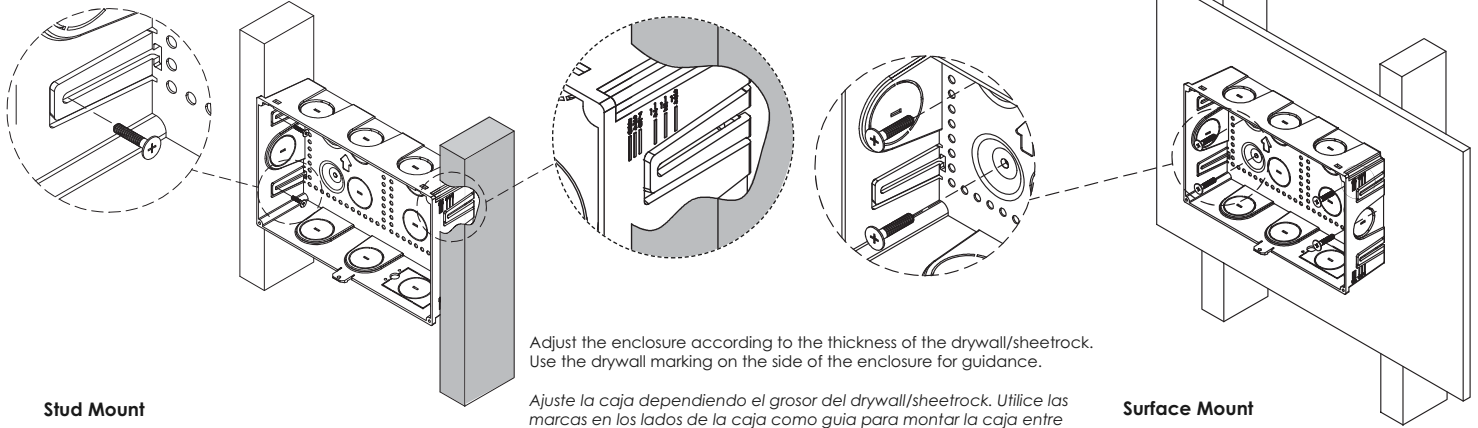
Premium**Products** | Proven**Performance** | Competitive**Prices**

Call us: **888-ASK-4-ICC** | E-mail us: **csr@icc.com** | Go on-line: **www.icc.com**



INSTALLATION INSTRUCTIONS

Step 1: With the supplied mounting screws, install the enclosure between wall studs or surface mount.
Instalacion de caja entre poste o superficies.



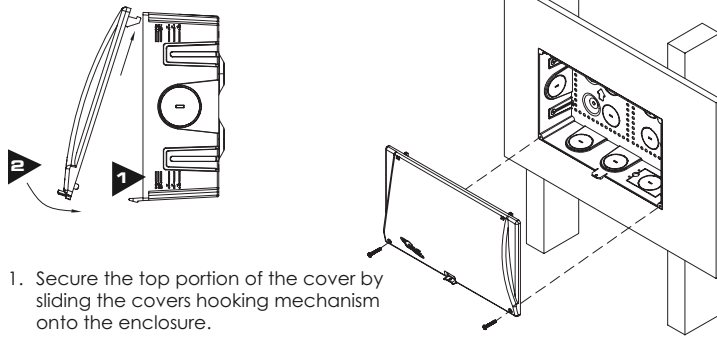
Stud Mount

Surface Mount

Adjust the enclosure according to the thickness of the drywall/sheetrock. Use the drywall marking on the side of the enclosure for guidance.

Ajuste la caja dependiendo el grosor del drywall/sheetrock. Utilice las marcas en los lados de la caja como guia para montar la caja entre postes y asegurar que el frente de la caja quede al nivel del drywall/sheetrock.

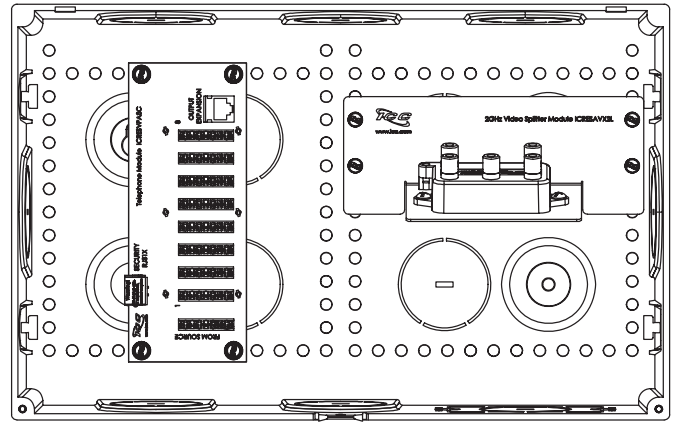
Step 2: Install the Cover
Instalacion de cubierto



- Secure the top portion of the cover by sliding the covers hooking mechanism onto the enclosure.
Ensamble la porcion de arriba del cubierto con la caja
- Then secure the bottom portion of the cover with the catch latch located at the bottom center of the enclosure. Install #6-32 screws to secure the door with the enclosure.

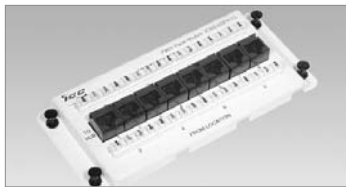
Optional: Use a padlock to restrict access.
Después asegure la porcion de abajo con el cierre de la caja. Instale los tornillos #6-32.
Opcional: Use un candado para prevenir acceso.

Step 3: Install Net.Media Connectivity Modules
Instalacion de modulos



Mount modules vertically or horizontally
Monte modulos vertical o horizontal

Related Products



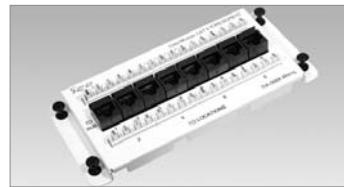
Premier CAT 5e Data Module
ICRESDPA1C

- Exceeds TIA CAT 5e performance standards
- 8-Port, supports up to 8 computers



Premier Telephone Module
ICRESVPA1C

- 8-Port bridged telephone with RJ-31X
- 4 incoming lines with 8 extensions per line



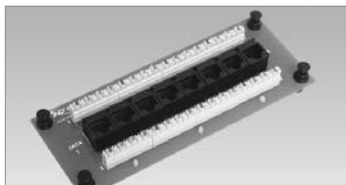
Premier CAT 6 Data Module
ICRESDPB1C

- Exceeds TIA CAT 6 performance standards
- 8-Port, supports up to 8 computers



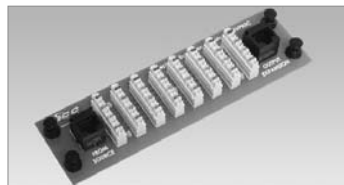
Premier Video Splitter Module
ICRESAV82C

- 1 input x 8 outputs, supports up to 8 locations
- 2 GHz, 5-2300 MHz bandwidth



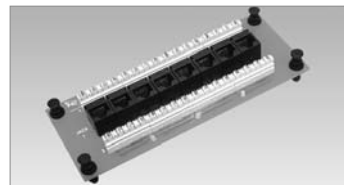
Compact CAT 5e Data Module
ICRESDPA3C

- Exceeds TIA CAT 5e performance standards
- 8-Port, supports up to 8 computers



Compact Telephone Expansion Module
ICRESVPB3C

- 8-Port bridged telephone
- For an additional 8 extensions per line



Compact CAT 6 Data Module
ICRESDPB3C

- Exceeds TIA CAT 6 performance standards
- 8-Port, supports up to 8 computers



Premier Video Splitter Module
ICRESAV42C

- 1 input x 4 outputs, supports up to 4 locations
- 2 GHz, 5-2300 MHz bandwidth



Residential Cabling Solutions

8-Port Telephone Module with RJ31X Jack

INSTALLATION INSTRUCTIONS

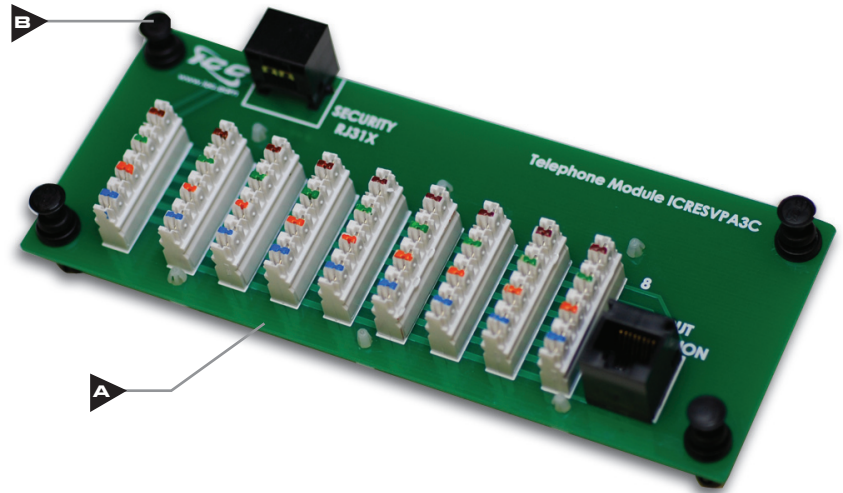
Telephone Module with RJ31X Jack

ICC's Telephone Module with RJ31X Jack is an 8-port bridged telephone solution. The module offers a 110 IDC input and an expansion jack for additional connectivity. It supports up to 8 telephone outlets for phone, fax, modem devices, and has access up to 4 incoming phone lines.

ICRESVPA3C

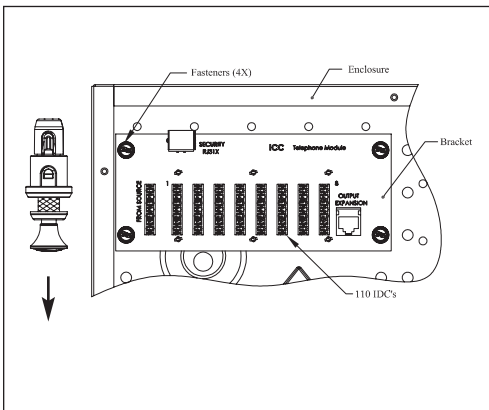
INCLUDES:

- A** 8-Port Telephone Module with RJ31X Jack, 1 piece
- B** Fasteners, 4 pieces



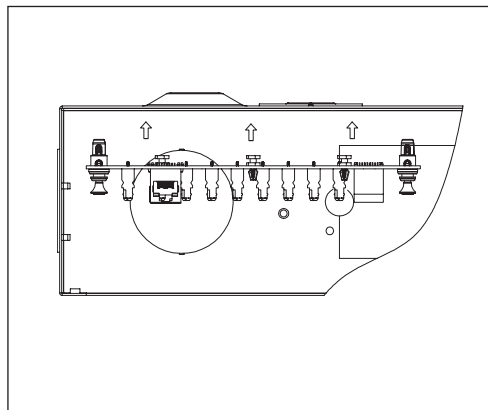
ASSEMBLY INSTRUCTIONS

Step 1.



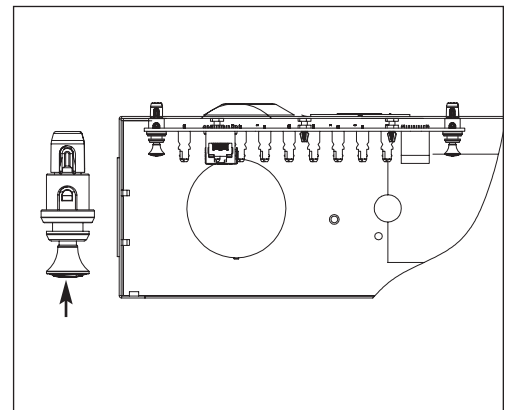
1. Place module horizontally and align fasteners with the peg board. Make sure the fasteners are **NOT** in locked positions.

Step 2.



2. Push the module so that the fasteners go into the peg board of the enclosure.

Step 3.



3. Once the module bracket is in the desired location, push the fasteners to their lock position.

CUSTOMER CARE / TECHNICAL SUPPORT • CSR@ICC.COM / 888-275-4422 (ASK-4-ICC)
16800 Edwards Road, Cerritos CA 90703 • 562-356-3111 • Fax 562-356-3100

ASSEMBLY INSTRUCTIONS

Step 4.

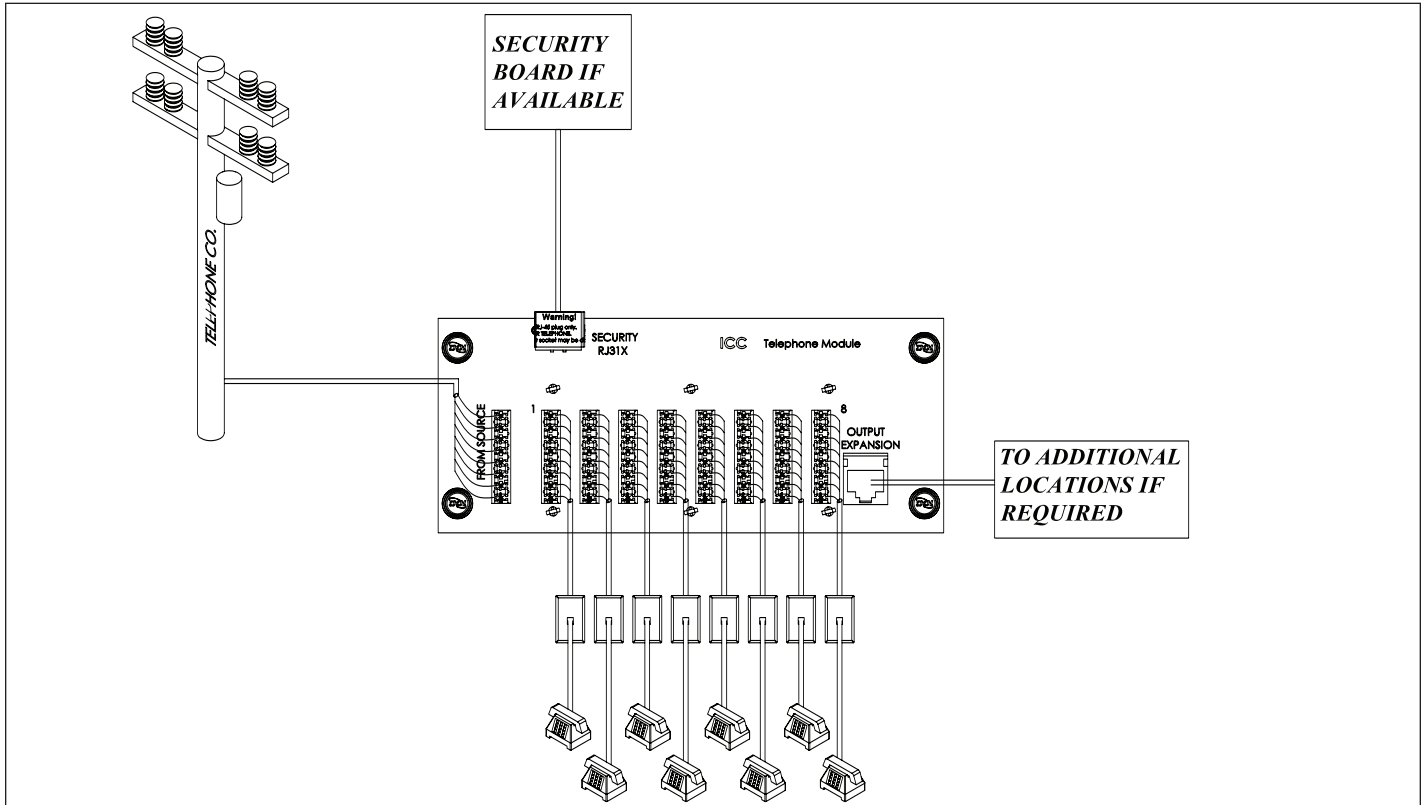


Fig 4.
Telephone Module With RJ31x Setup

Wiring a 110 Connector

1. Strip 2" of cable jacket.
2. Untwist about 0.5" wire and keep jack close to 110 connector
3. According to the color code only use a 110 punch down tool to push the wire between the contact blades. Or wire may be damaged when using other tools.

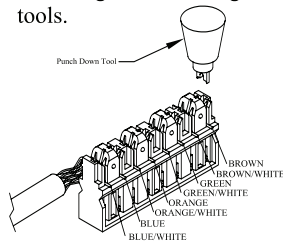


Fig 4.
Wiring

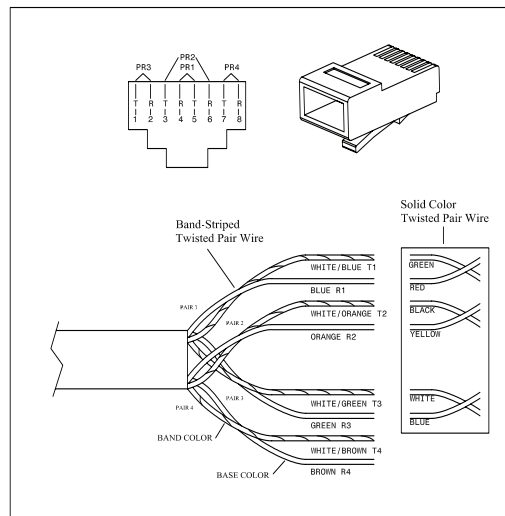


Fig 5.
RJ-45 Jack

4. Connect the incoming phone line to the 110 IDC labeled "From Source." Use a 110 punch down tool to terminate each wire between contact blades. Identify each outlet cable and connect to 110 block labeled "To Location." Punch down twisted pairs depending on which lines are desired to be activated at each location.

NOTE: Line#1 = Blue, Line#2 = Orange, Line#3 = Green, Line#4 = Brown

Example: Each 110-block represents one location. If you want to activate Line#1 at Location#1, simply punch down the twisted pair (White Blue/Blue) to the first 110-block. If you want to use a 2-line phone (Line#1 & Line#2) at Location#1, simply punch down twisted pairs (White Blue/Blue & White Orange/Orange) to the first 110-block to support 2-line phone.

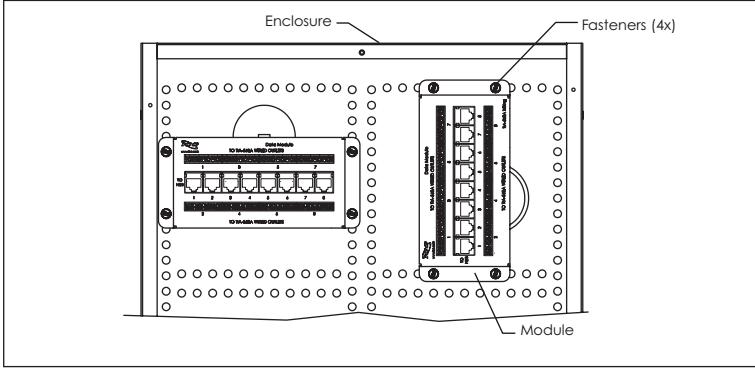
WIRE INSTALLATION: For 110 IDC connector, follow the wire color-code and only use the 110 punch-down tool to terminate the wire between the contact blades.

RJ-45 Jacks: Phone and data lines are wired according to the TIA T-568-A standard.

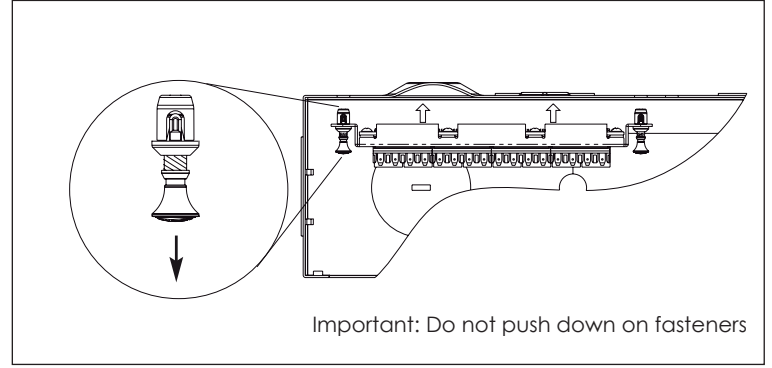


Residential Data Module Category 5e & Category 6

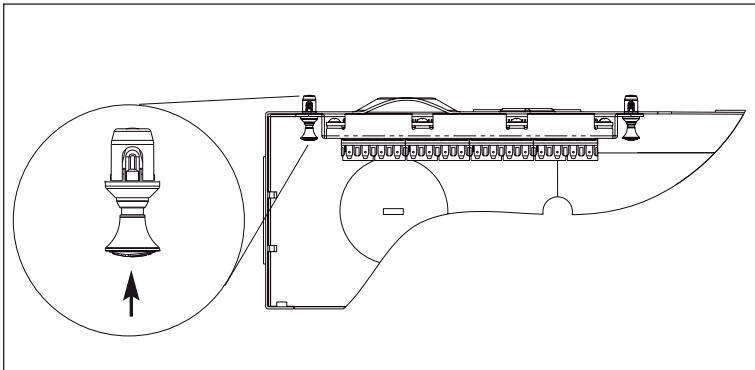
INSTALLATION INSTRUCTIONS



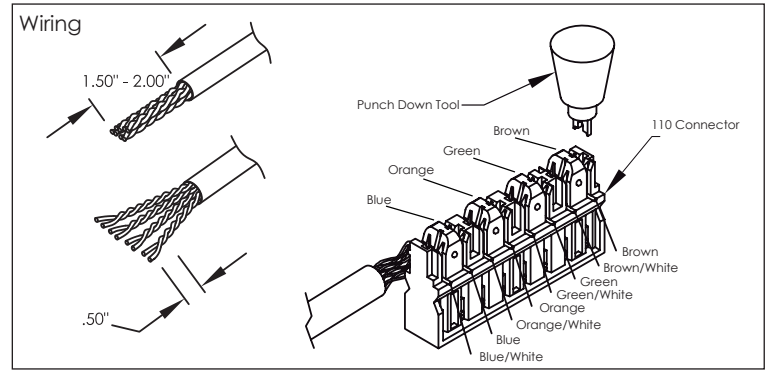
Step 1: Place module horizontally or vertically and align fasteners with the hole pattern.



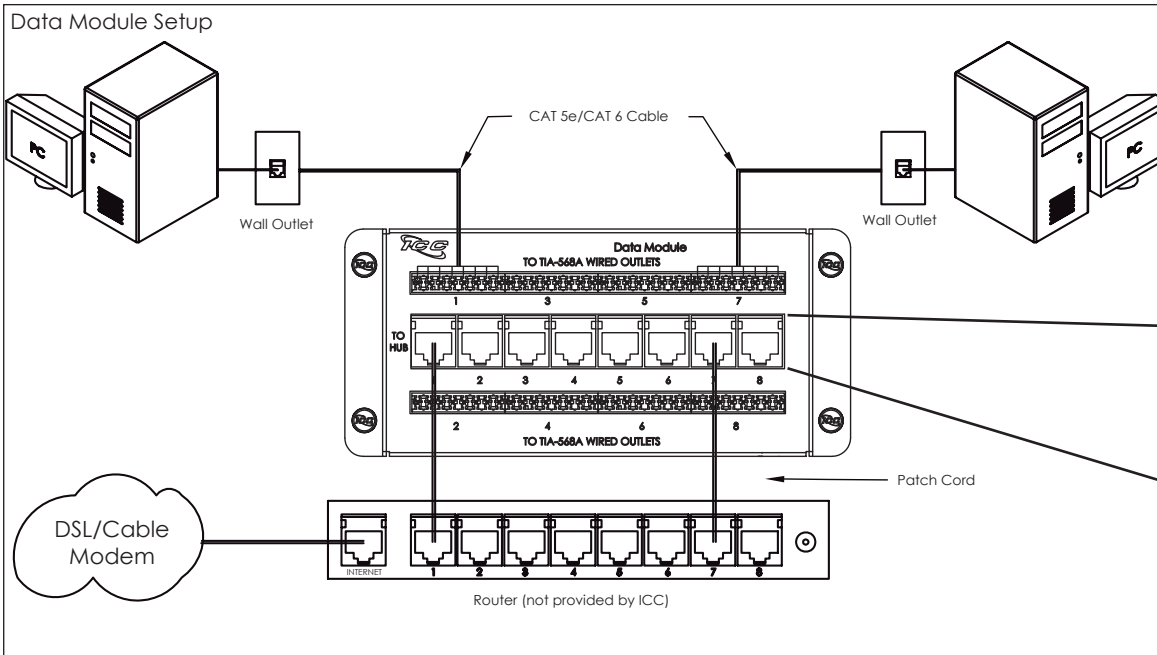
Step 2: Push the module so that the fasteners go into the hole pattern of the enclosure. Make sure fasteners are NOT in locked positions.



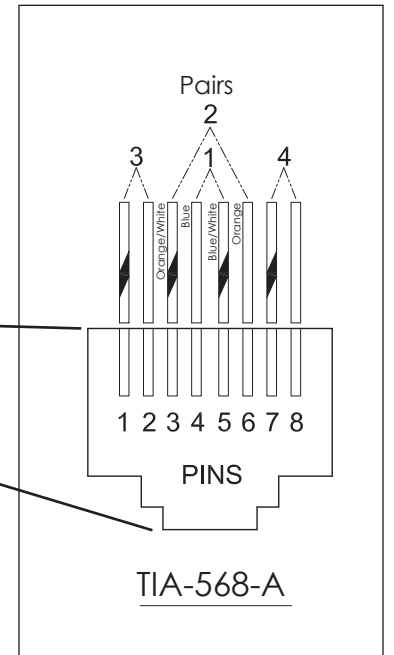
Step 3: Once module is in the desired location, push the fasteners to the locked position.



Step 4a: Terminate as indicated. Follow the color-code and only use 110 punch-down tool to terminate the wires. TIA-570 residential wiring standard specifies TIA-568-A color code wiring as the standard for residential installations.



Step 4b: This module supports data connections for 8 locations. Connect one end of a patch cord to a jack and the other end to the router after identifying the port you want to activate.



It is important to follow TIA-568-A wiring because it allows pair 1 and 2 to be used for phone applications, up to 2 lines.

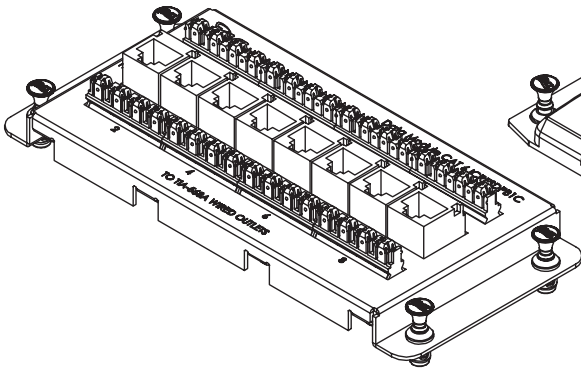
888-ASK-4ICC

csr@icc.com

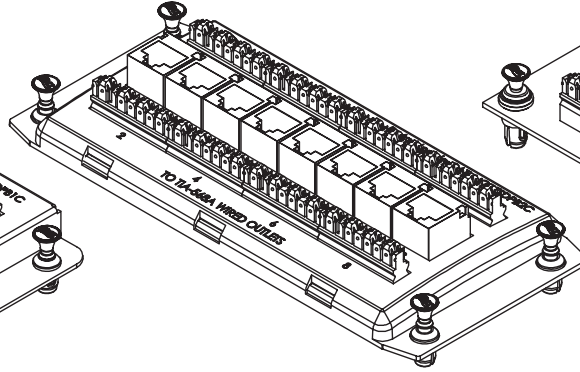
icc.com

Residential Data Module Category 5e & Category 6

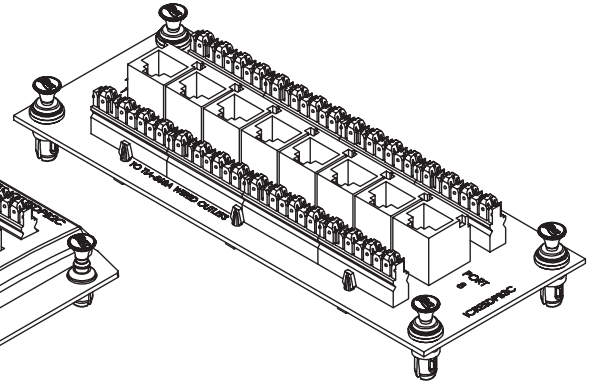
INSTALLATION INSTRUCTIONS



Premier - Steel Bracket



Deluxe - ABS Plastic Bracket



Compact - PCB board without bracket

Part Number	Description
ICRESDPB1C	Premier CAT 6 Data Module, 8-Port
ICRESDPA1C	Premier CAT 5e Data Module, 8-Port

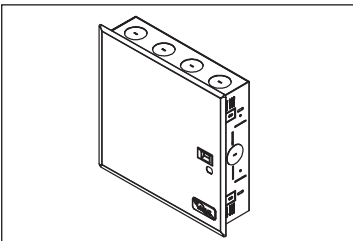
Part Number	Description
ICRESDPB2C	Deluxe CAT 6 Data Module, 8-Port
ICRESDPA2C	Deluxe CAT 5e Data Module, 8-Port

Part Number	Description
ICRESDPB3C	Compact CAT 6 Data Module, 8-Port
ICRESDPA3C	Compact CAT 5e Data Module, 8-Port

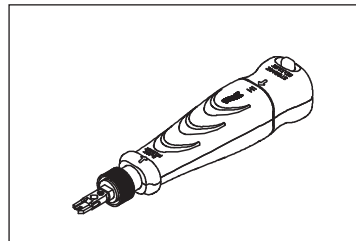
FEATURES AND BENEFITS

- Provides network interface for local area network applications such as cable or DSL services
- Supports up to eight data lines
- Designed and engineered with 110-type IDC connectors to provide secure terminated wiring
- Designed for installation in ICC Net.Media Centers
- Modules meet or exceed TIA performance standards

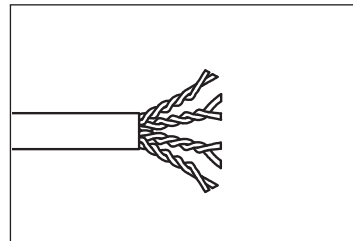
OPTIONAL ACCESSORIES



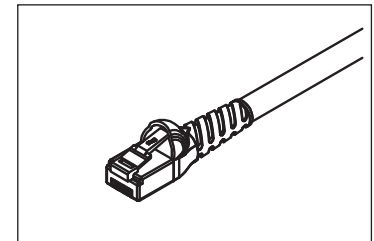
Net.Media Center Enclosures
ICRESDC9PE 9" Enclosure
ICRESDC14E 14" Enclosure
ICRESDC21E 21" Enclosure
ICRESDC28E 28" Enclosure
ICRESDC42E 42" Enclosure
 • 9", ABS plastic base with cover
 • 14" - 42", 20 AWG steel base with door



Single Blade Punch-Down Tool
ICACSPDT00 Single Blade Tool
 • Designed for both 110-type IDC & 66 single-wire termination
 • Both blades included
 • Adjustable impact settings
 • Comfortable grip



Premise Cabling
ICCABP5Exx¹ CAT 5e 350MHz, CMP 24AWG
ICCABR5Exx² CAT 5e 350MHz, CMR 24AWG
ICCABP6Exx¹ CAT 6e 600MHz, CMP 23AWG
ICCABR6Exx² CAT 6e 600MHz, CMR 23AWG
 • Rip cord provides easy jacket removal
 • 4-Pair, 1000 ft. roll, solid cable



Patch Cords
ICPCSJzzxx¹ CAT 5e, 4 UTP, 24AWG
ICPCSKzzxx¹ CAT 6, 4 UTP, 24AWG
 • Slim boots fit narrow port spacing
 • UL listed
 • Factory tested and wired T568

¹xx denotes color - BK-Black, BL-Blue, GN-Green, GY-Gray, OR-Orange, RD-Red, WH-White, YL-Yellow
²xx denotes color - BL-Blue, GY-Gray, WH-White, YL-Yellow, GN-Green
 zz denotes length - 01, 03, 05, 07, 10, 14, 25 feet

888-ASK-4ICC

csr@icc.com

icc.com



Residential Cabling Solutions

Deluxe Series Video Splitter Modules

INSTALLATION INSTRUCTIONS

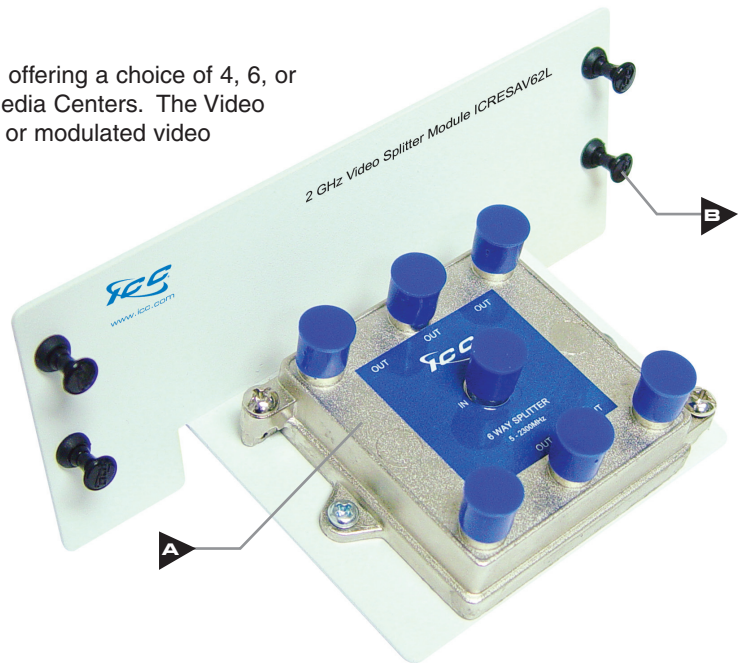
Video Splitter Modules

2 GHz Video Splitters can support up to eight locations, offering a choice of 4, 6, or 8-ports, and are designed for installation in ICC's Net.Media Centers. The Video Splitters receive and distribute CATV, antenna, satellite, or modulated video signals up to eight analog or digital television sets.

ICRESAV42L
ICRESAV62L
ICRESAV82L

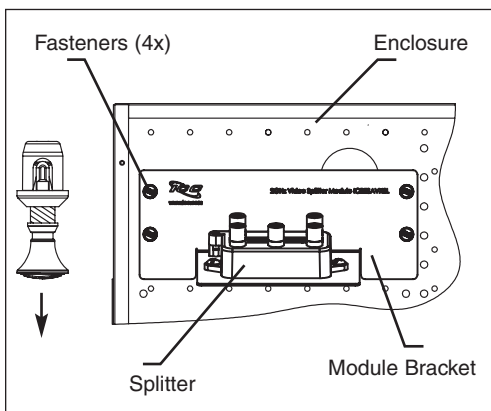
INCLUDES:

- A** 2 GHz Video Splitter, 1 piece
- B** Fasteners, 4 pieces



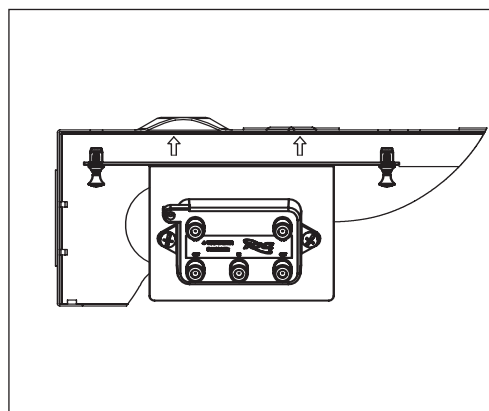
ASSEMBLY INSTRUCTIONS

Step 1.



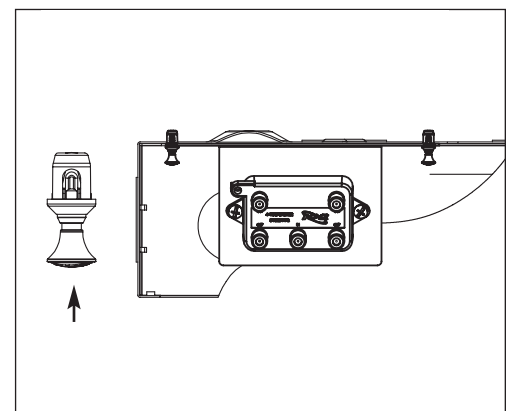
1. Place module horizontally and align fasteners with the peg board. Make sure the fasteners are **NOT** in locked positions.

Step 2.



2. Push the module so that the fasteners goes into the peg board of the enclosure.

Step 3.



3. Once module bracket is in the desired location, push the fasteners to their lock position.

CUSTOMER CARE / TECHNICAL SUPPORT • CSR@ICC.COM / 888-275-4422 (ASK-4-ICC)
16800 Edwards Road, Cerritos CA 90703 • 562-356-3111 • Fax 562-356-3100

ASSEMBLY INSTRUCTIONS

Step 4.

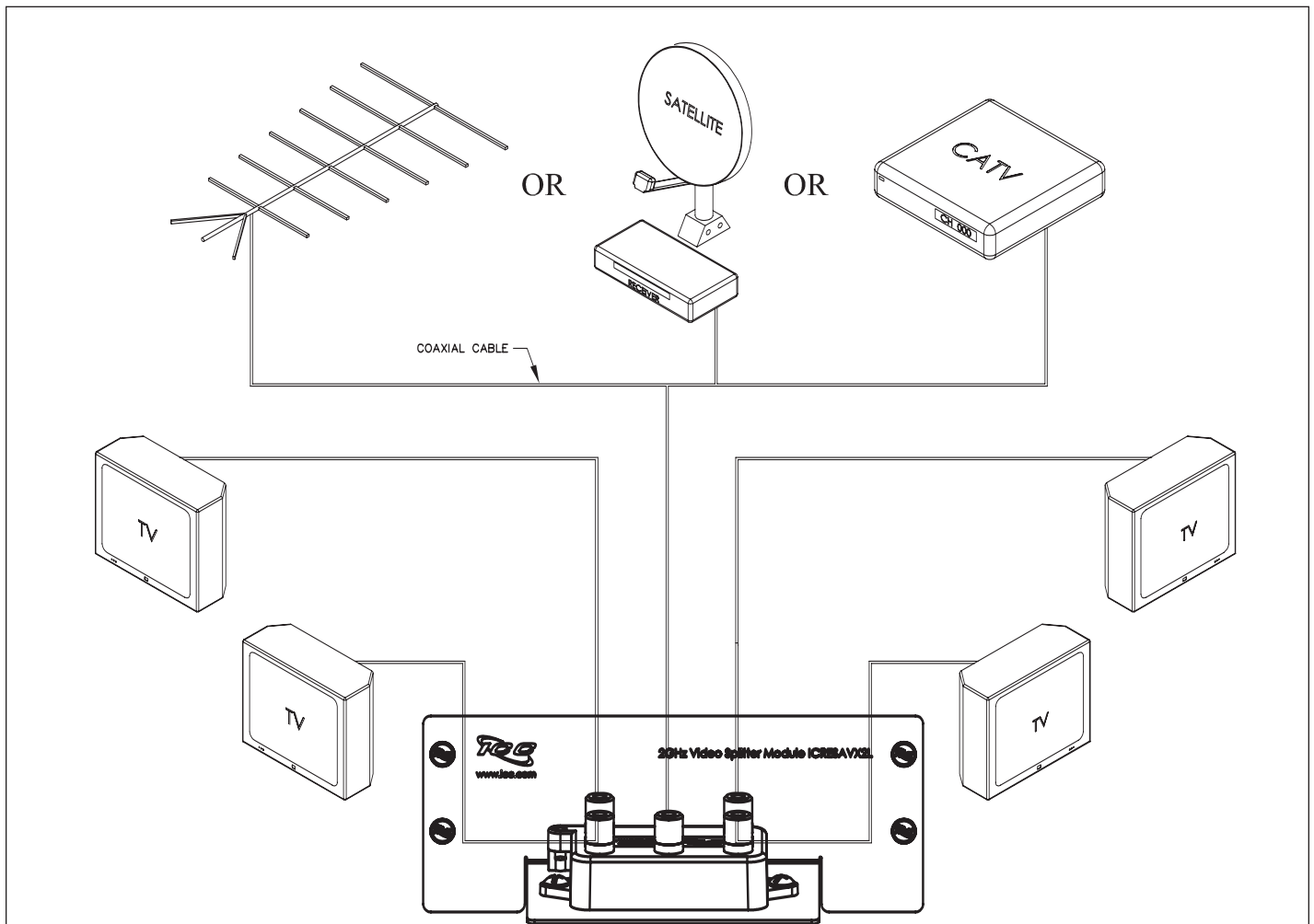
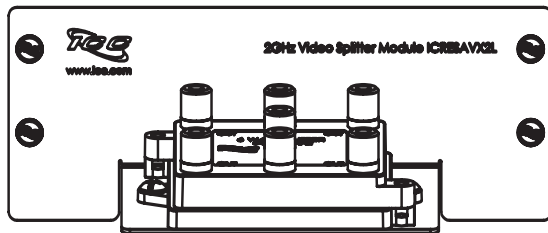
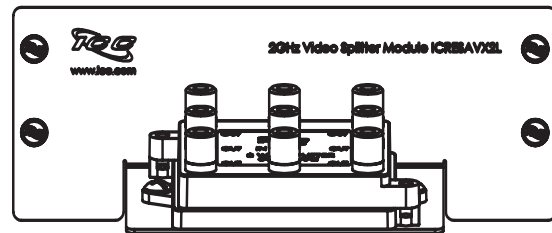


FIG 3.
Video Splitter Setup

ALSO AVAILABLE



2 GHz 1 X 6 Video Splitter Module - ICRESAV62L



2 GHz 1 X 8 Video Splitter Module - ICRESAV82L

4. Prepare an incoming coaxial cable and outgoing coaxial cable by using ICC's coax cable stripper tool (ICACSCSCTV), All-in-One Universal Compression tool (ICACSCT01U), and F-type compression connectors (ICRDSAV01F for RG-6, and ICRDSAV04F for RG-6 Quad-Shield). Connect the incoming cable to the "IN" port of the splitter and the outgoing coaxial cables to the "OUT" ports. The "OUT" ports route the video signal to each location.