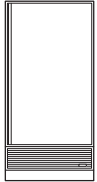




Model 601R All Refrigerator



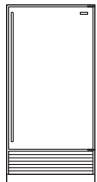
BUILT-IN



Model 601R/F
Framed



Model 601R/O
Overlay



Model 601R/S (P/B)
Stainless Steel

Lighted electronic control panel

Serial and model number plate

Adjustable spill-proof glass shelves

Adjustable dairy compartment

Adjustable roll-out utility basket

Egg container

Adjustable door shelves

High humidity compartment

Four-sided magnetic gaskets

Hermetically sealed refrigeration units

Door closers

Removable kickplate

Front venting allows unit to be completely built in



With the installation of a harness kit, these appliances are Star-K compliant to meet strict religious regulations in conjunction with specific instructions found on star-k.org. You may purchase this harness kit through your Sub-Zero dealer. To obtain local dealer information, visit the Locator section of our website, subzero.com.

► The Sub-Zero Model 601R all refrigerator is available in your choice of the framed, overlay or stainless steel design application. Three stainless steel finishes are offered—classic (S), platinum (P) and carbon (B).

The 601R is the largest capacity all refrigerator that Sub-Zero offers. When coupled with the 601F, all freezer, it offers the consumer 6' (1.8 m) of refrigeration space. But if you confine your thinking to this alone, you are seeing half the picture. Think about using this unit with a 700BF, the two-drawer base freezer (see the Integrated Refrigeration section). This unit is the first building piece in solving clients' issues.

Dimensions in parentheses are in millimeters unless otherwise specified.

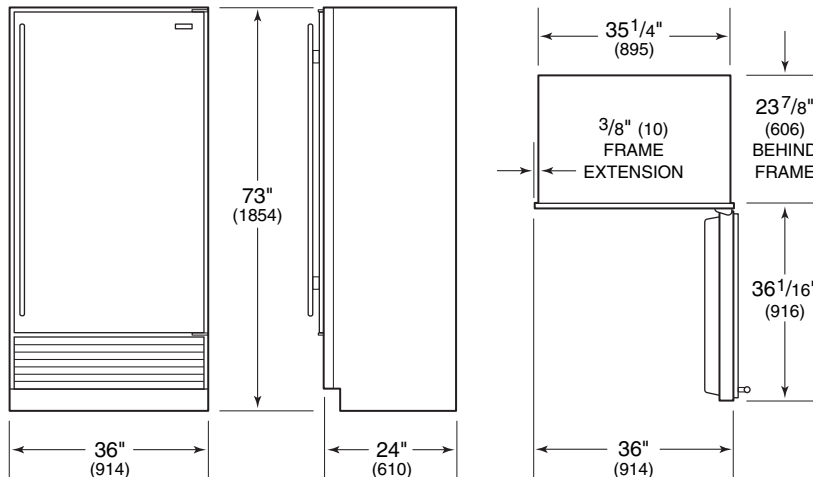


Model 601R

FEATURES

- ▶ 36" (914) wide all refrigerator
- ▶ Energy Star qualified
- ▶ Sub-Zero's refrigeration system ensures the freshest food and energy efficiency
- ▶ Shallow-depth design means access is easy to any area of the refrigerator
- ▶ Electronic digital controls are up front and easy to use
- ▶ Bright interior lighting
- ▶ Adjustable spill-proof glass shelves
- ▶ High humidity crisper drawer is large and deep with removable divider and smooth sides for easy cleaning
- ▶ Door alarm will let you know with an audible beeping if your refrigerator door is left ajar
- ▶ Front venting allows unit to be completely built in and serviced from the front
- ▶ UL approved for US and Canada
- ▶ Two, five and twelve year residential warranty - exclusions apply; warranty information can be found on our website, subzero.com

OVERALL DIMENSIONS ▼



Stainless steel design shown.

Dimensions may vary by ±1/8" (3).

Dimensions in parentheses are in millimeters unless otherwise specified.



Model 601R



BUILT-IN

MODEL OPTIONS ▼

Framed Design	601R/F
Overlay Design	601R/O
Classic Stainless Steel	601R/S
Platinum Stainless Steel	601R/P
Carbon Stainless Steel	601R/B

You must allow 90 days from order to delivery for platinum and carbon finishes.

ACCESSORIES

- ▶ Front panels for framed design in white, almond and classic stainless steel
- ▶ Side panels in white, almond and classic stainless steel
- ▶ Extended framed handle
- ▶ Stainless steel and polished chrome handles for overlay design
- ▶ Gallon door shelf
- ▶ Dozen egg container with lid
- ▶ 90° and 105° door stop kits

Accessories are available through your Sub-Zero dealer. To obtain local dealer information, visit the Locator section of our website, subzero.com.

SPECIFICATIONS ▼

Model 601R	All Refrigerator
Overall Width	36" (914)
Overall Height	73" (1854)
Overall Depth	24" (610)
Refrigerator Capacity	19.9 cu ft (564 L)
Minimum Height (levelers in)	72 ³ / ₄ " (1848)
Door Swing Clearance	36 ¹ / ₁₆ " (916)
Electrical Requirements	115 V AC, 60 Hz, 15 amp circuit
Annual Energy Usage (based on 8.29 cents per kilowatt hour)	399 kWh / \$34
Energy Star Qualified	
Shipping Weight	Framed – 391 lbs (177 kg) Overlay – 391 lbs (177 kg) Stainless Steel – 420 lbs (191 kg)
Special Note	Model 601R can also be ordered with a glass door as Model 601RG

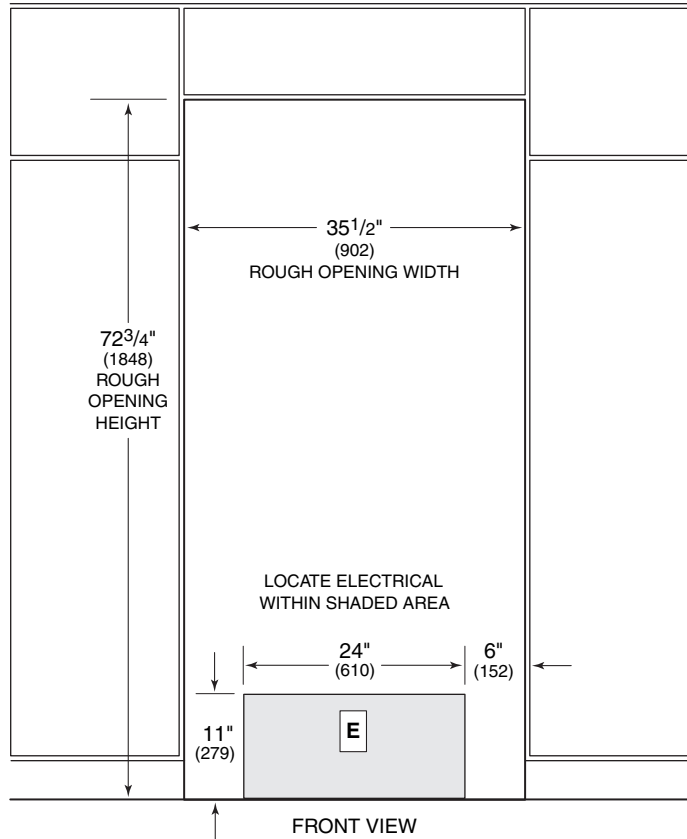
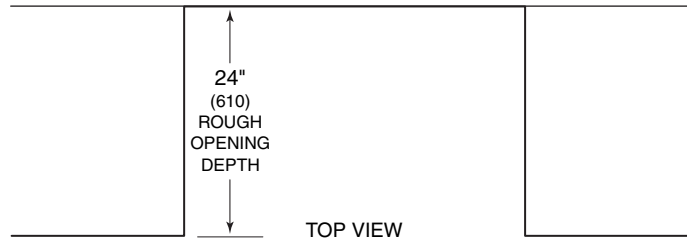
Specifications are subject to change without notice.

Model 601R

INSTALLATION SPECIFICATIONS



BUILT-IN



Dimensions may vary by $\pm 1/8"$ (3).

DIMENSIONS

Finished Rough Opening Width	35 ¹ / ₂ " (902)
Finished Rough Opening Height	72 ³ / ₄ " (1848)
Finished Rough Opening Depth	24" (610)
Location of Electrical	Within shaded area

See Installation Instructions shipped with unit for detailed specifications.

Refer to the Sub-Zero Design Guide pdf file for additional specifications.



Model 601R

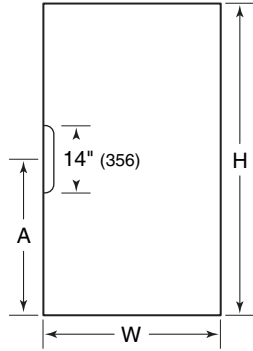
INSTALLATION NOTES

- ▶ Refer to the illustrations and specifications for overall dimensions, finished rough opening dimensions and installation specifics.
- ▶ Allow the door to open a minimum of 90° or you'll have problems removing drawers. With the door opening at 90°, you may have to move drawers slightly to clear the door interior. Refer to the minimum door swing clearance in the specifications chart.
- ▶ For corner installations, allow for a minimum 3" (76) filler so that the door can open to 90°. If you're using raised panels, consider using a wider filler.
- ▶ When units are installed side by side, a filler strip is recommended. The width of this filler strip will vary depending on the configuration and panels you use.
- ▶ Be sure to add the filler strip width to your finished rough opening dimension. In any side by side installation without a filler strip, add an additional 1/2" (13) to your combined numbers. This will allow for the proper width.
- ▶ Refer to the full-scale illustrations at the end of this section for specifics on door openings and filler size alternatives.
- ▶ If your client has chosen the stainless steel design, the unit will be shipped complete with wrapped stainless steel doors and handle hardware. You will not have to install front panels.
- ▶ If your client has chosen the framed or overlay design, you will be adding front panels to give the unit the custom Sub-Zero look. For the overlay design, handles are not provided with the unit. Your own handles can be used or you can obtain accessory handles through your Sub-Zero dealer.
- ▶ A 115 volt, 60 Hz, 15 amp electrical supply is required. The supply circuit for this appliance must be protected by a 15 amp fuse or circuit breaker. It is recommended that a separate circuit, serving only this appliance, be provided.
- ▶ All Built-In models are equipped with a 6' (1.8 m) power supply cord with a 3-prong grounding plug which must be plugged into a mating 3-prong grounding type wall receptacle. Locate electrical within the shaded area shown in the installation illustration.
- ▶ You must follow all National Electrical Code regulations. In addition, be aware of local codes and ordinances when installing your service.
- ▶ To prevent the unit from tipping forward and provide a stable installation, the unit must be secured in place with an anti-tip blocking kit. If there is a solid soffit above the unit with clearance between the unit and the soffit of 1" (25) or less, you won't need to block the unit.
- ▶ For installations with clearances of more than 1" (25), you must block the unit with the anti-tip blocking kit (wood block and hardware) provided with each Built-In unit.
- ▶ Refer to the Built-In Installation Instructions packed with the appliance, which provides step-by-step procedures for making sure the unit is installed properly.

Model 601R
PANEL SPECIFICATIONS



BUILT-IN



► Framed Door Panel

FRAMED PANELS

FRAMED PANEL DIMENSIONS ▼

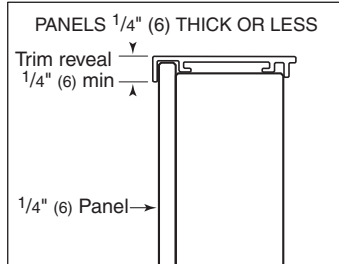
	WIDTH	HEIGHT
Door Panel	34 1/8" (867)	58 15/16" (1497)
Handle Recess Location		A – 29 15/32" (749)
Maximum Panel Weight		50 lbs (23 kg)

Model 601R PANEL SPECIFICATIONS

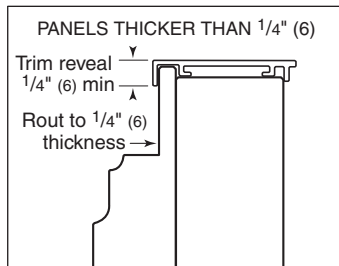


BUILT-IN

FRAMED PANELS ▼



► Framed door panel 1/4" (6) thick or less



► Framed door panel thicker than 1/4" (6)

FRAMED PANELS

If the thickness of the custom panels is less than 1/4" (6), they must be backed up with a sheet of shim material to build the total thickness to 1/4" (6). If the panel is thicker than 1/4" (6), an edge must be routed around the panel to ensure a proper fit. Refer to the illustrations on this page.

IMPORTANT NOTE: Routing, recessing or optional extended handles may be required on raised panels for finger clearance under the handle. Refer to the full-scale illustrations at the end of this section.

IMPORTANT NOTE: The weight of each panel cannot exceed 50 lbs (23 kg).

The traditional framed models come with an 11" (279) louvered grille and elegant full-length handle. Optional extended full-length handles that provide additional finger clearance for raised panels are available through your Sub-Zero dealer. To obtain local dealer information, visit the Locator section of our website, subzero.com.

For framed door panel dimensions, refer to specifications on page 6.

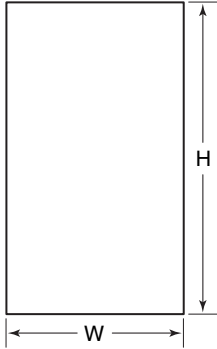
To install framed panels, refer to the installation instructions shipped with each unit. These instructions can also be found on our website, subzero.com.



Model 601R PANEL SPECIFICATIONS



BUILT-IN



► *Overlay Door Panel*

OVERLAY PANELS

OVERLAY PANEL DIMENSIONS ▼

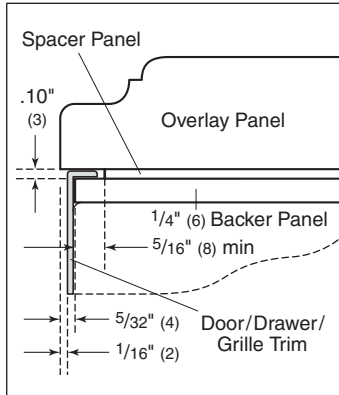
	WIDTH	HEIGHT
Door Panel	34 ⁷ / ₁₆ " (875)	59 ¹ / ₄ " (1505)
Door Spacer	33 ¹ / ₂ " (851)	58 ⁵ / ₁₆ " (1481)
Door Backer	34 ¹ / ₈ " (867)	58 ¹⁵ / ₁₆ " (1497)
Maximum Weight (panel assembly)		50 lbs (23 kg)

Model 601R
PANEL SPECIFICATIONS

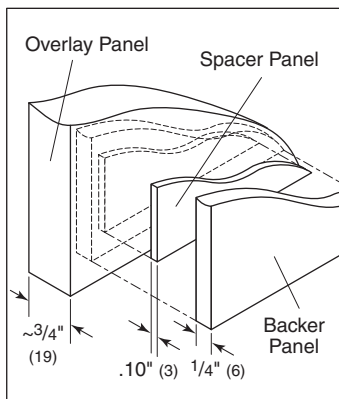


BUILT-IN

OVERLAY PANELS ▼



► Three panel assembly—cross section



► Three panel assembly—rear view

OVERLAY PANELS

The overlay design allows decorative panels to cover the door trim for a more seamless appearance that blends with the design of the room. To achieve this look, the most common way is to work with three panels—the decorative overlay panel, a .10" (3) spacer panel and a 1/4" (6) backer panel. Depending on your cabinet manufacturer, this could be one panel routed for different dimensions or more likely, three different panels.

Regardless of the physical construction of the panels (routing or three panel assembly), you will need to follow the exact dimensions and panel placement to ensure a proper fit.

The top illustration on this page is a cross section view of the three panel assembly showing placement of the door/drawer/grille trim. The bottom illustration shows a rear view of the three panel assembly and critical dimensions, standard for all overlay models.

Overlay models will come with no handle hardware, because the beauty of this design is that you can match the surrounding cabinetry hardware. For overlay door panel dimensions, refer to specifications on page 8.

IMPORTANT NOTE: Keep in mind that the Sub-Zero door panels have the potential for hitting adjacent cabinets and/or countertops when they are opened. You need to be aware of your surrounding cabinetry and space limitations when using the overlay models. Refer to the full-scale illustrations at the end of this section.

IMPORTANT NOTE: The weight of each door panel assembly cannot exceed 50 lbs (23 kg). The total thickness of all panels for an overlay model must be at least 5/8" (16) thick.

To install overlay panels, refer to the installation instructions shipped with each unit. These instructions can also be found on our website, subzero.com.

⚠ CAUTION

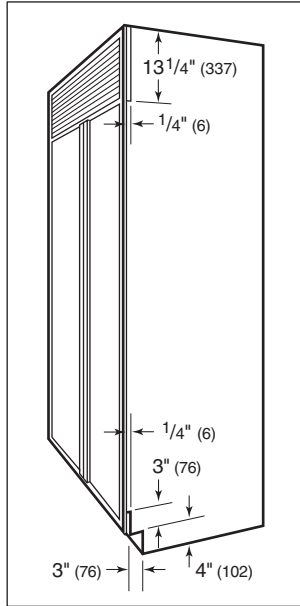
Do not exceed the dimensions listed for the overlay grille panel. The decorative panel cannot be any larger or it may restrict the air flow to the compressor area and cause problems with the operation of the unit.

Model 601R
PANEL SPECIFICATIONS



BUILT-IN

SIDE PANELS ▼



► *Cut-outs for grille and kickplate area*

SIDE PANELS

Side panels can be used with the framed, overlay and stainless steel design applications. When planning for side panels with the installation of the Built-In unit, you need to be aware of space configuration to achieve a pleasing fit. Depending on the exact panel you are using with your unit, the height of the panel will vary.

Cut-outs around the kickplate and grille area are required if a 1/4" (6) thick panel will be inserted into the main frame channel. The panel will need to be 24" (610) deep. Refer to the illustration on this page for placement of cut-outs. If a 3/8" (10) thick panel is used, the panel will abut the main frame and should be 23 7/8" (606) deep. The toe kick area may or may not be cut out depending on the look you want to achieve.

HARDWARE CONSIDERATIONS

Overlay models come without handle hardware. The beauty of this design is that you can match the surrounding cabinet hardware. You or the cabinet manufacturer must provide handle hardware to match the overall decorating scheme.

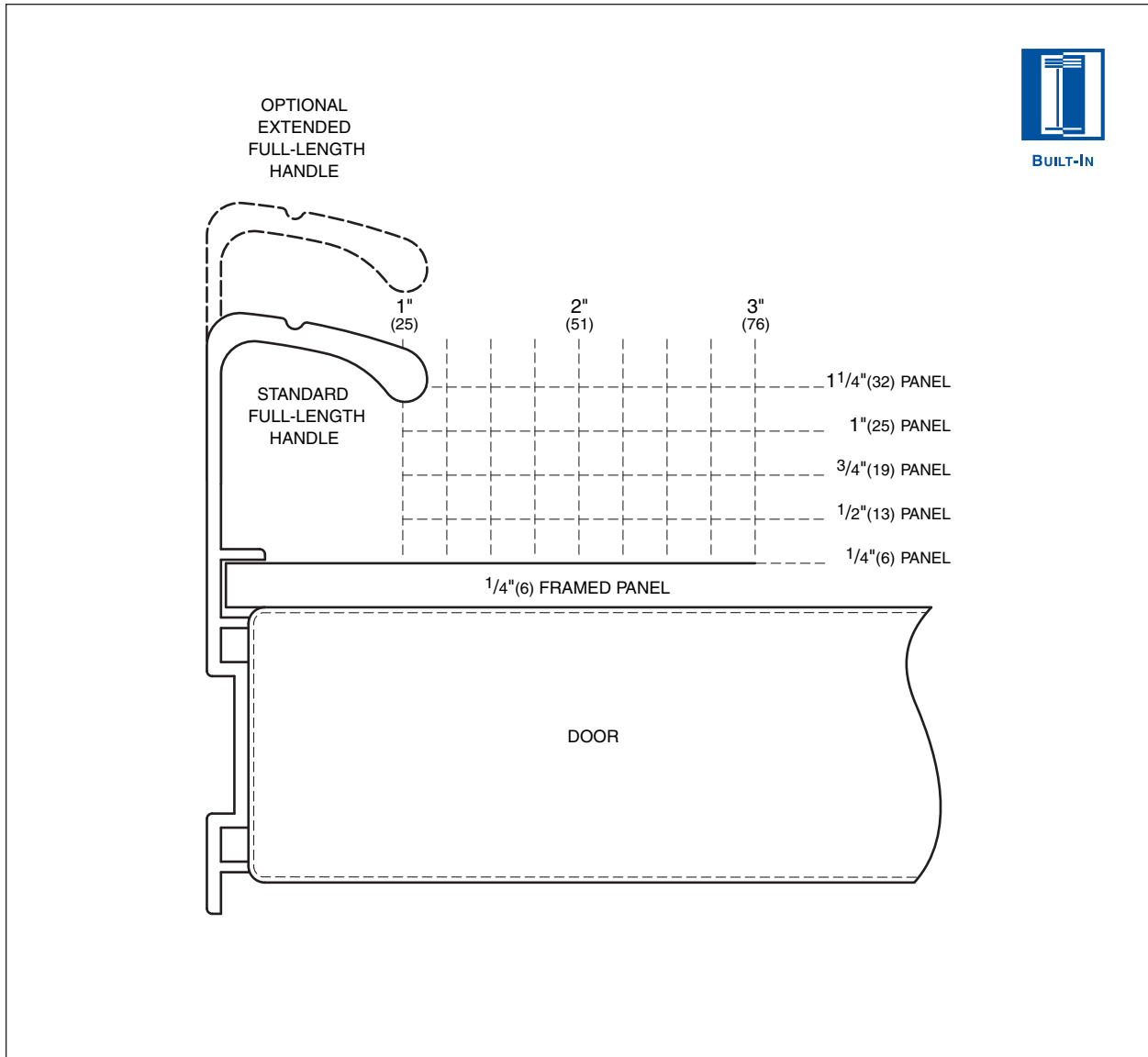
The handle hardware must be installed before installing the panel assembly. Use larger D-style handles. If screws with thick heads are used, the screws will need to be countersunk into the door before the panel is put into place. Refer to the full-scale illustrations at the end of this section for handle hardware considerations.

IMPORTANT NOTE: Sub-Zero does not recommend using single pull knobs on any of its Built-In units.

Optional stainless steel handles are available in a variety of diameters and lengths, as well as handles to match the color and style of Wolf ovens. Contact your Sub-Zero dealer for specifics. To obtain local dealer information, visit the Locator section of our website, subzero.com.

Model 601R
FULL-SCALE TEMPLATE

HANDLE PROFILE - FRAMED APPLICATION



FULL-SCALE TEMPLATES

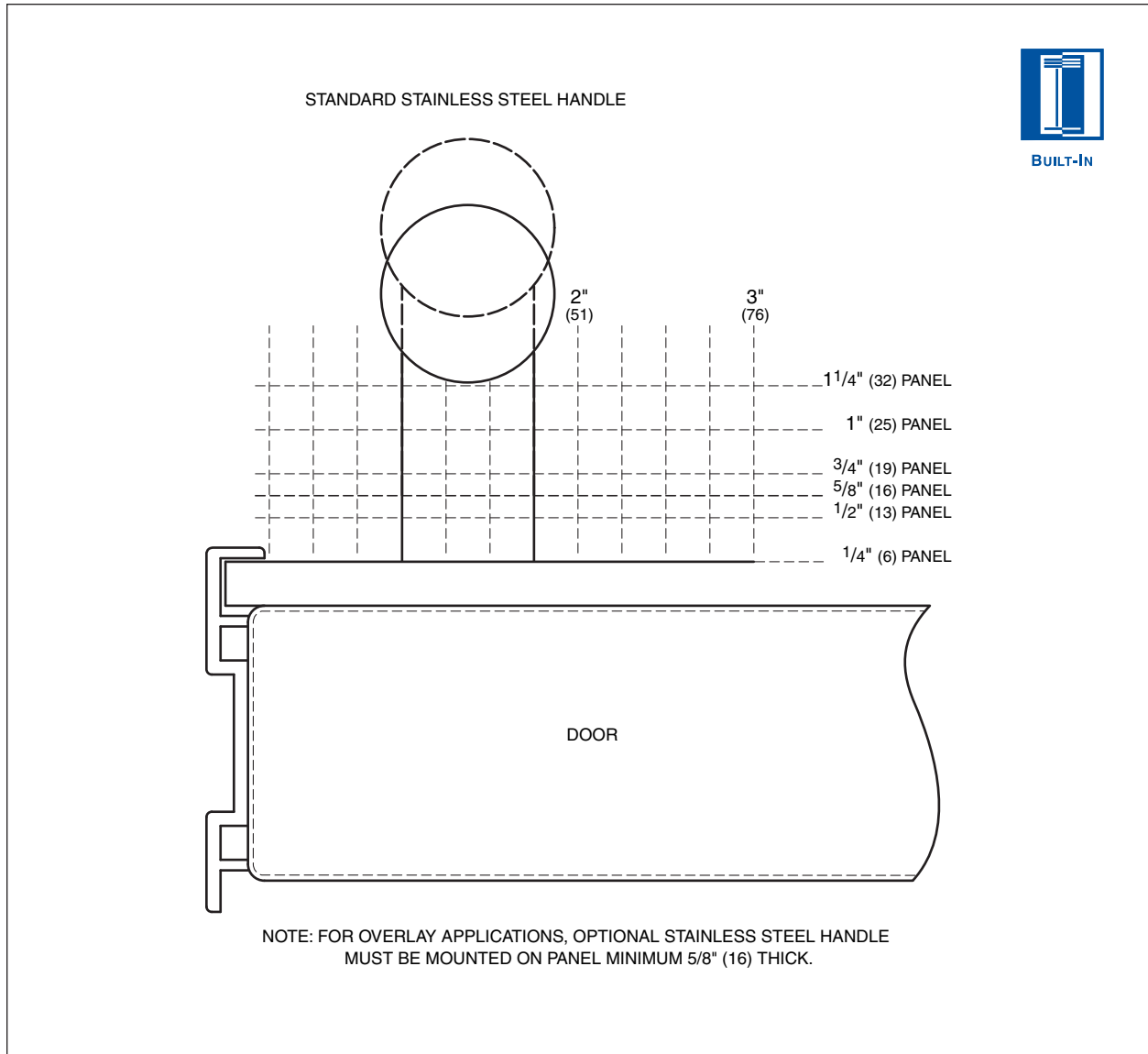
The following full-scale illustrations enable you to understand some of the unique situations you may face as you design the Built-In units into homes. These templates can be easily photocopied or used in your tracings.

HANDLE PROFILE

The full-scale illustration above shows handle placement for the framed application standard full-length handle and the optional extended full-length handle shown in the dashed line.

Model 601R
FULL-SCALE TEMPLATE

HANDLE PROFILE - STAINLESS STEEL / OVERLAY APPLICATIONS



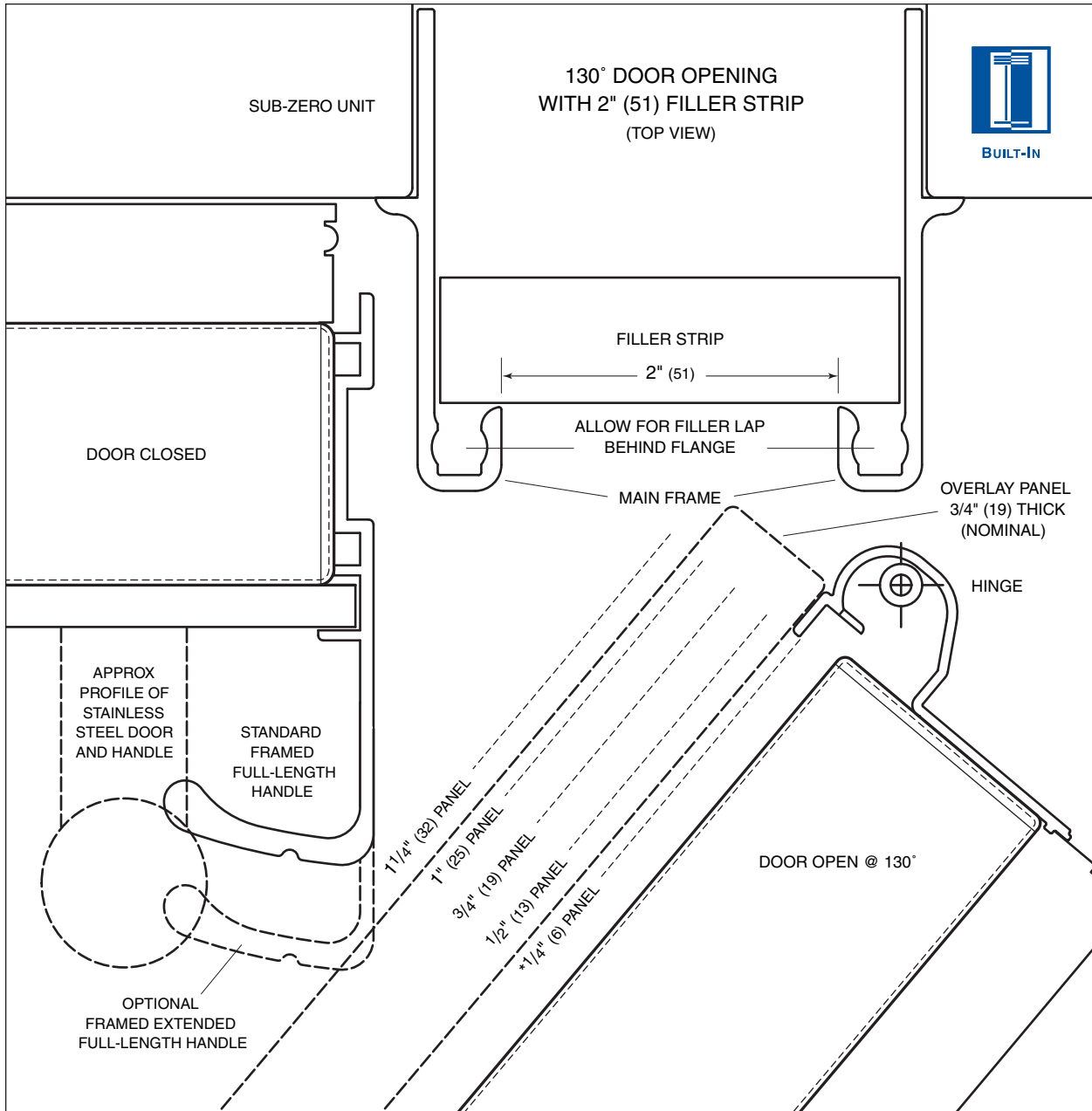
PANEL AND HANDLE PROFILE

The full-scale illustration above shows handle placement for the standard stainless steel handle on the wrapped stainless steel door and on overlay panel applications shown in the dashed line.

IMPORTANT NOTE: For overlay applications, the optional stainless steel handle must be mounted on a panel at least 5/8" (16) thick.

Model 601R
FULL-SCALE TEMPLATE

PANEL AND HANDLE PROFILE - 130° DOOR OPENING



The full-scale illustration above shows the panel and handle profile of a 130° door opening with 2" (51) filler strip for framed applications.

Interference of door panels with handles at maximum door swing may require the use of an optional 90° door stop available through your Sub-Zero dealer.

**Approximate thickness of wrapped stainless steel door.*

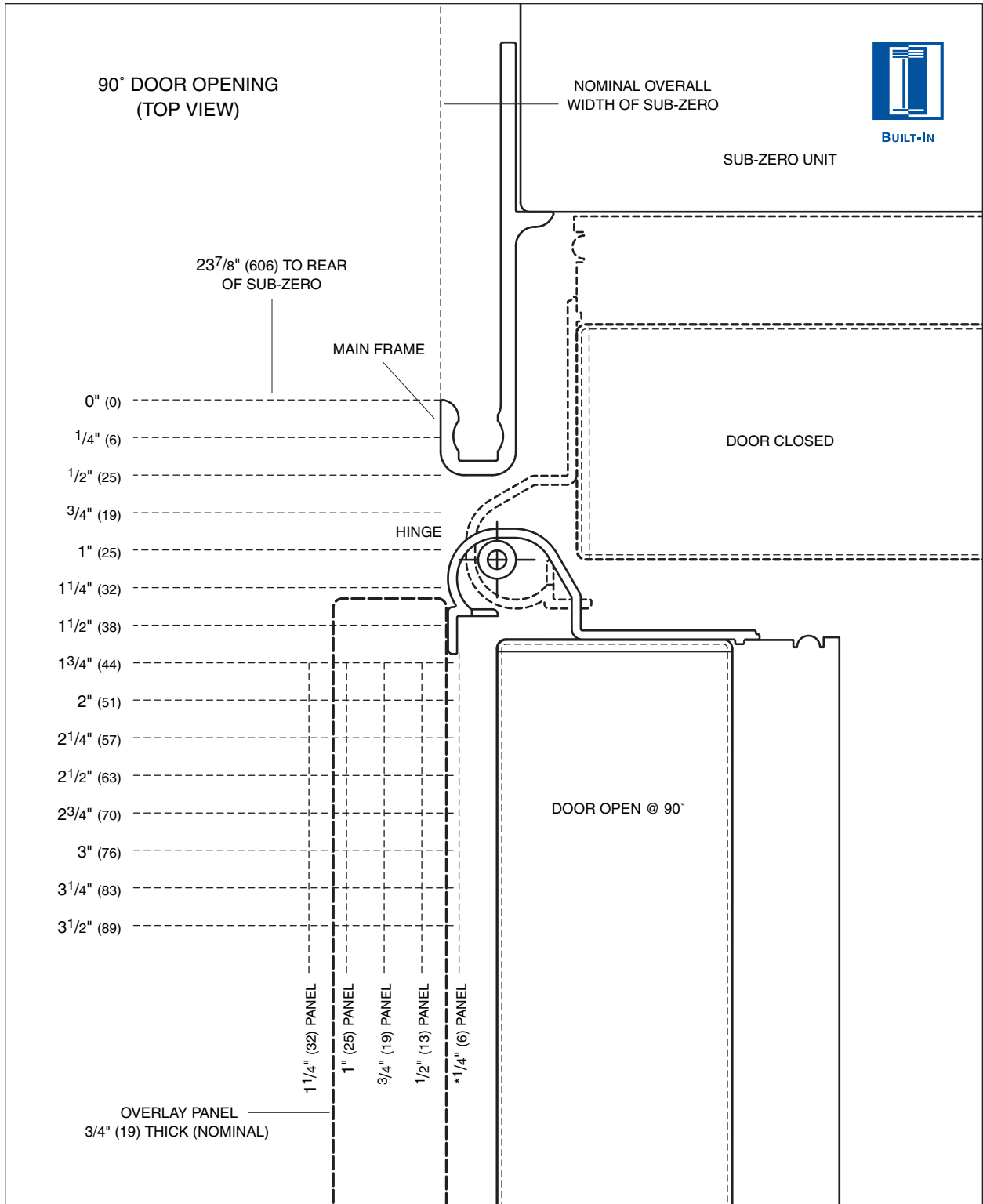
Dimensions in parentheses are in millimeters unless otherwise specified.

To obtain local dealer information, visit the Locator section of our website, subzero.com.

The full-scale illustration on the following page lets you see what considerations you need to make for any overlay panel applications, and how they may interact with adjacent cabinets and/or countertops.

Model 601R
FULL-SCALE TEMPLATE

OVERLAY PANEL APPLICATION - 90° DOOR OPENING



**Approximate thickness of wrapped stainless steel door.*

Dimensions in parentheses are in millimeters unless otherwise specified.