

TV-amplifier A3552

A3552 TV-amplifier covers all international UHF frequencies. It is intended for use in shipborne CAS-systems and is well suited for distribution of digitally modulated signals. A separate S-band input is provided for distribution of e.g. satellite signals.

An automatic level control circuit (ALC) helps maintain the output level stable under the varying conditions often encountered aboard ships. A push-pull hybrid amplifier in the final stage keeps intermodulation to a minimum.

TECHNICAL SPECIFICATIONS

Gain/Frequency range

S	244-446 MHz	32 ± 2 dB
UHF	470-890 MHz	40-44 ± 2 dB*
Gain flatness		<1 dB within any ch.
Manual attenuation		0-20 dB

ALC

Max. output level UHF	123 ± 2 dB μ V (1 sign.)
Range UHF	>30 dB

3rd order intermodulation

UHF	<60 dBc (ALC limited)
S; 26 ch, 108 dB μ V	<60 dBc

Return loss	>20 dB**
-------------	----------

Noise figure	<6 dB
--------------	-------

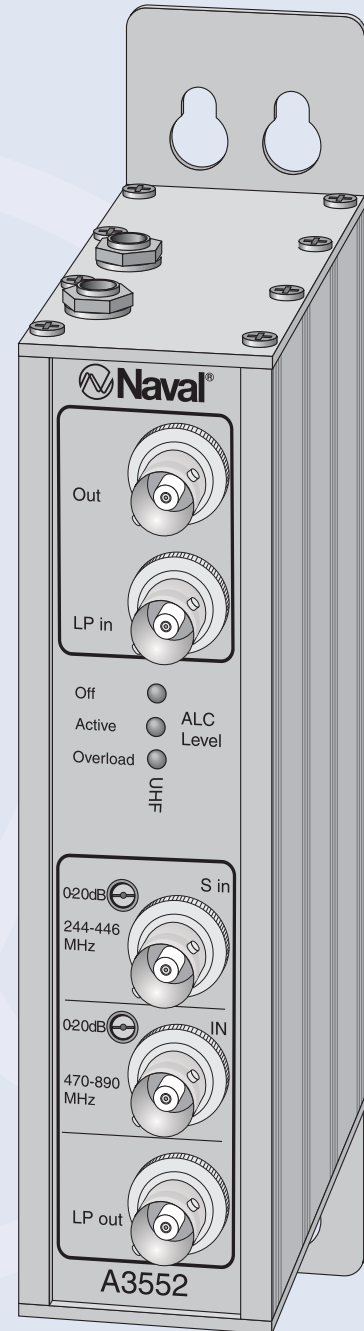
Impedance	75 Ω
-----------	-------------

Supply voltage	24 V ± 10%
Current consumption	210 mA ± 10%

EMC	EN60945:2002, EN50083-2
Operational temp. range	-40 to 40°C

* 4 dB positive tilt

** At 40 MHz –1.5 dB/octave



Size: (H) 210 x (W) 41X (D) 96 mm

0605

Since 1971, the objective of Naval Electronics has been to offer the best possible products for TV and Radio reception at sea. Naval began with omnidirectional antennas and is the world leader in this field of technology today. Now, with an expanded product range, the name Naval means much more than antennas. Naval operates in more than 40 countries and has installations on thousands of vessels all over the world.

All specifications stated are subject to change without notice.

 **Naval**[®]
Marine Broadband Communication



Naval Electronics AB

Höjrodergatan 18, SE-212 39 Malmö, Sweden

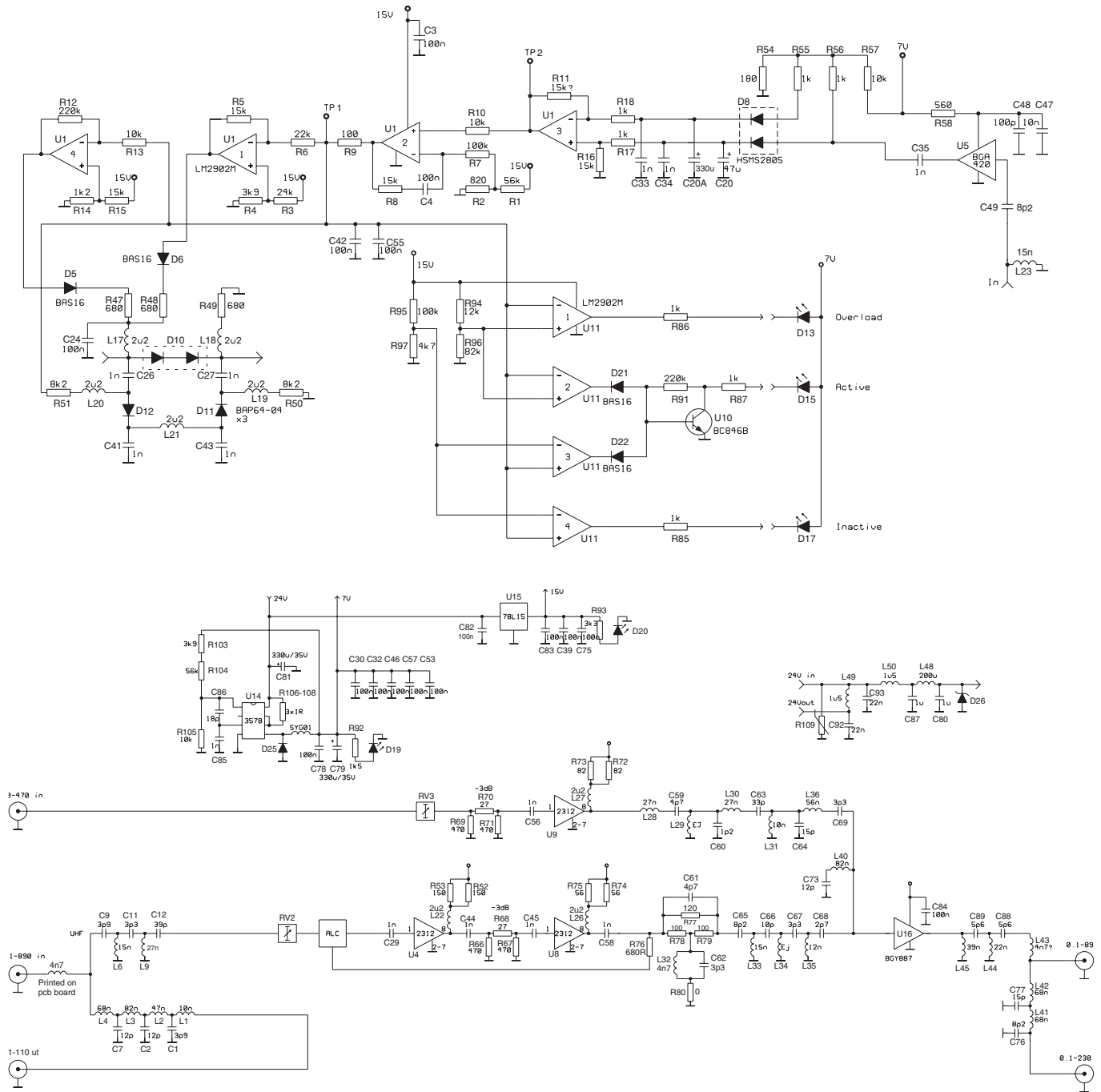
Tel. +46(0)40-29 20 45. Fax +46(0)40-18 74 13

E-mail: sales@naval.se www.naval.se

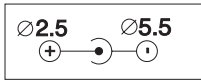
6136

TV-amplifier A 3552

Schematic diagram for A3552



Connector power supply



Description	Order No.	Weight: 0.55 kg
A3552	201.820	Standard package: 1