



H11DS<sub>i</sub> / H11DS<sub>i</sub>-NT

USER'S MANUAL

Revision 1.1a

The information in this User's Manual has been carefully reviewed and is believed to be accurate. The vendor assumes no responsibility for any inaccuracies that may be contained in this document, and makes no commitment to update or to keep current the information in this manual, or to notify any person or organization of the updates. **Please Note: For the most up-to-date version of this manual, please see our website at [www.supermicro.com](http://www.supermicro.com).**

Super Micro Computer, Inc. ("Supermicro") reserves the right to make changes to the product described in this manual at any time and without notice. This product, including software and documentation, is the property of Supermicro and/or its licensors, and is supplied only under a license. Any use or reproduction of this product is not allowed, except as expressly permitted by the terms of said license.

IN NO EVENT WILL Super Micro Computer, Inc. BE LIABLE FOR DIRECT, INDIRECT, SPECIAL, INCIDENTAL, SPECULATIVE OR CONSEQUENTIAL DAMAGES ARISING FROM THE USE OR INABILITY TO USE THIS PRODUCT OR DOCUMENTATION, EVEN IF ADVISED OF THE POSSIBILITY OF SUCH DAMAGES. IN PARTICULAR, SUPER MICRO COMPUTER, INC. SHALL NOT HAVE LIABILITY FOR ANY HARDWARE, SOFTWARE, OR DATA STORED OR USED WITH THE PRODUCT, INCLUDING THE COSTS OF REPAIRING, REPLACING, INTEGRATING, INSTALLING OR RECOVERING SUCH HARDWARE, SOFTWARE, OR DATA.

Any disputes arising between manufacturer and customer shall be governed by the laws of Santa Clara County in the State of California, USA. The State of California, County of Santa Clara shall be the exclusive venue for the resolution of any such disputes. Supermicro's total liability for all claims will not exceed the price paid for the hardware product.

FCC Statement: This equipment has been tested and found to comply with the limits for a Class A digital device pursuant to Part 15 of the FCC Rules. These limits are designed to provide reasonable protection against harmful interference when the equipment is operated in a commercial environment. This equipment generates, uses, and can radiate radio frequency energy and, if not installed and used in accordance with the manufacturer's instruction manual, may cause harmful interference with radio communications. Operation of this equipment in a residential area is likely to cause harmful interference, in which case you will be required to correct the interference at your own expense.

California Best Management Practices Regulations for Perchlorate Materials: This Perchlorate warning applies only to products containing CR (Manganese Dioxide) Lithium coin cells. "Perchlorate Material-special handling may apply. See [www.dtsc.ca.gov/hazardouswaste/perchlorate](http://www.dtsc.ca.gov/hazardouswaste/perchlorate)".

**WARNING:** Handling of lead solder materials used in this product may expose you to lead, a chemical known to the State of California to cause birth defects and other reproductive harm.

The products sold by Supermicro are not intended for and will not be used in life support systems, medical equipment, nuclear facilities or systems, aircraft, aircraft devices, aircraft/emergency communication devices or other critical systems whose failure to perform be reasonably expected to result in significant injury or loss of life or catastrophic property damage. Accordingly, Supermicro disclaims any and all liability, and should buyer use or sell such products for use in such ultra-hazardous applications, it does so entirely at its own risk. Furthermore, buyer agrees to fully indemnify, defend and hold Supermicro harmless for and against any and all claims, demands, actions, litigation, and proceedings of any kind arising out of or related to such ultra-hazardous use or sale.

Manual Revision 1.1a

Release Date: August 06, 2020

Unless you request and receive written permission from Super Micro Computer, Inc., you may not copy any part of this document. Information in this document is subject to change without notice. Other products and companies referred to herein are trademarks or registered trademarks of their respective companies or mark holders.

Copyright © 2020 by Super Micro Computer, Inc.  
All rights reserved.

**Printed in the United States of America**

# Preface

## About This Manual

This manual is written for system integrators, IT technicians and knowledgeable end users. It provides information for the installation and use of the H11DSi / H11DSi-NT motherboard.

## About This Motherboard

Built upon the functionality and capability of the EPYC 7001/7002\* Series Processors , the H11DSi / H11DSi-NT motherboard provides superior graphics capability and system performance while consuming little power. Please note that this motherboard is intended to be installed and serviced by professional technicians only. For processor/memory updates, please refer to our website at <http://www.supermicro.com/products/>.

\*AMD EPYC 7002 series drop-in support requires board revision 2.x

## Conventions Used in the Manual

Special attention should be given to the following symbols for proper installation and to prevent damage done to the components or injury to yourself:



**Warning!** Indicates important information given to prevent equipment/property damage or personal injury.



**Warning!** Indicates high voltage may be encountered when performing a procedure.

## Contacting Supermicro

### Headquarters

Address: Super Micro Computer, Inc.  
980 Rock Ave.  
San Jose, CA 95131 U.S.A.

Tel: +1 (408) 503-8000

Fax: +1 (408) 503-8008

Email: [marketing@supermicro.com](mailto:marketing@supermicro.com) (General Information)  
[support@supermicro.com](mailto:support@supermicro.com) (Technical Support)

Website: [www.supermicro.com](http://www.supermicro.com)

### Europe

Address: Super Micro Computer B.V.  
Het Sterrenbeeld 28, 5215 ML  
's-Hertogenbosch, The Netherlands

Tel: +31 (0) 73-6400390

Fax: +31 (0) 73-6416525

Email: [sales@supermicro.nl](mailto:sales@supermicro.nl) (General Information)  
[support@supermicro.nl](mailto:support@supermicro.nl) (Technical Support)  
[rma@supermicro.nl](mailto:rma@supermicro.nl) (Customer Support)

Website: [www.supermicro.nl](http://www.supermicro.nl)

### Asia-Pacific

Address: Super Micro Computer, Inc.  
3F, No. 150, Jian 1st Rd.  
Zhonghe Dist., New Taipei City 235  
Taiwan (R.O.C)

Tel: +886-(2) 8226-3990

Fax: +886-(2) 8226-3992

Email: [support@supermicro.com.tw](mailto:support@supermicro.com.tw)

Website: [www.supermicro.com.tw](http://www.supermicro.com.tw)

# Table of Contents

## **Chapter 1 Introduction**

Quick Reference .....	11
Quick Reference Table.....	12
Motherboard Features.....	14
1.2 Processor and Chipset Overview.....	17
1.3 Special Features .....	17
Recovery from AC Power Loss.....	17
1.4 System Health Monitoring .....	18
Onboard Voltage Monitors .....	18
Fan Status Monitor with Firmware Control .....	18
Environmental Temperature Control .....	18
System Resource Alert.....	18
1.5 ACPI Features.....	19
1.6 Power Supply .....	19
1.7 Super I/O .....	19

## **Chapter 2 Installation**

2.1 Static-Sensitive Devices.....	20
Precautions .....	20
Unpacking .....	20
2.2 Motherboard Installation.....	21
Location of Mounting Holes .....	21
Installing the Motherboard.....	23
2.3 Processor and Heatsink Installation.....	24
Memory Support and Installation .....	31
Memory Support.....	31
DIMM Module Population.....	33
DIMM Installation .....	34
DIMM Removal .....	34
2.5 Rear I/O Ports .....	35
2.6 Front Control Panel.....	37
2.7 Connectors .....	40

Power Connections .....	40
Headers .....	41
2.8 Jumper Settings .....	44
How Jumpers Work.....	44
2.9 LED Indicators.....	47

**Chapter 3 Troubleshooting**

3.1 Troubleshooting Procedures .....	49
Before Power On .....	49
No Power .....	49
No Video .....	50
System Boot Failure.....	50
Memory Errors .....	50
What to do if the System is Losing the Setup Configuration.....	50
When the System Becomes Unstable .....	51
3.2 Technical Support Procedures .....	52
3.3 Frequently Asked Questions .....	52
3.4 Returning Merchandise for Service.....	55
3.5 Battery Removal and Installation .....	56
Battery Removal.....	56
Proper Battery Disposal .....	56
Battery Installation.....	56

**Chapter 4 BIOS (EPYC 7001 Series)**

4.1 Introduction.....	57
Starting the Setup Utility .....	57
4.2 Main Setup .....	58
4.3 Advanced.....	60
4.4 IPMI .....	75
4.5 Event Logs .....	78
4.6 Security.....	80
4.7 Boot .....	83
4.8 Save & Exit.....	85

---

---

**Chapter 5 BIOS (EPYC 7002 Series)**

5.1 Introduction .....	87
Starting the Setup Utility .....	87
5.2 Main Setup .....	88
5.3 Advanced.....	90
5.4 IPMI .....	107
5.5 Event Logs .....	110
5.6 Security.....	112
5.7 Boot .....	115
5.8 Save & Exit.....	117

**Appendix A Software Installation**

A.1 Installing Software Programs .....	119
A.2 SuperDoctor® 5.....	120

**Appendix B Standardized Warning Statements**

B-1 Battery Handling .....	121
B-2 Product Disposal .....	123

**Appendix C UEFI BIOS Recovery**

C.1 Overview.....	124
C.2 Recovering the UEFI BIOS Image .....	124
C.3 Recovering the BIOS Block with a USB Device .....	124

# Chapter 1

## Introduction

Congratulations on purchasing your computer motherboard from an industry leader. Supermicro boards are designed to provide you with the highest standards in quality and performance.

In addition to the motherboard, several important parts that are included with the system are listed below. If anything listed is damaged or missing, please contact your retailer.

### Important Links

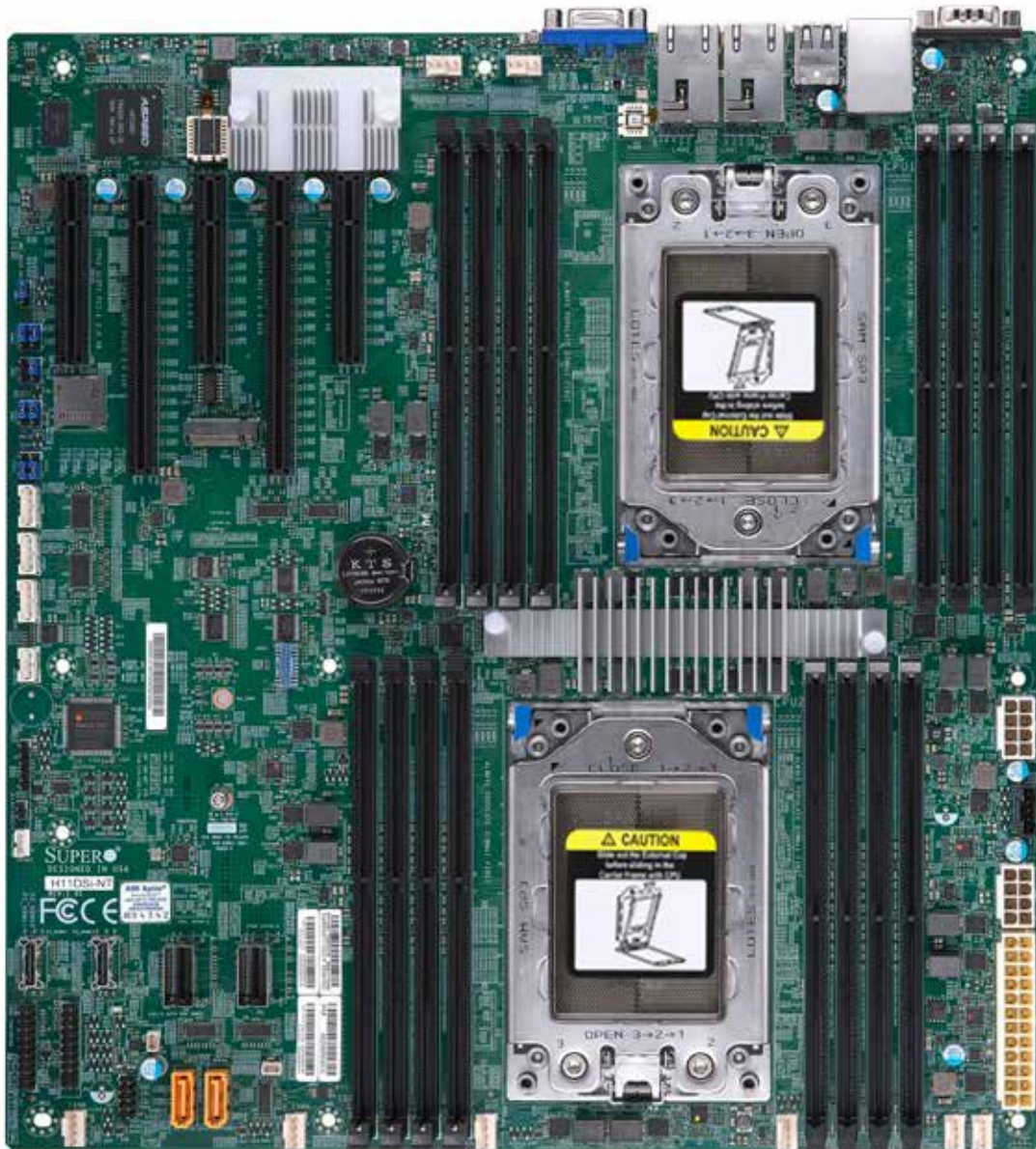
For your system to work properly, please follow the links below to download all necessary drivers/utilities and the user's manual for your server.

- Supermicro product manuals: <http://www.supermicro.com/support/manuals/>
- Product drivers and utilities: <ftp://ftp.supermicro.com>
- Product safety info: [http://www.supermicro.com/about/policies/safety\\_information.cfm](http://www.supermicro.com/about/policies/safety_information.cfm)
- If you have any questions, please contact our support team at: [support@supermicro.com](mailto:support@supermicro.com)

This manual may be periodically updated without notice. Please check the Supermicro website for possible updates to the manual revision level.

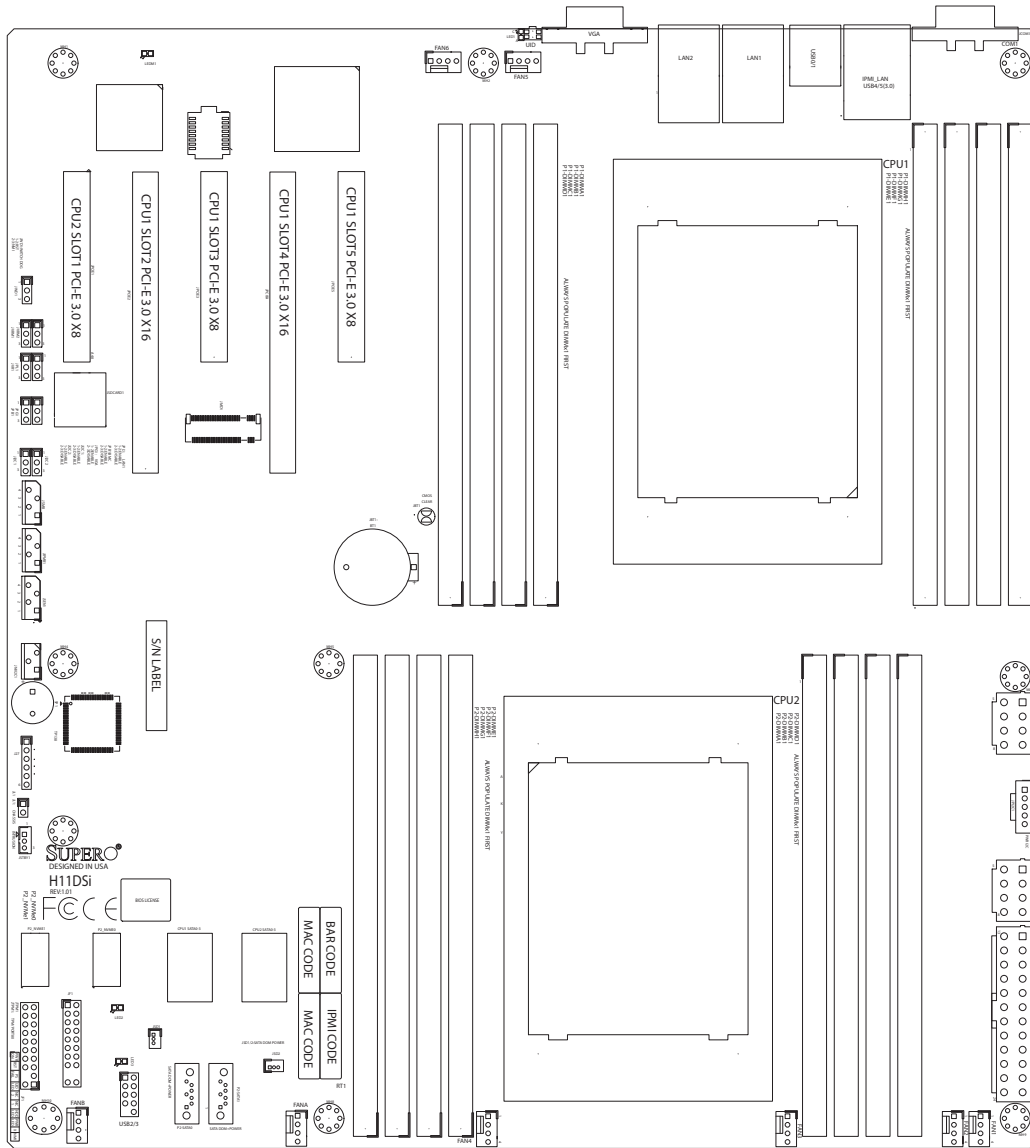


Figure 1-1. H11DSi / H11DSi-NT Motherboard Image

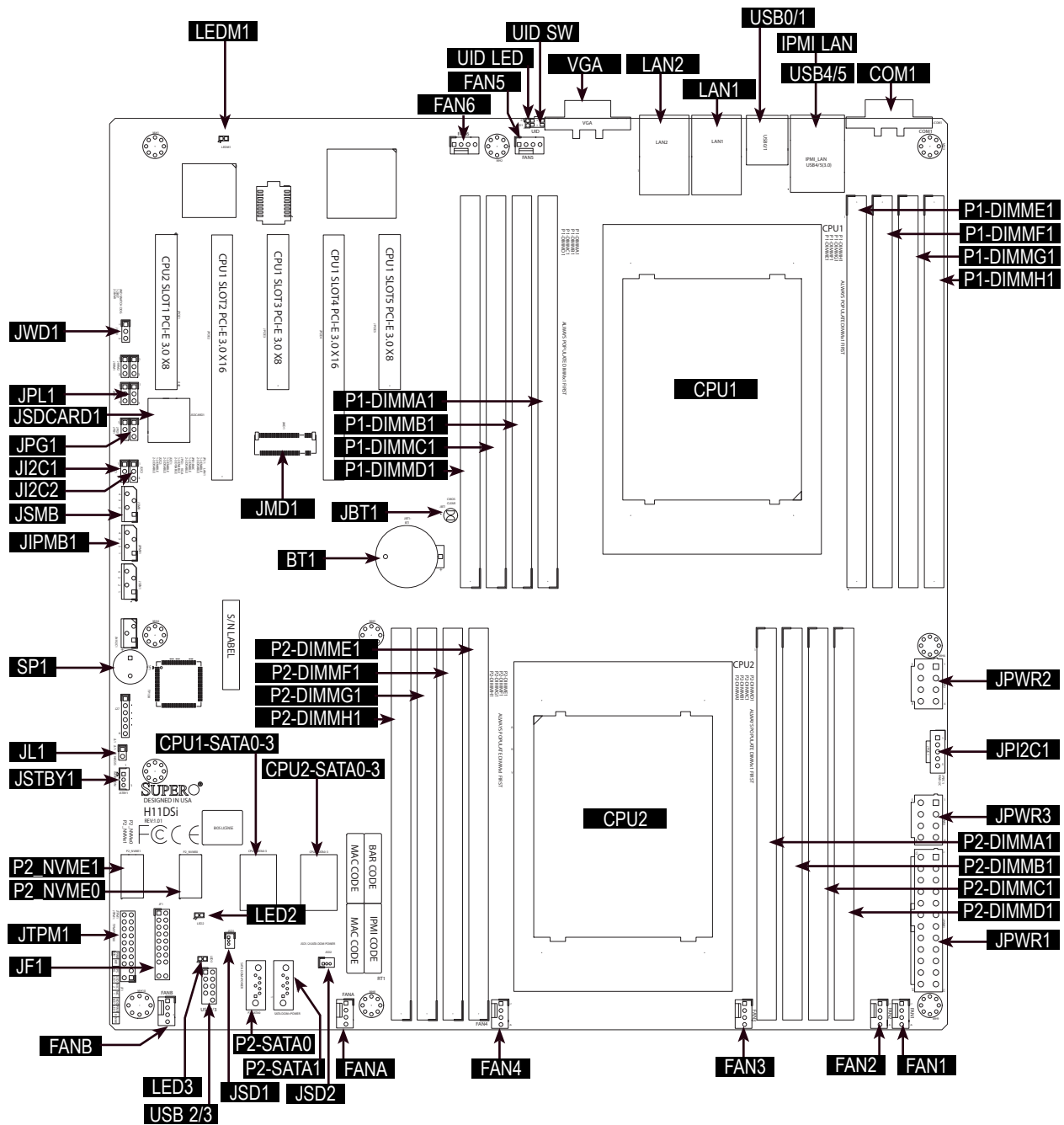


**Note:** All graphics shown in this manual were based upon the latest PCB revision available at the time of publication of the manual. The motherboard you received may or may not look exactly the same as the graphics shown in this manual.

Figure 1-2. H11DSi / H11DSi-NT Motherboard Layout



## Quick Reference



## Notes:

- See Chapter 2 for detailed information on jumpers, I/O ports, and JF1 front panel connections.
- Jumpers/LED indicators not indicated are used for testing only.
- Use only the correct type of onboard CMOS battery as specified by the manufacturer. Do not install the onboard battery upside down to avoid possible explosion.

## Quick Reference Table

Jumper	Description	Default Setting
UID SW	Unit ID Switch (push-button toggle switch ON/OFF)	Off
J12C1 / J12C2	PCI-E Slot SMB (System Management Bus) Enable/Disable	Pins 2-3 (Disabled)
JBT1	CMOS Clear	Open (Normal)
JPG1	VGA Enable/Disable	Pins 1-2 (Enabled)
JPL1	LAN Enable/Disable	Pins 1-2 (Enabled)
JWD1	Watch Dog	Pins 1-2 (Reset)

LED	Description	Status
UID LED	Unit ID LED	Solid Blue: UID Switched to ON
LED2	Onboard Overheat / Fan Failure	Solid Red: System Overheat, Blinking Red: Fan Failure
LED3	Onboard Power LED	Off: System Off, Solid Green: System ON
LEDM1	BMC Heartbeat LED	Blinking Green: Normal

Connector	Description
JIPMB1	System Management Bus Header
COM1	COM Port
FANA, FANB, FAN1~FAN6	4-pin System/CPU Fan Headers
P2-SATA0, P2-SATA1	SATA 3.0 Ports for SATA/DOM with integrated power
CPU1-SATA0-3, CPU2-SATA0-3	Connectors for SATA0~3, use iPass breakout cable (4 ports each)
JF1	Front Control Panel Header 1
JL1	Chassis Intrusion Header
LAN1/LAN2	RJ45 LAN Port (H11DSi-NT supports 10Gb)
IPMI LAN	Gigabit LAN (RJ45) Port for IPMI
JPWR1	24-pin Main Power Connector
JPWR2/JPWR3	8-pin Auxilliary Power Connectors
JSD1/JSD2	SATA DOM (Device on Module) power connectors 1/2
JMD1	M.2 Connector with integrated SATA/PCIe signals
JTPM1	Trusted Platform Module/Port 80 Connector
USB0/1, USB4/5	Back Panel USB Type A Ports for USB0/USB1 (2.0) and USB4/USB5 (3.0)
USB2/3	Front Panel USB Header for USB2/USB3 (2.0).
P2-NVME0/1	Processor 2 NVMe Ports 0/1 for NVMe Hard Disk Drives (H11DSi-NT only)
JSTBY1	Stand-by Power Header
BT1	On-board CMOS Backup Battery

Connector	Description
VGA	Legacy VGA video port
JSDCARD1	Micro SD Card Slot
P1-DIMMA1~P1-DIMMH1	DIMM sockets for CPU1
P2-DIMMA1~P2-DIMMH1	DIMM sockets for CPU2
CPU2 SLOT 1	X8 PCIE 3.0 Slot via CPU2
CPU1 SLOT 2, SLOT 4	X16 PCIE 3.0 Slot via CPU1
CPU1 SLOT 3, SLOT 5	X8 PCIE 3.0 Slot via CPU1

**Note:** Jumpers, connectors, switches, and LED indicators that are not described in the preceding tables are for manufacturing testing purposes only, and are not covered in this manual.

## Motherboard Features

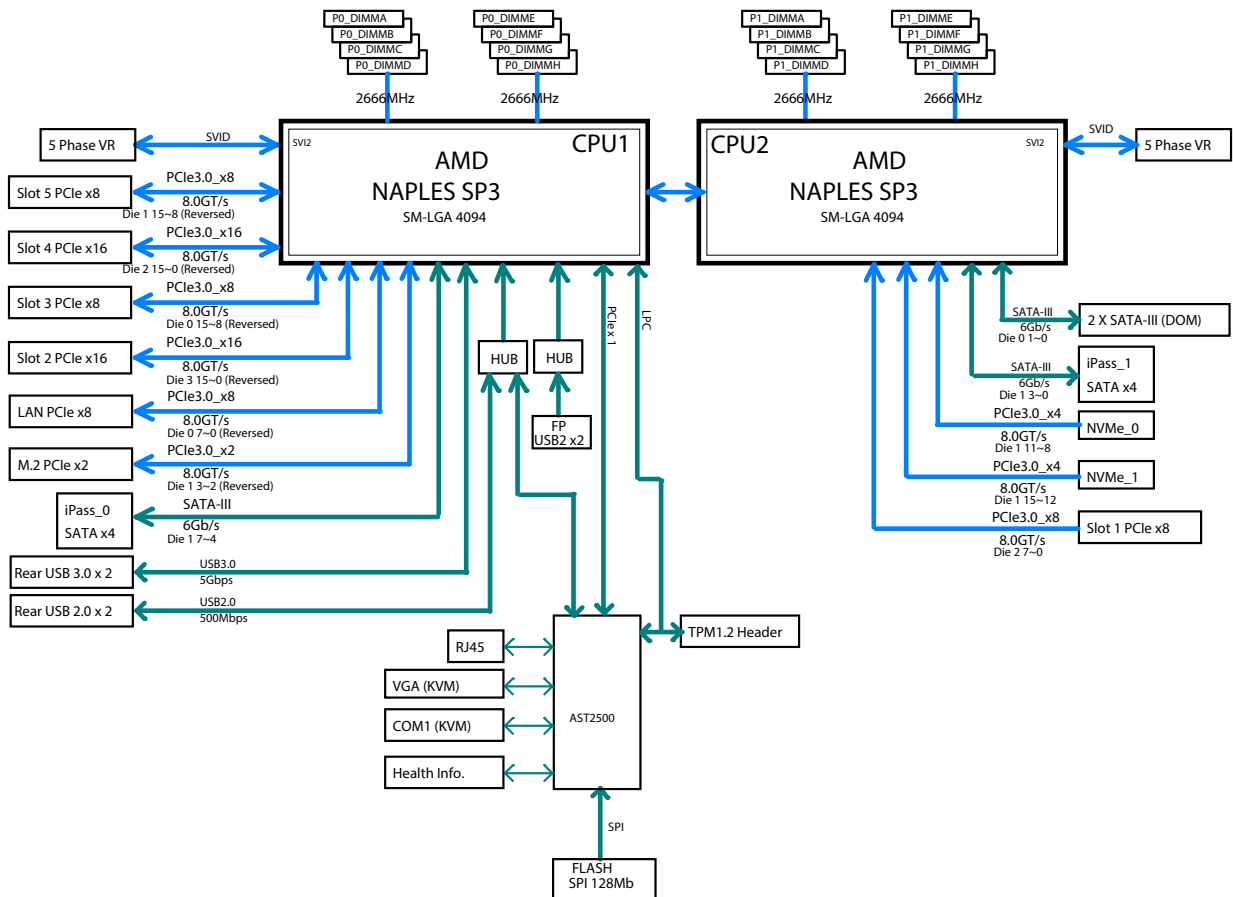
<b>Motherboard Features</b>	
<b>CPU</b>	
<ul style="list-style-type: none"> <li>Dual EPYC 7001/7002* Series Processors, in Socket SP3. (*AMD EPYC 7002 series drop-in support requires board revision 2.x)</li> </ul>	
<b>Memory</b>	
<ul style="list-style-type: none"> <li>2 TB of ECC DDR4 2666 MHz speed/ 4TB of ECC DDR4 3200 MHz* speed, RDIMM/LRDIMM/3DS/NVDIMM memory in Sixteen (16) slots (*Board reversion 2.x required)</li> </ul>	
<b>DIMM Size</b>	
<ul style="list-style-type: none"> <li>Up to 128GB size at 1.2V</li> </ul>	
<b>Chipset</b>	
<ul style="list-style-type: none"> <li>System on Chip</li> </ul>	
<b>Expansion Slots</b>	
<ul style="list-style-type: none"> <li>2 x PCI-E 3.0 x16</li> <li>3 x PCI-E 3.0 x8</li> <li>2 x Internal NVMe Ports (PCI-E 3.0 x4)</li> <li>M.2 Interface: 1 SATA/PCI-E 3.0 x2</li> <li>M.2 Form Factor: 2280, 22110</li> <li>M.2 Key: M-Key</li> </ul>	
<b>Network</b>	
<ul style="list-style-type: none"> <li>Dual RJ45 LAN Ports (H11DSi-NT: Intel X550-BT2 / (H11DSi: I350-BT2)</li> <li>ATEN IPMI from ASPEED AST 2500 BMC for gigabit RJ45 port</li> </ul>	
<b>Graphics</b>	
<ul style="list-style-type: none"> <li>ASPEED AST2500 BMC chip with one (1) VGA port</li> </ul>	
<b>I/O Devices</b>	
<ul style="list-style-type: none"> <li>COM Port</li> </ul>	<ul style="list-style-type: none"> <li>One (1) COM connector on rear I/O panel</li> </ul>
<ul style="list-style-type: none"> <li>SATA/NVMe Ports</li> </ul>	<ul style="list-style-type: none"> <li>Eight (8) SATA 3.0 ports (iPASS)</li> <li>Two (2) SATA-DOM ports</li> <li>Two (2) internal NVMe ports (H11DSi-NT only)</li> </ul>
<b>Peripheral Devices</b>	
<ul style="list-style-type: none"> <li>Two (2) USB 3.0 "Type A" ports on the rear I/O panel (USB 4/5)</li> <li>Two (2) USB 2.0 "Type A" ports on the rear I/O panel (USB 0/1)</li> <li>One (1) USB 2.0 header for front control panel (USB 2/3)</li> </ul>	

**Note:** The table above is continued on the next page.

<b>Motherboard Features</b>	
<b>BIOS</b>	<ul style="list-style-type: none"><li>• 128Mb SPI AMI BIOS (board Rev. 1.x); 256Mb SPI AMI BIOS (board Rev. 2.x)</li><li>• ACPI 6.1, SMBIOS 3.1.1, Plug-and-Play (PnP), RTC (Real Time Clock) wakeup, Riser Card Auto-Detection Support</li></ul>
<b>Power Management</b>	<ul style="list-style-type: none"><li>• ACPI power management (S5)</li><li>• Power button override mechanism</li><li>• Power-on mode for AC power recovery</li></ul>
<b>System Health Monitoring</b>	<ul style="list-style-type: none"><li>• Onboard voltage monitoring for 3.3V, +5V, +/- 12V, +3.3V Standby, +5V Standby, Memory, HT, Memory, CPU Temperature, System Temperature, and Memory Temperature</li><li>• CPU switching phase voltage regulator</li><li>• CPU Thermal Trip support</li></ul>
<b>Fan Control</b>	<ul style="list-style-type: none"><li>• Dual cooling zones</li><li>• Low-noise fan speed control</li><li>• Pulse Width Modulation (PWM) fan control</li></ul>
<b>System Management</b>	<ul style="list-style-type: none"><li>• Trusted Platform Module (TPM) support</li><li>• System resource alert via SuperDoctor® 5</li><li>• Power Supply Monitoring (JP1<sup>2</sup>C1)</li><li>• SuperDoctor® 5, Watch Dog</li><li>• Chassis intrusion header and detection (JL1)</li><li>• SUM-InBand, SUM-OOB, IPMICFG, IPMIView, SMCIPMITOOL</li></ul>
<b>LED Indicators</b>	<ul style="list-style-type: none"><li>• CPU/Overheating</li><li>• Fan Failure</li><li>• LAN activity</li></ul>
<b>Dimensions</b>	<ul style="list-style-type: none"><li>• 13.05" (L) x 12.00" (W) (331 mm x 305 mm)</li></ul>

**Figure 1-3.  
System Block Diagram**

**H11DSi-(NT)  
SYSTEM BLOCK DIAGRAM**



**Notes:** 1) This is a general block diagram and may not exactly represent the features on your motherboard. 2) See the previous pages for the actual specifications of your motherboard. 3) Motherboard revision 2.x features a 32MB BIOS chip.



## 1.2 Processor and Chipset Overview

The H11DSi / H11DSi-NT motherboard offers maximum I/O expandability, energy efficiency, and data reliability in a 14nm/7nm process architecture, and is optimized for embedded storage solutions, networking applications, or cloud-computing platforms.

The H11DSi / H11DSi-NT supports the new microarchitecture 14nm/7nm process technology, which drastically increases system performance for a multitude of server applications.

The EPYC 7001/7002\* Series Processors supports the following features:

- ACPI Power Management Logic Support Rev. 6.1
- Adaptive Thermal Management/Monitoring
- PCIe 3.0 w/ transfer rate of up to 8.0 GT/s and SATA 3.0 w/ transfer rate of up to 6.0 GB/s
- System Management Bus (SMBus) Specification Version 3.1.1

## 1.3 Special Features

This section describes the health monitoring features of the H11DSi / H11DSi-NT motherboard. The motherboard has an onboard System Hardware Monitor chip that supports system health monitoring.

### **Recovery from AC Power Loss**

The Basic I/O System (BIOS) provides a setting that determines how the system will respond when AC power is lost and then restored to the system. You can choose for the system to remain powered off (in which case you must press the power switch to turn it back on), or for it to automatically return to the power-on state. See the Advanced BIOS Setup section for this setting. The default setting is Last State.

## 1.4 System Health Monitoring

This section describes the health monitoring features of the H11DSi / H11DSi-NT motherboard. The motherboard has an onboard chip that supports system health monitoring. Once a voltage becomes unstable, a warning is given or an error message is sent to the screen. The user can adjust the voltage thresholds to define the sensitivity of the voltage monitor.

### Onboard Voltage Monitors

The onboard voltage monitor will continuously scan crucial voltage levels. Once a voltage becomes unstable, it will give a warning or send an error message to the screen. Users can adjust the voltage thresholds to define the sensitivity of the voltage monitor. Real time readings of these voltage levels are all displayed in BMC.

### Fan Status Monitor with Firmware Control

Users can check the RPM status of the cooling fans through the IPMI Web interface. The onboard CPU and chassis fans are controlled by Thermal Management.

### Environmental Temperature Control

The thermal control sensor monitors the CPU temperature in real time and will turn on the thermal control fan whenever the CPU temperature exceeds a user-defined threshold. The overheat circuitry runs independently from the CPU. Once the thermal sensor detects that the CPU temperature is too high, it will automatically turn on the thermal fans to prevent the CPU from overheating. The onboard chassis thermal circuitry can monitor the overall system temperature and alert the user when the chassis temperature is too high.

**Note:** To avoid possible system overheating, please be sure to provide adequate airflow to your system.

### System Resource Alert

This feature is available when used with SuperDoctor 5®. SuperDoctor 5 is used to notify the user of certain system events. For example, you can configure SuperDoctor 5 to provide you with warnings when the system temperature, CPU temperatures, voltages and fan speeds go beyond a predefined range.

## 1.5 ACPI Features

ACPI stands for Advanced Configuration and Power Interface. The ACPI specification defines a flexible and abstract hardware interface that provides a standard way to integrate power management features throughout a computer system including its hardware, operating system and application software. This enables the system to automatically turn on and off peripherals such as network cards, hard disk drives and printers.

In addition to enabling operating system-directed power management, ACPI also provides a generic system event mechanism for Plug and Play and an operating system-independent interface for configuration control. ACPI leverages the Plug and Play BIOS data structures while providing a processor architecture-independent implementation that is compatible with Windows 2012/R2 operating systems.

## 1.6 Power Supply

As with all computer products, a stable power source is necessary for proper and reliable operation. It is even more important for processors that have high CPU clock rates. In areas where noisy power transmission is present, you may choose to install a line filter to shield the computer from noise. It is recommended that you also install a power surge protector to help avoid problems caused by power surges.

## 1.7 Super I/O

The Super I/O (Aspeed AST2500 chip) includes a data separator, write pre-compensation circuitry, decode logic, data rate selection, a clock generator, drive interface control logic and interrupt and DMA logic. The wide range of functions integrated onto the Super I/O greatly reduces the number of components required for interfacing with floppy disk drives.

The Super I/O provides one high-speed, 16550 compatible serial communication port (UART), which supports serial infrared communication. This UART includes a 16-byte send/receive FIFO, a programmable baud rate generator, complete modem control capability and a processor interrupt system. This UART provides legacy speed with baud rate of up to 115.2 Kbps as well as an advanced speed with baud rates of 250 K, 500 K, or 1 Mb/s, which support higher speed modems.

The Super I/O provides functions that comply with ACPI (Advanced Configuration and Power Interface), which includes support of legacy and ACPI power management through a SMI or SCI function pin. It also features auto power management to reduce power consumption.

The IRQs, DMAs and I/O space resources of the Super I/O can be flexibly adjusted to meet ISA PnP requirements, which support ACPI and APM (Advanced Power Management).

## Chapter 2

# Installation

### 2.1 Static-Sensitive Devices

Electrostatic Discharge (ESD) can damage electronic components. To prevent damage to your motherboard, it is important to handle it very carefully. The following measures are generally sufficient to protect your equipment from ESD.

#### Precautions

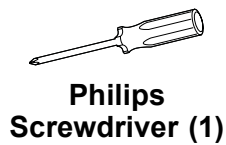
- Use a grounded wrist strap designed to prevent static discharge.
- Touch a grounded metal object before removing the board from the antistatic bag.
- Handle the board by its edges only; do not touch its components, peripheral chips, memory modules or gold contacts.
- When handling chips or modules, avoid touching their pins.
- Put the motherboard and peripherals back into their antistatic bags when not in use.
- For grounding purposes, make sure that your chassis provides excellent conductivity between the power supply, the case, the mounting fasteners and the motherboard.
- Use only the correct type of CMOS onboard battery as specified by the manufacturer. Do not install the CMOS battery upside down, which may result in a possible explosion.

#### Unpacking

The motherboard is shipped in antistatic packaging to avoid static damage. When unpacking the motherboard, make sure that the person handling it is static protected.

## 2.2 Motherboard Installation

All motherboards have standard mounting holes to fit different types of chassis. Make sure that the locations of all the mounting holes for both the motherboard and the chassis match. Although a chassis may have both plastic and metal mounting fasteners, metal ones are highly recommended because they ground the motherboard to the chassis. Make sure that the metal standoffs click in or are screwed in tightly.



### Tools Needed

### Location of Mounting Holes

#### Notes:

1. To avoid damaging the motherboard and its components, please do not use a force greater than 8 lb/inch on each mounting screw during motherboard installation.
2. Some components are very close to the mounting holes. Please take precautionary measures to avoid damaging these components when installing the motherboard to the chassis.

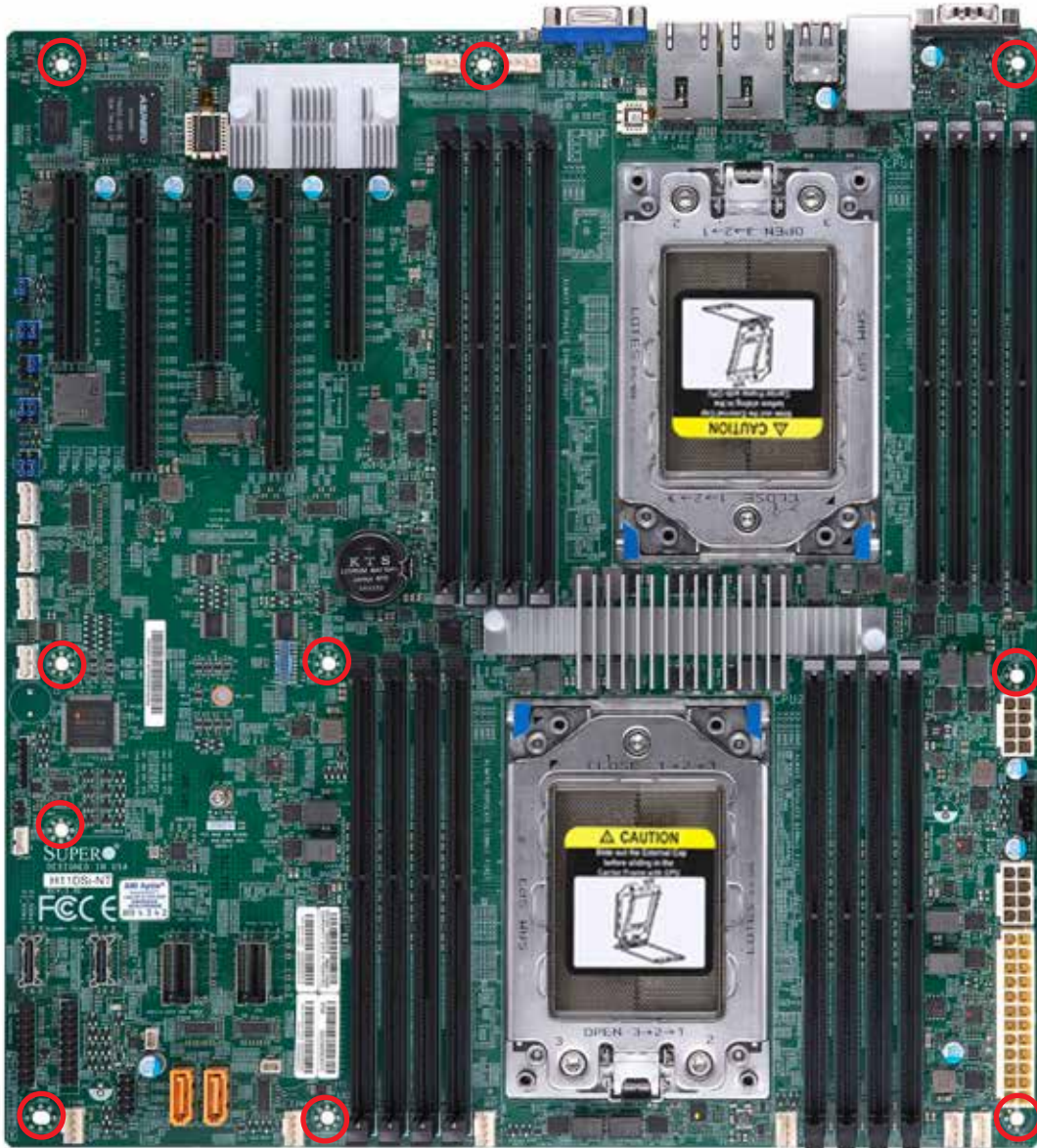
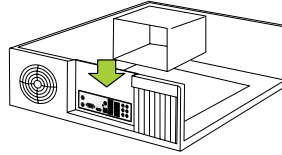


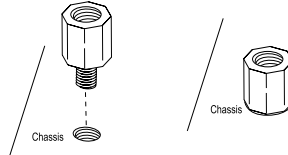
Figure 2-1. Motherboard Mounting Holes

## Installing the Motherboard

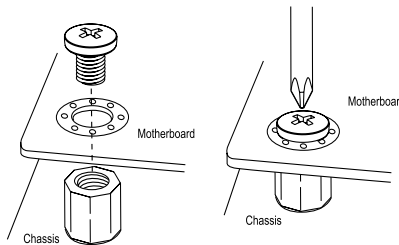
1. Install the I/O shield into the back of the chassis.



2. Locate the mounting holes on the motherboard. See the previous page for the locations.



3. Locate the matching mounting holes on the chassis. Align the mounting holes on the motherboard with the mounting holes on the chassis.



4. Install standoffs in the chassis as needed.
5. Install the motherboard into the chassis carefully to avoid damaging other motherboard components.
6. Using the Phillips screwdriver, insert a Phillips head #6 screw into a mounting hole on the motherboard and its matching mounting hole on the chassis.
7. Repeat Step 5 to insert #6 screws into all mounting holes.
8. Make sure that the motherboard is securely placed in the chassis.

**Note:** Images displayed are for illustration only. Your chassis or components might look different from those shown in this manual.

## 2.3 Processor and Heatsink Installation

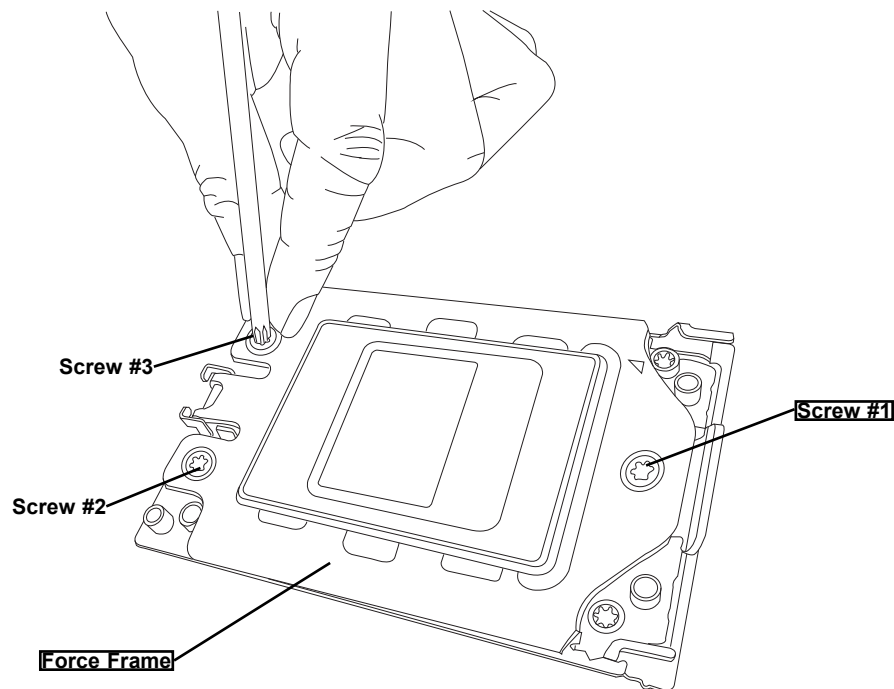
**Warning:** When handling the processor package, avoid placing direct pressure on the label area of the fan.

### Important:

- For the Processor/Heatsink installation you need to use a T20 screwdriver when opening/closing the CPU socket.
- Always connect the power cord last, and always remove it before adding, removing or changing any hardware components. Make sure that you install the processor into the CPU socket before you install the CPU heatsink.
- If you buy a CPU separately, make sure that you use an AMD-certified multi-directional heatsink only.
- Make sure to install the motherboard into the chassis before you install the CPU heatsink.
- When receiving a motherboard without a processor pre-installed, make sure that the plastic CPU socket cap is in place and none of the socket pins are bent; otherwise, contact your retailer immediately.
- Refer to the Supermicro website for updates on CPU support.

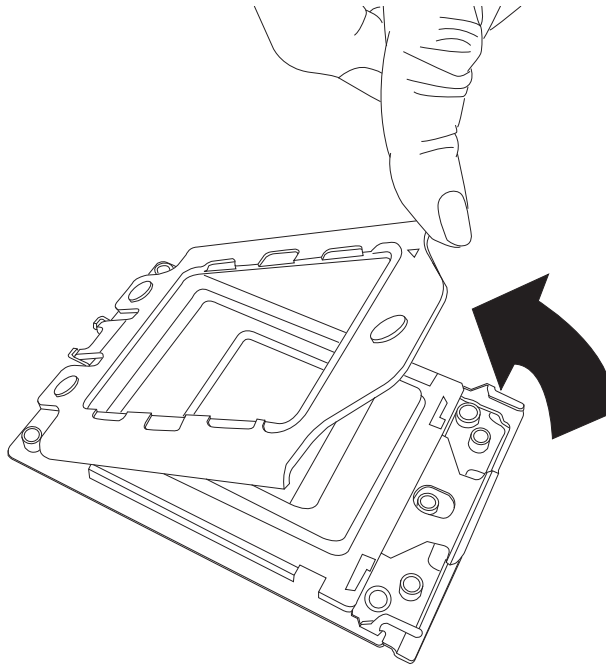
### Installing the Processor and Heatsink

1. Unscrew the screws holding down Force Frame in the sequence of 3-2-1. The screws are numbered on the Force Frame next to each screw hole.



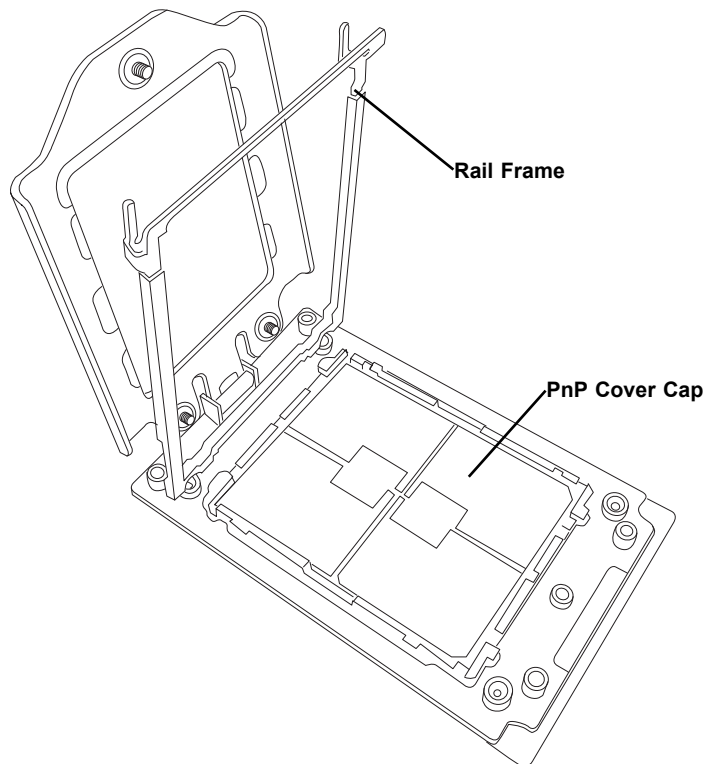


2. The spring-loaded Force Frame will raise up after the last screw securing it (#1) is removed. Gently allow it to lift up to its stopping position.

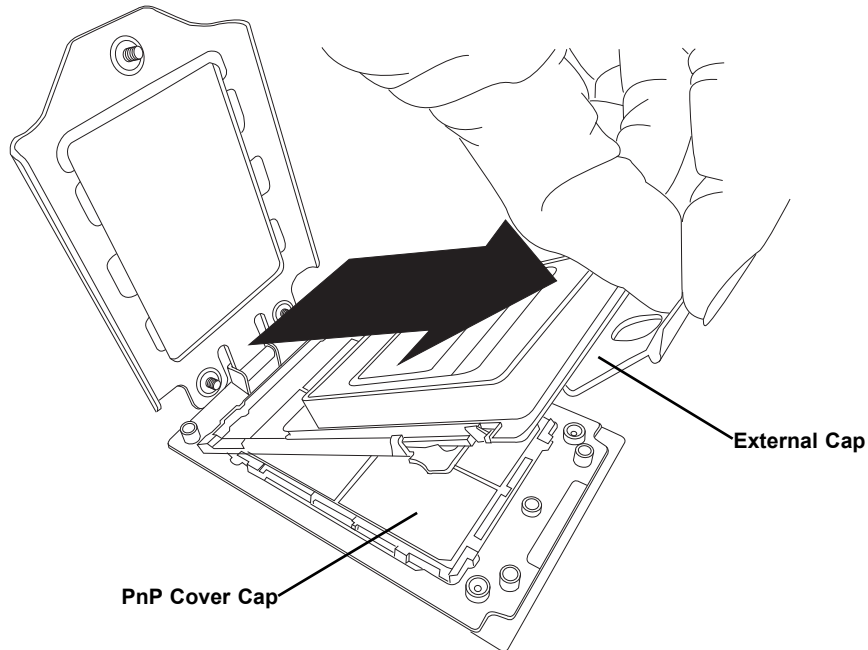


3. Lift the Rail Frame up by gripping the lift tabs near the front end of the rail frame. While keeping a secure grip of the Rail Frame, lift it to a position so you can do the next step of removing the External Cap.

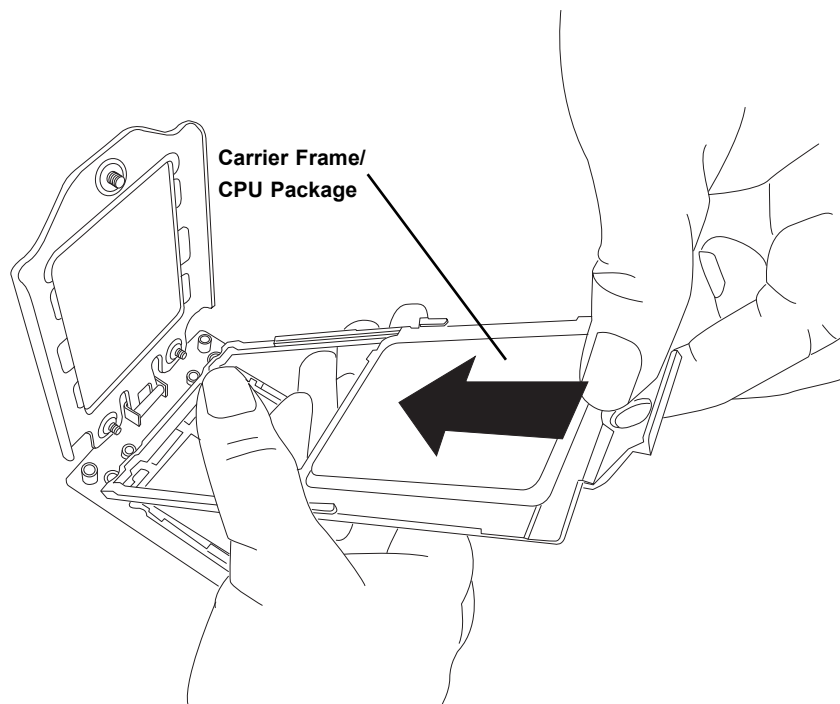
**Note:** The Rail Frame is spring loaded, so keep a secure grip on it as you lift it so it does not snap up.



4. Remove the External Cap from the Rail Frame by pulling it upwards through the rail guides on the Rail Frame.



5. The CPU Package is shipped from the factory with the blue Carrier Frame pre-assembled. Grip the handle of the Carrier Frame/CPU Package assembly from its shipping tray, and while gripping the handle, align the flanges of the Carrier Frame onto the rails of the Rail Frame so its pins will be at the bottom when the Rail Frame is lowered later.
6. Slide the Carrier Frame/CPU Package downwards to the bottom of the Rail Frame. Ensure the flanges are secure on the rails as you lower it downwards.

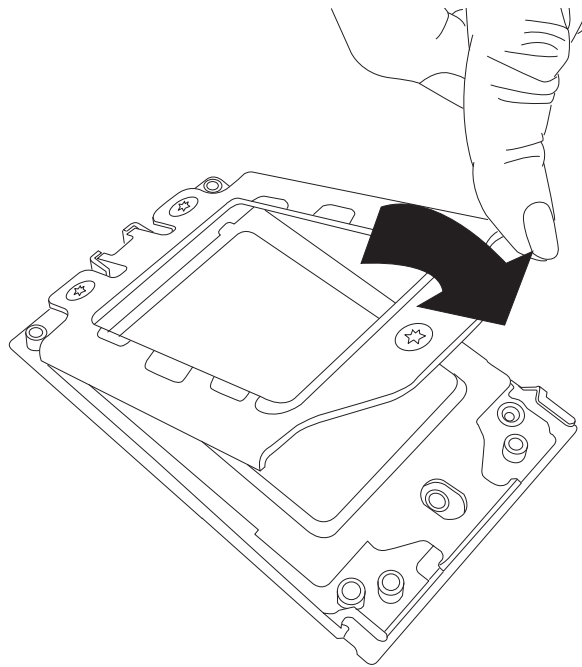


**Note:** You can only install the CPU inside the socket in one direction with the handle at the top. Make sure that it is properly inserted into the CPU socket before closing the Rail Frame plate. If it doesn't close properly, do not force it as it may damage your CPU. Instead, open the Rail Frame plate again, and double-check that the CPU is aligned properly.

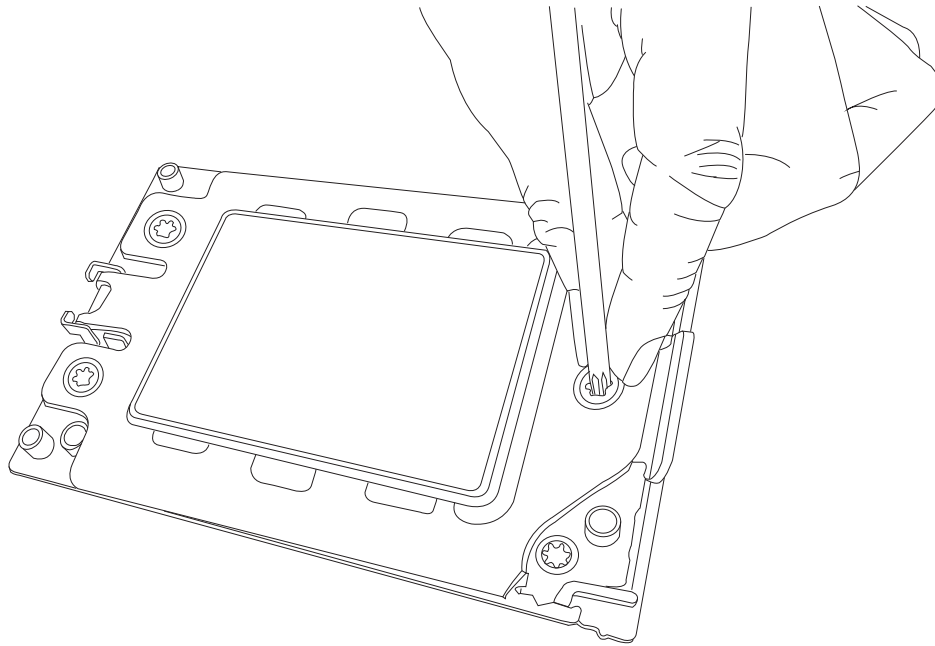
7. Lift up the Rail Frame till it securely rests in upright position. Then remove the PnP Cover Cap from the CPU socket below. Grip the two lift tabs marked "Remove" at the middle of the cap and pull vertically upwards to remove the PnP Cover Cap.

**Warning!** The exposed socket contacts are extremely vulnerable and can be damaged easily. Do not touch or drop objects onto the contacts and be careful removing the PnP Cover Cap and when placing the Rail Frame over the socket.

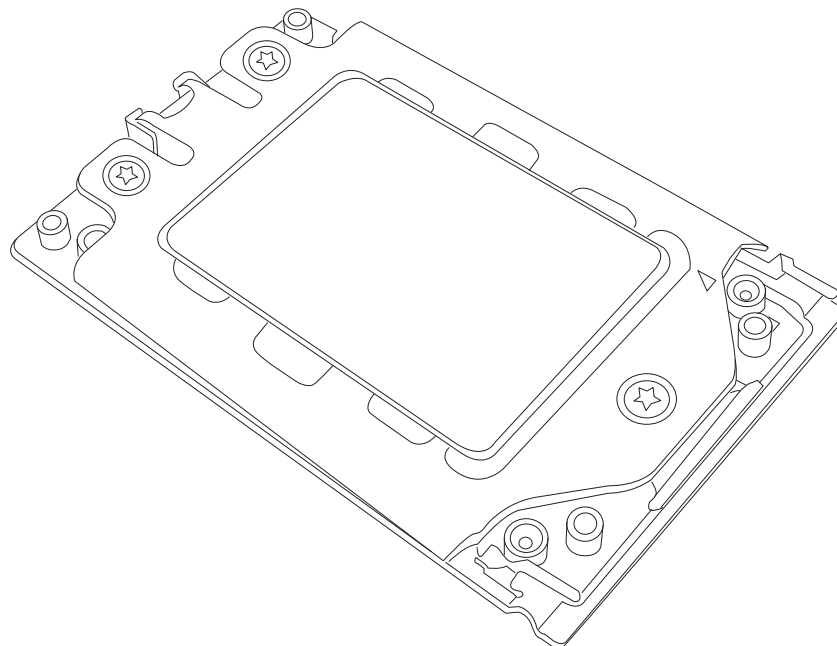
8. Gently lower the Rail Frame down onto the socket until the latches on the Rail Frame engage with the Socket housing. and it rests in place. **DO NOT** force it into place!



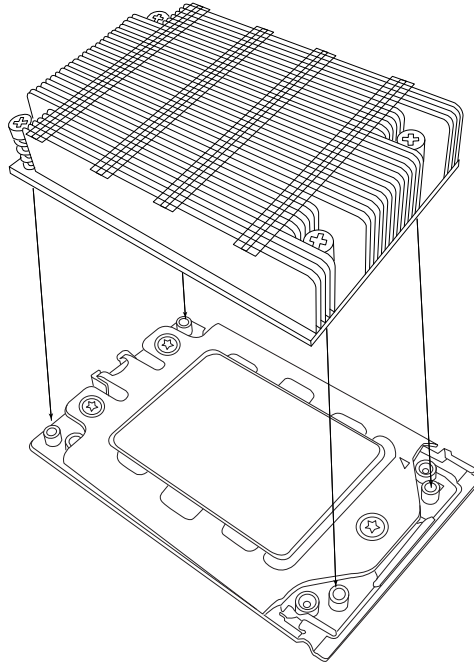
9. Gently lower the Force Frame down onto the Rail Frame and hold it in place until it is seated in the Socket housing. Note that the Force Frame is spring loaded and has to be held in place before it is secured. **Important: Use a torque screwdriver, set it at 16.1 kgf-cm (14.0 lbf-in) with a Torx T20 screw head bit, to prevent damage to the CPU.**



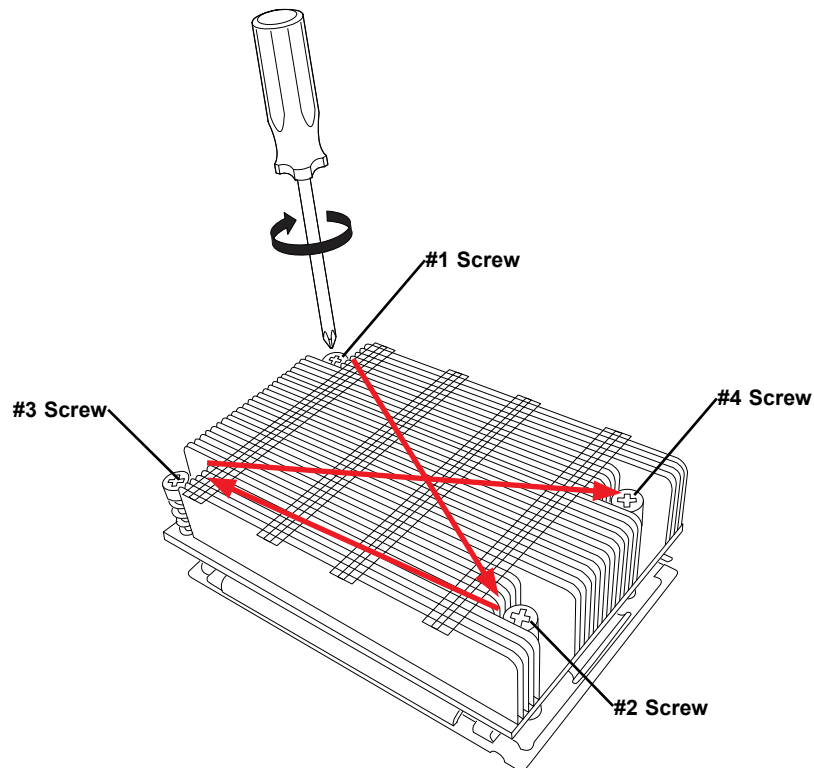
10. Place and re-screw the screws in the reverse order to the way you removed them (holes 1-2-3 in order). When finished, the Force Frame will be secure over both the Rail Frame and CPU Package.



11. After the Force Frame is secured and the CPU package is in place, now you must install the heatsink to the frame. Lower the heatsink down till it rests securely over the four screw holes on CPU Package on the socket frame.



12. Using a diagonal pattern, tighten the four screws down on the heatsink in a clockwise fashion till it is secure. The heatsink will now be secured and you have finished installing the processor and heatsink onto the motherboard. Repeat this procedure for any remaining CPU sockets on the Motherboard.



### **Un-installing the Processor and Heatsink**

1. Remove the heatsink attached to the top of the CPU Package by reversing the installation procedure.
2. Clean the Thermal grease left by the heatsink on the CPU package lid to limit the risk of it contaminating the CPU package land pads or contacts in the socket housing.
3. Reverse the procedure for installing the Force Frame onto the socket, unscrewing the plate in the 3-2-1 screw order and lift the Force Frame to the vertical position.
4. Lift the Rail Frame using the lift tabs near the front end of the Rail Frame. Note that the Rail Frame is spring loaded, so be careful lifting it up into a vertical position.
5. Grip the handle of the Carrier Frame and pull upwards to extract it from the Rail Frame. Return the Carrier Frame/CPU Package to its original shipping container.
6. Grip the handle on the External Cap and return it to the Rail Frame sliding it downwards till it rests in the frame.
7. Gripping the Rail Frame, rotate it downwards till it rests above and locks over the socket housing in its horizontal position.
8. Push and rotate down the Force Frame till it is over the External Cap and Rail Frame into a horizontal position.
9. While holding down the Force Frame, secure it back to the socket frame by securing screw 1 in place. Note that without a CPU Package in place, it is not necessary to tighten down screws 2 and 3 at this time.

## Memory Support and Installation

**Note:** Check the Supermicro website for recommended memory modules.

**Important:** Exercise extreme care when installing or removing DIMM modules to prevent any possible damage.

### Memory Support

The H11DSi / H11DSi-NT supports 2 TB of ECC DDR4 2666 MHz speed / 4TB of ECC DDR4 3200 MHz speed (Board reversion 2.x required), RDIMM/LRDIMM/3DS/NVDIMM memory in 16 slots. Refer to the table below for additional memory information.

DIMM Population Guide (AMD 7001 Processor)								
CPU#	Channel							
	D1	C1	B1	A1	E1	F1	G1	H1
1 DIMM (Supported, but not recommended)								
CPU1		✓						
2 DIMMS (Supported, but not recommended)								
CPU1		✓		✓				
4 DIMMS (Conditionally recommended if 32 cores or fewer)								
CPU1		✓		✓	✓		✓	
8 DIMMS								
CPU1	✓	✓	✓	✓	✓	✓	✓	✓
16 DIMMS								
CPU1	✓	✓	✓	✓	✓	✓	✓	✓
CPU2	✓	✓	✓	✓	✓	✓	✓	✓

**NOTE:** To achieve optimal memory performance, the minimum recommended is at least one DIMM for each channel pair in the system (e.g., A, C, E, G).

Populating RDIMM/RDIMM 3DS/LRDIMM/LRDIMM 3DS DDR4 Memory Modules with 7001 Processor				
Type	DIMM Population	Maximum DIMM Capacity (GB)		Maximum Frequency (MHz)
	DIMM1	1 Channel	8 Channel	
RDIMM	1R	16GB	128GB	2666
	2R	64GB	512GB	2666
LRDIMM 3DS	4R	64GB	512GB	2666
	8R	128GB	1TB	2666
3DS RDIMM	2R2H	64GB	512TB	2666
	2R4H	128GB	1TB	2666

DIMM Population Guide (AMD 7002 Processor)								
CPU#	Channel							
	D1	C1	B1	A1	E1	F1	G1	H1
1 DIMM (Supported, but not recommended)								
CPU1		✓						
2 DIMMS (Supported, but not recommended)								
CPU1	✓	✓						
4 DIMMS (Conditionally recommended if 32 cores or fewer)								
CPU1	✓	✓					✓	✓
8 DIMMS								
CPU1	✓	✓	✓	✓	✓	✓	✓	✓
16 DIMMS								
CPU1	✓	✓	✓	✓	✓	✓	✓	✓
CPU2	✓	✓	✓	✓	✓	✓	✓	✓

**NOTE:** To achieve optimal memory performance, the minimum recommended is at least one DIMM for each channel pair in the system (e.g., A, C, E, G).

Populating RDIMM/RDIMM 3DS/LRDIMM/LRDIMM 3DS DDR4 Memory Modules with 7002 Processor				
Type	DIMM Population	Maximum DIMM Capacity (GB)		Maximum Frequency (MHz)
		1 Channel	8 Channel	
RDIMM	1R	32GB	256GB	3200
	2R or 2DR	64GB	512GB	3200
LRDIMM 3DS	2S2R	128GB	1TB	3200
	2S4R	256GB	2TB	3200
3DS RDIMM	2S2R	128GB	1TB	3200
	2S4R	256GB	2TB	3200



## DIMM Module Population

There is no specific order or sequence required when installing memory modules. However do keep the following in mind:

- Always use DDR4 DIMM modules of the same type, size and speed.
- Mixed DIMM speeds can be installed. However, all DIMMs will run at the speed of the slowest DIMM.
- The motherboard will support odd-numbered modules (1 or 3 modules installed). However, to achieve the best memory performance, fully populate the motherboard with validated memory modules.

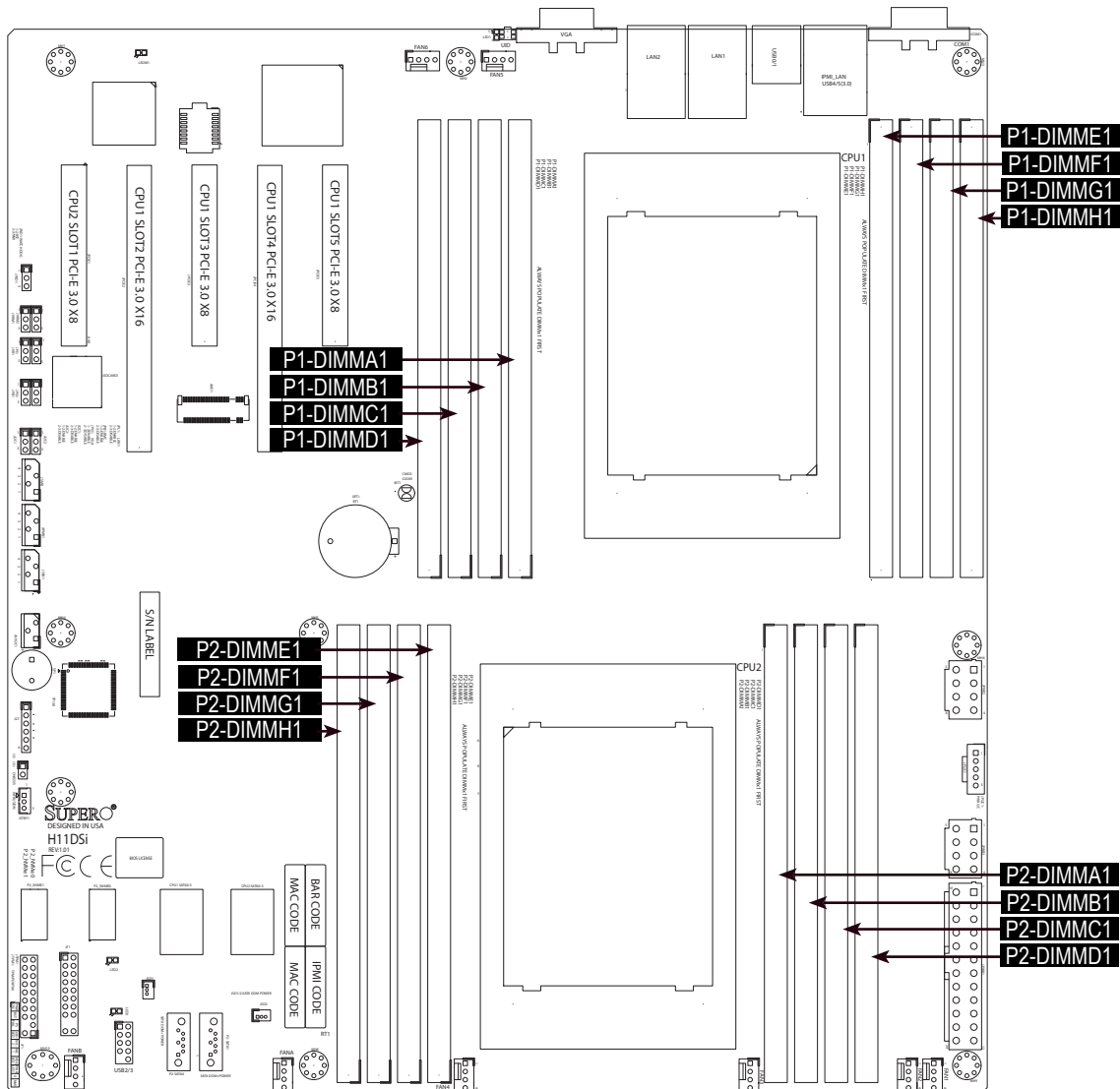
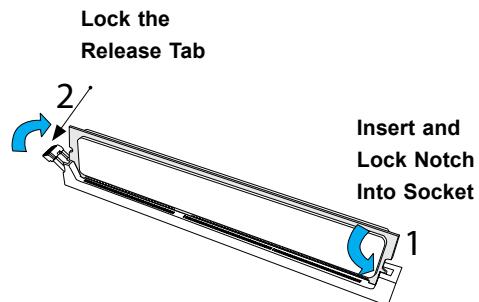
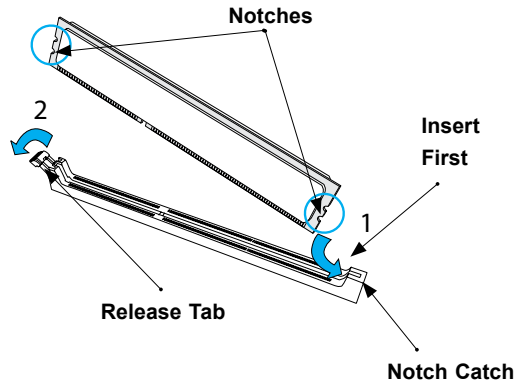
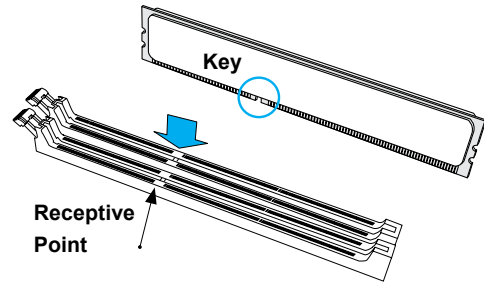


Figure 2-2. DIMM Numbering

## DIMM Installation

1. Insert the desired number of DIMMs into the memory slots, there is no specific sequence or order required.
2. Push the release tab outwards on one end of the DIMM slot to unlock it.
3. Align the Key of the DIMM module with the Receptive Point on the memory slot.
4. Align one Notch on one end of the DIMM module against the Notch Catch of the socket (this is the end without a release tab). Insert this end first, then follow with the other end, making sure the Receptive Point and the Key are aligned.
5. With one end of the DIMM module secure into the Notch Catch, press the opposite end (with the lever) into the slot until the module snaps securely into place.
6. Lock the release tab to the locked position to secure the DIMM module in the slot.



## DIMM Removal

Press the release tab on one end of the DIMM module to unlock it. Once the DIMM module is loosened, remove it from the memory slot, by gently pulling this end upwards.

## 2.5 Rear I/O Ports

See Figure 2-1 below for the locations and descriptions of the various I/O ports on the rear of the motherboard.

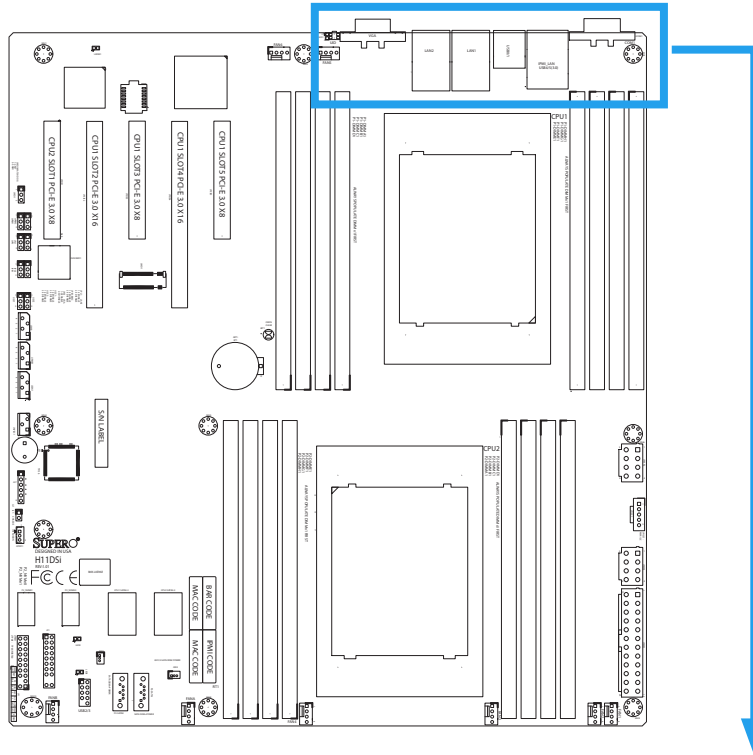
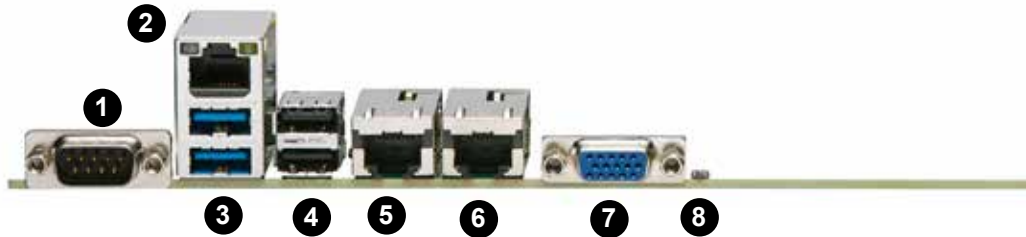


Figure 2-1. I/O Port Locations and Definitions



Rear I/O Ports					
#	Description	#	Description	#	Description
1.	COM Port #1	4.	USB 0/1	7.	VGA Port
2.	IPMI LAN Port	5.	LAN Port#1	8.	UID Switch/LED
3.	USB 4/5	6.	LAN Port#2		

### COM Ports

There is one COM port (COM1) on the rear I/O panel.

### IPMI LAN Port

One IPMI LAN port is located on the I/O back panel. This port accepts an RJ45 type cable.

### **Universal Serial Bus (USB) Ports**

There are two USB 2.0 ports (USB0/1) and two USB 3.0 ports (USB4/5) on the I/O back panel.

### **LAN Port#1, LAN Port#2**

Two LAN ports are located on the I/O back panel. These ports accept an RJ45 type cable.

### **VGA Port**

A video (VGA) port is located next to LAN Port#2 on the I/O back panel. Use this to connect to a monitor that supports legacy VGA video signals.

### **UID Switch and LED Indicator**

A Unit Identifier (UID) switch and UID LED are located on the I/O backpanel, one UID LED indicator header is located on JF1. The rear UID LED is located next to the UID switch. The front UID LED is located on pins 7 & 8 on the front control panel (JF1). When you press the UID switch, both rear and front UID LED indicators will turn on. Press the UID switch again to turn off the LED indicators. Use this UID Indicator system to 'mark' the system, so the system can be easily identified whether on the front or back (e.g., a system rack with multiple units installed).

**Note:** UID can also be triggered via IPMI on the serverboard. For more information on IPMI, please refer to the IPMI User's Guide posted on our website @ <http://www.supermicro.com>

## 2.6 Front Control Panel

JF1 contains header pins for various buttons and indicators that are normally located on a control panel at the front of the chassis. These connectors are designed specifically for use with Supermicro chassis. See the figure below for the descriptions of the front control panel buttons and LED indicators.

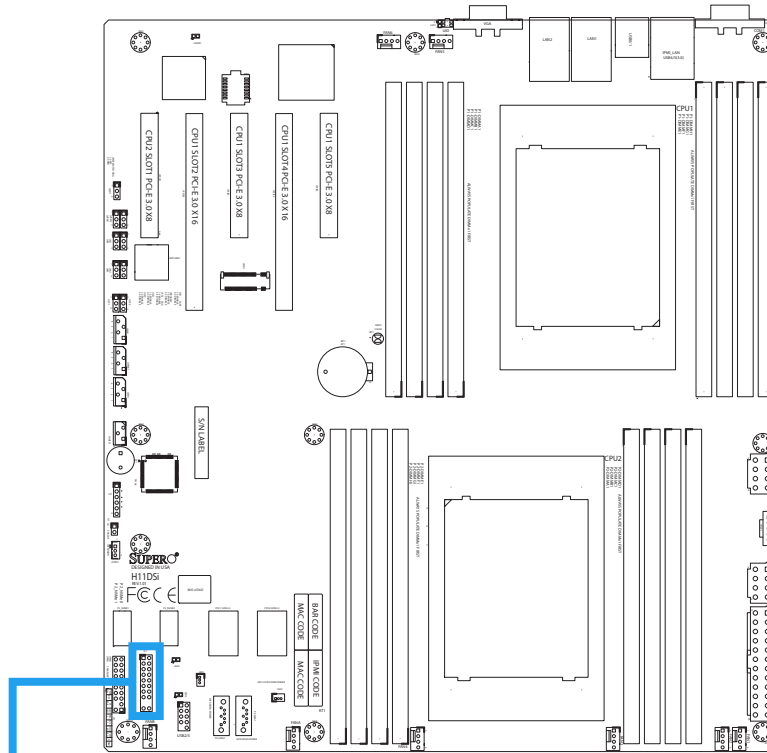


Figure 2-4. JF1 Header Pins

	20	19	
Ground	●	●	NMI
X	●	●	X
FP PWR LED	●	●	3.3V Stby
	●	●	3.3V Stby
NIC1 Activity LED	●	●	3.3V Stby
NIC2 Activity LED	●	●	3.3V Stby
OH/Fan Fail LED	●	●	UID LED
Power Fail LED	●	●	3.3V
Ground	●	●	Reset Button
Ground	●	●	Power Button
	2	1	

### Power Button

The Power Button connection is located on pins 1 and 2 of JF1. Momentarily contacting both pins will power on/off the system. This button can also be configured to function as a suspend button (with a setting in the BIOS - see Chapter 4). To turn off the power in the suspend mode, press the button for at least 4 seconds. Refer to the table below for pin definitions.

Power Button Pin Definitions (JF1)	
Pin#	Definition
1	Signal
2	Ground

### Reset Button

The Reset Button connection is located on pins 3 and 4 of JF1. Attach it to a hardware reset switch on the computer case to reset the system. Refer to the table below for pin definitions.

Reset Button Pin Definitions (JF1)	
Pin#	Definition
3	Reset
4	Ground

### Power Fail LED

The Power Fail LED connection is located on pins 5 and 6 of JF1.

Power Fail LED Pin Definitions (JF1)	
Pin#	Definition
5	3.3V
6	PWR Supply Fail

### OH/Fan Fail Indicator

The Overheat (OH) / Fan Fail LED is located on pin 8 on the front control panel (JF1). When this is on, it indicates that there is a system overheat or the internal fan(s) have failed.

### UID LED Indicator

A Unit Identifier (UID) switch and UID LED are located on the I/O backpanel, one UID LED indicator header is located on JF1. The rear UID LED (UID LED) is located next to the UID switch. The front UID LED is located on pins 7 & 8 on the front control panel (JF1). When you press the UID switch, both rear and front UID LED indicators will be turned on. Press the UID switch again to turn off the LED indicators. Use this UID Indicator system to 'mark' the system, so the system can be easily identified whether on the front or back (e.g., a system rack with multiple units installed).

**Note:** UID can also be triggered via IPMI on the serverboard. For more information on IPMI, please refer to the IPMI User's Guide posted on our website @ <http://www.supermicro.com>.

UID LED Status	
Color/State	Status
Blue: On	Unit Identified

OH/Fan Fail/UID Pin Definitions (JF1)	
Pin#	Definition
7	UID Signal
8	OH/Fan Fail

### NIC1/NIC2 (LAN1/LAN2)

The NIC (Network Interface Controller) LED connection for LAN port 1 is located on pins 11 and 12 of JF1, and the LED connection for LAN Port 2 is on Pins 9 and 10. Attach the NIC LED cables here to display network activity . Note: The H11DSi-NT supports 10Gb.

LAN1/LAN2 LED Pin Definitions (JF1)	
Pin#	Definition
9	NIC2 Activity LED
10	NIC2 Link LED
11	NIC1 Activity LED
12	NIC1 Link LED

## Power LED

The Power LED connection is located on pins 15 and 16 of JF1.

Power LED Pin Definitions (JF1)	
Pin#	Definition
15	3.3V
16	Power LED

## NMI Button

The non-maskable interrupt button header is located on pins 19 and 20 of JF1.

NMI Button Pin Definitions (JF1)	
Pin#	Definition
19	Control
20	Ground

## 2.7 Connectors

### Power Connections

#### Main Power Supply Connector

The primary power supply connector (JPWR1) is an ATX power connector that the power supply plugs into directly.

#### 12V 8-pin Auxilliary Power Connectors

JPWR2 and JPWR3 are 8-pin ATX power inputs to provide auxilliary power to the processors that are installed in the system. Refer to the table below for pin definitions.

ATX Power 24-pin Connector Pin Definitions (JPW1)			
Pin#	Definition	Pin #	Definition
13	+3.3V	1	+3.3V
14	-12V	2	+3.3V
15	Ground	3	Ground
16	PS_ON	4	+5V
17	Ground	5	Ground
18	Ground	6	+5V
19	Ground	7	Ground
20	Res (NC)	8	PWR_OK
21	+5V	9	5VSB
22	+5V	10	+12V
23	+5V	11	+12V
24	Ground	12	+3.3V

12V 8-pin Power Connector Pin Definitions	
Pins	Definition
1 through 4	Ground
5 through 8	+12V



## Headers

### Fan Headers

There are eight fan headers on the motherboard. These are 4-pin fan headers; pins 1-3 are backward compatible with traditional 3-pin fans. The onboard fan speeds are controlled by Thermal Management (via Hardware Monitoring) in the BIOS. When using Thermal Management setting, please use all 3-pin fans or all 4-pin fans.

Fan Header Pin Definitions	
Pin#	Definition
1	Ground (Black)
2	+12V (Red)
3	Tachometer
4	PWM Control

### Chassis Intrusion

A Chassis Intrusion header is located at JL1 on the motherboard. Attach the appropriate cable from the chassis to the header to inform you when the chassis is opened.

Chassis Intrusion Pin Definitions	
Pins	Definition
1	Ground
2	Intrusion Input

### Disk-On-Module Power Connector

The Disk-On-Module (DOM) power connectors at JSD1 and JSD2 provide 5V power to a solid-state DOM storage device connected to one of the SATA ports. See the table below for pin definitions.

DOM Power Pin Definitions	
Pin#	Definition
1	5V
2	Ground
3	Ground

### SATA Ports

The H11DSi / H11DSi-NT has eight (8) available SATA 3.0 ports (CPU1-SATA0~3, CPU2-SATA0~3) on two iPASS connectors that are supported by CPU1 and CPU2. These use an iPASS breakout cable to support 4 ports per connector. There are also two (2) SATA ports (P2-SATA0, P2-SATA1) that are supported by CPU2 and also provides integrated DOM (Disc On Module) power.

### TPM Header/Port 80 Connector

The JTPM1 header is used to connect a Trusted Platform Module (TPM), which is available from a third-party vendor. A TPM is a security device that supports encryption and authentication in hard drives. It enables the motherboard to deny access if the TPM associated with the hard drive is not installed in the system.

Please go to the following link for more information on TPM: <http://www.supermicro.com/manuals/other/TPM.pdf>.

Trusted Platform Module Header Pin Definitions			
Pin#	Definition	Pin#	Definition
1	LCLK	2	GND
3	LFRAME#	4	Key
5	LRESET#	6	5V
7	LAD3	8	LAD2
9	3.3V	10	LAD1
11	LAD0	12	GND
13	SMB_CLK4 (X)	14	SMB_DAT4 (X)
15	P3V3_STBY	16	SERIRQ
17	GND	18	LP_CLKRUN_L
19	P3V3_STBY	20	NC

### NVM Express Connections (H11DSi-NT only)

Two NVM Express ports are located on the serverboard (one for each processor). These ports provide high-speed, low-latency PCI-Exp. 3.0 x4 connections directly from the CPU to NVMe Solid State (SSD) drives. This greatly increases SSD data-throughput performance and significantly reduces PCI-E latency by simplifying driver/software requirements resulted from direct PCI-E interface from the CPU to the NVMe SSD drives.

### System Management Bus (SMB) Header

System Management Bus headers for additional slave devices or sensors is located at JSMB and JSMB1.

### PCI-E M.2 Connector

The PCI-E M.2 connector is for devices such as memory cards, wireless adapters, etc. These devices must conform to the PCIE M.2 specifications (formerly known as NGFF). This particular PCIe M.2 supports M-Key (PCIe x2) storage card only.

## USB 2/3

The USB 2/3 header contains a header for USB ports #2 and #3. If the chassis supports this feature, connect the Front Panel cable to this header to access USB ports #2 and #3 directly from the chassis front panel.

Front Panel USB 2.0 Header Pin Definitions			
Pin#	Definition	Pin#	Definition
1	+5V	2	+5V
3	USB_PN2	4	USB_PN3
5	USB_PP2	6	USB_PP3
7	Ground	8	Ground
9	Key	10	Ground

## Battery

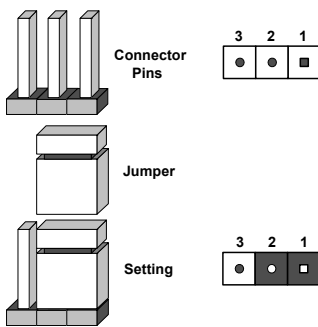
The on board back up battery is located at BT1. The on board battery provides backup power to the on board CMOS chip, which stores the BIOS' setup information.

## 2.8 Jumper Settings

### How Jumpers Work

To modify the operation of the motherboard, jumpers can be used to choose between optional settings. Jumpers create shorts between two pins to change the function of the connector. Pin 1 is identified with a square solder pad on the printed circuit board. See the diagram below for an example of jumping pins 1 and 2. Refer to the motherboard layout page for jumper locations.

**Note:** On two-pin jumpers, "Closed" means the jumper is on and "Open" means the jumper is off the pins.



### Clear CMOS

JBT1 is used to clear CMOS, which will also clear any passwords. Instead of pins, this jumper consists of contact pads to prevent accidentally clearing the contents of CMOS.

#### **To Clear CMOS**

1. First power down the system and unplug the power cord(s).
2. Remove the cover of the chassis to access the motherboard.
3. Remove the onboard battery from the motherboard.
4. Short the CMOS pads with a metal object such as a small screwdriver for at least four seconds.
5. Remove the screwdriver (or shorting device).
6. Replace the cover, reconnect the power cord(s), and power on the system.

**Note:** Clearing CMOS will also clear all passwords.

*Do not use the PW\_ON connector to clear CMOS.*



### VGA Enable/Disable

JPG1 allows you to enable or disable the VGA port. The default position is on pins 1 and 2 to enable VGA. See the table below for jumper settings.

VGA Enable/Disable Jumper Settings (JPG1)	
Jumper Setting	Definition
Pins 1-2	Enabled
Pins 2-3	Disabled

### Watch Dog

JWD1 controls the Watch Dog function. Watch Dog is a monitor that can reboot the system when a software application hangs. Jumping pins 1-2 will cause Watch Dog to reset the system if an application hangs. Jumping pins 2-3 will generate a non-maskable interrupt signal for the application that hangs. Watch Dog must also be enabled in BIOS. The default setting is Reset.

**Note:** When Watch Dog is enabled, the user needs to write their own application software to disable it.

Watch Dog Jumper Settings	
Jumper Setting	Definition
Pins 1-2	Reset (Default)
Pins 2-3	NMI
Open	Disabled

### PCI Slot SMB Enable (JI2C1/JI2C2)

Use Jumpers JI2C1/JI2C2 to enable PCI SMB (System Management Bus) support to improve system management for the PCI slots. See the table on the right for jumper settings.

PCI Slot_SMB Enable Jumper Settings	
Jumper Setting	Definition
Pins 1-2	Enabled
Pins 2-3	Disabled (Default)

### LAN Enable/Disable

Jumper JPL1 will enable or disable the LAN ports on the motherboard. See the table below for jumper settings. The default setting is enabled.

GLAN Enable Jumper Settings	
Pin#	Definition
1-2	Enabled (default)
2-3	Disabled

## 2.9 LED Indicators

### LAN Port LEDs

The IPMI Ethernet port has two LED indicators. The Activity LED is yellow and indicates connection and activity. The Link LED may be green, amber, or off to indicate the speed of the connection. Refer to the tables below for more information.

LAN1/2 LED (Connection Speed Indicator)	
LED Color	Definition
Off	10 Mb/s
Green	100 Mb/s or 10Gb/s (X550)
Amber	1 Gb/s

Activity Indicator		
Color	Status	Definition
Off	No Connection	
Yellow	Flashing	Active

### Onboard Overheat and Fan Failure LED

LED2 is an onboard overheat and fan failure indicator. When this LED is lit, and is solid red, it means that a system overheat condition has been detected. When the indicator is red and blinking, this means that a system fan failure has occurred.

Onboard Overheat / Fan Failure LED Indicator	
LED Color	Definition
Solid Red	Overheat
Blinking	Fan Failure

### Onboard Power LED

LED3 is an onboard power LED. When this LED is lit, it means power is present on the motherboard. Turn off the system and unplug the power cord before removing or installing components.

Onboard Power LED Indicator	
LED Color	Definition
Off	System Off (power cable not connected)
Green	System On

### **BMC Heartbeat LED**

A BMC Heartbeat LED is located at LEDM1 on the motherboard. When LEDM1 is blinking, the BMC is functioning normally. See the table below for more information.

<b>BMC Heartbeat LED State</b>	
<b>LED Color</b>	<b>Definition</b>
Green: Blinking	BMC: Normal



# Chapter 3

## Troubleshooting

### 3.1 Troubleshooting Procedures

Use the following procedures to troubleshoot your system. If you have followed all of the procedures below and still need assistance, refer to the 'Technical Support Procedures' and/or 'Returning Merchandise for Service' section(s) in this chapter. Always disconnect the AC power cord before adding, changing or installing any non hot-swap hardware components.

#### **Before Power On**

1. Check that the LEDM1 is blinking before the motherboard is turned on.
2. Check that the LED3 on the motherboard is on.
3. Make sure that the power connector is connected to your power supply.
4. Make sure that no short circuits exist between the motherboard and chassis.
5. Disconnect all cables from the motherboard, including those for the keyboard and mouse.
6. Remove all add-on cards.
7. Install a CPU, a heatsink, and at least one DIMM on the motherboard. Check all jumper settings properly. Make sure that the heatsink is fully seated.
8. Use the correct type of onboard CMOS battery (CR2032) as recommended by the manufacturer. To avoid possible explosion, do not install the CMOS battery upside down.

#### **No Power**

1. Make sure that no short circuits exist between the motherboard and the chassis.
2. Verify that all jumpers are set to their default positions.
3. Turn the power switch on and off to test the system.
4. The battery on your motherboard may be old. Check to verify that it still supplies ~3VDC. If it does not, replace it with a new one.

## No Video

1. Check that the VGA cable is connected properly, and the monitor is on.
2. Set JPG1 to [1-2] and check if you follow the guidelines to install the memory module (see DIMM Module Population in chapter 2).
3. Reseat the memory DIMM module

## System Boot Failure

If the system does not display POST (Power-On-Self-Test) or does not respond after the power is turned on, check the following:

1. Clear the CMOS settings by unplugging the power cord and contacting both pads on the CMOS Clear Jumper (JBT1). Refer to chapter 2.
2. Remove all components from the motherboard, especially the DIMM modules.
3. Turn on the system with only one DIMM module installed. If the system boots, check for bad DIMM modules or slots by following the Memory Errors Troubleshooting procedure in this Chapter.

## Memory Errors

1. Make sure that the DIMM modules are properly and fully installed.
2. Confirm that you are using the correct memory. Also, it is recommended that you use the same memory type and speed for all DIMMs in the system. [See Section 2.4 for memory details.](#)
3. Check for bad DIMM modules or slots by swapping modules between slots and noting the results.

## What to do if the System is Losing the Setup Configuration

1. Make sure that you are using a high quality power supply. A poor quality power supply may cause the system to lose the CMOS setup information. Refer to Section 1 for details on power supplies.
2. The battery on your motherboard may be old. Check to verify that it still supplies ~3VDC. If it does not, replace it with a new one.
3. If the above steps do not fix the setup configuration problem, contact your vendor for repairs.

## When the System Becomes Unstable

### **A. If the system becomes unstable during or after OS installation, check the following:**

1. CPU/BIOS support: Make sure that your CPU is supported and that you have the latest BIOS installed in your system.
2. Memory support: Make sure that the memory modules are supported by testing the modules using memtest86 or a similar utility.

**Note:** Refer to the product page on our website at <http://www.supermicro.com> for memory and CPU support and updates.

3. HDD support: Make sure that all hard disk drives (HDDs) work properly. Replace the bad HDDs with good ones.
4. System cooling: Check the system cooling to make sure that all heatsink fans and CPU/system fans, etc., work properly. Check the hardware monitoring settings in the IPMI to make sure that the CPU and system temperatures are within the normal range. Also check the front panel Overheat LED and make sure that it is not on.
5. Adequate power supply: Make sure that the power supply provides adequate power to the system. Make sure that all power connectors are connected. Please refer to our website for more information on the minimum power requirements.
6. Proper software support: Make sure that the correct drivers are used.

### **B. If the system becomes unstable before or during OS installation, check the following:**

1. Source of installation: Make sure that the devices used for installation are working properly, including boot devices such as CD/DVD and CD/DVD-ROM.
2. Cable connection: Check to make sure that all cables are connected and working properly.
3. Using the minimum configuration for troubleshooting: Remove all unnecessary components (starting with add-on cards first), and use the minimum configuration (but with a CPU and a memory module installed) to identify the trouble areas. Refer to the steps listed in Section A above for proper troubleshooting procedures.
4. Identifying bad components by isolating them: If necessary, remove a component in question from the chassis, and test it in isolation to make sure that it works properly. Replace a bad component with a good one.
5. Check and change one component at a time instead of changing several items at the same time. This will help isolate and identify the problem.
6. To find out if a component is good, swap this component with a new one to see if the system will work properly. If so, then the old component is bad. You can also install the

component in question in another system. If the new system works, the component is good and the old system has problems.

## 3.2 Technical Support Procedures

Before contacting Technical Support, please take the following steps. Also, note that as a motherboard manufacturer, we do not sell directly to end-users, so it is best to first check with your distributor or reseller for troubleshooting services. They should know of any possible problem(s) with the specific system configuration that was sold to you.

1. Please review the 'Troubleshooting Procedures' and 'Frequently Asked Questions' (FAQs) sections in this chapter or see the FAQs on our website before contacting Technical Support.
2. BIOS upgrades can be downloaded from our website. **Note:** Not all BIOS can be flashed depending on the modifications to the boot block code.
3. If you still cannot resolve the problem, include the following information when contacting us for technical support:
  - Motherboard model and PCB revision number
  - BIOS release date/version (this can be seen on the initial display when your system first boots up)
  - System configuration

An example of a Technical Support form is posted on our website.

Distributors: For immediate assistance, please have your account number ready when contacting our technical support department by e-mail.

## 3.3 Frequently Asked Questions

### **Question: What type of memory does my motherboard support?**

**Answer:** The H11DSi / H11DSi-NT motherboard supports up to 2 TB of ECC DDR4 2400/2666 MHz speed, RDIMM/LRDIMM/3DS/NVDIMM memory in sixteen (16) slots. See Section 2.4 for details on installing memory.

### **Question: How do I update my BIOS?**

**Answer:** It is recommended that you **do not** upgrade your BIOS if you are not experiencing any problems with your system. Updated BIOS files are located on our website at <http://www.supermicro.com>. Please check our BIOS warning message and the information on how to update your BIOS on our website. Select your motherboard model and download the BIOS

file to your computer. Also, check the current BIOS revision to make sure that it is newer than your BIOS before downloading. You can choose from the zip file and the .exe file. If you choose the zip BIOS file, please unzip the BIOS file onto a bootable USB device. Run the batch file using the format FLASH.BAT filename.rom from your bootable USB device to flash the BIOS. Then, your system will automatically reboot.

**Question: Why can't I turn off the power using the momentary power on/off switch?**

**Answer:** The instant power off function is controlled in BIOS by the Power Button Mode setting. When the On/Off feature is enabled, the motherboard will have instant off capabilities as long as the BIOS has control of the system. When the Standby or Suspend feature is enabled or when the BIOS is not in control such as during memory count (the first screen that appears when the system is turned on), the momentary on/off switch must be held for more than four seconds to shut down the system. This feature is required to implement the ACPI features on the motherboard.

**Question: For the AMD EPYC platform, we found that the Windows Server 2012/2016 OS would not install properly. It however works fine with Linux OS, any suggestions?**

**Answer:** This issue is due to Windows server OS' compatibility with the virtualization function, we suggest to disable IOMMU (Input/Output Memory Management Unit) before installing the Windows Server OS. After installing the OS and hotfix update is finished, then you could enable the IOMMU in BIOS.

BIOS >> Advanced >> NB Configuration >> IOMMU >> Change from Auto to Disabled.

Microsoft KB: 4022723



Enabled machines with AMD I/O Virtualization Technology (IOMMU) to boot without BIOS restriction.

<https://support.microsoft.com/en-us/help/4022723/windows-10-update-kb4022723>

**Question: Why did the system freeze and fail to begin installation when I tried to install Windows Server 2016?**

**Answer:** Windows Server 2016 support is limited to less than 255 logical processors, and it does not support x2APIC. Follow the steps to solve the problem.

1. Disable SMT in BIOS. (BIOS >> Advanced >> CPU Configuration >> SMT Control >>Disabled)
2. Set the option of Local APIC Mode to be xAPIC in BIOS. (BIOS >> Advanced >> CPUConfiguration >> Local APIC Mode >> xAPIC)
3. Install Windows Server 2016 again.

**Question: Why did I fail to install Windows Server 2019 on a system with more than 255 logical processors?**

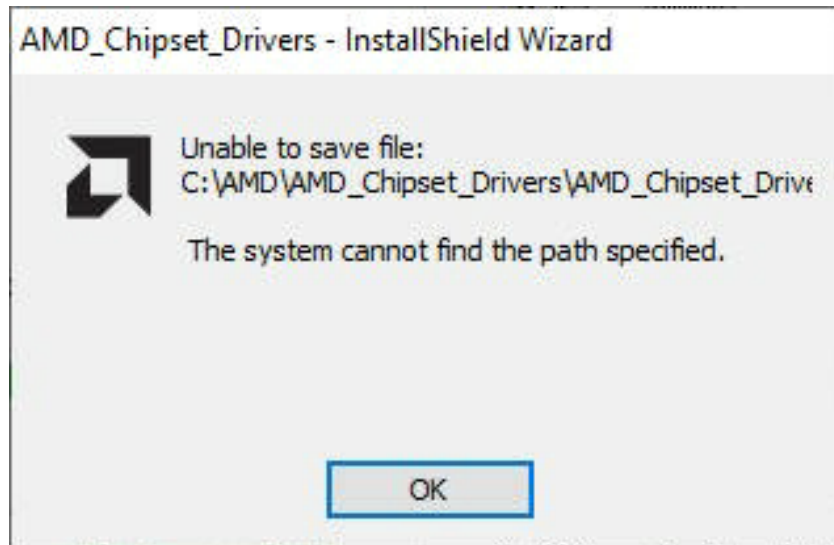
**Answer:** Follow the steps to solve the problem.

1. Disable SMT in BIOS. (BIOS >> Advanced >> CPU Configuration >> SMT Control >>Disabled)
2. Enable IOMMU in BIOS. (BIOS>>Advanced>>NB Configuration >>IOMMU>>Enable)
3. Install Windows Server 2019.
4. Install any required updates to ensure your installed Windows Server 2019 is up to date.
5. Ensure patch KB4512534 is now installed, reboot the system, and enter the BIOS setup utility.
6. Set the option of Local APIC Mode to be x2APIC in BIOS. (BIOS >> Advanced >> CPU Configuration >> Local APIC Mode >> x2APIC)
7. Enable SMP in BIOS. (BIOS >> Advanced >> CPU Configuration >> SMT Control >> Enabled)
8. All logical cores are available for use.

**Question: Why are not all 256 CPU cores displayed on Linux?**

**Answer:** This issue is due to that your Linux kernel does not support 256 CPU cores. Make sure that your Linux kernel version is equal to or higher than 4.19x, and enable IOMMU (Input/Output Memory Management Unit) in BIOS.

**Question:** When I ran the executable file `setup.exe` to install the AMD SP3 I/O driver on Windows, the following message appeared:



**Answer:** It happens in some environments. To solve this problem, click OK and save the installation package to the location you specify. The driver is then installed automatically.

### 3.4 Returning Merchandise for Service

A receipt or copy of your invoice marked with the date of purchase is required before any warranty service will be rendered. You can obtain service by calling your vendor for a Returned Merchandise Authorization (RMA) number. When returning to the manufacturer, the RMA number should be prominently displayed on the outside of the shipping carton and mailed prepaid or hand-carried. Shipping and handling charges will be applied for all orders that must be mailed when service is complete.

For faster service, RMA authorizations may be requested online (<http://www.supermicro.com/support/rma/>).

This warranty only covers normal consumer use and does not cover damages incurred in shipping or from failure due to the alteration, misuse, abuse or improper maintenance of products.

During the warranty period, contact your distributor first for any product problems.

## 3.5 Battery Removal and Installation

### Battery Removal

To remove the onboard battery, follow the steps below:

1. Power off your system and unplug your power cable.
2. Locate the onboard battery as shown below.
3. Using a tool such as a pen or a small screwdriver, push the battery lock outwards to unlock it. Once unlocked, the battery will pop out from the holder.
4. Remove the battery.

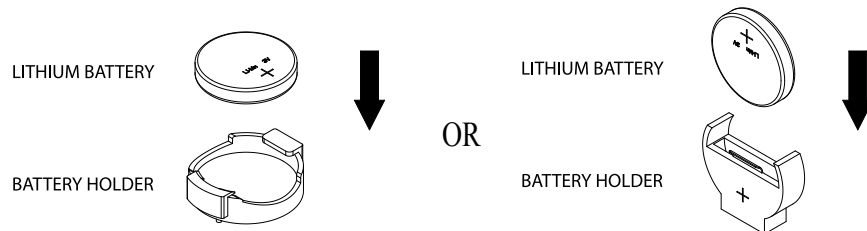
### Proper Battery Disposal

Please handle used batteries carefully. Do not damage the battery in any way; a damaged battery may release hazardous materials into the environment. Do not discard a used battery in the garbage or a public landfill. Please comply with the regulations set up by your local hazardous waste management agency to dispose of your used battery properly.

### Battery Installation

1. To install an onboard battery, follow the steps 1 & 2 above and continue below:
2. Identify the battery's polarity. The positive (+) side should be facing up.
3. Insert the battery into the battery holder and push it down until you hear a click to ensure that the battery is securely locked.

**Important:** When replacing a battery, be sure to only replace it with the same type.





# Chapter 4

## BIOS

### (EPYC 7001 Series)

#### 4.1 Introduction

This chapter describes the AMIBIOS™ Setup utility for the H11DSi / H11DSi-NT motherboard. The BIOS is stored on a chip and can be easily upgraded using a flash program.

**Note:** Due to periodic changes to the BIOS, some settings may have been added or deleted and might not yet be recorded in this manual. Please refer to the Manual Download area of our website for any changes to BIOS that may not be reflected in this manual.

#### Starting the Setup Utility

To enter the BIOS Setup Utility, hit the <Delete> key while the system is booting-up. (In most cases, the <Delete> key is used to invoke the BIOS setup screen. There are a few cases when other keys are used, such as <F1>, <F2>, etc.) Each main BIOS menu option is described in this manual.

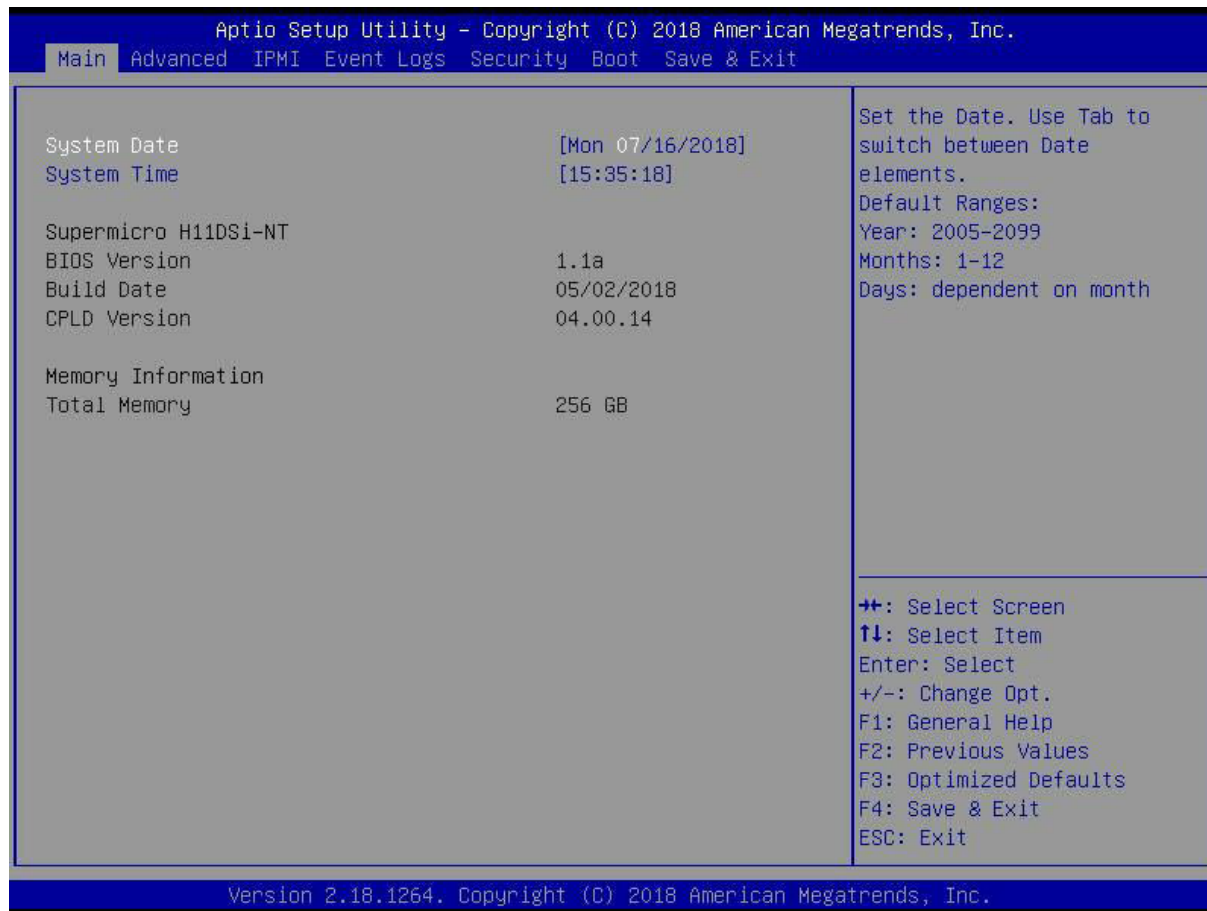
The Main BIOS screen has two main frames. The left frame displays all the options that can be configured. "Grayed-out" options cannot be configured. The right frame displays the key legend. Above the key legend is an area reserved for a text message. When an option is selected in the left frame, it is highlighted in white. Often a text message will accompany it. (Note that BIOS has default text messages built in. We retain the option to include, omit, or change any of these text messages.) Settings printed in **Bold** are the default values.

A " ►" indicates a submenu. Highlighting such an item and pressing the <Enter> key will open the list of settings within that submenu.

The BIOS setup utility uses a key-based navigation system called hot keys. Most of these hot keys (<F1>, <F2>, <F3>, <Enter>, <ESC>, <Arrow> keys, etc.) can be used at any time during the setup navigation process.

## 4.2 Main Setup

When you first enter the AMI BIOS setup utility, you will enter the Main setup screen. You can always return to the Main setup screen by selecting the Main tab on the top of the screen. The Main BIOS setup screen is shown below. The following Main menu items will be displayed:



### System Date/System Time

Use this option to change the system date and time. Highlight *System Date* or *System Time* using the arrow keys. Enter new values using the keyboard. Press the <Tab> key or the arrow keys to move between fields. The date must be entered in MM/DD/YYYY format. The time is entered in HH:MM:SS format.

**Note:** The time is in the 24-hour format. For example, 5:30 P.M. appears as 17:30:00. The date's default value is 01/01/2015 after RTC reset.

### Supermicro H11DSi-NT

#### BIOS Version

This item displays the version of the BIOS firmware used in the system.

#### Build Date

This item displays the date when the version of the BIOS firmware used in the system was built.

**CPLD Version**

This item displays the version of the CPLD firmware used in the system.

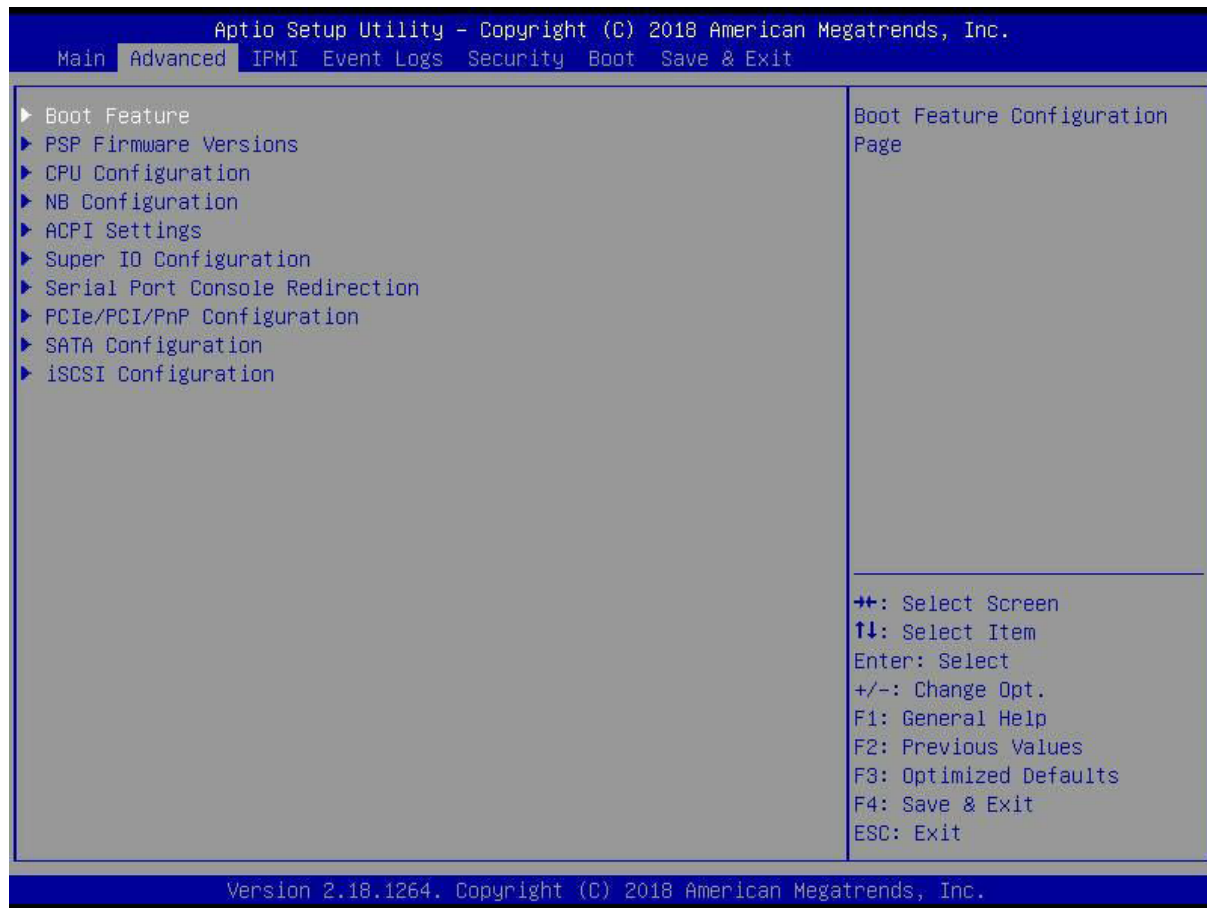
**Memory Information**

**Total Memory**

This item displays the total size of memory available in the system.

## 4.3 Advanced

Use the arrow keys to select Boot Setup and press <Enter> to access the submenu items.



**Warning:** Take caution when changing the Advanced settings. An incorrect value, a very high DRAM frequency, or an incorrect DRAM timing setting may make the system unstable. When this occurs, revert to the default to the manufacture default settings.

### ► Boot Feature

#### Quiet Boot

Use this feature to select the screen display between the POST messages and the OEM logo upon bootup. Select Disabled to display the POST messages. Select Enabled to display the OEM logo instead of the normal POST messages. The options are **Enabled** and Disabled.

#### Option ROM Messages

Use this feature to set the display mode for the Option ROM. Select Keep Current to display the current AddOn ROM setting. Select Force BIOS to use the Option ROM display set by the system BIOS. The options are **Force BIOS** and Keep Current.

**Bootup NumLock State**

Use this feature to set the Power on state for the <Numlock> key. The options are Off and **On**.

**Wait For "F1" If Error**

Use this feature to force the system to wait until the 'F1' key is pressed if an error occurs. The options are Disabled and **Enabled**.

**INT19 (Interrupt 19) Trap Response**

Interrupt 19 is the software interrupt that handles the boot disk function. When this item is set to Immediate, the ROM BIOS of the host adaptors will "capture" Interrupt 19 at bootup immediately and allow the drives that are attached to these host adaptors to function as bootable disks. If this item is set to Postponed, the ROM BIOS of the host adaptors will not capture Interrupt 19 immediately and allow the drives attached to these adaptors to function as bootable devices at bootup. The options are **Immediate** and Postponed.

**Re-try Boot**

If this item is enabled, the BIOS will automatically reboot the system from a specified boot device after its initial boot failure. The options are **Disabled**, Legacy Boot, and EFI Boot.

**Power Configuration****Watch Dog Function**

If enabled, the Watch Dog Timer will allow the system to reset or generate NMI based on jumper settings when it is expired for more than 5 minutes. The options are **Disabled** and Enabled.

**Restore on AC Power Loss**

Use this feature to set the power state after a power outage. Select Stay-Off for the system power to remain off after a power loss. Select Power-On for the system power to be turned on after a power loss. Select Last State to allow the system to resume its last power state before a power loss. The options are Stay Off, Power On, and **Last State**.

**Power Button Function**

This feature controls how the system shuts down when the power button is pressed. Select 4 Seconds Override for the user to power off the system after pressing and holding the power button for 4 seconds or longer. Select Instant Off to instantly power off the system as soon as the user presses the power button. The options are **Instant Off** and 4 Seconds Override.

## ►PSP Firmware Versions

This section displays the Platform Security Processor (PSP) firmware versions.

### PSP Directory Level 1 (Fixed)

- PSP Recovery BL Ver
- SMU FW Version
- ABL Version
- APCB Version
- APOB Version
- APPB Version

### PSP Directory Level 2 (Updateable)

- PSP Bootloader Version
- SMU FW Version
- ABL Version
- APCB Version
- APOB Version
- APPB Version

## ►Trusted Computing

### Security Device Support

If this feature and the TPM jumper on the motherboard are both set to Enabled, onboard security devices will be enabled for TPM (Trusted Platform Module) support to enhance data integrity and network security. Please reboot the system for a change on this setting to take effect. The options are Disable and **Enable**.

### TPM State

This software switch will enable or disable the installed security device. The options are Disable and **Enable**.

### Pending Operation

This feature will schedule an operation for the the security device, select TPM Clear to clear any pending operation. The options are **None** and TPM Clear

### Device Select

Selecting TPM 1.2 will restrict support to TPM 1.2 devices, TPM 2.0 to TPM 2.0 devices and Auto will auto-select according to the version of the device installed, with the default set to TPM 2.0. The options are TPM 1.2, TPM 2.0 and **Auto**.

## ► CPU Configuration

### SMT Mode

Use this setting to specify Simultaneous Multithreading. Options include Off for 1T single thread and **Auto** for 2T two-thread if your system is capable of it.

### Core Performance Boost

This setting is used to configure for Core Performance Boost. Options include **Auto** and Disabled.

### Global C-state Control

This setting is used to configure for Global C-state Control. Options include **Auto**, Disabled and Enabled.

### Downcore Control

This sets the number of cores to be used by your system. Once this option has been used to remove any cores, a power cycle is required in order for the future selections to take effect. Options include TWO (1+1), Two (2 + 0), Three (3 + 0), Four (2 + 2), Four (4+0), Six (3 + 3) and **Auto**. If unsure, leave this to Auto.

### L1 Stream HW Prefetcher / L2 Stream HW Prefetcher

This setting is used to enable or disable the L1/L2 Stream Hardware Prefetcher. The options are **Auto**, Disabled and Enabled.

### SVM Mode

This setting **Enables** or Disables CPU Virtualization.

### SMEE

This setting **Enables** or Disables secure memory encryption control.

## ► CPU1/CPU2 Information

These sections are for informational purposes. They will display some details about the detected CPUs on the motherboard, such as:

- CPU Version
- Number of Cores Running
- Clock speed
- Processor Family
- Processor Model
- Microcode Patch Level
- L1 Instruction Cache (Size/Method)

- L1 Data Cache (Size/Method)
- L2 Data Cache (Size/Method)
- L3 Cache per Socket (Size/Method)

## ►NB Configuration

### Determinism Slider

Use this setting to configure the Determinism Slider. Options include **Auto**, Power and Performance.

### cTDP Control

Use this setting to configure the cTDP Control. Options include Manual and **Auto**.

### IOMMU

Use this setting to enable/disable IOMMU. Options include Enabled, **Disabled** and Auto.

### ACS Enable

Use this setting to enable/disable ACS. Options include Enabled, Disabled and **Auto**.

## ►Memory Configuration

### Memory Clock

This setting allows you to select different memory clock speed. Options include **Auto** and speed settings from 1333Mhz to 2666Mhz.

### Memory Interleaving

This setting controls fabric level memory interleaving. Note that the channel, die and socket have requirements on memory populations and it will be ignored if the memory doesn't support the selected option. Options include None, Channel, Die, Socket and **Auto**.

### Memory Interleaving Size

This setting controls the memory interleaving size. This determines the starting address of the interleave (bit 8, 9, 10 or 11). Options include 256 Bytes, 512 Bytes, 1 KB, 2 KB or Auto.

### Chipset Interleaving

This setting controls interleave memory blocks across the DRAM chip for node 0. The options are Disabled and **Auto**.

### BankGroupSwap

This setting controls the Bank Group Swap. The options are Enabled, Disabled and **Auto**.



## ► CPU1/CPU2 Memory Information

These sections are for informational purposes. They will display some details about the detected memory according to each CPU on the motherboard, such as:

- Detected Size (per slot, in MB)
- Current Speed (MT/s)

## ► ACPI Settings

### High Precision Event Timer

The High Precision Event Timer (HPET) can produce periodic interrupts and is used to synchronize multimedia streams, providing smooth playback and reducing the need to use other timestamp calculations. The options are **Enabled** and Disabled.

## ► Super IO Configuration

The following Super IO information will display:

- Super IO Chip AST2500

### ► Serial Port 1 Configuration

#### Serial Port

Select Enabled to enable the selected onboard serial port. The options are Disabled and **Enabled**.

#### Device Settings

This item displays the status of a serial part specified by the user.

#### Change Settings

This feature specifies the base I/O port address and the Interrupt Request address of a serial port specified by the user. Select Auto to allow the BIOS to automatically assign the base I/O and IRQ address. The options are **Auto**, (IO=3F8h; IRQ=4;); (IO=3F8h; IRQ=3, 4, 5, 6, 7, 9, 10, 11, 12;); (IO=2F8h; IRQ=3, 4, 5, 6, 7, 9, 10, 11, 12;); (IO=3E8h; IRQ=3, 4, 5, 6, 7, 9, 10, 11, 12;); and (IO=2E8h; IRQ=3, 4, 5, 6, 7, 9, 10, 11, 12;).

### ► SOL Configuration

#### Serial Port

Select Enabled to enable the selected onboard serial port. The options are Disabled and **Enabled**.

## Change Settings

This feature specifies the base I/O port address and the Interrupt Request address of a serial port specified by the user. Select Auto to allow the BIOS to automatically assign the base I/O and IRQ address. The options are **Auto**, (IO=2F8h; IRQ=3;); (IO=3F8h; IRQ=3, 4, 5, 6, 7, 9, 10, 11, 12;); (IO=2F8h; IRQ=3, 4, 5, 6, 7, 9, 10, 11, 12;); (IO=3E8h; IRQ=3, 4, 5, 6, 7, 9, 10, 11, 12;); and (IO=2E8h; IRQ=3, 4, 5, 6, 7, 9, 10, 11, 12;).

## ► Serial Port Console Redirection

### COM1

#### Console Redirection

Select Enabled to enable console redirection support for a serial port specified by the user. The options are Enabled and **Disabled**.

*\*If the item above set to Enabled, the following items will become available for user's configuration:*

#### ► Console Redirection Settings

##### Terminal Type

This feature allows the user to select the target terminal emulation type for Console Redirection. Select VT100 to use the ASCII Character set. Select VT100+ to add color and function key support. Select ANSI to use the Extended ASCII Character Set. Select VT-UTF8 to use UTF8 encoding to map Unicode characters into one or more bytes. The options are VT100, **VT100+**, VT-UTF8, and ANSI.

##### Bits per second

Use this feature to set the transmission speed for a serial port used in Console Redirection. Make sure that the same speed is used in the host computer and the client computer. A lower transmission speed may be required for long and busy lines. The options are 9600, 19200, 38400, 57600 and **115200** (bits per second).

##### Data Bits

Use this feature to set the data transmission size for Console Redirection. The options are 7 and **8**.

##### Parity

A parity bit can be sent along with regular data bits to detect data transmission errors. Select Even if the parity bit is set to 0, and the number of 1's in data bits is even. Select Odd if the parity bit is set to 0, and the number of 1's in data bits is odd. Select None if you do not want to send a parity bit with your data bits in transmission. Select Mark to add a mark

as a parity bit to be sent along with the data bits. Select Space to add a Space as a parity bit to be sent with your data bits. The options are **None**, Even, Odd, Mark, and Space.

### **Stop Bits**

A stop bit indicates the end of a serial data packet. Select 1 Stop Bit for standard serial data communication. Select 2 Stop Bits if slower devices are used. The options are **1** and **2**.

### **Flow Control**

Use this feature to set the flow control for Console Redirection to prevent data loss caused by buffer overflow. Send a "Stop" signal to stop sending data when the receiving buffer is full. Send a "Start" signal to start sending data when the receiving buffer is empty. The options are **None** and Hardware RTS/CTS.

### **VT-UTF8 Combo Key Support**

Select Enabled to enable VT-UTF8 Combination Key support for ANSI/VT100 terminals. The options are Disabled and **Enabled**.

### **Recorder Mode**

Select Enabled to capture the data displayed on a terminal and send it as text messages to a remote server. The options are **Disabled** and Enabled.

### **Resolution 100x31**

Select Enabled for extended-terminal resolution support. The options are Disabled and **Enabled**.

### **Putty KeyPad**

This feature selects the settings for Function Keys and KeyPad used for Putty, which is a terminal emulator designed for the Windows OS. The options are **VT100**, LINUX, XTERMR6, SC0, ESCN, and VT400.

## **SOL**

### **Console Redirection**

Select Enabled to enable SOL console redirection support for a serial port specified by the user. The options are **Enabled** and Disabled.

***\*If the item above set to Enabled, the following items will become available for user's configuration:***

### **► Console Redirection Settings**

#### **Terminal Type**

This feature allows the user to select the target terminal emulation type for Console Redirection. Select VT100 to use the ASCII Character set. Select VT100+ to add color

and function key support. Select ANSI to use the Extended ASCII Character Set. Select VT-UTF8 to use UTF8 encoding to map Unicode characters into one or more bytes. The options are VT100, **VT100+**, VT-UTF8, and ANSI.

### **Bits per second**

Use this feature to set the transmission speed for a serial port used in Console Redirection. Make sure that the same speed is used in the host computer and the client computer. A lower transmission speed may be required for long and busy lines. The options are 9600, 19200, 38400, 57600 and **115200** (bits per second).

### **Data Bits**

Use this feature to set the data transmission size for Console Redirection. The options are 7 and **8**.

### **Parity**

A parity bit can be sent along with regular data bits to detect data transmission errors. Select Even if the parity bit is set to 0, and the number of 1's in data bits is even. Select Odd if the parity bit is set to 0, and the number of 1's in data bits is odd. Select None if you do not want to send a parity bit with your data bits in transmission. Select Mark to add a mark as a parity bit to be sent along with the data bits. Select Space to add a Space as a parity bit to be sent with your data bits. The options are **None**, Even, Odd, Mark, and Space.

### **Stop Bits**

A stop bit indicates the end of a serial data packet. Select 1 Stop Bit for standard serial data communication. Select 2 Stop Bits if slower devices are used. The options are **1** and 2.

### **Flow Control**

Use this feature to set the flow control for Console Redirection to prevent data loss caused by buffer overflow. Send a "Stop" signal to stop sending data when the receiving buffer is full. Send a "Start" signal to start sending data when the receiving buffer is empty. The options are **None** and Hardware RTS/CTS.

### **VT-UTF8 Combo Key Support**

Select Enabled to enable VT-UTF8 Combination Key support for ANSI/VT100 terminals. The options are Disabled and **Enabled**.

### **Recorder Mode**

Select Enabled to capture the data displayed on a terminal and send it as text messages to a remote server. The options are **Disabled** and Enabled.

### **Resolution 100x31**

Select Enabled for extended-terminal resolution support. The options are Disabled and **Enabled**.

### **Putty KeyPad**

This feature selects the settings for Function Keys and KeyPad used for Putty, which is a terminal emulator designed for the Windows OS. The options are **VT100**, LINUX, XTERMR6, SC0, ESCN, and VT400.

## **Legacy Console Redirection**

### **► Legacy Console Redirection Settings**

#### **Redirection COM Port**

For this setting, select a COM port to display redirection of Legacy OS and Legacy OPROM messages. Options include **COM1** and SOL.

#### **Resolution**

For Legacy OS systems, use this setting to specify the number of Rows and Columns supported for redirection. Options include **80x24** and 80x25.

#### **Redirect After Post**

For this setting, when the Bootloader is selected, then the Legacy Console Redirection is disabled before booting to the legacy OS. If you select Always Enable, then the Legacy Console Redirection is enabled for legacy OS systems. Default option for this system is **Always Enable**.

## **Serial Port for Out-of-Band Management/Windows Emergency Management Services (EMS)**

### **Console Redirection**

Select Enabled to enable EMS console redirection support for a serial port specified by the user. The options are **Enabled** and Disabled.

***\*If the item above set to Enabled, the following items will become available for user's configuration:***

### **► Console Redirection Settings**

#### **Out-of-Band Mgmt Port**

The feature selects a serial port in a client server to be used by the Microsoft Windows Emergency Management Services (EMS) to communicate with a remote host server. The options are **COM1**, COM2 (Disabled), and AMT SOL.

#### **Terminal Type**

Use this feature to select the target terminal emulation type for Console Redirection. Select VT100 to use the ASCII character set. Select VT100+ to add color and function key support. Select ANSI to use the extended ASCII character set. Select VT-UTF8 to use

UTF8 encoding to map Unicode characters into one or more bytes. The options are VT100, VT100+, **VT-UTF8**, and ANSI.

#### **Bits per Second**

This item sets the transmission speed for a serial port used in Console Redirection. Make sure that the same speed is used in the host computer and the client computer. A lower transmission speed may be required for long and busy lines. The options are 9600, 19200, 57600, and **115200** (bits per second).

#### **Flow Control**

Use this item to set the flow control for Console Redirection to prevent data loss caused by buffer overflow. Send a "Stop" signal to stop sending data when the receiving buffer is full. Send a "Start" signal to start sending data when the receiving buffer is empty. The options are **None**, Hardware RTS/CTS, and Software Xon/Xoff.

#### **Data Bits**

#### **Parity**

#### **Stop Bits**

### **► PCIe/PCI/PnP Configuration**

This menu provides PCIe/PCI/PnP configuration settings and information.

#### **PCI Bus Driver Version**

#### **Above 4G Decoding**

This setting **Enables** or Disables 64-bit capable devices ability to be decoded in above 4G address space (only if the system supports 64-bit PCI decoding).

#### **SR-IOV Support**

If the system has SR-IOV capable PCI-E devices, this setting will Enable or **Disable** the Single Root IO Virtualization Support for the system.

#### **PCIe Spread Spectrum**

Use this setting to Enable or **Disable** PCI-E Spread Spectrum for your system.

#### **Target Link Speed**

If supported by hardware and set to Force to x.S GT/S (x being a value of 2.5, 5.0 or 8.0) for Downstream Ports, this sets an upper limit on Link Operational Speed by restricting the values

advertised by the UPstream component in its training sequences. When **Auto** is selected, the HW initialized data will be used.

### **VGA Priority**

Use this setting to select between onboard or offboard VGA support. The options are **Onboard** and **Offboard**.

### **NVMe Firmware Source**

Use this setting to select between the AMI Native firmware support or the device vendor-defined firmware support. The options are **AMI Native Support** and **Vendor Defined Firmware**.

### **M.2 (AHCI) Firmware Source**

Use this setting to select between the AMI Native firmware support or the device vendor-defined firmware support. The options are **AMI Native Support** and **Vendor Defined Firmware**.

### **CPU2 Slot 1 PCI-E 3.0 x8 OPROM**

This setting enables or disables the listed PCI/PCIX/PCIe Slot OPROM option. Options include **Disabled**, **Legacy** or **EFI**.

### **CPU1 Slot 2 PCI-E x16 OPROM**

This setting enables or disables the listed PCI/PCIX/PCIe Slot OPROM option. Options include **Disabled**, **Legacy** or **EFI**.

### **CPU1 Slot 3 PCI-E x8 OPROM**

This setting enables or disables the listed PCI/PCIX/PCIe Slot OPROM option. Options include **Disabled**, **Legacy** or **EFI**.

### **CPU1 Slot 4 PCI-E x16 OPROM**

This setting enables or disables the listed PCI/PCIX/PCIe Slot OPROM option. Options include **Disabled**, **Legacy** or **EFI**.

### **CPU1 Slot 5 PCI-E x8 OPROM**

This setting enables or disables the listed PCI/PCIX/PCIe Slot OPROM option. Options include **Disabled**, **Legacy** or **EFI**.

### **M.2 PCI-E x2 OPROM**

This setting enables or disables the listed M.2 PCI-E OPROM option. Options include **Disabled**, **Legacy** or **EFI**.

### **Onboard LAN Option ROM Type**

Use this setting to select which firmware type to be loaded for onboard LAN on the system. Options include **Legacy** and **EFI**.

### **Onboard LAN1 Option ROM**

Use this setting to select which firmware function is to be loaded for onboard LAN1 on the system. Options include Disabled, **PXE** and iSCSI.

#### **Onboard LAN2 Option ROM**

Use this setting to select which firmware function is to be loaded for onboard LAN2 on the system. Options include **Disabled**, PXE and iSCSI.

#### **P2\_NVMe0 OpROM**

Use this setting to select which firmware function is to be loaded for P2\_NVMe0 OpROM on the system. Options include Disabled, and **EFI**.

#### **P2\_NVMe1 OpROM**

Use this setting to select which firmware function is to be loaded for P2\_NVMe1 OpROM on the system. Options include Disabled, and **EFI**.

#### **Onboard Video Option ROM**

This setting selects which onboard video firmware type to be selected. Options include Disabled, **Legacy** and EFI.

#### **CPU2 Slot 1 PCI-E 3.0 x8 Bifurcation**

This setting selects the bifurcation configuration for this particular PCI-E slot. The options **Auto**, and x4x4.

#### **CPU1 Slot 2 PCI-E 3.0 x16 Bifurcation**

This setting selects the bifurcation configuration for this particular PCI-E slot. The options **Auto**, x8x8 and x4x4x4x4.

#### **CPU1 Slot 3 PCI-E 3.0 x8 Bifurcation**

This setting selects the bifurcation configuration for this particular PCI-E slot. The options **Auto**, and x4x4.

#### **CPU1 Slot 4 PCI-E 3.0 x16 Bifurcation**

This setting selects the bifurcation configuration for this particular PCI-E slot. The options **Auto**, x8x8 and x4x4x4x4.

#### **CPU1 Slot 5 PCI-E 3.0 x8 Bifurcation**

This setting selects the bifurcation configuration for this particular PCI-E slot. The options **Auto**, and x4x4.



## ► Network Stack Configuration

### Network Stack

This setting allows you to **Enable** or Disable the UEFI Network Stack.

### Ipv4 PXE Support

This setting allows you to **Enable** or Disable IPv4 PXE boot support. If disabled, IPv4 PXE boot support will not be available.

### Ipv4 HTTP Support

This setting allows you to Enable or **Disable** IPv4 HTTP boot support. If disabled, IPv4 HTTP boot support will not be available.

### Ipv6 PXE Support

This setting allows you to **Enable** or Disable IPv6 PXE boot support. If disabled, IPv6 PXE boot support will not be available.

### Ipv6 HTTP Support

This setting allows you to Enable or **Disable** IPv6 HTTP boot support. If disabled, IPv6 HTTP boot support will not be available.

### PXE Boot Wait Time

This setting allows you to set in a number field the wait time to press the ESC key to abort the PXE boot. Default is **0**.

### Media Detect Count

This setting allows you set in a number field the number of times presence of media will be checked. Default is **1**.

## ► SATA Configuration

This section displays the detected SATA devices installed on the system.

### SATA Controller

This setting enables or disables the on chip SATA controller. The options are Enabled, Disabled or **Auto**.

### SATA Hot Plug

This setting enables or disables the on chip SATA hot plug feature. The options are **Enabled**, Disabled.

### ▶ **SATA Information**

This section displays information on the detected SATA devices:

- CPU1 SATA0 ~ CPU1 SATA7

### ▶ **iSCSI Configuration**

#### **iSCSI Initiator Name**

This feature allows the user to enter the unique name of the iSCSI Initiator in IQN format. Once the name of the iSCSI Initiator is entered into the system, configure the proper settings for the following items.

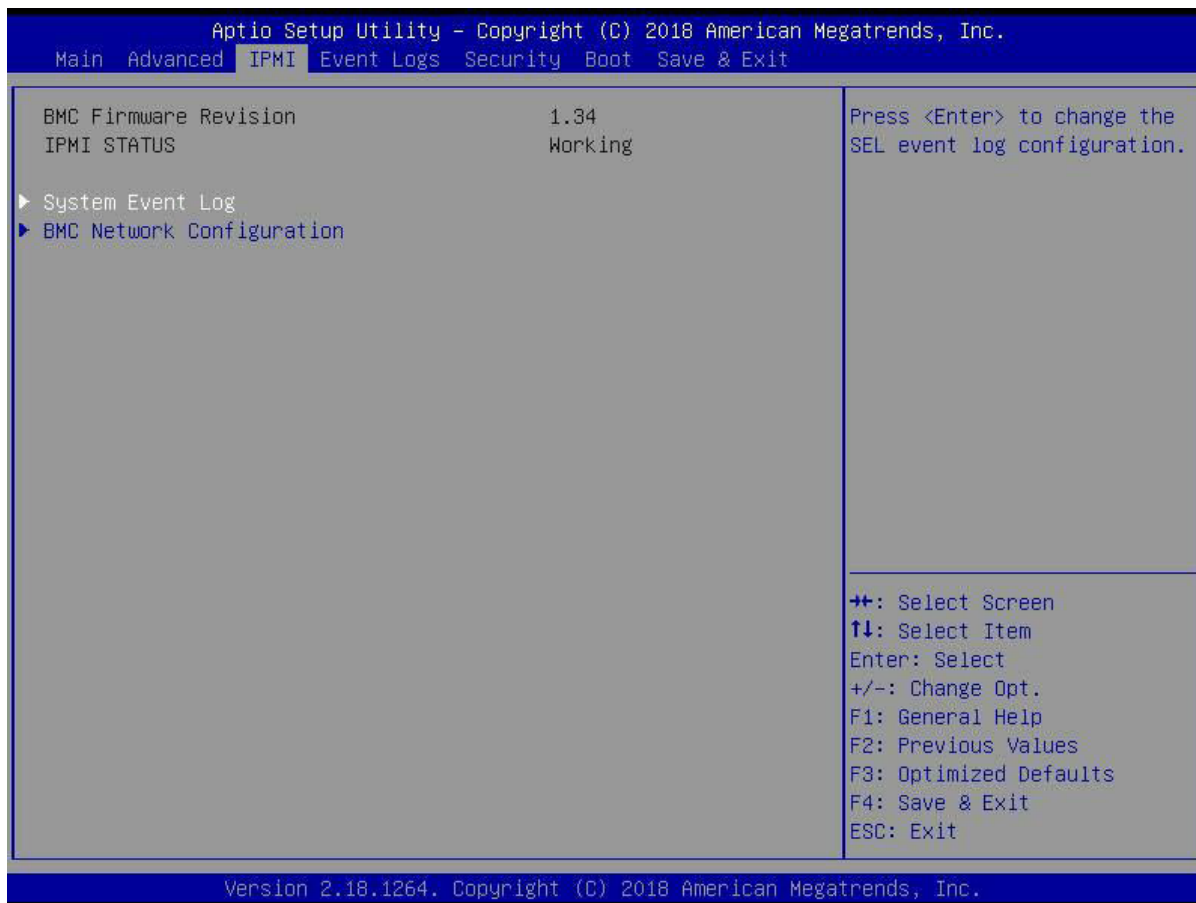
▶ **Add an Attempt**

▶ **Delete Attempts**

▶ **Change Attempt Order**

## 4.4 IPMI

This tab allows you to configure the following IPMI settings for the system.



Use this feature to configure Intelligent Platform Management Interface (IPMI) settings.

### BMC Firmware Revision

This item indicates the IPMI firmware revision used in your system.

### IPMI Status (Baseboard Management Controller)

This item indicates the status of the IPMI firmware installed in your system.

## ▶ System Event Log

### Enabling/Disabling Options

#### SEL Components

Select Enabled for all system event logging at bootup. The options are **Enabled** and Disabled.

## Erasing Settings

### Erase SEL

Select Yes, On next reset to erase all system event logs upon next system reboot. Select Yes, On every reset to erase all system event logs upon each system reboot. Select No to keep all system event logs after each system reboot. The options are **No**, Yes, On next reset, and Yes, On every reset.

### When SEL is Full

This feature allows the user to decide what the BIOS should do when the system event log is full. Select Erase Immediately to erase all events in the log when the system event log is full. The options are **Do Nothing** and Erase Immediately.

**Note:** After making changes on a setting, be sure to reboot the system for the changes to take effect.

## ► BMC Network Configuration

### BMC Network Configuration

#### Update IPMI LAN Configuration

Select Yes for the BIOS to implement all IP/MAC address changes at the next system boot. The options are **No** and Yes.

#### Configure IPV4 Support

This section displays static configuration features for IPV4 support.

#### IPMI LAN Selection

This item displays the IPMI LAN setting. The default setting is **Failover**.

#### IPMI Network Link Status

This item displays the IPMI Network Link status. The default setting is **Shared LAN**.

***\*If the item above is set to Yes, the following item will become available for configuration:***

#### Configuration Address Source

This feature allows the user to select the source of the IP address for this computer. If Static is selected, you will need to know the IP address of this computer and enter it to the system manually in the field. If DHCP is selected, the BIOS will search for a DHCP (Dynamic Host Configuration Protocol) server in the network that is attached to and request the next available IP address for this computer. The options are **DHCP** and Static.

***\*If the item above is set to Static, the following items will become available for configuration:***

**Station IP Address**

This item displays the Station IP address for this computer. This should be in decimal and in dotted quad form.

**Subnet Mask**

This item displays the sub-network that this computer belongs to. The value of each three-digit number separated by dots should not exceed 255.

**Station MAC Address**

This item displays the Station MAC address for this computer. Mac addresses are 6 two-digit hexadecimal numbers.

**Gateway IP Address**

This item displays the Gateway IP address for this computer. This should be in decimal and in dotted quad form (i.e., 172.31.0.1).

**VLAN**

This item configures the virtual LAN settings. The options are **Disabled** and Enable.

**Configure IPV6 Support**

This section displays configuration features for IPV6 support.

**IPV6 Support**

Use this feature to enable IPV6 support. The options are **Enabled** and Disabled.

**Configuration Address Source**

This feature allows the user to select the source of the IP address for this computer. If Static is selected, you will need to know the IP address of this computer and enter it to the system manually in the field. If DHCP is selected, the BIOS will search for a DHCP (Dynamic Host Configuration Protocol) server in the network that is attached to and request the next available IP address for this computer. The options are **Unspecified**, Static, and DHCP.

***\*If the item "Configuration Address Source" above is set to Static, the following items will become available for configuration:***

- Station IPV6 Address
- Prefix Length
- IPV6 Router1 IP Address
- IPV6 Address Status
- IPV6 DHCP Algorithm

## 4.5 Event Logs

This tab allows the user to configure the following event logs settings for the system.



### ▶ Change SMBIOS Event Log Settings

This feature allows the user to configure SMBIOS Event settings.

#### Enabling/Disabling Options

##### SMBIOS Event Log

Select Enabled to enable SMBIOS (System Management BIOS) Event Logging during system boot. The options are **Enabled** and Disabled.

#### Erasing Settings

##### Erase Event Log

Select Yes to erase all error events in the SMBIOS (System Management BIOS) log before an event logging is initialized at bootup. The options are **No**, Yes, Next reset, and Yes, every reset.

**When Log is Full**

Select Erase Immediately to immediately erase all errors in the SMBIOS event log when the event log is full. Select Do Nothing for the system to do nothing when the SMBIOS event log is full. The options are **Do Nothing** and Erase Immediately.

**SMBIOS Event Log Standard Settings****Log System Boot Event**

Select Enabled to log system boot events. The options are **Disabled** and Enabled.

**MECI (Multiple Event Count Increment)**

Enter the increment value for the multiple event counter. Enter a number between 1 to 255. The default setting is **1**.

**METW (Multiple Event Count Time Window)**

This item is used to determine how long (in minutes) the multiple event counter should wait before generating a new event log. Enter a number between 0 to 99. The default setting is **60**.

**Note:** Please reboot the system for these changes to take effect.

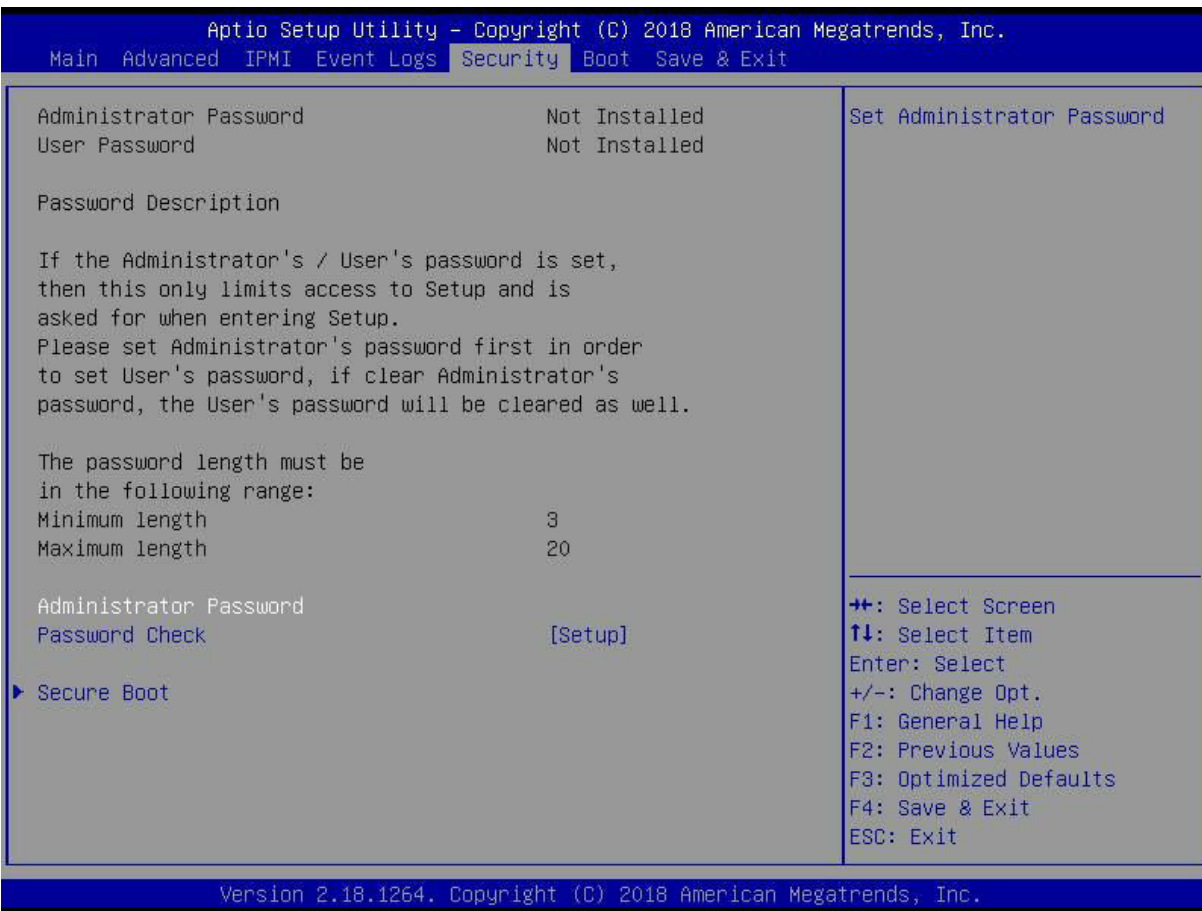
**►View SMBIOS Event Log**

When Event Logging is on, this item allows the user to view the entries in the SMBIOS event log. The following categories are displayed:

**Date/Time/Error Code/Severity**

## 4.6 Security

This tab allows you to configure the following security settings for the system.



### Administrator Password

Press Enter to create a new, or change an existing Administrator password. Note that if the Administrator Password is erased, the User Password will be cleared as well.

### User Password

Press Enter to create a new, or change an existing User password.

### Password Check

Select Setup for the system to check for a password at Setup. Select Always for the system to check for a password at bootup or upon entering the BIOS Setup utility. The options are **Setup** and **Always**.

### ► Secure Boot

This section contains options and menus for securing your boot mode and for key management.



## Secure Boot

This option allows you specify when the Platform Key (PK) is enrolled. When enabled, the System Mode is user deployed, and the CSM function is disabled. Options include Enabled and **Disabled**.

## Secure Boot Mode

Use this item to select the secure boot mode. The options are Standard and **Custom**.

## CSM Support

Select Enabled to support the EFI Compatibility Support Module (CSM), which provides compatibility support for traditional legacy BIOS for system boot. The options are Disabled and **Enabled**.

### ▶ Key Management

This submenu allows the user to configure the following Key Management settings.

#### ▶ Enroll All Factory Default Keys

Select Yes to install all default secure keys set by the manufacturer. The options are **Yes** and No.

#### ▶ Enroll EFI Image

This allows the image to run in Secure Boot Mode, and enroll SHA256 hash of the binary into an Authorized Signature Database (db).

#### ▶ Save All Secure Boot Variables

This feature allows the user to decide if all secure boot variables should be saved.

#### ▶ Platform Key (PK)

This feature allows the user to configure the settings of the platform keys.

#### Set New Key

Select Yes to load the new platform keys (PK) from the manufacturer's defaults. Select No to load the platform keys from a file. The options are **Yes** and No.

#### Provision Factory Default Keys

Select Enabled to install the default Secure-Boot keys set by the manufacturer. The options are **Disabled** and Enabled.

#### ▶ Key Exchange Keys

##### Set New Key

Select Yes to load the KEK from the manufacturer's defaults. Select No to load the KEK from a file. The options are Yes and No.

### **Append Key**

Select Yes to add the KEK from the manufacturer's defaults list to the existing KEK. Select No to load the KEK from a file. The options are Yes and No.

### **► Authorized Signatures**

#### **Set New Key**

Select Yes to load the database from the manufacturer's defaults. Select No to load the DB from a file. The options are Yes and No.

#### **Append Key**

Select Yes to add the database from the manufacturer's defaults to the existing DB. Select No to load the DB from a file. The options are Yes and No.

### **► Forbidden Signatures**

#### **Set New Key**

Select Yes to load the DBX from the manufacturer's defaults. Select No to load the DBX from a file. The options are Yes and No.

#### **Append Key**

Select Yes to add the DBX from the manufacturer's defaults to the existing DBX. Select No to load the DBX from a file. The options are Yes and No.

### **► Authorized TimeStamps**

#### **Set New Key**

Select Yes to load the DBT from the manufacturer's defaults. Select No to load the DBT from a file. The options are Yes and No.

#### **Append Key**

Select Yes to add the DBT from the manufacturer's defaults list to the existing DBT. Select No to load the DBT from a file. The options are Yes and No.

### **► OsRecovery Signature**

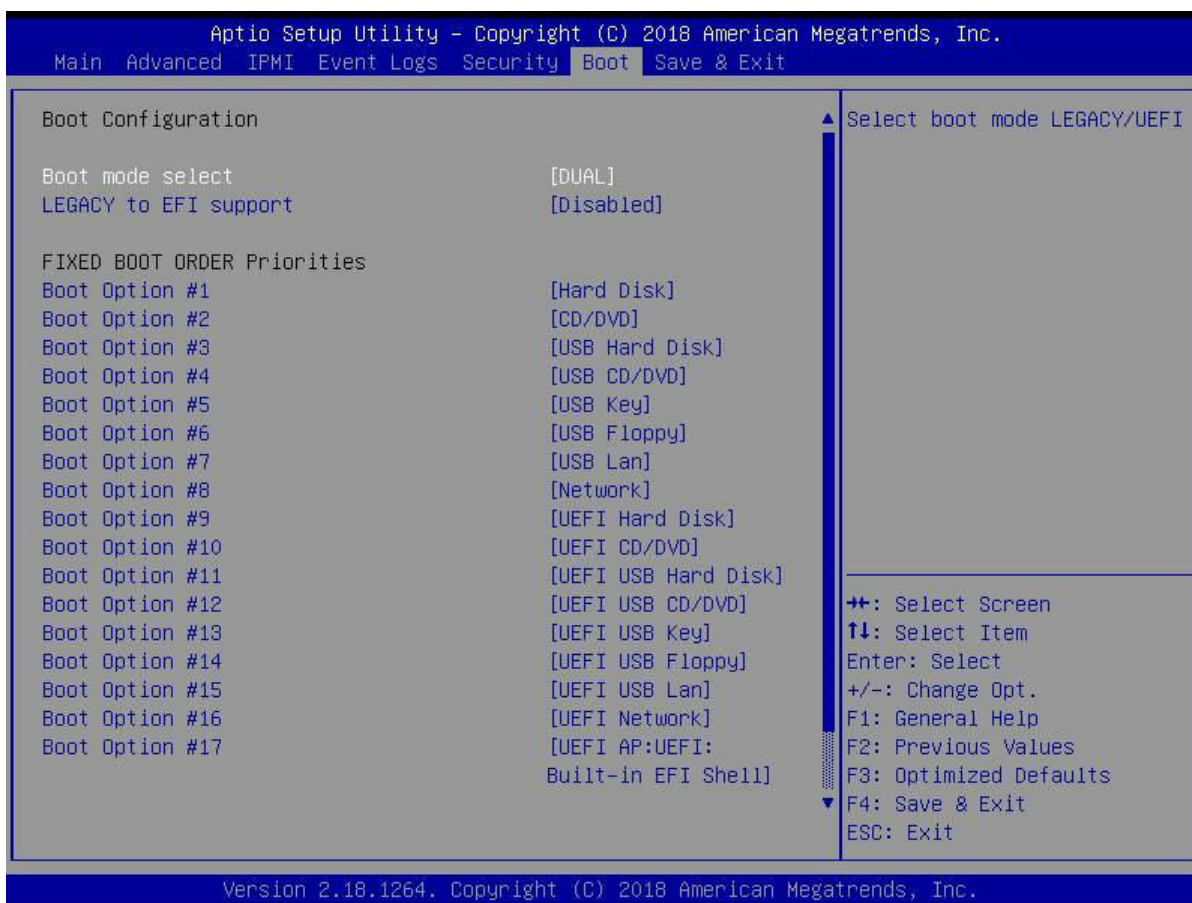
This item uploads and installs an OSRecovery Signature. You may select options for Set New for a factory default key, or select Append to get it from a file. The file formats accepted are:

- 1) Public Key Certificate
  - a. EFI Signature List
  - b. EFI CERT X509 (DER Encoded)
  - c. EFI CERT RSA2048 (bin)
  - d. EFI SERT SHA256 (bin)
- 2) EFI Time Based Authenticated Variable

When prompted, select "Yes" to load Factory Defaults or "No" to load from a file.

## 4.7 Boot

Use this tab to configure Boot Settings:



### Boot Mode Select

Use this item to select the type of device that the system is going to boot from. The options are LEGACY, UEFI, and **DUAL**. The default setting is DUAL.

### Legacy to EFI Support

This option Enables or **Disables** the system to boot to an EFI OS after the boot failed from the legacy boot order.

### FIXED BOOT ORDER Priorities Section

This option prioritizes the order of bootable devices that the system to boot from. Press <Enter> on each entry from top to bottom to select devices.

### ► Delete Boot Option

Use this feature to remove a pre-defined boot device from which the system will boot during startup. The settings are [any pre-defined boot device].

▶ **UEFI Application Boot Priorities**

This feature allows the user to specify which UEFI devices are boot devices.

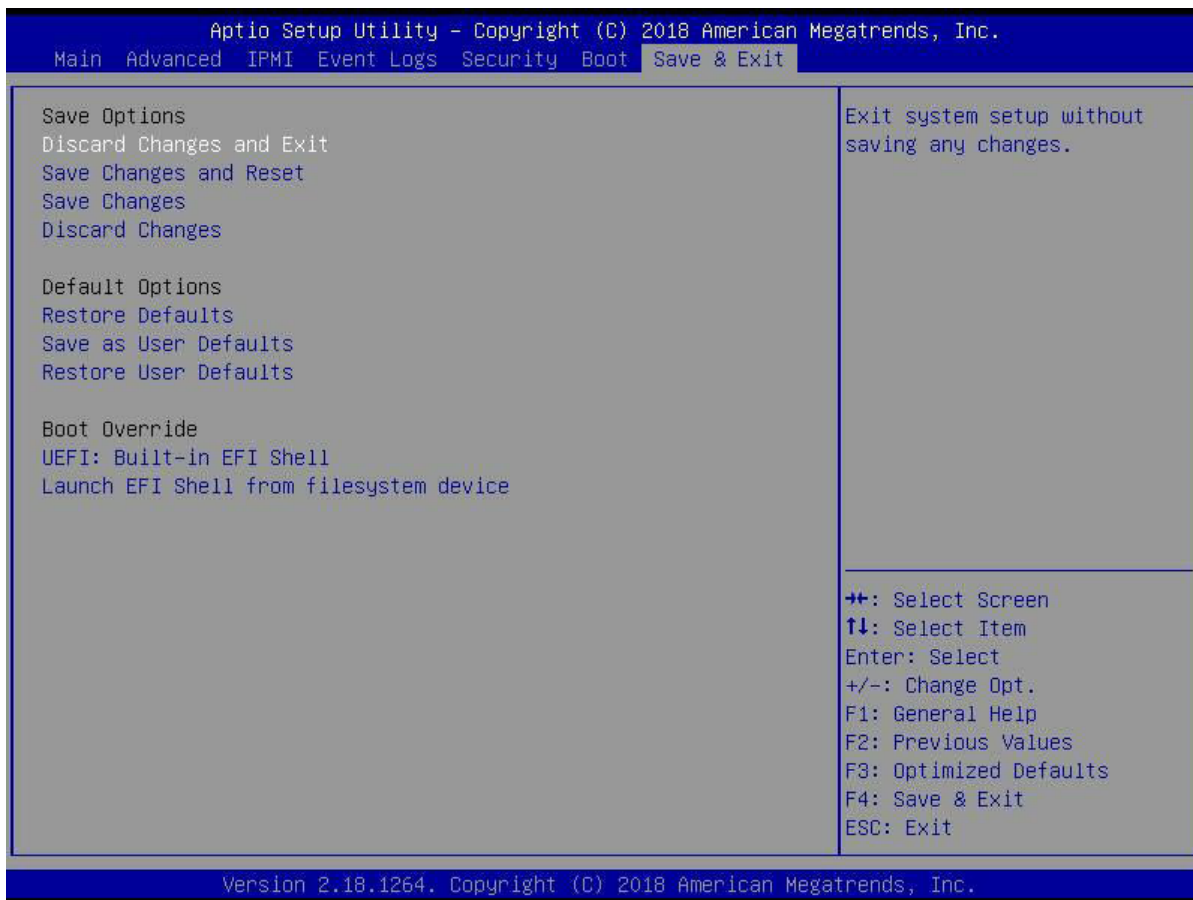
- UEFI Boot Order #1

▶ **Hard Disk Drive BBS Priorities**

This feature allows the user to specify which hard disk drive devices are boot devices.

## 4.8 Save & Exit

Select the Save & Exit tab to enter the Save & Exit BIOS Setup screen.



### Discard Changes and Exit

Select this option to quit the BIOS Setup without making any permanent changes to the system configuration, and reboot the computer. Select Discard Changes and Exit from the Exit menu and press <Enter>.

### Save Changes and Reset

Select this option to reset the system after saving the changes.

### Save Changes

After completing the system configuration changes, select this option to save the changes you have made. This will not reset (reboot) the system.

### Discard Changes

Select this option and press <Enter> to discard all the changes and return to the AMI BIOS utility Program.

## **Default Options**

### **Restore Defaults**

To set this feature, select Restore Defaults from the Save & Exit menu and press <Enter>. These are factory settings designed for maximum system stability, but not for maximum performance.

### **Save as User Defaults**

To set this feature, select Save as User Defaults from the Exit menu and press <Enter>. This enables the user to save any changes to the BIOS setup for future use.

### **Restore User Defaults**

To set this feature, select Restore User Defaults from the Exit menu and press <Enter>. Use this feature to retrieve user-defined settings that were saved previously.

### **Boot Override Section**

Listed on this section are other boot options for the system (i.e., Built-in EFI shell). Select an option and press <Enter>. Your system will boot to the selected boot option.

# Chapter 5

## BIOS

### (EPYC 7002 Series)

#### 5.1 Introduction

This chapter describes the AMIBIOS™ Setup utility for the H11DSi / H11DSi-NT motherboard. The BIOS is stored on a chip and can be easily upgraded using a flash program.

**Note:** Due to periodic changes to the BIOS, some settings may have been added or deleted and might not yet be recorded in this manual. Please refer to the Manual Download area of our website for any changes to BIOS that may not be reflected in this manual.

#### Starting the Setup Utility

To enter the BIOS Setup Utility, hit the <Delete> key while the system is booting-up. (In most cases, the <Delete> key is used to invoke the BIOS setup screen. There are a few cases when other keys are used, such as <F1>, <F2>, etc.) Each main BIOS menu option is described in this manual.

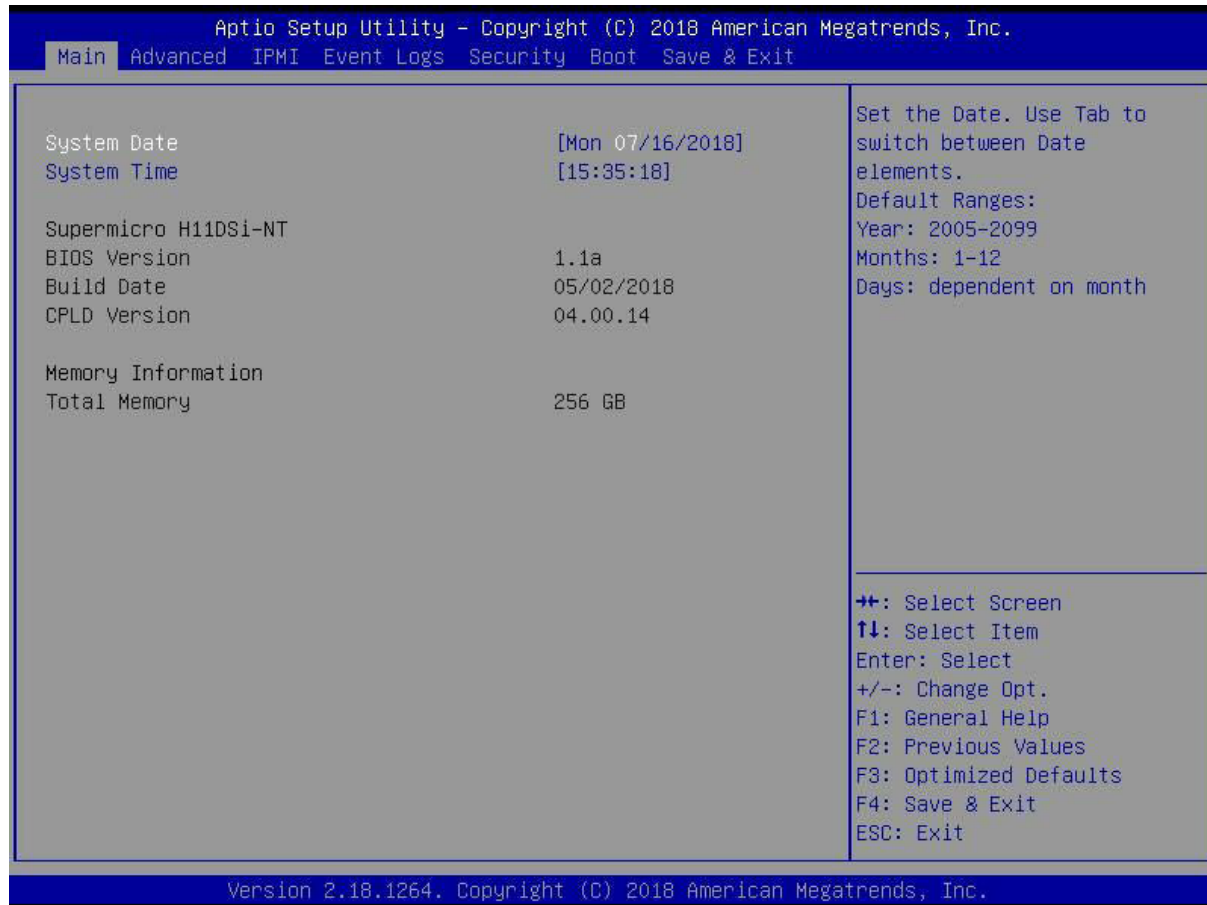
The Main BIOS screen has two main frames. The left frame displays all the options that can be configured. “Grayed-out” options cannot be configured. The right frame displays the key legend. Above the key legend is an area reserved for a text message. When an option is selected in the left frame, it is highlighted in white. Often a text message will accompany it. (Note that BIOS has default text messages built in. We retain the option to include, omit, or change any of these text messages.) Settings printed in **Bold** are the default values.

A " ►" indicates a submenu. Highlighting such an item and pressing <Enter> will open the list of settings within that submenu.

The BIOS setup utility uses a key-based navigation system called hot keys. Most of these hot keys (<F1>, <F2>, <F3>, <Enter>, <ESC>, <Arrow> keys, etc.) can be used at any time during the setup navigation process.

## 5.2 Main Setup

When you first enter the AMI BIOS setup utility, you will enter the Main setup screen. You can always return to the Main setup screen by selecting the Main tab on the top of the screen. The Main BIOS setup screen is shown below. The following Main menu items will be displayed:



### System Date/System Time

Use this option to change the system date and time. Highlight *System Date* or *System Time* using the arrow keys. Enter new values using the keyboard. Press the <Tab> key or the arrow keys to move between fields. The date must be entered in MM/DD/YYYY format. The time is entered in HH:MM:SS format.

**Note:** The time is in the 24-hour format. For example, 5:30 P.M. appears as 17:30:00. The date's default value is 01/01/2015 after RTC reset.

### Supermicro H11DSi-NT

#### BIOS Version

This item displays the version of the BIOS firmware used in the system.



**Build Date**

This item displays the date when the version of the BIOS firmware used in the system was built.

**CPLD Version**

This item displays the version of the CPLD firmware used in the system.

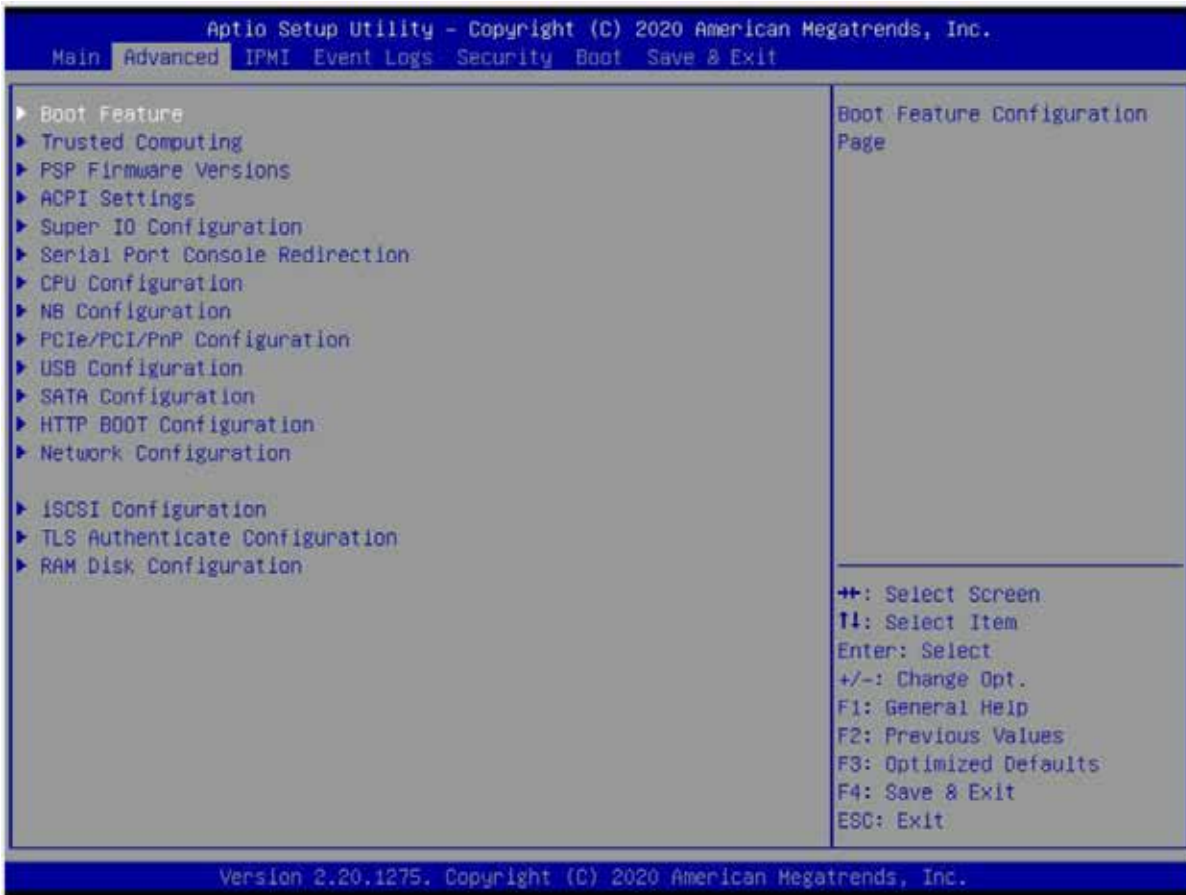
**Memory Information**

**Total Memory**

This item displays the total size of memory available in the system.

## 5.3 Advanced

Use the arrow keys to select a top item and press <Enter> to access the submenu items.



**Warning:** Take caution when changing the Advanced settings. An incorrect value, a very high DRAM frequency, or an incorrect DRAM timing setting may make the system unstable. When this occurs, revert to the default to the manufacture default settings.

### ▶ Boot Feature

#### Quiet Boot

Use this feature to select the screen display between the POST messages and the OEM logo upon bootup. Select Disabled to display the POST messages. Select Enabled to display the OEM logo instead of the normal POST messages. The options are Disabled and **Enabled**.

#### Option ROM Messages

Use this feature to set the display mode for the Option ROM. Select Keep Current to display the current AddOn ROM setting. Select Force BIOS to use the Option ROM display set by the system BIOS. The options are **Force BIOS** and Keep Current.

**Bootup NumLock State**

Use this feature to set the Power on state for the <Numlock> key. The options are **On** and Off.

**Wait For "F1" If Error**

Use this feature to force the system to wait until the 'F1' key is pressed if an error occurs. The options are Disabled and **Enabled**.

**INT19 (Interrupt 19) Trap Response**

Interrupt 19 is the software interrupt that handles the boot disk function. When this item is set to Immediate, the ROM BIOS of the host adaptors will "capture" Interrupt 19 at bootup immediately and allow the drives that are attached to these host adaptors to function as bootable disks. If this item is set to Postponed, the ROM BIOS of the host adaptors will not capture Interrupt 19 immediately and allow the drives attached to these adaptors to function as bootable devices at bootup. The options are **Immediate** and Postponed.

**Re-try Boot**

If this item is enabled, the BIOS will automatically reboot the system from a specified boot device after its initial boot failure. The options are **Disabled**, Legacy Boot, and EFI Boot.

**Power Configuration****Watch Dog Function**

If enabled, the Watch Dog Timer will allow the system to reset or generate NMI based on jumper settings when it is expired for more than 5 minutes. The options are **Disabled** and Enabled.

**Restore on AC Power Loss**

Use this feature to set the power state after a power outage. Select Stay-Off for the system power to remain off after a power loss. Select Power-On for the system power to be turned on after a power loss. Select Last State to allow the system to resume its last power state before a power loss. The options are Stay Off, Power On, and **Last State**.

**Power Button Function**

This feature controls how the system shuts down when the power button is pressed. Select 4 Seconds Override for the user to power off the system after pressing and holding the power button for 4 seconds or longer. Select Instant Off to instantly power off the system as soon as the user presses the power button. The options are **Instant Off** and 4 Seconds Override.

## ►PSP Firmware Versions

This section displays the Platform Security Processor (PSP) firmware versions.

### PSP Directory Level 1 (Fixed)

- PSP Recovery BL Ver
- SMU FW Version
- ABL Version

### PSP Directory Level 2 (Updateable)

- PSP Bootloader Version
- SMU FW Version
- ABL Version

## ►ACPI Settings

### PCI AER Support

Use this setting to enable/disable PCI AER Support. The options are **Disabled** and **Enabled**.

### High Precision Event Tmber

The High Precision Event Timer (HPET) can produce periodic interrupts and is used to synchronize multimedia streams, providing smooth playback and reducing the need to use other timestamp calculations. The options are **Disabled** and **Enabled**.

### NUMA Nodes Per Socket

This feature specifies the number of desired Non-Uniform Memory Access (NUMA) nodes per socket. Setting this to zero will attempt to interleave the two sockets together. The options are **NPS0**, **NPS1**, **NPS2**, **NPS4** and **Auto**.

### ACPI SRAT L3 Cache As NUMA Domain

Use this setting to enable/disable ACPI SRAT L3 Cache As NUMA Domain. The options are **Disabled**, **Enabled** and **Auto**.

## ►Super IO Configuration

The following Super IO information will display:

- Super IO Chip

## ► Serial Port 1 Configuration

### Serial Port

Select The options are Disabled and **Enabled**.

### Device Settings

This item displays the status of a serial part specified by the user.

### Change Settings

This feature specifies the base I/O port address and the Interrupt Request address of a serial port specified by the user. Select Auto to allow the BIOS to automatically assign the base I/O and IRQ address. The options are **Auto**, IO=3F8h; IRQ=4; IO=3F8h; IRQ=3,4,5,6,7,9,10,11,12; IO=2F8h; IRQ=3,4,5,6,7,9,10,11,12; IO=3E8h; IRQ=3,4,5,6,7,9,10,11,12; IO=2E8h; IRQ=3,4,5,6,7,9,10,11,12;

## Sol Configurationf

### Serial Port

The options are Disabled and **Enabled**.

### Device Settings

### Change Settings

The options are **Auto**, IO=2F8h; IRQ=3; IO=3F8h; IRQ=3,4,5,6,7,9,10,11,12; IO=2F8h; IRQ=3,4,5,6,7,9,10,11,12; IO=3E8h; IRQ=3,4,5,6,7,9,10,11,12; IO=2E8h; IRQ=3,4,5,6,7,9,10,11,12;

## ► Serial Port Console Redirection

### COM1

#### Console Redirection

Select Enabled to enable console redirection support for a serial port specified by the user. The options are **Disabled** and Enabled.

***\*If the item above set to Enabled, the following items will become available for user's configuration:***

#### Console Redirection Settings

##### Terminal Type

This feature allows the user to select the target terminal emulation type for Console Redirection. Select VT100 to use the ASCII Character set. Select VT100+ to add color and function key support. Select ANSI to use the Extended ASCII Character Set. Select VT-UTF8 to use UTF8 encoding to map Unicode characters into one or more bytes. The options are VT100, **VT100+**, **VT-UTFB** and ANSI.

### **Bits per second**

Use this feature to set the transmission speed for a serial port used in Console Redirection. Make sure that the same speed is used in the host computer and the client computer. A lower transmission speed may be required for long and busy lines. The options are 9600, 19200, 38400, 57600 and **115200** (bits per second).

### **Data Bits**

Use this feature to set the data transmission size for Console Redirection. The options are 7 and **8**.

### **Parity**

A parity bit can be sent along with regular data bits to detect data transmission errors. Select Even if the parity bit is set to 0, and the number of 1's in data bits is even. Select Odd if the parity bit is set to 0, and the number of 1's in data bits is odd. Select None if you do not want to send a parity bit with your data bits in transmission. Select Mark to add a mark as a parity bit to be sent along with the data bits. Select Space to add a Space as a parity bit to be sent with your data bits. The options are **None**, Even, Odd, Mark and Space.

### **Stop Bits**

A stop bit indicates the end of a serial data packet. Select 1 Stop Bit for standard serial data communication. Select 2 Stop Bits if slower devices are used. The options are **1** and 2.

### **Flow Control**

Use this feature to set the flow control for Console Redirection to prevent data loss caused by buffer overflow. Send a "Stop" signal to stop sending data when the receiving buffer is full. Send a "Start" signal to start sending data when the receiving buffer is empty. The options are **None** and Hardware RTS/CTS.

### **VT-UTFB Combo Key Support**

Select Enabled to enable VT-UTF8 Combination Key support for ANSI/VT100 terminals. The options are Disabled and **Enabled**.

### **Recorder Mode**

Select Enabled to capture the data displayed on a terminal and send it as text messages to a remote server. The options are **Disabled** and Enabled.

### **Resolution 100x31**

Select Enabled for extended-terminal resolution support. The options are Disabled and **Enabled**.

### **Putty KeyPad**

This feature selects the settings for Function Keys and KeyPad used for Putty, which is a terminal emulator designed for the Windows OS. The options are **VT100**, LINUX, XTERMR6, SC0, ESCN and VT400.

## SOL

### Console Redirection

Select Enabled to enable SOL console redirection support for a serial port specified by the user. The options are **Disabled** and Enabled.

***\*If the item above set to Enabled, the following items will become available for user's configuration:***

### Console Redirection Settings

#### Terminal Type

This feature allows the user to select the target terminal emulation type for Console Redirection. Select VT100 to use the ASCII Character set. Select VT100+ to add color and function key support. Select ANSI to use the Extended ASCII Character Set. Select VT-UTF8 to use UTF8 encoding to map Unicode characters into one or more bytes. The options are VT100, **VT100+**, **VT-UTFB** and ANSI.

#### Bits per second

Use this feature to set the transmission speed for a serial port used in Console Redirection. Make sure that the same speed is used in the host computer and the client computer. A lower transmission speed may be required for long and busy lines. The options are 9600, 19200, 38400, 57600 and **115200** (bits per second).

#### Data Bits

Use this feature to set the data transmission size for Console Redirection. The options are 7 and **8**.

#### Parity

A parity bit can be sent along with regular data bits to detect data transmission errors. Select Even if the parity bit is set to 0, and the number of 1's in data bits is even. Select Odd if the parity bit is set to 0, and the number of 1's in data bits is odd. Select None if you do not want to send a parity bit with your data bits in transmission. Select Mark to add a mark as a parity bit to be sent along with the data bits. Select Space to add a Space as a parity bit to be sent with your data bits. The options are **None**, Even, Odd, Mark and Space.

#### Stop Bits

A stop bit indicates the end of a serial data packet. Select 1 Stop Bit for standard serial data communication. Select 2 Stop Bits if slower devices are used. The options are **1** and 2.

#### Flow Control

Use this feature to set the flow control for Console Redirection to prevent data loss caused by buffer overflow. Send a "Stop" signal to stop sending data when the receiving buffer

is full. Send a "Start" signal to start sending data when the receiving buffer is empty. The options are **None** and Hardware RTS/CTS.

#### **VT-UTFB Combo Key Support**

Select Enabled to enable VT-UTF8 Combination Key support for ANSI/VT100 terminals. The options are Disabled and **Enabled**.

#### **Recorder Mode**

Select Enabled to capture the data displayed on a terminal and send it as text messages to a remote server. The options are **Disabled** and Enabled.

#### **Resolution 100x31**

Select Enabled for extended-terminal resolution support. The options are Disabled and **Enabled**.

#### **Putty KeyPad**

This feature selects the settings for Function Keys and KeyPad used for Putty, which is a terminal emulator designed for the Windows OS. The options are **VT100**, LINUX, XTERMR6, SC0, ESCN and VT400.

### **Legacy Console Redirection**

#### **Legacy Console Redirection Settings**

##### **Redirection COM Port**

For this setting, select a COM port to display redirection of Legacy OS and Legacy OPROM messages. The options are **COM1** and SOL.

##### **Resolution**

For Legacy OS systems, use this setting to specify the number of Rows and Columns supported for redirection. The options are **80x24** and 80x25.

##### **Redirect After POST**

For this setting, when the Bootloader is selected, then the Legacy Console Redirection is disabled before booting to the legacy OS. If you select Always Enable, then the Legacy Console Redirection is enabled for legacy OS systems. The options are **Always Enable** and BootLoader.

### **Serial Port for Out-of-Band Management/Windows Emergency Management Services (EMS)**

#### **Console Redirection**

Select Enabled to enable EMS console redirection support for a serial port specified by the user. The options are **Disabled** and Enabled.



*\*If the item above set to Enabled, the following items will become available for user's configuration:*

## ► Console Redirection Settings

### Out-of-Band Mgmt Port

The feature selects a serial port in a client server to be used by the Microsoft Windows Emergency Management Services (EMS) to communicate with a remote host server. The options are **COM1**, COM2 (Disabled), and AMT SOL.

### Terminal Type

Use this feature to select the target terminal emulation type for Console Redirection. Select VT100 to use the ASCII character set. Select VT100+ to add color and function key support. Select ANSI to use the extended ASCII character set. Select VT-UTF8 to use UTF8 encoding to map Unicode characters into one or more bytes. The options are VT100, VT100+, **VT-UTF8**, and ANSI.

### Bits per Second

This item sets the transmission speed for a serial port used in Console Redirection. Make sure that the same speed is used in the host computer and the client computer. A lower transmission speed may be required for long and busy lines. The options are 9600, 19200, 57600, and **115200** (bits per second).

### Flow Control

Use this item to set the flow control for Console Redirection to prevent data loss caused by buffer overflow. Send a "Stop" signal to stop sending data when the receiving buffer is full. Send a "Start" signal to start sending data when the receiving buffer is empty. The options are **None**, Hardware RTS/CTS, and Software Xon/Xoff.

### Data Bits

Use this feature to set the data transmission size for Console Redirection. The options are 7 and 8.

### Parity

A parity bit can be sent along with regular data bits to detect data transmission errors. Select Even if the parity bit is set to 0, and the number of 1's in data bits is even. Select Odd if the parity bit is set to 0, and the number of 1's in data bits is odd. Select None if you do not want to send a parity bit with your data bits in transmission. Select Mark to add a mark as a parity bit to be sent along with the data bits. Select Space to add a Space as a parity bit to be sent with your data bits. The options are **None**, Even, Odd, Mark and Space.

### **Stop Bits**

A stop bit indicates the end of a serial data packet. Select 1 Stop Bit for standard serial data communication. Select 2 Stop Bits if slower devices are used. The options are **1** and **2**.

## **►CPU Configuration**

### **SMT Control**

Use this setting to specify Simultaneous Multithreading. Options include Disabled for 1T single thread and **Auto** for 2T two-thread if your system is capable of it.

### **Core Performance Boost**

This setting is used to configure for Core Performance Boost. Options include Disabled and **Auto**.

### **Global C-state Control**

This setting is used to configure for Global C-state Control. Options include Disabled, Enabled and **Auto**.

### **Core Control**

This sets the number of cores to be used by your system. Once this option has been used to remove any cores, a power cycle is required in order for the future selections to take effect. Options include **Auto**, TWO (1+1), Four (2 + 2) and Six (3 + 3). If unsure, leave this to Auto.

### **L1 Stream HW Prefetcher / L2 Stream HW Prefetcher**

This setting is used to enable or disable the L1/L2 Stream Hardware Prefetcher. The options are Disabled, Enabled and **Auto**.

### **SVM Mode**

This setting enables or disables CPU Virtualization. The options are Disabled and **Enabled**.

### **SMEE**

This setting enables or disables secure memory encryption control. The options are **Disabled** and Enabled.

## **►CPU1 Information**

These sections are for informational purposes. They will display some details about the detected CPUs on the motherboard, such as:

- CPU Version
- Number of Cores Running
- Clock speed

- Processor Family
- Processor Model
- Microcode Patch Level
- L1 Instruction Cache (Size/Method)
- L1 Data Cache (Size/Method)
- L2 Cache (Size/Method)
- L3 Cache per Socket (Size/Method)

### ► CPU2 Information

These sections are for informational purposes. They will display some details about the detected CPUs on the motherboard, such as:

- CPU Version
- Number of Cores Running
- Clock speed
- Processor Family
- Processor Model
- Microcode Patch Level
- L1 Instruction Cache (Size/Method)
- L1 Data Cache (Size/Method)
- L2 Cache (Size/Method)
- L3 Cache per Socket (Size/Method)

### ► NB Configuration

#### **Determinism Control**

Use this setting to configure the Determinism Slider. Options include **Auto**, Power and Performance.

#### **cTDP Control**

Use this setting to configure the cTDP Control. Options include Manual and **Auto**.

**IOMMU**

Use this setting to enable/disable IOMMU. Options include **Disabled**, Enabled, and Auto.

**ACS Enable**

Use this setting to enable/disable ACS. Options include Enabled, Disabled and **Auto**.

**Package Power Limit Control**

Use this setting for Package Power Limit Control. Options include Manual and Auto.

**APBDIS**

Use this setting to set APBDIS. Options include 0, 1, and **Auto**.

**DF Cstates**

Use this setting to enable/disable DF Cstates. Options include **Disabled**, Enabled, and Auto.

**4-link xGMI max speed**

Use this setting to adjust 4-link xGMI max speed. Options include **10.667Gbps**, **13Gbps**, **16Gbps**, **18Gbps** and **Auto**.

**Preferred IO**

Use this setting for Preferred IO. Options include Manual and **Auto**.

**►Memory Configuration****Memory Clock**

This setting allows you to select different memory clock speed. The options include **Auto** and speed settings.

**Memory Interleaving**

This setting controls fabric level memory interleaving. Note that the channel, die and socket have requirements on memory populations and it will be ignored if the memory doesn't support the selected option. The options include Disabled and **Auto**.

**Memory Interleaving Size**

This setting controls the memory interleaving size. This determines the starting address of the interleave (bit 8, 9, 10 or 11). The options include 256 Bytes, 512 Bytes, 1 KB, 2 KB or **Auto**.

**Chipselect Interleaving**

This setting controls interleave memory blocks across the DRAM chip for node 0. The options are Disabled and **Auto**.

**BankGroupSwap**

This setting controls the Bank Group Swap. The options are Enabled, Disabled and **Auto**.

### **DRAM Scrub Time**

This setting provides a value that is the number of hours to scrub memory. The options are Disabled, 1 hour, 4 hours, 8 hours, 16 hours, 24 hours, 48 hours and **Auto**.

### **►CPU1 Memory Information**

These sections are for informational purposes. They will display some details about the detected memory according to each CPU on the motherboard, such as:

- Detected Size (per slot, in MB)
- Current Speed (MT/s)

### **►CPU2 Memory Information**

These sections are for informational purposes. They will display some details about the detected memory according to each CPU on the motherboard, such as:

- Detected Size (per slot, in MB)
- Current Speed (MT/s)

### **►PCIe/PCI/PnP Configuration**

This menu provides PCIe/PCI/PnP configuration settings and information.

#### **PCI Bus Driver Version**

#### **Above 4G Decoding**

This setting **Enables** or Disables 64-bit capable devices ability to be decoded in above 4G address space (only if the system supports 64-bit PCI decoding).

#### **SR-IOV Support**

If the system has SR-IOV capable PCI-E devices, this setting will Enable or **Disable** the Single Root IO Virtualization Support for the system.

#### **PCIe Spread Spectrum**

Use this setting to Enable or **Disable** PCI-E Spread Spectrum for your system.

#### **Target Link Speed**

If supported by hardware and set to Force to x.S GT/S (x being a value of 2.5, 5.0 or 8.0) for Downstream Ports, this sets an upper limit on Link Operational Speed by restricting the values advertised by the UPstream component in its training sequences. When **Auto** is selected, the HW initialized data will be used.

### **VGA Priority**

Use this setting to select between onboard or offboard VGA support. The options are **Onboard** and **Offboard**.

### **NVMe Firmware Source**

Use this setting to select between the AMI Native firmware support or the device vendor-defined firmware support. The options are **AMI Native Support** and **Vendor Defined Firmware**.

### **M.2 (AHCI) Firmware Source**

Use this setting to select between the AMI Native firmware support or the device vendor-defined firmware support. The options are **AMI Native Support** and **Vendor Defined Firmware**.

### **CPU2 Slot 1 PCI-E 3.0 x8 OPROM**

This setting enables or disables the listed PCI/PCIX/PCIe Slot OPROM option. Options include **Disabled**, **Legacy** or **EFI**.

### **CPU1 Slot 2 PCI-E x16 OPROM**

This setting enables or disables the listed PCI/PCIX/PCIe Slot OPROM option. Options include **Disabled**, **Legacy** or **EFI**.

### **CPU1 Slot 3 PCI-E x8 OPROM**

This setting enables or disables the listed PCI/PCIX/PCIe Slot OPROM option. Options include **Disabled**, **Legacy** or **EFI**.

### **CPU1 Slot 4 PCI-E x16 OPROM**

This setting enables or disables the listed PCI/PCIX/PCIe Slot OPROM option. Options include **Disabled**, **Legacy** or **EFI**.

### **CPU1 Slot 5 PCI-E x8 OPROM**

This setting enables or disables the listed PCI/PCIX/PCIe Slot OPROM option. Options include **Disabled**, **Legacy** or **EFI**.

### **M.2 PCI-E x2 OPROM**

This setting enables or disables the listed M.2 PCI-E OPROM option. Options include **Disabled**, **Legacy** or **EFI**.

### **Onboard LAN Option ROM Type**

Use this setting to select which firmware type to be loaded for onboard LAN on the system. Options include **Legacy** and **EFI**.

### **Onboard LAN1 Option ROM**

Use this setting to select which firmware function is to be loaded for onboard LAN1 on the system. Options include **Disabled**, **PXE** and **iSCSI**.

**Onboard LAN2 Option ROM**

Use this setting to select which firmware function is to be loaded for onboard LAN2 on the system. Options include **Disabled**, PXE and iSCSI.

**P2\_NVMe0 OpROM**

Use this setting to select which firmware function is to be loaded for P2\_NVMe0 OpROM on the system. Options include Disabled, and **EFI**.

**P2\_NVMe1 OpROM**

Use this setting to select which firmware function is to be loaded for P2\_NVMe1 OpROM on the system. Options include Disabled, and **EFI**.

**Onboard Video Option ROM**

This setting selects which onboard video firmware type to be selected. Options include Disabled, **Legacy** and EFI.

**CPU2 Slot 1 PCI-E 3.0 x8 Bifurcation**

This setting selects the bifurcation configuration for this particular PCI-E slot. The options **Auto**, and x4x4.

**CPU1 Slot 2 PCI-E 3.0 x16 Bifurcation**

This setting selects the bifurcation configuration for this particular PCI-E slot. The options **Auto**, x8x8 and x4x4x4x4.

**CPU1 Slot 3 PCI-E 3.0 x8 Bifurcation**

This setting selects the bifurcation configuration for this particular PCI-E slot. The options **Auto**, and x4x4.

**CPU1 Slot 4 PCI-E 3.0 x16 Bifurcation**

This setting selects the bifurcation configuration for this particular PCI-E slot. The options **Auto**, x8x8 and x4x4x4x4.

**CPU1 Slot 5 PCI-E 3.0 x8 Bifurcation**

This setting selects the bifurcation configuration for this particular PCI-E slot. The options **Auto**, and x4x4.

**► Network Stack Configuration****Network Stack**

This setting allows you to enable or disable the UEFI Network Stack. The options are Disabled and **Enabled**.

**IPv4 PXE Support**

This setting allows you to enable or disable IPv4 PXE boot support. If disabled, IPv4 PXE boot support will not be available. The options are Disabled and **Enabled**.

**IPv4 HTTP Support**

This setting allows you to enable or disable IPv4 HTTP boot support. If disabled, IPv4 HTTP boot support will not be available. The options are **Disabled** and Enabled.

**IPv6 PXE Support**

This setting allows you to enable or disable IPv6 PXE boot support. If disabled, IPv6 PXE boot support will not be available. The options are Disabled and **Enabled**.

**IPv6 HTTP Support**

This setting allows you to enable or disable IPv6 HTTP boot support. If disabled, IPv6 HTTP boot support will not be available. The options are **Disabled** and Enabled.

**PXE boot wait time**

This setting allows you to set in a number field the wait time to press <ESC> to abort the PXE boot. Default is **0**.

**Media detect count**

This setting allows you set in a number field the number of times presence of media will be checked. Default is **1**.

**►USB Configuration****Legacy USB Support**

Select Enabled to support onboard legacy USB devices. Select Auto to disable legacy support if there are no legacy USB devices present. Select Disable to have all USB devices available for EFI applications only. The options include **Enabled**, Disabled and Auto.

**XHCI Hand-off**

This is a work-around solution for operating systems that do not support XHCI (Extensible Host Controller Interface) hand-off. The XHCI ownership change should be claimed by the XHCI driver. The options include **Enabled** and Disabled.

**USB Mass Storage Driver Support**

This setting will enable or disable support for USB mass storage drivers. The options include Disabled and **Enabled**.



### **Port 60/64 Emulation**

Select Enabled for I/O port 60h/64h emulation support, which in turn, will provide complete legacy USB keyboard support for the operating systems that do not support legacy USB devices. The options include Disabled and **Enabled**.

### **► SATA Configuration**

This section displays the detected SATA devices installed on the system.

#### **SATA Enable**

This item enables or disables the onboard SATA controller supported by the Intel PCH chip. The options include Disabled, Enabled and **Auto**.

#### **SATA Hotplug**

This item enables or disables the onboard SATA controller's hot plug feature (PCH). The options include Disabled and **Enabled**.

#### **SATA Information**

This item displays information on the detected SATA devices connected and are detected.

### **► HTTP BOOT Configuration**

#### **HTTP Boot One Time**

When the HTTP boot option is created, this option when enabled, will allow the system to boot via HTTP the first time and revert to the default boot after. The options include **Disabled** and Enabled.

#### **Input the description**

This option is an input field that, when the HTTP boot option is created, can be used to enter text to describe or identify the HTTP connection.

#### **Boot URI**

This option is an input field used to enter a web or network address to point to the HTTP boot files. This supports the HTTP or HTTPS protocols only.

### **► Network Configuration**

*\*If EFI is selected in LAN OPROM after reboot, the following items will become available for configuration.*

## ▶ iSCSI Configuration

### iSCSI Initiator Name

This feature allows the user to enter the unique name of the iSCSI Initiator in IQN format. Once the name of the iSCSI Initiator is entered into the system, configure the proper settings for the following items.

▶ **Add an Attempt**

▶ **Delete Attempts**

▶ **Change Attempt Order**

## ▶ TLS Authenticate Configuration

This submenu allows the user to configure Transport Layer Security (TLS) settings.

### ▶ Server CA Configuration

▶ **Enroll Certification**

#### **Enroll Certification using File**

Use this feature to enroll certification from a file.

#### **Certification GUID**

Use this feature to input the certification GUID.

#### **Commit Changes and Exit**

Use this feature to save all changes and exit TLS settings.

#### **Discard Changes and Exit**

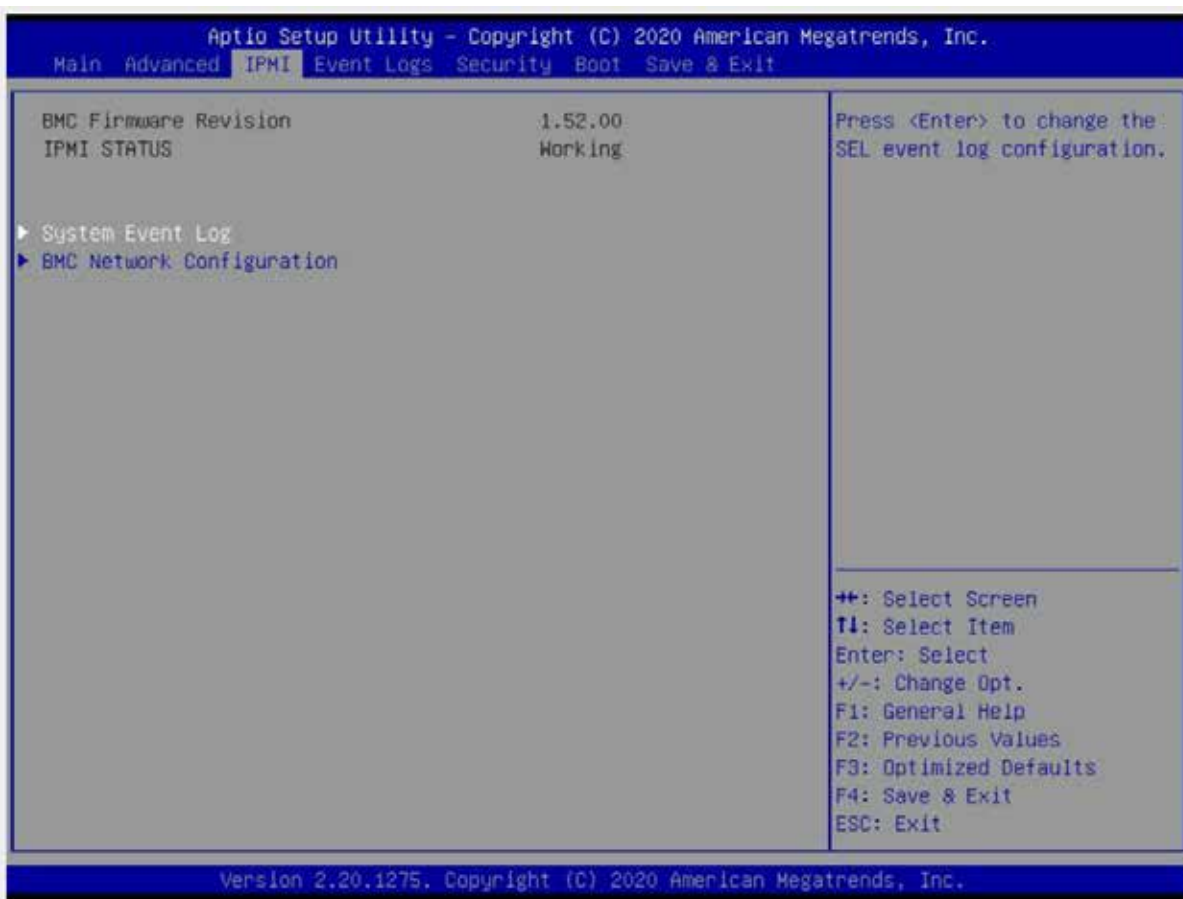
Use this feature to discard all changes and exit TLS settings.

▶ **Delete Certification**

Use this feature to delete certification. The options include **Disabled** and **Enabled**.

## 5.4 IPMI

This tab allows you to configure the following IPMI settings for the system.



Use this feature to configure Intelligent Platform Management Interface (IPMI) settings.

### BMC Firmware Revision

This item indicates the IPMI firmware revision used in your system.

### IPMI Status (Baseboard Management Controller)

This item indicates the status of the IPMI firmware installed in your system.

### ▶ System Event Log

#### Enabling/Disabling Options

##### SEL Components

Select Enabled for all system event logging at bootup. The options are **Enabled** and Disabled.

## Erasing Settings

### Erase SEL

Select Yes, On next reset to erase all system event logs upon next system reboot. Select Yes, On every reset to erase all system event logs upon each system reboot. Select No to keep all system event logs after each system reboot. The options are **No**, Yes, On next reset, and Yes, On every reset.

### When SEL is Full

This feature allows the user to decide what the BIOS should do when the system event log is full. Select Erase Immediately to erase all events in the log when the system event log is full. The options are **Do Nothing** and Erase Immediately.

**Note:** After making changes on a setting, be sure to reboot the system for the changes to take effect.

## ► BMC Network Configuration

### BMC Network Configuration

#### Update IPMI LAN Configuration

Select Yes for the BIOS to implement all IP/MAC address changes at the next system boot. The options are **No** and Yes.

#### Configure IPV4 Support

This section displays static configuration features for IPV4 support.

#### IPMI LAN Selection

This item displays the IPMI LAN setting. The default setting is **Failover**.

#### IPMI Network Link Status

This item displays the IPMI Network Link status. The default setting is **Dedicated LAN**.

***\*If the item above is set to Yes, the following item will become available for configuration:***

#### Configuration Address Source

This feature allows the user to select the source of the IP address for this computer. If Static is selected, you will need to know the IP address of this computer and enter it to the system manually in the field. If DHCP is selected, the BIOS will search for a DHCP (Dynamic Host Configuration Protocol) server in the network that is attached to and request the next available IP address for this computer. The options are Static and **DHCP**.

***\*If the item above is set to Static, the following items will become available for configuration:***

**Station IP Address**

This item displays the Station IP address for this computer. This should be in decimal and in dotted quad form.

**Subnet Mask**

This item displays the sub-network that this computer belongs to. The value of each three-digit number separated by dots should not exceed 255.

**Station MAC Address**

This item displays the Station MAC address for this computer. Mac addresses are 6 two-digit hexadecimal numbers.

**Gateway IP Address**

This item displays the Gateway IP address for this computer. This should be in decimal and in dotted quad form (i.e., 172.31.0.1).

**VLAN**

This item configures the virtual LAN settings. The options are **Disabled** and Enable.

**Configure IPV6 Support**

This section displays configuration features for IPV6 support.

**IPV6 Support**

Use this feature to enable IPV6 support. The options are **Enabled** and Disabled.

**Configuration Address Source**

This feature allows the user to select the source of the IP address for this computer. If Static is selected, you will need to know the IP address of this computer and enter it to the system manually in the field. If DHCP is selected, the BIOS will search for a DHCP (Dynamic Host Configuration Protocol) server in the network that is attached to and request the next available IP address for this computer. The options are **DHCP** and Static.

***\*If the item "Configuration Address Source" above is set to Static, the following items will become available for configuration:***

- Station IPV6 Address
- Prefix Length
- IPV6 Router1 IP Address

## 5.5 Event Logs

This tab allows the user to configure the following event logs settings for the system.



### ► Change SMBIOS Event Log Settings

This feature allows the user to configure SMBIOS Event settings.

#### Enabling/Disabling Options

##### SMBIOS Event Log

Select Enabled to enable SMBIOS (System Management BIOS) Event Logging during system boot. The options are Disabled and **Enabled**.

#### Erasing Settings

##### Erase Event Log

Select Yes to erase all error events in the SMBIOS (System Management BIOS) log before an event logging is initialized at bootup. The options are **No**, Yes, Next reset, and Yes, Every reset.

**When Log is Full**

Select Erase Immediately to immediately erase all errors in the SMBIOS event log when the event log is full. Select Do Nothing for the system to do nothing when the SMBIOS event log is full. The options are **Do Nothing** and Erase Immediately.

**SMBIOS Event Log Standard Settings****Log System Boot Event**

Select Enabled to log system boot events. The options are Enabled and **Disabled**.

**MECI (Multiple Event Count Increment)**

Enter the increment value for the multiple event counter. Enter a number between 1 to 255. The default setting is **1**.

**METW (Multiple Event Count Time Window)**

This item is used to determine how long (in minutes) the multiple event counter should wait before generating a new event log. Enter a number between 0 to 99. The default setting is **60**.

**Note:** Please reboot the system for these changes to take effect.

**►View SMBIOS Event Log**

When Event Logging is on, this item allows the user to view the entries in the SMBIOS event log. The following categories are displayed:

**Date/Time/Error Code/Severity**

## 5.6 Security

This tab allows you to configure the following security settings for the system.



### Administrator Password

Press Enter to create a new, or change an existing Administrator password. Note that if the Administrator Password is erased, the User Password will be cleared as well.

### User Password

Press Enter to create a new, or change an existing User password.

### Password Check

Select Setup for the system to check for a password at Setup. Select Always for the system to check for a password at bootup or upon entering the BIOS Setup utility. The options are **Setup** and **Always**.

### ► Secure Boot

This section contains options and menus for securing your boot mode and for key management.



## Secure Boot

This option allows you specify when the Platform Key (PK) is enrolled. When enabled, the System Mode is user deployed, and the CSM function is disabled. Options include **Disabled** and **Enabled** .

## Secure Boot Mode

Use this item to select the secure boot mode. The options are Standard and **Custom**.

## CSM Support

Select Enabled to support the EFI Compatibility Support Module (CSM), which provides compatibility support for traditional legacy BIOS for system boot. The options are Disabled and **Enabled**.

### ▶ Key Management

This submenu allows the user to configure the following Key Management settings.

#### Provision Factory Defaults

Install factory default Secure Boot keys after the platform reset and while the system is in Setup mode. The options include **Disabled** and **Enabled**.

#### ▶ Restore Factory Keys

Select Yes to install all default secure keys set by the manufacturer. The options are **Yes** and **No**.

#### ▶ Enroll EFI Image

This allows the image to run in Secure Boot Mode, and enroll SHA256 hash of the binary into an Authorized Signature Database (db).

#### ▶ Secure Boot Variable

This feature allows the user to decide if all secure boot variables should be saved.

#### ▶ Platform Key (PK)

This feature allows the user to configure the settings of the platform keys.

## Update

Select Yes to load the new platform keys (PK) from the manufacturer's defaults. Select No to load the platform keys from a file. The options are **Yes** and **No**.

### ▶ Key Exchange Keys

## Update

Select Yes to load the KEK from the manufacturer's defaults. Select No to load the KEK from a file. The options are **Yes** and **No**.

### **Append**

Select Yes to add the KEK from the manufacturer's defaults list to the existing KEK. Select No to load the KEK from a file. The options are Yes and No.

### **► Authorized Signatures**

#### **Update**

Select Yes to load the database from the manufacturer's defaults. Select No to load the DB from a file. The options are Yes and No.

#### **Append**

Select Yes to add the database from the manufacturer's defaults to the existing DB. Select No to load the DB from a file. The options are Yes and No.

### **► Forbidden Signatures**

#### **Update**

Select Yes to load the DBX from the manufacturer's defaults. Select No to load the DBX from a file. The options are Yes and No.

#### **Append**

Select Yes to add the DBX from the manufacturer's defaults to the existing DBX. Select No to load the DBX from a file. The options are Yes and No.

### **► Authorized TimeStamps**

#### **Update**

Select Yes to load the DBT from the manufacturer's defaults. Select No to load the DBT from a file. The options are Yes and No.

#### **Append**

Select Yes to add the DBT from the manufacturer's defaults list to the existing DBT. Select No to load the DBT from a file. The options are Yes and No.

### **► OsRecovery Signature**

This item uploads and installs an OSRecovery Signature. You may select Update for a factory default key, or select Append to get it from a file. The file formats accepted are:

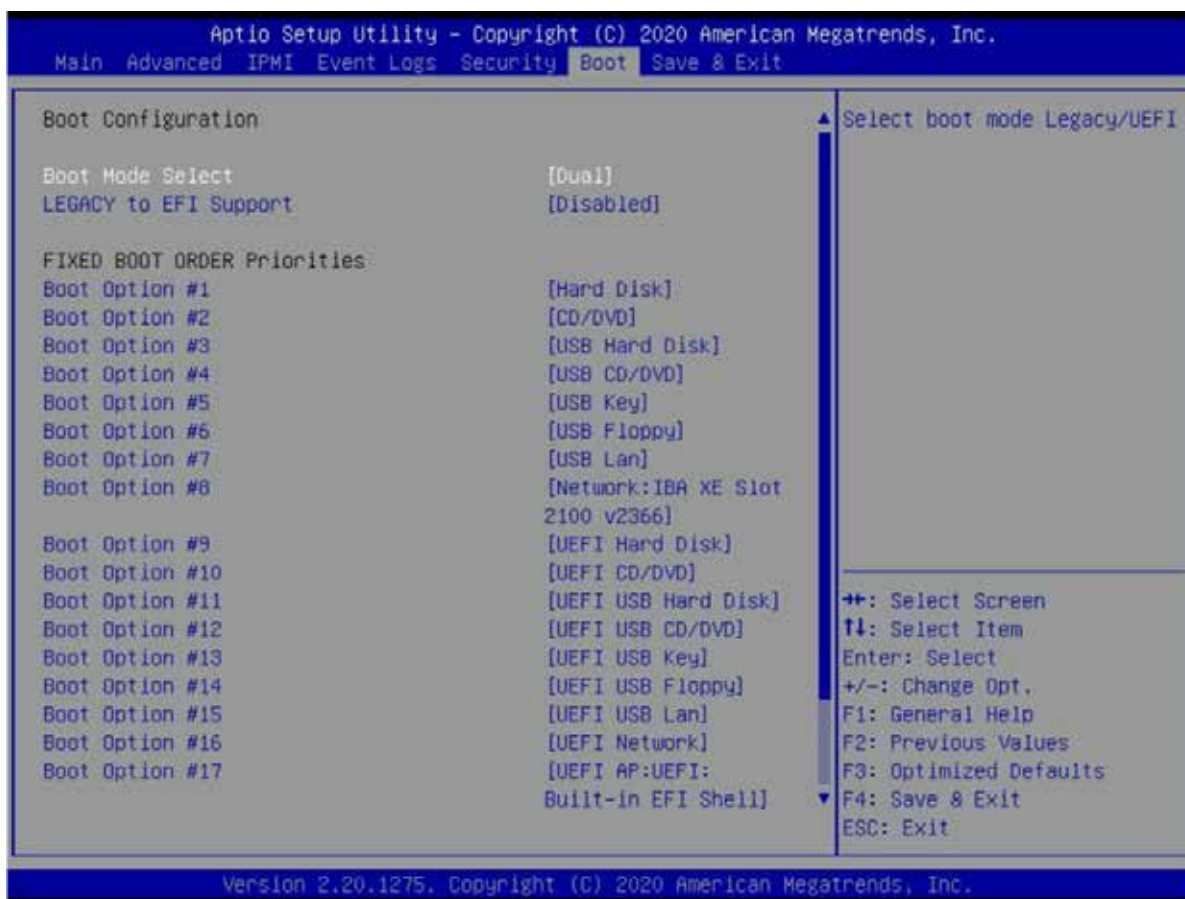
- 1) Public Key Certificate
  - a. EFI Signature List
  - b. EFI CERT X509 (DER Encoded)
  - c. EFI CERT RSA2048 (bin)
  - d. EFI SERT SHA256 (bin)
- 2) EFI Time Based Authenticated Variable

---

When prompted, select "Yes" to load Factory Defaults or "No" to load from a file.

## 5.7 Boot

Use this tab to configure Boot Settings:



### Boot Mode Select

Use this item to select the type of device that the system is going to boot from. The options are Legacy, UEFI, and **Dual**. The default setting is **Dual**.

### Legacy to EFI Support

This option enables or disables the system to boot to an EFI OS after the boot failed from the legacy boot order. The options include **Disabled** and Enabled.

### FIXED BOOT ORDER Priorities Section

This option prioritizes the order of bootable devices that the system to boot from. Press <Enter> on each entry from top to bottom to select devices.

### ► Delete Boot Option

Use this feature to remove a pre-defined boot device from which the system will boot during startup. The setting is [Select one to Delete].

► **UEFI Application Boot Priorities**

This feature allows the user to specify which UEFI devices are boot devices.

- Boot Option #1

► **Hard Disk Drive BBS Priorities**

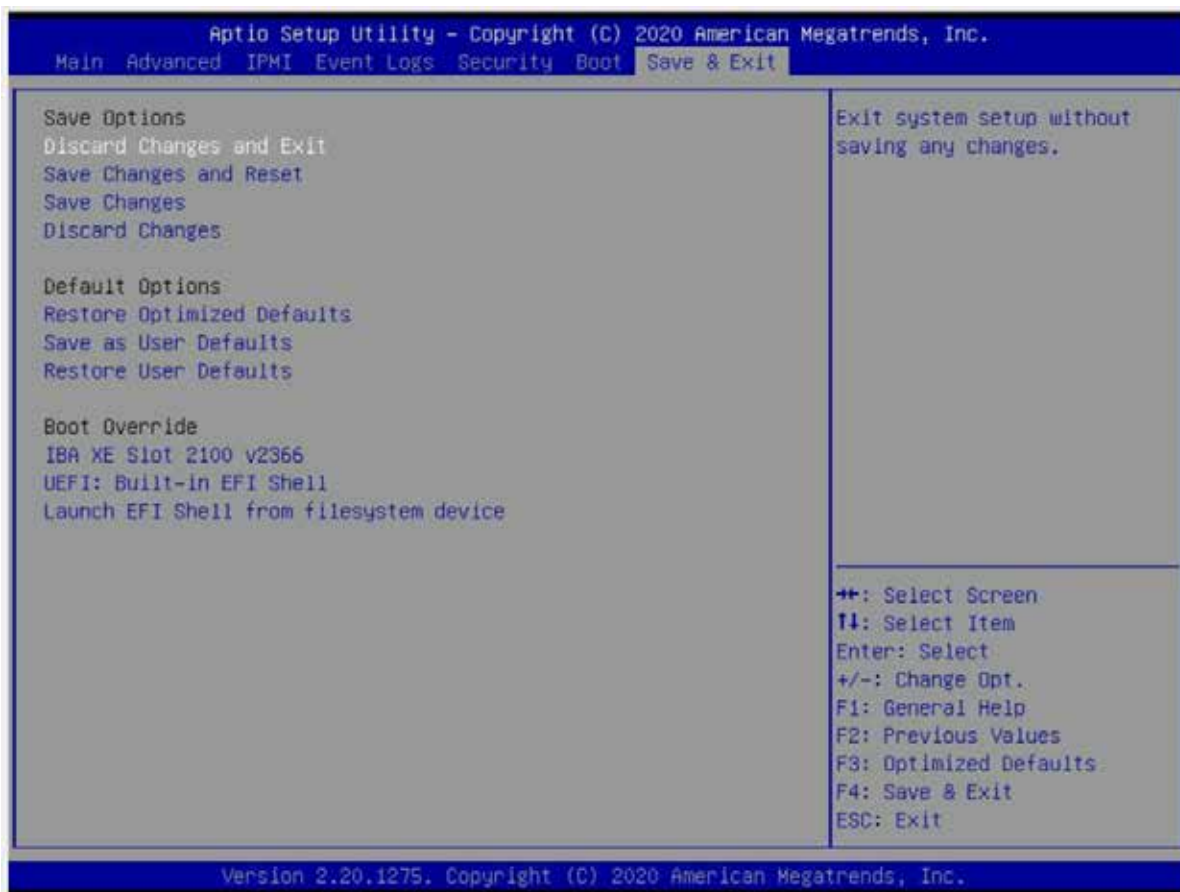
This feature allows the user to specify which hard disk drive devices are boot devices.

► **NETWORK Drive BBS Priorities**

This feature allows the user to specify which network drive devices are boot devices.

## 5.8 Save & Exit

Select the Save & Exit tab to enter the Save & Exit BIOS Setup screen.



### Discard Changes and Exit

Select this option to quit the BIOS Setup without making any permanent changes to the system configuration, and reboot the computer. Select Discard Changes and Exit from the Exit menu and press <Enter>.

### Save Changes and Reset

Select this option to reset the system after saving the changes.

### Save Changes

After completing the system configuration changes, select this option to save the changes you have made. This will not reset (reboot) the system.

### Discard Changes

Select this option and press <Enter> to discard all the changes and return to the AMI BIOS utility Program.

## **Default Options**

### **Restore Optimized Defaults**

To set this feature, select Restore Defaults from the Save & Exit menu and press <Enter>. These are factory settings designed for maximum system stability, but not for maximum performance.

### **Save as User Defaults**

To set this feature, select Save as User Defaults from the Exit menu and press <Enter>. This enables the user to save any changes to the BIOS setup for future use.

### **Restore User Defaults**

To set this feature, select Restore User Defaults from the Exit menu and press <Enter>. Use this feature to retrieve user-defined settings that were saved previously.

### **Boot Override Section**

Listed on this section are other boot options for the system (i.e., Built-in EFI shell). Select an option and press <Enter>. Your system will boot to the selected boot option.

# Appendix A

## Software Installation

### A.1 Installing Software Programs

The Supermicro FTP site contains drivers and utilities for your system at <ftp://ftp.supermicro.com>. Some of these must be installed, such as the chipset driver.

After accessing the FTP site, go into the CDR\_Images directory and locate the ISO file for your motherboard. Download this file to create a CD/DVD of the drivers and utilities it contains. (You may also use a utility to extract the ISO file if preferred.)

After creating a CD/DVD with the ISO files, insert the disk into the CD/DVD drive on your system and the display shown in Figure B-1 should appear.

Another option is to go to the Supermicro website at <http://www.supermicro.com/products/>. Find the product page for your motherboard here, where you may download individual drivers and utilities to your hard drive or a USB flash drive and install from there.

**Note:** To install the Windows OS, please refer to the instructions posted on our website at <http://www.supermicro.com/support/manuals/>.

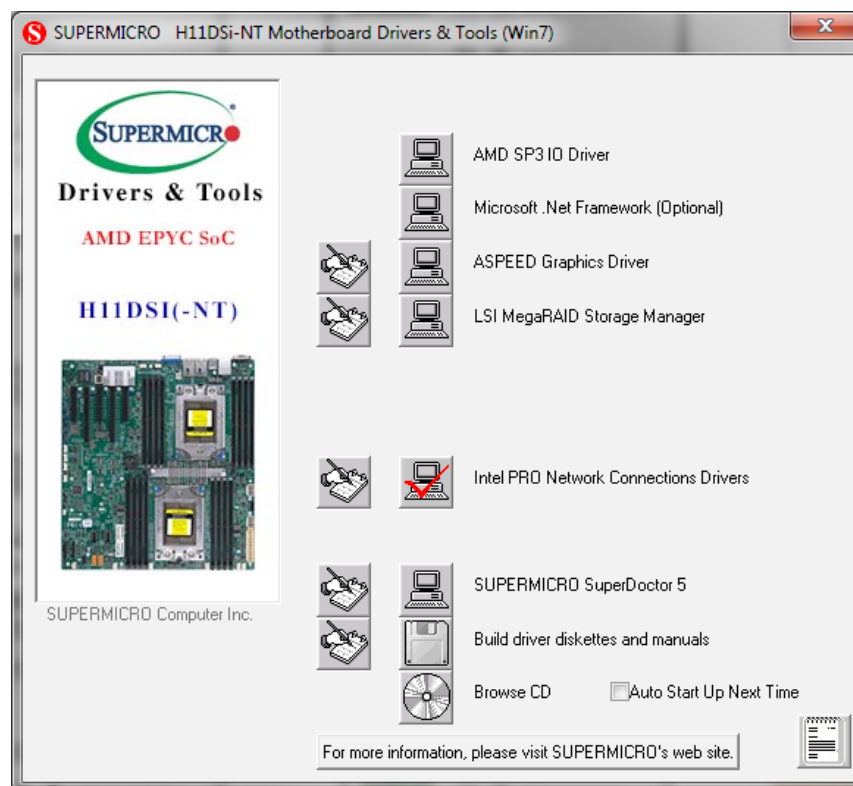


Figure A-1. Driver/Tool Installation Display Screen

Click the icons showing a hand writing on the paper to view the readme files for each item. Click a computer icon to the right of an item to install an item (from top to the bottom) one at a time. After installing each item, you must reboot the system before proceeding with the next item on the list. The bottom icon with a CD on it allows you to view the entire contents of the CD.

When making a storage driver diskette by booting into a driver CD, please set the SATA Configuration to "Compatible Mode" and configure SATA as IDE in the BIOS Setup. After making the driver diskette, be sure to change the SATA settings back to your original settings.

## A.2 SuperDoctor® 5

The Supermicro SuperDoctor 5 is a hardware monitoring program that functions in a command-line or web-based interface in Windows and Linux operating systems. The program monitors system health information such as CPU temperature, system voltages, system power consumption, fan speed, and provides alerts via email or Simple Network Management Protocol (SNMP).

SuperDoctor 5 comes in local and remote management versions and can be used with Nagios to maximize your system monitoring needs. With SuperDoctor 5 Management Server (SSM Server), you can remotely control power on/off and reset chassis intrusion for multiple systems with SuperDoctor 5 or IPMI. SD5 Management Server monitors HTTP, FTP, and SMTP services to optimize the efficiency of your operation.

**Note:** The default Username and Password for SuperDoctor 5 is ADMIN / ADMIN.



**Figure A-2. SuperDoctor 5 Interface Display Screen (Health Information)**

**Note:** The SuperDoctor 5 program and user's manual can be downloaded from the Supermicro website at [http://www.supermicro.com/products/nfo/sms\\_sd5.cfm](http://www.supermicro.com/products/nfo/sms_sd5.cfm).



## Appendix B

### Standardized Warning Statements

The following statements are industry standard warnings, provided to warn the user of situations which have the potential for bodily injury. Should you have questions or experience difficulty, contact Supermicro's Technical Support department for assistance. Only certified technicians should attempt to install or configure components.

Read this section in its entirety before installing or configuring components.

These warnings may also be found on our website at [http://www.supermicro.com/about/policies/safety\\_information.cfm](http://www.supermicro.com/about/policies/safety_information.cfm).

#### B-1 Battery Handling



**Warning!** There is the danger of explosion if the battery is replaced incorrectly. Replace the battery only with the same or equivalent type recommended by the manufacturer. Dispose of used batteries according to the manufacturer's instructions

##### 電池の取り扱い

電池交換が正しく行われなかった場合、破裂の危険性があります。交換する電池はメーカーが推奨する型、または同等のものを使用下さい。使用済電池は製造元の指示に従って処分して下さい。

##### 警告

電池更換不當會有爆炸危險。請只使用同類電池或制造商推薦的功能相當的電池更換原有電池。請按製造商的說明處理廢舊電池。

##### 警告

電池更換不當會有爆炸危險。請使用製造商建議之相同或功能相當的電池更換原有電池。請按照製造商的說明指示處理廢棄舊電池。

##### Warnung

Bei Einsetzen einer falschen Batterie besteht Explosionsgefahr. Ersetzen Sie die Batterie nur durch den gleichen oder vom Hersteller empfohlenen Batterietyp. Entsorgen Sie die benutzten Batterien nach den Anweisungen des Herstellers.

#### Attention

Danger d'explosion si la pile n'est pas remplacée correctement. Ne la remplacer que par une pile de type semblable ou équivalent, recommandée par le fabricant. Jeter les piles usagées conformément aux instructions du fabricant.

#### ¡Advertencia!

Existe peligro de explosión si la batería se reemplaza de manera incorrecta. Reemplazar la batería exclusivamente con el mismo tipo o el equivalente recomendado por el fabricante. Desechar las baterías gastadas según las instrucciones del fabricante.

#### אזהרה!

קיימת סכנת פיצוץ של הסוללה במידה והוחלפה בדרך לא תקינה. יש להחליף את הסוללה בסוג התואם מחברת יצרן מומלצת.

סילוק הסוללות המשומשות יש לבצע לפי הוראות היצרן.

هناك خطر من انفجار في حالة استبدال البطارية بطريقة غير صحيحة فعليك استبدال البطارية فقط بنفس النوع أو ما يعادلها كما أوصت به الشركة المصنعة تخلص من البطاريات المستعملة وفقا لتعليمات الشركة الصانعة

#### 경고!

배터리가 올바르게 교체되지 않으면 폭발의 위험이 있습니다. 기존 배터리와 동일하거나 제조사에서 권장하는 동등한 종류의 배터리로만 교체해야 합니다. 제조사의 안내에 따라 사용된 배터리를 처리하여 주십시오.

#### Waarschuwing

Er is ontploffingsgevaar indien de batterij verkeerd vervangen wordt. Vervang de batterij slechts met hetzelfde of een equivalent type die door de fabrikant aanbevolen wordt. Gebruikte batterijen dienen overeenkomstig fabrieksvoorschriften afgevoerd te worden.

## B-2 Product Disposal



**Warning!** Ultimate disposal of this product should be handled according to all national laws and regulations.

### 製品の廃棄

この製品を廃棄処分する場合、国の関係する全ての法律・条例に従い処理する必要があります。

### 警告

本产品的废弃处理应根据所有国家的法律和规章进行。

### 警告

本產品的廢棄處理應根據所有國家的法律和規章進行。

### Warnung

Die Entsorgung dieses Produkts sollte gemäß allen Bestimmungen und Gesetzen des Landes erfolgen.

### ¡Advertencia!

Al deshacerse por completo de este producto debe seguir todas las leyes y reglamentos nacionales.

### Attention

La mise au rebut ou le recyclage de ce produit sont généralement soumis à des lois et/ou directives de respect de l'environnement. Renseignez-vous auprès de l'organisme compétent.

### סילוק המוצר

אזהרה!

סילוק סופי של מוצר זה חייב להיות בהתאם להנחיות וחוקי המדינה.

عند التخلص النهائي من هذا المنتج ينبغي التعامل معه وفقا لجميع القوانين واللوائح الوطنية

### 경고!

이 제품은 해당 국가의 관련 법규 및 규정에 따라 폐기되어야 합니다.

### Waarschuwing

De uiteindelijke verwijdering van dit product dient te geschieden in overeenstemming met alle nationale wetten en reglementen.

## Appendix C

### UEFI BIOS Recovery

**Warning:** Do not upgrade the BIOS unless your system has a BIOS-related issue. Flashing the wrong BIOS can cause irreparable damage to the system. In no event shall Supermicro be liable for direct, indirect, special, incidental, or consequential damages arising from a BIOS update. If you need to update the BIOS, do not shut down or reset the system while the BIOS is updating. Doing so may cause a boot failure.

#### C.1 Overview

The Unified Extensible Firmware Interface (UEFI) provides a software-based interface between the operating system and the platform firmware in the pre-boot environment. The UEFI specification supports an architecture-independent mechanism for add-on card initialization to allow the UEFI OS loader, which is stored in the add-on card, to boot the system. The UEFI offers clean, hands-off control to a computer system at bootup.

#### C.2 Recovering the UEFI BIOS Image

A UEFI BIOS flash chip consists of a recovery BIOS block and a main BIOS block (a main BIOS image). The boot block contains critical BIOS codes, including memory detection and recovery codes for the user to flash a new BIOS image if the original main BIOS image is corrupted. When the system power is on, the boot block codes execute first. Once it is completed, the main BIOS code will continue with system initialization and bootup.

#### C.3 Recovering the BIOS Block with a USB Device

If the BIOS file is corrupted and the system is not able to boot up, this feature will allow you to recover the BIOS image using a USB-attached device. A USB flash drive or a USB CD/DVD ROM drive may be used for this purpose. Please note that a USB hard disk drive is NOT supported. Follow the procedures below to recover the BIOS.

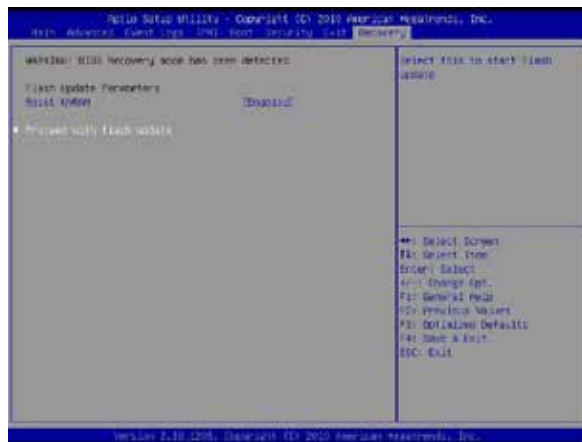
- Using a different system, copy the standard BIOS binary image file into the root directory of a USB flash drive with FAT16 or FAT32 format and rename the file to SUPER.ROM.

**Note:** If you cannot locate the "SUPER.ROM" file in your driver disk, visit our website at [www.supermicro.com](http://www.supermicro.com) to download the correct BIOS image into a USB flash device and rename it "SUPER.ROM".

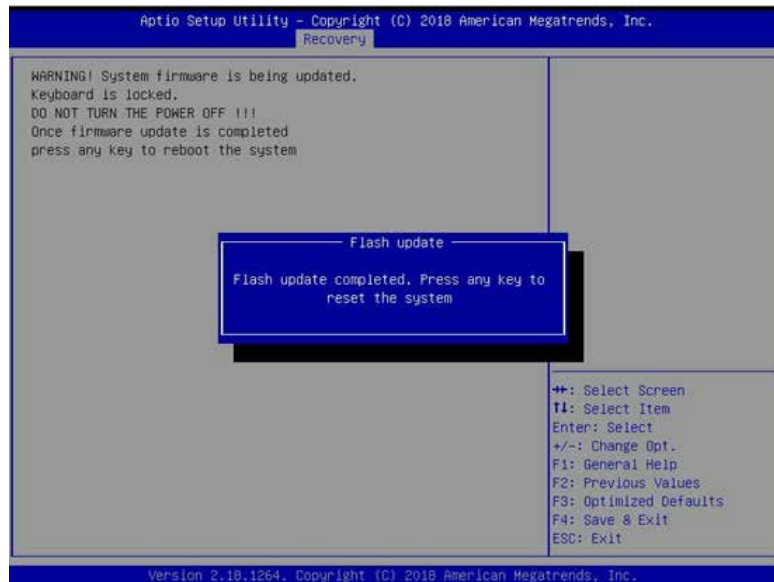
- While the system is turned off, insert the USB device that contains the new BIOS binary image (SUPER.ROM).
- Power on the system.



- After the system is turned on, the system will enter the BIOS Recovery menu. Select "Proceed with flash update" to start the BIOS recovery process. **DO NOT INTERRUPT THIS PROCESS UNTIL IT FINISHED!**



1. After the Boot Sector Recovery Process is complete, press any key to reboot the system.

**Notes:**

- \* The BIOS recovery (SUPER.ROM) will not work if BIOS has a multi-block crash.
- \* If you have purchased an OOB license, you can do a BIOS flash again through BMC WebGUI or SUM. Please refer to these SUPERMICRO software-related videos:  
Activate OOB license: [https://www.youtube.com/watch?v=V4spX\\_DOV7I](https://www.youtube.com/watch?v=V4spX_DOV7I)  
SUPERMICO BIOS Update: <https://www.youtube.com/watch?v=S8z6iOEHGwY>
- \* If the BIOS flash recovery fails, contact our RMA Department to have the BIOS chip reprogrammed. This will require shipping the board to Supermicro for repair.  
Submit your RMA request at <https://www.supermicro.com/support/rma>  
Please make sure to follow all instructions when returning the motherboard.