



RCB3.1e TEAM KIT



1:8 Scale Electric 4WD Off Road Competition Buggy Kit Manual & Catalog

#80936 RC8B3.1e Team Kit

TEAM ASSOCIATED



Designed in California, USA

:: Introduction

Thank you for purchasing this Team Associated product. This assembly manual contains instructions and tips for building and maintaining your new RC8B3.1e Kit. Please take a moment to read through this manual to help familiarize yourself with these steps. We are continually changing and improving our designs; therefore, actual parts may appear slightly different than in the illustrations. New parts will be noted on supplementary sheets located in the appropriate parts bags. Check each bag for these sheets before you start to build.

:: RC8B3.1e Team Kit Features

- New differentials offer increased fluid capacity and more consistent feel lap after lap.
- 94mm CVA driveshafts increase traction and chassis support.
- Suspension arms have been updated to 2016 race specs.
- Swaybar linkage curves have been altered to provide more chassis support throughout the suspension travel.
- All suspension arm pivots have been revised for more ground clearance resulting in better jumping and landing while also improving durability.
- 16mm Big Bore 6061 aluminum shock bodies and caps with bleeder style caps.
- Shock springs are now compatible with other brands (20mm I.D.).
- Highly efficient drivetrain utilizes straight cut gears to provide great acceleration and run-time.
- Hard-anodized 7075 aluminum chassis with keyed lower suspension plates.
- Proline® "Predator" body included.
- Enclosed receiver box .
- Full Factory Team rubber-sealed ball bearings.
- Easily accessible front and rear differentials.
- Two-piece sliding motor mount for easy gear mesh adjustment and motor removal.
- RC8B3.1e shares 90% parts compatibility with the RC8B3.1 nitro buggy, offering the perfect solution for multi-class racers.

:: Additional

Your new RC8B3.1e Kit comes as a kit. There are some items you will need to complete your kit (refer to catalog for suggestions):

- 2 channel radio/transmitter set with switch – FM/PCM/2.4GHz recommended
- Transmitter batteries (#302 recommended)
- Steering servo (#29133, 29134, 29166, 29167, 29168, 27100, 27101 recommended)
- 14.8v LiPo battery pack (#311, 318, 756, 757 recommended)
- Quick charger (#616, 27200 recommended)
- 1/8 scale specific electronic speed control
- 1/8 scale specific electric motor (#988, 989, 993 recommended)
- 1/8th scale buggy tires
- CA (Cyanoacrylic) glue (#1597 recommended)
- Polycarbonate specific spray paint or polycarbonate specific bottled paint and airbrush
- Thread locking compound (#1596 recommended)
- Needle nose pliers
- Shock shaft pliers (#1675 recommended)
- Hobby knife
- Reamer/hole punch
- Ride height gauge (#1449 recommended)

:: Other Helpful Items

- Silicone Shock/Diff Fluids (Refer to catalog for complete listings)
- Body Scissors (AE #1737)
- FT Turnbuckle Wrench (AE #1114)
- Soldering Iron
- FT Hex Wrenches (AE #1655)
- Calipers or Precision Ruler
- FT Nut Drivers (AE #1663-1668)
- Green Slime shock lube (AE #1105)
- FT 5.0mm Hex Drive (AE #1506)













Associated Electrics, Inc.
26021 Commercentre Dr.
Lake Forest, CA 92630














Customer Service
Tel: 949.544.7500
Fax: 949.544.7501

:: Hardware - 1:1 Scale View






Flat Head (fhcs)

	2.5x6mm (4675)
	2.5x8mm (31448)
	3x6mm (31541)
	3x8mm (25201) Titanium (91592)
	3x10mm (25202) Titanium (91593)
	3x12mm (25203) Titanium (91594)
	3x14mm (89208) Titanium (91595)
	4x10mm (81262)
	4x12mm (89214)
	4x14mm (89217)
	4x16mm (81263)
	4x20mm (81264)







Button Head (bhcs)

	2.5x6mm (31520)
	2.5x8mm (31521)
	2.5x18mm (81259)
	3x6mm (31531) Titanium (91580)
	3x10mm (25211)
	3x14mm (25187) Titanium (91584)
	3x16mm (89203) Titanium (91585)
	3x20mm (25188)
	3x24mm (89204) Titanium (91589)
	4x14mm (81260)
	4x16mm (81261)





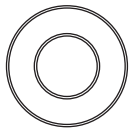
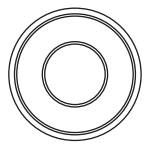
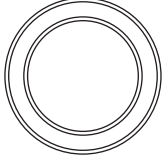
Socket Head (shcs)

	2x5mm (31511)
	2x16mm (7184)
	3x8mm (89223)
	3x10mm (25620)
	3x24mm (89225)




Set Screws

	3x3mm (25225)
	3x6mm (81257)
	3x10mm (4671)
	3x12mm (81258)
	4x4mm (7732)
	5x4mm (89221)

Ball Bearings

	5x8x2.5mm (8680)
	5x10x4mm (91560)
	6x10mm (31404)
	6x12x4mm (91561)
	8x16x5mm (91564)
	8x16x5mm flanged (91565)
	15x21x4mm (91566)

Nuts (lock/plain)

	M3 Nut (91477)
	M3 Alum. Locknut, Blue (31550)
	M3 Locknut, Black (25215)
	M3 Locknut w/Flange (25612)
	FT 3mm Locknuts, Blue(25392)
	M4 Locknut Knurled w/Flange (91148)
	FT M4 Locknut, Blue (31551)
	M4 Locknut, Serrated (91738)

:: Table of Contents

1..... Cover	16.....Center Bulkhead/ Brakes Build (Bag 7.1, 7.2)
2..... Introduction	17 - 18Anti-Roll Bars Build (Bag 8.1)
3..... 1:1 Hardware "Fold Out"	18 - 19.....Shocks Build (Bag 9.1, 9.2)
4..... Table of Contents	20.....Battery Tray Build (Bag 10.1, 10.2)
5 - 7.....Differentials Build (Bag 1.1, 1.2)	21.....Servo Horns / Linkage Build (Bag 11.1, 11.2)
7 - 8.....Steering / Chassis Build (Bag 2.1, 2.2)	22.....Wheel/Tire/Body Build (Misc. Bag)
9 - 10.....Front Gearbox Build (Bag 3.1, 3.2)	23.....Droop Settings
11 - 12.....Front Uprights Build (Bag 4.1, 4.2)	24 - 33.....Catalog
12 - 14.....Rear Gearbox Build (Bag 5.1, 5.2)	34.....Back Cover
15 - 16.....Rear Uprights / Turnbuckles Build (Bag 5.2, 6.1)	

:: Notes



This symbol indicates a special note or instruction in the manual.



This symbol indicates a Racers Tip.



Scanning this QR code will take you to Team Associated's Tech Tips videos. These videos will help you with your build and setup!



There is a 1:1 hardware foldout page in the front of the manual. To check the size of a part, line up your hardware with the correct drawing until you find the exact size. Each part in the foldout has a number assigned to it for ordering replacement parts.

**Associated Electrics, Inc.
26021 Commercentre Dr.
Lake Forest, CA 92630**



**Customer Service
Tel: 949.544.7500
Fax: 949.544.7501**

:: Differential Build (Front and Rear) - Bag 1.1, 1.2 - Step 1

#6588 black grease

81379
Diff Case

81385
Outdrive O-Ring
5.8x1.9mm

91564
8x16x5 Bearing

81381
Diff Shim
6x8x0.20mm

#6588 black grease

81012
17mm Outdrive,
Front Diff

81008
15mm Outdrive,
Rear Diff

81380
Pin
2.5x12mm

81380
Diff Sun Gear, 20T

Align pin with groove in sun gear

:: Differential Build (Front and Rear) - Bag 1.1, 1.2 - Step 2

81381 $\Sigma 4$
Diff Shim
3.5x11x0.12mm

81380 $\Sigma 2$
Diff Crosspin

81380 $\Sigma 4$
Diff Planet Gear

Racer's Tip:
You can use #81385 Planet O-Ring between the Planet Gears and the Diff Shims as a tuning option. Do Not install 3.3x1.5mm Planet O-Ring for kit setup.

:: Differential Build (Front and Rear) - Bag 1.1, 1.2 - Step 3

#6588 black grease

81002
Diff Ring Gear, 44T

81385
Outdrive O-Ring
5.8x1.9mm

91564
8x16x5 Bearing

81381
Diff Shim
6x8x0.20mm

#6588 black grease

81012
17mm Outdrive,
Front Diff

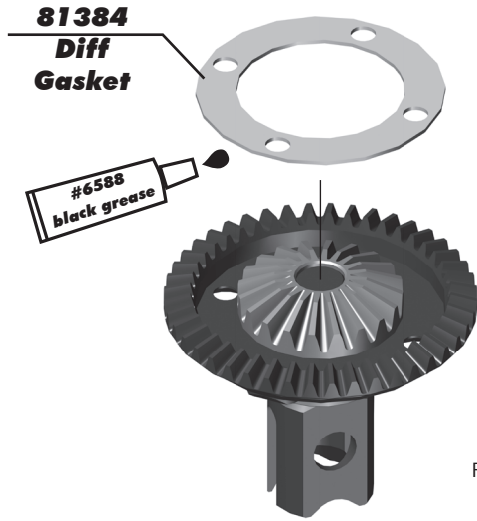
81008
15mm Outdrive,
Rear Diff

81380
Pin
2.5x12mm

81380
Diff Sun Gear, 20T

Align pin with groove in sun gear

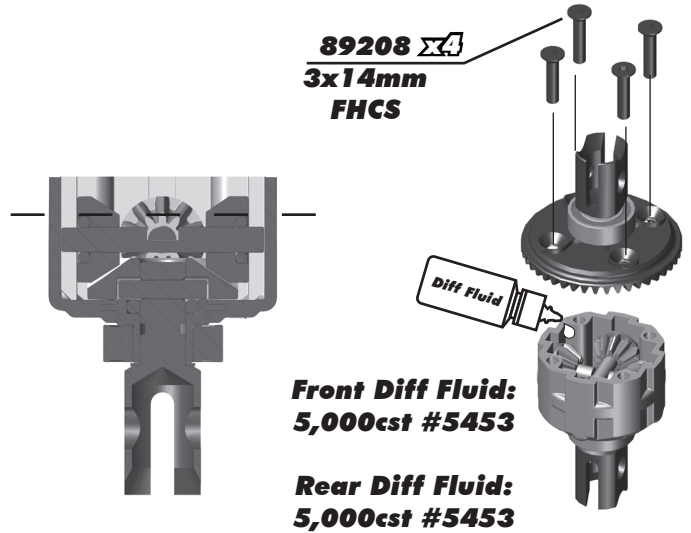
:: Differential Build (Front and Rear) - Bag 1.1, 1.2 - Step 4



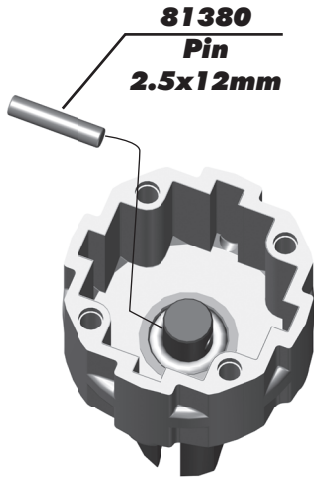
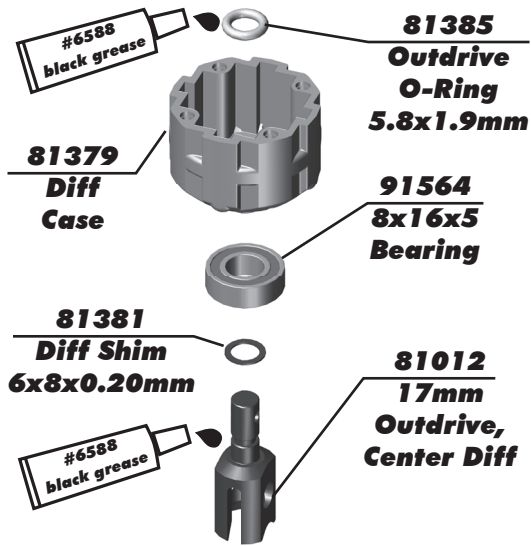
Racer's Tip:
Use black grease (#6588) to coat the Diff Gasket before installation!



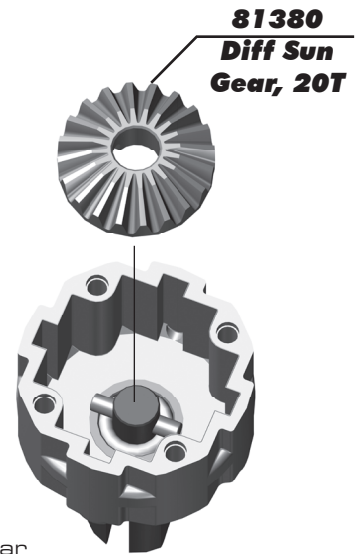
Racer's Tip:
Fill diff above the cross pins, below the planet gears as shown.



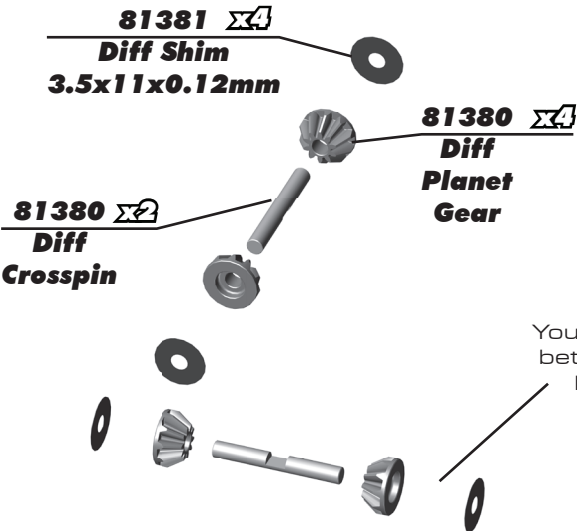
:: Differential Build (Center) - Bag 1.1, 1.2 - Step 5



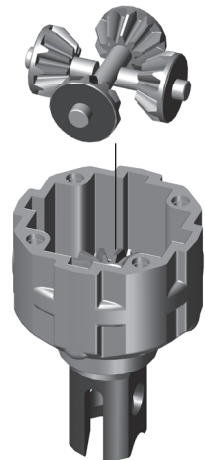
Align pin with groove in sun gear



:: Differential Build (Center) - Bag 1.1, 1.2 - Step 6



Racer's Tip:
You can use #81385 Planet O-Ring between the Planet Gears and the Diff Shims as a tuning option.



:: Differential Build (Center) - Bag 1.1, 1.2 - Step 7

#6588 black grease

81385 Outdrive O-Ring 5.8x1.9mm

81380 Pin 2.5x12mm

81389 B3.1e Plastic Spur Gear, 46T

91564 8x16x5 Bearing

81381 Diff Shim 6x8x0.20mm

#6588 black grease

81012 17mm Outdrive, Center Diff

81380 Diff Sun Gear, 20T

Align pin with groove in sun gear

:: Differential Build (Center) - Bag 1.1, 1.2 - Step 8

81384 Diff Gasket

#6588 black grease

Racer's Tip:
Use black grease (#6588) to coat the Diff Gasket before installation!

89208 x4 3x14mm FHCS

Diff Fluid

Center Diff Fluid: 5,000cst #5453

Racer's Tip:
Fill diff above the cross pins, below the planet gears as shown.

:: Steering / Chassis Build - Bag 2.1, 2.2 - Step 1

25201 3x8mm FHCS

31541 x2 3x6mm FHCS

81001 x2 Side Guards

81295 RC8B3e Chassis

81091 x2 Steering Post

25201 3x8mm FHCS

31541 x2 3x6mm FHCS

25201 3x8mm FHCS

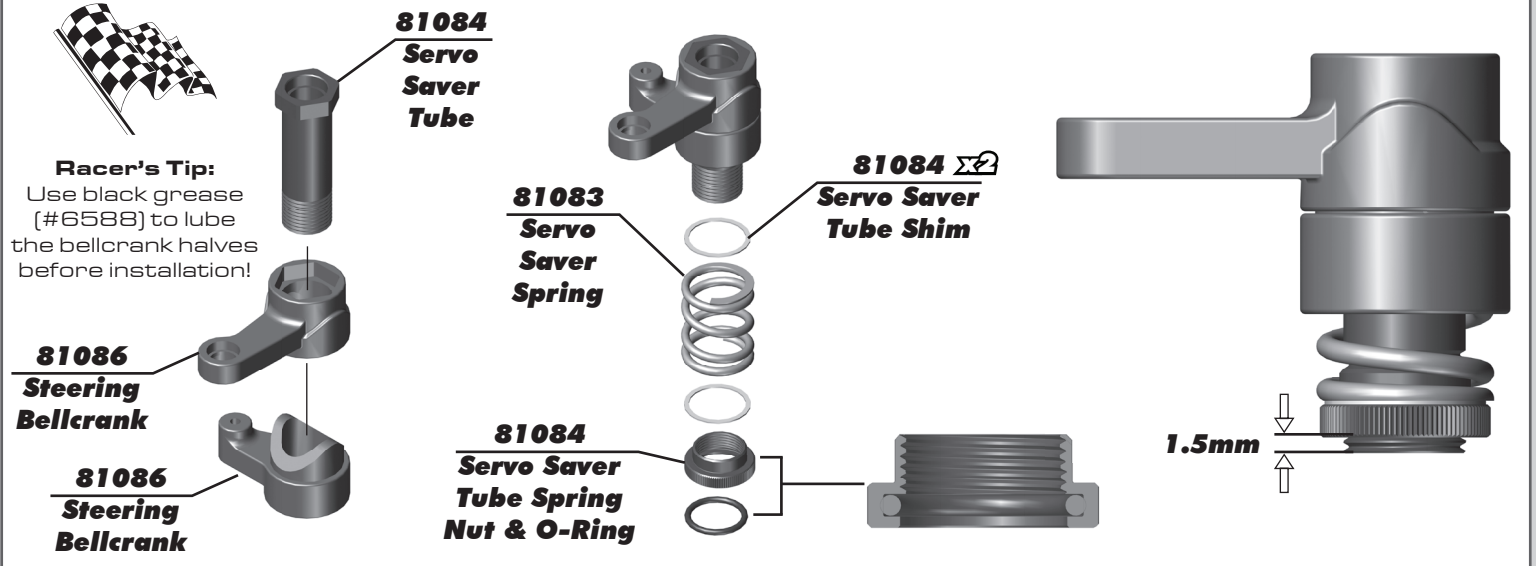
25201 x2 3x8mm FHCS

25201 3x8mm FHCS

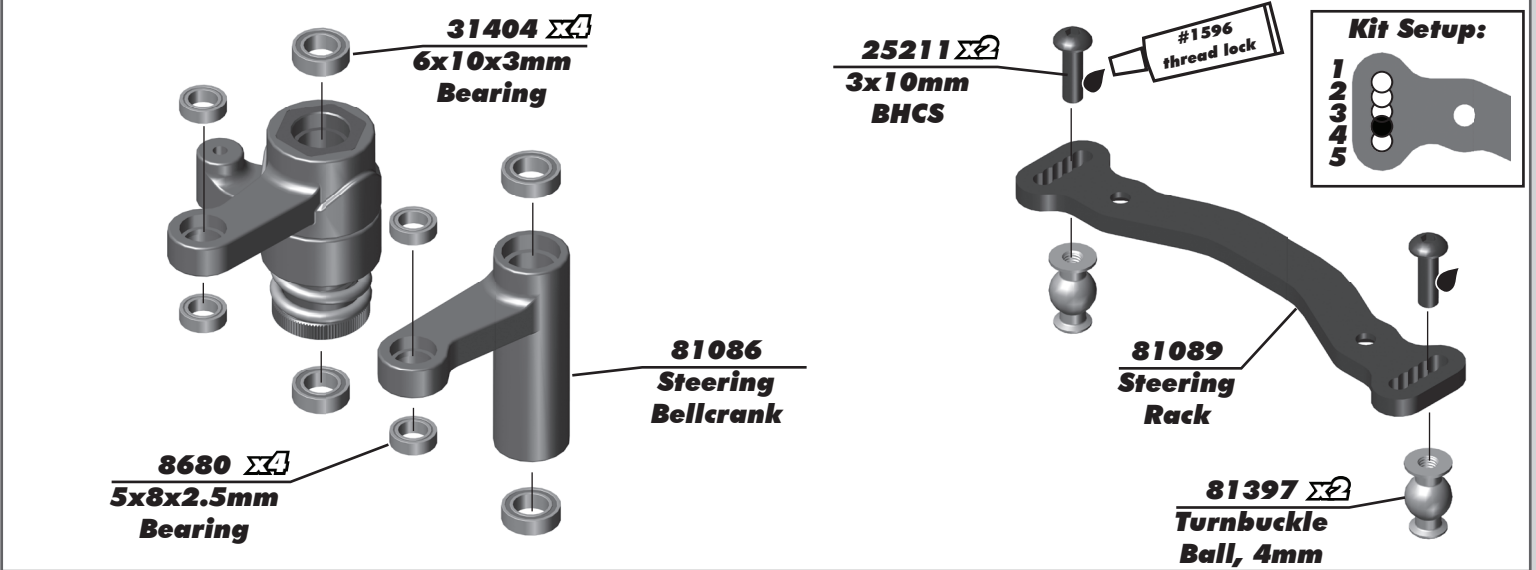
81262 x2 4x10mm FHCS

#1596 thread lock

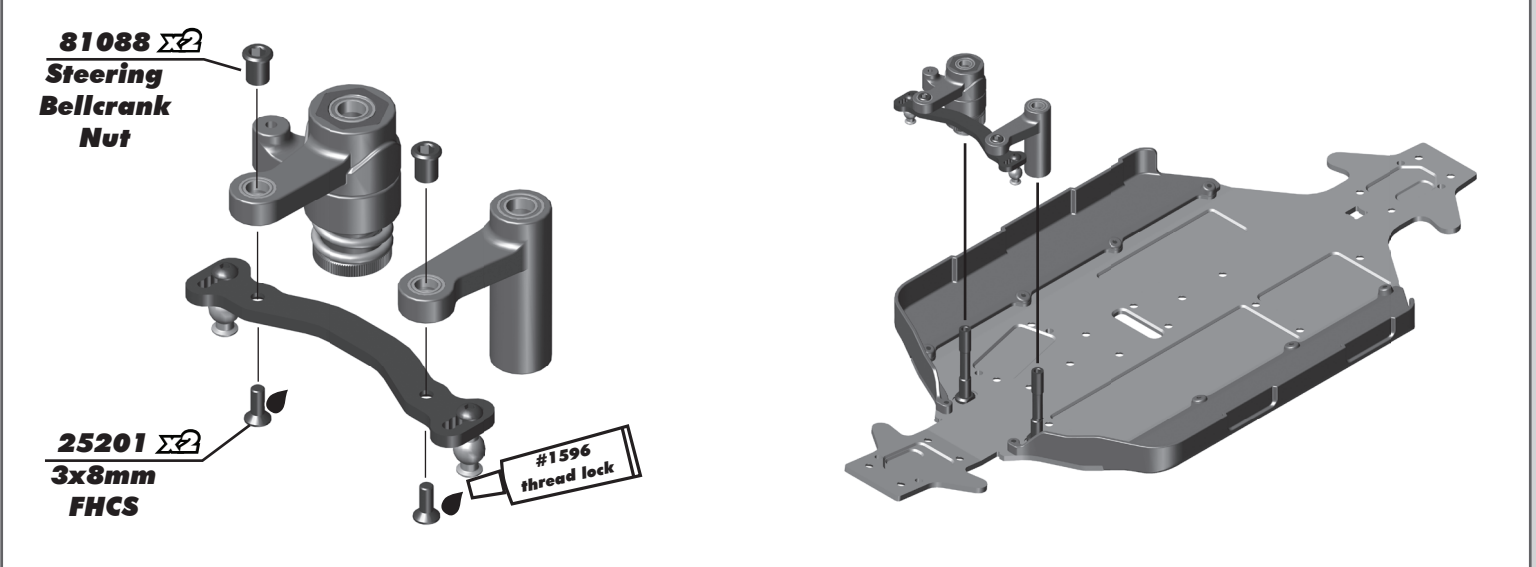
:: Steering / Chassis Build - Bag 2.1, 2.2 - Step 2



:: Steering / Chassis Build - Bag 2.1, 2.2 - Step 3



:: Steering / Chassis Build - Bag 2.1, 2.2 - Step 4



:: Front Gearbox Build - Bag 3.1, 3.2 - Step 1



Racer's Tip:
Use black grease (#6588) to lube the Diff Pinion before installation!

81003
Diff Pinion Gear, 13T

81015
Gearbox, (Inboard)

91561 $\Sigma 2$
6x12x4mm Bearing

89221
5x4mm Set Screw

#1596
Thread lock

81020
Center Universal, (76mm)

81015
Dust Cap

4675
2.5x6mm FHCS

:: Front Gearbox Build - Bag 3.1, 3.2 - Step 2

NOTE:
Install the FRONT Diff!



STEP 1

81381
Diff Shim
13.5x15.8x0.20mm

81015
Gearbox, (Outboard)

25620 $\Sigma 2$
3x10mm SHCS

81015
Anti-Roll Bar Cap

81259
2.5x18mm BHCS



STEP 2

Step 1:
Add shims on this side to TIGHTEN gear mesh. Subtract shims on this side to LOOSEN gear mesh.

Step 2:
Add or subtract shims here to finalize diff side to side play once gear mesh is set from Step 1. Recommended diff side to side clearance (gearbox assembly) 0.10 - 0.25mm.

Notes:
0.1 mm shim can be used for fine tuning of gear mesh

:: Front Gearbox Build - Bag 3.1, 3.2 - Step 3

Kit Setup:



81292
RC8B3.1 Arm Mount (B)

81260 $\Sigma 2$
4x14mm BHCS

81050 $\Sigma 2$
Arm Mount Insert, Center

81054
Front Arm, Lower

81060
Hinge Pin

81054
Front Arm Shim, 1mm

89317
Droop Screw



Note that each arm is marked with a R for the Right Arm or an L for the Left Arm.

:: Front Gearbox Build - Bag 3.1, 3.2 - Step 4

Kit Setup:

81291 RC8B3.1 Arm Mount (A)

81260 4x14mm BHCS

81050 Arm Mount Insert, Center

89214 4x12mm FHCS

81112 Body Post, Front

81030 Top Plate

89216 M4 Locknut, Black

25201 3x8mm FHCS

81032 Chassis Brace, Front

:: Front Gearbox Build - Bag 3.1, 3.2 - Step 5

Kit Setup:

25201 3x8mm FHCS

#1596 Thread Lock

81050 Arm Mount Insert, Center, Outside

81049 Upper Link Mount

89214 4x12mm FHCS

89225 3x24mm SHCS

#1596 Thread Lock

81196 Shock Bushing

81026 Shock Tower, Front

81050 Arm Mount Insert, Center

:: Front Gearbox Build - Bag 3.1, 3.2 - Step 6

Caster Clips

0.9mm 1mm 2mm

81055 Caster Clip, 2.0mm

81055 Caster Clip, 0.9mm

81060 Hinge Pin, Front Upper Short

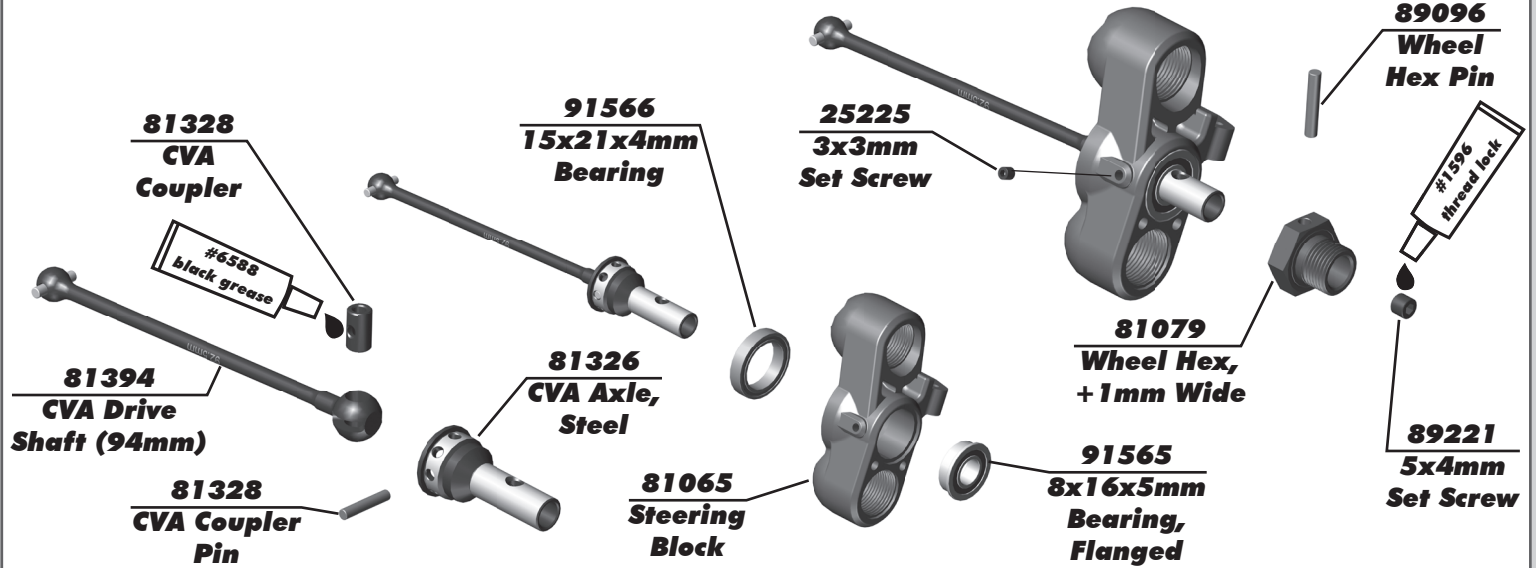
81055 Front Upper Arms

89214 4x12mm FHCS

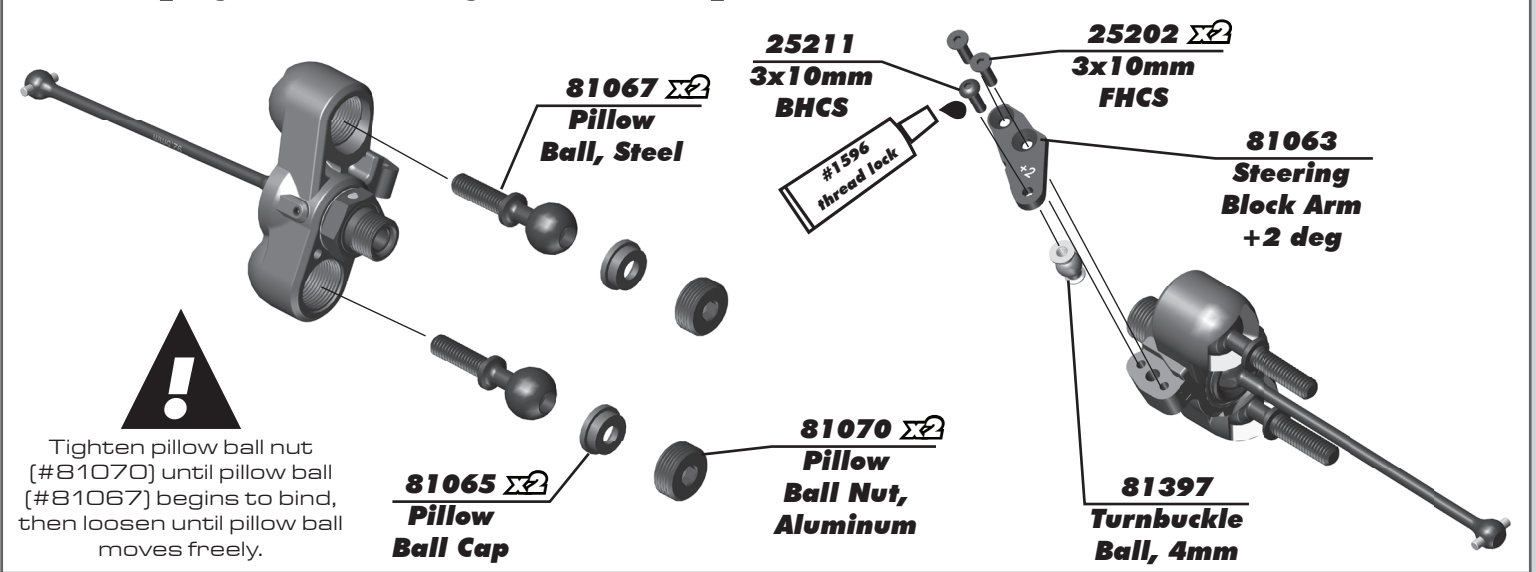
!

Note that each arm is marked with a R for the Right Arm or an L for the Left Arm.

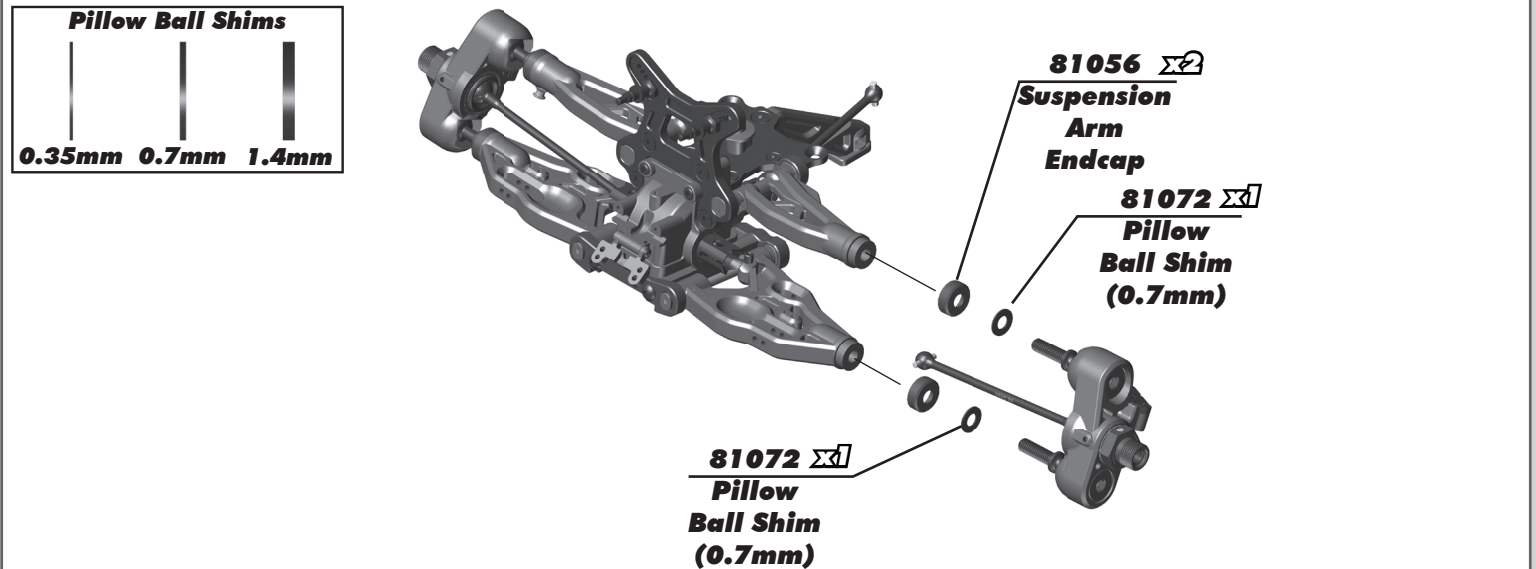
:: Front Uprights Build - Bag 4.1, 4.2 - Step 1



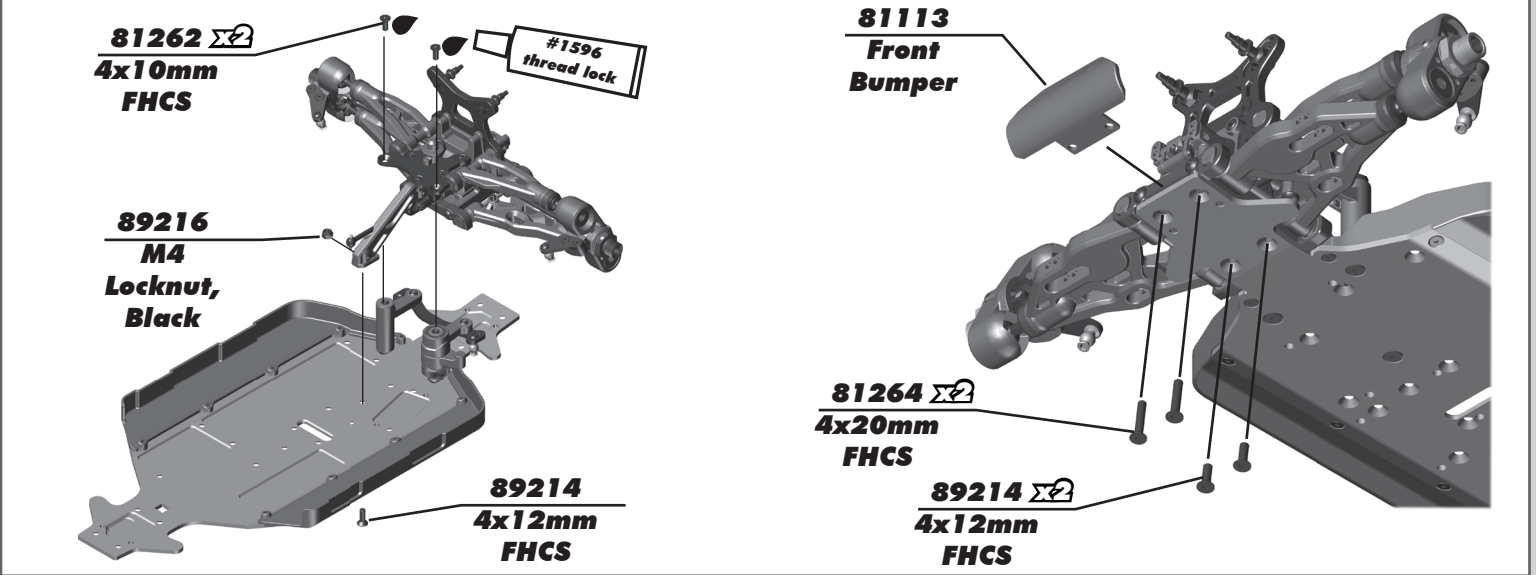
:: Front Uprights Build - Bag 4.1, 4.2 - Step 2



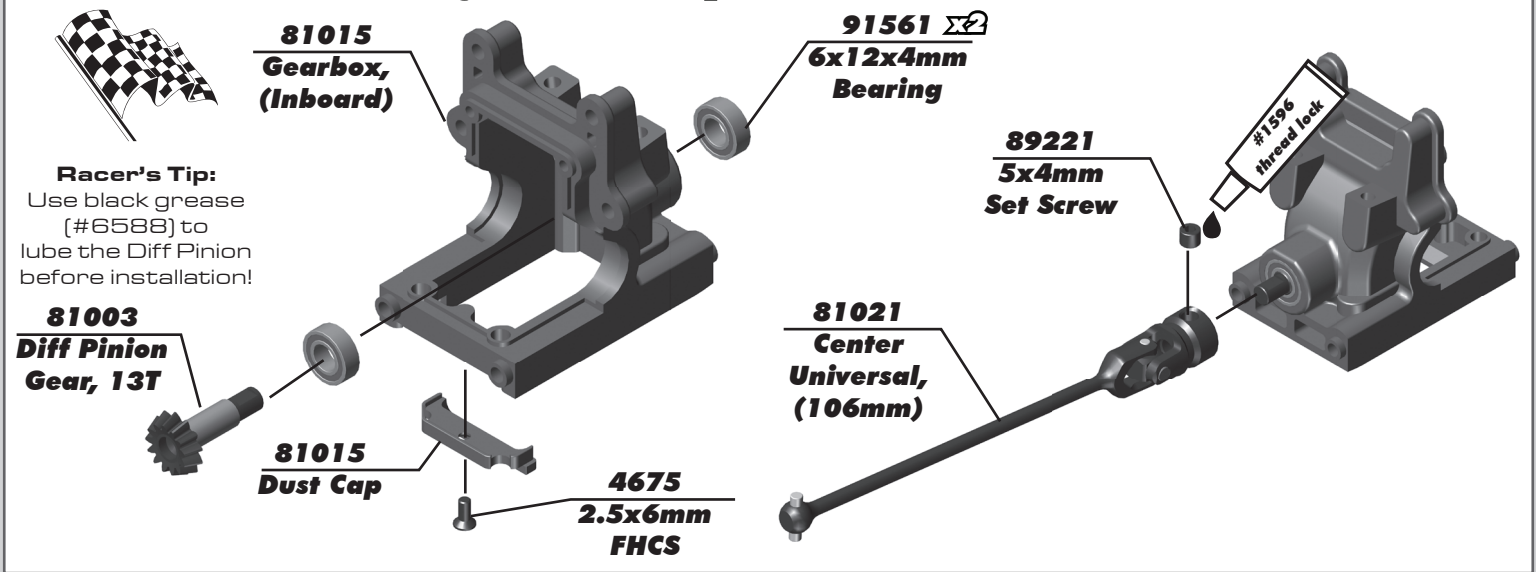
:: Front Uprights Build - Bag 4.1, 4.2 - Step 3



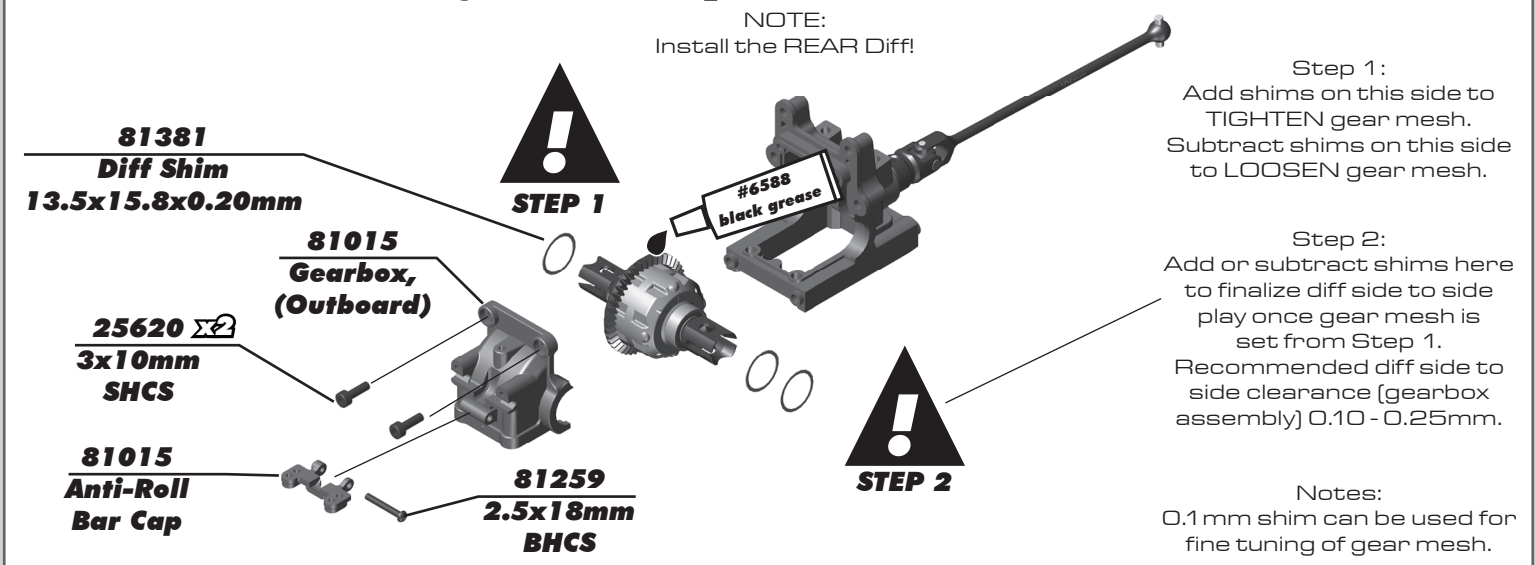
:: Front Uprights Build - Bag 4.1, 4.2 - Step 4



:: Rear Gearbox Build - Bag 5.1, 5.2 - Step 1

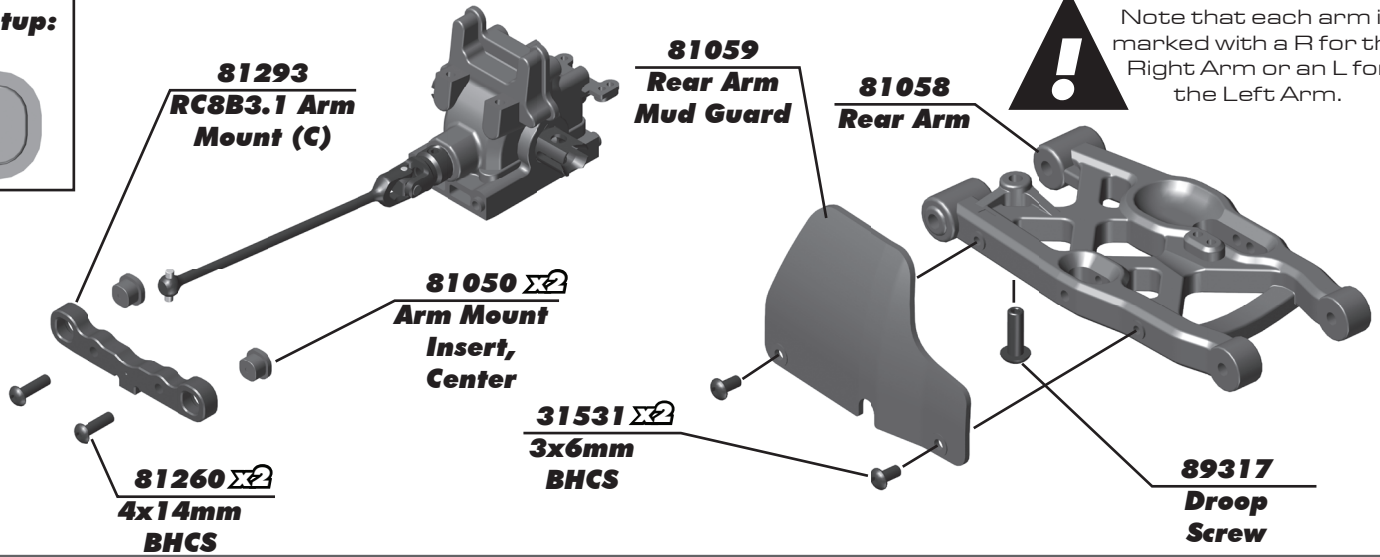


:: Rear Gearbox Build - Bag 5.1, 5.2 - Step 2



:: Rear Gearbox Build - Bag 5.1, 5.2 - Step 3

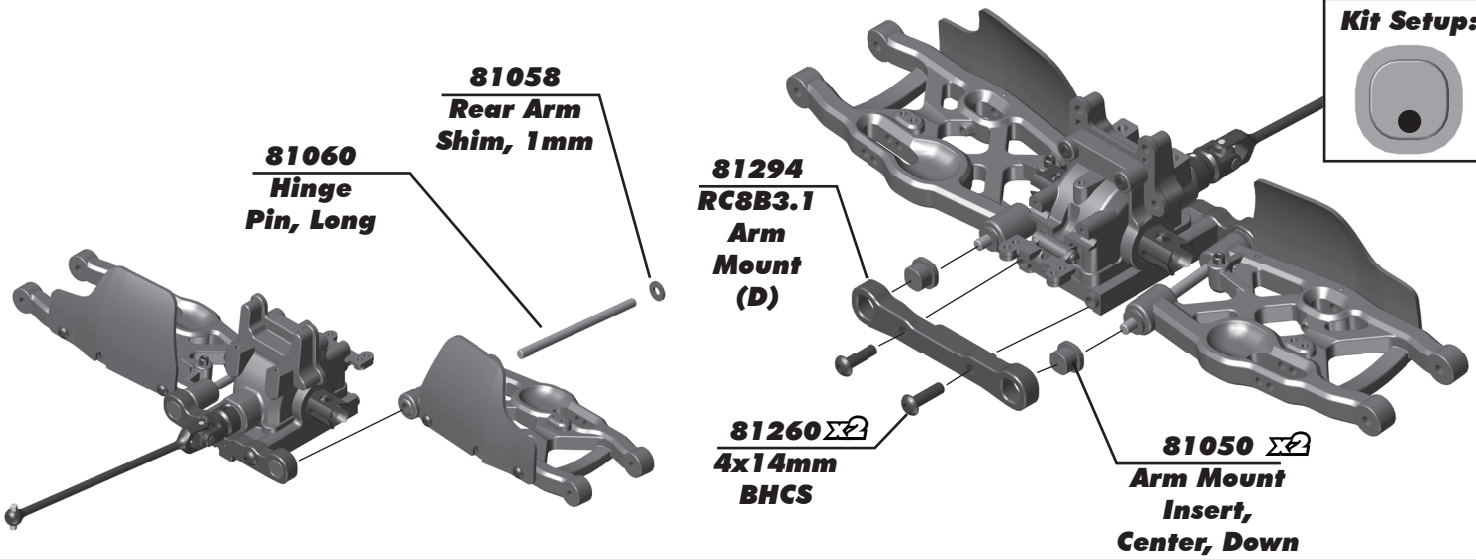
Kit Setup:



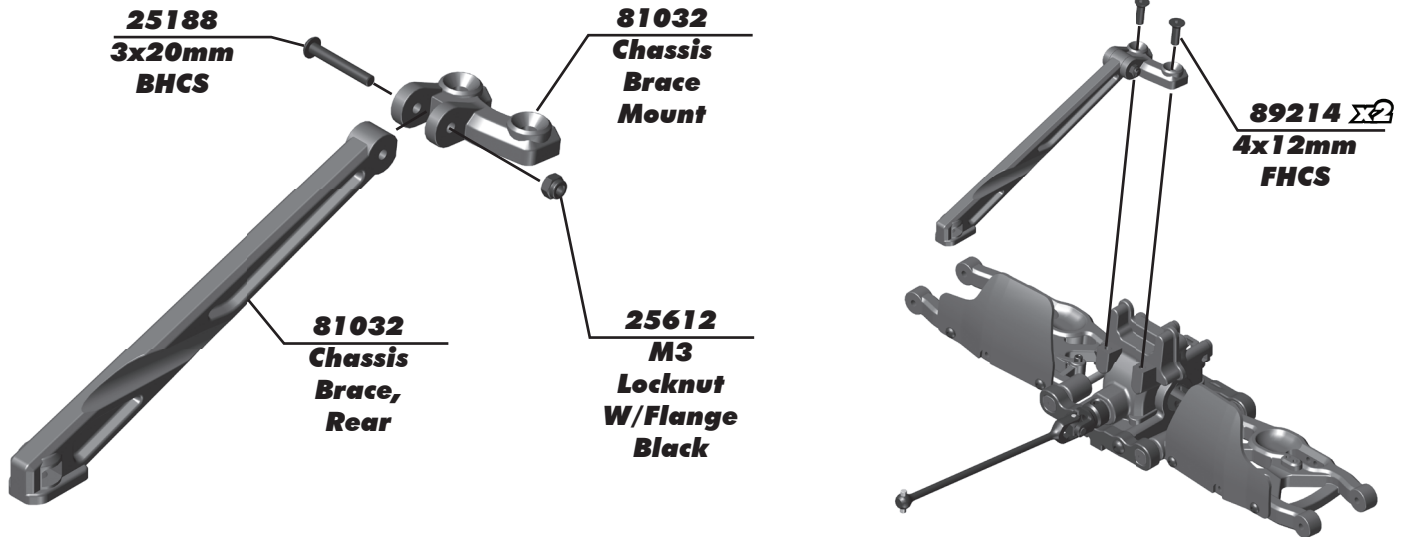
Note that each arm is marked with a R for the Right Arm or an L for the Left Arm.

:: Rear Gearbox Build - Bag 5.1, 5.2 - Step 4

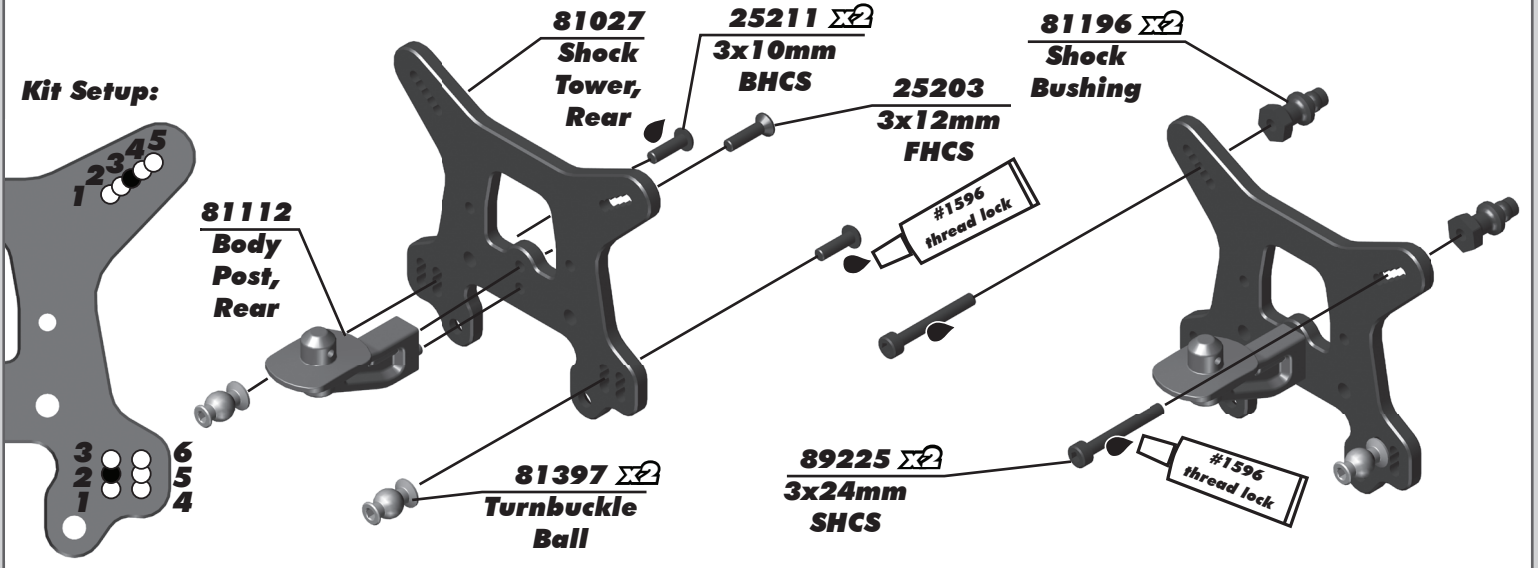
Kit Setup:



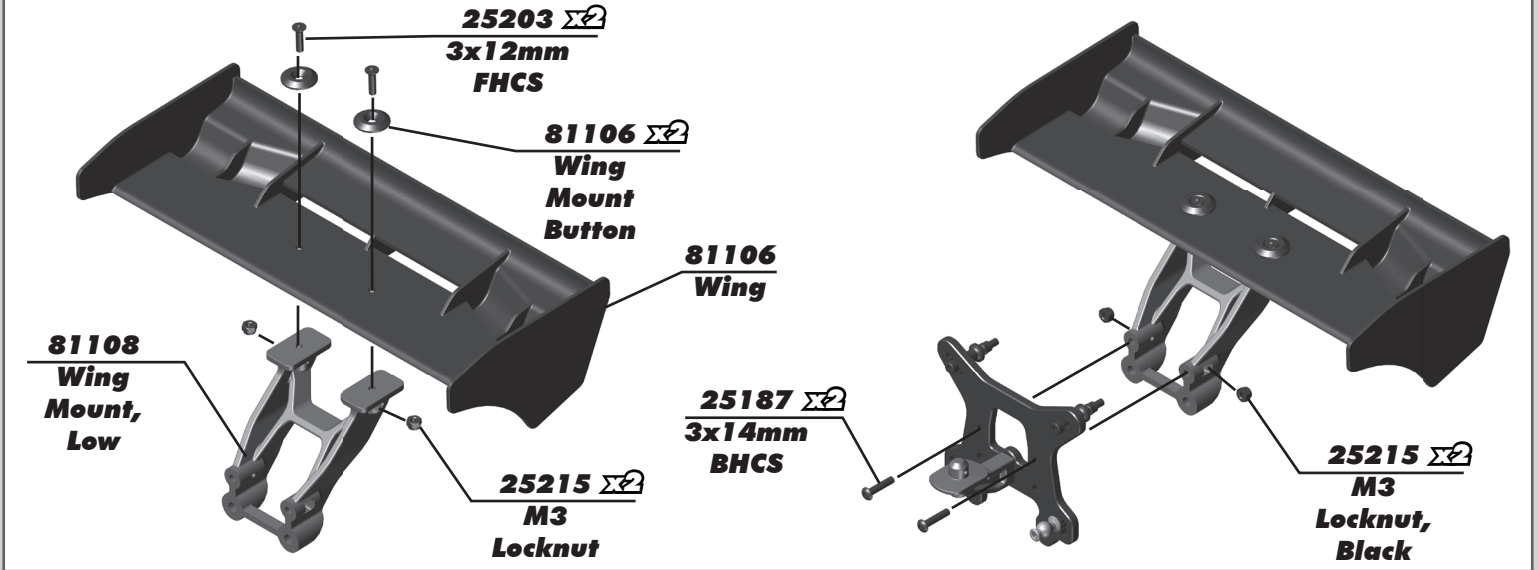
:: Rear Gearbox Build - Bag 5.1, 5.2 - Step 5



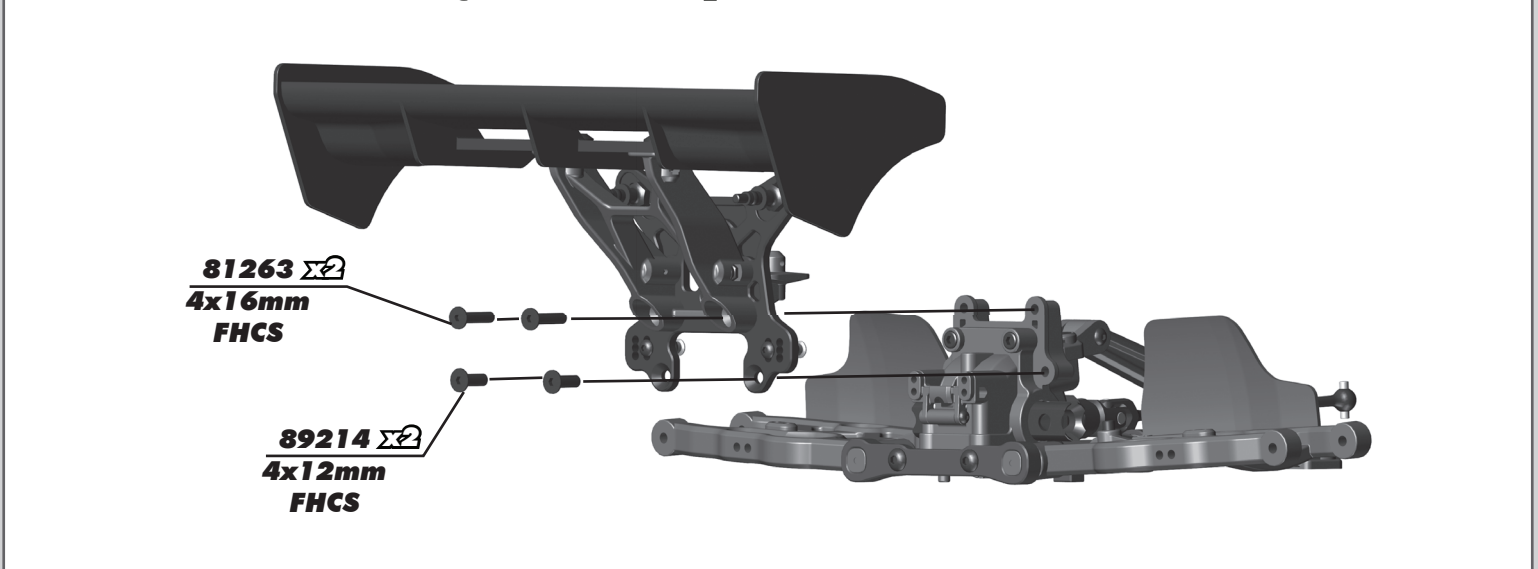
:: Rear Gearbox Build - Bag 5.1, 5.2 - Step 6



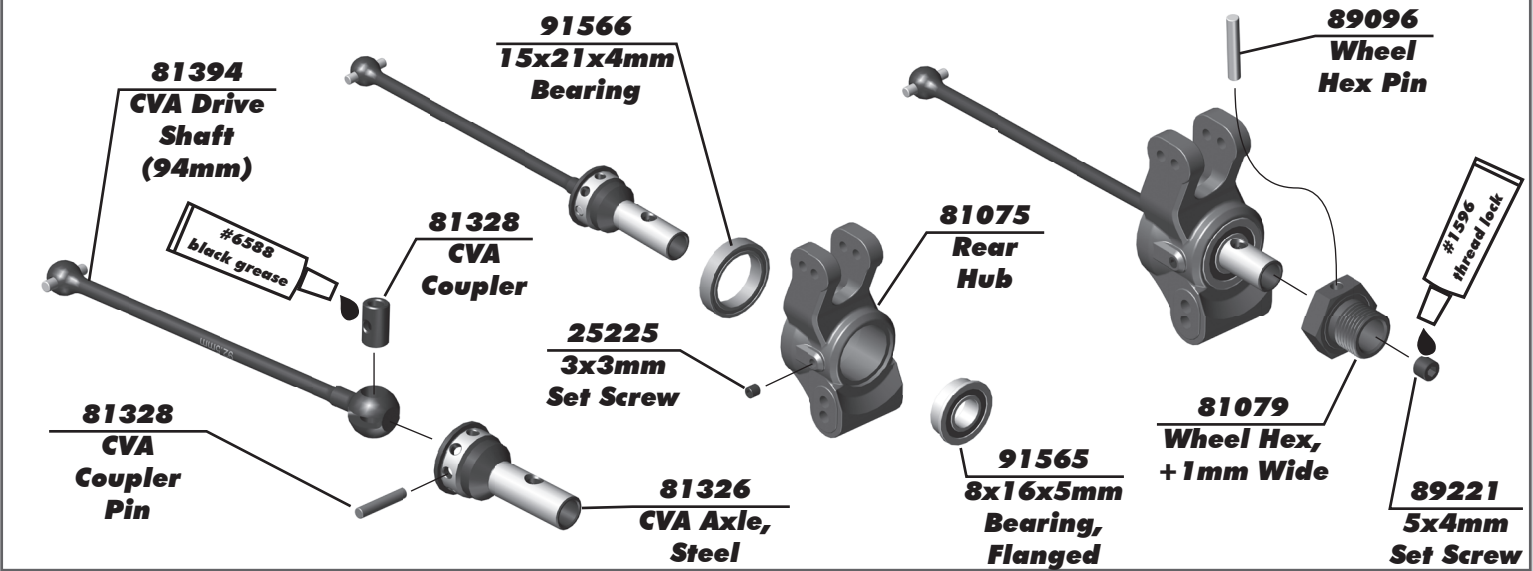
:: Rear Gearbox Build - Bag 5.1, 5.2 - Step 7



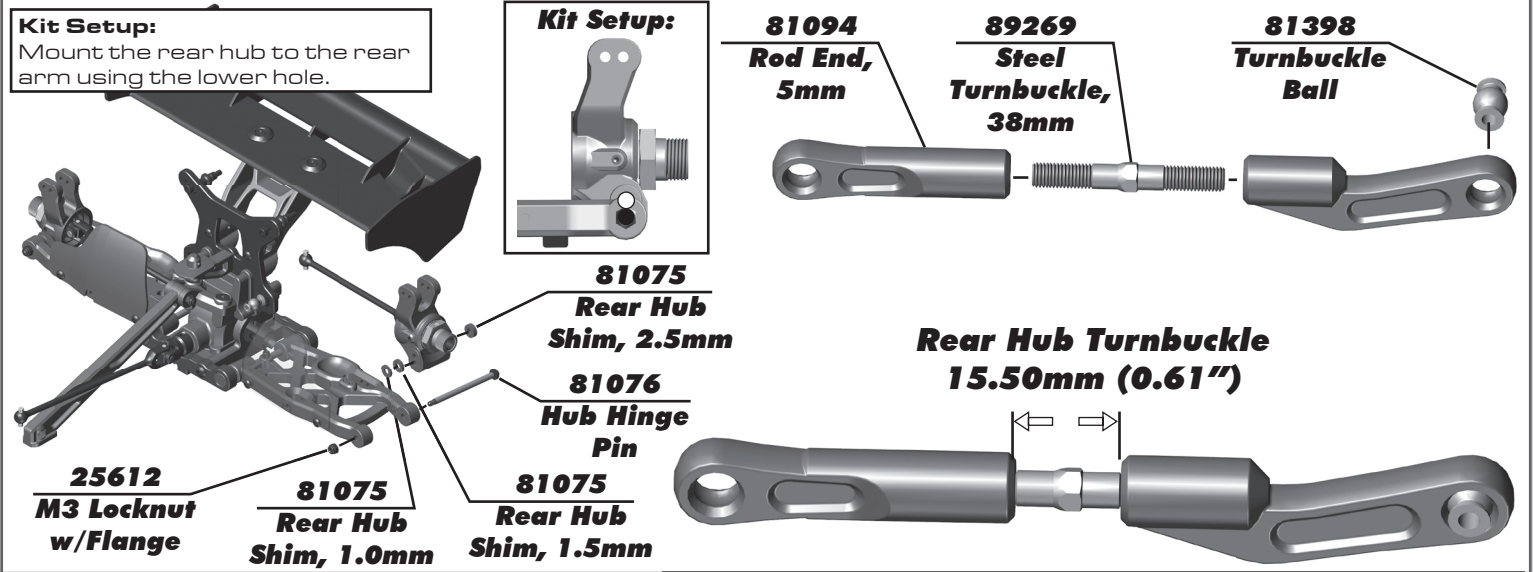
:: Rear Gearbox Build - Bag 5.1, 5.2 - Step 8



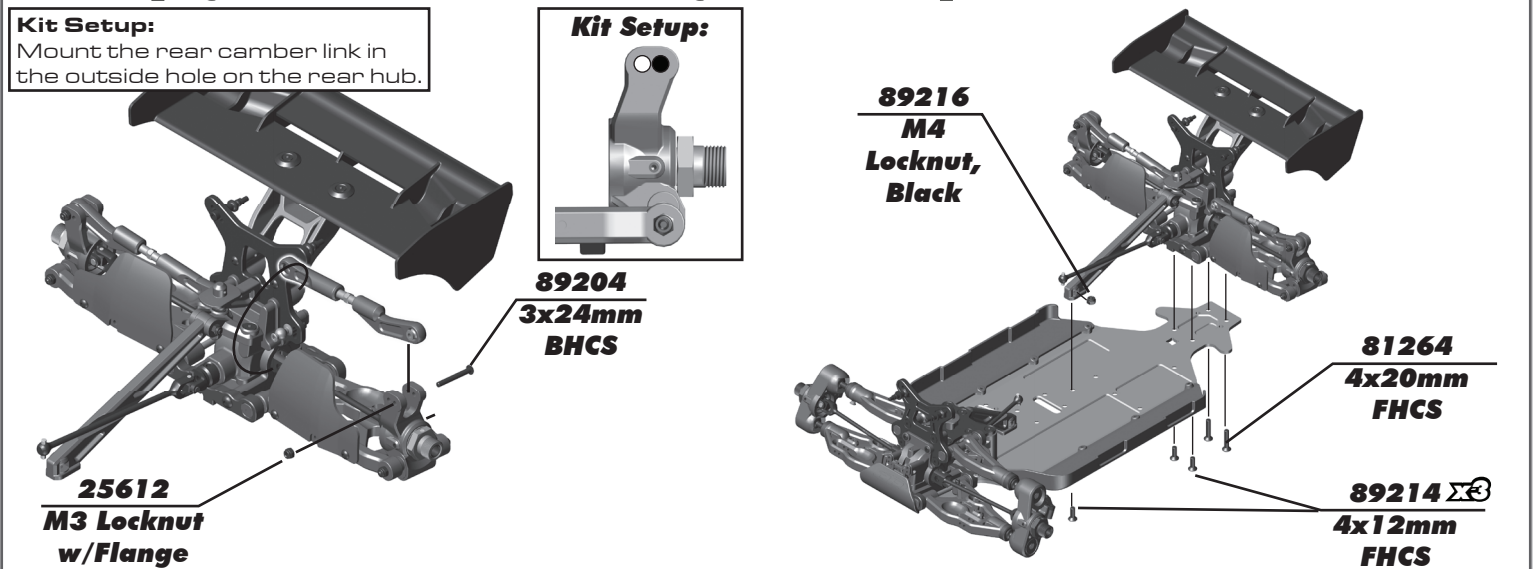
:: Rear Uprights / Turnbuckles Build - Bag 5.2, 6.1 - Step 1



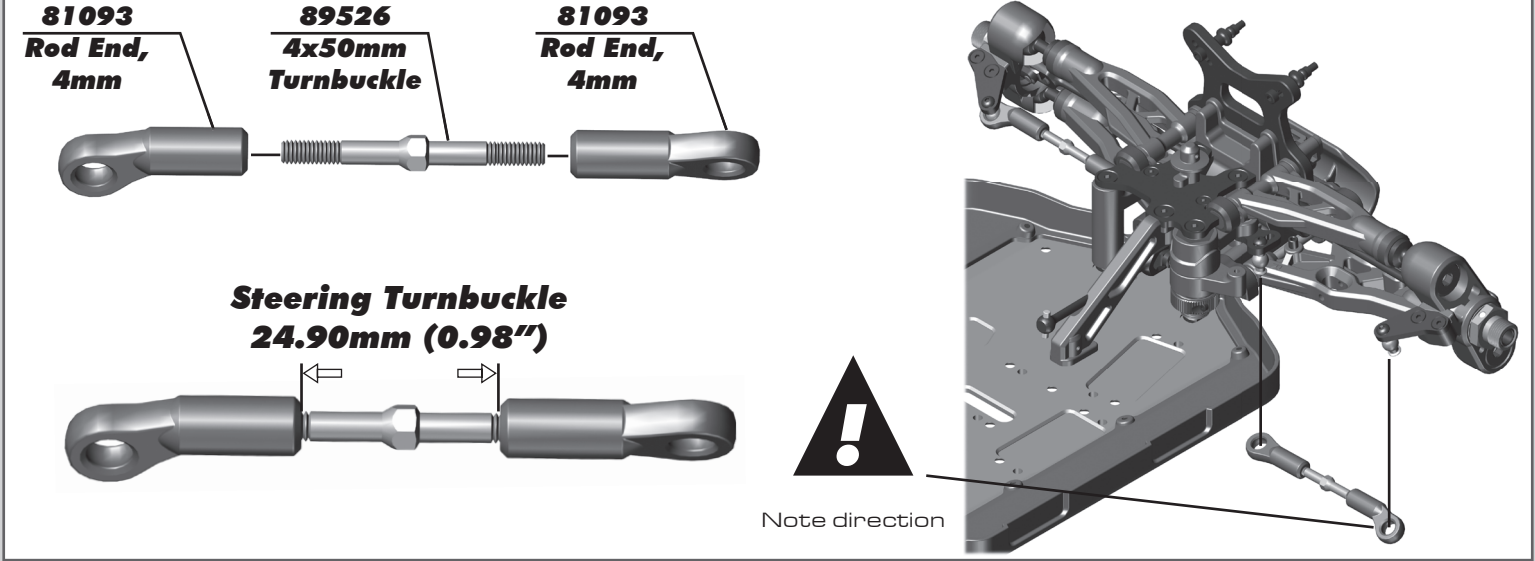
:: Rear Uprights / Turnbuckles Build - Bag 5.2, 6.1 - Step 2



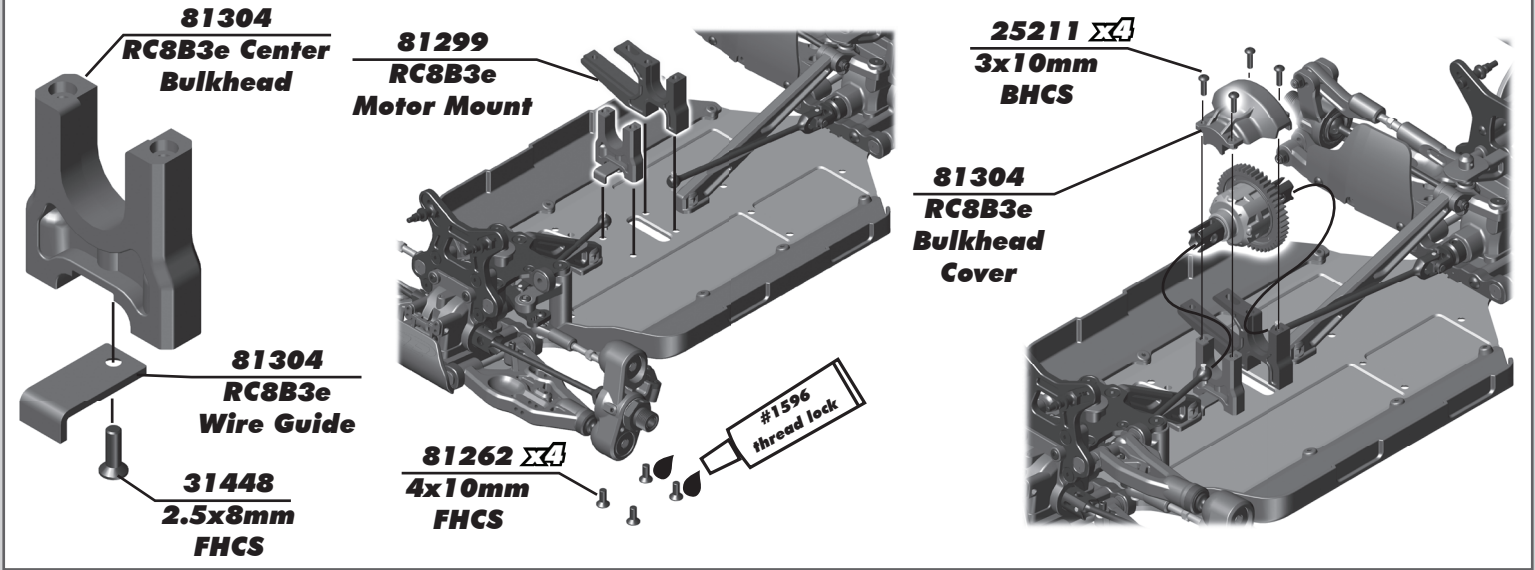
:: Rear Uprights / Turnbuckles Build - Bag 5.2, 6.1 - Step 3



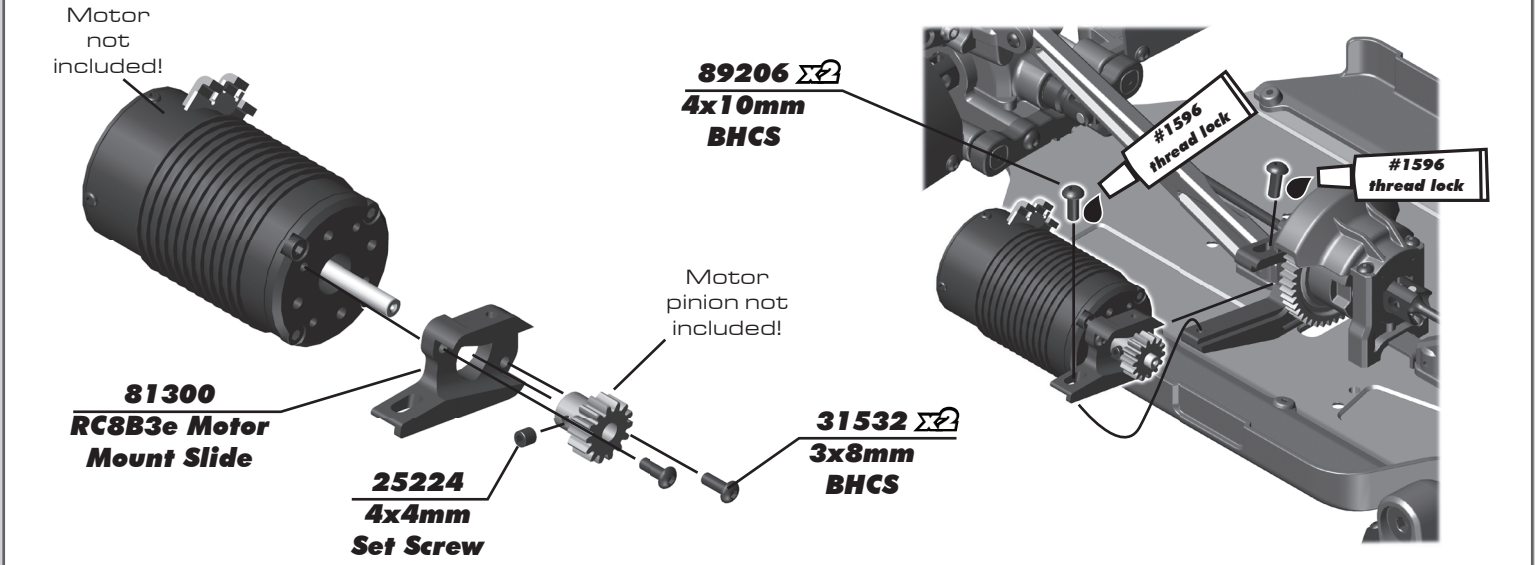
:: Rear Uprights / Turnbuckles Build - Bag 5.2, 6.1 - Step 4



:: Center Bulkhead Build - Bag 7.1, 7.2 - Step 1



:: Center Bulkhead Build - Bag 7.1, 7.2 - Step 2



:: Anti-Roll Bar Build - Bag 8.1 - Step 1

81150 $\Sigma 2$
Anti-Roll Bar Rod End

81258
3x12mm Set Screw

81150
Rod End Ball

81150
Anti-Roll Bar Pivot

89203 $\Sigma 2$
3x16mm BHCS

1.5mm Front Only

Left Side **Right Side**

Anti-Roll Bar Pivots:
Tighten the Anti-Roll Bar Rod Ends completely, then offset the Anti-Roll bar rod ends as seen above (approximately 45 degrees).

Steering Turnbuckles removed for view clarity.

:: Anti-Roll Bar Build - Bag 8.1 - Step 2

81130
(Front) Anti-Roll Bar, Black 2.3mm

81140
(Rear) Anti-Roll Bar, Blue 2.7mm

81150
Anti-Roll Bar Collet

25225
3x3mm Set Screw

#1596 thread lock

Front Anti-Roll Bar Gap: 2.3mm

Build front and rear Anti-Roll Bars

Center the Anti-Roll Bar Collet on the Anti-Roll Bar; then tighten the (#25225) 3x3mm set screw.

:: Anti-Roll Bar Build - Bag 8.1 - Step 3

25225 $\Sigma 2$
3x3mm Set Screw

31521 $\Sigma 2$
2.5x8mm BHCS

81257 $\Sigma 2$
3x6mm Set Screw

89203 $\Sigma 2$
3x16mm BHCS

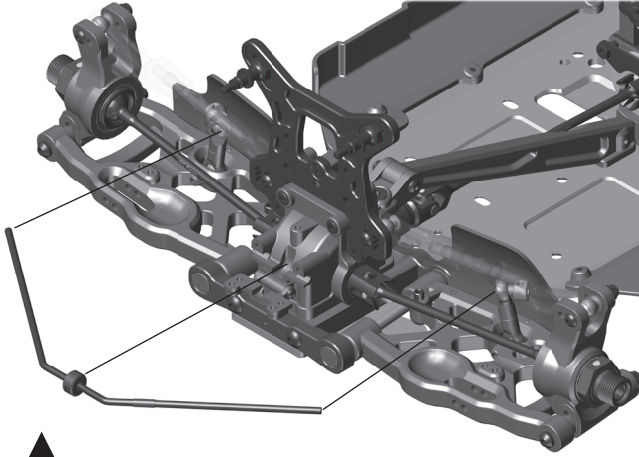
#1596 thread lock

#1596 thread lock

Tighten #81257 set screws just enough to still allow the anti-roll bar to move freely.

Rear Hub Turnbuckles and mud guards removed for view clarity.

:: Anti-Roll Bar Build - Bag 8.1 - Step 4

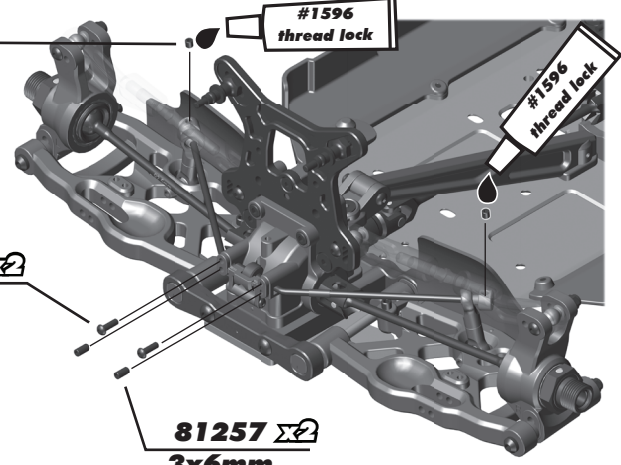


Rear Hub Turnbuckles removed for view clarity.

25225 $\times 2$
3x3mm
Set Screw

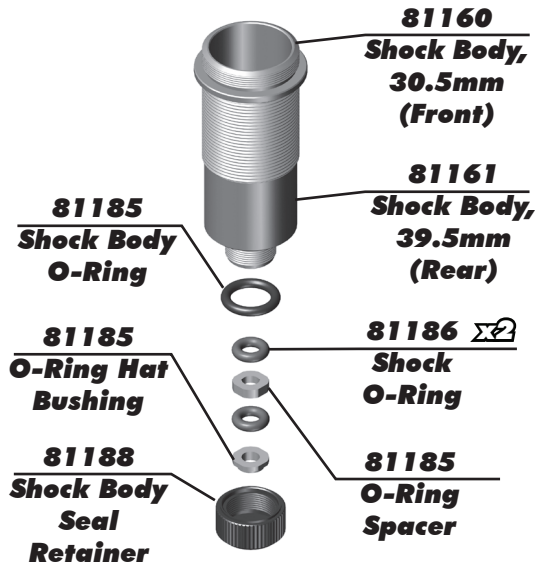
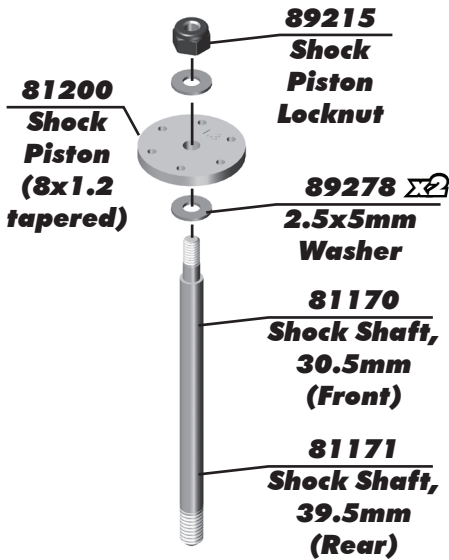
31521 $\times 2$
2.5x8mm
BHCS

81257 $\times 2$
3x6mm
Set Screw



Tighten #81257 set screws just enough to still allow the anti-roll bar to move freely.

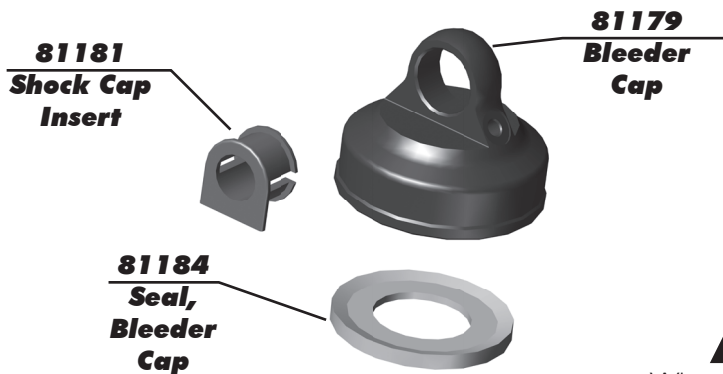
:: Shocks Build - Bag 9.1, 9.2 - Step 1



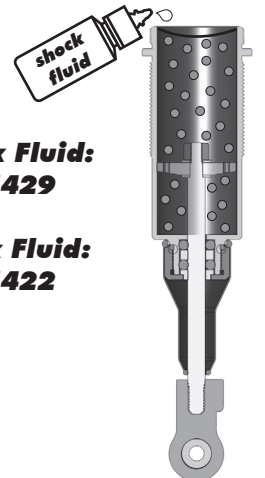
Racer's Tip:
Use shock fluid or green slime (#1105) to lube the O-Rings before installation!



:: Shocks Build - Bag 9.1, 9.2 - Step 2



When installing the shock cap seal, make sure it is correctly seated within the shock cap as shown.



:: Shocks Build - Bag 9.1, 9.2 - Step 3



Secure cap to body but do not over tighten!



Compress shock shaft fully. Let shock fluid bleed from the bleeder hole.



91492
2x4mm
BHCS

91492
Gasket

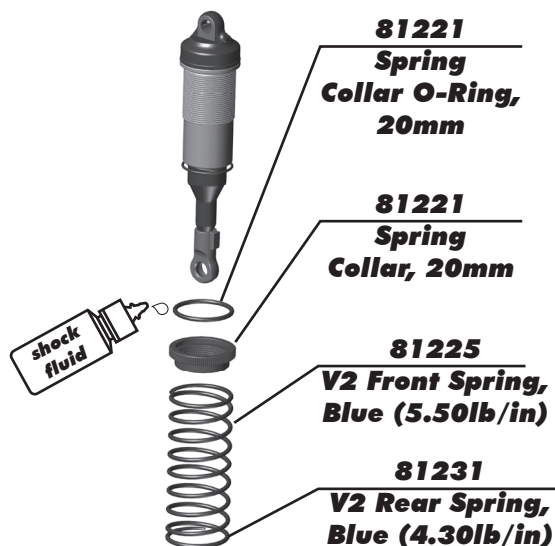


Some residual shock fluid may appear from your first few runs around the shock cap as a result of bleeding.

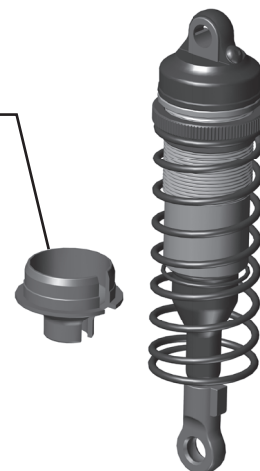
:: Shocks Build - Bag 9.1, 9.2 - Step 4



The springs come with a colored marking pre-installed for easy identification"

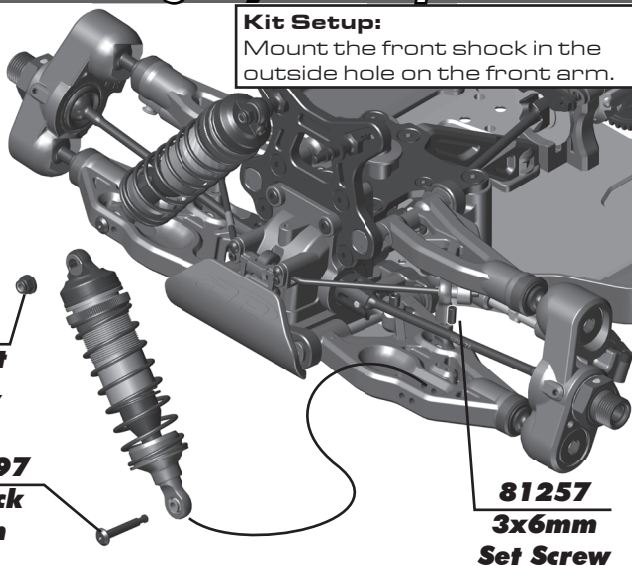


81194
Spring
Cup,
20mm



:: Shocks Build - Bag 9.1, 9.2 - Step 5

Kit Setup:
Mount the front shock in the outside hole on the front arm.

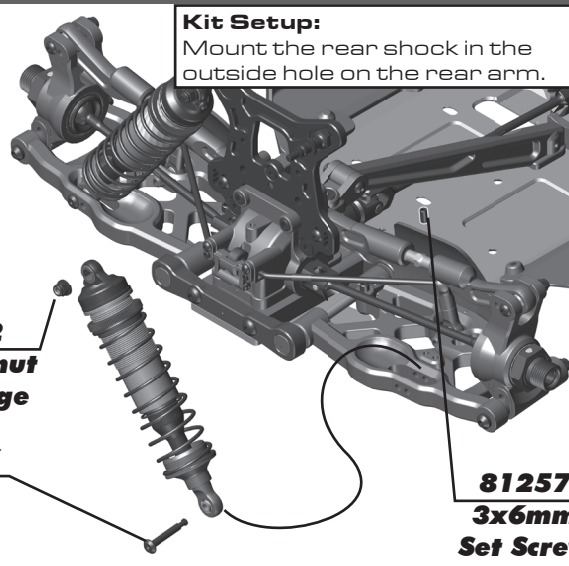


25612
M3 Locknut
W/ Flange,
Black

81197
Shock
Pin

81257
3x6mm
Set Screw

Kit Setup:
Mount the rear shock in the outside hole on the rear arm.

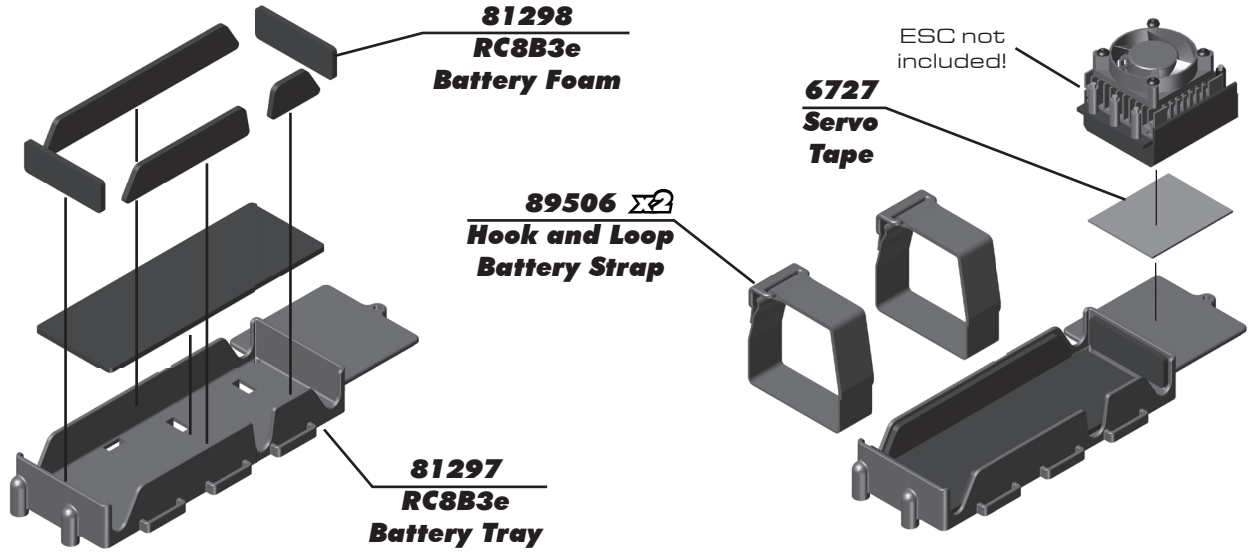


25612
M3 Locknut
W/ Flange

81197
Shock
Pin

81257
3x6mm
Set Screw

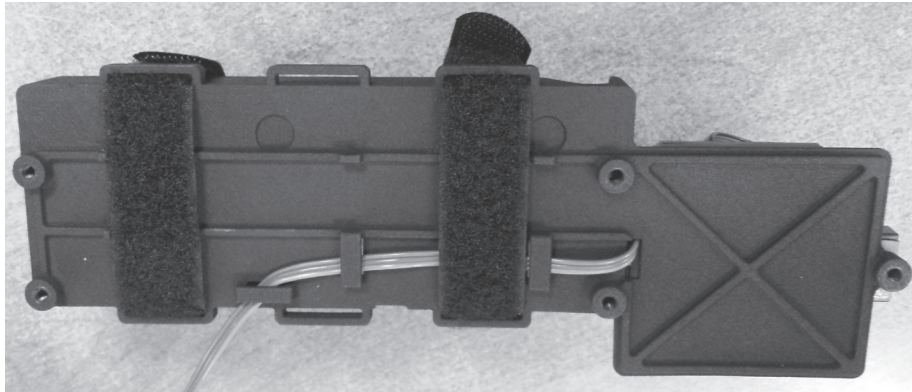
:: Battery Tray Build - Bag 10.1, 10.2 - Step 1



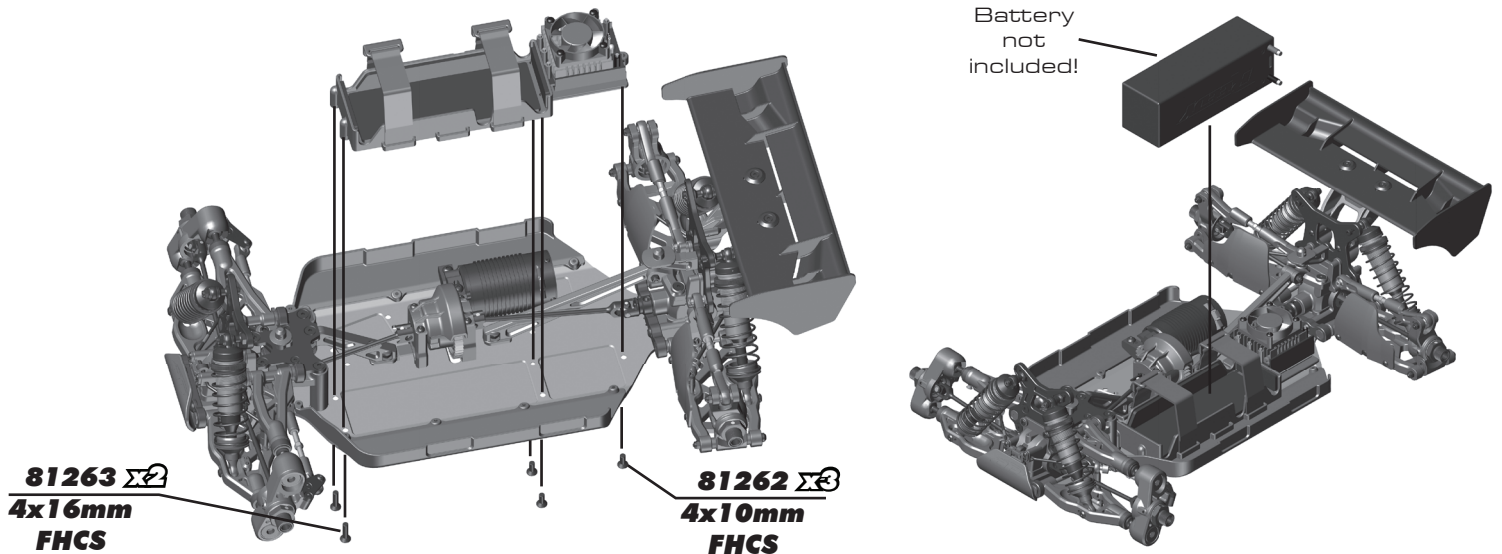
:: Battery Tray Build - Bag 10.1, 10.2 - Step 2



Install the ESC wire as shown first.
Then run the hook and loop straps
as shown.



:: Battery Tray Build - Bag 10.1, 10.2 - Step 3



:: Servo Horns / Linkage Build - Bag 11.1, 11.2 - Step 1

25187 $\Sigma 4$
3x14mm BHCS

89218 $\Sigma 4$
3x8mm Washer

9907 Grommet Plug

9907 Receiver Box Grommet

89023 $\Sigma 2$
Servo Spacer

81303 Receiver Box

6727 $\Sigma 2$
Servo Tape

81262 $\Sigma 2$
4x10mm FHCS

Receiver not included!

Transponder not included!

! When spacing your servos, make sure the servo does not touch the chassis when installed.

:: Servo Horns / Linkage Build - Bag 11.1, 11.2 - Step 2

91048 HD Ball Stud, 8mm

1401 33mm Turnbuckle

91453 $\Sigma 2$
HD Ball Cup

81250 Servo Horn (Steering) and Cone Washer

25215 M3 Locknut, Black

91050 HD Ball Stud, 12mm

81250 Servo Horn Insert

4617 2mm Shim

81250 Servo Horn Large Ring

Steering Servo Turnbuckle 11.50mm (0.45")

Printed here
A - Airtronics
F - Futaba
H - Hitec
J - JR/KO

:: Servo Horns / Linkage Build - Bag 11.1, 11.2 - Step 3

25225 3x3mm Set Screw

31448 $\Sigma 3$
2.5x8mm FHCS

25202 3x10mm FHCS

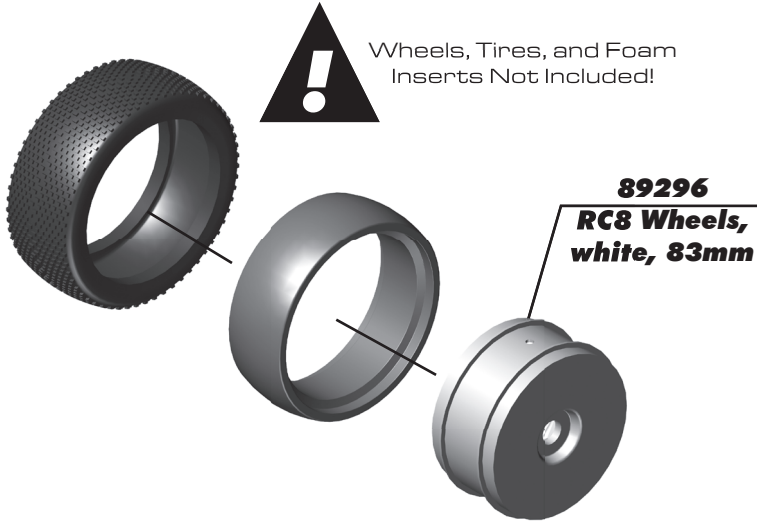
4617 2mm Shim

6338 Antenna Tube and Cap

81303 RC8B3e Receiver Box Lid

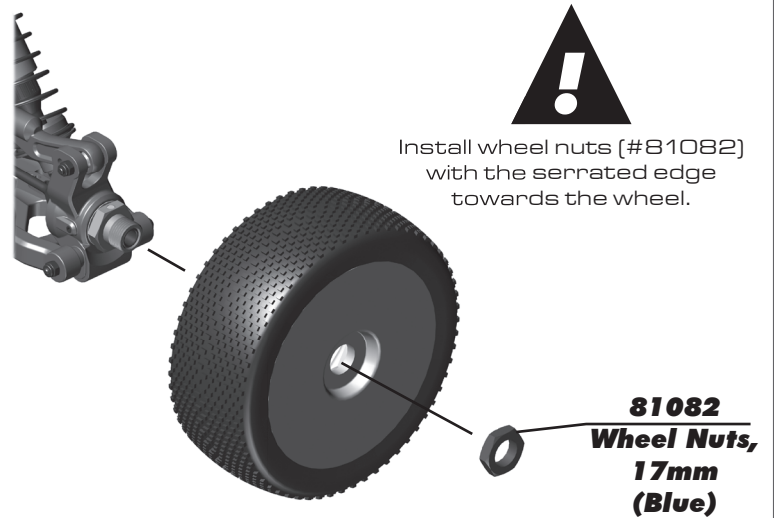
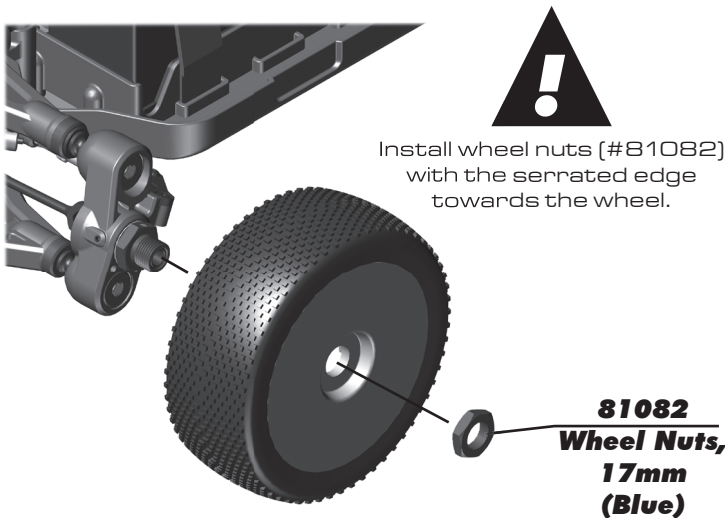
#1596 thread lock

:: Wheels / Tires / Body - Misc. - Step 1

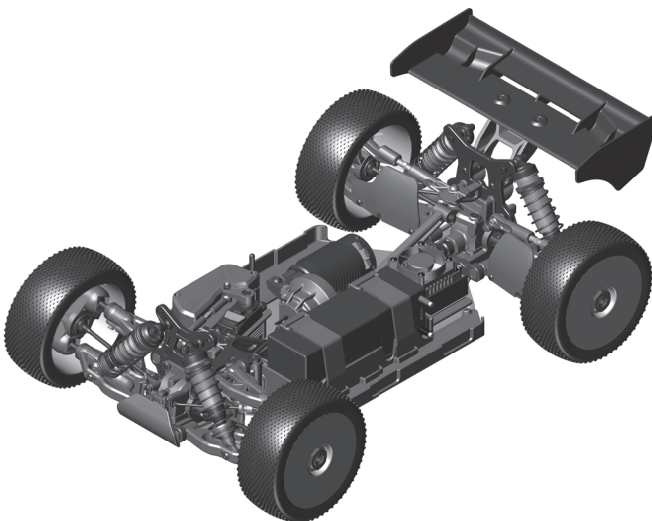


Tires:
When gluing tires to wheels, use a fast-curing tire glue [CA] [AE # 1597]. This is available at your local hobby shop. Make sure to clean the mounting surface of the tire and wheel with alcohol for best adhesion.

:: Wheels / Tires / Body - Misc. - Step 2



:: Wheels / Tires / Body - Misc. - Step 3



Painting Tips:

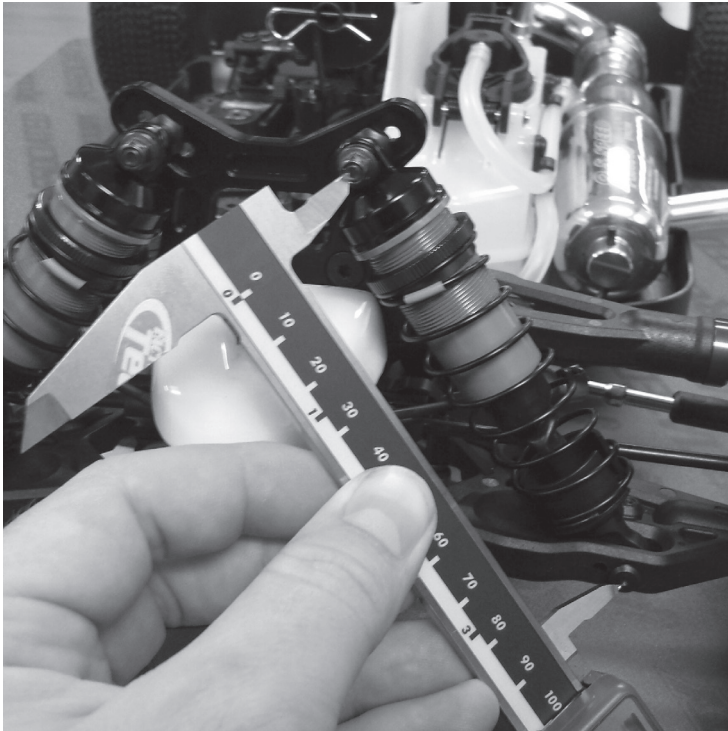
Your RC8B3.1 Kit comes with a clear polycarbonate body. You will need to prep the body before you can paint it. Wash the inside thoroughly with warm water and liquid detergent. Dry the body using a clean, soft, lint-free cloth. Install the window masks on the inside of the body. (RC cars get painted from the inside). Using high quality masking tape, apply tape to the inside of the body to create a design. Spray (either rattle can or airbrush R/C specific paint) the paint to the inside of the body (preferably dark colors first, lighter colors last).

NOTE: use ONLY paint that is recommended for use with (polycarbonate) plastics. If you do not, you can destroy the polycarbonate body!!!

After painting, cut the body along the trim lines. Make sure to drill or use a body reamer to make the holes for the body mounts and antenna!

:: Droop Settings

Set droop by measuring overall length of shock (from standoff to shock pin) while the chassis is elevated above your working surface. The shocks should be fully extended. Kit setup for front droop is 104mm shock length, and 120mm shock length for the rear. If the shock length is too long, adjust by turning the droop screws clockwise. If the shock length is too short, adjust by turning the droop screws counter-clockwise.



Front Droop: Increasing front droop (loosen droop screws) will increase off-throttle steering. It also allows the front end to lift more, giving more rear grip and less front grip on-power. Remember to never loosen the screws beyond the FULL DROOP setting. Decreasing front droop (tighten droop screws) yields more on-power steering and quicker response at the expense of some stability in bumpy sections. It will also give less off-throttle steering.

Rear Droop: Increasing rear droop (loosen droop screws) will increase traction in bumpy sections, but will reduce high-speed stability. Remember to never loosen the screws beyond the FULL DROOP setting. Decreasing rear droop (tighten droop screws) will increase stability in high speed sections, but will reduce stability in bumpy sections.

Setup Sheets:

Most often the best way to get your car handling right is to go to our website www.rc10.com and click on the "Setup Sheets" link, then the link to your vehicle, then search for your vehicle. Our team of professional drivers help develop these setups at National events. Also, most drivers have a "base" setup that they use as a starting point for every event. Try running some of our base setups OR look for track conditions and tires that are similar to your local track and mimic that setup. Remember, each adjustment has a purpose, so copy everything from the setup sheet and then make adjustments based on the recommendations in here at <http://www.rc10.com/rc/tuning>.

:: Shocks

81156	RC8B3 Shock Kit (Front)	1
81157	RC8B3 Shock Kit (Rear)	1
81160	RC8B3 Shock Body, 30.5mm	2
81161	RC8B3 Shock Body, 39.5mm	2
81170	RC8B3 Shock Shaft, 30.5mm	2
81171	RC8B3 Shock Shaft, 39.5mm	2
81179	RC8B3 Bleeder Shock Cap	2
81181	RC8B3 Shock Cap Insert	2
81182	RC8B3 Shock Bladder	2
81185	RC8B3 Shock Rebuild Kit	2
81186	RC8B3 Shock O-Ring	8
81188	RC8B3 Shock Body Seal Retainer	2
81190	RC8B3 Shock Boots	4
81194	RC8B3 Shock Rod End & Spring Cup, 20mm	4
81200	RC8B3 Shock Pistons (6x1.3 - KIT, 6x1.3 T, 8x1.2 T)	2 ea.
81221	Spring Collars, 20mm	2
89215	Shock Piston Locknut	10
89278	Washer, 2.5mm	20
91492	12mm V2 Bleeder Screw / Gasket	2

:: Shock Fluid

5420	10 Weight Silicone Shock Fluid	2oz.
5421	20 Weight Silicone Shock Fluid	2oz.
5422	30 Weight Silicone Shock Fluid	2oz.
5423	40 Weight Silicone Shock Fluid	2oz.
5424	22.5 Weight Silicone Shock Fluid	2oz.
5425	80 Weight Silicone Shock Fluid	2oz.
5426	27.5 Weight Silicone Shock Fluid	2oz.
5427	15 Weight Silicone Shock Fluid	2oz.
5428	25 Weight Silicone Shock Fluid	2oz.
5429	35 Weight Silicone Shock Fluid	2oz.
5430	45 Weight Silicone Shock Fluid	2oz.
5431	55 Weight Silicone Shock Fluid	2oz.
5432	32.5 Weight Silicone Shock Fluid	2oz.
5433	37.5 Weight Silicone Shock Fluid	2oz.
5434	42.5 Weight Silicone Shock Fluid	2oz.
5435	50 Weight Silicone Shock Fluid	2oz.
5436	60 Weight Silicone Shock Fluid	2oz.
5437	70 Weight Silicone Shock Fluid	2oz.
5438	47.5 Weight Silicone Shock Fluid	2oz.



Front: 81170
Rear: 81171



81190



81193



81193



81181



81179



81182



Front: 81160
Rear: 81161



81185



81186



81185



81186



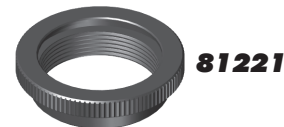
81185



81188



81221



81221



Kit Front: 81225

Kit Rear: 81231



81194

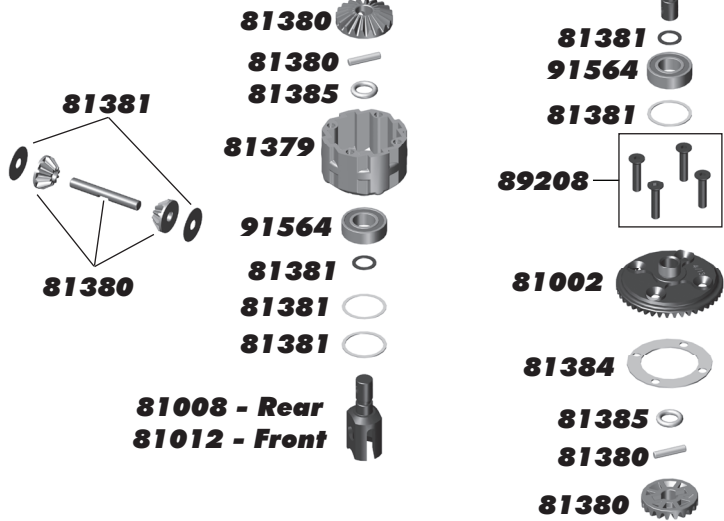
:: Springs

81222	Front Spring, V2, 4.9lb/in, Green	Pr.
81223	Front Spring, V2, 5.1lb/in, White	Pr.
81224	Front Spring, V2, 5.3lb/in, Gray	Pr.
81225	Front Spring, V2, 5.5lb/in, Blue - KIT	Pr.
81226	Front Spring, V2, 5.7lb/in, Yellow	Pr.
81229	Rear Spring, V2, 4.1lb/in, White	Pr.
81230	Rear Spring, V2, 4.2lb/in, Gray	Pr.
81231	Rear Spring, V2, 4.3lb/in, Blue - KIT	Pr.
81232	Rear Spring, V2, 4.4lb/in, Yellow	Pr.

:: Front / Rear Gear Differential

81002	RC8B3 Diff Ring Gear, 44T	1
81008	Diff Outdrives, 15mm, Rear Diff	2
81012	Diff Outdrives, 17mm, Front Diff	2
81379	RC8B3.1 Differential Case	1
81380	RC8B3.1 Differential Gear Set	1
81381	RC8B3.1 Differential Shim Set	1
81383	RC8B3.1 Differential Gear Set (LTC)	1
81384	RC8B3.1 Differential Gasket	3
81385	RC8B3.1 Differential O-Ring Set	1
89208	3 x 14mm FHCS	10
91564	8 x 16 x 5 Bearings	2

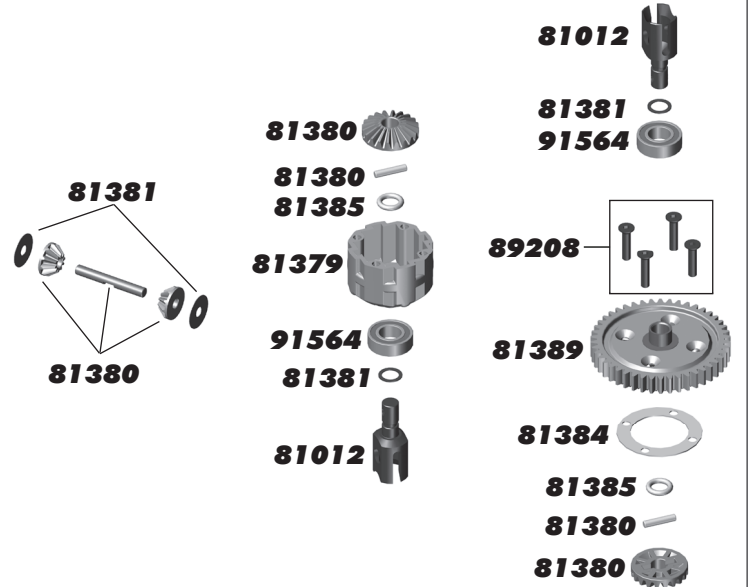
81008 - Rear
81012 - Front



:: Center Gear Differential

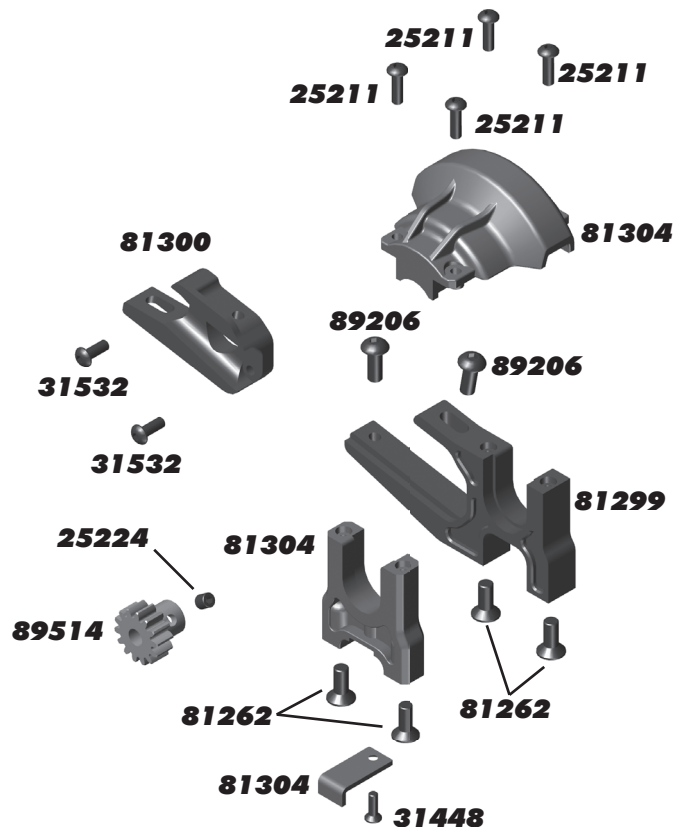
81012	Diff Outdrives, 17mm, Center Diff	2
81379	RC8B3.1 Differential Case	1
81380	RC8B3.1 Differential Gear Set	1
81381	RC8B3.1 Differential Shim Set	1
81383	RC8B3.1 Differential Gear Set (LTC)	1
81384	RC8B3.1 Differential Gasket	3
81385	RC8B3.1 Differential O-Ring Set	1
81389	RC8B3.1e Plastic Spur Gear, 46T - KIT	1
89208	3 x 14mm FHCS	10
91564	8 x 16 x 5 Bearings	2

81012



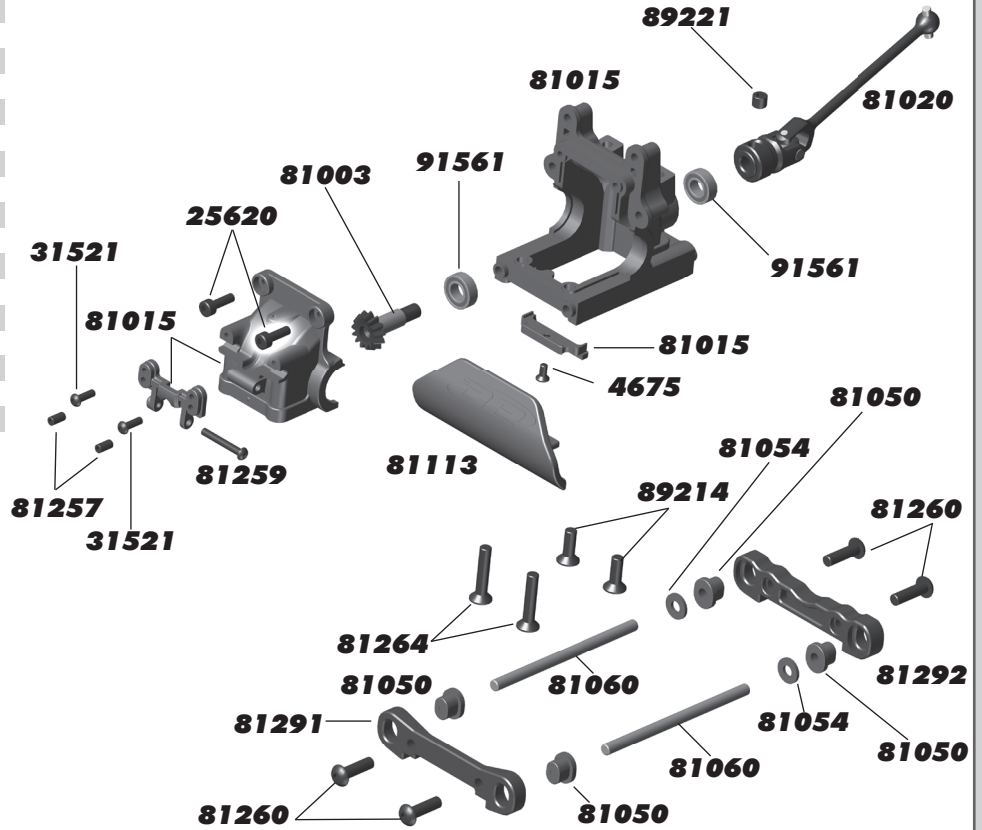
:: Center Bulkhead

25211	3 x 10mm BHCS	20
25224	M4 x 4mm Set Screw	20
31448	2.5 x 8mm FHCS	6
31532	3 x 8mm BHCS	6
81262	4 x 10mm FHCS	6
81299	RC8B3e Motor Mount	1
81300	RC8B3e Motor Mount Slide	1
81304	RC8B3e Center Bulkhead / Cover / Guide	1
89206	4 x 10mm BHCS	10
89512	Pinion, 12T	1
89513	Pinion, 13T	1
89514	Pinion, 14T	1
89515	Pinion, 15T	1
89516	Pinion, 16T	1
89517	Pinion, 17T	1
89593	Pinion, 18T	1
89594	Pinion, 19T	1
89595	Pinion, 20T	1



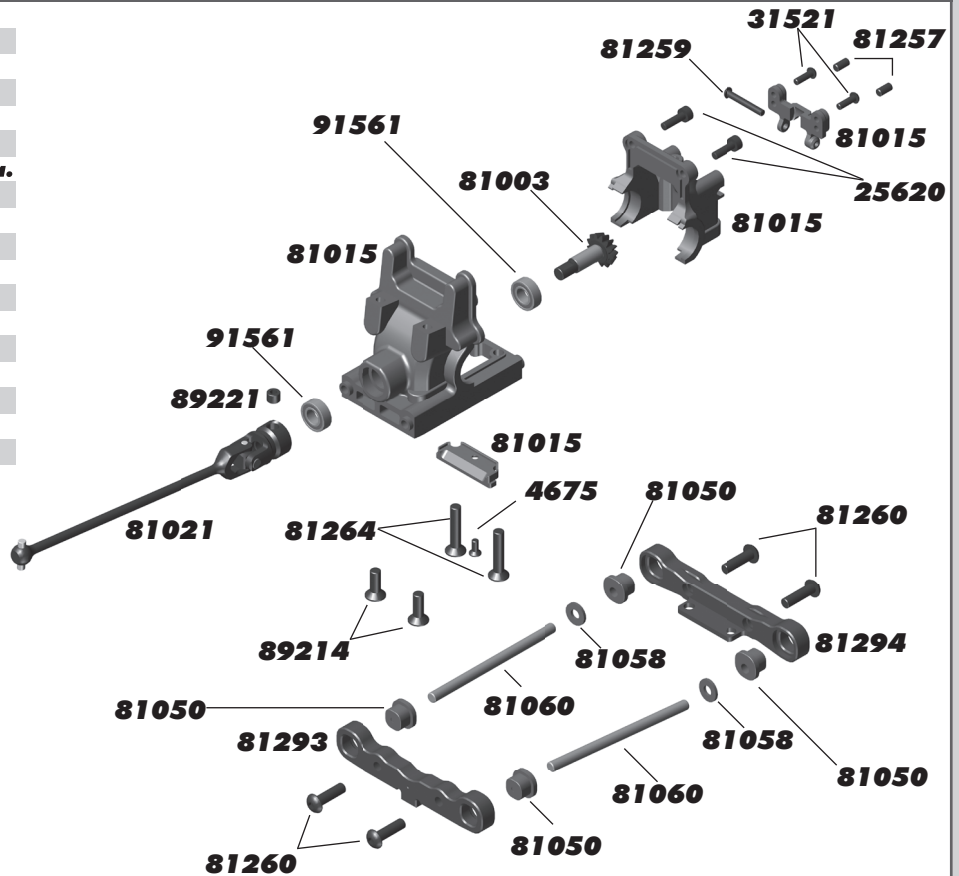
:: Front Gearbox

4675	2.5 x 6mm FHCS	6
25620	3 x 10mm SHCS	20
31521	2.5 x 8mm BHCS	6
81003	RC8B3 Diff Pinion Gear, 13T	1
81015	RC8B3 Gearbox	2
81020	RC8B3 Center Universal, 76mm	1
81050	RC8B3 Arm Mount Insert	12 ea.
81054	RC8B3 Front Arms/Shims	Pr.
81060	RC8B3 Hinge Pin Set	1
81113	RC8B3 Front Bumper	1
81257	3 x 6mm Set Screw	6
81259	2.5 x 18mm BHCS	6
81260	4 x 14mm BHCS	6
81264	4 x 20mm FHCS	6
81291	RC8B3.1 Arm Mount, A	1
81292	RC8B3.1 Arm Mount, B	1
89214	4 x 12mm FHCS	10
89221	5 x 4mm Set Screw	10
91561	Bearing, 6 x 12 x 4mm	2



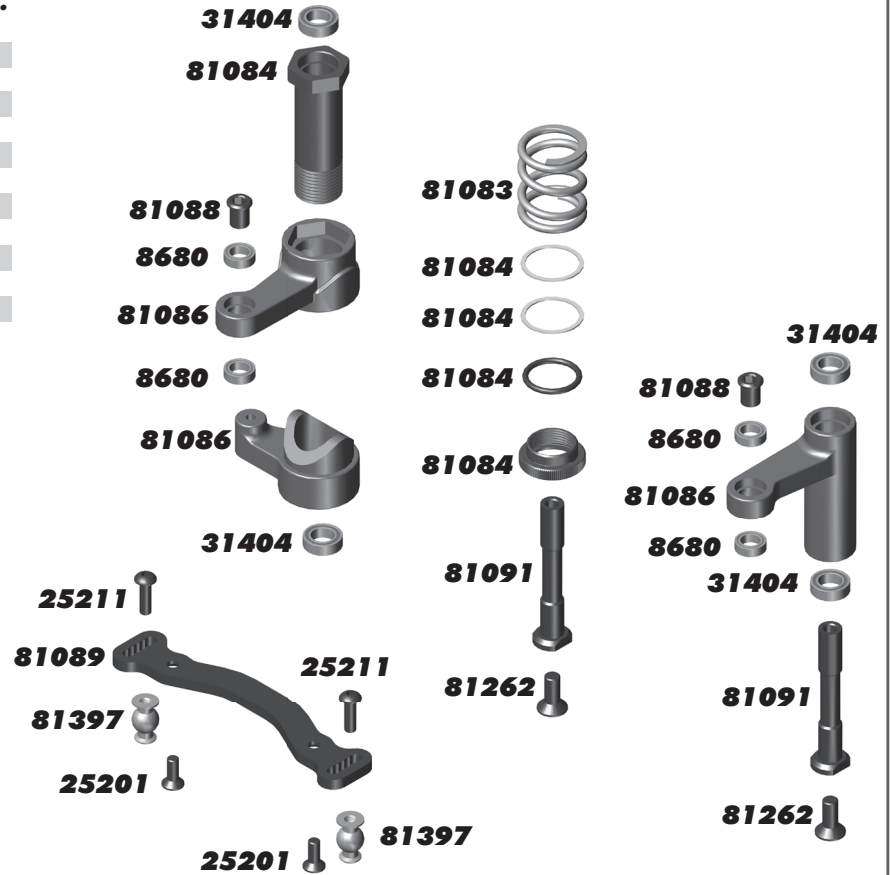
:: Rear Gearbox

4675	2.5 x 6mm FHCS	6
25620	3 x 10mm SHCS	20
31521	2.5 x 8mm BHCS	10
81003	RC8B3 Diff Pinion Gear, 13T	1
81015	RC8B3 Gearbox	2
81021	Center Universal, 106mm	1
81050	RC8B3 Arm Mount Insert	12 ea.
81058	RC8B3 Rear Arms/Shims	Pr.
81060	RC8B3 Hinge Pin Set	1
81257	3 x 6mm Set Screw	6
81259	2.5 x 18mm BHCS	6
81260	4 x 14mm BHCS	6
81264	4 x 20mm FHCS	6
81293	RC8B3.1 Arm Mount, C	1
81294	RC8B3.1 Arm Mount, D	1
89214	4 x 12mm FHCS	10
89221	5 x 4mm Set Screw	10
91561	Bearing, 6 x 12 x 4mm	2



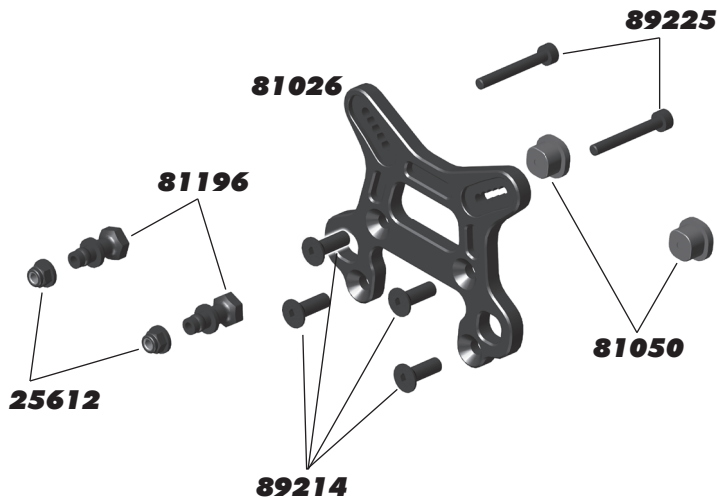
:: Steering

8680	FT Steering Bearing Set, 5 x 8 x 2.5mm & 6 x 10 x 3mm	4 ea.
25201	3 x 8mm FHCS	20
25211	3 x 10mm BHCS	20
31404	Bearing, 6 x 10 x 3mm	4
81083	Servo Saver Spring	1
81084	RC8B3.1 Servo Saver Tube	1
81086	RC8B3 Steering Bellcrank	1
81088	RC8B3 Steering Bellcrank Nut	2
81089	RC8B3 Steering Rack	1
81091	RC8B3 Steering Post	2
81262	4 x 10mm FHCS	10
81397	Turnbuckle Ball, 4mm	4



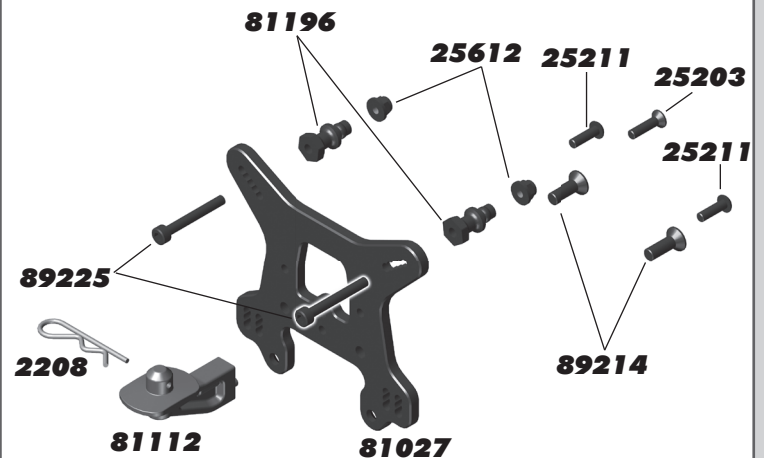
:: Front Shock Tower

25612	M3 Locknut with Flange, Black	20
81026	RC8B3 Shock Tower, Front	1
81050	RC8B3 Arm Mount Inserts	12 ea.
81196	RC8B3 Shock Bushing	4
89214	4 x 12mm FHCS	10
89225	3 x 24mm SHCS	10



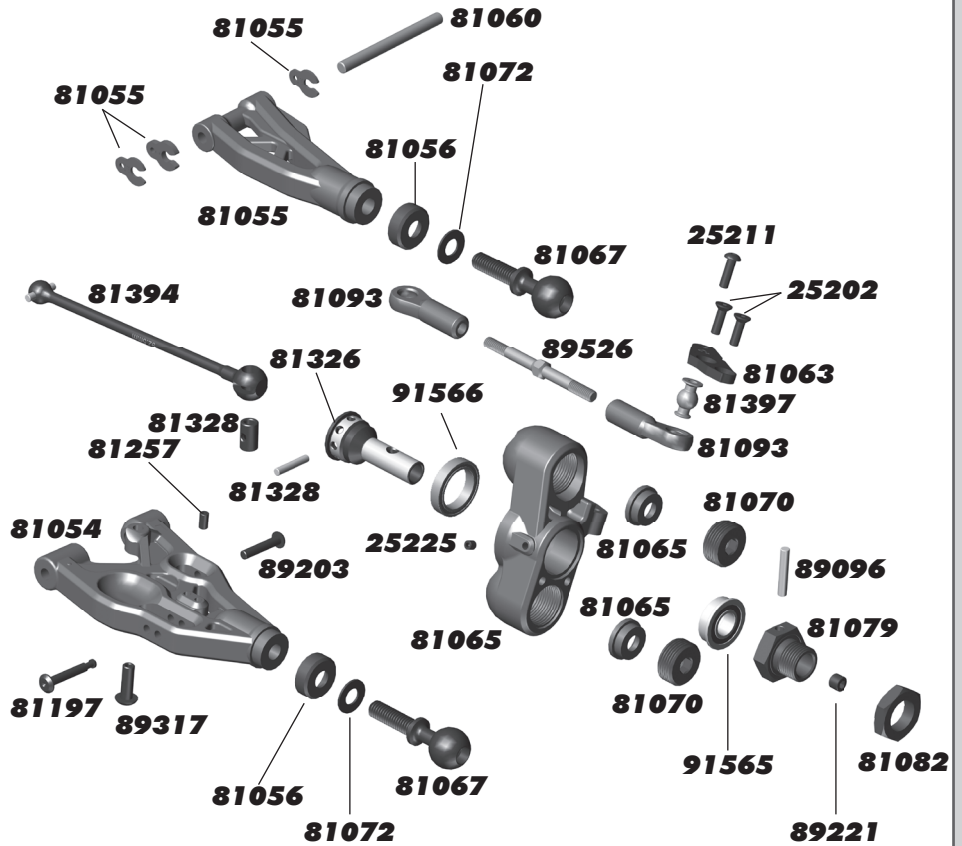
:: Rear Shock Tower

2208	Large Hood Pins	6
25203	3 x 12mm FHCS	20
25211	3 x 10mm BHCS	20
25612	M3 Locknut with Flange, Black	20
81027	RC8B3 Shock Tower, Rear	1
81112	RC8B3 Body Post	Pr.
81196	RC8B3 Shock Bushing	4
89214	4 x 12mm FHCS	10
89225	3 x 24mm SHCS	10



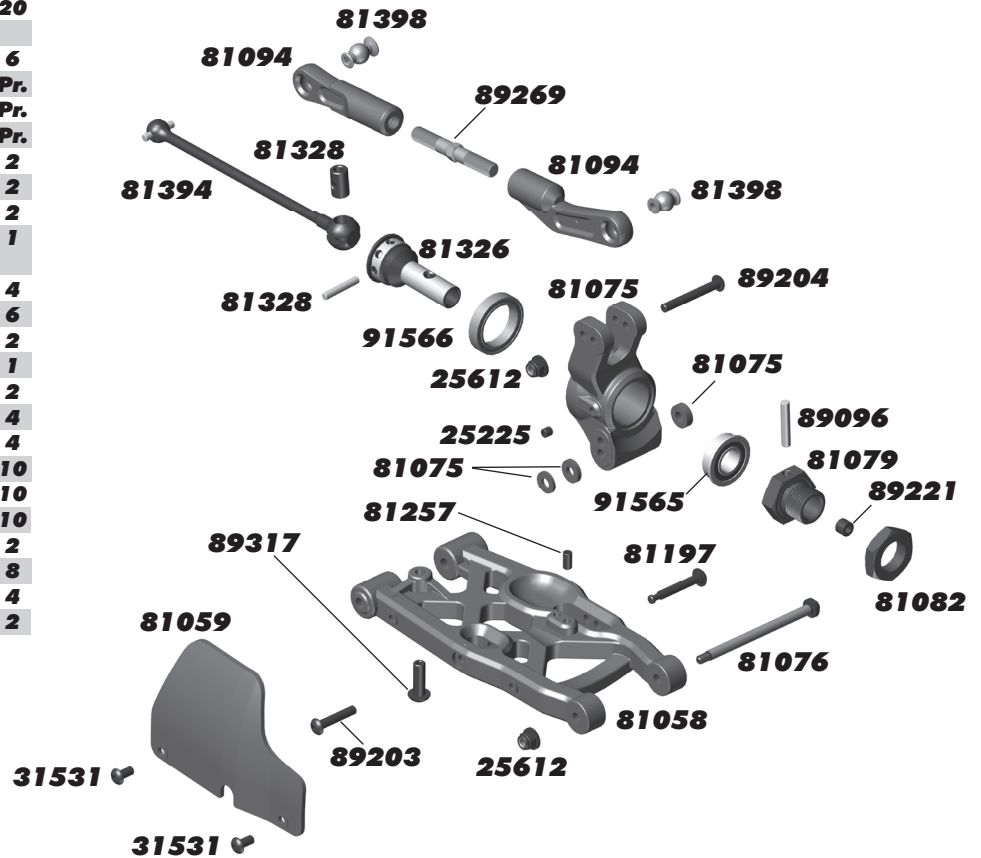
:: Front Suspension

25202	3 x 10mm FHCS	20
25211	3 x 10mm BHCS	20
25225	3 x 3mm Set Screw	20
81054	RC8B3 Front Arms	Pr.
81055	RC8B3 Front Upper Arms	Pr.
81056	RC8B3 Suspension Arm Endcap	4
81060	RC8B3 Hinge Pin Set	1
81063	RC8B3 Steering Block Arm +2 deg	Pr.
81065	RC8B3 Steering Block	Pr.
81067	RC8B3 Pillow Ball	2
81070	RC8B3 Pillow Ball Nut	4
81072	RC8B3 Pillow Ball Shim	6
81079	RC8B3 Wheel Hexes, +1mm wide	2
81082	RC8B3 Wheel Nuts, 17mm Blue	2
81093	RC8B3 Rod End, 4mm (4 ball joints, 1 2 rod ends, 2 offset rod ends)	1
81197	RC8B3 Shock Pin	4
81257	3 x 6mm Set Screw	6
81326	RC8B3 CVA Axle, steel	2
81328	FT RC8B3 CVA Rebuild Kit	1
81394	RC8B3.1 CVA Driveshaft (94mm)	2
81397	RC8B3.1 Turnbuckle Ball	4
89096	Wheel Hex Pin	4
89203	3 x 16mm BHCS	10
89221	5 x 4mm Set Screw	10
89317	Droop Screw	8
89526	4 x 50mm Turnbuckle	2
91565	8 x 16 x 5 Flanged Bearing	4
91566	15 x 21 x4mm Bearing	2



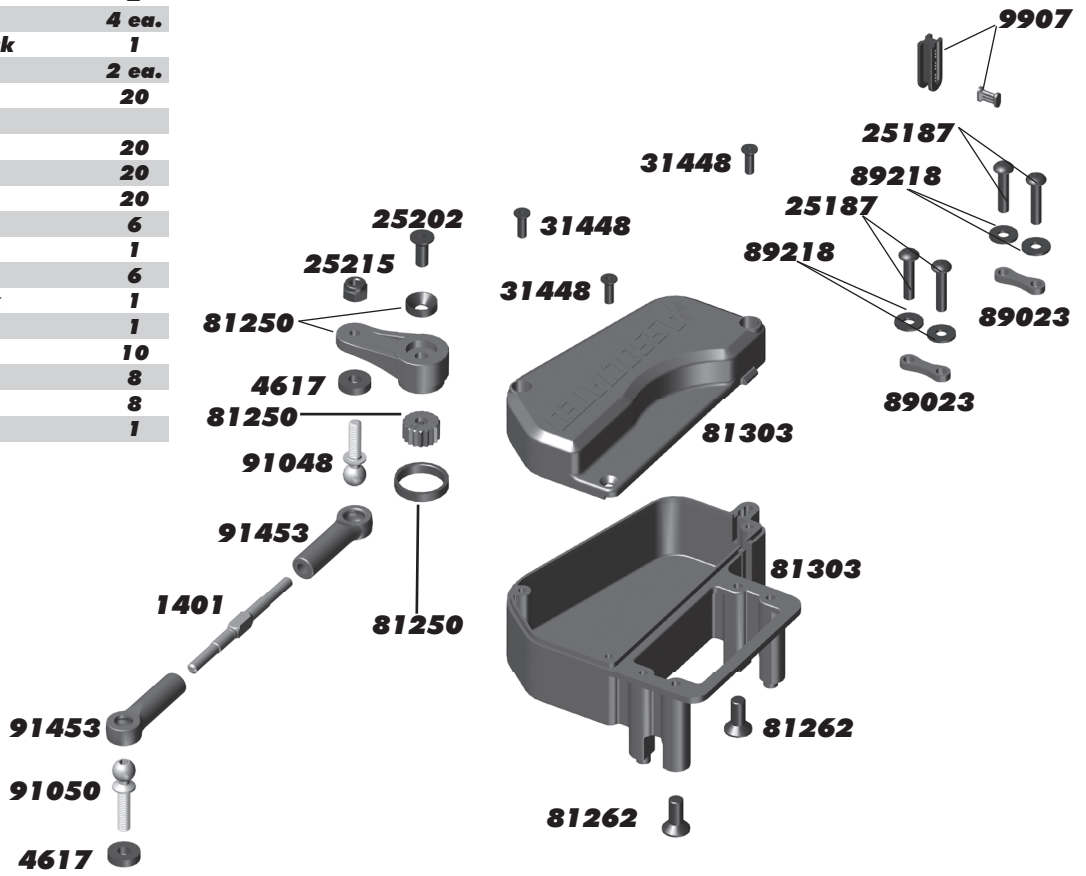
:: Rear Suspension

25225	3 x 3mm Set Screw	20
25612	M3 Flanged Locknut	
31531	3 x 6mm BHCS	6
81058	RC8B3 Rear Arm	Pr.
81059	RC8B3 Rear Arm Mud Guard	Pr.
81075	RC8B3 Rear Hub	Pr.
81076	RC8B3 Hub Hinge Pin	2
81079	RC8B3 Wheel Hexes, +1mm wide	2
81082	RC8B3 Wheel Nuts, 17mm Blue	2
81094	RC8B3 Rod End, 5mm (4 ball joints, 1 2 rod ends, 2 offset rod ends)	1
81197	RC8B3 Shock Pin	4
81257	3 x 6mm Set Screw	6
81326	RC8B3 CVA Axle, steel	2
81328	FT RC8B3 CVA Rebuild Kit	1
81394	RC8B3.1 CVA Driveshaft (94mm)	2
81398	RC8B3.1 TB Ball (Shouldered)	4
89096	Wheel Hex Pin	4
89203	3 x 16mm BHCS	10
89204	3 x 24mm BHCS	10
89221	5 x 4mm Set Screw	10
89269	Steel Turnbuckle, 38mm	2
89317	Droop Screw	8
91565	8 x 16 x 5mm Flanged Bearing	4
91566	15 x 21 x4mm Bearing	2



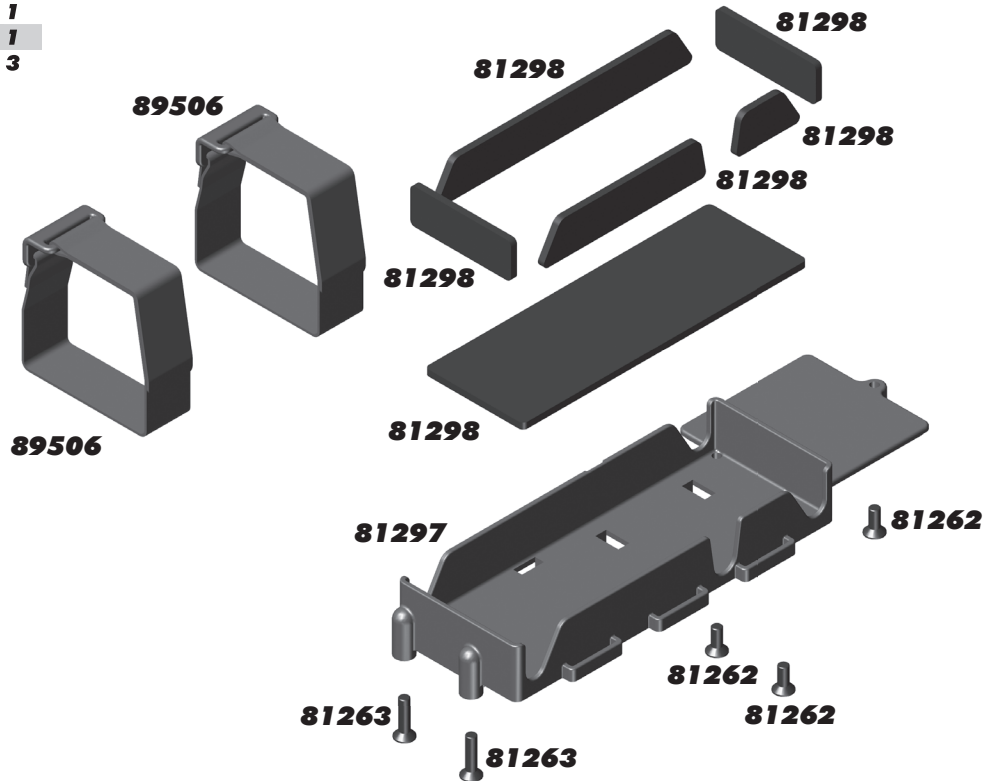
:: Radio Tray / Servo Linkage

1401	Turnbuckle, 3 x 33mm	2
4617	Front Bulkhead Shims	4 ea.
6338	Antenna Tube with Cap, Black	1
9907	Receiver Box Grommets	2 ea.
25187	3 x 14mm BHCS	20
25188	3 x 20mm BHCS	
25202	3 x 10mm FHCS	20
25215	M3 Locknut, Black	20
25225	3 x 3mm Set Screw	20
31448	2.5 x 8mm FHCS	6
81250	RC8B3 Servo Horns	1
81262	4 x 10mm FHCS	6
81303	RC8B3e Servo / Receiver Box	1
89023	Servo Mount Spacers	1
89218	3 x 8mm Washer	10
91048	HD Ballstuds, 8mm	8
91050	HD Ballstuds, 12mm	8
91453	HD Ball Cup Set, small	1



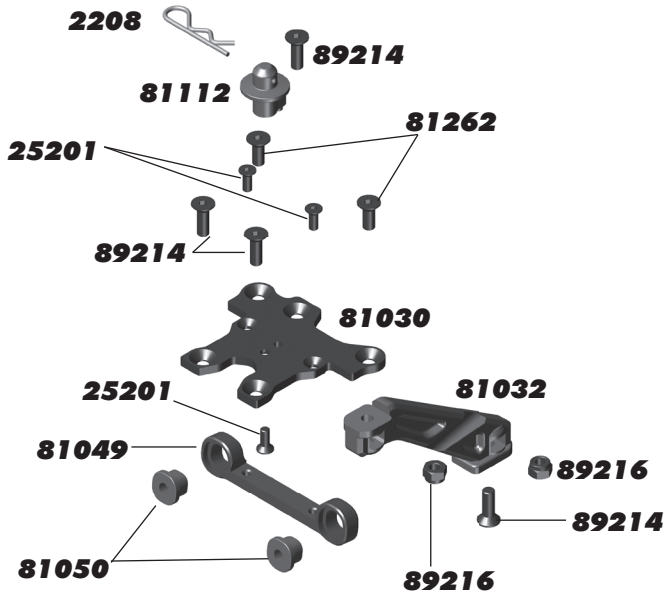
:: Battery Tray

81262	4 x 10mm FHCS	6
81263	4 x 16mm FHCS	6
81297	RC8B3e Battery Tray	1
81298	RC8B3e Battery Foams	1
89506	Hook and Loop Fastener Battery Strap	3



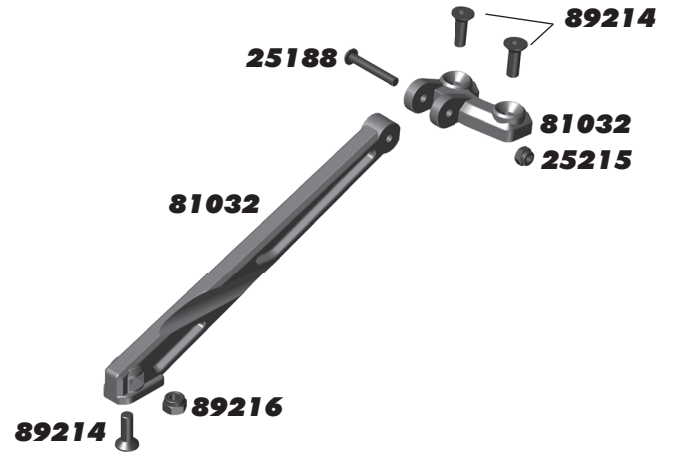
:: Front Chassis Brace

2208	Large Hood Pins	6
25201	3 x 8mm FHCS	20
81030	RC8B3 Top Plate	1
81032	RC8B3 Chassis Brace	Pr.
81049	RC8B3 Upper Link Mount	1
81050	RC8B3 Arm Mount Insert	12 ea.
81112	RC8B3 Body Post	Pr.
81262	4 x 10mm FHCS	6
89214	4 x 12mm FHCS	10
89216	M4 Locknut	10



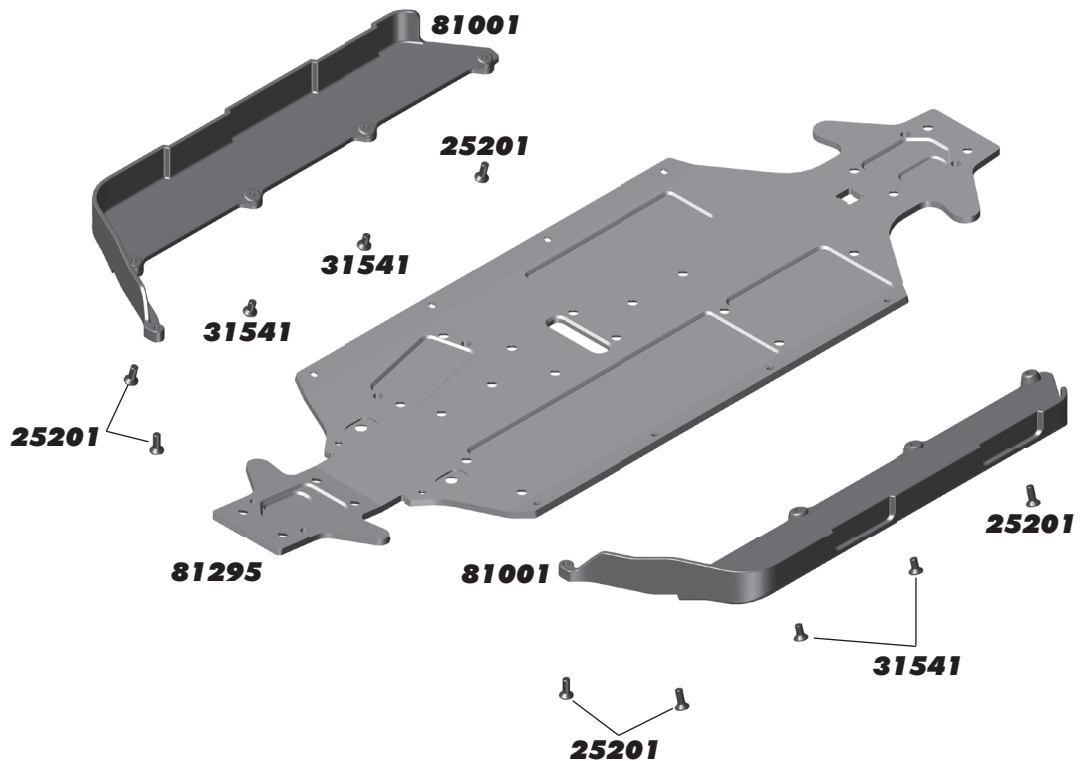
:: Rear Chassis Brace

25188	3 x 20mm BHCS	20
25215	M3 Locknut, Black	20
81032	RC8B3 Chassis Brace	Pr.
89214	4 x 12mm FHCS	10
89216	M4 Locknut	10



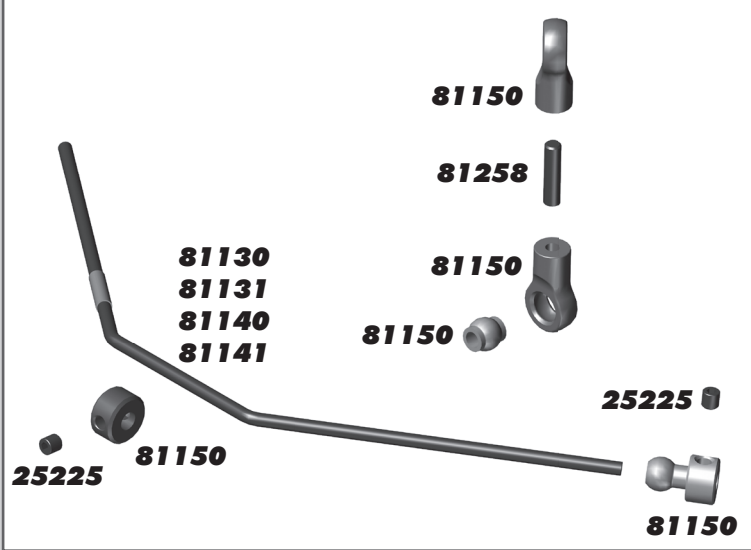
:: Chassis

25201	3 x 8mm FHCS	20
31541	3 x 6mm FHCS	6
81001	RC8B3 Side Guards	Pr.
81295	RC8B3e Chassis	1



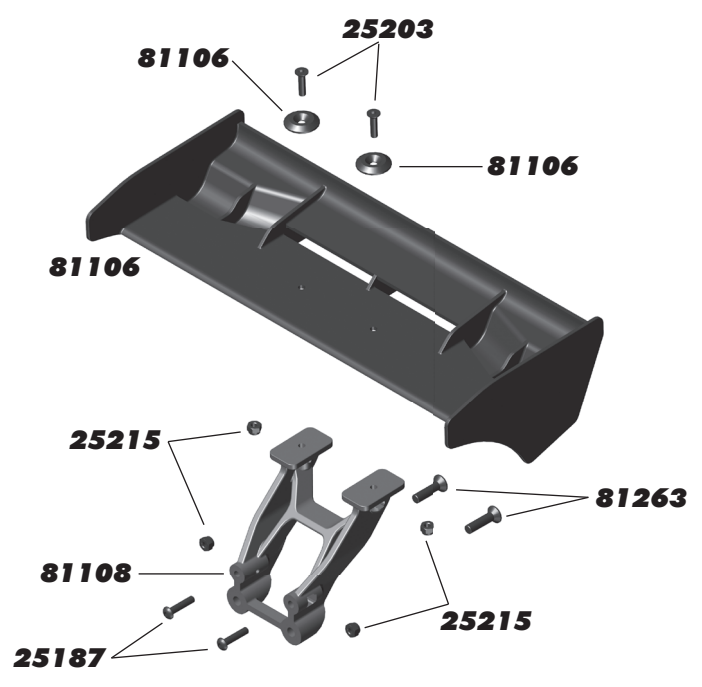
:: Anti-Roll Bars

25225	3 x 3mm Set Screw	20
81130	RC8B3 Front Anti-Roll Bars, (2.3 - Black, 2.4 - Green, 2.5 - White)	1 ea.
81131	RC8B3 Front Anti-Roll Bars, (2.6 - Gray, 2.7 - Blue, 2.8 - Yellow)	1 ea.
81140	RC8B3 Rear Anti-Roll Bars, (2.5 - White, 2.6 - Gray, 2.7 - Blue)	1 ea.
81141	RC8B3 Rear Anti-Roll Bars, (2.8 - Yellow, 2.9 - Red, 3.0 - Orange)	1 ea.
81150	RC8B3 Anti-Roll Bar Drop Link / Collet	1
81258	3 x 12mm Set Screw	6



:: Wing

25187	3 x 14mm BHCS	20
25203	3 x 12mm FHCS	20
25215	M3 Locknut, Black	20
81106	RC8B3 Wing, Black (1 wing, 2 wing buttons)	1
81108	RC8B3 Wing Mount, 1 high, 1 low	1 ea.
81263	4 x 16mm FHCS	6



:: Wheels / Tires / Bodies / Decals

726	Reedy 2016 Sticker Set	1
3840	AE 2016 Logo Decal Sheet	1
3834	AE Blue Embossed Logo Sticker	2
9787	FT Chassis Protective Sheet	1
81305	RC8B3e Decal Sheet	1
81306	RC8B3e Pro Line Body	1
89152	RC8 Wheels (White)	4
89153	RC8 Wheels (Yellow)	4
89255	RTR Pre-Glued Wheel/Tire (White)	Pr.
89296	RC8 83mm Wheels (White)	4
89297	RC8 83mm Wheels (Yellow)	4



:: Lubes & Adhesives / Misc.

1105	FT Green Slime Shock Lube	1
1596	FT Locking Adhesive	1
1597	FT Tire Adhesive, Medium	1
5450	Silicone Diff Fluid 1,000CST	1
5451	Silicone Diff Fluid 2,000CST	1
5452	Silicone Diff Fluid 3,000CST	1
5444	Silicone Diff Fluid 4,000CST	1
5453	Silicone Diff Fluid 5,000CST	1
5446	Silicone Diff Fluid 6,000CST	1
5447	Silicone Diff Fluid 15,000CST	1
5454	Silicone Diff Fluid 7,000CST	1
5455	Silicone Diff Fluid 10,000CST	1
5456	Silicone Diff Fluid 20,000CST	1
5457	Silicone Diff Fluid 30,000CST	1
5458	Silicone Diff Fluid 60,000CST	1
5448	Silicone Diff Fluid 80,000CST	1
5459	Silicone Diff Fluid 100,000CST	1
5461	Silicone Diff Fluid 200,000CST	1
5463	Silicone Diff Fluid 500,000CST	1
5465	Silicone Diff Fluid 1,000,000CST	1
6588	Black Grease - 4cc	1
6591	S.Diff Lube - 4cc	1
6636	Silicone Grease - 4cc	1
6727	Servo Tape	2
7710	FT Foam Prefilter Treatment, 1 oz.	1



1596

:: Factory Team and Option Parts

25392	3mm Blue Locknut, Flanged	10
29213	Servo Wire Extension	1
31550	M3 Aluminum Lock Nut	6
89094	Nyloc Wheel Hex Nuts, Blue	2
89095	Wheel Hex, Aluminum	2
89161	Steering Bearing Set	1
89229	Blue Countersunk Washer	10
89405	Nyloc Wheel Nuts (Silver)	4
89406	Nyloc Wheel Nuts (Black)	4
89473	Steel Shock Standoff	2

:: Reedy Competition Motors

988	Sonic 1512 1800kV Competition Brushless Motor	1
989	Sonic 1512 2100kV Competition Brushless Motor	1
993	Sonic 1512 2400kV Competition Brushless Motor	1

:: Reedy Sport Motors

905	1515-SL4 2000kV 4-pole Sensorless Brushless Motor	1
929	1515-SL Brushless Motor 2000kV	1

:: Reedy Competition Motor Accessories

978	Flat Sensor Wire 70mm	1
979	Flat Sensor Wire 110mm	1
980	Flat Sensor Wire 150mm	1
981	Flat Sensor Wire 200mm	1
982	Flat Sensor Wire 270mm	1
994	Flat Sensor Wire 125mm	1
995	Flat Sensor Wire 175mm	1

:: Reedy Chargers

27200	1216-C2 Dual AC/DC Comp. Battery Charger	1
27200CN	1216-C2 Dual AC/DC Comp. Battery Charger - CHN Plug	1
27200EU	1216-C2 Dual AC/DC Comp. Battery Charger - EURO Plug	1
27200UK	1216-C2 Dual AC/DC Comp. Battery Charger - UK Plug	1
27201	324-S AC LiPo/LiFe Compact Balance Charger	1
27201C4	324-S Charger w/4000mAh 14.8V LiPo Battery	1

:: Reedy Charger Accessories

998	5.0mm 4S Balance Charge Lead (4mm)	1
999	Saddle Pack Balance Charge Clip	1
27220	7-in-1 Universal Charge Lead (4mm)	1
27221	T-plug Charge Lead (4mm)	1
27222	XH 2-6S Balance Board (4mm)	1
27223	RX Charger Lead FUT (4mm)	1
27224	US to IEC 320 C5 angle 1M AC Power Cord	1
27225	US to IEC 320 C5 angle .5M AC Power Cord	1
27226	EU to IEC 320 C5 angle 1M AC Power Cord	1
27227	UK to IEC 320 C5 angle 1M AC Power Cord	1
27228	AU to IEC 320 C5 angle 1M AC Power Cord	1
27229	CN to IEC 320 C5 angle 1M AC Power Cord	1

:: Reedy ESC's

29181	SC1000-BL Brushless ESC	1
29183	SC1000-BL/DB Fan	1
29184	SC800-BL/SC1000-BL/SC1000-DB/SC600-BL Switch	1

:: Reedy Servos & Accessories

27100	RS1206 Digital HV Hi-Speed Competition Servo	1
27101	RT1508 Digital HV Hi-Torque Competition Servo	1
27102	RS1206 Servo Case Set w/screws	1
27103	RS1206 Servo Gear Set	1
27104	RT1508 Servo Case Set w/screws	1
27105	RT1508 Servo Gear Set	1
27106	RS1806A Digital HV Hi-Speed Alum. Comp. Servo	1
27107	RT2207A Digital HV Hi-Speed Alum. Comp. Servo	1
27111	1514MG Digital RTR Servo	1
27120	RS1806A Servo Gear Set	1
27121	RT2207A Servo Gear Set	1
27122	Reedy Aluminum Servo Horn (25)	1
27123	Reedy Aluminum Clamping Servo Horn (25)	1

:: Reedy Accessories

645	Low Profile Bullet Plug 5mm x 14mm (2)	1
646	Low Profile Bullet Plug 5mm x 14mm (10)	1
647	Silicone Wire 12AWG-Black (1m)	1
650	Shrink Tubing - 15pcs 4.5mm x 20mm	1
747	Silicone Wire 12AWG-Black (30m)	1
794	Low Profile Caged Bullet Plug 5mm x 14mm (2)	1
795	Low Profile Caged Bullet Plug 5mm x 14mm (10)	1

:: Reedy Batteries

302	AA Alkaline 1.5V (4)	1
304	LiPo Pro TX/RX Battery 1600mAh 7.4V Flat	1
305	LiFe Pro TX/RX Battery 1300mAh 6.6V Flat	1
318	LiPo 65C 6500mAh 14.8V w/T-plug	1
325	LiPo 55C 5200mAh 14.8V	1
637	LiPo TX Battery - M11X 2500mAh 7.4V	1
756	Wolfpack LiPo 4000mAh 35C 14.8V w/T-Plug (#733)	1
757	Wolfpack LiPo 5400mAh 30C 14.8V w/T-Plug (#741)	1
27300	Zappers LiPo 100C 6000mAh 7.6V 280g	1
27301	Zappers LiPo 100C 5600mAh 7.4V 280g	1
27302	Zappers LiPo 100C 8000mAh 7.6V 325g	1
27303	Zappers LiPo 100C 7400mAh 7.4V 325g	1
27309	Zappers LiPo 100C 6000mAh 7.6V LP 274g	1

:: MyLaps Transponders

MLP10R078	MyLaps Hybrid (2-wire) Transponder	1
MLP10R120	MyLaps RC4 (3-wire) Transponder	1
MLP40R222	MyLaps Transponder Holder	1

:: Tools

1111	FT Turnbuckle Wrench	1
1112	FT 4mm Turnbuckle Wrench	1
1113	12mm Big Bore Shock Tool	1
1114	FT Dual Turnbuckle Wrench	1
1449	FT Off Road Ride Height Gauge	1
1519	FT Hex/Nut Driver Tool Set, Spc.	1
1541	FT Hex Driver Set, (7 pcs)	1
1545	FT 5/64" Blue Hex Driver	1
1546	FT 3/32" Gold Hex Driver	1
1554	FT Silver Spring Hook Tool	1
1567	FT 8mm Gold Nut Driver	1
1568	Factory Team 5.5mm Short Nut Driver	1
1569	Factory Team 7mm Nut Driver, T-Handle	1
1570	Factory Team 7.0mm Short Nut Driver	1
1590	FT 3/32" Gold Ball Hex Driver	1
1592	FT Ball Hex Driver Set, (3 pcs)	1
1655	FT 8-Piece 1/4" Hex Drive Set	1
1656	FT 1/4" Hex Drive Handle, without tips	1
1657	FT 1/4" Hex Drive .050" Tip	1
1658	FT 1/4" Hex Drive 1/16" Tip	1
1659	FT 1/4" Hex Drive 5/64" - 2.0mm Tip	1
1660	FT 1/4" Hex Drive 3/32" Tip	1
1661	FT 1/4" Hex Drive 1.5mm Tip	1
1662	FT 1/4" Hex Drive 2.5mm Tip	1
1663	FT 1/4" Hex Drive 3/16" Nut Driver Tip	1
1664	FT 1/4" Hex Drive 1/4" Nut Driver Tip	1
1665	FT 1/4" Hex Drive 11/32" Nut Driver Tip	1
1666	FT 1/4" Hex Drive 5.5mm Nut Driver Tip	1
1667	FT 1/4" Hex Drive 7.0mm Nut Driver Tip	1
1668	FT 1/4" Hex Drive 8.0mm Nut Driver Tip	1
1669	FT 1/4" Hex Drive 5/64" - 2.0mm Ball End Tip	1
1670	FT 1/4" Hex Drive 3/32" Ball End Tip	1
1671	FT 1/4" Hex Drive Standard Screwdriver Tip	1
1672	FT 1/4" Hex Drive Phillips Screwdriver Tip	1
1673	FT 1/4" Hex Drive 2.5mm Ball End Tip	1
1674	FT 1/4" 5 Piece Power Tool Tips Set (5/64-2.0mm, 1.5mm, 2.5mm, 5/64"- 2.0mm ball, 2.5mm ball)	1
1675	FT Shock Shaft Pliers	1
1719	FT Camber + Track Width Tool	1
1737	FT Body Scissors	1
3718	12 Inch Nylon Wire Ties	12
3719	6 Inch Nylon Wire Ties	12
3720	8 Inch Nylon Wire Ties	12
3987	Composite Droop Gauge	1
6429	Shock Building Tool	1
6956	Molded Tools, Set	1
7709	4 Inch Nylon Wire Ties	12

:: Kicker

29269	KICKER KPw Wireless Speaker System, black	1
29270	KICKER KPw Wireless Speaker System, white	1

:: Apparel / Promotional

SP10*	2016 Worlds Hoodie, Black (S, M, L, XL-3XL)	1
SP11*	2016 Worlds T-shirt, blue, (S, M, L, XL-5XL)	1
SP12*	2016 Worlds T-shirt, black, (S, M, L, XL-5XL)	1
SP13**	AE Lite Jacket - Black - (S, M, L, XL, 2XL)	1
SP14**	AE 2015 Worlds T-Shirt - Blue (S, M, L, XL-5XL)	1
SP15**	AE 2015 Worlds T-Shirt - Black (S, M, L, XL-5XL)	1
SP16*	2015 Worlds Hoodie, Black (S, M, L, XL -5XL)	1
SP17**	AE INT'L T-Shirt - Black (S, M, L, XL-5XL)	1
SP18**	AE INT'L T-Shirt - White (S, M, L, XL-5XL)	1
SP19**	AE INT'L Hoodie - Black (S, M, L, XL-3XL)	1
SP20	AE Patch Trucker Hat	1
SP23**	AE Splash T-shirt - Black (S, M, L, XL-5XL)	1
SP24**	AE Splash T-shirt - Blue (S, M, L, XL-5XL)	1
SP29	Team Associated Countertop / Setup Mat	1
SP30	Team Associated Pit Mat	1
SP31	Reedy Countertop / Setup Mat	1
SP38	Reedy Trucker Hat	1
SP71**	AE Winter Jacket - Black (S, M, L, XL, 2XL)	1
SP110*	Reedy R-Powered T-Shirt - Black (S, M, L, XL-3XL)	1
SP111*	Reedy W15 Sweatshirt - Black (S, M, L, XL-3XL)	1
SP112*	Reedy Medallion T-Shirt - Black (S, M, L, XL-3XL)	1
SP113*	AE Worlds Car Retro T-Shirt, (S, M, L, XL-3XL)	1
SP114*	Circuit T-Shirt - Black (S, M, L, XL-3XL)AE 2012	1
SP421S	Hat, Black, Flat Bill, S/M	1
SP421L	AE 2012 Hat, Black, Flat Bill, L/XL	1
SP422S	AE 2012 Hat, Black, Curved Bill, S/M	1
SP422L	AE 2012 Hat, Black, Curved Bill, L/XL	1
SP423S	AE 2012 Hat, White, Flat Bill, S/M	1
SP423L	AE 2012 Hat, White, Flat Bill, L/XL	1
SP424S	AE 2012 Hat, White, Curved Bill, S/M	1
SP424L	AE 2012 Hat, White, Curved Bill, L/XL	1
SP425	FT Fluid Carrier	1
726	Reedy 2016 Sticker Sheet	1
110684	Team Associated Track Banner	1
110685	Team Associated Cloth Banner	1
110686	Reedy Circuit Cloth Banner	1
29269	KICKER KPw Wireless Speaker System, (black)	1
29270	KICKER KPw Wireless Speaker System, (white)	1

** Use part number plus the desired size when ordering!

:: Contact Information

Check out the following web sites for all of our electric kits, current products, new releases, setup help, tips, and racing info!

Associated Electrics, Inc.
 26021 Commercentre Drive
 Lake Forest, CA 92630-8853 USA
<http://www.RC10.com>
http://twitter.com/Team_Associated
<https://www.instagram.com/teamassociatedrc/>
<http://www.facebook.com/TeamAssociated/>

call: (949) 544-7500

fax: (949) 544-7501



**Associated Electrics, Inc.
26021 Commercentre Dr.
Lake Forest, CA 92630 USA**

<http://www.RC10.com>

https://twitter.com/Team_Associated

<https://www.instagram.com/teamassociatedrc/>

<https://www.facebook.com/TeamAssociated/>

call: (949) 544-7500 - fax: (949) 544-7501

**Check out the following web sites for all of our kits,
current products, new releases, setup help, tips, and racing info!
www.TeamAssociated.com - www.RC10.com**