



# WALKER

**A13 Operator Soft Cab**

## **Operator's Manual**

Assembly, Attaching, Operation and Maintenance

Compatible with models: MC



**Please Read and Save These Instructions**

For Safety, Read All Assembly and Operation Instructions  
Prior to Operating Attachment

Effective Date: 03.12.18

P/N: 7662-12



## Foreword

**Thank you.** . .for purchasing a Walker Operator Soft Cab. Every effort has been made to provide you with the most reliable machine on the market, and we are sure you will be among our many satisfied customers. If for any reason this product does not perform to your expectations, please contact your local dealer. Every customer is important to us. Your satisfaction is our goal.

**Please.** . .read this manual thoroughly! Before you operate your machine, please read this entire manual. Some of the information is crucial for proper operation - it will help protect your investment and ensure that the machine performs to your satisfaction. Some of the information is important to your safety, and must be read and understood to help prevent possible injury to the operator or others. If anything in this manual is confusing or hard to understand, please contact your local authorized dealer or call our service department, at (970) 221-5614, for clarification before operating or servicing this machine.

This manual covers the A13 Operator Soft Cab.

**All shields and guards must be in place for the proper and safe operation of this machine.** Where they are shown removed in this manual, it is for illustration purposes only. **Do not operate this machine unless all shields and guards are in place.**

Walker Mfg. Co. is continually striving to improve the design and performance of its products. We reserve the right to make changes in specifications and design without thereby incurring any obligation relative to previously manufactured products.

Sincerely,  
WALKER MANUFACTURING COMPANY

Bob Walker, President

# Table of Contents

<b>General Information</b>	1
HIGHLIGHTED INFORMATION	1
GLOSSARY	1
SERVICING OF COMPONENTS	1
UNIT DESCRIPTION	1
<b>Specifications</b>	2
<b>Component Identification</b>	3
<b>Safety Instructions</b>	4
BEFORE OPERATING	4
OPERATING	5
MAINTENANCE	6
<b>Assembly Instructions</b>	8
INSTALL SOFT CAB MOUNTS	8
ASSEMBLE SOFT CAB FRAME	9
<b>Operating Instructions</b>	14
WINDSHIELD WIPER	14
HEADLIGHTS	14

<b>Maintenance Instructions</b>	14
WINDSHIELD WIPER BLADE REPLACEMENT	14
LUBRICATION	14
END OF SEASON STORAGE	14
<b>Parts List/Diagram</b>	15
OPERATOR SOFT CAB ASSEMBLY (A13)	16
ELECTRICAL - OPERATOR SOFT CAB (A13)	17
FABRIC AND MOUNTS - OPERATOR SOFT CAB (A13)	18
<b>Maintenance and Service Records Sheet</b>	19
<b>Warranty</b>	20

# General Information

## HIGHLIGHTED INFORMATION

Walker Manufacturing recommends that any service requiring special training or tools be performed by an authorized Walker Mower Dealer. There are several general practices to be aware of in the area of safety. Most accidents associated with the operation or maintenance of a Walker Tractor are caused by disregarding basic safety precautions or specific warnings. Such accidents, in most cases, can be prevented by being aware of the dangers present.

Information of special importance has been highlighted in bold type in this manual. Refer to **Safety Instructions** for the meanings of **DANGER, WARNING, CAUTION, IMPORTANT**, and **NOTE**.

## GLOSSARY

There are many terms that are either unique to this equipment or that are used as acronyms. The following terms and their definitions will help while using this manual:

- **FORWARD SPEED CONTROL (FSC)** controls the maximum forward speed of the tractor; functioning as a cruise control.
- **IMPLEMENT** refers to the dozer blade, rotary broom, two-stage snowblower, or debris blower used with the tractor with an implement hitch installed.
- **LEFT HAND (LH)** refers to the left-hand side of the tractor when the operator is seated facing forward in the tractor seat.
- **MACHINE** consists of the implement installed on the tractor, functioning as a single unit.
- **POWER TAKE-OFF (PTO)** transmits engine power to run the cutter blades and GHS blower.
- **RIGHT HAND (RH)** refers to the right-hand side of the tractor when the operator is seated facing forward in the tractor seat.
- **STEERING LEVERS** steer the tractor by controlling the two transaxles.
- **TRACTOR** is the prime mover, including the engine, drivetrain, operator seat, and controls to operate the mower.

## SERVICING OF OPERATOR SOFT CAB

Only routine maintenance and general service instructions are provided in this manual. **Any unauthorized work done** during the warranty period **may void the warranty**. If you have any difficulty finding an authorized outlet or obtaining warranty service, please contact our Service Department for assistance:

**Walker Manufacturing Company**  
5925 E. Harmony Road  
Fort Collins, CO 80528  
1-970-221-5614  
[www.walker.com](http://www.walker.com)

## UNIT DESCRIPTION

The Operator Soft Cab is designed to shield the operator from winter weather when using the 42" Snow Blower, 47" Rotary Broom and 48" Dozer Blade. The cab features a hinged door for operator entry, glass windshield, electric windshield wiper and LED headlights. A removable canvas flap attaches to the rear of the cab and covers the open area between the operator seat and top of the catcher box or dump box; the canvas flap raises to allow the tractor body to be raised for maintenance.

The **Implement Mount Hitch (H10)** is required to mount the operator soft cab on the tractor. The hitch mounts on the tractor in place of the mower deck in less than a minute. The operator soft cab fits into mounts that will be added to the side of the implement hitch and tractor chassis during the assembly process described in this manual.

# Specifications

## OPERATOR SOFT CAB

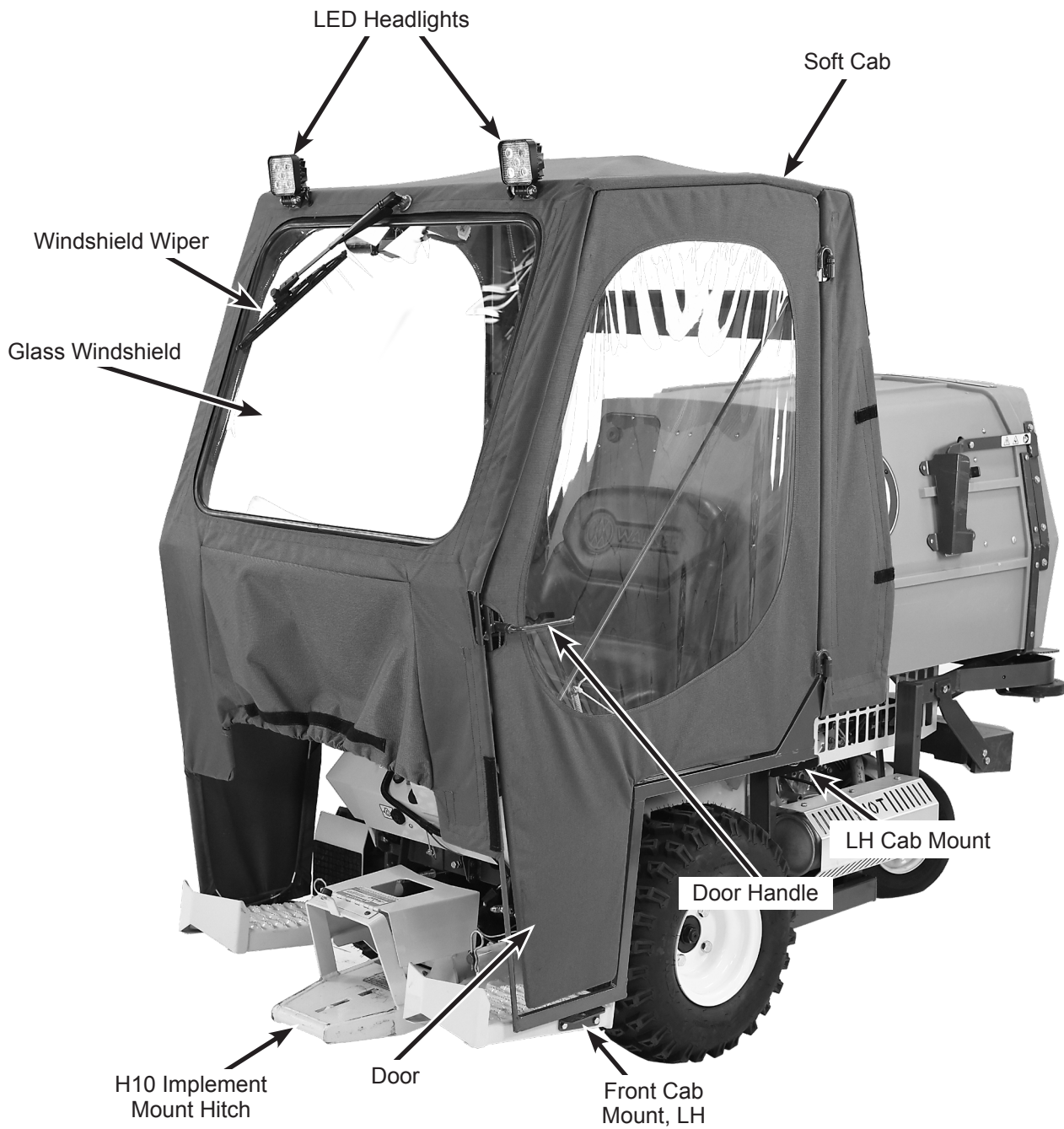
MODEL	A13
Height* in. (cm)	64 (163)
Width in. (cm)	35 (89)
Length in. (cm)	42 (107)
Weight lb (kg)	54 (25)
Windshield Wiper Motor	12 Volt DC Electric, Operated by Toggle Switch Mounted in Soft Cab
Headlights	10-30 Volt DC LED (25 Watts)

**NOTE:** The manufacturer reserves the right to make changes in specifications shown herein at any time without notice or obligation.

\* When installed on tractor

**NOTE:** An optional **Front Cab Extension Flap (P/N 7661-4)** is available to enclose the front of the cab and protect the operator when using the Dozer Blade Implement. Do not use when operating an implement with a PTO drive shaft.

# Component Identification




A13 Operator Soft Cab, LH View



# Safety Instructions

Pay particular attention to any information labeled **DANGER, WARNING, CAUTION, IMPORTANT,** and **NOTE** in this manual.

When you see the Safety Alert Symbol (  ), read, understand, and follow the instructions. Failure to comply with safety instructions may result in personal injury.

The seriousness or degree of importance of each type of information is defined as follows:

## **DANGER**

An **IMMEDIATE** hazard that **WILL** result in severe personal injury or **DEATH**, if warning is ignored and proper safety precautions are not taken.

## **WARNING**

A **POTENTIAL** hazard that **COULD** result in severe personal injury or **DEATH**, if warning is ignored and proper safety precautions are not taken.

## **CAUTION**

Possible hazards or unsafe practices that **MAY** result in **MODERATE** personal injury or property damage, or machine damage, if warning is ignored and proper safety precautions are not taken.

**IMPORTANT:** Identifies mechanical information demanding special attention, since it deals with the possibility of damaging a part or parts of the machine.

**NOTE:** Identifies information worthy of special attention.

Walker Manufacturing cannot predict every potentially dangerous situation. Therefore, items labeled as such in this manual do not cover all conceivable situations. Any person using procedures, tools, or control techniques not recommended by Walker Manufacturing must take full responsibility for safety.

The Walker Rider Lawnmower has been designed with many safety features to protect the operator from personal harm or injury. However, it is necessary for the operator to use safe operating procedures at all times. **Failure to follow safety instructions contained in this manual may result in personal injury or damage to equipment or property.**

If you have any questions concerning setup, operation, maintenance, or safety, please contact your authorized Walker Mower dealer or call Walker Manufacturing Company at (970) 221-5614.

### **BEFORE OPERATING**

1. **Read and understand the contents of this Operator's Manual before starting and operating the machine.** Become thoroughly familiar with all machine controls and how to stop the machine and disengage the controls quickly. Replacement Operator's Manuals are available by sending the Model and Serial Number to:  

**Walker Manufacturing Company**  
5925 East Harmony Road  
Fort Collins, CO 80528
2. **Never allow children to operate rider mower.** Do not allow adults to operate without proper instruction.
3. Do not allow anyone other than the operator on the machine.
4. Keep everyone, especially children and pets, a safe distance away from the area of operation. **Do not mow with bystanders in the area.**
5. Do not operate the machine barefoot or wearing sandals, sneakers, tennis shoes, or similar light-weight footwear. **Wear substantial protective footwear.**
6. Do not wear loose fitting clothing that could get caught in moving parts. Do not operate this machine while wearing shorts; **always wear adequate protective clothing**, including long pants. Wearing safety glasses, safety shoes, and a helmet is advisable and required by some local ordinances and insurance regulations.

# Safety Instructions

7. Prolonged exposure to loud noise can cause impairment or loss of hearing. **Operator hearing protection is recommended.** Wear a suitable hearing protective device, such as earmuffs or earplugs.
8. **Keep all protective shields and safety devices in place.** If a protective shield, safety device, or decal is damaged, unusable, or missing, repair or replace it **before** operating the machine.
9. **Be sure interlock switches are functioning correctly,** so the engine cannot be started unless the Forward Speed Control lever is in the **NEUTRAL-PARK** position, and the PTO clutch is in the **DISENGAGED** position. Also, the engine should stop if the operator lifts off the seat with either the Forward Speed Control (FSC) out of the **NEUTRAL-PARK** position or the PTO clutch in the **ENGAGED** position.
10. **Handle gasoline with care.** Gasoline is highly flammable and its vapors are explosive:
  - a. Use an approved fuel container.
  - b. Never add fuel to a running engine or hot engine (allow hot engine to cool several minutes).
  - c. Keep matches, cigarettes, cigars, pipes, open flames, or sparks away from the fuel tank and fuel container.
  - d. Always fill the fuel tank outdoors using care. Fill to about one inch from the top of the tank. Use a funnel or spout to prevent spilling.
  - e. Replace the machine fuel cap and container cap securely and clean up any spilled fuel before starting the engine.
11. **Never attempt to make any adjustments while the engine is running,** except where specifically instructed to do so.
12. The snow or leaves can sometimes hide objects that might clog the snowblower or debris blower chute, or otherwise cause damage. Clear the area of doormats, sleds, boards, wires and other debris.
13. The electrical system battery contains sulfuric acid. Avoid any contact with skin, eyes, and clothing. Keep the battery and acid out of reach of children.



## WARNING

This product can expose you to chemicals including Di-(2-ethylhexyl) phthalate which is known to the State of California to cause cancer, and Di-(2-ethylhexyl) phthalate, which is known to the State of California to cause birth defects or other reproductive harm. For more information go to [www.P65Warnings.ca.gov](http://www.P65Warnings.ca.gov).

## OPERATING

**NOTE:** Refer to your tractor Operator's Manual for safety instructions for operating the tractor.

1. **Operate the machine only in daylight** or in good artificial light with good visibility of areas being cleaned.
2. Sit on the seat when starting the engine and operating the machine. Keep feet on footrests at all times when the tractor is moving and/or the implement is operating.
3. For a beginning operator, **learn to steer (maneuver) the tractor with a slow engine speed before attempting any implement operation.** Be aware that, with the front mounted implement configuration, the back of the machine swings to the outside during turns.



## DANGER

**Do not operate around overhanging tree branches or bushes at the same height as the operator's torso and head where inadvertent contact may cause injury.**

4. Remember, for an emergency stop, the forward motion of the tractor can always be stopped by pulling the Forward Speed Control (FSC) into the **NEUTRAL-PARK** position.



# Safety Instructions

5. In case the transmission drive belt breaks during operation, and if the machine is on a slope, the machine will freewheel down the slope. **To maintain control**, immediately (1) Release the steering levers and simultaneously (2) Move the FSC to the **NEUTRAL-PARK** position. When the machine is stopped or moving slowly, engage the parking brake.

**NOTE:** The emergency stop procedure is exactly the same procedure used to normally stop and park the machine.

6. Disengage the PTO clutch and put the FSC in the **NEUTRAL-PARK** position before starting the engine (an ignition interlock switch normally prevents starting of the tractor if these controls are in the **OPERATING** position).
7. **Do not operate the machine if the operator presence safety switch system is not working.** Verify proper operation by having the operator lift off the seat with the engine running and moving two controls, one at a time; (1) Move the FSC lever out of the **NEUTRAL-PARK** position, and (2) Engage the PTO Clutch. Moving either control should stop the engine immediately.
8. **Do not run the engine in a confined area without adequate ventilation.** Exhaust fumes are hazardous and can be deadly.
9. **Do not carry passengers** - maximum seating capacity is one (1) person.
10. **Avoid sudden starts or stops.** Before backing the machine up, look to the rear to be sure no one is behind the machine. Watch carefully for traffic when crossing or working near roadways.
11. When moving forward, **do not** suddenly put the tractor in reverse by rapidly pulling on the steering levers, especially when going downhill, as this can lift the tractor tail wheel off the ground and set up a bucking motion due to operator overcontrol. If bucking does occur, immediately stop the bucking action by pulling the Forward Speed Control (FSC) lever into the **NEUTRAL-PARK** position.
12. Disengage the PTO clutch when transporting the machine.
13. Do not operate across the face of slopes. Use extreme caution when changing direction on slopes. Do not attempt to operate on steep slopes.

14. Never adjust gauge wheels or skid shoes with the engine running. Before adjusting height or servicing, disengage the PTO clutch, stop the engine, and remove the ignition key. Wait for all movement to stop before getting off the seat.

**NOTE:** The PTO brake should stop drive line rotation within five (5) seconds of disengaging the PTO clutch. If the brake is not functioning properly, have it repaired by an authorized dealer immediately.

15. If the implement strikes a solid object or the machine begins to vibrate abnormally, **immediately disengage the PTO clutch, stop the engine, and wait for all moving parts to stop.** Disconnect the fuel solenoid wire [diesel engines] or the spark plug wire(s) [gasoline engines] to prevent accidental starting. Thoroughly inspect the implement and repair any damage before restarting the engine and operating the machine. Make sure implement components are in good condition and all bolts are tight.
16. **Do not touch the engine or muffler while the engine is running** or immediately after stopping the engine. These areas may be hot enough to cause serious burns.
17. When leaving the machine unattended, disengage the PTO clutch, stop the engine, and remove the ignition key.

## MAINTENANCE

**NOTE:** Refer to your tractor Operator's Manual for safety instructions for tractor maintenance.

1. **To prevent accidental starting of the engine** when servicing or adjusting the machine, remove the key from the ignition switch and disconnect the fuel solenoid wire [diesel engines] or the spark plug wire(s) [gasoline engines].
2. **To reduce fire hazards**, keep the engine free of grass, leaves, excessive grease, and dirt.
3. Keep all nuts, bolts, and screws tight **to ensure the machine is in a safe, working condition.**
4. **Perform only maintenance instructions described in this manual.** Unauthorized maintenance operations or machine modifications may result in unsafe operating conditions.
5. If the engine must be running to perform a maintenance adjustment, **keep hands, feet and clothing away from moving parts. Do not wear jewelry or loose clothing.**

# Safety Instructions

6. **Always use proper engine service manuals when working on the engine.** Unauthorized maintenance operations or modifications to the engine may result in unsafe operating conditions.
7. Altering the machine in any manner which adversely affects its operation, performance, durability or use **will VOID the warranty** and may cause hazardous conditions.
8. Never attempt to disconnect any safety devices or defeat the purpose of these safety devices.
9. Do not change the engine governor settings or overspeed the engine. The governor has been factory-set for maximum-safe engine operating speed.
10. **Use genuine factory replacement parts.** Substitute parts may result in product malfunction and possible injury to the operator and/or others.

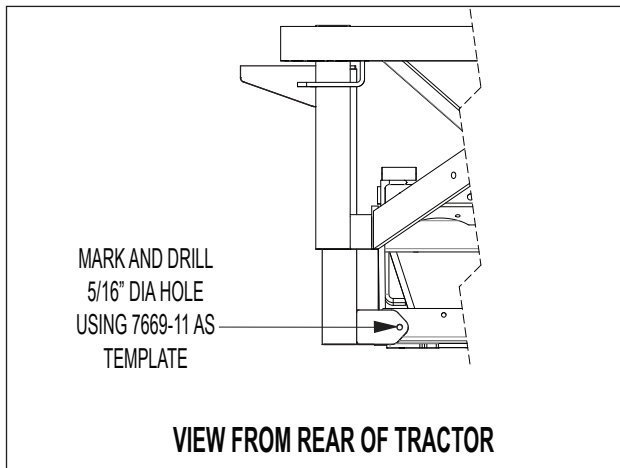
**IMPORTANT:** Keep all applicable manuals immediately accessible to anyone who may operate or service this machine.



# Assembly Instructions

- Using the LH cab mount as a template, mark and drill both the **rear hole** and the **lower mounting hole** using a 5/16 in. drill as shown in **Rear Bolt Location For LH Cab Mount** illustration.

**NOTE:** In order to drill the lower mounting hole, it will be necessary to lift the tractor or tilt-up from the rear for access to the front motor mount.

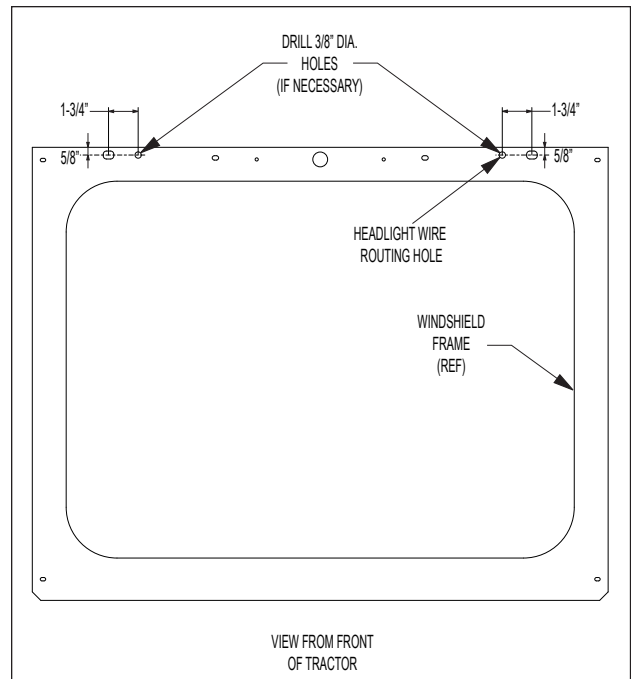


### Rear Bolt Location For LH Cab Mount

- Using the 5/16-18 x 5/8 (F091) hex bolt and 5/16-18 (F009) whiz locknut at the rear hole, and the 5/16-18 x 1 (F093) hex bolt and F009 at the hole drilled under the chassis, fasten the LH cab mount to the tractor as shown in **Fabric and Mounts - Operator Soft Cab (A13)** on page 18.
- Install the H10 implement hitch and H10 implement wiring onto the tractor as indicated by the instructions included with the H10 implement hitch.

### ASSEMBLE SOFT CAB FRAME

- Assemble the cab frame as shown in **Assemble Soft Cab Frame** illustration. Lay the right side cab frame (P/N 7664-2) flat with the pins pointing upward. Attach the front support (P/N 7669-1), top support (P/N 7669-2), and cross tubes (P/N 7669-3), to the right side cab frame. Note the rope hook on one side of the front support—install the rope hook toward the RH side (as shown). Attach the left side cab frame (P/N 7664-20) to the front support, top support and cross tubes.
- Drill the headlight lead wire holes in the windshield frame as shown in **Drill Windshield Frame Dimensions** (if holes are not present).



### Drill Windshield Frame Dimensions

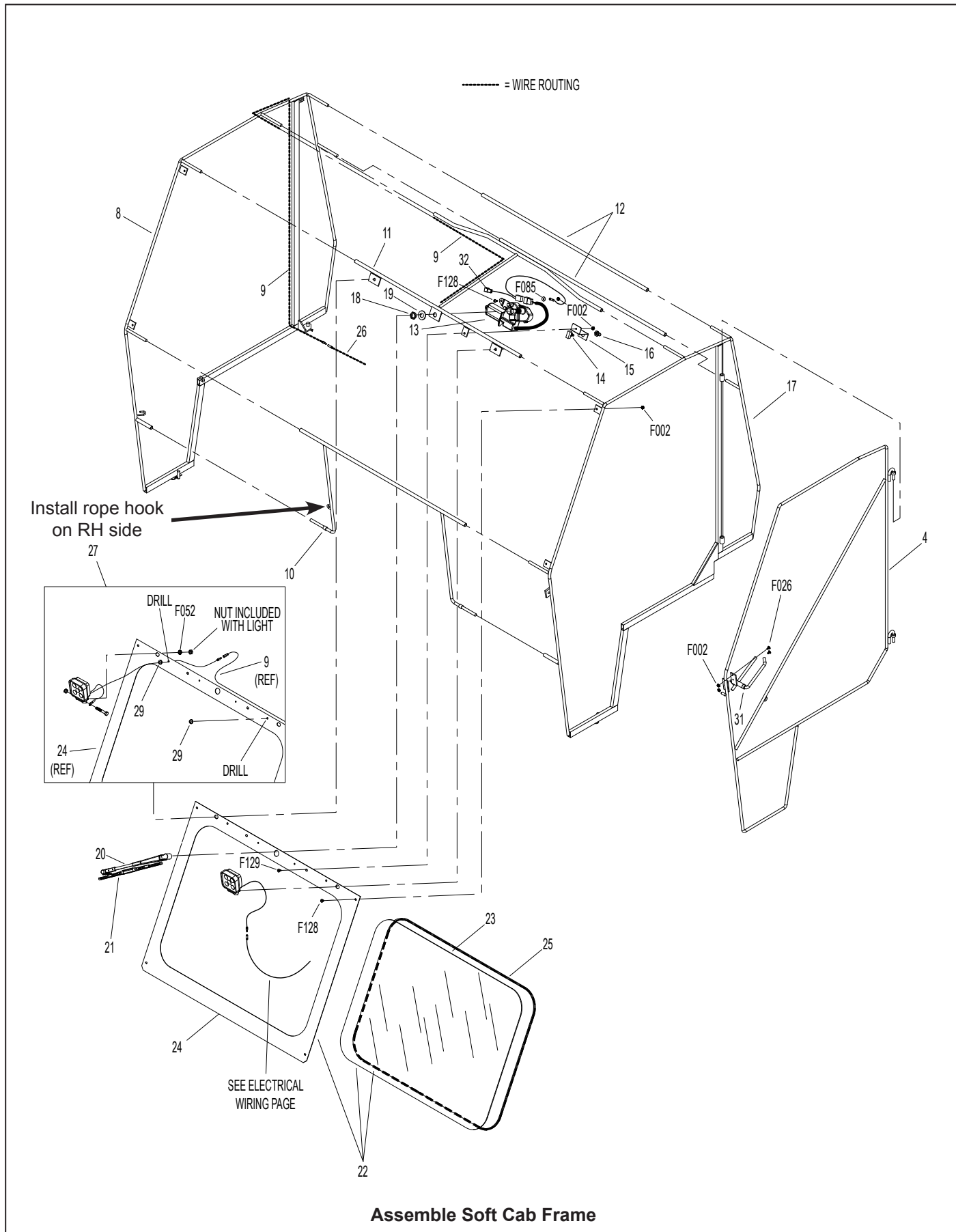
- Rotate the cab frame and stand the cab up. Mount the windshield and frame assembly (P/N 5674) to the cab frame using four (4) 10-24 x 3/8 (F128) screws, and four (4) 10-24 (F002) keps nuts as shown in **Assemble Soft Cab Frame** illustration.

**NOTE:** Do not install wiper motor at this time.

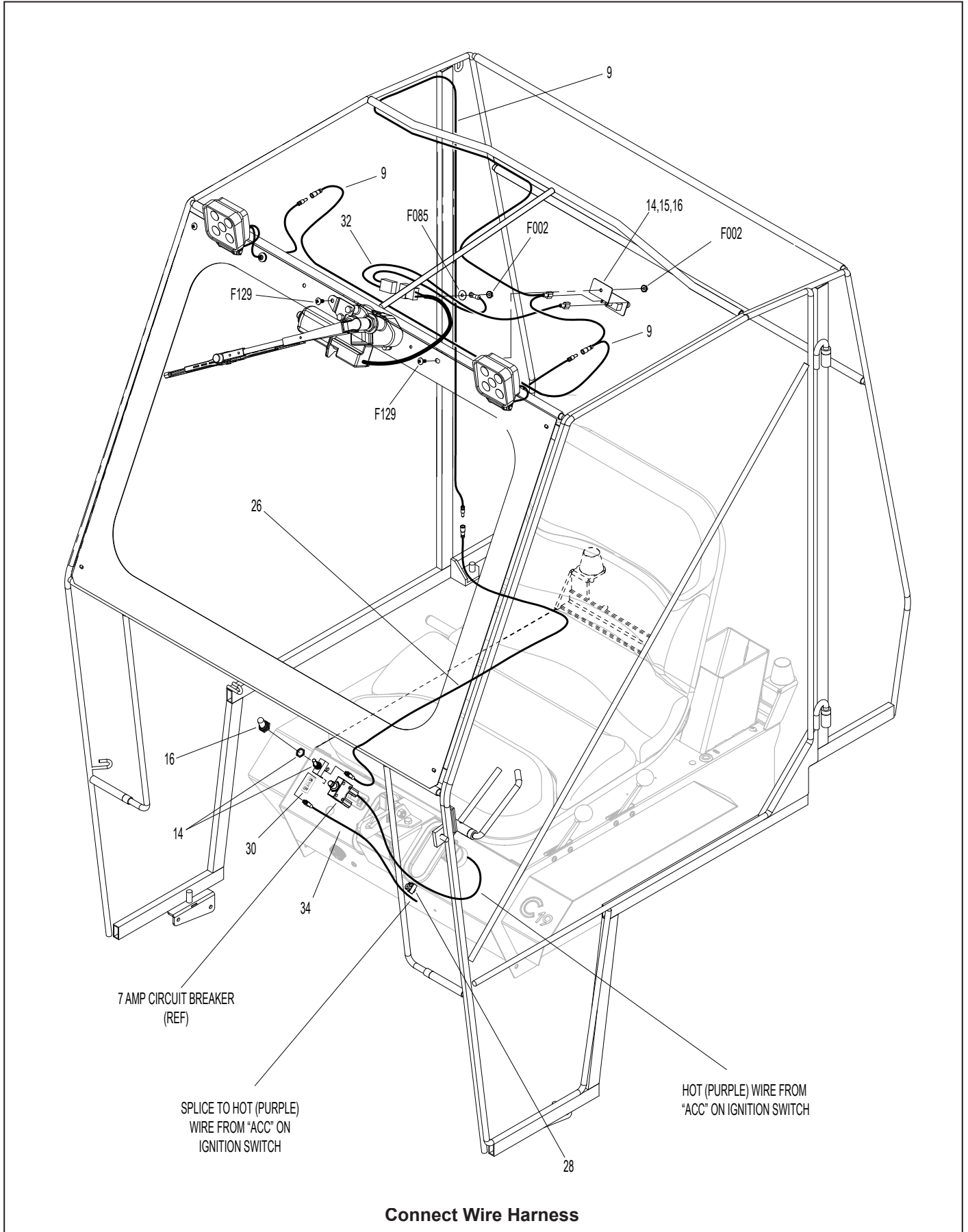
- Attach the LH and RH front cab mounts (P/N 7669-8 and 7669-9) to the front pins on the cab frame. Secure the RH and LH front cab mounts to the cab frame using the hitch pins (P/N 7666). Refer to **FABRIC AND MOUNTS - OPERATOR SOFT CAB (A13)** on page 18 for correct position.
- Install the On-Off Toggle Switch (P/N 5995) and connect the tap wire (P/N 5670-6) and 36 in. electrical power lead wire (P/N 5670-5) to the switch as shown in **Connect Wire Harness** illustration. Route the power wire to the cab connection point at the RH rear position of the cab as shown and secure the wire to the tractor chassis using wire ties.

**NOTE:** If the optional light bar is already installed on your tractor, disconnect the light bar wiring harness from the tractor's main wiring harness, and connect the operator cab wiring harness to the tractor's main wiring harness (see step 9).

# Assembly Instructions



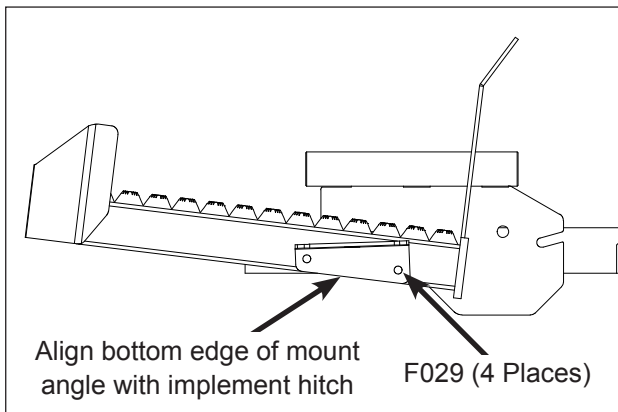
# Assembly Instructions





# Assembly Instructions

- Install the cab frame onto the tractor. Secure cab on RH and LH rear mounts using two (2) hitch pins (P/N 7666). With the cab frame in place, position the RH and LH front cab mounts to the RH and LH sides of the implement hitch footrest as shown in **Install Front Cab Mounts** illustration. Adjust the cab so it runs parallel with the top of the tractor body and clamp the cab mounts to the implement hitch footrest. Using the front cab mounts as a template, drill the mounting hole locations using a 1/4 in. drill bit. Install the front cab mounts to the implement hitch footrest using the two (2) 1/4-20 x 1/2 (F029) hex bolts on each mount, and the two (2) 1/4-20 (F004) keps nuts.



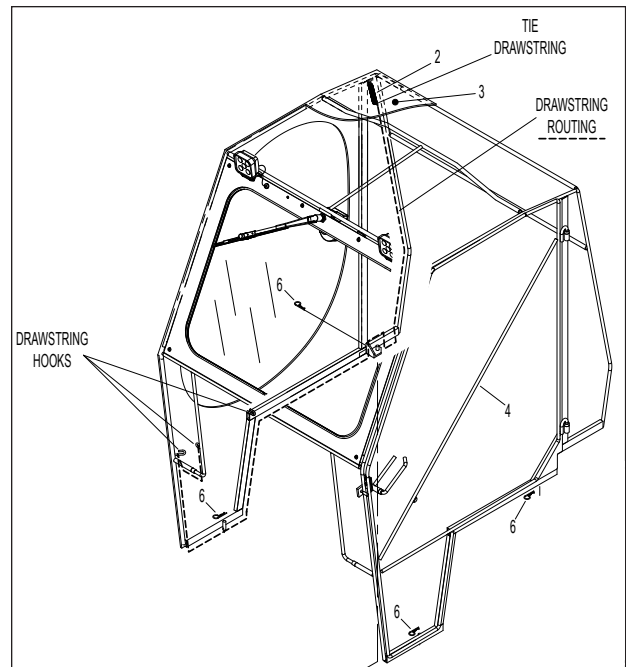
**Install Front Cab Mounts**

- With the cab frame attached to the tractor, install the operator cab fabric (P/N 7661-1). Place the operator cab fabric over the cab frame and align as closely as possible. Fasten the velcro around the windshield first. Then route the drawstring for the RH side, fastening it to the drawstring hooks and tension the drawstring using the extension spring (P/N 5222) as shown in **Drawstring Routing** illustration. Fasten the velcro on the LH side and across the back.

**NOTE:** This step will be more easily accomplished with the help of an assistant.

**NOTE:** It may be necessary to repeat the above procedure several times in order to achieve a proper fit as the operator cab fabric will stretch, especially within the first 48 hours after installation.

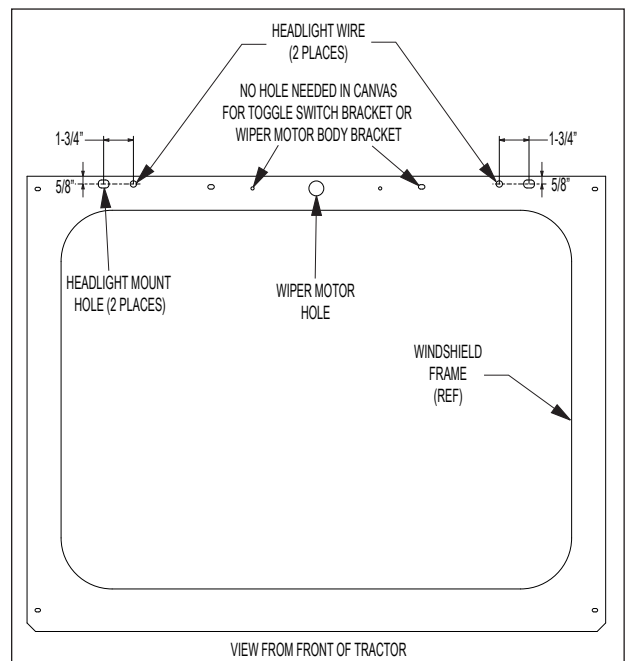
**NOTE:** It is highly recommended to **wait 48 hours** after initial installation of the canvas cover before cutting holes in the cover and installing lights and wiper motor.



**Drawstring Routing**

- Using the windshield frame as a template, use a sharp knife to cut five (5) holes in the canvas for the headlight mount bolts, headlight wires, and windshield wiper as shown in **Cut Holes in Canvas** illustration.

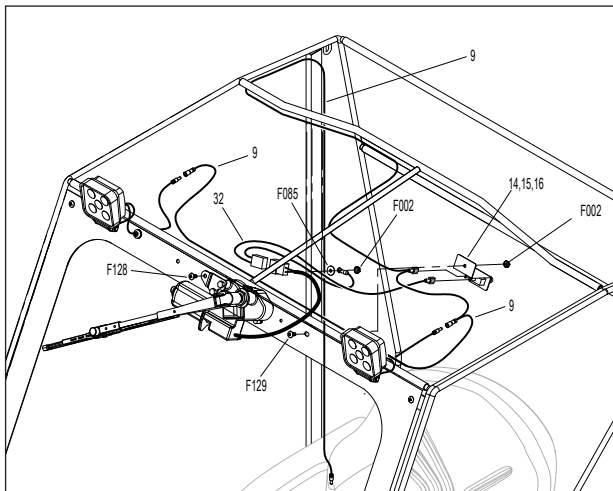
**NOTE:** Prior to cutting holes in canvas, verify that canvas is positioned properly on the windshield frame.



**Cut Holes in Canvas**

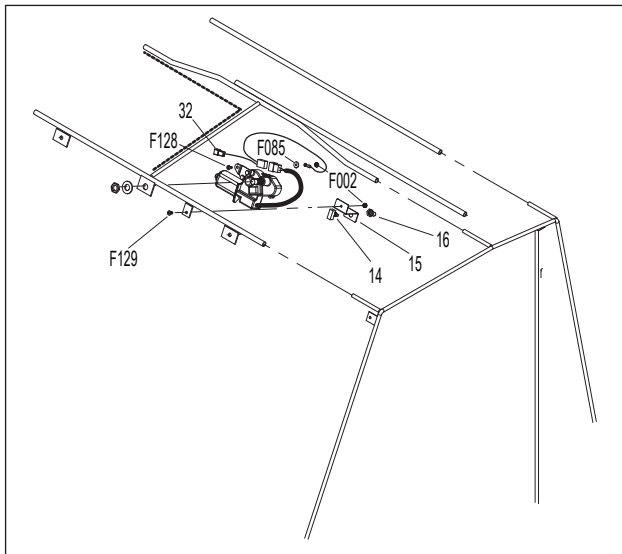
# Assembly Instructions

9. Install wiper motor, headlights and On-Off toggle switch mount. Install grommets (P/N 5977-1) into the headlight wiring holes and route the wiring for the windshield wiper motor, headlights, and windshield wiper toggle switch as shown in **Route Wiring for Windshield Wiper Motor, Headlights, and Windshield Wiper Toggle Switch** illustration. Route and secure wire harness (P/N 5670-1) inside cab to cab frame using wire ties. Make all wiring connections as shown in **Connect Wiring Harness** illustration (page 11).



**Route Wiring for Windshield Wiper Motor, Headlights, and Windshield Wiper Toggle Switch**

10. Mount the toggle switch (P/N 5995) to the switch mount bracket (P/N 5667-1) as shown in **Mount Toggle Switch** illustration.



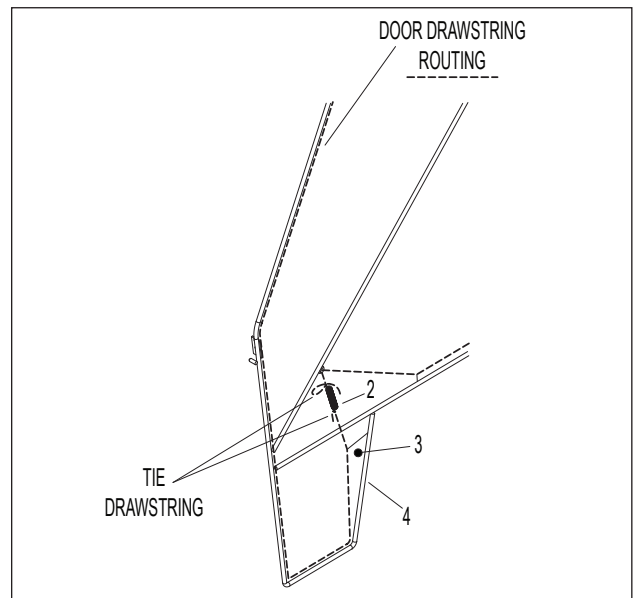
**Mount Toggle Switch**

11. Install windshield wiper arm.

**NOTE:** Before installing wiper arm (P/N 5668-1), operate wiper motor to determine the proper arc of travel for the wiper.

12. Install door fabric onto cab door frame (P/N 7662). Route the drawstring for the cab door frame and fasten it to the drawstring hooks. Tension the drawstring using the extension spring (P/N 5222) as shown in **Soft Cab Door Drawstring Routing** illustration. Mount the cab door handle (P/N 7667) to the cab door frame and attach the cab door to the operator cab.

**NOTE:** Door hinges and cab door handle require occasional lubrication.



**Soft Cab Door Drawstring Routing**

# Operating Instructions

## WINDSHIELD WIPER

To use the windshield wiper, use the toggle switch mounted on the upper, interior frame of the cab.

**NOTE:** The headlight switch must be turned on in order to operate the windshield wiper (single circuit).

- Move the toggle switch to the right to operate the windshield wiper.
- Move the toggle switch to the left to stop the windshield wiper.

## HEADLIGHTS

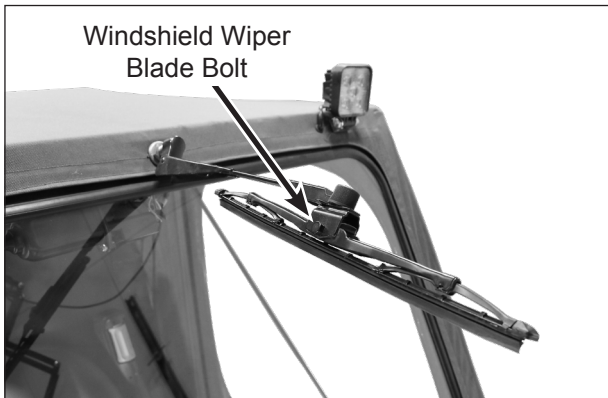
To turn on the headlights, use the headlight toggle switch mounted on the instrument panel.

- Move the toggle switch **UP** to turn the headlights on.
- Move the toggle switch **DOWN** to turn the headlights off.

## WINDSHIELD WIPER BLADE REPLACEMENT

The windshield wiper blade will wear over time and will need to be replaced.

1. To remove the windshield wiper blade: Pull the windshield wiper arm away from the windshield, and remove the bolt and ESNA nut going through the center of the windshield wiper as shown in **Windshield Wiper Blade Bolt** photo.



**Windshield Wiper Blade Bolt**

2. Remove the worn wiper, and replace it with a new wiper blade (P/N 5669-1).

## LUBRICATION

The Walker Operator Soft Cab is nearly maintenance free. However, periodic lubrication to the door hinges and door handle will be required.

Proper lubrication is an important maintenance procedure. It reduces wear and makes the machine quieter and easier to operate.



**DO NOT attempt to lubricate the machine with the tractor engine running. Disengage the PTO clutch, shut off the machine, and remove the ignition key.**

**NOTE:** Tractor Lubrication Points are not shown here. For Tractor Lubrication Points, refer to the appropriate Tractor **OPERATOR'S MANUAL** or **ILLUSTRATED PARTS MANUAL**.

## END OF SEASON STORAGE

1. Clean and inspect the soft cab thoroughly, noting any replacement parts that will be needed before the next season.
2. Repaint all parts from which paint has worn.
3. Check the soft cab fabric to ensure it is not ripped, or fraying. If needed, order new fabric (P/N 7661-1) for the cab before the next season.
4. Store the cab in a dry place.

# OPERATOR SOFT CAB ASSEMBLY (A13)

ITEM NO.	PART NO.	DESCRIPTION	NO. REQ'D	ITEM NO.	PART NO.	DESCRIPTION	NO. REQ'D
<b>Soft Cab</b>				<b>Fasteners</b>			
1	7669-7	Cab Mount, RH	1	F002		10-24 Keps Nut	8
2	5222	Extension Spring (1/2 x 3-1/4)	2	F004		1/4-20 Keps Nut	4
3	7661-1	Snow Cab Fabric W/Rr Flap	1	F009		5/16-18 Whiz Lock Nut	4***
4	7662	Door, Cab	1	F026		10-24 x 1/2 PPHMS	3
5	7669-11	Cab Mount, LH	1	F029		1/4-20 x 1/2 Hex Bolt	4
6	7666	Hitch Pin (#3)	4	F085		3/16 Rivet Backup Washer	1
7	7669-8	Front Cab Mount, RH	1	F091		5/16-18 x 5/8 Hex Bolt	1
8	7664-2	Right Side, Cab	1	F093		5/16-18 x 1 Hex Bolt	1
9	5670-1	Wire Assembly, 9 Ft., Cab	1	F128		10-24 x 3/8 PTH Bolt	4
10	7669-1	Front Support	1	F129		10-24 x 1/2 PTH Bolt	2
11	7669-2	Top Support	1	F255		5/16-18 x 1-1/2 Hex Bolt	2**
12	7669-3	Cross Tube	2				
13	5519-5	Actuator Motor, 12V Snowcab Only (Incl. 18 & 19)	1				
14	5995	Toggle Switch (Off-On)	2				
15	5667-1	Switch Mount Bracket	1				
16	5995-2	Switch Boot	2				
17	7664-20	Left Side, Cab	1				
18	5519-3	Motor Mount Nut (5/8-24 Panel Nut)	*				
19	5519-2	Motor Mount Washer	*				
20	5668-1	Wiper Arm	1				
21	5669-1	Wiper Blade	1				
22	5674	Windshield and Frame (Incl. 23, 24, 25)	1				
23	7665	Glass Windshield	*				
24	7663	Windshield Frame	*				
25	7665-1	Glass Windshield Seal	*				
26	5670-5	Wire Assembly (36")	1				
27	7989-2	Light Assembly (LED)	2				
28	8553	Splice Tap (18-14 Ga.)	1				
29	5977-1	Grommet (1/8 x 3/8)	2				
30	5877	Decal, Lights	1				
31	7667	Door Handle, Cab	1				
32	5519-6	Adapter Harness	1				
33	7669-9	Front Cab Mount, LH	1				
34	5670-6	Wire Assembly (9")	1				

**THE FOLLOWING ITEMS ARE NOT ILLUSTRATED**

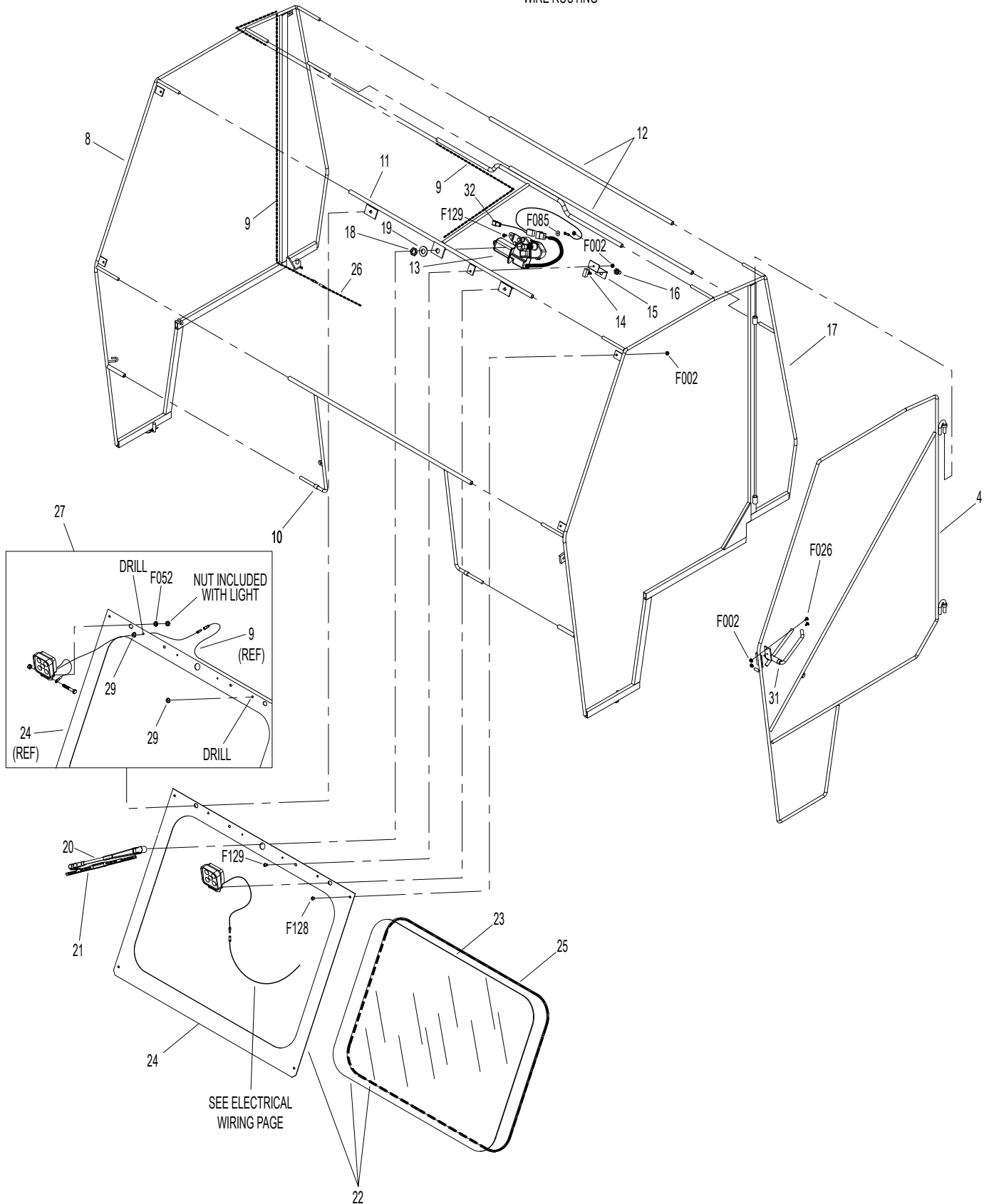
5975-1	Cable Tie (18# x 3-3/4")	10
5975-3	Cable Tie (50# x 7")	8
5975-7	Cable Tie (50# x 11")	2

- \* Service Part Only
- \*\* Use only if needed
- \*\*\* Only 2 may be needed if using F255

Use only genuine **Walker®** replacement parts.

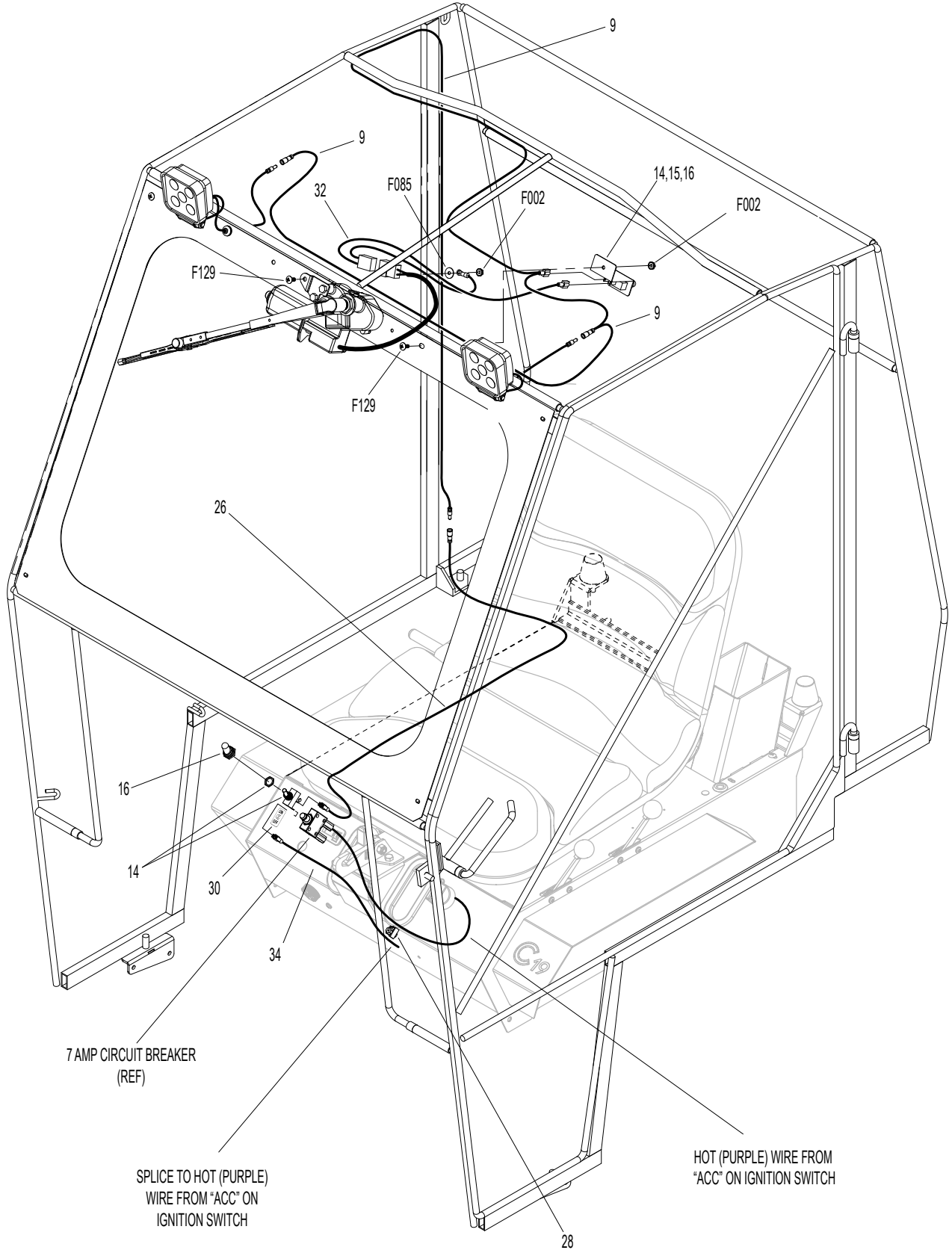
# OPERATOR SOFT CAB ASSEMBLY (A13)

----- = WIRE ROUTING



Use only genuine **Walker**® replacement parts.

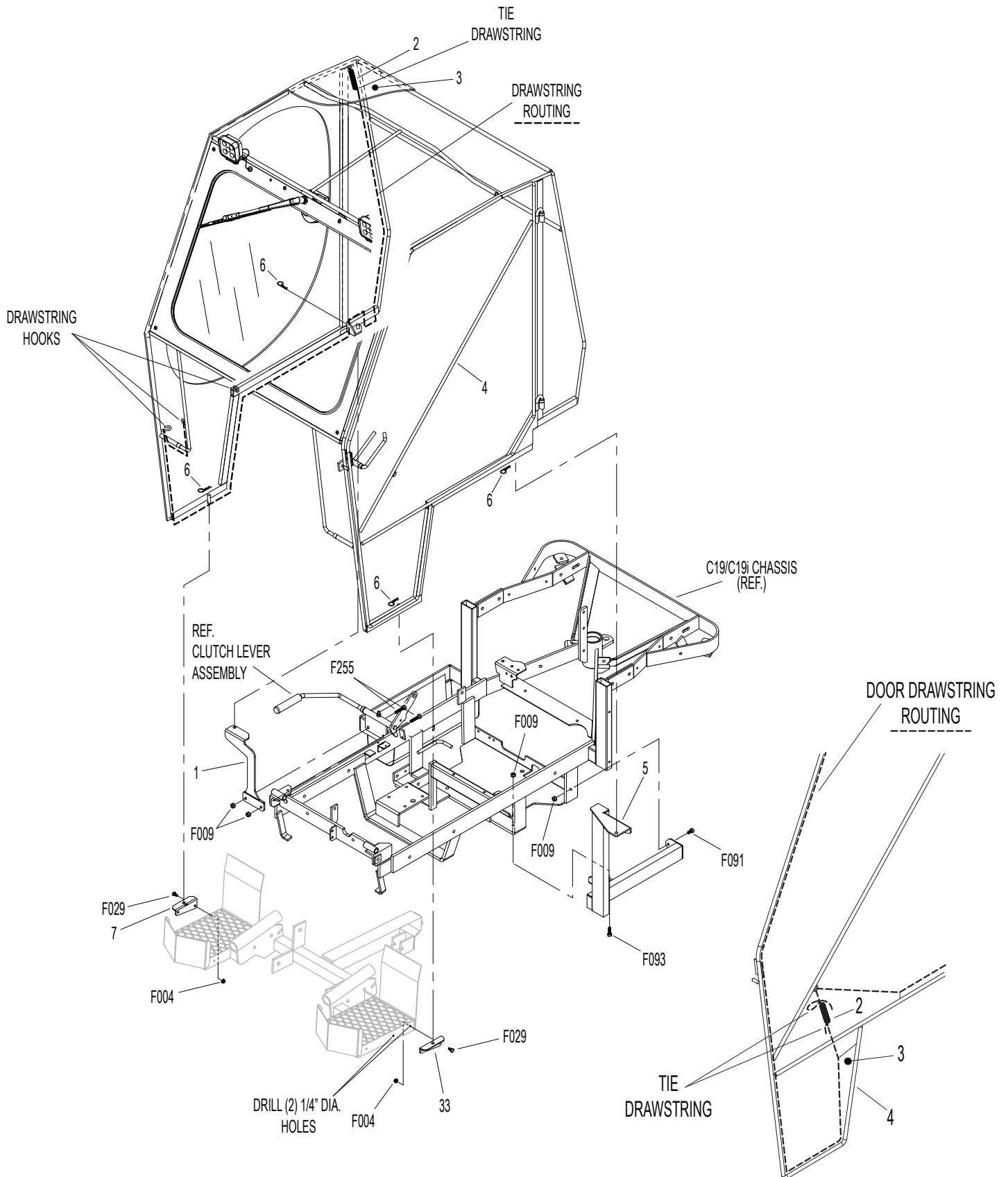
# ELECTRICAL - OPERATOR SOFT CAB (A13)



Use only genuine **Walker**® replacement parts.



# FABRIC AND MOUNTS - OPERATOR SOFT CAB (A13)



Use only genuine **Walker**® replacement parts.



## **LIMITED WARRANTY FOR WALKER SOFT CAB A13**

### **1. What this warranty covers, and for how long:**

Walker Manufacturing company will, at its option, repair or replace, without charge, any part covered by this warranty which is found to be defective in material and/or workmanship within one (1) year after date of sale to the original retail purchaser unless the product is used for rental purposes, in which case this warranty is limited to ninety (90) days. At Walker's request, customer will make the defective part available for inspection by Walker and/or return the defective part to Walker, transportation charges prepaid. All parts and components of the Walker operator soft cab are covered by this warranty.

### **2. What this warranty does not cover:**

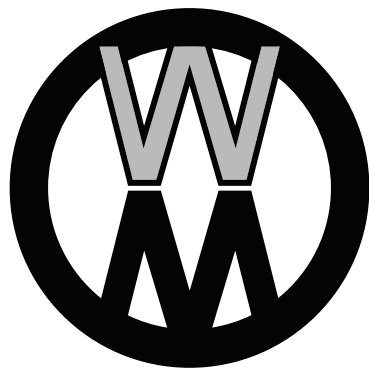
- A. This warranty does not cover defects caused by depreciation or damage caused by normal wear, accidents, improper maintenance, improper use or abuse of the product, alterations, or failure to follow the instructions contained in the Operator's Manual for operation and maintenance.
- B. The customer shall pay any charges for making service calls and/or for transporting the attachment to and from the place where the inspection and/or warranty work is performed.

### **3. How to obtain service under this warranty:**

Warranty service can be arranged by contacting the dealer where you purchased the machine or by contacting Walker Manufacturing Company, 5925 East Harmony Road, Ft. Collins, CO 80528. Proof of the date of purchase may be required to verify warranty coverage.

### **4. Warranty limitation:**

- A. **HERE IS NO OTHER EXPRESS WARRANTY. ANY WARRANTY THAT MAY BE IMPLIED FROM THIS PURCHASE INCLUDING MERCHANTABILITY AND FITNESS FOR A PARTICULAR PURPOSE IS HEREBY LIMITED TO THE DURATION OF THIS WARRANTY AND TO THE EXTENT PERMITTED BY LAW ANY AND ALL IMPLIED WARRANTIES ARE EXCLUDED.** Some states do not allow limitations on how long an implied warranty lasts, so the above limitations may not apply to you.
- B. **WALKER WILL NOT BE LIABLE FOR ANY INCIDENTAL, CONSEQUENTIAL, OR SPECIAL DAMAGES AND/OR EXPENSES IN CONNECTION WITH THE PURCHASE OR USE OF THE MACHINE.** Some states do not allow the exclusion or limitation of incidental or consequential damages, so the above limitation(s) or exclusion(s) may not apply to you.
- C. Only the warranty expressed in this limited warranty shall apply and no dealer, distributor, or individual is authorized to amend, modify, or extend this warranty in any way. Accordingly, additional statements such as dealer advertising or presentations, whether oral or written, do not constitute warranties by Walker, and should not be relied upon.
- D. This warranty gives you specific legal rights, and you may also have other rights which vary from state to state.



**WALKER**

**WALKER MFG. CO. • 5925 E. HARMONY ROAD, FORT COLLINS, CO 80528 • (970) 221-5614**  
**FORM NO. 082918      PRINTED IN USA      [www.walker.com](http://www.walker.com)      ©2018 WALKER MFG. CO**