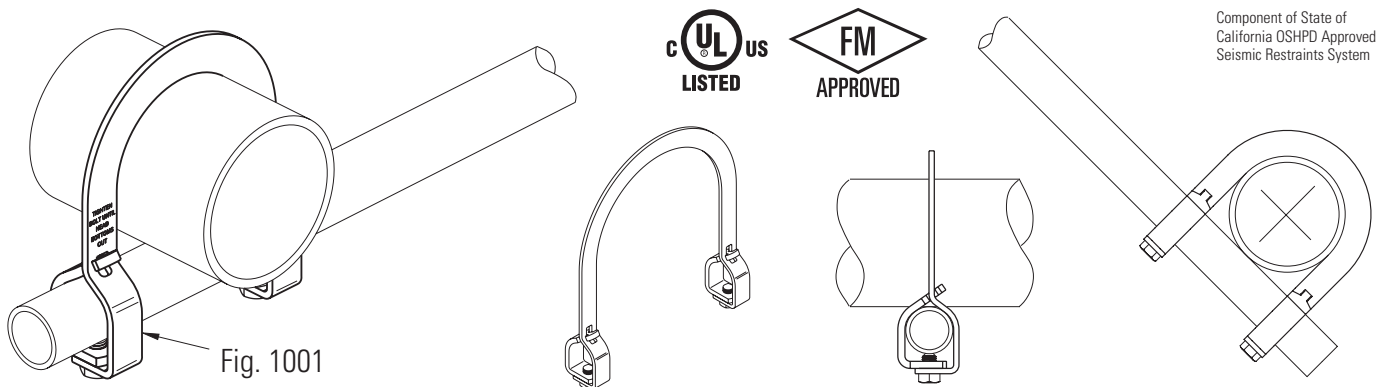


# Fig. 1001 – Sway brace attachment

**Function:** For bracing pipe against sway and seismic disturbance. Fig. 1001 is the "braced pipe" attachment component of a lateral sway brace assembly. It is intended to be combined with a 1" or 1 1/4" NPS "bracing pipe" and a TOLCO structural attachment component to form a complete bracing assembly. Sway brace assemblies are intended to be installed in accordance with NFPA 13 and the manufacturer's installation instructions.



Pipe Type	Pipe Size	UL Load Rating*
Bull Moose Eddy Flow	1 1/4"	1000 lbs.
	1 1/2", 2"	1500 lbs.
	2 1/2", 3", 4"	2000 lbs.
Wheatland Mega Flow	1 1/4"	1000 lbs.
	1 1/2", 2"	1500 lbs.
	2 1/2", 3", 4", 6"	2000 lbs.
Sch. 10	1 1/4"	1000 lbs.
	1 1/2", 2"	1500 lbs.
	2 1/2", 3", 3 1/2", 4", 5", 6", 8"	2000 lbs.
Sch. 40	1", 1 1/4"	1000 lbs.
	1 1/2", 2"	1500 lbs.
	2 1/2", 3", 3 1/2", 4", 5", 6", 8"	2000 lbs.

\*Design loads are applicable when using either a 1" or 1 1/4" Sch. 40 steel pipe as the brace member.

Pipe Type	Pipe Size	FM Approved Allowable Horizontal Capacity Per Installation Angle			
		30° - 44°	45° - 59°	60° - 74°	75° - 90°
Sch. 7, 10, 40	1	1800 lbs.	2550 lbs.	3120 lbs.	3490 lbs.
Sch. 7, 10, 40	1 1/4", 1 1/2", 2"	1230 lbs.	1740 lbs.	2140 lbs.	2380 lbs.
Sch. 7, 10, 40	2 1/2"	800 lbs.	1130 lbs.	1380 lbs.	1540 lbs.
Sch. 7, 10, 40	3", 4"	850 lbs.	1200 lbs.	1470 lbs.	1640 lbs.
Sch. 7, 10, 40	5", 6", 8"	510 lbs.	730 lbs.	890 lbs.	990 lbs.

\*Design loads are applicable when using either a 1" or 1 1/4" Sch. 40 steel pipe as the brace member.

**Installation Instructions:** Position Fig. 1001 over the pipe to be braced and tighten two hex head cone point set bolts until heads bottom out. A minimum of 1" pipe extension is recommended. Brace pipe can be installed on top or bottom of pipe to be braced. Rotate Fig. 1001 around pipe until desired angle is achieved and secure to structure using TOLCO brand transitional attachment and structural attachment.

**Important Note:** The Fig 1001 is precision manufactured to perform its function as a critical component of a complete bracing assembly. **The Fig. 1001 is not intended for use with the Fig. 907 4-way Longitudinal Brace Attachment.**



**Eaton**  
1000 Eaton Boulevard  
Cleveland, OH 44122  
United States  
Eaton.com  
13201 Dahlia Street, Suite 200  
Fontana, CA 92337  
United States  
Phone: 800-851-7415

© 2020 Eaton  
All Rights Reserved  
Printed in USA  
Publication No. IL309012EN  
September 2020 B-Line Division

Eaton.com/tolco  
Eaton is a registered trademark.

All other trademarks are property of their respective owners.

Follow us on social media to get the latest product and support information.

