

# MWI

## SECTION

### METER, WARNING LAMP & INDICATOR

A  
B  
C  
D  
E  
F  
G  
H  
I  
J  
K  
L  
M  
O  
P

## CONTENTS

<b>BASIC INSPECTION</b> .....	4	<b>ODO/TRIP METER</b> .....	17
<b>DIAGNOSIS AND REPAIR WORKFLOW</b> .....	4	ODO/TRIP METER : System Diagram .....	17
Work flow .....	4	ODO/TRIP METER : System Description .....	17
<b>FUNCTION DIAGNOSIS</b> .....	6	ODO/TRIP METER : Component Parts Location .....	18
<b>METER SYSTEM</b> .....	6	ODO/TRIP METER : Component Description .....	19
<b>METER SYSTEM</b> .....	6	<b>SHIFT POSITION INDICATOR</b> .....	19
METER SYSTEM : System Diagram .....	6	SHIFT POSITION INDICATOR : System Diagram .....	19
METER SYSTEM : System Description .....	6	SHIFT POSITION INDICATOR : System Description .....	19
METER SYSTEM : Component Parts Location .....	8	SHIFT POSITION INDICATOR : Component Parts Location .....	21
METER SYSTEM : Component Description .....	9	SHIFT POSITION INDICATOR : Component Description .....	22
<b>SPEEDOMETER</b> .....	9	<b>WARNING LAMPS/INDICATOR LAMPS</b> .....	22
SPEEDOMETER : System Diagram .....	9	WARNING LAMPS/INDICATOR LAMPS : System Diagram .....	22
SPEEDOMETER : System Description .....	9	WARNING LAMPS/INDICATOR LAMPS : System Description .....	22
SPEEDOMETER : Component Parts Location .....	10	WARNING LAMPS/INDICATOR LAMPS : Component Parts Location .....	23
SPEEDOMETER : Component Description .....	11	WARNING LAMPS/INDICATOR LAMPS : Component Description .....	24
<b>TACHOMETER</b> .....	11	<b>METER ILLUMINATION CONTROL</b> .....	24
TACHOMETER : System Diagram .....	11	METER ILLUMINATION CONTROL : System Diagram .....	24
TACHOMETER : System Description .....	11	METER ILLUMINATION CONTROL : System Description .....	24
TACHOMETER : Component Parts Location .....	12	METER ILLUMINATION CONTROL : Component Parts Location .....	25
TACHOMETER : Component Description .....	13	METER ILLUMINATION CONTROL : Component Description .....	26
<b>WATER TEMPERATURE GAUGE</b> .....	13	<b>INFORMATION DISPLAY</b> .....	26
WATER TEMPERATURE GAUGE : System Diagram .....	13	INFORMATION DISPLAY : System Diagram .....	26
WATER TEMPERATURE GAUGE : System Description .....	13	INFORMATION DISPLAY : System Description .....	26
WATER TEMPERATURE GAUGE : Component Parts Location .....	14	INFORMATION DISPLAY : Component Parts Location .....	28
WATER TEMPERATURE GAUGE : Component Description .....	15	INFORMATION DISPLAY : Component Description .....	29
<b>FUEL GAUGE</b> .....	15		
FUEL GAUGE : System Diagram .....	15		
FUEL GAUGE : System Description .....	15		
FUEL GAUGE : Component Parts Location .....	16		
FUEL GAUGE : Component Description .....	17		

MWI

<b>COMPASS</b> .....	<b>30</b>	<b>AMBIENT SENSOR SIGNAL CIRCUIT</b> .....	<b>48</b>
Description .....	30	Description .....	48
Component Parts Location .....	31	Diagnosis Procedure .....	48
Special Repair Requirement .....	31	Component Inspection .....	48
<b>DIAGNOSIS SYSTEM (METER)</b> .....	<b>32</b>	<b>COMPASS</b> .....	<b>50</b>
Diagnosis Description .....	32	Wiring Diagram - COMPASS - .....	50
CONSULT-III Function (METER/M&A) .....	33	<b>ECU DIAGNOSIS</b> .....	<b>52</b>
<b>COMPONENT DIAGNOSIS</b> .....	<b>36</b>	<b>COMBINATION METER</b> .....	<b>52</b>
<b>U1000 CAN COMM CIRCUIT</b> .....	<b>36</b>	Reference Value .....	52
Description .....	36	Wiring Diagram - METER - .....	57
DTC Logic .....	36	Fail Safe .....	64
Diagnosis Procedure .....	36	DTC Index .....	65
<b>U1010 CONTROL UNIT (CAN)</b> .....	<b>37</b>	<b>IPDM E/R (INTELLIGENT POWER DISTRI-</b>	<b>66</b>
Description .....	37	<b>BUTION MODULE ENGINE ROOM)</b> .....	<b>66</b>
DTC Logic .....	37	Reference Value .....	66
Diagnosis Procedure .....	37	Wiring Diagram - IPDM E/R - .....	71
<b>B2205 VEHICLE SPEED</b> .....	<b>38</b>	Fail Safe .....	74
Description .....	38	DTC Index .....	76
DTC Logic .....	38	<b>SYMPTOM DIAGNOSIS</b> .....	<b>77</b>
Diagnosis Procedure .....	38	<b>THE FUEL GAUGE DOES NOT MOVE</b> .....	<b>77</b>
<b>B2267 ENGINE SPEED</b> .....	<b>39</b>	Description .....	77
Description .....	39	Diagnosis Procedure .....	77
DTC Logic .....	39	<b>THE OIL PRESSURE WARNING LAMP</b>	
Diagnosis Procedure .....	39	<b>DOES NOT TURN ON</b> .....	<b>78</b>
<b>B2268 WATER TEMP</b> .....	<b>40</b>	Description .....	78
Description .....	40	Diagnosis Procedure .....	78
DTC Logic .....	40	<b>THE OIL PRESSURE WARNING LAMP</b>	
Diagnosis Procedure .....	40	<b>DOES NOT TURN OFF</b> .....	<b>79</b>
<b>POWER SUPPLY AND GROUND CIRCUIT</b> ....	<b>41</b>	Description .....	79
<b>COMBINATION METER</b> .....	<b>41</b>	Diagnosis Procedure .....	79
COMBINATION METER : Diagnosis Procedure ...	41	<b>THE AMBIENT TEMPERATURE DISPLAY IS</b>	
<b>IPDM E/R (INTELLIGENT POWER DISTRI-</b>		<b>INCORRECT</b> .....	<b>80</b>
<b>BUTION MODULE ENGINE ROOM)</b> .....	<b>41</b>	Description .....	80
IPDM E/R (INTELLIGENT POWER DISTRI-		Diagnosis Procedure .....	80
<b>BUTION MODULE ENGINE ROOM) : Diagnosis Pro-</b>		<b>NORMAL OPERATING CONDITION</b> .....	<b>81</b>
<b>cedure</b> .....	<b>41</b>	<b>INFORMATION DISPLAY</b> .....	<b>81</b>
<b>FUEL LEVEL SENSOR SIGNAL CIRCUIT</b> .....	<b>43</b>	INFORMATION DISPLAY : Description .....	81
Description .....	43	<b>PRECAUTION</b> .....	<b>82</b>
Component Function Check .....	43	<b>PRECAUTIONS</b> .....	<b>82</b>
Diagnosis Procedure .....	43	<b>FOR USA AND CANADA</b> .....	<b>82</b>
Component Inspection [Fuel Level Sensor Unit		FOR USA AND CANADA : Precaution for Supple-	
And Fuel Pump (Fuel Level Sensor)] .....	44	mental Restraint System (SRS) "AIR BAG" and	
Component Inspection [Fuel Level Sensor Unit		"SEAT BELT PRE-TENSIONER" .....	82
(Sub)] .....	45	<b>FOR MEXICO</b> .....	<b>82</b>
<b>OIL PRESSURE SWITCH SIGNAL CIRCUIT</b> ...	<b>46</b>	FOR MEXICO : Precaution for Supplemental Re-	
Description .....	46	straint System (SRS) "AIR BAG" and "SEAT BELT	
Component Function Check .....	46	PRE-TENSIONER" .....	82
Diagnosis Procedure .....	46		
Component Inspection .....	46		

---

<b>ON-VEHICLE REPAIR</b> .....	<b>83</b>	Exploded View .....	83
<b>COMBINATION METER</b> .....	<b>83</b>	Removal and Installation .....	83

A

B

C

D

E

F

G

H

I

J

K

L

M

MWI

O

P

# DIAGNOSIS AND REPAIR WORKFLOW

< BASIC INSPECTION >

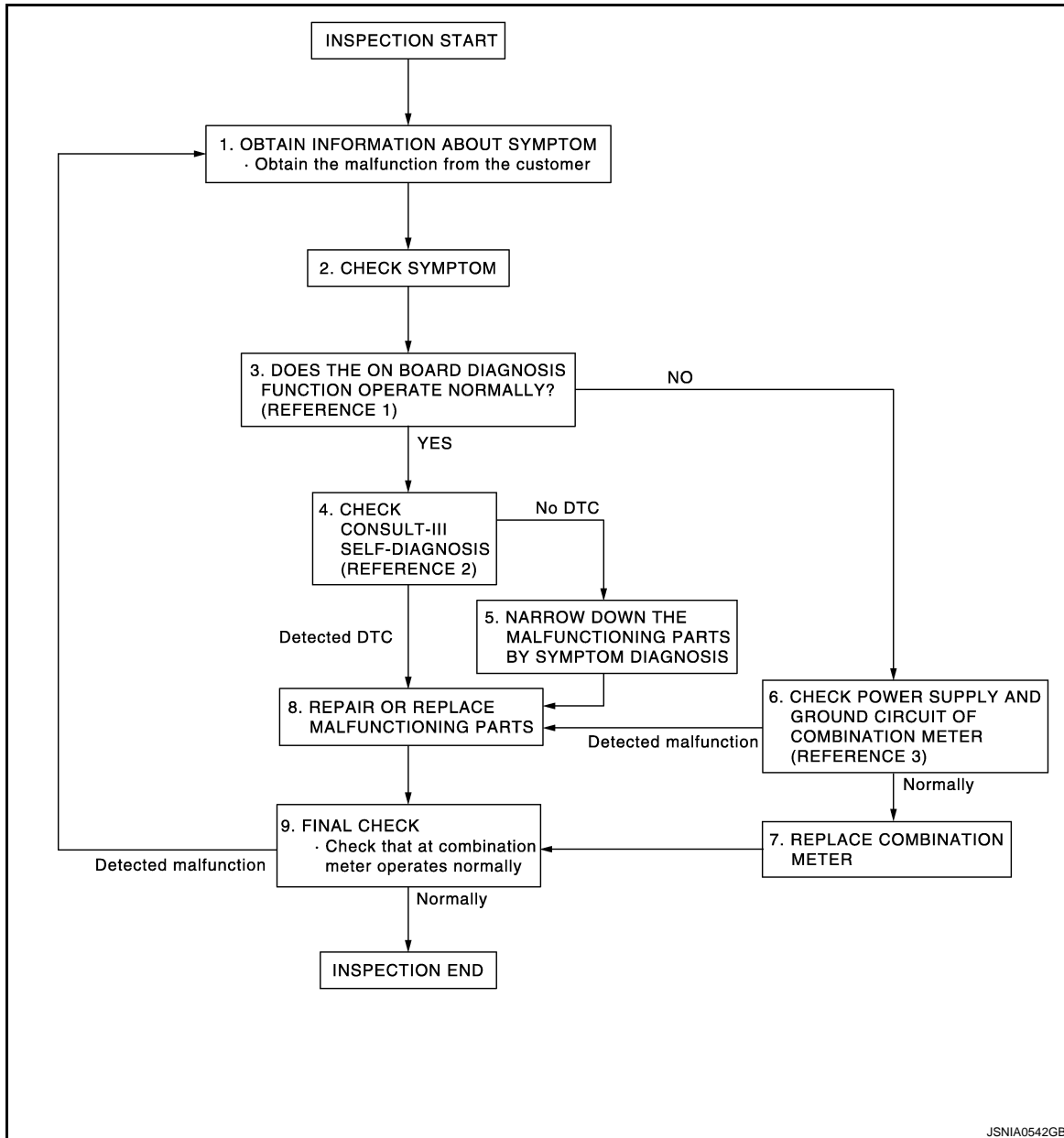
## BASIC INSPECTION

### DIAGNOSIS AND REPAIR WORKFLOW

Work flow

INFOID:000000001690752

#### OVERALL SEQUENCE



- Reference 1...[MWI-32, "Diagnosis Description"](#).
- Reference 2...[MWI-65, "DTC Index"](#).
- Reference 3...[MWI-41, "COMBINATION METER : Diagnosis Procedure"](#).

#### DETAILED FLOW

##### 1.OBTAIN INFORMATION ABOUT SYMPTOM

Interview the customer to obtain as much information as possible about the conditions and environment under which the malfunction occurred.

>> GO TO 2.

##### 2.CHECK SYMPTOM

# DIAGNOSIS AND REPAIR WORKFLOW

## < BASIC INSPECTION >

---

- Check the symptom based on the information obtained from the customer.
- Check that any other malfunctions are present.

>> GO TO 3.

## 3. CHECK ON BOARD DIAGNOSIS OPERATION

---

Check that the on board diagnosis function operates. Refer to [MWI-32, "Diagnosis Description"](#).

Does the on board diagnosis function operate normally?

YES >> GO TO 4.

NO >> GO TO 6.

## 4. CHECK CONSULT-III SELF-DIAGNOSIS RESULTS

---

Connect CONSULT-III and perform "Self Diagnostic Result" of "METER/M&A". Refer to [MWI-33, "CONSULT-III Function \(METER/M&A\)"](#).

Are self-diagnosis results normal?

YES >> GO TO 5.

NO >> GO TO 8.

## 5. NARROW DOWN THE MALFUNCTIONING PARTS BY SYMPTOM DIAGNOSIS

---

Perform symptom diagnosis and narrow down the malfunctioning parts.

>> GO TO 8.

## 6. CHECK COMBINATION METER POWER SUPPLY AND GROUND CIRCUITS

---

Inspect combination meter power supply and ground circuits. Refer to [MWI-41, "COMBINATION METER : Diagnosis Procedure"](#).

Is inspection result OK?

YES >> GO TO 7.

NO >> GO TO 8.

## 7. REPLACE COMBINATION METER

---

Replace combination meter.

>> GO TO 9.

## 8. REPAIR OR REPLACE MALFUNCTIONING PARTS

---

Repair or replace the malfunctioning parts.

### **NOTICE:**

If DTC is displayed, erase DTC after repair or replace malfunctioning parts.

>> GO TO 9.

## 9. FINAL CHECK

---

Check that the combination meter operates normally.

Do they operate normally?

YES >> INSPECTION END

NO >> GO TO 1.

A  
B  
C  
D  
E  
F  
G  
H  
I  
J  
K  
L  
M  
O  
P

MWI

# METER SYSTEM

< FUNCTION DIAGNOSIS >

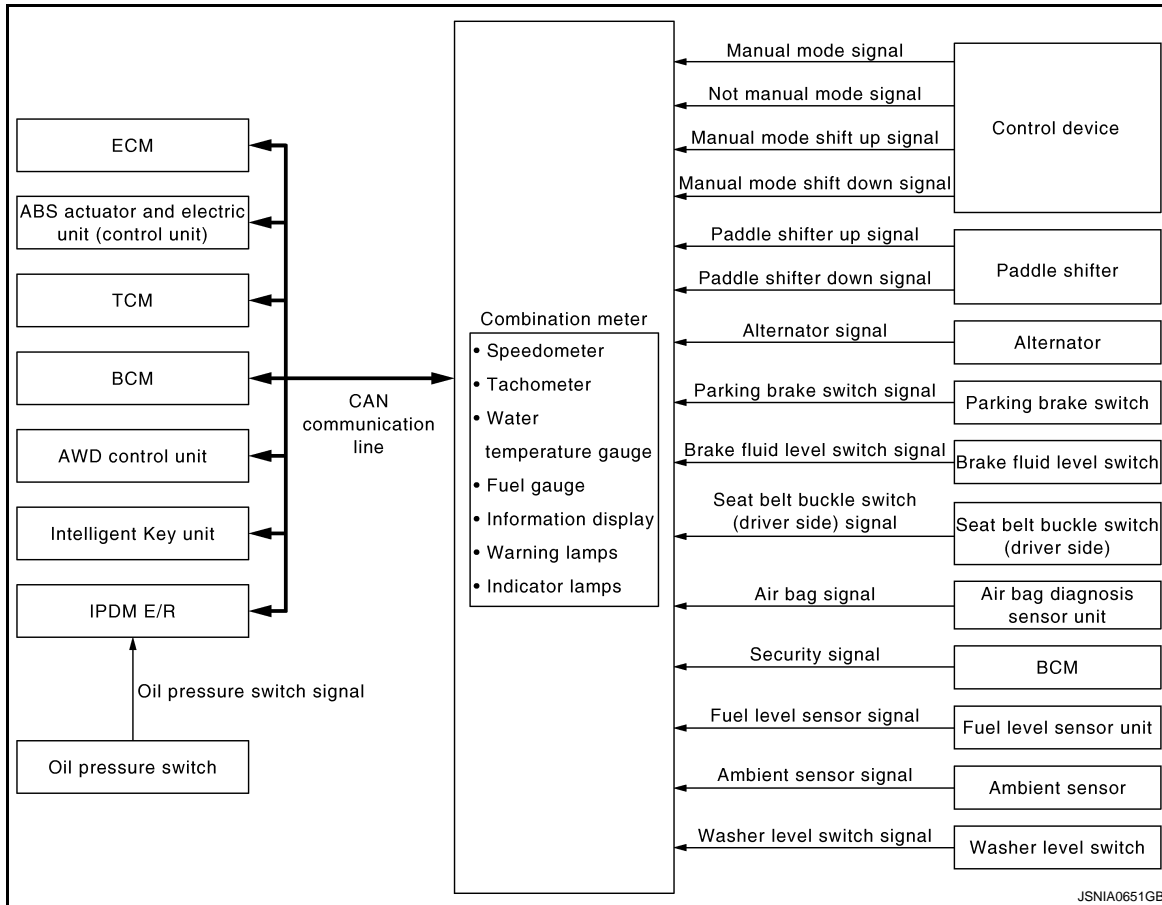
## FUNCTION DIAGNOSIS

### METER SYSTEM

### METER SYSTEM

### METER SYSTEM : System Diagram

INFOID:000000001686409



### METER SYSTEM : System Description

INFOID:000000001686410

#### COMBINATION METER

- The combination meter receives the information required to control the operation of each gauge, indicator/warning lamp, and information display via CAN communication from each unit, each switch, and sensor.
- The combination meter incorporates a trip computer that displays messages on the information display according to the information received from various units.
- The combination meter incorporates a buzzer function that sounds an audible alarm with the integrated buzzer device. Refer to [WCS-5. "WARNING CHIME SYSTEM : System Description"](#) for further details.
- The combination meter integrates the meter circuit check function and the segment check function that checks the information display operation.

#### IPDM E/R

- IPDM E/R reads the ON/OFF signals of the oil pressure switch and transmits the oil pressure switch signal to the combination meter via BCM with CAN communication.
- IPDM E/R is equipped with the diagnosis function. It can perform the operation check of oil pressure warning lamp with the auto active test and the diagnosis with CONSULT-III.

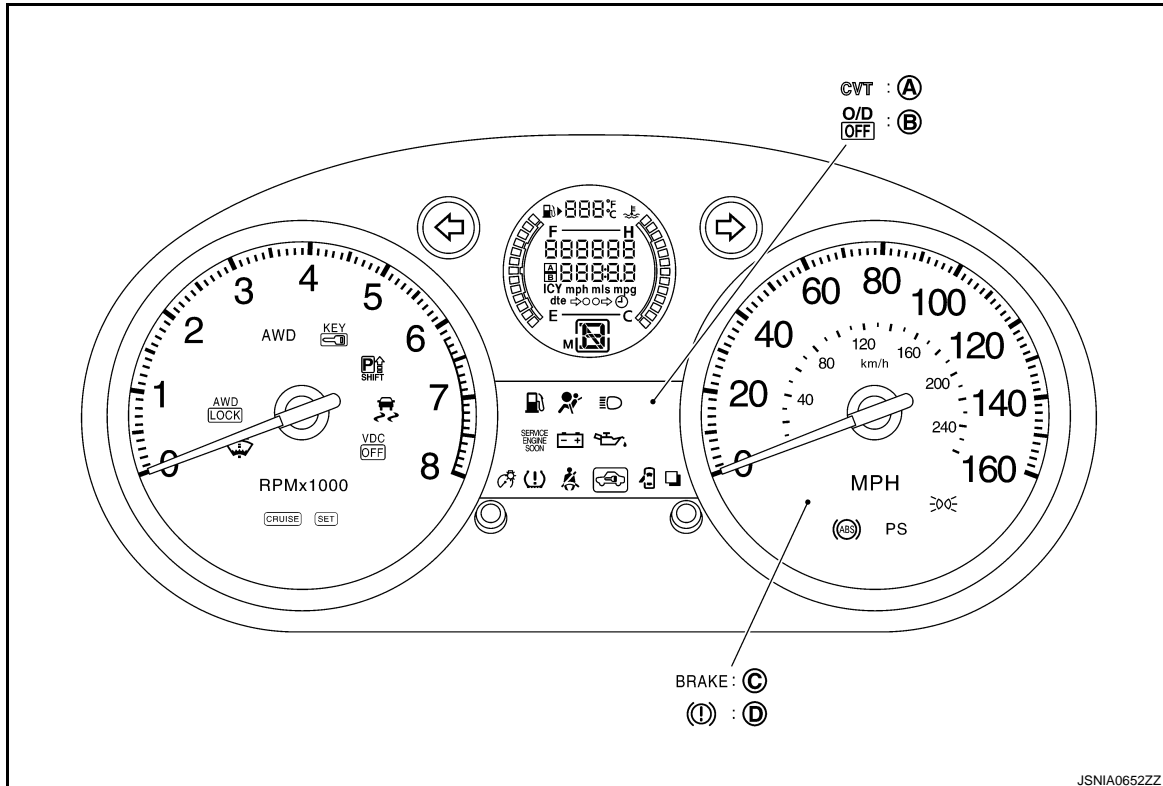
#### METER CONTROL FUNCTION LIST

# METER SYSTEM

## < FUNCTION DIAGNOSIS >

System	Description	Signal source	
Meter	Speedometer	Receives vehicle speed signal and indicates vehicle speed.	
	Tachometer	Receives engine speed signal and indicates engine speed.	
Warning lamp	Oil pressure warning lamp	Receives oil pressure warning lamp signal and illuminates warning lamp.	
Information display	Fuel gauge	Receives fuel level sensor signal and indicates fuel level.	
	Water temperature gauge	Receives engine coolant temperature signal and indicates coolant temperature.	
	Possible driving distance	Calculates possible driving distance based on received fuel consumption monitor signal, vehicle speed signals and fuel level sensor signal and displays it.	ECM
			ABS actuator and electric unit (control unit)
			Fuel level sensor unit
	Average fuel consumption	Calculates average fuel consumption in a reset-to-reset interval based on received vehicle speed signals and fuel consumption monitor signal and displays it.	
	Average vehicle speed	Calculates average vehicle speed in a reset-to-reset interval based on received vehicle speed signals and displays it.	
	Travel time	Displays accumulated key switch ON time from reset to reset.	
Odo/trip meter	Calculates accumulated travel distance based on received vehicle speed signals and displays it.		
Ambient temperature	Corrects ambient temperature value based on received ambient sensor signals and displays it.		

## ARRANGEMENT OF COMBINATION METER



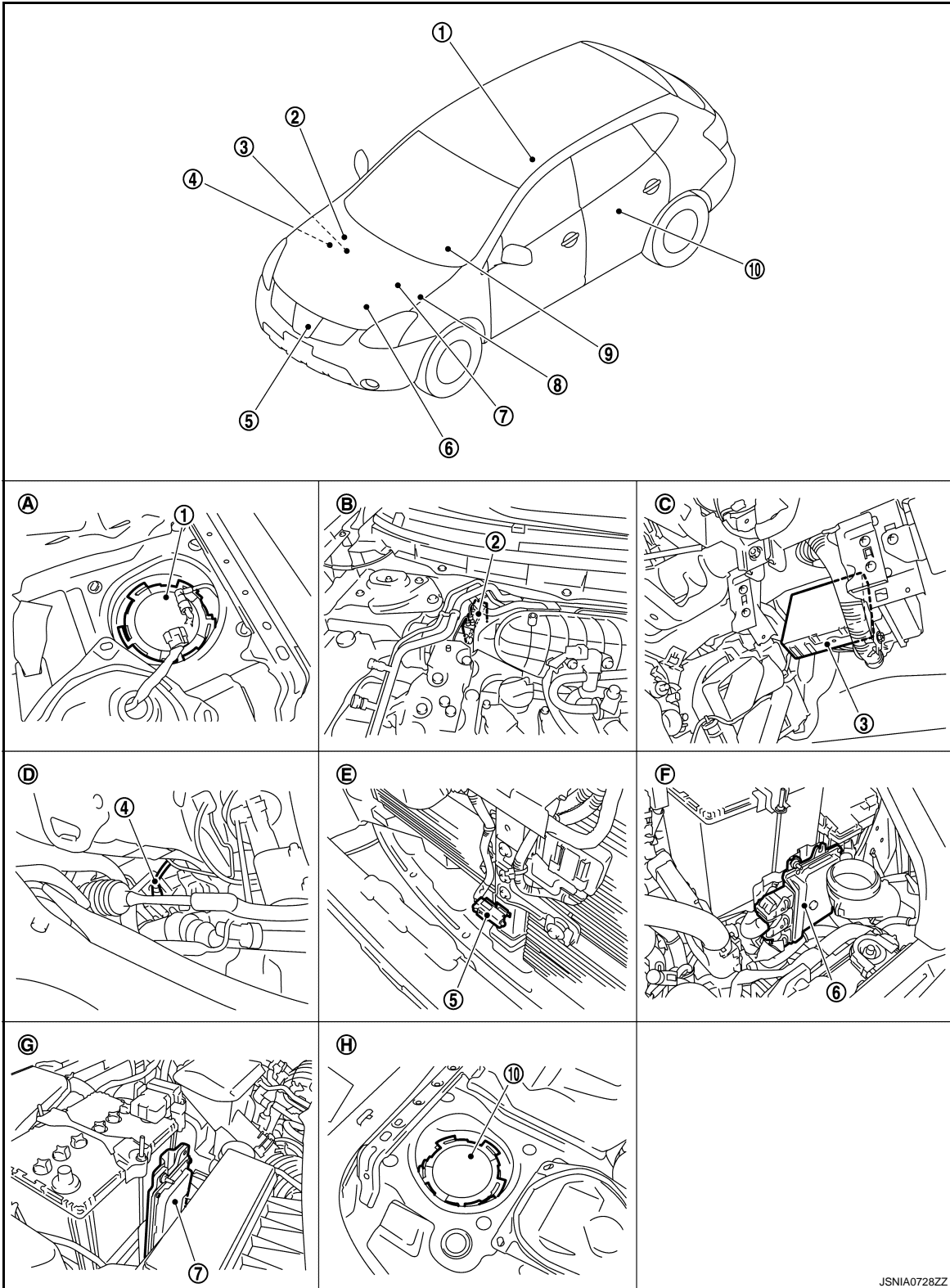
- A. With paddle shifter models
- B. Without paddle shifter models
- C. For U.S.A
- D. Except for U.S.A

# METER SYSTEM

< FUNCTION DIAGNOSIS >

## METER SYSTEM : Component Parts Location

INFOID:000000001686411



JSNIA0728ZZ

- |   |  |                       |
|---|--|-----------------------|
| 1. Fuel level sensor unit and fuel pump (fuel level sensor) | 2. ABS actuator and electric unit (control unit) | 3. BCM                |
| 4. Oil pressure switch                                      | 5. Ambient sensor                                | 6. TCM                |
| 7. ECM  | 8. IPDM E/R                                      | 9. Combination meter  |
| 10. Fuel level sensor unit (sub)                            |  |                       |
| A. Lower right side of rear seat                            | B. Left side of engine room                      | C. Over the glove box |



# METER SYSTEM

## < FUNCTION DIAGNOSIS >

- D. Left side of engine room      E. Behind of front bumper center      F. Right side of engine room  
 G. Right side of engine room      H. Lower left side of rear seat

## METER SYSTEM : Component Description

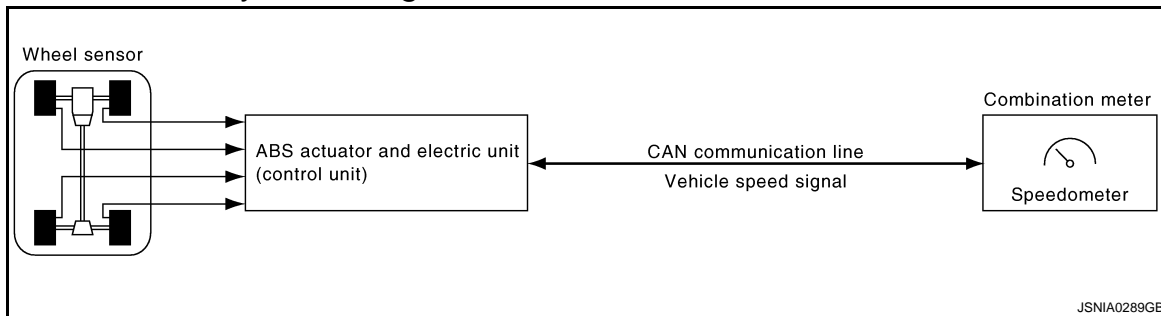
INFOID:000000001686412

Unit	Description
Combination meter	Controls the following with the signals received from each unit via CAN communication and the signals from switches and sensors. <ul style="list-style-type: none"> <li>• Speedometer</li> <li>• Tachometer</li> <li>• Warning lamps</li> <li>• Indicator lamps</li> <li>• Information display</li> <li>• Warning chime</li> </ul>
IPDM E/R	Reads the ON/OFF signals of the oil pressure switch and transmits the oil pressure switch signal to the combination meter via BCM with CAN communication line.
<ul style="list-style-type: none"> <li>• Fuel level sensor unit and fuel pump (fuel level sensor)</li> <li>• Fuel level sensor unit (sub)</li> </ul>	Refer to <a href="#">MWI-43. "Description"</a> .
Oil pressure switch	Refer to <a href="#">MWI-46. "Description"</a> .
ECM	Transmits the following signals to the combination meter with CAN communication line. <ul style="list-style-type: none"> <li>• Engine speed signal</li> <li>• Engine coolant temperature signal</li> <li>• Fuel consumption monitor signal</li> </ul>
ABS actuator and electric unit (control unit)	Transmits the vehicle speed signal to the combination meter with CAN communication line.
BCM	Transmits signals provided by various units to the combination meter with CAN communication line.
Control device	Transmits the following signals to the combination meter. <ul style="list-style-type: none"> <li>• Manual mode signal</li> <li>• Not manual mode signal</li> <li>• Manual mode shift up signal</li> <li>• Manual mode shift down signal</li> </ul>
Paddle shifter	Transmits paddle shifter up signal and paddle shifter down signal to the combination meter.
TCM	Transmits shift position signal to the combination meter.
Brake fluid level switch	Transmits the brake fluid level switch signal to the combination meter.
Parking brake switch	Refer to <a href="#">WCS-24. "Description"</a> .
Ambient sensor	Refer to <a href="#">MWI-48. "Description"</a> .

## SPEEDOMETER

### SPEEDOMETER : System Diagram

INFOID:000000001686414



### SPEEDOMETER : System Description

INFOID:000000001686415

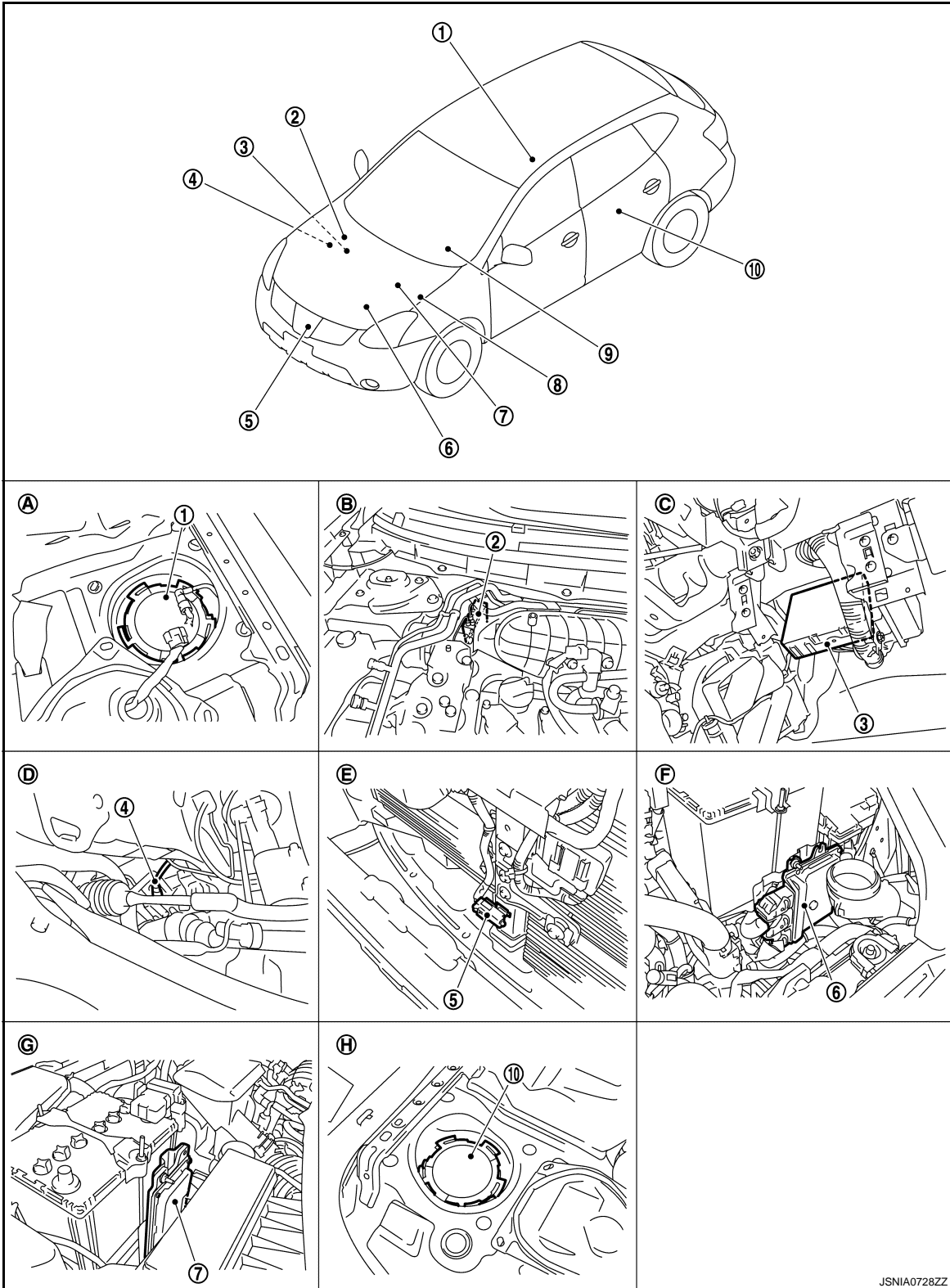
- The ABS actuator and electric unit (control unit) converts the rectangular wave signal provided by the wheel sensor to a vehicle speed signal and transmits it to the combination meter via CAN communication.
- The combination meter indicates the vehicle speed to the speedometer according to the vehicle speed signal received via CAN communication.

# METER SYSTEM

< FUNCTION DIAGNOSIS >

## SPEEDOMETER : Component Parts Location

INFOID:000000001747386



JSNIA0728ZZ

- |   |  |                       |
|---|--|-----------------------|
| 1. Fuel level sensor unit and fuel pump (fuel level sensor) | 2. ABS actuator and electric unit (control unit) | 3. BCM                |
| 4. Oil pressure switch                                      | 5. Ambient sensor                                | 6. TCM                |
| 7. ECM  | 8. IPDM E/R                                      | 9. Combination meter  |
| 10. Fuel level sensor unit (sub)                            |  |                       |
| A. Lower right side of rear seat                            | B. Left side of engine room                      | C. Over the glove box |

# METER SYSTEM

## < FUNCTION DIAGNOSIS >

- D. Left side of engine room      E. Behind of front bumper center      F. Right side of engine room  
 G. Right side of engine room      H. Lower left side of rear seat

## SPEEDOMETER : Component Description

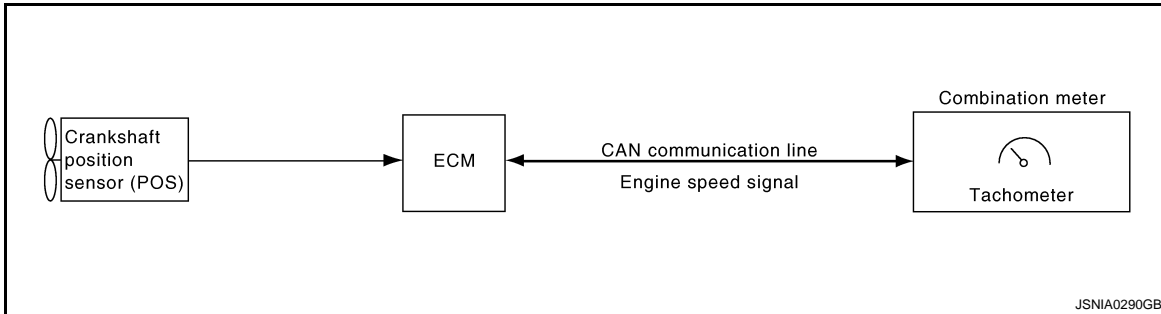
INFOID:000000001686417

Unit	Description
Combination meter	Indicates the vehicle speed to the speedometer according to the vehicle speed signal received from ABS actuator and electric unit (control unit) via CAN communication.
ABS actuator and electric unit (control unit)	Transmits the vehicle speed signal to the combination meter with CAN communication line.

## TACHOMETER

### TACHOMETER : System Diagram

INFOID:000000001686418



### TACHOMETER : System Description

INFOID:000000001686419

- ECM converts the pulse signal provided by the crankshaft position sensor to an engine speed signal and transmits it to the combination meter with CAN communication line.
- The combination meter indicates the engine speed to the tachometer according to the engine speed signal received via CAN communication.

A  
B  
C  
D  
E  
F  
G  
H  
I  
J  
K  
L  
M  
O  
P

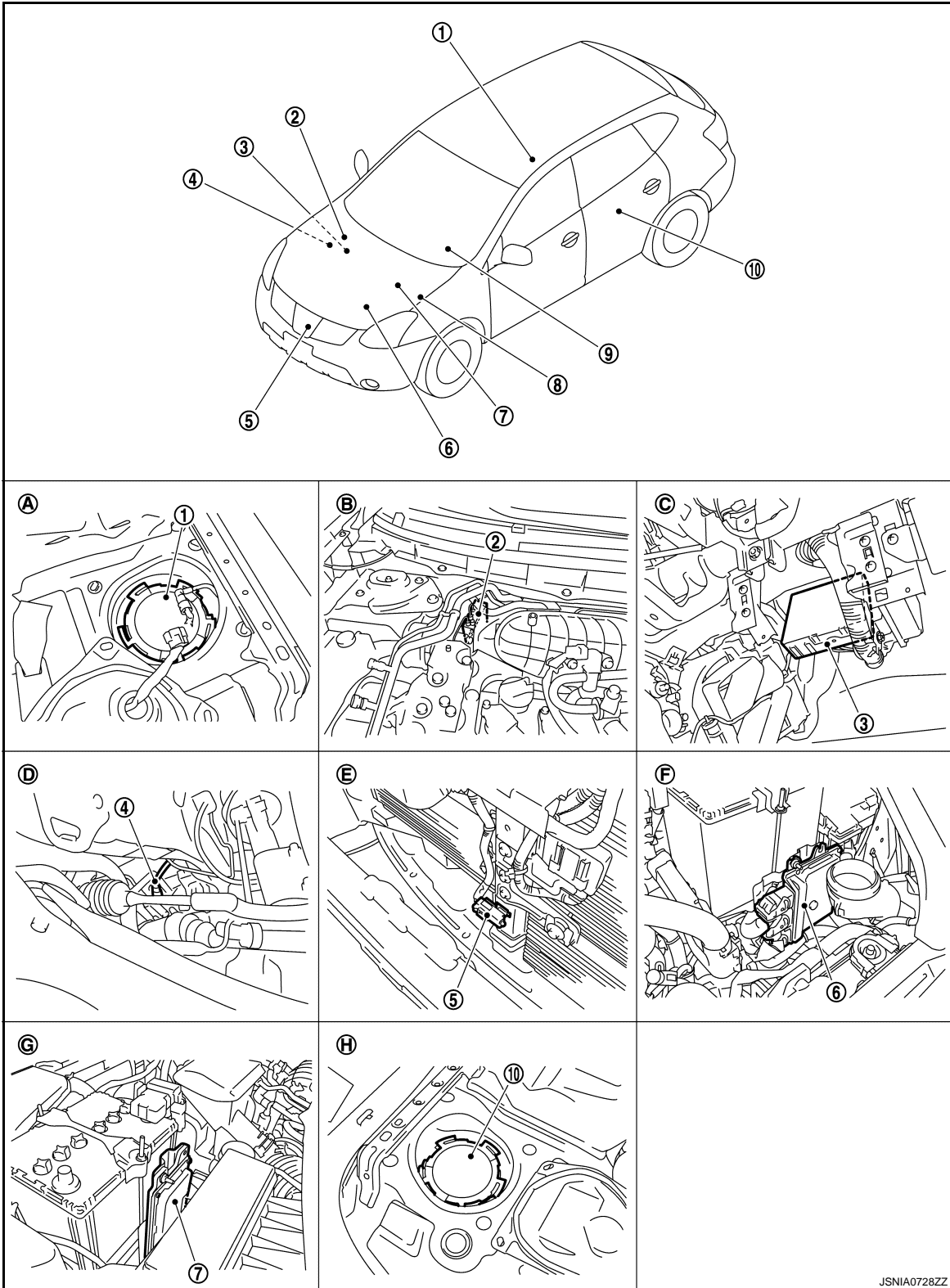
MWI

# METER SYSTEM

< FUNCTION DIAGNOSIS >

## TACHOMETER : Component Parts Location

INFOID:000000001747387



JSNIA0728ZZ

- |   |  |                       |
|---|--|-----------------------|
| 1. Fuel level sensor unit and fuel pump (fuel level sensor) | 2. ABS actuator and electric unit (control unit) | 3. BCM                |
| 4. Oil pressure switch                                      | 5. Ambient sensor                                | 6. TCM                |
| 7. ECM  | 8. IPDM E/R                                      | 9. Combination meter  |
| 10. Fuel level sensor unit (sub)                            |  |                       |
| A. Lower right side of rear seat                            | B. Left side of engine room                      | C. Over the glove box |

# METER SYSTEM

## < FUNCTION DIAGNOSIS >

- D. Left side of engine room      E. Behind of front bumper center      F. Right side of engine room  
 G. Right side of engine room      H. Lower left side of rear seat

## TACHOMETER : Component Description

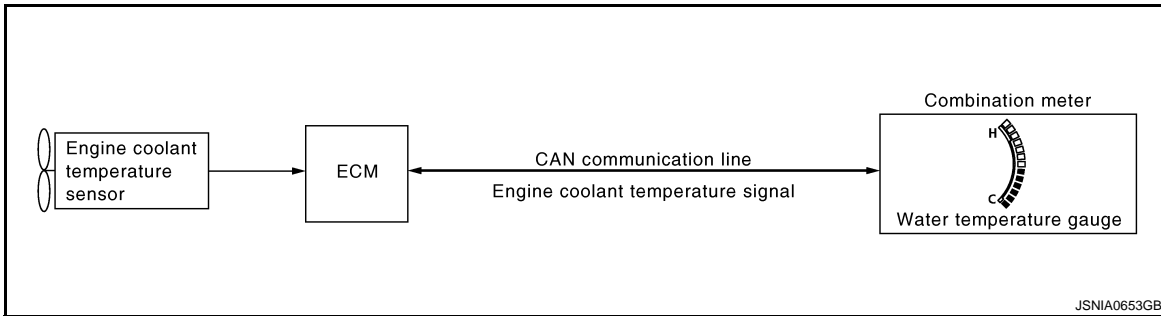
INFOID:000000001686421

Unit	Description
Combination meter	Indicates the engine speed to the tachometer according to the engine speed signal received from ECM via CAN communication.
ECM	Transmits the engine speed signal to the combination meter with CAN communication line.

## WATER TEMPERATURE GAUGE

### WATER TEMPERATURE GAUGE : System Diagram

INFOID:000000001686422



### WATER TEMPERATURE GAUGE : System Description

INFOID:000000001686423

- ECM reads the engine coolant temperature signal from the engine coolant temperature sensor and transmits the signal to the combination meter via CAN communication.
- The combination meter indicates the engine coolant temperature to the water temperature gauge according to the engine coolant temperature signal received via CAN communication.

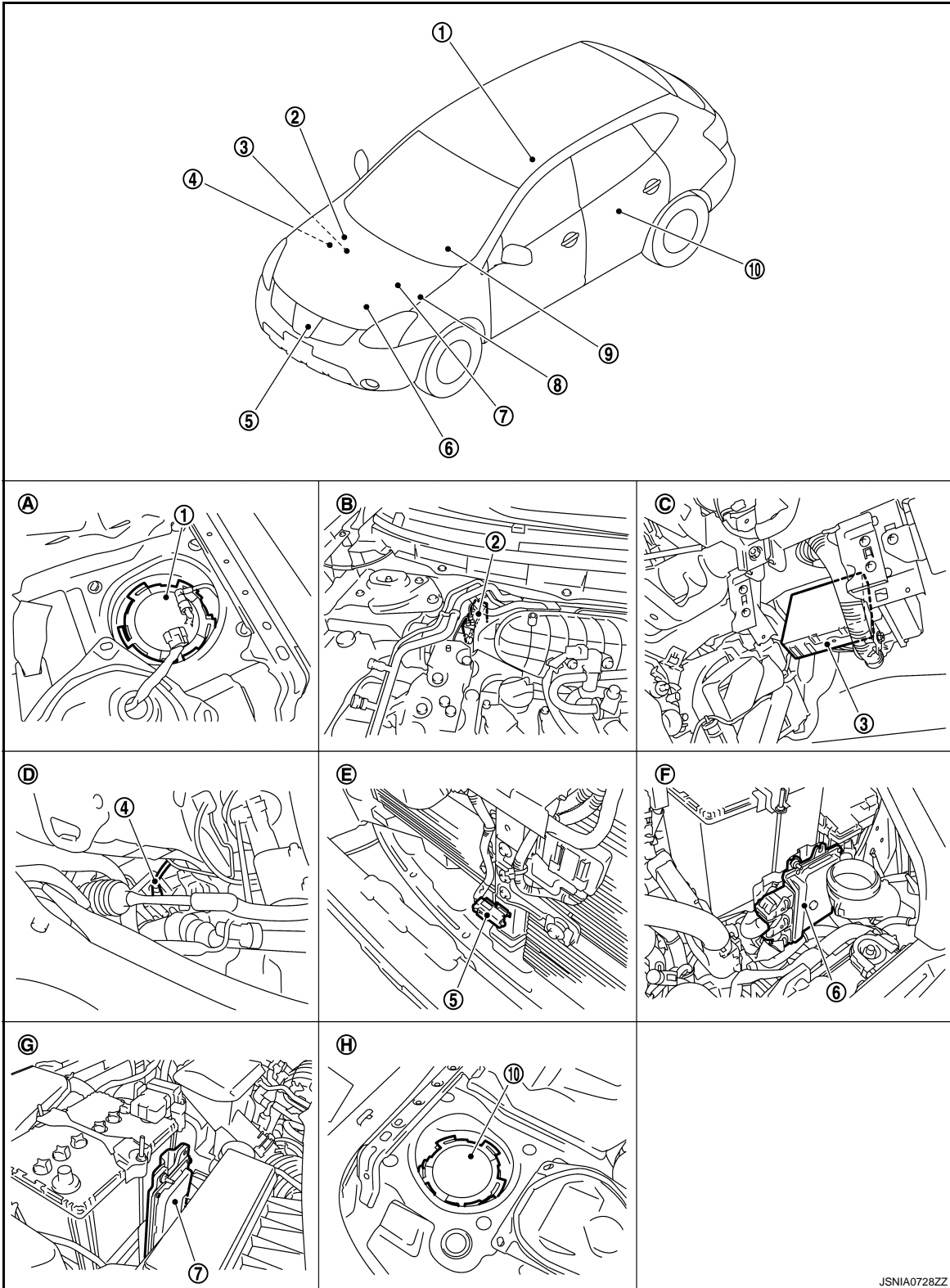
MWI

# METER SYSTEM

< FUNCTION DIAGNOSIS >

## WATER TEMPERATURE GAUGE : Component Parts Location

INFOID:000000001747388



JSNIA0728ZZ

- |   |  |                       |
|---|--|-----------------------|
| 1. Fuel level sensor unit and fuel pump (fuel level sensor) | 2. ABS actuator and electric unit (control unit) | 3. BCM                |
| 4. Oil pressure switch                                      | 5. Ambient sensor                                | 6. TCM                |
| 7. ECM  | 8. IPDM E/R                                      | 9. Combination meter  |
| 10. Fuel level sensor unit (sub)                            |  |                       |
| A. Lower right side of rear seat                            | B. Left side of engine room                      | C. Over the glove box |

# METER SYSTEM

## < FUNCTION DIAGNOSIS >

- D. Left side of engine room      E. Behind of front bumper center      F. Right side of engine room  
 G. Right side of engine room      H. Lower left side of rear seat

## WATER TEMPERATURE GAUGE : Component Description

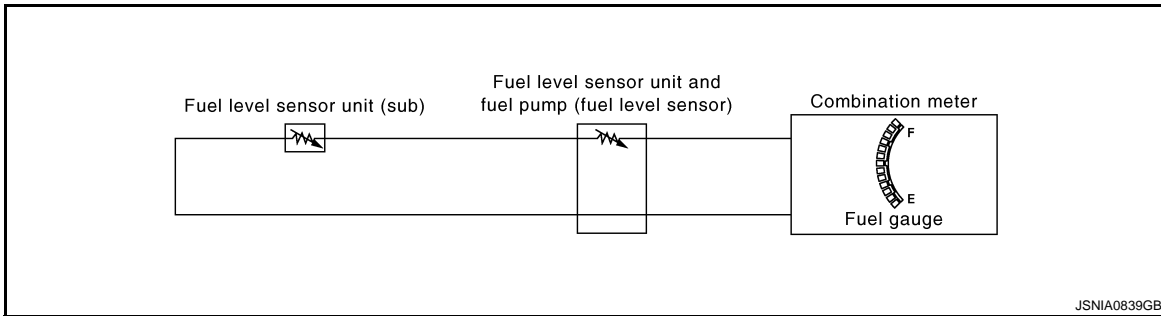
INFOID:000000001686425

Unit	Description
Combination meter	Indicates the engine coolant temperature to the water temperature gauge according to the engine coolant temperature signal received from ECM via CAN communication.
ECM	Transmits the engine coolant temperature signal to the combination meter via CAN communication.

## FUEL GAUGE

### FUEL GAUGE : System Diagram

INFOID:000000001686426



### FUEL GAUGE : System Description

INFOID:000000001686427

#### CONTROL OUTLINE

The combination meter reads the fuel level sensor signal from the fuel level sensor unit and fuel pump (fuel level sensor) and indicates the fuel level to the fuel gauge.

#### REFUEL CONTROL

The combination meter accelerates the fuel gauge segment movement if the all conditions listed below are met, or the ignition switch is ON from OFF.

- Ignition switch is ON position.
- The vehicle is not moving.
- The fuel level changes by 15 ℓ (4 US gal, 3-3/10 Imp gal) or more.

A  
B  
C  
D  
E  
F  
G  
H  
I  
J  
K  
L  
M

MWI

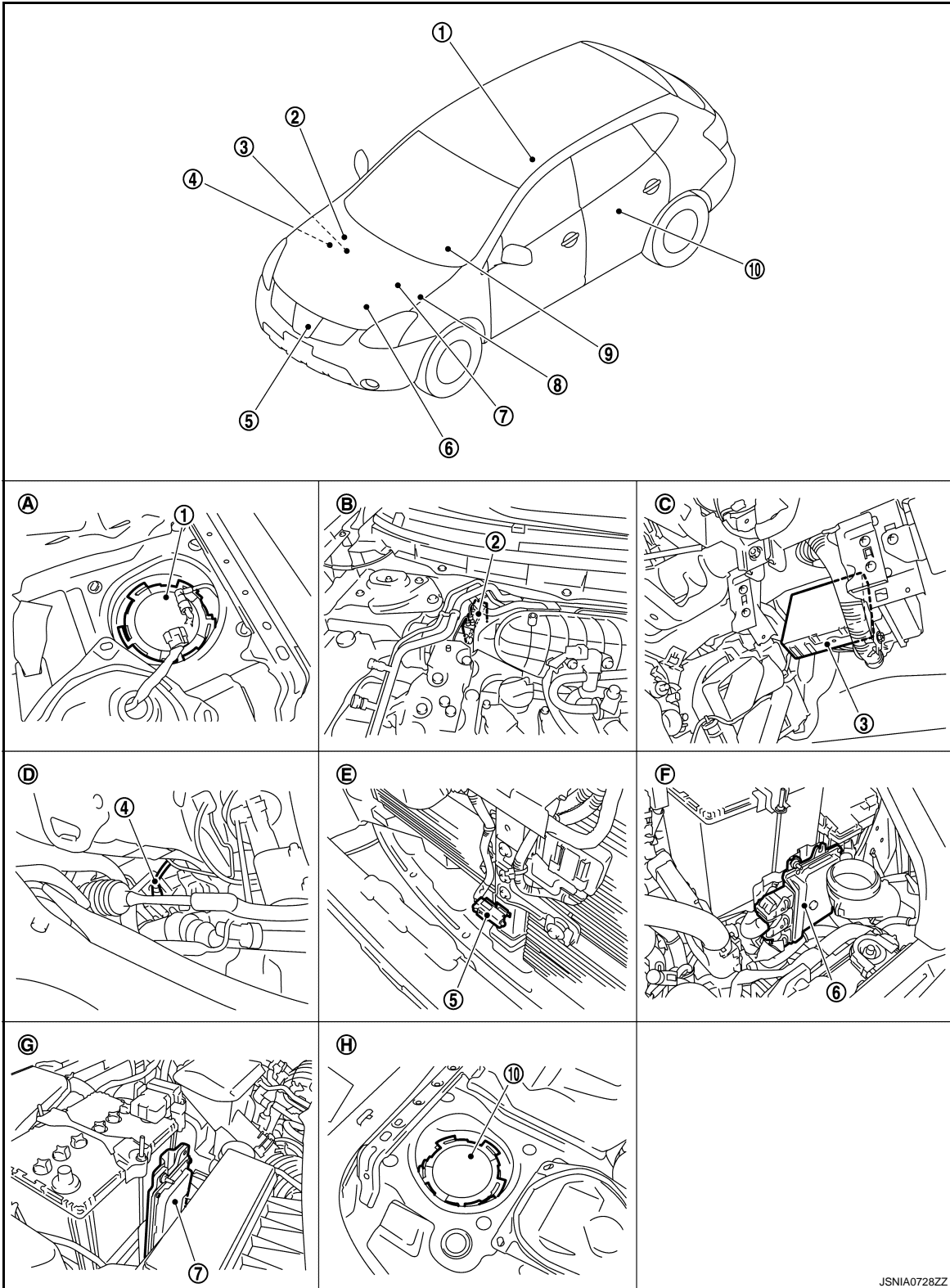
O  
P

# METER SYSTEM

< FUNCTION DIAGNOSIS >

## FUEL GAUGE : Component Parts Location

INFOID:000000001747389



JSNIA0728ZZ

- |   |  |                       |
|---|--|-----------------------|
| 1. Fuel level sensor unit and fuel pump (fuel level sensor) | 2. ABS actuator and electric unit (control unit) | 3. BCM                |
| 4. Oil pressure switch                                      | 5. Ambient sensor                                | 6. TCM                |
| 7. ECM  | 8. IPDM E/R                                      | 9. Combination meter  |
| 10. Fuel level sensor unit (sub)                            |  |                       |
| A. Lower right side of rear seat                            | B. Left side of engine room                      | C. Over the glove box |



# METER SYSTEM

## < FUNCTION DIAGNOSIS >

- D. Left side of engine room      E. Behind of front bumper center      F. Right side of engine room  
 G. Right side of engine room      H. Lower left side of rear seat

## FUEL GAUGE : Component Description

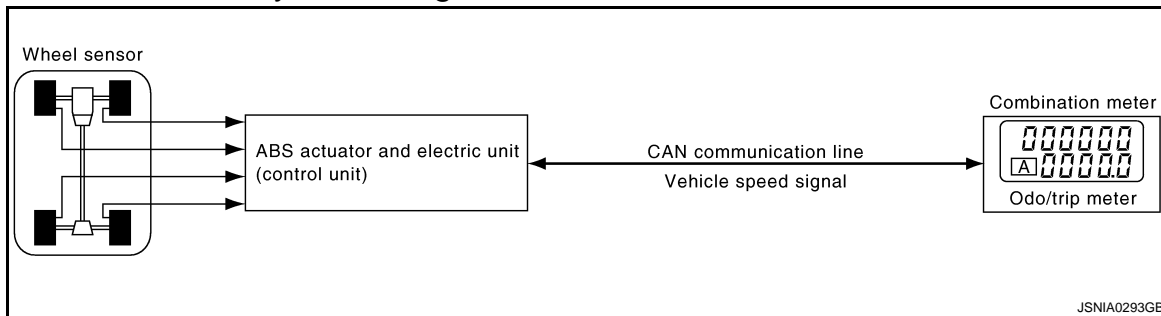
INFOID:000000001686429

Unit	Description
Combination meter	Indicates the fuel gauge according to the fuel level sensor signal received from the fuel level sensor unit and fuel pump (fuel level sensor)
<ul style="list-style-type: none"> <li>Fuel level sensor unit and fuel pump (fuel level sensor)</li> <li>Fuel level sensor unit (sub)</li> </ul>	Refer to <a href="#">MWI-43</a> . "Description".

## ODO/TRIP METER

### ODO/TRIP METER : System Diagram

INFOID:000000001686430



### ODO/TRIP METER : System Description

INFOID:000000001686431

- The ABS actuator and electric unit (control unit) reads the rectangular wave signal provided by the wheel sensor and transmits the vehicle speed signal to the combination meter via CAN communication.
- The combination meter converts the vehicle speed signal received via CAN communication to mileage, and it displays the accumulated mileage to the odo/trip meter.

A  
B  
C  
D  
E  
F  
G  
H  
I  
J  
K  
L  
M  
O  
P

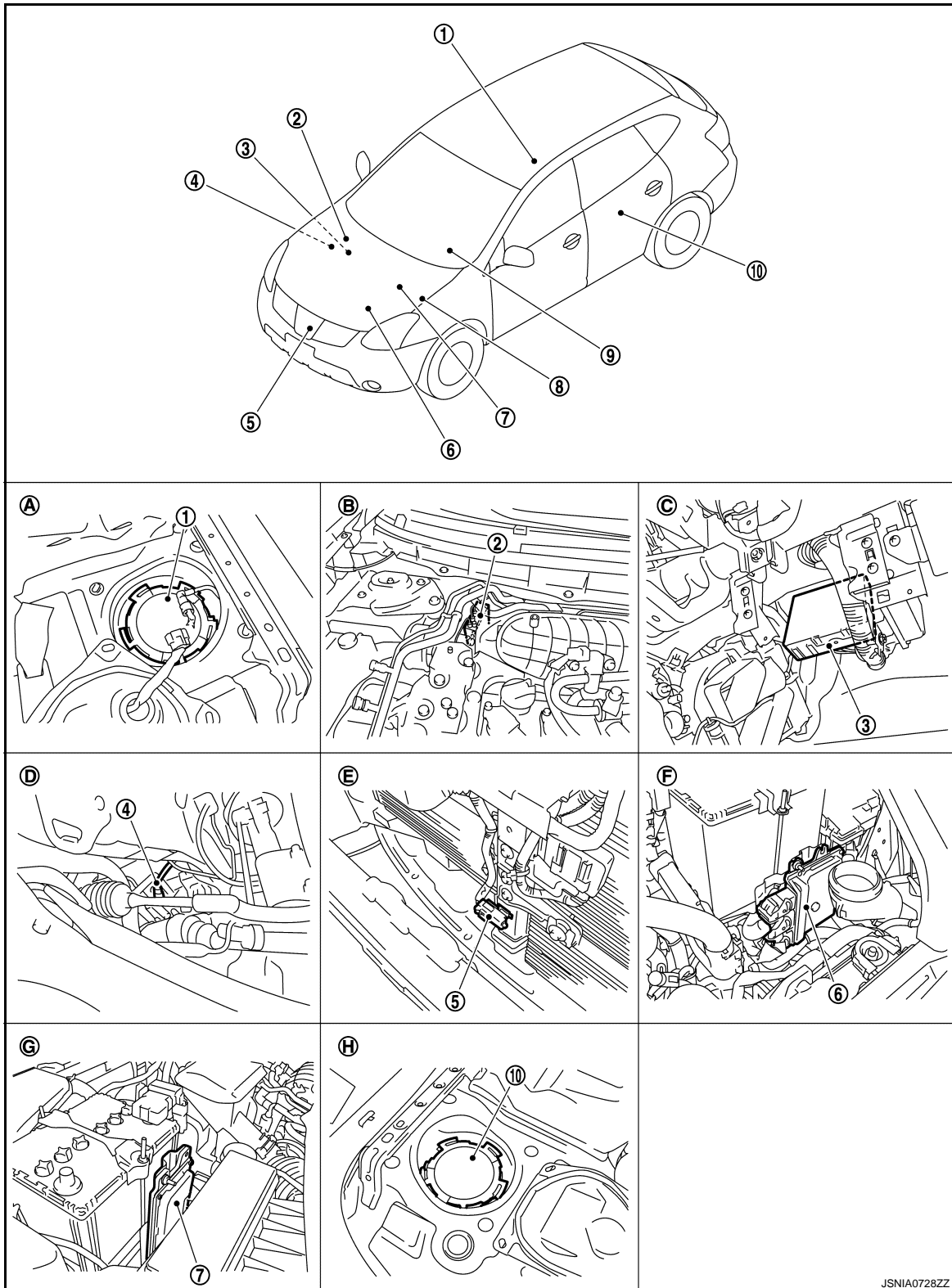
MWI

# METER SYSTEM

< FUNCTION DIAGNOSIS >

## ODO/TRIP METER : Component Parts Location

INFOID:000000001747390



JSNIA0728ZZ

- |   |  |                       |
|---|--|-----------------------|
| 1. Fuel level sensor unit and fuel pump (fuel level sensor) | 2. ABS actuator and electric unit (control unit) | 3. BCM                |
| 4. Oil pressure switch                                      | 5. Ambient sensor                                | 6. TCM                |
| 7. ECM  | 8. IPDM E/R                                      | 9. Combination meter  |
| 10. Fuel level sensor unit (sub)                            |  |                       |
| A. Lower right side of rear seat                            | B. Left side of engine room                      | C. Over the glove box |

# METER SYSTEM

## < FUNCTION DIAGNOSIS >

- |                              |                                  |                              |
|------------------------------|----------------------------------|------------------------------|
| D. Left side of engine room  | E. Behind of front bumper center | F. Right side of engine room |
| G. Right side of engine room | H. Lower left side of rear seat  |                              |

## ODO/TRIP METER : Component Description

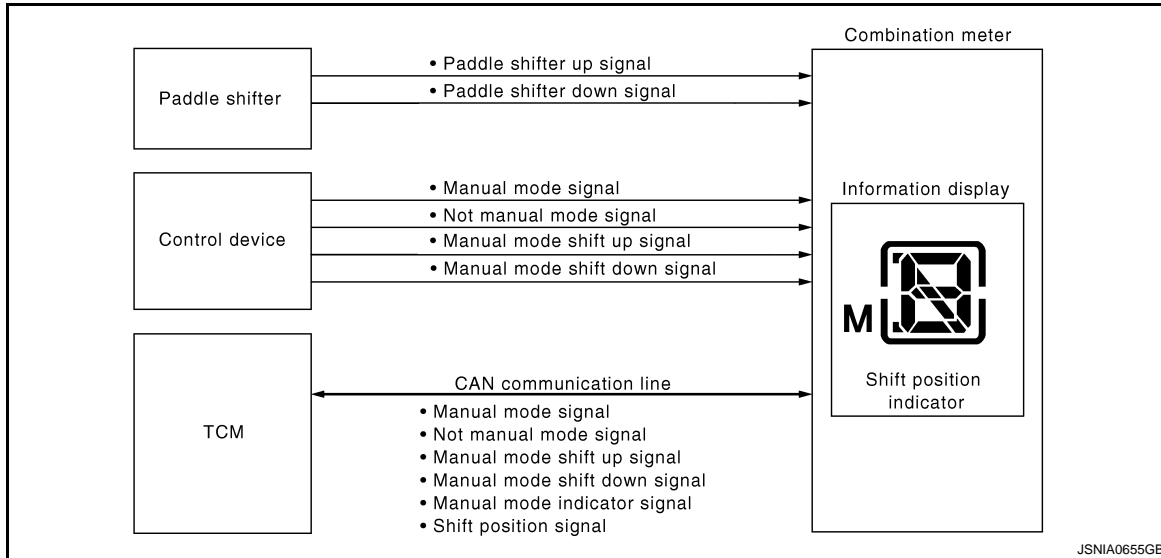
INFOID:000000001686433

Unit	Description
Combination meter	Converts the vehicle speed signal received from the ABS actuator and electric unit (control unit) via CAN communication to mileage, and it displays the accumulated mileage to the odo/trip meter.
ABS actuator and electric unit (control unit)	Transmits the vehicle speed signal to the combination meter via CAN communication.

## SHIFT POSITION INDICATOR

### SHIFT POSITION INDICATOR : System Diagram

INFOID:000000001686434



### SHIFT POSITION INDICATOR : System Description

INFOID:000000001686435

Shift position is displayed in the information display LCD in the combination meter.

#### WITH MANUAL MODE MODELS

##### Manual Mode

When operated with control device

- The combination meter receives the manual mode signal, manual mode shift up signal, and manual mode shift down signal from control device and transmits them to TCM via CAN communication.
- TCM recognizes the manual mode operation status according to the manual mode signal, manual mode shift up signal, and manual mode shift down signal received via CAN communication and transmits the manual mode indicator signal to the combination meter via CAN communication.
- The combination meter indicates shift position according to the manual mode indicator signal received via CAN communication.

When operated with paddle shifter

- The combination meter receives the manual mode signal from control device, paddle shifter up signal and paddle shifter down signal from paddle shifter and transmits them to TCM via CAN communication.
- TCM recognizes the manual mode operation status according to the manual mode signal, manual mode shift up signal, and manual mode shift down signal received via CAN communication and transmits the manual mode indicator signal to the combination meter via CAN communication.
- The combination meter indicates shift position according to the manual mode indicator signal received via CAN communication.

##### Not Manual Mode (Auto Mode)

A  
B  
C  
D  
E  
F  
G  
H  
I  
J  
K  
L  
M  
MWI  
O  
P

## METER SYSTEM

### < FUNCTION DIAGNOSIS >

---

- TCM transmits the shift position signal and the not manual mode signal to the combination meter via CAN communication.
- The combination meter indicates shift position according to the shift position signal received via CAN communication.

### WITHOUT MANUAL MODE MODELS

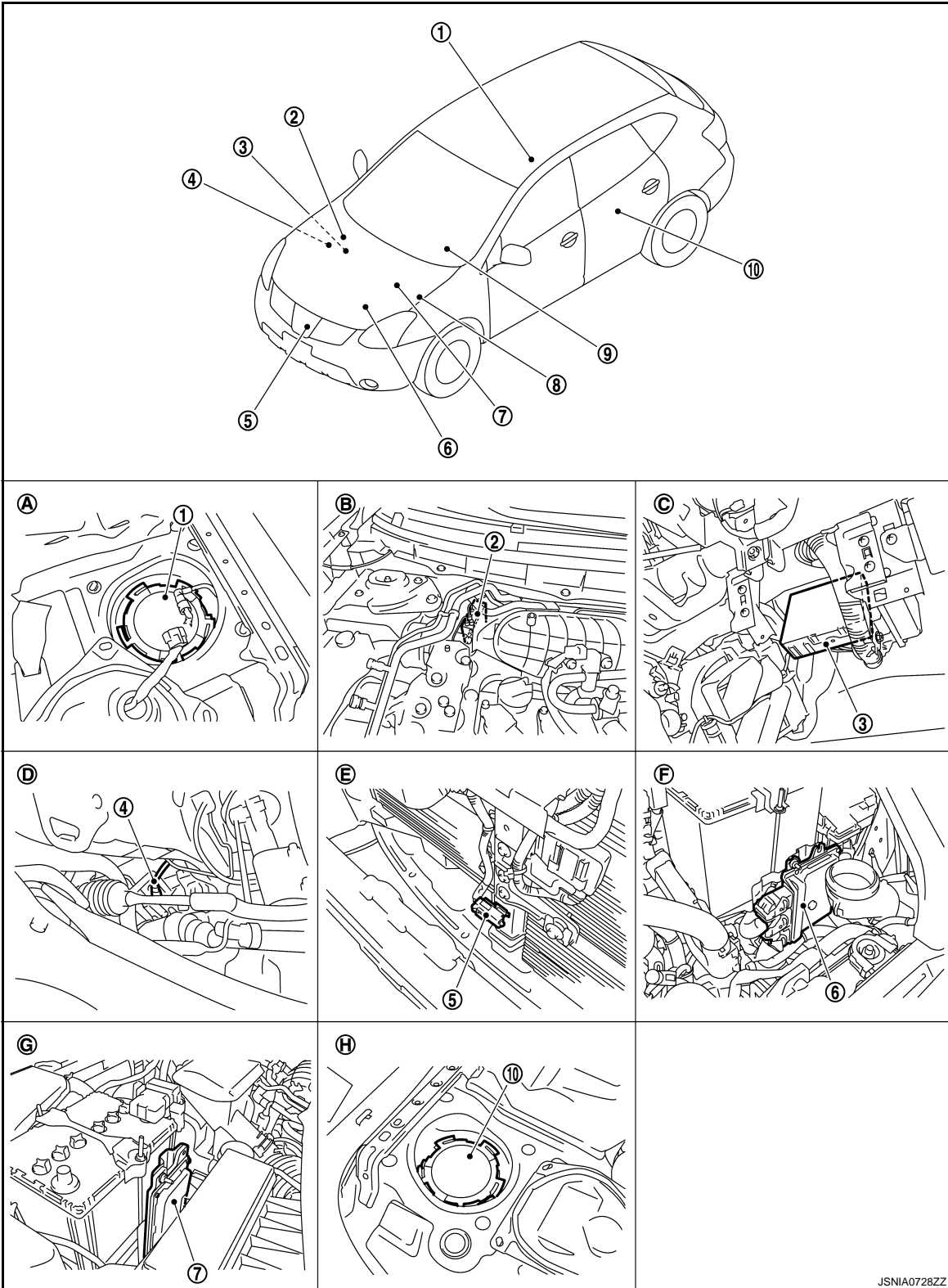
- TCM transmits the shift position signal to the combination meter via CAN communication.
- The combination meter indicates shift position according to the shift position signal received via CAN communication.

# METER SYSTEM

< FUNCTION DIAGNOSIS >

## SHIFT POSITION INDICATOR : Component Parts Location

INFOID:000000001747391



- |   |  |                       |
|---|--|-----------------------|
| 1. Fuel level sensor unit and fuel pump (fuel level sensor) | 2. ABS actuator and electric unit (control unit) | 3. BCM                |
| 4. Oil pressure switch                                      | 5. Ambient sensor                                | 6. TCM                |
| 7. ECM  | 8. IPDM E/R                                      | 9. Combination meter  |
| 10. Fuel level sensor unit (sub)                            |  |                       |
| A. Lower right side of rear seat                            | B. Left side of engine room                      | C. Over the glove box |

# METER SYSTEM

## < FUNCTION DIAGNOSIS >

- D. Left side of engine room      E. Behind of front bumper center      F. Right side of engine room  
 G. Right side of engine room      H. Lower left side of rear seat

## SHIFT POSITION INDICATOR : Component Description

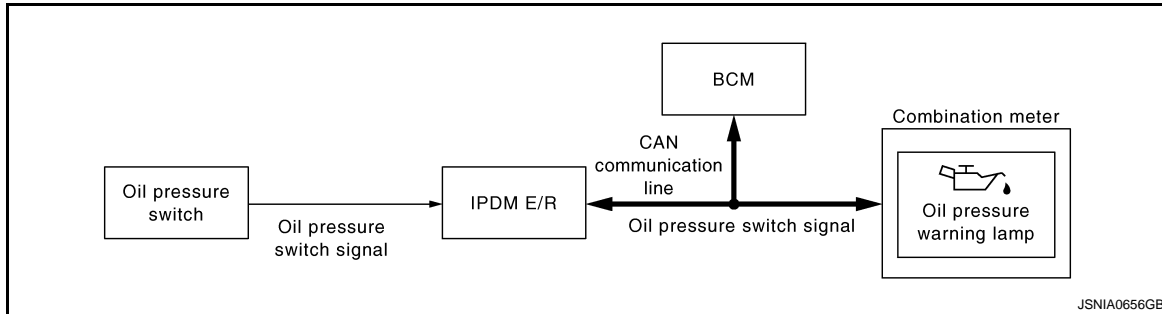
INFOID:000000001686437

Unit	Description
Combination meter	Displays the shift position on the information display with shift position signal and manual mode indicator signal received from TCM.
Control device	Transmits the following signals to the combination meter. <ul style="list-style-type: none"> <li>• Manual mode signal</li> <li>• Not manual mode signal</li> <li>• Manual mode shift up signal</li> <li>• Manual mode shift down signal</li> </ul>
Paddle shifter	Transmits the paddle shifter up signal and paddle shifter down signal to the combination meter.
TCM	Transmits the shift position signal and the manual mode indicator signal to the combination meter via CAN communication.

## WARNING LAMPS/INDICATOR LAMPS

### WARNING LAMPS/INDICATOR LAMPS : System Diagram

INFOID:000000001686438



### WARNING LAMPS/INDICATOR LAMPS : System Description

INFOID:000000001686439

#### OIL PRESSURE WARNING LAMP

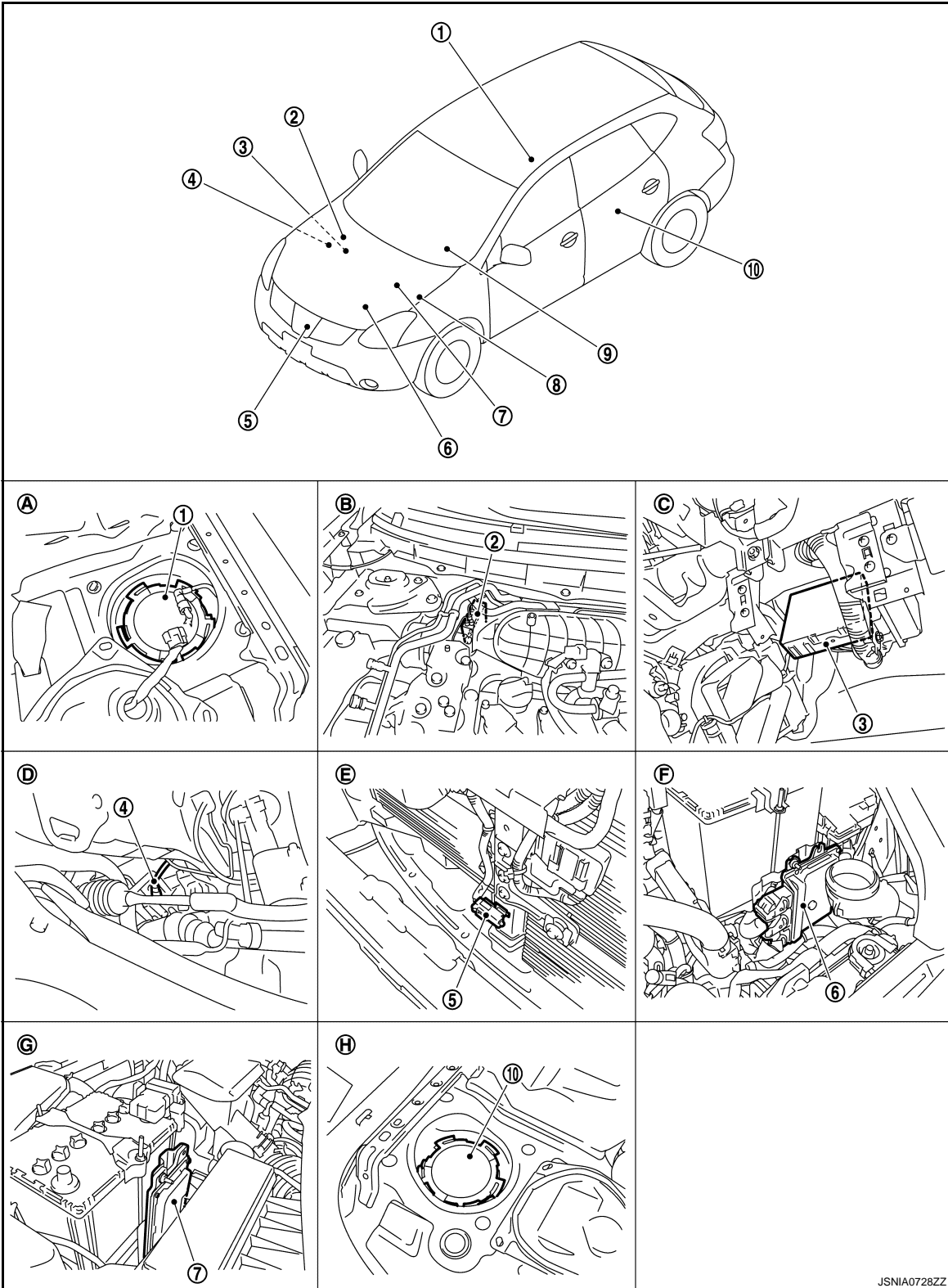
- IPDM E/R reads the ON/OFF signals from the oil pressure switch and transmits the oil pressure switch signal to the combination meter via BCM with the CAN communication line.
- The combination meter turns the oil pressure warning lamp ON/OFF according to the oil pressure switch signal received via CAN communication.

# METER SYSTEM

< FUNCTION DIAGNOSIS >

## WARNING LAMPS/INDICATOR LAMPS : Component Parts Location

INFOID:000000001747392



- |   |  |                       |
|---|--|-----------------------|
| 1. Fuel level sensor unit and fuel pump (fuel level sensor) | 2. ABS actuator and electric unit (control unit) | 3. BCM                |
| 4. Oil pressure switch                                      | 5. Ambient sensor                                | 6. TCM                |
| 7. ECM  | 8. IPDM E/R                                      | 9. Combination meter  |
| 10. Fuel level sensor unit (sub)                            |  |                       |
| A. Lower right side of rear seat                            | B. Left side of engine room                      | C. Over the glove box |

JSNIA0728ZZ

A  
B  
C  
D  
E  
F  
G  
H  
I  
J  
K  
L  
M  
P

MWI

# METER SYSTEM

## < FUNCTION DIAGNOSIS >

- D. Left side of engine room      E. Behind of front bumper center      F. Right side of engine room  
 G. Right side of engine room      H. Lower left side of rear seat

## WARNING LAMPS/INDICATOR LAMPS : Component Description

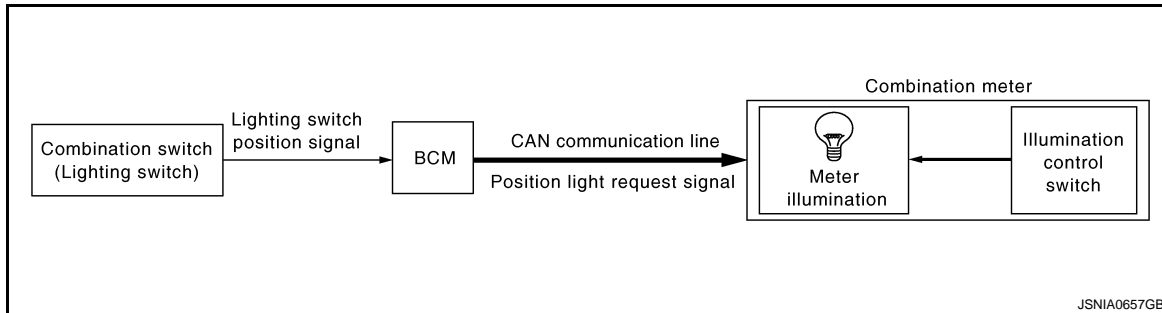
INFOID:000000001686441

Unit	Description
Combination meter	Turns the oil pressure warning lamp ON/OFF according to the oil pressure switch signal received from BCM by means of CAN communication.
IPDM E/R	Reads the ON/OFF signals from the oil pressure switch and transmits the oil pressure switch signal to the combination meter via BCM with the CAN communication.
Oil pressure switch	Refer to <a href="#">MWI-46. "Description"</a> .
BCM	Transmits the oil pressure switch signal received from IPDM E/R via CAN communication to the combination meter via CAN communication.

## METER ILLUMINATION CONTROL

### METER ILLUMINATION CONTROL : System Diagram

INFOID:000000001686442



### METER ILLUMINATION CONTROL : System Description

INFOID:000000001686443

The combination meter controls the meter illumination according to the position light request signal transmitted from BCM via CAN communication and the signal from illumination control switch joined with the combination meter.

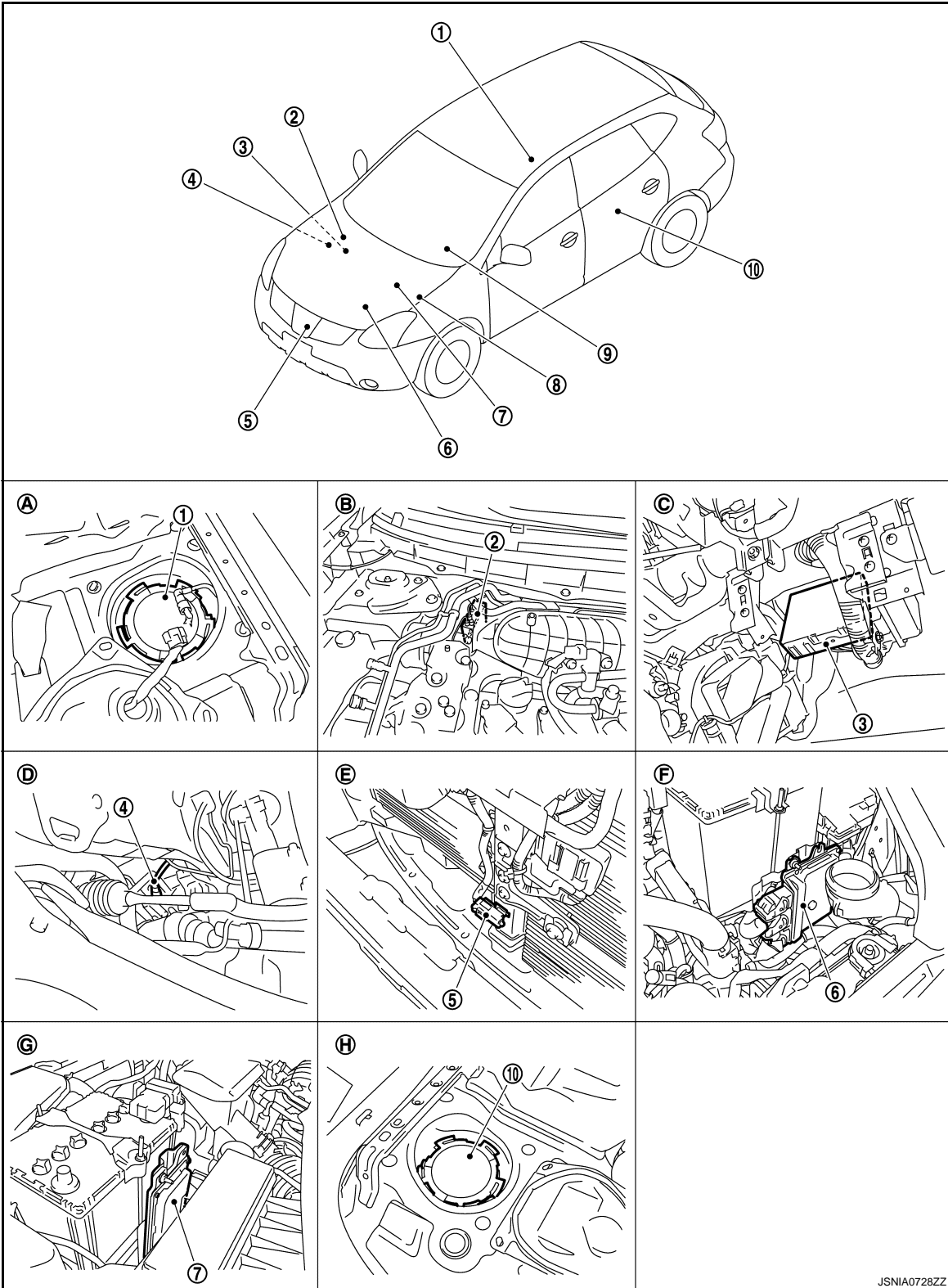


# METER SYSTEM

< FUNCTION DIAGNOSIS >

## METER ILLUMINATION CONTROL : Component Parts Location

INFOID:000000001747393



- |   |  |                       |
|---|--|-----------------------|
| 1. Fuel level sensor unit and fuel pump (fuel level sensor) | 2. ABS actuator and electric unit (control unit) | 3. BCM                |
| 4. Oil pressure switch                                      | 5. Ambient sensor                                | 6. TCM                |
| 7. ECM  | 8. IPDM E/R                                      | 9. Combination meter  |
| 10. Fuel level sensor unit (sub)                            |  |                       |
| A. Lower right side of rear seat                            | B. Left side of engine room                      | C. Over the glove box |

JSNIA0728ZZ

A  
B  
C  
D  
E  
F  
G  
H  
I  
J  
K  
L  
M  
N  
O  
P

MWI

# METER SYSTEM

## < FUNCTION DIAGNOSIS >

- |                              |                                  |                              |
|------------------------------|----------------------------------|------------------------------|
| D. Left side of engine room  | E. Behind of front bumper center | F. Right side of engine room |
| G. Right side of engine room | H. Lower left side of rear seat  |                              |

## METER ILLUMINATION CONTROL : Component Description

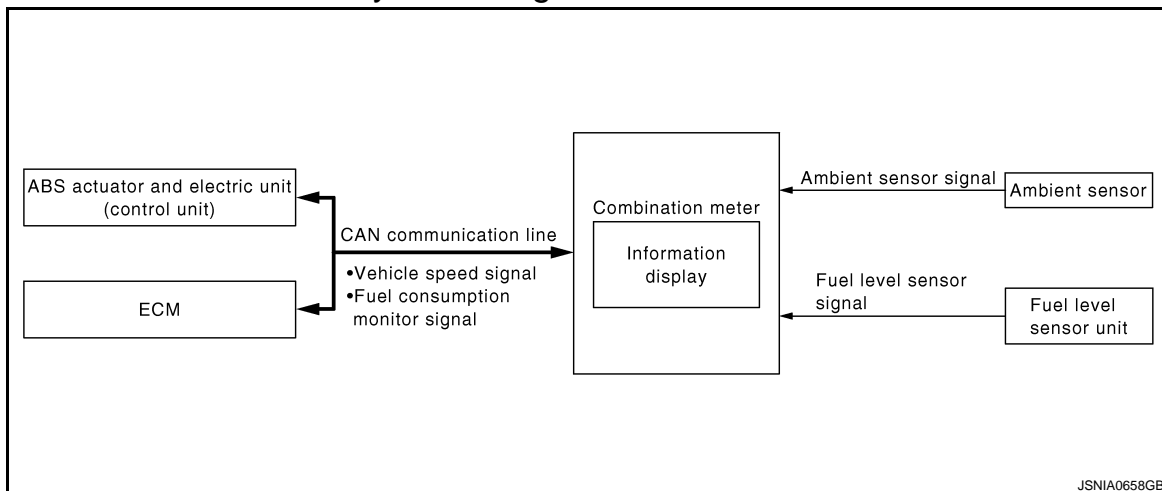
INFOID:000000001686445

Unit	Description
Combination meter	Controls the meter illumination according to the position light request signal transmitted from BCM via CAN communication and the signal from illumination control switch integrated with the combination meter.
BCM	Transmits the position light request signal to the combination meter via CAN communication.

## INFORMATION DISPLAY

### INFORMATION DISPLAY : System Diagram

INFOID:000000001686446



### INFORMATION DISPLAY : System Description

INFOID:000000001686447

#### DESCRIPTION

The combination meter incorporates a trip computer that displays the information according to the signal received from various units.

#### ODO/TRIP METER

- The combination meter receives the vehicle speed signal from the ABS actuator and electric unit (control unit) with the CAN communication line.
- The combination meter indicates the travel distance calculated by the vehicle speed signal received.

#### POSSIBLE DRIVING DISTANCE

- Combination meter receives the fuel consumption signals from ECM and the vehicle speed signals from ABS actuator and electric unit (control unit) with the CAN communication line.
- Combination meter calculates the possible driving distance from the signals through CAN communication line and the fuel level signals from the fuel level sensor to display.

#### AVERAGE FUEL CONSUMPTION

- The combination meter receives the fuel consumption monitor signal from ECM and the vehicle speed signal from the ABS actuator and electric unit (control unit) via CAN communication.
- The combination meter indicates the average fuel consumption calculated by the signal received.
- The average fuel consumption displayed on the information display is uploaded at approximately 30-second intervals.
- When disconnecting the battery or resetting average fuel consumption, “—” is displayed until meeting the all conditions listed below.
  - Turn ignition switch ON and wait 30 seconds.
  - The vehicle runs more than 500 m (0.31 mile).

#### AVERAGE VEHICLE SPEED

# METER SYSTEM

## < FUNCTION DIAGNOSIS >

- The combination meter receives the vehicle speed signal from the ABS actuator and electric unit (control unit) with the CAN communication line. A
- The combination meter indicates the average vehicle speed according to the vehicle speed signal received and the time measured in the combination meter.
- The average vehicle speed displayed on the information display is updated at approximately 30-second intervals. B
- When disconnecting the battery or resetting average fuel consumption, “—” is displayed until meeting the all conditions listed below. C
- Turn ignition switch ON and wait 30 seconds.
- The vehicle runs more than 500 m (0.31 mile).

## TRAVEL TIME

Measures the driving time (ignition switch ON time) in the combination meter and displays it. D

## AMBIENT AIR TEMPERATURE

- The combination meter indicates the ambient air temperature calculated by the ambient sensor signal received from the ambient sensor. E
- The indicated temperature does not increase if the vehicle speed is less than 20 km/h (12.4 MPH).

## Load Ice Warning

When the ambient air temperature falls below 3°C (37°F), warning is indicated on the following segment of the information display. F

- “°C (°F)” -Blinking for the first one minute, and then turned ON. G
- “ICY” -Turning ON H

A  
B  
C  
D  
E  
F  
G  
H  
I  
J  
K  
L  
M  
O  
P

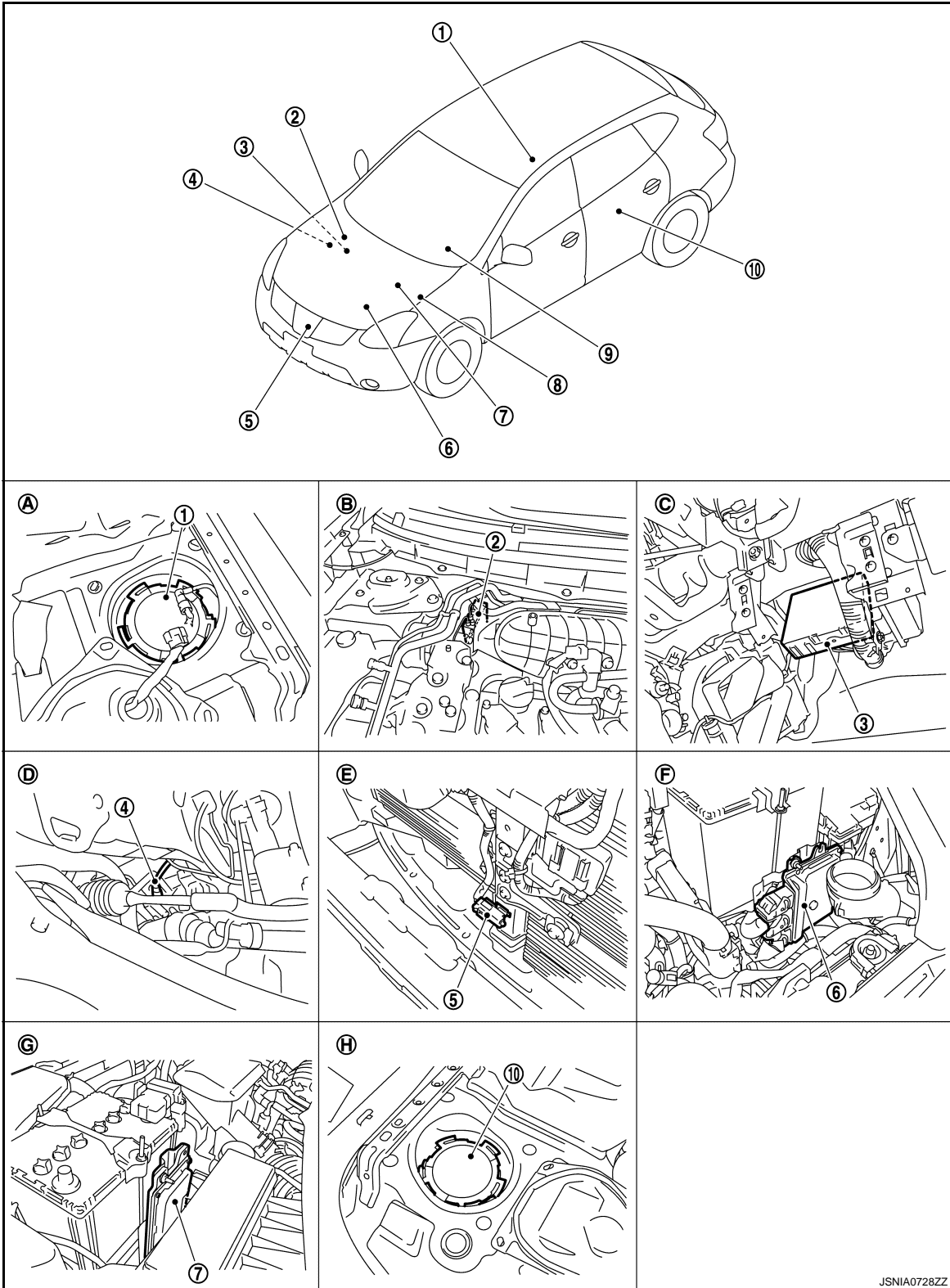
MWI

# METER SYSTEM

< FUNCTION DIAGNOSIS >

## INFORMATION DISPLAY : Component Parts Location

INFOID:000000001747394



JSNIA0728ZZ

- |   |  |                       |
|---|--|-----------------------|
| 1. Fuel level sensor unit and fuel pump (fuel level sensor) | 2. ABS actuator and electric unit (control unit) | 3. BCM                |
| 4. Oil pressure switch                                      | 5. Ambient sensor                                | 6. TCM                |
| 7. ECM  | 8. IPDM E/R                                      | 9. Combination meter  |
| 10. Fuel level sensor unit (sub)                            |  |                       |
| A. Lower right side of rear seat                            | B. Left side of engine room                      | C. Over the glove box |

# METER SYSTEM

## < FUNCTION DIAGNOSIS >

- D. Left side of engine room      E. Behind of front bumper center      F. Right side of engine room  
G. Right side of engine room      H. Lower left side of rear seat

## INFORMATION DISPLAY : Component Description

INFOID:000000001686449

Unit	Description
Combination meter	Controls the information display according to the signal received from each unit.
Fuel level sensor unit	Refer to <a href="#">MWI-43, "Description"</a> .
ECM	Transmits the following signals to the combination meter via CAN communication line. <ul style="list-style-type: none"><li>• Engine speed signal</li><li>• Engine coolant temperature signal</li><li>• Fuel consumption monitor signal</li></ul>
ABS actuator and electric unit (control unit)	Transmits the vehicle speed signal to the combination meter via CAN communication line.
BCM	Transmits signals provided by various units to the combination meter via CAN communication line.
Ambient sensor	Detects the ambient temperature and transmits the ambient sensor signal to the combination meter.

A  
B  
C  
D  
E  
F  
G  
H  
I  
J  
K  
L  
M  
N  
O  
P

MWI

# COMPASS

< FUNCTION DIAGNOSIS >

## COMPASS

### Description

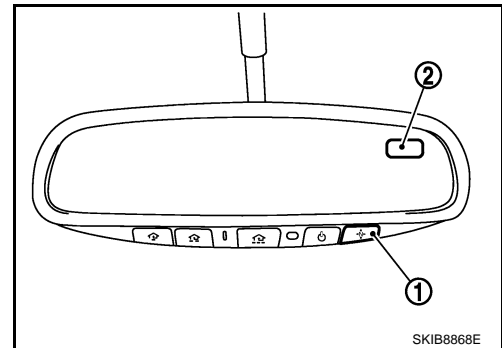
INFOID:000000001692998

### DISCRIPTION

- This electronic compass is able to display 8 primary directions: N, NE, E, SE, S, SW, W, NW.
- The compass switch (1) is used to operate the compass.

#### Switch Operation

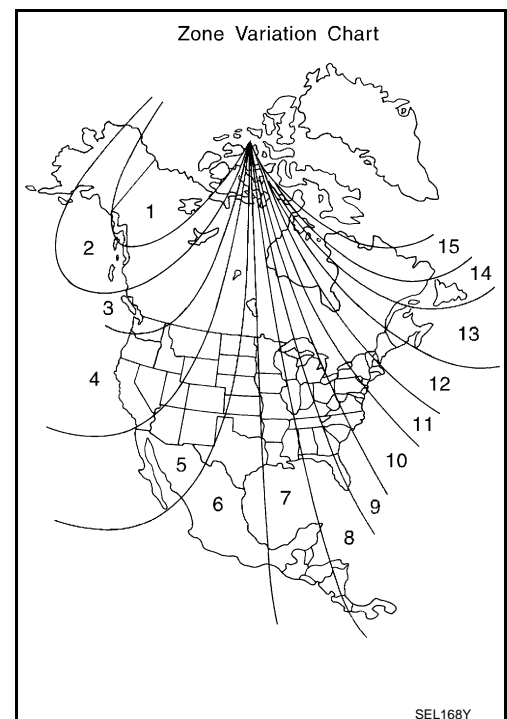
Press	Compass is turned ON/OFF
Press and hold (for 3- 9 sec.)	Compass display (2) turns to zone variation change mode Compass
Press and hold (for more than 9 sec.)	Compass display turns to calibration mode



- All standard compasses determine direction relative to Magnetic North; however, this electronic compass is designed to display direction relative to True North.
- The difference between Magnetic North and True North varies from place to place across the surface of the earth.
- This electronic compass must be “told” approximately where it is on the earth’s surface so that the Magnetic North reading can be properly converted into a True North display.
- To tell the electronic compass where it’s at, the earth is separated into numbered “Zone Variances”. The Zone Variance number in which the compass is to function must be entered into this electronic compass.
- Each zone is magnetically about 4.2° wide. Typically, anything under 22.5° total zone change is not noticed on the electronic compass display. However, over 22.5°, a reading may be off by one or more primary directions.
- On long trips, a vehicle may leave its original zone and enter one or more new zones. Generally, you do not need to reset the compass zone if you travel between 3 or 4 zones, such as business travel or vacation. The typical driver will not notice any difference on the display within 3 or 4 zones. However, if the vehicle is “permanently” moved to a new location, it is recommended that the compass zone be reset.

### ZONE VARIATION SETTING PROCEDURE

1. Press and hold the compass switch for 3 – 9 seconds.
2. The current zone setting appears on the compass display.
3. Find the current geographical location number in the Zone Variation Chart.
4. Select the new zone number. (Press the compass switch until the new zone number appears on the compass display.)
5. After select the new zone number, the compass display will automatically shows a direction within a few seconds.
6. Perform the following Calibration Procedure for more accurate indications.



# COMPASS

## < FUNCTION DIAGNOSIS >

### CALIBRATION PROCEDURE

#### NOTE:

The compass calibrates itself under normal driving conditions. However, occasional circumstances may cause the compass to operate inaccurately. Example: Driving from rural (wide open) areas to crowded city areas, or if an aftermarket (i.e., non original equipment) antenna with a magnetic base is attached to the vehicle. Calibrate the mirror compass if the display shows only one direction or a limited number of directions.

#### NOTE:

- If “magnetic hats” are used in the dealership for vehicle identification, remove the hat from the vehicle before performing the following steps. Do NOT put the hat back on the vehicle after the procedure is completed.
- Drive the vehicle to an open level area; away from large metallic objects, structures, and overhead power lines.
- Turn off “non-essential” electrical accessories (rear window defrost, heater/air conditioning, wipers) and close the doors.

1. Verify the correct compass zone setting for the geographical location.
2. Press and hold the compass switch for more than 9 seconds.
3. “C” is displayed on the compass display, when calibration starts.
4. Drive slowly [less than 8 km/h (5 MPH)] in a circle until the “C / CAL” is replaced with primary headings (N, NE, E, SE, S, SW, W, or NW).

#### NOTE:

This will require driving at least 2 complete 360 degree circles; 3 complete circles may be required.

5. The compass calibration procedure is now complete. The compass should operate normally.

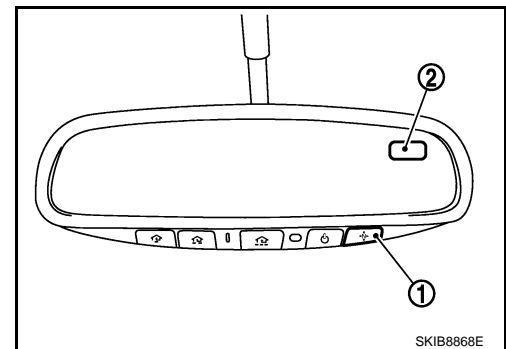
#### NOTE:

If at any time the compass continually displays the incorrect direction or the reading is erratic or locked, repeat the calibration procedure.

### Component Parts Location

INFOID:000000001692999

- 1 : Compass switch
- 2 : Compass display



### Special Repair Requirement

INFOID:000000001693000

#### 1.PERFORM ZONE VARIATION SETTING

Perform the zone variation setting. Refer to [MWI-30. "Description"](#).

>> GO TO 2.

#### 2.PERFORM CALIBRATION

Perform the calibration. Refer to [MWI-30. "Description"](#).

>> Setting completion

# DIAGNOSIS SYSTEM (METER)

< FUNCTION DIAGNOSIS >

## DIAGNOSIS SYSTEM (METER)

### Diagnosis Description

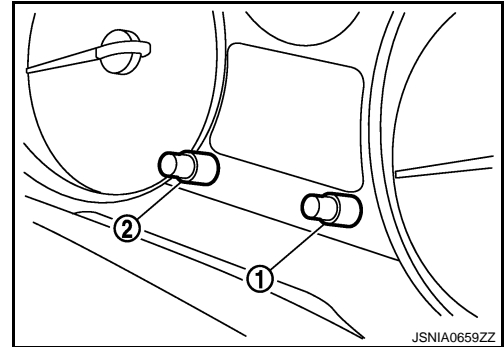
INFOID:000000001690753

#### ON BOARD DIAGNOSIS

- Information display LCD segment operation can be checked in on board diagnosis mode.
- On board diagnosis can check for the continuity between meter control circuit and each meter (speedometer and tachometer).

#### START-UP PROCEDURE OF ON BOARD DIAGNOSIS

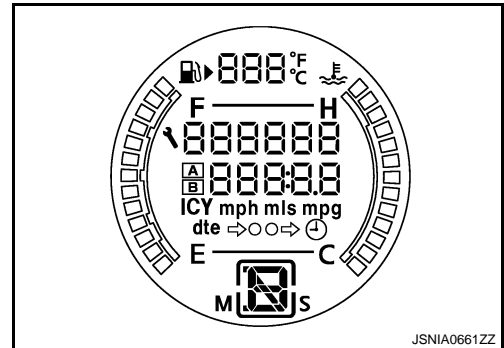
1. Turn the ignition switch ON.
2. Turn the ignition switch OFF after setting the display to "trip A" or "trip B" with the odo/trip meter switch (1).
3. Turn the ignition switch to ON while pressing the illumination control switch (2).
4. Press the illumination control switch at least 3 times (Within 7 seconds after the ignition switch is turned ON).



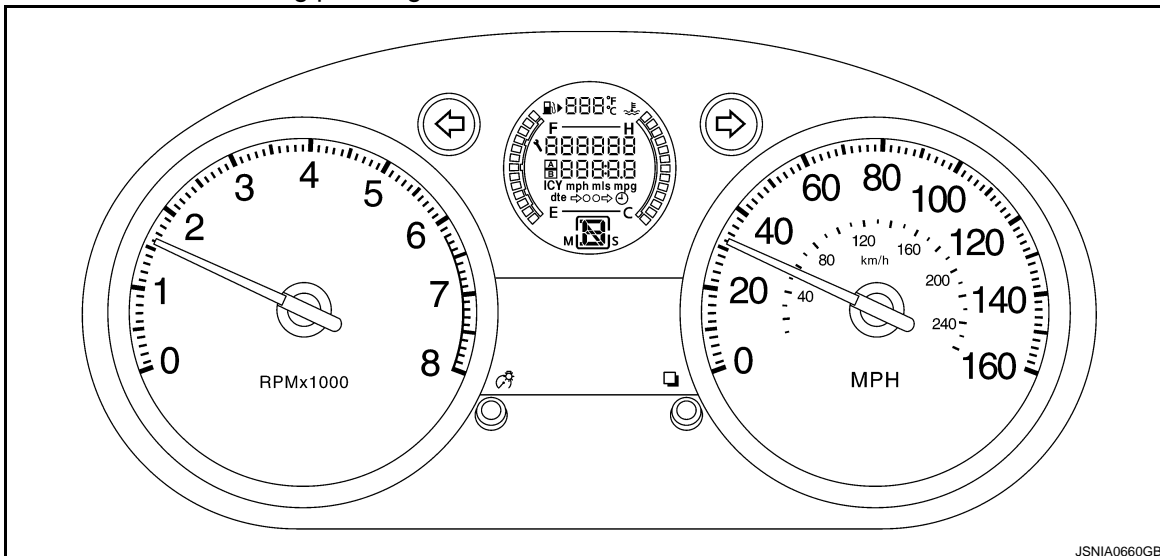
5. Illuminates all segments in the information display. At this time, the combination meter is turned to on board diagnosis mode.

#### NOTE:

- Check combination meter power supply and ground circuits when on board diagnosis mode of combination meter does not start. Replace combination meter if the circuits are normal.
- If any of the segments is not displayed, replace combination meter.



6. Each meter activates during pressing illumination control switch.



#### NOTE:

Check the combination meter power supply and the ground circuit if the on board diagnosis does not start. Refer to [MWI-41, "COMBINATION METER : Diagnosis Procedure"](#).



# DIAGNOSIS SYSTEM (METER)

< FUNCTION DIAGNOSIS >

## CONSULT-III Function (METER/M&A)

INFOID:000000001690754

### CONSULT-III FUNCTION (METER/M&A)

System	Diagnosis mode	Description
METER/M&A	Self Diagnostic Result	Combination meter checks the conditions and displays memorized error.
	Data Monitor	Displays combination meter input/output data in real time.

### SELF DIAGNOSTIC RESULT

Refer to [MWI-65, "DTC Index"](#).

### DATA MONITOR

#### Display Item List

X: Applicable

Display item [Unit]	MAIN SIGNALS	Description
SPEED METER [km/h]	X	Value of vehicle speed signal received from ABS actuator and electric unit (control unit) with CAN communication line. <b>NOTE:</b> 655.35 is displayed when the malfunction signal is received.
SPEED OUTPUT [km/h]	X	Vehicle speed signal value transmitted to other units with CAN communication line. <b>NOTE:</b> 655.35 is displayed when the malfunction signal is received.
ODO OUTPUT [km/h or mph]		Odometer signal value transmitted to other units with CAN communication line.
TACHO METER [rpm]	X	Value of the engine speed signal received from ECM with CAN communication line. <b>NOTE:</b> 8191.875 is displayed when the malfunction signal is received.
FUEL METER [lit.]	X	Fuel level indicated on combination meter.
W TEMP METER [°C]	X	Value of engine coolant temperature signal received from ECM with CAN communication line. <b>NOTE:</b> 215 is displayed when the malfunction signal is input.
ABS W/L [On/Off]		Status of ABS warning lamp judged from ABS warning lamp signal received from ABS actuator and electric unit (control unit) with CAN communication line.
VDC/TCS IND [On/Off]		Status of VDC OFF indicator lamp judged from VDC OFF indicator lamp signal received from ABS actuator and electric unit (control unit) with CAN communication line.
SLIP IND [On/Off]		Status of slip indicator lamp judged from slip indicator lamp signal received from ABS actuator and electric unit (control unit) with CAN communication line.
BRAKE W/L [On/Off]		Status of brake warning lamp judged from brake warning lamp signal received from ABS actuator and electric unit (control unit) with CAN communication line. <b>NOTE:</b> Displays "Off" if the brake warning lamp is illuminated when the valve check starts, the parking brake switch is turned ON or the brake fluid level switch is turned ON.
DOOR W/L [On/Off]		Status of door warning lamp judged from door switch signal received from BCM with CAN communication line.
HI -BEAM IND [On/Off]		Status of high beam indicator lamp judged from high beam request signal received from BCM with CAN communication line.
TURN IND [On/Off]		Status of turn indicator lamp judged from turn indicator signal received from BCM with CAN communication line.
LIGHT IND [On/Off]		Status of light indicator lamp judged from position light request signal received from BCM with CAN communication line.

## DIAGNOSIS SYSTEM (METER)

### < FUNCTION DIAGNOSIS >

Display item [Unit]	MAIN SIGNALS	Description
OIL W/L [On/Off]		Status of oil pressure warning lamp judged from oil pressure switch signal received from IPDM E/R with CAN communication line.
MIL [On/Off]		Status of malfunction indicator lamp judged from malfunctioning indicator lamp signal received from ECM with CAN communication line.
CRUISE IND [On/Off]		Status of CRUISE indicator judged from ASCD CRUISE lamp signal received from ECM with CAN communication line.
SET IND [On/Off]		Status of set indicator judged from ASCD SET indicator signal received from ECM with CAN communication line.
CVT IND [On/Off]		Status of CVT indicator lamp or SPORT indicator lamp judged from CVT indicator lamp signal or SPORT indicator signal received from TCM with the CAN communication line.
4WD W/L [On/Off]		Status of AWD warning lamp judged from AWD warning lamp signal received from AWD control unit with CAN communication line.
4WD LOCK IND [On/Off]		Status of AWD lock indicator judged from AWD signal received from AWD control unit with the CAN communication line.
FUEL W/L [On/Off]		Status of Low-fuel warning lamp judged from identified fuel level.
AIR PRESS W/L [On/Off]		Status of low tire pressure warning lamp judged from the tire pressure signal received from BCM with CAN communication line.
KEY G W/L [On/Off]		Status of key warning lamp (G) judged from key warning signal received from Intelligent Key unit with CAN communication line.
KEY R W/L [On/Off]		Status of key warning lamp (R) judged from key warning signal received from Intelligent Key unit with CAN communication line.
KEY KNOB W/L [On/Off]		Status of Key knob switch received from Intelligent Key unit with the CAN communication line.
EPS W/L [On/Off]		Status of EPS warning lamp judged from EPS warning lamp signal received from EPS control unit with the CAN communication line.
SHIFT IND [P/ R/ N/ D/ M1/ M2/ M3/ M4/ M5/ M6]		Status of shift position indicator judged from shift position signal and manual mode indicator signal received from TCM with CAN communication line.
O/D OFF SW [On/Off]		Status of O/D OFF switch.
M RANGE SW [On/Off]		Status of mode select switch (manual).
NM RANGE SW [On/Off]		Status of mode select switch (auto).
AT SFT UP SW [On/Off]		Status of position select switch (up).
AT SFT DWN SW [On/Off]		Status of position select switch (down).
ST SFT UP SW [On/Off]		Status of paddle shifter up switch.
ST SFT DWN SW [On/Off]		Status of paddle shifter down switch.
PKB SW [On/Off]		Status of parking brake switch.
BUCKLE SW [On/Off]		Status of seat belt buckle switch (driver side).
BRAKE OIL SW [On/Off]		Status of brake fluid level switch.
DISTANCE [km]		Value of possible driving distance calculated by combination meter.

## DIAGNOSIS SYSTEM (METER)

### < FUNCTION DIAGNOSIS >

Display item [Unit]	MAIN SIGNALS	Description	A
OUTSIDE TEMP [°C or °F]		Ambient temperature value converted from ambient sensor signal received from ambient sensor. <b>NOTE:</b> This may not match with the temperature value indicated on the information display. (Because the information display value is a corrected value from the ambient sensor input value.)	B
FUEL LOW SIG [On/Off]		Status of fuel level low warning signal to output to AV control unit with CAN communication line.	C
BUZZER [On/Off]	X	Buzzer status (in the combination meter) judged with the buzzer output signal received from BCM via CAN communication and the warning output condition of the combination meter.	D

**NOTE:**

Some items are not available according to vehicle specification.

A  
B  
C  
D  
E  
F  
G  
H  
I  
J  
K  
L  
M  
O  
P

MWI

# U1000 CAN COMM CIRCUIT

< COMPONENT DIAGNOSIS >

## COMPONENT DIAGNOSIS

### U1000 CAN COMM CIRCUIT

#### Description

INFOID:000000001686452

CAN (Controller Area Network) is a serial communication line for real time application. It is an on-vehicle multiplex communication line with high data communication speed and excellent error detection ability. Many electronic control units are equipped onto a vehicle, and each control unit shares information and links with other control units during operation (not independent). In CAN communication, control units are connected with 2 communication lines (CAN-H line, CAN-L line) allowing a high rate of information transmission with less wiring. Each control unit transmits/receives data but selectively reads required data only.

Refer to [LAN-23, "CAN Communication Signal Chart"](#).

#### DTC Logic

INFOID:000000001686453

#### DTC DETECTION LOGIC

DTC	Display contents of CONSULT-III	Diagnostic item is detected when ...	Probable malfunction location
U1000	CAN COMM CIRCUIT	When combination meter is not transmitting or receiving CAN communication signal for 2 seconds or more.	CAN communication system

#### Diagnosis Procedure

INFOID:000000001686454

#### 1. PERFORM SELF-DIAGNOSIS OF COMBINATION METER

1. Turn ignition switch ON and wait for 2 seconds or more.
2. Perform "Self Diagnostic Result" of "METER/M&A".

Is "CAN COMM CIRCUIT" displayed?

- YES >> Refer to [LAN-14, "Trouble Diagnosis Flow Chart"](#).  
NO >> Refer to [GI-41, "Intermittent Incident"](#).

# U1010 CONTROL UNIT (CAN)

< COMPONENT DIAGNOSIS >

## U1010 CONTROL UNIT (CAN)

### Description

INFOID:000000001690720

Initial diagnosis of combination meter.

### DTC Logic

INFOID:000000001690721

### DTC DETECTION LOGIC

DTC	Display contents of CONSULT-III	Diagnostic item is detected when ...	Probable malfunction location
U1010	CONTROL UNIT (CAN)	Any malfunction is detected during initial diagnosis of combination meter CAN controller.	Combination meter

### Diagnosis Procedure

INFOID:000000001690722

#### 1. REPLACE COMBINATION METER

When DTC "U1010" is detected, replace combination meter.

>> INSPECTION END

A  
B  
C  
D  
E  
F  
G  
H  
I  
J  
K  
L  
M  
O  
P

MWI

# B2205 VEHICLE SPEED

< COMPONENT DIAGNOSIS >

## B2205 VEHICLE SPEED

### Description

INFOID:000000001690723

Vehicle speed signal is transmitted from ABS actuator and electric unit (control unit) via CAN communication line to combination meter.

### DTC Logic

INFOID:000000001690724

### DTC DETECTION LOGIC

DTC	Display contents of CONSULT-III	Diagnostic item is detected when ...	Probable malfunction location
B2205	VEHICLE SPEED	The abnormal vehicle speed signal is input from ABS actuator and electric unit (control unit) for 2 seconds or more.	<ul style="list-style-type: none"><li>• Wheel sensor</li><li>• ABS actuator and electric unit (control unit)</li></ul>

### Diagnosis Procedure

INFOID:000000001690725

#### 1. PERFORM SELF DIAGNOSIS OF ABS ACTUATOR AND ELECTRIC UNIT (CONTROL UNIT)

Perform "Self Diagnostic Result" of ABS actuator and electric unit (control unit), and repair or replace malfunctioning parts.

- >> • [BRC-15, "CONSULT-III Function"](#) (Without VDC system)
- [BRC-94, "CONSULT-III Function"](#) (With VDC system)

# B2267 ENGINE SPEED

< COMPONENT DIAGNOSIS >

## B2267 ENGINE SPEED

### Description

INFOID:000000001690726

The engine speed signal is transmitted from ECM to the combination meter with CAN communication.

### DTC Logic

INFOID:000000001690727

### DTC DETECTION LOGIC

DTC	Display contents of CONSULT-III	Diagnostic item is detected when ...	Probable malfunction location
B2267	ENGINE SPEED	ECM continuously transmits abnormal engine speed signals for 2 seconds or more.	<ul style="list-style-type: none"><li>• Crankshaft position sensor</li><li>• ECM</li></ul>

### Diagnosis Procedure

INFOID:000000001690728

#### 1. PERFORM SELF DIAGNOSIS OF ECM

Perform "Self Diagnostic Result" of ECM, and repair or replace malfunctioning parts.

- >> • [EC-105, "CONSULT-III Function"](#) for California
- [EC-572, "CONSULT-III Function"](#) for USA (Federal) and Canada
- [EC-996, "CONSULT-III Function"](#) for Mexico

A  
B  
C  
D  
E  
F  
G  
H  
I  
J  
K  
L  
M  
O  
P

MWI

# B2268 WATER TEMP

< COMPONENT DIAGNOSIS >

## B2268 WATER TEMP

### Description

INFOID:000000001690729

The engine coolant temperature signal is transmitted from ECM to the combination meter via CAN communication.

### DTC Logic

INFOID:000000001690730

### DTC DETECTION LOGIC

DTC	Display contents of CONSULT-III	Diagnostic item is detected when ...	Probable malfunction location
B2268	WATER TEMP	ECM continuously transmits abnormal engine coolant temperature signals for 60 seconds or more.	<ul style="list-style-type: none"><li>• Engine coolant temperature sensor</li><li>• ECM</li></ul>

### Diagnosis Procedure

INFOID:000000001690731

#### 1. PERFORM SELF DIAGNOSIS OF ECM

Perform "Self Diagnostic Result" of ECM, and repair or replace malfunctioning parts.

- >> • [EC-105, "CONSULT-III Function"](#) for California  
• [EC-572, "CONSULT-III Function"](#) for USA (Federal) and Canada  
• [EC-996, "CONSULT-III Function"](#) for Mexico



# POWER SUPPLY AND GROUND CIRCUIT

< COMPONENT DIAGNOSIS >

## POWER SUPPLY AND GROUND CIRCUIT COMBINATION METER

### COMBINATION METER : Diagnosis Procedure

INFOID:000000001690738

#### 1.CHECK FUSE

Check for blown fuses.

Signal name	Fuses No.
Battery power supply	9
Ignition signal	3

Is the inspection result normal?

YES >> GO TO 2.

NO >> Be sure to eliminate cause of malfunction before installing new fuse.

#### 2.CHECK POWER SUPPLY CIRCUIT

Check voltage between combination meter harness connector terminal and ground.

Terminals		Ignition switch position		
(+)	(-)		OFF	ON
Combination meter Connector	Terminal	Ground	Battery voltage	Battery voltage
	1		Approx. 0 V	Battery voltage
M34	2			

Is the inspection result normal?

YES >> GO TO 3.

NO >> Check harness between combination meter and fuse.

#### 3.CHECK GROUND CIRCUIT

1. Turn ignition switch OFF.
2. Disconnect combination meter connector.
3. Check continuity between combination meter harness connector terminal and ground.

Combination meter		Ground	Continuity
Connector	Terminal		
M34	3		Existed
	23		

Is the inspection result normal?

YES >> INSPECTION END

NO >> Repair harness or connector.

## IPDM E/R (INTELLIGENT POWER DISTRIBUTION MODULE ENGINE ROOM)

### IPDM E/R (INTELLIGENT POWER DISTRIBUTION MODULE ENGINE ROOM) : Di- agnosis Procedure

INFOID:000000001724015

#### 1.CHECK FUSIBLE LINK

Check that the following IPDM E/R fusible link is not blown.

A  
B  
C  
D  
E  
F  
G  
H  
I  
J  
K  
L  
M  
O  
P

MWI

# POWER SUPPLY AND GROUND CIRCUIT

## < COMPONENT DIAGNOSIS >

Signal name	Fusible link No.
Battery power supply	C
	E
	K

### Is the fusible link fusing?

- YES >> Replace the blown fusible link after repairing the affected circuit if a fusible link is blown.  
 NO >> GO TO 2.

## 2.CHECK POWER SUPPLY CIRCUIT

1. Turn ignition switch OFF.
2. Disconnect IPDM E/R connectors.
3. Check voltage between IPDM E/R harness connectors and ground.

Terminals			
(+)	(-)		
IPDM E/R		Ground	Voltage (Approx.)
Connector	Terminal		Battery voltage
E9	1		
	2		
E10	6		

### Is the measurement value normal?

- YES >> GO TO 3.  
 NO >> Repair harness or connector.

## 3.CHECK GROUND CIRCUIT

Check continuity between IPDM E/R harness connectors and ground.

IPDM E/R			
Connector	Terminal		
E11	11	Ground	Continuity
E13	25		Exist

### Does continuity exist?

- YES >> INSPECTION END  
 NO >> Repair harness or connector.

# FUEL LEVEL SENSOR SIGNAL CIRCUIT

< COMPONENT DIAGNOSIS >

## FUEL LEVEL SENSOR SIGNAL CIRCUIT

### Description

INFOID:000000001690740

The fuel level sensor unit and fuel level pump (fuel level sensor) detect the fuel level in the fuel tank and transmit the fuel level sensor signal to the combination meter.

### Component Function Check

INFOID:000000001690741

#### 1. CHECK COMBINATION METER INPUT SIGNAL

1. Connect the CONSULT-III.
2. Select the "Data Monitor" for the "METER/M&A" and compare the "FUEL METER" monitor value with the fuel gauge reading on the combination meter.

Fuel gauge indication position (segment illumination position)	Monitor value [lit]
13/13	Approx. 57 - 61
10/13	Approx. 44 - 49
7/13	Approx. 31 - 35
4/13	Approx. 17 - 21
0/13	Approx. 0 - 3

Does monitor value match fuel gauge reading?

- YES >> INSPECTION END  
 NO >> Replace combination meter.

### Diagnosis Procedure

INFOID:000000001690742

#### 1. CHECK COMBINATION METER INPUT SIGNAL

1. Turn ignition switch ON.
2. Check voltage between combination meter harness connector terminal and ground.

Terminal (+)		Terminal (-)	Voltage (Approx.)
Connector	Terminal		
M34	34	Ground	<p style="text-align: center;">J5NIA0662GB</p>

Does it match fuel gauge reading?

- YES >> GO TO 2.  
 NO >> Replace the combination meter.

#### 2. CHECK FUEL LEVEL SENSOR CIRCUIT

1. Turn ignition switch OFF.
2. Disconnect combination meter connector and fuel level sensor unit and fuel pump (fuel level sensor) connector.
3. Check continuity between combination meter harness connector terminal and fuel level sensor unit and fuel pump (fuel level sensor) harness connector terminal.

# FUEL LEVEL SENSOR SIGNAL CIRCUIT

## < COMPONENT DIAGNOSIS >

Combination meter		Fuel level sensor unit and fuel pump (fuel level sensor)		Continuity
Connector	Terminal	Connector	Terminal	
M34	34	B40	4	Existed

4. Check continuity between combination meter harness connector terminal and ground.

Combination meter		Ground	Continuity
Connector	Terminal		
M34	34		Not existed

Is the inspection result normal?

YES >> GO TO 3.

NO >> Repair harness or connector.

### 3. CHECK FUEL LEVEL SENSOR GROUND CIRCUIT

Check continuity between fuel level sensor unit and fuel pump (fuel level sensor) harness connector terminal and combination meter harness connector terminal.

Fuel level sensor unit and fuel pump (fuel level sensor)		Combination meter		Continuity
Connector	Terminal	Connector	Terminal	
B40	1	M34	24	Existed

Is the inspection result normal?

YES >> INSPECTION END

NO >> Repair harness or connector.

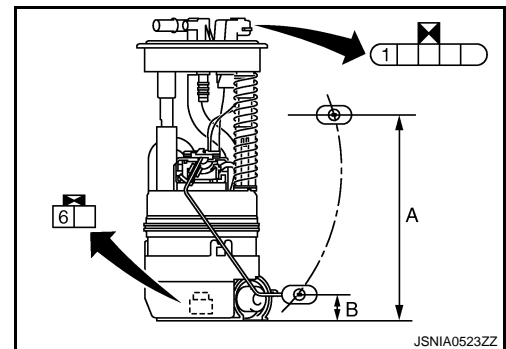
## Component Inspection [Fuel Level Sensor Unit And Fuel Pump (Fuel Level Sensor)]

INFOID:000000001690743

### 1. CHECK FUEL LEVEL SENSOR UNIT AND FUEL PUMP (FUEL LEVEL SENSOR)

Check the resistance between fuel level sensor unit and fuel pump (fuel level sensor).

Terminal		Float position	Resistance ( $\Omega$ )
1	6	Full (A)	Approx. 2.5 $\Omega$
		Empty (B)	Approx. 79 $\Omega$



JSNIA0523ZZ

Standard float position

Float position	Position [mm (in)]
Full	Approx. 190 (7.48)
Empty	Approx. 20 (0.79)

Is inspection result OK?

YES >> INSPECTION END

NO >> Replace fuel level sensor unit (main).

# FUEL LEVEL SENSOR SIGNAL CIRCUIT

< COMPONENT DIAGNOSIS >

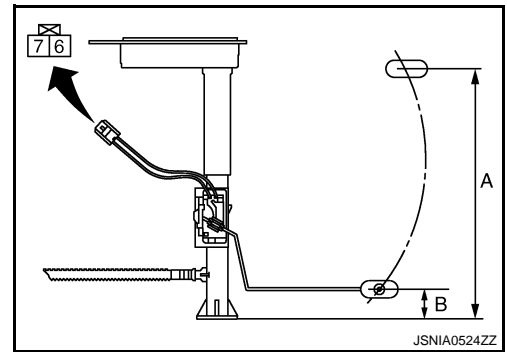
## Component Inspection [Fuel Level Sensor Unit (Sub)]

INFOID:000000001690744

### 1. CHECK FUEL LEVEL SENSOR UNIT (SUB)

Inspect the resistance of fuel level sensor unit (sub).

Terminal		Float position	Resistance ( $\Omega$ )
6	7	Full (A)	Approx. 2.5 $\Omega$
		Empty (B)	Approx. 49 $\Omega$



Standard float position

Float position	Position [mm (in)]
Full	Approx. 222 (8.74)
Empty	Approx. 25 (0.98)

Is inspection result OK?

- YES >> INSPECTION END
- NO >> Replace fuel level sensor unit (sub).

A  
B  
C  
D  
E  
F  
G  
H  
I  
J  
K  
L  
M  
O  
P

MWI

# OIL PRESSURE SWITCH SIGNAL CIRCUIT

< COMPONENT DIAGNOSIS >

## OIL PRESSURE SWITCH SIGNAL CIRCUIT

### Description

INFOID:000000001690745

Detects the engine oil pressure and transmits the oil pressure switch signal to IPDM E/R.

### Component Function Check

INFOID:000000001690746

#### 1. CHECK COMBINATION METER INPUT SIGNAL

Select the "Data Monitor" for the "METER/M&A" and check the "OIL W/L" monitor value.

"OIL W/L"

Ignition switch ON : On

Engine running : Off

>> INSPECTION END

### Diagnosis Procedure

INFOID:000000001690747

#### 1. CHECK OIL PRESSURE SWITCH CIRCUIT

1. Turn ignition switch OFF.
2. Disconnect IPDM E/R connector and oil pressure switch connector.
3. Check continuity between IPDM E/R harness connector terminal and oil pressure switch harness connector terminal.

IPDM E/R		Oil pressure switch		Continuity
Connector	Terminal	Connector	Terminal	
E13	23	F63	1	Existed

4. Check continuity between IPDM E/R harness connector terminal and ground.

Combination meter		Ground	Continuity
Connector	Terminal		
E13	23		Not existed

Is the inspection result normal?

YES >> INSPECTION END

NO >> Repair harness or connector.

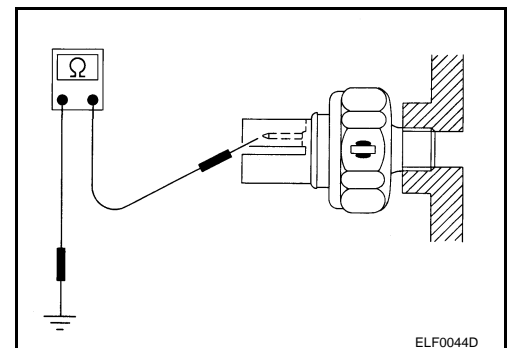
### Component Inspection

INFOID:000000001690748

#### 1. CHECK OIL PRESSURE SWITCH UNIT

Check continuity between oil pressure switch and ground.

Condition	Continuity
Engine stopped	Yes
Engine running	No



Is the inspection result normal?

YES >> INSPECTION END

# OIL PRESSURE SWITCH SIGNAL CIRCUIT

## < COMPONENT DIAGNOSIS >

---

NO >> Replace the oil pressure switch.

A

B

C

D

E

F

G

H

I

J

K

L

M

MWI

O

P

# AMBIENT SENSOR SIGNAL CIRCUIT

< COMPONENT DIAGNOSIS >

## AMBIENT SENSOR SIGNAL CIRCUIT

### Description

INFOID:000000001690749

The ambient sensor is attached on the radiator core support. It detects ambient temperature and converts it into a resistance value which is then input into the combination meter.

### Diagnosis Procedure

INFOID:000000001690750

#### 1.CHECK AMBIENT SENSOR CIRCUIT

1. Turn ignition switch OFF.
2. Disconnect combination meter connector and ambient sensor connector.
3. Check continuity between combination meter harness connector terminal and ambient sensor harness connector terminal.

Combination meter		Ambient sensor		Continuity
Connector	Terminal	Connector	Terminal	
M34	19	E44	1	Existed

4. Check continuity between combination meter harness connector terminal and ground.

Combination meter		Ground	Continuity
Connector	Terminal		
M34	19		Not existed

Is the inspection result normal?

YES >> GO TO 2.

NO >> Repair harness or connector.

#### 2.CHECK AMBIENT SENSOR GROUND CIRCUIT

1. Check continuity between combination meter harness connector terminal and ambient sensor harness connector terminal.

Combination meter		Ambient sensor		Continuity
Connector	Terminal	Connector	Terminal	
M34	20	E44	2	Existed

2. Check continuity between combination meter harness connector terminal and ground.

Combination meter		Ground	Continuity
Connector	Terminal		
M34	20		Not existed

Is the inspection result normal?

YES >> INSPECTION END

NO >> Repair harness or connector.

### Component Inspection

INFOID:000000001700130

#### 1.CHECK AMBIENT SENSOR

Check resistance between ambient sensor terminals 1 and 2.

Temperature [°C (°F)]	Resistance (kΩ)
-10 (14)	Approx. 10
0 (32)	Approx. 6.2
10 (50)	Approx. 4.0



# AMBIENT SENSOR SIGNAL CIRCUIT

## < COMPONENT DIAGNOSIS >

Temperature [°C (°F)]	Resistance (kΩ)
20 (68)	Approx. 2.6
30 (86)	Approx. 1.8
40 (104)	Approx. 1.3

Is the inspection result normal?

YES >> INSPECTION END  
NO >> Replace ambient sensor.

A  
B  
C  
D  
E  
F  
G  
H  
I  
J  
K  
L  
M  
O  
P



# COMPASS

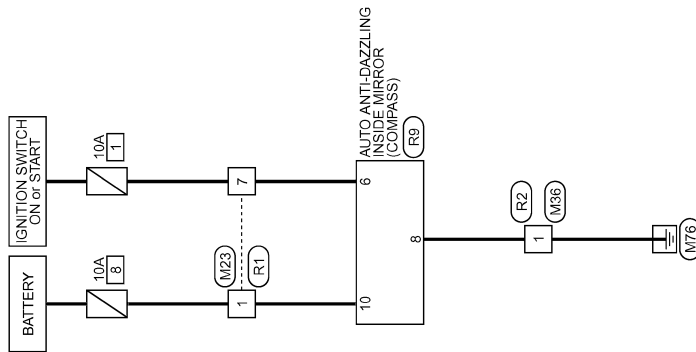
< COMPONENT DIAGNOSIS >

## COMPASS

### Wiring Diagram - COMPASS -

INFOID:000000003229354

[Click here to view the eWD.](#)



COMPASS

2007/07/13


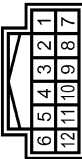
JCNWM0541GI

# COMPASS

## < COMPONENT DIAGNOSIS >



### COMPASS

Connector No.	M23
Connector Name	WIRE TO WIRE
Connector Type	TH12FV-NH


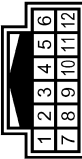
Terminal No.	Color of Wire	Signal Name [Specification]
1	LG	-
7	P	-

Connector No.	M35
Connector Name	WIRE TO WIRE
Connector Type	NSGFBR-CS


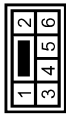
Terminal No.	Color of Wire	Signal Name [Specification]
1	B	-

Connector No.	R1
Connector Name	WIRE TO WIRE
Connector Type	TH12MW-NH


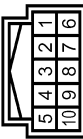
Terminal No.	Color of Wire	Signal Name [Specification]
1	B/Y	-
7	B/R	-

Connector No.	R2
Connector Name	WIRE TO WIRE
Connector Type	NS30MER-CS

Terminal No.	Color of Wire	Signal Name [Specification]
1	B	-

Connector No.	R9
Connector Name	AUTO ANTI-DAZZLING INSIDE MIRROR
Connector Type	TH10FB-NH

Terminal No.	Color of Wire	Signal Name [Specification]
6	B/R	-
8	B	-
10	B/Y	-

A  
B  
C  
D  
E  
F  
G  
H  
I  
J  
K  
L  
M  
MWI  
O  
P

# COMBINATION METER

< ECU DIAGNOSIS >

## ECU DIAGNOSIS

### COMBINATION METER

Reference Value

INFOID:000000001690755

#### VALUES ON THE DIAGNOSIS TOOL

Monitor Item	Condition		Value/Status
SPEED METER [km/h]	Ignition switch ON	While driving	Equivalent to speedometer reading <b>NOTE:</b> 655.35 is displayed when the malfunction signal is received
SPEED OUTPUT [km/h]	Ignition switch ON	While driving	Equivalent to speedometer reading <b>NOTE:</b> 655.35 is displayed when the malfunction signal is received
ODO OUTPUT	Ignition switch ON	—	Equivalent to odometer reading in combination meter
TACHO METER [rpm]	Ignition switch ON	While driving	Equivalent to tachometer reading <b>NOTE:</b> 8191.875 is displayed when the malfunction signal is received
FUEL METER [lit]	Ignition switch ON	—	Values according to fuel level
W TEMP METER [°C]	Ignition switch ON	—	Values according to engine coolant temperature <b>NOTE:</b> 215 is displayed when the malfunction signal is input
ABS W/L	Ignition switch ON	ABS warning lamp ON	On
		ABS warning lamp OFF	Off
VDC/TCS IND	Ignition switch ON	VDC OFF indicator lamp ON	On
		VDC OFF indicator lamp OFF	Off
SLIP IND	Ignition switch ON	SLIP indicator lamp ON	On
		SLIP indicator lamp OFF	Off
BRAKE W/L	Ignition switch ON	Brake warning lamp ON	On
		Brake warning lamp OFF	Off
DOOR W/L	Ignition switch ON	Door warning lamp ON	On
		Door warning lamp OFF	Off
HI-BEAM IND	Ignition switch ON	High beam indicator lamp ON	On
		High beam indicator lamp OFF	Off
TURN IND	Ignition switch ON	Turn signal indicator lamp ON	On
		Turn signal indicator lamp OFF	Off
LIGHT IND	Ignition switch ON	Light indicator lamp ON	On
		Light indicator lamp OFF	Off
OIL W/L	Ignition switch ON	Oil pressure warning lamp ON	On
		Oil pressure warning lamp OFF	Off
MIL	Ignition switch ON	Malfunction indicator lamp ON	On
		Malfunction indicator lamp OFF	Off
CRUISE IND	Ignition switch ON	Cruise indicator lamp ON	On
		Cruise indicator lamp OFF	Off

# COMBINATION METER

## < ECU DIAGNOSIS >

Monitor Item	Condition		Value/Status	
SET IND	Ignition switch ON	SET indicator lamp ON	On	A
		SET indicator lamp OFF	Off	
CVT IND	Ignition switch ON	CVT or SPORT indicator lamp ON	On	B
		CVT or SPORT indicator lamp OFF	Off	
4WD W/L	Ignition switch ON	AWD warning lamp ON	On	C
		AWD warning lamp OFF	Off	
4WD LOCK IND	Ignition switch ON	LOCK indicator lamp ON	On	D
		LOCK indicator lamp OFF	Off	
FUEL W/L	Ignition switch ON	Low-fuel warning lamp ON	On	E
		Low-fuel warning lamp OFF	Off	
AIR PRES W/L	Ignition switch ON	Low tire pressure warning lamp ON	On	F
		Low tire pressure warning lamp OFF	Off	
KEY G W/L	Ignition switch ON	KEY warning lamp (green) ON	On	G
		KEY warning lamp (green) OFF	Off	
KEY R W/L	Ignition switch ON	KEY warning lamp (red) ON	On	H
		KEY warning lamp (red) OFF	Off	
KEY KNOB W/L	Ignition switch ON	LOCK warning lamp ON	On	I
		LOCK warning lamp OFF	Off	
EPS W/L	Ignition switch ON	EPS warning lamp ON	On	J
		EPS warning lamp OFF	Off	
DDS W/L *	Ignition switch ON	DDS warning lamp ON	On	K
		DDS warning lamp OFF	Off	
SHIFT IND	Ignition switch ON	Shift position indicator P display	P	L
		Shift position indicator R display	R	
		Shift position indicator N display	N	
		Shift position indicator D display	D	
		Shift position indicator M1 display	M1	
		Shift position indicator M2 display	M2	
		Shift position indicator M3 display	M3	
		Shift position indicator M4 display	M4	
		Shift position indicator M5 display	M5	M
O/D OFF SW	Ignition switch ON	O/D OFF switch pressed	On	MWI
		O/D OFF switch not pressed	Off	
M RANGE SW	Ignition switch ON	Manual mode	On	
		Other than the above	Off	
NM RANGE SW	Ignition switch ON	Manual mode	Off	O
		Other than the above	On	
AT SFT UP SW	Ignition switch ON	Selector lever (+) position	On	P
		Other than the above	Off	
AT SFT DWN SW	Ignition switch ON	Selector lever (-) position	On	
		Other than the above	Off	
ST SFT UP SW	Ignition switch ON	Paddle shifter up operation	On	
		Other than the above	Off	

# COMBINATION METER

## < ECU DIAGNOSIS >

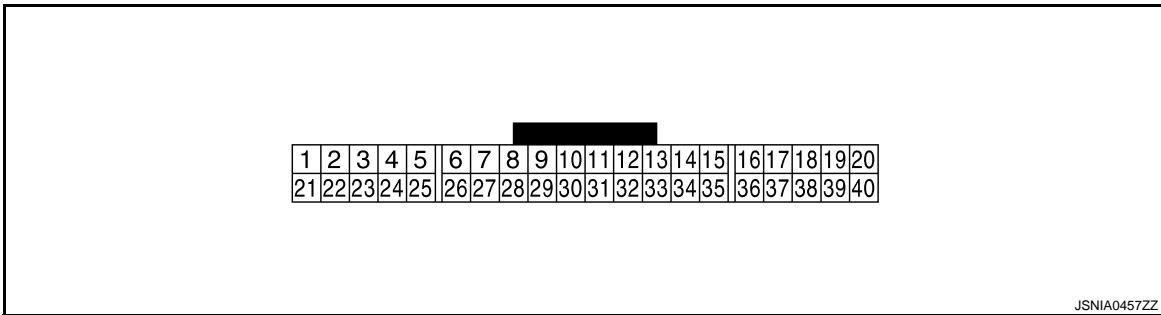
Monitor Item	Condition		Value/Status
ST SFT DWN SW	Ignition switch ON	Paddle shifter down operation	On
		Other than the above	Off
PKB SW	Ignition switch ON	Parking brake switch ON	On
		Parking brake switch OFF	Off
BUCKLE SW	Ignition switch ON	Seat belt buckle switch ON	On
		Seat belt buckle switch OFF	Off
BRAKE OIL SW	Ignition switch ON	Brake fluid level switch ON	On
		Brake fluid level switch OFF	Off
DISTANCE [km]	Ignition switch ON	—	Possible driving distance calculated by combination meter
OUTSIDE TEMP [°C or °F]	Ignition switch ON	—	Equivalent to ambient air temperature <b>NOTE:</b> This may not match the indicated value on the information display.
FUEL LOW SIG	Ignition switch ON	Low-fuel warning displayed	On
		Low-fuel warning not displayed	Off
BUZZER	Ignition switch ON	Buzzer ON	On
		Buzzer OFF	Off

\*: DDS (hill descent control)

**NOTE:**

Some items are not available according to vehicle specification.

## TERMINAL LAYOUT

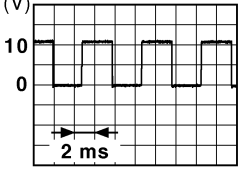
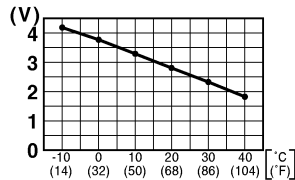


## PHYSICAL VALUES

Terminal No. (Wire color)		Description		Condition		Value (Approx.)
+	-	Signal name	Input/ Output			
1 (LG)	Ground	Battery power supply	Input	Ignition switch OFF	—	Battery voltage
2 (O)	Ground	IGN signal	Input	Ignition switch ON	—	Battery voltage
3 (B)	Ground	Ground	—	Ignition switch ON	—	0 V
9 (P)	Ground	O/D OFF switch signal	Input	Ignition switch ON	O/D OFF switch pressed	0 V
					O/D OFF switch not pressed	12 V

# COMBINATION METER

## < ECU DIAGNOSIS >

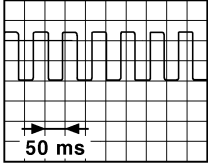
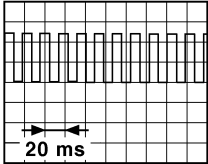
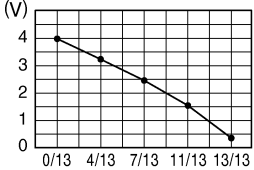
Terminal No. (Wire color)		Description		Condition		Value (Approx.)
+	-	Signal name	Input/ Output			
12 (G)	Ground	Paddle shifter down signal	Input	Ignition switch ON	Paddle shifter down operation	0 V
					Other than the above	12 V
13 (Y)	Ground	Illumination control signal	Input	Ignition switch ON	Lighting switch ON, then operate the illumination control switch	<b>NOTE:</b> When brightness level is midway (V)  JSNIA0010GB
14 (L)	Ground	Paddle shifter up signal	Input	Ignition switch ON	Paddle shifter up operation	0 V
					Other than the above	5 V
15 (LG)	Ground	Air bag signal	Input	Ignition switch ON	Air bag warning lamp ON	4 V
					Air bag warning lamp OFF	0 V
19 (BR)	Ground	Ambient sensor signal	Input	Ignition switch ON	—	 JSNIA0014GB
20 (SB)	Ground	Ambient sensor ground	—	Ignition switch ON	—	0 V
21 (L)	—	CAN-H	—	—	—	—
22 (P)	—	CAN-L	—	—	—	—
23 (B)	Ground	Ground	—	Ignition switch ON	—	0 V
24 (B)	Ground	Fuel level sensor signal ground	—	Ignition switch ON	—	0 V
25 (SB)	Ground	Alternator signal	Input	Ignition switch ON	Charge warning lamp ON	0 V
					Charge warning lamp OFF	12 V
26 (V)	Ground	Parking brake switch signal	Input	Ignition switch ON	Parking brake ON	0 V
					Parking brake OFF	5 V
27 (BR)	Ground	Brake fluid level switch signal	Input	Ignition switch ON	Brake fluid level is normal	5 V
					Brake fluid level is less than low level	0 V
28 (B)	Ground	Security signal	Input	Ignition switch ON	Security warning lamp ON	0 V
					Security warning lamp OFF	12 V

A  
B  
C  
D  
E  
F  
G  
H  
I  
J  
K  
L  
M  
O  
P

MWI

# COMBINATION METER

## < ECU DIAGNOSIS >

Terminal No. (Wire color)		Description		Condition		Value (Approx.)
+	-	Signal name	Input/ Output			
29 (W)	Ground	Washer level switch signal	Input	Ignition switch ON	Washer level switch ON	0 V
					Washer level switch OFF	12 V
30 (Y)	Ground	Vehicle speed signal (2 pulse)	Output	Ignition switch ON	Vehicle speed is approximately 40 km/h (25 MPH)	<p><b>NOTE:</b> The maximum voltage varies depending on the specification (destination unit).</p>  <p style="text-align: right; font-size: small;">JSNIA0015GB</p>
31 (L)	Ground	Vehicle speed signal (8 pulse)	Output	Ignition switch ON	Vehicle speed is approximately 40 km/h (25 MPH)	<p><b>NOTE:</b> The maximum voltage varies depending on the specification (destination unit).</p>  <p style="text-align: right; font-size: small;">JSNIA0012GB</p>
34 (G)	Ground	Fuel level sensor signal	Input	Ignition switch ON	—	 <p style="text-align: right; font-size: small;">JSNIA0423GB</p>
35 (O)	Ground	Seat belt buckle switch signal (driver side)	Input	Ignition switch ON	When driver seat belt is fastened	12 V
					When driver seat belt is unfastened	0 V
36 (G)	Ground	Seat belt buckle switch signal (passenger side)	Input	Ignition switch ON	<ul style="list-style-type: none"> <li>• When getting in the passenger seat</li> <li>• When passenger seat belt is fastened</li> </ul>	12 V
					<ul style="list-style-type: none"> <li>• When getting in the passenger seat</li> <li>• When passenger seat belt is unfastened</li> </ul>	0 V
37 (P)	Ground	Not manual mode signal	Input	Ignition switch ON	Manual mode	12 V
					Other than the above	0 V
38 (O)	Ground	Manual mode shift down signal	Input	Ignition switch ON	Selector lever (-) position	0 V
					Other than the above	12 V
39 (V)	Ground	Manual mode shift up signal	Input	Ignition switch ON	Selector lever (+) position	0 V
					Other than the above	12 V



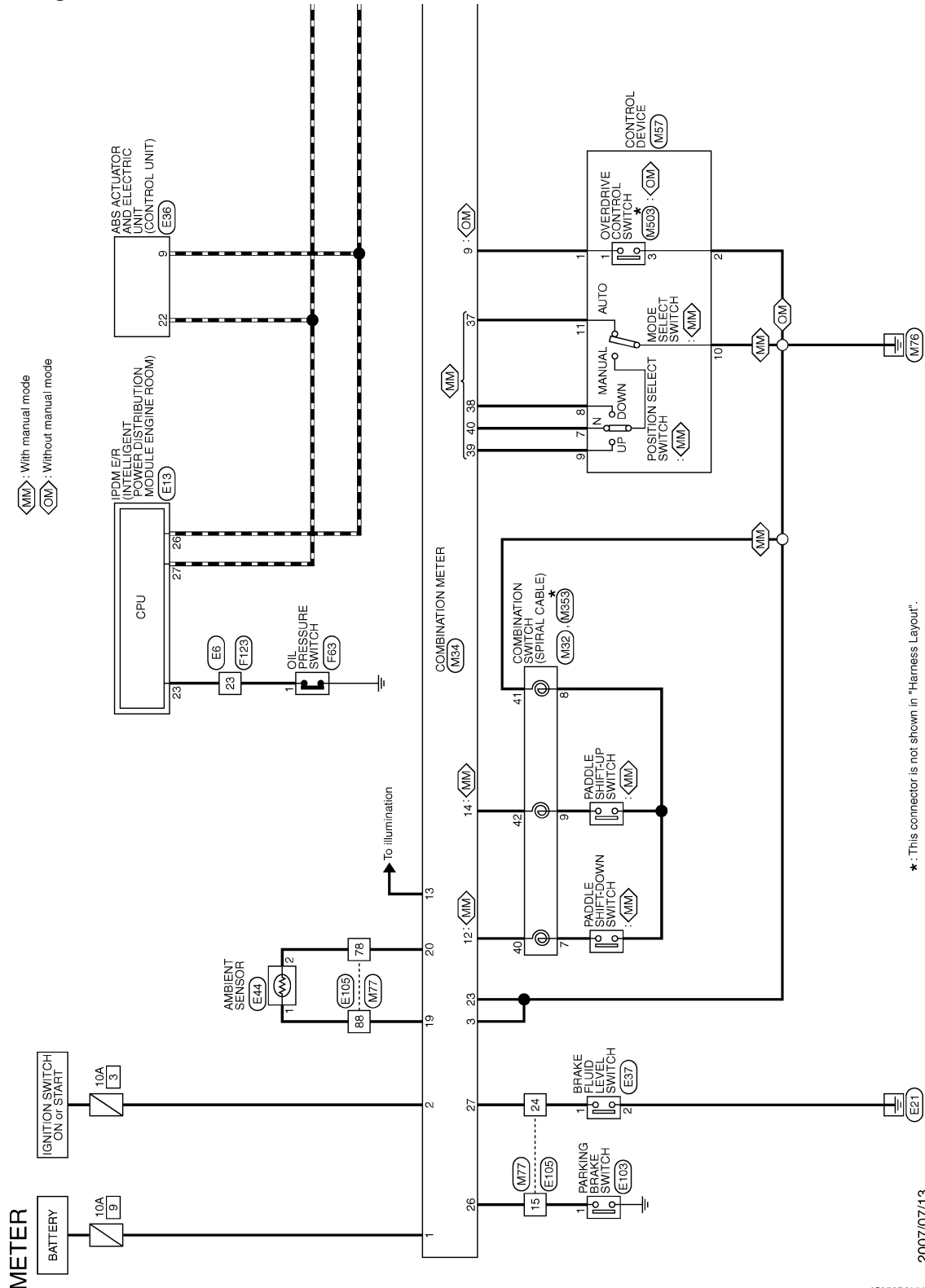
# COMBINATION METER

< ECU DIAGNOSIS >

Terminal No. (Wire color)		Description		Condition	Value (Approx.)
+	-	Signal name	Input/Output		
40 (LG)	Ground	Manual mode signal	Input	Ignition switch ON	0 V
				Other than the above	12 V

## Wiring Diagram - METER -

INFOID:000000001686483



\*: This connector is not shown in "Harness Layout".

2007/07/13

JCNWM0533GI

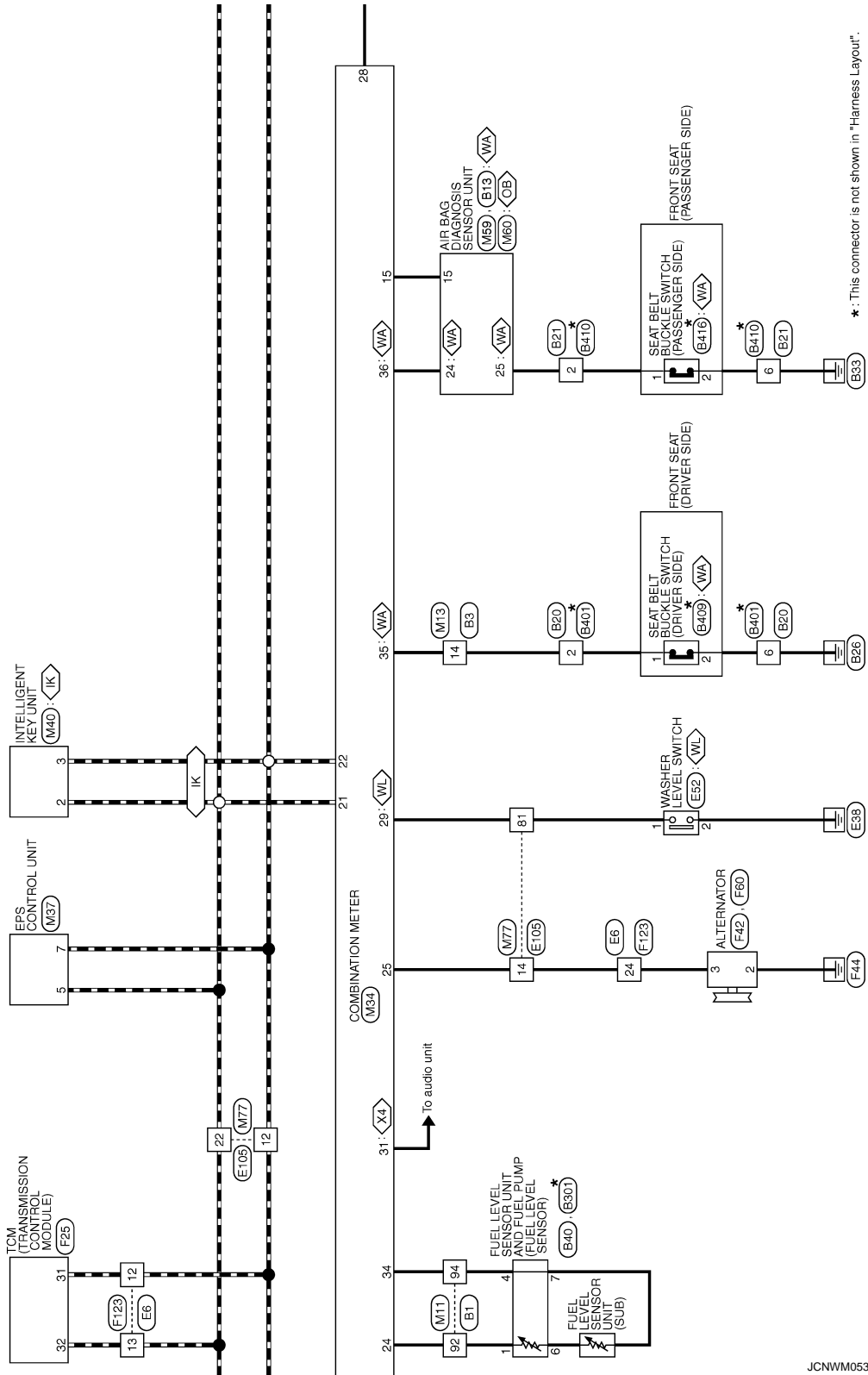
A  
B  
C  
D  
E  
F  
G  
H  
I  
J  
K  
L  
M  
N  
O  
P

MWI

# COMBINATION METER

< ECU DIAGNOSIS >

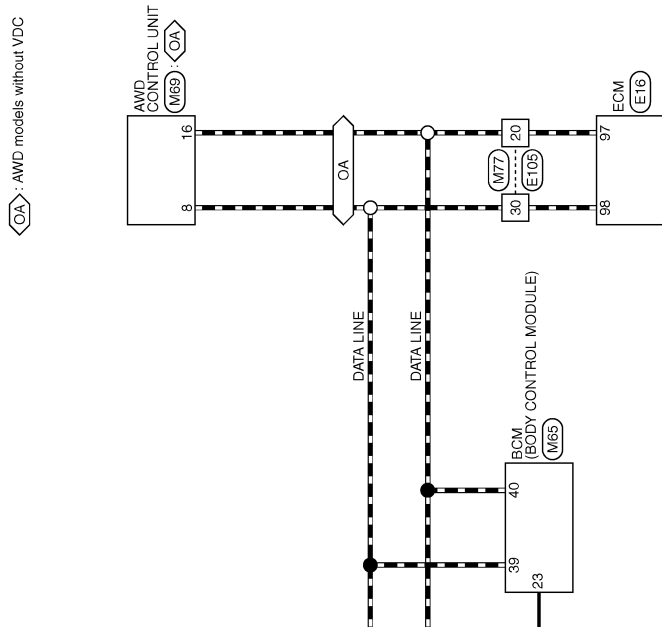
- : With intelligent key
- : With advanced air bag
- : Without advanced air bag
- : Except 4-speakers
- : With washer level switch



JCNWM0534GI

# COMBINATION METER

< ECU DIAGNOSIS >



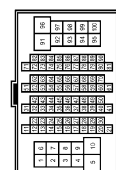
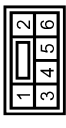



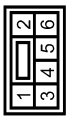
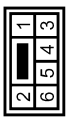


JCNWM0535GI

A  
B  
C  
D  
E  
F  
G  
H  
I  
J  
K  
L  
M  
MWI  
O  
P

# COMBINATION METER

< ECU DIAGNOSIS >

## METER







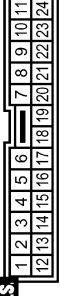



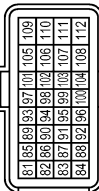





Connector No. B1	WIRE TO WIRE TH80MW-CS16-TM4		Terminal No. 92	Color of Wire R	Signal Name [Specification]	Terminal No. 94	Color of Wire G	Signal Name [Specification]
Connector No. B20	WIRE TO WIRE NS06FW-CS		Terminal No. 2	Color of Wire O	Signal Name [Specification]	Terminal No. 6	Color of Wire B	Signal Name [Specification]
Connector No. B13	AIR BAG DIAGNOSIS SENSOR UNIT TK12FY-1V-EX		Terminal No. 25	Color of Wire LG	Signal Name [Specification] BUCKLE SW RH			
Connector No. B3	WIRE TO WIRE TH42MF-BH		Terminal No. 14	Color of Wire O	Signal Name [Specification]			
Connector No. B40	FUEL LEVEL SENSOR UNIT AND FUEL PUMP E03FGY-RS		Terminal No. 1	Color of Wire R	Signal Name [Specification]	Terminal No. 4	Color of Wire G	Signal Name [Specification]
Connector No. B21	WIRE TO WIRE NS06FW-CS		Terminal No. 2	Color of Wire LG	Signal Name [Specification]	Terminal No. 6	Color of Wire B	Signal Name [Specification]
Connector No. B401	WIRE TO WIRE NS06MW-CS		Terminal No. 2	Color of Wire W/G	Signal Name [Specification]	Terminal No. 6	Color of Wire GR	Signal Name [Specification]
Connector No. B301	FUEL LEVEL SENSOR UNIT AND FUEL PUMP		Terminal No. 6	Color of Wire -	Signal Name [Specification]	Terminal No. 7	Color of Wire -	Signal Name [Specification]
Connector No. B40	FUEL LEVEL SENSOR UNIT AND FUEL PUMP		Terminal No. 1	Color of Wire R	Signal Name [Specification]	Terminal No. 4	Color of Wire G	Signal Name [Specification]

JCNWM0536G1

# COMBINATION METER

< ECU DIAGNOSIS >

## METER








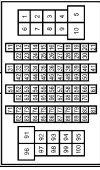

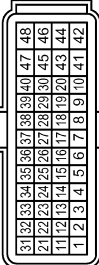






<table border="1"> <tr><td>Connector No.</td><td>B409</td></tr> <tr><td>Connector Name</td><td>SEAT BELT BUCKLE SWITCH (DRIVER SIDE)</td></tr> <tr><td>Connector Type</td><td>TKG3FW</td></tr> </table>  	Connector No.	B409	Connector Name	SEAT BELT BUCKLE SWITCH (DRIVER SIDE)	Connector Type	TKG3FW	<table border="1"> <tr><td>Terminal No.</td><td>1</td><td>2</td></tr> <tr><td>Color of Wire</td><td>W/G</td><td>GR</td></tr> <tr><td>Signal Name [Specification]</td><td>-</td><td>-</td></tr> </table>	Terminal No.	1	2	Color of Wire	W/G	GR	Signal Name [Specification]	-	-						
Connector No.	B409																					
Connector Name	SEAT BELT BUCKLE SWITCH (DRIVER SIDE)																					
Connector Type	TKG3FW																					
Terminal No.	1	2																				
Color of Wire	W/G	GR																				
Signal Name [Specification]	-	-																				
<table border="1"> <tr><td>Connector No.</td><td>B410</td></tr> <tr><td>Connector Name</td><td>WIRE TO WIRE</td></tr> <tr><td>Connector Type</td><td>NSG6MH-CS</td></tr> </table>  	Connector No.	B410	Connector Name	WIRE TO WIRE	Connector Type	NSG6MH-CS	<table border="1"> <tr><td>Terminal No.</td><td>2</td><td>6</td></tr> <tr><td>Color of Wire</td><td>W/G</td><td>GR</td></tr> <tr><td>Signal Name [Specification]</td><td>-</td><td>-</td></tr> </table>	Terminal No.	2	6	Color of Wire	W/G	GR	Signal Name [Specification]	-	-						
Connector No.	B410																					
Connector Name	WIRE TO WIRE																					
Connector Type	NSG6MH-CS																					
Terminal No.	2	6																				
Color of Wire	W/G	GR																				
Signal Name [Specification]	-	-																				
<table border="1"> <tr><td>Connector No.</td><td>B416</td></tr> <tr><td>Connector Name</td><td>SEAT BELT BUCKLE SWITCH (PASSENGER SIDE)</td></tr> <tr><td>Connector Type</td><td>TKG3FW</td></tr> </table>  	Connector No.	B416	Connector Name	SEAT BELT BUCKLE SWITCH (PASSENGER SIDE)	Connector Type	TKG3FW	<table border="1"> <tr><td>Terminal No.</td><td>1</td><td>2</td></tr> <tr><td>Color of Wire</td><td>W/G</td><td>GR</td></tr> <tr><td>Signal Name [Specification]</td><td>-</td><td>-</td></tr> </table>	Terminal No.	1	2	Color of Wire	W/G	GR	Signal Name [Specification]	-	-						
Connector No.	B416																					
Connector Name	SEAT BELT BUCKLE SWITCH (PASSENGER SIDE)																					
Connector Type	TKG3FW																					
Terminal No.	1	2																				
Color of Wire	W/G	GR																				
Signal Name [Specification]	-	-																				
<table border="1"> <tr><td>Connector No.</td><td>E6</td></tr> <tr><td>Connector Name</td><td>WIRE TO WIRE</td></tr> <tr><td>Connector Type</td><td>TK24MHF-TV</td></tr> </table>  	Connector No.	E6	Connector Name	WIRE TO WIRE	Connector Type	TK24MHF-TV	<table border="1"> <tr><td>Terminal No.</td><td>12</td><td>13</td><td>23</td><td>24</td></tr> <tr><td>Color of Wire</td><td>P</td><td>L</td><td>W</td><td>L</td></tr> <tr><td>Signal Name [Specification]</td><td>-</td><td>-</td><td>-</td><td>-</td></tr> </table>	Terminal No.	12	13	23	24	Color of Wire	P	L	W	L	Signal Name [Specification]	-	-	-	-
Connector No.	E6																					
Connector Name	WIRE TO WIRE																					
Connector Type	TK24MHF-TV																					
Terminal No.	12	13	23	24																		
Color of Wire	P	L	W	L																		
Signal Name [Specification]	-	-	-	-																		
<table border="1"> <tr><td>Connector No.</td><td>E13</td></tr> <tr><td>Connector Name</td><td>IPDM E/R (INTELLIGENT POWER DISTRIBUTION MODULE ENGINE ROOM)</td></tr> <tr><td>Connector Type</td><td>TH12FW-NH</td></tr> </table>  	Connector No.	E13	Connector Name	IPDM E/R (INTELLIGENT POWER DISTRIBUTION MODULE ENGINE ROOM)	Connector Type	TH12FW-NH	<table border="1"> <tr><td>Terminal No.</td><td>23</td><td>26</td><td>27</td></tr> <tr><td>Color of Wire</td><td>W</td><td>P</td><td>L</td></tr> <tr><td>Signal Name [Specification]</td><td>-</td><td>-</td><td>-</td></tr> </table>	Terminal No.	23	26	27	Color of Wire	W	P	L	Signal Name [Specification]	-	-	-			
Connector No.	E13																					
Connector Name	IPDM E/R (INTELLIGENT POWER DISTRIBUTION MODULE ENGINE ROOM)																					
Connector Type	TH12FW-NH																					
Terminal No.	23	26	27																			
Color of Wire	W	P	L																			
Signal Name [Specification]	-	-	-																			
<table border="1"> <tr><td>Connector No.</td><td>E16</td></tr> <tr><td>Connector Name</td><td>ECM</td></tr> <tr><td>Connector Type</td><td>MAA24FB-MEAG-RH</td></tr> </table>  	Connector No.	E16	Connector Name	ECM	Connector Type	MAA24FB-MEAG-RH	<table border="1"> <tr><td>Terminal No.</td><td>97</td><td>98</td></tr> <tr><td>Color of Wire</td><td>P</td><td>L</td></tr> <tr><td>Signal Name [Specification]</td><td>VEHGAN-L</td><td>VEHGAN-H</td></tr> </table>	Terminal No.	97	98	Color of Wire	P	L	Signal Name [Specification]	VEHGAN-L	VEHGAN-H						
Connector No.	E16																					
Connector Name	ECM																					
Connector Type	MAA24FB-MEAG-RH																					
Terminal No.	97	98																				
Color of Wire	P	L																				
Signal Name [Specification]	VEHGAN-L	VEHGAN-H																				
<table border="1"> <tr><td>Connector No.</td><td>E38</td></tr> <tr><td>Connector Name</td><td>ABS ACTUATOR AND ELECTRIC UNIT (CONTROL UNIT)</td></tr> <tr><td>Connector Type</td><td>RH28FB-NL4-DH</td></tr> </table>  	Connector No.	E38	Connector Name	ABS ACTUATOR AND ELECTRIC UNIT (CONTROL UNIT)	Connector Type	RH28FB-NL4-DH	<table border="1"> <tr><td>Terminal No.</td><td>9</td><td>22</td></tr> <tr><td>Color of Wire</td><td>P</td><td>L</td></tr> <tr><td>Signal Name [Specification]</td><td>CAN L</td><td>CAN H</td></tr> </table>	Terminal No.	9	22	Color of Wire	P	L	Signal Name [Specification]	CAN L	CAN H						
Connector No.	E38																					
Connector Name	ABS ACTUATOR AND ELECTRIC UNIT (CONTROL UNIT)																					
Connector Type	RH28FB-NL4-DH																					
Terminal No.	9	22																				
Color of Wire	P	L																				
Signal Name [Specification]	CAN L	CAN H																				
<table border="1"> <tr><td>Connector No.</td><td>E37</td></tr> <tr><td>Connector Name</td><td>BRAKE FLUID LEVEL SWITCH</td></tr> <tr><td>Connector Type</td><td>YV02FGY</td></tr> </table>  	Connector No.	E37	Connector Name	BRAKE FLUID LEVEL SWITCH	Connector Type	YV02FGY	<table border="1"> <tr><td>Terminal No.</td><td>1</td><td>2</td></tr> <tr><td>Color of Wire</td><td>LG</td><td>B</td></tr> <tr><td>Signal Name [Specification]</td><td>-</td><td>-</td></tr> </table>	Terminal No.	1	2	Color of Wire	LG	B	Signal Name [Specification]	-	-						
Connector No.	E37																					
Connector Name	BRAKE FLUID LEVEL SWITCH																					
Connector Type	YV02FGY																					
Terminal No.	1	2																				
Color of Wire	LG	B																				
Signal Name [Specification]	-	-																				

A  
B  
C  
D  
E  
F  
G  
H  
I  
J  
K  
L  
M  
MWI  
O  
P

# COMBINATION METER

< ECU DIAGNOSIS >

## METER


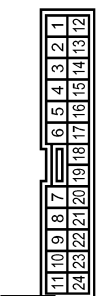

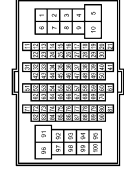

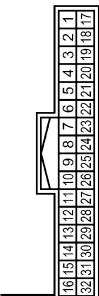



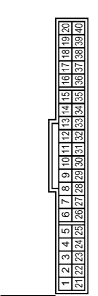

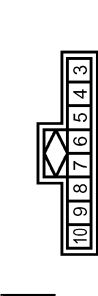

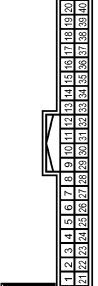

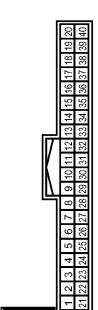
Connector No. E44	Connector Name AMBIENT SENSOR	Connector Type RS2FB	 	Terminal No.	Color of Wire	Signal Name [Specification]
				1	BR	-
				2	L	-
Connector No. E32	Connector Name WASHER LEVEL SWITCH	Connector Type XZ2FB	 	Terminal No.	Color of Wire	Signal Name [Specification]
				1	W	-
				2	B	-
Connector No. E103	Connector Name PARKING BRAKE SWITCH	Connector Type F01FB-A	 	Terminal No.	Color of Wire	Signal Name [Specification]
				1	V	-
Connector No. E105	Connector Name WIRE TO WIRE	Connector Type FH80FW-CS1P-TM4	 	Terminal No.	Color of Wire	Signal Name [Specification]
				12	P	-
				14	L	-
				15	V	-
				20	P	-
				22	L	-
				24	LG	-
				30	L	-
				78	L	-
				81	W	-
				88	BR	-
Connector No. F25	Connector Name TOM (TRANSMISSION CONTROL MODULE)	Connector Type MAA40FB-MEA8-LH	 	Terminal No.	Color of Wire	Signal Name [Specification]
				31	P	CAN-L
				32	L	CAN-H
Connector No. F42	Connector Name ALTERNATOR	Connector Type -	 	Terminal No.	Color of Wire	Signal Name [Specification]
				2	-	-
Connector No. F60	Connector Name ALTERNATOR	Connector Type XZ2FW	 	Terminal No.	Color of Wire	Signal Name [Specification]
				3	L	-
Connector No. F63	Connector Name OIL PRESSURE SWITCH	Connector Type E01FGY-RS-AR	 	Terminal No.	Color of Wire	Signal Name [Specification]
				1	W	-

JCNWM05386I

# COMBINATION METER

< ECU DIAGNOSIS >

## METER

Connector No.	F123	Connector No.	M11	Connector No.	M13	Connector No.	M32
Connector Name	WIRE TO WIRE	Connector Name	WIRE TO WIRE	Connector Name	WIRE TO WIRE	Connector Name	COMBINATION SWITCH (SPIRAL CABLE)
Connector Type	TK24FW-1V	Connector Type	TH8GFW-CS16-TM4	Connector Type	TH2ZFW-NH	Connector Type	TK08FY-EX-1V
							
Terminal No.	11 10 9 8 7 6 5 4 3 2 1	Terminal No.	92 94	Terminal No.	14	Terminal No.	40 41 42
Color of Wire	P L W L	Color of Wire	B G	Color of Wire	O	Color of Wire	G B L
Signal Name [Specification]	- - - - -	Signal Name [Specification]	- - - - -	Signal Name [Specification]	- - - - -	Signal Name [Specification]	- - - - -
Connector No.	M34	Terminal No.	22 23 24 25 26 27 28 29 30 31 32 33 34 35 36 37 38 39 40	Connector No.	M37	Terminal No.	1 2 3 4 5 6 7 8 9 10 11 12 13 14 15 16 17 18 19 20
Connector Name	COMBINATION METER	Color of Wire	P B B SB V BR B W L G O P O V LG	Connector Name	EPS CONTROL UNIT	Color of Wire	L L L
Connector Type	SAB40FW	Signal Name [Specification]	CAN-L GND3(CIRCUIT) FUEL LEVEL SENS GND ALTERNATOR PARKING BRAKE SW BRAKE FLUID LEVEL SE SECURITY WASH LIQUID SENS VEHICLE SPEED (6-PUL SE) FUEL LEVEL SENS SEAT BELT BUCKLE SW (DRIVER SIDE) SEAT BELT BUCKLE SW (PASSENGER SIDE) NOT MANUAL MODE SHIFT DOWN SHIFT UP MANUAL MODE	Connector Type	Molex 98545-0001	Connector Type	TH4DFW-NH
							
Terminal No.	1 2 3 4 5 6 7 8 9 10 11 12 13 14 15 16 17 18 19 20	Terminal No.	1 2 3 4 5 6 7 8 9 10 11 12 13 14 15 16 17 18 19 20	Terminal No.	10 9 8 7 6 5 4 3	Terminal No.	2 3
Color of Wire	LG O B P G Y L LG BR SB L	Color of Wire	L L L	Color of Wire	L L P	Color of Wire	L L P
Signal Name [Specification]	BAT IGN GND2(POWER) O/D OFF SW STRG SW DOWN ILL OUT STRG SW UP AIR BAG AMBIENT SENS AMBIENT SENS GND CAN+H	Signal Name [Specification]	- - - - -	Signal Name [Specification]	- - - - -	Signal Name [Specification]	CAN H CAN L

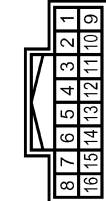
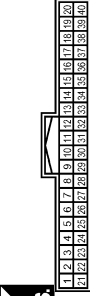
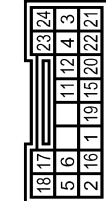
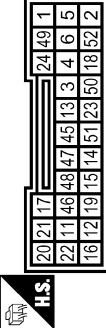
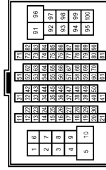
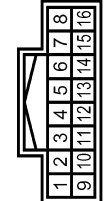


JCNWM0539GI

A  
B  
C  
D  
E  
F  
G  
H  
I  
J  
K  
L  
M  
MWI  
O  
P

# COMBINATION METER

< ECU DIAGNOSIS >

## METER

Connector No. M57	CONTROL DEVICE TH16FV-NH		Terminal No.	Color of Wire	Signal Name [Specification]
Connector Name			1	P	-
Connector Type			2	B	-
			7	LG	-
			8	O	-
			9	V	-
			10	B	-
			11	P	-
Connector No. M65	BCM (BODY CONTROL MODULE) TH40FW		Terminal No.	Color of Wire	Signal Name [Specification]
Connector Name			23	B	SECURITY IND OUT PUT
Connector Type			39	L	CAN-H
			40	P	CAN-L
Connector No. M60	AIR BAG DIAGNOSIS SENSOR UNIT TK20FY-EX-SC		Terminal No.	Color of Wire	Signal Name [Specification]
Connector Name			15	LG	A/B W/L
Connector Type					
Connector No. M59	AIR BAG DIAGNOSIS SENSOR UNIT TK28FY-EX-SC		Terminal No.	Color of Wire	Signal Name [Specification]
Connector Name			15	LG	A/B W/L
Connector Type			24	G	SEATBELT W/L
Connector No. M77	WIRE TO WIRE TH80MW-GS16-TM4		Terminal No.	Color of Wire	Signal Name [Specification]
Connector Name			12	P	-
Connector Type			14	SB	-
			15	V	-
			20	P	-
			22	L	-
			24	BR	-
			30	L	-
			78	SB	-
			81	W	-
			88	BR	-
Connector No. M69	AWD CONTROL UNIT TH16FV-NH		Terminal No.	Color of Wire	Signal Name [Specification]
Connector Name			8	L	CAN-H
Connector Type			16	P	CAN-L
Connector No. M503	OVERDRIVE CONTROL SWITCH HRP-03-S		Terminal No.	Color of Wire	Signal Name [Specification]
Connector Name			1	W	-
Connector Type			3	W	-
Connector No. M353	COMBINATION SWITCH (SPIRAL CABLE) TK03FW-X		Terminal No.	Color of Wire	Signal Name [Specification]
Connector Name			7	-	-
Connector Type			8	-	-
			9	-	-

JCNWM0540GI

INFOID:000000001690756

## Fail Safe

The combination meter activates the fail-safe control if the CAN communication lines between each unit are malfunctioning.



# COMBINATION METER

## < ECU DIAGNOSIS >

Function		Specifications
Speedometer		Reset to zero by suspending communication.
Tachometer		
Meter illumination control		Change to nighttime mode.
Buzzer		Turned off by suspending communication.
Warning lamp/indicator lamp	ABS warning lamp	Turned on by suspending communication.
	Brake warning lamp	
	VDC OFF indicator lamp	
	SLIP indicator lamp	
	AWD warning lamp	
	Low tire pressure warning lamp	The lamp turns ON after flashing for 1 minutes
	SPORT/CVT indicator lamp	Turned off by suspending communication.
	AWD indicator lamp	
	AWD LOCK indicator lamp	
	Oil pressure warning lamp	
	Door warning lamp	
	Malfunction indicator lamp	
	CRUISE indicator lamp	
	SET indicator lamp	
	KEY warning lamp	
High beam indicator lamp		
Turn signal indicator lamp		
Tail indicator lamp		

## DTC Index

INFOID:000000001690757

Display contents of CONSULT-III	Time		Diagnostic item is detected when...	Refer to
U1000: CAN COMM CIRCUIT	CRNT	PAST	Combination meter is not transmitting or receiving CAN communication signal for 2 seconds or more.	<a href="#">MWI-36</a>
U1010: CONTROL UNIT (CAN)	CRNT	PAST	Detecting error during the initial diagnosis of CAN controller of combination meter.	<a href="#">MWI-37</a>
B2205: VEHICLE SPEED	CRNT	PAST	The abnormal vehicle speed signal is input from ABS actuator and electric unit (control unit) for 2 seconds or more.	<a href="#">MWI-38</a>
B2267: ENGINE SPEED	CRNT	PAST	ECM continuously transmits abnormal engine speed signals for 2 seconds or more.	<a href="#">MWI-39</a>
B2268: WATER TEMP	CRNT	PAST	ECM continuously transmits abnormal engine coolant temperature signals for 60 seconds or more.	<a href="#">MWI-40</a>

### NOTE:

The details of TIME display are as follows.

- CRNT: The malfunctions that are detected now.
- PAST: The malfunctions was detected in the past. IGN counter is displayed on FED (Freeze Frame data).
- 1 - 39: The number is indicated when it is normal at past and a malfunction was detected in the past. It increases like 0 → 1 → 2 ... 38 → 39 after returning to the normal condition whenever IGN OFF → ON. It is fixed to 39 until the self-diagnosis results are erased if it is over 39. It returns to 0 when a malfunction is detected again in the process.

# IPDM E/R (INTELLIGENT POWER DISTRIBUTION MODULE ENGINE ROOM)

< ECU DIAGNOSIS >

## IPDM E/R (INTELLIGENT POWER DISTRIBUTION MODULE ENGINE ROOM)

Reference Value

INFOID:000000001724016

VALUES ON THE DIAGNOSIS TOOL

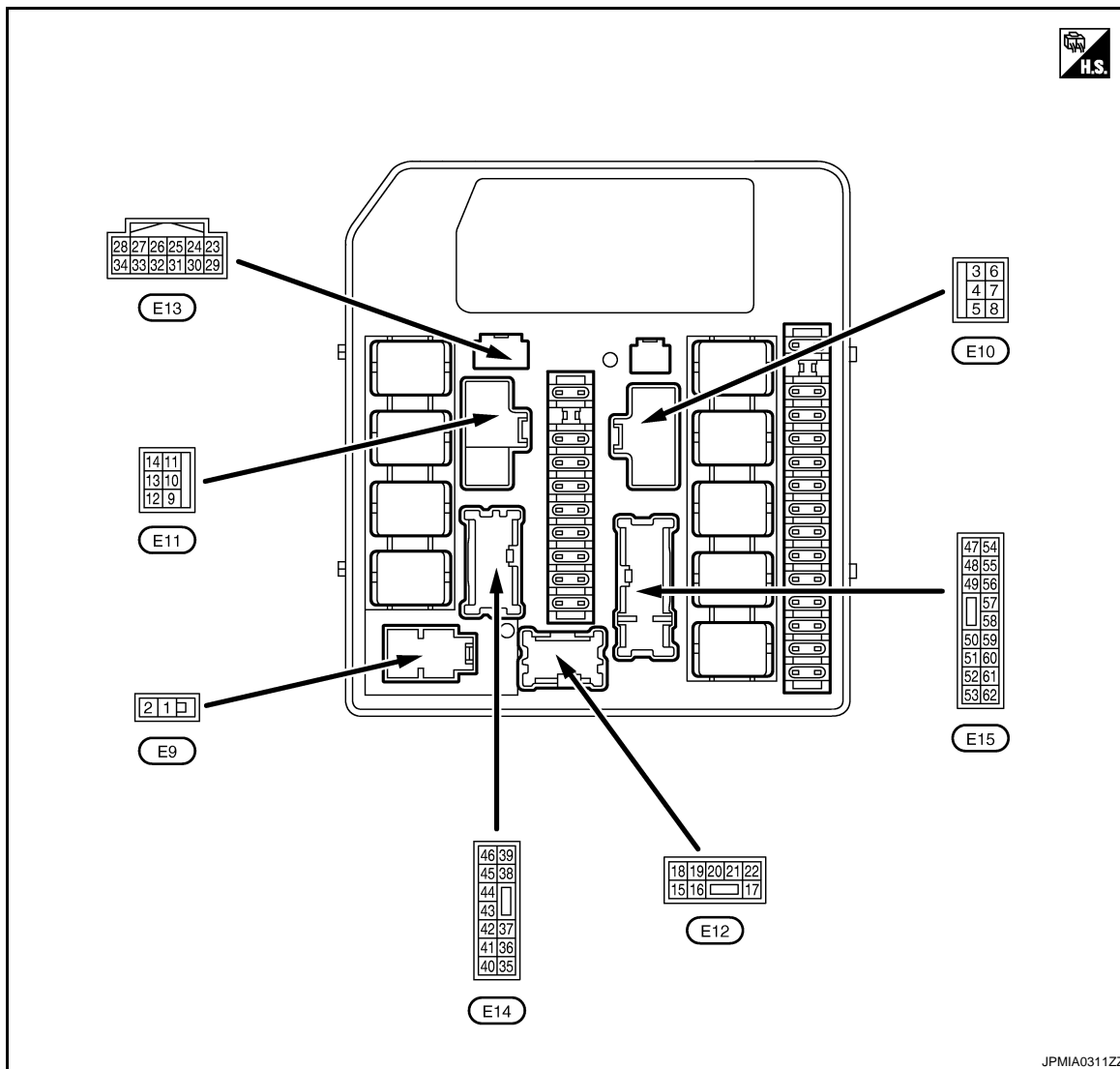
Monitor Item	Condition		Value/Status
MOTOR FAN REQ	Engine idle speed	Changes depending on engine coolant temperature, air conditioner operation status, vehicle speed, etc.	1 - 4
AC COMP REQ	Engine running	A/C switch OFF	Off
		A/C switch ON (Compressor is operating)	On
TAIL&CLR REQ	Lighting switch OFF		Off
	Lighting switch 1ST or 2ND		On
HL LO REQ	Lighting switch OFF		Off
	Lighting switch 2ND		On
HL HI REQ	Lighting switch OFF		Off
	Lighting switch HI (Light is illuminated)		On
FR FOG REQ <b>NOTE:</b> This item is monitored only on the vehicle with front fog lamp.	Lighting switch 2ND	Front fog lamp switch OFF	Off
		Front fog lamp switch ON	On
FR WIP REQ	Ignition switch ON	Front wiper switch OFF	Stop
		Front wiper switch INT	1LOW
		Front wiper switch LO	Low
		Front wiper switch HI	Hi
WIP AUTO STOP	Ignition switch ON	Front wiper stop position	STOP P
		Any position other than front wiper stop position	ACT P
WIP PROT	Ignition switch ON	Front wiper operates normally	Off
		Front wiper stops at fail-safe operation	BLOCK
ST RLY REQ <b>NOTE:</b> Vehicle without Intelligent Key system indicates only "ON", and it does not change.	When Intelligent Key is outside the vehicle, and the push switch is pushed		Off
	When Intelligent Key is inside the vehicle, and the push switch is pushed		On
IGN RLY	Ignition switch OFF or ACC		Off
	Ignition switch ON		On
RR DEF REQ	Ignition switch ON	Rear window defogger switch OFF	Off
		Rear window defogger switch ON (Rear window defogger is operating)	On
OIL P SW	Ignition switch OFF, ACC or engine running		Open
	Ignition switch ON		Close
DTRL REQ <b>NOTE:</b> This item is monitored only on the vehicle with the daytime running light system.	Daytime running light system is not operated.		Off
	Daytime running light system is operated.		On

# IPDM E/R (INTELLIGENT POWER DISTRIBUTION MODULE ENGINE ROOM)

## < ECU DIAGNOSIS >

Monitor Item	Condition	Value/Status
HOOD SW <b>NOTE:</b> This item is monitored only the vehicle for Mexico.	Close the hood	Off
	Open the hood	On
THFT HRN REQ	Not operation	Off
	Horn is activated with vehicle security system or panic alarm system.	On
HORN CHIRP	Not operation	Off
	Horn is activated with key fob LOCK operation.	On

## TERMINAL LAYOUT



## PHYSICAL VALUES

Terminal No. (Wire color)		Description		Condition	Value (Approx.)
+	-	Signal name	Input/ Output		
1 (R)	Ground	Battery power supply	Input	Ignition switch OFF	Battery voltage
2 (G)	Ground	Battery power supply	Input	Ignition switch OFF	Battery voltage

# IPDM E/R (INTELLIGENT POWER DISTRIBUTION MODULE ENGINE ROOM)

## < ECU DIAGNOSIS >

Terminal No. (Wire color)		Description		Condition		Value (Approx.)
+	-	Signal name	Input/ Output			
3 (O)	Ground	Starter relay power supply	Output	When engine is clanking		Battery voltage
				When engine is not clanking		0 V
4 (W)	Ground	Cooling fan relay-1 power supply	Output	Cooling fan operation	OFF	0 V
					MID or HI	Battery voltage
5 (R)	Ground	Ignition switch START	Input	Ignition switch OFF, ACC or ON		0 V
				Ignition switch START		Battery voltage
6 (BR)	Ground	Battery power supply (Cooling fan relay)	Input	Ignition switch OFF		Battery voltage
7 (P)	Ground	Cooling fan motor-2 (HI) ground	—	Cooling fan operation	OFF	Battery voltage
					HI	0 V
8 (G)	Ground	Cooling fan relay-2 power supply	Output	Cooling fan operation	OFF	0 V
					HI	Battery voltage
11 (B)	Ground	Ground	—	Ignition switch ON		0 V
12 (O)	Ground	Rear window defogger relay power supply	Output	Ignition switch ON	Rear window defogger switch OFF	0 V
					Rear window defogger switch ON	Battery voltage
15*1 (SB)	Ground	Daytime running light relay control	Output	Daytime running light system	Not operated	Battery voltage
					Operated	0 V
16*2 (Y)	Ground	Front fog lamp (LH)	Output	Lighting switch 2ND	Front fog lamp switch OFF	0 V
					Front fog lamp switch ON	Battery voltage
17*2 (W)	Ground	Front fog lamp (RH)	Output	Lighting switch 2ND	Front fog lamp switch OFF	0 V
					Front fog lamp switch ON	Battery voltage
18 (L)	Ground	Headlamp LO (LH)	Output	Lighting switch OFF		0 V
				Lighting switch 2ND		Battery voltage
20 (SB)	Ground	Headlamp LO (RH)	Output	Lighting switch OFF		0 V
				Lighting switch 2ND		Battery voltage
21 (G)	Ground	Headlamp HI (LH)	Output	Lighting switch OFF		0 V
				<ul style="list-style-type: none"> <li>• Lighting switch 2ND and HI</li> <li>• Lighting switch PASS</li> </ul>		Battery voltage
22 (LG)	Ground	Headlamp HI (RH)	Output	Lighting switch OFF		0 V
				<ul style="list-style-type: none"> <li>• Lighting switch 2ND and HI</li> <li>• Lighting switch PASS</li> </ul>		Battery voltage
23 (W)	Ground	Oil pressure switch	Input	Ignition switch ON	Engine stopped	0 V
					Engine running	Battery voltage
24 (Y)	Ground	Front wiper auto stop	Input	Ignition switch ON	Front wiper stop position	0 V
					Any position other than front wiper stop position	Battery voltage
25 (B)	Ground	Ground	—	Ignition switch ON		0 V
26 (P)	—	CAN-L	Input/ Output	—		—
27 (L)	—	CAN-H	Input/ Output	—		—

# IPDM E/R (INTELLIGENT POWER DISTRIBUTION MODULE ENGINE ROOM)

## < ECU DIAGNOSIS >

Terminal No. (Wire color)		Description		Condition		Value (Approx.)
+	-	Signal name	Input/ Output			
31 (LG)	Ground	Cooling fan relay-4 control	Output	Cooling fan operation	OFF	Battery voltage
					LO	0 - 1.0 V
32 (V)	Ground	ETC relay control	Input	After passing approximately 2 seconds or more after turning the ignition switch from ON to OFF		Battery voltage
				<ul style="list-style-type: none"> <li>Ignition switch ON</li> <li>For approximately 2 seconds after turning ignition switch from ON to OFF</li> </ul>		0 - 1.0 V
33 (GR)	Ground	Fuel pump relay control	Input	Ignition switch OFF		0 V
				Ignition switch ON	Engine stopped	Battery voltage
					Engine running	0.8 V
34*3 (W)	Ground	Hood switch	Input	Close the hood		Battery voltage
				Open the hood		0 V
37 (R)	Ground	Tail, license plate lamps and illuminations	Output	Lighting switch OFF		0 V
				Lighting switch 1ST		Battery voltage
38 (R)	Ground	Parking lamp (LH)	Output	Lighting switch OFF		0 V
				Lighting switch 1ST		Battery voltage
39 (GR)	Ground	Parking lamp (RH)	Output	Lighting switch OFF		0 V
				Lighting switch 1ST		Battery voltage
40 (BR)	Ground	Ignition relay power supply	Output	Ignition switch OFF or ACC		0 V
				Ignition switch ON		Battery voltage
41 (O)	Ground	Ignition relay power supply	Output	Ignition switch OFF or ACC		0 V
				Ignition switch ON		Battery voltage
42 (L)	Ground	Front wiper HI	Output	Ignition switch ON	Front wiper switch OFF	0 V
					Front wiper switch HI	Battery voltage
43 (G)	Ground	Front wiper LO	Output	Ignition switch ON	Front wiper switch OFF	0 V
					Front wiper switch LO	Battery voltage
45 (Y)	Ground	Starter relay power supply	Input	Ignition switch ON	Selector lever "P" or "N"	Battery voltage
					Selector lever in any position other than "P" or "N"	0 V
46 (W)	Ground	Fuel pump relay power supply	Output	<ul style="list-style-type: none"> <li>Ignition switch OFF or ACC</li> <li>After passing approximately 1 second or more after turning the ignition switch ON</li> </ul>		0 V
				<ul style="list-style-type: none"> <li>For approximately 1 second after turning the ignition switch ON</li> <li>Engine running</li> </ul>		Battery voltage
47 (BR)	Ground	ECM relay power supply	Output	After passing approximately 4 seconds or more after turning the ignition switch from ON to OFF		0 V
				<ul style="list-style-type: none"> <li>Ignition switch ON</li> <li>For approximately 4 seconds after turning ignition switch from ON to OFF</li> </ul>		Battery voltage
48 (R)	Ground	ECM relay power supply	Output	After passing approximately 4 seconds or more after turning the ignition switch from ON to OFF		0 V
				<ul style="list-style-type: none"> <li>Ignition switch ON</li> <li>For approximately 4 seconds after turning ignition switch from ON to OFF</li> </ul>		Battery voltage
50 (G)	Ground	Cooling fan relay-5 control	Output	Cooling fan operation	OFF	Battery voltage
					MID or HI	0 - 1.0 V

A

B

C

D

E

F

G

H

I

J

K

L

M

MWI

O

P

# IPDM E/R (INTELLIGENT POWER DISTRIBUTION MODULE ENGINE ROOM)

## < ECU DIAGNOSIS >

Terminal No. (Wire color)		Description		Condition	Value (Approx.)	
+	-	Signal name	Input/ Output			
51 (L)	Ground	ECM relay control	Output	After passing approximately 4 seconds or more after turning the ignition switch from ON to OFF	Battery voltage	
				<ul style="list-style-type: none"> <li>Ignition switch ON</li> <li>For approximately 4 seconds after turning ignition switch from ON to OFF</li> </ul>	0 - 1.0 V	
52 (P)	Ground	ETC relay power supply	Output	After passing approximately 2 seconds or more after turning the ignition switch from ON to OFF	0 V	
				<ul style="list-style-type: none"> <li>Ignition switch ON</li> <li>For approximately 2 seconds after turning ignition switch from ON to OFF</li> </ul>	Battery voltage	
55 (O)	Ground	A/C relay power supply	Output	Engine stopped	0 V	
				Engine running	A/C switch OFF	0 V
					A/C switch ON (A/C compressor is operating)	Battery voltage
56 (L)	Ground	Ignition switch ON	Input	Ignition switch OFF or ACC	0 V	
				Ignition switch ON	Battery voltage	
57 (V)	Ground	Horn relay control	Output	The horn is not activated	Battery voltage	
				The horn is activated	0 V	
58 (LG)	Ground	Ignition relay power supply	Output	Ignition switch OFF or ACC	0 V	
				Ignition switch ON	Battery voltage	
59 (BR)	Ground	Ignition relay power supply	Output	Ignition switch OFF or ACC	0 V	
				Ignition switch ON	Battery voltage	
60 (SB)	Ground	Ignition relay power supply	Output	Ignition switch OFF or ACC	0 V	
				Ignition switch ON	Battery voltage	
61 (R)	Ground	ECM power supply	Output	Ignition switch OFF	Battery voltage	

\*1: With daytime running light system

\*2: With front fog lamp system

\*3: For Mexico

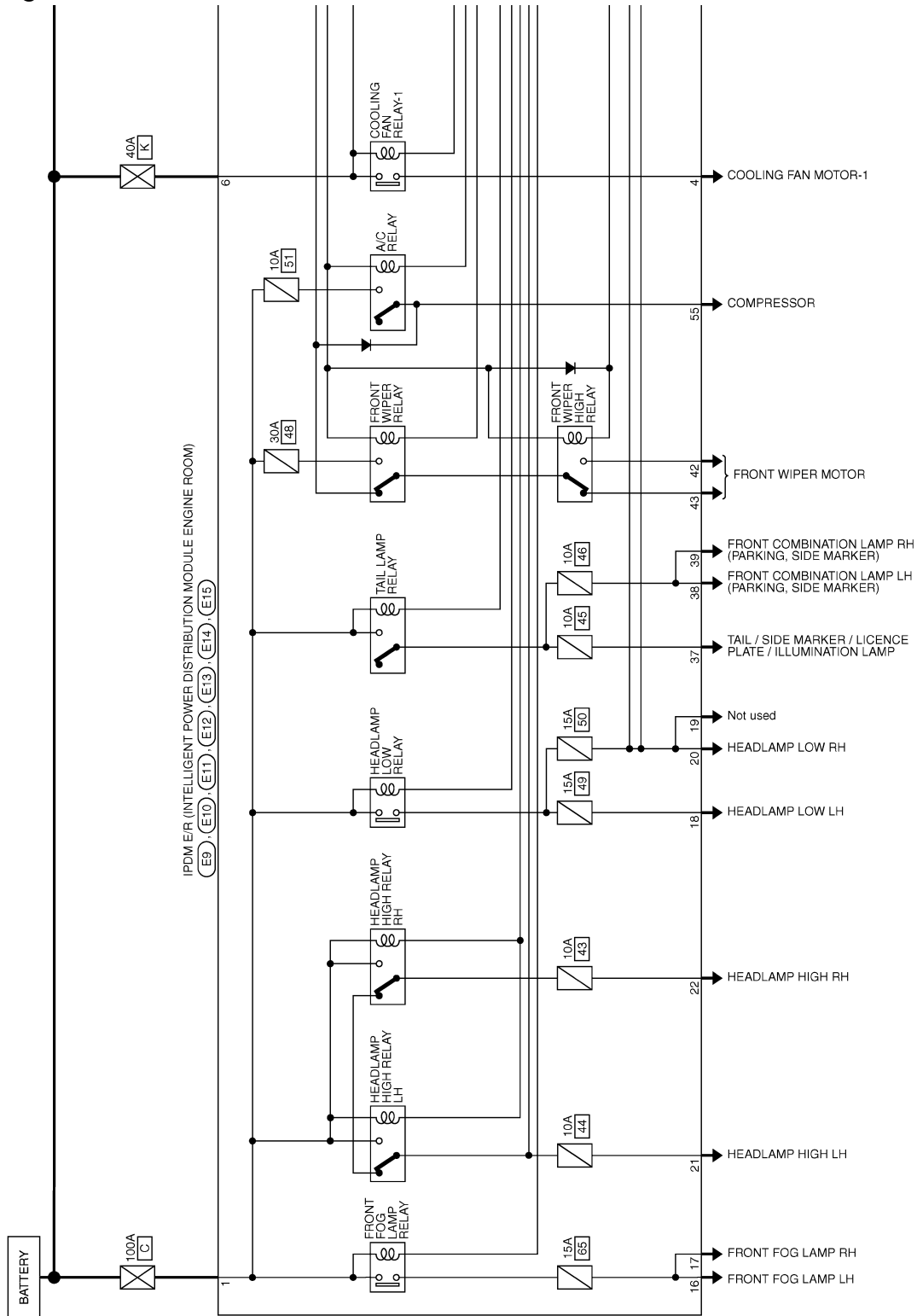
# IPDM E/R (INTELLIGENT POWER DISTRIBUTION MODULE ENGINE ROOM)

< ECU DIAGNOSIS >

## Wiring Diagram - IPDM E/R -

INFOID:000000001878369

### IPDM E/R (INTELLIGENT POWER DISTRIBUTION MODULE ENGINE ROOM)



2007/07/13

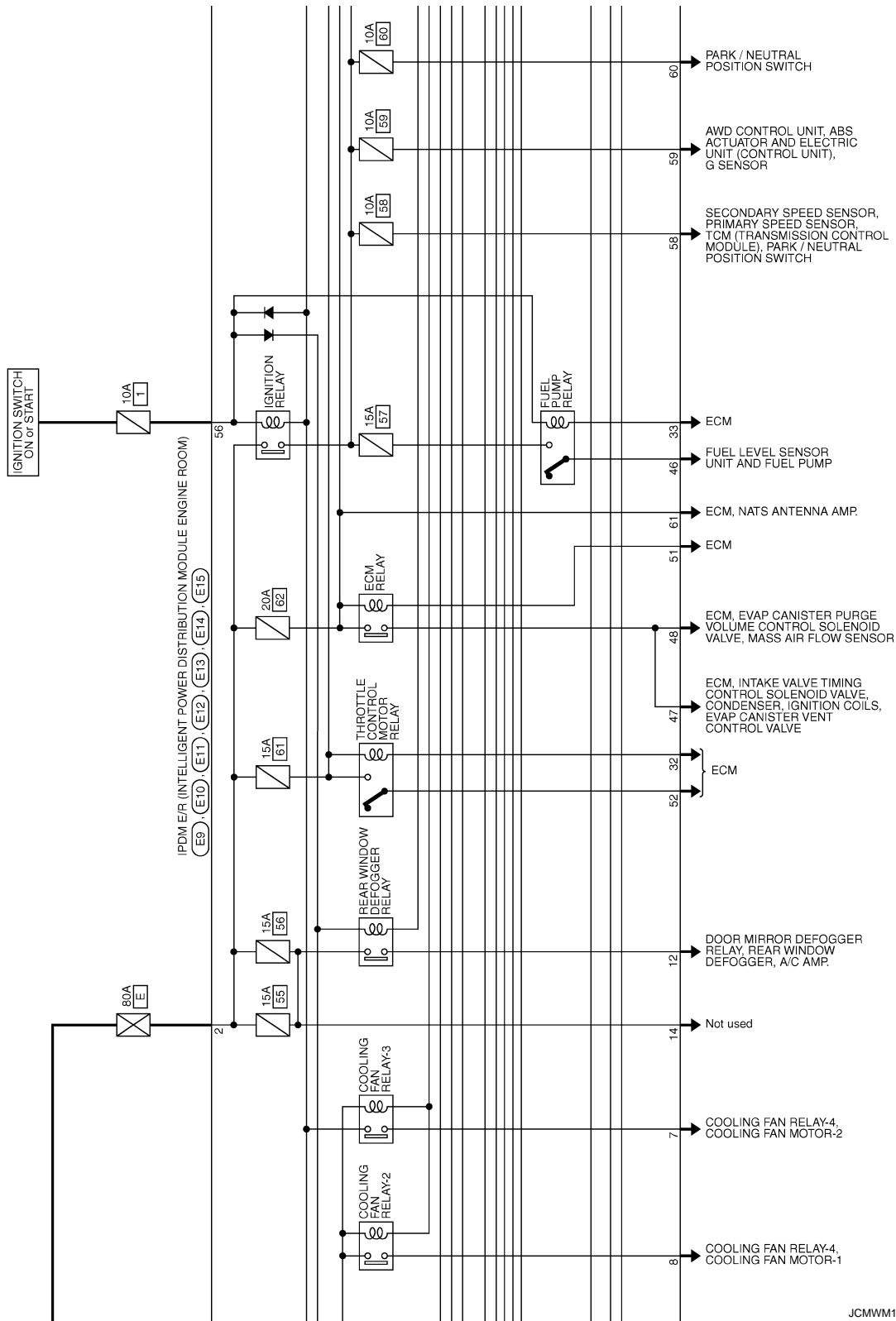
JCMWM1037G1

A  
B  
C  
D  
E  
F  
G  
H  
I  
J  
K  
L  
M  
N  
O  
P

MWI

# IPDM E/R (INTELLIGENT POWER DISTRIBUTION MODULE ENGINE ROOM)

< ECU DIAGNOSIS >

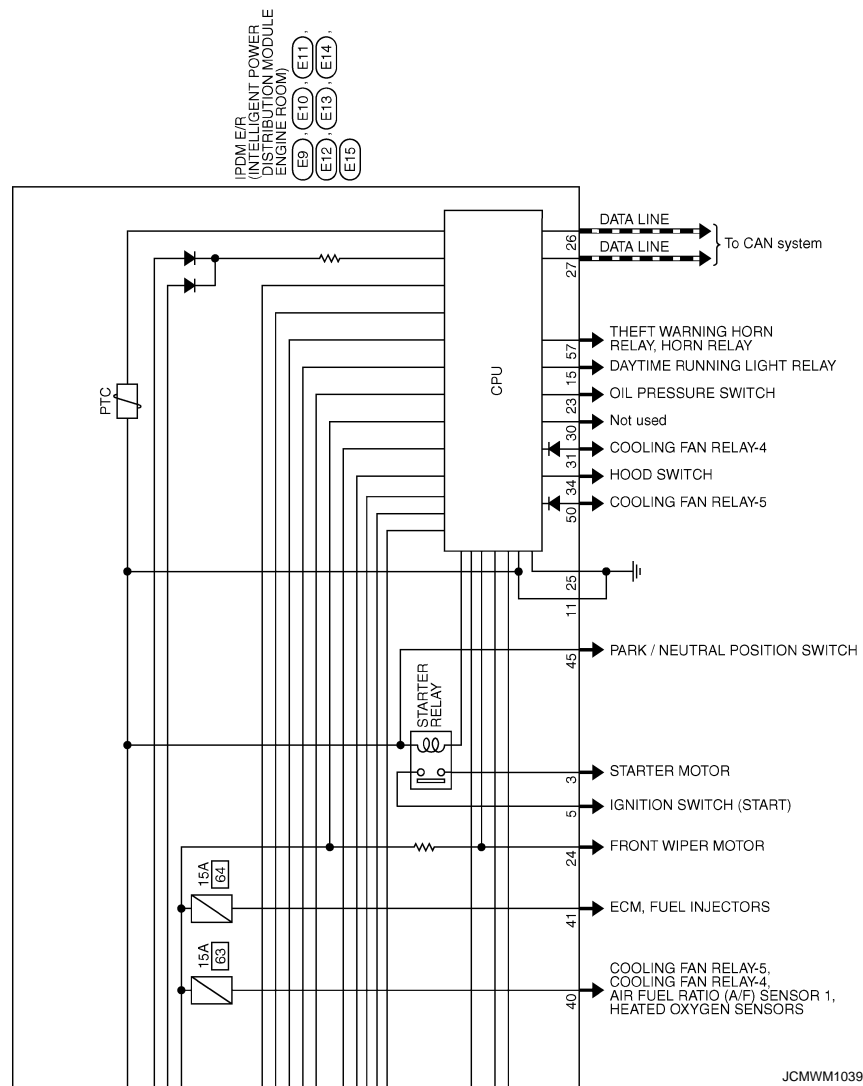


JCMWM1038G



# IPDM E/R (INTELLIGENT POWER DISTRIBUTION MODULE ENGINE ROOM)

## < ECU DIAGNOSIS >


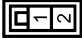

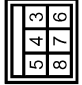

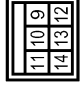

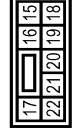


JCMWM1039GI




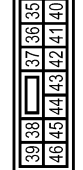

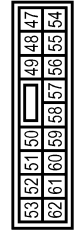
A  
B  
C  
D  
E  
F  
G  
H  
I  
J  
K  
L  
M  
MWI  
O  
P

# IPDM E/R (INTELLIGENT POWER DISTRIBUTION MODULE ENGINE ROOM)

< ECU DIAGNOSIS >

IPDM E/R (INTELLIGENT POWER DISTRIBUTION MODULE ENGINE ROOM)		
Connector No.	Connector Name	Connector Type
E9	IPDM E/R (INTELLIGENT POWER DISTRIBUTION MODULE ENGINE ROOM)	LC2FB-MC
 		
Terminal No.	Color of Wire	Signal Name [Specification]
1	R	-
2	G	-
IPDM E/R (INTELLIGENT POWER DISTRIBUTION MODULE ENGINE ROOM)		
Connector No.	Connector Name	Connector Type
E10	IPDM E/R (INTELLIGENT POWER DISTRIBUTION MODULE ENGINE ROOM)	MOBEV-LC
 		
Terminal No.	Color of Wire	Signal Name [Specification]
3	O	-
4	W	-
5	R	-
6	BR	-
7	P	-
8	G	-
IPDM E/R (INTELLIGENT POWER DISTRIBUTION MODULE ENGINE ROOM)		
Connector No.	Connector Name	Connector Type
E11	IPDM E/R (INTELLIGENT POWER DISTRIBUTION MODULE ENGINE ROOM)	MOBEF-LC
 		
Terminal No.	Color of Wire	Signal Name [Specification]
11	B	-
12	O	-
IPDM E/R (INTELLIGENT POWER DISTRIBUTION MODULE ENGINE ROOM)		
Connector No.	Connector Name	Connector Type
E12	IPDM E/R (INTELLIGENT POWER DISTRIBUTION MODULE ENGINE ROOM)	NS30FBF-CS
 		
Terminal No.	Color of Wire	Signal Name [Specification]
15	SB	-
16	Y	-
17	W	-
18	L	-
20	SR	-
21	G	-
22	LG	-

IPDM E/R (INTELLIGENT POWER DISTRIBUTION MODULE ENGINE ROOM)		
Connector No.	Connector Name	Connector Type
E13	IPDM E/R (INTELLIGENT POWER DISTRIBUTION MODULE ENGINE ROOM)	TH12FV-NH
 		
Terminal No.	Color of Wire	Signal Name [Specification]
23	W	-
24	Y	-
25	B	-
26	P	-
27	L	-
31	LG	-
32	V	-
33	GR	-
34	W	-
IPDM E/R (INTELLIGENT POWER DISTRIBUTION MODULE ENGINE ROOM)		
Connector No.	Connector Name	Connector Type
E14	IPDM E/R (INTELLIGENT POWER DISTRIBUTION MODULE ENGINE ROOM)	NS12FBR-CS
 		
Terminal No.	Color of Wire	Signal Name [Specification]
37	R	-
38	R	-
39	GR	-
40	BR	-
41	O	-
42	L	-
43	G	-
45	Y	-
46	W	-
IPDM E/R (INTELLIGENT POWER DISTRIBUTION MODULE ENGINE ROOM)		
Connector No.	Connector Name	Connector Type
E15	IPDM E/R (INTELLIGENT POWER DISTRIBUTION MODULE ENGINE ROOM)	NS18FW-CS
 		
Terminal No.	Color of Wire	Signal Name [Specification]
47	BR	-
48	R	-
50	G	-
51	L	-
52	P	-
55	O	-
56	SB	- [For North America]
56	L	- [Except for North America]
57	V	-
58	LG	-
59	BR	-
60	SB	-
61	R	-

JCMWM1040G

INFOID:000000001724018

## Fail Safe

### CAN communication control

When CAN communication with ECM and BCM is impossible, IPDM E/R performs fail-safe control. After CAN communication recovers normally, it also returns to normal control.

If no CAN communication is available with ECM

# IPDM E/R (INTELLIGENT POWER DISTRIBUTION MODULE ENGINE ROOM)

## < ECU DIAGNOSIS >

Control part	Fail-safe in operation
Cooling fan	<ul style="list-style-type: none"> <li>The cooling fan relay-1, the cooling fan relay-2, the cooling fan relay-3 and the cooling fan relay-5 turn ON when the ignition switch is turned ON</li> <li>The cooling fan relay-1, the cooling fan relay-2, the cooling fan relay-3 and the cooling fan relay-5 turn OFF when the ignition switch is turned OFF</li> <li>Cooling fan relay-4 OFF</li> </ul>
A/C compressor	A/C relay OFF

If no CAN communication is available with BCM

Control part	Fail-safe in operation
Headlamp	<ul style="list-style-type: none"> <li>The headlamp low relay turns ON when the ignition switch is turned ON</li> <li>The headlamp low relay turns OFF when the ignition switch is turned OFF</li> <li>Headlamp high relay OFF</li> </ul>
<ul style="list-style-type: none"> <li>Parking lamps</li> <li>License plate lamps</li> <li>Tail lamps</li> <li>Illuminations</li> </ul>	<ul style="list-style-type: none"> <li>The tail lamp relay and the daytime running light relay*<sup>1</sup> turn ON when the ignition switch is turned ON</li> <li>The tail lamp relay and the daytime running light relay*<sup>1</sup> turn OFF when the ignition switch is turned OFF</li> </ul>
Front wiper	<ul style="list-style-type: none"> <li>The status just before activation of fail-safe control is maintained until the ignition switch is turned OFF while the front wiper is operating at LO or HI speed.</li> <li>The front wiper is operated at LO speed until the ignition switch is turned OFF if the fail-safe control is activated while the front wiper is set in the INT mode and the front wiper motor is operating.</li> </ul>
Front fog lamps	Front fog lamp relay OFF
Starter motor	Starter relay OFF
Rear window defogger	Rear window defogger relay OFF
Headlamp washer* <sup>2</sup>	Headlamp washer relay OFF
Horn* <sup>3</sup>	Horn relay OFF

### NOTE:

- \*1: With daytime running light system
- \*2: With headlamp washer system
- \*3: With vehicle security system

### Ignition relay malfunction detection function

- IPDM E/R monitors status of ignition relay by the voltage at ignition relay contact circuit inside it.
- IPDM E/R judges that the ignition relay is error, if status of the ignition relay and ignition switch ON signal (CAN) \*.
- If the ignition relay cannot turn OFF due to contact seizure, it activates the tail lamp relay and daytime running light relay\* for 10 minutes to alert the user to the ignition relay malfunction when the ignition switch is turned OFF.

DTC	Ignition switch	Ignition relay	Tail lamp relay and daytime running light relay*
—	ON	ON	—
—	OFF	OFF	—
—	OFF	ON	ON (10 minutes)
B2099: IGN RLY OFF	ON	OFF	—

### NOTE:

- The tail lamp relay and the daytime running light relay\* are turned OFF when the ignition switch is turned ON.
- \*: With daytime running light system

### Front wiper control

IPDM E/R detects the front wiper stop position with the front wiper auto stop signal.

When the front wiper auto stop signal is in the conditions listed below, IPDM E/R repeats a front wiper 10 seconds operation and 20 seconds stop five times.

# IPDM E/R (INTELLIGENT POWER DISTRIBUTION MODULE ENGINE ROOM)

## < ECU DIAGNOSIS >

Ignition switch	Front wiper switch	Front wiper auto stop signal
ON	OFF	The front wiper auto stop signal (stop position) cannot be input for 10 seconds.
	ON	The front wiper auto stop signal does not change for 10 seconds.

**NOTE:**

This operation status can be confirmed on the IPDM E/R “Data Monitor” that displays “BLOCK” for the item “WIP PROT” while the wiper is stopped.

## DTC Index

INFOID:000000001724019

CONSULT display	Fail-safe	Timing <sup>NOTE</sup>		Reference page
No DTC is detected. further testing may be required.	—	—	—	—
U1000: CAN COMM CIRCUIT	×	CRNT	PAST	<a href="#">PCS-13</a>
B2099: IGN RELAY OFF	—	CRNT	PAST	<a href="#">PCS-14</a>

**NOTE:**

The details of time display are as follows.

- CRNT: The malfunctions that are detected now.
- PAST: The number is indicated when it is normal at present and a malfunction was detected in the past.

# THE FUEL GAUGE DOES NOT MOVE

< SYMPTOM DIAGNOSIS >

## SYMPTOM DIAGNOSIS

### THE FUEL GAUGE DOES NOT MOVE

#### Description

INFOID:000000001686492

Fuel gauge segment does not move from a certain position.

#### Diagnosis Procedure

INFOID:000000001686493

#### 1. CHECK COMBINATION METER INPUT SIGNAL

Connect CONSULT-III and check the combination meter input signal. Refer to [MWI-43. "Component Function Check"](#).

Is the inspection result normal?

YES >> GO TO 2.

NO >> Replace combination meter.

#### 2. CHECK FUEL LEVEL SENSOR SIGNAL CIRCUIT

Check the fuel level sensor signal circuit. Refer to [MWI-43. "Diagnosis Procedure"](#).

Is the inspection result normal?

YES >> GO TO 3.

NO >> Repair harness or connector.

#### 3. CHECK FUEL LEVEL SENSOR UNIT AND FUEL PUMP (FUEL LEVEL SENSOR)

Perform a unit check for the fuel level sensor unit and fuel pump (fuel level sensor). Refer to [MWI-44. "Component Inspection \[Fuel Level Sensor Unit And Fuel Pump \(Fuel Level Sensor\)\]"](#).

Is the inspection result normal?

YES >> GO TO 4.

NO >> Replace fuel level sensor unit and fuel pump (fuel level sensor). Refer to [FL-7. "2WD : Removal and Installation"](#) [except for Mexico (2WD)], [FL-11. "AWD : Removal and Installation"](#) [except for Mexico (AWD)], [FL-25. "Removal and Installation"](#) (for Mexico).

#### 4. CHECK FUEL LEVEL SENSOR UNIT (SUB)

Perform a unit check for the fuel level sensor unit (sub). Refer to [MWI-45. "Component Inspection \[Fuel Level Sensor Unit \(Sub\)\]"](#).

Is the inspection result normal?

YES >> GO TO 5.

NO >> Replace fuel level sensor unit (sub). Refer to [FL-11. "AWD : Removal and Installation"](#) (except for Mexico), [FL-25. "Removal and Installation"](#) (for Mexico).

#### 5. CHECK FLOAT INTERFERENCE

Check that the float arm interferes with or binds to other components in the fuel tank.

Is the inspection result normal?

YES >> Replace combination meter.

NO >> Repair or replace malfunctioning parts.

A

B

C

D

E

F

G

H

I

J

K

L

M

MWI

O

P

# THE OIL PRESSURE WARNING LAMP DOES NOT TURN ON

< SYMPTOM DIAGNOSIS >

---

## THE OIL PRESSURE WARNING LAMP DOES NOT TURN ON

### Description

INFOID:000000001686494

The oil pressure warning lamp stays off when the ignition switch is turned ON.

### Diagnosis Procedure

INFOID:000000001686495

#### 1.CHECK OIL PRESSURE WARNING LAMP

---

Perform auto active test. Refer to [PCS-8, "Diagnosis Description"](#).

Is oil pressure warning lamp illuminated?

YES >> GO TO 2.

NO >> Replace combination meter.

#### 2.CHECK OIL PRESSURE SWITCH SIGNAL CIRCUIT

---

Check the oil pressure switch signal circuit. Refer to [MWI-46, "Diagnosis Procedure"](#).

Is the inspection result normal?

YES >> GO TO 3.

NO >> Repair harness or connector.

#### 3.CHECK OIL PRESSURE SWITCH

---

Check the oil pressure switch. Refer to [MWI-46, "Component Inspection"](#).

Is the inspection result normal?

YES >> Replace IPDM E/R. Refer to [PCS-28, "Removal and Installation"](#).

NO >> Replace oil pressure switch.

# THE OIL PRESSURE WARNING LAMP DOES NOT TURN OFF

< SYMPTOM DIAGNOSIS >

## THE OIL PRESSURE WARNING LAMP DOES NOT TURN OFF

### Description

INFOID:000000001686496

The oil pressure warning lamp remains illuminated while the engine is running (normal oil pressure).

### Diagnosis Procedure

INFOID:000000001686497

#### 1. CHECK OIL PRESSURE WARNING LAMP

Perform auto active test. Refer to [PCS-8, "Diagnosis Description"](#).

Is oil pressure warning lamp illuminated?

- YES >> GO TO 2.
- NO >> Replace combination meter.

#### 2. CHECK IPDM E/R OUTPUT VOLTAGE

1. Turn ignition switch OFF.
2. Disconnect the oil pressure switch connector.
3. Turn ignition switch ON.
4. Check voltage between the oil pressure switch harness connector terminal and ground.

Terminal		Voltage (Approx.)
(+)	(-)	
Oil pressure switch		12 V
Connector	Terminal	
F63	1	
	Ground	

Is the inspection result normal?

- YES >> GO TO 3.
- NO >> GO TO 4.

#### 3. CHECK OIL PRESSURE SWITCH

Check the oil pressure switch. Refer to [MWI-46, "Component Inspection"](#).

Is the inspection result normal?

- YES >> Replace IPDM E/R. Refer to [PCS-28, "Removal and Installation"](#).
- NO >> Replace oil pressure switch.

#### 4. CHECK OIL PRESSURE SWITCH SIGNAL CIRCUIT

Check the oil pressure switch signal circuit. Refer to [MWI-46, "Diagnosis Procedure"](#).

Is the inspection result normal?

- YES >> Replace IPDM E/R. Refer to [PCS-28, "Removal and Installation"](#).
- NO >> Repair harness or connector.

A  
B  
C  
D  
E  
F  
G  
H  
I  
J  
K  
L  
M

MWI

O  
P

# THE AMBIENT TEMPERATURE DISPLAY IS INCORRECT

< SYMPTOM DIAGNOSIS >

---

## THE AMBIENT TEMPERATURE DISPLAY IS INCORRECT

### Description

INFOID:000000001686498

- The ambient air temperature display flashes and the ambient air temperature is not displayed.
- The displayed ambient air temperature is higher than the actual temperature.
- The displayed ambient air temperature is lower than the actual temperature.

### Diagnosis Procedure

INFOID:000000001686499

#### NOTE:

Check that the symptom is not applicable to the normal operating condition before starting diagnosis. Refer to [MWI-81, "INFORMATION DISPLAY : Description"](#).

#### 1.CHECK AMBIENT SENSOR SIGNAL CIRCUIT

---

Check the ambient sensor signal circuit. Refer to [MWI-48, "Diagnosis Procedure"](#).

Is the inspection result normal?

YES >> GO TO 2.

NO >> Repair harness or connector.

#### 2.CHECK AMBIENT SENSOR

---

Check the ambient sensor. Refer to [MWI-48, "Component Inspection"](#).

Is the inspection result normal?

YES >> Replace combination meter.

NO >> Replace ambient sensor.



# NORMAL OPERATING CONDITION

< SYMPTOM DIAGNOSIS >

## NORMAL OPERATING CONDITION INFORMATION DISPLAY

### INFORMATION DISPLAY : Description

INFOID:000000001686502

#### AMBIENT AIR TEMPERATURE

The displayed ambient air temperature on the information display may differ from the actual temperature because it is a corrected value calculated from the ambient sensor signal by the combination meter. Refer to [MWI-26, "INFORMATION DISPLAY : System Description"](#) for details on the correction process.

#### POSSIBLE DRIVING DISTANCE

The calculated possible driving distance may differ from the actual distance to empty if the refueling amount is approximately 15 ℓ (4 US gal, 3-3/10 Imp gal) or less. This is because the refuel control (moves the fuel gauge needle quicker than normal judging that the driver is refueling the vehicle) is not performed in such a case.

A  
B  
C  
D  
E  
F  
G  
H  
I  
J  
K  
L  
M  
O  
P

MWI

# PRECAUTIONS

< PRECAUTION >

## PRECAUTION

### PRECAUTIONS

#### FOR USA AND CANADA

#### FOR USA AND CANADA : Precaution for Supplemental Restraint System (SRS) "AIR BAG" and "SEAT BELT PRE-TENSIONER"

INFOID:000000003258582

The Supplemental Restraint System such as "AIR BAG" and "SEAT BELT PRE-TENSIONER", used along with a front seat belt, helps to reduce the risk or severity of injury to the driver and front passenger for certain types of collision. This system includes seat belt switch inputs and dual stage front air bag modules. The SRS system uses the seat belt switches to determine the front air bag deployment, and may only deploy one front air bag, depending on the severity of a collision and whether the front occupants are belted or unbelted.

Information necessary to service the system safely is included in the "SRS AIRBAG" and "SEAT BELT" of this Service Manual.

#### **WARNING:**

- **To avoid rendering the SRS inoperative, which could increase the risk of personal injury or death in the event of a collision which would result in air bag inflation, all maintenance must be performed by an authorized NISSAN/INFINITI dealer.**
- **Improper maintenance, including incorrect removal and installation of the SRS, can lead to personal injury caused by unintentional activation of the system. For removal of Spiral Cable and Air Bag Module, see the "SRS AIRBAG".**
- **Do not use electrical test equipment on any circuit related to the SRS unless instructed to in this Service Manual. SRS wiring harnesses can be identified by yellow and/or orange harnesses or harness connectors.**

#### FOR MEXICO

#### FOR MEXICO : Precaution for Supplemental Restraint System (SRS) "AIR BAG" and "SEAT BELT PRE-TENSIONER"

INFOID:000000003258583

The Supplemental Restraint System such as "AIR BAG" and "SEAT BELT PRE-TENSIONER", used along with a front seat belt, helps to reduce the risk or severity of injury to the driver and front passenger for certain types of collision. Information necessary to service the system safely is included in the "SRS AIRBAG" and "SEAT BELT" of this Service Manual.

#### **WARNING:**

- **To avoid rendering the SRS inoperative, which could increase the risk of personal injury or death in the event of a collision which would result in air bag inflation, all maintenance must be performed by an authorized NISSAN/INFINITI dealer.**
- **Improper maintenance, including incorrect removal and installation of the SRS, can lead to personal injury caused by unintentional activation of the system. For removal of Spiral Cable and Air Bag Module, see the "SRS AIRBAG".**
- **Do not use electrical test equipment on any circuit related to the SRS unless instructed to in this Service Manual. SRS wiring harnesses can be identified by yellow and/or orange harnesses or harness connectors.**

# COMBINATION METER

< ON-VEHICLE REPAIR >

## ON-VEHICLE REPAIR

### COMBINATION METER

#### Exploded View

INFOID:000000001686504

Refer to [IP-12, "Exploded View"](#).

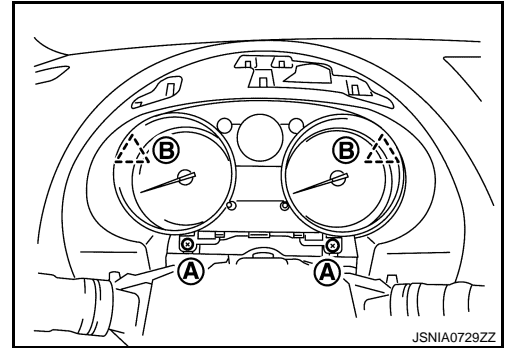
#### Removal and Installation

INFOID:000000001686505

##### Removal

1. Remove steering column cover. Refer to [IP-13, "Removal and Installation"](#).
2. Remove the cluster lid A. Refer to [IP-13, "Removal and Installation"](#).
3. Remove screw (A) and connector, and then remove combination meter.

B : Clip



##### Installation

Install in the reverse order of removal.

A  
B  
C  
D  
E  
F  
G  
H  
I  
J  
K  
L  
M  
N  
O  
P

MWI