

ROSEMOUNT 214C ADAPTER/FITTING MOUNTING STYLES AND EXTENSIONS

REVISION TABLE			
REVISION	ECO NO.	APP'D	DATE
AH	RTC1076745	M. DOBRATZ	2/19/21
DESCRIPTION			
UPDATE DIN TO I.S. ASSEMBLIES			

COMPRESSION FITTINGS (CA, CB, CC, CD)

ADJUSTABLE SPRING LOADED ADAPTER (SA)

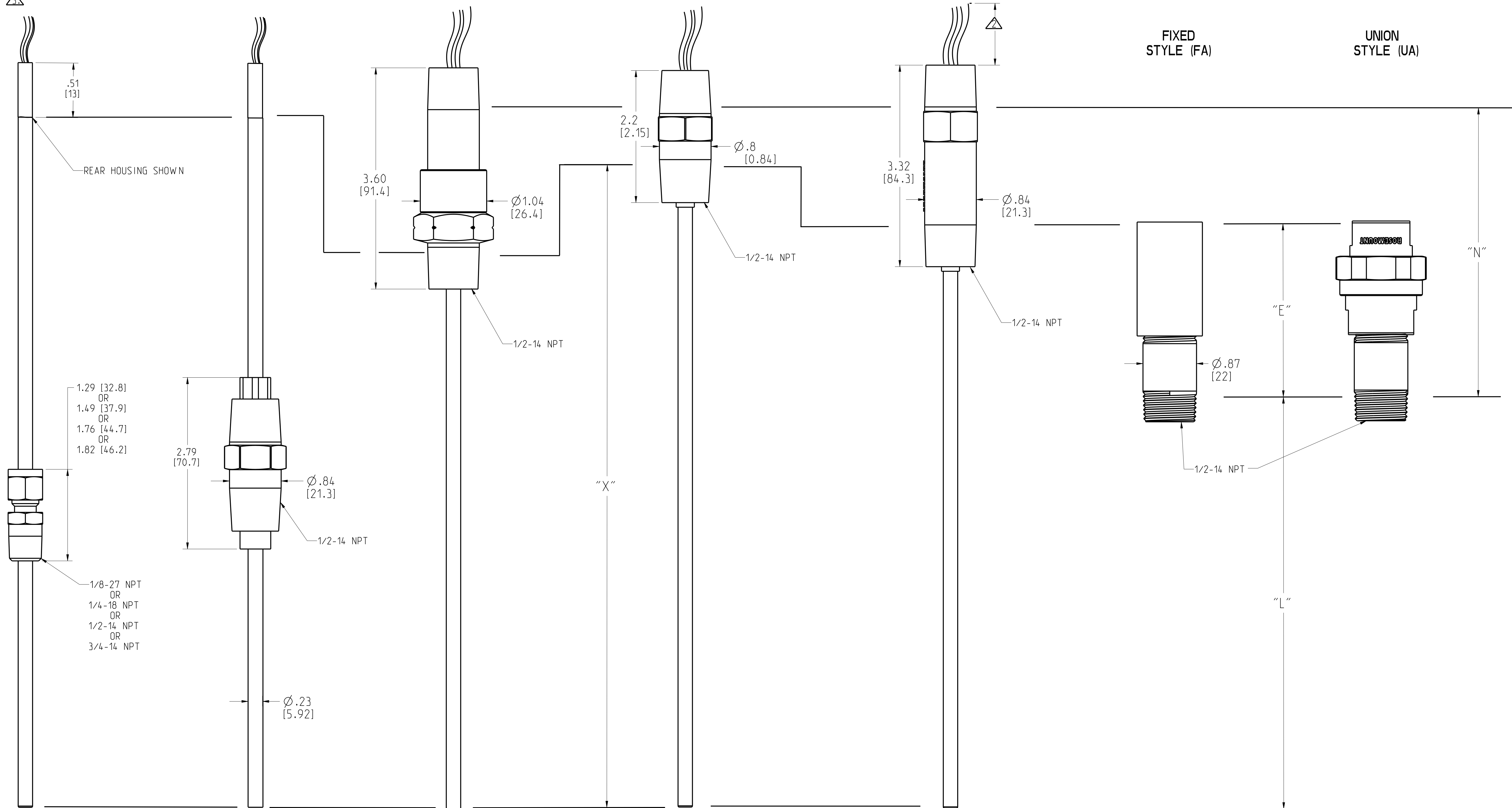
SPRING LOADED ADAPTER WITH THERMOWELL CONTACT INDICATION (SW)

COMPACT SPRING LOADED ADAPTER STYLE (SC) or COMPACT WELDED ADAPTER STYLE (WC)

SPRING LOADED ADAPTER STYLE (SL) OR WELDED ADAPTER STYLE (WA)

FIXED STYLE (FA)

UNION STYLE (UA)



SENSORS

EQUATIONS
 WITH EXTENSION
 $X = E + L$
 WITHOUT EXTENSION
 $X = L$
 $N = \text{ADAPTER LENGTH} + E$

EXTENSIONS

- 3 X=L ROUNDED TO THE NEAREST 25mm INCREMENT
- 2 STANDARD LEAD WIRES ARE 8". LEAD WIRES LONGER THAN 8" ARE DESCRIBED ON PAGE 2
1. .75 [19] CLEARANCE REQUIRED TO REMOVE COVERS.
- NOTES:

©2015 ROSEMOUNT, INC. ALL RIGHTS RESERVED. THIS DRAWING IS THE PROPERTY OF ROSEMOUNT, INC. AND IS TO BE USED IN ACCORDANCE WITH THE ROSEMOUNT ENGINEERING SPECIFICATIONS. UNIT NOTES IN INCHES (mm).

REFERENCE ROSEMOUNT PRODUCT SPECIFICATIONS FOR PRODUCT SPECIFICATIONS. CLICK HERE

3RD ANGLE

EMERSON

TITLE
 ROSEMOUNT 214C
 TYPE I DRAWING

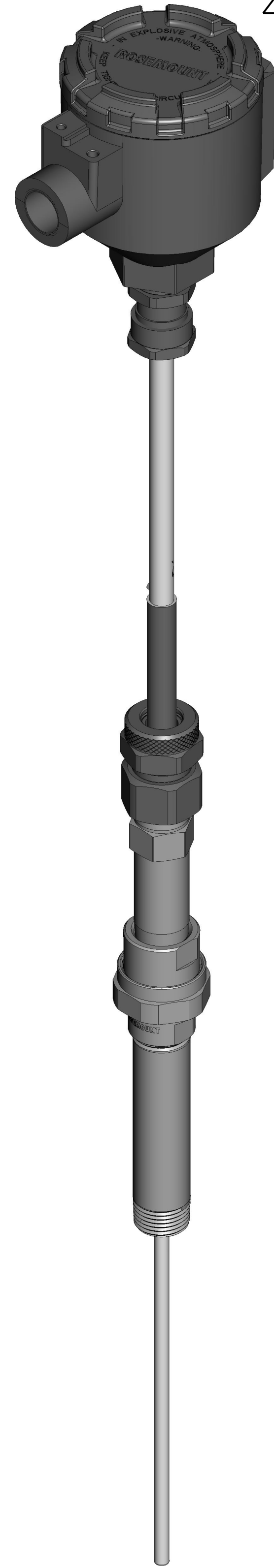
DR. J. ARMSTRONG 6/25/15 DRAWING NO.
 APP'D O. GHAZI 12/02/15

00214-7000

CAD MAINTAINED (PRO/EI) SHEET 1 OF 6

ROSEMOUNT 214C LEAD WIRE EXTENSIONS

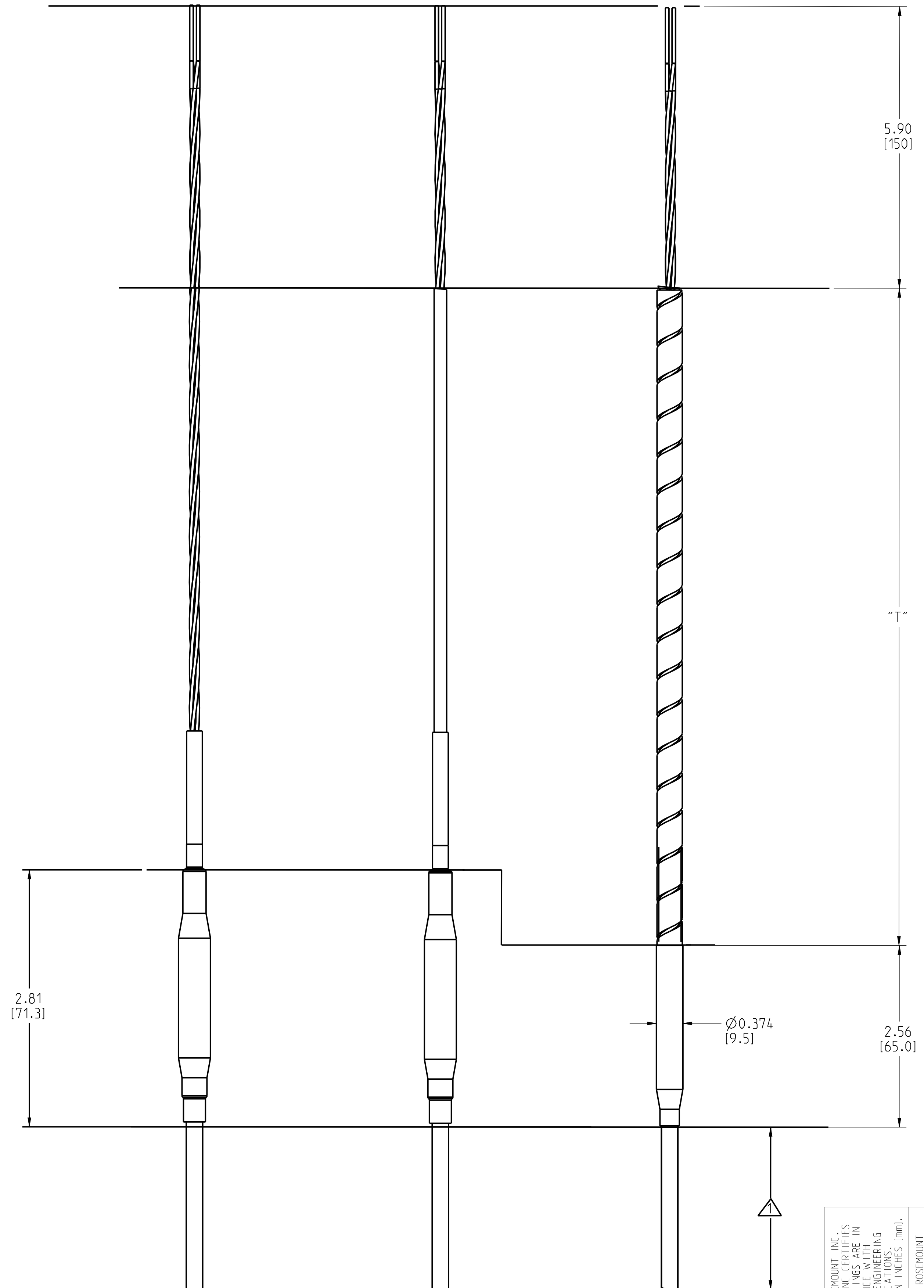
LEAD WIRE EXTENSION ASSEMBLY



TWISTED LEAD WIRE EXTENSION (LA)

SHIELDED, PTFE WRAPPED CABLE LEAD WIRE EXTENSION (LB) W/ DRAIN WIRE (DW)

ARMORED CABLE (AN), PVC COATED
ARMORED CABLE (AC), PTFE COATED ARMORED CABLE (AP)



LEAD WIRE EXTENSIONS

DRAIN WIRE LENGTH IS 5.9"

LEAD WIRE EXTENSION SHOWN IS AN ASSEMBLY EXAMPLE AND ACTUAL ASSEMBLY WILL VARY BASED ON SPECIFIC CONFIGURATIONS

SENSOR MOUNTING STYLES AND EXTENSIONS APPLY AS SHOWN ON PAGE 1

©2015 ROSEMOUNT, INC.
ALL RIGHTS RESERVED.
THIS DRAWING IS THE PROPERTY OF ROSEMOUNT, INC. AND IS TO BE USED IN ACCORDANCE WITH ROSEMOUNT ENGINEERING SPECIFICATIONS.
UNIT NOTES IN INCHES (mm).
REFERENCE ROSEMOUNT PRODUCT SPECIFICATIONS.
CLICK HERE

		3RD ANGLE		SIZE D	SCALE NTS
TITLE ROSEMOUNT 214C TYPE I DRAWING					
DR. J. ARMSTRONG	6/25/15	DRAWING NO.		00214-7000	
APP'D O. GHAZI	12/02/15				
CAD MAINTAINED (PRO/EI)				SHEET 2 OF 6	

ROSEMOUNT 214C DIN PLATES AND EXTENSIONS

DIN STYLE FLYING LEADS (DF)

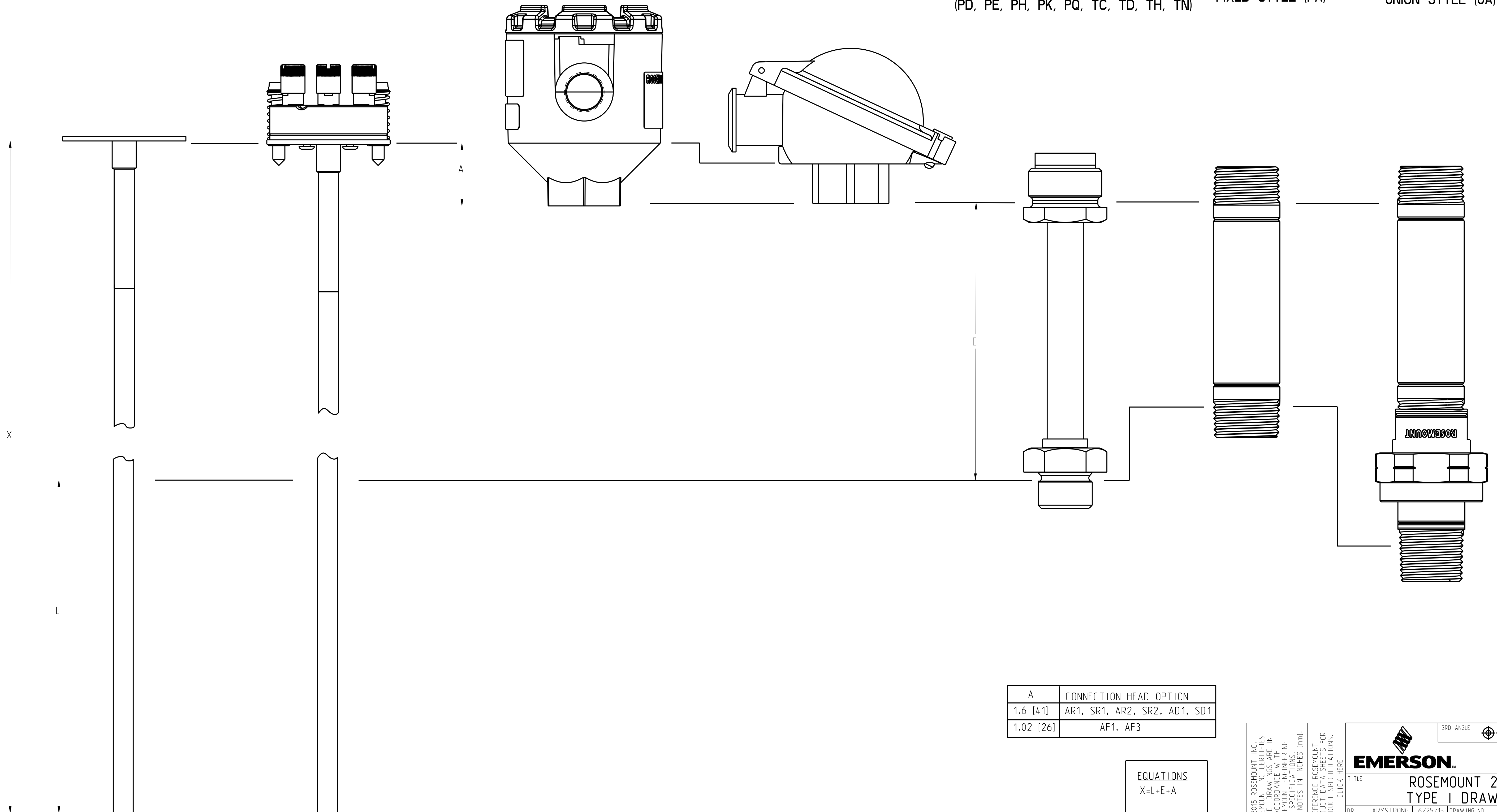
DIN STYLE TERMINAL BLOCK (DT)

CONNECTION HEAD
(AR1, AR2, SR1, SR2, AD1, SD1, AF1, AF3)

DIN STYLE EXTENSION
(PD, PE, PH, PK, PQ, TC, TD, TH, TN)

FIXED STYLE (FA)

UNION STYLE (UA)



A	CONNECTION HEAD OPTION
1.6 [41]	AR1, SR1, AR2, SR2, AD1, SD1
1.02 [26]	AF1, AF3

EQUATIONS
 $X=L+E+A$

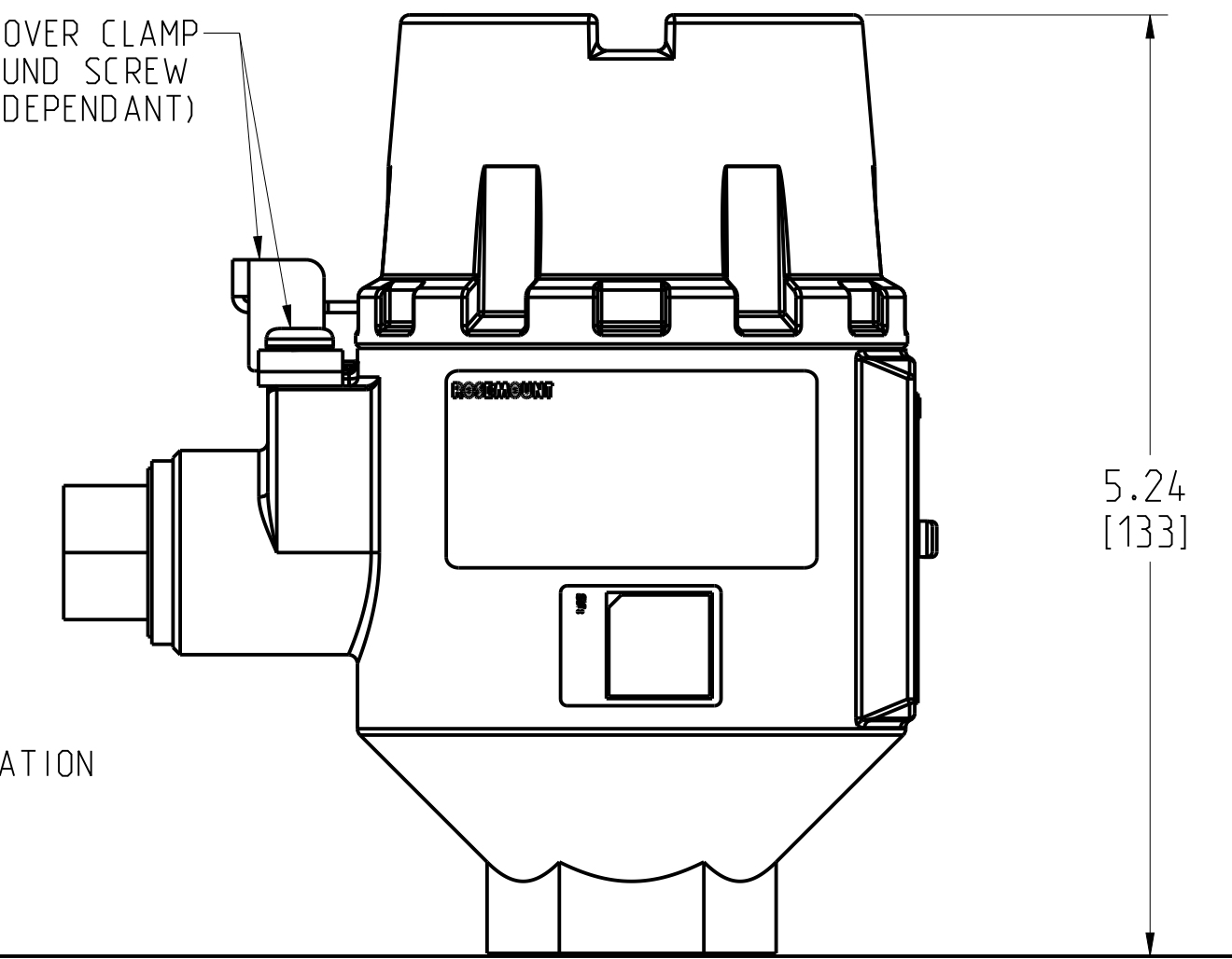
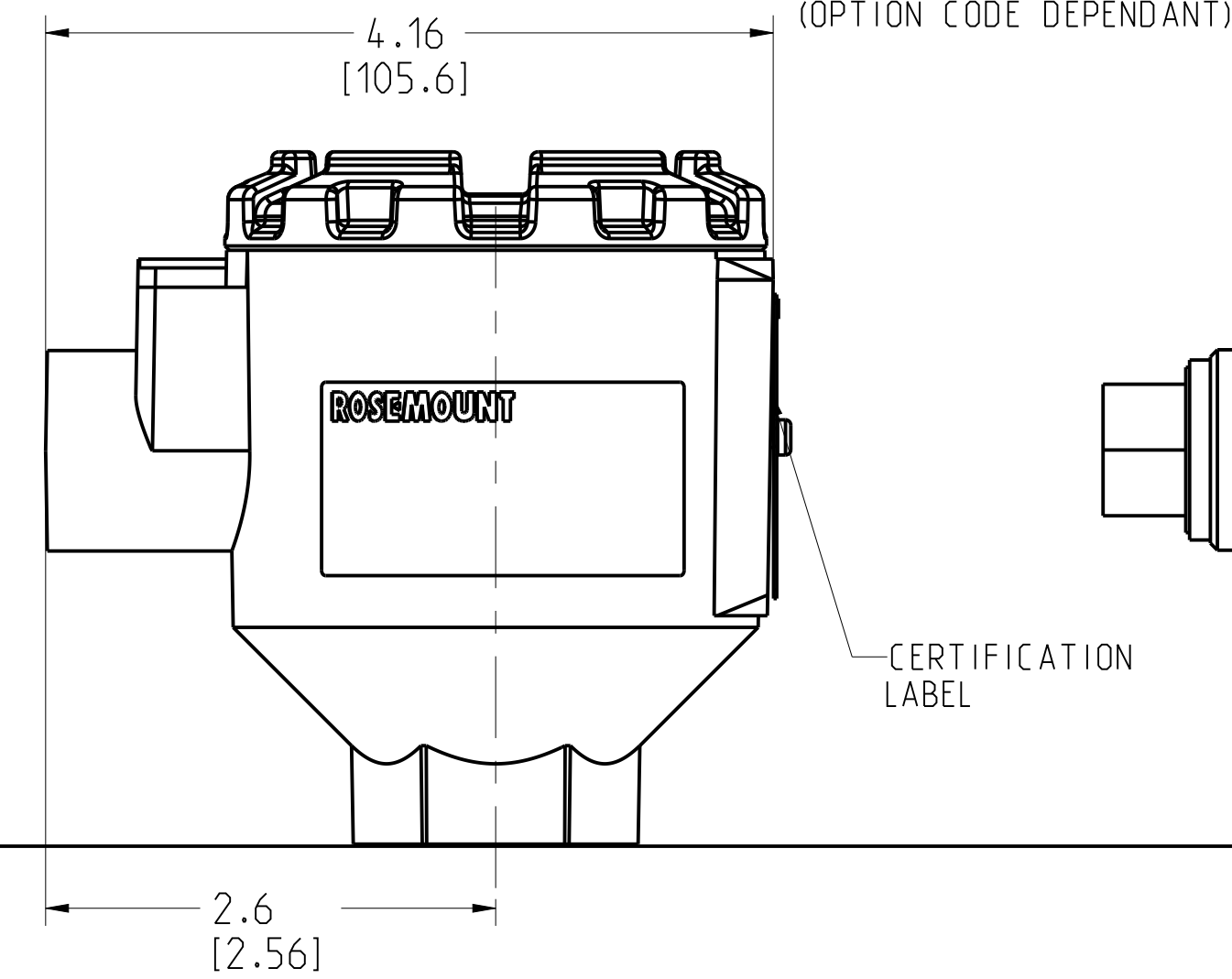
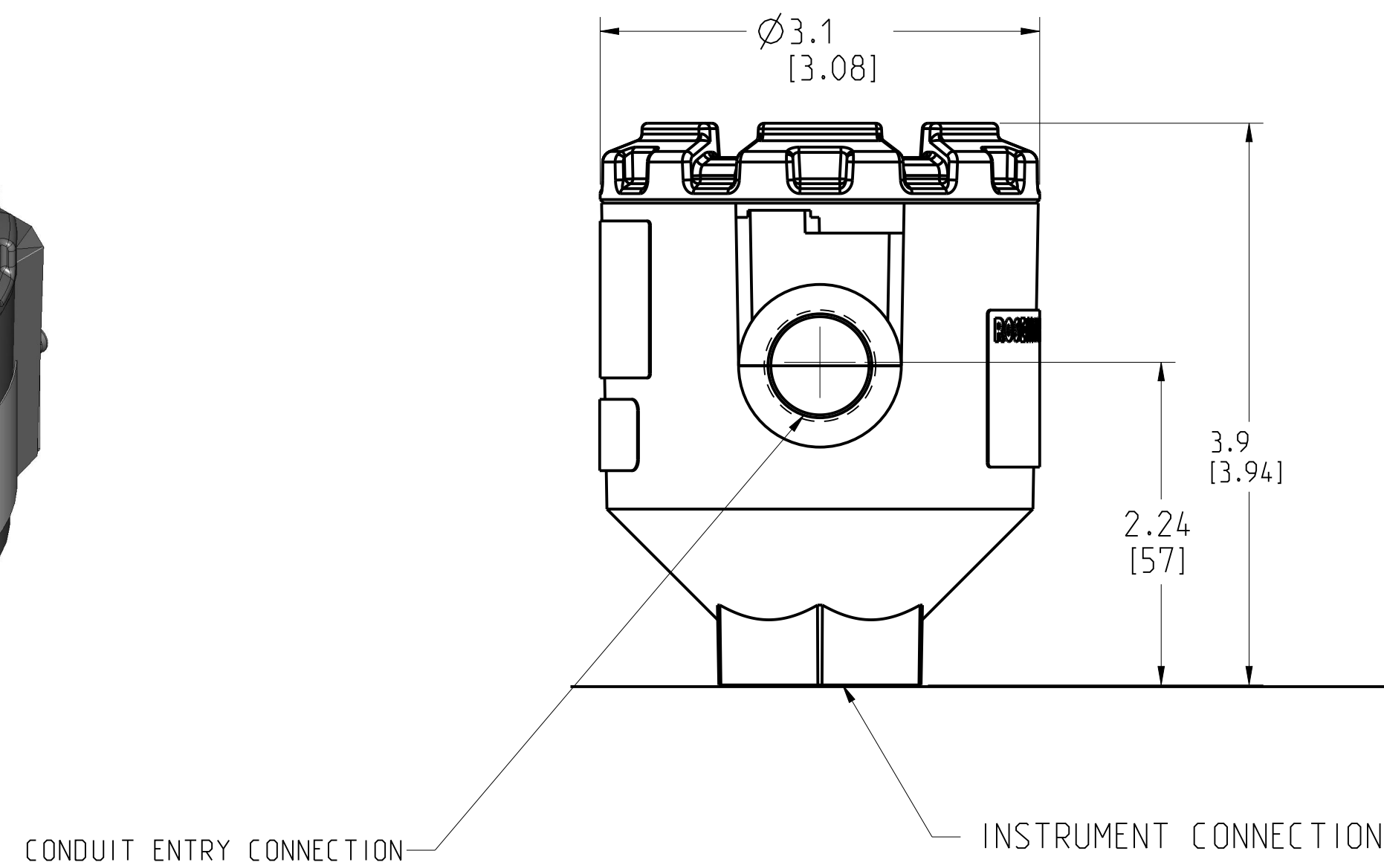
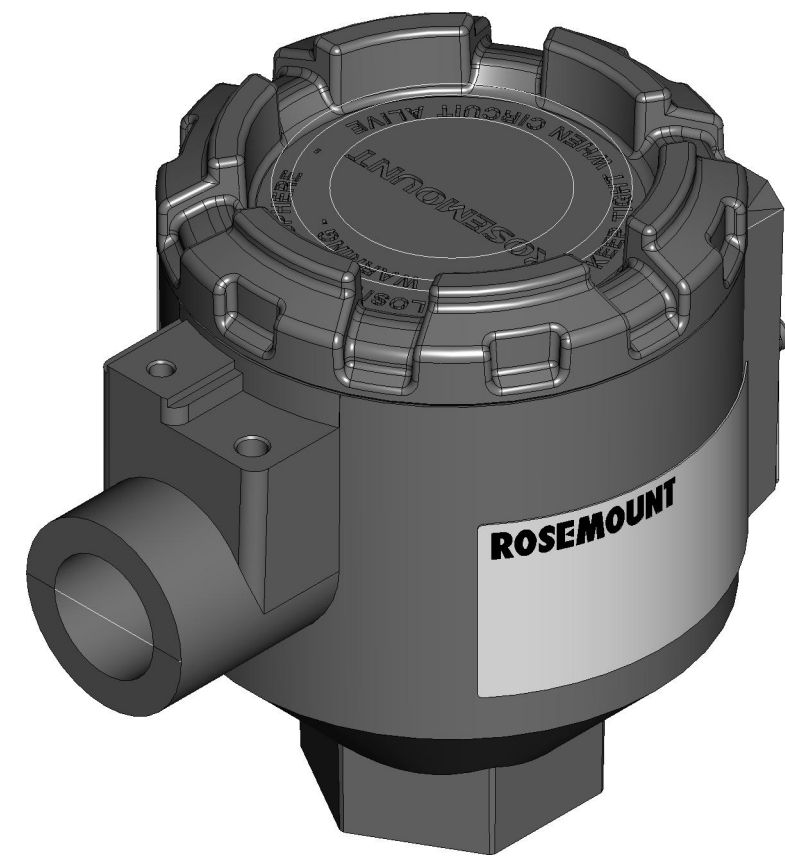
©2015 ROSEMOUNT, INC.
ROSEMOUNT INC. CLAIMS
THESE DRAWINGS ARE MADE IN
ACCORDANCE WITH
ROSEMOUNT ENGINEERING
SPECIFICATIONS.
UNIT NOTES IN INCHES (mm).
REFERENCE ROSEMOUNT
PRODUCT SPECIFICATIONS.
CLICK HERE

		3RD ANGLE		SIZE	SCALE
		D	NTS		
TITLE ROSEMOUNT 214C TYPE I DRAWING					
DR. J. ARMSTRONG	6/25/15	DRAWING NO.		00214-7000	
APP'D O. GHAZI	12/02/15				
CAD MAINTAINED (PRO/E)				SHEET 3 OF 6	

ROSEMOUNT 214C SENSOR CONNECTION HEADS

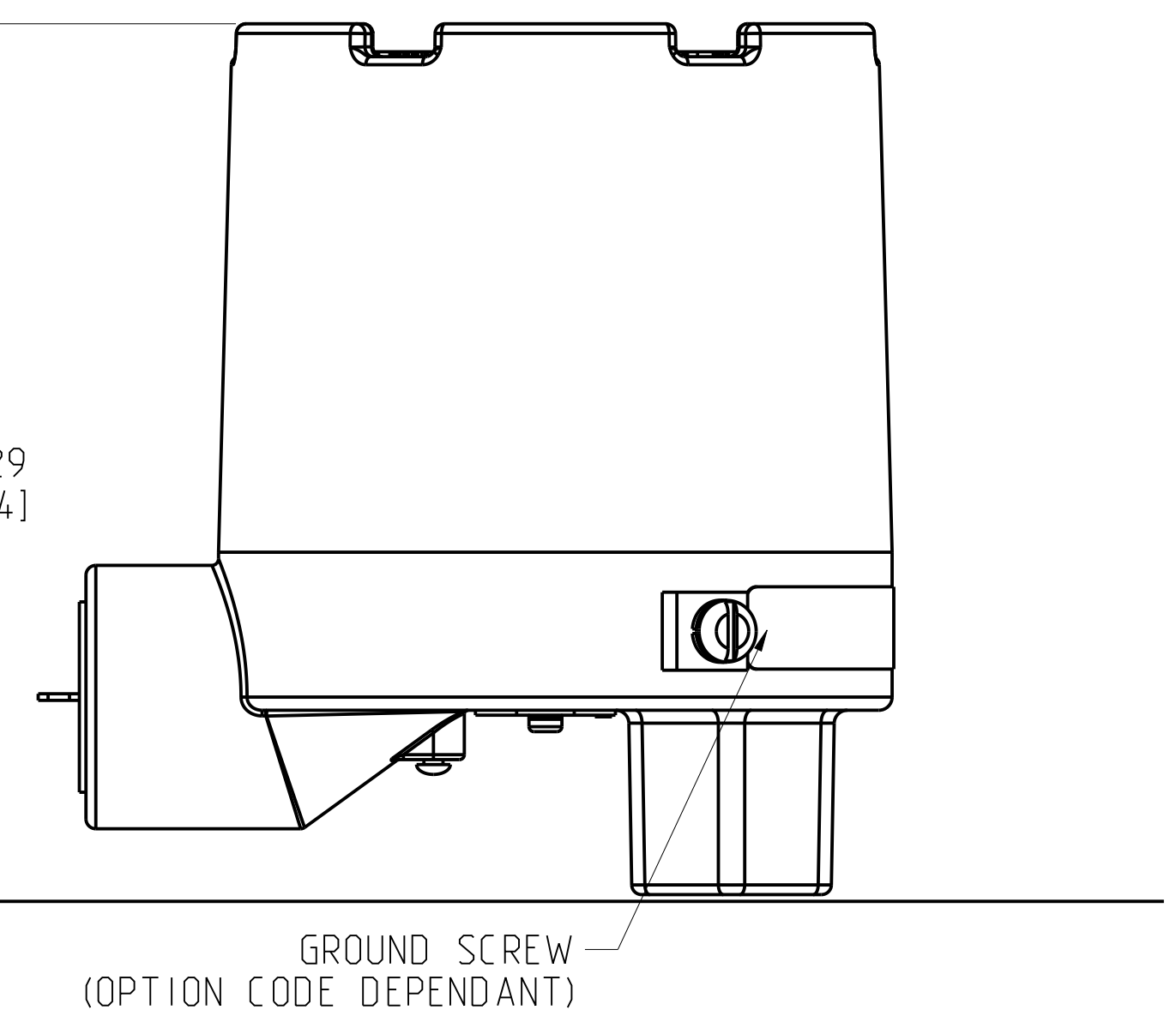
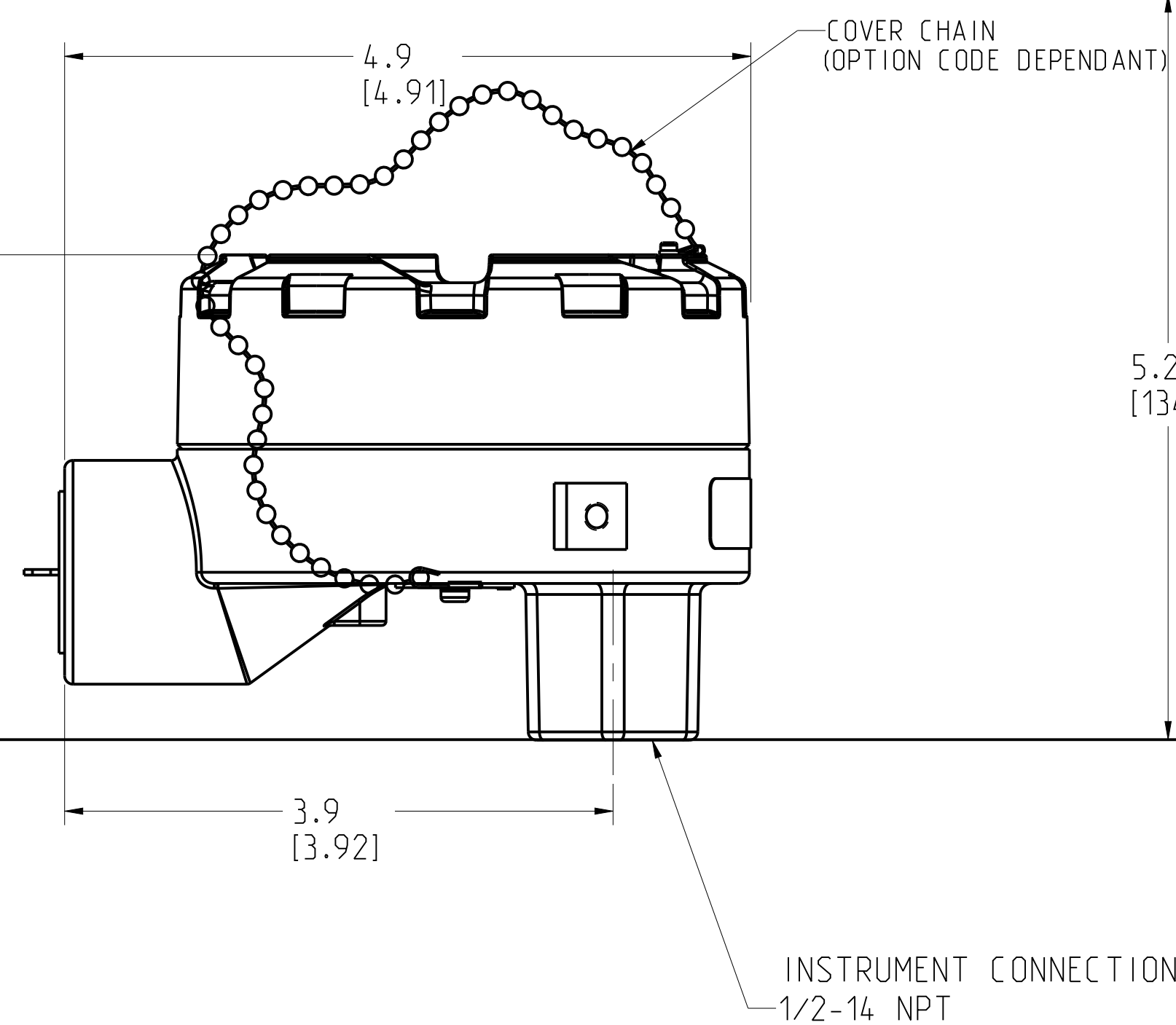
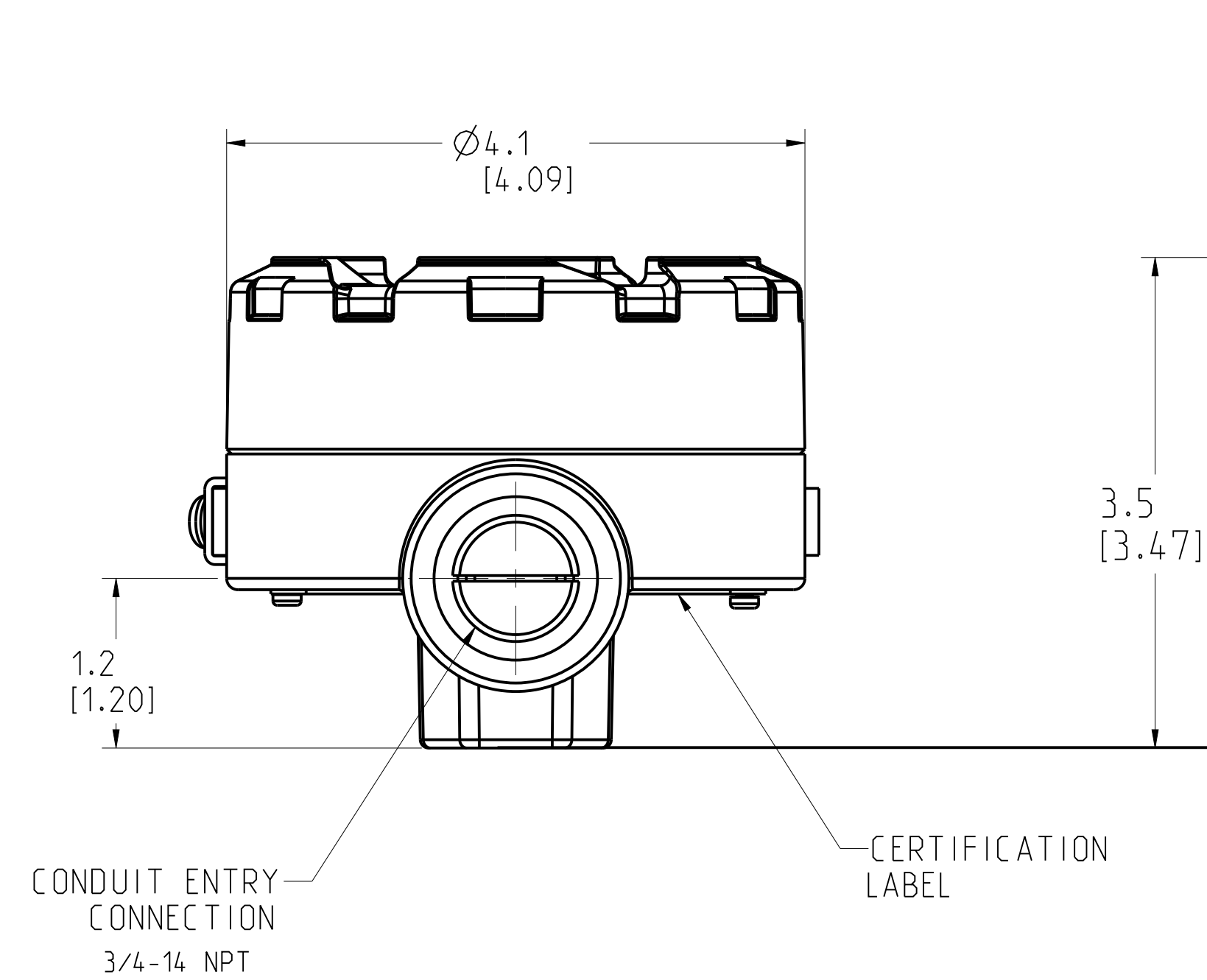
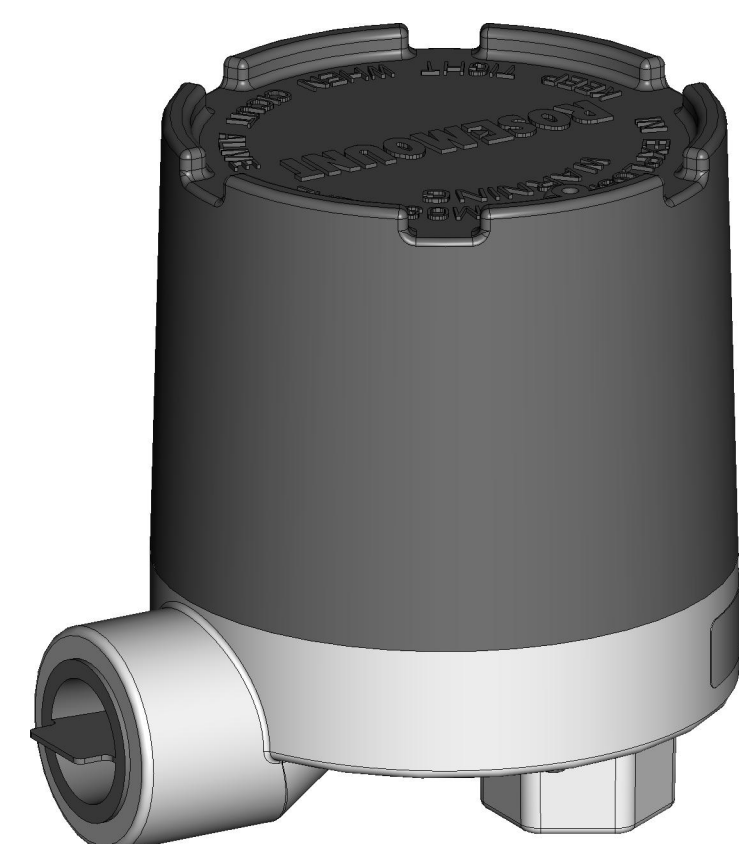
ROSEMOUNT ALUMINUM (AR1)
OR ROSEMOUNT SST (SR1)
(COVER CHAIN OPTION AVAILABLE)

ROSEMOUNT ALUMINUM WITH DISPLAY COVER (AR2)
OR SST ROSEMOUNT SST WITH DISPLAY COVER (SR2)



ALUMINUM CONNECTION
HEAD WITH TERMINAL STRIP (AT1)
(COVER CLAMP OPTION CODE DEPENDANT)

ALUMINUM CONNECTION HEAD WITH
TERMINAL STRIP AND EXTENDED COVER (AT3)
(COVER CHAIN OPTION AVAILABLE)



©2015 ROSEMOUNT, INC.
ROSEMOUNT AND ALL OTHER
TRADEMARKS ARE THE PROPERTY OF
ROSEMOUNT ENGINEERING
CORPORATION.
UNIT NOTES IN INCHES (mm).

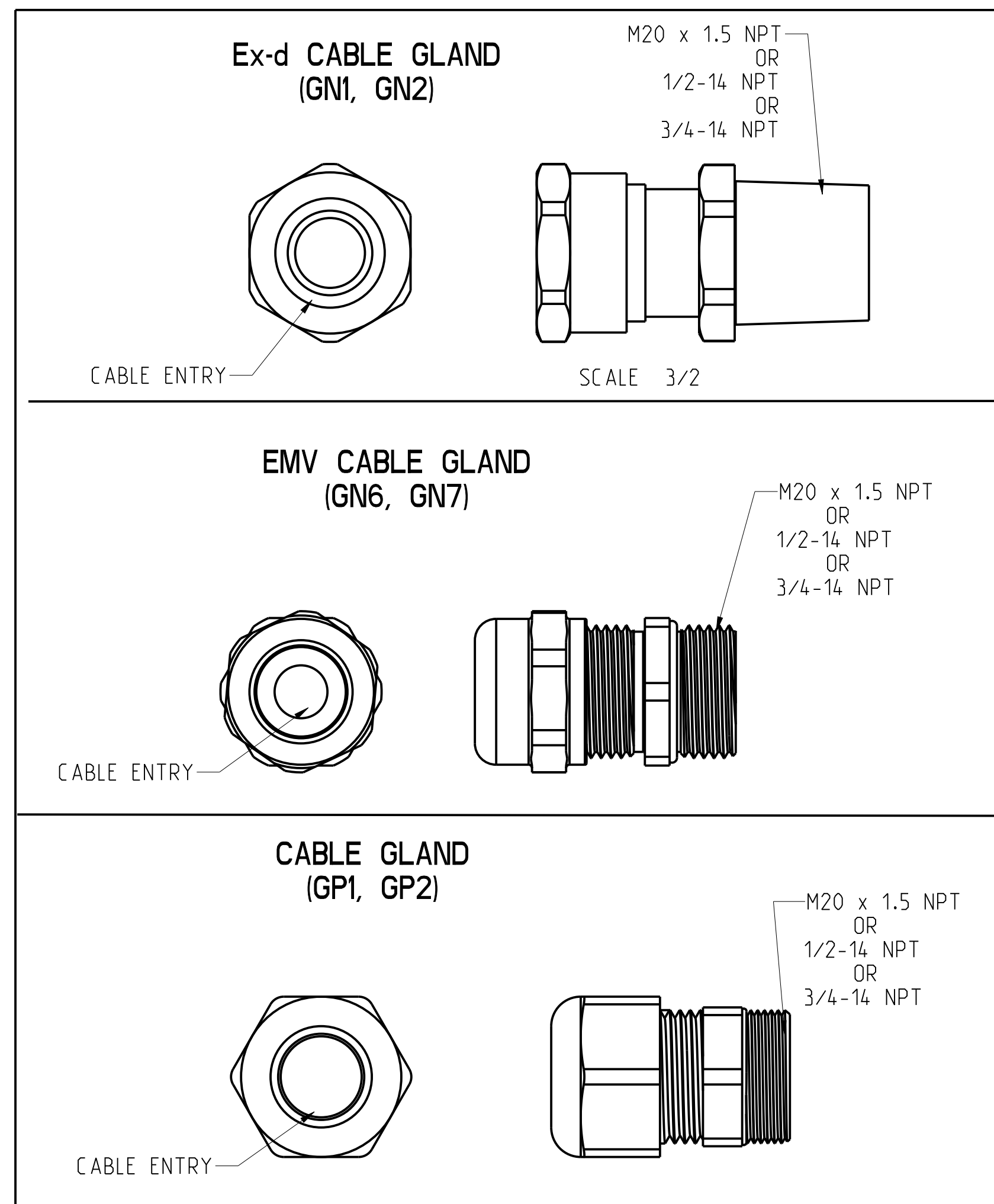
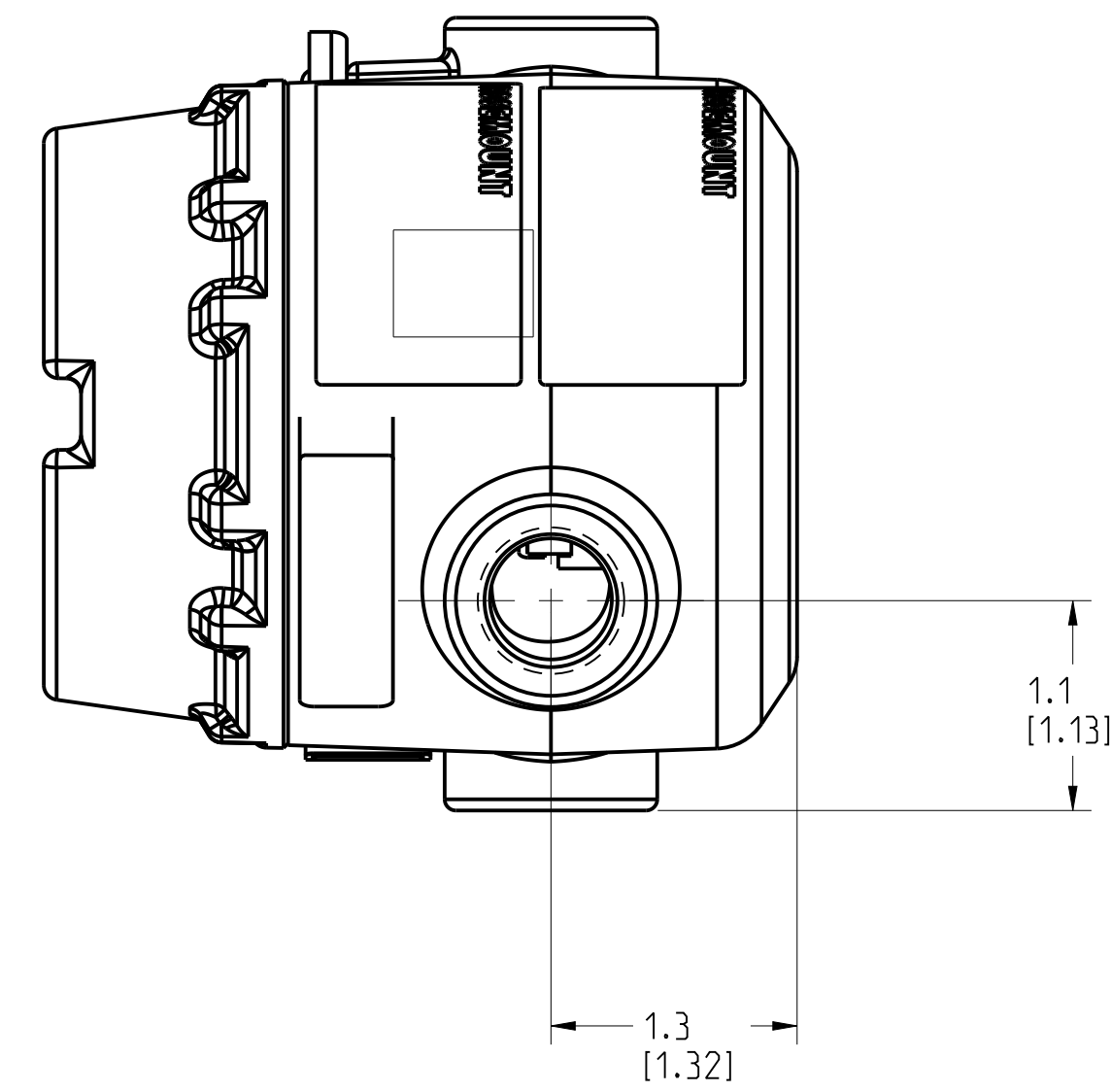
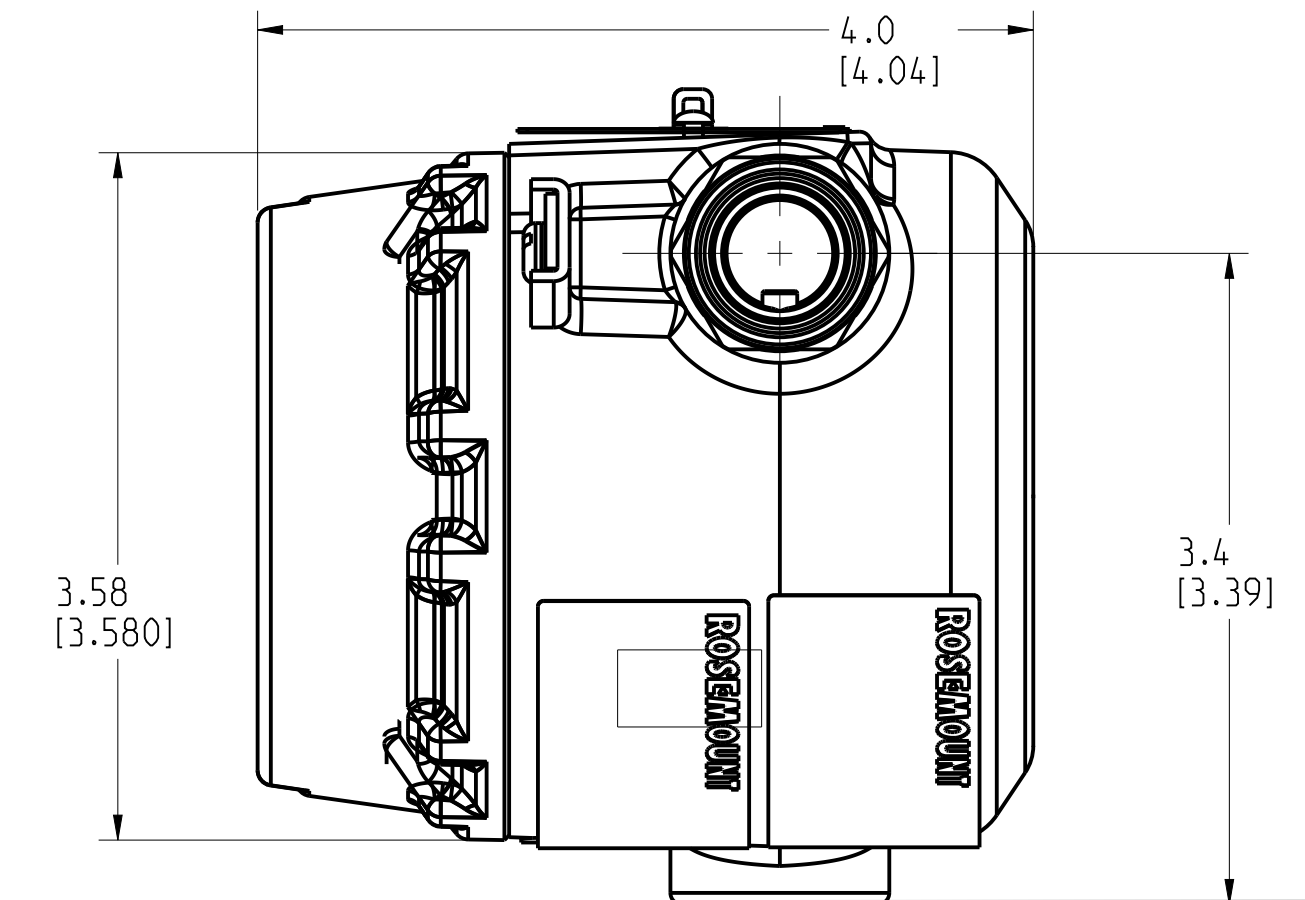
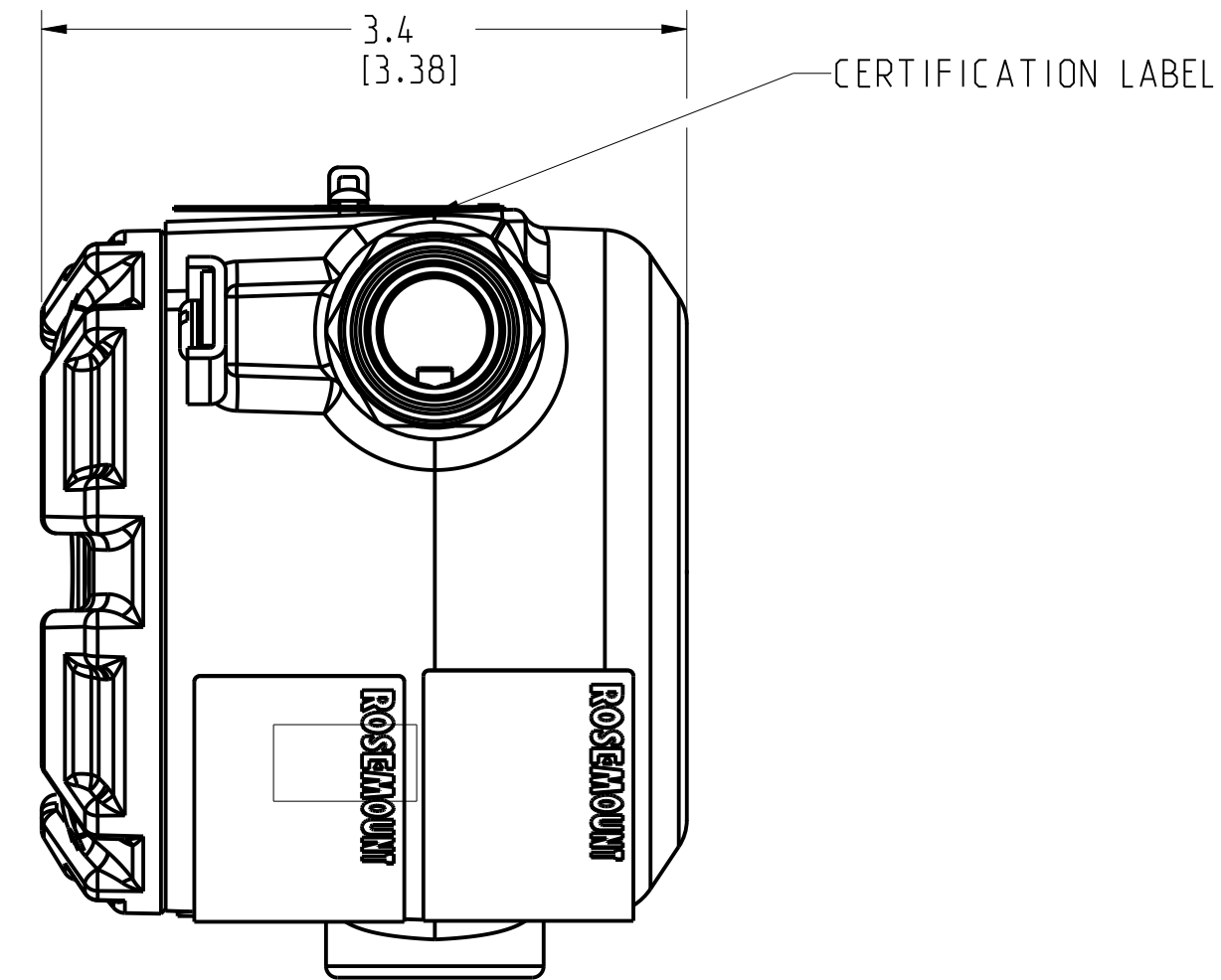
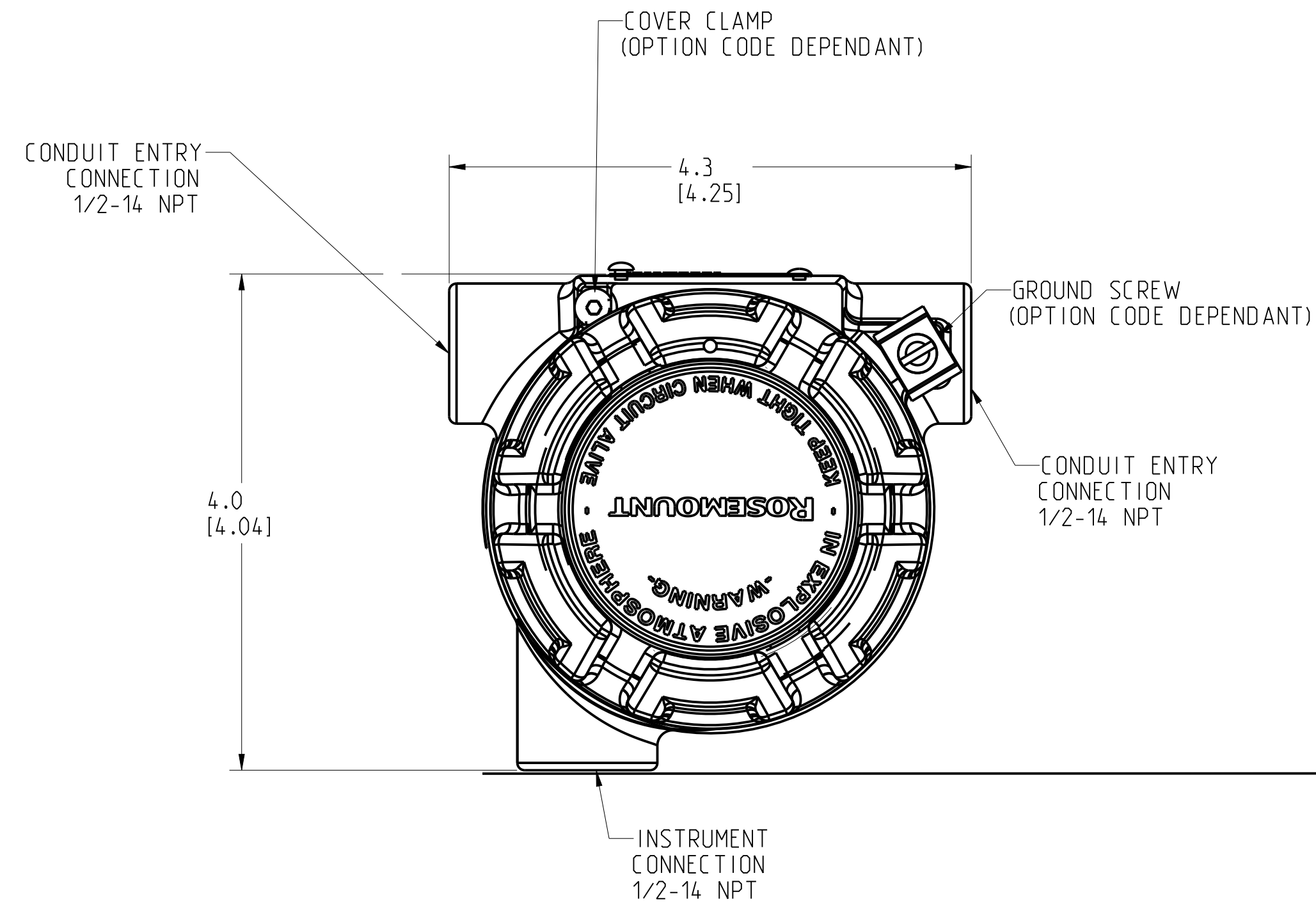
REFERENCE ROSEMOUNT
PRODUCT SPECIFICATIONS.
CLICK HERE

		3RD ANGLE		SIZE D	SCALE 5/4
TITLE ROSEMOUNT 214C TYPE I DRAWING					
DR. J. ARMSTRONG	6/25/15	DRAWING NO.		00214-7000	
APP'D O. GHAZI	12/02/15				
CAD MAINTAINED (PRO/E)				SHEET 4 OF 6	

ROSEMOUNT 214C SENSOR CONNECTION HEADS

3 ENTRY UNIVERSAL JUNCTION BOX ALUMINUM (AJ1) (COVER CHAIN OPTION AVAILABLE)

3 ENTRY UNIVERSAL JUNCTION BOX WITH DISPLAY COVER ALUMINUM (AJ2)



©2015 ROSEMOUNT, INC. ROSEMOUNT AND LOGO ARE TRADEMARKS OF ROSEMOUNT ENGINEERING SPECIFICATIONS. UNIT NOTES IN INCHES (mm).

REFERENCE ROSEMOUNT PRODUCT SPECIFICATIONS. CLICK HERE

3RD ANGLE

EMERSON

TITLE ROSEMOUNT 214C TYPE I DRAWING

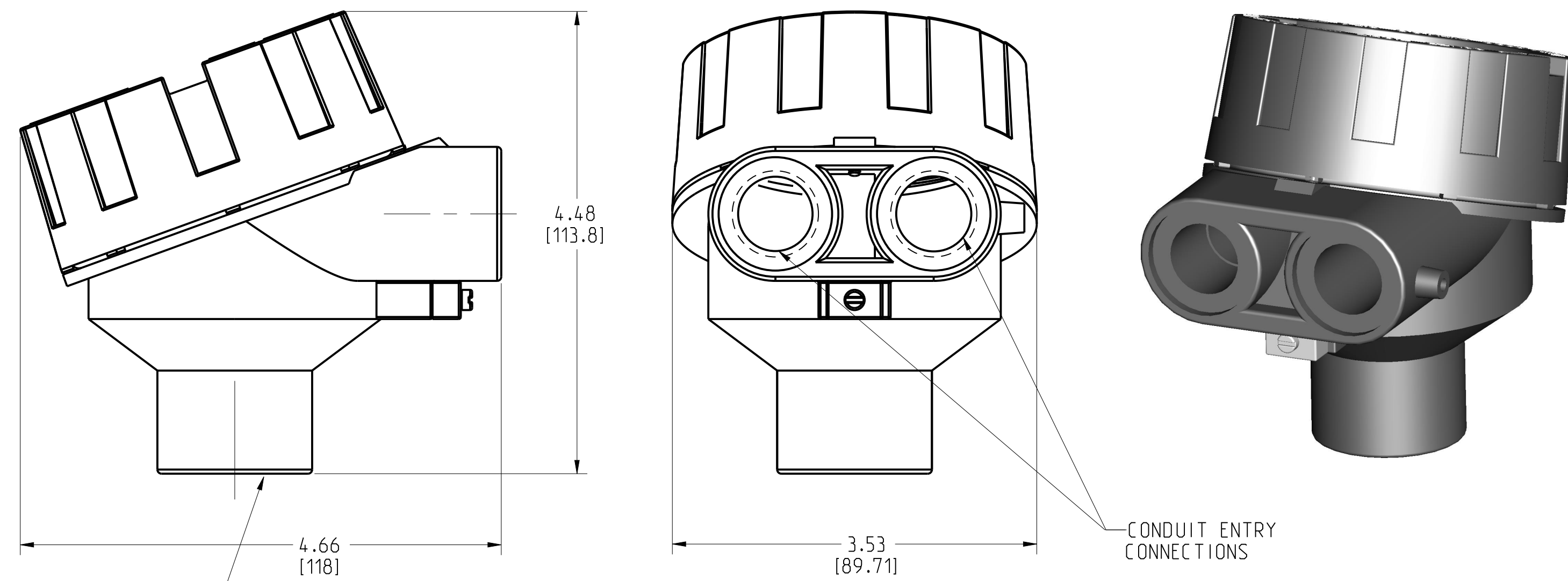
DR. J. ARMSTRONG 6/25/15 DRAWING NO. 00214-7000

APP'D O. GHAZI 12/02/15

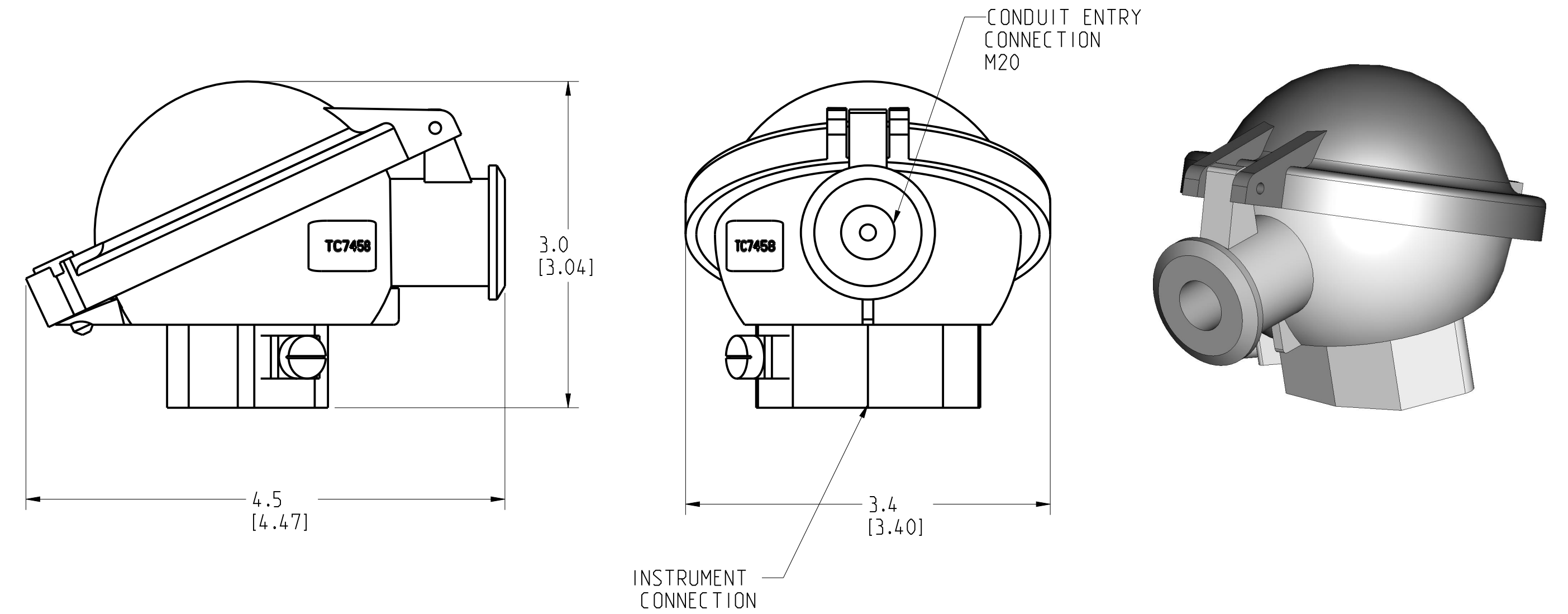
CAD MAINTAINED (PRO/E) SHEET 5 OF 6

ROSEMOUNT 214C SENSOR CONNECTION HEADS

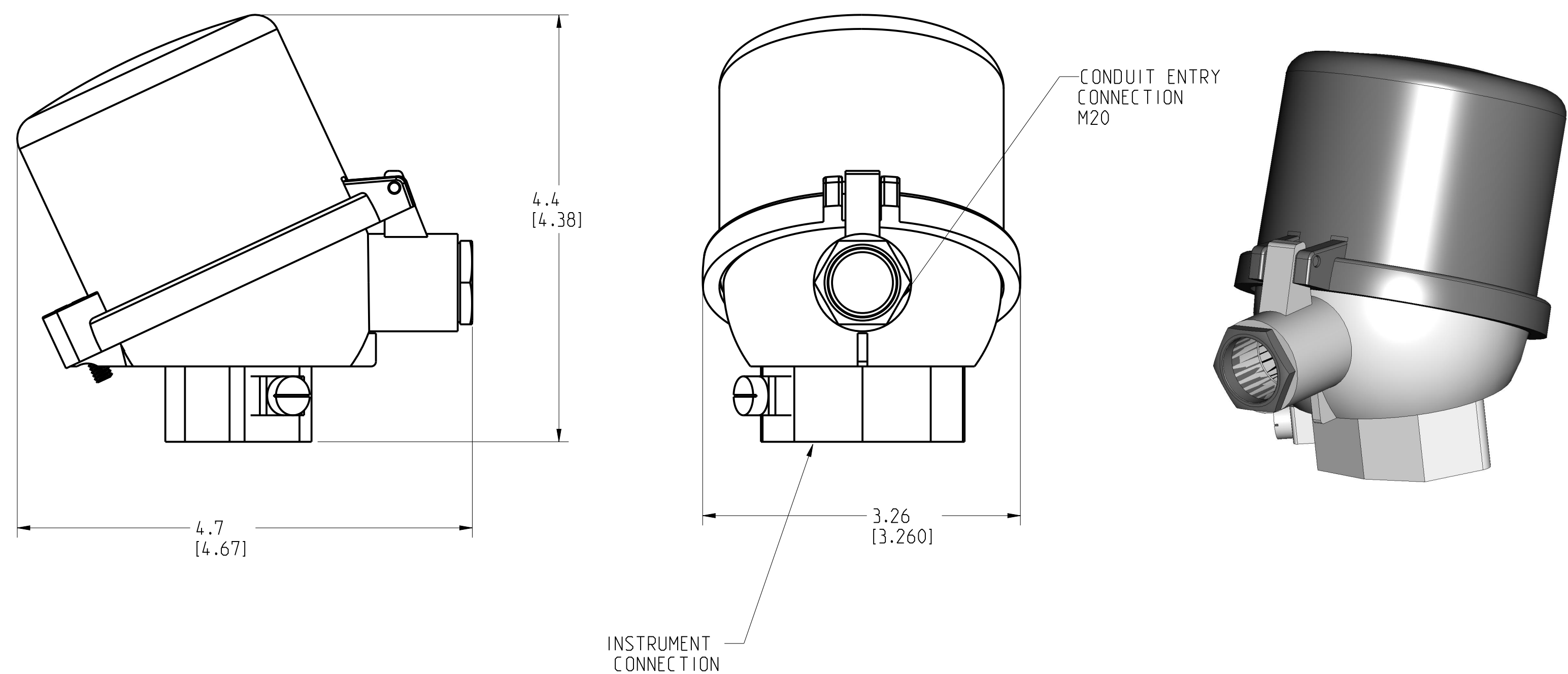
DUAL ENTRY ALUMINUM (AD1)
OR DUAL ENTRY SST (SD1)



BUZ ALUMINUM (AF1)



BUZH ALUMINUM (AF3)



©2015 ROSEMOUNT, INC. ROSEMOUNT AND LOGO ARE TRADEMARKS OF ROSEMOUNT ENGINEERING SPECIFICATIONS. UNIT NOTES IN INCHES (mm).

REFERENCE ROSEMOUNT PRODUCT SPECIFICATIONS. CLICK HERE

EMERSON

TITLE
ROSEMOUNT 214C
TYPE I DRAWING

DR. J. ARMSTRONG 6/25/15 DRAWING NO. 00214-7000

APP'D O. GHAZI 12/02/15

CAD MAINTAINED (PRO/EI) SHEET 6 OF 6