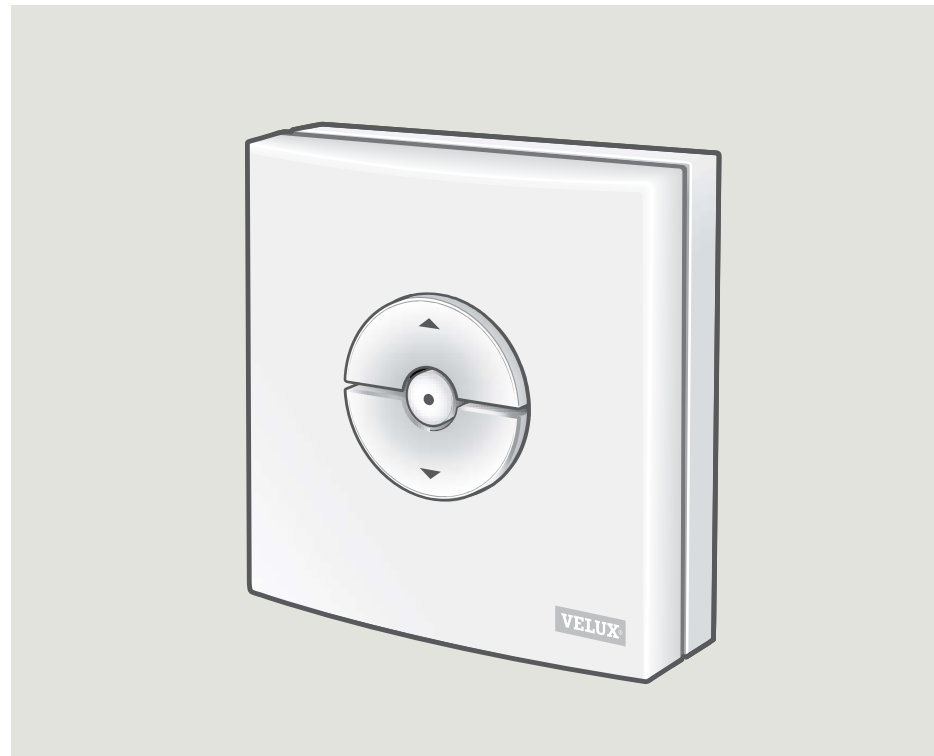


**VELUX INTEGRA®
KLI 310/311/312**



ENGLISH: Instructions for wall switch

ESPAÑOL: Instrucciones para el interruptor de pared

FRANÇAIS : Instructions pour le clavier mural








日本語：リモコン KLI 310 / 311 / 312 の取扱説明書

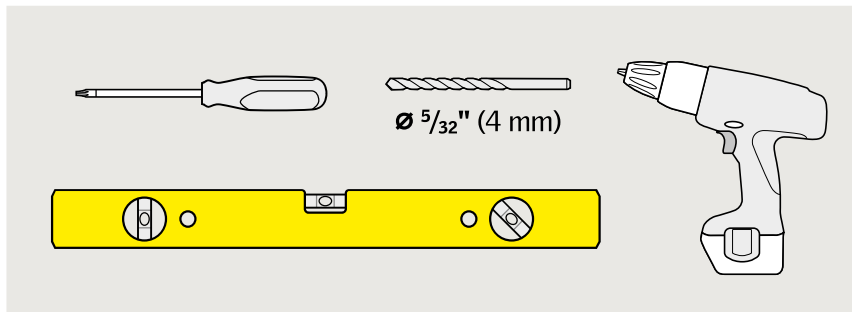
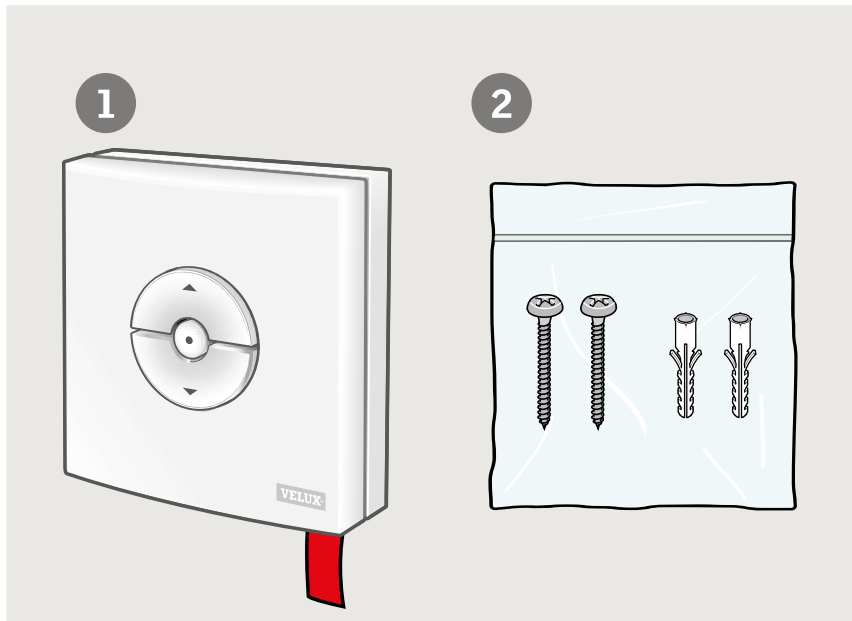
ENGLISH Pages 3-28

ESPAÑOL Páginas 29-54

FRANÇAIS Pages 55-80

日本語 Pages 81-106

Contents of packaging		4
Important information and Warning		5-7
Quick start		8-10
Wall installation and battery replacement		11-13
Advanced set-up		
Wall switch models		14-15
Set-up of a new wall switch in addition to an existing wall switch	+ 	16-17
Set-up of products for group control by one master wall switch		18-19
Set-up of KLI 310/311/312 to operate products already registered in control pad KLR 200		20-21
Set-up of KLI 310/311 to operate VELUX INTEGRA® skylights		22-23
Set-up of KLI 310/312 to operate VELUX INTEGRA® blinds		24-25
Set-up of KLI 310/311/312 to operate products connected to control unit KLC 500		26-27
Deleting (resetting) products from wall switch KLI 310/311/312		28



Contents of packaging

- ① : Wall switch
- ② : Screws and wall anchors



IMPORTANT INFORMATION WARNING – TO REDUCE THE RISK OF SEVERE INJURY OR DEATH:

Read instructions carefully before installation and operation. Keep instructions for future reference and hand them over to any new user.

Safety

- The wall switch can be used by persons (aged 8 years and above) with sufficient experience and knowledge if they have been given instruction concerning safe use and understand the hazards involved. Cleaning and user maintenance must not be done by unsupervised children.
- Children should be supervised to ensure that they do not play with the wall switch. It should be fitted out of reach of children at a minimum height of 4 feet (1.2 m).
- The wall switch must not be put into operation until it has been fitted according to these instructions.
- Before operating, ensure that the wall switch can be operated without risk of damage to property or injury to people or animals.
- The wall switch must be installed at a height below 6 feet (1.8 m) and it is recommended to place the wall switch in the same room as the window or skylight and its integral electrical products.
- The wall switch has been designed for use with genuine VELUX INTEGRA® products.
- The wall switch is a Class 2 Low Voltage product (3 V d.c.).
- The wall switch complies with part 15 of the FCC and RSS-247 of the IC rules. Operation is subject to the following two conditions: (1) The wall switch may not cause harmful interference, and (2) the wall switch must accept any interference received, including interference that may cause undesired operation.

- The wall switch has been tested and found to comply with the limits for a Class B digital device, pursuant to part 15 of the FCC Rules. These limits are designed to provide reasonable protection against harmful interference in a residential installation. The wall switch generates, uses and can radiate radio frequency energy and, if not installed and used in accordance with the instructions, may cause harmful interference to radio communications. However, there is no guarantee that interference will not occur in a particular installation. If the wall switch does cause harmful interference to radio or television reception, which can be determined by turning the wall switch off and on, the user is encouraged to try to correct the interference by one or more of the following measures:

- Reorient or relocate the receiving antenna.
- Increase the separation between the wall switch and receiver.
- Connect the wall switch into an outlet on a circuit different from that to which the receiver is connected.
- Consult the dealer or an experienced radio/TV technician for help.


Changes or modifications not expressly approved by the party responsible for compliance could void the user's authority to operate the wall switch.

- FCC Radiation Exposure Statement: The wall switch complies with FCC RF radiation exposure limits set forth for an uncontrolled environment.
- The term "IC:" before the wall switch certification number signifies that the Industry Canada technical specifications were met.

Installation

- The wall switch is for indoor use only.
- Installation in rooms with a high level of humidity and with hidden wiring must comply with relevant regulations (contact a qualified electrician if necessary).
- Before fixing the wall switch to the wall, verify that it can operate the product in question from the proposed position.

Product

- The wall switch has a built-in RF (radio frequency) unit and will not be operative if placed in a metal cabinet.
- Electrical products must be disposed of in conformity with all local codes, ordinances, rules and regulations for electronic waste and not with household waste.
- Used batteries must not be disposed of together with household waste but have to be disposed of in conformity with the relevant national environmental regulations. Batteries contain substances that can be harmful if not handled and recycled correctly.
-  Use local authority battery disposal point where available.
- The packaging can be disposed of with usual household waste.
- Radio frequency band: 2.4 GHz.
- Radio frequency range: 110 yards (100 m) free field. Depending on building construction, the indoor range is approx 30 ft (10 m). However, constructions with reinforced concrete, metal ceilings and plaster walls with steel members may reduce the range.

Maintenance and service

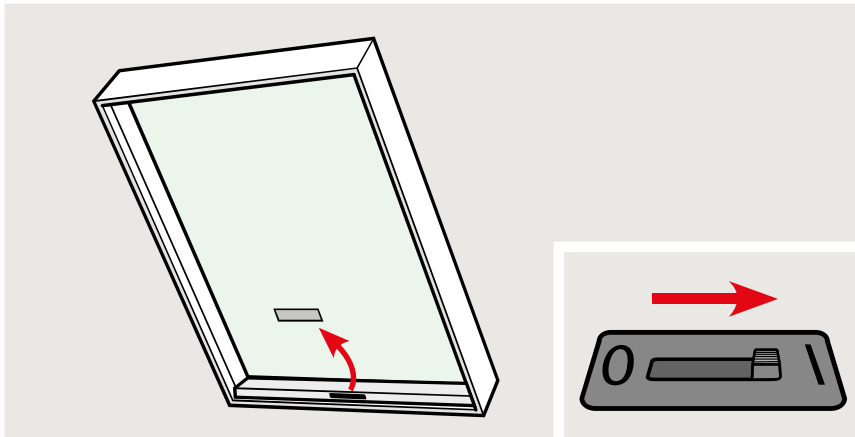
- The wall switch requires a minimal amount of maintenance. The surface may be cleaned with a soft, damp cloth using a small amount of household cleaner diluted in water.
- If you have any technical questions, please contact your VELUX sales company, see telephone list or www.velux.com.



io-homecontrol® provides advanced and secure radio technology that is easy to install. io-homecontrol® labelled products communicate with each other, improving comfort, security and energy savings.

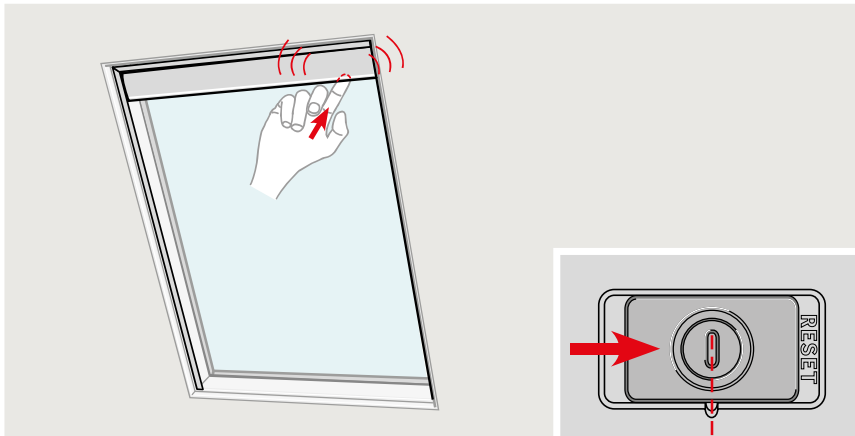
www.io-homecontrol.com

QUICK START



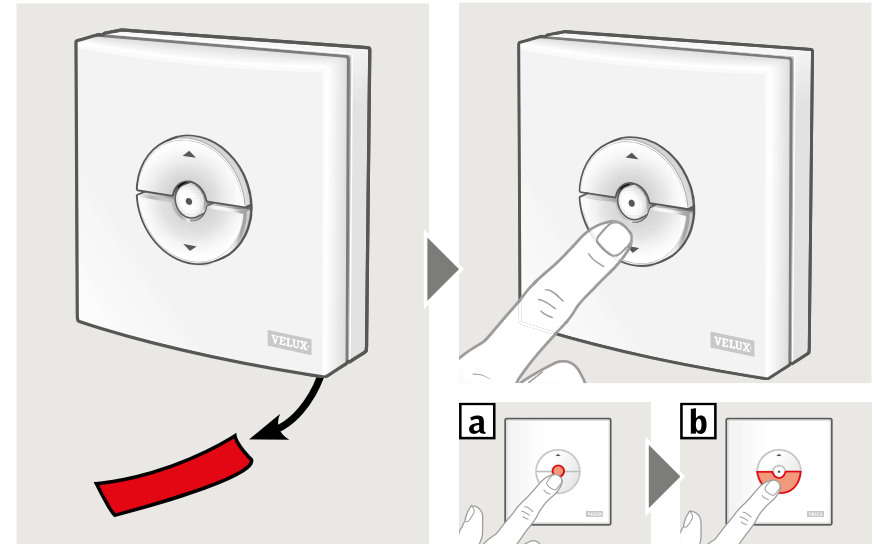
Power on products

Turn on the power to the electrical skylights at the mains and to the solar skylights by turning on the power switch.



Turn on the power to the solar blinds by turning on the power switch.

QUICK START



Operation

Remove the tab to start using the wall switch.

A wall switch provided with a VELUX INTEGRA® product has been prepared with this product and needs **no additional set-up** to operate the product.

However, if the product is "buzzing" at initial operation, confirm the operation by pressing STOP (a) followed by DOWN (b).

See "Advanced set-up" for set-up of wall switch purchased separately.

Keys for operating the product

⊕ OPEN/UP or ⊖ CLOSE/DOWN

Short key pressure: The product will travel to top or bottom position.

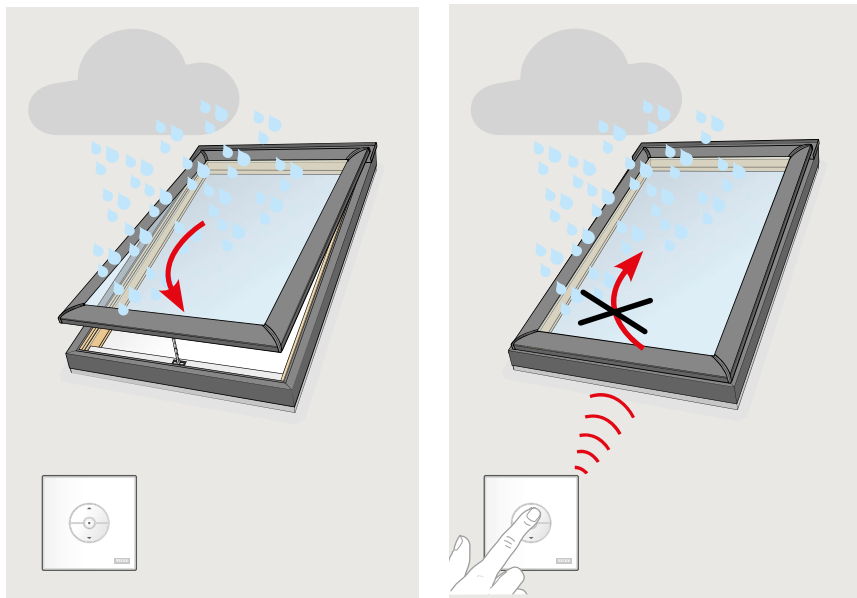
Long key pressure: The product will travel only until the key is released.

Note: If several electrical products are connected to a control unit KLC 500, only one of the products (random) can be operated in this way.

Stop key

● The product stops.

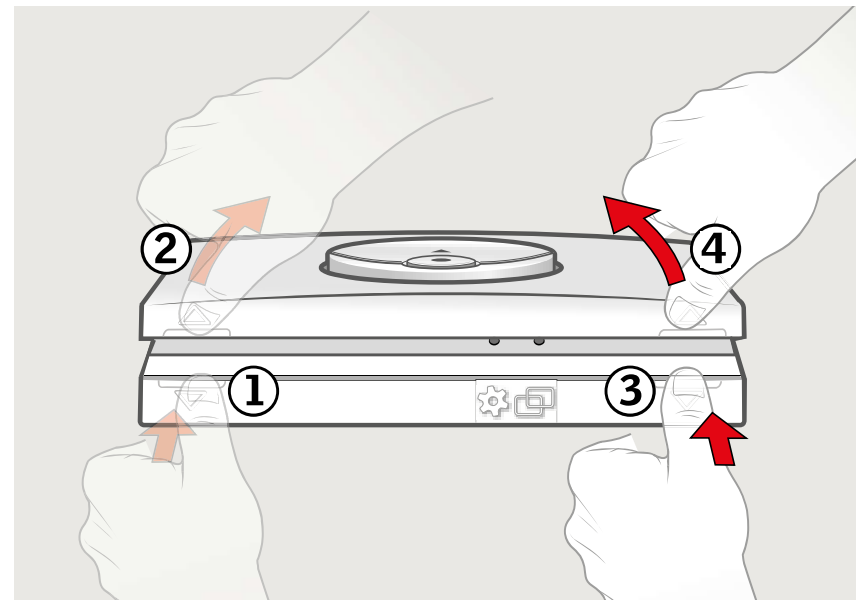
QUICK START



Rain sensor

VELUX INTEGRA® skylights come with a rain sensor. If the rain sensor is activated, the skylight will close automatically within approximately 30 seconds and the rain sensor will not allow the skylight to open as long it is activated.

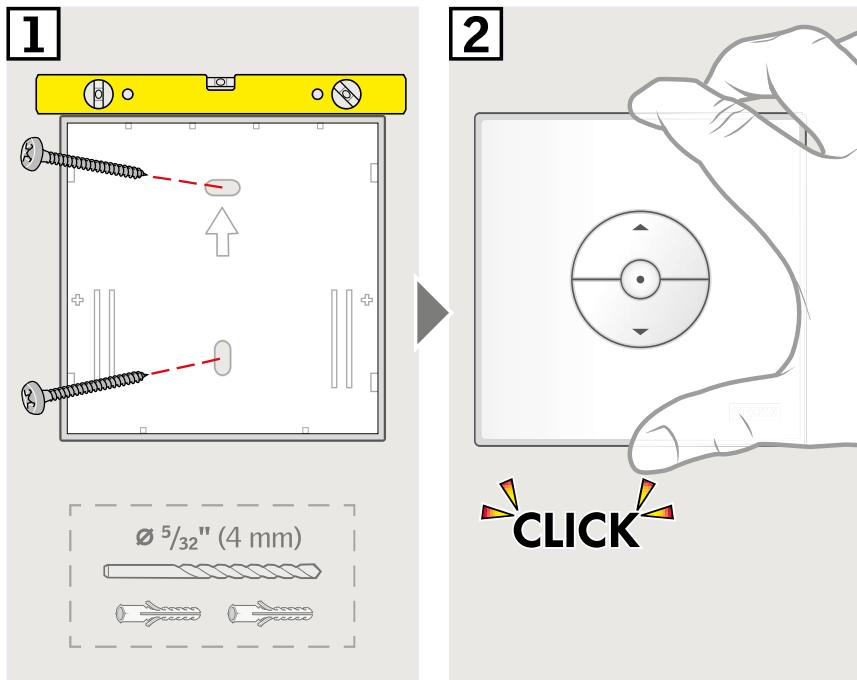
WALL INSTALLATION AND BATTERY REPLACEMENT



Opening of wall switch

Separate base and front of the wall switch as shown to install at wall and to replace batteries.

WALL INSTALLATION AND BATTERY REPLACEMENT

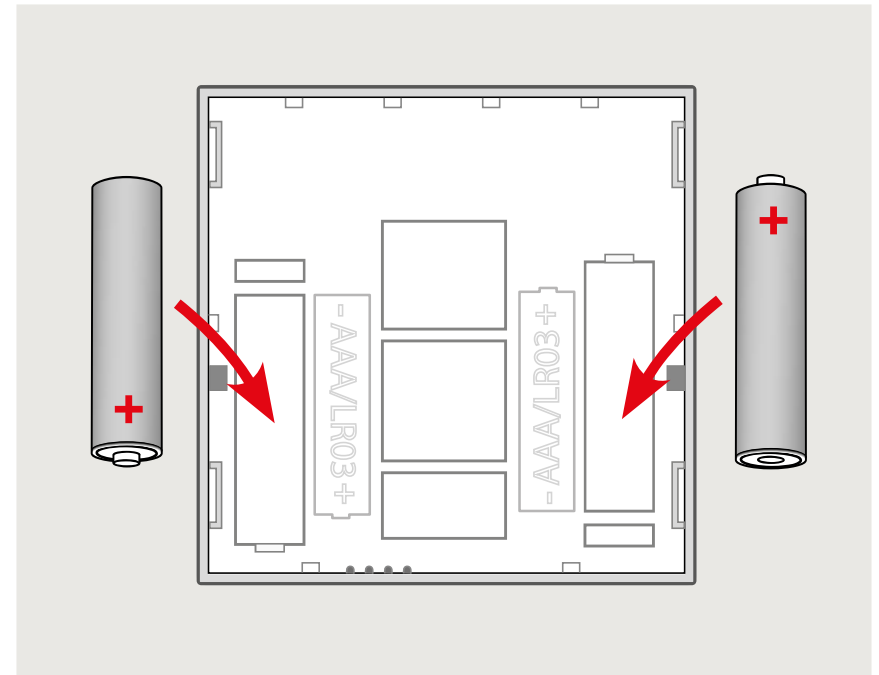


Wall installation of wall switch

Do not fix the wall switch to the wall until it has been verified that the products can be operated from the proposed position.

- 1 Fix base of wall switch to the wall with screws. Maintain clearance below the wall switch for access to open it and replace the batteries.
- 2 Reassemble the wall switch.

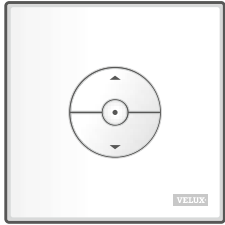
WALL INSTALLATION AND BATTERY REPLACEMENT



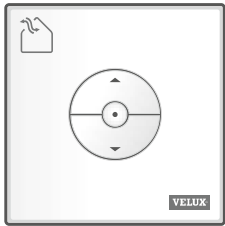
Replacement of batteries

Insert batteries as shown (type AAA, 1.5 V).

Wall switch models



KLI 310 is universal for all VELUX INTEGRA® products.

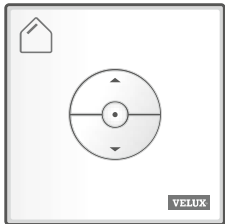


KLI 311 is provided with every VELUX INTEGRA® skylight.



The icon indicates which products it can operate.

Note: KLI 311 for skylights cannot be set up with blinds.



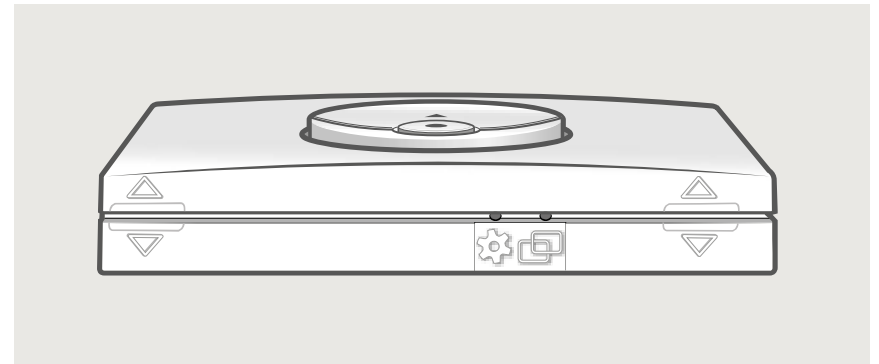
KLI 312 is provided with every VELUX INTEGRA® blind.



The icon indicates which products it can operate.

Note: KLI 312 for blinds cannot be set up with skylights.

A wall switch provided with a VELUX INTEGRA® product has been pre-paired with/registered in this product and needs **no additional set-up** to operate the product.



The wall switch has two buttons used for advanced set-up:

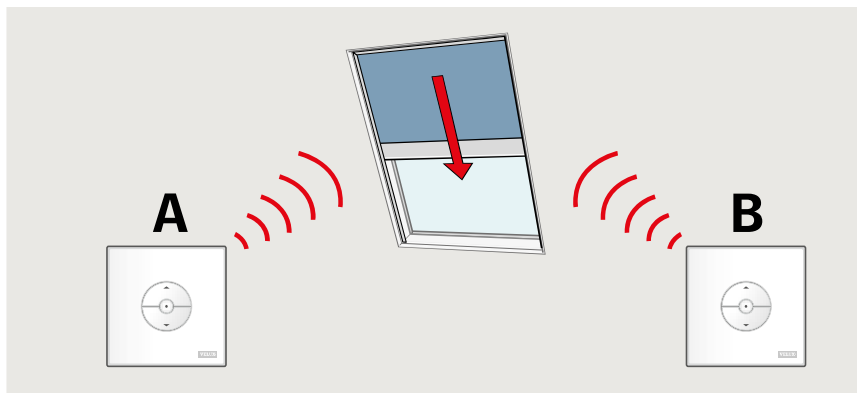
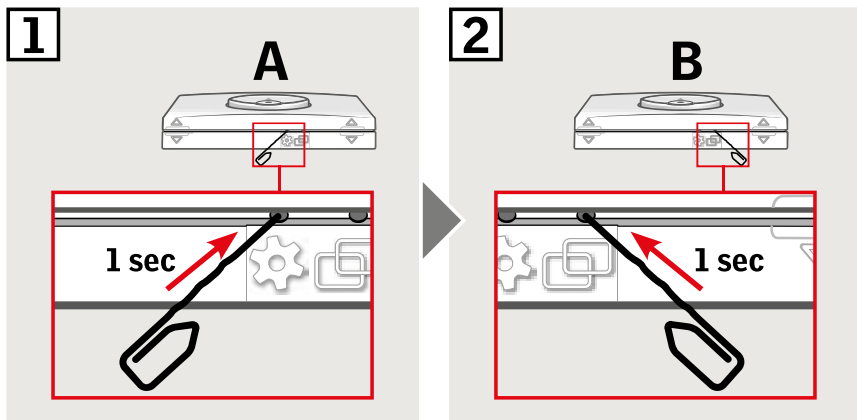
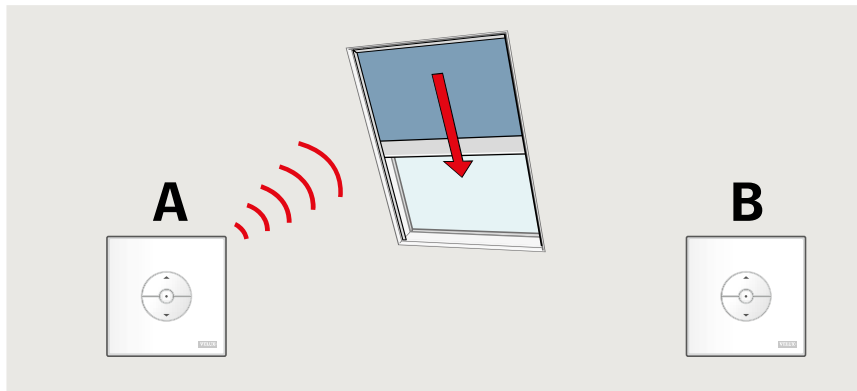


The Gear button "Open for registration".



The Pair button "Register".

To push the buttons, use a pointed tool.



Set-up of a new wall switch in addition to an existing wall switch

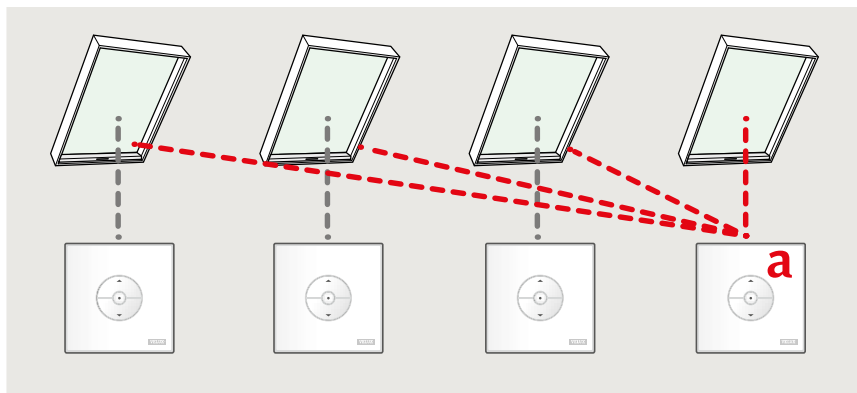
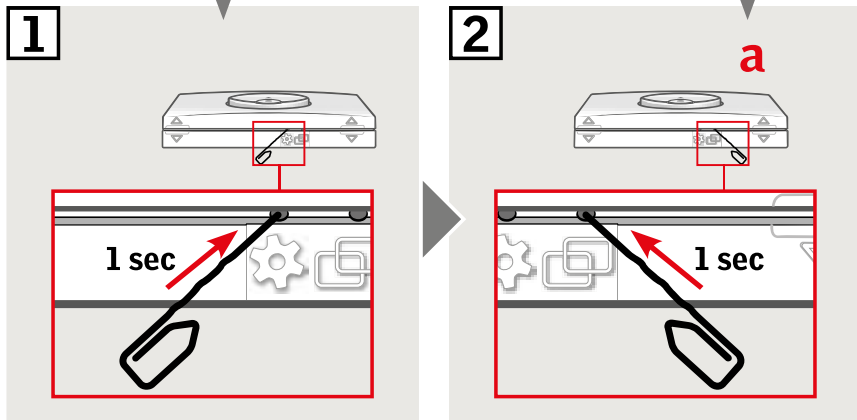
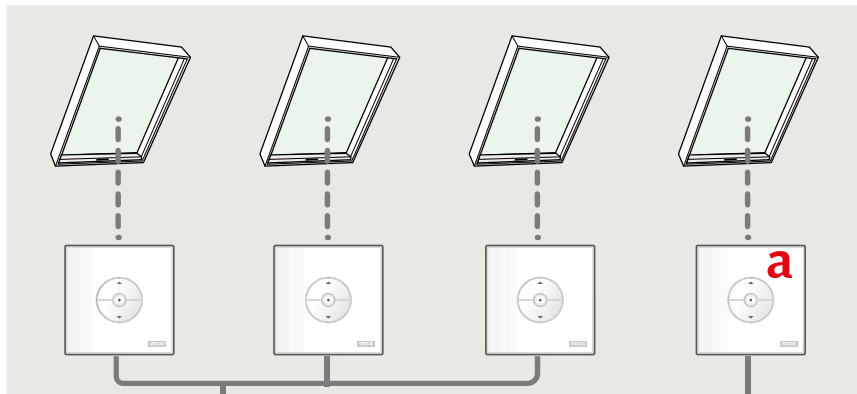
Important: The new wall switch must be the universal KLI 310 or the same model as the existing wall switch.

A: Existing wall switch

B: New wall switch

- 1 Prepare the product for registration by pressing the Gear button on the existing wall switch (**A**) for 1 second.
The product will start running briefly back and forth.
- 2 Press the Pair button on the new wall switch (**B**) for 1 second.

The product is now controlled by both wall switches.



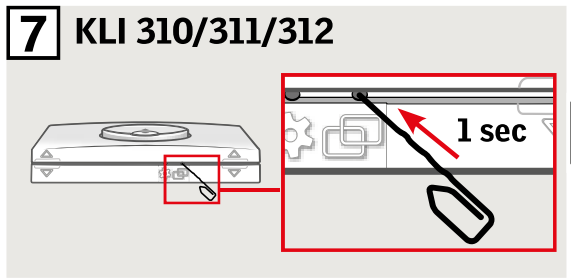
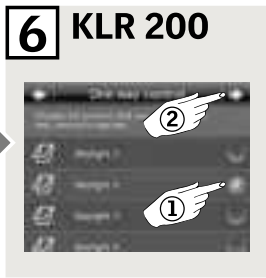
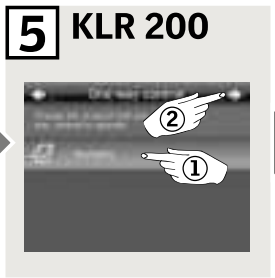
Set-up of products for group control by one master wall switch (a)

Important: All wall switches must be the same model or the universal KLI 310.

- 1 Prepare each of the selected products for registration by pressing each of their wall switch Gear buttons for 1 second.
The products will start running briefly back and forth.
- 2 Press the Pair button on the master wall switch for 1 second.

All products are now controlled simultaneously by the master wall switch (a).

Repeat the procedure for products failing set-up and for adding additional products.



Set-up of KLI 310/311/312 to operate products already registered in control pad KLR 200

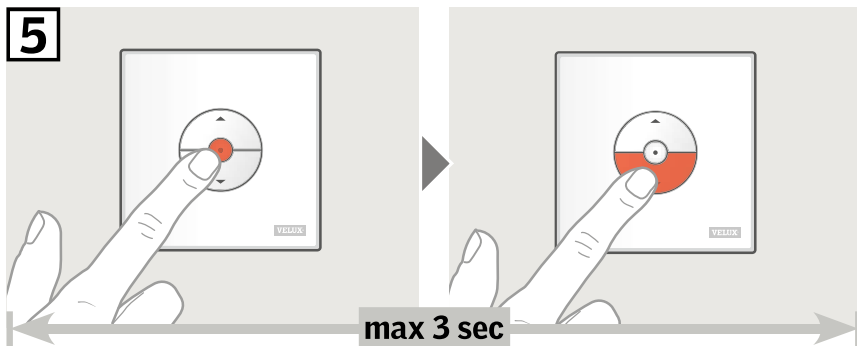
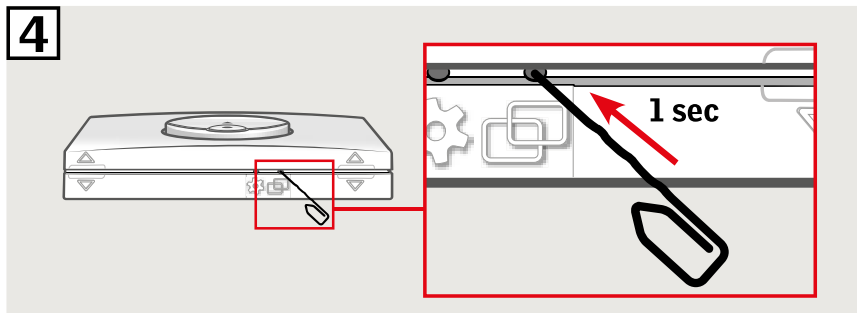
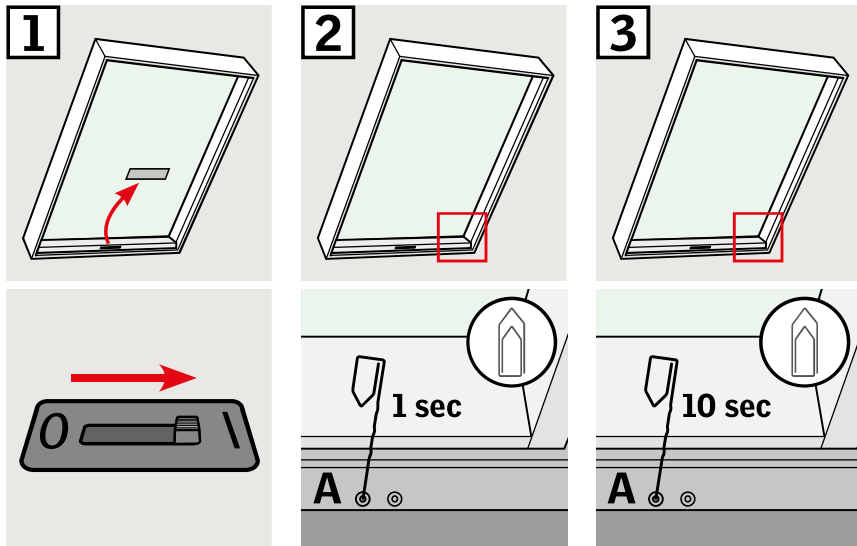
Important: The wall switch must be the universal KLI 310 or the model matching the product.

- 1 Tap ⊕.
- 2 Tap "New product".
- 3 Tap "Prepare one-way control".
- 4 Tap "Choose products".
- 5 Scroll down the display and choose product type ①.
Tap ⇨ ②.
- 6 Scroll down the display and tap the product to be added ①.
Note: The individual products can be identified by tapping the icon.
Tap ⇨ ②.

You now have 10 minutes to execute step 7 with the **wall switch**.

- 7 Press the Pair button on the wall switch for 1 second to register the product.
- 8 Tap to finish.
Note: To add more products, tap "Choose more" and repeat steps 5-8.

The products can now be operated by KLI 310/311/312 as well.



Set-up of KLI 310/311 to operate VELUX INTEGRA® skylights

Important: The wall switch must be the universal KLI 310 or the model matching the product.

If a non-functional control must be replaced or if the wall switch cannot find certain products, you can make the products ready for registration by manually resetting them to initial factory settings.

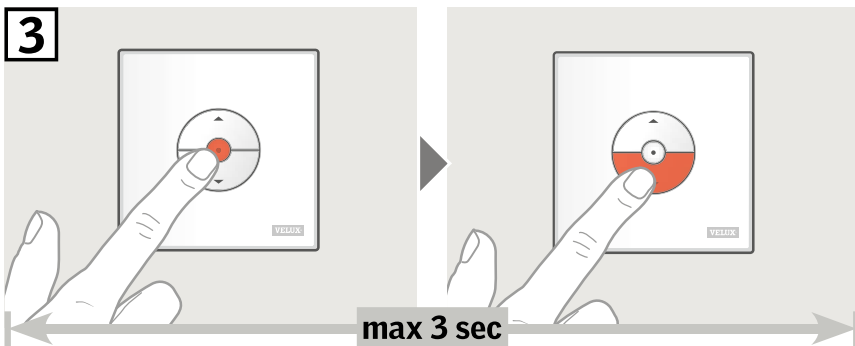
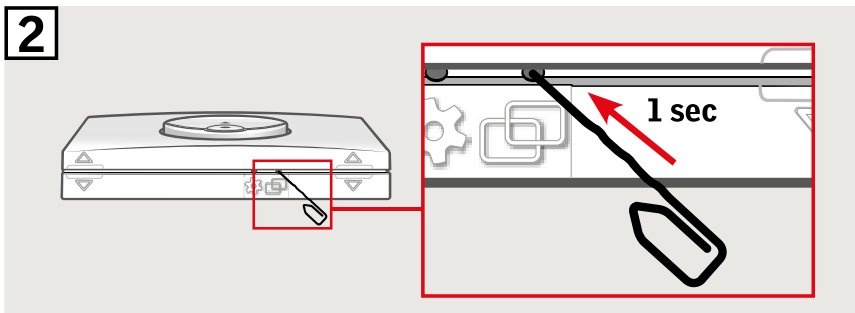
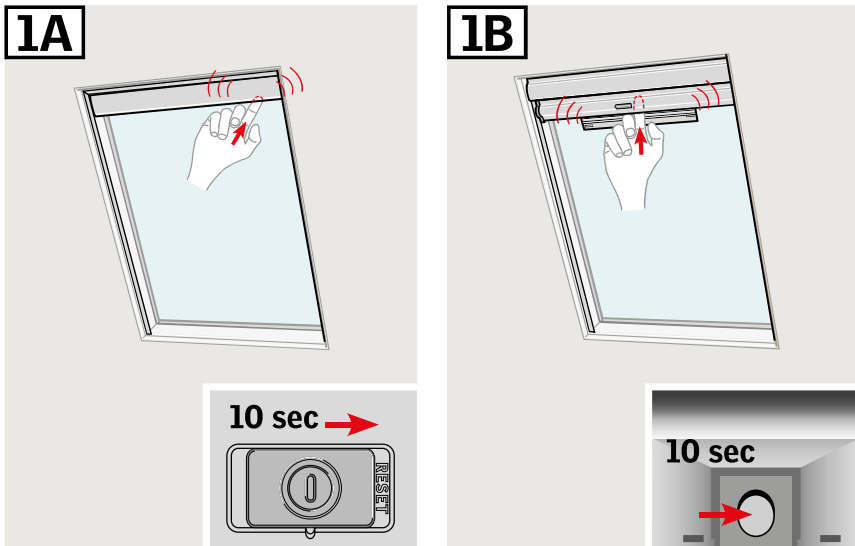
Note: Reset products cannot be operated until they have been registered in the wall switch again.

- 1 Make sure that the power to the skylight (VSS/VCS) is turned on.
- 2 Close the sash by pressing the button closest to the center of the skylight (A).
- 3 When the skylight is closed, reset the skylight by pressing and holding the button closest to the center of the skylight (A) for at least 10 seconds. The skylight operator will run briefly back and forth indicating that the skylight is ready to be registered.

Note: The skylight must now be registered in the wall switch within the next 10 minutes.

- 4 Press the Pair button on the wall switch for 1 second.
- 5 Press the stop key and then the DOWN key within 3 seconds. This is only necessary at the initial set-up after installing the skylight.

The skylight can now be operated by the KLI 310/311.



Set-up of KLI 310/312 to operate VELUX INTEGRA® blinds

Important: The wall switch must be the universal KLI 310 or the model matching the product.

If a non-functional control must be replaced or if the wall switch cannot find certain products, you can make the products ready for registration by manually resetting them to initial factory settings.

Note: Reset products cannot be operated until they have been registered in the wall switch again.

Reset the blind.

The solar-powered blinds can have two different designs:

1A Solar-powered blind with sliding switch on the right, bottom side of motor unit:

Slide switch to the right and hold for 10 seconds.

The blind will run briefly back and forth indicating that it is ready to be registered.

1B Solar-powered blind with button behind door at the bottom of motor unit:

Open solar battery door, press button behind the door for 10 seconds and close solar battery door.

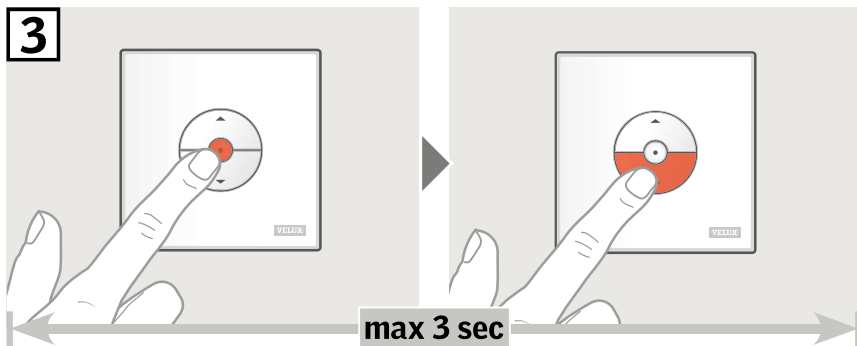
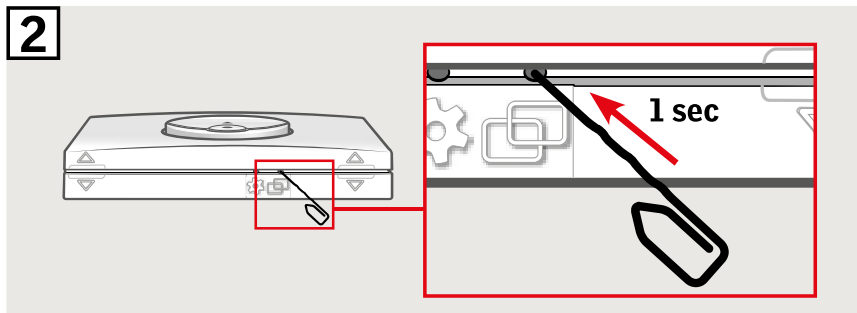
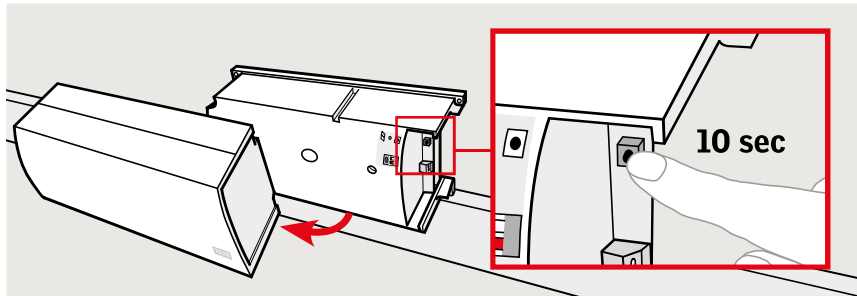
The blind will run briefly back and forth indicating that it is ready to be registered.

Note: The blind must now be registered in the wall switch within the next 10 minutes.

2 Press the Pair button on the wall switch for 1 second.

3 Press the stop key and then the DOWN key within 3 seconds. This is only necessary at the initial set-up after installing the blind.

The blind can now be operated by KLI 310/312.



Set-up of KLI 310/311/312 to operate products connected to control unit KLC 500

Important: The wall switch must be the universal KLI 310 or the model matching the product(s).

If a non-functional control must be replaced or if the wall switch cannot find certain products, you can make the products ready for registration by manually resetting them to initial factory settings.

Note: Reset products cannot be operated until they have been registered in the wall switch again.

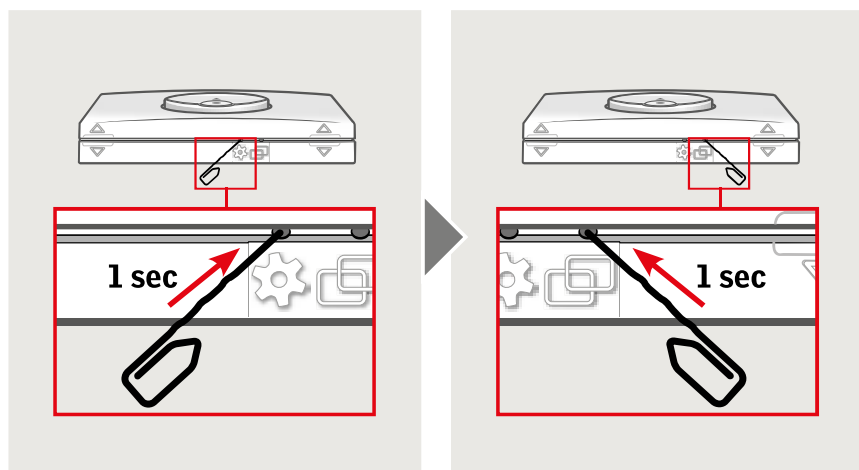
- 1** The control unit can be reset by removing the cover and pressing the test button for at least 10 seconds.
The connected products will run briefly back and forth in random order to indicate that they are ready for registration.
- 2** Press the Pair button on the wall switch for 1 second.
- 3** Press the stop key and then the DOWN key within 3 seconds. This is only necessary at the initial set-up after installing the product.

The products can now be operated by KLI 310/311/312.

Deleting (resetting) products from wall switch KLI 310/311/312

Delete (reset) all products from a wall switch by pressing the Gear button for 1 second followed by pressing the Pair button for 1 second.

Now the products cannot be operated by this wall switch anymore.



Contenido del embalaje 30

Información importante y Advertencia 31-33

Inicio rápido 34-36

Instalación en pared y cambio de baterías 37-39

Configuración avanzada

Modelos de interruptores de pared 40-41

Configuración de un nuevo interruptor de pared agregado a otro ya existente 42-43

Configuración de productos para control grupal con un interruptor de pared maestro 44-45

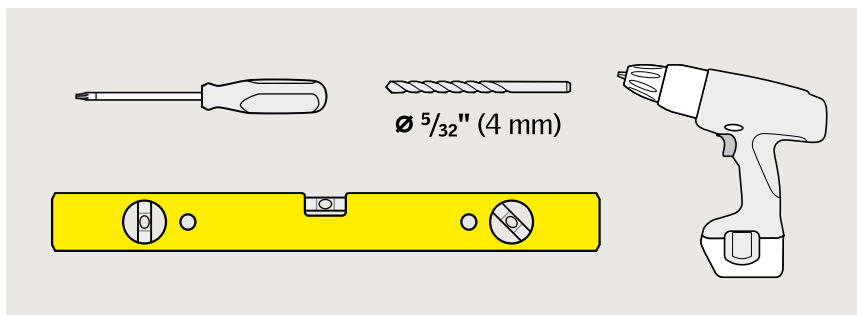
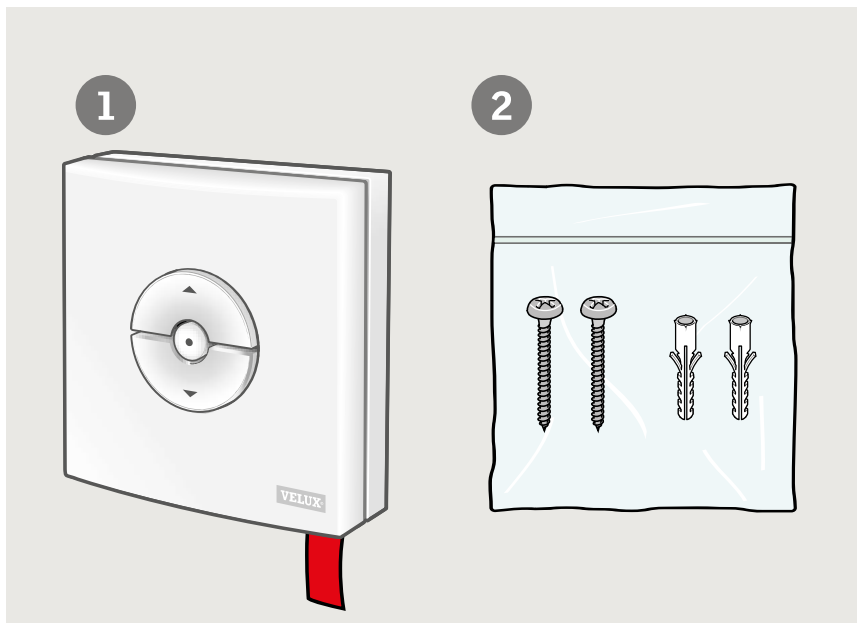
Configuración del KLI 310/311/312 para operar productos ya registrados en un teclado de control KLR 200 46-47

Configuración del KLI 310/311 para operar los tragaluzes VELUX INTEGRA® 48-49

Configuración del KLI 310/312 para operar las persianas VELUX INTEGRA® 50-51

Configuración del KLI 310/311/312 para operar productos conectados a la unidad de control KLC 500 52-53

Eliminar (restablecer) productos de los interruptores de pared KLI 310/311/312 54



Contenido del embalaje

- ❶ : Interruptor de pared
- ❷ : Tornillos y anclajes de pared



INFORMACIÓN IMPORTANTE ADVERTENCIA – PARA REDUCIR LOS PELIGROS DE LESIONES GRAVES Y MUERTE:

Lea atentamente las instrucciones antes de comenzar la instalación y operación. Conserve las instrucciones para su uso posterior y entréguelas a todo nuevo usuario.

Seguridad

- El interruptor de pared puede ser utilizado por personas (a partir de 8 años y nunca por menores de 8 años) con experiencia y conocimiento suficientes, si se han dado instrucciones sobre su correcto uso y se entienden los riesgos involucrados. El mantenimiento de limpieza y uso no debe ser realizado por un niño sin supervisión.
- Los niños deben tener supervisión para asegurarse de que no jueguen con el interruptor de pared. Debe mantenerse alejado del alcance de los niños a un mínimo de 4 pies de altura (1.2 m).
- El interruptor de pared no debe ponerse en funcionamiento hasta que se haya instalado según las presentes instrucciones.
- No haga funcionar el interruptor de pared sin antes asegurarse de que puede funcionar sin riesgo de causar daños a bienes o lesiones a personas o animales.
- El interruptor de pared debe instalarse a una altura de menos de 6 pies (1.8 m). Se recomienda colocar el interruptor de pared en la misma habitación que la ventana o el tragaluz y sus productos eléctricos integrales.
- El interruptor de pared ha sido diseñado para ser usado con productos originales VELUX INTEGRA®.
- El interruptor de pared es un producto Clase 2 de baja tensión (3 V CD.).

- El interruptor de pared cumple con la parte 15 de las normas de FCC y con RSS-247 de las normas de IC. Su funcionamiento depende de las dos condiciones siguientes: (1) El interruptor de pared no debe causar interferencia nociva, y (2) el interruptor de pared debe aceptar toda interferencia recibida, incluso interferencia que pueda causar un funcionamiento no deseado.
- El interruptor de pared ha sido probado y se ha determinado que cumple con los límites de los dispositivos digitales Clase B, conforme con la parte 15 de las normas de FCC. Estos límites están diseñados para brindar una protección razonable contra interferencia nociva en una instalación residencial. El interruptor de pared genera, utiliza y puede irradiar energía de radiofrecuencia. Si no se lo instala y utiliza según las instrucciones, puede causar interferencia nociva a las comunicaciones radioeléctricas. No obstante, no se puede garantizar que no haya interferencia en una instalación en particular. Si el interruptor de pared causa interferencia nociva en la recepción de radio o televisión, que puede verificarse encendiendo y apagando el interruptor de pared, se recomienda al usuario que intente corregir la interferencia mediante una o más de las siguientes medidas:
 - Reorientar o reubicar la antena de recepción.
 - Aumentar la distancia entre el interruptor de pared y el receptor.
 - Conectar el interruptor de pared a un tomacorriente de un circuito distinto al que está conectado el receptor.
 - Consultar con el vendedor o con un técnico especializado de radio/TV.
 Los cambios o modificaciones que no estén expresamente aprobados por el responsable de cumplimiento podrían anular la autoridad del usuario para operar el interruptor de pared.
- Declaración de cumplimiento con las normas FCC de exposición a la radiación: El interruptor de pared cumple con las normas de FCC respecto de los límites de exposición a la radiación RF establecidos para un medioambiente no controlado.
- El término "IC:" delante del número de certificación del interruptor de pared significa que el interruptor de pared cumple con las especificaciones técnicas de Industry Canada.


Instalación

- El interruptor de pared es sólo para uso en interior.
- Cuando se instale en habitaciones con un alto nivel de humedad y con

cableado oculto, debe respetarse la normativa correspondiente (consulte a un electricista calificado si fuera necesario).

- Antes de fijar el interruptor de pared a la pared, compruebe que desde esa posición hace funcionar el producto en cuestión.

Producto

- El interruptor de pared tiene una unidad de radiofrecuencia (RF) incorporada que no funcionará si se introduce en una caja metálica.
- Los productos eléctricos deben desecharse de acuerdo con los códigos, ordenanzas, normas y reglamentaciones para residuos electrónicos y no con los residuos hogareños.
- Las baterías usadas no deben desecharse junto con los residuos hogareños, sino que deben eliminarse de acuerdo a la normativa nacional correspondiente sobre medio ambiente. Las baterías contienen sustancias que pueden ser nocivas si no se manipulan y se reciclan correctamente.
-  Si hubiere, utilice el punto de reciclaje de baterías establecido por la autoridad local.
- El embalaje puede eliminarse con los residuos hogareños.
- Banda de radiofrecuencia: 2.4 GHz.
- Alcance de la señal de radio: hasta 110 yardas (100 m) al aire libre. Dependiendo del tipo de construcción, el alcance en interior es de 30 pies (10 m) aproximadamente. Sin embargo, las construcciones de hormigón armado, los techos metálicos y las paredes de yeso con elementos de acero pueden reducirlo.

Mantenimiento y servicio

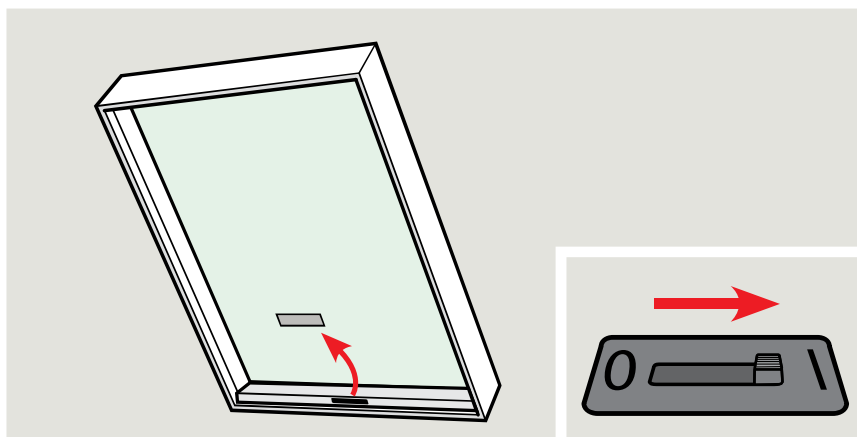
- El interruptor de pared requiere un mantenimiento mínimo. La superficie puede limpiarse con un paño suave humedecido con una pequeña cantidad de limpiador de uso casero diluido en agua.
- Si tiene alguna consulta técnica, póngase en contacto con su distribuidor VELUX; consulte el listado telefónico o visite el sitio www.velux.com.



io-homecontrol® proporciona tecnología avanzada de radio frecuencia, segura y fácil de instalar. Los productos etiquetados io-homecontrol® se comunican entre sí, mejorando el confort, la seguridad y el ahorro de energía.

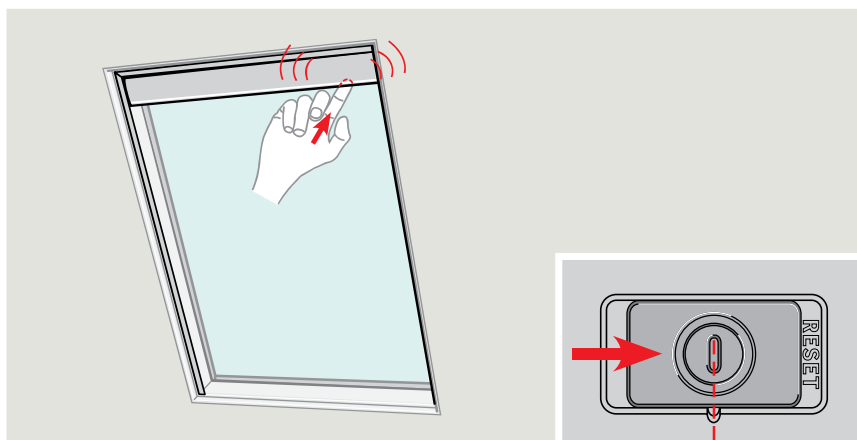
www.io-homecontrol.com

INICIO RÁPIDO



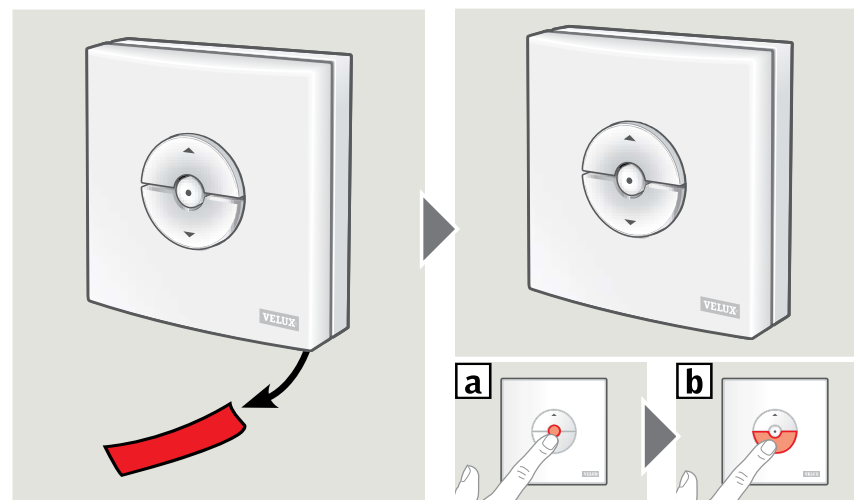
Conecte la alimentación de los productos

Conecte la alimentación de los tragaluces eléctricos y encienda los tragaluces solares mediante el interruptor.



Conecte la alimentación de las persianas solares mediante el interruptor.

INICIO RÁPIDO



Funcionamiento

Quite la lengüeta antes de empezar a usar el interruptor de pared.

Si se ha provisto un interruptor de pared con un producto VELUX INTEGRA®, este ya está emparejado o registrado y **no requiere configuración** para operarlo.

Sin embargo, si el producto hace un "zumbido" durante el funcionamiento inicial, confirme el funcionamiento presionando PARAR (STOP) (a) y luego BAJAR (b).

Consulte la sección "Configuración avanzada" para configurar el interruptor de pared si lo adquirió por separado.

Teclas para accionar un producto

⊕ ABRIR/SUBIR o ⊖ CERRAR/BAJAR

Presión breve: El producto se moverá hasta la posición superior o inferior.

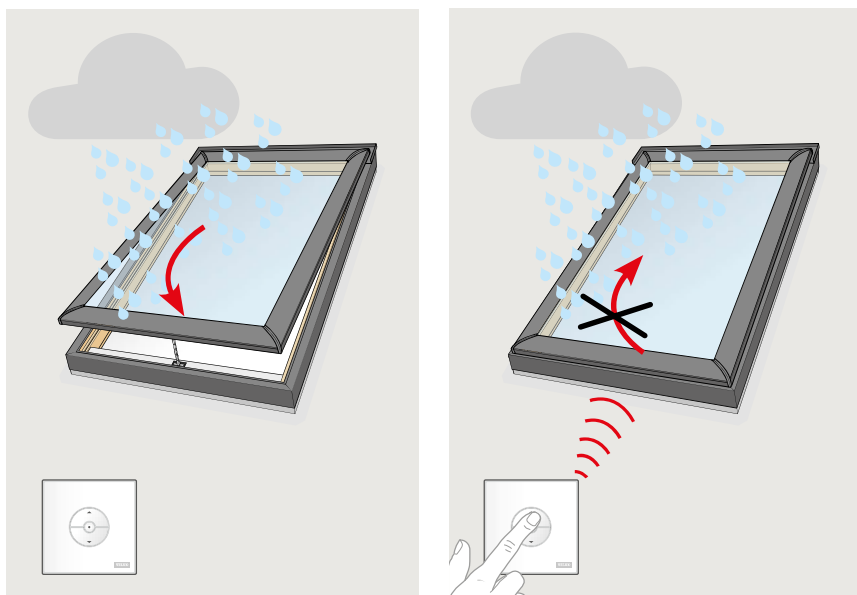
Presión prolongada: El producto se detendrá al dejar de pulsar el botón.

Nota: Si hay varios productos eléctricos conectados a una unidad de control KLC 500, uno solo de los productos (al azar) puede operarse de esta manera.

Tecla de stop

● El producto se detiene.

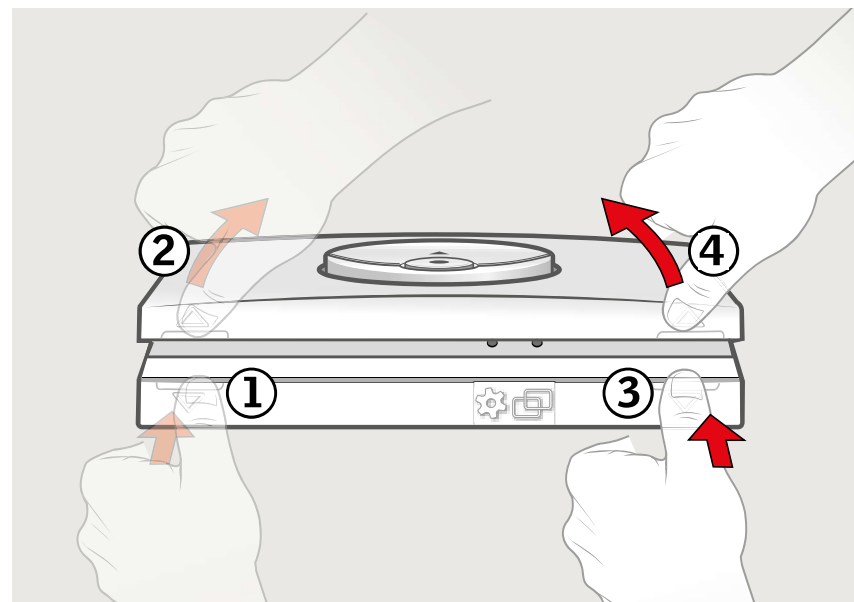
INICIO RÁPIDO



Sensor de lluvia

Los tragaluz VELUX INTEGRA® vienen con un sensor de lluvia. Si se activa el sensor de lluvia, el tragaluz se cerrará automáticamente en un lapso aproximado de 30 segundos, y no se podrá abrir el tragaluz mientras el sensor permanezca activado.

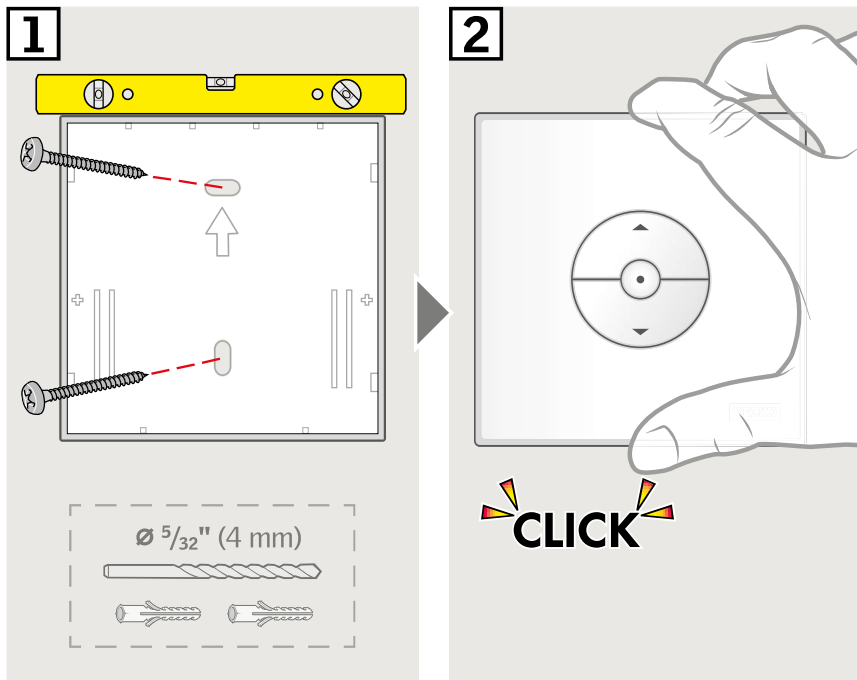
INSTALACIÓN EN PARED Y CAMBIO DE BATERÍAS



Cómo abrir el interruptor de pared

Separe la base y el frente del interruptor de pared, como se indica, para la instalación en la pared y el cambio de baterías.

INSTALACIÓN EN PARED Y CAMBIO DE BATERÍAS

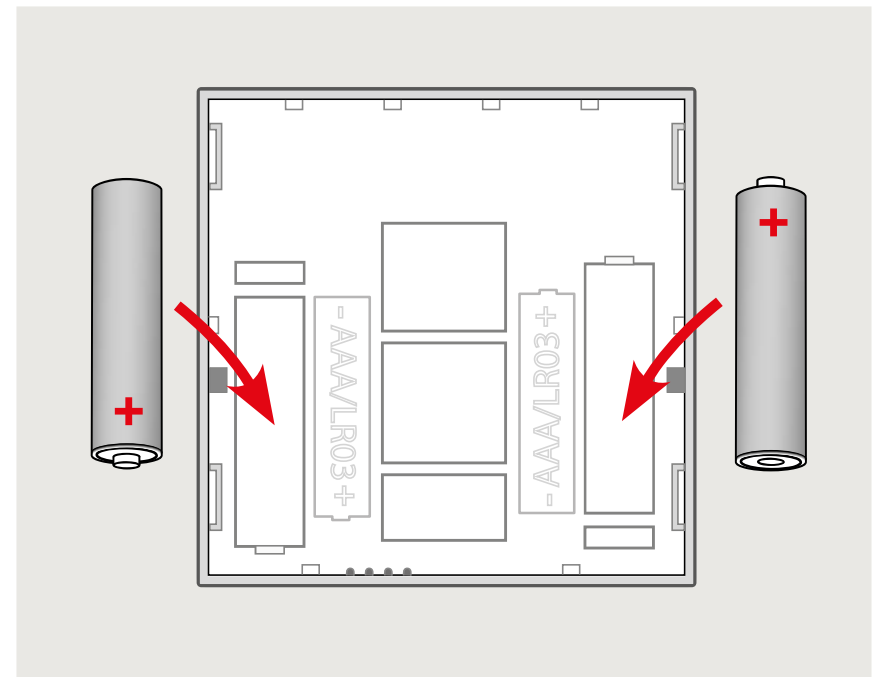


Instalación en pared del interruptor de pared

No monte el interruptor de pared a la pared hasta verificar que se pueden operar los productos desde la posición seleccionada.

- 1** Monte la base del interruptor de pared a la pared con tornillos. Deje un espacio debajo del interruptor de pared para tener acceso y poder abrirlo para cambiar las baterías.
- 2** Vuelva a armar el interruptor de pared.

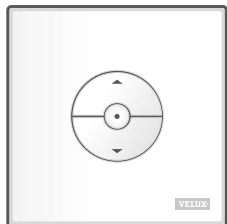
INSTALACIÓN EN PARED Y CAMBIO DE BATERÍAS



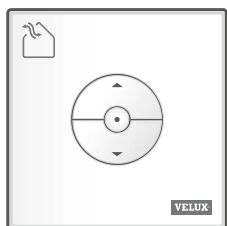
Cambio de baterías

Inserte las baterías tal como se indica (tipo AAA, 1.5 V).

Modelos de interruptores de pared



KLI 310 es universal para todos los productos VELUX INTEGRA®.

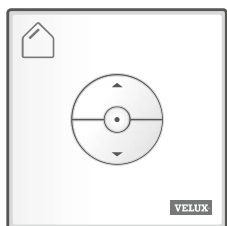


KLI 311 viene con todos los tragaluces VELUX INTEGRA®.



El ícono indica con qué productos funciona.

Nota: KLI 311 para tragaluces no sirve para las persianas.



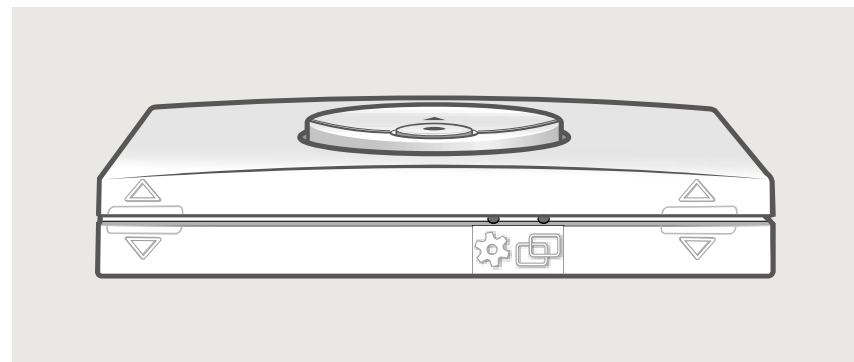
KLI 312 viene con todas las persianas VELUX INTEGRA®.



El ícono indica con qué productos funciona.

Nota: KLI 312 para persianas no sirve para los tragaluces.

Si se ha provisto un interruptor de pared con un producto VELUX INTEGRA®, este ya está emparejado o registrado y **no requiere configuración** para operarlo.



El interruptor de pared tiene dos botones para la configuración avanzada:

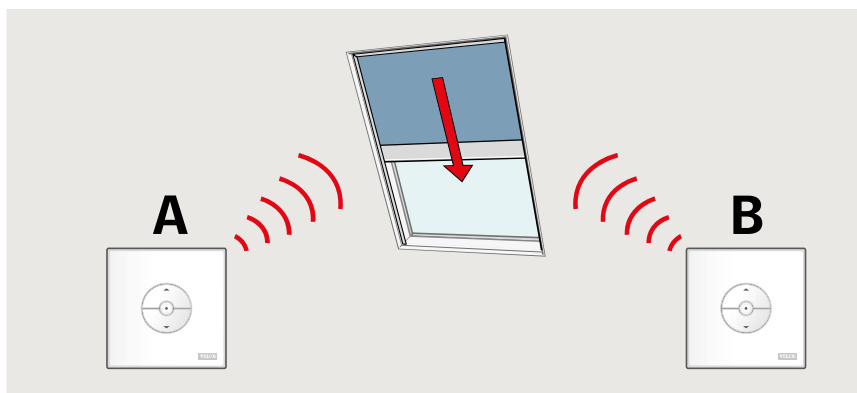
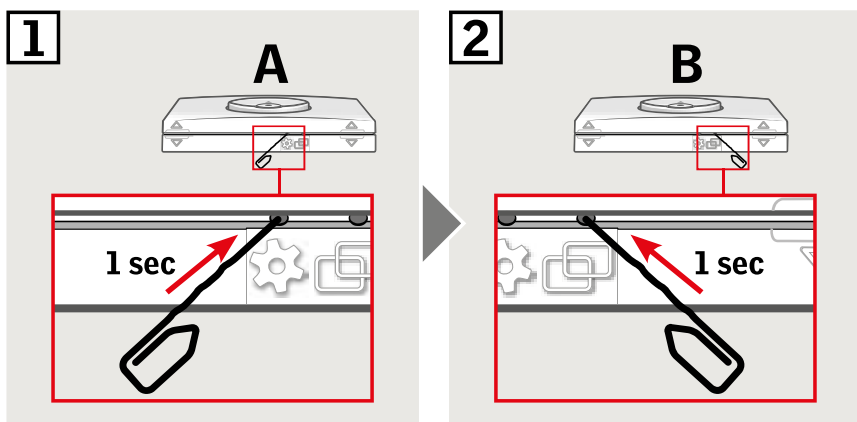
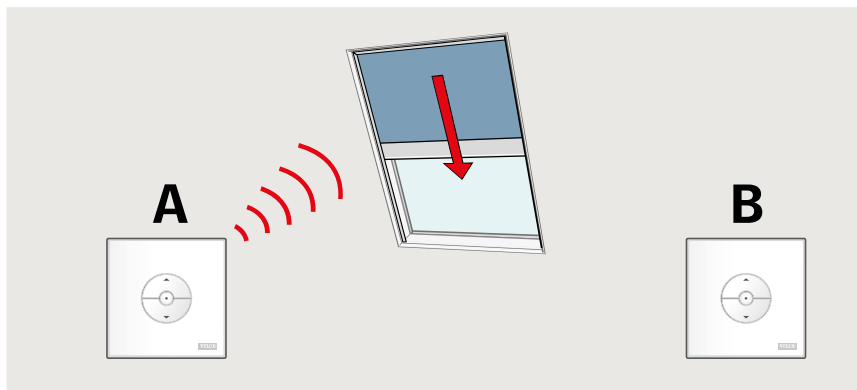


El botón Equipo "Listo para registrarse".



El botón Emparejar "Registrar".

Para presionar los botones, use un objeto con punta.



Configuración de un nuevo interruptor de pared agregado a otro ya existente

Importante: El nuevo interruptor de pared debe ser el modelo universal KLI 310 o el mismo modelo que el interruptor de pared existente.

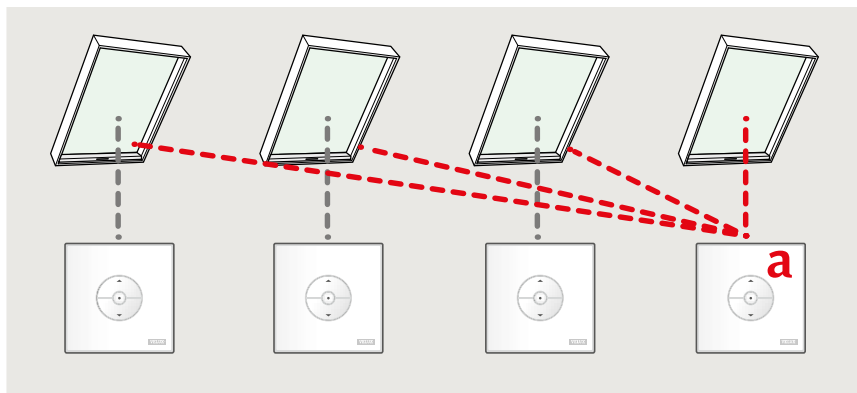
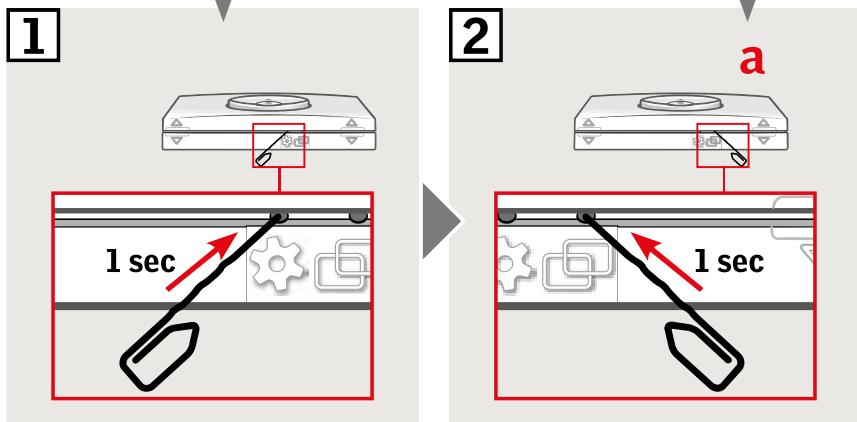
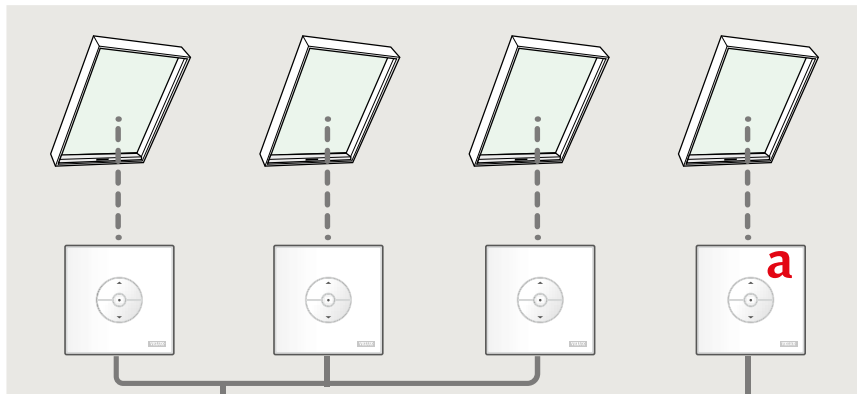
A: Interruptor de pared existente

B: Interruptor de pared nuevo

1 Prepare el producto para registrarlo presionando el botón Equipo en el interruptor existente (**A**) durante 1 segundo. El producto comenzará a moverse brevemente hacia adelante y hacia atrás.

2 Presione el botón Emparejar en el interruptor de pared nuevo (**B**) durante 1 segundo.

El producto ahora puede controlarse con los dos interruptores.



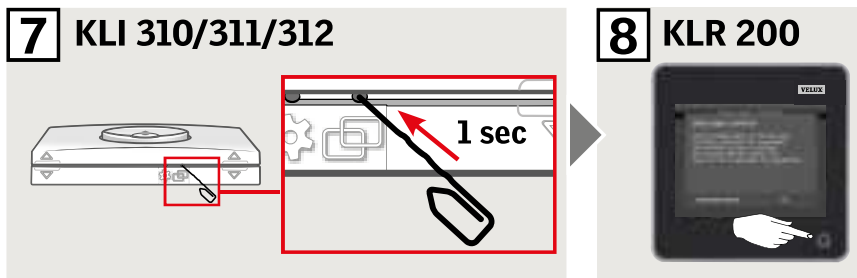
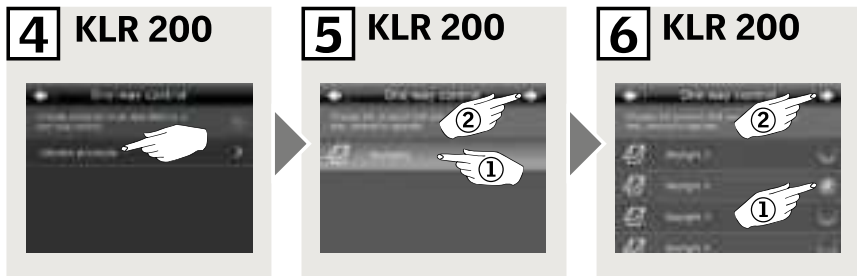
Configuración de productos para control grupal con un interruptor de pared maestro (a)

Importante: Todos los interruptores de pared deben ser el mismo modelo o el universal KLI 310.

- 1 Prepare cada uno de los productos seleccionados para registrarlos presionando en el interruptor de cada uno el botón Equipo correspondiente durante 1 segundo.
Los productos comenzarán a moverse brevemente hacia adelante y hacia atrás.
- 2 Presione el botón Emparejar en el interruptor de pared maestro durante 1 segundo.

Ahora pueden controlarse todos los productos simultáneamente con el interruptor maestro (a).

Repita el procedimiento si falla la configuración de algún producto o para agregar nuevos productos.



Configuración del KLI 310/311/312 para operar productos ya registrados en un mando a distancia táctil KLR 200

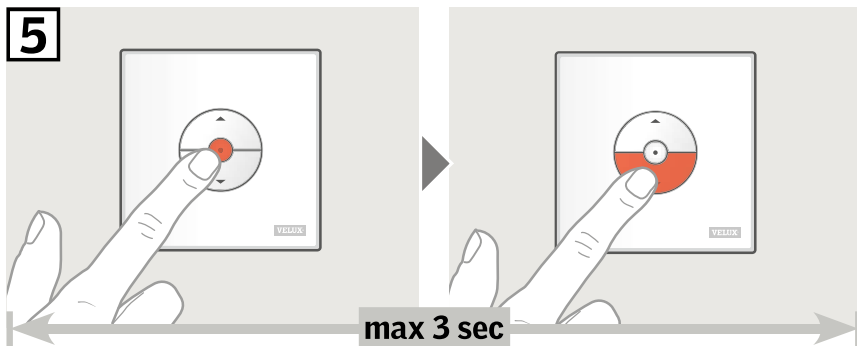
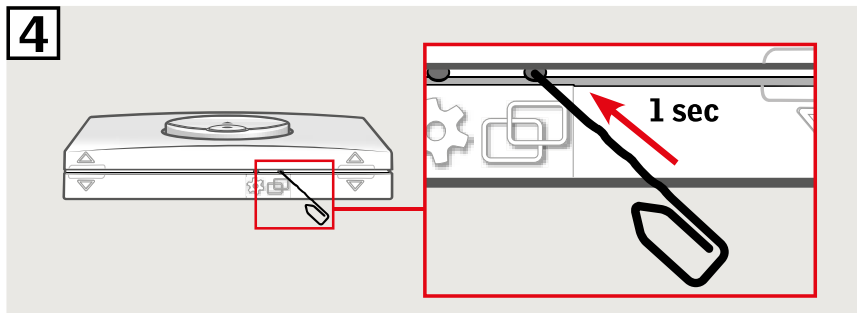
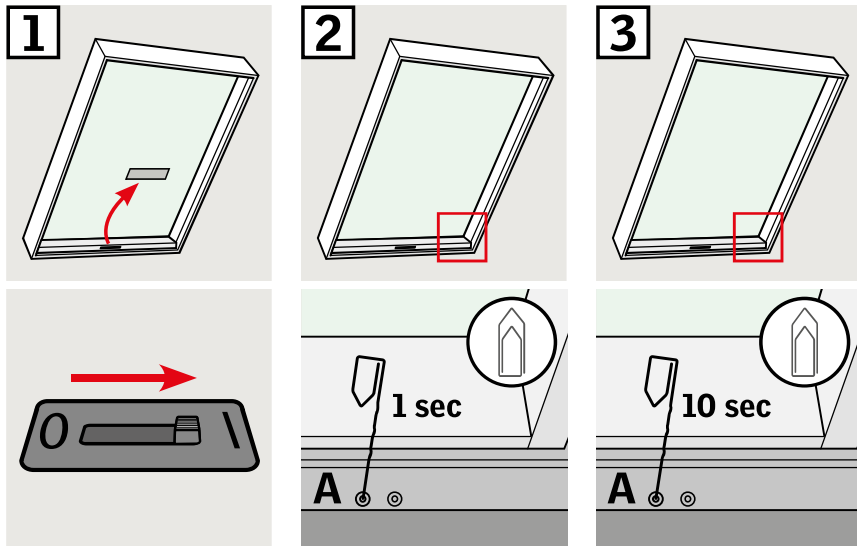
Importante: El interruptor de pared debe ser el modelo universal KLI 310 o el modelo que corresponda al producto.

- 1 Pulse ⊕.
- 2 Pulse "Nuevo producto".
- 3 Pulse "Preparar control unidireccional".
- 4 Pulse "Elija productos".
- 5 Desplácese hacia abajo de la pantalla y elija el tipo de producto ①. Pulse ⇨ ②.
- 6 Desplácese hacia abajo de la pantalla y elija el producto para agregar ①.
Nota: Los distintos productos pueden identificarse pulsando el ícono correspondiente. Pulse ⇨ ②.

Ahora tiene 10 minutos para ejecutar el paso 7 con el **interruptor de pared**.

- 7 Presione el botón Emparejar en el interruptor de pared durante 1 segundo para registrar el producto.
- 8 Pulse para finalizar.
Nota: Para agregar más productos, pulse "Elija más" y repita los pasos 5 al 8.

Los productos ahora también pueden operarse con el KLI 310/311/312.



Configuración del KLI 310/311 para operar los tragaluces VELUX INTEGRA®

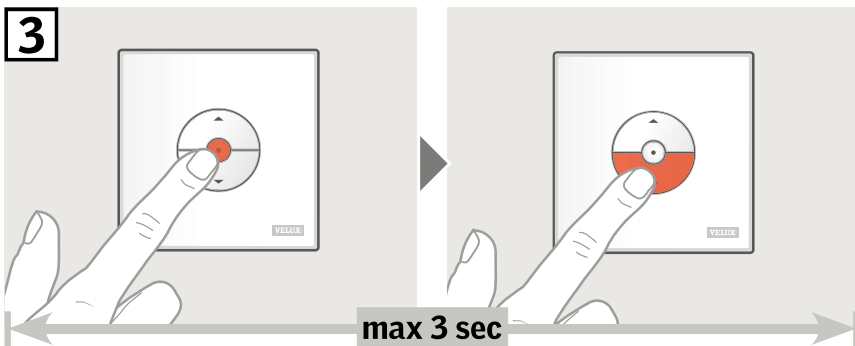
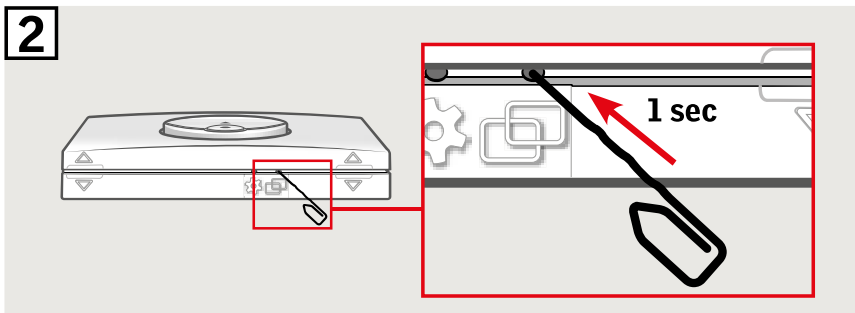
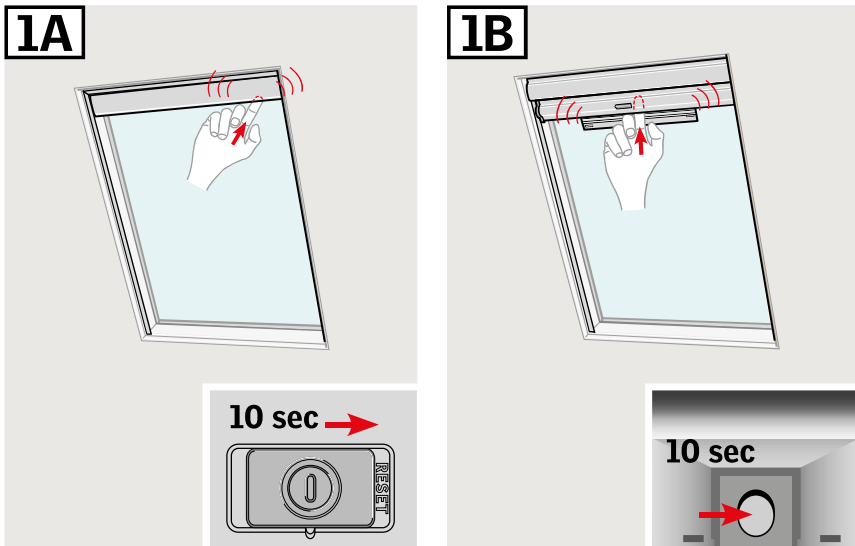
Importante: El interruptor de pared debe ser el modelo universal KLI 310 o el modelo que corresponda al producto.

Si debe reemplazarse un control que no funciona o si no encuentra en el interruptor de pared ciertos productos, puede configurar los productos para el registro si los reinicia manualmente con su configuración de fábrica.

Nota: No puede accionar productos que han sido reiniciados hasta que han sido registrados en el interruptor de pared de nuevo.

- 1 Verifique que el tragaluz (VSS/VCS) está conectado a la corriente eléctrica.
 - 2 Cierre la hoja presionando el botón más cercano al centro del tragaluz (A).
 - 3 Cuando el tragaluz está cerrado, restablezca el funcionamiento del tragaluz presionando y manteniendo presionado el botón más cercano al centro del tragaluz (A) durante un mínimo de 10 segundos. El operador del tragaluz se moverá brevemente hacia adelante y hacia atrás para indicar que el tragaluz está listo para registrarse.
- Nota:** Tiene un máximo de 10 minutos para registrar el tragaluz en el interruptor de pared.
- 4 Presione el botón Emparejar en el interruptor de pared durante 1 segundo.
 - 5 Presione la tecla de parada (stop) y luego la tecla ABAJO (DOWN) en los 3 segundos siguientes. Esto solo hace falta durante la configuración inicial después de instalar el tragaluz.

Ya puede controlar el tragaluz con KLI 310/311.



Configuración del KLI 310/312 para operar las persianas VELUX INTEGRA®

Importante: El interruptor de pared debe ser el modelo universal KLI 310 o el modelo que corresponda al producto.

Si debe reemplazarse un control que no funciona o si no encuentra en el interruptor de pared ciertos productos, puede configurar los productos para el registro si los reinicia manualmente con su configuración de fábrica.

Nota: No puede accionar productos que han sido reiniciados hasta que han sido registrados en el interruptor de pared de nuevo.

Restablezca el funcionamiento de la persiana.

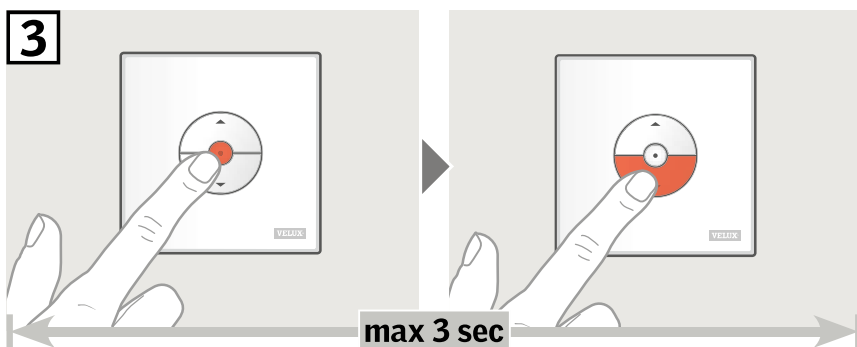
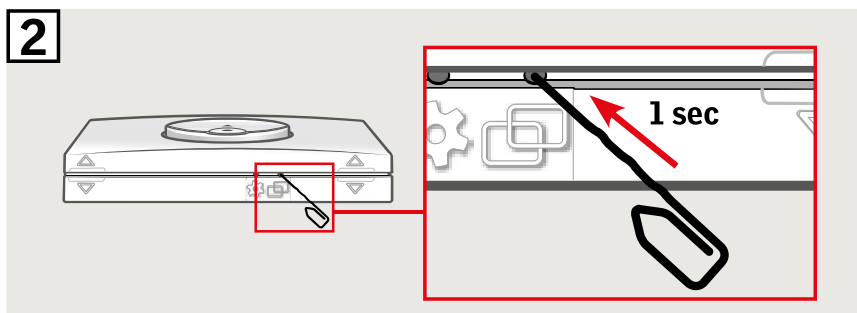
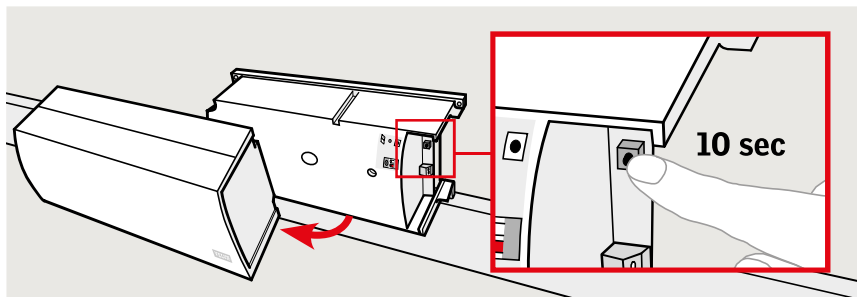
Las persianas solares pueden tener dos diseños diferentes:

- 1A** Persiana solar con interruptor deslizable en la parte inferior derecha de la unidad del motor:
Deslice el interruptor a la derecha y sosténgalo durante 10 segundos. La persiana se moverá brevemente hacia adelante y hacia atrás para indicar que está lista para registrarse.
- 1B** Persiana solar con botón detrás del compartimento sobre la parte inferior de la unidad del motor:
Abra el compartimento de la batería solar, presione el botón ubicado detrás de la tapa durante 10 segundos y ciérrelo. La persiana se moverá brevemente hacia adelante y hacia atrás para indicar que está lista para registrarse.

Nota: Tiene un máximo de 10 minutos para registrar la persiana en el interruptor de pared.

- 2** Presione el botón Emparejar del interruptor de pared durante 1 segundo.
- 3** Presione la tecla de parada (stop) y luego la tecla ABAJO (DOWN) en los 3 segundos siguientes. Esto solo hace falta durante la configuración inicial después de instalar la persiana.

Ya puede controlar la persiana con KLI 310/312.



Configuración del KLI 310/311/312 para operar productos conectados a la unidad de control KLC 500

Importante: El interruptor de pared debe ser el modelo universal KLI 310 o el modelo que corresponda al producto o productos.

Si debe reemplazarse un control que no funciona o si no encuentra en el interruptor de pared ciertos productos, puede configurar los productos para el registro si los reinicia manualmente con su configuración de fábrica.

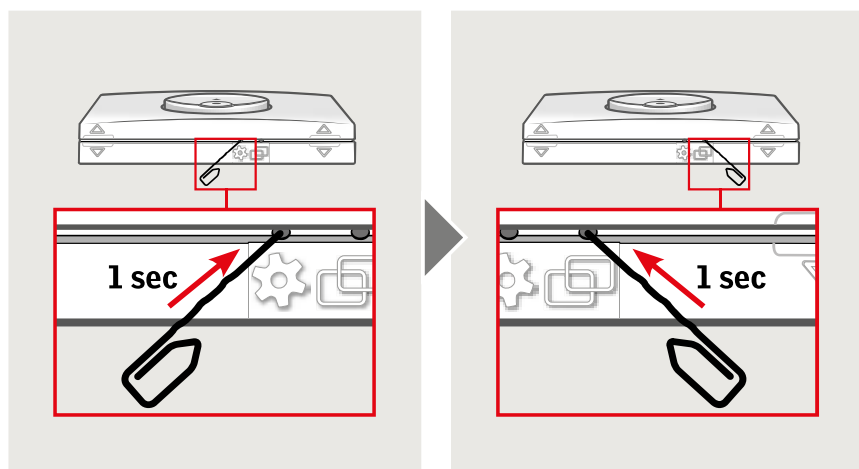
Nota: No puede accionar productos que han sido reiniciados hasta que han sido registrados en el interruptor de pared de nuevo.

- 1** Puede restablecerse la unidad de control retirando la tapa y presionando el botón de prueba (test) durante al menos 10 segundos. Los productos conectados se moverán brevemente hacia adelante y hacia atrás en orden aleatorio para indicar que están listos para registrarse.
 - 2** Presione el botón Emparejar del interruptor de pared durante 1 segundo.
 - 3** Presione la tecla de parada (stop) y luego la tecla ABAJO (DOWN) en los 3 segundos siguientes. Esto solo hace falta durante la configuración inicial después de instalar el producto.
- Ya puede operar los productos con KLI 310/311/312.

Eliminar (restablecer) productos de los interruptores de pared KLI 310/311/312

Elimine (restablezca) todos los productos de un interruptor de pared presionando el botón Equipo (Gear) durante 1 segundo y luego presione el botón Emparejar durante 1 segundo.

Los productos ya no pueden ser controlados por este interruptor de pared.



Contenu de l'emballage 56


Information importante et Avertissement 57-59


Démarrage rapide 60-62


Installation murale et remplacement des piles 63-65

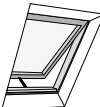
Configuration avancée

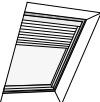
Modèles de clavier mural  66-67


Mise en place d'un nouveau clavier mural en plus d'un clavier mural existant +  68-69

Configuration pour le contrôle de groupe par un clavier mural maître  70-71

Configuration du KLI 310/311/312 pour opérer les produits déjà enregistrés dans une commande tactile KLR 200  72-73

Configuration du KLI 310/311 pour opérer les puits de lumière VELUX INTEGRA®  74-75

Configuration du KLI 310/312 pour opérer les stores VELUX INTEGRA®  76-77

Configuration du KLI 310/311/312 pour faire fonctionner des produits connectés au bloc transformateur KLC 500  78-79

Suppression (réinitialisation) des produits du clavier mural KLI 310/311/312 80



ENGLISH: Additional operational features and functions are available in the online User manual for controls KLR 100 and KLR 200 located on the websites listed below:

ESPAÑOL: Puede encontrar otras características de operación y funciones en el Manual del usuario del control KLR 100 y KLR 200 en línea en los sitios web que se enumeran abajo:

FRANÇAIS : Autres fonctions et caractéristiques opérationnelles sont disponibles au moyen de la Notice d'utilisation de la commande KLR 100 et KLR 200 en ligne aux sites web suivants :

日本語:さらなる操作上の特徴と機能をご覧いただけるリモコンKLR用のオンラインユーザーマニュアルは、以下のウェブサイトにあります:

- US:** VELUX America LLC
1-800-88-VELUX
- CA:** VELUX Canada Inc.
1 800 88-VELUX (888-3589)
- AU:** VELUX Australia Pty. Ltd.
1300 859 856
- NZ:** VELUX New Zealand Ltd.
0800 650 445
- JP:** VELUX-Japan Ltd.
0570-00-8141
- KR:** VELUX International (VELUX A/S)
+45 4516 7885

www.velux.com

INSTRUCTIONS FOR KLI 310/311/312 ©2018, 2021 VELUX GROUP ©VELUX. THE VELUX LOGO, VELUX INTEGRA, io-homecontrol AND THE io-homecontrol LOGO ARE REGISTERED TRADEMARKS USED UNDER LICENSE BY THE VELUX GROUP
INSTRUCTIONS POUR KLI 310/311/312 ©2018, 2021 VELUX GROUP ©VELUX. LE LOGO VELUX, VELUX INTEGRA, io-homecontrol ET LE LOGO io-homecontrol SONT DES MARQUES DE COMMERCE DÉPOSÉES ET EMPLOYÉES SOUS LICENCE DE VELUX GROUP