

rpb[®] Z3™ WELDER

INSTRUCTION MANUAL



CONTENTS

■ INTRODUCTION	4
■ RESPIRATORY COMPONENT CONCEPT	5
■ !WARNINGS!	6
■ CAUTIONS AND LIMITATIONS	8
■ RESPIRATOR OPERATION	9
■ SPECIAL OR CRITICAL USERS INSTRUCTIONS	
- BREATHING AIR PRESSURE TABLE	10
■ RESPIRATOR SETUP AND USE	11
■ IMPACT LENS AND PROTECTION SCREEN REPLACEMENT	11
■ FACE SEAL REPLACEMENT	12
■ AUTO DARKENING WELDING PROTECTION FILTER	17
■ RECOMMENDED SHADE LEVELS AND LIGHT TRANSMISSION CURVE	19
■ DESCRIPTION OF RPB [®] FILTER FEATURES & TECHNICAL DATA	20
■ PARTS LIST	21
■ APPENDIX A	24

**Read all instructions and warnings before using this product.
Keep this manual for future reference.**

RPB[®] Safety Global Headquarters

2807 Samoset Rd, Royal Oak, MI 48073, USA.

T: 1-866-494-4599 F: 1-866-494-4509 E: sales.us@rpbsafety.com **rpbsafety.com**

RPB[®] Safety Asia Pacific Headquarters

652 Halswell Junction Road, Hornby South 8042 New Zealand.

T: +64-3-357-1761 F: +64-3-357-1763 E: sales.nz@rpbsafety.com **rpbsafety.com**

RPB[®], Advancing Your Safety[®], Nova[®], Nova 3[®], Radex[®], Zytec[®], Z-LINK[®] and T-LINK[®] are registered trademarks of RPB[®] Safety LLC

For technical assistance contact our Customer Service Department at 1-866-494-4599 or email: customerservice@rpbsafety.com

FORM #: 7.20.517

REV: 2

RPB[®] Z3[™] WELDER

INTRODUCTION

The RPB[®] Z3[™] is approved by NIOSH in two categories as follows:

- Type C Supplied Air Respirator - When used with RPB[®] Supplied Air Hose and Flow Device Systems.
- Powered Air Purifying Respirator - When used with the PX4 AIR[®] PAPR unit.

It is designed for use in welding applications where there is a need for protection from Airborne Contaminants and UV or IR eye protection, such as welding.

The Z3[™] has been designed for use in atmospheres that are NOT IMMEDIATELY DANGEROUS TO LIFE OR HEALTH (IDLH).

The Z3[™] is approved for use with any one of the following flow control devices:

- 03-101 Constant Flow Valve
- NV2016 Flow Control Valve
- 03-901 RPB[®] PX4 AIR[®] Powered Air Purifying Respirator (refer to PX4 AIR[®] PAPR Instruction Manual for instructions on setting up for use with the PAPR)

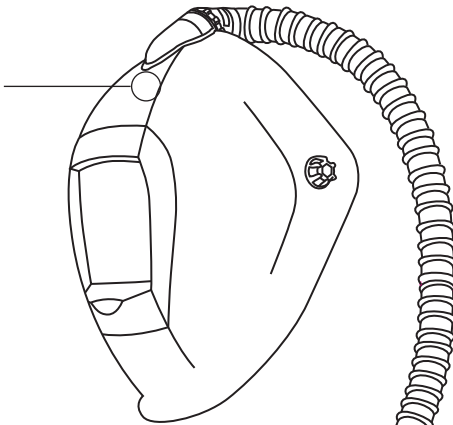
WARRANTY

All RPB[®] products are covered by a manufactures warranty of 3 months. The manufacturer warranty covers defects in material, workmanship and does not cover damage caused by misuse or abuse. RPB[®]'s only obligation and your exclusive remedy shall be to repair, replace or refund the purchase price of such parts or products upon the presentation of proof of purchase. Maximum liability is in no case to exceed the value of the RPB[®] product involved.

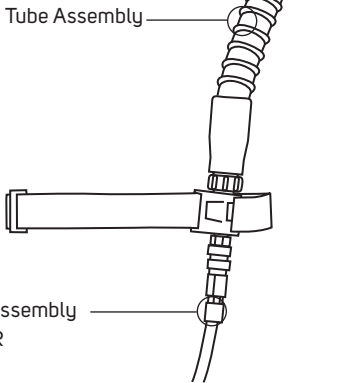
RESPIRATORY COMPONENT CONCEPT

The RPB® Z3™ consists of 3 main components:

1. Z3™ Helmet



2. Breathing Tube Assembly



3. Air Supply Hose Assembly
or PX4 AIR® PAPR

FIGURE 1.1

!WARNING! Failure to use genuine parts and components that are part of the NIOSH approved respirator assembly will void the approval of the entire respirator assembly.

RPB® Z3™ WELDER

!WARNINGS!

BEFORE WELDING

1. Ensure that the helmet is correctly assembled and that it completely blocks any accidental light. In the front, light may enter the helmet only through the viewing area of the autodarkening welding filter.
2. Check the prescribed shade level for your welding application and adjust your autodarkening filter accordingly (see the table with recommended shade levels Pg 20).
3. Never place the helmet or the autodarkening welding filter on hot surfaces.
4. Scratched or damaged protection screens should be regularly replaced by genuine RPB® replacement parts. Before using the new protection screen, make sure to remove any additional protection foil from both sides.
5. Use the RPB® Z3™ only within the temperature range of 14°F to 140°F (-10°C to +60°C).
6. Do not expose the autodarkening welding filter to liquids and protect it from dirt.
7. Improper use of this respirator or use not in accordance with this User Instruction Manual may cause injury or death. Improper use may also cause life threatening delayed lung, skin and eye disease. The RPB® Z3™ Welding Helmet is manufactured to protect the welder's face against spatters and hazardous ultraviolet and infrared rays emitted during the welding process. It is not intended to be used as a protection against impact, flying particles, molten metals, corrosive liquids or hazardous gases.
8. Materials which may come into contact with the wearer's skin could cause allergic reactions to susceptible individuals.
9. Welding helmet worn over standard spectacles may transmit impact, thus create a hazard to the wearer.
10. The RPB® Z3™ Welding Helmet does not provide hearing protection. Earplugs or earmuffs must be properly fitted when exposed to noise levels that exceed the OSHA permissible exposure levels.
11. Do not use this respirator until you have been trained in the respirators use, maintenance and limitations by a qualified individual (appointed by your employer) who has extensive knowledge on the RPB® Z3™ Respirator. All training must be in accordance with this Users Instruction Manual.
12. Before using this respirator ensure your employer has determined that airborne contaminant concentrations do not exceed those allowed by applicable OSHA, EPA or NIOSH regulations and recommendations for continuous flow supplied air respirators. Federal law requires that the employer measures and monitors airborne contaminant levels in the work area.
13. If this respirator is used in confined spaces ensure the area is well ventilated and that all contaminate concentrations are below those recommended for this respirator. Follow all procedures for confined space entry, operation and exit

as defined in applicable regulations and standards.

14. DO NOT wear this respirator if any of the following conditions exist:
 - Atmosphere is immediately dangerous to your life or health
 - You CAN NOT escape without the aid of the respirator
 - Atmosphere contains less than 19.5% oxygen
 - Work area is poorly ventilated
 - Contaminants are in excess of regulations or recommendations
15. Do not modify or alter this respirator. Use only parts and components that are part of the NIOSH approved respirator assembly. The use of non RPB® parts voids the NIOSH approval of the entire respirator assembly.
16. Inspect all components of the respirator daily for signs of damage or wear and tear that may reduce the level of protection originally provided.
17. Do not wear this respirator until you have passed a complete physical exam including a lung X-ray conducted by qualified medical personnel.
18. This respirator, when properly fitted and used, significantly reduces but does not completely eliminate the breathing of contaminants by the respirator wearer.
19. Be certain your employer has determined that the breathing air source provides at least a Grade D breathable air as specified in the compressed gas association commodity specification G-7.1. The respirator must be supplied with clean breathable air at all times.

A carbon monoxide monitor must be used at all times. Contact your RPB® distributor for a Radex 08-200 CO Monitor. Do not connect the respirator's air supply hose to nitrogen, toxic gases, inert gases or other unbreathable non Grade D air sources. Check the air source before using the respirator. This apparatus is not designed for use with mobile air supply systems i.e. cylinders. Failure to connect the supply hose to the proper air source could result in serious injury or death.

20. RPB® Safety cannot accept any liability of whatsoever nature arising directly or indirectly from the use or misuse of RPB® Safety products, including purposes that the products are not designed for. RPB® Safety is not liable for damage, loss or expense resulting from the failure to give advice or information or the giving of incorrect advice or information, whether or not due to RPB® Safety's negligence or that of its employees, agents or subcontractors.
21. Leave work immediately if:
 - Any respirator component becomes damaged
 - Airflow stops or slows down
 - Breathing becomes difficult
 - You become dizzy, nauseous, too hot, too cold or ill
 - Vision is impaired

NIOSH - CAUTIONS AND LIMITATIONS

- A)** Not for use in atmospheres containing less than 19.5 percent oxygen.
- B)** Not for use in atmospheres immediately dangerous to life or health.
- C)** Do not exceed maximum use concentrations established by regulatory standards.
- D)** Air-line respirators can be used only when the respirators are supplied with respirable air meeting the requirements of CGA G-7.1 Grade D or higher quality.
- E)** Use only the pressure ranges and hose lengths specified in the user's instructions.
- F)** Do not use powered air-purifying respirators if airflow is less than 4CFM (115lpm) for tight fitting facepieces or 6CFM (170lpm) for hoods and/or helmets.
- H)** Follow established cartridge and canister change schedules or observe ESLI to ensure that cartridge and canisters are replaced before breakthrough occurs.
- I)** Contains electrical parts which have not been evaluated as an ignition source in flammable or explosive atmospheres.
- J)** Failure to properly use and maintain this product could result in injury or death.
- L)** Follow the manufacturer's User's Instructions for changing cartridges, canister and/or filters
- M)** All approved respirators shall be selected, fitted, used and maintained in accordance with MSHA, OSHA, and other applicable regulations.
- N)** Never substitute, modify, add or omit parts. Use only exact replacement parts in the configuration as specified by the manufacturer.
- O)** Refer to user's instructions, and/or maintenance manuals for information on use and maintenance of these respirators.
- P)** NIOSH does not evaluate respirators for use as surgical masks.
- S)** Special or critical user's instructions and/or specific limitations apply. Refer to user's Instruction page 9 (breathing air pressure table) before donning.

RESPIRATOR OPERATION

AIR QUALITY

This respirator must be supplied with clean breathable air at all times. Breathable air must at least meet the requirements for Type 1 gaseous air described in the Compressed Gas Association Commodity Specifications G.7.1 (Grade D or higher) and as specified by Federal Law 42 CFR 84, subpart J.84.141(b) and 29 CFR 1910.134 (i) the RPB® Z3™ Welding Helmet does not purify air or filter contaminants.

When using a RPB® Z3™ Welding Helmet Supplied Air Respirator. It is recommended to use a Radex Airline Filter (p/n: 04-900) and a GX4® Gas Monitor (p/n: 08-400).

AIR SOURCE

Supplied air

Locate the air source in a clean air environment, always use a filter on the inlet of your air source. Do not park vehicles beside your air inlet as this will cause carbon monoxide to be drawn into your air supply. Always use suitable after coolers/dryers with filters and carbon monoxide alarms to ensure clean breathable air is supplied at all times. The air should be regularly sampled to ensure that it meets Grade D requirements.

Powered Air

Check that the contaminated area is within the limits of the use of a Powered Air Purifying Respirator and determine the type of contamination. Once the contamination level has been confirmed then you can determine the filter cartridge to be used for the application, to make sure that you are sufficiently protected. Make sure that the area is well ventilated and that regular air samples are taken to confirm the atmosphere

stays within the levels recommended by OSHA and other governing bodies. Follow the PX4® PAPR Instruction Manual for more details.

BREATHING AIR SUPPLY HOSES AND FITTINGS

RPB® Safety air supply hoses and fittings must be used between the point of attachment and the respirator breathing air connection at the wearer's belt. The hose sections must be within the correct length and the amount of sections must be within the number specified in the breathing air pressure table on page 10.

BREATHING AIR PRESSURE

The air pressure must be continually monitored at the point of attachment. Air pressure must be read from a reliable pressure gauge whilst the respirator has air flowing through it.

!WARNING!

Failure to supply the minimum required air pressure at the point of attachment for the length of air supply hose could result in contaminants being inhaled as the pressure in the helmet may become negative due to peak inhalation flow when working at very high work rates. The RPB® Z3™ Breathing Air Pressure table on page 9 defines the air pressure ranges needed to provide the respirator with a volume of air which falls in the required range of 6-15cfm or 170-425 lts/min.

RPB[®] Z3™ WELDER

!WARNING!

Make sure you understand the Breathing Air Pressure table (Figure 1.1) before using this respirator.

1. Determine your air source (column 1).
2. Identify your breathing tube assembly (column 2).
3. Confirm the part number of the air supply hose you are using (column 3).
4. Check your RPB[®] Safety Air Supply Hose is within the correct length
5. Set the air pressure at the point of attachment within the range specified (column 6) for your breathing tube assembly, hose length and number of hose sections (column 5).

Make sure air is flowing through your respirator when setting the air pressure.

SPECIAL OR CRITICAL USERS INSTRUCTIONS

BREATHING AIR PRESSURE TABLE *Figure 1.1*

This table lists air pressure ranges needed to provide the RPB[®] Z3™ with the volume of air that falls within the required range of 6-15cfm or 170-425 lts/min according to U.S. government regulations.

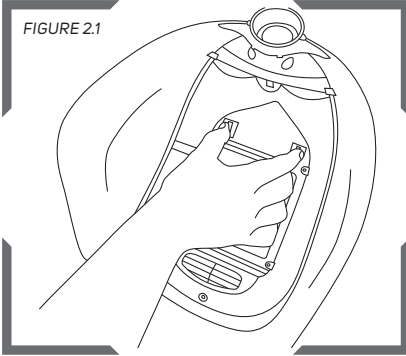
1. AIR SOURCE	2. BREATHING TUBE ASSEMBLY AND FLOW CONTROL DEVICES	3. AIR SUPPLY HOSE	4. SUPPLY HOSE LENGTH (FT)	5. MAX NUMBER OF SECTIONS	6. PRESSURE RANGE (PSIG AIR)
Portable or Stationary Compressor	03-031/03-101 Constant Flow Valve Assembly (High Pressure)	NV2028 (25ft) NV2029 (50ft) NV2027 (100ft)	25	1	10 - 14
			50	1	12 - 14
			100	2	17 - 19
			150	3	21 - 23
			200	4	25 - 27
			250	5	28 - 31
300	6	31 - 34			
Portable or Stationary Compressor	03-031/NV2016 Flow Control Valve assembly	NV2028 (25ft) NV2029 (50ft) NV2027 (100ft)	25	1	27 - 28
			50	1	28 - 29
			100	2	30 - 31
			150	3	33 - 34
			200	4	36 - 37
			250	5	38 - 39
300	6	41 - 43			

!WARNING! The RPB[®] Z3™ Supplied Air Respirator must be supplied with respirable air meeting the requirements of CGA G-7.1 Grade D or higher quality.

RESPIRATOR USE AND SETUP

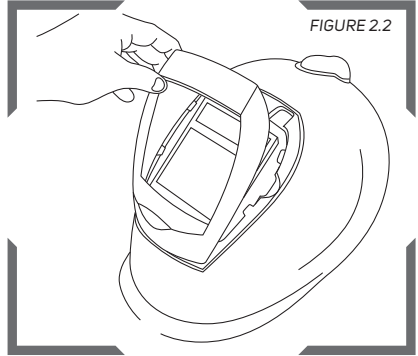
IMPACT LENS, ADF LENS AND PROTECTION SCREEN REPLACEMENT

FIGURE 2.1



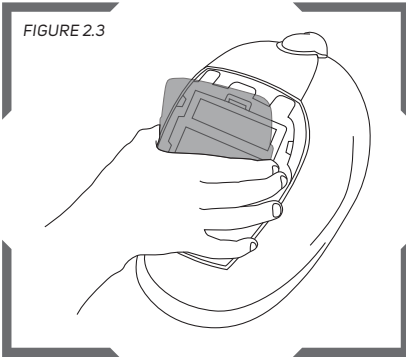
Squeeze the tabs inside the Helmet to release the outer shell.

FIGURE 2.2



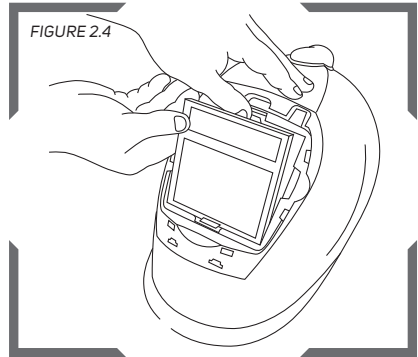
Remove the outer (green) shell.

FIGURE 2.3



Remove the clear Impact Lens by squeezing together the two tabs on either side. If you are just wanting to replace the Impact Lens then now put the new Impact Lens in and reverse steps starting at 2.3 to 2.1

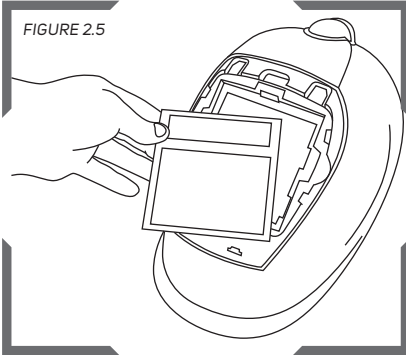
FIGURE 2.4



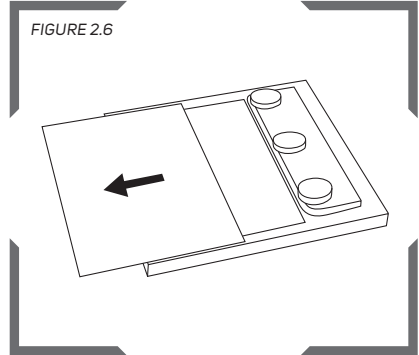
To remove the Auto darkening filter, lift the tab at the top of the to release it.

RPB[®] Z3™ WELDER

RESPIRATOR USE AND SETUP CONTINUED



Remove the Autodarkening Filter completely. With the filter removed you can clean the visor to remove any contaminants.

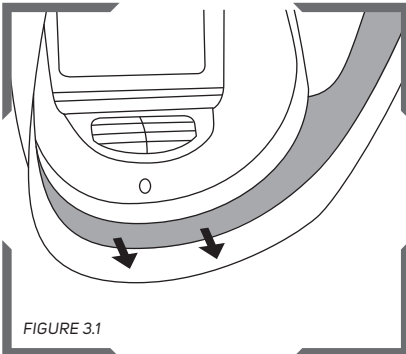


Slide out the Protection Screen and replace with a new one. Make sure you use genuine RPB[®] Z3™ parts or this will no longer be covered by the warranty.

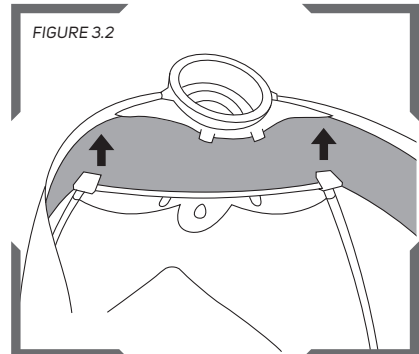
NOTE

To put the RPB[®] Z3™ Welding Helmet back together reverse this process starting at 2.6 and finishing at 2.1

FACE SEAL REPLACEMENT



Pull the lower part of the face seal holder to release it from the airduct.



Pull the face seal holder from the two inside upper latches.

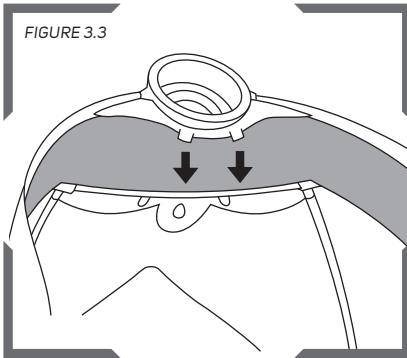


FIGURE 3.3

Release the face seal holder from the two outside upper latches.

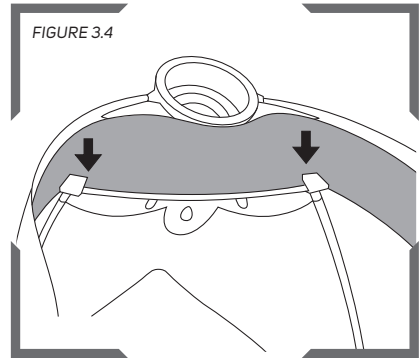


FIGURE 3.4

Take the new face seal and push the inner upper side of the face seal holder into the two upper inside latches.

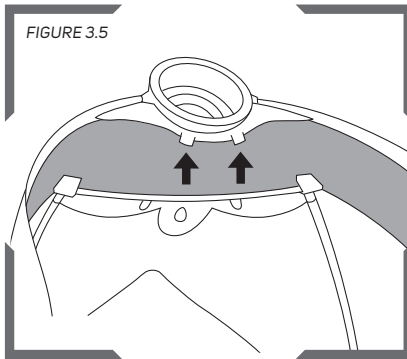


FIGURE 3.5

Push the outside upper part of the face seal holder into the two outside upper latches.

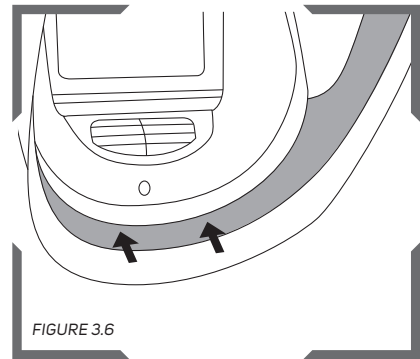


FIGURE 3.6

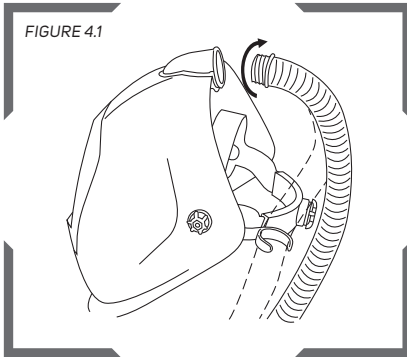
Slide the lower part of the face seal holder into the gap between the helmet and airduct.

NOTE

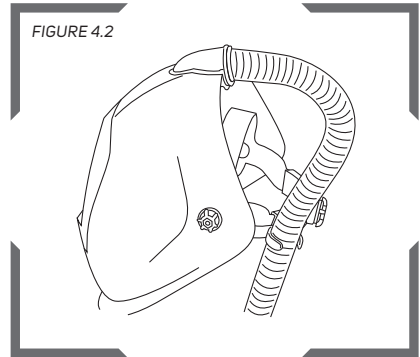
In order to be able to observe the details better, the assembly pictures show the face seal holder without the face seal in place (fabric part).

RPB[®] Z3[™] WELDER

MOUNTING OF THE HOSE



Screw in the running nut fitting of the breathing air tube as shown on the scheme. Adjust the length of the hose between the hose connector and the hose holder so you achieve the maximum comfort. We recommend this length to be 9-11 inches of non stretched hose, so the upper loop would not be too long, as the length should allow comfortable lifting of the helmet.



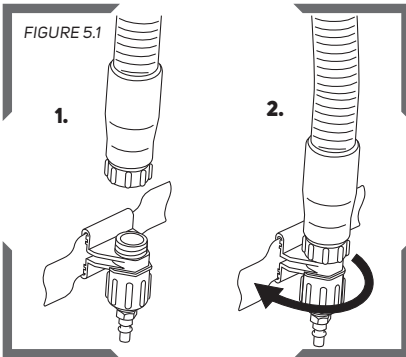
It is recommended that the length of the hose from the hose connector to the Flow control device is adjusted, so that the hose follows the user's back without being stretched. Once the hose is placed into the hose holder, adjust the height of the hose by simply pulling the hose trough the hose holder upward or downwards. Fine adjustment of shape of the loop can be achieved by turning the hose left or right.

FOR USE WITH RPB[®] PX4 AIR[®] - SEE THE PAPR USER MANUAL

When the Z3[™] Welding Helmet Respirator is being used in conjunction with the RPB[®] PX4 AIR[®] PAPR, please refer to the RPB[®] PX4 AIR[®] PAPR for instruction of use and setting up the assembly.

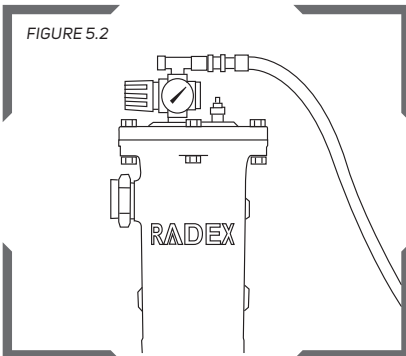
Note: The RPB[®] PX4 AIR[®] is a Powered Air Purifying Respirator, therefore care must be taken when selecting the correct filter for the application the respirator will be used in.

CONNECTING THE AIR SUPPLY



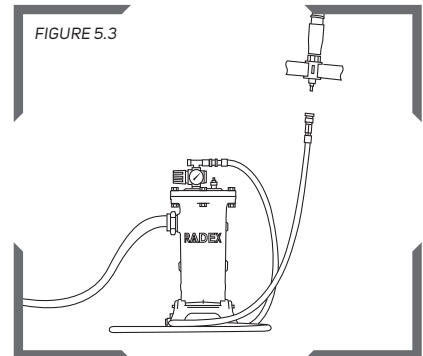
Connect the Flow Control Device

Thread the loose running nut of the O3-031 Breathing Tube on to the Flow Control Device (O3-101, O3-106 or NV2016). Screw the running nut in a clockwise direction until tight.



Adjust Air Pressure

Adjust the air pressure at the point of attachment according to the Breathing Air Pressure Table on page 10.

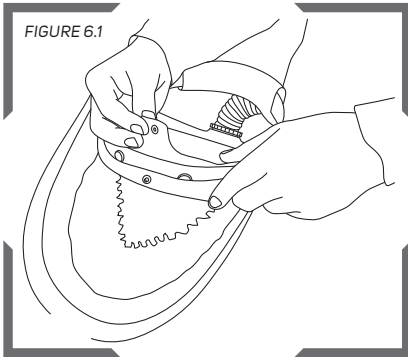


Connect air supply hose

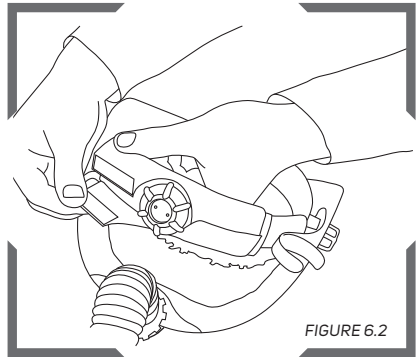
Connect a RPB® Air Supply Hose insuring the maximum sections and lengths are within the specifications on page 10.

rpb[®] Z3 WELDER

CLEANING / REPLACING COMFORT PADDING

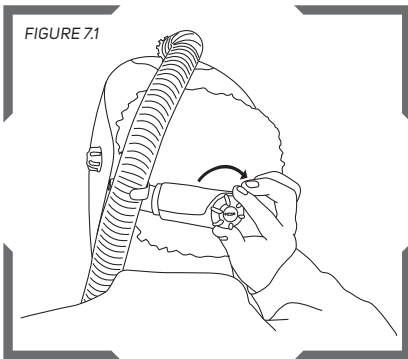


The Comfort Padding can be washed in a normal Washing Machine. First remove the Comfort padding from the front of the Head Harness by undoing the Domes.

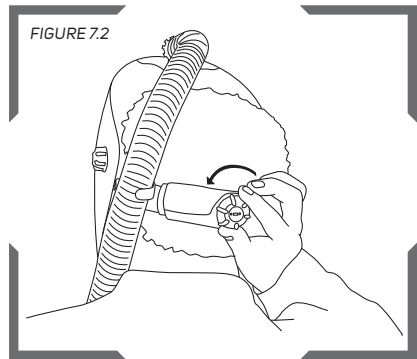


Next remove the Comfort padding from the back of the Head Harness by undoing the Velcro.

ADJUSTING THE HEAD HARNESS



To adjust the Head Harness, push in the dial on the back and then turn Right to tighten.



Or push in and turn left to loosen. A tight but comfortable fit is ideal.

AUTODARKENING WELDING PROTECTION FILTER

OPERATION

RPB® autodarkening welding protection filters operate on the basis of a liquid crystal light shutter that protects the welder's eyes against intense visible light emitted during the welding process. In combination with the permanent passive IR/UV filter, it protects against hazardous infrared (IR) and ultraviolet (UV) light. The protection against harmful radiation is present regardless of the shade level or potential malfunction of the filter, beyond the darkest shade number marked on each specific model.

RPB® autodarkening welding protection filters are manufactured according to ANSI Z87.1, EN 379 requirements and are CE, DIN as well as DIN Plus certified. They are not intended to be used as a protection against impacts, flying particles, molten metals, corrosive liquids or hazardous gases.

Replace potentially malfunctioned or physically damaged autodarkening welding filters (check that the autodarkening filter turns dark if you strike the welding arc).

!WARNING!

Protection screens, both internal and external, must be used in conjunction with the autodarkening filter in order to protect it against permanent damage.

USAGE

An autodarkening welding protection filter built into a welding helmet is considered to be Personal Protection Equipment (PPE) protecting the eyes, face, ears and neck against direct and indirect hazardous light of the welding arc. In case that you have only bought a filter without the helmet, you need to select the appropriate helmet designed to be used in combination with an autodarkening welding protection filter. It has to allow the filter, including the internal and external protection screens, to be adequately mounted into the helmet. There should be no tension on the ADF Lens caused by the mounting frame or mounting system, as it could cause severe damage to the filter. Make sure that solar cells and photo-sensors are not covered by any part of the helmet, as this could prevent the proper operation of the filter. If any of these conditions occur, the filter may not be suitable for use.

FIELD OF APPLICATION

RPB® Auto darkening filters are suitable for all types of electro-welding: covered electrodes, MIG/MAG, TIG/WIG, plasma welding, cutting and laser welding, except for gas welding.

FUNCTIONS

RPB® filters are supplied ready for use. Check the degree of required protection for specific welding procedure and select the recommended shade, light sensitivity as well as opening time delay.

RPB[®] Z3 WELDER

AUTODARKENING WELDING PROTECTION FILTER CONTINUED

SHADE ADJUSTMENT

Our models (PLUS and ULTRA) enable shade adjustment range from 9 to 13. It can be adjusted by the knob »Shade« which is located on the filter.

ADJUSTMENT OF SENSITIVITY

Most welding applications can be performed with welding light sensitivity set to maximum. The maximum sensitivity level is appropriate for low welding current work, TIG, or special applications. The welding light sensitivity has to be reduced only in some specific surrounding lighting conditions in order to avoid unwanted triggering. As a simple rule for optimum performance, it is recommended to set sensitivity to the maximum at the beginning and then gradually reduce it, until the filter reacts only to the welding light flashes and without annoying spurious triggering due to ambient light conditions (direct sun, intensive artificial light, neighboring welder's arcs etc.)

OPENING TIME DELAY ADJUSTMENT:

The opening time delay can be adjusted from 0.1 to 1.0 seconds. It is recommended to use a shorter delay with spot welding applications and a longer delay with applications using higher currents and longer welding intervals. Longer delay can also be used for low current TIG welding in order to prevent the filter opening when the light path to the sensors is temporarily obstructed by a hand, torch, etc.

STORAGE

When not in use the Auto Darkening Filter should be stored in a dry place within the temperature range of -4°F (-20°C) to +149°F (65°C). Prolonged exposure to temperatures

above 113°F (45°C) may decrease the battery lifetime of the autodarkening welding filter.

It is recommended to keep the solar cells of the autodarkening welding filter in the dark or not exposed to light during storage in order to maintain power down mode. This can be achieved by simply placing the filter face down on a storage shelf.

MAINTENANCE AND CLEANING

It is always necessary to keep the solar cells and the light sensors of the autodarkening welding filter free of dust and spatters: cleaning can be done with a soft tissue or a cloth soaked in mild detergent (or alcohol).

Never use aggressive solvents such as acetone. RPB[®] filters should always be protected from both sides by protection screens, which should also be only cleaned with a soft tissue or cloth. If protection screens are in any way damaged, they must be immediately replaced.

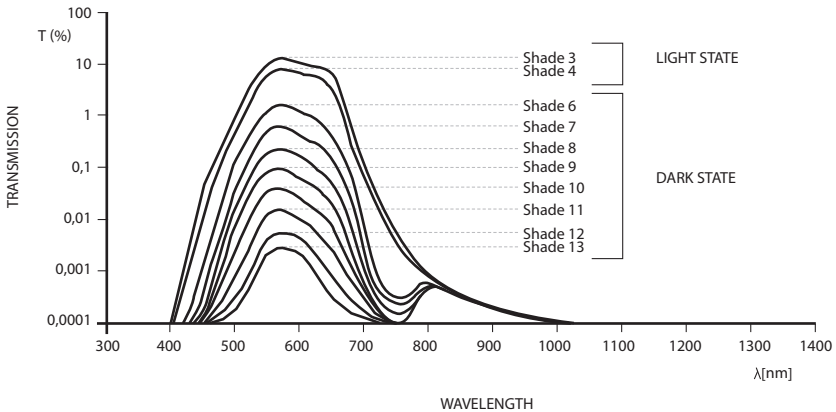
WARRANTY

The warranty period of RPB[®] Z3™ ADF Lens is three years. Failure to follow these instructions may invalidate the warranty. RPB[®] does not accept responsibility for any issues, which may arise from applications other than welding.

RECOMMENDED SHADE LEVELS FOR VARIOUS WELDING APPLICATIONS Figure 8.1

Welding Process	CURRENT IN AMPERES																	
	6	10	15	30	40	60	70	100	125	150	175	200	225	250	300	250	400	
MMA	8				9			10			11			12			13	
	PLUS, ULTRA																	
MAG	8				9			10			11			12				
	PLUS, ULTRA																	
TIG	8			9			10			11			12			13	14	
	PLUS, ULTRA																	
MIG heavy metals	9						10			11			12			13		
	PLUS, ULTRA																	
MIG light metals Stainless, Al	10										11		12		13			
	PLUS, ULTRA																	
Plasma Cutting	9						10		11	12			13					
	PLUS, ULTRA																	
Micro plasma welding	4	5	6	7	8	9	10	11			12			13				
	PLUS, ULTRA																	

LIGHT TRANSMISSION CURVE Figure 8.2

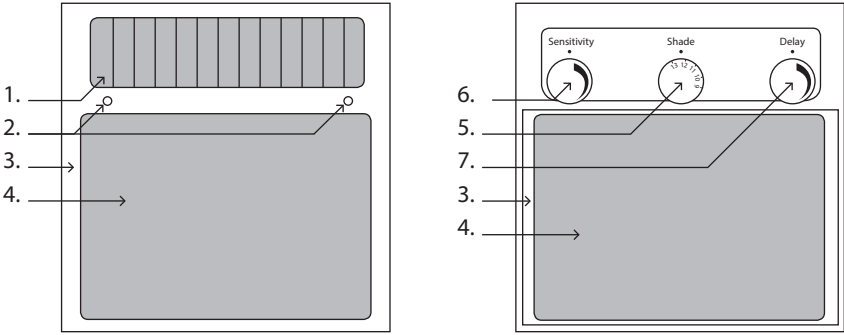


RPB[®] Z3 WELDER

DESCRIPTION OF RPB[®] FILTER FEATURES

Figure 8.3

- | | | | |
|----|-------------------------------------|----|-------------------------------|
| 1. | Solar Cells | 5. | Shade adjustment |
| 2. | Photo-sensors (Photo diodes) | 6. | Sensitivity adjustment |
| 3. | Filter housing | 7. | Opening time delay adjustment |
| 4. | Liquid crystal shutter viewing area | | |



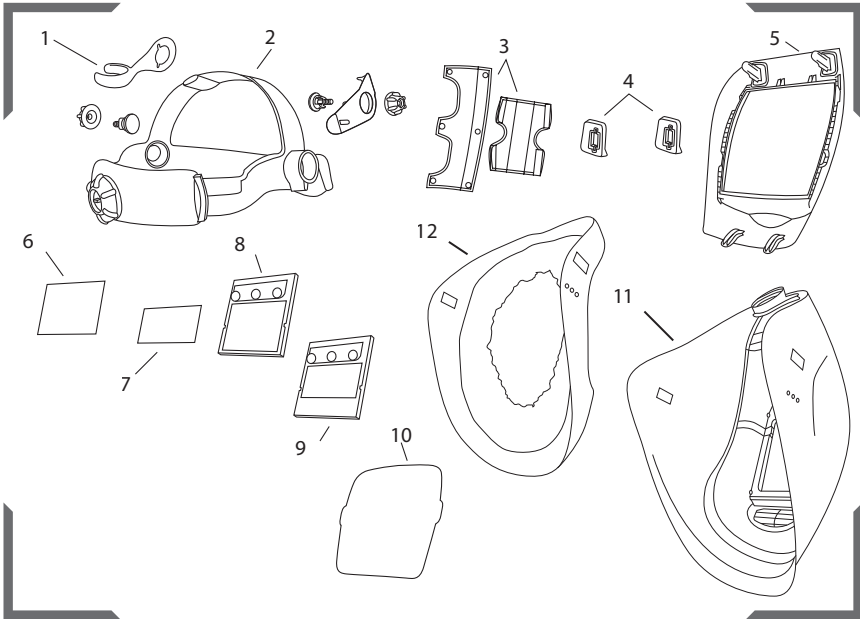
TECHNICAL DATA *Figure 8.4*

Model	ULTRA	PLUS
Viewing Area	3.77 x 2.69 inches	3.77 x 1.83 inches
Weight	4.4oz	3.8oz
Open state shade	4	4
Closed state shade	9-13	9-13
Shade adjustment	yes / internal	yes / internal
Sensitivity adjustment	yes / internal	yes / internal
Delay adjustment	yes / internal	yes / internal
Grinding Mode	no	no
Switching time at 23°C	0.15ms	0.15ms
Clearing time	0.1-1.0 s	0.1-1.0 s
UV / IR protection	UV16 / IR 16	UV16 / IR 16
Temperature range	14°F - 140°F	14°F - 140°F
TIG detection	enhanced	enhanced
Energy supplied	solar cells / no battery charge	

PARTS AND ACCESSORIES

RESPIRATOR AND COMPONENTS

Figure 9.1



ITEM NO. DESCRIPTION

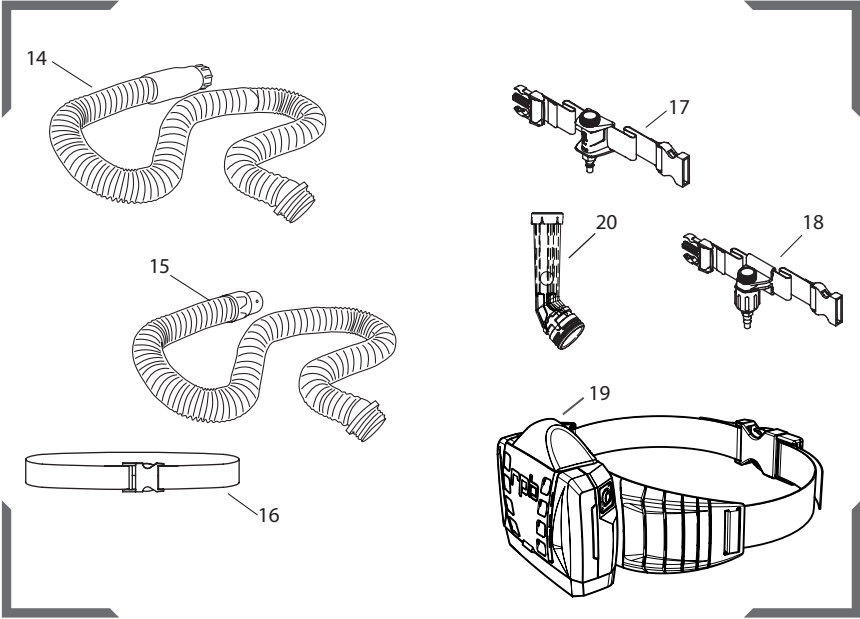
PART NO.

1	Hose Holder	13-041
2	Ratchet Head Suspension	13-042
3	Comfort Padding	13-043
4	Outer Lens Frame Seals	13-051
5	Outer Lens Frame	13-050
6	Ultra Rear Lens (Pack of 10)	13-054
7	Plus Rear Lens (Pack of 10)	13-053
8	ADF Ultra Filter	13-062
9	ADF Plus Filter	13-061
10	Impact Lens (Pack of 10)	13-052
11	Z3™ Welding Shield (Including 13-050, 13-051)	13-310
12	Flexi Face Seal	13-323

RPB[®] Z3[™] WELDER

FLOW CONTROL DEVICES

Figure 9.2



ITEM NO. DESCRIPTION




14	Breathing Hose
15	RPB [®] Twist Connect Breathing Tube (Bayonet Connector)
16	Replacement Belt
17	Constant Flow Valve
18	Flow Control Valve
19	RPB [®] PX4 AIR [®] PAPR (see 7.20524 PX4 AIR [®] PAPR for more details)
20	RPB [®] PX4 AIR [®] Air Flow Tester

PART NO.

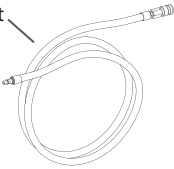
03-031
04-839
NV 2022
03-101
NV2016
03-901
08-091

AIR SUPPLY HOSES

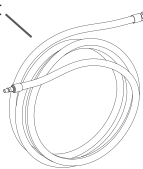
Figure 10.3

Series	1. Couplers	2. Plugs	3. Supplied-Air Hose Assemblies
RPB Quick Disconnect	NV2025 1/4" FM NPT 		NV2028 RPB 25ft NV2029 RPB 50ft NV2027 RPB 100ft
Schrader Twist Lock	03-042-CF 1/4" FM NPT 	03-042-PM 1/4" M NPT 03-043-PM 3/8" M NPT 03-042-PMS 1/4" M NPT SWIVEL 	04-342-25 Schrader 25ft 04-342-50 Schrader 50ft 04-342-100 Schrader 100ft

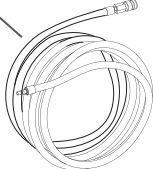
25ft



50ft



100ft



rpb[®] Z3[™] WELDER

APPENDIX A1 - SCHRADER

1. AIR SOURCE	2. BREATHING TUBE ASSEMBLY AND FLOW CONTROL DEVICES	3. AIR SUPPLY HOSE	4. SUPPLY HOSE LENGTH (FT)	5. MAX NUMBER OF SECTIONS	6. PRESSURE RANGE (PSIG AIR)
Portable or Stationary Compressor	03-031/03-101 Constant Flow Valve Assembly (High Pressure)	04-342-25 (25ft) 04-342-50 (50ft) 04-342-100 (100ft)	25	1	18-20
			50	1	22-24
			100	2	26-28
			150	3	30-32
			200	4	34-36
			250	5	38-40
300	6	42-44			
Portable or Stationary Compressor	03-031/NV2016 Flow Control Valve assembly	04-342-25 (25ft) 04-342-50 (50ft) 04-342-100 (100ft)	25	1	28-30
			50	1	30-32
			100	2	33-35
			150	3	36-38
			200	4	40-42
			250	5	44-46
300	6	48-50			

rpb[®] Z3[™] WELDER

NOTES

A series of horizontal dotted lines for taking notes.

OTHER PRODUCTS

ISO9001
CERTIFIED COMPANY

RPB® C40 CLIMATE CONTROL

Looking for an advanced climate control device that can heat and cool your supplied air just by the slide of a lever? Look no further than the RPB® C40. From the searing heat of an Arizona summer to a severe Scandinavian winter the RPB® C40 will keep you comfortable.



AIRLINE FILTRATION

The RPB® RADEX AIRLINE FILTER™ offers increased capacity, versatility and filtration. This optional equipment combines the versatility of either floor or wall mounting with increased filtration capacity, enabling customization to meet worker's needs and working environments.



AIR QUALITY MONITORING

Do you need an intelligent gas monitor that can give you complete confidence in the air you and your employees are breathing? The RPB® GX4® Gas Monitor has the ability to detect up to 4 gases simultaneously, giving you total peace of mind.



1866 494 4599
www.rpbsafety.com

rpb®
ADVANCING
YOUR SAFETY