



WALKER

Illustrated Parts Manual

C19



Beginning S/N: 147167
P/N 6000-24

KEY TO ABBREVIATIONS USED IN THIS MANUAL

<i>Abbreviation</i>	<i>What it Represents</i>
° (Dimension)	Degrees (Angle)
" (Dimension)	inches
(-)	Negative (Polarity)
(+)	Positive (Polarity)
AT	All-Terrain
CCW	Counter-clockwise
Conn	Connector
CW	Clockwise
D	Diameter
DC	Deck, Collection (number refers to size in inches)
DM	Deck, Mulching (number refers to size in inches)
DR	Deck, Rear Discharge (number refers to size in inches)
DS	Deck, Side Discharge (number refers to size in inches)
DU	Garlock (Bearing)
ESNA (Fastener)	Nylon Insert Locknut
FSC	Forward Speed Control
GA	Gauge
gal	gallon
GHS	Grass Handling System
GR (Fastener)	Grade
HD	Heavy Duty
HP	Horse Power
ID	Identification or Inside Diameter
L	Length
LH	Left Hand (orientated with operator on seat)
LP	Low Profile
mm (Dimension)	millimeters
MS (Fastener)	Machine Screw
NS (as part number)	Item is not sold by Walker Manufacturing
OD	Outside Diameter
oz	ounce
PFH (Fastener)	Phillips Flat Head
P/N	Part Number
PPH (Fastener)	Phillips Pan Head
PTH (Fastener)	Phillips Truss Head
PTO	Power Take-Off
QKS	Quick Slide
qt	quart
RH	Right Hand (orientated with operator on seat)
SAE (Fastener)	Society of Automotive Engineers
SBH (Fastener)	Socket Button Head (Bolt)
SFH (Fastener)	Slotted Flat Head
SHC (Fastener)	Socket Head Cap
SHL (Fastener)	Shoulder (Bolt)
SM (Fastener)	Sheet Metal (Screw)
S/N	Serial Number
Spg	Spring
SQH (Fastener)	Square Head
SS (Fastener)	Stainless Steel
ST (Fastener)	Self-Tapping (Screw)
Term	Terminal
V	Volts
VLR	Very Low Restriction

NOTE: In some instances, combinations of abbreviations may be used (e.g. PPHMS - Phillips Pan Head Machine Screw).

ILLUSTRATED PARTS LIST

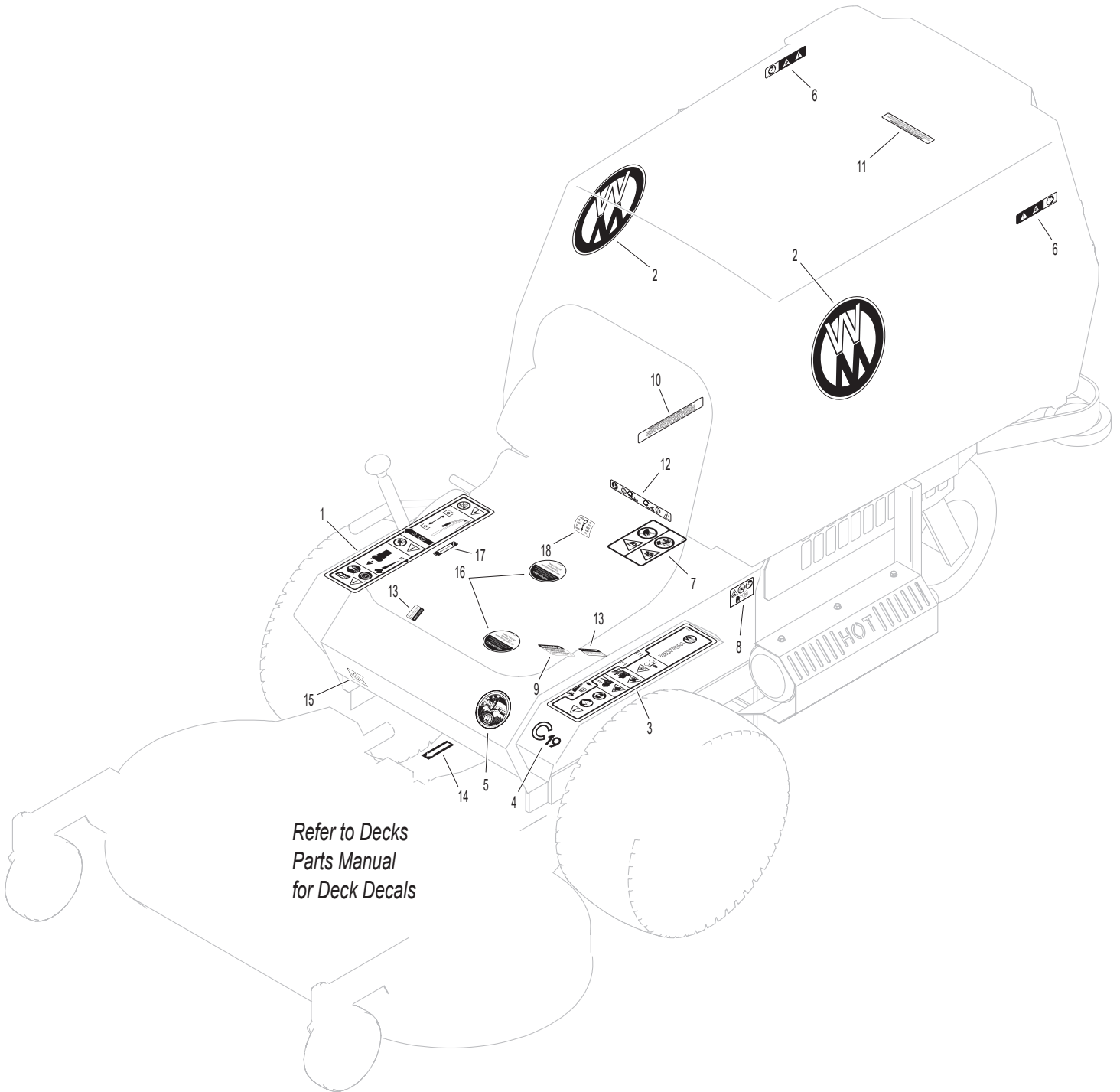
<i>Section of Tractor Covered</i>	<i>Page</i>	<i>Section of Tractor Covered</i>	<i>Page</i>
<hr/>		<hr/>	
Decals		Electrical Components	
Tractor Decals	2	Electrical Assembly	26
Body / Chassis Assemblies		Electrical Assemblies (GHS 7.0 Bushel Components).....	28
Body / Chassis Assembly	4	Electrical Connectors.....	30
Rear Body Assembly.....	6	Maintenance	
Tractor Components		Lubrication Points	32
Main Component Power Transmission	8	Wiring Schematic.....	34
Engine Group.....	10	Maintenance And Service Record Sheet.....	35
Hydrostatic Ground Drive Assemblies.....	12	Warranty	
Steering Control Assemblies.....	14	Limited Warranty.....	37
Throttle & Choke Control Assemblies.....	16		
Parking Brake Assembly	18		
GHS Group	20		
GHS Powerfil® Assembly (7.0)	22		
GHS 7.0 Bushel Catcher Assembly.....	24		

TRACTOR DECALS

ITEM NO.	PART NO.	DESCRIPTION	LOCATION	NO. REQUIRED
Walker Product and Operation Decals				
1	8600-33	RH Fender	Body, RH Near Seat	1
2	5800-11	Walker (8" Round)	7.0 Bushel Catcher (one on each side)	2
3	8600-35	LH Fender	Body, LH Near Seat	1
4	8821-8	Decal, C19	Body	1
5	5856-1	Made in USA	Body	1
Danger Decals Warning Decals Caution Decals				
6	8600-10	Danger, Pinch Point	7.0 Bushel Catcher Mounting Frame Assembly (one on each side)	2
7	8600-4	Danger, Rotating Blower Blades	Body, Near Body Chute	1
8	8600-12	Danger, Engine Exhaust	Front Body, LH Side	1
9	5810-3	Decal, Hydro Warning	LH Gear Axle Drive Assembly	1
Maintenance Decals				
10	5855	Important, Engine Cooling	Engine	1
11	5869	Removable Screen	7.0 Bushel Catcher Removable Screen	1
12	8600-16	Front Body Closure	Rear Cross Member, Body	1
13	5810-1	Axle Oil Level	Gear Axle Drive Assemblies (one on each)	2
14	6875	PTO Alignment Arrow	Universal Joint Tube Assembly	1
15	6807-1	Oil Pressure	Body	1
16	NS	Sealed Reservoir	Hydrostatic Drives (one on each)	2
17	8600-30	Parking Brake	Body, RH Side Below Seat	1
18	7827	Oil Level	Jackshaft Support	1

NOTE: All parts requiring decals are shipped with decals applied.

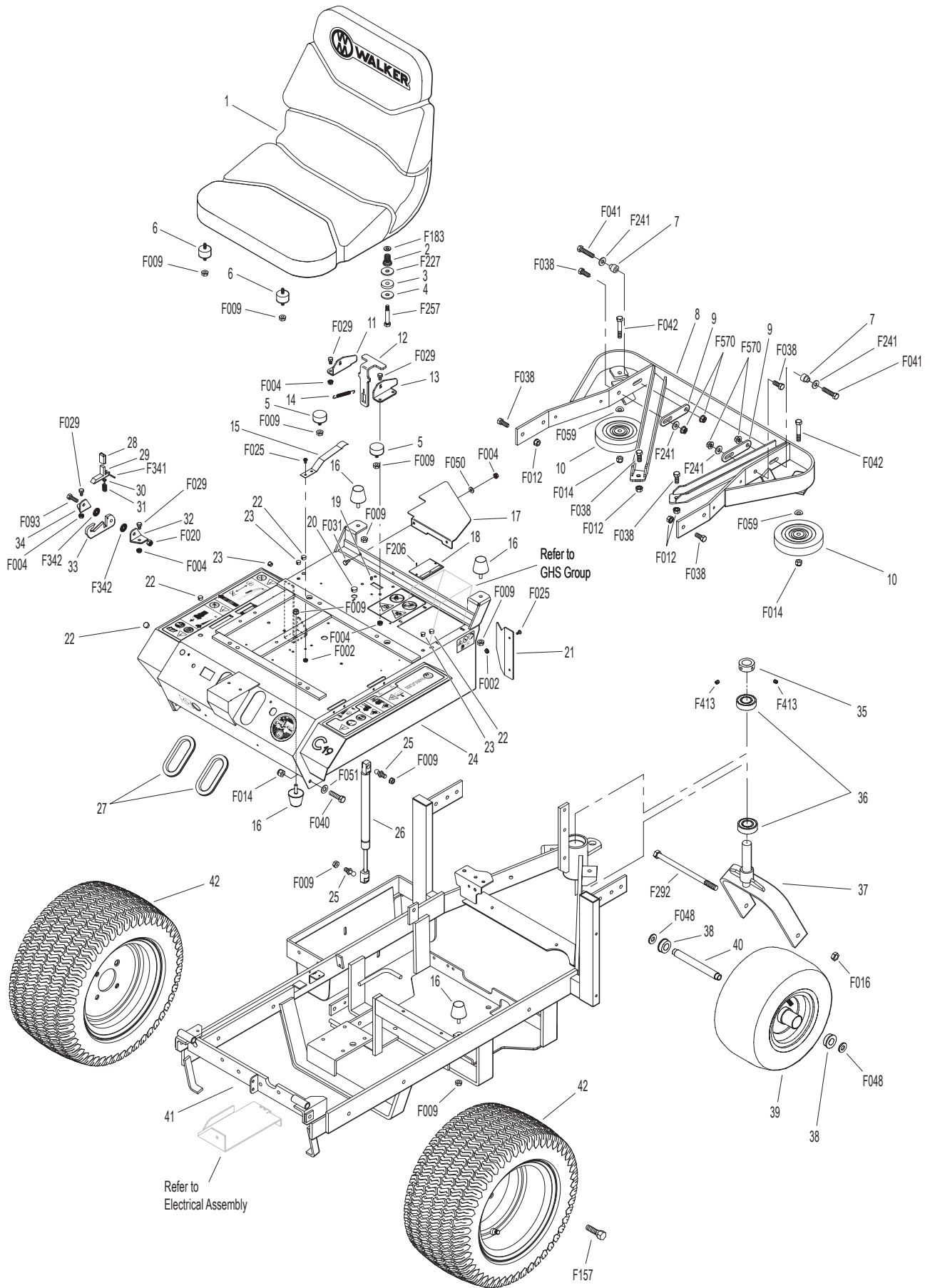
TRACTOR DECALS



BODY / CHASSIS ASSEMBLY

ITEM NO.	PART NO.	DESCRIPTION	NO. REQ'D	ITEM NO.	PART NO.	DESCRIPTION	NO. REQ'D
Seat Assembly				40	5038-1	Axle Spacer Tube (6-5/8)	1
1	5103	Seat	1	41	6307-2	Chassis Frame	1
2	7223-4	Compression Spring	2	42	5075-1	LP Wheel & Tire (18 x 8.50-10)	2
3	7846	Washer (3/8 ID x 1-1/4 OD x 1/8)	2		5075-2	LP Tire (18 x 8.50-10)	*
4	5841-1	Retainer Washer	2		5075-5	LP Wheel (10 x 7)	*
5	7845-1	Rubber Bumper (1.375 x .750)	2		5033-6	Wheel & Tire (18 x 7.00-8)	**
6	7440-5	Shock Mount (1-1/4 x 3/4)	2		5030-6	Standard Tire (18 x 7.00-8)	*
Rear Bumper Assembly					5031-2	Standard Wheel (8 x 5.5)	*
7	7516-5	Catcher Pivot Bushing	2		5030-4	Tire Tube (18 x 8.50-8)	*
8	5517-8	7.0 Rear Bumper	1	Fasteners			
9	7517-3	Catcher Pivot Plate	2	F002	10-24 Keps Nut		4
10	5162	Roller Wheel (5" Rubber)	2	F004	1/4-20 Keps Nut		8
Body Assembly				F009	5/16-18 Whiz Locknut		10
11	7383-6	Body Latch Bracket, RH	1	F012	3/8-16 Keps Nut		6
12	7383-5	Body Latch Lever	1	F014	3/8-16 ESNA Nut		4
13	7383-7	Body Latch Bracket, LH	1	F016	1/2-13 Self-Locking Nut		1
14	7222	Extension Spring (1/4 x 3)	1	F020	5/16-18 ESNA Nut		1
15	2505	Leaf Spring	1	F025	10-24 x 3/8 PPHMS		4
16	5845	Rubber Bumper (1.50 OD x 1.25)	4	F029	1/4-20 x 1/2 Hex Bolt		6
17	6101-8	Front Body Engine Guard	1	F031	1/4-20 x 5/8 Hex Bolt		2
18	NS	Body ID Plate	1	F038	3/8-16 x 1 Hex Bolt		8
19	5989-12	Dome Plug (3/16)	1	F040	3/8-16 x 1-1/2 Hex Bolt		2
20	5989-10	Dome Plug (9/16)	1	F041	3/8-16 x 1-3/4 Hex Bolt		2
21	8118	Heat Deflector	1	F042	3/8-16 x 2-1/4 Hex Bolt		2
22	5989-3	Dome Plug (5/16)	4	F048	1/2 SAE Washer		2
23	5989-4	Dome Plug (3/8)	3	F050	1/4 SAE Washer		2
24	6100-43	Front Body	1	F051	3/8 SAE Washer		2
25	5146	10mm Ball Stud	2	F059	3/8 Wave Spring Washer		2
26	2145	Gas Spring Assembly (Includes Item # 25)	1	F093	5/16-18 x 1 Hex Bolt		1
27	5180	Edge Molding, Lever Opening	2	F157	1/2-20 x 1-1/4 Wheel Lug Bolt		8
Tilt-Up Latch Assembly***				F183	.312 x .700 x .074 Washer		2
28	5847	Plastic Tip	1	F206	#2 x 3/16 Drive Pin		2
29	5744-20	Spring Arm, Tilt-Up Latch	1	F227	3/8 x 1-1/4 x 1/8 Plastic Washer		2
30	5744-10	Spring Pivot Bushing	1	F241	.375 x .875 x .10 Washer		4
31	5744-15	Compression Spring (3/8 x 5/8)	1	F257	3/8 x 1-11/16 Shoulder Bolt		2
32	5744-13	Mount Angle, LH	1	F292	1/2-13 x 8-1/2 Hex Bolt, GR 5		1
33	5744-12	Hook, Tilt-Up Latch	1	F341	Coil Roll Pin (7/64 x 9/16)		1
34	5744-14	Mount Angle, RH	1	F342	5/16 Conical Washer		2
Chassis Assembly				F413	5/16-24 x 5/16 Set Screw		2
35	5267-1	Retainer Collar (1") (Includes Item # F413)	1	F570	3/8-16 Flange Top Lock Nut		4
36	5270-1	Pivot Bearing	2	* Service Part Only			
37	5420-2	Tail Wheel Fork	1	** May be ordered as a factory-installed option or for dealer installation. Narrow Drive Tires are used when installing a 36" Deck. Contact your Walker dealer.			
38	5037-1	Bearing, Tail Wheel	2	*** Complete Tilt-Up Latch Kit available by ordering kit P/N 5747.			
39	5035	Tail Wheel & Tire Assembly (13 x 6.50-6)	1				
	5035-1	Tail Wheel Tire (13 x 6.50-6)	*				
	5036	Tail Wheel & Hub (6 x 4.5)	*				

BODY / CHASSIS ASSEMBLY

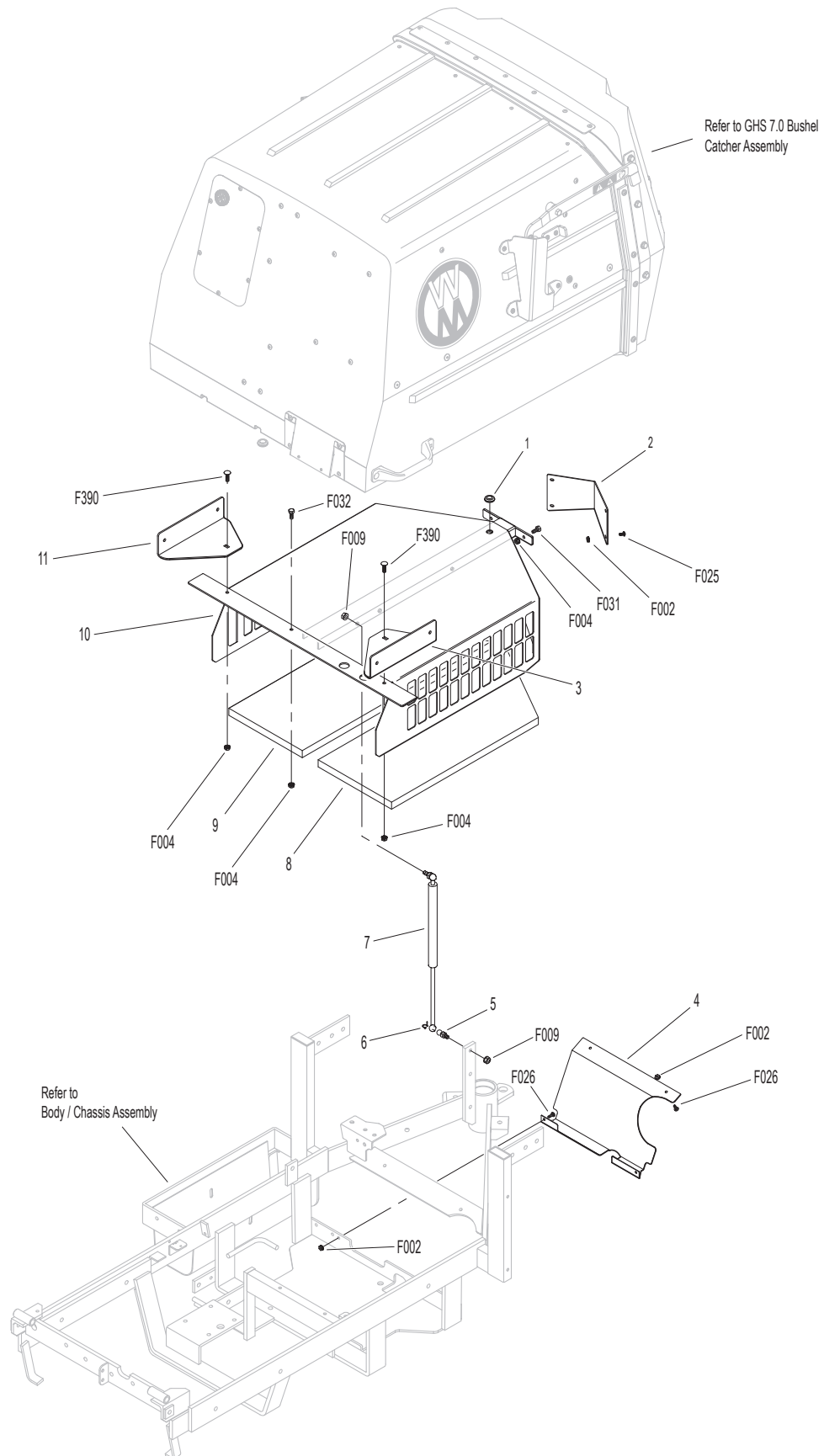


Beginning S/N 147167
 Use only genuine **Walker**® replacement parts.

REAR BODY ASSEMBLY

ITEM NO.	PART NO.	DESCRIPTION	NO. REQ'D	ITEM NO.	PART NO.	DESCRIPTION	NO. REQ'D
Rear Body Assembly				Fasteners			
1	5976-2	Grommet (3/16 x 3/4)	1	F002		10-24 Keps Nut	8
2	5105-1	Rear Body Cover	1	F004		1/4-20 Keps Nut	5
3	8515-14	Catcher Handle Plate, RH	1	F009		5/16-18 Whiz Locknut	2
4	8389-5	Splash Guard	1	F025		10-24 x 3/8 PPHMS	4
5	7146	13mm Ball Stud	2	F026		10-24 x 1/2 PPHMS	4
6	7147	Spring Clip	2	F031		1/4-20 x 5/8 Hex Bolt	2
7	7145	Gas Spring Assembly (Includes Items # 5 & 6)	1	F032		1/4-20 x 3/4 Hex Bolt	1
8	7190-1	Insulation Foam Pad, LH	1	F390		1/4-20 x 7/8 Carriage Bolt	2
9	7190-2	Insulation Foam Pad, RH	1	NOTE: Rear Bumper Assembly for GHS Models is not shown here. Refer to BODY / CHASSIS ASSEMBLY , Page 4.			
10	5105	Rear Body, Catcher Support Frame	1				
11	8515-13	Catcher Handle Plate, LH	1				

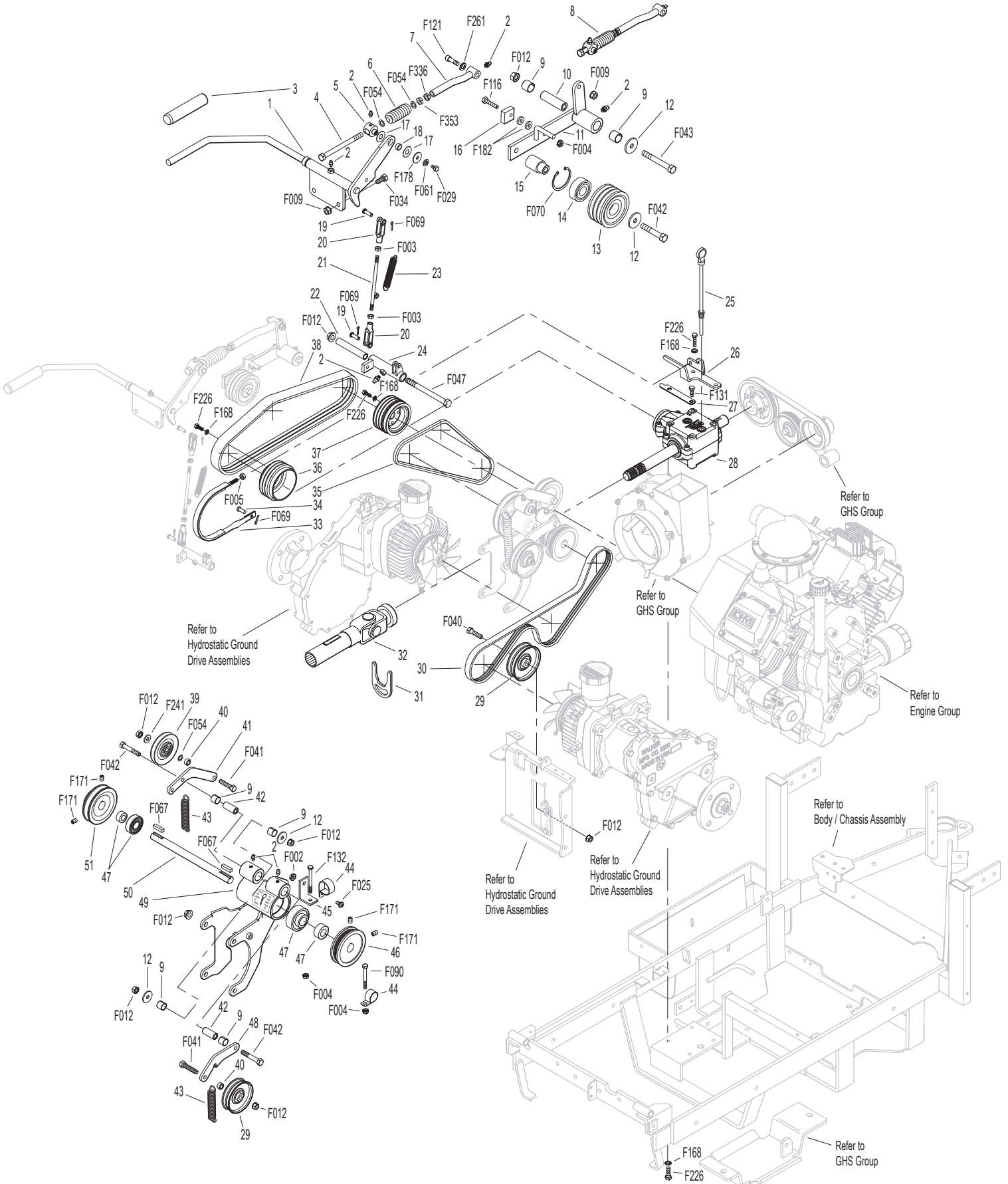
REAR BODY ASSEMBLY



MAIN COMPONENT POWER TRANSMISSION

ITEM NO.	PART NO.	DESCRIPTION	NO. REQ'D	ITEM NO.	PART NO.	DESCRIPTION	NO. REQ'D
Clutch Lever Assembly				43	5221-1	Extension Spring (3/4 x 5)	2
1	8358-3	Clutch Lever (Includes Items # 2 & 3)	1	44	7833	Cable Clamp (7/8 x 1/4)	2
2	5830	Grease Fitting	7	45	8539	Starter Relay Mount	1
3	4850	Handle Grip, Black	1	46	7241-2	Transmission Drive Pulley (3-1/4MV) (Includes Items # F067 & F171)	1
4	7303-10	Clutch Actuator Bolt (3/8)	1	47	5268	Bearing W/Collar (3/4)	2
5	7380-5	Knuckle Joint (3/8 ID)	1	48	8349	Transmission Belt Tightener Arm	1
6	7226-10	Compression Spring (3/4 x 2-1/2)	1	49	8393-7	Hydro Jackshaft Mount	1
7	8130-5	Pushrod, Clutch Actuator (Threaded Tube) (Includes Item # 2)	1		8394-1	Hydro Jackshaft Mount Assembly (Includes Items # 2, 9, 42, 47, 49 & 50)	*
8	8130-10	Clutch Actuator Rod Assembly (Includes Items # 2, 4-7, F054, F336 & F353)	1	50	8273	Jackshaft (3/4 x 7-1/2)	1
9	7201-3	Fiberglide Bearing	6	51	7240-4	Jackshaft Drive Pulley (3.3/3V) (Includes Items # F067 & F171)	1
10	7201-5	Inner Race (2-1/4)	1	Fasteners			
11	8368	PTO Belt Tightener	1		F002	10-24 Keps Nut	1
12	5841	Retainer Washer (3/8 x 1-1/4)	4		F003	1/4-28 Hex Nut	2
13	8243-1	Clutch Idler Pulley	1		F004	1/4-20 Keps Nut	3
	8243	Clutch Idler Pulley Assembly (Includes Items # 13-15 & F070)	*		F005	1/4-20 ESNA Nut	1
14	5265	Bearing (3/4)	1		F009	5/16-18 Whiz Locknut	3
15	8243-3	Hub, Idler Pulley	1		F012	3/8-16 Keps Nut	8
16	8375	PTO Belt Tightener Stop	1		F025	10-24 x 3/8 PPHMS	1
17	7377	Plastic Washer (1 x .438 x .025)	2		F029	1/4-20 x 1/2 Hex Bolt	1
18	7378	Pivot Bearing (7/16 x 9/16)	1		F034	5/16-18 x 3/4 Hex Bolt	2
19	5281-5	Clevis Pin (1/4 x 0.80)	2		F040	3/8-16 x 1-1/2 Hex Bolt	1
20	5280	Clevis (1/4)	2		F041	3/8-16 x 1-3/4 Hex Bolt	2
21	8305	Brake Actuator Rod	1		F042	3/8-16 x 2-1/4 Hex Bolt	3
22	8370	Bearing, Brake Actuator	1		F043	3/8-16 x 3 Hex Bolt	1
23	8250	Brake Spring (1/2 x 2-1/2)	1		F047	3/8-16 x 4-1/2 Hex Bolt	1
24	8369	Brake Actuator (Includes Items # 2 & 22)	1		F054	AN960616 Washer	3
PTO Drive Shaft Assembly					F061	1/4 Internal Star Lock Washer	1
25	7050-1	Dipstick, Gearbox	1		F067	3/16 x 3/16 x 1 Key	2
26	8371-1	Mount Bracket, Brake Band	1		F069	3/32 x 1/2 Cotter Pin	3
27	8377	Brake Band Guide	1		F070	1-3/4 Internal Snap Ring	1
28	8050-11	PTO Gearbox / Flange Pulley	1		F090	1/4-20 x 2-1/2 Hex Bolt	1
29	5245	Idler Pulley (3")	2		F116	1/4-20 x 1-1/4 Hex Bolt	1
30	7248	Ground Drive Belt, Micro-V	1		F121	5/16-18 x 3/8 x 1 SHL Bolt	1
31	7275-9	Quick Coupler Installation Tool	**		F131	5/16-18 x 1/2 Hex Bolt	2
32	7275-16	Universal Joint Tube Assembly (Spline)	1		F132	1/4-20 x 2-3/4 Hex Bolt	1
33	8304	Brake Band (14-1/2)	1		F168	5/16 Split Lock Washer	14
34	7523-2	Clevis Pin W/Hole (1/4 x 5/8)	1		F171	5/16-18 x 3/8 Set Screw	4
35	6250-1	Drive Belt (3VX370)	1		F178	1/4 x 1 Fender Washer	1
36	7236-1	PTO Drive Pulley (4-1/2/3V) (Includes Items # F168 & F226)	1		F182	1/4 x 5/8 x 1/8 Washer	2
37	8237-2	Engine Pulley, Bolt On (4/3.8/3V) (Includes Items # F168 & F226)	1		F226	5/16-18 x 7/8 Hex Bolt	14
38	8230	Engine PTO Belt	1		F241	.375 x .875 x .10 Washer	1
Jackshaft Assembly					F261	AN960616L Washer	1
39	7245-1	Idler Pulley (3/8 Groove)	1		F336	3/8-16 Jam Nut	1
40	6325-2	Spacer Bushing (5/16)	2		F353	3/8-16 ESNA LP Nut	1
41	8349-2	Idler Arm	1	* Service Part Only			
42	7201-4	Inner Race (1-1/2)	2	** The Quick Coupler Installation Tool is used to assist the installation of the Quick Coupler Tube and PTO Shaft connection by holding the disconnect ring in the retracted position when joined to the tractor spline shaft on the PTO gearbox.			

MAIN COMPONENT POWER TRANSMISSION

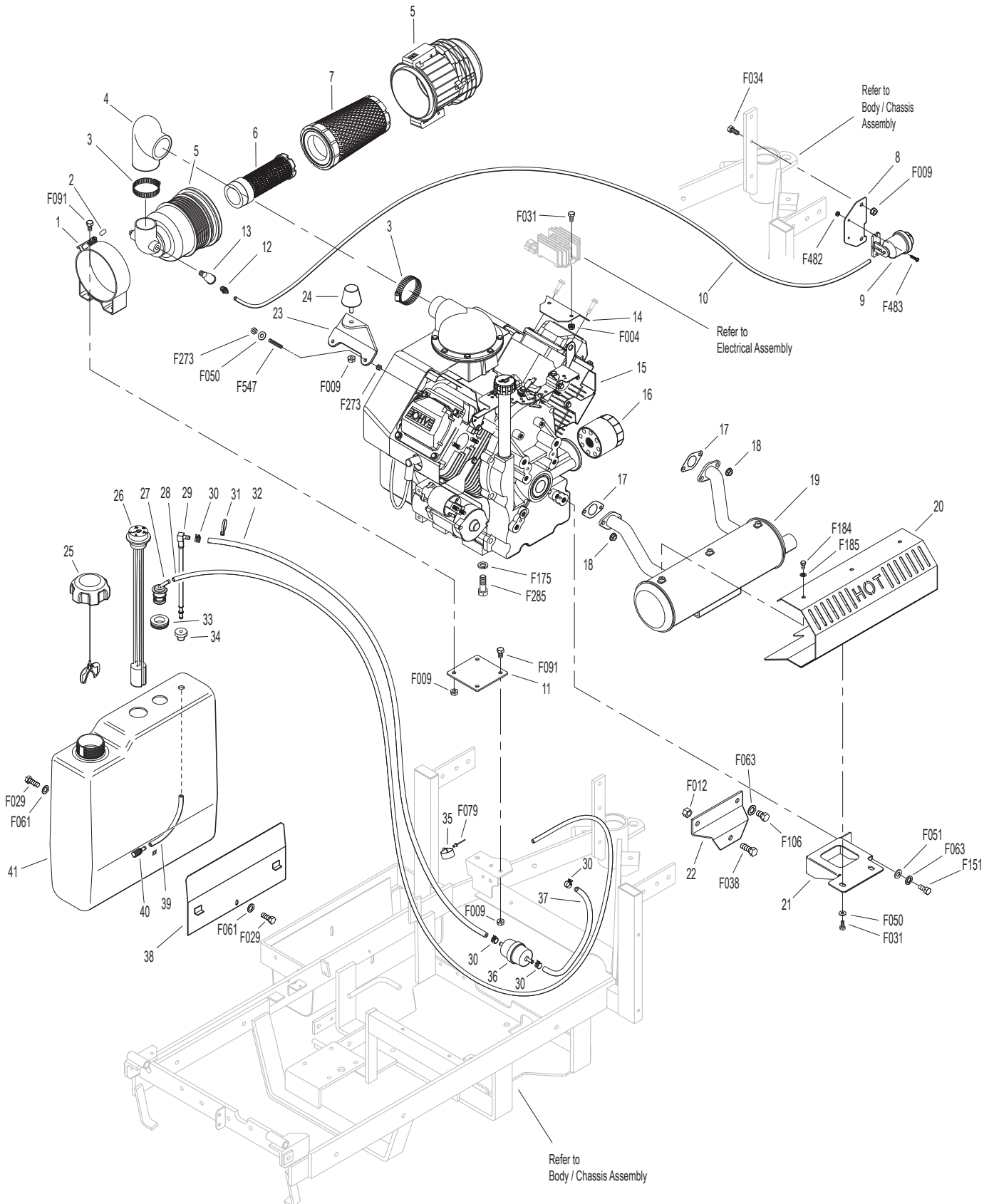


Beginning S/N 147167
 Use only genuine **Walker®** replacement parts.

ENGINE GROUP

ITEM NO.	PART NO.	DESCRIPTION	NO. REQ'D	ITEM NO.	PART NO.	DESCRIPTION	NO. REQ'D
Precleaner Assembly				37	NS	Fuel Line, Engine (Kohler)	*
1	NS	Air Cleaner Band	1	38	8023	Fuel Tank Support	1
2	7854-1	Plastic Tip, Black (.218 ID)	1	39	5086-7	Hose (1/4 x 6)	1
3	7840-5	Hose Clamp (1-1/2 to 2)	2	40	5020-2	Fuel Filter, In Tank	1
4	6087-6	Air Intake Hose	1	41	6055-2	Fuel Tank, 4.0 Gallon, Gas (Includes Item # 26, 27, 29, 33, 39 & 40)	1
5	4090	Air Cleaner Assembly (90 Deg.) (Includes Items # 1, 10-13, F009 & F091)	*	Fasteners			
6	5090-5	Safety Filter Insert, VLR	1	F004	1/4-20 Keps Nut		2
7	5090-6	Air Cleaner Cartridge, VLR	1	F009	5/16-18 Whiz Locknut		7
8	5091-15	Air Flow Indicator Mount	1	F012	3/8-16 Keps Nut		1
9	5091-6	Air Flow Indicator W/Bracket	1	F029	1/4-20 x 1/2 Hex Bolt		2
10	M258	Vacuum Hose (17")	1**	F031	1/4-20 x 5/8 Hex Bolt		4
11	7334-3	Air Cleaner Bracket	1	F034	5/16-18 x 3/4 Hex Bolt		2
12	5091-0	1/8 Pipe Thread Male W/Barb	1	F038	3/8-16 x 1 Hex Bolt		1
13	5091-16	Street Elbow 90' (1/8 x 1/8)	1	F050	1/4 SAE Washer		4
Engine & Exhaust Assemblies				F051	3/8 SAE Washer		2
14	8016-4	Regulator Mount	1	F061	1/4 Internal Star Lock Washer		2
15	NS	19 HP Kohler Engine	1	F063	3/8 Internal Star Lock Washer		4
16	NS	Oil Filter (Kohler 2805001)	1	F079	A/A66D Aluminum Pop Rivet		1
17	NS	Gasket (Kohler 2404102)	2	F091	5/16-18 x 5/8 Hex Bolt		4
18	NS	Nut (Kohler M-0841080)	4	F106	3/8-16 x 5/8 Hex Bolt		2
19	6013-15	Muffler	1	F151	3/8-16 x 7/8 Hex Bolt		2
20	6013-18	Muffler Heat Shield	1	F175	1/2 Split Lock Washer		4
21	6013-19	Muffler Brace	1	F184	1/4-20 x 1/2 Hex Bolt, SS		3
22	8021	Engine Brace	1	F185	1/4 Internal Star Lockwasher, SS		3
23	8010-2	Engine Bumper Mount	1	F273	M6 x 1.0 Nut		4
24	5845	Rubber Bumper (1.50 x 1.25)	1	F285	1/2-13 x 1-1/2 Hex Bolt		4
Fuel Tank Assembly				F482	8-32 Nylock Nut		2
25	5082-4	2-1/4 Ratchet Fuel Cap	1	F483	8-32 x 3/4 PPHMS		2
26	8055-2	Fuel Tank Gauge	1	F547	M6 x 1.0 x 45 Stud		2
27	8043-8	Roll Over Valve	1	* Service Part Only			
28	M113	Fuel Line (3/16 x 26-1/2")	1**	** Required hose specifications:			
29	5083-8	Tank Tube (13")	1	M113 - 3/16" ID fuel/oil/vapor hose (Gates 4219-0093 or equivalent)			
30	5879-3	Hose Clamp (1/2)	4	M247 - 5/16" ID low permeation (<15g/m ² /day) fuel hose (Parker 38905 or equivalent)			
31	5975-3	Cable Tie (50# x 7")	1	M258 - 7/64" ID automotive vacuum hose			
32	M247	Fuel Line, Tank (5/16 x 9")	1**	NOTE: Refer to Kohler Engine Decal (NS) for Engine Identification Numbers.			
33	5977-7	Roll Over Grommet (.900 x 1-1/2)	1				
34	5083-1	Bushing, Rubber	*				
35	7833	Cable Clamp (7/8 x 1/4)	1				
36	5020	Fuel Filter	1				

ENGINE GROUP



Beginning S/N 147167
 Use only genuine **Walker®** replacement parts.

HYDROSTATIC GROUND DRIVE ASSEMBLIES

ITEM NO.	PART NO.	DESCRIPTION	NO. REQ'D	ITEM NO.	PART NO.	DESCRIPTION	NO. REQ'D
Transmission Lockout Assembly				Transmission Repair Parts			
1	5028-3	Transmission Lockout Assembly (Includes Items # 2-5, F023, F027 & F081)	*	27	5025-13	Hydro Input Shaft (Includes Items # 28-30)	*
2	5847	Plastic Tip	2	28	5025-8	Bearing, Input Shaft	*
3	5057	Lockout Cam (Includes Item # F081)	2	29	5025-7	Snap Ring	*
4	5028-5	Lockout Lever	2	30	NS	Seal, Input Shaft	*
5	5027-5	Lockout Mount	1**	31	5022	Reservoir to Casting Gasket	*
Ground Drive Assemblies				32	5024	Reservoir Cap and Gasket	*
6	6209-5	Bridge Assembly	1	33	5023	Transmission Reservoir Kit	*
7	6209-10	Idler Pulley Mount	1	34	5023-1	Rubber Bladder	*
8	6243-2	Hydro Fan, CCW	1	35	5025-6	O-Ring & Plug Assembly	*
9	5026	Hydrostatic Drive, CW	1	36	5025-3	Seal, Control Shaft	*
10	6206-1	Air Vent Valve	*	Fasteners			
11	6200-9	Gear Axle Drive Assembly (Includes Items # 10 & 12)	2	F009	5/16-18 Whiz Locknut		2
12	6207-12	Pipe Plug (1/4 NPTF)	*	F012	3/8-16 Keps Nut		1
13	5126	Cable Retainer (Uses existing bolt on Gear Axle Drive Assembly)	1	F023	10-24 ESNA Nut		2
14	6233-1	Pinion Gear	2	F027	10-24 x 5/8 PPHMS		2
15	6234	Spacer, Pinion Gear	2	F034	5/16-18 x 3/4 Hex Bolt		2
16	6201	O-Ring Seal	2	F036	1/4-20 x 1/2 SBH Screw		2
17	7244	Hydro Pulley (3-7/8/MV) (Includes Items # F064 & F359)	2	F040	3/8-16 x 1-1/2 Hex Bolt		4
18	6243-1	Hydro Fan, CW	1	F043	3/8-16 x 3 Hex Bolt		6
19	5025	Hydrostatic Drive, CCW	1	F051	3/8 SAE Washer		2
Deck Support Arm Assemblies				F053	7/16 Internal Star Lock Washer		4
20	6430-10	Outboard Mount, LH	1	F063	3/8 Internal Star Lock Washer		16
21	6431-1	Deck Support Arm, LH (Includes Item # 25)	1	F064	1/8 x 1/2 Woodruff Key (#3)		4
22	5775-2	Hitch Pin (# 6)	2	F081	A/A45D Aluminum Pop Rivet		2
23	6431-2	Deck Support Arm, RH (Includes Item # 25)	1	F160	External Snap Ring (.669 Shaft)		2
24	6430-9	Outboard Mount, RH	1	F178	1/4 x 1 Fender Washer		2
25	5830	Grease Fitting	2	F194	7/16 x 1-1/4 x 1/8 Washer		2
26	6840-1	Support Arm Bushing (2-1/16)	2	F200	7/16-20 x 3 Grade 8 Bolt		2
				F244	7/16-20 x 3/4 Hex Bolt		2
				F262	3/8-16 x 4 Hex Bolt All Thread		2
				F359	5/16-18 x 5/16 Set Screw (Unbrako Knurl Point)		4
				F579	3/8-16 x 1 Hex Bolt Grade 8		4
				* Service Part Only			
				** Part not used on Jackshaft side of tractor.			

STEERING CONTROL ASSEMBLIES

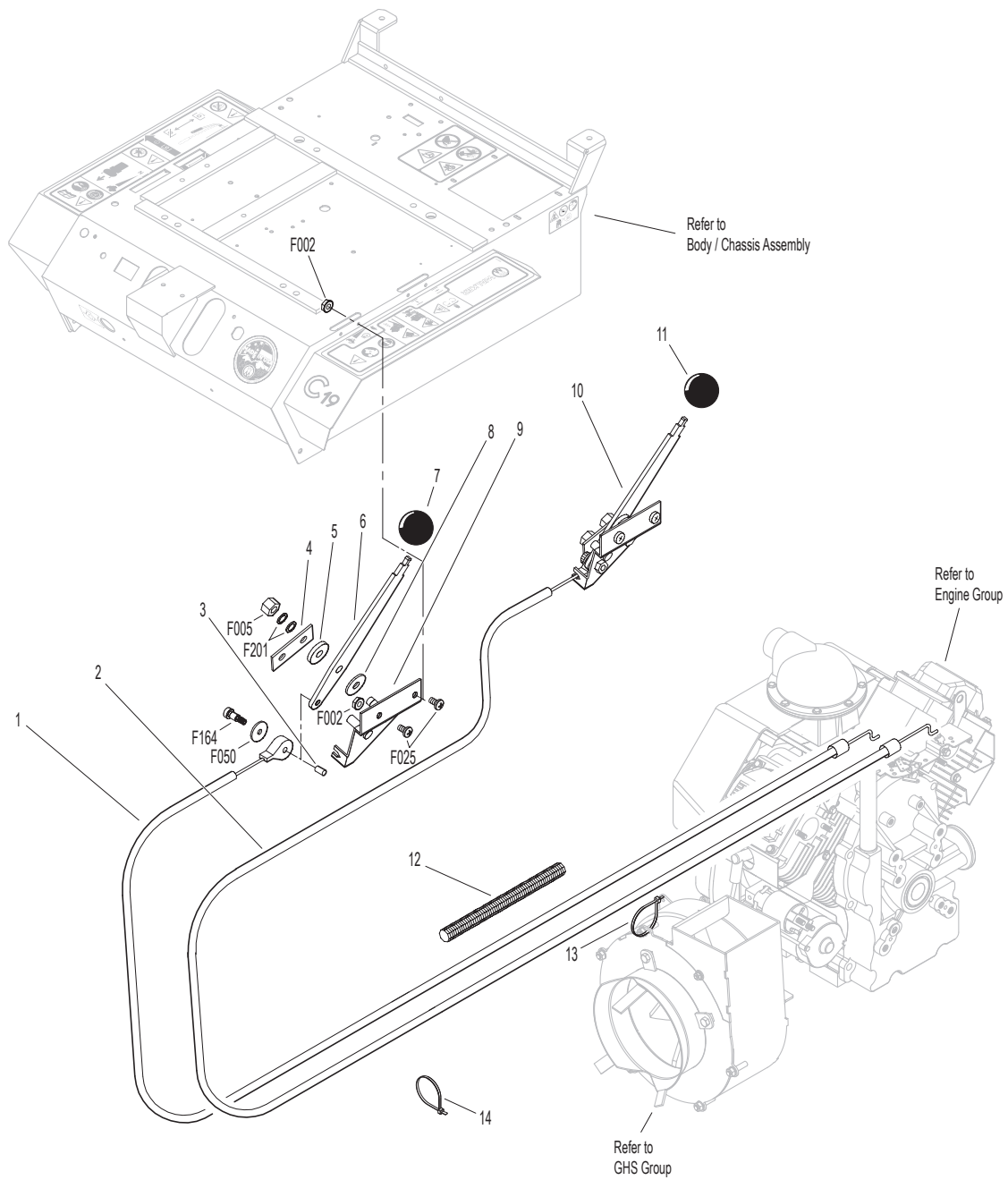
ITEM NO.	PART NO.	DESCRIPTION	NO. REQ'D	ITEM NO.	PART NO.	DESCRIPTION	NO. REQ'D
Transmission Spring Assemblies				Steering Lever Assemblies			
1	6201-2	Shock Mount Gear Drive, RH	1	32	5850-2	Handle Grip, Foam (5-1/2)	2
2	5146	10mm Ball Stud	4	33	5223	Extension Spring (1/4 x 5-1/2)	2
3	5199-3	Steering Lever Dampener Assembly	2	34	5450	D-Clip	2
4	6201-1	Shock Mount Gear Drive, LH	1	35	5451-11	Steering Lever Assembly, LH / Adjustable (Includes Items # 9-11, 17, F034 & F582)	1
5	5214-2	Ball Joint (5/16-24) Nylon Lined	2	36	5391-3	Steering Lever Support	1
6	6212-6	Transmission Control Arm, LH	1	37	5217	Pivot Pin, Steering Lever	1
7	5213-3	Control Rod (6")	1	38	5453-10	Steering Lever Handle, Adjustable (Includes Items # 32 & F345)	2
8	5665-1	Compression Spring (2-1/2)	2	39	5450-11	Steering Lever Assembly, RH / Adjustable (Includes Items # 9-11, 17, F034 & F582)	1
9	5463-4	Steering Lever Actuator	2	Fasteners			
10	5463-5	Steering Arm Pivot Bushing (SS)	2	F004	1/4-20 Keps Nut		4
11	7201-2	Fiberglide Bearing 1/2"	2	F007	5/16-18 Jam Nut		1
12	5213-4	Control Rod (14-3/4")	1	F008	5/16-24 Keps Nut		2
13	5212-6	Transmission Control Arm, RH	1	F009	5/16-18 Whiz Locknut		7
Forward Speed Control Assemblies				F010	5/16-24 ESNA Nut		2
14	5862	FSC Knob	1	F012	3/8-16 Keps Nut		2
15	7170-1	FSC Lever Assembly (Includes Item # 17)	1	F024	5/16-24 Jam Nut		4
16	5975-3	Cable Tie (50# x 7")	1	F029	1/4-20 x 1/2 Hex Bolt		2
17	5830	Grease Fitting	6	F032	1/4-20 x 3/4 Hex Bolt		2
18	5214-4	Ball Joint (5/16-24) W/O Stud	2	F034	5/16-18 x 3/4 Hex Bolt		4
19	5219	Extension Spring (3/4 x 6-3/4)	1	F038	3/8-16 x 1 Hex Bolt		2
20	5172	Bearing, Delrin (.255 x .379 x .250)	2	F050	1/4 SAE Washer		1
21	5141-1	FSC Actuator Block	1	F051	3/8 SAE Washer		2
22	5140-9	FSC Brace	1	F064	1/8 x 1/2 Woodruff Key (#3)		2
23	5141	FSC Friction Washer (1-1/2 x 3/8 x 1/16)	2	F068	1/8 x 1 Cotter Pin		1
24	5142-8	FSC Key	1	F069	3/32 x 1/2 Cotter Pin		1
	5140-12	FSC Control Assembly (Includes Items # 17, 23-25, 28, F182, F192 & F193)	*	F093	5/16-18 x 1 Hex Bolt		1
25	5140-30	FSC Friction Body (Includes Item # 17)	1	F146	1/4-20 Jam Nut		1
26	5141-2	FSC Actuator Rod	1	F182	1/4 x 5/8 x 1/8 Washer		1
27	5281-5	Clevis Pin (1/4 x 0.80)	1	F183	.312 x .700 x .074 Washer		3
28	5142-9	FSC Actuator Cam	1	F186	5/64 x 1/2 Cotter Pin		1
29	5141-3	Spacer	1	F188	1/4-20 Self-Locking Nut		4
30	5141-4	FSC Rod	1	F192	3/8-24 Self-Locking Nut		1
31	5470-2	Speed Control Stop	1	F193	3/8 Belleville Spring Washer		3
				F198	.250 x .625 x .040 Washer, SS		2
				F226	5/16-18 x 7/8 Hex Bolt		1
				F316	5/16-18 x 1-3/4 Hex Bolt		1
				F345	1/4-20 x .770 Knurled Bolt		4
				F350	1/4-20 LP Nylock		1
				F353	3/8-16 ESNA LP Nut		2
				F401	.504 x .751 x .030 Washer		1
				F582	Washer 5/16 x 7/8 x .125		2

* Service Part Only

THROTTLE & CHOKE CONTROL ASSEMBLIES

ITEM NO.	PART NO.	DESCRIPTION	NO. REQ'D	ITEM NO.	PART NO.	DESCRIPTION	NO. REQ'D
Throttle & Choke Control Assemblies				Fasteners			
1	8121-1	Throttle Cable	1		F002	10-24 Keps Nut	4
2	8122-1	Choke Cable	1		F005	1/4-20 ESNA Nut	2
3	5172	Bearing, Delrin (.255 x .379 x .250)	2		F025	10-24 x 3/8 PPHMS	4
4	5108-7	Control Lock Tab	2		F050	1/4 SAE Washer	2
5	5108-10	Friction Washer (.125)	2		F164	10-24 x 1/4 x 3/8 SHL Bolt	2
6	5108-1	Control Lever, Throttle & Choke	2		F201	1/4 Belleville Spring Washer	4
7	5108-5	Throttle Control Knob, Red	1				
8	5108-11	Friction Washer (.062)	2	*		Service Part Only	
9	5108-8	Control Bracket	2				
10	7108	Control Assembly (Includes Items # 4-6, 8, 9 & F201)	2				
	8121	Throttle Control and Cable Assembly (Includes Item # 7)	*				
	8122	Choke Control and Cable Assembly (Includes Item # 11)	*				
11	5108-6	Choke Control Knob, Black	1				
12	8123	Insulation Sleeve (3/8 x 6)	1				
13	5975-3	Cable Tie (50# x 7")	1				
14	5975-1	Cable Tie (18# x 3-3/4")	1				

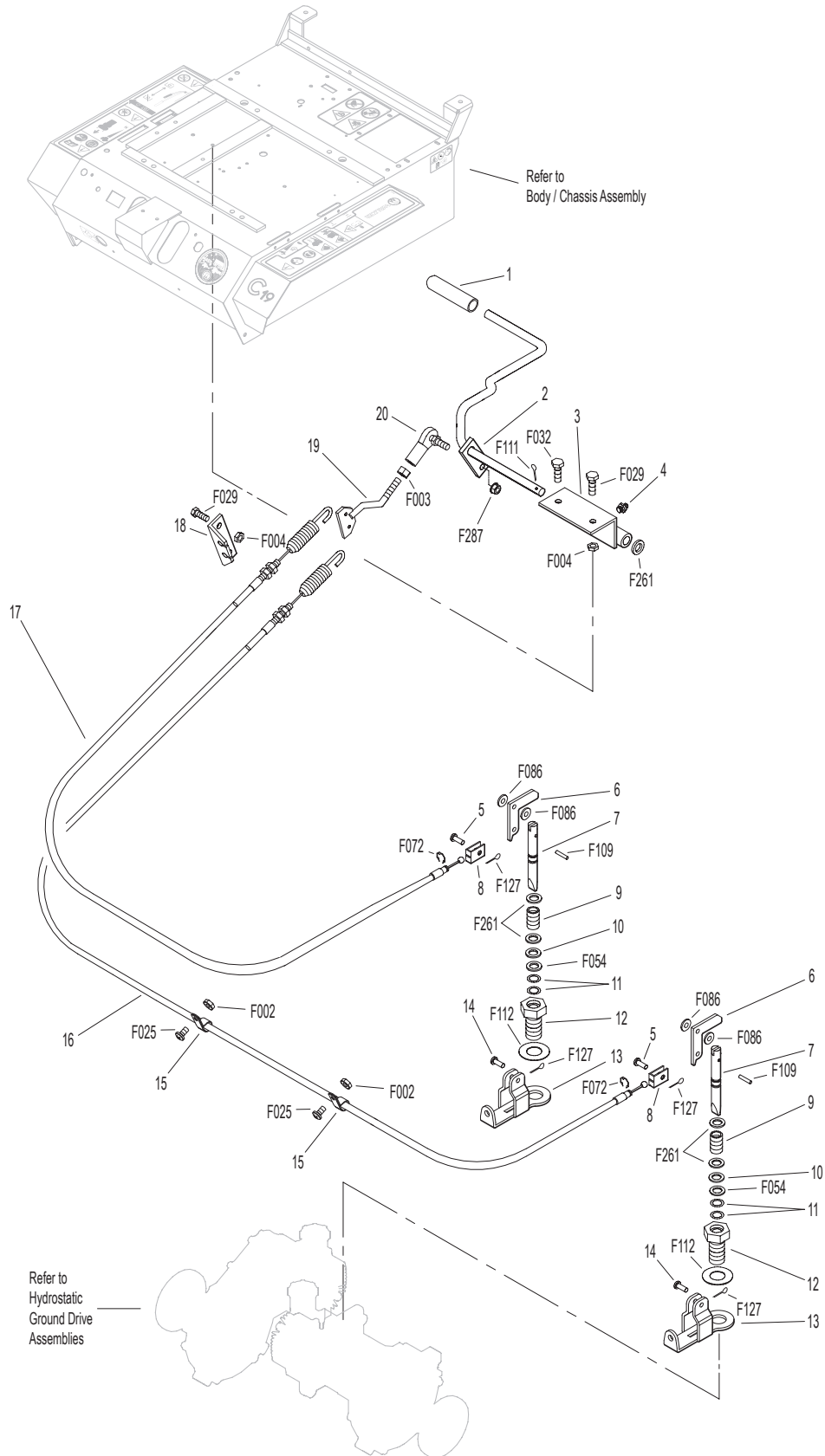
THROTTLE & CHOKE CONTROL ASSEMBLIES



PARKING BRAKE ASSEMBLY

ITEM NO.	PART NO.	DESCRIPTION	NO. REQ'D	ITEM NO.	PART NO.	DESCRIPTION	NO. REQ'D
Parking Brake Assembly				Fasteners			
1	7406-1	Handle Grip, Red	1	F002		10-24 Keps Nut	2
2	7406-8	Parking Brake Lever (4-1/4)	1	F003		1/4-28 Hex Nut	1
3	7406-2	Lever Mount	1	F004		1/4-20 Keps Nut	4
4	5830	Grease Fitting	1	F025		10-24 x 3/8 PPHMS	2
5	7407	Clevis Pin (3/16 x 1/2)	2	F029		1/4-20 x 1/2 Hex Bolt	3
6	7404-6	Brake Actuator Arm	2	F032		1/4-20 x 3/4 Hex Bolt	1
7	7405	Pin, Transmission Lock	2	F054		AN960616 Washer	2
8	7402	Clevis	2	F072		1/4 "E" Retainer Ring	2
9	7408	Compression Spring (1/2 x 3/4)	2	F086		#10 SAE Washer	4
10	7415	Rubber Dust Shield (5/8 x 3/8 x 1/32)	2	F109		1/8 x 5/8 Roll Pin	2
11	5567-3	O-Ring Seal (1/4 x 3/8)	4	F111		1/8 x 3/4 Cotter Pin	1
12	7403	Plunger Bushing, Gear Axle	2	F112		5/8 x 1-1/4 x .03 Washer	2
13	7404-7	Brake Actuator Mount	2	F127		1/16 x 1/2 Cotter Pin	4
14	7412	Clevis Pin (3/16 x 5/8)	2	F261		AN960616L Washer	5
15	5833	Cable Clamp (1/4)	2	F287		1/4-28 Keps Nut	1
16	7410	Brake Control Cable, LH (25.5")	1				
17	7409	Brake Control Cable, RH (20.5")	1				
18	7401-3	Cable Mount Bracket	1				
19	7401-1	Cable Pull Rod	1				
20	5552	Ball Joint (1/4-28)	1				

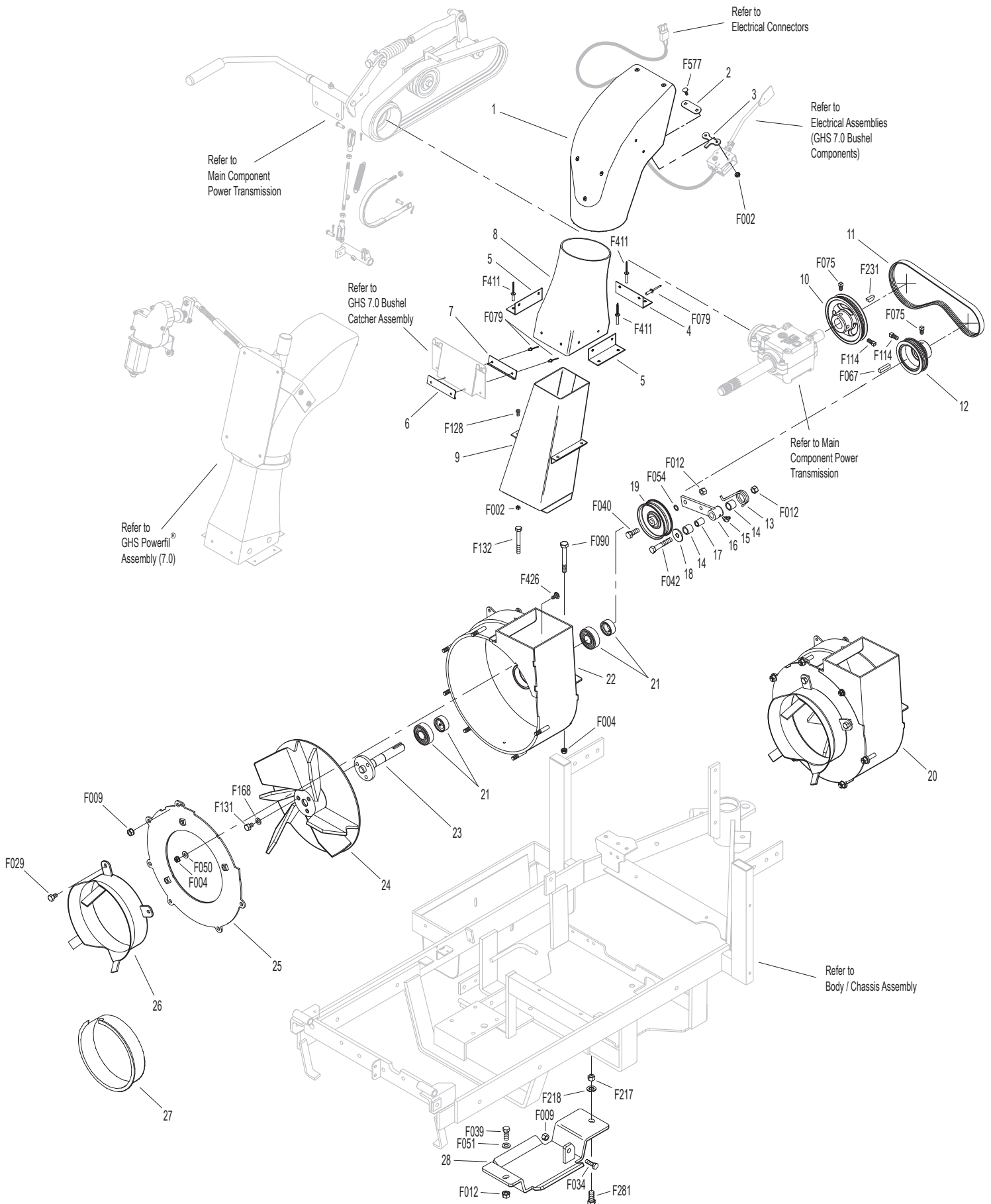
PARKING BRAKE ASSEMBLY



GHS GROUP

ITEM NO.	PART NO.	DESCRIPTION	NO. REQ'D	ITEM NO.	PART NO.	DESCRIPTION	NO. REQ'D
Delivery Chute Assembly				Fasteners			
1	5515-4	Elbow Delivery Spout	1	F002		10-24 Keps Nut	6
2	5592-24	Backing Plate, Grass-Pak® Switch	1	F004		1/4-20 Keps Nut	3
3	5592-23	Grass-Pak® Housing Spacer	1	F009		5/16-18 Whiz Locknut	7
4	5578	Rear Clip, Chute Mount	1	F012		3/8-16 Keps Nut	3
5	5577	Side Clip, Chute Mount	2	F029		1/4-20 x 1/2 Hex Bolt	3
6	7511-5	Outside Chute Cover Lip	1	F034		5/16-18 x 3/4 Hex Bolt	1
7	7511-4	Inside Chute Cover Lip	1	F039		3/8-16 x 1-1/4 Hex Bolt	1
8	7511-1	Delivery Chute W/Clips, 7.0 (Includes Items # 4, 5, F079 & F411)	1	F040		3/8-16 x 1-1/2 Hex Bolt	1
9	7530-4	Body Chute (10.5 Blower)	1	F042		3/8-16 x 2-1/4 Hex Bolt	1
				F050		1/4 SAE Washer	1
				F051		3/8 SAE Washer	1
				F054		AN960616 Washer	1
				F067		3/16 x 3/16 x 1 Key	1
				F075		5/16-18 x 1/2 SQH Set Screw	2
				F079		A/A66D Aluminum Pop Rivet	8
				F090		1/4-20 x 2-1/2 Hex Bolt	1
				F114		5/16-18 x 5/8 SQH Set Screw	2
				F128		10-24 x 3/8 PTHMS	4
				F131		5/16-18 x 1/2 Hex Bolt	3
				F132		1/4-20 x 2-3/4 Hex Bolt	1
				F168		5/16 Split Lock Washer	3
				F217		7/16-14 Hex Nut	1
				F218		7/16 Split Lock Washer	1
				F231		1/4 x 3/4 Woodruff Key (# 806)	1
				F281		7/16-14 x 1-3/4 Hex Bolt	1
				F411		3/16 Bulbex Rivet	6
				F426		1/4-20 x 1/2 Carriage Bolt	1
				F577		10-24 x 5/8 Carriage Bolt	2
Blower Belt Tightener Assembly				* Service Part Only			
10	7238-6	Blower Drive Pulley (Includes Items # F075, F114 & F231)	1				
11	7234-2	Blower Belt (Micro-V)	1				
12	7239-1	Blower Pulley (Mirco-V) (Includes Items # F067, F075 & F114)	1				
13	7364-2	Torsion Spring	1				
14	7201-3	Fiberglide Bearing	2				
15	5830-3	Grease Fitting (45 Degree)	1				
16	7364-1	Blower Belt Tightener Arm	1				
17	7201-4	Inner Race (1-1/2)	1				
18	5841-1	Retainer Washer	1				
19	5245	Idler Pulley (3")	1				
Blower Assembly				** Plugs Blower when GHS is not in use. Furnished only with Mulching Decks, SD Decks used on a GHS Tractor, Rotary Broom Attachment and Snowblower Attachment. Use of this part may be replaced by installing Blower Lockout Kit (P/N 7541).			
20	7544	Blower Assembly (10.5") (Includes Items # 21-26, F004, F009, F029, F050, F131, F168 & F426)	*				
21	5268	Bearing W/Collar (3/4)	2				
22	7544-3	Blower Housing (10.5")	1				
23	7545-2	Blower Output Shaft (10.5")	1				
24	7545	Blower Wheel (10.5")	1				
25	7543-1	Blower Faceplate (10.5")	1				
26	7526	Intake Tube (10.5" Blower)	1				
27	5595-2	Intake Cover, GHS	**				
28	7528-5	Skid Bar	1				

GHS GROUP

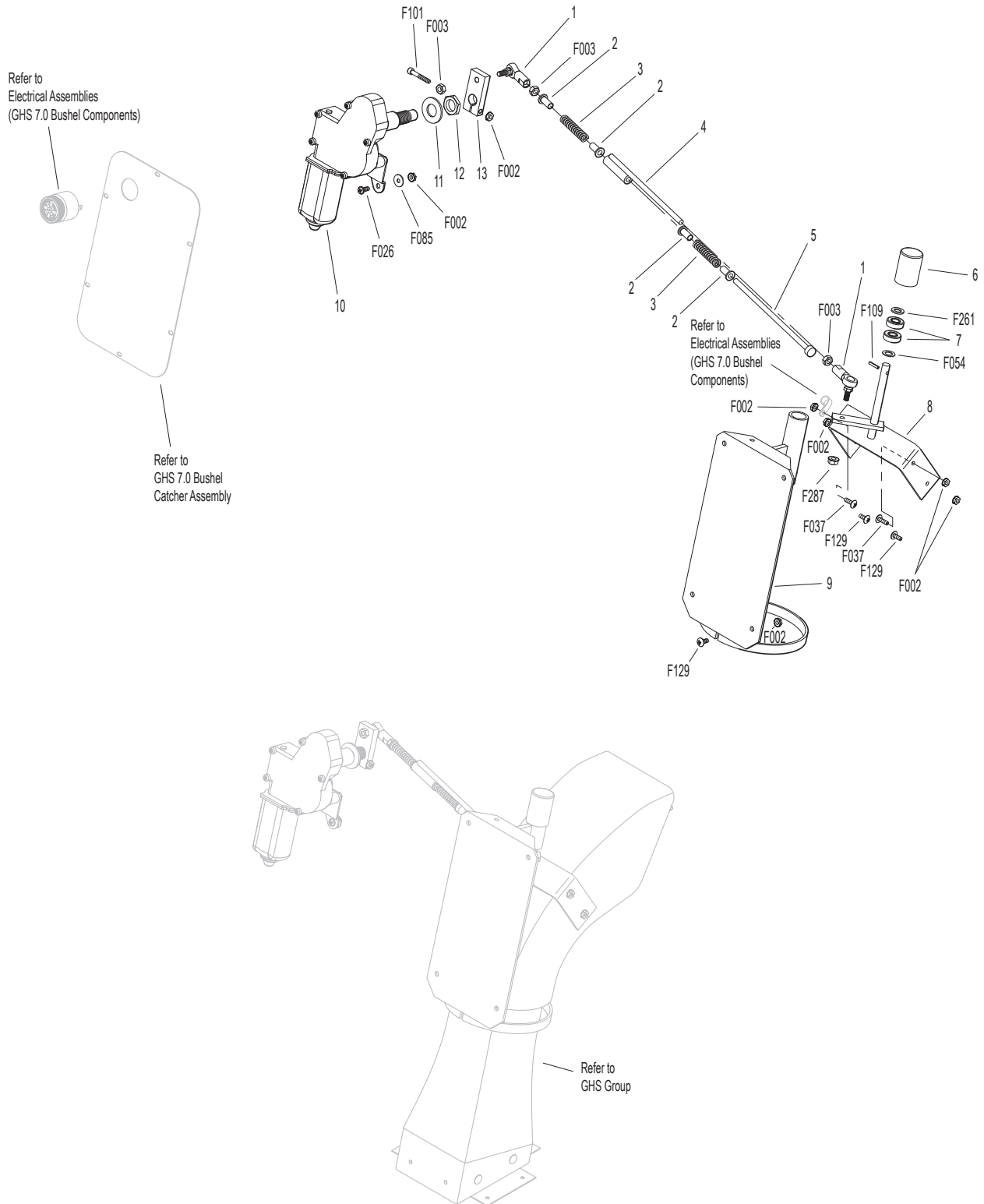


Beginning S/N 147167
 Use only genuine **Walker®** replacement parts.

GHS POWERFIL® ASSEMBLY (7.0)

ITEM NO.	PART NO.	DESCRIPTION	NO. REQ'D	ITEM NO.	PART NO.	DESCRIPTION	NO. REQ'D
7.0 GHS Powerfil® Assembly				Fasteners			
1	5552	Ball Joint (1/4-28)	2	F002		10-24 Keps Nut	10
2	5553-3	Bushing, Powerfil® Actuator	4	F003		1/4-28 Hex Nut	3
3	5553-1	Compression Spring (1/2 x 2)	2	F026		10-24 x 1/2 PPHMS	1
4	5558-2	Powerfil® Actuator Rod	1	F037		10-24 x 5/8 PTH Screw	2
	5549	Actuator Rod Assembly (Includes Items # 1-5 & F003)	*	F054		AN960616 Washer	1
5	5558-1	Powerfil® Push Rod	1	F085		3/16 Rivet Backup Washer	1
6	5551-3	Bearing Cap, Powerfil®	1	F101		10-24 x 1-1/4 SHC Screw	1
7	5551-1	Pivot Bearing (#S3PP)	2	F109		1/8 x 5/8 Roll Pin	1
8	5518-2	Pivot, Delivery Spout	1	F129		10-24 x 1/2 PTHMS	6
9	5517-2	Pivot Mount	1	F261		AN960616L Washer	1
10	5519-5	Actuator Motor (12V) (Includes Items # 11 & 12)	1	F287		1/4-28 Keps Nut	1
11	5519-2	Motor Mount Washer	*	* Service Part Only			
12	5519-3	Motor Mount Nut (5/8-24)	*				
13	5554	Actuator Arm	1				

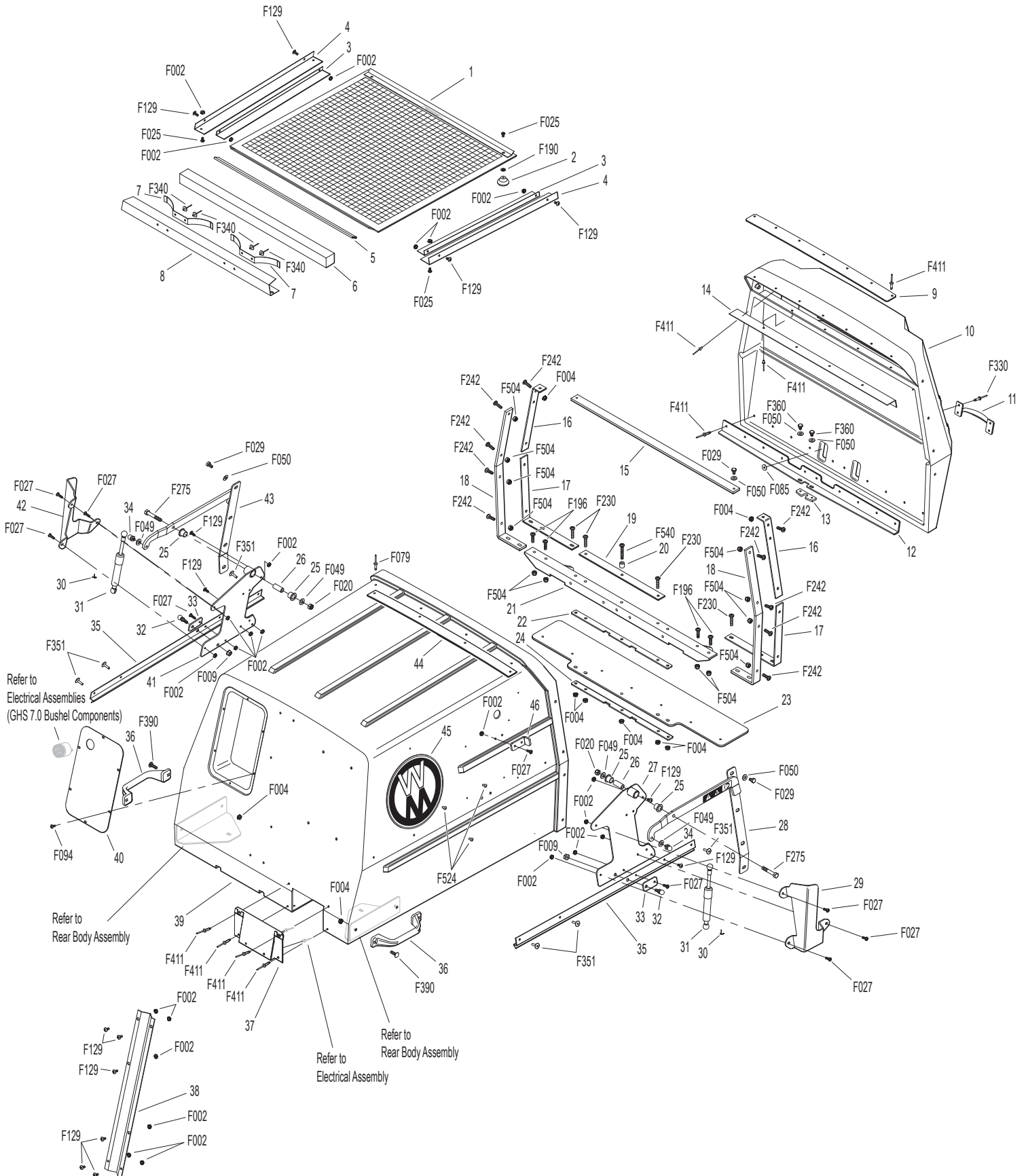
GHS POWERFIL® ASSEMBLY (7.0)



GHS 7.0 BUSHEL CATCHER ASSEMBLY

ITEM NO.	PART NO.	DESCRIPTION	NO. REQ'D	ITEM NO.	PART NO.	DESCRIPTION	NO. REQ'D
Upper Baffle Screen Assembly (Removable)				39	7510-2	7.0 Bushel Catcher Box	1
					7502-5	7.0 Catcher W/Powerfil® (Includes Door)	*
1	7512-6	Removable Screen (3/16 Hole) (Includes Items # 2, F025 & F190)	1**	40	7607-8	Powerfil® Cover Plate	1
2	7506	Knob / Threaded Insert (10-24)	2	41	7608-4	Hinge Plate, RH	1
3	7509-2	Channel Top	2	42	8155-8	7.0 Gas Spring Cover, RH	1
4	8606-2	Channel Bottom	2	43	7607-14	Catcher Door Arm, RH	1
5	6856-1	Edge Molding (21-3/4")	1	44	7584-3	Reinforcing Strap	1
6	6507	Screen Seal (23-1/4")	1	45	5801-3	Decal Plate, Round (Set of 2)	1
7	7505	Mustache Spring	2	46	7608-5	Door Arm Stop	2
8	7509-6	C-Channel With Spring (Includes Items # 7 & F340)	1	5598-2 Optional Dump Bag (Not Shown) May be ordered as an option. Contact your Walker dealer.			
7.0 Exhaust Deflector Door Assembly				Fasteners			
9	7607-3	Upper Door Seal	1	F002	10-24 Keps Nut		27
10	7510-4	7.0 Catcher Box Door (Includes Frame) (Includes Items # 9, 11, 12, 14, F085, F330 & F411)	1	F004	1/4-20 Keps Nut		11
11	5583	Handle	1	F009	5/16-18 Whiz Locknut		2
12	7607-6	Lower Door Stiffener (7.0)	1	F020	5/16-18 ESNA Nut		2
13	8607-8	Door Guide	1	F025	10-24 x 3/8 PPHMS		6
14	7607-5	Upper Door Stiffener	1	F027	10-24 x 5/8 PPHMS		12
GHS 7.0 Bushel Catcher Assembly				F029	1/4-20 x 1/2 Hex Bolt		4
15	7503-7	Center Strap (7.0)	1	F049	5/16 SAE Washer		4
16	7503-6	Upper Frame Doubler (7.0)	2	F050	1/4 SAE Washer		6
17	7503-5	Lower Frame Doubler (7.0)	2	F079	A/A66D Aluminum Pop Rivet		4
18	7503-4	Outside Box Strap (7.0)	2	F085	3/16 Rivet Backup Washer		4
19	8608-4	Center Frame Doubler	1	F094	8-32 x 1/2 PTHMS		6
20	8608-11	Catcher Door Finger	1	F129	10-24 x 1/2 PTHMS		14
21	7503-11	Catcher Mount	1	F190	#10 Internal Star Lock Washer		2
22	7610-4	Catcher Dump Flap Spacer (7.0)	1	F196	1/4-20 x 1 PPHMS, SS		4
23	7610-8	Catcher Dump Flap With Plate	1	F230	1/4-20 x 1-1/4 PPHMS, SS		4
24	8610-3	Backing Plate / Dump Flap	1	F242	1/4-20 x 7/8 PPHMS, SS		10
25	7620-3	Pivot Bushing (1/2 x 9/16)	4	F275	5/16-18 x 2 Hex Bolt		2
26	7607-7	Bushing	2	F330	3/16D x 21/32L Rivet, SS		4
27	7608-3	Hinge Plate, LH	1	F340	Rivet, Aluminum		4
28	7607-15	Catcher Door Arm, LH	1	F351	Aluminum Pop Rivet		6
29	8155-7	7.0 Gas Spring Cover, LH	1	F360	1/4-20 x 3/8 Hex Bolt		2
30	5147	Spring Clip	4	F390	1/4-20 x 7/8 Carriage Bolt		4
31	5155-5	Gas Spring	2	F411	3/16 Bulbex Rivet		32
32	5155-13	3/4 Ball Stud	2	F504	1/4-20 Whiz Locknut		12
33	5523-6	Gas Spring Plate	2	F524	3/16 x 3/8 Aluminum Rivet, Black		6
34	5155-12	5/16 Ball Stud	2	F540	1/4-20 x 1-3/4 PPHMS, SS		1
35	5155-15	Box Support, Gas Spring	2	* Service Part Only			
36	7532-1	Handle, Catcher Lift	2	** This screen can be replaced by P/N 7512-7 Removable Screen (3/4" holes) for improved air flow performance in wet condi- tions.			
37	7511-6	Chute Cover	1				
38	7557-1	7.0. Wire Harness Channel	1				

GHS 7.0 BUSHEL CATCHER ASSEMBLY

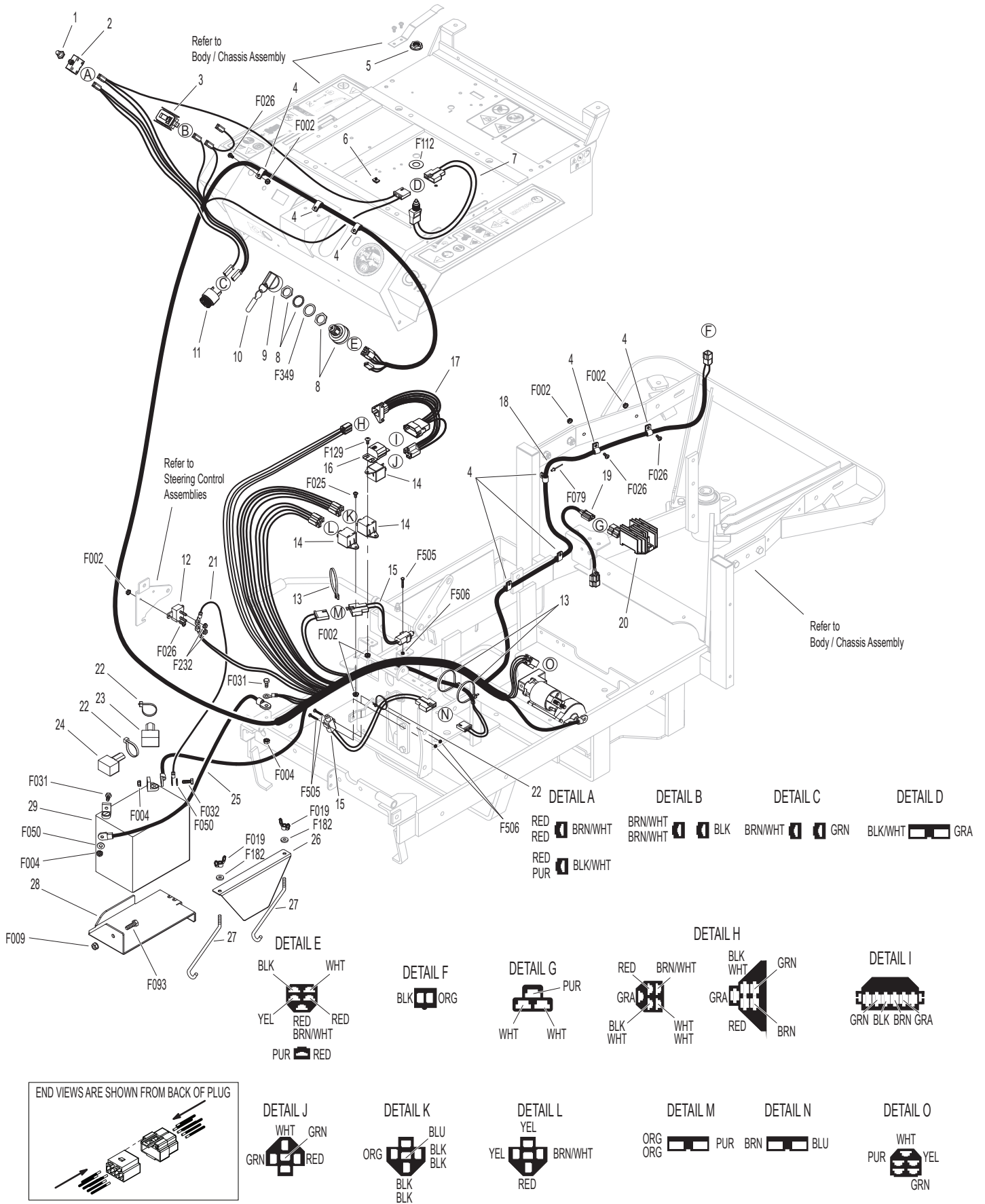


Beginning S/N 147167
 Use only genuine **Walker®** replacement parts.

ELECTRICAL ASSEMBLY

ITEM NO.	PART NO.	DESCRIPTION	NO. REQ'D	ITEM NO.	PART NO.	DESCRIPTION	NO. REQ'D
Harness Assembly				Fasteners			
1	7941-3	Boot, Circuit Breaker	1	F002		10-24 Keps Nut	10
2	7941-5	Circuit Breaker (7 Amp)	1	F004		1/4-20 Keps Nut	3
3	8990-1	Hourmeter (Global)	1	F009		5/16-18 Whiz Locknut	1
4	5832	Cable Clamp (1/2)	8	F019		1/4-20 ESNA Wing Nut	2
5	5942-11	Delta Hex Nut	1	F025		10-24 x 3/8 PPHMS	2
6	7834-2	Wire Saddle (2 Wires)	1	F026		10-24 x 1/2 PPHMS	7
7	5942-9	Safety Switch (NO), Delta Threaded	1	F031		1/4-20 x 5/8 Hex Bolt	2
8	8960-15	Ignition Switch (With Keys) (Includes Items # 9, 10 & F349)	1	F032		1/4-20 x 3/4 Hex Bolt	1
9	8960-3	Key Set W/Umbrella	1	F050		1/4 SAE Washer	2
10	7854	Plastic Tip, Red	1	F079		A/A66D Aluminum Pop Rivet	1
11	8536-2	Warning Horn Assembly	1	F093		5/16-18 x 1 Hex Bolt	1
12	8941	Circuit Breaker (30 Amp) Auto Reset / Sealed	1	F112		5/8 x 1-1/4 x .03 Washer	1
13	5975-3	Cable Tie (50# x 7")	3	F129		10-24 x 1/2 PTHMS	1
14	6942	Relay Switch 20/40 Amp (NC)	3	F182		1/4 x 5/8 x 1/8 Washer	2
15	5942-8	Safety Switch (NO), Delta Side Mount	2	F232		10-32 Keps Nut	2
16	7948-6	Time Delay Module (.5 Second Delay)	1	F349		Washer .835 ID 1.122 OD, SS	1
17	7948-3	Time Delay Harness	1	F505		6-32 x 7/8 Hex Trim MS, SS	4
18	6940-6	Wire Harness	1	F506		6-32 Nylock Nut	4
19	8012-6	Regulator Adapter Harness	1				
20	NS	Rectifier	*				
Battery Assembly				* Service Part Only			
21	8943	Battery Lead Wire (+)	1	NOTE: Refer to ELECTRICAL CONNECTORS , Page 30 for identification of all Electrical Wiring Service Parts.			
22	5975-1	Cable Tie (18# x 3-3/4")	3				
23	5933	Battery Terminal Insul., Red (+)	1				
24	5932	Battery Terminal Insul., Black (-)	1				
25	6923	Battery Cable (-)	1				
26	5844-3	Battery Hold-Down Bar	1				
27	5839	Hook Bolt	2				
28	6390-2	Battery Pan	1				
29	NS	Battery (12V/300CCA/Dry)	1				

ELECTRICAL ASSEMBLY

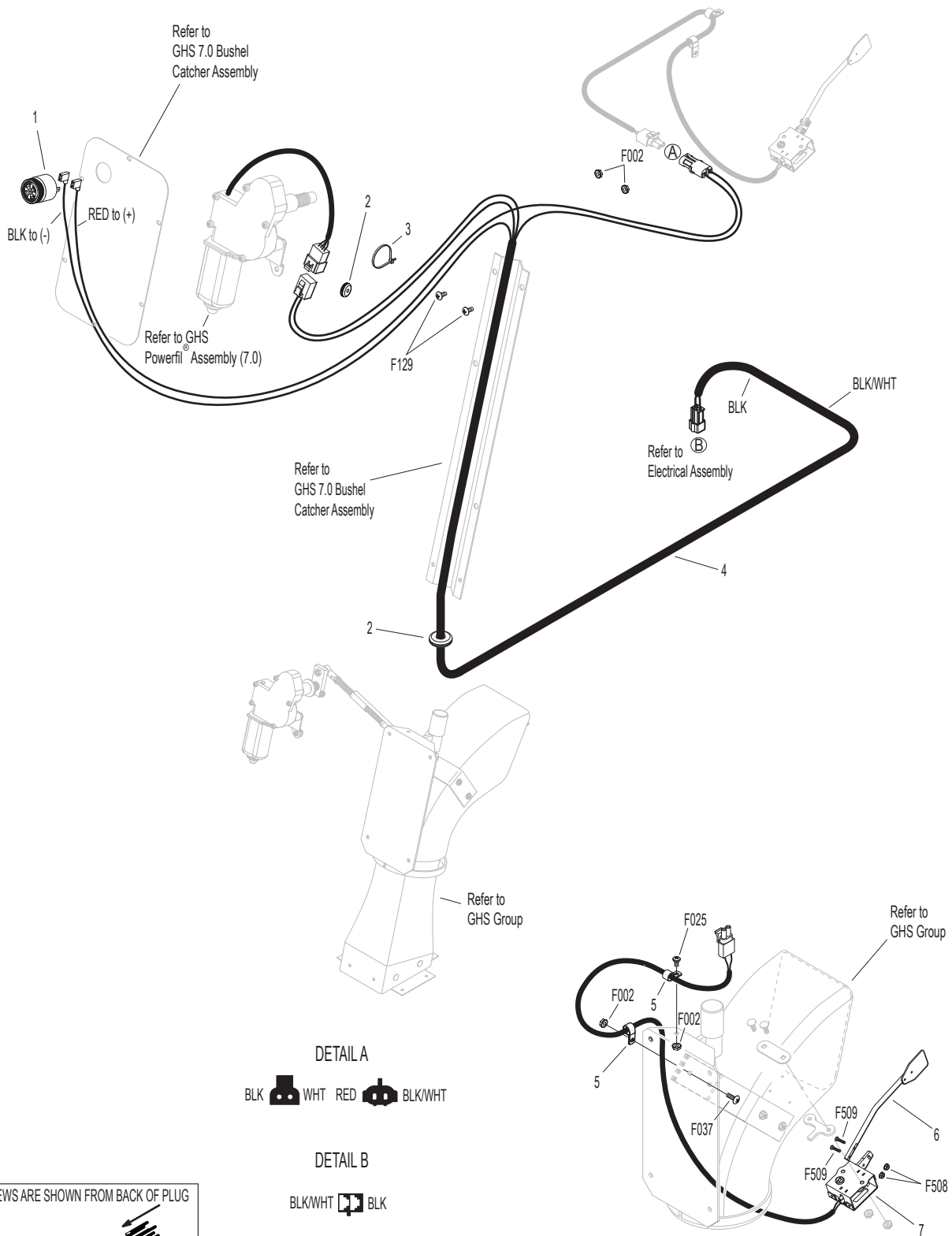


Beginning S/N 147167
 Use only genuine **Walker**® replacement parts.

ELECTRICAL ASSEMBLIES (GHS 7.0 BUSHEL COMPONENTS)

ITEM NO.	PART NO.	DESCRIPTION	NO. REQ'D	ITEM NO.	PART NO.	DESCRIPTION	NO. REQ'D
Horn & Harness Channel Assemblies				Fasteners			
1	5536-2	Horn, Full Signal	*	F002		10-24 Keps Nut	4
2	5976-2	Grommet (3/16 x 3/4)	2	F025		10-24 x 3/8 PPHMS	1
3	5975-1	Cable Tie (18# x 3-3/4")	1	F037		10-24 x 5/8 PTH Screw	1
Harness & Grass-Pak® Switch Assemblies				F129		10-24 x 1/2 PTHMS	2
4	8950-4	Powerfil Wire Harness (7.0/10.0)	1	F508		4-40 Keps Nut, SS	2
5	5833	Cable Clamp (1/4)	2	F509		4-40 x 1/2 Hex Head, SS	2
6	5594-6	Aluminum Shaft & Vane Assembly	1	* Service Part Only			
7	5592-20	Grass-Pak® Switch Assembly	1	NOTE: Refer to ELECTRICAL CONNECTORS , Page 30 for identification of all Electrical Wiring Service Parts.			

ELECTRICAL ASSEMBLIES (GHS 7.0 BUSHEL COMPONENTS)



Beginning S/N 147167
 Use only genuine **Walker**® replacement parts.

ELECTRICAL CONNECTORS

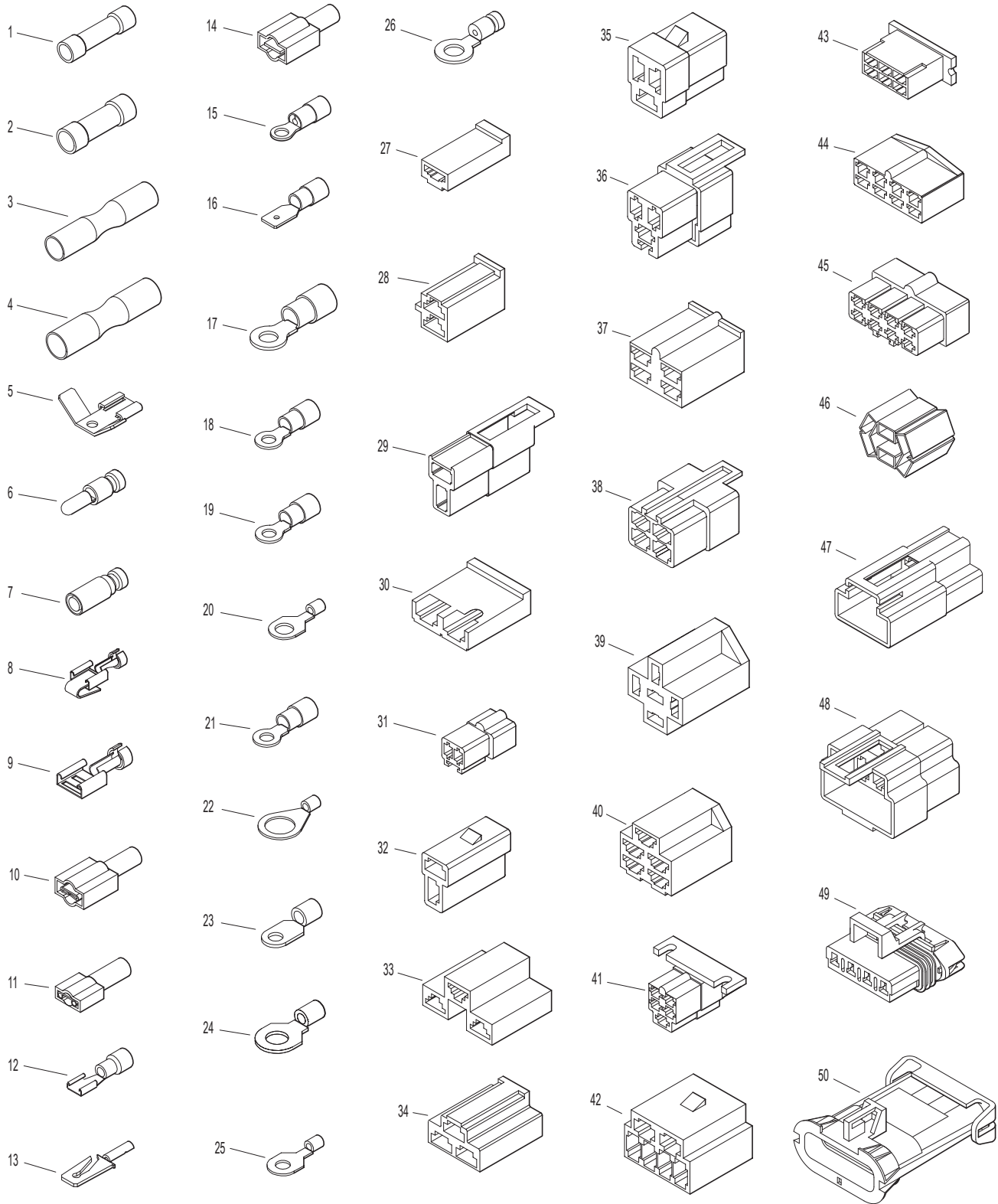
ITEM NO.	PART NO.	DESCRIPTION	NO. REQ'D	ITEM NO.	PART NO.	DESCRIPTION	NO. REQ'D
Electrical Wiring Service Parts				29	7942-1	2-Way Locking Connector, Female	*
1	5996-1	16-14 GA Butt Connector	*	30	7942-2	2-Way Connector, Male	*
2	5996-11	12-10 GA Butt Connector	*	31	7942-3	2-Way Connector, Female	*
3	7942-14	16-14 GA Shrink Connector	*	32	7942-10	2-Way Locking Connector, Male	*
4	7942-13	12-10 GA Shrink Connector	*	33	5940-8	3-Way Connector, Male	*
5	5995-1	Wire Terminal Adapter	*	34	7942-9	3-Way Connector, Male	*
6	5996-4	16-14 GA Bullet Conn., Male	*	35	8944	3-Way Locking Connector, Male	*
7	5996-5	16-14 GA Bullet Conn., Female	*	36	8944-1	3-Way Locking Connector, Female	*
8	5940-4	16-14 GA Spg. Loaded Term., Female	*	37	7942-11	4-Way Connector, Male	*
9	5940-7	Wire Clip, Female	*	38	7942-12	4-Way Connector, Female	*
10	5996	1/4 x 16-14 GA QKS Term., Female	*	39	7942-5	5-Way Connector, Male	*
11	5996-2	3/16 x 22-18 GA QKS Term., Female	*	40	5940-2	5-Way Connector, Male	*
12	7996	16-14 GA QKS Term., Female	*	41	8942-1	5-Way Connector, Female	*
13	5940-5	16-14 GA Spg. Loaded Term., Male	*	42	7942-6	6-Way Connector, Male	*
14	5996-0	1/4 x 22-18 GA QKS Term., Male	*	43	7942-7	6-Way Connector, Male	*
15	5996-18	16-14 GA Ring Term. (#8) Nylon Insulated	*	44	7942-8	8-Way Connector, Male	*
16	7996-1	1/4 x 16-14 GA QKS Term., Male	*	45	8942-2	8-Way Connector, Female	*
17	5996-8	6 GA Ring Lug (5/16) Insulated	*	46	8942-3	5-Way Connector, Male	*
18	5996-9	22-18 GA Ring Term., (#10)	*	47	5940-9	3-Way Connector (M)	*
19	5996-10	16-14 GA Ring Term. (5/16) Insulated	*	48	7942-15	6-Way Connector (Female)	*
20	5996-12	12-10 GA Ring Term. (5/16)	*	49	7940-3	Packard Plug (Male)	*
21	5996-13	16-14 GA Ring Term., (#10) Insulated	*	50	7940-4	Packard Plug (Female)	*
22	5996-15	12-10 GA Ring Term. (1/2)	*				
23	5996-16	6 GA Ring Terminal (1/4)	*				
24	5996-17	16-14 GA Ring Term. (1/4)	*				
25	5996-20	12-10 GA Ring Term. (1/4) Insulated	*				
26	5996-21	12-10 GA Ring Term., (#10) Insulated	*				
27	7942-4	Single Connector, Male	*				
28	8942	2-Way Connector, Male	*				

* Service Part Only

NOTE: Not all Electrical Connectors are used with all assemblies.

NOTE: Refer to **ELECTRICAL ASSEMBLIES**, Pages 26-29 for locations of Wiring Harness, Electrical Components and of all Electrical Wiring Service Parts.

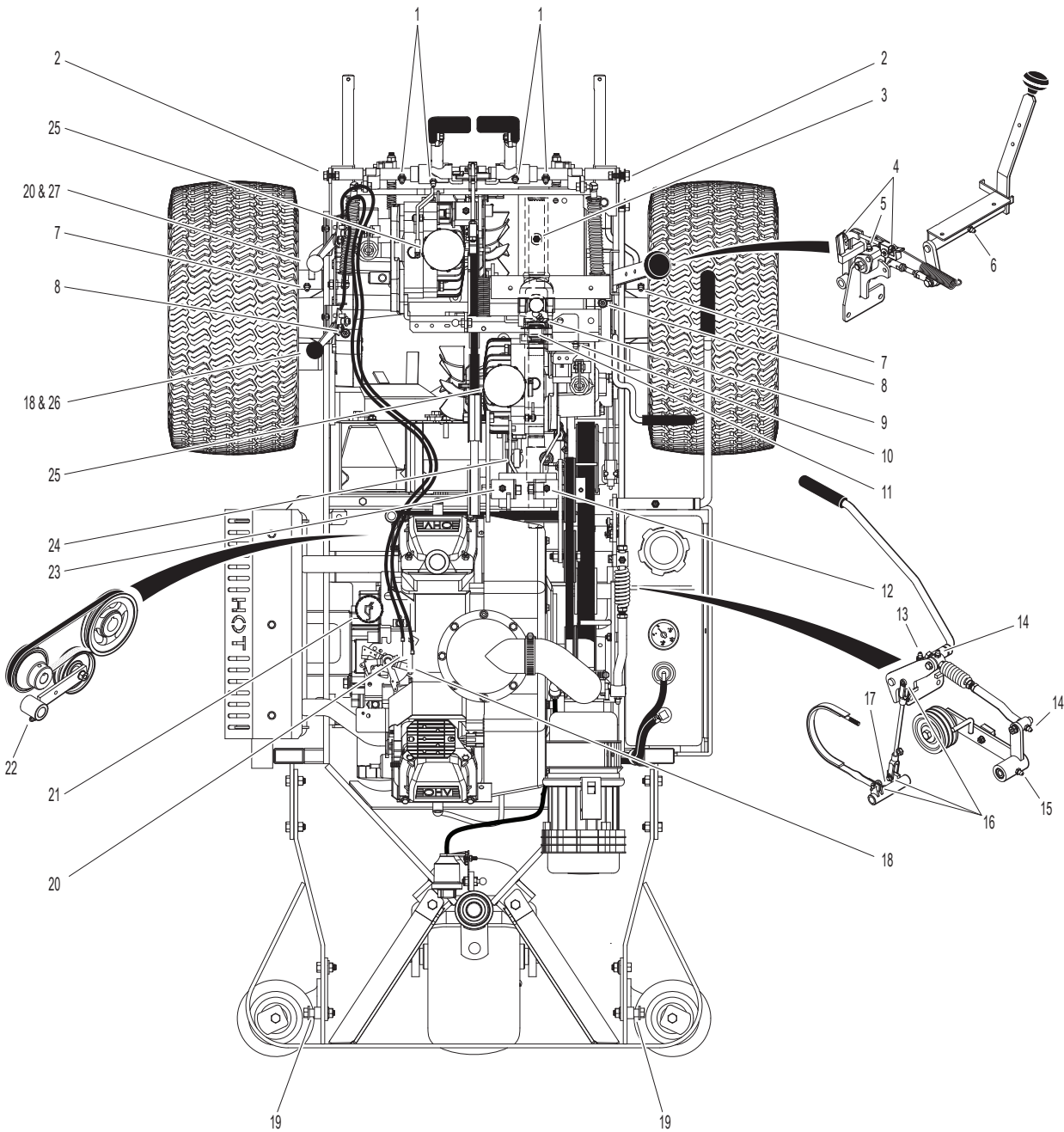
ELECTRICAL CONNECTORS



LUBRICATION POINTS

ITEM NO.	LOCATION	LUBRICATION TYPE	NO. PLACES	ITEM NO.	LOCATION	LUBRICATION TYPE	NO. PLACES
Lubrication Points				17	Brake Actuator Pivot	Grease	1
1	Steering Lever Pivot	Grease	4	18	Choke Control Cable Ends	Oil	2
2	Body Hinge Point	Oil	2	19	Catcher Hinge Point	Oil	2
3	Deck-to-PTO Coupling (Grease Spline Slide Area)	Grease	1	20	Throttle Control Cable Ends	Oil	2
4	FSC Actuator Rod Pivot Pins	Oil	2	21	Engine Dipstick / Oil Filler	Oil**	1
5	(FSC) Friction Body Pivot	Grease	1	22	Belt Tightener Pivot, Blower Drive	Grease	1
6	FSC Lever Pivot	Grease	1	23	Belt Tightener Pivot, Ground Drive	Grease	1
7	Deck Support Arm Pivot	Grease	2	24	PTO Gearbox Dipstick	Oil**	1
8	Gear Axle	Oil**	2	25	Hydrostatic Drive	Oil**	2
9	Universal Joint Tube Assembly	Grease*	1	26	Choke Control Pivot	Oil	1
10	Parking Brake Lever	Grease	1	27	Throttle Control Pivot	Oil	1
11	Universal Joint Quick Connect Spline (Grease Slide Area)	Grease	1				
12	Belt Tightener Pivot, Jackshaft Drive	Grease	1		* Grease every 25 hours.		
13	PTO Clutch Lever Pivot	Grease	1		** See Operator's Manual for procedure for checking and changing oil in Engine Crankcase, Hydrostatic Transmissions, and Gear Axles.		
14	Clutch Actuator Push Rod	Grease	2				
15	Belt Tightener Pivot, PTO Clutch	Grease	1				
16	Brake Actuator Rod and Brake Band Pivot Pins (Clevis)	Oil	3		NOTE: See Model C19 Operator's Manual (P/N 6000-21) for proper lubrication intervals.		

LUBRICATION POINTS



Beginning S/N 147167
Use only genuine **Walker**® replacement parts.

WIRING SCHEMATIC

WALKER MODEL C19 Beginning S/N 2014-125718

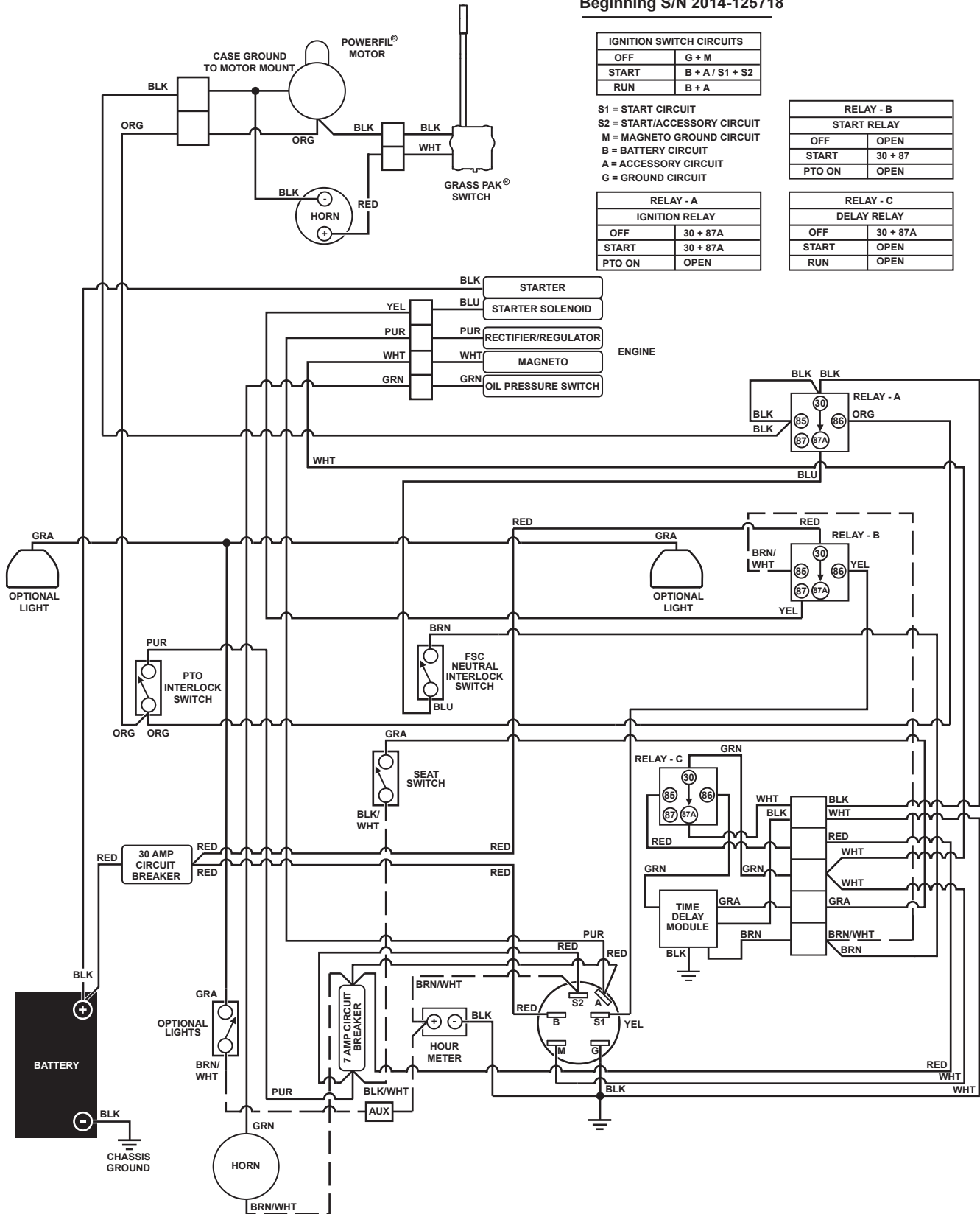
IGNITION SWITCH CIRCUITS	
OFF	G + M
START	B + A / S1 + S2
RUN	B + A

S1 = START CIRCUIT
S2 = START/ACCESSORY CIRCUIT
M = MAGNETO GROUND CIRCUIT
B = BATTERY CIRCUIT
A = ACCESSORY CIRCUIT
G = GROUND CIRCUIT

RELAY - A IGNITION RELAY	
OFF	30 + 87A
START	30 + 87A
PTO ON	OPEN

RELAY - B START RELAY	
OFF	OPEN
START	30 + 87
PTO ON	OPEN

RELAY - C DELAY RELAY	
OFF	30 + 87A
START	OPEN
RUN	OPEN



LIMITED WARRANTY FOR WALKER COMMERCIAL RIDER MOWER

1. WHAT THIS WARRANTY COVERS, AND FOR HOW LONG:

Walker Manufacturing company will, at its option, repair or replace, without charge, any part covered by this warranty which is found to be defective in material and/or workmanship within one (1) year* after date of sale to the original retail purchaser unless the product is used for rental purposes, in which case this warranty is limited to ninety (90) days. At Walker's request, customer will make the defective part available for inspection by Walker and/or return the defective part to Walker, transportation charges prepaid. All parts and components of the Walker Mower are covered by this warranty **except** the following components which are warranted separately by their respective manufacturers:

Kohler Engine
Battery

The available warranties covering these items are furnished with each mower. Walker does not assume any warranty obligation, liability or modification for these items, which are covered exclusively by the stated warranty of the respective manufacturers noted above.

* Extended warranties are offered for the following powertrain components:

- A three (3) year unlimited hour warranty is offered for the Walker P/N 6200-9 Gear Axle Assembly.
- A three (3) year or 3000 hour (whichever comes first) warranty is offered for Eaton Model 7 Hydrostatic transmissions; covers full cost of replacement up to 1000 hours of use, and after 1000 hours warranty coverage is prorated against 3000 hours.

2. WHAT THIS WARRANTY DOES NOT COVER:

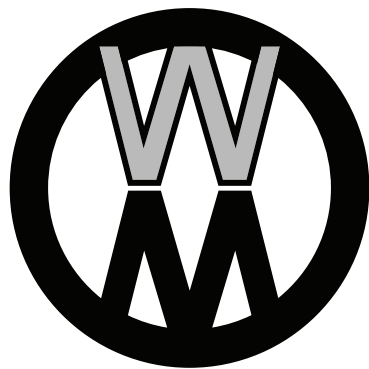
- A. This warranty does not cover defects caused by depreciation or damage caused by normal wear, accidents, improper maintenance, improper use or abuse of the product, alterations, or failure to follow the instructions contained in the Operator's Manual for operation and maintenance.
- B. The customer shall pay any charges for making service calls and/or for transporting the mower to and from the place where the inspection and/or warranty work is performed.

3. HOW TO OBTAIN SERVICE UNDER THIS WARRANTY:

Warranty service can be arranged by contacting the dealer where you purchased the mower or by contacting Walker Manufacturing Company, 5925 East Harmony Road, Ft. Collins, CO 80528. Proof of the date of purchase may be required to verify warranty coverage.

4. WARRANTY LIMITATION:

- A. **THERE IS NO OTHER EXPRESS WARRANTY. ANY WARRANTY THAT MAY BE IMPLIED FROM THIS PURCHASE INCLUDING MERCHANTABILITY AND FITNESS FOR A PARTICULAR PURPOSE IS HEREBY LIMITED TO THE DURATION OF THIS WARRANTY AND TO THE EXTENT PERMITTED BY LAW ANY AND ALL IMPLIED WARRANTIES ARE EXCLUDED.** Some states do not allow limitations on how long an implied warranty lasts, so the above limitations may not apply to you.
- B. **WALKER WILL NOT BE LIABLE FOR ANY INCIDENTAL, CONSEQUENTIAL, OR SPECIAL DAMAGES AND/OR EXPENSES IN CONNECTION WITH THE PURCHASE OR USE OF THE MOWER.** Some states do not allow the exclusion or limitation of incidental or consequential damages, so the above limitation(s) or exclusion(s) may not apply to you.
- C. Only the warranty expressed in this limited warranty shall apply and no dealer, distributor, or individual is authorized to amend, modify, or extend this warranty in any way. Accordingly, additional statements such as dealer advertising or presentations, whether oral or written, do not constitute warranties by Walker, and should not be relied upon.
- D. This warranty gives you specific legal rights, and you may also have other rights which vary from state to state.



WALKER

WALKER MFG. CO. • 5925 E. HARMONY ROAD, FORT COLLINS, CO 80528 • (970) 221-5614
FORM NO. 050718 PRINTED IN USA www.walkermowers.com ©2018 WALKER MFG. CO