

# MediaMatrix®

A Division of Peavey Electronics Corporation



## CAB 4n CobraNet Hardware Manual

Version 2.0.0.0

July 7, 2017

## Copyright notice

The information contained in this manual is subject to change without notice. Peavey Electronics is not liable for improper installation or configuration. The information contained herein is intended only as an aid to qualified personnel in the design, installation and maintenance of engineered audio systems. The installing contractor or end user is ultimately responsible for the successful implementation of these systems.

All creative content in this manual, including the layout, art design, content, photography, drawings, specifications and all other intellectual property is Copyright © 2016 Peavey Electronics Corporation. All Rights Reserved. Features & specifications subject to change without notice. All other registered trademarks or trademarks are the property of their respective owners.

Email: [mmtechsupport@peavey.com](mailto:mmtechsupport@peavey.com) (*mailto:mmtechsupport@peavey.com*).

## Scope

This guide describes how to physically install a CAB 4n for CobraNet networks and configure it with basic settings. It is assumed that you have installed NWare and are familiar with how to use it effectively.

For information on NWare, refer to the NWare User Guide.

# Contents

<b>Chapter 1 Important safety instructions.....</b>	<b>1</b>
Safety warnings .....	2
<b>Chapter 2 Before you start .....</b>	<b>5</b>
Important network considerations .....	6
Thank You! .....	6
Warranty Registration .....	6
What's in the box? .....	6
<b>Chapter 3 Introduction to CAB 4n .....</b>	<b>7</b>
Description.....	8
Features.....	8
Applications .....	8
Audio input and output modules .....	9
Using a CAB 4n with a NION.....	10
Front Panel .....	11
Rear panel .....	12
<b>Chapter 4 Installing the CAB 4n .....</b>	<b>13</b>
Introduction .....	14
What you will need .....	14
Connections.....	15
Setting the Hardware ID .....	21
What to do next .....	21
<b>Appendix A Reference Information .....</b>	<b>23</b>
GPIO overview .....	24
Technical specifications.....	27
Gain structure .....	30
Technical Support.....	30
<b>Warranty statement.....</b>	<b>31</b>



# Chapter 1

# Important safety instructions

---

## In This Chapter

Safety warnings.....	2
----------------------	---

## Safety warnings

**Warning:** When using electrical products, basic cautions should always be followed, including the following:

1. Read these instructions.
2. Keep these instructions.
3. Heed all warnings.
4. Follow all instructions.
5. Do not use this apparatus near water.
6. Clean only with a dry cloth.
7. Do not block any of the ventilation openings. Install in accordance with manufacturer's instructions.
8. Do not install near any heat sources such as radiators, heat registers, stoves or other apparatus (including amplifiers) that produce heat.
9. Do not defeat the safety purpose of the polarized or grounding-type plug. A polarized plug has two blades with one wider than the other. A grounding type plug has two blades and a third grounding plug. The wide blade or third prong is provided for your safety. If the provided plug does not fit into your outlet, consult an electrician for replacement of the obsolete outlet.
10. Protect the power cord from being walked on or pinched, particularly at plugs, convenience receptacles, and the point they exit from the apparatus.
11. Only use attachments/accessories provided by the manufacturer.
12. Use only with a cart, stand, tripod, bracket, or table specified by the manufacturer, or sold with the apparatus. When a cart is used, use caution when moving the cart/apparatus combination to avoid injury from tip-over.
13. Unplug this apparatus during lightning storms or when unused for long periods of time.
14. Refer all servicing to qualified service personnel. Servicing is required when the apparatus has been damaged in any way, such as power-supply cord or plug is damaged, liquid has been spilled or objects have fallen into the apparatus, the apparatus has been exposed to rain or moisture, does not operate normally, or has been dropped.
15. Never break off the ground pin. Write for our free booklet *Shock Hazard and Grounding*. Connect only to a power supply of the type marked on the unit adjacent to the power supply cord.
16. If this product is to be mounted in an equipment rack, rear support should be provided.
17. Control panel devices, including the xControl range, D series and nTouch 60, are designed for mounting in NEMA metal enclosures. Grounding to the front plate is required.
18. **Note for UK only:** If the colors of the wires in the mains lead of this unit do not correspond with the terminals in your plug, proceed as follows:
  - a) The wire that is colored green and yellow must be connected to the terminal that is marked by the letter E, the earth symbol,
  - b) colored green or colored green and yellow.
  - c) The wire that is colored blue must be connected to the terminal that is marked with the letter N or the color black.

- d) The wire that is colored brown must be connected to the terminal that is marked with the letter L or the color red.
19. This electrical apparatus should not be exposed to dripping or splashing and care should be taken not to place objects containing liquids, such as vases, upon the apparatus.
20. The on/off switch in this unit does not break both sides of the primary mains. Hazardous energy can be present inside the chassis when the on/off switch is in the off position. The mains plug or appliance coupler is used as the disconnect device, the disconnect device shall remain readily operable.
21. Exposure to extremely high noise levels may cause a permanent hearing loss. Individuals vary considerably in susceptibility to noise-induced hearing loss, but nearly everyone will lose some hearing if exposed to sufficiently intense noise for a sufficient time. The U.S. Government's Occupational Safety and Health Administration (OSHA) has specified the following permissible noise level exposures:

<b>Duration Per Day in Hours</b>	<b>Sound Level dBA, Slow Response</b>
8	90
6	92
4	95
3	97
2	100
1½	102
1	105
½	110
¼ or less	115

According to OSHA, any exposure in excess of the above permissible limits could result in some hearing loss. Ear plugs or protectors to the ear canals or over the ears must be worn when operating this amplification system in order to prevent a permanent hearing loss, if exposure is in excess of the limits as set forth above. To ensure against potentially dangerous exposure to high sound pressure levels, it is recommended that all persons exposed to equipment capable of producing high sound pressure levels such as this amplification system be protected by hearing protectors while this unit is in operation.

***SAVE THESE INSTRUCTIONS!***





# Chapter 2

## Before you start

---

### In This Chapter

Important network considerations.....	6
Thank You! .....	6
Warranty Registration.....	6
What's in the box?.....	6

## Important network considerations



This product is designed to operate on a network backbone or infrastructure. The design, implementation and maintenance of this infrastructure is critical to correct operation and performance of the product. Peavey Electronics Corp does not support nor service network cabling, hubs, switches, patch bays, wall plates, connector panels or any other type of network interconnect device. Please ensure that these components and their associated installation techniques have been properly designed and installed for audio and network applications.

## Thank You!

Thank you for purchasing this MediaMatrix product. It is designed to provide years of trouble-free operation and high quality performance. We are confident that you will find this product and other MediaMatrix products to be of the highest quality.

## Warranty Registration

Please take a few minutes and fill out the warranty registration card. Although your warranty is valid without the registration, the information you provide with the form is crucial to our support group. It enables us to provide better service and customer support, and to keep you informed of new product updates.

---

**Tip:** Refer to the warranty statement at the rear of this manual for details of what your warranty includes and what the limitations are.

---

## What's in the box?

The CAB 4n is packaged in a single container. This container includes the following items:

- CAB 4n
- IEC removable power supply line cord (120VAC Domestic, 230VAC Export)
- 19 Three-screw Euro connectors \*
- User Manual/Literature Package
- MM Series i/o cards \* (as ordered).

\* These items are shipped pre-installed.

If any of these items is missing, please contact your Authorized Peavey MediaMatrix contractor/dealer.

## Chapter 3

# Introduction to CAB 4n

---

### In This Chapter

Description.....	8
Features.....	8
Applications.....	8
Audio input and output modules.....	9
Using a CAB 4n with a NION.....	10
Front Panel.....	11
Rear panel.....	12

## Description

The CAB 4n is a professional digital audio processor intended for fixed installation applications. This 2U rack-mount package is designed to provide high quality audio performance and easy to use controls. Engineered from the ground up with the commercial sound systems contractor in mind, the CAB 4n includes removable screw connectors for easy installation and cost effective servicing, as well as front panel hidden ID assignment.

## Features

- Scalable I/O Architecture
- Supports all MediaMatrix 4-channel I/O cards
- 8x8, 16x0, 0x16, 12x4 or 4x12 I/O configurations
- Supports short-loading
- RS-485 connection for serial bridging
- Integrated CobraNet serial bridging
- Configurable GPIO
- Optional DIN rail package for external control terminations
- Fan cooled 2U package with new NION cosmetics
- Front panel audio metering
- Front panel network status and fault indicators
- Word clock sync option supports MediaMatrix Buddy Link
- Universal power supply.

## Applications

- |                           |                            |
|---------------------------|----------------------------|
| ▪ Stadiums                | ▪ Cruise ships             |
| ▪ Auditoriums             | ▪ Teleconferencing         |
| ▪ Arenas                  | ▪ Distance learning        |
| ▪ Civic centers           | ▪ Large-scale paging       |
| ▪ Performing arts centers | ▪ Multi-purpose facilities |
| ▪ Theaters                | ▪ Retail                   |
| ▪ Courts of law           | ▪ Restaurants & bars       |
| ▪ Houses of worship       | ▪ Gaming                   |
| ▪ Campus buildings        | ▪ Institutional paging     |
| ▪ Theme parks             | ▪ Communications           |
| ▪ Hotel meeting rooms     | ▪ Correctional facilities  |
| ▪ Conference centers      | ▪ Professional complexes   |
| ▪ Schools                 | ▪ Residential.             |

## Audio input and output modules

The CAB 4n supports a number of different input and output modules. These modules are factory fitted into the four-channel bays at the rear of the unit.

---

**Note:** A CAB 4n may be ordered short loaded, that is, with some of the bays empty. In this case, blanking panels will be fitted.

---

### MM-Line 4

- Four line level inputs
- Software controllable analog gain and input sensitivity
- Can be mixed with MM-Mic 4 (four line / four mic)
- Colored black
- Up to four of these cards can be installed. Slot bays A, B, C or D can be used.

### MM-Mic 4

- Four mic or line level inputs
- Software controllable phantom power and gain for each channel
- Studio grade microphone preamplifiers
- Colored green
- Up to four of these cards can be installed. Slot bays A, B, C or D can be used.

### MM-AEC 4 (Discontinued)

- Four mic level inputs with acoustic echo cancellation and noise reduction
- Software controllable phantom power and gain for each channel
- Studio grade microphone preamplifiers
- User-selectable coarse gain control
- AEC level adjustable presets
- Removable, balanced Euro input connectors
- Colored orange
- Up to three of these cards can be installed. Slot bays A, B or C can be used.

---

**Note:** A signal from either output 1 or output 2 of an output card is required as an echo cancellation reference. The output card must be installed next to the MM-AEC 4 card(s). All of the MM-AEC 4 cards can receive their reference signals from the same output card.

---

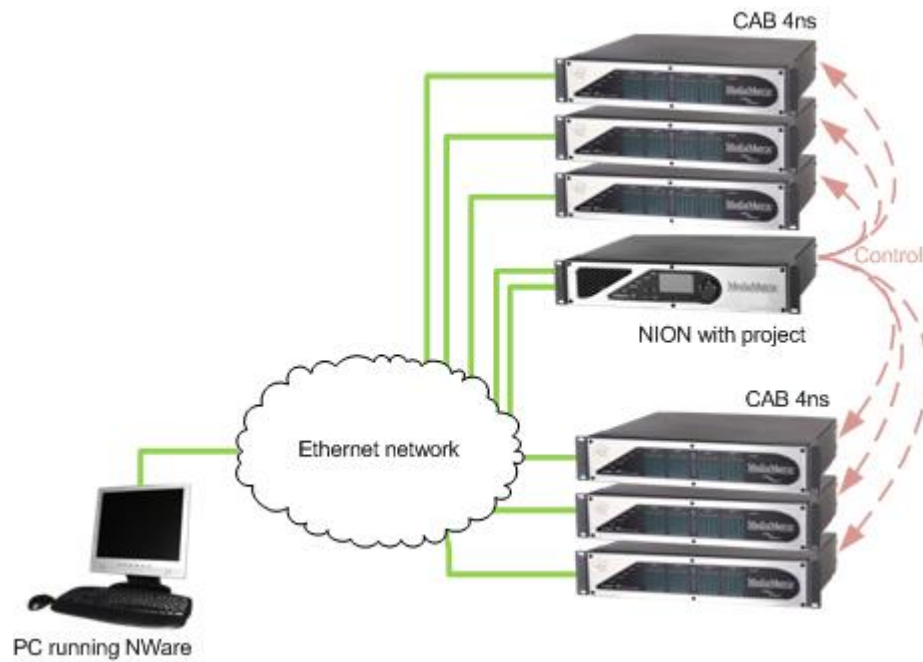
### MM-OUT 4

- Four line level outputs
- Software controllable output sensitivity and gain for each channel
- Colored blue
- Up to four of these cards can be installed. Slot bays A, B, C or D can be used.

## Using a CAB 4n with a NION

The CAB 4n is designed to work in conjunction with a NION.

In the example below, a project is created in NWare, then deployed to a NION, so it can control the CAB 4ns on the network.

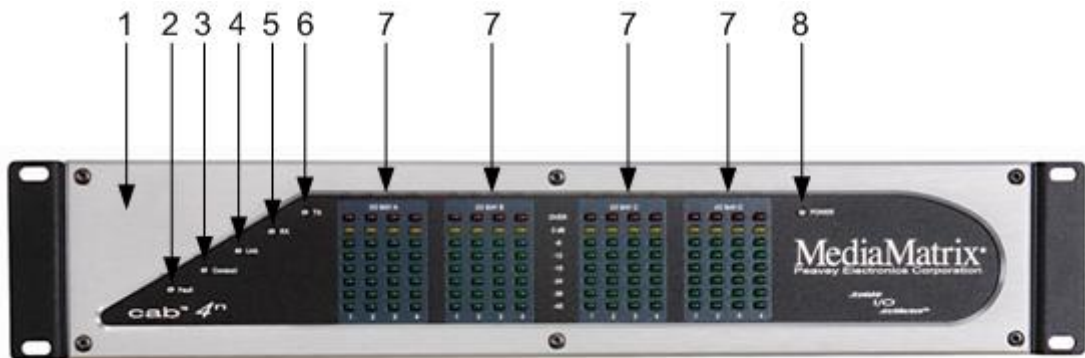



---

**Note:** There is no fixed limit on the number of CABs that a NION can control, but adding more CABs will consume more system resources on the NION.

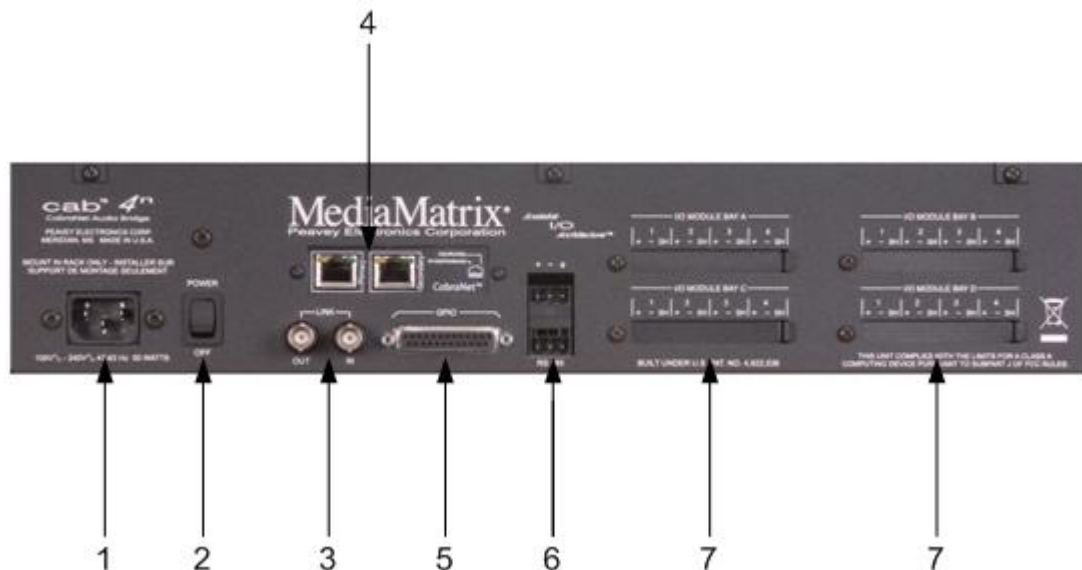
---

## Front Panel



1. **HARDWARE ID SWITCHES** Four rotary switches for setting the hardware ID. Located behind tamperproof panel.
2. **FAULT LED** Indicates an unexpected condition within the network interface. Some fault conditions will also light the RX Error and/or TX Error LEDs; this is to indicate whether the unexpected condition is in the receive or transmit processes. The errors are reported by a series of flashes.
3. **CONDUCT LED** Indicates the CAB 4n is an active Conductor on the CobraNet network. Only one Conductor is allowed per network.
4. **LINK LED** Indicates the physical layer connection has been established between the CAB 4n and the network switch. The status of the connection is also indicated by the Link LED in the  block in NWare.
5. **RX LED** Indicates the presence of data being received into the CAB 4n from the CobraNet network.
6. **TX LED** Indicates the presence of data being transmitted from the CAB 4n onto the CobraNet network.
7. **HARDWARE ID INDICATORS** or **AUDIO METERS**. These LEDs are dual-purpose:
  - a) Before a valid network connection is in place, they indicate the hardware ID. They are used in conjunction with the hardware ID switches (see item #1 above) to set the Hardware ID, which allows NWare and the NIONs to communicate with, and control, the CAB 4n.
  - b) Once the CAB 4n is being controlled by the NION software, they become peak reading LED ladder displays, indicating audio input/output levels. For inputs, the signal level is displayed after the A/D converters. For outputs, the signal level is displayed after the D/A converters.
8. **POWER LED** Indicates that the CAB 4n is powered from an AC mains power source.

## Rear panel



1. **IEC POWER CABLE RECEPTACLE** The removable IEC power cable connects here.



Use only the supplied cable or an equivalent international version.

2. **POWER SWITCH** Applies mains AC power to the CAB 4n.
3. **LINK OUT & IN CONNECTOR** BNC connectors to transmit link data to another CAB unit, as part of the Buddy Link process.
4. **CobraNet Network I/O** Two RJ-45 connectors providing a primary and secondary interface to the CobraNet network via a CAT5 cable. One connection is required to pass audio to or from the device. The second connection provides redundancy.
5. **GPIO** Female DB-25 connector socket used for 8 configurable, general purpose ports, consisting of external Digital I/O, Analog I/O or Rotary Encoder control, plus 4 relays.
6. **RS-485 PORT** Two two-wire, half-duplex RS-485 connections on removable Euro connectors. Each connector is internally wired together for convenient busing of adjacent units.
7. **MODULE BAYS** Four bays for input and output modules. The unit is shipped with matching black pluggable connectors for each audio channel. For more information on the modules, see *Audio input and output modules* (on page 9).



# Chapter 4

## Installing the CAB 4n

---

### In This Chapter

Introduction.....	14
What you will need .....	14
Connections.....	15
Setting the Hardware ID .....	21
What to do next.....	21

## Introduction

The CAB 4n is designed to mount in a standard EIA electronic equipment rack. Because the CAB 4n includes forced air cooling, rack mounted vent panels are not required for most installations. However, vent panels may be required in large installations where multiple units are mounted in a single rack. It is generally accepted that a ratio of 2:1 usually provides adequate performance. In installations where adverse conditions exist, and room temperatures are likely to rise, additional vents should be installed.



This product should be installed so that its mounting position does not interfere with proper ventilation. Do not block air intake or exhaust vents.



The power switch in this unit does not break both sides of the primary mains. Hazardous energy can be present inside the chassis when the power switch is in the off position. The mains plug or appliance coupler is used as the disconnect device, the disconnect device shall remain readily operable.

## What you will need

- A MediaMatrix NION with CobraNet interface.
- The latest NWare software. (Updates can be downloaded from the *MediaMatrix website* (<http://www.peaveycommercialaudio.com/products.cfm/Software/NWare-Software/NWare-Software>).
- A computer running Microsoft Windows, with monitor, mouse and keyboard.
- At least 1 CAB 4n with associated MM™ I/O 4 ch cards loaded.
- An assortment of CAT 5e or CAT 6 cables.
- An audio source, cables, power amplifier and loudspeaker.
- A small Phillips screwdriver.
- A small flat-blade screwdriver.
- A T15 Torx screwdriver.
- A network switch connected to the CobraNet network.

---

**Note:** The selection of a proper network switch is critical for a successful implementation. Although CobraNet is an Ethernet protocol, there are performance issues that must be considered when selecting this switch for use in CobraNet audio systems.

---

In MediaMatrix, the minimum CobraNet network consists of a single NION, a CAB 4n audio bridge loaded with appropriate MM™ I/O 4 ch cards and a single Ethernet switch. Many systems will include more NIONS and CAB devices, but this is the most basic configuration.

## Connections

### CobraNet network connection

The first priority is the CobraNet™ network connection. The RJ-45 connectors on the CobraNet interface are designed to connect with standard, off-the-shelf Category 5, 5e or 6 cable for use with standard Ethernet network switches.

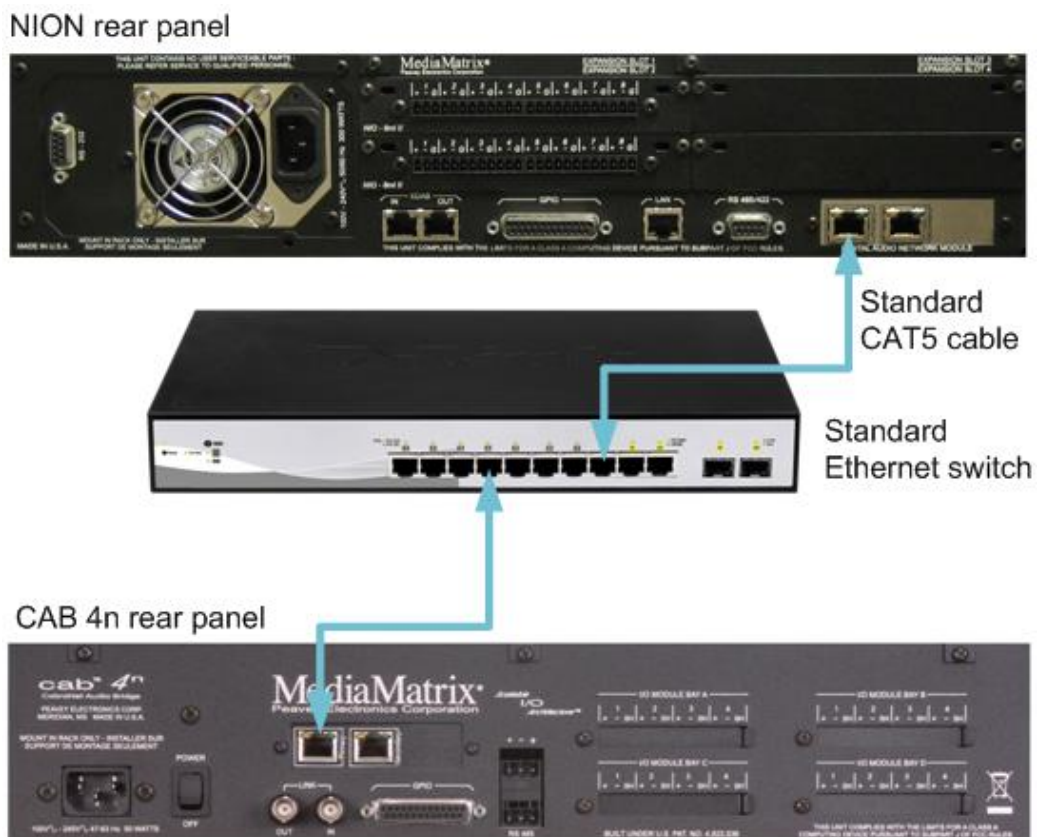
#### Notes:

- The network must be properly designed for each system. If you lack experience in networking, we suggest that you partner with someone with networking experience.
- Gigabit switches are recommended.
- CAT 5e or CAT6 cables are recommended.

### Configuration 1

A typical CobraNet system includes a connection from each CAB to a network switch. An additional network cable connects the switch to one or more NION CM-1 cards.

**Note:** The example below is the most basic configuration. Large systems on managed networks can get very complex. We recommend that you get this configuration working before attempting a more complex one.



## Configuration 2

Instead of using a switch, you can connect the CAB CobraNet port directly to the CobraNet port on your NION. However, this type of direct connection requires a *crossover* cable. For more information, we recommend that you search the internet.

**Note:** With this direct connection method, you cannot connect more than one CAB product to NION CobraNet card. This type of connection is normally used for testing and troubleshooting and has limited advantages in actual system installations.

NION rear panel



CAB 4n rear panel

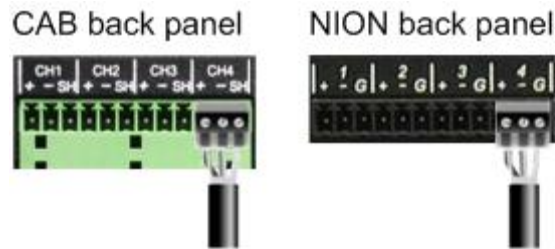


## Audio connections

Each audio connection on the CAB and NION products is a single, three-wire, balanced analog circuit. The connections are identical for both microphone, line input and line output connections. We recommend that audio connections are made with high quality shielded wire.

### Notes:

- As with any electronic connection, care should be taken to ensure that the termination is solid. There should be no stray wire strands, kinks or nicks in the wire jacket for a proper termination.
- Stranded wires should not be soldered. Solder will cold flow under the pressure of the screw terminal, causing a loose connection to develop over time.



Analog balanced audio connection using standard cable

Positive (+)  
 Negative (-)  
 Shield (SH)/Ground (G)

If you want to connect an unbalanced audio source to the CAB or NION, make the connections as shown in the table below.

Unbalanced input cable	CAB or NION input connector
Positive (+)	Positive (+)
GND	GND and negative (-)

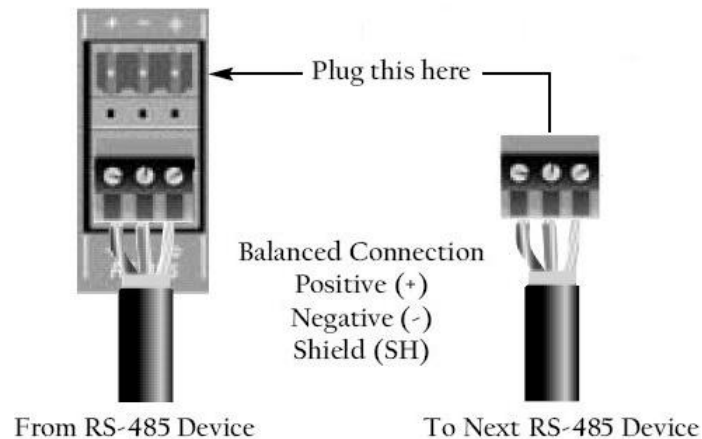
## Serial connections

All CAB series products include a powerful feature that enables you to *bridge* serial data between CAB locations on the audio network. You can think of this as a kind of *sub-network* that travels across the audio network infrastructure independently of the audio data. This feature has many uses, but is primarily for transporting control data.

**Note:** Ensure that your termination is correctly installed and high quality shielded wire is used.

## Pin outs

The RS-485 connector has two sets of terminations that are wired in parallel. This allows you to *bus* adjacent serial data connections at each network location. With this type of connection, there is no *input* or *output*.



## CAT 5e and CAT 6 connections

Category 5e and category 6 cables (commonly known as CAT 5e and CAT 6) are two wiring standards recommended for use with CobraNet networks.

Both cable types use a UTP (Unshielded Twisted Pair) configuration. CAT 5e cables typically use 24–26 AWG wire. CAT 6 cable tends to have slightly more copper in each cable, with standard gauges of 22–24 AWG. The cable is coupled to in-line RJ-45 connectors. As the conductor sizes are generally the same, CAT 6 jacks may also be used with CAT 5e cable. Special crimping tools are required to make the termination; these are widely available, as are the connectors.

---

**Note:** A ratcheting type crimping tool is *highly* recommended. The use of non-ratcheting crimping tools, while occasionally adequate, typically results in considerably higher failure rates for field terminated connections.

---

There are stranded and solid varieties of CAT 5e and CAT 6 cable. The stranded form is more flexible and withstands more bending without breaking and is suited for reliable connections with insulation piercing connectors, but makes less reliable connections in insulation-displacement connectors (IDCs). The solid form is less expensive and makes reliable connections into insulation displacement connectors, but makes less reliable connections in insulation piercing connectors.

When used for 10/100/1000BASE-T, the maximum allowed length of a CAT 5e or CAT 6 cable is 100 meters or 328 feet. This consists of 90 meters (300 ft) of solid *horizontal* cabling between the patch panel and the wall jack, plus 10 meters (33 ft) of stranded patch cable between each jack and the attached device. Since stranded cable has higher attenuation than solid cable, exceeding 10 metres of patch cabling will reduce the permissible length of horizontal cable.

Different types of connectors are used with either type of wire. There is a *bent tine* connector intended for use with solid core wire, and an *aligned tine* connector for use with stranded cable. The bent tine connector will generally work on stranded wire, but not the other way around.

All cable types must be properly installed and terminated to meet specifications. The cable must not be kinked or bent too tightly (the bend radius should be at least four times the outer diameter of the cable). The wire pairs must not be untwisted and the outer jacket must not be stripped back more than 1/2 inch (1.27 cm).

There are two main standards for termination: T568A and T568B. For more information on the wiring for these standards, see *Wikipedia* ([http://en.wikipedia.org/wiki/T568A#T568A\\_and\\_T568B\\_termination](http://en.wikipedia.org/wiki/T568A#T568A_and_T568B_termination)).

---

**Notes:**

- A single CAT 5e or CAT6 cable run must not exceed 100 meters.
  - Make sure your connector matches your cable type. If you are not sure, use the *bent tine* variety.
  - When terminating CAT 5e or CAT6 cable, it is important that the natural twist of each pair is carried through as close as possible to the point of termination at the connector.
  - We recommend that you familiarize yourself with the wiring color schemes so they are second nature to you. An error in the cabling of an Ethernet network is often the primary cause of system errors.
  - It is very important that you build the cable with all pairs properly terminated. This will prevent any confusion later, and give your cable a solid mechanical connection.
  - The use of pre-made and pre-tested cabling can greatly simplify and expedite installation for wiring within a rack.
  - There are two main standards for termination: T568A and T568B. It is important that both ends of a cable are terminated in line with one of these standards and you do not use one standard for one end of the cable and the other for the other end. The cable will not function normally.
- 

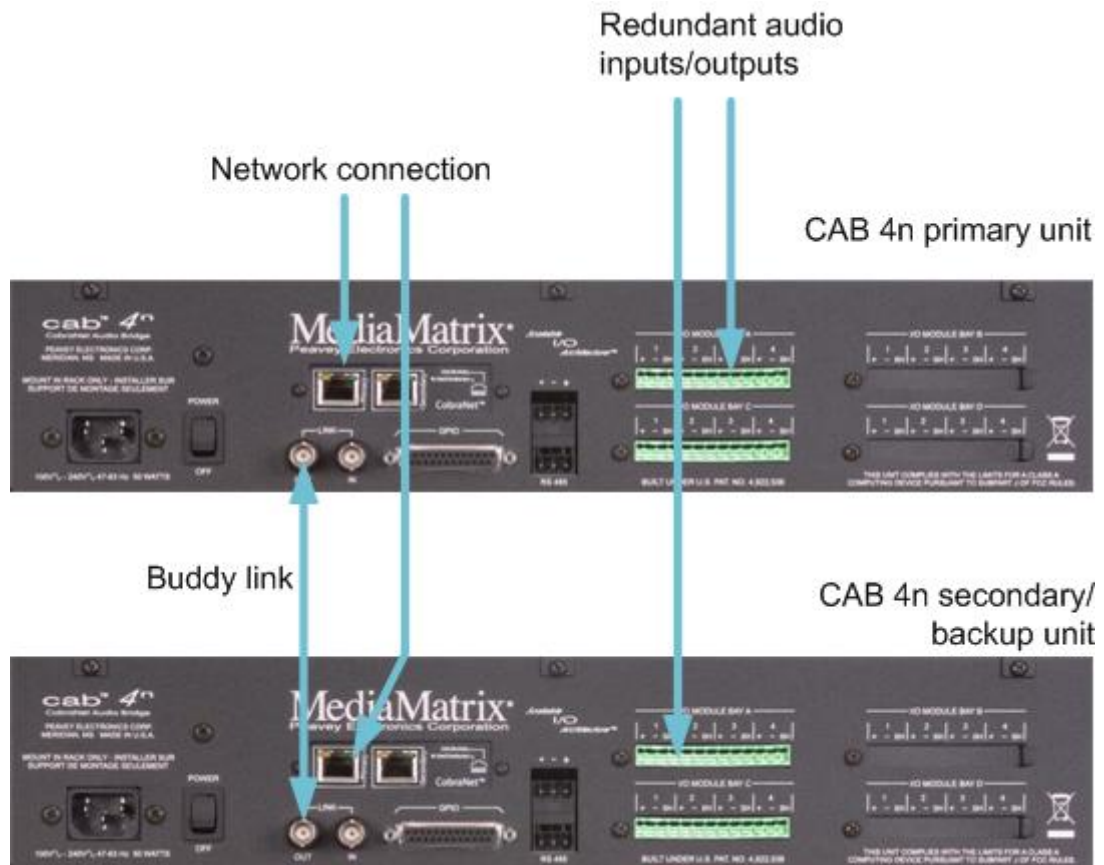
**Crossover cables**

Normal network cables are designed to connect the CAB to a network switch only. You cannot use this type of cable to connect a CAB directly to a NION CM-1 card. For that you need a *crossover* cable.

A crossover cable is terminated the same way as a normal cable, except that the TX and RX pins are swapped at one end to allow the transmit pair of one device to connect to the receive pair of the other.

## Link connections

The CAB 4n features built-in *Buddy Link* functionality for creating backup I/O configurations in mission critical systems.



Each CAB 4n features rear panel, dual BNC connectors labeled *LINK IN* and *LINK OUT*. These connectors enable you to connect adjacent CAB units for redundancy.

In this configuration, one CAB 4n is declared the primary and transmits data via its *LINK OUT* connector. The other CAB 4n is the secondary, or backup, and receives data via its *LINK IN* connector. A high quality, broadcast grade video cable, RG-59 with male BNC connectors on each end, is used to make the connection between the primary and secondary CABs. A single cable is used for dual CABs in this redundant configuration. The connection is always *LINK OUT* (Primary) to *LINK IN* (Slave). Audio input or output signals appear at both units, in parallel, so if one fails, the redundant unit will have the same connection.

---

**Note:** Both units must be configured to use the same audio bundle numbers. For more information, see *Setting the audio bundle numbers*.

---

As long as the primary unit is powered on, and there is a CobraNet connection (Ethernet link status good), and it has not experienced a fault, it generates a signal from its *LINK OUT* connector which inhibits the secondary unit from taking over until there is a failure or fault.

Input audio is present simultaneously at both units and both units will pass audio internally. You can see this by the duplication of audio presence on the front panel meters. However, relays on the output cards prevent audio passing out of the secondary (slave) CAB.



For input audio, the secondary CAB 4n is prevented from transmitting onto the CobraNet network by the action of the Buddy Link. The fact that audio is present, but is muted by relays for output, and by the CobraNet transmission being turned off by the Buddy Link, means the quick response of the redundant CAB is greatly enhanced.

The Buddy Link feature also monitors the integrity of the link cable. When using dual CABs, a cable failure will cause the secondary unit to take over transmission onto the CobraNet network. The Buddy Link functionality can also be placed under software control and is used in systems where remote access to the link is required.

---


**Note:** Using the link connectors for redundancy is limited to dual CAB units. Where additional CABs are used, additional redundant units must also be added.

---

## Setting the Hardware ID

Once there is a physical connection to the network, you must assign a Hardware ID (also referred to as a base address) to the CAB. This is an important step in the installation procedure as the ID will be used to identify the unit on the network and allow audio to be passed through it.

---

**Tip:** The Hardware ID is also specified in NWare to allow communications between the CAB and its control panel (the yellow CAB 4n icon  ).

---

### ►► To set the Hardware ID on the CAB 4n

1. Remove the screws from the CAB face plate to gain access to the hardware ID switches.

---

**Tip:** If you look carefully, there is a small arrow on each switch indicating the selected number.

---

2. Using a small Phillips screwdriver, carefully set each rotary switch to the desired number. You will feel a click as you move between digits.

A Hardware ID has 4 digits. Acceptable values are in hex and range from 0001 to 7FFF. From left to right, the four rotary switches represent your 4 digit Hardware ID.

---

**Caution:** Be careful not to damage a switch by using excessive force.

---



---

**Note:** Each CAB on the network must have a unique Hardware ID.

---

## What to do next

The CAB 4n is managed and configured using NWare. Refer to the section *Adding a CAB 4n to your design* in the *NWare User Guide* to see how to use a CAB 4n in your audio system design.



# Appendix A

## Reference Information

---

### In This Appendix

GPIO overview .....	24
Technical specifications .....	27
Gain structure.....	30
Technical Support .....	30

## GPIO overview

NION and CAB products include a versatile GPIO (General Purpose Input Output) system at the rear for terminating external logic, controls, relays and other external systems. Each control pin is supported by NWare for configuration, control and monitoring. Any combination of control pins may be used simultaneously, regardless of the configuration.

---

**Caution:** The pin assignments for the GPIO ports on the NION and CAB devices are not the same. Please be sure to check the documentation carefully when connecting devices to the ports.

---

### Configurable general purpose ports (8 control pins)

These ports represent the bulk of the GPIO functionality. Each of these ports can be configured as follows:

Digital Output	3.0V TTL logic - Low: 0VDC - 0.4VDC; High: 2.4VDC - 3.3VDC
Digital Input	3.0V TTL logic - Low: 0VDC - 0.8VDC; High: 2.0VDC - 24VDC
Analog Input	Using external, regulated 24VDC supply.
Rotary encoder	Requires 2 pins and a common.

### NC and NO relays (4 sets)

Four Form C relays are available for general purpose usage. These are user configurable from within NWare.

### Fault relay

A hardware fault indicator that shows that the CAB is working correctly, or that an internal fault has occurred.

---

**Note:** On the main board of the CAB 4n is an EPROM slot referred to as *U22*. This contains an EPROM specifically programmed for the type of CAB (CM-1 or CM-2). If an incorrectly programmed EPROM has been fitted, the mismatch can be identified using CobraNet Discovery, but the fault relay may not necessarily be triggered.

---

## Connection

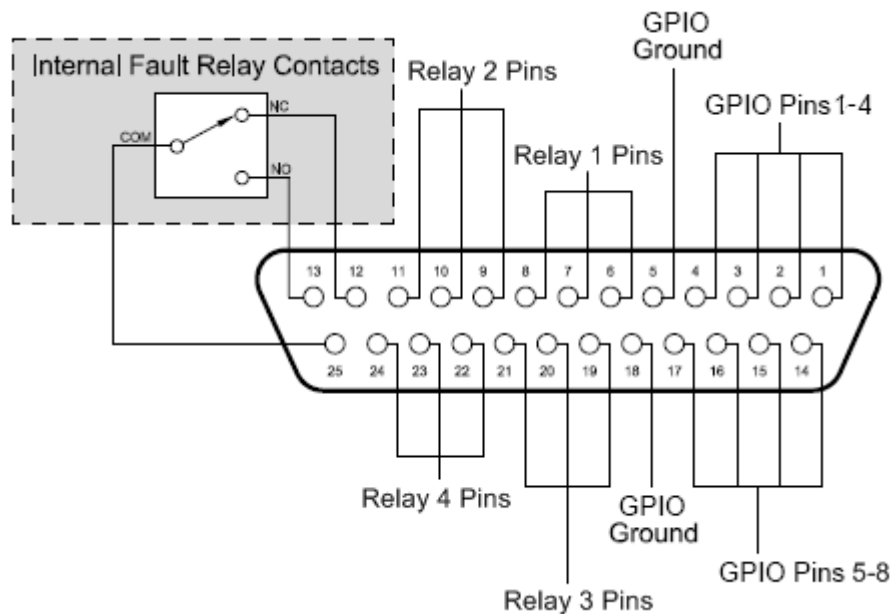
A 25-pin DSub connector (DB-25) is used for accessing the GPIO functions. Although you can terminate GPIO functions directly to the DB-25 connector, we recommend that you use the optional breakout accessory (*GPIO-25: Peavey Part# 00510490*).



The GPIO-25 is a convenient way to access each pin and facilitates easy rack wiring and troubleshooting. The GPIO-25 is a DIN rail package and includes removable Euro connectors for terminating the pins. A single DB-25 male/female cable connects the GPIO-25 to the NION or CAB 4n.

## GPIO pin assignment

The illustration below shows the pin assignments for the CAB 4n GPIO system.



**GPIO connector pin-out table**

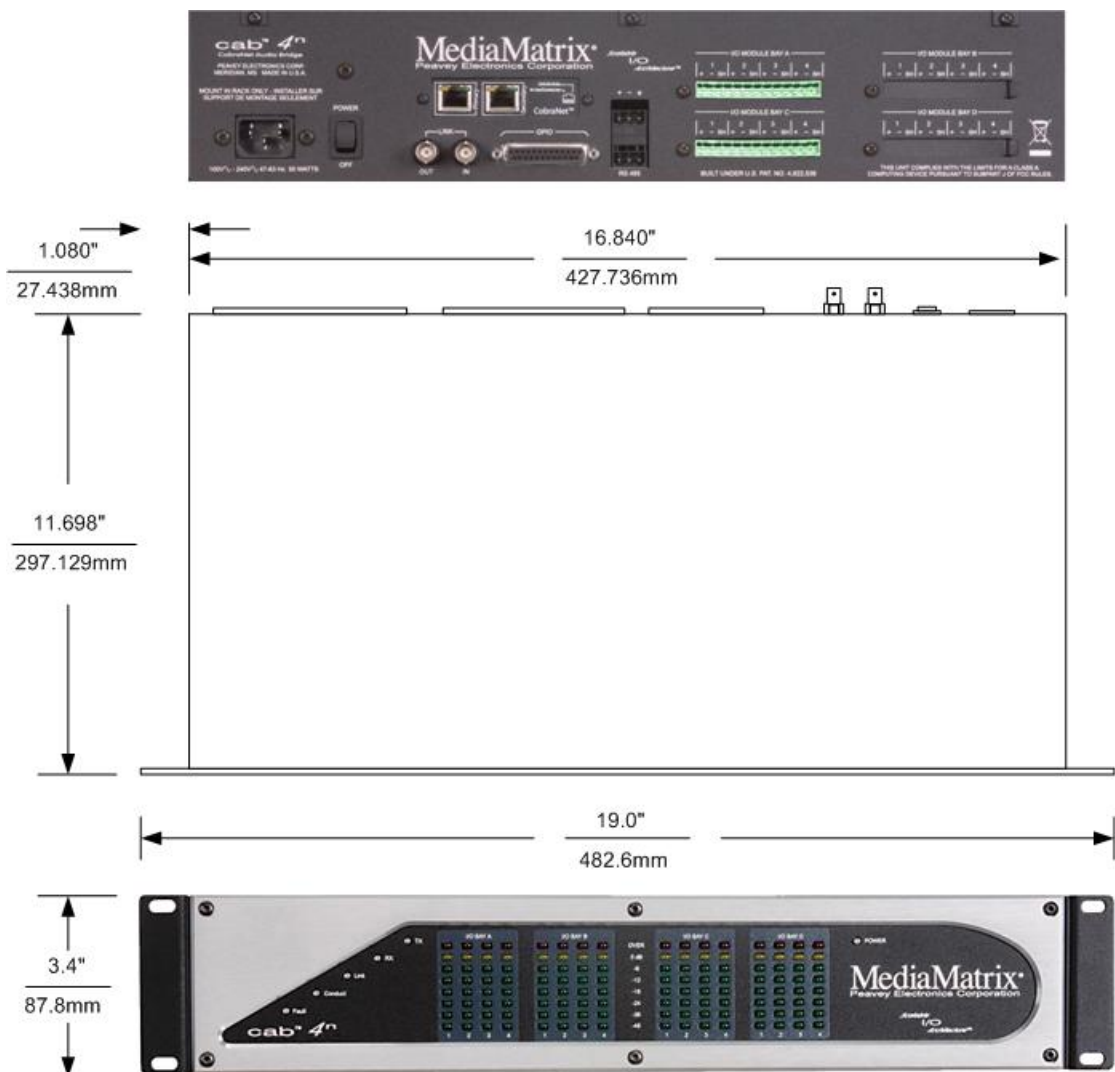
<b>Pin</b>	<b>Function</b>	<b>Pin</b>	<b>Function</b>
1	Configurable GPIO	14	Configurable GPIO
2	Configurable GPIO	15	Configurable GPIO
3	Configurable GPIO	16	Configurable GPIO
4	Configurable GPIO	17	Configurable GPIO
5	Ground	18	Ground
6	Relay 1 Common	19	Relay 3 Common
7	Relay 1 N.C.	20	Relay 3 N.C.
8	Relay 1 N.O.	21	Relay 3 N.O.
9	Relay 2 Common	22	Relay 4 Common
10	Relay 2 N.C.	23	Relay 4 N.C.
11	Relay 2 N.O.	24	Relay 4 N.O.
12	Fault Relay N.C. (1=Power off)	25	Fault Relay Common
13	Fault Relay N.O. (1=Power on)		

State 1 indicates continuity with pin 25.

## Technical specifications

### Mechanical

Dimensions	(H x W x D) 19" W x 12-7/8" D x 3-1/2" H (48.26 x 29.71 x 8.78 cm)
Weight	9.5 lbs. (4.3 kg)
Mounting	Double EIA Space Rack Mount (2U)



## Performance

Frequency Response	+0 / -0.3 dB, 20 ~ 20 kHz, referenced @ 1 kHz
THD + Noise	Line Level: 0.006%, Mic Level: < 0.01%
Dynamic Range	106 dB
Equivalent Input Noise (EIN)	Mic Level: < -126 dBu
Common Mode Rejection Ratio	55 dB
Crosstalk	90 dB
Full-Scale	Line Level: +30, +24, +18, or +12 dBu
Input Sensitivity Settings	Mic Level: -42 dBu at +63 dB gain
Full-Scale Output Settings	+24, +18, +12, +6 dBu, Less than 0.5 dB error between settings
Analog Gain Range	Line Level: -95.5 dB to +30.5 dB, Mic Level: 0 to 63 dB
Input Impedance	Line Level: 9.5 k Ohms, Mic Level: 4 k Ohms
Output Impedance	102 Ohms
Minimum Load Impedance	600 Ohms
Audio I/O	16 inputs/outputs, line or mic level modular inputs, configurable in groups of four.
LED Metering	16 peak-reading headroom LED meters Zero LED indicates level <1 dB below full-scale



## General

A/D, D/A Quantization	24 bit
Audio Transmission Quantization	20 or 24-bit. CobraNet truncates to 20 bits unless used in reduced channel mode
Sample Rate (Fs)	32, 44.1 or 48 kHz (user selectable)
Master Clock Speed (256 Fs)	12.888 MHz
Digital Audio Channels per unit	16 inputs/outputs at 24-bit
Digital Audio Interface	100 BaseT Ethernet, uses standard 8-conductor RJ-45 jack
RS-485	3-conductor half-duplex, 1 port with 2 multi-drop connections
Word-Clock Ports	2 BNC I/O ports, 1 port with 2 multidrop connections
AC Power Range	100 ~ 240 VAC, 47 to 63 Hz Universal Power Supply
AC Line Current	450 mA (rms)
Power Consumption	32 W
Power Dissipation	108 BTU (27 kcal)
Finish	Gray powder coat, painted steel and brushed aluminum face plate
Agency Compliance Listings (as of press time):	UL, CUL, CE, and FCC part 15, Class A

## Gain structure

It is important to understand the basics of gain structure and how it relates specifically to the CAB. In most cases, the CAB is shipped from the factory with *unity* gain through the unit. In other words, if you introduce a 1.23VAC 1 kHz sine wave into the input channel of a CAB without adjusting any controls, you will get the same 1.23VAC sine wave on an output channel (when the signal paths are directly connected and without audio processing).

However, we recommend that unity gain settings are checked before testing the unit. The CAB is primarily intended for larger MediaMatrix systems, where a different gain structure set up may be required.

Adjusting the gain structure for the CAB is possible both at the analog and digital gain stages. All controls for adjusting the input and output gain stages can be found on the control surface of each CAB device.

## Technical Support

When you require assistance with your product, you can get help from several sources. Apart from the online Knowledge Center, there are many technical documents, white papers and application notes on our website and on other websites on the Internet, covering subjects including Python programming, SNMP and serial control.

If you cannot find the information you require, contact your dealer or distributor. If you are still unable to solve the issue, you can contact us directly using the details below. MediaMatrix has an extensive Technical Services Group that provides technical support, repair and implementation services.

Peavey Electronics Corp.,  
MediaMatrix Division,  
5022 Hartley Peavey Drive,  
Meridian, MS 39305, USA.

Phone: 601.483.9548  
Phone (toll free): 866.662.8750  
Fax: 601.486.1678

Website: <http://mm.peavey.com> (<http://www.peaveycommercialaudio.com/>).

# Warranty statement

**MediaMatrix®**  
**PEAVEY ELECTRONICS CORPORATION**  
**DOMESTIC (USA) LIMITED WARRANTY**  
**Effective Date: May 1, 2005**

## What This Warranty Covers

This Warranty covers defects in material and workmanship in Peavey MediaMatrix products purchased and serviced in the United States of America (USA).

## What This Warranty Does Not Cover

The Warranty does not cover: (1) damage caused by accident, misuse, abuse, improper installation or operation, rental, product modification or neglect; (2) damage occurring during shipment; (3) damage caused by repair or service performed by persons not authorized by Peavey; (4) products on which the serial number has been altered, defaced or removed; (5) products not purchased from an Authorized MediaMatrix Integrator. This warranty does not cover associated costs incurred from servicing equipment, including, but not limited to, travel, jobsite-related costs, fabrication, freight, loaner equipment, installation, cabling or harnessing, mounting materials or other variable costs.

## Who This Warranty Protects

In applications where the product is sold *over the counter*, this Warranty protects the original retail purchaser. In applications where the product is part of an integrated system, and such system is warranted by the integrator as a complete assembly, this Warranty protects only the system integrator.

## What Peavey Will Do

We will repair or replace (at Peavey's discretion) products covered by warranty at no charge for labor or materials. If the product or component must be shipped to Peavey for warranty service, the consumer must pay initial shipping costs. If the repairs are covered by warranty, Peavey will pay the return shipping costs.

## How Long This Warranty Lasts

The Warranty begins on the date of purchase by the original retail purchaser or on the date received by the system integrator. (See *Who This Warranty Protects*, above). The duration of the Warranty varies by product as summarized below.

5 Years	MediaMatrix® DPU cards, NION™ Processing Nodes, CABs, I/O cards, Cinema Processors, Power Amplifiers, Pre-Amplifiers, Mixers, Electronic Filter Sets and Dynamics Processors.
1 Year	MM Series Cardframes, MF Series Cardframes, ControlMatrix™ Host Processors, Servers and Controllers, nControl, nTouch 180, nTouch 60, xControl LCDs, nWall, VCAT, VCAT-HD, VGA-2, VSC, D4S, D1V, Remote Control Panels, Plates, Paging Stations, Ambient Sense Devices and other devices installed in user-accessible locations.
90 Days	Loudspeaker Components (including speakers, baskets, drivers, diaphragm replacement kits and

passive filter networks.) and all Accessory Products

## How To Get Warranty Service

End Users: Take the defective product and your dated sales receipt or other proof of purchase to your Authorized MediaMatrix Systems Integrator or Authorized Peavey Service Center. System Integrators: Ship the defective product, prepaid, to Peavey Electronics Corporation, International Service Center, 412 Highway 11 & 80 East, Meridian, MS 39301, 601-483-5365. Include a detailed description of the problem, the name and location of the jobsite and a copy of your invoice as evidence of warranty coverage. Please include a complete return shipping address.

## Limitation of Implied Warranties

ANY IMPLIED WARRANTIES, INCLUDING WARRANTIES OF MERCHANTABILITY AND FITNESS FOR A PARTICULAR PURPOSE, ARE LIMITED IN DURATION TO THE LENGTH OF THIS WARRANTY.

Some states do not allow limitations on how long an implied warranty lasts, so the above limitation may not apply to you.

## Exclusions of Damages

PEAVEY'S LIABILITY FOR ANY DEFECTIVE PRODUCT IS LIMITED TO THE REPAIR OR REPLACEMENT OF THE PRODUCT, AT PEAVEY'S OPTION. IF WE ELECT TO REPLACE THE PRODUCT, THE REPLACEMENT MAY BE A RECONDITIONED UNIT. PEAVEY SHALL NOT BE LIABLE FOR DAMAGES BASED ON INCONVENIENCE, LOSS OF USE, LOST PROFITS, LOST SAVINGS, DAMAGE TO ANY OTHER EQUIPMENT OR OTHER ITEMS AT THE SITE OF USE, OR ANY OTHER DAMAGES WHETHER INCIDENTAL, CONSEQUENTIAL OR OTHERWISE, EVEN IF PEAVEY HAS BEEN ADVISED OF THE POSSIBILITY OF SUCH DAMAGES.

Some states do not allow the exclusion or limitation of incidental or consequential damages, so the above limitation or exclusion may not apply to you. This Warranty gives you specific legal rights, and you may also have other rights which vary from state to state. If you have any questions about this warranty or service received, or if you need assistance in locating an Authorized Service Center, please contact the Peavey International Service Center at (601) 483-5365. Features and specifications subject to change without notice.

# MediaMatrix®

A Division of Peavey Electronics Corporation



**MediaMatrix®**

*A Division of Peavey Electronics Corp.*

5022 Hartley Peavey Drive, Meridian Mississippi, 39305, USA

Phone: 866.662.8750

<http://www.peaveycommercialaudio.com/products.cfm/mm/>

Features & Specifications subject to change without notice

Copyright © 2016, All Rights Reserved

80307504