

BODYGUARD KIT



P/N 2882090

APPLICATION

Verify accessory fitment at Polaris.com.

IMPORTANT

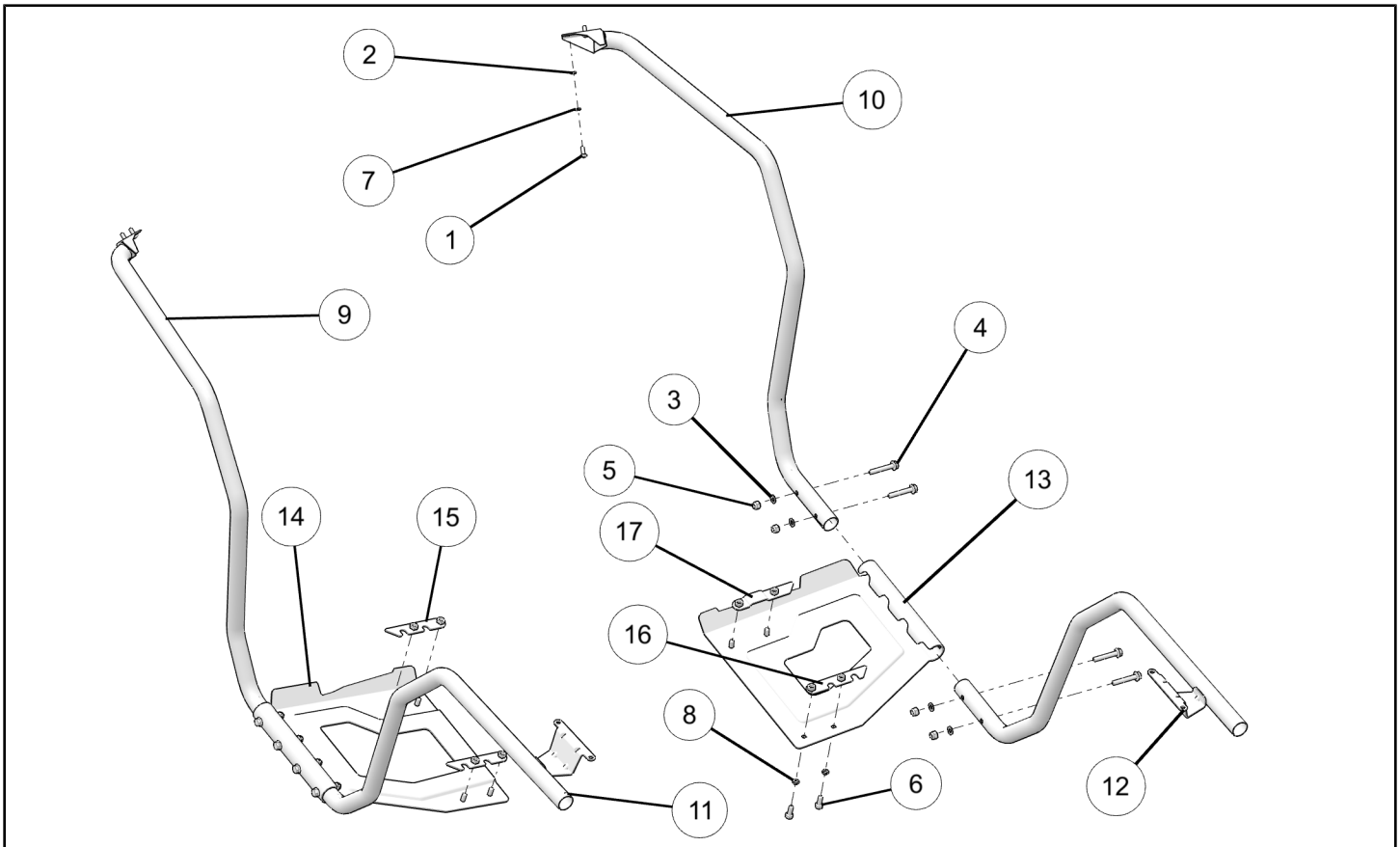
This kit requires the use of front bumper kit (PN 2882020) for complete installation. Make sure you have front bumper before beginning installation of this kit.

BEFORE YOU BEGIN

Read these instructions and check to be sure all parts and tools are accounted for. Please retain these installation instructions for future reference and parts ordering information.

KIT CONTENTS

This Kit includes:



REF	QTY	PART DESCRIPTION	PART NUMBER
1*	4	Torx® Screw, Bottom Head	-
2*	4	Plain Washer, M6	-
3*	8	Plain Washer, M8	-
4*	8	Bolt, Hex Flange, M8	-

REF	QTY	PART DESCRIPTION	PART NUMBER
5*	8	Nut, Hex Nylon, M8	-
6*	8	Bolt, M8	-
7*	4	Spring Lock Washer, M6	-
8*	8	Spring Lock Washer, M8	-
9	1	Front Left Fender Guard	-
10	1	Front Right Fender Guard	-
11	1	Rear Left Fender Guard	-
12	1	Rear Right Fender Guard	-
13	1	Right Base Plate	-
14	1	Left Base Plate	-
15*	2	Side Bracket 1	-
16*	1	Side Bracket 2	-
17*	1	Bracket	-
	1	Instructions	9927264

Items marked (*) are included in Hardware Kit PN 2206400.

TOOLS REQUIRED

- Safety Glasses
- Metric Socket Set
- Metric Wrench Set

IMPORTANT

Your BODYGUARD KIT is exclusively designed for your vehicle. Please read the installation instructions thoroughly before beginning. Installation is easier if the vehicle is clean and free of debris. For your safety, and to ensure a satisfactory installation, perform all installation steps correctly in the sequence shown.

ASSEMBLY TIME

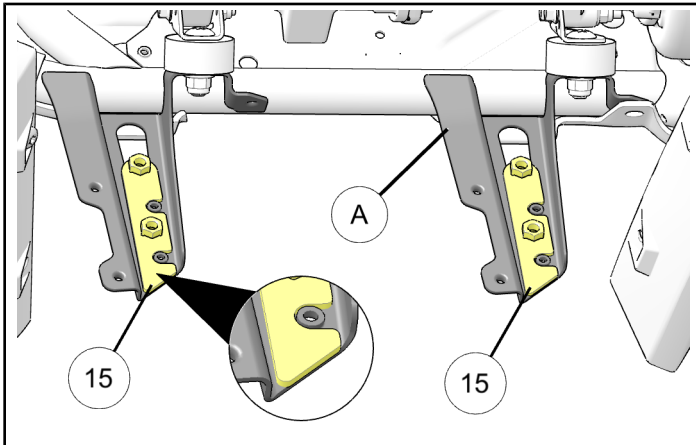
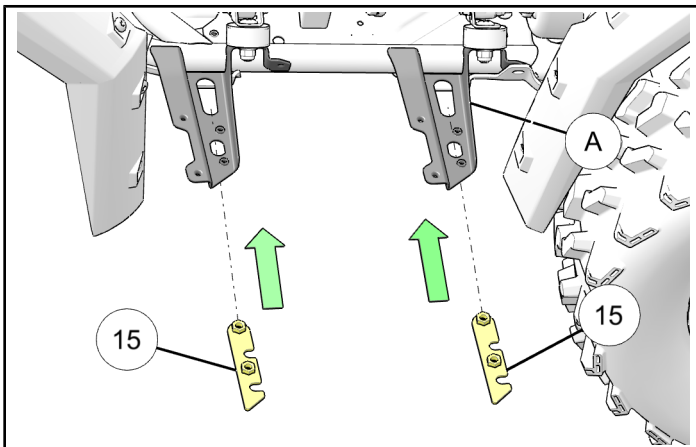
Approximately 30 minutes

INSTALLATION INSTRUCTIONS

1. Shift vehicle transmission into "PARK". Turn key to "OFF" position and remove from vehicle.
2. Overview of Installation: Order of installation of these parts is critical. Install left and right base plates **14** **13** first. Next, install the rear left and rear right fender guards **11****12**, followed last by the front left and right fender guards **9****10**. Once fender guards are in place you can insert the hardware connecting all the parts but do not tighten until instructed to do so. The front bumper can be installed at any time, and if installed does not need to be removed in order to install this kit.
3. Begin by sliding two brackets **15** onto the extension footrest brackets (A) on LH side as shown. Ensure front edges of brackets **15** and (A) align with each other as shown.

NOTE

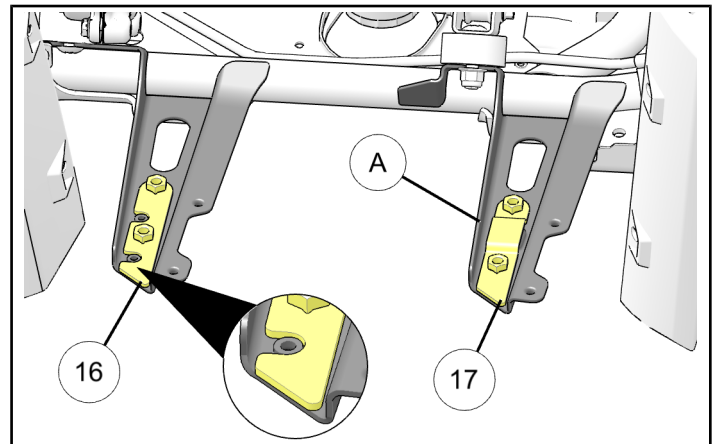
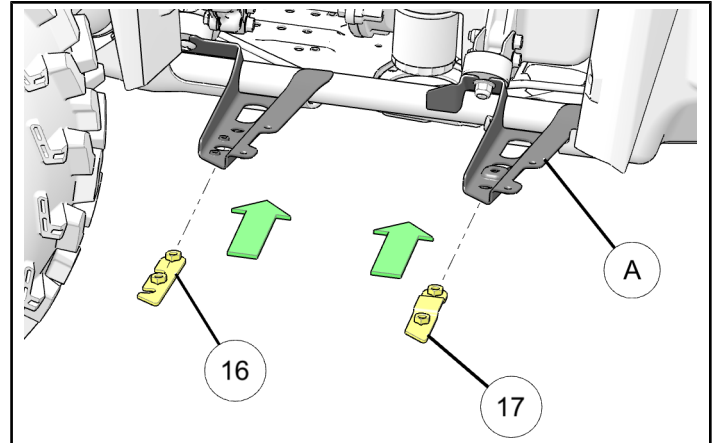
Footwell and footpad supports are not shown for better clarity.



4. Slide two side brackets **16** and **17** onto the extension footrest brackets (A) on RH side as shown. Ensure front edges of brackets **16****17** and and footrest support brackets (A) align with each other as shown.

NOTE

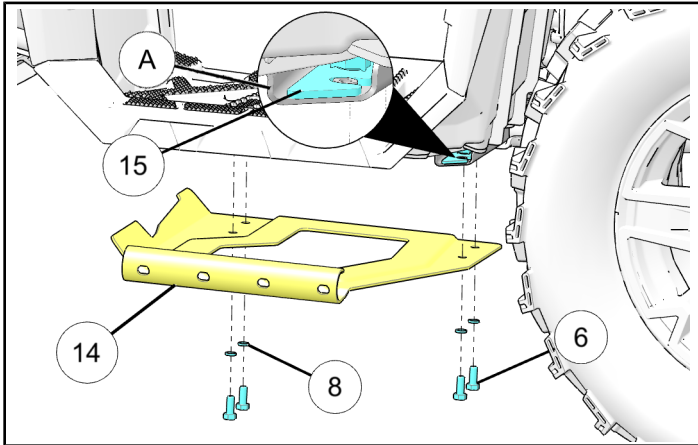
Bracket **17** has a unique form and is the only bracket that will fit in this location.



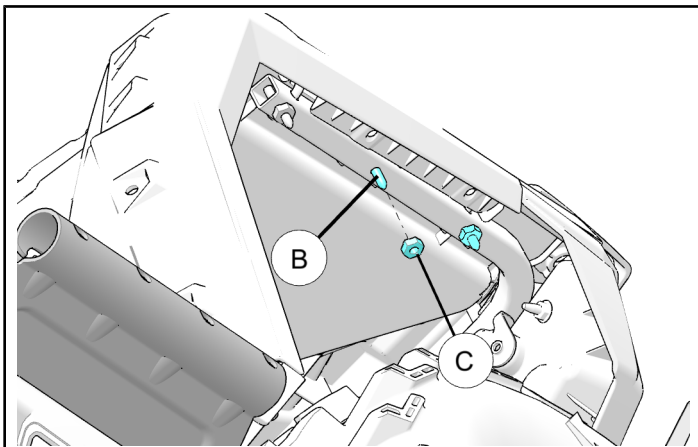
5. Install the left base plate ⑭ onto the extension footrest brackets (A) using bolts ⑥ and washers ⑧. The bolts need to thread into the welded nuts on the brackets ⑮. Repeat the same for installing right base plate ⑬ on the opposite side.

TIP

Do not tighten bolts at this time. Leaving them threaded into the weld nuts but as loose as possible will help the rest of the installation go more easily.



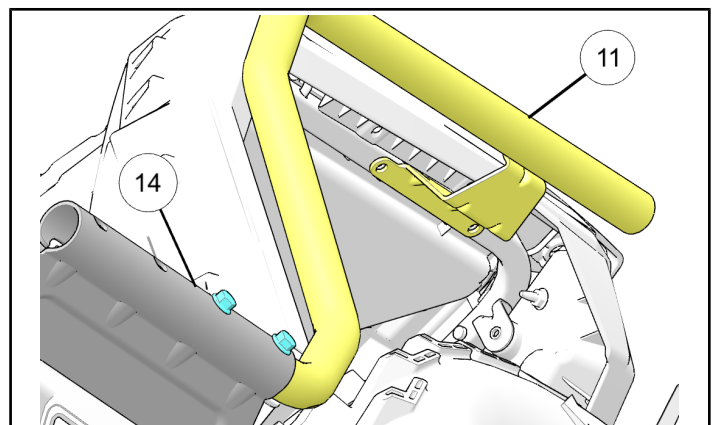
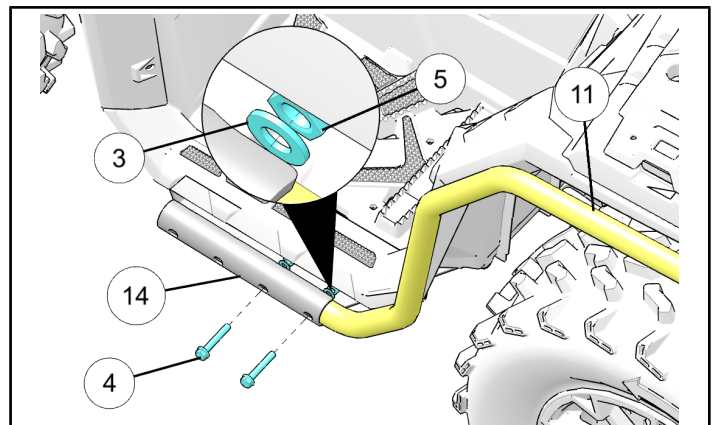
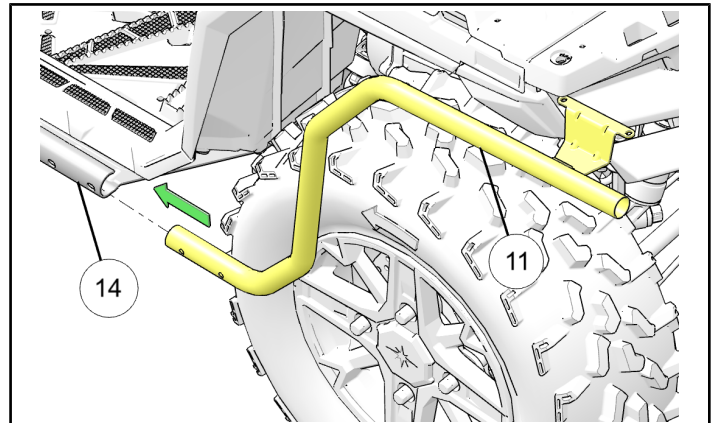
6. Remove two screws (B) and nuts (C) from the rear rack. Retain hardware for reuse. Repeat the same for the opposite side.



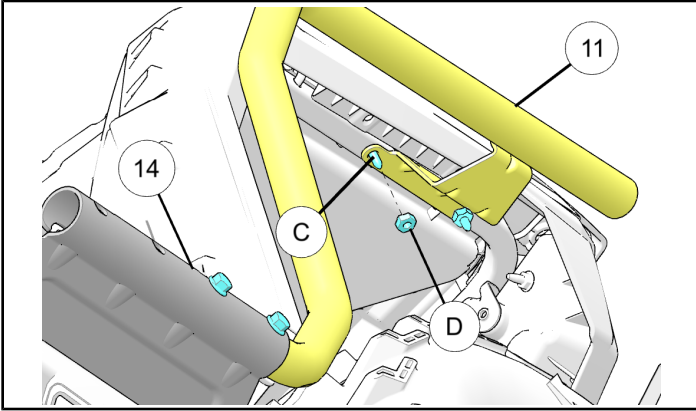
7. Insert the rear left fender guards ⑪ into left base plate ⑭ and rotate LH rear assembly into place under the fender as shown. Make sure the screws on the base plate are loose enough to allow rear left fender guards ⑪ to be maneuvered into position. Install bolts ④, washers ③, and nut ⑤ as shown. Do not tighten fasteners at this time. Repeat the same for opposite side.

NOTE

If the holes are not lining up between the base plate ⑭ and rear left fender guard ⑪, make sure fasteners are loose on base plate and push rear left fender guard around. Use a screwdriver to lever the holes into place and install one bolt to hold things in place.



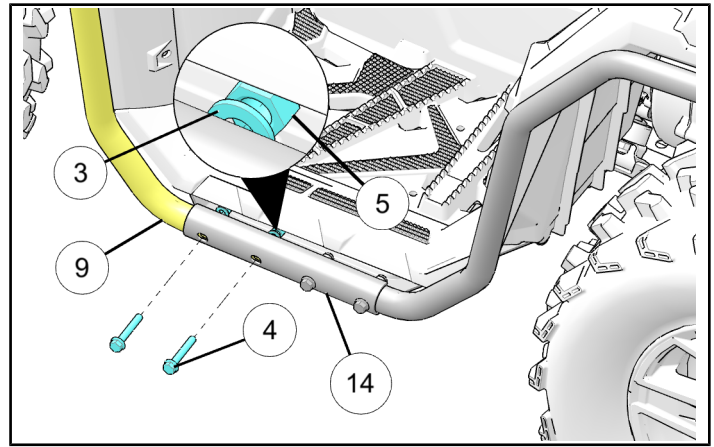
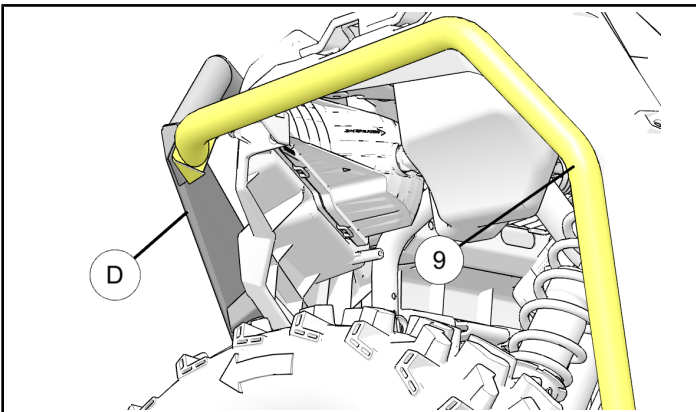
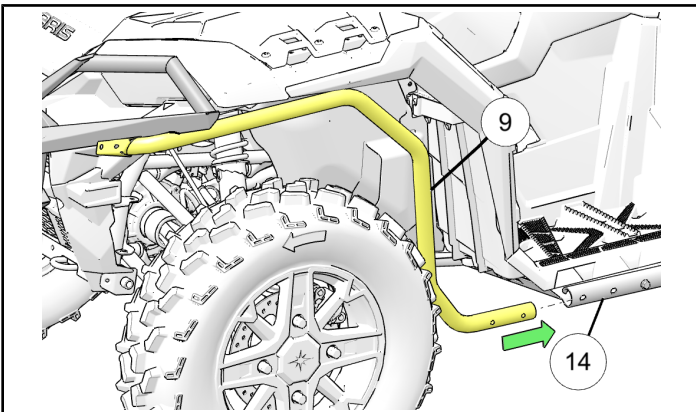
8. Reinstall two screws (B) and nuts (C) removed in Step 6 through rear rack and into rear left fender guards (11). Do not tighten fasteners at this time.



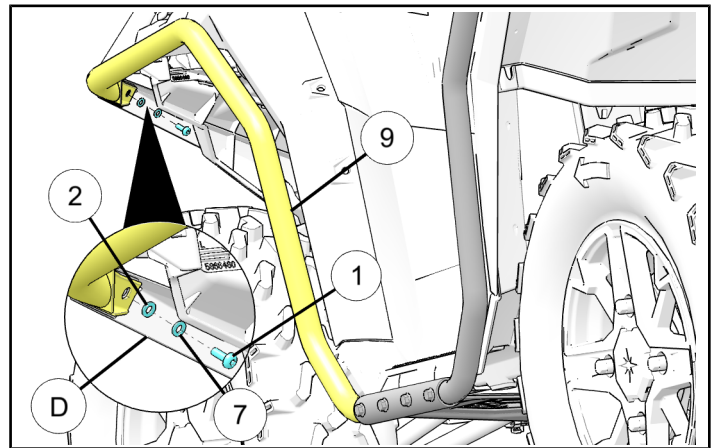
9. Insert the front left fender guard (9) into the base plate (14) and rotate front left fender guard into position on the backside of the front bumper (D) as shown. Install bolts (4), washers (3), and nuts (5) as shown. Do not tighten fasteners at this time. Repeat the same for the opposite side.

NOTE

If holes are not lining up between the base plate (14) and front left fender guard (9), make sure fasteners are loose on base plate and push front left fender guard around. Use a screwdriver to lever the holes into place and install one bolt to hold things in place.



10. Align the holes of front left fender guard (9) with front bumper (D) holes and insert the bolts (1), spring washers (7), and flat washers (2). Do not tighten fasteners at this time. Repeat the same for the opposite side.



11. Tighten all fasteners at this time per below sequence and specifications.

TORQUE

- First, front fender guard to bumper fasteners (1):
8 ft. lbs. (10.8 Nm)
- Second, front and rear fender assemblies to base plate fasteners (4):
8 ft. lbs. (10.8 Nm)
- Third, base plate to vehicle fasteners (6):
12 ft. lbs. (16 Nm)
- Fourth, rear fender guard to rack fasteners (B):
8 ft. lbs. (10.8 Nm)