

LawnMaster®

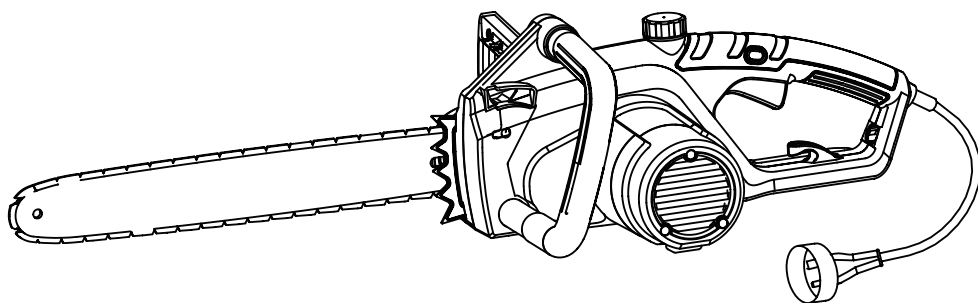
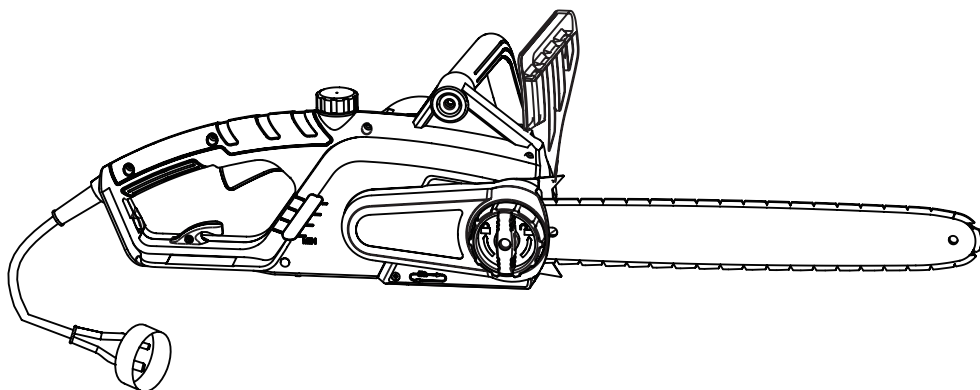
Operators Manual / Manual D'utilisation

EN p. 2

16" ELECTRIC CHAIN SAW CS1216

FR p. 46

SCIE À CHAÎNE ÉLECTRIQUE DE 406 MM (16 PO)



MNL_CS1216_V1



Read all safety rules and instructions carefully before operating this tool.

Distributed By Cleva North America 601 Regent Park Court Greenville, SC 29607 (866)-384-8432



Lisez attentivement toutes les règles de sécurité ainsi que les instructions avant de faire fonctionner cet outil.

Distribué par Cleva North America 601 Regent Park Court Greenville, SC 29607 (866)-384-8432

TABLE OF CONTENTS

CONTENTS	2
SPECIFICATIONS	2
IMPORTANT SAFETY INSTRUCTIONS	3-5
GENERAL SAFETY RULES	6-7
SYMBOLS	8-9
ELECTRICAL	10-11
KNOW YOUR CHAINSAW	12-13
ASSEMBLY	14
OPERATION	15-27
MAINTENANCE	28-40
TROUBLESHOOTING	41
WARRANTY	42
EXPLODED VIEW / PARTS LIST	43-44
NOTES	45

SPECIFICATIONS

16' AC CHAIN SAW CS1216

Rated Voltage:	120 V 60Hz
Capacity:	12A
Chain Speed(No-load):	12m/s
Chain Bar Length:	16 Inch
Chain Pitch:	3/8 Inch
Oil Tank:	120ml
Toolless Chain Tensioning(Sds):	Yes
Automatic Chain Oiler:	Yes
Steel Bucking Spikes:	Yes
Lock-off Button For On/Off Switch:	Yes
Maximum Cutting Diameter	16inch
Oregon Bar	516480 and 112364
Oregon Chain	91PX057

IMPORTANT SAFETY INSTRUCTIONS

WARNING

Do not attempt to operate this tool until you have read all of the instructions, safety information, etc. contained in this manual thoroughly and understand them completely. Failure to comply may result in accidents involving fire, electric shock, or serious personal injury.

- Do not start cutting until you have a clear work area, secure footing, and a planned retreat path from the falling tree. Cluttered areas invite accidents.
 - Keep all children, bystanders, visitors, and animals out of the work area while starting or cutting with the chainsaw.
 - Do not operate chainsaw in an explosive atmosphere, such as in the presence of flammable liquids, gases, or dust. Power tools create sparks that may ignite the dust or fumes.
-

WARNING

Use outdoor extension cords marked SW-A, SOW-A, STW-A, STOW-A, SJW-A, SJTW-A, or SJTOW-A. These cords are rated for outdoor use, and reduce the risk of electric shock.

- Polarized Plugs. To reduce the risk of electric shock, this tool has a polarized plug (one blade is wider than the other). This plug will only fit into a polarized outlet one way. If the plug does not fit fully into the outlet, reverse the plug. If it still does not fit, contact a qualified electrician to install the proper outlet. Do not change the plug in any way.
 - Make sure your extension cord is in good condition. When using an extension cord, be sure to use one heavy enough to carry the current your product will draw. A wire gauge size (A.W.G.) of at least 14 is recommended for an extension cord 50' (15 m) or less in length. A cord exceeding 100' (30 m) is not recommended. If in doubt, use the next heavier gauge. The smaller the gauge number, the heavier the cord. An undersized cord will cause a drop in line voltage, resulting in loss of power and overheating.
 - Inspect extension cords periodically, and if damaged, have repaired by a licensed electrician. Constantly stay aware of cord location. Following this rule will reduce the risk of electric shock or fire.
 - Wear snug fitting clothing. Always wear heavy, long pants, overalls, jeans or chaps made of cut-resistant material or ones that contain cut-resistant inserts. Wear non-slip safety footwear. Wear non-slip heavy duty gloves to improve your grip and to protect your hands. Do not wear jewellery, short pants, sandals, or go barefoot. Do not wear loose-fitting clothing that could be drawn into the motor or catch the chain or underbrush. Secure hair so it is above shoulder level.
 - Heavy protective clothing may increase operator fatigue, which could lead to heat stroke.
 - During weather that is hot and humid, heavy work should be scheduled for early morning or late afternoon hours, when temperatures are cooler.
 - Wear eye protection that is marked to comply with ANSI Z87.1 as well as hearing and head protection when operating this equipment. Hearing protection should be worn.
 - Always be aware of what you are doing when using the chainsaw. Use common sense. Do not operate the chainsaw when you are tired, ill, or under the influence of alcohol, drugs, or medication.
-

IMPORTANT SAFETY INSTRUCTIONS

- Do not expose the chainsaw to rain.
- Do not use the chainsaw in damp or wet locations.
- Stay alert and pay attention to what you are doing.
- Keep all parts of your body away from the saw chain when the unit is running.
- Always carry the chainsaw by the front handle with the battery removed and the guide bar and saw chain positioned to the rear.
- Never let anyone use your chainsaw who has not received adequate instructions in its proper use. This applies to rentals as well as privately owned saws.
- Before you start the unit, make sure the saw chain is not contacting any object.
- Stop the chain saw before setting it down.
- To avoid accidental starting, never carry the unit with your finger on the trigger switch .
- Maintain the unit with care. Keep the cutting edge sharp and clean for best performance and to reduce the risk of injury. Follow instructions for lubricating and changing accessories.
- Keep handles dry, clean, and free of oil and grease.
- Do not operate a chainsaw with one hand! Use a firm grip with thumbs and fingers encircling the chainsaw handles. Serious injury to the operator, helpers, bystanders, or any combination of these persons may result from one-handed operation. A chainsaw is intended for two-handed use.
- Avoid body contact with grounded surfaces such as metal pipes and wire fences. There is an increased risk of electric shock if your body is grounded.
- Do not operate a chainsaw that is damaged, improperly adjusted, or not completely and securely assembled. Chain should slow to a stop when the trigger switch is released. If the chain continues to turn after the trigger switch has been released, have the unit serviced by your nearest LawnMaster service dealer.
- Check for damaged parts, misalignment or binding of moving parts, broken parts and mountings, and any other condition that may affect the operation of the tool.
- All chainsaw service, other than the items listed in the operation and maintenance sections, should be performed by your nearest LawnMaster service dealer.
- Always maintain a proper stance.
- Do not use chainsaw if switch does not turn it on and off. Have defective switch replaced by authorized service centre.
- Do not adapt your chainsaw to a bow guide or use it to power any attachments or devices not listed for the saw.
- Disconnect chainsaw from power supply when not in use, before servicing, and when making adjustments and changing attachments, such as saw chain and guard.
- Do not cut vines and/or small underbrush.
- Do not operate a chainsaw in a tree, on a ladder, or on scaffolding. Doing so is extremely dangerous.

NOTE: The size of the work area depends on the job being performed as well as the size of the tree or workpiece involved. For example, felling a tree requires a larger work area than making bucking cuts.

IMPORTANT SAFETY INSTRUCTIONS

- Use extreme caution when cutting small brush and saplings, because small material may catch the saw chain and be whipped toward you or pull you off balance.
- When cutting a limb that is under tension, be alert for spring back, so that you will not be struck when the tension in the wood fibers is released.
- Do not force the chainsaw. The job can be performed better if the saw is used at the rate that it was designed to work at.
- Always use the right product for your application. The chainsaw should be used for cutting wood only. Never use the chainsaw to cut plastic, masonry or non-wooden building materials.
- Do not use the chainsaw for purposes other than what it is intended for.
- Store chainsaw when not in use. Chainsaw should be stored in a dry and high or locked area, out of the reach of children.
- **Save these instructions.** Refer to them frequently, and use them to instruct others who may use this tool. If you loan someone this tool, also loan them these instructions.

WARNING

Some dust created by power sanding, sawing, grinding, drilling, and other construction activities contains chemicals known to cause cancer, birth defects or other reproductive harm. Some examples of these chemicals are:

- lead from lead-based paints
- crystalline silica from bricks and cement and other masonry products, and
- arsenic and chromium from chemically treated lumber.

Your risk of exposure to these chemicals varies depending on how often you do this type of work. To reduce your exposure to these chemicals, work in a well-ventilated area, and work with approved safety equipment, such as dust masks that are specially designed to filter out microscopic particles.

SAVE THESE INSTRUCTIONS

GENERAL SAFETY RULES

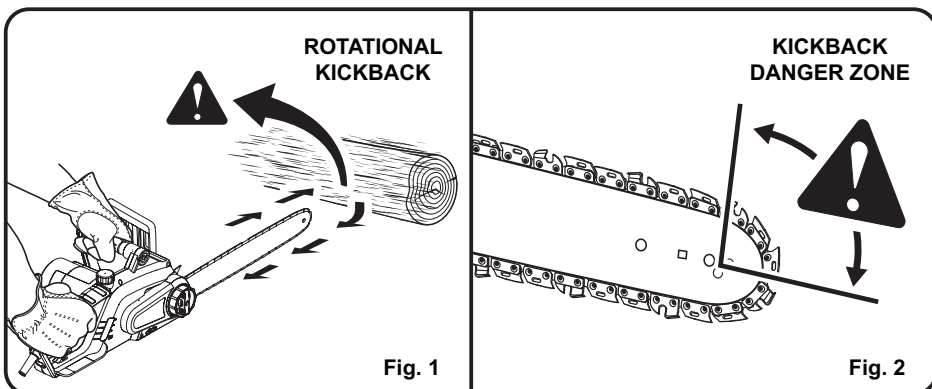
KICKBACK (See Fig. 1 - 2.)

⚠ WARNING

Kickback may occur when the moving chain contacts an object at the upper portion of the tip of the guide bar, or when the wood closes in and pinches the saw chain in the cut. Contact at the upper portion of the tip of the guide bar can cause the chain to dig into the object and stop the chain for an instant. The result is a lightning fast reverse reaction that kicks the guide bar up and back toward the operator. If the saw chain is pinched along the top of the guide bar, the guide bar can be driven rapidly back toward the operator. Either of these reactions can cause loss of saw control, which can result in serious injury. Do not rely exclusively on the safety devices built into the saw. As a chainsaw user, you should take several steps to keep your cutting jobs free from accident or injury.

THE FOLLOWING PRECAUTIONS SHOULD BE FOLLOWED TO MINIMIZE KICKBACK:

1. Always grip the saw firmly with both hands. Hold the saw firmly with both hands when the unit is running. Place your right hand on the rear handle and your left hand on the front handle, with your thumbs and fingers encircling the chain saw handles. A firm grip and a stiff left arm will help you maintain control of the saw if kickback occurs.
 2. Make sure that the area in which you are cutting is free of obstructions. Do not let the nose of the guide bar contact a log, branch, fence, or any other obstruction that could be hit while you are operating the saw.
 3. Always cut with the unit running. Fully squeeze the trigger switch and maintain cutting speed.
 4. Use only the replacement guide bars and low-kickback chains specified by the manufacturer for the saw.
- With a basic understanding of kickback, you can reduce or eliminate the element of surprise. Sudden surprise contributes to accidents.
 - Keep proper footing and balance at all times.
 - Do not cut above shoulder height or overreach when cutting.
 - Follow the sharpening and maintenance instructions for the saw chain.



GENERAL SAFETY RULES

- Push and Pull — This reaction force is always opposite to the direction the chain is moving where contact is made with the wood. Thus, the operator must be ready to control the PULL when cutting on the bottom edge of the bar, and the PUSH when cutting along the top edge. (See Fig. 3)

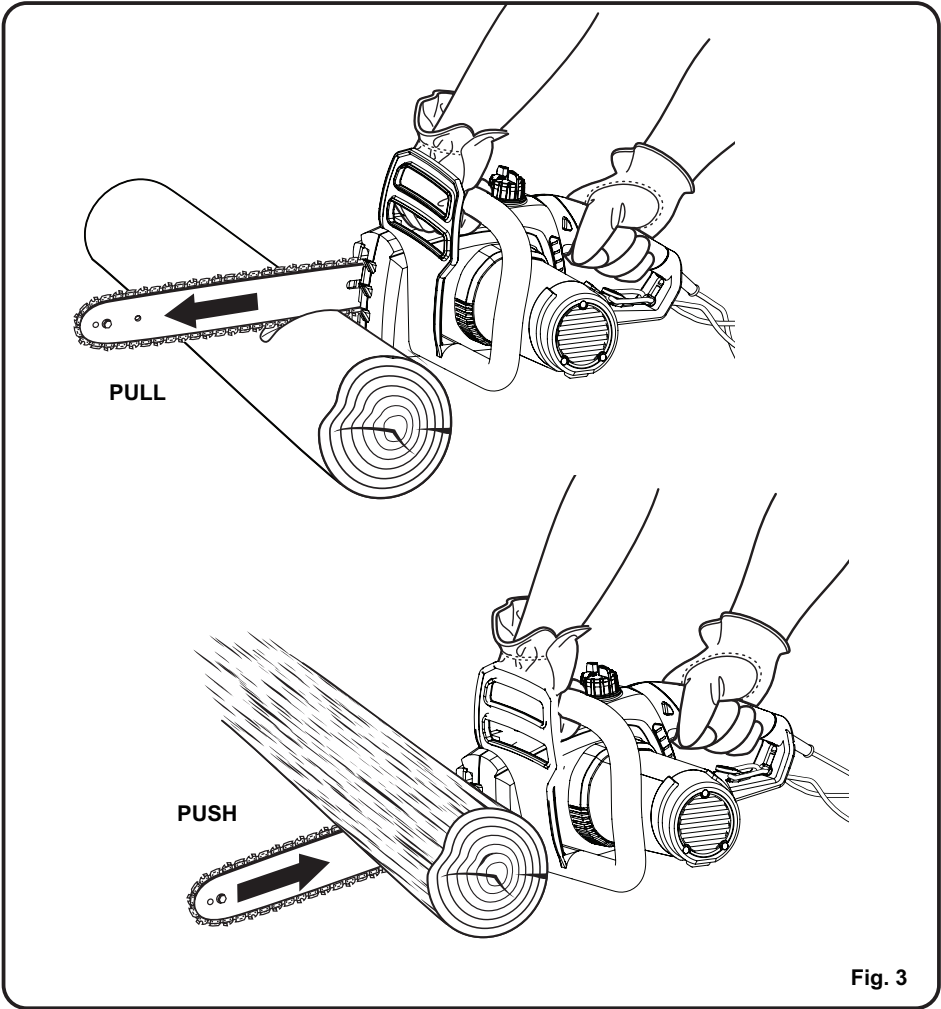













Fig. 3




SYMBOLS

Some of the following symbols may be used on this product. Please study them and learn their meaning. Proper interpretation of these symbols will allow you to operate the product better and safer.

SYMBOL	NAME	DESIGNATION/EXPLANATION
V	Volts	Voltage
A	Amperes	Current
Hz	Hertz	Frequency (cycles per second)
W	Watts	Power
min	Minutes	Time
~	Alternating Current	Type of current
≡	Direct Current	Type or a characteristic of current
n_0	No Load Speed	Rational speed, at no load
	Class II Construction	Double-insulated construction
/min	Per Minute	Revolutions, strokes, surface speed, orbits etc., per minute
	Wet Conditions Alert	Do not expose to rain or use in damp locations
	Read The Operator's Manual	To reduce the risk of injury user must read and understand operator's manual before using this product.
	Eye and Head Protection	Wear eye and head protection when operating this equipment.
	Safety Alert	Precautions that involve your safety.
	Operate With Two Hands	Hold and operate the saw properly with both hands
	Kickback	DANGER! Beware of kickback.
	Bar Nose Contact	Avoid bar nose contact.
	Wear Gloves	Wear non-slip, heavy-duty protective gloves when handling the chainsaw.
	Wear Safety Footwear	Wear non-slip safety footwear when using this equipment.
	Keep Bystanders Away	Keep all bystanders at least 50 ft. away.

SYMBOLS

The following signal words and meanings are intended to explain the levels of risk associated with this product.

SYMBOL	SIGNAL	MEANING
	DANGER	Indicates an imminently hazardous situation, which, if not avoided, will result in death or serious injury.
	WARNING	Indicates a potentially hazardous situation, which, if not avoided, could result in death or serious injury.
	CAUTION	Indicates a potentially hazardous situation, which, if not avoided, may result in minor or moderate injury.
	CAUTION	(Without Safety Alert Symbol) Indicates a situation that may result in property damage.

SERVICE

Servicing requires extreme care and knowledge and should be performed only by a qualified service technician. For service we suggest you return the product to your nearest **AUTHORIZED SERVICE CENTER** for repair. When servicing, use only identical replacement parts.

WARNING

To avoid serious personal injury, do not attempt to use this product until you have read this Owner's Manual thoroughly and understand it completely. If you do not understand the warnings and instructions in this Owner's Manual, do not use this product. Call the Toll-free Helpline (1-866-384-843) for assistance. The operation of any power tool can result in foreign objects being thrown into your eyes, which can result in severe eye damage. Before operating a power tool, always wear safety goggles, safety glasses with side shields, or a full face shield when needed. We recommend a Wide Vision Safety Mask for use over eyeglasses or standard safety glasses with side shields. Always use eye protection that is marked to comply with ANSI Z87.1.

WARNING



The operation of any power tool can result in foreign objects being thrown into your eyes, which can result in severe eye damage. Before beginning power tool operation, always wear safety goggles or safety glasses with side shields and, when needed, a full face shield. We recommend Wide Vision Safety Mask for use over eyeglasses or standard safety glasses with side shields. Always use eye protection which is marked to comply with ANSI Z87.1.

SAVE THESE INSTRUCTIONS

ELECTRICAL

⚠ WARNING

TO AVOID ELECTRICAL HAZARDS, FIRE HAZARDS, OR DAMAGE TO THE TOOL, USE PROPER CIRCUIT PROTECTION. THIS CHAINSAW IS WIRED AT THE FACTORY FOR 120 V OPERATION. CONNECT TO A 120 V, 15 A CIRCUIT, AND USE A 15 A TIME-DELAYED FUSE OR CIRCUIT BREAKER. TO AVOID SHOCK OR FIRE WHEN THE POWER CORD IS WORN, CUT, OR DAMAGED IN ANY WAY, REPLACE IT IMMEDIATELY.

DOUBLE INSULATED (See Fig. 4)

This chainsaw has a plug that looks like the one shown in Fig. 4. The chainsaw is double insulated to provide a double thickness of insulation between you and the tool's electrical system. All exposed metal parts are isolated from the internal metal motor components with protective insulation.

⚠ WARNING

TO AVOID INJURY, USE ONLY IDENTICAL CHAINSAW REPLACEMENT PARTS

⚠ WARNING

DOUBLE INSULATION DOES NOT TAKE THE PLACE OF NORMAL SAFETY PRECAUTIONS WHEN OPERATING THIS TOOL.

⚠ WARNING

TO AVOID ELECTRIC SHOCK:

1. Use only identical replacement parts when servicing a tool with double insulation. Servicing should be performed by a qualified technician.
 2. Do not use in wet or damp areas or expose to rain.
-

⚠ CAUTION

IN ALL CASES, MAKE CERTAIN THE RECEPTACLE IN QUESTION IS PROPERLY GROUNDED. IF YOU ARE NOT SURE, HAVE A CERTIFIED ELECTRICIAN CHECK THE RECEPTACLE.

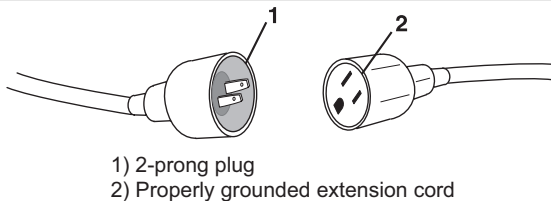


Fig. 4

ELECTRICAL

WARNING

THIS LAWN TOOL IS FOR OUTDOOR USE ONLY. DO NOT EXPOSE TO RAIN OR USE IN DAMP LOCATIONS.

GUIDELINES FOR USING EXTENSION CORDS

USE THE PROPER EXTENSION CORD. Make sure your extension cord is in good condition. When using an extension cord, be sure to use one of heavy enough gauge to carry the current your product will draw. An undersized cord will cause overheating. The table below shows the correct size to use depending on cord length and nameplate ampere rating. If in doubt, use the next heavier gauge. The smaller the gauge number, the heavier the cord.

MINIMUM GAUGE FOR EXTENSION CORDS (AWG)
(WHEN USING 120 V ONLY)

Amp Rating		Total Length of Cord in Feet (meters)			
More Than	Not More Than	25' (7.6 m)	50' (15 m)	100' (30.4 m)	150' (45.7 m)
0	6	18	16	16	14
6	10	18	16	14	12
10	12	16	16	14	12
12	16	14	12	Not Recommended	

Be sure your extension cord is properly wired and in good condition. Always replace a damaged extension cord or have it repaired by a qualified person before using it. Keep your extension cords away from sharp objects, excessive heat and damp or wet areas.

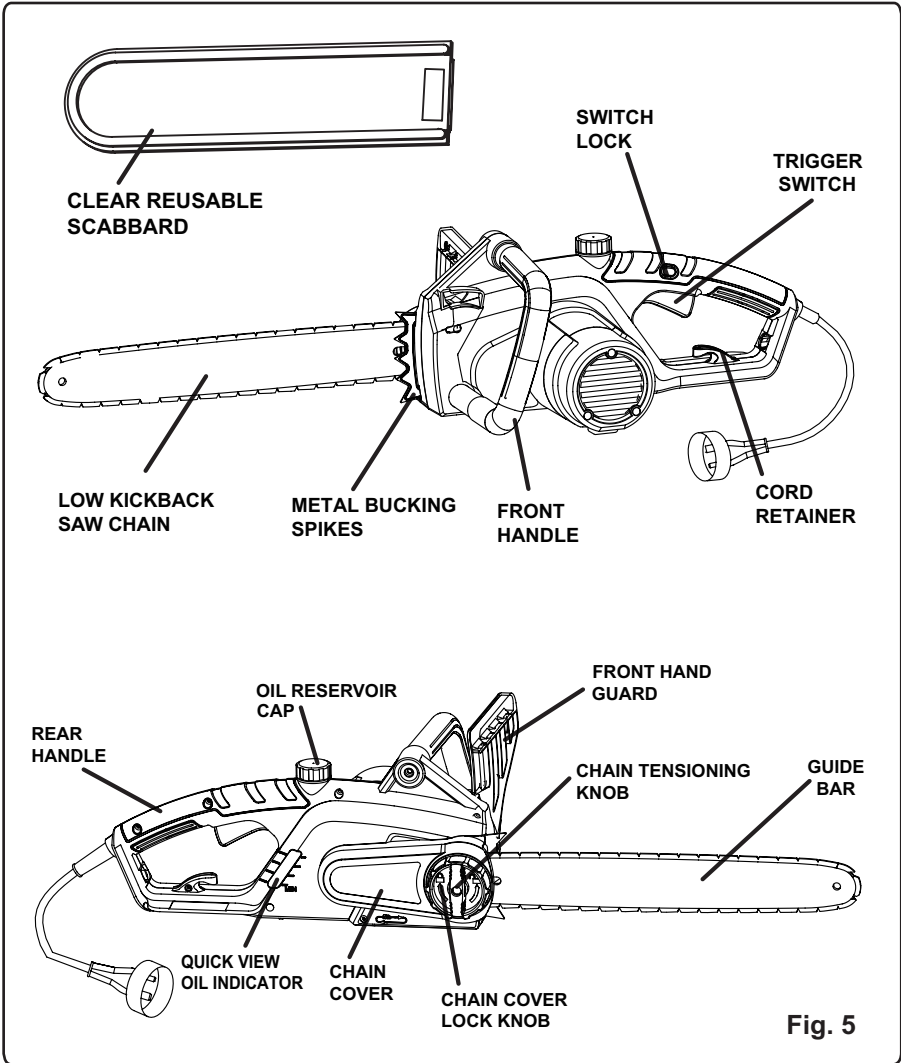
Use a separate electrical circuit for your tools. This circuit must not be less than 12-gauge cord and should be protected with a 15-amp time delayed fuse. Before connecting the motor to the power line, make sure the switch is in the OFF position and the electric current is rated the same as the current stamped on the motor nameplate. Running at a lower voltage will damage the motor.

WARNING

THIS TOOL MUST BE GROUNDED WHILE IN USE TO PROTECT THE OPERATOR FROM ELECTRICAL SHOCK.

SAVE THESE INSTRUCTIONS

KNOW YOUR CHAINSAW



KNOW YOUR CHAINSAW

The safe use of this product requires an understanding of the information on the tool and in this Owner's Manual, as well as a knowledge of the project you are attempting.

Before using this product, familiarize yourself with all operating features and safety rules.

CHAIN TENSIONING KNOB

This feature allows user to adjust the tension of the chain.

GUIDE BAR

The factory-equipped guide bar has a small radius tip that offers a somewhat lower kickback potential.

LOW-KICKBACK SAW CHAIN

The low-kickback saw chain helps minimize the force of a kickback reaction by preventing the cutters from digging in too deeply at the kickback zone.

QUICK-VIEW OIL INDICATOR

Semi-transparent oil reservoir that allows user to see when to add oil.

SWITCH LOCK

A control feature designed to prevent the motor from being started accidentally..

TRIGGER SWITCH

Squeeze the trigger switch to operate the unit after switch lock has been pushed in.

Release the trigger switch to stop the unit.

ASSEMBLY

UNPACKING

This product has been shipped completely assembled.

- Carefully remove the product and any accessories from the box. Make sure that all items listed in the packing list are included.
- Inspect the product carefully to make sure no breakage or damage occurred during shipping.
- Do not discard the packing material until you have carefully inspected and satisfactorily operated the product.
- If any parts are damaged or missing, please call 1-866-384-8432 for assistance.

PACKING LIST

- Chainsaw
- Clear Resuable Scabbard
- Owner's Manual

W A R N I N G

If any parts are damaged or missing, do not operate this product until the parts are replaced. Failure to heed this warning could result in serious personal injury.

W A R N I N G

Do not connect to power supply until assembly is complete. Failure to comply could result in accidental starting and possible serious personal injury.

W A R N I N G

Do not attempt to modify this product or create accessories not recommended for use with this product. Any such alteration or modification is misuse, and could result in a hazardous condition leading to possible serious personal injury.

OPERATION

WARNING

Do not allow familiarity with this product to make you careless. Remember that a careless fraction of a second is sufficient to inflict serious injury.

WARNING

Always wear safety goggles or safety glasses with side shields when operating power tools. Failure to do so could result in objects being thrown into your eyes, resulting in possible serious injury.

WARNING

Do not use any attachments or accessories not recommended by the manufacturer of this product. The use of attachments or accessories not recommended can result in serious personal injury.

APPLICATIONS

You can use this product for the purposes listed below:

- Basic limbing, felling, and woodcutting
- Removing buttress roots

ADDING BAR AND CHAIN LUBRICANT *(See Fig. 6)*

Use standard chainsaw bar and chain Lubricant. It is designed for chains and chain oilers, and is formulated to perform over a wide temperature range with no dilution required.

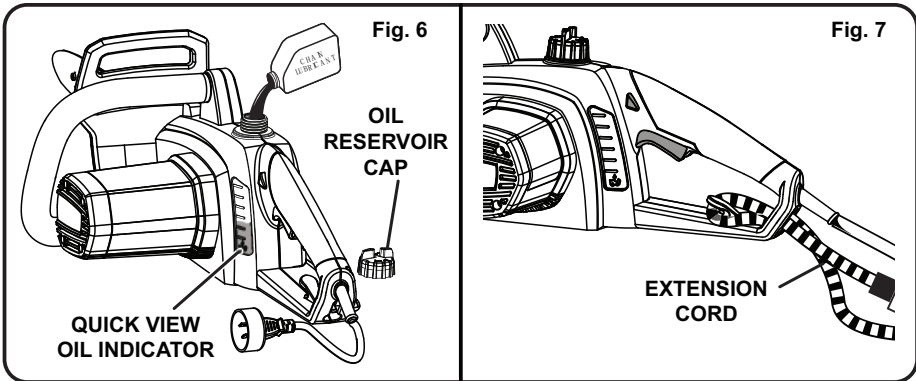
NOTE: The chainsaw comes from the factory with no bar and chain oil added. Level should also be checked after every 20 minutes of use, and refilled as needed.

- Remove oil cap.
 - Carefully pour the bar and chain oil into the tank.
 - Wipe off excess oil.
 - Check and fill the oil tank when quick-view oil indicator is below the MIN. line.
 - Repeat as needed.
-

NOTE: Do not use dirty, used or otherwise contaminated oils. Damage may occur to the bar or chain.

NOTE: It is normal for oil to seep from the saw when not in use. To prevent seepage, empty the oil tank after each use, then run for one minute. When storing the unit for a long period of time (three months or longer), be sure the chain is lightly lubricated. This will prevent rust on the chain and bar sprocket.

OPERATION



CONNECTING TO POWER SUPPLY (See Fig. 7)

This chainsaw is designed with a cord retainer that prevents the extension cord from being pulled loose while using.

- Form a loop with the end of the extension cord.
- Insert loop portion of extension cord through the opening in the side of the rear handle, and place over cord hitch.
- Slowly pull loop against cord retainer until the slack is removed.
- Plug chainsaw into extension cord.

NOTE: Failure to remove all excess cord slack from extension cord retainer could result in plug loosening from receptacle.

STARTING AND STOPPING THE CHAINSAW (See Fig. 8)

⚠ WARNING

Keep body to the left of the chain line. Never straddle the saw or chain, or lean over past the chain line.

OPERATION

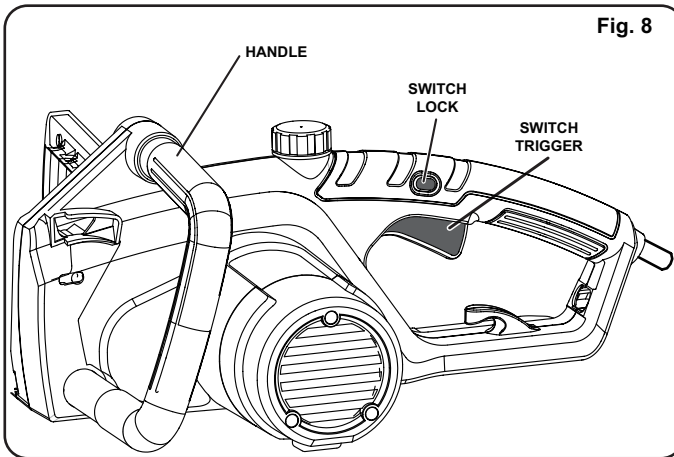
STARTING THE CHAIN SAW:

- Make sure chain tension is at desired setting. Refer to **Adjusting the Chain Tension** in the Maintenance section of this manual.
- Make sure the chain cover lock knob is tight to the chain cover.
- Make sure no objects or obstructions are in immediate vicinity which could come into contact with the bar and chain.
- Press and hold the switch lock. This makes the trigger switch operational.
- Press and hold the trigger switch, release the switch lock, and continue to squeeze the trigger switch for continued operation.

STOPPING THE CHAINSAW:

NOTE: It is normal for the chain to coast to a stop once the trigger switch is released.

- Release the trigger switch to stop the chainsaw.
- Upon release of the trigger switch, the switch lock will be automatically reset to the lock position.



OPERATION

PREPARING FOR CUTTING

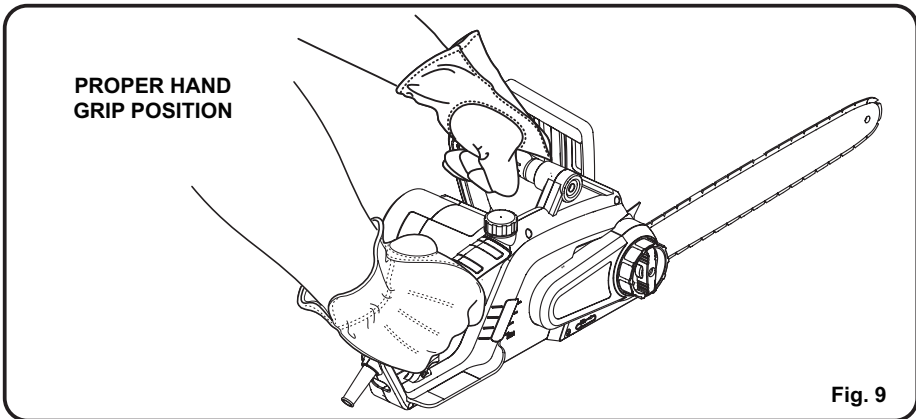
PROPER GRIP ON HANDLES (See Fig. 9)

See General Safety Rules for appropriate safety equipment.

- Wear non-slip gloves for maximum grip and protection.
- Hold the saw firmly with both hands. Always keep your left hand on the front handle and your right hand on the rear handle so that your body is to the left of the chain line.
- Maintain a proper grip on the saw whenever the motor is running. The fingers should encircle the handle, with the thumb wrapped under the handlebar. This grip is least likely to be broken by a kickback or other sudden reaction of the saw. Any grip in which the thumb and fingers are on the same side of the handle is dangerous, because a slight kick of the saw can cause loss of control.

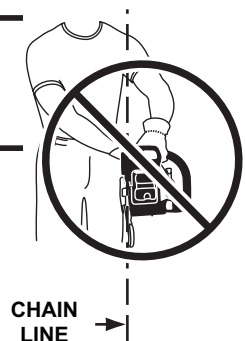
! WARNING

Never use a left-handed (cross-handed) grip or any stance that would place your body or arm across the chain line.



! WARNING

DO NOT operate the trigger switch with your left hand and hold the front handle with your right hand. Never allow any part of your body to be in the chain line while operating a saw.



OPERATION

PROPER CUTTING STANCE (See Fig. 10)

- Balance your weight with both feet on solid ground.
- Keep left arm with elbow locked in a “straight arm” position to withstand any kickback force.
- Keep your body to the left of the chain line.
- Keep your thumb on underside of handlebar.

BASIC OPERATING/CUTTING PROCEDURES

Practice cutting a few small logs using the following technique to get the “feel” of using the saw before you begin a major sawing operation.

- Take the proper stance in front of the wood with the saw idling.
- Press the switch lock and squeeze the trigger switch, then release switch lock and let the chain accelerate to full speed before entering the cut.
- Begin cutting with the saw against the log.
- Keep the unit running the entire time you are cutting, maintain a steady speed.
- Allow the chain to cut for you; exert only light downward pressure.
Forcing the cut could result in damage to the bar, chain, or motor.
- Release the trigger switch as soon as the cut is completed, allowing the chain to stop. If you run the saw without a cutting load, unnecessary wear can occur to the chain, bar, and unit.
- Do not put pressure on the saw at the end of the cut.

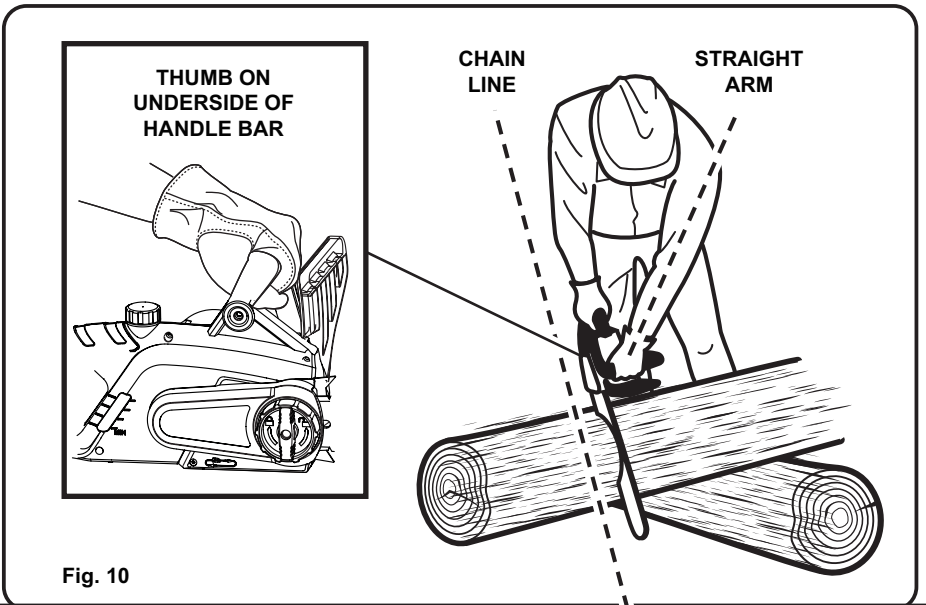


Fig. 10

OPERATION

WORK AREA PRECAUTIONS *(See Fig. 11)*

- Cut only wood or materials made from wood; no sheet metal, no plastics, no masonry, no non-wooden building materials.
- Never allow children to operate the saw. Allow no person to use this chainsaw who has not read this Owner's Manual or received adequate instructions for the safe and proper use of this chainsaw.
- Keep everyone – helpers, bystanders, children, and animals – a SAFE DISTANCE from the cutting area. During felling operations, the safe distance should be a least twice the height of the largest trees in the felling area. During bucking operations, keep a minimum distance of 15' (4.6 m) between workers.
- Always cut with both feet on solid ground to prevent being pulled off balance.
- Do not cut above chest height, because a saw held higher is difficult to control against kickback forces.
- Do not fell trees near electrical wires or buildings. Leave this operation for professionals.
- Cut only when visibility and light are adequate for you to see clearly.



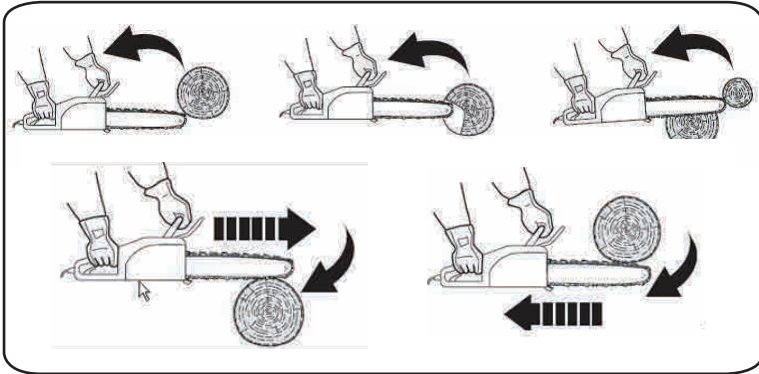
Fig. 11

FELLING TREES

HAZARDOUS CONDITIONS *(See Fig. 12)*

When felling a tree, it is important that you heed the following warnings to prevent possible serious injury

OPERATION



TO AVOID KICKBACK

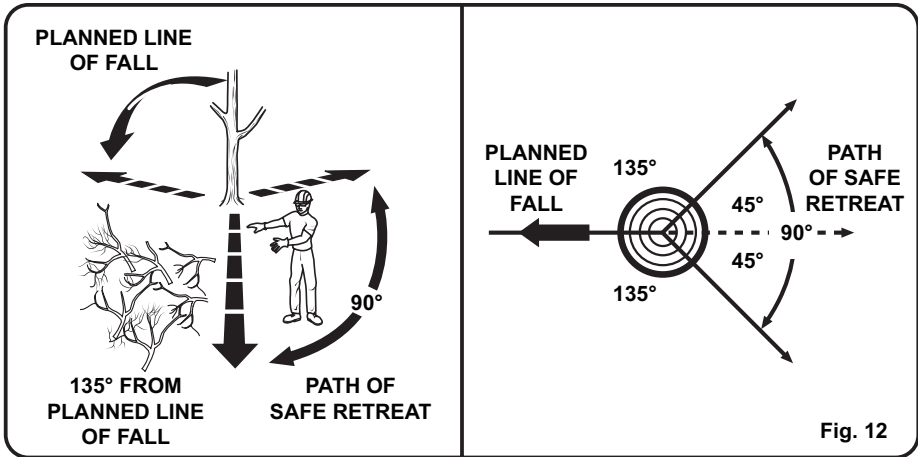
- Saw with guide bar at a flat angle.
- Never work with a loose, widely stretched or the heavily worn out chain.
- Ensure chain is sharpened correctly.
- Never saw above shoulder height.
- Never work with the tip of the guide bar.
- Always hold the product firmly with both hands.
- Always use a low kickback chain.
- Apply the steel bucking spikes for leverage.
- Ensure correct chain tension.
- Do only cut with the motor at high speeds.
- Do not let the nose of the guide bar contact a log, branch, or any other obstruction which could be hit while you are operating the product.
- Follow manufacturer's sharpening and maintenance instructions for the aw chain.
- Only use replacement guide bars and saw chains specified by the manufacturer or equivalent replacements.

When bucking and felling operations are being performed by two or more persons at the same time, the felling operations should be separated from the bucking operation by a distance of at least twice the height of the tree being felled.

Trees should not be felled in a manner that would endanger any person, strike any utility line or cause any property damage. If the tree does make contact with any utility line, the company should be notified immediately.

The product operator should keep on the uphill side of the terrain as the tree is likely to roll or slide downhill after it is felled.

OPERATION



- Do not cut down trees having an extreme lean, or large trees with rotten limbs, loose bark or hollow trunks. Have these trees pushed or dragged down with heavy equipment, then cut them up.
- Do not cut trees near electrical wires or buildings
- Check the tree for damaged or dead branches that could fall and hit you during felling
- Periodically glance at the top of the tree during the backcut to assure the tree is going to fall in the desired direction
- If the tree starts to fall in the wrong direction, or if the saw gets caught or hung up during the fall, leave the saw and save yourself!

⚠ WARNING

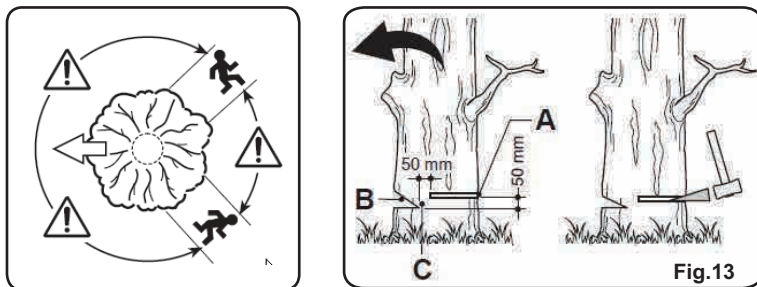
Do not fell trees during periods of high wind or heavy precipitation. Wait until the hazardous weather has ended.

PROPER PROCEDURE FOR TREE FELLING (See Fig. 13)

- Felling a tree — When bucking and felling operations are being performed by two or more persons at the same time, the felling operations should be separated from the bucking operation by a distance of at least twice the height of the tree being felled. Trees should not be felled in a manner that would endanger any person, strike any utility line, or cause any property damage. If the tree does make contact with any utility line, the utility company should be notified immediately.
- Operator should keep on the uphill side of terrain as the tree is likely to roll or slide after it is felled.
- Pick your escape route (or routes in case the intended route is blocked). Clear the immediate area around the tree and make sure there are no obstructions in your planned path of retreat. Clear the path of safe retreat approximately 135° from the planned line of fall.

OPERATION

An escape path should be planned and cleared as necessary before cuts are started. The escape path should extend back and diagonally to the rear of the expected line of fall (Fig. 26). Before felling is started, consider the natural lean of the tree, the location of larger branches and the wind direction to judge which way the tree will fall.



NOTCHING UNDERCUT

Make the notch (B) 1/3 the diameter of the tree, perpendicular to the direction of falls (Fig. 13). Make the lower horizontal notching cut first. This will help to avoid pinching either the saw chain or the guide bar when the second notch is being made.

FELLING BACK CUT

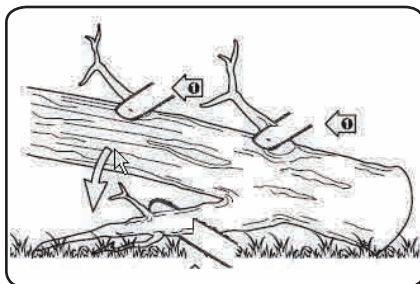
Make the felling back cut (A) at least 50 mm higher than the horizontal notching cut (Fig. 13). Keep the felling back cut parallel to the horizontal notching cut. Make the felling back cut so enough wood is left to act as a hinge. The hinge wood keeps the tree from twisting and falling in the wrong direction. Do not cut through the hinge.

As the felling gets close to the hinge, the tree should begin to fall. If there is any chance that the tree may not fall in desired direction or it may rock back and bind the saw chain, stop cutting before the felling back cut is complete and use wedges of wood, plastic or aluminium to open the cut and drop the tree along the desired line of fall.

When the tree begins to fall remove the product from the cut, stop the motor, put the product down, then use the retreat path planned. Be alert for overhead limbs falling and watch your footing.

Limbing is removing the branches from a fallen tree. When limbing leave larger lower limbs to support the log off the ground. Remove the small limbs in one cut.

Branches under tension should be cut from the bottom up to avoid binding the product.



OPERATION

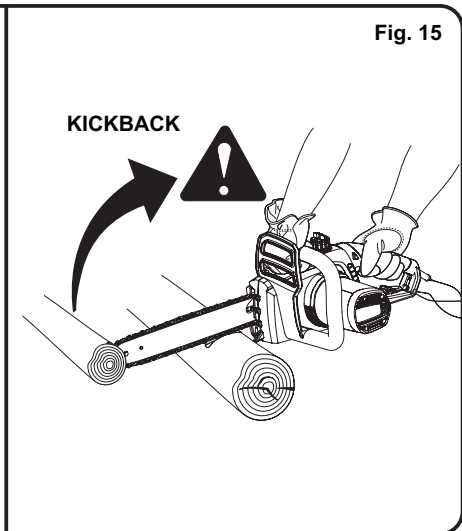
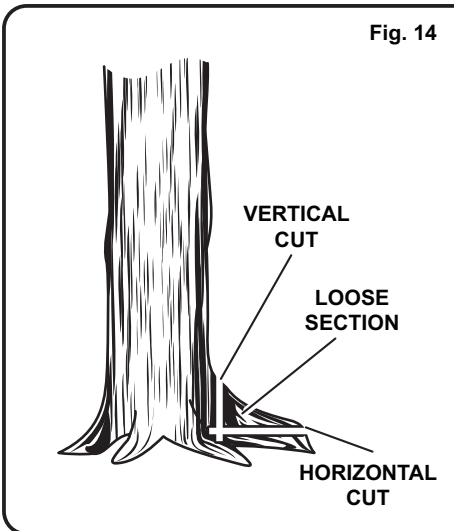
REMOVING BUTTRESS ROOTS (See Fig. 14)

A buttress root is a large root extending from the trunk of the tree above the ground. Remove large buttress roots prior to felling. Make the horizontal cut into the buttress first, followed by the vertical cut. Remove the resulting loose section from the work area. Follow the correct tree felling procedure as stated in Proper Procedure For Tree Felling after you have removed the large buttress roots.

BUCKING (See Fig. 15)

Bucking is the term used for cutting a fallen tree to the desired log length.

- Always make sure your footing is secure and your weight is distributed evenly on both feet.
- Cut only one log at a time.
- Support small logs on a saw horse or another log while bucking.
- Keep a clear cutting area. Make sure no objects can contact the guide bar nose and chain during cutting, because this can cause kickback.
- When bucking on a slope, always stand on the uphill side of the log. To maintain complete control of the chainsaw when cutting through the log, release the cutting pressure near the end of the cut without relaxing your grip on the chainsaw handles. Do not let the chain contact the ground. After completing the cut, wait for the saw chain to stop before you move the chainsaw. Always stop the motor before moving from tree to tree.



OPERATION

BUCKING WITH A WEDGE (See Fig. 16)

If the wood diameter is large enough for you to insert a soft bucking wedge without touching the chain, you should use the wedge to hold the cut open to prevent pinching.

BUCKING LOGS UNDER STRESS (See Fig. 17)

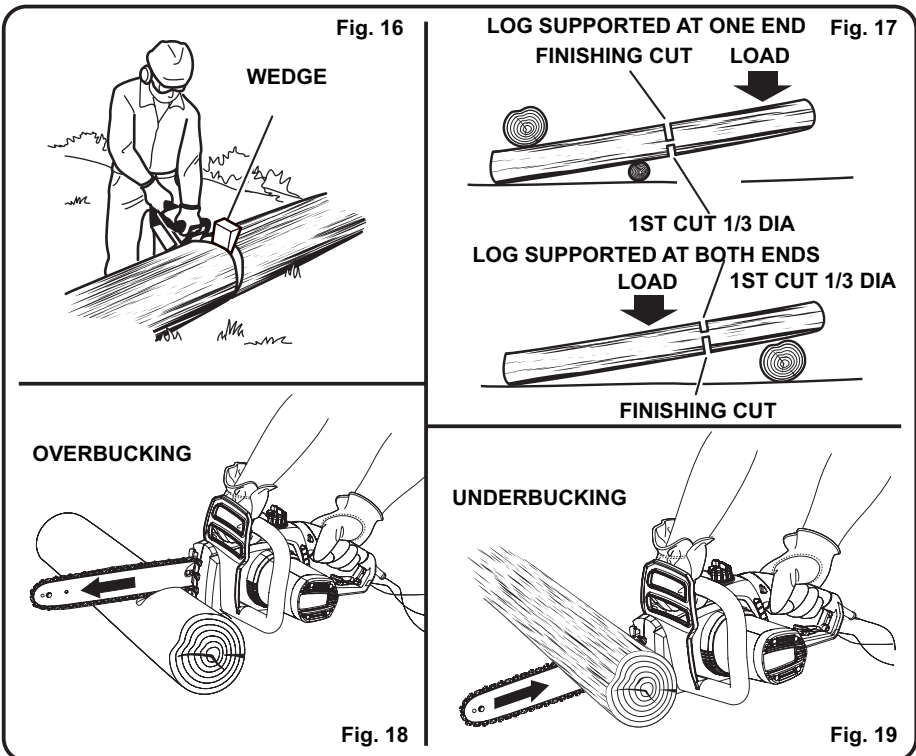
Make the first bucking cut 1/3 of the way through the log, and finish with a 2/3 cut on the opposite side. As you cut the log, it will tend to bend. The saw can become pinched or hung in the log if you make the first cut deeper than 1/3 of the diameter of the log. Give special attention to logs under stress to prevent the bar and chain from pinching.

OVERBUCKING (See Fig. 18)

Begin on the top side of the log with the bottom of the saw against the log; exert light pressure downward. Note that the saw will tend to pull away from you.

UNDERBUCKING (See Fig. 19)

Begin on the under side of the log with the top of the saw against the log; exert light pressure upward. During underbucking, the saw will tend to push back at you. Be prepared for this reaction, and hold the saw firmly to maintain control.



OPERATION

LIMBING (See Fig. 20)

Limbing is removing branches from a fallen tree.

- Work slowly, keeping both hands on the chainsaw with a firm grip. Always make sure your footing is secure and your weight is distributed evenly on both feet.
- Leave the larger support limbs under the tree to keep the tree off the ground while cutting.
- Limbs should be cut one at a time. Remove the cut limbs from the work area often to help keep the work area clean and safe.
- Branches under tension should be cut from the bottom up to avoid binding the chainsaw.
- Keep the tree between you and the chainsaw while limbing. Cut from the side of the tree opposite the branch you are cutting.

PRUNING (See Fig. 21)

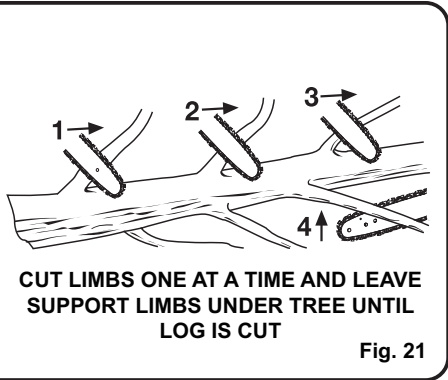
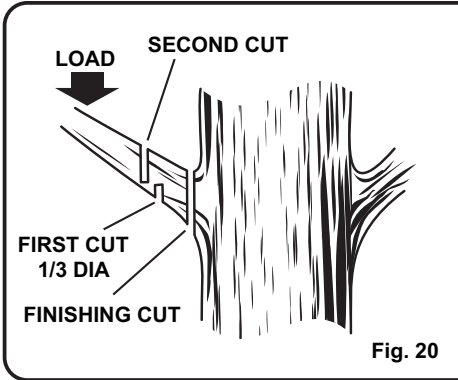
Pruning is trimming limbs from a live tree.

- Work slowly, keeping both hands on the chainsaw with a firm grip. Always make sure your footing is secure and your weight is distributed evenly on both feet.
- Do not cut from a ladder. This is extremely dangerous. Leave this operation for professionals.
- Do not cut above chest height, because a saw held higher is difficult to control against kickback.
- When pruning trees, it is important not to make the finishing cut next to the main limb or trunk until you have cut off the limb further out to reduce the weight. This prevents stripping the bark from the main member.
- Underbuck the branch 1/3 through for your first cut.
- Your second cut should overbuck to drop the branch off.
- Now make your finishing cut smoothly and neatly against the main member so the bark will grow back to seal the wound.

WARNING

Never cut through to the notch when making a back cut. The hinge controls the fall of the tree. This is the section of wood between the notch and backcut.

OPERATION

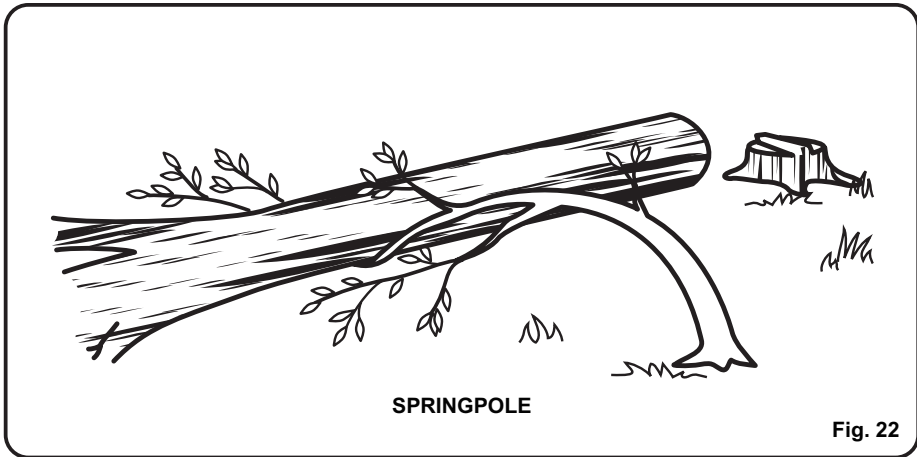


CUTTING SPRINGPOLES (See Fig. 22)

A springpole is any log, branch, rooted stump, or sapling that is bent under tension by other wood, so that it springs back if the wood holding it is cut or removed. On a fallen tree, a rooted stump has a high potential of springing back to the upright position during the bucking cut to separate the log from the stump. Watch out for springpoles — they are dangerous.

⚠ WARNING

Springpoles are dangerous, and could strike the operator, causing the operator to lose control of the chainsaw. This could result in severe or fatal injury to the operator.



MAINTENANCE

WARNING

When servicing, use only identical LawnMaster replacement parts OR suggested replacement parts by LawnMaster. Use of any other parts may create a hazard or cause product damage.

WARNING

Always wear safety goggles or safety glasses with side shields during power tool operation or when blowing dust. If operation is dusty, also wear a dust mask.

GENERAL MAINTENANCE

Avoid using solvents when cleaning plastic parts. Most plastics are susceptible to damage from various types of commercial solvents. Use a clean cloth to remove dirt, dust, lubricant, grease, etc.

WARNING

Do not let brake fluids, gasoline, petroleum-based products, penetrating lubricants, etc., come into contact with plastic parts at any time. Chemicals can damage, weaken or destroy plastic, which may result in serious personal injury.

LUBRICATION

All of the bearings in this product are lubricated with a sufficient amount of high-grade lubricant for the life of the unit under normal operating conditions. Therefore, no further lubrication is required.

MAINTENANCE

Switch the product off, remove the battery pack and let it cool down

Check, clean and store the product as described below

Keep the product clean. Remove debris from it after each use and before storage.

Regular and proper cleaning will help ensure safe use and prolong the life of the product.

Inspect the product before each use for worn and damaged parts.

Do not operate it if you find broken and worn parts.

GENERAL CLEANING

Clean the product with a slightly damp cloth and mild soap. Use a brush for areas that are hard to reach.

In particular clean the air vents (4) after every use with a cloth and brush.

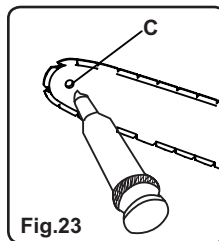
Remove stubborn dirt with high pressure air (max. 3 bar).

Check for any damage and wear. Repair damages in accordance with this instruction manual or take it to an authorised service centre before using the product again.

SPROCKET NOSE

Clean the sprocket nose (7). Using a disposable lube gun, insert the needle nose into the lubrication hole (C) and inject grease until it appears at the outside edge of the sprocket (Fig. 23).

Rotate the saw chain (5) by hand. Repeat the lubrication procedure until the entire sprocket has been greased.



GUIDE BAR AND SAW CHAIN MAINTENANCE

Most guide bar problems can be prevented merely by keeping the product well maintained.

Incorrect filing and non-standard cutter and depth gauge settings are the causes of most guide bar problems, primarily resulting in uneven bar wear. As the bar wears unevenly, the rails widen, which may cause the chain to clatter and make it difficult to complete straight cuts. If the guide bar is insufficiently lubricated and the product is operated with a saw chain which is too tight, this will contribute to rapid bar wear. To help minimise bar wear, maintenance of the guide bar as well as the saw chain is recommended.

Disassemble the guide bar and saw chain in >>reversed order from assembly.

Check the oiling port (16) for clogging and clean >>if necessary to ensure proper lubrication of the guide bar and saw chain during operation. Use a soft wire small enough to insert into the oil discharge hole

MAINTENANCE

REPLACING THE GUIDE BAR AND CHAIN (See Fig. 24 - 32.)

D A N G E R

Never start the motor before installing the guide bar, chain, chain cover, and chain cover lock knob. Without all these parts in place, the clutch can fly off or explode, exposing the user to possible serious injury.

W A R N I N G

To avoid serious personal injury, read and understand all the safety instructions in this section.

W A R N I N G

Before performing any maintenance, make sure the tool is unplugged from the power supply. Failure to heed this warning could result in serious personal injury.

C A U T I O N

Always wear gloves when handling the bar and chain. These components are sharp and may contain burrs.

W A R N I N G

Never touch or adjust the chain while the motor is running. The saw chain is very sharp. Always wear protective gloves when performing maintenance involving the chain to avoid possible serious lacerations.

*NOTE: When replacing the guide bar and chain, always use the specified bar and chain listed in the **Bar and Chain Combinations** section later in this manual.*

MAINTENANCE

⚠ WARNING

Keep all parts of the body away from the saw chain when the chain saw is operating. Before you start the chain saw, make sure the saw chain is not contacting anything. A moment of inattention while operating chain saws may cause entanglement of your clothing or body with the saw chain.

⚠ WARNING

Always hold the chain saw with your right hand on the rear handle and your left hand on the front handle. Holding the chain saw with a reversed hand configuration increases the risk of personal injury and should never be done.

⚠ WARNING

Always use a saw chain designed as “low-kickback” or a saw chain which meets the low-kickback requirements! A standard saw chain (a chain which does not have the kickback reducing guard links) should only be used by an experienced professional operator!

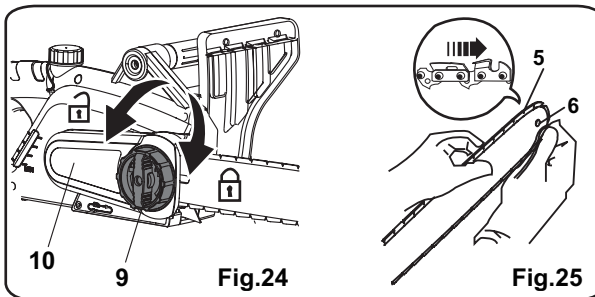
Nevertheless, a low-kickback saw chain does not completely eliminated kickback! A low-kickback or “safety” chain should never be regarded as complete protection against injury!

Therefore always use a low-kickback saw chain in conjunction with other kickback protection devices such as the front hand guard!

Use only the guide bar (6) and saw chain (5) according to the technical data of the product.
Place the product on a suitable flat surface.

Loosen the locking wheel (9) and remove the side cover (10) (Fig. 24).

Spread the saw chain (5) out with the cutting edges of the chain pointing in the rotational direction



MAINTENANCE

SAW CHAIN TENSIONING

Always check the saw chain tension before use and regularly during use approx. every five cuts. Upon initial operation, new chains can lengthen considerably. This is normal during the break-in period and the interval between future adjustments will lengthen quickly.

SET THE PRODUCT ON A SUITABLE FLAT SURFACE.

Turn the tension wheel (8) until the chain "tie straps" are just touching the bottom edge of the guide bar (6) (Fig. 26).

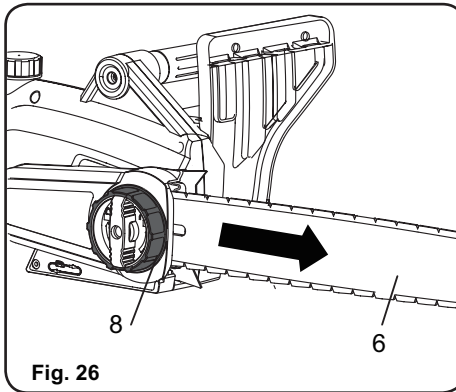


Fig. 26

TENSION TEST

Check the chain tension using one hand to lift the saw chain (5) against the weight of the product. The correct chain tension is achieved when the saw chain can be lifted by approximately 2 - 4 mm from the guide bar (6) in the centre (Figs. 27-28).

Adjust the tension if you find that the chain saw is too loose or tight

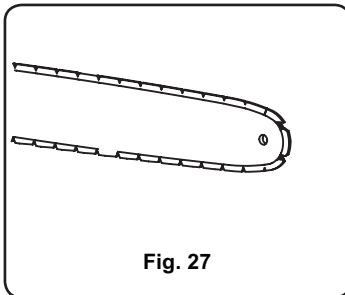


Fig. 27

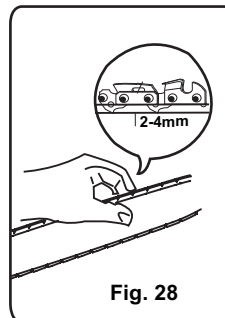
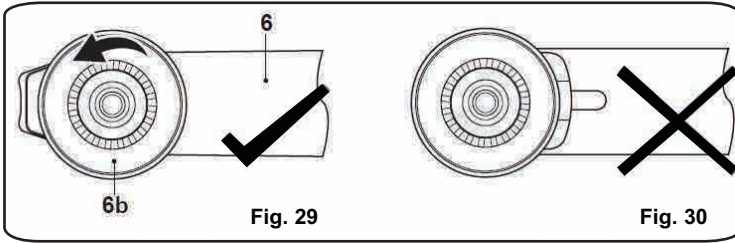


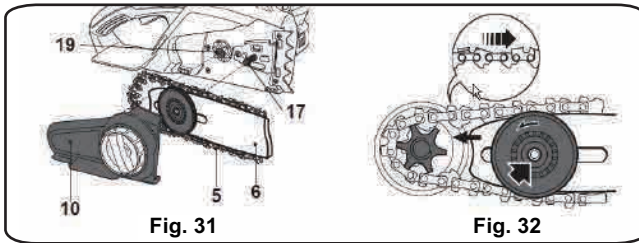
Fig. 28

MAINTENANCE

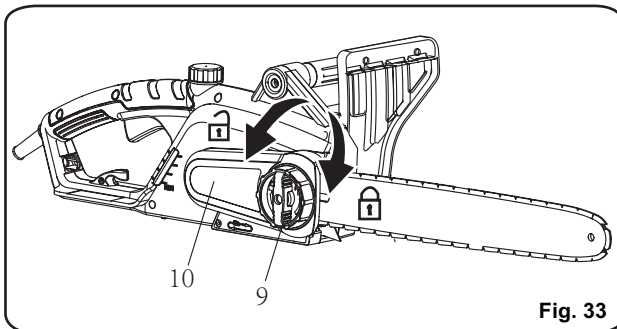
Ensure the tension disc (6b) is adjusted to outer right position, turn anticlockwise if required (Figs. 29-30).



Align the guide bar (6) and saw chain (5) assembly with the drive sprocket (19) and support bolt (17). Lay the saw chain around the drive sprocket and then lower the guide bar to install it to the support bolt (Figs. 31-32).



Replace the side cover (10) and slightly tighten the locking wheel (9) (Fig. 33). Do not tighten the locking wheel completely; saw chain tensioning is required first.



MAINTENANCE

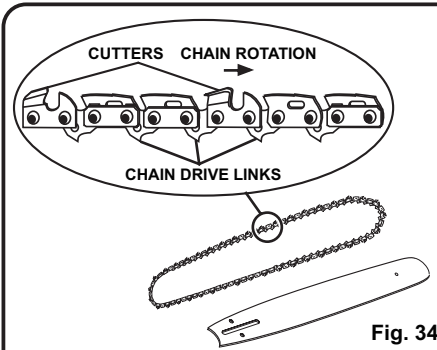


Fig. 34

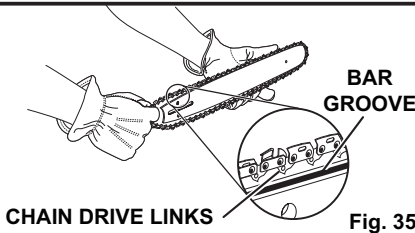


Fig. 35

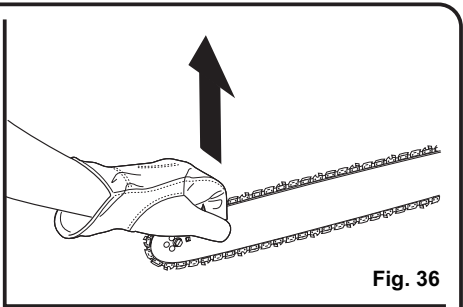


Fig. 36

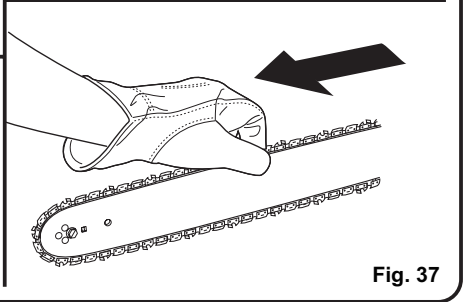


Fig. 37

- Release the tip of the guide bar, and turn the chain tensioning knob 1/2 turn clockwise.
- Hold the tip of the guide bar up and tighten the chain cover lock knob.

The chain is correctly tensioned when there is no sag on the underside of the guide bar, and when the chain is snug, but can be turned by hand without binding.

NOTE: If chain is too tight, it will not rotate. Loosen the chain cover lock knob slightly, and turn the chain tensioning knob 1/4 turn counter-clockwise. Lift the tip of the guide bar up, and retighten the chain cover lock knob. Ensure that the chain will rotate without binding.

⚠ WARNING

Never touch or adjust the chain while the motor is running. The saw chain is very sharp. Always wear protective gloves when performing maintenance involving the chain.

MAINTENANCE

- Turn the chain tensioning knob clockwise to tension the chain.

NOTE: A cold chain is correctly tensioned when there is no slack on the underside of the guide bar, the chain is snug, and it can be turned by hand without binding.

- Rotate the chain cover lock knob clockwise to secure. Retension the chain whenever the flats on the drive links hang out of the bar groove.

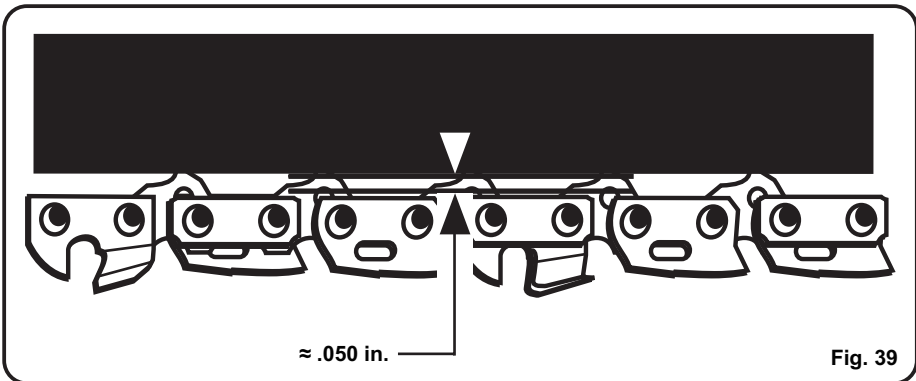
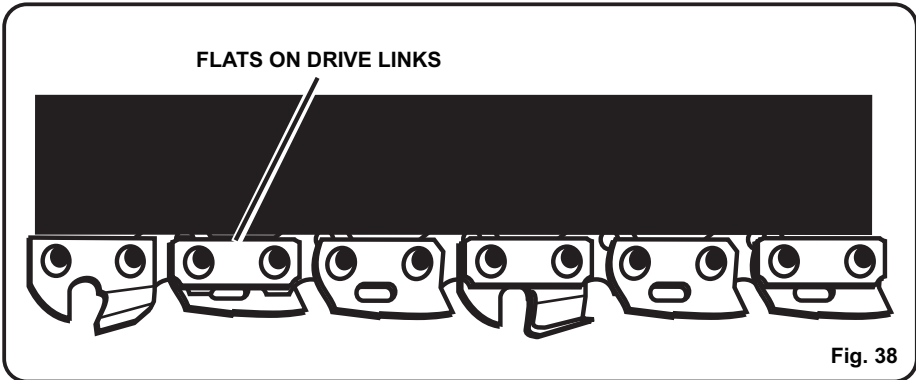
NOTE: During normal saw operation, the temperature of the chain increases. The drive links of a correctly tensioned warm chain will hang approximately 1/16" (1.3 mm) out of the bar groove.

NOTE: New chains tend to stretch. Check the chain tension frequently and tension as required.

⚠ CAUTION

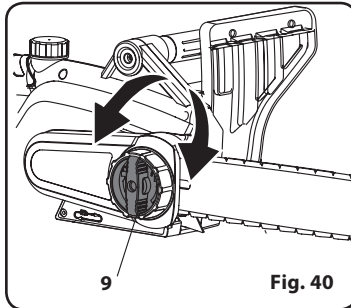
A chain tensioned while warm may be too tight upon cooling.

Check the "cold tension" before next use.



MAINTENANCE

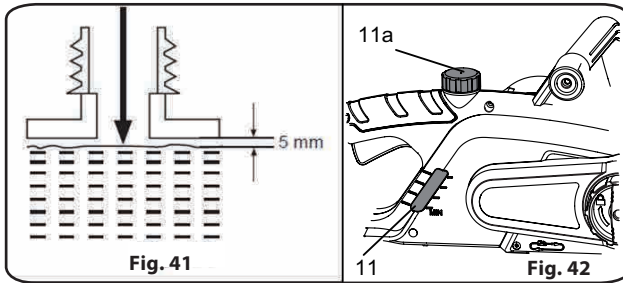
Turn the locking wheel (9) to tighten the side >>cover (10) completely (Fig. 40).



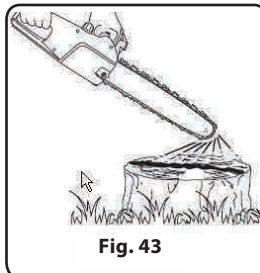
Do not overfill. Leave approximately 5 mm of space to the lower edge to allow the lubricant to expand (Fig. 41).

Check the oil level at the window of the oil tank (11) prior to switching on and regularly during operation. Refill oil when the oil level is lower than the "MIN" marking (Fig. 42).

Wipe up spilled lubricant with a soft cloth and refit the tank cap (11a).



Make sure the guide bar (6) and the saw chain (5) are in place when you check the oil delivery. Switch on the product (see section "on/off switch" below); keep pressing the on/off switch (13) and check if the chain oil is delivered as shown in the figure (Fig. 43)

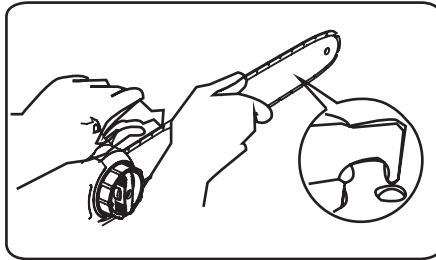


MAINTENANCE

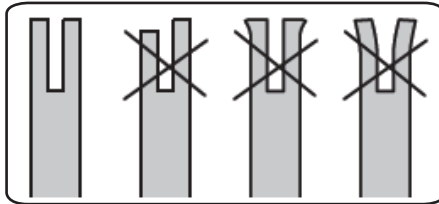
CARE AND MAINTENANCE

Check the drive sprocket (19). If it is worn or damaged due to strain, have it replaced by an authorised service agent.

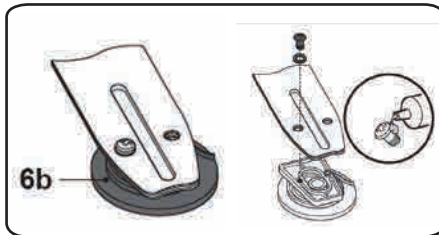
Clear residue from the rails on the guide bar (6) using a screwdriver, putty knife, wire brush or other similar tool. This will keep the oil passages open to provide proper lubrication to the bar (6) and chain (5).



Check the guide bar 'rail' for wear: Hold a ruler (straight edge) against the side of the guide bar and 'cutter side plates'. If there is a gap between the ruler and guide bar the guide bar 'rail' is normal. If there is no gap (ruler flush against the side of the guide bar) the guide bar 'rail' is worn and needs to be replaced with a new one of the same type.



Turn the guide bar 180° to allow even wear, thereby extending the life span of the guide bar (6). Loosen the screw and remove the tension disc (6b) from the guide bar. Ensure the rubber washer on the screw is free of wear. Turn the guide bar and fix the tension disc with the screw. Apply a drop of suitable glue to the screw to ensure its safe positioning when reassembly.



MAINTENANCE

CAUTION

Make sure the chainsaw is disconnected from the power supply before you work on the saw.

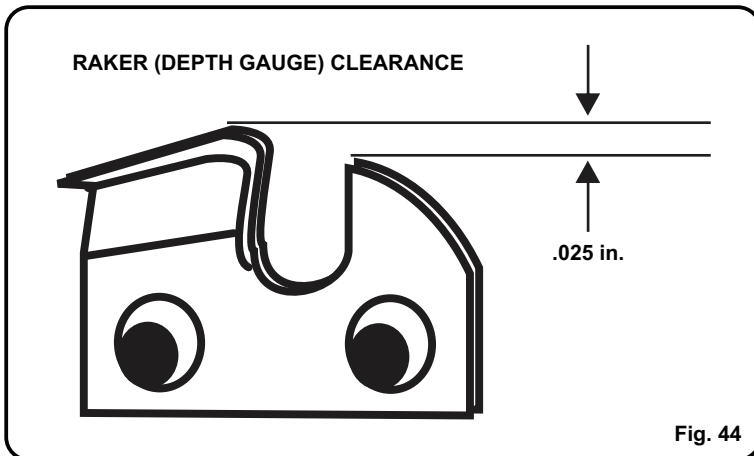
CHAIN MAINTENANCE (See Fig. 44)

Use only a low-kickback chain on this saw. This fast-cutting chain provides kickback reduction when properly maintained. For smooth and fast cutting, maintain the chain properly. The chain requires sharpening when the wood chips are small and powdery, the chain must be forced through the wood during cutting, or the chain cuts to one side. During maintenance of the chain, consider the following:

- Improper filing angle of the side plate can increase the risk of severe kickback.
- Raker (depth gauge) clearance.
- Too low increases the potential for kickback.
- Not low enough decreases cutting ability.
- If the cutter teeth hit hard objects such as nails and stones, or are abraded by mud or sand on the wood, have an authorized service centre sharpen the chain.

NOTE: Inspect the drive sprocket for wear or damage when replacing the chain. If signs of wear or damage are present in the areas indicated, have the drive sprocket replaced by an authorized service centre.

NOTE: If you do not fully understand the correct procedure for sharpening the chain after reading the instructions that follow, have the saw chain sharpened by an authorized service centre or replace with a recommended low-kickback chain.



MAINTENANCE

Check the saw chain for possible wear and damages. Replace it with a new one if required. Experienced user can sharpen a dull saw chain (see section “Saw chain sharpening” below). Refit the saw chain (5) and the guide bar (6) as described under “Assembly”.

SAW CHAIN SHARPENING

Have your chain (5) sharpened professionally at an authorised service centre, or sharpen the chain yourself by using a proper sharpening kit. Also observe the sharpening instructions supplied with the sharpening kit.

The height difference between the tooth and the ridge is the cutting depth.

When sharpening the saw chain (5) you have to consider the following points

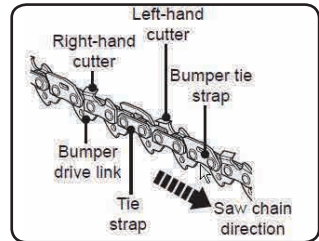
- File angle
- Cutting angle
- File position
- Diameter of round file
- File

To sharpen the chain proceed as follows:

- Use protective gloves.
- Ensure the chain is correctly tensioned.
- Engage the chain brake to lock the chain on the bar.

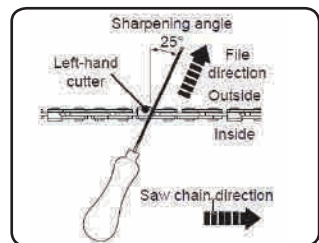
Use a round file, whose diameter is 1.1 times the cutting tooth depth.

Make sure 20% of the file diameter is above the cutter's top plate.



A file guide is available from most reputable tool merchants and is the easiest way to hold the file at the correct position.

File at an angle perpendicular to the bar, and at an angle of 25° to the direction of travel



File each tooth from the inside towards outside only.

File one side of the chain first than turn the saw around and repeat the process.

Sharpen each tooth equally by using the same number of strokes.

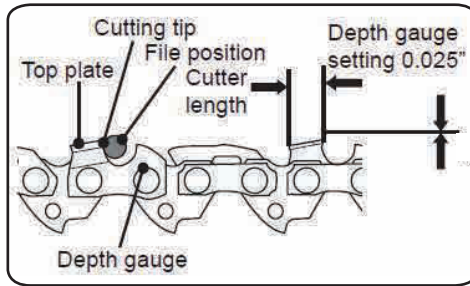
Keep all cutter lengths equal. Check the safety depth gauge height every 5 sharpenings.

If the depth gauges are also trimmed it is essential that the original profile is restored.

Use a depth gauge measuring >>instrument to check the height of the depth gauge.

Depth gauge measuring jigs are available from most reputable tool merchants

MAINTENANCE



This product does not contain any parts that can be repaired by the consumer. Contact a qualified specialist to have it checked and repaired. Clean the product as described above.

STORAGE

Store the product and its accessories in a dry, frost-free place. Always store the product in a place that is inaccessible to children. The ideal storage temperature is between 10 and 30°C. We recommend using the original package for storage or covering the product with a suitable cloth or enclosure to protect it against dust.

TRANSPORTATION

Switch the product off and remove the battery pack before transporting it anywhere. Attach the blade cover to the saw blade. Attach other transportation guards, if applicable. Always carry the product by its gripping handles (1, 2). Protect the product from any heavy impact or strong vibrations which may occur during transportation in vehicles. Secure the product to prevent it from slipping or falling over.

TROUBLESHOOTING

PROBLEM	CAUSE	REMEDY
Bar and chain running hot and smoking.	Check chain tension for over-tight condition. Chain-oil tank empty.	Plug in the power cord.
Motor runs, but chain is not rotating.	Chain tension too tight. Check guide bar and chain assembly. Check guide bar and chain for damage.	Retension chain, Refer to Adjusting Chain Tension earlier in this manual. Refer to Replacing Bar and Chain earlier in this manual. Inspect guide bar and chain for damage.
Motor runs, chain rotates but does not cut.	Dull chain. Chain on backwards.	Sharpen chain. Reverse direction of chain.

WARRANTY

We take pride in producing a high quality, durable product. This Lawnmaster® product carries a limited two (2) year warranty against defects in workmanship and materials from date of purchase under normal household use. If product is to be used for commercial, industrial or rental use, a 30 day limited warranty will apply. Batteries carry a one-year warranty against defects in workmanship and materials. Batteries must be charged in accordance with the operator's manual directions and regulations in order to be valid. Warranty does not apply to defects due to direct or indirect abuse, negligence, misuse, accidents, repairs or alterations and lack of maintenance. Please keep your receipt/packing list as proof of purchase. This warranty gives you specific legal rights, and you may have other rights, which vary from state to state. For product service call Customer Service at (866) 384-8432.

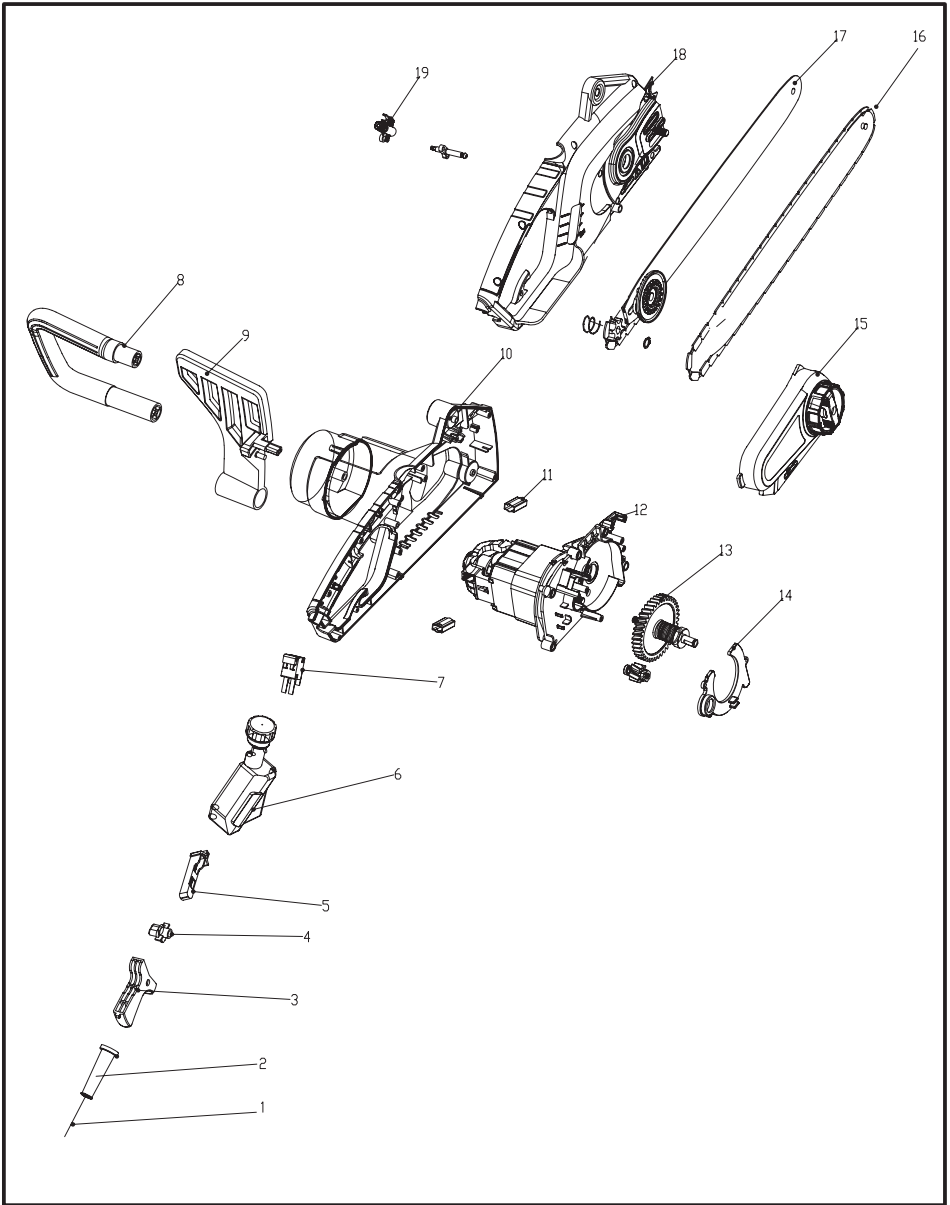
Items not covered by warranty :

1. Any part that has become inoperative due to misuse, commercial use, abuse, neglect, accident, improper maintenance, or alteration;
2. The unit, if it has not been operated and/or maintained in accordance with the owner's manual;
3. Normal wear, except as noted below;
4. Routine maintenance items such as lubricants, blade sharpening;
5. Normal deterioration of the exterior finish due to use or exposure.

Transportation Charges : Transportation charges for the movement of any power equipment unit or attachment are the responsibility of the purchaser. It is the purchaser's responsibility to pay transportation charges for any part submitted for replacement under this warranty unless such return is requested in writing by LawnMaster.

SAVE YOUR RECEIPTS. THIS WARRANTY IS VOID WITHOUT THEM.

EXPLODED VIEW / PARTS LIST



EXPLODED VIEW / PARTS LIST

CS1216 Manual Parts List			
Key Number	Drawing Number	Description	Quantity
1	171-7J13002	Power Cord	1
2	196-7J11601	Shield Sleeve	1
3	293-7J13001	Switch Button	1
4	293-7J13002	Button Assy	1
5	235-7J13001	Push Button	1
6	324-7J13001	Oil Reservoir	1
7	139-7J13001	Swith Assembly	1
8	297-7J13001	Top Handle	1
9	216-7J13001	Front Handle Guard	1
10	303-7J13001	Left Motor Housing	1
11	324-7J13002	Electrical Carbon Component	1
12	324-7J13003	Motor Assembly	1
13	324-7J13004	Gear Assembly	1
14	313-7J11203	Dust Proof Cover	1
15	324-7J13005	Tensioner Housing	1
16	372-1610	Chain	1
17	324-7J13006	Bar	1
18	303-7J13002	Right Motor Housing	1
19	324-7J13006	Oil Pump Assembly	1

TABLE DES MATIÈRES

CONTENU	46
DONNÉES TECHNIQUES	46
CONSIGNES DE SÉCURITÉ IMPORTANTES	47-49
RÈGLES GÉNÉRALES DE SÉCURITÉ	50-51
SYMBOLES	52-53
ÉQUIPEMENT ÉLECTRIQUE	54-55
FAMILIARISEZ-VOUS AVEC VOTRE SCIE À CHAÎNE	56-57
MONTAGE	58
UTILISATION	59-71
ENTRETIEN	72-84
DÉPANNAGE	85
GARANTIE	86
VUE ÉCLATÉE/LISTE DES PIÈCES	87-88
REMARQUES	89

DONNÉES TECHNIQUES

SCIE À CHAÎNE ÉLECTRIQUE DE 406 MM (16 PO) CS1216

Tension Nominale :	120 V 60Hz
Capacité :	12 A
Vitesse De La Chaîne (À Vide):	12m/s
Longueur Du Guide-chaîne:	406 mm (16 po)
Pas De Chaîne:	9,52 mm (3/8 po)
Réservoir D'huile:	120ml
Mise En Tension De La Chaîne Sans Outils (Sds):	Oui
Lubrificateur Automatique De Chaîne:	Oui
Griffes De Butée En Acier:	Oui
Bouton De Verrouillage Pour L'interrupteur Marche/arrêt:	Oui
Diamètre De Coupe Maximal	406 mm (16 Po)
Guide Oregon	516480 et 112364
Chaîne Oregon	91PX057

CONSIGNES DE SÉCURITÉ IMPORTANTES

AVERTISSEMENT

N'essayez pas d'utiliser cette machine avant d'avoir lu et entièrement compris toutes les consignes, informations de sécurité etc. contenues dans ce manuel. Dans le cas contraire, vous risquez de provoquer un accident, avec à la clé un incendie, une électrocution ou des blessures graves.

- Avant de commencer à couper du bois, attendez d'avoir un espace de travail dégagé, un bon équilibre et un chemin de retraite pour le moment où l'arbre tombera. Travailler au milieu du désordre augmente le risque d'accident.
 - Quand vous commencez à travailler ou que vous coupez du bois avec la scie à chaîne, assurez-vous qu'il n'y a ni enfants, ni spectateurs, ni visiteurs, ni animaux dans votre espace de travail.
 - N'utilisez pas la scie à chaîne dans des atmosphères explosives, comme en présence de liquides, de gaz ou de poussières inflammables. Les outils électriques créent des étincelles qui peuvent enflammer la poussière ou les vapeurs.
-

AVERTISSEMENT

Utilisez les cordons prolongateurs d'extérieur portant les labels SW-A, SOW-A, STW-A, STOW-A, SJW-A, SJTW-A ou SJTOW-A. Ces cordons sont conçus pour une utilisation en extérieur et réduisent les risques d'électrocution.

- Fiches polarisées. Afin de réduire les risques d'électrocution, cet outil dispose d'une fiche polarisée (l'une des lames est plus large que l'autre). Il n'y a qu'une façon d'insérer la fiche dans une prise polarisée. Si la fiche ne s'insère pas entièrement dans la prise, inversez la fiche. Si elle ne s'insère toujours pas correctement, contactez un électricien qualifié afin qu'il installe une prise adaptée. Ne modifiez en aucun cas la fiche.
 - Veillez à ce que votre cordon prolongateur soit en bon état. Lorsque vous utilisez un cordon prolongateur, veillez à ce que celui-ci soit suffisamment épais pour transporter le courant nécessaire au produit. Un calibre de fil (A.W.G) d'au minimum 14 est recommandé pour un cordon prolongateur de 15 m (50 pieds) maximum. Nous vous déconseillons d'utiliser un cordon de plus de 30 m (100 pieds). En cas de doute, utilisez le calibre immédiatement supérieur. Plus le numéro du calibre est petit, plus le cordon est épais. Un cordon de calibre insuffisant provoquera une chute de tension engendrant une perte de puissance et une surchauffe.
 - Examinez régulièrement les cordons et, s'ils sont endommagés, faites-les réparer par un électricien agréé. À tout moment, vous devez savoir où se trouve votre cordon. Le respect de cette consigne réduira les risques d'électrocution ou d'incendie.
 - Portez des vêtements bien ajustés. Portez toujours un pantalon long et solide, une salopette, des jeans ou des jambières en tissu anti-coupure ou contenant des entre-deux dans une matière anti-coupure. Portez des chaussures de sécurité antidérapantes. Pour avoir une meilleure prise et vous protéger les mains, portez de gros gants de travail antidérapants. Évitez de porter des bijoux, des shorts, des sandales, voire d'être pieds nus. Évitez de porter des vêtements lâches: ils pourraient s'accrocher dans le moteur, la chaîne ou les broussailles. Attachez-vous les cheveux de façon qu'ils ne tombent pas en-dessous des épaules.
-

CONSIGNES DE SÉCURITÉ IMPORTANTES

- Porter une tenue de protection lourde peut augmenter la fatigue et entraîner un coup de chaleur.
- Lorsque le temps est chaud et humide, travaillez en début de matinée ou en fin d'après-midi, quand les températures sont plus clémentes.
- Quand vous maniez cette machine, utilisez une protection oculaire répondant à la norme ANSI Z87.1, ainsi que des protections auditives et un casque. Des protections auditives sont indispensables.
- Quand vous utilisez la scie à chaîne, sachez toujours ce que vous faites. Faites preuve de bon sens. N'utilisez jamais l'appareil lorsque vous êtes fatigué, malade ou sous l'effet de l'alcool, de drogues ou de médicaments.
- N'exposez pas la scie à chaîne à la pluie.
- N'utilisez pas l'appareil dans un endroit humide ou mouillé.
- Soyez attentif à ce que vous faites.
- Maintenez tout membre du corps à l'écart lorsque la scie à chaîne est en fonctionnement.
- Tenez toujours la scie à chaîne par la poignée de devant, batterie retirée et le guide et la chaîne en position arrière.
- Ne laissez jamais employer la scie à chaîne par quelqu'un qui n'ait pas été formé à son utilisation, qu'il s'agisse d'une scie privée ou de location.
- Avant d'allumer la machine, assurez-vous que la chaîne n'est en contact avec aucun objet.
- Arrêtez la scie à chaîne avant de la déposer.
- Pour éviter un démarrage accidentel, ne tenez jamais la machine en ayant le doigt sur le bouton de mise en marche.
- Entretenez l'appareil avec soin. Pour obtenir les meilleurs résultats et réduire le risque de blessures, veillez à ce que le tranchant soit toujours affûté. Suivez les instructions concernant la lubrification et le remplacement des accessoires.
- Maintenez les poignées sèches, propres et exemptes d'huile et de graisse.
- N'utilisez pas la scie à chaîne à une seule main! Pour avoir une bonne prise, veillez à bien serrer les pouces et les autres doigts autour des poignées. Si vous utilisez l'appareil à une seule main, vous risquer de causer des blessures graves non seulement à vous-même mais aussi aux autres travailleurs et aux personnes qui se trouvent à proximité. Une scie à chaîne est conçue pour être utilisée à deux mains.
- Évitez tout contact corporel avec des surfaces mises à la terre, telles que les tuyaux et les clôtures métalliques. Le risque d'électrocution est accru si votre corps est en contact avec la terre.
- N'utilisez pas une scie à chaîne endommagée ou dont les pièces soient mal ajustées, incomplètes ou mal assemblées. Quand vous lâchez l'interrupteur à gâchette, la chaîne doit ralentir puis s'arrêter. Si la chaîne continue à tourner une fois que vous avez lâché l'interrupteur à gâchette, faites réviser l'appareil par votre concessionnaire LawnMaster.
- Vérifiez que toutes les pièces sont en bon état, que les pièces mobiles sont alignées correctement et ne sont pas bloquées, qu'elles ne présentent ni déformation ni rupture, ni autre dommage pouvant affecter le fonctionnement de l'outil.
- Tout entretien ou réparation ne figurant pas dans les sections utilisation et entretien de ce manuel devra être assuré par votre concessionnaire LawnMaster.

CONSIGNES DE SÉCURITÉ IMPORTANTES

- Veillez toujours à votre position.
 - N'utilisez pas l'outil si l'interrupteur ne le met pas en marche ou ne l'éteint pas. Faites remplacer l'interrupteur défectueux par un centre d'entretien agréé.
 - N'utilisez pas votre scie à chaîne avec un guide-chaîne arqué et ne l'employez pas pour faire fonctionner des pièces ou des fixations qui ne sont pas prévues pour elle.
 - Débranchez la scie à chaîne dans les circonstances suivantes: quand vous ne l'utilisez pas, avant de lui faire passer un entretien, quand vous faites des réglages et quand vous changez des pièces telles que la chaîne et le garde-chaîne.
 - Ne l'utilisez pas pour couper de la vigne ni des broussailles.
 - N'utilisez pas une chaîne à scie en étant dans un arbre, sur une échelle ou sur un échafaudage: c'est extrêmement dangereux.
-

REMARQUE: La taille de l'espace de travail requis est fonction de la tâche à accomplir et de la taille de l'arbre ou de l'objet sur lequel vous travaillez. Par exemple, abattre un arbre demande un espace de travail plus grand que le débiter.

- Soyez extrêmement circonspect quand vous coupez des arbrisseaux et du boisage: les petits végétaux peuvent se prendre dans la chaîne et vous gicler au visage ou vous faire perdre l'équilibre.
 - Si vous coupez une branche soumise à une tension, faites attention au rebond.
 - Ne forcez pas la scie à chaîne. Vous obtiendrez un meilleur travail si vous faites tourner la scie à la vitesse pour laquelle elle a été conçue.
 - Veillez toujours à ce que le produit et son utilisation soient en adéquation. N'employez la scie à chaîne que pour couper du bois. Ne l'employez jamais pour couper du plastique, de la maçonnerie ou des matériaux de construction qui ne soient pas en bois ou à base de bois.
 - N'employez la scie à chaîne que pour ce pour quoi elle a été conçue.
 - Rangez la scie à chaîne lorsque vous ne l'utilisez pas. Gardez-la dans un endroit sec, fermé ou en hauteur, hors de portée des enfants.
 - Conservez ces consignes. Consultez-les fréquemment et utilisez-les pour expliquer le fonctionnement de cet outil aux autres personnes susceptibles de l'utiliser. Si vous prêtez cet outil, prêtez également ce manuel.
-

AVERTISSEMENT

Certaines poussières générées par ponçage électrique, sciage, broyage, perçage et d'autres activités liées à la construction contiennent des produits chimiques connus pour provoquer des cancers, des malformations congénitales ou autres dommages au fœtus. Parmi ces produits de synthèse figurent:

- le plomb provenant de diverses peintures à base de plomb,
- la silice cristalline provenant des briques et du ciment ainsi que d'autres produits de maçonnerie et
- l'arsenic et chrome provenant du bois traité avec des produits de synthèse.

Les risques d'exposition à ces produits de synthèse dépendent de la fréquence à laquelle vous effectuez ce type de travail. Afin de réduire votre exposition à ces produits, travaillez dans un endroit bien aéré, avec un équipement de sécurité agréé, comme les masques à poussière spécialement conçus pour filtrer les particules microscopiques.

CONSERVEZ CES CONSIGNES

RÈGLES GÉNÉRALES DE SÉCURITÉ

REBOND (voir fig. 1 et 2)

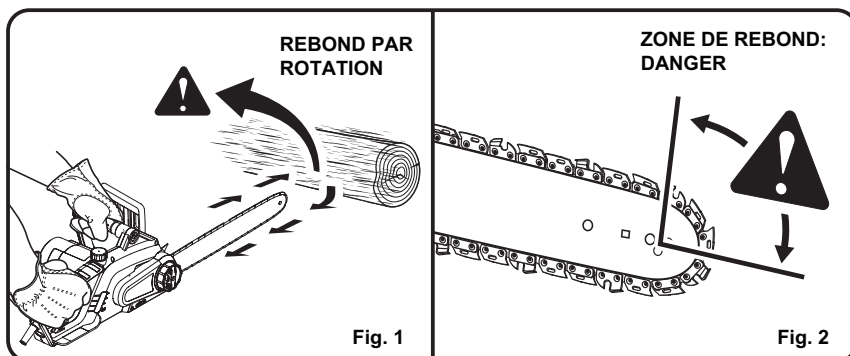
⚠ AVERTISSEMENT

Un rebond peut se produire si la pointe du guide-chaîne touche un objet ou que le bois se resserre et coince la scie à chaîne dans l'entaille. Le contact de la partie supérieure de l'extrémité du guide peut faire plonger la chaîne dans le bois et la bloquer pendant un instant. Il en résulte une réaction fulgurante, projetant le guide vers le haut et l'arrière, en direction de l'utilisateur. Si la chaîne se coince sur le haut du guide, celui-ci peut être projeté violemment en arrière, en direction de l'utilisateur. L'une comme l'autre, ces réactions peuvent vous faire perdre le contrôle de l'outil et entraîner des blessures graves. Ne vous fiez pas exclusivement aux dispositifs de sécurité incorporés à votre scie à chaîne.

Un utilisateur responsable doit multiplier les précautions pour éviter les accidents et blessures lors de l'emploi d'une scie à chaîne.

PRÉCAUTIONS À PRENDRE POUR MINIMISER LE REBOND:

1. Prenez toujours la scie à chaîne fermement à deux mains et tenez-la de cette même manière pendant qu'elle fonctionne. Tenez la poignée avant avec la main gauche et la poignée arrière avec la main droite, en serrant bien les pouces et les autres doigts autour des poignées. Si vous avez une bonne prise et le bras gauche bien tendu, vous pourrez mieux maîtriser la chaîne à scie en cas de rebond.
2. Assurez-vous que la zone de travail est bien dégagée. Évitez que l'extrémité du guide entre en contact avec une bille, une branche, une palissade ou tout autre obstacle susceptible d'être heurté pendant le travail.
3. Veillez à ce que la machine tourne toujours pendant que vous coupez le bois. Serrez la gâchette à fond et maintenez la vitesse de coupe.
4. Utilisez exclusivement les guides et chaînes à faible rebond spécifiés pour cet outil.
 - Si vous comprenez le principe du rebond, vous pourrez réduire ou éliminer la dimension de surprise. L'élément de surprise contribue à causer des accidents.
 - Maintenez constamment votre équilibre et une assise ferme.
 - Ne sciez pas à bout de bras ni plus haut que la hauteur des épaules.
 - Respectez les consignes d'entretien et d'aiguisage donnés pour la scie à chaîne.



RÈGLES GÉNÉRALES DE SÉCURITÉ

- Poussée et traction - Cette force de réaction est toujours à l'inverse du sens de rotation de la chaîne à l'endroit du contact avec le bois. L'utilisateur doit donc être prêt à contrôler la TRACTION lorsqu'il scie avec le bas du guide, et la POUSSÉE lorsqu'il scie avec le dessus (voir fig. 3)

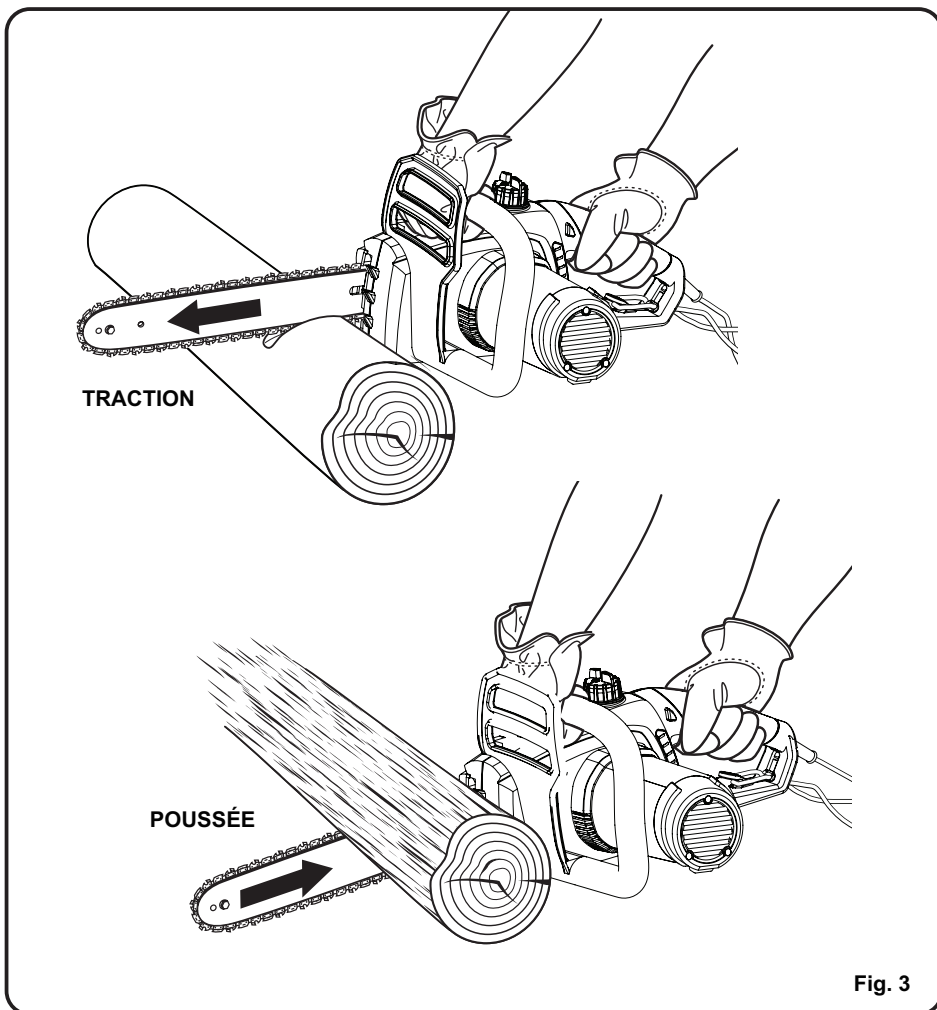













Fig. 3




SYMBOLES

Vous trouverez peut-être certains des symboles suivants sur ce produit. Veuillez les étudier et apprendre leur signification. Une interprétation correcte de ces symboles vous permettra d'utiliser le produit d'une façon plus performante et plus sûre.

SYMBOLE	NOM	DÉSIGNATION/EXPLICATION
V	Volts	Tension
A	Ampères	Courant
Hz	Hertz	Fréquences (cycles par seconde)
W	Watts	Alimentation
min	Minutes	Durée
~	Courant Alternatif	Type De Courant
—	Courant Continu	Type Ou Caractéristique Du Courant
n_0	Vitesse À Vide	Vitesse Rationnelle, À Vide
	Fabrication De Classe II	Fabrication À Double Isolation
/min	Par Minute	Révolutions, Amplitudes De Pulsation, Vitesse De Surface, Orbites, Etc. Par Minute
	Alerte De Conditions Humides	N'exposez Pas L'outil À La Pluie, Ne L'utilisez Pas Dans Des Endroits Humides.
	Lisez Le Manuel D'utilisation	Pour Réduire Les Risques De Blessures, L'utilisateur Doit Lire Et Assimiler Le Contenu Du Manuel D'utilisation Avant De Se Servir De Cet Appareil.
	Protection Des Yeux Et De La Tête	Portez Des Lunettes De Protection Et Un Casque Lorsque Vous Utilisez Cet Appareil.
	Alerte De Sécurité	Précautions Pour Assurer Votre Sécurité
	Utilisez Vos Deux Mains	Tenez La Machine Et Utilisez-la À Deux Mains
	Rebond	DANGER! Attention Au Rebond!
	Extrémité Du Guide	Évitez Tout Contact Avec L'extrémité Du Guide.
	Gants De Protection	Quand Vous Utilisez La Scie À Chaîne, Protégez-vous Les Mains Avec De Gros Gants De Travail Antidérapants.
	Portez Des Chaussures De Sécurité	Quand Vous Utilisez Cette Machine, Portez Des Chaussures De Sécurité Antidérapantes.
	Maintenez Les Personnes Présentes À L'écart	Maintenez Toutes Les Personnes Présentes À Une Distance D'au Moins 15 M (50 Pieds).

SYMBOLES

Les termes de mise en garde suivants et leur signification visent à expliquer le degré de risque associé à cet appareil.

SYMBOLE	MISE EN GARDE	SIGNIFICATION
	DANGER	Indique Une Situation De Danger Immédiat Qui, Si Elle N'est Pas Évitée, Provoquera Des Blessures Graves, Voire La Mort.
	AVERTISSEMENT	Indique Une Situation De Danger Potentiel Qui, Si Elle N'est Pas Évitée, Peut Provoquer Des Blessures Graves, Voire La Mort.
	ATTENTION	Indique Une Situation De Danger Potentiel Qui, Si Elle N'est Pas Évitée, Pourrait Provoquer Des Blessures Mineures Ou Modérées.
	ATTENTION	(Sans Symbole D'alerte De Sécurité) Indique Une Situation Pouvant Provoquer Des Dégâts Matériels.

ENTRETIEN

L'entretien requiert une prudence extrême et une bonne connaissance de l'outil. Il doit donc exclusivement être réalisé par un personnel d'entretien qualifié. Dans le cas où un entretien serait nécessaire, nous vous recommandons de renvoyer l'outil dans le **CENTRE D'ENTRETIEN AGRÉÉ** le plus proche de votre domicile. Pour l'entretien et les réparations, utilisez exclusivement des pièces de rechange identiques à celles d'origine.

AVERTISSEMENT

Pour éviter toute blessure grave, n'essayez pas d'utiliser ce produit avant d'avoir lu attentivement ce manuel d'utilisation et de l'avoir entièrement assimilé. Si vous ne comprenez pas les avertissements et les instructions de ce manuel d'utilisation, n'utilisez pas ce produit. Si vous avez besoin d'aide, appelez la ligne d'assistance téléphonique sans frais (1-866-384-843). L'utilisation d'un outil électrique peut provoquer des projections d'objets étrangers dans les yeux, avec des risques de lésions oculaires graves. Avant de commencer à utiliser un outil électrique, portez toujours des lunettes de sécurité, des lunettes de sécurité à écrans latéraux ou, le cas échéant, un écran facial complet.

Nous recommandons de porter le masque de protection Wide Vision par-dessus des lunettes de vue ou des lunettes de sécurité classiques à écrans latéraux. Utilisez toujours une protection oculaire répondant à la norme ANSI Z87.1.

AVERTISSEMENT



L'utilisation d'un outil électrique peut provoquer des projections d'objets étrangers dans les yeux, avec des risques de lésions oculaires graves. Avant de commencer à utiliser un outil électrique, portez toujours des lunettes de sécurité, des lunettes de sécurité à écrans latéraux ou, le cas échéant, un écran facial complet. Nous recommandons de porter le masque de protection Wide Vision par-dessus des lunettes de vue ou des lunettes de sécurité classiques à écrans latéraux. Utilisez toujours une protection oculaire répondant à la norme ANSI Z87.1.

CONSERVEZ CES CONSIGNES

ÉQUIPEMENT ÉLECTRIQUE

⚠ AVERTISSEMENT

POUR ÉVITER TOUT RISQUE D'ÉLECTROCUTION, D'INCENDIE OU D'ENDOMMAGEMENT DE L'OUTIL, VEUILLEZ UTILISER UNE PROTECTION DE CIRCUIT ADÉQUATE. LE CÂBLAGE D'USINE DE CETTE SCIE À CHAÎNE EST PRÉVU POUR UNE UTILISATION À 120 V. BRANCHEZ L'APPAREIL SUR UN CIRCUIT À 120 V 15 A ET METTEZ UN FUSIBLE TEMPORISÉ DE 15 A OU UN DISJONCTEUR. POUR ÉVITER TOUT RISQUE D'ÉLECTROCUTION OU D'INCENDIE, SI LE CORDON D'ALIMENTATION EST USÉ, COUPÉ OU ENDOMMAGÉ, REMPLACEZ-LE IMMÉDIATEMENT.

DOUBLE ISOLATION (voir figure 4)

Cette scie à chaîne est équipée d'une fiche qui ressemble à celle représentée sur la figure 4. Elle comporte une double isolation afin de fournir une double épaisseur d'isolation entre vous et le système électrique de l'outil. Tous les éléments métalliques exposés sont isolés des composants métalliques internes du moteur par une isolation de protection.

⚠ AVERTISSEMENT

POUR ÉVITER LES RISQUES DE BLESSURES, UTILISEZ EXCLUSIVEMENT DES PIÈCES DE RECHANGE IDENTIQUES À CELLES D'ORIGINE.

⚠ AVERTISSEMENT

LA DOUBLE ISOLATION NE REMPLACE PAS LES MESURES DE SÉCURITÉ NORMALES LORS DU FONCTIONNEMENT DE L'OUTIL.

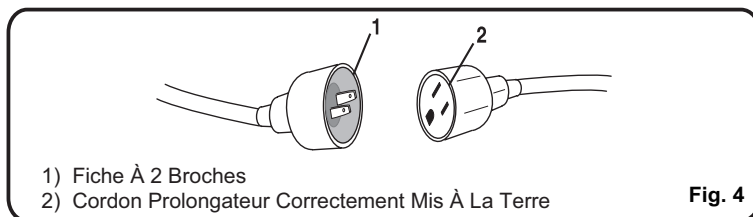
⚠ AVERTISSEMENT

POUR ÉVITER TOUTE ÉLECTROCUTION:

1. Lors de l'entretien d'un outil à double isolation, utilisez exclusivement des pièces de remplacement identiques à celles d'origine. L'entretien doit être effectué par un technicien qualifié.
 2. Ne pas utiliser dans des endroits humides et ne pas exposer à la pluie.
-

⚠ CAUTION

DANS TOUS LES CAS, ASSUREZ-VOUS QUE LA PRISE EST CORRECTEMENT MISE À LA TERRE. EN CAS DE DOUTE, FAITES VÉRIFIER LA PRISE PAR UN ÉLECTRICIEN AGRÉÉ.



ÉQUIPEMENT ÉLECTRIQUE

AVERTISSEMENT

CET OUTIL EST CONÇU POUR ÊTRE EXCLUSIVEMENT UTILISÉ À L'EXTÉRIEUR. NE PAS EXPOSER À LA PLUIE NI UTILISER DANS DES ENDROITS HUMIDES.

DIRECTIVES RELATIVES À L'UTILISATION DE CORDONS PROLONGATEURS

UTILISEZ UN CORDON PROLONGATEUR ADÉQUAT. Veillez à ce qu'il soit en bon état. Lorsque vous utilisez un cordon prolongateur, veillez à ce que son calibre soit suffisant pour transporter le courant nécessaire au produit. Un cordon de taille insuffisante provoquera une surchauffe. Le tableau ci-dessous montre la taille correcte à utiliser en fonction de la longueur du cordon et de la valeur nominale indiquée sur la plaque signalétique. En cas de doute, utilisez le calibre immédiatement supérieur. Plus le numéro du calibre est petit, plus le cordon est épais.

CALIBRE MINIMAL POUR CORDONS PROLONGATEURS (AWG)

(TENSION DE 120 V UNIQUEMENT)

Intensité Nominale		Longueur Totale Du Cordon En Mètres (Pieds)			
Plus De	Pas Plus De	7,6 m (25 P)	15 m (50 P)	30,4 m (100 P)	45,7 m (150 P)
0	6	18	16	16	14
6	10	18	16	14	12
10	12	16	16	14	12
12	16	14	12	Déconseillé	

Veillez à ce que votre cordon prolongateur soit correctement câblé et en bon état. Un cordon prolongateur endommagé doit toujours être remplacé ou réparé par une personne qualifiée avant de pouvoir être réutilisé. Maintenez les cordons prolongateurs à bonne distance des objets coupants, d'une source de chaleur excessive ou des endroits humides ou mouillés.

Utilisez un circuit électrique séparé pour vos outils. Ce circuit ne doit pas être inférieur à un cordon de calibre 12 et doit être protégé à l'aide d'un fusible temporisé de 15 ampères. Avant de connecter le moteur à la ligne électrique, assurez-vous que l'interrupteur est en position OFF (arrêt) et que le courant électrique est identique à celui indiqué sur la plaque signalétique du moteur.

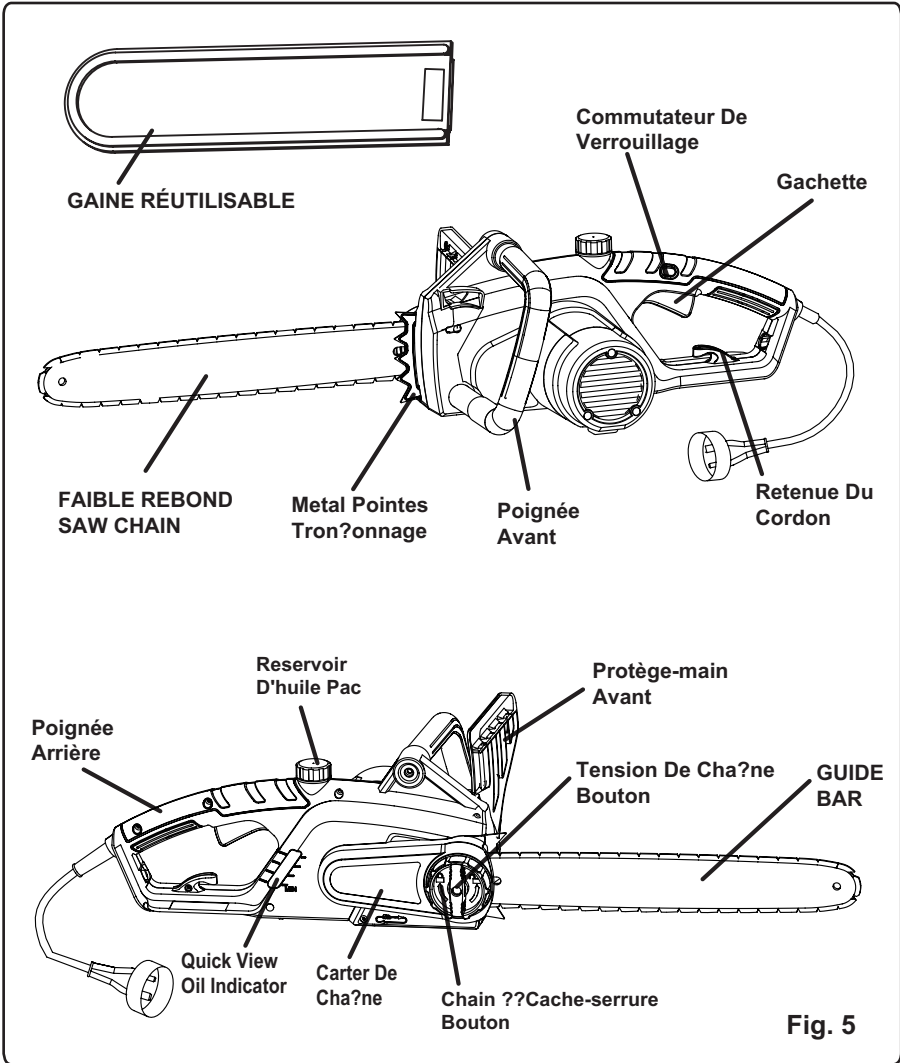
Un fonctionnement à une tension inférieure endommagerait le moteur.

AVERTISSEMENT

POUR PROTÉGER L'UTILISATEUR DE TOUT RISQUE D'ÉLECTROCUTION, CET OUTIL DOIT ÊTRE MIS À LA TERRE LORSQU'IL EST UTILISÉ.

CONSERVEZ CES CONSIGNES

FAMILIARISEZ-VOUS AVEC VOTRE SCIE À CHAÎNE



FAMILIARISEZ-VOUS AVEC VOTRE SCIE À CHAÎNE

Pour utiliser ce produit en toute sécurité, assimilez bien les informations inscrites sur l'outil et contenues dans le présent manuel. Préparez également soigneusement votre projet de travail. Avant d'utiliser cet appareil, familiarisez-vous avec toutes les caractéristiques de fonctionnement ainsi que les règles de sécurité.

BOUTON DE TENSION DE LA CHAÎNE

Dispositif permettant de régler la tension de la chaîne.

GUIDE-CHAÎNE

Le guide-chaîne d'origine possède une extrémité à faible rayon, qui permet de réduire un peu le risque de rebond.

CHAÎNE À FAIBLE REBOND

La chaîne à rebond réduit contribue à réduire la puissance du rebond en empêchant les gouges (lames) de s'enfoncer trop profondément dans la zone de rebond.

INDICATEUR INSTANTANÉ DE NIVEAU D'HUILE

Réservoir semi-transparent, permettant à l'utilisateur de voir quand il faut ajouter de l'huile.

VERROUILLAGE DE L'INTERRUPTEUR

Dispositif de sécurité permettant d'éviter un démarrage accidentel du moteur.

INTERRUPTEUR À GÂCHETTE

Après avoir enfoncé le verrou de l'interrupteur, pressez la gâchette pour faire démarrer la machine. Pour l'arrêter, relâchez la gâchette.

MONTAGE

DÉBALLAGE

Ce produit a été expédié entièrement monté.

- Faites bien attention quand vous sortez le produit et ses accessoires de la boîte. Vérifiez que tous les accessoires répertoriés sont présents.
- Contrôlez soigneusement le produit pour vérifier qu'aucun bris ou dommage ne s'est produit durant le transport.
- Ne jetez pas le matériel d'emballage avant d'avoir soigneusement examiné le produit et d'avoir constaté qu'il fonctionne de façon satisfaisante.
- Si des pièces manquent ou sont endommagées, veuillez contacter le service à la clientèle au 1-866-384-8432 pour obtenir de l'aide.

LISTE D'EMBALLAGE

- Scie à chaîne
- Gaine réutilisable
- Manuel d'utilisation

AVERTISSEMENT

Si des pièces sont manquantes ou endommagées, ne faites pas fonctionner ce produit avant de les avoir remplacées.

Le non-respect de cet avertissement peut entraîner des blessures graves.

AVERTISSEMENT

Ne pas relier à une source d'alimentation avant que le montage soit terminé. Le non-respect de cette consigne peut provoquer un démarrage accidentel et entraîner des blessures graves.

AVERTISSEMENT

N'essayez pas de modifier ce produit ou de créer des accessoires non expressément recommandés pour celui-ci. De telles altérations ou modifications constituent un cas d'utilisation impropre et peuvent provoquer des situations dangereuses, susceptibles d'entraîner des blessures graves.

UTILISATION

AVERTISSEMENT

Restez prudent, même lorsque vous penserez bien connaître ce produit. Souvenez-vous qu'une fraction de seconde d'inattention peut suffire pour provoquer des blessures graves.

AVERTISSEMENT

Quand vous utilisez des outils électriques, portez toujours des lunettes de sécurité ou des lunettes de sécurité à écrans latéraux. Le non-respect de cette consigne peut provoquer des projections d'objets dans les yeux, avec des risques de lésions graves.

AVERTISSEMENT

N'utilisez pas de fixations ou d'accessoires non expressément recommandés par le fabricant de ce produit. L'utilisation de fixations ou d'accessoires non recommandés peut entraîner des blessures graves.

APPLICATIONS

Ce produit est destiné aux tâches suivantes:

- Ébranchage grossier, abattage et débitage
- Élimination de grosses racines

AJOUTER DU LUBRIFIANT POUR LE GUIDE ET LA CHAÎNE *(voir fig. 6)*

Utilisez un lubrifiant standard pour guide et chaîne de scie à chaîne. Ces produits sont conçus pour les chaînes et les lubrificateurs de chaînes et leur formule leur permet d'agir dans un large éventail de températures sans qu'il y ait besoin de les diluer.

REMARQUE: La scie à chaîne est fabriquée sans ajout d'huile pour la chaîne ou le guide.

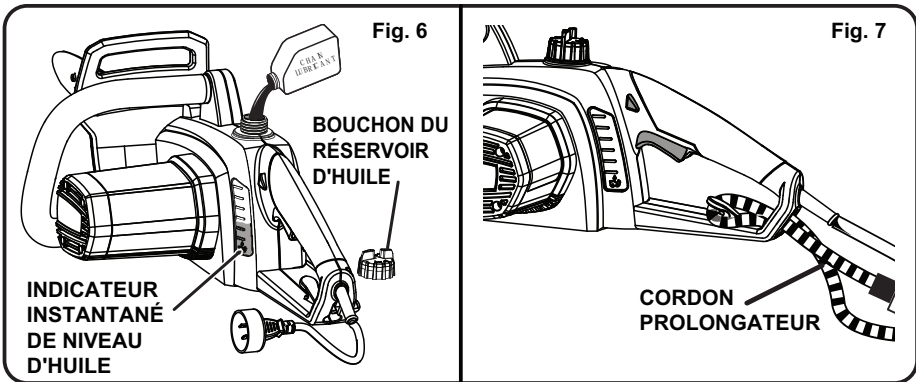
Vérifiez donc le niveau toutes les 20 minutes et ajoutez de l'huile si nécessaire.

- Retirez le bouchon du réservoir.
 - Remplissez le réservoir d'huile pour la chaîne et le guide.
 - Essuyez l'huile excédentaire.
 - Quand l'indicateur instantané de niveau en dessous du minimum (MIN.), remplissez le réservoir.
 - Répétez le processus si nécessaire.
-

REMARQUE: *Évitez d'employer des huiles sales, usées ou autrement contaminées: cela risque d'endommager la chaîne ou le guide.*

REMARQUE: *Si vous voyez que la scie à chaîne perd de l'huile quand elle n'est pas utilisée, c'est normal. Si vous voulez éviter ces pertes, videz le réservoir après chaque utilisation et faites tourner la machine pendant une minute. Si vous comptez ne pas utiliser la machine pendant trois mois ou plus, veillez à lubrifier légèrement la chaîne: vous éviterez ainsi la formation de rouille sur la chaîne et les pignons du guide.*

UTILISATION



RACCORDEMENT À LA SOURCE D'ALIMENTATION (voir fig. 7)

Cette scie à chaîne est conçue avec un serre-câble qui empêche le cordon prolongateur de se détacher pendant l'utilisation.

- Formez une boucle avec l'extrémité de la rallonge.
- Insérez la partie de la boucle du cordon prolongateur à travers l'ouverture dans le côté de la poignée arrière et placez-la sur la fixation du cordon.
- Tirez doucement la boucle contre le serre-câble jusqu'à ce qu'il n'y ait plus aucun mou.
- Raccordez la scie au cordon prolongateur.

REMARQUE: Si vous n'éliminez pas totalement l'excédent de mou du serre-câble du cordon prolongateur, la fiche risque de se détacher de la prise.

DÉMARRAGE/ARRÊT DE LA SCIE À CHAÎNE (voir la fig. 8)

⚠ AVERTISSEMENT

Veillez à toujours vous trouver à la gauche de l'axe de la chaîne. Ne chevauchez jamais la scie ou la chaîne et ne vous penchez jamais au-delà de l'axe de la chaîne.

UTILISATION

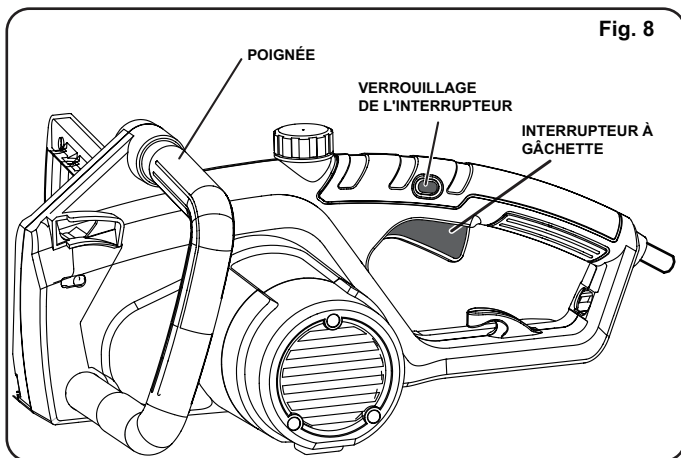
DÉMARRAGE DE LA SCIE À CHAÎNE:

- Vérifiez que la chaîne est tendue à la tension adéquate. Reportez-vous à la section de ce manuel consacrée au réglage de la tension de la chaîne.
- Vérifiez que le bouton de verrouillage du carter de chaîne est bien serré.
- Vérifiez qu'il ne traîne à proximité aucun objet susceptible d'entrer en contact avec la chaîne ou le guide.
- Enfoncez le verrou de l'interrupteur et maintenez. L'interrupteur à gâchette est maintenant utilisable.
- Enfoncez l'interrupteur à gâchette et maintenez, puis lâchez le verrou de l'interrupteur et maintenez l'interrupteur à gâchette enfoncé pour éviter que la scie ne s'éteigne.

ARRÊT DE LA SCIE À CHAÎNE:

REMARQUE: Une fois que vous aurez lâché l'interrupteur à gâchette, la chaîne ralentira jusqu'à l'arrêt complet. C'est normal.

- Pour arrêter la scie à chaîne, lâchez l'interrupteur à gâchette.
- Une fois que ce sera fait, le verrou de l'interrupteur se remettra automatiquement en position verrouillée.



UTILISATION

COMMENT SE PRÉPARER À SCIER

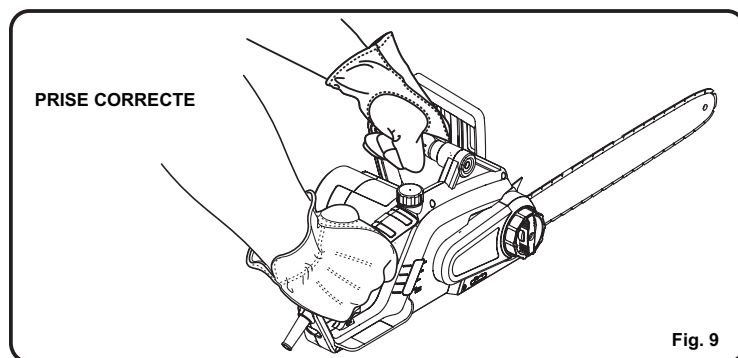
COMMENT TENIR CORRECTEMENT LES POIGNÉES (voir fig. 9)

Pour l'équipement de sécurité souhaitable, voir les Règles générales de sécurité.

- Pour avoir la meilleure prise et la meilleure protection possibles, portez des gants antidérapants.
- Prenez toujours la scie à chaîne fermement à deux mains. Tenez toujours la poignée avant avec la main gauche et la poignée arrière avec la main droite, de façon à avoir le corps à gauche de l'axe de la chaîne.
- Veillez à toujours avoir la scie bien en main quand le moteur tourne. Veillez à avoir les doigts bien serrés autour de la poignée, avec le pouce recroquevillé sous la barre. Cette position des mains sera la plus stable en cas de rebond ou de saute de la scie à chaîne. Toute position où le pouce et les autres doigts sont sur le même côté de la poignée est dangereuse parce que la scie à chaîne risque de vous échapper et cas de saute ou de rebond, même léger.

AVERTISSEMENT

Ne tenez jamais la scie à chaîne de la main gauche (mains inversées) et bannissez toute position qui vous oblige à avoir le bras ou le corps en travers de l'axe de la chaîne.



AVERTISSEMENT

N'actionnez PAS l'interrupteur avec la main gauche en tenant la poignée avant avec la main droite. Ne laissez jamais une partie du corps quelconque se trouver dans l'axe de chaîne pendant que la scie à chaîne fonctionne.



AXE DE
LA CHAÎNE →

UTILISATION

BONNE POSITION POUR SCIER (voir fig. 10)

- Tenez-vous bien campé et en équilibre sur les deux pieds, sur un sol ferme.
- Gardez le bras gauche bien tendu, coude bloqué, afin de pouvoir faire face à un éventuel rebond.
- Veillez à vous trouver à la gauche de l'axe de la chaîne.
- Gardez le pouce recroquevillé sous la barre.

MÉTHODE D'UTILISATION/DE COUPE ÉLÉMENTAIRE

Exercez-vous en coupant quelques petites branches avec la technique décrite ci-après, pour vous familiariser avec la scie à chaîne avant d'entreprendre un travail plus important.

- Mettez-vous en position correcte, face à la pièce à couper, scie arrêtée.
- Enfoncez le verrou de l'interrupteur et serrez l'interrupteur à gâchette, puis lâchez le verrou et laissez la chaîne parvenir à pleine vitesse avant de commencer la coupe.
- Commencez la coupe avec la scie appuyée contre la bille.
- Maintenez un régime moteur uniforme pendant toute la durée de la coupe.
- Laissez la chaîne effectuer le travail; ne la poussez vers le bas que légèrement. Si vous poussez de façon excessive, vous risquez d'endommager la chaîne, le guide ou le moteur.
- Relâchez l'interrupteur à gâchette dès que la coupe a été effectuée et attendez que la chaîne s'immobilise. Faire fonctionner l'appareil sans charge de coupe peut causer une usure excessive de la chaîne, du guide et du moteur.
- N'appuyez pas sur la scie en fin de coupe.

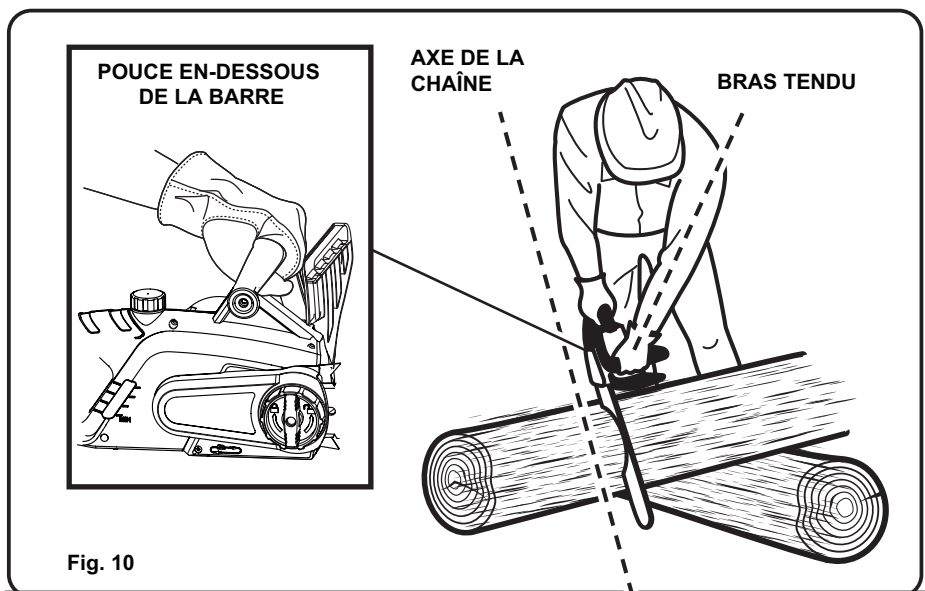


Fig. 10

UTILISATION

PRÉCAUTIONS DE CHANTIER (voir fig. 11)

- Ne coupez pas de plastique, de maçonnerie ni de matériaux de construction qui ne soient pas en bois ou à base de bois.
- Ne laissez jamais des enfants utiliser cet outil. Ne laissez jamais employer la scie à chaîne par quelqu'un qui n'ait pas lu le manuel d'utilisation ou qui n'ait pas été formé à son utilisation.
- Maintenez tout le monde (autres travailleurs, spectateurs, enfants, animaux) à BONNE DISTANCE de votre zone de coupe. Pour l'abattage, la distance de sécurité doit être d'au moins deux fois la taille de l'arbre le plus grand se trouvant dans la zone de coupe. Pour le débitage, maintenez une distance d'au moins 4,6 m (15 P) entre les travailleurs.
- Travaillez toujours avec les deux pieds sur un sol ferme, pour éviter de perdre l'équilibre.
- Ne coupez rien au-dessus du niveau de la poitrine parce qu'une scie tenue en hauteur est difficile à maîtriser en cas de rebond.
- N'abattez pas d'arbres à proximité de lignes électriques ou de bâtiments. Laissez ce travail à des professionnels.
- Ne coupez que lorsque la visibilité et la lumière permettent de bien voir.



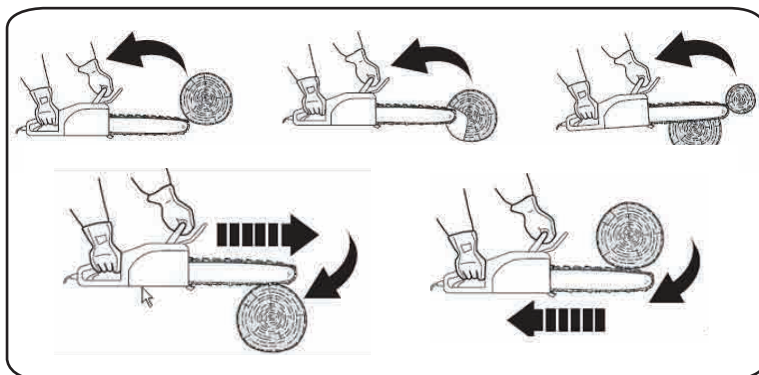
Fig. 11

ABATTAGE D'ARBRES

CONDITIONS DANGEREUSES (See Fig. 12)

Quand vous abattez un arbre, gardez à l'esprit les avertissements suivants, pour éviter des blessures potentiellement graves.

UTILISATION



POUR ÉVITER LES REBONDS

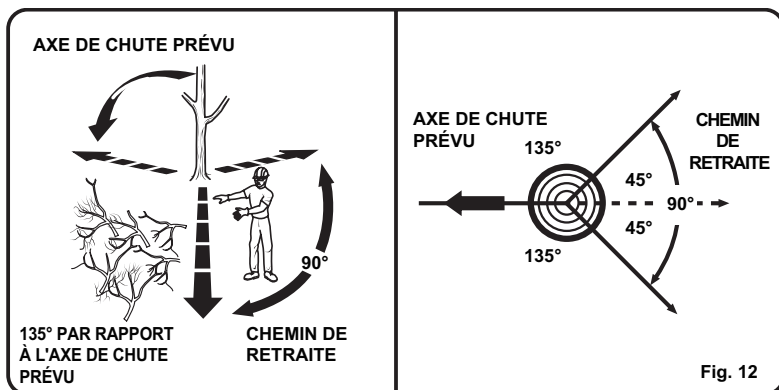
- Sciez avec le guide-chaîne à angle plat.
- Ne travaillez jamais avec une chaîne lâche, détendue ou très usée.
- Assurez-vous que la chaîne est correctement affûtée.
- Ne travaillez jamais au-dessus de la hauteur des épaules.
- Ne travaillez jamais avec la pointe du guide-chaîne.
- Tenez toujours la scie à chaîne fermement à deux mains.
- Utilisez toujours une chaîne à faible rebond.
- Utilisez les griffes de butée en acier pour avoir un effet de levier.
- Vérifiez la tension de la chaîne.
- Ne coupez qu'avec le moteur à haute vitesse.
- Évitez que l'extrémité du guide entre en contact avec une bille, une branche ou tout autre obstacle susceptible d'être heurté pendant le travail.
- Respectez les consignes d'entretien et d'aiguisage donnés par le fabricant de la scie à chaîne.
- En cas de remplacement, utilisez exclusivement les guides et chaînes spécifiés par le fabricant ou des produits équivalents.

Quand deux personnes ou plus font de l'abattage et du débitage ensemble, veillez à laisser entre l'abattage et le débitage une distance d'au moins deux fois la taille de l'arbre à abattre.

Quand vous abattez des arbres, veillez à ne mettre en danger ni personnes, ni lignes électriques ou conduites d'aucune sorte, ni biens ou possessions de quiconque. Si l'arbre heurte malgré tout une ligne électrique ou une conduite, avertissez immédiatement la société concernée.

Sur un terrain pentu, veillez à vous trouver en amont l'arbre, étant donné que celui-ci, une fois abattu, aura tendance à rouler ou glisser vers le bas.

UTILISATION



- Ne pas couper d'arbres extrêmement inclinés ni de gros arbres dont les branches soient pourries, l'écorce décollée ou le tronc creux. Ces arbres doivent être poussés ou tirés à terre par un engin de chantier lourd avant d'être débités.
- N'abattez pas d'arbres à proximité de lignes électriques ou de bâtiments.
- Regardez si l'arbre comporte des branches mortes ou endommagées risquant de tomber et de heurter l'utilisateur pendant l'abattage.
- Pendant le trait d'abattage, observez de temps à autre la cime de l'arbre pour vous assurer qu'il tombera dans la direction souhaitée.
- Si l'arbre commence à tomber dans une mauvaise direction ou que la scie à chaîne se pince ou se bloque pendant la chute, abandonnez-la et sauvez-vous!

AVERTISSEMENT

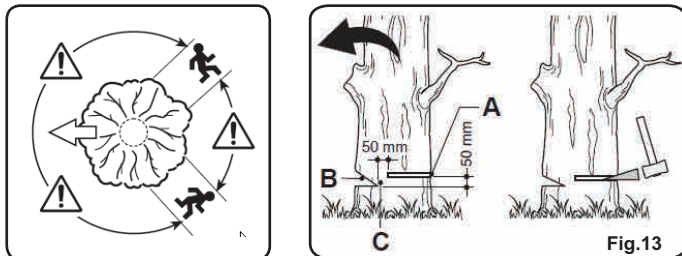
N'effectuez pas d'abattage par grand vent ou en cas de fortes précipitations. Attendez que le danger ait disparu.

PROCÉDURE CORRECTE POUR L'ABATTAGE (voir fig. 13)

- Abattage d'arbres Quand deux personnes ou plus font de l'abattage et du débitage ensemble, veillez à laisser entre l'abattage et le débitage une distance d'au moins deux fois la taille de l'arbre à abattre. Quand vous abattez des arbres, veillez à ne mettre en danger ni personnes, ni lignes électriques ou conduites d'aucune sorte, ni biens ou possessions de quiconque. Si un arbre heurte malgré tout une ligne électrique ou une conduite, avertissez immédiatement la société concernée.
- Sur un terrain pentu, veillez à vous trouver en amont l'arbre, étant donné que celui-ci, une fois abattu, aura tendance à rouler ou glisser vers le bas.
- Fixez-vous un chemin de retraite (ou plusieurs au cas où le chemin prévu serait bloqué). Déblayez les environs immédiats et assurez-vous qu'aucun obstacle ne se trouve sur le chemin de retraite que vous avez prévu. Déblayez le chemin de retraite sur environ 135° autour de l'axe de chute prévu.

UTILISATION

Il est nécessaire de prévoir un chemin de retraite sûr et libre de tout obstacle avant d'entreprendre la coupe de l'arbre. Le chemin de retraite doit être situé à l'arrière et en diagonale par rapport à l'axe de chute prévu (fig. 26). Avant de commencer l'abattage, tenez compte de l'inclinaison de l'arbre, de la position des grosses branches et de la direction du vent. Tous ces facteurs influenceront la direction dans laquelle l'arbre tombera.



SIFFLET

Pour faire un sifflet, pratiquez une entaille (B), d'environ le tiers du diamètre du tronc, perpendiculairement à l'axe de chute (fig. 13). Commencez toujours par l'entaille horizontale inférieure, de façon à empêcher le pincement de la scie à chaîne ou du guide quand vous ferez la deuxième entaille.

ENTAILLE ARRIÈRE

Pratiquez une entaille arrière (A) au moins 50 mm (2 po) au-dessus de l'entaille horizontale du sifflet (fig. 13). Veillez à ce que l'entaille arrière soit parallèle à l'entaille horizontale du sifflet. Pratiquez l'entaille arrière de telle façon qu'il reste assez de bois pour obtenir une «charnière»: c'est le bois de la charnière qui empêche l'arbre de basculer et de tomber dans une mauvaise direction.

Ne coupez jamais la charnière.

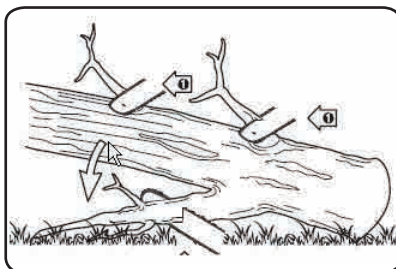
Lorsque le trait d'abattage se rapproche de la charnière, la chute de l'arbre est censée commencer. S'il y a un risque que l'arbre ne tombe pas dans l'axe souhaité ou qu'il retombe en arrière et bloque la scie à chaîne, arrêtez le trait d'abattage avant qu'il soit assez profond pour causer la chute de l'arbre et insérez des coins en bois, en plastique ou en aluminium dans l'entaille, de façon à l'ouvrir et à guider la chute de l'arbre.

Dès que l'arbre commence à tomber, retirez la scie à chaîne, arrêtez le moteur, posez la scie à terre et échappez-vous par le chemin de retraite prévu.

Méfiez-vous des chutes de branches et regardez où vous mettez les pieds.

L'opération consistant à retirer les branches d'un arbre abattu s'appelle l'ébranchage. Pour maintenir l'arbre à distance du sol pendant l'ébranchage, ne coupez pas les grosses branches qui le soutiennent. Coupez les petites branches d'un seul coup.

Les branches sous tension doivent être sciées de bas en haut pour éviter de coincer la scie à chaîne.



UTILISATION

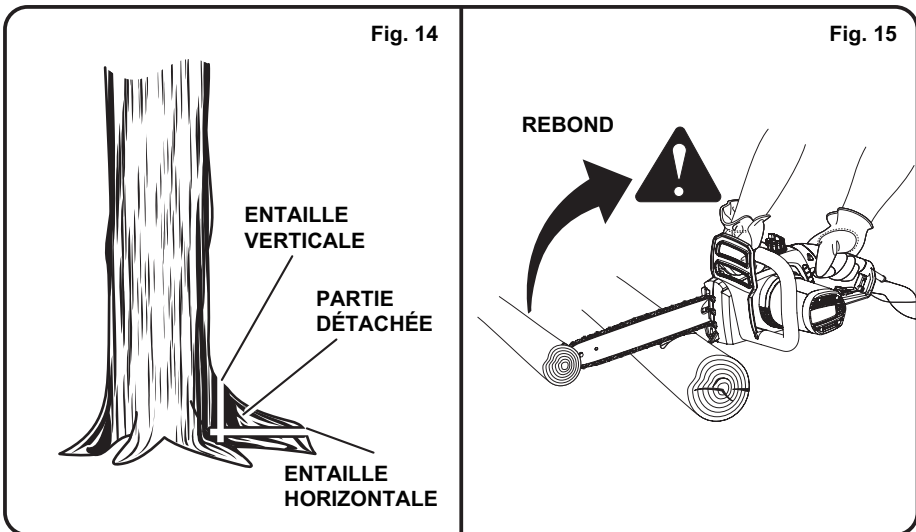
COMMENT RETIRER LES RACINES D'APPUI (voir fig. 14)

Une racine d'appui est une grosse racine partant du tronc et faisant saillie au-dessus du sol. Retirez les racines d'appui avant d'abattre l'arbre. Commencez par faire une entaille horizontale dans la racine, puis faites-en une verticale. Retirez la partie ainsi découpée et jetez-la au loin. Une fois que vous aurez retiré les plus grosses racines d'appui, suivez la procédure correcte pour l'abattage.

TRONÇONNAGE (See Fig. 15)

On appelle tronçonnage (ou débitage) le fait de couper un arbre abattu en billes de la taille désirée.

- Veillez à toujours vous tenir bien campé et en équilibre, le poids également réparti sur les deux pieds.
- Ne coupez qu'une bille à la fois.
- Soutenez les petites billes avec un chevalet ou une autre bille.
- Garder l'espace de travail propre et déblayé. Assurez-vous que rien ne risque d'entrer en contact avec l'extrémité du guide et la chaîne car cela pourrait causer un rebond.
- Pour le tronçonnage sur un terrain pentu, placez-vous toujours en amont. Pour garder un contrôle total de la scie à chaîne, réduisez la pression en fin de coupe, sans relâcher la prise des deux mains sur les poignées. Ne laissez pas la chaîne toucher le sol. Une fois la coupe terminée, attendez l'immobilisation complète de la chaîne avant de déplacer la scie. Arrêtez toujours le moteur avant de passer d'un arbre à un autre.



UTILISATION

TRONÇONNAGE AVEC UN COIN (voir fig. 16)

Si le diamètre du tronc vous permet d'enfoncer un coin sans toucher la chaîne, utilisez-en un pour maintenir l'entaille ouverte et éviter de pincer la scie à chaîne.

TRONÇONNAGE DE BILLES SOUS CONTRAINTE (voir fig. 17)

Commencez par couper sur 1/3 de l'épaisseur de la bille et terminez les 2/3 par l'autre côté. À mesure qu'elle est coupée, la bille a tendance à fléchir. Si la première coupe dépasse le tiers du diamètre de la bille, la lame risque d'être pincée ou bloquée dans l'entaille. Prêtez une attention particulière aux billes sous contrainte pour éviter que le guide et la chaîne ne soient pincés.

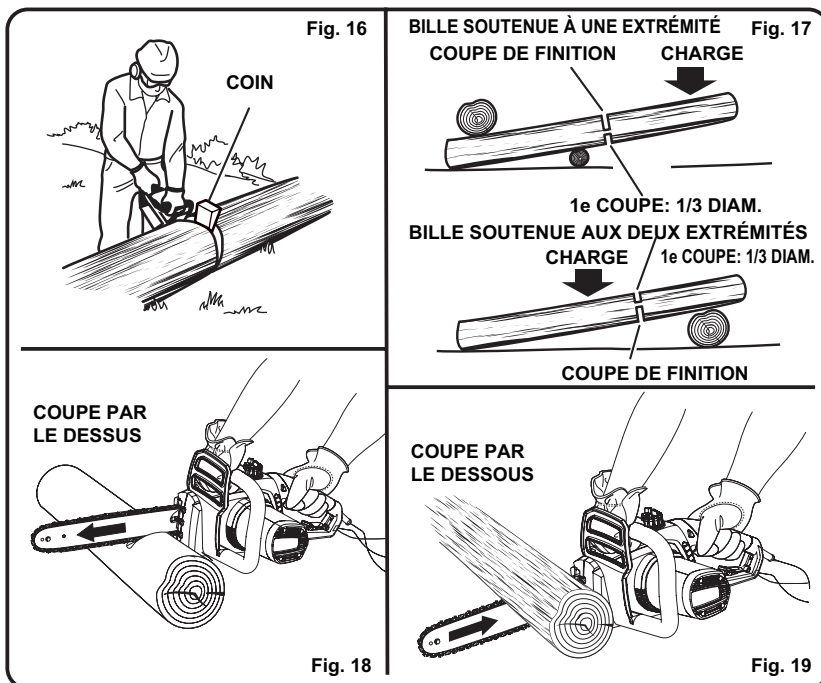
COUPE PAR LE DESSUS (voir fig. 18)

Commencez sur le dessus de la bille, le bas de la scie à chaîne appuyé contre le bois, et exercez une légère pression vers le bas. Notez que la scie à chaîne aura tendance à tirer vers l'avant.

COUPE PAR LE DESSOUS (voir fig. 19)

Commencez sur le dessous de la bille, le haut de la scie à chaîne appuyé contre le bois, et exercez une légère pression vers le haut. Notez que la scie à chaîne aura tendance à revenir vers vous.

Préparez-vous à cette réaction et tenez fermement la scie pour en garder le contrôle.



UTILISATION

ÉBRANCHAGE *(voir fig. 20)*

L'opération consistant à retirer les branches d'un arbre abattu s'appelle l'ébranchage.

- Travaillez lentement, en tenant à tout moment la scie à chaîne à deux mains. Veillez à toujours vous tenir bien campé et en équilibre, le poids également réparti sur les deux pieds.
- Pour maintenir l'arbre à distance du sol pendant l'ébranchage, ne coupez pas les grosses branches qui le soutiennent.
- Coupez les branches une par une. Pour la sécurité et la netteté de votre espace de travail, évacuez les branches coupées.
- Les branches sous tension doivent être sciées de bas en haut pour éviter de coincer la scie à chaîne.
- Pendant l'ébranchage, gardez le tronc de l'arbre entre le corps et la scie, c'est-à-dire tenez-vous du côté du tronc opposé à la branche à couper.

ÉLAGAG *(voir fig. 21)*

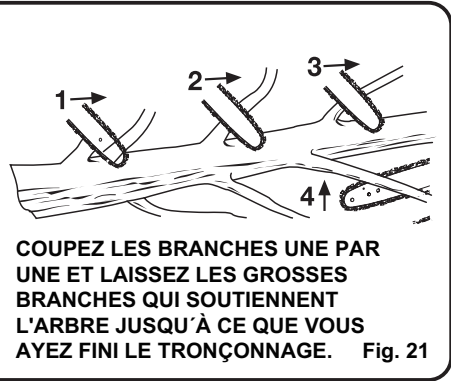
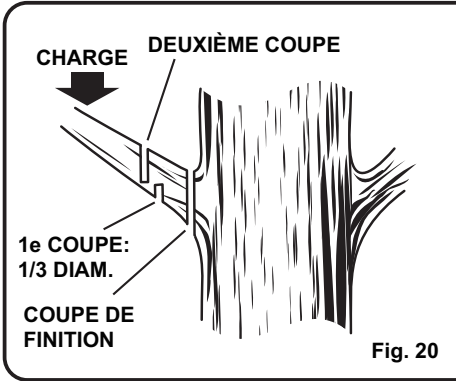
L'élagage consiste à couper les branches d'un arbre sur pied.

- Travaillez lentement, en tenant à tout moment la scie à chaîne à deux mains. Veillez à toujours vous tenir bien campé et en équilibre, le poids également réparti sur les deux pieds.
- Ne travaillez pas depuis une échelle: c'est très dangereux. Laissez ce travail à des professionnels.
- Ne coupez rien au-dessus du niveau de la poitrine parce qu'une scie tenue en hauteur est difficile à maîtriser en cas de rebond.
- Lors de l'élagage il est important de ne pas couper au ras d'une branche maîtresse ou du tronc avant d'avoir coupé la branche à distance pour en réduire le poids. Vous éviterez ainsi d'endommager l'écorce du membre principal.
- La première entaille doit être effectuée par le dessous, jusqu'au tiers du diamètre de la branche.
- La deuxième entaille doit être effectuée par le dessus, pour faire tomber la branche
- Une fois cela fait, vous pouvez effectuer la coupe finale de façon nette au ras du membre principal, de façon à permettre à l'écorce de repousser pour sceller la plaie.

AVERTISSEMENT

Quand vous faites une entaille arrière, ne coupez jamais par le sifflet: la charnière (la partie du tronc entre le sifflet et l'entaille arrière) est la partie qui contrôle la chute de l'arbre.

UTILISATION



FOUETS (voir fig. 22)

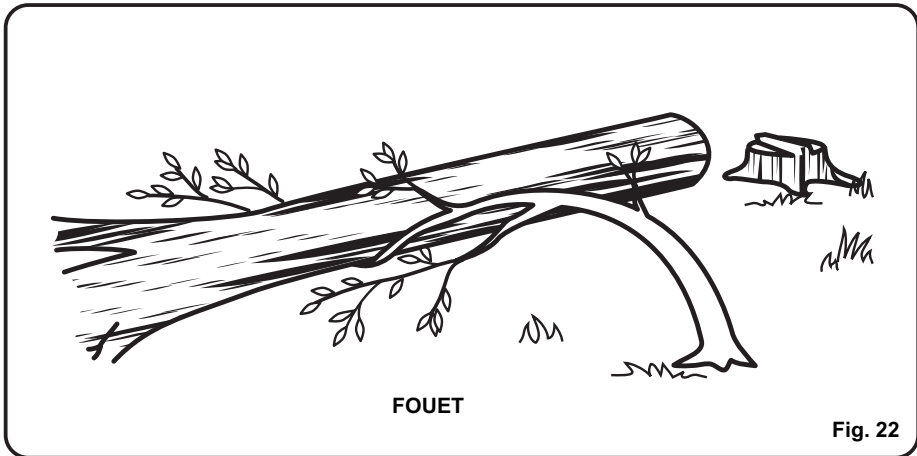
Un fouet est une bille, une branche, une souche déracinée ou un arbrisseau fléchi et mis sous tension par une autre pièce de bois, et qui se détendra une fois que cette pièce aura été coupée ou enlevée.

La souche déracinée d'un arbre abattu a de fortes chances de se remettre à la verticale lorsque vous aurez terminé la coupe destinée à séparer le tronc de la souche. Méfiez-vous des fouets:

- ils sont dangereux.

⚠ AVERTISSEMENT

Les fouets sont dangereux: ils peuvent heurter l'opérateur et lui faire perdre le contrôle de la scie à chaîne, entraînant des blessures graves, voire mortelles.



ENTRETIEN

AVERTISSEMENT

Pour les entretiens, utilisez exclusivement des pièces identiques à celles d'origine OU des pièces de rechange conseillées par LawnMaster. L'utilisation d'autres types de pièces peut engendrer des risques ou endommager le produit.

AVERTISSEMENT

Portez toujours des lunettes de protection ou des lunettes de sécurité à écrans latéraux de protection quand vous utilisez un outil électrique ou que vous évacuez de la poussière. Si vous travaillez dans une zone poussiéreuse, portez également un masque anti poussière.

ENTRETIEN GÉNÉRAL

Évitez l'utilisation de solvants lors du nettoyage des pièces en plastique. La plupart des matières plastiques sont vulnérables aux divers solvants qu'on trouve dans le commerce. Utilisez des chiffons propres pour retirer la saleté, la poussière, l'huile, la graisse etc.

AVERTISSEMENT

Ne laissez jamais de liquides tels que des fluides de freins, de l'essence, des produits à base de pétrole ou des huiles pénétrantes entrer en contact avec les pièces en plastique. Les produits de synthèse peuvent endommager, éroder ou détruire le plastique, ce qui peut entraîner des blessures graves.

LUBRIFICATION

Tous les roulements de cet outil sont enduits d'un lubrifiant de haute qualité, en quantité suffisante pour la durée de vie entière de l'outil dans des conditions d'utilisation normales. Par conséquent, aucune lubrification ultérieure des roulements ne sera nécessaire.

MAINTENANCE

Éteignez la machine, retirez les batteries et laissez-les refroidir. Examinez la machine, nettoyez-la et rangez-la à l'abri de la poussière, en respectant les consignes ci-dessous. Retirez les déchets de la machine après chaque utilisation et avant de la ranger.

Un bon nettoyage régulier permet de garantir une utilisation en toute sécurité et de prolonger la durée de vie de la machine.

Avant chaque utilisation, vérifiez qu'aucune pièce du produit n'est usée ou endommagée.

Ne l'utilisez pas si vous constatez la présence de pièces cassées ou usées.

NETTOYAGE GÉNÉRAL

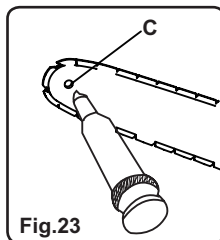
Nettoyez la machine avec un chiffon légèrement mouillé et du savon doux. Utilisez une brosse pour les zones difficiles d'accès. Après chaque utilisation, nettoyez en particulier les orifices d'aération (4) à l'aide d'un chiffon et d'une brosse.

Retirez la saleté tenace avec de l'air à haute pression (max. 3 bar).

Vérifiez que l'appareil ne présente aucun signe de dommage ou d'usure. Réparez les dommages conformément au présent manuel d'instructions ou apportez l'appareil à un centre d'entretien agréé avant de le réutiliser.

PIGNON DE RENVOI

Nettoyez le pignon de renvoi (7). A l'aide d'un pistolet de graissage, insérez l'injecteur à aiguille dans l'orifice de lubrification (C) et injectez la graisse jusqu'à ce qu'elle soit visible sur le bord extérieur du pignon (fig. 23). Faites tourner la chaîne (5) à la main et répétez la procédure de lubrification jusqu'à ce que l'ensemble du pignon ait été lubrifié.



ENTRETIEN DE LA CHAÎNE ET DU GUIDE

La majorité des problèmes relatifs au guide-chaîne peuvent être évités par le simple entretien adéquat de la machine. Le remplissage inadéquat, l'irrégularité de la lame et les réglages du limiteur de profondeur sont à l'origine de la majorité des problèmes relatifs au guide-chaîne, entraînant principalement une usure non uniforme du guide. À mesure que le guide s'use de manière irrégulière, les rails s'élargissent, pouvant causer un cliquetis de la chaîne et des difficultés à effectuer des entailles droites. Si le guide-chaîne est insuffisamment lubrifié et que vous utilisez la machine avec une chaîne trop serrée, l'usure du guide sera plus rapide. Pour réduire l'usure du guide, veillez à bien entretenir ce dernier ainsi que la chaîne.

Démontez le guide et la chaîne dans >>l'ordre inverse de l'ordre de montage.

Vérifier si l'orifice de sortie d'huile (16) n'est pas bouché et, >>si nécessaire, nettoyez-le.

Vous assurerez ainsi une bonne lubrification de la chaîne et du guide quand la machine est en fonctionnement.

Pour déboucher l'orifice de sortie d'huile, utilisez un fil de fer fin et souple.

MAINTENANCE

REPLACEMENT DU GUIDE ET DE LA CHAÎNE (voir fig.. 24 - 32.)

D A N G E R

Ne lancez jamais le moteur avant d'avoir installé la chaîne, le guide-chaîne, le carter de chaîne et le bouton de verrouillage du carter de chaîne. Si ces pièces ne sont pas toutes en place, l'embrayage peut être éjecté ou éclater, avec un risque de blessures graves pour l'utilisateur.

AVERTISSEMENT

Pour éviter toute blessure grave, assurez-vous d'avoir lu et assimilé les consignes de sécurité contenues dans cette section.

AVERTISSEMENT

Avant d'entreprendre des travaux d'entretien, assurez-vous que la machine est débranchée de la source d'alimentation.

Le non-respect de cet avertissement peut entraîner des blessures graves.

A T T E N T I O N

Portez toujours des gants quand vous manipulez la chaîne et le guide: ces éléments sont tranchants et peuvent présenter des bavures.

AVERTISSEMENT

Ne touchez ou ne réglez jamais la chaîne lorsque le moteur tourne: elle est très tranchante.

Pour éviter des coupures profondes, portez toujours des gants lorsque vous l'entretenez.

REMARQUE: *Quand vous remplacez la chaîne et le guide, prenez toujours les pièces spécifiées dans la section de ce manuel consacrée aux combinaisons de chaînes et de guides.*

MAINTENANCE

⚠ AVERTISSEMENT

Maintenez tout membre du corps à l'écart de la chaîne lorsque la scie à chaîne est en cours de fonctionnement. Avant d'allumer la scie à chaîne, assurez-vous qu'elle ne touche rien. Pendant l'utilisation de la scie à chaîne, un moment d'inattention suffit pour que des vêtements ou des parties du corps soient entraînés par la chaîne.

⚠ AVERTISSEMENT

Tenez toujours la scie à chaîne avec la main droite sur la poignée arrière et la main gauche sur la poignée avant. Toute inversion des mains augmenterait le risque de blessures.

⚠ AVERTISSEMENT

Utilisez toujours une chaîne à faible rebond répondant aux normes en la matière. L'utilisation d'une chaîne standard (chaîne qui ne dispose pas de maillons réduisant l'effet de rebond) doit être réservée à un opérateur professionnel. Néanmoins, une chaîne à faible rebond n'élimine pas complètement le rebond. Une chaîne à faible rebond ou « chaîne de sécurité » ne doit jamais être considérée comme une protection totale contre les blessures.

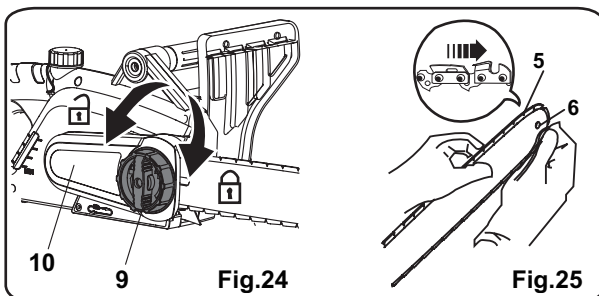
Combinez donc toujours une chaîne à faible rebond avec d'autres mesures de protection contre les rebonds, tels que le protégé-main avant.

Quand vous utilisez le guide-chaîne (6) et la chaîne (5), veillez toujours à respecter les caractéristiques techniques du produit.

Placez la machine sur une surface plane.

Desserrez la roue de serrage (9) et retirez le cache latéral (10) (fig. 24).

Étirez la chaîne (5) avec les lames orientées dans le sens de rotation et emboîtez la chaîne dans



MAINTENANCE

TENSION DE LA CHAÎNE

Vérifiez toujours la tension de la chaîne avant de commencer à utiliser la scie, puis régulièrement en cours d'utilisation (après environ 5 coupes).

Il faut prendre en considération que les chaînes neuves peuvent s'élargir considérablement au début. Ce phénomène est normal durant la période de rodage, et l'intervalle entre les réglages s'allongera ensuite rapidement.

PLACEZ LA MACHINE SUR UNE SURFACE PLATE.

Tournez la roue de réglage de la tension (8) jusqu'à ce que les «attaches» de la chaîne touchent le dessous du guide (6) (fig. 26).

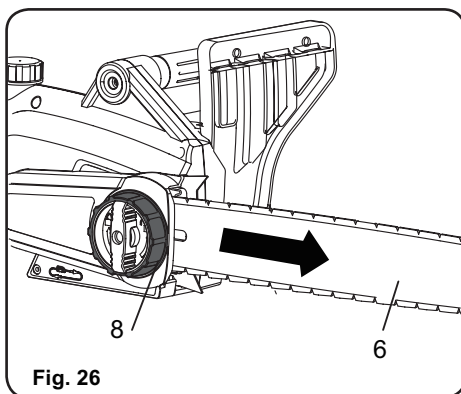


Fig. 26

ÉPREUVE DE TENSION

Pour vérifier la tension de la chaîne, essayez de soulever la chaîne (5) à une main. La chaîne est à la bonne tension si vous parvenez à la soulever de 2 à 4 mm au-dessus du guide (6) dans la partie centrale (fig. 27 et 28).

Ajustez la tension si nécessaire.

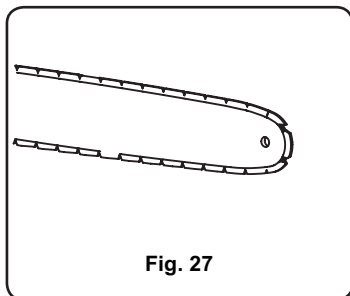


Fig. 27

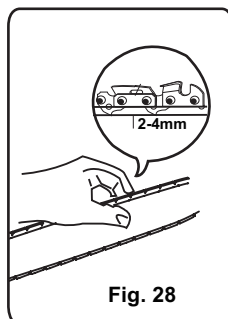
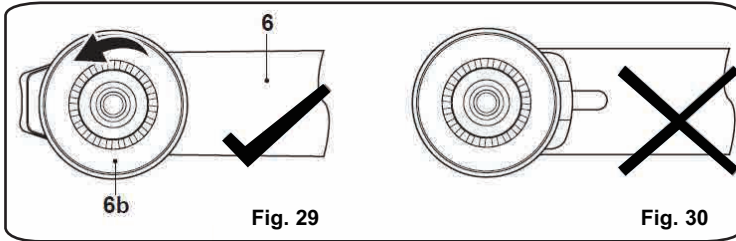


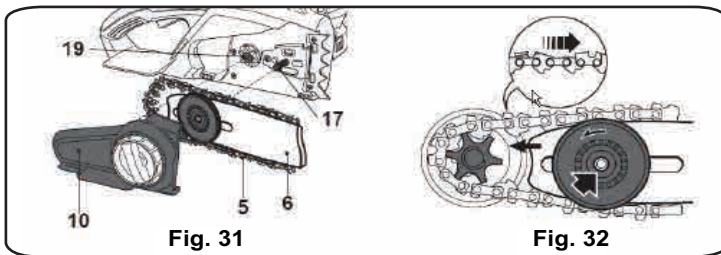
Fig. 28

MAINTENANCE

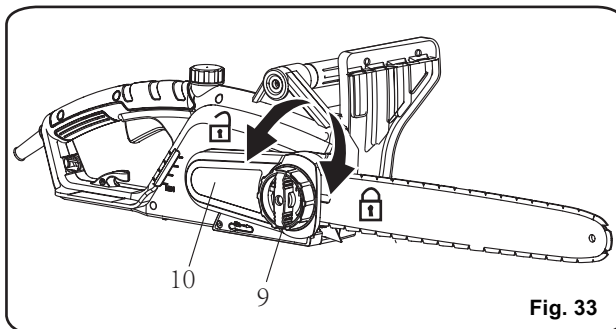
Vérifiez que le disque de tension (6b) est en position droite extérieur et, si nécessaire, tournez-le dans le sens inverse des aiguilles d'une montre (fig. 29 et 30).



Alignez le guide-chaîne (6) et la chaîne (5) avec le pignon d'entraînement (19) et le boulon de soutien (17). Attachez la chaîne autour du pignon d'entraînement, puis descendez le guide pour l'attacher sur le boulon de soutien (fig. 31 et 32).



Remettez le cache latéral (10) et serrez légèrement la roue de serrage (9) (fig. 33) mais pas à fond: il faut d'abord tendre la chaîne.



MAINTENANCE

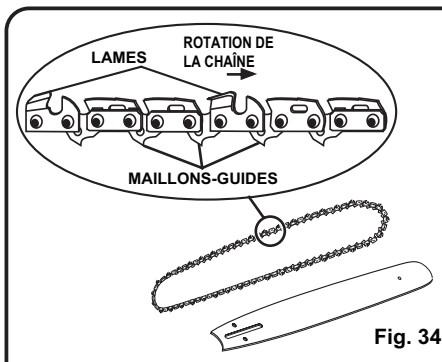


Fig. 34

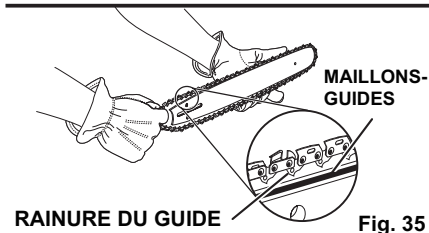


Fig. 35

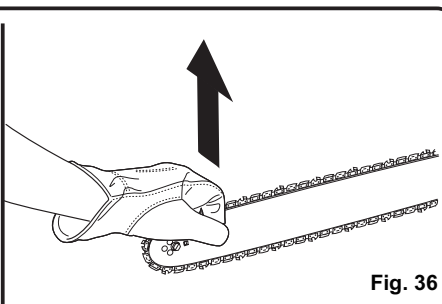


Fig. 36

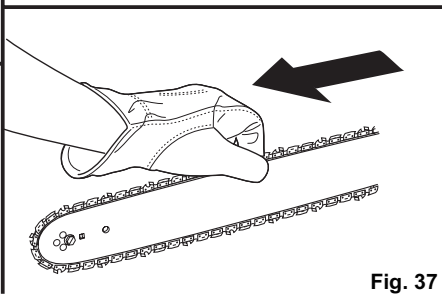


Fig. 37

- Lâchez l'extrémité du guide et faites faire 1/2 tour au bouton de tension de la chaîne.
- Tenez l'extrémité du guide en l'air et serrez le bouton de verrouillage du carter de chaîne.

La tension est bonne s'il n'y a pas de mou sur le dessous du guide et si la chaîne est bien serrée mais qu'elle ne se bloque pas quand on la fait tourner à la main.

REMARQUE: Si la chaîne est trop serrée, elle ne pourra pas tourner. Desserrez un peu le bouton de verrouillage du carter de chaîne et tournez le bouton de tension de la chaîne d'1/4 de tour dans le sens inverse des aiguilles d'une montre. Levez l'extrémité du guide en l'air et resserrez le bouton de verrouillage du carter de chaîne. Vérifiez que la chaîne tourne sans se bloquer.

⚠ AVERTISSEMENT

Ne touchez ou ne réglez jamais la chaîne lorsque le moteur tourne: elle est très tranchante. Portez toujours des gants lorsque vous entretenez la chaîne.

MAINTENANCE

- Pour tendre la chaîne, tournez le bouton de tension dans le sens des aiguilles d'une montre.

REMARQUE: La tension d'une chaîne à froid est bonne s'il n'y a pas de jeu sur le dessous du guide et si la chaîne est bien serrée mais sans se bloquer quand on la fait tourner à la main.

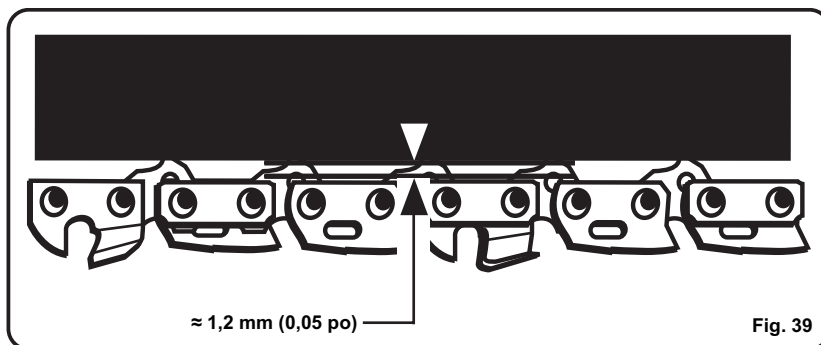
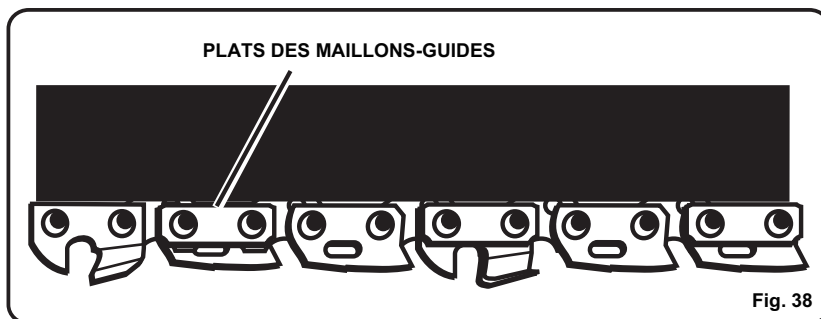
- Pour serrer, tournez le bouton de verrouillage du carter de chaîne dans le sens des aiguilles d'une montre. Retendez la chaîne dès que les plats des maillons-guides (dits aussi maillons d'entraînement) dépassent de la rainure du guide.

REMARQUE: Il est normal que la température de la chaîne augmente en cours d'utilisation. Les maillons-guides (ou maillons d'entraînement) d'une chaîne bien tendue et chaude doivent ressortir de la rainure du guide d'à peu près 1,3 mm (1/16 po).

REMARQUE: Les chaînes neuves ont tendance à se distendre. Vérifiez souvent la tension de la chaîne et retendez-la si nécessaire.

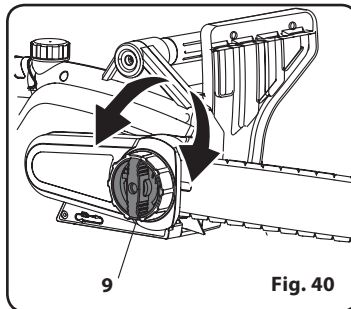
⚠ ATTENTION

Une chaîne tendue à chaud pourra s'avérer trop serrée une fois qu'elle aura refroidi. Avant de la réutiliser, vérifiez sa tension à froid.



MAINTENANCE

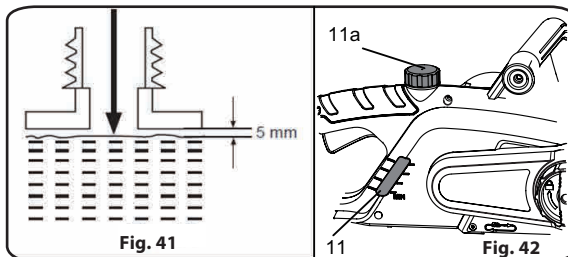
Tournez la roue de serrage (9) pour serrer à fond le >>cache latéral (10) (fig. 40).



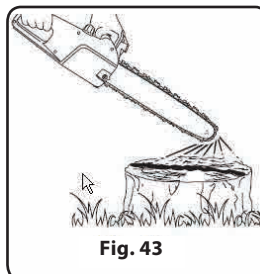
Ne remplissez pas trop. Laissez à peu près 5 mm du côté inférieur pour permettre au lubrifiant de se dilater (fig. 41).

Avant de lancer la machine, vérifiez visuellement le niveau d'huile du réservoir (11) et revérifiez encore régulièrement pendant que vous travaillez. Remplissez quand le niveau est en-dessous de la graduation MIN (fig. 13).

Si du lubrifiant a coulé, essuyez-le avec un chiffon, puis refermez le bouchon du réservoir (11a).



Quand vous vérifiez l'huile, assurez-vous que le guide (6) et la chaîne (5) sont bien en place. Allumez la machine (voir la section ad hoc plus bas). Maintenez l'interrupteur (13) enfoncé et regardez si l'huile de chaîne se répand bien, comme le montre l'illustration (fig. 43).

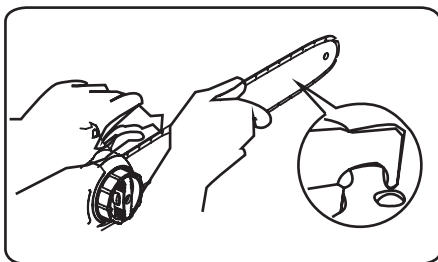


MAINTENANCE

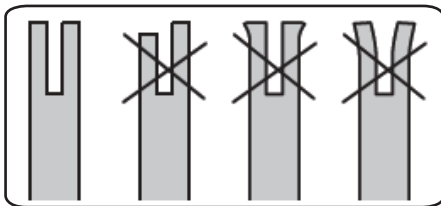
SOIN ET ENTRETIEN

Vérifiez le pignon d'entraînement (19). S'il est endommagé ou usé en raison d'une sollicitation intense, il doit être remplacé par un service de réparation agréé.

Prenez un tournevis, un couteau de vitrier, une brosse métallique ou un objet similaire, et nettoyez les résidus sur les rails du guide-chaîne (6). Cela maintiendra ouvert les passages d'huile afin que le guide (6) et la chaîne (5) soient correctement lubrifiés .

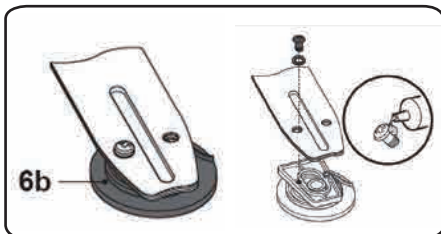


Vérifiez si le rail du guide-chaîne est usé. Tenez une règle contre le flanc du guide-chaîne et les «flashes latérales des lames»; s'il y a un espace entre la règle et le guide-chaîne, le rail du guide est bon. S'il n'y a pas d'espace (si la règle est à plat contre le flanc du guide-chaîne), le rail est usé et doit être remplacé. Prenez-en un du même type .



Retournez le guide-chaîne à 180° pour obtenir une usure égale: cela allongera la durée de vie du guide (6). Défaites la vis et détachez le disque de tension (6b) du guide-chaîne .

Vérifiez si la rondelle en caoutchouc de la vis est usée. Tournez le guide-chaîne et vissez le disque de tension. Pour assurer que la vis reste bien en place quand vous assemblerez le tout, mettez une goutte d'une bonne colle.



MAINTENANCE

ATTENTION

Avant de commencer à travailler sur la scie à chaîne, vérifier qu'elle est bien débranchée.

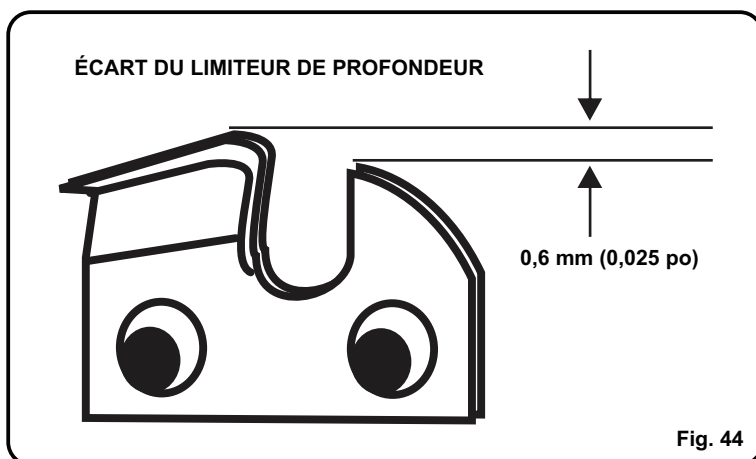
ENTRETIEN DE LA CHAÎNE (voir fig. 44)

Utilisez cette scie à chaîne uniquement avec une chaîne à faible rebond. Quand elle est bien entretenue, cette chaîne rapide permet de réduire les rebonds. Pour couper bien et rapidement, cette chaîne a besoin d'un bon entretien. Elle a besoin d'un affûtage quand les copeaux sont petits et poudreux, quand il faut pousser pour que la chaîne s'enfonce dans le bois pendant la coupe ou quand elle coupe d'un côté. Quand vous entretenez la chaîne, gardez bien ceci à l'esprit:

- si l'angle de limage des flasques latéraux n'est pas correct, le risque de rebond violent augmentera d'autant.
- l'écart du limiteur de profondeur (limiteur d'épaisseur des copeaux)
- si trop bas, le risque de rebond sera plus important.
- si pas assez bas, la scie coupera moins bien.
- Si les dents de lames heurtent des objets durs, comme des clous ou des pierres, ou qu'elles soient érodées par du sable présent sur le bois, faites affûter la chaîne par un centre d'entretien agréé.

REMARQUE: quand vous remplacez la chaîne, regardez si le pignon d'entraînement est usé ou endommagé. S'il est usé ou endommagé aux endroits indiqués, faites-le remplacer par un centre d'entretien agréé.

REMARQUE: si, après avoir lu les consignes ci-dessous, vous ne comprenez pas parfaitement la procédure à suivre, faites affûter la chaîne par un centre d'entretien agréé ou remplacez-la par une chaîne à faible rebond.



MAINTENANCE

Regardez si la chaîne est usée ou endommagée. Si nécessaire, remplacez-la par une nouvelle. Un utilisateur expérimenté peut affûter une chaîne émoussée (voir la section «Affûtage de la chaîne», ci-dessous).

Remontez la chaîne (5) et le guide (6) selon les consignes données dans la section «Montage».

AFFÛTAGE DE LA CHAÎNE

Faites affûter votre chaîne (5) par les professionnels d'un centre d'entretien agréé ou affûtez-la vous-même en utilisant une bonne trousse d'affûtage. Suivez les instructions qui accompagnent la trousse d'affûtage.

La différence de hauteur entre la dent et la strie représente la profondeur de coupe.

Quand vous affûtez la chaîne (5), gardez à l'esprit les points suivants:

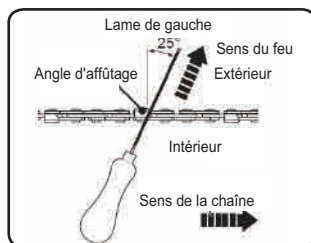
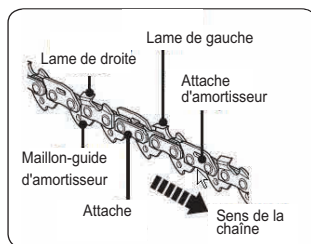
- L'angle De La Lime
- L'angle De Coupe
- La Position De La Lime
- Le Diamètre De La Lime Ronde
- La Lime

Pour affûter la chaîne, procédez comme suit:

- Mettez des gants de protection
- Vérifiez que la chaîne soit tendue correctement
- Mettez le frein de chaîne pour fixer la chaîne au guide.

Utilisez une lime ronde dont le diamètre soit d'1,1 fois la profondeur de la dent.

Vérifiez que le 20% du diamètre de la lime dépasse du flasque supérieur de la lame.



La plupart des bons commerçants ont un guide pour lime; c'est la façon la plus simple de tenir la lime en position correcte.

Limez perpendiculairement au guide et à 25° par rapport à la direction de défilement.

Pour chaque dent, limez exclusivement de l'intérieur vers l'extérieur.

Limez un côté de la chaîne, puis tournez la scie à chaîne et recommencez de l'autre côté.

Pour obtenir un résultat égal, donnez le même nombre de coups sur chaque dent.

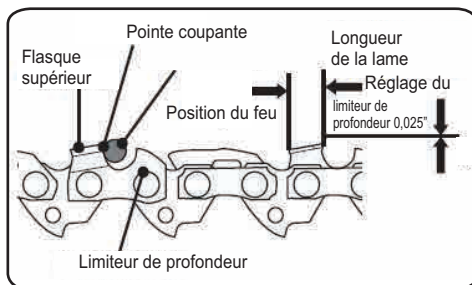
Veillez à ce que la longueur de toutes les lames reste égale. Pour la sécurité, vérifiez la hauteur du limiteur de profondeur tous les 5 affûtages.

Si vous limez aussi les limiteurs de profondeur, restaurez impérativement leur profil d'origine.

Pour vérifier la hauteur des limiteurs de profondeur, utilisez un instrument ad hoc.

On en trouve chez la plupart des bons commerçants.

MAINTENANCE



Aucune des pièces de ce produit ne peut être réparée par le consommateur. Comme stipulé ci-dessus, faites-le examiner et réparer par un spécialiste.

RANGEMENT

Rangez le produit et ses accessoires dans un endroit sec et à l'abri du gel. Gardez-le toujours hors de portée des enfants. La température idéale de rangement est de 10 à 30°C. Nous vous recommandons d'utiliser l'emballage d'origine pour l'entreposage de l'appareil, ou de le couvrir avec un chiffon adéquat ou de le mettre un sac, afin de le protéger de la poussière.

TRANSPORT

Mettez l'appareil hors tension et retirez le bloc batterie avant de le transporter. Mettez le couvre-lame et fixez les autres protections de transport, le cas échéant. Portez toujours l'appareil par ses poignées (1 et 2). N'exposez pas l'appareil à des chocs violents ou à de fortes vibrations qui peuvent se produire lors du transport dans des véhicules. Fixez-bien l'appareil afin qu'il ne glisse pas ou ne tombe pas.

DÉPANNAGE

PROBLÈME	CAUSE	REMÈDE
La chaîne et le guide deviennent chauds et fument	Vérifiez si la chaîne n'est pas trop tendue	Branchez le cordon d'alimentation
	Le réservoir d'huile de la chaîne est vide	
Le moteur tourne mais pas la chaîne	La chaîne est trop tendue	Vérifiez la tension de la chaîne (reportez-vous à la section de ce manuel consacrée au réglage de la tension de la chaîne)
	Vérifiez la chaîne et le guide-chaîne	Reportez-vous à la section de ce manuel «Remplacement du guide et de la chaîne»
	Vérifiez la chaîne et le guide-chaîne	Vérifiez si la chaîne et le guide-chaîne ne sont pas endommagés
Le moteur tourne, la chaîne aussi mais elle ne coupe pas	Chaîne émoussée	Affûtez la chaîne
	La chaîne tourne en arrière	Inversez le sens de la chaîne

GARANTIE

Nous sommes fiers de fabriquer un produit durable de haute qualité. Ce produit LawnMaster® comporte une garantie limitée de deux (2) ans contre tout défaut de fabrication et défaillance matérielle à compter de sa date d'achat, sous réserve de conditions normales d'usage résidentiel. Si le produit est destiné à un usage commercial, industriel ou à des fins de location, une garantie limitée de 30 jours s'applique. Les batteries possèdent une garantie limitée d'un an contre tout défaut de fabrication et défaillance matérielle. Pour être valides, les batteries doivent être chargées conformément aux directives et réglementations du manuel d'utilisation. La garantie ne couvre pas les dommages résultant d'une utilisation abusive directe ou indirecte, de la négligence, d'une utilisation incorrecte, d'accidents, de réparations ou de modifications et du manque d'entretien. Veuillez conserver votre reçu/liste d'emballage comme preuve d'achat. Cette garantie vous accorde des droits légaux spécifiques, mais vous pouvez avoir d'autres droits qui varient selon les États. Si vous avez des questions au sujet de ce produit, appelez le service clientèle au (866) 384-8432.

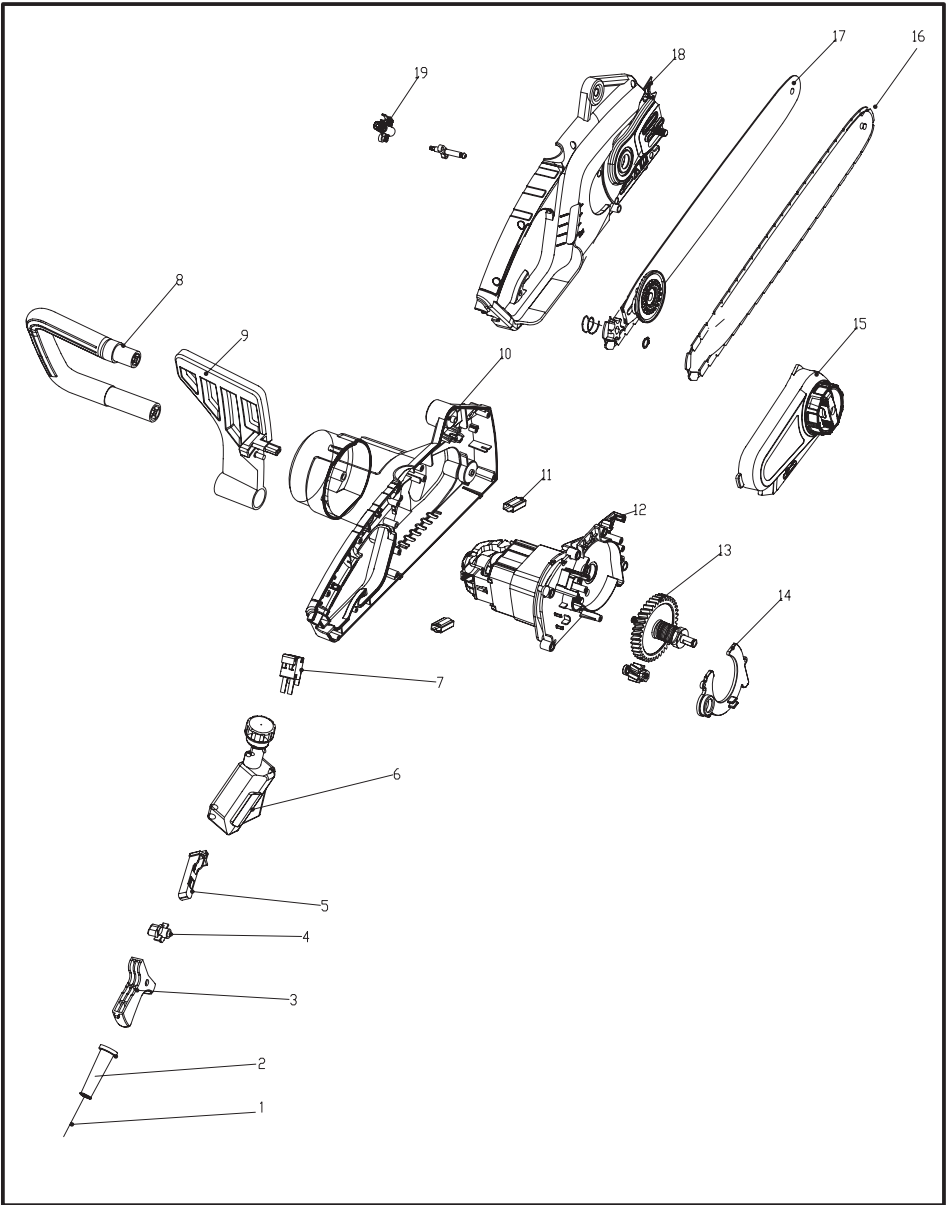
Articles non couverts par la garantie:

1. toute pièce devenue inopérante suite à un usage impropre, une utilisation commerciale, une utilisation abusive, une négligence, un accident, un entretien incorrect ou une modification;
2. l'appareil, s'il n'a pas été utilisé et/ou entretenu conformément au manuel d'utilisation;
3. l'usure normale, exception faite des cas ci-dessous;
4. articles d'entretien de routine comme les lubrifiants, l'affûtage des lames;
5. détérioration normale du revêtement extérieur du fait de l'utilisation ou de l'exposition aux intempéries.

Frais de transport: Les frais de transport pour l'acheminement de toute unité d'équipement motorisé ou d'accessoires sont à la charge de l'acheteur. Il incombe à l'acheteur de payer les frais de transport de toute pièce soumise à des fins de remplacement dans le cadre de cette garantie, sauf si ce retour est demandé par écrit par LawnMaster.

CONSERVEZ VOS REÇUS D'ACHAT. CETTE GARANTIE EST NULLE SANS LESDITS REÇUS D'ACHAT.

VUE ÉCLATÉE/LISTE DES PIÈCES



VUE ÉCLATÉE/LISTE DES PIÈCES

CS1216 Manual LISTE DES PIÈCES			
Key Number	Drawing Number	Description	Quantity
1	171-7J13002	Le Cordon D'alimentation	1
2	196-7J11601	Bouclier Manches	1
3	293-7J13001	Mettez Bouton	1
4	293-7J13002	Ens. Bouton	1
5	235-7J13001	Bouton Poussoir	1
6	324-7J13001	Huile Reservoir	1
7	139-7J13001	Assemblée Swith	1
8	297-7J13001	Top Manche	1
9	216-7J13001	Garde De La Poignée Avant	1
10	303-7J13001	Carter Moteur Gauche	1
11	324-7J13002	Composant Carbone Électrique	1
12	324-7J13003	Ensemble Moteur	1
13	324-7J13004	Assemblage D'engrenages	1
14	313-7J11203	Couvercle Étanche À La Poussière	1
15	324-7J13005	Logement Tendeur	1
16	372-1610	Chain	1
17	324-7J13006	Bar	1
18	303-7J13002	Droit Carter Moteur	1
19	324-7J13006	Ensemble De Pompe À Huile	1

