

RCM-810 Remote monitoring module



- Enable powerful control and supervision capabilities
- Integrate up to 100 devices in each remote control network, 250 with multiple networks
- Freely programmable control inputs and outputs
- Load-monitoring for each channel

The RCM-810 Remote Control Module is an optional module for supervision and remote control of power amplifiers.

RCM-810 modules allow the amplifiers to be integrated into a remote control network with up to 100 devices. Up to 250 amplifiers can be used in an IRIS-Net project when multiple networks are used. Apart from the network port, the RCM-810 also offers freely programmable control inputs and control outputs.

Additional RCM-810 features:

- Control/Configuration:
- Power ON/OFF
- Power On Delay
- Mute
- Control Inputs/Outputs

Supervision/Status indicators:

- Load supervision for each amplifier channel
- Output VU
- Protect
- Limit
- Pilot tone
- Temperature
- Gain/Sensitivity
- Control Inputs/Outputs

For further details please check the owner's manual of the amplifier which the RCM-810 will be used in.

Parts included

Quantity	Component
1	RCM-810
1	Ribbon cable (34-pole, 60 mm)
1	Euroblock connector 6-pole (Phoenix, MC 1,5/6-STF-3,81, 1827745, F.01U.104.179)
4	Screw combination TORX M3x10
1	Data sheet

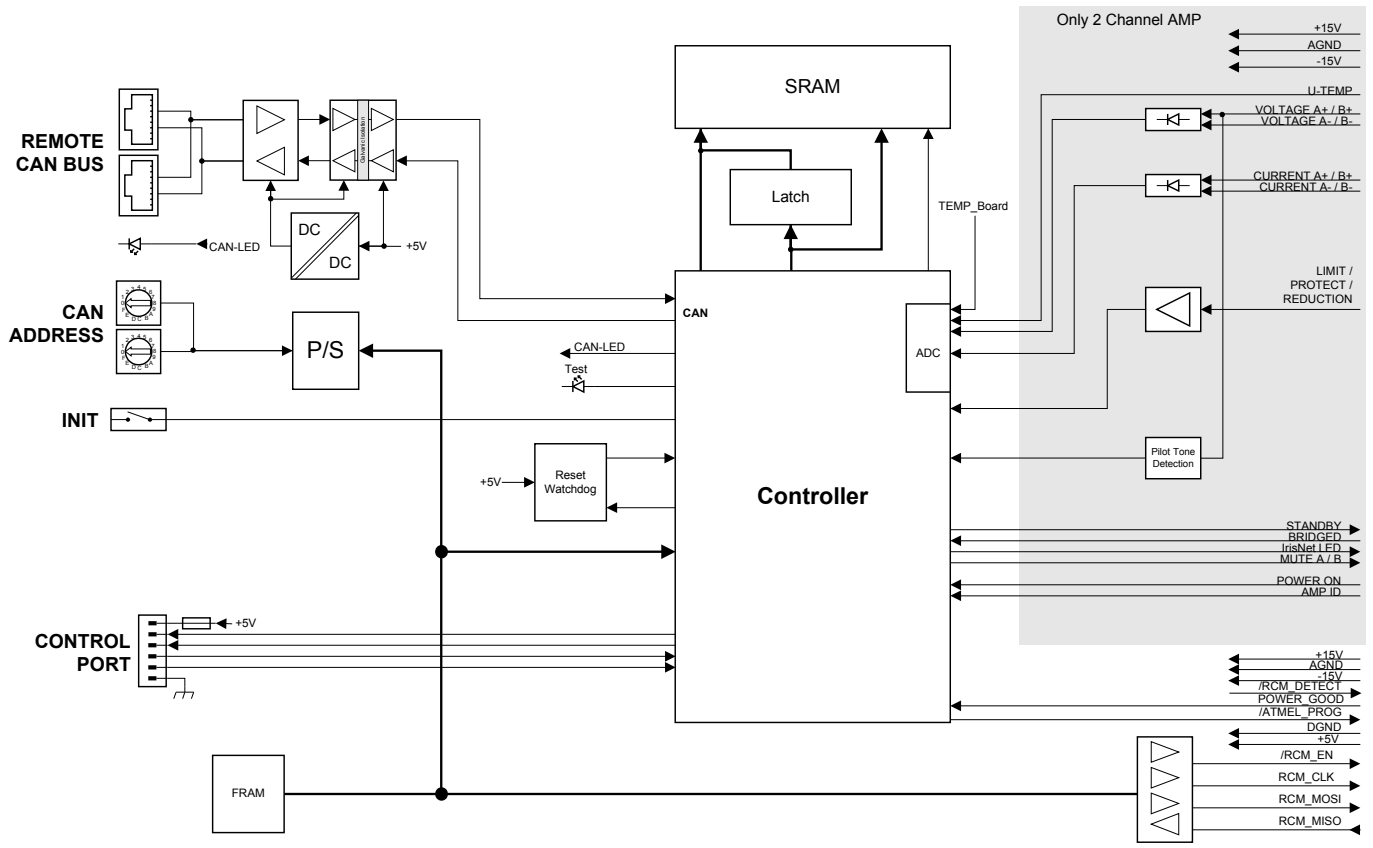
TORX is a registered trademarks of Acument Intellectual Properties, LLC.

Technical specifications

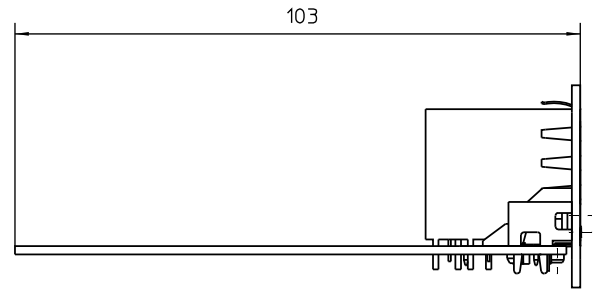
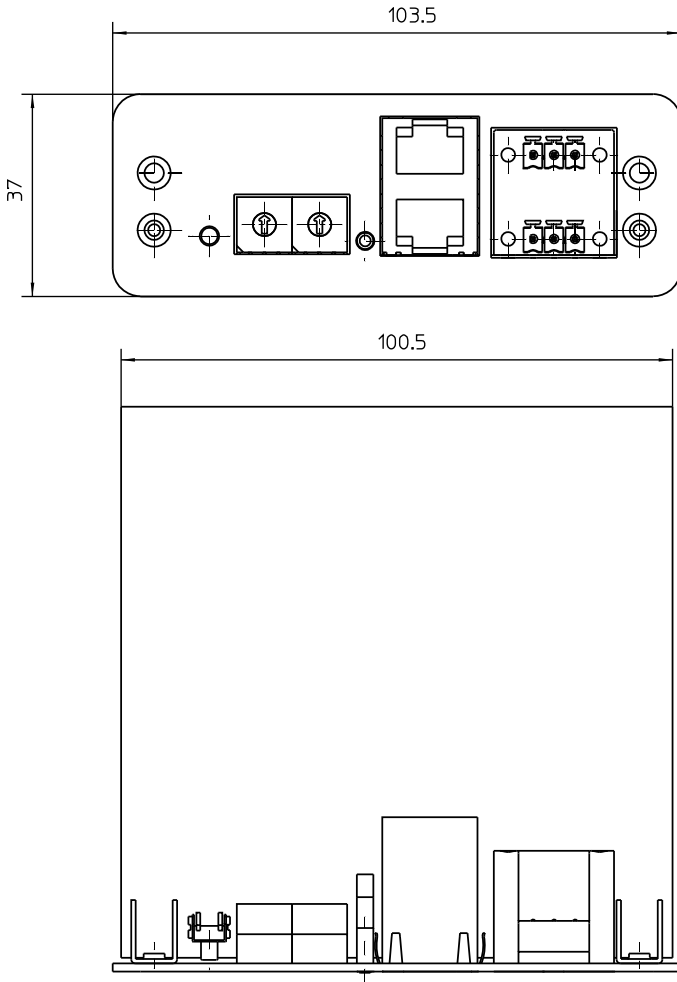
Remote control and software	IRIS-Net, Multiple PCs possible, MS Windows 2000, XP, Vista, 7, 8
Maximum configuration	250 Amplifiers in total, 100 Amplifiers per CAN bus, 1000 meter cable run

Amplifier supervision	Operation mode, temperature, output voltage and current, impedance of connected speakers, protection mode status, pilot tone detection
Network supervision	CAN bus failures, defective or missing amplifiers, bandwidth, failure protocol and messaging
CAN interface	10-500 kbaud, 2 x RJ-45 (IRIS-Net Control)
GPIO control port	2 x 3-pole Euro block <ul style="list-style-type: none"> • 2 Control Inputs • 2 Control Outputs (max. 18 V / 250 mA per output)

Supply voltage/current	+5 V DC / 320 mA +15 V DC / 80 mA -15 V DC / 80 mA
Power consumption	4 W
Electromagnetic environment	E1, E2, E3
Operating temperature	0 °C to 40 °C
Product dimensions (Height x Width x Depth)	37 mm x 103.5 mm x 103 mm
Net weight	115 g



Circuit diagram



Dimensions

Installation/configuration notes

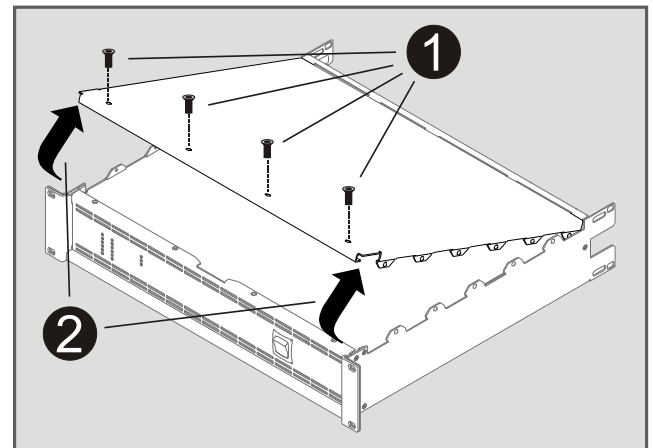
Installation (dual-channel amplifier)

Danger!

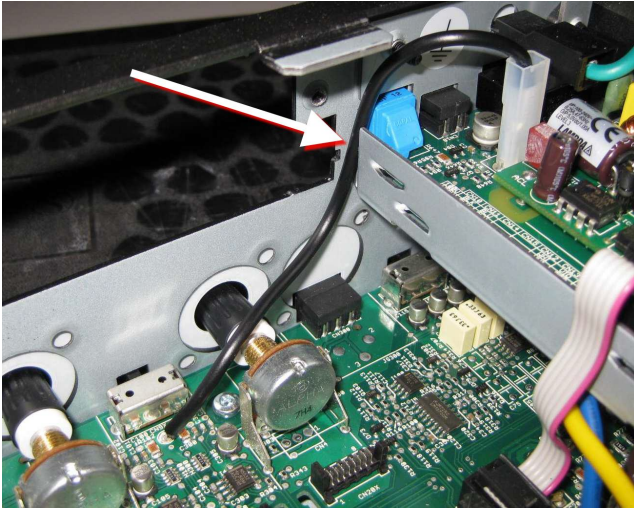


These installation instructions are for use by qualified service personnel only. To reduce the risk of electric shock do not perform any servicing other than that contained in the owner's manual unless you are qualified to do so.

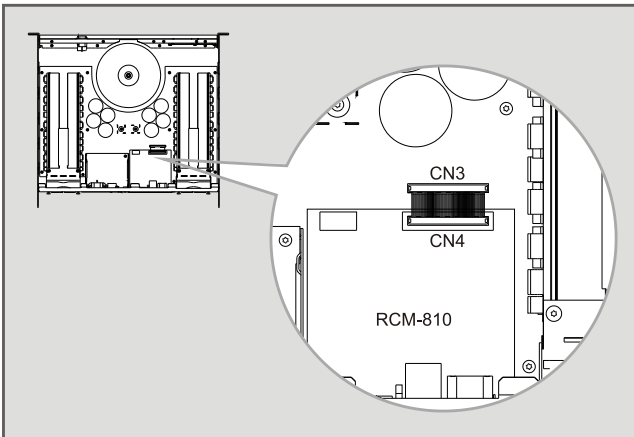
1. Switch off the power to the amplifier and remove the mains lead.
2. Remove the 4 screws (1) from the top cover of the amplifier.



3. Loosen the top cover as shown (2) and remove it by pulling it out towards the front panel.
4. Remove the cover panel from the rear panel (two screws).
5. Lay the black cable as shown in following illustration.



6. Slide the RCM-810 module into the slot and secure it in place using the two screws.
7. Gently push the 60 mm ribbon cable into the connector labelled CN4 on the RCM-810 and the connector labelled CN3 on the amplifier main board.



8. Refit the top cover.
9. Set the module's CAN address using the ADDRESS selector switches.
10. Connect the interfaces required (CAN, Control Port).
11. Reconnect the mains lead and switch the amplifier on, the RCM-810 is automatically detected and is now ready for use.

Installation (multi-channel amplifier)

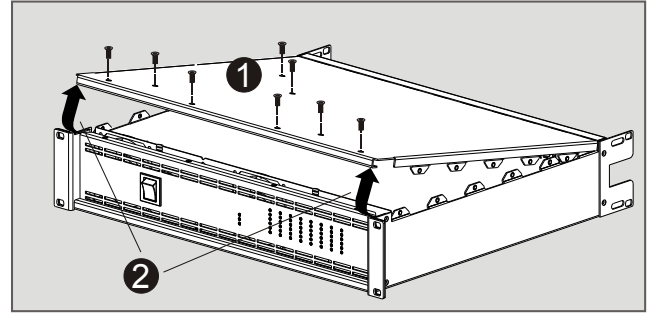
Danger!



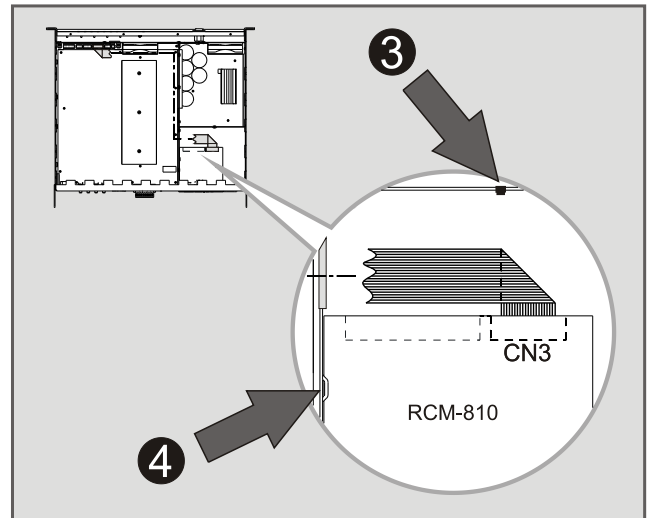
These installation instructions are for use by qualified service personnel only. To reduce the risk of electric shock do not perform any servicing other than that contained in the owner's manual unless you are qualified to do so.

1. Switch off the power to the amplifier and disconnect the mains lead.

2. Remove the 8 screws (1) from the bottom cover of the amplifier.



3. Loosen the bottom cover as shown (2) and remove it by pulling it out towards the front panel.
4. Remove the cover panel from the rear panel (two screws).
5. Release the 16-pole ribbon cable by cutting the tie wrap (3).



6. Insert the RCM-810 module into the slot.
7. Plug the 16-pole ribbon cable into the connector labelled CN3 on the RCM-810 module.
8. Slide the module into place locating it into the guide slot (4) on side of the chassis and secure it in place using the two screws.
9. Refit the bottom cover making sure the ribbon cable will not be damaged.
10. Set the module's CAN address using the ADDRESS selector switches.
11. Connect the interfaces required (CAN, Control Port).
12. Reconnect the mains lead and switch the amplifier on, the RCM-810 is automatically detected and is now ready for use.

Ordering information

RCM-810 Remote monitoring module

RCM-810 Remote Control Module for IRIS-Net

Order number **RCM-810**

Germany:

Bosch Sicherheitssysteme GmbH
Robert-Bosch-Ring 5
85630 Grasbrunn
Germany

Bosch Security Systems, Inc.
130 Perinton Parkway
Fairport, NY 14450
USA

www.dynacord.com