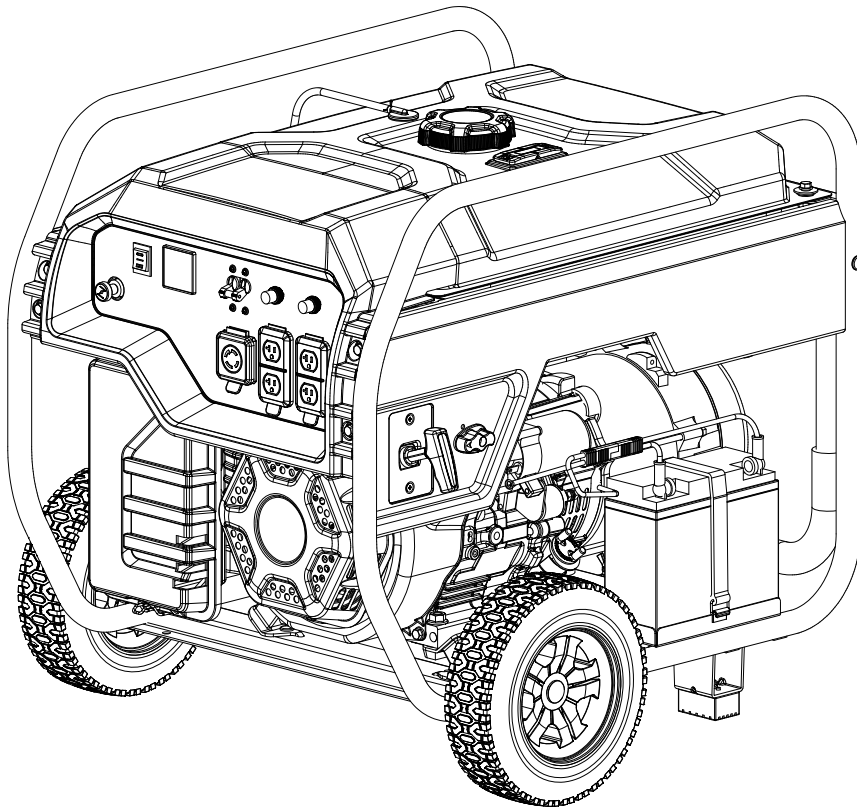




**MODEL #BD100619**



## **PARTS INFORMATION**

**5500W ELECTRIC START GENERATOR**

**SERIAL NUMBER RANGE: ALL**



To order replacement parts please visit:

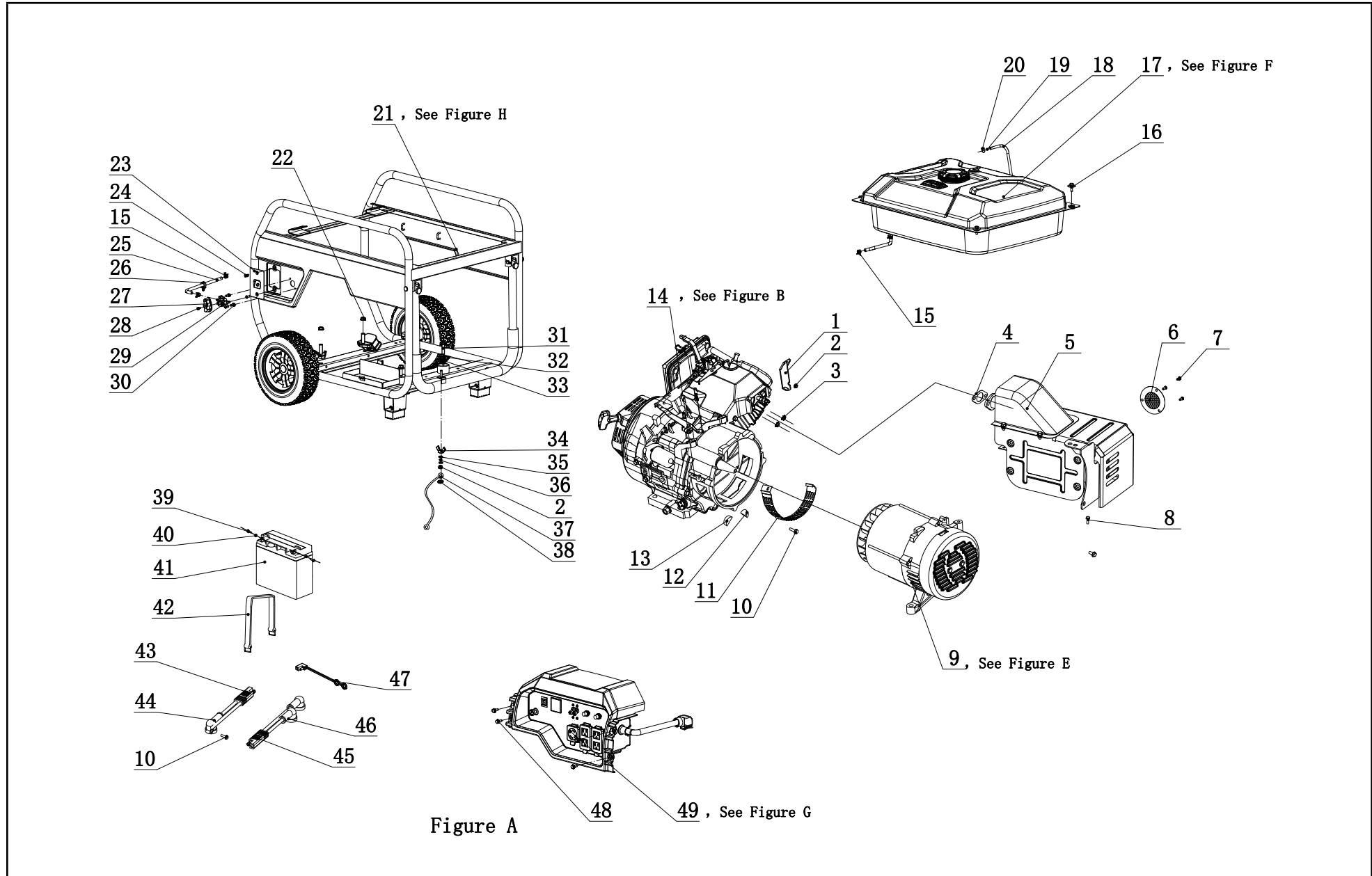
**[black-diamond.com](http://black-diamond.com)**

or call **1-888-373-8272**.

## **TABLE OF CONTENTS**

<b>Generator Parts Diagram</b> .....	<b>3</b>
<b>Generator Parts List</b> .....	<b>4</b>
<b>Engine Parts Diagram</b> .....	<b>5</b>
<b>Engine Parts List</b> .....	<b>6</b>
<b>Cylinder Head Diagram</b> .....	<b>8</b>
<b>Cylinder Head Parts List</b> .....	<b>9</b>
<b>Alternator Diagram</b> .....	<b>10</b>
<b>Alternator Parts List</b> .....	<b>11</b>
<b>Fuel Tank Diagram</b> .....	<b>12</b>
<b>Fuel Tank Parts List</b> .....	<b>13</b>
<b>Control Panel Diagram</b> .....	<b>14</b>
<b>Control Panel Parts List</b> .....	<b>15</b>
<b>Frame Diagram</b> .....	<b>16</b>
<b>Frame Parts List</b> .....	<b>17</b>
<b>Wiring Diagram</b> .....	<b>18</b>

# GENERATOR PARTS DIAGRAM

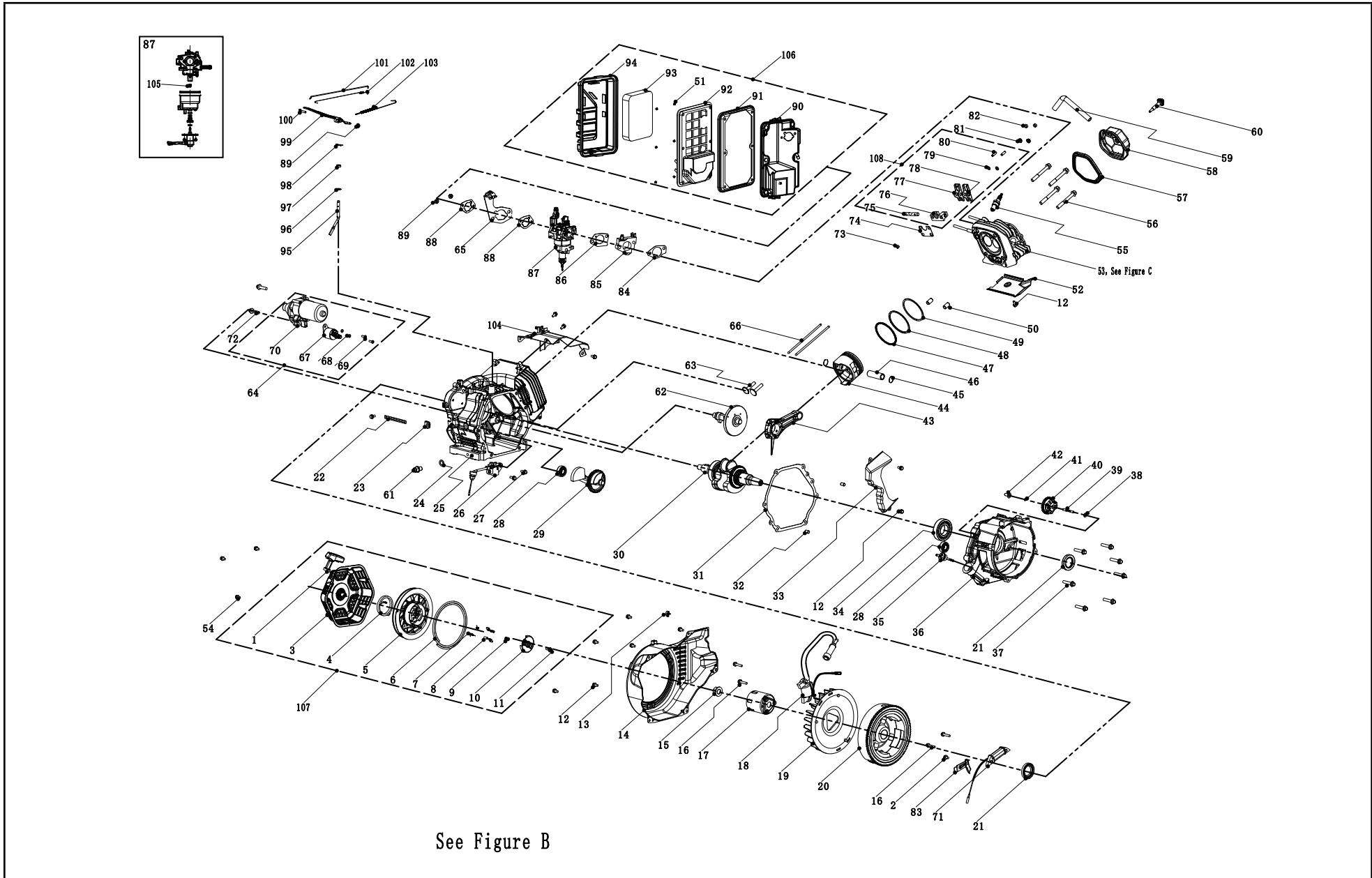


## GENERATOR PARTS LIST

#	Part Number	Description	Qty.
1	45.090006.20	Bracket, Air Cleaner Support	1
2	1.6177.1.06	Lock Nut M6, Flange	2
3	1.6177.1.08	Lock Nut M8, Flange	2
4	46.100001.07	Gasket, Exhaust	1
5	46.101000.12.2	Muffler Assembly	1
6	46.101300.00	Spark Arrester Assembly	1
7	1.9074.4.0510	Screw/Washer Assembly M5 x 10	3
8	1.16674.0820	Flange Bolt M8 x 20	2
9	151.190000.15.2	Alternator Assembly, See Figure E	1
10	1.5789.0608	Flange Bolt M6 x 8	2
11	152.192300.01	Vent, Alternator Fan	1
12	152.190005.00	Rubber, Fore-Cover, A	1
13	152.190005.01	Rubber, Fore-Cover, B	1
14	46.603.2	Engine, 389cc, See Figure B	1
15	2.06.016	Clamp Ø8.7 x b8	3
16	2.08.143.1	Flange Bolt/Washer Assembly M6 x 20, Black	2
17	152.070000.58	Fuel Tank Assembly, See Figure F	1
18	24.070014.05	Tube, Reversal Valve, 630mm	1
19	24.070030.00	Vent, Breather Tube	1
20	2.06.006	Clamp Ø7 x Ø1	1
21	65297.100619	Frame Assembly, See Figure H	1
22	1.6177.1.10	Lock Nut M10, Flange	2
23	46.061200.00.2	Guide Plate, Rope, Black	1
24	1.819.0510	Screw M5 x 10	2
25	152.070011.22	Hose, Fuel 400 + 25mm	1
26	2.05.009	Clamp Ø12.5 x 7	1
27	122.070001.00	Knob, Fuel Valve	1
28	1.9074.4.0414.1	Screw/Washer Assembly M4 x 14, Black	1
29	83.070400.01.0	Fuel Valve	1
30	1.9074.1.0525	Screw Assembly M5 x 25	2

#	Part Number	Description	Qty.
31	1.5789.0835	Flange Bolt M8 x 35	2
32	1.93.08	Lock Washer Ø8	2
33	2.03.040	Washer Ø8 x Ø24 x 3	2
34	1.62.06	Butterfly Type Nut M6	1
35	1.97.1.06.2	Washer Ø6	2
36	1.93.06.2	Lock Washer Ø6	1
37	5.1900.029	Grounding Line 150 mm	1
38	1.862.06	Lock Washer Ø6, Toothed	1
39	1.9074.3.0510	Screw/Washer Assembly M5 x 10	2
40	1.6177.1.05	Lock Nut M5, Flange	2
41	9.1000.150	Battery 12V15AH	1
42	152.200904.00	Pinch, Rubber	1
43	5.1900.125	Wire, To SAE Motor	1
44	152.200013.02.3	Jacket, Wire, Red	2
45	5.1900.126	Wire, To SAE Battery	1
46	152.200013.02	Jacket, Wire, Black	1
47	152.200013.03	Sleeve, Connector	1
48	1.5789.0615.1	Flange Bolt M6 x 15, Black	4
49	100619.21	Control Panel Assembly, See Figure H	1

# ENGINE PARTS DIAGRAM



**ENGINE PARTS LIST**

#	Part Number	Description	Qty.
1	21.061300.01	Handle, Recoil, Soft, Black	1
2	1.5789.0608	Flange Bolt M6 x 8	1
3	46.061100.03.2	Cover, Recoil Starter, Black	1
4	45.060005.00	Spring, Recoil Starter	1
5	45.061102.00	Reel, Recoil Starter	1
6	2.10.003.1	Rope Ø4 x 1550, Black	1
7	45.060003.00	Spring, Ratchet	2
8	45.060002.00	Starter Ratchet, Steel	2
9	45.060009.00	Spring, Ratchet Guide	1
10	45.060007.00	Ratchet Guide	1
11	45.060008.00	Screw, Ratchet Guide	1
12	1.5789.0612	Flange Bolt M6 x 12	12
13	2.05.005	Clamp Ø6	1
14	46.080100.01.2	Fan Cover, Black	1
15	2.02.007	Nut M16 x 1.5	1
16	1.5789.0629	Flange Bolt M6 x 29	4
17	45.060001.00	Pulley, Starter	1
18	46.123000.01	Ignition Coil	1
19	45.080001.00	Cooling Fan	1
20	46.120100.04	Flywheel	1
21	2.11.007	Oil Seal Ø35 x Ø52 x 8	2
22	2.05.050	Wire Clip, 100 mm	1
23	152.070031.01	Sheath, Wire	1
24	2.03.023	Washer Ø12.5 x Ø20 x 2, Drain Bolt	1
25	46.030100.04.1	Crankcase	1
26	45.127000.02	Oil Level Sensor	1
27	1.5789.0615	Flange Bolt M6 x 15	2
28	1.276.6202	Bearing 6202	2
29	47.050006.00	Weight Balancer	1
30	45.050100.14	Crankshaft	1

#	Part Number	Description	Qty.
31	46.030008.00	Gasket, Crankcase Cover	1
32	2.04.001	Dowel Pin Ø9 x 14	2
33	46.080600.00	Air Guide, Right Side	1
34	1.276.6207	Bearing 6207	1
35	46.031000.01.1	Oil Dipstick Assembly, Black	1
36	45.030007.00	Cover, Crankcase	1
37	1.5789.0840	Flange Bolt M8 x 40	7
38	2.03.021.1	Washer Ø6.4 x Ø13 x 1, Black	1
39	45.110013.00	Shaft, Governor Gear	1
40	45.110100.00	Gear, Governor	1
41	21.110011.00	Clip, Governor Gear	1
42	45.110012.00	Bushing, Governor Gear	1
43	47.050200.00	Connecting Rod	1
44	46.050005.00	Piston	1
45	2.09.004	Circlip Ø21 x Ø1	2
46	45.050003.00	Pin, Piston	1
47	46.050303.00	Ring, Oil	1
48	46.050302.00	Ring, Second Piston	1
49	46.050301.00	Ring, First Piston	1
50	2.04.004	Dowel Pin Ø12 x 20	2
51	1.6177.1.05	Flange Nut M5	6
52	46.080400.00	Air Guide, Lower	1
53	46.010000.00	Cylinder Head Assembly - See Figure C	1
54	1.16674.0608	Flange Bolt M6 x 8	3
55	2.15.002	Spark Plug F6RTC	1
56	2.08.014	Flange Bolt M10 x 80	4
57	46.020002.00	Gasket, Cylinder Head Cover	1
58	46.021000.00	Cover, Cylinder Head	1
59	45.020001.02	Breather Tube	1
60	45.020100.00	Bolt, Cylinder Head Cover	1

#	Part Number	Description	Qty.
61	2.08.039	Drain Bolt M12 x 1.5 x 15	1
62	46.041000.00	Camshaft	1
63	45.040013.00	Lifter, Valve	2
64	45.125000.03	Starter Motor Assembly	1
65	43.130200.00	Support, Choker Rod	1
66	46.040005.00	Push Rod	2
67	45.125200.03	Relay, Starter, Three Gear	1
68	1.93.05	Lock Washer Ø5	2
69	1.16674.0516	Flange Bolt M5 x 16	2
70	45.125100.00	Starter Motor	1
71	45.121000.00	Coil, Charging	1
72	1.5789.0835	Flange Bolt M8 x 35	2
73	45.040008.00	Rotator, Exhaust Valve	1
74	46.040004.00	Guide Plate, Push Rod	1
75	46.040016.00	Shaft, Rocker Arm	1
76	46.040201.00	Retainer, Rocker Arm	1
77	46.040009.00	Rocker Arm, Intake Valve	1
78	46.040018.00	Rocker Arm, Exhaust Valve	1
79	1.97.1.06	Washer Ø6	2
80	22.040012.00	Screw, Valve Adjustment	2
81	1.6177.1.06	Flange Nut M6	2
82	21.040021.00	Nut M6 x 0.5, Lock	2
83	45.030006.00	Plate, Coil	1
84	46.130002.20	Gasket, Insulator	1
85	45.130001.00	Insulator, Carburetor	1
86	46.130003.20	Gasket, Carburetor	1
87	46.131000.30	Carburetor	1
88	46.130004.20	Gasket, Air Cleaner	2
89	1.6177.06	Flange Nut M6	3
90	46.091100.09	Base, Air Cleaner	1
91	45.091002.20	Seal, Air Cleaner	1
92	45.091001.20	Separator, Air Cleaner	1

#	Part Number	Description	Qty.
93	45.091003.20	Element, Air Cleaner	1
94	46.091200.09	Cover, Air Cleaner	1
95	45.110001.00	Shaft, Governor Arm	1
96	2.03.019	Washer Ø8.2 x Ø17 x 0.8	1
97	2.11.006	Oil Seal Ø7 x Ø14 x 5	1
98	45.110008.00	Pin, Shaft	1
99	45.110003.00	Arm, Governor	1
100	2.08.040	Bolt M6 x 21, Governor Arm	1
101	45.110006.00	Rod, Governor	1
102	45.110005.00	Spring, Throttle Return	1
103	45.110007.00	Spring, Governor	1
104	46.080300.20	Air Guide, Upper	1
105	46.131017.20	Standard Main Jet(#106)	1
	46.131017.20.01	Altitude Main Jet(#104)	/
106	46.091000.09	Air Cleaner Assembly	1
107	46.061000.03.2	Recoil Assembly	1
108	46.040200.00	Rocker Arm Assembly	1

## CYLINDER HEAD DIAGRAM

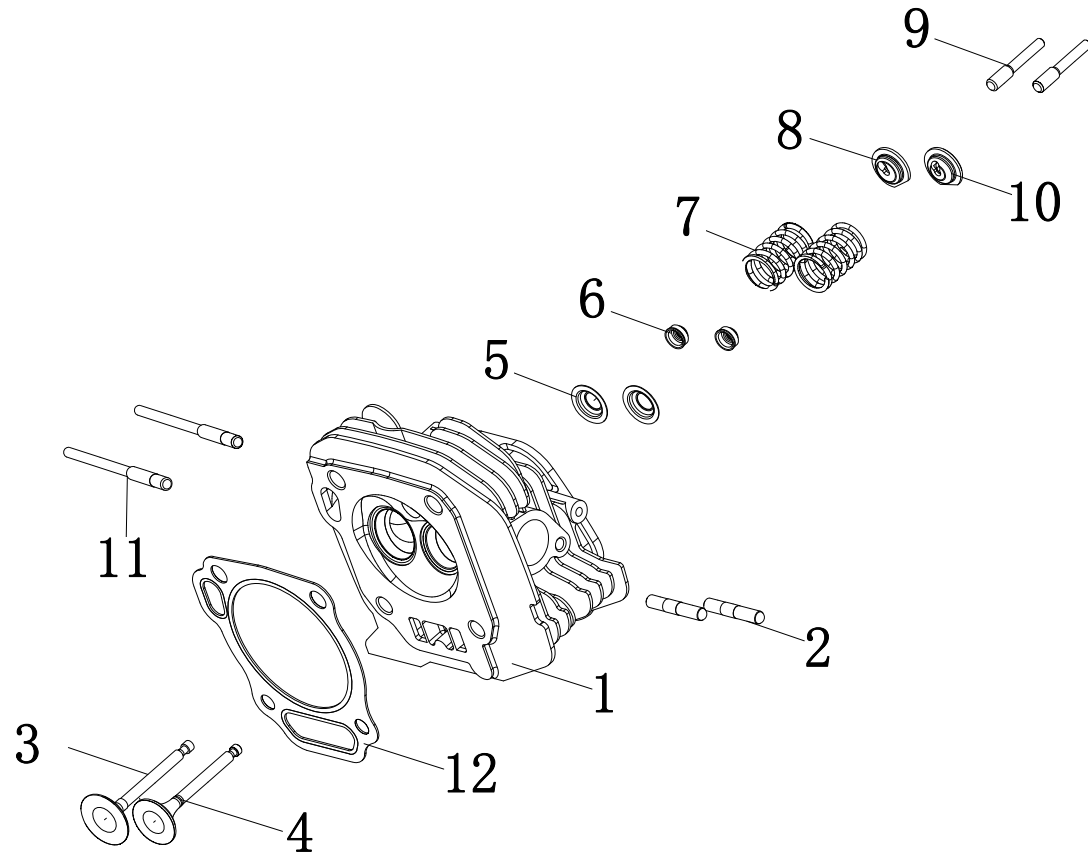


Figure C

**CYLINDER HEAD PARTS LIST**

#	Part Number	Description	Qty.
1	46.010100.00	Cylinder Head	1
2	2.01.010	Stud Bolt M8 x 35	2
3	45.040002.00	Valve, Intake	1
4	45.040006.00	Valve, Exhaust	1
5	45.040015.00	Retainer, Valve Spring	2
6	45.040017.00	Oil Seal, Valve	2
7	45.040003.00	Spring, Valve	2
8	45.040001.00	Retainer, Intake Valve Spring	1
9	23.040010.00	Bolt, Rocker Arm	2
10	45.040007.00	Retainer, Exhaust Valve Spring	1
11	2.01.008	Stud Bolt M6 x M8 x 105	2
12	46.030009.01	Gasket, Cylinder Head	1

# ALTERNATOR DIAGRAM

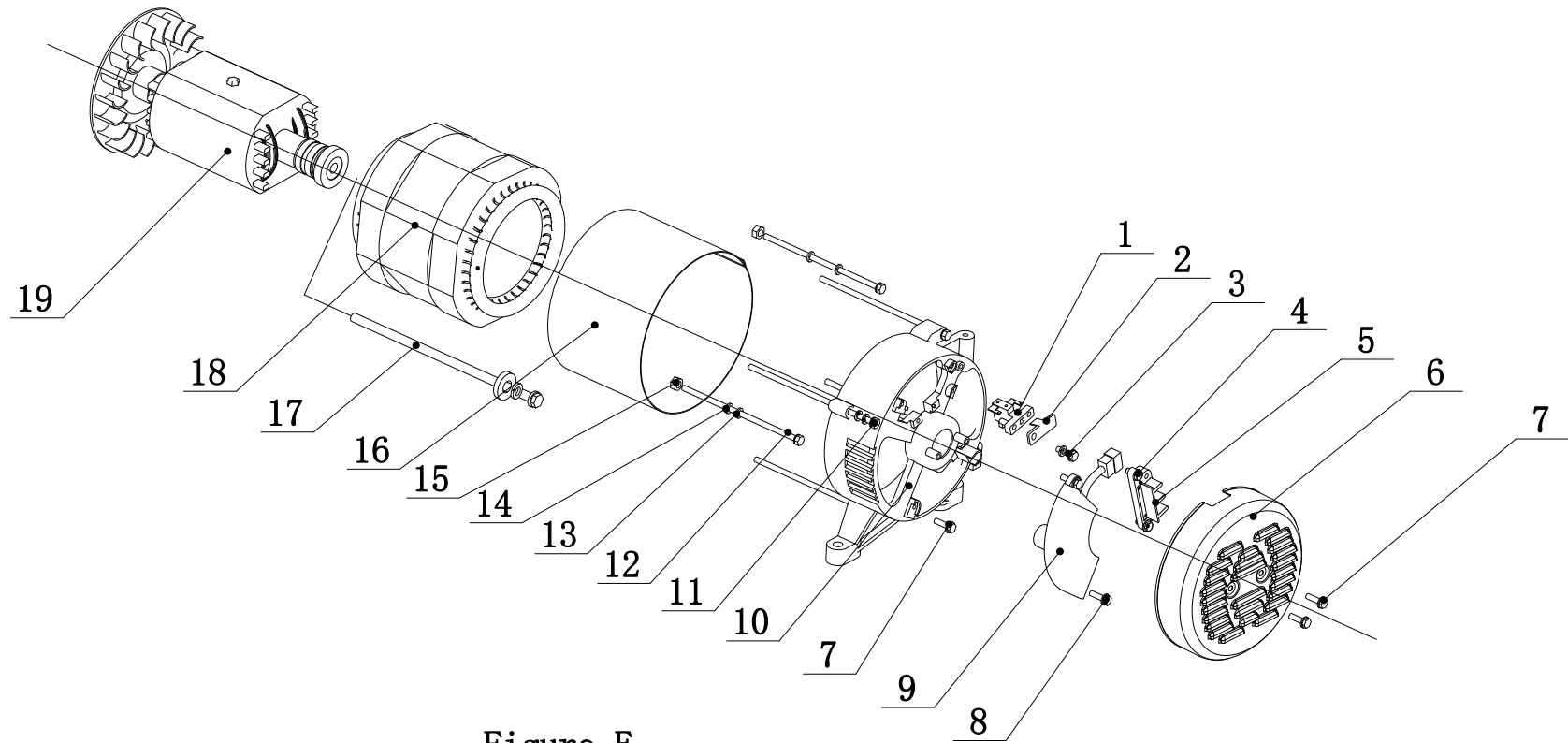


Figure E

**ALTERNATOR PARTS LIST**

#	Part Number	Description	Qty.
1	152.190300.00	Carbon Brush Assembly	1
2	122.190004.01	Pinch, Carbon Brush	1
3	1.9074.15.0520	Bolt/Washer Assembly M5 x 20	1
4	1.9074.17.0516	Screw/Washer Assembly M5 x 16	2
5	122.190400.00	Terminal Block	1
6	152.190003.00.2	End Housing Cover, Black	1
7	1.16674.0512.2	Flange Bolt M5 x 12	3
8	1.16674.0516	Flange Bolt M5 x 16	2
9	153.190200.03	AVR	1
10	152.190002.00	End Housing	1
11	2.08.096	Flange Bolt/Washer Assembly M6 x 149	4
12	2.08.097	Bolt M5 x 184	2
13	1.93.05	Lock Washer Ø5	2
14	1.97.1.05	Washer Ø5	2
15	1.6175.05	Nut M5	2
16	151.191002.15.2	Stator Cover, Black	1
17	2.08.095	Flange Bolt/Washer Assembly M10 x 235	1
18	151.191200.15	Stator Assembly, Al, Ø190 x 110 mm, CSA	1
19	151.191100.15	Rotor Assembly, Al, Ø190 x 110 mm, CSA	1

## FUEL TANK DIAGRAM

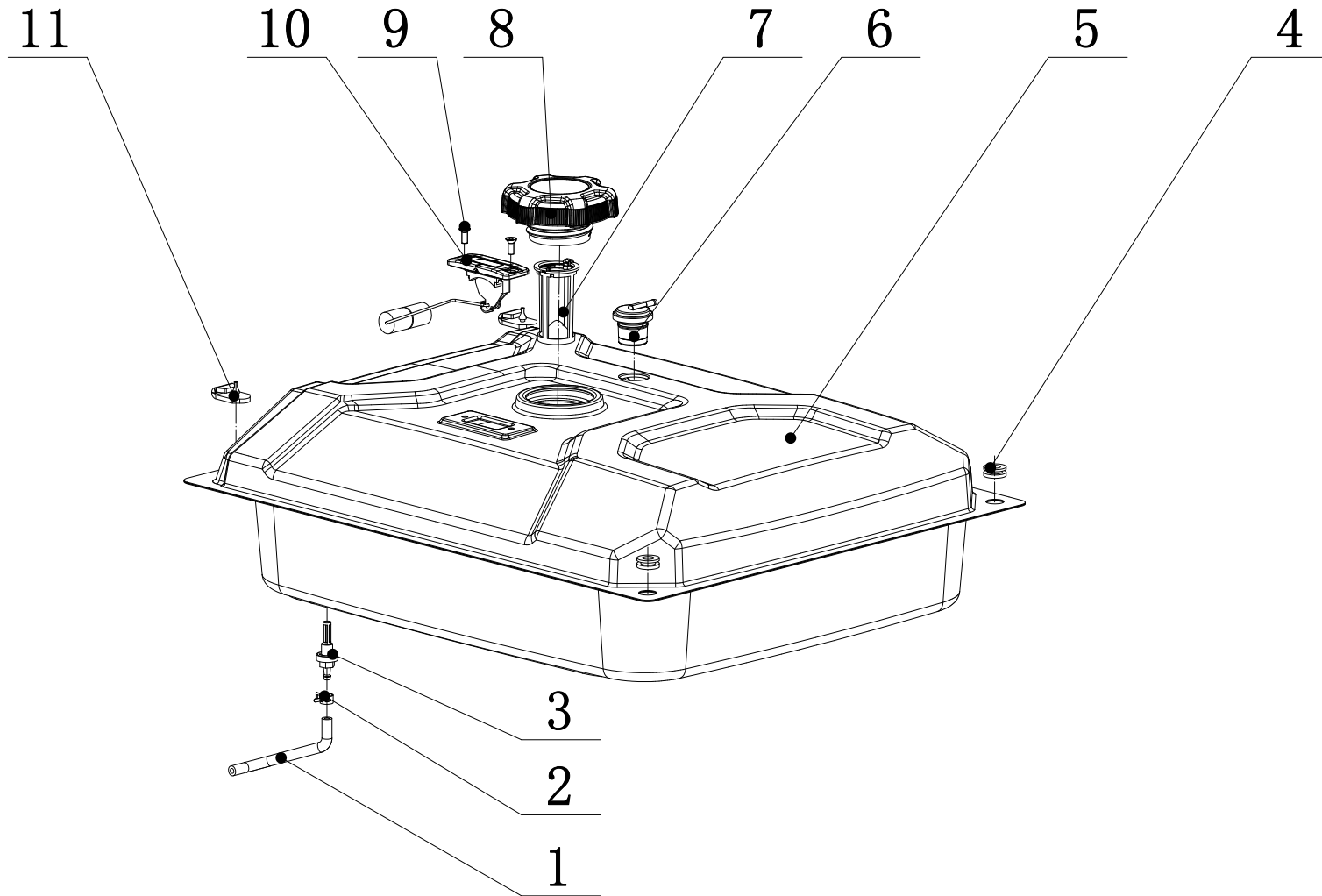


Figure F

**FUEL TANK PARTS LIST**

#	Part Number	Description	Qty.
1	152.070011.21	Tube, Fuel 115 + 25mm	1
2	2.06.016	Clamp Ø8.7 x b8	1
3	21.070600.03	Fitting, Fuel Tank with Filter	1
4	122.070015.01	Mount Vibration, Fuel Tank	2
5	152.071000.58.2	Fuel Tank, 32L, Black	1
6	152.070800.00	Reversal Valve	1
7	122.070300.03	Fuel Filter	1
8	122.070100.09	Fuel Tank Cap	1
9	1.819.0510	Screw M5 x 10	2
10	152.072000.04	Fuel Gauge Assembly	1
11	152.070024.01	Mount Vibration, Fuel Tank	2

# CONTROL PANEL DIAGRAM

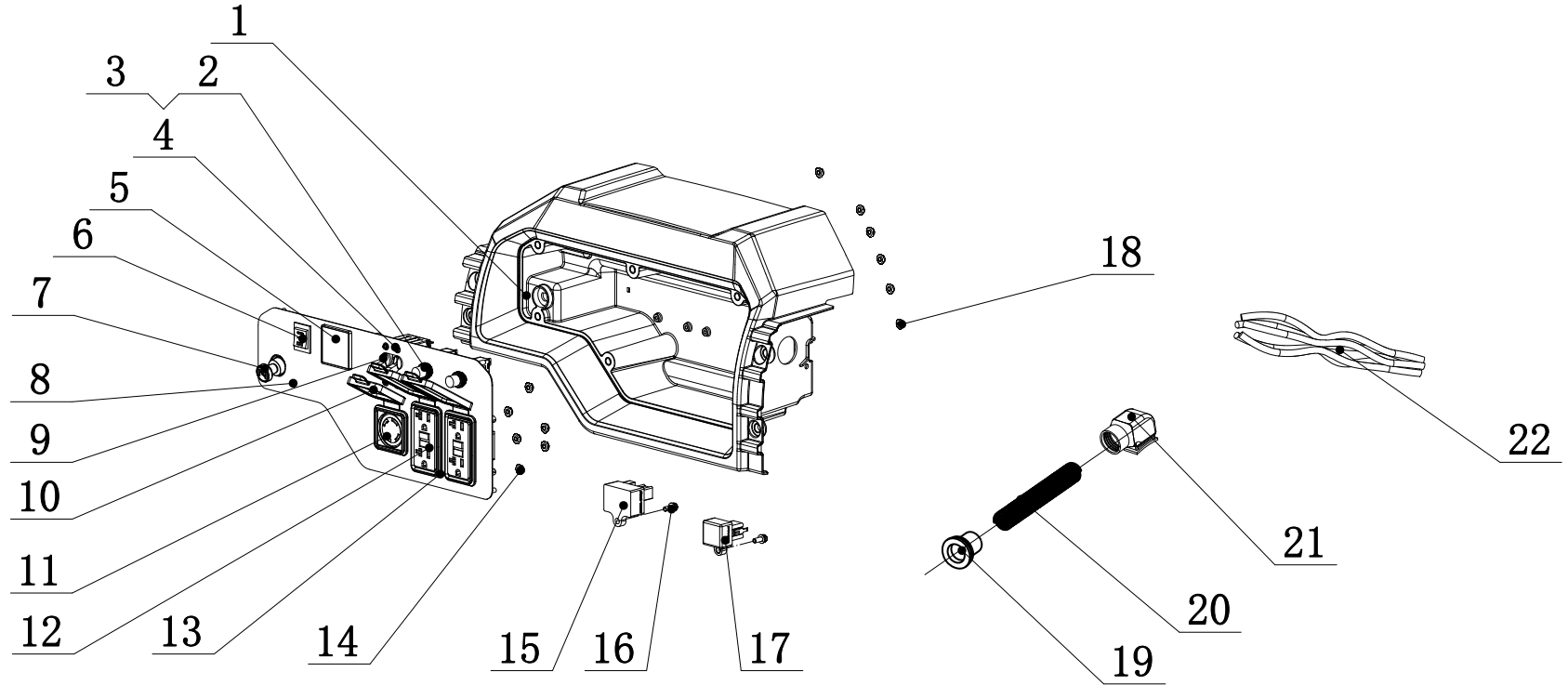


Figure G

**CONTROL PANEL PARTS LIST**

#	Part Number	Description	Qty.
1	152.210002.36.29	Control Panel Housing, Cool Gray 11C	1
2	5.1210.920	20Amp Circuit Breaker, Push Button, CSA	2
3	5.1870.014	Circuit Breaker Cover, Push Button	2
4	1.9074.4.0306.1	Screw/Washer Assembly M3 x 6, Black	4
5	5.1430.008.99	Intelligauge, VFT-2	1
6	5.1000.001.3	Ignition Switch, Red	1
7	152.130200.00	Pull Choke Assembly	1
8	152.259.1.2	Control Panel	1
9	5.1240.923	23Amp Circuit Breaker, Double Pole, CSA	1
10	5.1870.020	Receptacle Cover, L14-30R	1
11	5.1120.026	Receptacle L14-30R, CSA	1
12	5.1120.050	Receptacle 5-20R, Duplex GFCI	2
13	5.1870.022	Receptacle Cover, 5-20R, Duplex GFCI	2
14	1.6177.1.04.1	Lock Nut M4, Flange, Black	6
15	5.1810.000	Over Voltage Protector, CSA	1
16	1.818.0514.2	Screw M5 x 14	2
17	5.1800.000	Bridge Rectifier	1
18	1.6177.1.05	Lock Nut M5, Flange	6
19	152.210003.01	Wire Jacket, Control Box, CSA	1
20	5.1320.024	Sheath, Wire, CSA	1
21	152.210003.05	Plug, End Cover	1
22	100619.21.10	Wire Assembly	1

# FRAME DIAGRAM

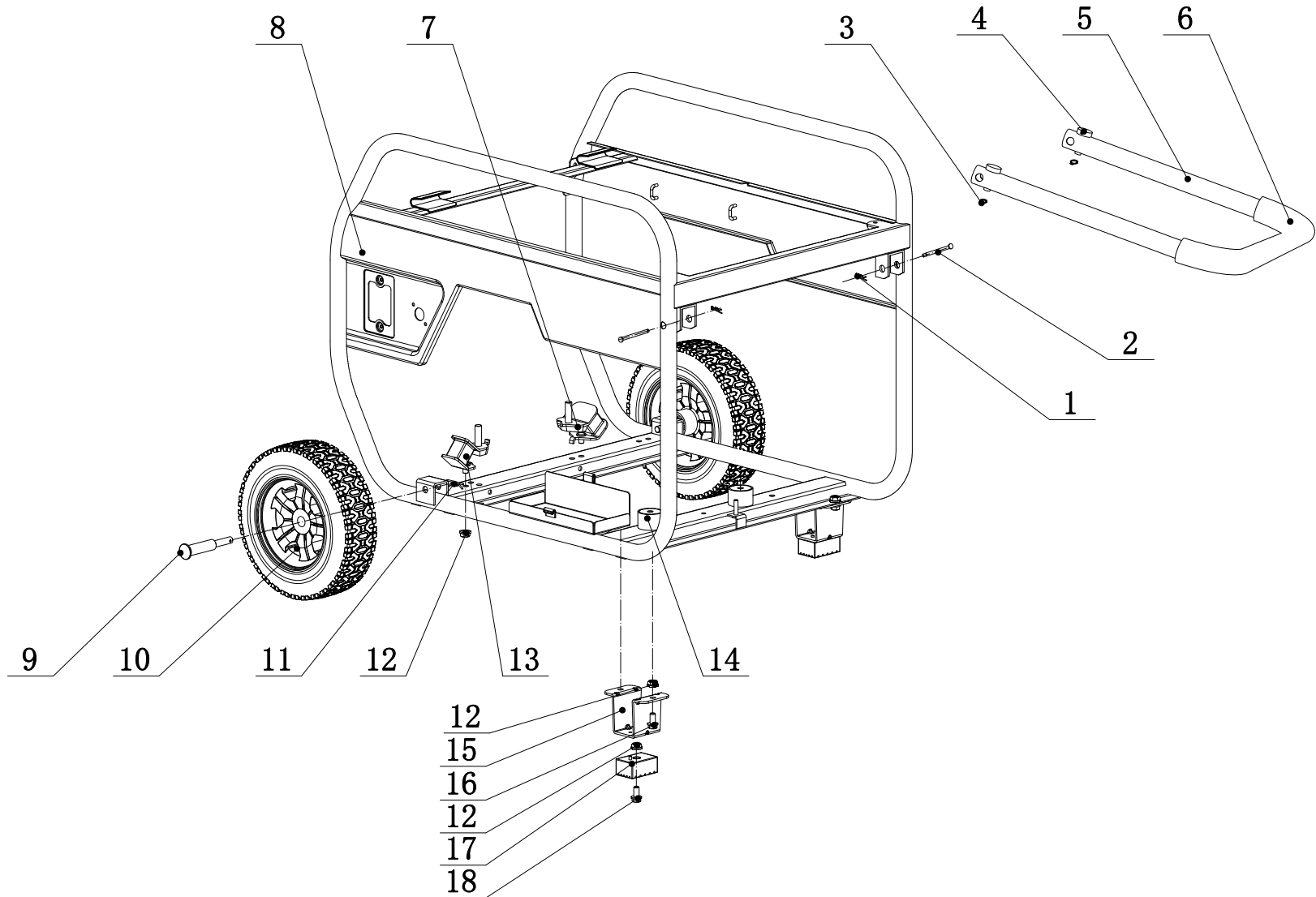


Figure H

## FRAME PARTS LIST

#	Part Number	Description	Qty.
1	11.110008.00	"R" Shape	2
2	152.200703.05	Long Pin, Handle	2
3	1.894.1.08	Circlip Ø8	2
4	152.200703.02	Short Pin, Handle	2
5	152.200700.20	Handle, U Shape	1
6	152.200702.02	Cover, Handle	1
7	152.201200.04	Engine Mount 2	1
8	65297.0.8.2	Frame, 755 x 561 x 600	1
9	122.201501.23.1	Pin Roll, Wheel, Ø16 x Ø10 x 97, Black	2
10	152.201701.09.29	10 in. Wheel, PU, Cool Gray 11C	2
11	2.16.001.1	Pin Ø2 x 33, "R" Shape , Black	2
12	1.6177.1.08	Lock Nut M8, Flange	9
13	152.201200.03	Engine Mount 1	1
14	152.201200.00	Alternator Mount	2
15	152.200002.19.2	Support Leg 62 mm	2
16	1.5789.0816	Flange Bolt M8 x 16	4
17	122.201400.04	Rubber, Support	2
18	1.5789.0825	Flange Bolt M8 x 25	2

# WIRING DIAGRAM

