

MORE POWER - LESS SPACE®



unigy I

12AVR145ET

- Exclusive IPF® technology optimizes power capacity, cell consistency, and long-term reliability
- Advanced AGM technology for superior power
- Puncture resistant micro-porous glass mat separators extend life
- Front access design for easy installation and maintenance
- Reinforced case resists bulging and meets safety requirements (UL 94 V-0)
- Case & cover heat sealed and 100% tested to prevent leaks
- Epoxy sealed posts eliminate leaks
- Flame arresting, low-pressure, self-sealing valves are 100% factory tested
- Computer-aided design and manufacturing control processes and standards to ensure quality products
- All batteries meet or exceed IEEE recommended practices
- Battery design and construction meet UL recognition requirements
- Plate thickness optimized for long life
- Guaranteed 100% initial string capacity when tested in accordance with IEEE 1188
- Designed to meet GR-4228-CORE



SPECIFICATIONS

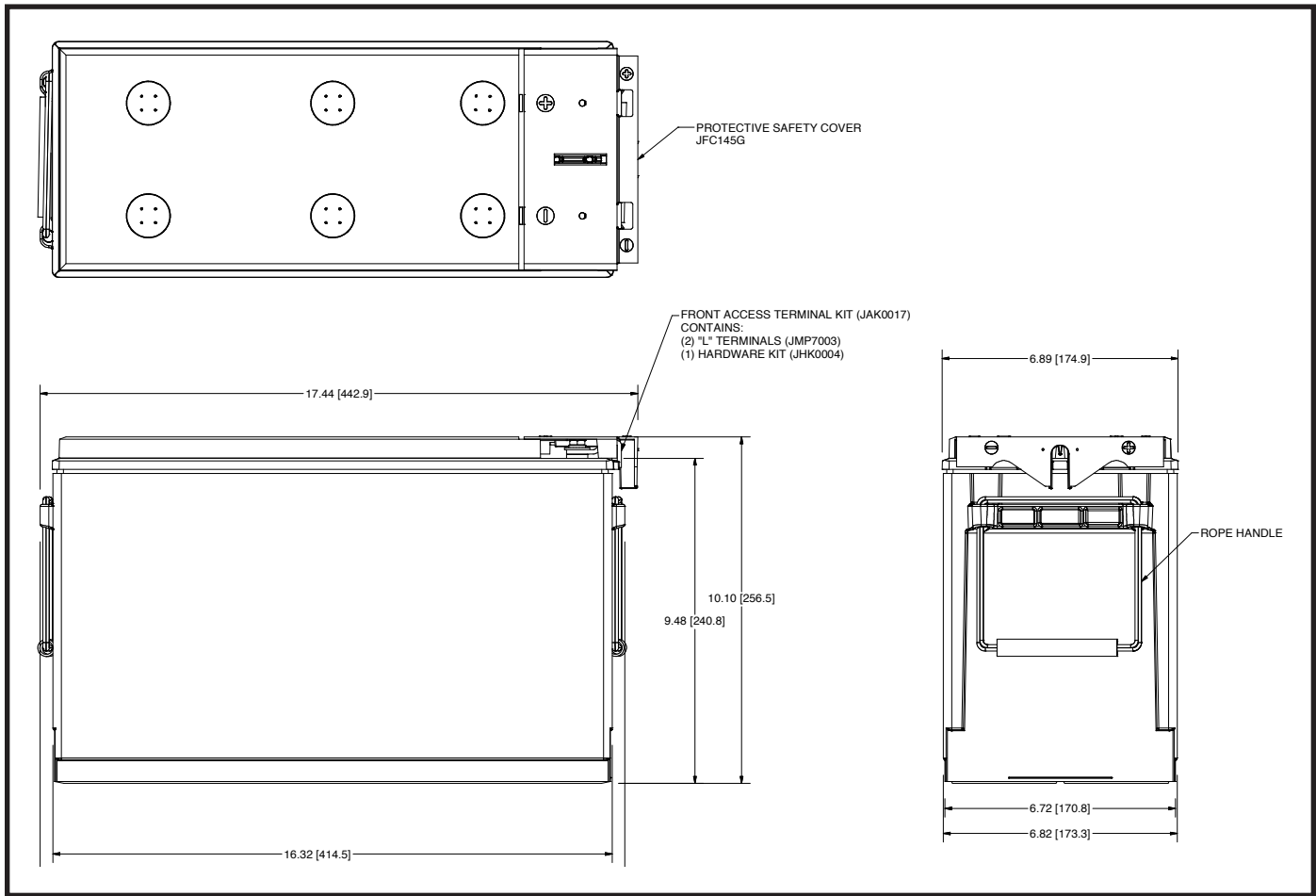
Nominal Voltage: 12-Volts
Rating: 145 Ampere-Hours @ 8 hr. rate to 1.75 V.P.C.
Positive Plate: >98% Pure lead with tin-calcium alloy
Negative Plate: Pure lead, calcium alloy
Post Seal: Epoxy-sealed
Terminal: Front access, 1/4" – 20 threaded insert
Case/Cover: Flame-retardant, polypropylene – UL 94 V-0/>28% L.O.I.

Safety Vent: Low positive pressure, self-sealing w/ flame arrestor
Float Voltage: 2.25 V.P.C. ± 0.01 V.P.C. @ 77°F (25°C)
Design life: 10 years in float applications @ 77°F (25°C)
Dimensions: Length - 17.44" (442.9 mm)
 Width - 6.89" (174.9 mm)
 Height - 10.10" (256.5 mm)
Weight: 102.5 lbs. (46 kg)

DISCHARGE RATINGS IN AMPS @ 77°F (25°C)[†]

Volts per Cell (V.P.C.)	1 HR.	2 HR.	3 HR.	4 HR.	5 HR.	8 HR.	12 HR.	20 HR.	24 HR.
1.75	93.9	54.1	39.2	31.4	26.3	18.1	12.6	7.9	6.7
1.80	91.4	53.2	38.7	31.0	26.0	17.9	12.4	7.8	6.6
1.85	86.1	51.0	37.3	29.9	25.1	17.3	12.0	7.5	6.3
1.88	81.0	48.6	35.7	28.7	24.1	16.6	11.5	7.2	6.1
1.90	76.8	46.6	34.4	27.6	23.3	16.0	11.1	6.9	5.8

[†]Subject to change without notice.



INSTALLATION AND OPERATING INSTRUCTIONS

• <http://www.eastpennmanufacturing.com/wp-content/uploads/Unigy-I-IO-Manual-0902.pdf>



www.dekabatteries.com

QUALITY SYSTEM
CERTIFIED
ISO 9001
IATF 16949
ENVIRONMENTAL
SYSTEM CERTIFIED
ISO 14001



East Penn Manufacturing Co. Lyon Station, PA 19536-0147 Phone: 610-682-3263 Fax: 610-682-0891 e-mail: reservepowersales@dekabatteries.com

E.P.M. Form No. 1398 5/20

© 2020 by EPM Printed in U.S.A.

All data subject to change without notice. No part of this document may be copied or reproduced, electronically or mechanically, without written permission from the company.