

Veris DC Current Transducer (CT) Connection Instructions

For use with HOBO® H22, U12, U30, UX120-006M, and RX3000 data loggers and HOBO ZW data nodes

Applies to this Veris CT:

Onset Part No.	Current Range	Output	Veris Part No.
T-VER-H970-200	0-200 Amps DC	4-20mA (or 0-5VDC) representing 0 to 50/100/200 Amps DC	H970HCA



Installing CT in an energized electrical enclosure or on any energized conductor can result in severe injury or death. This CT is for installation by qualified personnel only. To avoid electrical shock, do not perform any installation or servicing of this CT unless you are qualified to do so. Disconnect and lock-out all power sources during installation and servicing. Please read transducer user's manual for instructions and use.

This document provides instructions on connecting the Veris CT listed above to each of the following:

- FlexSmart™ Analog Module used with HOBO H22 series data loggers
- Analog Sensor Port/Module used with HOBO U30 and RX3000 series data loggers
- 4-20mA cable or voltage adapter used with the U12 and UX120-006M data loggers and ZW series data nodes

It also lists configuration values used by HOBOWare® software to configure the logger for CT.

Required

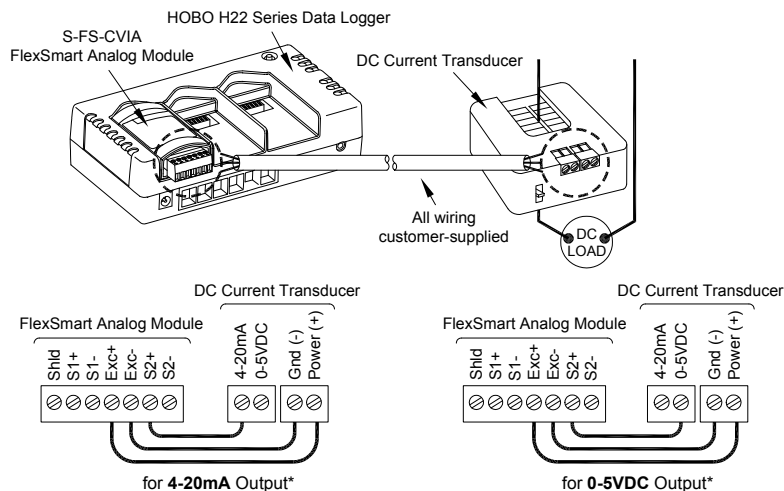
- Veris CT listed above
- HOBO H22, U12, U30, UX120-006M, or RX3000 data logger, or HOBO ZW data node
- FlexSmart Analog Module, Onset Part No: S-FS-CVIA (for H22 series); Analog Sensor Port/Module option (for U30 and RX3000 series); 4-20mA cable, Onset Part No. CABLE-4-20mA or voltage adapter, Onset Part No. CABLE-ADAP5 (for U12, UX120-006M, or ZW series)
- HOBOWare software, version 2.2.1 or higher (2.4.0 or higher for U30 series; 3.6 or higher for UX120-006M); HOBOWare Pro 3.0 or higher for ZW series
- HOBOLink (for RX3000 series data loggers)
- Customer-supplied lengths of hook-up wire



Veris DC Current Transducer

Connecting the CT to the Analog Module or Port

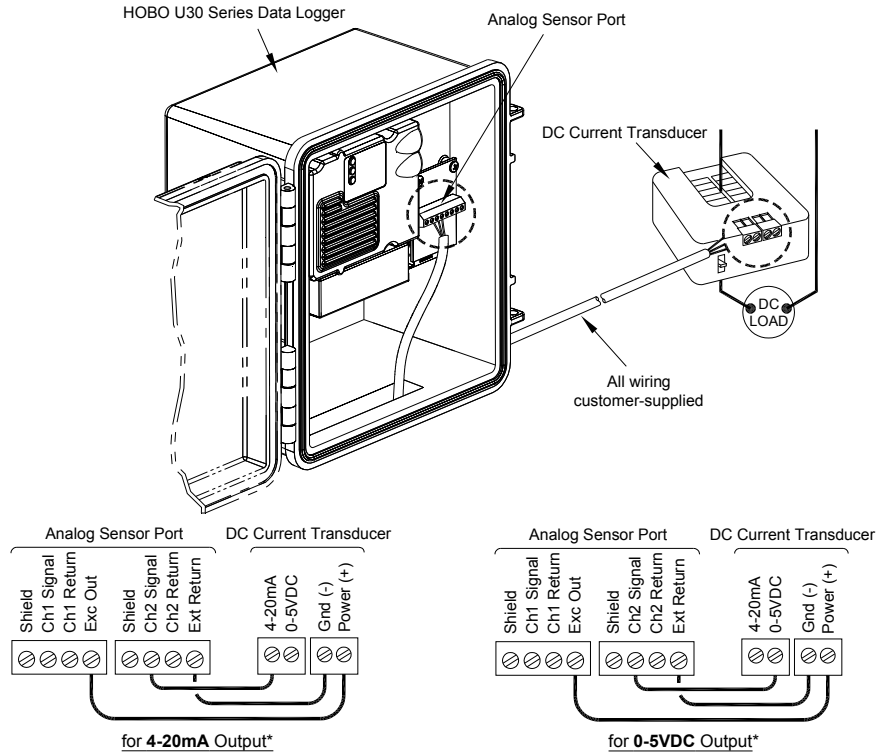
H22 Connection



*The applicable output terminal from the CT is shown connected to the channel 2 input terminal (S2+) on the FlexSmart Analog Module. If available, the channel 1 input terminal (S1+) can be used instead.

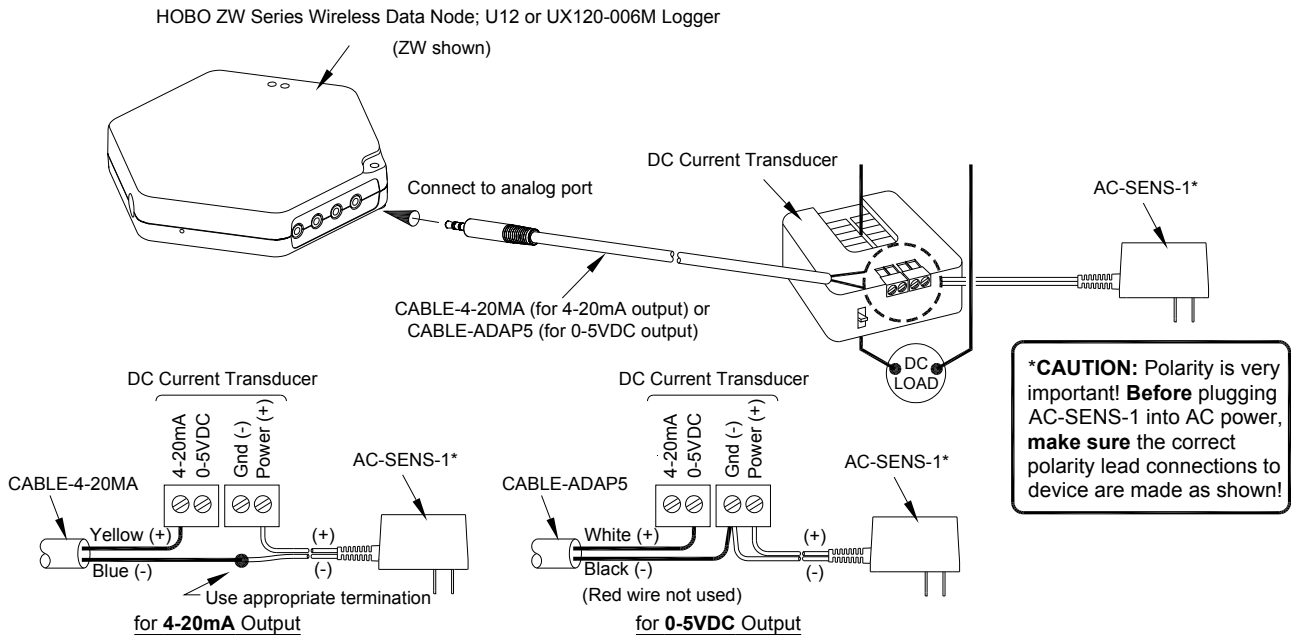
Veris DC Current Transducer (CT) Connection Instructions

U30 or RX3000 Connection (U30 Shown)



*The applicable output terminal from the CT is shown connected to the channel 2 input terminal (Ch2 Signal) on the Analog Sensor Port. If available, the channel 1 input terminal (Ch1 Signal) can be used instead.

ZW, U12, and UX120-006M Connection



Veris DC Current Transducer (CT) Connection Instructions

Configuring the Data Logger for the CT using HOBOWare Software

HOBOWare software provides a configuration file for the CT. The table below lists the recommended configuration values that this file contains. For information on loading configuration files, refer to the software documentation.

Channel Name	Raw Value 1	Raw Value 2	Scaled Value 1	Scaled Value 2	Scaled Units	Min. Warm-up Time
Current	4mA	20mA	0	50 (or 100 or 200)	A	8-10 sec.
Current	0V	5V	0	50 (or 100 or 200)	A	8-10 sec.

Note: The CT requires 12-30VDC @ 35mA excitation power for 0-5 volts output option, which can be supplied by the FlexSmart Analog Module (Onset Part No. S-FS-CVIA) with H22; by the Analog Sensor Port/Module with U30 and RX3000; and by power adapter (Onset Part No. AC-SENS-1) with ZW, U12, and UX120-006M. For the 4-20mA option, 15-30VDC @ 35mA will need to be provided.