

WARNING

To prevent possible SERIOUS INJURY or DEATH from a closing door:

- Be sure to DISCONNECT POWER to the operator BEFORE installing the photoelectric edge sensor.
- The door MUST be in the fully opened or mid position BEFORE installing the LiftMaster® Monitored Entrapment Protection device.
- Correctly install, connect and test the photoelectric edge sensor for proper operation.
- Install the photoelectric edge sensor on the closing edge of the door.
- LiftMaster® Monitored Entrapment Protection devices OES-SD16 and OES-SD24 are for use with LiftMaster® Commercial Door Operators ONLY. Use with ANY other product voids the warranty.
- Entrapment protection devices MUST be installed per the operator owner's manual.

APPLICATION

LiftMaster® Protector System models OES-SD16 and OES-SD24 are monitored entrapment protection devices for use with sectional doors. These devices are compatible with LiftMaster® Heavy, Standard, & Medium Duty Logic (post 2010), Commercial Door operators. These devices may be installed in areas exposed to rain or moisture. The images in this document are for reference only and your product may look different.

CARTON INVENTORY

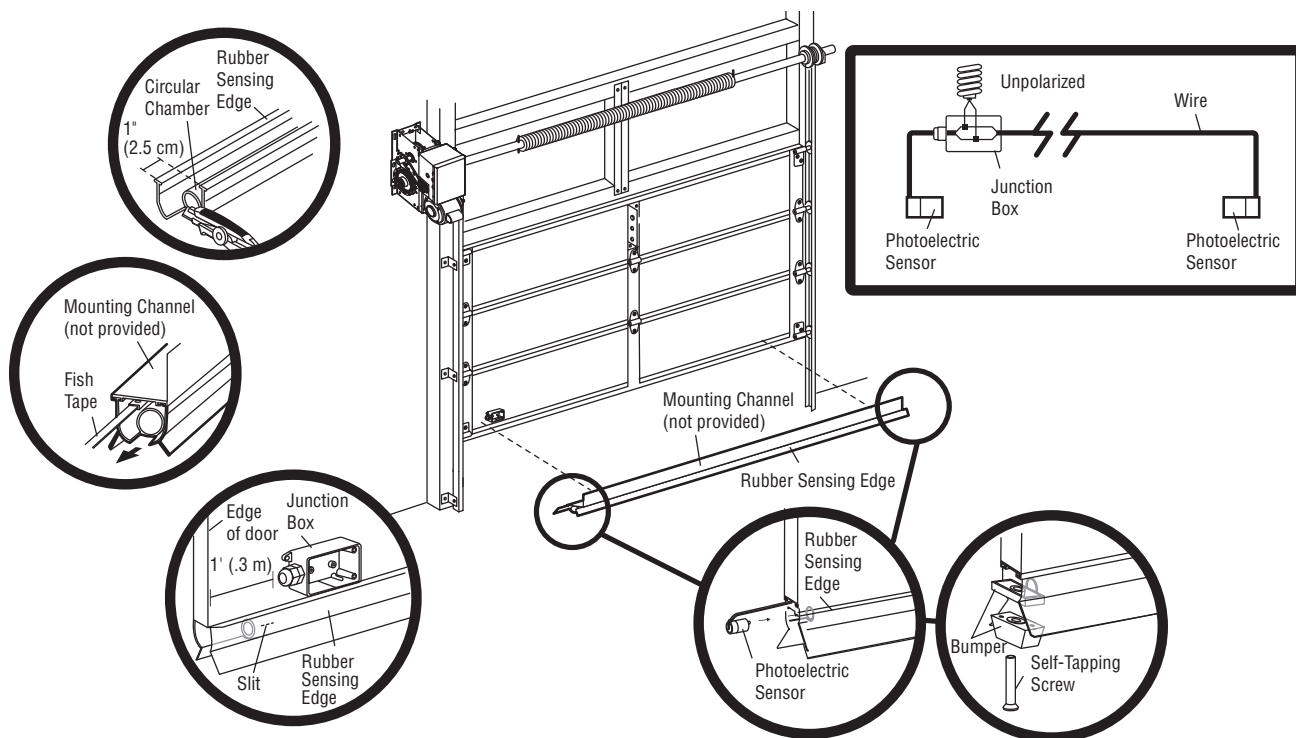
Photoelectric sensors (transmitter and receiver), junction box with wire nuts, 2-wire coil for doors up to 20 feet (6.1 m) high, and bumpers (2).

NOTE: Mounting channels are sold separately: OES-4504 - 1-3/4" x 1-3/4", 16' (4.9 m) long PVC sectional door channel (4) or OES-5104 - 2" x 2", 16' (4.9 m) long PVC sectional door channel (4).

INSTALLATION

1. Measure the width of the door and cut the rubber sensing edge to the width of the door.
2. Cut the top and the bottom of the circular chamber (leaving the sides intact) on the sensing edge 1 inch (2.5 cm) from each end (as shown) to allow room for the bumpers. **NOTE:** Cut the circular chamber only, leaving the side flaps to maintain an adequate air seal.
3. Cut the mounting channel (not provided) to fit the door. Pull the rubber sensing edge into the mounting channel.
4. From the side nearest the operator, use the fish tape to pull the photoelectric sensor wire through the upper compartment of the rubber sensing edge. **NOTE:** Fish tape is not provided.
5. Fasten the mounting channel to the door with appropriate hardware (not provided).
6. Mount the junction box on the same side of the door as the operator approximately 1 foot (.3 m) from the edge of the door.
7. Cut a small slit in the upper compartment of the rubber sensing edge directly below the connector of the junction box. Use pliers to pull both sets of wires through the slit.
8. Insert the photoelectric sensors into the lower circular chamber of the rubber sensing edge until flush.
9. Insert the photoelectric sensor wires into the junction box and cut the excess wire.
10. Use self-tapping screws provided to mount a bumper to each side of the door to secure the sensing edge.

NOTE: Check the manufacturer's requirements for approved safety devices. The OSE-C 1003 is available for older non-monitored operators.



WIRING CONNECTIONS

Do not run wiring in the same conduit with AC power.

1. Disconnect power to the operator.
2. Wire the coil cord to the junction box. Twist both black/white wires from the photoelectric sensors together and connect them to the white wire from the coil cord. Twist both black wires from the photoelectric sensors together and connect them to the brown wire from the coil cord.
NOTE: The black/white wire is common, and the black wire is positive.
3. Connect the coil cord wires to the logic board on the operator. The wiring is polarity sensitive so make certain to wire as indicated:

Medium Duty Logic:

Connect the white wire to the LMPE2 and the brown wire to LMPE1 on the logic board.

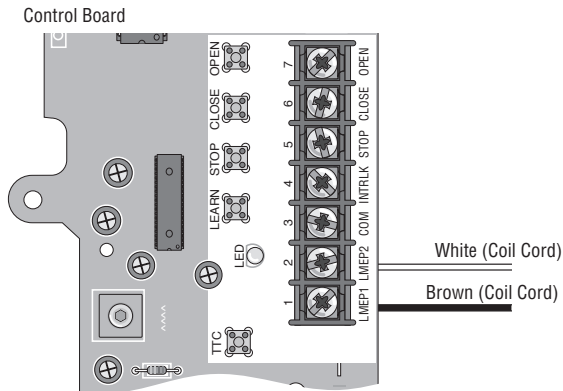
Heavy, Standard Logic 4:

Connect the white wire to the common and the brown wire to LMPE on the logic board.

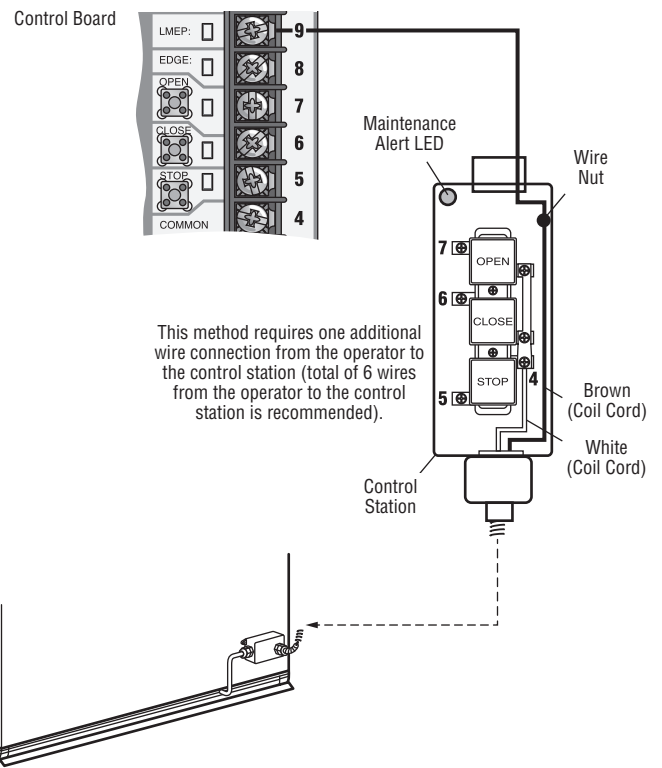
Heavy, Standard Logic 4 (connected through the control station):

See illustration.

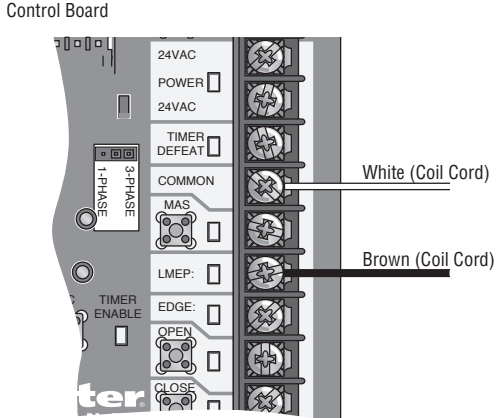
MEDIUM DUTY LOGIC



HEAVY, STANDARD LOGIC 4 (CONNECTED THROUGH THE CONTROL STATION)



HEAVY, STANDARD LOGIC 4



REPLACEMENT PARTS

OES-EDSR: Photoelectric sensors (transmitter and receiver) with 33 feet (10.1 m) connection cable.

OES-JBOX: Junction box with wire nuts.

OES-COIL: 2-wire coil for doors up to 20 feet (6.1 m) high.

OES-DECK: Bumpers (2).

ACCESSORIES

OES-COND: Conduit Kit with 2 junction boxes and 2 flexible cables.

OES-4504: 1-3/4" x 1-3/4", 16 feet (4.9 m) long PVC sectional door channel (4 piece).

OES-5104: 2" x 2", 16 feet (4.9 m) long PVC sectional door channel (4 pieces).

OES-SD50: 50 feet (15.2 m) roll of photo electric edge sectional door extrusion.

HOW TO ORDER REPAIR PARTS

DEVANCO CANADA

19192 HAY ROAD, UNIT Q
SUMMERSTOWN, ON K0C 2E0

TOLL FREE: 855-931-3334
www.devancocanada.com

**WHEN ORDERING REPAIR PARTS
PLEASE SUPPLY THE FOLLOWING INFORMATION:**

- ✓ PART NUMBER
- ✓ DESCRIPTION
- ✓ MODEL NUMBER