



BASO Gas Products LLC

# PRODUCT CATALOG 2017

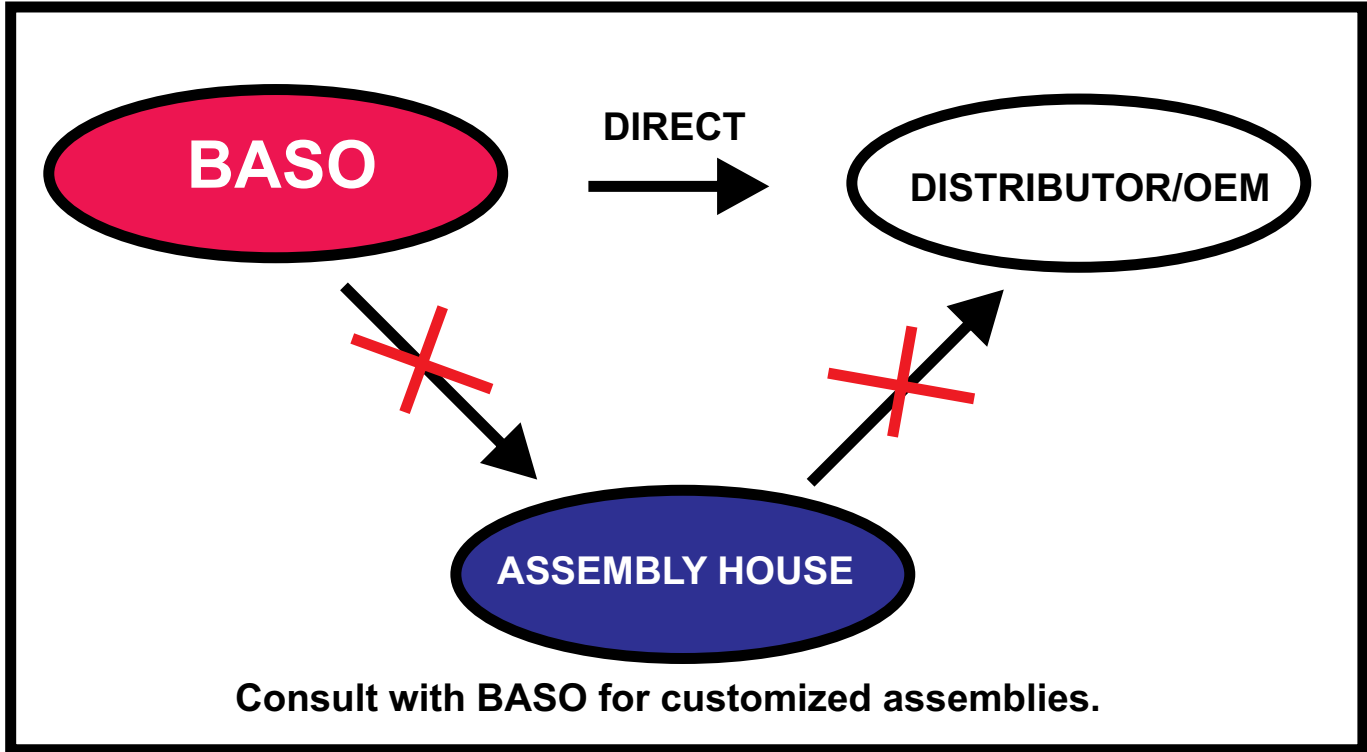


		Electrically Operated Gas Valves
		Thermocouple Operated Gas Valves
		Accessories
		Ignition Control Modules
		Pilot Burners

# VALUE ADDED ASSEMBLIES

As a value-added service, BASO will build and package custom assembly items to your specification, providing all components, using customer supplied items, or any combination thereof.

BASO Gas Products LLC has many years of experience in the application of gas valves and pilot burner assemblies. Let us put our experience to work for you. We welcome the opportunity to assist you in your applications.



# Contents

## Electrically Operated Gas Valves

BGA158 Series Class A	3
BGA158 Series Class B	4
BGA171 Series Class B	5
BGA158, BGA171 and BGA110 Series	6
H91 Series BASOTROL® Automatic Gas Valve	8
H96 Series BASOTROL® Gas Valve Class B	13
H96 Cross Reference to BGA Series	14
BGC258 Series Combination Gas Valve	15
BGC258 Series Combination Gas Valve Class B	16
BGC278 Series Combination Gas Valve	17
BGC278 Series Combination Gas Valve Class B	18
BGD258 Series Redundant Gas Valve Class A	19
BGD258 Series Class B	20
BGD278 Series Redundant Gas Valve Class B	21
GM-7000 Series Class B	22
G960 Series Class B	23
G96 Series	24
G96 Series Hi-Lo Solenoid Gas Valve	26
G96 Series Class B	27
G195 Series Combination Gas Valve With Manual "A" Shut-off Valve	28
G196 Series With Manual "A" Shut-Off Valve	29
BGQ15HAA-1 Retrofit Gas Control System	31
VLV Series Universal Replacement Gas Valve	32
KIT-VLV Universal Replacement Gas Valve Mounting Plate	33
B21 Series Redundant Gas Valve	34

## Thermocouple Operated Gas Valves

G292 Series Dual Pilot Valve Series	36
G92 Series BASOTROL® Non-Regulated Combination Gas Valve	37
G93 Series Regulated Combination Gas Valve	39
H15 Series Automatic Shut-Off Pilot Gas Valve	41
H17 Series Automatic Shut-Off Pilot Gas Valve	43
H19 Series Automatic Shut-Off Pilot Gas Valve	45
H19 Series High Pressure Automatic Shut-Off Pilot Gas Valve	46
H43 Series Automatic Shut-Off Pilot Gas Valve with Manual Shut-off	47
BGX583N Non-Explosion Proof Valve	49
BE58 Explosion Proof Valve	50
L61 Series BASO® Pilot Switch	51
L62 Series BASO® Pilot Switch	52
K14 Series Thermocouples	53
K15DA Series Thermocouples	54
K15DQ Series Thermocouples	55
K15FA Series Thermocouples	56
K16BA Series Thermocouples	57
K16BT Series Thermocouples	58
K16CA Series Thermocouples	59
K16FA Series Thermocouples	60
K16JA and K16KA Series Thermocouples	61
K16NA Series Thermocouples	62
K16RA Series Nickle-Plated Thermocouples	63
K16RM Series Nickle-Plated Thermocouples	64
K16WT Series Thermocouples / 63499-WT Series "WT" Ext. Kits	65
K16SA and K19SA Series Thermocouples with Metric Thread	66
K17AJ Series Thermocouple with Junction Block	67

K17 Series Universal Thermocouple	68
K17LM Series Low Mass Thermocouples	69
K19 Series Universal Thermocouple	70
T36A1 Series Universal Thermopile	71
T36B0 Series Universal Coaxial Thermopile	71
Thermocouple and Thermopile (Millivolt Generator) Accessories	72
Y99AN Series Junction Block	73
Y99AL Series Test Couple	74

## Accessories

Y99AB-4 BASO® Test Kit / Y99TB-1 Thermocouple Tester	76
BGD258 or GM7000 Series Combination Gas Valve Regulator Conversion Kits	77
Replacement Potted Coils	78
SVC Series Connector / In-Line Rectifier	79
KT Series Flange Assembly Kits	80
Y57 Series High Voltage Flame Sensor Wire Harness	81
Y70 Series Gas Valve Thread Grease	82
Y71 Series Combination Gas Valve Regulator Conversion Kits	83
Y75 Series Replacement Flame Sensor Rod	84
Y80 Series Ignition Glow Coils	85
Y99AX Series Pressure Test Fittings/ Y99AP BASO® Valve Connection Reducer	86
Y99AY & Y99HY Manually Operated Pilot Adjust Adapter	87
R23244-3 Red Button Replacement/ Y99AR BASO® Pilot Burner Tubing	88
BR Series Regulators	89

## Ignition Control Modules

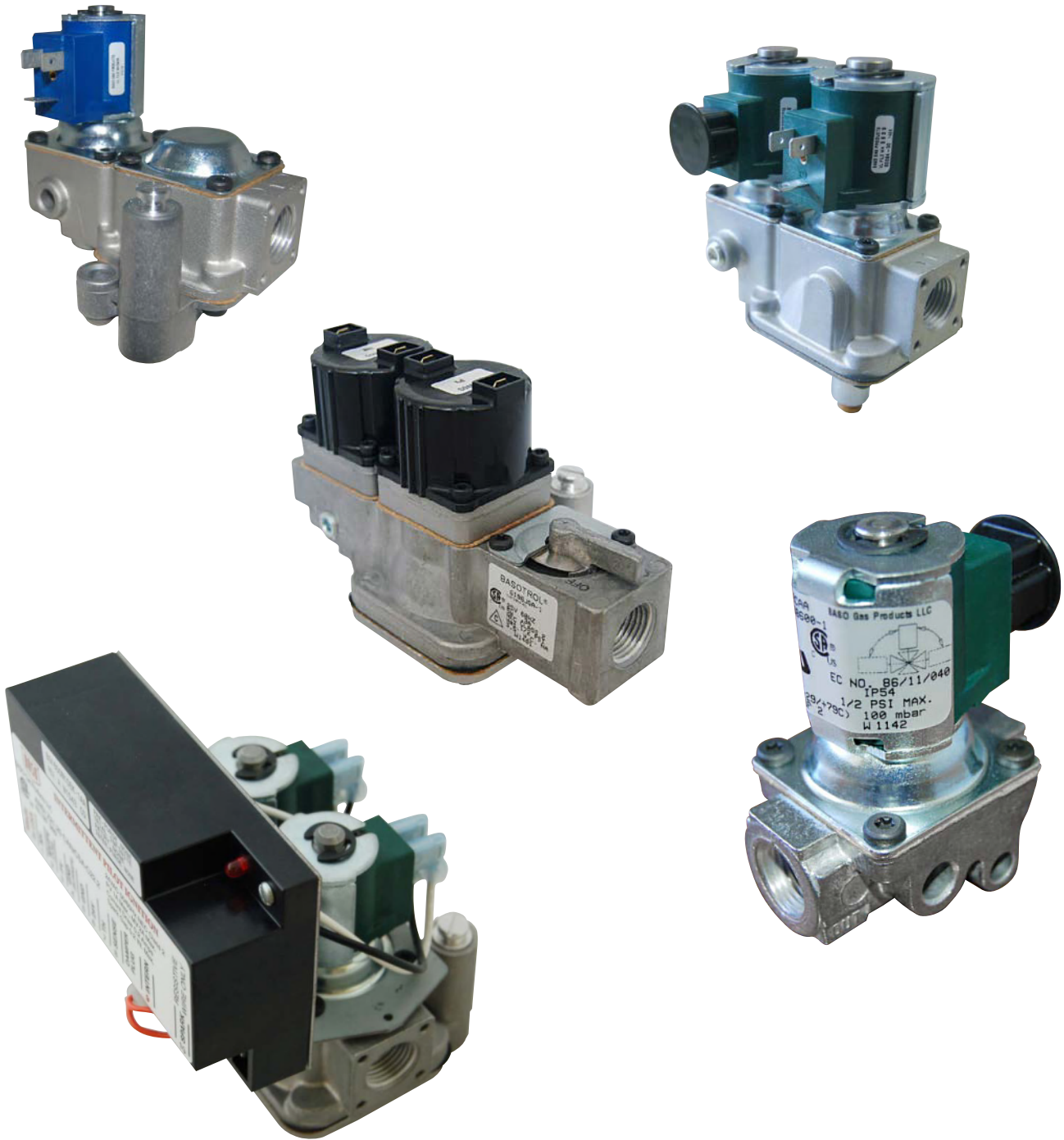
24-Volt Direct Spark Ignition Control	91
BGN891-1 24-Volt Direct Spark Ignition Control	93
24-Volt Intermittent Pilot Ignition Control	94
C610U-1 24-VAC Universal Intermittent Pilot Ignition Control (replaces BG1600M51EF-1AA)	97
Model C107U-1 Universal Direct Spark Ignition	102
Dual Spark 24-Volt Ignition Control	104
BGH2UNCNTRLHT-01 Universal Hot Surface Ignition Control	105
BGH Series Hot Surface Ignition Control	107
WHA40 Wire Harness & RAA Adapter Terminal	108
WHA43 Series Wire Harness Kit	109
DC and DD Series Spark Igniter/Flame Sensors	110
B03M-5E067C Universal Kit Hot Surface Igniter	111
B04C-5E033 Series Hot Surface Igniter	112
B06C-5E035 Universal Kit Hot Surface Igniters	113
B04S Series Hot Surface Igniters	114
Micro Igniter 24 VAC Hot Surface Igniter	115
B19N Series 120 VAC Hot Surface Igniters	116

## Pilot Burners

J Series Combination Standing Pilot Burners	118
J Series Universal Multi-Mount Standing Pilot Burners	119
J Series Pilot Burner Assemblies	120
Q90 Series Pilot Burner Assemblies	122
Fittings	123
Y90 Series Inlets	124

## OEM Cross Reference . . . . .125

# Electrically Operated Gas Valves







BASO Gas Products LLC

# BGA158 Series Class A

### Description

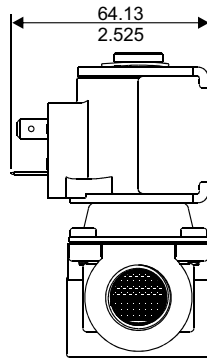
BGA158 Series Class A automatic gas valves are electrically operated shut-off valves are normally in the closed position and open on an electrical demand signal from a thermostat or other controlling device. The BGA158 can be used with natural gas or LP at pressures up to 138 mbar (2.0 psi). Typical applications include agricultural heater equipment, commercial cooking equipment, wall furnaces and other heating equipment. Its compact size permits installation in space-restrictive applications.

### Specifications

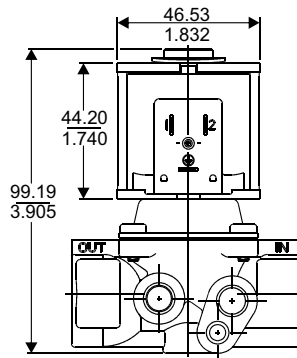
- Maximum working pressure: 138 mbar
- Available voltages: 12 VDC, 25 VDC, 25 VAC, 120 VAC, 240 VAC
- Inlet/outlet sizes: 1/8, 1/4, 3/8, 1/2 NPT or BSPP
- Pilot/Pressure tap sizes: 1/8 NPT or BSPP
- Permissible ambient (surface) temperature: -29° to 79°C (-20° to 175°F)

### Agency Listing

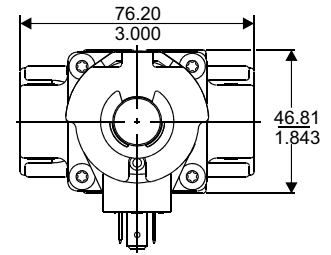
- EC Type Examination Certification number EC-86/11/040
- CSA (AGA/CGA) Certificate number 229521-1656058
- UL Recognized File number MH5939



Inlet View



Side View



Top View

**BGA158 Dimensions (mm/in.)**

### Selection Chart

Part Number	Inlet and Outlet Female NPT	Natural Gas Capacity Btu/hr at 0.2 PSI Pressure Drop	With Inlet Screen	Voltage (50/60 Hz)	Pilot Tap NPT	Pressure Tap NPT	
▲ BGA158CAH-1CAAC	1/8 in. x 1/8 in.	150,000	Yes	25 VAC	None	None	
▲ BGA158CAJ-1CAAC				120 VAC			
▲ BGA158CBH-1CAAC	1/4 in. x 1/4 in.	260,000		25 VAC			
▲ BGA158CBJ-1CAAC				120 VAC			
▲ BGA158CCH-1CAAC	3/8 in. x 3/8 in.	380,000		25 VAC			
▲ BGA158CCJ-1CAAC				120 VAC			
▲ BGA158CDF-1CAAC	1/2 in. x 1/2 in.	560,000		No			12 VDC
▲ BGA158CDH-1CAAC							25 VAC
▲ BGA158CDJ-1CAAC							120 VAC
▲ BGA158GDH-1CAAC							25 VAC

▲ means bulk pack is available upon request.

Notes: DIN connectors are available; see Accessory section page 79.  
Inlet screen available upon request.



BASO Gas Products LLC

# BGA158 Series Class B

## Description

BGA158 Series Class B automatic gas valves are electrically operated shut-off valves that are normally in the closed position and open on an electrical demand signal from a thermostat or another controlling device. The BGA158 Series can be operated with natural gas, LP or LP-mixed gas at pressures up to 35 mbar (0.5 psi). Typical applications are agricultural heating equipment, commercial cooking equipment, wall furnaces or other heating equipment. Its compact size permits installation in space-restrictive applications.

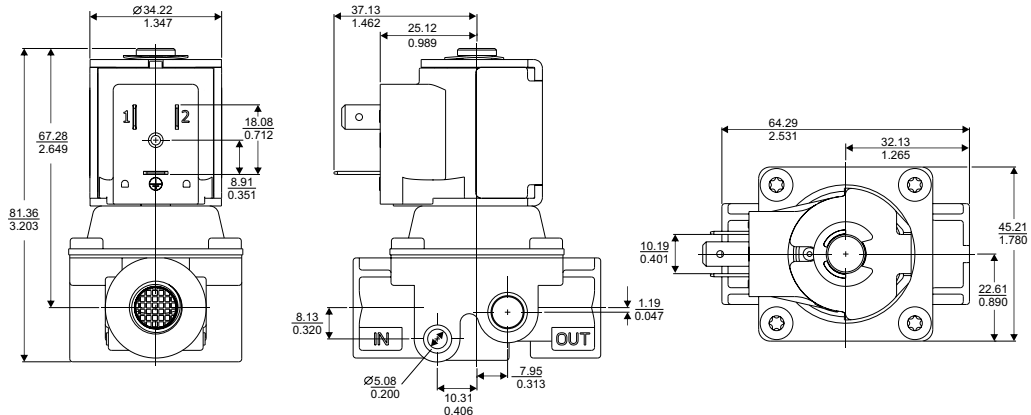
## Specifications

- Maximum working pressure: 50 mbar
- Available voltages: 12 VDC, 25 VDC, 25 VAC, 120 VAC, 240 VAC
- Inlet/Outlet sizes: 1/8, 1/4, 3/8, 1/2 NPT or BSPP / 1/2 BSPT
- Pilot/pressure tap sizes: 1/8 NPT or BSPP
- Permissible ambient (surface) temperature: -29° to 79°C (-20° to 175°F)



## Agency Listing

- EC Type Examination Certification number EC-86/11/040
- CSA (AGA/CGA) Certificate number 229521-1656058
- UL Recognized File number MH5939



**BGA158 Dimensions (mm/in.)**

## Selection Chart

Part Number	Inlet and Outlet Female NPT	Natural Gas Capacity Btu/hr at 1 in. Pressure Drop	Voltage (50/60 Hz)	Pilot Tap NPT	Pressure Tap NPT
▲ BGA158AAC-1CAAC	1/8 in. x 1/8 in.	70,000	25 VAC	None	None
▲ BGA158AAD-1CAAC			120 VAC	None	None
▲ BGA158ABC-1CAAC	1/4 in. x 1/4 in.	100,000	25 VAC	None	None
▲ BGA158ABD-1CAAC			120 VAC	None	None
▲ BGA158ACC-1CAAC	3/8 in. x 3/8 in.	115,000	25 VAC	None	None
▲ BGA158ACC-1CDAC			25 VAC	None	1/8-27 left and right
▲ BGA158ACD-1CAAC			120 VAC	None	None

▲ means bulk pack is available upon request.

Notes: DIN connectors are available; see Accessory section page 79.  
Inlet screen available upon request.

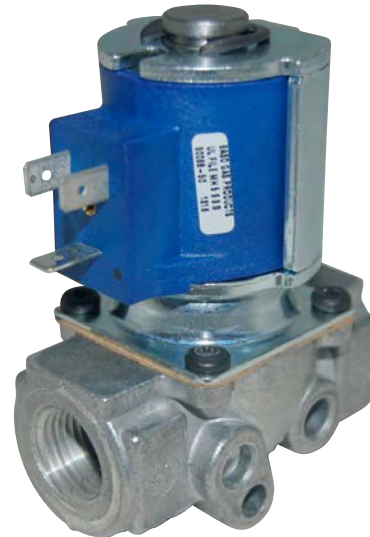


BASO Gas Products LLC

# BGA171 Series Class B

### Description

BGA171 Series Class B automatic gas valves are electrically operated shut-off valves that are normally in the closed position and open on an electrical demand signal from a thermostat or another controlling device. The BGA171 Series can be operated with natural gas, LP or LP-mixed gas at pressures up to 35 mbar (0.5 psi). Typical applications are agricultural heating equipment, commercial cooking equipment, wall furnaces or other heating equipment. Its compact size permits installation in space-restrictive applications.

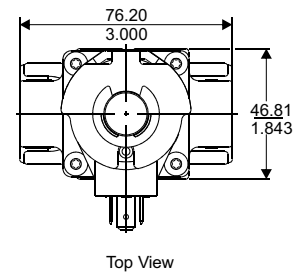
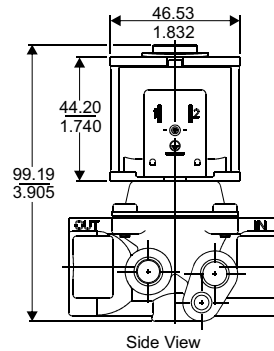
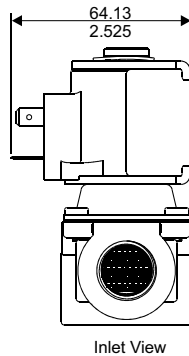


### Specifications

- Maximum working pressure: 100 mbar
- Available voltages: 12 VDC, 25 VDC, 25 VAC, 120 VAC, 240 VAC
- Inlet/Outlet sizes: 1/2, 3/4 NPT or BSPP
- Pilot/pressure tap sizes: 1/8 NPT or BSPP
- Permissible ambient (surface) temperature: -29° to 79°C (-20° to 175°F)

### Agency Listing

- EC Type Examination Certification number EC-86/11/040
- CSA (AGA/CGA) Certificate number 229521-1656058
- UL Recognized File number MH5939



**BGA171 Dimensions (mm/in.)**

### Selection Chart

Part Number	Inlet and Outlet Female NPT	Natural Gas Capacity Btu/hr at 1 in. Pressure Drop	Voltage (50/60 Hz)	Pilot Tap NPT	Pressure Tap NPT
▲ BGA171ADD-1CAAC	1/2 in. x 1/2 in.	265,000	120 VAC	None	None
▲ BGA171ADD-1CABC			120 VAC	1/8-27 left	None
▲ BGA171AEH-1CAAC			25 VAC	None	None
▲ BGA171AEJ-1CAAC			120 VAC	None	None
▲ BGA171AEK-1CABC			240 VAC	1/8-27 left	None
▲ BGA171AEK-1CDAC			240 VAC	None	1/8-27 left and right
▲ BGA171AEK-1DAAC			240 VAC	None	None
▲ BGA171AGH-1CAAC	3/4 in. x 3/4 in.	290,000	25 VAC	None	None
▲ BGA171AGJ-1CAAC			120 VAC	None	None

▲ means bulk pack is available upon request.

Notes: DIN connectors are available; see Accessory section page 79.  
Inlet screen available upon request.



BASO Gas Products LLC

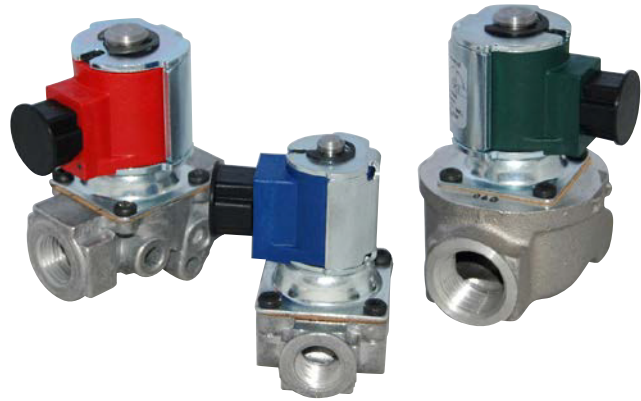
# BGA158, BGA171 and BGA110 Series

## Description

BGA158, 171 and 110 Series automatic gas valves are electrically operated shut-off valves that are normally in the closed position and open on an electrical demand signal from a thermostat or other controlling device. The BGA158, BGA171 and BGA110 can be operated with natural gas or LP at pressures up to 0.5 psi. Typical applications are agricultural heating equipment, commercial cooking equipment, wall furnaces or other heating equipment. Their compact size permits installation in space-restrictive applications.

## Specifications

- Rated inlet pressure: 0.5 psi
- Available voltages: 12 VDC, 25 VDC, 25 VAC, 120 VAC, 240 VAC
- Inlet/Outlet sizes: 1/4 cc, 3/8 cc, 1/2 cc, 1/8, 1/4, 3/8, 1/2, 3/4, 1 NPT or BSPP
- Pilot/pressure tap sizes: 1/8 NPT or BSPP
- Permissible ambient (surface) temperature: -20° to 175°F (-29° to 79°C)



## Agency Listing

- CSA (AGA/CGA) Certificate number 229521-1656058
- UL Recognized File number MH5939

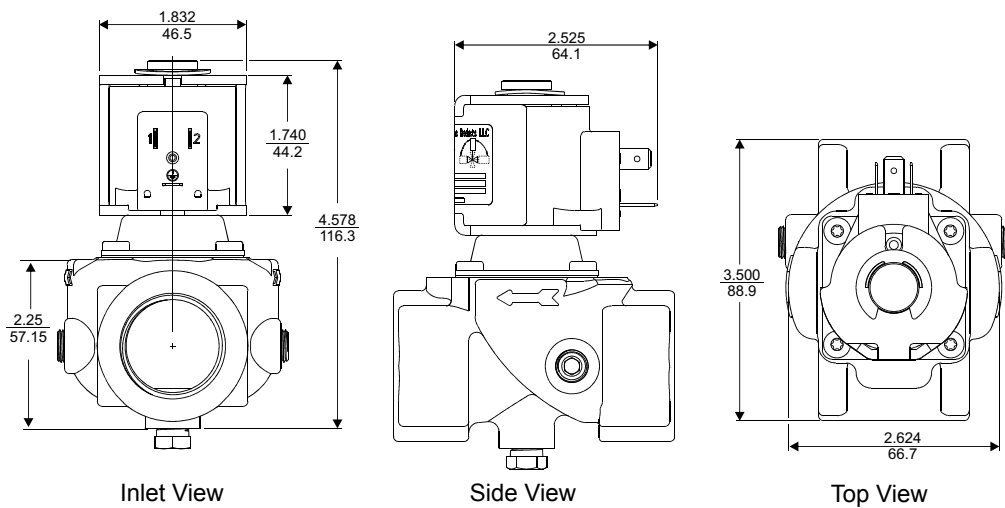
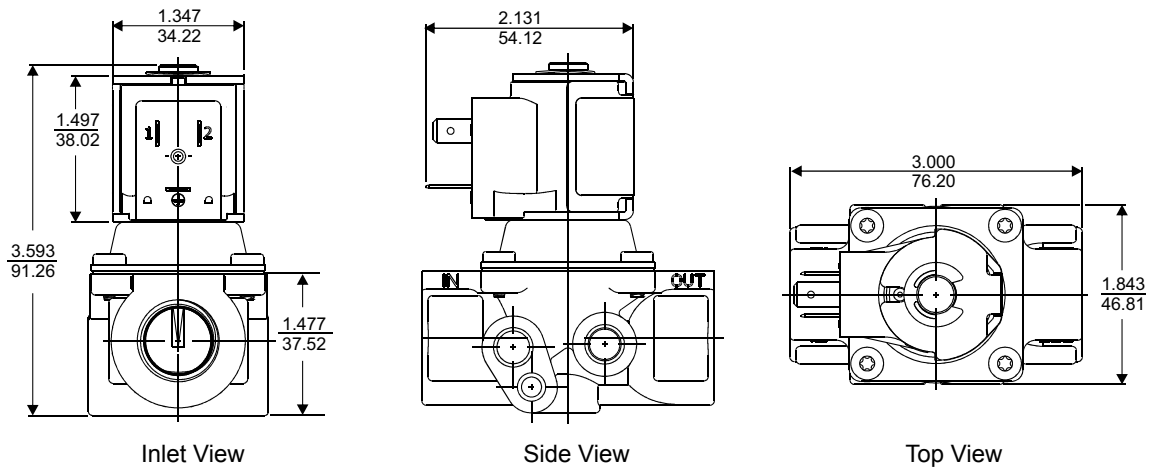
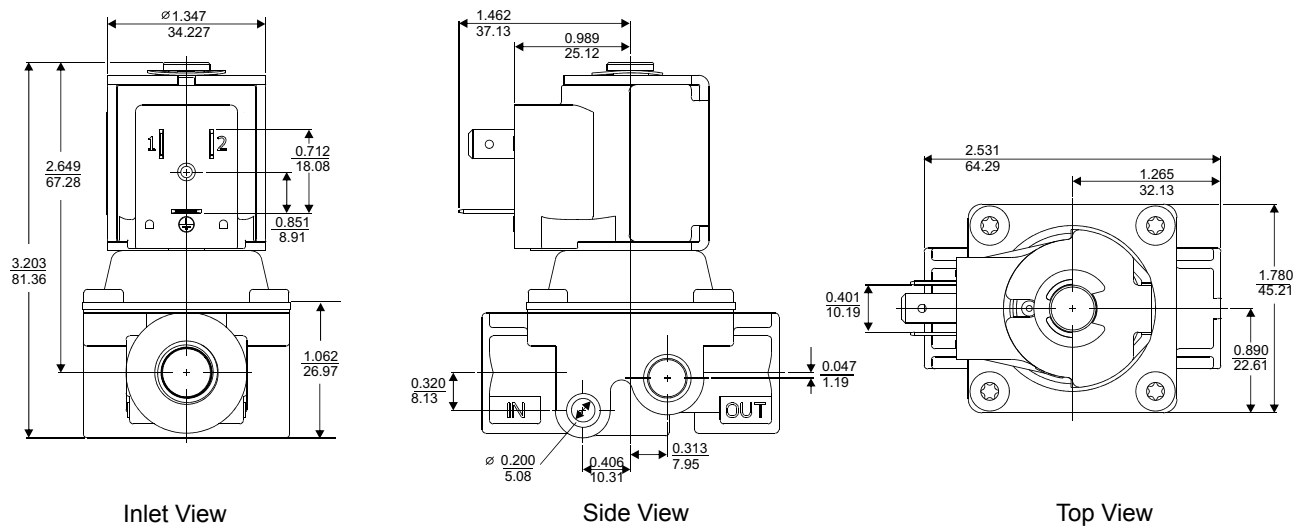
## Selection Chart

Part Number	Inlet and Outlet Female NPT	Natural Gas Capacity Btu/hr at 1 in. Pressure Drop	Voltage (50/60 Hz)	Pilot Tap NPT	Pressure Tap NPT
▲ BGA158EAA-1CAAC	1/8 in. x 1/8 in.	70,000	12 VDC	None	None
▲ BGA158EAC-1CAAC			25 VAC	None	None
▲ BGA158EAD-1CAAC			120 VAC	None	None
▲ BGA158EBA-1CAAC	1/4 in. x 1/4 in.	100,000	12 VDC	None	None
▲ BGA158EBC-1CBAC			25 VAC	None	1/8-27 NPT left
▲ BGA158EMC-1CAAC	1/4 in. cc x 1/4 in. cc	42,000	25 VAC	None	None
▲ BGA171EDA-1CAAC	1/2 in. x 12 in.	265,000	12 VDC	None	None
▲ BGA171EDC-1CAAC			25 VAC	None	None
▲ BGA171EDD-1CAAC			120 VAC	None	None
▲ BGA171EDD-1DAAC			120 VAC	None	None
▲ BGA171EFA-1CAAC	3/4 in. x 3/4 in.	290,000	12 VDC	None	None
▲ BGA171EFC-1CAAC			25 VAC	None	None
▲ BGA171EFD-1CAAC			120 VAC	None	None
▲ BGA171EFE-1CAAC			240 VAC	None	None
▲ BGA110EHF-1CAAC	3/4 in. x 3/4 in.	430,000	12 VDC	None	None
▲ BGA110EHH-1CAAC			25 VAC	None	None
▲ BGA110EHJ-1CAAC			120 VAC	None	None
▲ BGA110EJH-1CAAC	1 in. x 1 in.	500,000	25 VAC	None	None
▲ BGA110EJJ-1CAAC			120 VAC	None	None
▲ BGA110EJK-1CAAC			240 VAC	None	None

▲ means bulk pack is available upon request.

Notes: DIN connectors are available; see Accessory section page 79.  
Inlet screen available upon request.







BASO Gas Products LLC

# H91 Series BASOTROL® Automatic Gas Valve

## Description

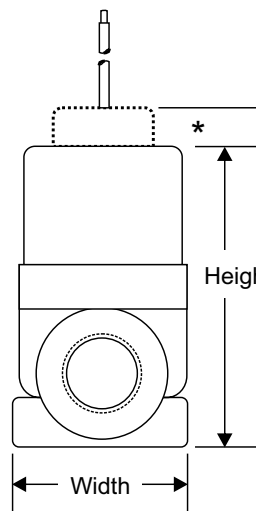
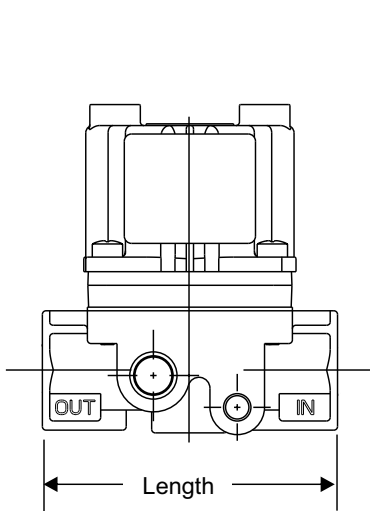
H91 Series automatic gas valves are electrically operated shut-off valves that automatically open and close on an electrical demand signal from a thermostat or other controlling device. Typical applications include heaters, wall furnaces, commercial cooking equipment, water heaters, boilers, generators, commercial dryers and similar applications. The H91 can be used with natural gas or LP at pressures up to 0.5 psi. Several cover options are available.

## Specifications

- Rated inlet pressure: 0.5 psi
- Permissible ambient (surface) temperature:
  - 40° to 175°F (-40° to 79°C) CSA
  - 40° to 140°F (-40° to 60°C) UL
- -40° to 125°F (-40° to 52°C) UL for H91E\_, H91L\_, H91M\_ and H91R\_ only.

## Agency Listing

- CSA (AGA/CGA) Certificate number 229521-1656058
- Australian Gas Association Certificate number 4235 (H91A\_, B\_, C\_, D\_, E\_, L\_ and M\_ models only [excludes models H91\_V])
- UL Listed File number MH5939, H91AAA, AAG, ABA, ABG, ACA, ACG, ADA, ADG, AMA, AMG, ARA, ARG
- UL Recognized File number MH5939



\* For valves with a conduit hub at the top, add 0.44 in. (11 mm) to the height dimension.

H91 Dimensions

## Selection Chart

Part Number	Inlet/Outlet NPT	Natural Gas Capacity Btu/hr at 1 in. Pressure Drop	Voltage (AC unless noted)	Pilot Tap NPT	Pressure Tap NPT	Leads/Tabs (when looking at the inlet)
H91AA-4C	1/8 in. x 1/8 in.	70,000	120V	None	None	30"/Conduit Top
H91AA-5C	1/8 in. x 1/8 in.	70,000	120V	None	None	30"/Conduit Outlet
H91AA-6C	1/8 in. x 1/8 in.	70,000	120V	None	1/8-27 L	24"/Conduit Inlet
H91AA-7C	1/8 in. x 1/8 in.	70,000	120V	None	None	60"/Conduit Top
H91AG-2C	1/8 in. x 1/8 in.	70,000	25V	None	None	1/4 Tab
H91BA-11C	1/4 in. x 1/4 in.	100,000	120V	None	None	90"/Conduit Top
H91BA-3C	1/4 in. x 1/4 in.	100,000	120V	None	None	30"/Conduit Top
H91BA-7C	1/4 in. x 1/4 in.	100,000	120V	None	None	36"/Conduit Right
H91BG-2C	1/4 in. x 1/4 in.	100,000	25V	None	1/8-27 R	12"/Conduit Inlet
H91BG-6C	1/4 in. x 1/4 in.	100,000	25V	None	1/8-27 R	1/4 Tab
H91BG-7C	1/4 in. x 1/4 in.	100,000	25V	None	1/8-27 R	1/4 Tab
H91CA-12C	3/8 in. x 3/8 in.	115,000	120V	None	None	48"/Conduit Inlet
H91CA-15C	3/8 in. x 3/8 in.	115,000	120V	1/8-27 L&R	1/8-27 Bottom	30"/Conduit Left
H91CA-16C	3/8 in. x 3/8 in.	115,000	120V	None	None	30"/Conduit Outlet
H91CA-18C	3/8 in. x 3/8 in.	115,000	120V	None	1/8-27 R	30"/Conduit Top
H91CA-21C	3/8 in. x 3/8 in.	115,000	120V	None	None	1/4 Tab
H91CA-23C	3/8 in. x 3/8 in.	115,000	120V	None	1/8-27 L&R	1/4 Tab
H91CA-24C	3/8 in. x 3/8 in.	115,000	120V	None	1/8-27 L	5"/Conduit Left
H91CA-27C	3/8 in. x 3/8 in.	115,000	120V	None	1/8-27 L&R	1/4 Tab
H91CA-28C	3/8 in. x 3/8 in.	115,000	120V	None	None	48"/Conduit Right
H91CA-32C	3/8 in. x 3/8 in.	115,000	120V	None	1/8-27 L	7.1"/Conduit Inlet
H91CA-33C	3/8 in. x 3/8 in.	115,000	120V	None	1/8-27 L	7.1"/Conduit Outlet
H91CA-34C	3/8 in. x 3/8 in.	115,000	120V	None	1/8-27 L	7.1"/Conduit Inlet
H91CA-35C	3/8 in. x 3/8 in.	115,000	120V	None	1/8-27 T L	7.1"/Conduit Outlet
H91CA-36C	3/8 in. x 3/8 in.	115,000	120V	None	None	7.1"/Conduit Left
H91CA-37C	3/8 in. x 3/8 in.	115,000	120V	None	None	7.1"/Conduit Right
H91CA-38C	3/8 in. x 3/8 in.	115,000	120V	None	1/8-27 L	7.1"/Conduit Inlet
H91CA-39C	3/8 in. x 3/8 in.	115,000	120V	None	1/8-27 L	7.1"/Conduit Outlet
H91CA-40C	3/8 in. x 3/8 in.	115,000	120V	None	None	7.1"/Conduit Right
H91CG-12C	3/8 in. x 3/8 in.	115,000	25V	1/8-27 L&R	1/8-27 Bottom	30"/Conduit Top
H91CG-15C	3/8 in. x 3/8 in.	115,000	25V	None	1/8-27 Bottom	1/4 Tab
H91CG-17C	3/8 in. x 3/8 in.	115,000	25V	None	None	48"/Conduit Right
H91CG-8C	3/8 in. x 3/8 in.	115,000	25V	None	None	1/4 Tab
H91CS-10C	3/8 in. x 3/8 in.	115,000	240V	1/8-27 L&R	None	6"/Conduit Outlet
H91CS-9C	3/8 in. x 3/8 in.	115,000	240V	None	None	30"/Conduit Inlet
H91DA-11C	1/2 in. x 1/2 in.	240,000	120V	None	None	30"/Conduit Inlet
H91DA-12C	1/2 in. x 1/2 in.	240,000	120V	None	None	1/4 Tab
H91DA-13C	1/2 in. x 1/2 in.	240,000	120V	None	None	1/4 Tab
H91DA-1C	1/2 in. x 1/2 in.	240,000	120V	None	None	30"/Conduit Top
H91DA-6C	1/2 in. x 1/2 in.	240,000	120V	None	1/8-27 L	76"/Conduit Right
H91DA-7C	1/2 in. x 1/2 in.	240,000	120V	None	1/8-27 Bottom	1/4 Tab
H91DA-8C	1/2 in. x 1/2 in.	240,000	120V	1/8-27 R	1/8-27 L	48"/Conduit Top
H91DB-2C	1/2 in. x 1/2 in.	240,000	240V	None	None	1/4 Tab
H91DG-11C	1/2 in. x 1/2 in.	240,000	25V	1/8-27 R	1/8-27 R	1/4 Tab
H91DG-12C	1/2 in. x 1/2 in.	240,000	25V	None	None	30"/Conduit Inlet

Part Number	Inlet/Outlet NPT	Natural Gas Capacity Btu/hr at 1 in. Pressure Drop	Voltage (AC unless noted)	Pilot Tap NPT	Pressure Tap NPT	Leads/Tabs (when looking at the inlet)
H91DG-13C	1/2 in. x 1/2 in.	240,000	25V	None	None	30"/Conduit Inlet
H91DG-2C	1/2 in. x 1/2 in.	240,000	25V	None	None	1/4 Tab
H91DG-4C	1/2 in. x 1/2 in.	240,000	25V	None	None	30"/Conduit Top
H91DS-1C	1/2 in. x 1/2 in.	240,000	208/240V	None	None	30"/Conduit Top
H91DS-3C	1/2 in. x 1/2 in.	240,000	208/240V	1/8-27 R	1/8-27 L	48"/Conduit Top
H91EA-1C	1/2 in. x 1/2 in.	311,000	120V	None	None	30"/Conduit Top
H91EA-3C	1/2 in. x 1/2 in.	311,000	120V	None	None	30"/WO Conduit R
H91EA-5C	1/2 in. x 1/2 in.	311,000	120V	1/8-27 L&R	1/8-27 L&R	30"/Conduit Right
H91EA-6C	1/2 in. x 1/2 in.	311,000	120V	None	None	30"/Conduit Top
H91EA-8C	1/2 in. x 1/2 in.	311,000	120V	1/8-27 L&R	1/8-27 L&R	38.88"/Conduit Top
H91EG-7C	1/2 in. x 1/2 in.	311,000	25V	1/8-27 L&R	1/8-27 L&R	1/4 Tab
H91ES-1C	1/2 in. x 1/2 in.	311,000	208/240V	1/8-27 L&R	1/8-27 L&R	30"/Conduit Left
H91ES-3C	1/2 in. x 1/2 in.	311,000	208/240V	1/8-27 L&R	1/8-27 L&R	36"/Conduit Top
H91EV-1C	1/2 in. x 1/2 in.	311,000	12VDC	None	None	1/4 Tab
H91EV-3C	1/2 in. x 1/2 in.	311,000	12VDC	None	1/8-27 L	1/4 Tab
H91JV-1C	1/2 in. x 1/2 in.	240,000	12VDC	None	None	1/4 Tab
H91JV-2C	1/2 in. x 1/2 in.	240,000	12VDC	None	None	1/4 Tab
H91LA-13C	3/4 in. x 3/4 in.	430,000	120V	None	None	30"/Conduit Right
H91LA-1C	3/4 in. x 3/4 in.	430,000	120V	None	None	30"/Conduit Top
H91LA-2C	3/4 in. x 3/4 in.	430,000	120V	None	None	30"/Conduit Left
H91LA-6C	3/4 in. x 3/4 in.	430,000	120V	None	1/8-27 L	9"/Conduit Right
H91LA-8C	3/4 in. x 3/4 in.	430,000	120V	None	None	42"/Conduit Inlet
H91LG-12C	3/4 in. x 3/4 in.	430,000	25V	1/8-27 R	1/8-27 Bottom	30"/Conduit Top
H91LG-14C	3/4 in. x 3/4 in.	430,000	25V	1/8-27 R	1/8-27 Bottom	1/4 Tab
H91LG-15C	3/4 in. x 3/4 in.	430,000	25V	None	None	30"/Conduit Inlet
H91LG-7C	3/4 in. x 3/4 in.	430,000	25V	None	1/8-27 Bottom	30"/WO Conduit Nut
H91LG-8C	3/4 in. x 3/4 in.	430,000	25V	None	1/8-27 L	1/4 Tab
H91LG-9C	3/4 in. x 3/4 in.	430,000	25V	None	1/8-27 R	1/4 Tab
H91MA-2C	1 in. x 1 in.	505,000	120V	None	None	34"/Conduit Inlet
H91MA-4C	1 in. x 1 in.	505,000	120V	1/8-27 L&R	1/8-27 Bottom	30"/Conduit Top
H91MA-5C	1 in. x 1 in.	505,000	120V	None	None	30"/Conduit Inlet
H91MB-1C	1 in. x 1 in.	505,000	240V	1/8-27 L&R	1/8-27 Bottom	30"/Conduit Top
H91MG-1C	1 in. x 1 in.	505,000	25V	None	None	1/4 Tab
H91MG-3C	1 in. x 1 in.	505,000	25V	None	1/8-27 Bottom	30"/WO Conduit Top
H91MG-6C	1 in. x 1 in.	505,000	25V	None	1/8-27 Bottom	30"/Conduit Top
H91MG-8C	1 in. x 1 in.	505,000	25V	1/8-27 L&R	1/8-27 Bottom	1/4 Tab
H91MG-9C	1 in. x 1 in.	505,000	25V	None	None	30"/Conduit Inlet
H91RA-1C	3/4 in. x 3/4 in.	325,000	120V	1/8-27 R	1/8-27 L	48"/Conduit Top
H91RA-2C	3/4 in. x 3/4 in.	325,000	120V	1/8-27 L&R	None	30"/Conduit Top
H91RA-4C	3/4 in. x 3/4 in.	325,000	120V	1/8-27 L&R	None	30"/Conduit Top
H91RA-5C	3/4 in. x 3/4 in.	325,000	120V	1/8-27 L&R	1/8-27 L&R	30"/Conduit Top
H91RA-6C	3/4 in. x 3/4 in.	325,000	120V	None	None	1/4 Tab
H91RB-1C	3/4 in. x 3/4 in.	325,000	240	None	None	30"/Conduit Right
H91RG-1C	3/4 in. x 3/4 in.	325,000	25V	1/8-27 L&R	1/8-27 Bottom	1/4 Tab
H91RG-2C	3/4 in. x 3/4 in.	325,000	25V	None	1/8-27 L&R	1/4 Tab
H91RG-3C	3/4 in. x 3/4 in.	325,000	25V	None	None	30"/Conduit Left



Part Number	Inlet/Outlet NPT	Natural Gas Capacity Btu/hr at 1 in. Pressure Drop	Voltage (AC unless noted)	Pilot Tap NPT	Pressure Tap NPT	Leads/Tabs (when looking at the inlet)
H91RS-1C	3/4 in. x 3/4 in.	325,000	208/240V	1/8-27 L&R	None	30"/Conduit Top
H91RS-2C	3/4 in. x 3/4 in.	325,000	208/240V	1/8-27 L&R	None	30"/Conduit Top
H91RS-3C	3/4 in. x 3/4 in.	325,000	208/240V	1/8-27 L&R	1/8-27 L&R	30"/Conduit Top
H91RS-4C	3/4 in. x 3/4 in.	325,000	208/240V	1/8-27 L&R	None	30"/Conduit Top
H91RV-1C	3/4 in. x 3/4 in.	325,000	12VDC	1/8-27 L&R	1/8-27 Bottom	1/4 Tab
H91RV-2C	3/4 in. x 3/4 in.	325,000	12VDC	1/8-27 L&R	1/8-27 Bottom	1/4 Tab
H91SA-2C	1/2 in. cc x 1/2 in. cc	160,000	120V	1/8-27 L&R	None	1/4 Tab
H91SG-1C	1/2 in. cc x 1/2 in. cc	160,000	25V	1/8-27 R	None	1/4 Tab
H91VA-1C	3/8 in. cc x 3/8 in. cc	55,000	120V	None	None	1/4 Tab
H91WA-4C	1/4 in. cc x 1/4 in. cc	42,000	120V	None	1/8-27 L	30"/Conduit Top
H91WG-1C	1/4 in. cc x 1/4 in. cc	42,000	25V	None	None	1/4 Tab
H91WG-6C	1/4 in. cc x 1/4 in. cc	42,000	25V	None	None	30"/Conduit Top
H91WG-7C	1/4 in. cc x 1/4 in. cc	42,000	25V	None	None	12"/Side Eyelet Inlet
H91WS-2C	1/4 in. cc x 1/4 in. cc	42,000	208/240V	None	None	12"/Side Eyelet Inlet

### Dimensions

Part Number	Height		Width		Length	
	in.	mm	in.	mm	in.	mm
H91A_	2.88	73	1.75	44	2.53	64
H91B_	2.88	73	1.75	44	2.53	64
H91C_	2.88	73	1.75	44	2.53	64
H91D_	3.00	76	1.84	47	3.00	76
H91E_	3.22	82	1.84	47	3.00	76
H91J_	3.22	82	1.84	47	3.00	76
H91L_	3.72	94	2.63	67	3.50	89
H91M_	4.06	103	2.63	67	3.50	89
H91R_	3.22	82	1.84	47	3.00	76
H91S_	3.22	82	1.84	47	3.00	76
H91V_	2.88	73	1.75	44	2.53	64
H91W_	2.88	73	1.75	44	2.53	64

### H91 to BGA Conversion

Part Number	BGA Replacement	Func-tional	Exact
H91AA-4	BGA158EAD-1CAA	X	
H91AA-5	BGA158EAD-1CAA	X	
H91AA-6	BGA158EAD-1CAB	X	
H91AA-7	BGA158EAD-1CAA	X	
H91AG-2	BGA158EAC-1CAA		X
H91BA-11	BGA158EBD-1CAA	X	
H91BA-3	BGA158EBD-1CAA	X	
H91BA-7	BGA158EBD-1CAA	X	
H91BG-2	BGA158EBC-1CAC	X	
H91BG-6	BGA158EBC-1CAC		X

Part Number	BGA Replacement	Func-tional	Exact
H91BG-7	BGA158EBC-1CAC		X
H91CA-12	BGA158ECD-1CAA	X	
H91CA-15	BGA158ECD-1ADD	X	
H91CA-16	BGA158ECD-1DAA	X	
H91CA-18	BGA158ECD-1CAC	X	
H91CA-21	BGA158ECD-1CAA		X
H91CA-23	BGA158ECD-1CAE		X
H91CA-24	BGA158ECD-1AAB	X	
H91CA-27	BGA158ECD-1CAE		X

continued on following page

Part Number	BGA Replacement	Functional	Exact
H91CA-28	BGA158ECD-1BAA	X	
H91CA-32	BGA158ECD-1CAB	X	
H91CA-33	BGA158ECD-1DAB	X	
H91CA-34	BGA158ECD-1CAB	X	
H91CA-35	BGA158ECD-1DAB	X	
H91CA-36	BGA158ECD-1AAA	X	
H91CA-37	BGA158ECD-1BAA	X	
H91CA-38	BGA158ECD-1CAB	X	
H91CA-39	BGA158ECD-1DAB	X	
H91CA-40	BGA158ECD-1BAA	X	
H91CG-12	BGA158ECC-1CDD	X	
H91CG-15	BGA158ACC-1CAD		X
H91CG-17	BGA158ECC-1BAA	X	
H91CG-8	BGA158ACC-1CAA		X
H91CS-10	BGA158ECE-1DDA	X	
H91CS-9	BGA158ECE-1CAA	X	
H91DA-11	BGA171EDD-1CAA	X	
H91DA-12	BGA171EDD-1CAA		X
H91DA-13	BGA171EDD-1CAA		X
H91DA-1	BGA171EDD-1CAA	X	
H91DA-6	BGA171EDD-1BAB	X	
H91DA-7	BGA171EDD-1CAD		X
H91DA-8	BGA171EDD-1CCB	X	
H91DB-2	BGA171EDE-1CAA		X
H91DG-11	BGA171EDC-1CCC		X
H91DG-12	BGA171EDC-1CAA	X	
H91DG-13	BGA171EDC-1CAA	X	
H91DG-2	BGA171EDC-1CAA		X
H91DG-4	BGA171EDC-1CAA	X	
H91DS-1	BGA171EDE-1CAA	X	
H91DS-3	BGA171EDE-1CCB	X	
H91EA-1	BGA171EDD-1CAA	X	
H91EA-3	BGA171EDD-1BAA	X	
H91EA-5	BGA171EDD-1BDE	X	
H91EA-6	BGA171EDD-1CAA	X	
H91EA-8	BGA171EDD-1CDE	X	
H91EG-7	BGA171EDC-1CDE		X
H91ES-1	BGA171EDE-1ADE	X	
H91ES-3	BGA171EDE-1CDE	X	
H91EV-1	BGA171EDA-1CAA		X
H91EV-3	BGA171EDA-1CAB		X
H91JV-1	BGA171EDA-1CAA		X
H91JV-2	BGA171EDA-1CAA		X

Part Number	BGA Replacement	Functional	Exact
H91LA-13	BGA171EHJ-1BAA	X	
H91LA-1	BGA171EHJ-1CAA	X	
H91LA-2	BGA171EHJ-1AAA	X	
H91LA-6	BGA171EHJ-1BAB	X	
H91LA-8	BGA171EHJ-1AAA	X	
H91LG-12	BGA171EHH-1CCD	X	
H91LG-14	BGA171EHH-1CCD		X
H91LG-15	BGA171EHH-1CAA	X	
H91LG-7	BGA171EHH-1CAD	X	
H91LG-8	BGA171EHH-1CAB		X
H91LG-9	BGA171EHH-1CAC		X
H91MA-2	BGA110EJJ-1CAA	X	
H91MA-4	BGA110EJJ-1CDD	X	
H91MA-5	BGA110EJJ-1CAA	X	
H91MB-1	BGA110EJK-1CDD	X	
H91MG-1	BGA110EJH-1CAA		X
H91MG-3	BGA110EJH-1CAD	X	
H91MG-6	BGA110EJH-1CAD	X	
H91MG-8	BGA110EJH-1CDD		X
H91MG-9	BGA110EJH-1CAA	X	
H91RA-1	BGA171EFD-1CCB	X	
H91RA-2	BGA171EFD-1CDA	X	
H91RA-4	BGA171EFD-1CDA	X	
H91RA-5	BGA171EFD-1CDE	X	
H91RA-6	BGA171EFD-1CAA		X
H91RB-1	BGA171EFE-1BAA	X	
H91RG-1	BGA171EFC-1CDD		X
H91RG-2	BGA171EFC-1CAE		X
H91RG-3	BGA171EFC-1AAA	X	
H91RS-1	BGA171EFE-1CDA	X	
H91RS-2	BGA171EFE-1CDA	X	
H91RS-3	BGA171EFE-1CDE	X	
H91RS-4	BGA171EFE-1CDA	X	
H91RV-1	BGA171EFA-1CDD		X
H91RV-2	BGA171EFA-1CDD		X
H91SA-2	BGA171EPD-1CDA		X
H91SG-1	BGA171EPB-1CCA		X
H91VA-1	BGA158END-1CAA		X
H91WA-4	BGA158EMD-1CAB	X	
H91WG-1	BGA158EMB-1CAA		X
H91WG-6	BGA158EMB-1CAA	X	
H91WG-7	BGA158EMB-1CAA	X	
H91WS-2	BGA158EME-1CAA	X	



BASO Gas Products LLC

# H96 Series BASOTROL® Gas Valve Class B

Electrically Operated  
Gas Valves

## Description

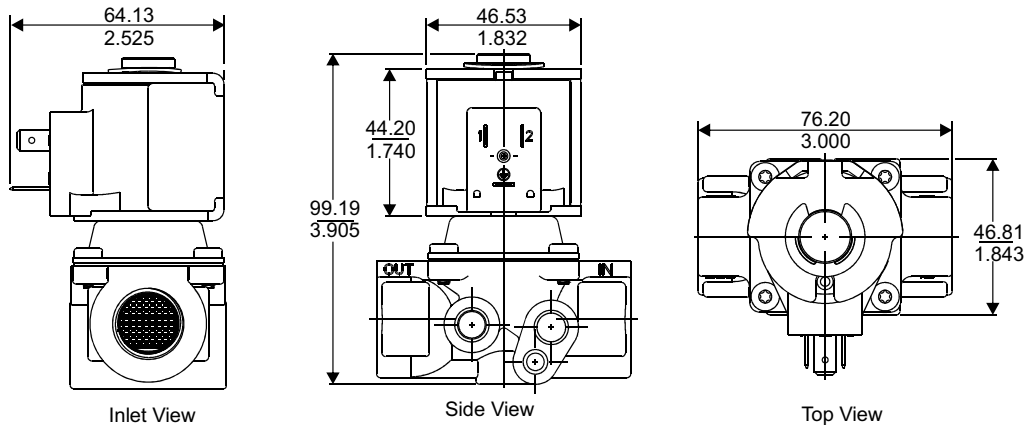
H96 Series automatic gas valves are electrically operated shut-off valves that automatically open and close on an electrical demand signal from a thermostat or other controlling device. Typical applications include heaters, wall furnaces, commercial cooking equipment and similar applications. The H96 can be used with natural gas or LP at pressures up to 35 mbar (0.5 psi). Its compact size permits installation in space-restrictive applications.

## Specifications

- Maximum working pressure: 100 mbar
- Permissible ambient (surface) temperature: -29° to 79°C (-20° to 175°F)

## Agency Listing

- CE Approval EC-87/05/041
- CSA (AGA/CGA) Certificate number 229521-1656058



H96 Dimensions (mm/in.)

## Selection Chart

Part Number	Inlet and Outlet Female NPT	Natural Gas Capacity Btu/hr at 1 in. Pressure Drop	Voltage (50/60 Hz)	Pilot Tap NPT	Pressure Tap NPT
H96BADE-1C	1/2 in. x 1/2 in.	240,000	25	1/8-27 left and right	1/8-27 bottom
H96BEDE-1C			120		
H96CADE-1C	3/4 in. x 3/4 in.	325,000	25		
H96CEDE-1C			120		
▲ H96CMAA-1C	3/4 in. x 3/4 in.	325,000	240	None	None
▲ H96CMAC-1C			1/8-27 right		

▲ means bulk pack is available upon request.

Note: DIN connectors are available; see Accessory section page 79.



BASO Gas Products LLC

# H96 Cross Reference to BGA Series

## H96 to BGA171 Conversion

Part Number	Inlet and Outlet Female NPT	Voltage (50/60 Hz)	Pilot Tap NPT	Pressure Tap NPT	BGA Replacement	Functional or Exact Replacement
H96BADE-1C	1/2 in. x 1/2 in.	25	1/8-27 left and right	1/8-27 bottom	BGA171AEH-1ADDC	Exact
H96BEDE-1C		120			BGA171AEJ-1ADDC	Exact
H96CADE-1C	25	BGA171AGH-1ADDC			Exact	
H96CEDE-1C	120	BGA171AGJ-1ADDC			Exact	
H96CAA-1C	3/4 in. x 3/4 in.	240	None	None	BGA171AGK-1DAAC	Exact
H96CMAC-1C				1/8-27 right	BGA171AGK-1DACC	Exact





BASO Gas Products LLC

# BGC258 Series Combination Gas Valve

## Description

BGC258 Series combination gas valves have a single operator combined with a pressure regulator for gas systems that want the capability to regulate with a single coil operator. Pilot gas is regulated based on the valve regulation setting. The BGC258 Series can be used with natural gas, LP or LP-mixed gas at pressures up to 0.5 psi. Typical applications are heater equipment, commercial cooking equipment, rooftops and agricultural equipment. Field-serviceable regulator conversion kits are available to switch from LP to natural gas or natural gas to LP (see page 77).

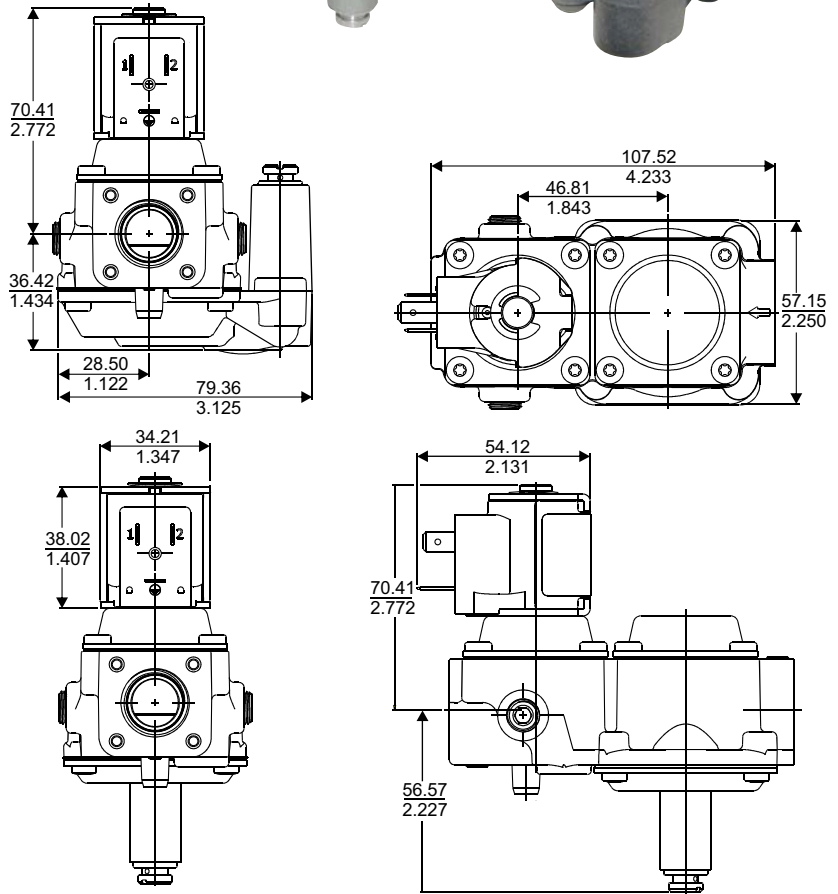


## Specifications

- Rated inlet pressure: 0.5 psi
- Available voltages: 12 VDC, 25 VDC, 25 VAC, 120 VAC, 240 VAC
- Inlet/Outlet sizes: 3/8, 1/2 NPT or BSPT
- Pilot/Pressure tap sizes: 1/8 NPT or BSPT
- Permissible ambient (surface) temperature: -20° to 175°F (-29° to 79°C)
- Natural gas capacity Btu/hr at 1 in. pressure drop:  
95,000 for 3/8 NPT  
100,000 for 1/2 NPT

## Agency Listing

- CSA (AGA/CGA) Certificate number 229521-1656041



## Selection Chart

Part Number	Inlet and Outlet Female NPT	Voltage (50/60 Hz)	Pilot Tap NPT	Pressure Tap	Regulator Adjustment
<b>BGC258HFC-1CAGDC</b>	1/2 in. x 1/2 in.	25	1/8-27 left and right	M5 x 0.8 bottom	Bottom
▲ <b>BGC258HFE-1CBGDC</b>	1/2 in. x 1/2 in.	25	1/8-27 left and right	M5 x 0.8 bottom	Top

▲ means bulk pack is available upon request.

Notes: DIN connectors are available; see Accessory section on page 79.  
Inlet screen available upon request.



BASO Gas Products LLC

# BGC258 Series Combination Gas Valve Class B

## Description

BGC258 Series combination gas valves have a single operator combined with a pressure regulator for gas systems that want the capability to regulate with a single coil operator. Pilot gas is regulated based on the valve regulation setting. The BGC258 Series can be used with natural gas, LP or LP-mixed gas at pressures up to 35 mbar (0.5 psi). Typical applications are heater equipment, commercial cooking equipment, rooftops and agricultural equipment. Field-serviceable regulator conversion kits are available to switch from LP to natural gas or natural gas to LP (see page 77).

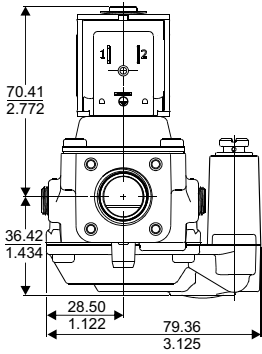
## Specifications

- Maximum working pressure: 50 mbar
- Available voltages: 12 VDC, 25 VDC, 25 VAC, 120 VAC, 240 VAC
- Inlet/Outlet sizes: 3/8, 1/2 NPT or BSPT
- Pilot/Pressure tap sizes: 1/8 NPT or BSPT
- Permissible ambient (surface) temperature: -29° to 79°C (-20° to 175°F)
- Natural gas capacity Btu/hr at 1 in. pressure drop:  
95,000 for 3/8 NPT  
100,000 for 1/2 NPT

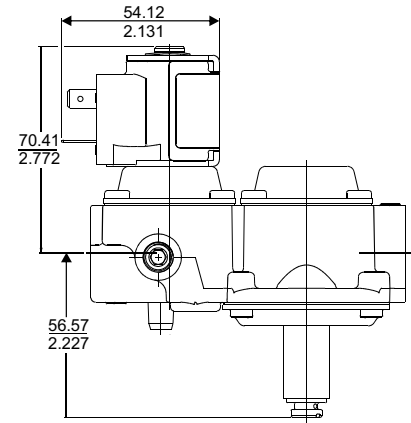
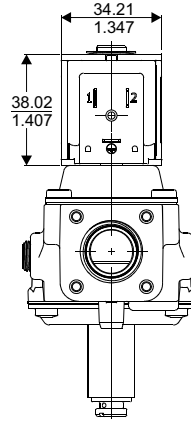
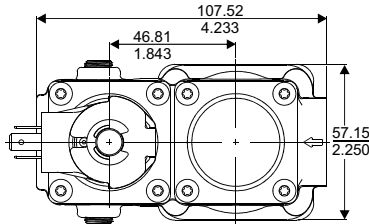


## Agency Listing

- EC Type Examination Certification number EC-86/10/062
- CSA (AGA/CGA) Certificate number 229521-1656041



Top Adjust Regulator



Bottom Adjust Regulator

## BGC258 Dimensions (mm/in.)

## Selection Chart

Part Number	Inlet and Outlet Female NPT	Voltage (50/60 Hz)	Pilot Tap NPT	Pressure Tap	Regulator Adjustment
<b>BGC258BBC-1CAGDDC</b>	1/2 in. x 1/2 in.	25	1/8-27 left and right	M5 x 0.8 bottom	bottom
<b>BGC258BBE-1CBGDDC</b>	1/2 in. x 1/2 in.	25	1/8-27 left and right	M5 x 0.8 bottom	top

Notes: DIN connectors are available; see Accessory section on page 79.  
Inlet screen available upon request.



BASO Gas Products LLC

# BGC278 Series Combination Gas Valve

Electrically Operated Gas Valves

## Description

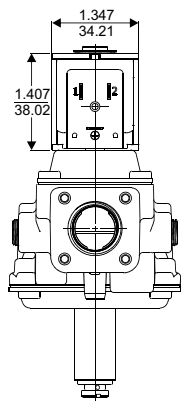
BGC278 Series combination gas valves have a single operator combined with a pressure regulator for gas systems that want the capability to regulate with a single coil operator. Pilot gas is regulated based on the valve regulation setting. Typical applications are heater equipment, commercial cooking equipment, rooftops and agricultural equipment. The BGC278 Series can be used with natural gas, LP or LP-mixed gas at pressures up to 0.5 psi. Field-serviceable regulator conversion kits are available to switch from LP to natural gas or natural gas to LP (see page 83).

## Specifications

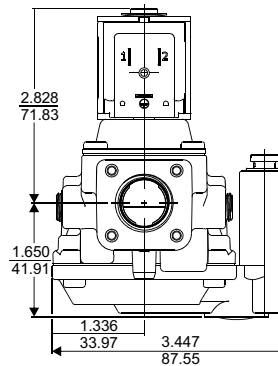
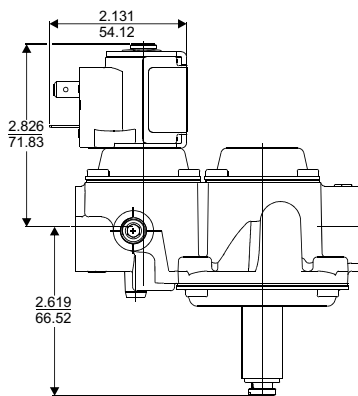
- Rated inlet pressure: 0.5 psi
- Available voltages: 12 VDC, 25 VDC, 25 VAC, 120 VAC, 240 VAC
- Inlet/Outlet sizes: 1/2, 3/4 NPT or BSPT
- Pilot/Pressure tap sizes: 1/8 NPT or BSPT
- Permissible ambient (surface) temperature: -20° to 175°F (-29° to 79°C)
- Natural gas capacity Btu/hr at 1 in. pressure drop: 190,000

## Agency Listing

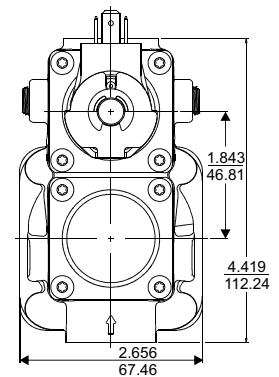
- CSA (AGA/CGA) Certificate number 229521-1656041



Bottom Adjust Regulator



Top Adjust Regulator



## BGC278 Dimensions (in./mm)

## Selection Chart

Part Number	Inlet and Outlet Female NPT	Voltage (50/60 Hz)	Pilot Tap NPT	Pressure Tap	Regulator Adjustment
<b>BGC278BBC-1CAGDC</b>	1/2 in. x 1/2 in.	25	1/8-27 left and right	M5 x 0.8 bottom	bottom
<b>BGC278BBE-1CBGDC</b>	1/2 in. x 1/2 in.	25	1/8-27 left and right	M5 x 0.8 bottom	top

Notes: DIN connectors are available; see Accessory section on page 79.  
Inlet screen available upon request.



BASO Gas Products LLC

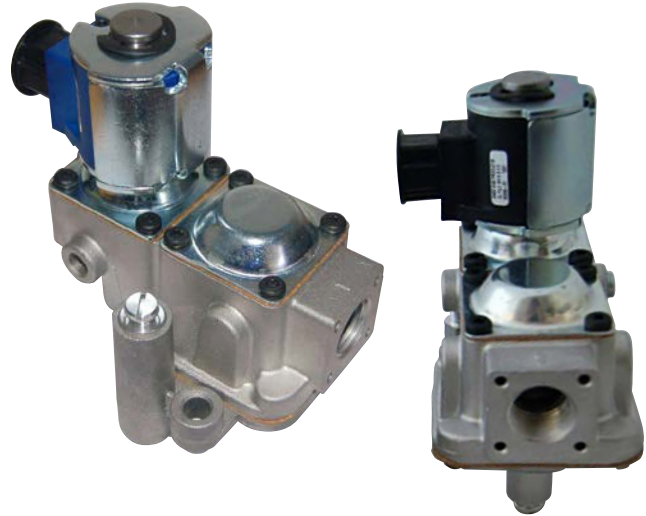
# BGC278 Series Combination Gas Valve Class B

## Description

BGC278 Series combination gas valves have a single operator combined with a pressure regulator for gas systems that want the capability to regulate with a single coil operator. Pilot gas is regulated based on the valve regulation setting. Typical applications are heater equipment, commercial cooking equipment, rooftops and agricultural equipment. The BGC278 Series can be used with natural gas, LP or LP-mixed gas at pressures up to 35 mbar (0.5 psi). Field-serviceable regulator conversion kits are available to switch from LP to natural gas or natural gas to LP (see page 83).

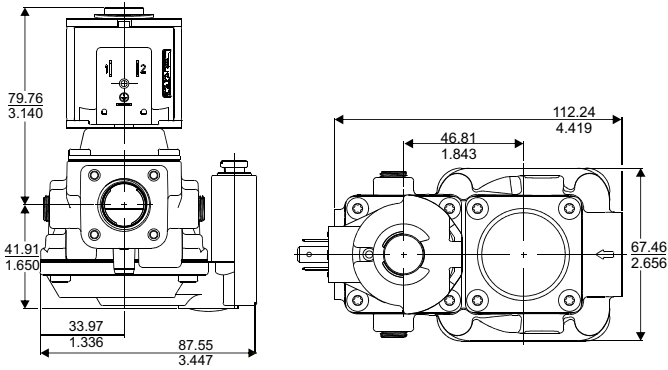
## Specifications

- Maximum working pressure: 100 mbar
- Available voltages: 12 VDC, 25 VDC, 25 VAC, 120 VAC, 240 VAC
- Inlet/Outlet sizes: 1/2, 3/4 NPT or BSPT
- Pilot/Pressure tap sizes: 1/8 NPT or BSPT
- Permissible ambient (surface) temperature: -29° to 79°C (-20° to 175°F)
- Natural gas capacity Btu/hr at 1 in. pressure drop: 190,000

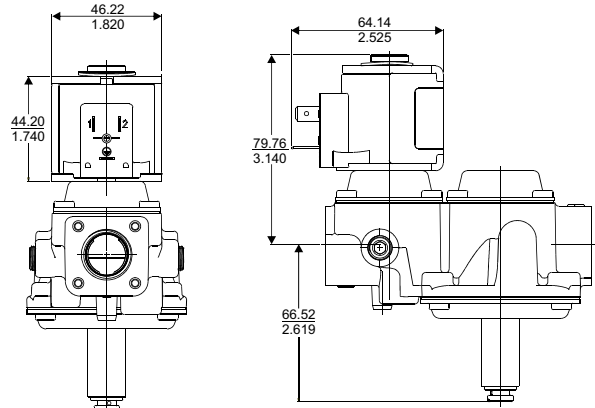


## Agency Listing

- EC Type Examination Certification number EC-86/10/062
- CSA (AGA/CGA) Certificate number 229521-1656041



Top Adjust Regulator



Bottom Adjust Regulator

## BGC278 Dimensions (mm/in.)

## Selection Chart

Part Number	Inlet and Outlet Female NPT	Voltage (50/60 Hz)	Pilot Tap NPT	Pressure Tap	Regulator Adjustment
<b>BGC278BFC-1CAGDC</b>	1/2 in. x 1/2 in.	25	1/8-27 left and right	M5 x 0.8 bottom	bottom
<b>BGC278BFE-1CBGDC</b>	1/2 in. x 1/2 in.	25	1/8-27 left and right	M5 x 0.8 bottom	top

Notes: DIN connectors are available; see Accessory section on page 79.  
 Inlet screen available upon request.





BASO Gas Products LLC

# BGD258 Series Redundant Gas Valve Class A

Electrically Operated  
Gas Valves

## Description

BGD258 Series redundant gas valves operate at a higher gas pressure than our traditional valve series. BASO® offers this valve series only in non-regulated versions. The BGD258 Series can be used with natural gas or LP at pressures up to 138 mbar (2.0 psi). Typical applications are cooking equipment and other heating equipment that require higher flow rates.

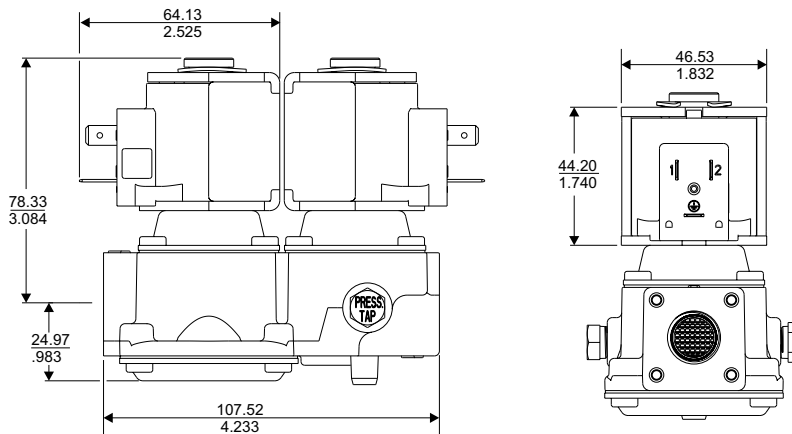
## Specifications

- Maximum working pressure: 138 mbar
- Available voltages: 12 VDC, 25 VDC, 25 VAC, 120 VAC, 240 VAC
- Inlet/Outlet sizes: 3/8, 1/2 NPT or BSPT
- Pilot/Pressure tap sizes: 1/8 NPT or BSPT
- Permissible ambient (surface) temperature: -29° to 79°C (-20° to 175°F)



## Agency Listing

- EC Type Examination Certification number EC-86/10/062
- CSA (AGA/CGA) Certificate number 229521-1656041
- UL Recognized File number MH5939
- Australian Gas Association Certificate number 7934



**BGD258 Dimensions (mm/in.)**

## Selection Chart

Part Number	Inlet and Outlet Female NPT	Natural Gas Capacity Btu/hr at 0.2 PSI Pressure Drop	Voltage (50/60 Hz)	Pilot Tap NPT	Pressure Tap NPT
▲ <b>BGD258AGA-1AAAGC</b>	3/8 in. x 3/8 in.	300,000	120 VAC	None	1/8-27 right & left
▲ <b>BGD258BHA-1AAAGC</b>	1/2 in. x 1/2 in.	350,000	240 VAC	None	1/8-27 right & left
▲ <b>BGD258HFA-1AAAGC</b>	1/2 in. x 1/2 in.	350,000	25 VAC	None	1/8-27 right & left

▲ means bulk pack is available upon request.

Notes: DIN connectors are available; see Accessory section on page 79.  
Inlet screen available upon request.



BASO Gas Products LLC

# BGD258 Series Class B

## Description

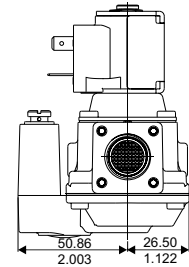
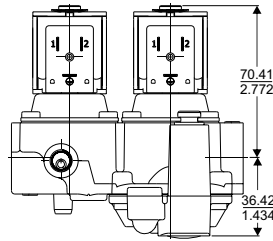
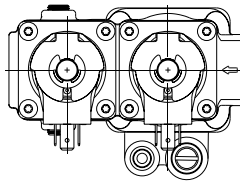
BGD258 Series redundant combination automatic shut-off gas valves can be provided with or without regulation. Pilot gas is regulated based on the valve regulation setting. The BGD258 Series can be used with natural gas, LP or LP-mixed gas at pressures up to 35 mbar (0.5 psi) maximum. Typical applications are cooking equipment, wall heaters, gas dryers, agricultural heaters and other heating equipment. Field-serviceable regulator conversion kits are available to switch from LP to natural gas or natural gas to LP (see page 77).

## Specifications

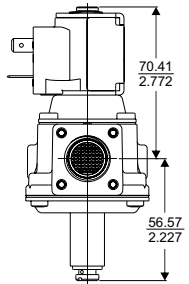
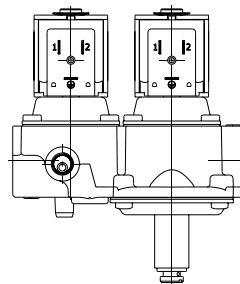
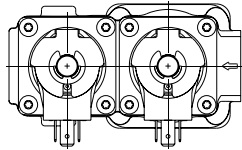
- Maximum working pressure: 50 mbar
- Available voltages: 12 VDC, 25 VDC, 25 VAC, 120 VAC, 240 VAC
- Inlet/Outlet sizes: 3/8, 1/2 NPT or BSPT
- Pilot/Pressure tap sizes: 1/8 NPT or BSPT
- Permissible ambient (surface) temperature: -29° to 79°C (-20° to 175°F)
- Natural gas capacity Btu/hr at 1 in. pressure drop:  
95,000 for 3/8 NPT  
100,000 for 1/2 NPT

## Agency Listing

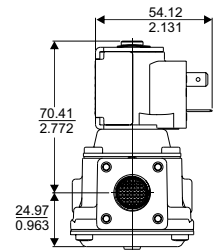
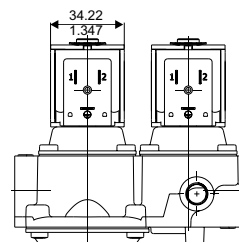
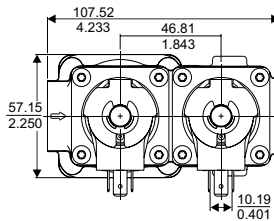
- EC Type Examination Certification number EC-86/10/062
- CSA (AGA/CGA) Certificate number 229521-1656041
- UL Recognized Certification MH5939
- Australian Gas Association Certificate number 7934



**Top Adjust Regulator**



**Bottom Adjust Regulator**



**No Adjust Regulator**

## Selection Chart

Part Number	Inlet and Outlet Female NPT	Voltaged (50/60 Hz)	Pilot Tap	Pressure Tap	Regulator Adjustment
▲ BGD258ABC-1CADD	3/8 in. x 3/8 in.	25	1/4 in. cc bottom	M5 x 0.8 bottom	Bottom/Natural
▲ BGD258ACA-1BACBC	3/8 in. x 3/8 in.	25	1/8-27 NPT right	1/8-27 NPT left	Bottom/Natural

▲ means bulk pack is available upon request.

Notes: DIN connectors are available; see Accessory section on page 79.  
Inlet screen available upon request.



BASO Gas Products LLC

# BGD278 Series Redundant Gas Valve Class B

Electrically Operated  
Gas Valves

## Description

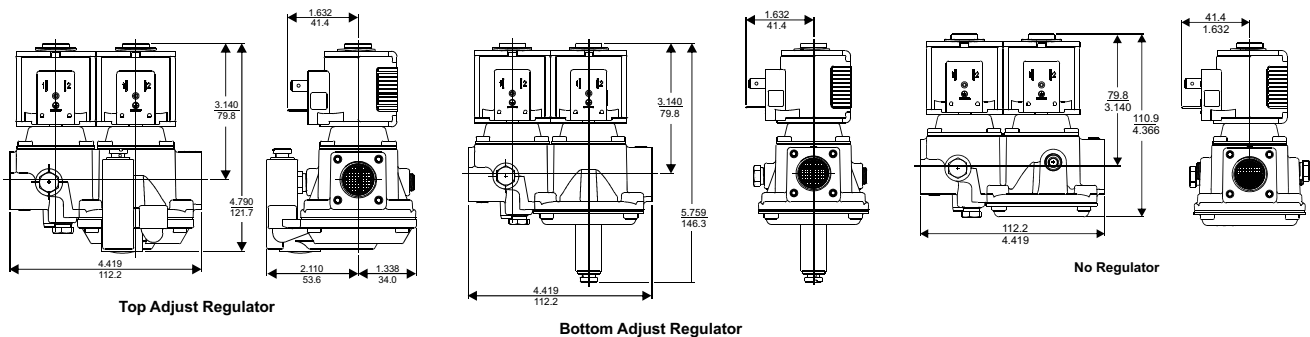
BGD278 Series redundant combination automatic shut-off gas valves can be provided with or without regulation. Pilot gas is regulated based on the valve regulation setting. The BGD278 Series can be used with natural gas, LP or LP-mixed gas at pressures up to 35 mbar (0.5 psi) maximum. Typical applications are cooking equipment, wall heaters, gas dryers, agricultural heaters and other heating equipment. Field-serviceable regulator conversion kits are available to switch from LP to natural gas or natural gas to LP (see page 83).

## Specifications

- Maximum working pressure: 100 mbar
- Available voltages: 12 VDC, 25 VDC, 25 VAC, 120 VAC, 240 VAC
- Inlet/Outlet sizes: 1/2, 3/4 NPT or BSPT
- Pilot/Pressure tap sizes: 1/8 NPT or BSPT
- Permissible ambient (surface) temperature: -29° to 79°C (-20° to 175°F)
- Natural gas capacity Btu/hr at 1 in. pressure drop: 190,000

## Agency Listing

- EC Type Examination Certification number EC-86/10/062
- CSA (AGA/CGA) Certificate number 229521-1656041



## Selection Chart

	Part Number	Inlet and Outlet Female NPT	Voltage (50/60 Hz)	Pilot Tap NPT	Pressure Tap	Regulator Adjustment
▲	BGD278BFA-1AAAAC	1/2 in. x 1/2 in.	25	None	None	None
▲	BGD278BFC-1AAFDC	1/2 in. x 1/2 in.	25	1/8-27 right	1/8-27 NPT right, 1/4 in. cc bottom	Bottom/Natural
▲	BGD278BFE-1ABGDC	1/2 in. x 1/2 in.	25	1/8-27 left and right	M5 x 0.8 bottom	Top/Natural

▲ means bulk pack is available upon request.

Notes: DIN connectors are available; see Accessory section on page 79.  
Inlet screen available upon request.



BASO Gas Products LLC

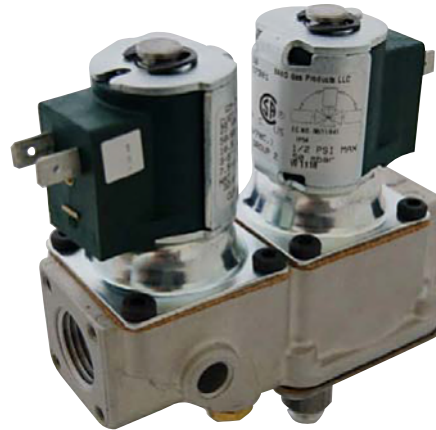
# GM-7000 Series Class B

## Description

GM-7000 Series gas valves provide fully automatic control for light commercial heating, commercial cooking appliances, commercial tumbler dryers and similar applications. Pilot gas is regulated based on the valve regulation setting. The GM-7000 can be used with natural gas, LP or LP-air mixed gas at pressures up to 35 mbar (0.5 psi). Field-serviceable regulator conversion kits are available to switch from LP to natural gas or natural gas to LP. See page 77.

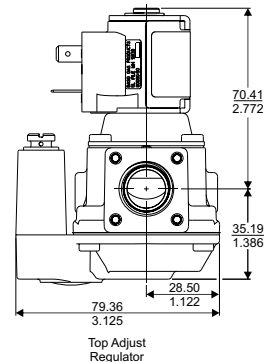
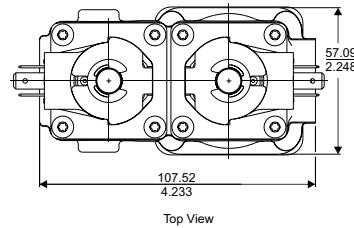
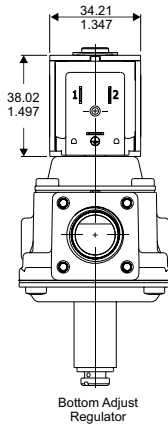
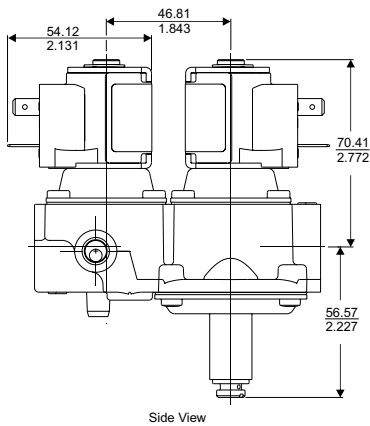
## Specifications

- Maximum working pressure: 50 mbar
- Natural gas capacity Btu/hr at 1 in. pressure drop: 100,000
- Permissible ambient (surface) temperature: -29° to 79°C (-20° to 175°F)



## Agency Listing

- EC Certificate number EC-86/11/041
- CSA (AGA/CGA) Certificate number 229521-1656041
- Australian Gas Association Certificate number 7934



GM-7000 Dimensions (mm/in.)

## Selection Chart

Part Number	Inlet and Outlet Female	Voltage (50/60 Hz)	Pilot Tap	Pressure Tap	Regulator Location
▲ GM-7532-3856C	1/2 BSPT x 1/2 in. BSPT	25	7/16-24 UNS-2B plugged	M5 x 0.8 Bottom	Bottom
▲ GM-7532-3858C	1/2 BSPT x 1/2 in. BSPT				
▲ GM-7532-3860C	1/2 BSPT x 1/2 in. BSPT				
▲ GM-7514-3850C	1/2 in. x 1/2 in. NPT				
▲ GM-7534-3850C	1/2 in. x 1/2 in. NPT				

▲ means bulk pack is available upon request.

Note: DIN connectors are available; see Accessory section page 79.

## GM7000 to BGD258 Conversion

Part Number	BGD Replacement	Functional or Exact Replacement
GM-7532-3856C	BGD258VBC-1CADD	Exact
GM-7532-3858C	BGD258VBC-1CADD	Exact
GM-7532-3860C	BGD258BBC-1CADD	Exact
GM-7514-3850C (70457302)	BGD258BBA-1CADD	Exact
GM-7534-3850C (70457301)	BGD258VBC-1CADD	Exact



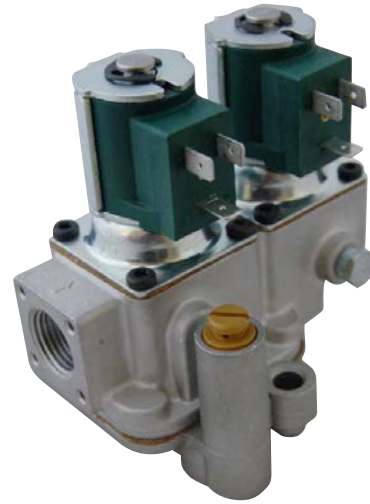
BASO Gas Products LLC

# G960 Series Class B

Electrically Operated  
Gas Valves

## Description

G960 Series multi-function gas valves are a combination main and pilot valve designed to use in conjunction with solid-state sequence control units on direct burner or intermittent pilot ignition systems. Pilot gas is regulated based on the valve regulation setting. The G960 valve can be used with natural gas, LP and LP-mixed gas. Typical applications include central heating units, makeup air heaters, process burners, commercial cooking equipment and similar applications. Field-serviceable regulator conversion kits are available to switch from LP to natural gas or natural gas to LP. See page 83.

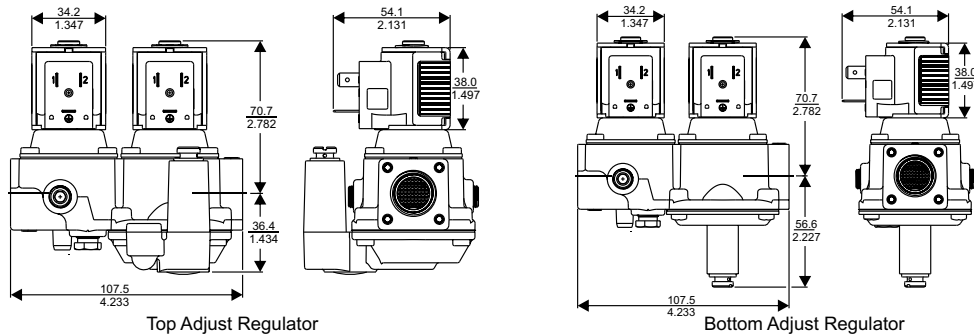


## Specifications

- Maximum working pressure: 50 mbar
- Available voltage: 25 VAC
- Inlet/Outlet size: 1/2 NPT or BSPT
- Pilot/Pressure Tap size: 1/8 NPT or BSPT
- Permissible ambient (surface) temperature: -29° to 79°C (-20° to 175°F)
- Natural gas capacity Btu/hr at 1 in. pressure drop: 130,000

## Agency Listing

- EC Type Examination Certification number EC-86/11/041
- CSA (AGA/CGA) Certificate number 229521-1656041



## Selection Chart

### G960 Dimensions (mm/in.)

Part Number	Inlet and Outlet Female NPT	Voltage (50/60 Hz)	Pilot Tap NPT	Pressure Tap NPT	Regulator Adjustment
▲ G960BAADEA-1C	1/2 in. x 1/2 in.	25	None	1/8-27 left and right	None
▲ G960BBCBGA-1C		25	1/8-27 right	1/8-27 left	Top Right
▲ G960BCCBCA-1C		25	1/8-27 right	1/8-27 left	Bottom

▲ means bulk pack is available upon request.

Note: DIN connectors are available; see Accessories section page 79.

## G960 to BGD278 Conversion

Part Number	BGD Replacement	Functional or Exact Replacement
G960BAADEA-1C	BGD278BFE-1ABAGC	Functional
G960BBCBGA-1C	BGD278BFE-1BCCBC	Functional
G960BCCBCA-1C	BGD278BFC-1CACBC	Functional





BASO Gas Products LLC

# G96 Series

## Description

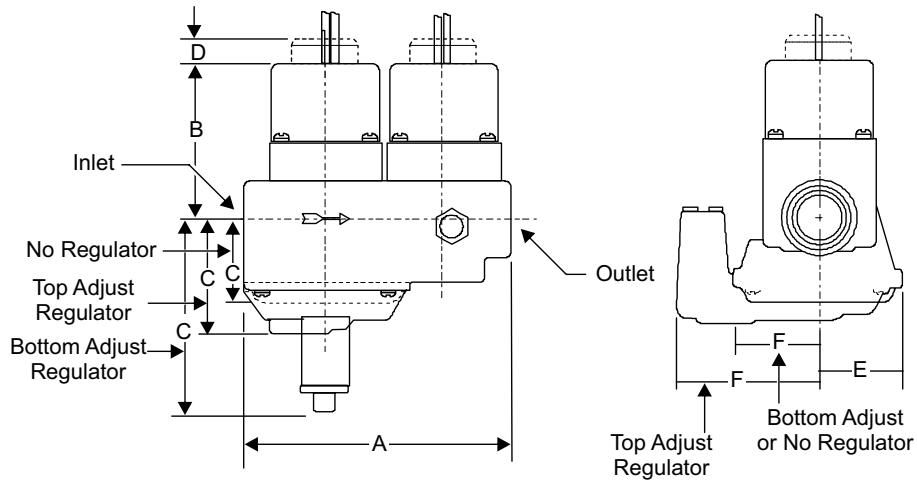
G96 Series combination valves have a dual operator combined with a pressure regulator. Pilot gas is regulated based on the valve regulation setting. Typical applications include heaters, rooftop units, commercial dryers, commercial cooking equipment and similar applications. The G96 can be used with natural gas or LP at pressures up to 0.5 psi and comes with an adjustable regulator. Field-serviceable regulator conversion kits are available to switch from LP to natural gas or natural gas to LP. See page 83. The G96 is available with various cover options.

## Specifications

- Rated inlet pressure: 0.5 psi
- Available voltages: 25 VAC, 120 VAC, 240 VAC
- Inlet/Outlet sizes: 1/2, 3/4 NPT
- Pilot/Pressure tap size: 1/8 NPT
- Permissible ambient (surface) temperature: -20° to 175°F (-29° to 79°C)
- Natural gas capacity Btu/hr at 1 in. pressure drop: 190,000

## Agency Listing

- CSA (AGA/CGA) Certificate number 229521-1656041
- Australian Gas Association Certificate number 3495 (G96HGA, G96HAA, G96HGC, G96SHA)



**G96 Dimensions**

## G96 Dimensions

Part Number	A		B		C		D		E		F	
	in.	mm	in.	mm	in.	mm	in.	mm	in.	mm	in.	mm
<b>G96 without a Regulator</b>	4.23	107	2.44	62	1.28	33	0.41	10	1.33	34	1.33	34
<b>G96 with Top Adjust Regulator</b>	4.23	107	2.44	62	1.66	42	0.41	10	1.33	34	2.10	53
<b>G96 with Bottom Adjust Regulator</b>	4.23	107	2.44	62	2.48	63	0.41	10	1.33	34	1.33	34

## Selection Chart

	Part Number	Inlet and Outlet Female NPT	Voltage (60 Hz)	Pilot Tap NPT	Pressure Tap NPT	Regulator Adjustment Location	Electrical Connection
▲	G96AAQ-4C	1/2 in. x 1/2 in.	120	1/8-27 left	1/8-27 bottom	None	1/4 tab
▲	G96HAA-2C		120	None	1/8-27 left	Top left	1/4 tab
▲	G96HAA-4C		120	1/8-27 left and right	1/8-27 bottom	Top right	30" leads
▲	G96HAA-5C		120	1/8-27 left	None	Top left	1/4 tab
▲	G96HAA-8C		120	1/8-27 left and right	1/8-27 bottom	Top right	1/4 tab
▲	G96HAC-1C		120	1/8-27 left	None	Top left	1/4 tab
▲	G96HGA-1C		25	1/8-27 right	1/8-27 bottom	Top right	30" leads
▲	G96HGA-4C		25	1/8-27 left and right	1/8-27 bottom	Top right	1/4 tab
▲	G96HGA-7C		25	1/8-27 left	1/8-27 bottom	Top left	1/4 tab
▲	G96HGA-17C		25	1/8-27 right	1/8-27 left	Top right	1/4 tab
▲	G96HGA-25C		25	1/8-27 right	1/8-27 left	Top right	1/4 tab
▲	G96HGC-9C		25	1/8-27 left and right	1/8-27 bottom	Top right	1/4 tab
▲	G96HGH-3C		25	1/8-27 right	1/8-27 bottom	Bottom	40" leads
▲	G96HGH-5C		25	1/8-27 left	1/8-27 bottom	Bottom	18" leads
▲	G96HGK-1C		25	1/8-27 left	1/8-27 bottom	Bottom	18" leads
	G96JGA-2C	1/2 in. x 3/4 in.	25	1/8-27 left and right	1/8-27 bottom	Top left	1/4 tab

▲ means bulk pack is available upon request.

Note: DIN connectors are available; see Accessories section page 79.



BASO Gas Products LLC

# G96 Series Hi/Lo Solenoid Gas Valve

## Description

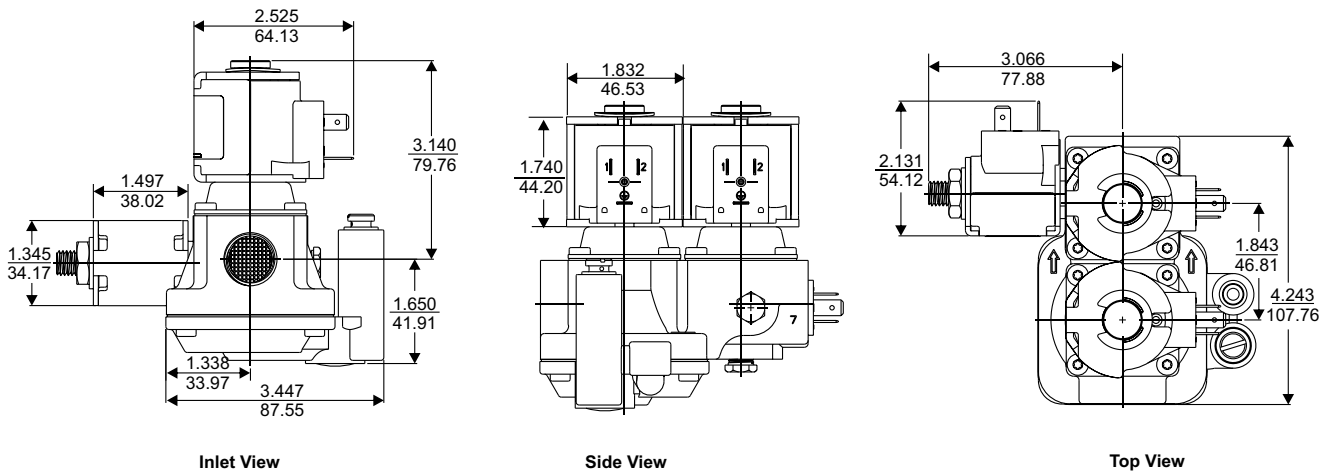
G96 Series Hi/Lo Solenoid combination gas valves have a low fire feature. Pilot gas is regulated based on the valve regulation setting. This gas valve can have either bottom- or top-adjust regulation. The high/low fire feature provides a low BTU fire and hi fire as needed when opening the main coil to increase BTU output and smoother light-off when starting the main burner. Contact BASO Gas Products for other configurations. Field servicable regulator conversion kits available to switch from LP to natural gas or natural gas to LP. See page 83.

## Specifications

- Rated inlet pressure: 0.5 psi
- Available voltage: 12 VDC, 25 VDC, 25 VAC, 120 VAC, 240 VAC
- Inlet/Outlet sizes: 1/2, 3/4 NPT or BSPP
- Pilot/Pressure tap sizes: 1/8 NPT or BSPP
- Permissible ambient (surface) temperature: -29° to 79°C (-20° to 175°F)

## Agency Listing

- None



G96 Hi/Lo Dimensions (in./mm)

## Selection Chart

Part Number	Inlet and Outlet Female	Voltage (50/60 Hz)	Pilot Tap	Pressure Tap	Regulator Adjustment Location
G96EW04KBR-2AC	1/2 BSPP x 1/2 BSPP	240	1/8-28 BSPP right	1/8-28 BSPP bottom	Top right
G96EW04MBR-2AC		120			
G96MW04KBR-2AC		240			
G96MW04MBR-2AC		120			

Notes: DIN connectors are available; see Accessories section page 79.  
 Inlet screen available upon request.



BASO Gas Products LLC

# G96 Series Class B

Electrically Operated  
Gas Valves

## Description

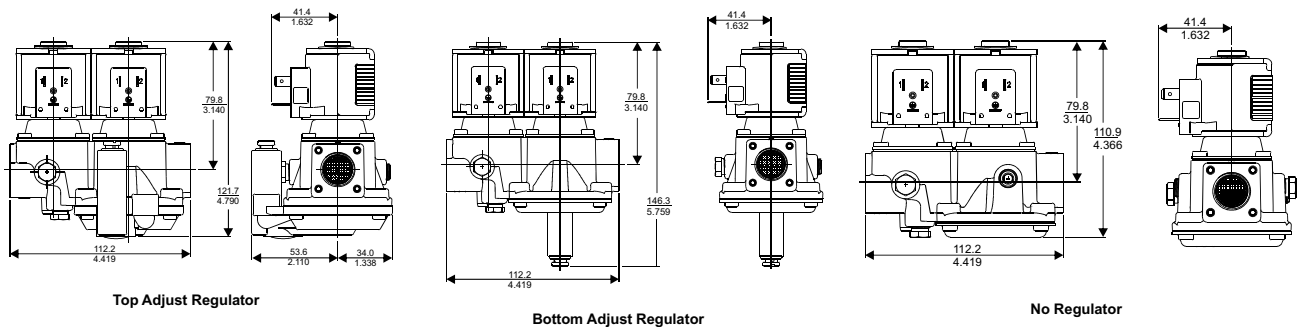
G96 Series combination gas valves have a dual operator combined with a pressure regulator for intermittent pilot ignition systems. Pilot gas is regulated based on the valve regulation setting. Typical applications include heaters, process burners, commercial dryers, commercial cooking equipment, rooftop units and similar applications. The G96 can be used with natural gas or LP, at pressures up to 35 mbar (0.5 psi). Field-serviceable regulator conversion kit available. See page 83.

## Specifications

- Maximum working pressure: 100 mbar
- Available voltage: 25 VAC
- Inlet/Outlet size: 1/2 NPT or BSPP
- Pilot/Pressure tap size: 1/8 NPT or BSPP
- Permissible ambient (surface) temperature: -29° to 79°C (-20° to 175°F)
- Natural gas capacity Btu/hr at 1 in. pressure drop: 190,000

## Agency Listing

- EC Type Examination Certification number EC-86/10/062
- CSA (AGA/CGA) Certificate number 229521-1656041



G96 Dimensions (mm/in.)

## Selection Chart

Part Number	Inlet and Outlet Female	Voltage (50/60 Hz)	Pilot Tap NPT	Pressure Tap	Regulator Adjustment Location
▲ G96LT04HBL-7HC	1/2 in. x 1/2 in. NPT	25	None	1/8-27 NPT left and right	None
▲ G96LT04HBR-7HC	1/2 BSPP x 1/2 BSPP	25	None	1/8-28 BSPP left and right	None
▲ G96MG04HBL-8NC	1/2 in. x 1/2 in. NPT	25	1/8-27 left and right	1/8-27 NPT bottom	Top
▲ G96TG04HBR-7AC	1/2 BSPP x 1/2 BSPP	25	1/8-27 left and right	1/8-27 NPT bottom	Top

▲ means bulk pack is available upon request.

Note: DIN connectors are available; see Accessories section page 79.



BASO Gas Products LLC

# G195 Series Combination Gas Valve With Manual "A" Shut-off Valve

## Description

G195 Series automatic combination valves have a single operator combined with a pressure regulator and manual "A" valve. Pilot gas is regulated based on the valve regulation setting. Typical applications include unit heaters, rooftop units, agricultural heaters, commercial cooking equipment and similar applications. The G195 can be used with natural gas or LP at pressures up to 0.5 psi and comes with an adjustable regulator. Field-serviceable regulator conversion kits are available to switch from LP to natural gas or natural gas to LP. See page 83. The G195 is available with various cover options.

## Specifications

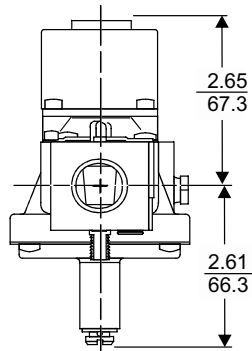
- Rated inlet pressure: 0.5 psi
- Available voltages: 25 VAC, 120 VAC
- Inlet/Outlet sizes: 3/8, 1/2 NPT
- Pilot/Pressure tap size: 1/8 NPT
- Permissible ambient (surface) temperature: -20° to 175°F (-29° to 79°C)
- Natural gas capacity Btu/hr at 1 in. pressure drop: 150,000

## Agency Listing

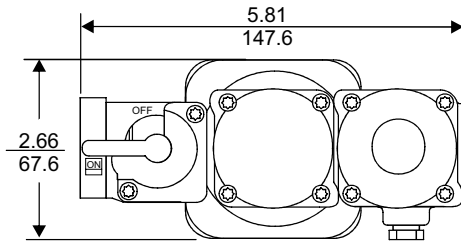
- CSA (AGA/CGA) Certificate number 229521-1656041

## Electrical Connections

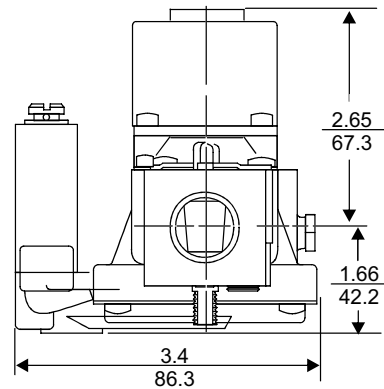
- #18 AWG stranded wire or 1/4 in. male quick-connect terminals



Bottom Adjust Regulator  
Inlet View



Bottom Adjust Regulator  
Top View



Tip Adjust Regulator  
Inlet View

## G195 Dimensions (in./mm)

## Selection Chart

Part Number	Inlet and Outlet Female NPT	Voltage (60 Hz)	Pilot Tap NPT	Pressure Tap NPT	Regulator Adjustment Location	Electrical Connection
<b>G195KGA-1C</b>	3/8 in. x 3/8 in.	25	None	(2) 1/8-27 Bottom	Top	30" leads

Note: DIN connectors are available; see Accessories section page 79.





BASO Gas Products LLC

# G196 Series With Manual "A" Shut-Off Valve

## Description

G196 Series combination gas valves have a dual operator combined with a pressure regulator and manual "A" valve. Pilot gas is regulated based on the valve regulation setting. The G196 can be used with natural gas or LP at pressures up to 0.5 psi and comes with an adjustable regulator. Typical applications include unit heaters, rooftop units, agricultural heaters, commercial cooking equipment and similar applications. Field-serviceable regulator conversion kits are available to switch from LP to natural gas or natural gas to LP. See page 83. The G196 is available with various cover options.

## Specifications

- Rated inlet pressure: 0.5 psi
- Available voltages: 25 VAC, 120 VAC
- Inlet/Outlet size: 1/2 NPT
- Pilot/Pressure tap size: 1/8 NPT
- Permissible ambient (surface) temperature: -20° to 175°F (-29° to 79°C)
- Natural gas capacity Btu/hr at 1 in. pressure drop: 175,000  
155,000 for G196NGH-1

## Agency Listing

- CSA (AGA/CGA) Certificate number 229521-1656041
- Australian Gas Association Certificate number 3495 (G196HGH, G196NGH)

## Electrical Connections

- #18 AWG stranded wire or 1/4 in. male quick-connect terminals

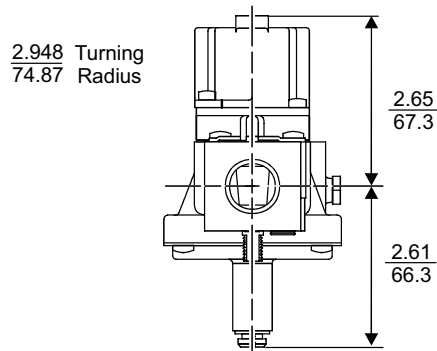


## Selection Chart

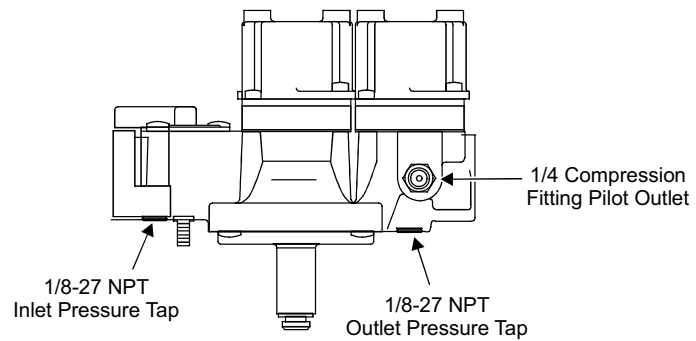
	Part Number	Inlet and Outlet Female NPT	Voltage (50/60 Hz)	Pilot Tap	Pressure Tap NPT	Regulator Adjustment Location	Electrical Connection
▲	G196HGH-2C	1/2 in. x 1/2 in.	25	1/4 in. cc right	1/8-27 bottom	Bottom	1/4 tab
▲	G196HGH-7C		25	1/8-27 NPT left and right	1/8-27 bottom	Bottom	18" leads
▲	G196HGK-2C		25	1/8-27 NPT left and right	1/8-27 bottom	Bottom	18" leads
▲	G196JGA-1C	1/2 in. x 3/4 in.	25	1/8-27 NPT left and right	1/8-27 bottom	Top right	1/4 tab
▲	G196NGH-1C	1/2 in. x 3/8 in.	25	1/4 in. cc right	1/8-27 bottom	Bottom	1/4 tab

▲ means bulk pack is available upon request.

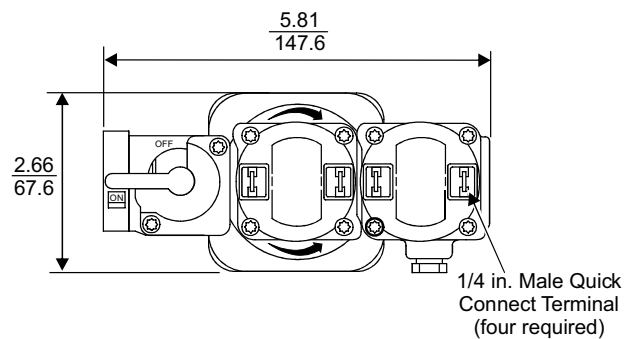
Note: DIN connectors are available; see Accessories section page 79.



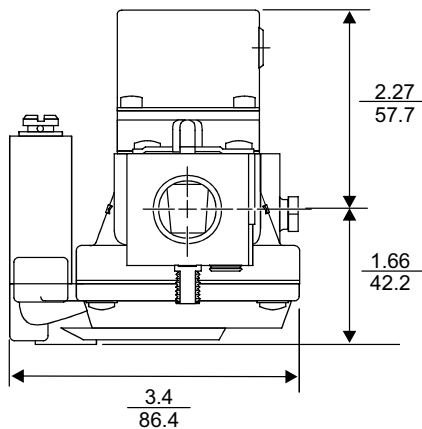
**Inlet View  
Bottom Adjust Regulator**



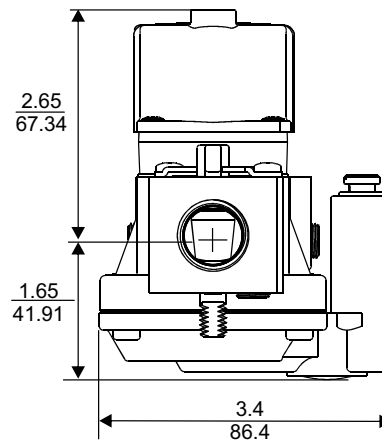
**Right Side View  
Bottom Adjust Regulator**



**Top View  
Bottom Adjust Regulator**



**Inlet View  
Top Adjust Left Regulator**



**Inlet View  
Top Adjust Right Regulator**

**G196 Dimensions (in./mm)**



BASO Gas Products LLC

## BGQ15HAA-1 Retrofit Gas Control System

### Description

The BGQ15 system uses a solid-state electronic ignition control to light a pilot burner by spark. Pilot gas is regulated based on the valve regulation setting. Pilot gas ignites and burns during each running cycle. The BGQ15 is typically used when converting a standing pilot application to a more fuel-efficient intermittent spark pilot system. It permits the main gas valve to open only when the pilot burner is proven to be lit. The BGQ15 can be used with gas burning equipment that uses a proven pilot (natural gas applications only). With its fast response to flame loss, the BGQ15 is ideal for power vent or gravity vent equipment.

### Parts Included

- (1) BGD278JBE-20BCGD gas valve
- (1) BG1600M10EK-1AA spark ignition control
- (1) Rajah adapter
- (4) 1/4 inch female quick connects
- (1) Sensing probe cable
- (1) 1/8 inch NPT to 1/4 cc elbow fitting
- (1) Reducer bushing (3/4 to 1/2 NPT)
- (1) Y75RJ-1 retrofit sensor probe kit:
  - (1) Sensor probe extension
  - (1) bushing
  - (2) Spacers
  - (1) cone shaped nut

retrofit package installation diagram and a pressure sensitive lighting Caution sticker

### Specifications

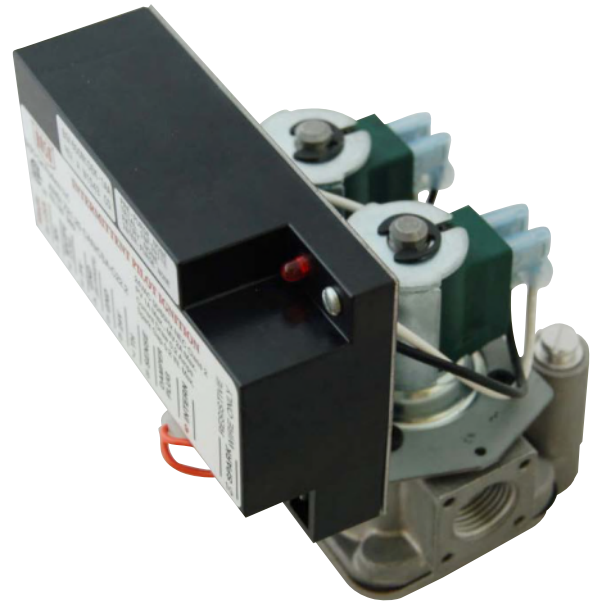
- Rated inlet pressure: 0.5 psi
- Available voltage: 25 VAC, 50/60 Hz
- Inlet/Outlet size: 1/2 NPT inlet x 3/4 NPT outlet
- Pilot/Pressure tap size: 1/8 NPT
- Permissible ambient (surface) temperature: -20° to 175°F (-29° to 79°C)
- Natural gas capacity Btu/hr at 1 in. pressure drop: 190,000

### Agency Listing

- None

### Electrical Connections

- 1/4 in. male quick-connect terminals





BASO Gas Products LLC

# VLV Series Universal Replacement Gas Valve

## Description

VLV Series universal replacement gas valves provide an electronic-proven pilot ignition combined with a valve (for example, G60 and Q15 which have an ignition control with an exposed bottom). Pilot gas is regulated based on the valve regulation setting. The VLV can be used on appliances burning natural gas or LP at pressures up to 0.5 psi, and comes with or without an adjustable regulator. Field-serviceable regulator conversion kits are available to switch from LP to natural gas or natural gas to LP. See page 83. All VLV replacement valves are factory set for use with natural gas.

## Specifications

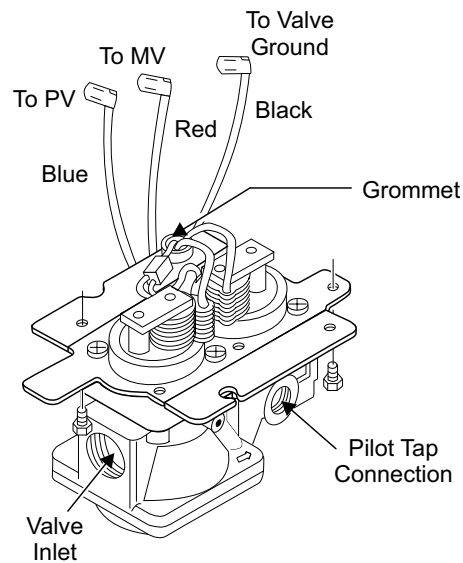
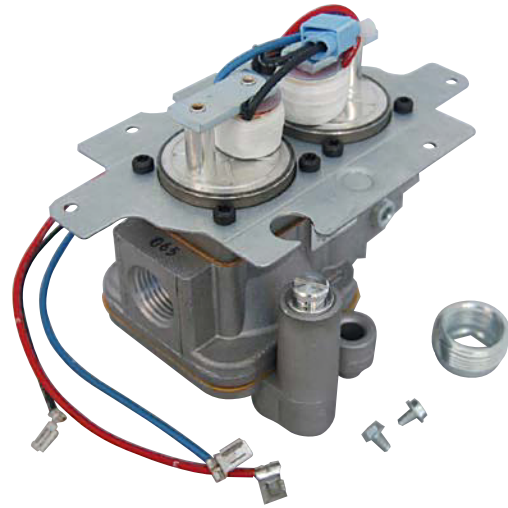
- Rated inlet pressure: 0.5 psi
- VLV34A permissible ambient (surface) temperature: -20° to 175°F (-29° to 79°C)
- VLV49A permissible ambient (surface) temperature: -40° to 175°F (-40° to 79°C)
- Natural gas capacity Btu/hr at 1 in. pressure drop: 190,000
- Includes a 3/4 to 1/2 NPT reducer bushing

## Agency Listing

- None

## Electrical Connections

- #18 AWG stranded wire with 1/4 in. female quick-connect terminals.



Typical VLV Wiring

## Selection Chart

Part Number	Inlet and Outlet Female NPT	Voltage (60 Hz)	Pilot Tap NPT	Pressure Tap NPT	Regulator Adjustment Location	Electrical Connection
VLV34A-609R	1/2 in. x 1/2 in.	25	1/8-27 left	1/8-27 bottom	Top	13" leads
VLV34A-648R	1/2 in. x 3/4 in.	25	1/8-27 left and right	1/8-27 bottom	Top	13" leads
VLV49A-600R		25	1/8-27 left and right	1/8-27 bottom	Bottom	8.5" leads
VLV49A-601R		25	1/8-27 left and right	1/8-27 bottom	Top	8.5" leads
VLV49A-602R		25	1/8-27 left and right	1/8-27 bottom	None	8.5" leads



BASO Gas Products LLC

# KIT-VLV Universal Replacement Gas Valve Mounting Plate

### Description

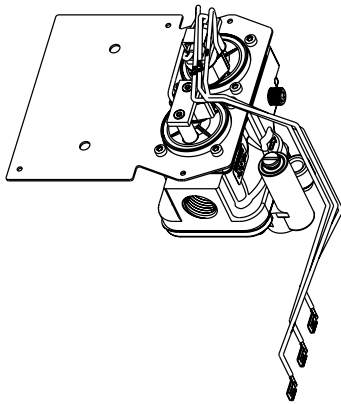
KIT-VLV is used for replacing a Johnson Controls Ignition module with a new BASO® ignition module.

### Kit Includes:

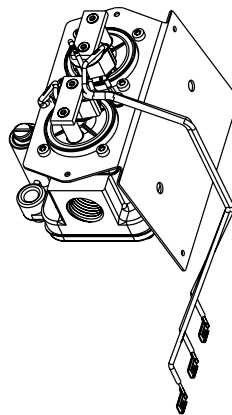
- Flat, Downward or Upward Mounting Plate
- Black Cover
- Black Grommet
- Blue Connector
- (2) #6 x 5/16" Screws (Mount Cover)
- (2) #6 x 5/8" Screws (Mount Ignition)
- Installation instructions

### Agency Listing

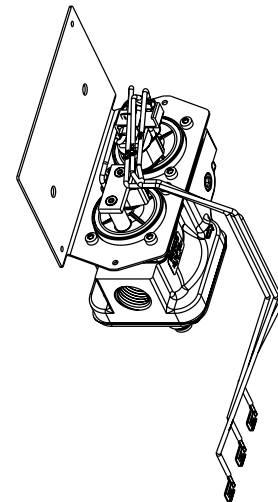
- None



KIT-VLV10A-600  
Flat Mounting Plate  
(Generic Replacement)



KIT-VLV10A-601  
Downward Mounting Plate



KIT-VLV10A-602  
Upward Mounting Plate

### Mounting Plate Options for Ignition





BASO Gas Products LLC

# B21 Series Redundant Gas Valve

## Description

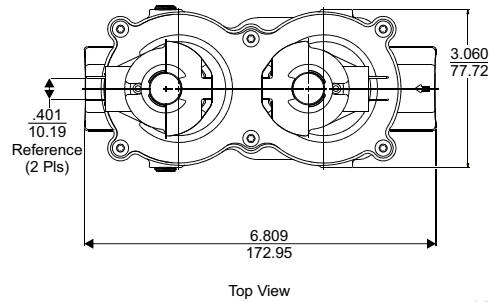
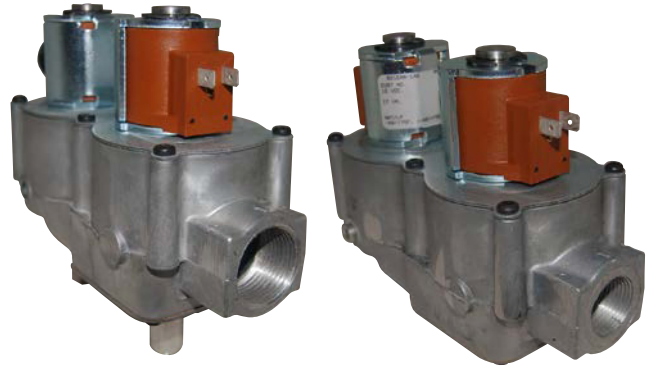
B21 Series redundant combination gas valves are the largest capacity valve BASO® manufactures. The valve comes with or without a bottom adjust pressure regulator and can be used with natural gas or LP at pressures up to 0.5 psi. Field-serviceable regulator conversion kits are available to switch from natural gas to LP or LP to natural gas. Call BASO® Gas Products for more information concerning the valve configuration.

## Specifications

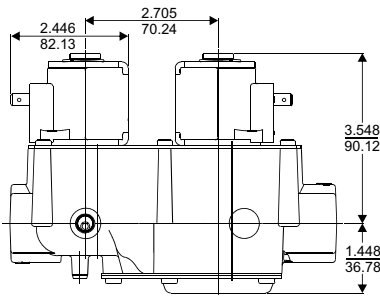
- Rated inlet pressure: 0.5 psi
- Available voltages: 12 VDC, 24 VDC
- Inlet/Outlet sizes: 3/4 or 1 NPT or BSPT
- Pilot/Pressure tap sizes: 1/8 NPT or BSPT
- Permissible ambient (surface) temperature: -40° to 175°F (-40° to 79°C)

## Agency Listing

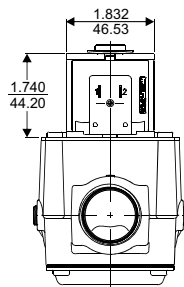
- UL recognized (pending) on the regulator version; call BASO® for availability.
- UL Recognized File number MH5939 B21XXA only.



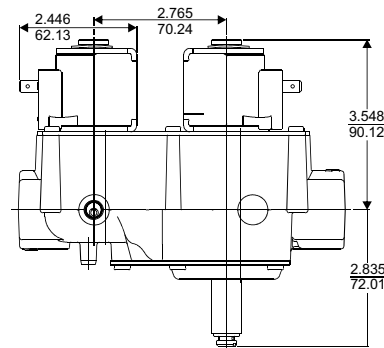
Top View



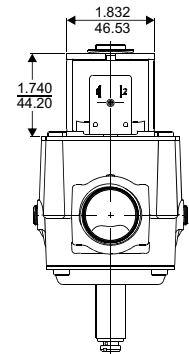
No Regulator Side View



No Regulator Inlet View



Bottom Adjust Side View



Bottom Adjust Inlet View

## B21 Dimensions (in./mm)

## Selection Chart

Part Number	Inlet and Outlet Female NPT	Natural Gas Capacity Btu/hr at 1 in. Pressure Drop	Voltage	Pilot Tap NPT	Pressure Tap NPT	Regulator Adjustment
▲ B21EAA-1AGC	3/4 in. x 3/4 in.	TBD	12 VDC	None	Main 1/8-27 right & left	None
▲ B21FAA-1AGC	1 in. x 1 in.	TBD	12 VDC	None	Main 1/8-27 right & left	None
▲ B21EAC-1AGC	3/4 in. x 3/4 in.	TBD	12 VDC	None	Main 1/8-27 right & left	Bottom
▲ B21FAC-1AGC	1 in. x 1 in.	TBD	12 VDC	None	Main 1/8-27 right & left	Bottom

▲ means bulk pack is available upon request.

Notes: DIN connectors are available; see Accessory section page 79.  
Inlet screens available upon request.



## Thermocouple Operated Gas Valves





BASO Gas Products LLC

# G292 Series Dual Pilot Valve Series

## Description

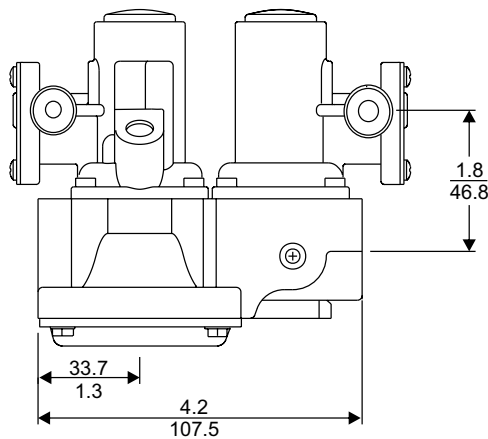
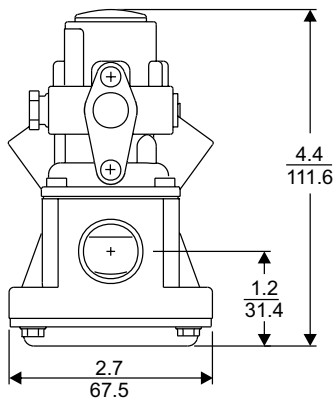
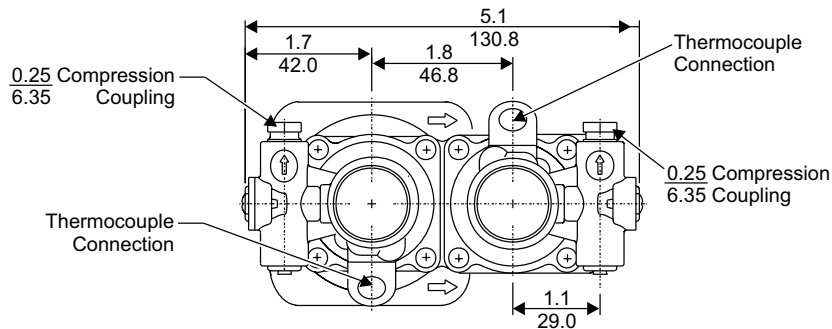
G292 Series are redundant pilot gas valves designed to use with a dual burner system that requires a continuously burning standing pilot at two burners. The G292 valve can be used with natural gas or LP at pressures up to 0.5 psi. Typical applications include commercial cooking equipment and similar applications.

## Specifications

- Rated inlet pressure: 0.5 psi
- Natural gas capacity Btu/hr at 1 in. pressure drop: 240,000
- Permissible ambient (surface) temperature: -30° to 175°F (-34° to 79°C)

## Agency Listing

- CSA (AGA/CGA) Certificate number 229521-1656050



**G292 Dimensions (in./mm)**

## Selection Chart

Part Number	Inlet and Outlet Female NPT	Pilot Tap	Pressure Tap
▲ G292AA-1C	1/2 in. x 1/2 in.	1/4 in. cc left	None

▲ means bulk pack is available upon request.

Note: R23244 -3H Red Button Replacement, bulk pack of 4; see page 88.

BASO recommends using only BASO thermocouples that come from the original equipment manufacturer to provide optimum performance for your safety shutoff valve.



BASO Gas Products LLC

# G92 Series BASOTROL® Non-Regulated Combination Gas Valve

## Description

G92 Series gas valves combine automatic pilot valve and automatic gas valve functions into one valve. The G92 valve can be used with natural gas or LP at pressures up to 0.5 psi. Typical applications include commercial dryers, heaters, agricultural equipment and similar applications. The G92 is available with various cover options. The optional pilot adjust valve allows for pilot flame adjustment.

## Specifications

- Rated inlet pressure: 0.5 psi
- Natural gas capacity Btu/hr at 1 in. pressure drop: 240,000
- Permissible ambient (surface) temperature:  
-30° to 175°F (-34° to 79°C) models without pilot adjust  
32° to 175°F (0, to 79°C) models with pilot adjust

## Agency Listing

- CSA (AGA/CGA) Certificate number 229521-1656050 (\*excludes G92CSA-5)
- UL Recognized File number MH2926

## Electrical Connections

- #18 AWG stranded wire or 1/4 in. male quick-connect terminals



Thermocouple Operated Gas Valves

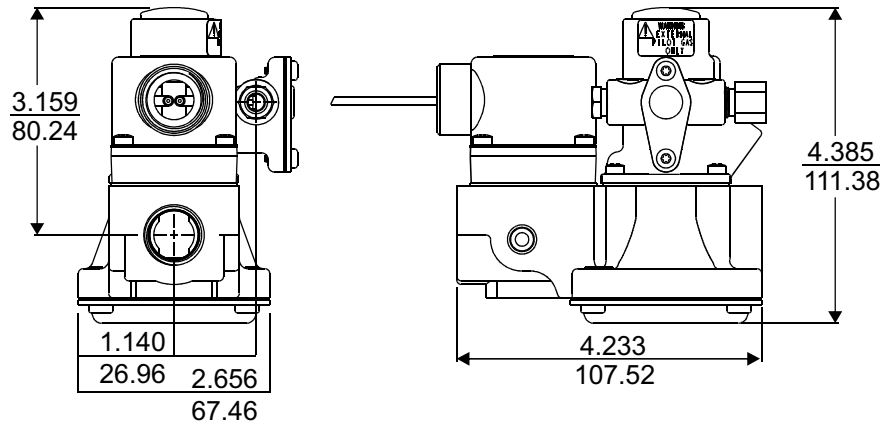
## Selection Chart

	Part Number	Inlet and Outlet Female NPT	Voltage (60 Hz)	Pilot Tap	Pressure Tap NPT	Pilot Gas Flow/Pilot Adjust Valve	Electrical Connection
▲	G92CAA-19C	1/2 in. x 1/2 in.	120	1/4 in. cc left	1/8-27 left and right	Internal/No	18" leads
▲	G92CAB-14C		120	1/4 in. cc left	1/8-27 left and right	Internal/Yes	30" leads
▲	G92CAC-5C		120	1/8-27 NPT and 1/4 in. cc left	None	External/No	30" leads
▲	G92CAC-7C		120	(2) 1/4 in. cc left	None	External/No	30" leads
▲	G92CBA-9C		240	1/4 in. cc left	1/8-27 bottom	Internal/No	1/4 tab
▲	G92CBA-10C		240	1/4 in. cc left	1/8-27 left and right	Internal/No	30" leads
	G92CBB-4C		240	1/4 in. cc left	1/8-27 left and right	Internal/Yes	30" leads
	G92CGB-1C		25	1/4 in. cc right	None	Internal/Yes	1/4 tab
	G92CGB-11C		25	1/4 in. cc left	1/8-27 left and right	Internal/Yes	1/4 tab
▲	*G92CSA-5C		208/240	1/4 in. cc left	1/8-27 bottom	Internal/No	30" leads
	G92DAB-1C	1/2 in. x 3/4 in.	120	1/4 in. cc left	None	Internal/Yes	30" leads

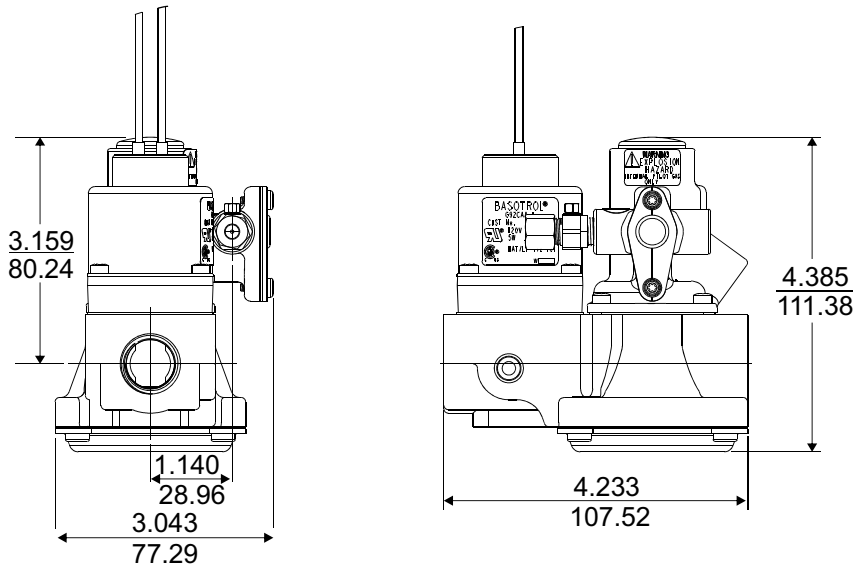
▲ means bulk pack is available upon request.

Note: R23244 -3H Red Button Replacement, bulk pack of 4; see page 88.

BASO recommends using only BASO thermocouples that come from the original equipment manufacturer to provide optimum performance for your safety shutoff valve.



**External Pilot Flow Valve**



**Internal Pilot Flow Valve**





BASO Gas Products LLC

# G93 Series Regulated Combination Gas Valve

## Description

G93 Series gas valves combine automatic pilot valve, pressure regulator and automatic gas valve functions into one valve. The G93 valve can be used with natural gas or LP at pressures up to 0.5 psi and comes with an adjustable regulator. Typical applications include commercial cooking equipment, heaters, agricultural equipment and similar applications. Field-serviceable regulator conversion kits are available to switch from natural gas to LP or LP to natural gas. See page 83. The G93 is available with various cover options. The optional pilot adjust valve allows for pilot flame adjustment.

## Specifications

- Rated inlet pressure: 0.5 psi
- G93AXX Natural gas capacity Btu/hr at 1 in. pressure drop: 190,000
- G93HSB-1 Natural gas capacity Btu/hr at 1 in. pressure drop: 170,000
- Permissible ambient (surface) temperature: 32° to 155°F (0° to 68°C)

## Agency Listing

- CSA (AGA/CGA) Certificate number 229521-1656066 (\*excludes G93HSB-1)
- UL Recognized File number MH2926

## Electrical Connections

- #18 AWG stranded wire or 1/4 in. male quick-connect terminals

## Selection Chart

Part Number	Inlet and Outlet Female NPT	Voltage (60 Hz)	Pilot Tap	Pressure Tap NPT	Regulator Adjustment Location/Pilot Adjust Valve	Electrical Connection
▲ G93AAA-16C	1/2 in. x 1/2 in.	120	1/4 in. cc left	1/8-27 bottom	Top/No	1/4 tab
▲ G93AAB-2C		120	1/4 in. cc left	None	Top/Yes	30" leads
▲ G93AAB-6C		120	1/4 in. cc left	1/8-27 bottom	Top/Yes	30" leads
▲ G93ABA-6C		240	1/8-27 NPT left	None	Top/No	24" leads
▲ G93ABA-9C		240	1/4 in. cc left	None	Top/No	20" leads
▲ G93ABA-11C		240	1/4 in. cc left	1/8-27 bottom	Top/No	1/4 tab
▲ G93AGB-1C		25	1/4 in. cc right	None	Top/Yes	1/4 tab
▲ G93AGB-6C		25	1/4 in. cc right	1/8-27 bottom	Top/Yes	30" leads
▲ G93ASL-4C		208/240	1/4 in. cc left	1/8-27 bottom	Bottom/No	30" leads
▲ *G93HSB-1C		208/240	1/4 in. cc right	None	Top/Yes	30" leads

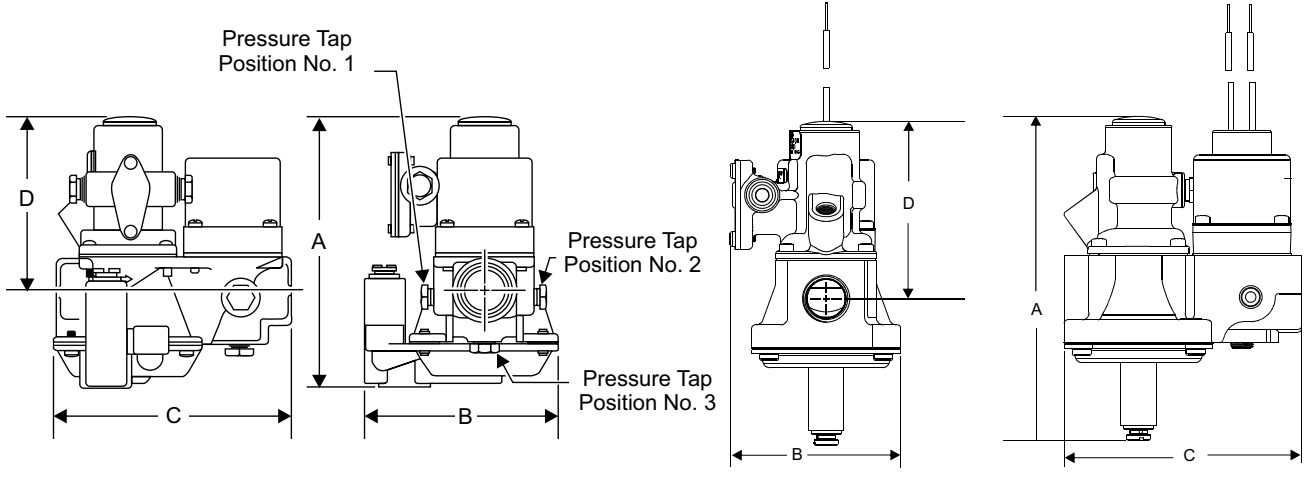
▲ means bulk pack is available upon request.

Note: R23244-3H Red Button Replacement, bulk pack of 4; see page 88.

BASO recommends using only BASO thermocouples that come from the original equipment manufacturer to provide optimum performance for your safety shutoff valve.



Thermocouple Operated Gas Valves



**Bottom Adjust Regulator Model  
Showing Optional Pressure Tap Positions**

**Bottom Adjust Regulator Model**

**Dimensions**

Part Number	A Height		B Width		C Length		D Height	
	in.	mm	in.	mm	in.	mm	in.	mm
<b>Top Adjust Regulator G93</b>	4.84	123	3.42	87	4.23	107	3.19	81
<b>Bottom Adjust Regulator G93</b>	5.78	147	3.04	77	4.23	107	3.16	80



BASO Gas Products LLC

# H15 Series Automatic Shut-Off Pilot Gas Valve

## Description

H15 Series automatic pilot valves provide safe lighting and complete shut-off of pilot and main burner gas if the flame heating the thermocouple is extinguished. They are designed for standing pilot applications and can be used with natural gas or LP at pressures up to 35 mbar (0.5 psi). Typical applications include commercial cooking equipment, heaters, kilns, dishwashing equipment, industrial ovens and similar applications. Sizes range from 1/4 to 1 NPT and both standard and high temperature models are available. The optional pilot adjust valve allows for pilot flame adjustment.

## Specifications

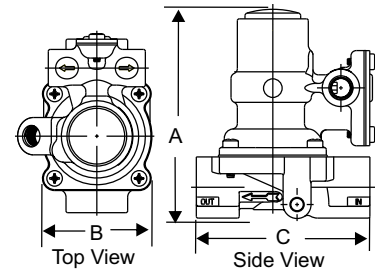
- Maximum working pressure: 35 mbar
- Permissible ambient (surface) temperature standard models:  
-34° to 79°C (30° to 175°F)  
0° to 149°C (32° to 300°F) H15\_B and H15\_R models only
- High temperature model allows for use in valve surface temperatures up to 300°F

## Agency Listing

- CE Approval E0485 (models without pilot adjust valve)
- CSA (AGA/CGA) Certificate number 229521-1656080
- UL Recognized File number MH2926 (H15CA and -DA models only)
- Australian Gas Association Certificate number 4236 (models H15AA, -AR, -CA, -CQ, -DA, -DQ, -EQ, -FA, -FQ, -HQ and -HR only)



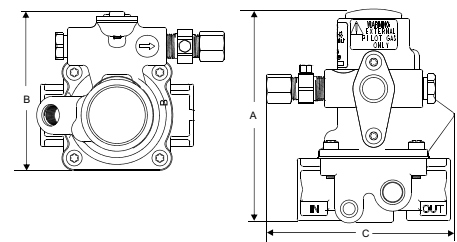
Thermocouple Operated Gas Valves



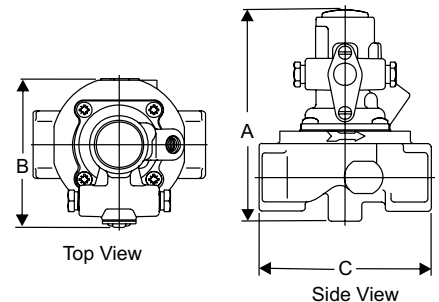
**Internal Pilot Gas Valve**

## Dimensions

Part Number	A Height		B Width		C Length	
	in.	mm	in.	mm	in.	mm
H15AB-3, -6, -7	3.50	89	2.22	56.4	2.95	75
H15AR-3, -4, -6, -A9, -10	3.50	89	2.25	57	2.95	75
H15CA-1	3.93	100	2.25	57	3.17	80.5
H15CB-2	3.93	100	2.25	57	3.17	80.5
H15CQ-3, -6	3.93	100	2.59	66	3.00	76
H15DA-3, -4	3.93	100	2.25	57	3.17	80.5
H15DB-1	3.93	100	2.25	57	3.17	80.5
H15DQ-2	3.93	100	2.59	66	3.00	76
H15DH-3	3.53	89.8	2.58	65.5	3.1	78.6
H15EQ-3	4.30	109.3	3.00	76	3.50	89
H15FA-1	4.65	118	2.69	68	3.50	89
H15FQ-1	4.65	118	2.69	68	3.50	89
H15HQ-5	3.53	90	2.56	65	2.53	64
H15HR-2, -3, -6	3.53	90	2.56	65	2.53	64
H15QR-4, -5	3.53	90	2.56	65	2.53	64



**Internal Pilot Gas with Pilot Adjust Valve**



**External Pilot Gas Valve**

## Selection Chart

Part Number	Inlet and Outlet Female NPT	Natural Gas Capacity Btu/hr @ 1 in. Pressure Drop	Pilot Tap NPT	Pressure Tap NPT	Pilot Gas Flow/Pilot Adjust Valve	
▲ H15AB-3C	3/8 in. x 3/8 in.	160,000	(2) 1/8-27 over inlet	None	Internal/No	
▲ H15AB-6C		160,000	(2) 1/8-27 left of inlet	None	Internal/No	
▲ H15AB-7C		160,000	(2) 1/8-27 left of inlet	None	Internal/No	
▲ H15AR-3C		163,000	1/8-27 over inlet	None	External/No	
▲ H15AR-4C		163,000	(2) 1/8-27 right of inlet	None	External/No	
▲ H15AR-6C		163,000	1/8-27 left of inlet	None	External/No	
▲ H15AR-A9C		163,000	1/8-27, 3/16 cc right of inlet	None	External/Yes	
▲ H15AR-10C	1/2 in. x 1/2 in.	163,000	(2) 1/8-27 left of inlet	None	External/No	
▲ H15CA-1C		322,000	1/8-27 over inlet	None	Internal/No	
▲ H15CB-2C		322,000	1/4 in. cc right of inlet	None	Internal/No	
▲ H15CQ-3C		322,000	(2) 1/4 in. cc left of inlet	None	External/No	
▲ H15CQ-6C		322,000	(2) 1/4 in. cc right of inlet	1/8-27 left and right	External/No	
▲ *H15DA-3C		3/4 in. x 3/4 in. *packaged with 3/4 to 1/2 in. and 3/4 to 3/8 in. reducer bushings	335,000	1/8-27 over inlet	None	Internal/No
▲ H15DA-4C			335,000	1/8-27 over inlet	1/8-27 left and right	Internal/No
▲ H15DB-1C	335,000		1/8-27 over inlet	None	Internal/No	
▲ *H15DH-3C	335,000		1/4 in. cc over outlet	None	Internal/Yes	
▲ H15DQ-2C	335,000		(2) 1/4 in. cc right of inlet	1/8-27 left and right	External/No	
▲ *H15EQ-3C	480,000		(2) 1/4 in. cc right of inlet	None	External/No	
▲ H15FA-1C	1 in. x 1 in.		610,000	1/8-27 over inlet	None	Internal/No
▲ H15FQ-1C		610,000	(2) 1/4 in. cc right of inlet	None	External/No	
▲ H15HQ-5C	3/8 in. x 3/8 in.	160,000	1/4 in. cc left of inlet	None	External/No	
▲ H15HR-2C		160,000	(2) 3/16 cc left of inlet	None	External/No	
▲ H15HR-3C		160,000	(2) 1/4 in. cc right of inlet	None	External/No	
▲ H15HR-6C		160,000	(2) 1/4 in. cc right of inlet	None	External/No	
▲ H15QR-4C		1/4 in. x 1/4 in.	93,000	(2) 1/8-27 left of inlet	None	External/No

▲ means bulk pack is available upon request.

Note: R23244-3H Red Button Replacement, bulk pack of 4; see page 88.

Optional pilot adjust valve; see page 87.

BASO recommends using only BASO thermocouples that come from the original equipment manufacturer to provide optimum performance for your safety shutoff valve.



BASO Gas Products LLC

# H17 Series Automatic Shut-Off Pilot Gas Valve

## Description

H17 Series automatic pilot valves provide safe lighting and complete shut-off if the flame heating the thermocouple is extinguished. They are designed for standing pilot applications and can be used with natural gas or LP at pressures up to 0.5 psi. Pressing and holding the reset button allows gas to flow to the pilot only. Typical applications include room heaters, infrared heaters, stand-alone portable heaters, catalytic heaters, refrigerators and similar applications. Sizes range from 1/8 to 1/2 NPT and both standard and high temperature models are available.



Thermocouple Operated  
Gas Valves

## Specifications

- Rated inlet pressure: 0.5 psi
- Permissible ambient (surface) temperature:
  - 40° to 150°F (-40° to 66°C) standard models
  - 40° to 300°F (-40° to 149°C) high temperature models

## Agency Listing

- CSA (AGA/CGA) Certificate number 229521-1656088
- UL Recognized File number MH2926 (H17AA, BA and CA models only)

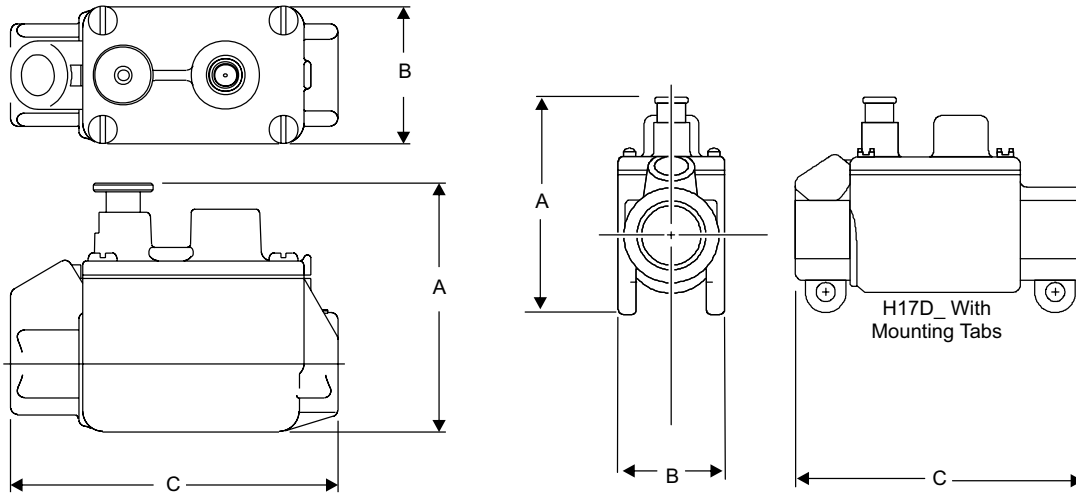
## Selection Chart

Part Number	Inlet and Outlet Female NPT	Natural Gas Capacity Btu/hr at 1 in. Pressure Drop	Pilot Tap NPT	Temperature Range
▲ H17AA-2C	1/8 in. x 1/8 in.	54,000	1/8-27 over outlet	Standard (150°F)
▲ H17AB-2C				High Temperature (300°F)
H17BA-2C	1/4 in. x 1/4 in.	94,000		Standard (150°F)
H17BA-6C				Standard (150°F)
▲ H17BB-1C				High Temperature (300°F)
H17CA-2C				Standard (150°F)
▲ H17CB-3C	3/8 in. x 3/8 in.	133,000		High Temperature (300°F)
▲ H17CB-5C				High Temperature (300°F)
H17DA-4C				Standard (150°F)
▲ H17DB-5C	1/2 in. x 1/2 in.	165,000		High Temperature (300°F)

▲ means bulk pack is available upon request.

BASO recommends using only BASO thermocouples that come from the original equipment manufacturer to provide optimum performance for your safety shutoff valve.





### Dimensions

Part Number	A Height		B Width		C Length	
	in.	mm	in.	mm	in.	mm
H17AA-2	2.28	58	1.25	32	3.00	76
H17AB-2	2.28	58	1.25	32	3.00	76
H17BA-2	2.28	58	1.25	32	3.00	76
H17BA-6	2.28	58	1.25	32	3.00	76
H17BB-1	2.28	58	1.25	32	3.00	76
H17CA-2	2.28	58	1.25	32	3.00	76
H17CB-3	2.28	58	1.25	32	3.00	76
H17CB-5	2.28	58	1.25	32	3.00	76
H17DA-4	2.62	67	1.25	32	3.43	87
H17DB-5	2.62	67	1.25	32	3.43	87



BASO Gas Products LLC

# H19 Series Automatic Shut-Off Pilot Gas Valve

## Description

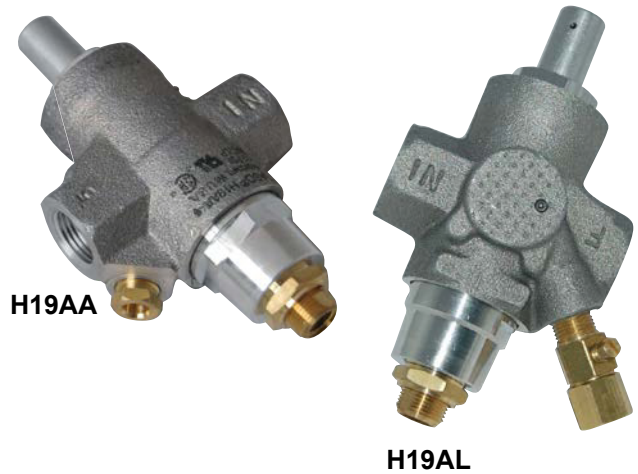
H19 Series gas valves provide complete shut-off if the flame heating the thermocouple is extinguished. The H19ME valve is for use in catalytic heater applications only and provides a lower milliamp dropout range. The H19 valve can be used with natural gas or LP at pressures up to 0.5 psi. Typical applications include heaters, commercial cooking equipment and similar applications. The optional pilot adjust valve allows for pilot flame adjustment.

## Specifications

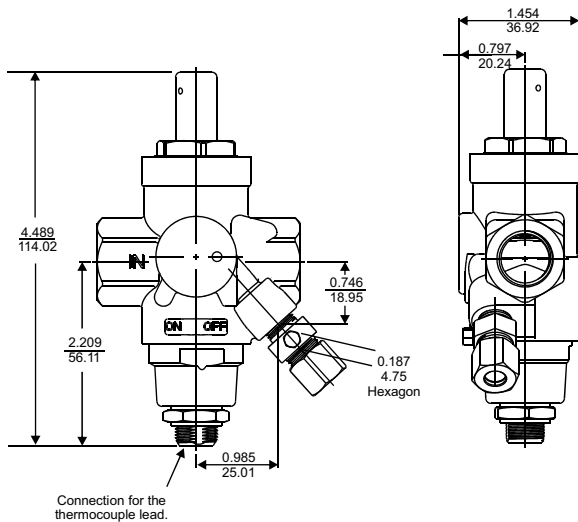
- Rated inlet pressure: 0.5 psi
- Permissible ambient (surface) temperature:  
H19A\_ is 32° to 150°F (0° to 66°C)  
H19ME is -40° to 150°F (-40° to 66°C)

## Agency Listing

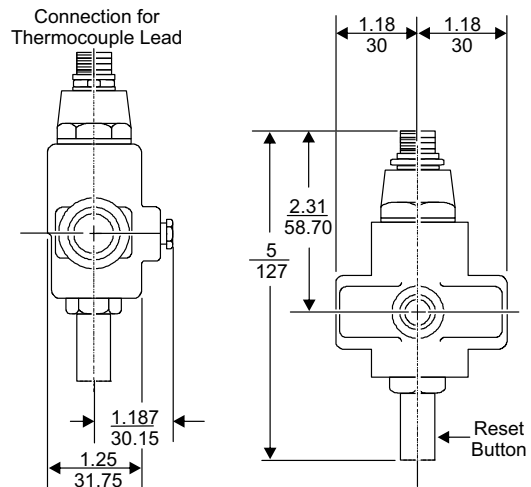
- CSA (AGA/CGA) Certificate number 229521-1656106
- UL Recognized File number MH2926 (H19AA only)



Thermocouple Operated Gas Valves



H19A\_ Dimensions (in./mm)



H19ME Dimensions (in./mm)

## Selection Chart

Part Number	Inlet and Outlet Female NPT	Natural Gas Capacity Btu/hr at 1 in. Pressure Drop.	Pilot Tap	Pilot Adjust Valve
▲ H19AA-4C	3/8 in. x 3/8 in.	140,000	1/4 in. cc left	No
▲ H19AL-2C		140,000	1/4 in. cc left	Yes
▲ H19ME-1C		75,000	Plugged	No

▲ means bulk pack is available upon request.

BASO recommends using only BASO thermocouples that come from the original equipment manufacturer to provide optimum performance for your safety shutoff valve.



BASO Gas Products LLC

# H19 Series High Pressure Automatic Shut-Off Pilot Gas Valve

## Description

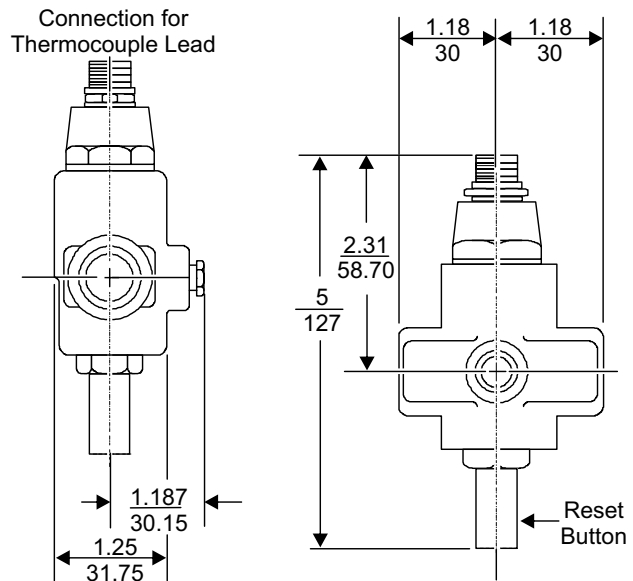
H19 Series high pressure gas valves provide safe lighting and complete shut-off if the flame heating the thermocouple is extinguished. The H19 valve can be used with natural gas or LP at pressures up to and including 25 psi. Typical applications include commercial and industrial heaters, crop dryers and similar applications. The H19LA and H19NA models with flow interruption feature allow gas flow only to the pilot during the lighting operation. The H19RA and H19TA models without flow interruption permit gas to flow to both the pilot and main burner. Sizes available are 1/4 and 3/8 NPT.

## Specifications

- Rated inlet pressure: 25 psi
- H19TB only 15 psi
- Permissible ambient (surface) temperature:  
-40° to 150°F (-40° to 66°C)  
-40° to 225°F (-40° to 107°C) H19TB only

## Agency Listing

- CSA (AGA/CGA) Certificate number 229521-1656106
- UL Recognized File number MH2926 (not H19TB)
- Australian Gas Association Certificate number 6734 (not H19TB)



H19 Dimensions (in./mm)

## Selection Chart

Part Number	Inlet and Outlet Female NPT	Natural Gas Capacity Btu/hr at 2.5 psi Pressure Drop	Pilot Tap NPT	Flow Interrupter
▲ H19LA-1C	3/8 in. x 3/8 in.	600,000	1/8-27 right	Yes
▲ H19NA-4C	1/4 in. x 1/4 in.		1/8-27 right	Yes
▲ H19RA-2C	3/8 in. x 3/8 in.		1/8-27 right	No
▲ H19TA-3C	1/4 in. x 1/4 in.		1/8-27 right	No
H19TB-1C	1/4 in. x 1/4 in.		1/8-27 top	No

▲ means bulk pack is available upon request.

BASO recommends using only BASO thermocouples that come from the original equipment manufacturer to provide optimum performance for your safety shutoff valve.



BASO Gas Products LLC

# H43 Series Automatic Shut-Off Pilot Gas Valve with Manual Shut-off

## Description

H43 Series automatic pilot valves provide safe lighting and complete shut-off of pilot and main burner gas if the flame heating the thermocouple is extinguished. A manual valve handle with Pilot, On and Off positions allows operation of the valve without a thermostat. The H43 can be used with natural gas or LP at pressures up to 0.5 psi. Typical applications include heaters, wall furnaces, commercial cooking equipment, cater truck equipment and similar applications. Sizes available are 3/8 and 1/2 NPT and both standard and high temperature models are available.



## Specifications

- Rated inlet pressure: 0.5 psi
- Permissible ambient (surface) temperature:  
H43\_A is 32° to 175°F (0° to 79°C)  
H43\_B is 32° to 250°F (0° to 121°C)

## Agency Listing

- CSA (AGA/CGA) Certificate number 229521-1656111
- UL Recognized File number MH2926 (H43AA and BA models only)

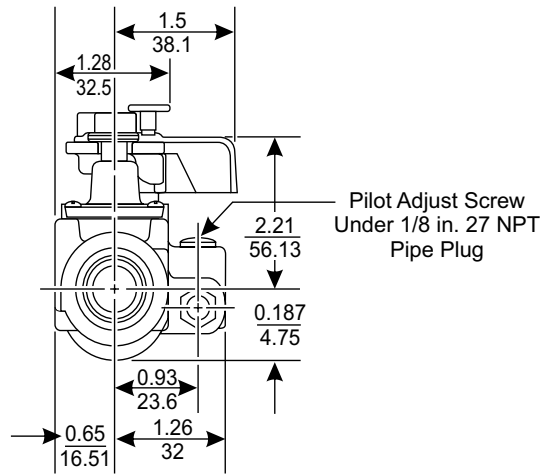
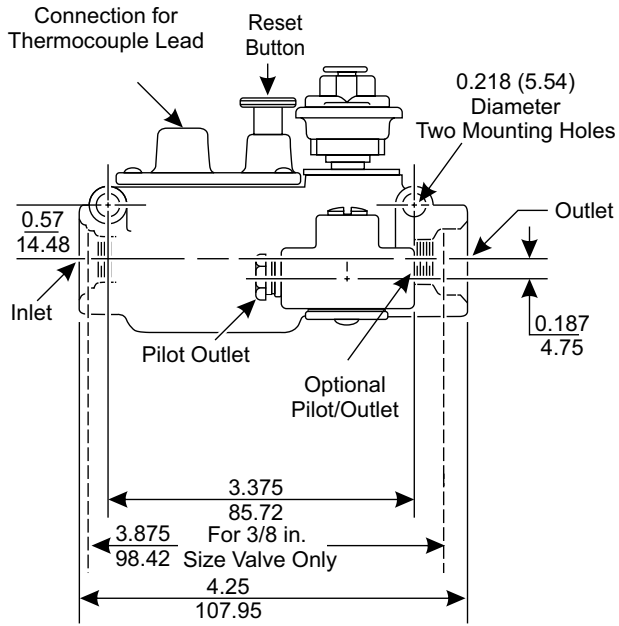
## Selection Chart

Part Number	Inlet and Outlet Female NPT	Manual Valve Handle or Rod	Natural Gas Capacity Btu/hr at 1 in. Pressure Drop	Pilot Tap/ Pilot Gas Flow	Temperature Range
▲ H43AA-1C	3/8 in. x 3/8 in.	Handle	122,000	1/4 in. cc right/ same as main	Standard (175°F)
▲ H43AA-12C				1/4 in. cc right/ opposite main	Standard (175°F)
▲ H43AB-4C				1/4 in. cc right/ same as main	High Temperature (250°F)
▲ H43BA-2C	1/2 in. x 1/2 in.		150,000	1/4 in. cc right/ opposite main	Standard (175°F)
▲ H43BA-5C				1/4 in. cc right/ opposite main	Standard (175°F)
▲ H43BB-2C				1/4 in. cc right/ same as main	High Temperature (250°F)
▲ H43GA-3C		1/4 in. Sq Rod	1/4 in. cc right/ same as main	Standard (175°F)	

▲ means bulk pack is available upon request.

BASO recommends using only BASO thermocouples that come from the original equipment manufacturer to provide optimum performance for your safety shutoff valve.

Thermocouple Operated Gas Valves



**H43 Dimensions (in./mm)**





BASO Gas Products LLC

# BGX583N Non-Explosion Proof Valve

## Description

BGX583N Series Non-Explosion Proof gas valves incorporate a solenoid operator with a thermoelectric operator. When used in conjunction with a momentary switch, this valve can be operated remotely, removing the liability of having to manually reset the valve. The BGX583N Series valve is typically used in catalytic heater applications and provides a lower milliamp dropout range. The BGX583N Series valve can be used with natural gas or LP at pressures up to 0.5 psi. The optional manual override feature is for restarts if power is lost to the solenoid. Typical applications include catalytic heaters, infrared heaters, agricultural heaters and other heating equipment.

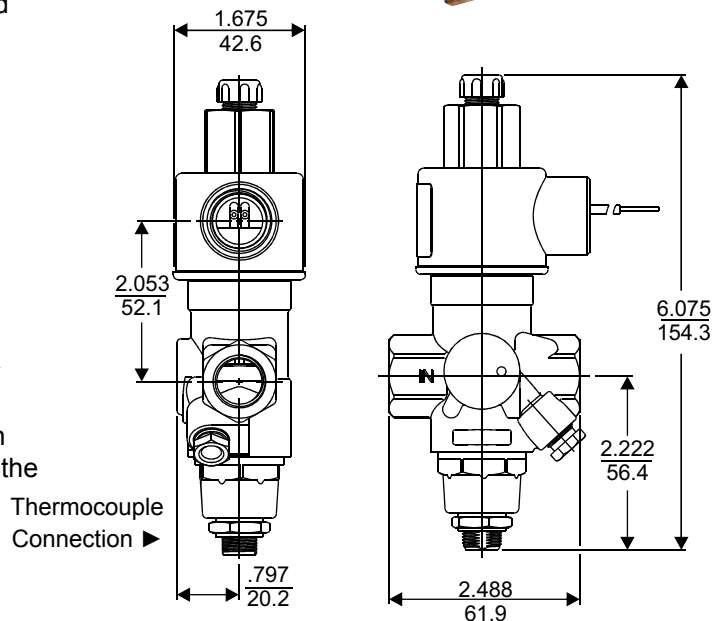
## Specifications

- Rated inlet pressure: 0.5 psi
- Available voltages: 12 VDC or 24 VDC
- Inlet/Outlet sizes: 1/4 or 3/8 NPT
- Permissible ambient (surface) temperature: -40° to 149°F (-40° to 65°C)

## Agency Listing

- UL Recognized File number MH2926

Note: If you have “AC” voltages, you can use our in-line rectifier to convert to “DC” voltage. If you have 120 or 220 VAC, you will need to step down the voltage to the 12 or 24 VAC along with using the in-line rectifier. See page 79.



BGX583N Dimensions (in./mm)

## Selection Chart

Part Number	Inlet and Outlet Female NPT	Voltage	Natural Gas Capacity Btu/hr at 1 in. Pressure Drop	Pilot Tap	Manual Override Option
BGX583NMAE-1AAC	3/8 in. x 3/8 in.	12 VDC	140,000	Plugged	Yes
BGX583NNAE-1AAC		12 VDC	140,000	Plugged	No

BASO recommends using only BASO thermocouples that come from the original equipment manufacturer to provide optimum performance for your safety shutoff valve.

Thermocouple Operated Gas Valves



BASO Gas Products LLC

# BE58 Explosion Proof Valve

## Description

BE58 Series Explosion Proof gas valves incorporate a solenoid operator with a thermoelectric operator. Used in conjunction with a momentary switch, this valve can be operated remotely, removing the liability of having to manually reset the valve. The BE58 Series valve is for use in catalytic heater applications and provides a lower milliamp dropout range. The BE58 Series valve can be used with natural gas or LP at pressures up to 0.5 psi. The optional manual override feature is for restarts if power is lost to the solenoid. Typical applications include catalytic heaters, infrared heaters, agricultural heaters and other heating equipment.

## Specifications

- Rated inlet pressure: 0.5 psi
- Available voltages: 12 VDC or 24 VDC
- Inlet/Outlet sizes: 1/4 or 3/8 NPT
- Can be used in Class I, Division I, Groups C and D; Class II, Division I, Groups E, F and G Hazardous Locations.
- Permissible ambient (surface) temperature: -40° to 149°F (-40° to 65°C)



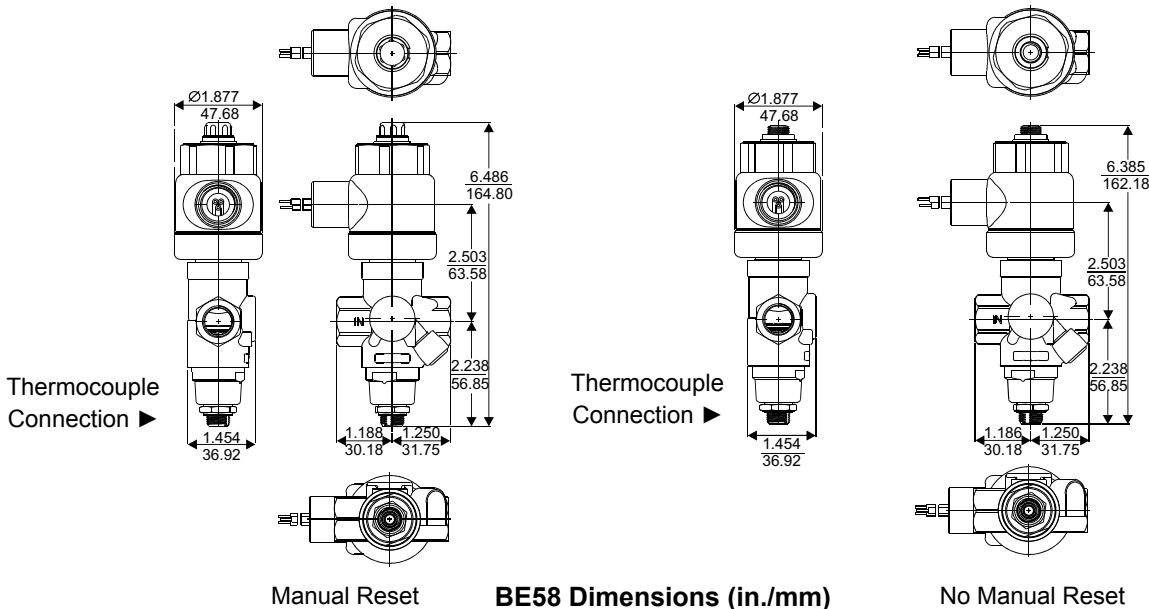
Patented 2013

## Agency Listing

- UL Recognized File number MH2926

Note: BASO recommends using only BASO thermocouples that come from the original equipment manufacturer to provide optimum performance for your safety shutoff valve.

Note: If you have "AC" voltages, you can use our in-line rectifier to convert to "DC" voltage. If you have 120 or 220 VAC, you will need to step down the voltage to the 12 or 24 VAC along with using the in-line converter. See page 79.



## Selection Chart

Part Number	Inlet and Outlet Female NPT	Voltage	Natural Gas Capacity Btu/hr at 1 in. Pressure Drop	Pilot Tap	Manual Override Option
BE58BTA-1AAC	3/8 in. x 3/8 in.	12 VDC	140,000	Plugged	Yes
BE58DTA-1AAC		12 VDC	140,000	Plugged	No



BASO Gas Products LLC

# L61 Series BASO® Pilot Switch

## Description

L61 Series pilot switches are for use on standing pilot equipment that require main burner shut-off when the pilot flame heating the thermocouple is extinguished. The L61LL-1 can be used with natural gas only at pressures up to 0.5 psi. Typical applications include domestic central heating, commercial space heating appliances, industrial processing equipment, commercial cooking equipment and similar applications.

## Specifications

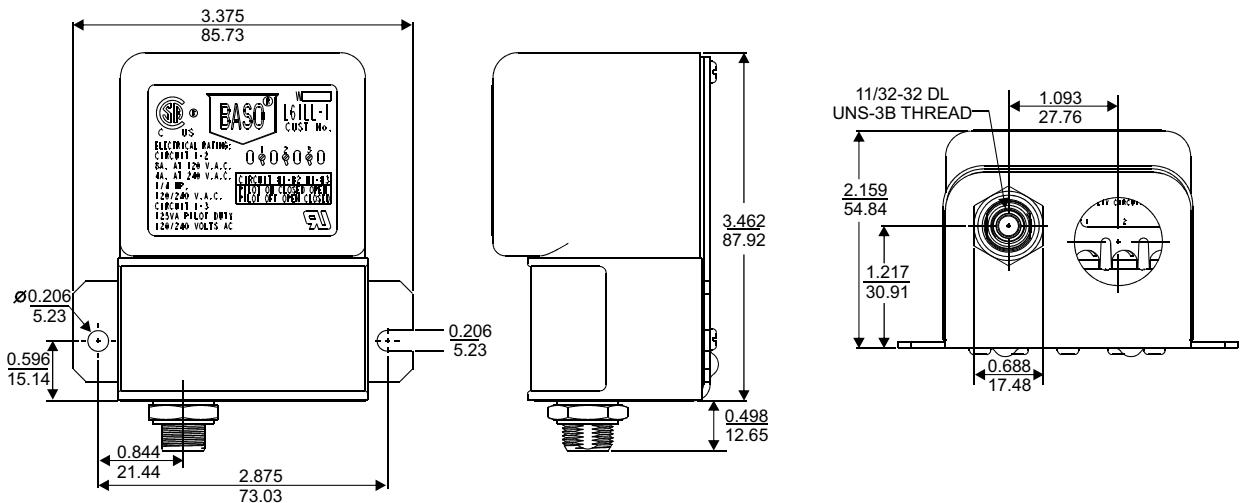
- Permissible ambient (surface) temperature: -40° to 150°F (-40° to 66°C)

## Agency Listing

- CSA (AGA/CGA) Certificate number 229521-1656085
- UL Recognized File number MH2926



Thermocouple Operated Gas Valves



L61 Dimensions (in./mm)

## Selection Chart

Part Number	Reset	100% Shut-off	Switch Action	Electrical Ratings
▲ L61LL-1C	Automatic	No	SPDT	At normally closed contact-125 VA pilot duty @120/240 VAC. At normally open contact-8 amp, 120 VAC; 4 amp, 240 VAC; 1/4 hp @ 120/240 VAC

▲ means bulk pack is available upon request.

The L61LL-1 is the universal replacement for BASO® 860-1, 861-1, 960-1, 961-1 and L61LL-2 and 3 controls.

BASO recommends using only BASO thermocouples that come from the original equipment manufacturer to provide optimum performance for your safety shutoff valve.



BASO Gas Products LLC

# L62 Series BASO® Pilot Switch

## Description

L62 Series pilot switches are for use on standing pilot equipment that require main burner shut-off when the pilot flame heating the thermocouple is extinguished. The L62AA can be used with natural gas only. The L62GB may be used with natural gas or LP at pressures up to 0.5 psi. Typical applications include domestic central heating, commercial space heating appliances, industrial processing equipment, commercial cooking equipment and similar applications.

## Specifications

- Rated inlet pressure: 0.5 psi for L62GB
- Permissible ambient (surface) temperature:
  - 40° to 150°F (-40° to 66°C) for L62AA
  - 40° to 175°F (-40° to 79°C) for L62GB
- Natural gas capacity Btu/hr at 1 in. pressure drop rating: 7,300 for the L62GB

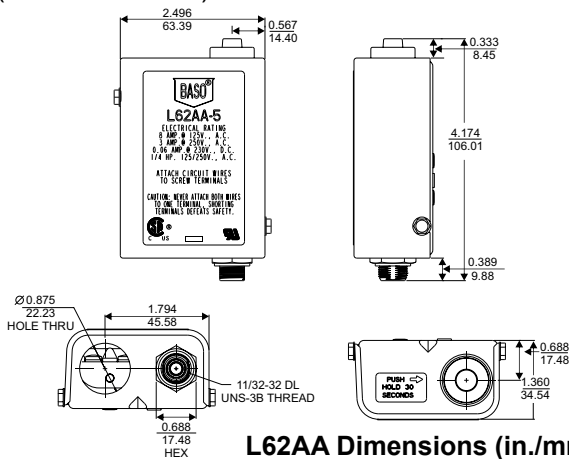
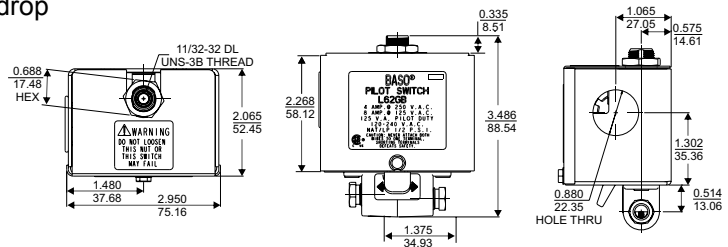
## Agency Listing

- CSA (AGA/CGA) Certificate number 229521-1656085
- UL Recognized File number MH2926 (excludes L62GB)

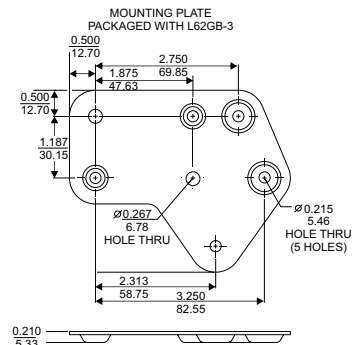


L62AA

L62GB



L62AA Dimensions (in./mm)



L62GB Dimensions (in./mm)

## Selection Chart

Part Number	Reset	100% Shut-off	Switch Action	Electrical Ratings
▲ L62AA-5C(a)	Manual	No	SPST	8 amp, 125 VAC; 3 amp, 250 VAC; 0.06 amp, 230VDC; 1/4 hp @125/250 VAC
▲ L62GB-3C(b)	Manual	Yes	SPST	8 amp, 125 VAC; 4 amp, 250 VAC; 125 VA pilot duty @ 120/240 VAC

▲ means bulk pack is available upon request.

BASO recommends using only BASO thermocouples that come from the original equipment manufacturer to provide optimum performance for your safety shutoff valve.

The L62AA replaces BASO® 850-1 and L62AA-1 through 8. The L62GB replaces BASO® 853-1 through 6 and L62EA models. A universal mounting bracket is included with the L62GB to permit replacing other competitive models.

(a) Replaces Honeywell C434A; ITT/General A100G542; White-Rodgers 30E02-1.

(b) Replaces Honeywell C591A; ITT/General A100G543, A100G544 and A100G564.



BASO Gas Products LLC

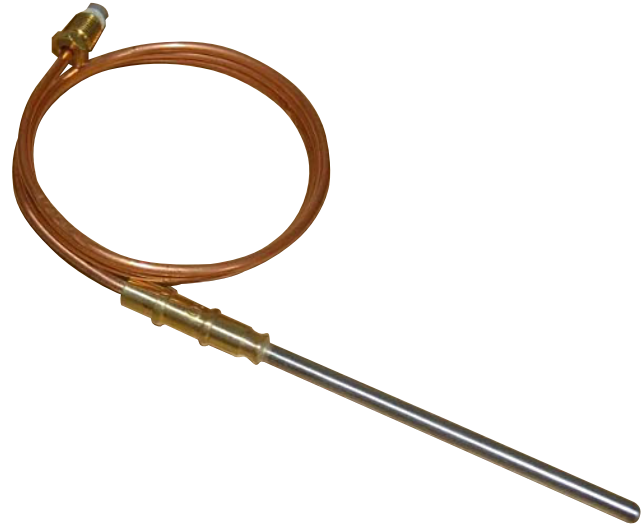
# K14 Series Thermocouples

## Description

K14 Series thermocouples are designed to be used in catalytic heater applications where the longer length tip allows for better operation.

## Agency Listing

- CSA (AGA/CGA) Certificate number 229521-1656071



Thermocouple Operated Gas Valves

## Selection Chart

	Part Number	Length	Replaces Johnson Controls	Open Circuit mV Range	
				Pilot Flame	Catalytic Heat
▲	<b>K14MA-36H</b>	36 in. (601 mm)	K14MA-8036D	20 – 28 mV	12–18 mV
▲	<b>K14MA-72H</b>	72 in. (1829 mm)	N/A	20 – 28 mV	N/A

▲ means bulk pack is available upon request.

Notes: Connects to valves with 11/32-32 male nut connector

Open Circuit: 15 mV minimum (pilot flame), 5 mV minimum (catalytic heat)

Closed Circuit: 8 mV minimum

Maximum Hot Junction Temperature: 1400°F (760°C)





BASO Gas Products LLC

# K15DA Series Thermocouples

## Description

K15DA Series thermocouples are designed to be used in many thermoelectric applications where standing pilots are needed. This style of thermocouple can also be used with other manufacturers' standing pilots.

## Agency Listing

- CSA (AGA/CGA) Certificate number 229521-1656071



## Selection Chart

	Part Number	Length	Replaces Johnson Controls	Open Circuit mV Range
▲	K15DA-12H	12 in. (305 mm)	N/A	20 – 28 mV
▲	K15DA-18H	18 in. (457 mm)	K15DS-18H, K15DS-1818H	20 – 28 mV
▲	K15DA-24H	24 in. (610 mm)	K15DS-24H, K15DS-1824H	20 – 28 mV
▲	K15DA-30H	30 in. (762 mm)	K15DS-30H, K15DS-1830H	20 – 28 mV
▲	K15DA-36H	36 in. (914 mm)	K15DS-36H, K15DS-1836H	20 – 28 mV
▲	K15DA-48H	48 in. (1219 mm)	N/A	20 – 28 mV

▲ means bulk pack is available upon request.

Notes: Connects to valves with 11/32-32 male nut connector  
 Open Circuit: 15 mV minimum  
 Closed Circuit: 8 mV minimum  
 Maximum Hot Junction Temperature: 1500°F (816°C)



BASO Gas Products LLC

# K15DQ Series Thermocouples

### Description

K15DQ Series thermocouples are designed to be used in many thermoelectric applications where standing pilots are needed. This thermocouple has a short element tip for designed applications. This style of thermocouple can also be used with other manufacturers' standing pilots.

### Agency Listing

- CSA (AGA/CGA) Certificate number 229521-1656071



### Selection Chart

	Part Number	Length	Replaces Johnson Controls	Open Circuit mV Range
▲	K15DQ-30H	30 in. (762 mm)	N/A	20 – 28 mV
▲	K15DQ-36H	36 in. (914 mm)	N/A	20 – 28 mV

▲ means bulk pack is available upon request.

Notes: Connects to valves with 11/32-32 male nut connector  
 Open Circuit: 15 mV minimum  
 Closed Circuit: 8 mV minimum  
 Maximum Hot Junction Temperature: 1500°F (816°C)



BASO Gas Products LLC

# K15FA Series Thermocouples

## Description

K15FA Series thermocouples are designed to be used where the pilot bracket accepts a fast and easy snap-in style clip to hold the thermocouple. This thermocouple can also be used with other manufacturers' standing pilots where a snap-in clip is accepted.



## Agency Listing

- CSA (AGA/CGA) Certificate number 229521-1656071

## Selection Chart

	Part Number	Length	Replaces Johnson Controls	Open Circuit mV Range
▲	K15FA-12H	12 in. (305 mm)	N/A	20 – 28 mV
▲	K15FA-18H	18 in. (457 mm)	N/A	20 – 28 mV
▲	K15FA-24H	24 in. (610 mm)	K15FS-24H, K15FS-1824H	20 – 28 mV
▲	K15FA-30H	30 in. (762 mm)	N/A	20 – 28 mV
▲	K15FA-36H	36 in. (914 mm)	K15FS-36H, K15FS-1836H	20 – 28 mV
▲	K15FA-48H	48 in. (1219 mm)	N/A	20 – 28 mV

▲ means bulk pack is available upon request.

Notes: Connects to valves with 11/32-32 male nut connector  
 Open Circuit: 15 mV minimum  
 Closed Circuit: 8 mV minimum  
 Maximum Hot Junction Temperature: 1500°F (816°C)

Thermocouples



BASO Gas Products LLC

# K16BA Series Thermocouples

## Description

K16BA Series thermocouples are designed to be used in many thermoelectric applications where standing pilots are needed. This thermocouple does not come with a split sleeve and nut. This style of thermocouple can be used with other manufacturers' standing pilots.

## Agency Listing

- CSA (AGA/CGA) Certificate number 229521-1656071



## Selection Chart

	Part Number	Length	Replaces Johnson Controls	Open Circuit mV Range
▲	K16BA-12H	12 in. (305 mm)	N/A	25 – 35 mV
▲	K16BA-18H	18 in. (457 mm)	N/A	25 – 35 mV
▲	K16BA-24H	24 in. (610 mm)	N/A	25 – 35 mV
▲	K16BA-30H	30 in. (762 mm)	N/A	25 – 35 mV
▲	K16BA-36H	36 in. (914 mm)	N/A	25 – 35 mV
▲	K16BA-48H	48 in. (1219 mm)	K15WS-48H	25 – 35 mV
▲	K16BA-60H	60 in. (1524 mm)	N/A	25 – 35 mV
▲	K16BA-72H	72 in. (1829 mm)	N/A	25 – 35 mV

▲ means bulk pack is available upon request.

Notes: Connects to valves with 11/32-32 male nut connector  
 Open Circuit: 17 mV minimum  
 Closed Circuit: 8 mV minimum  
 Maximum Hot Junction Temperature: 1500°F (816°C)



BASO Gas Products LLC

# K16BT Series Thermocouples

## Description

K16BA Series thermocouples are designed to be used in many thermoelectric applications where standing pilots are needed. This style of thermocouple comes with a split sleeve and nut. This style of thermocouple can be used with other manufacturers' standing pilots.

## Agency Listing

- CSA (AGA/CGA) Certificate number 229521-1656071



Thermocouples

## Selection Chart

Part Number	Length	Replaces Johnson Controls	Open Circuit mV Range
<b>K16BT-18H</b>	18 in. (457 mm)	N/A	25 – 35 mV
<b>K16BT-24H</b>	24 in. (610 mm)	N/A	25 – 35 mV
<b>K16BT-30H</b>	30 in. (762 mm)	N/A	25 – 35 mV
<b>K16BT-36H</b>	36 in. (914 mm)	N/A	25 – 35 mV

Notes: Connects to valves with 11/32-32 male nut connector  
 Open Circuit: 17 mV minimum  
 Closed Circuit: 8 mV minimum  
 Maximum Hot Junction Temperature: 1500°F (816°C)





BASO Gas Products LLC

# K16CA Series Thermocouples

## Description

K16CA Series thermocouples are designed to be used where the pilot bracket accepts a fast and easy snap-in style clip to hold the thermocouple. This style of thermocouple can also be used with other manufacturers' standing pilots where a snap-in clip is accepted.

## Agency Listing

- CSA (AGA/CGA) Certificate number 229521-1656071



## Selection Chart

	Part Number	Length	Replaces Johnson Controls	Open Circuit mV Range
▲	<b>K16CA-18H</b>	18 in. (457 mm)	N/A	25 – 35 mV
▲	<b>K16CA-30H</b>	30 in. (762 mm)	N/A	25 – 35 mV
▲	<b>K16CA-36H</b>	36 in. (914 mm)	N/A	25 – 35 mV

▲ means bulk pack is available upon request.

Notes: Connects to valves with 11/32-32 male nut connector  
 Open Circuit: 17 mV minimum  
 Closed Circuit: 8 mV minimum  
 Maximum Hot Junction Temperature: 1500°F (816°C)

Thermocouples



BASO Gas Products LLC

# K16FA Series Thermocouples

## Description

K16FA Series thermocouples are designed to be used where a junction block connection is needed. This style of thermocouple can also be used with other manufacturers' standing pilots where a thread-in bracket connection is accepted. The addition of a junction block allows for a high limit switch connection. This places the power unit of the pilot control in series with the limit switch and thermocouple. If pilot flame is lost or a high limit switch occurs, the gas valve will shut off.



## Agency Listing

- CSA (AGA/CGA) Certificate number 229521-1656071

## Selection Chart

	Part Number	Length	Replaces Johnson Controls	Open Circuit mV Range
▲	K16FA-18H	18 in. (457 mm)	N/A	25 – 35 mV
▲	K16FA-24H	24 in. (610 mm)	N/A	25 – 35 mV
▲	K16FA-36H	36 in. (914 mm)	N/A	25 – 35 mV

▲ means bulk pack is available upon request.

Notes: Connects to valves with 11/32-32 male nut connector  
 Open Circuit: 17 mV minimum  
 Closed Circuit: 8 mV minimum  
 Maximum Hot Junction Temperature: 1500°F (816°C)

Thermocouples

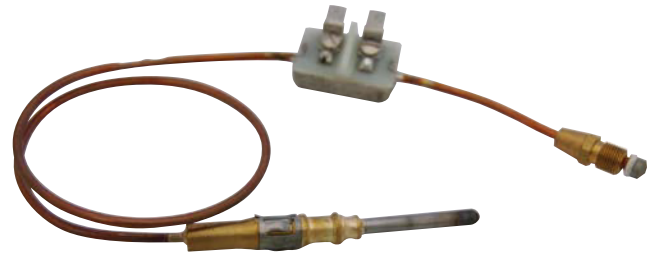


BASO Gas Products LLC

# K16JA and K16KA Series Thermocouples

## K16JA Description

K16JA Series thermocouples are designed to be used where the pilot bracket accepts a fast and easy snap-in style slip to hold the thermocouple. This style of thermocouple can also be used with other manufacturers' standing pilots where a snap-in clip is accepted. The addition of a junction block allows for a high limit switch connection. The places the power unit of the pilot control in series with the limit switch and thermocouple. If pilot flame is lost or a high limit switch occurs, the gas valve will shut off.



K16JA

## K16KA Description

K16KA Series thermocouples are designed to be used where a junction block connection is needed. This style of thermocouple can also be used with other manufacturers' standing pilots where a thread-in bracket connection is accepted. The addition of a junction block allows for a high limit switch connection. This places the power unit of the pilot control in series with the limit switch and thermocouple. If pilot flame is lost or a high limit switch occurs, the gas valve will shut off.



K16KA

## Agency Listing

- CSA (AGA/CGA) Certificate number 229521-1656071

## Selection Chart

	Part Number	Length	Replaces Johnson Controls	Open Circuit mV Range
▲	K16JA-24H	24 in. (610 mm)	N/A	25 – 35 mV
▲	K16KA-24H	24 in. (610 mm)	N/A	25 – 35 mV

▲ means bulk pack is available upon request.

Notes: Connects to valves with 11/32-32 male nut connector  
 Open Circuit: 17 mV minimum  
 Closed Circuit: 8 mV minimum  
 Maximum Hot Junction Temperature: 1500°F (816°C)

Thermocouples



BASO Gas Products LLC

# K16NA Series Thermocouples

## Description

K16NA Series thermocouples are designed to be used in many thermoelectric applications where standing pilots are needed. This style of thermocouple can also be used with other manufacturers' standing pilots.

## Agency Listing

- CSA (AGA/CGA) Certificate number 229521-1656071



## Selection Chart

	Part Number	Length	Replaces Johnson Controls	Open Circuit mV Range
▲	K16NA-30H	30 in. (762 mm)	N/A	25 – 35 mV
▲	K16NA-48H	48 in. (1219 mm)	N/A	25 – 35 mV

▲ means bulk pack is available upon request.

Notes: Connects to valves with 11/32-32 male nut connector  
 Open Circuit: 17 mV minimum  
 Closed Circuit: 8 mV minimum  
 Maximum Hot Junction Temperature: 1500°F (816°C)

Thermocouples



BASO Gas Products LLC

# K16RA Series Nickle-Plated Thermocouples

## Description

K16RA Series thermocouples are designed to be used in many thermoelectric applications where standing pilots are needed. The K16RA Series has nickel plating added for applications where corrosion resistance is needed to extend the life of the thermocouple. This style thermocouple can also be used with other manufacturers' standing pilots.

## Agency Listing

- CSA (AGA/CGA) Certificate number 229521-1656071



## Selection Chart

	Part Number	Length	Replaces Johnson Controls	Open Circuit mV Range
▲	K16RA-24H	24 in. (610 mm)	N/A	25 – 35 mV
▲	K16RA-30H	30 in. (762 mm)	N/A	25 – 35 mV
▲	K16RA-36H	36 in. (914 mm)	N/A	25 – 35 mV
▲	K16RA-48H	48 in. (1219 mm)	N/A	25 – 35 mV
▲	K16RA-60H	60 in. (1524 mm)	N/A	25 – 35 mV
▲	K16RA-72H	72 in. (1829 mm)	N/A	25 – 35 mV

▲ means bulk pack is available upon request.

Notes: Connects to valves with 11/32-32 male nut connector  
 Open Circuit: 17 mV minimum  
 Closed Circuit: 8 mV minimum  
 Maximum Hot Junction Temperature: 1500°F (816°C)





BASO Gas Products LLC

# K16RM Series Nickle-Plated Thermocouples

## Description

K16RM Series thermocouples are designed to be used in many thermoelectric applications where standing pilots are needed. The K16RM Series has nickel plating added for applications where corrosion resistance is needed to extend the life of the thermocouple. This style thermocouple can also be used with other manufacturers' standing pilots. This thermocouple includes a split sleeve and nut. The K16RM Series is your solution where distance in your application is required.



## Agency Listing

- CSA (AGA/CGA) Certificate number 229521-1656071

## Selection Chart

Part Number	Length	Replaces Johnson Controls	Open Circuit mV Range
<b>K16RM-96H</b>	96 in. (2438 mm)	N/A	25 – 35 mV
<b>K16RM-120H</b>	120 in. (3048 mm)	N/A	25 – 35 mV
<b>K16RM-144H</b>	144 in. (3658 mm)	N/A	25 – 35 mV
<b>K16RM-180H</b>	180 in. (4572 mm)	N/A	25 – 35 mV
<b>K16RM-240H</b>	240 in. (6096 mm)	N/A	25 – 35 mV

Notes: Connects to valves with 11/32-32 male nut connector  
 Open Circuit: 17 mV minimum  
 Closed Circuit: 8 mV minimum  
 Maximum Hot Junction Temperature: 1500°F (816°C)

Thermocouples



BASO Gas Products LLC

## K16WT Series Thermocouples

### Description

K16WT Series thermocouples are heavy duty larger gauge copper tubing for lower load currents to operate. This thermocouple includes an adapter that attaches to a male terminal connector. This style of thermocouple can also be used with other manufacturers' standing pilots.

### Agency Listing

- CSA (AGA/CGA) Certificate number 229521-1656071



### Selection Chart

Part Number	Length	Replaces	Open Circuit mV Range
<b>K16WT-48H</b>	48 in. (1219 mm)	N/A	25 – 35 mV
<b>K16WT-60H</b>	60 in. (1524 mm)	N/A	25 – 35 mV
<b>K16WT-72H</b>	72 in. (1829 mm)	N/A	25 – 35 mV

Notes: Connects to valves with 11/32-32 female nut connector

Open Circuit: 17 mV minimum

Closed Circuit: 8 mV minimum

Maximum Hot Junction Temperature: 1500°F (816°C)

The K16WT works better for situations where millivolt line loss needs to be kept to a minimum.

## 63499-WT Series "WT" Extension Kits

### Description

63499-WT Series are used where additional length is needed. These kits adapt directly to the K16WT series only.

### Agency Listing

- None

### Selection Chart

Part Number	Length
<b>63499-WT 48</b>	48 in. (1219 mm)
<b>63499-WT 60</b>	60 in. (1524 mm)
<b>63499-WT 72</b>	72 in. (1829 mm)



Thermocouples



BASO Gas Products LLC

# K16SA and K19SA Series Thermocouples with Metric Thread

Thermocouples

## Description

The K16SA thermocouple is designed to be used in many thermoelectric applications where the connections need metric threads. They are also designed to be used where the pilot bracket accepts a fast and easy snap-in style clip to hold the thermocouple. This style of thermocouple can also be used with other manufacturers' standing pilots where a snap-in clip is accepted.



K16SA

## Agency Listing

- CSA (AGA/CGA) Certificate number 229521-1656071

## K16SA Selection Chart

Part Number	Length	Replaces	Open Circuit mV Range
▲ K16SA-36H	36 in. (914 mm)	Norcold 61436322	25 – 35 mV

▲ means bulk pack is available upon request.

Notes: Connects to valves with M8 x 1-6g male nut connector

Open Circuit: 17 mV minimum

Closed Circuit: 8 mV minimum

Maximum Hot Junction Temperature: 1500°F (816°C)

## Description

K19SA Series thermocouples are designed to be used in many thermoelectric applications where the connections need metric threads. This style of thermocouple can also be used with other manufacturers' standing pilots. Typically used in the RV industry.



K19SA

## Agency Listing

- CSA (AGA/CGA) Certificate number 229521-1656071

## K19SA Selection Chart

Part Number	Length	Replaces	Open Circuit mV Range
▲ K19SA-18H	18 in. (457 mm)	Norcold 618445	25 – 35 mV
▲ K19SA-48H	48 in. (1219 mm)	Norcold 617983	25 – 35 mV
▲ K19SA-60H	60 in. (1524 mm)	Norcold 619154	25 – 35 mV
▲ K19SA-78H	78 in. (1981 mm)	Norcold 620424	25 – 35 mV

▲ means bulk pack is available upon request.

Notes: Connects to valves with M8 x 1-6g male nut connector

Open Circuit: 17 mV minimum

Closed Circuit: 8 mV minimum

Maximum Hot Junction Temperature: 1300°F (704°C)

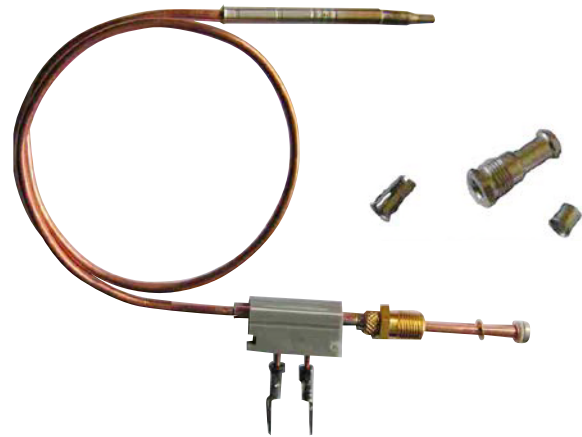


BASO Gas Products LLC

# K17AJ Series Universal Thermocouple with Junction Block

## Description

K17AJ Series thermocouples are designed to be used where a junction block connection is needed. This thermocouple can be used with the BASO® brand or other thermoelectric type valves and standing pilot burners. The addition of a junction block allows for a high limit switch connection. This places the power unit of the pilot control in series with the limit switch and thermocouple. If pilot flame is lost or a high limit switch occurs, the gas valve will shut off. This style of thermocouple, based on the fact that it is a universal adaption design, makes it a compatible replacement with other manufacturers' standing pilots. The K17AJ Series comes with two adapters and a spring clip.



## Agency Listing

- None

## Selection Chart

Part Number	Length	Replaces Johnson Controls	Open Circuit mV Range
<b>K17AJ-18H</b>	18 in. (457 mm)	White-Rodgers H06F-18, Reddy Heater 099538-01	30 – 40 mV
<b>K17AJ-24H</b>	24 in. (610 mm)	White-Rodgers H06F-24	30 – 40 mV
<b>K17AJ-36H</b>	36 in. (914 mm)	White-Rodgers H06F-36, Jade Controls TK5-36J, Comfort Glo 115793-01	30 – 40 mV

Notes: Connects to valves with 11/32-32 male nut connector  
Open Circuit: 25 mV minimum  
Closed Circuit: 8 mV minimum  
Maximum Hot Junction Temperature: 700°C (1292°F)

Thermocouples



BASO Gas Products LLC

# K17 Series Universal Thermocouple

## Description

K17 Universal thermocouples are designed to be used in many thermoelectric applications where standing pilots are needed. This style of thermocouple, based on the fact that it is a universal adaption design, makes it a compatible replacement with other manufacturers' standing pilots. The universal kit comes with two adapters and a spring clip.



## Agency Listing

- CSA Certificate number 266008-70058298

## Selection Chart

Part Number	Length	Replaces	Open Circuit mV Range	Agency
<b>K17AT-18H</b>	18 in. (457 mm)	Honeywell Q337, Robertshaw T26, BASO K19AT Series, Johnson Controls K19AA Series, K19AT Series, K19BA Series, K19CA Series and White Rodgers H06E-18	30 – 40 mV	None
<b>K17AT-24H</b>	24 in. (610 mm)	Honeywell Q337, Robertshaw T26, BASO K19AT Series, Johnson Controls K19AA Series, K19AT Series, K19BA Series, K19CA Series and White Rodgers H06E-24	30 – 40 mV	None
<b>K17AT-30H</b>	30 in. (762 mm)	Honeywell Q337, Robertshaw T26, BASO K19AT Series, Johnson Controls K19AA Series, K19AT Series, K19BA Series, K19CA Series and White Rodgers H06E-30	30 – 40 mV	None
<b>K17AT-36H</b>	36 in. (914 mm)	Honeywell Q337, Robertshaw T26, BASO K19AT Series, Johnson Controls K19AA Series, K19AT Series, K19BA Series, K19CA Series and White Rodgers H06E-36	30 – 40 mV	None
<b>K17AT-48H</b>	48 in. (1219 mm)	Honeywell Q337, Robertshaw T26, BASO K19AT Series, Johnson Controls K19AA Series, K19AT Series, K19BA Series, K19CA Series and White Rodgers H06E-48	30 – 40 mV	None
<b>K17AT-60H</b>	60 in. (1524 mm)	Honeywell Q337, Robertshaw T26, BASO K19AT Series, Johnson Controls K19AA Series, K19AT Series, K19BA Series and K19CA Series	30 – 40 mV	None
<b>K17AT-72H</b>	72 in. (1829 mm)	Honeywell Q337, Robertshaw T26, BASO K19AT Series, Johnson Controls K19AA Series, K19AT Series, K19BA Series, K19CA Series and White Rodgers H06E-72	30 – 40 mV	None

Notes: Connects to valves with 11/32-32 male nut connector  
 Open Circuit: 25 mV minimum  
 Closed Circuit: 8 mV minimum  
 Maximum Hot Junction Temperature: 700°C (1292°F)





BASO Gas Products LLC

# K17LM Series Low Mass Thermocouples

## Description

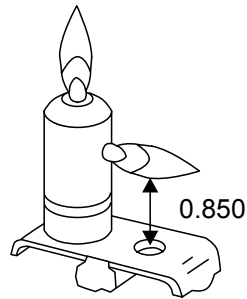
Our K17DA, K17RA and K17LM Series are all low mass, quick drop out thermocouples with standard threads and the K17SL Series are metric threads all used with natural or LP gases. Applications are fireplaces, fire pits, and BBQ units that require a quick response thermocouple to shut down the safety valves.

## Agency Listing

- None

## Note:

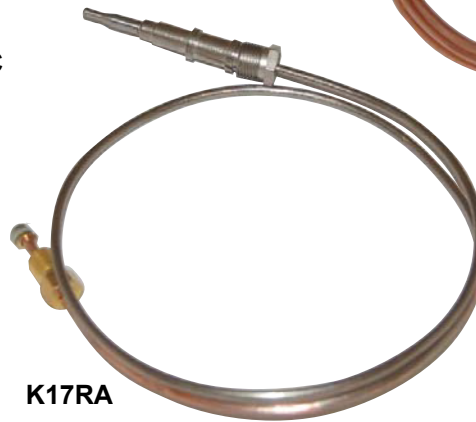
- The optimum distance for proper flame reading is 0.850 in. (21.6 mm). Anything over that will not function properly, causing malfunction of equipment.
- K17RA series are nickel plated for protection from corrosive elements.
- K17SL series is the same as the K17LM series except with metric threads M8
- Models K17DA and K17RA cannot be used with J990MDA-2H pilot burner.
- Open circuit: 17 mV minimum
- Closed circuit: 8 mV minimum
- Maximum Hot junction temperature: 700°C (1292°F)



K17DA



K17LM



K17RA

Thermocouples

## Selection Chart

Part Number	Length	Replaces	Open Circuit mV Range
K17DA-27H	27 in. (686mm)	Robertshaw 1960-027 Mendota 05-07-00062	30 – 40 mV
K17DA-36H	36 in. (914 mm)	N/A	30 – 40 mV
K17RA-27H	27 in. (686mm)	N/A	30 – 40 mV
K17RA-36H	36 in. (914 mm)	N/A	30 – 40 mV
K17LM-27H	27 in. (686mm)	N/A	30 – 40 mV
K17LM-36H	36 in. (914 mm)	N/A	30 – 40 mV
K17SL-27H	27 in. (686mm)	SIT 0.200.044	30 – 40 mV
K17SL-36H	36 in. (914 mm)	SIT 0.200.047	30 – 40 mV



BASO Gas Products LLC

# K19 Series Universal Thermocouple

## Description

K19 Universal thermocouples are designed to be used in many thermoelectric applications where standing pilots are needed. This style of thermocouple, based on the fact that it is a universal adaption design, makes it a compatible replacement with other manufacturers' standing pilots. The universal kit comes with two adapters and a spring clip.



## Agency Listing

- CSA (AGA/CGA) Certificate number 229521-1656071

## Selection Chart

Part Number	Length	Replaces	Open Circuit mV Range	Agency
<b>K19AT-18H</b>	18 in. (457 mm)	Honeywell Q337, Robertshaw T26, BASO K17, Johnson Controls K19AA, K19AT-1000, -2000, -3000, -4000, -5000, -6000, -7000, -8000, -9000, K19BA, K19CA	25 – 35 mV	CSA
<b>K19AT-24H</b>	24 in. (610 mm)	Honeywell Q337, Robertshaw T26, BASO K17, Johnson Controls K19AA, K19AT-1000, -2000, -3000, -4000, -5000, -6000, -7000, -8000, -9000, K19BA, K19CA	25 – 35 mV	CSA
<b>K19AT-30H</b>	30 in. (762 mm)	Honeywell Q337, Robertshaw T26, BASO K17, Johnson Controls K19AA, K19AT-1000, -2000, -3000, -4000, -5000, -6000, -7000, -8000, -9000, K19BA, K19CA	25 – 35 mV	CSA
<b>K19AT-36H</b>	36 in. (914 mm)	Honeywell Q337, Robertshaw T26, BASO K17, Johnson Controls K19AA, K19AT-1000, -2000, -3000, -4000, -5000, -6000, -7000, -8000, -9000, K19BA, K19CA	25 – 35 mV	CSA
<b>K19AT-48H</b>	48 in. (1219 mm)	Honeywell Q337, Robertshaw T26, BASO K17, Johnson Controls K19AA, K19AT-1000, -2000, -3000, -4000, -5000, -6000, -7000, -8000, -9000, K19BA, K19CA	25 – 35 mV	CSA
<b>K19AT-60H</b>	60 in. (1524 mm)	Honeywell Q337, Robertshaw T26, BASO K17, Johnson Controls K19AA, K19AT-1000, -2000, -3000, -4000, -5000, -6000, -7000, -8000, -9000, K19BA, K19CA	25 – 35 mV	CSA
<b>K19AT-72H</b>	72 in. (1829 mm)	Honeywell Q337, Robertshaw T26, BASO K17, Johnson Controls K19AA, K19AT-1000, -2000, -3000, -4000, -5000, -6000, -7000, -8000, -9000, K19BA, K19CA	25 – 35 mV	CSA

Notes: Connects to valves with 11/32-32 male nut connector  
 Open Circuit: 17 mV minimum  
 Closed Circuit: 8 mV minimum  
 Maximum Hot Junction Temperature: 1300°F (704°C)



BASO Gas Products LLC

# T36A1 Series Universal Thermopile

### Description

The T36A1-1 universal thermopile kit comes complete with an adapter for easy assembly into the pilot burner. Spade terminals are used for connecting to a millivolt gas valve. Other lengths may be made available depending upon customer requirements. Contact BASO® Gas Products for availability of products.



### Agency Listing

- CSA Certificate number 266008-70058298

### Selection Chart

Part Number	mV Range	Connection	Length	Gas
T36A1-1H	600 – 750 mV	Spade, Terminal	36 in. (914 mm)	Natural gas or LP

### Universal Kit Contents

(1) Thermopile; (1) PG9 Adapter (BPG9-1)\*; (1) Clip, Spring (SPC11-1)\*

\*Both items can be purchased separately. See page 72.

Used with Pilot Burners: Q314, Q324, Q327, Q377, Q379 and Q382

### Replaces Models:

White Rodgers	Robertshaw	Honeywell	Jade Controls
G01A-502	A-1950-532 A-1950-001	Q313A1139 Q313A1170 Q313A1188 *Q313A1022	JH-36 JHA-36

Note: Functionally the same.

# T36B0 Series Universal Coaxial Thermopile

### Description

The T36B0-1 universal coaxial thermopile kit comes complete with an adapter for easy assembly into the pilot burner. Other lengths may be made available depending upon customer requirements. Contact BASO® Gas Products for availability of products.



### Agency Listing

- CSA Certificate number 266008-70058298

### Selection Chart

Part Number	mV Range	Connection	Length	Gas
T36B0-1H	250 – 750 mV	Coaxial	36 in. (914 mm)	Natural gas or LP

### Universal Kit Contents

(1) Thermopile; (1) PG9 Adapter (BPG9-1)\*; (1) Clip, Spring (SPC11-1)\*

\*Both items can be purchased separately. See page 72.

### Replaces Models:

Robertshaw
1951-001; 951-536



BASO Gas Products LLC

# Thermocouple and Thermopile (Millivolt Generator) Accessories

## Description



These are components that are used to attach the thermocouple or thermopile to a pilot burner or bracket.

## Selection Chart (Thermocouple Accessories)

Packaged 1 per bag.

Part Number	Description	Length	Thread
 <b>27532-4000H</b>	Snap Ring Clip	0.460 in.	Fits 0.325 Diameter Hole
 <b>31543-3H</b>	Terminal Nut	0.531 in.	Transition Female 7/16-27 to 11/32-32 Thread
 <b>38323-2H</b>	Lead Adapter	0.594 in.	1/2-24 Thread
 <b>61659-1H</b>	Thermocouple Adapter Assembly (K16WT)	0.985 in.	Transition Male 7/16-27 to 11/32-32 Thread
 <b>ADP4000-2H</b>	Lead Adapter (K17 or K19)	1.065 in.	7/16-27 Thread
 <b>BSG73-4000H</b>	Bushing Adapter	0.250 in.	0.244 in. Diameter

## Selection Chart (Thermopile Accessories)

Part Number	Description	Length	Diameter
 <b>BPG9-1H</b>	Thermopile Adapter	1.800	N/A
 <b>SPC11-1H</b>	Spring Clip	0.379	N/A

Thermocouple Accessories



BASO Gas Products LLC

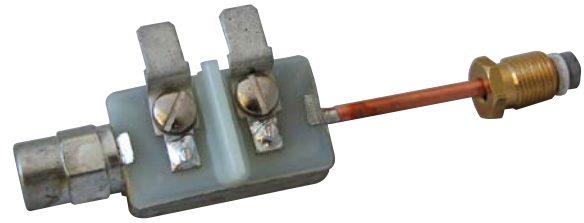
# Y99AN Series Junction Block

## Description

Y99AN Series junction blocks are used for high limit or spill switches. The use of this junction block will put the power unit in series with the switch and thermocouple so the gas valve's thermoelectric device will shut off when a pilot flame failure occurs and the switch opens.

## Agency Listing

- None.



Y99AN-1



Y99AN-17

## Selection Chart

Part Number	Spade Connections	Replaces
Y99AN-1H	1/4 Male	TCA-1
Y99AN-17H	1/4 Male	TCA-1, Y99AN-1

Note: Threads to a 11/32-32 male nut and 11/32-32 female nut



BASO Gas Products LLC

## Y99AL Series Test Couple

### Description

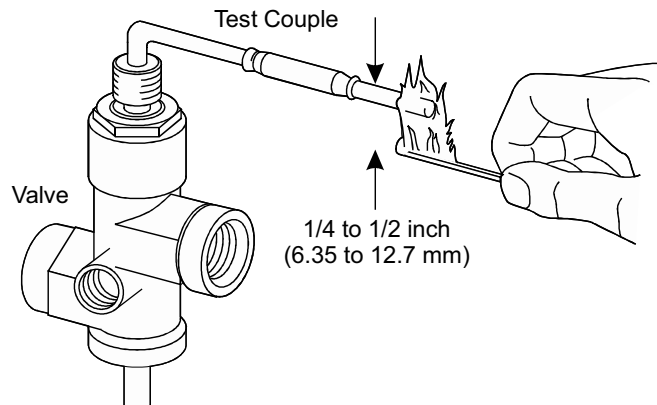
The Y99AL Series test thermocouple is a quick way to test thermoelectric valves for proper function.

### Agency Listing

- None.

### Selection Chart

Part Number	Spade Connections
Y99AL-1H	7/16-27 UNS Female Thread or 11/32-32 UNS Male Thread







## Accessories





BASO Gas Products LLC

# Y99AB-4 BASO® Test Kit / Y99TB-1 Thermocouple Quick Tester



Accessories

### Description

The Y99AB-4 test kit combines four test functions to enable service contractors to test thermocouples and BASO® controls in the field. These four functions are:

- Millivoltmeter with 0 to 50 and 0 to 1000 ranges for checking the open and closed circuit millivoltage of thermocouple leads.
- Performance Tester with a source of power for holding open BASO® power units while taking open circuit millivolt readings of the thermocouple when the main burner is in operation.
- Millimeter with a 0 to 500 (50 on scale) range for checking the current dropout range of BASO® power unit assemblies. (Ten milliamperes for each division on the dial.)
- Continuity Tester for detecting a broken or open circuit.

### Selection Chart

Part Number	Description
Y99AB-4C	Test Kit

### General Instructions

When using the test kit, secure the plugs by inserting them squarely into the jacks. Thermocouple adapters and nuts must be clean and tight. Any meter fluctuation caused by the movement of these parts may be due to loose connections. Poor connections cause false readings. Three "D" size batteries are required.

### Agency Listing

- None

### Description

The Y99TB-1 Thermocouple Tester makes for quick review of a potential faulty thermocouple. This is an inexpensive way to quickly test a thermocouple.

### Selection Chart

Part Number	Description
Y99TB-1H	Thermocouple Tester

### General Instructions

Attach the threaded end of the thermocouple to the threaded end of the tester. Tighten by hand and finish tightening 1/8 turn with an open-end wrench. Apply a flame to the thermocouple tip and compress the spring. If it does not spring back, the thermocouple is good.

### Agency Listing

- None



BASO Gas Products LLC

# BGD258 or GM7000 Series Combination Gas Valve Regulator Conversion Kits

## Description

GM-70 conversion kits are used in BGD258 and GM model gas valves. These conversion kits can be used to change a regulator from natural gas to LP or from LP to natural gas operation. The GM-70-CBP kit can also be used to convert from a regulating valve to a non-regulating valve.

Each regulating GM-70-CLPor GM-70-CNG conversion kit contains the following:

- (1) regulator spring
- (1) adjusting screw
- (1) seal screw
- (1) caution label

The non-regulating GM-70-CBP conversion kit contains the following:

- (1) blank plate
- (1) gasket
- (4) self-tapping mount screws
- (1) caution label

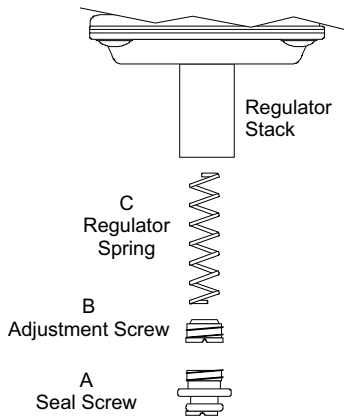


**Regulator Conversion Kit, LP to Natural Gas**



**Regulator Conversion Kit, Natural Gas to LP**

### Bottom Adjust Regulator



**Non-Regulating Conversion Kit**

## Selection Chart

Part Number	Regulator Adjustment Type	Conversion To
<b>GM-70-CLP</b>	Bottom Adjust LP	9 to 12 in. WC (22.5 to 30 mbar)
<b>GM-70-CNG</b>	Bottom Adjust Natural	3 to 5 in. WC (7.5 to 12.5 mbar)
<b>GM-70-CBP</b>	Top or Bottom Adjust	Natural gas or LP Regulation to Non-Regulation

Accessories



BASO Gas Products LLC

# Replacement Potted Coils

## Description

BASO® RSDA Series DIN connection 1/4" male spade replacement coils are electrically operated. Only use genuine BASO® coils when repairing a BASO® valve. The use of any other manufacturers' coils will not work to the original tested and certified products. For ease of coil identification, review colored voltages before replacing. For further information relating to the replacement coils, please contact BASO® Gas Products LLC.



## Replacement solenoid coils for gas valve series

**BGA158, BGA171, BGA110, BGD258, GM7000, BGC278, BGD278, BGC258, G96 or G960**

### Selection Chart

Part Number	Description	Coil Color
▲ RSDA95A-12C	12 VDC; 2-tab 10.5 VA Coil	Red
▲ RSDA95A-25C	25 VAC; 50/60 Hz; 3-tab 10.5 VA Coil	Green
▲ RSDA95A-25VC	25 VDC; 3-tab 11.5 VA Coil	Green
▲ RSDA95A-25AC	25 VAC; 50/60 Hz; 2-tab 10.5 VA Coil	Green
▲ RSDA95A-120C	120 VAC; 50/60 Hz; 3-tab 10.5 VA Coil	Blue
▲ RSDA95A-240C	240 VAC; 50/60 Hz; 3-tab 10.5 VA Coil	Black

▲ means bulk pack is available upon request.

## Replacement solenoid coils for gas valve series BGA158, BGA171, BGA110, BGD258, BGC278, BGD278, B21, G96 or H96

### Selection Chart

Part Number	Description	Coil Color
▲ RSDA16A-12C	12 VDC; 2-tab 15 VA Coil	Red
▲ RSDA16A-25C	25 VAC; 50/60 Hz; 3-tab 15 VA Coil	Green
▲ RSDA16A-25VC	25 VDC; 3-tab 17 VA Coil	Green
▲ RSDA16A-25AC	25 VAC; 50/60 Hz; 2-tab 15 VA Coil	Green
▲ RSDA16A-120C	120 VAC; 50/60 Hz; 3-tab 15 VA Coil	Blue
▲ RSDA16A-240C	240 VAC; 50/60 Hz; 3-tab 15 VA Coil	Black
▲ RSDA17A-B12C	12 VDC; 2-tab 17 VA Coil	Brown
▲ RSDA17A-24C	24 VDC; 2-tab 17 VA Coil	Natural

▲ means bulk pack is available upon request.

## Replacement solenoid coils for gas valves series BGA158, BGA171, BGA110, BGD258, BGC258, BGD278, BGC278, G96 or H96 (these coils are sealed to minimize issues where moisture may be present)

### Selection Chart

Part Number	Description	Coil Color
▲ RSDA95A-E12C	12 VDC; 2-tab 10.5 VA Coil	Red
▲ RSDA95A-E25C	25 VDC; 3-tab 10.5 VA Coil	Green
▲ RSDA95A-E120C	120 VDC; 3-tab 10.5 VA Coil	Blue
▲ RSDA95A-E240C	240 VDC; 3-tab 10.5 VA Coil	Black
▲ RSDA16A-E12C	12 VDC; 2-tab 15 VA Coil	Red
▲ RSDA16A-E25C	25 VDC; 3-tab 15 VA Coil	Green
▲ RSDA16A-E120C	120 VDC; 3-tab 15 VA Coil	Blue
▲ RSDA16A-E240C	240 VDC; 3-tab 15 VA Coil	Black

▲ means bulk pack is available upon request.

Accessories



BASO Gas Products LLC

## SVC Series Connector

### Description

The SVC Series DIN Style 43650 Form B is used in conjunction with wires to connect to the BASO® potted solenoids. The DIN connector provides a protective enclosure for the terminals. The distinct advantage of using a DIN connector is the added strain relief protection from wire stress and it is easier for service people to remove and connect. The gasket will provide an additional protection to the terminals from outside infiltration of dust and moisture.



### Selection Chart

	Part Number	Style	Rating Protection	Construction
▲	SVC200-1H	43650 Form B	IP65	Overmolded

▲ means bulk pack is available upon request.

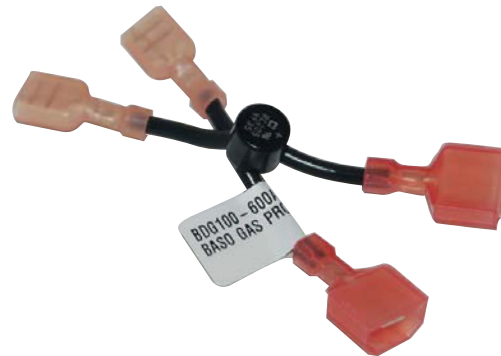
Note: SVC Series DIN connector comes with gasket and attachment screw.

## BDG100-600A Series In-Line Rectifier

### Description

The BDG100-600A series in-line rectifier allows you to easily connect to an “AC” voltage and convert to a “DC” voltage.

Note: The voltage must be equal AC to DC when using the in-line rectifier. Example: 120 VAC step down to 24 VAC, then use the in-line rectifier to achieve 24 VDC.



### Selection Chart

Part Number	Connections	Connections
BDG100-600A	1/4" Female (2)	1/4" Male (2)

Accessories





BASO Gas Products LLC

# KT Series Flange Assembly Kits

## Description

The KT Series flange assemblies are used as a valve extension which allows the easy removal of the valve during servicing or replacement without having to remove piping. The flange assembly stays attached to the piping while you slide the valve out. Loosening the four cap screws with a 9/64 hex allen wrench allows you to simply slide the valve out. The elbow gives you the option to rotate in four different positions to mate with your pipe. We offer 3/8 or 1/2 NPT or BSPT depending on your application needs.



## Agency Listing

- None

## Selection Chart (1 per pack; includes O-ring and hardware)

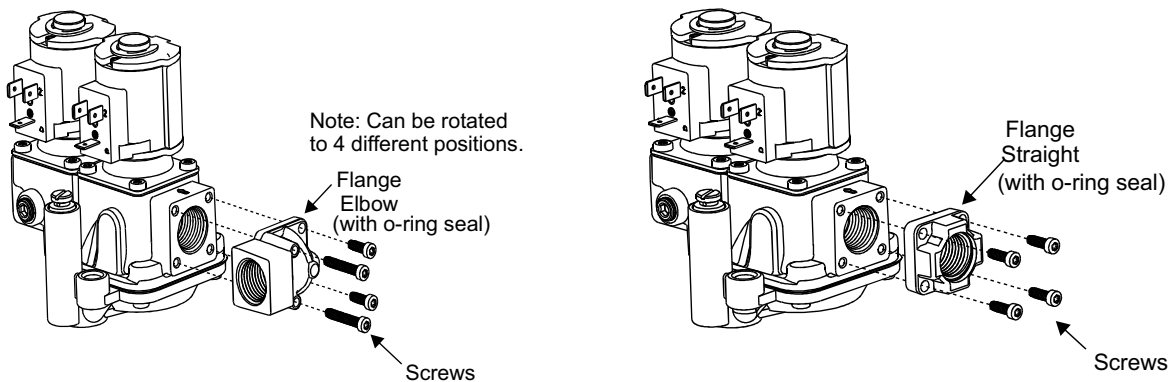
	Part Number	Pipe Size (Inlet/Outlet)	Flange Type	Hardware	Replaces Honeywell	Will Not Replace Honeywell
▲	KTS38N-1H	3/8-18 NPT	Straight	Included	393690-1 or 393690-11	N/A
▲	KTE38N-1H	3/8-18 NPT	Elbow	Included	N/A	393690-2 or 393690-12
▲	KTS50N-1H	1/2-14 NPT	Straight	Included	393690-6 or 393690-16	N/A
▲	KTE50N-1H	1/2-14 NPT	Elbow	Included	N/A	393690-3 or 393690-13
▲	KTS38B-1H	3/8-19 BSPT	Straight	Included	N/A	N/A
▲	KTE38B-1H	3/8-19 BSPT	Elbow	Included	N/A	N/A
▲	KTS50B-1H	1/2-14 BSPT	Straight	Included	N/A	N/A
▲	KTE50B-1H	1/2-14 BSPT	Elbow	Included	N/A	N/A

▲ means bulk pack is available upon request.

Note: The BASO flange hole pattern will not match the Honeywell VR series.

The Honeywell VK series hole pattern will match the BASO flanges.

O-Ring Replacement Kit (KTRNG61-118) contains (2) rings.







BASO Gas Products LLC

# Y57 Series High Voltage Flame Sensor Wire Harness

## Description

Y57 high voltage cables are used in electronic ignition applications and connects the ignition control with the pilot burner spark electrode. The Y57 flame sensor cable is used in electronic ignition applications and connects the ignition control with the flame sensor.

## Specifications

- Silicone and Teflon high voltage wire maximum temperature: 482°F (249°C)
- Silicone flame sensor wire maximum temperature: 302°F (150°C)

## Agency Listing

- None



High Voltage Wire



Flame Sensor Wire

## Selection Chart

	Part Number	Cable Type	Wire Length	Wire Insulation	Terminals	Connector Style
▲	Y57BD-31C	High Voltage	31 in. (787 mm)	5 mm Silicone	(2) Straight Rajah	(2) Straight
▲	Y57BD-52C	High Voltage	52 in. (1,320 mm)	5 mm Silicone	(2) Straight Rajah	(2) Straight
▲	Y57BD-61C	High Voltage	61 in. (1,549 mm)	5 mm Silicone	(2) Straight Rajah	(2) Straight
▲	Y57CQ-2C	High Voltage	30 in. (762 mm)	5 mm Silicone	Angled Rajah and Pin	Angled
	Y57FG-36C	High Voltage	36 in. (914 mm)	5 mm Silicone	(2) Straight Rajah	(2) Straight
▲	Y57HH-36C	Flame Sensor	36 in. (914 mm)	18 AWG Silicone	(2) Female Straight Arkles	N/A
	Y57HH-48C	Flame Sensor	48 in. (1,219 mm)	18 AWG Silicone	(2) Female Straight Arkles	N/A
	Y57HP-36C	Flame Sensor	36 in. (914 mm)	18 AWG Silicone	(2) Female Straight Arkles	N/A
	Y57JH-27C	Flame Sensor	27 in. (686 mm)	18 AWG Silicone	(2) Female Straight Arkles	Insulated Terminals
▲	Y57LH-36C	High Voltage	36 in. (914 mm)	5 mm Silicone	(2) Female Straight Arkles	Insulated Terminals
▲	Y57SV-32C	High Voltage	32 in. (813 mm)	20 AWG Teflon	(2) Female Angled Rajah	Angled

▲ means bulk pack is available upon request.

Accessories



BASO Gas Products LLC

# Y70 Series Gas Valve Thread Grease

### Description

Y70 Series grease is specifically compounded to provide excellent lubrication at temperatures ranging from 32° to 175°F. It does not run at high temperature and remains pliable at low temperature.

### Agency Listing

- None

### Selection Chart

Part Number	Description
Y70AA-1C	One 2-1/2 oz. tube
Y70AA-2C	Carton of 12 tubes
Y70AA-5C	One gallon container
Y70AA-6C	55 gallon drum
Y70AA-7C	Five gallon container
Y70AA-8C	Single use container



Accessories



BASO Gas Products LLC

# Y71 Series Combination Gas Valve Regulator Conversion Kits

## Description

Y71 conversion kits are designed to be used with all BASO® G series, BGD278 series, BGC278 series and VLV gas valves (excludes G292 and G92). These conversion kits can be used to change a regulator from natural gas to LP or from LP to natural gas operation. The Y71AA kit can also be used to convert from a regulating valve to a non-regulating valve.

## Each regulating Y71 conversion kit contains the following:

- (1) regulator spring
- (1) seal screw
- (1) caution label

## The non-regulating Y71 conversion kit contains the following:

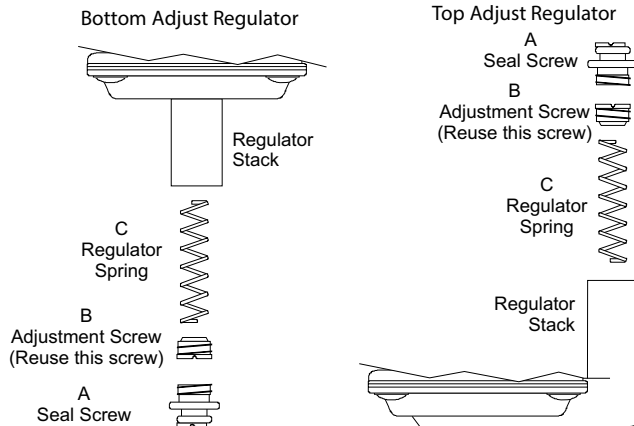
- (1) blank plate
- (1) gasket
- (4) self-tapping mount screws
- (1) caution label



Regulator Conversion Kit, LP to Natural Gas



Regulator Conversion Kit, Natural Gas to LP



Non-Regulating Conversion Kit

## Selection Chart

Part Number	Regulator Adjustment Type	Conversion
Y71GF-4	Top Adjust	Natural Gas to LP Regulation
Y71GF-3	Bottom Adjust	Natural Gas to LP Regulation
Y71QH-2C	Top Adjust	LP to Natural Gas Regulation
Y71QH-3C	Bottom Adjust	LP to Natural Gas Regulation
Y71AA-5C	Top or Bottom Adjust	Natural Gas or LP Regulation to Non-Regulation

Accessories



BASO Gas Products LLC

# Y75 Series Replacement Flame Sensor Rod

## Description

Y75 Series flame sensors may be used to replace broken or damaged sensing probes in various electronic ignition control systems.

The Y75AA, Y75AH, Y75BA and Y75GB are individually (1) packed in a plastic bag. The Y75AS and Y75BS are packed two per plastic bag. The Y75EG and Y75RJ are individually (1) packed in a box.

## Agency Listing

- CSA (AGA/CGA) Certificate number 229521-1656071

## Selection Chart



Accessories

Part Number	Mounting Type	Terminals	Electrode Protrusion Outside Ceramic
Y75AA-10C	Nut 7/16-27 Thread	Male Spade Bent 90°	1.035 in.
▲ Y75AA-12C	Nut 7/16-27 Thread	Male Spade Bent 90°	3.192 in.
▲ Y75AA-17C	Nut 7/16-27 Thread	Male Spade Bent 90°	1.415 in.
▲ Y75AA-2C	Nut 7/16-27 Thread	Male Spade Straight	1.160 in.
Y75AA-20C	Nut 7/16-27 Thread	Male Spade Bent 90°	0.840 in.
▲ Y75AA-3C	Nut 7/16-27 Thread	Male Spade Bent 90°	1.317 in.
▲ Y75AA-4C	Nut 7/16-27 Thread	Male Spade Straight	1.415 in.
▲ Y75AA-5C	Nut 7/16-27 Thread	Male Spade Straight	3.192 in.
▲ Y75AA-6C	Nut 7/16-27 Thread	Male Spade Straight	2.630 in.
▲ Y75AA-7C	Nut 7/16-27 Thread	Male Spade Straight	1.035 in.
▲ Y75AA-8C	Nut 7/16-27 Thread	Male Spade Straight	0.940 in.
▲ Y75AA-9C	Nut 7/16-27 Thread	Male Spade Straight	0.692 in.
▲ Y75AH-1C	Spring Clip	Male Spade Straight	1.156 in.
▲ Y75AH-2C	Spring Clip	Male Spade Straight	0.930 in.
▲ Y75AH-3C	Spring Clip	Male Spade Straight	3.192 in.
*Y75AS-1H	Nut 7/16-27 Thread	Male Spade Bent 90°	1.317 in.
*Y75AS-2H	Nut 7/16-27 Thread	Male Spade Straight	1.415 in.
▲ Y75BA-1C	Nut 7/16-27 Thread	Male Spade Straight	0.896 in.
▲ Y75BA-12C	Nut 7/16-27 Thread	Male Spade Straight	0.760 in.
▲ Y75BA-13C	Nut 7/16-27 Thread	Male Spade Straight	0.580 in.
▲ Y75BA-3C	Nut 7/16-27 Thread	Male Spade Straight	1.415 in.
▲ Y75BA-4C	Nut 7/16-27 Thread	Male Spade Straight	0.690 in.
*Y75BS-1C	Nut 7/16-27 Thread	Male Spade Straight	1.410 in.
▲ Y75CA-1C	Nut 7/16-27 Thread	Male Spade Straight	0.562 in.
*Y75EG-1C	N/A	Threads on Probe and Electrode	N/A
▲ Y75GB-1C	"H" Type Flat	Male Spade Straight	1.820 in.
*Y75RJ-1C	Retrofit Kit	27 in. Cable w/Male Spade Straight Rajah	N/A
*Y75RJ-2C	Retrofit Kit	48 in. Cable w/Male Spade Straight Rajah	N/A

▲ means bulk pack is available upon request.

\*Not CSA certified



BASO Gas Products LLC

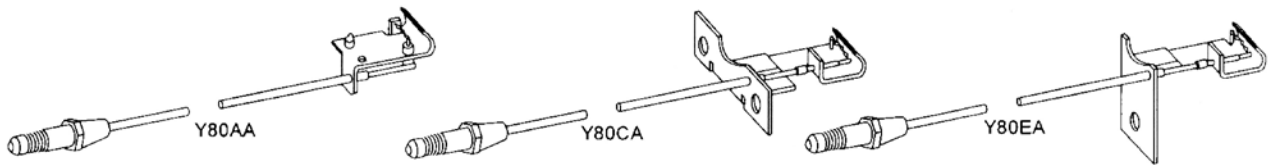
## Y80 Series Ignition Glow Coils

### Description

Y80 Series glow coils are designed for use with G19, G21 and G29 ignition systems.

### Selection Chart

Part Number	Length
Y80AA-48C	48 in.
Y80CA-48C	48 in.
Y80EA-36C	36 in.
Y80HA-24C	24 in.



Accessories



BASO Gas Products LLC

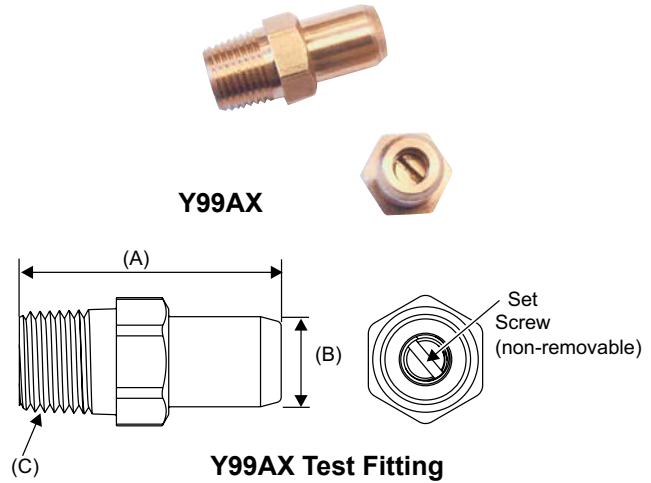
# Y99AX Series Pressure Test Fittings/ Y99AP BASO® Valve Connection Reducer

## Description

Y99AX pressure test fittings are used for quick connection to a manometer to measure outlet or inlet pressure. Once the pressure is measured, the set screw can be closed and the Y99AX fitting can be left in the gas valve body.

## Agency Listing

- None; meets EN Std 126.



Y99AX Dimensions

Part Number	(A) Length	(B) Tip Diameter	(C) Thread
▲ Y99AX-1H	1.00 in.	0.345 in.	1/8-27 NPT
▲ Y99AX-2H	1.00 in.	0.345 in.	1/8-28 BSPT
▲ Y99AX-5H	1.00 in.	0.282 in.	1/8-27 NPT
▲ Y99AX-6H	1.00 in.	0.282 in.	1/8-28 BSPT

▲ means bulk pack is available upon request.

## Description

The Y99 valve connection reducer kit allows easy conversion of any valve or regulator pipe connections in the field. The kit does not alter the overall face-to-face dimensions. The Y99AP-1 and -2 kits contain BASO® brand grease, a wrench and four male and female bushings. Each kit is individually packed in a plastic bag. The Y99AP-3 and -4 kits contain 10 reducer bushings per box.

## Agency Listing

- None



Y99AP

## Selection Chart

Part Number	Reducer Size NPT
Y99AP-1H	1/2 in. male to 3/8 in. female (4 bushings, grease and wrench)
Y99AP-2H	3/4 in. male to 1/2 in. female (4 bushings, grease and wrench)
Y99AP-3D	1/2 in. male to 3/8 in. female (10 bushings)
Y99AP-4D	3/4 in. male to 1/2 in. female (10 bushings)

Accessories





BASO Gas Products LLC

# Y99AY & Y99HY Manually Operated Pilot Adjust Adapter

## Description

Y99AY Series Manually Operated Pilot Adjust Adapter Fittings are used to change flame height to the pilot burner device requiring lower BTU/hr. Each straight pilot valve comes with an adjustment screw, which allows for precision pilot flame adjustments. Available in single pack or bulk pack (50 per box).

## Selection Chart

Part Number	A Thread Size	B Thread Size
Y99AY-1C	1/8 NPT	3/16 CC
Y99AY-2C	1/8 NPT	1/4 CC

Rated 0.5 psi.

## Agency listing

- CSA (AGA/CGA) Certificate number 1258559-112051

## Description

Y99AY Series Manually Operated Pilot Adjust Adapter Fittings are used to change flame height to the pilot burner device requiring lower BTU/hr. Each 90° pilot valve comes with an adjustment screw, which allows for precision pilot flame adjustments. Available in single pack or bulk pack (50 per box).

## Selection Chart

Part Number	A Thread Size	B Thread Size
Y99AY-3C	1/8 NPT	3/16 CC
Y99AY-4C	1/8 NPT	1/4 CC

Rated 0.5 psi.

## Agency listing

- CSA (AGA/CGA) Certificate number 1258559-112051

## Description

Y99HY Series Manually Operated Pilot Adjust Adapter Fitting can be used with higher pressure output to change the flame height to the pilot burner.

## Specifications

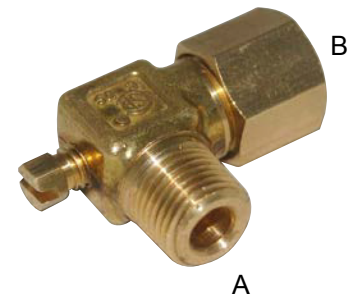
- Rated working pressure: 50 psi
- Permissible ambient (surface) temperature: -40° to 175°F (-40° to 79°C)
- Flow: Bi-directional

## Selection Chart

Part Number	A Thread Size	B Thread Size
Y99HY-1C	1/8 NPT	1/8 NPT
Y99HY-2C	1/4 NPT	1/8 NPT

## Agency listing

- (AGA/CGA) Certification number 229521-70067751
- CSA (AGA/CGA) Certificate number 229521-1656041



Accessories



BASO Gas Products LLC

# Y99AR BASO® Pilot Burner Tubing

## Description

Y99AR-1 Pilot Burner Tubing is a convenient way to stock and sell 1/4 in. outside diameter (OD) tubing. The pilot burner tubing is packed in a plastic bag with four 1/4 in. cc fittings. The 1/4 in. cc fittings are also sold separately, 50 fittings per carton. The Y99AR-2 is 1/8 in. pilot burner tubing packed with two fittings. The Y99AR-3 is 1/8 in. pilot burner tubing packed with four fittings. The 1/8 in. fittings are also sold separately, 50 fittings per carton.

## Agency Listing

- None

## Selection Chart

Part Number	Description
Y99AR-1H	1/4 in. x 60 in. aluminum pilot gas tube
Y99AR-2H	1/8 in. x 18 in. aluminum pilot gas tube
Y99AR-3H	1/8 in. x 72 in. aluminum pilot gas tube



Accessories

# R23244-3 Red Button Replacement

## Description

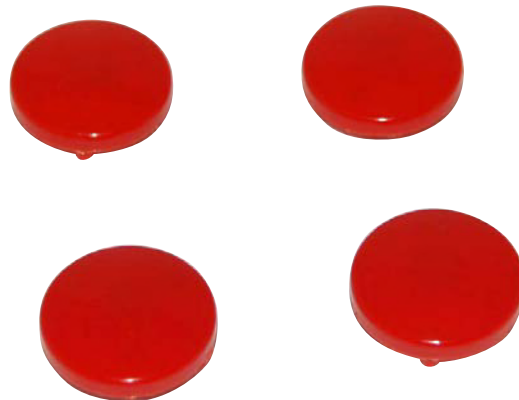
The red buttons are replacements for broken or discolored buttons used in BASO® products H15, G292, G92 and G93.

## Agency Listing

- None

## Selection Chart

Part Number	Color	Packaged
R23244-3H	Red	4





BASO Gas Products LLC

# BR Series Regulators Convertible

## Description

The BR series is a poppet-style regulator designed for main and pilot line loads. Typical applications are commercial cooking, wall furnace, agricultural heaters, and other has heating equipment. The BR series regulator will work with natural, or LP at pressure up to 35 mbar (0.5psi).

## Specifications

- Maximum inlet pressure: 0.5psi (3.4KPa)
- Inlet/outlet size 3/8 or 1/2 NPT
- Permissible ambient (surface) temperature: -20°F to 175°F (-29°C to 79°C)
- Emergency exposure limits: 2.5psi (17.2KPa)

## Agency Listing

- CSA (AGR/CGA) Certificate number pending

## Selection Chart

	Part Number	Inlet/Outlet Size	Pressure Drop @ 0.3" W.C.
▲	BR4E9C-1C	1/2 x 1/2 NPT	65,000
	BR3D9C-1C*	3/8 x 3/8 NPT	20,000

▲ means bulk pack is available upon request.

\* Check availability with BASO.





## Ignition Control Modules



BASO Gas Products LLC

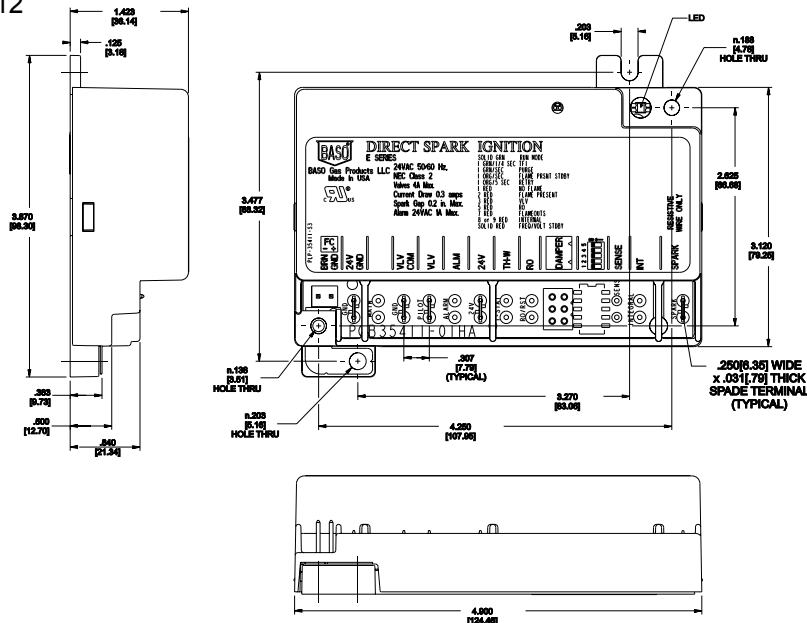
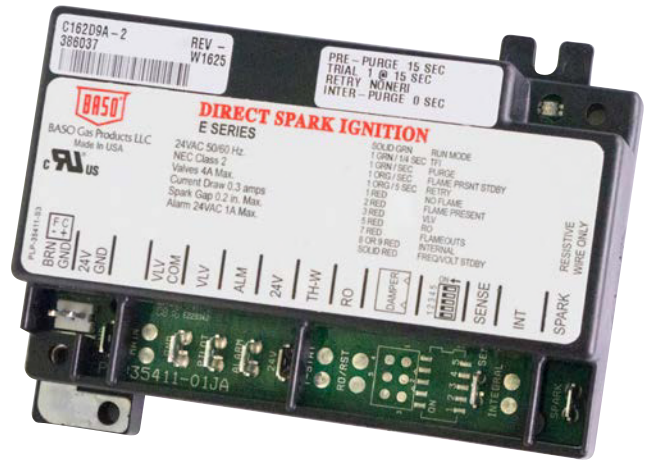
# 24-Volt Direct Spark Ignition Control

## Description

The Direct Spark ignition is a microprocessor-based ignition control. The microprocessor provides a reliable software control of all timing and operates a diagnostic Light-Emitting Diode (LED) for ease of troubleshooting issues. It is designed for direct burner supervision and can be used with all gases. The BASO ignition provides ignition sequence, flame monitoring and safety shut-off for direct spark ignition boilers, furnaces and other heating equipment.

## Agency Listing

- UL Recognized File number 20160601-MH2926
- Design file MH2926 UL 60730-1, UL 60730.2-5
- Software conforms to UL 60730 requirements
- EC type Examination Certification number CE 657989. EN298:2012



Dimensions (in./mm)

## Selection Chart

Part Number	Replaces	Retry Minutes	Pre-Purge Seconds	Trial for Ignition	Inter-Purge Seconds	Sensing
C161ACA-1C	BG1100M0AB-1AC	0	None	1 @ 10	0	Remote
C161AAA-1C	BG1100M0AK-1GC	0	None	1 @ 4	30	Remote
C161DAA-1C	BG1100M0CK-1GC	0	15	1 @ 4	30	Remote
C161FJD-1C	BG1100MAAK-1GC	5	None	3 @ 4	30	Remote
C161FKD-1C	BG1100MAAL-1GC	5	None	3 @ 8	30	Remote
C161KKD-1C	BG1100MADL-1GC	5	30	3 @ 8	30	Remote
C131AAA-1C	BG1100M3AK-1AC	0	None	1 @ 4	0	Internal
C131KMD-1C	BG1100MCLD-1GC	5	30	3 @ 20	30	Internal

Note: Resistive spark wire harness available. See page 108.

\* Check for availability of the 120 volt.



## Replacement Chart

Part Number	Replaces	Johnson Controls	Fenwal	Honeywell	White Rogers	RAM	UT
C161ACA-1C	BG1100M0AB-1AC			S870-1012	50DS50-842		
C161AAA-1C	BG1100M0AK-1GC	G760AAD-1, -2, G760CAB-1					
C161DAA-1C	BG1100M0CK-1GC	G760AAC-1					
C161FJD-1C	BG1100MAAK-1GC	G760BAD-1, -2, G765BAD-1, -1R					
C161FKD-1C	BG1100MAAL-1GC	G760BCD-1					
C161KKD-1C	BG1100MADL-1GC	G765BCA-12, -12R	05-299-002-253	S87K		3MC10-01/ Uni-Line 790-325	1016-500
C131AAA-1C	BG1100M3AK-1AC	G760AAD-1	05-195014-005	S87B-1032 S87B-1065			
C131KMD-1C	BG1100MCLD-1GC	G765BCA-12, 12R	05-299-002-253	S87K		3MC10-01/ Uni-Line 790-325	1016-500

## Selection Chart:

Part Number	Replaces	Retry Minutes	Inter-Purge Seconds	Pre-Purge Seconds	Trial for Ignition Seconds	Post-Purge Seconds	Voltage Features	DSI or IPI
C132AAA-1C	N21AB000000400B-1C	0	0	0	1 @ 4	0	24 / Integral with Alarm	DSI
C132ACA-1C	N21AB000001100B-1C	0	0	0	1 @ 11	0	24 / Integral with Alarm	DSI
C161ACA-1C	N45EB000001100B-1C	0	0	0	1 @ 11	0	24 / Remote	DSI
C162D9A-1C	N49AB001501000B-1C	0	0	15	1 @ 10	0	24 / Remote with Alarm	DSI
C362DCA-1C	N50AB001501000B-1C	0	0	15	1 @ 10	0	120 / Remote with Alarm	DSI
C186P9U-1C	N61AD301501030B-1C	60	30	15	3 @ 10	30	24 / Remote with Blower and Alarm	DSI

Note: Resistive spark wire harness available. See page 108.





BASO Gas Products LLC

# BGN891-1 24-Volt Direct Spark Ignition Control

## Description

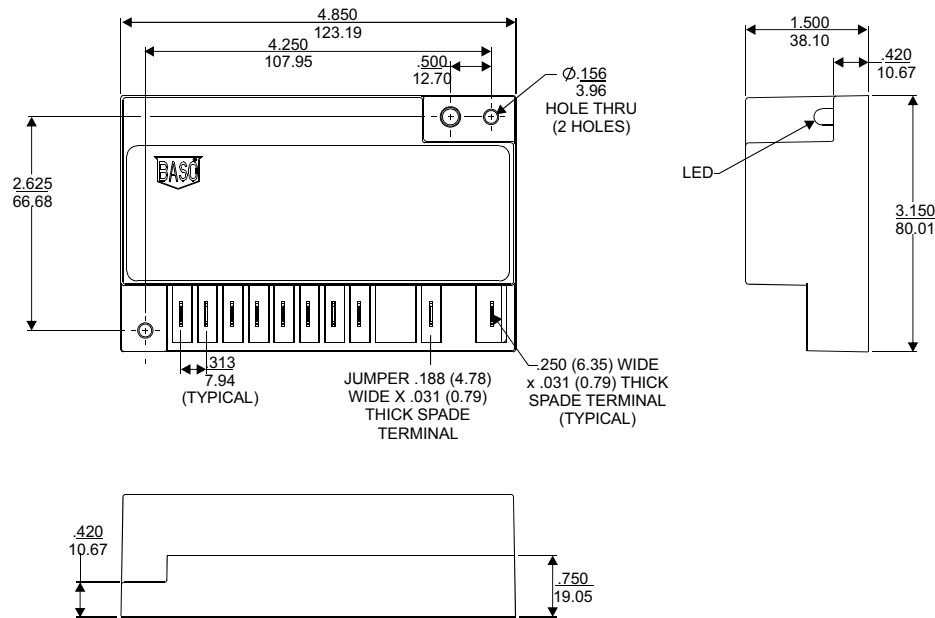
The BASO BGN891-1 24-Volt Direct Spark ignition was designed to replace the G891TCA Series ignition used in the Lennox Pulse furnace. The 6-pin adapter plug is arranged so this becomes a plug-and-play replacement for the service field. Other harness adapters are added for older models that may need the additional quick connection to make replacement a snap.

## Agency Listing

- CSA (AGA/CGA) Certificate number 246569-2433884

## Replaces the following Lennox models:

G891TCA-8101, G891TCA-8103, 34K83, 34K8301, 41F46, 41F4601, 52J18, 52J1801, 72H68, 72H6801, 72J18, 72J1801, 73K86, 73K8601, 86H30, 86H3001, 87F22, 87F2201, 96C66, 96C6601, 99C97, 99C9701, 97H02, 97H0201, GC3 and G-3.



Dimensions (in./mm)

## Selection Chart

Part Number	Retry Minutes	Pre-Purge Seconds	Trial for Ignition Seconds	Inter-Purge Seconds	Post-Purge Seconds	Sensing
BGN891-1C	60	30	5 @ 8	30	30	Remote

Ignition Control Modules



BASO Gas Products LLC

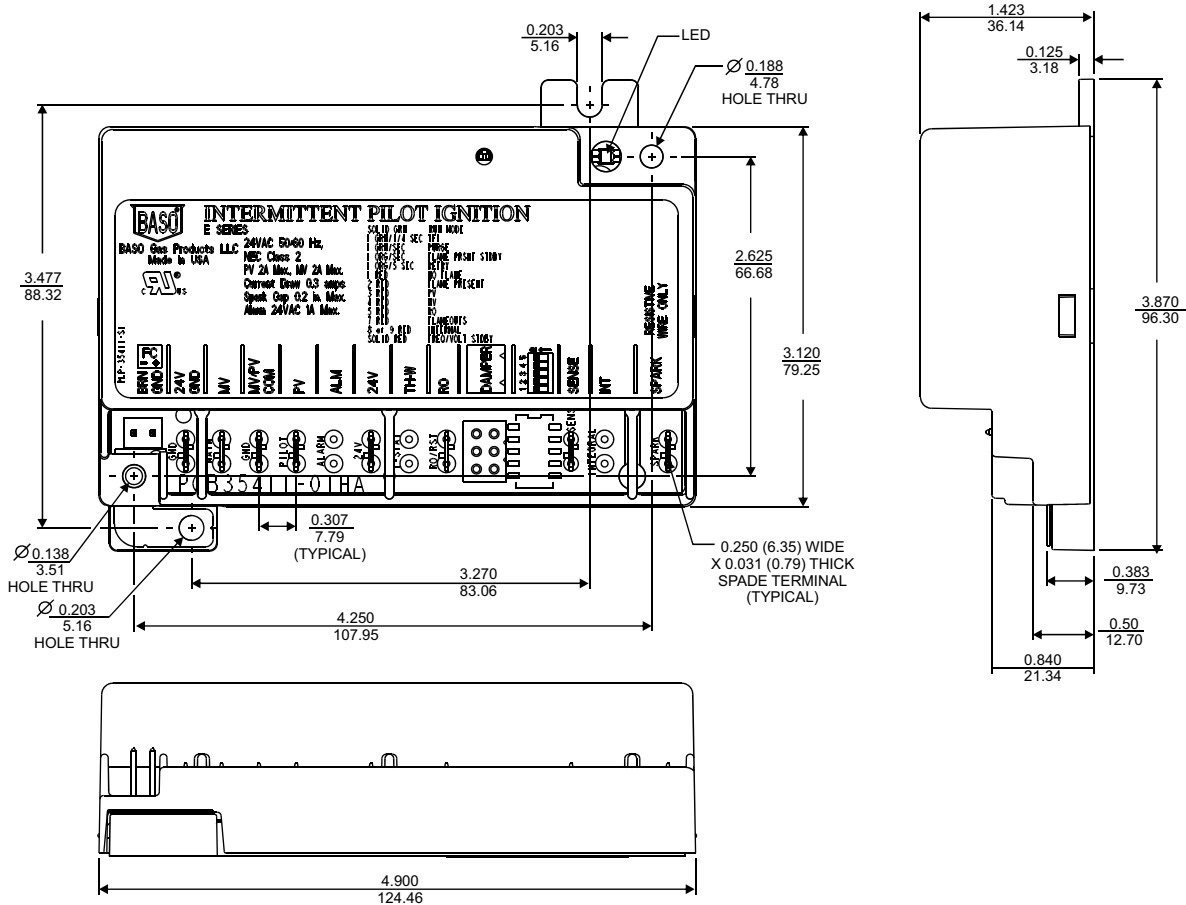
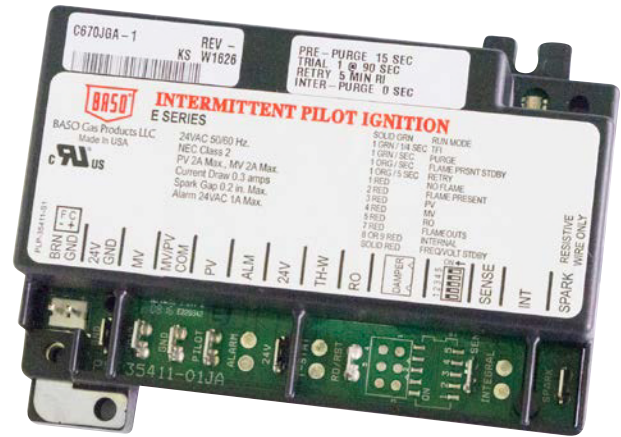
# 24-Volt Intermittent Pilot Ignition Control

## Description

The Intermittent Spark ignition is a microprocessor-based ignition control. The microprocessor provides a reliable software control of all the timings and operates a diagnostic Light-Emitting Diode (LED). The BASO® intermittent pilot ignition provides ignition sequence, flame monitoring and safety shut-off for intermittent pilot boilers, furnaces and other heating appliances. Four mounting hole positions, two outer holes that match Honeywell and Fenwal.

## Agency Listing

- UL Recognized File number MH2926-20160601
- Design file MH2926 UL 60730-1, UL 60730.2-5
- Software conforms to UL 60730 requirements
- EC Type Examination Certification number EC-657989 EN 298:2012



**Dimensions (in./mm)**

Note: Check for availability of the 120 volt.

## Selection Chart

Part Number	Replaces	Retry Minutes	Pre-Purge Seconds	Trial for Ignition Seconds	Inter-Purge Seconds	Sensing	Damper Plug/ Rollout Switch
C661AHA-1C	BG1600M00EK-1AAC	0	0	Infinite	0	Remote	No/No
C661ABA-1C	BG1600M00EM-1ADC	0	0	1 @ 8	15	Remote	No/No
C661AFA-1C	BG1600M00EP-1ADC	0	0	1 @ 50	15	Remote	No/No
C670AGA-1C	BG1600M00ER-1BDC	0	0	1 @ 85	15	Remote	No/Yes
C661BEA-1C	BG1600M00FF-1ADC	0	4	1 @ 25	15	Remote	No/No
C661BFA-1C	BG1600M00FP-1ADC	0	4	1 @ 50	15	Remote	No/No
C661BGA-1C	BG1600M00FT-1ADC	0	4	1 @ 120	15	Remote	No/No
C670JGA-1C	BG1600M01CR-1BDC	5	15	1 @ 85	0	Remote	No/Yes
C661PGA-1C	BG1600M02CR-1ADC	60	15	1 @ 85	15	Remote	No/No
C661KEA-1C	BG1600M03BF-1AGC	5	30	3 @ 25	30	Remote	No/No
C661JGA-1C	BG1600M03CR-1AGC	5	15	3 @ 85	30	Remote	No/No
C664AHA-1C	BG1600M10EK-1AAC	0	0	Infinite	0	Remote	Yes/No
C664ABA-1C	BG1600M10EM-1ADC	0	0	1 @ 8	15	Remote	Yes/No
C664AGA-1C	BG1600M10ER-1ADC	0	0	1 @ 85	15	Remote	Yes/No
C664BEA-1C	BG1600M10FF-1AAC	0	4	1 @ 25	15	Remote	Yes/No
C664BGA-1C	BG1600M10FR-1AAC	0	4	1 @ 85	0	Remote	Yes/No
C664FGA-1C	BG1600M11ER-1ADC	5	0	1 @ 85	15	Remote	Yes/No
C631AGA-1C	BG1600M20EJ-1AAC	0	0	1 @ 90	15	Integral	No/No
C631A9A-1C	BG1600M20EP-1ADC	0	0	1 @ 50	15	Integral	No/No
C634AFA-1C	BG1600M30EP-1ADC	0	0	1 @ 50	15	Integral	Yes/No

Note: Resistive spark wire harness available. See page 108.

## Replacement Chart

Part Number	Replaces	Johnson Controls	Fenwal	Honeywell
C661DEA-1C	BG1600M00CF-1ADC	G770LGD-1		
C661AEA-1C	BG1600M00EF-1ADC	G770LGA-1, -20	35-630501-003	
C661AHA-1C	BG1600M00EK-1AAC	G67AG-3, -4, -8, -10, -20, G67BG-2, -3, -4, -5, -5R, G600AY-1, G670AW-1		
C661ABA-1C	BG1600M00EM-1ADC	G770KGA-1, -3		
C661AFA-1C	BG1600M00EP-1ADC	G770MGA-1, -2, -5		
C670AGA-1C	BG1600M00ER-1BDC	G770RJA-1		
C661AFA-1C	BG1600M00ET-1ADC	G770NGA-1		
C661BEA-1C	BG1600M00FF-1ADC	G770LGC-1, -2, -10, G600LY-1		
C661BFA-1C	BG1600M00FP-1ADC	G770MGC-1, -3, G600MX-1		
C661BGA-1C	BG1600M00FT-1ADC	G770NGC-4, -7, G600RX-1, G600NX-1		
C670JGA-1C	BG1600M01CR-1BDC	G775RJD-1, -2, -13, -14, -15		
C661FCA-1C	BG1600M01ER-1ADC	G775RGA-1, -2, -3		
C661PGA-1C	BG1600M02CR-1ADC	G776RGD-11, -14		
C661KEA-1C	BG1600M03BF-1AGC	G770BGJ-11		
C661JGA-1C	BG1600M03CR-1ADC	G770DLD-1		
C664AEA-1C	BG1600M10EF-1ADC	G770LHA-1, -2		
C664AHA-1C	BG1600M10EK-1AAC	G600AX-1, -2, -3		
C664ABA-1C	BG1600M10EM-1ADC	G770KHA-2		
C664AFA-1C	BG1600M10EP-1ADC	G770MHA-2		
C664AGA-1C	BG1600M10ER-1ADC	G770RHA-1, -2		
C664BEA-1C	BG1600M10FF-1AAC	G600LX-1, -1CM, -2, G770MHC-1C		
C664BBA-1C	BG1600M10FM-1AAC	G67KG-1, G600KX-1		
C664BFA-1C	BG1600M10FP-1ADC	G600MX-1, G770MHC-1		
C664BGA-1C	BG1600M10FR-1AAC	G600RX-1		
C664BGA-1C	BG1600M10FT-1ADC	G600NX-1, G770NHC-1		
C664FGA-1C	BG1600M11ER-1ADC	G775RHA-1, -2		S8600M-1013
C631AGA-1C	BG1600M20EJ-1AAC	G777RGA-1G		
C631A9A-1C	BG1600M20EP-1ADC	G777MGA-1		
C634AFA-1C	BG1600M30EP-1ADC	G777MHA-1		



BASO Gas Products LLC

# C610U-1 24-VAC Universal Intermittent Pilot Ignition Control (replaces BG1600M51EF-1AA)

## Description

The C610U-1 replaces many BASO, Johnson Controls, Honeywell, Fenwal, White Rodgers, ICM and Robertshaw intermittent pilot ignitions.

The C610U-1 is a dual microprocessor-based, up-to-date hardware that meets the latest US 60730.1, UL 60730.2-5 and ANSI Z21.20-2014 standards. The microprocessor provides reliable software control of all timings and operates a diagnostic three-color LED (light-emitting diode). The C610U-1 provides ignition sequence, flame monitoring and safety shut-off for intermittent applications like commercial cooking, boilers, furnaces, and other heating appliances. Accessories include a Rajah (spark plug) male to female 1/4" terminal and wire nuts.

## Applications

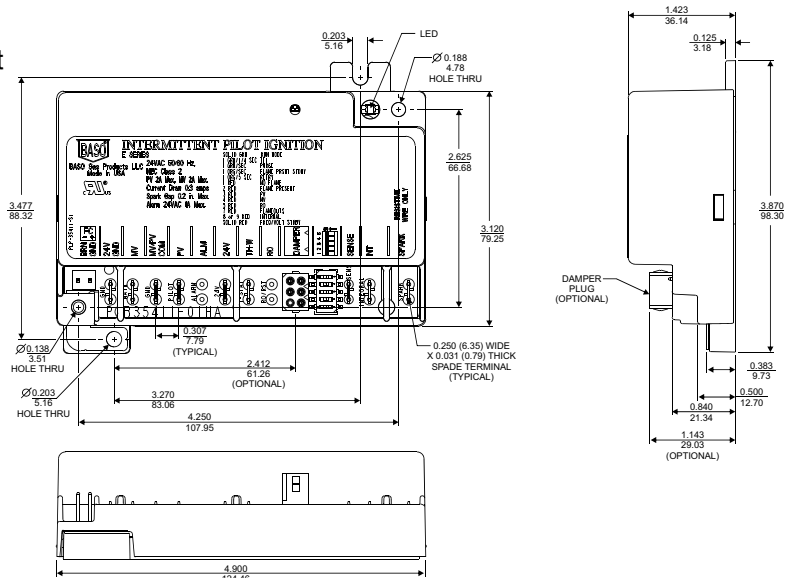
- Commercial cooking
- Water Heaters
- Furnaces
- Unit heaters
- Other heating equipment needing intermittent pilot

## Default Settings

- Trial for ignition: 3 @ 30 seconds
- Pre-purge: 0 seconds
- Retry: 0 minutes
- Interpurge: 15 seconds
- Flame sense: Remote or integral
- Damper: With or without automatic vent damper
- DIP switch selectable: Pre-programmed with 28 of the most popular timings

## Specification

- Input Power: 18-30 VAC 50/60 Hz (Class 2 Transformer)
- Input current drain: 300mA @ 24VAC with pilot relays and gas energized
- Main Gas Valve: 2.0A max. cont.
- Pilot Gas Valve: 2.0A max. cont.
- Operating Temperature: -40° to 176°F (-40° to 80°C)
- Flame Sensitivity: 0.4µA min.
- Flame Failure Response Time: 0.8 seconds max.
- Type of gases: LP, Natural, and Manufactured
- Spark Rate: 24VAC – 30 sparks per second
- Moisture Resistance: Conformal coated to operate non-condensing to 95% R.H. PC board must be protected from direct exposure to water
- Permissible ambient (surface) temperature: -40° to 176°F (-40° to 80°C)



Dimensions (in./mm)

## Agency Listing

- UL Certificate number 20160601-MH2926
- Design file MH2926, UL 60730-1, 60730-2-5
- Software conforms to UL 60730 requirements. EC Type Examination Certification number CE 657989 EN 298:2012

Note: Resistive spark wire harness available. See page 108.

Ignition Control Modules

## C610U UNIVERSAL INTERMITTENT PILOT IGNITION CONTROL CROSS REFERENCE

Replacement Part Number	Original Manufacturer	Replacement Part Number	Original Manufacturer	Replacement Part Number	Original Manufacturer
S86A1001		S86H1048		S8610A1009	
S86A1019		S86H1055		S8610B1007	
S86A1027		S86H1063		S8610B1015	
S86A1035		S86H1089		S8610B1023	
S86B1009		S86H1097		S8610B3003	
S86B1017		S86H1105		S8610C1005	
S86B1025		S86H1113		S8610C1013	
S86C1007		S86H1121		S8610C3001	
S86C1015		S86H1139		S8610F1008	
S86C1023		S86H1147		S8610F1016	
S86C1031		S90A1005		S8610F1024	
S86C1049		S90B1003		S8610F1032	
S86C1056		S90B-1011		S8610H1004	
S86D1005		S860C1000		S8610H1012	
S86D1013		S860D1009		S8610H1020	
S86D1021		S860D1017		S8610H1038	
S86E1002		S8600A1001		S8610H1046	
S86E1010		S8600B1009		S8610H1053	
S86E1028		S8600B1025		S8610H1061	
S86E1036		S8600B3005		S8610H1079	
S86E1044		S8600B3013		S8610H1095	
S86E1051		S8600C1015		S8610H3000	
S86E1069	Honeywell	S8600C3003	Honeywell	S8610H3018	Honeywell
S86E1077		S8600F1000		S9610H3026	
S86E1101		S8600F1034		S8610M1003	
S86E1119		S8600F1042		S8610M1011	
S86E1127		S8600H1006		S8610M1029	
S86F1000		S8600H1013		S8610M3009	
S86F1018		S8600H1014		S8610M3017	
S86F1026		S8600H1022		S8610U1003	
S86F1042		S8600H1048		S8610U1011	
S86F1059		S8600H1055		S8620C1003	
S86F1067		S8600H1063		S8620C1011	
S86F1075		S8600H1071		S8620H1002	
S86F1083		S8600H1089		S8620H1010	
S86F1091		S8600H1097		S8620H1028	
S86G1008		S8600H1105		S8650D1002	
S86G1016		S8600H3002		S8660D1010	
S86G1024		S8600H3010		S8660J1008	
S86G1032		S8600M1005		S8660J1016	
S86G1057		S8600M1013		S8660J1024	
S86G1073		S8600M1021		S8660K1006	
S86H1006		S8600M2003		S8660K1014	
S86H1014		S8600M3001		S8660K1022	
S86H1022		S8600M4009		S8670D1000	





Replacement Part Number	Original Manufacturer	Replacement Part Number	Original Manufacturer	Replacement Part Number	Original Manufacturer
G60QRH-3		G65BLG-1		G770MGC-1	
G60QRL-1		G65BLG-2		G770MGC-2	
G60QRL-2		G65DBM-1		G770MGC-3	
G60QRL-3		G65DBM-2		G770MGC-4	
G60QSL-1		G65DBM-2		G770MGC-5	
G60QTH-1		G65DCM-1		G770MGC-6	
G60QTL-1		G65DFM-1		G770MHA-1	
G60RAG-1		G65DKM-1		G770MHA-2	
G60RBG-1		G65DLM-1		G770MHC-1	
G60RBG-2		G66AG-1		G770NGA-1	
G60RBG-3		G66AG-2		G770NGC-4	
G60RBK-1		G66BG-1		G770NGC-5	
G60RBK-2		G66MG-1		G770NGC-6	
G60RCG-1		G66MG-2		G770NGC-7	
G60RCG-2		G66NG-1		G770NHA-1	
G60RCJ-1		G670AW-1		G770NHC-1	
G60RDG-1		G670AW-2		G770RGA-1	
G60RDK-1		G67AG-3		G770RGA-2	
G60RGL-1		G67AG-4		G770RGA-3	
G60RHL-1		G67AG-7		G770RHA-1	
G60RHP-1		G67AG-8		G770RHA-2	
G60RPL-1		G67AG-9		G775RGA-1	
G60RSL-1	Johnson Controls	G67AG-10	Johnson Controls	G775RHA-1	Johnson Controls
G60ZAG-1		G67AG-11		G776RHA-2	
G60ZAG-2		G67BG-2		G779LHA-1	
G65BBG-1		G67BG-3		Y79ABC-1	
G65BBG-2		G67BG-4		Y79ABC-2	
G65BBG-3		G67BG-5		Y79ABC-3	
G65BBG-4		G67MG-1		Y79ABC-4	
G65BBG-5		G67MG-2		Y79ABC-5	
G65BBG-6		G67MG-3		Y79ABC-6	
G65BBG-7		G67MG-4		Y79ABC-7	
G65BBG-8		G67NG-2		Y79ABD-1	
G65BBM-1		G67NG-4		Y79ABD-2	
G65BBM-2		G770LGA-1		Y79BBA-1	
G65BBM-3		G770LGA-2		Y79BBA-2	
G65BBM-4		G770LGC-1			
G65BCG-1		G770LGC-2			
G65BCM-1		G770LGC-3			
G65BFG-1		G770LGC-4			
G65BKG-1		G770LHA-1			
G65BKG-2		G770LHA-2			
G65BKG-3		G770LHC-1			
G65BKM-1		G770MGA-1			
G65BKM-2		G770MGA-2			
G65BKM-3		G770MGA-3			

BG1600M00CF-1ADC	<b>BASO Gas Products</b>
BG1600M00EF-1ADC	
BG1600M00EK-1AAC	
BG1600M00EK-3AAD	
BG1600M00EM-1ADC	
BG1600M00EM-2ADD	
BG1600M00EP-1ADC	
BG1600M00EP-1DDD	
BG1600M00EP-2ADD	
BG1600M00EP-2DDD	
BG1600M00EP-3DDD	
BG1600M00EP-4DDD	
BG1600M00ET-1ADC	
BG1600M00FF-1ADC	
BG1600M00FP-1ADC	
BG1600M00FP-2DDD	
BG1600M00FT-1ADC	
BG1600M01ED-1AAC	
BG1600M01ER-1ADC	
BG1600M02CJ-1AAC	
BG1600M02CR-1ADC	
BG1600M03BF-1AGC	
BG1600M03CR-1AGC	
BG1600M10DF-1AAC	
BG1600M10EF-1ADC	
BG1600M10EK-1AAC	
BG1600M10EP-1ADC	
BG1600M10ER-1ADC	
BG1600M10FF-1AAC	
BG1600M10FP-1AAC	
BG1600M10FP-1ADC	
BG1600M10FR-1AAC	
BG1600M10FT-1AAC	
BG1600M10FT-1ADC	
BG1600M11ER-1ADC	
BG1600M20BD-1AAC	
BG1600M20EJ-1AAC	
BG1600M20EP-1ADC	
BG1600M20EP-2CDD	
BG1600M30EP-1ADC	
BG1600M51EF-1AAC	

IPI-24-00	Camstat
05-203025-005	Fenwal
05-203026-005	
780-001	Robertshaw
780-002	
780-003	
780-845	
780-715	
780-735	
780-736	
780-737	
SP715	
SP715A	
SP735	
SP735D	
SP735L	
USI715U	



BASO Gas Products LLC

# Model C107U-1 Universal Direct Spark Ignition

## Description

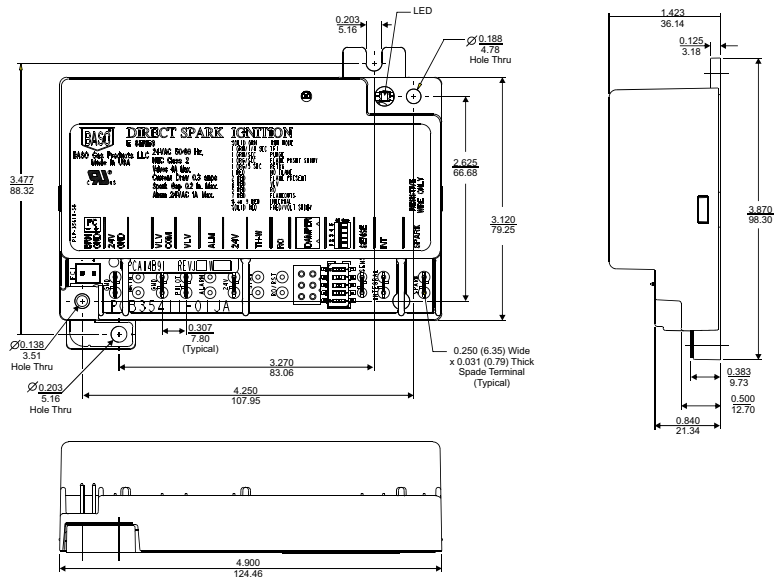
The C107U-1 replaces many Honeywell, Fenwal, Johnson Controls, ICM, White Rodgers and BASO direct spark ignitions. The C107U-1 is a dual micro-processor-based, up-to-date hardware that meets the latest US 60730.1, UL 60730.2-5 and ANSI Z21.20-2014 standards. The microprocessor provides reliable software control of all timings and operates a diagnostic three-color LED (light-emitting diode). The C107U-1 provides ignition sequence, flame monitoring and safety shutoff for direct spark applications like commercial cooking, boilers, furnaces and other heating appliances. Accessories included are Rajah (spark plug) male to female 1/4" terminal and wire nuts.

## Default settings:

- Trial for ignition: 1 @ 4 seconds
- Pre-purge: 0 seconds
- Retry: none with reignition
- Inter-purge: 0 seconds
- Flame sense: remote or integral
- DIP switch selectable: preprogrammed with 27 of the most popular timings
- Warranty: 2 years

## Agency Listing

- UL Certification number: 20160601-MH2926
- Design file MH2926 UL 60730-1, UL 60730.2-5
- Software conforms to UL 60730 requirements
- EC Type Examination Certification number EC-657989 EN 298:2012



Dimensions (in./mm)

## Selection Chart

Ignition Type	Replaces	Interwaiting (Retry) Seconds	Waiting (Pre-Purge) Seconds	Safety (Trial for Ignition) Seconds	Flame Loss [F/L] Response (Interpurge) Seconds	Sensing	Lockout
IPI	EAA1000000010-1C	0	0	1 @ 10	0	Integral	Volatile
IPI	EBC9015000025-1C	15	0	9 @ 25	0	Remote	Volatile
IPI-UNN	ECA9015000025-1C	15	0	9 @ 25	0	Remote/Integral	Volatile
IPI-UNN	ECA93001500025-1C	300	0	9 @ 25	15	Remote/Integral	Volatile

Notes: Volatile Lockout — Reset the power to the module.

Non-volatile Lockout — Requires a reset button wired to the reset tab of the module.

Resistive spark wire harness available. See page 108.

\*Check availability with BASO.

### C107U Universal Direct Spark Pilot Ignition Control Cross Reference

Honeywell	BASO	White Rodgers	FENWAL	Johnson Controls	Robertshaw
S87B1008	BG1100M0AB-1AC	50D20-150	35-605903-223	G760AAC-1	DS845708-504
S87B1016	BG1100M0AK-1GC	50D20-152	35-605950-015	G760AAD-1	790-300
S87B1024	BG1100M0DL-1GC	50D20-160	35-605954-105	G760AAD-2	790-301
S87B1065	BG1100M3AK-1AC	50D20-162		G760ACA-1	790-314
S87C1014	BG1100MAAK-1GC	50D20-170		G760BAD-1	790-319
S87C1030	BG1100MAAL-1GC	50D20-180		G760BAD-2	790-325
S87D1004	BG1100MADL-1GC	50D20-250		G760BBD-1	
S87C1006	BG1100MCLD-1GC	50D20-350		G760BCD-1	
S87D1012	BG1100M0CK-1GC	50D20-50		G760CAD-1	
S87D1020		50D20-51		G765BAD-1	
S87D1061		50D2052		G765BAD-1R	
S87D1038		50D21-1		G765BCA-12	
S87J1026		50D50-842		G765BCA-12R	
S87J1034					
S87K1008					
S87K1016					



BASO Gas Products LLC

# Direct Spark Dual Spark/Sense 24 Volt

## Description

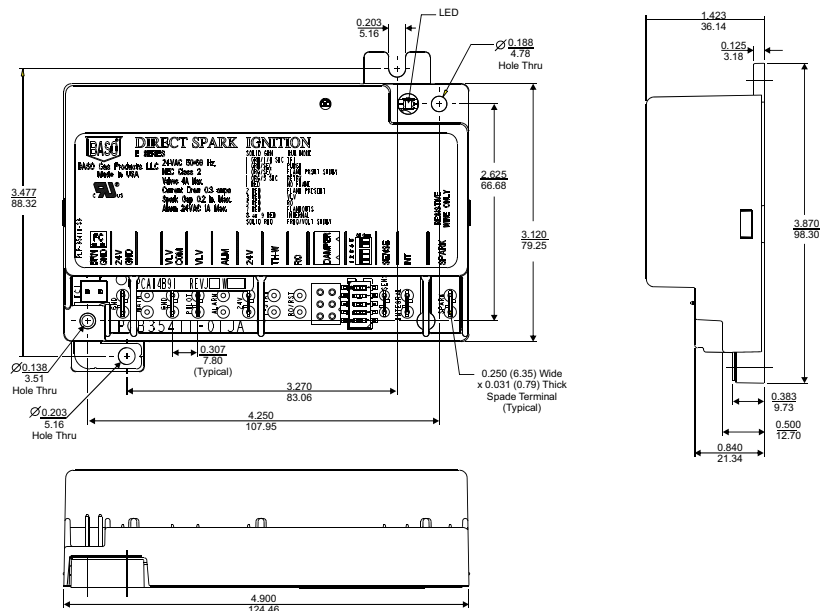
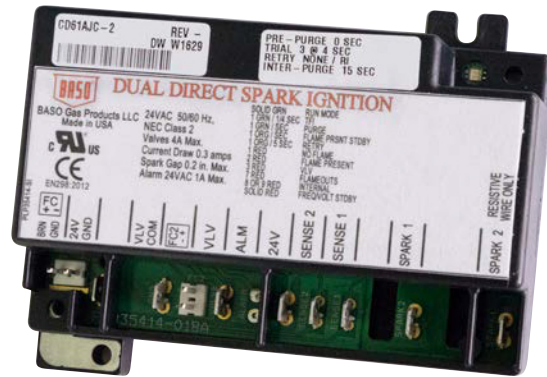
The dual spark unit is designed with a 24 VAC micro-processor-based, up-to-date hardware that meets the latest UL 60730.7, UL 60730.2-5 and ANSI Z21.20-2014 standards. The microprocessor safely monitors, two gas burners continuously for functionality. Our new diagnostic three-color LED (light emitting diode) provides a visual understanding of what the controller is doing whether it is normal operation to stand-by to the error codes of troubleshooting situations.

## Features:

- Remote or Integral sensing
- Troubleshooting test pins – flame sense
- Trials: single or multiple
- Pre-purge or inter-purge timings
- Mounting 4-hole pattern with two holes to match Honeywell or Fenwal

## Agency Listing

- UL Certification number 20160601-MH2926
- Designed to UL 60730.1 and UL 60730.2-5
- Software conforms to UL 60730 requirements
- EC Type Examination Certification number EC-657989 EN 298:2012



Dimensions (in./mm)

Note: Resistive spark wire harness available. See page 108.





BASO Gas Products LLC

# BGH2UNCNTRLHT-01 Universal Hot Surface Ignition Control

## Description

The BGH Series Universal Hot Surface Ignition Control is a microprocessor-based ignition with timed ignition sequences and suited for replacement as well as new applications. The Hot Surface Ignition controls can be used for agricultural equipment, space heaters, furnaces, residential/commercial boilers, water heaters, pool and spa heaters and a variety of commercial cooking equipment. This ignition control includes a 5-position DIP switch allowing up to 32 programmable predefined timing selections to retrofit other hot surface ignitions with flame sensing rectification, such as Johnson Controls, Honeywell, White-Rodgers, Fenwal and Robertshaw. The control provides continuous and precise monitoring for the hot surface element, wiring and gas valve and will shut down in the event of a failure. The BGH Series Universal Hot Surface Ignition operates with no rod integral or single rod remote sensing to prove flame.



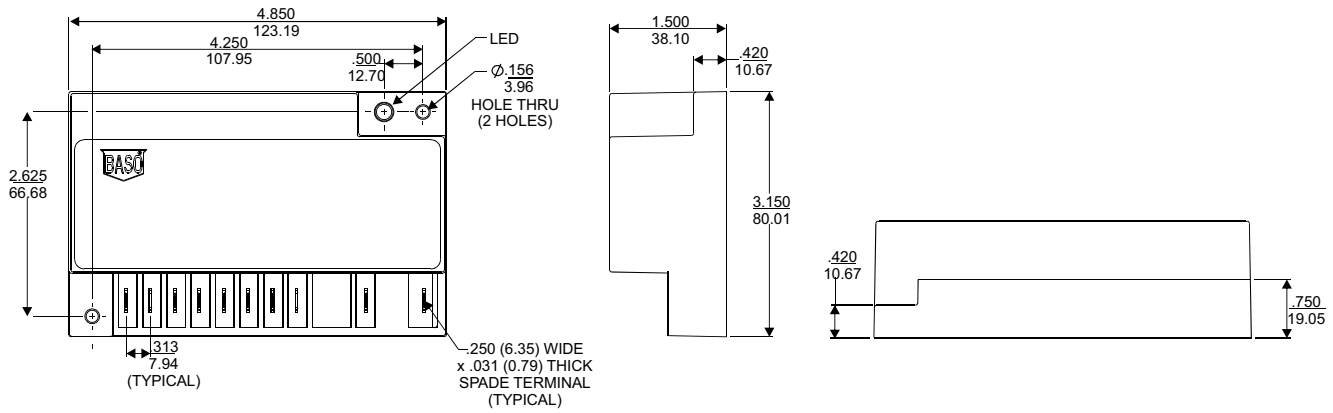
## Agency Listing

- CSA (AGA/CGA) Certificate number 246569-2213607

## Replacement Chart:

Johnson Controls				
	G750BFB-1		G750EVB-1	
Robertshaw				
HS780-17NL-104A	HS780-17NL-308A	HS780-34NR-104A	HS780-34NL-306A	HS780-34NR-306A
HS780-17NR-104A	HS780-17NR-306A	HS780-34NL-108A	HS780-34NL-308A	HS780-34NR-308A
HS780-17NL-108A	HS780-17NR-308A	HS780-34NL-304A	HS780-34NL-312A	HS780-34NR-312A
HS780-17NL-304A				
Fenwal				
05-356225-051	05-356225-055	05-356225-154	05-356265-151	05-356265-053
05-356225-052	05-356225-151	05-356225-155	05-356265-152	05-356265-054
05-356225-053	05-356225-152	05-356265-051	05-356265-153	05-356265-055
05-356225-054	05-356225-153	05-356265-052	05-356265-154	
Honeywell				
8910U	S89C1103	S89G1047	S890C1007	S890G1037
S8910U	S89D1002	S89H1003	S890D1006	S890H1002
S89C1004	S89G1005	S89H1011	S890G1003	S890H1010
S89C1012	S89G1013	S89H1029	S890G1011	S890H1028
S89C1046	S89G1021	S89J1008	S890G1029	
White-Rodgers				
50E47-1 to -9	50E47-150 to -159	50E47-320 to -329	50F47-70 to -79	50F47-240 to -249
50E47-10 to -19	50E47-160 to -169	50E47-330 to -339	50F47-101 to -109	50F47-250 to -259
50E47-20 to -29	50E47-170 to -179	50E47-340 to -349	50F47-110 to -119	50F47-260 to -269
50E47-30 to -39	50E47-201 to -209	50E47-350 to -359	50F47-120 to -129	50F47-270 to -279
50E47-40 to -49	50E47-210 to -219	50E47-360 to -369	50F47-130 to -139	50F47-301 to -309
50E47-50 to -59	50E47-220 to -229	50E47-370 to -379	50F47-140 to -149	50F47-310 to -319
50E47-60 to -69	50E47-230 to -239	50F47-1 to -9	50F47-150 to -159	50F47-320 to -329
50E47-70 to -79	50E47-240 to -249	50F47-10 to -19	50F47-160 to -169	50F47-330 to -339
50E47-101 to -109	50E47-250 to -259	50F47-20 to -29	50F47-170 to -179	50F47-340 to -349
50E47-110 to -119	50E47-260 to -269	50F47-30 to -39	50F47-201 to -209	50F47-350 to -359
50E47-120 to -129	50E47-270 to -279	50F47-40 to -49	50F47-210 to -219	50F47-360 to -369
50E47-130 to -139	50E47-301 to -309	50F47-50 to -59	50F47-220 to -229	50F47-370 to -379
50E47-140 to -149	50E47-310 to -319	50F47-60 to -69	50F47-230 to -239	

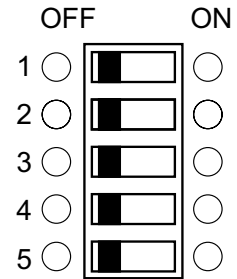
Ignition Control Modules



Dimensions (in./mm)

Parameters/Dip Switch Settings

5-Position Dip Switch Settings		HSIC Parameters			
ON	OFF	*Warm-Up Seconds	Pre-Purge Seconds	Between Trials Seconds	Trial for Ignition Seconds
None	1, 2, 3, 4, 5	45	30	90	3 @ 7
5	1, 2, 3, 4	17	30	90	3 @ 7
4	1, 2, 3, 5	45	17	77	3 @ 7
4, 5	1, 2, 3	17	17	77	3 @ 7
3	1, 2, 4, 5	45	0	60	3 @ 7
3, 5	1, 2, 4	17	0	60	3 @ 7
3, 4	1, 2, 5	34	32	96	3 @ 7
3, 4, 5	1, 2	34	0	0	3 @ 7
2	1, 3, 4, 5	45	30	0	1 @ 7
2, 5	1, 3, 4	17	30	0	1 @ 7
2, 4	1, 3, 5	45	17	0	1 @ 7
2, 4, 5	1, 3	17	17	0	1 @ 7
2, 3	1, 4, 5	45	0	0	1 @ 7
2, 3, 5	1, 4	17	0	0	1 @ 7
2, 3, 4	1, 5	34	32	0	1 @ 7
2, 3, 4, 5	1	34	0	0	1 @ 7
1	2, 3, 4, 5	45	30	90	3 @ 4
1, 5	2, 3, 4	17	30	90	3 @ 4
1, 4	2, 3, 5	45	17	77	3 @ 4
1, 4, 5	2, 3	17	17	77	3 @ 4
1, 3	2, 4, 5	45	0	60	3 @ 4
1, 3, 5	2, 4	17	0	60	3 @ 4
1, 3, 4	2, 5	34	32	96	3 @ 4
1, 3, 4, 5	2	34	0	0	3 @ 4
1, 2	3, 4, 5	45	30	0	1 @ 4
1, 2, 5	3, 4	17	30	0	1 @ 4
1, 2, 4	3, 5	45	17	0	1 @ 4
1, 2, 4, 5	3	17	17	0	1 @ 4
1, 2, 3	4, 5	45	0	0	1 @ 4
1, 2, 3, 5	4	17	0	0	1 @ 4
1, 2, 3, 4	5	34	32	0	1 @ 4
1, 2, 3, 4, 5	None	34	0	0	1 @ 4



5-Position Dip Switch  
Switch settings shown with all 5 switches in the OFF position.

\* Warm-up time is timed ignition.

Note: For specific timing requirements, call BASO Gas Products.





BASO Gas Products LLC

# WHA40 Wire Harness & RAA Adapter Terminal

## Description

The WHA40A Wire Harness Series is made with resistive wire designed to be used with newer ignition modules to suppress electrical noise or Radio Frequency Interference (RFI).

## Agency Listing

- None



**Straight Female 1/4 x 1/4 or  
Female 1/4 to Rajah  
WHA40A-600H thru -607H**

**Straight Female  
1/4 to 90° Rajah  
WHA40A-610H**



**Straight Female 1/4  
to 90° Female 1/4  
WHA40A-609H**

**RAA1600A-601 Rajah to  
1/4" Female Adapter**



## Selection Chart

Part Number	Description	Replaces
RAA1600A-601D	Rajah to 1/4" Spade Adapter (box of 50)	Honeywell 407EPM/U
RAA1600A-601H	Rajah to 1/4" Spade Adapter (bag of 10)	
WHA40A-600D	18" Resistive Wire Harness with (2) 1/4" Terminals (box of 25)	
WHA40A-600H	18" Resistive Wire Harness with (2) 1/4" Terminals (bag of 1)	
WHA40A-601D	18" Resistive Wire Harness with (1) 1/4" Terminal and 1 Rajah Terminal (box of 25)	
WHA40A-601H	18" Resistive Wire Harness with (1) 1/4" Terminal and 1 Rajah Terminal (bag of 1)	
WHA40A-602D	24" Resistive Wire Harness with (2) 1/4" Terminals (box of 25)	
WHA40A-602H	24" Resistive Wire Harness with (2) 1/4" Terminals (bag of 1)	
WHA40A-603D	24" Resistive Wire Harness with (1) 1/4" Terminal and 1 Rajah Terminal (box of 25)	
WHA40A-603H	24" Resistive Wire Harness with (1) 1/4" Terminal and 1 Rajah Terminal (bag of 1)	
WHA40A-604D	36" Resistive Wire Harness with (2) 1/4" Terminals (box of 25)	
WHA40A-604H	36" Resistive Wire Harness with (2) 1/4" Terminals (bag of 1)	
WHA40A-605D	36" Resistive Wire Harness with (1) 1/4" Terminal and 1 Rajah Terminal (box of 25)	
WHA40A-605H	36" Resistive Wire Harness with (1) 1/4" Terminal and 1 Rajah Terminal (bag of 1)	
WHA40A-606D	48" Resistive Wire Harness with (2) 1/4" Terminals (box of 25)	
WHA40A-606H	48" Resistive Wire Harness with (2) 1/4" Terminals (bag of 1)	
WHA40A-607D	48" Resistive Wire Harness with (1) 1/4" Terminal and 1 Rajah Terminal (box of 25)	
WHA40A-607H	48" Resistive Wire Harness with (1) 1/4" Terminal and 1 Rajah Terminal (bag of 1)	
WHA40A-609H	26.8" Resistive Wire Harness with (1) 1/4" Terminal and (1) 90° 1/4" Terminal (bag of 1)	
WHA40A-610H	32.592" Resistive Wire Harness with (1) 1/4" Terminal and (1) 90° Rajah Terminal (bag of 1)	Honeywell 394800-3Z 32"

D = Bulk; H = Single



BASO Gas Products LLC

## WHA Series Wire Harness

### Description

24" harness for either a DSI or IPI ignition connection.

Includes:

- (2) ground connections
- (1) MV connection
- (1) PV connection
- (1) thermostat or 24-volt connection
- (1) sensor connection

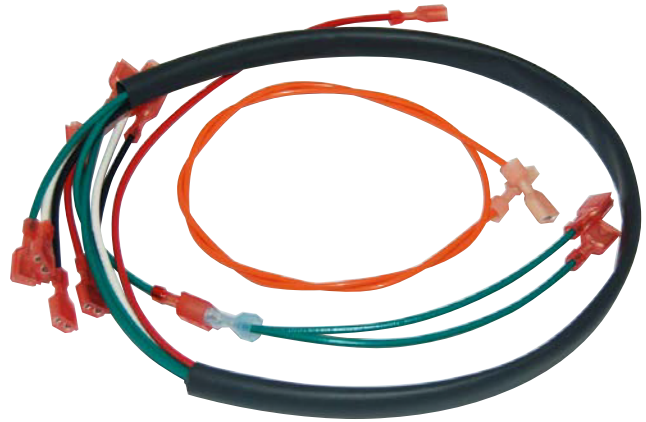
### Agency Listing

- None

### Selection Chart

Part Number	Description
WHA43A-600H	24" Harness

Contact BASO for other harness configurations.





BASO Gas Products LLC

# DC and DD Series Spark Igniter/Flame Sensors

### Description

BASO® Spark Igniters/Flame Sensors are designed for a long service life and to provide optimum performance when used in a BASO® ignition system. We have several popular designs available, but custom designs could be made available upon request.

Flame sensors are used in flame rectification circuits to confirm presence of flame monitoring, which protects the system.

Integral sense (or local sense) performs both sense and spark functions through the same rod.

Remote sense has two separate rods and a ground rod. One of the two separate rods is for sense, the other is for spark.

### Agency Listing

- None



DC2AA-1C



DB1FA-1H



DD2CE-1H



DC3AD-1H

DD1AC-1H

Ignition Control Modules

### Selection Chart

	Part Number	Prongs	Bracket Style	Replaces
▲	DD1AC-1H	1	Tear Drop	Fenwal 22-100001-211
▲	DC2AA-1C	2	Rectangular	NA
▲	DC3AD-1C	3	Rectangular	Fenwal 22-10002-076 BASO Y58KD-10
▲	DD2CE-1H	2	Tear Drop	Syntek BP202E Speed Queen M406934 Cissell GA-007640
▲	DC3AB-1C	3	Rectangular	Fenwal 22-100000-593 Robertshaw 10-850 BASO Y58KD-6
▲	DB1FA-1H	1	Rectangular	

▲ means bulk pack is available upon request.  
Contact BASO Gas Products if you have special requirements.





BASO Gas Products LLC

# B03M-5E067C Universal Kit Hot Surface Igniter

### Description

The B03M Series Universal Kit comes complete with mounting brackets and hardware to replace over 100 different OEM applications. The silicon nitride material is better for durability and strength.

### Agency Listing

- CSA (AGA/CGA) Certificate number 254683-2480168



### Selection Chart

Part Number	Material	Voltage (50/60Hz)	Temperature		Replaces
			Min.	Max.	
<b>B03M-5E067C</b>	Silicon Nitride	120 VAC	1800°F	3000°F	Robertshaw 41-801N Rheem 62-22868-82 or 93 Lennox 33J3701 LB White 120-07549



BASO Gas Products LLC

# B04C-5E033 Series Hot Surface Igniter

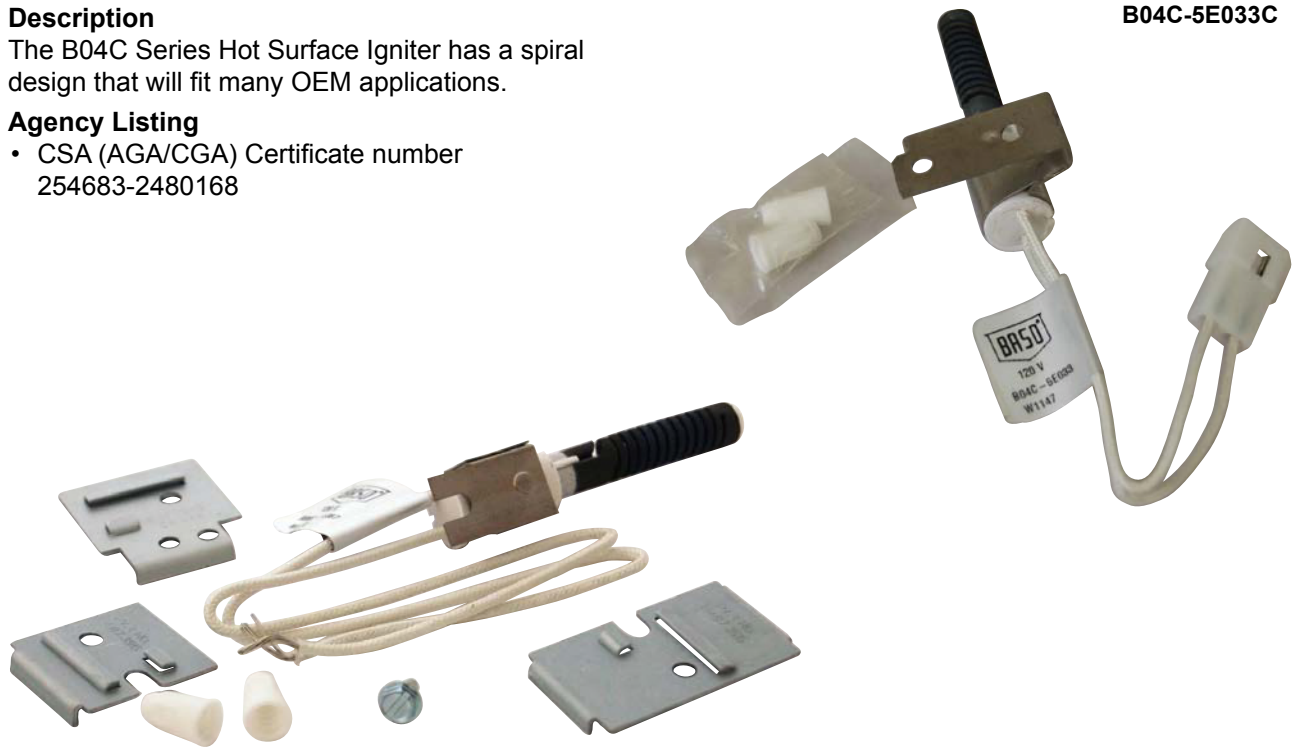
## Description

The B04C Series Hot Surface Igniter has a spiral design that will fit many OEM applications.

## Agency Listing

- CSA (AGA/CGA) Certificate number 254683-2480168

**B04C-5E033C**



**B06C-5E067C**

## Selection Chart

Part Number	Material	Voltage (50/60 Hz)	Temperature		Replaces
			Min.	Max.	
<b>B04C-5E033C</b>	Silicone Carbide	120 VAC	1800°F	2800°F	York 025-32625-000 Nordyne RH62286892 Williamson 9050 Alliance (Speed Queen) 369P3 Speed Queen 60868
<b>B06C-5E067C</b>	Silicone Carbide	120 VAC	1800°F	2800°F	



BASO Gas Products LLC

# B06C-5E035 Universal Kit Hot Surface Igniters

### Description

The B06C-5E035 Universal Kit comes complete with plug-in adapters to replace many different applications.

### Agency Listing

- CSA (AGA/CGA) Certificate number 254683-2480168



### Selection Chart

Part Number	Material	Voltage (50/60 Hz)	Temperature		Replaces
			Min.	Max.	
<b>B06C-5E035C</b>	Silicone Nitride	120 VAC	1800°F	3100°F	Nordyne 902661, 902614, FC007, FC035



BASO Gas Products LLC

# B04S Series Hot Surface Igniters

## Description

Durable igniters for boilers, furnaces, rooftop heaters and other HVAC applications.

## Agency Listing

- CSA (AGA/CGA) Certificate number 254683-2480168



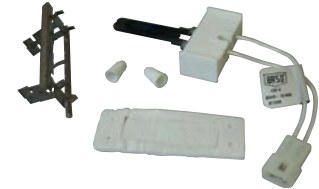
**B04S-1E405**



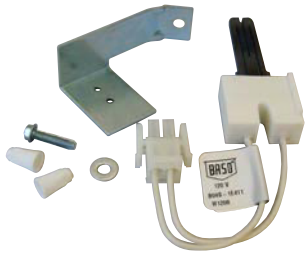
**B04S-1E406**



**B04S-1E408**



**B04S-1E409**



**B04S-1E411**



**B04S-1E418**



**B04S-5E001**



**B04S-5E010**

## Selection Chart

Part Number	Material	Voltage (50/60 Hz)	Temperature		Type of Hardware	Replaces
			Min.	Max.		
<b>B04S-1E405C</b>	Silicon Carbide	120 VAC	1800°F	3100°F	No Brackets	Smith HB 50018, Veissman 9302-094, Norton 201D and 27P
<b>B04S-1E406C</b>	Silicon Carbide	120 VAC	1800°F	3100°F	Fabric Washer & Wire Nuts	Weil McLain 511-330-188 Norton 201Y and 271Y
<b>B04S-1E408C</b>	Silicon Carbide	120 VAC	1800°F	3100°F	Wire Nuts	Rheem 62-22441-01
<b>B04S-1E409C</b>	Silicon Carbide	120 VAC	1800°F	3100°F	Bracket & Wire Nuts	Trane IGN26, Carrier LH332S, 001A, 002, 0024, 003, 003A
<b>B04S-1E411C</b>	Silicon Carbide	120 VAC	1800°F	3100°F	Bracket & Wire Nuts	Rheem 62-22868-82 and 62-22441-01
<b>B04S-1E418C</b>	Silicon Carbide	120 VAC	1800°F	3100°F	Attached Bracket & Wire Nuts	Norton 271 NM
<b>B04S-5E001C</b>	Silicon Carbide	120 VAC	1800°F	3100°F	Universal Kit	41-402, 41-403, 41-404, 41- 405, 41-406, 41-407, 41-408, 41-409, 41-410
<b>B04S-5E010C</b>	Silicon Carbide	120 VAC	1800°F	3100°F	Clip & Fabric Washer	Trane Kit 3033
<b>B04S-1E401C</b>	Silicon Carbide	120 VAC	1800°F	3100°F	No Brackets	Norton 41-401
<b>B04S-1E402C</b>	Silicon Carbide	120 VAC	1800°F	3100°F	No Brackets	Norton 41-402
<b>B04S-1E403C</b>	Silicon Carbide	120 VAC	1800°F	3100°F	No Brackets	Norton 41-403

Ignition Control Modules



BASO Gas Products LLC

# Micro Igniter 24 VAC Hot Surface Igniter

### Description

This durable silicon nitride igniter is used with Honeywell smart valves. It can be easily installed using the spring clip provided.

### Agency Listing

- CSA (AGA/CGA) Certificate number 254683-2480168



### Selection Chart

Part Number	Material	Voltage (50/60 Hz)	Temperature		Replaces
			Min.	Max.	
B13M-1D643C	Silicon Nitride	24 VAC	1800°F	2650°F	Honeywell Q3200 Kit



BASO Gas Products LLC

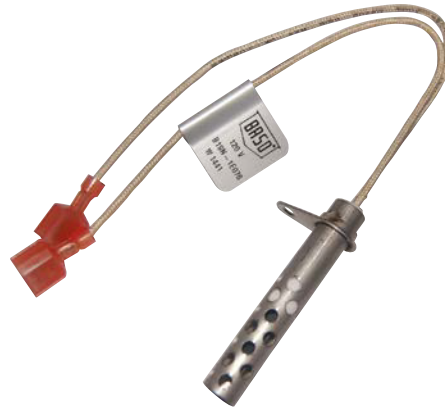
## B19N Series 120 VAC Hot Surface Igniters

### Description

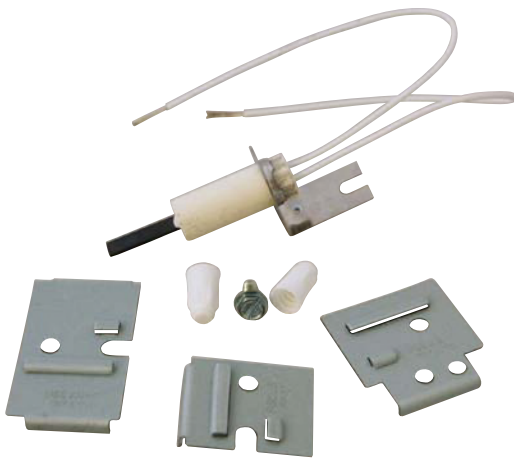
The B19N Series 120 VAC Hot Surface Igniters provides a rugged service replacement element designed for long life and resistance to burn-out in the appliance. The kit includes various configurations of brackets that will adapt to your specific appliance application.

### Agency Listing

- CSA (AGA/CGA) Certificate number 254683-2480168



**B19N-1E076C**



**B19N-5E067C**

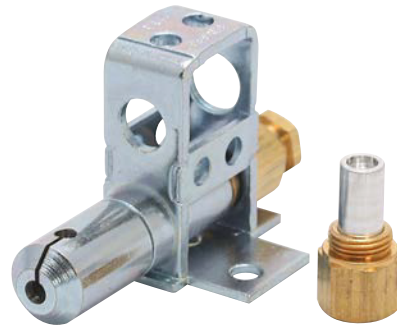
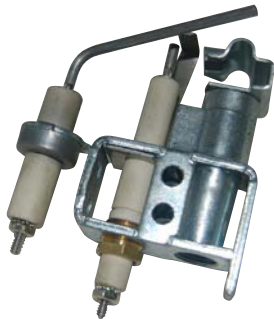


**B19N-5E069C**

### Selection Chart

Part Number	Material	Voltage (50/60 Hz)	Temperature		Replaces
			Min.	Max.	
<b>B19N-5E067C</b>	Silicon Nitride	120 VAC	2192°F	2732°F	N/A
<b>B19N-5E069C</b>	Silicon Nitride	120 VAC	2192°F	2732°F	Honeywell Q3200U
<b>B19N-1E076C</b>	Silicon Nitride	120 VAC	2192°F	2732°F	





## Pilot Burners



BASO Gas Products LLC

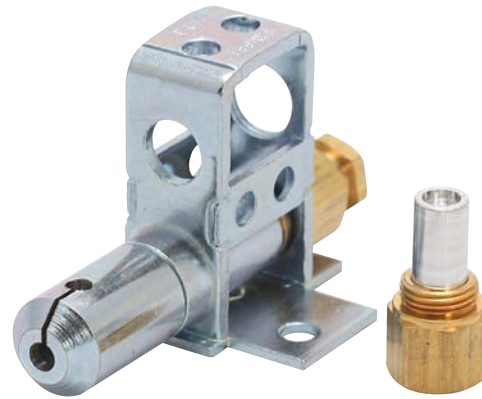
# J Series Combination Standing Pilot Burners

## Description

The J Series Combination Pilot Burners are used for standing pilot applications and are available in many tip arrangements. The J990MDA-2 is a universal replacement pilot burner for J12\_DDA, J13\_DDA (D12 and D13) types with No. 9 tip arrangements.

The J991MDA-2 through J999MDA-2 models are universal replacement pilot burners for J10\_DDA, J11\_DDA (D10 and D11) types (see the Selection Chart for tip arrangements).

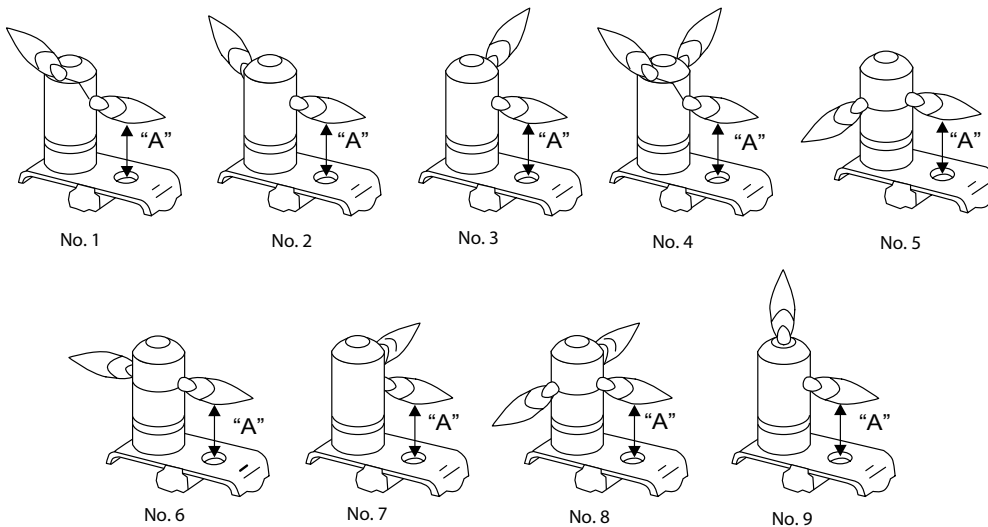
The pilot burners are individually packed in a plastic bag with one natural gas inlet installed, one LP inlet fitting and necessary parts for mounting.



**J999MDA**

## Agency Listing

- None



**Pilot Burner Tip Positions**

## Selection Chart

Part Number	Tip Position	Natural Gas Inlet Fitting	LP Inlet Fitting	"A" Dimension
J990MDA-2H	9	Y90AA-3223	Y90AA-4212	1.102 in. (28 mm)
J991MDA-2H	1	Y90AA-3223	Y90AA-4212	0.850 in. (21.6 mm)
J992MDA-2H	2	Y90AA-3223	Y90AA-4213	0.850 in. (21.6 mm)
J993MDA-2H	3	Y90AA-3223	Y90AA-4212	0.850 in. (21.6 mm)
J994MDA-2H	4	Y90AA-3225	Y90AA-4214	0.850 in. (21.6 mm)
J995MDA-2H	5	Y90AA-3221	Y90AA-4211	0.850 in. (21.6 mm)
J996MDA-2H	6	Y90AA-3223	Y90AA-4212	0.850 in. (21.6 mm)
J997MDA-2H	7	Y90AA-3221	Y90AA-4211	0.850 in. (21.6 mm)
J998MDA-2H	8	Y90AA-3223	Y90AA-4212	0.850 in. (21.6 mm)
J999MDA-2H	9	Y90AA-3223	Y90AA-4212	0.850 in. (21.6 mm)

Note: For best performance, BASO recommends the K16 series only on these pilot models J991MDA-2H through J999MDA-2H.



BASO Gas Products LLC

## J Series

# Universal Multi-Mount Standing Pilot Burners

### Description

The J Series Universal Multi-Mount Standing Pilot Burners are used in standing pilot applications and are available in three models. Mounting brackets on all four sides of each burner permit adaptation to almost any application.

The pilot burners are individually packed in a plastic bag with one natural gas inlet installed, one LP inlet fitting and necessary parts for mounting.

### Features

- Three tapped holes in each bracket for vertical adjustment
- Natural gas or LP inlet fitting supplied
- Necessary parts for mounting furnished in each package

### Agency Listing

- None



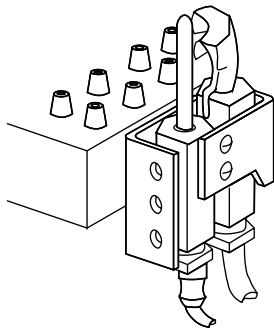
J999MHA-2



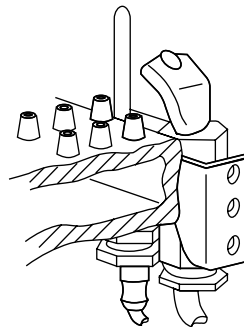
J999MKA-2



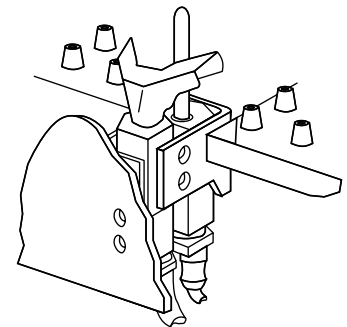
J999MYA-2



J999MHA-2



J999MKA-2



J999MYA-2

### Typical Installations

### Selection Chart

Part Number	Type of Pilot	Natural Gas Inlet Fitting	LP Inlet Fitting
J999MHA-2H	"L" Channel	Y90AA-7223	Y90AA-4211
J999MKA-2H	Shell	Y90AA-7221	Y90AA-4210
J999MYA-2H	"Y" Channel	Y90AA-6221	Y90AA-4211



BASO Gas Products LLC

# J Series Pilot Burner Assemblies

## Description

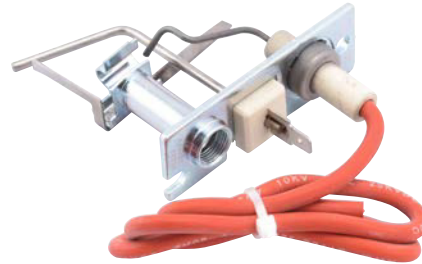
The J Series Pilot Burner Assemblies are replacement pilots for previously OEM-only products. These pilot burner assemblies are used with intermittent pilot ignitions (IPI) and standing pilot systems. The standing pilot burners are individually packed in a plastic bag. The intermittent spark pilot burners are individually packed in a box.

## Agency Listing

- CSA (AGA/CGA) Certificate number 229521-1656071



**J115DGA Standing Pilot**



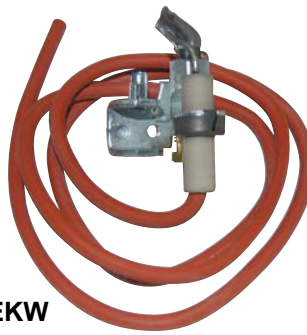
**J992HXW Intermittent Pilot**

## Selection Chart

Part Number	Description	OEM Name	OEM Part #
J114DGA-1C	Standing Pilot Burner	Garland/U S Range	227041
J115DGA-1C	Standing Pilot Burner	Jade Products	4620400000
J118DDA-1C	Standing Pilot Burner	Vahe Enterprises	83
J118DDA-3223C	Standing Pilot Burner with Natural Gas Inlet	Star	2J-Z4608
J126DDA-1C	Standing Pilot Burner	Nieco	2011-A
J129DDA-1C	Standing Pilot Burner	Gas Fired Products	03437000
J181EKA-1C	Standing Pilot Burner	Grindmaster	F136A
J181EKA-7218C	Standing Pilot Burner with Natural Gas Inlet	Wolf Range	718327
J184EKA-9813C	Standing Pilot Burner with Inlet	Montague	1033-2
J641DHA-4712C	Standing Pilot Burner with LP Inlet	LB White	130-02729
J641DHA-6721C	Standing Pilot Burner with Natural Gas Inlet	LB White	130-02741
J962DDA-1C	Standing Pilot Burner	Nieco	2181
J963DDA-1C	Standing Pilot Burner	Nieco	2178
J963HXA-6218C	Standing Pilot Burner with Natural Gas Inlet	Reznor	017890
J966DDA-1C	Standing Pilot Burner	Nieco	2011
J966DDA-1C	Standing Pilot Burner	Marshall Air	502451
J970EKA-1C	Standing Pilot Burner	Southbend	1173574
J970EKW-9710C	Intermittent Spark Pilot Burner with LP Inlet	Lennox	49K8501
J970EKW-9718C	Intermittent Spark Pilot Burner with Natural Gas Inlet	Lennox	69J3701
J974EKW-7218C	Intermittent Spark Pilot Burner with Natural Gas Inlet	Carrier	LH31CM023
J976LKW-9720C	Intermittent Spark Pilot Burner with Natural Gas Inlet	Lennox	31J3501
J977EHW-1C	Intermittent Spark Pilot Burner	Groen	127578
J978LYW-1C	Intermittent Spark Pilot Burner	Pitco - Magikitch'n	PP11296
J982EHW-1C	Intermittent Spark Pilot Burner	Groen	97024
J982EHW-2C	Intermittent Spark Pilot Burner	Groen	
J982HKW-1C	Intermittent Spark Pilot Burner		



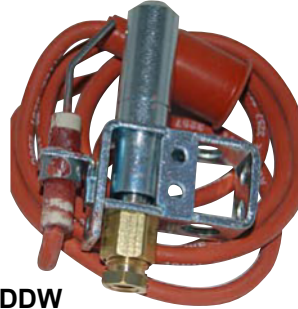
**J118DDA**



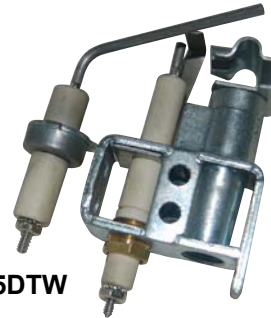
**J970EKW**



**J978LYW**



**J987DDW**



**J995DTW**

Part Number	Description	OEM Name	OEM Part #
J983HKW-7715C	Intermittent Spark Pilot Burner with Natural Gas Inlet	Reznor	093971
J987DDW-3239C	Intermittent Spark Pilot Burner with Inlet	Wayne Combustion	61846-002
J987LKW-7721C	Intermittent Spark Pilot Burner with Natural Gas Inlet	Lennox	99C1101
J989EKW-7721C	Intermittent Spark Pilot Burner with Natural Gas Inlet	Lennox	26F1601
J989FTW-1C	Intermittent Spark Pilot Burner	Lang	80201-14
J990FTW-1C	Intermittent Spark Pilot Burner	Blodgett	18245
J991LYW-7225C	Intermittent Spark Pilot Burner with Natural Gas Inlet	US Boiler	8236050
J992DXA-4211C	Standing Pilot Burner with LP Inlet	Montague	23220-3
J992DXA-7218C	Standing Pilot Burner with Natural Gas Inlet	Montague	34176-2
J992DXA-7221C	Standing Pilot Burner with Natural Gas Inlet	Montague	23218-1
J992HXW-7221C	Intermittent Spark Pilot Burner with Natural Gas Inlet	Reznor	061145
J992HXW-7223C	Intermittent Spark Pilot Burner with Natural Gas Inlet	Reznor	094624
J992HXW-9817C	Intermittent Spark Pilot Burner with Inlet	Reznor	61146
J992LKW-7221C	Intermittent Spark Pilot Burner with Natural Gas Inlet	Carrier	LH31CM017
J992LYW-7125C	Intermittent Spark Pilot Burner with Natural Gas Inlet	Weil-McLain	571330104
J993EHW-7218C	Intermittent Spark Pilot Burner with Natural Gas Inlet	Groen	3750
J994FLW-7218C	Intermittent Spark Pilot Burner with Natural Gas Inlet	Utica Boiler	JC-001.03
J994HKA-1C	Standing Pilot Burner		
J995DTW-9824C	Intermittent Spark Pilot Burner with Inlet	Laars Heating	W0034500
J995LTA-1C	Standing Pilot Burner	Grindmaster	F137A
J995LYA-1C	Standing Pilot Burner		
J996DDJ-3523C	Standing Pilot Burner with Natural Gas Inlet	Trane	X13130409010
J996LYA-1C	Standing Pilot Burner	APW Wyott	2092800
J997DDJ-3223C	Standing Pilot Burner with Natural Gas Inlet	Trane	X13130410010
J997EKW-7618C	Intermittent Spark Pilot Burner with Natural Gas Inlet	Armstrong	5701B4
J997FTA-1C	Standing Pilot Burner	APW Wyott	2066161
J998FXA-1C	Standing Pilot Burner	Little Giant Mfg	PLB
J998ZDW-1C	Intermittent Spark Pilot Burner	Gasmac	
J999HHW-6221C	Intermittent Spark Pilot Burner with Natural Gas Inlet	Reznor	41775
J999HXW-1C	Intermittent Spark Pilot Burner	ICE Mfg LTD	710893.1





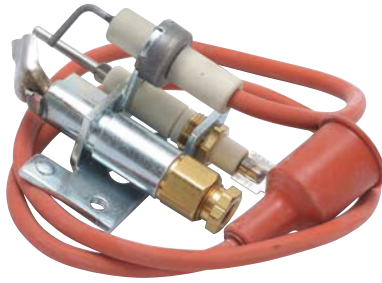
BASO Gas Products LLC

# Q90 Series Pilot Burner Assemblies

## Description

Q90 Series Pilot Burner Assemblies are replacement pilots for previously OEM-only products. These pilot burner assemblies are used with intermittent pilot ignition (IPI) and standing pilot systems.

The standing pilot burners are individually packed in a plastic bag. The intermittent spark pilot burners and Q90s are individually packed in a box.



**Q90AA**



**Q90TH**



**Q90 Series  
used with (Optional Piezo)**

## Q90 Selection Chart

Part Number	Description	OEM Name	OEM Part #
<b>Q90AA-1C</b>	J989EKW-7721 Pilot Burner with Natural Gas Inlet and Y75AA-8 Flame Sensor	Lennox	26F1601
<b>Q90AA-6C</b>	J963EKW-1 Pilot Burner with Y90HB-7121 Inlet and Y75AA-8 Flame Sensor	N/A	N/A
<b>Q90BB-1C</b>	J996DKW-7723 Pilot Burner with Natural Gas Inlet, Y75AA-3 Flame Sensor and Y57JH-27 Sensor Cable	Carrier	LH31CM021
<b>Q90CC-1C</b>	J986HXW-7221 Pilot Burner with Natural Gas Inlet and Integral Flame Sensor	Reznor	144598
<b>Q90DD-1C</b>	J993HHW-6221 Pilot Burner with Natural Gas Inlet, Integral Flame Sensor and Y57HH-36 Sensor Cable	Reznor	505-47484
<b>Q90DD-2C</b>	J990HHW-1 Pilot Burner with Y90AB-6021 Inlet and Y57HH-96 Sensor Cable	N/A	N/A
▲ <b>Q90EA-1C</b>	J995DHW-6718 Pilot Burner with Inlet and Y75AA-8 Flame Sensor	N/A	N/A
▲ <b>Q90FF-1C</b>	J982HKW-1 Pilot Burner with Y90HD-9732 Inlet, Y75AA-10 Flame Sensor, Pilot Tubing and 18 in. Cable	Reznor	097534
▲ <b>Q90FF-2C</b>	J982HKW-1 Pilot Burner with Y90HD-9734 Inlet, Y75AA-10 Flame Sensor, Pilot Tubing and 18 in. Cable	Reznor	097535
▲ <b>Q90FF-3C</b>	J982HKW-1 Pilot Burner with Y90HB-9732 Inlet, Y75AA-2 Flame Sensor, Pilot Tubing and 27 in. Cable	Reznor	125251
▲ <b>Q90FF-4C</b>	J982HKW-1 Pilot Burner with Y90HD-9716 Inlet, Y75AA-2 Flame Sensor, Pilot Tubing and 27 in. Cable	Reznor	125671
▲ <b>Q90NP-1C</b>	J994HKA-1 Pilot Burner with Y90HB-9732 Inlet, Pilot Tubing and K15FA-24 Thermocouple (24 in.)	Reznor	96360
▲ <b>Q90NP-2C</b>	J994HKA-1 Pilot Burner with Y90HD-9734 Inlet, Pilot Tubing and K15FA-24 Thermocouple (24 in.)	Reznor	096361
▲ <b>Q90TH-1C</b>	J979DDW-1 Pilot Burner with Y90AB-4014 and Y90AB-7023 inlets	N/A	N/A

▲ means bulk pack is available upon request.



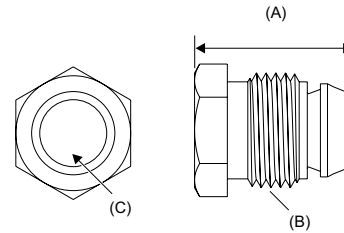


BASO Gas Products LLC






# Fittings

## Description


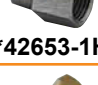



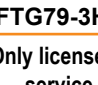
Breakaway ferrules are used with tubing by sliding the tubing into the compression fitting and tightening it into place. The ferrule then breaks off, securing itself around the tube. All fittings packaged 2 per bag.



## Selection Chart

Part Number	Description	(A) Length	(B) Thread	(C) Tube Size
 <b>*43283-2H</b>	Compression Fitting w/Breakaway Ferrule	0.605 in.	7/16-24	1/4 in.
 <b>*43283-4H</b>	Compression Fitting w/Breakaway Ferrule	0.651 in.	7/16-24	1/4 in.
 <b>*FTG75-1H</b>	Compression Fitting w/Breakaway Ferrule	0.687 in.	7/16-24	1/8 in.
 <b>*KIT10A-600H</b>	Two Piece Nut & Ferrule	Nut Only 0.437 in. Nut w/Ferrule .658 in.	7/16-24	3/16 in.
 <b>36623-2</b>	Plug and Compression Fitting	0.609	7/16-24 male thread shear off	

## Fittings for Specific Applications Selection Chart

Part Number	Description	Length	Connections
 <b>*37003-1H</b>	Adapter	0.953 in.	7/16-24 Male Compression to 1/8-27 NPT Female
 <b>*42653-1H</b>	Adapter	0.781 in.	1/8-27 NPT Male to 7/16-24 Female Compression
 <b>FTG76-1H</b>	Compression Plug	0.620	16-24 Male Thread
 <b>*FTG79-1H</b>	Adapter	0.952	7/16-24 Male Compression to 7/16-24 Male
 <b>*R219-7H</b>	Elbow	N/A	1/8-27 NPT Male to 7/16-24 Female Compression
 <b>FTG79-3H</b>	Adapter	0.887	7/16-20 Male Compression to 7/16-24 Male Compression (used with corrugated tubing connecting to a BASO inlet fitting)

Only licensed service professionals of the original equipment manufacturer or trained licensed contractors are approved to install or service BASO Gas Products. BASO Gas Products shall not be liable for damages resulting from misapplication or misuse of its products.



BASO Gas Products LLC

# Y90 Series Inlets

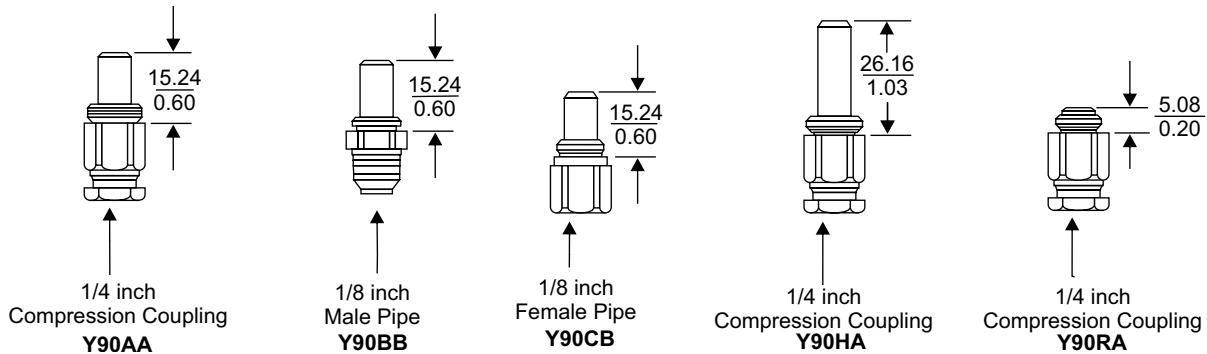
## Description

The Y90 Series Inlet Fittings control the flow of gas to a pilot burner and are designed to be used with BASO® pilot burners. The majority of BASO® inlet fittings have two holes which control and direct the

flow of gas to the burner. The gas flow from the two holes intersect, which causes turbulence and a better gas/air mixture for proper combustion.

## Agency Listing

- None



## Selection Chart

Part Number	Orifice Size (in.)	Type Gas
<b>Y90AA 1/4" cc</b>		
▲ Y90AA-3215C	.015	Natural
▲ Y90AA-3218C	.018	Natural
▲ Y90AA-3221C	.021	Natural
▲ Y90AA-3223C	.023	Natural
▲ Y90AA-3225C	.025	Natural
▲ Y90AA-4207C	.007	LP
▲ Y90AA-4208C	.008	LP
▲ Y90AA-4209C	.009	LP
▲ Y90AA-4210C	.010	LP
▲ Y90AA-4211C	.011	LP
▲ Y90AA-4212C	.012	LP
▲ Y90AA-4213C	.013	LP
▲ Y90AA-4214C	.014	LP
▲ Y90AA-4215C	.015	LP
▲ Y90AA-5232C	.032	Natural
▲ Y90AA-6221C	.021	Natural
▲ Y90AA-7218C	.018	Natural
▲ Y90AA-7221C	.021	Natural
▲ Y90AA-7223C	.023	Natural
▲ Y90AA-7225C	.025	Natural
<b>Y90BB 1/8" MALE PIPE</b>		
▲ Y90BB-3321C	.021	Natural
▲ Y90BB-3325C	.025	Natural
▲ Y90BB-4310C	.010	LP
▲ Y90BB-4311C	.011	LP

Part Number	Orifice Size (in.)	Type Gas
<b>Y90CB 1/8" FEMALE PIPE</b>		
▲ Y90CB-3418C	.018	Natural
▲ Y90CB-3421C	.021	Natural
▲ Y90CB-3423C	.023	Natural
▲ Y90CB-3425C	.025	Natural
▲ Y90CB-4410C	.010	LP
▲ Y90CB-4411C	.011	LP
▲ Y90CB-4412C	.012	LP
▲ Y90CB-7421C	.021	Natural
<b>Y90HA 1/4" cc EXTENDED</b>		
▲ Y90HA-4707C	.007	LP
▲ Y90HA-4709C	.009	LP
▲ Y90HA-4710C	.010	LP
▲ Y90HA-4711C	.011	LP
▲ Y90HA-4712C	.012	LP
▲ Y90HA-6721C	.021	Natural
▲ Y90HA-7718C	.018	Natural
▲ Y90HA-7721C	.021	Natural
▲ Y90HA-7723C	.023	Natural
▲ Y90HA-7725C	.025	Natural
<b>Y90RA 1/4 CC</b>		
▲ Y90RA-9852C	.008	LP

▲ means bulk pack is available upon request.

# OEM Cross Reference

# OEM Cross Reference

OEM NAME	OEM PART NUMBER	BASO PART NUMBER	OEM NAME	OEM PART NUMBER	BASO PART NUMBER	
A O SMITH WATER PRODUCTS	077782-003	H91AG-2C	ALTERNATE ENERGY SYSTEMS	VAL0056-00-3	H19NA-4C	
	400316-000	Q90TN-1C				
	78710	Y75BA-4C	ALTO SHAAM INC	IG36336	B03M-2E067C	
ADVANCED THERMAL HYDRONIC	2204-1336	K16RA-30H		VA-27519	G96HAA-2C	
	2204-1337	K16RA-36H		VA-28189	G96HAA-5C	
AGRI SALES, INC.	152012309	G92CAA-19C		VA-34531	H91DG-2C	
	152012729	J641DHA-4712C		VA-34530	H96BADE-1C	
ALLIANCE LAUNDRY SYSTEMS	M411413P	BGQCACBBB201-1CDC		CR-34532	SVC200-1D	
	M401231	G92CBA-9C		VA-28444	Y71GF-4	
	M401228	G93AAA-16C	VA-28821	Y71QH-2C		
	M401229	G93ABA-11C	AMERICAN CATER TRUCK	G004A	H43AA-12C	
	TU3819	G93ABA-6C		G029	Y90AA-4212C	
	M403151	G96AAQ-4C		G030	Y90CB-4412C	
	M402750	G96HAA-2C	AMERICAN DRYER CORPORATION	141407	VLV49A-601R	
	M401224	G96HGA-7C		141409	VLV49A-602R	
	431485	GM-70-CBP	AMERICAN RANGE CORPORATION	A80000	H15HR-2C	
	TU6557	H91DA-1C		A80105	H43AA-12C	
	TU9948	H91LA-1C	AMERICAN WATER HEATER CO	3200480	H91DG-11C	
	TU9948	H91LA-1C				
	J1043066	H91LG-9C	ANETSBERGER BROTHERS INC	P8906-06	K16BA-24H	
	M400934	K16BA-18H		P8905-33	Y75AA-2C	
	M406217	R54889-10A	APCOM INC.	181916-000	H91SA-2C	
	TU3711	R54889-122B		068891-000	L62GB-3C	
	TU3832	R54889-144A	APW WYOTT	2067400	H15AB-3C	
	M401226	R54889-189G		2092702	H15DB-1C	
	M401227	R54889-190G		2092800	J996LYA-1C	
	M410012	R54889-910G		2066161	J997FTA-1C	
	M400331	R55329-10S		2093200	K16BA-18H	
	44257901	RSDA16A-25AC		2092904	Y90AA-4211C	
	M414404	RSDA16A-25C		2092903	Y90AA-7218C	
	70260101	RSDA95A-25AC	B P S PRODUCTS INC	8081-815	H15CA-1C	
	M400763	Y71AA-5C		N-8081	H19AA-4C	
	M411334	Y71GF-4		8079	H91EA-8C	
	M401209	Y75AA-2C		8079-220	H91ES-1C	
	M400918	Y90AA-4212C		8052	J126DDA-1C	
	Q8152	Y90AA-7223C		8052-2	J129DDA-1C	
	M402598	Y90HA-4712C		8052-3	J962DDA-1C	
	M402701	Y90HA-7723C		8052-1	J963DDA-1C	
	ALLIED AIR ENTERPRISES	R05701B004		J997EKW-7618C	N-8051	K16BA-24H
		R08245B002		Y75AA-3C	8048	Y90AA-3223C
BAILEY POTTERY EQUIPMENT				N-8049	Y90AA-4212C	
				404-1	H15FA-1C	

OEM NAME	OEM PART NUMBER	BASO PART NUMBER
BAKERS PRIDE	R3225A	G96HGA-4C
	M1011A	K16RA-60H
	R3226A	Y71GF-4
	R3252A	Y71QH-2C
	M1167A	Y75AA-5C
BALDOR ELECTRIC COMPANY	SE0071A00	H91JV-1C
	SE0071A01	H91RV-2C
BEAR CAT MANUFACTURING	VLV-80703	H19TA-3C
BIG DUTCHMAN INC	40-00-1025	H17AA-2C
	40-10-3692	K15FA-30H
	86-00-3766	K16CA-30H
	40-10-1337	K16CA-36H

OEM NAME	OEM PART NUMBER	BASO PART NUMBER
BISMAR INC.	722038	H15DA-3C
	722044	H15EQ-3C
	722049	H15FQ-1C
	722050	H15HR-2C
	722064	H17CB-3C
	722073	H19NA-4C
	722076	H19RA-2C
	722079	H19TA-3C
	722085	H43BA-2C
	722103	H91RA-4C
	722112	H91WG-1C
	722142	J996MDA-2H
	722145	J997MDA-2H
	722151	J998MDA-2H
	722153	J999MHA-2H
	722155	J999MKA-2H
	722158	K15DA-18H
	722159	K15DA-24H
	722164	K15DA-30H
	722166	K15DA-36H
	722184	K16RA-24H
	722190	K16RA-48H
	722193	K16RA-60H
	722244	Y70AA-1C
	722259	Y90AA-4207C
	722265	Y90AA-4209C
	722268	Y90AA-4210C
	722271	Y90AA-4211C
	722274	Y90AA-4212C
	722277	Y90AA-4213C
	722283	Y90AA-7218C
	722289	Y90AA-7221C
	722292	Y90AA-7223C
	722307	Y90HA-4710C
	722310	Y90HA-4711C
	722313	Y90HA-4712C

OEM NAME	OEM PART NUMBER	BASO PART NUMBER	OEM NAME	OEM PART NUMBER	BASO PART NUMBER
<b>BLODGETT OVEN COMPANY</b>	17095	G96HAA-5C	<b>CARRIER REPLCMT COMP DIV</b>	EF33CZ210	G96JGA-2C
	17096	G96HAC-1C		EF11CT303	H91MG-8C
	M5348	G96HGA-19C		EF11CT243	H91RG-1C
	92-0101	G96HGA-4C		LH31CM023	J974EKW-7218C
	R9571	GM-70-CLP		LH31CM017	J992LKW-7221C
	11501	H91DA-7C		HH71CC150	L61LL-1C
	R6490	H91WG-1C		HH71MB066	L62GB-3C
	3835	K16RA-60H		EF59YT025	R54889-189G
	36605	Y57SV-32C		EF59YT024	R54889-190G
	18612	Y71GF-4		EF33CZ206	VLV34A-648R
	18421	Y71JG-1		RM680003	Y57JH-27C
	23007	Y71QH-2C		EF39AB011	Y71GF-3
	18256	Y75AA-3C		EF39AB009	Y71GF-4
	R8832	Y90AA-4212C		EF39AB010	Y71JG-1
	R7405	Y90AA-4215C		1380571	Y75AA-2C
	18263	Y90EA-7621C		LH33CM018	Y75AA-3C
	57840	Y90EA-7644H		HH79CZ036	Y80CA-48C
	18257	Y90EC-9816C		LH32RN109	Y90AA-4209C
R4628	Y90HA-7725C	LH39GB019	Y90AA-7218C		
<b>BRADFORD-WHITE CORPORATION</b>	2224009000A	H91CA-27C	LH32RN009	Y90HA-4709C	
<b>BROCK GRAIN CONDITIONING</b>	16-11154	K15FA-24H	LH39GB011	Y90HA-4711C	
	11000663	K15FA-30H	LH680504	Y90HA-7723C	
	11000041	K15FA-36H	834-077	H17BB-1C	
	2534-00060	K16BA-60H	834-922	H17DB-5C	
	2534-00060	K16BA-60H	771-077	K14MA-36H	
	2534-00062	K16BA-72H	771-028	K16RA-36H	
	2533-1	L61LL-1C	771-030	K16RA-60H	
<b>BRYAN STEAM LLC</b>	27772	H17BA-2C	771-031	K16RA-72H	
	27836	J999MHA-2H	771-033	K16RM-120H	
	27872	K16BA-72H	771-032	K16RM-96H	
	27848	Y57HH-48	771-066	K19AA-18H	
<b>BULLEX, INC.</b>	100305	J999MYA-2H	771-075	K19AT-36H	
	100059	Y90AA-7218C	771-076	K19AT-60H	
<b>BURNHAM COMMERCIAL</b>	822662	H91WA-4C	<b>CATCO/ CATALYTIC HEATER</b>	30-006	H17BB-1C
	822666	H91WG-6C		30-007	H17DB-5C
	8236050	J991LYW-7225C		103-0010	K14MA-36H
	80160138	L62GB-3C	<b>CATER NEEDS INC</b>	G003	H43AB-4C
	8236040	Y75AA-3C	<b>CCI THERMAL TECHNOLOGIES</b>	VALVE-H17CB-5	H17CB-5C
			VALVE-H19	H19ME-1C	
			<b>CHALLENGE TOOL &amp; MFG</b>	AT2E-1806-3	G96HGC-9C



OEM NAME	OEM PART NUMBER	BASO PART NUMBER
CHICAGO DRYER COMPANY	2206-180	H91WG-1C
	2201-280	L62AA-5C
	2211-115	Y75AA-2C
	2201-120	Y90AA-4212C
	2201-110	Y90AA-7223C
CISSELL MFG COMPANY	TU3819	G93ABA-6C
	TU6557	H91DA-1C
	TU9948	H91LA-1C
	TU3832	R54889-144A
CLEVELAND RANGE	20410	T36A1-1H
COMBUSTION RESEARCH	5225.44	H91LG-9C
COMMERCIAL HYDRONICS CO	600591	H91WG-1C
COMMERCIAL KITCHEN REPAIR	CKR 7850	H15AR-3C
COMSTOCK-CASTLE STOVE CO	17018	H15HR-2C
	17016	H43AB-4C
CONOTECH INTERNATIONAL	400008	J181EKA-7218C
COPPER SCULPTURES	2201150	H17AB-2C
CROWN BOILER COMPANY	3503107	H91AAG-1C
CYBERNETICS TECH IND	CTI-B-IM	BG1600M00EP-1ADC
	CTI-B-GV	G96HGA-25C
	CTI-L-GV	G96HGA-4C
	CTI-L-SV	H91DA-7C
	CTI-M-SV	H91DA-8C
DESIGNER'S LIGHTING	4-35-443	H43AB-4C
DEXTER LAUNDRY, INC.	9857-113-003	VLV34A-609R
	9732-074-001	Y71GF-4
	9501-002-001	Y75AA-2C
DMI MANUFACTURING INC	8225-2	H15CQ-6C
	8225-3	H15DQ-2C
	8225-1	H19AA-4C
	8221	H91DA-1C
	8222-1	H91EA-8C
	8222	H91LA-1C
	8235-2	J129DDA-1C

OEM NAME	OEM PART NUMBER	BASO PART NUMBER
DOXON MANUFACTURING	M401228	G93AAA-16C
	M401229	G93ABA-11C
	M402750	G96HAA-2C
	M401224	G96HGA-7C
	TU6557	H91DA-1C
	M406217	R54889-10A
	M401226	R54889-189G
	M400331	R55329-10S
	M401209P	Y75AA-2C
DUKE MANUFACTURING CO	153109	G96HAA-8C
	213518	H15HR-2C
	153111	H91CA-21C
	213590	K19AT-24H
	153276	Y71GF-4
DYNAMIC COOKING SYSTEMS	153771	Y71QH-2C
	13002-01	H15HR-2C
ECLIPSE COMBUSTION	11747	H15DA-3C
	12187	H15FA-1C
	80252-05	H19NA-4C
	21015	H43BA-2C
ECLIPSE INC	80252-2	J999MKA-2H
	12187	H15FA-1C
	11762	K16BA-72H
	11647	L61LL-1C
ECR INTERNATIONAL INC	11676	Y90AA-3223C
	JC-001.03	J994FLW-7218C
	PB-002.01	Y90AA-4212C
ELSTON MANUFACTURING INC	HLC-240	DD1AC-1H
	H10-725	K14MA-36H
	H10-696	Y90AA-4211C
	H10-697	Y90HA-4711C
EMPIRE COMFORT SYSTEMS	R8825	H91CG-8C
	742166	Y90AA-7221C

OEM NAME	OEM PART NUMBER	BASO PART NUMBER	OEM NAME	OEM PART NUMBER	BASO PART NUMBER
ENERCO GROUP INC	09352	K15FA-18H	GOLD MEDAL PRODUCTS COMPA	74027-RB	H43AA-12C
	09357	K16RA-24H		57033	J999MYA-2H
	9374	Y75AA-2C		57030	K15FA-24H
	05359	Y90AA-4215C		89762	K16JA-24H
	05363	Y90HA-4712C		74029	Y90AA-4211C
	05374	Y90HA-6721C		74050	Y90HA-4710C
FACTORY DIRECT WORLDWIDE	FDW-11312-2	Y75AA-3C		74033	Y90HA-7718C
FIVES NORTH AMERICAN COMB	C4000-H19NA-4	H19NA-4C	GREEN AIR PRODUCTS INC	ZGAN-005	J118DDA-1C
FRYMASTER	8100617	T36B0-1H	GRINDMASTER CORPORATION	L016A	H43AB-4C
	8100159	T36A1-1H		F136A	J181EKA-1C
GARLAND COMMERCIAL RANGES	4528856	BG1600M00EP-1ADC		F137A	J995LTA-1C
	4528855	BG1600M20EP-1ADC		F144A	J996LYA-1C
	1754901	G96HGH-5C		F002A	K16BA-18H
	G01969-1H	H15HR-6C		X049A	Y90AA-4211C
	2345700	H91DG-12C		X048A	Y90AA-7223C
	1269701	Y75AA-7C		K192A	Y90CB-3423C
	4532197	Y90AA-4212C	K549A	Y90CB-4410C	
	223183	Y90EC-9816C	GSI GROUP LLC	3004-1302	G92CAB-14C
GARLOCK EQUIPMENT CO	130018	H19TA-3C		3004-2800	H19AA-4C
GAS FIRED PRODUCTS INC	3027300	H19AL-2C		3004-2801	H91CG-8C
	03166000	H19LA-1C		6450-0997	J999MKA-2H
	3036200	H19TA-3C		3003-5013	K19AT-24H
	03695000	H43BA-5C		0409-5001	Y90HA-4709C
	03437000	J129DDA-1C	3003-6004	Y90HA-9714C	
	030335000	J181EKA-1C	GT MFG INC	D25166	K19AA-60H
	30642020	K15FA-24H		D25165	L61LL-1C
	30642010	K15FA-36H	HASTINGS HVAC INC	73-21-1505-15	L61LL-1C
	0340103	K16BA-18H	73-07-1519-16	Y75AA-2C	
	03345010	Y90AA-3223C	HAUL-ALL EQUIPMENT	612-2444	K15DA-18H
	03345020	Y90AA-4212C		612-2437	L61LL-1C
GILES ENTERPRISES INC	45109	Y71GF-4	ICE MANUFACTURING LTD	710894	Y90AA-3218C
GILLETTE GENERATORS INC.	070890	H91RV-2C	ICE MFG LTD	710893.1	J999HXW-1C
	071603	SVC200-1H		560896A	Y75AA-5C
GLOBAL THERMOELECTRIC	3090-00176	H19TA-3C		710894	Y90AA-3218C
	3090-59567	H19TB-1C	IMPERIAL MANUFACTURING	0513-1	H91CA-21C
	3400-00177	K16RA-24H		38406	H91DB-2C
ITW COOKING CHARLOTTE				36240	H91DG-2C
				90054	H91CG-12C
				92010	Y99AR-2H
				00-498681	H15AR-3C
				497765-2	H15AR-4C
				718327	J181EKA-7218C
				715005	K16BA-30H

OEM NAME	OEM PART NUMBER	BASO PART NUMBER	OEM NAME	OEM PART NUMBER	BASO PART NUMBER
ITW FOOD EQUIPMENT - BALT	00-497122-00001	H15AB-3C	JADE RANGE LLC	4625100000	BG1600M00EP-1ADC
	720719	H15AR-3C		3000012818	H15CQ-3C
	00-718327	J181EKA-7218C		3000010243	H15HR-6C
	720426	Y90AA-7218C		4620400000	J115DGA-1C
120413-2	G92CSA-5C	4612600100		K16BA-18H	
01-065015	G93AAB-2C	4611300100		K16BA-24H	
120412-2	G93ASL-4C	4626000000		Y75AA-7C	
328426-1	G96HGH-3C	460202000		Y90AA-3221C	
ITW FOOD EQUIPMENT GROUP	328426-1	G96HGH-3C	JOHNSON GAS APPLIANCE CO	05-02-00030	H15DA-3C
	855772	H15AB-3C		05-02-00031	H15FA-1C
	00-497122-00001	H15AB-3C		05-07-00006	K15DA-24H
	498025	H15AB-6C		05-07-00008	K15DA-48H
	922008	H15AB-7C		05-07-00084	K16RA-36H
	497765-1	H15AR-3C		10-10-00048	L61LL-1C
	497765-2	H15AR-4C		10-10-00047	L62GB-3C
	802743	H15DA-3C		05-04-00006	Y90AA-3223C
	498158	H15QR-4C		05-04-00007	Y90AA-4213C
	00-804267	H19AL-2C		KEATING	2567
	856004-1	H91ADG-1C	22770		T36A1-1H
	00-425712-00001	H91DA-1C	KEY GAS COMPONENTS	1603-02	G96HAA-5C
	877700-11	H91EA-5C	L B WHITE CO	120-05607	G92CAA-19C
	718327	J181EKA-7218C		120-07336	G92CBA-10C
	00-415074-00001	J992MDA-2H		130-01108	H19TA-3C
	01-205650	J993EHW-7218C		120-27709	H91CA-24C
	230313	J997FTA-1C		130-02729	J641DHA-4712C
	00-880828	K15DA-30H		120-01090	K15DA-18H
	00-920325	K15FA-18H		120-01036	K15DA-24H
	00-715005	K16BA-30H		120-01020	K15DA-30H
	01-065019	K16BA-36H		120-22266	K15FA-12H
	906955-00060	K16BA-60H		120-03555	K15FA-18H
	01-080873	K16BA-72H		120-03497	K15FA-22H
	01-206842	L62GB-3C		120-03066	K16BA-36H
	00-328738	Y71GF-3		105-22848	Y70AA-1C
	328738	Y71GF-3		130-02729	J641DHA-4712C
	01-065033	Y71GF-4		130-02741	J641DHA-6721C
	715007	Y90AA-4209C		130-20540	Y90AA-4212C
	920331-12	Y90AA-4211C		130-06595	Y90AA-4213C
	920331-00011	Y90AA-7218C		130-02689	Y90HA-4712C
	720426	Y90AA-7218C		130-02740	Y90HA-6721C
				130-07829	Y90HA-9714C
			LAARS HEATING SYSTEMS	W0019300	H91WG-1C
				W0034500	J995DTW-9824C
		W0030000		L62GB-1C	
		LAGUNA CLAY	FS135	H15DA-3C	

OEM NAME	OEM PART NUMBER	BASO PART NUMBER	OEM NAME	OEM PART NUMBER	BASO PART NUMBER	
LATTNER BOILER COMPANY	116520	H17CB-3C	MANITOWOC FOODSERVICE	4521585	BG1100MAAK-1GC	
	085300	J992MDA-2H		1516300	BG1600M00EP-1ADC	
	107350	K16RA-48H		4030124	G96HGA-4C	
	085902	L62AA-5C		4030126	G96HGC-9C	
	085900	L62GB-3C		1754901	G96HGH-5C	
	085410	Y90AA-3225C		1754902	G96H GK-1C	
	085450	Y90AA-4214C		4060179	H91DA-7C	
	085400	Y90BB-3325C		113411	Y71GF-3	
LENNOX INDUSTRIES INC.	Y4749	BGN891-1C		2517013	Y71GF-4	
	88C1901	H91AA-6C		2517012	Y71QH-1C	
	73C0901	H91CA-12C		113410	Y71QH-3C	
	P-3-1267	H91DG-2C		2605020	Y90AA-7221C	
	49K8501	J970EKW-9710C		2605056	Y90AA-7223C	
	69J3701	J970EKW-9718C		MANITOWOC FSG OPERATIONS	4030124	G96HGA-4C
	31J3501	J976LKW-9720C			4030126	G96HGC-9C
	99C1101	J987LKW-7721C			1754901	G96HGH-5C
	26F1601	J989EKW-7721C	4060179		H91DA-7C	
	R05701B004	J997EKW-7618C	100100192		H91DA-8C	
	85A6601	VLV49A-600R	SK2345700		H91DG-12C	
	52C3901	Y71GF-3	4071255		H91RS-2C	
	08245B002	Y75AA-3C	390111		H91RS-4C	
	39F9501	Y75AH-1C	369383		Y71GF-4	
	33F3701	Y75AH-2C	2517012		Y71QH-1C	
	12F1901	Y75BA-1C	369100		Y90AA-7221C	
	12F1901	Y75BA-1C	2605056		Y90AA-7223C	
	12F2201	Y90HA-4710C	MANITOWOC OVENS CONCORD	SK2345700	H91DG-12C	
78A25	Y90HA-4711C	MARATHON EQUIPMENT INC		08-1024	H19NA-4C	
78A2501	Y90HA-4711C		MARKET FORGE INDUSTRIES	92-0101	G96HGA-4C	
LENNOX MANUFACTURING INC	08245B002	Y75AA-3C		SS30112	G96HGA-4C	
	LITTLE GIANT MFG	30TC		K15DA-30H	92-0262	J990FTW-1C
POLP		Y90AA-4213C		92-0261	Y90AA-4212C	
LOW TEMP INDUSTRIES, INC.	284200	H15AR-3C		93-0189	T36A1-1H	
	LUFFLAND INDUSTRIES INC	3735351		K16BA-30H	Oct-52	T36A1-1H
3435000		L62AA-5C	MARSHALL AIR SYSTEMS INC	502575	H91DB-2C	
2335011		Y90AA-3223C		502451	J966DDA-1C	
		500487		Y90AA-4211C		
MEEDER EQUIPMENT/ RANSOME			JC-H15DA1D	H15DA-3C		
			JC-H19LA1C	H19LA-1C		
			JC-Y90AA	Y90AA-4212C		
MESTEK CANADA INC			3311-0017	H91WG-1C		
			3311-0017	H91WG-1C		
			33850668	J995DTW-9824C		
			11J38-00480	Y75AA-9C		

OEM NAME	OEM PART NUMBER	BASO PART NUMBER
<b>MESTEK INC</b>	11J28-01372-003GV-1	H91MG-8C
	11J09-00844	Y57HH-36C
	11J38-00480	Y75AA-9C
	11J36-00786-001	Y90HA-4711D
<b>MIDCO INTERNATIONAL INC</b>	840229	H91LG-12C
	843326	Y75AA-4C
	843303	Y90AA-3218C
	843305	Y90AA-3225C
	843308	Y90AA-4212C
	843310	Y90AA-5232C
<b>MIDDLEBY COOKING SYSTEMS</b>	1952702	G292AA-2C
	59142	G960BAADEA-1C
	M8999	G96MG04HBL-8NC
	50258	GM-70-CLP
	1700760	H15CQ-3C
	1952683	H15DB-1C
	11501	H91DA-7C
	28091-0017	H91DA-8C
	M2245	H91DB-2C
	1952703	K15DA-30H
	59415	Y71GF-4
	23007	Y71QH-2C
	M2690	Y90AA-7225C
	M2841	Y99AX-1H
<b>MODINE MANUFACTURING CO</b>	SHO64	H91LG-8C

OEM NAME	OEM PART NUMBER	BASO PART NUMBER
<b>NIECO CORPORATION</b>	2058	H15CA-1C
	2122	H15CQ-6C
	12143	H15DA-4C
	2123	H15DQ-2C
	2026	H19AA-4C
	2004	H91AA-5C
	2003	H91EA-5C
	2003-B	H91EA-8C
	19054	H91EG-7C
	2021	H91ES-1C
	2111	H91MA-4C
	2011-A	J126DDA-1C
	2179	J129DDA-1C
	2181	J962DDA-1C
	2181	J962DDA-1C
	2178	J963DDA-1C
	2011	J966DDA-1C
	2180	J994MDA-2H
	2024	K16BA-24H
	2101	K16BA-48H
	2012	K16BA-60H
	13814	Y75AA-5C
	16857	Y75AH-3C
	2183	Y90AA-3215C
	2018	Y90AA-3223C
	2182	Y90AA-3225C
	17645	Y90AA-4210C
	2023	Y90AA-4212C
2047	Y90AA-5232C	
18096	Y99AX-1H	
<b>NORCOLD INC</b>	61436322	K16SA-36H
	618445	K19SA-18H
	617983	K19SA-48H
	619154	K19SA-60H
	620424	K19SA-78H
<b>PB HEAT LLC</b>	50752	H17CA-1C
	50753	H91BA-3C
	50754	H91BG-2C
	50754	H91DG-2C
	50755	L62GB-1C

OEM NAME	OEM PART NUMBER	BASO PART NUMBER
<b>PITCO MAGIKITCH'N</b>	60139001	G292AA-1C
	P6071776	G96HGA-1C
	2804-0871200	H15DA-3C
	P5046626	Y75AA-2C
	P6071332	Y90AA-4213C
	P6071331	Y90AA-7223C
	P5047541	T36B0-1H
	60125501	T36A1-1H
<b>QUEST METAL PRODUCTS LTD</b>	23-H15HR2D	H15HR-2C
	23-BASJ970	J970EKA-1C
	23-BASY9PR	Y90AA-4210C
	23-POBNQSB	Y90CB-3423C
	23-POBPQSB	Y90CB-4412C
	23-BASY90P	Y90HA-4712C
	23-BASY9NA	Y90HA-7721C
<b>RANKIN-DELUXE</b>	51908	H91BA-3C
	GT-10A RDGM-14A	Y99AY-4C
	DRB-12A	Y99AY-3C
<b>RAYPAK CANADA LIMITED</b>	600562	H91WG-1C
<b>RAYPAK INC</b>	601666	H91RG-2C
	600562	H91WG-1C
	600017F	L62GB-3C
<b>RAY-TECH INFRARED CORP</b>	74033	H91JV-1C
	74036	H91MA-4C
<b>REDING INSTRUMENTS SERV.</b>	834-077	H17BB-1C
	834-078	H17CB-5C
<b>REZNOR LLC</b>	025787	H91WG-1C
	061145	J992HXW-7221C
	125671	Q90FF-4C

OEM NAME	OEM PART NUMBER	BASO PART NUMBER
<b>REZNOR-THOMAS &amp; BETTS</b>	88242	H91LG-8C
	112922	H91MG-8C
	025787	H91WG-1C
	160-25787	H91WG-1C
	017890	J963HXA-6218C
	093971	J983HKW-7715C
	061145	J992HXW-7221C
	094624	J992HXW-7223C
	126104	Y75AA-2C
	098697	Y75AA-3C
	043594	Y75BA-3C
	126101	Y75GB-1C
	40965	Y90AA-4207C
	037801	Y90AA-4209C
	042089	Y90AA-4211C
	63088	Y90AA-7221C
	063397	Y90AA-7223C
<b>RHEEM SALES INC</b>	62-20719-01	Y75AA-2C
<b>ROUNDUP (ANTUNES)</b>	0531-AP7-1	Y99AY-3C
<b>ROXELL USA</b>	13008095	G92CAB-14C
	11000232	H91BG-6C
	11001539	H91MA-4C
	18001536	H91WG-1C
	16-11154	K15FA-24H
	11000663	K15FA-30H
	11000041	K15FA-36H
	11004916	Y70AA-1C
	11004916	Y70AA-2C
18002850	Y90AA-4209C	
<b>RS RESTAURANT EQUIPMENT</b>	BGP-H15DA- 1D	H15DA-3C
<b>SANITECH CORPORATION</b>	1G-01	BG1600M00EM- 1ADC
	IG-08	Y75AA-3C
	IG-07	Y90HA-4709C



OEM NAME	OEM PART NUMBER	BASO PART NUMBER
<b>SAVAGE BROTHERS CO</b>	9500-20-003	H15DH-3C
	9500-20-002	H43BA-2C
	9500-40-001	K15DA-24H
	9500-40-002	K15DA-30H
	9500-00-003	Y90AA-3218C
	9500-00-001	Y90AA-3223C
<b>SELAS HEAT TECHNOLOGY CO</b>	1922D3	H15DA-3C
	04693D2	H19RA-2C
<b>SOUTHBEND</b>	1182567	G292AA-1C
	1185533	G96AAQ-4C
	1180866	H15CQ-3C
	1173493	H15HR-6C
	1174340	H43BA-2C
	1173484	H91CA-24C
	B42-00008	H91RA-4C
	1173574	J970EKA-1C
	1173576	K15DA-12H
	1182399	K15DA-18H
	1182580	K15DA-24H
	1182580	K15DA-30H
	1173580	Y90HA-7718C
	1056400	T36B0-1H
	1199575	T36A1-1H
1099002	Y99AY-2C	
<b>SPARTAN MANUFACTURING</b>	ELE067	Y90HA-4709C
<b>STANDEX COOKING SOLUTIONS</b>	2092702	H15DB-1C
	2092800	J996LYA-1C
	2093200	K16BA-18H
	M1167A	Y75AA-5C
	2092904	Y90AA-4211C
	2092903	Y90AA-7218C
<b>STANDEX (TRI-STAR)</b>	300157	T36A1-1H
	311027	Y99AY-3C

OEM NAME	OEM PART NUMBER	BASO PART NUMBER
<b>STAR MANUFACTURING</b>	2V-80505-10	G196NGH-1C
	2V-Z6825	G96MG04HBL-8NC
	2V-80505-18-1	GM-70-CLP
	2J-Z4607	H17AB-2C
	2J-Z4607	H17CA-2C
	2J-Y9529	H19AL-2C
	2J-8958	H43AB-4C
	2J-8579	H43BB-2C
	2V-80502-01	H91ADA-1C
	2J-Z4610	H91CA-21C
	2V-80502-01	H91DA-1C
	2V-80502-04	H91DA-7C
	2V-Z5104	H91DG-2C
	2V-80502-03	H91DG-2C
	2J-Z4608	J118DDA-3223C
	2J-80201-14	J989FTW-1C
	2J-Z4609	K16BA-24H
	2V-80505-11	Y71GF-3
	2V-Z5659	Y71GF-4
	2V-80505-16	Y71QH-3C
	2E-41100-07	Y75AA-3C
	2E-41100-07	Y75AA-3C
	2A-6724	Y90AA-4207C
	2A-80401-05	Y90AA-4210C
	2A-80401-04	Y90AA-7221C
	2V-Y1177	Y99AY-2C
	2J-49270 2J-1182154	T36A1-1H
<b>STERO COMPANY</b>	P542005	J997FTA-1C
	P542004	K16BA-48H
	P542007	Y90AA-3221C
	P542006	Y90AA-4211C
<b>TEKCAST INDUSTRIES INC</b>	P03-005	J996MDA-2H
<b>THE DELFIELD COMPANY</b>	323-4343	H17DB-5C
	3234341	K15DA-24H

OEM NAME	OEM PART NUMBER	BASO PART NUMBER
<b>THE MONTAGUE COMPANY</b>	48392-3	BG1600M00FP-1ADC
	01028-6	G92CAC-5C
	27043-1	H15CA-1C
	1025-1	H15HQ-5C
	34604-7	H15HR-2C
	34604-7	H15HR-6C
	29024-6	H91CA-21C
	02152-0	J184EKA-9813C
	23220-3	J992DXA-4211C
	34176-2	J992DXA-7218C
	23218-1	J992DXA-7221C
	1013-8	K15DA-30H
	01016-2	K15DA-36H
	27038-5	K16FA-36H
	1036-7	K16RA-48H
	27876-9	K16RA-60H
	2335-3	R54889-122B
	1421-4	Y57HH-36C
	25394-4	Y57HH-48
	25385-5	Y71GF-3
	01070-7	Y75AA-2C
	25390-1	Y90AA-4209C
	25389-8	Y90AA-7218C
	30437-9	Y90HA-4710C
30436-0	Y90HA-6721C	
<b>TOWN FOOD SERVICE EQUIPMENT</b>	252241	J998MDA-2H
	252241	J999MDA-9825H
	252239	J999MHA-2H
	252240	J999MYA-2H
	252238	K16RA-36H

OEM NAME	OEM PART NUMBER	BASO PART NUMBER
<b>TRANE GLOBAL PARTS</b>	X13120423010	H91BA-11C
	X15220033010	H91RG-1C
	X13120510010	H91WG-1C
	X13130409010	J996DDJ-3523C
	X13130410010	J997DDJ-3223C
	X13116600000	L62AA-5C
	X13110169000	Y57BD-31C
	X19070252-03	Y57BD-52C
	X19070252040	Y57BD-61C
	X19070252040	Y57BD-61C
	X13130168020	Y75AA-7C
	X13130168020	Y75AA-7C
	X13110137000	Y90AA-3221C
	X15101500000	Y90AA-4211C
	X13110174000	Y99AF-3C
	X13130405010	Y99AF-4C
	X01010531010	Y99AR-1H

OEM NAME	OEM PART NUMBER	BASO PART NUMBER	
UNIFIED BRANDS, INC	079803	BG1600M00FF-1ADC	
	97610	G92DAB-1C	
	088260	G93AGB-1C	
	160776	G960BBCBGA-1C	
	098443	G96HGA-17C	
	79801	G96HGA-1C	
	123815	G96HGA-7C	
	HD GAS175	H17DB-5C	
	85160	H91CA-21C	
	99906	H91CG-8C	
	106627	H91EG-7C	
	108963	H91RG-1C	
	HD GAS641	J641DHA-4712C	
	127578	J977EHW-1C	
	97024	J982EHW-1C	
	3750	J993EHW-7218C	
	HD GAS524	K15DA-24H	
	063048	K15DA-30H	
	63048	K15DA-36H	
	79802	Y71GF-4	
	152736	Y71QH-2C	
	3328	Y75AA-2C	
	152759	Y90AA-3221C	
	069886	Y90AA-3223C	
	152006	Y90AA-3225C	
	4818	Y90AA-4209C	
	139312	Y90HA-4710C	
	HD GAS721	Y90HA-6721C	
	139756	Y90HA-7721C	
	117051	Y99AX-2H	
	U.S. RANGE	227015	Y99AY-3C
		1086597	Y99AY-1C
VISION PARTS & ACCESS.	Z07-H15CA1D	H15CA-1C	
	Z07-H15HR2D	H15HR-2C	
VULCAN HART	404193-2	Y99AY-34C	
	719179	Y99AY-2C	
	404738-3 844516-14		
VULCAN HART (WOLF RANGE)	410839-1	T36B0-1H	
	410839-4	T36A1-1H	

OEM NAME	OEM PART NUMBER	BASO PART NUMBER	
WAYNE COMBUSTION SYSTEMS	75081-001	G96HGA-4C	
	75082-001	G96HGC-9C	
	64339-001	G96MG04HBL-8NC	
	64139-001	H91DA-7C	
	64206-001	H91RS-2C	
	64370-001	RSDA16A-25C	
	61800	Y57HH-36C	
	62325	Y75AA-4C	
	60192-018	Y90AA-3218C	
	60192	Y90AA-3223C	
	60192-025	Y90AA-3225C	
	60193	Y90AA-4211C	
	62490-001	Y90AA-7221C	
	WEIL-MCLAIN CO INC	511044039	H91ABG-5C
		571330104	J992LYW-7125C
511330229		L62GB-3C	
571724264		Y75AA-3C	
WHITE CASTLE PURCHASING	C195	G93AAB-2C	
	C175AAA	J181EKA-1C	
	C173	Y90AA-7218C	
	C176	Y90AA-7223C	
WILLIAMS FURNACE COMPANY	P233100	K16BA-24H	
	P322391	K16KA-24H	
WOLF RANGE	410839-1	R54889-189G	



# For Over a Century

# **BASO and Quality**

## Have Remained Synonymous

Since its inception in 1914, BASO has been recognized as an innovative leader in developing and manufacturing a wide range of quality gas control products and accessories.

Originally called Milwaukee Gas Specialty Company, the facility produced gas range accessories and later added products for water heaters and furnaces.

When the company was granted an exclusive license to manufacture and market the Baltimore Automatic Shut-Off (BASO) switch in 1934, Milwaukee Gas Specialty Company and BASO quickly became synonymous. The company's name was officially changed to BASO, Inc. in 1957.

In 1961, BASO merged with Penn Controls, and in 1968 the combined entity was purchased by Johnson Controls, Inc.

BASO Gas Products LLC, was formed on August 30, 2004, when Johnson Controls sold its BASO gas valve and pilot burner business in Watertown, Wisconsin, to George Sopko. For the previous 12 years, George had been the Johnson Controls Watertown Plant Manager. The vision to "go it alone" and purchase this business arose from the strong belief that success lies with a dedicated team of people focused on the customer and product quality, while operating in an environment using world class manufacturing methods and practices.

Today, locally owned BASO continues with the same employees, which means customers can continue to obtain the same BASO products, manufactured and supported by the same people, with the same dedication to quality.

While many things have changed in the last 100+ years, our commitment to producing superior products, providing exceptional customer service and operating with integrity remains unchanged.

## **BASO Gas Products LLC....firing you up since 1914.**

Performance specifications are nominal and conform to acceptable industry standards. All agency certification of BASO products is performed under dry and controlled indoor environmental conditions. Use of BASO products beyond these conditions is not recommended and may void the warranty. If the product is exposed to water (dripping, spraying, rain, etc.) or other harsh environments, it must be protected. The original equipment manufacturer or end user is responsible for the correct application of BASO products. Consult BASO Gas Products for questionable applications. BASO Gas Products LLC shall not be liable for damages or product malfunctions resulting from misapplication or misuse of its products.



1007 South 12th Street • PO Box 170 • Watertown, WI 53094  
1.877.BASO-Gas (1.877.227.6427)  
Fax: 920.261.3878  
[www.BASO.com](http://www.BASO.com)



Future site of BASO Gas Products  
450 East Horseshoe Road  
Watertown WI 53094

