

## FEATURES & SPECIFICATIONS

**INTENDED USE** — Typical applications include corridors, lobbies, conference rooms and private offices.

**CONSTRUCTION** — Heavy-gauge aluminum housing.

Ceiling mount for direct installation to 4" octagonal or square junction box.

Pendant mount entry for 3/8" National Pipe Thread stem; wires supplied by others.

Textured polyester powder paint finish standard.

Multiple ceiling, pendant, cord, and wall mount options available.

**OPTICS** — LEDs are binned to a 3-step SDCM; 80 CRI minimum. 90 CRI optional.

LED light source concealed with diffusing optical lens.

General illumination lighting with 1.0 S/MH and 55° cutoff to source and source image.

Self-flanged anodized reflectors in specular, semi-specular, or matte diffuse finishes. Also available in white and black painted reflectors.

**ELECTRICAL** — Multi-volt (120-277V, 50/60Hz) 0-10V dimming drivers mounted to junction box, 10% or 1% minimum dimming level available.

347V available option; transformer must be field-installed to an accessible remote-mounted junction box.

0-10V dimming fixture requires two (2) additional low-voltage wires to be pulled.

70% lumen maintenance at 60,000 hours.

**LISTINGS** — Certified to US and Canadian safety standards. Damp location standard (wet location, covered ceiling optional). ENERGY STAR® certified product.

**BUY AMERICAN** — This product is assembled in the USA and meets the Buy America(n) government procurement requirements under FAR, DFARS and DOT. Please refer to [www.acuitybrands.com/buy-american](http://www.acuitybrands.com/buy-american) for additional information.

**WARRANTY** — 5-year limited warranty. Complete warranty terms located at: [www.acuitybrands.com/support/warranty/terms-and-conditions](http://www.acuitybrands.com/support/warranty/terms-and-conditions)

**Note:** Actual performance may differ as a result of end-user environment and application.

All values are design or typical values, measured under laboratory conditions at 25 °C.

Specifications subject to change without notice.



A+ Capable options indicated by this color background.

Catalog Number
Notes
Type

# LDN6CYL

6" CYLINDER  
Non-IC



Buy American



### ORDERING INFORMATION

Lead times will vary depending on options selected. Consult with your sales representative.

**Example:** LDN6CYL 35/15 L06AR LSS MVOLT EZ1 FCM DWHG

Series	Color temperature	Lumens	Aperture/Trim Color		Finish	Voltage				
LDN6CYL 6" cylinder	27/ 2700K	05 500 lumens	L06	Downlight	AR	Clear	LSS	Semi-specular	MVOLT	Multi-volt
	30/ 3000K	07 750 lumens	LW6 <sup>1</sup>	Wallwash	WR <sup>2</sup>	White	LD	Matte diffuse	120	120V
	35/ 3500K	10 1000 lumens			BR <sup>2</sup>	Black	LS	Specular	277	277V
	40/ 4000K	15 1500 lumens								
	50/ 5000K	20 2000 lumens								
		25 2500 lumens								
		30 3000 lumens								
		40 4000 lumens								
	50 5000 lumens									

Driver <sup>3</sup>	Mounting	Options <sup>6</sup>	Architectural Colors <sup>10,11</sup>
GZ10 0-10V driver dims to 10%	FCM Ceiling mount	SF <sup>5</sup> Single fuse	DWHG Matte white
GZ1 0-10V driver dims to 1%	WM Wall mount	NPP16D <sup>7,8</sup> nLight® network power/relay pack with 0-10V dimming for non-eldoLED drivers (GZ10, GZ1).	DDB Dark bronze
EZ10 0-10V eldoLED driver with smooth and flicker-free deep dimming performance down to 10%	PM <sup>4</sup> Pendant 3/8" thread mount	NPP16DER <sup>7,8</sup> nLight® network power/relay pack with 0-10V dimming for non-eldoLED drivers (GZ10, GZ1). ER controls fixtures on emergency circuit.	DBL Black
EZ1 0-10V eldoLED driver with smooth and flicker-free deep dimming performance down to 1%	ACC <sup>5</sup> 10ft aircraft cable and cord mount	NPS80EZ <sup>7,8</sup> nLight® dimming pack controls 0-10V eldoLED drivers (EZ10, EZ1).	DWH Glossy white
	ACC180 <sup>5</sup> 15ft aircraft cable and cord mount	NPS80EZER <sup>7,8</sup> nLight® dimming pack controls 0-10V eldoLED drivers (EZ10, EZ1). ER controls fixtures on emergency circuit.	DMB Medium bronze
		90CRI High CRI (90+)	DNA Natural aluminum
		WL <sup>9</sup> Wet location	DSS Sandstone
			DGC Charcoal grey
			DTG Tennis green
			DBR Bright red
			DSB Steel blue

### Notes

- Not available in ACC mount.
- Not available with finishes.
- Refer to TECH-240 for compatible dimmers.
- Supplied with 10ft supply and dimming connections.
- White cord supplied with white housings. All other finishes supplied with black cord.
- Must specify voltage 120V or 277V.
- Specify voltage. ER for use with generator supply EM power. Will require an emergency hot feed and normal hot feed.
- Interface remote mounted. Access panel (supplied by others) recommended.
- Not available with ACC & ACC180 mounting options.
- Additional architectural colors available; see [www.lithonia.com/archcolors](http://www.lithonia.com/archcolors).
- Color and length of stem must be specified (from 6" to 240" in even increments in maximum sections of 48"). Ex.: CYS06 DWHG. Ceiling attachment for interior use. Consult factory for exterior.
- Must be field-installed to an accessible remote-mounted junction box.

# LDN6CYL

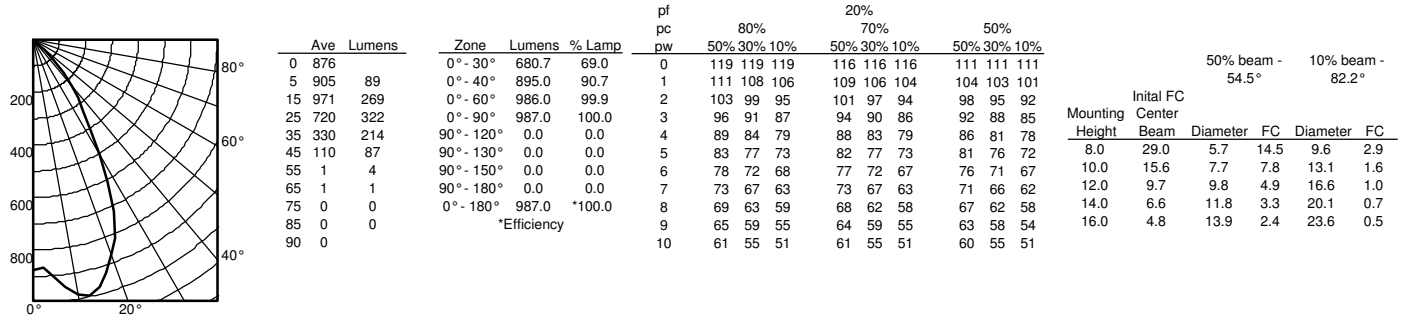
Accessories: Order as separate catalog number. (shipped separately)

CYS <sup>11</sup>	3/8" stem and canopy with 5° "hang straight" swivel
CRS <sup>11</sup>	3/8" stem and canopy with 45° swivel
SDT 347/120 75VA <sup>12</sup>	347V Step-down transformer

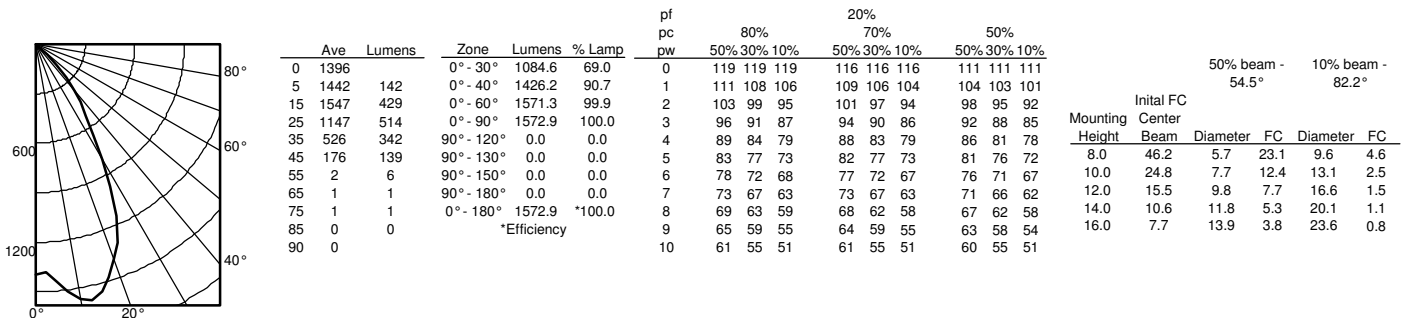
## PHOTOMETRY

**Distribution Curve      Distribution Data      Output Data      Coefficient of Utilization      Illuminance Data at 30" Above Floor for a Single Luminaire**

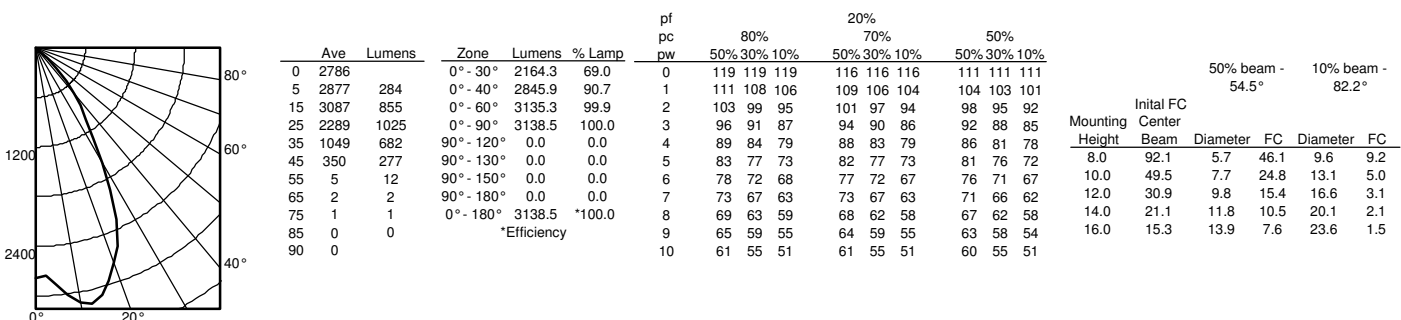
**LDN6 35/10 L06AR**, input watts: 10.44, delivered lumens: 987.10, LM/W = 94.54, spacing criterion at 0= 1.02, test no. ISF 30716P262.



**LDN6 35/15 L06AR**, input watts: 17.52, delivered lumens: 1572.9, LM/W = 87.45, spacing criterion at 0= 1.02, test no. ISF 30716P265.

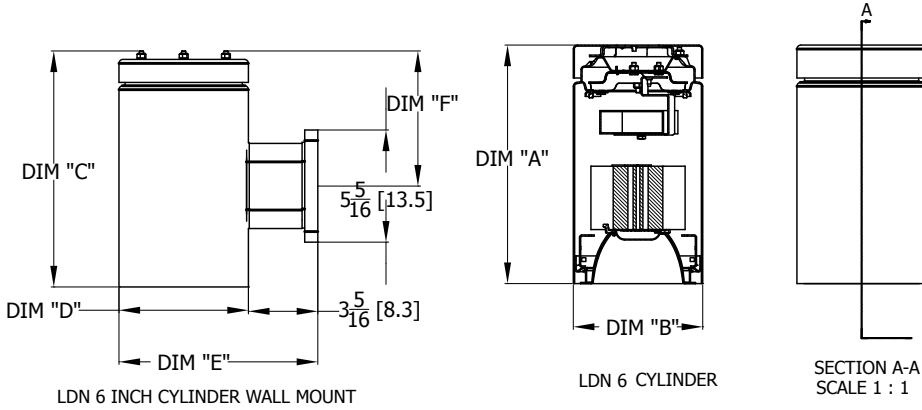


**LDN6 35/30 L06AR**, input watts: 34.75, delivered lumens: 3138.5, LM/W = 90.31, spacing criterion at 0= 1.02, test no. ISF 30716P274.



# LDN6CYL

\* All dimensions are inches (centimeters) unless otherwise noted.



DIMENSION TABLE							
LUMEN OUTPUT	STYLE	DIM "A"	DIM "B"	DIM "C"	DIM "D"	DIM "E"	DIM "F"
500-3000 LM	CEILING MOUNT (FCM)	11 5/16	8 1/8				
500-3000 LM	CEILING MOUNT WET LOCATION (FCM WL)	11 5/16	8 1/8				
500-3000 LM	PENDANT MOUNT (PM)	10 1/2	8 1/8				
500-3000 LM	PENDANT MOUNT WET LOCATION (PM WL)	11 1/2	8 1/8				
500-3000 LM	CABLE MOUNT (ACC)	10 5/16	8 1/8				
500-3000 LM	WALL MOUNT (WM)			10 1/16	8 1/8	11 1/2	6 3/8
500-3000 LM	WALL MOUNT WET LOCATION (WM WL)			11 3/16	8 1/8	11 1/2	6 3/8
4000-5000 LM	CEILING MOUNT (FCM)	11 3/8	10 1/4				
4000-5000 LM	CEILING MOUNT WET LOCATION (FCM WL)	11 3/8	10 1/4				
4000-5000 LM	PENDANT MOUNT (PM)	10 3/4	10 1/4				
4000-5000 LM	PENDANT MOUNT WET LOCATION (PM WL)	11 1/2	10 1/4				
4000-5000 LM	CABLE MOUNT (ACC)	10 3/8	10 1/4				
4000-5000 LM	WALL MOUNT (WM)			10 1/16	10 1/4	13 1/2	6 3/8
4000-5000 LM	WALL MOUNT WET LOCATION (WM WL)			11 3/16	10 1/4	13 1/2	6 3/8

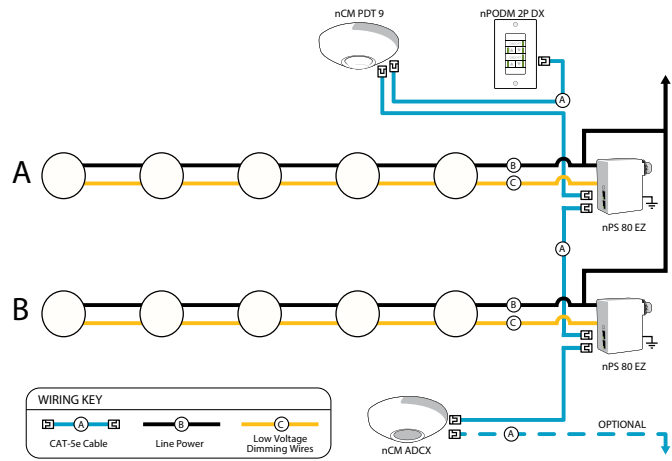
LUMEN OUTPUT MULTIPLIERS - FINISH			
	Clear (AR)	White (WR)	Black (BR)
Specular (LS)	1.0	N/A	N/A
Semi-specular (LSS)	0.950	N/A	N/A
Matte diffuse (LD)	0.85	N/A	N/A
Painted	N/A	0.87	0.73

LUMEN OUTPUT MULTIPLIERS - CCT					
	2700K	3000K	3500K	4000K	5000K
80CRI	0.950	0.966	1.000	1.025	1.101

LDN6CYL			
Nominal Lumens	Lumens	Wattage	Lm/W
500	527.9	5.8	90.5
750	758.1	8.9	85.1
1000	950.1	10.4	91.0
1500	1514	17.5	86.4
2000	2006	22.5	89.1
2500	2504	28.3	88.6
3000	3021	34.8	86.9
4000	4008	44.3	90.6
5000	4975	57.7	86.3

ADDITIONAL DATA

COMPATIBLE 0-10V WALL-MOUNT DIMMERS		
MANUFACTURER	PART NO.	POWER BOOSTER AVAILABLE
Lutron®	Diva® DDTV	
	Diva® DVSCTV	
	Nova T® NTFTV	
	Nova® NFTV	
Leviton®	AWSMT-7DW	CN100
	AWSMG-7DW	PE300
	AMRMG-7DW	
	Leviton Centura Fluorescent Control System	
	IllumaTech® IP7 Series	
Synergy®	ISD BC	RDMFC
	SLD LPCS	
	Digital Equinox (DEQ BC)	
Douglas Lighting Controls	WPC-5721	
Entertainment Technology	Tap Glide TG600FAM120 (120V)	
	Tap Glide Heatsink TGH1500FAM120 (120V)	
	Oasis 0A2000FAMU	
Honeywell	EL7315A1019	EL7305A1010 (optional)
	EL7315A1009	
HUNT Dimming	Preset slide: PS-010-IV and PS-010-WH	
	Preset slide: PS-010-3W-IV and PS-010-3W-WH	
	Preset slide, controls FD-010: PS-IFC-010-IV and PS-IFC-010-WH-120/277V	
	Preset slide, controls FD-010: PS-IFC-010-3W-IV and PS-IFC-010-3W-WH-120/277V	
	Remote mounted unit: FD-010	
Lehigh Electronic Products	Solitaire	PBX
PDM Electrical Products	WPC-5721	
Starfield Controls	TR61 with DALI interface port	RT03 DALInet Router
WattStopper®	LS-4 used with LCD-101 and LCD-103	



nLight® Control Accessories: Order as separate catalog number. Visit <a href="http://www.sensorswitch.com/nLight">www.sensorswitch.com/nLight</a> for complete listing of nLight controls.			
<b>WallPod stations</b>	<b>Model number</b>	<b>Occupancy sensors</b>	<b>Model number</b>
On/Off	nPODM [color]	Small motion 360°, ceiling (PIR / dual tech)	nCM 9 / nCM PDT 9
On/Off & Raise/Lower	nPODM DX [color]	Large motion 360°, ceiling (PIR / dual tech)	nCM 10 / nCM PDT 10
Graphic Touchscreen	nPOD GFX [color]	Wide view (PIR / dual tech)	nWV 16 / nWV PDT 16
<b>Photocell controls</b>	<b>Model number</b>	Wall Switch w/ Raise/Lower (PIR / dual tech)	nWSX LV DX / nWSX PDT LV DX
Dimming	nCM ADCX	<b>Cat-5 cables (plenium rated)</b>	<b>Model number</b>
		10', CAT5 10FT	CAT5 10FT J1
		15', CAT5 15FT	CAT5 15FT J1

**A+ Capable Luminaire**

This item is an A+ capable luminaire, which has been designed and tested to provide consistent color appearance and out-of-the-box control compatibility with simple commissioning.

- All configurations of this luminaire meet the Acuity Brands' specification for chromatic consistency
- This luminaire is part of an A+ Certified solution for nLight® control networks when ordered with drivers marked by a **shaded background\***
- This luminaire is part of an A+ Certified solution for nLight control networks, providing advanced control functionality at the luminaire level, when selection includes driver and control options marked by a **shaded background\***

To learn more about A+, visit [www.acuitybrands.com/aplus](http://www.acuitybrands.com/aplus).

\*See ordering tree for details