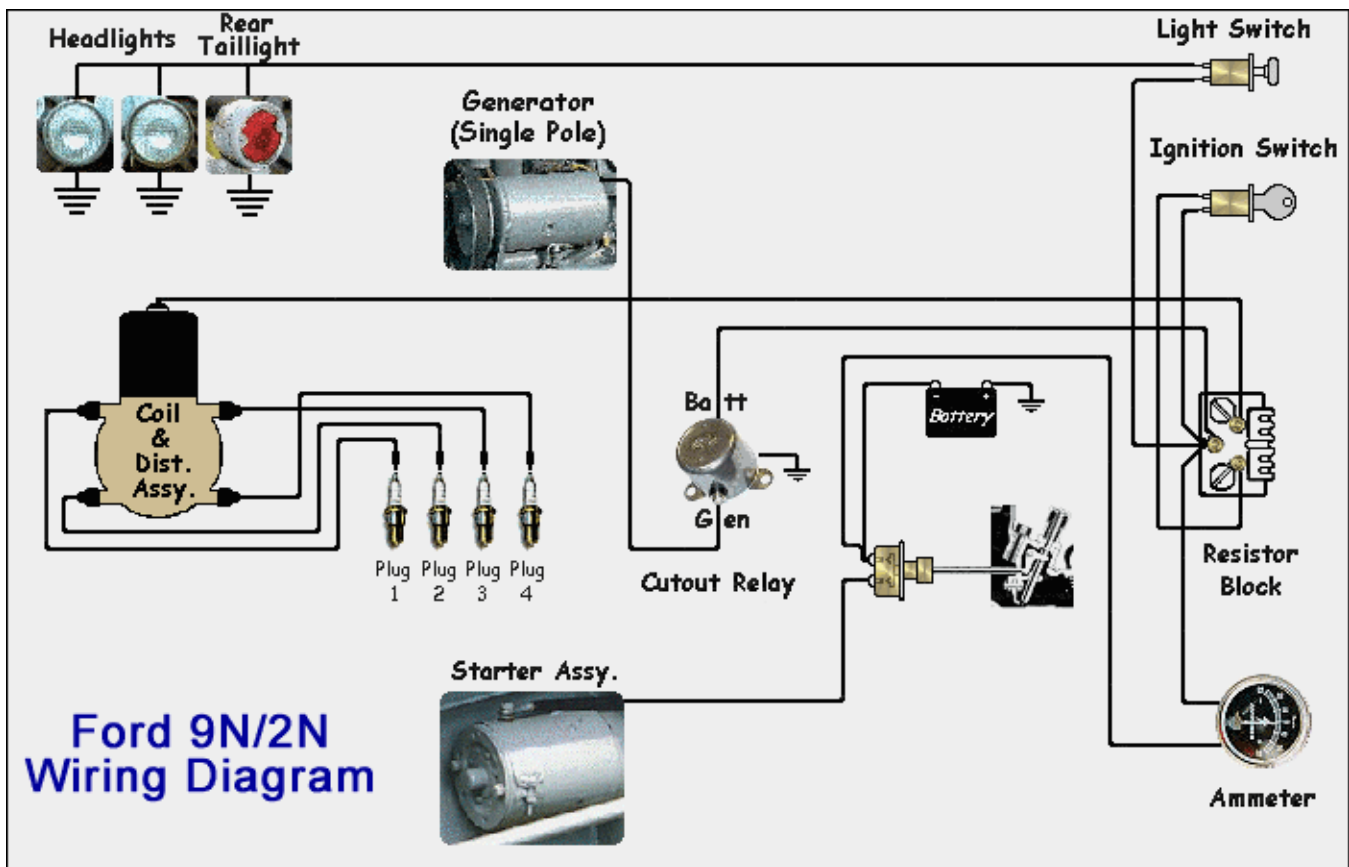
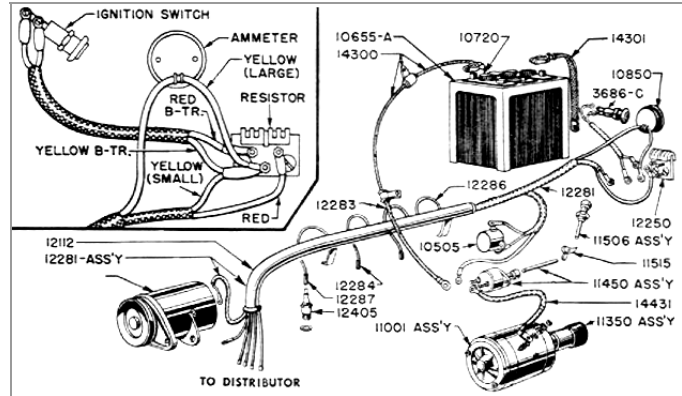
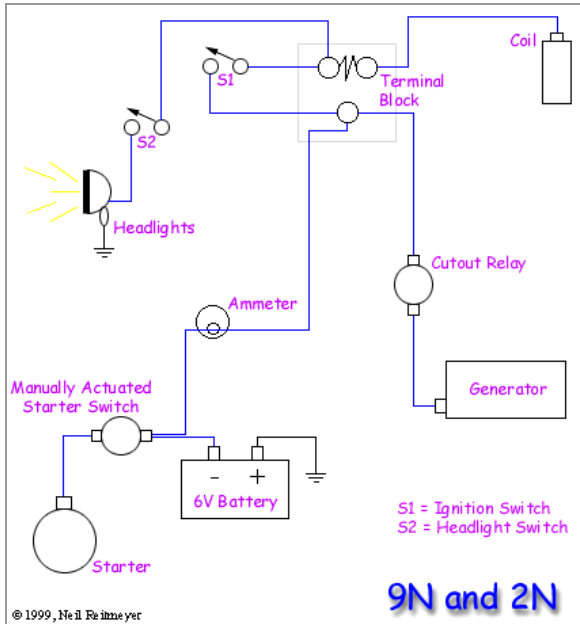


# Wiring Diagrams & Harnesses for Ford Tractors

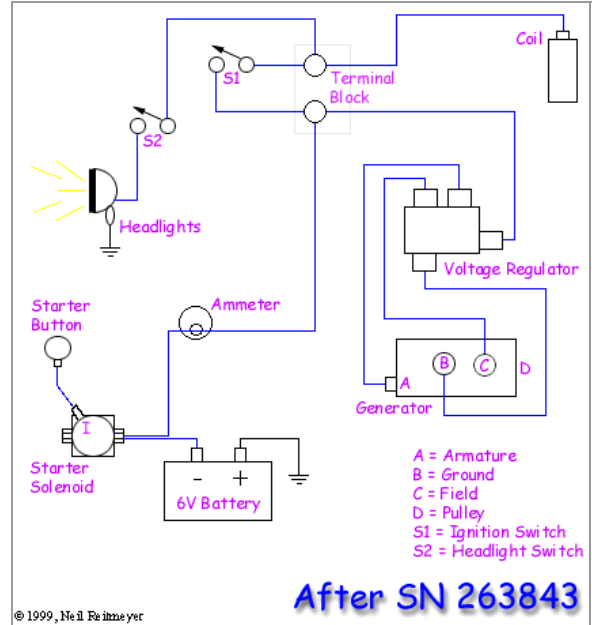
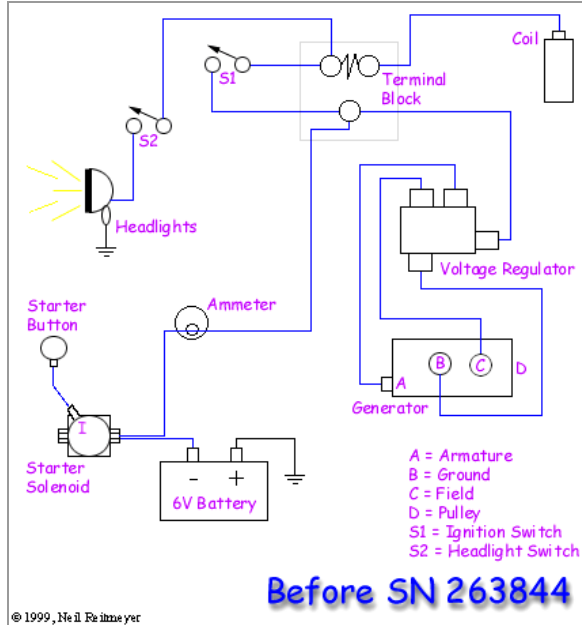
Contributed by Neil Reitmeyer, Rob G, Don & Derek Barkley, Dan Dibbens, Ed Gooding, and Tyler Neff

## • 9N/2N Wiring Diagrams

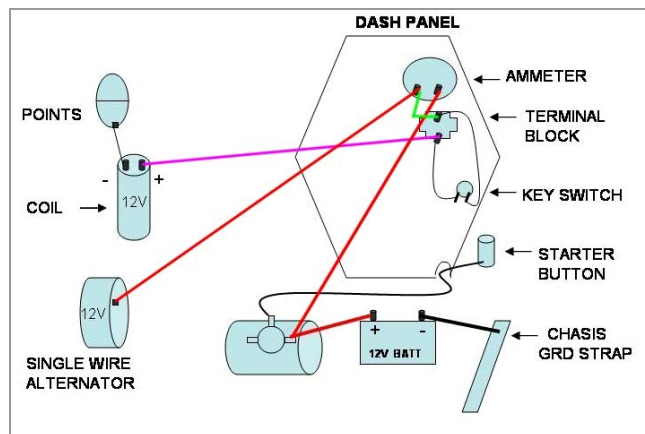
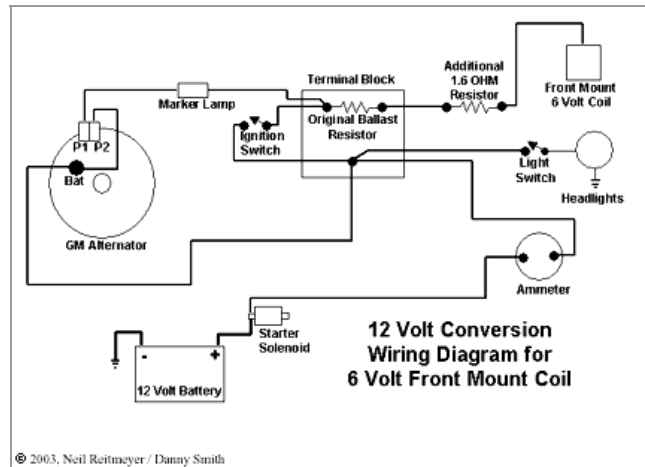
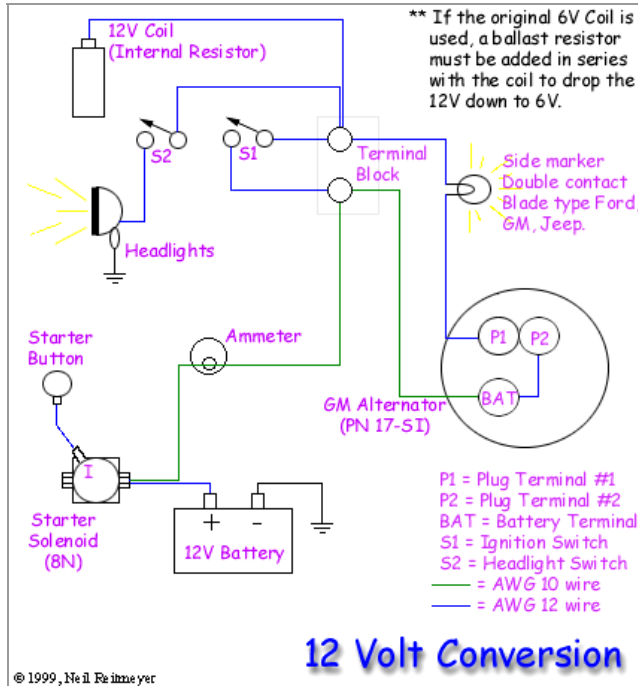


## 9N Wiring Harnesses

## • 8N Wiring Diagrams

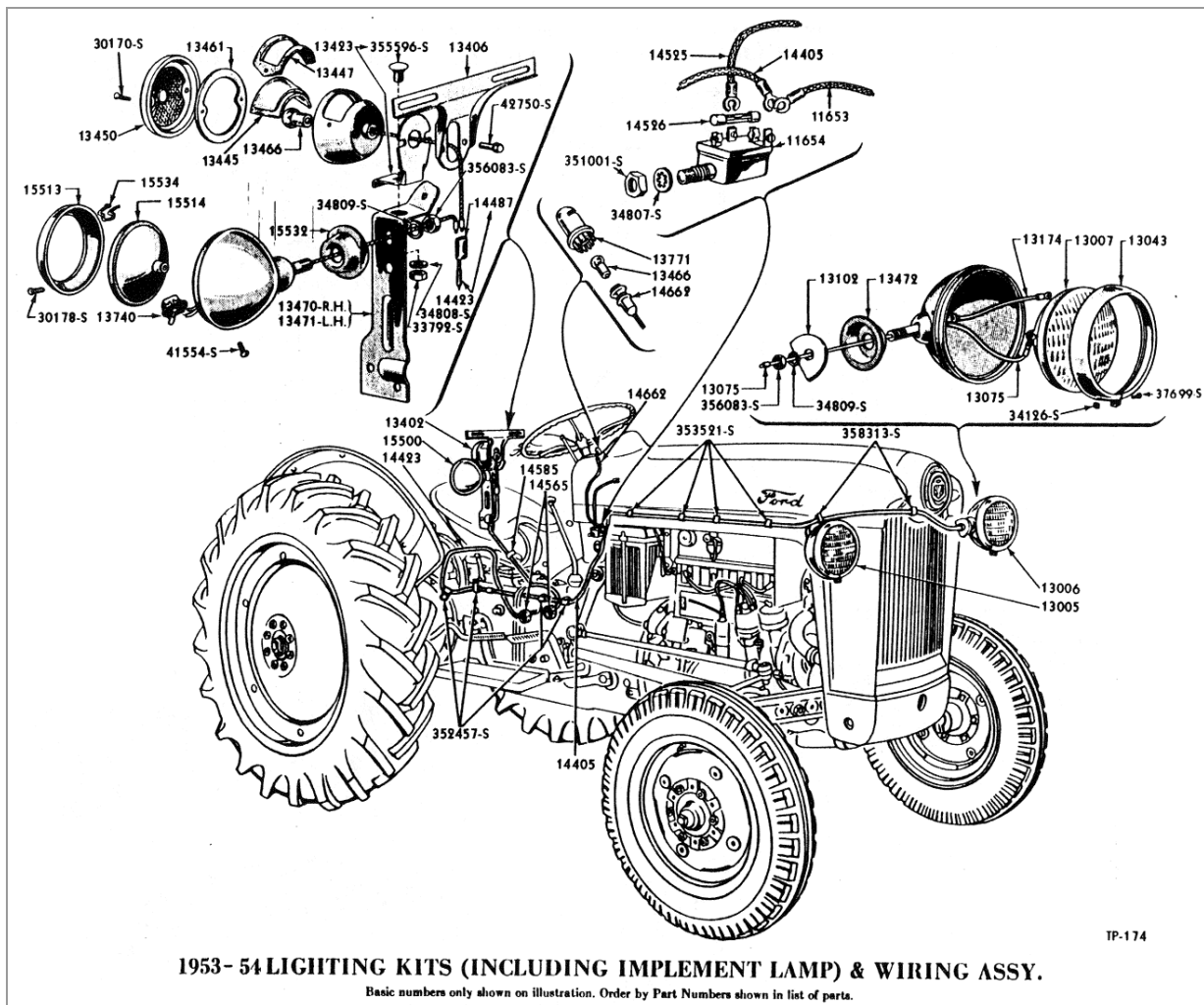
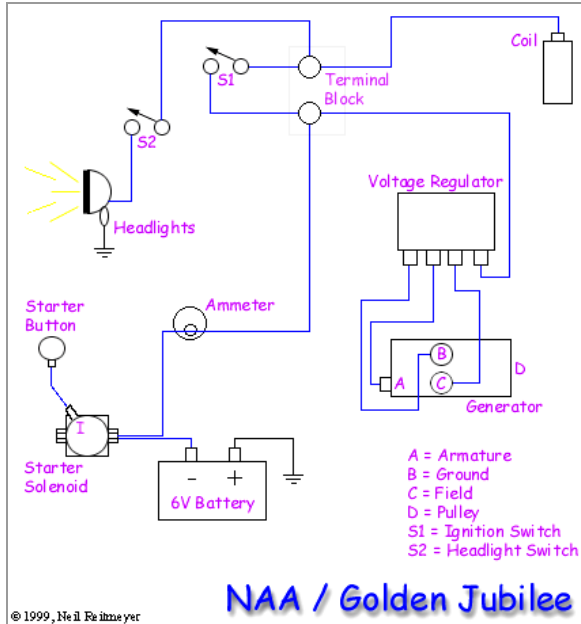


## • 12 Volt Conversion Wiring Diagrams



## 8N Wiring Harnesses

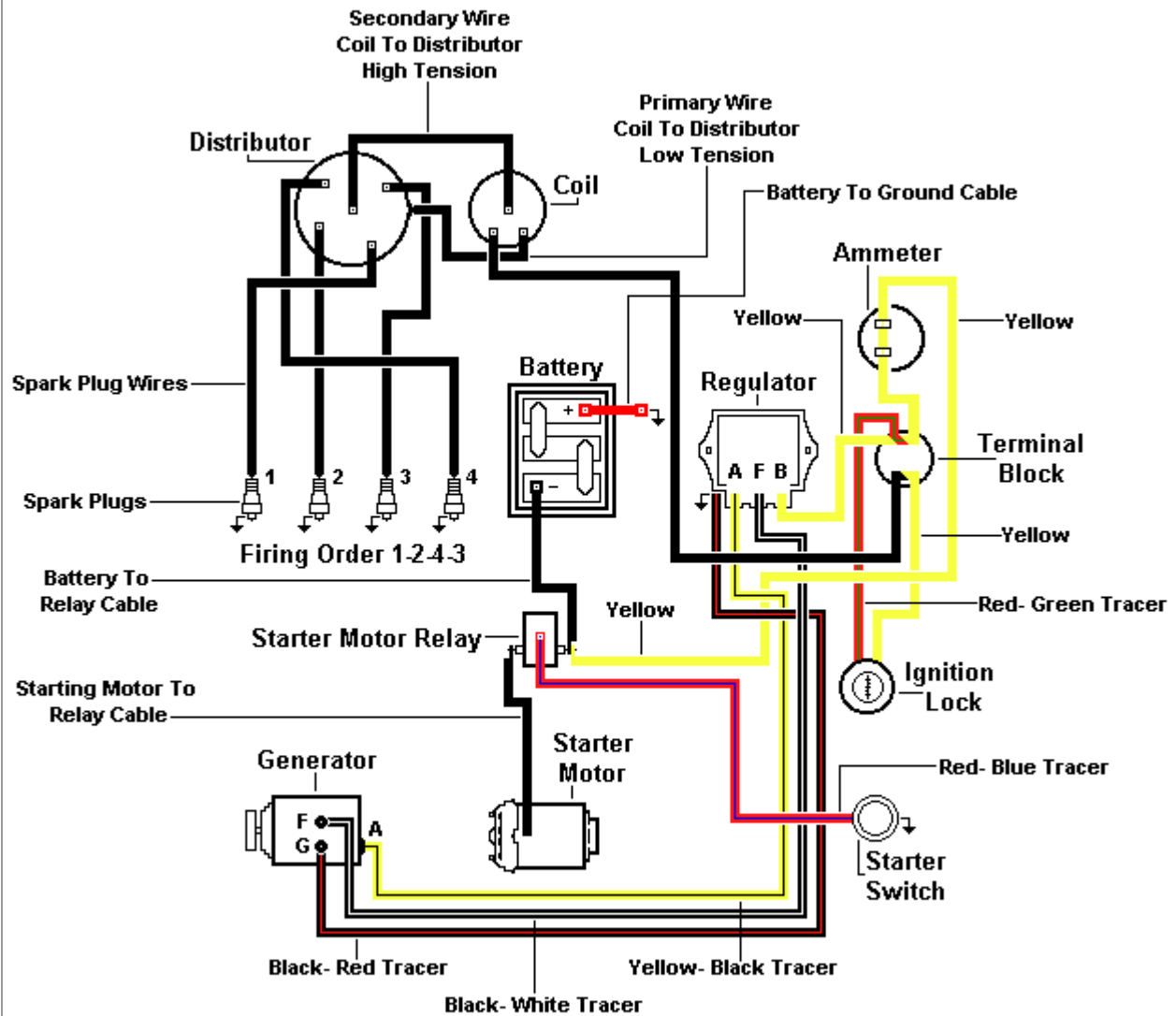
• NAA Wiring Diagrams



Jubilee/NAA Wiring Harness

• Series 600 Wiring Diagram

## Electrical System Wiring Diagram 6- Volt Positive Ground

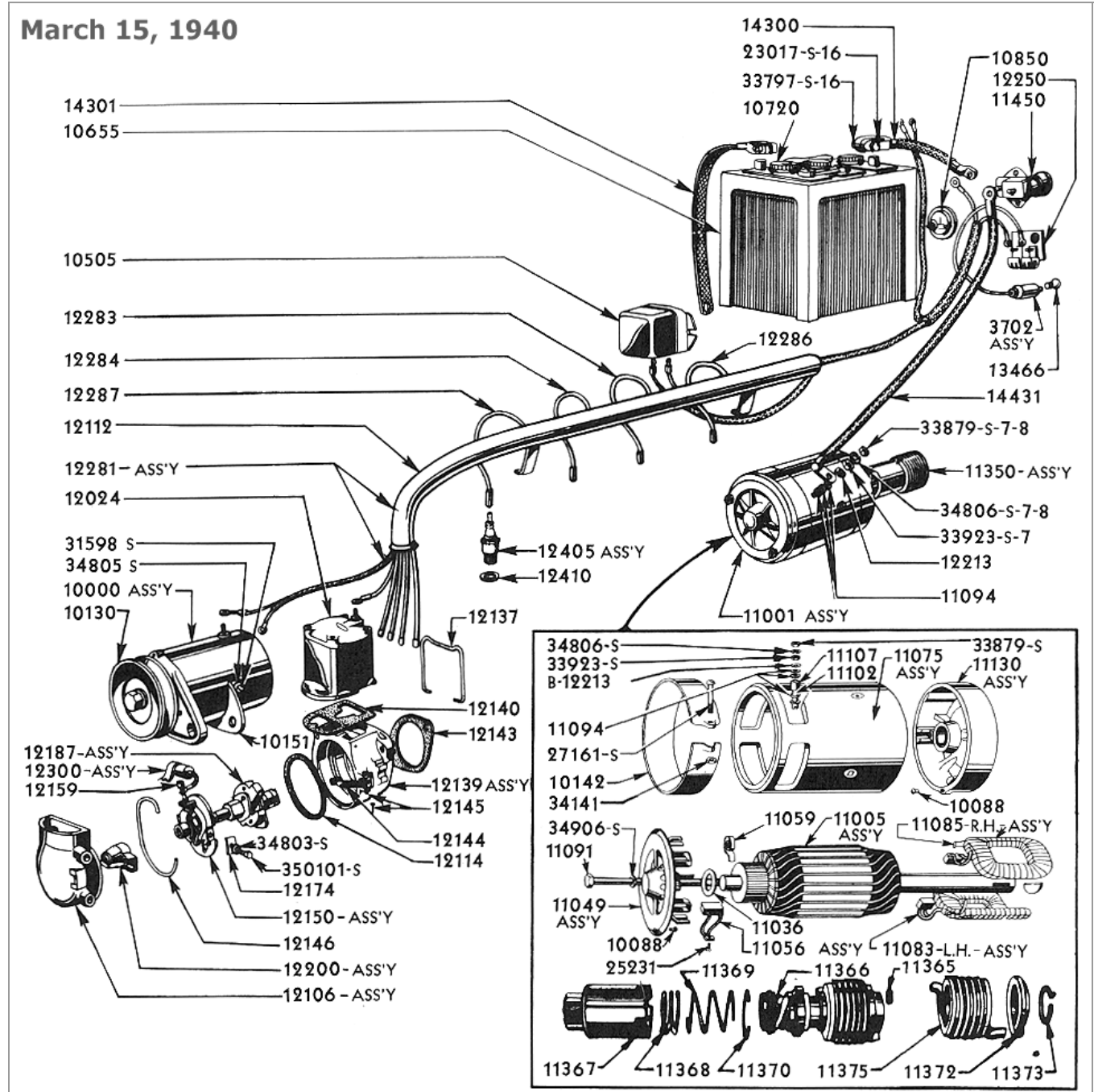


**The Vintage Ford Tractor Resource**  
[www.hometown.aol.com/naa60512/naa.htm](http://www.hometown.aol.com/naa60512/naa.htm)

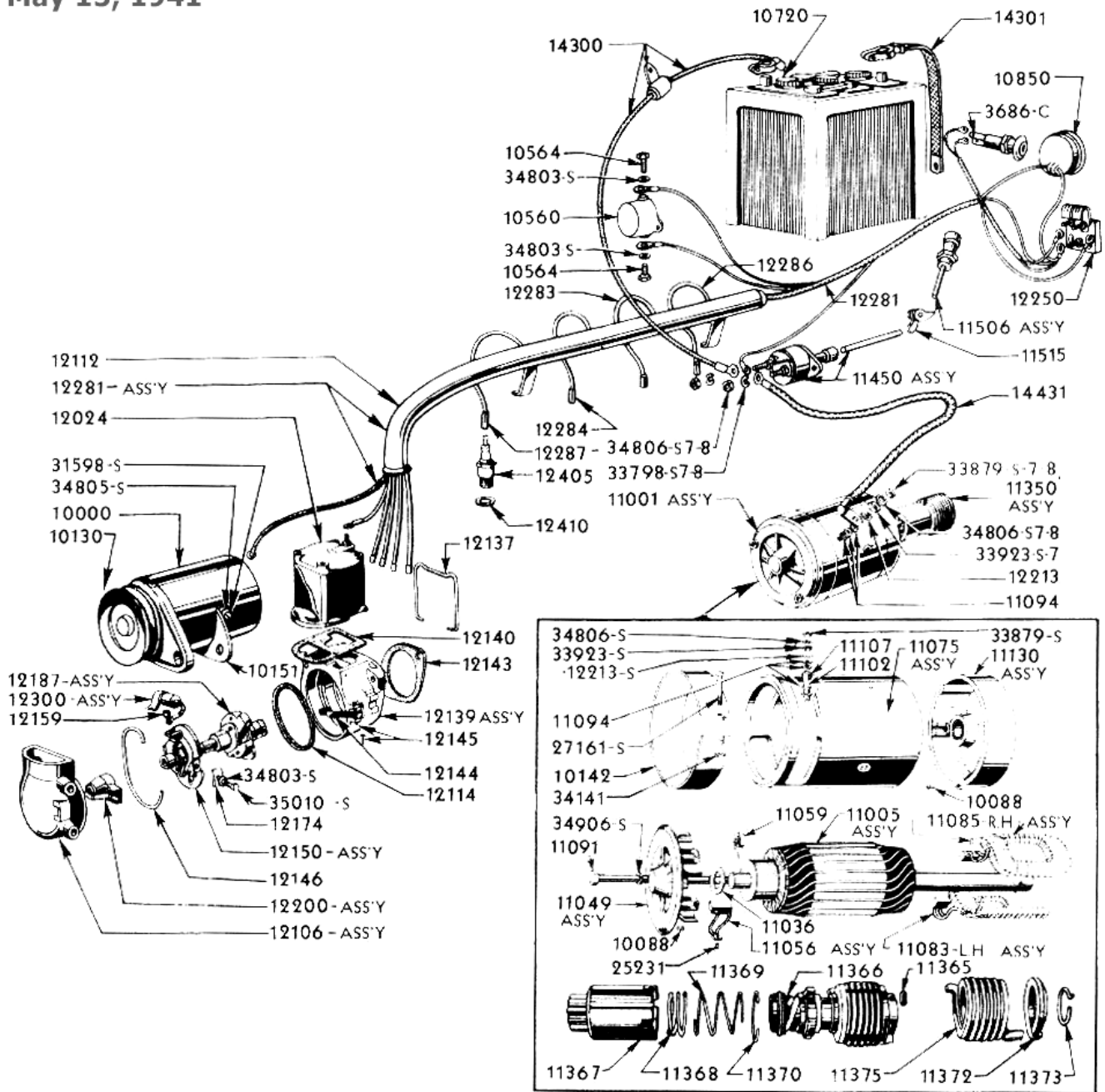
# Wiring Diagrams from Parts Manuals

## • 9N/2N Manual Wiring Diagrams

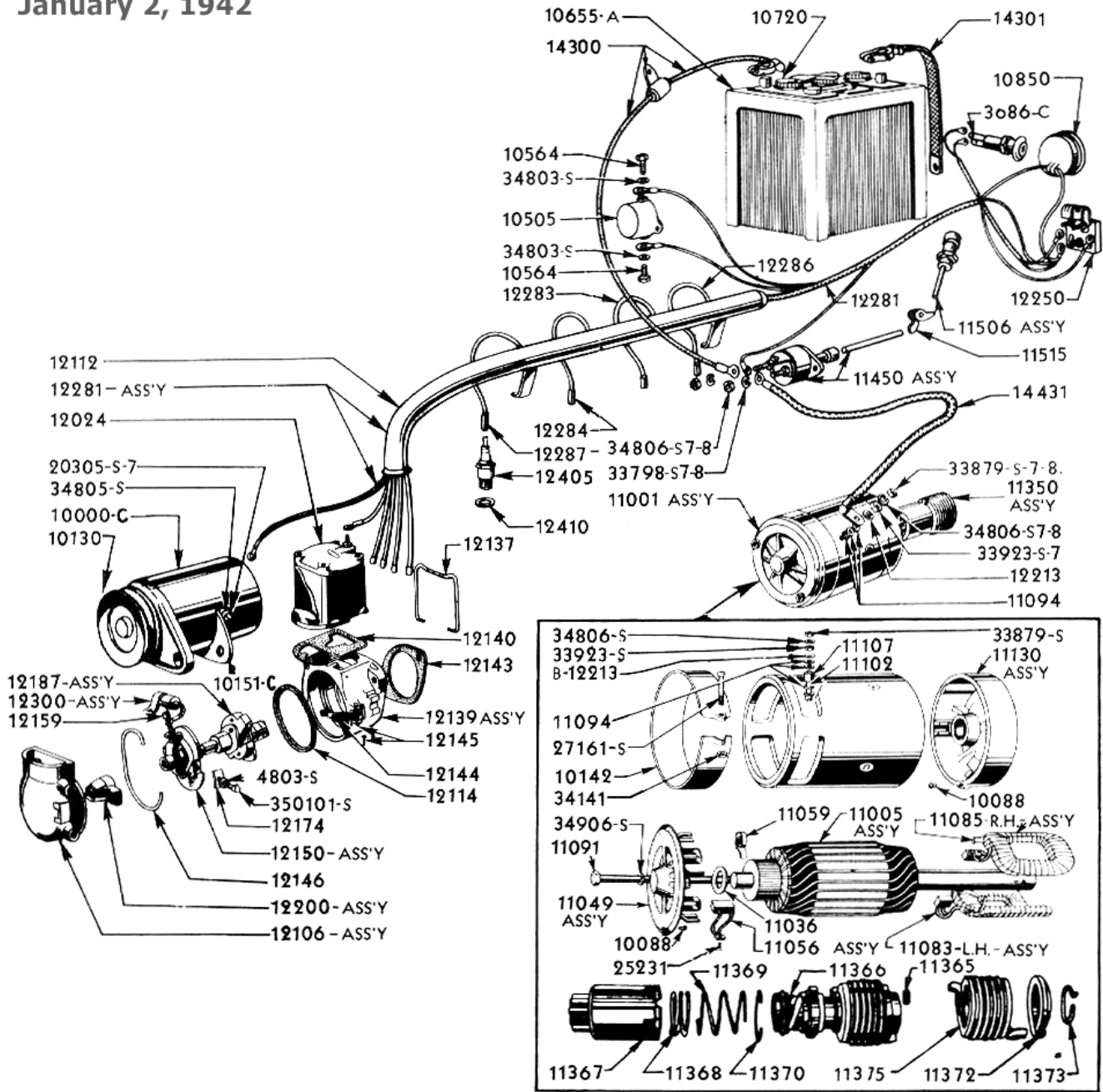
March 15, 1940



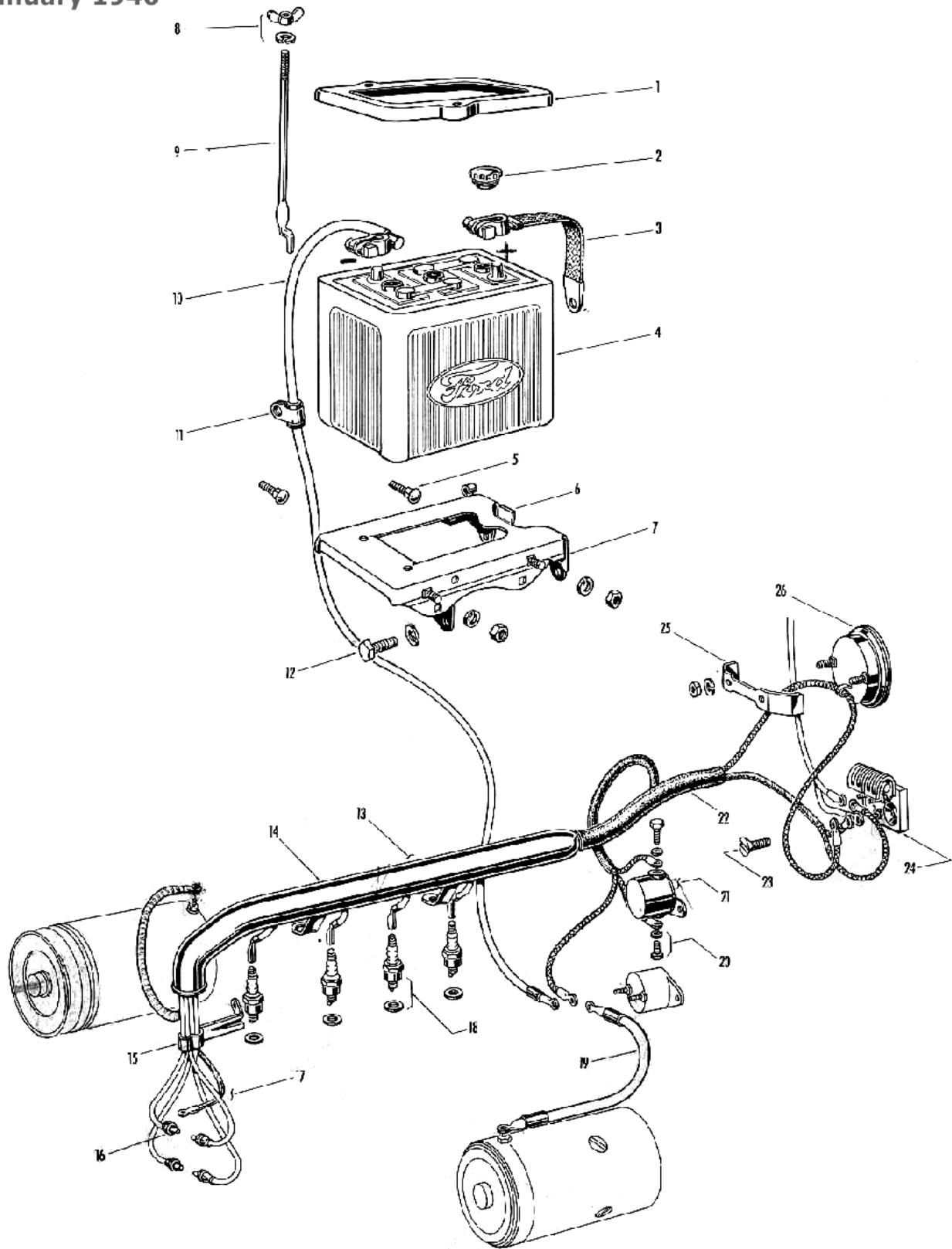
May 15, 1941



January 2, 1942



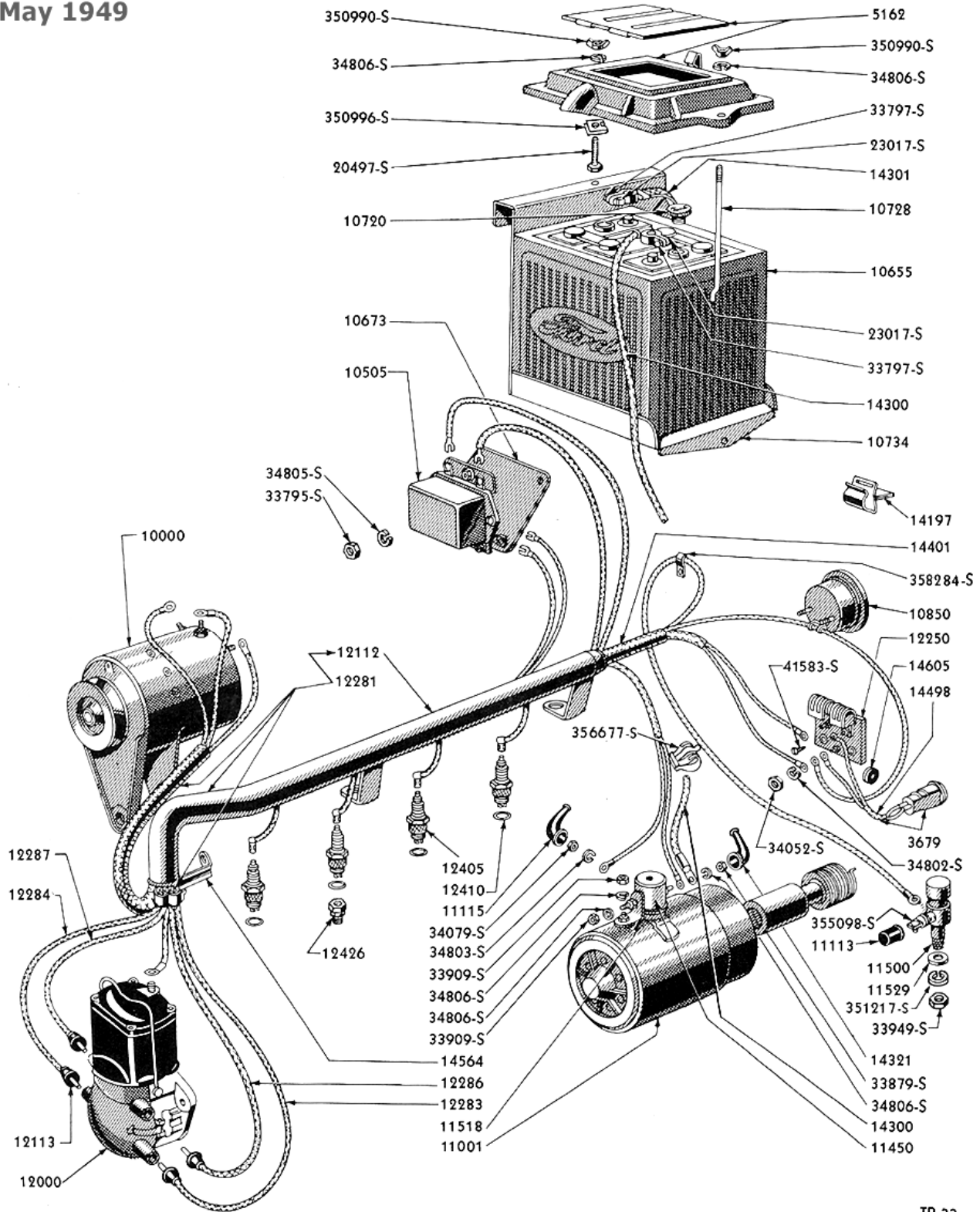
January 1946





• 8N Manual Wiring Diagrams

May 1949

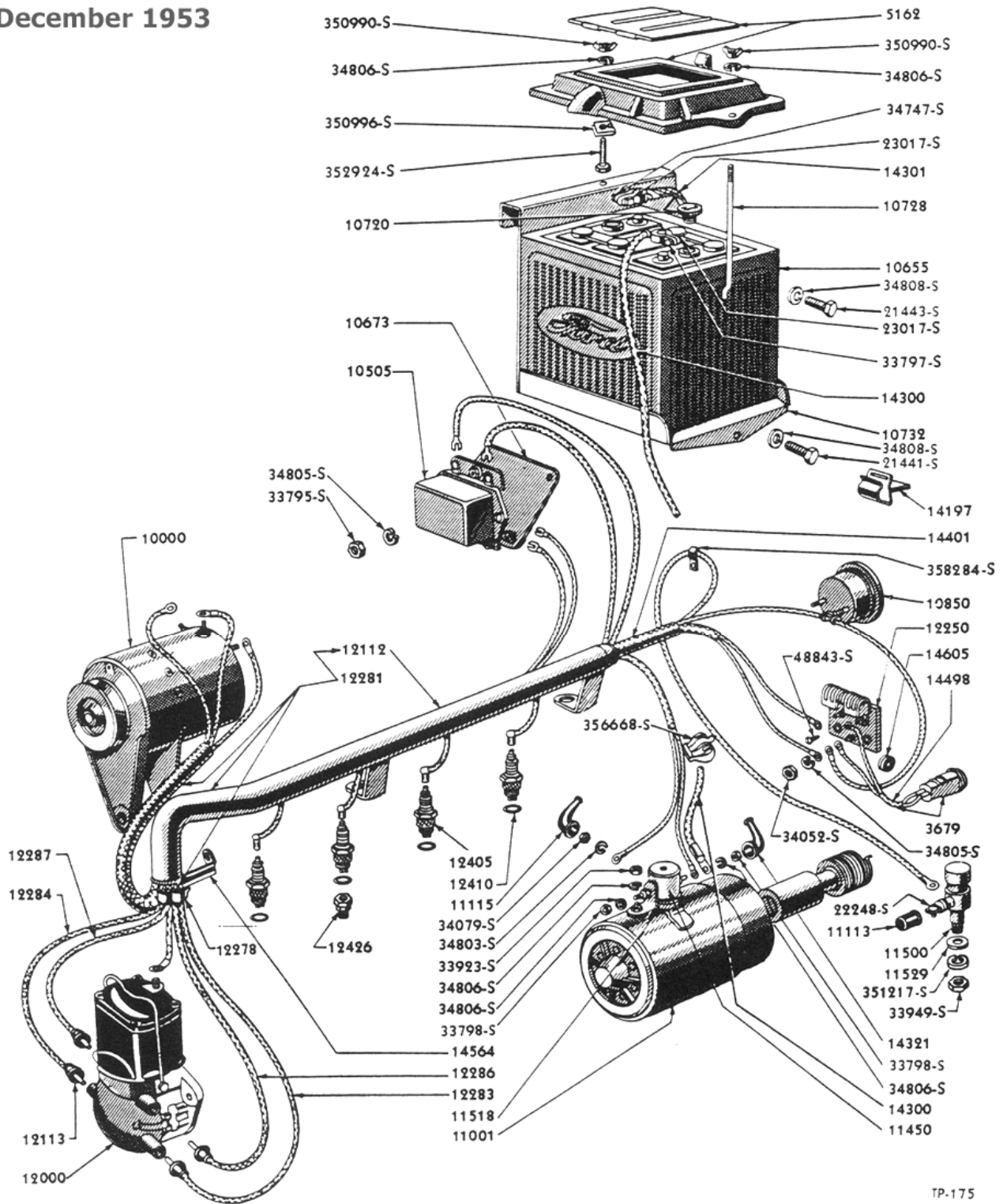


TP-33

**1948-49 ELECTRICAL WIRING AND RELATED PARTS**

Basic numbers only shown on illustration. Order by Part Numbers shown in list of parts.

December 1953

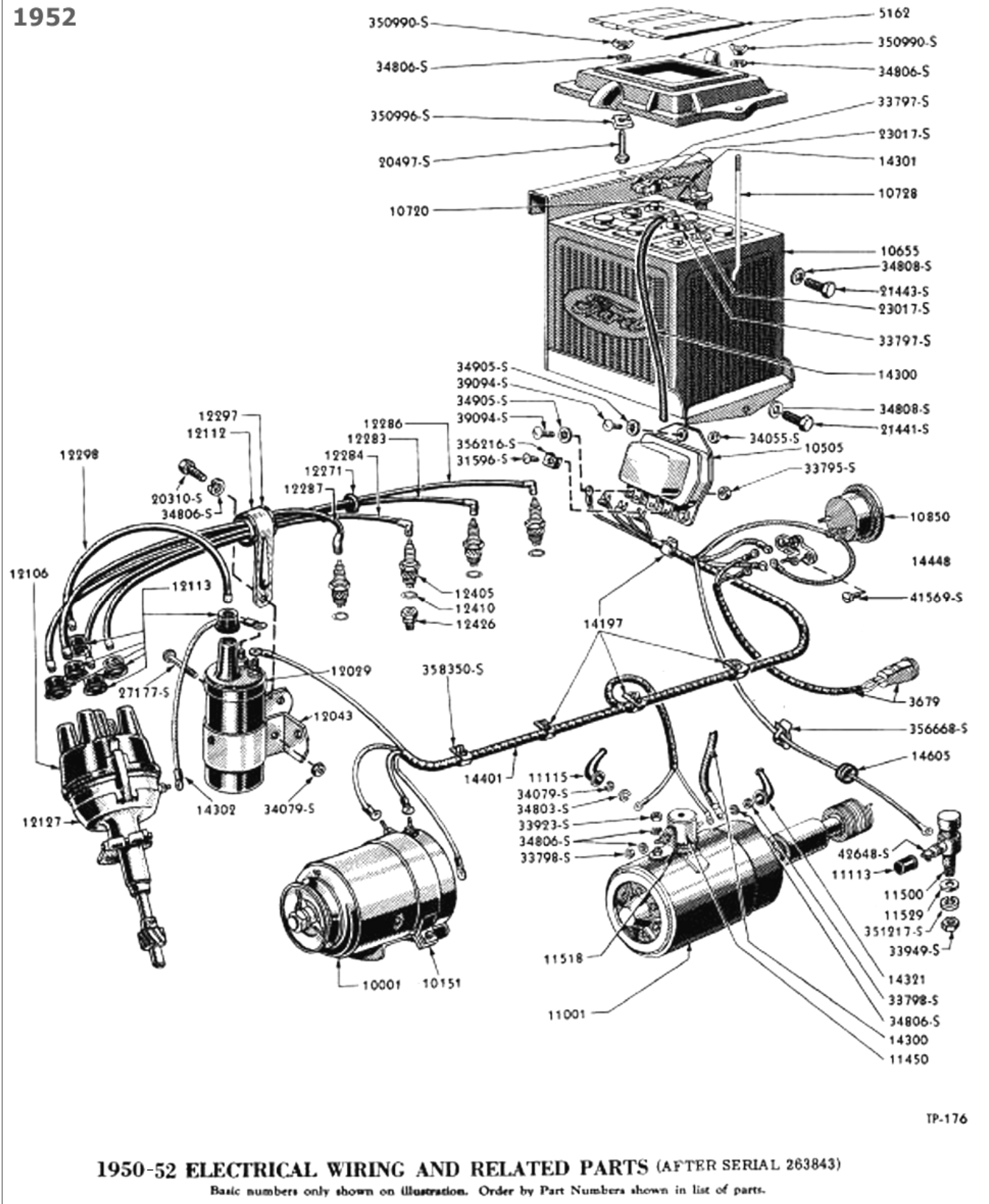


TP-175

**1948-50 ELECTRICAL WIRING AND RELATED PARTS (BEFORE SERIAL 263844)**

Basic numbers only shown on illustration. Order by Part Numbers shown in list of parts.

1952

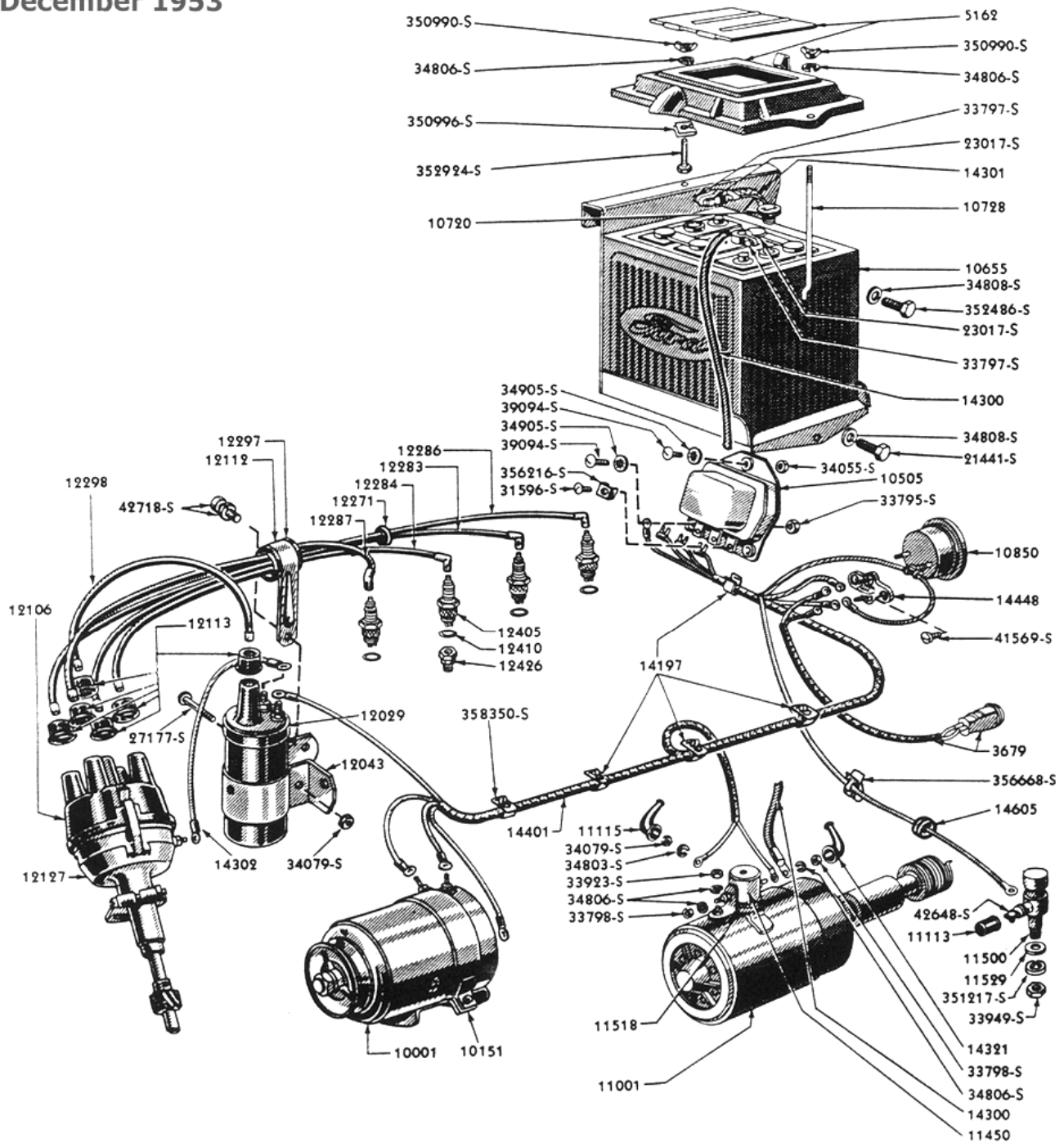


TP-176

**1950-52 ELECTRICAL WIRING AND RELATED PARTS (AFTER SERIAL 263843)**

Basic numbers only shown on illustration. Order by Part Numbers shown in list of parts.

December 1953



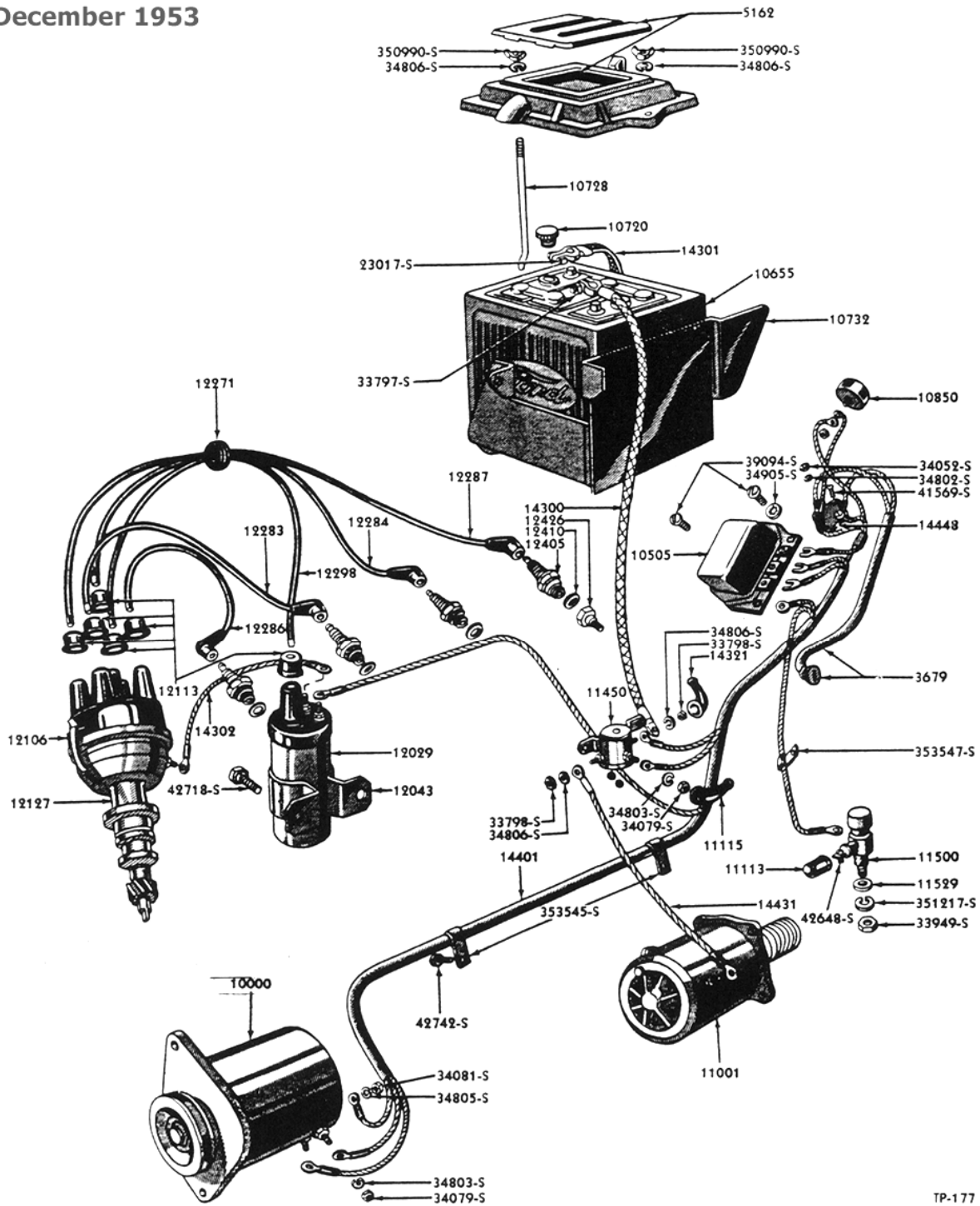
TP-176

**1950-52 ELECTRICAL WIRING AND RELATED PARTS (AFTER SERIAL 263843)**

Basic numbers only shown on illustration. Order by Part Numbers shown in list of parts.



December 1953



### 1953-54 ELECTRICAL WIRING & RELATED PARTS

Basic numbers only shown on illustration. Order by Part Numbers shown in list of parts.



*Best internet source  
of information and help  
for old Ford tractors.*

[www.ntractorclub.com](http://www.ntractorclub.com)