

Invacare® **TDX® SC,**
Invacare **TDX Spree**
Power Wheelchair Base



User Manual

EN

*This manual MUST be given to the user of the product.
BEFORE using this product, read this manual and save for future reference.*



Yes, you can.®

© 2015 Invacare Corporation. All rights reserved. Republication, duplication or modification in whole or in part is prohibited without prior written permission from Invacare. Trademarks are identified by ™ and ®. All trademarks are owned by or licensed to Invacare Corporation or its subsidiaries unless otherwise noted.

SECTION 1—GENERAL	7
Symbols	7
Reference Documents	8
SECTION 2—WEAR AND TEAR INFORMATION	9
General Information.....	9
SECTION 3—WARRANTY	10
Global Limited Warranty (Excluding Canada)	10
Canada Limited Warranty	11
SECTION 4—SAFETY	13
General Guidelines	13
Operation Information	14
Safety/Handling	22
Electromagnetic Interference (EMI) From Radio Wave Sources	32
SECTION 5—SAFETY GUIDELINES	34

SECTION 6—LABEL LOCATIONS	40
All Wheelchairs	40
All Wheelchairs without TRRO	41
All Wheelchairs with Elevate.....	41
All Wheelchairs with TRRO.....	41
TDX SC with TRRO	42
TDX Spree with TRRO	42
SECTION 7—TECHNICAL DATA	43
Specifications	43

SECTION 8—WHEELCHAIR OPERATION 46

Preparing the Joystick for Use..... 46

Operating the Wheelchair..... 47

SPJ+™ , MK6i™ SPJ+ w/PSS and MK6i SPJ+ w/ACC Joystick Switches and Indicators 50

CMPJ+ Joystick Switches and Indicators 53

When to Charge Batteries 61

Charging Batteries 63

Disengaging/Engaging Motor Lock Levers..... 66

Disengaging/Engaging the Wheel locks 67

Removing/Installing or Tilting the Seat Assembly 68

Removing/Installing the Footboard..... 71

SECTION 9—TRANSPORT READY OPTION (TRRO) 73

About Transport Ready Packages..... 74

Compliance Information 75

Specifications..... 75

Securing the Occupant..... 78

SECTION 10—SETUP/MAINTENANCE	83
Setup/Delivery Inspection.....	83
User/Attendant Inspection Checklists.....	84
Service Inspection	86
Batteries.....	89
Using the Proper Batteries.....	90
Removing/Installing the Batteries From/Into the Wheelchair.....	91
Replacing the Batteries.....	101
Adjusting Forks	106
Repositioning Joystick.....	108
Disconnecting/Connecting the Joysticks.....	110
Removing/Installing the Top Shroud.....	112
SECTION 11—TROUBLESHOOTING	114
Driving Performance	114
Electrical	114
Checking Battery Charge Level	120

I General

I.1 Symbols

Warnings

Signal words are used in this manual and apply to hazards or unsafe practices which could result in personal injury or property damage. See the information below for definitions of the signal words.



DANGER

Danger indicates an imminently hazardous situation which, if not avoided, will result in death or serious injury.



WARNING

Warning indicates a potentially hazardous situation which, if not avoided, could result in death or serious injury.



CAUTION

Caution indicates a potentially hazardous situation which, if not avoided, may result in property damage or minor injury or both.



IMPORTANT

Indicates a hazardous situation that could result in damage to property if it is not avoided.



Gives useful tips, recommendations and information for efficient, trouble-free use.

I GENERAL

I.2 Reference Documents

Refer to the table below for part numbers of additional documents which are referenced in this manual.

MANUAL	PART NUMBER
MK6i™ Electronics Programming Guide	1141471
Adjustable ASBA Owner's Manual	1143192
Van Seat Owner's Manual	1143195
Formula™ CG Seating System	1143155
Adjustable ASBA Service Manual	1143238

2 Wear and Tear Information

2.1 General Information

Normal wear and tear items and components include but are not limited to: all upholstery items including seat and back upholstery, arm and calf pads, cushions, wheels, tires and casters, all types of batteries, joystick overlays and inductive rubberized protective boots.

Invacare reserves the right to ask for any item back that has an alleged defect in workmanship. Refer to the Warranty section in this manual for specific warranty information.

Refer to the Inspection Checklists in this manual for proper preventative maintenance schedule.

This is just a general guideline and does not include items damaged due to abuse and misuse.

PRODUCT TYPE	PRODUCT WEAR AND TEAR
Wheelchairs	Wheels, Brake Assembly, Hand Grips
Scooters	Wheels, Braking System, Armrest, Seat
Mobility Hardware and Electronics	Rubber Urethane Tires and Casters, Handgrips, Joystick Inductive Tops, Joystick Overlays, Motors and Gearboxes (if exposed to prolonged moisture, urine, etc.), Stability Lock
Upholstery and Seating	Arm pads, Seat Cushion Foam, Seat Cushion Covers, Back Cushion Foam, Back Cushion Covers, Headrest Foam, Headrest Covers, Footplate Covers, Calf Pad (if applicable)Foam and Cover
Batteries	Lead acid/Lithium, Coin cell (watch type), Gel (6 months)

3 Warranty

3.1 Global Limited Warranty (Excluding Canada)

PLEASE NOTE: THE WARRANTY BELOW HAS BEEN DRAFTED TO COMPLY WITH FEDERAL LAW APPLICABLE TO PRODUCTS MANUFACTURED AFTER JULY 4, 1975.

This warranty is extended only to the original purchaser who purchases this product within any country excluding CANADA when new and unused from Invacare or a dealer. This warranty is not extended to any other person or entity and is not transferable or assignable to any subsequent purchaser or owner. Coverage under this warranty will end upon any such subsequent sale or other transfer of title to any other person. For product purchased in Canada, please refer to the Canada Limited Warranty.

This warranty gives you specific legal rights and you may also have other legal rights which vary from state to state.

Invacare warrants the base frame to be free from defects in materials and workmanship for a period of five (5) years from the date of purchase from Invacare or a dealer, with a copy of the seller's invoice required for coverage under this warranty. Invacare warrants all electronics and electrical components (excluding batteries), motors, powered seating actuators and gearboxes to be free from defects in materials and workmanship for a period of one (1) year from the date of purchase from Invacare or a dealer, with a copy of the seller's invoice required for coverage under this warranty.

Invacare warrants all batteries to be free from defects in materials and workmanship for a period of six (6) months from the date of purchase from Invacare or a dealer, with a copy of the seller's invoice required for coverage under this warranty. Invacare warrants all remaining components (excluding all upholstered materials, padded materials, tires and wheels) to be free from defects in materials and workmanship for a period of one (1) year from the date of purchase from Invacare or a dealer, with a copy of the seller's invoice required for coverage under this warranty. If within such warranty periods any such product component shall be proven to be defective, the product component shall be repaired or replaced, at Invacare's option. This warranty does not include any labor or shipping charges incurred in replacement part installation or repair of any such product. Invacare's sole obligation and your exclusive remedy under this warranty shall be limited to such repair and/or replacement.

For warranty service, please contact the dealer from whom you purchased your Invacare product. In the event you do not receive satisfactory warranty service, please write directly to Invacare at the address on the bottom of the back cover. Provide dealer's name address, date of purchase, indicate nature of the defect and, if the product is serialized, indicate the serial number. Do not return products to our factory without our prior consent.

LIMITATIONS AND EXCLUSIONS: THE FOREGOING WARRANTY SHALL NOT APPLY TO SERIAL NUMBERED PRODUCTS IF THE SERIAL NUMBER HAS BEEN REMOVED OR DEFACED, PRODUCTS SUBJECT TO NEGLIGENCE, ACCIDENT, IMPROPER OPERATION, MAINTENANCE OR STORAGE, COMMERCIAL OR INSTITUTIONAL USE, PRODUCTS MODIFIED WITHOUT INVACARE'S EXPRESS WRITTEN CONSENT (INCLUDING, BUT NOT LIMITED TO, MODIFICATION THROUGH THE USE OF UNAUTHORIZED PARTS OR ATTACHMENTS); PRODUCTS DAMAGED BY REASON OF REPAIRS MADE TO ANY COMPONENT WITHOUT THE SPECIFIC CONSENT OF INVACARE, OR TO A PRODUCT DAMAGED BY CIRCUMSTANCES BEYOND INVACARE'S CONTROL, AND SUCH EVALUATION WILL BE SOLELY DETERMINED BY INVACARE. THE WARRANTY SHALL NOT APPLY TO PROBLEMS ARISING FROM NORMAL WEAR AND TEAR OR FAILURE TO ADHERE TO THE PRODUCT INSTRUCTIONS. A CHANGE IN OPERATING NOISE, PARTICULARLY RELATIVE TO MOTORS AND GEARBOXES DOES NOT CONSTITUTE A FAILURE OR DEFECT AND WILL NOT BE REPAIRED; ALL DEVICES WILL EXHIBIT CHANGES IN OPERATING NOISE DUE TO AGING.

THE FOREGOING EXPRESS WARRANTY IS EXCLUSIVE AND IN LIEU OF ANY OTHER WARRANTIES WHATSOEVER, WHETHER EXPRESS OR IMPLIED, INCLUDING THE IMPLIED WARRANTIES OF MERCHANTABILITY AND FITNESS FOR A PARTICULAR PURPOSE, AND THE SOLE REMEDY FOR VIOLATIONS OF ANY WARRANTY WHATSOEVER, SHALL BE LIMITED TO REPAIR OR REPLACEMENT OF THE DEFECTIVE PRODUCT PURSUANT TO THE TERMS CONTAINED HEREIN. THE APPLICATION OF ANY IMPLIED WARRANTY WHATSOEVER SHALL NOT EXTEND BEYOND THE DURATION OF THE EXPRESS WARRANTY PROVIDED HEREIN AND INVACARE

SHALL NOT BE LIABLE FOR ANY CONSEQUENTIAL OR INCIDENTAL DAMAGES WHATSOEVER; SOME STATES DO NOT ALLOW THE EXCLUSION OR LIMITATION OF INCIDENTAL OR CONSEQUENTIAL DAMAGE, OR LIMITATION OF HOW LONG AN IMPLIED WARRANTY LASTS, SO THE ABOVE EXCLUSION AND LIMITATION MAY NOT BE APPLICABLE. THIS WARRANTY SHALL BE EXTENDED TO COMPLY WITH STATE/PROVINCIAL LAWS AND REQUIREMENTS.

3.2 Canada Limited Warranty

This warranty is extended only to the original purchaser who purchases this product within Canada when new and unused from Invacare or a dealer. This warranty is not extended to any other person or entity and is not transferable or assignable to any subsequent purchaser or owner. Coverage under this warranty will end upon any such subsequent sale or other transfer of title to any other person.

This warranty gives you specific legal rights and you may also have other legal rights which vary from state to state.

Invacare warrants the base frame to be free from defects in materials and workmanship for a period of five (5) years from the date of purchase from Invacare or a dealer, with a copy of the seller's invoice required for coverage under this warranty. Invacare warrants all electronics and electrical components (excluding batteries), powered seating actuators, 2-pole motors and gearboxes to be free from defects in materials and workmanship for a period of two (2) years from the date of purchase from Invacare or a dealer, with a copy of the seller's invoice required for coverage under this warranty. Invacare warrants all batteries to be free from defects in materials and workmanship for a period of six (6) months from the date of purchase from Invacare or a dealer, with a copy of the seller's invoice required for coverage under this warranty. Invacare warrants all remaining components (excluding all upholstered materials, padded materials, tires and wheels) to be free from defects in materials and workmanship for a period of one (1) year from the date of purchase from Invacare or a dealer, with a copy of the seller's invoice required for coverage under this warranty. If within such warranty periods any such product component shall be proven to be defective, the product component shall be repaired or replaced, at Invacare's option. This warranty does not include any labor or shipping charges incurred in replacement part installation or repair of any such product. Invacare's sole obligation and your exclusive remedy under this warranty shall be limited to such repair and/or replacement.

For warranty service, please contact the dealer from whom you purchased your Invacare product. In the event you do not receive satisfactory warranty service, please write directly to Invacare at the address on the bottom of the back cover. Provide dealer's name address, date of purchase, indicate nature of the defect and, if the product is serialized, indicate the serial number. Do not return products to our factory without our prior consent.

LIMITATIONS AND EXCLUSIONS: THE FOREGOING WARRANTY SHALL NOT APPLY TO SERIAL NUMBERED PRODUCTS IF THE SERIAL NUMBER HAS BEEN REMOVED OR DEFACED, PRODUCTS SUBJECT TO NEGLIGENCE, ACCIDENT, IMPROPER OPERATION, MAINTENANCE OR STORAGE, COMMERCIAL OR INSTITUTIONAL USE, PRODUCTS MODIFIED WITHOUT INVACARE'S EXPRESS WRITTEN CONSENT (INCLUDING, BUT NOT LIMITED TO, MODIFICATION THROUGH THE USE OF UNAUTHORIZED PARTS OR ATTACHMENTS); PRODUCTS DAMAGED BY REASON OF REPAIRS MADE TO ANY COMPONENT WITHOUT THE SPECIFIC CONSENT OF INVACARE, OR TO A PRODUCT DAMAGED BY CIRCUMSTANCES BEYOND INVACARE'S CONTROL, AND SUCH EVALUATION WILL BE SOLELY DETERMINED BY INVACARE. THE WARRANTY SHALL NOT APPLY TO PROBLEMS ARISING FROM NORMAL WEAR AND TEAR OR FAILURE TO ADHERE TO THE PRODUCT INSTRUCTIONS. A CHANGE IN OPERATING NOISE, PARTICULARLY RELATIVE TO MOTORS AND GEARBOXES DOES NOT CONSTITUTE A FAILURE OR DEFECT AND WILL NOT BE REPAIRED; ALL DEVICES WILL EXHIBIT CHANGES IN OPERATING NOISE DUE TO AGING.

THE FOREGOING EXPRESS WARRANTY IS EXCLUSIVE AND IN LIEU OF ANY OTHER WARRANTIES WHATSOEVER, WHETHER EXPRESS OR IMPLIED, INCLUDING THE IMPLIED WARRANTIES OF MERCHANTABILITY AND FITNESS FOR A PARTICULAR PURPOSE, AND THE SOLE REMEDY FOR VIOLATIONS OF ANY WARRANTY WHATSOEVER, SHALL BE LIMITED TO REPAIR OR REPLACEMENT OF THE DEFECTIVE PRODUCT PURSUANT TO THE TERMS CONTAINED HEREIN. THE APPLICATION OF ANY IMPLIED WARRANTY WHATSOEVER SHALL NOT EXTEND BEYOND THE DURATION OF THE EXPRESS WARRANTY PROVIDED HEREIN AND INVACARE SHALL NOT BE LIABLE FOR ANY CONSEQUENTIAL OR INCIDENTAL DAMAGES WHATSOEVER; SOME STATES DO NOT ALLOW THE

3 WARRANTY

**EXCLUSION OR LIMITATION OF INCIDENTAL OR CONSEQUENTIAL DAMAGE, OR LIMITATION OF HOW LONG AN IMPLIED WARRANTY LASTS, SO THE ABOVE EXCLUSION AND LIMITATION MAY NOT BE APPLICABLE.
THIS WARRANTY SHALL BE EXTENDED TO COMPLY WITH STATE/PROVINCIAL LAWS AND REQUIREMENTS.**

4 Safety

The safety section contains important information for the safe operation and use of this product.

4.1 General Guidelines



DANGER

Risk of Death, Serious Injury or Damage

Improper use of this product may cause injury or damage

If you are unable to understand the warnings, cautions or instructions, contact a health care professional or dealer before attempting to use this equipment.

DO NOT use this product or any available optional equipment without first completely reading and understanding these instructions and any additional instructional material such as user manual, service manuals or instruction sheets supplied with this product or optional equipment.

WARNING

Procedures other than those described in this manual must be performed by a qualified technician.



WARNING

Risk of Serious Injury or Damage

Use of non-Invacare accessories may result in serious injury or damage.

Invacare products are specifically designed and manufactured for use in conjunction with Invacare accessories. Accessories designed by other manufacturers have not been tested by Invacare and are not recommended for use with Invacare products.

DO NOT use non-Invacare accessories.

To obtain Invacare accessories, contact Invacare by phone or at www.invacare.com.

4 SAFETY

! NOTICE

THE INFORMATION CONTAINED IN THIS DOCUMENT IS SUBJECT TO CHANGE WITHOUT NOTICE.

Check all parts for shipping damage and test before using. In case of damage, DO NOT use. Contact Invacare/Carrier for further instruction.

As a manufacturer of wheelchairs, Invacare endeavors to supply a wide variety of wheelchairs to meet many needs of the end user. However, final selection of the type of wheelchair to be used by an individual rests solely with the user and his/her healthcare professional capable of making such a selection. Invacare highly recommends working with a qualified rehab technology provider, such as ATP, (Assistive Technology Professional).

4.1 Operation Information



DANGER

Risk of Death, Serious Injury or Damage

Operating the wheelchairs outdoors or in areas of poor lighting may result in death, serious injury, or damage.

Operating the wheelchair near motor vehicles may result in death, serious injury or damage.

DO NOT operate on roads, streets or highways.

Use caution when operating the wheelchair outdoors at night or in areas with poor lighting.

ALWAYS be aware of motor vehicles when using the wheelchair.



DANGER

Risk of Death, Serious Injury or Damage

Misuse of the wheelchair may cause component failure and/or the wheelchair to start smoking, sparking, or burning. Death, serious injury, or damage may occur due to fire.

DO NOT use the wheelchair other than its intended purpose. If the wheelchair starts smoking, sparking, or burning, discontinue using the wheelchair and seek service IMMEDIATELY.

**WARNING****Risk of Serious Injury or Damage**

Operating the wheelchair with a ground clearance of less than 3 inches between the footplates and the ground/floor may cause serious injury or property damage.

ALWAYS maintain a minimum of 3 inches between the bottom of the footplates and ground/floor to ensure proper ground clearance while the wheelchair is in motion. If necessary, adjust the footplates height to achieve proper ground clearance. After footplates height adjustment, if the wheelchair dips forward and the footplates touch the ground while in motion, please contact your dealer for an inspection and avoid use of the wheelchair if possible.

Rain Test**CAUTION****Risk of Damage**

Operating the wheelchair in rain or dampness may cause the wheelchair to malfunction electrically and mechanically; may cause the wheelchair to prematurely rust or may damage the upholstery.

DO NOT leave wheelchair in a rain storm of any kind.

DO NOT use wheelchair in a shower.

DO NOT leave wheelchair in a damp area for any length of time.

Check to ensure that the battery covers are secured in place, joystick boot is NOT torn or cracked where water can enter and that all electrical connections are secure at all times. DO NOT use if the joystick boot is torn or cracked. If the joystick boot becomes torn or cracked, replace IMMEDIATELY.

NOTE: Invacare has tested its power wheelchairs in accordance with ISO 7176 “Rain Test”. This provides the end user or his/her attendant sufficient time to remove his/her power wheelchair from a rain storm and retain wheelchair operation.

4 SAFETY

Repair or Service Information - Dealers and/or Qualified Technicians



WARNING

DO NOT service or operate this equipment without first reading and understanding (1) the owner's operator and maintenance manual, (2) the service manual (if applicable) and (3) the seating system's manual (if applicable). If you are unable to understand the warnings, cautions and instructions, contact Invacare technical support before attempting to service or operate this equipment - otherwise, injury or damage may result.



DANGER

Risk of Death, Serious Injury or Damage

Use of incorrect or improper replacement (service) parts may cause death, serious injury, or damage.

Replacement parts **MUST** match original Invacare parts.

ALWAYS provide the wheelchair serial number to assist in ordering the correct replacement parts.



DANGER

Risk of Death, Serious Injury, or Damage

Incorrect repair and/or servicing of this wheelchair performed by users/caregivers or unqualified technicians can result in death, serious injury, or damage.

Users/Caregivers — **DO NOT** attempt to repair and/or service this wheelchair.

Repair and/or service of this wheelchair **MUST** be performed by a qualified technician. Contact a dealer or Invacare technician.

**DANGER****Risk of Death, Serious Injury, or Damage**

Corroded electrical components due to water, liquid exposure, or incontinent users can result in death, serious injury, or damage.

Minimize exposure of electrical components to water and/or liquids. Electrical components damaged by corrosion **MUST** be replaced immediately.

Wheelchairs that are used by incontinent users and/or are frequently exposed to water/liquids may require replacement of electrical components more frequently.

**WARNING**

Set-up of the driver control is to be performed only by a qualified technician. The final adjustments of the controller may affect other activities of the wheelchair. Damage to the equipment could occur if improperly set-up or adjusted.

Except for programming, **DO NOT** service or adjust the wheelchair while occupied, unless otherwise noted.

Before adjusting, repairing or servicing the wheelchair, **ALWAYS** turn the wheelchair power Off, otherwise, injury or damage may occur.

DO NOT overtighten hardware attaching to the frame. This could cause damage to the frame tubing.

Transport ready packages are not retrofittable to existing models and are not field serviceable.

For optimal performance, replace gas-locking cylinders every two years or if performance issues are encountered. Performance issues include forward tipping and veering.

4 SAFETY

Setup



WARNING

Risk of Injury or Damage

Incorrect set up of this wheelchair performed by users/caregivers or unqualified technicians can result in injury or damage. User/Caregivers- DO NOT attempt to set up this wheelchair.

Initial set up of this wheelchair MUST be performed by a qualified technician.

Also, a qualified technician MUST perform all procedures in the service manual.



DANGER

Risk of Death, Serious Injury, or Damage

Continued use of the wheelchair that is not set to the correct specifications may cause erratic behavior of the wheelchair resulting in death, serious injury, or damage.

Performance adjustments should only be made by professionals of the healthcare field or persons fully conversant with this process and the driver's capabilities.

After the wheelchair has been set up/adjusted, check to make sure that the wheelchair performs to the specifications entered during the set up procedure. If the wheelchair does not perform to specifications, turn the wheelchair Off immediately and reenter set up specifications. Contact Invacare, if wheelchair still does not perform to correct specifications.

**WARNING****Risk of injury or damage**

Moving the seating system from the factory setting may reduce driver control, wheelchair stability, traction and increase caster wear.

Move the seating system **ONLY** when necessary to fit the wheelchair to the user.

If the seating system must be moved, **ALWAYS** inspect the wheelchair to ensure the front rigging **DOES NOT** interfere with the front casters.

If the seating system must be moved, **ALWAYS** inspect to ensure the wheelchair **DOES NOT** easily tip forward or backward.

**DANGER****Risk of Death or Serious Injury**

Not wearing your seat positioning strap could result in death or serious injury.

ALWAYS wear your seat positioning strap. Your seat positioning strap helps reduce the possibility of a fall from the wheelchair. The seat positioning strap is a positioning belt only. It is not designed for use as a safety device withstanding high stress loads such as auto or aircraft safety belts. If signs of wear appear, seat positioning strap **MUST** be replaced **IMMEDIATELY**.

4 SAFETY

Transport



WARNING

WHEELCHAIR TIE-DOWN RESTRAINTS AND SEAT RESTRAINTS (TRRO OR TRBKTS)

Risk of Death, Serious Injury, or Property Damage

Failure to observe the following transport warnings may result in death, serious injury, or property damage.

Only use the transport brackets included with TRRO or TRBKTS for the purposes described in this manual.

TRRO (Transport Ready Option) - TRRO includes four factory-installed transport brackets and a wheelchair anchored pelvic strap. TRRO has been crash-tested in accordance with ANSI/RESNA WC Vol I Section 19 Frontal Impact Test requirements for wheelchairs with a 130 lb crash test dummy, which corresponds to a person with a weight of 125 to 165 lbs. for Junior seat sizes or a 168 lb crash dummy, which corresponds to a person with a weight of 165 to 300 lbs. for Adult seat sizes.

As of this date, the Department of Transportation has not approved any tie-down systems for transportation of a user while in a wheelchair, in a moving vehicle of any type. It is Invacare's position that users of wheelchairs should be transferred into appropriate seating in vehicles for transportation and use be made of the restraints made available by the auto industry. Invacare cannot and does not recommend any wheelchair transportation systems.

Battery support brackets **MUST** be installed at all times. Otherwise, the wheelchair will not be WC/19 compliant. Refer to [Transport Ready Option \(TRRO\)](#) on page 73.

Refer to [Transport Ready Option \(TRRO\)](#) on page 73 for more information about transporting the wheelchair.

MOVING UNOCCUPIED WHEELCHAIRS

To avoid injury or property damage when moving an unoccupied wheelchair down an incline, perform the following:

- Engage motor lock levers.
- Turn power on and adjust speed to minimal setting.

Drive wheelchair forward down incline.



WARNING

STAIRWAYS AND ESCALATORS

DO NOT attempt to move an occupied power wheelchair between floors using a stairway. Use an elevator to move an occupied power wheelchair between floors.

If moving a power wheelchair between floors by means of a stairway, the occupant MUST be removed and transported independently of the power wheelchair.

Extreme caution is advised when it is necessary to move an unoccupied power wheelchair up or down the stairs. Invacare recommends using two assistants and making thorough preparations. Make sure to use ONLY secure, non-detachable parts for hand-hold supports.

DO NOT use an escalator to move a wheelchair between floors. Serious bodily injury may occur.

DO NOT attempt to lift the wheelchair by any removable (detachable) parts. Lifting by means of any removable (detachable) parts of a wheelchair may result in injury to the user or damage to the wheelchair.

The weight of the wheelchair without the user and without batteries is between 166 and 322 lbs. Use proper lifting techniques (lift with your legs) to avoid injury.

Follow this procedure for moving the wheelchair between floors when an elevator is NOT available:



When using a stairway to move the wheelchair and any accessories, move all wheelchair components away from the stairway prior to reassembly.

1. Remove the occupant from the wheelchair.
2. Remove the batteries from wheelchair. Refer to [Removing/Installing the Batteries From/Into the Wheelchair](#) on page 91.
3. Bend your knees and keep your back straight.
4. Using non-removable (non-detachable) parts of the wheelchair, lift the wheelchair off of the ground and transfer the wheelchair up or down the stairs.
5. The wheelchair should not be lowered until the last stair has been negotiated and the wheelchair has been carried away from the stairway.

4 SAFETY

4.2 Safety/Handling

“Safety and Handling” of the wheelchair requires the close attention of the wheelchair user as well as the assistant. This manual points out the most common procedures and techniques involved in the safe operation and maintenance of the wheelchair. It is important to practice and master these safe techniques until you are comfortable in maneuvering around the frequently encountered architectural barriers.

Use this information only as a “basic” guide. The techniques that are discussed on the following pages have been used successfully by many.

Users and assistants must be aware that the handling and maneuverability characteristics of front wheel drive wheelchairs are inherently different from center and rear wheel drive wheelchairs. Handling and maneuverability differences will be most noticeable when traveling down declines (Example: ramps and slopes) or over obstacles and rough terrain as this may shift the users center of mass forward resulting in decreased stability. ALWAYS reduce speed and wear the seat positioning strap when driving under these conditions.

Individual wheelchair users often develop skills to deal with daily living activities that may differ from those described in this manual. Invacare recognizes and encourages each individual to try what works best for him/her in overcoming architectural obstacles that they may encounter. However all warnings and cautions given in this manual MUST be followed. Techniques in this manual are a starting point for the new wheelchair user and assistant with “safety” as the most important consideration for all.

Invacare strongly recommends that initial use of front wheel drive wheelchairs be supervised by an assistant.



WARNING

DO NOT leave the power button On when entering or exiting your wheelchair.

DO NOT go UP or DOWN ramps or traverse slopes greater than 9°.

NEVER leave an unoccupied wheelchair unattended on an incline.

DO determine and establish your particular safety limits by practicing bending, reaching and transferring activities in the presence of a qualified healthcare professional before attempting active use of the wheelchair.

ALWAYS shift your weight in the direction you are turning. DO NOT shift your weight in the opposite direction of the turn. Shifting your weight in the opposite direction of the turn may cause the inside drive wheel to lose traction and the wheelchair to tip over.

**WARNING**

DO NOT shift your weight or sitting position toward the direction you are reaching as the wheelchair and/or seating system (if any) may tip over.

ALWAYS keep hands and fingers clear of moving parts to avoid injury.

DO NOT use with a broken or missing joystick knob.

DO NOT use if joystick does not spring back to the neutral position or becomes sticky or sluggish.

DO NOT use if joystick boot is torn or damaged.

ALWAYS check foam grips for looseness before using the wheelchair. If loose, contact a qualified technician for instructions.

DO NOT attempt to stop a moving wheelchair with the wheel locks. Wheel locks are not brakes.

DO NOT engage or disengage the motor locks until the power is in the off position.

DO NOT use your wheelchair unless it has the proper tire pressure (P.S.I.). DO NOT overinflate the tires. Failure to follow these recommendations may cause the tire to explode and cause bodily harm. The recommended tire pressure is listed on the side wall of the tire.

DO NOT use with a broken or missing joystick knob.

DO NOT use if joystick does not spring back to the neutral position or becomes sticky or sluggish.

DO NOT use if joystick boot is torn or damaged.

ALWAYS check foam grips for looseness before using the wheelchair. If loose, contact a qualified technician for instructions.

DO NOT attempt to stop a moving wheelchair with the wheel locks. Wheel locks are not brakes.

DO NOT engage or disengage the motor locks until the power is in the off position.

DO NOT use your wheelchair unless it has the proper tire pressure (P.S.I.). DO NOT overinflate the tires. Failure to follow these recommendations may cause the tire to explode and cause bodily harm. The recommended tire pressure is listed on the side wall of the tire.

4 SAFETY

A Note to Wheelchair Assistants

When assistance to the wheelchair user is required, remember to use good body mechanics. Keep your back straight and bend your knees whenever tilting wheelchair or traversing curbs or other impediments.

Also, be aware of detachable parts such as arms or legrests. These must NEVER be used to move the wheelchair or as lifting supports, as they may be inadvertently released, resulting in possible injury to the user and/or assistant(s).

When learning a new assistance technique, have an experienced assistant help you before attempting it alone.

Stability and Balance



WARNING

The drive behavior initially experienced by the user may be different from other wheelchairs previously used. This power wheelchair has Invacare's SureStep[®] technology, a feature that provides the wheelchair with optimum traction and stability when driving forward over transitions and thresholds of up to 3-inches.



WARNING

DO NOT leave elevating legrests in the fully extended position when proceeding down ramps or slopes.

To determine and establish your particular safety limits, practice use of this product on various sloping surfaces in the presence of a qualified healthcare provider before attempting active use of this wheelchair. Other general warnings listed within this document also apply.



WARNING

Be aware that carrying heavy objects on your lap while occupying the wheelchair may adversely affect the stability of the wheelchair, resulting in serious bodily injury to the user, damage to the wheelchair and surrounding property.

This wheelchair has been designed to accommodate one individual. If more than one individual occupies the wheelchair this may adversely affect the stability of the wheelchair, resulting in serious bodily injury to the user and passenger and damage to the wheelchair and surrounding property.

To assure stability and proper operation of your wheelchair, you must at all times maintain proper balance. Your wheelchair has been designed to remain upright and stable during normal daily activities as long as you DO NOT move beyond the center of gravity. DO NOT lean forward out of the wheelchair any further than the length of the armrests.

Stability Lock

The stability lock feature is designed to operate and keep the wheelchair stable when in motion. The stability lock is not designed to operate while the wheelchair is at rest, such as during transfers in and out of the wheelchair. DO NOT assume that the stability lock feature is operating when the wheelchair is not moving.

Coping with Everyday Obstacles

Coping with the irritation of everyday obstacles can be somewhat alleviated by learning how to manage your wheelchair. Keep in mind your center of gravity to maintain stability and balance.

While the wheelchair is designed for use primarily in and around the home, the provider should determine whether this wheelchair is suitable for the actual environment in which the wheelchair will be used.



WARNING

DO NOT attempt to drive over curbs or obstacles greater than 2-3/8 inches (60mm). Doing so may cause your wheelchair to turn over and cause bodily harm or damage to the wheelchair. Always stop before climbing an obstacle. Approach slowly until casters contact the obstacle. Apply power and the action of the SureStep feature will lift the casters over the obstacle. Weight is transferred to the drive wheels providing traction and motor strength to power the wheelchair over the obstacle.

CAUTION

Be aware of the condition of the ramp. Traction will be diminished/nonexistent on a slippery surface. Proceed with caution.



For this procedure, refer to FIGURE I.

Do not go down a ramp at full speed. Some seat/back positions will cause the wheelchair to feel unstable.

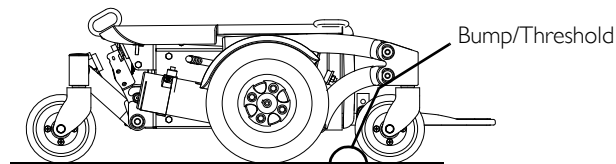


FIGURE I Coping with Everyday Obstacles

4 SAFETY

Pinch Points.



WARNING

A pinch point exists between head tube cap and walking beam.

A pinch point exist between walking beam/head tube cap and telescoping tube when TDX SP is at the lowest seat to floor height.

Pinch point may occur when rotating the footboard assembly.



For this procedure, refer to FIGURE 2.

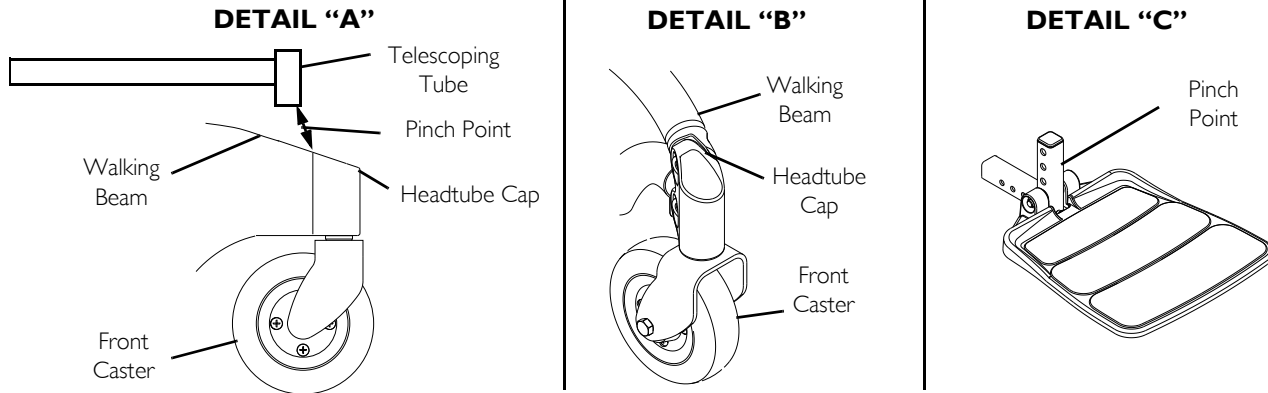


FIGURE 2 Pinch Points.

Reaching, Leaning and Bending - Forward

Many activities require the wheelchair user to reach, bend and transfer in and out of the wheelchair. These movements will cause a change to the normal balance, center of gravity, and weight distribution of the wheelchair. To determine and establish your particular safety limits, practice bending, reaching and transferring activities in several combinations in the presence of a qualified healthcare professional before attempting active use of the wheelchair.



WARNING

Risk of Serious Injury or Damage

Improper positioning while leaning or bending could cause the wheelchair to tip forward resulting in serious injury or damage.

To assure stability and proper operation of your wheelchair, you must at all times maintain proper balance. Your wheelchair has been designed to remain upright and stable during normal daily activities as long as you **DO NOT** move beyond the center of gravity. **DO NOT** lean forward out of the wheelchair any further than the length of the armrests.

DO NOT attempt to reach objects if you have to move forward in the seat or pick them up from the floor by reaching down between your knees.



CAUTION

When transferring, position yourself as far back as possible in the seat. This will prevent broken screws, damaged upholstery and the possibility of the wheelchair tipping forward.



For this procedure, refer to FIGURE 3.

Engage motor locks and turn power off before reaching, leaning or bending only as far as your arm will extend without changing your sitting position. Position the casters so that they are extended away from the drive wheels and engage wheel locks/motor locks/clutches.



FIGURE 3 Reaching, Leaning and Bending - Forward

4 SAFETY

Reaching, Bending - Backward



WARNING

DO NOT attempt to reach objects if you have to move forward in the seat or pick them up from the floor by reaching down between your knees.



For this procedure, refer to FIGURE 4.

Position wheelchair as close as possible to the desired object. Position the casters so that they are extended away from the drive wheels to create the longest possible wheelbase, engage the motor locks and turn power off. Reach back only as far as your arm will extend without changing your sitting position.



FIGURE 4 Reaching, Bending - Backward

Transferring To and From Other Seats



WARNING:

Risk of Serious Injury or Damage

Improper transfer techniques may cause serious injury or damage.

Before attempting transfers, consult a health care professional to determine proper transfer techniques for the user and type of wheelchair.

Reduce gap between transfer surface and wheelchair seat to the minimum distance necessary to perform transfer.

Align casters parallel to the drive wheels to improve stability during transfer.

ALWAYS turn the wheelchair power off.

ALWAYS engage both motor locks/clutches and free wheel hubs (if equipped) to prevent the wheels from moving before transferring into or from the wheelchair.



For this procedure, refer to FIGURE 5.

Adequate mobility and upper body strength is required to perform this activity independently.

1. Position the wheelchair to minimize the gap distance between the wheelchair seat and the seat to which you are transferring.
2. Ensure the casters are aligned parallel with the object.
3. Engage motor locks. Refer to [Disengaging/Engaging Motor Lock Levers](#) on page 66.
4. Shift body weight into seat with transfer.



During independent transfer, little or no seat platform will be beneath you. Use a transfer board if at all possible.

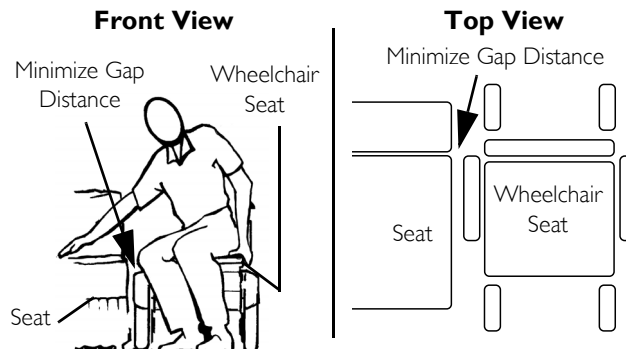


FIGURE 5 Pinch Points.

4 SAFETY

Storage



WARNING

Avoid storing or using the wheelchair near open flame or combustible products. Serious injury or damage to property may result.

Electrical - Grounding Instructions



WARNING

DO NOT under any circumstances cut or remove the round grounding plug from the charger AC cable plug or the extension cord plug.

DO NOT, under any circumstances, cut or remove the round grounding prong from any plug used with or for Invacare products. Some devices are equipped with three-prong (grounding) plugs for protection against possible shock hazards. Where a two-prong wall receptacle is encountered, it is the personal responsibility and obligation of the customer to contact a qualified electrician and have the two-prong receptacle replaced with a properly grounded three-prong wall receptacle in accordance with the National Electrical Code. If you must use an extension cord, use only a three-wire extension cord having the same or higher electrical rating as the device being connected. In addition, Invacare has placed RED/ORANGE warning tags on some equipment. DO NOT remove these tags.

Electrical - Batteries



WARNING

The warranty and performance specifications contained in this manual are based on the use of deep cycle gel cell batteries. Invacare strongly recommends their use as the power source for this unit.

Carefully read battery/battery charger information prior to installing, servicing or operating your wheelchair.

Electrical - Charging Batteries



DANGER

When using an extension cord, use an extension cord having at least 16 AWG (American Wire Gauge) wire and the same or higher electrical rating as the device being connected. Use of improper extension cord could result in a risk of fire and electric shock.

WARNING

NEVER attempt to recharge the batteries by attaching cables directly to the battery terminals.

DO NOT attempt to recharge the batteries and operate the wheelchair at the same time.

DO NOT operate wheelchair with extension cord attached to the AC cable.

DO NOT attempt to recharge the batteries when the wheelchair has been exposed to any type of moisture.

DO NOT attempt to recharge the batteries when the wheelchair is outside.

DO NOT sit in the wheelchair while charging the batteries.

READ and CAREFULLY follow the manufacturer's instructions for each charger (supplied or purchased). If charging instructions are not supplied, consult a qualified technician for proper procedures.

Ensure the pins of the extension cord plug are the same number, size, and shape as those on the charger.

DO NOT under any circumstances cut or remove the round grounding plug from the charger AC cable plug or the extension cord plug.

Weight Training



WARNING

Invacare DOES NOT recommend the use of its wheelchairs as a weight training apparatus. Invacare wheelchairs have NOT been designed or tested as a seat for any kind of weight training. If occupant uses said wheelchair as a weight training apparatus, INVACARE SHALL NOT BE LIABLE FOR BODILY INJURY AND THE WARRANTY IS VOID.

4 SAFETY

Weight Limitation



WARNING

Refer to [Technical Data](#) on page 43 to determine the weight limit (total combined weight of user and any attachments) of your wheelchair model. DO NOT exceed the limit - otherwise, injury or damage may result.

4.3 Electromagnetic Interference (EMI) From Radio Wave Sources

Powered wheelchairs and motorized scooters (in this text, both will be referred to as powered wheelchairs) may be susceptible to electromagnetic interference (EMI), which is interfering electromagnetic energy (EM) emitted from sources such as radio stations, TV stations, amateur radio (HAM) transmitters, two way radios, and cellular phones. The interference (from radio wave sources) can cause the powered wheelchair to release its brakes, move by itself, or move in unintended directions. It can also permanently damage the powered wheelchair's control system. The intensity of the interfering EM energy can be measured in volts per meter (V/m). Each powered wheelchair can resist EMI up to a certain intensity. This is called its "immunity level." The higher the immunity level, the greater the protection. At this time, current technology is capable of achieving at least a 20 V/m immunity level, which would provide useful protection from the more common sources of radiated EMI.

There are a number of sources of relatively intense electromagnetic fields in the everyday environment. Some of these sources are obvious and easy to avoid. Others are not apparent and exposure is unavoidable. However, we believe that by following the warnings listed below, your risk to EMI will be minimized.

The sources of radiated EMI can be broadly classified into three types:

1. Hand-held Portable transceivers (transmitters-receivers with the antenna mounted directly on the transmitting unit. Examples include: citizens band (CB) radios, "walkie talkie", security, fire and police transceivers, cellular telephones, and other personal communication devices).



Some cellular telephones and similar devices transmit signals while they are ON, even when not being used.

2. Medium-range mobile transceivers, such as those used in police cars, fire trucks, ambulances and taxis. These usually have the antenna mounted on the outside of the vehicle; and
3. Long-range transmitters and transceivers, such as commercial broadcast transmitters (radio and TV broadcast antenna towers) and amateur (HAM) radios.



Other types of hand-held devices, such as cordless phones, laptop computers, AM/FM radios, TV sets, CD players, cassette players, and small appliances, such as electric shavers and hair dryers, so far as we know, are not likely to cause EMI problems to your powered wheelchair.

Powered Wheelchair Electromagnetic Interference (EMI)

Because EM energy rapidly becomes more intense as one moves closer to the transmitting antenna (source), the EM fields from hand-held radio wave sources (transceivers) are of special concern. It is possible to unintentionally bring high levels of EM energy very close to the powered wheelchair's control system while using these devices. This can affect powered wheelchair movement and braking. Therefore, the warnings listed below are recommended to prevent possible interference with the control system of the powered wheelchair.

Electromagnetic interference (EMI) from sources such as radio and TV stations, amateur radio (HAM) transmitters, two-way radios, and cellular phones can affect powered wheelchairs and motorized scooters.

FOLLOWING THE WARNINGS LISTED BELOW SHOULD REDUCE THE CHANCE OF UNINTENDED BRAKE RELEASE OR POWERED WHEELCHAIR MOVEMENT WHICH COULD RESULT IN SERIOUS INJURY.



WARNING

- 1) DO NOT operate hand-held transceivers (transmitters receivers), such as citizens band (CB) radios, or turn ON personal communication devices, such as cellular phones, while the powered wheelchair is turned ON;
- 2) Be aware of nearby transmitters, such as radio or TV stations, and try to avoid coming close to them;
- 3) If unintended movement or brake release occurs, turn the powered wheelchair OFF as soon as it is safe;
- 4) Be aware that adding accessories or components, or modifying the powered wheelchair, may make it more susceptible to EMI (NOTE: There is no easy way to evaluate their effect on the overall immunity of the powered wheelchair); and
- 5) Report all incidents of unintended movement or brake release to the powered wheelchair manufacturer, and note whether there is a source of EMI nearby.

Important Information

- 1) 20 volts per meter (V/m) is a generally achievable and useful immunity level against EMI (as of May 1994) (the higher the level, the greater the protection);
- 2) This device has been tested to a radiated immunity level of 20 volts per meter.
- 3) The immunity level of the product is unknown.

Modification of any kind to the electronics of this scooter as manufactured by Invacare may adversely affect the EMI immunity levels.

5 Safety Guidelines



WARNING

Risk of Serious Injury or Damage

Attaching hardware that is loosely secured could cause loss of stability resulting in serious injury or damage

After ANY adjustments, repair or service and before use, make sure that all attaching hardware is tightened securely.



DANGER

Risk of Death, Serious Injury, or Damage

Missing attaching hardware could cause instability resulting in death, serious injury or damage.

Ensure all attaching hardware is present and tightened securely.



WARNING

Risk of Serious Injury or Damage

Loss of power due to loose electrical connections could cause the wheelchair to suddenly stop resulting in serious injury or damage.

ALWAYS ensure that all electrical connections are tightly connected so they don't vibrate loose.

**WARNING****Risk of Minor to Serious Injury**

Pinch points can cause minor to serious injury.

Be mindful of potential pinch points and use caution when using this product.

**WARNING****Risk of Serious Injury**

Impacting objects in the surrounding environment can cause serious injury.

When maneuvering the wheelchair around, ALWAYS have assured cleared distance with all objects in environment.

**WARNING****Risk of Serious Injury**

Sharp edges can cause serious injury.

Be mindful that some parts may have sharp edges. Use caution when encountering these sharp edges.

**WARNING****Risk of Serious Injury**

Hot surfaces can cause severe burns.

Be mindful of potential hot surfaces and avoid touching.

5 SAFETY GUIDELINES



DANGER

Risk of Death, Serious Injury, or Damage

Lighted cigarettes dropped onto an upholstered seating system can cause a fire resulting in death, serious injury, or damage. Wheelchair occupants are at particular risk of death or serious injury from these fires and resulting fumes because they may not have the ability to move away from the wheelchair.

DO NOT smoke while using this wheelchair.



WARNING

Risk of Serious Injury or Damage

Accidental activation of wheelchair caused by pets, children, etc. can result in serious injury or damage.

ALWAYS turn power off when around pets and/or children to prevent unintended movement.



DANGER

Risk of Death or Serious Injury

Not performing periodic maintenance on stability lock could result in death or serious injury.

ALWAYS perform the periodic maintenance to the stability lock listed in the inspection checklist of this manual.



DANGER

Risk of Death or Serious Injury

Traveling on inclines with wet, slippery, icy or oily surfaces could cause loss of traction resulting in death or serious injury.

DO NOT use on inclines with wet, slippery, icy or oily surfaces. This may include certain painted or otherwise treated wood surfaces.

**WARNING****Risk of Death or Serious Injury**

Braking hard and/or sudden stops while on inclines could cause loss of stability resulting in death or serious injury.

While on inclines, ALWAYS travel at a reduced, constant speed to maintain stability. Traveling down ramps at high speeds will reduce traction and increase stopping distance.

DO NOT brake hard and avoid sudden stops while traveling on an incline.

If stopping becomes necessary while on an incline, release the joystick and allow the wheelchair to come to a full stop. Then proceed at a slower speed.

**WARNING****Risk of Death or Serious Injury**

Driving in an elevated position while on an incline could cause loss of stability resulting in death or serious injury

DO NOT drive in an elevated position while on an incline.

**DANGER****Risk of Death or Serious Injury**

Electric shock can cause death or serious injury

To avoid electric shock, inspect plug and cord for cuts and/or frayed wires. Replace cut cords or frayed wires immediately.

5 SAFETY GUIDELINES



WARNING

Risk of Serious Injury or Damage

Dropping the battery can result in serious injury or property damage.

Batteries can weigh up to 52 lbs (23.6 kg). ALWAYS use a battery lifting strap when lifting the battery. It is the most reliable method of carrying a battery and preventing serious injury.



WARNING

Risk of injury or damage

Improper mounting or maintenance of the Sip n' Puff control including the mouthpiece and breath tube may cause injury or damage.

Water inside the Sip n' Puff interface module may cause damage to the unit.

Excessive saliva residue in the mouthpiece/straw can reduce performance.

Blockages, a clogged saliva trap or air leaks in the system may cause Sip n' Puff not to function properly.

Ensure moving parts of the wheelchair, including the operation of powered seating, DO NOT pinch or damage the Sip n' Puff tubing.

Saliva trap **MUST** be installed to reduce risk of water or saliva entering the Sip n' Puff interface module.

Occasionally flush the mouthpiece to remove saliva residue.

The mouthpiece/straw **MUST** be completely dry before installation.

If Sip n' Puff does not to function properly, inspect system for blockages, clogged saliva trap or air leaks. As necessary, replace mouthpiece, breath tube and saliva trap.

**WARNING****Risk of Death, Serious Injury or Damage**

Exceeding the weight capacity of the wheelchair/seating system could cause instability resulting in death or serious injury. DO NOT exceed the weight capacity.

**WARNING****Risk of Serious Injury or Death**

Failure to observe this warning can result in serious injury or death.

Loss of traction on ramps and inclines can occur for a variety of reasons including: water, ramp material, surface conditions, steepness or grade etc. Lighter weight users may be at an increased risk for loss of traction. As such, when using on ramps or inclines always reduce speed and proceed with caution.

**WARNING****Risk of Death, Serious Injury, or Damage**

Improperly connected joystick could cause loss of power resulting in death, serious injury, or damage.

Ensure the joystick is securely connected to controller.

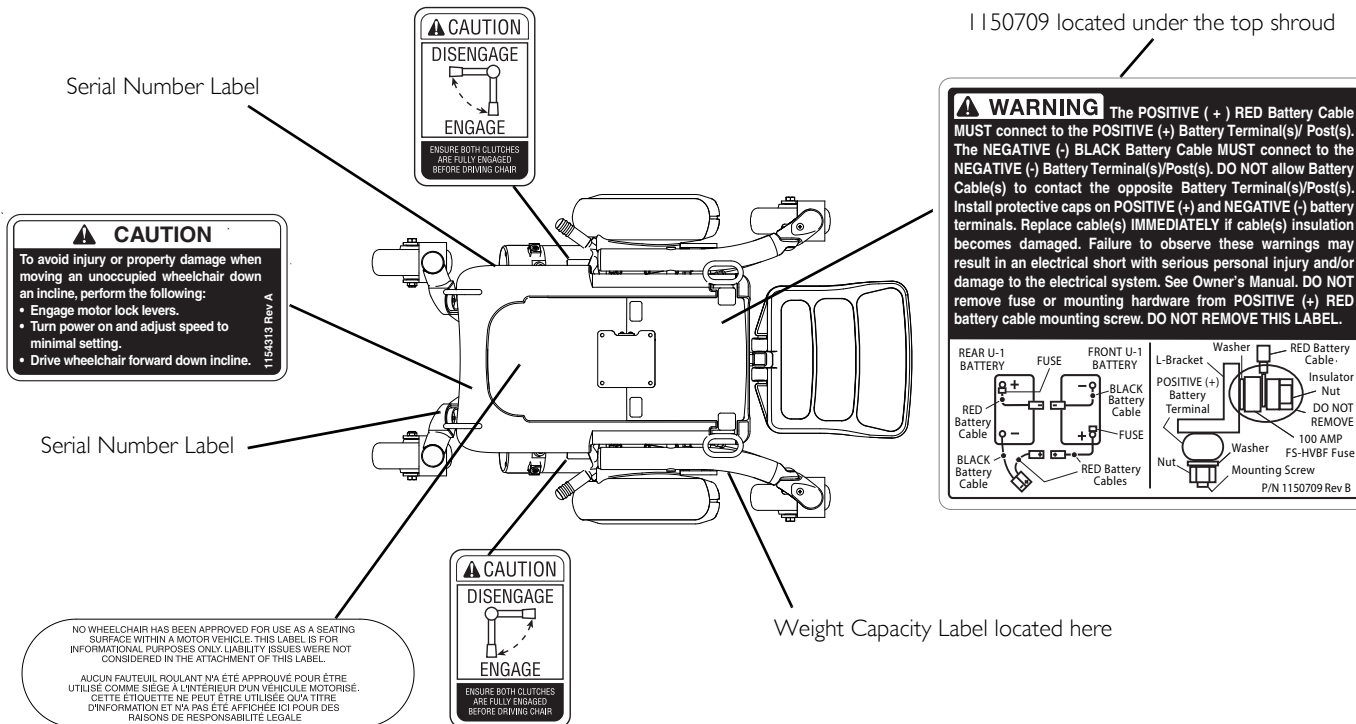
**DANGER****Risk of Death, Serious Injury, or Damage**

Malfunctioning joystick could cause unintended/erratic movement resulting in death, serious injury, or damage.

If unintended/erratic movement occurs, stop using the wheelchair immediately and contact a qualified technician.

6 Label Locations

6.1 All Wheelchairs

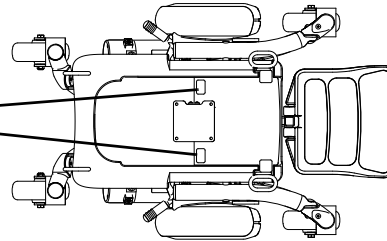


6.2 All Wheelchairs without TRRO

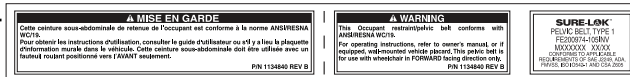
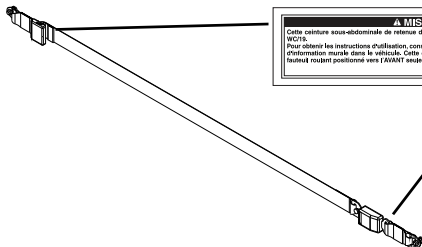
Auto style seat positioning strap shown. This label is also on the airline style seat positioning strap.



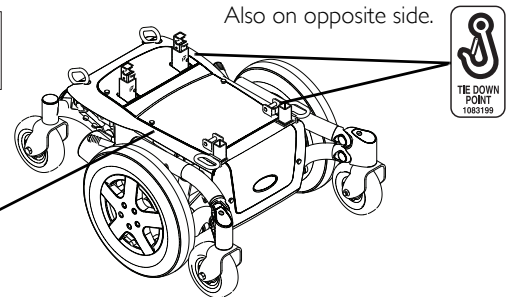
6.3 All Wheelchairs with Elevate



6.4 All Wheelchairs with TRRO



Also on opposite side.

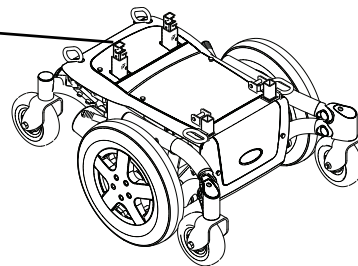


Also on opposite side.

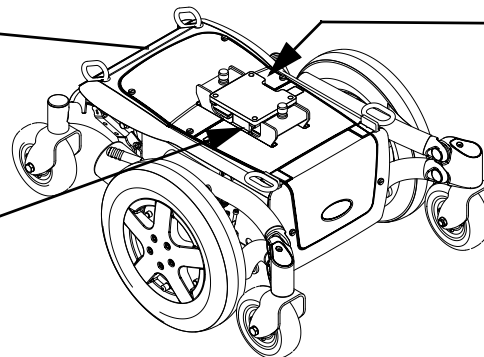


6 LABEL LOCATIONS

6.5 TDX SC with TRRO



6.6 TDX Spree with TRRO



7 Technical Data

7.1 Specifications

Models

TDX SC	TDXSC, TDXSCV, TDXSC2-CG
TDX Spree	TDXSPREE, TDXSPREE-CG

Overall Dimensions

	TDX SC	TDX SPREE
Base Width (Without Joystick):	24 inch	
Base Length:	34 inch (Without Front Rigging), 39 inch (With Center Mount Front Rigging)	
Overall Height - With ASBA Seat: With Van Seat:	36.5 to 38.5 inch 38 inch (without head rest), 45 inch (with head rest)	34.5 to 38.5 inch N/A
With Formula CG Tilt Only: With Elevating ASBA Seat:	37.75 to 39.25 inches 36.75 to 41.75 inches	36.75 to 38.75 inches 36.5 to 38.5 inch



All dimensions are $\pm .50$ inches unless otherwise indicated.

Operating/Storage Temperatures

Operating Temperature	122 F (50 C) Maximum to -13 F (-25 C) Minimum
Storage Temperature	149 F (65 C) Maximum to -58 F (-40 C) Minimum

7 TECHNICAL DATA

Seat

	TDX SC	TDX SPREE
Tilt Angle Adjustment:	Adjustable (0° - 10°)	

Wheels

	TDX SC	TDX SPREE
Caster:	6 x 2 inch Semi-pneumatic with Precision Sealed Bearings	
Caster Forks:	Two sided fork (Standard), One sided fork (Optional)	
Drive Wheel/Tires:	10 x 3 Foam Filled	
Drive Axle:	Non-adjustable	

Battery

	TDX SC	TDX SPREE
Battery Requirements:	UI	UI

Axle

	TDX SC	TDX SPREE
Drive Axle:	Non-adjustable	

Footrests

	TDX SC	TDX SPREE
Footrests:	Telescoping Front Rigging Supports, 2 inch and 4 inch long Pivot Slide Tube	

Weight

	TDX SC	TDX SPREE
Weight (Base Only)		
Without Batteries:	178 lbs	138 lbs
With two UI Batteries:	225 lbs	230 lbs
*Maximum Weight Limitations:	Up to 250 lbs	Up to 165 lbs



*Weight limitation is total weight (user weight plus any additional items that the user may require [back pack, etc.]). Example: If weight limitation of the wheelchair is 300 lbs and additional items equal 25 lbs, subtract 25 lbs from 300 lbs this means the maximum weight limitation of the user is 275 lbs.

8 Wheelchair Operation



WARNING

After ANY adjustments, repair or service and before use, make sure that all attaching hardware is tightened securely - otherwise injury or damage may result.

Set-up of the Electronic Control Unit is to be performed only by a qualified technician. The final adjustments of the controller may affect other activities of the wheelchair. Damage to the equipment could occur under these circumstances.

8.1 Preparing the Joystick for Use



For this procedure, refer to FIGURE 1.

The joystick is factory installed on the right side of the wheelchair. To reposition the joystick onto the left side of the wheelchair, refer to [Repositioning Joystick](#) on page 108.

1. Turn the adjustment lock lever to release the adjustment lock from joystick mounting tube.
2. Slide joystick mounting tube to the desired position.
3. Turn the adjustment lock lever to secure the adjustment lock to the joystick mounting tube.

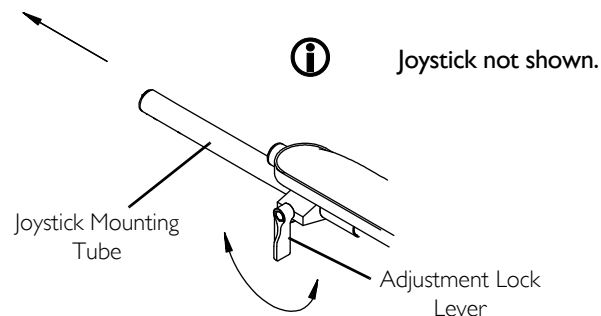


FIGURE 1 Preparing the Joystick for Use

8.2 Operating the Wheelchair

Turning the Power On/Off

i For this procedure, refer to FIGURE 2.

- To turn the power On, perform one of the following steps:

JOYSTICK	ACTION
CMPJ™ +	Move the On/Off switch Forward to the On position.
SPJ™ +	Press the On/Off button.

- Turning the power Off can be achieved by performing one of the following steps:

JOYSTICK	ACTION
CMPJ+	Move the On/Off switch Back to the Off position.
SPJ+	Press the On/Off button.

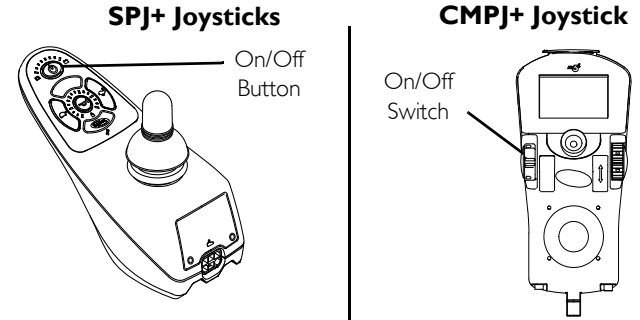


FIGURE 2 Turning the Power On/Off

8 WHEELCHAIR OPERATION

Using the Joystick to Drive the Wheelchair



For this procedure, refer to FIGURE 3 on page 49.

The joystick is located on the joystick housing and provides smooth control of speed and direction. It is equipped with 360 degrees of mobility for ease of operation. The joystick is spring-loaded, and automatically returns to the upright (neutral) position when released. Pushing the joystick in a given direction causes the wheelchair to move in that direction.

The joystick has proportional drive control, meaning that the further it is pushed from the upright (neutral) position, the faster the wheelchair moves. The maximum speed, however, is limited by the setting of the speed-control knob.

To slow the wheelchair to a stop, simply release the joystick. The wheelchair has automatic speed and direction compensation to minimize corrections.

When first learning to drive, select a slow speed and try to drive the wheelchair as slowly as possible by pushing the joystick slightly forward. This exercise will help you learn to utilize the full potential of the proportional control and allow you to start and stop smoothly.

To drive the wheelchair, perform the following:

1. Adjust speed control knob to the appropriate setting.
2. Turn the power On. Refer to [Turning the Power On/Off](#) on page 47.
3. Maneuver the joystick in the following manner:

MOVEMENT	ACTION
FORWARD	Push joystick forward, towards the front of the wheelchair.
REVERSE	Pull joystick back, towards the rear of the wheelchair.
Turn RIGHT	Move joystick toward the right side of the wheelchair.
Turn LEFT	Move joystick toward the left side of the wheelchair.
STOP	Release the joystick and the wheelchair will slow to a stop.

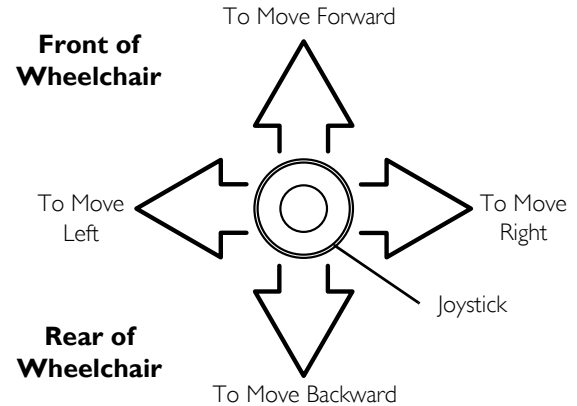


FIGURE 3 Using the Joystick to Drive the Wheelchair



For specific information about the joystick installed on the wheelchair, refer to one of these procedures:

- [SPJ+™, MK6i™ SPJ+ w/PSS and MK6i SPJ+ w/ACC Joystick Switches and Indicators](#) on page 50.
- [CMPJ+ Joystick Switches and Indicators](#) on page 53.

8 WHEELCHAIR OPERATION

8.3 SPJ+™ , MK6i™ SPJ+ w/PSS and MK6i SPJ+ w/ACC Joystick Switches and Indicators

i For this procedure, refer to FIGURE 4.

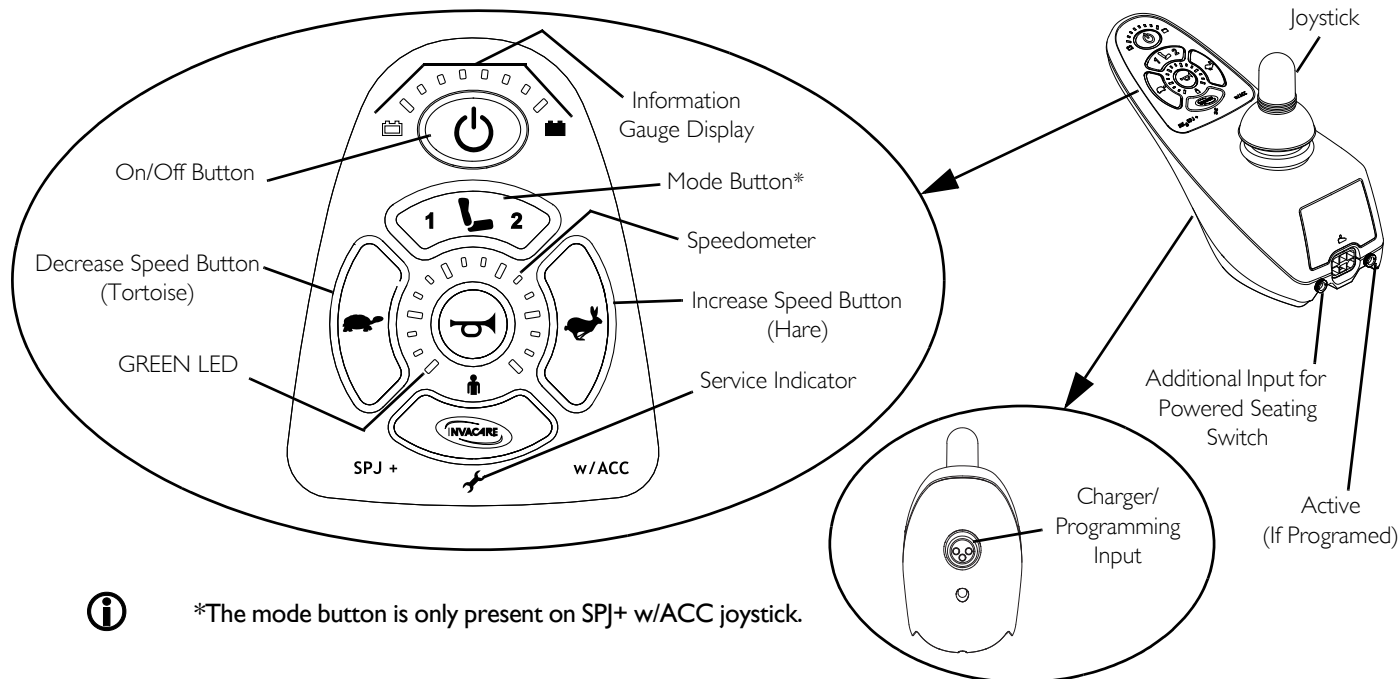


FIGURE 4 SPJ+™ , MK6i™ SPJ+ w/PSS and MK6i SPJ+ w/ACC Joystick Switches and Indicators



On/Off Button

This button is located at the front of the joystick housing. It is used to turn the wheelchair On and Off.









Speedometer

The speedometer is used to show the maximum speed. The right-most LED indicates current maximum speed setting. The bottom left GREEN LED flashes to indicate that the joystick is in speed limit mode. Speed limit mode limits the drive speed to a pre-programmed value, typically when the seat has been elevated and the wheelchair is required to drive at 20% speed.

Speed Control Buttons

The speed control buttons (tortoise button () and hare button ()) are used to set and adjust the maximum speed.

I. To adjust the speed, perform one of the following:

- Adjust Speed in 20% Increments (5 Speed Mode) - Press the tortoise button () or hare button () to decrease/increase the speed in 20% increments. The larger bars in the speedometer will light.
- Adjust Speed in Smaller Increments (VSP Mode) - Perform the following steps:
 - i. Press and hold both the tortoise button () and hare button () until the joystick beeps.
 - ii. Perform one of the following:
 - Press the tortoise button () or hare button () to decrease/increase the speed in 20% increments. The larger bars in the speedometer will light.
 - Press and hold the tortoise button () or hare button () to decrease/increase the speed in smaller increments. The smaller bars in the speedometer will light.

8 WHEELCHAIR OPERATION

Joystick

The joystick has proportional drive control, meaning that the further the joystick is pushed from the upright (neutral) position, the faster the wheelchair or seat moves. Your top speed, however, is limited by the programmed settings.

To slow the wheelchair to a stop, simply release the joystick. The wheelchair has automatic speed and direction compensation to minimize corrections.

Charger/Programming Input

The charger/programming input is located at the front of the joystick housing. This provides easy access for charging the wheelchair batteries. This port also serves as the Remote Programmer Communication connection. Driving is prevented while the system is charging.


Information Gauge Display

The information gauge display is located on the front of the joystick housing and provides the following information to the user on the status of the wheelchair:

1. Power is On.
2. True state-of-battery-charge, including notification of when the battery requires charging:
 - A. GREEN LEDs are lit, indicating well charged batteries.
 - B. AMBER LEDs are lit, indicating batteries are moderately charged. Recharge batteries before taking a long trip.
 - C. RED LEDs are lit, indicating batteries are running out of charge. Recharge batteries as soon as possible.

The Information Gauge display also serves as a system diagnostic device when a fault is detected by the control module. A specific number of flashes of the LEDs indicate the type of fault detected. Refer to [Information Gauge Display Diagnostics](#) on page 115 for the diagnostic indications of the wheelchair status.

Service Indicator

The AMBER service indicator  will light when an error or fault occurs. Refer to [Service Indicator Light Diagnostics](#) on page 116 for a listing of the flash codes and what they indicate.

8.4 CMPJ+ Joystick Switches and Indicators



For this procedure, refer to FIGURE 5.

On/Off - Drive Select Toggle Switch

The drive select toggle switch is located on the left side, below the LCD. The drive select position is momentary, meaning that it will return to the neutral position after a selection is made.

This switch allows the operator to select the type of operation or performance which best suits a particular control need or situation. The DRIVE 1 program uses performance values which are independent of those used for the DRIVE 2 or 3 or 4 program. As an example, an operator may have a control need for spasticity in the morning and a very different need in the afternoon. DRIVE 1 can be programmed for higher speeds and quicker response while DRIVE 2 can be programmed for slower speeds and less responsiveness or vice versa. The other two drive programs could be indoor and outdoor versions of DRIVE 1 and DRIVE 2.

Selecting the Drive Mode

1. Move the toggle up and release. DRIVE 1 will appear on LCD.
2. Move the toggle up and release again. DRIVE 2 will appear on LCD.
3. Move the toggle up and release again. DRIVE 3 will appear on LCD.
4. Move the toggle up and release again. DRIVE 4 will appear on LCD.
5. Move the toggle up and release one more time to select DRIVE 1.

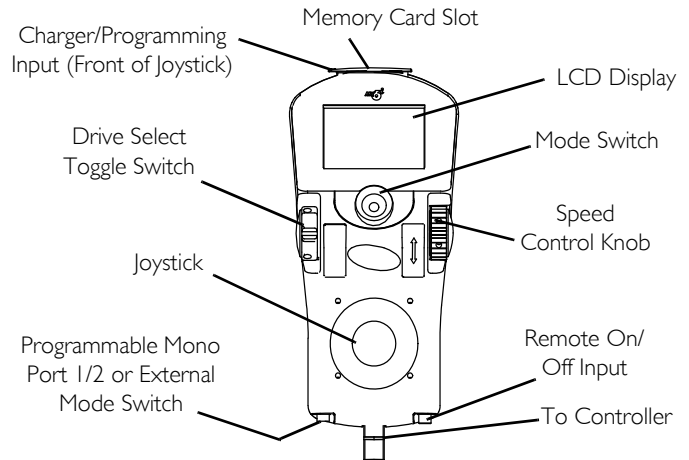


FIGURE 5 CMPJ+ Joystick Switches and Indicators

8 WHEELCHAIR OPERATION

Speed Control

The speed control knob is located on the side of the joystick housing.

1. Rotate the knob clockwise (forward) to increase the speed of the wheelchair to the programmed max speed.
2. Rotate the knob counterclockwise (backward) to decrease the speed of the wheelchair to the programmed max speed.

Joystick

The joystick has proportional drive control, meaning that the further the joystick is pushed from the upright (neutral) position, the faster the wheelchair or seat moves. Your top speed, however, is limited by the programmed settings.

To slow the wheelchair to a stop, simply release the joystick. The wheelchair has automatic speed and direction compensation to minimize corrections.

Charger/Programming Input

The charger/programming input is located at the front of the joystick housing. This provides easy access for charging the wheelchair batteries. This port also serves as the Remote Programmer Communication connection. Driving is prevented while the system is charging.

LCD Display Screens

The LCD Display is located in front of the joystick and provides information on the status of the wheelchair through a backlit display. The LCD display is readable in both bright sunlight and complete darkness.

Splash Screen



For this procedure, refer to FIGURE 6.

This screen is displayed at startup of the joystick for about 2 seconds. This screen displays the software version and date information.

After this screen, the joystick displays the Main Screen.



FIGURE 6 LCD Display Screens - Splash Screen

Main Screen









For this procedure, refer to FIGURE 7 on page 57.

During normal operation, the active drive is displayed in the upper half of the LCD display. Battery charge level is shown in the Battery Gauge Display (BGD) located on the right side of the LCD display. At full charge, solid blocks fill in all ten segments between E (Empty) and F (Full). As the battery becomes discharged, the top most segments will progressively disappear until no segments appear between E and F. At this level, the user should charge the batteries as soon as possible.

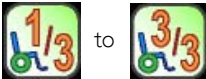













The lower half of the LCD display is the Information Center. The Information Center displays current data on the wheelchair.

Refer to LCD Display table on page 55 for descriptions of information shown.

LCD DISPLAY

ITEM	DESCRIPTION
DRIVE NAME	<p>This field shows the currently selected Drive's Name. Available choices are as follows:</p> <p style="text-align: center;">Color CMPJ+</p> <div style="text-align: center;">     </div> <p style="text-align: center;"> Drive 1* Drive 2* Drive 3* Drive 4*  "No Drive**" </p> <p> *Drive names can be customized. Actual drive names may display differently. **No Drive selected via the programmer.</p>
BATTERY LEVEL INDICATOR	<p>This symbol shows the Battery Level and will change depending on the available battery power. This indicator is shown on every screen.</p>
STATUS MESSAGE	<p>This area displays status or instructions.</p>
CLOCK	<p>Displays current time.</p>

8 WHEELCHAIR OPERATION

ITEM	DESCRIPTION				
STATUS INDICATOR	<p>The status indicator will show a “Warning” (exclamation point inside a triangle) indicator when the chair has a condition that requires attention.</p> <p>The status indicator will show a “STOP” sign when a serious condition exists. The chair will not be allowed to operate.</p> <p>The status indicator shows an Attendant Icon if the attendant’s override switch is active.</p>				
MODES	<p>The dotted-box shows the area that contains the available “modes” in the currently selected drive. The modes are programmed for each drive and are based upon the configuration of the chair.</p> <p>These modes are highlighted when the Mode is active. The operator changes modes by pressing the Mode Select Switch.</p> <p>The available modes are as follows:</p>				
 <p>Digital 3 Speed 1 - 3</p>	 <p>RIM Mode</p>	 <p>No Driving</p>	 <p>Automatic Positioning</p>	 <p>Powered Seating</p>	
 <p>4-Switch Level 1 (L1, L1 Latched)</p>	 <p>4-Switch Level 2 (L2, L2 Latched)</p>	 <p>Drive Select</p>	 <p>ECU Output Activated</p>	 <p>ASM 1</p>	
 <p>ASM 2</p>	 <p>Infrared</p>	 <p>Mouse</p>	 <p>Mouse B</p>		

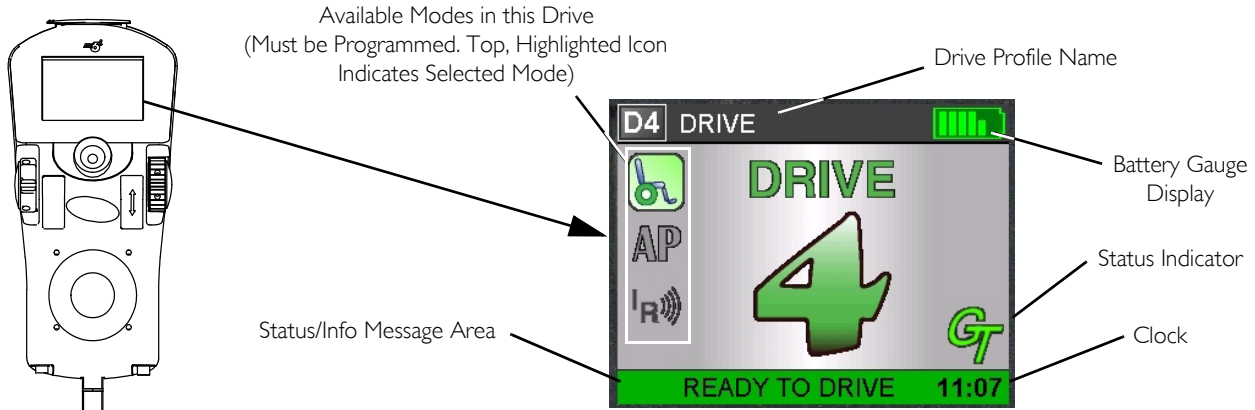


FIGURE 7 LCD Display Screens - Main Screen

Driving Screen

i For this procedure, refer to FIGURE 8.

This screen is shown when the operator issues a drive command and the Drive Icon on the main screen was highlighted.

i The Drive's name, warning/info message, status icon and battery indicator are displayed on this screen.

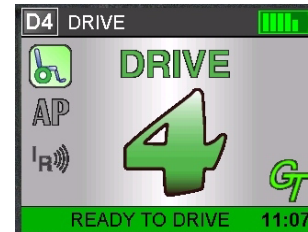


FIGURE 8 LCD Display Screens - Driving Screen

8 WHEELCHAIR OPERATION

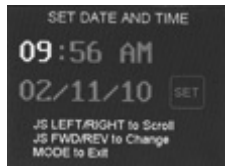
User Settings

Depress the mode button of the CMPJ+ joystick for 10 seconds and the User Settings screen will appear with three choices. Move the joystick forward or reverse to scroll through list. Move the joystick to the right to select a user setting.

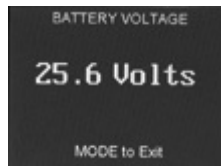
User Settings



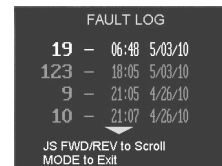
Set Date and Time



Battery Voltage



Fault Codes



Connected Devices



USER SETTINGS

SET DATE AND TIME	SET DATE AND TIME - Sets the clock on the color CMPJ+ joystick. Adds date and time stamp to error codes. <ul style="list-style-type: none"> • Move the joystick Up or Down to change the highlighted value (hour, minute, AM/PM, month, day, year) • Move the joystick Right or Left to select a value or the Set icon. • Highlight the Set icon and move the joystick forward to enter new date and time.
BATTERY VOLTAGE	BATTERY VOLTAGE - Displays current battery voltage. This is a diagnostic test a user can perform prior to a service call.
FAULT CODE	FAULT CODES - Displays time and date stamped fault codes. This information can be helpful to a provider prior to making a service call.
CONNECTED DEVICES	CONNECTED DEVICES - Displays device connections. Refer to Connected Devices Screen on page 59.

Connected Devices Screen



For this procedure, refer to FIGURE 9.

This screen is displayed if the Mode Select switch is held active for about 10 seconds. This screen shows an icon that represents any additional devices that are connected to the chair.

Connected Devices Screen



ICON	DESCRIPTION	ICON	DESCRIPTION	ICON	DESCRIPTION
	Intelligent Tilt Actuator		Generic Leg Actuators		RIM Control
	Intelligent Recline Actuator		Generic Right Leg Actuator		ECU 1/2 and ECU 3/4
	Intelligent Center Leg Actuator		Generic Left Leg Actuator		Proportional Attendant Control
	Elevate Actuator		Intelligent CG Tilt		Compact Joystick
	Generic Tilt Actuator		Shark Power Module (SPM) Actuator		Sip and Puff control
	Generic Recline Actuator		SANODE or Single Actuator Control Interface		Digital Attendant Control
			4-way Switch Box		Micro Extremity Control
			Multiple Actuator Control Box		Peachtree Control
					ASL Digital Control
					Generic Analog Control
					This is displayed if the controller supports G-Trac
					Mouse Only
					IR/Mouse

FIGURE 9 LCD Display Screens - Connected Devices Screen

8 WHEELCHAIR OPERATION

Programmable Mono Ports 1 and 2 with External Mode Switch

The programmable mono port with external mode switch input is located at the rear of the joystick on the left side. The programmable mono port input offers the choice of three options:

- Remote drive select
- Remote stop/mode (reset) input
- Single actuator input

The single switch functions operate through mono port 1. An optional y-cable allows a second programmable function through mono port 2.

Remote Stop Switch

The remote reset switch may be used to stop the wheelchair if the wheelchair is in motion.

The remote reset switch also functions in the same way as the joystick mode switch when the wheelchair is not in motion. Refer to [Mode Switch](#) on page 61.

Remote On/Off Switch

The remote On/Off switch input is located at the rear of the joystick on the right side and allows the power switch to be operated by an ability switch (normally open momentary switch with mono plug). To use the remote On/Off feature, the Drive Select/On/Off switch must be in the On position. Each activation of the ability switch will alternately turn the joystick On or Off.

Mode Switch

The mode switch is used to select the operating mode for the wheelchair. The mode switch is located on the joystick. A mode switch is needed whenever any of the following operating modes are programmed:

- Environmental Controls (ECU 1, ECU 2, ECU 3, ECU 4)*
- 3 Speed Mode in Digital 3 Speed (Slow, Medium, Full)
- Sleep Mode
- RIM Mode*
- Remote Drive Selection Mode*
- Tilt/Recline Mode*
- Information Center Display Selection (does not require Reset activation at power up)

If any of the above modes are selected, the control will require activation of the switch immediately after the power switch is turned On in order to enter the drive mode. The second line of the LCD will display - PRESS RESET.



*In these modes, Standby Select allows the reset switch to be bypassed for users unable to activate the switch.

Memory Card Slot

The memory card slot is used with the basic or professional memory card for saving or reading wheelchair parameters.

8.5 When to Charge Batteries



Keep Batteries charged. When possible, DO NOT allow battery charge to empty.

If battery charge becomes so low that no battery indicators are lit, allow the batteries to charge overnight.

8 WHEELCHAIR OPERATION

SPJ+, SPJ+ w/PSS and SPJ+ w/ACC Joysticks

i For this procedure, refer to FIGURE 10.

The Information Gauge Display located on the front of the joystick housing, it provides the state-of-battery charge, including notification of when the battery requires charging. It also provides the following information to the user on the status of the wheelchair:

- A. GREEN LEDs are lit, indicating well charged batteries.
- B. AMBER LEDs are lit, indicating batteries are moderately charged. Recharge batteries before taking a long trip.
- C. RED LEDs are lit, indicating batteries are running out of charge. Recharge batteries as soon as possible.

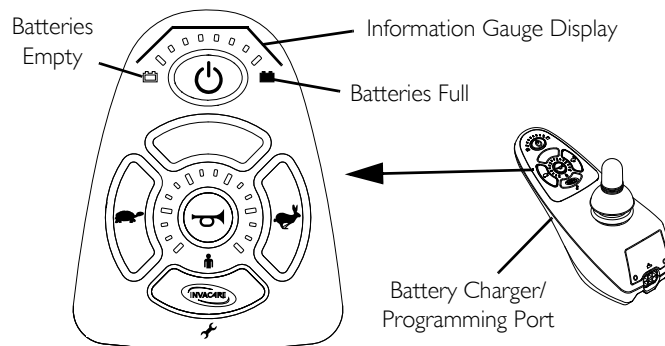


FIGURE 10 SPJ+, SPJ+ w/PSS and SPJ+ w/ACC Joysticks

CMPJ+ Joystick

i For this procedure, refer to FIGURE 11.

The far right side of the display screen is the Battery Gauge Display (BGD). It provides information on the remaining charge in the batteries.

At full charge, solid blocks fill in battery gauge. As the battery becomes discharged, the segments will progressively disappear starting on the right and moving towards the left a bar at a time until no segments appear. At this level the user should charge the batteries as soon as possible.

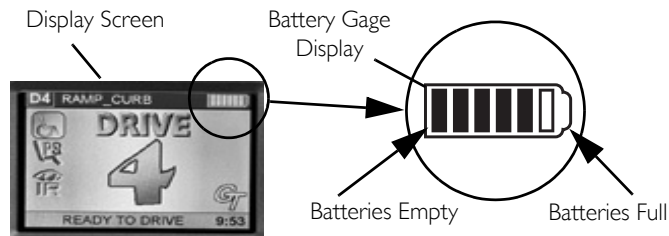


FIGURE 11 CMPJ+ Joystick

8.6 Charging Batteries



WARNING

NEVER attempt to recharge the batteries by attaching cables directly to the battery terminals or clamps. ALWAYS use the recharging plug located on the front of the joystick.

DO NOT sit in the wheelchair while charging the batteries.

DO NOT attempt to recharge the batteries and operate the power wheelchair at the same time.

During use and charging, unsealed batteries will vent hydrogen gas which is explosive in the right concentration with air.

CAUTION

Always charge new batteries before initial use or battery life will be reduced.



For this procedure, refer to FIGURE 12 on page 65.

New batteries MUST be fully charged prior to initial use of the wheelchair.

As a general rule, batteries should be recharged daily to assure the longest possible life and minimize the required charging time. Plan to recharge the batteries when it is anticipated the wheelchair will not be used for a long period of time.

The range per battery charge using recommended batteries should be approximately 5 to 9 hours of typical operation. Extensive use on inclines may substantially reduce per charge mileage.

8 WHEELCHAIR OPERATION

Description and Use of Battery Chargers



For this procedure, refer to FIGURE 12.

The charger automatically reduces the charge from an initially high rate to a zero reading at a fully charged condition. If left unattended, the charger should automatically shut-off when full charge is obtained or enter a trickle charge mode to maintain the batteries depending on charger model.

There are some basic concepts which will help you understand this automatic process. They are:

Once the charger has been connected to the wheelchair and wall outlet and, if necessary, the charger has been turned on, the battery charger indicator lights will flash and light to show the battery charger status and condition of batteries to be charged. Refer to owner's manual shipped with battery charger.



WARNING

NEVER leave the charger unattended when the breaker has tripped. A fault condition exists. Unplug and discontinue using immediately. Contact an Invacare dealer.



For this procedure, refer to FIGURE 12 on page 65.

If performing the charging procedures, READ and CAREFULLY follow the individual instructions for each charger (supplied or purchased).

If charging instructions are not supplied, consult a qualified service technician for proper procedures.

Required Items:

- (I) Battery Charger Supplied
1. Attach the battery charger connector to the charger port on the joystick.
 2. Plug the charger's AC power cord, or extension, into the grounded 120 VAC wall outlet.
 3. Wait until charging is complete.



Allow eight hours for normal charging. Larger batteries (greater than 55 ampere-hours) or severely discharged batteries may require up to sixteen hours to be properly charged and equalized.

It is advantageous to recharge frequently rather than only when necessary. In fact, a battery's life is extended if the charge level is maintained well above a low condition.

If the batteries need to be charged more often or take longer to charge than normal, they may need to be replaced. Contact an Invacare dealer for service.

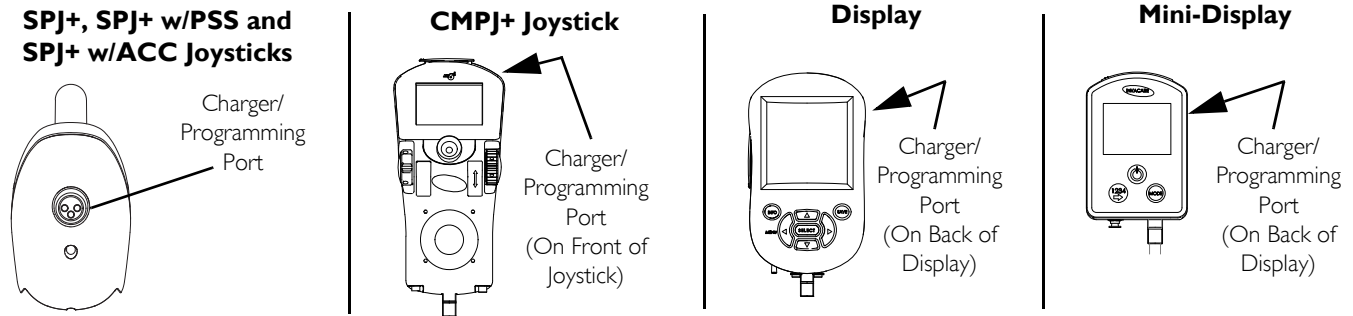


FIGURE 12 Charging Batteries

8 WHEELCHAIR OPERATION

8.7 Disengaging/Engaging Motor Lock Levers



WARNING

DO NOT engage or disengage motor locks until the power is in the OFF position.

CAUTION

Ensure both motor release levers are fully engaged before driving the wheelchair.



For this procedure, refer to FIGURE 13.

Motor lock disengagement/engagement allows free-wheeling or joystick controlled operation. Free-wheeling allows an assistant to maneuver the wheelchair without power.

Motor lock levers are located between the rear caster assembly and drive wheel on both sides of the wheelchair.

- I. Perform one of the following as if viewing the motors from behind the wheelchair (Detail "A"):
 - Engage (DRIVE) - Push motor lock levers in, towards the wheelchair to engage the motor.
 - Disengage (PUSH) - Pull motor lock levers out, away from wheelchair to disengage the motor.

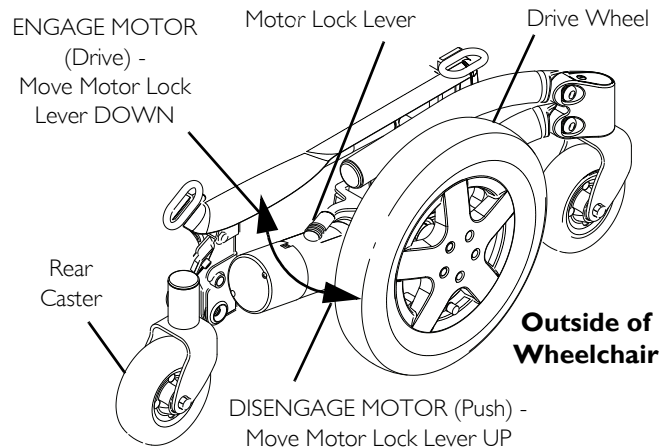


FIGURE 13 Disengaging/Engaging Motor Lock Levers

8.8 Disengaging/Engaging the Wheel locks



WARNING

DO NOT use the wheel locks when the wheelchair power is on and the clutches are engaged - otherwise damage to the wheelchair may result.



For this procedure, refer to FIGURE 14.

Use the wheel locks whenever the clutches are disengaged and the wheelchair is being pushed.

Engaging

1. Push handle forward away from tire to engage wheel lock.
2. Repeat STEP 1 for opposite wheel.

Disengaging

1. Pull handle back toward tire to disengage wheel lock.
2. Repeat STEP 1 for opposite wheel.

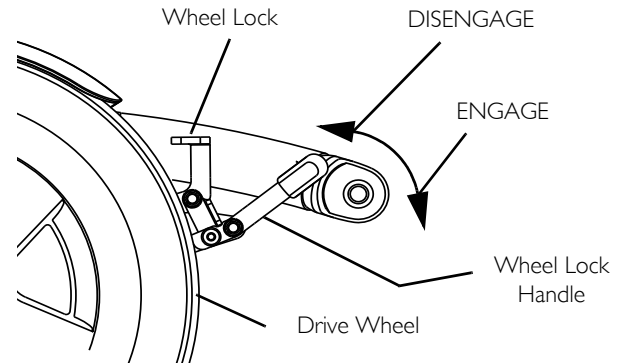


FIGURE 14 Removing/Installing the Footboard

8 WHEELCHAIR OPERATION

8.9 Removing/Installing or Tilting the Seat Assembly

Removing/Installing the Seat Assembly - Wheelchairs with Latch Bars Only



WARNING

DO NOT engage or disengage motor locks until the power is in the OFF position.

After ANY adjustments, repair or service and before use, make sure all attaching hardware is tightened securely - otherwise injury or damage may result.



For this procedure, refer to FIGURE 15.

Removing

1. Disconnect the joystick cable at rear of seat. Refer to [Disconnecting/Connecting the Joysticks](#) on page 110.



The latch bar will be located behind the front seat posts on wheelchairs with adjustable ASBA seats and in front of the front seat posts on wheelchairs with van seats.

2. Push down on the latch bar underneath front of seat.
3. Rotate seat assembly backward.
4. Slide the seat assembly forward to disengage seat from pivot brackets located in the rear.

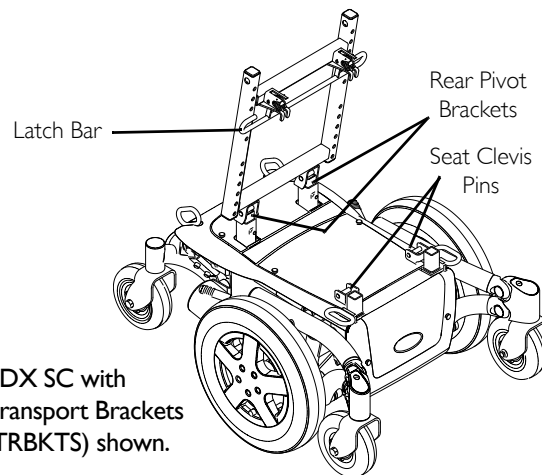


FIGURE 15 Removing/Installing the Seat Assembly - Wheelchairs with Latch Bars Only

Installing

1. Position the seat in the rear pivot brackets as shown in FIGURE 15.
2. Rotate seat assembly forward.

When seat is lowered, engage seat brackets into seat clevis pins..

**WARNING**

When reinstalling the seat verify that the seat brackets are engaged with the seat clevis pins by pulling up on the latch bar.

3. Pull up on latch bar to verify that brackets are engaged with seat clevis pins.

Tilting the Seat Assembly - Wheelchairs without Latch Bar Only**WARNING**

Make sure power to the wheelchair is OFF before performing this procedure.

Never leave the seat assembly in the UP/OPEN position unless necessary to perform a procedure on the wheelchair - otherwise injury or damage may result.



For this procedure, refer to FIGURE 16 on page 70.

Removing the seat is not necessary to access the battery compartment. The seat assembly tilts back and props into place to provide access to the batteries and the underside of the seat.

8 WHEELCHAIR OPERATION

Tilting the Seat Assembly Back

1. Place the wheelchair in a well ventilated area where work can be performed without risking damage to carpeting or floor covering.
2. If necessary, tilt seat back 20° to 25°.
3. Verify the joystick ON/OFF switch is in the OFF position and disconnect joystick cable.
4. Engage the motor release levers. Refer to Disengaging/Engaging Motor Lock Levers on page 66.
5. Remove front rigging. Refer to seating system owners manual.
6. Remove the two mounting screws and washers securing the seat frame plate to the front seat posts.
7. Firmly grasp the front edge of the seat assembly, slowly tilt the seat assembly back into the UP/OPEN position.
8. Remove prop rod from the clip located on the Formula CG frame and engage the prop rod end into the front seat post.
9. Gently allow weight of seat assembly to be supported by the prop rod.



Only leave the seat assembly in the UP/OPEN position while performing any necessary procedures. Always lower the seat assembly to the DOWN/CLOSED position when not servicing the wheelchair. Ensure the seat is locked in place before using.



Seating system not shown.

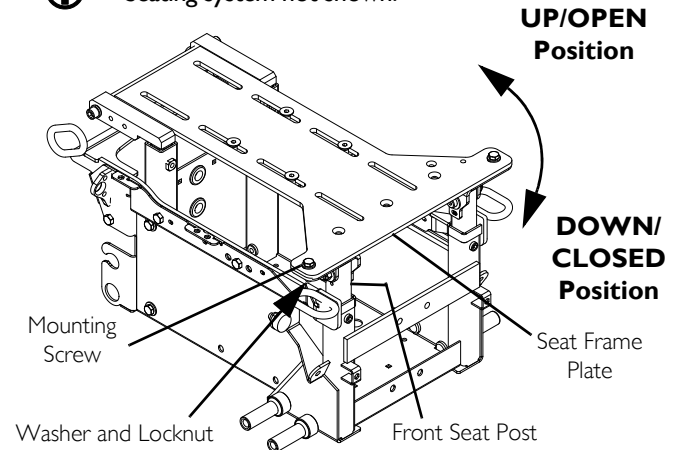


FIGURE 16 - Tilting the Seat Assembly - Wheelchairs without Latch Bar Only

Tilting the Seat Assembly Forward

1. Using one hand, firmly grasp the front edge of the seat assembly and lift until seat assembly is no longer supported by the prop rod.
2. Disengage the prop rod from the front seat post and secure into clip.
3. Using both hands, slowly tilt the seat assembly FORWARD into the DOWN/CLOSED position.

**WARNING**

Ensure the two mounting screws, washers and locknuts are securely tightened and the seat frame is locked in place before use - otherwise injury or damage may result.

4. Using the two mounting screws, washers and locknuts, secure the seat frame plate to the two front seat posts.

8.10 Removing/Installing the Footboard**WARNING**

After ANY adjustments, repair or service and before use, make sure that all attaching hardware is tightened securely - otherwise injury or damage may result.

Before performing any maintenance, adjustment or service, verify that ON/OFF switch on the joystick is in the OFF position.

DO NOT stand on the flip-up footboard. When getting in or out of the wheelchair, make sure that the flip-up footboard is in the upward position.

LIMITED CLEARANCE BETWEEN FOOTBOARD AND CASTER - The user's feet MUST remain on the footboard while operating the wheelchair. If the user's feet are allowed to rest off the side of the footboard they may come in contact with the caster possibly resulting in injury.



For this procedure, refer to FIGURE 17 on page 72.

8 WHEELCHAIR OPERATION

Removing

1. Remove the socket head screw, three washers, spacer and locknut that secures the footboard to the footboard support.
2. Remove the footboard from the footboard support.

Installing



WARNING

Pinch point may occur when rotating the footboard assembly.

1. Position the footboard onto the footboard support so that the mounting holes in the wheelchair frame align with the desired mounting holes in the footboard support.
2. Using the socket head screw, three washers, spacer and locknut secure the footboard to the footboard support.

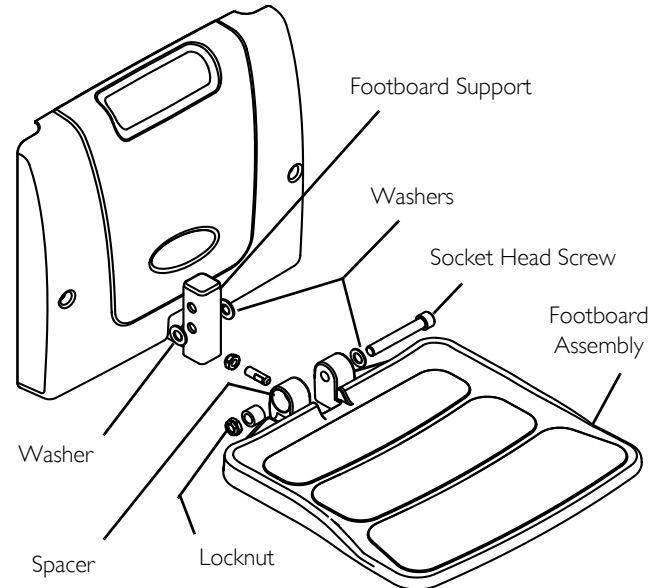


FIGURE 17 Removing

9 Transport Ready Option (TRRO)



WARNING

This section applies only to wheelchairs equipped with TRRO (Transport Ready Option).

Contact Invacare Corporation (800-333-6900) with any questions about using this wheelchair for seating in a motor vehicle.

When feasible, wheelchair occupants should transfer into the vehicle seat and use the OEM (Original Equipment Manufacturer) vehicle-installed restraint system.

This wheelchair has been dynamically tested in a forward-facing mode with the specified crash test dummy restrained by BOTH pelvic and upper-torso belt(s) (shoulder belts), and that BOTH pelvic and upper torso belt(s) should be used to reduce the possibility of head and chest impacts with vehicle components.

Use ONLY Wheelchair Tie-down and Occupant Restraint Systems (WTORS) which meet the requirements of the SAE (Society of Automotive Engineers) J2249 Recommended Practice during travel in a motor vehicle.

This wheelchair has been tested for seating in a motor vehicle with the factory installed seating system only.

This wheelchair MUST be in a forward facing position during travel in a motor vehicle.

This wheelchair is equipped, and has been dynamically tested to rely on WHEELCHAIR-ANCHORED pelvic belts. If desired, VEHICLE-ANCHORED pelvic belts may be used.

IT IS STRONGLY RECOMMENDED THAT BOTH PELVIC AND UPPER-TORSO BELT(S) BE USED TO REDUCE THE RISK OF INJURY.

To reduce the potential of injury to vehicle occupants, wheelchair-mounted accessories, including but not limited to IV poles, trays, respiratory equipment, backpacks, and other personal items should be removed and secured separately.

Postural supports, positioning devices, and/or strap(s) should NOT be relied on for occupant restraint. These items may be used IN ADDITION TO the wheelchair-anchored or vehicle-anchored belts.

9 TRANSPORT READY OPTION (TRRO)



WARNING

Seat angle is factory set at time of shipment. Adjustments to the wheelchair may void WC 19 compliance. To maintain compliance, refer to wheelchair service manual before making any adjustments.

DO NOT alter or substitute wheelchair frame parts, components, or seating systems.

A sudden stop and/or collision may structurally damage your wheelchair. Wheelchairs involved in such incidents should be replaced.

Spill proof batteries, such as “gel cells”, should be installed on wheelchairs to be used during travel in a motor vehicle.

Transport ready packages are not retrofittable to existing models and are not field serviceable.

9.1 About Transport Ready Packages

TRRO includes four factory-installed transport brackets and a wheelchair anchored pelvic belt. TRRO has been crash-tested in accordance with ANSI/RESNA WC Vol I Section 19 Frontal Impact Test requirements for wheelchairs with a 130 lb crash test dummy, which corresponds to a person with a weight of 125 to 165 lbs. for Junior seat sizes or a 168 lb crash dummy, which corresponds to a person with a weight of 165 to 300 lbs. for Adult seat sizes.

As of this date, the Department of Transportation has not approved any tie-down systems for transportation of a user while in a wheelchair, in a moving vehicle of any type. It is Invacare’s position that users of wheelchairs should be transferred into appropriate seating in vehicles for transportation and use be made of the restraints made available by the auto industry. Invacare cannot and does not recommend any wheelchair transportation system.

9.2 Compliance Information

This wheelchair conforms with the requirements of the ANSI/RESNA WC/Vol. 1 - Section 19 (Frontal Impact Test)



ANSI = American National Standards Institute, RESNA= Rehabilitation Engineering and Assistive Technology Society of North America.

This wheelchair has been dynamically tested in a forward-facing mode with the specified crash test dummy, which corresponds to a person **with a weight of 114-209 pounds**, restrained by BOTH pelvic and shoulder belts in accordance with ANSI/RESNA WC Vol 1 Section 19. BOTH pelvic and upper torso belts should be used to reduce the possibility of head and chest impacts with vehicle components.

9.3 Specifications

MODEL	MOTOR	WEIGHT LIMIT	
		ADULT	JUNIOR
TDX SC	2 Pole HD	Up to 250 lbs	N/A
TDX Spree	2 Pole HD	N/A	Up to 165 lbs

9 TRANSPORT READY OPTION (TRRO)

Positioning the Wheelchair in the Vehicle



WARNING

This wheelchair **MUST** be in a forward facing position during travel in a motor vehicle.

The recommended clear zones for wheelchair seated occupants restrained by **BOTH** pelvic and upper torso belt(s) and **ONLY** by a pelvic belt are shown in the diagrams and described below.

Frontal Clear Zones (FCZ) need to be **LARGER** when upper torso belt(s) are **NOT** used.

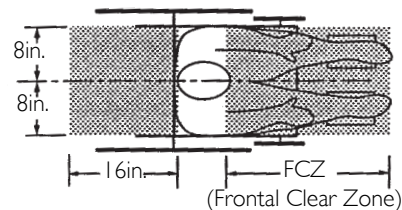
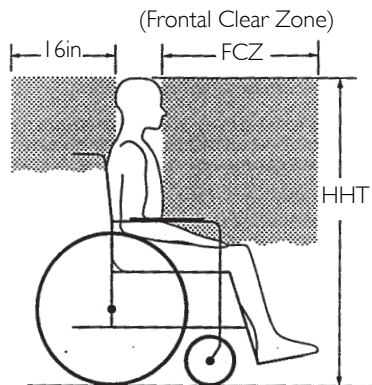
The rear clear zone of 16-inches is measured from the rearmost point on an occupant's head.

The frontal clear zone is measured from the frontmost point on an occupant's head and is 26-inches with pelvic and upper-torso belt(s) and 37-inches with **ONLY** a pelvic belt.

The frontal clear zone may not be achievable for wheelchair-seated drivers.

The estimated seated height (HHT) from the ground or floor to the top of the wheelchair-seated occupant's head ranges from approximately 47-inches for a small adult female to about 61-inches for a tall adult male

Side View



Top View

Securement Points



For this procedure, refer to FIGURE I.

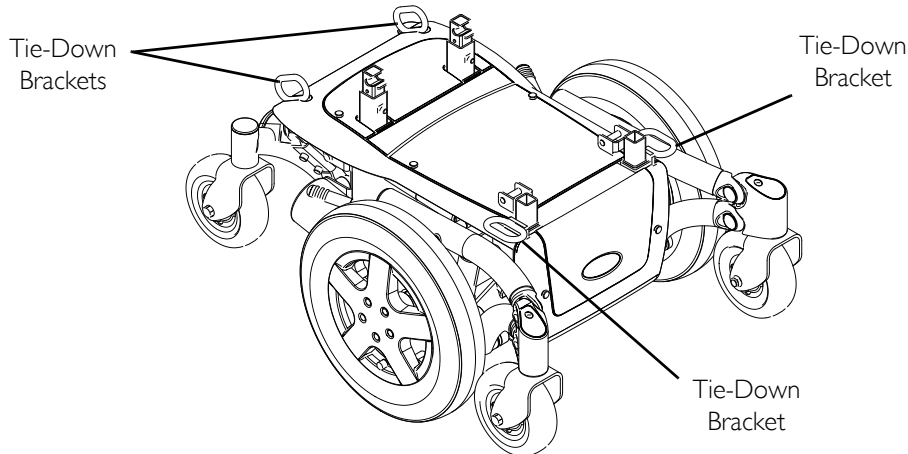


FIGURE I Securement Points

Securing the Wheelchair

This wheelchair is to be used only with Wheelchair Tie-down and Occupant Restraint Systems (WTORS) that have been installed in accordance with the manufacturer's instructions and SAE J2249.



A copy of SAE J2249 Wheelchair Tie-down and Occupant Restraint Systems (WTORS) for use in Motor Vehicles can be obtained from: SAE International, 400 Commonwealth Drive, Warrendale, PA 15096-0001, (877) 606-7232 or (724) 776-4970.

Attach WTORS to the tie-down brackets in accordance with the manufacturer's instructions and SAE J2249.

9 TRANSPORT READY OPTION (TRRO)

9.4 Securing the Occupant

Wheelchair-Anchored Belts



WARNING

The pelvic belt that is provided by Invacare has been tested for use in a motor vehicle on this wheelchair only. Do not replace the pelvic belt with a different style pelvic belt.



For this procedure, refer to FIGURE 2 on page 79.

The wheelchair has been provided with a pelvic belt which meets the requirements of ANSI/RESNA WC/19.

The pelvic belt provided by Invacare has been designed to accommodate use on either side of the vehicle. If necessary, follow the instructions below to reverse the orientation of the pelvic belt to accommodate the vehicle-anchored upper torso belt.

1. Install the pelvic belt pin (Detail “A”) into slot in the pelvic belt bracket (Detail “B” or Detail “C”). Pull upwards until it snaps into place.



Both ends of the pelvic belt have a pin which is used to secure the vehicle-anchored upper torso belt.

2. Repeat STEP 1 for the opposite pelvic belt bracket.
3. Install the vehicle-anchored upper torso belt onto the pin located at either end of the pelvic belt.

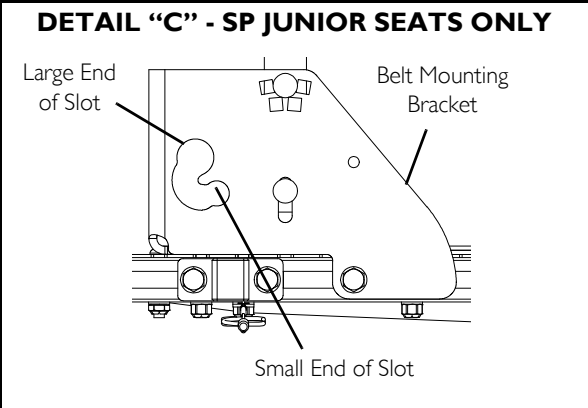
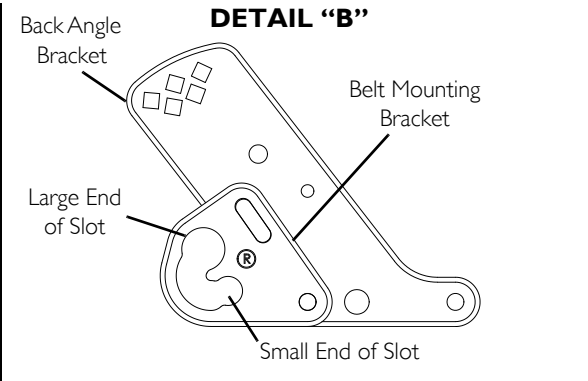
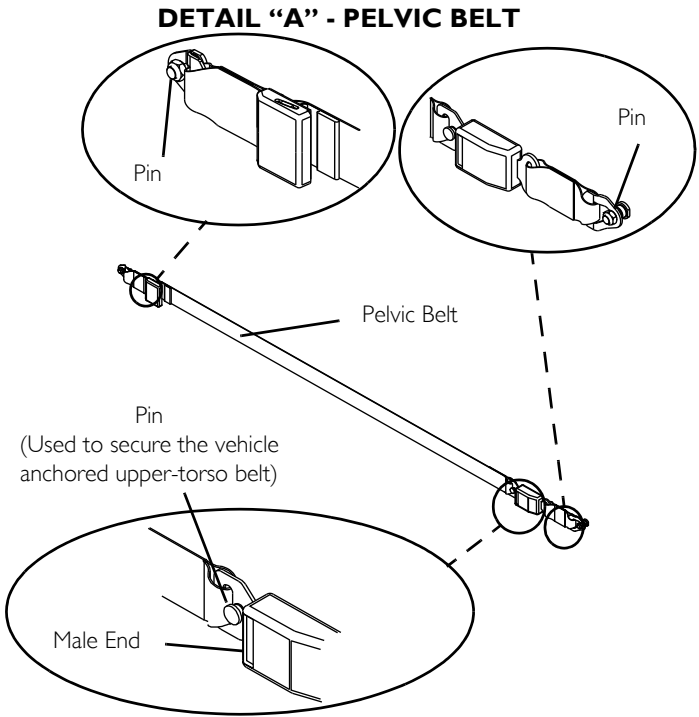


FIGURE 2 Wheelchair-Anchored Belts

9 TRANSPORT READY OPTION (TRRO)

Vehicle-Anchored Belts



For this procedure, refer to FIGURE 3.

With regard to accommodating the use and fit of vehicle-anchored belts, this wheelchair has an overall rating of:

- TDX SC - “A”
- TDX Spree - “A”

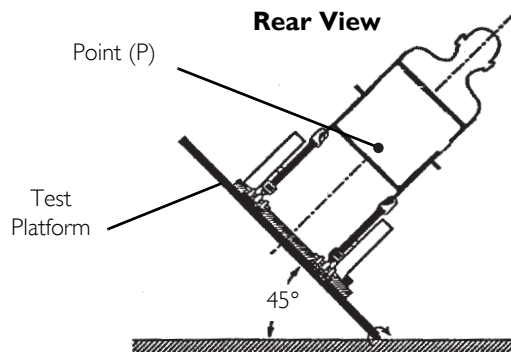
This rating is scored as follows:

RATING	DESCRIPTION
A	Excellent
B	Good
C	Fair
D	Poor

The test for Lateral Stability Displacement for Point (P) is shown in FIGURE 3.

The average test result for point (P) is:

- TDX SC Adult - 0.47 in (11.9 mm)
- TDX Spree Junior - 0.53 in (13.0 mm)



NOTE: Rear view of wheelchair and human surrogate secured on test platform and tilted to 45 degrees.

FIGURE 3 Vehicle-Anchored Belts

Seating System



WARNING

This wheelchair has been tested for seating in a motor vehicle with the factory installed seating system only. When feasible, wheelchair occupants should transfer into the vehicle seat and use the OEM (Original Equipment Manufacturer) vehicle-installed restraint system.

Ensure that the factory installed seating system is secured to the wheelchair frame before operation. Refer to the seating system owner's manual.

Positioning Belts



WARNING

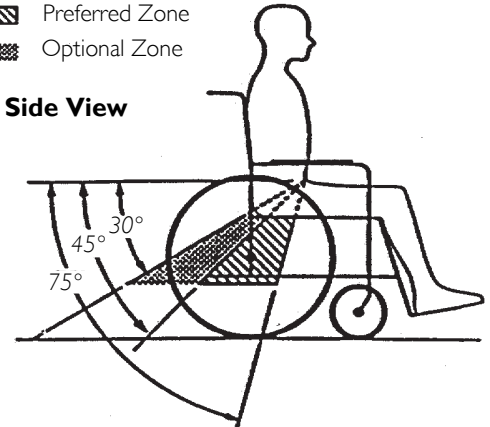
The angle of the pelvic belt should be within the preferred zone of 45 to 75 degrees to the horizontal OR within the optional zone of 30 to 45 degrees to the horizontal.

Steeper side-view pelvic belt angles are especially important if the pelvic belt is intended to be used for postural support in addition to occupant restraint in a frontal crash. Steeper angles will reduce the tendency for a vertical gap to develop between the user and the belt due to compliance of seat cushions and belt movement, thereby reducing the tendency for the user to slip under the belt and for the belt to ride up on the soft abdomen during normal use.

Steeper belt angles also reduce the tendency for upper-torso belts to pull the pelvic belt onto the abdomen during frontal impact loading.

-  Preferred Zone
-  Optional Zone

Side View

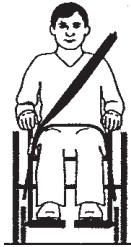


For this procedure, refer to FIGURE 4 on page 82.

9 TRANSPORT READY OPTION (TRRO)

1. The pelvic belt should be worn low across the front of the pelvis.
2. Position the upper torso belt(s) over the shoulders.
3. The belt(s) should not be held away from the body by wheelchair components or parts, including but not limited to wheelchair armrests or wheels. Refer to FIGURE 4 for proper and improper positioning of the belts.
4. Ensure the belt(s) are not be twisted.
5. Adjust belts as firmly as possible, being mindful of user comfort.

DO position belts **INSIDE** of armrests, wheels, etc.



DO NOT position belts **OUTSIDE** of armrests, wheels, etc.



FIGURE 4 Positioning Belts

10 Setup/Maintenance

10.1 Setup/Delivery Inspection



Setup/delivery inspection should be performed by dealer at time of delivery/set up.

Initial adjustments should be made to suit your personal body structure needs and preference. Thereafter weekly, monthly and periodic inspections should be performed by user/attendant between the six month service inspections. Refer to [User/Attendant Inspection Checklists](#) on page 84.

Every six months, and as necessary, take your wheelchair to a qualified technician for a thorough inspection and servicing. Refer to [Service Inspection](#) on page 86.

- Check all parts for shipping damage. In case of damage, DO NOT use.
- Ensure wheelchair rolls straight (no excessive drag or pull to one side).
- Ensure clothing guards are secure.
- Ensure arms are secure but easy to release and adjustment levers engage properly.
- Ensure adjustable height arms operate and lock securely.
- Ensure axle nut or bolt and wheel mounting nuts are secure on drive wheels.
- Ensure caster/anti-tipper wheels are free of debris, and all mounting hardware is secure and not damaged/missing.
- Check that cables are routed and secured properly to ensure that cables DO NOT become entangled and damaged during normal operation of seating system.
- Ensure proper operation of powered functions (Example: drive, seating and legrests).

10 SETUP/MAINTENANCE

10.2 User/Attendant Inspection Checklists



Every six months, and as necessary, take your wheelchair to a qualified technician for a thorough inspection and servicing. Service Inspection on page 86.

Weekly, monthly and periodic inspections should be performed by user/attendant between the six month service inspections.

Regular cleaning will reveal loose or worn parts and enhance the smooth operation of your wheelchair. To operate properly and safely, your wheelchair must be cared for just like any other vehicle. Routine maintenance will extend the life and efficiency of your wheelchair.



CAUTION

As with any vehicle, the wheels and tires should be checked periodically for cracks and wear, and should be replaced.

Inspect/Adjust Weekly

- Ensure that the casters are free of debris.
- Inspect tires for flat spots and wear.
- Inspect all fasteners.
- Inspect TRRO/TRBKTS fasteners and hardware.
- Ensure proper operation of powered functions (Example: drive, seating and legrests).

Inspect/Adjust Monthly

- Clean upholstery and armrests.
- Clean dirt and lint from axles.
- Clean dirt and lint from bearings.
- Ensure that the casters are free of debris.
- Inspect seat positioning strap for any signs of wear. Ensure buckle latches. Verify hardware that attaches strap to frame is secure and undamaged. Replace if necessary.

Inspect/Adjust Periodically

- Ensure wheelchair rolls straight (no excessive drag or pull to one side).
- Inspect all fasteners.
- Inspect TRRO/TRBKTS fasteners and hardware.
- Ensure clothing guards are secure.
- Ensure arms are secure but easy to release and adjustment levers engage properly.
- Ensure adjustable height arms operate and lock securely.
- Ensure upholstery does not have any rips or tears.
- Armrest pad sits flush against arm tube.
- Ensure that the casters are free of debris.
- Inspect foam handgrips for damage. If damaged, have them replaced by a qualified technician.
- Check center mount front riggings for loose fasteners. Replace /tighten if necessary.
- Check that all labels are present and legible. Replace if necessary.

10 SETUP/MAINTENANCE

10.3 Service Inspection



Every six months take your wheelchair to a qualified technician for a thorough inspection and servicing. Service inspections **MUST** be performed by a qualified technician.



DANGER

Risk of Death or Serious Injury

Failure to complete the inspection of the critical components listed below could result in death or serious injury. Inspect stability control components which could include anti-dive spring, anti-dive cylinder, ratcheting gears, or end stops to ensure proper operation.

Inspect drive axle nut, locking tab, wheel fasteners or quick release to ensure drive wheel is secure.

WARNING

After ANY adjustments, repair or service and before use, make sure that all attaching hardware is tightened securely - otherwise injury or damage may result.

CAUTION

As with any vehicle, the wheels and tires should be checked periodically for cracks and wear, and should be replaced.

The following are recommended items to inspect during regular service inspections performed by a qualified technician. Actual items to be inspected during the service inspection may vary according to the specific wheelchair:

Six Month Inspection

- Clean upholstery and armrests.
- Clean dirt and lint from axles.
- Clean dirt and lint from bearings.
- Check that all labels are present and legible. Replace if necessary.

- Ensure clothing guards are secure.
- Ensure adjustable height arms operate and lock securely.
- Ensure upholstery does not have any rips or tears.
- Ensure armrest pad sits flush against arm tube.
- Ensure arms are secure but easy to release and adjustment levers engage properly.
- Inspect seat positioning strap for any signs of wear. Ensure buckle latches. Verify hardware that attaches strap to frame is secure and undamaged. Replace if necessary.
- Ensure wheelchair rolls straight (no excessive drag or pull to one side).
- Ensure that there is no excessive side movement or binding when drive wheels are lifted and spun when disengaged (free-wheeling).
- Ensure axle nut or bolt and wheel mounting nuts are secure on drive wheels.
- Inspect tires for flat spots and wear.
- Ensure that the casters are free of debris.
- Ensure wheels/casters have proper tension when wheels/casters are spun (when free-wheeling). Wheels/casters should come to a gradual stop.
- Loosen/tighten caster locknut if wheel wobbles noticeably or binds to a stop.
- Ensure all caster/wheel/fork/headtube fasteners are secure and not damaged/missing.
- Ensure wheel locks DO NOT interfere with tires when rolling.
- Ensure wheel lock pivot point are free of wear and looseness.
- Ensure wheel locks are easy to engage.

10 SETUP/MAINTENANCE

- Check center mount front riggings for loose fasteners. Replace /tighten if necessary.
- Check that cables are routed and secured properly to ensure that cables DO NOT become entangled and damaged during normal operation of seating system.
- Ensure proper operation of powered functions (drive, seating, legrests, ect...).
- Inspect motor brushes and gearbox coupling.
- Inspect electrical components for signs of corrosion. Replace if corroded or damaged.
- Inspect battery terminals for loose cable connection. Tighten if necessary.
- Inspect all fasteners.
- Inspect locking gas cylinders.
- Inspect stability lock function.
- Inspect TRBKTS fasteners and hardware.
- Inspect foam handgrips for damage. If damaged, have them replaced by a qualified technician.
- Ensure swingarm stops are in place and not deteriorated or damaged. Replace if necessary.

Inspect/Adjust Every 18 Months

- Replace motor brushes and gearbox coupling.

Inspect/Adjust Every 2 Years

- For optimum performance, replace gas-locking cylinders.

10.4 Batteries



DANGER

Risk of Death or Serious Injury

Failure to observe these warnings can cause an electrical short resulting in death, serious injury, or damage to the electrical system.

The POSITIVE (+) RED battery cable MUST connect to the POSITIVE (+) battery terminal(s)/post(s).

The NEGATIVE (-) BLACK battery cable MUST connect to the NEGATIVE (-) battery terminal(s)/post(s).

NEVER allow any of your tools and/or battery cable(s) to contact BOTH battery post(s) at the same time. An electrical short may occur and serious injury or damage may occur.

Install protective caps on positive and negative battery terminals.

Replace cable(s) immediately if cable(s) insulation becomes damaged.

DO NOT remove fuse or mounting hardware from POSITIVE (+) red battery cable mounting screw.



WARNING

Invacare strongly recommends that battery installation and battery replacement always be done by a qualified technician.

The use of rubber gloves is recommended when working with batteries.

After ANY adjustments, repair or service and before use, make sure all attaching hardware is tightened securely - otherwise injury or damage may result.

UI batteries weigh 24 pounds each. Use proper lifting techniques (lift with your legs) to avoid injury.

ALWAYS use a battery handle/lifting strap when lifting a battery. It is the most convenient method and assures that the battery acid will not spill.

DO NOT tip the batteries. Keep the batteries in an upright position.

When tightening the clamps, always use a box wrench. Pliers will “round off” the nuts. NEVER wiggle the battery terminal(s)/post(s) when tightening. The battery may become damaged.

Unless otherwise indicated, make sure power to the wheelchair is OFF before performing these procedures.

10 SETUP/MAINTENANCE



If there is battery acid in the bottom of the battery box or on the sides of the battery(ies), apply baking soda to these areas to neutralize the battery acid. Before reinstalling the existing or new battery(ies), clean the baking soda from the battery tray or battery(ies) being sure to avoid contact with skin and eyes. Determine source of contamination. NEVER install/reinstall a battery with a cracked or otherwise damaged case.

10.5 Using the Proper Batteries

1. Position battery on ground/flat surface as shown below.
2. Visually inspect the battery to ensure proper polarity:

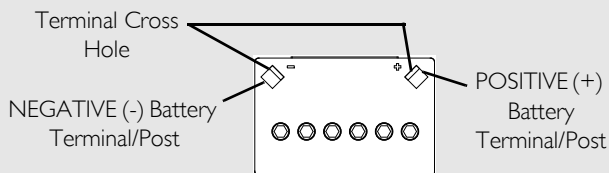


WARNING

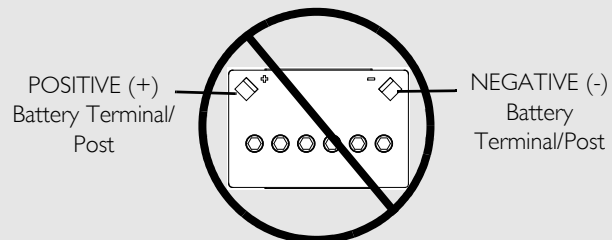
Use UI batteries only. Batteries with terminal configuration (POSITIVE on the right and NEGATIVE on the left) as shown below MUST be used. Batteries that have the reverse terminal configuration MUST not be used - otherwise injury and damage may occur.

Terminals must have a cross hole in them as shown below.

PROPER BATTERIES TO USE



DO NOT USE THIS TYPE OF BATTERY



10.6 Removing/Installing the Batteries From/Into the Wheelchair

TOOL	QTY	COMMENTS
7/16-INCH (6PT) BOX WRENCH	1	Not Supplied
DIAGONAL CUTTERS	1	Not Supplied

Removing/Installing the Batteries on TDX SC without Elevating Seat



CAUTION

Place the wheelchair in a well ventilated area where work can be performed without risking damage to carpeting or floor covering.



For this procedure, refer to FIGURE 1 on page 93.


Removing

1. Place the wheelchair in a well ventilated area where work can be performed without risking damage to carpeting or floor covering.
2. Verify the joystick On/Off switch is in the Off position and disconnect joystick cable (not shown). Refer to [Disconnecting/Connecting the Joysticks](#) on page 110.
3. Tilt the seat assembly to the up position. Refer to [Removing/Installing the Seat Assembly - Wheelchairs with Latch Bars Only](#) on page 68.
4. Remove the battery shroud. Refer to [Removing/Installing the Top Shroud](#) on page 112.
5. Disconnect the rear battery from the controller (BLACK connector).
6. Disconnect the rear battery from the front battery (RED and BLACK connectors).
7. Lift rear and front battery out of the battery tray using the battery handles.

10 SETUP/MAINTENANCE

Installing

1. Verify the joystick On/Off switch is in the Off position and disconnect joystick cable. Refer to [Disconnecting/Connecting the Joysticks](#) on page 110.
2. Position the front battery in the front of the battery tray.
3. Position rear battery in rear of battery tray.

 Ensure that both batteries are properly seated and resting on the battery tray.
4. Connect the rear battery to the front battery (RED and BLACK connectors).
5. Connect the rear battery to the controller (BLACK connector).
6. Reinstall the top shroud. Refer to [Removing/Installing the Top Shroud](#) on page 112.
7. Lower the seat assembly to the down position. Refer to [Removing/Installing the Seat Assembly - Wheelchairs with Latch Bars Only](#) on page 68.
8. Connect joystick cable (not shown). Refer to [Disconnecting/Connecting the Joysticks](#) on page 110.

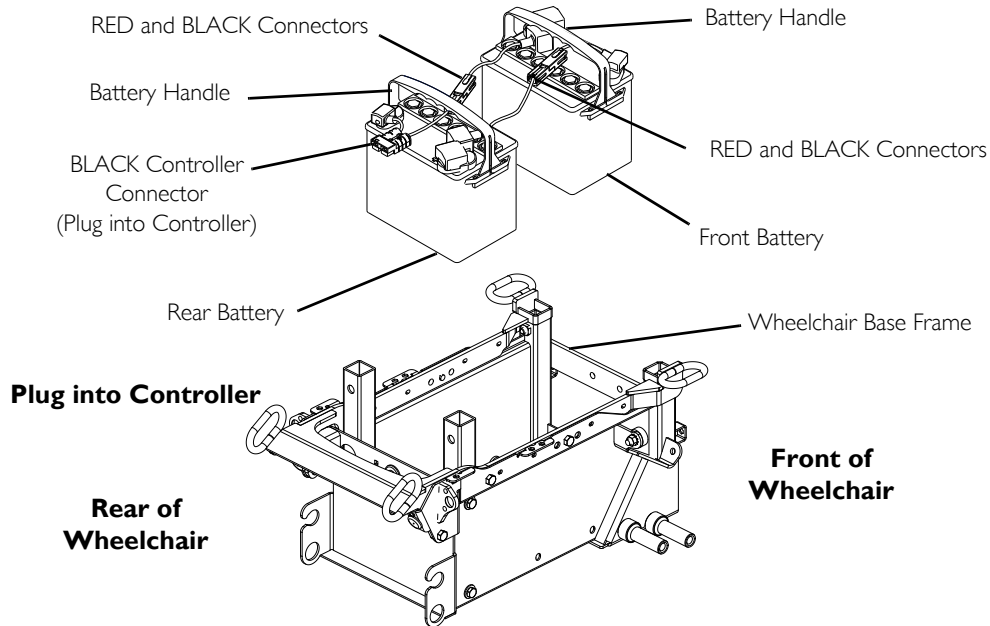


FIGURE 1 Removing/Installing the Batteries on TDX SC without Elevating Seat

10 SETUP/MAINTENANCE

Installing/Removing the Batteries on TDX SC with Elevating Seat or TDX Spree



For this procedure, refer to FIGURE 2 on page 96.

Removing the Batteries

1. Place the wheelchair in a well ventilated area where work can be performed without risking damage to carpeting or floor covering.
2. Perform one of the following -
 - If there is power in the batteries, elevate the seat to the highest position. Refer to the owner's manual shipped with wheelchair.
 - If there is no power left in the batteries, Remove the seat frame from the wheelchair. Refer to [Removing/Installing the Elevating Seat Assembly](#) on page 100
3. Verify the joystick On/Off switch is in the Off position and disconnect joystick. Refer to [Disconnecting/Connecting the Joysticks](#) on page 110.
4. Remove the top shroud. Refer to [Removing/Installing the Top Shroud](#) on page 112.
5. Remove the right side docking pin bracket from the wheelchair frame.
6. Disconnect the rear battery from the controller (BLACK connector).
7. Disconnect the rear battery from the front battery (RED and BLACK connectors).
8. Using the battery handle, lift the rear battery up and tilt away from the wheelchair.
9. Using the battery handle, lift the front battery up and away from the wheelchair.
10. If replacing the batteries, remove the front and rear battery wiring harness. Refer to [Disconnecting Battery Cables](#) on page 101.

Installing the Batteries



If replacing the batteries install the battery wiring harness. Refer to [Connecting Battery Cables](#) on page 102.

1. If replacing the batteries, install the front and rear battery wiring harness. Refer to [Replacing the Batteries](#) on page 101.
2. Using the battery handle and strap, position the front battery into the battery box.
3. Using the battery handle, position the rear battery into the battery box.
4. Connect the rear battery to the front battery (RED and BLACK connectors).
5. Connect the rear battery to the controller (BLACK connector).
6. Install the top shroud. Refer to [Removing/Installing the Top Shroud](#) on page 112.
7. Connect the joystick. Refer to [Disconnecting/Connecting the Joysticks](#) on page 110.
8. Verify the joystick On/Off switch is in the On position and lower the seat.

10 SETUP/MAINTENANCE

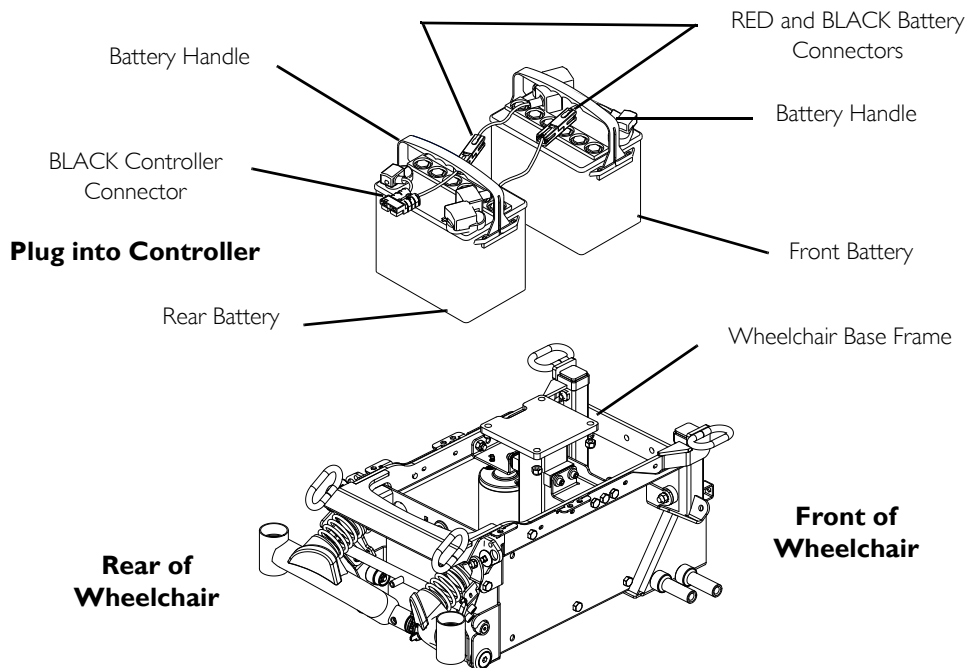


FIGURE 2 Installing/Removing the Batteries on TDX SC with Elevating Seat or TDX Spree

Installing/Removing the Batteries on TDX Spree with TRRO



WARNING

This procedure **MUST** be performed by a qualified technician.



For this procedure, refer to FIGURE 3 on page 99.

Removing the Batteries

1. Place the wheelchair in a well ventilated area where work can be performed without risking damage to carpeting or floor covering.
2. Perform one of the following -
 - If there is power in the batteries, elevate the seat to the highest position. Refer to the owner's manual shipped with wheelchair.
 - If there is no power left in the batteries, Remove the seat frame from the wheelchair. Refer to [Removing/Installing the Elevating Seat Assembly](#) on page 100
3. Verify the joystick On/Off switch is in the Off position and disconnect joystick. Refer to [Disconnecting/Connecting the Joysticks](#) on page 110.
4. Remove the top shroud. Refer to [Removing/Installing the Top Shroud](#) on page 112.
5. Remove the four 5/16-18 X 2.00 socket head screws, .330 X .625 X .050 flat washers and 5/16-18 locknuts securing the docking pin bracket to the right and left docking pin mounting brackets.
6. Remove the two 1/4-20 X .75 socket head screws and flat washers securing the docking pin bracket to the elevating seat post.
7. Lift the docking pin bracket up and away from the wheelchair base frame.
8. Disconnect the rear battery from the controller (BLACK connector).
9. Disconnect the rear battery from the front battery (RED and BLACK connectors).
10. Using the battery handle, lift the rear battery up and tilt away from the wheelchair.
11. Using the battery handle, lift the front battery up and away from the wheelchair.
12. If replacing the batteries, remove the front and rear battery wiring harness. Refer to [Disconnecting Battery Cables](#) on page 101.

Installing the Batteries



CAUTION

Place the wheelchair in a well ventilated area where work can be performed without risking damage to carpeting or floor covering.



If replacing the batteries install the battery wiring harness. Refer to [Connecting Battery Cables](#) on page 102.

1. If replacing the batteries, install the front and rear battery wiring harness. Refer to [Replacing the Batteries](#) on page 101.
2. Using the battery handle and strap, position the front battery into the battery box.
3. Using the battery handle, position the rear battery into the battery box.
4. Connect the rear battery to the front battery (RED and BLACK connectors).
5. Connect the rear battery to the controller (BLACK connector).



Ensure rubber pad is positioned between the docking pin bracket and the elevating seat post.

6. Position the docking pin bracket onto the wheelchair base frame so that the four tabs set into the notches in both sides of the wheelchair base frame.
7. Apply loctite[®] 242 to the threads of the four 5/16-18 X 2.00 socket head screws.
8. Loosely install the four 5/16-18 X 2.00 socket head screws, .330 X .625 X .050 flat washers and 5/16-18 locknuts, secure the docking pin bracket to the right and left docking pin mounting brackets.
9. Apply loctite 242 to the threads of the two 1/4-20 X .75 socket head screws.
10. Loosely install the two 1/4-20 X .75 socket head screws and flat washers, secure the docking pin bracket to the elevating seat post.
11. Securely tighten the four 5/16-18 X 2.00 socket head screws, .330 X .625 X .050 flat washers and 5/16-18 locknuts. Torque to 13ft-lbs ± 20%.
12. Securely tighten the two 1/4-20 X .75 socket head screws and flat washers. Torque to 75i-/lbs ± 20%.

13. Install the top shroud. Refer to Removing/Installing the Top Shroud on page 112.
14. Connect the joystick. Refer to Disconnecting/Connecting the Joysticks on page 110.
15. Verify the joystick On/Off switch is in the On position and lower the seat.

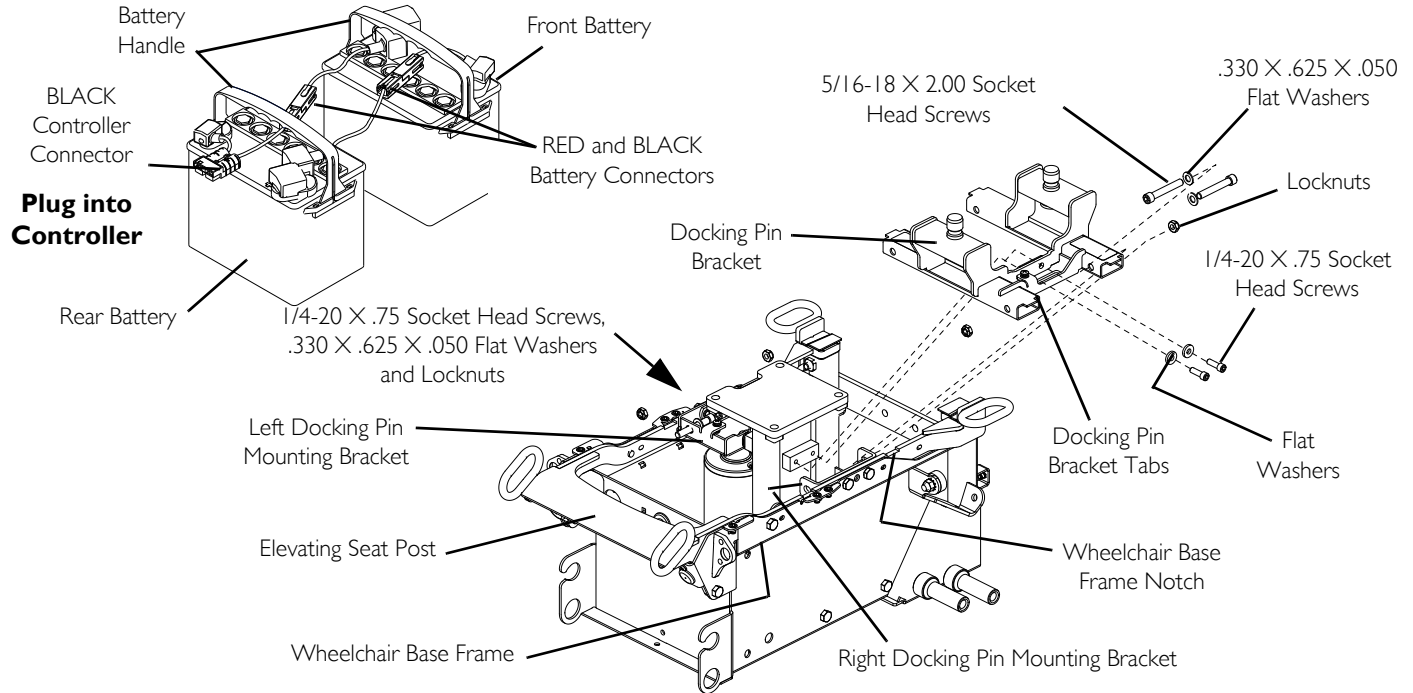


FIGURE 3 Installing/Removing the Batteries on TDX Spree with TRRO

10 SETUP/MAINTENANCE

Removing/Installing the Elevating Seat Assembly



For this procedure, refer to FIGURE 4.

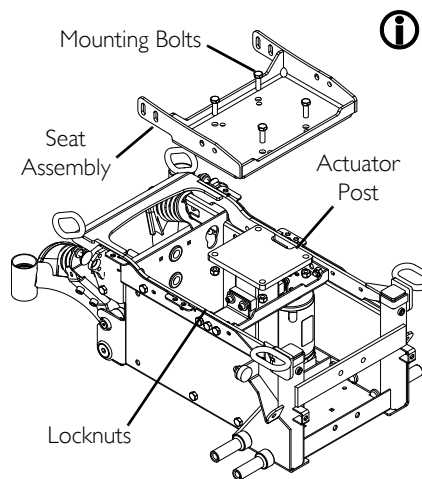
It is strongly recommended that two assistants lift the seat assembly when performing this procedure.

Removing

1. Disconnect the joystick. Refer to [Disconnecting/Connecting the Joysticks](#) on page 110.
2. Remove the seat cushion.
3. Remove the two socket screws securing the seat pan to the seat frame.
4. Remove the seat pan from the seat frame.
5. Remove the four mounting bolts and locknuts securing the seat assembly to the actuator post.
6. Remove the seat assembly from the actuator post and set aside.

Installing

1. Position the seat assembly onto the actuator post.
2. Using four mounting bolts and locknuts, secure the seat assembly to the actuator post. Securely tighten.
3. Position the seat pan onto the seat frame as shown.
4. Using the two socket screws, secure the seat pan to the seat frame.
5. Install the seat cushion.
6. Connect the joystick. Refer to [Disconnecting/Connecting the Joysticks](#) on page 110



Complete seat assembly not shown.
Seat pan and socket screws not shown.
TDX SC with elevating seat shown.
TDX Spree seating removes the same.

FIGURE 4 Removing/Installing the Elevating Seat Assembly

10.7 Replacing the Batteries



Refer to [Disconnecting Battery Cables](#) on page 101.

Disconnecting/Connecting Battery Cables

Disconnecting Battery Cables



WARNING

The use of rubber gloves is recommended when working with batteries.

NEVER allow any of your tools and/or battery cables to contact both battery terminals at the same time. An electrical short may occur and serious personal injury or damage may occur.



For this procedure, refer to FIGURE 5 on page 104.

1. Remove the batteries. Refer to [Removing/Installing the Batteries From/Into the Wheelchair](#) on page 91.
2. Cut the tie-wrap that secures the battery terminal cap in place (Detail “B” of FIGURE 5).
3. Slide terminal caps up onto the battery cables.
4. Disconnect POSITIVE (+) battery cable from the POSITIVE (+) battery terminal.
5. Disconnect NEGATIVE (-) battery cable from NEGATIVE (-) battery terminal.

Connecting Battery Cables



DANGER

Risk of Death or Serious Injury

Failure to observe these warnings can cause an electrical short resulting in death, serious injury, or damage to the electrical system.

The POSITIVE (+) RED battery cable MUST connect to the POSITIVE (+) battery terminal(s)/post(s).

The NEGATIVE (-) BLACK battery cable MUST connect to the NEGATIVE (-) battery terminal(s)/post(s).

NEVER allow any of your tools and/or battery cable(s) to contact BOTH battery post(s) at the same time. An electrical short may occur and serious injury or damage may occur.

Install protective caps on positive and negative battery terminals.

Replace cable(s) immediately if cable(s) insulation becomes damaged.

DO NOT remove fuse or mounting hardware from POSITIVE (+) red battery cable mounting screw.



WARNING

Connect same color connectors to each other (RED to RED, BLACK to BLACK).

The use of rubber gloves is recommended when working with batteries.

Battery terminal configuration as shown in Detail “A” of FIGURE 5 MUST be used. Batteries that have the terminal configuration reversed MUST NOT be used - otherwise serious injury or damage may occur.

All battery terminal covers (two on the front battery and two on the rear battery) MUST be installed prior to use.

CAUTION

When connecting the battery cables to the battery, the battery cables MUST be connected to the battery terminals, as shown in Detail “A” of FIGURE 5 (depending on battery type), otherwise damage to the battery cable may result when installing battery terminal caps.



For this procedure, refer to FIGURE 5 on page 104.

1. Secure the battery cables to the battery terminals as described below. Securely tighten. Refer to Detail “A” of FIGURE 5:
 - A. Secure NEGATIVE (-) battery cable to the NEGATIVE (-) battery terminal using the mounting screw and the locknut.
 - B. Secure the POSITIVE (+) battery cable to the POSITIVE (+) battery terminal using the L-bracket with mounting screw and the locknut.
2. Verify all battery cables are correctly installed and securely tightened.
3. Slide terminal caps down battery cables and onto battery terminals.
4. Secure each terminal cap in place with a tie-wrap [use tie-wraps 11-1/2-inches long] (Detail “B” of FIGURE 5).
5. Position the batteries into the wheelchair. Refer to [Removing/Installing the Batteries From/Into the Wheelchair](#) on page 91.

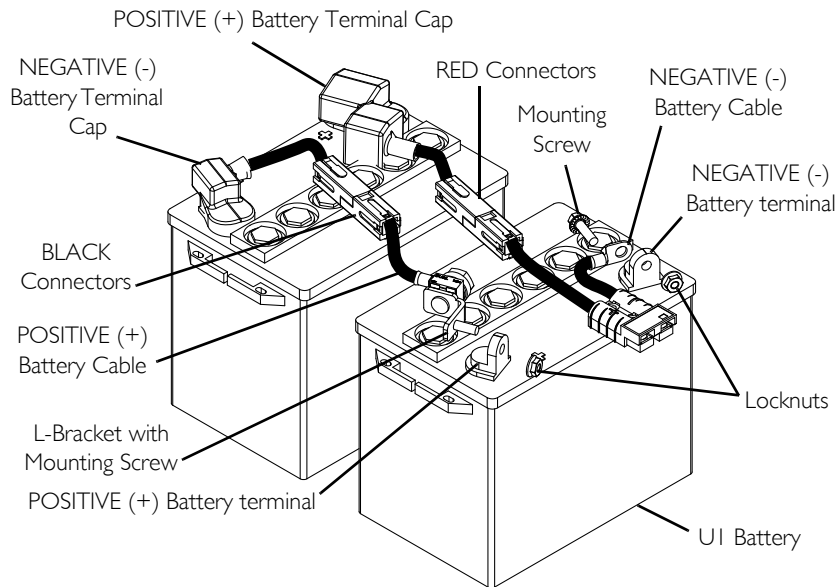


New batteries MUST be fully charged before using, otherwise the life of the batteries will be reduced.

6. If necessary, charge the battery. Refer to [Charging Batteries](#) on page 63.

10 SETUP/MAINTENANCE

DETAIL "A"



i Battery terminal caps not shown on front battery for clarity.
Handles on batteries removed for clarity.

DETAIL "B"

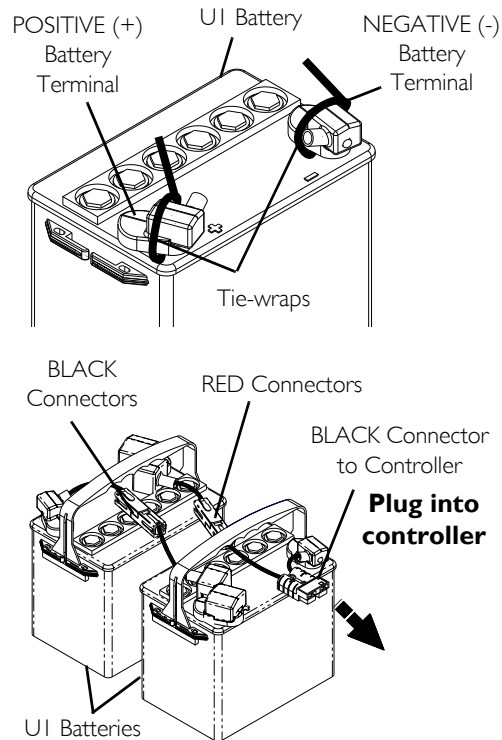


FIGURE 5 Disconnecting/Connecting Battery Cables

Cleaning Battery Terminals



WARNING

Most batteries are not sold with instructions. However, warnings are frequently noted on the cell caps. Read them carefully.

DO NOT allow the liquid in the battery to come in contact with skin, clothes or other possessions. It is a form of acid and harmful or damaging burns may result. Should the liquid touch your skin, wash the area **IMMEDIATELY** and thoroughly with cool water. In serious cases or if eye contact is made, seek medical attention **IMMEDIATELY**.

1. Examine battery terminals for corrosion.
2. Verify the plastic caps are in place over battery cell holes.
3. Clean terminals by using a battery cleaning tool, wire brush, or medium grade sand paper.



Upon completion, areas should be shiny, not dull.

4. Carefully dust off all metal particles.

10 SETUP/MAINTENANCE

10.8 Adjusting Forks



For this procedure, refer to FIGURE 6.

This procedure must be performed by a qualified technician.

This procedure applies to both Forks.

1. Remove the retaining screw securing the headtube cover in place.
2. Remove the headtube cover (not shown) from the caster headtube.
3. To properly tighten caster journal system and guard against flutter, perform the following check:
 - A. Tip the wheelchair forward, toward the floor.
 - B. Pivot both forks and casters to top of their arc simultaneously.
 - C. Let casters drop to bottom of arc (wheels should swing once to one-side, then immediately rest in a straight downward position).
 - D. Adjust locknuts according to freedom of caster swing.
4. Test wheelchair for maneuverability.
5. Readjust locknuts if necessary, and repeat STEPS 1-3 until correct.
6. Snap headtube cover into the caster headtube.
7. Reinstall retaining screws.

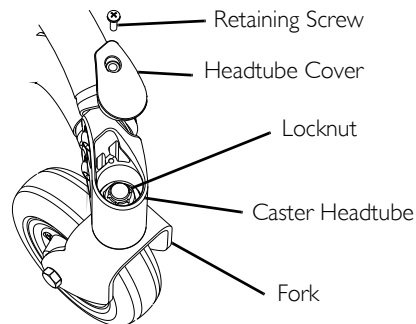


FIGURE 6 Adjusting Forks

Adjusting the Footboard Angle



For this procedure, refer to FIGURE 6.

1. Loosen the jam nut and set screw located underneath on the rear of the footplate.
2. Adjust the mounting screw in or out to obtain the desired footboard angle.
3. Thread the jam nut inward until it is flush with the footboard bracket.
4. Securely tighten the jam nut and washer to secure the mounting screw in place.

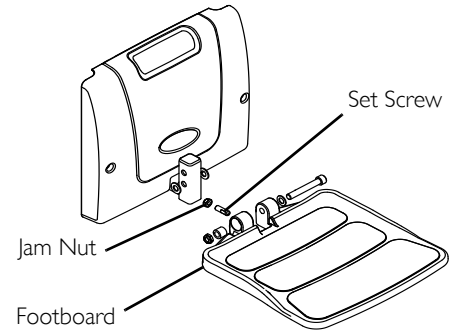


FIGURE 7 Adjusting the Footboard Angle

10 SETUP/MAINTENANCE

10.9 Repositioning Joystick

Adjustable ASBA Seats



For this procedure, refer to 10.10.

This procedure must be performed by a qualified technician.

1. Turn the adjustment lock lever to release the joystick mounting tube from the mounting bracket.
2. Remove the joystick from the wheelchair.
3. Remove the three hex screws that secure both halves of the mounting bracket to the arm tube.
4. Reposition mounting bracket on opposite arm tube ensuring the threaded plate of the mounting bracket is on the inside of the arm tube as shown in 10.10.
5. Using the three hex mounting screws and washers, secure both halves of the mounting bracket to the arm tube.
6. Slide the joystick mounting tube through the mounting bracket to the desired position.
7. Turn the adjustment lock lever to secure the joystick mounting tube into the mounting bracket.

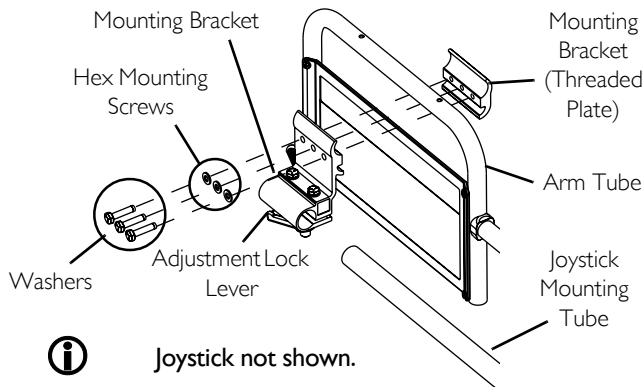


FIGURE 8 Repositioning Joystick - Adjustable ASBA Seats

Van Seats



For this procedure, refer to FIGURE 9.

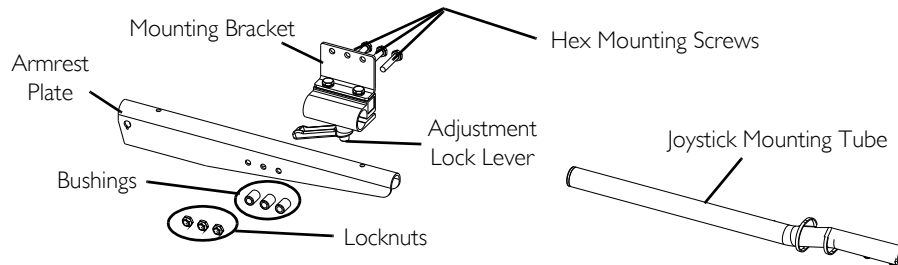
Take note of the position and orientation of mounting hardware for reinstalling the joystick assembly.

1. Turn the adjustment lock lever to release the joystick mounting tube from the mounting bracket.
2. Remove the joystick mounting tube from the wheelchair.
3. Remove the three hex mounting screws, bushings and locknuts that secure the mounting bracket to the three mounting holes on the armrest plate.



The mounting bracket is mounted to the inside of the armrest plate.

4. Reposition the mounting bracket on the opposite armrest plate.
5. Using the three hex mounting screws, bushings and locknuts secure the mounting bracket to the three mounting holes of the armrest plate.
6. If necessary, perform the following to reposition the adjustment lock:
 - A. Slide the adjustment lock from the mounting bracket.
 - B. Rotate adjustment lock 180° and slide adjustment lock over the opposite end of the mounting bracket.
7. Slide joystick mounting tube through the mounting bracket to the desired position and secure adjustment lock to tube by turning lever on adjustment lock.



Joystick not shown.

FIGURE 9 Repositioning Joystick - Van Seats

10 SETUP/MAINTENANCE

10.10 Disconnecting/Connecting the Joysticks



For this procedure, refer to FIGURE 10.

The joystick connector is located at the rear of the seat frame.

SPJ+ Joysticks

Disconnecting

1. Hold the light GREY collar portion of the joystick connector with one hand and the controller connector on the wheelchair in the other and disconnect them by pulling them apart.

Connecting



WARNING

The joystick connector and controller connector fit together in one way only. DO NOT force them together.

1. Hold the light GREY collar portion of the joystick connector with one hand and the controller connector on the wheelchair in the other and align them.
2. Lightly push to engage the joystick connector and the controller connector.

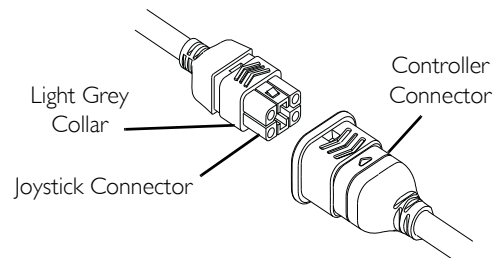


FIGURE 10 Disconnecting/Connecting the Joysticks - SPJ+ Joysticks

CMPJ+ Joysticks



For this procedure, refer to FIGURE 11.

Disconnecting

1. Pull the latch away from the joystick connector.
2. Disconnect the joystick connector from the remaining connectors

Connecting



Ensure the gaskets are installed in the top connector cap and between network connectors.

1. Ensure the latch is pulled away from the network connector.
2. Connect the network connector to the other connectors.
3. Top and Bottom Connectors - Install connector caps onto the network connector.
4. Push the latch in to secure the network connectors and caps.
5. If necessary secure excess cable using tie-wraps.

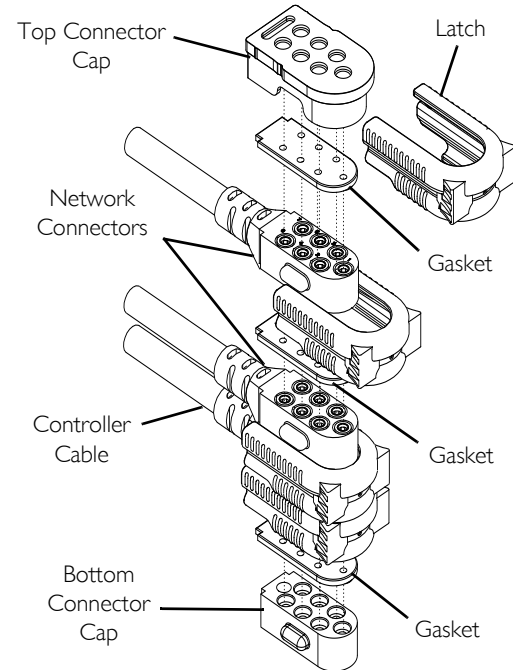


FIGURE 11 Disconnecting/Connecting the Joysticks - CMPJ+ Joysticks

10 SETUP/MAINTENANCE

Replacing the Flat Free Tires on the Wheel Rim



CAUTION

DO NOT attempt to replace flat free tires. This procedure **MUST** be performed by a qualified technician.



During initial use of the wheelchair, the user may experience flat spots on the wheels. Flat spots will vanish with continued use of the wheelchair.

10.11 Removing/Installing the Top Shroud

Wheelchairs without Elevating Seat



For this procedure, refer to FIGURE 12.

Reverse this procedure to install the top shrouds.

1. Remove or tilt the seat back. Refer to Removing/Installing or Tilting the Seat Assembly on page 68.
2. Remove the two thumb screws securing the rear half of the top shroud to the wheelchair frame.
3. Pulling up, remove the rear half of the top shroud.
4. Remove the two thumb screws securing the front half of the top shroud to the wheelchair frame.
5. Pulling up, remove the front half of the top shroud.

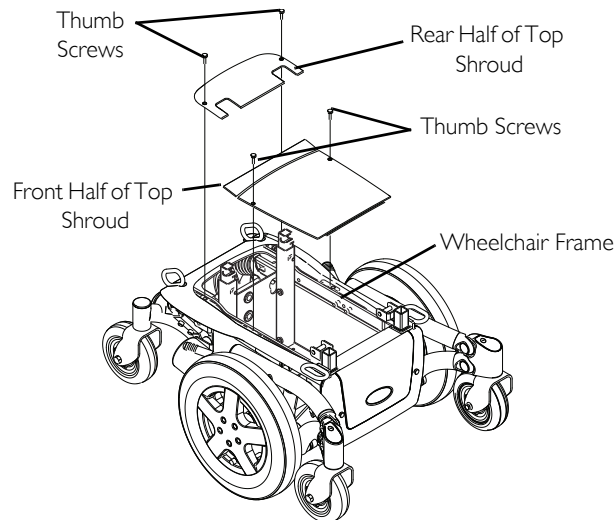


FIGURE 12 Removing/Installing the Top Shroud - Wheelchairs without Elevating Seat

Wheelchairs with Elevating Seat



For this procedure, refer to FIGURE 13.

Reverse this procedure to install the top shrouds.

1. Elevate the seat. Refer to the seating system owners manual.
2. Remove the four thumb screws securing the rear half of the top shroud to the wheelchair frame.
3. Pulling up, remove the rear half of the top shroud.
4. Pulling up, remove the front half of the top shroud.

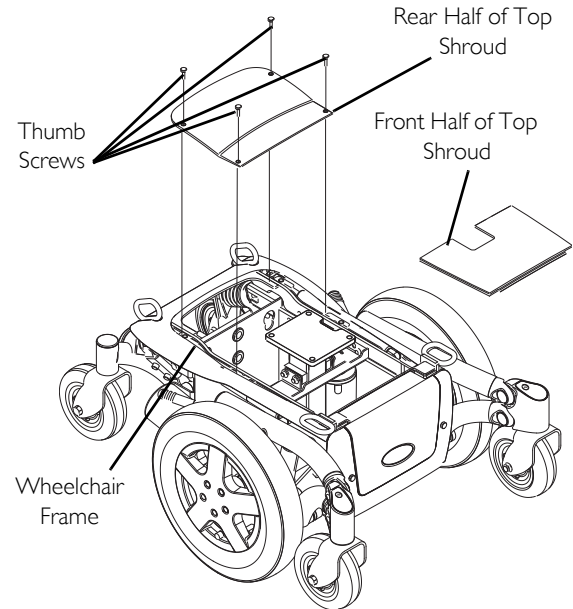


FIGURE 13 Removing/Installing the Top Shroud - Wheelchairs with Elevating Seat

II Troubleshooting

II.1 Driving Performance

WHEELCHAIR VEERS LEFT/RIGHT	SLUGGISH TURN/ PERFORMANCE	CASTERS FLUTTER	SQUEAKS AND RATTLES	LOOSENESS IN WHEELCHAIR	WHEELCHAIR 3 WHEELS	SOLUTIONS
X	X	X				Check for loose stem nuts/bolts, bearings or signs of wear.
X		X	X	X	X	Check for uneven tire wear, bent fork/frame or loose hardware.
X	X	X		X	X	If pneumatic, check tires for correct and equal pressure.






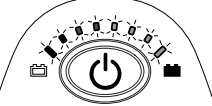
II.2 Electrical

NOTE: For additional troubleshooting information and explanation of error codes, refer to the individual Electronics Manual supplied with each wheelchair.

SPJ+, SPJ+ w/PSS or SPJ+ w/ACC Joysticks

The joystick information gauge and the service indicator give indications of the type of fault or error detected by the control module. When a fault is detected, the wheelchair may stop and not drive. The LEDs on the information gauge may flash in a particular pattern or the service indicator light will flash. The number or type of flashes indicates the nature of the error. If multiple errors are found, only the first error encountered by the control module will be displayed.

Information Gauge Display Diagnostics

 <p>DISPLAY</p> <p>Information Gauge Display</p>	DESCRIPTION	DEFINITION	COMMENTS
	All LEDs are off.	Power is off.	
	All LEDs are on.	Power is on.	Fewer than three LEDs on implies reduced battery charge.
	Left RED LED is flashing.	Battery charge is low.	The batteries should be charged as soon as possible.
	Left to Right “chase” alternating with steady display.	Joystick is in programming, inhibit and/or charging mode.	The steady LEDs indicate the current state of the battery charge.
	All LEDs are flashing slowly.	Joystick has detected Out-of-Neutral-at-Power-Up mode.	Release the joystick back to Neutral.

II TROUBLESHOOTING

Service Indicator Light Diagnostics



For this procedure, refer to FIGURE I.

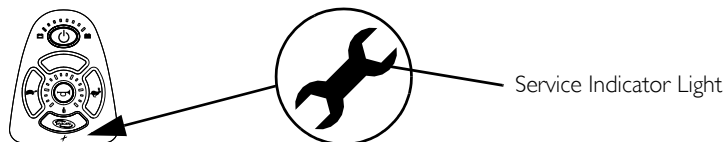


FIGURE I Service Indicator Light Diagnostics


NUMBER OF FLASHES	ERROR CODE DESCRIPTION	POSSIBLE SOLUTION
1	User Fault	Release joystick to neutral and try again.
2	Battery Fault	Charge the batteries. Refer to Charging Batteries on page 63. Check that battery cables are connected properly. If necessary, replace batteries. Refer to Disconnecting/Connecting Battery Cables on page 101.
3	Left Motor Fault	Contact Invacare/Dealer for service.
4	Right Motor Fault	Contact Invacare/Dealer for service.
5	Left Park Brake Fault	Ensure brake lever is in the drive position before turning on the wheelchair. Ensure motor cable is plugged into the controller. Contact Invacare/Dealer for service.
6	Right Park Brake Fault	Ensure brake lever is in the drive position before turning on the wheelchair. Ensure motor cable is plugged into the controller. Contact Invacare/Dealer for service.

NUMBER OF FLASHES	ERROR CODE DESCRIPTION	POSSIBLE SOLUTION
7	Remote Fault	Check to make sure joystick is connected properly. Turn Joystick off then on. Contact Invacare/Dealer for service.
8	Controller Fault	Contact Invacare/Dealer for service.
9	Communications Fault	Check joystick cable connections. Check joystick cable and connectors for damage. Contact Invacare/Dealer for service.
10	General Fault	Contact Invacare/Dealer for service.
11	Incompatible or incorrect Remote	Wrong type of remote connected. Contact Invacare/Dealer for service.

CMPJ+, PSR+, PSF+ Joysticks or Displays

SYMPTOM	PROBABLE CAUSE	SOLUTIONS
LEFT BRAKE FAULT or RIGHT BRAKE FAULT displays and wheelchair does not drive.	Motor lock levers disengaged (Error code E9 or E10).	Engage motor lock levers. Refer to <u>Disengaging/Engaging Motor Lock Levers</u> on page 66.
CHARGER PLUGGED IN displays.	Battery charger connected (Error code E28).	Unplug battery charger from the wheelchair. Refer to <u>Charging Batteries</u> on page 63.
BATTERY FAULT displays and the wheelchair does not drive.	Batteries need to be charged (Error code E14).	Charge batteries. Refer to <u>Charging Batteries</u> on page 63. If batteries fail to charge properly, check battery charger or replace batteries. Refer to <u>Disconnecting/Connecting Battery Cables</u> on page 101.
JOYSTICK TIMEOUT displays and the wheelchair does not drive.	Joystick or input device is disconnected (Error code 32).	Turn off power, reconnect the joystick of input device and turn power on.

II TROUBLESHOOTING

SYMPTOM	PROBABLE CAUSE	SOLUTIONS
JOYSTICK FAULT displays and the wheelchair does not drive.	The joystick or input device is sending a value outside of the reverse, forward, left or right limits (Error codes E01, E02, E03 or E04).	Replace joystick or input device.
NEUTRAL TESTING displays.	The joystick neutral test has failed (Error code E18).	Release the joystick and try to get the joystick back into the center-most position.
BAD JOYSTICK CAL VALUES displays and the wheelchair does not drive.	The joystick calibration values are outside of the expected range (Error code E19).	Recalibrate the joystick (joystick throw procedure).
CTRL NOT CONNECTED	The CMPJ or Display module is not communicating with the control module (Error code E200).	Check the connections between the joystick or display and the controller. Turn the power off and then back on. Replace the controller if necessary.
CTRL COM FAULT displays and the wheelchair drives slowly.	The controller has determined a fault during a previous turn-off process (Error code E41).	Turn the wheelchair off and back on.
MISSING CONFIGURATION displays at power up.	One or more devices have been removed or disconnected from the wheelchair.	Reconnect the device.
ATTENDANT ACTIVE and  displays.	The Proportional or Digital Attendant control is active and can be used to drive the chair.	This is normal behavior.
Batteries draw excessive current when charging.	Battery failure. Electrical malfunction.	Have batteries checked for shorted cell. Replace if necessary. Contact Dealer/Invacare for service.

SYMPTOM	PROBABLE CAUSE	SOLUTIONS
Battery indicator flashes the charge level is low - immediately after recharge.	Battery failure. Malfunctioning battery charger. Electrical malfunction.	Check batteries for shorted cell. Replace if necessary. Contact Dealer/Invacare for Service. Contact Dealer/Invacare for Service.
Battery indicator flashes the charge level is low - too soon after being recharged.	Batteries not charged. Weak batteries.	Have charger checked. Replace batteries if necessary. Refer to <u>Replacing the Batteries</u> on page 101.
Motor “chatters” or runs irregular.	Motor/gearbox malfunction.	Stop use of Wheelchair. Contact Dealer/Invacare for Service.
Joystick erratic or does not respond as desired.	Damaged motor coupling. Electrical malfunction. Controller programmed improperly.	Contact Dealer/Invacare for Service. Contact Dealer/Invacare for Service. Contact Dealer/Invacare to have controller reprogrammed.
Wheelchair does not respond to commands.	Electrical malfunction.	Contact Dealer/Invacare for Service.

II TROUBLESHOOTING

II.3 Checking Battery Charge Level

The following “Do’s” and “Don’ts” are provided for your convenience and safety.

DON'T	DO
Don't perform any installation or maintenance without first reading this manual.	Read and understand this manual and any service information that accompanies a battery and charger before operating the wheelchair.
Don't perform installation or maintenance of batteries in an area that could be damaged by battery spills.	Move the wheelchair to a work area before cleaning terminals, or opening battery box.
Don't make it a habit to discharge batteries to the lowest level.	Recharge as frequently as possible to maintain a high charge level and extend battery life.
Don't use randomly chosen batteries or chargers.	Follow recommendations in this manual when selecting a battery or charger.
Don't put new batteries into service before charging.	Fully charge a new battery before using.
Don't tip or tilt batteries.	Use a carrying strap to remove, move or install a battery.
Don't tap on clamps and terminals with tools.	Push battery clamps on the terminals. Spread clamps wider if necessary.
Don't mismatch your battery and chargers.	Use ONLY a GEL charger for a GEL battery.

Notes

Notes

Notes



Part No 1149267

Rev G-06 - 12/15



Making Life's Experiences Possible™

Invacare Corporation

USA

One Invacare Way
Elyria, Ohio USA
44036-2125
800-333-6900

www.invacare.com

Canada

570 Matheson Blvd E Unit 8
Mississauga Ontario
L4Z 4G4 Canada
800-668-5324



Yes, you can.®