



Installation, Operation and Maintenance Manual

Basic Butler / Linear

iTempo Control	PUR100474	10-19
AromaSteam SteamHead	PUR100421	10-15
Linear Steamhead	PUR103936	06-20
MS / Super AutoFlush	PUR100200E	09-19
Condensation Pan	TS0012	02-19



Installation, Operation & Maintenance Manual

iTEMPO[®] & iTEMPOPLUS[®] CONTROLS

mr.steam[®] | Feel Good Inc.

www.mrsteam.com

When installing and using this electrical equipment, basic safety precautions should always be followed, including the following:

IMPORTANT SAFETY INSTRUCTIONS

1. READ AND FOLLOW ALL INSTRUCTIONS

2. **⚠️WARNING** Supervise children at all times.
3. **⚠️WARNING** Steam is hot and can cause injury or death if improperly used. Steam rooms contain steam and elevated temperatures. Please read and observe all warnings in this manual before installing or using a steam room.
4. **⚠️WARNING** To reduce the risk of injury:
 - A. The wet surfaces of steam enclosures may be slippery. Use care when entering or leaving.
 - B. The steam head is hot. DO NOT touch the steamhead and avoid the steam near the steamhead.
 - C. Prolonged use of the steam system can raise excessively the internal human body temperature and impair the body's ability to regulate its internal temperature (hyperthermia). Limit your use of steam to 10-15 minutes until you are certain of your body's reaction.
 - D. Excessive temperatures have a high potential for causing fetal damage during the early months of pregnancy. Pregnancy or possibly pregnant women should consult a physician regarding correct exposure.
 - E. Obese persons and persons with a history of heart disease, low or high blood pressure, circulatory system problems, or diabetes should consult a physician before using a steambath.
 - F. Persons using medication should consult a physician before using a steambath since some medication may induce drowsiness while other medications may affect heart rate, blood pressure and circulation.

HYPERTHERMIA occurs when the internal temperature of the body reaches a level several degrees above the normal body temperature of 98.6° F. The symptoms of hyperthermia include an increase in the internal temperature of the body, dizziness, lethargy, drowsiness, and fainting. The effects of hyperthermia include:

- a) Failure to perceive heat;
- b) Failure to recognize the need to exit the steambath;
- c) Unawareness of impending risk;
- d) Fetal damage in pregnant women;
- e) Physical inability to exit the steambath;
- and
- f) Unconsciousness.

⚠️WARNING

The use of alcohol, drugs, or medication can greatly increase the risk of hyperthermia.

SAVE THESE INSTRUCTIONS

READ ME FIRST!

!WARNING As you follow these instructions, you will notice warning and caution symbols. This blocked information is important for the safe and efficient installation and operation of this generator. These are types of potential hazards that may occur during installation and operation:

!WARNING Indicates a potentially hazardous situation, which, if not avoided, could result in death or serious injury.

!CAUTION Indicates a potentially hazardous situation, which, if not avoided may result in minor or moderate injury or product damage.

IMPORTANT NOTE: This highlights information that is especially relevant to a problem-free installation.

All information in these instructions is based on the latest product information available at the time of publication. Sussman-Automatic Corporation reserves the right to make changes at any time without notice.

Table of Contents:

Important Safety Instructions.....	3
Before Installing.....	5
Dimensional Information	6
Installations.....	7-9
iTempo Operating Instructions	10-11
iTempoPlus Operating Instructions.....	12-15
Care and Maintenance	16
Warranty.....	16

BEFORE INSTALLING

Carefully inspect the control and packaging for shipping damage. In the event of shipping damage, please contact the carrier for claim information. Our customer service department can assist you with any missing or damaged parts.

⚠ CAUTION To avoid unintentional steambath operation, do not locate the control where other controls, accessories, shower heads, valves, body sprays or similar within the shower could cause confusion or interfere with the MrSteam control's intended use and function.

Do not use any iTempoPlus®, iTempo®, HomeWizard® or iGenie® controls without reading and understanding the respective Installation and Operation Manual and MrSteam steam generator Installation and Operation Manual. Failure to read and understand these instructions may result in an inoperative or hazardous installation.

⚠ WARNING A peel and stick warning sticker is provided in the MrSteam steam generator Installation, Operation and Maintenance Manual. This manual is provided with every steam generator. The warning sticker must be read and permanently affixed in a conspicuous location near the steam room. Failure to read and affix this warning sticker in a conspicuous location may result in serious injury or death. Please call MrSteam at 800 767-8326 for a free replacement or if you have any questions regarding the warning sticker.

Install the iTempo or iTempoPlus controls according to installation instructions. Failure to install according to instructions will result in an inoperative control or hazardous overheating or inadequate heating of the steam room. Failure to install according to instructions will result in an inoperative control and overheating of the steam room.

IMPORTANT NOTE: If the desired location for the control is outside the steam room a Remote Temperature Probe (MSTS) must be installed inside the steam room. Contact

MrSteam technical service 1-800-767- 8326 for more information on the Remote Temperature Probe.

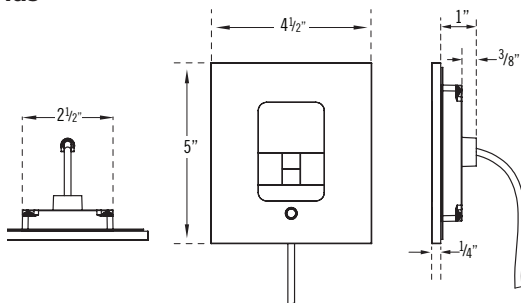
⚠ WARNING Do not route iTempoPlus, iTempo, HomeWizard or iGenie control wiring inside conduit together with power lines or close to hot water or steam piping. Doing so may result in an inoperative or hazardous installation.

⚠ WARNING Do not alter or modify any MrSteam product. Doing so may result in an inoperative or hazardous installation and will void the warranty.

IMPORTANT NOTES:

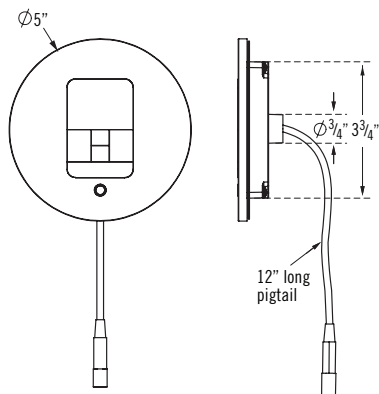
- Turn power to the steam generator OFF before connecting the control to the generator. Failure to turn the power off will result in an inoperable control.
- Do not operate iTempoPlus, iTempo, Home Wizard or iGenie controls with anything other than a MrSteam iTempo compatible steam generator. MrSteam residential steam generators with serial numbers lower than 900000, or any other brand of steam generator are not to be operated with iTempo controls. Doing so may result in an inoperative installation.
- This document contains important safety, operation and maintenance information. Leave this document with the homeowner. Do not discard this document.
- Discontinue use of the steam generator or control if the steam generator is damaged or otherwise not functioning properly. Doing so may result in an inoperative or hazardous installation.
- All illustrations are for illustrative purposes only.

Dimensional Information for the Round and Square iTempo® and iTempoPlus®



Box Contents:

- iTempo or iTempoPlus Control
- Control Cable (30 ft.)
- Steam head
- Tube of Silicone sealant
- Owner's Manual



Installation Instructions for Round & Square iTempo® and iTempoPlus®

IMPORTANT NOTE: If the desired location for the control is outside the steam room a Remote Temperature Probe (MSTS) must be installed inside the steam room. Contact MrSteam technical service 1-800-767-8326 for more information on the Remote Temperature Probe.

NOTE: The connector is keyed with the flat facing up. The control cable is the same at both ends.

STEP 1

Determine the desired installation location of the control. The iTempo and iTempoPlus controls are designed to be installed inside or outside the steam room as a matter of personal preference. If the control is installed inside the steam room the control must be located:

- 4-5 feet above the floor near the bather seating area.
- The control features an integral temperature sensor. Locate the control in a location representative of the desired steam bathing temperatures. Do not locate the control above or near the steam head or direct steam emissions. Locating the controls near the steamhead or near direct steam emissions may result in poor steam room temperature control.
- On a vertical wall
- The control cable length is 30 feet. Insure that the control and/or steam generator are located accordingly. Contact a MrSteam technical service representative if a longer cable is required (60 ft. cable, PN 103990-60).

IMPORTANT NOTE: The control cable should be run in a dedicated 1" conduit to facilitate installation and service. Be careful not to strain, staple, pinch or otherwise damage the control cable. Route cable as required to permit replacement. Do not route cable inside conduit together with power lines or close to hot water or steam piping.

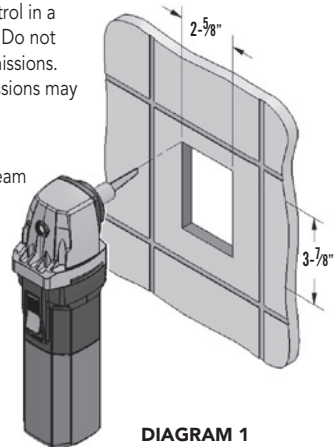


DIAGRAM 1

STEP 2 Diagram 1

Make a 2-5/8" wide by 3-7/8" high cutout in the desired control location. Do not oversize or under size the cutout.

STEP 3 Diagram 2

Route the control cable (provided with the control) from the wall cutout to the steam generator. Connect one end of the cable to the steam generator connector.

NOTE: The connector is keyed with the flat facing up. The control cable is the same at both ends.

STEP 4 Diagram 3

Firmly connect the other end of the cable to the control. Turn on power to the steam generator and test the control to verify correct connections. Test per the instructions on pages 10-15. With verification of proper control function, proceed to Step 5.

⚠ CAUTION If the generator is on for more than a few minutes steam will start coming out of the steamhead. Insure that the steam room is not occupied.

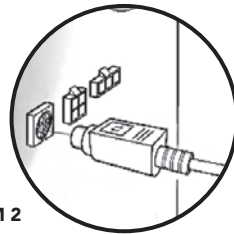


DIAGRAM 2

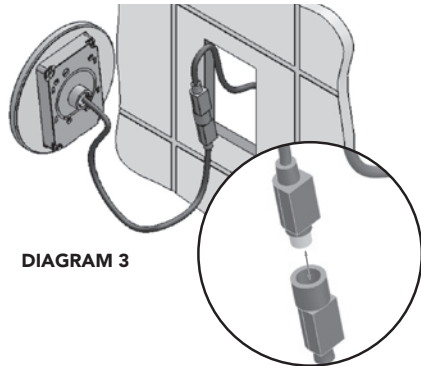


DIAGRAM 3

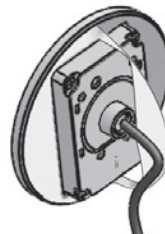


DIAGRAM 4

STEP 5 Diagram 4

Remove and discard peel-off paper to expose adhesive liner.

STEP 6 Diagram 5

Run a bead of silicone (provided) as shown to the outer edge of the control faceplate, following the contour of the circle or square shape. Use silicone as required to create a moisture seal.

NOTE: The silicone supplied by MrSteam can be used to meet a variety of sealing and gasketing. It cures to silicone rubber and adheres to glass, wood, metal, porcelain, ceramic tile, painted surfaces, many plastics and rubber. Surfaces must be clean and dry. Apply thin layer of product. Fit together and support if necessary. Allow excess material to cure, then trim with a sharp blade. Sealant “skins” in 5 minutes, dries to touch in 1 hour. Fully cures and bonds in 24 hrs.

IMPORTANT NOTE: Do not apply excessive amounts of silicone. Do not apply silicone to any other parts of the control including the adhesive gasket.

STEP 7 Diagram 6

Insure the mounting surface is clean and dry as required for good adhesion. Hold the control with the LED display in the 12 o’clock position and press the control against the wall until the adhesive sticks

DIAGRAM 5

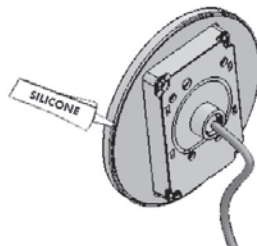


DIAGRAM 6



iTempo® Operating Instructions

The iTempo Control features programmable digital temperature control, a fixed (60) minute duration, ON/OFF and PAUSE. The control can be set at a temperature range from 80°F up to 120°F

!WARNING Set the steam bathing temperature according to personal preference, however it is highly recommended to begin steam bathing at a low temperature setting for a very short duration to gauge comfort and safety levels.

ON/OFF Diagram 1

Press the ON/OFF key to start or stop the flow of steam. Steam will begin to flow a few minutes after the control is turned ON. The duration required for the steam room to reach steam bathing temperatures depends on the steam room construction and steam generator specifications. Steam may continue to flow for a short time after the control is turned OFF.

PAUSE FEATURE Diagram 2

If a pause in steam flow is desired press the PAUSE key. The display will flash while the control is in the PAUSE mode. The timer will continue to countdown while in the PAUSE mode. Steam may continue to flow for a short time after pause is pressed.

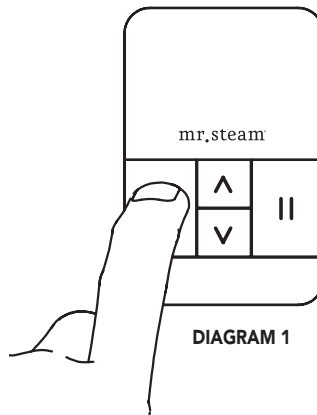


DIAGRAM 1

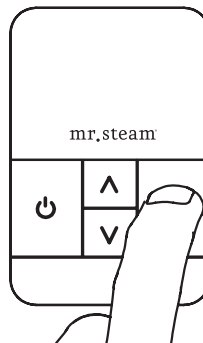


DIAGRAM 2

TIMER FEATURE

When the control is turned ON a 60 minute time duration is initiated. The control will turn off after 60 minutes unless the control is turned off manually.

MEMORY FEATURE

If the control is turned off manually before 60 minutes then the default temperature of 110°F will be used the next time the control is turned on. If the control times out at 60 minutes (not manually turned off) then the previous user temperature setting will be used when the steam-bath is used again.

SETTING THE TEMPERATURE

Diagram 3

The control is pre-set and will display the temperature setting of 110°F (default setting). Use the UP and DOWN keys to change the temperature setting from 80° F to 120° F in one degree increments.

CHANGING THE TEMPERATURE

UNITS (F°/C°) Diagram 4

When the generator is Off, Press and hold ON/OFF key for 10 seconds. The temperature units will be displayed as Fahrenheit (TuF) or Celsius (TuC). Use the UP/DOWN keys to choose between (TuF) and (TuC). Press ON/OFF key to accept the new units and exit.

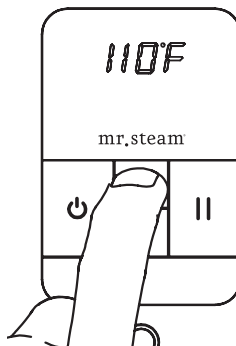


DIAGRAM 3

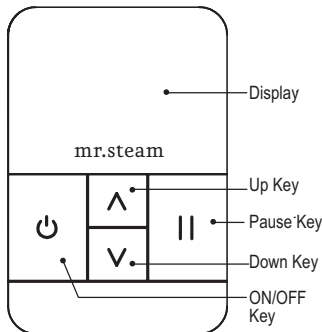


DIAGRAM 4

iTempoPlus® Operating Instructions

The iTempoPlus Control features programmable temperature control, programmable time duration, clock, AromaSteam, ChromaSteam®, ON/OFF and two personal settings.

⚠ WARNING Set the steam bathing temperature according to personal preference, however it is highly recommended to begin steam bathing at a low temperature setting for a very short duration to gauge comfort and safety levels.

POWERING UP THE UNIT Diagram 1

When the generator is first powered up or after a power interruption, the clock display flashes and the clock is ready to be set up.

NOTE: Pressing the ON/OFF will start the generator even if the clock has not been set.

NOTE: The clock can only be set when the generator is OFF, the display is flashing.

SETTING THE CLOCK

ON/OFF Diagram 2

Press the ON/OFF key to start or stop the flow of steam. The Temperature Set Point is displayed. Steam will begin to flow a few minutes after the control is turned ON. The duration required for the steam room to reach steam bathing temperatures depends on the steam room construction and steam generator specifications. Steam may continue to flow for a short time after the control is turned OFF.

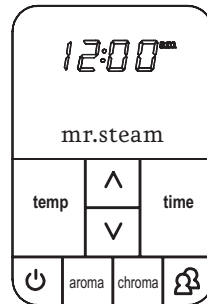


DIAGRAM 1

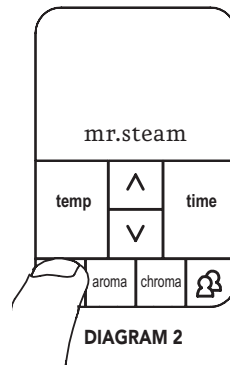


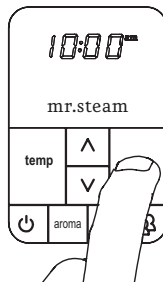
DIAGRAM 2

SETTING THE CLOCK Diagram 3

When the display is not flashing: Press and hold the TIME key until the display starts flashing.

Use the UP/DOWN keys to select the desired time, at this time the AM/PM logo will be displayed. Press the TIME key to save changes.

DIAGRAM 3

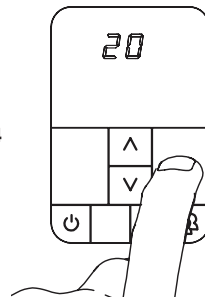


SETTING THE STEAMBATH DURATION

Diagram 4

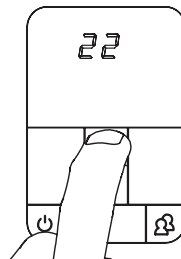
Press TIME key to set or display the steambath duration time on the clock. The control is pre-set and will display a TIME setting of 20 minutes (default setting). With the TIME or CLOCK displayed, press the UP or DOWN keys (Diagram 5) to set the desired duration time (2-60 minutes) in two minute increments.

DIAGRAM 4



Set the steambath duration according to personal preference, however it is highly recommended to begin steam bathing at a very short duration to gauge comfort and safety levels. The control will turn off when the duration period times out. Then, the clock time will be displayed.

DIAGRAM 5



SETTING THE TEMPERATURE

Diagram 6: Press TEMP key to set the desired temperature or display the temperature setting.

Diagram 7: The control is preset and will display a temperature setting of 110°F (default setting). With the temperature displayed, press the UP or DOWN keys to set the desired temperature (80°F to 120°F) in one degree increments.

Set the steam bathing temperature according to personal preference, however it is highly recommended to begin steam bathing at a low temperature setting to gauge comfort and safety levels.

MEMORY FEATURE

If the control is turned off manually before it times out then the default settings of 20 minutes and 110°F will be used the next time the control is turned on. If the control times out (not manually turned off) then the previous user time and temperature settings will be used when the steambath is turned on.

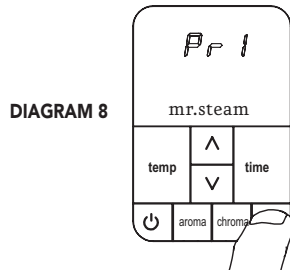
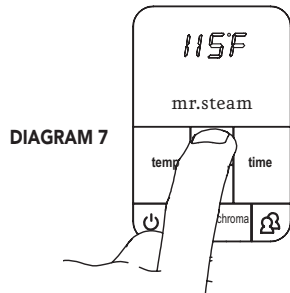
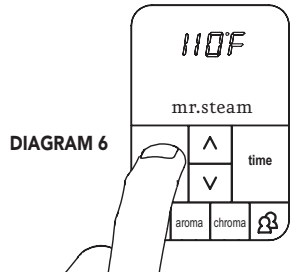
PERSONAL SETTINGS Diagram 8

Use the program key to store preferred settings.
To program preferred settings:

- Press ON/OFF key to turn generator on.
- Press the Program key once to program Pr 1.
- Press it twice to program Pr 2. The selected parameter will be displayed. Enter the preferred time and temperature settings.

The iTempoPlus will store the following settings: set point, time duration & aroma state. To select Pr 1 or Pr 2:

Press ON/OFF key then press the Program key once to select Pr 1, press it twice to select Pr 2. The steambath will begin to operate at the stored settings.



CHANGING THE TEMPERATURE UNITS

(°F/°C)

When the generator is Off, Press and hold ON/OFF key for 10 seconds. The temperature units will be displayed as Fahrenheit (TuF) or Celsius (TuC). Use the UP/DOWN keys to choose between (TuF) and (TuC). Press ON/OFF key to accept the new value and exit.

AROMASTEAM Diagram 9

The AromaSteam is an optional accessory that automatically injects aromatic oil into the steam. Press the ON/OFF key to turn the steam generator on. Then, press the AROMA key. The Aroma indicator will be displayed. The AromaSteam turns off automatically when the steam generator stops heating. Press the AROMA key to turn it off during a steam session. The indicator will turn off.

CHROMASTEAM® Diagram 10

The ChromaSteam is an optional accessory that provides colored light in the steam room. Press the CHROMA key to turn light on. Press twice to select the next color. Press again to turn the light off. Note that the light can be turned ON even if the steam generator is OFF.

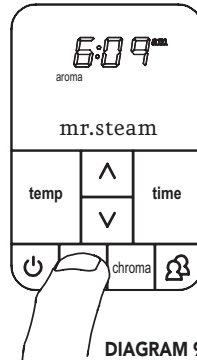


DIAGRAM 9

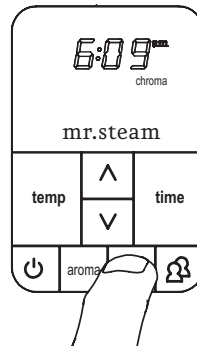
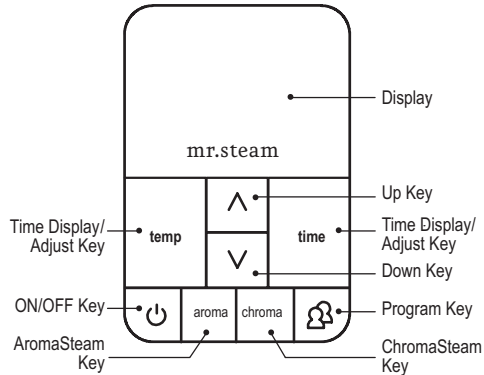


DIAGRAM 10



Care Tips for all Controls and Steamheads

1. Use only mild soap and water on a soft cloth to clean the control and steamhead.
2. Do not use abrasive cleansers
3. If the decorative cover is damaged on the iTempo® or iTempoPlus® call MrSteam technical service for replacement parts.

NOTE: Replacement of the decorative covers requires removal and reinstallation of the control from the mounting surfaces.

Warranty

To register your steam generator unit online and to review the MrSteam Limited Lifetime Warranty please go to: blog.mrsteam.com/wr

mr.steam®

Feel Good Inc.

Products, information and specifications are subject to change without notice.

For more information call Sales & Support at:
1.800.76.STEAM (East Coast) 1.800.72.STEAM (West Coast)

2019 © Sussman-Automatic Corporation MrSteam and des., AromaFlo, AutoFlush, AutoSteam, Butler Package, ChromaSteam, Clean Steam...Every Time, Club Therapy, Digital 1, Express Steam, From Bathroom to Spa, iDream Package, iGenie, iSizing, iSteam, MusicTherapy, Spa Package, Steam@Home, Steam Therapy, Sussman, Valet Package, Virtual Spa System, Voice Genie and Voice Wizard are registered trademarks of Sussman-Automatic Corporation. AudioWizard, HomeWizard, iButler, iTempo, iTempoPlus, Smart Sizing, SteamStart, The Intelligent Steambath are trademarks of Sussman-Automatic Corporation.

PUR 100474A REV 10.19

INSTALLATION INSTRUCTIONS

IMPORTANT: See the Installation and Operation Manual provided with the steam generator for additional important steamhead & control installation and operation information.

Installation: Steam Head (1/2" NPT)

CAUTION INSTALLER: Because the steam head and direct steam emissions are very hot, locate the steam head where incidental contact by bather with the steam head or direct steam emission cannot occur.

STEP 1 Locate steam head 6-12 inches above floor, except for:

1. Tub/shower enclosures, install 6 inches above tub top edge.
2. For enclosures with acrylic or other non-heat resistant flooring install Acrylic Shield Part Number MS-103938.
3. To prevent door seals from deteriorating do not locate the steam head where direct steam emission would contact door seals.

STEP 2 Install steamhead with the oil well facing up as shown. Hand tightening is sufficient when teflon or equal pipe thread sealing compound is used.

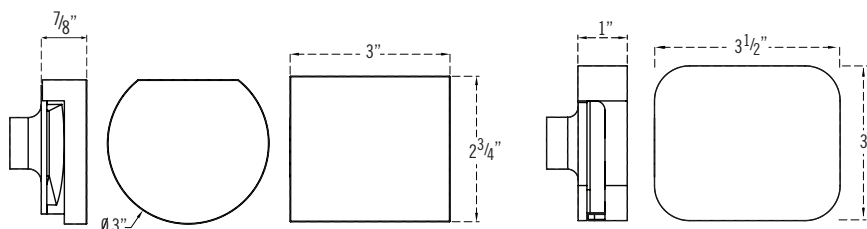
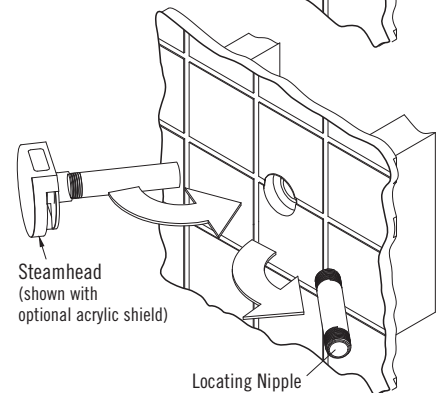
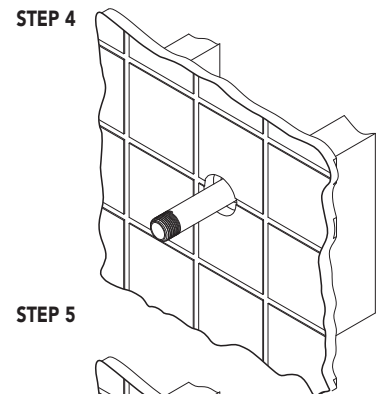
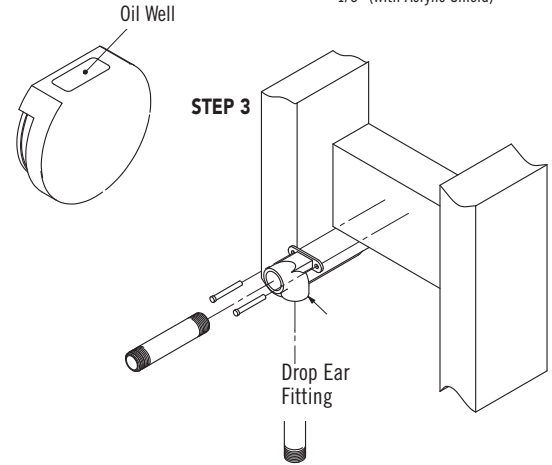
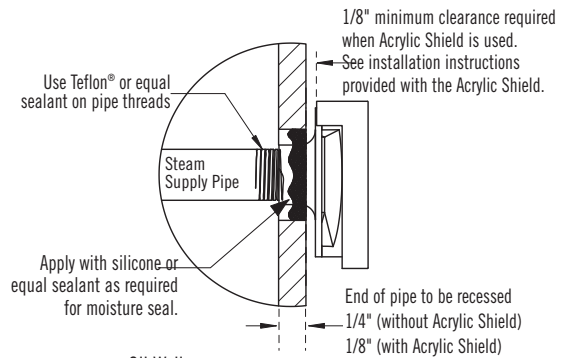
IMPORTANT NOTE: to preserve steam head finish, do not use wrench or other tools to tighten. DO NOT use abrasive cleansers or chemicals. Use only water with mild soap and a non-abrasive sponge.

CAUTION Consult with supplier of acrylic, fiberglass and other non-heat resistant enclosures for recommended steamhead location. Use Acrylic Shield part number MS-103938. See instructions provided with steam shield.

STEP 3 Secure a bronze drop ear fitting to a header and run a 1/2" copper steamline from the steam generator to the drop ear fitting. Install a temporary nipple (6" or longer) in the drop ear fitting to locate the steamhead after the wall is finished.

STEP 4 After the wall has been finished, mark on the nipple where the surface of the wall is. Remove the nipple and measure the portion that was in the wall (the end to your mark). Subtract 1/4" from that dimension and select a brass nipple of that length to finish the installation.

STEP 5 Wrap teflon tape around the threads of the new nipple and screw the nipple into the steamhead. Do not use wrenches or tools which would damage the steamhead's finish. Wrap teflon tape around the threads of the nipple and screw the nipple and steamhead assembly you just made into the drop ear fitting in the wall. The steamhead should be flush with the wall and the well must be facing up.



All drawings are for illustrative purposes only



Installation, Operation and Maintenance Manual

Linear Steam Head

Residential Model: 144080

IMPORTANT: Leave this material with the homeowner.

mr.steam® | Feel Good Inc.®

READ ME FIRST!

As you follow these instructions, you will notice **CAUTION** and **IMPORTANT NOTE** symbols. This information is important for the proper, safe and trouble free installation of the Linear Steam Head. These are types of potential hazards that may occur if in-stallation instructions are not carefully followed.

! CAUTION

This signals a situation where injury or property damage may occur if you do not follow instructions.

IMPORTANT NOTE: This highlights information that is especially relevant to a problem-free installation. All information in these instructions is based on the latest information available at the time of publication. Sussman-Automatic Corporation reserves the right to make changes at any time without notice.

! CAUTIONS

- Linear Steam Head model 104480 is suitable for MrSteam generator models MS90 – MS400, MSSUPER1–MSSUPER3, MX4 – MX6.

Do not use Linear Steam Head model 104480 for any other MrSteam steam generator. Failure to follow these instructions may result in a leak within the wall cavity and cause problems associated with leaks, moisture and property damage from leaks.

- Do not use the Linear Steam Head with any steam generator that is not a MrSteam steam generator. Do not locate the steam head in any location where the steam emission zone is near a seat, bench or any space occupied by any persons. Failure to follow these instructions may result in a hazardous condition, scalding or personal injury.

Using model 104480 for any steam generator model larger than the MX6, or for any non MrSteam brand generators may result in an improper installation or hazardous condition.

- Do not use the Linear Steam Head with any NON-MrSteam equipment or devices, including but not limited to water softeners, steam generators, etc. Using the Linear Steam Head with any NON-MrSteam equipment or devices may result in personal injury or, Linear Steam Head damage or property damage.
- MrSteam steam generators Models MX4, MX5 and MX6 require two 104480 steam heads. Failure to use two steam heads may result in steam head operation where incidental contact by the bather with direct steam emission may occur. Do not locate the steam head in any location where the steam emission zone is near a seat, bench or any space occupied by any persons. Failure to follow these instructions may result in a hazardous condition, scalding or personal injury.

- Because the steam head and direct steam emission are very hot, locate the steam head where incidental contact by the user with the steam head or direct steam emission cannot occur.

- Model 104480 Linear Steam Heads are for residential use only. Do not use Model 104480 Linear Steam Heads for commercial installations, Day Spa, or with commercial steam generators. Using Model 104480 Linear Steam Heads for commercial, Day Spa or installations with commercial steam generators or any installation with steam sessions exceeding 60 minutes a day, may result in Linear Steam Head damage, property damage or personal injury.

- Do not use any Linear Steam Head in any commercial installation or with any commercial steam generator. Using any Linear Steam Head in a commercial installation or with any commercial steam generator may result in Linear Steam Head damage, property damage or personal injury.

- Install in orientation shown in fig 2 only. Installation in any other orientation may concentrate the steam and result in excessive temperature. Failure to install in correct orientation may result in steam head operation where incidental contact by the bather with direction steam emission may occur. Failure to follow these instructions may result in a hazardous condition, scaling or personal injury.

- Insulate the steam head and piping as required to reduce temperature within the wall cavity. Do not locate the steam head or plumbing near any materials, including wiring, devices, or products that may be adversely affected by elevated temperatures. Check with the manufacturer of construction materials and products to for suitability for operation at elevated temperatures. Failure to follow these instructions may result in the failure of materials, including wiring, devices, or products.

 **CAUTION**

- Steambath controls feature an integral temperature sensor. Locate the Steam Head in a location where steam emissions will not come in direct contact with the control (or the remote temperature sensor). Failure to follow these instructions may result in a hazardous condition, scalding or personal injury.
- Use the supplied high temperature silicone sealant as required to create a permanent moisture seal. Do not seal the steam head with grout or any other material. Failure to follow these instructions may result in property damage.
- The Linear Steam Head model 104480 must be installed by a qualified and licensed plumber. Failure to use a qualified and licensed plumber may result in a leak within the wall cavity and cause problems associated with leaks, moisture and property damage from leaks.
- DO NOT use black iron pipe or galvanized pipe for the steam line. Use brass pipe or copper tubing only, and in accordance with national and local plumbing codes. Using any piping material other than brass or copper may cause problems associated with leaks, moisture and property damage from water or steam leaks.
- Do not modify or alter the steam head. Do not cover, block or insert any product that is not a MrSteam supplied product into the steam outlet. Failure to follow these instructions may result in a leak within the wall cavity, or result in a hazardous condition and/or personal injury.
- See the Installation and Operation Manual provided with the steam generator for additional important installation and operation information. If this installation and operation manual is not available then go to www.mrsteam.com for an online copy, or contact MrSteam Customer or Technical Services at 800-767-8326 or 800-727-8326 for a free copy.
- Do not disassemble the steam head. The steam head is shipped fully assembled and requires no additional assembly. Failure to follow these instructions may result in a leak within the wall cavity and cause problems associated with leaks, moisture and property damage from leaks.
- Consult with manufacturer of acrylic, fiberglass and other non-heat resistant enclosures for elevated temperatures, steam, and moisture compatibility. Consult with supplier of acrylic, fiberglass and other non-heat resistant enclosures for suitability for use with steam.
- To prevent damage to property do not locate the steam head where steam, elevated temperatures, moisture or water can contact any products, wall surfaces, materials, door seals, devices, electronics that are not designed for steam, elevated temperatures, moisture or water.
- Do not use abrasive cleansers or chemicals to clean the steam head. Use only water with mild soap and a non-abrasive sponge. The use of abrasive cleansers or chemicals will damage the finish on the Linear Steam Head.

BOX CONTENTS:

- Linear Steam Head
- Faceplate
- Diverter
- AromaTray
- Silicone Sealant
- Installation Instructions

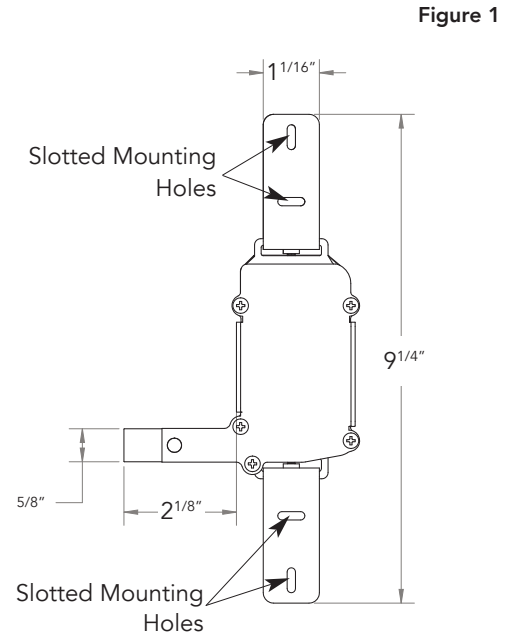
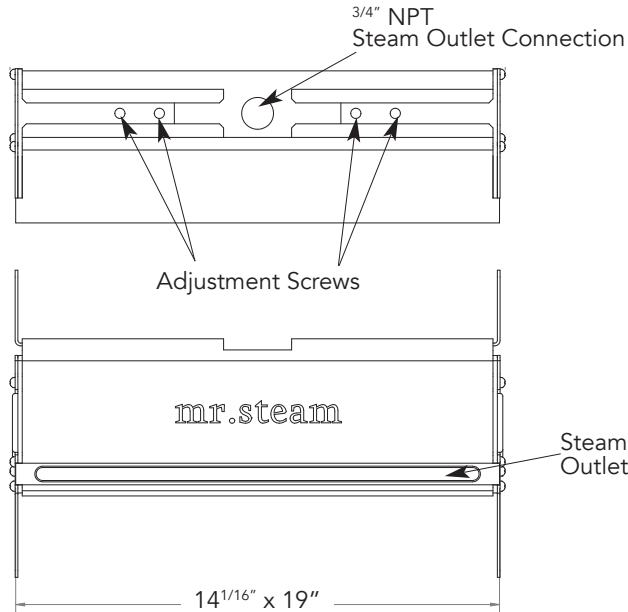


Figure 1

INSTALLATION STEPS

CAUTION Because steam emissions are very hot, locate the steam head where incidental contact by the bather with direct steam emission cannot occur. Do not locate the steam head in any location where the steam emission zone is near a seat, bench or any space occupied by any persons. See Fig. 2 for a diagram of the steam emission zone. Failure to follow these instructions may result in a hazardous condition, scalding or personal injury.

Generator Model	Number of Linear Steam Heads	Steam Emission Zone
MS90-MS400	1	18"
Super1-Super3	1	24"
MX4-MX6	2	24"

CAUTION Do not install a Linear Steam Head in a tub or acrylic/fiberglass shower enclosure. Failure to follow these instructions may result in a hazardous condition, scalding or personal injury

STEP 1. Locate the steam head 6-12" above the finished floor. Do not locate the steam head in any location where the steam emission zone is near a seat, bench, or any space occupied by any persons. See Fig. 2 for a diagram of the steam emission zone.

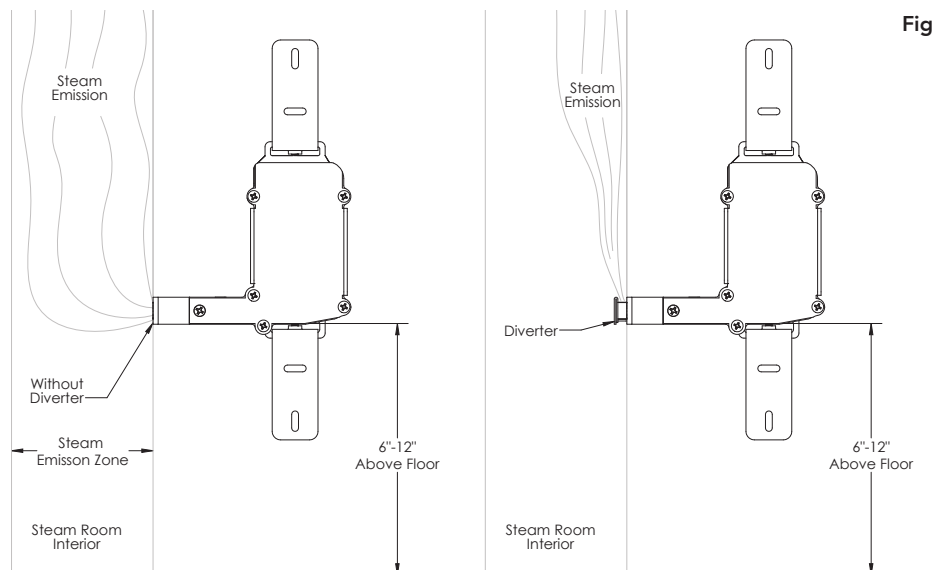


Figure 2

NOTE: Drawings are for illustrative purposes only. Consult with qualified designer, architect or contractor for steam room construction.

INSTALLATION STEPS

STEP 2. Confirm proper stud spacing: The studs must have a minimum spacing of 14-1/16" and a maximum spacing 19". If the stud spacing is outside the required range then shim or otherwise reposition the studs as required.

! CAUTION Installing the steam head between incorrectly spaced studs may result in damage to the steam head and result in a leak within the wall cavity and cause property damage.

STEP 3. Determine the location of the finished wall surface. Mount the steam head between two studs using the horizontal slotted holes to position the steam outlet face to be flush or recess 1/8" from the finished wall surface (see fig. 4)

! CAUTION Failure to position the steam head face to be flush or extended 1/8" from the finished wall surface may result in a leak within the wall cavity and cause problems associated with leaks, moisture and property damage from leaks.

STEP 4. Use a level to ensure the steam head is level (see Fig. 3) and the steam head face is flush or recessed 1/8" from the finished wall surface. Install the four screws in the vertical slotted mounting holes to secure the steam head to the studs.

STEP 5. Plumb rigid copper tubing or brass pipe from the steam generator to the steam head. Plumbing must not form traps or valleys. Thread sealant must be used as required to ensure a leak free joint.

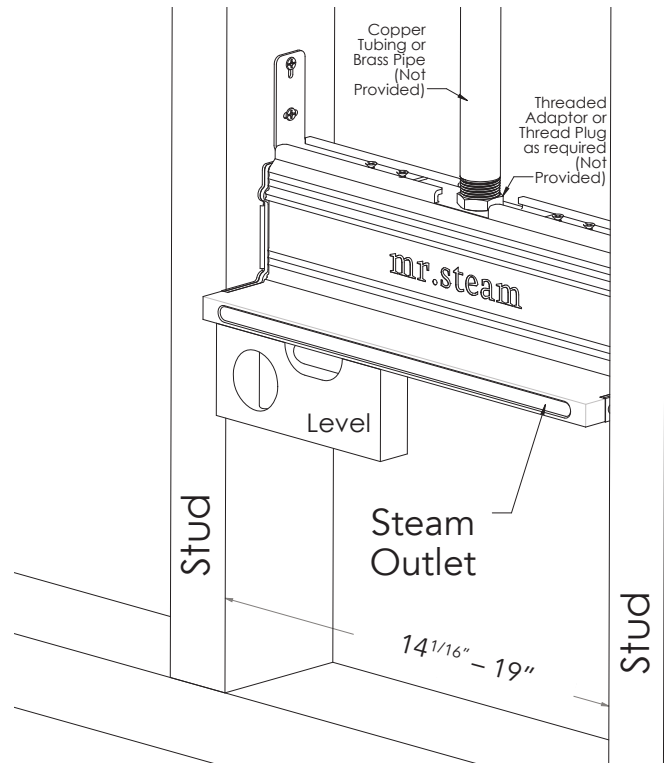


Figure 3

Installation Section – Installing the Linear Steam Head Steps

Model 104480

Faceplate

CAUTION INSTALLER: Because the steam head, faceplate and direct steam emission are very hot, locate the steam head and faceplate where incidental contact by bather with the steam head, faceplate or direct steam emission cannot occur. Failure to locate the steam head and faceplate where incidental contact by bather with the steam head, faceplate or direct steam emission cannot occur may result in personal injury.

Faceplate The faceplate is a decorative accessory. It is not required for the functional operation of the linear steam head. The faceplate is available in (8) decorative finishes to match the bathroom décor.

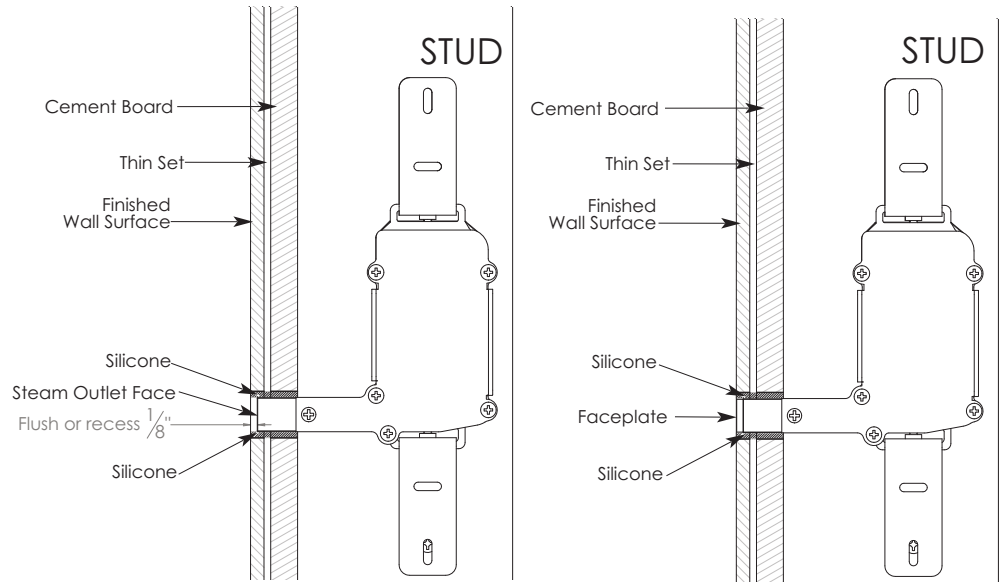


Figure 4

STEP 1. The steam head pre-installation is now complete. The wall surfacing materials (cement board, tiles, marble, etc.) can be installed. Leave a cut out in the surfacing materials around the front of Linear Steam Head as shown. Make the cut out as tight around the front of Linear Steam Head as possible. (see Fig. 5)

STEP 2. After the finished wall surface has been installed use high temperature silicone around the steam outlet as required to make a waterproof seal. Do not use grout in place of high temperature silicone around the steam outlet. Using grout may result in cracks and leaks causing property damage. (see Fig. 4)

STEP 3. Apply silicone (supplied) to the front of Linear Steam Head. (see Fig. 5)

STEP 4. Securely press Faceplate into the opening of Linear Steam Head. (see Fig. 5)

Step 5. Apply silicone (supplied) in gap as shown in Fig 5, between the steam head and the tile as required to create a moisture seal. Failure to create a moisture seal may result in a leak within the wall cavity and cause problems associated with leaks, moisture and property damage from leaks.

STEP 6. Grout tiles as required.

CAUTION Failure to properly install Faceplate may result in a leak within the wall cavity and cause problems associated with leaks, moisture and property damage from leaks.

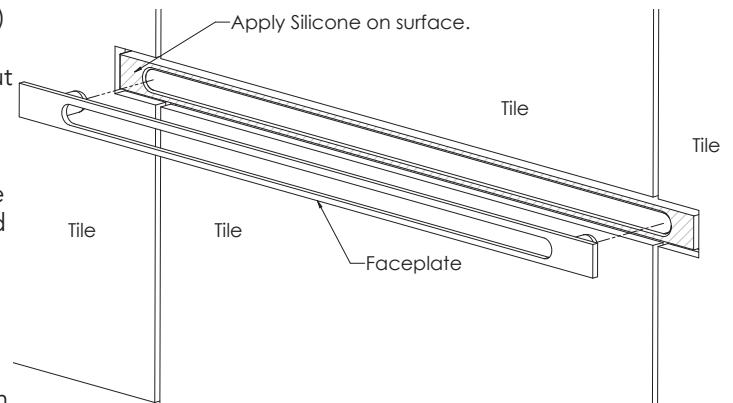


Figure 5

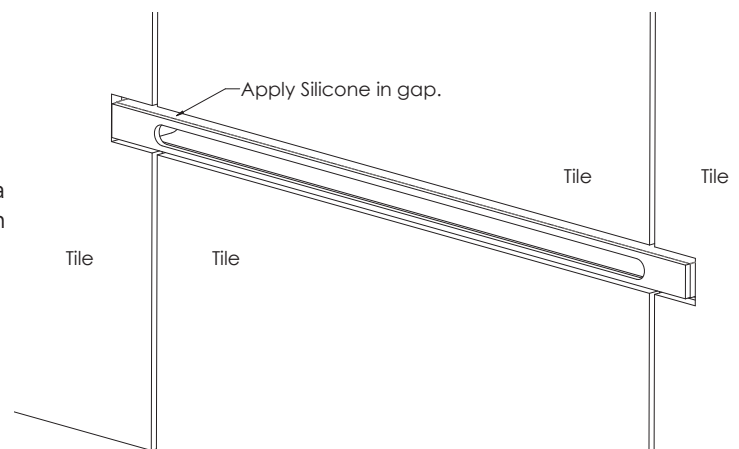


Figure 6

NOTE: Drawings are for illustrative purposes only. Consult with qualified designer, architect or contractor for steam room construction.

STEAM EMISSION ZONES W AND W/O THE DIVERTER

CAUTION

- Plumbing must be installed by a qualified and licensed plumber. Plumb with rigid copper tubing or brass pipe from the generator to the steam head. Plumbing must not form valleys or traps. The formation of a valley or trap may cause the accumulation of condensate resulting poor steam generation operation. The formation of a valley or trap may cause the accumulation of condensate resulting elevated pressure within the steam generator, resulting in the release of pressurized steam and hot water from the steam generator pressure release valve, causing a hazardous condition, property damage and personal injury.

The Linear steam head is supplied with an optional diverter. The diverter is used to reduce the steam emission zone. Always use the diverter if any steam bather may come into contact with direct steam emissions. Please contact MrSteam if a replacement diverter is required. Failure to use a diverter to reduce the steam emission zone as required to avoid contact between a steam bather and direct steam emissions may cause personal injury.

Never install, remove or adjust a diverter into the linear steam head when the steam head is hot or if steam is turned on. Installing, removing or adjusting a diverter into the linear steam head when the steam head is hot or if steam is turned on may cause a burn hazard and personal injury.

- Plumbing without proper thread sealant may result in a leak within the wall cavity and cause problems associated with leaks, moisture and property damage from leaks.
- DO NOT use black iron pipe or galvanized pipe for the steam line. Use brass pipe or copper tubing only, and in accordance with national and local plumbing codes.

STEP 6. Run the steam generator for a few steam cycles to observe and verify that the steam head, steam head installation and plumbing are correct and free of leaks.

STEP 7. Insulate steam line and steam head using insulation rated 212°F or higher. Insulate the steam head and piping as required to reduce temperatures within the wall cavity. DO NOT locate the steam head or plumbing near any materials, including wiring, devices, or products that may be adversely affected by elevated temperatures. Failure to follow these instructions may result in the failure of materials, including wiring, devices, or products.

- Complete steam room tile construction information is available from the Tile Council of America, Inc. by purchasing the TCA Handbook for Ceramic Tile Installation. Call 864-646-8453 or visit www.tileusa.com. Information on marble steam room construction is available from the Marble Institute of America at www.marble-institute.com. Failure to follow these instructions may result in damage to tile, marble or other materials.
- Finished wall surface may be tile, marble, granite or other steam rated surface.
- MrSteam is not responsible for the steam room construction.
- Consult with qualified designer, architect or contractor for steam room construction.

Installation Section – Installing the Linear Steam Head Steps

Model 104480

Diverter

CAUTION Because direct steam emission is very hot, Diverter will become hot during steam session, and will remain hot for a period of time after steam session.

Diverter The Linear steam head is supplied with an optional diverter. The diverter reduces the steam emission zone. Always use the diverter if any steam bather may come into contact with direct steam emissions. Please contact MrSteam if a replacement diverter is required. Failure to use a diverter to reduce the steam emission zone as required to avoid contact between a steam bather and direct steam emissions may cause personal injury.

STEP 1. Never install, remove or adjust a diverter into the linear steam head when the steam head is hot or if steam in turned on. Installing, removing or adjusting a diverter into the linear steam head when the steam head is hot or if steam in turned on may cause a burn hazard and personal injury.

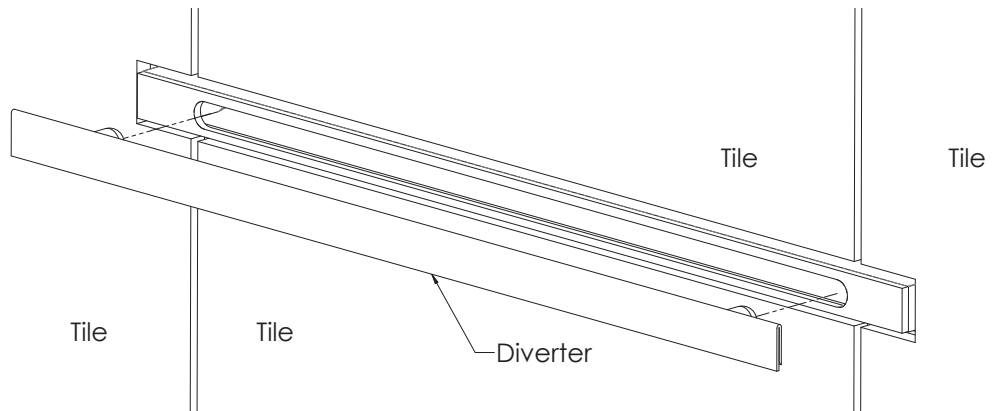
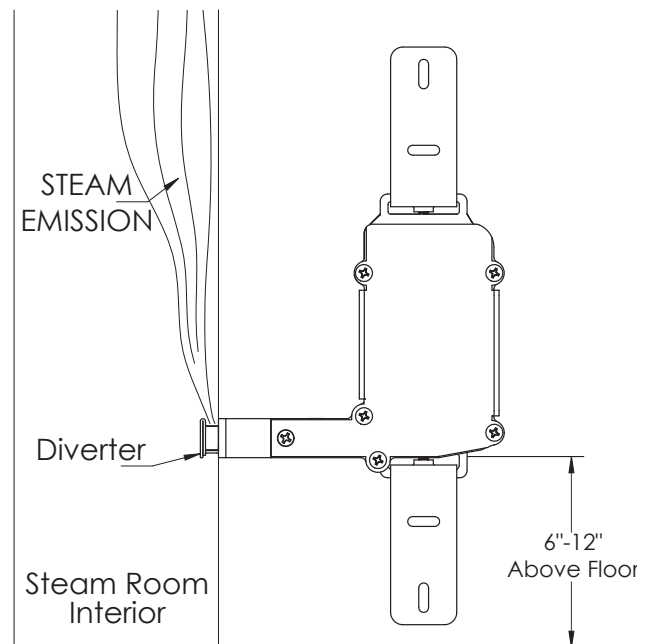


Figure 7



AromaTray

! CAUTION The AromaTray will become hot during a steam bath session, and will remain hot for a period of time after the steam bath session. Never touch the AromaTray during a steam bath session or for a period of time after the steam bath session. Touching the AromaTray during a steam bath session or for a period of time after the steam bath session may result in personal injury.

! CAUTION The Linear steam head and steam emissions are very hot. To avoid contact steam head and steam emissions never install the AromaTray:

- During a steam bath session
- After a steam bath session when the steam head is hot
- When steam is exiting the steam head

Failure to use avoid contact with the hot steam head and direct steam emissions may cause personal injury.

AromaTray

The AromaTray is for use with MrSteam Essential Oils. Place a few drops of MrSteam Essential Oils in the AromaTray as shown and allow the oil to mix with the steam to provide a fragrant steam bath experience. Please read the instructions provided with the MrSteam Essential oils to insure a pleasant and safe steam bathing experience.

!CAUTION: Failure to first read the instructions provided with the

! CAUTION Essential oils may result in personal injury. If you do not have the the instructions provided with the MrSteam Essential oils please call the 80076STEAM see for an online copy.

STEP 1. Place Aroma Tray in steam outlet of Linear Steam Head (see fig. 8) or on Diverter. (see fig. 9)
Place a drop or two of AromaSteam™ essential oil in AromaTray.

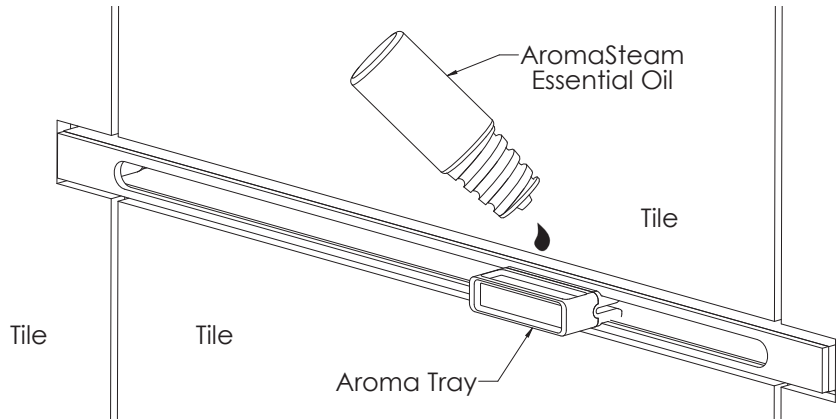


Figure 8

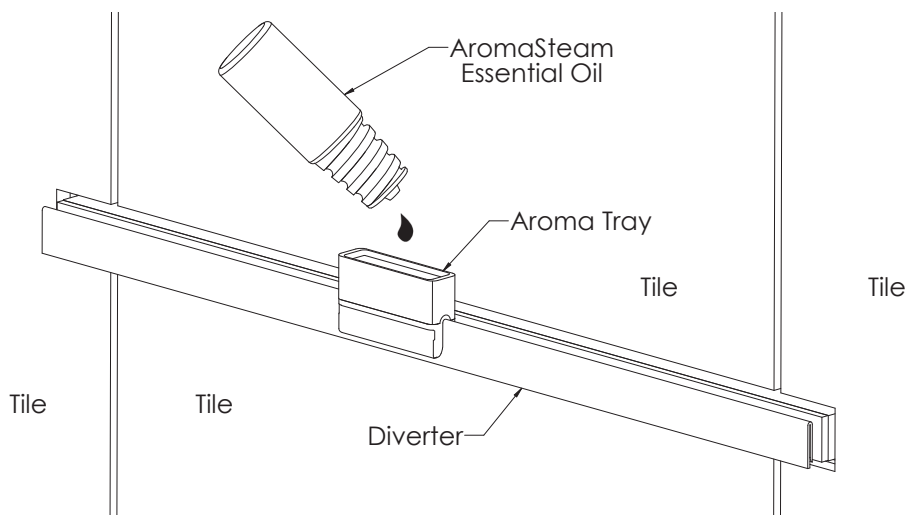
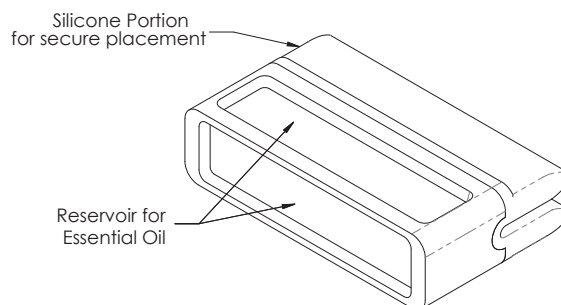
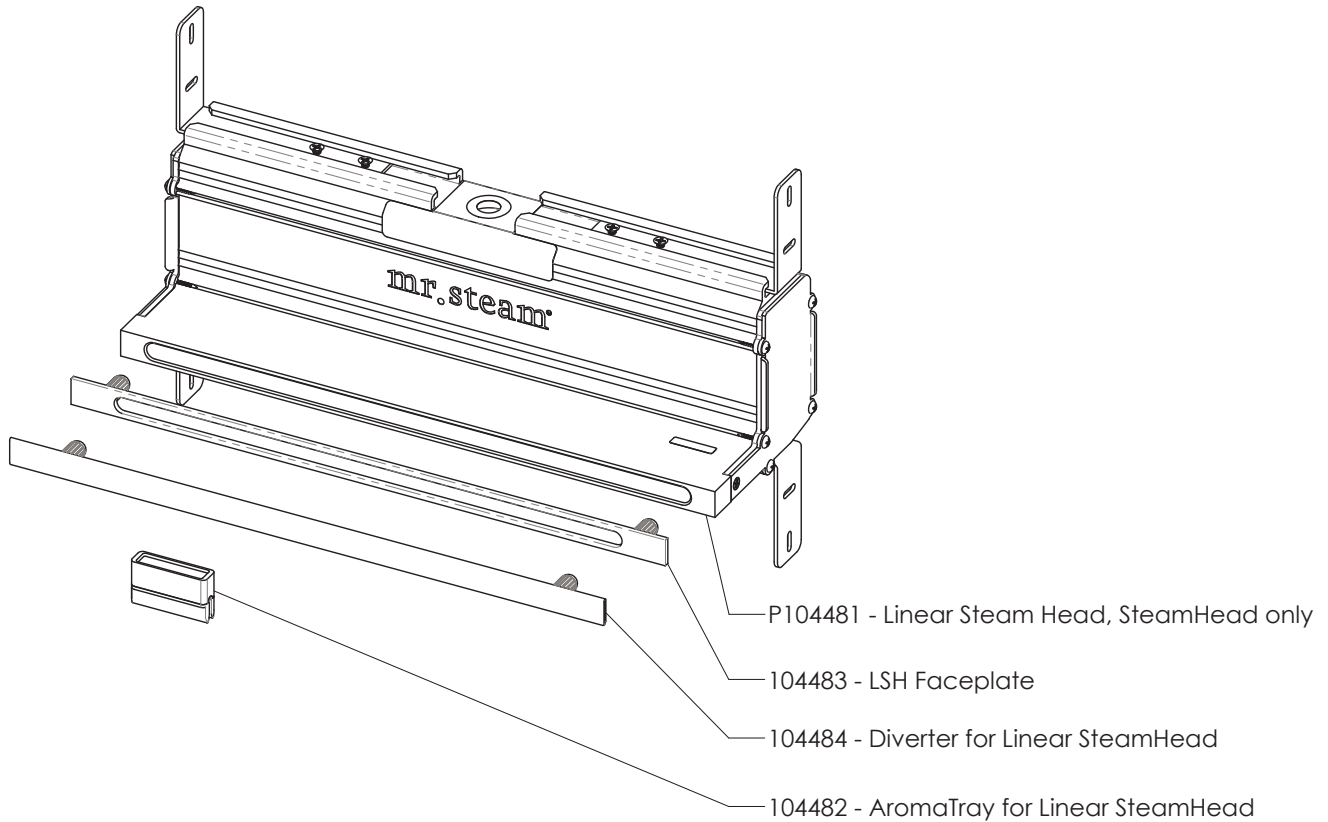


Figure 9





- | | |
|-----------|---------------------------------|
| 104483BB | LSH Faceplate Brush Bronze |
| 104483BN | LSH Faceplate Brush Nickel |
| 104483MB | LSH Faceplate Matte Black |
| 104483ORB | LSH Faceplate Oil Rubbed Bronze |
| 104483PB | LSH Faceplate Polish Brass |
| 104483PC | LSH Faceplate Polish Chrome |
| 104483PN | LSH Faceplate Polish Nickel |
| 104483SB | LSH Faceplate Satin |

For Installation assistance please call Customer or Technical support:

East Coast 1-800-767-8326 West Coast 1-800-727-8326

To view an installation video please go to: www.mrsteam.com This video is for added visual assistance only.

Do not install the Linear Steam Head using the video. Use only these installation instructions for a safe and problem free installation.

IMPORTANT SAFETY INSTRUCTIONS READ AND FOLLOW ALL INSTRUCTIONS

! WARNING

FLAMMABLE LIQUID AND VAPOR

- Keep the AromaSteam and fragrance away from heat, sparks, electrical outlets, open flames such as candles and hot surfaces.
- No smoking.
- Keep Out of the Reach of Children.measures against static discharge.
- Contains denatured ethyl alcohol.
- In case of fire: Use CO2, dry chemical, alcohol foam, and water spray for extinction.
- Always store the MrSteam Aroma fragrances in a secure location. Keep container tightly closed and store in a cool, dry and well-ventilated place.

! WARNING

- Avoid fragrance contact with eyes. May cause mild eye irritation. Ingestion may cause irritation, nausea, vomiting.
- Fragrance vapors may cause drowsiness, allergic reactions, difficulty breathing or skin irritation. If condition persists get medical attention.
- The Fragrance Safety Data Sheet provides comprehensive information about MrSteam Aroma fragrances. Contact 1-800-767-8326 or go online at www.mrsteam.com for a copy of the Safety Data Sheet.
- MrSteam fragrances (MS OIL 1-5) are only for use with the MrSteam AromaSteam (part number MS AROMA and MS AROMAC). Never use MrSteam fragrances in any other AromaSteam, spray or dispensing device. The use of MrSteam fragrances in any other device may cause personal injury.
- The use of any fragrances other than MrSteam fragrances with a MrSteam AromaSteam may introduce excessive concentration of fragrances into the steam room, resulting in personal injury.
- Keep out of the reach of children.
- The AromaSteam has been factory set to deliver a suitable amount of fragrance into a typical sized residential or Day Spa steam room. Start with the AromaSteam volume at a very low setting. Gradually increase the volume setting until a comfortable fragrance level is reached. Do not exceed the "Recommended Setting" indicated on the AromaSteam volume.
- Do Not alter or modify any MrSteam product. Doing so may result in a personal injury.

FIRST AID

IN CASE OF EYE CONTACT: Rinse the eyes immediately with plenty of water, also under the eyelids, for at least 15 minutes. If eye irritation persists: Get medical attention.

IN CASE OF SKIN CONTACT: Remove/Take off immediately all contaminated clothing. Rinse skin with soap and water or shower. If skin irritation persists, get medical attention.

IF SWALLOWED: Do not induce vomiting. Rinse mouth thoroughly with water. If conscious, give large amounts of water. If symptoms persist, call a physician.

Important Notes:

- Not for use in acrylic or fiberglass rooms. Check with the room manufacturer to determine compatibility of these fragrances with room construction materials.
- Do Not alter or modify any MrSteam product. Doing so will void the warranty.
- MrSteam Aroma fragrances must be disposed of as hazardous waste.

mr.steam[®]

Feel Good Inc.[®]

www.mrsteam.com

Products, information and specifications are subject to change without notice.

Please call Technical Support at 1.800.76.STEAM (East Coast) or 1.800.72.STEAM (West Coast) for more information.

NOTICE

The model and serial number is printed on the data plate on the front of the steam bath generator. Have this information available when contacting Technical Service.

mr.steam[®] Sussman-Automatic Corporation[®] | hello@mrsteam.com | www.mrsteam.com

43-20 34th Street, Long Island City, NY 11101 TEL: 1 800 76 STEAM | 9410 S. La Cienega Blvd. Inglewood CA 90301 TEL: 1 800 72 STEAM

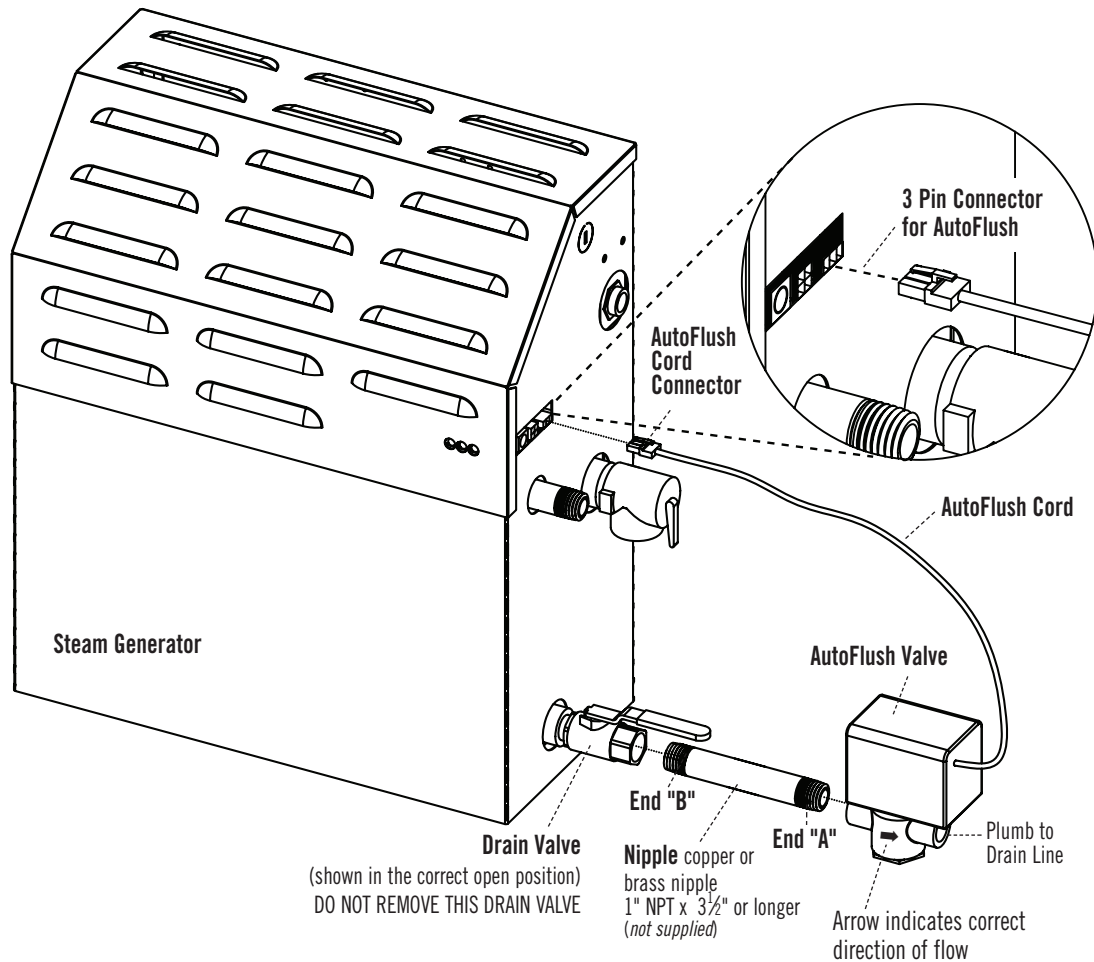
2020 © Sussman-Automatic Corporation | MrSteam and des., A Lifetime of Pleasure, AirTempo, AromaFlo, AudioWizard, AutoFlush, AutoSteam, Butler Package, ChromaSteam, Clean Steam...Every Time, Club Therapy, CT Day Spa, Digital 1, Express Steam, Feel Good Inc., From Bathroom to Spa, HomeWizard, iButler, iGenie, iSpa Package, iSteam, iTempo, iTempo/Plus, Linear Steamhead, Making Wellness a Way of Life, Music Therapy, My Steam, SmartSizing, Spa Package, Steam Genie, Steam on Demand, Steam in a Box, Steam@Home, SteamStart, SteamTherapy, Sussman, Tala, Tala Bath & Body, Tempo, The Intelligent Steambath, Valet Package, and Virtual Spa System are registered trademarks of Sussman-Automatic Corporation. PUR 100420A 3.20

INSTALLATION INSTRUCTIONS

BOX CONTENTS:

- AutoFlush System Valve with Cord
- Installation Instructions.

ASSEMBLY OF OPTIONAL AUTOFLUSH® SYSTEM



OPERATION

The optional AutoFlush System feature automatically drains the MrSteam system following each use. A time delay allows the water to cool down (about two hours) before it drains resulting in a safe and gentle operation.

INSTALLATION INSTRUCTIONS

1. Plumbing to be performed by a qualified plumber and shall be in accordance with applicable National and Local codes. Unit drains by gravity. A drain line that is lower than the AutoFlush assembly must be available. The AutoFlush System valve outlet is threaded 1/2" NPT. Check plumbing code for receptor, trap and vent requirements.
2. Use copper or brass nipple 1/2" NPT x 3 1/2" (90mm) or longer (*not supplied*) to connect AutoFlush valve (end "B") to the Drain Valve (valve end "A" and "B" are indicated on bottom of AutoFlush Valve)

CAUTION DO NOT REMOVE THE DRAIN VALVE

Removal may cause equipment and property damage. If there is not enough room for the valve, an elbow and a short nipple (*not provided*) can be added.

3. Open Drain Valve (handle must be aligned with brass nipple).
4. Connect the AutoFlush System cord connector to the three pin connector as shown.

WARNING Do not drain into a steam enclosure or any location where accidental contact with drain water may occur. In the event of a power failure the AutoFlush System valve will open and may discharge boiling water.

SWEAT FITTINGS

When using sweat fittings use only tin base solder with a melting point below 600 degrees F. Do not overheat. Ends of water supply tubing must be thoroughly clean for a minimum distance of 1" from ends. Do not remove valve cover.

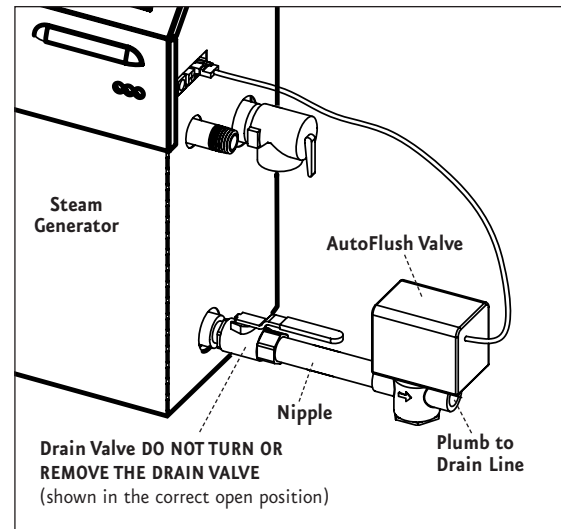
TO CHECK OPERATION

1. Turn on MrSteam with the control and allow tank to fill with water. (see MrSteam Instruction Manual)
2. Turn off MrSteam with the control. Water should stay in tank.
3. Turn off power at the panel box. Water should discharge from tank.
4. Turn on power at panel box.
5. Repeat

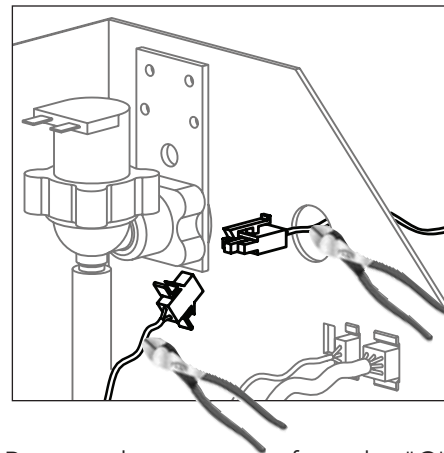
CAUTION PROVIDE DRAIN PLUMBING ACCORDING TO LOCAL CODES. PLUMB AS REQUIRED FOR AUTOFLUSH SYSTEM.

IMPORTANT NOTE: Contact the MrSteam Technical Service Dept. for installation of any equipment not shown in these instructions. East Coast: 800-767-8326; West Coast: 800-727-8326

AutoFlush® Shown Fully Assembled



Installing AutoFlush on Older Model Generators SN:899,999 and below



1. Remove the connector from the "C" location in the jacket. Cut off the connector where shown and strip back the wires approx 0.375"
2. Cut the connector off the AutoFlush cable where shown and strip back the wires approx 0.375".
3. Remove the knockout in the side of the generator and install a bushing to prevent chafing.
4. Route the wires from the AutoFlush through the knockouts and connect the white wire from the AutoFlush to the white wire from the circuit board using a wire nut. Repeat for the black wire.

WARRANTY: To view or download the MrSteam Controls & Accessories Warranty and register your product go to: blog.mrsteam.com/wr

INSTALLATION INSTRUCTIONS

1. Plumbing to be performed by a qualified plumber and shall be in accordance with applicable national and local codes. Unit drains by gravity. A drain line that is lower than the AutoFlush assembly must be available. The AutoFlush System valve outlet is threaded 1" NPT. Check plumbing code for receptor, trap and vent requirements.
2. Use copper or brass nipple 1" NPT x 3½" or longer (*not supplied*) to connect AutoFlush valve (end "B") to the Drain Valve (valve end "A" and "B" are indicated on bottom of AutoFlush Valve)

CAUTION DO NOT REMOVE THE DRAIN VALVE

Removal may cause equipment and property damage. If there is not enough room for the valve, an elbow and a short nipple (*not provided*) can be added.

3. Open Drain Valve (handle must be aligned with brass nipple).
4. Connect the AutoFlush System cord connector to the three pin connector as shown.

WARNING Do not drain into a steam enclosure or any location where accidental contact with drain water may occur. In the event of a power failure the AutoFlush System valve will open and may discharge boiling water.

SWEAT FITTINGS

When using sweat fittings use only tin base solder with a melting point below 600 degrees F. Do not overheat. Ends of water supply tubing must be thoroughly clean for a minimum distance of 1" from ends. Do not remove valve cover.

TO CHECK OPERATION

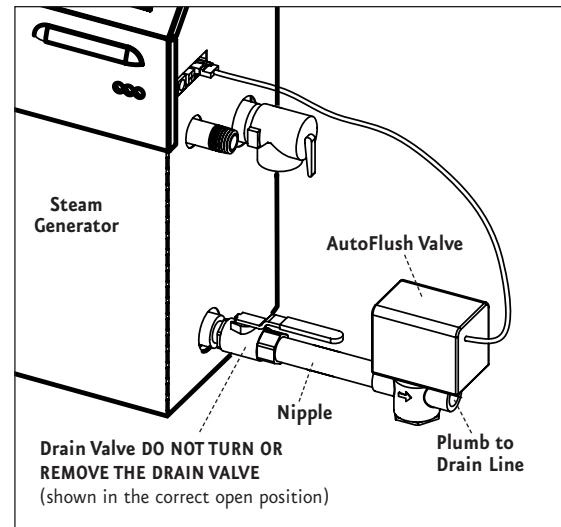
1. Turn on MrSteam with the control and allow tank to fill with water. (see MrSteam Control Instruction Manual)
2. Turn off MrSteam with the control. Water should stay in tank.
3. Turn off power at the panel box. Water should discharge from tank.
4. Turn on power at panel box.
5. Repeat

CAUTION PROVIDE DRAIN PLUMBING ACCORDING TO LOCAL CODES. PLUMB AS REQUIRED FOR AUTOFLUSH SYSTEM.

IMPORTANT NOTE: Contact the MrSteam Technical Service Department for installation of any equipment not shown in these instructions. East Coast: (800) 767-8326; West Coast: (800) 727-8326

WARRANTY: To view or download the MrSteam Controls & Accessories Warranty and register your product go to: blog.mrsteam.com/wr

AutoFlush® Shown Fully Assembled



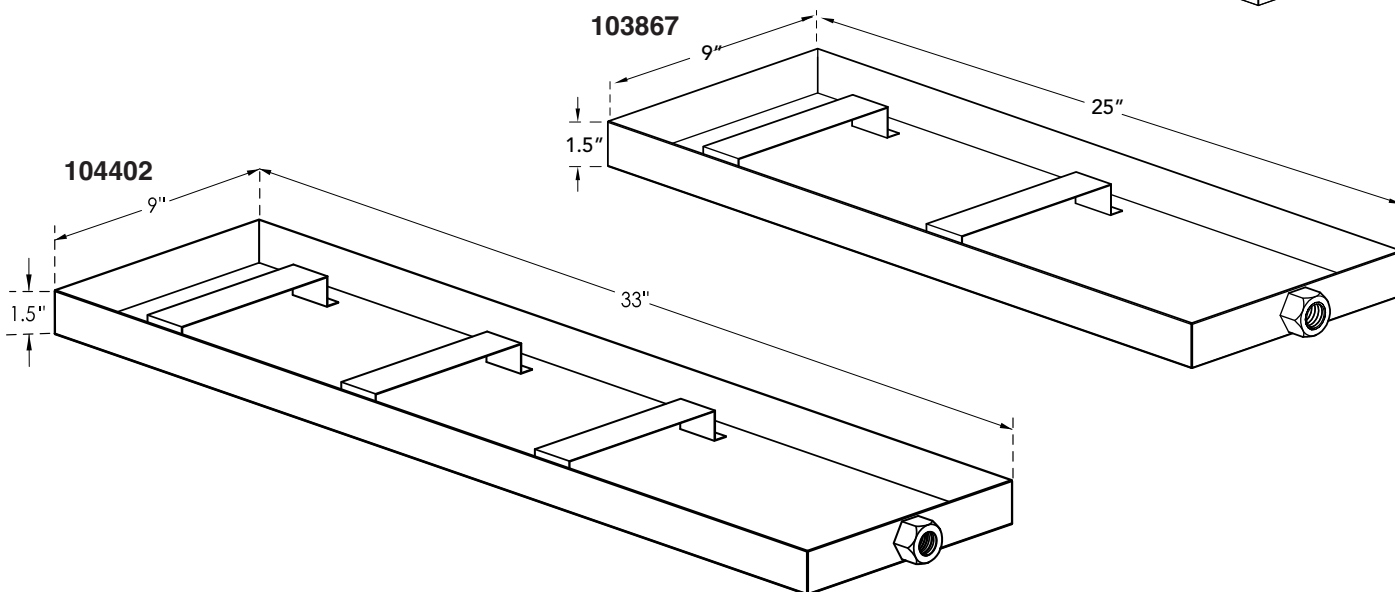
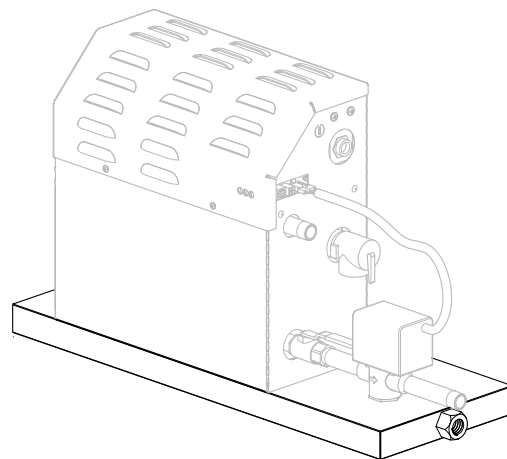
Condensation Pan

103867 & 104402

Mr.Steam strongly recommends the use of a condensation pan in the unlikely event of a plumbing leak.

Locate the condensation pan on a solid level surface and place the steam generator inside the condensation pan. Insure the steam generator is level.

All plumbing shall be performed by a qualified licensed plumber and in accordance with applicable national and local codes. Check local plumbing code for receptor, trap and vent requirements. Condensation pans drain by gravity. The condensation pan is equipped with an integral 3/4" NPT fitting.



NOTE: For MX4E, MX5E and MX6E use model 104402

FOR ILLUSTRATIVE PURPOSES ONLY. IMPORTANT NOTE: FOR SAFE AND TROUBLE FREE INSTALLATION visit mrsteam.com before installation to download the Installation, Operation and Maintenance Manual or refer to the manual provided with the unit.

MODEL	PROJECT INFORMATION	
<input type="checkbox"/> 103867	Location:	Contractor:
<input type="checkbox"/> 104402	Architect:	Submitted By:
	Engineer:	Date:
Notes:		