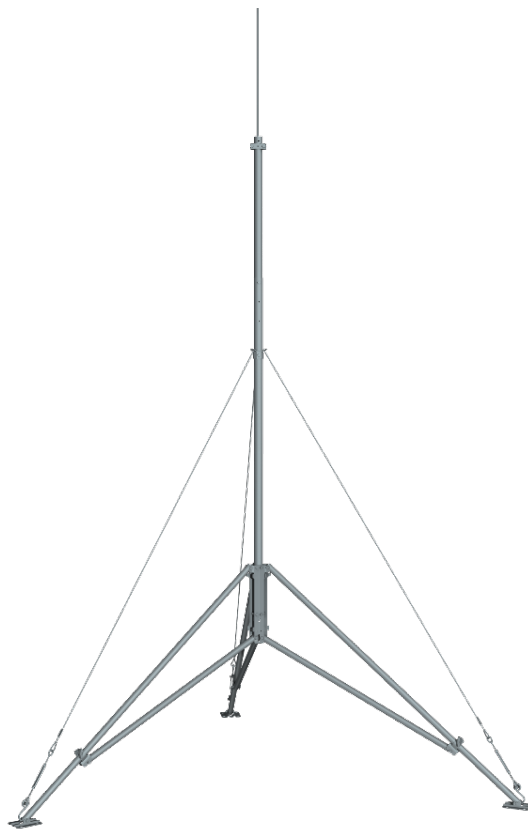




CM106BE

Tripod



Revision: 10/19

Copyright © 2005 – 2019
Campbell Scientific
CSL I.D.: 1063



Guarantee

This equipment is guaranteed against defects in materials and workmanship. We will repair or replace products which prove to be defective during the guarantee period as detailed on your invoice, provided they are returned to us prepaid. The guarantee will not apply to:

- Equipment which has been modified or altered in any way without the written permission of Campbell Scientific
- Batteries
- Any product which has been subjected to misuse, neglect, acts of God or damage in transit.

Campbell Scientific will return guaranteed equipment by surface carrier prepaid. Campbell Scientific will not reimburse the claimant for costs incurred in removing and/or reinstalling equipment. This guarantee and the Company's obligation thereunder is in lieu of all other guarantees, expressed or implied, including those of suitability and fitness for a particular purpose. Campbell Scientific is not liable for consequential damage.

Please inform us before returning equipment and obtain a Repair Reference Number whether the repair is under guarantee or not. Please state the faults as clearly as possible, and if the product is out of the guarantee period it should be accompanied by a purchase order. Quotations for repairs can be given on request. It is the policy of Campbell Scientific to protect the health of its employees and provide a safe working environment, in support of this policy a "Declaration of Hazardous Material and Decontamination" form will be issued for completion.

When returning equipment, the Repair Reference Number must be clearly marked on the outside of the package. Complete the "Declaration of Hazardous Material and Decontamination" form and ensure a completed copy is returned with your goods. Please note your Repair may not be processed if you do not include a copy of this form and Campbell Scientific Ltd reserves the right to return goods at the customers' expense.

Note that goods sent air freight are subject to Customs clearance fees which Campbell Scientific will charge to customers. In many cases, these charges are greater than the cost of the repair.



Campbell Scientific Ltd,
80 Hathern Road,
Shepshed, Loughborough, LE12 9GX, UK
Tel: +44 (0) 1509 601141
Fax: +44 (0) 1509 270924
Email: support@campbellsci.co.uk
www.campbellsci.co.uk

PLEASE READ FIRST

About this manual

Some useful conversion factors:

Area: 1 in² (square inch) = 645 mm²

Length: 1 in. (inch) = 25.4 mm
1 ft (foot) = 304.8 mm
1 yard = 0.914 m
1 mile = 1.609 km

Mass: 1 oz. (ounce) = 28.35 g
1 lb (pound weight) = 0.454 kg

Pressure: 1 psi (lb/in²) = 68.95 mb

Volume: 1 UK pint = 568.3 ml
1 UK gallon = 4.546 litres
1 US gallon = 3.785 litres

Recycling information



At the end of this product's life it should not be put in commercial or domestic refuse but sent for recycling. Any batteries contained within the product or used during the products life should be removed from the product and also be sent to an appropriate recycling facility.

Campbell Scientific Ltd can advise on the recycling of the equipment and in some cases arrange collection and the correct disposal of it, although charges may apply for some items or territories.

For further advice or support, please contact Campbell Scientific Ltd, or your local agent.



Campbell Scientific Ltd, Campbell Park, 80 Hathern Road, Shepshed, Loughborough, LE12 9GX, UK
Tel: +44 (0) 1509 601141 Fax: +44 (0) 1509 270924
Email: support@campbellsci.co.uk
www.campbellsci.co.uk

Safety

DANGER — MANY HAZARDS ARE ASSOCIATED WITH INSTALLING, USING, MAINTAINING, AND WORKING ON OR AROUND **TRIPODS, TOWERS, AND ANY ATTACHMENTS TO TRIPODS AND TOWERS SUCH AS SENSORS, CROSSARMS, ENCLOSURES, ANTENNAS, ETC.** FAILURE TO PROPERLY AND COMPLETELY ASSEMBLE, INSTALL, OPERATE, USE, AND MAINTAIN TRIPODS, TOWERS, AND ATTACHMENTS, AND FAILURE TO HEED WARNINGS, INCREASES THE RISK OF DEATH, ACCIDENT, SERIOUS INJURY, PROPERTY DAMAGE, AND PRODUCT FAILURE. TAKE ALL REASONABLE PRECAUTIONS TO AVOID THESE HAZARDS. CHECK WITH YOUR ORGANIZATION'S SAFETY COORDINATOR (OR POLICY) FOR PROCEDURES AND REQUIRED PROTECTIVE EQUIPMENT PRIOR TO PERFORMING ANY WORK.

Use tripods, towers, and attachments to tripods and towers only for purposes for which they are designed. Do not exceed design limits. Be familiar and comply with all instructions provided in product manuals. Manuals are available at www.campbellsci.eu or by telephoning +44(0) 1509 828 888 (UK). You are responsible for conformance with governing codes and regulations, including safety regulations, and the integrity and location of structures or land to which towers, tripods, and any attachments are attached. Installation sites should be evaluated and approved by a qualified engineer. If questions or concerns arise regarding installation, use, or maintenance of tripods, towers, attachments, or electrical connections, consult with a licensed and qualified engineer or electrician.

General

- Prior to performing site or installation work, obtain required approvals and permits. Comply with all governing structure-height regulations, such as those of the FAA in the USA.
- Use only qualified personnel for installation, use, and maintenance of tripods and towers, and any attachments to tripods and towers. The use of licensed and qualified contractors is highly recommended.
- Read all applicable instructions carefully and understand procedures thoroughly before beginning work.
- Wear a **hardhat** and **eye protection**, and take **other appropriate safety precautions** while working on or around tripods and towers.
- **Do not climb** tripods or towers at any time, and prohibit climbing by other persons. Take reasonable precautions to secure tripod and tower sites from trespassers.
- Use only manufacturer recommended parts, materials, and tools.

Utility and Electrical

- **You can be killed** or sustain serious bodily injury if the tripod, tower, or attachments you are installing, constructing, using, or maintaining, or a tool, stake, or anchor, come in **contact with overhead or underground utility lines.**
- Maintain a distance of at least one-and-one-half times structure height, or 20 feet, or the distance required by applicable law, **whichever is greater**, between overhead utility lines and the structure (tripod, tower, attachments, or tools).
- Prior to performing site or installation work, inform all utility companies and have all underground utilities marked.
- Comply with all electrical codes. Electrical equipment and related grounding devices should be installed by a licensed and qualified electrician.

Elevated Work and Weather

- Exercise extreme caution when performing elevated work.
- Use appropriate equipment and safety practices.
- During installation and maintenance, keep tower and tripod sites clear of un-trained or non-essential personnel. Take precautions to prevent elevated tools and objects from dropping.
- Do not perform any work in inclement weather, including wind, rain, snow, lightning, etc.

Maintenance

- Periodically (at least yearly) check for wear and damage, including corrosion, stress cracks, frayed cables, loose cable clamps, cable tightness, etc. and take necessary corrective actions.
- Periodically (at least yearly) check electrical ground connections.

WHILE EVERY ATTEMPT IS MADE TO EMBODY THE HIGHEST DEGREE OF SAFETY IN ALL CAMPBELL SCIENTIFIC PRODUCTS, THE CUSTOMER ASSUMES ALL RISK FROM ANY INJURY RESULTING FROM IMPROPER INSTALLATION, USE, OR MAINTENANCE OF TRIPODS, TOWERS, OR ATTACHMENTS TO TRIPODS AND TOWERS SUCH AS SENSORS, CROSSARMS, ENCLOSURES, ANTENNAS, ETC.

Contents

PDF viewers: These page numbers refer to the printed version of this document. Use the PDF reader bookmarks tab for links to specific sections.

1. Introduction.....	1
2. Cautionary Statements.....	1
3. Initial Inspection	2
3.1 Inspect Packaging	2
3.2 Tripod Components.....	2
3.3 Tools List (for tripod, mast, enclosures, and crossarms).....	4
4. Overview.....	4
5. Specifications	5
6. Installation.....	6
6.1 Tripod Installation.....	6
6.1.1 Tripod Base.....	6
6.1.1.1 Mounting on a Relatively Flat Area	7
6.1.1.2 Mounting on an Incline	7
6.1.2 Mast	8
6.1.3 Installing the Optional Guy Kit.....	10
6.1.4 Staking the Tripod Feet.....	12
6.1.5 Tripod Grounding	13
6.1.6 Crossarm Attachment.....	15
6.1.7 Enclosure Attachment	15
6.1.7.1 Enclosure Mounting to Tripod Mast	15
6.1.7.2 Enclosure Mounting to Tripod Leg	16
6.2 Mounting Brackets.....	18
6.2.1 CM210 Crossarm Mounting Kit	18
6.2.2 CM216 Mast Mounting Kit - 009902	19
6.2.3 CM220E Right Angle Mounting Kit	20
6.2.4 Crossarm Brace Kit	21
6.2.5 CM225E and 010716 Pyranometer Mounting Stand	21
6.2.6 CM230 Adjustable Angle Mounting Kit.....	24
6.2.7 CM235 Magnetic Mounting Stand	26
6.2.8 Radiation Shields for temperature and humidity probes	27

Appendix

A. CM106B Allowable Wind Speeds..... A-1

Figures

1-1.	Typical tripod-based weather station	1
3-1.	Tripod components	3
4-1.	CM106BE tripod with lightning rod and guy wires.....	4
6-1.	Tripod leg, leg clamp components	6
6-2.	Comparison of one leg pointing downhill (right) versus two legs pointing downhill.....	7
6-3.	Tripod mast and insert	8
6-4.	Mast attachment to tripod base	9
6-5.	Guy collar	10
6-6.	Leg attachment.....	11
6-7.	Staking the tripod feet.....	12
6-8.	Ground rod and clamp	13
6-9.	Lightning rod	14
6-10.	CM204E Crossarm.....	15
6-11.	Enclosure with the –MM bracket.....	16
6-12.	Enclosure with the –LM bracket	17
6-13.	CM210E Crossarm Mounting Kit (shown with user-supplied pipe)..	18
6-14.	CM216 Mast Mounting Kit.....	19
6-15.	CM220E Right Angle Mounting Kit.....	20
6-16.	CMB200 Crossarm Brace Kit.....	24
6-17.	CMB200 components	24
6-18.	Bracket selection.....	24
6-19.	CM225E Pyranometer Mounting.....	24
6-20.	CM230 Adjustable Angle Mounting Kit.....	25
6-21.	CM235 Magnetic Mounting Stand.....	26
6-22.	R.M. Young Radiation Shield.....	27

CM106BE Tripod

1. Introduction

The CM106BE is a general purpose tripod that can be used for mounting sensors, solar panels, antennas, and instrument enclosures. Figure 1-1 shows the CM106BE being used in a typical weather station configuration.

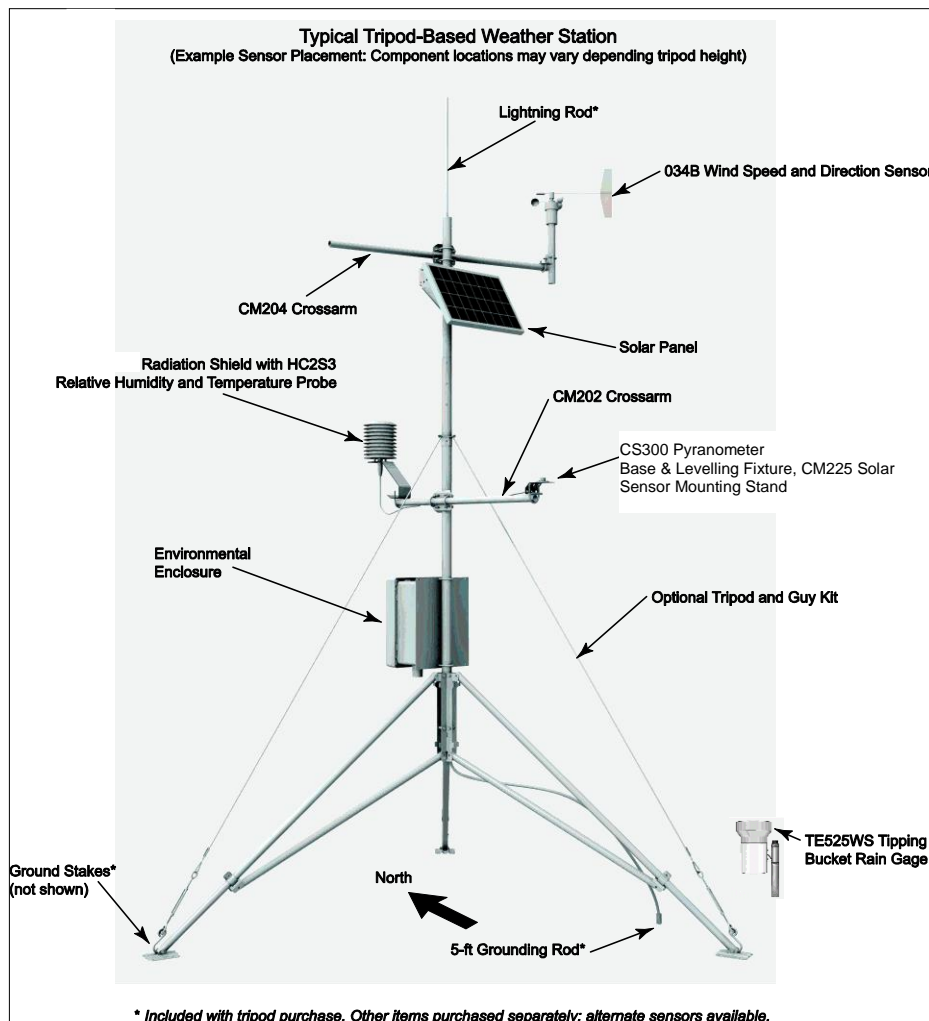


Figure 1-1. Typical tripod-based weather station

2. Cautionary Statements

- READ AND UNDERSTAND the *Safety* section at the front of this manual.
- WARNING — Ensure structural integrity during setup and weather extremes to minimize the chance of damaging the tripod or instruments. Read all instructions carefully. Once the tripod is in full vertical position, securely fasten it to the ground using ground spikes.

- **WARNING** — For installations where soil structure is questionable or the tripod may experience high wind loads, concrete footings for the tripod feet and guy anchors should be considered.
- Keep the bottom of the tripod legs free of soil, ice, and debris to prevent trapping any moisture inside or around the legs.

3. Initial Inspection

3.1 Inspect Packaging

Upon receiving the CM106BE, inspect the packaging and contents for damage. Claims for shipping damage must be filed with the shipping company.

Locate the packing slip for the order and compare the items listed on the packing slip to the items that were actually shipped. Report any discrepancies to Campbell Scientific.

3.2 Tripod Components

Figure 3-1 shows the tripod components. The tripod base is packaged with the mast, mast extension, ground rod, lightning rod, and (3) stakes. The ground rod clamp, lightning rod, lightning rod clamp, cable ties, and ground wires are enclosed in a bag. The optional guy kit is packaged separately.

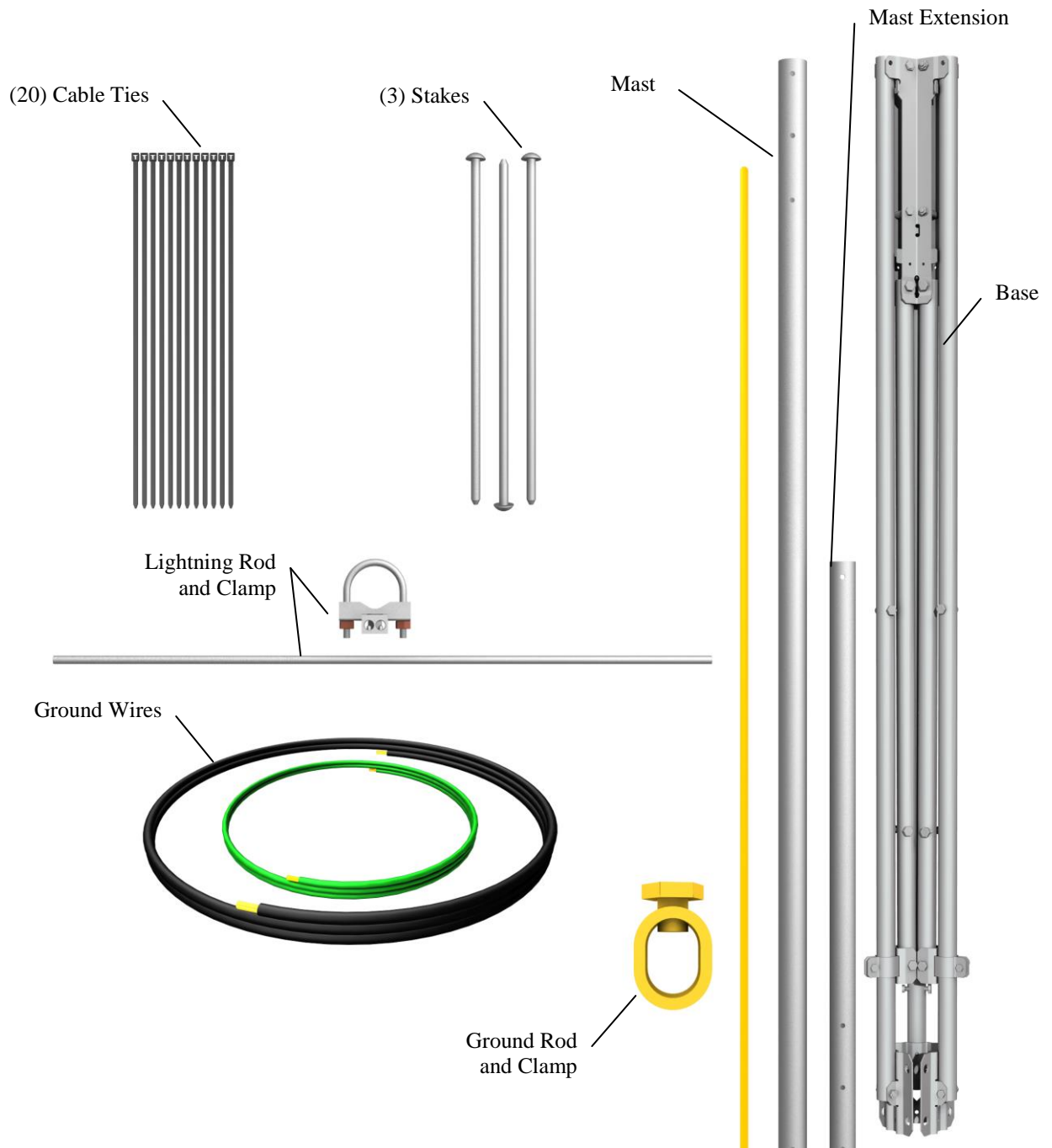


Figure 3-1. Tripod components

3.3 Tools List (for tripod, mast, enclosures, and crossarms)

- 13 mm and 10 mm open end wrenches
- Adjustable wrench
- Phillips head screw drivers (medium, small)
- Straight bit screwdrivers (large, medium)
- 300 mm torpedo level
- Side-cut pliers
- Pencil
- Tape measure
- Compass and site declination angle
- Shovel
- Sledge hammer (for driving ground rod and stakes)
- Step ladder

4. Overview

The CM106BE (Figure 4-1) is constructed from galvanized steel, with individually adjustable legs that allow installation over uneven terrain.

The CM106BE includes lightning and ground rods, ground cables, UV resistant cable ties, and stakes for securing the tripod feet to the ground. An optional guy kit is recommended for sites that experience high wind speeds (see Section 5, *Specifications*). Instrument enclosures can be purchased with mounting brackets that attach to either the mast or leg section as shown in Section 6.1.7, *Enclosure Attachment*.

The CM106BE can be used for a variety of applications. For meteorological stations, sensors are mounted to the tripod using mounting brackets appropriate for the model of sensor. For non-meteorological applications, the tripod can be used to mount instrument enclosures, solar panels, junction boxes, or antennas.

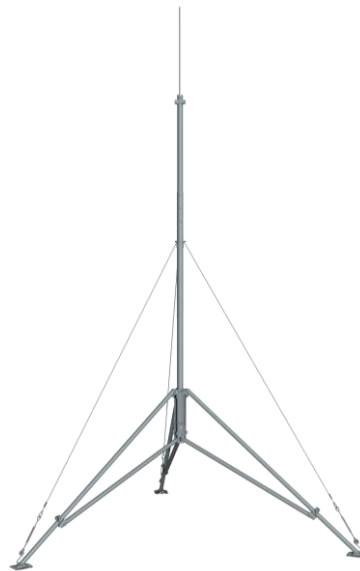


Figure 4-1. CM106BE tripod with lightning rod and guy wires

5. Specifications

Mast Height

Upper Mast Retracted: 2.1 m to 2.8 m

Upper Mast Extended: 3 m to 3.7 m

Vertical Load Limit: 200 kg

Mast Outer Diameter

Main Lower Mast: 48.0 mm

Retractable Upper: 42.50 mm

Base Diameter: 2.7 m to 3.5 m

Levelling Adjustment: Slide collars on each leg, adjust individually

Leg Base: 118 mm by 140 mm with four 16 mm holes for stakes

Portability: Collapsible to 200 mm diameter by 1850 mm length

Weight with Mast: 24.5 kg

Maximum Slope Angle: 45°

Allowable Wind Speeds*

Tripod Configuration	Sustained Wind	Wind Gust
Mast Extended, Unguyed	28 m s ⁻¹ (62 mph)	36 m s ⁻¹ (81 mph)
Mast Retracted, Unguyed	36 m s ⁻¹ (80 mph)	46 m s ⁻¹ (104 mph)
Mast Extended, Guyed	45 m s ⁻¹ (102 mph)	59 m s ⁻¹ (132 mph)
Mast Retracted, Guyed	55 m s ⁻¹ (122 mph)	71 m s ⁻¹ (159 mph)

*Allowable wind speed values assume:

- Sensors - effective area = 1300 cm² at top of mast
- Solar panel – 26.5 cm x 42 cm at mast base
- Enclosure – 35.5 cm x 40.5 cm mounted to leg
- Guy wires attached to mast at 115.5 cm above tripod body
- Adequate ground anchors (stakes alone may not resist foot vertical pullout force)
- See Appendix A for more information on maximum allowable wind speeds.

6. Installation

6.1 Tripod Installation

6.1.1 Tripod Base

The tripod base has three independently adjustable legs allowing the tripod to be installed over non-level terrain.

Prepare the area where the tripod will be installed. The tripod requires an area approximately 2.7 to 3.5 m in diameter. Natural vegetation and the ground surface should be disturbed as little as possible, but brush and tall weeds should be removed.

Stand the tripod base up on end, and rotate the feet perpendicular to the legs. Each leg has a leg clamp and clamping bolt as shown in Figure 6-1.

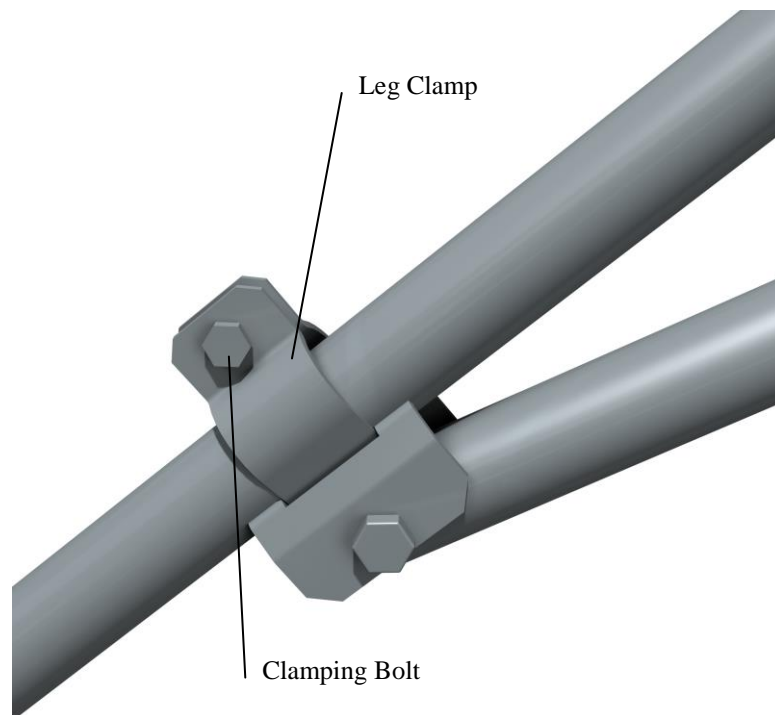


Figure 6-1. Tripod leg, leg clamp components

6.1.1.1 Mounting on a Relatively Flat Area

Loosen the tension bolt and extend each leg. With the legs extended, orient the tripod so that one of the legs points South (assuming the instrument enclosure with –MM Mast Mount bracket will face North). If the instrument enclosure has the –LM Leg Mount bracket, orient the tripod so the enclosure will mount to one of the three leg mount positions on the tripod, facing the desired direction. The tripod is typically plumbed after the mast has been installed, as described in Section 6.1.2, *Mast*.

6.1.1.2 Mounting on an Incline

Loosen the tension bolt and extend each leg. With the legs extended, orient the tripod so that one leg points downhill and the other two legs point uphill. The tripod is more stable with only one leg pointed downhill because the mast is closer to the centre of the footprint (see Figure 6-2).

The tripod is typically plumbed after the mast has been installed, as described in Section 6.1.2, *Mast*.

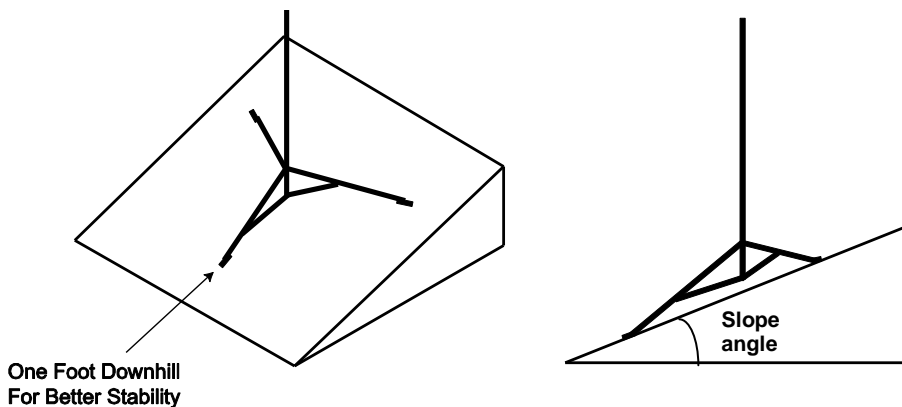


Figure 6-2. Comparison of one leg pointing downhill (right) versus two legs pointing downhill

6.1.2 Mast

The CM106BE includes a mast extension that can be fully extended for a 3 m height, or partially extended for a 2.1 m height. Remove the bolts in the mast, align the holes in the mast extension with holes in the mast, and install the bolts previously removed. Two additional holes make it possible for the extension to extend 20.5 cm or 30.5 cm, or 51 cm, 61 cm, or 71 cm above the mast depending on which end is inserted in the mast.

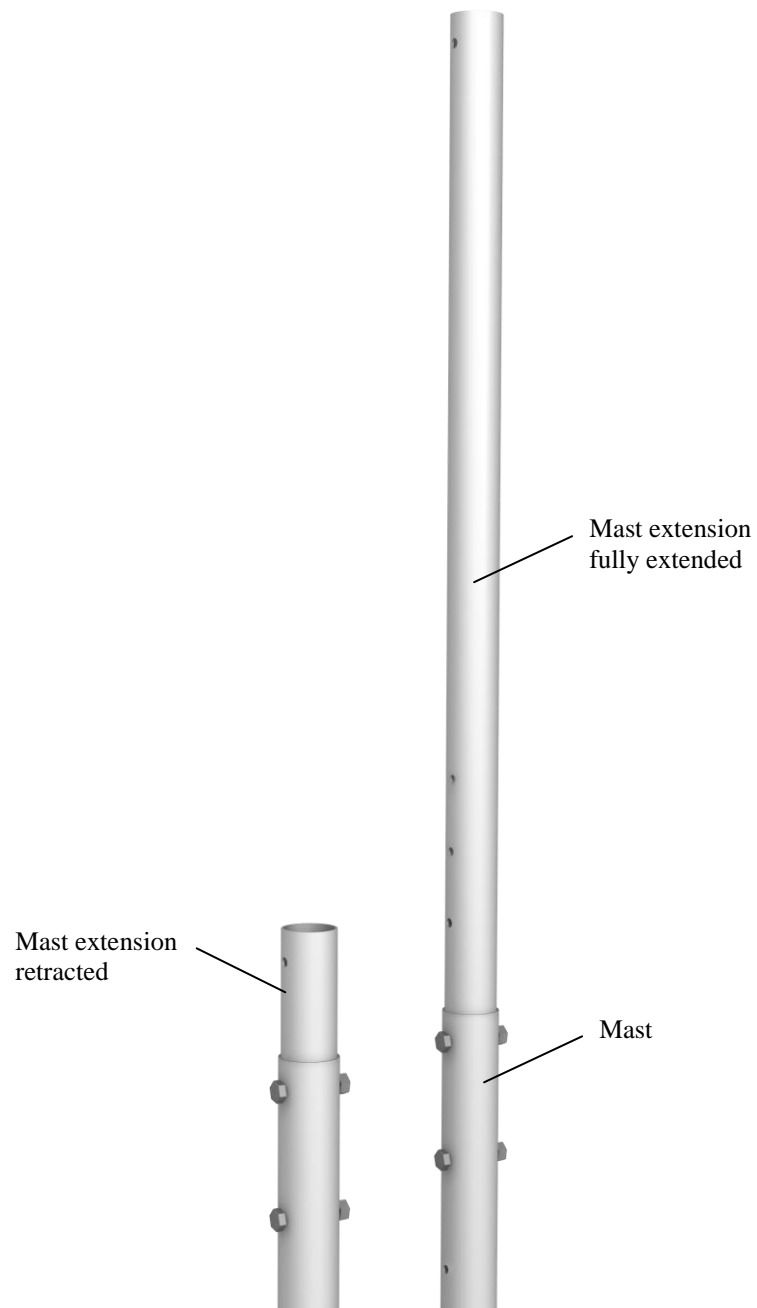


Figure 6-3. Tripod mast and insert

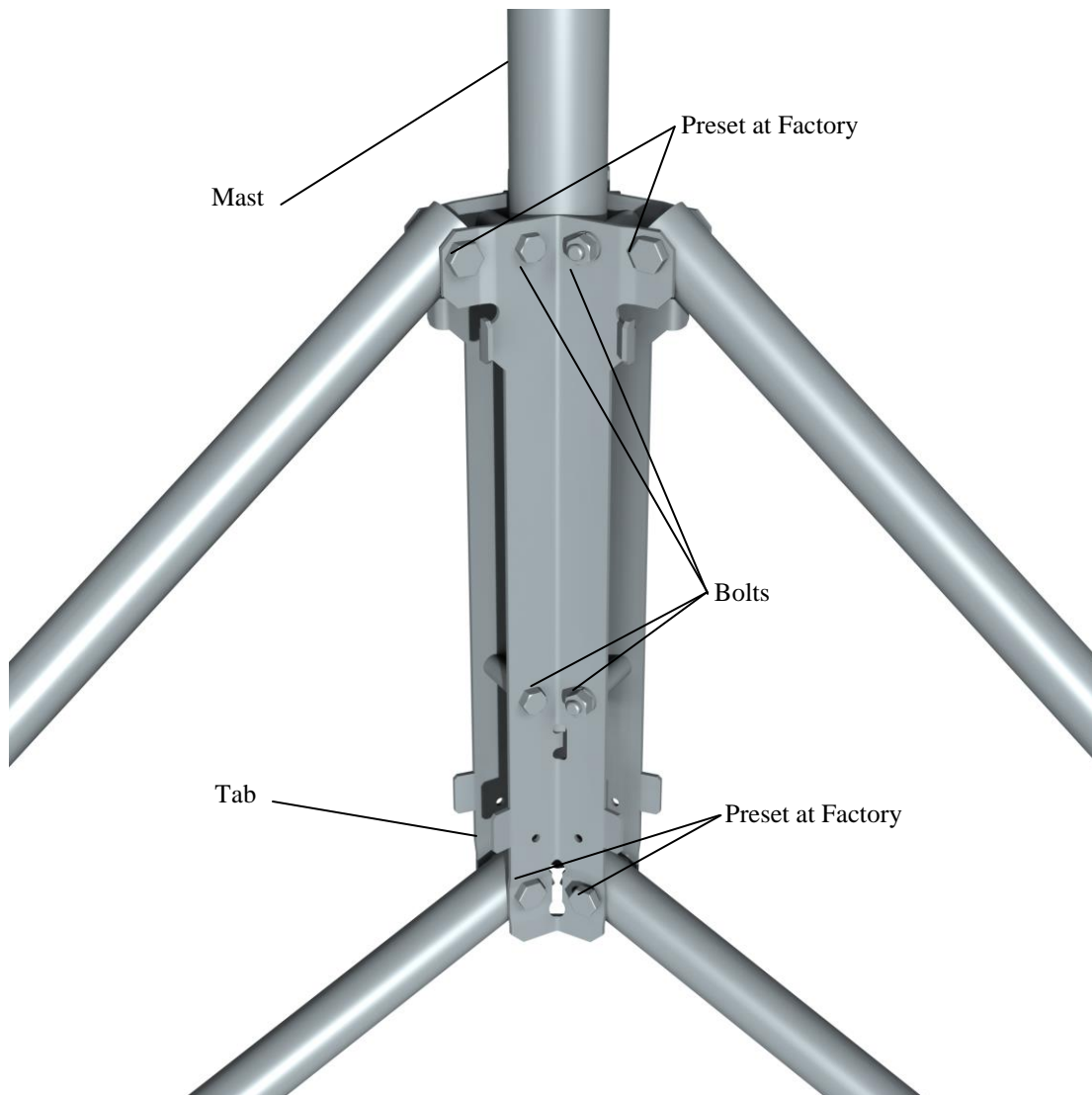


Figure 6-4. Mast attachment to tripod base

Loosen the six bolts on the tripod base. Figure 6-4 shows the location of four of these bolts. The remaining bolts are in the same position on the third tripod leg. Slide the mast into the tripod base, making sure that it extends below the lower bolts and rests on the tabs. Tighten the six bolts to secure the mast.

If required, also loosen the 6 x preset at factory bolts.

Plumb the tripod by adjusting the northeast and south facing legs. With a level on the East side of the mast, adjust the Northeast leg for plumb. With the level on the South side of the mast, adjust the South leg for plumb. Tighten the tension bolts after the adjustments have been made.

Make sure all bolts have been tightened.

6.1.3 Installing the Optional Guy Kit

Part 009131, *CM106BE Guy Kit*, can be ordered separately for areas that experience high wind speeds (Section 5, *Specifications*). Install the guy brackets to the mast as shown in Figure 6-5. Attach the three guy wires to the guy collar and slide the collar over the mast so that the collar butts against the brackets.

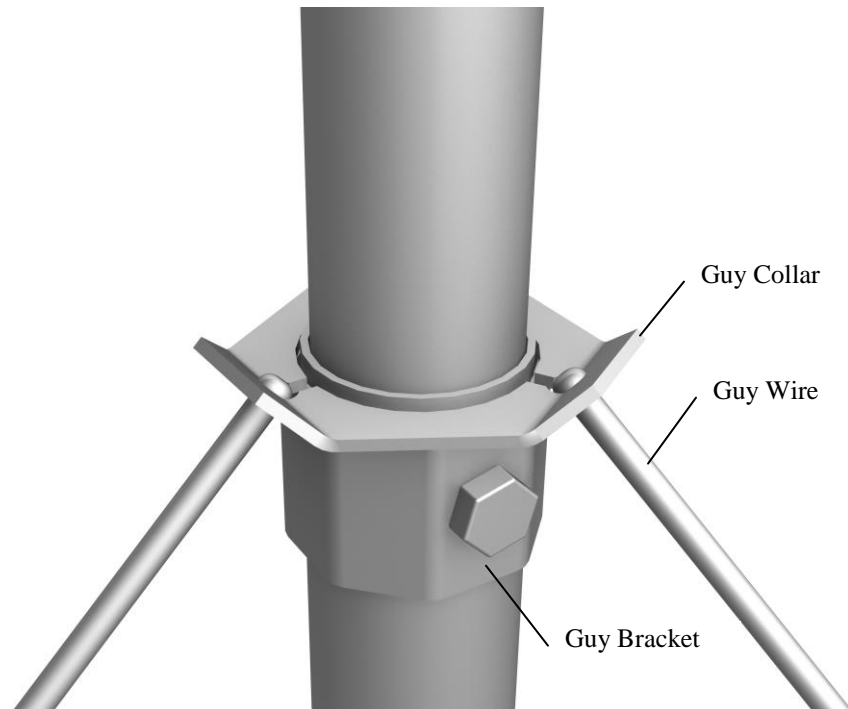


Figure 6-5. Guy collar

On the end of each guy line is a case and hardware to attach to the turnbuckles. Unscrew the turnbuckles so that only 12.5 mm of wire extends beyond the inside of the turnbuckle body. Attach the case and turnbuckle to the tripod leg as shown in Figure 6-6. Loosen the two clamp nuts, and remove the slack in the guy wire by feeding the load end of the guy wire through the case while pulling up on the free end.

After the slack has been removed from the guy wires, tighten the clamp nuts, and then tighten the turnbuckles to the desired tension.

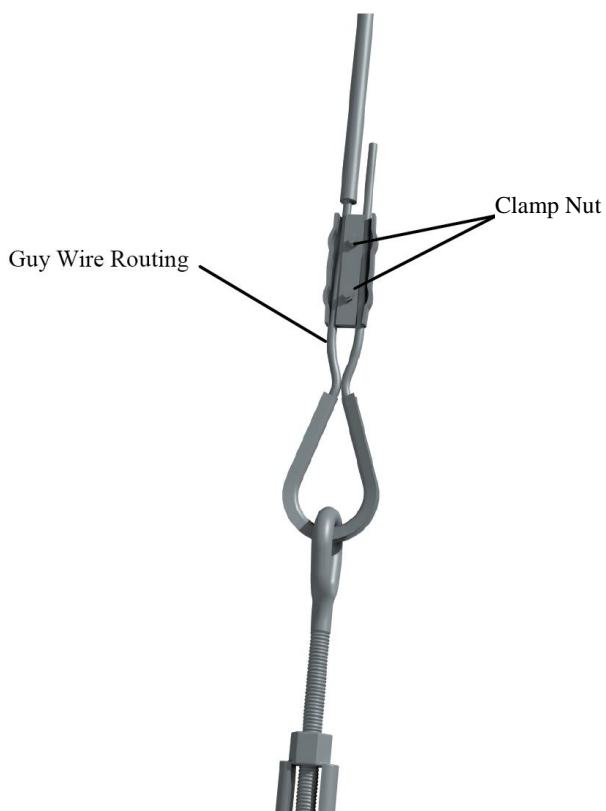
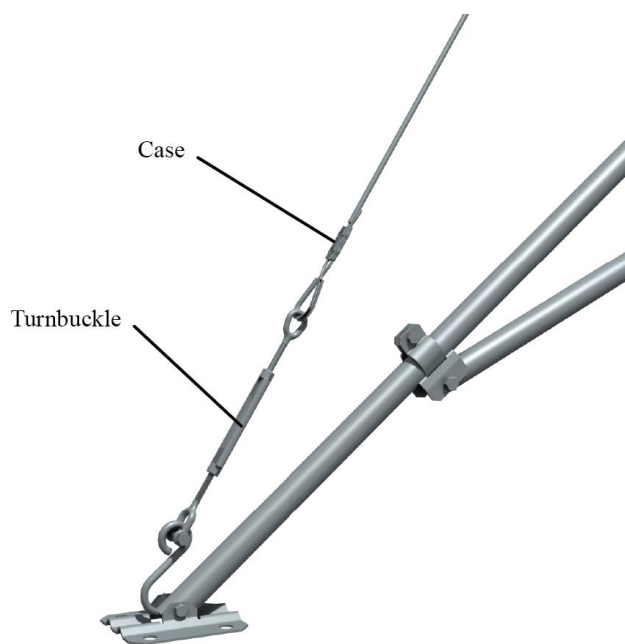


Figure 6-6. Leg attachment

6.1.4 Staking the Tripod Feet

Three stakes are provided for securing the tripod feet to the ground. Drive one pin through a hole in each foot at an angle as shown in Figure 6-7.

Pins may not be adequate depending on soil structure, maximum wind speeds experienced at the site, mast height, or wind load from the instrumentation. For questionable situations, additional pins (pn 001831) or even concrete footings for the tripod feet and guy anchors should be considered.

CAUTION

Keep the bottom of the tripod legs free of soil, ice, and debris to prevent trapping any moisture inside or around the legs.



Figure 6-7. Staking the tripod feet

6.1.5 Tripod Grounding

Place the clamp over the ground rod and drive the rod (close to the centre of the tripod) using a sledge hammer or fence post driver. Strip 12.5 mm of insulation from both ends of the green/yellow 16 mm² ground wire. Insert one end of the ground wire into the clamp and ground rod and tighten the bolt on the clamp. Attach the other end of the ground wire to the lug on the tripod base as shown in Figure 6-8. Trim length to suit.

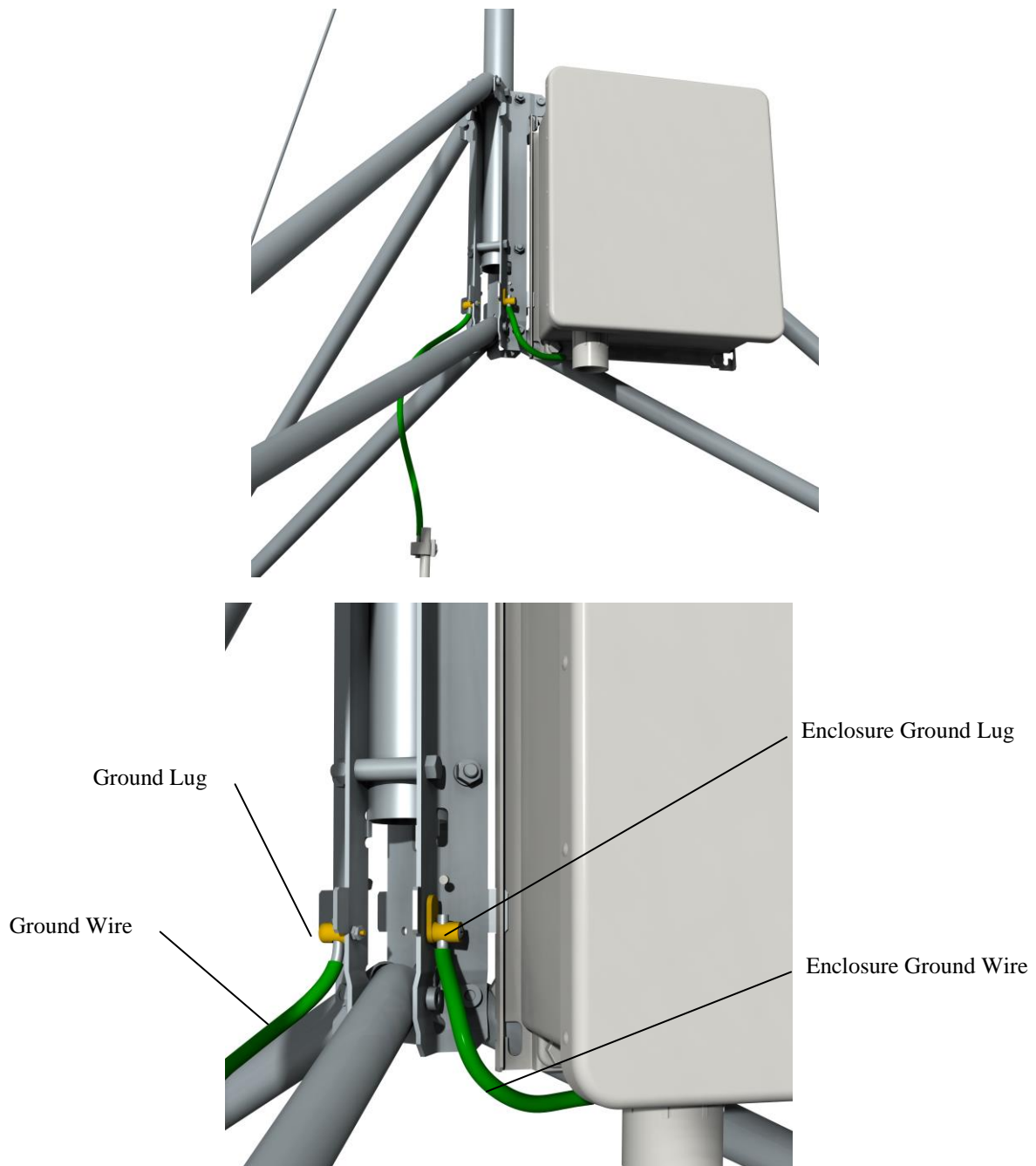


Figure 6-8. Ground rod and clamp

Strip 12.5 mm of insulation from the ends of the green/yellow 6 mm² wire. Attach one end of the wire to the tripod ground lug, and the other end to the enclosure ground lug as shown in Figure 6-8.

Mount the lightning rod and clamp to the tripod mast with pointed tip up, and notch at bottom (Figure 6-9).

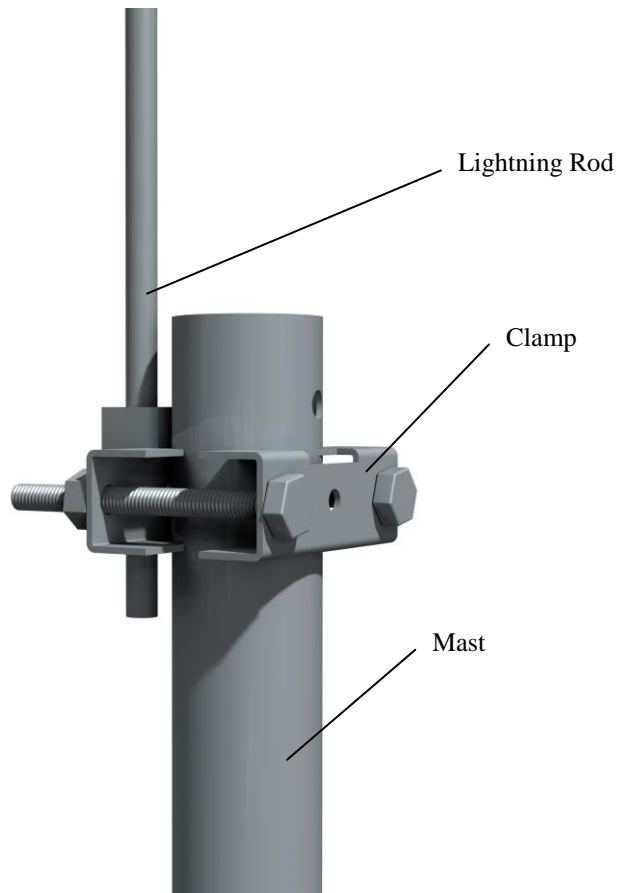


Figure 6-9. Lightning rod

6.1.6 Crossarm Attachment

Attach the CM202E (0.6 m), CM204E (1.2 m), or CM206E (1.8 m) crossarm to the tripod mast as shown in Figure 6-10. For wind sensors, the crossarm should be approximately 2.6 m above the ground for a 3 m mounting height, or 1.6 m for a 2 m mounting height (the exact height depending on the type of sensors being used). Typically the crossarm is oriented East/West for wind sensors, North/South for pyranometers.

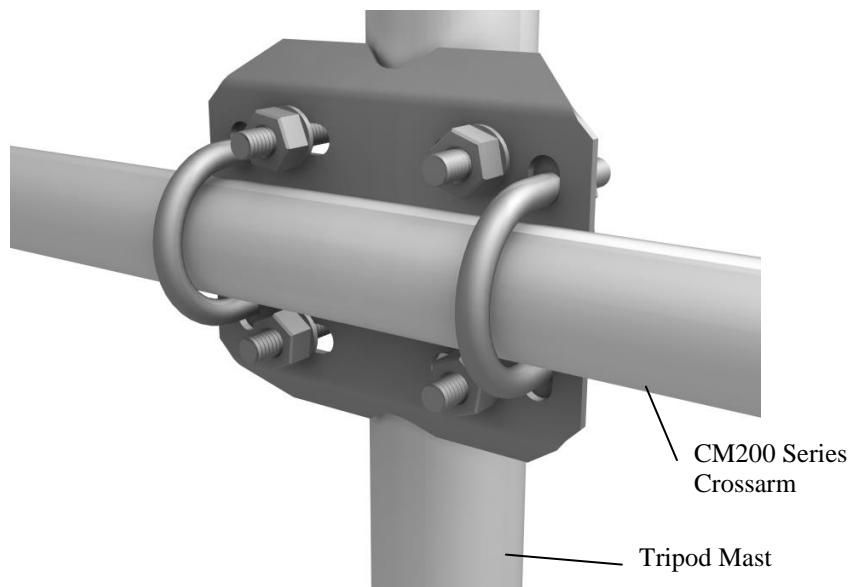


Figure 6-10. CM204E Crossarm

6.1.7 Enclosure Attachment

The ENC10/12, ENC12/14, ENC14/16, and ENC16/18 enclosures can be ordered with mounting brackets for the CM106BE tripod. All enclosure models can be mounted to the tripod mast (above the legs) with the –MM Mast Mount bracket option. The –LM Leg Mount bracket option allows all enclosure models to be mounted to the tripod base. Two enclosures with the –LM brackets can be mounted in a “back to back” configuration.

6.1.7.1 Enclosure Mounting to Tripod Mast

An enclosure ordered with the –MM bracket has a three-piece top and bottom brackets with a V-bolt for each bracket.

Attach an enclosure with the –MM mounting bracket to the tripod mast as follows:

Remove the V-bolts, washers, and nuts from the brackets.

Position the enclosure against the tripod’s mast (North side recommended).

Install the V-bolts, flat washers, lock washers, and nuts (Figure 6-11). Tighten the nuts until the lock washers are compressed.

Route the 6 mm² wire from the ground lug on the bottom side of the enclosure to the ground lug on the base of the tripod (Figure 6-8). Strip 12.5 mm of insulation from each end of the wire. Insert wire ends into the ground lugs and tighten.

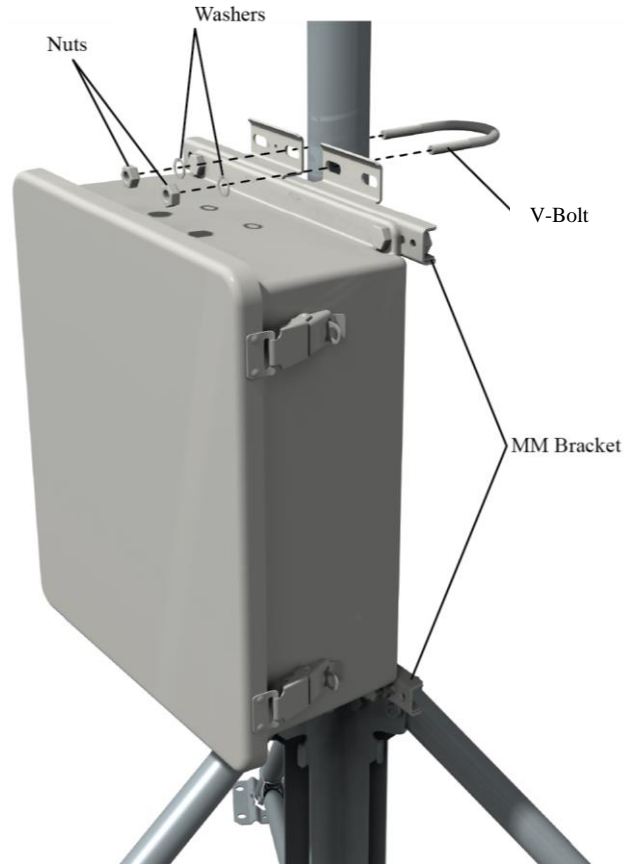


Figure 6-11. Enclosure with the –MM bracket

6.1.7.2 Enclosure Mounting to Tripod Leg

An enclosure ordered with the –LM bracket has a bracket on each side of the enclosure, and a V-bolt bracket for securing the enclosure to a tripod leg.

Attach an enclosure with the –LM mounting bracket to the tripod base as follows:

Slide the keyhole notch in upper corner of the –LM bracket over the extended hook located on the tripod base as shown in Figure 6-12, and engage the notch in the lower corner of the –LM bracket with the enclosure tab. There are six places on the tripod base with provisions for mounting enclosures with the –LM brackets.

Remove the washers, nuts, and V-bolt from the V-bolt bracket. Install the bracket as shown in Figure 6-12 (top). Tighten the nuts on the V-bolt until the lock washers are compressed.

Route the 6 mm² wire from the ground lug on the bottom side of the enclosure to the ground lug on the base of the tripod (Figure 6-8). Strip 12.5 mm of insulation from each end of the wire. Insert wire ends into the ground lugs and tighten.

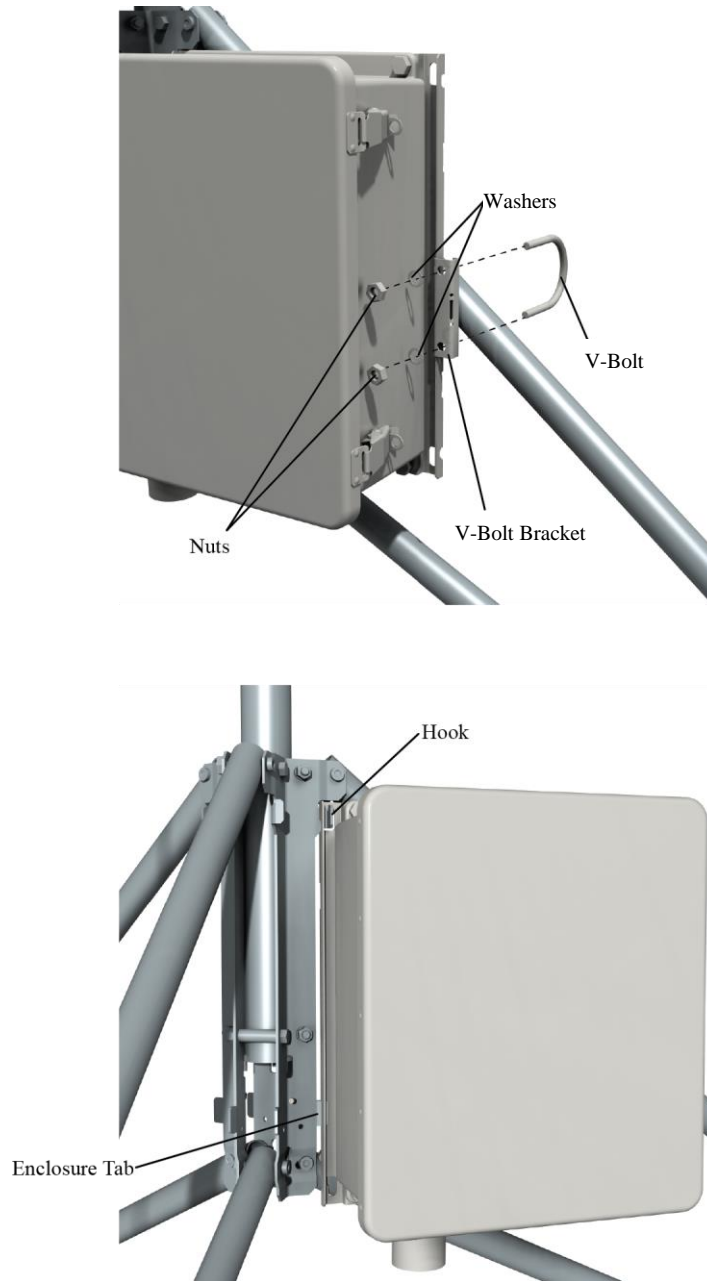


Figure 6-12. Enclosure with the -LM bracket

6.2 Mounting Brackets

Mounting brackets covered in this section have V-bolts that attach to vertical and/or horizontal pipes with the following ranges of outside diameters:

V-bolt Description	OD Range
46 mm	25 to 38 mm
62 mm	33 to 54 mm
62 mm w/plastic V-block	25 to 54 mm

6.2.1 CM210 Crossarm Mounting Kit

CM200E series crossarms include a CM210E bracket as shown in Figure 6-13. The CM210E can be ordered separately to attach a user-supplied pipe (25 mm to 38 mm OD) to a mast or tower leg (25 mm to 54 mm OD), or to attach a crossarm to two tower legs.

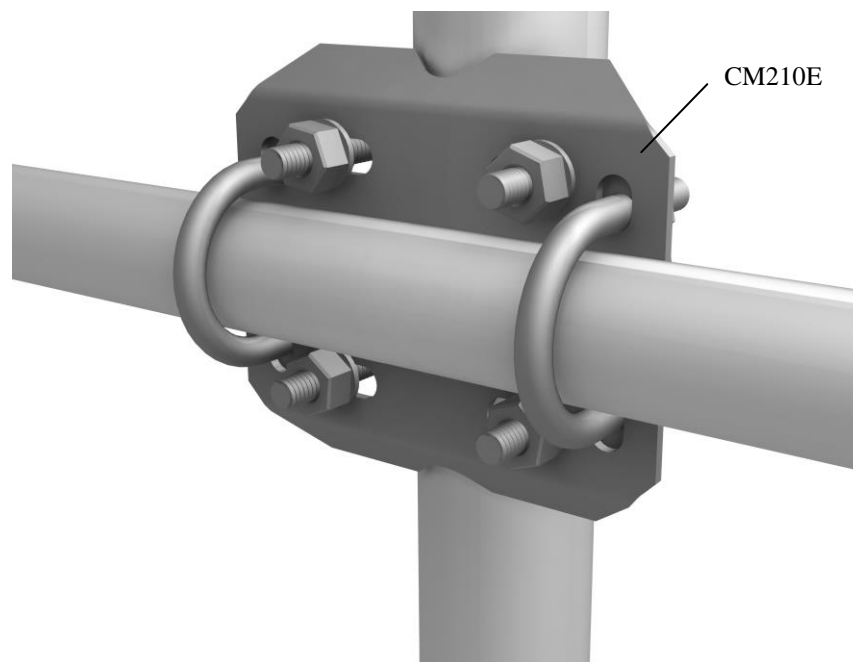


Figure 6-13. CM210E Crossarm Mounting Kit (shown with user-supplied pipe)

6.2.2 CM216 Mast Mounting Kit - 009902

The CM216 attaches to the top of the mast, and provides a 19 mm or 25.4 mm mounting pipe that extends 100 mm above the mast, as shown in Figure 6-14.



Figure 6-14. CM216 Mast Mounting Kit

6.2.3 CM220E Right Angle Mounting Kit

The CM220E attaches a vertical pipe (25.4 mm to 38 mm OD) to the CM200E-series crossarms or horizontal pipe (25.4 mm to 38 mm OD) as shown in Figure 6-15.



Figure 6-15. CM220E Right Angle Mounting Kit

6.2.4 CMB200 Crossarm Brace Kit

6.2.4.1 Overview

The CMB200 Crossarm Brace Kit (Figure 6-16) is designed to provide additional stability to crossarms mounted on Campbell Scientific tripods and towers. It provides additional support for crossarms with heavier sensor loads, and added stability in high winds.

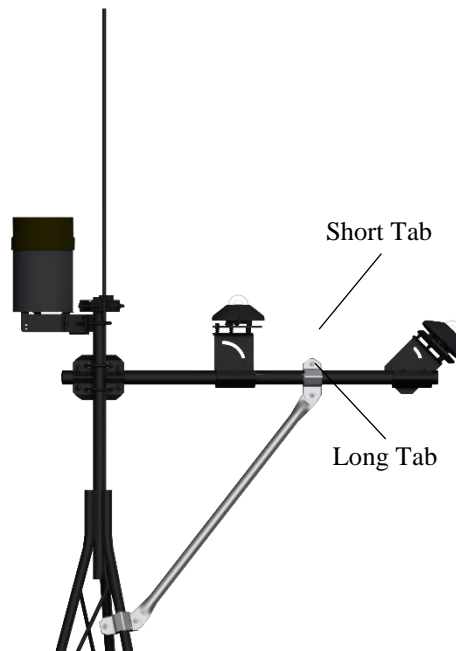


Figure 6-16. CMB200 Crossarm Brace Kit

6.2.4.2 Components

The CMB200 ships with the following components (Figure 6-17):

- (1) Brace Arm
- (2) Small bracket
- (2) Medium bracket
- (2) Large bracket
- (4) 1/4-20 x 1-inch bolt
- (8) 1/4 flat washer
- (4) 1/4 lock washer
- (4) 1/4-20 nut

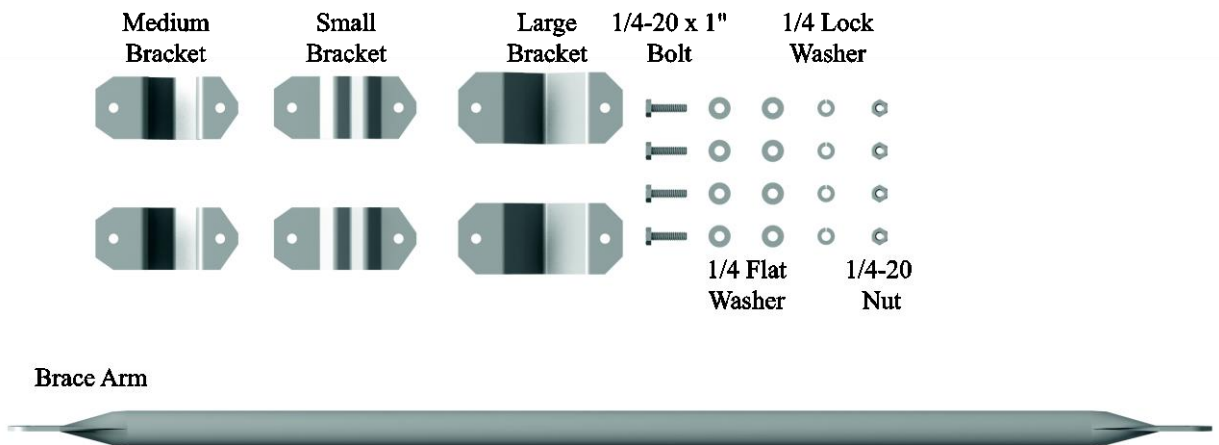


Figure 6-17. CMB200 components

6.2.4.3 Assembly

1. Consult Figure 6-18 and Table 6-1 to determine which brackets are needed at either end of the brace to attach it to the crossarm and tripod mast or tower. The figure also indicates what orientation is needed when the small bracket is used.

NOTE

Each bracket has a long tab and short tab where the bolts are attached. The brace arm must be attached to the end with the long tab.

2. Attach one end of the brace arm to the tripod mast or tower below the crossarm. Leave the bolts finger-tight.
3. Lift the free end of the brace arm to the crossarm and attach it to the crossarm. Again, only finger-tighten the bolts.
4. Adjust the position of the brace arm as needed.
5. Fully tighten the two bolts directly connected to the brace arm, and then tighten the remaining two bolts to clamp the brace arm to the crossarm and tower or tripod mast.

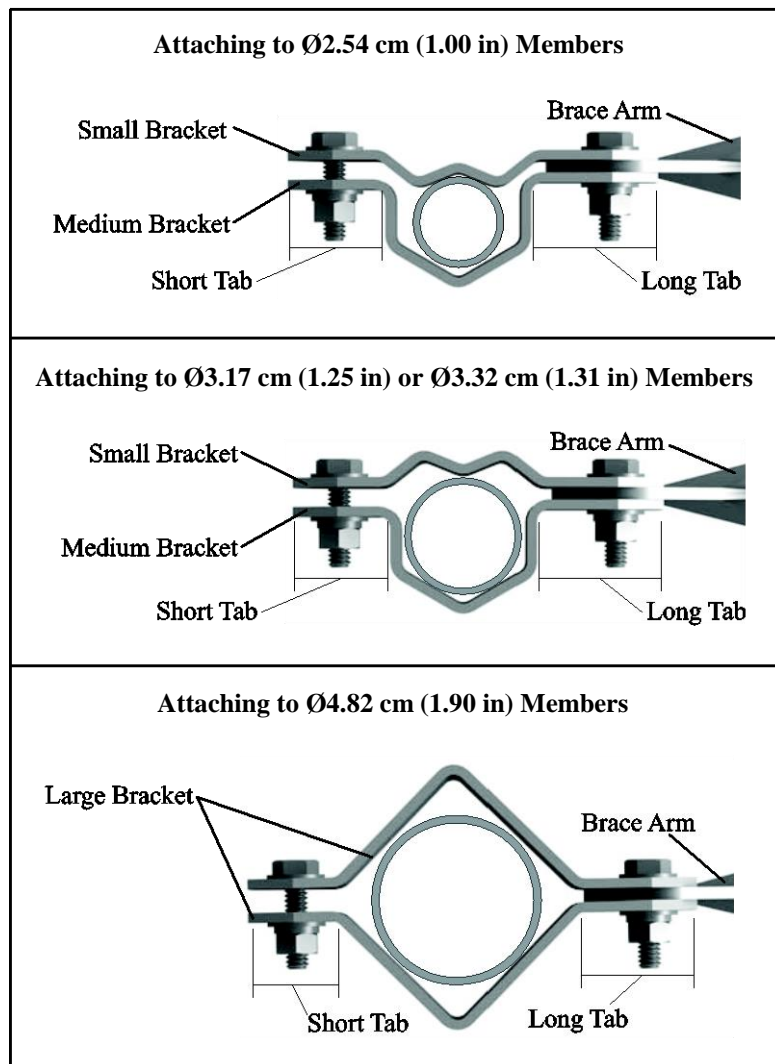


Figure 6-18. Bracket selection

Table 6-1. Bracket Requirements			
Mast/Crossarm/ Tower Diameter	Example Mast/Crossarm/Tower	Brackets Needed	Small Bracket Orientation
Ø2.54 cm (1.00 in)	ATW3, UT930 Tower Leg	(1) Small Bracket (1) Medium Bracket	Angled toward mast/tripod
Ø3.17 cm (1.25 in) or Ø3.32 cm (1.31 in)	CM202/3/4/6 Crossarm,	(1) Small Bracket (1) Medium Bracket	Angled away from mast/tripod
Ø4.82 cm (1.90 in)	CM110/106BE Tripod	(2) Large Bracket	N/A

6.2.5 CM225E Pyranometer Mount

The CM225E is used to attach a pyranometer or quantum sensor to a horizontal or vertical pipe (25.4 mm to 54 mm OD).

The LI200X pyranometer and LI190SB quantum sensor mount to the CM225E via the LI200S levelling base (see Figure 6-19). The CS300 pyranometer mounts to the CM225E via the 010355 levelling base. The CMP3 and LP02 pyranometers include their own bubble level and levelling screws allowing them to mount directly to the CM225E.

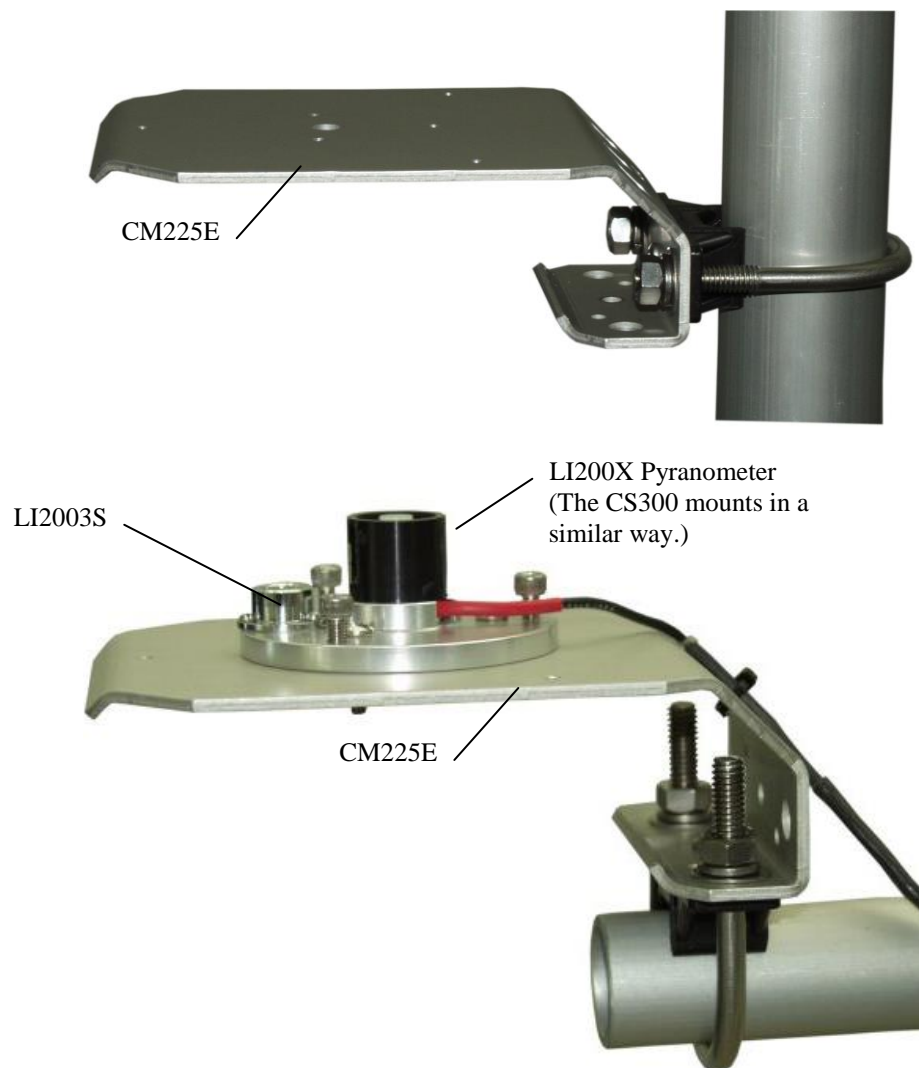


Figure 6-19. CM225E Pyranometer Mounting

6.2.6 CM230 Adjustable Angle Mounting Kit

The CM230 mounts an antenna (25.4 mm to 38 mm OD) to a mast or vertical pipe (33 mm to 54 mm OD) as shown in Figure 6-20. The bracket allows the antenna to be adjusted for different angles.

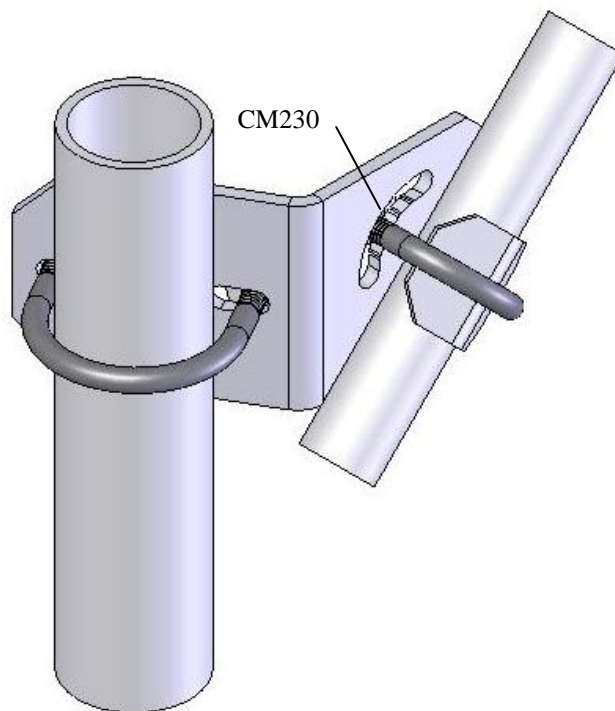


Figure 6-20. CM230 Adjustable Angle Mounting Kit

6.2.7 CM235 Magnetic Mounting Stand

The CM235 provides an 89 mm square platform for mounting magnetic base antennas. The CM235 attaches to horizontal or vertical pipes (25.4 mm to 54 mm OD) as shown in Figure 6-21.



Figure 6-21. CM235 Magnetic Mounting Stand

6.2.8 Radiation Shields for temperature and humidity probes

These Radiation Shields are used to house and attach temperature and relative humidity sensors to the tripod mast (25.4 mm to 54 mm OD) or crossarm as shown in Figure 6-22. Radiation shields ship with the V-bolt configured for attachment to a vertical pipe. To attach the radiation shield to a horizontal pipe, the V-bolt and plastic V-block must be moved to the other set of holes.

Various brands of shields are available from Campbell Scientific, including R M Young and Met Spec. They are mounted in a similar way.



Figure 6-22. R.M. Young Radiation Shield

Appendix A. CM106BE Allowable Wind Speeds

CM106B load ratings assume:

- Sensors - effective area = 0.13m² at top of mast
- Solar panel – 26.5 cm x 42 cm at mast base
- Enclosure – 35.5 cm x 40.5 mounted to leg
- Guy wires attached to mast at 115.5 cm above tripod body
- Adequate ground anchors (stakes alone may not resist foot vertical pullout force)

Tripod Footprint Dia.		Mast Height		Mast Configuration	Guy Anchors	Max. Allowable Gust Wind Speed		Max. Allowable Equipment Weight		Foot Vertical Pullout Force at Gust Speed		Guy-Wire Tension at Gust Speed		Ideal Guy-Wire Installation Pre-Tension	
ft	m	ft	m			mph	m/s	lb	kg	lb	kN	lb	kN	lb	kN
11.5	3.5	7	2.1	Retracted	Unguyed	104	46	964	438	70	0.31	-	-	-	-
					Attached to legs @ feet, 45deg Zenith	159	71	639	289	163	0.73	300	1.3	150	0.67
					Independent anchors @ 45deg Zenith	159	71	639	289	56	0.25	300	1.3	150	0.67
8.7	2.7	9.3	2.8	Retracted	Unguyed	104	46	964	438	160	0.71	-	-	-	-
					Attached to legs @ feet	159	71	438	198	352	1.57	400	1.8	200	0.89
					Independent anchors @ 45deg Zenith	159	71	639	289	155	0.69	300	1.3	150	0.67
11.5	3.5	10	3.0	Extended	Unguyed	81	36	964	438	59	0.26	-	-	-	-
					Attached to legs @ feet, 45deg Zenith	132	59	544	246	157	0.70	400	1.8	200	0.89
					Independent anchors @ 45deg Zenith	132	59	544	246	17	0.08	400	1.8	200	0.89

Tripod Footprint Dia.		Mast Height		Mast Configuration	Guy Anchors	Max. Allowable Gust Wind Speed		Max. Allowable Equipment Weight		Foot Vertical Pullout Force at Gust Speed		Guy-Wire Tension at Gust Speed		Ideal Guy-Wire Installation Pre-Tension	
ft	m	ft	m			mph	m/s	lb	kg	lb	kN	lb	kN	lb	kN
8.7	2.7	12.3	3.7	Extended	Unguyed	81	36	964	438	121	0.54	-	-	-	-
					Attached to legs @ feet	116	52	438	198	248	1.10	400	1.8	200	0.89
					Independent anchors @ 45deg Zenith	132	59	544	246	69	0.31	400	1.8	200	0.89



Global Sales & Support Network

A worldwide network of companies to help meet your needs



- Campbell Scientific group companies
- Sales representatives

Australia

Location: Garbutt, QLD Australia
Phone: 61.7.4401.7700
Email: info@campbellsci.com.au
Website: www.campbellsci.com.au

Brazil

Location: São Paulo, SP Brazil
Phone: 11.3732.3399
Email: vendas@campbellsci.com.br
Website: www.campbellsci.com.br

Canada

Location: Edmonton, AB Canada
Phone: 780.454.2505
Email: dataloggers@campbellsci.ca
Website: www.campbellsci.ca

China

Location: Beijing, P. R. China
Phone: 86.10.6561.0080
Email: info@campbellsci.com.cn
Website: www.campbellsci.com

Costa Rica

Location: San Pedro, Costa Rica
Phone: 506.2280.1564
Email: info@campbellsci.cc
Website: www.campbellsci.cc

France

Location: Vincennes, France
Phone: 0033.0.1.56.45.15.20
Email: info@campbellsci.fr
Website: www.campbellsci.fr

Germany

Location: Bremen, Germany
Phone: 49.0.421.460974.0
Email: info@campbellsci.de
Website: www.campbellsci.de

South Africa

Location: Stellenbosch, South Africa
Phone: 27.21.8809960
Email: sales@campbellsci.co.za
Website: www.campbellsci.co.za

Southeast Asia

Location: Bangkok, Thailand
Phone: 66.2.719.3399
Email: thitipongc@campbellsci.asia
Website: www.campbellsci.asia

Spain

Location: Barcelona, Spain
Phone: 34.93.2323938
Email: info@campbellsci.es
Website: www.campbellsci.es

UK

Location: Shephed, Loughborough, UK
Phone: 44.0.1509.601141
Email: sales@campbellsci.co.uk
Website: www.campbellsci.co.uk

USA

Location: Logan, UT USA
Phone: 435.227.9120
Email: info@campbellsci.com
Website: www.campbellsci.com

Other Locations: Sales and support are provided in many other locations through an extensive network of international reps. For the full list, please visit www.campbellsci.com/contact#dir.