

**FLUENCE**

**DRIVER'S HANDBOOK**



# A passion for performance



ELF, partner of  
**world  
series**  
by RENAULT



## RENAULT recommends ELF

Partners in cutting-edge automotive technology, Elf and Renault combine their expertise on both the racetrack and the city streets. This enduring partnership gives drivers a range of lubricants perfectly suited to Renault cars. Lasting protection and optimum performance for your engine – guaranteed. Whether changing the oil or simply topping up, to find the approved ELF lubricant best suited to your vehicle, ask your Renault dealer for a recommendation or consult your vehicle maintenance handbook.



[www.lubricants.elf.com](http://www.lubricants.elf.com)



A brand from **TOTAL**

# Welcome to your new vehicle

---

**This Driver's Handbook** contains the information necessary:

- for you to familiarise yourself with your vehicle, to use it to its best advantage and to benefit fully from all the functions and the technical developments it incorporates.
- to ensure that it always gives the best performance by following the simple, but comprehensive advice concerning regular maintenance.
- to enable you to deal quickly with minor faults not requiring specialist attention.

It is well worth taking a few minutes to read this handbook to familiarise yourself with the information and guidelines it contains about the vehicle and its functions and new features. If certain points are still unclear, our Network technicians will be only too pleased to provide you with any additional information.

The following symbol will help you when reading this handbook:



**To indicate a hazard, danger or safety recommendation.**

The descriptions of the models given in this handbook are based on the technical specifications at the time of writing. **This handbook covers all items of equipment** (both standard and optional) **available for these models but whether or not these are fitted to the vehicle depends on the version, options selected and the country where the vehicle is sold.**

**This handbook may also contain information about items of equipment to be introduced later in the model year.**

Throughout the manual, the “approved dealer” is your RENAULT Dealer.

Enjoy driving your new vehicle.

Translated from English. Copying or translation, in part or in full, is forbidden unless prior written permission has been obtained from the car manufacturer.



# C O N T E N T S

## Sections

Getting to know your vehicle .....

1

Driving .....

2

Your comfort .....

3

Maintenance .....

4

Practical advice .....

5

Technical specifications .....

6

Alphabetical index .....

7

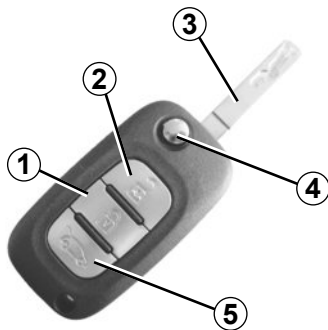


# ***Section 1: Getting to know your vehicle***

Key, radio frequency remote control: general information, use, deadlocking . . . . .	1.2
RENAULT card: General information, use, deadlocking . . . . .	1.4
Doors . . . . .	1.10
Automatic locking when driving . . . . .	1.14
Headrests - Seats . . . . .	1.15
Seat belts . . . . .	1.18
Additional methods of restraint: . . . . .	1.21
to the front seat belts . . . . .	1.21
to the rear seat belts . . . . .	1.24
side protection . . . . .	1.25
Child safety: general information . . . . .	1.27
choosing a child seat mounting . . . . .	1.30
fitting a child seat . . . . .	1.32
deactivating, activating the front passenger air bag . . . . .	1.45
Driving position . . . . .	1.48
Warning lights . . . . .	1.52
Displays and indicators . . . . .	1.56
on-board computer . . . . .	1.58
vehicle settings customisation menu . . . . .	1.67
Clock and exterior temperature . . . . .	1.68
Steering wheel . . . . .	1.70
Power-assisted steering . . . . .	1.70
Door mirrors . . . . .	1.71
Audible and visual signals . . . . .	1.72
Exterior lighting and signals . . . . .	1.73
Headlight beam adjustment . . . . .	1.76
Windscreen washers and wipers . . . . .	1.78
Fuel tank (filling with fuel) . . . . .	1.81

# KEY, RADIO FREQUENCY REMOTE CONTROL: general information

27415



## Radio frequency remote control

- 1 Locking the doors and tailgate.
- 2 Unlocking the doors and tailgate.
- 3 Driver's door and ignition key.
- 4 To release the key from its housing, press button 4. It will be released automatically.  
To reinsert it in its housing, press button 4 and guide the key into the storage position.
- 5 Locking/unlocking the tailgate only.

## Radio frequency remote control operating range

This varies according to the surroundings: please take care not to lock or unlock the doors by inadvertently pressing the buttons on the remote control.

### Interference

The presence of certain objects (metal objects, mobile telephones, or an area with strong electromagnetic radiation, etc.) close to the key may create interference and affect the operation of the system.

### Advice

Avoid leaving the remote control in hot, cold or humid areas.

The key must not be used for any function other than those described in the handbook (removing the cap from a bottle, etc.).

### For replacement, or if you require an additional remote control

If you lose your remote control or require another, you can obtain one from an approved Dealer.

If a remote control is replaced, it will be necessary to take the vehicle and **all of its remote controls** to an approved Dealer to initialise the system.

You may use up to four remote control units per vehicle.

### Remote control unit failure

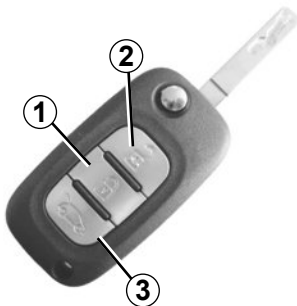
Make sure that the correct battery type is being used, and that the battery is in good condition and inserted correctly. These batteries have a service life of approximately two years.

Refer to the information on "Radio frequency remote control: Batteries" in Section 5.



# KEY, RADIO FREQUENCY REMOTE CONTROL: use

27415



## Locking the doors

Press locking button **1**.

The indicator lights and hazard warning lights **flash twice** to indicate that the doors have locked:

If a door or the tailgate is open or not properly shut, the doors or tailgate lock then quickly unlock and the hazard warning lights and indicator lights do not flash.

## Unlocking the doors

Press button **2** to unlock.

The hazard warning lights and indicator lights **flash once** to indicate that the doors have unlocked.

## Unlocking/locking the tailgate only

(for some countries)

Press button **3** to unlock or lock the tailgate.

The hazard warning lights and indicator lights flash once to indicate that the tailgate is unlocked if the vehicle doors are locked.

The hazard warning lights and indicator lights flash twice to indicate that the tailgate is locked if the vehicle doors are locked.

The buttons are deactivated when the engine is running.

The flashing status of the hazard warning lights informs you of the vehicle status:

- **one flash** indicates that the vehicle is completely unlocked;
- **two flashes** indicate that the vehicle is completely locked.



### Driver's responsibility

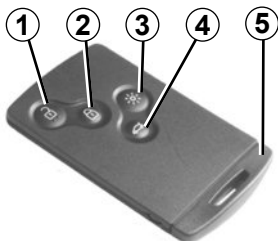
Never leave your vehicle with the key inside and never leave a child (or a pet) unsupervised, even for a short while.

They may pose a risk to themselves or to others by starting the engine, activating equipment such as the electric windows or by locking the doors.

Risk of serious injury.

## RENAULT CARD: general information (1/2)

26787



- 1 Unlocking the doors and tailgate.
- 2 Locking all doors and tailgate.
- 3 Switching on the lighting remotely.
- 4 Unlocking/locking the tailgate
- 5 Integrated key.

### The RENAULT card is used for:

- locking/unlocking the doors and tailgate (doors, tailgate) and the fuel filler flap (see the following pages);
- switching on the vehicle lighting remotely (refer to the following pages);
- depending on the vehicle, automatically closing the electric windows and sunroof remotely (see the information on “Electric windows/Electric sunroof” in Section 3);
- starting the engine; refer to the information on “Starting the engine” in Section 2.



#### Driver's responsibility

Never leave your vehicle with the RENAULT card inside and never leave a child (or a pet) unsupervised, even for a short while.

They may pose a risk to themselves or to others by starting the engine, activating equipment such as the electric windows or by locking the doors.

Risk of serious injury.

### Battery life

Make sure that the correct battery type is being used, and that the battery is in good condition and inserted correctly. Its service life is approximately two years: replace it when the message “Keycard battery low” appears on the instrument panel (refer to the information on the “RENAULT card: battery” in section 5).

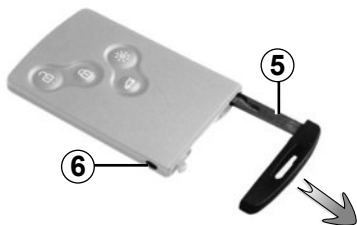
### RENAULT card operating range

This varies according to the surroundings. It is important to make sure when handling the RENAULT card that you do not lock or unlock the doors by inadvertently pressing the buttons.

When the battery is flat, you can still lock/unlock and start your vehicle. Refer to the information on “Locking/unlocking the doors” in Section 1 and “Starting the engine” in Section 2.

## RENAULT CARD: general information (2/2)

26788



### Integrated key 5

The integrated key is used to lock or unlock the front left-hand door if the RENAULT card does not work:

- when the RENAULT card battery is drained, flat battery, etc.
- use of devices using the same frequency as the card;
- if the vehicle is located in a zone of high electromagnetic radiation;

### Access to key 5

Press button **6** and pull on key **5** then release the button.

### Using the key

Refer to the information on “Locking/unlocking the doors”.

**Once you have accessed the vehicle using the integrated key, replace it in its housing in the RENAULT card, then insert the RENAULT card into the card reader to start the vehicle.**

### Replacement: need for an additional RENAULT Card

If you lose your RENAULT card or require another, you can obtain one from an approved dealer.

If a RENAULT card is replaced, it will be necessary to take the vehicle and **all of its RENAULT cards** to an approved dealer to initialise the system.

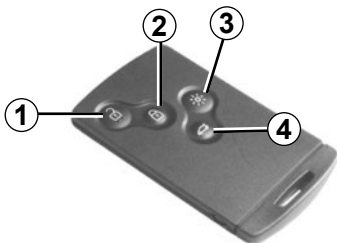
You may use up to four RENAULT cards per vehicle.

### Advice

Avoid leaving the card in hot, cold or humid areas.

Do not keep the RENAULT card in a place where it could be bent or damaged accidentally, such as in the back pocket of a garment.

## RENAULT CARD: use



26787

### Unlocking the doors and tailgate

Press button **1**.

The hazard warning lights **flash once** to indicate that the doors have been unlocked.

### Locking the doors and luggage compartment

Press the locking button **2**. The hazard warning lights **flash twice** to indicate that the doors have locked. If a door or the luggage compartment is open or not properly shut, or if a RENAULT card is still in the reader, the doors and luggage compartment lock then quickly unlock and the hazard warning lights **do not flash**.

### Unlocking/locking the luggage compartment only

Press button **4** to unlock/lock the luggage compartment.

### Distance lighting function

The dipped beam headlights, indicator lights and interior lights come on for approximately 30 seconds when button **3** is pressed. This can be used, for example, to identify the vehicle from a distance when parked in a car park.

**Note:** pressing button **3** again switches off the lighting.

### RENAULT card not detected alarm

If a door is opened when the engine is running and the card is not in the reader, the message “Keycard not detected” and a beep will warn you of this. The warning disappears when the card is inserted in the reader again.

The card buttons are deactivated when the engine is running.

The flashing status of the hazard warning lights informs you of the vehicle status:

- **one flash** indicates that the vehicle is completely unlocked;
- **two flashes** indicate that the vehicle is completely locked.

## RENAULT “HANDS-FREE” CARD: use (1/3)



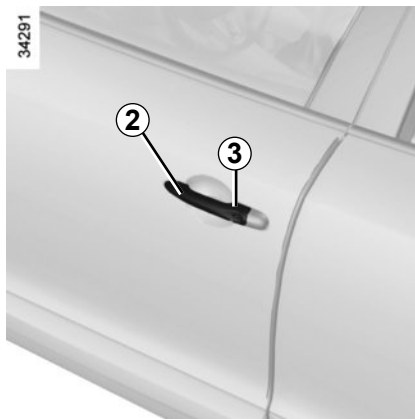
28517

### Use

On equipped vehicles, in addition to the functions of the remote control RENAULT card previously explained, it can be used to lock/unlock without using the RENAULT card, when it is in access zone 1.

### Recommendations

Do not store the RENAULT card anywhere it may come into contact with other electronic equipment (computer, PDA, phone, etc.) as this could hinder its operation.



34291

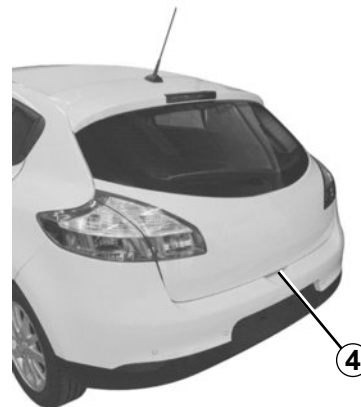
### Unlocking the vehicle

With the RENAULT card in zone 1 and the vehicle locked, press button 3 on handle 2 on one of the doors: the vehicle will unlock.

Pressing button 4 also unlocks all the doors and the tailgate.

The hazard warning lights **flash once** to indicate that the doors have been unlocked.

**NB:** the vehicle cannot be locked again for three seconds after unlocking after pressing button 3.

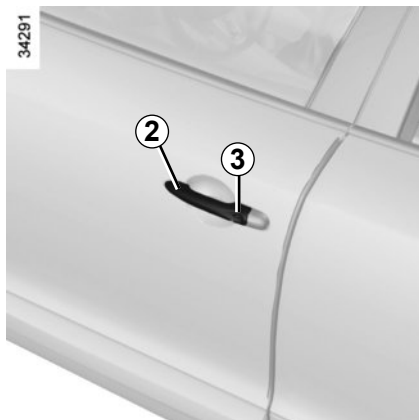


33875



33874

## RENAULT “HANDS-FREE” CARD: use (2/3)



### Locking the vehicle

There are three ways to lock the vehicle: remotely, using button **3**, or using the RENAULT card.

#### Remote locking

With the RENAULT card on you, and doors and tailgate closed, move away from the vehicle: it will lock automatically once you have left zone **1**.

**Note:** the distance at which the vehicle locks depends on the surroundings.



The hazard warning lights **flash twice** and a beep sounds to indicate that the doors have locked.

The beep may be switched off. Consult an approved Dealer.

If a door or the tailgate is open or not properly shut, or a card is in the passenger compartment (or the card reader) the vehicle will not lock. In this situation, **no beep sounds and the hazard warning lights do not flash.**

### Locking using button 3

With the doors and luggage compartment closed, press button **3** on the driver's door handle. The vehicle will lock. If a door or the tailgate is open or not closed properly, the vehicle will quickly lock/unlock.

**Note:** a RENAULT card must be within the vehicle's access zone (zone **1**) to be able to lock the vehicle using the button.

The hazard warning lights flash twice to indicate that the doors have locked.

#### Special note:

If you wish to check that the doors are locked after locking using button **3**, you have approximately **three** seconds to try the door handles without unlocking them.

After this time, the “hands-free” mode is activated once again and any movement of a handle will unlock the vehicle.

## RENAULT “HANDS-FREE” CARD: use (3/3)



26787

### Locking the vehicle (continued)

#### Locking using the RENAULT card

With the doors and luggage compartment closed, press button **5**: the vehicle will lock.

The hazard warning lights **flash twice** to indicate that the doors have locked.

**Note:** the maximum distance at which the vehicle locks depends on the surroundings.



28518

#### Special note:

The vehicle will not lock if:

- a door or the tailgate is open or not properly closed;
- a card is still in zone **6** (or in the card reader) and no other card is in the external detection zone.

**With the engine running**, if after having opened and closed a door the card is no longer in the passenger compartment, the message “Keycard not detected” (accompanied by a beep when the speed exceeds a certain level) warns you that the card is no longer in the vehicle. This avoids you driving away after having dropped off a passenger who has the card, for example.

The warning disappears when the card is detected again.

After locking/unlocking the vehicle or the luggage compartment only using the buttons on the RENAULT card, remote locking and unlocking in hands-free mode are deactivated.

To reactivate the “hands-free” mode: restart the vehicle.

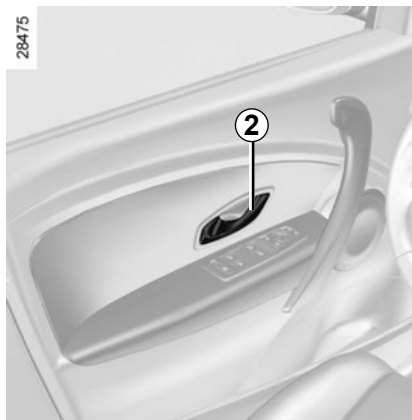
## OPENING AND CLOSING THE DOORS (1/2)



### Opening the doors from the outside

With the doors unlocked or the “hands-free” RENAULT card in your possession, hold handle **1** and pull it towards you.

In some cases, it may be necessary to pull the handle twice to open the door.



### Opening from the inside

Pull on the handle **2**.

### Lights-on reminder buzzer

If you have switched off the ignition and left the lights switched on, a reminder buzzer will sound when a door is opened.



As a safety precaution, the doors should only be opened or closed when the vehicle is stationary.

### Card reminder buzzer

When the driver's door is opened and the card is still in the reader, the message “Please remove keycard” appears on the instrument panel, accompanied by a beep.

### Door/tailgate open buzzer

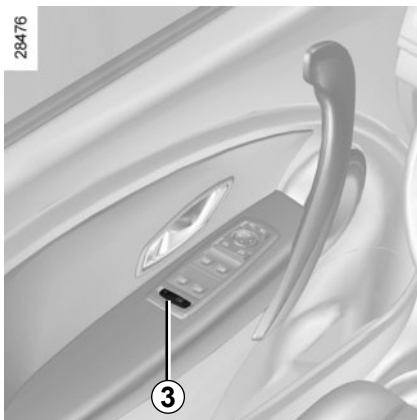
If a door or the tailgate is open or not properly closed, once the vehicle reaches approximately 12 mph (20 km/h) the message “Door open” or “Boot open” (depending on the opening element) will appear on the instrument panel and a beep will sound for several seconds.

### Special note

Once the engine has been switched off, the lights and accessories (radio, etc.) will continue to operate until the driver's door is opened.



## OPENING AND CLOSING THE DOORS (2/2)



### Child safety



#### Vehicle with switch 3

Press switch **3** to authorise opening of the rear doors. If the vehicle is equipped with electric rear windows, this action will also authorise their use. The indicator light in the switch lights up to confirm that the locks have been activated.



#### Safety of rear occupants

The driver can authorise operation of the rear doors and, depending on the vehicle, the electric windows by pressing switch **3** on the side with the illustration.

Depending on the vehicle, in the event of a fault:

- a beep sounds;
- a message is displayed on the instrument panel;
- the integrated indicator does not light up.

If the battery has been disconnected, press switch **3** on the side with the symbol to lock the rear doors.

28417



#### Vehicle with manual door locking

Move lever **4** and check from the inside that the doors are securely locked, to prevent the rear doors being opened from the inside.



#### Driver's responsibility when parking or stopping the vehicle

Never leave an animal, child or adult who is not self-sufficient alone on your vehicle, even for a short time.

They may pose a risk to themselves or to others by starting the engine, activating equipment such as the electric windows or by locking the doors.

Also, in hot and/or sunny weather, please remember that the temperature inside the passenger compartment increases very quickly.

**RISK OF DEATH OR SERIOUS INJURY.**

## LOCKING, UNLOCKING THE DOORS (1/2)

### Locking/Unlocking the doors from the outside

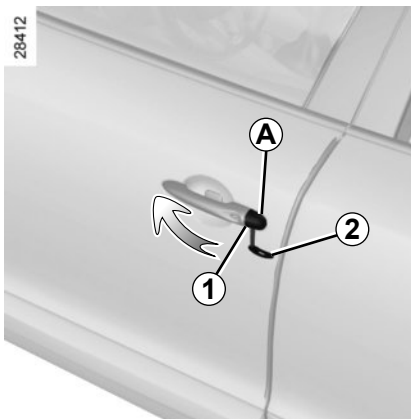
Refer to “RENAULT cards” or “Radio frequency remote control” in Section 1.

**In some cases**, the RENAULT card/radio frequency remote control will not operate, or its access area will be modified:

- if the remote control battery is old or the vehicle battery discharged;
- if equipment operating on the same frequency as the card (mobile phones, etc.) is used;
- vehicle located in a high electromagnetic radiation zone.

It is then possible:

- to use the key integrated in the RENAULT card/radio frequency remote control to unlock the front left-hand door;
- to lock each of the doors manually;
- to use the interior door locking/unlocking control (refer to the following pages).



### Using the integrated key

- Remove cover **A** from the left-hand door using the end of integrated key **2** (or the key integrated in the radio frequency remote control) in opening **1**;
- insert the key into the lock in the front left-hand door and lock or unlock.



### Locking the doors manually

Turn screw **3** with the door open (using the end of the key) and close the door.

This means that the doors are then locked from the outside.

The doors may then only be opened from the inside or by using the key in the front left-hand door.

## LOCKING, UNLOCKING THE DOORS (2/2)



### Interior locking/unlocking door control

Switch **4** controls the doors, tailgate and, depending on the vehicle, the fuel filler flap simultaneously.

If a door or the tailgate is open or not closed properly, the doors and tailgate lock/unlock quickly.

If transporting an object with the tailgate open, you can still lock the doors: **with the engine stopped**, press and hold switch **4** for more than five seconds to lock the other doors.

### Locking the doors and luggage compartment without the RENAULT card/radio frequency remote control

For example, in the event of a discharged battery or the RENAULT card/radio frequency remote control temporarily not working, etc.

**With the engine switched off and a door or tailgate open**, press and hold switch **4** for more than five seconds.

When the door is closed, all the doors and the tailgate will be locked.

The vehicle can only be locked from the outside using the RENAULT card/radio frequency remote control.

After locking/unlocking the vehicle or the tailgate only using the buttons on the RENAULT card, remote locking and unlocking in hands-free mode are deactivated.

To reactivate the “hands-free” mode: restart the vehicle.

### Door and tailgate status indicator

**When the ignition is on**, the indicator light integrated in switch **4** informs you of the status of the doors and tailgate:

- indicator light on, the doors and tailgate are locked,
- indicator light off, the doors and tailgate are unlocked.

When you lock the doors, the indicator light remains lit and then goes out.



#### Driver's responsibility

Never leave your vehicle with the RENAULT card/radio frequency remote control still inside.



If you decide to keep the doors locked when you are driving, remember that it may be more difficult for the emergency services to gain access to the passenger compartment in the event of an emergency.

# AUTOMATIC LOCKING WHEN DRIVING



## Operating principle

After the vehicle is started, the system automatically locks the doors when you are driving at approximately 6 mph (10 km/h) and over.

The door can be unlocked:

- by pressing the door unlocking button **1**.
- by opening a front door (vehicle stationary).

**Note:** if a door is opened or closed, it will automatically lock again when the vehicle reaches a speed of 6 mph (10 km/h).

## Activating/deactivating the function

Depending on the vehicle:

- Refer to “Vehicle settings customisation menu” in Section 1, regarding the “Auto door locking while driving” function:



function activated



function deactivated.

- **With the engine running**, press button **1** for approximately 5 seconds until you hear a beep.

## Operating faults

If you experience an operating fault (no automatic locking, the indicator light incorporated in button **1** does not light up when trying to lock the doors and tailgate, etc.), firstly check that the doors and tailgate are properly closed. If they are closed correctly, contact an approved dealer.



### Driver's responsibility

If you decide to keep the doors locked when you are driving, remember that it may be more difficult for those assisting you to gain access to the passenger compartment in the event of an emergency.

## FRONT HEADRESTS



### To raise the headrest

Pull the headrest upwards to the desired height.

### To lower the headrest

Press button **2** and guide the headrest down to the desired height.

### To adjust the angle of the headrest

Depending on the vehicle, tilt section **A** towards or away from you to the required position.

### To remove the headrest

Raise the headrest to its highest position (tilt the seatback backwards if necessary). Press button **1** and lift the headrest to release it.

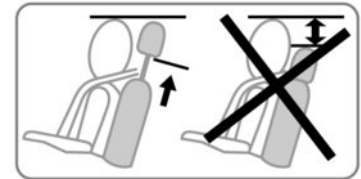
### To refit the headrest

Pull out the headrest rods **3** as far as possible by pulling from the top. Take care to ensure they are clean and correctly aligned and, if there are any problems, check that the notches are facing forwards.

Insert the headrest rods into the holes (tilt the seatback backwards if necessary).

Lower the headrest until it locks, press button **1** and lower the headrest as far as possible.

Check that each headrest rod **3** is securely locked in the seatback by trying to pull them up or push them down.



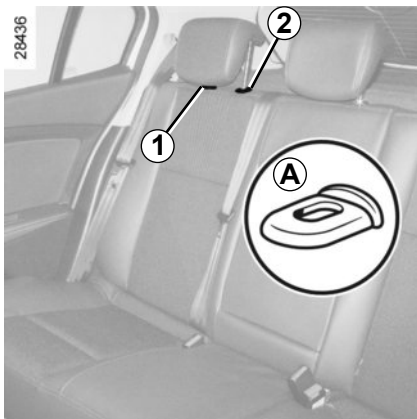
The three upper positions can be manipulated without pressing button **2**. However, it is preferable to press this button to lower the headrest.



The headrest is an important safety component: ensure that it is in place and in the correct position. The distance between your head and the headrest and the distance between the head and section **A** should be as small as possible.

26342

## REAR HEADRESTS

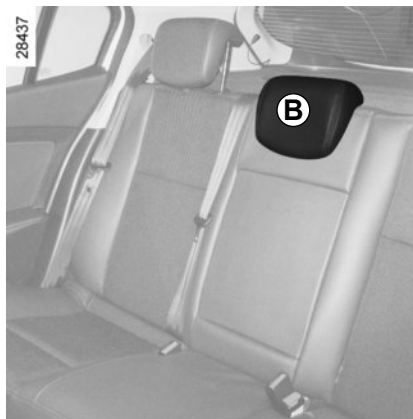


### Position for use

Raise or lower the headrest while pulling it towards the front of the vehicle.

### To remove the headrest

Press tabs **A** on rods **1** and **2** simultaneously and remove the headrest.



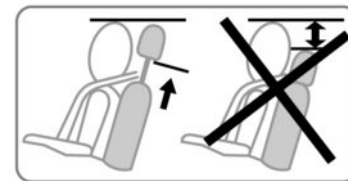
### To refit the headrest

Insert the headrest rods into the sleeves, and lower the headrest to the first notch.

### Storage position

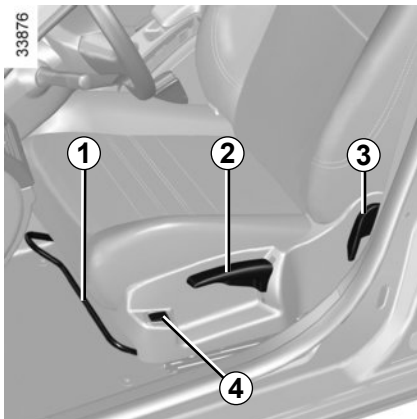
Lower the headrest as far as possible, then press tab **2** and lower it completely.

**When the headrest is set at the lowest position (position B) this is for storage only:** it should not be in this position when a seat is occupied.



The headrest is a safety component, check that it is fitted and in the correct position.

## FRONT SEATS WITH MANUAL CONTROL



### To move the seat forwards or back

Lift handle **1** to release. Release the handle once the seat is in the correct position and ensure that the seat is fully locked into position.

### To raise or lower the seat base

Move lever **2** as many times as necessary upwards or downwards.

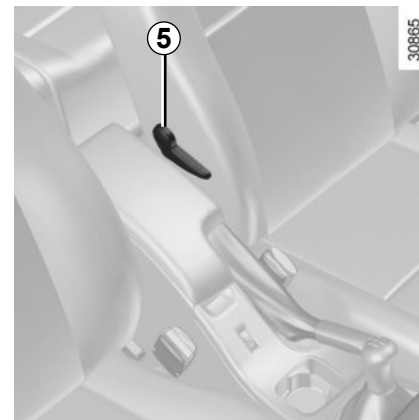
### To tilt the seatback

Turn control knob **3** to the required position.

### Heated seats

After having started the engine, press ON/OFF button **4**, depending on your requirements. The message “Heated seat activated” will appear on the instrument panel once one of the front seat heating system is operating.

The system, which has a thermostat, decides whether heating is needed depending on the position selected and stops heating once a certain temperature has been reached.



### To adjust the lumbar support on the driver's seat

Lower handle **5** to increase the support and lift to decrease it.



For safety reasons, carry out any adjustments when the vehicle is not being driven.

We would advise you not to recline the seatbacks too far to ensure that the effectiveness of the seat belts is not reduced.

Nothing should be placed on the floor (area in front of driver) as such objects may slide under the pedal during braking manoeuvres, thus obstructing its use.

## SEAT BELTS (1/3)

Always wear your seat belt when travelling in your vehicle. You must also comply with the legislation of the particular country you are in.

Make sure that the rear bench seat is securely locked in position so that the rear seat belts will operate efficiently. Please refer to the information on the "Rear bench seat" in Section 3.



Incorrectly adjusted or twisted seat belts may cause injuries in the event of an accident.

Use one seat belt per person, whether child or adult.

Even pregnant women should wear a seat belt. In this case, ensure that the lap belt is not exerting too much pressure on the abdomen, but do not allow any slack.

**Before starting, first adjust your driving position, then ask all occupants to adjust their seat belts to ensure optimum protection.**

### Adjusting your driving position

- **Sit well back in your seat** (having first removed your coat or jacket). This is essential to ensure your back is positioned correctly;
- **adjust the distance between the seat and the pedals.** Your seat should be as far back as possible while still allowing you to depress the clutch pedal fully. The seatback should be adjusted so that your arms are slightly bent when you hold the steering wheel;
- **adjust the position of your headrest.** For the maximum safety, your head must be as close as possible to the headrest;
- **adjust the height of the seat.** This adjustment allows you to select the seat position which offers you the best possible view;
- **adjust the position of the steering wheel.**

13622



### Adjusting the seat belts

Sit with your back firmly against the seatback.

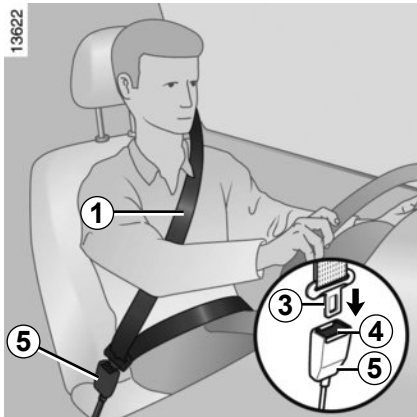
Shoulder strap **1** should be as close as possible to the base of the neck but not on it.

Lap belt **2** should be worn flat over the thighs and against the pelvis.

The belt should be worn so that it is as close as possible to your body, i.e.: avoid wearing heavy clothing or keeping bulky objects under the belts, etc.



## SEAT BELTS (2/3)



### Locking

Unwind the belt **slowly and smoothly** and ensure that buckle **3** locks into catch **5** (check that it is locked by pulling on buckle **3**). If the belt jams, allow it to return slightly before attempting to unwind it again.

If your seat belt is completely jammed, pull slowly, but firmly, so that just over 3 cm unwinds. Allow it to return slightly before attempting to unwind it again.

If there is still a problem, contact an approved dealer.

### Unfastening

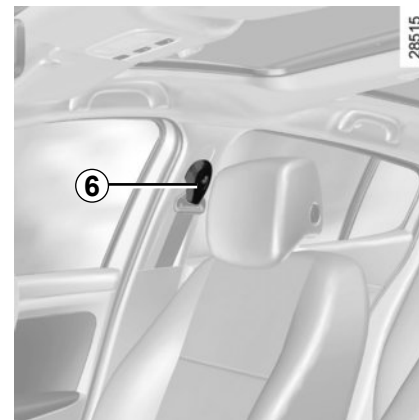
Press button **4** and the seat belt will be rewound by the inertia reel. Guide the belt.



### Front seat belt reminder warning light

It lights up on the central display when the engine is started and, if the driver's seat belt is not fastened, the light flashes and a beep sounds for about two minutes when the vehicle reaches a speed of approximately 12 mph (20 km/h).

**Note:** an object placed on the passenger seat base may activate the warning light in some cases.



### Adjusting the front seat belt height

Press button **6** to adjust the seat belt height so that shoulder strap **1** is worn as shown previously:

- to lower the seat belt, press button **6** and lower the seat belt at the same time;
- to raise the seat belt, press button **6** and raise the seat belt at the same time.

Make sure that the seat belt is locked in position correctly after you have adjusted it.

## SEAT BELTS (3/3)



### Rear seat belt guide

Depending on the vehicle, Seat belt guide 7 can be used to obtain a better seat belt position.

The following information applies to the vehicle's front and rear seat belts.



- No modification may be made to the component parts of the originally fitted restraint system: belts, seats and their mountings. For special operations (e.g. fitting child seats), contact an authorised dealer.
- Do not use devices which allow any slack in the belts (e.g. clothes pegs, clips, etc.): a seat belt which is worn too loosely may cause injury in the event of an accident.
- Never wear the shoulder strap under your arm or behind your back.
- Never use the same belt for more than one person and never hold a baby or child on your lap with your seat belt around them.
- The belt should never be twisted.
- Following an accident, have the seat belts checked and replaced if necessary. Always replace your seat belts as soon as they show any signs of wear.
- When putting back the rear bench seat, take care that the seat belts are correctly positioned so that they can be used properly.
- Make sure that the buckle is inserted into the appropriate catch.
- Make sure the seat belt catch is properly positioned (it should not be hidden away, crushed or flattened by people or objects).

## METHODS OF RESTRAINT IN ADDITION TO THE FRONT SEAT BELTS (1/3)

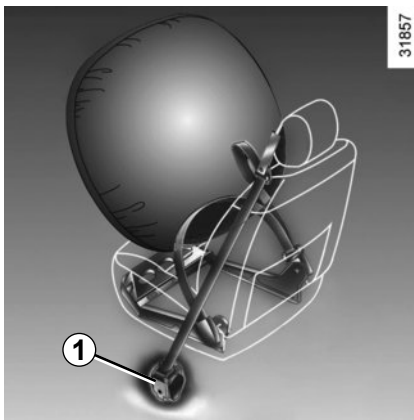
Depending on the vehicle, they are composed of:

- **seat belt inertia reel pretensioners;**
- **chest-level load limiters;**
- **air bags for driver and front passenger.**

These systems are designed to act independently or together when the vehicle is subjected to a frontal impact.

Depending on the severity of the impact, the system can trigger:

- seat belt locking;
- the seat belt inertia reel pretensioner (which engages to correct seat belt slack);
- the air bags.



### Pretensioners

The pretensioners hold the seat belt against the body, holding the occupant more securely against the seat, thus increasing the seat belt's efficiency.

In the event of a severe frontal impact and if the ignition is switched on, the system may engage the following depending on the force of the impact: the seat belt inertia reel pretensioner **1** which instantly retracts the seat belt.



– Have the entire restraint system checked following an accident.

– No operation whatsoever is permitted on any part of the system (pretensioners, air bags, computers, wiring) and the system components must not be reused on any other vehicle, even if identical.

– To avoid incorrect triggering of the system which may cause injury, only qualified personnel from an approved dealer may work on the pretensioner and air bag system.

– The electric trigger system may only be tested by a specially trained technician using special equipment.

– When the vehicle is scrapped, contact an approved dealer for disposal of the pretensioner and air bag gas generators.

## METHODS OF RESTRAINT IN ADDITION TO THE FRONT SEAT BELTS (2/3)

### Load limiter


Above a certain severity of impact, this mechanism is used to limit the force of the belt against the body so that it is at an acceptable level.

### Air bags for driver and front passenger

Fitted to the driver and passenger side.

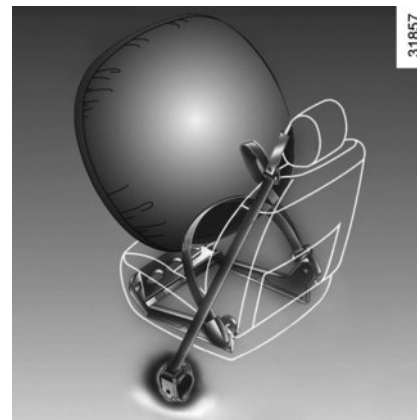
The presence of this equipment is indicated by the word "Airbag" on the steering wheel and the dashboard (air bag zone **A**) and a label on the lower part of the windscreen or on the sun visor.

Each air bag system consists of:

- an air bag and gas generator fitted on the steering wheel for the driver and in the dashboard for the front passenger;
- an electronic unit for system monitoring which controls the gas generator electrical trigger system;
- a single warning light  on the instrument panel.



The air bag system uses pyrotechnic principles. This explains why, when the air bag inflates, it will generate heat, produce smoke (this does not mean that a fire is about to start) and make a noise upon detonation. In a situation where an air bag is required, it will inflate immediately and this may cause some minor, superficial grazing to the skin or other problems.



### Operation

This system is only operational when the ignition is switched on.

In a severe **frontal** impact, the air bags inflate rapidly, cushioning the impact of the driver's head and chest against the steering wheel and the front passenger against the dashboard. The air bags then deflate immediately so that the passengers are not in any way hindered from leaving the vehicle.

## METHODS OF RESTRAINT IN ADDITION TO THE FRONT SEAT BELTS (3/3)

All of the warnings below are given so that the air bag is not obstructed in any way when it is inflated and also to prevent the risk of serious injuries caused by items which may be dislodged when the air bag inflates.



### **Warnings concerning the driver's air bag**

- Do not modify the steering wheel or the steering wheel boss.
- Do not cover the steering wheel boss under any circumstances.
- Do not attach any objects (badge, logo, clock, telephone holder, etc.) to the steering wheel boss.
- The steering wheel must not be removed (except by qualified personnel from our Network).
- When driving, do not sit too close to the steering wheel. Sit with your arms slightly bent (see the information on “Adjusting your driving position” in Section 1). This will allow sufficient space for the air bag to deploy correctly and be fully effective.

### **Warnings concerning the passenger air bag**

- Do not attach or glue any objects (badge, logo, clock, telephone holder, etc.) to the dashboard on or near the air bag.
- Do not place anything between the dashboard and the passenger (pet, umbrella, walking stick, parcels, etc.).
- The passenger must not put his or her feet on the dashboard or seat as there is a risk that serious injuries may occur. In general, parts of the body should be kept away from the dashboard (knees, hands, head, etc.).
- The devices in addition to the front passenger seat belt should be reactivated as soon as a child seat is removed, to ensure the protection of the passenger in the event of an impact.

**A REAR-FACING CHILD SEAT MUST NOT BE FITTED TO THE FRONT PASSENGER SEAT UNLESS THE ADDITIONAL RESTRAINT SYSTEMS, I.E. THE PASSENGER AIR BAG, ARE DEACTIVATED.**

(refer to Section 1 “Child safety: deactivating/activating the front passenger air bag”)

# METHODS OF RESTRAINT IN ADDITION TO THE REAR SEAT BELTS

## Force limiter

Above a certain severity of impact, this mechanism is used to limit the force of the belt against the body so that it is at an acceptable level.



- Have the entire restraint system checked following an accident.
- No operation whatsoever is permitted on any part of the system (air bags, electronic control units, wiring) and the system components must not be reused on any other vehicle, even if identical.
- Only qualified personnel from our Network may work on the air bags; otherwise the system may trigger accidentally and cause injury.

# SIDE PROTECTION DEVICES

## Side air bags

These air bags are fitted to the front seats and are activated at the sides of the seats (door side) to protect the occupants in the event of a severe side impact.

## Curtain air bags

These are air bags fitted along the sides of the vehicle in the ceiling which trigger along the front and rear side windows to protect the passengers in case of a severe side impact.

Depending on the vehicle, a marking on the windscreen informs you of the presence of additional means of restraint (airbags, pretensioners, etc.) in the passenger compartment.



### Warnings concerning the side air bag

- **Fitting seat covers:** seats equipped with an air bag require covers specifically designed for your vehicle. Contact an approved Dealer to find out if these covers are available. The use of any covers other than those designed for your vehicle (and including those designed for another vehicle) may affect the operation of the air bags and reduce your protection.
- Do not place any accessories, objects or even pets between the seatback, the door and the internal fittings. Do not cover the seatback with any items such as clothes or accessories. This may prevent the air bag from operating correctly or cause injury when the air bag is deployed.
- No work or modification whatsoever may be carried out on the seat or internal fittings, except by qualified personnel from an approved dealer.
- The area between the rear bench seatback and the trim is the area of air bag operation: no objects must be placed here.

## ADDITIONAL METHODS OF RESTRAINT

All of the warnings below are given so that the air bag is not obstructed in any way when it is inflated and also to prevent the risk of serious injuries caused by items which may be dislodged when the air bag inflates.




The air bag is designed to complement the action of the seat belt. Both the air bags and seat belts are integral parts of the same protection system. It is therefore essential to wear seat belts at all times. If seat belts are not worn, the occupants are exposed to the risk of serious injury in the event of an accident. It may also increase the risk of minor superficial injuries occurring when the air bag is deployed, although such minor injuries are always possible with air bags.

If the vehicle should overturn or suffer a rear impact, however severe, the pretensioners and air bags are not always triggered. Shocks to the underbody of the vehicle, e.g. from pavements, potholes or stones, can all trigger these systems.

- No work or modification **whatsoever** may be carried out on any part of the air bag system (air bags, pretensioners, computer, wiring harness, etc.), except by qualified personnel from an approved dealer.
- To ensure that the system is in good working order and to avoid accidental triggering of the system which may cause injury, only qualified Network personnel may work on the air bag system.
- As a safety precaution, have the air bag system checked if your vehicle has been involved in an accident, or is stolen or broken into.
- When selling or lending the vehicle, inform the user of these points and hand over this driver's handbook with the vehicle.
- When scrapping your vehicle, contact your approved dealer for disposal of the gas generator(s).

## Operating faults

This warning light  will light up on the instrument panel when the ignition is switched on and then go out after a few seconds.

If it does not come on when the ignition is switched on, or if it comes on when the engine is running, there is a fault with the system (air bags, pretensioners, etc.) in the front and/or rear seats.

Contact your approved dealer as soon as possible. Your protection will be reduced until this fault is rectified.



## CHILD SAFETY: General information (1/2)

### Carrying children

Children, and adults, must be correctly seated and strapped in for all journeys. The children being carried in your vehicle are your responsibility.

A child is not a miniature adult. Children are at risk of specific injuries as their muscles and bones have not yet finished growing. The seat belt alone would not provide suitable protection. Use an approved child seat and ensure you use it correctly.



To prevent the doors being opened, use the “Child safety” device (refer to the information on “Opening and closing the doors” in Section 1).



A collision at 30 mph (50 km/h) is the same as falling a distance of 10 metres.

Transporting a child without a restraint is the equivalent of allowing him or her to play on a fourth-floor balcony without railings.

Never travel with a child held in your arms. In the event of an accident, you will not be able to keep hold of the child, even if you yourself are wearing a seat belt.

If your vehicle has been involved in a road accident, replace the child seat and have the seat belts and ISOFIX anchorage points checked.



### **Driver's responsibility when parking or stopping the vehicle**

Never leave an animal, child or adult who is not self-sufficient alone on your vehicle, even for a short time.

They may pose a risk to themselves or to others by starting the engine, activating equipment such as the electric windows or by locking the doors.

Also, in hot and/or sunny weather, please remember that the temperature inside the passenger compartment increases very quickly.

**RISK OF DEATH OR SERIOUS INJURY.**

## CHILD SAFETY: General information (2/2)

### Using a child seat

The level of protection offered by the child seat depends on its ability to restrain your child and on its installation. Incorrect installation compromises the protection it offers the child in the event of harsh braking or an impact.

Before purchasing a child seat, check that it complies with the regulations for the country you are in and that it can be fitted in your vehicle. Consult an approved dealer to find out which seats are recommended for your vehicle.

Before fitting a child seat, read the manual and respect its instructions. If you experience any difficulties during installation, contact the manufacturer of the equipment. Keep the instructions with the seat.

Set a good example by always fastening your seat belt and teaching your child:

- to strap themselves in correctly;
- to always get in and out of the car at the kerb, away from busy traffic.

Do not use a second-hand child seat or one without an instruction manual.

Check that there are no objects in the vicinity of the child seat which could impede its operation.



Never leave a child unattended in the vehicle.

Check that your child is always strapped in and that the belt or safety harness used is correctly set and adjusted. Avoid wearing bulky clothing which could cause the belts to slacken.

Never let your child put their head or arms out of the window.

Check that the child is in the correct position for the entire journey, especially if asleep.

## CHILD SAFETY: choosing a child seat



31235

### Rear-facing child seats

A baby's head is, proportionally, heavier than that of an adult and its neck is very fragile. Transport the child in this position for as long as possible (until the age of 2 at the very least). It supports both the head and the neck.

Choose a bucket type seat for best side protection and change it as soon as the child's head is higher than the shell.



38824

### Forward-facing child seats

The child's head and abdomen need to be protected as a priority. A forward-facing child seat which is firmly attached to the vehicle will reduce the risk of impact to the head. Ensure your child travels in a forward-facing seat with a harness for as long as their size permits. Choose a bucket type seat for optimum side protection.



31234

### Booster cushions

From 15 kg or 4 years, the child can travel using a booster seat, which will enable the seat belt to be adapted to suit his/her size and shape. The booster seat cushion must be fitted with guides to position the seat belt on the child's thighs rather than the stomach.

It is recommended that you use a seat-back fitted with a belt strap guide which can be adjusted in terms of height to position the seat belt in the centre of the shoulder. It must never rest on the neck or on the arm.

Choose a bucket type seat for optimum side protection.

## CHILD SAFETY: choosing a child and baby seat mounting (1/2)

There are two ways of attaching child seats: via the seat belt or using the ISOFIX system.

### Attachment via the seat belt

The seat belt must be adjusted to ensure that it is effective in the event of harsh braking or an impact.

Ensure that the strap paths indicated by the child seat manufacturer are respected.

Always check that the seat belt is correctly fastened by pulling it up, then pulling it out fully whilst pressing on the child seat.

Check that the seat is correctly held by moving it from side to side and back to front: the seat should remain firmly fixed.

Check that the child seat has not been installed at an angle and that it is not resting against a window.



No modifications may be made to the component parts of the restraint system (ISOFIX seat belts, seats and their mountings) originally fitted.



Do not use the child seat if it may unfasten the seat belt restraining it: the base of the seat must not rest on the buckle and/or catch of the seat belt.



The seat belt must never be twisted or the tension relieved. Never pass the shoulder strap under the arm or behind the back. Check that the seat belt has not been damaged by sharp edges. If the seat belt does not operate normally, it will not protect the child. Consult an approved dealer. Do not use this seat until the seat belt has been repaired.

### Attachment using the ISOFIX system

Authorised ISOFIX child seats are approved in accordance with regulation ECE-R44 in one of the three following scenarios:

- ISOFIX universal 3-point forward-facing seat
- ISOFIX semi-universal 2-point seat
- specific

For the latter two, check that your child seat can be installed by consulting the list of compatible vehicles.

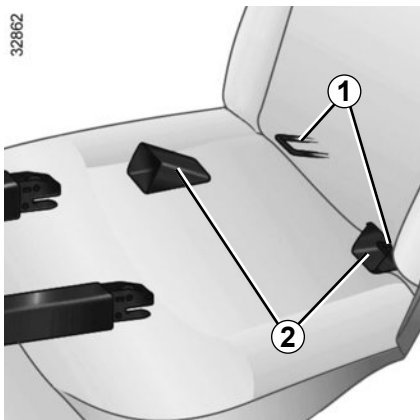
Attach the child seat with the ISOFIX locks, if these are provided. The ISOFIX system allows quick, easy, safe fitting. The ISOFIX system consists of 2 rings and, in some cases, a third ring.



Before using an ISOFIX child seat that you purchased for another vehicle, check that its installation is authorised. Consult the list of vehicles which can be fitted with the seat from the equipment manufacturer.

## CHILD SAFETY: choosing a child and baby seat mounting (2/2)

32862



The two rings **1** are located between the seatback and the seat base of the seat and are identified by a marking.

To ensure your child seat can be easily fitted and locked on rings **1**, use access guides **2** on the child seat.

30403



The third ring is used to attach the upper strap on some child seats.

Pass the belt between the seatback and the rear parcel shelf (to release the bench seat: refer to Section 3 "Rear bench seat"). Attach the hook to one of the rings **3** in the luggage compartment.

Pull the belt so that the back of the child seat comes into contact with the vehicle seatback.



The ISOFIX anchorage points have been exclusively designed for child seats with the ISOFIX system. Never fit a different type of child seat, seat belt or other objects to these anchorage points.

Check that nothing is obstructing the anchorage points.

If your vehicle has been involved in a road accident, have the ISOFIX anchorage points checked and replace your child seat.

## CHILD SAFETY: Fitting a child seat (1/13)

Some seats are not suitable for fitting child seats. The diagram on the following page shows you how to attach a child seat.

The types of child seats indicated may not be available. Before using a different child seat, check with the manufacturer that it can be fitted.



Fit the child seat in a rear seat wherever possible.

Check that when installing the child seat in the vehicle it is not at risk of coming loose from its base.

If you have to remove the headrest, check that it is correctly stored so that it does not come loose under harsh braking or impact.

Always attach the child seat to the vehicle even if it is not in use so that it does not come loose under harsh braking or impact.

### In the front seat

The laws concerning children travelling in the front passenger seat differ in every country. Consult the legislation in force and follow the indications on the diagram on the following page.

Before fitting a child seat in this seat (if authorised):

- lower the seat belt as far as possible;
- move the seat as far back as possible;
- gently tilt the seatback away from vertical (approximately 25°);
- on equipped vehicles, raise the seat base as far as possible.

Do not change these settings after the child seat is installed.



### RISK OF DEATH OR SERIOUS INJURY:

before fitting a rear-facing child seat to this seat, check that the air bag has been deactivated (refer to the information on “Child safety: deactivating/activating the front passenger air bag” in Section 1).

### In the rear side seat

A carrycot can be installed across the vehicle and will take up at least two seats. Position the child with his or her feet nearest the door.

Move the front seat as far forward as possible to install a rear-facing child seat, then move back the seat in front as far as it will go, although without allowing it to come into contact with the child seat.

For the safety of the child in the forward-facing seat, do not move the seat in front back past the middle of the runner, do not tilt the seatback too far (maximum of 25°) and raise the seat as much as possible.

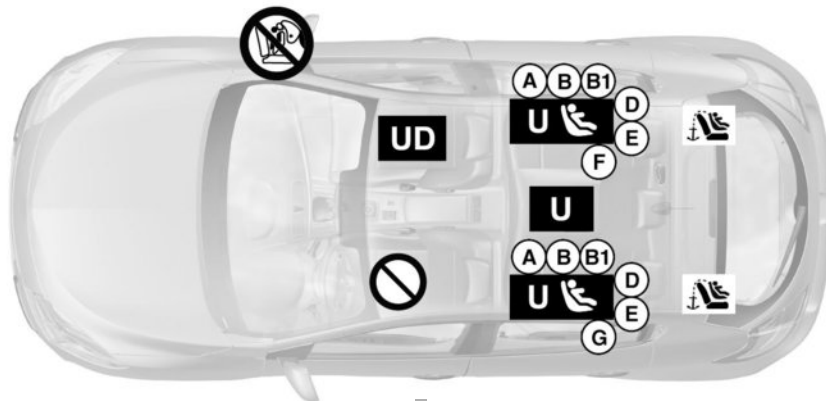
Check that the forward-facing child seat is resting against the back of the vehicle seat and that the headrest of the vehicle is not obstructing its use.




Ensure that the child seat or the child's feet do not prevent the front seat from locking correctly. Refer to the information on the “Front seat” in Section 1.

# CHILD SAFETY: Fitting a child seat (2/13)

Five-door versions (five seats) WITH front passenger air bag



 Check the status of the air bag before fitting a child seat or allowing a passenger to use the seat.



**RISK OF DEATH OR SERIOUS INJURY:** before fitting a rear-facing child seat in the front passenger seat, check that the air bag has been deactivated (refer to the information on “Child safety: deactivating/activating the front passenger air bag” at the end of the paragraph).



Seat not suitable for fitting child seats.

## Child seat attached using the belt



Seat which allows a child seat with “Universal” approval to be attached by a seat belt.



Seat which **only** allows a **rear-facing seat** with “Universal” approval to be attached with a seat belt.



Using a child safety system which is not approved for this vehicle will not correctly protect the baby or child. They risk serious or even fatal injury.

## Child seat attached using the ISOFIX mounting



Seat which allows an ISOFIX child seat to be fitted.



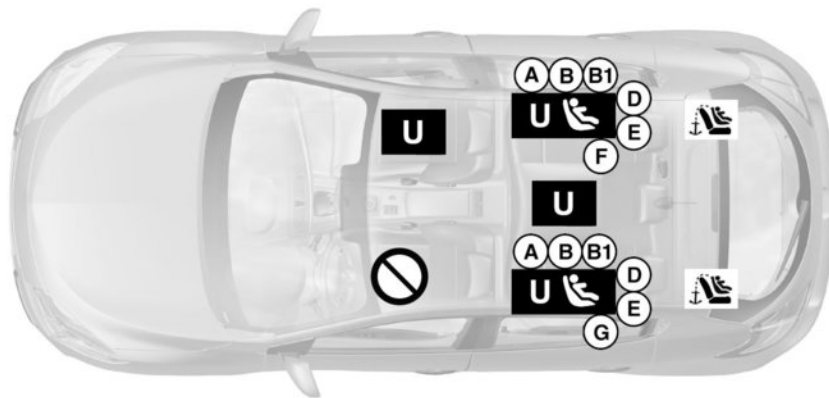
The rear seats are fitted with an anchorage point which allows a forward-facing ISOFIX child seat with universal approval to be fitted. The anchorage points are located under the luggage compartment carpet and are indicated by a marking.


The size of the ISOFIX child seat is indicated by a letter:

- A, B and B1: for forward-facing seats in group 1 (9 to 18 kg);
- C: rear-facing seats in group 1 (9 to 18 kg);
- D and E: shell seat or rear-facing seats in group 0 or 0+ (less than 13 kg);
- F and G: cots in group 0 (less than 10 kg).


## CHILD SAFETY: Fitting a child seat (3/13)

Five-door versions (five seats) WITHOUT front passenger air bag



 Seat not suitable for fitting child seats.

### Child seat attached using the belt

 Seat which allows a child seat with “Universal” approval to be attached by a seat belt.



Using a child safety system which is not approved for this vehicle will not correctly protect the baby or child. They risk serious or even fatal injury.

### Child seat attached using the ISOFIX mounting



Seat which allows an ISOFIX child seat to be fitted.



The rear seats are fitted with an anchorage point which allows a forward-facing ISOFIX child seat with universal approval to be fitted. The anchorage points are located under the luggage compartment carpet and are indicated by a marking.

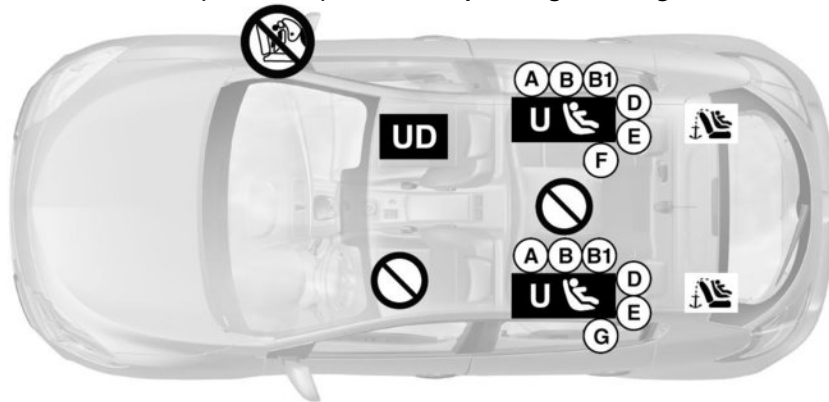
The size of the ISOFIX child seat is indicated by a letter:

- A, B and B1: for forward-facing seats in group 1 (9 to 18 kg);
- C: rear-facing seats in group 1 (9 to 18 kg);
- D and E: shell seat or rear-facing seats in group 0 or 0+ (less than 13 kg);
- F and G: cots in group 0 (less than 10 kg).




## CHILD SAFETY: Fitting a child seat (4/13)

Five-door versions (four seats) WITH front passenger air bag



34177

 Check the status of the air bag before fitting a child seat or allowing a passenger to use the seat.



**RISK OF DEATH OR SERIOUS INJURY:** before fitting a rear-facing child seat in the front passenger seat, check that the air bag has been deactivated (refer to the information on “Child safety: deactivating/activating the front passenger air bag” at the end of the paragraph).



Seat not suitable for fitting child seats.

### Child seat attached using the belt



Seat which allows a child seat with “Universal” approval to be attached by a seat belt.



Seat which **only** allows a **rear-facing seat** with “Universal” approval to be attached with a seat belt.



Using a child safety system which is not approved for this vehicle will not correctly protect the baby or child. They risk serious or even fatal injury.

### Child seat attached using the ISOFIX mounting



Seat which allows an ISOFIX child seat to be fitted.



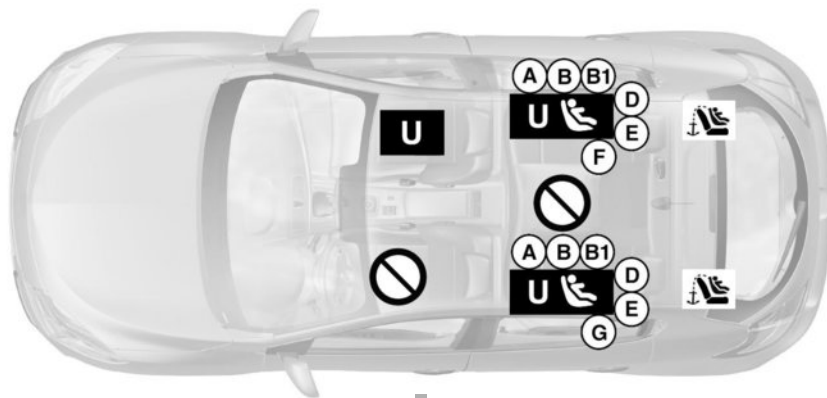
The rear seats are fitted with an anchorage point which allows a forward-facing ISOFIX child seat with universal approval to be fitted. The anchorage points are located under the luggage compartment carpet and are indicated by a marking.


The size of the ISOFIX child seat is indicated by a letter:

- A, B and B1: for forward-facing seats in group 1 (9 to 18 kg);
- C: rear-facing seats in group 1 (9 to 18 kg);
- D and E: shell seat or rear-facing seats in group 0 or 0+ (less than 13 kg);
- F and G: cots in group 0 (less than 10 kg).


## CHILD SAFETY: Fitting a child seat (5/13)

Five-door versions (four seats) WITHOUT front passenger air bag



 Seat not suitable for fitting child seats.

### Child seat attached using the belt

 Seat which allows a child seat with “Universal” approval to be attached by a seat belt.



Using a child safety system which is not approved for this vehicle will not correctly protect the baby or child. They risk serious or even fatal injury.

### Child seat attached using the ISOFIX mounting



Seat which allows an ISOFIX child seat to be fitted.



The rear seats are fitted with an anchorage point which allows a forward-facing ISOFIX child seat with universal approval to be fitted. The anchorage points are located under the luggage compartment carpet and are indicated by a marking.

The size of the ISOFIX child seat is indicated by a letter:

- A, B and B1: for forward-facing seats in group 1 (9 to 18 kg);
- C: rear-facing seats in group 1 (9 to 18 kg);
- D and E: shell seat or rear-facing seats in group 0 or 0+ (less than 13 kg);
- F and G: cots in group 0 (less than 10 kg).

## CHILD SAFETY: Fitting a child seat (6/13)

The table below summarises the information already shown on the diagram on the previous page, to ensure the regulations in force are respected.

Type of child seat (Five-door version)	Weight of the child	Seat size	Front passenger seat WITH air bag (1) (2)	Front passenger seat WITHOUT air bag	Rear side seats	Rear centre seat (only for five seats versions)
<b>Carrycot fitted across the vehicle</b> Group 0	< 10 kg	F, G	X	X	U - IL (3)	U (3)
<b>Rear-facing shell seat</b> Group 0 or 0+	< 13 kg and 9 to 18 kg	E, D	U	U	U - IL (4)	U (4)
<b>rear-facing seat</b> Group 0+ and 1	9 to 18 kg	C	U	U	U (4)	U (4)
<b>Forward-facing seat</b> Group 1	9 to 18 kg	A, B, B1	X	U (5)	U - IUF - IL (5)	U (5)
<b>Booster seat</b> Group 2 and 3	15 to 25 kg and 22 to 36 kg	-	X	U (5)	U (5)	U (5)



**(1 RISK OF DEATH OR SERIOUS INJURY:** before installing a child seat on the front passenger seat, check that the air bag has been deactivated (refer to “Child safety: deactivating/activating the front passenger air bag” in Section 1).

## **CHILD SAFETY: Fitting a child seat (7/13)**

**X** = Seat not suitable for fitting child seats.

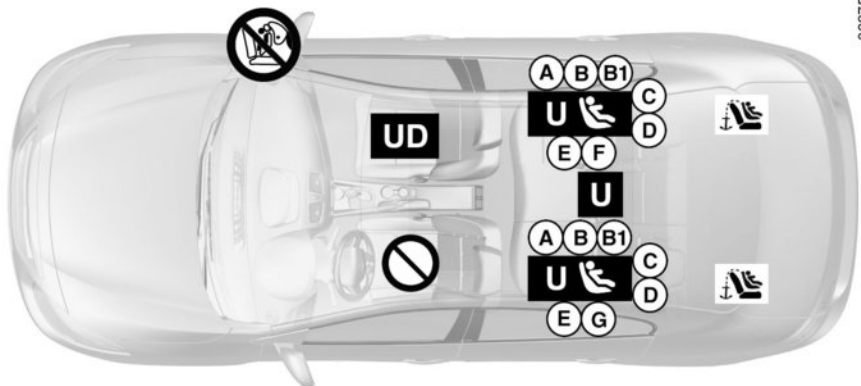
**U** = Seat which allows a child seat with "Universal" approval to be installed using a seat belt; check that it can be fitted.

**IUF/IL** = On equipped vehicles, seat which allows an approved "Universal/semi-universal" or vehicle specific" child seat to be attached using the ISOFIX system; check that it can be fitted.

- (2) Only a rear-facing child seat can be fitted in this seat: raise the seat to the maximum and position it as far back as possible, tilting the seatback slightly (approximately 25°).
- (3) A carrycot can be installed across the vehicle and will take up at least two seats. Position the child with his or her feet nearest the door.
- (4) Move the front seat as far forward as possible to install a rear-facing child seat, then move back the seat in front as far as it will go, although without allowing it to come into contact with the child seat.
- (5) Forward-facing child seat; position the seatback of the child seat in contact with the seatback of the vehicle seat. Adjust the headrest, or remove it if necessary. Do not push the front seat more than halfway back on its runners and do not recline the seatback more than 25°.

## CHILD SAFETY: Fitting a child seat (8/13)

Four-door versions (five seats) WITH front passenger air bag



Check the status of the air bag before fitting a child seat or allowing a passenger to use the seat.



### RISK OF DEATH OR SERIOUS INJURY:

before fitting a rear-facing child seat in the front passenger seat, check that the air bag has been deactivated (refer to the information on “Child safety: deactivating/activating the front passenger air bag” at the end of the paragraph).



Seat not suitable for fitting child seats.

### Child seat attached using the belt



Seat which allows a child seat with “Universal” approval to be attached by a seat belt.



Seat which **only** allows a **rear-facing seat** with “Universal” approval to be attached with a seat belt.



Using a child safety system which is not approved for this vehicle will not correctly protect the baby or child. They risk serious or even fatal injury.

### Child seat attached using the ISOFIX mounting



Seat which allows an ISOFIX child seat to be fitted.



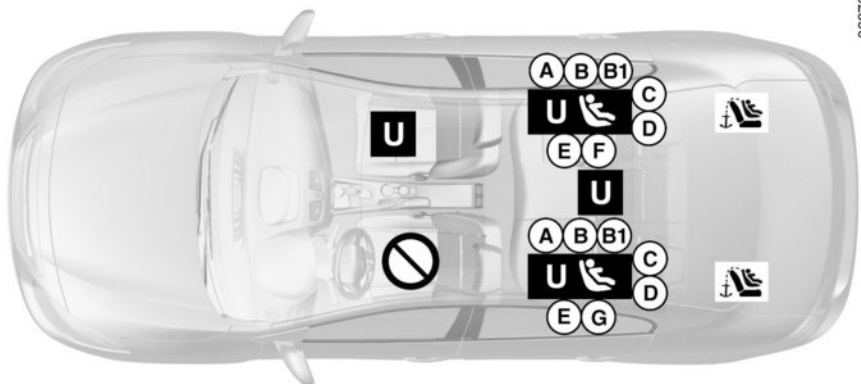
The rear seats are fitted with an anchorage point which allows a forward-facing ISOFIX child seat with universal approval to be fitted. The anchorage points are located in the luggage compartment and are visible.


The size of the ISOFIX child seat is indicated by a letter:

- A, B and B1: for forward-facing seats in group 1 (9 to 18 kg);
- C: rear-facing seats in group 1 (9 to 18 kg);
- D and E: shell seat or rear-facing seats in group 0 or 0+ (less than 13 kg);
- F and G: cots in group 0 (less than 10 kg).


## CHILD SAFETY: Fitting a child seat (9/13)

Four-door versions (five seats) WITHOUT front passenger air bag



 Seat not suitable for fitting child seats.

### Child seat attached using the belt

 Seat which allows a child seat with “Universal” approval to be attached by a seat belt.



Using a child safety system which is not approved for this vehicle will not correctly protect the baby or child. They risk serious or even fatal injury.

### Child seat attached using the ISOFIX mounting



Seat which allows an ISOFIX child seat to be fitted.



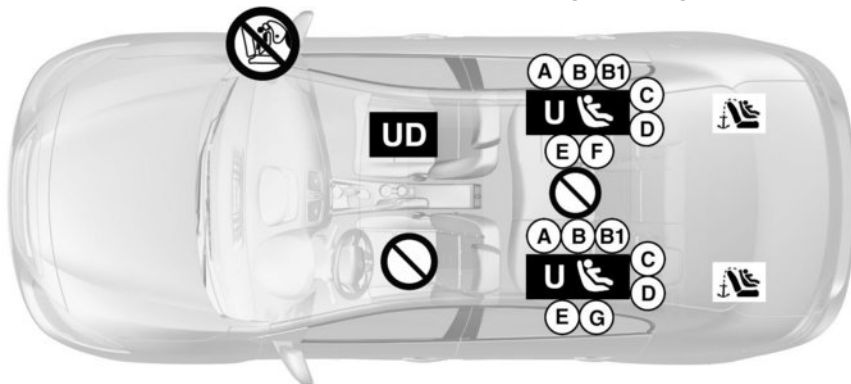
The rear seats are fitted with an anchorage point which allows a forward-facing ISOFIX child seat with universal approval to be fitted. The anchorage points are located in the luggage compartment and are visible.


The size of the ISOFIX child seat is indicated by a letter:

- A, B and B1: for forward-facing seats in group 1 (9 to 18 kg);
- C: rear-facing seats in group 1 (9 to 18 kg);
- D and E: shell seat or rear-facing seats in group 0 or 0+ (less than 13 kg);
- F and G: cots in group 0 (less than 10 kg).

# CHILD SAFETY: Fitting a child seat (10/13)

Four-door versions (four seats) WITH front passenger air bag



 Check the status of the air bag before fitting a child seat or allowing a passenger to use the seat.



**RISK OF DEATH OR SERIOUS INJURY:** before fitting a rear-facing child seat in the front passenger seat, check that the air bag has been deactivated (refer to the information on “Child safety: deactivating/activating the front passenger air bag” at the end of the paragraph).



Seat not suitable for fitting child seats.

## Child seat attached using the belt



Seat which allows a child seat with “Universal” approval to be attached by a seat belt.



Seat which **only** allows a **rear-facing seat** with “Universal” approval to be attached with a seat belt.



Using a child safety system which is not approved for this vehicle will not correctly protect the baby or child. They risk serious or even fatal injury.

## Child seat attached using the ISOFIX mounting



Seat which allows an ISOFIX child seat to be fitted.



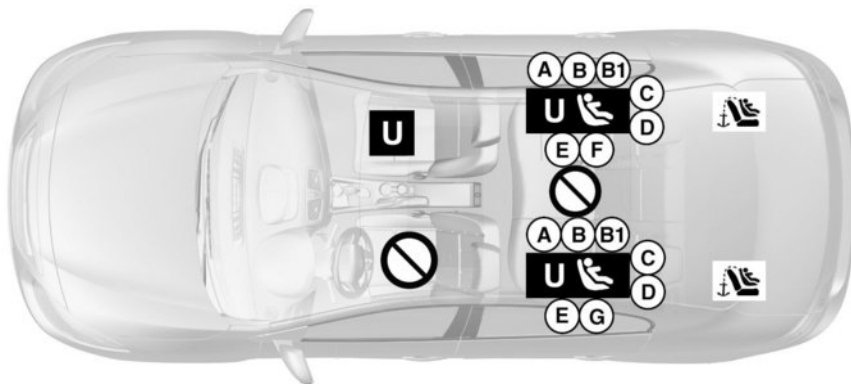
The rear seats are fitted with an anchorage point which allows a forward-facing ISOFIX child seat with universal approval to be fitted. The anchorage points are located in the luggage compartment and are visible.

The size of the ISOFIX child seat is indicated by a letter:


- A, B and B1: for forward-facing seats in group 1 (9 to 18 kg);
- C: rear-facing seats in group 1 (9 to 18 kg);
- D and E: shell seat or rear-facing seats in group 0 or 0+ (less than 13 kg);
- F and G: cots in group 0 (less than 10 kg).

# CHILD SAFETY: Fitting a child seat (11/13)


Four-door versions (four seats) WITHOUT front passenger air bag



34176

 Seat not suitable for fitting child seats.

## Child seat attached using the belt

 Seat which allows a child seat with “Universal” approval to be attached by a seat belt.



Using a child safety system which is not approved for this vehicle will not correctly protect the baby or child. They risk serious or even fatal injury.

## Child seat attached using the ISOFIX mounting



Seat which allows an ISOFIX child seat to be fitted.



The rear seats are fitted with an anchorage point which allows a forward-facing ISOFIX child seat with universal approval to be fitted. The anchorage points are located in the luggage compartment and are visible.

The size of the ISOFIX child seat is indicated by a letter:

- A, B and B1: for forward-facing seats in group 1 (9 to 18 kg);
- C: rear-facing seats in group 1 (9 to 18 kg);
- D and E: shell seat or rear-facing seats in group 0 or 0+ (less than 13 kg);
- F and G: cots in group 0 (less than 10 kg).



## CHILD SAFETY: Fitting a child seat (12/13)

The table below summarises the information already shown on the diagram on the previous page, to ensure the regulations in force are respected.

Type of child seat (Four-door version)	Weight of the child	Seat size	Front passenger seat WITH air bag (1) (2)	Front passenger seat WITHOUT air bag	Rear side seats	Rear centre seat (only for five seats versions)
<b>Carrycot fitted across the vehicle</b> Group 0	< 10 kg	F, G	X	X	U - IL (3)	U (3)
<b>Rear-facing shell seat</b> Group 0 or 0+	< 13 kg and 9 to 18 kg	E, D	U	U	U - IL (4)	U (4)
<b>rear-facing seat</b> Group 0+ and 1	9 to 18 kg	C	U	U	U - IL (4)	U (4)
<b>Forward-facing seat</b> Group 1	9 to 18 kg	A, B, B1	X	U (5)	U - IUF - IL (5)	U (5)
<b>Booster seat</b> Group 2 and 3	15 to 25 kg and 22 to 36 kg	-	X	U (5)	U (5)	U (5)



**(1 RISK OF DEATH OR SERIOUS INJURY:** before installing a child seat on the front passenger seat, check that the air bag has been deactivated (refer to “Child safety: deactivating/activating the front passenger air bag” in Section 1).

## CHILD SAFETY: Fitting a child seat (13/13)

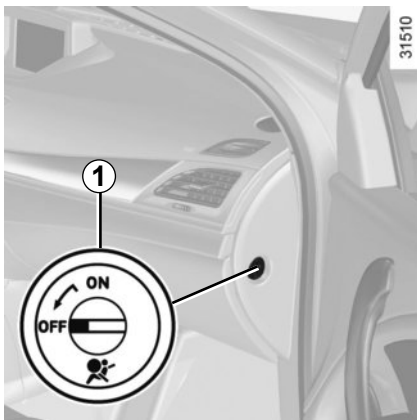
**X** = Seat not suitable for fitting child seats.

**U** = Seat which allows a child seat with "Universal" approval to be installed using a seat belt; check that it can be fitted.

**IUF/IL** = On equipped vehicles, seat which allows an approved "Universal/semi-universal" or vehicle specific" child seat to be attached using the ISOFIX system; check that it can be fitted.

- (2) Only a rear-facing child seat can be fitted in this seat: raise the seat to the maximum and position it as far back as possible, tilting the seatback slightly (approximately 25°).
- (3) A carrycot can be installed across the vehicle and will take up at least two seats. Position the child with his or her feet nearest the door.
- (4) Move the front seat as far forward as possible to install a rear-facing child seat, then move back the seat in front as far as it will go, although without allowing it to come into contact with the child seat.
- (5) Forward-facing child seat; position the seatback of the child seat in contact with the seatback of the vehicle seat. Adjust the headrest, or remove it if necessary. Do not push the front seat more than halfway back on its runners and do not recline the seatback more than 25°.

## CHILD SAFETY: deactivating, activating the front passenger air bag (1/3)




### Deactivating the front passenger air bags (on equipped vehicles)

You **must** deactivate certain devices in addition to the front passenger seat belt before fitting a child seat in the front passenger seat.



To deactivate the air bags: with the vehicle stationary, push and turn lock **1** to the OFF position.



With the ignition on, it is **essential** to check that warning light **2**  is lit on the central display and, depending on the vehicle, that the message "Passenger airbag off" is displayed.

**This light remains permanently lit to let you know that you can fit a child seat.**



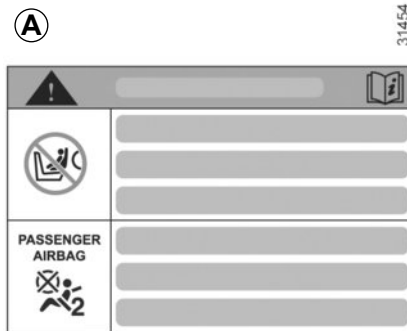
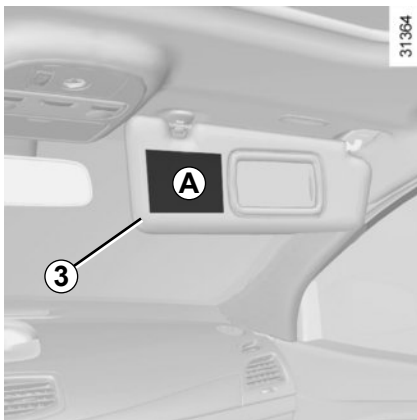
The passenger air bag must only be deactivated or activated **with the ignition off**.

If it is interfered with when the vehicle is being driven, indicator

lights  and  will come on.

Switch the ignition off then on again to reset the air bag in accordance with the lock.

# CHILD SAFETY: deactivating, activating the front passenger air bag (2/3)



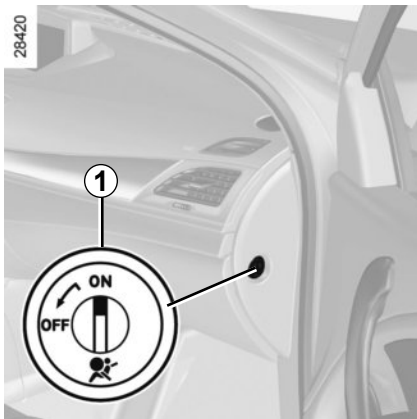
The markings on the dashboard and labels **A** on each side of passenger sun blind **3** (example: labels shown above) remind you of these instructions.



## DANGER

Since operation of the front passenger air bag is not compatible with the position of a rear-facing child seat, **NEVER** use a rearward facing child restraint on a seat protected by an **ACTIVE AIRBAG** in front of it, **DEATH** or **SERIOUS INJURY** to the **CHILD** can occur.


## CHILD SAFETY: deactivating, activating the front passenger air bag (3/3)

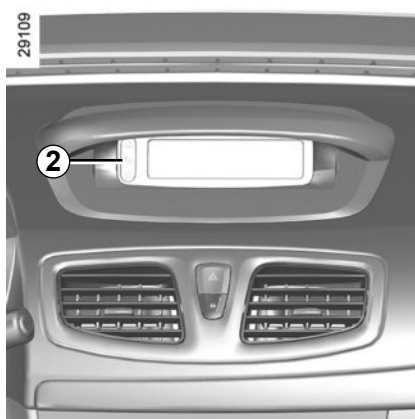


### Activating the front passenger air bags

You should reactivate the air bag as soon as you remove the child seat from the front passenger seat to ensure the protection of the front passenger in the event of an impact.

**To reactivate the air bags: when the vehicle is stationary**, push and turn lock **1** to the **ON** position.

With the ignition on, you **must** check that the  warning light **2**, is off.



### Operating faults

It is forbidden to fit a rear-facing child seat to the front passenger seat if the air bag activation/deactivation system is faulty.

Allowing any other passenger to sit in that seat is not recommended.

Contact your approved dealer as soon as possible.





### DANGER

Since operation of the front passenger air bag is not compatible with the position of a rear-facing child seat, **NEVER** use a rearward facing child restraint on a seat protected by an **ACTIVE AIRBAG** in front of it, **DEATH** or **SERIOUS INJURY** to the **CHILD** can occur.



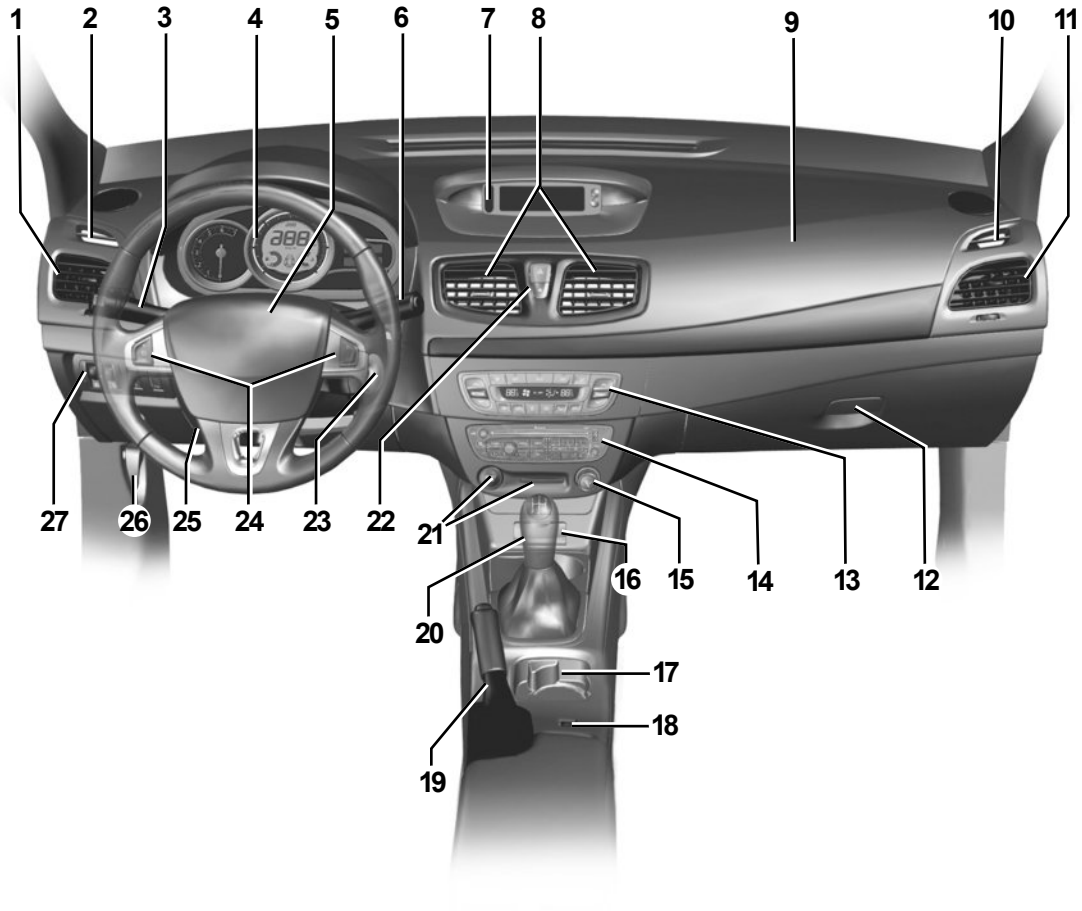
The passenger air bag must only be deactivated or activated **with the ignition off**.

If it is interfered with when the vehicle is being driven, indicator

lights  and  will come on.

Switch the ignition off then on again to reset the air bag in accordance with the lock.

# DRIVING POSITION: LEFT-HAND DRIVE (1/2)



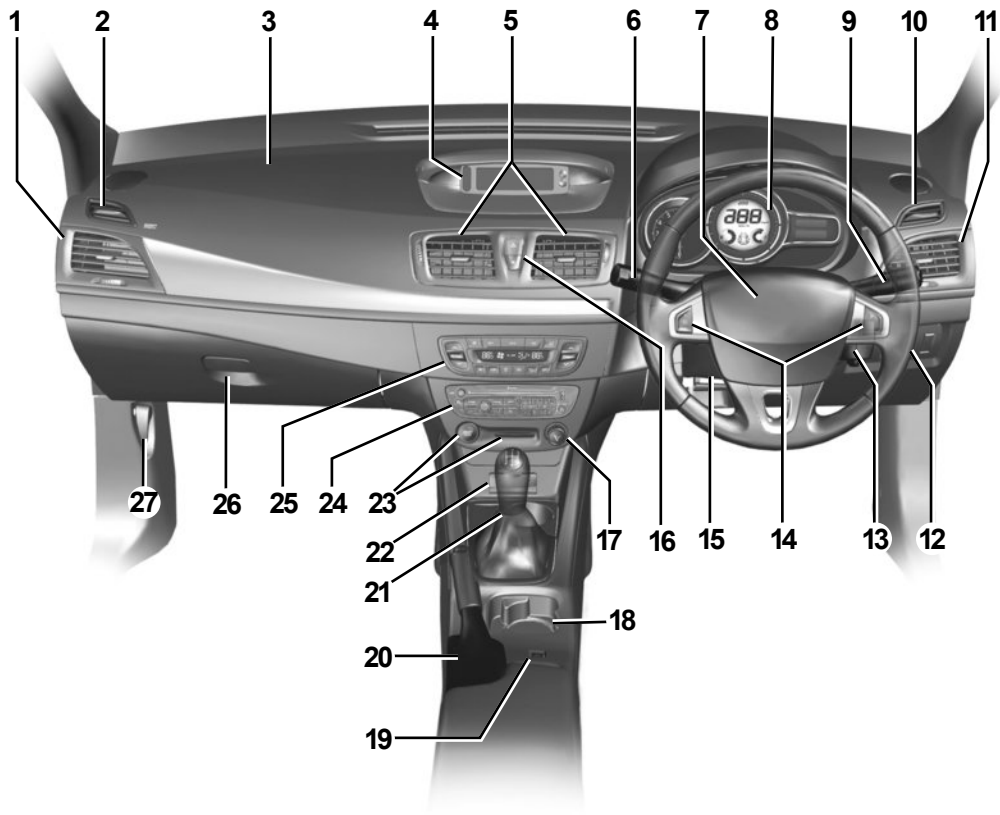
33860

## DRIVING POSITION: LEFT-HAND DRIVE (2/2)

The equipment fitted, described below, **DEPENDS ON THE VERSION AND COUNTRY.**

- 1** Side air vent.
- 2** Side window demister outlet.
- 3** Stalk for:
  - direction indicator lights,
  - exterior lights,
  - front fog lights,
  - rear fog light.
- 4** Instrument panel.
- 5** Driver's air bag and horn location.
- 6** – Stalk for windscreen and rear screen wash/wipe,
  - Trip computer information readout control and vehicle settings customisation menu.
- 7** – Display (depending on the vehicle) for time, temperature, radio information, navigation system information, etc.
  - Driver and front passenger seat belt unfastened and passenger air bag deactivated warning lights
- 8** Centre air vents.
- 9** Location for passenger air bag.
- 10** Side window demister outlet.
- 11** Side air vent.
- 12** Glove box.
- 13** Heating and ventilation controls.
- 14** Location for radio, navigation system, etc.
- 15** Cigar lighter.
- 16** Accessories socket.
- 17** Cup holder
- 18** Cruise control/speed limiter control.
- 19** Manual parking brake control.
- 20** Gear lever.
- 21** Engine start/stop control and RENAULT card reader.
- 22** Central door locking/unlocking controls and hazard warning lights switch.
- 23** Key ignition switch
- 24** Cruise control/speed limiter controls
- 25** Control for adjusting steering wheel height and reach.
- 26** Bonnet release.
- 27** Controls for:
  - headlight beam height remote adjustment;
  - lighting rheostat for control instruments;
  - activation/deactivation of the traction control.
  - activation/deactivation of the parking distance control system.

# DRIVING POSITION: RIGHT-HAND DRIVE (1/2)





## DRIVING POSITION: RIGHT-HAND DRIVE (2/2)

The equipment fitted, described below, **DEPENDS ON THE VERSION AND COUNTRY.**

- 1** Side air vent.
- 2** Side window demister outlet.
- 3** Location for passenger air bag.
- 4** – Display (depending on the vehicle) for time, temperature, radio information, navigation system information, etc.
  - Driver and front passenger seat belt unfastened and passenger air bag deactivated warning lights
- 5** Centre air vents.
- 6** Stalk for:
  - direction indicator lights,
  - exterior lights,
  - front fog lights,
  - rear fog light.
- 7** Location for driver's air bag and horn.
- 8** Instrument panel.
- 9** – Steering column stalk for wind-screen and rear screen wash/wipe,
  - Trip computer information read-out control and vehicle settings customisation menu.
- 10** Side window demister outlet.
- 11** Side air vent.
- 12** Controls for:
  - headlight beam height remote adjustment;
  - lighting rheostat for control instruments;
  - activation/deactivation of the traction control.
  - activation/deactivation of the parking distance control system.
- 13** Key ignition switch.
- 14** Cruise control/speed limiter controls.
- 15** Control for adjusting steering wheel height and reach.
- 16** Central door locking/unlocking controls and hazard warning lights switch.
- 17** Cigar lighter.
- 18** Cup holder
- 19** Cruise control/speed limiter main control.
- 20** Manual parking brake control.
- 21** Gear lever.
- 22** Accessories socket.
- 23** Engine start/stop control and RENAULT card reader.
- 24** Location for radio, navigation system, etc.
- 25** Heating and ventilation controls.
- 26** Glove box.
- 27** Bonnet release.


## WARNING LIGHTS (1/4)

The presence and operation of the warning lights depend on the vehicle equipment and country.



When the ignition is switched on, the instrument panel lights up. Turn wheel **1** to set the brightness of the instrument panel. In certain cases, the indicator lights come on with the message.

### Instrument panel. **A**

The warning light  means you should drive very carefully to an approved dealer as soon as possible. If you fail to follow this recommendation, you risk damaging your vehicle.



Side light tell-tale light



Headlight main beam tell-tale light



Dipped beam headlight tell-tale light



Front fog light indicator light



Rear fog light indicator light



Left-hand direction indicator tell-tale light



Right-hand direction indicator tell-tale light



**Parking brake warning and braking system fault warning light**

Refer to the information on the “Parking brake” in Section 2.

The warning light comes on when the ignition is switched on, and goes off after a few seconds. In the event of a fault **STOP** it comes on along with a beep. This indicates a fault with the braking system. Stop as soon as traffic conditions allow and consult an approved dealer.



Warning light **STOP** requires you to stop immediately, for your own safety, as soon as traffic conditions allow. Switch off the engine and do not restart it. Contact an approved dealer.



If no lights or sounds are audible, this indicates a fault in the instrument panel. This indicates that it is essential to stop immediately (as soon as traffic conditions allow). Ensure that the vehicle is correctly immobilised and contact an approved dealer.

## WARNING LIGHTS (2/4)

The presence and operation of the warning lights depend on the vehicle equipment and country.



### Antipollution warning light

The warning light comes on when the ignition is switched on, and goes off after a few seconds.

- If it lights up continuously, consult an approved dealer as soon as possible;
- If the warning light flashes, reduce the engine speed until the light stops flashing. Contact an approved dealer as soon as possible.

Refer to the information “Advice on antipollution, fuel economy and driving” in Section 2.



### Anti-lock braking system warning light (ABS)

The warning light comes on when the ignition is switched on, and goes off after a few seconds. If it does not go off after a few seconds, or it comes on when driving, this indicates a fault with the anti-lock braking system. Braking will then be as normal, without the ABS.

Contact an approved dealer as soon as possible.



### Cruise control and speed limiter indicator lights

Refer to the information on the “Cruise control/speed limiter: functions of the speed limiter” and “Cruise control/speed limiter: functions of the cruise control in Section 2.



### Fuel economy indicator

This indicator shows the optimum time to change up a gear (up arrow) or down a gear (down arrow).

Depending on the vehicle model, this indicator flashes out when the gear lever is not in the neutral position when starting the engine. Position the gear lever in neutral or depress the clutch pedal.



### Preheating warning light (diesel version)

This should come on when the ignition is switched on. It indicates that the heater plugs are in operation. This goes out as soon as the engine starts.



### Water in the diesel filter warning light

If it comes on when you are driving, it indicates the presence of water in the diesel. Contact your approved dealer as soon as possible.

## WARNING LIGHTS (3/4)

The presence and operation of the warning lights depend on the vehicle equipment and country.



### **STOP** STOP light

The warning light comes on when the ignition is switched on, and goes off after a few seconds.

It comes on with other warning lights and/or messages, and is accompanied by a beep.

**It means you must stop immediately for your own safety. Consult an approved dealer.**



### Driving correction device indicator light

This lights up when the ESC system is activated.

Refer to the information on “Driving correction devices and aids” in Section 2.



### Warning light

The warning light comes on when the ignition is switched on, and goes off after a few seconds. It may light up in conjunction with other warning lights and/or messages on the instrument panel.

If it comes on when driving, carefully drive the vehicle to an approved dealer as soon as possible.



### Air bag warning light

The warning light comes on when the ignition is switched on, and goes off after a few seconds. If it does not come on, or comes on later, there is a fault in the system.

This could compromise the operation of the air bags. Stop immediately and consult an approved dealer.

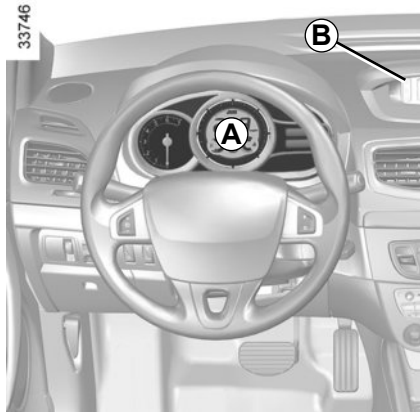


### Handbrake “on” or electronic parking brake warning light

Refer to the information on the “Handbrake” or “Electronic parking brake” in Section 2.

## WARNING LIGHTS (4/4)

The presence and operation of the warning lights depend on the vehicle equipment and country.



### Tyre pressure loss warning

Refer to the information on “Tyre pressure loss warning” in Section 2.



### Oil pressure warning light

The warning light comes on when the ignition is switched on, and goes off after a few seconds. If it comes on when driving (**STOP** the warning light and beep) it is essential to stop and switch off the ignition.

Check the oil level (refer to the information on the “Engine oil level” in Section 4). If the level is correct, the light has come on for another reason; consult an approved dealer.



### Low fuel level warning light

The warning light comes on when the ignition is switched on, and goes off after a few seconds. If it comes on when driving, along with a beep, top up the level as soon as possible.



### Coolant temperature warning light

The warning light comes on when the ignition is switched on, and goes off after a few seconds. If it comes on when driving (**STOP** the warning light and beep), stop the vehicle as soon as possible in a safe area, and wait for the temperature to drop. If it is still on, check the coolant level.

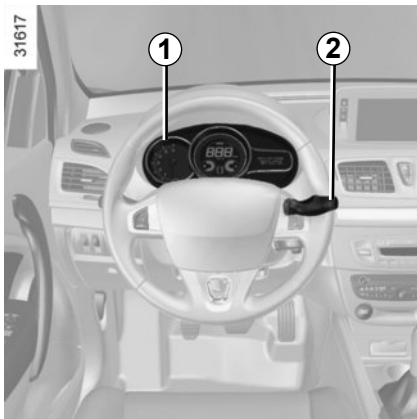
Contact an approved dealer as soon as possible.



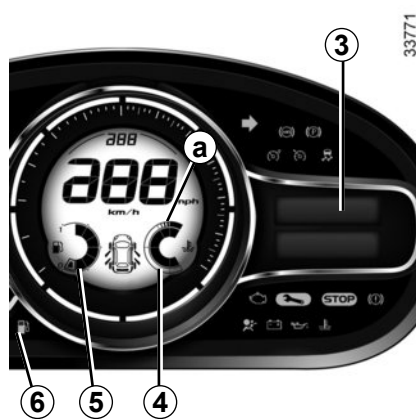
### Driver's seat belt reminder warning light **B**

Once the engine is running, if the driver's belt has not been fastened, the integrated indicator on the display **B** comes on and when a speed of 12 mph (20 km/h) is reached, a beep sounds for more than 120 seconds and the indicator light flashes. After 120 seconds, just the indicator light is on.

## DISPLAYS AND INDICATORS (1/2)



Rev counter 1 (rpm  $\times$  1,000)



### Engine oil level low warning

When the engine is started, display 3 alerts the driver when the oil level is at its minimum. Refer to the information on the “Engine oil level” in Section 4.

The first time the warning appears, it can be cleared by pressing one of the buttons on the end of stalk 2.

Subsequent warnings will disappear automatically after 30 seconds.

### Fuel gauge 5

If the minimum level is reached, warning light 6 comes on and a beep sounds. Fill up as soon as possible. There is only approximately 30 miles (50 km) worth of fuel left after the warning light first comes on.

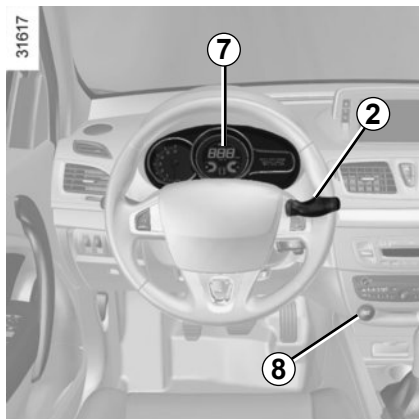
### Coolant temperature indicator 4

In normal use, indicator 4 should be before area a. Under severe conditions, the needle may enter this area. This is not serious unless the **STOP** warning light comes on, accompanied by a message on the instrument panel and a beep.

### Trip computer and warning system

Refer to the information on the “Trip computer and warning system” in Section 1.

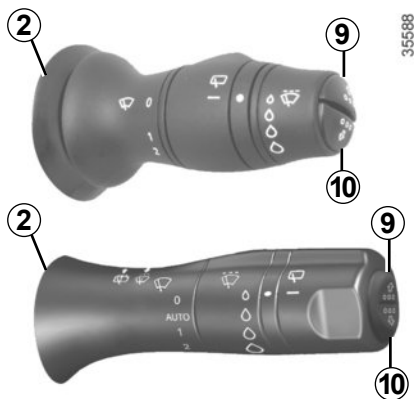
## DISPLAYS AND INDICATORS (2/2)



**Speedometer 7 (kph or mph)**

### **Overspeed buzzer**

Depending on the vehicle and country, a buzzer sounds for approximately 10 seconds every 40 seconds, as long as the vehicle is travelling in excess of 72 mph (120 km/h).



### **Instrument panel in miles**

(option to switch to km/h)

- With the ignition off, press one of the buttons **9** or **10** at the end of stalk **2** and start button **8**;
- the speedometer unit indicator flashes for approximately ten seconds, then the new unit is displayed: release button **9** or **10** when the unit stops flashing.

To return to the previous mode, repeat the same operation.


**Note:** once the battery is switched off, the trip computer and warning system automatically returns to the original unit of measurement.

## TRIP COMPUTER: general information (1/2)



### Trip computer 1

Depending on the vehicle, this includes the following functions:

- distance travelled;
- journey parameters;
- information messages;
- operating fault messages (connected to the warning light );
- warning messages (connected to the **STOP** warning light);
- vehicle settings customisation menu.

All these functions are described on the following pages.



### Display selection keys 2 and 3

Scroll through the following information upwards (key 2) or downwards (key 3) by pressing briefly and successively (the display depends on the vehicle equipment and country).

- a) total mileage and trip mileage recorder;
- b) journey parameters:
  - fuel used;
  - average fuel consumption;
  - current fuel consumption;
  - estimated range;
  - distance travelled;
  - average speed;



- c) oil change interval;
- d) tyre pressure monitor;
- e) vehicle settings customisation menu;
- f) trip log, operating faults and information message readout.



## TRIP COMPUTER: general information (2/2)



### Trip mileage resetting

With "trip mileage recorder" selected on the display, press button 2 or 3 until the mileage recorder resets to zero.

### Resetting the journey parameters (reset button)

With the display showing one of the journey parameters, press button 2 or 3 until the display is reset.



### Interpreting some of the values displayed after resetting

The values showing average fuel consumption, range and average speed will become more stable and reliable the further you travel after pressing the reset button.

For the first few miles after pressing the reset key you will notice that the range increases as you travel. This range takes into account the average fuel consumption since the last time the reset button was pressed. Therefore, the average fuel consumption may decrease when:








- the vehicle stops accelerating;
- the engine reaches its operating temperature (if the engine was cold when the reset key was pressed);
- when driving from an urban area onto the open road.

### Automatic resetting of the journey parameters

Resetting occurs automatically when the maximum value of any of the parameters is exceeded.


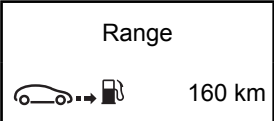
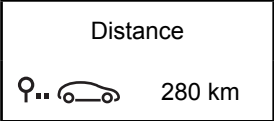
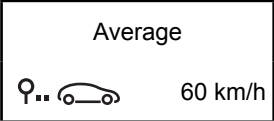
## TRIP COMPUTER: trip settings (1/4)

The display of information shown below **DEPENDS ON THE VEHICLE EQUIPMENT AND COUNTRY.**

Examples of selections	Interpreting the display selected
<div data-bbox="151 296 424 418" style="border: 1px solid black; padding: 10px; margin-bottom: 20px;">123.456 km 1234.5 km</div> <div data-bbox="151 524 424 647" style="border: 1px solid black; padding: 10px; margin-bottom: 20px;">Fuel used   25.2 L</div> <div data-bbox="151 725 424 848" style="border: 1px solid black; padding: 10px;">Average   7.2 L/100</div>	<p data-bbox="521 341 597 375"></p> <p data-bbox="642 341 1126 375"><b>a) Total mileage and trip mileage recorder.</b></p> <p data-bbox="521 565 597 599"></p> <p data-bbox="642 543 1058 627"><b>b) Journey parameters.</b> <b>Fuel used.</b> Fuel consumed since the last reset.</p> <p data-bbox="521 778 597 812"></p> <p data-bbox="642 750 1428 840"><b>Average fuel consumption</b> since the last reset. The value is displayed after having travelled at least 400 metres since the last reset.</p>


## TRIP COMPUTER: trip settings (2/4)

The display of information shown below **DEPENDS ON THE VEHICLE EQUIPMENT AND COUNTRY.**

Examples of selections	Interpreting the display selected
	<p>➔ <b>Current fuel consumption</b> This value is displayed above a speed of approximately 5 km/h.</p>
	<p>➔ <b>Estimated range with remaining fuel</b> This range takes into account the average fuel consumption since the last time the reset button was pressed. The value is displayed after having covered at least 400 metres. <b>Note:</b> the information displayed may not correspond to the actual situation according to the trajectory, driving style, the road conditions (uphill or downhill, etc.) and the vehicle speed.</p>
	<p>➔ <b>Distance travelled</b> since the last reset</p>
	<p>➔ <b>Average speed</b> since the last reset The value is displayed after driving 400 metres.</p>

## TRIP COMPUTER: trip settings (3/4)

The display of information shown below **DEPENDS ON THE VEHICLE EQUIPMENT AND COUNTRY.**

Examples of selections	Interpreting the display selected				
<table border="1"><tr><td data-bbox="95 288 359 409">Oil change in 30000km/24 MONTHS</td><td data-bbox="397 288 662 409">Schedule Oil Chg in 100km</td></tr><tr><td data-bbox="397 477 662 598">Schedule Oil Chg in 10 days</td><td></td></tr></table>	Oil change in 30000km/24 MONTHS	Schedule Oil Chg in 100km	Schedule Oil Chg in 10 days		<p>⇒</p> <p><b>c) Mileage before oil change.</b> Distance remaining until the next oil change (displayed in miles/kilometres and months), then when the time nears, several scenarios are possible:</p> <ul style="list-style-type: none"><li>– distance/time remaining less than <b>900 miles (1,500 km) or one month</b>: the message “Schedule Oil Chg in” or “Oil change in” is displayed accompanied by the nearest term (distance or time);</li><li>– range equal to <b>0 km/miles or service date reached</b>: the message “Oil changerequired” is displayed accompanied by warning light .</li></ul> <p>The vehicle requires an oil change as soon as possible.</p>
Oil change in 30000km/24 MONTHS	Schedule Oil Chg in 100km				
Schedule Oil Chg in 10 days					
<p><b>NB:</b> depending on the vehicle, the mileage before an oil change varies according to the driving style (frequent driving at low speed, door-to-door journeys, extensive use at idle speed, towing a trailer etc.). The distance remaining until the next oil change can therefore decrease more quickly in some cases than the actual distance travelled.</p> <p>The oil change intervals are independent of the vehicle’s maintenance schedule: please refer to your vehicle’s Maintenance Document.</p> <p><b>Resetting:</b> to reset the mileage before an oil change, press and hold one of the display reset buttons for approximately 10 seconds until the display shows the range permanently.</p>					

## TRIP COMPUTER: trip settings (4/4)

The display of information shown below **DEPENDS ON THE VEHICLE EQUIPMENT AND COUNTRY.**


Examples of selections	Interpreting the display selected
<div data-bbox="137 288 439 412" style="border: 1px solid black; padding: 10px; margin-bottom: 20px;">"Settings menu: press and hold"</div> <div data-bbox="137 605 439 729" style="border: 1px solid black; padding: 10px; text-align: center;">OK</div>	<p data-bbox="621 292 1070 314"><b>d) Vehicle settings customisation menu</b></p> <p data-bbox="647 331 1430 407">It enables certain vehicle functions to be set (instrument panel language, front/rear parking distance control, etc.). Refer to the information on "Vehicle settings customisation menu" in Section 1.</p> <p data-bbox="621 598 798 620"><b>e) On-board log</b></p> <p data-bbox="647 637 858 659">Successive display:</p> <ul data-bbox="647 676 1324 738" style="list-style-type: none"><li data-bbox="647 676 1251 698">– of information messages (passenger air bag OFF etc.),</li><li data-bbox="647 715 1324 738">– of operating fault messages (check the injection system, etc.).</li></ul>


## TRIP COMPUTER AND WARNING SYSTEM: information messages

These can help in the vehicle starting phase, or give information about a selection or a driving status. Examples of information messages are given in the following pages.

Examples of messages	Interpreting the display selected
“Battery low start engine”	Indicates that the vehicle must be started to recharge the battery (eg. after the engine has been switched off for some time whilst listening to the radio).
“Please remove keycard”	Request to remove the RENAULT card from the reader when you leave the vehicle.
“Checking control functions”	Displayed with the ignition on when the vehicle is running self-diagnostics.
“Traction control off”	Indicates that you have deactivated the ASR function.
“Turn steering wheel + START”	Turn the steering wheel slightly whilst pressing the vehicle start button to unlock the steering column.
“No message available”	No warning is stored.
“Steering wheel not locked”	Indicates that the steering column has not been locked.
“Stop vehicle”	Indicates an electronic parking brake fault. Apply the electronic parking brake manually and ensure that the vehicle is immobilised using a chock.

## TRIP COMPUTER AND WARNING SYSTEM: operating fault messages

These appear with the  warning light and mean that you should drive very carefully to an approved dealer as soon as possible. If you fail to follow this recommendation, you risk damaging your vehicle.

They disappear when the display selection key is pressed or after several seconds and are stored in the computer log. The  warning light stays on. Examples of operating fault messages are given in the following pages.

Examples of messages	Interpreting the display selected
“Clean diesel filter”	Indicates the presence of water in the diesel filter.
“Check lighting”	Indicates a fault in the directional headlights.
“Check vehicle”	Indicates a fault on one of the pedal sensors or in the battery management system.
“Check airbag”	Indicates a fault in the restraint system in addition to the seat belts. In the event of an accident, it is possible that they may not be triggered.
“Check anti-pollution system”	Indicates a fault in the vehicle’s particle filter system.
“Check injection system”	Indicates an engine fault.

## TRIP COMPUTER AND WARNING SYSTEM : warning messages

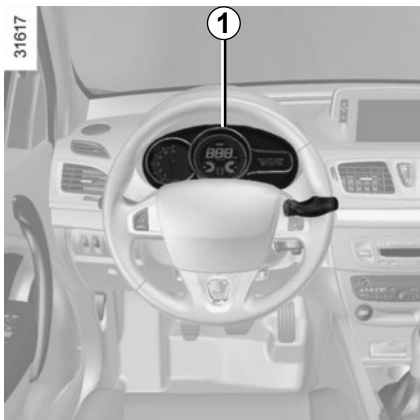
These appear with the **STOP** warning light and require you to stop immediately, for your own safety, as soon as traffic conditions allow. Stop your engine and do not restart it. Contact an approved Dealer.

Examples of warning messages are given in the following pages. **Note:** the messages appear on the display either individually or alternately (when there are several messages to be displayed), and may be accompanied by a warning light and/or a beep.

Examples of messages	Interpreting the display selected
“Engine failure hazard”	Indicates engine overheating, or an injection or engine oil pressure fault.
“Power steering fault” or “Risk of steering locking”	Indicates a fault in the steering.
“Parking brake fault”	Indicates an electronic parking brake fault. Apply the electronic parking brake manually and ensure that the vehicle is immobilised using a chock.
“Battery charging fault”	Indicates a fault in the vehicle battery charging circuit (alternator etc.).



# VEHICLE SETTINGS CUSTOMISATION MENU



On equipped vehicles, this function, which is integrated in the trip computer and warning system **1**, allows you to activate/deactivate some of the vehicle's functions.

## Accessing the settings customisation menu

With the vehicle stationary, press either button **2** or **3** until the message "Settings menu: press and hold" appears on display **1**. Press either button **2** or **3** for longer than 2 seconds to enter the menu.



## Adjusting the settings

Press one of buttons **2** or **3** to select a function to change:

- a) Auto door locking while driving;
- b) Auto rear wipe with reverse gear;
- c) Auto dipped-beam headlights;
- d) Rear parking sensor;
- e) Parking sensor volume;
- f) LANGUAGE.




function activated



function deactivated

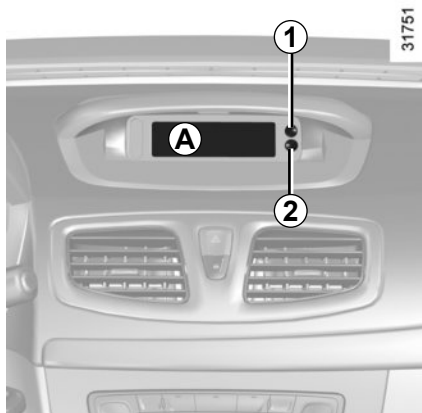
Once a line has been selected, keep pressing either button **2** or **3** to change the function: If you select either "Parking sensor volume" or "LANGUAGE", you will be given a new choice of options (parking distance control volume or instrument panel language). In this case, make your selection and confirm it by holding either button **2** or **3**, the value

selected is shown by a  in front of the line.

To exit the menu, select back arrow then confirm by pressing either button **2** or **3**.

The vehicle settings customisation menu cannot be used when driving. At speeds of above 12 mph (20 km/h) for vehicles with a manual gearbox (0 mph for vehicles with an automatic gearbox), the on-board display returns automatically to the trip computer and warning system mode.

## CLOCK AND EXTERIOR TEMPERATURE (1/2)



With the ignition on, the time and, depending on the vehicle, the exterior temperature are displayed.

### Display A

On equipped vehicles, buttons **1** and **2** are used to set the clock.

Press button **1** to adjust the hours and button **2** to adjust the minutes.



### Display B

**Vehicles fitted with touch-screen multimedia, navigation aid systems, telephones, etc.**

Refer to the separate instructions for the function to understand the special features of this equipment.

If the power supply is cut (battery disconnected, supply wire cut, etc.), the clock must be reset.

We recommend that you do not adjust these settings while driving.

## External temperature indicator

### Special note:

When the external temperature is between  $-3^{\circ}\text{C}$  and  $+3^{\circ}\text{C}$ , the  $^{\circ}\text{C}$  characters flash (indicates risk of ice formation).



### External temperature indicator

As ice formation is related to climatic exposure, local air humidity and temperature, the external temperature alone is not sufficient to detect ice.

## CLOCK AND EXTERIOR TEMPERATURE (2/2)



### Display C

(vehicle with setting buttons 4 and 5)

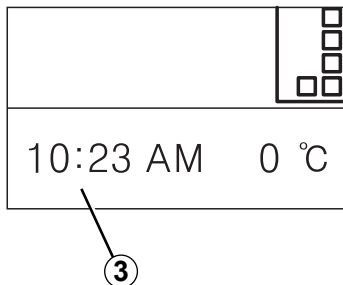
With the ignition on, press button 4 or 5 to enter time setting mode: display 3 appears.

Wait for the hours and minutes to flash.

Press and hold button 5 to select the hours.

When the hours flash, repeatedly press or press and hold button 4 to set them.

C

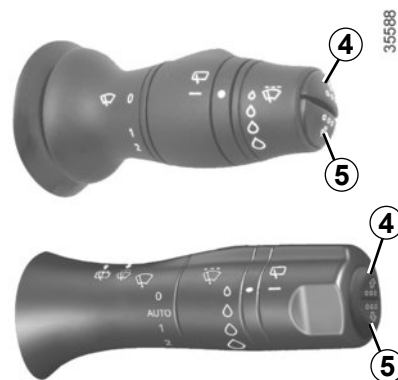


Finishing by pressing and holding button 5 to confirm the time set.

When the minutes flash, repeatedly press or press and hold button 4 to set them.

The fixed display on the hours and minutes for two seconds confirms the hour and minute setting.

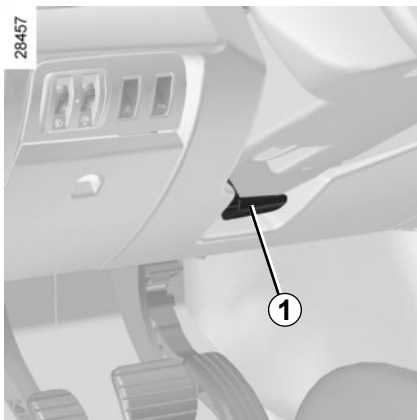
Press button 4 or 5 to exit time setting mode.



If the power supply is cut (battery disconnected, supply wire cut, etc.), the clock must be reset.

We recommend that you do not adjust these settings while driving.

# STEERING WHEEL, POWER-ASSISTED STEERING



## Steering wheel

Height and, depending on the vehicle, depth adjustment.

Pull lever **1** and move the steering wheel to the required position.

Then, push the lever back fully, beyond the point of resistance to lock the steering wheel.

Make sure that the steering wheel is correctly locked.



For safety reasons, only adjust the steering wheel when the vehicle is stationary.

## Power-assisted steering

The variable power-assisted steering system is equipped with an electronic control system which alters the level of assistance to suit the vehicle speed.

Steering is made easier during parking manoeuvres (for added comfort) whilst the force needed to steer increases progressively as the speed rises (for enhanced safety at high speeds).



Never switch off the ignition when travelling downhill, and avoid doing so in normal driving (assistance is not provided).

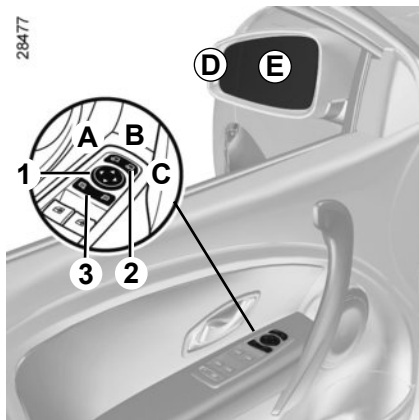
Never leave the steering wheel on full lock when the vehicle is stationary.

Do not drive with a low battery charge. The steering wheel may not operate correctly.

With the engine switched off, or if there is a system fault, it is still possible to turn the steering wheel. The force required will be greater.

A noise may be heard when the steering wheel is moved quickly. This is normal.

# REAR VIEW MIRRORS



## Door mirrors

### Adjustment

Select the door mirror using switch **3**, then use button **1** to adjust it to the desired position.

### Heated door mirrors

(depending on the vehicle)

Mirror de-icing is carried out at the same time as rear screen de-icing.

## Folding door mirrors (depending on the vehicle)

The door mirrors automatically fold in when the vehicle is locked (switch **2** in position **B**). In this case, they will fold out when the ignition is next switched on.

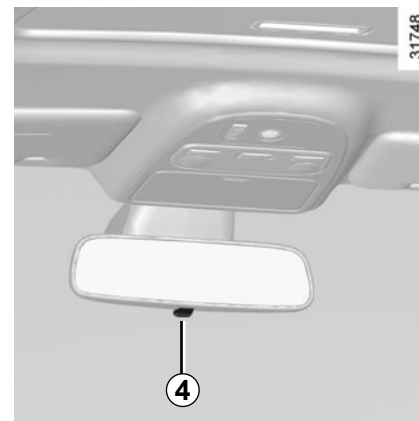
In any case, you can make the door mirrors fold in (switch **2** in position **C**) or fold out (switch **2** in position **A**).

Automatic mode is then deactivated. To reactivate it, position switch **2** to **B**.



The driver's door mirror may have two clearly defined zones. Zone **E** shows what can normally be seen in an ordinary rear view mirror. Zone **D** increases rear side visibility.

**The objects in zone D look much further away than they really are.**



## Interior rear view mirror

Its position can be adjusted.

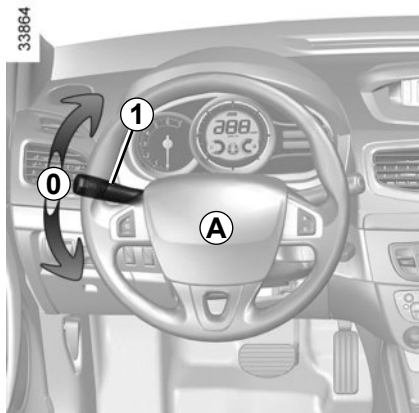
### Rear view mirror with lever 4

When driving at night, to avoid being dazzled by the headlights of the vehicle behind, move the small lever **4** located behind the rear view mirror.

### Rear view mirror without lever 4

The rear view mirror darkens automatically at night if you are being followed by a vehicle with its lights on.

# AUDIBLE AND VISUAL SIGNALS



## Horn

Press on the sides of the steering wheel boss **A**.

## Headlight flasher

Pull stalk **1** towards you to flash the headlights.

## Direction indicators

Move stalk **1** parallel to the steering wheel and in the direction you are going to turn it.

### One-touch mode

When driving, it is possible that the steering wheel may not be turned sufficiently to return the stalk automatically to its starting position.

In this case, briefly turn stalk **1** to the intermediate position, then release it: the stalk returns to its original point and depending on the vehicle the indicator light flashes three times.



## Hazard warning lights

Press switch **2**. This switch activates all four direction indicators and the side indicator lights simultaneously. It must only be used in an emergency to warn drivers of other vehicles that you have had to stop in an area where stopping is prohibited or unexpected or that you are obliged to drive under special conditions.

Depending on the vehicle, the hazard warning lights may come on automatically under heavy deceleration. You can switch them off by pressing switch **2**.

## EXTERIOR LIGHTING AND SIGNALS (1/3)



### Side lights

Turn the ring **2** until the symbol is opposite mark **3**.

### Daytime running lights function

Depending on the vehicle, the daytime running lights come on automatically when the engine is started. To activate or deactivate this function, refer to the information on the “Vehicle settings customisation menu” in Section 1.



### Dipped beam headlights

#### Manual operation

Turn the ring **2** until the symbol is opposite mark **3**. This indicator light on the instrument panel comes on.

#### Automatic operation

(depending on vehicle)

Turn ring **2** until the AUTO symbol is opposite mark **3**: with the engine running, the dipped beam headlights switch on or off automatically depending on the brightness of the light outside, without any action on stalk **1**.



### Main beam headlights

With the dipped beam headlights lit, pull stalk **1** towards you. This indicator light on the instrument panel comes on.

To return to the dipped headlight position, pull stalk **1** towards you again.



Before driving at night, check that the electrical equipment is operating correctly and adjust the headlight beams (if your vehicle is not carrying its normal load). As a general precaution, check that the lights are not obscured (by dirt, mud, snow or objects being transported).

When driving on the left in a left-hand drive vehicle (or vice versa), drivers must re-adjust their lights throughout their stay (see “Adjusting headlight beams” in Section 1).


## EXTERIOR LIGHTING AND SIGNALS (2/3)



### Directional headlights

Depending on the vehicle, with the dipped beam headlights on and under certain conditions (speed, steering wheel angle, forwards gear selected, etc.) when cornering, the dipped beam headlights move to light the inside of the bend.

### Operating faults

Depending on the vehicle, when the message “Check lighting” appears on the instrument panel along with the  warning light, this indicates that there is a lighting fault. Consult an approved dealer.

### Special note:

- If the dipped beam headlights are manually switched on and if the light is sufficient, the directional headlights will remain fixed;
- If the lights come on automatically when cornering, the directional headlights will start working from the next time the vehicle corners;
- When the dipped beam headlights are switched on with the engine running and the vehicle stationary, the lights move to reinitialise themselves. If not, there is a system fault.

### Switching off the lights

There are two possibilities:

- Manually, move ring 2 to position 0;
- automatically, the lights will go out when the engine is switched off, the driver's door is opened or the vehicle is locked. In this case, the next time the engine is started the lights will be switched back on according to the position of the ring 2.

**Note:** if the fog lights are lit, the lights are not switched off automatically.

### “See-me-home lighting” function

Depending on the vehicle, this function allows you to briefly switch on the dipped beam headlights (to provide light when opening a gate, etc.).

**With the engine and lights off**, and ring 2 in position 0, pull stalk 1 towards you: the dipped beam headlights come on for approximately thirty seconds. To increase this duration, you may pull the stalk up to four times (total time restricted to two minutes). Depending on the vehicle, the message “See-me-home \_ \_ \_” accompanied by the lighting time is displayed on the instrument panel to confirm the action.

To switch off the lights before they go out automatically, turn ring 2 to any position, then return it to position 0.



## EXTERIOR LIGHTING AND SIGNALS (3/3)



### Lights-on reminder buzzer

If the lights are on after the engine is switched off, a warning beep sounds when the driver's door is opened to warn you that the lights are still on.

### Front fog lights

Turn centre ring **4** on stalk **1** until the symbol faces mark **5**, then release it.

Operation of the fog lights depends on the exterior lighting position selected, and an indicator light will light up on the instrument panel.

### Rear fog light

Turn centre ring **4** on the stalk until the symbol faces mark **5**, then release it.

Operation of the fog lights depends on the exterior lighting selected, and an indicator light will light up on the instrument panel.

To avoid inconveniencing other road users, remember to switch off the rear fog light when it is no longer needed.

### Switching off the lights

Turn ring **4** again until mark **5** is opposite the symbol for the fog light that you wish to switch off. The corresponding indicator light on the instrument panel goes out.

The front and rear fog lights switch off when the exterior lights are switched off.

When driving in fog or snow, or when transporting objects which are higher than the roof, the headlights do not come on automatically.

Switching on the fog lights remains the responsibility of the driver: the indicator lights on the instrument panel inform you whether the fog lights are lit (indicator light on) or not (indicator light not on).

## ELECTRICAL ADJUSTMENT OF THE DIPPED BEAM HEADLIGHTS (1/2)



On vehicles fitted with this function, control **A** allows you to adjust the height of the beams according to the load.

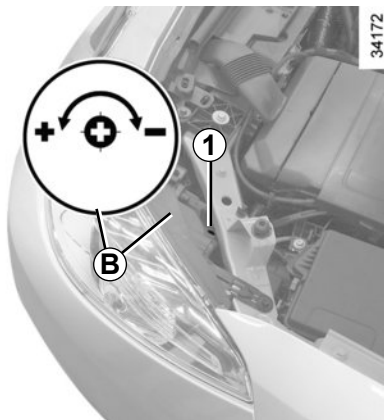
Turn control **A** downwards to lower the headlights and upwards to raise them.

For vehicles not fitted with control **A**, adjustment is automatic.

	For manual setting Examples of positions for adjusting control <b>A</b> according to the load
<b>Driver alone or with front passenger</b>	0
<b>Driver with one front passenger and one rear passenger</b>	0
<b>Driver with one front passenger and two or three rear passengers</b>	1
<b>Driver with one front passenger, three rear passengers and luggage</b>	3

## ELECTRICAL ADJUSTMENT OF THE DIPPED BEAM HEADLIGHTS (2/2)

When driving on the left in a left-hand drive vehicle (or vice versa), you must adjust your lights temporarily during your stay.



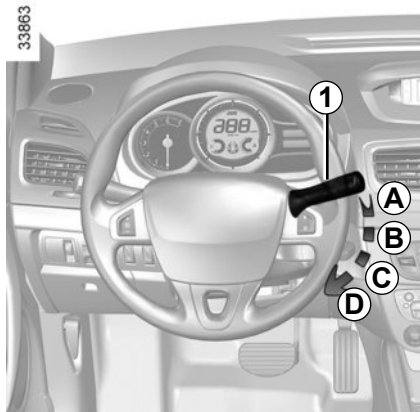
### Temporary adjustment

Open the bonnet and identify the marking **B** next to one of the front headlight projectors.

For each headlight, using a screwdriver, turn the screw **1** by a quarter turn towards the - symbol to lower the beams.

Return to the starting point once your trip is over: turn the screw **1** by a quarter turn towards the + symbol to raise the beams.

# WINDSCREEN WASH, WIPE (1/2)



## Vehicle fitted with intermittent windscreen wipers

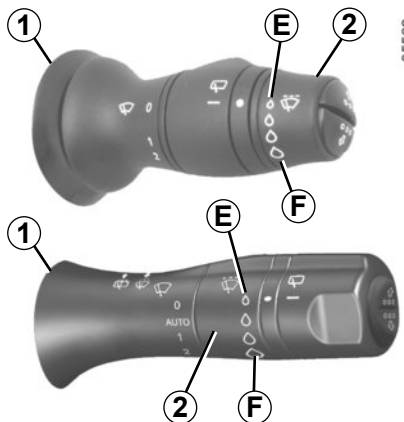
### A park

### B intermittent wiping

The wipers will pause for several seconds between sweeps. It is possible to change the time between sweeps by turning ring **2**.

### C normal wiping speed

### D fast wiping speed



### Special note

**When driving the vehicle**, the wiping speed slows down whenever the vehicle stops. For example, fast wiping speed will slow to normal wiping speed. As soon as the vehicle moves off, wiping will return to the speed originally selected.

If stalk **1** is operated, it overrides and cancels the automatic function.

For all vehicles, position **C** can be accessed with the ignition on and positions **B** and **D** can only be accessed with the engine running.

## Vehicle fitted with front windscreen wiper rain sensor

### A park

### B automatic wiper function.

When this position is selected, the system detects water on the windscreen and triggers the wipers at a suitable wiping speed. It is possible to change the triggering threshold and the time sweeps by turning ring **2**:

- **E**: minimum sensitivity
- **F**: maximum sensitivity

**note:** in foggy weather or during snowfalls, the wiping is not automatically triggered and remains under the driver's control.

### C normal wiping speed

### D fast wiping speed

## WINDSCREEN WASH, WIPE (2/2)



### Windscreen washer

**With the ignition on**, pull stalk **1** then release.

A brief pull will trigger a single sweep of the wipers, in addition to the windscreen washer.

A longer pull will trigger three sweeps of the wipers followed, a few seconds later, by a fourth, in addition to the windscreen washer.

### Headlight washers

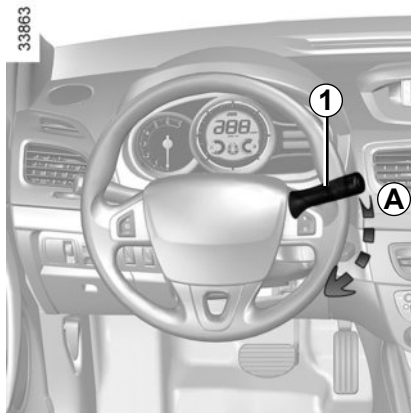
#### Headlights on

On equipped vehicles, hold stalk **1** pulled towards you for about 1 second, and the headlight washers and windscreen washers will be activated at the same time.

**Note:** when the minimum windscreen washer fluid level is reached, the headlight washer system may be deprived.

Fill the windscreen washer fluid and then activate the windscreen washer, **with the engine running**, to reprime the system.

In freezing or snowy weather, ensure they are not stuck to the windscreen (including the central area located behind the interior rear-view mirror) and the rear screen before starting the wipers (risk of motor overheating).



When working in the engine compartment, ensure that the windscreen wiper stalk is in position **A** (park).

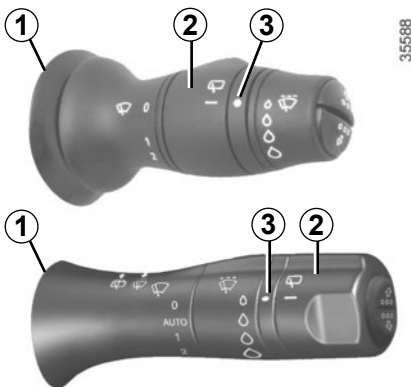
Risk of injury.



Before any action on the windscreen (washing the vehicle, de-icing, cleaning the windscreen, etc.) return stalk **1** to position **A** (park).

Risk of injury and/or damage.

## REAR SCREEN WASH, WIPE



### Rear screen wiper

With the ignition on, turn ring **2** on stalk **1** to align the symbol with mark **3** then release it.

To stop the operation, pivot ring **2** again.

Wiping frequency varies with vehicle speed.



### Rear screen wash/wipe

With the ignition on, push stalk **1**.

### Rear screen wiping in reverse gear

To activate this function, refer to "Vehicle settings customisation menu" in Section 1.

Check the condition of the wiper blades. You are responsible for their service life:

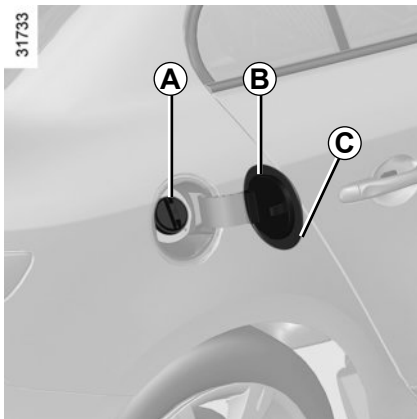
- they must remain clean: clean the blades, windscreen and rear screen regularly with soapy water;
- do not use them when the windscreen or rear screen are dry;
- free them from the windscreen or rear screen when they have not been used for a long time.

In all cases, replace them as soon as they begin to lose efficiency: approximately once a year.

Before using the rear wiper, check that no object obstructs the travel of the blade.

Do not use the wiper arm to open or close the tailgate.

## FUEL TANK (1/3)



### Useable fuel tank capacity:

**59 litres** approximately.

With the vehicle unlocked, to open the compartment **B**, place your finger into the recess **C**.

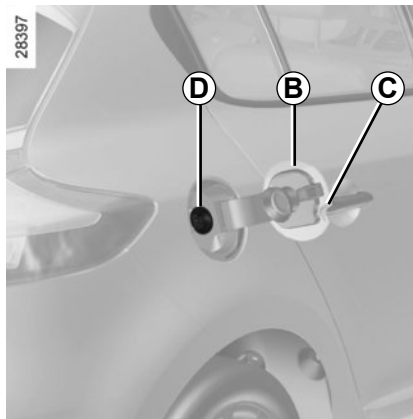
### Four-door version

Remove cap **A**.

For details on filling the fuel tank, refer to the information on "Filling with fuel".

To close it, press on the fuel filler flap by hand, as far as it will go.

After filling, check that the cap and cover are closed.



### Five door version

Valve **D** is integrated into the filler pipe. For details on filling the fuel tank, refer to the information on "Filling with fuel".

To close it, press on the fuel filler flap by hand, as far as it will go.



**Never** press valve **D** with your fingers.

Do not wash the filler area with a high-pressure washer.

## Fuel grade

Use a **good quality fuel** that complies with current standards in the relevant country. The fuel **must** conform to the specifications indicated on cover **B**. Refer to the information on "engine specifications" in Section 6.

### Diesel versions

It is **essential** to use diesel fuel that conforms with the information given on the label inside cover **B**.

### Petrol versions

It is **essential** to use unleaded petrol. The octane rating (RON) must conform to the specifications on the label inside fuel filler flap **B**. Refer to the information on "Engine specifications" in Section 6.

## FUEL TANK (2/3)

### Vehicles running on ethanol-based fuel

It is **essential** to use unleaded petrol or fuel containing a maximum of 85% ethanol (E85).

In very cold conditions, it may be very difficult or even impossible to start the engine. To avoid this problem, use unleaded petrol or, on equipped vehicles, use the heater integrated in the engine: connect the special end of the extension piece supplied into the socket integrated into the radiator grille and the other end into a **220V** socket for at least 6 hours before starting.

**NB:** You may notice an increase in fuel consumption with this type of fuel.



Do not mix even small amounts of petrol (unleaded or E85) with diesel.

Do not use ethanol-based fuel if your vehicle is not compatible with this fuel.

Do not add any additives to the fuel, you risk damaging the engine.

### Filling with fuel

Insert the nozzle to open valve **D** (depending on the vehicle) and insert it **fully** before activating it to fill the fuel tank (risk of splashing).

Keep the nozzle in this position throughout the entire filling operation.

When the pump cuts out automatically at the end of the filling procedure, a maximum of two further filling attempts may be made, as there must be sufficient space in the fuel tank to allow for expansion.

Make sure that no water enters the fuel tank during filling. Valve **D** (depending on the vehicle) and its surrounding area must be kept clean.

### Petrol versions

Using leaded petrol will damage the antipollution system and may lead to a loss of warranty.

To ensure that the fuel tank is not filled with leaded petrol, the fuel tank filler neck contains a restrictor fitted with a foolproof system which **only allows the nozzle for unleaded petrol to be used** (at the pump).



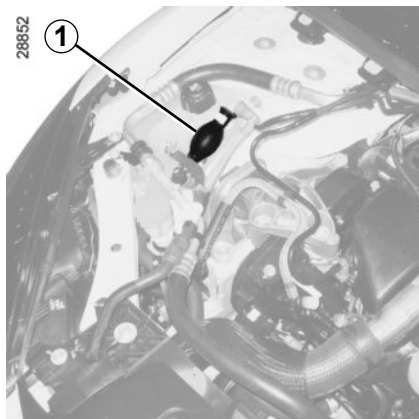
### Persistent smell of fuel

If you notice a persistent smell of fuel you should:

- stop the vehicle as soon as traffic conditions allow and switch off the ignition;
- switch on the hazard warning lights and ask your passengers to leave the vehicle and to keep away from traffic;
- contact an approved Dealer.



## FUEL TANK (3/3)



### Running out of fuel on diesel versions

#### Vehicles with priming bulb 1

After a breakdown caused by completely running out of fuel, the system must be reprimed before the engine is restarted:

Fill the tank with at least 8 litres of diesel fuel.

Press priming bulb **1** several times.

The engine can now be restarted. If the engine does not start after several attempts, contact an approved Dealer.



#### Vehicles without priming bulb 1

Insert the RENAULT card into the card reader. Press the start button **2** without pressing any of the pedals. Wait a few minutes before starting. This will enable the fuel circuit to be primed. If the engine does not start, repeat the procedure.



No modifications whatsoever are permitted on any part of the fuel supply system (computers, wiring, fuel circuit, injector, protection covers, etc.) as this may be dangerous (such work must be undertaken by qualified Network personnel).



The engine may be hot when working in close proximity. In addition, the engine cooling fan may come on at any moment.  
Risk of injury.



# **Section 2: Driving**

## **(Advice on use relating to fuel economy and the environment)**

Running in . . . . .	2.2
Starting, stopping the engine: vehicle with key . . . . .	2.3
Starting, stopping the engine: vehicle with Renault card . . . . .	2.5
Special features of petrol versions . . . . .	2.8
Special features of diesel versions . . . . .	2.9
Gear lever . . . . .	2.10
Handbrake . . . . .	2.10
Assisted parking brake . . . . .	2.11
Advice: antipollution and fuel economy . . . . .	2.14
Environment . . . . .	2.17
Tyre pressure loss warning . . . . .	2.18
Driver correction devices and aids . . . . .	2.22
Speed limiter . . . . .	2.26
Cruise control . . . . .	2.29
Parking distance control . . . . .	2.33
Reversing camera . . . . .	2.36
Automatic gearbox. . . . .	2.38

# RUNNING IN

## Petrol version

Up to **600 miles (1,000 km)**, do not exceed 78 mph (130 km/h) in top gear or 3,000 to 3,500 rpm.

You may only expect top performance from your vehicle after approximately **1,800 miles (3,000 km)**.

**Service intervals:** please refer to your vehicle's maintenance document.

## Diesel version

For the first **900 miles (1,500 km)**, do not exceed 2,500 rpm. After completing this mileage you may drive faster, however, it is only after approximately 3600 miles (6,000 km) that you may reasonably expect full performance.

During the running in period, do not accelerate hard while the engine is still cold and do not let the engine over-rev.

**Service intervals:** please refer to your vehicle's maintenance document.

## STARTING, STOPPING THE ENGINE: vehicle with key (1/2)



### Off position A (steering lock applied)

To lock: remove the key and turn the steering wheel until the steering column locks.

To unlock: turn the key and the steering wheel slightly.

### “Accessories” position B

When the ignition is switched off, any accessories (radio, etc.) will continue to function.

### Ignition position C.

The ignition is switched on:


### Start position D

If the engine fails to start at the first attempt, the key must be turned back before the starter can be activated again. Release the key as soon as the engine starts.

**Note:** on diesel versions, several seconds may pass between turning the key and the engine starting to allow for engine preheating.

### Special note on vehicles with a manual gearbox

Depending on the vehicle, warning

light  flashes when the engine is started to indicate that a gear is engaged: select neutral or depress the clutch.

# STARTING, STOPPING THE ENGINE: vehicle with key (2/2)

## Starting the engine

### Petrol injection

#### Engine warm or cold

- Turn the key to the start position **without depressing the accelerator**.
- release the key as soon as the engine starts.

If the outside temperature is below  $-10^{\circ}\text{C}$ , hold the clutch pedal depressed when starting the engine.



### Diesel injection

#### Cold or warm engine

- Turn the key to the “Start” position **D without depressing the accelerator pedal**.
- release the key as soon as the engine starts.

**Note:** several seconds may pass between turning the key and the engine starting to allow for engine preheating.

## Stopping the engine

With the engine idling, turn the key back to the Stop position.



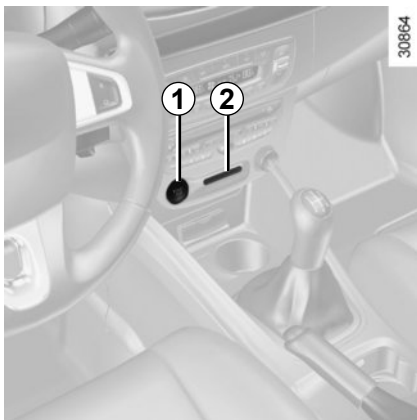
### Driver's responsibility

Never leave your vehicle with the key inside and never leave a child (or a pet) unsupervised, even for a short while.

There is a risk that they could start the engine or operate electrical equipment (electric windows etc.) and trap part of their body (neck, arms, hands, etc.).  
Risk of serious injury.

Never switch off the ignition before the vehicle has stopped completely. Once the engine has stopped, the brake servo, power-assisted steering, etc., and the passive safety devices such as the airbags and pretensioners will no longer operate.

# STARTING, STOPPING THE ENGINE: vehicle with RENAULT CARD (1/3)



## Hands-free RENAULT card

The RENAULT card must be inserted in card reader **2** or in detection zone **3**.

To start, depress the brake or clutch pedal and press button **1**. If a gear is engaged, the vehicle may only be started by depressing the clutch pedal.

## Starting

### vehicles with an automatic gearbox

The lever should be in position **P**.

### For all vehicles:

- if one of the starting conditions is not met the message “Press brake + START”, “Press clutch + START” or “Gear lever to P” is displayed on the instrument panel.
- Depending on the vehicle, it will be necessary to move the steering wheel while pressing start button **1** to assist in unlocking the steering column; a message on the instrument panel “Turn steering wheel +START” warns of this.

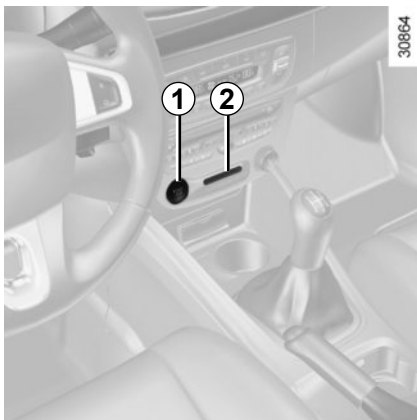


## Starting with the tailgate open (in hands-free mode)

In this case, the RENAULT card must not be located in the luggage compartment.

If the outside temperature is below  $-10^{\circ}\text{C}$ , hold the clutch pedal depressed when starting the engine.

## STARTING, STOPPING THE ENGINE: vehicle with RENAULT CARD (2/3)



### Accessories function

(switching on the ignition)

Once you have gained access to your vehicle, you may use some of its functions (radio, navigation, wipers, etc.).

To use the other functions, press button **1** without touching the pedals, or insert the card in the reader.

**Note:** depending on the vehicle, pressing button **1** starts the engine.

### Operating faults

In certain cases, the hands-free RENAULT card may not work:

- when the RENAULT card battery is drained, flat battery, etc.
- near to appliances operating on the same frequency as the card (monitor, mobile phone, video game, etc.);
- vehicle located in a high electromagnetic radiation zone.

The message “Please insert keycard” appears on the instrument panel.

Insert the RENAULT card fully into card reader **2**.



### Driver's responsibility

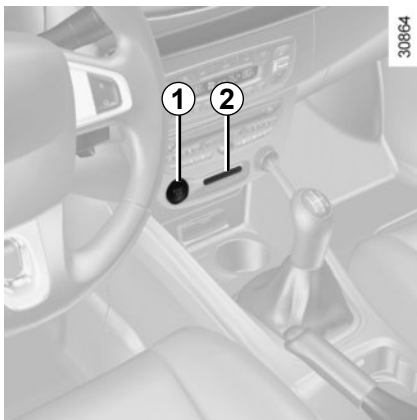
Never leave your vehicle with the RENAULT card inside and never leave a child (or a pet) unsupervised, even for a short while.

There is a risk that they could start the engine or operate electrical equipment (electric windows etc.) and trap part of their body (neck, arms, hands, etc.).  
Risk of serious injury.

Never switch off the ignition before the vehicle has stopped completely. Once the engine has stopped, the brake servo, power-assisted steering, etc. and the passive safety devices such as air bags and pretensioners will no longer operate.



## STARTING, STOPPING THE ENGINE: vehicle with RENAULT CARD (3/3)



### Conditions for stopping the engine

The vehicle must be stationary, with the lever positioned in **N** or **P** for vehicles with an automatic transmission.

### Hands-free RENAULT card

**With the card in the vehicle**, press button **1**: the engine stops. Depending on the vehicle, the steering column is locked when the driver's door is opened or the vehicle is locked.

If the card is no longer in the passenger compartment when you try to switch the engine off, the message "No keycard Press and hold" appears on the instrument panel: press button **1** for longer than two seconds.

With the engine switched off, any accessories being used (radio, etc.) will continue to function for approximately 10 minutes.

When the driver's door is opened, the accessories stop working.

**With the card in reader 2**, press button **1**: the engine stops. Removing the card from the reader locks the steering column.

### Special note

If the card is no longer in the reader when you try to switch the engine off, the message "No keycard Press and hold" appears on the instrument panel: press button **1** for longer than two seconds.



When you leave your vehicle, especially if you have your RENAULT card with you, check that the engine is completely switched off.

## SPECIAL FEATURES OF PETROL VERSIONS

The following operating conditions:

- driving for long periods when the low fuel level warning light is lit;
- using leaded petrol;
- using fuel or lubrication additives which are not approved.

Or operating faults such as:

- faulty ignition system, running out of fuel or disconnected spark plugs resulting in the engine misfiring or cutting out when driving;
- loss of power,

as they may cause the catalytic converter to overheat and thus reduce its efficiency, **or damage it irreparably and cause heat damage to the vehicle.**

If you notice any of the above operating faults, have the necessary repairs carried out as soon as possible by an approved Dealer.

These faults may be avoided by regularly taking your vehicle to an approved Dealer at the intervals specified in the Maintenance document.

### Starting problems

To avoid damaging the catalytic converter, **do not keep** trying to start the engine (using the start button, or by pushing or towing the vehicle) **without having identified and corrected the starting fault.**

If the fault cannot be identified, do not keep trying to start the engine, but contact an approved Dealer.





Do not park the vehicle or run the engine in locations where combustible substances or materials such as grass or leaves can come into contact with the hot exhaust system.

## SPECIAL FEATURES OF DIESEL VERSIONS

### Diesel engine speed

Diesel engines are fitted with injection equipment **which prevents the engine speed being exceeded** irrespective of the gear selected.

If the message “Check anti-pollution system” is displayed on the instrument

panel accompanied by the  and  warning light; consult an approved dealer straight away.

When driving, depending on the fuel grade used, it is possible that white smoke may be emitted.

This is due to the exhaust particle filter being cleaned automatically, and does not affect the way the vehicle runs.

### Running out of fuel

If the **tank has been completely drained**, the system must be reprimed after the tank is refilled: see information on the “fuel tank” in section 1 before re-starting the engine.

### Precautions to be taken in winter

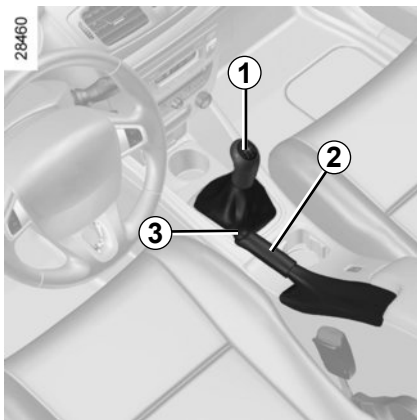
To avoid any faults in icy weather:

- ensure that the battery is always fully charged,
- always keep the diesel tank relatively full to avoid water vapour condensing in it and accumulating at the bottom of the tank.



Do not park the vehicle or run the engine in locations where combustible substances or materials such as grass or leaves can come into contact with the hot exhaust system.

## GEAR LEVER, HANDBRAKE



### Selecting reverse gear

**Vehicles with manual gearbox:** follow the grid drawn on knob **1**, and depending on the vehicle, lift ring against the gear lever knob to select reverse.

**Vehicle with automatic gearbox:** refer to the information on the “Automatic gearbox” in Section 2.

The reversing lights will come on as soon as reverse gear is selected with the ignition on.

### Handbrake

#### To release:

Pull lever **2** up slightly, press button **3** and then lower the lever to the floor.

#### To apply:

Pull the lever **2** upwards and make sure the vehicle is immobilised.



Make sure that the handbrake is properly released when driving (red indicator light off), otherwise overheating may occur.



An impact to the underside of the vehicle (e.g.: striking a post, raised kerb or other street furniture) may result in damage to the vehicle (e.g.: deformation of an axle).

To avoid any risk of accident, have your vehicle checked by an approved Dealer.



When stationary and depending on the slope and/or vehicle load, it may be necessary to pull up the handbrake at least two extra notches and engage a gear (1<sup>st</sup> or reverse gear) for vehicles with a manual gearbox or position **P** for vehicles with an automatic transmission.

## ASSISTED PARKING BRAKE (1/3)




### Automatic operation


The electronic parking brake ensures vehicle immobilisation when the **engine is stopped and engine Start/Stop button 1** is pressed.

In all other instances, e.g. engine stalling, the electronic parking brake is not applied automatically. Manual mode must be used.

For certain country-specific model versions, the automatic brake application function is not activated. Refer to the information on “Manual operation”.



To confirm that the electronic parking brake is applied, the message “Parking brake on” and indicator light  on the instrument panel and indicator light **2** on switch **3** light up.

After the engine is switched off, indicator light **2** goes out several minutes after the electronic parking brake has been applied and indicator light  goes out when the vehicle is locked.

### Note:

To indicate that the electronic parking brake is applied or released, a beep sounds and the message “Apply parking brake” appears on the instrument panel:

- with the engine running: when the driver’s door is opened;
- with the engine switched off (eg. when the engine stalls): when a front door is opened.


In this case, pull and release switch **3** to apply the electronic parking brake.

### Automatic releasing of the electronic parking brake

The brake will be released as soon as the vehicle moves, by accelerating with a gear selected and the engine running.



Before leaving the vehicle, check that the electronic parking brake is fully applied. Indicator light **2** on

switch **3** and indicator light  on the instrument panel light up to show that the parking brake is applied but go out when the doors are locked.


## ASSISTED PARKING BRAKE (2/3)




### Manual operation

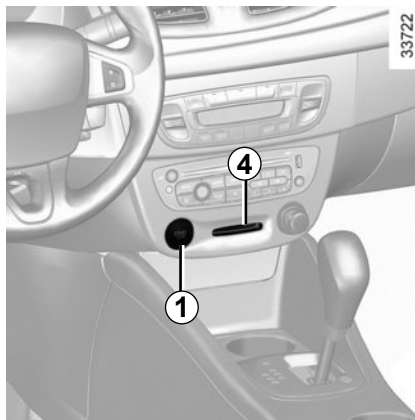
You can control the electronic parking brake manually.

### Applying the electronic parking brake

Pull switch **3**. Indicator lights **2** and  light up on the instrument panel.

### Releasing the electronic parking brake

With the ignition on, depress the brake pedal then press button **3**: indicator lights **2** and  go out.



### Brief stop

To manually activate the electronic parking brake, (when stopping at a red light, or stopping when the engine is running, etc.): pull and release switch **3**. The brake is released as soon as the vehicle is started up again.

## Special cases

When parking on a slope or towing a trailer, pull switch **3** for a few seconds to obtain the maximum braking effect.

To park the vehicle without applying the electronic parking brake (if there is a risk of freezing, for example):

- with the engine running and RENAULT card in reader **4**, switch off the engine by pressing engine Start/Stop button **1**;
- remove the RENAULT card from the Reader **4** and insert it again in the reader;
- select a gear (manual gearbox) or position **P** (automatic gearbox);
- depress the brake pedal and press switch **3** at the same time;
- remove the RENAULT card from the card reader.

## ASSISTED PARKING BRAKE (3/3)

### Versions with an automatic gearbox

For safety reasons, automatic release is deactivated when the driver's door is open or not shut properly and the engine is running (in order to prevent the vehicle from moving without the driver). The "Release parking brake manually" message appears on the instrument panel when the driver depresses the accelerator.





Never leave your vehicle without moving the selector lever to position **P** or **N**.

This is because when the vehicle is stationary with the engine running and a gear engaged, the vehicle may begin to move if you accelerate.

**There is a risk of accidents.**



### Operating faults

- If there is a fault, the  warning light illuminates on the instrument panel accompanied by the "Check parking brake" message and, in some cases, the  warning light.

Contact an approved dealer as soon as possible.



If no lights or sounds are apparent, this indicates a fault in the instrument panel. This indicates that it is essential to stop immediately (as soon as traffic conditions allow). Ensure that the vehicle is correctly immobilised and contact an approved dealer.

- If there is an electronic parking brake fault, warning lights  light up accompanied by the "Parking brake fault" message, a beep and in certain cases indicator light .

This means that you must stop as soon as traffic conditions allow.



It is therefore essential to immobilise the vehicle by engaging first gear (manual gearbox) or position **P** (automatic gearbox). If the slope requires it, chock the vehicle.

## ADVICE: antipollution, fuel economy and driving (1/3)

Your vehicle complies with criteria for recycling and recovering vehicles at the end of their service life which will come into force in 2015.

Some parts of your vehicle have therefore been designed to facilitate future recycling.

These parts are easy to remove so that they can be recovered and reprocessed by recycling companies.

By virtue of its design, moderate fuel consumption and initial settings, your vehicle also conforms to current antipollution regulations. The manufacturer is actively striving to reduce pollutant exhaust gas emissions and to save energy. But the fuel consumption of your vehicle and the level of pollutant exhaust gas emissions are also your responsibility. Ensure that it is maintained and used correctly.

### Aiding fuel economy

Depending on the vehicle, in order to optimise consumption, an indicator light on the instrument panel will inform you of the best moment to upshift or downshift gears:



shift up a gear;



shift down a gear.

If the instruction has not been respected after 6 seconds, the needle on the instrument panel enlarges and changes colour.

In case of vehicles with automatic transmissions, refer to the information on the "Automatic gearbox" in Section 2.

### Maintenance

It is important to remember that failure to respect antipollution regulations could lead to legal action being taken against the vehicle owner. In addition, replacing engine, fuel supply system and exhaust components with parts other than those originally recommended by the manufacturer may alter your vehicle so that it no longer complies with antipollution regulations.

Have your vehicle adjusted and checked by an approved Dealer, in accordance with the instructions given in your maintenance schedule: they will have all the equipment necessary for ensuring that your vehicle is maintained to its original standard.

### Engine adjustments

- **ignition:** this does not require adjustment.
- **spark plugs:** for optimum fuel economy, efficiency and performance the specifications laid down by our Design Department must be strictly applied.

If the spark plugs have to be changed, use the make, type and gap specified for your vehicle's engine. Contact an approved dealer for this.

- **idle:** this does not require adjustment.
- **air filter, diesel filter:** a clogged element reduces performance. It must be replaced.



## ADVICE: antipollution, fuel economy and driving (2/3)

### Exhaust gas monitoring system

The exhaust gas monitoring system will detect any operating faults in the vehicle's antipollution system.

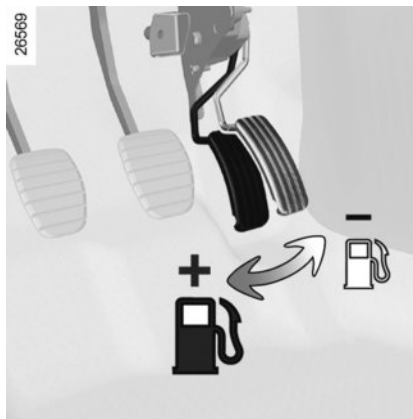
If this system malfunctions, toxic substances may be released into the atmosphere or damage may occur.



This warning light on the instrument panel will indicate if there are any faults in the system:

This lights up when the ignition is switched on and goes out when the engine is started.

- If it lights up continuously, consult an approved Dealer as soon as possible;
- if it flashes, reduce the engine speed until the light stops flashing. Contact your approved dealer as soon as possible.



### Driving

- Drive carefully for the first few miles until the engine reaches its normal operating temperature, rather than let it warm up while the vehicle is stationary.
- Speed is expensive.
- Do not overrev the engine in the intermediate gears.  
Always use the highest gear possible without labouring the engine.  
On versions with an automatic gearbox, it is preferable to keep the gear lever in position **D**.
- Avoid sudden acceleration.

- Sporty driving uses a lot of fuel: drive with a light right foot.
- Brake as little as possible. If you anticipate an obstacle or bend in advance, you may then simply release the accelerator pedal.
- Do not try to maintain the same speed up a hill, accelerate no more than you would on the level. Keep your foot in the same position on the accelerator pedal.
- Double declutching and accelerating before switching off are unnecessary in modern vehicles.
- Bad weather, flooded roads:



Do not drive through floods if the water is above the lower edge of the wheel rims.

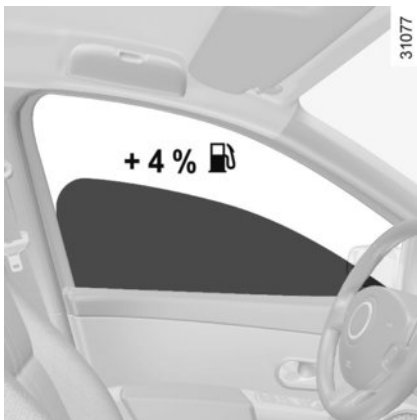


### Obstructions to the driver

On the driver's side, only use mats suitable for the vehicle, attached with the pre-fitted components, and check the fitting regularly. Do not lay one mat on top of another.

**There is a risk of wedging the pedals**

## ADVICE: antipollution, fuel economy and driving (3/3)



### Advice on use

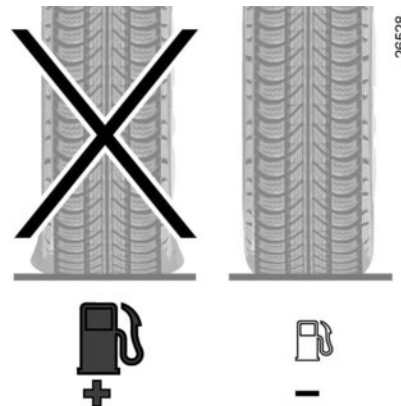
- Electricity is fuel; switch off all the electrical components which are not really needed. **However** (safety first), keep your lights on when the visibility is bad (“see and be seen”).
- Use the air vents. Driving with the windows open at 60 mph (100 km/h) will increase fuel consumption by 4%.

- In vehicles fitted with air conditioning, it is normal to observe an increase in fuel consumption (especially in urban conditions) when it is used. For vehicles fitted with manual air conditioning, switch off the system when it is not required.

### Advice for reducing consumption and therefore helping to preserve the environment:

If the vehicle has been parked in the sun, open the doors for a few moments to let the hot air escape before starting the engine.

- Never fill the fuel tank right to the brim to avoid overflow.
- Do not leave an empty roof rack fitted to the vehicle.
- It is better to fit a trailer for bulky objects.
- When towing a caravan, fit a wind deflector and adjust it carefully.



- Avoid using the car for door-to-door calls (short journeys with long waits in between) because the engine never reaches its normal operating temperature.

### Tyres

- An underinflated tyre increases fuel consumption.
- The use of non-recommended tyres can increase fuel consumption.

## ENVIRONMENT

Your vehicle has been designed with respect for the **environment** in mind for its entire service life: during production, use and at the end of its life.

This commitment is illustrated by the of the manufacturer eco<sup>2</sup> signature.

### Manufacture

Your vehicle has been manufactured at a factory which complies with a policy to reduce the environmental impact on the surrounding areas (reduction of water and energy consumption, visual and noise pollution, atmospheric emissions and waste water; sorting and re-using waste).

### Emissions

Your vehicle has been designed to emit fewer greenhouse gases (CO<sub>2</sub>) while in use, and therefore to consume less fuel (eg. 140 g/km, equivalent to 5.3 l/100 km for a diesel vehicle).

Our vehicles are also equipped with a particle filter system including a catalytic converter, an oxygen sensor and an active carbon filter (the latter prevents vapour from the fuel tank being released into the open air).

For certain diesel vehicles, this system also has a particle filter to reduce the volume of soot particles emitted.

### Please make your own contribution towards protecting the environment too

- Worn parts replaced in the course of routine vehicle maintenance (vehicle battery, oil filter, air filter, batteries, etc.) and oil containers (empty or filled with used oil) must be disposed of through specialist organisations.

- At the end of the vehicle's service life, it should be sent to approved centres to ensure that it is recycled.
- In all cases, comply with local legislation.

### Recycling

Your vehicle is 85% recyclable and 95% recoverable.

To achieve these objectives, many of the vehicle components have been designed to enable them to be recycled. The materials and structures have been carefully designed to allow these components to be easily removed and reprocessed by specialist companies.


In order to preserve raw material resources, this vehicle incorporates numerous parts made from recycled plastics or renewable materials (vegetable or animal-derived materials such as cotton or wool).

## TYRE PRESSURE LOSS WARNING (1/4)

If the vehicle is equipped with the function, this system monitors the tyre pressure.

### Operating principle

Each wheel (except for the emergency spare wheel) has a sensor in the inflation valve which periodically measures the tyre pressure. The system informs the driver via the display **1** and on-board computer **2** that the tyres are sufficiently inflated and warns if they are underinflated or leaking. The warning

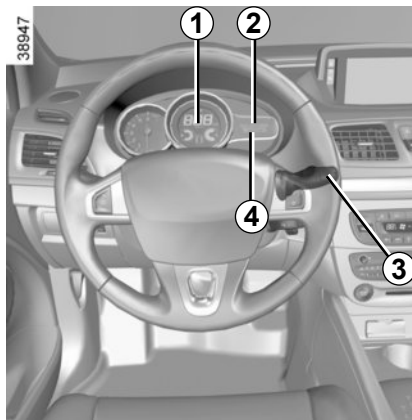
light **4**  on the instrument panel comes on to warn the driver if the pressure is too low.



This function is an additional driving aid.

However, the function does not take the place of the driver. It cannot, therefore, under any circumstances replace the vigilance or the responsibility of the driver.

Check the tyre pressures, including the emergency spare wheel, once a month.



### Resetting the standard level for the tyre pressures

This should be done:

- when the standard tyre pressure needs to be changed to adapt to usage conditions (empty, carrying a load, motorway driving, etc.);
- after swapping wheels over (this practice is not recommended);
- after changing a wheel.

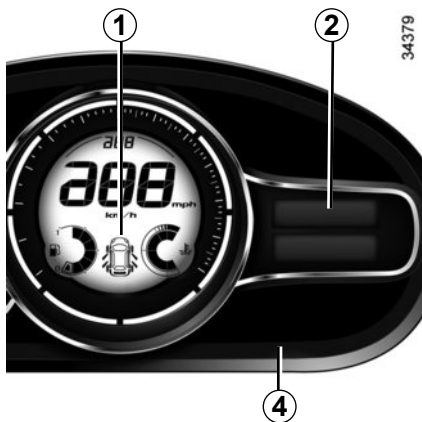
It should always be done after checking the tyre pressure of all four tyres when cold.

Tyre pressures must correspond to the current usage of the vehicle (empty, carrying a load, motorway driving, etc.).


With the ignition on:

- Make short presses on the control **3** to select the tyre pressure display (see “On-board computer: settings” in Section 1);
- press and hold (around 3 seconds) the button **3** to launch the reset. A flashing tyre followed by the message “Pressure ref Ongoing” indicates that the request to learn the reference pressure has been taken into account;
- reset can take several minutes of driving.


## TYRE PRESSURE LOSS WARNING (2/4)




### Display

The display **1** and the warning light **4**  on the instrument panel and the on-board computer **2** warn you of any tyre pressure faults (flat tyre, punctured tyre, system fault, etc.).

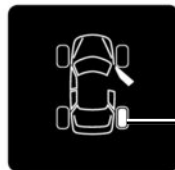
### “Adjust tyre pressure”

A coloured wheel **A**, together with the warning light **4** , indicates a flat tyre.


Check and, if necessary, readjust the pressures of the four wheels when cold.

While driving the warning light **4**  goes off after a few minutes.

The sudden loss of pressure in a tyre (burst tyre, etc.) cannot be detected by the system.



### “Puncture”

The wheel **A**, together with the warning light **4** , indicates that the affected wheel is punctured or severely underinflated. Replace it or contact an authorised dealer if it is punctured. Top up the tyre pressure if the wheel is deflated.

This message appears along with the **STOP** warning light.




Warning light **STOP** requires you to stop immediately, for your own safety, as soon as traffic conditions allow.

# TYRE PRESSURE LOSS WARNING (3/4)

## “CHECK TYRE PRESSURE SENSORS”

The warning light  flashes for several seconds, then stays on, along with the message “CHECK TYRE PRESSURE SENSORS” and a missing wheel **B**.

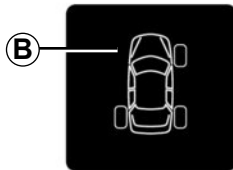
This message appears along with the  warning light.

This message appears when at least one wheel fitted on the vehicle does not have sensors (e.g. emergency spare wheel). In other cases, contact an authorised dealer.

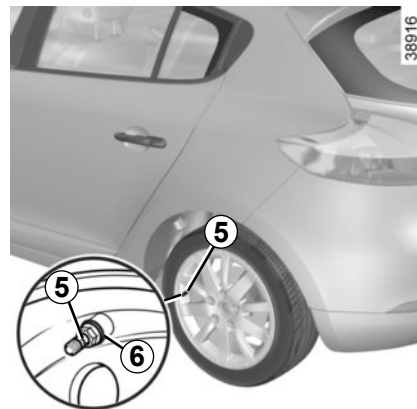
## Replacing wheels/tyres

This system requires specific equipment (wheels, tyres, sensors, etc.).

Contact an authorised dealer to replace the tyres and to find out about available accessories compatible with the system: the use of any other accessory could affect the correct operation of the system or damage a sensor.



23491



38916

## Interchangeability of wheels

If you wish to swap the wheels around, please consult an approved dealer to reinitialise the system.



### Changing a wheel

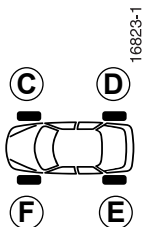
The system may take several minutes depending on use for the new wheel positions and pressures to be recognised; check the tyre pressures after all operations.



Each of the sensors incorporated in the valves **5** is dedicated to a single wheel: under no circumstances should you swap the wheels, without resetting the system.

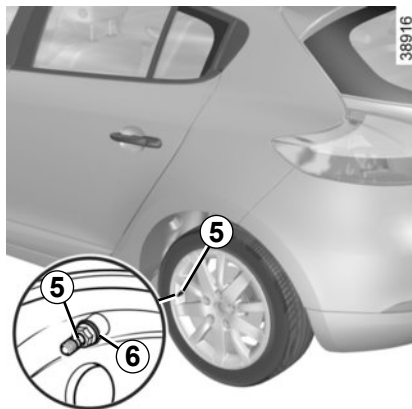
There is a risk of incorrect information which could have serious consequences.

# TYRE PRESSURE LOSS WARNING (4/4)



Depending on the vehicle, to mark the correct position of the wheel, note the colour of the ring **6** (after cleaning, if necessary) on each valve:

- C** yellow ring
- D** black ring
- E** red ring
- F** green ring



## Tyre repair product and inflation kit

Because the valves are specially designed, only use equipment approved by the approved network.

## Readjustment of tyre pressures

**The tyre pressures must be adjusted when cold** (please refer to the label located on the edge of the driver's door).

If tyre pressures cannot be checked when the tyres are **cold**, the recommended pressures must be increased by **0.2 to 0.3 bar (3 PSI)**.

**Never deflate a hot tyre.**

## Emergency spare wheel

If the vehicle is equipped with an emergency spare wheel, it will not have a sensor. When it is fitted to the vehicle, the message "CHECK TYRE PRESSURE SENSORS" is displayed on the instrument panel.



Each of the sensors incorporated in the valves **5** is dedicated to a single wheel: under no circumstances should you swap the wheels, without resetting the system.

There is a risk of incorrect information which could have serious consequences.

## DRIVER CORRECTION DEVICES AND AIDS (1/4)

Depending on the vehicle, this is composed of:

- the **ABS (anti-lock braking system)**;
- **electronic stability control ESC with understeer control and traction control ASR**;
- **emergency brake assist with, depending on the vehicle, braking anticipation**;
- **hill start assistance**.



These functions are an additional aid in the event of critical driving conditions, enabling the vehicle behaviour to be adapted to suit the driving conditions.

However, the functions do not take the place of the driver. **They do not increase the vehicle's limits and should not encourage you to drive more quickly.** Therefore, they can under no circumstances replace the vigilance or responsibility of the driver when manoeuvring the vehicle (the driver must always be ready for sudden incidents which may occur when driving).

### ABS (anti-lock braking system)







Under heavy braking, the ABS prevents the wheels from locking, allowing the stopping distance to be managed and keeping control of the vehicle.

Under these circumstances, the vehicle can be steered to avoid an obstacle whilst braking. In addition, this system can increase stopping distances, particularly on roads with low surface grip (wet ground etc.).

You will feel a pulsation through the brake pedal each time the system is activated. The ABS does not in any way improve the vehicle's physical performance relating to the road surface and roadholding. It is still **essential** to follow the rules of good driving practice (such as driving at a safe distance from the vehicle in front etc.).

In an emergency, apply **firm and continuous pressure** to the brake pedal. There is no need to pump it repeatedly. The ABS will modulate the force applied in the braking system.

### Operating faults:

-  and  lit up on the instrument panel alongside messages "Check ABS", "Check braking system" and "Check ESC": ABS, ESC and emergency brake assist are deactivated. **Braking is always enabled**;
-  ,  ,  and  lit up on the instrument panel alongside the message "Braking system fault": **this indicates a fault in the braking system.**

In both cases, consult an approved Dealer.



Your braking systems are partially operational. However, it is **dangerous to brake suddenly** and it is essential to stop immediately, as soon as traffic conditions allow. Contact an approved dealer.



## DRIVER CORRECTION DEVICES AND AIDS (2/4)

### Electronic stability control ESC with understeer control and traction control ASR

#### Electronic stability control ESC

This system helps you to keep control of the vehicle in critical driving conditions (avoiding an obstacle, loss of grip on a bend, etc.).

#### Operating principle

A sensor in the steering wheel detects the direction selected by the driver.

Other sensors throughout the vehicle measure the actual direction.

The system compares driver input to the actual trajectory of the vehicle and corrects the trajectory if necessary by controlling the braking of certain wheels and/or engine power. In the event that the system is engaged, indicator light



flashes on the instrument panel.

#### Understeer control

This system optimises the action of the ESC in the case of pronounced understeer (loss of front axle road holding).

#### Traction control ASR


This system helps to limit wheelspin of the drive wheels and to control the vehicle when pulling away accelerating or decelerating.

#### Operating principle

Using the wheel sensors, the system measures and compares the speed of the drive wheels at all times and slows down their over-rotation. If a wheel is starting to slip, the system brakes automatically until the drive supplied becomes compatible with the level of grip under the wheel again.

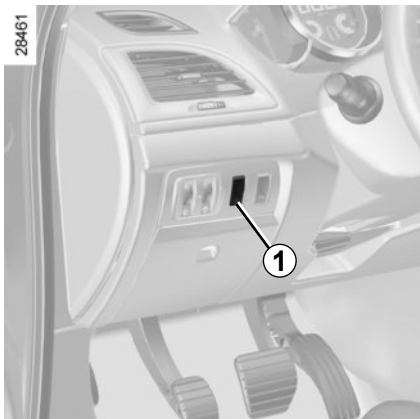
The system also adjusts the engine speed to the grip available under the wheels, independently of the pressure exerted on the accelerator pedal.

#### Operating faults

When the system detects an operating fault the message "Check ESC" and warning light  appear on the instrument panel.

In this case, the ESC and ASR are deactivated. Consult an approved dealer.

## DRIVER CORRECTION DEVICES AND AIDS (3/4)



### Disabling the function ASR

In some situations (driving on very wet ground: snow, mud, etc. or driving with snow chains fitted), the system may reduce the engine output to limit wheel-spin. If this is not required, it is possible to deactivate the function by pressing switch **1**.

The message “Traction control off” is displayed on the instrument panel to inform you.

The traction control ASR offers additional safety, it is recommended that you do not drive with the function disabled. Correct this as soon as possible by pressing switch **1** again.

**Note:** the function is reactivated automatically when the ignition is switched on or when a speed of approximately 24 mph (40 km/h) is exceeded.

### Emergency brake assist

This system supplements the ABS and helps reduce vehicle stopping distances.


#### Operating principle

The system is for detecting an emergency braking situation. In this case, the braking assistance immediately develops maximum power and may trigger ABS regulation.

ABS braking is maintained as long as the brake pedal is applied.

**Hazard warning lights switching on**  
Depending on the vehicle, these may light up in the event of sudden deceleration.

#### Operating faults

When the system detects an operating fault the message “Check braking system” appears on the instrument panel along with the  warning light.

Consult an approved dealer.

#### Braking anticipation

Depending on the vehicle, when you rapidly release the accelerator, the system anticipates the braking manoeuvre in order to reduce stopping distances.

#### Special cases

When using the cruise control:

- if you use the accelerator, when you release it, the system may be triggered;
- if you do not use the accelerator, the system will not be triggered.

## DRIVER CORRECTION DEVICES AND AIDS (4/4)

### Hill start assistance

This device assists the driver when starting on hills (ascending or descending). It prevents the vehicle from rolling forwards or backwards by automatically applying the brakes when the driver lifts their foot off the brake pedal to depress the accelerator pedal.

### System operation

It only operates when the gear lever is in a position other than neutral (other than **N** or **P** for automatic transmissions) and the vehicle is completely stationary (brake pedal depressed).

The system holds the vehicle for approximately **2 seconds**. The brakes are then gradually released (the vehicle will move according to the slope).



The hill start assistance system cannot completely prevent the vehicle from rolling backwards in all situations (extremely steep gradients, etc.).

In all cases, the driver may depress the brake pedal to prevent the vehicle from rolling forwards or backwards.

The hill start assistance function should not be used for prolonged stops: use the brake pedal.

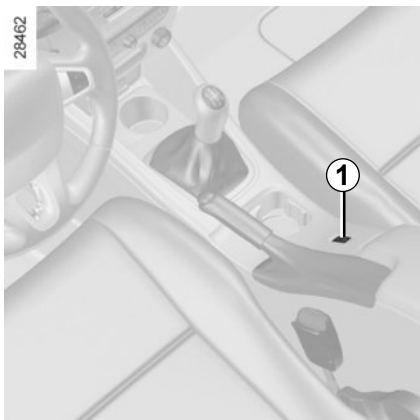
This function is not designed to immobilise the vehicle permanently.

If necessary, use the brake pedal to stop the vehicle.

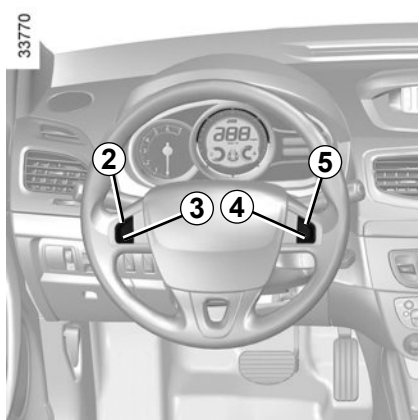
The driver must remain particularly vigilant when driving on slippery or low-grip surfaces and/or on hills.

Risk of serious injury.

## CRUISE CONTROL - SPEED LIMITER: speed limiter (1/3)



The speed limiter function helps you stay within the driving speed limit that you choose, known as the **limit speed**.




### Controls

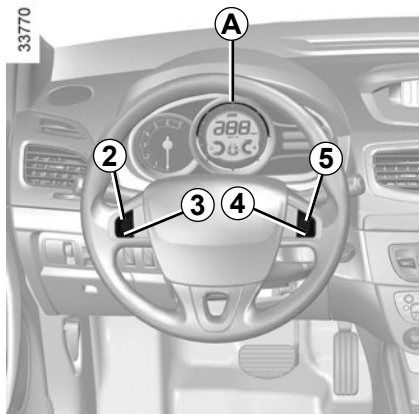
- 1 Main “On/Off” switch.
- 2 Limit speed activation, storage and increase switch (+).
- 3 Decrease limit speed (-).
- 4 Switch the function to standby (with memorisation of the limit speed) (O).
- 5 Activation and recall of stored limit speed (R).



### Switching on

Press switch **1** on the side showing . Indicator light **7** comes on, lit orange, and the message “Speed limiter” appears on the instrument panel, accompanied by dashes in zone **6** to indicate that the speed limiter function is activated and waiting to store a limit speed. To store the current speed, press switch **2** (+): The limited speed will appear in zone **6**. The minimum stored speed is 20 mph (30 km/h).

## CRUISE CONTROL - SPEED LIMITER: speed limiter (2/3)



### Driving

When a limited speed has been stored and this speed is not reached, driving is similar to driving a vehicle without the speed limiter function.

Once you have reached the stored speed, no effort on the accelerator pedal will allow you to exceed the programmed speed except in an emergency (refer to information on “Exceeding the limit speed”).

### Varying the limit speed

The limit speed may be changed by repeatedly pressing:

- switch **2** (+) to increase the speed;
- switch **3** (-) to decrease the speed.

### Exceeding the limit speed

It is possible to exceed the limit speed at any moment. To do this: press the accelerator pedal **firmly and fully** (beyond the kickdown point).

While the speed is being exceeded, the limit speed flashes on the instrument panel and area **A** lights up red.

Then, as far as is possible, release the accelerator pedal: the speed limiter function will return as soon as you reach a speed lower than the stored speed.

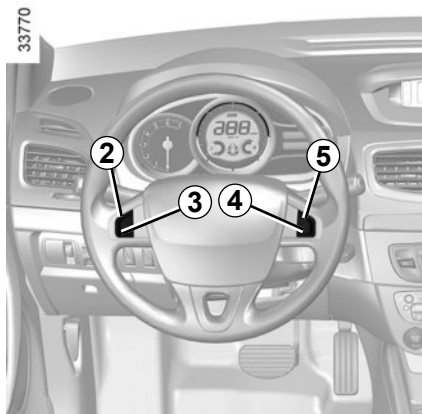
### Limited speed cannot be maintained

If driving up or down a steep gradient, the system is unable to maintain the limit speed: the stored speed on the instrument panel will flash and zone **A** will light up in red to inform you of this situation.



The speed limiter function is in no way linked to the braking system.

## CRUISE CONTROL - SPEED LIMITER: speed limiter (3/3)



### Putting the function on standby

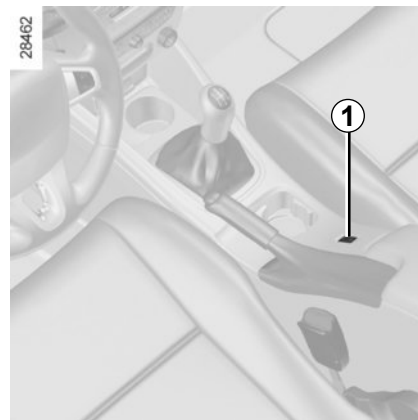
The speed limiter function is suspended when you press switch 4 (O). In this case, the limit speed will remain stored and is no longer displayed in zone 6 and the message “Memorised” along with the stored speed will appear on the display.



### Recalling the limit speed

If a speed has been stored, it can be recalled by pressing switch 5 (R).

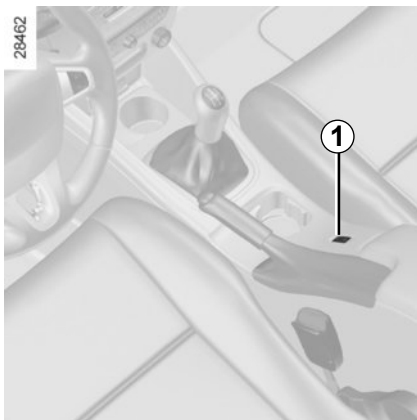
When the speed limiter is put on standby, pressing switch 2 (+) reactivates the function without taking into account the stored speed: it is the speed at which the vehicle is moving that is taken into account.



### Switching off the function

The speed limiter function is deactivated if you press switch 1: in this case a speed is no longer stored. The instrument panel orange indicator light 7 goes out to confirm that the function is deactivated.

## CRUISE CONTROL - SPEED LIMITER: cruise control function (1/4)



The cruise control function helps you to maintain your driving speed at a speed that you choose, called the **cruising speed**.

This cruising speed may be set at any speed above 20 mph (30 km/h).



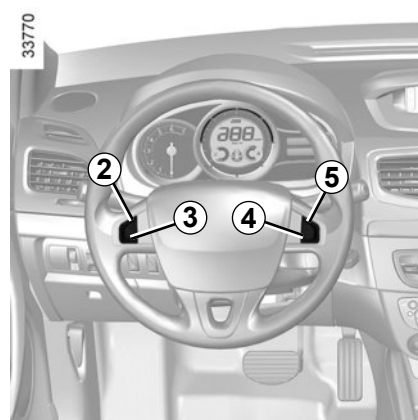
The cruise control function is in no way linked to the braking system.



This function is an additional driving aid. However, the function does not take the place of the driver.

Therefore, it can under no circumstances replace the driver's responsibility to respect speed limits and to be vigilant (the driver must always be ready to brake). Cruise control must not be used in heavy traffic, on undulating or slippery roads (black ice, aquaplaning, gravel) and during bad weather (fog, rain, side winds etc.).

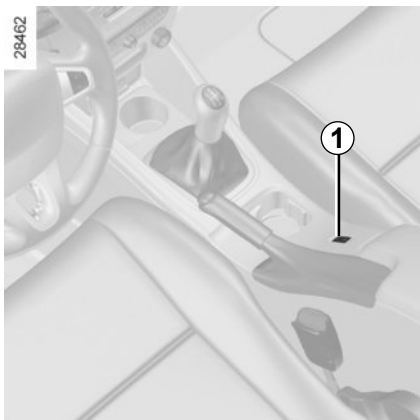
There is a risk of accidents.




### Controls

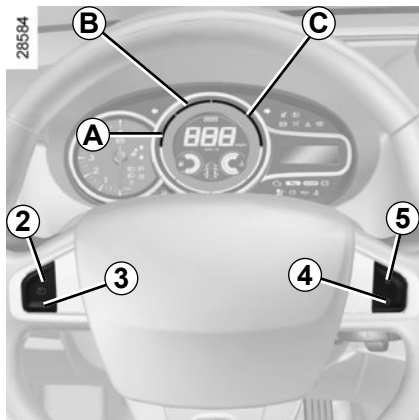
- 1 Main "On/Off" switch.
- 2 Limit speed activation, storage and increase switch (+).
- 3 Decrease cruising speed (-).
- 4 Switch the function to standby (with memorisation of the governed cruising speed) (O).
- 5 Activation with recall of stored governed cruising speed (R).

## CRUISE CONTROL - SPEED LIMITER: cruise control function (2/4)



### Switching on

Press switch **1** on the side showing . Indicator light **7** comes on, lit green, and the message "Cruise control" appears on the instrument panel and dashes appear in zone **6** to indicate that the cruise control function is activated and waiting to store a cruising speed.



### Activating cruise control

At a steady speed (above 20 mph (30 km/h) approximately) press switch **2** (+): the speed is stored. The cruising speed will appear in zone **6**.

Cruise control activation is confirmed when area **A** lights up green in addition to indicator light **7**. Area **B** also lights up green to indicate that the cruising speed has been reached.



### Driving

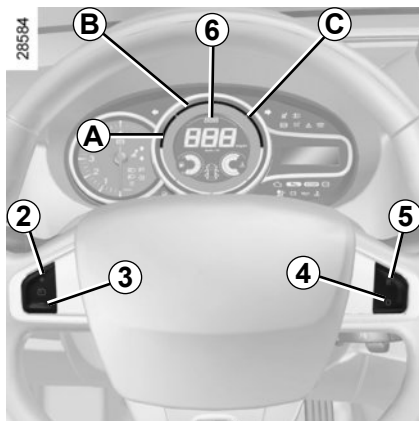
Once a cruising speed is stored and the cruise control function is active, you may lift your foot off the accelerator pedal.



Important: you are nevertheless advised to keep your feet close to the pedals in order to react if necessary.



## CRUISE CONTROL - SPEED LIMITER: cruise control function (3/4)



### Adjusting the cruising speed

The cruising speed may be changed by pressing the following repeatedly:

- switch **2** (+) to increase the speed;
- switch **3** (-) to decrease the speed.



The cruise control function is in no way linked to the braking system.

### Exceeding the cruising speed

The cruising speed may be exceeded at any time by depressing the accelerator pedal. The cruising speed flashes on the instrument panel along with the illumination of zone **C** in red.

Then, release the accelerator: after a few seconds, the vehicle will automatically return to its set cruising speed.

### Cruising speed cannot be maintained

If driving up or down a steep gradient, the system is unable to maintain the cruising speed: the stored speed on the instrument panel will flash and zone **C** will light up in red to inform you of this situation.

### Putting the function on standby

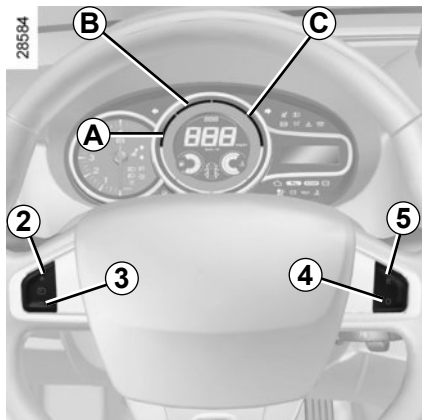
The function is suspended when you:

- press switch **4** (O);
- depress the brake pedal;
- depress the clutch pedal or shift into neutral if the vehicle has an automatic gearbox.

In all three cases, the cruising speed remains stored, it is no longer displayed in zone **6** and the message “Memorised” along with the stored speed will appear on the instrument panel.

Standby is confirmed when zones **A**, **B** and **C** go out.

## CRUISE CONTROL - SPEED LIMITER: cruise control function (4/4)

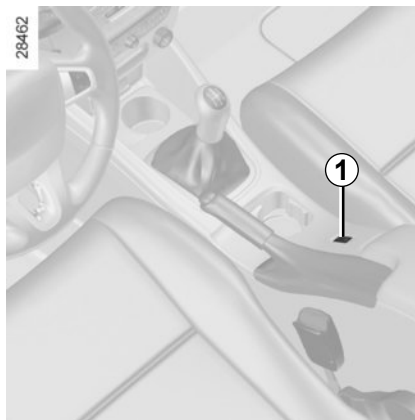


### Returning to the cruising speed

If a speed is stored, it can be recalled, once you are sure that the road conditions are suitable (traffic, road surface, weather conditions, etc.).

Press switch **5** (R) if the vehicle speed is above 20 mph (30 km/h).

When recalling the stored speed zone **A** lights up to confirm activation. Zone **B** lights up as soon as the cruising speed is reached.



**Note:** if the speed previously stored is much higher than the current speed, the vehicle will accelerate more rapidly to reach this threshold.

When the cruise control function is put on standby, pressing switch **2** (+) reactivates the cruise control function without taking into account the stored speed: it is the speed at which the vehicle is moving that is taken into account.



### Switching off the function

The cruise control function is deactivated if you press switch **1**: in this case a speed is no longer stored. The instrument panel green indicator light **7** and zones **A**, **B** and **C** go out, confirming that the function is deactivated.



Putting the cruise control on standby or switching it off does not cause a rapid reduction in speed: you must brake by depressing the brake pedal.

# PARKING DISTANCE CONTROL (1/3)

## Operating principle

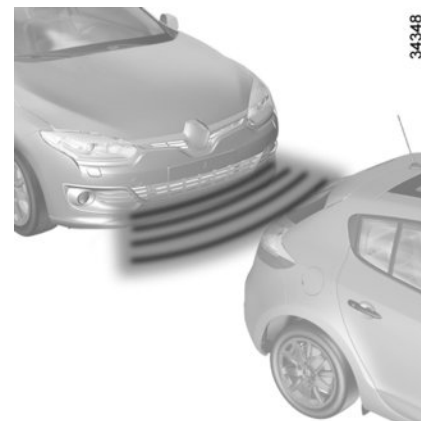
Ultrasonic detectors, installed in the front or rear bumper depending on the vehicle, measure the distance between the vehicle and an obstacle whilst reversing.

This measurement is indicated by beeps which become more frequent the closer you come to the obstacle, until they become a continuous beep when the vehicle is approximately 30 centimetres from the obstacle.

**NB:** make sure that the ultrasonic sensors are not obscured (by dirt, mud, snow, water drop, etc.).



**NB:** depending on the vehicle, screen **A** shows the vehicle surroundings alongside the beeps.



## Front parking distance control

(depending on vehicle)

### Operation

The parking distance control system is only activated when the vehicle is driven at a speed below approximately 4 mph (7 km/h).

Most objects located less than approximately 100 centimetres away from the front of the vehicle are detected and a beep is emitted.

Depending on the vehicle, display **A** lights up



This function is an additional aid that indicates the distance between the vehicle and an obstacle whilst reversing, using sound signals.

Under no circumstances should it replace the driver's care or responsibility whilst reversing.

The driver should always look out for sudden hazards during driving: always ensure that there are no moving obstacles (such as a child, animal, pram or bicycle, etc.) or small, narrow objects such as stones or posts in your path when manoeuvring.

## PARKING DISTANCE CONTROL (2/3)



### Rear parking distance control

#### Operation

When reversing, most objects located less than approximately 1.2 metres away from the rear of the vehicle are detected and a beep is emitted.

If there are obstacles located close to both the front and rear of the vehicle, only the closest of the two will be acknowledged and the corresponding front or rear beep sound will be emitted. If obstacles are detected both to the front and to the rear of the vehicle at the same time, and they are both less than 30 centimetres away from the vehicle, the corresponding front and rear beeps will be emitted alternately.

### Automatic activation/ deactivation of the front & rear parking distance control

The system deactivates:

- when the electronic parking brake is applied;
- when the vehicle speed is above approximately 4 mph (7 km/h);
- when the vehicle is stationary for more than approximately three seconds and an obstacle located more than approximately 30 centimetres away from the side of the vehicle;
- when the vehicle is in neutral or when the gear lever has been shifted to **N** or **P** for automatic gearboxes.



An impact to the underside of the vehicle while manoeuvring (e.g.: striking a post, raised kerb or other street furniture) may result in damage to the vehicle (e.g.: deformation of an axle).

To avoid any risk of accident, have your vehicle checked by an approved Dealer.

27454



### Adjusting the parking distance control volume

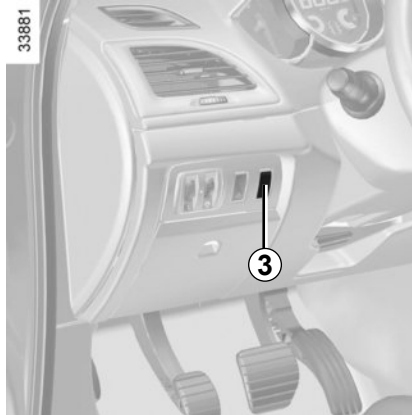
From the vehicle settings customisation menu (please refer to the information on “Vehicle settings customisation menu” in Section 1), select the line “Parking sensor volume” to adjust the parking distance control volume and confirm by pressing key **1** or **2**.

## PARKING DISTANCE CONTROL (3/3)



### Adjusting the parking distance control volume

Depending on the vehicle, certain settings can be adjusted from the touch-screen **A**. Please see the equipment instructions for further information.



### Temporary deactivation of the system

(Depending on the vehicle)

Press switch **3** to deactivate the system. The indicator light on the switch comes on and the message “Parking sensor off” is displayed on the instrument panel. The system is reactivated by pressing the switch.

The system will be automatically reactivated each time the engine is switched off.

### Prolonged deactivation of the system

You may permanently activate or deactivate the front or rear parking distance control separately.

From the vehicle settings customisation menu (refer to the information on the “Vehicle settings customisation menu” in Section 1), select the line “Front parking sensor” or “Rear parking sensor” then activate or deactivate the system:



: function deactivated;



function activated.

### Operating faults

When the system detects an operating fault there will be a 5-second continuous beep as a warning. Consult an approved dealer.

When the vehicle is being driven at a speed below approximately 4 mph (7 km/h), certain noises (motorcycle, lorry, pneumatic drill, etc.) may trigger the beeping sound.

## REVERSING CAMERA (1/2)



### Operation

Moving into reverse gear, the camera **1** located near the number plate lights provides a view of the area behind the vehicle on the multimedia display **2**, accompanied by two moving or fixed guide lines **3** and **4**.

This system is initially used with the aid of several gauges (mobile for trajectory and fixed for distance). When the red zone is reached, use the bumper image to stop accurately.



### 3 moving guide line:

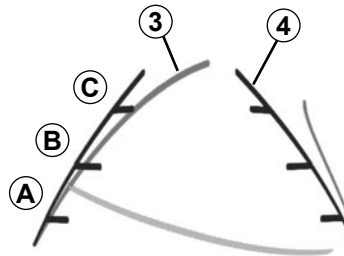
This is shown in blue on screen **2**. It indicates the vehicle trajectory according to the position of the steering wheel.

### Fixed gauge 4

The fixed clearance gauge comprises coloured markers **A**, **B** and **C**, indicating the distance behind the vehicle:

- **A** (red) approximately 30 centimetres from the vehicle;
- **B** (yellow) approximately 70 centimetres from the vehicle;
- **C** (green) approximately 150 centimetres from the vehicle.

35987



This gauge remains fixed and indicates the vehicle trajectory if the wheels are in line with the vehicle.

### Special feature

Make sure that the camera is not obscured (by dirt, mud, snow, etc.).

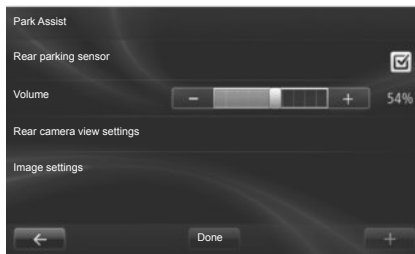
## REVERSING CAMERA (2/2)



### Activating, deactivating the reversing camera

From the multimedia display **2**, select “menu”, “Settings”, “Park Assist” then “Rear camera view settings”. Activate or deactivate the reversing camera and confirm your choice by selecting “Done”.

35988



You can also adjust the camera image settings (brightness, contrast, etc.)

The screen shows a reverse image.

The frames are a representation projected onto flat ground; this information must not be taken into account when superimposed on a vertical object or an object on the ground.

Objects which appear on the edge of the screen may be deformed.

In very bright light (snow, vehicle in sunshine etc.), the camera vision may be adversely affected.

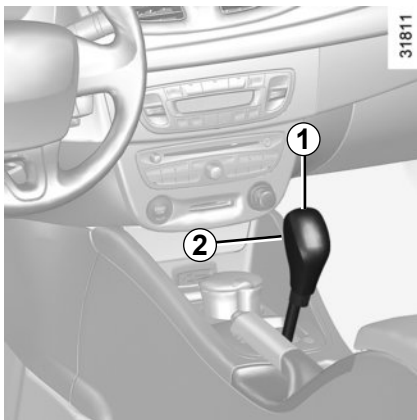
If the boot is open or poorly closed, the message “Boot open” appears and the camera display disappears.



This function is an additional aid. It cannot, therefore, under any circumstances replace the vigilance or the responsibility of the driver.

The driver should always pay attention to sudden incidents during driving: always ensure that there are no moving obstacles (such as a child, animal, pram, bicycle, etc.) or small, narrow objects such as stones or posts in your path when manoeuvring.

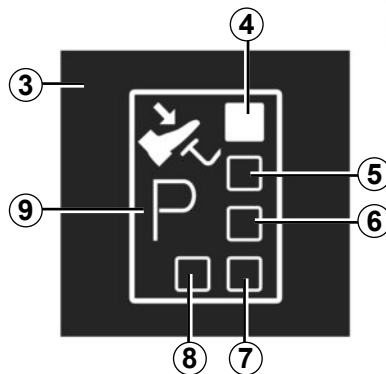
# AUTOMATIC TRANSMISSION (1/3)



## Selector lever 1

Display 3 on the instrument panel shows the mode and gear selected.


- 4: P: park
- 5: R: reverse gear
- 6: N: neutral
- 7: D: automatic mode
- 8: manual mode
- 9: zone displaying gearbox mode or gear engaged in manual mode



## Operation

With the gear lever 1 in position P, switch on the ignition.

To move out of position P, you must depress the brake pedal before pressing unlocking button 2.

With the foot on the brake pedal (warning light  on the display 3 goes out), move the lever out of position P.

**Only engage D or R when the vehicle is stopped, with your foot on the brake and the accelerator pedal released.**

## Driving in automatic mode

Select position D. In most traffic conditions, you will not have to touch the gear selector lever again: the gears will change automatically at the right time and at the most suitable engine speed because the automatic system takes into account the vehicle load and road contour and adjusts itself to the particular driving style you have chosen.

### Economical driving

When driving, always leave the lever in position D, keeping the accelerator pedal lightly depressed to ensure automatic gear changes at a lower engine speed.

### Accelerating and overtaking

Depress the accelerator pedal firmly and fully (so that it goes beyond the kickdown point).

**This will enable you to change down to the optimum gear within the engine range.**



# AUTOMATIC TRANSMISSION (2/3)

## Driving in manual mode

With the selector lever in position **D**, move the lever to the left. Shifting the lever repeatedly allows you to change gears manually:

- To move down through the gears, push the lever backwards.
- To move up through the gears, push the lever forwards.

The gear selected is displayed on the instrument panel.

Depending on the vehicle, in order to optimise consumption, an indicator on the instrument panel will inform you of the best moment to upshift (+) or downshift (–) gears.

## Special cases

Under certain driving conditions (e.g. engine protection, electronic stability program (ESP) operational etc.: ESC) the automatic system may change gear automatically.

Likewise, to prevent incorrect manoeuvres, a gear change may be refused by the automatic system: in this case the gear display flashes for a few seconds as a warning.

## Special circumstances

- **If the road contours and bends** do not allow you to stay in automatic mode (e.g.: in the mountains), we recommend that you change to manual mode.  
This will prevent the automatic gearbox from changing gears repeatedly when climbing, and permit engine braking on long descents.
- **In cold weather**, to prevent the engine from stalling, wait a few moments before shifting the selector lever from position **P** or **N** and engaging **D** or **R**.

**In very cold weather**, the system may prevent the gears from being shifted in manual mode until the gearbox reaches the right temperature.

## Parking the vehicle

When the vehicle is stopped, move the lever to position **P** while keeping your foot on the brake pedal: the gearbox is in neutral and the drive wheels are mechanically locked by the driveshaft.

**Apply the handbrake or, depending on the vehicle, ensure that the electronic parking brake is applied.**



An impact to the underside of the vehicle (e.g.: striking a post, raised kerb or other street furniture) may result in damage to the vehicle (e.g.: deformation of an axle).

To avoid any risk of accident, have your vehicle checked by an approved Dealer.

## AUTOMATIC TRANSMISSION (3/3)

### Operating faults

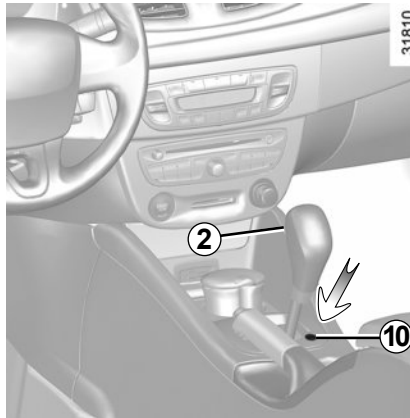
- **when driving**, if the message “Check auto gearbox” appears on the instrument panel, this indicates there is a fault.

Contact your approved Dealer as soon as possible.

- **when driving**, if the message “Auto gearbox overheating” appears on the instrument panel, stop the vehicle to allow the gearbox to cool down.

Contact your approved Dealer as soon as possible.

- **If a vehicle with an automatic gearbox breaks down**, refer to the information on “Towing” in Section 5.



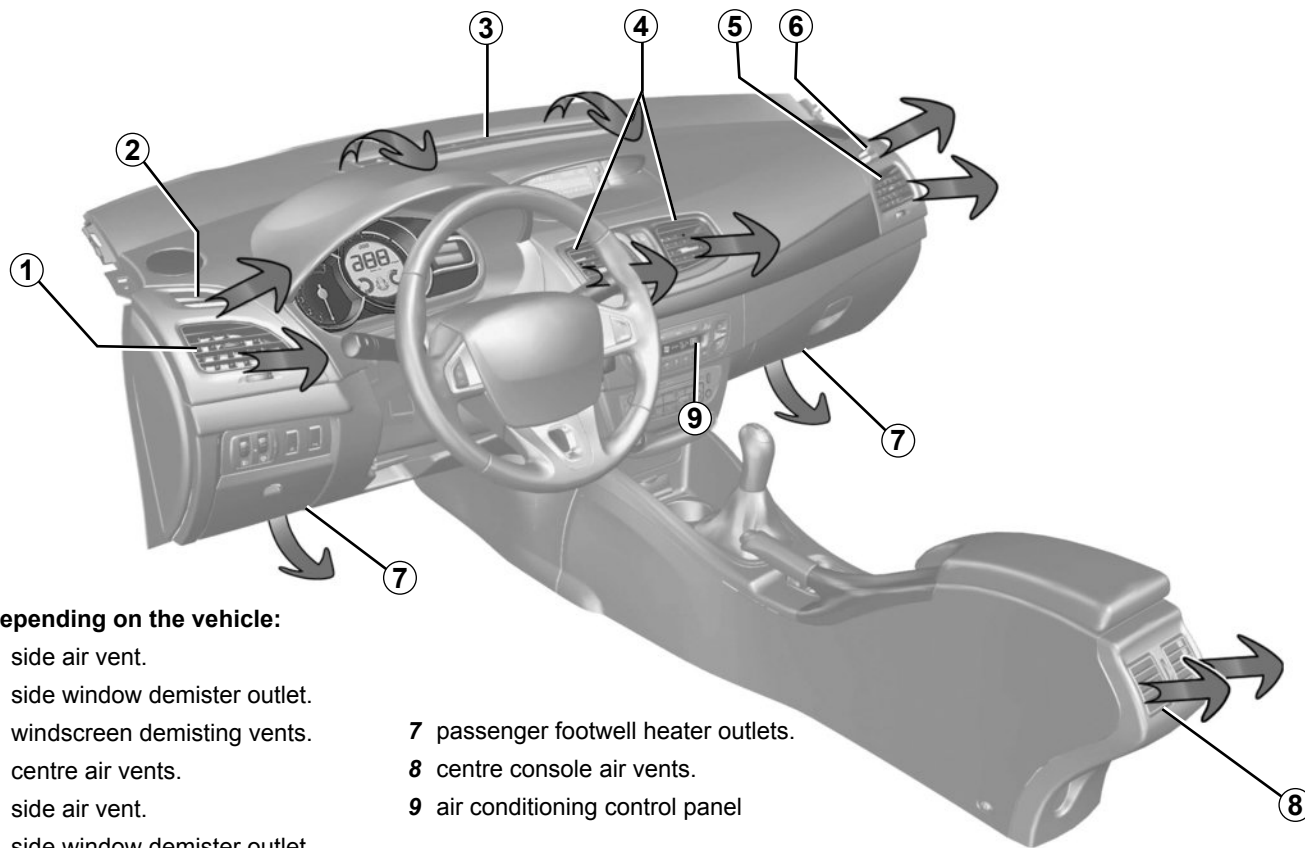
**When setting off**, if the lever is locked in position **P** even though you are depressing the brake pedal and pressing unlocking button **2**, the lever can be released manually. To do this, press the button by inserting an object into the hole **10** and simultaneously press unlocking button **2** located on the lever.

# Section 3: Your comfort

Air vents . . . . .	3.2
Manual air conditioning . . . . .	3.4
Automatic climate control . . . . .	3.6
Air conditioning: information and advice on use . . . . .	3.11
Electric windows, Electric sunroof . . . . .	3.12
Manual window winders/Interior lighting . . . . .	3.15
Sun visor/sun blinds . . . . .	3.17
Passenger compartment storage space and fittings . . . . .	3.18
Accessories socket . . . . .	3.22
Ashtray/cigar lighter . . . . .	3.22
Rear bench seat . . . . .	3.23
Luggage compartment . . . . .	3.24
Rear parcel shelf . . . . .	3.25
Transporting objects in the luggage compartment/Towing (towing equipment) . . . . .	3.26
Roof bars . . . . .	3.27
Multimedia equipment . . . . .	3.28

## AIR VENTS: air outlets (1/2)

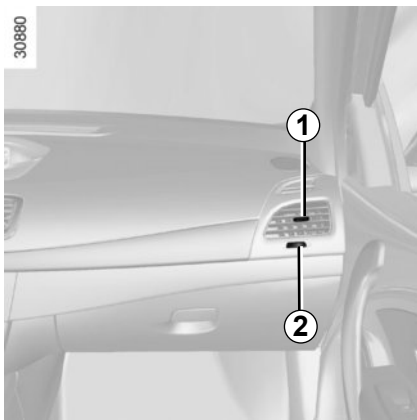
33865



### Depending on the vehicle:

- 1 side air vent.
- 2 side window demister outlet.
- 3 windscreen demisting vents.
- 4 centre air vents.
- 5 side air vent.
- 6 side window demister outlet.
- 7 passenger footwell heater outlets.
- 8 centre console air vents.
- 9 air conditioning control panel

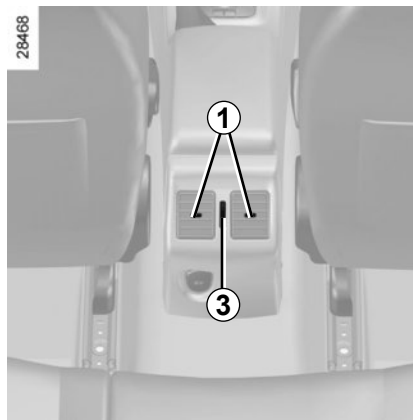
## AIR VENTS: air outlets (2/2)



### Direction

Right/left: move tabs **1** to the right or left.

Up/down: lower or raise tabs **1**.



### Air flow

Turn control knob **2** (beyond the point of resistance).

To the right: maximum air flow.

To the left: closed.

Turn control knob **3** (beyond the point of resistance).

Up: maximum air flow.

Down: closed.

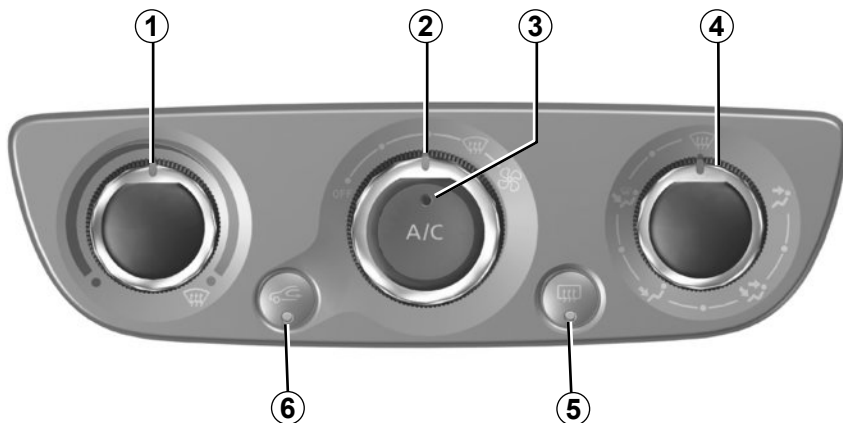
To remove bad odours from your vehicles, only use the systems designed for this purpose. Consult an approved Dealer.



Do not add anything to the vehicle's ventilation circuit (for example, to remove bad odours).

**There is a risk of damage or of fire.**

## MANUAL AIR CONDITIONING (1/2)



40402

### The controls

- 1 Adjusting the air temperature
- 2 Adjusting the ventilation speed
- 3 Air conditioning.
- 4 Distribution of air in the passenger compartment.
- 5 De-icing/demisting of the rear screen and, depending on the vehicle, the door mirrors.
- 6 Air recirculation.

### Switching air conditioning on or off

The air conditioning is switched on (indicator light on) or off (indicator light off) using button 3.

### The air conditioning system is used for:

- lowering the temperature inside the passenger compartment;
- eliminating condensation more quickly.

### Distribution of air in the passenger compartment

There are five air distribution options. Turn control 4 to choose the distribution option.



The air flow is directed to the windscreen and the front side window demisting vents.



The air flow is distributed between all the air vents, the front side window demisting vents, the windscreen demisting vents and the footwells.



The air flow is directed mainly towards the footwells.

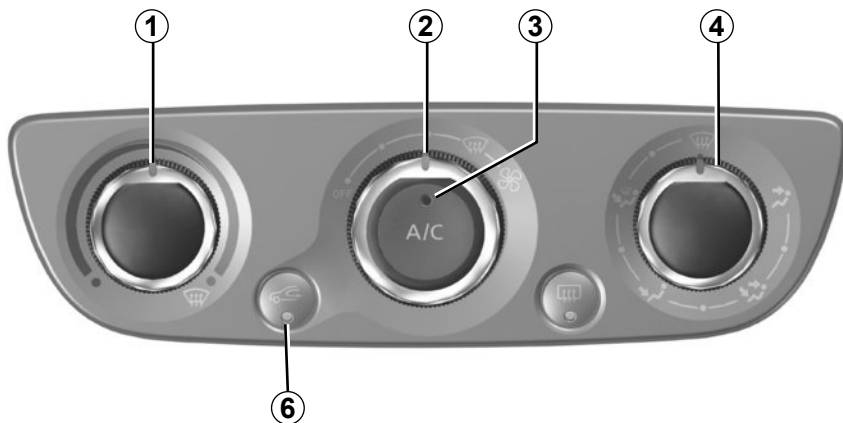


The air flow is directed towards the dashboard vents and the footwells.



All the air flow is directed to the dashboard vents.

## MANUAL AIR CONDITIONING (2/2)



40402

### Switching the air recirculation on

Press button **6**: the integrated indicator light comes on.

Under these conditions, air is taken from the passenger compartment and is recirculated, with no air being taken from outside the vehicle.

#### Air recirculation is for:

- isolating the vehicle from the external atmosphere (driving in polluted areas, etc.);
- lowering the passenger compartment temperature as quickly as possible.


### Adjusting the ventilation speed

Turn control **2** clockwise to increase the air flow in the passenger compartment. The passenger compartment is ventilated by blown air. The blower determines how much air enters but vehicle speed has a slight effect on this.

### “OFF” position:

the system is deactivated: the ventilation speed for the passenger compartment air is zero (vehicle stationary), you can however still feel a slight flow of air when the vehicle is moving.

### Recommended demisting option:

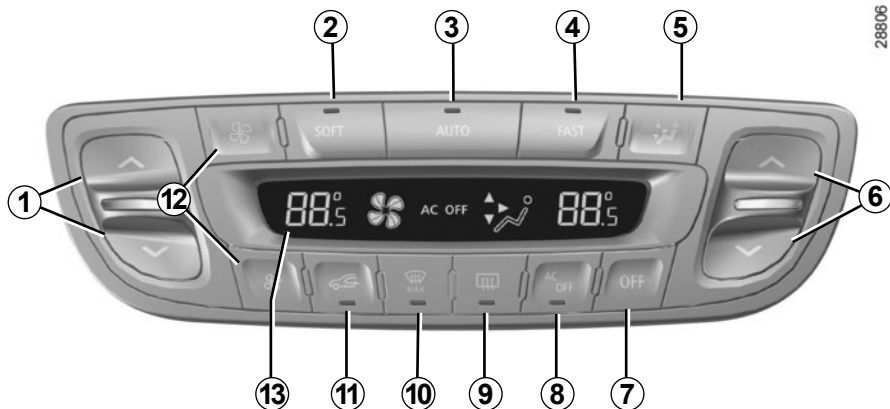
Turn controls **1**, **2** and **4** to the  position.

This is the quickest option for de-icing and demisting the side windows and the windscreen.

Prolonged use of air recirculation can lead to condensation forming on the side windows and windscreen, and discomfort due to the use of non-renewed air in the passenger compartment. We therefore advise you to return to normal mode (external air) as soon as the air recirculation function is no longer required, by pressing the button **6** again.

The de-icing function cannot be used with the air recirculation mode to avoid any risk of condensation forming on the windscreen and triggers the air conditioning and the integrated indicator light **3** to come on.

## AUTOMATIC CLIMATE CONTROL (1/5)



28806

### The controls

**1** and **6** Air temperature.

**2**, **3** and **4** Automatic programmes.

**5** Distribution of air in the passenger compartment.

**7** Off button.

**8** Air conditioning.

**9** De-icing/demisting of the rear screen and, depending on the vehicle, the door mirrors.

**10** “Clear View” function.

**11** Air recirculation.

**12** Ventilation speed.

**13** Display.

### Automatic mode

The automatic climate control system guarantees comfort in the passenger compartment and good visibility (except in the event of extreme conditions), whilst optimising consumption. The system controls the ventilation speed, air distribution, air recirculation, and starting and stopping the air conditioning and air temperature. This mode consists of a choice of three programmes:

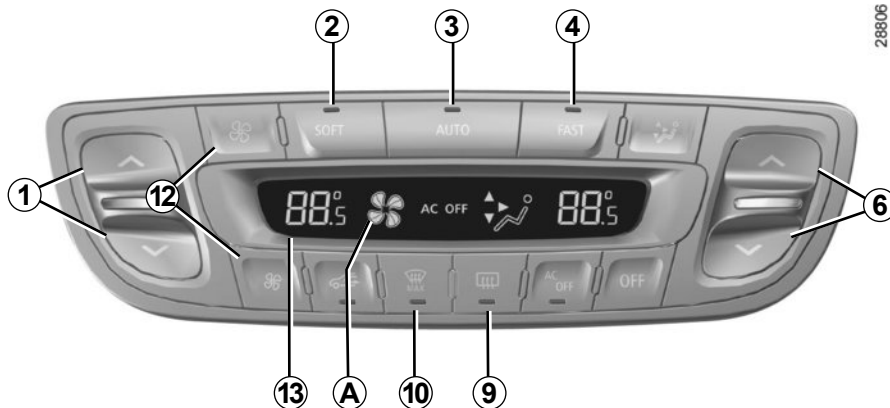
**AUTO:** allows the selected comfort level to be best attained, depending on the exterior conditions. Press button **3**.

**SOFT:** gently brings the temperature to the desired comfort level. The comfort level is then maintained gently and silently. Press button **2**.

**FAST:** increases the operation of the system to reach the desired comfort level more quickly. Use this programme when you have passengers in the rear. Press button **4**.



## AUTOMATIC CLIMATE CONTROL (2/5)



### Varying the ventilation speed

In automatic mode, the system uses the most suitable amount of air to reach and maintain the desired comfort level.

You can still adjust the ventilation speed by pressing buttons **12** to increase or reduce the ventilation speed.

In this case, the ventilation speed, which is no longer controlled automatically, appears in zone **A** on the display **13**.

### Temperature adjustment

Press one of the buttons **1** or **6** to increase or reduce the temperature on the left-hand side **1** or right-hand side **6**. Pressing button **3** for more than 2 seconds sets the passenger temperature to the driver's temperature.

**Special note:** the highest and lowest settings allow the system to produce maximum hot or cold temperature levels ("LO" and "HI" on display **13**).

### Clear View function

Press button **10**: the integrated indicator light comes on.

This function quickly demists and de-ices the windscreen, the rear screen, the front side windows, and the door mirrors (depending on the vehicle). The air conditioning and rear screen de-icing functions must be activated.

Press button **9** to stop the heated rear screen operating; the integrated indicator goes out.

You can change the ventilation speed by pressing button **12**.

**To exit this function, press:**

- button **10** again,
- one of either button **2**, **3** or **4**.

Some buttons have an operating tell-tale which indicates the operating status.

## AUTOMATIC CLIMATE CONTROL (3/5)

28806



### Switching air conditioning on or off

In automatic mode, the system switches the air conditioning system on or off, depending on the climate conditions.

Press switch **8** to switch off the air conditioning; the integrated indicator comes on and "AC OFF" is shown on the display **13**.

The displayed temperature values show a comfort level.

When starting the engine, increasing or decreasing the value displayed will not allow the comfort level to be reached any more quickly. The system will always optimise the temperature increase or decrease (the ventilation system does not start instantly at maximum speed: it gradually increases). This may take several minutes.

Generally speaking, unless there is a particular reason not to, the dashboard air vents should remain open.

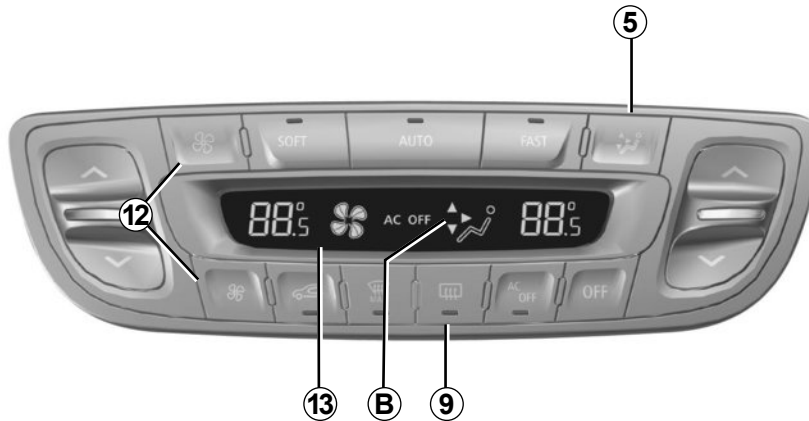
**You are recommended to use automatic mode by selecting one of the automatic programmes AUTO, SOFT or FAST.**

In automatic mode (indicator light for button **3** on), all heating and air conditioning functions are controlled by the system.

You can also change the system selection, in this case, indicator light for button **3** will go out and the changed function, which is no longer controlled by the system, is shown on display **13**.

To return to automatic mode, press one of the **AUTO, SOFT or FAST** programmes.

## AUTOMATIC CLIMATE CONTROL (4/5)



### Rear screen de-icing/ demisting

Press button **9**: the integrated indicator light comes on. This function permits rapid demisting/de-icing of the rear screen and de-icing of the door mirrors (on equipped vehicles).

**To exit this function**, press button **9** again. Demisting automatically stops by default.

### Adjusting the distribution of air in the passenger compartment

There are five air distribution options. Press switch **5** to scroll through them. The arrows located in area **B** on the display **13** combine to show you the distribution selected:

28806



The air flow is directed to the windshield and the front side window demisting vents.



The air flow is distributed between all the air vents, the front side window demisting vents, the windshield demisting vents and the footwells.



The air flow is directed mainly towards the footwells.



The air flow is directed towards the dashboard vents and the footwells.



All the air flow is directed to the dashboard vents.

In this situation, the distribution of air in the passenger compartment, which is no longer automatically controlled, appears on the display.

# AUTOMATIC CLIMATE CONTROL (5/5)

## Recycling

This function is controlled automatically, but it can also be activated manually.

### Note:

- during recirculation, air is taken from the passenger compartment and is recycled, with no air being taken from outside the vehicle;
- air recirculation allows the external atmosphere to be cut off (when driving in polluted areas, etc.);
- lowering the passenger compartment temperature as quickly as possible.

The demisting/de-icing will still take priority over the air recirculation.



28806

### Manual use

Pressing button **11** allows air recirculation to be forced, **in this case, the integrated indicator comes on.**

Prolonged use of this position may lead to odours, caused by non-renewal of air, and the formation of condensation on the windows.

We therefore advise you to return to automatic mode as soon as the air recirculation function is no longer required, by pressing button **11** again.

### Stopping the system

Press button **7** to switch off the system; in this case "OFF" is shown on the display **13**. To switch the system on, press one of the **2, 3 or 4** switches.

## AIR CONDITIONING: information and advice on use

### Advice on use

In some situations, (air conditioning off, air recirculation activated, ventilation speed at zero or low, etc.) you may notice that condensation starts to form on the windows and wind-screen.

If there is condensation, use the “**Clear View**” function to remove it, then use the air conditioning in automatic mode to stop it forming again. If the condensation does not clear, use the **FAST** programme.

### Note

**Presence of water under the vehicle.** After prolonged use of the air conditioning system, it is normal for water to be present under the vehicle. This is caused by condensation.

### Fuel consumption

You will normally notice an increase in fuel consumption (especially when driving in town) when the air conditioning is operating.

For vehicles fitted with manual air conditioning, switch off the system when it is not required.

### Advice for reducing consumption and therefore helping to preserve the environment:

Drive with the air vents open and the windows closed.

If the vehicle has been parked in the sun, open the doors for a few moments to let the hot air escape before starting the engine.

### Maintenance

Refer to the Maintenance Document for your vehicle for the inspection frequency.

### Operating faults

As a general rule, contact your approved dealer in the event of an operating fault.

- **Reduction in de-icing, demisting or air conditioning performance.** This may be caused by the passenger compartment filter cartridge becoming clogged.
- **No cold air is being produced.** Check that the controls are set correctly and that the fuses are sound. Otherwise, switch off the system.



**Do not open the refrigerant fluid circuit.** The fluid may damage eyes or skin.

## ELECTRIC WINDOWS, ELECTRIC SUNROOF (1/3)

These systems operate with the ignition on or off, until one of the front doors is opened (limited to about 3 minutes).



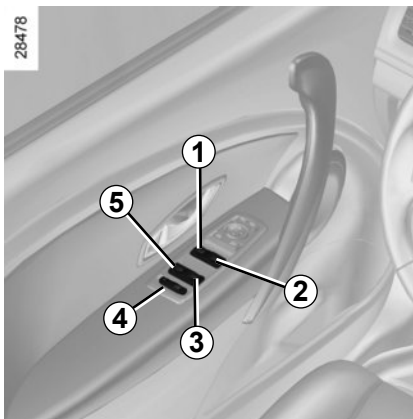
### Safety of rear occupants

The driver can disable operation of the electric windows and, depending on the vehicle, the rear doors, by pressing switch **4**. The indicator light integrated in the switch lights up to confirm that the locks have been activated.

### Driver's responsibility

Never leave your vehicle with the RENAULT card or key inside, and never leave a child (or a pet) unsupervised, even for a short while. They may pose a risk to themselves or to others by starting the engine, activating equipment such as the electric windows or by locking the doors. If any part of the body becomes trapped, reverse the direction of the window immediately by pressing the relevant switch.

Risk of serious injury.

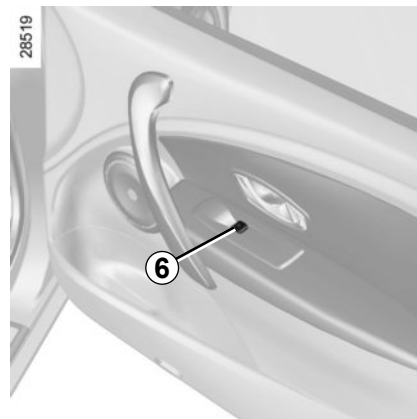


### Electric windows

Press or pull the switch to raise or lower a window to the desired height (the rear windows do not open fully);

### One-touch mode

This mode works in addition to the operation of the electric windows described previously. depending on the vehicle, it relates to the front and rear windows. Briefly press or pull the window switch fully: the window is fully lowered or raised. Pressing the switch again stops the window moving.



From the driver's seat, use switch:

- 1** for the driver's side;
- 2** for the front passenger side;
- 3** and **5** for the rear passenger windows.

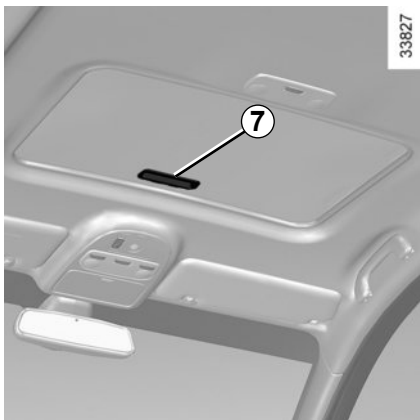
From the passenger seats, use switch **6**.

### Note

If the window detects resistance when closing (e.g. fingers, branch of a tree, etc.) it stops and then lowers again by a few centimetres.

Avoid resting any objects against a half-open window: there is a risk that the electric window could be damaged.

## ELECTRIC WINDOWS, ELECTRIC SUNROOF (2/3)

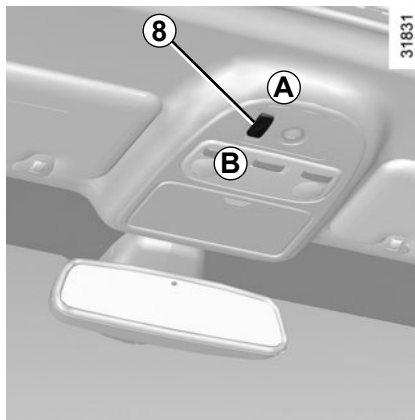


### Sun blind

- **to open:** push handle **7** upwards, then guide it as it opens;
- **to close:** pull handle **7** until it clicks into the lock.

### Tilting the sunroof

Tilt opening: open the sunroof blind, then press button **8** (side **B**): the sunroof tilts open.



Tilt closing: press button **8** briefly (side **A**).

### Opening/closing the sunroof

Opening: open the sunroof blind, then press button **8** (side **A**).

Press button **8** to stop the sunroof moving.

Closing: press button **8** briefly (side **B**).

### Special note

Your vehicle is equipped with an anti-inch facility: when the sunroof encounters resistance whilst closing, (somebody's fingers, etc.) it stops and then moves back several centimetres.



#### Driver's responsibility

Never leave your vehicle with the RENAULT card or key inside, and never leave a child (or a pet) unsupervised, even for a short while.

The reason for this is that the child may endanger himself or others by starting the engine, activating equipment such as the window winders for example, or locking the doors.

If a part of the body becomes trapped, reverse the direction of travel by pressing switch **8**.

Risk of serious injury.

# ELECTRIC WINDOWS, ELECTRIC SUNROOF (3/3)

## Remote control window closing

(for vehicles with one-touch windows on all windows).

When you lock the doors from the outside, **press the locking button on the RENAULT card twice in quick succession, or on the driver's door** in hands-free mode, and all the windows will close automatically. It is recommended that the user only operates the system when the vehicle can be seen clearly and no one is inside.

**Note:** locking the doors using the RENAULT card deactivates hands-free mode.



Closing windows can cause serious injury.



If the vehicle is equipped with this function, this action will activate deadlocking.

Check that there is no-one still inside the vehicle

## Operating faults

### Electric windows

In case of a fault when closing a window, the system reverts to normal mode: pull the switch concerned up as often as necessary to fully close the window (the window will close gradually), hold the switch (still on the closure side) for three seconds then lower and raise the window fully to reinitialise the system. If necessary, contact your approved Dealer.

### Electric sunroof

Consult an approved Dealer.

Important: during this operation, the sunroof anti-pinch facility is deactivated. Contact your approved dealer as soon as possible.

## Precautions during use

- **check** that the sunroof is properly closed before leaving your vehicle;
- **clean** the seal every three months using products recommended by our Technical Department;
- **do not open** the sunroof immediately after the vehicle has been in the rain or after your car has been washed.
- **Vehicle with roof bars**

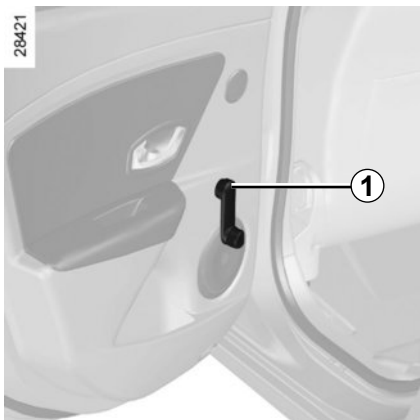
As a general rule, if there is a load on the roof, use of the sunroof is not recommended.

Before using the sunroof, check the objects and/or accessories (bike racks, roof boxes, etc.) attached to the roof bars: they should be properly arranged and secured and should not interfere with the operation of the sunroof.

Contact your approved Dealer for details of possible conversions.

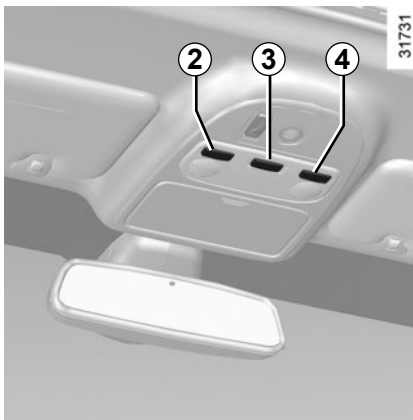


# MANUAL WINDOW WINDERS / INTERIOR LIGHTING (1/2)



## Manual window winders

Turn handle **1**.



## Courtesy light

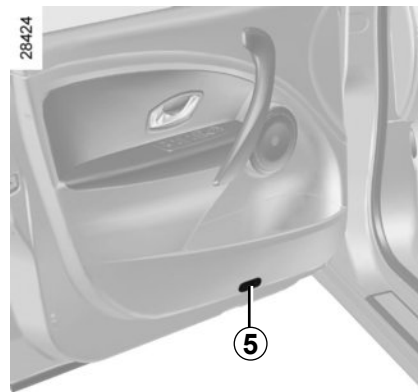
Tilt switch **3** to move it to the position for:

- permanent lighting;
- intermittent lighting, which comes on when a door is opened. This switches off after a time delay, once the doors concerned have been closed correctly;
- immediate switching off.

## Map reading lights

(depending on vehicle)

Tilt switches **2** or **4**.



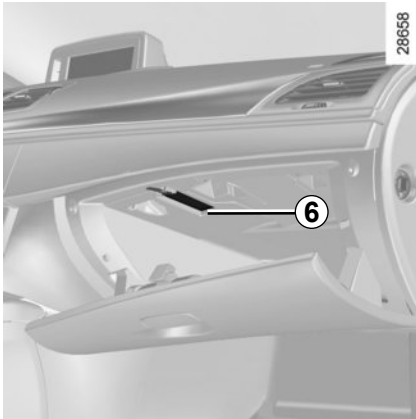
## Front door lights

(depending on vehicle)

Light **5** comes on when the door is opened.

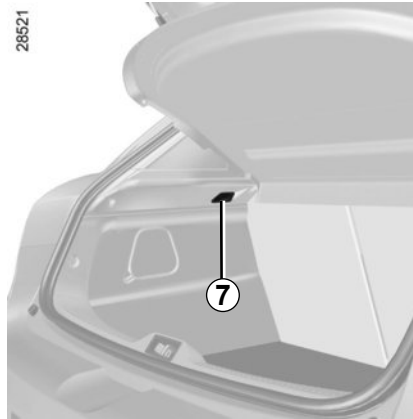
When the doors or luggage compartment are unlocked and opened the courtesy and footwell lights come on temporarily.

## INTERIOR LIGHTING (2/2)



### Glove box light

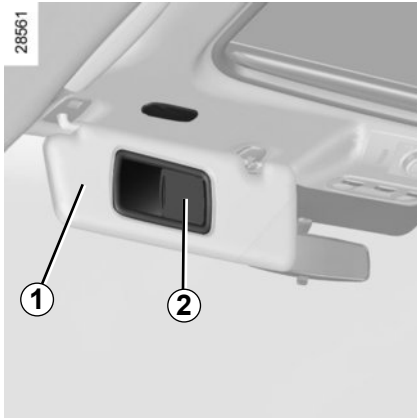
Depending on the vehicle, light **6** comes on when the cover is opened.



### Luggage compartment light

Depending on the vehicle, light **7** comes on when the luggage compartment is opened.

## SUN VISOR, SUN BLINDS



### Sun visor

Lower the sun visor **1** over the windscreen or unclip it and turn it over the side window.

### Courtesy mirrors

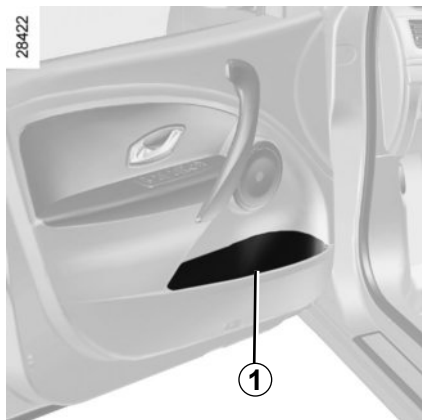
Slide cover **2**, depending on the vehicle, and the mirror is lit.



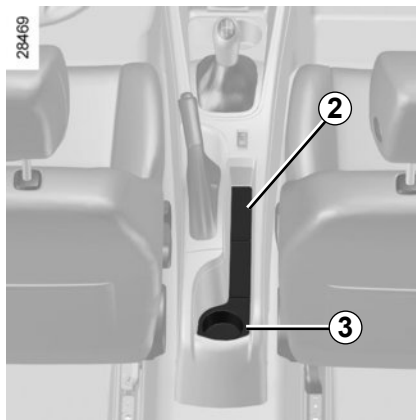
### Side sun blind

Pull the sun blinds upwards and secure it in hook **3** (check that they are securely attached).

# PASSENGER COMPARTMENT STORAGE SPACE AND FITTINGS (1/4)

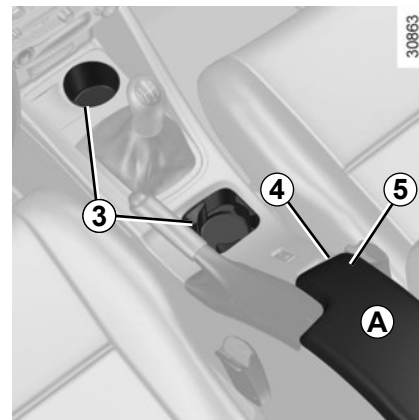


**Door pockets 1**



**Centre console storage compartments 2**

**Cup holder 3**



**Front central elbow rest A**

Press button **4** and lift the cover **5**.



Ensure that no hard, heavy or pointed objects are placed in the “open” storage compartments in such a way that they may fall onto passengers during sudden turning, braking or in the event of an accident.



When turning corners, accelerating or braking, ensure that the receptacle being held by the cup holder is not dislodged.

There is a risk of burning if hot liquid escapes.



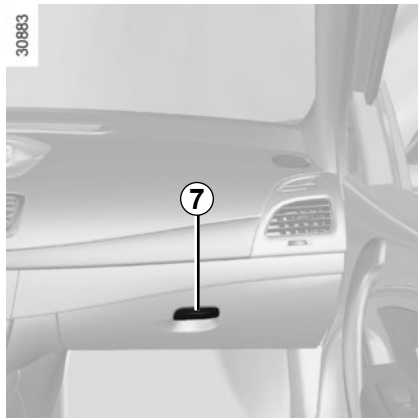
Nothing should be placed on the floor area in front of the driver as such objects may slide under the pedal during braking manoeuvres, thus obstructing its use.

## PASSENGER COMPARTMENT STORAGE SPACE AND FITTINGS (2/4)



### Sun blind storage compartment 6

This can be used for storing motorway tickets, cards, etc.



### Passenger storage compartment

Pull handle 7 to open it.

The glove box can hold A4-size documents, a large bottle of water, etc.



Ensure that no hard, heavy or pointed objects are placed in the “open” storage compartments in such a way that they may fall onto passengers during sudden turning, braking or in the event of an accident.



### Door pockets 8

## PASSENGER COMPARTMENT STORAGE SPACE AND FITTINGS (3/4)



### Rear armrest storage

(depending on vehicle)

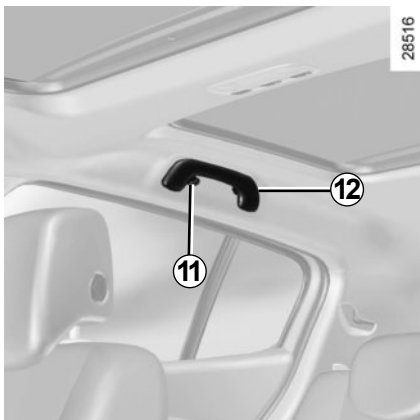
Lower armrest **9**.



When turning corners, accelerating or braking, ensure that the receptacle being held by the cup holder is not dislodged.

There is a risk of burning if hot liquid escapes.

## PASSENGER COMPARTMENT STORAGE SPACE AND FITTINGS (4/4)

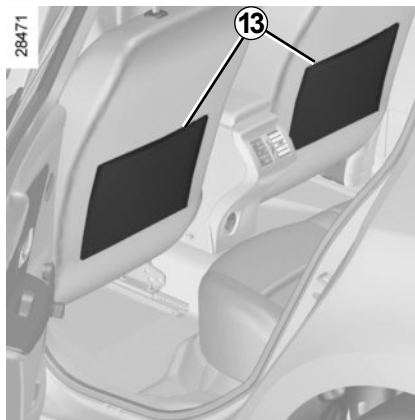


**Clothes hooks 11**

### **Grab handle 12**

This offers support and can be held when the vehicle is being driven.

Do not use it for getting into or out of the vehicle.



**Front seat storage compartments 13**

# CIGAR LIGHTER, ASHTRAY, ACCESSORIES SOCKET

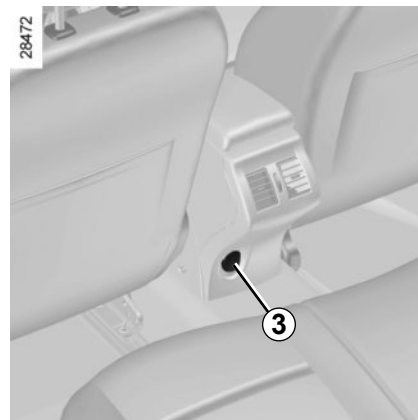


## Cigar lighter

With the ignition on, push in cigar lighter **1**, it will spring back with a click when it is ready. Pull it out to use. After use, replace it without pushing it all the way in.

## Ashtray

To open, lift the cover of ashtray **2**. To empty, pull the ashtray towards you and it will be released from its housing.



## Accessories sockets

You may use cigar lighter recess **1** or socket **3** (depending on the vehicle). They are designed for connecting accessories with a maximum power rating of 120 Watts (voltage: 12V) which have been approved by our Technical Department.

If your vehicle is not fitted with a cigar lighter and an ashtray, these can be obtained from an approved Dealer.

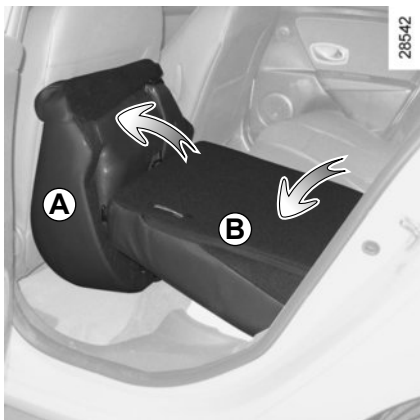


Connect accessories with a maximum power of 120 Watts only.

**Fire hazard.**



## REAR BENCH SEAT



Depending on the vehicle, the seat and the seatback may be folded away to allow bulky objects to be carried.

### To fold away the seat base

Tilt seat base **A** against the front seats.

### To fold down the seatback

After folding the seat base down, remove the rear headrests (refer to the information on the “Rear headrests” in Section 1), then press button **1** and lower the seatback(s) **B**.



In all situations, lower the rear headrests (refer to the information on the “Rear headrests” in Section 1).



For safety reasons, carry out any adjustments when the vehicle is not being driven.



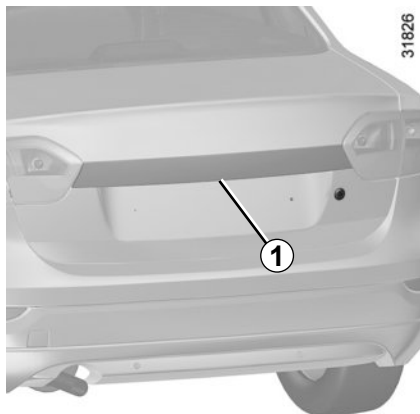
When moving the rear bench seat, check that the bench seat anchorage points are clean (they should be free from grit, cloths or any other item which may prevent the bench seat from locking securely).



**When refitting the seatback**, make sure it is correctly locked in place.

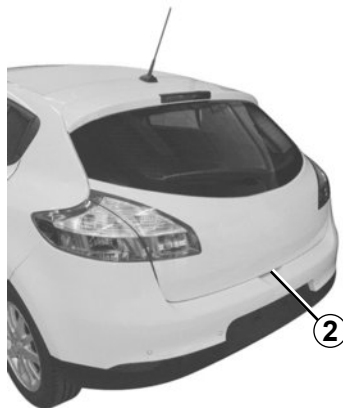
**If seat covers are fitted**, make sure these do not prevent the seatback latch from locking in. Make sure that the seat belts are positioned correctly. Reposition the headrests.

# TAILGATE



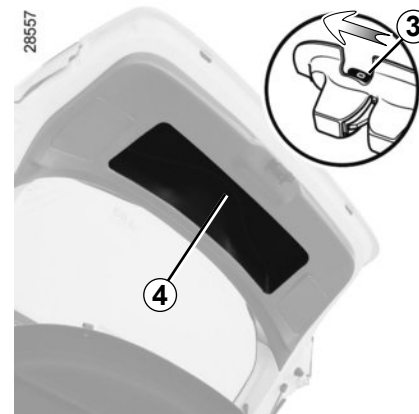
## Opening

Press button **1** or **2** and lift the tailgate.



## Closing

Pull down the tailgate using handle **4** inside the tailgate (depending on the vehicle) to assist you.

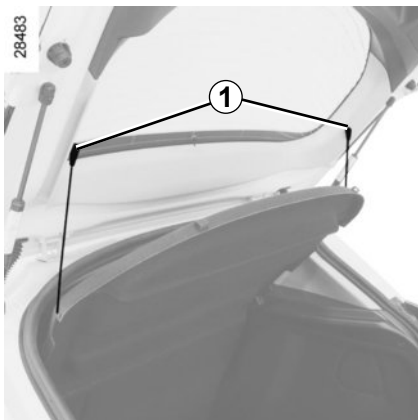


## Opening manually from inside the vehicle

If it is impossible to unlock the tailgate, it can be done from inside.

- access the luggage compartment by folding forward the seatback(s) of the rear bench seat,
- insert a pencil or similar object in cavity **3** and slide the unit as shown in the illustration,
- push the tailgate to open it.

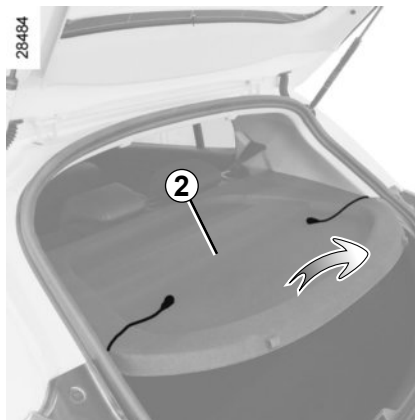
## REAR PARCEL SHELF



### Five-door version

#### Removal

Unhook the two cords **1** (tailgate side).

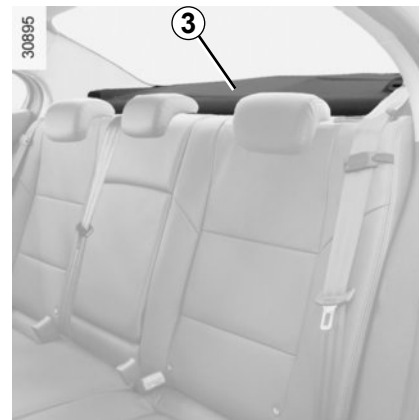


Lift rear parcel shelf **2** slightly and pull it towards you.

To refit it, proceed in reverse order to removal.



Do not place any objects, especially heavy or hard objects, on parcel shelf **2** or **3**. These may pose a risk to the vehicle occupants if the driver has to brake suddenly or if the vehicle is involved in an accident.



### Four-door version

## TRANSPORTING OBJECTS IN THE LUGGAGE COMPARTMENT/TOWING (towing equipment)

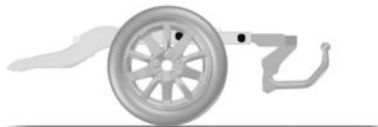
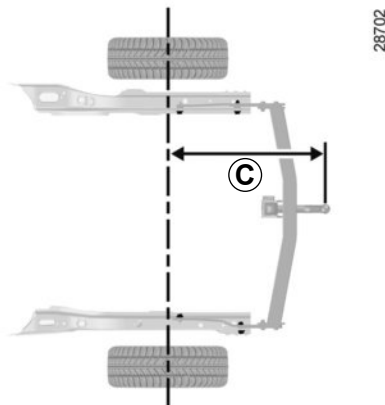


Always place the objects to be transported so that their largest side rests against the back of the rear bench seat, for normal loads, or against the back of the front seats when the rear bench seatbacks are folded down (Example **A**).

If you have to place objects on the folded seat back, it is vital that you remove the headrests before folding the seat back so that it can be folded as flat as possible against the seat.



Always position the heaviest items directly on the floor. Use the lashing points on the floor of the luggage compartment, if these are fitted to the vehicle. The luggage should be loaded in such a way that no items will be thrown forward and strike the occupants if the driver has to brake suddenly. Fasten the rear seat belts, even if the seats are not occupied.



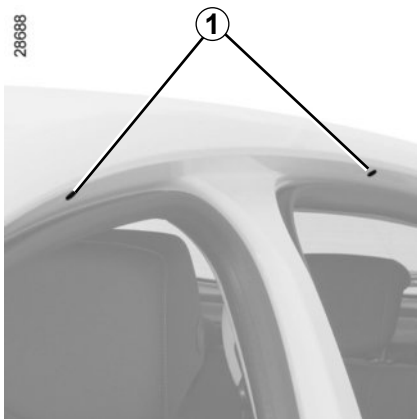
Four-door version **C = 1,085 mm**

Five-door version **C = 867 mm**

**Permissible nose weight, maximum permissible towing weight, braked and unbraked:** refer to the information on “Weights” in Section 6.

## ROOF BARS: accessing the mounting points

286888



Open the doors to access the mounting points **1**.



If original roof bars, approved by our Technical Department, are supplied with screws, only use these screws for attaching the roof bars to the vehicle.

For information on the range of equipment adapted to your vehicle, we advise you to consult an approved Dealer.

Refer to the fitting instructions for information on how to fit roof bars and conditions of use.

Please keep these instructions with the rest of the vehicle documentation.

**Maximum permissible load on roof rack:** refer to the information on "Weights" in Section 6.

## MULTIMEDIA EQUIPMENT

The presence and location of this equipment depends on the vehicle's multimedia equipment.

- 1 Radio;
- 2 Display;
- 3 Steering column control;
- 4 Microphone.

### Hands-free telephone integrated control

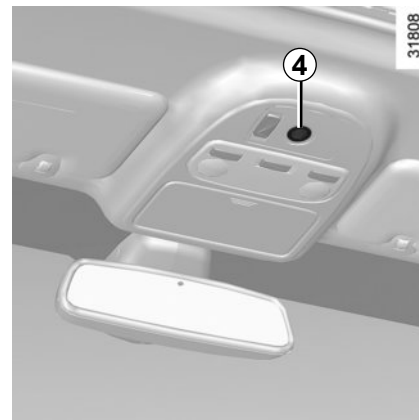
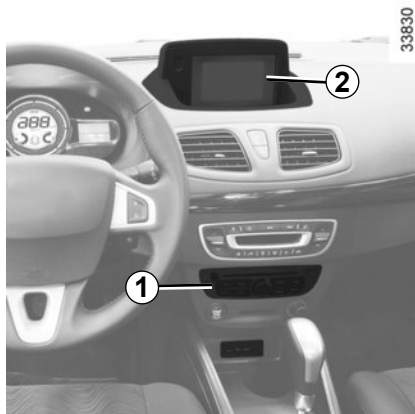
On equipped vehicles, use microphone **4** and steering column control **3**.

To use this equipment, consult the instructions for the equipment which should be kept with the other vehicle documentation.



#### Using the telephone

We remind you of the need to conform to the legislation in force concerning the use of such equipment.



# Section 4: Maintenance

Bonnet . . . . .	4.2
Engine oil level: . . . . .	4.4
general information . . . . .	4.4
topping up, filling . . . . .	4.6
Engine oil change . . . . .	4.7
Levels: . . . . .	4.8
engine coolant . . . . .	4.8
brake fluid. . . . .	4.9
windscreen/headlight washer reservoir . . . . .	4.10
Filters. . . . .	4.10
Tyre pressure. . . . .	4.11
Battery . . . . .	4.12
Bodywork maintenance . . . . .	4.13
Interior trim maintenance. . . . .	4.15

## BONNET: four-door version



To open, pull handle **1**, located on the left-hand side of the dashboard.

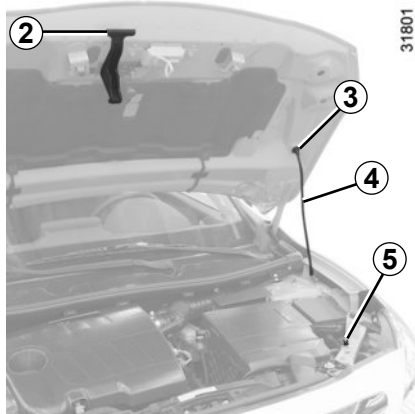
### Unlocking the bonnet catch

To release it, lift tab **2**.



The engine may be hot when carrying out operations in close proximity. In addition, the engine cooling fan can come on at any moment.

Risk of injury.



### Opening the bonnet

Lift the bonnet and release stay **4** from its holder **5**. For your own safety, it is **very important** to fix the stay into retainer **3** in the bonnet.



In the event of even a slight impact involving the radiator grille or bonnet, have the bonnet lock checked by an approved dealer as soon as possible.

### Closing the bonnet

Check that nothing has been left in the engine compartment.

To close the bonnet, replace stay **4** back into its holder **5**, hold the bonnet in the middle and lower it to 30 cm above the closed position, then release it. It will latch automatically under its own weight.



After carrying out any work in the engine compartment, check that nothing has been left behind (cloth, tools, etc.).

These may damage the engine or cause a fire.



Ensure that the bonnet is properly locked.

Ensure that nothing is preventing locking (grit, cloths, etc.).



## BONNET: five-door version



To open, pull handle **1**, located on the left-hand side of the dashboard.

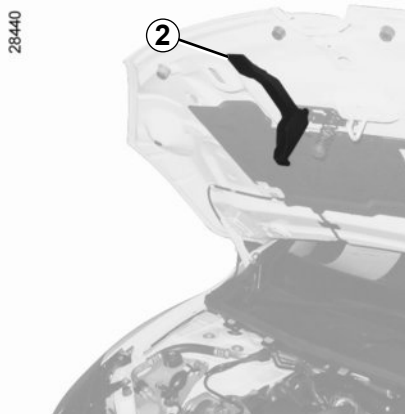
### Unlocking the bonnet catch

To release it, lift tab **2**.



The engine may be hot when carrying out operations in close proximity. In addition, the engine cooling fan can come on at any moment.

Risk of injury.



### Opening the bonnet

Lift the bonnet; you will need to guide it as it is held by a strut.



Ensure that the bonnet is properly locked.

Ensure that nothing is preventing locking (grit, cloths, etc.).



Do not press down on the bonnet: there is a risk that the bonnet may accidentally close.

### Closing the bonnet

Check that nothing has been left in the engine compartment.

To close the bonnet again, hold the bonnet in the middle and lower it to 30 cm above the closed position, then release it. It will latch automatically under its own weight.



After carrying out any work in the engine compartment, check that nothing has been left behind (cloth, tools, etc.).

These may damage the engine or cause a fire.



In the event of even a slight impact involving the radiator grille or bonnet, have the bonnet lock checked by an approved dealer as soon as possible.

## ENGINE OIL LEVEL: general information (1/2)

It is normal for an engine to use oil for lubrication and cooling of moving parts and it is normal to top up the level between oil changes.

However, contact your approved Dealer if more than 0.5 litres is being consumed every 600 miles (1,000 km) after the running in period.

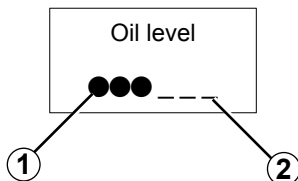
**Oil change frequency: check the oil level from time to time and certainly before any long journey to avoid the risk of damaging your engine.**

### Reading the oil level

The oil level should be read with the vehicle on level ground, after the engine has been switched off for some time.

**The dipstick must be used to read the exact oil level and make sure that the maximum level has not been exceeded (risk of engine damage).** Refer to the following pages.

The instrument panel display only alerts the driver when the oil level is at its minimum.

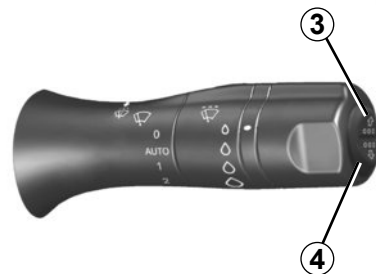


### Minimum oil level warning on the instrument panel

When the message "Checking control functions" is displayed press button **3** or **4**.


**If the level is below minimum:** the message "Oil level" appears on the display along with squares **1** that are replaced with dashes **2** when the level goes down.

**Note:** The detailed level cannot be displayed if the vehicle was previously only driven for a short time.



29108

**if the level is at the minimum**

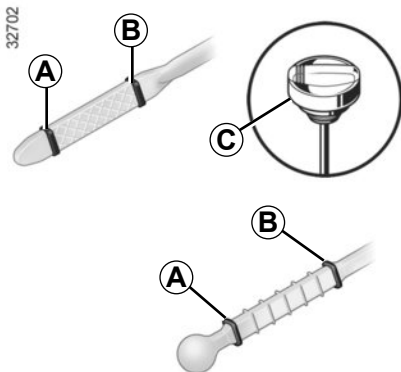
Depending on the vehicle, the message "Top up oil level" and indicator light  light up on the instrument panel.

**It is vital to top up the oil as soon as possible.**



The display only warns the driver if the oil level is at the minimum level. It does not inform the driver that the oil level has exceeded the maximum level as this can only be measured using a dipstick.

## ENGINE OIL LEVEL: general information (2/2)



### Reading the level using the dipstick

- remove the dipstick and wipe with a clean, lint-free cloth;
- push the dipstick in as far as it will go (for vehicles equipped with a cap-type dipstick **C**, screw the cap in as far as it will go);
- take out the dipstick again;
- read the level: it should never fall below minimum mark **A** or exceed maximum mark **B**.

Once the operation has been completed, ensure that the dipstick is pushed in as far as it will go or that the cap-type dipstick is completely screwed in.



#### Exceeding the maximum engine oil level

Under no circumstances must the maximum fill level **B** be exceeded: risk of damage to the engine and catalytic converter.

If the oil level exceeds the maximum level, **do not start your vehicle** and contact an approved Dealer.

Consult your approved Dealer at once if you notice an abnormal or repeated drop in any of the fluid levels.

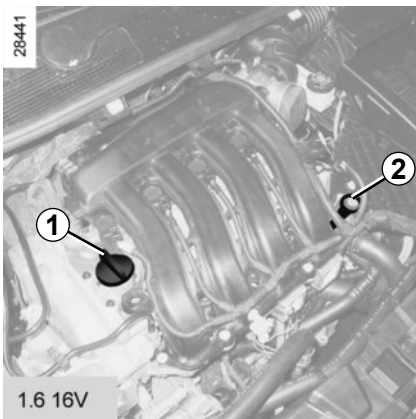
In order to prevent splashback, it is recommended that a funnel be used when topping up/filling with oil



The engine may be hot when carrying out operations in close proximity. In addition, the engine cooling fan can come on at any moment.

Risk of injury.

## ENGINE OIL LEVEL: topping up and filling



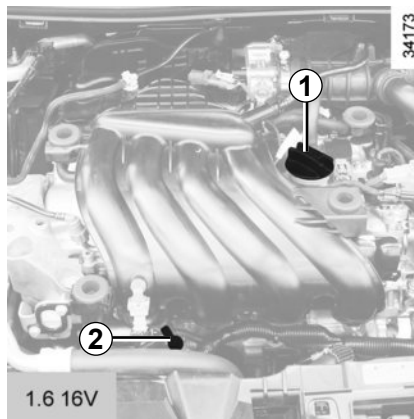
### Topping up/filling

The vehicle must be parked on level ground and the engine should be cold (for instance, before the engine is started up for the first time in the day).

### Engine oil grade

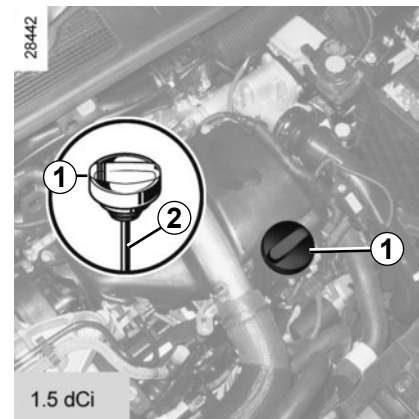
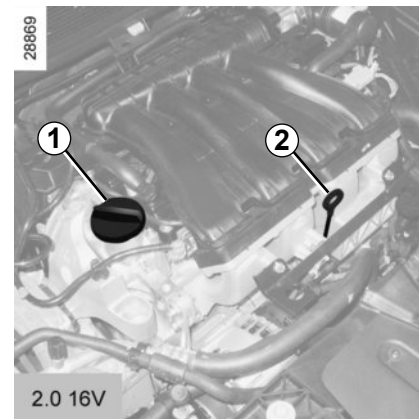
Refer to the Maintenance Document for your vehicle.

Do not exceed the **max** level and do not forget to refit cap **1** and dipstick **2**.

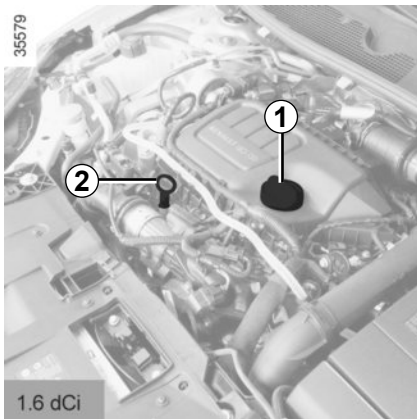


- Unscrew cap **1**;
- top up the level (as a guide, the capacity between the minimum and maximum reading on the dipstick **2** is between 1.5 and 2 litres, depending on the engine);
- wait for approximately 10 minutes to allow the oil to flow into the engine;
- check the level using the dipstick **2** (as described above).

Once the operation has been completed, ensure that the dipstick is pushed in as far as it will go or that the “cap-type dipstick” is completely screwed in.



# ENGINE OIL LEVEL: topping up and filling, ENGINE OIL CHANGE



## Exceeding the maximum engine oil level

Under no circumstances must the maximum fill level be exceeded: risk of damage to the engine and catalytic converter. If the oil level exceeds the maximum level, **do not start your vehicle** and contact an approved Dealer.

## Oil change

**Service interval:** refer to the Maintenance Document for your vehicle.

### Average capacities for oil change including oil filter

(for information)

**1.6 16V engine (manual gearbox) :**

**5.0 litres**

**1.6 16V engine (automatic gearbox) :**

**3.9 litres**

**2.0 16V engine: 4.4 litres**

**1.6 dCi engine : 5.5 litres**

**1.5 dCi engine : 4.5 litres**

### Engine oil grade

Refer to the Maintenance Document for your vehicle.



**Filling:** take care when topping up the oil that no oil drips onto engine components - risk of fire.

Remember to refit the cap securely as there is a risk of fire if oil splashes onto hot engine components.

Consult your approved Dealer at once if you notice an abnormal or repeated drop in any of the fluid levels.



**Engine oil change:** if you are changing the oil when the engine is hot, be careful not to scald yourself if the oil overflows.



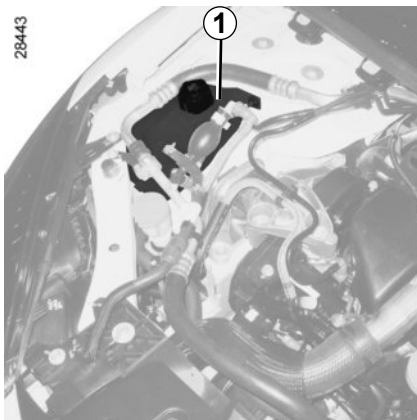
The engine may be hot when carrying out operations in close proximity. In addition, the engine cooling fan can come on at any moment.

Risk of injury.



Never run the engine in an enclosed space as exhaust gases are poisonous.

## LEVELS (1/3)



### Coolant

The level is checked with the engine switched off and on flat ground. The level **when cold** must be between the “MIN” and “MAX” marks on coolant reservoir **1**.

Top this level up **when cold** before the “MIN” mark is reached.

### Checking intervals

**Check the coolant level regularly** (very severe damage is likely to be caused to the engine if it runs out of coolant).

If the level needs to be topped up, only use products approved by our Technical Department which ensure:

- protection against freezing;
- anticorrosion protection of the cooling system.

### Replacement intervals

Refer to the Maintenance Document for your vehicle.



The engine may be hot when carrying out operations in close proximity. In addition, the engine cooling fan can come on at any moment.

Risk of injury.



No operations should be carried out on the cooling circuit when the engine is hot.

**Risk of burns.**

Consult your approved dealer at once if you notice an abnormal or repeated drop in any of the fluid levels.

## LEVELS (2/3)



### Brake fluid level

The level should be read with the engine switched off and on level ground. This should be checked frequently, and immediately if you notice even the slightest loss in braking efficiency.

### Level 2

It is normal for the level to drop as the linings become worn, but it should never drop below the **MIN** line.

If you wish to check the disc and drum wear yourself, you should obtain the document explaining the checking procedure from our network or from the manufacturer's website.



The engine may be hot when carrying out operations in close proximity. In addition, the engine cooling fan can come on at any moment.

Risk of injury.

### Topping up

After any operation on the hydraulic circuit, a specialist must replace the fluid.

Only use fluids approved by our Technical Department (and taken from a sealed container).

### Replacement intervals

Refer to the Maintenance Document for your vehicle.

## LEVELS (3/3) / FILTERS

28445



### Windscreen/headlight washer reservoir

#### Topping up

Open cap **3**, fill until you can see the fluid, then refit the cap.

#### NOTE

Depending on the vehicle, to find out the fluid level, open cap **1** and pull out the dipstick.

#### Liquid

Screen wash product (product with antifreeze in winter).

#### Jets

Use a tool such as a needle to adjust the height of the windscreen washer jets.

#### Filters

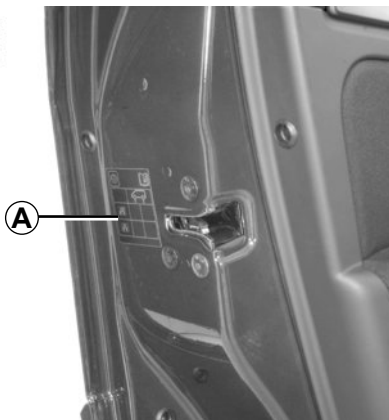
The replacement of filter elements (air filter, cabin filter, diesel fuel filter, etc.) is scheduled in the maintenance operations for your vehicle.

**Replacement intervals for filter elements:** refer to the Maintenance Document for your vehicle.



## TYRE PRESSURE (1/2)

27192




### Label A

Open the door to read it.

Tyre pressures should be checked when the tyres are cold.

If the tyre pressures cannot be checked when the tyres are **cold**, increase the pressures from **0.2 to 0.3 bar** (or **3 PSI**).  
**Never deflate a hot tyre.**

### Vehicle fitted with a tyre pressure monitoring system

If under-inflated (puncture, low pressure, etc.), the warning light  lights up on the instrument panel; please refer to “Tyre pressure loss warning” or “Tyre pressure monitoring system” in Section 2.

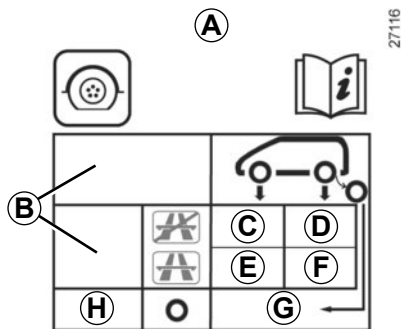
**Special note concerning fully laden vehicles** (Maximum Permissible All-Up Weight) **and towing a trailer**: the maximum speed must be limited to **60 mph** (100 kph) and the tyre pressure increased by **0.2 bar**.

Please refer to the information on “Weights” in Section 6.

### Tyre safety and use of snow chains:

Refer to the information on “Tyres” in Section 5 for the servicing conditions and, depending on the version, the use of chains.

## TYRE PRESSURES (2/2)



**B:** dimension of the tyres fitted to the vehicle.

**C:** tyre pressures for the front wheels (non-motorway).

**D:** tyre pressures for the rear wheels (non-motorway).

**E:** tyre pressures for the front wheels (motorway).

**F:** tyre pressures for the rear wheels (motorway).

**G:** tyre pressure for the emergency spare wheel.

**H:** emergency spare wheel tyre dimension if different to the four tyres fitted to the vehicle.



For your safety and to comply with the law.

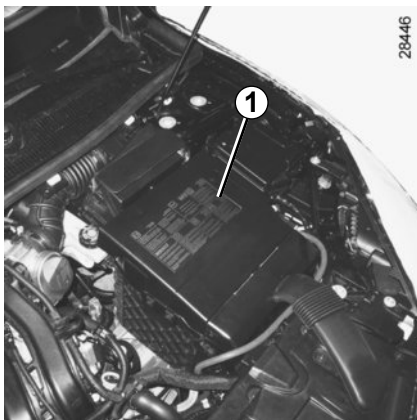
When they need to be replaced, only tyres of the same make, size, type and profile should be used on a single axle.

**They must: either have a load capacity and speed rating at least equal to those of the original tyres, or conform to those recommended by an authorised dealer.**

Failure to heed these instructions could endanger your safety and affect your vehicle's roadworthiness.

**Risk of loss of control of the vehicle.**

# BATTERY



The battery **1** does not require any maintenance.



Handle the battery with care as it contains sulphuric acid, which must not come into contact with eyes or skin. If it does, wash the affected area with plenty of cold water. If necessary, consult a doctor.

Ensure that naked flames, red hot objects and sparks do not come into contact with the battery as there is a risk of explosion.

Depending on the vehicle, a system continuously checks the battery charge status. If the level drops, the message “Battery low start engine” is displayed on the instrument panel. In this case, start the engine. Then the message “Battery charging” appears on the instrument panel for the duration of the charging time.

The charge status of your battery can decrease especially if you use your vehicle:

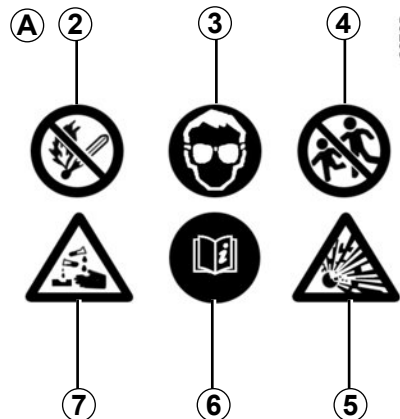
- for short journeys;
- for driving in town;
- when the temperature drops;
- after extended use of consumers (radio etc.) with the engine switched off.

## Replacing the battery

As this operation is complex, we advise you to contact an approved Dealer.



The battery is a **specific type**, please ensure it is replaced with the same type. Consult an approved dealer.



## Label A

Observe the indications on the battery:

- **2** naked flames and smoking forbidden;
- **3** eye protection required;
- **4** keep away from children;
- **5** explosive materials;
- **6** refer to the handbook;
- **7** corrosive materials.



The engine may be hot during operations in close proximity. In addition, the engine cooling fan may start at any moment.

Risk of injury.

## BODYWORK MAINTENANCE (1/2)

A well-maintained vehicle will last longer. It is therefore recommended to maintain the exterior of the vehicle regularly.

Your vehicle has been treated with very effective anti-corrosion products. It is nevertheless subject to various outside influences.

### **Corrosive agents in the atmosphere**

- atmospheric pollution (built-up and industrial areas),
- saline atmospheres (near the sea, particularly in hot weather),
- seasonal and damp weather conditions (e.g. road salt in winter, water from road cleaners, etc.).

### **Minor impacts**

#### **Abrasive action**

Dust and sand in the air, mud, road grit thrown up by other vehicles, etc.

You should take a number of minor precautions in order to safeguard your vehicle against such risks.

### **What you should not do**

Do not degrease or clean mechanical components (e.g. the engine compartment), underneath the body, parts with hinges (e.g. inside the doors) and painted plastic external fittings (e.g. bumpers) using high-pressure cleaning equipment or by spraying on products not approved by our Technical Department. Doing this could give rise to corrosion or operational faults.

Wash the vehicle in bright sunlight or freezing temperatures.

Do not scrape off mud or dirt without pre-wetting.

Allow dirt to accumulate on the exterior.

Allow rust to form following minor impacts.

Do not use solvents not approved by our Technical Department to remove stains as this could damage the paintwork.

Do not drive in snow or muddy conditions without washing the vehicle, particularly under the wheel arches and body.

### **You should**

Wash your car frequently, **with the engine off**, with cleaning products recommended by the manufacturer (never use abrasive products). Rinse thoroughly beforehand with a jet:

- spots of tree resin and industrial grime;
- mud in the wheel arches and underneath the body which forms damp patches;
- **bird droppings**, which cause a chemical reaction with the paint that **rapidly discolours paintwork and may even cause the paint to peel off**;
- wash the vehicle **immediately** to remove these marks since it is impossible to remove them by polishing;
- salt, particularly in the wheel arches and underneath the body after driving in areas where the roads have been gritted.

Remove any plant matter (resin, leaves, etc.) from the vehicle regularly.

## BODYWORK MAINTENANCE (2/2)

Respect local regulations about washing vehicles (e.g. do not wash your vehicle on a public highway).

Observe the vehicle stopping distances when driving on gravelled surfaces to prevent paint damage.

Repair, or have repaired quickly, areas where the paint has been damaged, to prevent corrosion spreading.

Remember to visit the body shop periodically in order to maintain your anti-corrosion warranty. Refer to the Maintenance Document.

If it is necessary to clean mechanical components, hinges, etc., spray them with products approved by our Technical Department to protect them after they have been cleaned.

We have selected special products to care for your vehicle and you can obtain these from the manufacturer's accessory outlets.

### Vehicles with a matte paint finish

This type of paint requires certain precautions.

#### Do not do the following

- use wax-based products (polishing);
- rub hard;
- wash the vehicle in a roller-type car wash;
- wash the vehicle using a high-pressure device;
- attach stickers to the paintwork (risk of leaving marks).

#### You should do the following

Wash the vehicle by hand using plenty of water, using a soft cloth or a gentle sponge.

### Using a roller type car wash

Return the windscreen wiper stalk to the Park position (refer to the information on the “Windscreen washer, wiper” in Section 1). Check the mounting of external accessories, additional lights and mirrors, and ensure that the wiper blades are secured with adhesive tape. Remove the radio aerial mast if your vehicle is fitted with this equipment. Remember to remove the tape and refit the antenna after washing.

### Cleaning the headlights

As the headlights are made of plastic “glass”, use a soft cloth or cotton wool to clean them. If this does not clean them properly, moisten the cloth with soapy water, then wipe clean with a soft damp cloth or cotton wool. Finally, carefully dry off with a soft dry cloth.

**Cleaning products containing alcohol must not be used.**

## INTERIOR TRIM MAINTENANCE (1/2)

A well-maintained vehicle will last longer. It is therefore recommended to maintain the interior of the vehicle regularly.

A stain should always be dealt with swiftly.

Whatever type of stain is on the trim, use **cold** (or warm) **soapy water with natural soap**.

**Detergents (washing-up liquid, powdered products, alcohol-based products) should not be used.**

Use a soft cloth.

Rinse and soak up the excess.

### Glass instrument panel

(e.g. instrument panel, clock, exterior temperature display, radio display, etc.)

Use a soft cloth (or cotton wool).

If this does not clean it properly, use a soft cloth (or cotton wool) slightly moistened with soapy water and then wipe clean with a soft damp cloth or cotton wool.

Finally, **carefully** dry off with a soft dry cloth.

**Cleaning products containing alcohol must not be used under any circumstances.**

### Seat belts

These must be kept clean.

Use products selected by our Technical Department (Approved outlets) or warm, soapy water and a sponge and wipe with a dry cloth.

**Detergents or dyes must not be used under any circumstances.**

### Textiles (seats, door trim, etc)

Vacuum-clean the textiles **regularly**.

#### Liquid stain

Use soapy water.

Dab lightly (never rub) with a soft cloth, rinse and remove the excess.

#### Solid or pasty stain

Carefully remove the excess solid or pasty material **immediately** with a spatula (working from the edges to the centre to avoid spreading the stain). Clean as for a liquid stain.

#### Special instructions for sweets or chewing gum

Put an ice cube on the stain to solidify it, then proceed as for a solid stain.

For further recommendations for maintaining the interior, and/or for any unsatisfactory results, please see an authorised dealer.

## INTERIOR TRIM MAINTENANCE (2/2)

### Removal/replacing removable equipment originally fitted in the vehicle

If you need to remove equipment in order to clean the passenger compartment (for example, mats), always ensure that they are correctly refitted and are the right way around (the driver's mat should be fitted on the driver's side, etc.) and fit them with the components supplied with the equipment (for example, the driver mat should always be fixed using the pre-fitted mounting components).

With the vehicle stationary, ensure that nothing will impede driving (anything obstructing the pedals, heel wedged by the mat, etc.).

### You should not:

You are strongly advised not to position objects such as deodorants, scents, etc. near air vents, as this could damage your dashboard trim.



You are strongly recommended not to use high-pressure or spray cleaning equipment inside the passenger compartment: use of such equipment could impair the correct functioning of the electrical or electronic components in the vehicle, or have other detrimental effects.





# Section 5: Practical advice

Puncture . . . . .	5.2
Emergency spare wheel . . . . .	5.2
Tool kit (jack, wheelbrace, etc.) . . . . .	5.4
Wheel trim . . . . .	5.5
Tyre inflation kit . . . . .	5.6
Changing a wheel . . . . .	5.9
Tyres (tyre and wheel safety, use in winter) . . . . .	5.11
Headlights (changing bulbs) . . . . .	5.14
Rear lights (changing bulbs) . . . . .	5.19
Indicator lights (changing bulbs) . . . . .	5.23
Interior lights (changing bulbs) . . . . .	5.24
Fuses . . . . .	5.26
Battery . . . . .	5.28
Radio frequency remote control unit: battery . . . . .	5.30
RENAULT card: battery . . . . .	5.31
Fitting a radio . . . . .	5.32
Accessories . . . . .	5.33
Wipers (replacing blades) . . . . .	5.34
Towing . . . . .	5.35
Operating faults . . . . .	5.37

## PUNCTURE, EMERGENCY SPARE WHEEL (1/2)

**In the event of a puncture, depending on the vehicle, you will have:**

An emergency spare wheel or tyre inflation kit (refer to the information on the following pages).

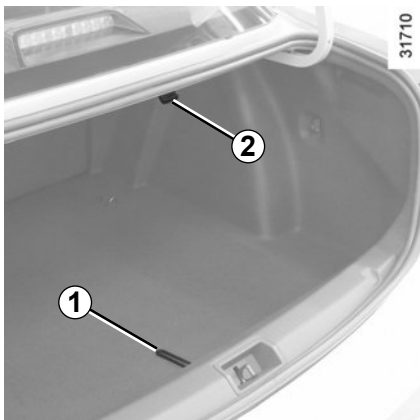


If the emergency spare wheel has been stored for several years, have it checked by your Dealer to ensure that it is safe to use.

**Vehicles fitted with an emergency spare wheel smaller than the four other wheels:**

- Never fit more than one emergency spare wheel to the same vehicle.
- Replace the emergency spare wheel as soon as possible with a wheel with the same dimensions as the original.
- When this is fitted to the vehicle, which must only be a temporary measure, the driving speed must not exceed the speed indicated on the label on the wheel.
- Fitting an emergency spare wheel may alter the way the vehicle usually runs. Avoid sudden acceleration or deceleration and reduce your speed when cornering.
- If you need to use snow chains, fit the emergency spare wheel to the rear axle and check the tyre pressure.

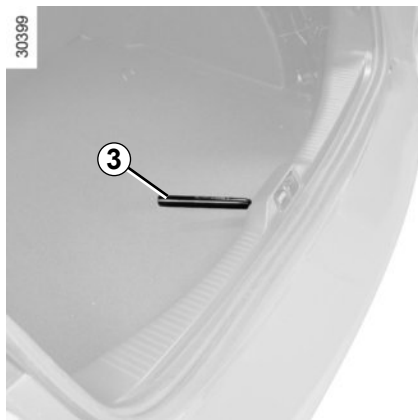
## PUNCTURE, EMERGENCY SPARE WHEEL (2/2)



### Emergency spare wheel, four-door version

This is located in the luggage compartment. To access it:

- open the tailgate;
- lift the luggage compartment carpet depending on the vehicle using tab **1** and attach it to hook **2**;
- depending on the vehicle, remove the blanking cover;
- unscrew the central mounting;
- remove the emergency spare wheel.

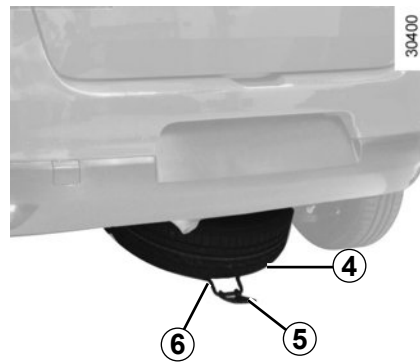


### Emergency spare wheel, five-door version

This is stored in cage **6** under the floor at the rear of the vehicle.

#### To access emergency spare wheel **4**

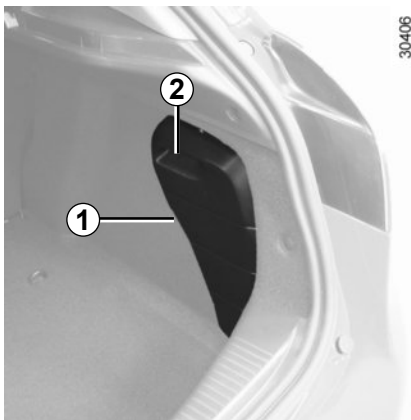
- Open the tailgate;
- Undo the nut using wheelbrace **3** from the tool kit in the luggage compartment (refer to the information on the "Tool kit" in Section 5);
- Detach the cage using handle **5**;
- Release the emergency spare wheel.



#### To store the wheel in the cage

- Make sure the wheel is correctly positioned in the cage, valve facing down.
- Reposition the cage using handle **5** and retighten the nut using wheelbrace **3** to refit the assembly.
- Make sure it is correctly locked.

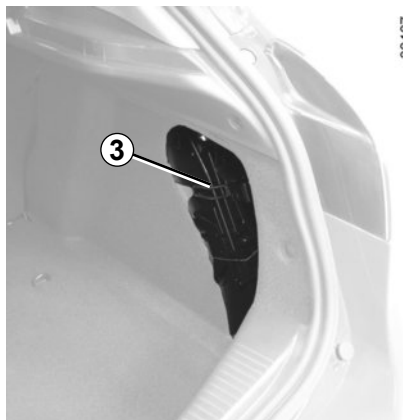
## TOOL KIT (1/2)



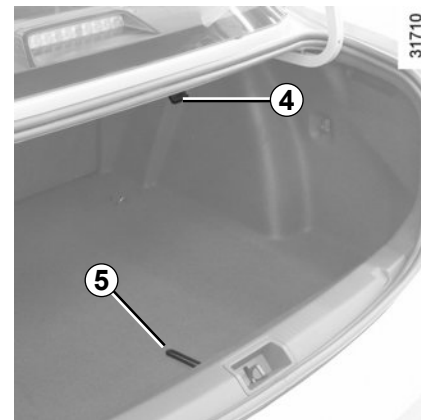
### Five-door version

The tool kit is located in the luggage compartment.

To access the tool kit, remove cover **1** by pulling handle **2**.



To release the tools, pull back strap **3**. After use, reposition the strap to hold the tools in place.



### Four-door version

The tool kit is located under the luggage compartment carpet.

Lift the luggage compartment carpet depending on the vehicle using tab **5** and attach it to hook **4**.

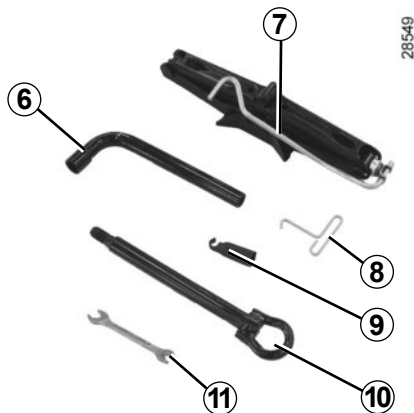
Depending on the vehicle, remove the blanking cover to access the tool kit.



Do not leave the tools unsecured inside the vehicle as they may come loose under braking. After use, check that all the tools are correctly clipped into the tool kit, then position it correctly in its housing: there is a risk of injury.

If wheel bolts are supplied in the tool kit, only use these bolts for the emergency spare wheel: refer to the label affixed to the emergency spare wheel.

## TOOL KIT (2/2)/ WHEEL TRIM - WHEEL



The tool kit is located in the luggage compartment.

The composition of the tool kit varies according to the vehicle.

### Wheelbrace 6

### Jack 7

When replacing the jack, fold it correctly and position the wheelbrace correctly before replacing it in its position.



The jack is designed for wheel changing purposes only. Under no circumstances should it be used for carrying out repairs underneath the vehicle or to gain access to the underside of the vehicle.

### Hubcap tool 8

This tool is used to remove the wheel trims.

### Wheel bolt guide 9

To finish loosening or starting to tighten the wheel bolts.

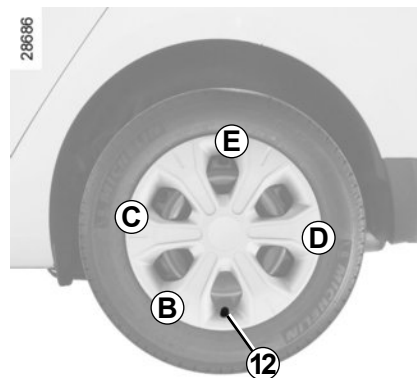
### Towing hitch 10

Refer to the information on “Towing” in Section 5.

### Headlight spanner 11

(one or two hubcap tools provided, depending on the vehicle)

Used to unscrew the headlights.



### Wheel trim

Remove using the hubcap tool 8 by connecting the hook in the recess provided next to the valve 12 (to attach the metal clip).

To refit the hubcap, align it with valve 12. Push the retaining hooks in fully, starting with side B near the valve, followed by C and D, finishing at E opposite the valve.

**Note:** if you are using anti-theft bolts, refer to the information on “Changing a wheel”.

# TYRE PRESSURE KIT (1/3)

32788



The kit repairs tyres when tread **A** has been damaged by objects smaller than 4 mm. It cannot repair all types of puncture, such as cuts larger than 4 mm, or cuts in tyre sidewall **B**.

Ensure also that the wheel rim is in good condition.

Do not pull out the foreign body causing the puncture if it is still in the tyre.



Do not attempt to use the inflation kit if the tyre has been damaged as a result of driving with a puncture.

You should therefore carefully check the condition of the tyre sidewalls before any operation.

Driving with underinflated, flat or punctured tyres can be dangerous and may make the tyre impossible to repair.

### **This repair is temporary**

A tyre which has been punctured should always be inspected (and repaired, where possible) as soon as possible by a specialist.

When taking a tyre which has been repaired using this kit to be replaced, you must inform the specialist.

When driving, vibration may be felt due to the presence of the repair product injected into the tyre.



The kit is only approved for inflating the tyres of the vehicle originally equipped with the kit.

It must never be used to inflate the tyres of another vehicle, or any other inflatable object (rubber ring, rubber boat, etc.).

Avoid spillage on skin when handling the repair liquid bottle. If droplets do leak out, rinse them off with plenty of water.

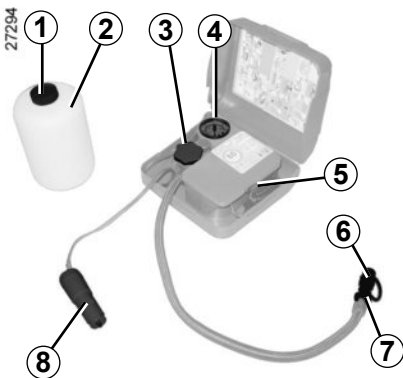
Keep the repair kit away from children.

Do not dispose of the empty bottle in the countryside. Return it to your approved dealer or to a recycling organisation.

The bottle has a limited service life which is indicated on its label. Check the expiry date.

Contact an approved dealer to replace the inflation tube and repair product bottle.

## TYRE PRESSURE KIT (2/3)



Depending on the vehicle, in the event of a puncture, use the kit located underneath the luggage compartment carpet.



Before using this kit, park the vehicle at a sufficient distance from traffic, switch on the hazard warning lights, apply the handbrake, ask all passengers to leave the vehicle and keep them away from traffic.

Depending on the vehicle, remove the central partition in the storage compartment to access the inflation kit.

Open the kit, remove caps **1** and **3** (the cap **must not** be removed from the bottle) then screw bottle **2** to its base **3**.

**With the engine running and the parking brake applied,**

- unscrew the valve cap on the wheel concerned and screw inflation adapter **6** onto the valve;
- connect adapter **8** to the accessories socket on the dashboard of the vehicle;
- press switch **5** to inflate the tyre to the recommended pressure (check the label affixed to the edge of the driver's door);
- after a maximum of 5 minutes, stop inflating and read the pressure (on pressure gauge **4**);

**Note:** while the bottle is emptying (approximately 30 seconds), pressure gauge **4** will briefly indicate a pressure of 6 bar, then the pressure will drop.

- adjust the pressure: to increase it, continue inflating with the kit, to reduce it, turn button **7** located on the inflation adapter.

**If a minimum pressure of 1.8 bar is not reached after 15 minutes, repair is not possible; do not drive the vehicle but contact an approved dealer.**



If the vehicle is parked on the hard shoulder, you must warn other road users of your vehicle's presence with a warning triangle or with other devices as per the legislation applying to the country you are in.

## TYRE PRESSURE KIT (3/3)

31610



Once the tyre is inflated correctly:

- stop using the kit;
- close the integrated cap on the bottle again;
- disconnect adapter **8**;



Nothing should be placed around the driver's feet as such objects may slide under the pedals during sudden braking manoeuvres and obstruct their use.

- affix driving recommendation label **9** to the dashboard where it can easily be seen by the driver;
- store the kit;
- after the first inflation procedure the tyre will still be leaking; it is vital to drive in order to plug the hole;
- start immediately and drive at between 12 and 36 mph (20 and 60 km/h) to distribute the product evenly throughout the tyre, stopping after a distance of 2 miles (3 kilometres) to check the pressure;
- If the pressure is above 1.3 bar but lower than the recommended pressure, readjust it (refer to the label affixed to the edge of the driver's door), otherwise contact an approved dealer: repair is not possible.

**Note:** after using the inflation kit, you should visit an approved Dealer to replace the inflation hose and the bottle of repair product.

## Precautions when using the kit

The kit should not be operated for more than 15 consecutive minutes.



Please be aware that a poorly tightened or missing valve cap can make the tyres less airtight and lead to pressure loss.

Always use valve caps identical to those fitted originally and tighten them fully.

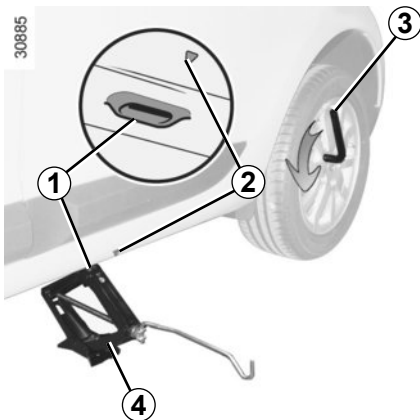


Following repair with the kit, do not travel further than 120 miles (200 km). In addition, reduce your speed and under no circumstances exceed 48 mph (80 km/h). The sticker, which you must affix in a prominent position on the dashboard, reminds you of this.

Depending on the country or local legislation, a tyre repaired with the inflation kit may need to be replaced.



## CHANGING A WHEEL (1/2)



Switch on the hazard warning lights.

Keep the vehicle away from traffic and on a level surface where it will not slip. Apply the parking brake and engage a gear (first or reverse, or **P** for automatic transmissions).

Ask all the passengers to leave the vehicle and keep them away from traffic.

### Vehicles equipped with a jack and wheelbrace

If necessary, remove the wheel trim.

- Unlock the wheel bolts using the wheel wrench **3**. Position it so as to be able to push from above;
- line jack **4** up horizontally, the jack head **must** be positioned at the same height as plate mounting **1**, as close as possible to the wheel concerned, indicated by an arrow **2**;

- start cranking the jack up by hand to align the base plate (which should be pushed slightly under the vehicle);
- turn the wheelbrace until the wheel lifts off the ground;
- undo the bolts and take off the wheel;
- fit the emergency spare wheel on the central hub and turn it to locate the mounting holes in the wheel and the hub.



If the vehicle is parked on the hard shoulder, you must warn other road users of your vehicle's presence with a warning triangle or with other devices as per the legislation applying to the country you are in.

If the vehicle is not equipped with a jack or wheelbrace, you can obtain these from your approved dealer.



To prevent any risk of injury or damage to the vehicle, only crank the jack until the wheel you are replacing is a maximum of 3 centimetres off the ground.

## CHANGING A WHEEL (2/2)

If bolts are supplied with the emergency spare wheel, only use these bolts for the emergency spare wheel. Tighten the bolts, checking that the wheel is correctly positioned on its hub and lower the jack.

With the wheel on the ground, tighten the bolts fully and have the tightness of the bolts checked (tightening torque: 110 N.m) and the emergency spare wheel pressure checked as soon as possible.

### Anti-theft bolt

If you use anti-theft bolts, fit these nearest the valve (wheel embellisher may not be able to fit).



If you have a puncture, replace the wheel as soon as possible.

A tyre which has been punctured should always be inspected (and repaired, where possible) by a specialist.

## TYRES (1/3)

### Tyre and wheel safety

The tyres are the only contact between the vehicle and the road, so it is essential to keep them in good condition.

You must make sure that your tyres conform to local road traffic regulations.



When they need to be replaced, tyres should be same brand, size, type and structure on the each vehicle axle.

Tyres fitted to the vehicle should either have a load capacity and a speed capacity at least equal to the original ones, or correspond to those recommended by your approved dealer. Non application of these instructions may invalidate the registration approval of your vehicle.



### Maintaining the tyres

The tyres must be in good condition and the tread form must have sufficient depth; tyres approved by our Technical Department have wear warning strips **1** that are **indicators moulded into the tread at several points**.

When the tyre tread has been worn to the level of the wear indicators, **they become visible 2**: it is **then** necessary to replace your tyres because the tread rubber is **no more than 1.6 mm deep, resulting in poor roadholding on wet roads**.

An overloaded vehicle, long journeys by motorway, particularly in very hot weather, or continual driving on poorly surfaced minor roads will lead to more rapid tyre wear and affect safety.



Incidents which occur when driving, such as striking the kerb, may damage the tyres and wheel rims, and could also lead to misalignment of the front or rear axle geometry. In this case, have the condition of these checked by an approved dealer.

## TYRES (2/3)

### Tyre pressures

Adhere to the tyre pressures (including the emergency spare wheel). The tyre pressures should be checked at least once a month and additionally before any long journey (refer to the label affixed to the edge of the driver's door).



#### Incorrect tyre pressures

lead to abnormal tyre wear and unusually hot running.

These are factors which may seriously affect safety and lead to:

- poor road holding,
- risk of bursting or tread separation.

The pressure depends on the load and the speed of use. Adjust the pressure according to the conditions of use (refer to the label affixed to the edge of the driver's door).

Pressures should be checked when the tyres are cold; ignore higher pressures which may be reached in hot weather or following a fast journey.


If tyre pressures cannot be checked when the tyres are **cold**, the normal pressures must be increased by **0.2** to **0.3** bar (or **3 PSI**).

**Never deflate a hot tyre.**

#### Special note

Depending on the vehicle, there may be an adapter which needs to be positioned on the valve before air is added.

#### Vehicles fitted with the tyre pressure monitors

If under-inflated (puncture, low pressure, etc.), the warning light  lights up on the instrument panel; see "Tyre pressure loss warning" in Section 2.



Please be aware that a poorly tightened or missing valve cap can make the tyres less airtight and lead to pressure loss.

Always use valve caps identical to those fitted originally and tighten them fully.

### Fitting new tyres



For safety reasons, this operation must be carried out by a specialist.

Fitting different tyres may change your vehicle as follows:

- It may mean that your vehicle no longer conforms to current regulations;
- It may change the way it handles when cornering;
- It may cause the steering to be heavy;
- It may affect the use of snow chains.

### Emergency spare wheel

Refer to the information on the "Emergency spare wheel" and instructions on "Changing a wheel" in Section 5.

## TYRES (3/3)

### Use in winter

#### Chains

**For safety reasons, fitting snow chains to the rear axle is strictly forbidden.**

**Chains cannot be fitted** to tyres which are larger than those originally fitted to the vehicle.

#### Snow or Winter tyres

We would recommend that these be fitted to all **four wheels** to ensure that your vehicle retains maximum adhesion.

**Warning:** These tyres sometimes have a specific direction of rotation and a maximum speed index which may be lower than the maximum speed of your vehicle.

### Studded tyres

This type of equipment may only be used for a limited period and as laid down by local legislation. It is necessary to observe the speed specified by current legislation.

These tyres must, at a minimum, be fitted to the two front wheels.



Chains may only be fitted to tyres of the same size as those originally fitted to **your vehicle**.

Chains may be fitted, provided that they are specific chains. We would advise you to consult an approved Dealer.

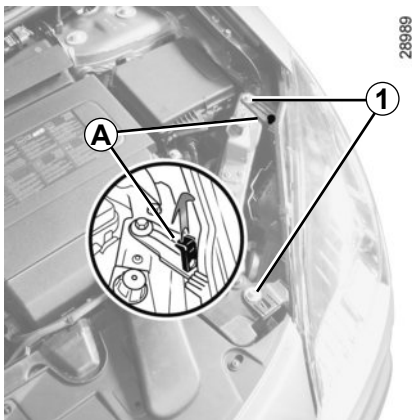
In all cases, we would recommend that you contact an approved dealer who will be able to advise you on the choice of equipment which is most suitable for your vehicle.



#### Changing a wheel

As the tyre pressure monitor may take several minutes following driving to correctly determine the positions of the wheels and the pressure values, check the tyre pressures following any operation.

## FRONT HEADLIGHTS: changing bulbs (1/5)



### Five door version

After opening the bonnet, pull tool **A** upwards. Remove the two screws **1** from the headlight using the tool.

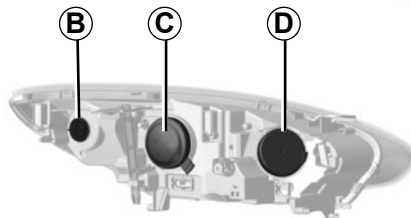
Pull the headlight forwards, sliding it in its rails up to the end stop.

After refitting the light, tighten the screws **1** and reposition the tool correctly in its housing.

### Direction indicators lights

Rotate the bulb holder **B** to unlock it.

**Bulb type 2: PY21W.**



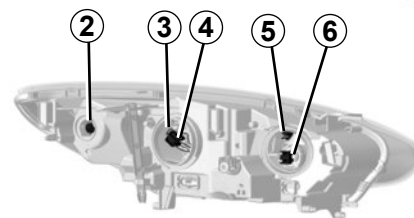
### Dipped beam headlights C

#### Halogen dipped beam headlight

Remove the cover, then unclip the spring **3** to remove the bulb **4**.

**Bulb type: H7.**

It is **essential** to use anti U.V. 55W bulbs so as not to damage the plastic on the headlights.



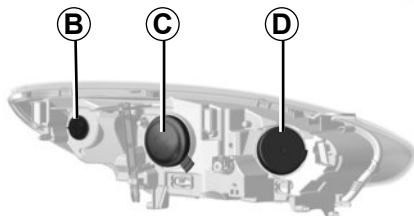
**Do not touch the bulb glass. Hold it by its base.**

When the bulb has been changed, make sure you refit the cover correctly.



Due to the danger involved in handling high-voltage devices, this type of bulb must be replaced by an approved dealer.

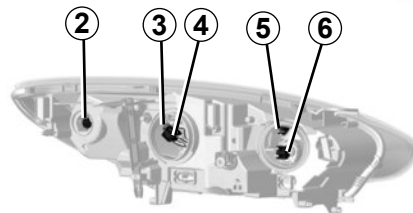
## FRONT HEADLIGHTS: changing bulbs (2/5)



### Main beam headlights

Remove the cover **D**, press the bulb holder **6** downwards to unlock it.

**Bulb type: H7.**



### Front side lights

Remove the cover **D** and pull the bulb holder **5**.

**Bulb type: W5W.**



Before performing any action in the engine compartment, the ignition must be switched off by pressing the engine stop button (please see the information on “Starting, stopping the engine” in Section 2).



The bulbs are under pressure and can break when replaced.

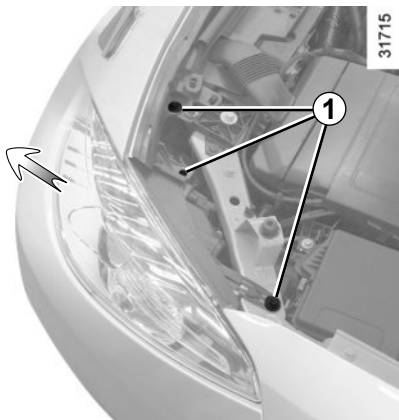
Risk of injury.



The engine may be hot when carrying out operations in close proximity. In addition, the engine cooling fan can come on at any moment.

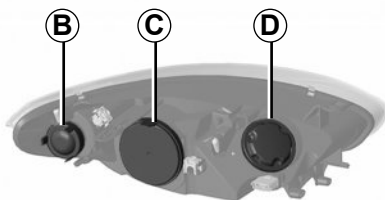
Risk of injury.

## FRONT HEADLIGHTS: changing bulbs (3/5)



The bulbs detailed below can be replaced. However, we recommend that these be replaced by an approved Dealer if this proves difficult.

Obtain an emergency kit containing a set of spare bulbs and fuses from an approved Dealer.

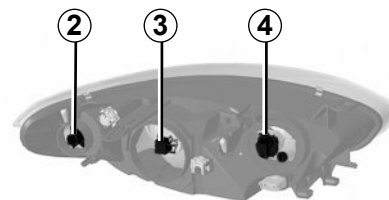


### Four-door version

Open the bonnet and unscrew bolts **1** using standard tools. Depending on the vehicle, use the keys supplied in the tool box.

Pull the headlight as far as possible in the direction shown by the arrow.

**Note:** the headlight cannot be pulled out completely. Avoid pulling too hard, as this could damage the connections.



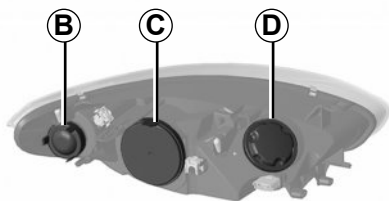
### Direction indicators

Remove cover **B**, unscrew bulb holder **2** a quarter of a turn and unscrew the bulb a quarter of a turn.

**Bulb type: PY21W.**



## FRONT HEADLIGHTS: changing bulbs (4/5)



31716

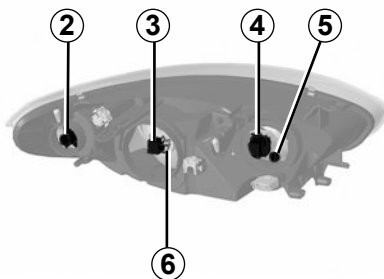
### Dipped beam headlights C

Discharge bulb dipped beam headlights

Bulb type: D1S.



Due to the danger involved in handling high-voltage devices, this type of bulb must be replaced by an approved dealer.



31717

### Halogen dipped beam headlight

Remove cover **C**, then unclip bulb connector **3**.

Press the top of clip **6**, remove the assembly from its housing and take out the bulb.

Bulb type: H7.

It is **essential** to use anti U.V. 55W bulbs so as not to damage the plastic on the headlights.

**Do not touch the bulb glass.**

When the bulb has been changed, make sure you refit the cover correctly.

### Main beam headlights

Unscrew cover **D** a quarter of a turn and remove connector **4** with the bulb.

Remove the lamp from the connector.

Bulb type: H7.

### Side lights

Unscrew cover **D** a quarter of a turn, pull bulb holder **5** and take out the bulb.

Bulb type: W5W.



The bulbs are under pressure and can break when replaced.

Risk of injury.



The engine may be hot when carrying out operations in close proximity. In addition, the engine cooling fan can come on at any moment.

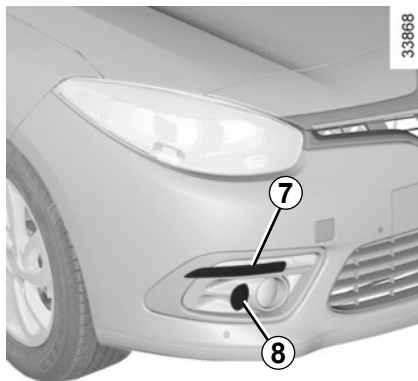
Risk of injury.

## FRONT HEADLIGHTS: changing bulbs (5/5)



### Daytime running lights 7

Please see an authorised dealer.



### Front fog lights 8

The front bumper needs to be removed; consult an approved Dealer.



The bulbs are under pressure and can break when replaced.

Risk of injury.

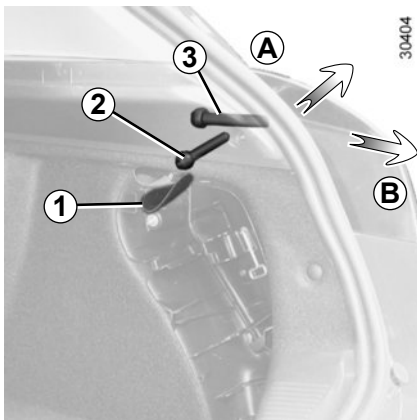
## Additional lights

If you wish to fit fog lights or long range headlights to your vehicle, consult an approved Dealer.



Any operation on (or modification to) the electrical system must be performed by an approved dealer since an incorrect connection might damage the electrical equipment (harness, components and in particular the alternator). In addition, your Dealer has all the parts required for fitting these units.

## REAR LIGHTS AND INDICATOR LIGHTS: changing bulbs (1/5)



### Five-door versions

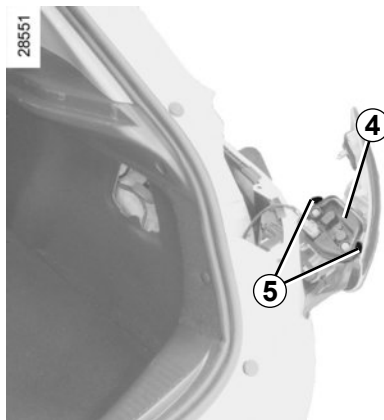
#### Direction indicator lights/brake and side lights

- Unclip the tool kit cover and take out the tools.
- Open flap **1** to access nuts **2** and **3**;
- unscrew nut **2** without removing it completely;

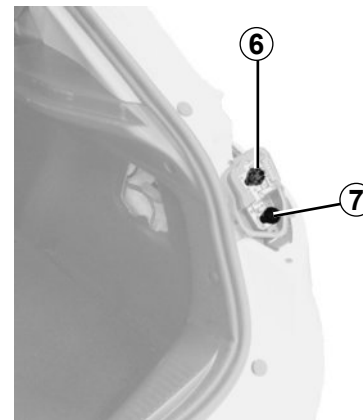


The bulbs are under pressure and can break when replaced.

Risk of injury.



- loosen nut **2** and press down on it to release the front of the light (movement **A**) then remove the nut;
- from the outside, pull the light towards you (movement **B**);
- remove bulb holder **4** by releasing clips **5**.



#### Direction indicator light **6**

**Bulb type: PY21W.**

#### Side light and brake light **7**

**Bulb type: P21/5W.**

#### Refitting

To refit, proceed in the reverse order, taking care not to damage the wiring.

#### High-level LED brake lights and side lights

(depending on the vehicle)

Consult an approved dealer.

## REAR LIGHTS AND INDICATOR LIGHTS: changing bulbs (2/5)

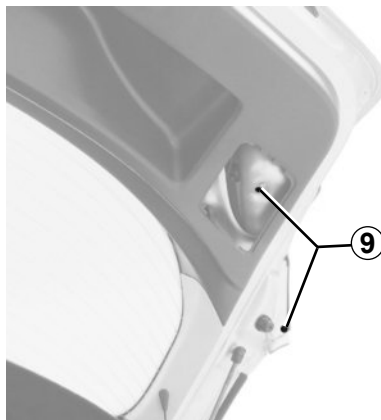


28660

### Five-door versions (continued)

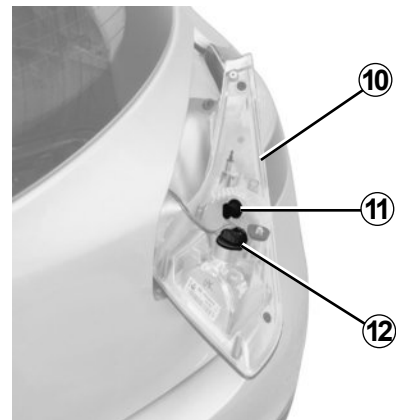
### Fog lights/side lights and reversing lights

- From the luggage compartment, unclip flap 8, then remove the bolts 9.



28661

- Lower the tailgate, then pull light 10 towards the rear to release it.
- Unscrew the bulb holder for the bulb concerned.



28662

### Reversing light 11

**Bulb type: W16W.**

### Fog light/side light 12

**Bulb type: P21/4W.**

### High-level LED side lights (depending on the vehicle)

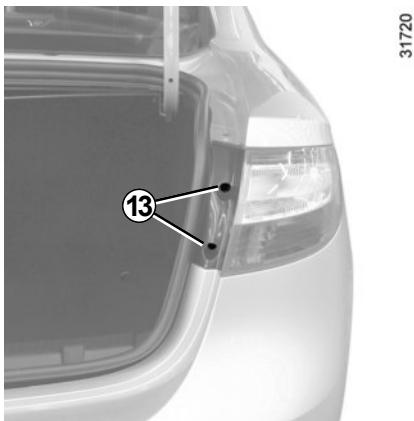
Consult an approved dealer.



The bulbs are under pressure and can break when replaced.

Risk of injury.

## REAR LIGHTS AND INDICATOR LIGHTS: changing bulbs (3/5)

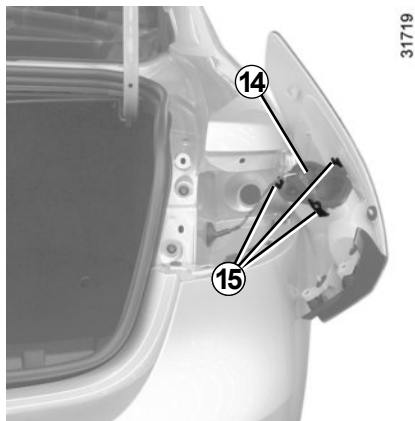


### Four-door version

#### Direction indicator lights/brake and side lights

- Open the tailgate and unscrew bolts **13**, then take out the light unit by pulling it back.
- Release clips **15** to remove bulb holder **14**.
- Unscrew bulb holder **16** or **17** and replace the bulb.

**Note:** ensure that the cable is in place before inserting the light unit.

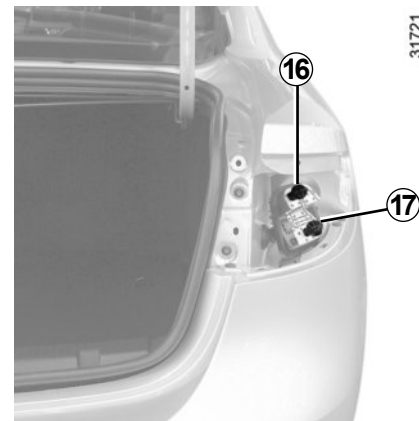


#### Direction indicator light **16**

**Bulb type:** PY21W.

#### Side light and brake light **17**

**Bulb type:** P21/5W.



### Refitting

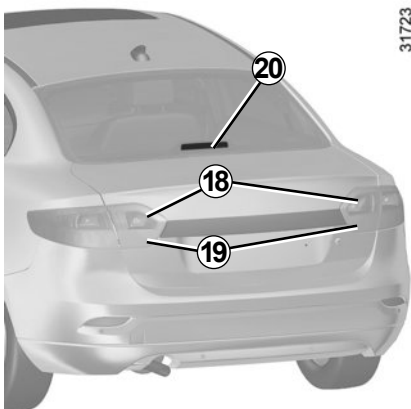
To refit, proceed in the reverse order, taking care not to damage the wiring.

#### High-level LED brake lights and side lights

(depending on the vehicle)

Consult an approved dealer.

## REAR LIGHTS AND INDICATOR LIGHTS: changing bulbs (4/5)



### Four-door version (continued)

#### Tailgate reversing light 18 and rear fog light 19

Go to your nearest approved Dealer.

#### High level brake light 20

Consult an approved Dealer.



### Five-door versions

#### Rear fog light 21

Unscrew the bulb holder by turning it towards the centre of the vehicle, accessing it from underneath.

**Bulb type: P21W**

#### Refitting

To refit, proceed in the reverse order, taking care not to damage the wiring.

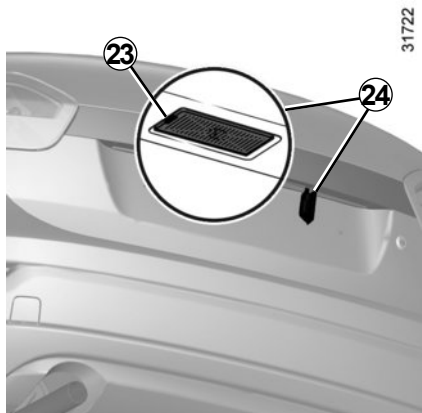
**Note:** be aware the rear fog light bulb is only in the same side as driver's position.



### High level brake light 22

Consult an approved Dealer.

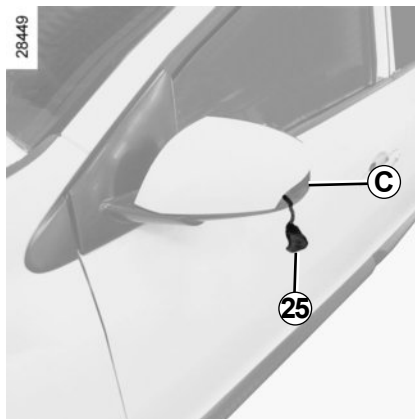
## REAR LIGHTS AND INDICATOR LIGHTS: changing bulbs (5/5)



### Number plate lights 24

- Unclip the light 24 by pressing tab 23;
- remove the light cover to gain access to the bulb.

**Bulb type: W5W.**



### Indicator lights 25

- Unclip indicator light 25 (using a flat-blade screwdriver type tool positioned at C to move the indicator light towards the front of the vehicle);
- turn the bulb holder a quarter of a turn and take out the bulb.

**Bulb type: W5W.**

### High-level LED indicator lights (depending on the vehicle)

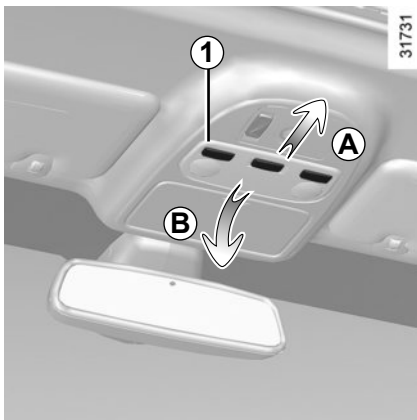
Consult an approved dealer.



The bulbs are under pressure and can break when replaced.

Risk of injury.

## INTERIOR LIGHTING: changing bulbs (1/2)

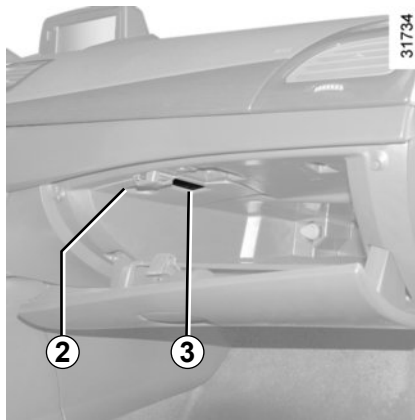


### Courtesy light

- Position the 3 switches in the central position;
- move the courtesy light backwards (movement **A**) then tilt the front downwards (movement **B**);
- when removing the courtesy light, ensure that you do not pull the electrical wires;
- unclip the lens **1**;

**Note:** to remove the defective bulb, you can use a flat-blade screwdriver or similar.

**Bulb type: W5W.**



### Glove box light

Depending on the vehicle, open the access cover **2**, you can then unclip the bulb holder more easily **3**.

**Bulb type: C5W.**



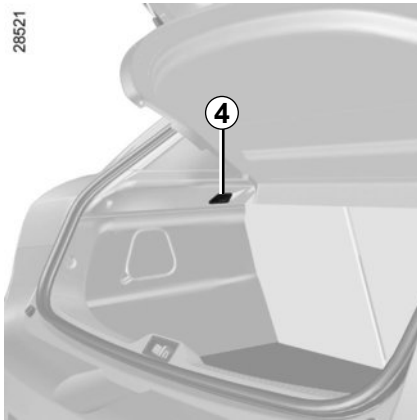
The bulbs are under pressure and can break when replaced.

Risk of injury.



## INTERIOR LIGHTING: changing bulbs (2/2)

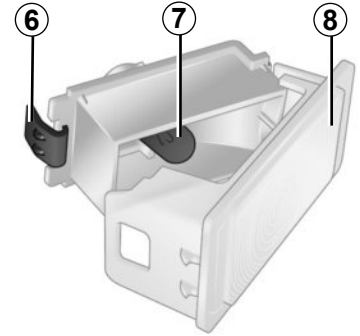
28521



### Luggage compartment light

Unclip light **4** or **5** using a flat-blade screwdriver or similar.

31735



25719

Disconnect the light.

Press tab **6** to release lens **8** and access bulb **7**.

**Bulb type: W5W.**



The bulbs are under pressure and can break when replaced.

Risk of injury.

## FUSES (1/2)



### Fuse box

If any electrical component does not work, check the condition of the fuses.

Unclip cover **A** or **B** (depending on vehicle).

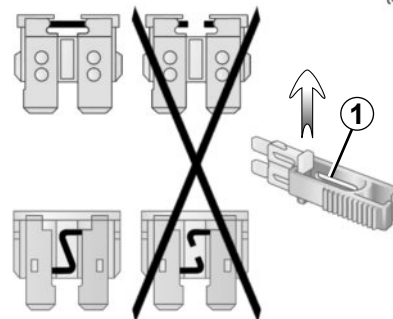
In accordance with local legislation or as a precautionary measure:

Obtain an emergency kit containing a set of spare bulbs and fuses from an approved Dealer.



Check the fuse in question and **replace it**, if necessary, **by a fuse of the same rating**.

If a fuse is fitted where the rating is too high, it may cause the electrical circuit to overheat (risk of fire) in the event of an item of equipment using an excessive amount of current.



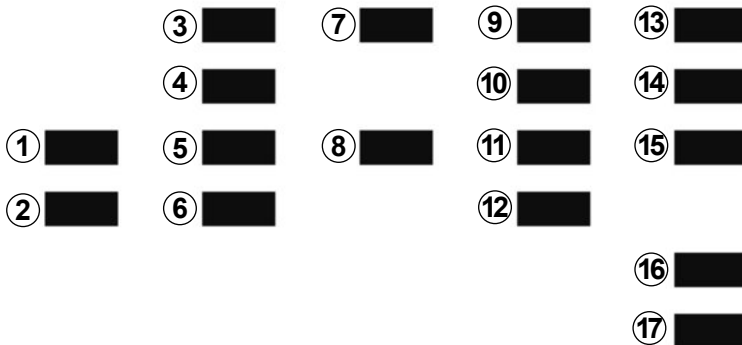
### Tweezers 1

Remove the fuse using tweezers **1**, located at the back of cover **A** or **B**.

To remove the fuse from the tweezers, slide the fuse to the side.

It is not advisable to use the free fuse locations.

## FUSES (2/2)



### Allocation of fuses

(the presence of certain fuses depends on the vehicle equipment level)

- 1 Assisted parking brake;
- 2 Brake lights;
- 3 Automatic door locking;
- 4 Driver's electric window;
- 5 Passenger compartment unit;
- 6 Direction indicator lights;

- 7 Navigation system;
- 8 Rear screen wiper;
- 9 Right rear window control;
- 10 Left rear window control;
- 11 ABS/ESC;
- 12 Passenger side window control;
- 13 Windscreen washer;
- 14 Heated rear-view mirrors;
- 15 Radio;
- 16 Rear seat accessories socket;
- 17 Cigarette lighter.

33878



28446

Some accessories are protected by fuses located in the engine compartment in fuse box **C**.

However, because of their reduced accessibility, we advise you to have your fuses replaced by an approved Dealer.

## BATTERY: troubleshooting (1/2)

### To avoid all risk of sparks:

- Ensure that any electrical consumers (courtesy lights, etc.) are switched off before disconnecting or reconnecting the battery.
- When charging, stop the charger before connecting or disconnecting the battery.
- Do not place metal objects on the battery to avoid creating a short circuit between the terminals.
- Always wait at least one minute after the engine has been switched off before disconnecting a battery.
- Make sure that you reconnect the battery terminals after refitting.

### Connecting a battery charger

**The battery charger must be compatible with a battery with nominal voltage of 12 volts.**

Do not disconnect the battery when the engine is running. **Follow the instructions given by the manufacturer of the battery charger you are using.**



Special procedures may be required to charge some batteries. Contact your approved dealer.

Avoid all risk of sparks which may cause an immediate explosion, and charge the battery in a well-ventilated area. Risk of serious injury.



Handle the battery with care as it contains sulphuric acid, which must not come into contact with eyes or skin. If it does, wash the affected area with plenty of cold water. If necessary, consult a doctor.

Ensure that naked flames, red hot objects and sparks do not come into contact with the battery as there is a risk of explosion.

The engine may be hot when carrying out operations in close proximity. In addition, the engine cooling fan can come on at any moment.

Risk of injury.

## BATTERY: troubleshooting (2/2)

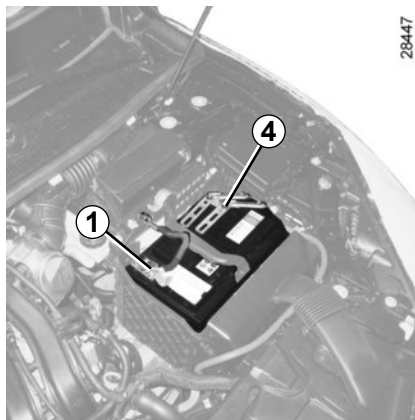
### Starting the vehicle using the battery from another vehicle

If you have to use the battery from another vehicle to start, obtain suitable jump leads (with a large cross section) from an approved dealer or, if you already have jump leads, ensure that they are in perfect condition.

**The two batteries must have an identical nominal voltage of 12 volts.** The battery supplying the current should have a capacity (amp-hours, Ah) which is at least the same as that of the discharged battery.

Ensure that there is no risk of contact between the two vehicles (risk of short circuiting when the positive terminals are connected) and that the discharged battery is properly connected. Switch off your vehicle ignition.

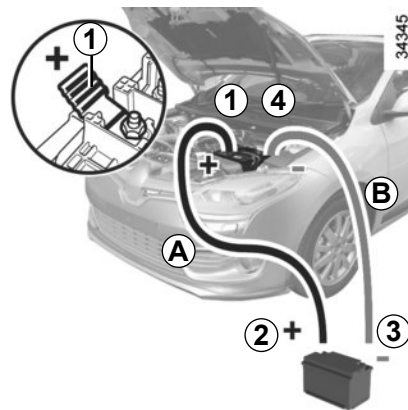
Start the engine of the vehicle supplying the current and run it at an intermediate engine speed.



Connect the positive cable **A** to the **support 1** on the (+) terminal, then to the **(+) terminal 2** of the battery supplying the current.

Connect the negative cable **B** to the **(-) terminal 3** of the battery supplying the current and then to the **(-) terminal 4** of the discharged battery.

Start the engine, and as soon as it starts running, disconnect cables **A** and **B** in reverse order (**4 - 3 - 2 - 1**).



Check that there is no contact between leads **A** and **B** and that the positive lead **A** is not touching any metal parts on the vehicle supplying the current.

Risk of injury and/or damage to the vehicle.

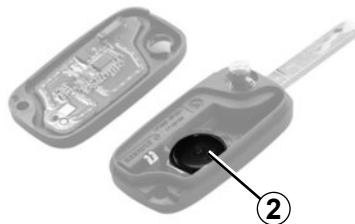
# RADIO FREQUENCY REMOTE CONTROL: battery



## Replacing the battery

Open the case at slot **1** using a coin, and replace battery **2**, observing the polarity shown on the back of the cover.

When refitting, ensure that the cover is correctly clipped into place.



**Note:** It is not advisable to touch the electrical circuit in the key cover when replacing the battery.

Do not touch the battery or the contact strips with your fingers. Use a soft cloth.



Do not dispose of your used batteries in the countryside. Give them to an organisation that collects and recycles used batteries.

26913

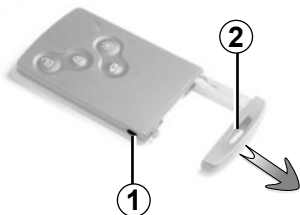


Batteries can be obtained from your approved Dealer.

These batteries should have a service life of approximately two years.

## RENAULT CARD: battery

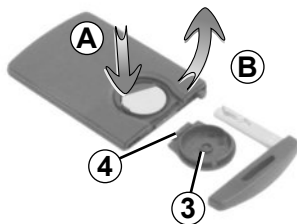
26860



### Replacing the battery

When the message “Keycard battery low” appears on the instrument panel, replace the RENAULT card battery, press button **1** pulling on emergency key **2**, then unclip the cover **3** using tab **4**.

Remove the battery by pressing on one side (movement **A**) and by lifting the other (movement **B**) then replace it, ensuring the polarity and model, shown on cover **3** are respected.



26862

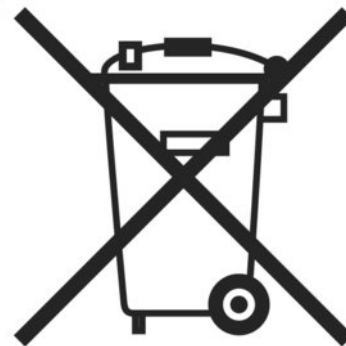
When refitting, proceed in the reverse order, then press one of the buttons on the card four times, close to the vehicle: the next time the vehicle is started, the message will disappear.

**Note:** it is not advisable to touch the electronic circuit or contacts on the RENAULT card when replacing the battery.

Check that the cover is clipped shut.

The batteries are available from approved Dealers, and their service life approximately two years. Check that there is no dye on the battery: risk of an incorrect electrical contact.

26913



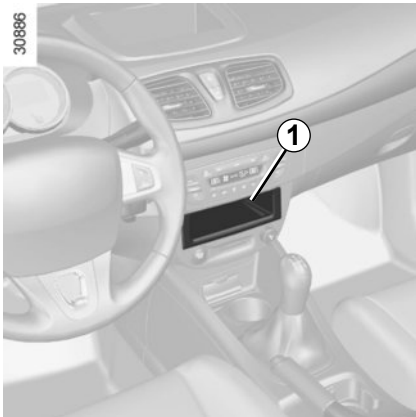
### Operating faults

If the battery is too weak to ensure correct operation, you may start (insert the RENAULT card in the card reader) and lock/unlock the vehicle (refer to the information on “Locking/unlocking the doors” in Section 1).



Do not throw away your used batteries; give them to an organisation responsible for collecting and recycling batteries.

## FITTING A RADIO



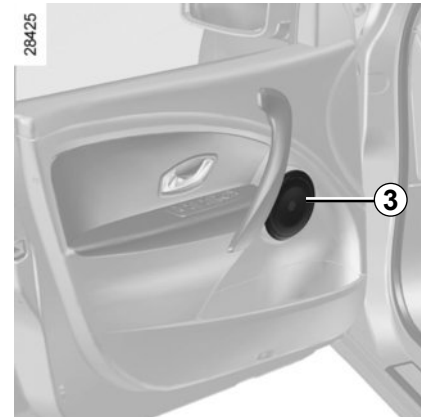
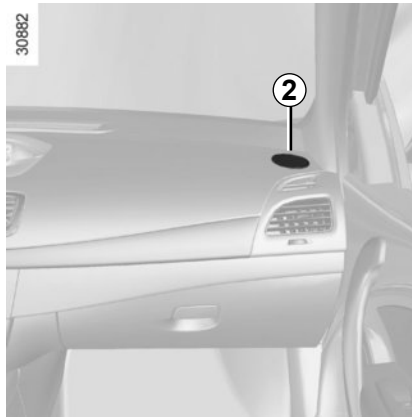
If your vehicle is not fitted with an audio system, one can be fitted and locations have been provided for:

- the radio **1**;
- tweeter speakers **2**;
- bass speakers **3**.

To install any equipment, please consult an approved dealer.

### Radio location 1

Unclip the blanking cover. The aerial, + and – supply and speaker wire connections are located behind it.



- In all cases, it is very important to follow the manufacturer's instructions carefully.
- The specifications of the brackets and wires (available from our network) vary depending on the equipment level of your vehicle and the type of radio.  
Consult an approved Dealer to find out the correct part number.
- No work may be carried out on the vehicle's electrical or radio circuits, except by approved dealers: an incorrectly connected system may result in damage being caused to the electrical equipment and/or the components connected to it.



## ACCESSORIES



### **Electrical and electronic accessories**

Before installing this type of accessory (particularly for transmitters/receivers : frequency bandwidth, power level, position of the aerial etc.), make sure it is compatible with your vehicle. You can get advice from an authorised dealer.

Connect accessories with a maximum power of 120 watts only. **Fire hazard.**

No work may be carried out on the vehicle's electrical or radio circuits, except by authorised dealers: an incorrectly connected system may result in damage being caused to the electrical equipment and/or the components connected to it.

If the vehicle is fitted with any aftermarket electrical equipment, make sure that the installation is correctly protected by a fuse. Establish the rating and position of this fuse.

### **Use of transmission/receiving devices (telephones, CB equipment etc.).**

Telephones and CB equipment with integrated aerials may cause interference to the electronic systems originally fitted to the vehicle: it is advisable only to use equipment with an external aerial. **Furthermore, we remind you of the need to conform to the legislation in force concerning the use of such equipment.**

### **Fitting after-market accessories**

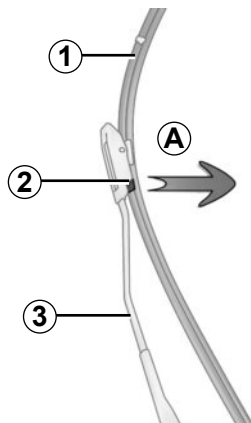
If you wish to install accessories on the vehicle: please contact an authorised dealer. Also, to ensure the correct operation of your vehicle, and to avoid any risk to your safety, we recommend that you use only accessories specifically designed for your vehicle, which are the only accessories for which the manufacturer will provide a warranty.

If you are using an anti-theft device, only attach it to the brake pedal.

### **Obstructions to the driver**

On the driver's side, only use mats suitable for the vehicle, attached with the pre-fitted components, and check the fitting regularly. Do not lay one mat on top of another. **There is a risk of wedging the pedals.**

# WINDSCREEN WIPER BLADES



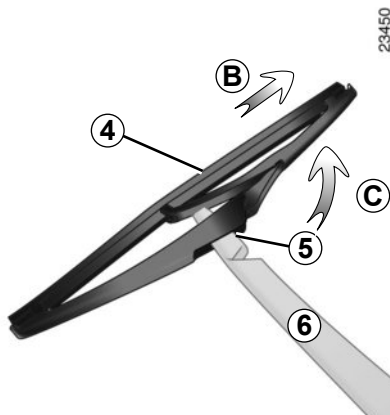
## Replacing windscreen wiper blades 1

With the ignition on and engine switched off, lower the windscreen wiper stalk completely: they stop slightly away from the bonnet.

Lift wiper arm 3, pull tab 2 (movement A) and push the blade upwards.

### To refit

Slide the blade along the arm until it clips on. Make sure that the blade is correctly locked in position. Return the windscreen wiper stalk to the park position.



## Rear screen wiper blade 4

- Lift wiper arm 6;
- pivot blade 4 until some resistance is met (movement C);
- depending on the vehicle, press tab 5, then remove the blade by pulling it (movement B).

### To refit

To refit the wiper blade, proceed in reverse order to removal. Make sure that the blade is correctly locked in position.

Check the condition of the wiper blades. You are responsible for their service life:

- clean the blades, windscreen and rear screen regularly with soapy water;
- do not use them when the windscreen or rear screen are dry;
- free them from the windscreen or rear screen when they have not been used for a long time.



– In frosty weather, make sure that the wiper blades are not stuck by ice (to avoid the risk of the motor overheating).

- Check the condition of the wiper blades.

Replace the wiper blades as soon as they begin to lose efficiency (approximately once a year).

Whilst changing the blade, take care not to drop the arm onto the window after it has been removed as this may break the window.

## TOWING: breakdown (1/2)

Before towing, insert the key in the switch or the RENAULT card in the reader to unlock the steering column, depending on the vehicle, depress the clutch pedal, select **first gear** (lever in position **N** or **R** for vehicles with an automatic gearbox).

Reposition the lever to neutral (position **N** for vehicles fitted with an automatic transmission)

Depending on the vehicle, the steering column is unlocked, power is supplied to the accessory functions: the vehicle lights can be used (hazard warning lights, brake lights etc.). At night the vehicle must have its lights on.

Once you have finished towing, press the engine start button twice (risk of running down the battery).



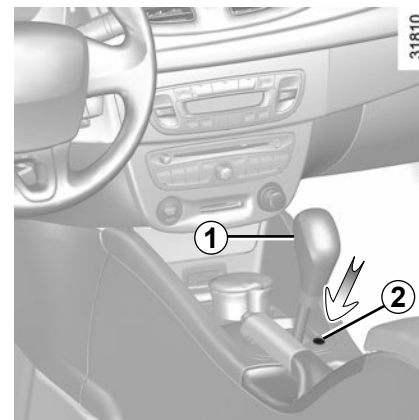
Do not remove the key from the ignition switch or the RENAULT card from the reader during towing.

The speed specified by current legislation for towing must always be observed. If your vehicle is the towing vehicle, do not exceed the maximum towing weight for your vehicle (refer to the information on “Weights” in Section 6).

### Towing a vehicle with an automatic gearbox

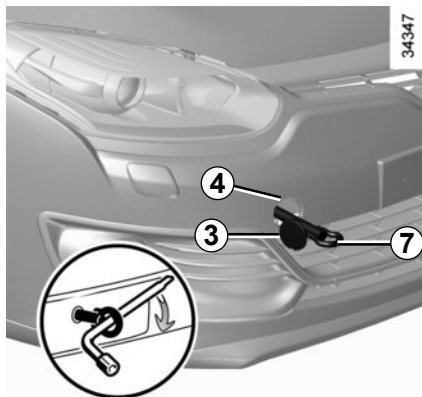
With the engine switched off, the transmission is no longer lubricated. It is preferable to tow this type of vehicle on a trailer or tow it with the front wheels off the ground.

**Under exceptional circumstances,** you may tow the vehicle with all four wheels on the ground, only going forward, with the gear lever in the **N** position, and for a distance not exceeding 50 miles (80 km).



If the lever is stuck in **P**, even though you are depressing the brake pedal, the lever can be released manually. To do this, insert a rigid rod in the hole **2**, press the rod and unlocking button **1** located on the lever simultaneously.

## TOWING: breakdown (2/2)

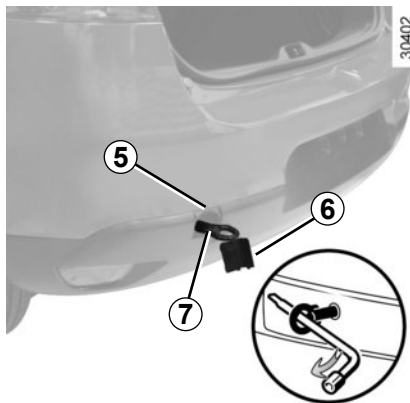


Only use the front 4 and rear 5 towing points.

These towing points may only be used for towing: never use them for lifting the vehicle directly or indirectly.



When the engine is stopped, steering and braking assistance are not operational.



### Access to towing points

Unclip the cover 3 or 6 by sliding a flat tool (or the key integrated with the Renault card) under the cover.

**Screw in towing hitch 7 fully:** as much as possible by hand at first, then finish by tightening it using the wheel-brace.

Use only towing hitch 7 and the wheel-brace located under the luggage compartment carpet in the tool kit (refer to the information on the “Tool kit” in Section 5).



- Use a rigid towing bar. If a rope or cable is used (where the law allows this), the vehicle being towed must be able to brake.
- A vehicle must not be towed if it is not fit to be driven.
- Avoid accelerating or braking suddenly when towing, as this may result in damage being caused to the vehicle.
- When towing a vehicle, it is advisable not to exceed **30 mph (50 km/h)**.



- Do not leave the tools unsecured inside the vehicle as they may come loose under braking.
- After use, check that all the tools are correctly clipped into the tool kit, then, depending on the vehicle, position it correctly in its housing.
- Risk of injury.

## OPERATING FAULTS (1/8)

The following advice will enable you to carry out quick, temporary repairs. For safety reasons you should always contact an approved dealer as soon as possible.

Using the RENAULT card	POSSIBLE CAUSES	ACTION REQUIRED
The RENAULT card does not lock or unlock the doors.	Card battery is flat.	Use the emergency key (refer to the information on the “integrated key” in Section 1).
	Use of appliances operating on the same frequency as the card (mobile phone, etc.).	Stop using the equipment or use the emergency key (refer to the information on the “integrated key” in Section 1).
	Vehicle located in a high electromagnetic radiation zone. Discharged battery.	Replace the battery. You can still lock/unlock and start your vehicle (refer to the information on “Locking/unlocking the doors” in Section 1 and “Starting/Stopping the engine” in Section 2).
The remote control does not lock or unlock the doors.	The remote control battery is flat.	Use the emergency key.
	Use of appliances operating on the same frequency as the remote control (mobile phone, etc.).	Stop using the devices or use the key.
	Vehicle located in a high electromagnetic radiation zone. Discharged battery.	Replace the battery. You can still lock/unlock and start your vehicle (refer to the information on “Locking/unlocking the doors” in Section 1 and “Starting/Stopping the engine” in Section 2).

## OPERATING FAULTS (2/8)

<b>The starter is activated</b>	<b>POSSIBLE CAUSES</b>	<b>ACTION REQUIRED</b>
There is no response, the warning lights fail to light up and the starter does not turn.	Discharged battery.	Connect another battery to the faulty battery.
	Battery unserviceable.	Replace battery.
Warning lights go dim and starter turns very slowly.	Battery terminals not tight, battery terminals corroded.	Retighten, reconnect or clean them if they are oxidised.
	Battery discharged or unserviceable.	Connect another battery to the faulty battery. Refer to the paragraph "Battery: troubleshooting" in section 5 or replace the battery if necessary. Do not push the vehicle if the steering column is locked.

## OPERATING FAULTS (3/8)

<b>The starter is activated</b>	<b>POSSIBLE CAUSES</b>	<b>ACTION REQUIRED</b>
The engine will not start (vehicle with RENAULT card).	Starting conditions are not fulfilled.	Refer to the information on “Starting/ stopping the engine” in Section 2.
	The hands-free RENAULT card is not detected.	Move the card inside the passenger compartment.
	The hands-free RENAULT card does not work.	Insert the card in the card reader in order to start the engine.  Refer to the information on “Starting/ stopping the engine” in Section 2.
It is difficult to start the engine in wet weather or after washing the vehicle.	Poor ignition, ignition system damp.	Dry the spark plug and coil wires.
The engine is difficult to start when hot.	Faulty carburation (bubbles of vaporised fuel in the circuit).	Let the engine cool down.
	Poor compression.	Consult an approved dealer.
The engine cannot be switched off (vehicle with RENAULT card).	Electronic fault.	Press the starter button quickly five times.
The steering column remains locked.	Steering wheel locked.	Depending on the vehicle, move the steering wheel while pressing the engine start button (refer to the information on “Starting the engine” in Section 2).

## OPERATING FAULTS (4/8)

<b>On the road</b>	<b>POSSIBLE CAUSES</b>	<b>ACTION REQUIRED</b>
White smoke from the exhaust.	This is not necessarily a fault. Smoke may be caused by regeneration of the particle filter.	Refer to the information on “Special features of diesel versions” in Section 2.
Vibrations.	Tyres not inflated to correct pressures, incorrectly balanced or damaged.	Check the tyre pressures. If this is not the problem, have them checked by an approved Dealer.
Coolant boiling in the coolant reservoir.	Mechanical fault: damaged cylinder head gasket.	Stop the engine. Contact an approved dealer.



## OPERATING FAULTS (5/8)

<b>On the road</b>	<b>POSSIBLE CAUSES</b>	<b>ACTION REQUIRED</b>
Smoke under the bonnet.	Short circuit or cooling circuit leak.	Stop, switch off the ignition, stand away from the vehicle and contact an approved Dealer.
	Coolant circuit fault.	Consult an approved dealer.
<hr/>		
The oil pressure warning light comes on:		
– while turning or braking,	The level is too low.	Top up the engine oil level (refer to the information on “Engine oil level: topping up/filling” in Section 4).
– at idle speed,	Low oil pressure.	Consult the nearest approved Dealer.
– is slow to go out or remains lit when accelerating.	Loss of oil pressure.	Stop the vehicle and contact an approved Dealer.
<hr/>		
Loss of engine power.	Clogged air filter.	Replace the cartridge.
	Fuel supply fault.	Check the fuel level.
	Faulty spark plugs, incorrect electrode gaps.	Consult an approved dealer.
<hr/>		
Unstable idle speed or the engine stalls.	Poor compression (spark plugs, ignition, air leak).	Consult an approved dealer.

## OPERATING FAULTS (6/8)

On the road	POSSIBLE CAUSES	ACTION REQUIRED
Steering becomes heavy.	Assistance overheating.	Leave to cool.
	Weak or dead battery.	Recharge or replace the battery.
The engine overheats. The coolant temperature warning light comes on (or the indicator needle is in the red area).	Coolant pump: belt stretched or broken. Engine cooling fan not working.	Stop the vehicle, switch off the engine and contact an approved Dealer.
	Coolant leaks.	Check the condition of hoses and clips.  Check the coolant reservoir: it should contain fluid. If it does not, top it up ( <b>once it has cooled</b> ). Take care not to scald yourself. This action is only temporary; consult your approved Dealer as soon as possible.



**Radiator:** if there is a significant lack of coolant, remember that it must never be topped up using cold coolant while the engine is very warm. After any procedure on the vehicle which has involved even partial draining of the cooling system, it must be refilled with a new mixture prepared in the correct proportions. Reminder: only products approved by our Technical Department may be used for this purpose.

## OPERATING FAULTS (7/8)

<b>Electrical equipment</b>	<b>POSSIBLE CAUSES</b>	<b>ACTION REQUIRED</b>
The wipers do not work.	Wiper blades stuck.	Free the blades before using the wipers.
	Broken windscreen wiper fuse.	Consult an approved dealer.
	Blown rear screen wiper fuse (intermittent, permanently stopped).	Replace it.
	Motor fault.	Consult an approved dealer.
<hr/>		
The wiper does not stop.	Faulty electrical controls.	Consult an approved dealer.
<hr/>		
Direction indicators flashing more quickly.	Blown bulb.	Replace the bulb.
<hr/>		
The indicators are not working.	On one side: <ul style="list-style-type: none"><li>– blown bulb,</li><li>– faulty earth connection,</li></ul>	Replace the bulb. Find the earth wire which is attached to a metallic part, scrape the end of the earth wire and reposition carefully.
	On both sides: <ul style="list-style-type: none"><li>– fuse blown,</li><li>– faulty flasher unit.</li></ul>	Replace it.  Replace: contact an approved dealer.

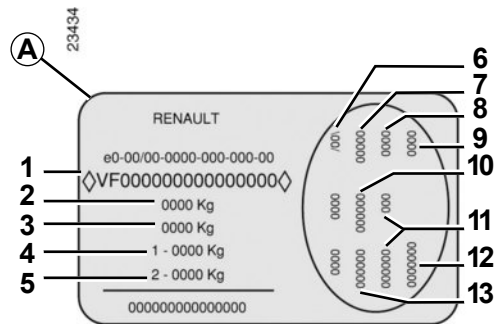
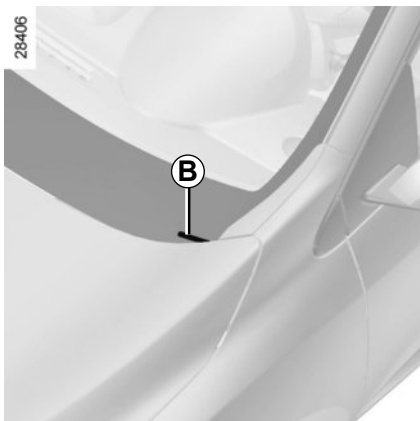
## OPERATING FAULTS (8/8)

<b>Electrical equipment</b>		<b>POSSIBLE CAUSES</b>	<b>ACTION REQUIRED</b>
The headlights are not working.	One only:	– blown bulb,	Replace the bulb.
		– disconnected wire or incorrectly-positioned connector,	Check and reconnect the wire or the connector.
		– faulty earth connection.	See above.
	Both:	– if the circuit is fused.	Check and replace if necessary.
The headlights do not switch off.		Faulty electrical controls.	Consult an approved dealer.
Traces of condensation in the lights.		This is not a fault. The presence of traces of condensation in lights is a natural phenomenon linked to variations in temperature.  These traces soon disappear when the lights are switched on.	

# ***Section 6: Technical specifications***

Vehicle identification plates . . . . .	6.2
Engine identification plates . . . . .	6.4
Dimensions . . . . .	6.6
Engine specifications . . . . .	6.8
Weights . . . . .	6.9
Towing weights . . . . .	6.9
Replacement parts and repairs . . . . .	6.10
Service sheets . . . . .	6.11
Anticorrosion check . . . . .	6.17
	6.1

## VEHICLE IDENTIFICATION PLATES (1/2)



The information shown on the vehicle identification plate should be quoted on all correspondence or orders.

The presence and location of the information depends on the vehicle.

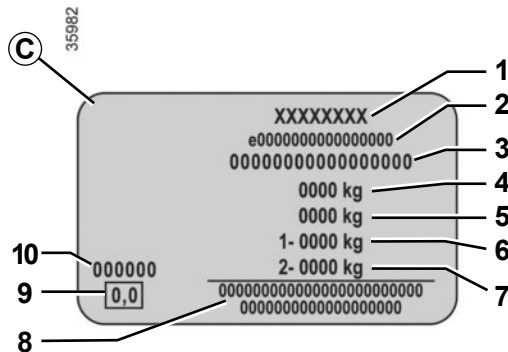
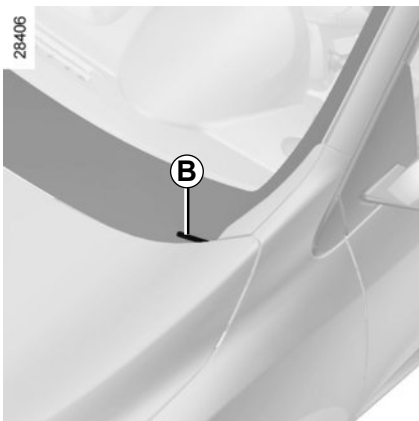
### Vehicle identification plate A

- 1 Vehicle type and chassis number.  
Depending on the vehicle, this information is also given on marking B.
- 2 MMAC (Maximum permissible all-up weight).

- 3 GTW (Gross train weight – vehicle fully loaded, with trailer).
- 4 MMTA (Maximum permissible weight) front axle.
- 5 Maximum permissible weight on rear axle.
- 6 Technical specifications of vehicle.
- 7 Paint reference.
- 8 Equipment level.
- 9 Vehicle type.
- 10 Trim code.
- 11 Additional equipment specification.
- 12 Production number.
- 13 Interior trim code.

Depending on the vehicle, there are 2 types of plate. In case of another type, you can see it on the next page.

## VEHICLE IDENTIFICATION PLATES (2/2)



The information shown on the vehicle identification plate should be quoted on all correspondence or orders.

The presence and location of the information depends on the vehicle.

### Vehicle identification plate C

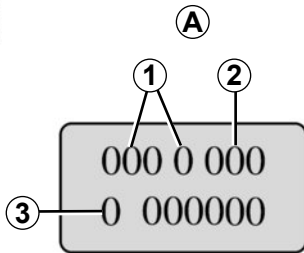
- 1 Manufacturer name.
- 2 EC design number or approval number.
- 3 Identification number.

Depending on the vehicle, this information is also given on marking B.

- 4 MAM (Maximum Authorised Mass)
- 5 GTW (Gross train weight: vehicle fully loaded, with trailer).
- 6 MPAW (Maximum Permissible Weight) for front axle.
- 7 MPAW on rear axle.
- 8 Reserved for related or additional entries.
- 9 Diesel exhaust emissions.
- 10 Paint reference (colour code).

# ENGINE IDENTIFICATION PLATES (1/2)

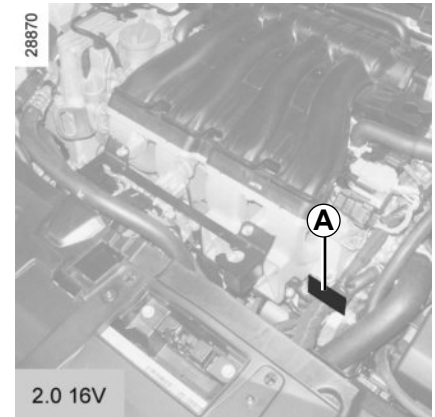
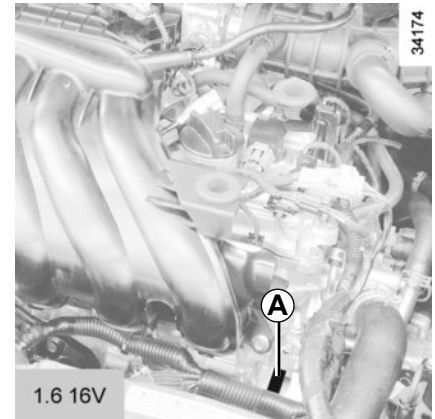
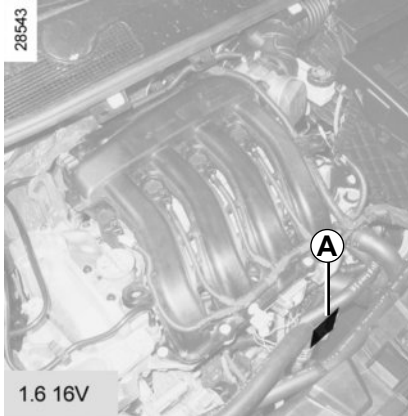
33293



**Quote the information on the identification plate or label A in all correspondence or when ordering parts.**

(Location varies depending on engine)

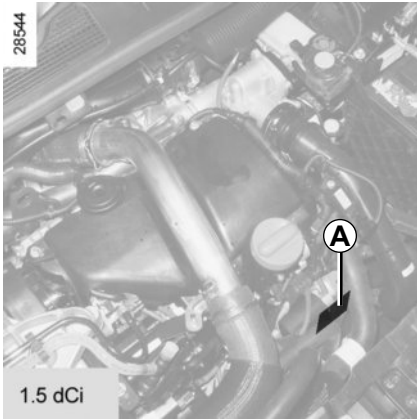
- 1 Engine type.
- 2 Engine suffix.
- 3 Engine number.





## ENGINE IDENTIFICATION PLATES (2/2)

28544



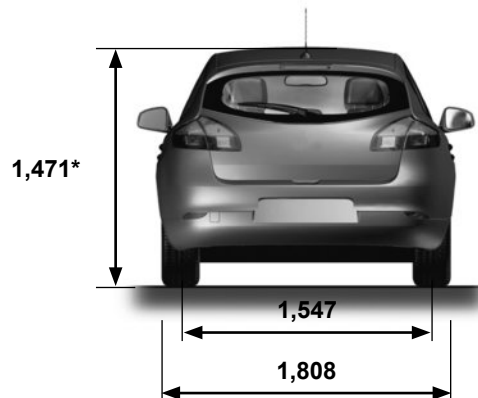
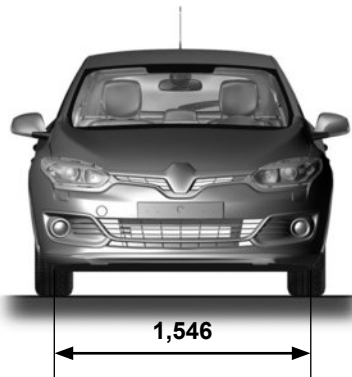
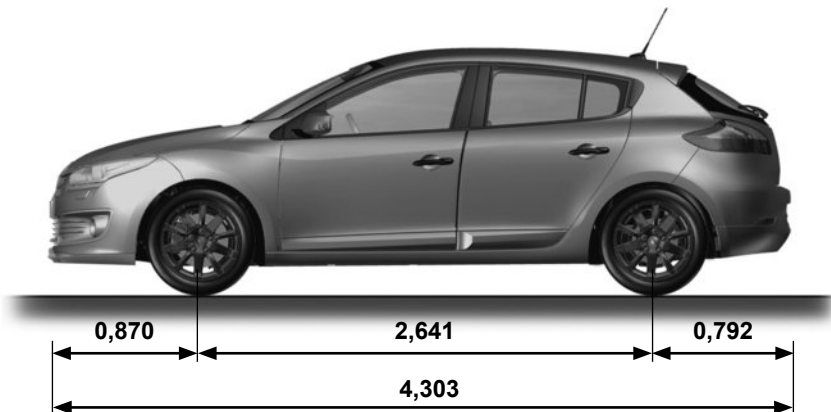
35581



# DIMENSIONS (in metres) (1/2)

## Five door version

34346

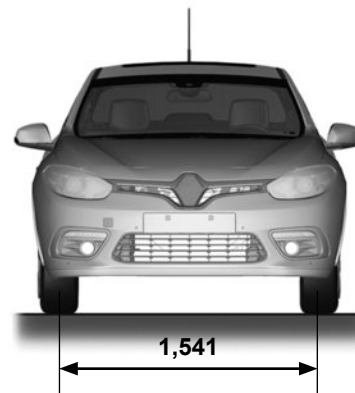
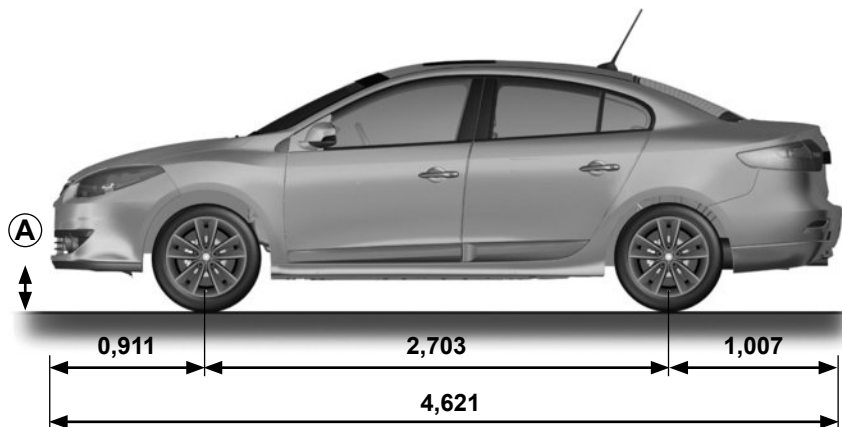


\* Unladen

## DIMENSIONS (in metres) (2/2)

### Four-door version

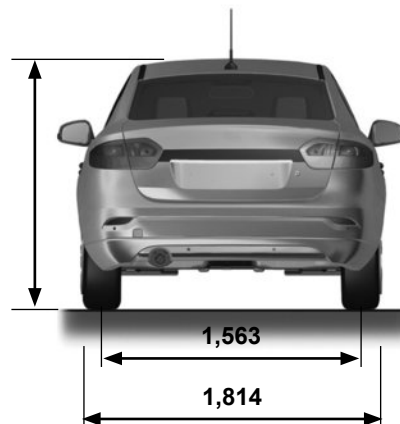
33867



### Characteristics of vehicles with low ground clearance **A**

The ground clearance **A** of your vehicle is lower than a standard vehicle. Please bear this in mind when performing manoeuvres such as parking on a pavement, going over a speed bump, driving on uneven surfaces and/or snow-covered roads, and adapt your speed accordingly. Otherwise, you risk damaging your vehicle.

1,489\*



\* Unladen

## ENGINE SPECIFICATIONS

Versions	1.6 16V	1.6 16V	2.0 16V	1.5 dCi	1.6 dCi
<b>Engine type</b> (see engine plate)	K4M	H4MD7	M4R	K9K	R9M
<b>Cubic capacity</b> (cc)	1,598	1,598	1,998	1,461	1,598
<b>Type of fuel</b> <b>Octane Rating</b>	<p>It is <b>essential</b> that you use unleaded petrol of the octane rating stated on the label inside the fuel filler flap.            If not available, for a limited time only, use unleaded fuel:</p> <ul style="list-style-type: none"> <li>– with an octane rating of 91 for a label showing 95 or 98;</li> <li>– with an octane rating of 87 for a label showing 91, 95 or 98.</li> </ul>			<p>Diesel</p> <p>The label located in the fuel filler flap indicates authorised fuels.</p>	
<b>Spark plugs</b>	<p>Only use the spark plugs specified for your vehicle's engine. The type should be marked on a label affixed inside the engine compartment. If it is not then contact your approved dealer.            Fitting spark plugs which are not to specification may damage the engine.</p>				

## WEIGHTS (in kg)

The weights indicated for a basic vehicle without options: they vary depending on the your vehicle's equipment. Consult your approved Dealer.

<b>Maximum permissible all-up weight (MMAC) Gross Train Weight (MTR)</b>	Weights are indicated on the vehicle identification plate (refer to the information on "Vehicle identification plates" in Section 6)
<b>Braked trailer weight*</b>	found by calculating: $MTR - MMAC$
<b>Unbraked trailer weight*</b>	650
<b>Permissible nose weight*</b>	75
<b>Permissible load on the roof with the carrying device</b>	80 kg (including the carrying device)

### \* Towing weight (towing a caravan, boat, etc.)

Towing is prohibited when the  $MTR - MMAC$  calculation is equal to zero, or when the MTR is equal to zero (or is not listed) on the identification plate.

- It is important to comply with the towing weights, governed by local legislation in each country and, in particular, laid down in the Road Traffic Regulations. Contact an approved Dealer about any towing equipment.
- When towing, under no circumstances may **the total train weight (vehicle + trailer) be exceeded**. However the following is permitted:
  - rear axle MMTA exceeded by no more than 15%,
  - maximum MMAC exceeded by no more than 10% or 100 kg (whichever is reached first).In either case, the maximum speed of the vehicle and trailer must not exceed 60 mph (100 km/h) and the tyre pressures must be increased by 0.2 bar (3 PSI).
- The engine output and climbing capability are reduced with altitude. We recommend that the maximum load be reduced by 10% at an altitude of 1,000 metres and by an additional 10% for each 1,000 metres thereafter.

## **REPLACEMENT PARTS AND REPAIRS**

Original parts are based on strict specifications and are subject to highly-specialised tests. Therefore, they are of at least the same level of quality as the parts fitted originally.

If you always fit genuine replacement parts to your vehicle, you will ensure that it performs well. Furthermore, repairs carried out within the manufacturer's Network using original parts are guaranteed according to the conditions set out on the reverse of the repair order.

# SERVICE SHEETS (1/6)

VIN: .....

Date: _____ Miles (Km): _____		Invoice number: _____		Comments/miscellaneous	
<b>Type of operation:</b>		<b>Stamp</b>			
Service <input type="checkbox"/>					
..... <input type="checkbox"/>					
<b>Anti-corrosion check:</b>					
OK <input type="checkbox"/> Not OK* <input type="checkbox"/>					
*See specific page					
Date: _____ Miles (Km): _____		Invoice number: _____		Comments/miscellaneous	
<b>Type of operation:</b>		<b>Stamp</b>			
Service <input type="checkbox"/>					
..... <input type="checkbox"/>					
<b>Anti-corrosion check:</b>					
OK <input type="checkbox"/> Not OK* <input type="checkbox"/>					
*See specific page					
Date: _____ Miles (Km): _____		Invoice number: _____		Comments/miscellaneous	
<b>Type of operation:</b>		<b>Stamp</b>			
Service <input type="checkbox"/>					
..... <input type="checkbox"/>					
<b>Anti-corrosion check:</b>					
OK <input type="checkbox"/> Not OK* <input type="checkbox"/>					
*See specific page					

# SERVICE SHEETS (2/6)

VIN: .....

Date: _____ Miles (Km): _____		Invoice number: _____		Comments/miscellaneous	
<b>Type of operation:</b>		<b>Stamp</b>			
Service <input type="checkbox"/>					
..... <input type="checkbox"/>					
<b>Anti-corrosion check:</b>					
OK <input type="checkbox"/> Not OK* <input type="checkbox"/>					
*See specific page					

Date: _____ Miles (Km): _____		Invoice number: _____		Comments/miscellaneous	
<b>Type of operation:</b>		<b>Stamp</b>			
Service <input type="checkbox"/>					
..... <input type="checkbox"/>					
<b>Anti-corrosion check:</b>					
OK <input type="checkbox"/> Not OK* <input type="checkbox"/>					
*See specific page					

Date: _____ Miles (Km): _____		Invoice number: _____		Comments/miscellaneous	
<b>Type of operation:</b>		<b>Stamp</b>			
Service <input type="checkbox"/>					
..... <input type="checkbox"/>					
<b>Anti-corrosion check:</b>					
OK <input type="checkbox"/> Not OK* <input type="checkbox"/>					
*See specific page					



# SERVICE SHEETS (3/6)

VIN: .....

Date: _____ Miles (Km): _____		Invoice number: _____		Comments/miscellaneous	
<b>Type of operation:</b>		<b>Stamp</b>			
Service <input type="checkbox"/>					
..... <input type="checkbox"/>					
<b>Anti-corrosion check:</b>					
OK <input type="checkbox"/> Not OK* <input type="checkbox"/>					
*See specific page					
Date: _____ Miles (Km): _____		Invoice number: _____		Comments/miscellaneous	
<b>Type of operation:</b>		<b>Stamp</b>			
Service <input type="checkbox"/>					
..... <input type="checkbox"/>					
<b>Anti-corrosion check:</b>					
OK <input type="checkbox"/> Not OK* <input type="checkbox"/>					
*See specific page					
Date: _____ Miles (Km): _____		Invoice number: _____		Comments/miscellaneous	
<b>Type of operation:</b>		<b>Stamp</b>			
Service <input type="checkbox"/>					
..... <input type="checkbox"/>					
<b>Anti-corrosion check:</b>					
OK <input type="checkbox"/> Not OK* <input type="checkbox"/>					
*See specific page					

# SERVICE SHEETS (4/6)

VIN: .....

Date: _____ Miles (Km): _____		Invoice number: _____		Comments/miscellaneous	
<b>Type of operation:</b>		<b>Stamp</b>			
Service <input type="checkbox"/>					
..... <input type="checkbox"/>					
<b>Anti-corrosion check:</b>					
OK <input type="checkbox"/> Not OK* <input type="checkbox"/>					
*See specific page					
Date: _____ Miles (Km): _____		Invoice number: _____		Comments/miscellaneous	
<b>Type of operation:</b>		<b>Stamp</b>			
Service <input type="checkbox"/>					
..... <input type="checkbox"/>					
<b>Anti-corrosion check:</b>					
OK <input type="checkbox"/> Not OK* <input type="checkbox"/>					
*See specific page					
Date: _____ Miles (Km): _____		Invoice number: _____		Comments/miscellaneous	
<b>Type of operation:</b>		<b>Stamp</b>			
Service <input type="checkbox"/>					
..... <input type="checkbox"/>					
<b>Anti-corrosion check:</b>					
OK <input type="checkbox"/> Not OK* <input type="checkbox"/>					
*See specific page					

# SERVICE SHEETS (5/6)

VIN: .....

Date: _____ Miles (Km): _____		Invoice number: _____		Comments/miscellaneous	
<b>Type of operation:</b>		<b>Stamp</b>			
Service <input type="checkbox"/>					
..... <input type="checkbox"/>					
<b>Anti-corrosion check:</b>					
OK <input type="checkbox"/> Not OK* <input type="checkbox"/>					
*See specific page					
Date: _____ Miles (Km): _____		Invoice number: _____		Comments/miscellaneous	
<b>Type of operation:</b>		<b>Stamp</b>			
Service <input type="checkbox"/>					
..... <input type="checkbox"/>					
<b>Anti-corrosion check:</b>					
OK <input type="checkbox"/> Not OK* <input type="checkbox"/>					
*See specific page					
Date: _____ Miles (Km): _____		Invoice number: _____		Comments/miscellaneous	
<b>Type of operation:</b>		<b>Stamp</b>			
Service <input type="checkbox"/>					
..... <input type="checkbox"/>					
<b>Anti-corrosion check:</b>					
OK <input type="checkbox"/> Not OK* <input type="checkbox"/>					
*See specific page					

# SERVICE SHEETS (6/6)

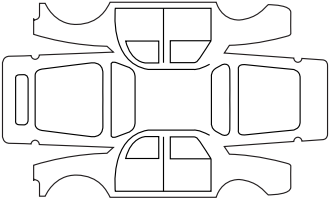
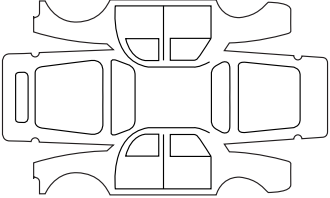
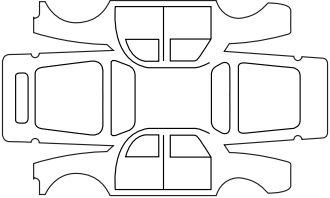
VIN: .....

Date: _____ Miles (Km): _____		Invoice number: _____		Comments/miscellaneous	
<b>Type of operation:</b>		<b>Stamp</b>			
Service <input type="checkbox"/>					
..... <input type="checkbox"/>					
<b>Anti-corrosion check:</b>					
OK <input type="checkbox"/> Not OK* <input type="checkbox"/>					
*See specific page					
Date: _____ Miles (Km): _____		Invoice number: _____		Comments/miscellaneous	
<b>Type of operation:</b>		<b>Stamp</b>			
Service <input type="checkbox"/>					
..... <input type="checkbox"/>					
<b>Anti-corrosion check:</b>					
OK <input type="checkbox"/> Not OK* <input type="checkbox"/>					
*See specific page					
Date: _____ Miles (Km): _____		Invoice number: _____		Comments/miscellaneous	
<b>Type of operation:</b>		<b>Stamp</b>			
Service <input type="checkbox"/>					
..... <input type="checkbox"/>					
<b>Anti-corrosion check:</b>					
OK <input type="checkbox"/> Not OK* <input type="checkbox"/>					
*See specific page					

# ANTICORROSION CHECK (1/6)

If the continuation of the warranty is subject to repair, it is indicated below.

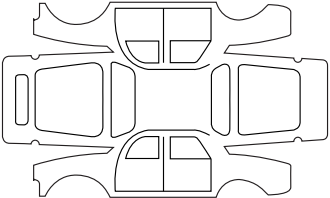
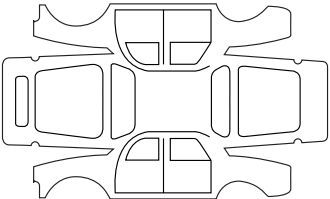
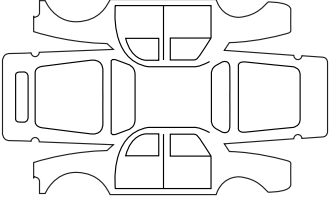
VIN: .....

Corrosion repair operation to be carried out:		<b>Stamp</b>
Date of repair:		
Repair to be carried out:		<b>Stamp</b>
Date of repair:		
Repair to be carried out:		<b>Stamp</b>
Date of repair:		

# ANTICORROSION CHECK (2/6)

If the continuation of the warranty is subject to repair, it is indicated below.

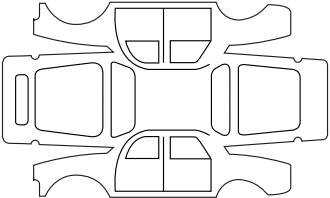
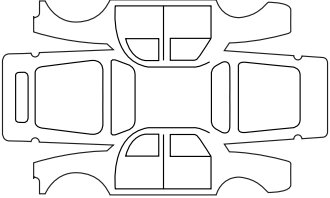
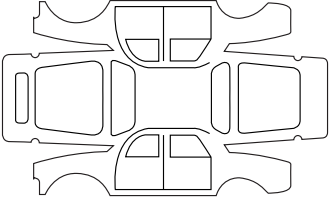
VIN: .....

Corrosion repair operation to be carried out:		<b>Stamp</b>
Date of repair:		
Repair to be carried out:		<b>Stamp</b>
Date of repair:		
Repair to be carried out:		<b>Stamp</b>
Date of repair:		

# ANTICORROSION CHECK (3/6)

If the continuation of the warranty is subject to repair, it is indicated below.

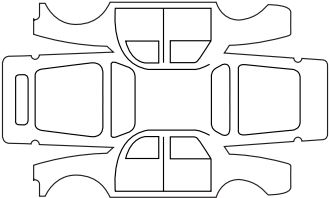
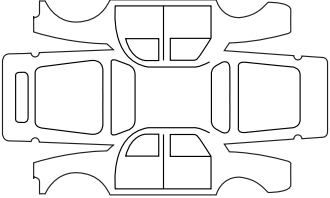
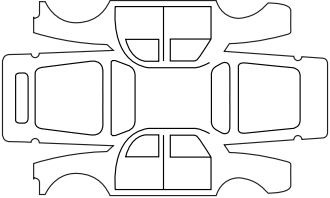
VIN: .....

Corrosion repair operation to be carried out:		<b>Stamp</b>
Date of repair:		
Repair to be carried out:		<b>Stamp</b>
Date of repair:		
Repair to be carried out:		<b>Stamp</b>
Date of repair:		

# ANTICORROSION CHECK (4/6)

If the continuation of the warranty is subject to repair, it is indicated below.

VIN: .....

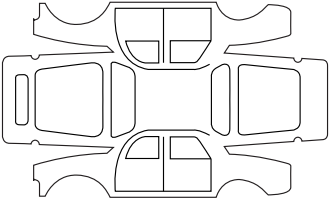
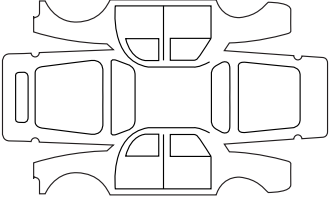
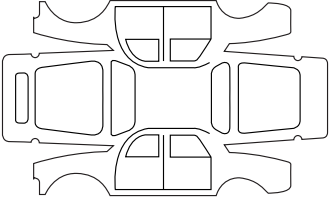
Corrosion repair operation to be carried out:		<b>Stamp</b>
Date of repair:		
Repair to be carried out:		<b>Stamp</b>
Date of repair:		
Repair to be carried out:		<b>Stamp</b>
Date of repair:		



# ANTICORROSION CHECK (5/6)

If the continuation of the warranty is subject to repair, it is indicated below.

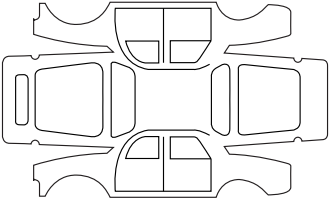
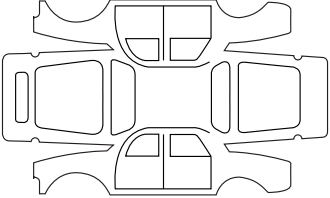
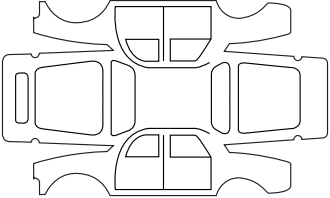
VIN: .....

Corrosion repair operation to be carried out:		
Corrosion repair operation to be carried out:		Stamp
Date of repair:		
Repair to be carried out:		
Repair to be carried out:		Stamp
Date of repair:		
Repair to be carried out:		
Repair to be carried out:		Stamp
Date of repair:		

# ANTICORROSION CHECK (6/6)

If the continuation of the warranty is subject to repair, it is indicated below.

VIN: .....

Corrosion repair operation to be carried out:		<b>Stamp</b>
Date of repair:		
Repair to be carried out:		<b>Stamp</b>
Date of repair:		
Repair to be carried out:		<b>Stamp</b>
Date of repair:		

# ALPHABETICAL INDEX (1/5)

## A

ABS .....	1.53, 2.22 → 2.25
accessories .....	5.33
accessories socket .....	3.22
additional methods of restraint .....	1.21 → 1.23, 1.26
side protection .....	1.25
to the front seat belts .....	1.21 → 1.23
to the rear seat belts .....	1.21 → 1.24
adjusting your driving position .....	1.15 – 1.16, 1.18
advice on antipollution .....	2.14 → 2.16
air bag .....	1.21 → 1.26, 1.54
activating the front passenger air bags .....	1.47
deactivating the front passenger air bags .....	1.45
air conditioning .....	3.4 → 3.11
air vents .....	3.2 – 3.3
anti-corrosion check .....	6.17 → 6.22
anti-corrosion protection .....	4.13
anti-lock braking system: ABS .....	2.22 → 2.25
antipollution .....	
advice .....	2.14
armrest:	
front .....	3.19
ashtray .....	3.22
ASR (traction control) .....	2.22 → 2.25
audible and visual signals .....	1.72
automatic gearbox (use) .....	2.38 → 2.40
automatic gearbox selector lever .....	2.38 → 2.40

## B

battery .....	1.55, 4.12
troubleshooting .....	5.28 – 5.29
battery (remote control) .....	5.30
bonnet .....	4.2 – 4.3
brake fluid .....	4.9
bulbs .....	
changing .....	5.14 → 5.23

## C

catalytic converter .....	2.8 – 2.9
central door locking .....	1.12 → 1.14
changing a bulb .....	5.14 → 5.23
changing a wheel .....	5.9 – 5.10
changing gear .....	2.10, 2.38 → 2.40
child restraint/seat .....	1.27 – 1.28, 1.30 → 1.47
child safety .....	1.2, 1.4, 1.8, 1.27 – 1.28, 1.30 → 1.47, 3.12
child seats .....	1.27 – 1.28, 1.30 → 1.44
children .....	1.2, 1.10 – 1.11, 1.27 – 1.28
children (safety) .....	1.4, 1.8, 3.12
cigar lighter .....	3.22
cleaning:	
inside the vehicle .....	4.15 – 4.16
clock .....	1.68 – 1.69
closing the doors .....	1.10 → 1.13
control instruments .....	1.52 → 1.55, 1.58 – 1.59
controls .....	1.48 → 1.51
coolant .....	1.55, 4.8
courtesy light .....	3.15 → 3.17, 5.24 – 5.25
courtesy mirrors .....	3.16
cruise control .....	2.26 → 2.32
cruise control-speed limiter .....	1.53, 2.26 → 2.32
customised vehicle settings .....	1.67
customising the vehicle settings .....	1.67

## D

dashboard .....	1.48 → 1.51
daytime running lights .....	1.73
dimensions .....	6.6 – 6.7
dipstick .....	4.5
display .....	1.52 → 1.55
doors .....	1.10 – 1.11, 1.14
doors/tailgate .....	1.10 – 1.11, 1.14
driver's position .....	1.48 → 1.55
driving 2.2, 2.5 → 2.16, 2.18 → 2.35, 2.34 – 2.35, 2.38 → 2.40	

## ALPHABETICAL INDEX (2/5)

driving position  
settings .....1.18 → 1.20

### E

electric beam height adjustment ..... 1.76 – 1.77  
electric windows ..... 3.12 → 3.14  
electronic parking brake ..... 2.11 → 2.13  
electronic stability control: ESC ..... 2.22 → 2.25  
emergency brake assist ..... 2.22 → 2.25  
emergency braking ..... 2.22 → 2.25  
emergency key ..... 1.4 – 1.5  
emergency spare wheel ..... 5.2 → 5.5  
engine oil ..... 1.55, 4.4 → 4.7  
engine oil capacity ..... 4.6 – 4.7  
engine oil level ..... 4.4 → 4.7  
engine start/stop button ..... 2.5 → 2.7  
environment ..... 2.17  
ESC: electronic stability control ..... 2.22 → 2.25  
external temperature ..... 1.68 – 1.69

### F

faults  
operating faults ..... 5.37 → 5.44  
filter  
air filter ..... 4.10  
diesel filter ..... 4.10  
oil filter ..... 4.7, 4.10  
passenger compartment filter ..... 4.10  
fitting a radio ..... 5.32  
fittings ..... 3.18 → 3.21  
fog lights ..... 1.52, 5.18  
front passenger air bag deactivation ..... 1.45  
front seat adjustment ..... 1.17  
front seats  
adjustment ..... 1.15, 1.17 → 1.20  
with manual controls ..... 1.17

### fuel

advice on fuel economy ..... 2.14  
capacity ..... 1.81  
filling ..... 1.55, 1.81 → 1.83  
grade ..... 1.81 → 1.83  
fuel economy ..... 2.14 → 2.16  
fuel filler cap ..... 1.81 → 1.83  
fuel tank  
capacity ..... 1.81 → 1.83  
fuel tank capacity ..... 1.81 → 1.83  
fuses ..... 5.26 – 5.27

### G

gear lever ..... 2.10  
glove box ..... 3.20

### H

handbrake ..... 1.54, 2.10  
hands-free telephone integrated control ..... 3.28  
hazard warning lights signal ..... 1.72 – 1.73  
headlight beam adjustment ..... 1.76 – 1.77  
headlight flashers ..... 1.72  
headlight washer ..... 1.79  
headrest ..... 1.15 – 1.16  
heating and air conditioning system ..... 3.11  
heating system ..... 3.4 → 3.10  
hill descent control ..... 2.22 → 2.25  
Hill Start Assist ..... 2.22 → 2.25  
horn ..... 1.72  
horn:  
flash ..... 1.72  
sounding the horn ..... 1.72  
hubcap tool ..... 5.5

### I

ignition switch ..... 2.3 – 2.4

## ALPHABETICAL INDEX (3/5)

indicator lights.....	1.52
indicators.....	1.72, 5.14 → 5.18
indicators:	
direction indicators.....	1.72, 5.19
exterior temperature indicator.....	1.68
instrument panel.....	1.52 → 1.55, 1.58 – 1.59
instrument panel.....	1.52 → 1.55, 1.58 – 1.59, 1.73
instrument panel messages.....	1.58 – 1.59
interior trim	
maintenance.....	4.15 – 4.16
<b>J</b>	
jack.....	5.4 – 5.5
<b>K</b>	
keys.....	1.2 – 1.3
<b>L</b>	
levels:	
brake fluid.....	4.9
coolant.....	4.8
windscreen washer reservoir.....	4.10
lifting the vehicle	
changing a wheel.....	5.9 – 5.10
lighting:	
exterior.....	1.73 → 1.75
instrument panel.....	1.73
interior.....	3.15 → 3.17, 5.24 – 5.25
lights	
additional.....	5.18
adjustment.....	1.76 – 1.77
changing bulbs.....	5.14 → 5.18
fog lights.....	5.18
front.....	5.14 → 5.18
mobile directional.....	1.74

lights:	
adjusting.....	1.76 – 1.77
brake lights.....	5.19
dipped beam headlights.....	1.52, 1.73, 5.14 → 5.18
direction indicators.....	1.52, 1.72, 5.14 → 5.19
fog lights.....	1.75, 5.18 – 5.19
hazard warning.....	1.72
main beam headlights.....	1.52, 1.74, 5.14 → 5.18
number plate lights.....	5.23
reversing lights.....	5.19
side lights.....	1.73, 5.19
locking the doors.....	1.2 → 1.11, 1.14

### M

maintenance:	
bodywork.....	4.13 – 4.14
interior trim.....	4.15 – 4.16
mechanical.....	4.2 – 4.3, 6.11 → 6.16
map reading lights.....	3.15 → 3.17
menu for customising the vehicle settings.....	1.67
methods of restraint in addition to the front seat belts.....	1.21 → 1.23
methods of restraint in addition to the seat belts...1.21 → 1.26	
multimedia equipment.....	3.28

### N

navigation.....	3.28
navigation system.....	3.28

### O

oil change.....	4.4 → 4.7
opening the doors.....	1.10 → 1.13
operating faults.....	1.52 → 1.55, 5.37 → 5.44

# ALPHABETICAL INDEX (4/5)

## P

paintwork	
maintenance	4.13 – 4.14
parking distance control	2.33 → 2.35, 2.34 – 2.35
power-assisted steering	1.70
pretensioners	1.21
puncture	5.2 → 5.5, 5.9 – 5.10

## R

radio	3.28
fitting a radio	5.32
rear parcel shelf	3.25
rear screen de-icing/demisting	3.5, 3.9
rear view camera	2.36 – 2.37
rear view mirrors	1.71
RENAULT ANTI-INTRUDER DEVICE (RAID)	1.14
RENAULT card	
battery	5.31
use	1.4 → 1.9
RENAULT card battery	5.31
replacement parts	6.10
reverse gear	
selecting	2.10, 2.38 → 2.40
reversing sensor	2.33 → 2.35, 2.34 – 2.35
roof bars	3.27
roof rack	
roof bars	3.27
running in	2.2

## S

screen wash/wipe	1.80
seat belt pretensioners	1.21 → 1.23
front seat belt	1.21 → 1.23
seat belts	1.18 → 1.23, 1.25 – 1.26, 1.55
see-me-home lighting	1.74, 1.76 – 1.77
service sheets	6.11 → 6.16

side indicator lights	
changing bulbs	5.23
side protection devices	1.25
signals and lights	1.73 → 1.77
speakers	
location	5.32
special features of diesel versions	2.9
special features of petrol vehicles	2.8
speed limiter	2.26 → 2.28
starting the engine	2.3 → 2.7
steering wheel	
adjustment	1.70
stopping the engine	2.4
storage compartment	3.18 → 3.21
storage compartments	3.18 → 3.21
sun blinds	3.15 → 3.17
sun visor	3.16
sunroof	3.12 → 3.14
switching on the vehicle ignition	2.3 – 2.4, 2.6

## T

tailgate	3.24 – 3.25
tanks and reservoirs	
brake fluid	4.9
coolant	4.8
tanks and reservoirs:	
windscreen washer	4.10
technical specifications	6.4 → 6.7, 6.9 – 6.10
telephone	3.28
temperature regulation	3.6 → 3.10
tool kit	5.4 – 5.5
towing	
breakdown	5.35 – 5.36
towing equipment	3.26
towing a caravan	3.26, 6.9

## ALPHABETICAL INDEX (5/5)

towing equipment	
fitting .....	3.26
towing hitch .....	5.35 – 5.36
towing rings .....	1.30 – 1.31, 3.26
towing weights .....	6.9
traction control: ASR .....	2.22 → 2.25
traction control system: ASR .....	2.22 → 2.25
transporting children .....	1.27 – 1.28, 1.30 → 1.47
transporting objects	
in the luggage compartment .....	3.26
on the roof .....	6.9
trip computer and warning system .....	1.52 → 1.55, 1.58 – 1.59
tyre inflation kit .....	5.6 → 5.8
tyre pressure .....	2.18 → 2.21, 4.11, 5.12
tyre pressure monitor .....	2.18 → 2.21
tyre pressures .....	4.11
tyres .....	2.18 → 2.21, 4.11, 5.11 → 5.13

### U

unlocking the doors .....	1.12 – 1.13
---------------------------	-------------

### V

vehicle identification plates .....	6.4 – 6.5
ventilation .....	3.4 → 3.10

### W

warning buzzer .....	1.10, 1.72, 1.74
warning lights .....	1.52 → 1.55, 1.58 – 1.59
washing .....	4.13 – 4.14
weights .....	6.9
wheel trim .....	5.5
wheelbrace .....	5.4 – 5.5
wheels (safety) .....	5.11 → 5.13
windscreen de-icing/demisting .....	3.5, 3.9
windscreen washer .....	1.78 → 1.80, 4.10
windscreen washer/wiper .....	1.78 – 1.79

wiper blades .....	5.34
wipers .....	1.78 → 1.80
blades .....	5.34







( [www.myrenault.com](http://www.myrenault.com) )

RENAULT S.A.S. SOCIÉTÉ PAR ACTIONS SIMPLIFIÉE AU CAPITAL DE 533 941 113 € / 13-15, QUAI LE GALLO  
92100 BOULOGNE-BILLANCOURT R.C.S. NANTERRE 780 129 987 — SIRET 780 129 987 03591 / TÉL. : 0810 40 50 60

NU 1143-4 – 99 91 076 43R – 03/2015 – Edition anglaise



9 9 9 1 0 7 6 4 3 R

**S1**