

# TRUVOX INTERNATIONAL

## CIMEX HD

includes Parts List & Electrical Wiring Diagram



USER MANUAL	<b>EN</b>	2
BEDIENUNGSANLEITUNG	<b>DE</b>	8
MANUEL D'UTILISATION	<b>FR</b>	14
MANUAL DEL USUARIO	<b>ES</b>	20

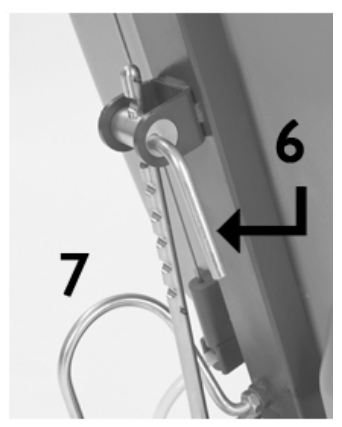
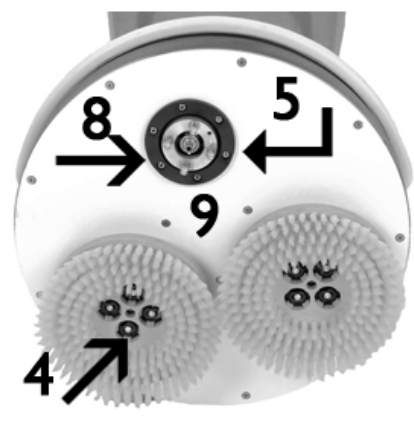
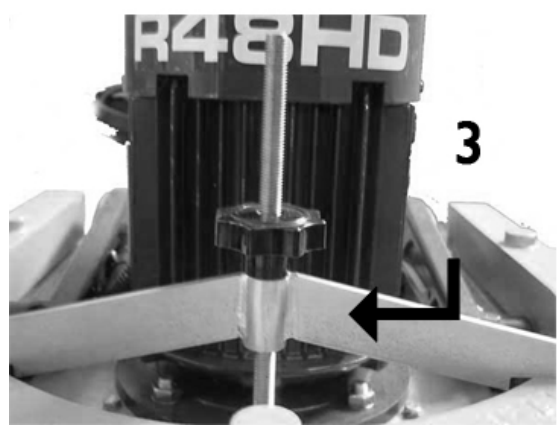


03-7557-0000 05/12 V.1

[www.truvox.com](http://www.truvox.com)



A Tacony Company



## ORIGINAL INSTRUCTIONS

**WARNING - READ THESE INSTRUCTIONS BEFORE USING THE MACHINE & RETAIN FOR FUTURE REFERENCE**

### CIMEX HD

The following manual contains important information about the machine and safety advice for the operator.



#### WARNING



#### Earth Ground Symbol



#### Waste Electrical & Electronic Equipment (WEEE)

Do not dispose of this device with unsorted waste. Improper disposal may be harmful to the environment and human health. Please refer to your local waste authority for information on return and collection systems in your area.

### EC DECLARATION OF CONFORMITY

**Machine Type:** Heavy duty scarifier

**Type:** Cimex HD

**Model:** R48HD

This machine is in conformity with the following EU directives:

2006/42/EC

**Machinery Directive**

2004/108/EC

**The EMC Directive**

**Applied harmonised standards**

EN60335-1, EN60335-2-67,  
EN55014-1, EN55014-2,  
EN610003-2, EN610003-3,  
EN62233

**Truvox International**  
Unit C (East) Hamilton  
Business Park, Manaton  
Way, Botley Road, Hedge  
End, Southampton,  
SO30 2JR, England

CE *M. Eneas*

Malcolm Eneas  
Operations Manager

Southampton, 30-04-2004

### TECHNICAL SPECIFICATIONS

Model		Cimex Heavy Duty 48
Product Code		R48HD
Motor power (single phase/ three phase)	W	1500/ 2200
Productivity rate	m <sup>2</sup> /h	600
Pad/brush speed	rpm	400
Pad/brush diameter	cm	48
Productivity - Scrubbing	m <sup>2</sup> /h	1140
Productivity - Polishing	m <sup>2</sup> /h	1710
Productivity - Spray clean	m <sup>2</sup> /h	850
Dimensions (L x W x H)	cm	75 x 55 x 120
Weight	kg	60
Ballast weights	kg	17
No. units supplied		2
Cable length	m	15
Warranty		1 year

- Machine is of Class I construction. Enclosure to IPX2.
- Models - 230 V ~ 50 Hz. fitted with 15m supply cord type H05VV-F 3x1.0mm<sup>2</sup> (10A), and plug.
- Sound pressure levels measured at a distance of 1 metre from machine and 1.6 metres above floor, when scrubbing a hard floor. Measurements recorded using a hand held meter.
- Handle vibration does not exceed 2.5m/s<sup>2</sup>, when operating on any surface with brush or pads. Measurements recorded by an independent test laboratory.

**If you have any queries or questions, please contact the supplier who you purchased the machine from or Truvox International.**

#### Truvox International Limited

Unit C (East) Hamilton Business Park, Manaton Way, Botley Road, Hedge End, Southampton, SO30 2JR, United Kingdom; Tel.: +44 (0) 23 8070 6600; Fax: +44 (0) 23 8070 5001; Email: sales@truvox.com; Web: www.truvox.com

**Please refer to machine pictures on page 1**

- |   |   |
|---|---|
| <b>1 Motor switch lever</b><br>When raised switches motor ON and starts the rotating heads, when released switches motor OFF and stops the heads. Each time the lever is operated the direction of head rotation is reversed, improving the quality of cleaning and prolonging disc/pad life. | <b>6 Handle adjustment lever</b><br>From the upright position, lift the handle adjustment lever and pull the handle backwards to a comfortable working height, then press lever down to lock handle in position |
| <b>2 Handle</b>   | <b>7 Cable hooks</b><br>Used to hold supply cord in place on handle when machines not in use  |
| <b>3 Clamping bar</b>   | <b>8 Drive plates</b><br>Attachment point for brushes or drive discs and pads   |
| <b>4 Drive pins</b>   | <b>9 Rotating dust cover</b>  |
| <b>5 Rotating heads</b>   |   |

- **CAUTION** - This machine is for dry indoor use only and should not be used or stored outdoors in wet conditions.
- All parts are to be positioned as indicated in the instructions before using the machine.
- The machine must be unpacked and assembled in accordance with these instructions before connecting to the electrical supply.
- **DO NOT** use where hazardous dust is present.
- **DO NOT** use in an explosive atmosphere.
- **DO NOT** pick up or use near flammable fluids, dusts or vapours.
- **DO NOT** use to clean up any burning or lighted materials such as cigarettes, matches, ashes or other combustible objects.
- Take care when using a machine near the top of stairs to avoid overbalancing.
- Only use the machine on firm level surfaces. **DO NOT** use on a gradient or more than 2% slopes.
- **DO NOT** use diesel/petrol or corrosive detergents to wash floors.
- **DO NOT** wash and vacuum corrosive, flammable and/or explosive liquids, even if diluted.
- **DO NOT** put any object into openings. **DO NOT** use with any opening blocked; keep free of dust, debris and anything that may reduce airflow.
- **DO NOT** cover machine when in use.
- **DO NOT** leave the machine connected to the electricity supply when not in use; always remove the plug from the socket outlet.
- **DO NOT** leave machine running unattended.
- This machine should always be connected to a fully earthed power supply of the right voltage and frequency.
- The machine shall be disconnected from its power source during its cleaning or maintenance and when replacing parts or accessories, by removing the plug from the socket-outlet.
- **DO NOT** use if it has been damaged, left outdoors or dropped into water.
- **DO NOT** operate switches or touch the mains plug with wet hands as this may cause electric shock.
- **WARNING** - Keep the power supply cord clear of moving parts (and/or rotating brushes). During operation hazard may occur when running the machine over the power supply cord.
- **DO NOT** operate the machine with a damaged supply cord or plug, or after the machine malfunctions or is damaged in any way. Contact an authorised Service Agent for repair or adjustment.
- **DO NOT** pull or carry by the supply cord. **DO NOT** use cord as a handle, close door on cord or pull cord around sharp edges or corners.
- The plug of the power supply cord must be removed from the socket-outlet before commencing cleaning of the machine or undertaking maintenance operations.
- **DO NOT** kink or twist the power cord and keep cord away from heated surfaces. □
- When unplugging, pull the plug, not the supply cord.
- The power supply cord must be regularly inspected for signs of damage. If the power supply cord is damaged, it shall only be replaced by a suitable cord by the

## **1. Product information**

This heavy duty three brush floor cleaning machine is suitable for heavy duty commercial use. Ideal for floor preparation; removing impacted grease, oil and debris from concrete floors; removing build-up of ice in cold store floors; and glue, carpet backing foam and rubber removal. The machine is intended for commercial use, for example in hotels, schools, hospitals, factories, shops, offices, rental businesses and other than normal housekeeping purposes.

The following instructions contain important information about the machines and safety advice for the operator. These instructions are valid for the following models:

### **Cimex HD - R48HD...**

Equipment must be operated, serviced and maintained in accordance with the manufacturer's instructions. If in doubt contact the supplier of your machine.



#### **1.1 Important safety advice**

When using this machine, basic safety precautions should be followed, including the following:

- This machine must only be used for the manufacturer's approved application as described in this manual.
- Please note that the safety information described in the manual supplements and does not replace standards in force in the country in which the machine is used.
- **WARNING** - Only use accessories and spare parts provided with the machine or those approved by the manufacturer. The use of other spare parts or accessories may impair the safety of the machine.

manufacturer, its service agent or a similar qualified person in order to avoid a hazard.

- Never use excessive foaming or highly corrosive cleaning solutions.

### **1.2 Guidelines for the operator**

- This machine is not intended for use by persons (including children) with reduced physical, sensory or mental capabilities, or lack of experience and knowledge, unless they have been given supervision or instruction concerning use of the machine by a person responsible for their safety.
- Operators must be fully trained in the use of the machine in accordance with these instructions, able to perform user maintenance and the correct selection of accessories.
- Operators should be physically capable to manoeuvre, transport and operate the machines.
- Operators should be able to recognise unusual operation of the machine and report any problems.
- Keep children and unauthorised persons away from the machine when in use.
- Keep cleaning solutions away from children and pets at all times.
- **CAUTION** - This machine is for dry indoor use only and should not be used or stored outdoors in wet conditions.
- **DO NOT** clean the machine using water sprays or jets.
- Keep hair, loose clothing, hands, feet and all other parts of the body away from openings and moving parts.
- Keep machine clean and in good operating condition.
- Let the machine do the work. Grip the handle as lightly as possible.
- Stand with feet slightly apart to maintain good balance. Avoid twisting the body more than 45 degrees.
- Wear suitable footwear to avoid slipping.
- Wear suitable clothing to keep dry and warm.
- Where possible implement job rotation and adequate rest periods to avoid continuous use of the same muscles.
- **DO NOT** smoke when using the machine.

### **1.3 Transporting the machine**

#### **CAUTION - THIS MACHINE IS HEAVY**

Do not attempt to lift the machine without assistance. Incorrect lifting techniques may result in personal injury. We advise that the manual handling regulations are followed. Please refer to the technical table for details on weight of machine. **CAUTION** – When lifting the machine the brush head is free to tip backwards, ensure fingers are kept well clear of the side arms of the chassis. The machine can be moved to the area to be cleaned by wheeling on its rear transport wheels. When transporting the machine ensure that all components, tanks and removable parts are securely fastened. Detach hose and wand from machine where applicable. When moving the machine the handle should be locked and the machine tilted back on its wheels. Do not lift or transport the machine whilst containing liquid as this will add considerably to the weight. Take extreme care when moving the machine up or down steps or stairs.

**CAUTION** – Bumping over thresholds, kerbs and similar obstacles can damage the machine. Small obstacles can be overcome by pulling the machine backwards.

## **2. Preparing for use**

### **2.1 Electrical connection**

Before connecting the machine to the power supply, check that your supply voltage corresponds with that marked on the rating label on the machine.

#### **UK only**

The supply cord for 230v models is fitted with a plug containing a 13 amp fuse. Should the fuse require replacement it must only be replaced by a 13 amp fuse conforming to BS1362, and the fuse cover must be refitted. If the fuse cover is lost the plug must not be used until the correct replacement cover is fitted.

Should an extension cord be used, ensure cord rating is adequate for the equipment. Do not use extension cord in coiled condition as this could result in overheating of the cord. The power supply cord plus any extension leads should not exceed 30 m in total. The cross-section of any extension cable wiring must be at least 2, 5 mm<sup>2</sup>.

**WARNING** – THIS APPLIANCE MUST BE EARTHED.

### **2.2 Fitting brushes and pads**

- **WARNING** - This appliance has been designed for use with the brushes specified by the manufacturer. The use of other brushes may impair safety.
- Always ensure machine is unplugged before fitting or removing parts.
- Tip the brush head backwards towards the handle, and push 3 brushes of the same type, or drive discs and pads, onto the four drive pins (4) on each of the rotating heads (5).
- Return brush head to the floor.
- Remove brushes by simply pulling them off the drive pins.
- **IMPORTANT** - Never allow the brush head to rest on the drive pins, always tip brush head back when not in use.
- Always keep brushes and pads in sets of three, to ensure even wear in order to prevent vibration.

### **2.3 Fitting scarifying brushes**

- Tip the machine brush head backwards towards the handle, and push 3 scarifying brushes of the same type onto the four drive pins on each of the rotating heads (5).
- Fit retaining clip onto pins, ensuring it is located in the groove on each pin (4).
- Return brush head to the floor.
- Remove brushes by simply removing retaining clip and pulling brush off the drive pins.

## 2.4 Fitting heavy duty tools

- Heavy duty tools (such as star-wheels carbide blocks and scrapers) must be bolted onto the machine.
- To bolt tool to machine two drive pins (diagonally opposite each other) must be removed from each of the rotating heads.
- Fit three matching heavy duty tools over each pair of drive pins.
- Secure each tool using two M5 bolts. Always use spring washers with bolts to minimise chance of tools working loose. **IMPORTANT** – regularly check that bolts are tight.

## 2.5 Adjusting the handle height

Select the most comfortable handle height using the adjustment lever and lock in position.

## 2.6 Adding weights

- Before adding additional weights switch off the machine.
- Unscrew knob and lift off clamping bar (4).
- Add additional weight as required, and refit clamping bar.

## 3. Controls

The operating controls are located on the handle (1). Please refer to page 1.

## 4. Operation

### 4.1 Starting the machine

- Fully unwind the supply cord from the handle and plug in to a convenient socket outlet.
- With the handle set at a comfortable working height, and with both hands on the handle, lift the start/stop lever to START the machine. Releasing the lever will STOP the machine.
- **WARNING** - Never start the machine without brushes or heavy duty tools fitted.
- Normal movement of the machine is in a forward and backward direction.
- Always work away from the supply socket to avoid running into the supply cord.

### 4.2 Using the machine

- Fit brushes or tools suitable for the surface to be cleaned/ prepared.
- Adjust handle to suit operator
- Tilt the machine slightly backwards so that the brushes/ tools are clear of the floor and wheel the machine to the area to be cleaned.
- Switch on the machine. Always work away from the mains socket – this will help to avoid running into the cable.
- Scarifying is normally a dry process. Because of the extremely harsh abrasive action of scarifying brushes and heavy duty tools, only resilient floors such as concrete, metal tile etc. should be scarified.
- Walk slowly behind the machine, overlapping each pass to ensure an even finish.
- Do not keep the machine rotating on one spot as this could damage the floor surface.

- Should the machine start to vibrate, or resist the cleaning action on the floor, check the brushes/ tools for wear.
- Each area of the floor should be covered at half walking pace. Some floors may require extra passes to process it thoroughly.
- On reaching the original starting point, position the machine to process another path parallel to the first and overlapping by 50mm.
- When the entire floor area has been covered, clear debris using suitable vacuum cleaner or sweeper.

### 4.3 Processing the floor

- We recommend that the surrounding floor area is protected with plastic sheet, sealed at the edges with adhesive tape.
- When the floor area is sealed off, the processing of the floor can begin.
- Walk at half speed down the edge of the floor, keeping the head of the machine at the edge of the tape. The discs will ride over the tape should you accidentally run onto it.
- Dispense enough solution to keep the floor wet while the machine is operating. When you reach a wall or the extent of the supply cord, return over the same path just covered.
- Each area of the floor should be covered at least twice at half walking pace. Some floors may require extra passes to process it thoroughly.
- On reaching the original starting point, position the machine to process another path parallel to the first and overlapping by 50mm.
- When the entire floor area has been covered, use a wet vacuum with a squeegee attachment to pick up the water and stone residue from the floor.
- Repeat the process using progressively finer discs in turn.
- In areas too small to use the machine, it will be necessary to use a hand polisher with a single abrasive disc.
- Wet vacuum all remaining solution to dry the floor quickly.
- NOTE - If the floor has lippage, or an area of the floor has lippage, it should be wet vacuumed after each processing grit. Lippage will damage abrasive discs and fragments could be picked up and scratch the floor surface. The floor should be vacuumed at any point if the slurry becomes heavy.
- As the floor dries, remove the protective plastic sheeting and tape.
- Where carpet or fabric materials are wet with water and surface residue, flush with clean water and extract with the wet vacuum. This process may need to be repeated several times to remove all residue.
- Where surface residue has dried on a hard surface, a clean dry cloth will quickly remove it.
- Following clean up, damp mop twice with clean water to remove surface residue. The floor will then appear dull and hazy.
- The polishing procedure should be performed after a twenty four hour drying period. On smaller floors the surface may be mechanically dried. The drive backs

should be changed to 'Instalok' type fitted with suitable pads for the polishing process. Do not use rusty or discoloured polishing pads.

- Do not leave the machine stationary during polishing, as marks will be left on the floor which may result in the whole procedure having to be repeated.
- Apply polish from a spray bottle; apply sparingly just ahead of the machine as you work. Do not leave wet polish on the floor; work in immediately as it can cause spotting on the floor.
- While processing, the technician should frequently inspect the abrasive pads for wear or damage.
- The survey should determine which grade of disc is used to begin the process. Normally coarse are the starting grit, except where lippage is extreme or surface damage is very slight.
- To eliminate lippage, weights may be added to the machine.
- The operator should examine the floor surface following each processing grade to determine whether the removal of wear or scratching is effective.

#### **4.4 When processing is finished**

- When processing is finished, unplug the machine from the power supply, remove weights, raise the brush head and remove the drive backs, and abrasive discs or pads. Wipe over the machine with a damp cloth.
- Remove and clean finishing discs and polishing pads.

#### **4.5 Polishing and buffing**

- Fit drive discs and pads suitable for the surface to be polished.
- Ensure the floor is clean and dry.
- Walk slowly behind the machine, overlapping each pass to ensure an even finish.
- Do not keep the machine rotating on one spot for more than 10-15 seconds, as this could cause overheating and damage the floor surface.
- Should the machine start to vibrate, or resist the buffing action on the floor, check the cleanliness of the pads. When dirty on one side the pad may be reversed.

#### **4.6 When cleaning is finished**

- When cleaning is finished, unplug the machine from the power supply, raise the brush head and remove brushes or pads, and wipe over the machine with a damp cloth.
- Wash brushes and pads in warm soapy water, rinse and allow to dry naturally.

#### **5. Storage**

- After use always wipe down and dry the machine, and remove and clean the drive backs, pads or brushes. Clean the rotating dust cover (10) and check the condition of the brush seals (9). The seals should be cleaned periodically to maintain their effectiveness.
- The solution tank should be emptied and flushed out with clean water.
- The machine should normally be stored with the handle in the raised position and the brush head tipped back. Never leave the brush head resting on the drive pins.
- Wrap supply cord around the handlebar and cable winder ensuring that the plug is not trailing on the floor.

- Store the machine in a dry indoor area only.

#### **6. Maintenance**

**WARNING** - Before undertaking maintenance operations or adjustments switch off machine and unplug from the electricity supply.

**IMPORTANT** – All other servicing and repairs should only be performed by a Truvox engineer or Authorised Service Agent.

**IMPORTANT** – Should the machine fail to operate please refer to the fault diagnosis section in the back of this instruction manual. If the problem/ remedy is not listed please contact Truvox Customer Service Department for rapid attention.

The machine requires minimum maintenance apart from the following checks by the operator prior to use:

- Supply cord - Regularly inspect sheath, plug and cord anchorage for damage or loose connection. Only replace the supply cord with the type specified in these instructions.
- Drive backs, pads and brushes - Inspect for wear and replace worn brushes. Clean under running water.
- Body of the machine - Clean with a damp cloth.
- Brushes - Inspect for wear and replace worn brushes. Clean under running water.

#### **7. After sales service**

Truvox machines are high quality machines that have been tested for safety by authorised technicians. It is always apparent that after longer working periods, electrical and mechanical components will show signs of wear and tear or ageing. To maintain operational safety and reliability the following service interval has been defined: Every year or after 250 hours. Under extreme or specialised conditions and/or insufficient maintenance, shorter maintenance intervals are necessary. Use only original Truvox spare parts. Use of other spare parts will invalidate all warranty and liability claims. Should you require after sales service please contact the supplier from whom you purchased the machine, who will arrange service. Repairs and servicing of Truvox products should only be performed by trained staff. Improper repairs can cause considerable danger to the user.

#### **8. Guarantee**

Your product is guaranteed for one year from the date of original purchase, or hire purchase, against defects in materials or workmanship during manufacture. Within the guarantee period we undertake at our discretion, to repair or replace free of charge to the purchaser, any part found to be defective, subject to the following conditions:

##### **CONDITIONS**

1. Claims made under the terms of the guarantee must be supported by the original invoice/bill of sale issued at the time of sale, or the machine Serial No.
2. For claims under this guarantee contact the supplier from whom you purchased the product who will arrange the appropriate action. Do not initially return the product as this could result in transit damage.
3. Neither Truvox nor its distributor shall be liable for any incidental or consequential loss.

4. This guarantee is governed by the laws of England.

5. This guarantee does not cover any of the following:

- Periodic maintenance, and repair or replacement of parts due to normal wear and tear.
- Damage caused by accident, misuse or neglect, or the fitting of other than genuine Truvox parts.
- Defects in other than genuine Truvox parts, or repairs, modifications or adjustments performed by other than a Truvox service engineer or authorised service agent.

- Costs and risks of transport relating directly or indirectly to the guarantee of this product.
- Consumable items such as, brushes, drive discs, filters and vacuum skirts.
- This guarantee does not affect your statutory rights, or your rights against the supplier arising from their sales or purchase contract. Truvox International Limited policy is one of continual product development and we reserve the right to alter specifications without prior notice.

## **9. Accessories**

<b>Item</b>	<b>Part No.</b>	<b>Usage</b>
Crimped wire	11-2041-0500	Chequer plate cleaning
Steel wire 18G	11-2043-0500	Concrete finishing
Bronze wire 18G	11-2045-0500	Spark-free scarifying
Steel wire 3x 16G	11-2049-0500	General scarifying
Steel wire 3x 14G	11-2051-0500	Heavy duty scarifying
Spare retaining clips for heavy duty brushes (set)	03-6938-0000	
Spare horseshoe weight (17kg each)	03-7004-0000	

NOTE - Brushes are supplied in sets of 3.

## **10. Fault diagnosis**

The following simple checks may be performed by the operator:

<b>Trouble</b>	<b>Reason</b>	<b>Remedy</b>
<b>Motor not running</b>	<ul style="list-style-type: none"> <li>• Lack of voltage/ electrical supply</li> <li>• Safety cut-out switch faulty</li> </ul>	<ul style="list-style-type: none"> <li>• Check fuse *, supply cord, plug, socket outlet and circuit breaker</li> </ul>
<b>Machine stalls during operation</b>	<ul style="list-style-type: none"> <li>• Damaged brushes/ pads</li> </ul>	<ul style="list-style-type: none"> <li>• Replace brushes/ pads</li> </ul>
<b>Motor running, but brushes not rotating</b>	<ul style="list-style-type: none"> <li>• Loose or broken drive belt</li> </ul>	<ul style="list-style-type: none"> <li>• Remove rotating dust cover and fit new drive belt, or call Service Agent</li> </ul>
<b>Machine vibrates</b>	<ul style="list-style-type: none"> <li>• Damaged or dirty brushes/ pads</li> <li>• Unequal thickness of brushes/ pads</li> </ul>	<ul style="list-style-type: none"> <li>• Replace or clean brushes/ pads</li> <li>• Replace with 3 brushes/ pads of equal thickness</li> </ul>

\* If the fuse blows several times, the machine should be checked by an authorised Service Agent.



**ACHTUNG – LESEN SIE DIESE ANLEITUNG VOR DER VERWENDUNG DES GERÄTES SORGFÄLTIG DURCH UND BEWAHREN SIE SIE FÜR REFERENZZWECKE AUF**

**CIMEX HD**

Diese Bedienungsanleitung enthält wichtige Informationen zu diesem Gerät sowie Sicherheitsanweisungen für den Benutzer.



**ACHTUNG**



**Erdungssymbol**



**Elektro- und Elektronik-Altgeräte (WEEE)**

Entsorgen Sie dieses Gerät nicht im Hausmüll. Eine unsachgemäße Entsorgung kann die Umwelt und die Gesundheit schädigen. Wenden Sie sich für Informationen über die Abgabe- und Sammelsysteme in Ihrer Region an die lokale Entsorgungsstelle.

**EU-KONFORMITÄTSERKLÄRUNG**

**Gerätetyp:** Schwere Entschichtungsmaschine

**Typ:** Cimex HD

**Modell:** R48HD

Dieses Gerät entspricht den folgenden EU-Richtlinien:

2006/42/EG

**Maschinenrichtlinie**

2004/108/EG

**EMV-Richtlinie**

**Angewendete harmonisierte Normen**

EN60335-1, EN60335-2-67, EN55014-1, EN55014-2, EN610003-2, EN610003-3, EN62233

**CE** *M. Eneas*

Malcolm Eneas

Operations Manager

**Truvox International**  
Unit C (East) Hamilton  
Business Park, Manaton  
Way, Botley Road, Hedge  
End, Southampton,  
SO30 2JR, England

Southampton, 30-04-2004

**TECHNISCHE ANGABEN**

<b>Modell</b>	Cimex Heavy Duty 48	
<b>Produktnummer</b>	R48HD	
Motorleistung (Wechselstrom/Drehstrom)	W	1500/ 2200
Arbeitsleistung	m <sup>2</sup> /h	600
Scheiben-/Bürstendrehzahl	U/min	400
Scheiben-/Bürstendurchmesser	cm	48
Arbeitsleistung - Scheuern	m <sup>2</sup> /h	1140
Arbeitsleistung - Polieren	m <sup>2</sup> /h	1710
Arbeitsleistung - Sprühreinigung	m <sup>2</sup> /h	850
Abmessungen (H x B x L)	cm	75 x 55 x 120
Gewicht	kg	60
Ballastgewichte	kg	17
Anz. gelieferte Einheiten		2
Kabellänge	m	15
Gewährleistung	1 Jahr	

- Klasse-I-Ausführung. Gehäuse entspricht IPx2.
- Modelle – 230 V ~ 50 Hz. Ausgestattet mit 15 m Stromkabel Typ H05VV-F 3x1,0 mm<sup>2</sup> (10A) und Stecker.
- Die Geräuscentwicklung wurde im Abstand von 1 Meter von der Maschine und 1,6 Metern über dem Boden beim Reinigen von Hartboden gemessen. Die Messungen wurden mit einem Handmessgerät durchgeführt.
- Die Griffvibration übersteigt 2,5 m/s<sup>2</sup> auf allen Oberflächen im Betrieb mit Bürste oder Reinigungsscheibe nicht. Die Messungen wurden von einem unabhängigen Testlabor durchgeführt.

**Wenn Sie Probleme oder Fragen haben, wenden Sie sich an den Fachhändler, bei dem Sie die Maschine erworben haben, oder an Truvox International.**

**Truvox International Limited**

Unit C (East) Hamilton Business Park, Manaton Way, Botley Road, Hedge End, Southampton, SO30 2JR, Großbritannien; Tel.: +44 (0) 23 8070 6600; Fax: +44 (0) 23 8070 5001; E-Mail: sales@truvox.com; Web: www.truvox.com

## Beachten Sie die Geräteabbildungen auf Seite 1

- |  |   |
|--|---|
| <p><b>1 Motorschalter</b> Wird er nach oben gelegt, schaltet sich der Motor EIN und die Drehköpfe starten, wird er losgelassen, schaltet sich der Motor AUS und die Drehköpfe halten an. Jedes Mal, wenn der Hebel betätigt wird, ändert sich die Drehrichtung; dies verbessert die Reinigungsleistung und verlängert die Lebensdauer der Scheiben/Bürsten.</p> <p><b>2 Griff</b></p> <p><b>3 Haltebügel</b></p> <p><b>4 Mitnehmerbolzen</b></p> <p><b>5 Drehköpfe</b></p> | <p><b>6 Justierhebel für den Griff</b><br/>Heben Sie in aufrechter Position den Justierhebel für den Griff an und ziehen Sie den Griff nach hinten in eine bequeme Arbeitshöhe; drücken Sie dann den Hebel nach unten, um den Griff festzustellen.</p> <p><b>7 Kabelhaken</b><br/>Zur Befestigung des Stromkabels am Griff, wenn das Gerät nicht in Betrieb ist</p> <p><b>8 Antriebsplatten</b><br/>Befestigungspunkt für Bürsten oder Reinigungsscheiben</p> <p><b>9 Drehbarer Staubschutz</b></p> |
|--|---|

zugelassen sind. Durch die Verwendung anderer Ersatz- oder Zubehörteile kann die Sicherheit der Maschine beeinträchtigt werden.

- **HINWEIS** - Diese Maschine ist nur für die Verwendung in trockenen Innenräumen vorgesehen und darf nicht im Freien bei feuchtem Wetter verwendet oder gelagert werden.
- Alle Teile müssen vor der Benutzung des Gerätes wie in der Anleitung angegeben positioniert werden.
- Das Gerät muss vor seinem Anschluss an die Stromversorgung entsprechend dieser Anleitung ausgepackt und montiert werden.
- Verwenden Sie das Gerät NICHT in Räumen mit gefährlichem Staub.
- Verwenden Sie das Gerät NICHT in explosionsfähigen Atmosphären.
- Starten oder verwenden Sie das Gerät **NICHT** in der Nähe entzündlicher Flüssigkeiten, Stäube oder Dämpfe.
- Verwenden Sie das Gerät **NICHT**, um damit brennende oder glimmende Materialien wie Zigaretten, Streichhölzer, Asche oder andere entzündliche Gegenstände aufzunehmen.
- Verwenden Sie das Gerät am oberen Ende von Treppen mit Vorsicht, um Unfälle durch Gleichgewichtsverlust zu vermeiden.
- Nutzen Sie das Gerät nur auf festen, ebenen Oberflächen. Verwenden Sie das Gerät **NICHT** auf schrägen Flächen und bei einem Gefälle von mehr als 2 %.
- Verwenden Sie **NIEMALS** Diesel/Benzin oder ätzende Reinigungsmittel auf den Böden.
- Wischen und saugen Sie **NIEMALS** ätzende, entflammbar und/oder explosive Flüssigkeiten, auch nicht in Verdünnung.
- Stecken Sie **KEINE** Gegenstände in die Öffnungen des Geräts. Verwenden Sie das Gerät NICHT, wenn Öffnungen versperrt sind. Entfernen Sie Staub, Unrat und alles, was zu einer Beeinträchtigung des Luftstroms führen könnte.
- Decken Sie das Gerät während der Benutzung **NICHT** ab.
- Ziehen Sie den Stecker der Maschine **IMMER** nach der Verwendung aus der Steckdose; lassen Sie das Gerät nie an die Stromversorgung angeschlossen.
- Lassen Sie das Gerät **NICHT** unbeaufsichtigt laufen.
- Die Maschine sollte immer mit einem ordnungsgemäß geerdeten Stromanschluss mit der richtigen Spannung und Frequenz verbunden werden.
- Wenn es gereinigt oder gewartet wird oder wenn Teile oder Zubehör ausgetauscht werden, sollte das Gerät immer durch Abziehen des Steckers aus der Steckdose von der Stromversorgung getrennt werden.
- Benutzen Sie das Gerät **NICHT**, wenn es beschädigt, draußen stehen gelassen oder in Wasser eingetaucht wurde.
- Betätigen Sie die Schalter und berühren Sie den Netzstecker **NICHT** mit nassen Händen, da Sie dabei einen elektrischen Schlag bekommen können.
- **ACHTUNG** - Halten Sie das Stromkabel von sich bewegenden Teilen (und/oder rotierenden Bürsten) fern. Wenn die Maschine während des Betriebs über das Stromkabel fährt, besteht Unfallgefahr.
- Betrieben Sie die Maschine **NICHT** wenn das Stromkabel oder der Stecker beschädigt sind oder wenn die Maschine technische Fehler oder Beschädigungen aufweist. Wenden Sie sich zur Reparatur oder Justierung an einen autorisierten Wartungstechniker.

## 1. Produktinformationen

Diese leistungsfähige 3-Bürsten-Bodenreinigungsmaschine ist für schweren gewerblichen Einsatz geeignet. Ideal zum Aufbereiten von Böden, Entfernen von verdichteten Fett-, Öl- und Schmutzschichten auf Betonböden, Entfernen von Eisablagerungen auf Kühlhausböden sowie zum Entfernen von Klebern, Teppichrückständen und Gummiresten. Das Gerät ist für die gewerbliche Nutzung, zum Beispiel in Hotels, Schulen, Krankenhäusern, Fabriken, Ladengeschäften, Büros, Vermietungsunternehmen und andere Zwecke außer der normalen Haushaltsreinigung vorgesehen.

Diese Bedienungsanleitung enthält wichtige Informationen zu den Geräten sowie Sicherheitsanweisungen für den Benutzer. Diese Bedienungsanleitung gilt für folgende Modelle:

### Cimex HD - R48HD...

Das Gerät muss im Einklang mit den Anweisungen des Herstellers bedient, instand gehalten und gewartet werden. Wenden Sie sich im Zweifelsfall an Ihren Fachhändler.



#### 1.1 Wichtiger Sicherheitshinweis

Bei der Verwendung dieses Geräts sollten die grundlegenden Sicherheitsvorkehrungen eingehalten werden, unter anderem die

folgenden:

- Das Gerät darf nur für den vom Hersteller vorgesehenen Verwendungszweck, wie in dieser Anleitung beschrieben, verwendet werden.
- Beachten Sie, dass die Sicherheitshinweise in den Ergänzungen zur Bedienungsanleitung keinen Vorrang vor den Normen in dem Land, in dem das Gerät benutzt wird, haben.
- **ACHTUNG** - Verwenden Sie nur Zubehör- und Ersatzteile, die mit der Maschine geliefert werden oder vom Hersteller

- Ziehen oder tragen Sie das Gerät **NICHT** am Kabel. Verwenden Sie das Kabel **NICHT** als Griff. Klemmen Sie das Kabel nicht in Türen ein und ziehen Sie es nicht über scharfe Kanten oder Ecken.
- Bevor die Maschine gereinigt oder gewartet wird, muss der Stecker des Stromkabels aus der Steckdose gezogen werden.
- Knicken und verdrehen Sie das Kabel **NICHT** und halten Sie das Stromkabel von heißen Flächen fern. □
- Ziehen Sie beim Abziehen des Steckers immer am Stecker, nicht am Kabel.
- Das Stromkabel muss regelmäßig auf Schäden überprüft werden. Wenn das Stromkabel beschädigt ist, darf es nur vom Hersteller, einem autorisierten Fachhändler oder einer ähnlich qualifizierten Person ausgetauscht werden, um Unfallgefahren zu vermeiden.
- Benutzen Sie niemals stark schäumende oder ätzende Reinigungslösungen.

### 1.2 Richtlinien für die Benutzer

- Diese Maschine sollte nicht von Personen (einschließlich Kindern) mit eingeschränkten physischen, sensorischen oder geistigen Fähigkeiten oder mangelnden Erfahrungen und Kenntnissen benutzt werden, sofern sie nicht von einer Person, die für ihre Sicherheit verantwortlich ist, entsprechend beaufsichtigt oder angeleitet werden.
- Die Benutzer des Gerätes müssen für den Betrieb ordnungsgemäß gemäß dieser Bedienungsanleitung geschult worden sein, sie müssen die Benutzerwartung ausführen können und in der Lage sein, das richtige Zubehör auszuwählen.
- Benutzer müssen körperlich dazu in der Lage sein, die Maschinen zu steuern, zu transportieren und zu bedienen.
- Benutzer müssen dazu in der Lage sein, ungewöhnliches Maschinenverhalten festzustellen und Probleme zu melden.
- Halten Sie während des Betriebs Kinder und Unbefugte vom Gerät fern.
- Halten Sie die Reinigungslauge stets von Kindern und Haustieren fern.
- **HINWEIS** - Diese Maschine ist nur für die Verwendung in trockenen Innenräumen vorgesehen und darf nicht im Freien bei feuchtem Wetter verwendet oder gelagert werden.
- Reinigen Sie das Gerät **NICHT** mithilfe von Wassersprühern oder -strahlen.
- Halten Sie Haare, lockere Kleidung, Finger, Füße und alle anderen Körperteile von den Öffnungen und beweglichen Teilen fern.
- Halten Sie die Maschine sauber und in einem ordnungsgemäßen Betriebszustand.
- Lassen Sie die Maschine die Arbeit machen. Halten Sie den Griff so leicht wie möglich fest.
- Stellen Sie sich mit leicht gespreizten Beinen hin, um das Gleichgewicht zu bewahren. Drehen Sie den Körper nicht um mehr als 45 Grad.
- Tragen Sie geeignetes, rutschfestes Schuhwerk.
- Tragen Sie geeignete Kleidung, die trocken und warm hält.
- Nutzen Sie nach Möglichkeit Arbeitswechsel und angemessene Ruhepausen, damit nicht immer die gleichen Muskeln belastet werden.
- Während des Betriebs darf **NICHT** geraucht werden.

### 1.3 Transport der Maschine

#### **HINWEIS** - DIESE MASCHINE IST SCHWER

Versuchen Sie nicht, die Maschine allein anzuheben. Eine falsche Hebetechnik kann zu Verletzungen führen. Befolgen Sie die Anweisungen zur manuellen Handhabung von Lasten. Angaben zum Gewicht der Maschine finden Sie in der Übersicht der technischen Daten. **HINWEIS** – Wenn die Maschine angehoben wird, kann der Bürstenkopf nach hinten kippen; halten Sie Ihre Finger von den Seitenarmen des Gehäuses fern. Die Maschine kann mit den an der Rückseite angebrachten Transporträdern an den zu reinigenden Ort gebracht werden. Stellen Sie für den Transport der Maschine sicher, dass alle Bauteile, Tanks und losen Teile sicher befestigt sind. Demontieren Sie gegebenenfalls den Schlauch und den Stab von der Maschine. Wenn die Maschine bewegt wird, sollte der Griff festgestellt und die Maschine auf ihre Räder gekippt sein. Heben und transportieren Sie die Maschine nicht, solange sich Flüssigkeit im Tank befindet, da das Gewicht dann beträchtlich höher ist. Seien Sie besonders vorsichtig, wenn Sie die Maschine Stufen und Treppen hoch- oder herunter transportieren.

**HINWEIS** – Erschütterungen durch Schwellen, Umrundungen oder ähnliche Hindernisse können die Maschine beschädigen. Kleine Hindernisse können überwunden werden, indem die Maschine rückwärts gezogen wird.

## 2. Betriebsvorbereitung

### 2.1 Anschluss an die Stromversorgung

Überprüfen Sie, ob die Netzspannung dem Nennwert auf der Maschine entspricht, bevor Sie die Maschine an das Stromnetz anschließen.

### 2.2 Montage der Bürsten und Reinigungsscheiben

- **ACHTUNG** - Verwenden Sie für dieses Gerät nur die vom Hersteller vorgegebenen Bürsten. Die Verwendung anderer Bürsten kann die Sicherheit beeinträchtigen.
- Überprüfen Sie immer, ob der Stecker der Maschine aus der Steckdose gezogen wurde, bevor Sie Teile montieren oder entfernen.
- Kippen Sie den Bürstenkopf nach hinten zum Griff und drücken Sie 3 Bürsten des gleichen Typs oder Treibteller und Reinigungsscheiben auf die vier Antriebsstifte (4) auf jedem der Drehköpfe (5).
- Stellen Sie den Bürstenkopf zurück auf den Boden.
- Zum Abnehmen ziehen Sie die Bürsten einfach von den Antriebsstiften ab.
- **WICHTIG** - Der Reinigungskopf darf nie auf den Antriebsstiften stehen; kippen Sie den Bürstenkopf immer zurück, wenn die Maschine nicht verwendet wird.
- Benutzen Sie die Bürsten und Reinigungsscheiben immer in Dreiersets, um eine gleichmäßige Abnutzung sicherzustellen und Vibrationen zu vermeiden.

### 2.3 Montage der Entschichtsbürsten

- Kippen Sie den Bürstenkopf nach hinten zum Griff und drücken Sie 3 Entschichtsbürsten des gleichen Typs auf die vier Antriebsstifte auf jedem der Drehköpfe (5).
- Setzen Sie die Halteklammer auf die Stifte und stellen Sie sicher, dass sie in der Nut an jedem Stift (4) sitzt.
- Stellen Sie den Bürstenkopf zurück auf den Boden.
- Zum Abnehmen entfernen Sie einfach die Halteklammer und ziehen die Bürsten von den Antriebsstiften ab.

## 2.4 Montage von Werkzeugen für schweren Einsatz

- Werkzeuge für schweren Einsatz (wie Frässterne, Schleifklötze und Entschichtungsbürsten) müssen an der Maschine angeschraubt werden.
- Zum Anschrauben der Werkzeuge an der Maschine müssen an jedem der Drehköpfe zwei Antriebsstifte (diagonal gegenüberliegend) entfernt werden.
- Montieren Sie drei gleiche Hochleistungswerkzeuge über jedem Paar Antriebsstifte.
- Befestigen Sie jedes Werkzeug mit zwei M5-Schrauben. Verwenden Sie immer Federscheiben für die Schrauben, um zu verhindern, dass die Werkzeuge sich lösen.  
**WICHTIG** – Prüfen Sie regelmäßig den Sitz der Schrauben.

## 2.5 Justierung der Griffhöhe

Stellen Sie mit dem Justierhebel eine bequeme Griffhöhe ein und arretieren Sie den Griff.

## 2.6 Hinzufügen von Gewichten

- Schalten Sie die Maschine aus, bevor Sie zusätzliche Gewichte hinzufügen.
- Schrauben Sie den Knopf ab und heben Sie den Haltebügel (4) ab.
- Fügen Sie nach Bedarf zusätzliche Gewichte hinzu und setzen Sie den Haltebügel wieder ein.

## 3. Bedienelemente

Die Bedienelemente befinden sich am Griff (1). Beachten Sie die Abbildungen auf Seite 1.

## 4. Betrieb

### 4.1 Einschalten der Maschine

- Wickeln Sie das Stromkabel vollständig vom Griff ab und stecken Sie den Stecker in eine nahegelegene Steckdose.
- Stellen Sie den Griff auf eine bequeme Höhe ein, legen Sie beide Hände an den Griff und legen Sie den Ein-Aus-Hebel nach oben, um die Maschine zu STARTEN. Wenn der Hebel losgelassen wird, STOPPT die Maschine.
- **ACHTUNG** - Schalten Sie die Maschine nie ein, wenn die Bürsten oder Hochleistungswerkzeuge nicht montiert sind.
- Während des Betriebes wird die Maschine normalerweise nach vorn und zurück bewegt.
- Bewegen Sie sich bei der Arbeit immer von der Steckdose weg, um nicht über das Stromkabel zu fahren.

### 4.2 Betrieb der Maschine

- Bringen Sie Bürsten oder Werkzeuge für die entsprechende Oberfläche, die gereinigt/vorbereitet werden soll, an.
- Passen Sie den Griff auf die richtige Höhe für den Benutzer an.
- Kippen Sie die Maschine leicht nach hinten, sodass die Bürsten/Werkzeuge den Boden nicht berühren und rollen Sie die Maschine zu dem zu reinigenden Bereich.
- Schalten Sie die Maschine an. Bewegen Sie sich bei der Arbeit immer von der Steckdose weg, um nicht über das Stromkabel zu fahren.
- Die Entschichtung erfolgt in der Regel als Trockenverfahren. Aufgrund der besonders stark abtragenden Wirkung der Entschichtungsbürsten und Hochleistungswerkzeuge sollten nur widerstandsfähige Böden wie Beton, Metallfliesen usw. entschichtet werden.

- Gehen Sie langsam hinter der Maschinen her und überlappen Sie jeden Durchgang, um ein gleichmäßiges Ergebnis zu erhalten.
- Die Maschine darf nicht länger am gleichen Ort rotieren, da dies zu Schäden an der Bodenoberfläche führen kann.
- Sollte die Maschine anfangen zu vibrieren oder ein Widerstand beim Reinigen des Bodens zu spüren sein, überprüfen Sie die Bürsten/Werkzeuge auf Verschleiß.
- Jeder Bodenabschnitt sollte mit halbem Tempo bearbeitet werden. Bei einigen Böden können zusätzliche Durchgänge notwendig sein, um sie gründlich zu behandeln.
- Wenn Sie Ihren Ausgangspunkt wieder erreicht haben, positionieren Sie die Maschine so, dass Sie den nächsten Abschnitt parallel zum ersten mit einer Überschneidung von 50 mm bearbeiten können.
- Entfernen Sie nach der Bearbeitung des gesamten Bodenbereiches die Rückstände mit einem geeigneten Staubsauger oder Feger.

### 4.3 Bearbeiten des Bodens

- Wir empfehlen, umliegende Bodenbereiche mit einer Plastikfolie abzudecken, die an den Rändern mit Klebeband abgeschlossen wird.
- Nachdem der Bodenbereich abgetrennt wurde, kann die Bearbeitung des Bodens beginnen.
- Gehen Sie mit halber Geschwindigkeit am Rand des Bodens entlang und halten Sie den Maschinenkopf am Rand des Klebebands. Die Scheiben fahren über das Band, falls Sie versehentlich darauf geraten.
- Verteilen Sie ausreichend Lauge auf dem Boden, um ihn während des Betriebs der Maschine feucht zu halten. Wenn Sie eine Wand oder das Stromkabel erreichen, kehren Sie auf dem gerade bearbeiteten Streifen zurück.
- Jeder Bodenabschnitt sollte mindestens zweimal mit halbem Tempo bearbeitet werden. Bei einigen Böden können zusätzliche Durchgänge notwendig sein, um sie gründlich zu behandeln.
- Wenn Sie Ihren Ausgangspunkt wieder erreicht haben, positionieren Sie die Maschine so, dass Sie den nächsten Abschnitt parallel zum ersten mit einer Überschneidung von 50 mm bearbeiten können.
- Nehmen Sie, nachdem der gesamte Bodenbereich bearbeitet wurde, Wasser- und Steinrückstände mit einem Nasssauger mit Abziehaufsatz vom Boden auf.
- Wiederholen Sie den Vorgang mit immer feineren Reinigungsscheiben.
- Für Bereiche, die für den Einsatz der Maschine zu klein sind, muss ein Handschleifgerät mit einer einzelnen Polierscheibe verwendet werden.
- Entfernen Sie Laugenrückstände mit einem Nasssauger, um den Boden schnell zu trocknen.
- **HINWEIS** - Wenn der Boden oder ein Abschnitt des Bodens Überzahnungen aufweist, sollte er nach jedem Bearbeitungsdurchgang mit dem Nasssauger behandelt werden. Überzahnungen können die Polierscheiben beschädigen und Teile davon können die Bodenoberfläche zerkratzen. Der Boden sollte immer dann abgesaugt werden, wenn der Schleifschlamm zu dick wird.
- Entfernen Sie während der Boden trocknet die Plastikfolie und das Klebeband.
- Sollten Teppich- oder Textilbeläge durch Wasser und Rückstände vom Boden nass geworden sein, spülen Sie diese mit klarem Wasser und saugen Sie sie mit dem

Nasssauger ab. Dieser Vorgang muss evtl. mehrmals wiederholt werden, um alle Rückstände zu entfernen.

- Wenn Schleifrückstände auf einem festen Untergrund angetrocknet sind, können sie mit einem sauberen, trockenen Lappen entfernt werden.
- Wischen Sie nach der Reinigung zweimal feucht über den Boden, um Schleifrückstände zu entfernen. Der Boden erscheint dann matt und verschleiert.
- Der Poliervorgang sollte nach einer Trocknungszeit von vierundzwanzig Stunden erfolgen. Auf kleineren Bodenflächen kann die Oberfläche mechanisch getrocknet werden. Für den Poliervorgang sollten "Instalok"-Treibteller mit den entsprechenden Scheiben verwendet werden. Verwenden Sie keine rostigen oder verfärbten Polierscheiben.
- Bleiben Sie beim Polieren nicht mit der Maschine auf dem Boden stehen, da dies Spuren auf dem Boden hinterlassen kann, sodass der gesamte Prozess wiederholt werden muss.
- Tragen Sie mithilfe einer Sprühflasche Poliermittel auf; sprühen Sie dieses während der Arbeit sparsam direkt vor der Maschine auf. Arbeiten Sie das Poliermittel sofort in den Boden ein, da es sonst Flecken hinterlassen kann.
- Während des Betriebs sollte der Techniker die Polierscheiben regelmäßig auf Abnutzung oder Schäden überprüfen.
- Bei der Begutachtung sollte festgestellt werden, mit welcher Körnung der Scheiben begonnen wird. Normalerweise wird mit grober Körnung begonnen, außer bei starken Überzahnungen oder bei sehr leichten Oberflächenschäden.
- Um Überzahnungen auszugleichen, können der Maschine Gewichte hinzugefügt werden.
- Der Bediener sollte nach jedem Bearbeitungsdurchgang die Bodenoberfläche prüfen, um festzustellen ob die Abnutzungen oder Kratzer wirksam entfernt wurden.

#### **4.4 Nach der Bearbeitung**

- Trennen Sie die Maschine nach Beendigung der Arbeit von der Stromversorgung, entfernen Sie sie Gewichte, heben Sie den Bürstenkopf an und entfernen Sie die Treibteller sowie die Polierscheiben oder -pads. Wischen Sie die Maschine mit einem feuchten Tuch ab.
- Nehmen Sie die Reinigungs- und Polierscheiben ab und reinigen Sie sie.

#### **4.5 Glätten und Polieren**

- Bringen Sie Treibteller und Scheiben für die entsprechende Oberfläche, die poliert werden soll, an.
- Der Boden muss sauber und trocken sein.
- Gehen Sie langsam hinter der Maschinen her und überlappen Sie jeden Durchgang, um ein gleichmäßiges Ergebnis zu erhalten.
- Die Maschine darf nicht mehr als 10-15 Sekunden am gleichen Ort rotieren, da dies zu Überhitzung und zu Schäden an der Bodenoberfläche führen kann.
- Sollte die Maschine anfangen zu vibrieren oder ein Widerstand beim Polieren zu spüren sein, prüfen Sie, ob die Pads sauber sind. Sollten sie auf einer Seite verschmutzt sein, können die Pads umgedreht werden.

#### **4.6 Nach der Reinigung**

- Trennen Sie die Maschine nach Beendigung der Reinigung von der Stromversorgung, heben Sie den Bürstenkopf an und entfernen Sie die Bürsten oder Reinigungsscheiben

und wischen Sie die Maschine mit einem feuchten Tuch ab.

- Waschen Sie die Bürsten und Pads mit warmem Seifenwasser, spülen Sie sie aus und lassen Sie sie an der Luft trocknen.

#### **5. Aufbewahrung**

- Wischen Sie die Maschine nach der Benutzung immer ab und trocknen Sie sie, entfernen Sie die Treibteller, Reinigungsscheiben und Bürsten und reinigen Sie diese. Reinigen Sie den drehbaren Staubschutz (10) und prüfen Sie den Zustand der Bürstendichtungen (9). Die Dichtungen sollten regelmäßig gereinigt werden, um ihre Wirksamkeit zu gewährleisten.
- Der Laugentank sollte geleert und mit klarem Wasser ausgespült werden.
- Die Maschine sollte mit dem Griff in aufrechter Position und mit nach hinten gekipptem Bürstenkopf aufbewahrt werden. Der Bürstenkopf darf nie auf den Antriebsstiften stehen.
- Befestigen Sie das Stromkabel um Griff und Kabelspuler, um sicherzustellen, dass der Stecker nicht auf dem Boden schleift.
- Bewahren Sie die Maschine nur in trockenen Räumen auf.

#### **6. Wartung**

**ACHTUNG** - Die Maschine muss vor der Wartung und Justierung ausgeschaltet werden und ihr Stecker muss von der Stromversorgung getrennt werden.

**WICHTIG** – Alle weiteren Instandhaltungs- und Reparaturmaßnahmen sollten nur von einem Truvox-Kundendienstmitarbeiter oder einem autorisierten Wartungstechniker durchgeführt werden.

**WICHTIG** – Sollte an der Maschine eine Funktionsstörung auftreten, folgen Sie den Angaben im Abschnitt Fehlerbehebung im hinteren Teil dieser Bedienungsanleitung. Sollte das Problem/die richtige Lösung dort nicht aufgeführt sein, wenden Sie sich zur schnellen Problembeseitigung an den Kundendienst von Truvox.

Der Umfang der Wartungsarbeiten für die Maschine ist minimal. Der Benutzer muss vor dem Betrieb folgende Wartungsarbeiten vornehmen:

- Stromkabel - Überprüfen Sie regelmäßig den Mantel, den Stecker und den Kabelanschluss auf Beschädigungen und Wackelkontakte. Ersetzen Sie das Stromkabel nur durch Kabel des Typs, der in dieser Anleitung angegeben ist.
- Treibteller, Scheiben und Bürsten - Überprüfen Sie diese auf Abnutzung und tauschen Sie verschlissene Bürsten aus. Reinigen Sie sie unter fließendem Wasser.
- Maschinengehäuse – Reinigen Sie das Gehäuse mit einem feuchten Tuch.
- Bürsten - Überprüfen Sie diese auf Abnutzung und tauschen Sie verschlissene Bürsten aus. Reinigen Sie sie unter fließendem Wasser.

#### **7. Kundendienst**

Die Maschinen von Truvox sind qualitativ hochwertige Maschinen, die von autorisierten Technikern auf ihre Sicherheit geprüft wurden. Es ist offensichtlich, dass die elektrischen und mechanischen Bauteile nach langen Arbeitseinsätzen Abnutzungs- und Alterungserscheinungen aufweisen. Damit die Betriebssicherheit und die Verlässlichkeit immer gegeben ist, wurde folgendes Wartungsintervall festgelegt: Jährlich oder nach 250 Betriebsstunden. Unter extremen oder besonderen

Bedingungen oder bei unzulänglicher Wartung sind kürzere Wartungsintervalle notwendig. Verwenden Sie nur Originalersatzteile von Truvox. Bei der Verwendung anderer Ersatzteile verfallen alle Gewährleistungs- und Haftungsansprüche. Wenn Sie den Kundendienst in Anspruch nehmen möchten, wenden Sie sich an den Fachhändler, bei dem Sie die Maschine erworben haben.

Reparatur- und Wartungsarbeiten an Truvox-Produkten dürfen nur durch ausgebildetes Personal erfolgen. Unsachgemäße Reparaturarbeiten können beträchtliche Gefahren für die Benutzer mit sich bringen.

### 8. Garantie

Ihr Produkt verfügt über eine einjährige Garantie auf Material- und Herstellungsfehler ab dem Datum des ursprünglichen Kaufs oder Ratenkaufs. Innerhalb des Garantiezeitraums reparieren oder ersetzen wir nach eigenem Ermessen und für den Käufer kostenlos alle fehlerhaften Teile gemäß folgenden Bedingungen:

#### GARANTIEBEDINGUNGEN

1. Ansprüche gemäß diesen Garantiebedingungen müssen mit der Originalrechnung/dem Originalkaufbeleg, der zum Zeitpunkt des Verkaufs ausgegeben wurde, oder der Seriennummer der Maschine belegt werden.
2. Wenden Sie sich bei Garantieansprüchen an den Fachhändler, bei dem Sie die Maschine erworben haben, der dann die entsprechenden Schritte einleiten wird.

### 9. Zubehör

Artikel	Bauteilnr.	Einsatz
Weißdraht	11-2041-0500	Riffelblech-Reinigung
Stahldraht 18G	11-2043-0500	Betonbearbeitung
Bronzedraht 18G	11-2045-0500	Funkenfreie Entschichtung
Stahldraht 3 x 16G	11-2049-0500	Allgemeine Entschichtung
Stahldraht 3 x 14G	11-2051-0500	Schwere Entschichtung
Ersatz-Halteklammern für Hochleistungsbürsten (Set)	03-6938-0000	
Ersatz-Hufeisengewicht (jeweils 17 kg)	03-7004-0000	

HINWEIS - Die Bürsten werden in Dreiersets geliefert.

### 10. Fehlerbehebung

Die folgenden einfachen Kontrollen können vom Benutzer durchgeführt werden:

Problem	Grund	Abhilfe
<b>Motor funktioniert nicht</b>	<ul style="list-style-type: none"> <li>• Es wird kein Strom zugeführt</li> <li>• Sicherheitsschutzschalter defekt</li> </ul>	<ul style="list-style-type: none"> <li>• Überprüfen Sie die Sicherung*, das Stromkabel, den Stecker, die Steckdose und den Lastschalter.</li> </ul>
<b>Maschine setzt während des Betriebs aus</b>	<ul style="list-style-type: none"> <li>• Beschädigte Bürsten/Scheiben</li> </ul>	<ul style="list-style-type: none"> <li>• Tauschen Sie die Bürsten/Scheiben aus</li> </ul>
<b>Motor läuft, aber die Bürsten rotieren nicht</b>	<ul style="list-style-type: none"> <li>• Der Antriebsriemen ist locker oder kaputt</li> </ul>	<ul style="list-style-type: none"> <li>• Nehmen Sie den drehbaren Staubschutz ab und bauen Sie einen neuen Antriebsriemen ein oder wenden Sie sich an einen Kundendienstmitarbeiter</li> </ul>
<b>Maschine vibriert</b>	<ul style="list-style-type: none"> <li>• Beschädigte oder verschmutzte Bürsten/Scheiben</li> <li>• Ungleichmäßige Dicke der Bürsten/Scheiben</li> </ul>	<ul style="list-style-type: none"> <li>• Tauschen Sie die Bürsten/Scheiben aus oder reinigen Sie sie</li> <li>• Ersetzen Sie sie durch 3 Bürsten/Scheiben mit gleicher Dicke</li> </ul>

\* Wenn die Sicherung mehrmals durchbrennt, muss die Maschine von einem autorisierten Wartungstechniker überprüft werden.

Geben Sie das Produkt nicht sofort zurück, da dies zu Transportschäden führen kann.

3. Truvox und seine Händler haften nicht für beiläufig entstandene und Folgeschäden.
4. Diese Garantie unterliegt englischem Recht.
5. Diese Garantie gilt nicht für Folgendes:
  - Regelmäßige Wartung, Reparatur oder Ersatz von Teilen durch normalen Verschleiß.
  - Schäden durch Unfälle, falsche Verwendung, Vernachlässigung oder durch die Montage von Bauteilen, die keine Truvox-Originalbauteile sind.
  - Schäden an Bauteilen, die keine Truvox-Originalbauteile sind, oder Reparaturen, Änderungen oder Anpassungen, die nicht von einem Truvox-Kundendienstmitarbeiter oder einem autorisierten Wartungstechniker durchgeführt wurden.
  - Transportkosten und -risiken, die direkt oder indirekt mit der Garantie dieses Produktes zusammenhängen.
  - Verbrauchsgüter wie Bürsten, Treibteller, Filter und Ansaugringe.
  - Diese Garantie beeinflusst weder ihre gesetzlich festgelegten Rechte noch die aus dem Kaufvertrag entstehenden Rechte gegenüber ihrem Händler. Truvox International Limited hat sich der ununterbrochenen Weiterentwicklung seiner Produkte verschrieben, wir behalten uns daher das Recht vor, die technischen Angaben ohne vorherige Ankündigung zu Ändern.

**AVERTISSEMENT – LISEZ ATTENTIVEMENT CETTE NOTICE AVANT D'UTILISER LA MACHINE ET CONSERVEZ-LA POUR VOUS Y RÉFÉRER ULTÉRIEUREMENT**

**CIMEX HD**

Le manuel suivant contient des informations importantes sur les machines et des avis de sécurité pour l'opérateur.



**AVERTISSEMENT**



**Symbole de mise à la terre**



**Appareils électriques et électroniques usagés**

Cet appareil ne doit pas être mis au rebut avec des déchets non triés. Une mise au rebut inadéquate peut être nocive pour l'environnement et l'homme. Veuillez vous adresser au service public chargé de la gestion des déchets pour de plus amples informations sur les systèmes

locaux de mise au rebut et de collecte des déchets.

**DÉCLARATION DE CONFORMITÉ CE**

**Type de machine :** Scarificateur industriel

**Type :** Cimex HD

**Modèle :** R48HD

Cette machine est conforme aux directives de l'Union européenne suivantes :

2006/42/EC **Directive sur les machines**

2004/108/EC **Directive CME**

**Normes harmonisées appliquées** EN60335-1, EN60335-2-67, EN55014-1, EN55014-2, EN610003-2, EN610003-3, EN62233

**CE** *M. Eneas*

Malcolm Eneas  
Directeur d'exploitation

**Truvox International**  
Unit C (East) Hamilton  
Business Park, Manaton  
Way, Botley Road, Hedge  
End, Southampton,  
SO30 2JR, Angleterre

Southampton, 30/04/2004

**SPÉCIFICATIONS TECHNIQUES**

<b>Modèle</b>	Cimex Heavy Duty 48	
<b>Code produit</b>	R48HD	
Puissance moteur (monophasé/triphasé)	W	1500/ 2200
Taux de productivité	m <sup>2</sup> /h	600
Vitesse du tampon/de la brosse	tr/min	400
Diamètre du tampon/de la brosse	cm	48
Productivité -- Brossage	m <sup>2</sup> /h	1140
Productivité - Polissage	m <sup>2</sup> /h	1710
Productivité – Nettoyage par pulvérisation	m <sup>2</sup> /h	850
Dimensions (L x l x H)	cm	75 x 55 x 120
Poids	kg	60
Lests	kg	17
Nombre d'unités fournies		2
Longueur du câble d'alimentation	m	15
Garantie	1 an	

- La machine appartient à la classe de construction I. Gaine pour IPX2.
- Modèles – 230 V ~ 50 Hz. Fourni avec 15 m de câble d'alimentation de type H05VV-F 3 x 1,0 mm<sup>2</sup> (10 A), et une fiche.
- Les niveaux sonores sont mesurés à une distance d'1 mètre par rapport à la machine et de 1,6 mètres au-dessus du sol pendant le frottage d'un revêtement dur. Les mesures sont enregistrées par un appareil portatif.
- La vibration du manche ne dépasse pas 2,5m/s<sup>2</sup>, lors de l'utilisation de brosses ou de tampons, quelle que soit la surface. Les mesures sont enregistrées par un laboratoire d'essai indépendant.

**Pour toute demande de renseignement, veuillez vous adresser au fournisseur auprès duquel vous avez acheté votre machine ou à Truvox International.**

**Truvox International Limited**

Unit C (East) Hamilton Business Park, Manaton Way, Botley Road, Hedge End, Southampton, SO30 2JR Royaume-Uni ; Tél. : +44 (0) 23 8070 6600 ; Fax : +44 (0) 23 8070 5001; Email : sales@truvox.com ; Web : www.truvox.com

**Veillez vous reporter aux illustrations de la machine à la page 1**

- |  |  |
|--|--|
| <b>1 Levier du contacteur du moteur</b> Soulevez le levier pour démarrer le moteur et lancer les têtes rotatives. Abaissez le levier pour couper le moteur et arrêter les têtes. Chaque fois que vous appuyez sur le levier, la direction de rotation de la tête est inversée, ce qui améliore la qualité du nettoyage et prolonge la durée de vie du disque/tampon. | <b>6 Levier de réglage du manche</b> En position verticale, soulevez le levier de réglage du manche tirez le manche vers l'arrière jusqu'à l'obtention d'une hauteur de travail confortable, puis enfoncez le levier pour verrouiller le manche. |
| <b>2 Manche</b>  | <b>7 Crochets de câble</b> Maintient le câble d'alimentation en place sur le manche quand la machine n'est pas utilisée.   |
| <b>3 Barre de serrage</b>  | <b>8 Plateaux d'entraînement</b> Point de fixation des brosses ou d'entraînement des disques et tampons  |
| <b>4 Broches d'entraînement</b>  | <b>9 Capot anti-poussière rotatif</b>  |
| <b>5 Têtes rotatives</b>   |  |

## **1. Informations sur le produit**

Cette machine de nettoyage du sol à trois brosses industrielle est adaptée à un usage commercial intensif. Idéale pour la préparation des sols, l'élimination des graisses, huiles et débris enclavés sur sols en béton, l'élimination de la glace accumulée dans les chambres froides et l'élimination de la colle, de la mousse et du caoutchouc sur l'envers des moquettes. Cette machine est prévue pour une utilisation commerciale, par exemple dans des hôtels, des écoles, des hôpitaux, des usines, des boutiques, des bureaux, des entreprises de location ainsi que pour les utilisations plus intensives qu'un ménage classique.

La notice suivante contient des informations importantes sur les machines et des avis de sécurité pour l'opérateur. Cette notice est valable pour les modèles suivants :

### **Cimex HD - R48HD...**

L'équipement doit être utilisé et entretenu conformément aux instructions du fabricant. En cas de doute, contactez votre fournisseur.



#### **1.1 Avis important de sécurité**

L'usage de cette machine nécessite l'application de mesures de sécurité essentielles :

- Cette machine doit uniquement être utilisée pour l'application approuvée par le fabricant et décrite dans ce manuel.
- Veuillez noter que les informations de sécurité décrites dans ce manuel complètent, mais ne remplacent pas, les normes applicables dans le pays où la machine est utilisée.

- **AVERTISSEMENT** - utilisez uniquement les accessoires et pièces détachés fournis avec la machine ou ceux approuvés par le fabricant. L'utilisation de pièces détachées ou d'accessoires autres peut altérer la sécurité de la machine.
- **ATTENTION** - Cette machine est réservée à une utilisation en intérieur dans un environnement sec et ne peut être utilisée ou stockée en extérieur dans des conditions humides.
- Toutes les pièces doivent être positionnées conformément aux instructions avant utilisation de la machine.
- La machine doit être déballée et montée conformément à ces instructions avant d'être branchée sur une prise électrique.
- **N'UTILISEZ PAS** la machine en présence de poussières dangereuses.
- **N'UTILISEZ PAS** la machine dans une atmosphère explosive.
- **N'UTILISEZ PAS** la machine à proximité de liquides, de poussières ou de vapeurs inflammables.
- **N'UTILISEZ PAS** la machine pour nettoyer un matériau incandescent, tel que des cigarettes, des allumettes, des cendres ou d'autres objets combustibles.
- Veillez à ce que la machine ne bascule pas si vous l'utilisez à proximité d'escaliers.
- Utilisez la machine sur des surfaces planes et stables uniquement. **N'UTILISEZ PAS** la machine sur une pente dont l'inclinaison est supérieure à 2 %.
- **N'UTILISEZ PAS** de diesel/d'essence ou de détergents corrosifs pour nettoyer les sols.
- Ne lavez ou n'aspirez pas de liquides corrosifs, inflammables et/ou explosifs, même s'ils sont dilués.
- **N'INSEREZ AUCUN** objet dans les ouvertures. **N'UTILISEZ PAS** la machine si l'une des ouvertures est obstruée. Maintenez-la à l'abri de la poussière, de débris et tout autre élément pouvant freiner le débit d'air.
- **NE COUVREZ PAS** la machine lorsqu'elle est en cours d'utilisation.
- **NE LAISSEZ PAS** la machine branchée au courant électrique lorsque vous ne l'utilisez pas. Débranchez toujours la fiche de la prise de courant.
- **NE LAISSEZ PAS** la machine en marche sans surveillance.
- Cette machine doit toujours être connectée à une alimentation de tension et de fréquence adaptées avec mise à la terre.
- La machine doit être débranchée de sa source d'alimentation au cours des opérations de nettoyage ou de maintenance, ainsi que lors du remplacement de pièces et d'accessoires.
- **N'UTILISEZ PAS** la machine si elle est détériorée, si vous l'avez laissée à l'extérieur ou si elle a trempé dans de l'eau.
- **NE MANIPULEZ PAS** les interrupteurs ou la prise d'alimentation avec les mains mouillées sous peine de vous exposer à un risque de choc électrique.
- **AVERTISSEMENT** - Tenez le fil électrique à l'écart de toutes pièces en mouvement (et/ou des brosses en rotation). Lorsque la machine est en fonction, il est dangereux de faire passer la machine sur le cordon d'alimentation.
- **NE FAITES PAS** fonctionner la machine avec un fil ou une prise en mauvais état, si elle présente un dysfonctionnement ou qu'elle est endommagée. Contactez un agent autorisé pour réparer ou régler la machine.



- **N'UTILISEZ PAS** le fil électrique pour débrancher la prise ou porter la machine. **N'UTILISEZ PAS** le fil comme poignée, ne le laissez pas coincé dans une porte et ne l'enroulez pas autour d'angles ou de rebords tranchants.
- La fiche doit être retirée de la prise avant de nettoyer la machine ou d'entreprendre des opérations d'entretien.
- Le cordon d'alimentation ne doit pas être tordu ni pincé, et tenu à l'écart de surfaces chaudes.
- Tirez sur la fiche et non sur le câble d'alimentation pour débrancher l'appareil du secteur.
- Le cordon d'alimentation doit être régulièrement contrôlé pour détecter tout dommage. Si le cordon d'alimentation est endommagé, il doit être remplacé par le fabricant, un agent agréé ou une personne qualifiée afin d'éviter tout risque.
- N'utilisez jamais de solutions moussant de manière excessive ou hautement corrosives.

### 1.2 Consignes à l'usage de l'opérateur

- Cette machine n'est pas destinée à une utilisation par des enfants, des personnes atteintes d'un handicap physique, sensoriel ou mental, ou encore manquant d'expérience ou de connaissances, sauf si elles sont supervisées ou ont reçu des instructions sur l'utilisation de la machine par une personne qui se porte garante de leur sécurité.
- Les opérateurs doivent être bien formés à l'utilisation de la machine conformément à la présente notice, être capables d'entreprendre les opérations d'entretien et de choisir les accessoires adéquats.
- Les opérateurs doivent être physiquement capables de manœuvrer, de transporter et de faire fonctionner les machines.
- Les opérateurs doivent être capables de reconnaître un dysfonctionnement de la machine et de signaler tout problème.
- Maintenez les enfants et les personnes non autorisées loin de la machine lorsque vous l'utilisez.
- Les solutions de nettoyage ne doivent jamais être à portée des enfants et des animaux.
- **ATTENTION** - Cette machine est réservée à une utilisation en intérieur dans un environnement sec et ne peut être utilisée ou stockée en extérieur dans des conditions humides.
- **NE NETTOYEZ PAS** la machine à l'aide de vaporisateurs ou de jets.
- Les cheveux, les vêtements amples, les mains, les pieds et autres parties du corps doivent être maintenus à l'écart des ouvertures et des pièces en mouvement.
- Maintenez la machine propre et en bon état de marche.
- Laissez la machine travailler. Tenez le manche aussi légèrement que possible.
- Restez debout les pieds légèrement écartés pour garder l'équilibre. Évitez de vous tourner plus de 45 degrés.
- Portez des chaussures appropriées pour éviter les glissades.
- Portez des vêtements appropriés pour rester sec et éviter de vous refroidir.
- Quand cela est possible, instaurez un roulement des postes et prévoyez des périodes de repos pour ne pas toujours solliciter les mêmes muscles.
- **NE FUMEZ PAS** lors de l'utilisation de la machine.

### 1.3 Transport de la machine

#### **ATTENTION** - CETTE MACHINE EST LOURDE

N'essayez pas de lever la machine sans aide. Une méthode de levage incorrecte peut provoquer des blessures corporelles. Il est conseillé de respecter les réglementations relatives à la manutention. Veuillez vous reporter au tableau technique pour de plus amples informations sur le poids de la machine. **ATTENTION** – lorsque vous soulevez la machine, la tête de la brosse peut basculer librement vers l'arrière. Veillez donc à bien tenir les doigts à l'écart des bras latéraux du châssis. La machine peut être déplacée dans l'aire à nettoyer en la faisant rouler sur ses roues arrière de transport. Lors du transport de la machine, vérifiez que tous ses composants, réservoirs et pièces amovibles sont bien fixés. Si nécessaire, démontez le flexible et la lance de la machine. Lors du transport de la machine, le manche doit être verrouillé et la machine basculée sur ses roues arrière. Ne soulevez pas et ne transportez pas la machine si celle-ci contient des liquides, qui viennent considérablement alourdir son poids. Redoublez de vigilance pour déplacer la machine dans des escaliers.

**ATTENTION** – le fait de trébucher sur un seuil, un trottoir ou un obstacle peut endommager la machine. Pour surmonter les petits obstacles, tirez la machine en arrière.

## 2. Préparation à l'emploi

### 2.1 Branchement électrique

Avant de brancher la machine au courant électrique, vérifiez que la tension correspond à celle indiquée sur la plaque signalétique apposée sur la machine.

#### **Uniquement pour GB**

Le câble d'alimentation des modèles 230 V est équipé d'une fiche avec un fusible de 13 amp. Si le fusible doit être remplacé, utilisez uniquement un fusible de 13 amp. conforme à BS1362, et remettez en place le couvercle du fusible. Si vous perdez le couvercle du fusible, n'utilisez pas la prise avant d'avoir remis en place un couvercle de rechange.

Si vous utilisez une rallonge, vérifiez que ses caractéristiques nominales sont adaptées à l'équipement. N'utilisez pas la rallonge sans la dérouler pour éviter toute surchauffe. La longueur totale du câble d'alimentation et d'éventuelles rallonges ne doit pas excéder 30 m. Le diamètre de toute rallonge de câble électrique doit être au moins de 2,5 mm<sup>2</sup>.

**AVERTISSEMENT** – CET APPAREIL DOIT IMPÉRATIVEMENT ÊTRE MIS À LA TERRE.

### 2.2 Installation des brosses et des tampons

- **AVERTISSEMENT** – Cet appareil a été conçu pour être utilisé avec les brosses spécifiées par le fabricant. L'utilisation d'autres brosses peut nuire à la sécurité.
- Assurez-vous toujours que la machine est débranchée avant d'installer ou de démonter des pièces.
- Inclinez la tête de la brosse en arrière vers le manche et poussez 3 brosses, disques ou tampons du même type sur les quatre broches d'entraînement (4) sur chacune des têtes rotatives (5).
- Reposez la tête de la brosse sur le sol.

- Retirez les brosses en les faisant glisser sur les broches d'entraînement.
- **IMPORTANT** – Ne laissez jamais la tête de la brosse reposer sur les broches d'entraînement et inclinez toujours la tête de la brosse en arrière lorsque la machine n'est pas utilisée.
- Les brosses et tampons doivent toujours être utilisés par groupes de trois afin de garantir leur usure égale et d'éviter les vibrations.

### **2.3 Installation des brosses scarifiantes**

- Inclinez la tête de la brosse en arrière vers le manche et poussez 3 disques d'entraînement du même type sur les quatre broches d'entraînement de chaque tête rotative (5).
- Installez l'agrafe de butée sur les broches en vérifiant qu'elle est installée dans la rainure sur chaque broche (4).
- Reposez la tête de la brosse sur le sol.
- Retirez les brosses en retirant l'agrafe de retenue et en les faisant glisser sur les broches d'entraînement.

### **2.4 Installation d'outils pour usage intensif**

- Les outils à usage intensif (tels que les blocs au carbure à roue en étoile et les râpes) doivent être boulonnés sur la machine.
- Pour boulonner l'outil sur la machine, vous devez retirer deux broches d'entraînement (situées à l'opposé l'une de l'autre en diagonale) de chaque tête rotative.
- Installez trois outils pour usage intensif sur chaque paire de broche d'entraînement.
- Fixez chaque outil à l'aide de deux boulons M5. Utilisez toujours des rondelles à ressort avec des boulons pour éviter que les outils ne se desserrent. **IMPORTANT** - vérifiez régulièrement que les boulons sont bien serrés.

### **2.5 Ajustement de la hauteur du manche**

Sélectionnez la hauteur de manche la plus commode en utilisant le levier de réglage et bloquez la position.

### **2.6 Ajout de lests**

- Arrêtez la machine avant d'ajouter des lests supplémentaires.
- Dévissez le bouton et soulevez la barre de serrage pour la retirer (4).
- Ajoutez les lests dont vous avez besoin et remettez en place la barre de serrage.

## **3. Commandes**

Les commandes de fonctionnement sont placées sur le manche (1). Reportez-vous à la page 1.

## **4. Fonctionnement**

### **4.1 Démarrage de la machine**

- Déroulez complètement le cordon d'alimentation du manche et branchez le dans la prise appropriée.
- Ajustez le manche à une hauteur confortable pour travailler. Posez les deux mains sur le manche et soulevez le levier marche/arrêt pour DÉMARRER la machine. Relâchez le levier pour ARRÊTER la machine.
- **AVERTISSEMENT** – ne démarrez jamais la machine si les brosses et les outils à usage intensif ne sont pas installés.
- En temps normal, la machine se déplace vers l'avant et l'arrière.
- Déplacez-vous toujours dans la direction opposée à la prise pour éviter de rouler sur le câble d'alimentation.

### **4.2 Utilisation de la machine**

- Fixez des brosses ou outils adaptés à la surface à nettoyer/préparer.
- Ajustez le manche en fonction de l'opérateur
- Inclinez légèrement la machine vers l'arrière de manière à ce que les brosses/outils ne touchent pas le sol et faites rouler la machine vers la zone à nettoyer.
- Mettez la machine en marche. Avancez toujours en vous éloignant de la prise du secteur pour éviter de rouler sur le câble.
- En général, la scarification s'effectue à sec. L'action des brosses scarifiantes et des outils à usage intensif étant extrêmement abrasive, seuls les sols élastiques tels que ceux en béton, en carreaux de métal etc. doivent être scarifiés.
- Avancez lentement derrière la machine, en assurant un chevauchement entre chaque passe pour garantir une finition régulière.
- Ne laissez pas la machine tourner sur un point, cela pourrait provoquer une surchauffe et détériorer la surface du sol.
- Si la machine se met à vibrer ou résiste à l'action de nettoyage sur le sol, vérifiez que les brosses/ outils ne sont pas usés.
- Chaque zone du sol doit être couverte à pas lents. Certains sols nécessitent des passes supplémentaires pour un traitement parfait.
- Lorsque vous revenez au point de départ, positionnez la machine de manière à traiter une autre trajectoire, parallèle à la première, qu'elle chevauche sur 50 mm.
- Une fois tout le sol couvert, nettoyez les débris à l'aide d'un aspirateur ou d'un balai adapté.

### **4.3 Traitement du sol**

- Nous recommandons de protéger la zone environnante d'une bâche en plastique, collée sur les côtés avec du ruban adhésif.
- Une fois la zone environnante protégée, le traitement du sol peut commencer.
- Déplacez-vous à vitesse moyenne sur le rebord du sol, en maintenant la tête de la machine sur le rebord du ruban. Les disques passeront au-dessus du ruban si vous roulez accidentellement au-dessus.
- Versez suffisamment de solution pour que le sol reste mouillé tant que la machine est utilisée. Lorsque vous atteignez un mur ou l'extrémité du câble d'alimentation, revenez en arrière en parcourant la même trajectoire.
- Chaque zone du sol doit être couverte au moins deux fois à pas lents. Certains sols nécessitent des passes supplémentaires pour un traitement parfait.
- Lorsque vous revenez au point de départ, positionnez la machine de manière à traiter une autre trajectoire, parallèle à la première, qu'elle chevauche sur 50 mm.
- Une fois tout le sol traité, utilisez un aspirateur à eau avec ventouse pour éliminer l'eau et les résidus de pierre sur le sol.
- Répétez ce processus en utilisant des disques de plus en plus fins.
- Sur les zones trop étroites pour utiliser la machine, il est nécessaire d'utiliser une ponceuse manuelle équipée d'une seule disque abrasif.
- Aspirez tout le reste de solution restante pour sécher rapidement le sol.
- **REMARQUE** – Si le sol présente des irrégularités, passez l'aspirateur après chaque passage de la machine. Les

irrégularités détériorent les disques abrasifs. Les fragments doivent être ramassés pour éviter les éraflures sur la surface du sol. Passez l'aspirateur chaque fois que la pâte devient trop épaisse.

- Une fois le sol sec, retirez la bâche de protection en plastique ainsi que le ruban.
- Si le tapis ou un tissu est mouillé par de l'eau et présente des résidus sur sa surface, rincez-le à l'eau propre et passez l'aspirateur. Ce processus devra peut-être être répété plusieurs fois pour éliminer tous les résidus.
- Lorsque les résidus en surface ont séché sur une surface dure, passez un chiffon sec propre pour les éliminer rapidement.
- Après le nettoyage, passez une serpillère humide deux fois pour éliminer les résidus en surface. Le sol apparaîtra ensuite terne et trouble.
- La procédure de polissage doit être exécutée après une période de séchage de vingt-quatre heures. Sur les surfaces plus petites, le sol peut être séché mécaniquement. Pour le polissage, les disques d'entraînement doivent être remplacés par l'accessoire Instalok équipé de tampons adaptés. N'utilisez pas de tampons à polir rouillés ou décolorés.
- Ne laissez pas la machine immobile pendant le polissage, sous peine de laisser des marques sur le sol, forçant à recommencer toute la procédure.
- Le polish doit être appliqué au pulvérisateur, juste devant la machine, au fur et à mesure que vous avancez. Ne laissez pas de polish mouillé sur le sol. Passez immédiatement la machine pour éviter l'apparition de taches.
- Pendant le traitement, le technicien doit régulièrement vérifier l'absence d'usure et de détérioration des tampons.
- Une analyse préalable permettra de déterminer le grain du disque à utiliser au début du processus. On commence généralement par des disques à gros grain, sauf en cas d'irrégularités majeures ou lorsque le sol est très peu abîmé.
- Pour éliminer les irrégularités, vous pouvez lester la machine.
- L'opérateur doit examiner la surface du sol après utilisation de chaque grain pour vérifier si les traces d'usure et éraflures sont correctement éliminées

#### **4.4 À la fin du traitement**

- Une fois le traitement terminé, débranchez la machine du secteur, retirez les lests, soulevez la tête de la brosse et retirez les disques d'entraînement ainsi que les disques ou tampons abrasifs. Essuyez la machine à l'aide d'un chiffon humide.
- Retirez les disques de finition ainsi que les tampons de polissage et nettoyez-les.

#### **4.5 Polissage et ponçage**

- Fixez des disques d'entraînement et des tampons adaptés à la surface à polir.
- Vérifiez que le sol est propre et sec.
- Avancez lentement derrière la machine, en assurant un chevauchement entre chaque passe pour garantir une finition régulière.
- Ne laissez pas la machine tourner sur une tache plus de 10-15 secondes, cela pourrait provoquer une surchauffe et détériorer la surface du sol.

- Si la machine se met à vibrer ou résiste à l'action de ponçage sur le sol, vérifiez que les tampons sont propres. Lorsqu'il est sale sur un côté, le tampon peut être inversé.

#### **4.6 Une fois le nettoyage terminé**

- Une fois le nettoyage terminé, débranchez la machine du secteur, soulevez la tête de brosse et retirez les brosses ou tampons puis essuyez la machine à l'aide d'un chiffon humide.
- Lavez les brosses et les tampons dans de l'eau savonneuse tiède, rincez-les et laissez-les sécher à l'air libre.

#### **5. Stockage**

- Après utilisation, essuyez toujours la machine, laissez-la sécher et démontez les disques d'entraînement, les tampons ou les brosses pour les nettoyer. Nettoyez le capot anti-poussière rotatif (10) et vérifiez l'état des joints de brosse (9). Les joints doivent être nettoyés régulièrement pour conserver leur efficacité.
- Le réservoir de solution doit être vidé et rincé à l'eau propre.
- La machine doit être stockée avec le manche en position soulevée et la tête de brosse inclinée vers l'arrière. Ne laissez jamais la tête de la brosse reposer sur les broches d'entraînement.
- Enroulez le cordon d'alimentation autour du manche et de l'enrouleur sans laisser traîner la fiche sur le sol.
- Conservez la machine dans un endroit sec.

#### **6. Maintenance**

**AVERTISSEMENT** – Avant d'entreprendre des opérations d'entretien ou de réglage, éteignez la machine et débranchez-la du secteur.

**IMPORTANT** - Toutes les autres opérations de maintenance et les réparations doivent uniquement être entreprises par un ingénieur Truvox ou un agent d'entretien agréé.

**IMPORTANT** - En cas de défaillance de la machine, veuillez vous reporter à la section diagnostic des pannes à la fin de ce manuel d'instruction. Si le problème et sa solution ne sont pas répertoriés, veuillez contacter le service client Truvox qui répondra rapidement à vos questions.

La machine requiert un entretien minimum à l'exception des vérifications suivantes, qui doivent être entreprises par l'opérateur avant toute utilisation :

- Câble d'alimentation – vérifiez régulièrement que la gaine, la fiche et le raccord du fil ne sont pas endommagés ou dénudés. Le câble d'alimentation doit être remplacé uniquement par un câble du type spécifié dans ces instructions.
- Disques d'entraînement, tampons et brosses - Vérifiez leur usure et remplacez les brosses usées. Nettoyez-les à l'eau courante.
- Corps de la machine – Nettoyez avec un chiffon humide.
- Brosses - Vérifiez leur usure et remplacez les brosses usées. Nettoyez-les à l'eau courante.

#### **7. Service après vente**

Les machines Truvox sont de haute qualité et leur sécurité a été testée par des techniciens agréés. Il est évident qu'après de longues périodes de travail, les composants électriques et mécaniques montrent des signes d'usure ou de vieillissement. Afin de conserver la sécurité et la fiabilité de la machine, l'intervalle suivant de service a été défini : Tous les ans ou au bout de 250 heures. Dans des conditions

extrêmes ou spéciales et/ou d'entretien insuffisant, des intervalles d'entretien plus courts sont nécessaires. N'utilisez que des pièces de rechange originales Truvox. L'utilisation d'autres pièces de rechange annulerait toute garantie ainsi que d'éventuels recours en garantie. Pour toute demande de service après-vente, veuillez vous adresser au fournisseur auprès duquel vous avez acheté votre machine, qui se chargera de l'organisation. Les réparations et le service des produits Truvox doivent uniquement être entrepris par un personnel qualifié. Des réparations incorrectes peuvent être dangereuses pour l'utilisateur.

### 8. Garantie

Votre produit est garanti pendant un an à compter de la date d'achat, ou de location-bail, contre les défauts des matériaux ou de main-d'œuvre pendant sa fabrication. Durant la période de garantie, nous nous chargeons de réparer toute pièce défectueuse ou de la remplacer à nos frais, sous réserve des conditions suivantes.

#### CONDITIONS

1. Les réclamations faites selon les termes de la garantie doivent être accompagnées de la facture /contrat de vente original(e), ou du numéro de série de la machine.
2. Pour toute réclamation en garantie, contactez le fournisseur auprès duquel vous avez acheté la machine qui vous indiquera la procédure à suivre. Ne renvoyez pas le produit ; il risquerait d'être endommagé au cours du transport.

### 9. Accessoires

Élément	N° de pièce	Usage
Fil ondulé	11-2041-0500	Nettoyage de tôle striée
Fil en acier 18 G	11-2043-0500	Finition du béton
Fil de bronze 18 G	11-2045-0500	Scarification anti-étincelle
Fil en acier 3 x 16 G	11-2049-0500	Scarification générale
Fil en acier 3 x 14 G	11-2051-0500	Scarification intensive
Agrafes de butée de rechange pour les brosses à usage intensif (lot)	03-6938-0000	
Lest en forme de fer à cheval (17 kg chaque)	03-7004-0000	

REMARQUE - Les brosses sont vendues par 3.

### 10. Diagnostic de défaillance

Les vérifications suivantes sont simples et peuvent être réalisées par l'opérateur.

Panne	Origine	Solution
<b>Le moteur ne fonctionne pas</b>	<ul style="list-style-type: none"> <li>• Pas de tension/courant électrique.</li> <li>• Disjoncteur défectueux</li> </ul>	<ul style="list-style-type: none"> <li>• Vérifiez le fusible*, le cordon d'alimentation, la prise, la prise secteur et le disjoncteur</li> </ul>
<b>La machine cale</b>	<ul style="list-style-type: none"> <li>• Brosses/tampons endommagés</li> </ul>	<ul style="list-style-type: none"> <li>• Remplacez les brosses/tampons</li> </ul>
<b>Le moteur tourne, mais les brosses ne tournent pas</b>	<ul style="list-style-type: none"> <li>• Courroie d'entraînement lâche ou cassée</li> </ul>	<ul style="list-style-type: none"> <li>• Retirez le capot anti-poussière rotatif et installez une nouvelle courroie d'entraînement ou appelez un agent de maintenance</li> </ul>
<b>La machine vibre</b>	<ul style="list-style-type: none"> <li>• Brosses/tampons endommagés ou sales</li> <li>• Épaisseur inégale des brosses / tampons</li> </ul>	<ul style="list-style-type: none"> <li>• Remplacez ou nettoyez les brosses/tampons</li> <li>• Remplacez-les par 3 brosses / tampons d'épaisseur égale</li> </ul>

\* Si les fusibles sautent plusieurs fois, la machine doit être vérifiée par un agent autorisé.

**ADVERTENCIA - LEA ESTAS INSTRUCCIONES ANTES DE UTILIZAR LA MÁQUINA Y GUÁRDELAS COMO REFERENCIA PARA EL FUTURO**

**CIMEX HD**

El siguiente manual contiene información importante sobre la máquina y consejos de seguridad para el operario.



**ADVERTENCIA**



**Símbolo de conexión a tierra**



**Residuos de aparatos eléctricos y electrónicos (RAEES)**

No deseche este aparato con residuos sin clasificar. La eliminación incorrecta puede ser nociva para el medio ambiente y para la salud humana. Para más información sobre los sistemas de recogida y devolución en su área, consulte a las autoridades locales encargadas de la gestión de residuos.

**DECLARACIÓN DE CONFORMIDAD CE**

**Tipo de máquina:** Escarificador de alta resistencia

**Tipo:** Cimex HD

**Modelo:** R48HD

Esta máquina cumple las siguientes directivas de la UE:

2006/42/CE **Directiva sobre maquinaria**

2004/108/CE **Directiva EMC**

**Normativas armonizadas aplicadas** EN60335-1, EN60335-2-67, EN55014-1, EN55014-2, EN610003-2, EN610003-3, EN62233

**CE** *M. Eneas.*

Malcolm Eneas

Gerente de operaciones

**Truvox International**  
Unit C (East) Hamilton  
Business Park, Manaton  
Way, Botley Road, Hedge  
End, Southampton,  
SO30 2JR, (Inglaterra)

Southampton, 30-04-2004

**ESPECIFICACIONES TÉCNICAS**

<b>Modelo</b>	Cimex Heavy Duty 48	
<b>Código de producto</b>	R48HD	
Potencia del motor (monofásico/trifásico)	W	1500/ 2200
Tasa de productividad	m <sup>2</sup> /h	600
Velocidad de almohadilla/cepillo	r.p.m.	400
Diámetro de almohadilla/cepillo	cm	48
Productividad - Fregado	m <sup>2</sup> /h	1140
Productividad - Abrillantado	m <sup>2</sup> /h	1710
Productividad - Limpieza de pulverización	m <sup>2</sup> /h	850
Dimensiones (L x A x H)	cm	75 x 55 x 120
Peso	kg	60
Peso de lastre	kg	17
N.º de unidades suministradas		2
Longitud de cable	m	15
Garantía	1 año	

- Máquina de fabricación Clase I. Carcasa con grado de protección contra salpicaduras de agua IPX2.
- Modelos – 230 V ~ 50 Hz. provistos de cable de alimentación de 15 m tipo H05VV-F 3x1,0 mm<sup>2</sup> (10A), y enchufe.
- Niveles de presión acústica medidos a una distancia de 1 metro desde la máquina y a 1,6 metros sobre el suelo, durante el fregado de un suelo duro. Mediciones registradas utilizando un medidor portátil.
- La vibración del manillar no supera 2,5 m/s<sup>2</sup> al trabajar sobre cualquier superficie con cepillo o almohadillas. Mediciones registradas por un laboratorio de pruebas independiente.

**Si tiene dudas o preguntas, póngase en contacto con el proveedor al que le compró la máquina o con Truvox International.**

**Truvox International Limited**

Unit C (East) Hamilton Business Park, Manaton Way, Botley Road, Hedge End, Southampton, SO30 2JR, (Reino Unido); Tel.: +44 (0) 23 8070 6600; Fax: +44 (0) 23 8070 5001; Correo electrónico: sales@truvox.com; Página web: www.truvox.com

**Consulte las imágenes de la máquina que aparecen en la página 1**

- |  |   |
|--|---|
| <b>1 Interruptor de palanca del motor</b> Cuando se levanta, enciende el motor e inicia la rotación de los cabezales; cuando se baja, apaga el motor y detiene los cabezales. Cada vez que se acciona la palanca, cambia la dirección de rotación de los cabezales, mejorando la calidad de la limpieza y prolongando la vida del disco/almohadilla. | <b>6 Palanca de ajuste de manillar</b> Desde la posición vertical, levante la palanca de ajuste del manillar y tire del manillar hacia atrás hasta una altura de trabajo cómoda, luego baje la palanca para bloquear el manillar en posición. |
| <b>2 Manillar</b>  | <b>7 Ganchos del cable</b> Se utiliza para mantener el cable de alimentación en su lugar sobre el manillar mientras la máquina no se utiliza.   |
| <b>3 Barra de presión</b>  | <b>8 Placas de accionamiento</b> Punto de acoplamiento para cepillos o discos de accionamiento y almohadillas   |
| <b>4 Pasadores de arrastre</b>   | <b>9 Cubierta antipolvo rotatoria</b>   |
| <b>5 Cabezales rotatorios</b>  |   |

### **1. Información del producto**

Esta máquina de limpieza de suelos de tres cepillos de alta resistencia es apta para uso comercial de alta exigencia. Ideal para preparar el suelo; retirar grasa, aceite y suciedad incrustados en los suelos de hormigón; retirar formaciones de hielo en suelos de cámaras de frío, y para eliminar pegamento, caucho de moquetas y goma. La máquina está destinada a uso comercial, por ejemplo, hoteles, centros educativos, hospitales, fábricas, tiendas, oficinas, empresas de alquiler y a otros usos diferentes de las tareas domésticas habituales.

Las siguientes instrucciones contienen información importante sobre las máquinas y consejos de seguridad para el operario. Estas instrucciones son válidas para los siguientes modelos:

#### **Cimex HD - R48HD...**

Las operaciones de manejo, reparación y mantenimiento del equipo se deben realizar de conformidad con las instrucciones del fabricante. En caso de duda, póngase en contacto con el proveedor.



#### **1.1 Consejos importantes de seguridad**

Quando se utilice esta máquina se deben tener en cuenta precauciones de seguridad básicas, incluyendo las que se detallan a continuación:

- Esta máquina únicamente se debe utilizar para las aplicaciones aprobadas por el fabricante, tal y como se describe en el presente manual.
- Tenga en cuenta que la información de seguridad que aparece en el manual complementa las normativas vigentes en el país en el que se utiliza la máquina y, por tanto, no las sustituye.
- **ADVERTENCIA** - Utilice únicamente accesorios y recambios suministrados con la máquina o aquellos que cuenten con la

aprobación del fabricante. El uso de otros recambios o accesorios podría perjudicar la seguridad de la máquina.

- **PRECAUCIÓN** – Esta máquina está destinada al uso exclusivo en interiores secos y no se debe utilizar ni almacenar en exteriores con humedad.
- Todas las piezas se deben colocar tal y como se indica en las instrucciones, antes de utilizar la máquina.
- Se debe desembalar y montar la máquina de conformidad con estas instrucciones antes de conectarla a la red eléctrica.
- **NO** utilice la máquina si tiene polvo peligroso.
- **NO** utilice la máquina en ambientes explosivos.
- **NO** utilice la máquina cerca de líquidos, polvo o vapores inflamables.
- **NO** utilice la máquina para limpiar materiales ardientes o encendidos, como cigarrillos, cerillas, cenizas u otros objetos combustibles.
- Preste atención al utilizar la máquina cerca de la parte superior de unas escaleras para evitar perder el equilibrio.
- Utilice la máquina únicamente sobre superficies firmes y niveladas. **NO** utilice la máquina en pendientes o en inclinaciones superiores al 2%.
- **NO** utilice gasóleo/gasolina o detergentes corrosivos para limpiar los suelos.
- **NO** limpie ni aspire líquidos corrosivos, inflamables y/o explosivos, incluso si están diluidos.
- **NO** coloque ningún objeto en los orificios. **NO** utilice la máquina si tiene orificios obstruidos; manténgala sin polvo, suciedad o cualquier objeto que pueda reducir el flujo de aire.
- **NO** cubra la máquina mientras la esté usando.
- **NO** deje la máquina conectada a la red eléctrica cuando no la esté usando; retire siempre el enchufe de la toma de corriente.
- **NO** deje la máquina desatendida mientras esté en funcionamiento.
- Esta máquina se debe conectar siempre a una red eléctrica con conexión a tierra con la tensión y frecuencia adecuadas.
- Se debe desconectar la máquina de la fuente de energía, retirando el enchufe de la toma de corriente, durante los procesos de limpieza y mantenimiento, así como durante la sustitución de piezas o accesorios.
- **NO** utilice la máquina si ésta está dañada, ha permanecido en el exterior o se ha caído al agua.
- **NO** manipule los interruptores ni toque el enchufe de red con las manos mojadas, ya que podrían producirse descargas eléctricas.
- **ADVERTENCIA** - Mantenga el cable de alimentación alejado de las piezas móviles (y/o de los cepillos rotatorios). Pasar la máquina por encima del cable de alimentación durante el funcionamiento puede resultar peligroso.
- **NO** utilice la máquina si el cable de alimentación o el enchufe están dañados, si se produce algún fallo de funcionamiento o si presenta algún daño. Póngase en contacto con un agente de servicios autorizado para realizar trabajos de reparación o ajuste.
- **NO** arrastre la máquina ni la transporte tirando del cable de alimentación. **NO** utilice el cable como manillar, no cierre ninguna puerta engancho el cable ni lo pase por bordes o esquinas cortantes.
- Se debe retirar el enchufe del cable de alimentación de la toma de corriente antes de limpiar la máquina o de realizar operaciones de mantenimiento.
- **NO** retuerza ni gire el cable de alimentación y manténgalo alejado de superficies calientes. □
- Cuando lo desenchufe, tire del enchufe, no del cable de alimentación.

- El cable de alimentación se debe inspeccionar con regularidad para detectar posibles daños. En caso de que el cable de alimentación esté dañado, únicamente podrá ser sustituido por el fabricante, su agente de servicios o una persona cualificada con el fin de evitar peligros.
- Nunca utilice espuma en exceso ni soluciones de limpieza altamente corrosivas.

### 1.2 Directrices para el operario

- Está máquina no está destinada al uso por personas (incluyendo niños) con capacidades físicas, sensoriales o mentales reducidas, o con falta de experiencia y conocimiento, a menos que hayan recibido formación sobre el manejo de la máquina o se encuentren bajo la supervisión de una persona responsable de su seguridad.
- Los operarios deben haber recibido una formación completa sobre el uso de la máquina de conformidad con estas instrucciones, lo que les permitirá realizar las operaciones básicas de mantenimiento y la correcta elección de accesorios.
- Los operarios deben ser capaces físicamente de maniobrar, transportar y manejar las máquinas.
- Los operarios deben ser capaces de reconocer un funcionamiento inusual de la máquina y de informar sobre cualquier tipo problema que se presente.
- Durante el funcionamiento de la máquina, los niños y las personas no autorizadas deben mantenerse alejados de ella.
- Mantenga a los niños y a las mascotas alejadas de las soluciones limpiadoras en todo momento.
- **PRECAUCIÓN** – Esta máquina está destinada al uso exclusivo en interiores secos y no se debe utilizar ni almacenar en exteriores con humedad.
- **NO** limpie la máquina utilizando pulverizadores de agua o chorros.
- Mantenga el cabello, la ropa suelta, las manos, los pies y cualquier otra parte del cuerpo alejados de los orificios y las piezas móviles.
- Mantenga la máquina limpia y en buenas condiciones de funcionamiento.
- Deje que la máquina realice el trabajo. Agarre el manillar lo más ligeramente posible.
- Para mantener el equilibrio, colóquese erguido con los pies ligeramente separados. Evite girar el cuerpo más de 45 grados.
- Utilice calzado apropiado para evitar resbalones.
- Utilice prendas apropiadas para mantenerse seco y abrigado.
- Cuando sea posible, ponga en práctica turnos de trabajo y periodos de descanso adecuados para evitar el uso continuado de los mismos músculos.
- **NO** fume mientras esté utilizando la máquina.

### 1.3 Transporte de la máquina

#### **PRECAUCIÓN - MÁQUINA PESADA**

No intente levantar la máquina sin ayuda. El uso de técnicas de elevación incorrectas puede provocar daños personales. Aconsejamos que se sigan las regulaciones de manipulación manual. Consulte la tabla técnica para obtener más detalles sobre el peso de la máquina. **PRECAUCIÓN** – Al levantar la máquina el cabezal del cepillo puede moverse libremente hacia atrás, asegúrese de mantener los dedos lejos de los brazos laterales del chasis. La máquina se puede desplazar hasta la zona de trabajo mediante sus ruedas traseras de transporte. Cuando transporte la máquina, asegúrese de que todos los componentes, depósitos y piezas desmontables se encuentran correctamente fijados. Suelte la manguera y la varilla de la máquina cuando sea necesario. Al mover la máquina el manillar

debe estar bloqueado y la máquina inclinada hacia atrás sobre sus ruedas. No levante o transporte la máquina con líquidos en su interior, ya que su peso aumentará notablemente. Tenga sumo cuidado al subir o bajar la máquina por escaleras o escalones.

**PRECAUCIÓN** - Los golpes contra umbrales, bordillos y obstáculos similares pueden dañar la máquina. Los obstáculos pequeños se pueden salvar tirando de la máquina hacia atrás.

## 2. Preparación para el uso

### 2.1 Conexión eléctrica

Antes de conectar la máquina a la red eléctrica, compruebe que la tensión de alimentación coincide con la indicada en la etiqueta de características de la máquina.

#### **Únicamente Reino Unido**

El cable de alimentación para los modelos 230v incorpora un enchufe con un fusible de 13 amp. En caso de necesitar sustituir el fusible, únicamente se puede sustituir por un fusible de 13 amp, de conformidad con BS1362, y se debe reparar la cubierta del fusible. Si se hubiera perdido la cubierta del fusible, el enchufe no se debe utilizar hasta que se coloque una.

En caso de utilizar un alargador, asegúrese de que la tasa del cable es adecuada para el equipo. No utilice un alargador de bobina, ya que se podría producir un sobrecalentamiento del cable. El cable de alimentación junto con cualquier tipo de cables de extensión no deben superar los 30 m en total. La sección transversal de cualquier tipo de cableado de extensión tiene que tener un mínimo de 2,5 mm<sup>2</sup>.

**ADVERTENCIA** – ESTE APARATO DEBE ESTAR CONECTADO A TIERRA.

### 2.2 Instalación de cepillos y almohadillas

- **ADVERTENCIA** - Este aparato ha sido diseñado para su uso con los cepillos especificados por el fabricante. El uso de otros cepillos podría perjudicar la seguridad.
- Asegúrese siempre de que la máquina está desenchufada antes de instalar o desmontar piezas.
- Inclíne el cabezal del cepillo hacia atrás en dirección al manillar y empuje tres cepillos del mismo tipo o discos de accionamiento y almohadillas en los cuatro pasadores de arrastre (4) en cada uno de los cabezales rotatorios (5).
- Vuelva a poner el cabezal rotatorio en el suelo.
- Retire los cepillos extrayéndolos de los pasadores de arrastre.
- **IMPORTANTE** - Cuando la máquina no esté en uso, el cabezal del cepillo no debe apoyarse nunca sobre los pasadores de arrastre, inclíne siempre el cabezal del cepillo hacia atrás.
- Mantenga siempre los cepillos y almohadillas en grupos de tres para asegurar un desgaste uniforme y evitar la vibración.

### 2.3 Instalación de cepillos escarificadores

- Inclíne el cabezal del cepillo de la máquina hacia atrás hacia el manillar y empuje tres cepillos escarificadores del mismo tipo en los cuatro pasadores de arrastre en cada uno de los cabezales rotatorios (5).
- Instale seguros en los pasadores, asegurándose que de quedan en la ranura de casa pasador (4).
- Vuelva a poner el cabezal rotatorio en el suelo.
- Retire los cepillos extrayendo el seguro y retirando el cepillo del pasador de arrastre.

## **2.4 Instalación de herramientas de alta resistencia**

- Las herramientas de alta resistencia (como secciones y raspadores de carburo con forma de estrella) se deben atornillar a la máquina.
- Para atornillar la herramienta a la máquina, es necesario retirar dos pasadores de arrastre (en diagonal, una en frente de la otra) de cada uno de los cabezales rotatorios.
- Instale tres herramientas de alta resistencia emparejadas sobre cada par de pasadores de arrastre.
- Asegure cada herramienta utilizando dos tornillos M5. Utilice siempre arandelas de presión con los tornillos para reducir las posibilidades de que las herramientas se aflojen.  
**IMPORTANTE** – Compruebe regularmente que los tornillos están apretados.

## **2.5 Ajuste de la altura del manillar**

Elija la altura del manillar más cómoda sirviéndose de la palanca de ajuste y bloquéela en posición.

## **2.6 Añadir pesos**

- Antes de añadir pesos adicionales, apague la máquina.
- Desatornille la perilla y despegue la barra de presión (4).
- Añada el peso adicional según sea necesario y vuelva a colocar la barra de presión.

## **3. Controles**

Los controles de funcionamiento se encuentran en el manillar (1). Consulte la página 1.

## **4. Funcionamiento**

### **4.1 Puesta en marcha de la máquina**

- Desenrolle completamente el cable de alimentación del manillar y enchúfelo a una toma de corriente apropiada.
- Con el manillar ajustado a una altura de trabajo adecuada y con ambas manos sobre él, levante la palanca de inicio/parada para poner la máquina en marcha. Al soltar la palanca, la máquina se detendrá.
- **ADVERTENCIA** - Nunca ponga la máquina en funcionamiento sin haber instalado los cepillos o las herramientas de alta resistencia.
- La dirección de movimiento normal de la máquina es hacia delante y hacia atrás.
- Trabaje siempre lejos de la toma de red eléctrica para evitar tropezar con el cable de alimentación.

### **4.2 Utilización de la máquina**

- Instale cepillos o herramientas apropiadas para la superficie que se vaya a limpiar/preparar.
- Ajuste el manillar al operario.
- Incline la máquina ligeramente hacia atrás de forma que los cepillos/herramientas no estén en contacto con el suelo y desplace la máquina hacia el área que va a limpiar.
- Encienda la máquina. Trabaje siempre lejos de la toma de red para evitar tropezar con el cable.
- La escarificación normalmente es un proceso realizado en seco. Debido al efecto extremadamente abrasivo de los cepillos escarificadores y de las herramientas de alta resistencia, únicamente se deben aplicar procesos de escarificación sobre suelos resistentes, como hormigón, alicatado metálico, etc.
- Camine despacio detrás de la máquina, solapando cada pasada para asegurar un acabado uniforme.
- No deje que la máquina gire sobre un mismo punto, puesto que podría dañar la superficie del suelo.

- Si la máquina empieza a vibrar o hace resistencia a la limpieza en el suelo, compruebe el desgaste de los cepillos/herramientas.
- Cada área del suelo se debe cubrir caminando a la mitad de velocidad. Algunos suelos pueden necesitar pasadas extra para procesarlos a fondo.
- Al llegar al punto de partida original, coloque la máquina para procesar otro recorrido paralelo al primero y que lo solape 50 mm.
- Cuando se ha cubierto el área del suelo por completo, retire la suciedad utilizando un aspirador o cepillo adecuados.

### **4.3 Procesar el suelo**

- Recomendamos que proteja el área circundante del suelo con plástico, sellado con cinta adhesiva en los bordes.
- Cuando se haya sellado el área del suelo, puede empezar el trabajo de procesamiento del suelo.
- Camine a la mitad de velocidad por el borde del suelo, manteniendo el cabezal de la máquina en el límite de la cinta. Los discos pasarán sobre la cinta si tropieza accidentalmente con ella.
- Dispense suficiente solución limpiadora para mantener el suelo mojado mientras la máquina está funcionando. Cuando alcance una pared o la longitud del cable de alimentación, vuelva sobre el camino recorrido.
- Cada área del suelo se debe cubrir al menos dos veces caminando a la mitad de velocidad. Algunos suelos pueden necesitar pasadas extra para procesarlos a fondo.
- Al llegar al punto de partida original, coloque la máquina para procesar otro recorrido paralelo al primero y que lo solape 50 mm.
- Cuando se haya cubierto el área total del suelo, utilice una aspiradora de líquidos con escobilla de goma para recoger los residuos de agua y piedra del suelo.
- Repita el proceso utilizando discos cada vez más finos.
- En áreas demasiado pequeñas para utilizar la máquina será necesario utilizar un pulidor manual con un solo disco abrasivo.
- aspire toda la solución restante para secar rápidamente el suelo.
- **NOTA** - Si el suelo tiene rebordes, o un área del suelo tiene rebordes, se debe aspirar después de cada abrasión. Los rebordes dañarán los discos abrasivos y los fragmentos pueden recogerse y rayar la superficie del suelo. Se debe aspirar el suelo en cualquier momento si la mezcla se vuelve muy pesada.
- A medida que se seca el suelo, retire la cinta y el plástico protector.
- Si se han mojado materiales de tela o moqueta con agua y residuos de la superficie, lave con agua limpia y extráigalo con la aspiración de líquidos. Puede ser necesario repetir este proceso varias veces para retirar todo el residuo.
- Si el residuo de la superficie se ha secado en una superficie dura, se eliminará rápidamente con un trapo seco.
- Después de la limpieza, humedezca la fregona dos veces con agua limpia para retirar el residuo superficial. El suelo tendrá un aspecto apagado y mate.
- El proceso de pulido se debe llevar a cabo después de un periodo de secado de veinticuatro horas. En suelos más pequeños, la superficie se puede secar mecánicamente. Los discos de accionamiento se deben cambiar al tipo 'Instalok' con las almohadillas adecuadas para el proceso de pulido. No utilice almohadillas de pulido oxidadas o descoloridas.



- No deje la máquina detenida durante el pulido, ya que dejará marcas en el suelo que pueden provocar que haya que repetir todo el proceso.
- Aplique abrillantador con un bote pulverizador; aplíquelo con moderación delante de la máquina mientras trabaja. No deje el abrillantador líquido en el suelo, trabaje sobre él inmediatamente ya que puede provocar manchas en el suelo.
- Durante el procesado, el técnico debe inspeccionar frecuentemente las almohadillas abrasivas para ver si están dañadas o gastadas.
- La inspección determinará qué grado de disco se utiliza para iniciar el proceso. Normalmente se empieza con discos de grano grueso, excepto cuando hay muchos rebordes o el daño de la superficie es muy ligero.
- Para eliminar los rebordes se pueden añadir pesos a la máquina.
- El operador debe examinar la superficie del suelo después de cada procesado para determinar si la eliminación del desgaste o del rayado es efectiva.

#### **4.4 Cuando el procesado haya terminado**

- Cuando el procesado haya terminado, desenchufe la máquina de la red eléctrica, retire los pesos, levante el cabezal del cepillo y retire los discos de accionamiento, así como las almohadillas o discos abrasivos. Limpie la máquina con un paño húmedo.
- Retire y limpie los discos de acabado y las almohadillas de pulido.

#### **4.5 Abrillatado y pulido**

- Instale discos de accionamiento y almohadillas apropiadas para la superficie que se vaya a pulir.
- Asegúrese de que el suelo está limpio y seco.
- Camine despacio detrás de la máquina, solapando cada pasada para asegurar un acabado uniforme.
- No deje que la máquina gire más de 10-15 segundos sobre un mismo punto, pues podría provocarse un sobrecalentamiento y daños a la superficie del suelo.
- Si la máquina empieza a vibrar o hace resistencia al pulido en el suelo, compruebe la limpieza de las almohadillas. Cuando la almohadilla esté sucia por un lado se le puede dar la vuelta.

#### **4.6 Cuando la limpieza haya terminado**

- Cuando la limpieza haya terminado, desenchufe la máquina de la red eléctrica, levante el cabezal del cepillo y retire los cepillos o almohadillas y limpie la máquina con un trapo húmedo.
- Lave los cepillos y almohadillas en agua tibia jabonosa, enjuague y deje secar naturalmente.

#### **5. Almacenamiento**

- Después del uso limpie y seque la máquina y retire y limpie los discos de accionamiento, almohadillas o cepillos. Limpie la cubierta antipolvo rotatoria (10) y compruebe el estado de las juntas del cepillo (9). Las juntas se deben limpiar periódicamente para mantener su efectividad.
- Se debe vaciar y enjuagar el depósito de solución limpiadora con agua limpia.
- La máquina se debe guardar con el manillar en posición vertical y el cabezal del cepillo inclinado hacia atrás. Nunca deje el cabezal del cepillo apoyado en los pasadores de arrastre.
- Enrolle el cable de alimentación alrededor del manillar y el recogedor de cable, asegurándose de que el enchufe no arrastre por el suelo.

- Guarde la máquina exclusivamente en un lugar interior y seco.

#### **6. Mantenimiento**

**ADVERTENCIA** - Antes de realizar operaciones de mantenimiento o ajustes, apague la máquina y desenchúfela de la red eléctrica.

**IMPORTANTE** - Cualquier otro servicio o reparación deberá ser realizado por un ingeniero de Truvox o agente de servicios autorizado.

**IMPORTANTE** - En caso de que la máquina no funcione, consulte la sección de diagnóstico de fallos de funcionamiento que se encuentra en la parte final del presente manual de instrucciones. Si el problema/la solución no se encuentra en la lista, póngase en contacto con el Departamento de Atención al Cliente de Truvox para recibir asistencia rápida.

La máquina requiere un mantenimiento mínimo, además de las siguientes comprobaciones que tiene que realizar el operario antes del uso de ésta:

- Cable de alimentación – Inspeccione regularmente su revestimiento, el enchufe y el anclaje del cable para detectar posibles daños o conexiones sueltas. Sustituya el cable de alimentación únicamente con el tipo que se especifica en las presentes instrucciones.
- Discos de accionamiento, almohadillas y cepillos - Inspecciónelos para comprobar la presencia de desgaste y sustituya los cepillos gastados. Limpie con agua corriente.
- Cuerpo de la máquina – Límpielo con un paño húmedo.
- Cepillos - Inspecciónelos para comprobar la presencia de desgaste y sustituya los cepillos gastados. Limpie con agua corriente.

#### **7. Servicio posventa**

Las máquinas Truvox son máquinas de alta calidad que han sido sometidas a pruebas de seguridad por técnicos especializados. Después de periodos de trabajo prolongados, los componentes eléctricos y mecánicos suelen mostrar signos de desgaste, rotura o envejecimiento. Para mantener la seguridad de funcionamiento y la fiabilidad se han definido los siguientes intervalos de mantenimiento: Cada año o después de 250 horas. En condiciones extremas o específicas, o si no se realiza un mantenimiento suficiente, son necesarios periodos de revisión más cortos. Utilice sólo recambios originales Truvox. El uso de otros recambios invalidará la garantía y las demandas de responsabilidad. Si necesita atención del servicio posventa, póngase en contacto con el proveedor que le vendió la máquina para acordar el servicio. Las reparaciones y operaciones de servicio de los productos Truvox deben ser realizadas exclusivamente por personal capacitado. Las reparaciones inadecuadas pueden constituir un peligro considerable para el usuario.

#### **8. Garantía**

Su producto cuenta con una garantía de un año desde la fecha de compra original, o compra a plazos, contra defectos en materiales o mano de obra durante su fabricación. Durante el periodo de garantía nos comprometemos, a nuestra discreción, a reparar o sustituir, sin coste adicional para el comprador, toda pieza defectuosa, sujetos a las siguientes condiciones:

#### **CONDICIONES**

1. Las reclamaciones formuladas en virtud de los términos de la garantía deben ir acompañadas de la factura/recibo original de compra emitida/o en el momento de la venta o el número de serie de la máquina.

2. Para formular reclamaciones en virtud de esta garantía, póngase en contacto con el proveedor que le vendió el producto, quien emprenderá las acciones adecuadas. En un principio, no devuelva el producto, ya que podría resultar dañado durante el transporte.
  3. Ni Truvox ni su distribuidor se responsabilizarán de cualquier tipo de pérdida incidental o consiguiente.
  4. La presente garantía está regida por la legislación de Inglaterra.
  5. Esta garantía no cubre:
    - Mantenimiento periódico, ni reparaciones o sustituciones de piezas como consecuencia de un uso y desgaste normales.
    - Daños provocados por accidente, uso indebido o negligencia, o por la instalación de piezas que no sean originales de Truvox.
- Defectos en piezas que no sean originales de Truvox, o reparaciones, modificaciones o ajustes realizados por personas que no sean ingenieros del servicio técnico de Truvox o agentes autorizados del servicio técnico.
  - Costes y riesgos de transporte relacionados directa o indirectamente con la garantía de este producto.
  - Consumibles como cepillos, discos de accionamiento, filtros y faldones de aspiración.
  - Esta garantía no afecta a sus derechos legales, ni a sus derechos frente al proveedor que se deriven de sus contratos de venta o de compra. La política de Truvox International Limited es el continuo desarrollo del producto y nos reservamos el derecho de modificar las especificaciones sin previo aviso.

## **9. Accesorios**

<b>Artículo</b>	<b>Pieza N.º</b>	<b>Uso</b>
Alambre ondulado	11-2041-0500	Limpieza de placa estriada
Alambre de acero 18G	11-2043-0500	Acabado de hormigón
Alambre de bronce 18G	11-2045-0500	Escarificación antichispas
Alambre de acero 3 x 16G	11-2049-0500	Escarificación general
Alambre de acero 3 x 14G	11-2051-0500	Escarificación de alta resistencia
Grapas de sujeción de repuesto para cepillos de alta resistencia (conjunto)	03-6938-0000	
Peso de herradura de repuesto (17 kg cada uno)	03-7004-0000	

NOTA - Los cepillos se suministran en conjuntos de 3.

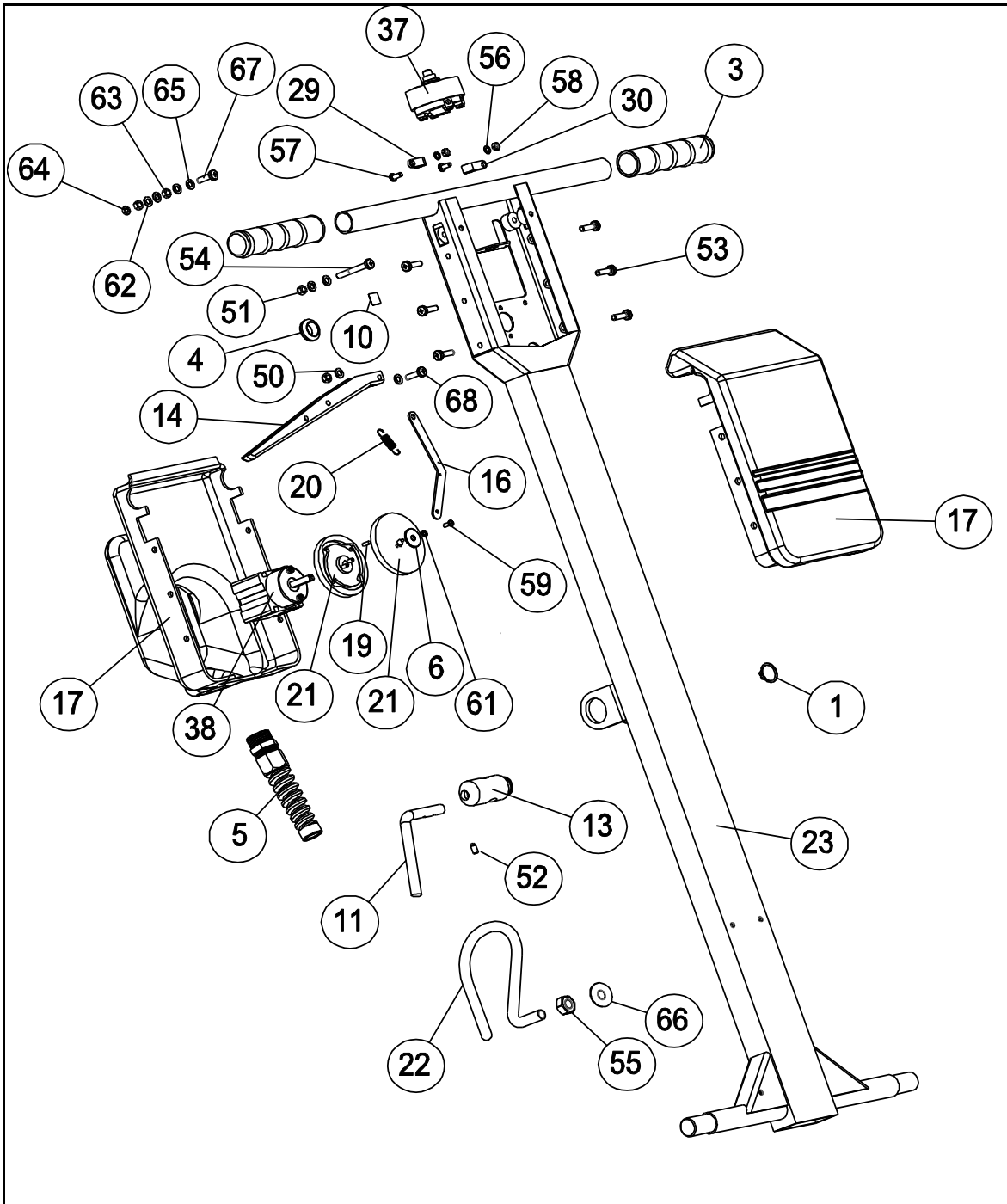
## **10. Diagnóstico de fallos de funcionamiento**

El operario puede realizar las siguientes comprobaciones sencillas:

<b>Problema</b>	<b>Motivo</b>	<b>Solución</b>
<b>El motor no funciona</b>	<ul style="list-style-type: none"> <li>• Falta de voltaje/suministro eléctrico</li> <li>• Interruptor de desconexión de seguridad defectuoso</li> </ul>	<ul style="list-style-type: none"> <li>• Compruebe el fusible*, el cable de alimentación, el enchufe, la toma de corriente y el disyuntor del circuito</li> </ul>
<b>La máquina se cala durante el funcionamiento</b>	<ul style="list-style-type: none"> <li>• Cepillos/almohadillas dañados</li> </ul>	<ul style="list-style-type: none"> <li>• Sustituya los cepillos/almohadillas</li> </ul>
<b>El motor funciona, pero los cepillos no giran</b>	<ul style="list-style-type: none"> <li>• Correa de transmisión suelta o rota</li> </ul>	<ul style="list-style-type: none"> <li>• Retire la cubierta antipolvo rotatoria y coloque la nueva correa de transmisión, o póngase en contacto con el agente de servicio</li> </ul>
<b>La máquina vibra</b>	<ul style="list-style-type: none"> <li>• Cepillos/almohadillas sucias o dañadas</li> <li>• Grosor desigual de cepillos/almohadillas</li> </ul>	<ul style="list-style-type: none"> <li>• Sustituya o limpie los cepillos/almohadillas</li> <li>• Sustituya con 3 cepillos/almohadillas de igual grosor</li> </ul>

\* Si el fusible salta varias veces es necesario que un agente de servicio autorizado revise la máquina.





### R48/HD Handle Assembly

Drawing Number: 09-1047-0000

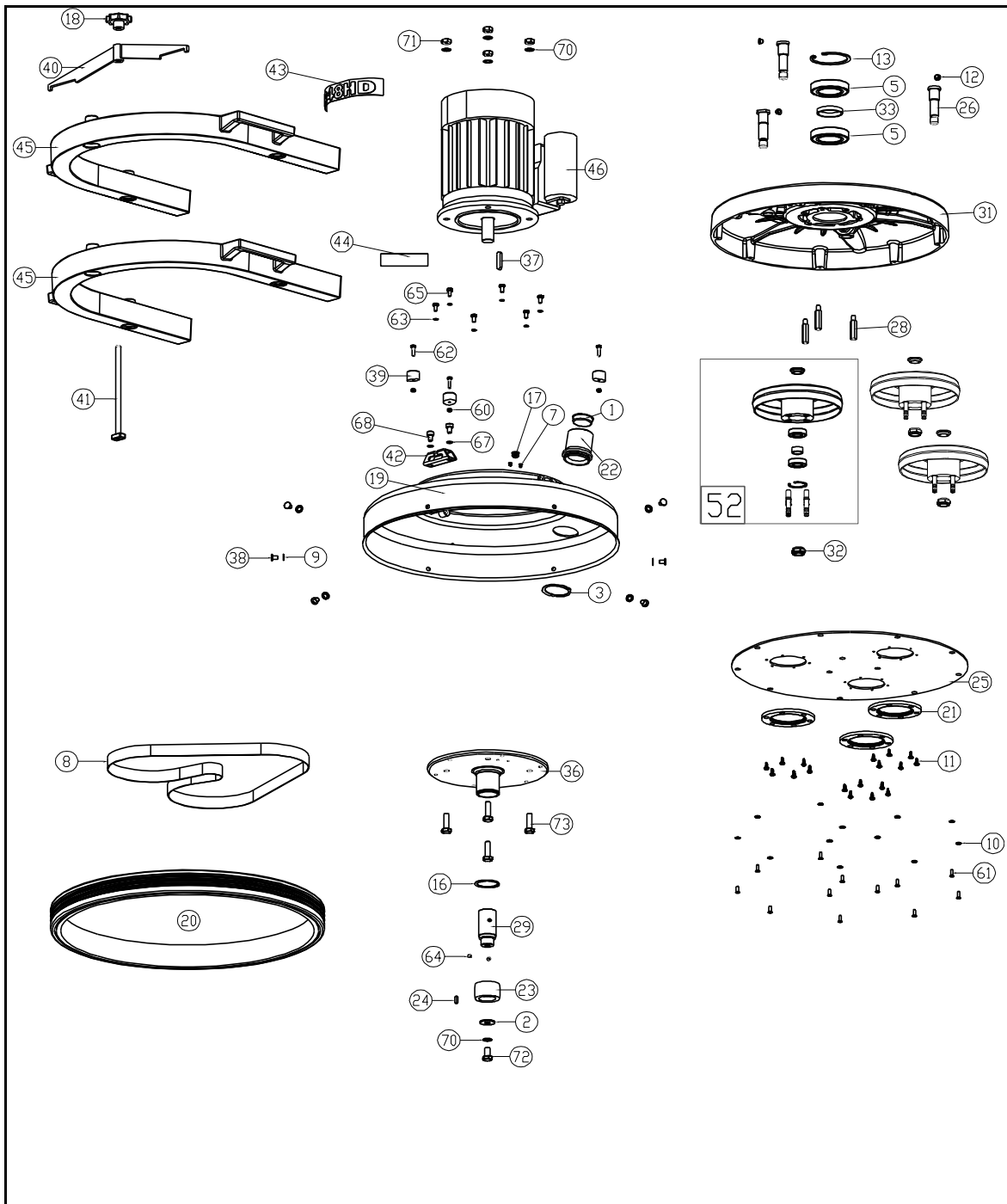
Date:	04/02/2009		
Machine:	R48/HD		
Reference Parts List:	05-4496-0000		
Modified By:	G SECHERE	DESCRIPTION OF CHANGE	ECN #
Revision:	B	COMPONENTS CHANGE	N/A

## R48/HD Handle Assembly

Part Reference: 05-4496-0000

Date:	04/02/2009		
Machine:	R48/HD		
Reference Drawing Number:	09-1047-0000		
Modified By:	G SECHERE	DESCRIPTION OF CHANGE	ECN #
Revision:	B	COMPONENTS CHANGE	N/A

Ref. No.	Part No.	Part Description	Qty
<b>CORE COMPONENTS</b>			
1	02-3950-0000	3/4 in EXTERNAL CIRCLIP	1
2	02-4065-0000	SLEEVING 2MM CLEAR	4"
3	02-4175-0000	HANDLE GRIP	2
4	02-4176-0000	GROMMET	1
5	02-4186-0000	CABLE GLAND	1
6	02-4311-0000	PENNY WASHER	1
7	02-4149-0000	TYRAP - SMALL (BI) *NOT SOWHN*	7
8	02-3702-0000	SLEEVING FOR CABLE (10/13AMP) *NOT SHOWN*	40"
10	03-6185-0000	EARTH POINT LABEL	1
11	03-6953-0000	LOCKING HANDLE	1
13	03-6957-0000	PIVOT	1
14	03-7281-0000	LEVER	1
16	03-7298-0000	SWITCH CAM LEVER	1
17	03-7300-1000	HANDLE BOX (FRONT & REAR SET)	1
19	03-7433-0000	CAM FOLLOWERS	1
20	03-7434-0000	SPRING	1
21	03-7435-0000	REVERSE SWITCH CAMS	1
22	03-7660-0000	CABLE HOOK	1
23	03-8005-0000	CR / RHD COMMON HANDLE FRAME	1
29	02-4026-0000	P CLIP (DROPLEAD)	1
30	02-4219-0000	P CLIP (MAINS CABLE)	1
31	04-3416-0000	SUPPRESSOR RF 0.47UF	1
33	04-3576-0000	CRIMP TERMINAL PRE-INSULATED *NOT SHOWN*	5
32	04-3480-0000	TERMINAL (FORK) *NOT SHOWN*	2
34	04-3481-0000	TERMINAL (SPRING SPADE) *NOT SHOWN*	4
35	04-3602-0000	TERMINAL (RING) *NOT SHOWN*	2
36	04-3681-0000	MAINS CABLE 1.5MM SQ GREY PVC 3 CORE	600"
37	04-3686-0000	SWITCH (MOMENTARY)	1
38	04-3809-0000	SWITCH (CAM OPERATED)	1
43	04-3553-0000	CABLE 2.5MM 14AWG BLACK *NOT SHOWN* (DROPLEAD)	158"
44	04-3556-0000	CABLE 2.5MM 14AWG BLUE *NOT SHOWN* (DROPLEAD)	79"
45	04-3558-0000	CABLE 2.5MM 14AWG BROWN *NOT SHOWN* (DROPLEAD)	79"
46	04-3559-0000	CABLE 2.5MM 14AWG GREEN/YELLOW *NOT SHOWN* (DROPLEAD)	79"
47	04-3552-0000	CABLE 2.5MM 14AWG RED *NOT SHOWN* (DROPLEAD)	79"
48	04-0299-0000	PLUG (UK) *NOT SHOWN*	1
48	04-3030-0000	PLUG (EURO) *NOT SHOWN*	1
48	04-3156-0000	PLUG (110V PLUG) *NOT SHOWN*	1
48	04-3563-0000	PLUG (3-PHASE GERMAN LEGRAND 05) *NOT SHOWN*	1
<b>FASTENERS</b>			
50	00-0500-0503	M5 PLAIN WASHER	4
51	00-0500-0723	M5 NYLOC NUT	2
52	00-0510-0171	M5 x 10 SOCKET SET SCREW	1
53	00-0512-0013	M5 X 12 POZI PAN HEAD SCREW	6
54	00-0540-0013	SCREW, M5 X 40 PAN HEAD	1
55	00-1000-0703	M10 FULL NUT	1
56	00-0400-0523	M4 SHAKEPROOF WASHER	2
57	00-0410-0023	M410 POZI PAN HEAD	2
58	00-0400-0703	M4 FULL NUT	2
59	00-0308-0013	M3x8 POZI PAN HD SCREW	1
61	00-0300-0503	M3 PLAIN WASHER	1
62	00-0500-0507	M5 BRASS WASHER	3
63	00-0500-0703	M5 FULL NUT	2
64	00-0500-0713	M5 LOCK NUT	1
65	00-0500-0521	M5 SHAKEPROOF WASHER Z/P	1
66	00-1000-0523	M10 SHAKEPROOF WASHER	1
67	00-0520-0013	M5x20 POZI PAN HD SCREW	1
68	00-0518-0013	M5 X 12 POZI PAN HEAD SCREW	1



### R48/HD Head Assembly

Drawing Number: 09-1072-0000

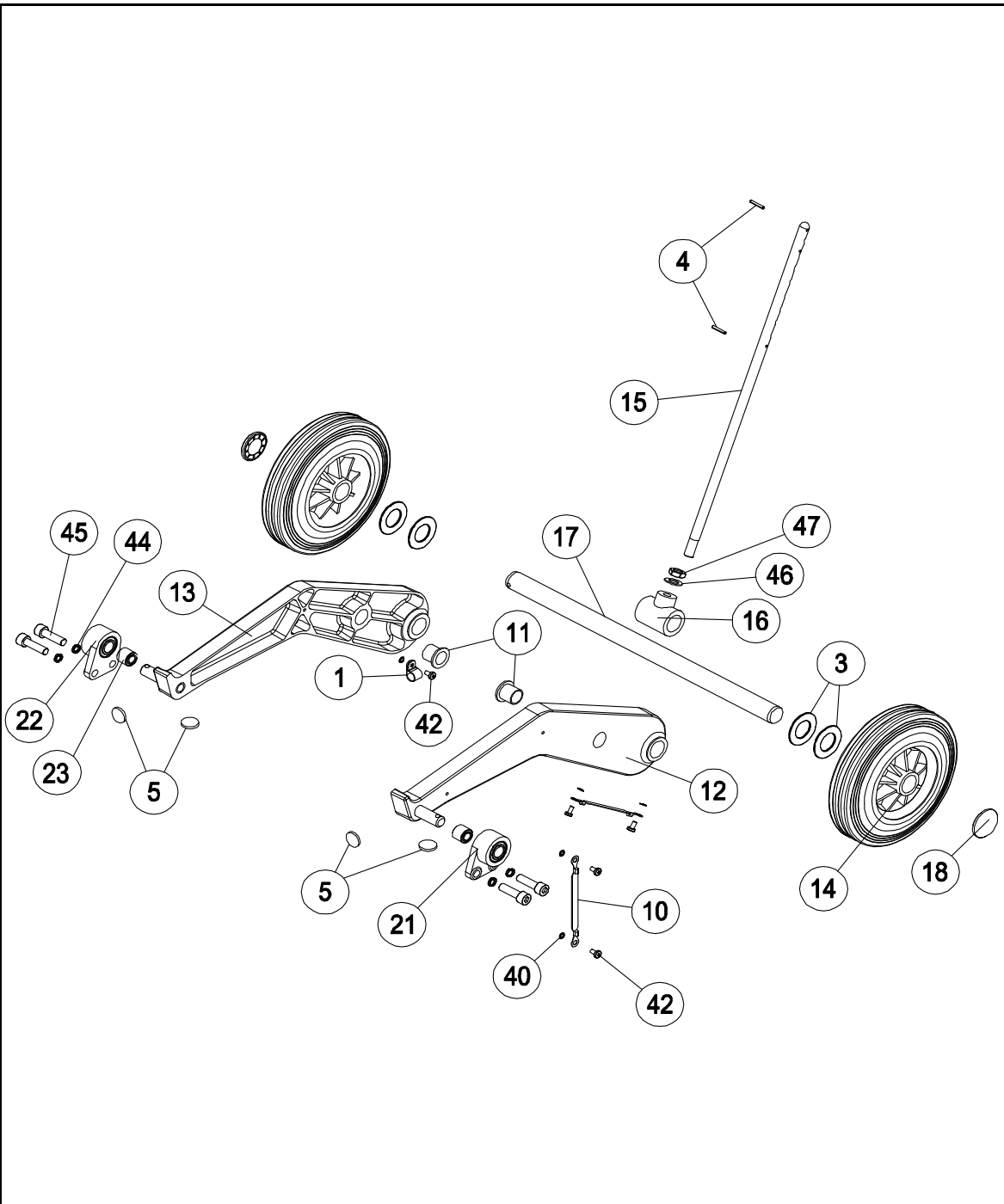
Date:	04/02/2009		
Machine:	R48/HD		
Reference Parts List:	05-3917-0000		
Modified By:	G SECHERE	DESCRIPTION OF CHANGE	ECN #
Revision:	B	COMPONENTS CHANGE	N/A

## R48/HD Head Assembly

**Part Reference: 05-3917-0000**

Date:	04/02/2009		
Machines:	R48/HD		
Reference Drawing Number:	09-1072-0000		
Approved By:	G SECHERE	DESCRIPTION OF CHANGE	ECN #
Revision:	B	COMPONENTS CHANGE	N/A

Ref. No.	Part No.	Part Description	Qty
<b>CORE COMPONENTS</b>			
1	02-4587-0000	VAC TUBE PLUG	1
2	02-4335-0000	M10 WASHER	1
3	02-4184-0000	CIRCLIP 46.5 ID (VACUUM OUTLET)	1
4	02-4025-0000	M5 SPLINED LARGE FLANGE *NOT SHOWN*	1
5	02-4020-0000	BEARING 6009-2RS	2
7	02-4035-0000	POP RIVET (HOLE BLANKING)	2
8	02-4191-0000	BELT - NITTA 1465x25 (BLUE POLY)	1
9	02-4085-0000	STARLOCK WASHER 8mm	6
10	02-4320-0000	BRASS CUP WASHER No8	12
11	02-4323-0000	SELF TAP No10x12 POZI PAN HD ST/ST	18
12	02-4381-0000	PLASTIC INSERT (REF 12157)	3
13	02-4380-0000	CIRCLIP INTERNAL 1300 - 75mm	1
16	02-4024-0000	CIRCLIP EXTERNAL	1
17	02-4161-0000	HOLE PLUG	1
18	02-4447-0000	CLAMP KNOB	1
19	03-6972-0000	BUMPER SHIELD	1
20	03-7278-1000	BUMPER RUBBER	63.5"
21	03-6910-0000	DUST SEAL	3
22	03-8090-0000	2" O/D VACUUM OUTLET	1
23	03-6927-0000	MOTOR PULLEY NOM DIA 50mm	1
24	03-6931-0000	KEY 3/16 x 3/16 x 5/8	1
25	03-6940-0000	BOTTOM COVER PLATE	1
26	03-7331-0000	BRUSH SPINDLE - NO WATER	3
28	03-6946-0000	BOTTOM COVER SPACER	3
29	03-6968-0000	MOTOR SHAFT EXTENSION	1
31	03-6962-0000	EDU BOWL (BLUE) CR48	1
32	03-7220-0000	M16 NYLOC NUT (M'C'D)	3
33	03-7284-0000	CENTRE BEARING SPACER	1
36	03-6971-0000	SPIGOT PLATE	1
37	03-7008-0000	SPECIAL KEYBAR	1
38	03-6967-0000	HD SKIRT PIN	6
39	03-6969-0000	WEIGHT LOCATOR	3
40	03-7714-0000	WEIGHT CLAMP BAR	1
41	03-7715-0000	WEIGHT CLAMP BOLT	1
42	03-7716-0000	WEIGHT CLAMP BRACKET	1
43	03-6806-0000	DECAL - R48 HD	1
44	03-7944-0000	DECAL - CIMEX FROM TRUVOX *NOT SHOWN*	1
45	03-7004-0000	BALLAST WEIGHT	2
46	04-3852-0000	MOTOR 230V 50Hz 1.5kW 4 POLE	1
47	04-3602-0000	TERMINAL (RING) *NOT SHOWN*	6
52	05-4546-0000	R48HD PULLEY ASSEMBLY	3
53	72470A	HEAT SHRINK TUBING	12"
<b>FASTENERS</b>			
60	00-0500-0723	M5 NYLOC NUT ST/ST	3
61	00-0512-0033	M5x12 COUNTERSUNK SCREW ST/ST	12
62	00-0520-0013	M5x20 POZI PAN HD SCREW ST/ST	3
63	00-0600-0523	M6 INT SHAKEPROOF WASHER ST/ST	6
64	00-0606-0171	M6x6 GRUB SCREW SOCKET HD	2
65	00-0612-0113	M6 x 12 HEX HD BOLT ST/ST	6
67	00-0800-0523	M8 INT SHAKEPROOF WASHER ST/ST	2
68	00-0812-0093	M8 x 12 CAP HD SCREW ST/ST	2
70	00-1000-0523	M10 INTERNAL SHAKEPROOF WASHER	5
71	00-1000-0703	M10 LOCK NUT ST/ST	4
72	00-1020-0123	M10x20 BOLT S/S	1
73	00-1035-0111	M10x35 BOLT Z/P	4



### R48/HD Chassis Assembly

Drawing Number: 09-1064-0000

Date:	04/02/2009		
Machine:	R48/HD		
Reference Parts List:	05-4479-0000		
Modified By:	G SECHERE	DESCRIPTION OF CHANGE	ECN #
Revision:	B	COMPONENTS CHANGE	N/A

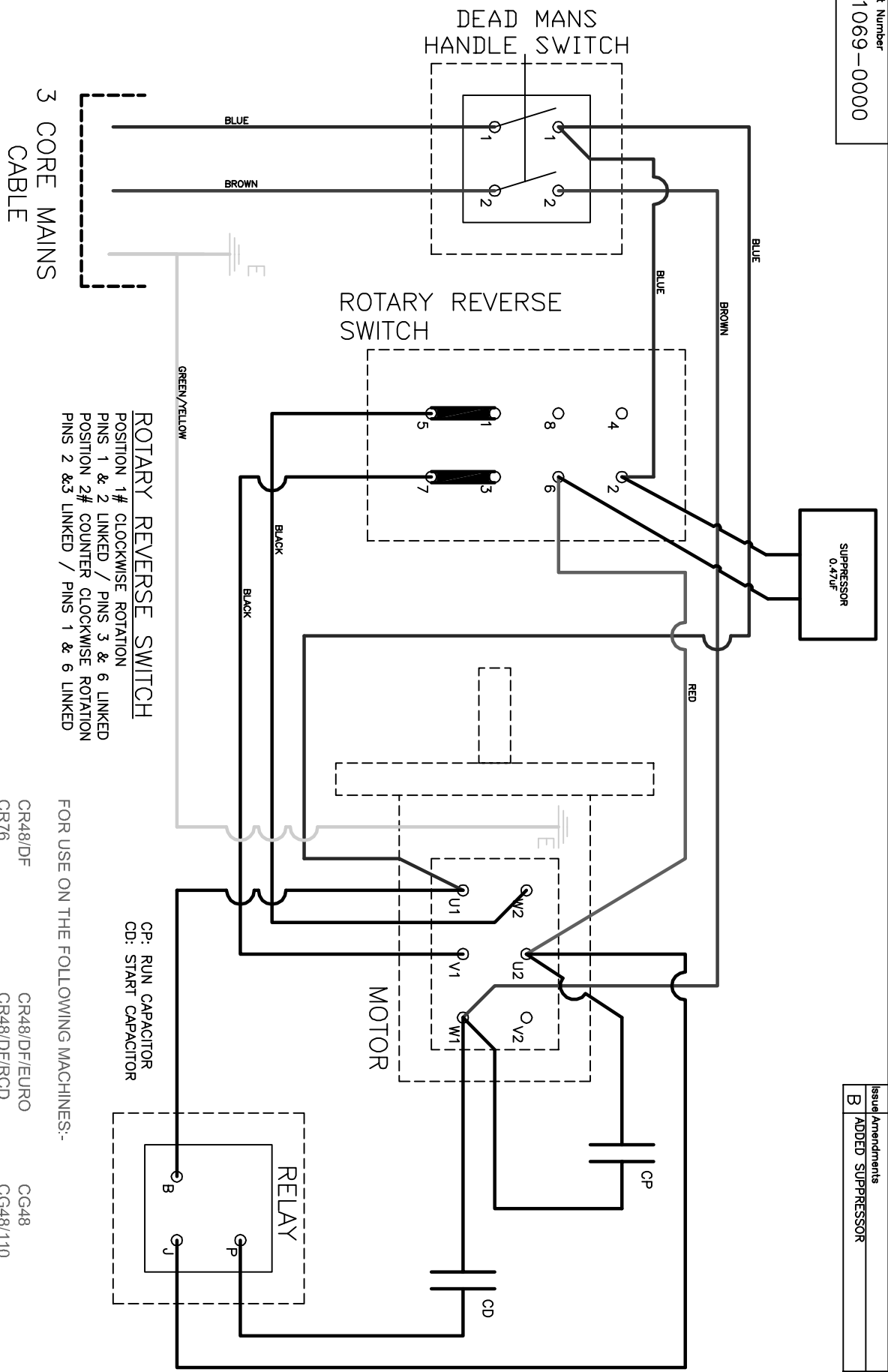


## R48/HD Chassis Assembly

**05-4479-0000**

Date:	04/02/2009		
Machine:	R48/HD		
Reference Drawing Number:	09-1064-0000		
Approved By:	G SECHERE	DESCRIPTION OF CHANGE	ECN #
Revision:	B	COMPONENTS CHANGE	N/A

Ref. No.	Part No.	Part Description	Qty
<b>CORE COMPONENTS</b>			
1	02-4448-0000	P CLIP	1
3	02-4363-0000	WASHER (USED AS WHEEL SPA CEP SUBJECT TO QTY CHANGE)	4
4	02-4208-0000	SELLOCK PIN 1/8x7/8	2
5	02-4187-0000	BUFFER RUBBER 19mm x 1.5mm	4
10	03-6899-0000	EARTH LEAD (WITH INTEGRAL TERMS)	2
11	03-6919-0000	FORK HANDLE BUSH (BLACK)	2
12	03-8175-0000	CR48 SOLID LIFTING FORK (L/H)	1
13	03-8176-0000	CR48 SOLID LIFTING FORK (R/H)	1
14	03-7277-0000	WHEEL 200mm DIA	2
15	03-7279-0000	SWIVEL CLAMP ROD	1
16	03-7306-0000	TEE PIECE	1
17	03-7308-0000	AXLE - CR48,CR61	1
18	03-7658-0000	STARLOCK HUB CAP	2
20	04-3688-0000	20mm CONDUIT *NOT SHOWN*	43"
21	03-6925-0000	PIVOT BLOCK (L/H)	1
22	03-6926-0000	PIVOT BLOCK (R/H)	1
23	03-6929-0000	SILENT BEARING	2
<b>FASTENERS</b>			
40	00-0500-0521	M5 INTERNAL SHAKEPROOF WASHER	5
42	00-0512-0013	M5x12 POZI PAN HEAD SCREW ST/ST	5
44	7CL003	M10 SPRING WASHER ST/ST	4
45	00-1030-0103	M10x30 CAP HD SCREW ST/ST	4
46	00-1200-0503	M12 WASHER FORM B ST/ST	1
47	00-1200-0713	M12 LOCKNUT ST/ST	1



**ROTARY REVERSE SWITCH**  
 POSITION 1# CLOCKWISE ROTATION  
 PINS 1 & 2 LINKED / PINS 3 & 6 LINKED  
 POSITION 2# COUNTER CLOCKWISE ROTATION  
 PINS 2 & 3 LINKED / PINS 1 & 6 LINKED

FOR USE ON THE FOLLOWING MACHINES:-

- |                 |              |                |
|-----------------|--------------|----------------|
| CR48/DF         | CR48/DF/EURO | CG48           |
| CR76            | CR48/DF/RCD  | CG48/110       |
| CR76/EURO       | R48/HD       | CG48/110/50-60 |
| R48/HD/220      | R48/HD/EURO  | CG48/EURO      |
| R48/HD/R/230/50 | RHD76        | CG48/EURO/60   |
| RHD76/EURO      | RHD76/110/50 | R48/HD/110/50  |

CP: RUN CAPACITOR  
 CD: START CAPACITOR

				Material Finish Scale N.T.S.	
DIMENSIONS IN MILLIMETRES DO NOT SCALE DRAWING ©COPYRIGHT		General Tolerance ±0.25		Title (CIMEX) WIRING DIAGRAM WITH LEROY SOMER MOTOR	
Drawn S JONES		Checked G.SECHERE		Date 02.04.09	
Drawing/Part Number 09-1069-0000		Drawing/Part Number 09-1069-0000			
RED ON MASTER					



**Authorised dealer:**