



Internal Use Only

<http://biz.lgservice.com>

# Multi Air Conditioner

## SVC MANUAL(Exploded View)

Model : AMNW18GD8R1(LMAN185HVT)

### CAUTION

Before Servicing the unit, read the safety precautions in Standard SVC manual.  
Only for authorized service personnel.

# 1. Specification

Indoor unit type			ART COOL Mirror
Model			AMNW18GD8R1[LMAN185HVT]
Power Supply	Ø / V / Hz		1/ 208~230/ 60
Capacity(*)	Btu/h class		18,000
Current	Running Current	A	0.15
Fan	Motor Type		BLDC
	Fan Type		Cross Flow Fan
	Motor Output(W) x No. of Unit		25.6 x 1
	Air Flow Rate (H / M / L)	CMM	12.6/11.5/10
		CFM	445/406/353
	External Static Pressure	mmAq	-
	Capacitor	µF / Vac	-
Drive		Direct Drive	
Coil	Row x Column x FPI		2Rx15Cx20
Dimensions (W x H x D)	Body	mm(inch)	1,107 x 299 x 200 (43 9/16 x 12 x 7 7/8)
	Decorative Panel	mm(inch)	-
Net Weight	Body	kg (lbs)	14.1(31.09)
	Decorative Panel	kg (lbs)	-
Air Filter			Long life filter
Sound Level (H / M / L)		dB(A)+3	39/37/35
Piping	Liquid	mm (inch)	6.35 (1/4)
Connections	Gas	mm (inch)	12.7 (1/2)
	Drain(OD/ID)	mm(inch)	20/16 (0.787/0.630)
Dehumidification Rate		l/h	2
Safety Devices			Fuse, Thermal Protector for Fan Motor
Temperature Sensor			Thermistor
Refrigerant			R410A
Refrigerant Control			EEV(in Outdoor unit)
Transmission Interunit Cable		No. x AWG	4X18(Including Earth)

**Note:**

1. Capacities are based on the following conditions:

- Cooling: - Indoor Temperature 26.7°C(80°F) DB/19.4°C(67°F)
- Outdoor Temperature 35°C(95°F) DB/23.9°C(75°F)
- Heating: - Indoor Temperature 21.1°C(70°F) DB/15.6°C(60°F) WB
- Outdoor Temperature 8.3°C(47°F) DB/6.1°C(43°F) WB
- Piping Length - Interconnecting Piping Length 7.5m(24.6 ft.)
- Level Difference of Zero

Conversion Formula
kW = Btu/h class X 0.0002931
cfm = CMM x 35.3

- 2. Wiring cable size must comply with the applicable local and national code.
- 3. The specification may be subject to change without prior notice for purpose of improvement.
- 4. For more Capacity(\*),refer to the combination table

## 2. List of Functions

Category	Function	AMNW18GD8R1[LMAN185HVT]
Air flow	Air supply outlet	1
	Airflow direction control(left & right)	Auto
	Airflow direction control(up & down)	Auto
	Auto swing(left & right)	O
	Auto swing(up & down)	X
	Airflow steps(fan / cool / heat)	3 / 4 / 3
	Chaos swing	O
	Chaos wind(auto wind)	O
	Jet cool(Power wind)	O
	Swirl wind	X
Air purifying	Deodorizing filter	O
	Plasma air purifier	O
	Pre-filter(washable / anti-fungus)	O
Installation	Drain pump	-
	E.S.P. control	-
	Electric heater(operation)	-
	High ceiling operation	-
Reliability	Hot start	O
	Self diagnosis	O
	Soft dry operation	O
Convenience	Auto changeover	X
	Auto cleaning	O
	Auto operation(artificial intelligence)	O
	Auto restart operation	O
	Child lock	-
	Energy-Saving Cooling Mode	X
	Forced operation	O
	Group control	-
	Sleep mode	O
	Timer(on/off)	O
Timer(weekly)	-	
Individual control	Two thermistor control	-
	Wide wired remote controller	O (PQRCUSA0)
	Deluxe wired remote controller	-
	Simple wired remote controller	O (PQRCUCA0)
	Simple wired remote controller(for hotel use)	-
	Wireless remote controller(simple)	X
	Wireless LCD remote control	X
Wireless LCD remote control(Ez)	O	
CAC network function	General central controller (Non LGAP)	X
	Dry contact	Accessory(PQDSB)
	Central control(LGAP)	X
	PDI(power distribution indicator)	X
Special function kit	PI 485	X
	CTIE	X
Others	Zone control	-
	Thermistor	-

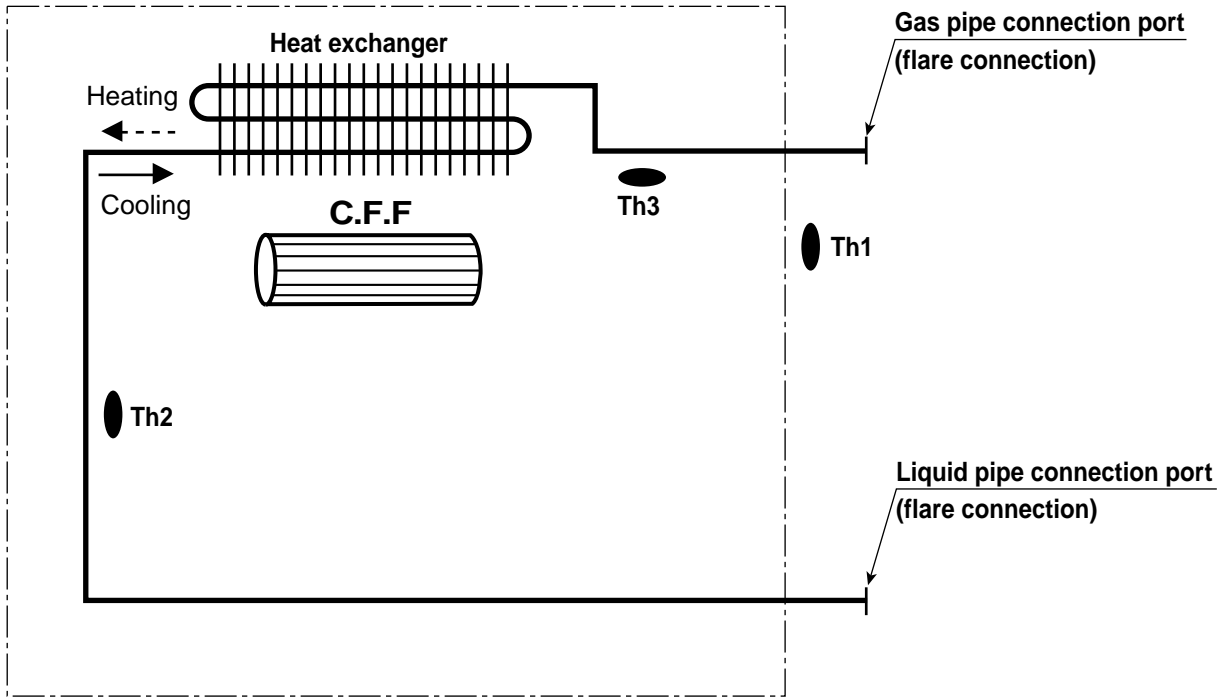
### Note :

O : Applied, X : Not applied, - : No relation

Option: Model name & price are different according to options, and assembled in factory with main unit.

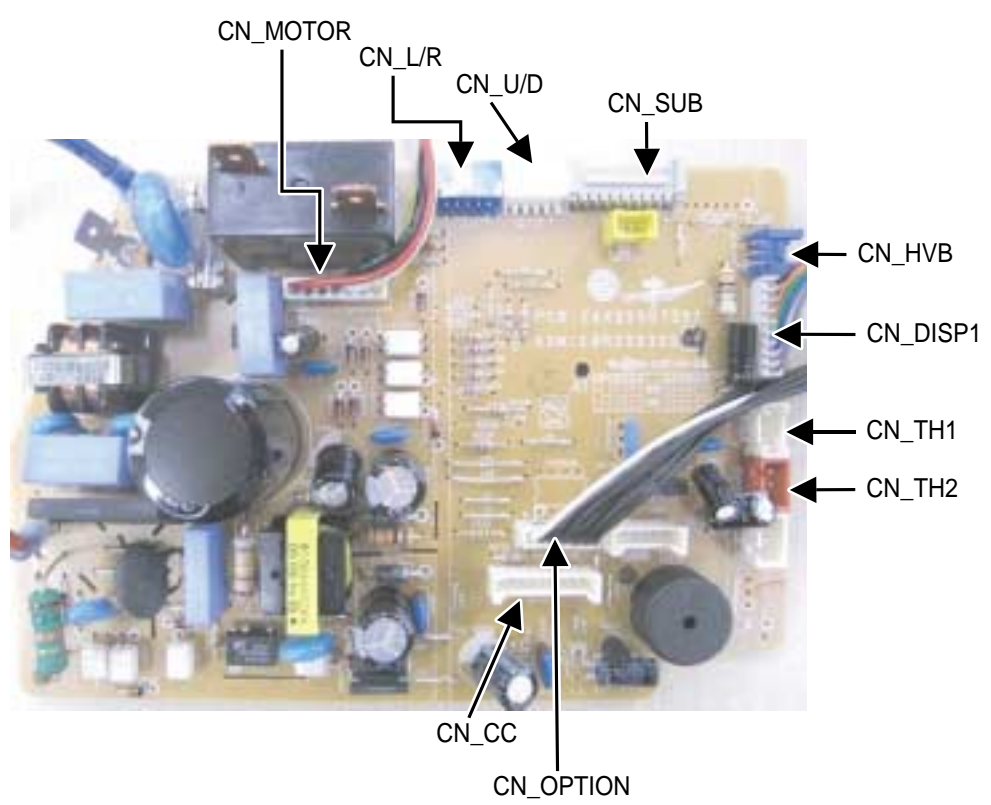
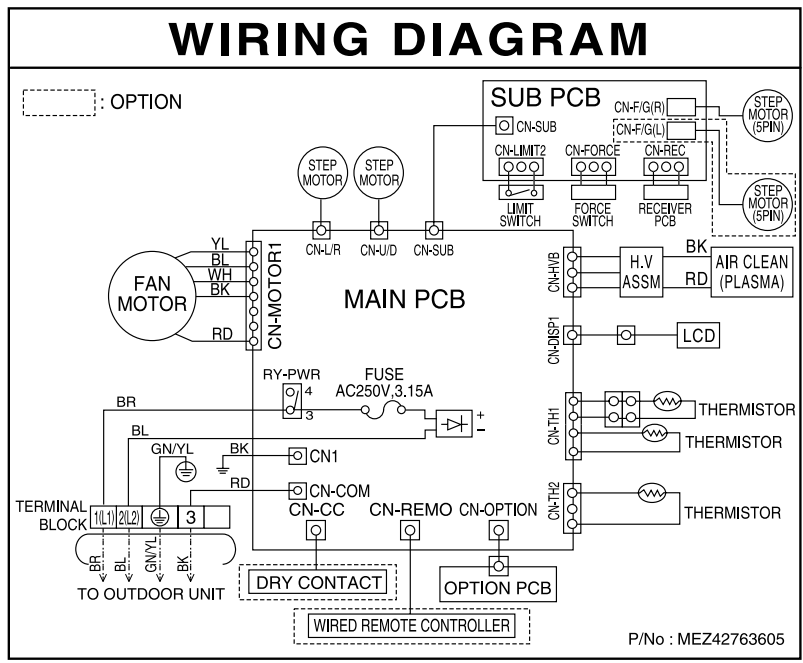
Accessory: Installed at field, ordered and purchased separately by the corresponding model name, supplied with separate package.

### 3. Piping Diagrams



LOC.	Description	PCB Connector
Th1	Thermistor for Inlet air temperature	CN_TH1
Th2	Thermistor for Liquid line temperature	CN_TH1
Th3	Thermistor for Gas line temperature	CH_TH2

# 4. Wiring Diagrams







P/NO : MFL61777621

OCTOBER, 2009