

Network Equipment Racks & Accessories

Eaton offers two-post, four-post, fixed wall mount, swing gate wall mount, and seismic zone 4 open frame racks and accessories to support networking equipment and cabling for enterprise data centers, colocation providers and network closets.

- Two-post racks - designed to meet a variety of application requirements.
- Two-post seismic racks - for areas where shock and vibration are a factor and is tested to NEBS GR-63-Core Seismic Zone 4 standards and rated for 900 lbs. of equipment.
- Four-post racks - adjustable depth four-post rack offerings address these needs while also accommodating other Eaton equipment and cable management accessories.

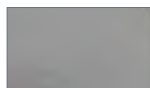
Material:	Type	Thickness	Specifications
	Steel Bar	3/8" (9.5mm) - 7 Gauge (4.5mm)	ASTM A36
	Steel Sheet & Strip	10 Gauge (3.4mm) - 18 Gauge (1.2mm)	ASTM A569
	Aluminum		5052-H32, 6061-T6 & 6063-T6

Finishes:

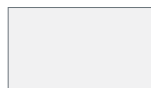
- Brushed Aluminum (AL)
- Powder Coat Paint
 - Flat Black (FB)
 - Telco Gray (TG)
 - Eaton White (EW)
 - Silver (SL)
- Chemical Conversion Coatings Available
 - Yellow Zinc (YZ) . . . ASTM B633
 - Black Zinc (BZ) . . . ASTM B633



(AL)
Brushed
Aluminum



(TG)
Telco Gray



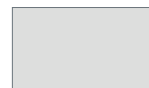
(EW)
Eaton White



(FB)
Flat Black
&
(BZ)
Black Zinc



(YZ)
Yellow Zinc



(SL)
Silver

Standard Conformance:

- EIA/ECA-310-E
- UL Listed Communication Circuit Accessory (file no. E171936)
- Audio/Video, Information and Communication Technology Equipment Cabinet, Enclosure and Rack Systems

Two-Post Network Equipment Rack 3" Uprights, 19" & 23" Panel Mounting, Customer Premise

	Dimensions			
	19" (482mm) Rack Width		23" (594mm) Rack Width	
	In.	(mm)	In.	(mm)
'A' Overall Height	36" - 108"	(914 - 2743)	36" - 108"	(914 - 2743)
'B' Overall Width	20 ⁵ / ₁₆ "	(516)	24 ⁵ / ₁₆ "	(617)
'C' Panel Mounting	18 ⁵ / ₁₆ "	(465)	22 ⁵ / ₁₆ "	(567)
'D' Usable Inside Width	17 ³ / ₄ "	(451)	21 ³ / ₄ "	(552)
'E' Base Anchor Spacing	16"	(406)	20"	(508)

Universal Spacing [⁵/₈" (16mm), ⁵/₈" (16mm), ¹/₂" (13mm)]

Part Number	'A' Height		'F' Spacing		Mounting Spaces	Shipping Weight	
	In.	(mm)	In.	(mm)		Lbs.	(kg)
19" (482mm) Rack Width							
SB556036XU__	36"	(914)	6"	(152)	17	22.0	(10.0)
SB556048XU__	48"	(1219)	3 ⁷ / ₁₆ "	(87)	24	24.0	(10.9)
SB556072XU__	72"	(1829)	27 ⁷ / ₁₆ "	(697)	38	27.5	(12.5)
SB556084XU__	84"	(2133)	39 ⁷ / ₁₆ "	(1001)	45	30.0	(13.6)
SB556096XU__	96"	(2438)	51 ⁷ / ₁₆ "	(1306)	51	31.5	(14.3)
SB556108XU__	108"	(2743)	54 ³ / ₁₆ "	(1376)	58	33.5	(15.2)
23" (584mm) Rack Width							
SB558036XU__	36"	(914)	6"	(152)	17	24.5	(11.1)
SB558048XU__	48"	(1219)	3 ⁷ / ₁₆ "	(87)	24	26.5	(12.0)
SB558072XU__	72"	(1829)	27 ⁷ / ₁₆ "	(697)	38	30.0	(13.6)
SB558084XU__	84"	(2133)	39 ⁷ / ₁₆ "	(1001)	45	32.0	(14.5)
SB558096XU__	96"	(2438)	51 ⁷ / ₁₆ "	(1306)	51	34.0	(15.4)
SB558108XU__	108"	(2743)	54 ³ / ₁₆ "	(1376)	58	36.0	(16.3)

Specify part number and finish when ordering.

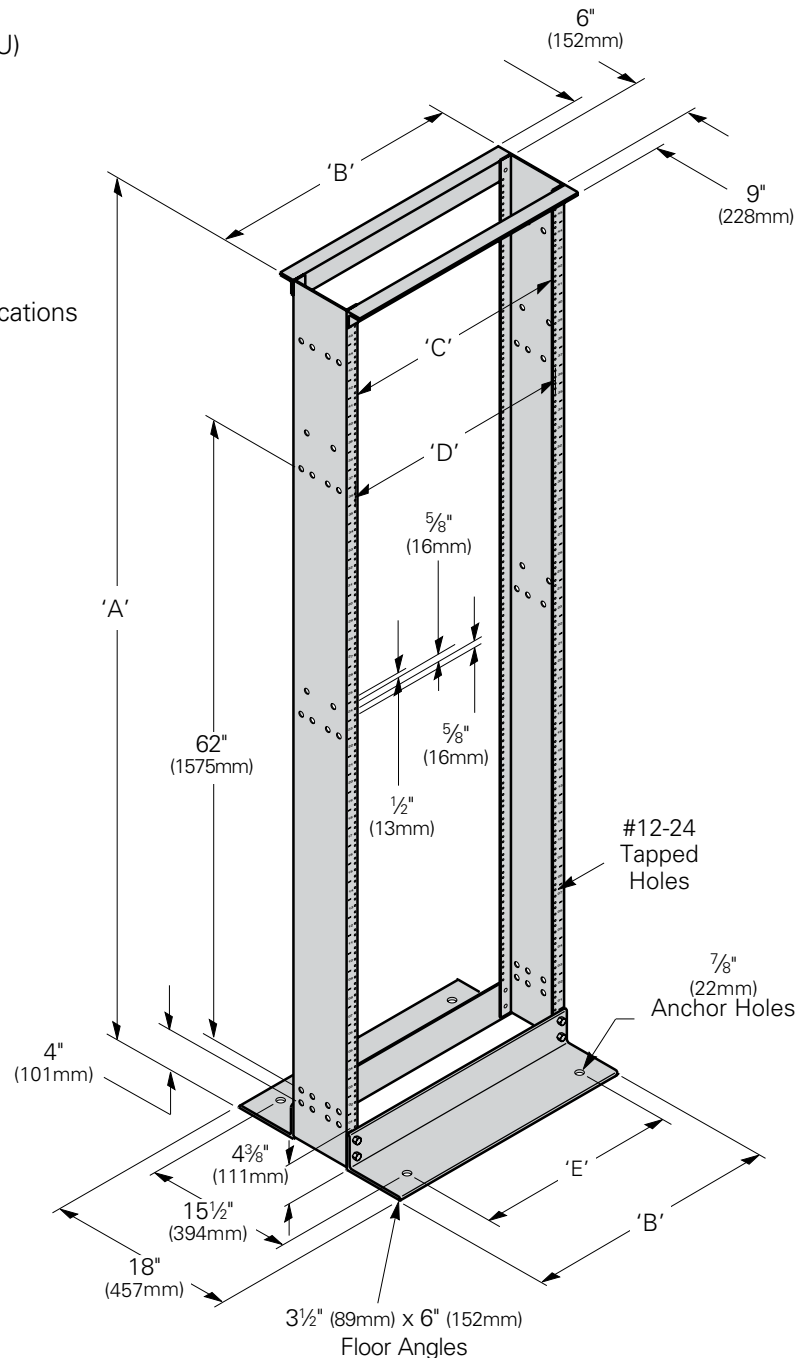
Network Equipment Racks & Accessories

Two-Post Rack

Two-Post Network Equipment Rack 6" Uprights, 19" & 23" Panel Mounting, Customer Premise

- Double sided universal [$\frac{5}{8}$ " (16mm), $\frac{5}{8}$ " (16mm), $\frac{1}{2}$ " (13mm)] mounting spacing
- #12-24 panel mounting holes
- Conformance to EIA/ECA-310-E
- Load Rating: 1200 lbs. (544kg) weight capacity when evenly distributed along the height of the rack
- Twin $1\frac{1}{2}$ " (38mm) x $1\frac{1}{4}$ " (32mm) top angles for rigidity
- Tapped assembly holes eliminate the need for nuts and simplifies assembly and squaring
- Permanently stamped rack mount unit (RMU) markings included
- Packaged unassembled in protective carton suitable for parcel shipment
- Assembles in about ten (10) minutes using standard hand tools
- Includes thirty (30) dog point combo head (Phillips and flat blade) mounting screws
- UL Listed (File No. E171936) as a communications circuit accessory
- Material: Aluminum uprights with steel top/bottom angles
- See SB588A page 44 for anchor kits
- Finish ____: Aluminum - brushed (AL) uprights with silver powder coated top & bottom angles
Flat black powder coat (FB)
Telco gray powder coat (TG)
Other finishes are available upon request

Network equipment racks & accessories



Two-Post Network Equipment Rack
6" Uprights, 19" & 23" Panel Mounting, Customer Premise

Universal Spacing

[$\frac{5}{8}$ " (16mm), $\frac{5}{8}$ " (16mm), $\frac{1}{2}$ " (13mm)]

Description	Dimensions			
	19" (482mm) Rack Width In.	Rack Width (mm)	23" (594mm) Rack Width In.	Rack Width (mm)
'A' Overall Height	84"	(2133)	84"	(2133)
'B' Overall Width	20 $\frac{5}{16}$ "	(516)	24 $\frac{5}{16}$ "	(617)
'C' Panel Mounting	18 $\frac{5}{16}$ "	(465)	22 $\frac{5}{16}$ "	(567)
'D' Usable Inside Width	17 $\frac{3}{4}$ "	(451)	21 $\frac{3}{4}$ "	(552)
'E' Base Anchor Spacing	16"	(406)	20"	(508)

Part Number	Rack Width		Mounting Spaces	Shipping Weight	
	In.	(mm)		Lbs.	(kg)
SB55608419U6__	19"	(482)	45	33	(14.9)
SB55608423U6__	23"	(584)	45	37	(16.8)

Specify part number and finish when ordering.

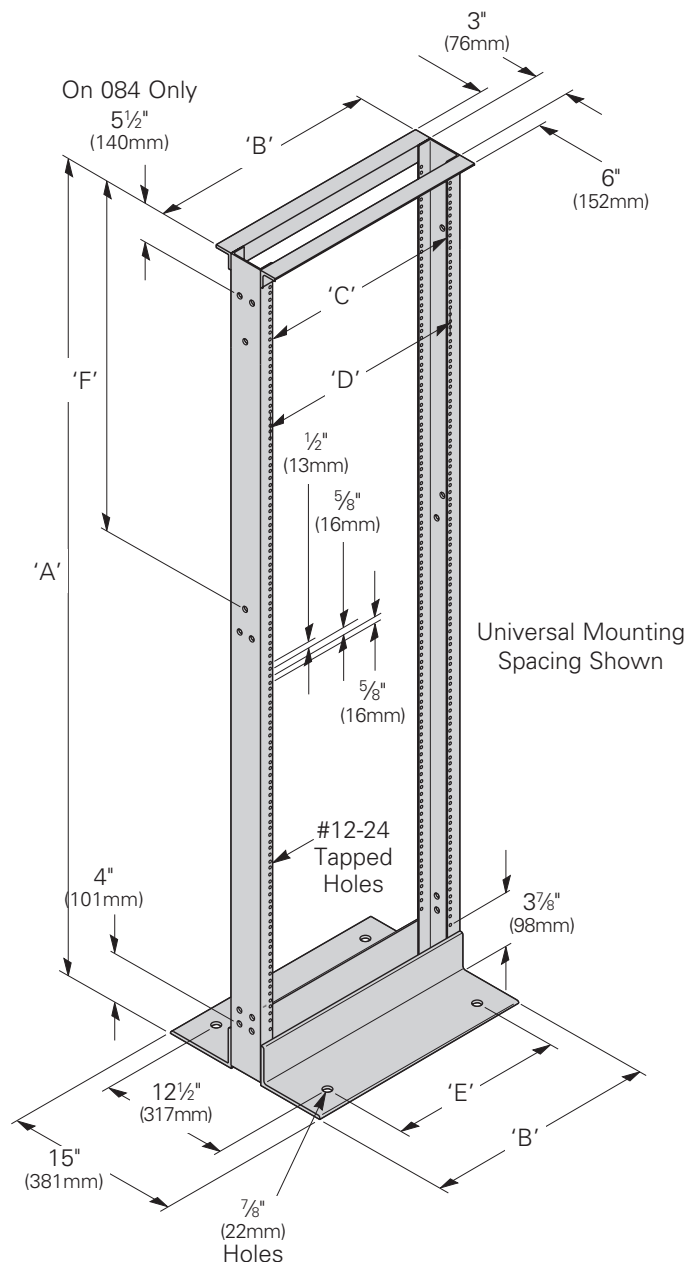
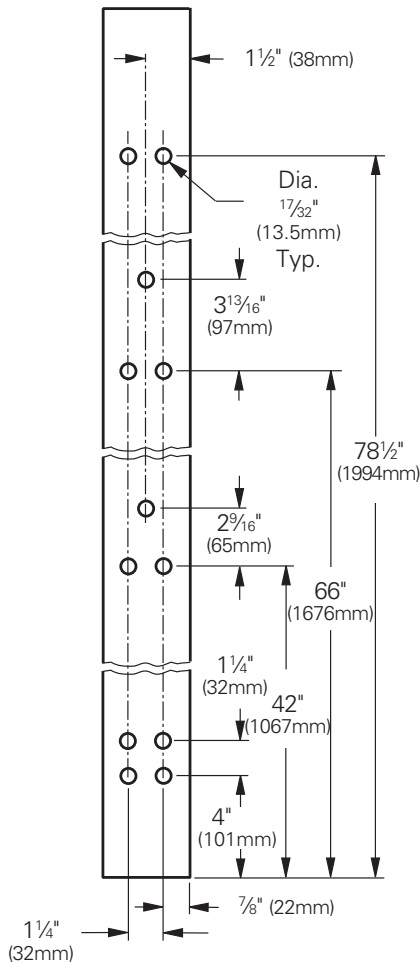
Network Equipment Racks & Accessories

Two-Post Rack

Two-Post Network Equipment Rack 19" & 23" Panel Mounting, Welded Steel

- #12-24 panel mounting holes
- Conformance to EIA/ECA-310-E
- Load Rating: 1200 lbs. (544kg) weight capacity when evenly distributed along the height of the rack
- Double sided universal mounting spacing [$\frac{5}{8}$ " (16mm), $\frac{5}{8}$ " (16mm), $\frac{1}{2}$ " (13mm)]
- Twin $1\frac{1}{2}$ " (38mm) x $1\frac{1}{4}$ " (32mm) top angles for rigidity
- Accessory mounting holes provided in web and flanges of upright
- Heavy duty welded construction (shipped assembled)
- UL Listed (File No. E171936) as a communications circuit accessory
- Material: Upright - 11 Ga. (3mm) ASTM A570 structural steel
Angles - ASTM A36 structural steel
- See SB588A page 44 for anchor kits
- Finish ____: Flat black powder coat (FB)
Telco gray powder coat (TG)
Other finishes are available upon request

Junction Hole Pattern
for 84" tall rails



Network Equipment Racks & Accessories

Two-Post Rack

Two-Post Network Equipment Rack 19" & 23" Panel Mounting, Welded Steel

Universal Spacing [$\frac{5}{8}$ " (16mm), $\frac{5}{8}$ " (16mm), $\frac{1}{2}$ " (13mm)]

Description	Dimensions	
	19" (482mm) Rack Width In. (mm)	23" (594mm) Rack Width In. (mm)
'A' Overall Height	84" (2133)	84" (2133)
'B' Overall Width	20 $\frac{5}{16}$ " (516)	24 $\frac{5}{16}$ " (617)
'C' Panel Mounting	18 $\frac{5}{16}$ " (465)	22 $\frac{5}{16}$ " (567)
'D' Usable Inside Width	17 $\frac{3}{4}$ " (451)	21 $\frac{3}{4}$ " (552)
'E' Base Anchor Spacing	16" (406)	20" (508)

Part Number	'A' Height In. (mm)	'F' Spacing In. (mm)	Mounting Spaces	Shipping Weight Lbs. (kg)
19" (482mm) Rack Width				
SB506084XU ___	84" (2133)	39 $\frac{7}{16}$ " (1001)	45	82 (37.2)
23" (584mm) Rack Width				
SB508084XU ___	84" (2133)	39 $\frac{7}{16}$ " (1001)	45	91 (41.3)

Specify part number and finish when ordering.

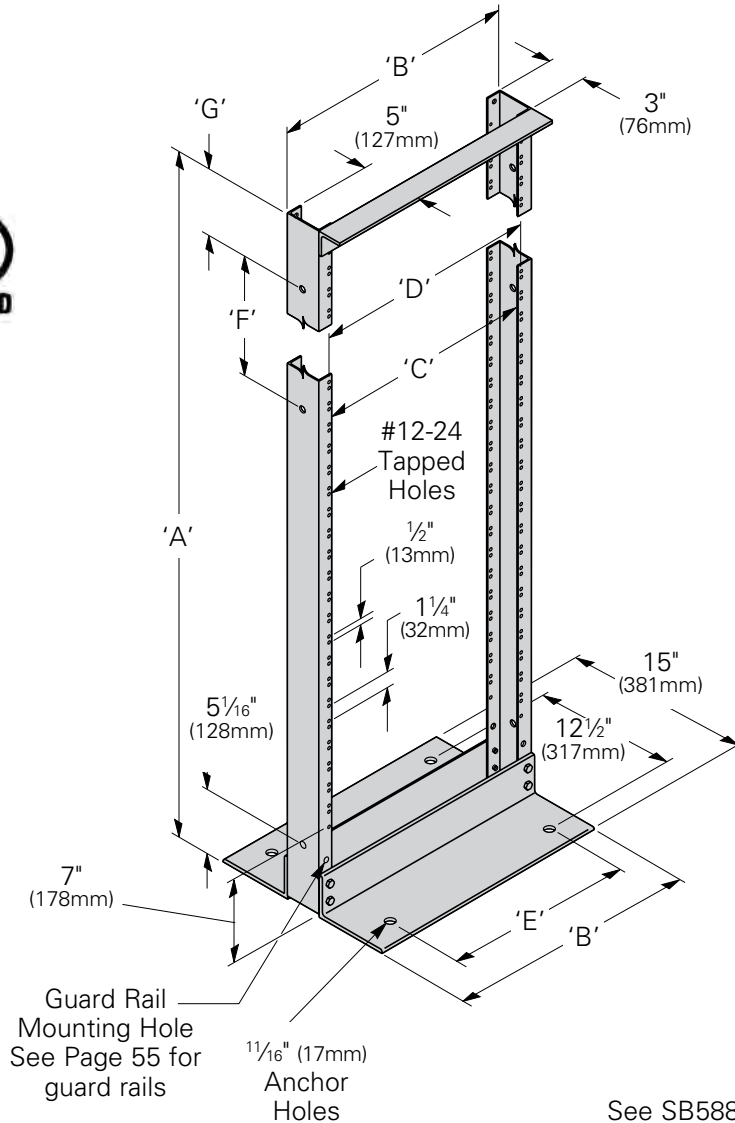
Network Equipment Racks & Accessories

Relay Rack

Self-Supporting Aluminum Relay Rack 3" Uprights, 19" & 23" Panel Mounting, Telco Style

- #12-24 panel mounting holes
- Conformance to EIA/ECA-310-E
- Double sided (1¼" (32mm), ½" (13mm)) mounting spacing
- Heavy duty 3½" (89mm) x 6" (152mm) floor angles
- Single heavy duty 2" (51mm) x 2" (51mm) top angle for pipe bracing
- Self squaring with tapped assembly holes
- UL Listed (File No. E171936) as a communications circuit accessory
- Accessory mounting holes provided in web and flanges or upright
- Material: 6061-T6 aluminum alloy
- See SB588A page 44 for anchor kits
- Finish ____: Aluminum - brushed (AL)
Telco gray powder coat (TG)
Other finishes are available upon request

Network equipment
racks & accessories



See SB588A page 44
for anchor kits

Self-Supporting Aluminum Relay Rack 3" Uprights, 19" & 23" Panel Mounting, Telco Style

Description	Dimensions			
	19" (482mm) Rack Width		23" (594mm) Rack Width	
	In.	(mm)	In.	(mm)
'A' Overall Height	72" - 140"	(1829 - 3556)	72" - 140"	(1829 - 3556)
'B' Overall Width	20 ⁵ / ₁₆ "	(516)	24 ⁵ / ₁₆ "	(617)
'C' Panel Mounting	18 ⁵ / ₁₆ "	(465)	22 ⁵ / ₁₆ "	(567)
'D' Usable Inside Width	17 ³ / ₄ "	(451)	21 ³ / ₄ "	(552)
'E' Base Anchor Spacing	16"	(406)	20"	(508)

Wide Spacing [1¹/₄" (32mm), 1¹/₂" (13mm)]

Part Number	'A' Height		'F' Spacing		'G'		Mounting Spaces	Weight	
	In.	(mm)	In.	(mm)	In.	(mm)		Lbs.	(kg)
19" (482mm) Rack Width									
SB556072__	72"	(1828)	25 ¹ / ₄ "	(641)	2 ³ / ₁₆ "	(55)	36	30.0	(13.6)
SB556084__	84"	(2133)	25 ¹ / ₄ "	(641)	14 ³ / ₁₆ "	(360)	43	33.0	(15.0)
SB556090__	90"	(2286)	39 ⁷ / ₁₆ "	(1001)	6"	(152)	46	35.0	(15.9)
SB556096__	96"	(2438)	39 ⁷ / ₁₆ "	(1001)	12"	(305)	49	36.0	(16.3)
SB556108__	108"	(2743)	48 ¹ / ₁₆ "	(1236)	5 ¹ / ₂ "	(139)	56	39.0	(17.7)
SB556138__	138"	(3505)	64 ¹ / ₁₆ "	(1643)	3 ¹ / ₂ "	(89)	73	46.0	(20.9)
SB556140__	140"	(3556)	64 ¹ / ₁₆ "	(1643)	5 ¹ / ₂ "	(139)	75	47.0	(21.3)
23" (584mm) Rack Width									
SB558072__	72"	(1828)	25 ¹ / ₄ "	(641)	2 ³ / ₁₆ "	(55)	36	34.0	(15.4)
SB558084__	84"	(2133)	25 ¹ / ₄ "	(641)	14 ³ / ₁₆ "	(360)	43	37.0	(16.8)
SB558090__	90"	(2286)	39 ⁷ / ₁₆ "	(1001)	6"	(152)	46	39.0	(17.7)
SB558096__	96"	(2438)	39 ⁷ / ₁₆ "	(1001)	12"	(305)	49	40.0	(18.1)
SB558108__	108"	(2743)	48 ¹ / ₁₆ "	(1236)	5 ¹ / ₂ "	(139)	56	43.0	(19.5)
SB558138__	138"	(3505)	64 ¹ / ₁₆ "	(1643)	3 ¹ / ₂ "	(89)	73	50.0	(22.7)
SB558140__	140"	(3556)	64 ¹ / ₁₆ "	(1643)	5 ¹ / ₂ "	(139)	75	51.0	(23.1)

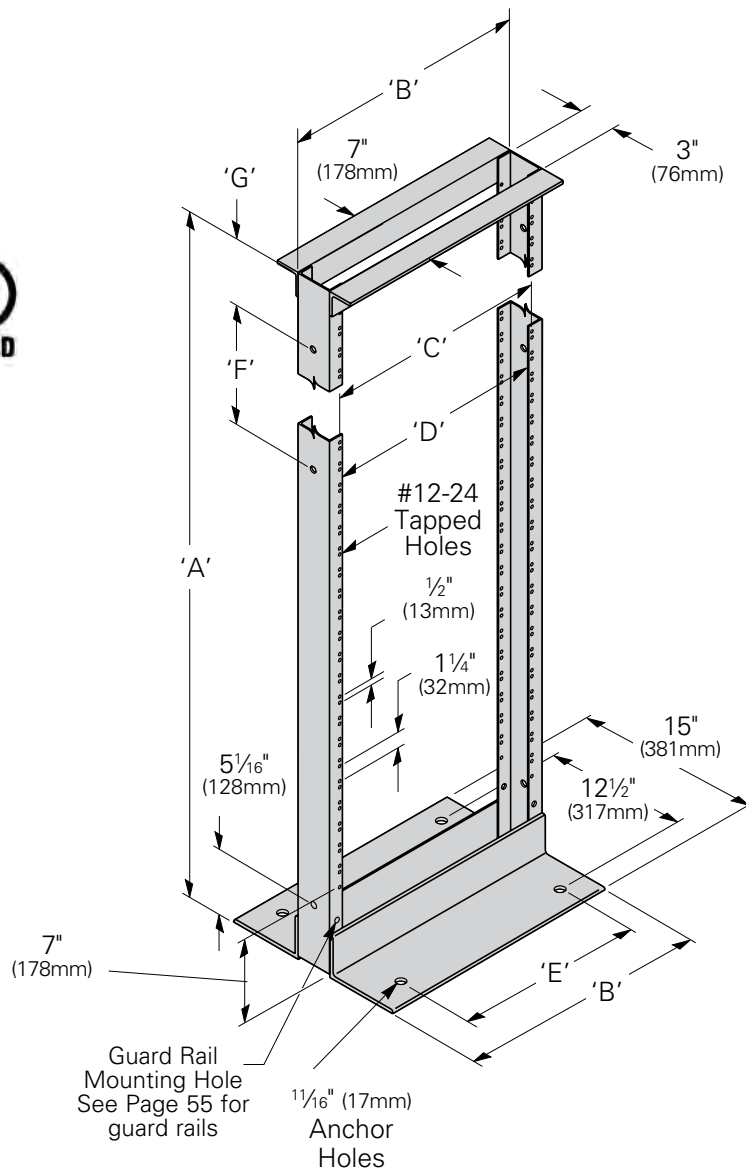
Specify part number and finish when ordering.

Network Equipment Racks & Accessories

Relay Rack

Self-Supporting Steel Relay Rack 3" Uprights, 19" & 23" Panel Mounting, Telco Style

- #12-24 panel mounting holes
- Conformance to EIA/ECA-310-E
- Double sided (1¼" (32mm), ½" (13mm)) mounting spacing
- Heavy duty 3½" (89mm) x 6" (152mm) floor angles
- Double heavy duty 2" (51mm) x 2" (51mm) top angles for pipe bracing
- Welded assembly
- UL Listed (File No. E171936) as a communications circuit accessory
- Accessory mounting holes provided in web and flanges or upright
- Material: Upright - 11 Ga. (3mm) ASTM A570 structural steel
Angles - ASTM A36 structural steel
- See SB588A page 44 for anchor kits
- Finish ____: Flat black powder coat (FB)
Telco gray powder coat (TG)
Other finishes are available upon request



Self-Supporting Steel Relay Rack 3" Uprights, 19" & 23" Panel Mounting, Telco Style

Description	Dimensions			
	19" (482mm) Rack Width		23" (594mm) Rack Width	
	In.	(mm)	In.	(mm)
'A' Overall Height	84" - 140"	(2134 - 3556)	84" - 140"	(2134 - 3556)
'B' Overall Width	20 ⁵ / ₁₆ "	(516)	24 ⁵ / ₁₆ "	(617)
'C' Panel Mounting	18 ⁵ / ₁₆ "	(465)	22 ⁵ / ₁₆ "	(567)
'D' Usable Inside Width	17 ³ / ₄ "	(451)	21 ³ / ₄ "	(552)
'E' Base Anchor Spacing	16"	(406)	20"	(508)

Wide Spacing [1¹/₄" (32mm), 1/2" (13mm)]

Part Number	'A' Height		'F' Spacing		'G'		Mounting Spaces	Weight	
	In.	(mm)	In.	(mm)	In.	(mm)		Lbs.	(kg)
19" (482mm) Rack Width									
SB506084__	84"	(2133)	25 ¹ / ₄ "	(641)	14 ³ / ₁₆ "	(360)	43	101.0	(45.8)
SB506090__	90"	(2286)	39 ⁷ / ₁₆ "	(1001)	6"	(152)	46	105.0	(47.6)
SB506096__	96"	(2438)	39 ⁷ / ₁₆ "	(1001)	12"	(305)	49	109.0	(49.3)
SB506108__	108"	(2743)	48 ¹ / ₁₆ "	(1236)	5 ¹ / ₂ "	(139)	56	117.0	(53.1)
SB506138__	138"	(3505)	64 ¹ / ₁₆ "	(1643)	3 ¹ / ₂ "	(89)	73	137.0	(62.1)
SB506140__	140"	(3556)	64 ¹ / ₁₆ "	(1643)	5 ¹ / ₂ "	(139)	75	139.0	(63.0)
23" (584mm) Rack Width									
SB508084__	84"	(2133)	25 ¹ / ₄ "	(641)	14 ³ / ₁₆ "	(360)	43	110.0	(49.9)
SB508090__	90"	(2286)	39 ⁷ / ₁₆ "	(1001)	6"	(152)	46	114.0	(51.7)
SB508096__	96"	(2438)	39 ⁷ / ₁₆ "	(1001)	12"	(305)	49	118.0	(53.5)
SB508108__	108"	(2743)	48 ¹ / ₁₆ "	(1236)	5 ¹ / ₂ "	(139)	56	126.0	(57.1)
SB508138__	138"	(3505)	64 ¹ / ₁₆ "	(1643)	3 ¹ / ₂ "	(89)	73	146.0	(66.2)
SB508140__	140"	(3556)	64 ¹ / ₁₆ "	(1643)	5 ¹ / ₂ "	(139)	75	148.0	(67.1)

Specify part number and finish when ordering.

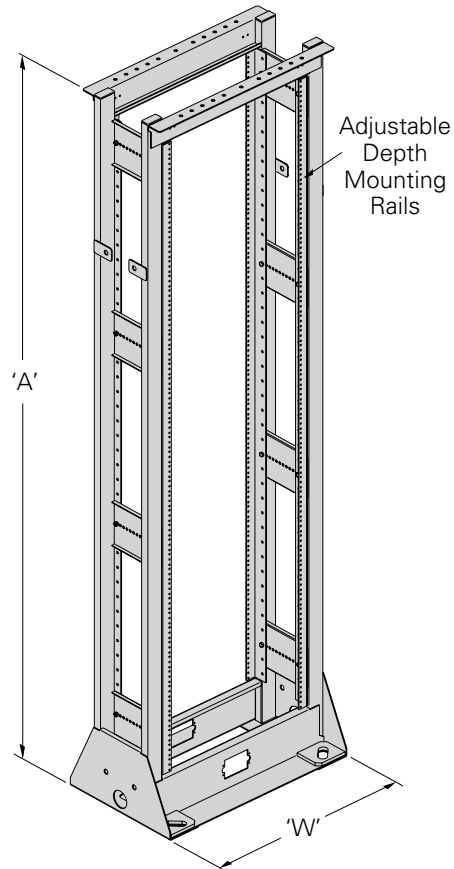
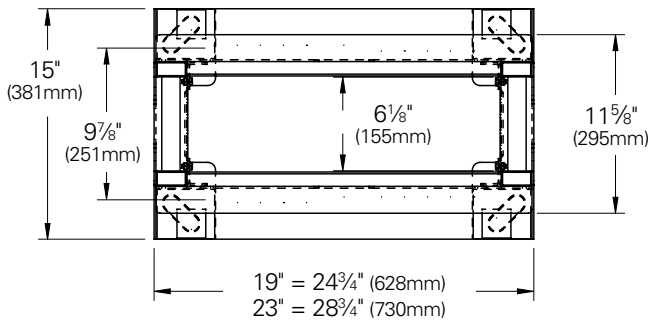
Network Equipment Racks & Accessories

Two-Post Relay Rack

Two-Post Seismic Relay Rack 19" & 23" Panel Mounting, Welded Steel

- Independently tested to NEBS GR-63-CORE Seismic Zone 4 standard; and for 900 lbs. (408kg) of equipment
- Independent testing conducted in accordance with ICBO AC156 standard for use up to 900 lbs. (408kg)
- Conformance to EIA/ECA-310-E
- Mounting rail spacing is adjustable from 3" (76mm) to 8" (203mm)
- 43 RMU (rack mounting units)
- Open top, bottom, and sides permit unlimited cable management options
- Industry standard mounting holes on sides allow attachment of vertical cable managers
- Top angles drilled for runway attachment
- Openings in front and rear of base for duplex receptacle mounting
- Holes for grounding provided in four locations
- Tubular steel frame provides a high degree of strength to weight ratio
- See page ii for link to OPM approvals
- Concrete installation requires (4) AWA-62-350 (sold separately)
- Finish ____: Flat black powder coat (FB)
Telco gray powder coat (TG)

Network equipment racks & accessories

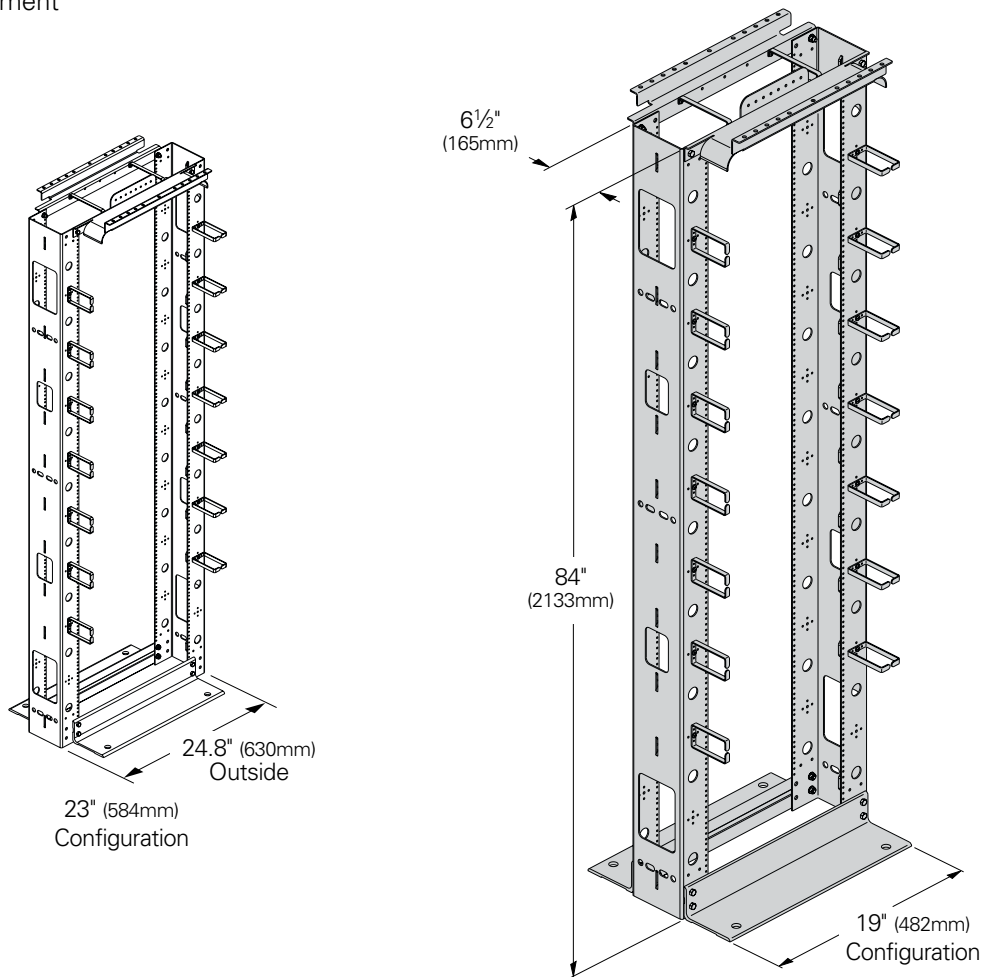


Part Number	'A' Height In. (mm)	'W' Spacing In. (mm)	Mounting Spaces	Shipping Weight Lbs. (kg)
19" (482mm) Rack Width				
SB85219084 __	84" (2133)	24 ³ / ₄ " (628)	43	113 (51.3)
SB85219096 __	96" (2438)	24 ³ / ₄ " (628)	49	124 (56.2)
23" (584mm) Rack Width				
SB85223084 __	84" (2133)	28 ³ / ₄ " (730)	43	117 (53.1)
SB85223096 __	96" (2133)	28 ³ / ₄ " (730)	49	127 (57.6)

Specify part number and finish when ordering.

Two-Post Cable Management Rack 19"/23" Panel Mounting, 6½" Uprights

- Large vertical duct for increased cable capacity
- Integrated waterfalls provide a 1½" (38mm) bend radius
- Large side cable pass-thru holes for rack to rack cabling
- Cable pass-thru holes above and below "D" rings improve cable management
- Top angles are pre-drilled for runway attachment
- Rack may be assembled for either 19" (482mm) or 23" (584mm) panels
- Includes (30) dog point combo head (Phillips and flat blade) mounting screws
- Packaged unassembled in protective carton suitable for parcel shipment
- Adjustable waterfalls on top cable management trays
- RCM+ managers compatible with B-Line series RCM
- Includes: (18) one-wrap straps, (14) "D" rings, and #12-24 mounting hardware
- Material: Aluminum
- Finish ___: Flat black powder coat (FB)



Part Number	Height In. (mm)	Mounting Spaces	Weight Lbs. (kg)
SB813084FB	84 (2133)	45	49.5 (22.4)

Network Equipment Racks & Accessories

Four-Post Rack

Network equipment racks & accessories

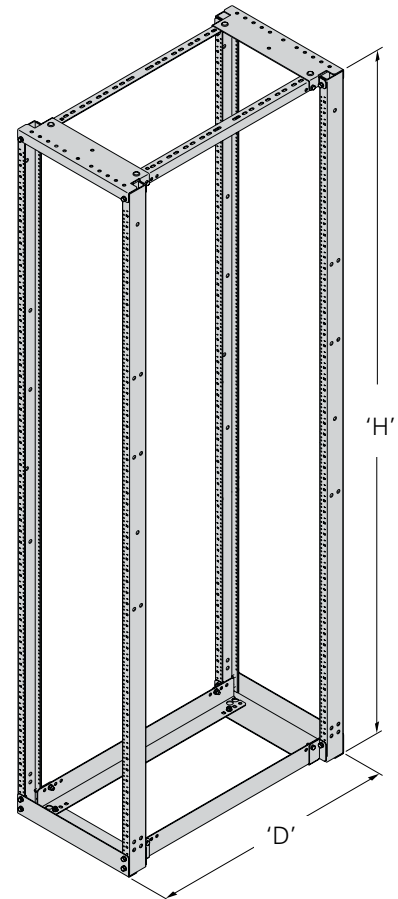
Four-Post - Adjustable Depth Equipment Rack 19" Panel Mounting, Customer Premise

- Open 19" 4-post frame with #12-24 tapped hole extruded aluminum mounting rails designed to provide nearly 360 degrees of accessibility and unrestricted air flow
- EIA/ECA-310-E universal 5/8" (16mm), 5/8" (16mm), 1/2" (13mm) hole pattern
- Available in 72" (1828mm) 38RMU, 84" (2133mm) 45RMU, and 96" (2438mm) 51 RMU heights
- Depth adjustable in 1" (25.4mm) increments from 18" (457mm) to 24" (609mm), 24" (609mm) to 30" (762mm), 30" (762mm) to 36" (914mm) and 36" (914mm) to 42" (1067mm) overall depth
- Load Rating: 2000 lbs. (907kg) weight capacity, when evenly distributed along the height of the rack
- Ships unassembled in protective carton
- Permanently stamped rack mount unit (RMU) markings included
- Assembles in about twenty (20) minutes using standard hand tools
- Upper cross and attachment members are pre-drilled for runway attachment
- SB837 4-Post Kit includes: (4) Mounting Rails, (2) Upper Cross Members, (2) Lower Cross Members, (2) Upper Adjustment Members, (2) Lower Adjustment Members, (30) #12-24 mounting screws. Required hardware and installation instructions
- UL Listed to the UL60950 Standard - File No. E171936
- Use SB1003A for 1 1/2" runway or SBJ003J for 2" runway to attach to the top of rack
- See page ii for link to OPM approvals
- Material: Aluminum uprights, steel cross members and adjustment members
- Finish __: Flat black powder coat (FB)



19" EIA Mounting Tapped Hole Rail Design Universal Spacing [5/8" (16mm), 5/8" (16mm), 1/2" (13mm)]

Part Number	'H' Height In. (mm)	'D' Depth In. (mm)	Shipping Weight Lbs. (kg)
SB837072AFB	72" (1829)	18" - 24" (457 - 609)	49.8 (22.6)
SB837084AFB	84" (2133)	18" - 24" (457 - 609)	53.2 (24.1)
SB837096AFB	96" (2438)	18" - 24" (457 - 609)	56.8 (25.7)
SB837072BFB	72" (1829)	24" - 30" (609 - 762)	57.9 (26.2)
SB837084BFB	84" (2133)	24" - 30" (609 - 762)	56.4 (25.6)
SB837096BFB	96" (2438)	24" - 30" (609 - 762)	59.9 (27.2)
SB837072CFB	72" (1829)	30" - 36" (762 - 914)	56.0 (25.4)
SB837084CFB	84" (2133)	30" - 36" (762 - 914)	59.5 (27.0)
SB837096CFB	96" (2438)	30" - 36" (762 - 914)	63.1 (28.6)
SB837072DFB	72" (1829)	36" - 42" (914 - 1067)	59.2 (26.8)
SB837084DFB	84" (2133)	36" - 42" (914 - 1067)	62.6 (28.4)
SB837096DFB	96" (2438)	36" - 42" (914 - 1067)	66.2 (30.0)



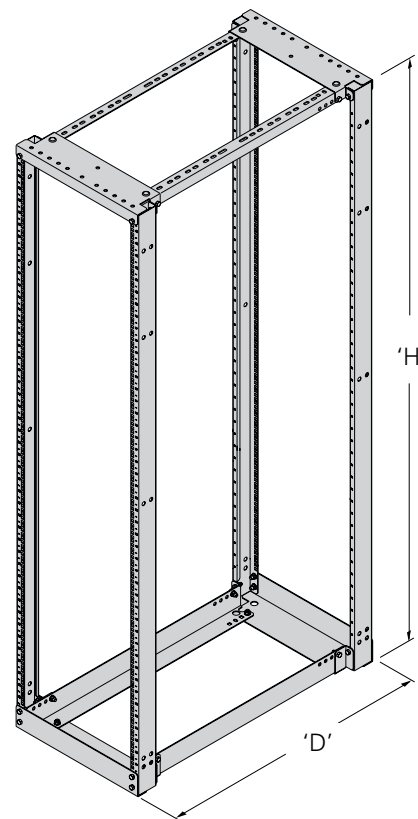
Four-Post - Adjustable Depth Server Rack - Self-Supporting 19" Panel Mounting, Customer Premise

- Open 4-post frame with 19" EIA square hole 14 gauge steel mounting rails designed to provide nearly 360 degrees of accessibility and unrestricted air flow
- EIA/ECA-310-E universal $\frac{5}{8}$ " (16mm), $\frac{5}{8}$ " (16mm), $\frac{1}{2}$ " (13mm) hole pattern rails accept M6, #10-32 or #12-24 cage nuts
- Unequal flange design of the rails allows for server rail clearance
- Available in 72" (1828mm) 38RMU, 84" (2133mm) 45RMU, and 96" (2438mm) 51 RMU heights
- Depth adjustable in 1" (25.4mm) increments from 18" (457mm) to 24" (609mm), 24" (609mm) to 30" (762mm), 30" (762mm) to 36" (914mm) and 36" (914mm) to 42" (1067mm) overall depth
- Load Rating: 2000 lbs. (907kg) weight capacity, when evenly distributed along the height of the rack
- Ships unassembled in protective carton
- Permanently stamped rack mount unit (RMU) markings included
- Assembles in about twenty (20) minutes using standard hand tools
- Upper cross and attachment members are pre-drilled for runway attachment
- SB838 4-post kit includes: (4) mounting rails, (2) upper cross members, (2) lower cross members, (2) upper adjustment members, (2) lower adjustment members, (30) #12-24 mounting screws. Required hardware and installation instructions
- UL Listed to the UL60950 Standard - file no. E171936
- Use SB1003A for $1\frac{1}{2}$ " runway or SBJ003J for 2" runway to attach to the top of rack
- See page ii for link to OPM approvals
- Material: Steel uprights, steel cross members and adjustment members
- Finish ___: Flat black powder coat (FB)



19" EIA Mounting Square Hole Rail Design Universal Spacing [$\frac{5}{8}$ " (16mm), $\frac{5}{8}$ " (16mm), $\frac{1}{2}$ " (13mm)]

Part Number	'A' Height In. (mm)	'D' Depth In. (mm)	Shipping Weight Lbs. (kg)
SB838072AFB	72" (1829)	18" - 24" (457 - 609)	55.4 (25.1)
SB838084AFB	84" (2133)	18" - 24" (457 - 609)	59.9 (27.2)
SB838096AFB	96" (2438)	18" - 24" (457 - 609)	64.4 (29.2)
SB838072BFB	72" (1829)	24" - 30" (609 - 762)	58.6 (26.6)
SB838084BFB	84" (2133)	24" - 30" (609 - 762)	63.0 (28.6)
SB838096BFB	96" (2438)	24" - 30" (609 - 762)	67.5 (30.6)
SB838072CFB	72" (1829)	30" - 36" (762 - 914)	61.7 (28.0)
SB838084CFB	84" (2133)	30" - 36" (762 - 914)	66.1 (30.0)
SB838096CFB	96" (2438)	30" - 36" (762 - 914)	70.6 (32.0)
SB838072DFB	72" (1829)	36" - 42" (914 - 1067)	64.8 (29.4)
SB838084DFB	84" (2133)	36" - 42" (914 - 1067)	69.3 (31.4)
SB838096DFB	96" (2438)	36" - 42" (914 - 1067)	73.8 (33.5)

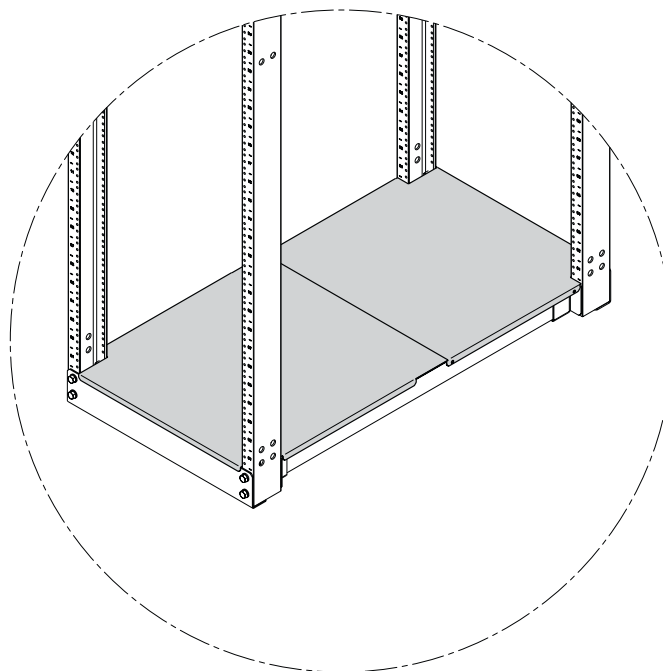
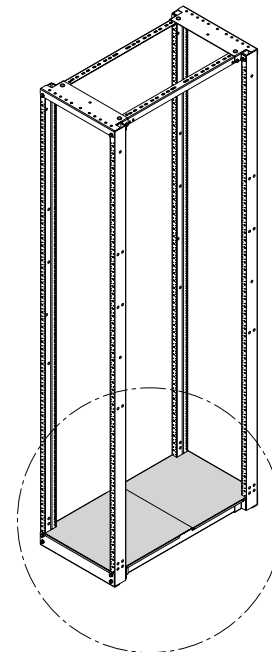


Network Equipment Racks & Accessories

Four-Post Rack Accessories

Base Dust Cover For Adjustable Depth Four-Post Racks

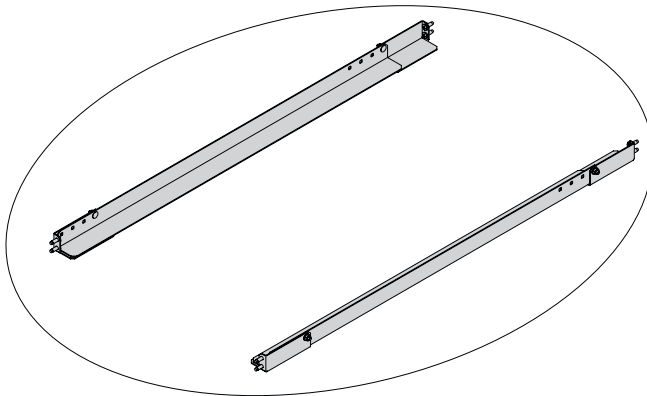
- Used to cover the opening at the bottom of the adjustable depth four-post racks
- Helps to maintain a professional, clean appearance when applied
- Works with both SB837 and SB838 series adjustable depth four-post racks
- Constructed of 18 gauge (1.2mm) steel
- Tool-less assembly
- Finish: Flat black powder coat (FB)



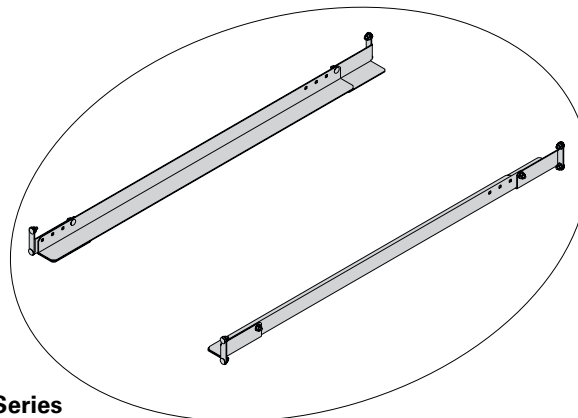
Part Number	Adjustable Depth		Weight	
	In.	(mm)	Lbs.	(kg)
SB837ADCFB	18" - 24"	(457 - 609)	6.1	(2.7)
SB837BDCFB	24" - 30"	(609 - 762)	7.6	(3.4)
SB837CDCFB	30" - 36"	(762 - 914)	9.1	(4.1)
SB837DDCFB	36" - 42"	(914 - 1067)	10.6	(4.8)

Equipment Support Rails For Adjustable Depth Four-Post Racks

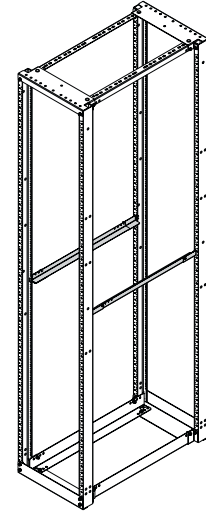
- Provides a 1" (25.4mm) wide surface as additional support (front to rear) for heavy rack mounted equipment
- 1" (25.4mm) increment adjustability feature to match the depth of the rack
- Does not interfere with usable RMU spaces
- Supports maximum load of 200 lbs. (90.7kg)
- Sold in pairs
- Finish: Flat Black Powder Coat (FB)



SB837_ES Series
(Use with SB837 racks)



SB838_ES Series
(Use with SB838 racks)



Part Number	Adjustable Equipment Support		Weight	
	In.	(mm)	Lbs.	(kg)
SB837AESFB	18" - 24"	(457 - 609)	2.1	(0.9)
SB837BESFB	24" - 30"	(609 - 762)	2.7	(1.2)
SB837CESFB	30" - 36"	(762 - 914)	3.3	(1.5)
SB837DESFB	36" - 42"	(914 - 1067)	3.9	(1.7)
SB838AESFB	18" - 24"	(457 - 609)	2.2	(1.0)
SB838BESFB	24" - 30"	(609 - 762)	2.8	(1.3)
SB838CESFB	30" - 36"	(762 - 914)	3.4	(1.5)
SB838DESFB	36" - 42"	(914 - 1067)	4.0	(1.8)

Network Equipment Racks & Accessories

Swing Gate Wall Mount Rack

Swing Gate Wall Mount Equipment Rack 19" Panel Mount

- Wall mounted rack door hinges to either side providing convenient access to the back of mounted equipment
- Constructed of a steel frame and aluminum door with steel hinge pins
- Easy, one person installation in about five (5) minutes
- Mounting holes on 16" (406mm) centers
- Door can be completely removed from frame after installation
- EIA/ECA-310-E compliant with universal ($\frac{5}{8}$ " (16mm), $\frac{5}{8}$ " (16mm), $\frac{1}{2}$ " (13mm)) mounting hole spacing
- Available in 19" EIA width. (Other sizes available upon request)
- Available in mounting heights of 24" (609mm), 30" (762mm), 44" (1117mm), 54" (1371mm) and 79" (2006mm)
- Available in depths of 8" (203mm), 12" (305mm), 18" (457mm), and 25" (635mm)
- Packaged unassembled in protective carton suitable for parcel shipment
- Integrated cable tie/cable wrap tie-down points
- Load Rating: 150 lbs. (68kg) (assumes suitable mounting surface)
- UL listing - file number E235184
- See page ii for link to OPM approvals
- Finish ____: Flat black powder coat (FB)
Telco gray powder coat (TG)

Network equipment
racks & accessories

Rack Mounting Units Spacing Qty.

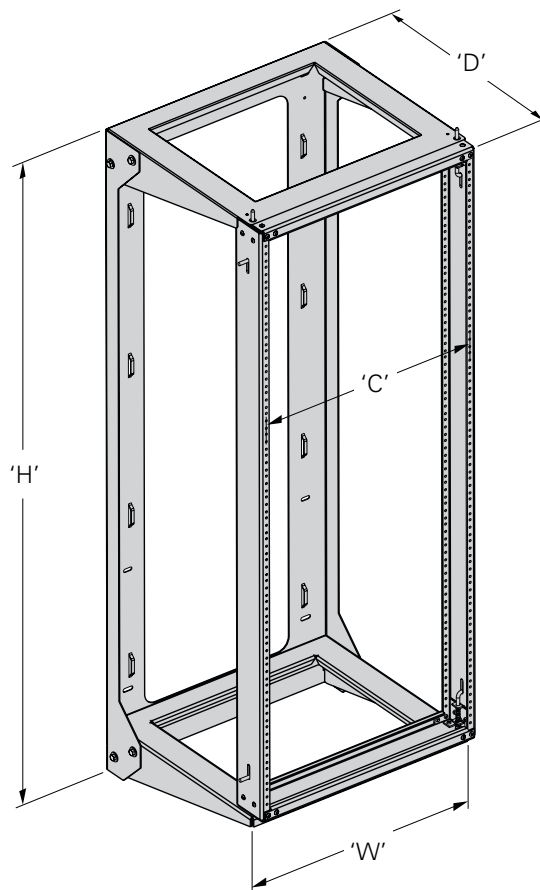
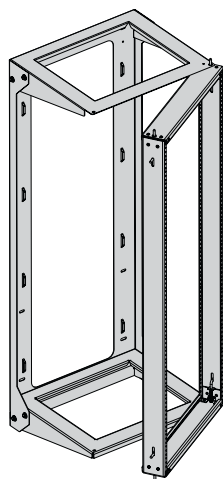
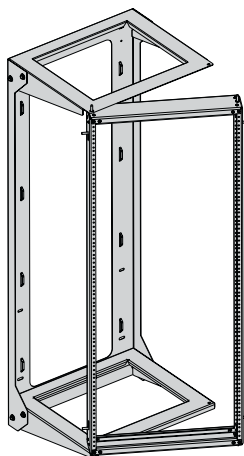
24" (609mm) height
10 RMU's

30" (762mm) height
13 RMU's

44" (1117mm) height
21 RMU's

54" (1371mm) height
27 RMU's

79" (2006mm) height
41 RMU's



Network Equipment Racks & Accessories

Swing Gate Wall Mount Rack

Swing Gate Wall Mount Equipment Rack 19" Panel Mount

Part Number	Rack Width		'W' Overall Width		'C' Panel Mounting		'H' Overall Height		'D' Usable Depth		Weight	
	In.	(mm)	In.	(mm)	In.	(mm)	In.	(mm)	In.	(mm)	Lbs.	(kg)
SB708192408 __	19"	(482)	19.88"	(505)	18 ⁵ / ₁₆ "	(465)	24"	(609)	8"	(203)	21	(9.5)
SB708192412 __	19"	(482)	19.88"	(505)	18 ⁵ / ₁₆ "	(465)	24"	(609)	12"	(305)	23	(10.4)
SB708192418 __	19"	(482)	19.88"	(505)	18 ⁵ / ₁₆ "	(465)	24"	(609)	18"	(457)	26	(11.8)
SB708192425 __	19"	(482)	19.88"	(505)	18 ⁵ / ₁₆ "	(465)	24"	(609)	25"	(635)	33	(14.9)
SB708193008 __	19"	(482)	19.88"	(505)	18 ⁵ / ₁₆ "	(465)	43 ³ / ₁₆ "	(741)	8"	(203)	30	(13.6)
SB708193012 __	19"	(482)	19.88"	(505)	18 ⁵ / ₁₆ "	(465)	43 ³ / ₁₆ "	(741)	12"	(305)	32	(14.5)
SB708193018 __	19"	(482)	19.88"	(505)	18 ⁵ / ₁₆ "	(465)	43 ³ / ₁₆ "	(741)	18"	(457)	35	(15.9)
SB708193025 __	19"	(482)	19.88"	(505)	18 ⁵ / ₁₆ "	(465)	43 ³ / ₁₆ "	(741)	25"	(635)	39	(17.7)
SB708194408 __	19"	(482)	19.88"	(505)	18 ⁵ / ₁₆ "	(465)	43 ³ / ₁₆ "	(1096)	8"	(203)	32	(14.5)
SB708194412 __	19"	(482)	19.88"	(505)	18 ⁵ / ₁₆ "	(465)	43 ³ / ₁₆ "	(1096)	12"	(305)	34	(15.4)
SB708194418 __	19"	(482)	19.88"	(505)	18 ⁵ / ₁₆ "	(465)	43 ³ / ₁₆ "	(1096)	18"	(457)	38	(17.2)
SB708194425 __	19"	(482)	19.88"	(505)	18 ⁵ / ₁₆ "	(465)	43 ³ / ₁₆ "	(1096)	25"	(635)	44	(19.9)
SB708195408 __	19"	(482)	19.88"	(505)	18 ⁵ / ₁₆ "	(465)	53 ⁵ / ₈ "	(1363)	8"	(203)	34	(15.4)
SB708195412 __	19"	(482)	19.88"	(505)	18 ⁵ / ₁₆ "	(465)	53 ⁵ / ₈ "	(1363)	12"	(305)	37	(16.8)
SB708195418 __	19"	(482)	19.88"	(505)	18 ⁵ / ₁₆ "	(465)	53 ⁵ / ₈ "	(1363)	18"	(457)	40	(18.1)
SB708195425 __	19"	(482)	19.88"	(505)	18 ⁵ / ₁₆ "	(465)	53 ⁵ / ₈ "	(1363)	25"	(635)	46	(20.8)
SB708197908 __	19"	(482)	19.88"	(505)	18 ⁵ / ₁₆ "	(465)	78 ³ / ₁₆ "	(1985)	8"	(203)	39	(17.7)
SB708197912 __	19"	(482)	19.88"	(505)	18 ⁵ / ₁₆ "	(465)	78 ³ / ₁₆ "	(1985)	12"	(305)	41	(18.6)
SB708197918 __	19"	(482)	19.88"	(505)	18 ⁵ / ₁₆ "	(465)	78 ³ / ₁₆ "	(1985)	18"	(457)	45	(20.4)
SB708197925 __	19"	(482)	19.88"	(505)	18 ⁵ / ₁₆ "	(465)	78 ³ / ₁₆ "	(1985)	25"	(635)	51	(23.1)

Specify part number and finish when ordering.

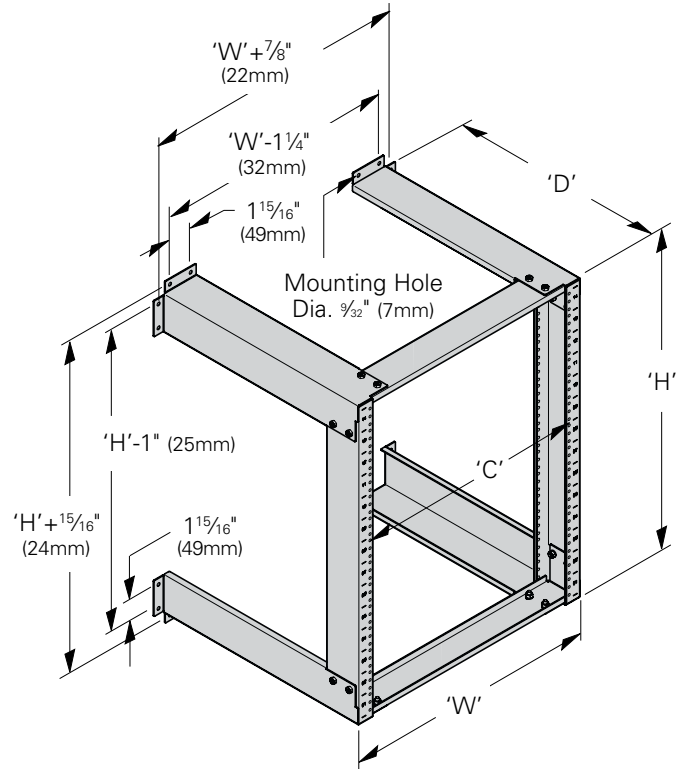
Available in 23" rackmount upon request.

Network Equipment Racks & Accessories

Wall Mount Network Rack

Wall-Mounted Network Equipment Rack Heavy Duty, 19" Panel Mount

- Rated for 350 lbs. (159kg) load capacity (assuming suitable mounting surface)
- Double sided universal ($\frac{5}{8}$ " (16mm), $\frac{5}{8}$ " (16mm), $\frac{1}{2}$ " (13mm)) mounting spacing
- #12-24 panel mounting holes
- Conformance to EIA/ECA-310-E
- 19" (482mm) width (other sizes are available upon request)
- 25" (635mm), 39" (990mm) and 74" (1879mm) heights
- 18" (457mm), 24" (609mm) and 30" (762mm) depths
- Permanently stamped rack mount unit (RMU) markings included
- Packaged unassembled in protective carton suitable for parcel shipment
- Installs in about fifteen (15) minutes using standard hand tools
- Material: Aluminum uprights and steel extension brackets
- See page ii for link to OPM approvals
- Finish ___: Brushed (AL)
Flat black powder coat (FB)
Telco gray powder coat (TG)



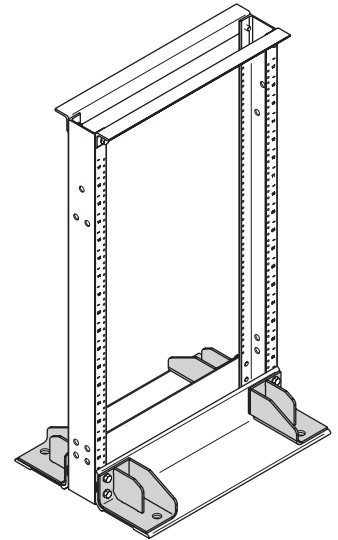
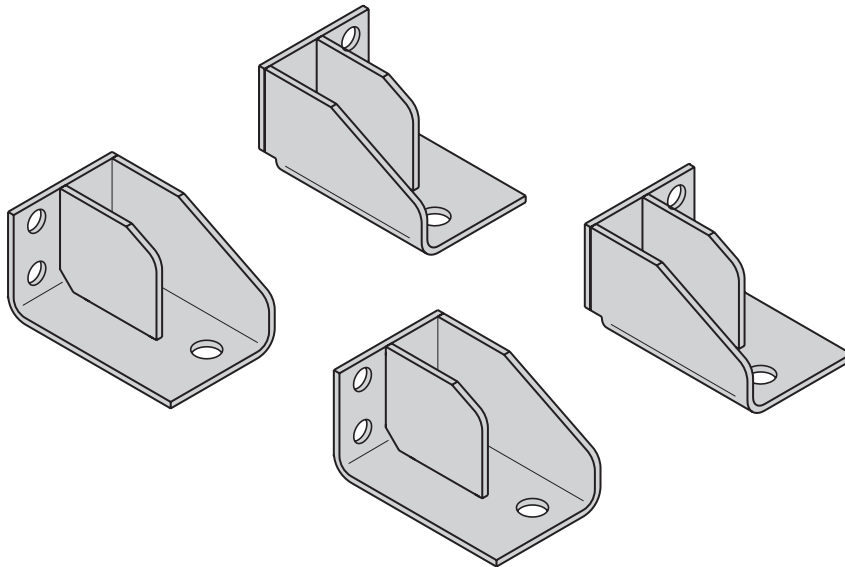
Mounting Spaces for Height 'H' of
 25 1/4" - 14 spaces • 39 1/4" - 22 spaces • 74 1/4" - 42 spaces

Part Number	'W' Rack Width		'H' Height		'C' Panel Mounting		'D' Depth		Weight	
	In.	(mm)	In.	(mm)	In.	(mm)	In.	(mm)	(kg)	
SB704192518 ___	20 1/2"	(521)	25 1/2"	(648)	18 5/16"	(465)	18"	(457)	16.6	(7.5)
SB704192524 ___	20 1/2"	(521)	25 1/2"	(648)	18 5/16"	(465)	24"	(609)	19.8	(9.0)
SB704192530 ___	20 1/2"	(521)	25 1/2"	(648)	18 5/16"	(465)	30"	(762)	22.9	(10.4)
SB704193918 ___	20 1/2"	(521)	39 1/2"	(1003)	18 5/16"	(465)	18"	(457)	18.7	(8.5)
SB704193924 ___	20 1/2"	(521)	39 1/2"	(1003)	18 5/16"	(465)	24"	(609)	21.8	(9.9)
SB704193930 ___	20 1/2"	(521)	39 1/2"	(1003)	18 5/16"	(465)	30"	(762)	25.0	(11.3)
SB704197418 ___	20 1/2"	(521)	74 1/2"	(1892)	18 5/16"	(465)	18"	(457)	24.0	(10.9)
SB704197424 ___	20 1/2"	(521)	74 1/2"	(1892)	18 5/16"	(465)	24"	(609)	27.1	(12.3)
SB704197430 ___	20 1/2"	(521)	74 1/2"	(1892)	18 5/16"	(465)	30"	(762)	30.2	(13.7)

Specify part number and finish when ordering.

Seismic Gusset Kit

- Provides seismic support to rack joints
- Can be added to any rack with 6" (152mm) wide bottom flanges
- Can only be used with two-post equipment racks on pages 2-5, 8-9 & 13.
- Kit includes: four (4) gussets
- Material: Steel
- See page ii for link to OPM approvals
- Finish ___: Flat black powder coat (FB)
Telco gray powder coat (TG)



Part Number	Weight Set	
	Lbs.	(kg)
SB556 GUSSET KIT __	12.3	(5.8)

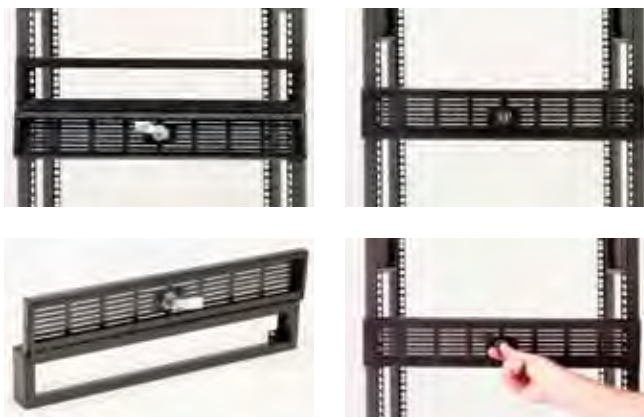
Specify part number and finish when ordering.

Network Equipment Racks & Accessories

Rack Accessories

Small Server Boot 19" Panel Mount

- Limits access to a 1U, 2U, or 4U server
- Designed for shallow equipment that does not extend in front of the rack
- Suitable for DVR applications and switches
- Fully enclosed top, bottom, and sides
- All front server attachment hardware is enclosed inside server boot
- Slotted hole pattern on door
- Keys are keyed alike
- Mounting hardware not included
- Part number includes:
 - One (1) server boot enclosure with lock
 - Two (2) keys
- Finish: Flat black powder coat (FB)



Part Number	Rack Width In. (mm)	Rack Space Available For Equipment	Total Rack Space Used	Weight Lbs. (kg)
SBSBO01FB*	19" (482)	1U	2U	3.86 (1.75)
SBSBO02FB*	19" (482)	2U	3U	4.47 (2.03)
SBSBO04FB*	19" (482)	4U	6U	5.66 (2.57)

* Minimum quantity order = 10.

Large Server Boot 19" Panel Mount

- Limits access to a 5U or 20U server
- Deep enclosure extends out in front of the rack for patching and gear
- Fully enclosed top, bottom, and sides
- All front server attachment hardware is enclosed inside server boot
- Diamond hole pattern on door
- Keys are keyed alike
- Also suitable for switches
- Part number includes:
 - One (1) server boot enclosure with lock
 - Two (2) keys
 - #12-24 x 5/8" combo pan head mounting screws
 - Four (4) on 5U server and six (6) on 20U server
- Finish: Flat black powder coat (FB)



Part Number	Rack Width In. (mm)	Rack Space Available For Equipment	Total Rack Space Used	Weight Lbs. (kg)
SBSBO05FB*	19" (482)	5U	7U	9.25 (4.19)
SBSBO20FB*	19" (482)	20U	21U	29.40 (13.33)

* Minimum quantity order = 10.

Server Boot With Extension Rails 19" Panel Mount

- Hinged design allows easy access
- Limits access to a 4U or 6U server
- Fully enclosed top, bottom, and sides
- All front server attachment hardware is enclosed inside server boot
- Diamond hole pattern on door
- Includes extension rails for backs of sliding servers
- Part number includes:
 - One (1) server boot enclosure with lock
 - Two (2) keys
 - Four (4) #12-24 x 5/8" combo pan head mounting screws
 - Two (2) extension rails

- Keys are keyed alike
- Also suitable for switches
- Finish: Flat black powder coat (FB)



Part Number	Extension Length		Rack Width		Rack Space Available For Equipment	Total Rack Space Used	Weight	
	In.	(mm)	In.	(mm)			Lbs.	(kg)
SBSBE0413FB*	13"	(330)	19"	(482)	4U	5U	21.63	(9.81)
SBSBE0418FB*	18"	(457)	19"	(482)	4U	5U	23.80	(10.79)
SBSBE0613FB*	13"	(330)	19"	(482)	6U	7U	24.55	(11.13)

* Minimum quantity order = 10.

Patch Panel Protector 19" Panel Mount

- Limits access to 1U or 4U patch panels
- Fully enclosed top and bottom
- All front patch panel hardware is enclosed inside patch panel
- Diamond hole pattern on door
- Keys are keyed alike
- Openings on side for cable exit

- Drop outs included to support cable bends
- Part number includes:
 - One (1) patch panel protector enclosure with lock
 - Two (2) keys
 - Four (4) #12-24 x 5/8" combo pan head mounting screws
 - Two (2) plastic drop outs
- Finish: Flat black powder coat (FB)



Part Number	Rack Width		Rack Space Available For Equipment	Total Rack Space Used	Weight	
	In.	(mm)			Lbs.	(kg)
SBSPPO1FB*	19"	(482)	1U	3U	12.00	(5.44)
SBSPPO4FB*	19"	(482)	4U	6U	8.69	(3.94)

* Minimum quantity order = 10.

Network equipment racks & accessories

Network Equipment Racks & Accessories

Rack Accessories

Rack Security Door 19" Panel Mount

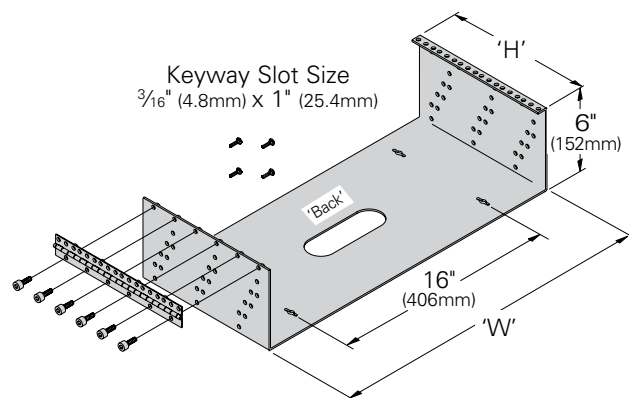
- Provides security for 84" (2133mm) racks
- Designed to be field installed on existing racks with no need to shut off equipment
- For use on two-post non-welded racks
- Available with acrylic (SBRSD84XUPFB) or perforated (SBRSD84XUVFB) steel doors. Does not fit four post racks
- Part number includes:
 - One (1) door assembly
 - Two (2) inner slides
 - Eight (8) #10-32 flange nuts
 - Eight (8) #10-32 carriage bolts
 - Two (2) keys
- Inner slide allows for depth adjustment from 5¼" (133mm) to 9¼" (235mm)
- Keys are keyed alike
- Finish: Flat black powder coat (FB)



Part Number	Depth Adjustment		Weight	
	In.	(mm)	Lbs.	(kg)
SBRSD84XUPFB	5¼" - 9¼"	(133.3 - 234.9)	34.02	(15.43)
SBRSD84XUVFB	5¼" - 9¼"	(133.3 - 234.9)	29.85	(13.53)

Wall Mounted Patch Panel Bracket 19" or 23" Panel Mount, Hinged

- Use to mount patch panels to wall
- Hinged design allows easy access
- Tie holes for cable management
- Installs in less than five (5) minutes using standard hand tools
- Material: Aluminum
- Finish ____: Flat black powder coat (FB)
Telco gray powder coat (TG)

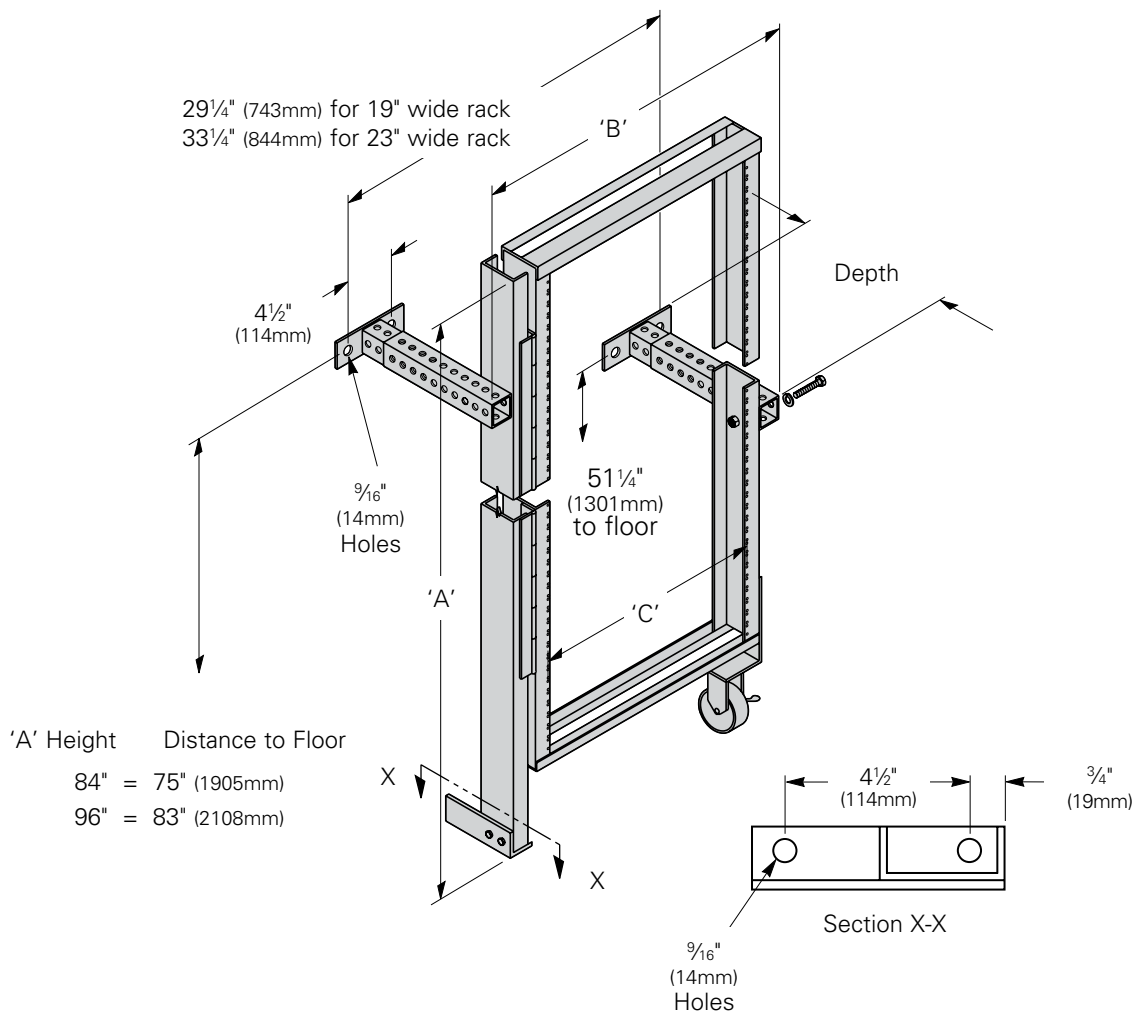


Part Number	Rack Width 'AW'		Height 'H'		Mounting Units	Slot Size		Weight Each	
	In.	(mm)	In.	(mm)		In.	(mm)	Lbs.	(kg)
SB750190602 __	19"	(482)	3½"	(89)	2	1" x 6"	(25 x 152)	4.0	(1.8)
SB750190603 __	19"	(482)	5¼"	(133)	3	2" x 6"	(51 x 152)	6.0	(2.7)
SB750190604 __	19"	(482)	7"	(178)	4	2" x 6"	(51 x 152)	8.0	(3.6)
SB750190606 __	19"	(482)	10½"	(267)	6	2" x 6"	(51 x 152)	12.0	(5.4)
SB750230602 __	23"	(584)	3½"	(89)	2	1" x 6"	(25 x 152)	4.5	(2.0)
SB750230603 __	23"	(584)	5¼"	(133)	3	2" x 6"	(51 x 152)	6.8	(3.1)
SB750230604 __	23"	(584)	7"	(178)	4	2" x 6"	(51 x 152)	9.0	(4.1)
SB750230606 __	23"	(584)	10½"	(267)	6	2" x 6"	(51 x 152)	13.5	(6.1)

Specify part number and finish when ordering.

Wall & Floor Mounted Swing Gate Network Equipment Rack

- #12-24 panel mounting holes
- Conformance to EIA/ECA-310-E
- Single sided wide spacing 1 1/4" (32mm), 1/2" (13mm) mounting spacing
- 10" (254mm) to 18" (457mm) adjustable depth
- Order anchoring hardware separately
- Installs in about thirty (30) minutes using standard hand tools
- Hinged left only
- Load Rating: 600 lbs. (272kg)
- Material: Aluminum with steel hinge and mounting brackets
- Finish ____: Flat black powder coat (FB)
Telco gray powder coat (TG)



Part Number	Rack Width In. (mm)	'A' Height In. (mm)	'B' Overall Width In. (mm)	'C' Panel Mounting In. (mm)	Mounting Spaces	Weight	
						Lbs.	(kg)
SB542084 __	19" (482)	84" (2133)	25 13/16" (655)	18 5/16" (465)	43	50.4	(22.8)
SB542096 __	19" (482)	96" (2438)	25 13/16" (655)	18 5/16" (465)	50	53.7	(24.3)

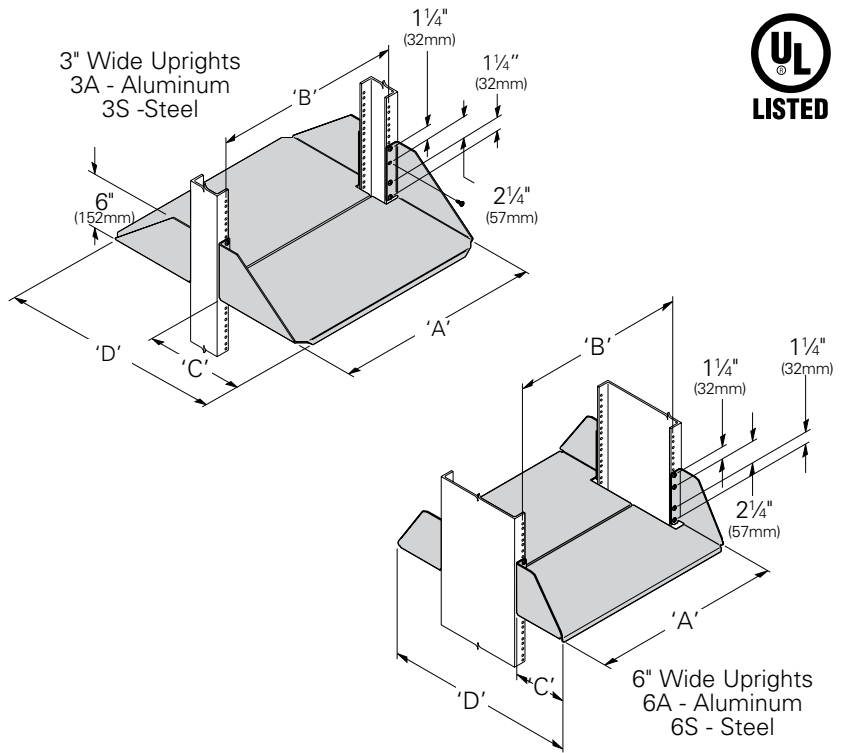
Specify part number and finish when ordering.

Network Equipment Racks & Accessories

Rack Accessories

Double Sided Rack Mounted Shelf Heavy Duty, Solid Shelf

- Use to support large monitors, CPU's or printers
- Four (4) mounting spaces required
- 200 lbs. (91kg) load capacity (when used as shown)
- Includes: (2) shelves and #12-24 mounting hardware
- UL 1863 Listed (File No. E171936) as a communications circuit accessory
- Can be mounted individually or matched, front and rear, for larger shelf area
- Material: 0.090 (2.3mm) thick Aluminum sheet or 14 Gauge (1.9mm) ASTM 569 Steel
- Finish ____: Aluminum - brushed (AL)
Flat black powder coat (FB)
Telco gray powder coat (TG)
Silver powder coat (SL)



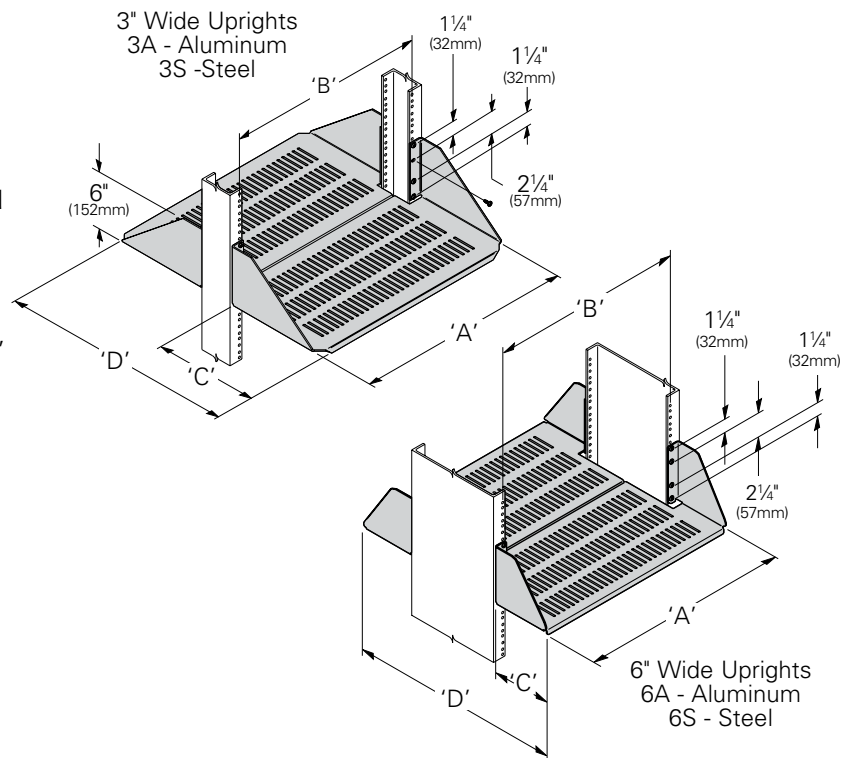
Network equipment racks & accessories

Part Number	Mat'l.	'A' Shelf Width		'B' Panel Mtg.		'C'		'D' Overall Depth		Weight	
		In.	(mm)	In.	(mm)	In.	(mm)	In.	(mm)	Lbs.	(kg)
19" (482mm) Rack Width 3" (76mm) Wide Uprights											
SB596S19103A__	Alum	19 ⁵ / ₁₆ "	(490)	18 ⁵ / ₁₆ "	(465)	8 ¹ / ₂ "	(216)	20"	(508)	5.0	(2.2)
SB596S19103S__	Steel	19 ⁵ / ₁₆ "	(490)	18 ⁵ / ₁₆ "	(465)	8 ¹ / ₂ "	(216)	20"	(508)	14.4	(6.5)
SB596S19153A__	Alum	19 ⁵ / ₁₆ "	(490)	18 ⁵ / ₁₆ "	(465)	13 ¹ / ₂ "	(343)	30"	(762)	6.0	(2.7)
SB596S19153S__	Steel	19 ⁵ / ₁₆ "	(490)	18 ⁵ / ₁₆ "	(465)	13 ¹ / ₂ "	(343)	30"	(762)	17.3	(7.8)
19" (482mm) Rack Width 6" (152mm) Wide Uprights											
SB596S19106A__	Alum	19 ⁵ / ₁₆ "	(490)	18 ⁵ / ₁₆ "	(465)	7"	(178)	20"	(508)	5.0	(2.2)
SB596S19106S__	Steel	19 ⁵ / ₁₆ "	(490)	18 ⁵ / ₁₆ "	(465)	7"	(178)	20"	(508)	14.4	(6.5)
SB596S19156A__	Alum	19 ⁵ / ₁₆ "	(490)	18 ⁵ / ₁₆ "	(465)	12"	(305)	30"	(762)	6.0	(2.7)
SB596S19156S__	Steel	19 ⁵ / ₁₆ "	(490)	18 ⁵ / ₁₆ "	(465)	12"	(305)	30"	(762)	17.3	(7.8)
23" (584mm) Rack Width 3" (76mm) Wide Uprights											
SB596S23103A__	Alum	23 ⁵ / ₁₆ "	(643)	22 ⁵ / ₁₆ "	(567)	8 ¹ / ₂ "	(216)	20"	(508)	5.2	(2.8)
SB596S23103S__	Steel	23 ⁵ / ₁₆ "	(643)	22 ⁵ / ₁₆ "	(567)	8 ¹ / ₂ "	(216)	20"	(508)	15.0	(6.8)
SB596S23153A__	Alum	23 ⁵ / ₁₆ "	(643)	22 ⁵ / ₁₆ "	(567)	13 ¹ / ₂ "	(343)	30"	(762)	7.2	(3.2)
SB596S23153S__	Steel	23 ⁵ / ₁₆ "	(643)	22 ⁵ / ₁₆ "	(567)	13 ¹ / ₂ "	(343)	30"	(762)	20.8	(9.4)
23" (584mm) Rack Width 6" (152mm) Wide Uprights											
SB596S23106A__	Alum	23 ⁵ / ₁₆ "	(643)	22 ⁵ / ₁₆ "	(567)	7"	(178)	20"	(508)	5.2	(2.8)
SB596S23106S__	Steel	23 ⁵ / ₁₆ "	(643)	22 ⁵ / ₁₆ "	(567)	7"	(178)	20"	(508)	15.0	(6.8)
SB596S23156A__	Alum	23 ⁵ / ₁₆ "	(643)	22 ⁵ / ₁₆ "	(567)	12"	(305)	30"	(762)	7.2	(3.2)
SB596S23156S__	Steel	23 ⁵ / ₁₆ "	(643)	22 ⁵ / ₁₆ "	(567)	12"	(305)	30"	(762)	20.8	(9.4)

Specify part number and finish when ordering.

Double Sided Rack Mounted Shelf Heavy Duty, Ventilated Shelf

- Use to support large monitors, CPU's or printers
- Four (4) mounting spaces required
- 200 lbs. (91kg) load capacity (when used as shown)
- Includes: (2) shelves and #12-24 mounting hardware
- Can be mounted individually or matched, front and rear, for larger shelf area
- Material: 0.090 (2.3mm) thick Aluminum sheet or 14 Gauge (1.9mm) ASTM 569 Steel
- Finish ____: Aluminum - brushed (AL)
Flat black powder coat (FB)
Telco gray powder coat (TG)
Silver powder coat (SL)



Part Number	Mat'l.	'A' Shelf Width		'B' Panel Mtg.		'C'		'D' Overall Depth		Weight	
		In.	(mm)	In.	(mm)	In.	(mm)	In.	(mm)	Lbs.	(kg)
19" (482mm) Rack Width 3" (76mm) Wide Uprights											
SB596V19103A__	Alum	19 ⁵ / ₁₆ "	(490)	18 ⁵ / ₁₆ "	(465)	8 ¹ / ₂ "	(216)	20"	(508)	4.6	(2.1)
SB596V19103S__	Steel	19 ⁵ / ₁₆ "	(490)	18 ⁵ / ₁₆ "	(465)	8 ¹ / ₂ "	(216)	20"	(508)	13.3	(6.0)
SB596V19153A__	Alum	19 ⁵ / ₁₆ "	(490)	18 ⁵ / ₁₆ "	(465)	13 ¹ / ₂ "	(343)	30"	(762)	5.4	(2.4)
SB596V19153S__	Steel	19 ⁵ / ₁₆ "	(490)	18 ⁵ / ₁₆ "	(465)	13 ¹ / ₂ "	(343)	30"	(762)	15.6	(7.1)
19" (482mm) Rack Width 6" (152mm) Wide Uprights											
SB596V19106A__	Alum	19 ⁵ / ₁₆ "	(490)	18 ⁵ / ₁₆ "	(465)	7"	(178)	20"	(508)	4.6	(2.1)
SB596V19106S__	Steel	19 ⁵ / ₁₆ "	(490)	18 ⁵ / ₁₆ "	(465)	7"	(178)	20"	(508)	13.3	(6.0)
SB596V19156A__	Alum	19 ⁵ / ₁₆ "	(490)	18 ⁵ / ₁₆ "	(465)	12"	(305)	30"	(762)	5.4	(2.4)
SB596V19156S__	Steel	19 ⁵ / ₁₆ "	(490)	18 ⁵ / ₁₆ "	(465)	12"	(305)	30"	(762)	15.6	(7.1)
23" (584mm) Rack Width 3" (76mm) Wide Uprights											
SB596V23103A__	Alum	23 ⁵ / ₁₆ "	(643)	22 ⁵ / ₁₆ "	(567)	8 ¹ / ₂ "	(216)	20"	(508)	5.8	(2.6)
SB596V23103S__	Steel	23 ⁵ / ₁₆ "	(643)	22 ⁵ / ₁₆ "	(567)	8 ¹ / ₂ "	(216)	20"	(508)	16.8	(7.6)
SB596V23153A__	Alum	23 ⁵ / ₁₆ "	(643)	22 ⁵ / ₁₆ "	(567)	13 ¹ / ₂ "	(343)	30"	(762)	6.4	(2.9)
SB596V23153S__	Steel	23 ⁵ / ₁₆ "	(643)	22 ⁵ / ₁₆ "	(567)	13 ¹ / ₂ "	(343)	30"	(762)	18.5	(8.4)
23" (584mm) Rack Width 6" (152mm) Wide Uprights											
SB596V23106A__	Alum	23 ⁵ / ₁₆ "	(643)	22 ⁵ / ₁₆ "	(567)	7"	(178)	20"	(508)	5.8	(2.6)
SB596V23106S__	Steel	23 ⁵ / ₁₆ "	(643)	22 ⁵ / ₁₆ "	(567)	7"	(178)	20"	(508)	16.8	(7.6)
SB596V23156A__	Alum	23 ⁵ / ₁₆ "	(643)	22 ⁵ / ₁₆ "	(567)	12"	(305)	30"	(762)	6.4	(2.9)
SB596V23156S__	Steel	23 ⁵ / ₁₆ "	(643)	22 ⁵ / ₁₆ "	(567)	12"	(305)	30"	(762)	18.5	(8.4)

Specify part number and finish when ordering.

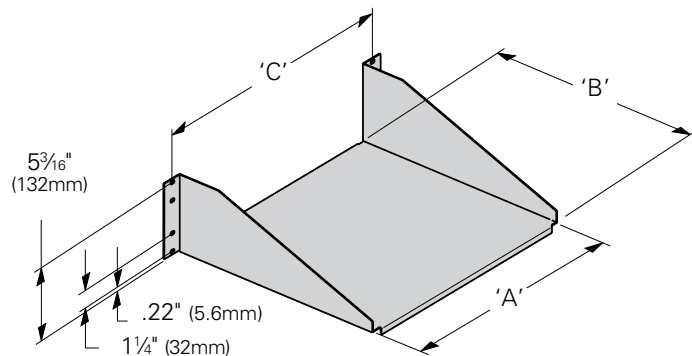
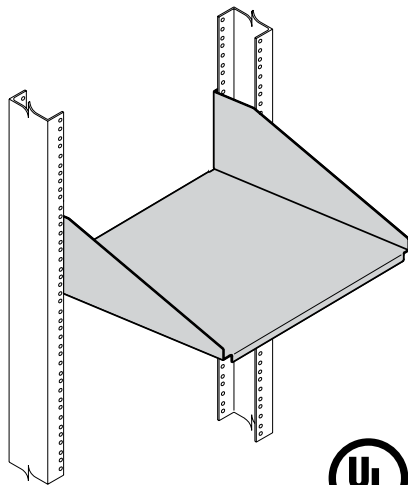
Network Equipment Racks & Accessories

Rack Accessories

Single Sided Rack Mounted Shelf Solid Shelf

- Use to support monitors, CPU's and modems
- Can be mounted to any flat surface including walls
- Three (3) mounting spaces required
- 100 lbs. (.45kg) load capacity
- Includes: #12-24 mounting hardware
- UL 1863 Listed (File No. E171936) as a communications circuit accessory
- Material: 0.090 (2.3mm) thick Aluminum sheet or 14 Gauge (1.9mm) ASTM 569 Steel
- Finish ____: Aluminum - brushed (AL)
Flat black powder coat (FB)
Telco gray powder coat (TG)
Silver powder coat (SL)

Network equipment racks & accessories

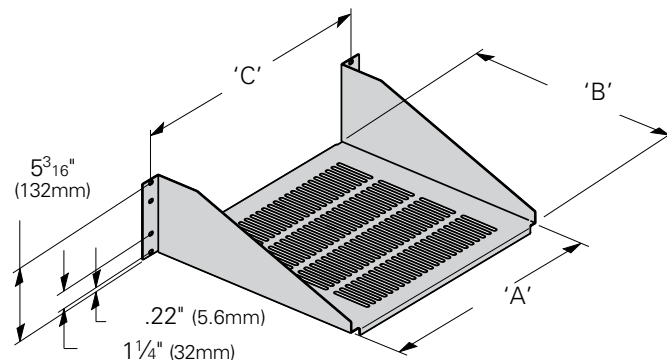
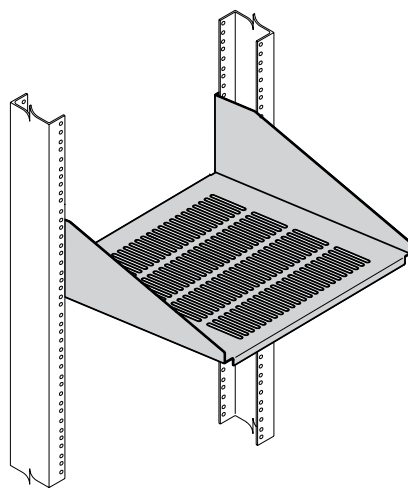


Part Number	Mat'l.	Rack Width		'A'		'B'		'C'		Weight	
		In.	(mm)	In.	(mm)	In.	(mm)	In.	(mm)	Lbs.	(kg)
SB747S1910A__	Alum	19"	(482)	17½"	(444)	10"	(254)	18⅝"	(465)	2.7	(1.2)
SB747S1910S__	Steel	19"	(482)	17½"	(444)	10"	(254)	18⅝"	(465)	7.8	(3.5)
SB747S1915A__	Alum	19"	(482)	17½"	(444)	15"	(381)	18⅝"	(465)	3.8	(1.7)
SB747S1915S__	Steel	19"	(482)	17½"	(444)	15"	(381)	18⅝"	(465)	11.0	(5.0)
SB747S2310A__	Alum	23"	(584)	21½"	(546)	10"	(254)	22⅝"	(567)	2.9	(1.3)
SB747S2310S__	Steel	23"	(584)	21½"	(546)	10"	(254)	22⅝"	(567)	8.4	(3.8)
SB747S2315A__	Alum	23"	(584)	21½"	(546)	15"	(381)	22⅝"	(567)	4.2	(1.9)
SB747S2315S__	Steel	23"	(584)	21½"	(546)	15"	(381)	22⅝"	(567)	12.1	(5.5)

Specify part number and finish when ordering.

Single Sided Rack Mounted Shelf Ventilated Shelf

- Use to support monitors, CPU's and modems
- Can be mounted to any flat surface including walls
- Three (3) mounting spaces required
- 100 lbs. (.45kg) load capacity
- Includes: #12-24 mounting hardware
- Material: 0.090 (2.3mm) thick Aluminum sheet or 14 Gauge (1.9mm) ASTM 569 Steel
- Finish ____: Aluminum - brushed (AL)
Flat black powder coat (FB)
Telco gray powder coat (TG)
Silver powder coat (SL)



Part Number	Mat'l.	Rack Width		'A'		'B'		'C'		Weight	
		In.	(mm)	In.	(mm)	In.	(mm)	In.	(mm)	Lbs.	(kg)
SB747V1910A__	Alum	19"	(482)	17½"	(444)	10"	(254)	18 ⁵ / ₁₆ "	(465)	2.3	(1.0)
SB747V1910S__	Steel	19"	(482)	17½"	(444)	10"	(254)	18 ⁵ / ₁₆ "	(465)	6.6	(3.0)
SB747V1915A__	Alum	19"	(482)	17½"	(444)	15"	(381)	18 ⁵ / ₁₆ "	(465)	3.2	(1.4)
SB747V1915S__	Steel	19"	(482)	17½"	(444)	15"	(381)	18 ⁵ / ₁₆ "	(465)	9.2	(4.2)
SB747V2310A__	Alum	23"	(584)	21½"	(546)	10"	(254)	22 ⁵ / ₁₆ "	(567)	2.5	(1.1)
SB747V2310S__	Steel	23"	(584)	21½"	(546)	10"	(254)	22 ⁵ / ₁₆ "	(567)	7.2	(3.3)
SB747V2315A__	Alum	23"	(584)	21½"	(546)	15"	(381)	22 ⁵ / ₁₆ "	(567)	3.1	(1.4)
SB747V2315S__	Steel	23"	(584)	21½"	(546)	15"	(381)	22 ⁵ / ₁₆ "	(567)	9.0	(4.1)

Specify part number and finish when ordering.

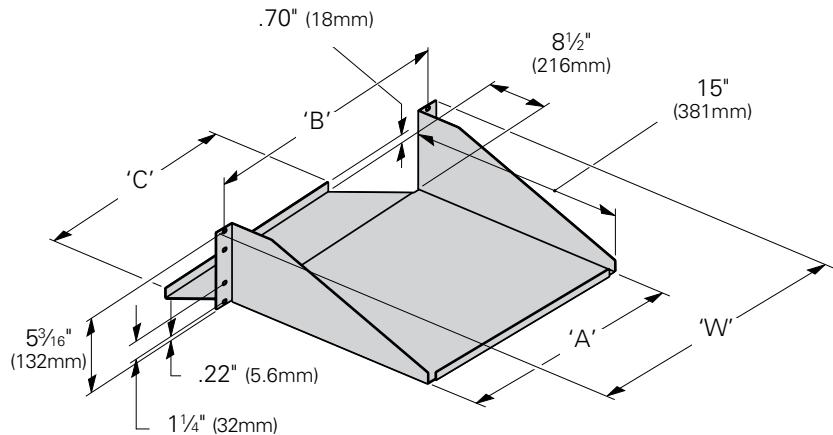
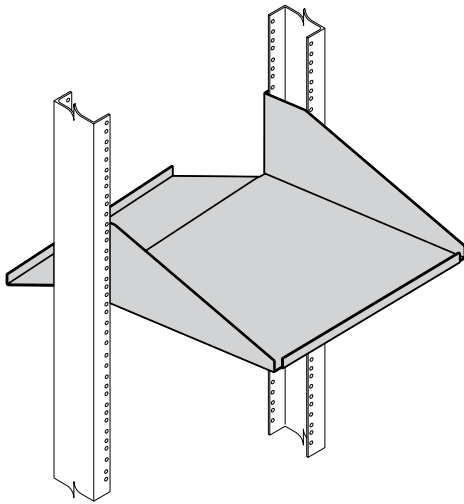
Network Equipment Racks & Accessories

Rack Accessories

CPU/Monitor Rack Mounted Shelf with Keyboard Extension Solid Shelf

- Use to support monitor and keyboard without requiring additional mounting spaces
- Three (3) mounting spaces required
- 100 lbs. (.45kg) load capacity
- Includes: #12-24 mounting hardware
- UL 1863 Listed (File No. E171936) as a communications circuit accessory
- Material: 0.090 (2.3mm) thick Aluminum sheet or 14 Gauge (1.9mm) ASTM 569 Steel
- Finish __: Aluminum - brushed (AL)
Flat black powder coat (FB)
Telco gray powder coat (TG)
Silver powder coat (SL)

Network equipment racks & accessories

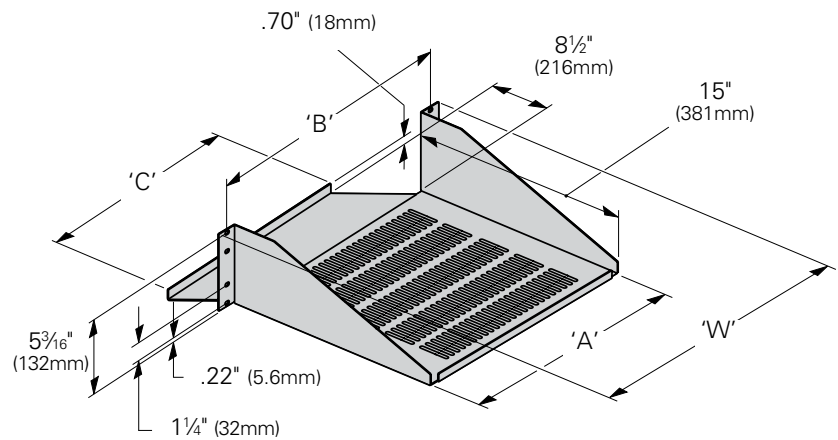
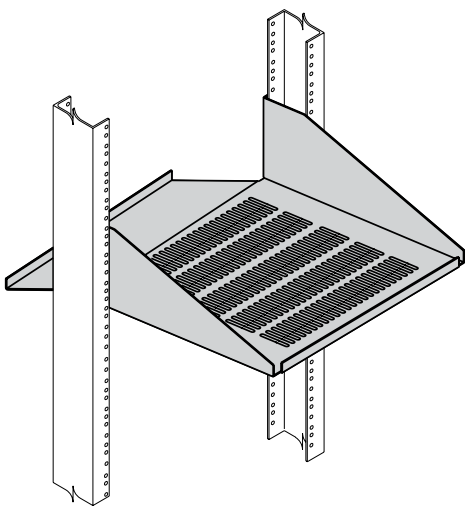


Part Number	Mat'l.	Rack Width 'W'		'A'		'B'		'C'		Weight	
		In.	(mm)	In.	(mm)	In.	(mm)	In.	(mm)	Lbs.	(kg)
SB741S19A__	Alum	19"	(482)	17 ⁵ / ₁₆ "	(440)	18 ⁵ / ₁₆ "	(465)	16 ⁵ / ₁₆ "	(414)	5.0	(2.2)
SB741S19S__	Steel	19"	(482)	17 ⁵ / ₁₆ "	(440)	18 ⁵ / ₁₆ "	(465)	16 ⁵ / ₁₆ "	(414)	17.3	(7.8)
SB741S23A__	Alum	23"	(584)	21 ⁵ / ₁₆ "	(541)	22 ⁵ / ₁₆ "	(567)	20 ⁵ / ₁₆ "	(516)	5.9	(2.7)
SB741S23S__	Steel	23"	(584)	21 ⁵ / ₁₆ "	(541)	22 ⁵ / ₁₆ "	(567)	20 ⁵ / ₁₆ "	(516)	17.1	(7.7)

Specify part number and finish when ordering.

CPU/Monitor Rack Mounted Shelf with Keyboard Extension Ventilated Shelf

- Use to support monitor and keyboard without requiring additional mounting spaces
- Three (3) mounting spaces required
- 100 lbs. (.45kg) load capacity
- Includes: #12-24 mounting hardware
- Material: 0.090 (2.3mm) thick Aluminum sheet or 14 gauge (1.9mm) ASTM 569 Steel
- Finish ____: Aluminum - brushed (AL)
Flat black powder coat (FB)
Telco gray powder coat (TG)
Silver powder coat (SL)



Part Number	Mat'l.	Rack Width 'W'		'A'		'B'		'C'		Weight	
		In.	(mm)	In.	(mm)	In.	(mm)	In.	(mm)	Lbs.	(kg)
SB741V19A__	Alum	19"	(482)	17 ⁵ / ₁₆ "	(440)	18 ⁵ / ₁₆ "	(465)	16 ⁵ / ₁₆ "	(414)	4.5	(2.0)
SB741V19S__	Steel	19"	(482)	17 ⁵ / ₁₆ "	(440)	18 ⁵ / ₁₆ "	(465)	16 ⁵ / ₁₆ "	(414)	13.0	(5.9)
SB741V23A__	Alum	23"	(584)	21 ⁵ / ₁₆ "	(541)	22 ⁵ / ₁₆ "	(567)	20 ⁵ / ₁₆ "	(516)	5.0	(2.2)
SB741V23S__	Steel	23"	(584)	21 ⁵ / ₁₆ "	(541)	22 ⁵ / ₁₆ "	(567)	20 ⁵ / ₁₆ "	(516)	17.3	(7.7)

Specify part number and finish when ordering.

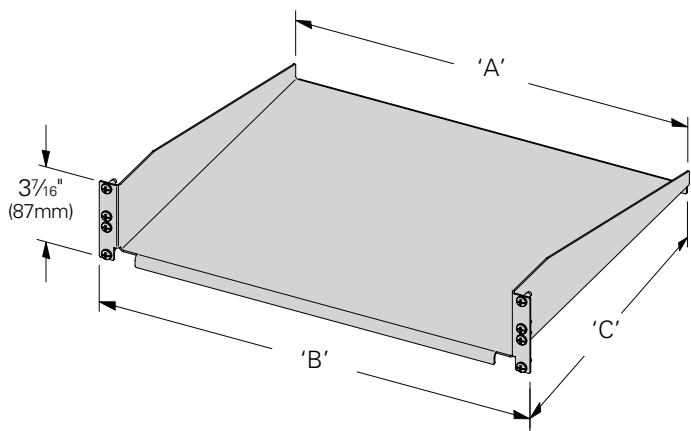
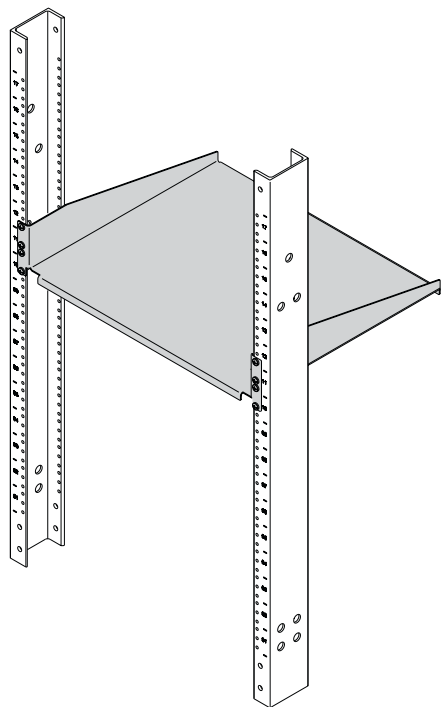
Network Equipment Racks & Accessories

Rack Accessories

Single Sided Rack Mounted Shelf - 2U Solid Shelf

- Use to support equipment in a relay rack
- Two (2) mounting spaces required
- 100 lbs. (.45kg) load capacity
- Includes: #12-24 mounting hardware
- Material: 14 Gauge (1.9mm) ASTM 569 Steel
- Finish ____: Flat black powder coat (FB)
Telco gray powder coat (TG)
Silver powder coat (SL)

Network equipment racks & accessories

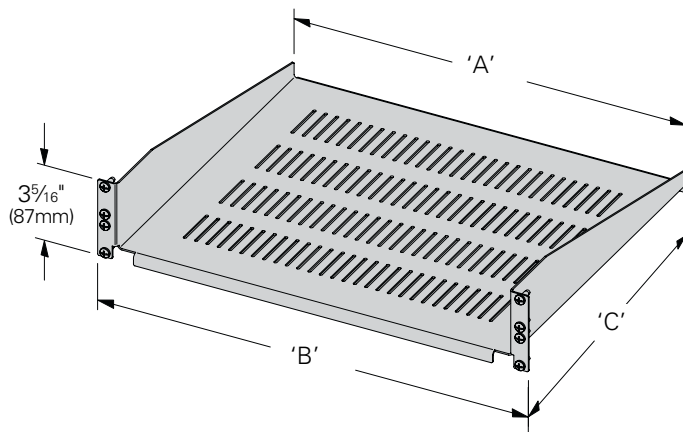
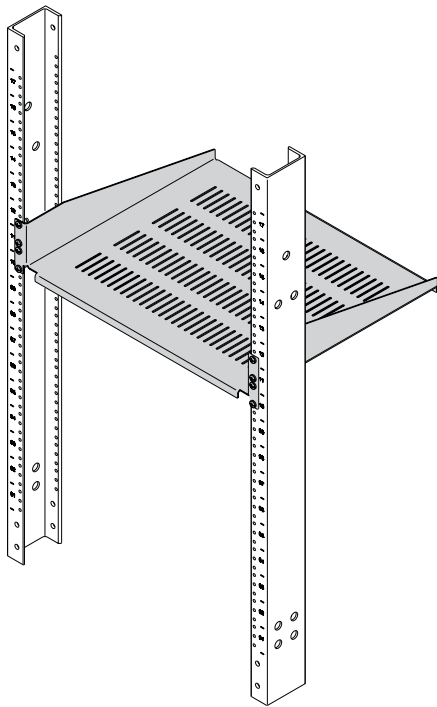


Part Number	Mat'l.	Rack Width 'W'		'A'		'B'		'C'		Weight	
		In.	(mm)	In.	(mm)	In.	(mm)	In.	(mm)	Lbs.	(kg)
SB749S1915S __	Steel	19"	(482)	17 ⁵ / ₁₆ "	(440)	19"	(482)	15"	(381)	6.4	(2.9)

Specify part number and finish when ordering.

Single Sided Rack Mounted Shelf - 2U Ventilated Shelf

- Use to support equipment in a relay rack
- Two (2) mounting spaces required
- 100 lbs. (.45kg) load capacity
- Includes: #12-24 mounting hardware
- Material: 14 Gauge (1.9mm) ASTM 569 Steel
- Finish __: Flat black powder coat (FB)
Telco gray powder coat (TG)
Silver powder coat (SL)



Part Number	Mat'l.	Rack Width 'W'		'A'		'B'		'C'		Weight	
		In.	(mm)	In.	(mm)	In.	(mm)	In.	(mm)	Lbs.	(kg)
SB749V1915S__	Steel	19"	(482)	17 ⁵ / ₁₆ "	(440)	19"	(482)	15"	(381)	5.8	(2.6)

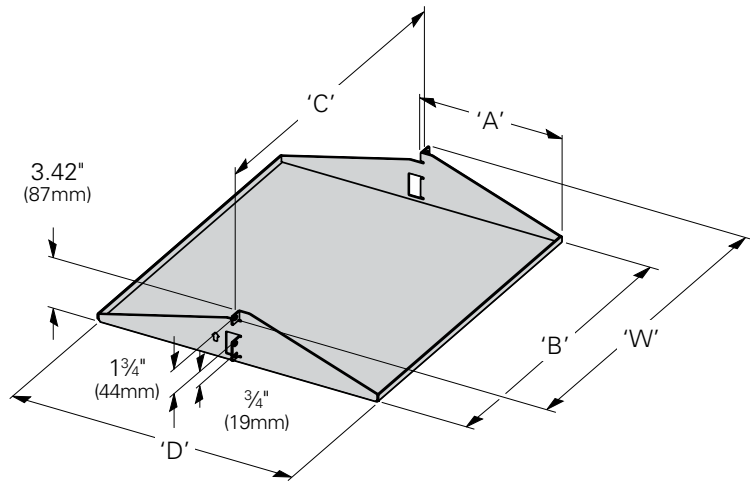
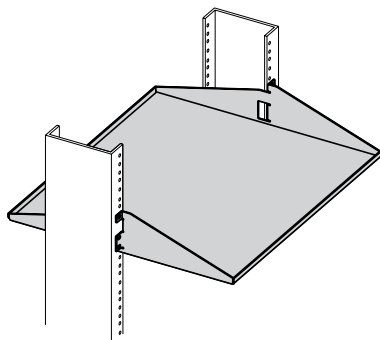
Specify part number and finish when ordering.

Network Equipment Racks & Accessories

Rack Accessories

Low Profile Rack Mounted Shelf Solid Shelf

- Use to center mount networking or other equipment
- Designed to work with the following mounting spaces: universal [$\frac{5}{8}$ ", $\frac{5}{8}$ ", $\frac{1}{2}$ " (16mm, 16mm, 13mm)] spacing, wide [$1\frac{1}{4}$ ", $\frac{1}{2}$ " (32mm, 13mm)] spacing or $\frac{1}{2}$ " (13mm) spacing
- Two (2) mounting spaces required
- 50 lbs. (.23kg) load capacity
- Includes: #12-24 mounting hardware
- UL 1863 Listed (File No. E171936) as a communications circuit accessory
- Material: 0.090 (2.3mm) thick Aluminum sheet or 14 Gauge (1.9mm) ASTM 569 Steel
- Finish ____: Aluminum - brushed (AL)
Flat black powder coat (FB)
Telco gray powder coat (TG)
Silver powder coat (SL)

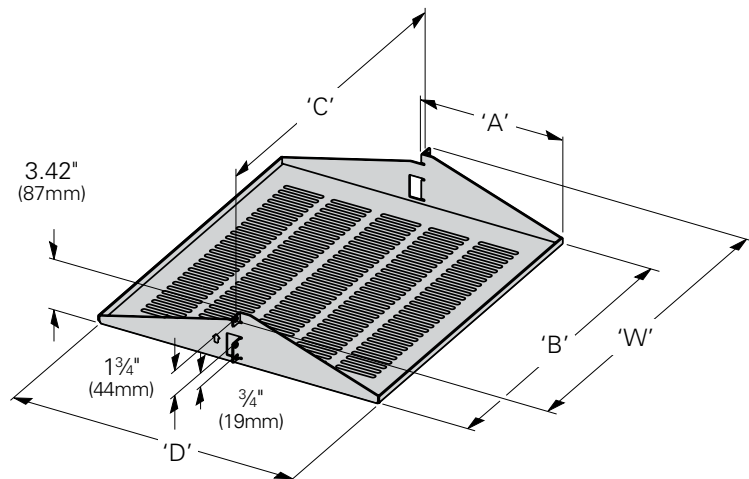
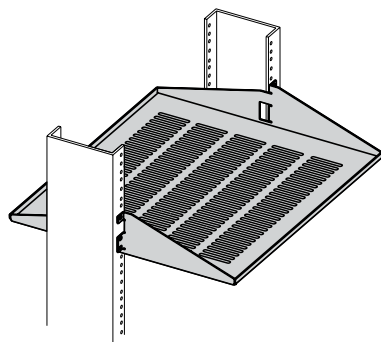


Part Number	Mat'l.	Rack Width 'W'		'A'		'B'		'C'		'D'		Weight	
		In.	(mm)	In.	(mm)	In.	(mm)	In.	(mm)	In.	(mm)	Lbs.	(kg)
SB745S1916A__	Alum	19"	(482)	8"	(203)	17 $\frac{1}{4}$ "	(438)	18 $\frac{5}{16}$ "	(465)	16"	(406)	3.5	(1.6)
SB745S1916S__	Steel	19"	(482)	8"	(203)	17 $\frac{1}{4}$ "	(438)	18 $\frac{5}{16}$ "	(465)	16"	(406)	10.1	(4.6)
SB745S1919A__	Alum	19"	(482)	9 $\frac{1}{2}$ "	(241)	17 $\frac{1}{4}$ "	(438)	18 $\frac{5}{16}$ "	(465)	19"	(482)	4.1	(1.8)
SB745S1919S__	Steel	19"	(482)	9 $\frac{1}{2}$ "	(241)	17 $\frac{1}{4}$ "	(438)	18 $\frac{5}{16}$ "	(465)	19"	(482)	11.8	(5.3)
SB745S2316A__	Alum	23"	(584)	8"	(203)	21 $\frac{1}{4}$ "	(540)	22 $\frac{5}{16}$ "	(567)	16"	(406)	4.1	(1.8)
SB745S2316S__	Steel	23"	(584)	8"	(203)	21 $\frac{1}{4}$ "	(540)	22 $\frac{5}{16}$ "	(567)	16"	(406)	11.8	(5.3)
SB745S2319A__	Alum	23"	(584)	9 $\frac{1}{2}$ "	(241)	21 $\frac{1}{4}$ "	(540)	22 $\frac{5}{16}$ "	(567)	19"	(482)	4.9	(2.2)
SB745S2319S__	Steel	23"	(584)	9 $\frac{1}{2}$ "	(241)	21 $\frac{1}{4}$ "	(540)	22 $\frac{5}{16}$ "	(567)	19"	(482)	14.2	(6.4)

Specify part number and finish when ordering.

Low Profile Rack Mounted Shelf Ventilated Shelf

- Use to center mount networking or other equipment
- Designed to work with the following mounting spaces: universal [$\frac{5}{8}$ ", $\frac{5}{8}$ ", $\frac{1}{2}$ " (16mm, 16mm, 13mm)] spacing, wide [$1\frac{1}{4}$ ", $\frac{1}{2}$ " (32mm, 13mm)] spacing or $\frac{1}{2}$ " (13mm) spacing
- Two (2) mounting spaces required
- 50 lbs. (.23kg) load capacity
- Includes: #12-24 mounting hardware
- Material: 0.090 (2.3mm) thick Aluminum sheet or 14 Gauge (1.9mm) ASTM 569 Steel
- Finish ____: Aluminum - brushed (AL)
Flat black powder coat (FB)
Telco gray powder coat (TG)
Silver powder coat (SL)



Part Number	Mat'l.	Rack Width 'W' In. (mm)	'A'		'B'		'C'		'D'		Weight	
			In.	(mm)	In.	(mm)	In.	(mm)	In.	(mm)	Lbs.	(kg)
SB745V1916A__	Alum	19" (482)	8"	(203)	17 $\frac{1}{4}$ "	(438)	18 $\frac{5}{16}$ "	(465)	16"	(406)	3.0	(1.3)
SB745V1916S__	Steel	19" (482)	8"	(203)	17 $\frac{1}{4}$ "	(438)	18 $\frac{5}{16}$ "	(465)	16"	(406)	8.7	(3.9)
SB745V1919A__	Alum	19" (482)	9 $\frac{1}{2}$ "	(241)	17 $\frac{1}{4}$ "	(438)	18 $\frac{5}{16}$ "	(465)	19"	(482)	3.7	(1.7)
SB745V1919S__	Steel	19" (482)	9 $\frac{1}{2}$ "	(241)	17 $\frac{1}{4}$ "	(438)	18 $\frac{5}{16}$ "	(465)	19"	(482)	10.7	(4.8)
SB745V2316A__	Alum	23" (584)	8"	(203)	21 $\frac{1}{4}$ "	(540)	22 $\frac{5}{16}$ "	(567)	16"	(406)	3.7	(1.7)
SB745V2316S__	Steel	23" (584)	8"	(203)	21 $\frac{1}{4}$ "	(540)	22 $\frac{5}{16}$ "	(567)	16"	(406)	10.7	(4.8)
SB745V2319A__	Alum	23" (584)	9 $\frac{1}{2}$ "	(241)	21 $\frac{1}{4}$ "	(540)	22 $\frac{5}{16}$ "	(567)	19"	(482)	4.9	(2.2)
SB745V2319S__	Steel	23" (584)	9 $\frac{1}{2}$ "	(241)	21 $\frac{1}{4}$ "	(540)	22 $\frac{5}{16}$ "	(567)	19"	(482)	14.2	(6.4)

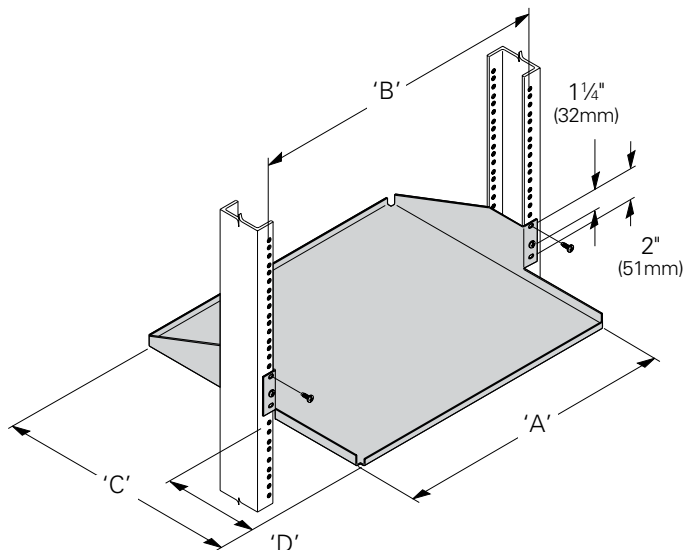
Specify part number and finish when ordering.

Network Equipment Racks & Accessories

Rack Accessories

Center Mount Rack Mounted Shelf

- Use to support monitors, CPU's or modems
- Two (2) mounting spaces required
- 100 lbs. (0.45kg) load capacity
- Includes: #12-24 mounting hardware
- UL 1863 Listed (File No. E171936) as a communications circuit accessory
- Material: 0.090 (2.3mm) thick Aluminum sheet or 14 Gauge (1.9mm) ASTM 569 Steel
- Finish ____: Aluminum - brushed (AL)
Flat black powder coat (FB)
Telco gray powder coat (TG)
Silver powder coat (SL)

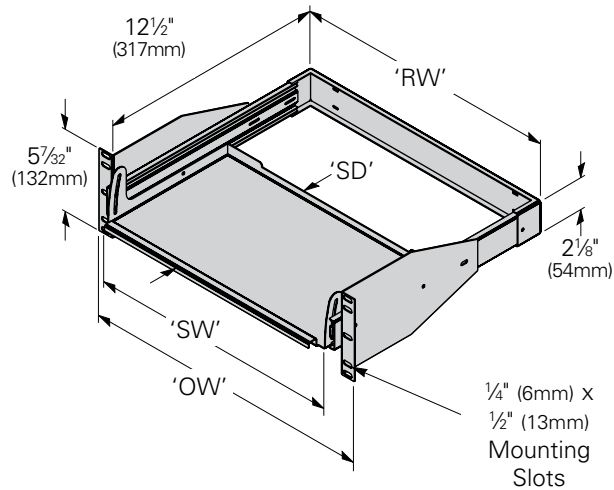


Part Number	Mat'l.	Rack Width		'A'		'B'		'C'		'D'		Weight	
		In.	(mm)	In.	(mm)	In.	(mm)	In.	(mm)	In.	(mm)	Lbs.	(kg)
SB5961911A__	Alum	19"	(482)	17½"	(444)	18 ⁵ / ₁₆ "	(465)	11"	(279)	4"	(101)	2.8	(1.3)
SB5961911S__	Steel	19"	(482)	17½"	(444)	18 ⁵ / ₁₆ "	(465)	11"	(279)	4"	(101)	8.1	(3.7)
SB5961913A__	Alum	19"	(482)	17½"	(444)	18 ⁵ / ₁₆ "	(465)	13"	(330)	5"	(127)	3.3	(1.5)
SB5961913S__	Steel	19"	(482)	17½"	(444)	18 ⁵ / ₁₆ "	(465)	13"	(330)	5"	(127)	9.5	(4.3)
SB5961915A__	Alum	19"	(482)	17½"	(444)	18 ⁵ / ₁₆ "	(465)	15"	(381)	6"	(152)	3.7	(1.7)
SB5961915S__	Steel	19"	(482)	17½"	(444)	18 ⁵ / ₁₆ "	(465)	15"	(381)	6"	(152)	10.7	(4.8)
SB5961919A__	Alum	19"	(482)	17½"	(444)	18 ⁵ / ₁₆ "	(465)	19"	(482)	8"	(203)	4.7	(2.1)
SB5961919S__	Steel	19"	(482)	17½"	(444)	18 ⁵ / ₁₆ "	(465)	19"	(482)	8"	(203)	13.6	(6.1)
SB5962311A__	Alum	23"	(584)	21½"	(546)	22 ⁵ / ₁₆ "	(567)	11"	(279)	4"	(101)	3.2	(1.4)
SB5962311S__	Steel	23"	(584)	21½"	(546)	22 ⁵ / ₁₆ "	(567)	11"	(279)	4"	(101)	9.2	(4.2)
SB5962313A__	Alum	23"	(584)	21½"	(546)	22 ⁵ / ₁₆ "	(567)	13"	(330)	5"	(127)	3.8	(1.7)
SB5962313S__	Steel	23"	(584)	21½"	(546)	22 ⁵ / ₁₆ "	(567)	13"	(330)	5"	(127)	11.0	(5.0)
SB5962315A__	Alum	23"	(584)	21½"	(546)	22 ⁵ / ₁₆ "	(567)	15"	(381)	6"	(152)	4.3	(1.9)
SB5962315S__	Steel	23"	(584)	21½"	(546)	22 ⁵ / ₁₆ "	(567)	15"	(381)	6"	(152)	12.4	(5.6)
SB5962319A__	Alum	23"	(584)	21½"	(546)	22 ⁵ / ₁₆ "	(567)	19"	(482)	8"	(203)	5.4	(2.4)
SB5962319S__	Steel	23"	(584)	21½"	(546)	22 ⁵ / ₁₆ "	(567)	19"	(482)	8"	(203)	15.6	(7.1)

Specify part number and finish when ordering.

Rack Mounted Keyboard Tray, Sliding/Tilting

- Use to mount keyboard allowing adjustment to convenient working angle
- Slide allows keyboard to be recessed when not in use
- Three (3) mounting spaces required
- Up to 50 lbs. (.23kg) load capacity
- Includes: #12-24 mounting hardware
- Material: .090 (2.3mm) Aluminum sheet
- Finish ____: Aluminum - brushed (AL)
Flat black powder coat (FB)
Telco gray powder coat (TG)
Silver powder coat (SL)



Part Number	Rack Width		Overall Shelf Width 'OW'		Rear Width 'RW'		Shelf Width 'SW'		Shelf Depth 'SD'	
	In.	(mm)	In.	(mm)	In.	(mm)	In.	(mm)	In.	(mm)
SB742T19__	19"	(482)	18.9"	(480)	17 1/2"	(444)	15"	(381)	9"	(228)
SB742T23__	23"	(584)	22.9"	(581)	21 1/2"	(546)	19"	(482)	9"	(228)

Part Number	Shelf Assembly (Closed)		Shelf Assembly (Open)		Weight	
	In.	(mm)	In.	(mm)	Lbs.	(kg)
SB742T19__	14 1/2"	(368)	27"	(686)	7.5	(3.4)
SB742T23__	18 1/2"	(470)	31"	(787)	8.5	(3.8)

Specify part number and finish when ordering.

Network Equipment Racks & Accessories

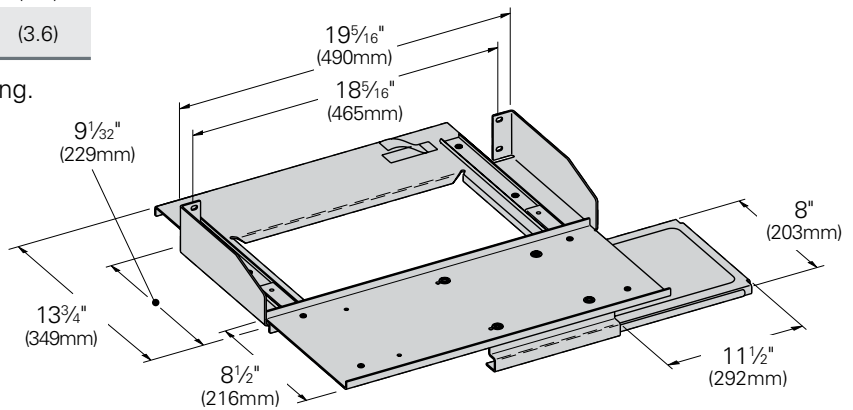
Rack Accessories

Rack Mounted Keyboard Tray, Sliding With Mouse Tray

- Designed to support a keyboard and mouse from the equipment rack
- Rack mounting hardware included
- Self-adhesive Velcro® wire management wrap included to contain keyboard cord
- Material: Aluminum
- Finish ____: Aluminum - brushed (AL)
Flat black powder coat (FB)
Telco gray powder coat (TG)
Silver powder coat (SL)

Part Number	Rack Width		Weight	
	In.	(mm)	Lbs.	(kg)
SB742M19 __	19"	(482)	7.4	(3.3)
SB742M23 __	23"	(584)	8.0	(3.6)

Specify part number and finish when ordering.

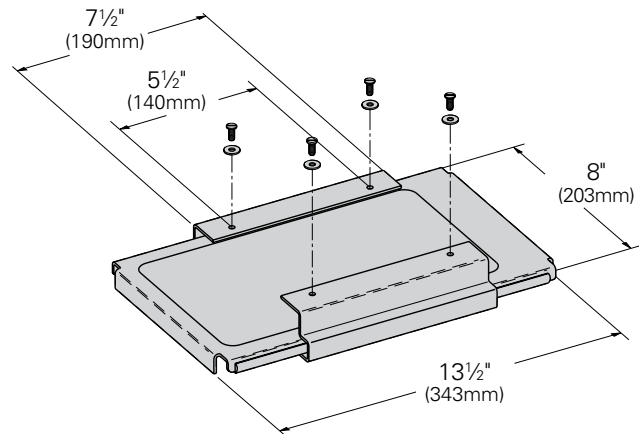


Mouse Tray Kit for Retrofit on SB743KB

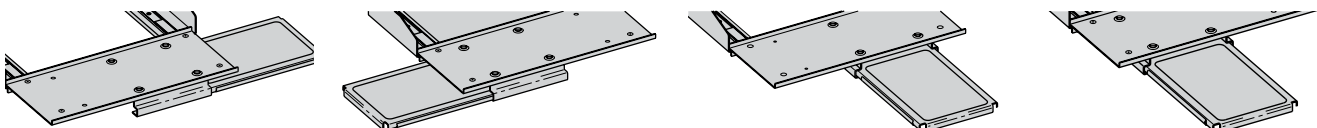
- Mouse tray may be mounted in four ways as shown below
- Mounting hardware included
- Material: Aluminum
- Finish ____: Aluminum - brushed (AL)
Flat black powder coat (FB)
Telco gray powder coat (TG)
Silver powder coat (SL)

Part Number	Weight	
	Lbs.	(kg)
SB743M __	2.0	(0.9)

Specify part number and finish when ordering.

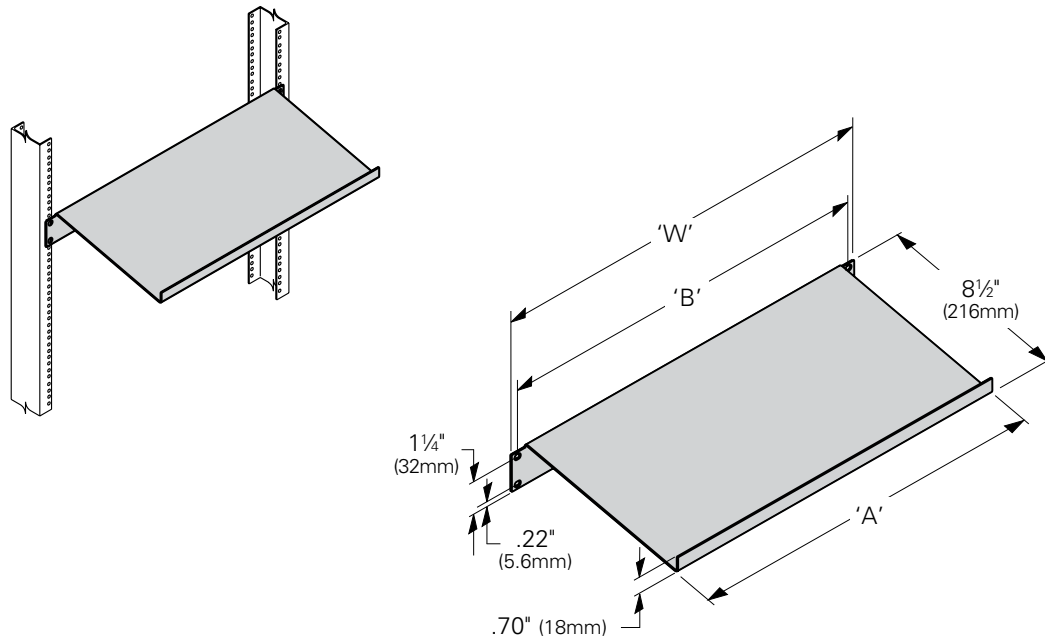


4 Mounting Positions



Fixed Keyboard Shelf

- Use to support keyboard at a convenient and accessible angle
- One (1) mounting space required
- Includes: #12-24 mounting hardware
- Material: Aluminum sheet .090 (2.3mm)
- Finish ___: Aluminum - brushed (AL)
Flat black powder coat (FB)
Telco gray powder coat (TG)
Silver powder coat (SL)



Part Number	Rack Width 'W'		'A'		'B'		Weight	
	In.	(mm)	In.	(mm)	In.	(mm)	Lbs.	(kg)
SB74019 __	19"	(482)	17 ⁵ / ₁₆ "	(440)	18 ⁵ / ₁₆ "	(465)	1.8	(0.8)
SB74023 __	23"	(584)	21 ⁵ / ₁₆ "	(541)	22 ⁵ / ₁₆ "	(567)	2.2	(1.0)

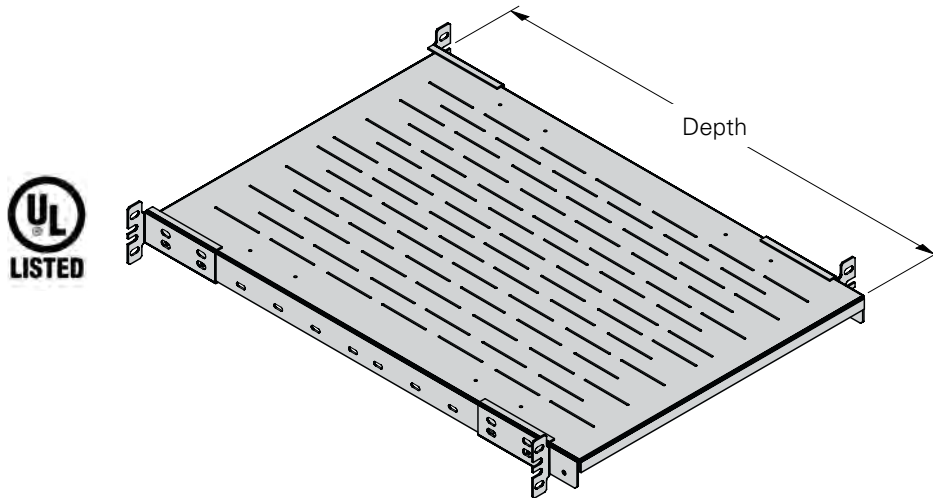
Specify part number and finish when ordering.

Network Equipment Racks & Accessories

Rack Accessories

4-Post Rack Shelves - Fixed 19" Rack Mount

- Adjustable shelf mounting brackets offer unlimited placement options
- Designed with flow through perforations on both sides of the shelf for maximum equipment ventilation
- Uses one (1) rack mount unit (RMU) of space - 1¾" (44.4mm)
- Standard shelf rated for 150 lbs. (68kg) load capacity
- Heavy duty shelf rated for 350 lbs. (159kg) load capacity
- E2SHH Series heavy duty shelves UL Listed (File No. E171936) as a communications circuit accessory
- Includes: #12-24 mounting hardware
- UL Listed for heavy duty version only
- Material: 14 Gauge (1.9mm) Steel Sheet
- Finish __: Flat black powder coat (FB)
Telco gray powder coat (TG)
Silver powder coat (SL)



Fixed Shelf - Standard

Part Number	Shelf Depth		Weight	
	In.	(mm)	Lbs.	(kg)
E2SH4P1920__	20"	(508)	12.0	(5.4)
E2SH4P1924__	24"	(610)	14.4	(6.5)
E2SH4P1930__	30"	(762)	18.0	(8.2)
E2SH4P1936__	36"	(914)	21.6	(9.8)

Specify part number and finish when ordering.

Fixed Shelf - Heavy Duty

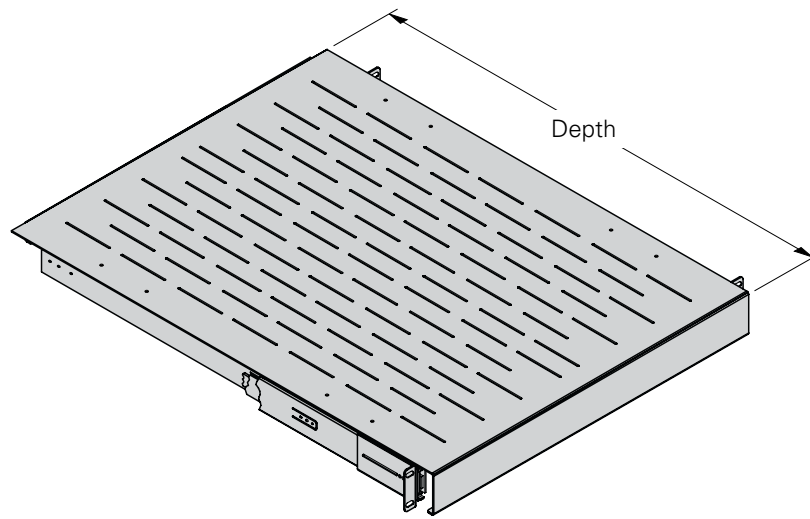
Part Number	Shelf Depth		Weight	
	In.	(mm)	Lbs.	(kg)
E2SHH4P1920__	20"	(508)	14.0	(6.4)
E2SHH4P1924__	24"	(610)	16.8	(7.6)
E2SHH4P1930__	30"	(762)	21.0	(9.5)
E2SHH4P1936__	36"	(914)	25.2	(11.4)

Specify part number and finish when ordering.



4-Post Rack Shelves - Sliding 19" Rack Mount

- Adjustable shelf mounting brackets offer unlimited placement options
- Sliding shelves can be fully extended for easy access to equipment
- Designed with flow through perforations on both sides of the shelf for maximum equipment ventilation
- Uses one (1) rack mount unit (RMU) of space - 1¾" (44.4mm)
- Standard shelf rated for 150 lbs. (68kg) load capacity
- Heavy duty shelf rated for 200 lbs. (91kg) load capacity
- Includes: #12-24 mounting hardware
- Material: 14 Gauge (1.9mm) Steel Sheet
- Finish __: Flat black powder coat (FB)
Telco gray powder coat (TG)
Silver powder coat (SL)



Sliding Shelf - Standard

Part Number	Shelf Depth		Weight	
	In.	(mm)	Lbs.	(kg)
E2SHSS1920__	20"	(508)	13.6	(6.2)
E2SHSS1924__	24"	(610)	16.3	(7.4)
E2SHSS1930__	30"	(762)	20.4	(9.3)
E2SHSS1936__	36"	(914)	21.6	(9.8)

Specify part number and finish when ordering.



Sliding Shelf - Heavy Duty

Part Number	Shelf Depth		Weight	
	In.	(mm)	Lbs.	(kg)
E2SHHSS1920__	20"	(508)	15.6	(7.1)
E2SHHSS1924__	24"	(610)	18.7	(8.5)
E2SHHSS1930__	30"	(762)	23.4	(10.6)
E2SHHSS1936__	36"	(914)	28.1	(12.7)

Specify part number and finish when ordering.

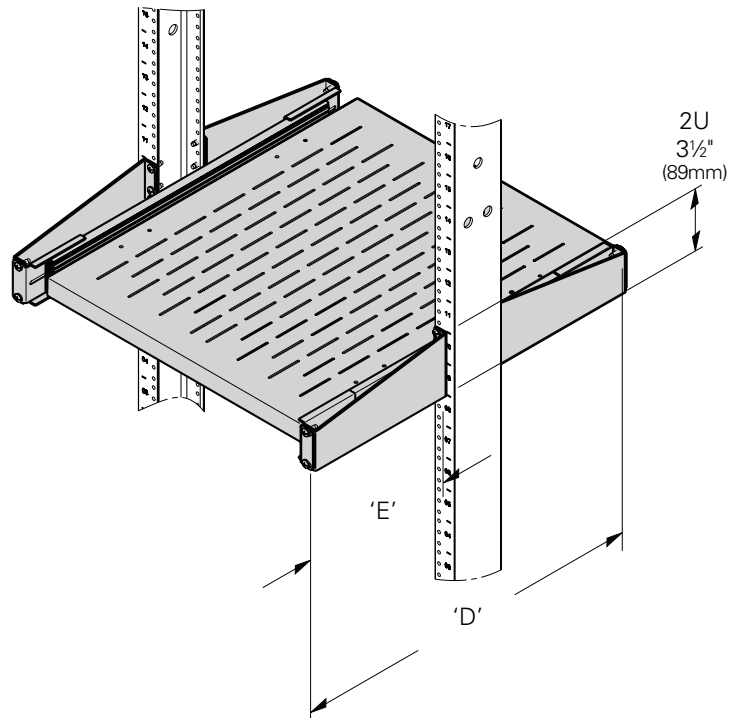


Network Equipment Racks & Accessories

Rack Accessories

2-Post Rack Shelves - Sliding 19" Rack Mount

- Sliding shelf and bracket kit for mounting 20" (508mm) or 24" (609mm) deep sliding shelves on to 3" (76mm) upright two-post racks
- Includes sliding shelf, two (2) left and two (2) right sided mounting brackets, and (24) #12-24 x 5/8" long dog point mounting screws
- Bracket only kit with hardware available
- Equipment racks should be anchored to the floor or otherwise secured when using this kit
- Supports up to 150 lbs. (68kg)
- Requires three (3) rack mount units (RMU) of space
- Material: 11 Gauge (3.0mm) Steel
- Finish ___: Flat black powder coat (FB)
Telco gray powder coat (TG)
Silver powder coat (SL)



Bracket & Hardware with Sliding Shelf

Part Number	'D'		'E'		Weight	
	In.	(mm)	In.	(mm)	Lbs.	(kg)
E2556SSH20__	20"	(508)	8½"	(216)	18.0	(8.2)
E2556SSH24__	24"	(610)	10½"	(267)	20.5	(9.3)

Specify part number and finish when ordering.

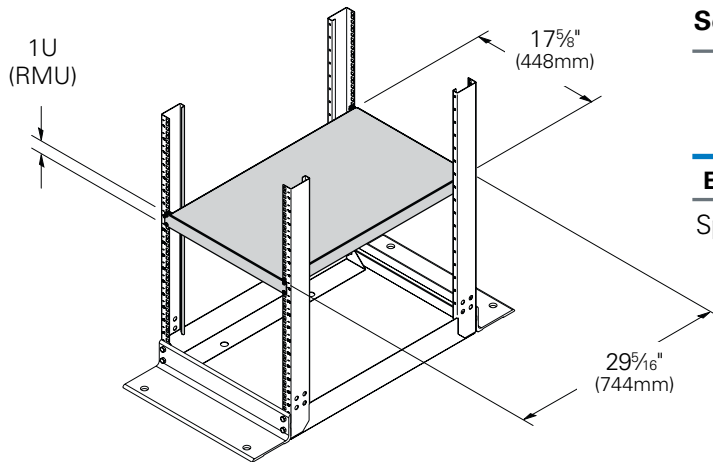
Bracket Only with Hardware

Part Number	Weight	
	Lbs.	(kg)
E2556SHBRKT__	4.0	(1.8)

Specify part number and finish when ordering.

Solid Shelf Kit - 19" Rack Mount For SB836 Series Four-Post Racks

- Installs at any location vertically along four post rack offering unlimited placement options
- Uses one (1) rack mount unit (RMU) of space - 1¾" (44.4mm)
- Includes: #12-24 mounting hardware, cage nuts and removable rivets
- Shelf rated for 100 lbs. (45kg) load capacity
- Material: 14 Gauge (1.9mm) Steel Sheet
- Finish ____: Flat black powder coat (FB)
Telco gray powder coat (TG)
Silver powder coat (SL)



Solid Shelf Kit

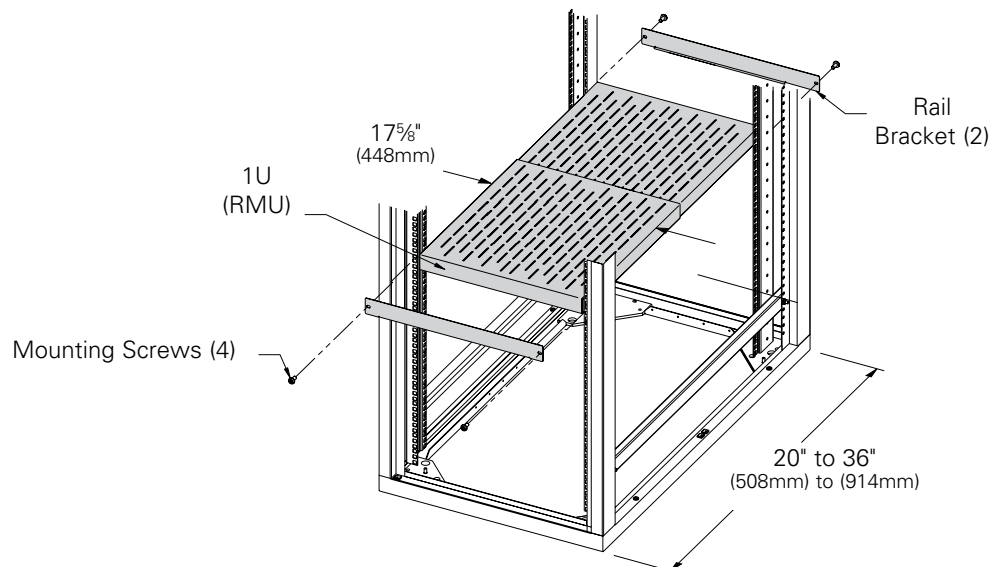
Part Number	Shelf Depth		Weight	
	In.	(mm)	Lbs.	(kg)
E4PFSS1929	29"	(736)	13.7	(6.2)

Specify part number and finish when ordering.

Telescopic Shelf Kit

Part Number	Adjustable Shelf Depth		Weight	
	In.	(mm)	Lbs.	(kg)
ELPTSV19B	20" - 36"	(508 - 914)	20.0	(9.1)

Available in black only.

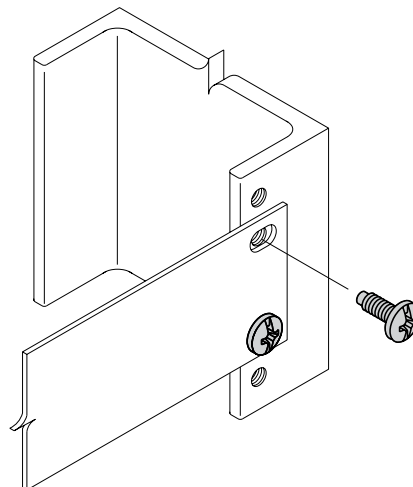


Network Equipment Racks & Accessories

Rack Accessories

Mounting Screws

- Use with equipment racks and equipment frames
- #12-24 x 5/8" (16mm) screw size
- Combination head design
- Dog point to minimize cross threading
- Sold in packages of 50
- Material: SAE J429 Grade 5 steel
- Finish___: Clear zinc (ZN) or Black zinc (BZ)

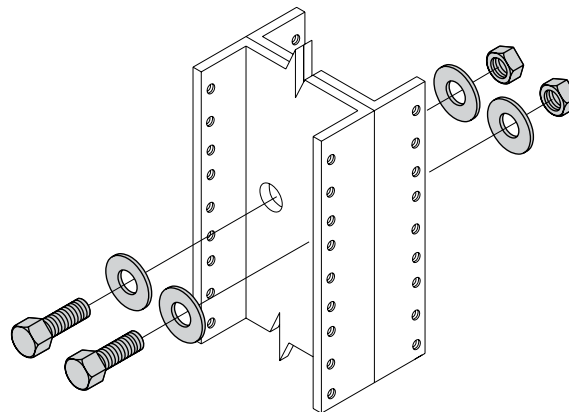


Part Number	Weight	
	Lbs.	(kg)
SB58604 ___	0.40	(0.18)

Specify part number and finish when ordering.

Network Equipment Rack Junction Kit

- Use to join two network equipment racks side by side
- Includes: (4) 3/8"-16 x 1" (25mm) HHCS, (8) 3/8" flat washers and (4) 3/8"-16 hex nuts
- Finish___: Yellow zinc (YZ) or Black zinc (BZ)

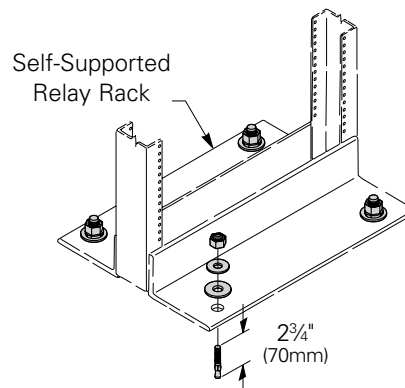
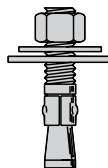


Part Number	Weight	
	Lbs.	(kg)
SB58704 ___	0.25	(0.11)

Specify part number and finish when ordering.

Network Equipment Rack Anchor Kit

- Use for anchoring network equipment racks to concrete
- Includes: 3/8"-16 x 2 3/4" (70mm) wedge anchors and hardware
- Finish: Clear zinc (ZN)

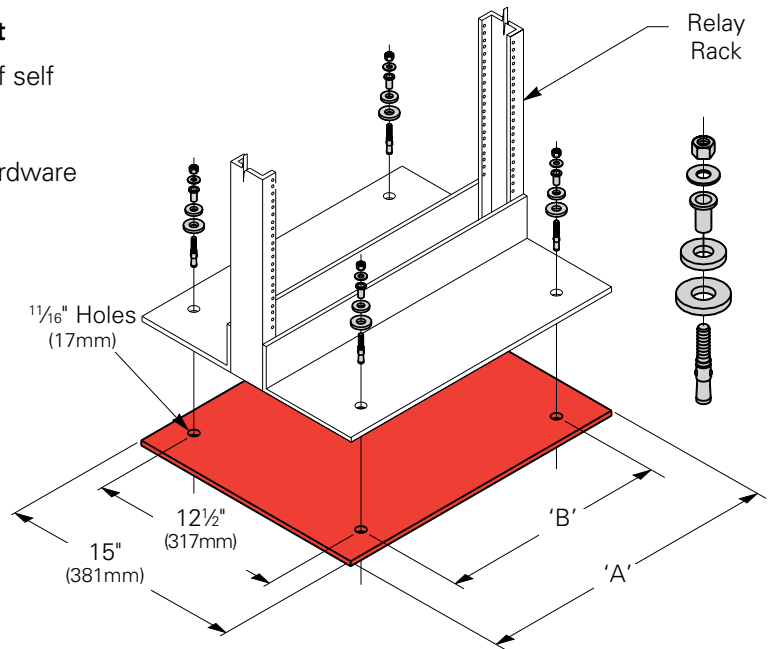


Part Number	Relay Rack Type	Anchor Quantity	Weight	
			Lbs.	(kg)
SB588A	Self Supported	4	0.46	(0.21)

For additional anchoring options, see page 361 & 362.

Self Supported Equipment Rack Isolation Kit

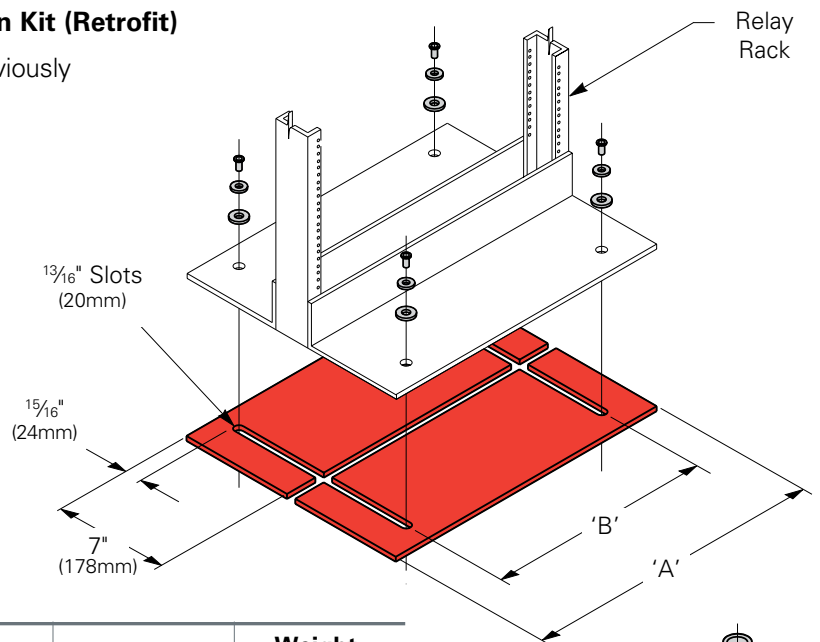
- Use to anchor and provide electrical isolation of self supported equipment rack from concrete
- Includes: (1) isolation pad, (4) sleeve kits, (4) 3/8"-16 x 2 3/4" (70mm) wedge anchors and hardware
- Material: Polyester fiberglass - pad
Steel - anchors and hardware
6/6 Nylon - sleeve
- Finish: Pad - Red
Sleeve - Natural
Anchors and hardware - Clear zinc (ZN)



Part Number	Rack Width		'A'		'B'		Weight	
	In.	(mm)	In.	(mm)	In.	(mm)	Lbs.	(kg)
SB254101	19"	(483)	20 5/16"	(516)	16"	(406)	2.47	(1.12)
SB254102	23"	(584)	24 5/16"	(617)	20"	(508)	2.86	(1.30)

Self Supported Equipment Rack Isolation Kit (Retrofit)

- Use to provide electrical isolation on a previously installed self supported equipment rack
- Includes: (1) isolation pad, (4) sleeve kits, (4) 7/16" flat washers
- Anchors not included
- Material: Polyester fiberglass - pad
6/6 Nylon - sleeve
steel - flat washers
- Finish: Pad - Red
Sleeve - Natural
Flat washers - Yellow zinc (YZ)



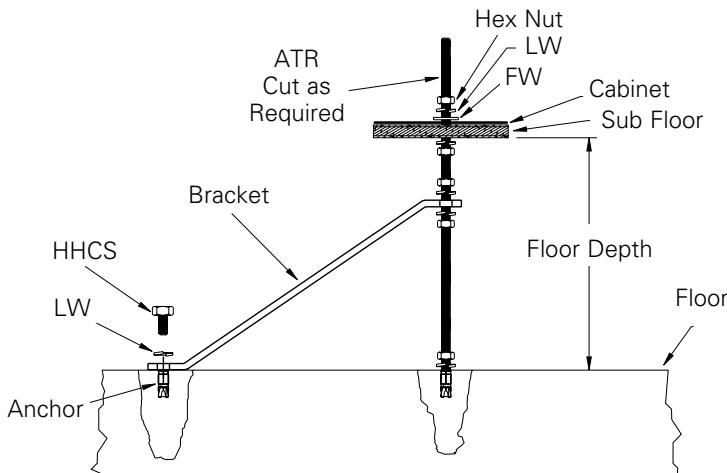
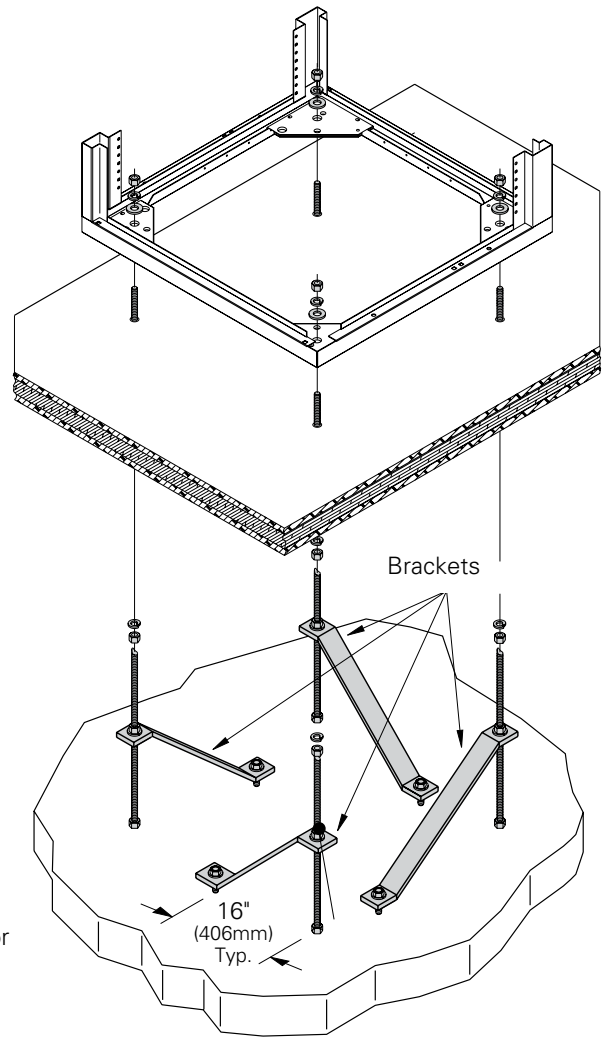
Part Number	Rack Width		'A'		'B'		Weight	
	In.	(mm)	In.	(mm)	In.	(mm)	Lbs.	(kg)
SB254401	19"	(483)	20 5/16"	(516)	16"	(406)	1.80	(0.82)
SB254402	23"	(584)	24 5/16"	(617)	20"	(508)	2.20	(1.00)

Network Equipment Racks & Accessories

Rack Accessories

Raised Floor Support Kit For Four-Post Racks and Electronic Enclosures

- Used to support racks or enclosures installed on 4" (101mm) to 32" (813mm) high raised floors
- Kit includes four (4) 3/8" (9.5mm) x 1 3/4" (44.4mm) steel "Z" brackets, four (4) pre-cut all threaded rod pieces, anchors and mounting hardware
- All mounting hardware - zinc plated
- Application: Used with four-post racks or electronic enclosures
- V-Line - use with VSBDK
- Bracket Finishes: Flat black powder coat (FB), Telco gray powder coat (TG), or Yellow zinc plated (YZ)



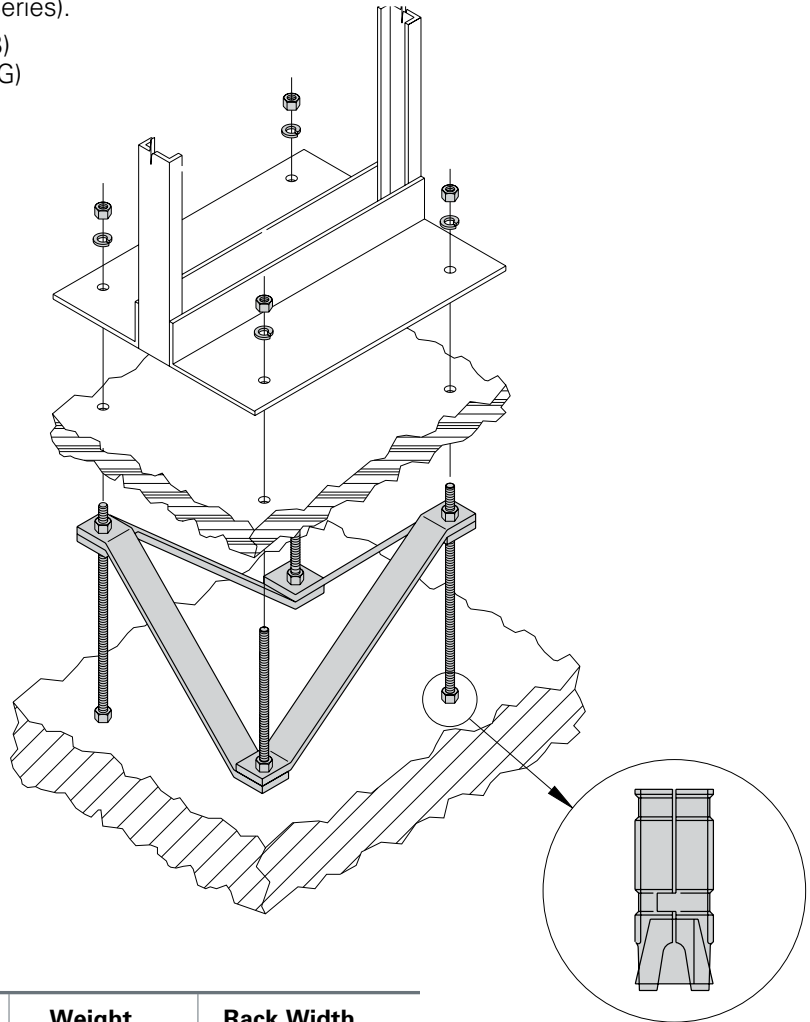
Kits for 4-Post Racks & Electronic Enclosures

Part Number	Floor Depth		Weight	
	In.	(mm)	Lbs.	(kg)
ERFS10__	4" to 10"	(101 to 254)	25.0	(11.3)
ERFS16__	10" to 16"	(254 to 406)	27.0	(12.2)
ERFS22__	16" to 22"	(406 to 559)	29.0	(13.1)
ERFS28__	22" to 28"	(559 to 711)	32.0	(14.5)
ERFS32__	28" to 32"	(711 to 813)	33.0	(14.9)

Specify part number and finish when ordering.

Raised Floor Support Kit For Two-Post Racks

- Used to support racks on 4" (101mm) to 28" (711mm) high raised floors
- Kit includes four (4) 3/8" (9.5mm) x 1 3/4" (44.4mm) steel "Z" brackets, four (4) pre-cut all threaded rod pieces, anchors and mounting hardware
- All mounting hardware - zinc plated
- Application: Used with two-post racks (RR Series).
- Bracket Finishes: Flat black powder coat (FB)
Telco gray powder coat (TG)
Yellow zinc plated (YZ)



Kits for 2-Post Racks

Part Number	Floor Depth		Weight		Rack Width	
	In.	(mm)	Lbs.	(kg)	In.	(mm)
RRFS1910__	4" to 10"	(101 to 254)	25.0	(11.3)	19"	(482)
RRFS1916__	10" to 16"	(254 to 406)	27.0	(12.2)	19"	(482)
RRFS1922__	16" to 22"	(406 to 559)	29.0	(13.1)	19"	(482)
RRFS1928__	22" to 28"	(559 to 711)	32.0	(14.5)	19"	(482)
RRFS2310__	4" to 10"	(101 to 254)	25.0	(11.3)	23"	(584)
RRFS2316__	10" to 16"	(254 to 406)	27.0	(12.2)	23"	(584)
RRFS2322__	16" to 22"	(406 to 559)	33.0	(14.9)	23"	(584)
RRFS2328__	22" to 28"	(559 to 711)	37.0	(17.7)	23"	(584)

Specify part number and finish when ordering.

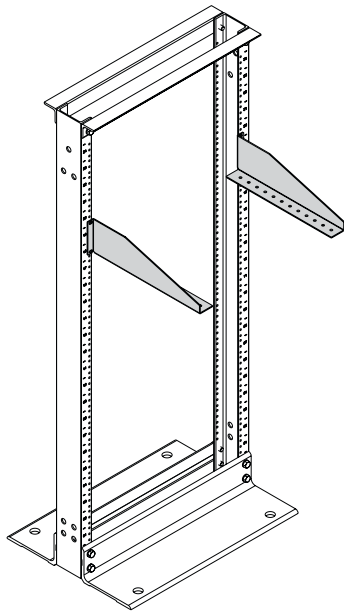
Network Equipment Racks & Accessories

Rack Accessories

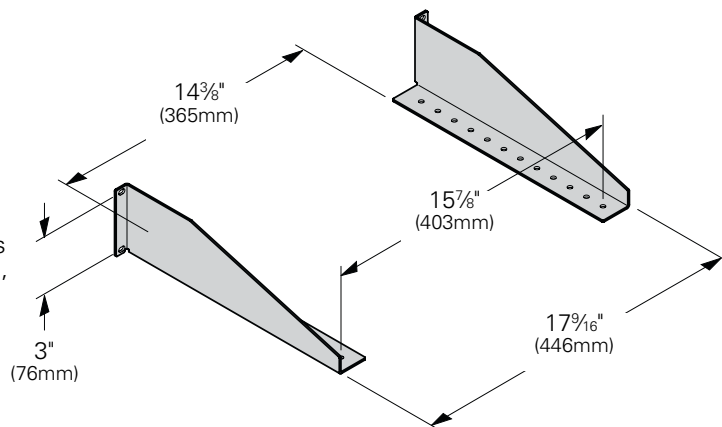
Equipment Support Bracket For Two-Post Rack Applications

- Used to provide additional support to heavy equipment installed in two-post rack applications
- Made of .100 (2.5mm) aluminum
- Includes left and right brackets, and mounting hardware
- Max load rating 60 lbs.
- Dimensions: 13" (330mm) long x 1.6" (40mm) support flange
- Finish __: Brushed (AL)
Flat black powder coat (FB)
Telco gray powder coat (TG)
Silver powder coat (SL)

Network equipment racks & accessories



Each bracket has 4 slots
1 1/4" (32mm), 1/2" (13mm),
1 1/4" (32mm) spacing



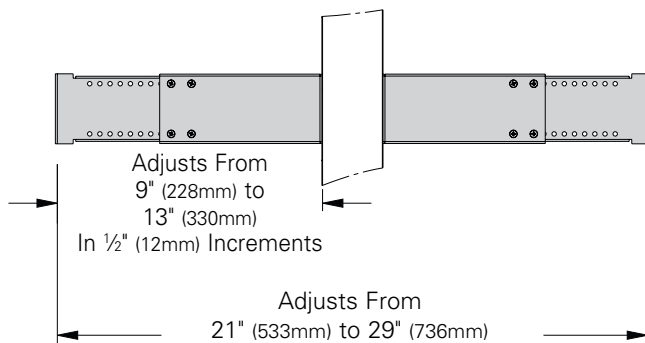
Equipment Support Bracket

Part Number	Weight	
	Lbs.	(kg)
RESB__	1.5	(0.68)

Specify part number and finish when ordering.

Server Support Bracket For Two-Post Rack Applications

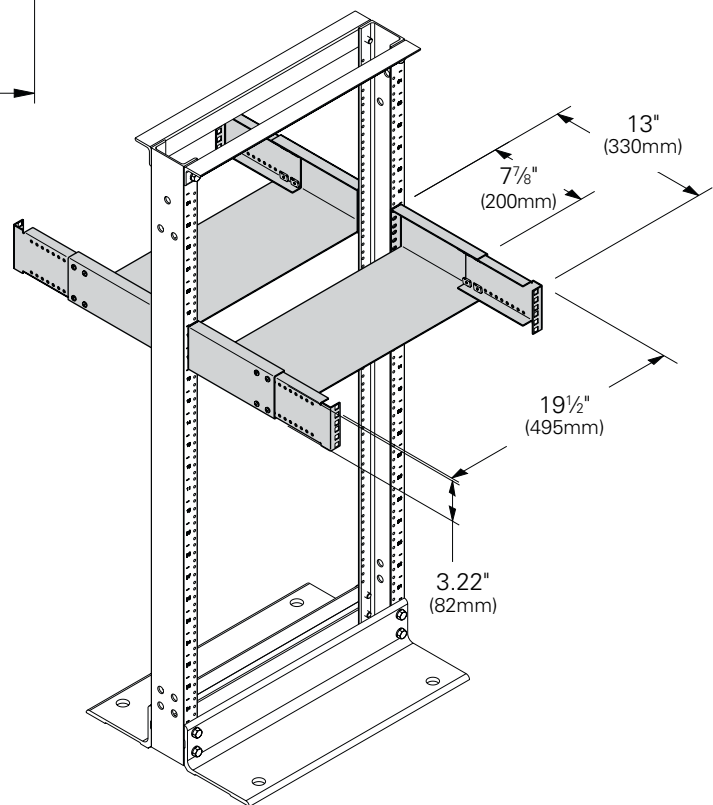
- Used to mount 19" wide server equipment into tapped hole two-post racks
- Includes two (2) support pans, four (4) fully adjustable support arms and required assembly hardware
- Square mounting holes for cage nuts (cage nuts sold separately)
- Adjustable from 7.9" (200mm) to 13" (330mm) from the front of the rack
- Requires two (2) mounting spaces - 3½" (89mm)
- Made of 14 gauge (1.9mm) steel
- Finish ____: Flat black powder coat (FB)
Telco gray powder coat (TG)
Silver powder coat (SL)



Server Support Bracket

Part Number	Weight	
	Lbs.	(kg)
RSB2U__	11.3	(5.12)

Specify part number and finish when ordering.



Network Equipment Racks & Accessories

Rack Accessories

Document Drawers 5" (127mm) Deep

- Designed to store important equipment, installation and service information, or magnetic media used for backup
- Drawers are offered in locking or non-locking styles
- Drawer capacity is 100 lbs. (45.4mm)
- Comes complete with hardware
- Finish __: Black powder coat



Network equipment
racks & accessories

Document Drawers

Part Number	Drawer Style	Width		Minimum Cabinet Depth		Weight	
		in.	(mm)	in.	(mm)	Lbs.	(kg)
E2SHDRW19205B	No Lock	19"	(482)	24"	(609)	18.0	(8.1)
E2SHDRWL19205B__	Lock	19"	(482)	24"	(609)	18.0	(8.1)
E2SHDRW23205B	No Lock	23"	(584)	24"	(609)	20.0	(9.1)
E2SHDRWL23205B	Lock	23"	(584)	24"	(609)	20.0	(9.1)
E2SHDRW19245B	No Lock	19"	(482)	26"	(660)	20.0	(9.1)
E2SHDRWL19245B	Lock	19"	(482)	26"	(660)	20.0	(9.1)
E2SHDRW23245B	No Lock	23"	(584)	26"	(660)	25.0	(11.3)
E2SHDRWL23245B	Lock	23"	(584)	26"	(660)	25.0	(11.3)
E2SHDRW19305B	No Lock	19"	(482)	32"	(813)	23.0	(10.4)
E2SHDRWL19305B	Lock	19"	(482)	32"	(813)	23.0	(10.4)
E2SHDRW23305B	No Lock	23"	(584)	32"	(813)	27.8	(12.6)
E2SHDRWL23305B	Lock	23"	(584)	32"	(813)	27.8	(12.6)

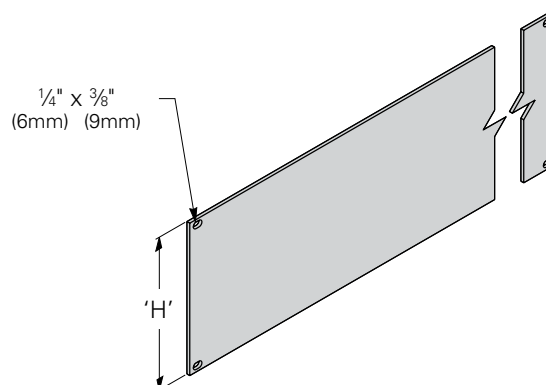
Network Equipment Racks & Accessories

Rack Accessories

Blank Filler Panel

- Use to close unused mounting spaces in 19" (483mm) or 23" (584mm) racks
- Accommodates 1 to 10 mounting spaces (other sizes are available on request)
- Includes: #12-24 mounting hardware
- Aluminum - 0.09 (2.3mm) thick

- Finish ____: Aluminum - brushed (AL)
Flat black powder coat (FB)
Telco gray powder coat (TG)
Silver powder coat (SL)



Blank Filler Panels

Part Number	Rack Width		'H' Height		Mounting Spaces	Mounting Screws	Weight	
	In.	(mm)	In.	(mm)			Lbs.	(kg)
SB5771901__	19"	(483)	1 1/16"	(43)	1	4	.58	(0.18)
SB5771902__	19"	(483)	3 7/16"	(87)	2	4	1.17	(0.32)
SB5771903__	19"	(483)	5 3/16"	(132)	3	4	1.75	(0.50)
SB5771904__	19"	(483)	6 15/16"	(176)	4	4	2.33	(0.68)
SB5771905__	19"	(483)	8 1/16"	(220)	5	4	2.91	(1.32)
SB5771906__	19"	(483)	10 7/16"	(265)	6	8	3.50	(1.59)
SB5771907__	19"	(483)	12 3/16"	(309)	7	8	4.08	(1.85)
SB5771908__	19"	(483)	13 15/16"	(354)	8	8	4.66	(2.11)
SB5771909__	19"	(483)	15 1/16"	(398)	9	8	5.24	(2.37)
SB5771910__	19"	(483)	17 7/16"	(443)	10	8	5.82	(2.64)
SB5772301__	23"	(584)	1 1/16"	(43)	1	4	0.71	(0.32)
SB5772302__	23"	(584)	3 7/16"	(87)	2	4	1.41	(0.50)
SB5772303__	23"	(584)	5 3/16"	(132)	3	4	2.12	(0.68)
SB5772304__	23"	(584)	6 15/16"	(176)	4	4	2.83	(1.28)
SB5772305__	23"	(584)	8 1/16"	(220)	5	4	3.54	(1.60)
SB5772306__	23"	(584)	10 7/16"	(265)	6	8	4.25	(1.93)
SB5772307__	23"	(584)	12 3/16"	(309)	7	8	4.96	(2.25)
SB5772308__	23"	(584)	13 15/16"	(354)	8	8	5.77	(2.62)
SB5772309__	23"	(584)	15 1/16"	(398)	9	8	6.48	(2.94)
SB5772310__	23"	(584)	17 7/16"	(443)	10	8	7.19	(3.26)

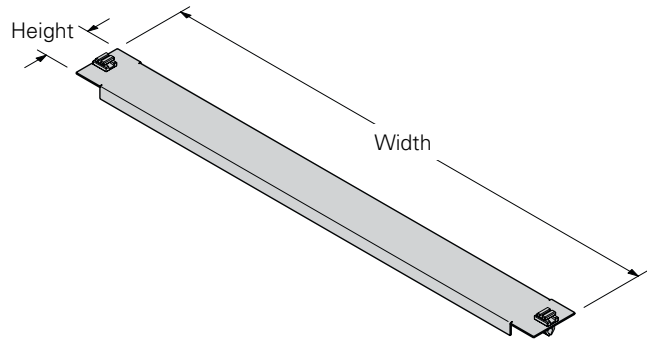
Specify part number and finish when ordering.

Network Equipment Racks & Accessories

Rack Accessories

Quick Fit Blanking Panel

- Use to prevent air recirculation in electronic enclosures by blocking off unused rack mounting space which maximizes cooling efficiency
- For use with EIA square hole mounting rails
- Tool-less quarter turn polycarbonate latches for quick installation and removal
- Panel made of 17 gauge (1.3mm) steel
- Available in 1U, 2U, and 5U heights
- Finish: Flat black powder coat (FB)
- Meets UL 94VO



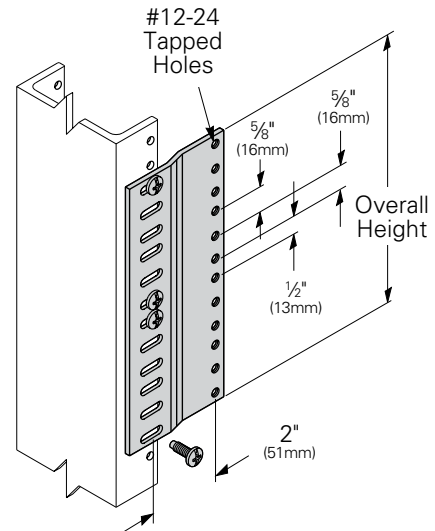
Part Number	Width		Height		Mounting Spaces	Weight	
	In.	(mm)	In.	(mm)		Lbs.	(kg)
PPS1UQFB	19"	(483)	1¾"	(44)	1	0.60	(0.27)
PPS2UQFB	19"	(483)	3½"	(89)	2	1.00	(0.46)
PPS5UQFB	19"	(483)	8¾"	(222)	5	2.40	(1.09)

23" Equipment Rack to 19" Panel Mount Adapter Plate

- Use to mount 19" (483mm) equipment with 1¾" (44mm) mounting space configuration on 23" (584mm) racks with 1¾" (44mm) mounting space configuration
- Accommodates 1 to 8 mounting spaces. Special sizes are available
- #12-24 panel mounting holes for 19" (483mm) equipment on universal ⅝" (16mm), ⅝" (16mm), ½" (13mm) mounting spacing
- Includes: (2) plates, and #12-24 mounting hardware
- Material: 11 Ga. (3mm) ASTM A36 structural steel
- Other heights are available upon request
- Finish: Flat black powder coat (FB), Telco gray powder coat (TG), Silver powder coat (SL), Yellow zinc (YZ)

Part Number	Overall Height		Mtg. Spaces	Mtg. Screws	Weight	
	In.	(mm)			Lbs.	(kg)
SB576A01__	1 11/16"	(43)	1	4	0.4	(0.18)
SB576A02__	3 7/16"	(87)	2	4	0.7	(0.32)
SB576A03__	5 9/16"	(132)	3	4	1.1	(0.50)
SB576A04__	6 15/16"	(176)	4	8	1.5	(0.68)
SB576A05__	8 11/16"	(220)	5	8	1.8	(0.81)
SB576A06__	10 7/16"	(265)	6	8	2.2	(1.00)
SB576A07__	12 3/16"	(309)	7	8	2.5	(1.13)
SB576A08__	13 15/16"	(354)	8	8	2.9	(1.31)

Specify part number and finish when ordering.



Network Equipment Racks & Accessories

Rack Accessories

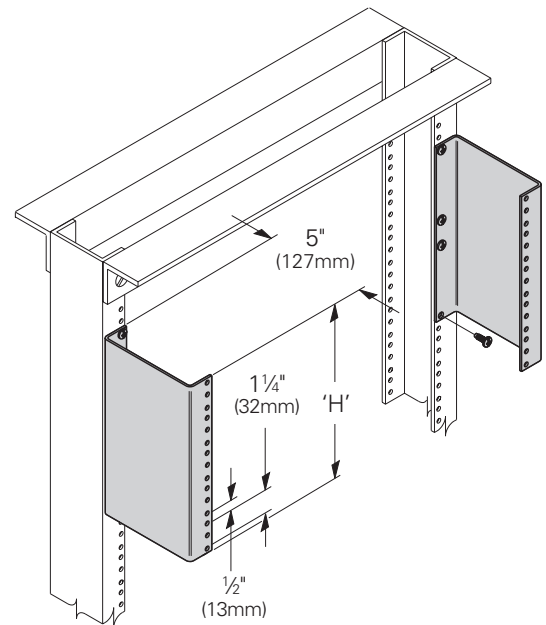
Network Equipment Rack Standoff Bracket

- Use to increase depth for oversized equipment
- 5" (127mm) depth. (Other depths and heights are available upon request)
- Includes: (2) standoff brackets and #12-24 mounting hardware

- Material: 11 Gauge (3.0mm) ASTM A569 steel
- Finish___: Flat black powder coat (FB)
Telco gray powder coat (TG)
Silver powder coat (SL)
Yellow zinc (YZ)

Part Number	Height 'H'		Mounting Spaces	Screws	Weight	
	In.	(mm)			Lbs.	(kg)
SB58501__	1 1/16"	(43)	1	4	0.8	(0.3)
SB58502__	3 7/16"	(87)	2	4	1.6	(0.7)
SB58503__	5 3/16"	(132)	3	6	2.4	(1.1)
SB58504__	6 15/16"	(176)	4	8	3.2	(1.4)
SB58505__	8 1/16"	(220)	5	8	4.0	(1.8)
SB58506__	10 7/16"	(265)	6	8	4.2	(1.9)
SB58507__	12 3/16"	(309)	7	8	5.6	(2.5)
SB58508__	13 15/16"	(354)	8	8	6.4	(2.9)
SB58510__	17 7/16"	(443)	10	10	8.0	(3.6)
SB58520__	34 15/16"	(887)	20	20	16.0	(7.2)
SB58530__	52 7/16"	(1332)	30	30	24.0	(10.9)

Specify part number and finish when ordering.
Other heights and depths are available on request.



Network equipment racks & accessories

Two-Post Network Rack Extension Kit

- Use to increase rack height for additional equipment mounting space
- Double sided universal [5/8" (16mm), 5/8" (16mm), 1/2" (13mm)] mounting spacing
- Includes (2) uprights, (2) splice bars and 3/8"-16 hardware
- #12-24 panel mounting holes
- Available in steel or aluminum uprights

- See SB575 for top angle
- Material: Aluminum
Steel - ASTM A36 structural steel
- Finish ___: Aluminum - brushed (AL)
Flat black powder coat (FB)
Telco gray powder coat (TG)

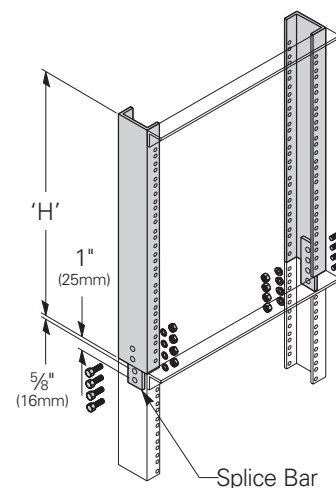
Aluminum

Part Number	'H' Height		Mounting Spaces	Weight	
	In.	(mm)		Lbs.	(kg)
SB57412A__	12"	(305)	5	4.2	(1.9)
SB57424A__	24"	(609)	12	7.0	(3.2)

Steel

Part Number	'H' Height		Mounting Spaces	Weight	
	In.	(mm)		Lbs.	(kg)
SB57412S__	12"	(305)	5	9.6	(4.3)
SB57424S__	24"	(609)	12	17.8	(8.1)

Specify part number and finish when ordering.



Note: Holes must be field drilled in rack.

Network Equipment Racks & Accessories

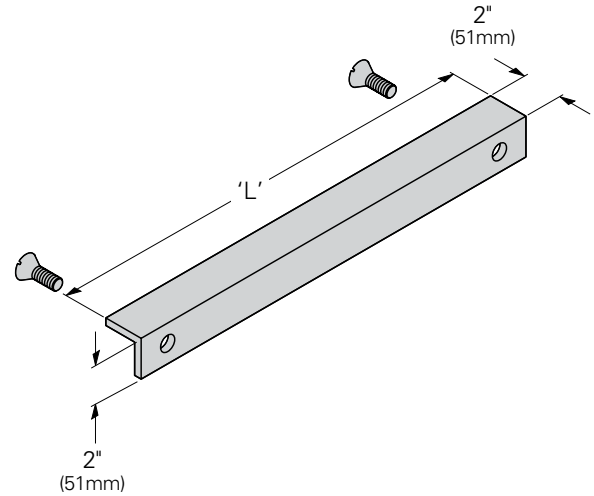
Rack Accessories

Top Angle

- Used with SB574 rack extension kit or Telco style racks to provide rigidity
- Includes $\frac{3}{8}$ "-16 mounting hardware
- Material: Aluminum or Steel - ASTM A36 structural steel
- Finish ____: Aluminum - brushed (AL)
Flat black powder coat (FB)
Telco gray powder coat (TG)
Silver powder coat (SL)

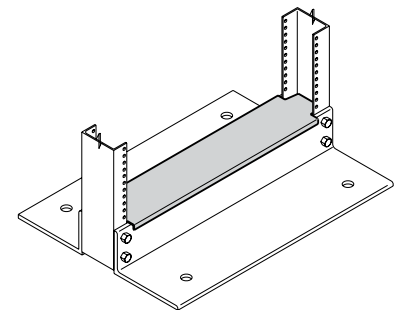
Part Number	Rack Width		'L'		Weight	
	In.	(mm)	In.	(mm)	Lbs.	(kg)
Steel						
SB575A ____	19"	(482)	20 $\frac{5}{16}$ "	(516)	5.5	(2.5)
SB575B ____	23"	(584)	24 $\frac{5}{16}$ "	(617)	6.5	(2.9)
Aluminum						
SB575C ____	19"	(482)	20 $\frac{5}{16}$ "	(516)	1.9	(0.8)
SB575D ____	23"	(584)	24 $\frac{5}{16}$ "	(617)	2.3	(1.0)

Specify part number and finish when ordering.



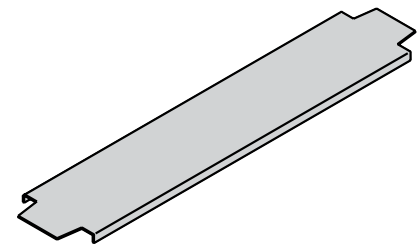
Two-Post Network Equipment Rack Base Dust Cover

- Use to cover opening at bottom of equipment rack
- Available for aluminum or steel network equipment racks
- Material: Aluminum or Steel ASTM A569
- Finish ____: Aluminum - brushed (AL)
Flat black powder coat (FB)
Telco gray powder coat (TG)



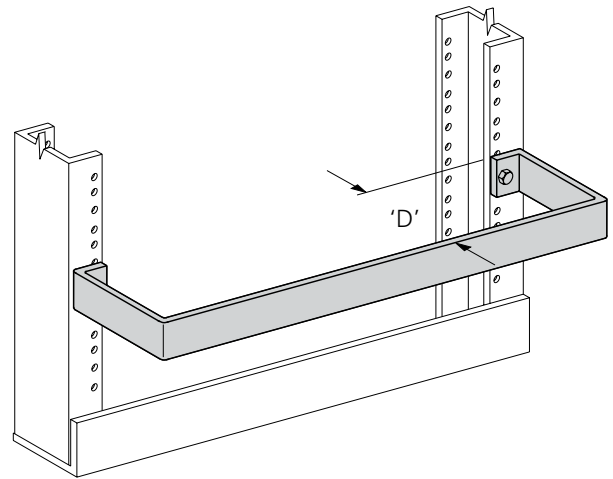
Part Number	Material	Rack Depth		Rack Width		Weight	
		In.	(mm)	In.	(mm)	Lbs.	(kg)
SB59501 __	Steel	3"	(76)	19"	(482)	1.6	(0.72)
SB59502 __	Steel	3"	(76)	23"	(584)	2.0	(0.90)
SB59501A __	Aluminum	3"	(76)	19"	(482)	1.1	(0.50)
SB59502A __	Aluminum	3"	(76)	23"	(584)	1.6	(0.72)
SB59503A __	Aluminum	6"	(152)	19"	(482)	2.0	(0.90)
SB59504A __	Aluminum	6"	(252)	23"	(584)	3.1	(1.40)

Specify part number and finish when ordering.



Two-Post Network Equipment Rack Guard Rail

- Use to protect rack mounted equipment
- Available in 4¼" (108mm) to 9½" (241mm) depths
- Includes: ⅜"-16 mounting hardware
- Uses two (2) RMUs of mounting space
- Material: ¼" (6.3mm) x 2" (51mm) Aluminum Bar
- Finish ____: Flat black powder coat (FB)
Telco gray powder coat (TG)
Silver powder coat (SL)



Part Number	'D' Depth		Weight	
	In.	(mm)	Lbs.	(kg)
19" (482mm) Rack Width				
SB58901A__	4¼"	(108)	1.5	(0.68)
SB58901B__	5¼"	(133)	1.6	(0.72)
SB58901C__	6½"	(165)	1.7	(0.77)
SB58901D__	7"	(178)	1.8	(0.81)
SB58901E__	9½"	(241)	2.0	(0.91)
23" (584mm) Rack Width				
SB58902A__	4¼"	(108)	1.7	(0.77)
SB58902B__	5¼"	(133)	1.8	(0.81)
SB58902C__	6½"	(165)	1.9	(0.86)
SB58902D__	7"	(178)	2.0	(0.91)
SB58902E__	9½"	(241)	2.2	(1.00)

Specify part number and finish when ordering.

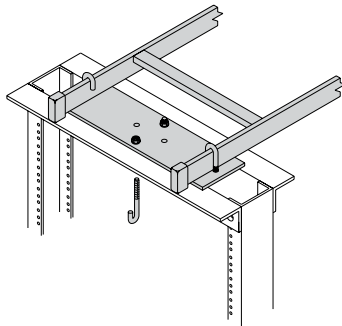
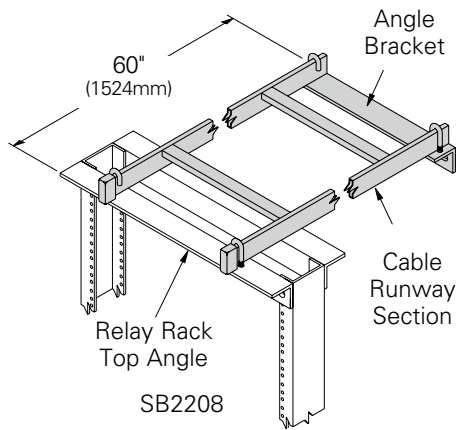
Network Equipment Racks & Accessories

Rack Accessories

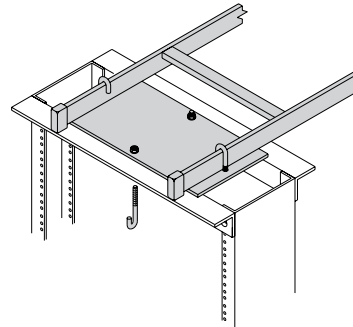
Network Equipment Rack Wall Support Kit

- Use to stabilize top end of relay rack 60" (1524mm) from wall
- All kits include: (1) 12" (305mm) wide x 60" (1524mm) long SB17 series runway section, (1) wall mounted angle bracket, (2) runway stringer end caps, and the required number of J-Bolts and hardware
- SB22083 comes with a 3" (76mm) rack depth rack to runway mounting plate
- SB22086 comes with a 6" (152mm) rack depth rack to runway mounting plate
- SB2208 requires drilling of rack top angle
- Order anchor hardware (for wall) separately
- Material: ASTM A36 structural steel
- Finish ____: Flat black powder coat (FB)
Telco gray powder coat (TG)
Yellow zinc (YZ)

Network equipment racks & accessories



SB22083



SB22086

Part Number	Rack Depth		Support Type		Weight	
	In.	(mm)	In.	(mm)	Lbs.	(kg)
SB22083 __	3"	(76)	12" Runway	(305) Runway	20.0	(9.1)
SB22086 __	6"	(152)	12" Runway	(305) Runway	23.0	(10.5)
SB2208 __	Universal		12" Runway	(305) Runway	15.0	(6.8)

Specify part number and finish when ordering.