

**9000SL
9000XT
9000XDT
9000XT Recliner**

Wheelchairs



Yes, you can.

Parts Catalog Usage Guide

The information contained in this document is subject to change without notice. This catalog contains service parts for Form No. 95-137. If you have any questions regarding this catalog, please contact one of our Customer Service Representatives.

For Customer Service Support Call:

1-800-333-6900

For Faxed In Orders Call:

1-800-678-4682 or

1-440-366-0709

For Technical Service Call:

1-800-832-4707

Literature Can Be Found at:

www.invacare.com or

1-800-828-6272

SYMBOL DEFINITION

Throughout this catalog you will notice letters to draw your attention to specific footnotes which are located at the bottom of the page or below specified charts.

Examples:

A,B,C etc. = Special Comments

NOTE: = General information pertaining to that specific page

NLA = No Longer Available

HARDWARE MEASUREMENTS

The measurements for the hardware will be listed as follows:

Screws, Bolts Diameter X Thread Count/Pitch X Length

Washers Inside Diameter X Outside Diameter X Thickness

Spacers Inside Diameter X Outside Diameter X Length

For your convenience, we have supplied an area for you to list your Invacare Representatives.

| Name | Phone Numbers |
|------|---------------|
| | |
| | |
| | |
| | |
| | |

© 2021 Invacare and the Medallion Design and Yes, you can. are registered trademarks.

TABLE of CONTENTS

| Description | Page Number |
|---|-------------|
| Arms - Conventional Adjustable Height - 9000XDT & 9000XT Recliner - 19JY & 29JY | 59 |
| Arms - Conventional Adjustable Height - Non-Removable - 9000SL | 63 |
| Arms - Conventional Adjustable Height - Non-Removable - 9000XT - 9000XDT & 9000XT Recliner | 83 |
| Arms - Conventional Adjustable Height - Removable - 9000SL | 67 |
| Arms - Conventional Adjustable Height - Removable - 9000XT & 9000XDT | 71 |
| Arms - Conventional Adjustable Height - Removable - 9000XT Recliner | 77 |
| Arms - Conventional Fixed Height - Removable - 9000XDT | 93 |
| Arms - Conventional Fixed Height - Removable - 9000XT | 89 |
| Arms - Conventional Fixed Height - Removable - 9000XT Recliner | 96 |
| Arms - Space Saver Adjustable Height - 9000SL | 116 |
| Arms - Space Saver Adjustable Height - 9000XT - 79JY & 89JY | 112 |
| Arms - Space Saver Adjustable Height - Non-Removable - 9000XT & 9000XDT | 126 |
| Arms - Space Saver Adjustable Height - Removable - 9000XT & 9000XDT | 120 |
| Arms - Space Saver Fixed Height - Non-Removable - 9000SL | 103 |
| Arms - Space Saver Fixed Height - Non-Removable - 9000XT & 9000XDT | 106 |
| Arms - Space Saver Fixed Height - Removable - 9000XT, 9000XDT | 99 |
| Canes - Back - Extended w/ Grip & Hardware - 9000SL w/ Adjustable Angle Back Option & 9000XT | 33 |
| Canes - Back - Standard w/ Grip - 9000SL | 35 |
| Canes - Back - Standard w/ Grip & Hardware - 9000SL w/ Adjustable Angle Back Option - 9000XT or 9000XDT | 30 |
| Canes - Back & Hardware - 9000XT Recliner | 37 |
| Casters - Front and Mounting Hardware | 138 |

TABLE of CONTENTS

| Description | Page Number |
|---|-------------|
| Crossbraces & Crossbrace Hardware | 25 |
| Crossbraces & Crossbrace Hardware - 9000SL (Before 7/12/99) | 23 |
| Forks & Hardware - 9000SL - 9000XT - 9000XT Recliner | 134 |
| Forks & Hardware - 9000XDT - Adult/Hemi and Tall | 136 |
| Frame Finishes, Upholstery Colors, Decals, Literature & Packaging | 6 |
| Frames - Side | 9 |
| Frames - Side - Hardware - 9000SL | 12 |
| Frames - Side - Hardware - 9000XT & 9000XDT | 15 |
| Frames - Side - Hardware - 9000XT Recliner | 17 |
| Front Riggings - Adjustable Angle Footplate Assemblies - AT5543 | 270 |
| Front Riggings - Calf Pads | 248 |
| Front Riggings - Footrest & Legrest Accessories | 274 |
| Front Riggings - Footrest Supports - GT93H Series | 225 |
| Front Riggings - Footrest Supports - H903, T943A/C/S | 207 |
| Front Riggings - Footrest Supports - H93E | 216 |
| Front Riggings - Footrest Supports - H93M & H93M with FPP | 218 |
| Front Riggings - Footrest Supports - SH93ES, SH93E | 213 |
| Front Riggings - Footrest Supports - T93H Series After 5/15/19 | 223 |
| Front Riggings - Footrest Supports - T93H Series Before 5/16/19 | 220 |
| Front Riggings - Footrest Supports - T963A/C/S | 210 |
| Front Riggings - Footrest Supports - TH93A, TH93C, TH93S | 227 |

TABLE of CONTENTS

| Description | Page Number |
|---|-------------|
| Front Riggings - Index - Pivot/Slide Tube w/ Footplates | 198 |
| Front Riggings - Index - Upper Support Assembly | 195 |
| Front Riggings - Legrest Supports - AHS4, AHL4 | 235 |
| Front Riggings - Legrest Supports - GT94H Series | 246 |
| Front Riggings - Legrest Supports - H904, T944A/C | 232 |
| Front Riggings - Legrest Supports - SH904MS, SH904M | 229 |
| Front Riggings - Legrest Supports - T94H Series After 5/15/19 | 244 |
| Front Riggings - Legrest Supports - T94H Series Before 5/16/19 | 241 |
| Front Riggings - Legrest Supports - TH94 | 238 |
| Front Riggings - Pivot/Slide Tube with Footplate - AHS4 - AHL4 Legrests | 249 |
| Front Riggings - Pivot/Slide Tube with Footplate - GT93H and T93H Series Footrest | 262 |
| Front Riggings - Pivot/Slide Tube with Footplate - GT94H and T94H Series Legrest | 266 |
| Front Riggings - Pivot/Slide Tube with Footplate - H903 - T943A/C/S - T963A/C - SH93ES - SH93E - TH93A Footrest | 251 |
| Front Riggings - Pivot/Slide Tube with Footplate - H903 - T943A/C/S - T963A/C/S - TH93A/C/S Tubular Footrest | 254 |
| Front Riggings - Pivot/Slide Tube with Footplate - H93E - H93M - H93M with FPP - Footrests | 256 |
| Front Riggings - Pivot/Slide Tube with Footplate - SH904MS - SH904M - H904 - T944A/C - TH94A/S Legrest | 259 |
| Headtube Hardware - Adjustable - 9000XT Option Only - ADJC & ADJCPB | 132 |
| Offset Axle with Hardware | 141 |
| Seat Extension Kits | 19 |
| Upholstery - Back - Adjustable Tension | 48 |
| Upholstery - Back & Hardware - 9000SL - XT - XDT | 42 |

TABLE of CONTENTS

| Description | Page Number |
|---|-------------|
| Upholstery - Back & Hardware - 9000XT Recliner | 46 |
| Upholstery - Headrest & Pillow | 57 |
| Upholstery - Seat & Hardware | 49 |
| Wheel Locks -9RC-Attendant Operated Style, STD, Conv'. Arm | 174 |
| Wheel Locks -9RC-Hill Holder Style, 9697R, w/ Conventional Arms | 178 |
| Wheel Locks -9RC-Patient Operated Style, 9696R/1245, w/ Conventional Arms | 176 |
| Wheel Locks -9XT/9SL-Hill Holder Style, 9695, w/ Conventional Arms | 180 |
| Wheel Locks -9XT/9SL-Hill Holder Style, 9695, w/ Space Saver Arms | 182 |
| Wheel Locks -9XT/9XDT/9SL-Disk Style, w/ Conventional or Space Saver Arms | 192 |
| Wheel Locks -9XT/9XDT/9SL-Link-Pivot Style, w/ Conventional Arms | 186 |
| Wheel Locks -9XT/9XDT/9SL-Link-Pivot Style, w/ Space Saver Arms | 188 |
| Wheel Locks -9XT-Clamp-On High Mount Style, w/ Conventional Arms | 184 |
| Wheel Locks -9XTP-Link-Pivot Style, w/ Space Saver Arms - Canada Only | 190 |
| Wheels - Non-Projection Handrims - Attaching Hardware | 169 |
| Wheels - Non-Projection Handrims and Attaching Hardware | 163 |
| Wheels - Projection Handrims - Attaching Hardware | 172 |
| Wheels - Projection Handrims and Attaching Hardware | 171 |
| Wheels - Rear | 151 |
| Wheels - Rear - 20-6 & 22-6 Wheel Options - Aluminum Black Anodized Handrim | 143 |
| Wheels - Rear - Hardware | 149 |
| Wheels - Rear & Handrim Assemblies | 155 |

Frame Finishes, Upholstery Colors, Decals, Literature and Packaging

Frame Finishes

| Color Number | Color | Touch-Up Paint Part Number | Chair Style |
|--------------|---------------|----------------------------|-----------------------|
| 08P | Deep Purple | 1031456-NLA | XT, SL |
| 15P | Chrome | N/A | SL, XT, XDT, Recliner |
| 17P | Cobalt Blue | 1046319-NLA | XT, XDT, Recliner |
| 24P | Wet Black | 1031450-NLA | SL, XT, XDT, Recliner |
| 34P | Flat Black | N/A | SL, XT, XDT, Recliner |
| 61P | Electric Red | 1046321-NLA | XT, XDT, Recliner |
| 62P | Electric Blue | 1046320-NLA | XT |
| 71P | Silver Vein | N/A | SL, XT, XDT, Recliner |
| 105P | Midnight Blue | N/A | XT |

Upholstery Color Options - Nylon & Sail Cloth

| Chair Style | Color Number | Description |
|--|--------------|--------------------|
| 9000SL, 9000XT, 9000XDT, 9000XT Recliner | U240 | Nylon - Black |
| 9000XT, 9000XDT, 9000XT Recliner | U245 | Sail Cloth - Black |

Frame Finishes, Upholstery Colors, Decals, Literature and Packaging

Upholstery Color Options - Vinyl

| Chair Style | Color Number | Description |
|--|--------------|---------------|
| 9000SL, 9000XT, 9000XDT, 9000XT Recliner | U67 | Black |
| 9000XT Recliner | U75 | Dove Grey |
| 9000XT, 9000XDT | U85 | Dark Blue |
| 9000XT Recliner | U86 | Ruby Red |
| 9000XT, 9000XDT, 9000XT Recliner | U88 | Camel |
| 9000XT Recliner | U550 | Midnight Blue |

Decals

| Chair Style | Part Number | Quantity |
|--------------------------|-------------|----------|
| 9000SL | 1101535-NLA | 1 |
| 9000XT & 9000XT Recliner | 1101536 | 1 |
| 9000XDT | 1101537 | 1 |

Literature

| Part Number | Description |
|-------------|--|
| 1056953-NLA | 9000 Series Owner's Manual |
| 1052754-NLA | NLA - Instruction Sheet, Patient Operated Wheel Lock |
| 1122146 | Instruction Sheet, 9662L Folding Seat |

Frame Finishes, Upholstery Colors, Decals, Literature and Packaging

Packaging

| Chair Style | Part Number | Quantity Per Assembly |
|--|-------------|-----------------------|
| 9000SL - Adult w/15-17" Back Height - Hemi w/15-17" Back Height - Hemi w/17-19" Back Height | 1112314 | 1 |
| 9000SL -Adult w/17-19" Back Height | 1112315 | 1 |
| 9000XDT w/16-18" Seat Depth | 1120099 | 1 |
| 9000XDT w/19-20" Seat Depth or Tall models | 1059358 | 1 |
| 9000XT | 1112314 | 1 |
| 9000XT Recliner | 1076848 | 1 |

Frames without Hardware

9000SL

| Chair Style | Side | Chrome Part Number | Flat Black - 34P Part Number | Color Part Number |
|------------------------------|-------|-------------------------------------|---------------------------------|---------------------------------------|
| Adult/Hemi Before 7/12/99 | Right | 1056598-NLA | 1066267-NLA | 8881066269-NLA See Note(s) A, C |
| Adult/Hemi Before 7/12/99 | Left | 1056599-NLA | 1066268-NLA | 8881066270-NLA See Note(s) A, C |
| Adult/Hemi After 7/11/99 | Right | 1091096-NLA See Note(s) C1, C | 1091098 See Note(s) C, C1 | 8881091100 See Note(s) C1, A, C |
| Adult/Hemi After 7/11/99 | Left | 1091097-NLA See Note(s) C, C1 | 1091099 See Note(s) C, C1 | 8881091101 See Note(s) C1, A, C |
| Adjustable Angle Back | Right | 1063910-NLA See Note(s) B, C, C1 | 1064774 See Note(s) B, C, C1 | 8881063917 See Note(s) A, C1, C, B |
| Adjustable Angle Back | Left | 1063911-NLA See Note(s) B, C, C1 | 1064775 See Note(s) C1, B, C | 8881063918 See Note(s) C, C1, A, B |

NOTE: A - Specify frame finish when ordering, see category titled, "Frame Finishes, Upholstery Colors, Decals and Packaging."
 B - Adjustable angle back frame is only available with adjustable height conventional style arms. Adjustable angle back frames are the same regardless of the chair's seat-to-floor height. All frames include caster headtube and bearings.
 C - Hinge Pin Replacement Hardware Kit Located on Frame Hardware page is used on Side Frames w/ welded-on Hinge Pins manufactured before 4/12/13. Side Frames after 4/11/13 have Hinge Pin Saddle Plates w/ square holes to attach REMOVABLE Non-Welded Hinge Pins.
 C1 - All Side Frames ordered after 4/11/13 require new Side Frame Hardware that will include the removable Hinge Pins also. Removable Hinge Pins are not sold separately.

NOTE: When ordering frames for chairs built before 10/3/97, both left and right side frames must be ordered due to a style change.

9000XT

| Chair Style | Side | Chrome Part Number | Flat Black - 34P | Flat Black - 34P | Color Part Number | Color Part Number |
|--|-------|----------------------------------|--------------------------------|-------------------------------|---------------------------------------|---------------------------------------|
| | | | Part Number Before 10/12/16 | Part Number After 10/11/16 | | |
| Adult/Hemi/ Super Hemi | Right | 1056981-NLA See Note(s) B1, B | 1056977 See Note(s) B1, B | 1194284 See Note(s) B1, B | 8881056979 See Note(s) A, B, B1 | 8881194283 See Note(s) B1, B, A |
| Adult/Hemi/ Super Hemi | Left | 1056982-NLA See Note(s) B, B1 | 1056978 See Note(s) B, B1 | 1194276 See Note(s) B, B1 | 8881056980 See Note(s) B1, B, A | 8881194279 See Note(s) A, B, B1 |
| Adult/Hemi/ Super Hemi with Optional Headtube | Right | 1091106-NLA See Note(s) B, B1 | 1091108 See Note(s) B1, B | 1091108 See Note(s) B1, B | 8881091070 See Note(s) A, B, B1 | N/A |
| Adult/Hemi/ Super Hemi with Optional Headtube | Left | 1091107-NLA See Note(s) B, B1 | 1091109 See Note(s) B1, B | 1091109 See Note(s) B1, B | 8881091071 See Note(s) A, B, B1 | NA |
| Super Low 16-17" Deep | Right | 1063167-NLA See Note(s) B, B1 | 1063163 See Note(s) B1, B | 1063163 See Note(s) B, B1 | 8881063165 See Note(s) A, B, B1 | 8881194263 See Note(s) A, B1, B |
| Super Low 16-17" Deep | Left | 1063168-NLA See Note(s) B1, B | 1063164 See Note(s) B1, B | 1063164 See Note(s) B, B1 | 8881063166 See Note(s) B1, A, B | 8881194260 See Note(s) B, B1, A |
| Super Low 18" Deep | Right | 1079219-NLA See Note(s) B, B1 | 1079221 See Note(s) B, B1 | 1079221 See Note(s) B1, B | 8881079223 See Note(s) A, B1, B | 8881194302 See Note(s) B, A, B1 |

Frames without Hardware

9000XT

| Chair Style | Side | Chrome Part Number | Flat Black - 34P | Flat Black - 34P | Color Part | Color Part |
|--|-------|----------------------------------|------------------------------|------------------------------|------------------------------------|------------------------------------|
| | | | Part Number Before 10/12/16 | Part Number After 10/11/16 | Number Before 10/12/16 | Number After 10/11/16 |
| Super Low 18" Deep | Left | 1079220-NLA See Note(s) B, B1 | 1079222 See Note(s) B, B1 | 1079222 See Note(s) B, B1 | 8881079224 See Note(s) B, A, B1 | 8881194290 See Note(s) B1, A, B |
| Adjustable Angle Back | Right | 1063910-NLA See Note(s) B, B1 | 1064774 See Note(s) B, B1 | 1064774 See Note(s) B1, B | 8881063917 See Note(s) B1, A, B | 8881194259 See Note(s) B, B1, A |
| Adjustable Angle Back | Left | 1063911-NLA See Note(s) B, B1 | 1064775 See Note(s) B, B1 | 1064775 See Note(s) B1, B | 8881063918 See Note(s) B, B1, A | 8881194257 See Note(s) A, B1, B |
| <p>NOTE: A - Specify frame finish when ordering, see category titled, "Frame Finishes, Upholstery Colors, Decals and Packaging." B - Hinge Pin Replacement Hardware Kit Located on Frame Hardware page is used on Side Frames w/ welded-on Hinge Pins manufactured before 4/12/13. Side Frames after 4/11/13 have Hinge Pin Saddle Plates w/ square holes to attach REMOVABLE Non-Welded Hinge Pins. B1 - All Side Frames ordered after 4/11/13 require new Side Frame Hardware that will include the removable Hinge Pins also. Removable Hinge Pins are not sold separately.</p> <p>NOTE: When ordering frames for chairs built before 10/3/97, both left and right side frames must be ordered due to a style change.</p> | | | | | | |

Frames without Hardware

9000XT Recliner

| Chair Style | Side | Chrome Part Number | Flat Black - 34P Part Number | Color Part Number Before 10/12/16 | Color Part Number After 10/11/16 |
|-------------------|-------|----------------------------------|------------------------------|------------------------------------|------------------------------------|
| With Out Lift Kit | Right | 1072058-NLA See Note(s) B1, B | 1072054 See Note(s) B1, B | 8881072056 See Note(s) B1, A, B | 8881194341 See Note(s) B1, A, B |
| With Out Lift Kit | Left | 1072059-NLA See Note(s) B, B1 | 1072055 See Note(s) B, B1 | 8881072057 See Note(s) B, A, B1 | 8881194334 See Note(s) B, B1, A |
| With Lift Kit | Right | 1074637-NLA See Note(s) B1, B | 1074633 See Note(s) B1, B | 8881074635 See Note(s) B, A, B1 | 8881194342 See Note(s) B, B1, A |
| With Lift Kit | Left | 1074638-NLA See Note(s) B1, B | 1074634 See Note(s) B1, B | 8881074636 See Note(s) B, A, B1 | 8881194305 See Note(s) B1, B, A |

NOTE: A - Specify frame finish when ordering, see category titled, "Frame Finishes, Upholstery Colors, Decals and Packaging."
 B - Hinge Pin Replacement Hardware Kit Located on Frame Hardware page is only used on Side Frames w/ welded-on Hinge Pins manufactured before 4/12/13. Side Frames after 4/11/13 have Hinge Pin Saddle Plates w/ square holes to attach REMOVABLE Non-Welded Hinge
 B1 - All Side Frames ordered after 4/11/13 require new Side Frame Hardware that will include the removable Hinge Pins also. Removable Hinge Pins are not sold separately.

NOTE: When ordering frames for chairs built before 10/3/97, both left and right side frames must be ordered due to a style change.

9000XDT

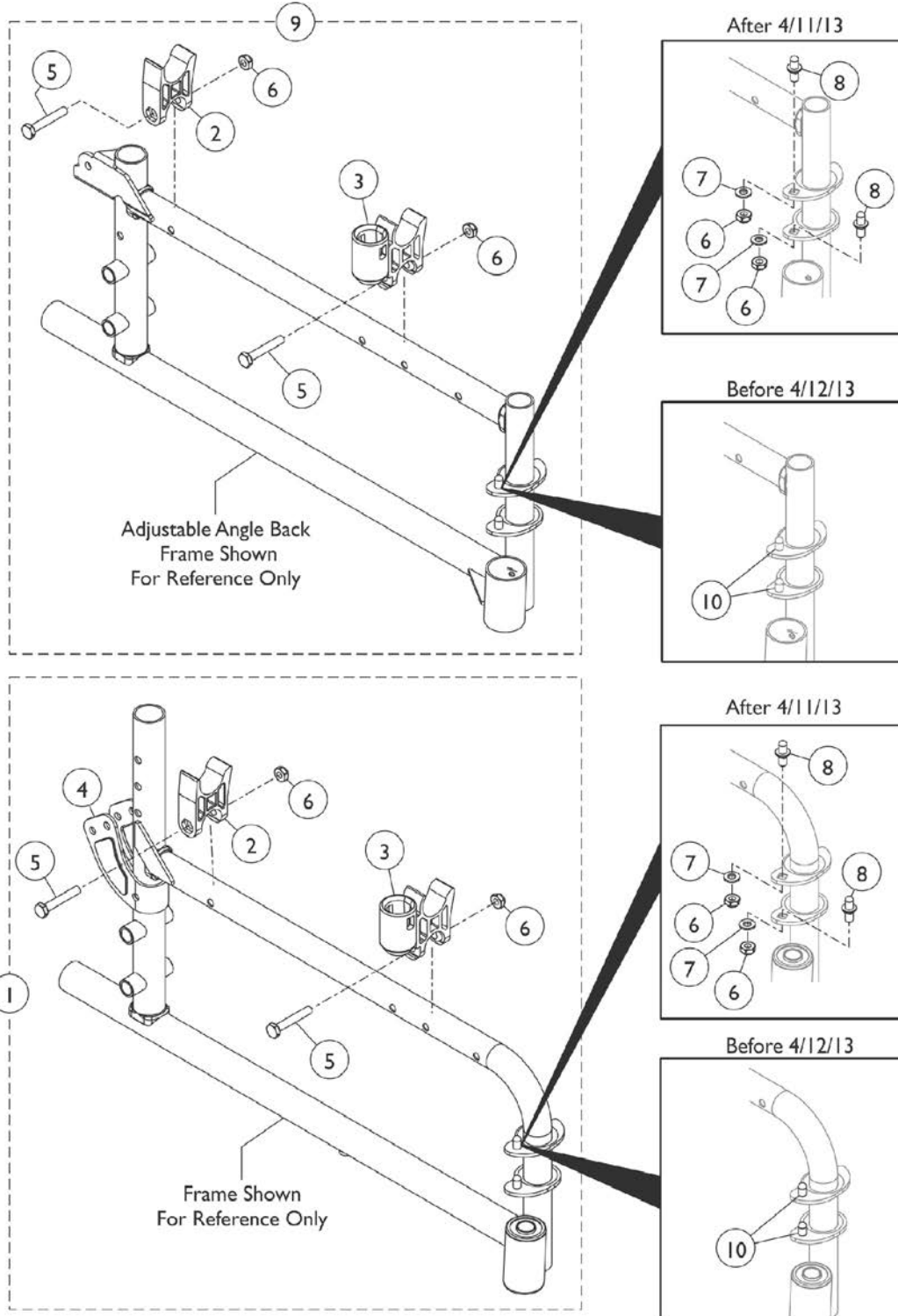
| Chair Style | Side | Chrome Part Number | Flat Black - 34P Part Number | Color Part Number |
|------------------------|-------|----------------------------------|------------------------------|------------------------------------|
| Adult/Hemi 16-18" Deep | Right | 1074886-NLA See Note(s) B, B1 | 1074888 See Note(s) B1, B | 8881074890 See Note(s) B1, B, A |
| Adult/Hemi 16-18" Deep | Left | 1074887-NLA See Note(s) B, B1 | 1074889 See Note(s) B, B1 | 8881074891 See Note(s) B1, B, A |
| Adult/Hemi 19-20" Deep | Right | 1074892-NLA See Note(s) B, B1 | 1074894 See Note(s) B1, B | 8881074896 See Note(s) B1, B, A |
| Adult/Hemi 19-20" Deep | Left | 1074893-NLA See Note(s) B, B1 | 1074895 See Note(s) B, B1 | 8881074897 See Note(s) B1, A, B |
| Tall 16-18" Deep | Right | 1074898-NLA See Note(s) B, B1 | 1074900 See Note(s) B, B1 | 8881074902 See Note(s) B1, B, A |
| Tall 16-18" Deep | Left | 1074899-NLA See Note(s) B1, B | 1074901 See Note(s) B1, B | 8881074903 See Note(s) A, B, B1 |
| Tall 19-20" Deep | Right | 1074904-NLA See Note(s) B, B1 | 1074906 See Note(s) B1, B | 8881074908 See Note(s) B1, B, A |
| Tall 19-20" Deep | Left | 1074905-NLA See Note(s) B, B1 | 1074907 See Note(s) B, B1 | 8881074909 See Note(s) A, B1, B |

NOTE: A - Specify frame finish when ordering, see category titled, "Frame Finishes, Upholstery Colors, Decals and Packaging."
 B - Hinge Pin Replacement Hardware Kit Located on Frame Hardware page is only used on Side Frames w/ welded-on Hinge Pins manufactured before 4/12/13. Side Frames after 4/11/13 have Hinge Pin Saddle Plates w/ square holes to attach REMOVABLE Non-Welded Hinge
 B1 - All Side Frames ordered after 4/11/13 require new Side Frame Hardware that will include the removable Hinge Pins also. Removable Hinge Pins are not sold separately.

NOTE: When ordering frames for chairs built before 10/3/97, both left and right side frames must be ordered due to a style change.

NOTE: When ordering replacement frames for a previous special frame modification, please contact an Invacare Parts Specialist at 1-800-333-6900 extension 3722.

Frame Hardware - 9000SL



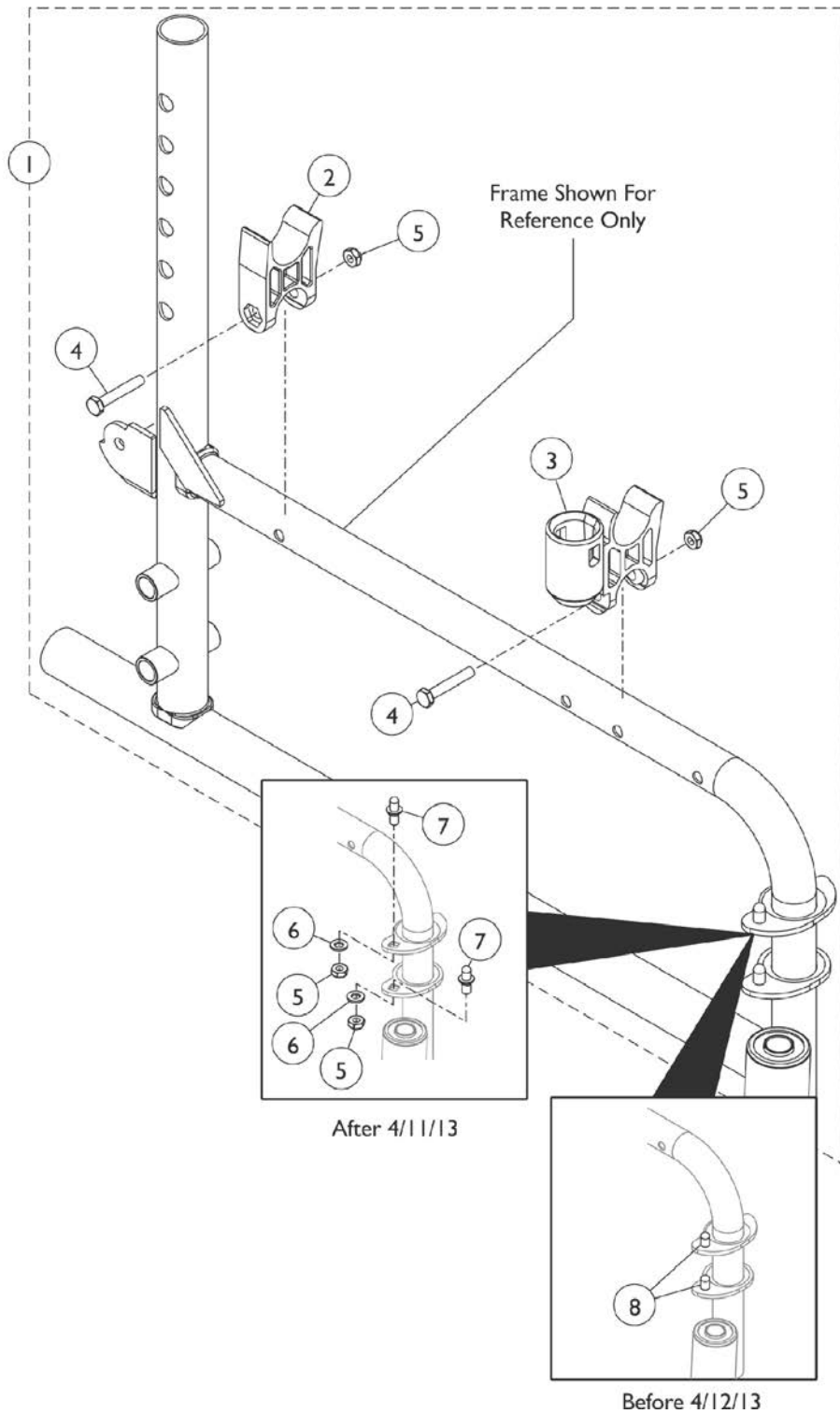
Frame Hardware - 9000SL

| Item Number | Note | Part Number | Description | Quantity Per | |
|-------------|------|-------------|--|--------------|----------|
| | | | | Package | Assembly |
| 1 | A | 1091104-NLA | NLA - Kit, Side Frame Hardware, Chrome, (Pair) | 1 | 1 |
| 2 | | | H-Block | 1 | 2 |
| 3 | | | H-Block with Socket Cup | 1 | 2 |
| 4 | | | NLA - Bracket, Armrest, Chrome | 1 | 2 |
| 5 | | | Screw, Hex Head (1/4-20 x 1-1/2") | 1 | 2 |
| 6 | | | Locknut (1/4-20) | 1 | 2 |
| 1 | I | 1091105 | Kit, Side Frame Hardware, Black, (Pair) | 1 | 1 |
| 2 | | | H-Block | 1 | 2 |
| 3 | | | H-Block with Socket Cup | 1 | 2 |
| 4 | | | Bracket, Armrest, Black | 1 | 2 |
| 5 | | | Screw, Hex Head (1/4-20 x 1-1/2") | 1 | 4 |
| 6 | | | Locknut (1/4-20) | 1 | 4 |
| 7 | | | Washer, Plain (1/4 x 1/2 x 9/16") | 1 | 4 |
| 8 | | | Pin, Hinge | 1 | 4 |
| 9 | B | 1121091 | Kit, Side Frame Hardware (Pair) | 1 | 1 |
| 2 | | | H-Block | 1 | 2 |
| 3 | | | H-Block with Socket Cup | 1 | 2 |
| 5 | | | Screw, Hex Head (1/4-20 x 1-1/2") | 1 | 4 |
| 6 | | | Locknut (1/4-20) | 1 | 4 |
| 7 | | | Washer, Plain (1/4 x 1/2 x 9/16") | 1 | 4 |
| 8 | | | Pin, Hinge | 1 | 4 |
| 2 | G | 1107805 | H-Block | 1 | 2 |
| 3 | | 1109938 | H-Block with Socket Cup | 1 | 2 |
| 4 | F | 1056110-NLA | NLA - Bracket, Armrest, Chrome | 1 | 2 |
| 4 | F | 1066261 | Bracket, Armrest, Black | 1 | 2 |
| 5 | | 16720X004 | Screw, Hex Head (1/4-20 x 1-1/2") | 1 | 4 |
| 6 | | 60275X000 | Locknut (1/4-20) | 1 | 4 |
| 10 | J,J1 | 1096781 | Kit, Hinge Pin Replacement Hardware (Pair) | 1 | 1 |
| | | | NLA - Wrench, Allen (3/32") | 1 | 1 |
| | | | Cap, Threaded | 1 | 4 |
| | | | Washer, Locking Split (#10) | 1 | 4 |
| | | | Screw, Socket Button Head Cap, Regulator (8-32 x 3/8") | 1 | 4 |
| | C,D | 1058139 | Kit, Armrest Hardware | 1 | 1 |
| | | | Locknut (1/4-20) | 1 | 1 |
| | | | Cup, Socket Pivot | 1 | 1 |
| | | | NLA - Screw, Hex Head (1/4-20 x 1-3/8") | 1 | 1 |
| | C,E | 1091072 | Hardware, Armrest | 1 | 1 |
| | | | Spacer, Coved (1/4 x 3/4 x 11/32") | 1 | 4 |
| | | | NLA - Screw, Socket Button Head (1/4-20 x 1-7/16") | 1 | 2 |
| | | | Screw, Hex Head (1/4-20 x 1-1/2") | 1 | 4 |
| | | | Locknut (1/4-20) | 1 | 6 |

Frame Hardware - 9000SL

NOTE: A - Includes items 2 - 6.
B - To be used on 9000SL with Adjustable Angle Back. Includes items 2, 3 and 5 - 8.
C - Not Shown
D - To be used on Conventional Style Arms.
E - To be used on Space Saver Arms.
F - For attaching hardware, see category titled, "Back Canes and Hardware."
G - Due to design change, H-Blocks should be ordered in pairs for chairs built before 6/1/02.
I - Includes items 2 - 8. Hardware is used for color Side Frames also.
J - Hinge Pin Replacement Hardware Kit is only used on Side Frames w/ welded-on Hinge Pins manufactured before 4/12/13. Side Frames after 4/11/13 have Hinge Pin Saddle Plates w/ square holes to attach REMOVABLE Non-Welded Hinge Pins.
J1 - Side Frames ordered after 4/11/13 require new Side Frame Hardware that will include the removable Hinge Pins also. Removable Hinge Pins are not sold separately.

Frame Hardware - 9000XT & 9000XDT

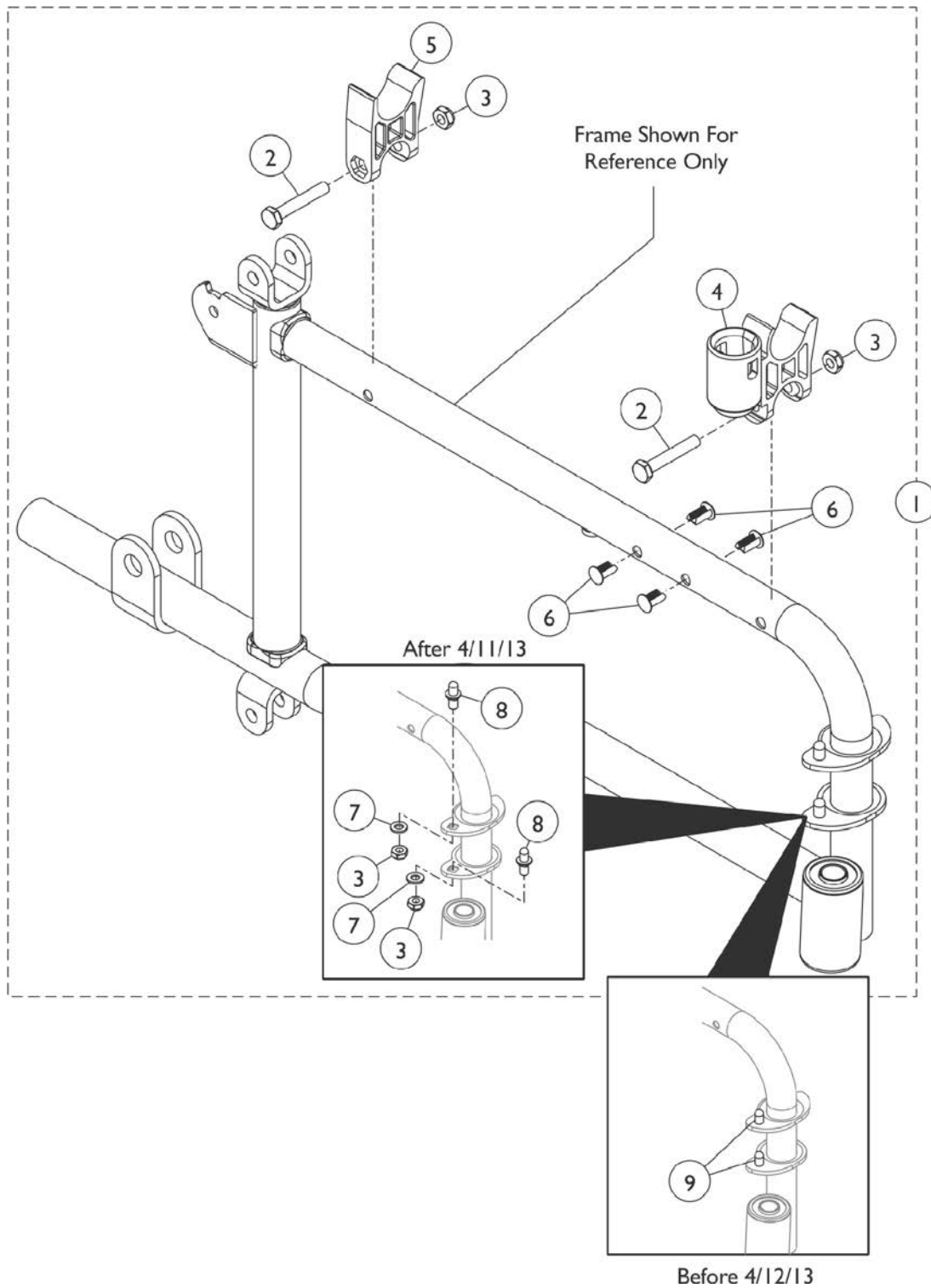


Frame Hardware - 9000XT & 9000XDT

| Item Number | Note | Part Number | Description | Quantity Per | |
|-------------|---|--|--|--------------|----------|
| | | | | Package | Assembly |
| 1 | A | 1121091 | Kit, Side Frame Hardware (Pair) | 1 | 1 |
| 2 | | | H-Block | 1 | 2 |
| 3 | | | H-Block with Socket Cup | 1 | 2 |
| 4 | | | Screw, Hex Head (1/4-20 x 1-1/2") | 1 | 4 |
| 5 | | | Locknut (1/4-20) | 1 | 4 |
| 6 | | | Washer, Plain (1/4 x 1/2 x 9/16") | 1 | 4 |
| 7 | | | Pin, Hinge | 1 | 4 |
| 2 | C,C1 | 1107805 | H-Block | 1 | 2 |
| 3 | | 1109938 | H-Block with Socket Cup | 1 | 2 |
| 4 | | 16720X004 | Screw, Hex Head (1/4-20 x 1-1/2") | 1 | 4 |
| 5 | | 60275X000 | Locknut (1/4-20) | 1 | 4 |
| 8 | | 1096781 | Kit, Hinge Pin Replacement Hardware (Pair) | 1 | 1 |
| | | NLA - Wrench, Allen (3/32") | 1 | 1 | |
| | | Cap, Threaded | 1 | 4 | |
| | | Washer, Locking Split (#10) | 1 | 4 | |
| | | Screw, Socket Button Head Cap, Regulator (8-32 x 3/8") | 1 | 4 | |
| | | 1058139 | Kit, Armrest Hardware | 1 | 1 |
| | Cup, Socket Pivot | 1 | 1 | | |
| | NLA - Screw, Hex Head (1/4-20 x 1-3/8") | 1 | 1 | | |
| | Locknut (1/4-20) | 1 | 1 | | |

NOTE: A - Includes items 2 - 7. Hardware is used for color Side Frames also.
 B - Not Shown.
 C - Hinge Pin Replacement Hardware Kit is only used on Side Frames w/ welded-on Hinge Pins manufactured before 4/12/13. Side Frames after 4/11/13 have Hinge Pin Saddle Plates w/ square holes to attach REMOVABLE Non-Welded Hinge Pins.
 C1 - Side Frames ordered after 4/11/13 require new Side Frame Hardware that will include the removable Hinge Pins also. Removable Hinge Pins are not sold separately.

Frame Hardware - 9000XT Recliner

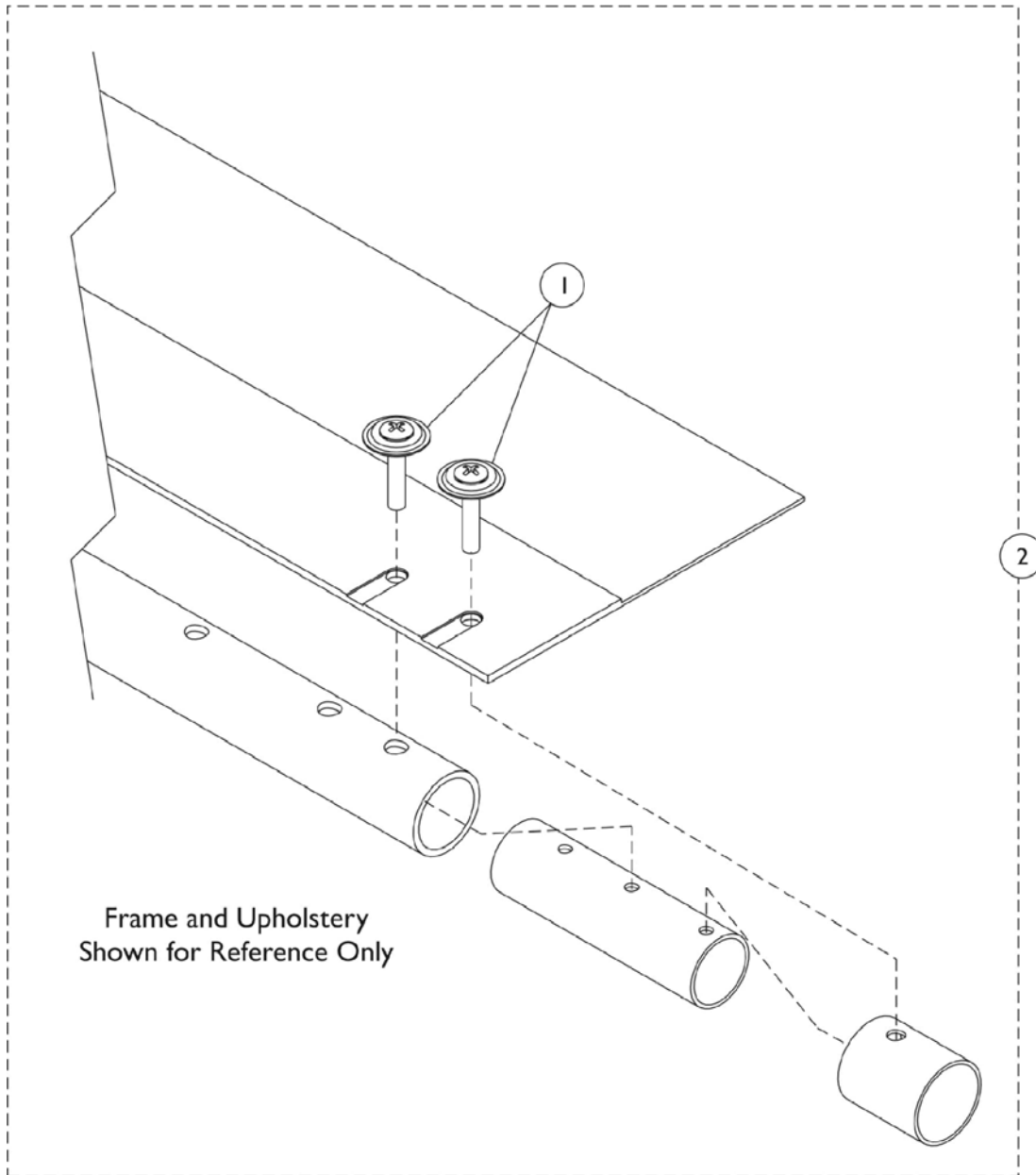


Frame Hardware - 9000XT Recliner

| Item Number | Note | Part Number | Description | Quantity Per | |
|-------------|------|-------------|--|-----------------------|----------|
| | | | | Package | Assembly |
| 1 | A | 1074659 | Kit, Side Frame Hardware, (Pair) | 1 | 1 |
| 2 | | | Screw, Hex Head (1/4-20 x 1-1/2") | 1 | 4 |
| 3 | | | Locknut (1/4-20) | 1 | 8 |
| 4 | | | H-Block with Socket Cup | 1 | 2 |
| 5 | | | H-Block | 1 | 2 |
| 6 | | | NLA - Rivet, Ratchet | 1 | 8 |
| 7 | | | Washer, Plain (1/4 x 1/2 x 9/16") | 1 | 4 |
| 8 | | | Pin, Hinge | 1 | 4 |
| 2 | C,C1 | 16720X004 | Screw, Hex Head (1/4-20 x 1-1/2") | 1 | 4 |
| 3 | | 60275X000 | Locknut (1/4-20) | 1 | 4 |
| 4 | | 1109938 | H-Block with Socket Cup | 1 | 2 |
| 5 | | 1107805 | H-Block | 1 | 2 |
| 6 | | 1023450-NLA | NLA - Rivet, Ratchet | 1 | 4 |
| 9 | | 1096781 | Kit, Hinge Pin Replacement Hardware (Pair) | 4 | 1 |
| | | | NLA - Wrench, Allen (3/32") | 1 | 1 |
| | | | Cap, Threaded | 1 | 4 |
| | | | Washer, Locking Split (#10) | 1 | 4 |
| | | | Screw, Socket Button Head Cap, Regulator (8-32 x 3/8") | 1 | 4 |
| | | B | 1058139 | Kit, Armrest Hardware | 1 |
| | | | Cup, Socket Pivot | 1 | 1 |
| | | | NLA - Screw, Hex Head (1/4-20 x 1-3/8") | 1 | 1 |
| | | | Locknut (1/4-20) | 1 | 1 |

NOTE: A - Includes items 2 - 8.
 B - Not Shown.
 C - Hinge Pin Replacement Hardware Kit is only used on Side Frames w/ welded-on Hinge Pins manufactured before 4/12/13. Side Frames after 4/11/13 have Hinge Pin Saddle Plates w/ square holes to attach REMOVABLE Non-Welded Hinge Pins.
 C1 - Side Frames ordered after 4/11/13 require new Side Frame Hardware that will include the removable Hinge Pins also. Removable Hinge Pins are not sold separately.

Seat Extension Kits



Seat Extension Kits

| Item Number | Note | Part Number | Description | Quantity Per | |
|-------------|------|-------------|---|--------------|----------|
| | | | | Package | Assembly |
| 1 | | 1041541 | Package, Screw Phillips Csunk Oval Head w/ Washer (#10-16 x 7/8") (12 ea.) | 1 | 4 |
| 2 | | See Chart | Seat Extension Kits - 9000SL | 1 | 1 |
| 2 | | See Chart | Seat Extension Kits - 9000XT | 1 | 1 |
| 2 | | See Chart | Seat Extension Kits - 9000XT Recliner | 1 | 1 |
| 2 | | See Chart | Seat Extension Kits - 9000XDT | 1 | 1 |
| 3 | | 1029501 | Plug Button, Black (1") | 1 | 2 |

9000 SL

| Chair Style | Part Number | Description |
|---|-------------|-------------------------|
| For chairs built between 11/4/96 - 6/16/02 | 1038539 | Seat Extension Kit (2") |
| For chairs built after 6/17/02 | 1112794 | Seat Extension Kit (2") |

NOTE: Standard crossbrace seat depth is 16 inches. Seat depths of 17" and 18" are achieved by the Seat Extension tubes.

9000 XT

| Chair Size | Part Number | Description |
|---------------------|--------------------------|-------------------------|
| 14" Wide x 17" Deep | 1035970 | Seat Extension Kit (1") |
| 14" Wide x 18" Deep | 1035971 | Seat Extension Kit (2") |
| 15" Wide x 17" Deep | 1035970 | Seat Extension Kit (1") |
| 15" Wide x 18" Deep | 1035971 | Seat Extension Kit (2") |
| 16" Wide x 17" Deep | 1035970 | Seat Extension Kit (1") |
| 16" Wide x 18" Deep | 1035971 | Seat Extension Kit (2") |
| 17" Wide x 17" Deep | 1035970 | Seat Extension Kit (1") |
| 17" Wide x 18" Deep | 1035971 | Seat Extension Kit (2") |
| 18" Wide x 17" Deep | 1035970 | Seat Extension Kit (1") |
| 18" Wide x 18" Deep | 1035971 | Seat Extension Kit (2") |
| 19" Wide x 17" Deep | 1038538 See Note(s) A | Seat Extension Kit (1") |
| 19" Wide x 17" Deep | 1118272 See Note(s) B | Seat Extension Kit (1") |
| 19" Wide x 18" Deep | 1038539 See Note(s) A | Seat Extension Kit (2") |
| 19" Wide x 18" Deep | 1112794 See Note(s) B | Seat Extension Kit (2") |
| 20" Wide x 17" Deep | 1038538 See Note(s) A | Seat Extension Kit (1") |

Seat Extension Kits

9000 XT

| Chair Size | Part Number | Description |
|---|--------------------------|-------------------------|
| 20" Wide x 17" Deep | 1118272 See Note(s) B | Seat Extension Kit (1") |
| 20" Wide x 18" Deep | 1038539 See Note(s) A | Seat Extension Kit (2") |
| 20" Wide x 18" Deep | 1112794 See Note(s) B | Seat Extension Kit (2") |
| 22" Wide x 17" Deep | 1038538 See Note(s) A | Seat Extension Kit (1") |
| 22" Wide x 17" Deep | 1118272 See Note(s) B | Seat Extension Kit (1") |
| 22" Wide x 18" Deep | 1038539 See Note(s) A | Seat Extension Kit (2") |
| 22" Wide x 18" Deep | 1112794 See Note(s) B | Seat Extension Kit (2") |
| NOTE: A - To be used on chairs manufactured before 8/6/04. B - To be used on chairs manufactured after 8/5/04. | | |
| NOTE: Standard crossbrace seat depth is 16 inches. Seat depths of 17" and 18" are achieved by the Seat Extension tubes. | | |

Seat Extension Kits

9000XT Recliner

| Chair Style | Depth Size | Part Number | Description |
|---|------------|-------------|-------------------------|
| For chairs built between 2/2/98 - 8/6/04 | 17" Deep | 1038538 | Seat Extension Kit (1") |
| For chairs built between 2/2/98 - 8/6/04 | 18" Deep | 1038539 | Seat Extension Kit (2") |
| For chairs built after 8/5/04 | 17" Deep | 1118272 | Seat Extension Kit (1") |
| For chairs built after 8/5/04 | 18" Deep | 1112794 | Seat Extension Kit (2") |
| w/Lift Package | 17" Deep | 1118272 | Seat Extension Kit (1") |
| w/Lift Package | 18" Deep | 1112794 | Seat Extension Kit (2") |

NOTE: Standard crossbrace seat depth is 16 inches. Seat depths of 17" and 18" are achieved by the Seat Extension tubes.

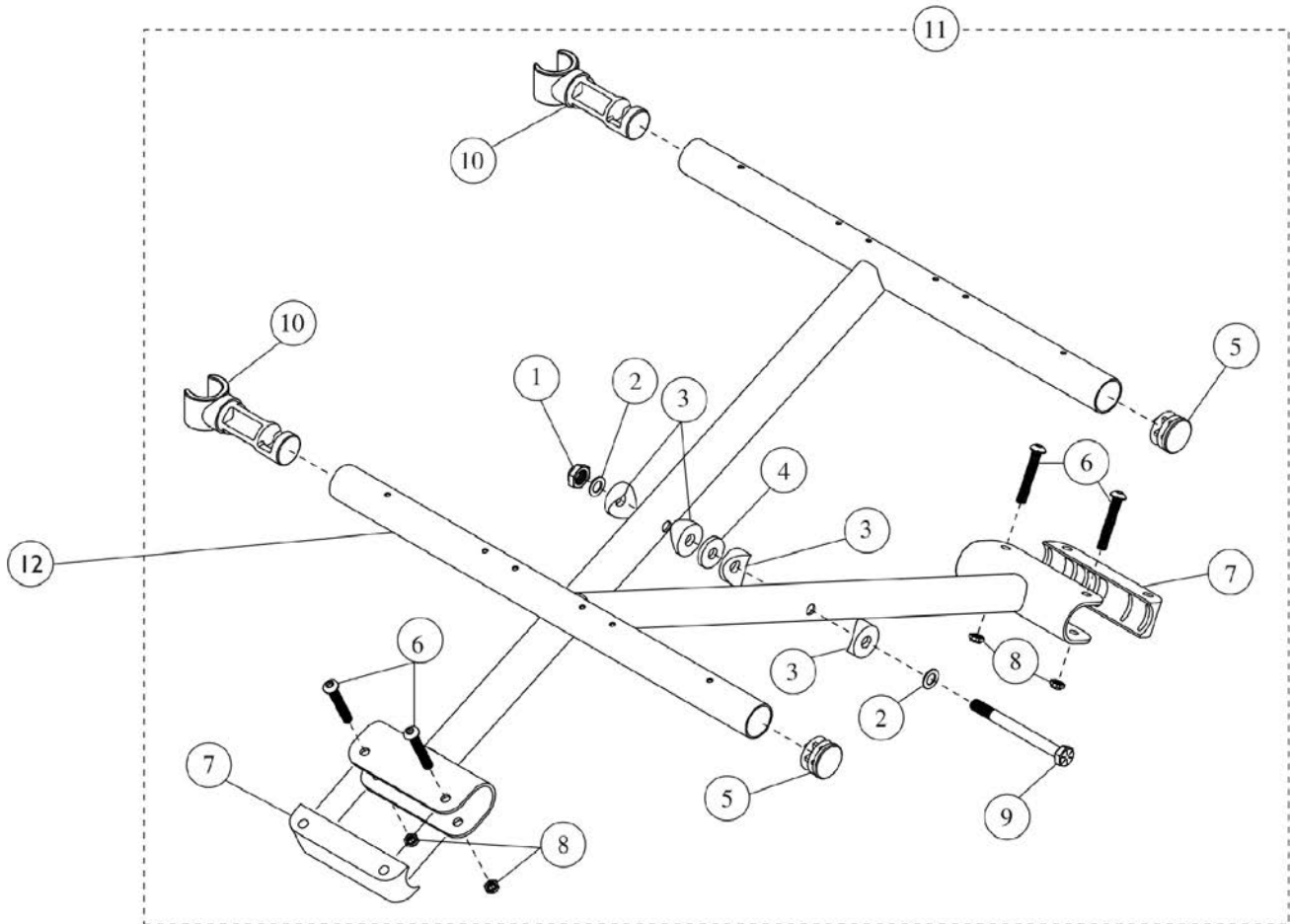
9000XDT

| Depth Size | Part Number | Description |
|----------------------|-------------|-------------------------|
| 17" Deep or 19" Deep | 1123889 | Seat Extension Kit (1") |
| 18" Deep or 20" Deep | 1123890 | Seat Extension Kit (2") |

NOTE: Standard crossbrace seat depth is 16 inches. Seat depths of 17" and 18" are achieved by the Seat Extension tubes.

Crossbrace and Crossbrace Hardware

9000SL - Before 7/12/99



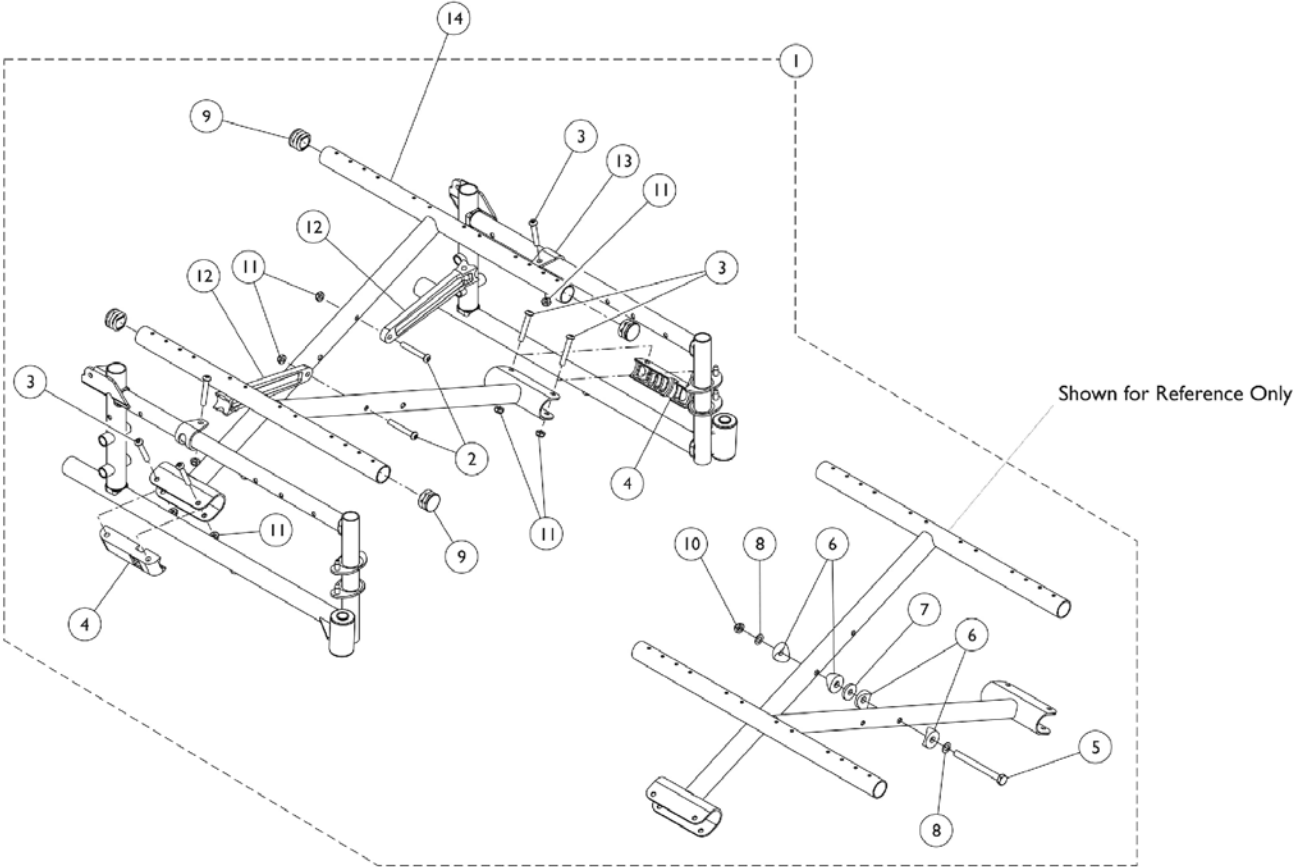
Crossbrace and Crossbrace Hardware 9000SL - Before 7/12/99

| Item Number | Note | Part Number | Description | Quantity Per | |
|-------------|------|-------------|--|--------------|----------|
| | | | | Package | Assembly |
| 1 | | 60264X001 | Locknut (5/16-24) | 1 | 1 |
| 2 | | 1016652 | Washer (5/16 x 9/16 x 1/32") | 1 | 2 |
| 3 | | 1016263 | Spacer, Coved (3/4 x 1 x 1/2") | 1 | 4 |
| 4 | | 1016301 | Washer, Nylon (5/16 x 7/8 x 1/8") | 1 | 1 |
| 5 | | 1029501 | Plug Button, Black (1") | 1 | 2 |
| 6 | | 1008495 | Screw, Socket Button Head (1/4-20 x 1-1/2") | 1 | 4 |
| 7 | | 1012172-NLA | NLA - Clamp, Saddle | 1 | 2 |
| 8 | | 60275X000 | Locknut (1/4-20) | 1 | 4 |
| 9 | | 1016261 | Screw, Hex Head (5/16-24 x 3-1/4") | 1 | 1 |
| 10 | | 1055419-NLA | NLA - Guide, Seat | 1 | 2 |
| 11 | A | 1054887-NLA | NLA - Kit, Crossbrace Hardware | 2 | 1 |
| 12 | | 1090818-NLA | NLA - Crossbrace w/o Hardware, Black - Right/ Left (16" W) | 1 | 1 |
| 12 | | 1090820-NLA | NLA - Crossbrace w/o Hardware, Black - Right/ Left (18" W) | 1 | 1 |
| 12 | | 1090822-NLA | NLA - Crossbrace w/o Hardware, Black - Right/ Left (20" W) | 1 | 1 |
| | B | 1019027 | Kit, Extension, Seat (2") | 1 | 1 |

NOTE: A - Includes items 1-10.
B - Not Shown.

NOTE: Chairs that are 18" deep use a 2" seat extension kit. See category titled, "Seat Extension Kit."

Crossbraces and Crossbrace Hardware



Crossbraces and Crossbrace Hardware

| Item Number | Note | Part Number | Description | Quantity Per | |
|-------------|-------|-------------|---|--------------|----------|
| | | | | Package | Assembly |
| 1 | A,C,E | 1046925 | Hardware, Crossbrace (14 - 15" W) | 1 | 1 |
| 1 | B,C,D | 1110085 | Hardware, Crossbrace, Hemi (14 - 15" W) | 1 | 1 |
| 1 | A,C,E | 1034077 | Hardware, Crossbrace (16 - 18" W) | 1 | 1 |
| 1 | B,C,D | 1110086 | Hardware, Crossbrace, Hemi (16 - 18" W) | 1 | 1 |
| 1 | A,C | 1120639 | Hardware, Crossbrace (19" W) | 1 | 1 |
| 1 | A,C,E | 1034078 | Hardware, Crossbrace (20 - 22" W) | 1 | 1 |
| 1 | B,C,D | 1110087 | Hardware, Crossbrace, Hemi (20 - 22" W) | 1 | 1 |
| 2 | | 1001762 | Screw, Socket Button Head (1/4-20 x 1-3/4") | 1 | 2 |
| 3 | | 1008495 | Screw, Socket Button Head (1/4-20 x 1-1/2") | 1 | 4 |
| 4 | | 1012172-NLA | NLA - Clamp, Saddle | 1 | 2 |
| 5 | | 1016261 | Screw, Hex Head (5/16-24 x 3-1/4") | 1 | 1 |
| 6 | | 1016263 | Spacer, Coved (3/4 x 1 x 1/2") | 1 | 4 |
| 7 | | 1016301 | Washer, Nylon (5/16 x 7/8 x 1/8") | 1 | 1 |
| 8 | | 1016652 | Washer (5/16 x 9/16 x 1/32") | 1 | 2 |
| 9 | | 1029501 | Plug Button, Black (1") | 1 | 4 |
| 10 | | 60264X001 | Locknut (5/16-24) | 1 | 1 |
| 11 | | 60275X000 | Locknut (1/4-20) | 1 | 8 |
| 12 | A | 1046501 | Link, Pivot, Black (14 - 15" W) | 1 | 2 |
| 12 | B | 1110000 | Link, Pivot, Black (14 - 15" W) | 1 | 2 |
| 12 | A | 1012173 | Link, Pivot, Black (16 - 18" W) | 1 | 2 |
| 12 | B | 1110001 | Link, Pivot, Black (16 - 18" W) | 1 | 2 |
| 12 | A | 1046503 | Link, Pivot, Black (19" W) | 1 | 2 |
| 12 | A | 1018238 | Link, Pivot, Black (20 - 22" W) | 1 | 2 |
| 12 | B | 1110002 | Link, Pivot, Black (20 - 22" W) | 1 | 2 |
| 13 | | 1012180 | Bracket, Pivot, Black | 1 | 2 |
| 14 | | See Chart | Crossbraces - 9000SL | 1 | 2 |
| 14 | | See Chart | Crossbraces - 9000XDT | 1 | 2 |
| 14 | | See Chart | Crossbraces - 9000XT | 1 | 2 |
| 14 | | See Chart | Crossbraces - 9000XT Recliner | 1 | 2 |

NOTE: A - For use on chairs manufactured 4/1/03 thru 1/23/05 with two piece Pivot Link and Pivot Bracket design. The exception is the 9XT 19" wide and 9XDT 20" & 22" wide models that continue to use the two piece Pivot Link and Pivot Bracket Design.
 B - For use on chairs manufactured before 4/1/03 and after 1/23/05 with one piece Pivot Link design.
 C - Includes items 2 thru 13.
 D - Does not include item 13; is not needed for the assembly.
 E - Pivot Link and Bracket sold separately.

NOTE: Crossbrace Hardware Kit contains enough hardware for complete set of Crossbraces.

9000SL

| Chair Size | Part Number |
|--|-------------|
| 16" Wide X 16" Deep 16" Wide x 18" Deep | 1109960 |
| 18" Wide X 16" Deep 18" Wide X 18" Deep | 1109961 |

Crossbraces and Crossbrace Hardware

9000SL

| Chair Size | Part Number |
|---|-------------|
| 20" Wide X 16" Deep 20" Wide X 18" Deep 20" Wide X 20" Deep | 1109962 |
| NOTE: Due to style change, an 18" deep chair manufactured before 6/17/02 will require a new seat extension. See category titled, "Seat Extension Kits." | |
| NOTE: Crossbrace part numbers are set up as a single part and requires two each in quantity per assembly. | |

9000 XT

| Chair Size | Part Number |
|--|-------------|
| 14" Wide X 16" Deep 14" Wide X 17" Deep 14" Wide X 18" Deep | 1123881 |
| 15" Wide X 16" Deep 15" Wide X 17" Deep 15" Wide X 18" Deep | 1046110 |
| 16" Wide X 16" Deep 16" Wide X 17" Deep 16" Wide X 18" Deep | 1123882 |
| 17" Wide X 16" Deep 17" Wide X 17" Deep 17" Wide X 18" Deep | 1123883 |
| 18" Wide X 16" Deep 18" Wide X 17" Deep 18" Wide X 18" Deep | 1123884 |
| 19" Wide X 16" Deep 19" Wide X 17" Deep 19" Wide X 18" Deep | 1122090 |
| 20" Wide X 16" Deep 20" Wide X 17" Deep 20" Wide X 18" Deep | 1109962 |
| 22" Wide X 16" Deep 22" Wide X 17" Deep 22" Wide X 18" Deep | 1109963 |
| NOTE: Due to style change, a 19-20" wide and a 17-18" deep chair manufactured before 8/6/04 will require a new seat extension. See category titled, "Seat Extension Kits." | |
| NOTE: Due to style change, an 18" deep chair manufactured before 6/17/02 will require a new seat extension. See category titled, "Seat Extension Kits." | |
| NOTE: Crossbrace part numbers are set up as a single part and requires two each in quantity per assembly. | |

Crossbraces and Crossbrace Hardware

9000XT Recliner

| Chair Size | Part Number |
|---|-------------|
| 14" Wide X 16" Deep 14" Wide X 17" Deep 14" Wide X 18" Deep | 1109959 |
| 16" Wide X 16" Deep 16" Wide X 17" Deep 16" Wide X 18" Deep | 1109960 |
| 18" Wide X 16" Deep 18" Wide X 17" Deep 18" Wide X 18" Deep | 1109961 |
| 19" Wide X 16" Deep 19" Wide X 17" Deep 19" Wide X 18" Deep | 1122090 |
| 20" Wide X 16" Deep 20" Wide X 17" Deep 20" Wide X 18" Deep | 1109962 |
| 22" Wide X 16" Deep 22" Wide X 17" Deep 22" Wide X 18" Deep | 1109963 |

NOTE: Due to style change, a 17-18" deep chair manufactured before 8/6/04 will require a new seat extension. See category titled, "Seat Extension Kits."

NOTE: Due to style change, a 19-20" wide and a 17-18" deep chair manufactured before 8/6/04 will require a new seat extension. See category titled, "Seat Extension Kits."

NOTE: Due to style change, an 18" deep chair manufactured before 6/17/02 will require a new seat extension. See category titled, "Seat Extension Kits."

NOTE: Crossbrace part numbers are set up as a single part and requires two each in quantity per assembly.

9000 XDT

| Chair Size | Part Number |
|---|-------------|
| 16" Wide x 16" Deep 16" Wide x 17" Deep 16" Wide x 18" Deep | 1120628 |
| 16" Wide x 19" Deep 16" Wide x 20" Deep | 1120627 |
| 17" Wide x 16" Deep 17" Wide x 17" Deep 17" Wide x 18" Deep | 1120630 |
| 17" Wide x 19" Deep 17" Wide x 20" Deep | 1120629 |
| 18" Wide x 16" Deep 18" Wide x 17" Deep 18" Wide x 18" Deep | 1120632 |
| 18" Wide x 19" Deep 18" Wide x 20" Deep | 1120631 |

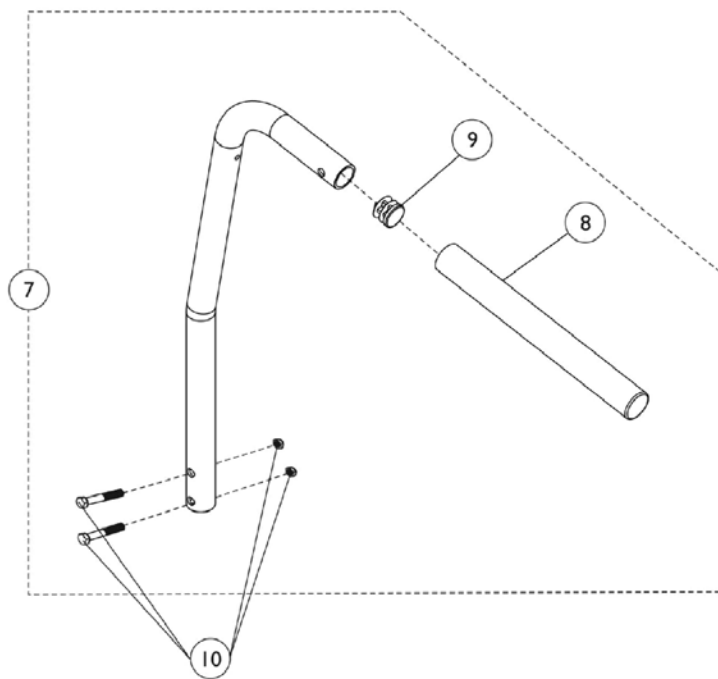
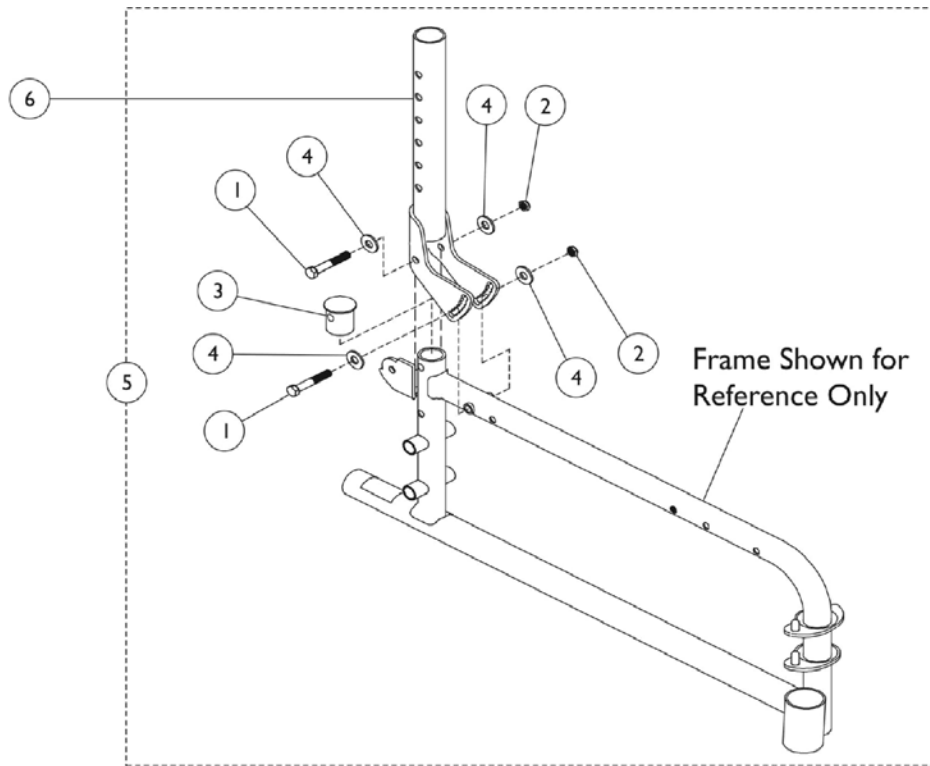
Crossbraces and Crossbrace Hardware

9000 XDT

| Chair Size | Part Number |
|--|-------------|
| 19" Wide x 16" Deep 19" Wide x 17" Deep 19" Wide x 18" Deep | 1120633 |
| 19" Wide x 19" Deep 19" Wide x 20" Deep | 1120634 |
| 20" Wide x 16" Deep 20" Wide x 17" Deep 20" Wide x 18" Deep | 1120635 |
| 20" Wide x 19" Deep 20" Wide x 20" Deep | 1120636 |
| 22" Wide x 16" Deep 22" Wide x 17" Deep 22" Wide x 18" Deep | 1120638 |
| 22" Wide x 19" Deep 22" Wide x 20" Deep | 1120637 |
| NOTE: Due to style change, a 17-18" deep chair manufactured before 8/6/04 will require a new seat extension. See category titled, "Seat Extension Kits." | |
| NOTE: Due to style change, a 19-20" wide and a 17-18" deep chair manufactured before 8/6/04 will require a new seat extension. See category titled, "Seat Extension Kits." | |
| NOTE: Due to style change, an 18" deep chair manufactured before 6/17/02 will require a new seat extension. See category titled, "Seat Extension Kits." | |
| NOTE: Crossbrace part numbers are set up as a single part and requires two each in quantity per assembly. | |

Standard Back Canes with Grip

9000SL with Adjustable Angle Back Option, 9000XT or 9000XDT



Standard Back Canes with Grip

9000SL with Adjustable Angle Back Option, 9000XT or 9000XDT

| Item Number | Note | Part Number | Description | Quantity Per | |
|-------------|------|--------------------|--|--------------|----------|
| | | | | Package | Assembly |
| 1 | | 1013046-NLA | NLA - Screw, Hex Head (1/4-20 x 1-3/4") | 1 | 4 |
| 2 | | 60275X000 | Locknut (1/4-20) | 1 | 6 |
| 3 | | 1063137 | Plug, End | 1 | 2 |
| 4 | | 16348X009-NLA | NLA - Washer, Steel (3/16 x 9/16 x 1/16") | 1 | 8 |
| 5 | A | 1063912 | Hardware, Adjustable Angle | 1 | 1 |
| 6 | | 1063913 | Bracket, Adjustable Angle Back Tube, Chrome | 1 | 1 |
| 6 | E,F | 8881063914-NL A | NLA - Bracket, Adjustable Angle Back Tube, Color | 1 | 1 |
| 6 | E,G | 8881142648 | Bracket, Adjustable Angle Back Tube, Color | 1 | 1 |
| 6 | | 1064771 | Bracket, Adjustable Angle Back Tube, Black | 1 | 1 |
| 7 | | See Chart | Standard Back Canes with Grip - 9000SL with Adjustable Angle Back Option or 9000XT | 1 | 1 |
| 7 | | See Chart | Standard Back Canes with Grip and Hardware-9000XDT | 1 | 1 |
| 8 | | 1006229 | Grip, Foam (8") | 1 | 1 |
| 9 | B | 1027097 | Plug Button, Black (3/4") | 1 | 1 |
| 9 | C | 1027095 | Plug Button, Black (7/8") | 1 | 1 |
| 10 | D | 1142608 | Hardware, Rear Cane Mounting | 1 | 1 |
| | | | Screw, Socket Button Head (1/4-20 x 1-1/4") | 1 | 4 |
| | | | Spacer (.125 x .375 x .257) | 1 | 4 |
| | | | Locknut (1/4-20) | 1 | 4 |

NOTE: A - Includes items 1-4.
 B - To be used on 9000SL with Adjustable Angle Back Option and 9000XT.
 C - To be used on 9000XDT.
 D - Hardware includes (2) each 1/4-20 x 1-1/4" screws and (2) each 1/4-20 locknuts.
 E - Specify frame color when ordering, see category titled, "Frame Finishes, Upholstery Colors, Decals and Packaging."
 F - Before 3/6/06.
 G - After 3/5/06.

9000SL with Adjustable Angle Back Option or 9000XT

| Cane Style | Wrap Around Upholstery | Screw On Upholstery |
|----------------|--------------------------|---------------------|
| 10 Degree Bend | 1028372 See Note(s) A | 1043373 |
| 10 Degree Bend | 1142602 See Note(s) B | 1043373 |
| Straight | 1142604 | 1047691 |

NOTE: A - Before 3/6/06.
 B - After 3/5/06.

Standard Back Canes with Grip and Hardware- 9000XDT

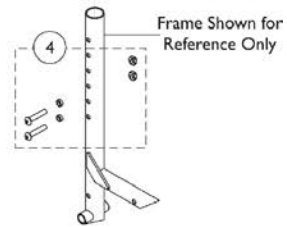
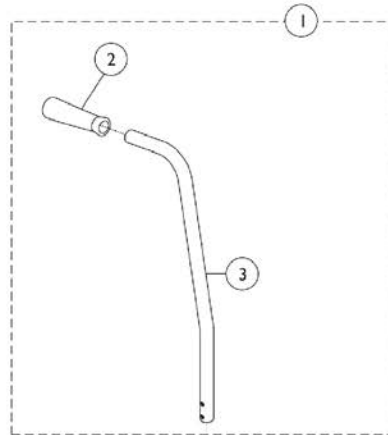
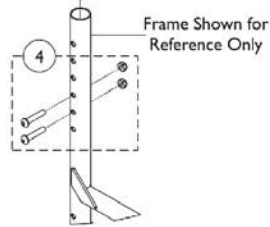
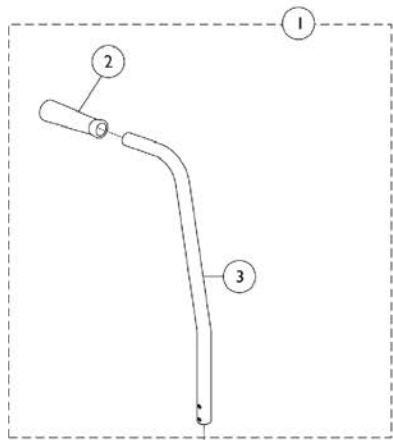
| Cane Style | Wrap Around Upholstery | Screw On Upholstery |
|----------------|------------------------|---------------------|
| 10 Degree Bend | 1120661 | 1120657 |

Standard Back Canes with Grip
9000SL with Adjustable Angle Back Option, 9000XT or 9000XDT
Standard Back Canes with Grip and Hardware- 9000XDT

| Cane Style | Wrap Around Upholstery | Screw On Upholstery |
|------------|------------------------|---------------------|
| Straight | 1120659 | 1120656 |

Extended Back Canes with Grip and Hardware

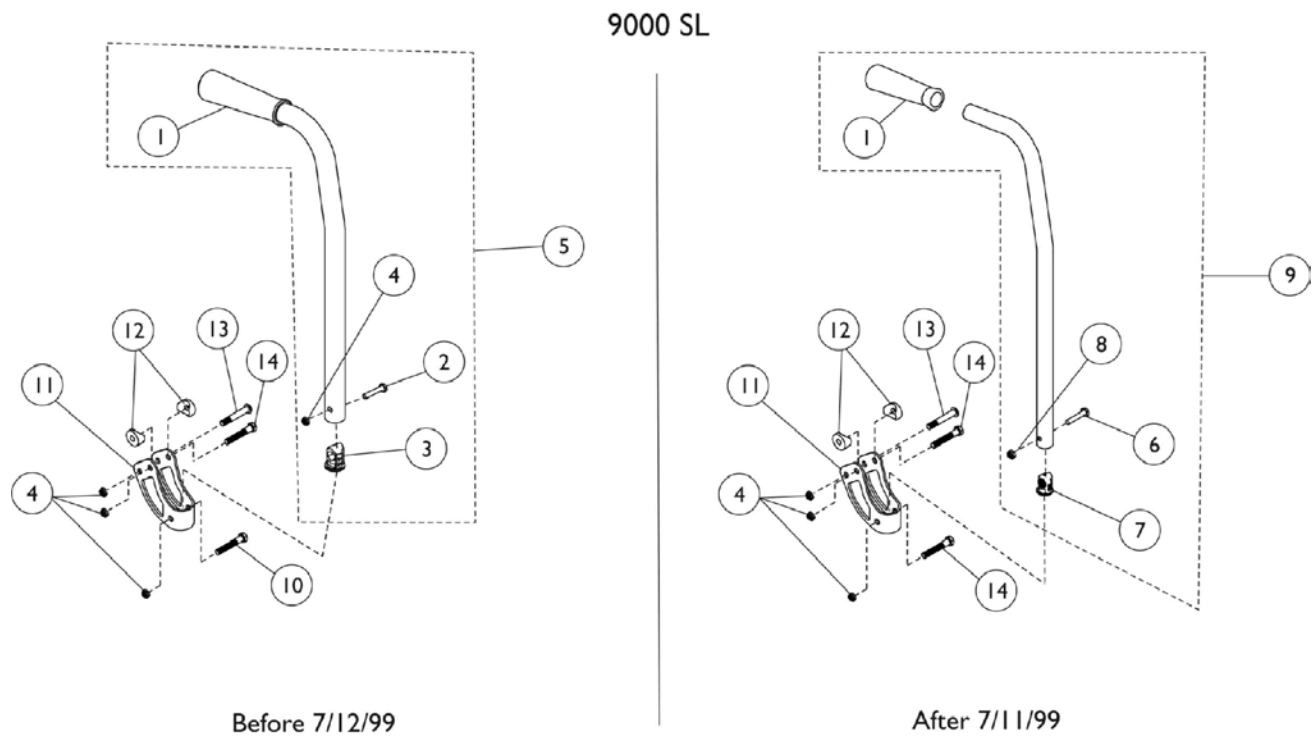
9000SL with Adjustable Angle Back Option and 9000XT



Extended Back Canes with Grip and Hardware 9000SL with Adjustable Angle Back Option and 9000XT

| Item Number | Note | Part Number | Description | Quantity Per | |
|---|------|-------------|--|--------------|----------|
| | | | | Package | Assembly |
| 1 | A | 1142612 | Cane Assembly, Extended with 10 Degree Bend and Grip - Black | 1 | 1 |
| 2 | | | Grip, Hand, Foam (4-3/4") | 1 | 1 |
| 3 | | | Cane, Back w/ 10 Degree Bend, Extended | 1 | 1 |
| 1 | B | 1065178 | NLA - Cane Assembly, Extended with 10 Degree Bend | 1 | 1 |
| 2 | | | Grip, Hand, Foam (4-3/4") | 1 | 1 |
| 3 | | | Cane, Back, Upright, Black | 1 | 1 |
| 1 | A | 1064523 | NLA - Cane Assembly, Extended, Straight | 1 | 1 |
| 2 | | | Grip, Hand, Foam (4-3/4") | 1 | 1 |
| 3 | | | Cane, Back, Straight, Black | 1 | 1 |
| 1 | B | 1064527 | NLA - Cane Assembly, Extended, Straight | 1 | 1 |
| 2 | | | Grip, Hand, Foam (4-3/4") | 1 | 1 |
| 3 | | | Cane, Back, Black | 1 | 1 |
| 4 | C,D | 1042623 | Hardware, Mounting | 1 | 1 |
| | | | Screw, Socket Button Head (1/4-20 x 1-1/4") | 1 | 4 |
| | | | Locknut (1/4-20) | 1 | 4 |
| 4 | C,E | 1142608 | Hardware, Rear Cane Mounting | 1 | 1 |
| | | | Screw, Socket Button Head (1/4-20 x 1-1/4") | 1 | 4 |
| | | | Spacer (.125 x .375 x .257) | 1 | 4 |
| | | | Locknut (1/4-20) | 1 | 4 |
| NOTE: A - For use with wrap around upholstery. B - For use with screw on upholstery. C - Hardware includes (4) each screws (1/4-20 x 1-1/4") and (4) each locknuts (1/4-20). D - Before 3/6/06. E - After 3/5/06. | | | | | |

Standard Back Canes with Grip - 9000SL



Standard Back Canes with Grip - 9000SL

| Item Number | Note | Part Number | Description | Quantity Per | |
|-------------|------|-------------|--|--------------|----------|
| | | | | Package | Assembly |
| 1 | | 1057248 | Grip, Hand, Foam (4-3/4") | 1 | 1 |
| 2 | | 1058561-NLA | NLA - Screw, Hex Head (1/4-20 x 1-1/2") | 1 | 1 |
| 3 | | 1056551 | Insert | 1 | 1 |
| 4 | | 60275X000 | Locknut (1/4-20) | 1 | 1 |
| 5 | A | See Chart | Standard Back Canes with Grip - 9000SL | 1 | 1 |
| 6 | | 1057955 | Screw, Hex Head (1/4-20 x 1-1/4") | 1 | 1 |
| 7 | | 1056551 | Insert | 1 | 1 |
| 8 | | 1025195 | Locknut (1/4-20) | 1 | 1 |
| 9 | B | See Chart | Standard Back Canes with Grip - 9000SL | 1 | 1 |
| 10 | | 16720X004 | Screw, Hex Head (1/4-20 x 1-1/2") | 1 | 1 |
| 11 | | 1056110-NLA | NLA - Bracket, Armrest, Chrome | 1 | 1 |
| 12 | | 1025457 | Spacer, Coved (1/4 x 3/4 x 11/32") | 1 | 2 |
| 13 | | 1029583-NLA | NLA - Screw, Socket Button Head (1/4-20 x 1-7/16") | 1 | 1 |
| 14 | | 1013046-NLA | NLA - Screw, Hex Head (1/4-20 x 1-3/4") | 1 | 1 |

NOTE: A - To be used with models manufactured before 7/12/99. Includes items 1-5.
 B - To be used with models manufactured after 7/11/99. Includes items 1, 6, 7 and 8.

Standard Back Canes with Grip - 9000SL

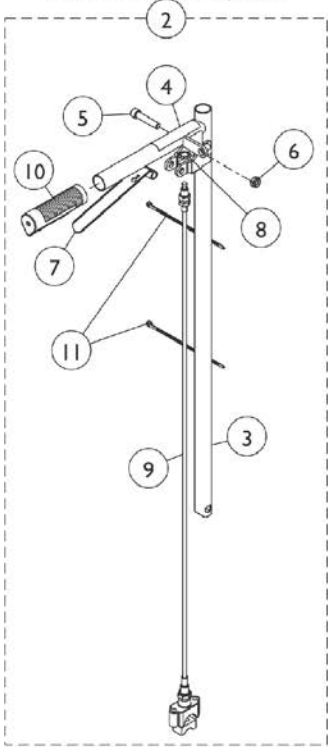
| Back Height | Part Number |
|-------------|------------------------------|
| 15" | 1058203-NLA See Note(s) A |
| 15 - 17" | 1091102 See Note(s) B |
| 16" | 1058204-NLA See Note(s) A |
| 17" | 1058205-NLA See Note(s) A |
| 17 - 19" | 1091103 See Note(s) B |
| 18" | 1058206-NLA See Note(s) A |
| 19" | 1058207-NLA |

NOTE: A - Before 7/19/99
 B - After 7/18/99

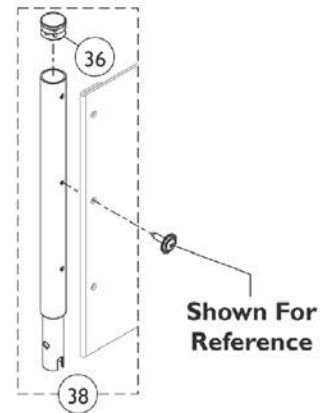
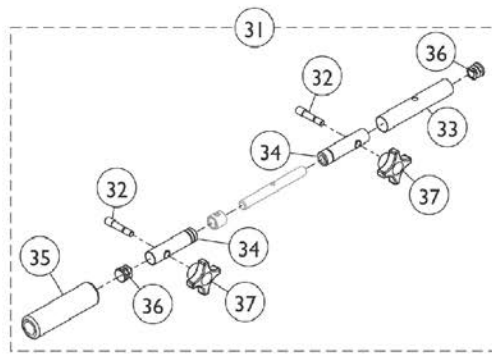
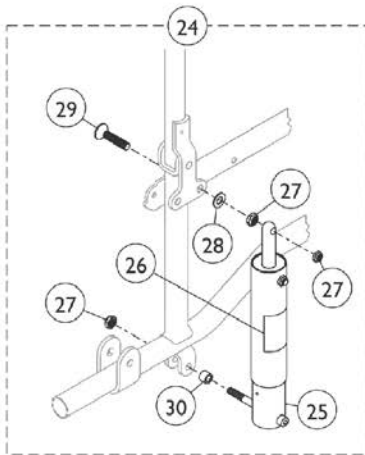
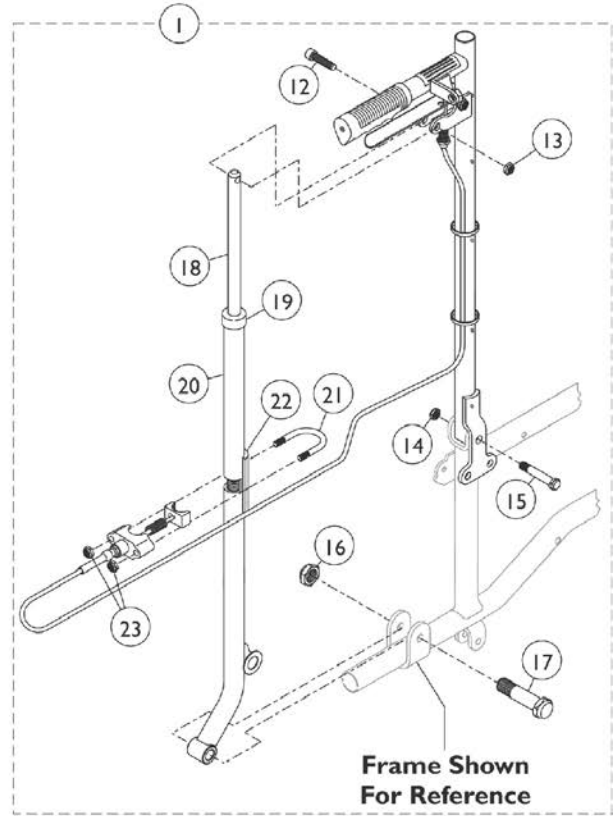
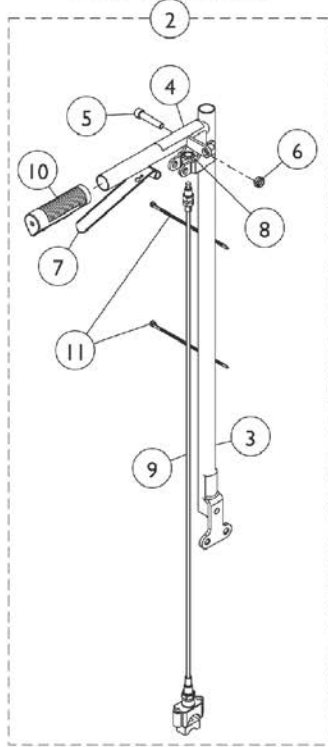
Back Canes and Hardware

9000XT Recliner

**Back Tube Assembly
Without Lift Option**



**Back Tube Assembly
With Lift Option**



Back Canes and Hardware 9000XT Recliner

| Item Number | Note | Part Number | Description | Quantity Per | |
|-------------|---------|-------------|---|--------------|----------|
| | | | | Package | Assembly |
| 1 | D,J,Q | 1074477-NLA | NLA - Recliner Back Assembly w/ Lift Option, Chrome (23" H) (Pair) | 2 | 1 |
| 1 | D,K,Q | 1142778-NLA | NLA - Recliner Back Assembly w/ Lift Option, Black (23" H) (Pair) | 2 | 1 |
| 1 | D,M,N | 8881180815 | Recliner Back Assembly w/ Lift Option, Color (23" H) (Pair) | 1 | 1 |
| 1 | D,J,P,R | 1074482-NLA | NLA - Recliner Back Assembly w/o Lift Option, Chrome (23" H) (Pair) | 2 | 1 |
| 1 | D,K,R | 1142779-NLA | NLA - Recliner Back Assembly w/o Lift Option, Black (23" H) (Pair) | 2 | 1 |
| 1 | D,M,N | 8881180810 | Recliner Back Assembly w/o Lift Option, Color (23" H) (Pair) | 1 | 1 |
| 2 | A | 1074475-NLA | NLA - Back Tube w/ Cable Assembly, Chrome - Right | 1 | 1 |
| 3 | | | Back Tube, Black - Right | 1 | 1 |
| 4 | | | Label, Caution | 1 | 1 |
| 5 | | | Screw, Socket Head (5/16-18 x 1-1/2") | 1 | 1 |
| 6 | | | Locknut (5/16-18) | 1 | 1 |
| 7 | | | Lever, Brake Release, Black | 1 | 1 |
| 8 | | | Fastener, Spring Grip | 1 | 1 |
| 9 | | | Cable Assembly | 1 | 1 |
| 9 | | | Nut, Hex (5/16"-18) | 1 | 2 |
| 9 | | | Housing, Support | 1 | 1 |
| 9 | | | NLA - Spring, Compression (27/64 x 1 x 3/64") | 1 | 1 |
| 9 | | | NLA - Sector, Threaded | 1 | 1 |
| 9 | | | Tubing, Heatshrink Adhesive (1-1/2") | 1 | 1 |
| 9 | | | NLA - Nut, Swivel (5/16-18 x 21/32") | 1 | 1 |
| 10 | | | Grip, Hand (6") | 1 | 1 |
| 11 | | | Tie Wrap (5-5/8" L) | 1 | 2 |
| 2 | A | 1074476 | NLA - Back Tube w/ Cable Assembly, Chrome - Left | 1 | 1 |
| 3 | | | Back Tube, Chrome - Left | 1 | 1 |
| 4 | | | Label, Caution | 1 | 1 |
| 5 | | | Screw, Socket Head (5/16-18 x 1-1/2") | 1 | 1 |
| 6 | | | Locknut (5/16-18) | 1 | 1 |
| 7 | | | Lever, Brake Release, Black | 1 | 1 |
| 8 | | | Fastener, Spring Grip | 1 | 1 |
| 9 | | | Cable Assembly | 1 | 1 |
| 9 | | | Nut, Hex (5/16"-18) | 1 | 2 |
| 9 | | | Housing, Support | 1 | 1 |
| 9 | | | NLA - Spring, Compression (27/64 x 1 x 3/64") | 1 | 1 |
| 9 | | | NLA - Sector, Threaded | 1 | 1 |
| 9 | | | Tubing, Heatshrink Adhesive (1-1/2") | 1 | 1 |
| 9 | | | NLA - Nut, Swivel (5/16-18 x 21/32") | 1 | 1 |
| 10 | | | Grip, Hand (6") | 1 | 1 |

Back Canes and Hardware 9000XT Recliner

| Item Number | Note | Part Number | Description | Quantity Per | |
|-------------|------|-------------|---|--------------|----------|
| | | | | Package | Assembly |
| 11 | | | Tie Wrap (5-5/8" L) | 1 | 2 |
| 2 | B | 1074480 | NLA - Back Tube w/ Cable Assembly, Chrome - Right | 1 | 1 |
| 3 | | | Back Tube, Chrome - Right | 1 | 1 |
| 4 | | | Label, Caution | 1 | 1 |
| 5 | | | Screw, Socket Head (5/16-18 x 1-1/2") | 1 | 1 |
| 6 | | | Locknut (5/16-18) | 1 | 1 |
| 7 | | | Lever, Brake Release, Black | 1 | 1 |
| 8 | | | Fastener, Spring Grip | 1 | 1 |
| 9 | | | Cable Assembly | 1 | 1 |
| 9 | | | Nut, Hex (5/16"-18) | 1 | 2 |
| 9 | | | Housing, Support | 1 | 1 |
| 9 | | | NLA - Spring, Compression (27/64 x 1 x 3/64") | 1 | 1 |
| 9 | | | NLA - Sector, Threaded | 1 | 1 |
| 9 | | | Tubing, Heatshrink Adhesive (1-1/2") | 1 | 1 |
| 9 | | | NLA - Nut, Swivel (5/16-18 x 21/32") | 1 | 1 |
| 10 | | | Grip, Hand (6") | 1 | 1 |
| 11 | | | Tie Wrap (5-5/8" L) | 1 | 2 |
| 2 | B | 1074481 | NLA - Back Tube w/ Cable Assembly, Chrome - Left | 1 | 1 |
| 3 | | | Back Tube, Chrome - Left | 1 | 1 |
| 4 | | | Label, Caution | 1 | 1 |
| 5 | | | Screw, Socket Head (5/16-18 x 1-1/2") | 1 | 1 |
| 6 | | | Locknut (5/16-18) | 1 | 1 |
| 7 | | | Lever, Brake Release, Black | 1 | 1 |
| 8 | | | Fastener, Spring Grip | 1 | 1 |
| 9 | | | Cable Assembly | 1 | 1 |
| 9 | | | Nut, Hex (5/16"-18) | 1 | 2 |
| 9 | | | Housing, Support | 1 | 1 |
| 9 | | | NLA - Spring, Compression (27/64 x 1 x 3/64") | 1 | 1 |
| 9 | | | NLA - Sector, Threaded | 1 | 1 |
| 9 | | | Tubing, Heatshrink Adhesive (1-1/2") | 1 | 1 |
| 9 | | | NLA - Nut, Swivel (5/16-18 x 21/32") | 1 | 1 |
| 10 | | | Grip, Hand (6") | 1 | 1 |
| 11 | | | Tie Wrap (5-5/8" L) | 1 | 2 |
| 5 | | 1021344 | Screw, Socket Head (5/16-18 x 1-1/2") | 1 | 1 |
| 6 | | 60290X002 | Locknut (5/16-18) | 1 | 1 |
| 7 | | 1021085 | Lever, Brake Release, Black | 1 | 1 |
| 8 | | 1071676 | Fastener, Spring Grip | 1 | 1 |
| 9 | C | 1074471 | Cable and Housing Assembly | 1 | 1 |
| | | | Cable Assembly | 1 | 1 |
| | | | Nut, Hex (5/16"-18) | 1 | 2 |
| | | | Housing, Support | 1 | 1 |
| | | | NLA - Spring, Compression (27/64 x 1 x 3/64") | 1 | 1 |

Back Canes and Hardware 9000XT Recliner

| Item Number | Note | Part Number | Description | Quantity Per | |
|-------------|------|-------------|--|--------------|----------|
| | | | | Package | Assembly |
| | | | NLA - Sector, Threaded | 1 | 1 |
| | | | Tubing, Heatshrink Adhesive (1-1/2") | 1 | 1 |
| | | | NLA - Nut, Swivel (5/16-18 x 21/32") | 1 | 1 |
| 10 | | 1021261 | Grip, Hand (6") | 1 | 1 |
| 11 | | 1021260 | Tie Wrap (5-5/8" L) | 1 | 2 |
| 12 | | 1021343 | Screw, Socket Head (5/16-18 x 1-1/4") | 1 | 1 |
| 13 | | 60290X002 | Locknut (5/16-18) | 1 | 1 |
| 14 | | 60264X001 | Locknut (5/16-24) | 1 | 1 |
| 15 | A | 1044762 | Bolt, Pivot (5/16-24 x 1-7/8") | 1 | 1 |
| 15 | B | 1074647 | Bolt, Pivot (5/16-24) | 1 | 1 |
| 16 | | 1001979 | Locknut (1/2-20) | 1 | 1 |
| 17 | | 1044195 | Bolt, Pivot (1/2-20 x 1-3/4") | 1 | 1 |
| 18 | | 1042736 | Rod, Locking | 1 | 1 |
| 19 | | 1024221 | Anti-Rattle, Black | 1 | 1 |
| 20 | | 1070961-NLA | NLA - Tube, Recliner, Chrome | 1 | 1 |
| 20 | L | 1142776-NLA | NLA - Tube, Recliner, Black | 1 | 1 |
| 21 | | 1023328 | U-Bolt (1/4-20 x 1-13/16") | 1 | 1 |
| 22 | | 1023329-NLA | NLA - Plate Support | 1 | 1 |
| 23 | | 1008882 | Locknut (1/4-20) | 1 | 2 |
| 24 | E | 1034176 | Kit, Lift (Pair) | 2 | 1 |
| 25 | | 1021338 | Spring and Housing Assembly | 1 | 1 |
| 26 | | 1022642 | Label, Warning | 1 | 1 |
| 27 | | 60290X002 | Locknut (5/16-18) | 1 | 3 |
| 28 | | 40157X000 | Washer, Steel (11/32 x 5/8 x 3/64") | 1 | 1 |
| 29 | | 1021337-NLA | NLA - Screw, Socket Flat Head (5/16-18 x 1-1/2") | 1 | 1 |
| 30 | | 47330X003 | Spacer (5/16 x 1/2 x 3/8") | 1 | 1 |
| 31 | I | 1052597-NLA | NLA - Bar, Adjustable, Spreader, Chrome (14 - 15" W) | 1 | 1 |
| 31 | I,S | 8881181932 | Bar, Adjustable, Spreader, Color (14 - 15" W) | 1 | 1 |
| 31 | I | 1021276-NLA | NLA - Bar, Adjustable, Spreader, Chrome (16 - 19" W) | 1 | 1 |
| 31 | I,S | 8881181931 | Bar, Adjustable, Spreader, Color (16 - 19" W) | 1 | 1 |
| 31 | I | 1026736-NLA | NLA - Bar, Adjustable, Spreader, Chrome (20 - 22" W) | 1 | 1 |
| 31 | I,S | 8881181987 | Bar, Adjustable, Spreader, Color (20 - 22" W) | 1 | 1 |
| 32 | | 1021091 | Stud (5/16-18 x 1-3/4") | 1 | 2 |
| 33 | | See Chart | Item #33 Adjustment Tube | 1 | 1 |
| 34 | F | 1021353-NLA | NLA - Cover, Tube, Chrome (14 - 15" W) | 1 | 1 |
| 34 | G,H | 1021088-NLA | NLA - Cover, Tube, Chrome (16 - 19" W) | 1 | 1 |
| 35 | F | 1016298 | Grip, Push Handle | 1 | 1 |
| 35 | G,H | 1016254 | Grip, Push Handle | 1 | 1 |
| 36 | | 1027097 | Plug Button, Black (3/4") | 1 | 2 |
| 37 | | 1021092 | Knob, Black | 1 | 2 |
| 38 | O | 1054595-NLA | NLA - Headrest Extension Tube Assembly, Black | 1 | 2 |

Back Canes and Hardware 9000XT Recliner

| Item Number | Note | Part Number | Description | Quantity Per | |
|---|------|-------------|---|--------------|----------|
| | | | | Package | Assembly |
| 38 | N,O | 8881181852 | Headrest Extension Tube Assembly, Color | 1 | 2 |
| NOTE: A - For use on models with a Lift Option. Item #2 is not available for color frame models. Must order item #1 B - For use on models without a Lift Option. Item #2 is not available for color frame models. Must order item #1 C - Includes: Housing, Spring, Sector and Hardware. D - Includes items 2 and 12-23. E - Includes Items 25-30. F - 14 - 15" Wide Chairs. Item #34 is not available for color frame models. Must order item #31 G - 16 - 19" Wide Chairs. Item #34 is not available for color frame models. Must order item #31 H - 20 - 22" Wide Chairs. I - Includes Items 32-37. J - Before 3/6/06. K - 3/6/06 thru 4/11/13 L - Black Recliner Tube is only available with item #1 Recliner Back Assembly 8881180810 or 8881180815. M - After 4/11/13 N - Specify 34P Black frame finish when ordering. O - Includes item 36. P - No Longer Available. Use part #1142779 as a replacement Q - No Longer Available. See item #1 8881180815 and order 34P Black frame finish. R - No Longer Available. See item #1 8881180810 and order 34P Black frame finish. S - Specify 71P Silver Vein frame finish when ordering. | | | | | |

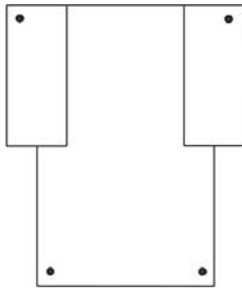
Item #33 Adjustment Tube

| Adjustment Tube | 14 - 15" Wide | 16 - 19" Wide | 20 - 22" Wide |
|---|------------------------------|---------------|---------------|
| Right | 1021351-NLA See Note(s) A | 1021100-NLA | 1026734-NLA |
| Left | 1021352-NLA See Note(s) A | 1021101-NLA | 1026735 |
| NOTE: A - Part #1021351 and 1021352 are no longer available as service parts individually. Must order item 31 as a replacement. | | | |

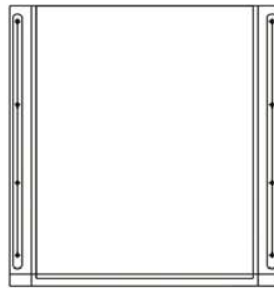
Back Upholstery and Hardware

9000SL / 9000XT / 9000XDT

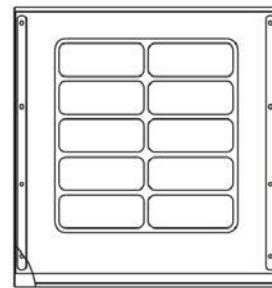
If a wheelchair was originally ordered with the RB, (reinforced back), please refer to quote SM-100924021021 to order a replacement back upholstery.



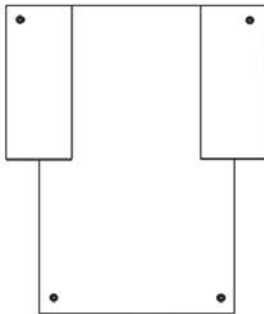
9000SL
Back Upholstery
Wrap-Around
15-19" - Nylon/Vinyl



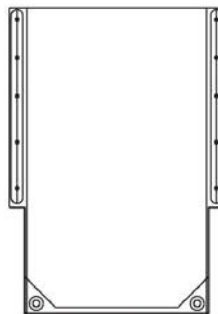
9000SL
Back Upholstery
Screw-On
15-19" - Nylon



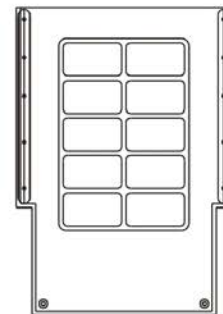
9000SL
Back Upholstery
Screw-On
15-19" - Vinyl



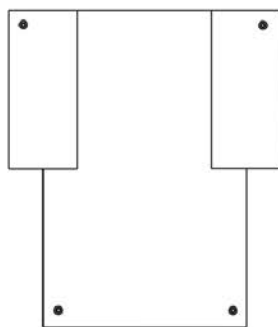
9000XT
Back Upholstery
Wrap-Around
15-19" - Nylon/Vinyl



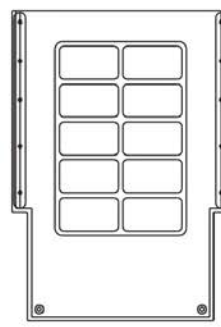
9000XT
Back Upholstery
Screw-On
15-19" - Vinyl



9000XT
Back Upholstery
Screw-On
15-19" - Vinyl



9000XDT
Back Upholstery
Wrap-Around
15-19" - Nylon/Vinyl



9000XDT
Back Upholstery
Screw-On
15-19" - Vinyl

Back Upholstery and Hardware

9000SL / 9000XT / 9000XDT

If a wheelchair was originally ordered with the RB, (reinforced back), please refer to quote SM-100924021021 to order a replacement back upholstery.

9000SL Nylon Screw-On Back Upholstery

Nylon - Before 7/12/99

| Chair Width | 15" Back Height | 16" Back Height | 17" Back Height | 18" Back Height | 19" Back Height |
|-------------|---------------------------------|---------------------------------|---------------------------------|---------------------------------|---------------------------------|
| 16" W | 8881057251 See Note(s) A | 8881057252-NLA See Note(s) A | 8881057253-NLA See Note(s) A | 8881057254-NLA See Note(s) A | 8881057255-NLA See Note(s) A |
| 18" W | 8881057256-NLA See Note(s) A | 8881057257-NLA See Note(s) A | 8881057258-NLA See Note(s) A | 8881057259-NLA See Note(s) A | 8881057260-NLA See Note(s) A |
| 20" W | N/A | N/A | N/A | 8881066271-NLA See Note(s) A | 8881066272-NLA See Note(s) A |

NOTE: A - Only U240 Black Nylon Upholstery is available.

NOTE: Hardware is not included. See chart titled, "Hardware for Back Upholstery - 9000SL."

9000SL Nylon Screw-On Back Upholstery

Nylon - After 7/11/99

| Chair Width | Back Height 15 - 17" | Back Height 17 - 19" |
|-------------|----------------------|----------------------|
| 16" W | 1127480 | 1127481 |
| 18" W | 1127482 | 1127483 |
| 20" W | 1127484 | 1127485 |

NOTE: Upholstery color is black.

NOTE: Hardware is included

9000SL Screw-On Back Upholstery

Vinyl - After 7/11/99

| Chair Width | Back Height 15 - 17" | Back Height 17 - 19" |
|-------------|----------------------|----------------------|
| 16" W | 8881127500 | 8881127501 |
| 18" W | 8881127502 | 8881127503 |
| 20" W | 8881127504 | 8881127505 |

NOTE: When ordering, specify upholstery color, (U67).

NOTE: Hardware is included.

Back Upholstery and Hardware

9000SL / 9000XT / 9000XDT

If a wheelchair was originally ordered with the RB, (reinforced back), please refer to quote SM-100924021021 to order a replacement back upholstery.

9000SL Wrap-Around Upholstery

(For ANGLE BACK TYPE Option)

| Chair Width | Back Height 15-19" - Nylon | Back Height 15-19" - Vinyl |
|--|-----------------------------|-----------------------------|
| 16" W | 1130878 See Note(s) A | 8881130886 See Note(s) B |
| 18" W | 8881130880 See Note(s) A | 8881130888 See Note(s) B |
| 20" W | 1130882 See Note(s) A | 8881130890 See Note(s) B |
| NOTE: A - Upholstery color is Black. B - Specify Upholstery Color (U67), when ordering. | | |
| NOTE: Hardware is included. | | |

Hardware for Back Upholstery - 9000SL

| Part Number | Description | Quantity |
|---|-------------------|-----------------|
| 1041541 See Note(s) A | Screws w/ Washers | 1 package of 12 |
| 1018239 See Note(s) B | Tie Wrap | 2 |
| NOTE: A - Hardware is not sold individually. B - Sold individually; assembly requires (2). | | |

Back Upholstery and Hardware

9000SL / 9000XT / 9000XDT

If a wheelchair was originally ordered with the RB, (reinforced back), please refer to quote SM-100924021021 to order a replacement back upholstery.

9000XT & 9000XDT Back Upholstery

| Chair Width | Nylon Wrap-Around Upholstery 15 - 19" Back Height | Vinyl Wrap-Around Upholstery 15 - 19" Back Height | Vinyl Screw-On Upholstery 15 - 19" Back Height |
|-------------|--|--|---|
| 14" W | 1130876 See Note(s) A | 8881130884 See Note(s) B | 8881130892 See Note(s) B |
| 15" W | 1130877 See Note(s) A | 8881130885 See Note(s) B | 8881130893 See Note(s) B |
| 16" W | 1130878 See Note(s) A | 8881130886 See Note(s) B | 8881130894 See Note(s) B |
| 17" W | 1130879 See Note(s) A | 8881130887 See Note(s) B | 8881130895 See Note(s) B |
| 18" W | 8881130880 See Note(s) A | 8881130888 See Note(s) B | 8881130896 See Note(s) B |
| 19" W | 1130881 See Note(s) A | 8881130889 See Note(s) B | 8881130897 See Note(s) B |
| 20" W | 1130882 See Note(s) A | 8881130890 See Note(s) B | 8881130898 See Note(s) B |
| 22" W | 1130883 See Note(s) A | 8881130891 See Note(s) B | 8881130899 See Note(s) B |

NOTE: A - Upholstery color is black.
B - When ordering, specify upholstery color, (U67).

NOTE: Hardware is included.

Hardware for Back Upholstery - 9000XT

| Part Number | Description | Quantity |
|--------------------------|-------------------|-----------------|
| 1041541 See Note(s) A | Screws w/ Washers | 1 package of 12 |
| 1018239 See Note(s) B | Tie Wrap | 2 |

NOTE: A - Hardware is not sold individually.
B - Sold individually; assembly requires 2.

Hardware for Back Upholstery - 9000XDT

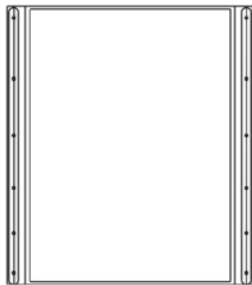
| Part Number | Description | Quantity |
|--------------------------|------------------|-----------------|
| 1041541 See Note(s) A | Screws w/washers | 1 package of 12 |

NOTE: A - Hardware is not sold individually.

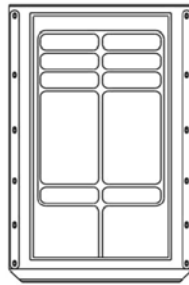
Back Upholstery and Hardware

9000XT Recliner

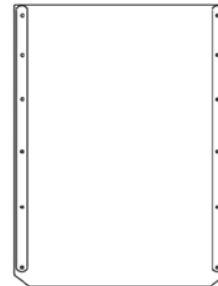
If a wheelchair was originally ordered with the RB, (reinforced back), please refer to quote SM-100924021021 to order a replacement back upholstery.



9000XT Recliner
Back Upholstery
23" Height
Nylon



9000XT Recliner
Back Upholstery
23" Height
Vinyl



9000XT Recliner
Back Upholstery
23" Height
Light-Weight Vinyl

Back Upholstery and Hardware 9000XT Recliner

If a wheelchair was originally ordered with the RB, (reinforced back), please refer to quote SM-100924021021 to order a replacement back upholstery.

Back Upholstery (23" Back Height)

| Width | Nylon | Vinyl | Lightweight Vinyl |
|-------|---------|-----------------------------|---------------------------|
| 14" W | 1130900 | 8881130906 See Note(s) A | See Note See Note(s) B |
| 16" W | 1130901 | 8881130907 See Note(s) A | See Note See Note(s) B |
| 18" W | 1130902 | 8881130908 See Note(s) A | See Note See Note(s) B |
| 19" W | 1130903 | 8881130909 See Note(s) A | See Note See Note(s) B |
| 20" W | 1130904 | 8881130910 See Note(s) A | See Note See Note(s) B |
| 22" W | 1130905 | 8881130911 See Note(s) A | See Note See Note(s) B |

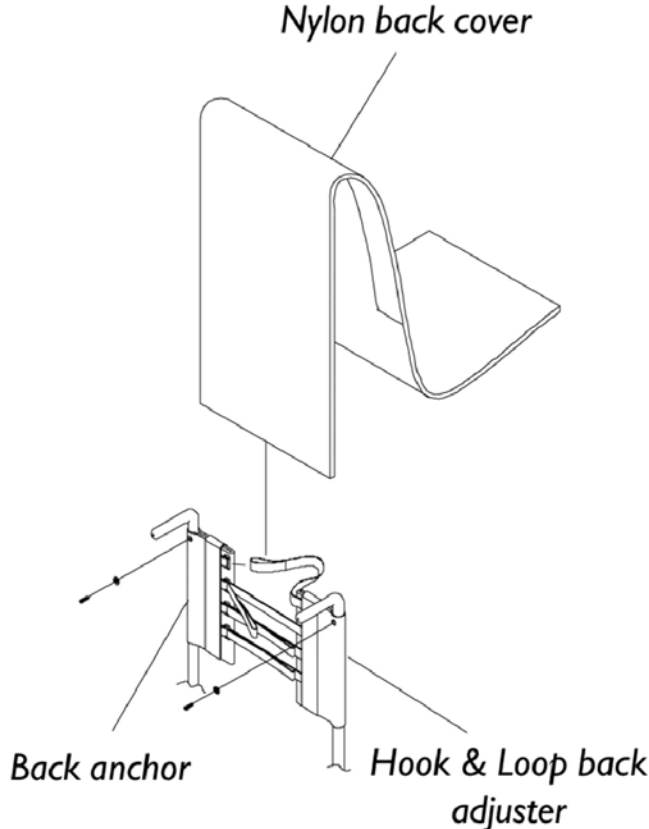
NOTE: A - Specify upholstery color when ordering, see category titled, "Frame Finishes, Upholstery Colors, Decals and Packaging."
B - 9RC Recliner originally ordered with Black Lightweight Vinyl (U05) must convert to Black Vinyl (U67) as a replacement. New Seat, Back, Headrest Upholstery and Headrest Pillow are required.

Hardware for Back Upholstery

| Part Number | Description | Quantity |
|------------------------------|------------------|-----------------|
| 1035975-NLA See Note(s) A | Screws w/washers | 1 package of 18 |

NOTE: A - Hardware is not sold individually.

Back Upholstery - Adjustable Tension



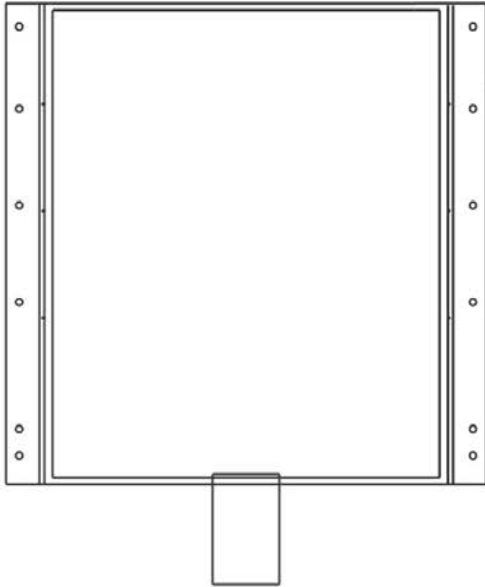
| Back Height | Chair Width | Back Anchor | Back Adjuster | Back Cover | Back Assembly |
|-------------|-------------|-------------|---------------|------------|---------------|
| 14" - 18" | 14" | 1037720 | 1037736 | 1037722 | 1039485 |
| | 15" | 1037720 | 1037736 | 1037723 | 1039486 |
| | 16" | 1037720 | 1037736 | 1037724 | 1039487 |
| | 17" | 1037720 | 1037721 | 1037725 | 1039488 |
| | 18" | 1037720 | 1037721 | 1037726 | 1039489 |
| | 19" | 1037720 | 1037737 | 1037727 | 1039490 |
| | 20" | 1037720 | 1037737 | 1037728 | 1039491 |
| | 22" | 1037720 | 1037737 | 1108325 | 1114127 |

Seat Upholstery and Hardware

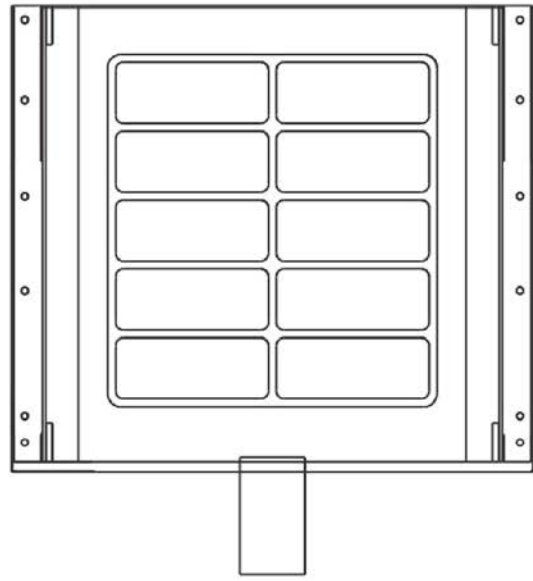
If a wheelchair was originally ordered with RS (reinforced seat), please refer to quote SM-100924021021 to order a replacement seat upholstery.

NOTE: Lightweight Vinyl upholstery is no longer available; vinyl upholstery may be used as a replacement.

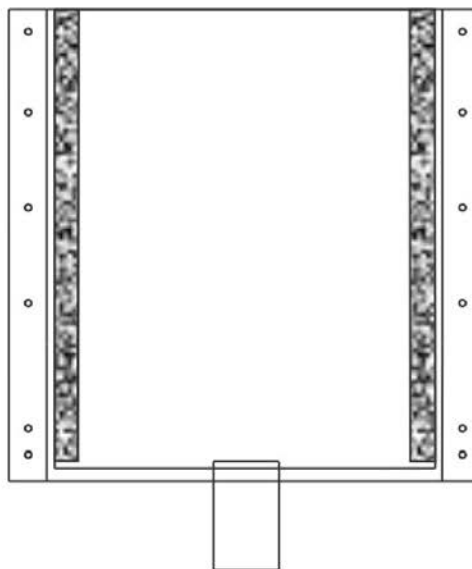
NOTE: After 10/11/16 additional hole was added to the rear corners of the seat upholstery and accommodates all wheelchairs manufactured before 10/12/16 as well. All Crossbrace Seat Rails in the field already have the additional upholstery hole and do not require replacement of Crossbraces.



9000XT - 9XT Recliner
9000XDT - 9SL
Seat Upholstery - Nylon



9000XT - 9XT Recliner
9000XDT
Seat Upholstery - Vinyl



9000XT / XDT / Recliner

Seat Upholstery and Hardware

If a wheelchair was originally ordered with RS (reinforced seat), please refer to quote SM-100924021021 to order a replacement seat upholstery.

NOTE: Lightweight Vinyl upholstery is no longer available; vinyl upholstery may be used as a replacement.

NOTE: After 10/11/16 additional hole was added to the rear corners of the seat upholstery and accommodates all wheelchairs manufactured before 10/12/16 as well. All Crossbrace Seat Rails in the field already have the additional upholstery hole and do not require replacement of Crossbraces.

Sail Cloth Seat Upholstery

Seat Upholstery and Hardware

If a wheelchair was originally ordered with RS (reinforced seat), please refer to quote SM-100924021021 to order a replacement seat upholstery.

NOTE: Lightweight Vinyl upholstery is no longer available; vinyl upholstery may be used as a replacement.

NOTE: After 10/11/16 additional hole was added to the rear corners of the seat upholstery and accommodates all wheelchairs manufactured before 10/12/16 as well. All Crossbrace Seat Rails in the field already have the additional upholstery hole and do not require replacement of Crossbraces.

Nylon Seat Upholstery Kit - 9000XT

| Chair Width | 16" Depth | 17" Depth | 18" Depth |
|-------------|-----------|-----------|-----------|
| 14" W | 1127529 | 1130915 | 1127530 |
| 15" W | 1130912 | 1130916 | 1130923 |
| 16" W | 1127531 | 1130917 | 1127532 |
| 17" W | 1130913 | 1130918 | 1130924 |
| 18" W | 1127533 | 1130919 | 1127534 |
| 19" W | 1130914 | 1130920 | 1130925 |
| 20" W | 1127535 | 1130921 | 1194393 |
| 22" W | 1127537 | 1130922 | 1194394 |

NOTE: Upholstery color is black.

Vinyl Seat Upholstery Kit - 9000XT

| Chair Width | 16" Depth | 17" Depth | 18" Depth |
|-------------|------------|------------|------------|
| 14" W | 8881127539 | 8881130929 | 8881127540 |
| 15" W | 8881130926 | 8881130930 | 8881130937 |
| 16" W | 8881127523 | 8881130931 | 8881127524 |
| 17" W | 8881130927 | 8881130932 | 8881130938 |
| 18" W | 8881127525 | 8881130933 | 8881194395 |
| 19" W | 8881130928 | 8881130934 | 8881130939 |
| 20" W | 8881127527 | 8881130935 | 8881127528 |
| 22" W | 8881127547 | 8881130936 | 8881194396 |

NOTE: Specify upholstery color, see category titled, "Frame Finishes, Upholstery Color, Decals and Packaging."

Seat Upholstery and Hardware

If a wheelchair was originally ordered with RS (reinforced seat), please refer to quote SM-100924021021 to order a replacement seat upholstery.

NOTE: Lightweight Vinyl upholstery is no longer available; vinyl upholstery may be used as a replacement.

NOTE: After 10/11/16 additional hole was added to the rear corners of the seat upholstery and accommodates all wheelchairs manufactured before 10/12/16 as well. All Crossbrace Seat Rails in the field already have the additional upholstery hole and do not require replacement of Crossbraces.

Nylon Seat Upholstery Kit - 9000XT Recliner

| Chair Width | 16" Depth | 17" Depth | 18" Depth |
|-------------|-----------|-----------|-----------|
| 14" W | 1127529 | 1130915 | 1127530 |
| 16" W | 1127531 | 1130917 | 1127532 |
| 18" W | 1127533 | 1130919 | 1127534 |
| 19" W | 1130914 | 1130920 | 1130925 |
| 20" W | 1127535 | 1130921 | 1194393 |
| 22" W | 1127537 | 1130922 | 1194394 |

NOTE: Upholstery color is black.

Vinyl Seat Upholstery Kit - 9000XT Recliner

| Chair Width | 16" Depth | 17" Depth | 18" Depth |
|-------------|------------|------------|------------|
| 14" W | 8881127539 | 8881130929 | 8881127540 |
| 16" W | 8881127523 | 8881130931 | 8881127524 |
| 18" W | 8881127525 | 8881130933 | 8881194395 |
| 19" W | 8881130928 | 8881130934 | 8881130939 |
| 20" W | 8881127527 | 8881130935 | 8881127528 |
| 22" W | 8881127547 | 8881130936 | 8881194396 |

NOTE: Specify upholstery color, see category titled, "Frame Finishes, Upholstery Colors, Decals and Packaging."

NOTE: 9RC Recliner originally ordered with Black Lightweight Vinyl (U05) must convert to Black Vinyl (U67) as a replacement. New Seat, Back, Headrest Upholstery and Headrest Pillow are required.

Seat Upholstery and Hardware

If a wheelchair was originally ordered with RS (reinforced seat), please refer to quote SM-100924021021 to order a replacement seat upholstery.

NOTE: Lightweight Vinyl upholstery is no longer available; vinyl upholstery may be used as a replacement.

NOTE: After 10/11/16 additional hole was added to the rear corners of the seat upholstery and accommodates all wheelchairs manufactured before 10/12/16 as well. All Crossbrace Seat Rails in the field already have the additional upholstery hole and do not require replacement of Crossbraces.

Hardware for Seat Upholstery - 9000XT and 9000XT Recliner

| Part Number | Description | Quantity |
|--------------------------|------------------|-----------------|
| 1041541 See Note(s) A | Screws w/washers | 1 package of 12 |

NOTE: A - Hardware is not sold individually.

Sail Cloth Seat Upholstery - 9000XT, 9000XDT and 9000XT Recliner

| Chair Width | 16" Depth | 17" Depth | 18" Depth | 19" Depth | 20" Depth |
|-------------|--------------------------|--------------------------|--------------------------|--------------------------|--------------------------|
| 14" W | 1194322 See Note(s) A | 1031718 See Note(s) A | 1031719 See Note(s) A | N/A | N/A |
| 15" W | 1031720 See Note(s) A | 1031721 See Note(s) A | 1031722 See Note(s) A | N/A | N/A |
| 16" W | 1194323 See Note(s) A | 1194339 See Note(s) A | 1194373 | 1031726 See Note(s) A | 1031727 See Note(s) A |
| 17" W | 1194324 See Note(s) A | 1194359 See Note(s) A | 1194374 See Note(s) A | 1066436 See Note(s) A | 1066437 See Note(s) A |
| 18" W | 1194325 See Note(s) A | 1194360 See Note(s) A | 1194375 See Note(s) A | 1031734 See Note(s) A | 1031735 See Note(s) A |
| 19" W | 1031736 See Note(s) A | 1194361 See Note(s) A | 1031738 See Note(s) A | 1066370 See Note(s) A | 1066373 See Note(s) A |
| 20" W | 1194377 See Note(s) A | 1194362 See Note(s) A | 1194376 See Note(s) A | 1066371 See Note(s) A | 1066374 See Note(s) A |
| 22" W | 1031742 See Note(s) A | 1194363 See Note(s) A | 1031744 See Note(s) A | 1066372 See Note(s) A | 1066375 See Note(s) A |

NOTE: A - Hardware is not included. See chart titled, "Sail Cloth Hardware."

NOTE: Upholstery color is black.

Sail Cloth Upholstery Hardware - 9000XT and 9000XT Recliner

| Part Number | Description | Quantity |
|--------------------------|--|-----------------|
| 1194397 See Note(s) A | Screw, Phillips Oval Head w/ Washer (#10-16 x 7/8") | 1 package of 14 |

NOTE: A - Hardware is not sold individually.

Seat Upholstery and Hardware

If a wheelchair was originally ordered with RS (reinforced seat), please refer to quote SM-100924021021 to order a replacement seat upholstery.

NOTE: Lightweight Vinyl upholstery is no longer available; vinyl upholstery may be used as a replacement.

NOTE: After 10/11/16 additional hole was added to the rear corners of the seat upholstery and accommodates all wheelchairs manufactured before 10/12/16 as well. All Crossbrace Seat Rails in the field already have the additional upholstery hole and do not require replacement of Crossbraces.

Sail Cloth Upholstery Hardware - 9000XDT

| Part Number | Description | Quantity |
|------------------------------|---|---------------------------------------|
| 1194392 See Note(s) A | 14 ea. Screw, Phillips Oval Head (#12-14 x 7/8") 14 ea. Washer (1/4 x 3/4 x 3/32") | 1 package of 14 Screws and 14 Washers |

NOTE: A - Hardware is not sold individually.

Nylon Seat Upholstery Kit - 9000XDT

| Chair Width | 16" Depth | 17" Depth | 18" Depth | 19" Depth | 20" Depth |
|-------------|-----------|-----------|-----------|-----------|-----------|
| 16" W | 1193638 | 1130962 | 1193644 | 1130969 | 1130975 |
| 17" W | 1193639 | 1130963 | 1193645 | 1130970 | 1130976 |
| 18" W | 1193640 | 1130964 | 1193646 | 1130971 | 1127580 |
| 19" W | 1193641 | 1130965 | 1130968 | 1130972 | 1130977 |
| 20" W | 1193642 | 1130966 | 1127536 | 1130973 | 1127582 |
| 22" W | 1193643 | 1130967 | 1127538 | 1130974 | 1127584 |

NOTE: Upholstery color is black.

Vinyl Seat Upholstery Kit - 9000XDT

| Chair Width | 16" Depth | 17" Depth | 18" Depth | 19" Depth | 20" Depth |
|-------------|------------|------------|------------|------------|------------|
| 16" W | 8881193647 | 8881130980 | 8881130986 | 8881130989 | 8881130995 |
| 17" W | 8881130978 | 8881130981 | 8881130987 | 8881130990 | 8881130996 |
| 18" W | 8881193648 | 8881130982 | 8881127512 | 8881130991 | 8881127588 |
| 19" W | 8881130979 | 8881130983 | 8881130988 | 8881130992 | 8881130997 |
| 20" W | 8881193649 | 8881130984 | 8881135515 | 8881130993 | 8881127590 |
| 22" W | 8881193650 | 8881130985 | 8881127591 | 8881130994 | 8881127592 |

NOTE: Specify upholstery color, see category titled, "Frame Finishes, Upholstery Color, Decals and Packaging."

Seat Upholstery and Hardware

If a wheelchair was originally ordered with RS (reinforced seat), please refer to quote SM-100924021021 to order a replacement seat upholstery.

NOTE: Lightweight Vinyl upholstery is no longer available; vinyl upholstery may be used as a replacement.

NOTE: After 10/11/16 additional hole was added to the rear corners of the seat upholstery and accommodates all wheelchairs manufactured before 10/12/16 as well. All Crossbrace Seat Rails in the field already have the additional upholstery hole and do not require replacement of Crossbraces.

Hardware Kit for Seat Upholstery - 9000XDT

| Part Number | Description | Quantity Required |
|--|---|---|
| 1194392 See Note(s) A | 14 ea. Screw, Phillips Oval Head (#12-14 x 7/8") 14 ea. Washer (1/4 x 3/4 x 3/32") | 1 package of 14 ea. Screws and 14 ea. Washers |
| NOTE: A - Hardware is not sold individually. | | |

Nylon Seat Upholstery Kit - 9SL Only

| Chair Width | 16" Depth | 18" Depth |
|----------------------------------|-----------|-----------|
| 16" W | 1127531 | 1127532 |
| 18" W | 1127533 | 1127534 |
| 20" W | 1127535 | 1127536 |
| NOTE: Upholstery color is black. | | |

Vinyl Seat Upholstery Kit - 9SL Only

| Chair Width | 16" Depth | 18" Depth |
|----------------------------------|------------|------------|
| 16" W | 8881127523 | 8881127524 |
| 18" W | 8881127525 | 8881194395 |
| 20" W | 8881127527 | 8881127528 |
| NOTE: Upholstery color is black. | | |

Seat Upholstery and Hardware

If a wheelchair was originally ordered with RS (reinforced seat), please refer to quote SM-100924021021 to order a replacement seat upholstery.

NOTE: Lightweight Vinyl upholstery is no longer available; vinyl upholstery may be used as a replacement.

NOTE: After 10/11/16 additional hole was added to the rear corners of the seat upholstery and accommodates all wheelchairs manufactured before 10/12/16 as well. All Crossbrace Seat Rails in the field already have the additional upholstery hole and do not require replacement of Crossbraces.

Hardware for Seat Upholstery - 9SL Only

| Part Number | Description | Quantity |
|--|------------------|-----------------|
| 1041541 See Note(s) A | Screws w/washers | 1 package of 12 |
| NOTE: A - Hardware is not sold individually. | | |

Headrest Upholstery & Pillow

Recliner Headrest Pillows

| Width | Nylon | Vinyl | Lightweight Vinyl |
|-------|---------|-----------------------------|---------------------------|
| 14" W | 1115386 | 8881091676 See Note(s) A | See Note See Note(s) B |
| 16" W | 1115387 | 8881091677 See Note(s) A | See Note See Note(s) B |
| 18" W | 1115387 | 8881091677 See Note(s) A | See Note See Note(s) B |
| 19" W | 1119603 | 8881119604 See Note(s) A | See Note See Note(s) B |
| 20" W | 1115388 | 8881091678 See Note(s) A | See Note See Note(s) B |
| 22" W | 1115389 | 8881091679 See Note(s) A | See Note See Note(s) B |

NOTE: A - Specify color when ordering, see category titled, Frame Finishes, Upholstery Colors, Decals, Literature and Packaging.
B - 9RC Recliner originally ordered with Black Lightweight Vinyl (U05) must convert to Black Vinyl (U67) as a replacement. New Seat, Back, Headrest Upholstery and Headrest Pillow are required.

Recliner Headrest Upholstery w/ Hardware

| Chair Width | Nylon | Vinyl | Lightweight Vinyl |
|-------------|--------------------------|--------------------------------|---------------------------|
| 14" Wide | 1127513 See Note(s) B | 8881127518 See Note(s) A, B | See Note See Note(s) C |
| 16" Wide | 1127514 See Note(s) B | 8881127519 See Note(s) B, A | See Note See Note(s) C |
| 18" Wide | 1127515 See Note(s) B | 8881127520 See Note(s) B, A | See Note See Note(s) C |
| 19" Wide | 1130998 | 8881130999 See Note(s) A | See Note See Note(s) C |
| 20" Wide | 1127516 See Note(s) B | 8881127521 See Note(s) A, B | See Note See Note(s) C |
| 22" Wide | 1127517 See Note(s) B | 8881127522 See Note(s) A, B | See Note See Note(s) C |

NOTE: A - Specify color when ordering. See category titled, "Frame Finishes, Upholstery Colors, Decals, Literature and Packaging".
B - Includes Headrest Upholstery and (12) each screws and washers.
C - 9RC Recliner originally ordered with Black Lightweight Vinyl (U05) must convert to Black Vinyl (U67) as a replacement. New Seat, Back, Headrest Upholstery and Headrest Pillow are required.

Headrest Upholstery & Pillow

Recliner Headrest Black Extension Tube and Upholstery Kits

| Chair Width | Nylon | Vinyl | Lightweight Vinyl |
|-------------|--------------------------|--------------------------------|---------------------------|
| 14" Wide | 1133389 See Note(s) B | 8881133384 See Note(s) B, A | See Note See Note(s) C |
| 16" Wide | 1133390 See Note(s) B | 8881133385 See Note(s) A, B | See Note See Note(s) C |
| 18" Wide | 1133391 See Note(s) B | 8881133386 See Note(s) A, B | See Note See Note(s) C |
| 19" Wide | 1133394 See Note(s) B | 8881133395 See Note(s) A, B | See Note See Note(s) C |
| 20" Wide | 1133392 See Note(s) B | 8881133387 See Note(s) B, A | See Note See Note(s) C |
| 22" Wide | 1133393 See Note(s) B | 8881133388 See Note(s) B, A | See Note See Note(s) C |

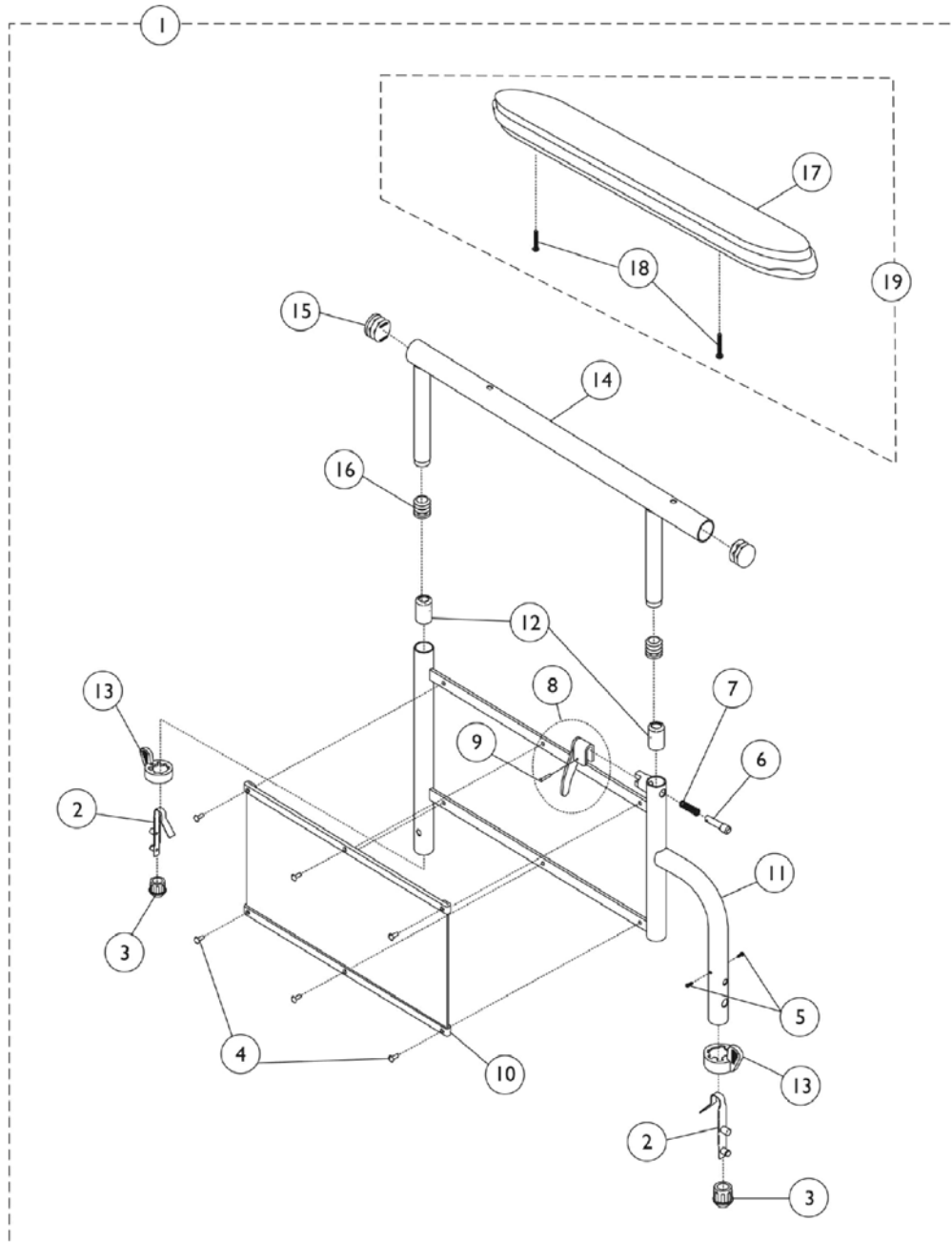
NOTE: A - Specify upholstery color when ordering. See category titled, Frame Finishes, Upholstery Colors, Decals, Literature and Packaging.
 B - Kits includes headrest extension tube, headrest upholstery, recliner pillow and hardware.
 C - 9RC Recliner originally ordered with Black Lightweight Vinyl (U05) must convert to Black Vinyl (U67) as a replacement. New Seat, Back, Headrest Upholstery and Headrest Pillow are required.

Hardware for Headrest Upholstery

| Part Number | Description | Quantity Required |
|--------------------------|-------------------|-------------------|
| 1041541 See Note(s) A | Screws w/ washers | 1 Pkg of 12 |

NOTE: A - Hardware is not sold individually.

9000XDT & 9000XT Recliner Conventional Adjustable Height Arms (19JY and 29JY)



9000XDT & 9000XT Recliner Conventional Adjustable Height Arms (19JY and 29JY)

| Item Number | Note | Part Number | Description | Quantity Per | |
|-------------|--|-------------|---|--------------|--|
| | | | | Package | Assembly |
| 1 | A,D | 8881130809 | Kit, Armrest, Full Length, Black - Right (Style 19JY) | 1 | 1 |
| 2 | | | Spring, Torsion with Button Lock | 1 | 2 |
| 3 | | | Plug, Armrest, Black (3/4") (18GA) | 1 | 2 |
| 4 | | | Rivet | 1 | 6 |
| 5 | | | Screw, Phillips Pan Head Tap (#8-32 x 3/8") | 1 | 2 |
| 6 | | | Pin, Locking | 1 | 1 |
| 7 | | | Spring, Arm Lock | 1 | 1 |
| 8 | | | Handle, Lock, Black - Right | 1 | 1 |
| 9 | | | Rivet, Tubular | 1 | 1 |
| 10 | | | Guard, Clothing | 1 | 1 |
| 11 | | | Arm Assembly, Adjustable Height (2" Lower) | 1 | 1 |
| 12 | | | Anti-Rattle | 1 | 2 |
| 13 | | | Handle, Quad Release | 1 | 2 |
| 14 | | | Tube, Armrest, Full Length, Black (2" Lower) | 1 | 1 |
| 15 | | | Plug Button, Black (7/8") | 1 | 2 |
| 17 | | | NLA - Pad, Arm, Full Length w/ Law Label | 1 | 1 |
| 16 | | | Plug Button, Black (5/8") | 1 | 2 |
| 18 | | | A,D | 8881130810 | Package, Screw Phillips Pan Head (#10-32 x 1-1/8") |
| 1 | Kit, Armrest, Full Length, Black - Left (Style 19JY) | 1 | | | 1 |
| 2 | Spring, Torsion with Button Lock | 1 | | | 2 |
| 3 | Plug, Armrest, Black (3/4") (18GA) | 1 | | | 2 |
| 4 | Rivet | 1 | | | 6 |
| 5 | Screw, Phillips Pan Head Tap (#8-32 x 3/8") | 1 | | | 2 |
| 6 | Pin, Locking | 1 | | | 1 |
| 7 | Spring, Arm Lock | 1 | | | 1 |
| 8 | Handle, Lock, Black - Left | 1 | | | 1 |
| 9 | Rivet, Tubular | 1 | | | 1 |
| 10 | Guard, Clothing | 1 | | | 1 |
| 11 | Arm Assembly, Adjustable Height (2" Lower) | 1 | | | 1 |
| 12 | Anti-Rattle | 1 | | | 2 |
| 13 | Handle, Quad Release | 1 | | | 2 |
| 14 | Tube, Armrest, Full Length, Black (2" Lower) | 1 | | | 1 |
| 15 | Plug Button, Black (7/8") | 1 | | | 2 |
| 16 | Plug Button, Black (5/8") | 1 | | | 2 |
| 17 | NLA - Pad, Arm, Full Length w/ Law Label | 1 | | | 1 |
| 18 | A,D | 8881130807 | Package, Screw Phillips Pan Head (#10-32 x 1-1/8") | 1 | 1 |
| 1 | | | Kit, Armrest, Desk Length, Black - Right (Style 29JY) | 1 | 1 |
| 2 | | | Spring, Torsion with Button Lock | 1 | 2 |
| 3 | | | Plug, Armrest, Black (3/4") (18GA) | 1 | 2 |
| 4 | | | Rivet | 1 | 6 |
| 5 | Screw, Phillips Pan Head Tap (#8-32 x 3/8") | 1 | 2 | | |

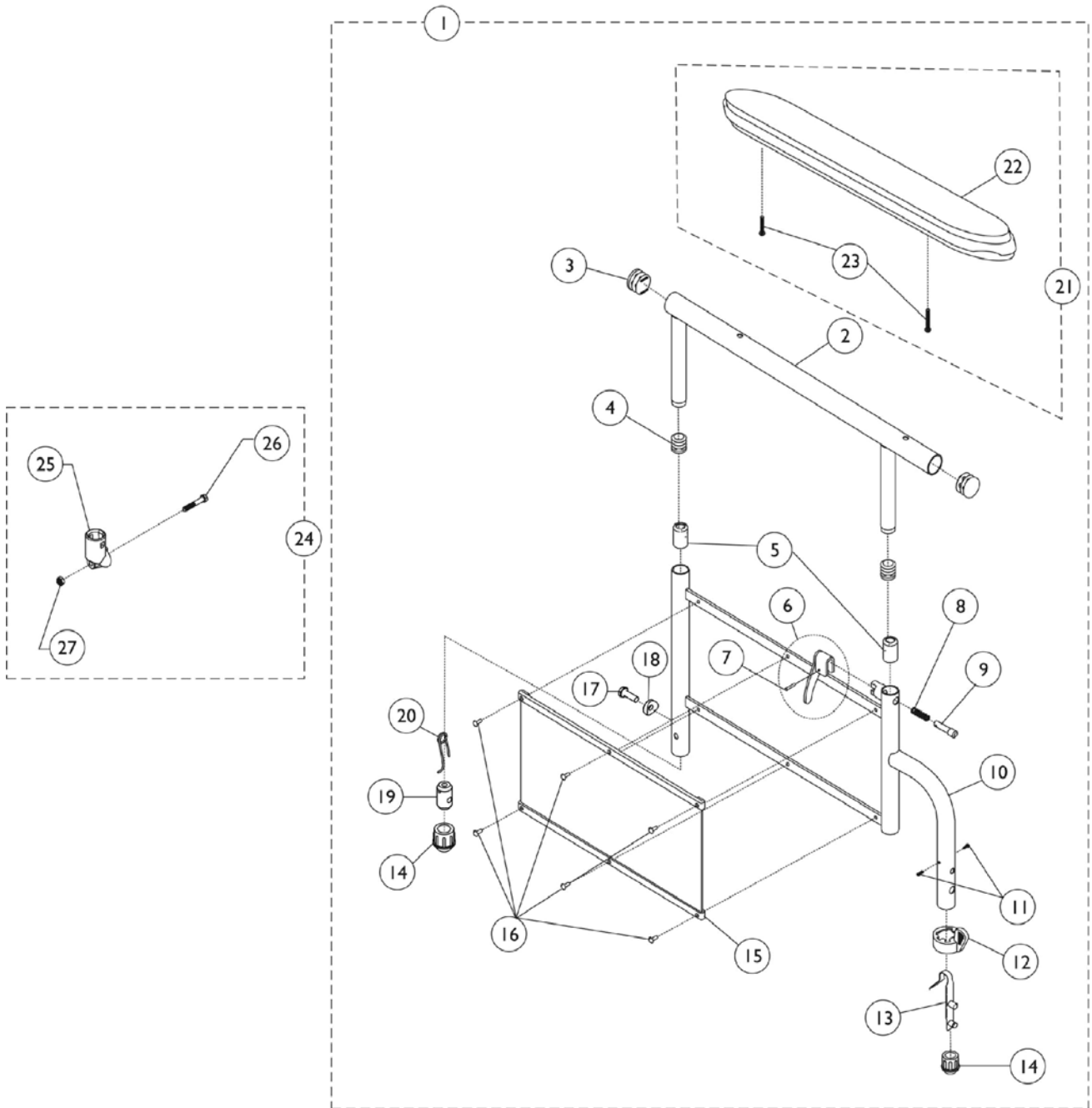
9000XDT & 9000XT Recliner Conventional Adjustable Height Arms (19JY and 29JY)

| Item Number | Note | Part Number | Description | Quantity Per | |
|-------------|------|-------------|--|--------------|----------|
| | | | | Package | Assembly |
| 6 | | | Pin, Locking | 1 | 1 |
| 7 | | | Spring, Arm Lock | 1 | 1 |
| 8 | | | Handle, Lock, Black - Right | 1 | 1 |
| 9 | | | Rivet, Tubular | 1 | 1 |
| 10 | | | Guard, Clothing | 1 | 1 |
| 11 | | | Arm Assembly, Adjustable Height (2" Lower) | 1 | 1 |
| 12 | | | Anti-Rattle | 1 | 1 |
| 13 | | | Handle, Quad Release | 1 | 1 |
| 14 | | | Tube, Armrest, Desk Length, Black (2" Lower) | 1 | 1 |
| 15 | | | Plug Button, Black (7/8") | 1 | 2 |
| 16 | | | Plug Button, Black (5/8") | 1 | 2 |
| 17 | | | Arm Pad, Desk Length w/ Law Label | 1 | 1 |
| 18 | | | Package, Screw Phillips Pan Head (#10-32 x 1-1/8") | 1 | 2 |
| 1 | A,D | 8881130808 | Kit, Armrest, Desk Length, Black - Left (Style 29JY) | 1 | 1 |
| 2 | | | Spring, Torsion with Button Lock | 1 | 2 |
| 3 | | | Plug, Armrest, Black (3/4") (18GA) | 1 | 2 |
| 4 | | | Rivet | 1 | 6 |
| 5 | | | Screw, Phillips Pan Head Tap (#8-32 x 3/8") | 1 | 2 |
| 6 | | | Pin, Locking | 1 | 1 |
| 7 | | | Spring, Arm Lock | 1 | 1 |
| 8 | | | Handle, Lock, Black - Left | 1 | 1 |
| 9 | | | Rivet, Tubular | 1 | 1 |
| 10 | | | Guard, Clothing | 1 | 1 |
| 11 | | | Arm Assembly, Adjustable Height (2" Lower) | 1 | 1 |
| 12 | | | Anti-Rattle | 1 | 1 |
| 13 | | | Handle, Quad Release | 1 | 1 |
| 14 | | | Tube, Armrest, Desk Length, Black (2" Lower) | 1 | 1 |
| 15 | | | Plug Button, Black (7/8") | 1 | 2 |
| 16 | | | Plug Button, Black (5/8") | 1 | 2 |
| 17 | | | Package, Screw Phillips Pan Head (#10-32 x 1-1/8") | 1 | 2 |
| 18 | | | Arm Pad, Desk Length w/ Law Label | 1 | 1 |
| 19 | B,D | 8881127509 | Kit, Arm Pad w/Screws - Full Length | 1 | 1 |
| 17 | | | NLA - Pad, Arm, Full Length w/ Law Label | 1 | 1 |
| 18 | | | Package, Screw Phillips Pan Head (#10-32 x 1-1/8") | 1 | 2 |
| 19 | B,D | 8881127510 | Kit, Arm Pad w/Screws - Desk Length | 1 | 1 |
| 17 | | | Arm Pad, Desk Length w/ Law Label | 1 | 1 |
| 18 | | | Package, Screw Phillips Pan Head (#10-32 x 1-1/8") | 1 | 2 |
| | C | 7100053 | Arm Lock Assembly, Black - Right | 1 | 1 |
| | | | Handle, Lock, Black - Right | 1 | 1 |
| | | | Rivet, Tubular | 1 | 2 |
| | | | Pin, Locking | 1 | 2 |
| | | | Spring, Arm Lock | 1 | 2 |

9000XDT & 9000XT Recliner Conventional Adjustable Height Arms (19JY and 29JY)

| Item Number | Note | Part Number | Description | Quantity Per | |
|---|------|-------------|---------------------------------|--------------|----------|
| | | | | Package | Assembly |
| | C | 7100054 | Arm Lock Assembly, Black - Left | 1 | 1 |
| | | | Handle, Lock, Black - Left | 1 | 1 |
| | | | Rivet, Tubular | 1 | 2 |
| | | | Pin, Locking | 1 | 2 |
| | | | Spring, Arm Lock | 1 | 2 |
| NOTE: A - Includes items 2-18. B - Includes items 17 and 18. C - Not shown. Includes items 6-9. D - Specify upholstery color when ordering. See page titled "Frame Finishes, Upholstery Colors, Decals, Literature and Packaging". | | | | | |

9000SL Non-Removable Conventional Adjustable Height Arms



9000SL Non-Removable Conventional Adjustable Height Arms

| Item Number | Note | Part Number | Description | Quantity Per | |
|-------------|--|-------------|---|--------------|----------|
| | | | | Package | Assembly |
| 1 | A,G,H | 8881130801 | Kit, Armrest, Desk Length, Black - Right (Style 29) | 1 | 1 |
| 2 | | | Tube, Armrest, Desk Length, Black | 1 | 1 |
| 3 | | | Plug Button, Black (7/8") | 1 | 2 |
| 4 | | | Plug Button, Black (5/8") | 1 | 2 |
| 5 | | | Anti-Rattle | 1 | 2 |
| 6 | | | Handle, Lock, Black - Right | 1 | 1 |
| 7 | | | Rivet, Tubular | 1 | 1 |
| 8 | | | Spring, Arm Lock | 1 | 1 |
| 9 | | | Pin, Locking | 1 | 1 |
| 10 | | | Arm Base, Black | 1 | 1 |
| 11 | | | Screw, Phillips Pan Head Tap (#6-20 x 3/8") | 1 | 2 |
| 12 | | | Handle, Quad Release | 1 | 1 |
| 13 | | | Spring, Torsion with Button Lock | 1 | 1 |
| 14 | | | Plug, Armrest, Black (3/4") (18GA) | 1 | 1 |
| 14 | | | Plug, Armrest, Black (3/4") (20GA) | 1 | 1 |
| 15 | | | Guard, Clothing | 1 | 1 |
| 16 | | | Rivet | 1 | 6 |
| 17 | | | NLA - Bolt, Hex Head Cap (1/4-20 x 3/4") | 1 | 1 |
| 18 | | | Spacer, Coved (1/4 x 11/16 x 1/2") | 1 | 1 |
| 19 | | | Insert, Threaded | 1 | 1 |
| 20 | | | Spring, Release | 1 | 1 |
| 22 | | | Arm Pad, Desk Length w/ Law Label | 1 | 1 |
| 23 | Package, Screw Phillips Pan Head (#10-32 x 1-1/8") | 1 | 1 | | |
| 1 | A,G,H | 8881130802 | Kit, Armrest, Desk Length, Black - Left (Style 29) | 1 | 1 |
| 2 | | | Tube, Armrest, Desk Length, Black | 1 | 1 |
| 3 | | | Plug Button, Black (7/8") | 1 | 2 |
| 4 | | | Plug Button, Black (5/8") | 1 | 2 |
| 5 | | | Anti-Rattle | 1 | 2 |
| 6 | | | Handle, Lock, Black - Left | 1 | 1 |
| 7 | | | Rivet, Tubular | 1 | 1 |
| 8 | | | Spring, Arm Lock | 1 | 1 |
| 9 | | | Pin, Locking | 1 | 1 |
| 10 | | | Arm Base, Black | 1 | 1 |
| 11 | | | Screw, Phillips Pan Head Tap (#6-20 x 3/8") | 1 | 2 |
| 12 | | | Handle, Quad Release | 1 | 1 |
| 13 | | | Spring, Torsion with Button Lock | 1 | 1 |
| 14 | | | Plug, Armrest, Black (3/4") (18GA) | 1 | 1 |
| 14 | | | Plug, Armrest, Black (3/4") (20GA) | 1 | 1 |
| 15 | | | Guard, Clothing | 1 | 1 |
| 16 | | | Rivet | 1 | 6 |
| 17 | | | NLA - Bolt, Hex Head Cap (1/4-20 x 3/4") | 1 | 1 |
| 18 | | | Spacer, Coved (1/4 x 11/16 x 1/2") | 1 | 1 |
| 19 | Insert, Threaded | 1 | 1 | | |

9000SL Non-Removable Conventional Adjustable Height Arms

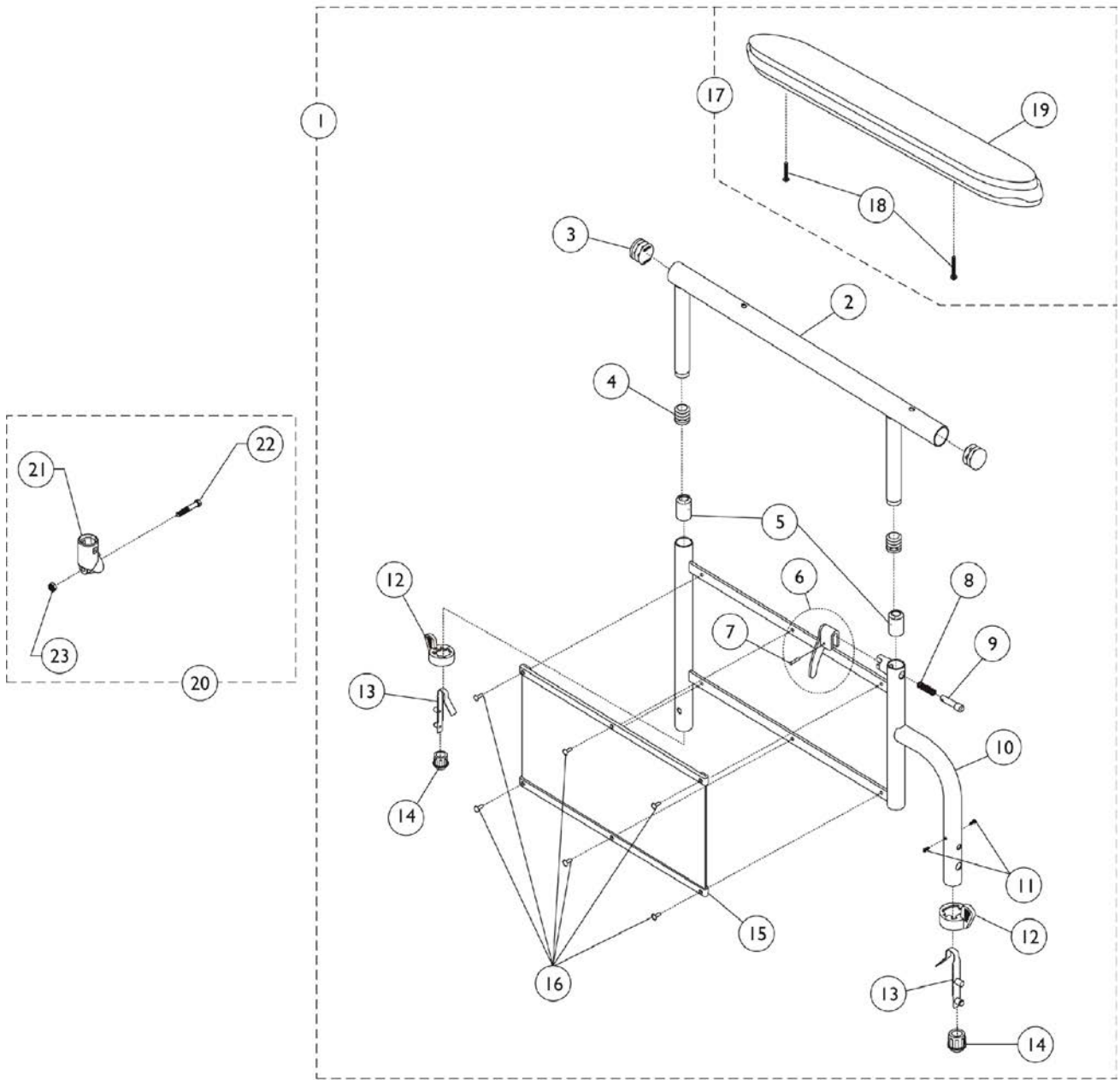
| Item Number | Note | Part Number | Description | Quantity Per | |
|-------------|-------|-------------|---|--------------|----------|
| | | | | Package | Assembly |
| 20 | | | Spring, Release | 1 | 1 |
| 22 | | | Arm Pad, Desk Length w/ Law Label | 1 | 1 |
| 23 | | | Package, Screw Phillips Pan Head (#10-32 x 1-1/8") | 1 | 1 |
| 1 | A,G,H | 8881135524 | Kit, Armrest, Full Length, Black - Right (Style 19) | 1 | 1 |
| 2 | | | Tube, Armrest, Full Length, Black | 1 | 1 |
| 3 | | | Plug Button, Black (7/8") | 1 | 2 |
| 4 | | | Plug Button, Black (5/8") | 1 | 2 |
| 5 | | | Anti-Rattle | 1 | 2 |
| 6 | | | Handle, Lock, Black - Right | 1 | 1 |
| 7 | | | Rivet, Tubular | 1 | 1 |
| 8 | | | Spring, Arm Lock | 1 | 1 |
| 9 | | | Pin, Locking | 1 | 1 |
| 10 | | | Arm Base, Black | 1 | 1 |
| 11 | | | Screw, Phillips Pan Head Tap (#6-20 x 3/8") | 1 | 2 |
| 12 | | | Handle, Quad Release | 1 | 1 |
| 13 | | | Spring, Torsion with Button Lock | 1 | 1 |
| 14 | | | Plug, Armrest, Black (3/4") (18GA) | 1 | 1 |
| 14 | | | Plug, Armrest, Black (3/4") (20GA) | 1 | 2 |
| 15 | | | Guard, Clothing | 1 | 1 |
| 16 | | | Rivet | 1 | 6 |
| 17 | | | NLA - Bolt, Hex Head Cap (1/4-20 x 3/4") | 1 | 1 |
| 18 | | | Spacer, Coved (1/4 x 11/16 x 1/2") | 1 | 1 |
| 19 | | | Insert, Threaded | 1 | 1 |
| 20 | | | Spring, Release | 1 | 1 |
| 22 | | | NLA - Pad, Arm, Full Length w/ Law Label | 1 | 1 |
| 23 | | | Package, Screw Phillips Pan Head (#10-32 x 1-1/8") | 1 | 2 |
| 1 | A,G,H | 8881135525 | Kit, Armrest, Full Length, Black - Left (Style 19) | 1 | 1 |
| 2 | | | Tube, Armrest, Full Length, Black | 1 | 1 |
| 3 | | | Plug Button, Black (7/8") | 1 | 2 |
| 4 | | | Plug Button, Black (5/8") | 1 | 2 |
| 5 | | | Anti-Rattle | 1 | 2 |
| 6 | | | Handle, Lock, Black - Left | 1 | 1 |
| 7 | | | Rivet, Tubular | 1 | 1 |
| 8 | | | Spring, Arm Lock | 1 | 1 |
| 9 | | | Pin, Locking | 1 | 1 |
| 10 | | | Arm Base, Black | 1 | 1 |
| 11 | | | Screw, Phillips Pan Head Tap (#6-20 x 3/8") | 1 | 2 |
| 12 | | | Handle, Quad Release | 1 | 1 |
| 13 | | | Spring, Torsion with Button Lock | 1 | 1 |
| 14 | | | Plug, Armrest, Black (3/4") (18GA) | 1 | 1 |
| 14 | | | Plug, Armrest, Black (3/4") (20GA) | 1 | 2 |
| 15 | | | Guard, Clothing | 1 | 1 |
| 16 | | | Rivet | 1 | 6 |

9000SL Non-Removable Conventional Adjustable Height Arms

| Item Number | Note | Part Number | Description | Quantity Per | |
|-------------|------|-------------|--|--------------|----------|
| | | | | Package | Assembly |
| 17 | | | NLA - Bolt, Hex Head Cap (1/4-20 x 3/4") | 1 | 1 |
| 18 | | | Spacer, Coved (1/4 x 11/16 x 1/2") | 1 | 1 |
| 19 | | | Insert, Threaded | 1 | 1 |
| 20 | | | Spring, Release | 1 | 1 |
| 22 | | | NLA - Pad, Arm, Full Length w/ Law Label | 1 | 1 |
| 23 | | | Package, Screw Phillips Pan Head (#10-32 x 1-1/8") | 1 | 2 |
| 21 | B,G | 8881127510 | Kit, Arm Pad w/Screws - Desk Length | 1 | 1 |
| 22 | | | Arm Pad, Desk Length w/ Law Label | 1 | 1 |
| 23 | | | Package, Screw Phillips Pan Head (#10-32 x 1-1/8") | 1 | 2 |
| 21 | B,G | 8881127509 | Kit, Arm Pad w/Screws - Full Length | 1 | 1 |
| 22 | | | NLA - Pad, Arm, Full Length w/ Law Label | 1 | 1 |
| 23 | | | Package, Screw Phillips Pan Head (#10-32 x 1-1/8") | 1 | 2 |
| 24 | C | 1058139 | Kit, Armrest Hardware | 1 | 1 |
| 25 | | | Cup, Socket Pivot | 1 | 1 |
| 26 | | | NLA - Screw, Hex Head (1/4-20 x 1-3/8") | 1 | 1 |
| 27 | | | Locknut (1/4-20) | 1 | 1 |
| | F | 7100053 | Arm Lock Assembly, Black - Right | 1 | 1 |
| | | | Handle, Lock, Black - Right | 1 | 1 |
| | | | Rivet, Tubular | 1 | 2 |
| | | | Pin, Locking | 1 | 2 |
| | | | Spring, Arm Lock | 1 | 2 |
| | F | 7100054 | Arm Lock Assembly, Black - Left | 1 | 1 |
| | | | Handle, Lock, Black - Left | 1 | 1 |
| | | | Rivet, Tubular | 1 | 2 |
| | | | Pin, Locking | 1 | 2 |
| | | | Spring, Arm Lock | 1 | 2 |

NOTE: A - Includes items 2-23.
 B - Includes items 22 and 23.
 C - Includes items 25-27.
 F - Not shown. Includes items 6-9.
 G - Specify upholstery color when ordering. See page titled "Frame Finishes, Upholstery Colors, Decals, Literature and Packaging".
 H - Item #14 Plug Button for 18GA Tubing used in front only.

9000SL Removable Conventional Adjustable Height Arms



9000SL Removable Conventional Adjustable Height Arms

| Item Number | Note | Part Number | Description | Quantity Per | |
|-------------|-------|-------------|---|--------------|----------|
| | | | | Package | Assembly |
| 1 | A,G,H | 8881130797 | Kit, Armrest, Full Length, Black - Right (Style 19) | 1 | 1 |
| 2 | | | Tube, Armrest, Full Length, Black | 1 | 1 |
| 3 | | | Plug Button, Black (7/8") | 1 | 2 |
| 4 | | | Plug Button, Black (5/8") | 1 | 2 |
| 5 | | | Anti-Rattle | 1 | 2 |
| 6 | | | Handle, Lock, Black - Right | 1 | 1 |
| 7 | | | Rivet, Tubular | 1 | 1 |
| 8 | | | Spring, Arm Lock | 1 | 1 |
| 9 | | | Pin, Locking | 1 | 1 |
| 10 | | | Arm Base, Black | 1 | 1 |
| 11 | | | Screw, Phillips Pan Head Tap (#6-20 x 3/8") | 1 | 2 |
| 12 | | | Handle, Quad Release | 1 | 2 |
| 13 | | | Spring, Torsion with Button Lock | 1 | 2 |
| 14 | | | Plug, Armrest, Black (3/4") (18GA) | 1 | 1 |
| 14 | | | Plug, Armrest, Black (3/4") (20GA) | 1 | 1 |
| 15 | | | Guard, Clothing | 1 | 1 |
| 16 | | | Rivet | 1 | 6 |
| 18 | | | Package, Screw Phillips Pan Head (#10-32 x 1-1/8") | 2 | 1 |
| 19 | | | NLA - Pad, Arm, Full Length w/ Law Label | 1 | 1 |
| 1 | A,G,H | 8881130798 | Kit, Armrest, Full Length, Black - Left (Style 19) | 1 | 1 |
| 2 | | | Tube, Armrest, Full Length, Black | 1 | 1 |
| 3 | | | Plug Button, Black (7/8") | 1 | 2 |
| 4 | | | Plug Button, Black (5/8") | 1 | 2 |
| 5 | | | Anti-Rattle | 1 | 2 |
| 6 | | | Handle, Lock, Black - Left | 1 | 1 |
| 7 | | | Rivet, Tubular | 1 | 1 |
| 8 | | | Spring, Arm Lock | 1 | 1 |
| 9 | | | Pin, Locking | 1 | 1 |
| 10 | | | Arm Base, Black | 1 | 1 |
| 11 | | | Screw, Phillips Pan Head Tap (#6-20 x 3/8") | 1 | 2 |
| 12 | | | Handle, Quad Release | 1 | 2 |
| 13 | | | Spring, Torsion with Button Lock | 1 | 2 |
| 14 | | | Plug, Armrest, Black (3/4") (18GA) | 1 | 1 |
| 14 | | | Plug, Armrest, Black (3/4") (20GA) | 1 | 1 |
| 15 | | | Guard, Clothing | 1 | 1 |
| 16 | | | Rivet | 1 | 6 |
| 18 | | | Package, Screw Phillips Pan Head (#10-32 x 1-1/8") | 2 | 1 |
| 19 | | | NLA - Pad, Arm, Full Length w/ Law Label | 1 | 1 |
| 1 | A,G,H | 8881135520 | Kit, Armrest, Desk Length, Black - Right (Style 29) | 1 | 1 |
| 2 | | | Tube, Armrest, Desk Length, Black | 1 | 1 |
| 3 | | | Plug Button, Black (7/8") | 1 | 2 |
| 4 | | | Plug Button, Black (5/8") | 1 | 2 |
| 5 | | | Anti-Rattle | 1 | 2 |
| 6 | | | Handle, Lock, Black - Right | 1 | 1 |

9000SL Removable Conventional Adjustable Height Arms

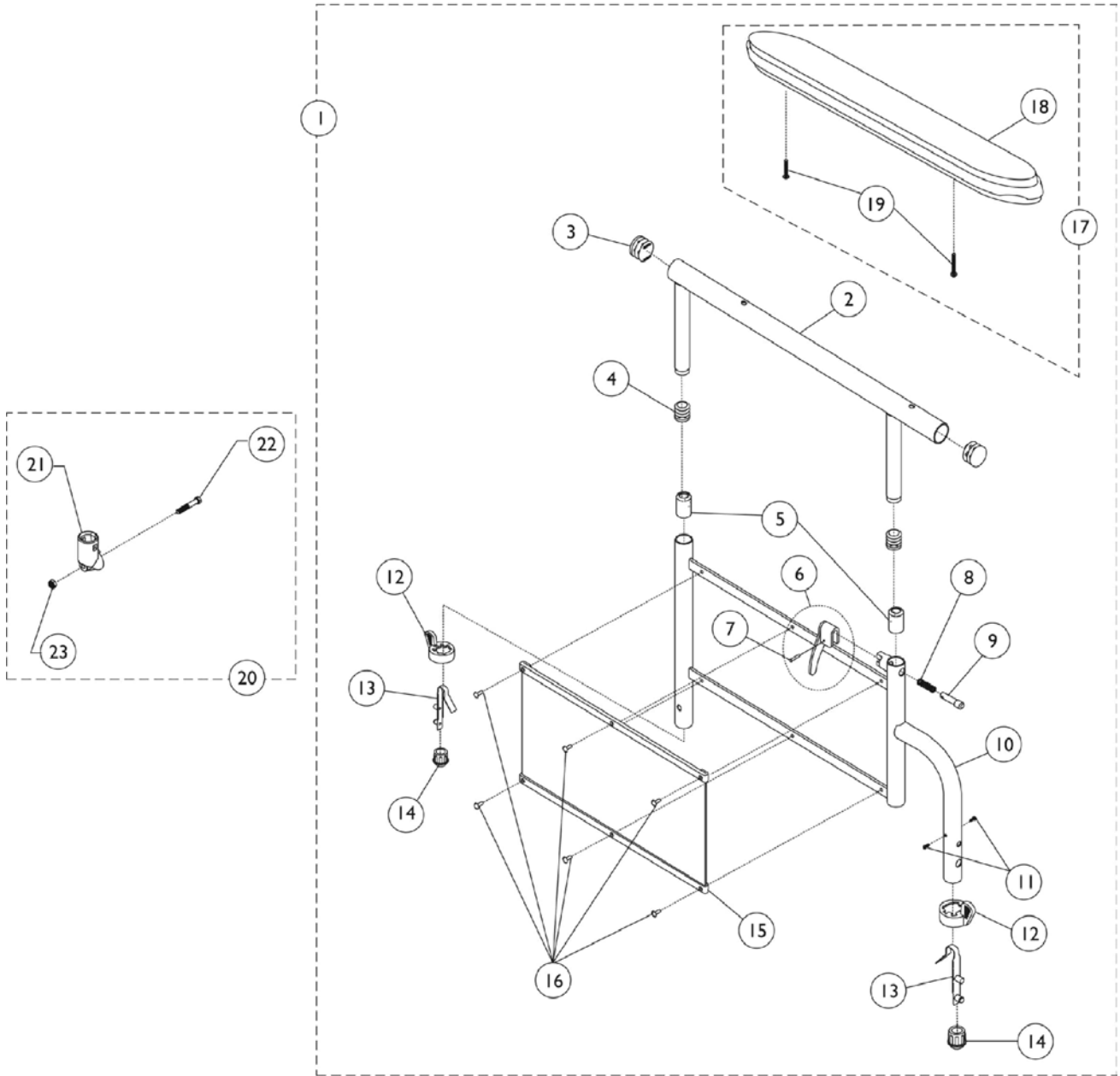
| Item Number | Note | Part Number | Description | Quantity Per | |
|-------------|-------|-------------|--|--------------|----------|
| | | | | Package | Assembly |
| 7 | | | Rivet, Tubular | 1 | 1 |
| 8 | | | Spring, Arm Lock | 1 | 1 |
| 9 | | | Pin, Locking | 1 | 1 |
| 10 | | | Arm Base, Black | 1 | 1 |
| 11 | | | Screw, Phillips Pan Head Tap (#6-20 x 3/8") | 1 | 2 |
| 12 | | | Handle, Quad Release | 1 | 2 |
| 13 | | | Spring, Torsion with Button Lock | 1 | 2 |
| 14 | | | Plug, Armrest, Black (3/4") (18GA) | 1 | 1 |
| 14 | | | Plug, Armrest, Black (3/4") (20GA) | 1 | 1 |
| 15 | | | Guard, Clothing | 1 | 1 |
| 16 | | | Rivet | 1 | 6 |
| 18 | | | Package, Screw Phillips Pan Head (#10-32 x 1-1/8") | 2 | 1 |
| 19 | | | Arm Pad, Desk Length w/ Law Label | 1 | 1 |
| 1 | A,G,H | 8881135521 | Kit, Armrest, Desk Length, Black - Left (Style 29) | 1 | 1 |
| 2 | | | Tube, Armrest, Desk Length, Black | 1 | 1 |
| 3 | | | Plug Button, Black (7/8") | 1 | 2 |
| 4 | | | Plug Button, Black (5/8") | 1 | 2 |
| 5 | | | Anti-Rattle | 1 | 2 |
| 6 | | | Handle, Lock, Black - Left | 1 | 1 |
| 7 | | | Rivet, Tubular | 1 | 1 |
| 8 | | | Spring, Arm Lock | 1 | 1 |
| 9 | | | Pin, Locking | 1 | 1 |
| 10 | | | Arm Base, Black | 1 | 1 |
| 11 | | | Screw, Phillips Pan Head Tap (#6-20 x 3/8") | 1 | 2 |
| 12 | | | Handle, Quad Release | 1 | 2 |
| 13 | | | Spring, Torsion with Button Lock | 1 | 2 |
| 14 | | | Plug, Armrest, Black (3/4") (18GA) | 1 | 1 |
| 14 | | | Plug, Armrest, Black (3/4") (20GA) | 1 | 1 |
| 15 | | | Guard, Clothing | 1 | 1 |
| 16 | | | Rivet | 1 | 6 |
| 18 | | | Package, Screw Phillips Pan Head (#10-32 x 1-1/8") | 2 | 1 |
| 19 | | | Arm Pad, Desk Length w/ Law Label | 1 | 1 |
| 17 | B,G | 8881127509 | Kit, Arm Pad w/Screws - Full Length | 1 | 1 |
| 18 | | | Package, Screw Phillips Pan Head (#10-32 x 1-1/8") | 2 | 1 |
| 19 | | | NLA - Pad, Arm, Full Length w/ Law Label | 1 | 1 |
| 17 | B,G | 8881127510 | Kit, Arm Pad w/Screws - Desk Length | 1 | 1 |
| 18 | | | Package, Screw Phillips Pan Head (#10-32 x 1-1/8") | 2 | 1 |
| 19 | | | Arm Pad, Desk Length w/ Law Label | 1 | 1 |
| 20 | C | 1058139 | Kit, Armrest Hardware | 1 | 1 |
| 21 | | | Cup, Socket Pivot | 1 | 1 |
| 22 | | | NLA - Screw, Hex Head (1/4-20 x 1-3/8") | 1 | 1 |
| 23 | | | Locknut (1/4-20) | 1 | 1 |
| | F | 7100053 | Arm Lock Assembly, Black - Right | 1 | 1 |
| | | | Handle, Lock, Black - Right | 1 | 1 |

9000SL Removable Conventional Adjustable Height Arms

| Item Number | Note | Part Number | Description | Quantity Per | |
|-------------|------|-------------|---------------------------------|--------------|----------|
| | | | | Package | Assembly |
| | F | 7100054 | Rivet, Tubular | 1 | 2 |
| | | | Pin, Locking | 1 | 2 |
| | | | Spring, Arm Lock | 1 | 2 |
| | | | Arm Lock Assembly, Black - Left | 1 | 1 |
| | | | Handle, Lock, Black - Left | 1 | 1 |
| | | | Rivet, Tubular | 1 | 2 |
| | | | Pin, Locking | 1 | 2 |
| | | | Spring, Arm Lock | 1 | 2 |

NOTE: A - Includes items 2-19.
 B - Includes items 18 and 19.
 C - Includes 21-23.
 F - Not Shown. Includes items 6-9.
 G - Specify upholstery color when ordering. See page titled "Frame Finishes, Upholstery Colors, Decals, Literature and Packaging".
 H - Item #14 Plug Button for 18GA Tubing used in front only.

9000XT & 9000XDT Removable Conventional Adjustable Height Arms



9000XT & 9000XDT Removable Conventional Adjustable Height Arms

| Item Number | Note | Part Number | Description | Quantity Per | |
|-------------|-------|-------------|---|--------------|----------|
| | | | | Package | Assembly |
| 1 | A,D,H | 8881130795 | Kit, Armrest, Desk Length, Color - Right (Style 29) | 1 | 1 |
| 2 | | | Tube, Armrest, Desk Length, Black | 1 | 1 |
| 3 | | | Plug Button, Black (7/8") | 1 | 2 |
| 4 | | | Plug Button, Black (5/8") | 1 | 2 |
| 5 | | | Anti-Rattle | 1 | 2 |
| 6 | | | Handle, Lock, Black - Right | 1 | 1 |
| 7 | | | Rivet, Tubular | 1 | 1 |
| 8 | | | Spring, Arm Lock | 1 | 1 |
| 9 | | | Pin, Locking | 1 | 1 |
| 10 | | | Arm Base, Color | 1 | 1 |
| 11 | | | Screw, Phillips Pan Head Tap (#6-20 x 3/8") | 1 | 2 |
| 12 | | | Handle, Quad Release | 1 | 2 |
| 13 | | | Spring, Torsion with Button Lock | 1 | 2 |
| 14 | | | Plug, Armrest, Black (3/4") (18GA) | 1 | 1 |
| 14 | | | Plug, Armrest, Black (3/4") (20GA) | 1 | 1 |
| 15 | | | Guard, Clothing | 1 | 1 |
| 16 | | | Rivet | 1 | 6 |
| 18 | | | Arm Pad, Desk Length w/ Law Label | 1 | 1 |
| 19 | | | Package, Screw Phillips Pan Head (#10-32 x 1-1/8") | 1 | 2 |
| 1 | A,D,H | 8881130796 | Kit, Armrest, Desk Length, Color - Left (Style 29) | 1 | 1 |
| 2 | | | Tube, Armrest, Desk Length, Black | 1 | 1 |
| 3 | | | Plug Button, Black (7/8") | 1 | 1 |
| 4 | | | Plug Button, Black (5/8") | 1 | 1 |
| 5 | | | Anti-Rattle | 1 | 2 |
| 6 | | | Handle, Lock, Black - Left | 1 | 1 |
| 7 | | | Rivet, Tubular | 1 | 1 |
| 8 | | | Spring, Arm Lock | 1 | 1 |
| 9 | | | Pin, Locking | 1 | 1 |
| 10 | | | Arm Base, Color | 1 | 1 |
| 11 | | | Screw, Phillips Pan Head Tap (#6-20 x 3/8") | 1 | 2 |
| 12 | | | Handle, Quad Release | 1 | 2 |
| 13 | | | Spring, Torsion with Button Lock | 1 | 2 |
| 14 | | | Plug, Armrest, Black (3/4") (18GA) | 1 | 1 |
| 14 | | | Plug, Armrest, Black (3/4") (20GA) | 1 | 1 |
| 15 | | | Guard, Clothing | 1 | 1 |
| 16 | | | Rivet | 1 | 6 |
| 18 | | | Arm Pad, Desk Length w/ Law Label | 1 | 1 |
| 19 | | | Package, Screw Phillips Pan Head (#10-32 x 1-1/8") | 1 | 2 |
| 1 | A,D,H | 8881125214 | Kit, Armrest, Full Length, Color - Right (Style 19) | 1 | 1 |
| 2 | | | Tube, Armrest, Full Length, Black | 1 | 1 |
| 3 | | | Plug Button, Black (7/8") | 1 | 2 |
| 4 | | | Plug Button, Black (5/8") | 1 | 2 |
| 5 | | | Anti-Rattle | 1 | 2 |

9000XT & 9000XDT Removable Conventional Adjustable Height Arms

| Item Number | Note | Part Number | Description | Quantity Per | |
|-------------|-------|--------------------|--|--------------|----------|
| | | | | Package | Assembly |
| 6 | | | Handle, Lock, Black - Right | 1 | 1 |
| 7 | | | Rivet, Tubular | 1 | 1 |
| 8 | | | Spring, Arm Lock | 1 | 1 |
| 9 | | | Pin, Locking | 1 | 1 |
| 10 | | | Arm Base, Color | 1 | 1 |
| 11 | | | Screw, Phillips Pan Head Tap (#6-20 x 3/8") | 1 | 2 |
| 12 | | | Handle, Quad Release | 1 | 2 |
| 13 | | | Spring, Torsion with Button Lock | 1 | 2 |
| 14 | | | Plug, Armrest, Black (3/4") (18GA) | 1 | 1 |
| 14 | | | Plug, Armrest, Black (3/4") (20GA) | 1 | 1 |
| 15 | | | Guard, Clothing | 1 | 1 |
| 16 | | | Rivet | 1 | 6 |
| 18 | | | NLA - Pad, Arm, Full Length w/ Law Label | 1 | 1 |
| 19 | | | Package, Screw Phillips Pan Head (#10-32 x 1-1/8") | 1 | 2 |
| 1 | A,D,H | 8881125215 | Kit, Armrest, Full Length, Color - Left (Style 19) | 1 | 1 |
| 2 | | | Tube, Armrest, Full Length, Black | 1 | 1 |
| 3 | | | Plug Button, Black (7/8") | 1 | 2 |
| 4 | | | Plug Button, Black (5/8") | 1 | 2 |
| 5 | | | Anti-Rattle | 1 | 2 |
| 6 | | | Handle, Lock, Black - Left | 1 | 1 |
| 7 | | | Rivet, Tubular | 1 | 1 |
| 8 | | | Spring, Arm Lock | 1 | 1 |
| 9 | | | Pin, Locking | 1 | 1 |
| 10 | | | Arm Base, Color | 1 | 1 |
| 11 | | | Screw, Phillips Pan Head Tap (#6-20 x 3/8") | 1 | 2 |
| 12 | | | Handle, Quad Release | 1 | 2 |
| 13 | | | Spring, Torsion with Button Lock | 1 | 2 |
| 14 | | | Plug, Armrest, Black (3/4") (18GA) | 1 | 1 |
| 14 | | | Plug, Armrest, Black (3/4") (20GA) | 1 | 1 |
| 15 | | | Guard, Clothing | 1 | 1 |
| 16 | | | Rivet | 1 | 6 |
| 18 | | | NLA - Pad, Arm, Full Length w/ Law Label | 1 | 1 |
| 19 | | | Package, Screw Phillips Pan Head (#10-32 x 1-1/8") | 1 | 2 |
| 1 | A,G | 8881130799-NL A | NLA - Kit, Armrest, Full Length, Chrome - Right (Style 19) | 1 | 1 |
| 2 | | | Tube, Arm, Full Length, Black | 1 | 1 |
| 3 | | | Plug Button, Black (7/8") | 1 | 2 |
| 4 | | | Plug Button, Black (5/8") | 1 | 2 |
| 5 | | | Anti-Rattle | 1 | 2 |
| 6 | | | Handle, Lock, Black - Right | 1 | 1 |
| 7 | | | Rivet, Tubular | 1 | 1 |
| 8 | | | Spring, Arm Lock | 1 | 1 |
| 9 | | | Pin, Locking | 1 | 1 |

9000XT & 9000XDT Removable Conventional Adjustable Height Arms

| Item Number | Note | Part Number | Description | Quantity Per | |
|-------------|-------|--------------------|--|--------------|----------|
| | | | | Package | Assembly |
| 10 | | | Arm Base, Chrome | 1 | 1 |
| 11 | | | Screw, Phillips Pan Head Tap (#6-20 x 3/8") | 1 | 2 |
| 12 | | | Handle, Quad Release | 1 | 2 |
| 13 | | | Spring, Torsion with Button Lock | 1 | 2 |
| 14 | | | Plug, Armrest, Black (3/4") (20GA) | 1 | 2 |
| 15 | | | Guard, Clothing | 1 | 1 |
| 16 | | | Rivet | 1 | 6 |
| 18 | | | NLA - Pad, Arm, Full Length w/ Law Label | 1 | 1 |
| 19 | | | Package, Screw Phillips Pan Head (#10-32 x 1-1/8") | 1 | 2 |
| 1 | A,G | 8881130800-NL A | NLA - Kit, Armrest, Full Length, Chrome - Left (Style 19) | 1 | 1 |
| 2 | | | Tube, Arm, Full Length, Black | 1 | 1 |
| 3 | | | Plug Button, Black (7/8") | 1 | 2 |
| 4 | | | Plug Button, Black (5/8") | 1 | 2 |
| 5 | | | Anti-Rattle | 1 | 2 |
| 6 | | | Handle, Lock, Black - Left | 1 | 1 |
| 7 | | | Rivet, Tubular | 1 | 1 |
| 8 | | | Spring, Arm Lock | 1 | 1 |
| 9 | | | Pin, Locking | 1 | 1 |
| 10 | | | Arm Base, Chrome | 1 | 1 |
| 11 | | | Screw, Phillips Pan Head Tap (#6-20 x 3/8") | 1 | 2 |
| 12 | | | Handle, Quad Release | 1 | 2 |
| 13 | | | Spring, Torsion with Button Lock | 1 | 2 |
| 14 | | | Plug, Armrest, Black (3/4") (20GA) | 1 | 2 |
| 15 | | | Guard, Clothing | 1 | 1 |
| 16 | | | Rivet | 1 | 6 |
| 18 | | | NLA - Pad, Arm, Full Length w/ Law Label | 1 | 1 |
| 19 | | | Package, Screw Phillips Pan Head (#10-32 x 1-1/8") | 1 | 2 |
| 1 | A,G,H | 8881135522-NL A | NLA - Kit, Armrest, Desk Length, Chrome - Right (Style 29) | 1 | 1 |
| 2 | | | Tube, Arm, Desk Length, Black | 1 | 1 |
| 3 | | | Plug Button, Black (7/8") | 1 | 2 |
| 4 | | | Plug Button, Black (5/8") | 1 | 2 |
| 5 | | | Anti-Rattle | 1 | 2 |
| 6 | | | Handle, Lock, Black - Right | 1 | 1 |
| 7 | | | Rivet, Tubular | 1 | 1 |
| 8 | | | Spring, Arm Lock | 1 | 1 |
| 9 | | | Pin, Locking | 1 | 1 |
| 10 | | | Arm Base, Chrome | 1 | 1 |
| 11 | | | Screw, Phillips Pan Head Tap (#6-20 x 3/8") | 1 | 2 |
| 12 | | | Handle, Quad Release | 1 | 2 |
| 13 | | | Spring, Torsion with Button Lock | 1 | 2 |
| 14 | | | Plug, Armrest, Black (3/4") (18GA) | 1 | 1 |

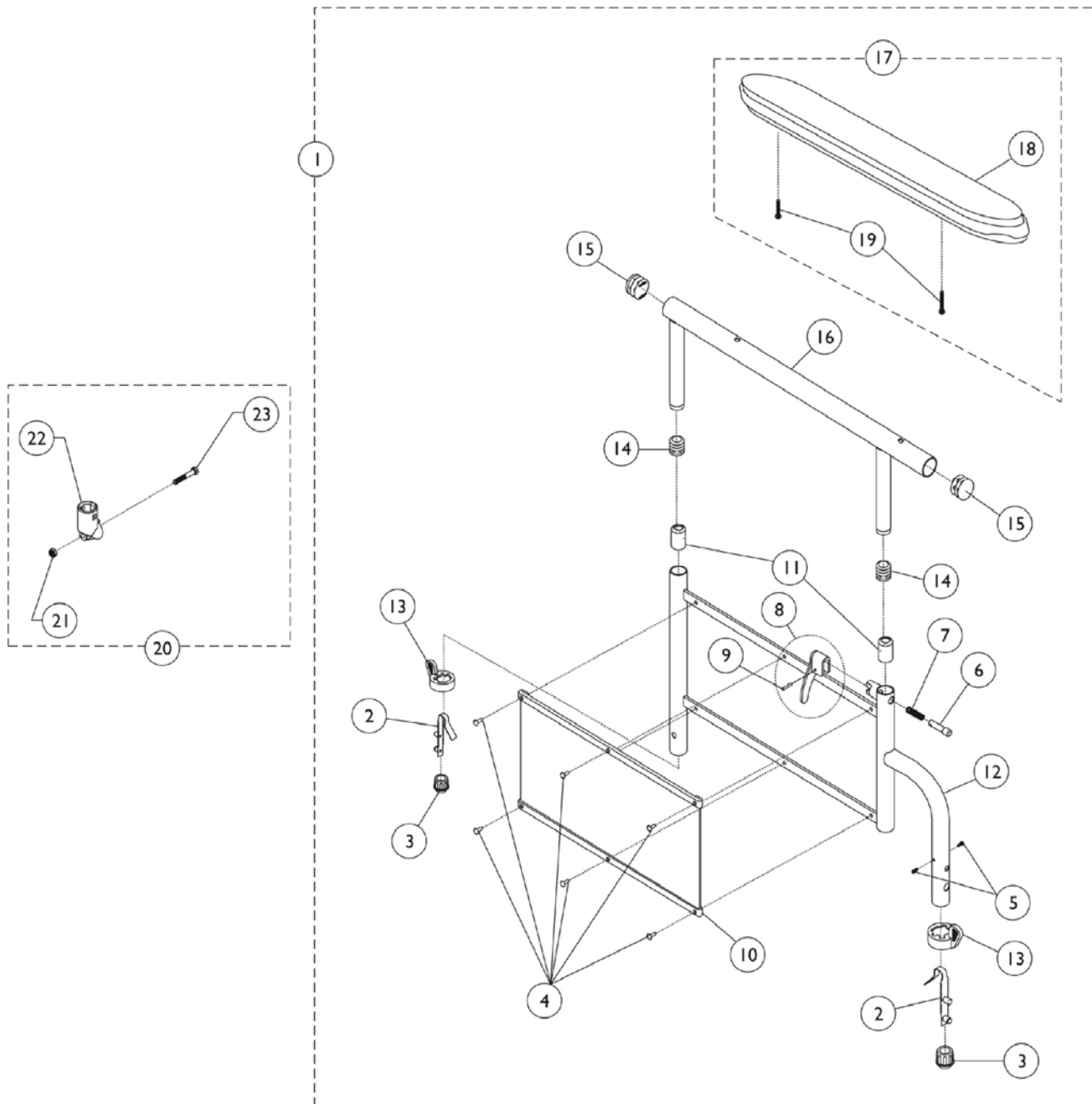
9000XT & 9000XDT Removable Conventional Adjustable Height Arms

| Item Number | Note | Part Number | Description | Quantity Per | |
|-------------|-------|--------------------|---|--------------|----------|
| | | | | Package | Assembly |
| 14 | | | Plug, Armrest, Black (3/4") (20GA) | 1 | 1 |
| 15 | | | Guard, Clothing | 1 | 1 |
| 16 | | | Rivet | 1 | 6 |
| 18 | | | Arm Pad, Desk Length w/ Law Label | 1 | 1 |
| 19 | | | Package, Screw Phillips Pan Head (#10-32 x 1-1/8") | 1 | 2 |
| 1 | A,G,H | 8881135523-NL A | NLA - Kit, Armrest, Desk Length, Chrome - Left (Style 29) | 1 | 1 |
| 2 | | | Tube, Arm, Desk Length, Black | 1 | 1 |
| 3 | | | Plug Button, Black (7/8") | 1 | 2 |
| 4 | | | Plug Button, Black (5/8") | 1 | 2 |
| 5 | | | Anti-Rattle | 1 | 2 |
| 6 | | | Handle, Lock, Black - Left | 1 | 1 |
| 7 | | | Rivet, Tubular | 1 | 1 |
| 8 | | | Spring, Arm Lock | 1 | 1 |
| 9 | | | Pin, Locking | 1 | 1 |
| 10 | | | Arm Base, Chrome | 1 | 1 |
| 11 | | | Screw, Phillips Pan Head Tap (#6-20 x 3/8") | 1 | 2 |
| 12 | | | Handle, Quad Release | 1 | 2 |
| 13 | | | Spring, Torsion with Button Lock | 1 | 2 |
| 14 | | | Plug, Armrest, Black (3/4") (18GA) | 1 | 1 |
| 14 | | | Plug, Armrest, Black (3/4") (20GA) | 1 | 2 |
| 15 | | | Guard, Clothing | 1 | 1 |
| 16 | | | Rivet | 1 | 6 |
| 18 | | | Arm Pad, Desk Length w/ Law Label | 1 | 1 |
| 19 | | | Package, Screw Phillips Pan Head (#10-32 x 1-1/8") | 1 | 2 |
| 17 | B,G | 8881127509 | Kit, Arm Pad w/Screws - Full Length | 1 | 1 |
| 18 | | | NLA - Pad, Arm, Full Length w/ Law Label | 1 | 1 |
| 19 | | | Package, Screw Phillips Pan Head (#10-32 x 1-1/8") | 1 | 2 |
| 17 | B,G | 8881127510 | Kit, Arm Pad w/Screws - Desk Length | 1 | 1 |
| 18 | | | Arm Pad, Desk Length w/ Law Label | 1 | 1 |
| 19 | | | Package, Screw Phillips Pan Head (#10-32 x 1-1/8") | 1 | 2 |
| 20 | C | 1058139 | Kit, Armrest Hardware | 1 | 1 |
| 21 | | | Cup, Socket Pivot | 1 | 1 |
| 22 | | | NLA - Screw, Hex Head (1/4-20 x 1-3/8") | 1 | 1 |
| 23 | | | Locknut (1/4-20) | 1 | 1 |
| | F | 7100053 | Arm Lock Assembly, Black - Right | 1 | 1 |
| | | | Handle, Lock, Black - Right | 1 | 1 |
| | | | Rivet, Tubular | 1 | 2 |
| | | | Pin, Locking | 1 | 2 |
| | | | Spring, Arm Lock | 1 | 2 |
| | F | 7100054 | Arm Lock Assembly, Black - Left | 1 | 1 |
| | | | Handle, Lock, Black - Left | 1 | 1 |
| | | | Rivet, Tubular | 1 | 2 |

9000XT & 9000XDT Removable Conventional Adjustable Height Arms

| Item Number | Note | Part Number | Description | Quantity Per | |
|---|------|-------------|------------------|--------------|----------|
| | | | | Package | Assembly |
| | | | Pin, Locking | 1 | 2 |
| | | | Spring, Arm Lock | 1 | 2 |
| NOTE: A - Includes items 2-19. B - Includes items 18 and 19. C - Includes items 21-23. D - Specify frame finish and upholstery color when ordering, see category titled, "Frame Finishes, Upholstery Colors, Decals and Packaging." F - Not shown. Includes items 6-9. G - Specify upholstery color when ordering, see category titled, "Frame Finishes, Upholstery Colors, Decals and Packaging." H - Item #14 Plug Button for 18GA Tubing used in front only. | | | | | |

9000XT Recliner Removable Conventional Adjustable Height Arms



9000XT Recliner Removable Conventional Adjustable Height Arms

| Item Number | Note | Part Number | Description | Quantity Per | |
|-------------|-------|--------------------|--|--------------|----------|
| | | | | Package | Assembly |
| 1 | A,D,H | 8881135530 | Kit, Armrest, Desk Length, Color - Right (Style 29) | 1 | 1 |
| 2 | | | Spring, Torsion with Button Lock | 1 | 2 |
| 3 | | | Plug, Armrest, Black (3/4") (18GA) | 1 | 1 |
| 3 | | | Plug, Armrest, Black (3/4") (20GA) | 1 | 1 |
| 4 | | | Rivet | 1 | 6 |
| 5 | | | Screw, Phillips Pan Head Tap (#6-20 x 3/8") | 1 | 2 |
| 6 | | | Pin, Locking | 1 | 1 |
| 7 | | | Spring, Arm Lock | 1 | 1 |
| 8 | | | Handle, Lock, Black - Right | 1 | 1 |
| 9 | | | Rivet, Tubular | 1 | 1 |
| 10 | | | Guard, Clothing | 1 | 1 |
| 11 | | | Anti-Rattle | 1 | 2 |
| 12 | | | Arm Base, Color | 1 | 1 |
| 13 | | | Handle, Quad Release | 1 | 2 |
| 14 | | | Plug Button, Black (7/8") | 1 | 2 |
| 15 | | | Plug Button, Black (5/8") | 1 | 2 |
| 16 | | | Tube, Armrest, Desk Length, Black | 1 | 1 |
| 18 | | | Arm Pad, Desk Length w/ Law Label | 1 | 1 |
| 19 | | | Package, Screw Phillips Pan Head (#10-32 x 1-1/8") | 1 | 2 |
| 1 | A,D,H | 8881135531 | Kit, Armrest, Desk Length, Color - Left (Style 29) | 1 | 1 |
| 2 | | | Spring, Torsion with Button Lock | 1 | 2 |
| 3 | | | Plug, Armrest, Black (3/4") (18GA) | 1 | 1 |
| 3 | | | Plug, Armrest, Black (3/4") (20GA) | 1 | 2 |
| 4 | | | Rivet | 1 | 6 |
| 5 | | | Screw, Phillips Pan Head Tap (#6-20 x 3/8") | 1 | 2 |
| 6 | | | Pin, Locking | 1 | 1 |
| 7 | | | Spring, Arm Lock | 1 | 1 |
| 8 | | | Handle, Lock, Black - Left | 1 | 1 |
| 9 | | | Rivet, Tubular | 1 | 1 |
| 10 | | | Guard, Clothing | 1 | 1 |
| 11 | | | Anti-Rattle | 1 | 2 |
| 12 | | | Arm Base, Color | 1 | 1 |
| 13 | | | Handle, Quad Release | 1 | 2 |
| 14 | | | Plug Button, Black (7/8") | 1 | 2 |
| 15 | | | Plug Button, Black (5/8") | 1 | 2 |
| 16 | | | Tube, Armrest, Desk Length, Black | 1 | 1 |
| 18 | | | Arm Pad, Desk Length w/ Law Label | 1 | 1 |
| 19 | | | Package, Screw Phillips Pan Head (#10-32 x 1-1/8") | 1 | 2 |
| 1 | A,G,H | 8881135532-NL A | NLA - Kit, Armrest, Desk Length, Chrome - Right (Style 29) | 1 | 1 |
| 2 | | | Spring, Torsion with Button Lock | 1 | 2 |
| 3 | | | Plug, Armrest, Black (3/4") (18GA) | 1 | 1 |
| 3 | | | Plug, Armrest, Black (3/4") (20GA) | 1 | 2 |

9000XT Recliner Removable Conventional Adjustable Height Arms

| Item Number | Note | Part Number | Description | Quantity Per | |
|-------------|-------|--------------------|---|--------------|----------|
| | | | | Package | Assembly |
| | | | Rivet | 1 | 6 |
| | | | Screw, Phillips Pan Head Tap (#6-20 x 3/8") | 1 | 2 |
| | | | Pin, Locking | 1 | 1 |
| | | | Spring, Arm Lock | 1 | 1 |
| | | | Handle, Lock, Black - Right | 1 | 1 |
| | | | Rivet, Tubular | 1 | 1 |
| | | | Guard, Clothing | 1 | 1 |
| | | | Anti-Rattle | 1 | 2 |
| | | | Arm Base, Chrome | 1 | 1 |
| | | | Handle, Quad Release | 1 | 2 |
| | | | Plug Button, Black (5/8") | 1 | 2 |
| | | | Plug Button, Black (7/8") | 1 | 2 |
| | | | Tube, Arm, Desk Length, Black | 1 | 1 |
| | | | Arm Pad, Desk Length w/ Law Label | 1 | 1 |
| | | | Package, Screw Phillips Pan Head (#10-32 x 1-1/8") | 1 | 2 |
| 1 | A,G,H | 8881135533-NL A | NLA - Kit, Armrest, Desk Length, Chrome - Left (Style 29) | 1 | 1 |
| 2 | | | Spring, Torsion with Button Lock | 1 | 2 |
| 3 | | | Plug, Armrest, Black (3/4") (18GA) | 1 | 1 |
| 3 | | | Plug, Armrest, Black (3/4") (20GA) | 1 | 1 |
| 4 | | | Rivet | 1 | 6 |
| 5 | | | Screw, Phillips Pan Head Tap (#6-20 x 3/8") | 1 | 2 |
| 6 | | | Pin, Locking | 1 | 1 |
| 7 | | | Spring, Arm Lock | 1 | 1 |
| 8 | | | Handle, Lock, Black - Left | 1 | 1 |
| 9 | | | Rivet, Tubular | 1 | 1 |
| 10 | | | Guard, Clothing | 1 | 1 |
| 11 | | | Anti-Rattle | 1 | 2 |
| 12 | | | Arm Base, Chrome | 1 | 1 |
| 13 | | | Handle, Quad Release | 1 | 2 |
| 14 | | | Plug Button, Black (5/8") | 1 | 2 |
| 15 | | | Plug Button, Black (7/8") | 1 | 2 |
| 16 | | | Tube, Arm, Desk Length, Black | 1 | 1 |
| 18 | | | Arm Pad, Desk Length w/ Law Label | 1 | 1 |
| 19 | | | Package, Screw Phillips Pan Head (#10-32 x 1-1/8") | 1 | 2 |
| 1 | A,D,H | 8881137321 | Kit, Armrest, Full Length, Color - Right (Style 19) | 1 | 1 |
| 2 | | | Spring, Torsion with Button Lock | 1 | 2 |
| 3 | | | Plug, Armrest, Black (3/4") (18GA) | 1 | 1 |
| 3 | | | Plug, Armrest, Black (3/4") (20GA) | 1 | 1 |
| 4 | | | Rivet | 1 | 6 |
| 5 | | | Screw, Phillips Pan Head Tap (#6-20 x 3/8") | 1 | 2 |
| 6 | | | Pin, Locking | 1 | 1 |
| 7 | | | Spring, Arm Lock | 1 | 1 |

9000XT Recliner Removable Conventional Adjustable Height Arms

| Item Number | Note | Part Number | Description | Quantity Per | |
|-------------|-------|--------------------|--|--------------|----------|
| | | | | Package | Assembly |
| 8 | | | Handle, Lock, Black - Right | 1 | 1 |
| 9 | | | Rivet, Tubular | 1 | 1 |
| 10 | | | Guard, Clothing | 1 | 1 |
| 11 | | | Anti-Rattle | 1 | 2 |
| 12 | | | Arm Base, Color | 1 | 1 |
| 13 | | | Handle, Quad Release | 1 | 2 |
| 14 | | | Plug Button, Black (7/8") | 1 | 2 |
| 15 | | | Plug Button, Black (5/8") | 1 | 2 |
| 16 | | | Tube, Armrest, Full Length, Black | 1 | 1 |
| 18 | | | NLA - Pad, Arm, Full Length w/ Law Label | 1 | 1 |
| 19 | | | Package, Screw Phillips Pan Head (#10-32 x 1-1/8") | 1 | 2 |
| 1 | A,D,H | 8881137322 | Kit, Armrest, Full Length, Color - Left (Style 19) | 1 | 1 |
| 2 | | | Spring, Torsion with Button Lock | 1 | 2 |
| 3 | | | Plug, Armrest, Black (3/4") (18GA) | 1 | 1 |
| 3 | | | Plug, Armrest, Black (3/4") (20GA) | 1 | 2 |
| 4 | | | Rivet | 1 | 6 |
| 5 | | | Screw, Phillips Pan Head Tap (#6-20 x 3/8") | 1 | 2 |
| 6 | | | Pin, Locking | 1 | 1 |
| 7 | | | Spring, Arm Lock | 1 | 1 |
| 8 | | | Handle, Lock, Black - Left | 1 | 1 |
| 9 | | | Rivet, Tubular | 1 | 1 |
| 10 | | | Guard, Clothing | 1 | 1 |
| 11 | | | Anti-Rattle | 1 | 2 |
| 12 | | | Arm Base, Color | 1 | 1 |
| 13 | | | Handle, Quad Release | 1 | 2 |
| 14 | | | Plug Button, Black (7/8") | 1 | 2 |
| 15 | | | Plug Button, Black (5/8") | 1 | 2 |
| 16 | | | Tube, Armrest, Full Length, Black | 1 | 1 |
| 18 | | | NLA - Pad, Arm, Full Length w/ Law Label | 1 | 1 |
| 19 | | | Package, Screw Phillips Pan Head (#10-32 x 1-1/8") | 1 | 1 |
| 1 | A,G,H | 8881135534-NL A | NLA - Kit, Armrest, Full Length, Chrome - Right (Style 19) | 1 | 1 |
| 2 | | | Spring, Torsion with Button Lock | 1 | 2 |
| 3 | | | Plug, Armrest, Black (3/4") (18GA) | 1 | 1 |
| 3 | | | Plug, Armrest, Black (3/4") (20GA) | 1 | 1 |
| 4 | | | Rivet | 1 | 6 |
| 5 | | | Screw, Phillips Pan Head Tap (#6-20 x 3/8") | 1 | 2 |
| 6 | | | Pin, Locking | 1 | 1 |
| 7 | | | Spring, Arm Lock | 1 | 1 |
| 8 | | | Handle, Lock, Black - Right | 1 | 1 |
| 9 | | | Rivet, Tubular | 1 | 1 |
| 10 | | | Guard, Clothing | 1 | 1 |
| 11 | | | Anti-Rattle | 1 | 2 |

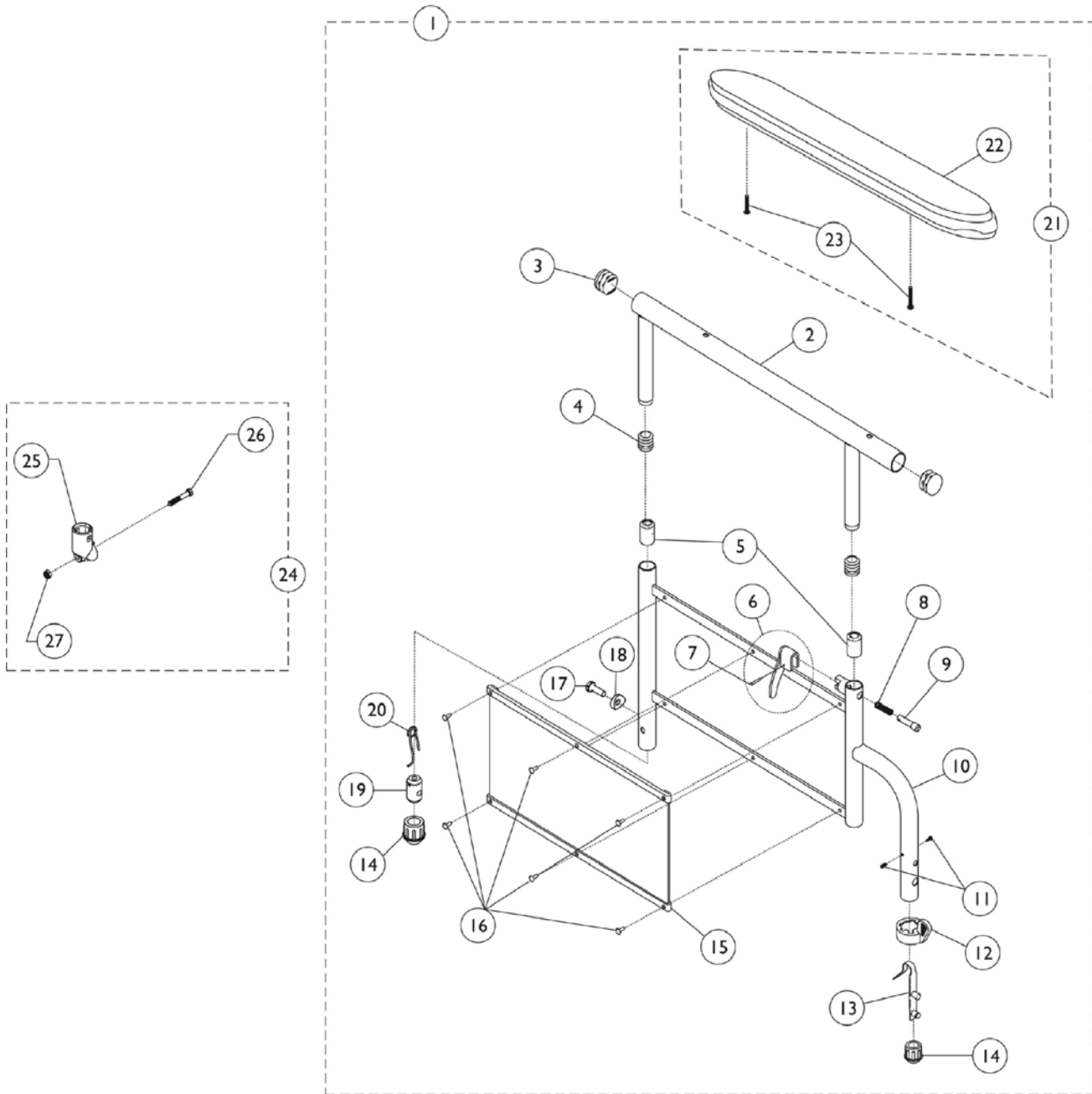
9000XT Recliner Removable Conventional Adjustable Height Arms

| Item Number | Note | Part Number | Description | Quantity Per | |
|-------------|-------|--------------------|---|--------------|----------|
| | | | | Package | Assembly |
| 12 | | | Arm Base, Chrome | 1 | 1 |
| 13 | | | Handle, Quad Release | 1 | 2 |
| 14 | | | Plug Button, Black (7/8") | 1 | 2 |
| 15 | | | Plug Button, Black (5/8") | 1 | 2 |
| 16 | | | Tube, Arm, Full Length, Black | 1 | 1 |
| 18 | | | NLA - Pad, Arm, Full Length w/ Law Label | 1 | 1 |
| 19 | | | Package, Screw Phillips Pan Head (#10-32 x 1-1/8") | 1 | 2 |
| 1 | A,G,H | 8881135535-NL A | NLA - Kit, Armrest, Full Length, Chrome - Left (Style 19) | 1 | 1 |
| 2 | | | Spring, Torsion with Button Lock | 1 | 2 |
| 3 | | | Plug, Armrest, Black (3/4") (18GA) | 1 | 1 |
| 3 | | | Plug, Armrest, Black (3/4") (20GA) | 1 | 1 |
| 4 | | | Rivet | 1 | 6 |
| 5 | | | Screw, Phillips Pan Head Tap (#6-20 x 3/8") | 1 | 2 |
| 6 | | | Pin, Locking | 1 | 1 |
| 7 | | | Spring, Arm Lock | 1 | 1 |
| 8 | | | Handle, Lock, Black - Left | 1 | 1 |
| 9 | | | Rivet, Tubular | 1 | 1 |
| 10 | | | Guard, Clothing | 1 | 1 |
| 11 | | | Anti-Rattle | 1 | 2 |
| 12 | | | Arm Base, Chrome | 1 | 1 |
| 13 | | | Handle, Quad Release | 1 | 2 |
| 14 | | | Plug Button, Black (7/8") | 1 | 2 |
| 15 | | | Plug Button, Black (5/8") | 1 | 2 |
| 16 | | | Tube, Arm, Full Length, Black | 1 | 1 |
| 18 | | | NLA - Pad, Arm, Full Length w/ Law Label | 1 | 1 |
| 19 | | | Package, Screw Phillips Pan Head (#10-32 x 1-1/8") | 1 | 2 |
| 17 | B,G | 8881127509 | Kit, Arm Pad w/Screws - Full Length | 1 | 1 |
| 18 | | | NLA - Pad, Arm, Full Length w/ Law Label | 1 | 1 |
| 19 | | | Package, Screw Phillips Pan Head (#10-32 x 1-1/8") | 1 | 2 |
| 17 | B,G | 8881127510 | Kit, Arm Pad w/Screws - Desk Length | 1 | 1 |
| 18 | | | Arm Pad, Desk Length w/ Law Label | 1 | 1 |
| 19 | | | Package, Screw Phillips Pan Head (#10-32 x 1-1/8") | 1 | 2 |
| 20 | C | 1058139 | Kit, Armrest Hardware | 1 | 1 |
| 21 | | | Locknut (1/4-20) | 1 | 1 |
| 22 | | | Cup, Socket Pivot | 1 | 1 |
| 23 | | | NLA - Screw, Hex Head (1/4-20 x 1-3/8") | 1 | 1 |
| | E,F | 7100053 | Arm Lock Assembly, Black - Right | 1 | 1 |
| | | | Handle, Lock, Black - Right | 1 | 1 |
| | | | Rivet, Tubular | 1 | 2 |
| | | | Pin, Locking | 1 | 2 |
| | | | Spring, Arm Lock | 1 | 2 |
| | E,F | 7100054 | Arm Lock Assembly, Black - Left | 1 | 1 |

9000XT Recliner Removable Conventional Adjustable Height Arms

| Item Number | Note | Part Number | Description | Quantity Per | |
|--|------|-------------|----------------------------|--------------|----------|
| | | | | Package | Assembly |
| | | | Handle, Lock, Black - Left | 1 | 1 |
| | | | Rivet, Tubular | 1 | 2 |
| | | | Pin, Locking | 1 | 2 |
| | | | Spring, Arm Lock | 1 | 2 |
| <p>NOTE: A - Includes items 2-19. B - Includes items 18 and 19. C - Includes items 21-23. D - Specify frame finish and upholstery color when ordering, see category titled, "Frame Finishes, Upholstery Colors, Decals and Packaging." E - Not shown. F - Includes items 6-9. G - Specify upholstery color when ordering, see category titled, "Frame Finishes, Upholstery Colors, Decals and Packaging." H - Item #3 Plug Button for 18GA Tubing used in front only.</p> | | | | | |

9000XT, 9000XDT & 9000XT Recliner Non-Removable Conventional Adjustable Height Arms



9000XT, 9000XDT & 9000XT Recliner Non-Removable Conventional Adjustable Height Arms

| Item Number | Note | Part Number | Description | Quantity Per | |
|-------------|--|-------------|---|--------------|----------|
| | | | | Package | Assembly |
| 1 | A,B,I | 8881130803 | Kit, Armrest, Desk Length, Color - Right (Style 29) | 1 | 1 |
| 2 | | | Tube, Armrest, Desk Length, Black | 1 | 1 |
| 3 | | | Plug Button, Black (7/8") | 1 | 2 |
| 4 | | | Plug Button, Black (5/8") | 1 | 2 |
| 5 | | | Anti-Rattle | 1 | 2 |
| 6 | | | Handle, Lock, Black - Right | 1 | 1 |
| 7 | | | Rivet, Tubular | 1 | 1 |
| 8 | | | Spring, Arm Lock | 1 | 1 |
| 9 | | | Pin, Locking | 1 | 1 |
| 10 | | | Arm Base, Color | 1 | 1 |
| 11 | | | Screw, Phillips Pan Head Tap (#6-20 x 3/8") | 1 | 2 |
| 12 | | | Handle, Quad Release | 1 | 1 |
| 13 | | | Spring, Torsion with Button Lock | 1 | 1 |
| 14 | | | Plug, Armrest, Black (3/4") (18GA) | 1 | 1 |
| 14 | | | Plug, Armrest, Black (3/4") (20GA) | 1 | 1 |
| 15 | | | Guard, Clothing | 1 | 1 |
| 16 | | | Rivet | 1 | 6 |
| 17 | | | NLA - Bolt, Hex Head Cap (1/4-20 x 3/4") | 1 | 1 |
| 18 | | | Spacer, Coved (1/4 x 11/16 x 1/2") | 1 | 1 |
| 19 | | | Insert, Threaded | 1 | 1 |
| 20 | | | Spring, Release | 1 | 1 |
| 22 | | | Arm Pad, Desk Length w/ Law Label | 1 | 1 |
| 23 | Package, Screw Phillips Pan Head (#10-32 x 1-1/8") | 1 | 2 | | |
| 1 | A,B,I | 8881130804 | Kit, Armrest, Desk Length, Color - Left (Style 29) | 1 | 1 |
| 2 | | | Tube, Armrest, Desk Length, Black | 1 | 1 |
| 3 | | | Plug Button, Black (7/8") | 1 | 2 |
| 4 | | | Plug Button, Black (5/8") | 1 | 2 |
| 5 | | | Anti-Rattle | 1 | 2 |
| 6 | | | Handle, Lock, Black - Left | 1 | 1 |
| 7 | | | Rivet, Tubular | 1 | 1 |
| 8 | | | Spring, Arm Lock | 1 | 1 |
| 9 | | | Pin, Locking | 1 | 1 |
| 10 | | | Arm Base, Color | 1 | 1 |
| 11 | | | Screw, Phillips Pan Head Tap (#6-20 x 3/8") | 1 | 2 |
| 12 | | | Handle, Quad Release | 1 | 1 |
| 13 | | | Spring, Torsion with Button Lock | 1 | 1 |
| 14 | | | Plug, Armrest, Black (3/4") (18GA) | 1 | 1 |
| 14 | | | Plug, Armrest, Black (3/4") (20GA) | 1 | 1 |
| 15 | | | Guard, Clothing | 1 | 1 |
| 16 | | | Rivet | 1 | 6 |
| 17 | | | NLA - Bolt, Hex Head Cap (1/4-20 x 3/4") | 1 | 1 |
| 18 | | | Spacer, Coved (1/4 x 11/16 x 1/2") | 1 | 1 |
| 19 | Insert, Threaded | 1 | 1 | | |

9000XT, 9000XDT & 9000XT Recliner Non-Removable Conventional Adjustable Height Arms

| Item Number | Note | Part Number | Description | Quantity Per | |
|-------------|-------|--------------------|--|--------------|----------|
| | | | | Package | Assembly |
| 20 | | | Spring, Release | 1 | 1 |
| 22 | | | Arm Pad, Desk Length w/ Law Label | 1 | 1 |
| 23 | | | Package, Screw Phillips Pan Head (#10-32 x 1-1/8") | 1 | 2 |
| 1 | A,H,I | 8881130805-NL A | NLA - Kit, Armrest, Desk Length, Chrome - Right (Style 29) | 1 | 1 |
| 2 | | | Tube, Arm, Desk Length, Black | 1 | 1 |
| 3 | | | Plug Button, Black (7/8") | 1 | 2 |
| 4 | | | Plug Button, Black (5/8") | 1 | 2 |
| 5 | | | Anti-Rattle | 1 | 2 |
| 6 | | | Handle, Lock, Black - Right | 1 | 1 |
| 7 | | | Rivet, Tubular | 1 | 1 |
| 8 | | | Spring, Arm Lock | 1 | 1 |
| 9 | | | Pin, Locking | 1 | 1 |
| 10 | | | Arm Base, Chrome | 1 | 1 |
| 11 | | | Screw, Phillips Pan Head Tap (#6-20 x 3/8") | 1 | 2 |
| 12 | | | Handle, Quad Release | 1 | 1 |
| 13 | | | Spring, Torsion with Button Lock | 1 | 1 |
| 14 | | | Plug, Armrest, Black (3/4") (18GA) | 1 | 1 |
| 14 | | | Plug, Armrest, Black (3/4") (20GA) | 1 | 1 |
| 15 | | | Guard, Clothing | 1 | 1 |
| 16 | | | Rivet | 1 | 6 |
| 17 | | | NLA - Bolt, Hex Head Cap (1/4-20 x 3/4") | 1 | 1 |
| 18 | | | Spacer, Coved (1/4 x 11/16 x 1/2") | 1 | 1 |
| 19 | | | Insert, Threaded | 1 | 1 |
| 20 | | | Spring, Release | 1 | 1 |
| 22 | | | Arm Pad, Desk Length w/ Law Label | 1 | 1 |
| 23 | | | Package, Screw Phillips Pan Head (#10-32 x 1-1/8") | 1 | 2 |
| 1 | A,H,I | 8881130806-NL A | NLA - Kit, Armrest, Desk Length, Chrome - Left (Style 29) | 1 | 1 |
| 2 | | | Tube, Arm, Desk Length, Black | 1 | 1 |
| 3 | | | Plug Button, Black (7/8") | 1 | 2 |
| 4 | | | Plug Button, Black (5/8") | 1 | 2 |
| 5 | | | Anti-Rattle | 1 | 2 |
| 6 | | | Handle, Lock, Black - Left | 1 | 1 |
| 7 | | | Rivet, Tubular | 1 | 1 |
| 8 | | | Spring, Arm Lock | 1 | 1 |
| 9 | | | Pin, Locking | 1 | 1 |
| 10 | | | Arm Base, Chrome | 1 | 1 |
| 11 | | | Screw, Phillips Pan Head Tap (#6-20 x 3/8") | 1 | 2 |
| 12 | | | Handle, Quad Release | 1 | 1 |
| 13 | | | Spring, Torsion with Button Lock | 1 | 1 |
| 14 | | | Plug, Armrest, Black (3/4") (18GA) | 1 | 1 |
| 14 | | | Plug, Armrest, Black (3/4") (20GA) | 1 | 1 |

9000XT, 9000XDT & 9000XT Recliner Non-Removable Conventional Adjustable Height Arms

| Item Number | Note | Part Number | Description | Quantity Per | |
|-------------|-------|-------------|---|--------------|----------|
| | | | | Package | Assembly |
| 15 | | | Guard, Clothing | 1 | 1 |
| 16 | | | Rivet | 1 | 6 |
| 17 | | | NLA - Bolt, Hex Head Cap (1/4-20 x 3/4") | 1 | 1 |
| 18 | | | Spacer, Coved (1/4 x 11/16 x 1/2") | 1 | 1 |
| 19 | | | Insert, Threaded | 1 | 1 |
| 20 | | | Spring, Release | 1 | 1 |
| 22 | | | Arm Pad, Desk Length w/ Law Label | 1 | 1 |
| 23 | | | Package, Screw Phillips Pan Head (#10-32 x 1-1/8") | 1 | 2 |
| 1 | A,B | 8881135526 | Kit, Armrest, Full Length, Color - Right (Style 19) | 1 | 1 |
| 2 | | | Tube, Armrest, Full Length, Black | 1 | 1 |
| 3 | | | Plug Button, Black (7/8") | 1 | 2 |
| 4 | | | Plug Button, Black (5/8") | 1 | 2 |
| 5 | | | Anti-Rattle | 1 | 2 |
| 6 | | | Handle, Lock, Black - Right | 1 | 1 |
| 7 | | | Rivet, Tubular | 1 | 1 |
| 8 | | | Spring, Arm Lock | 1 | 1 |
| 9 | | | Pin, Locking | 1 | 1 |
| 10 | | | Arm Base, Color | 1 | 1 |
| 11 | | | Screw, Phillips Pan Head Tap (#6-20 x 3/8") | 1 | 2 |
| 12 | | | Handle, Quad Release | 1 | 1 |
| 13 | | | Spring, Torsion with Button Lock | 1 | 1 |
| 14 | | | Plug, Armrest, Black (3/4") (18GA) | 1 | 1 |
| 14 | | | Plug, Armrest, Black (3/4") (20GA) | 1 | 1 |
| 15 | | | Guard, Clothing | 1 | 1 |
| 16 | | | Rivet | 1 | 6 |
| 17 | | | NLA - Bolt, Hex Head Cap (1/4-20 x 3/4") | 1 | 1 |
| 18 | | | Spacer, Coved (1/4 x 11/16 x 1/2") | 1 | 1 |
| 19 | | | Insert, Threaded | 1 | 1 |
| 20 | | | Spring, Release | 1 | 1 |
| 22 | | | NLA - Pad, Arm, Full Length w/ Law Label | 1 | 1 |
| 23 | | | Package, Screw Phillips Pan Head (#10-32 x 1-1/8") | 1 | 2 |
| 1 | A,B,I | 8881135527 | Kit, Armrest, Full Length, Color - Left (Style 19) | 1 | 1 |
| 2 | | | Tube, Armrest, Full Length, Black | 1 | 1 |
| 3 | | | Plug Button, Black (7/8") | 1 | 2 |
| 4 | | | Plug Button, Black (5/8") | 1 | 2 |
| 5 | | | Anti-Rattle | 1 | 2 |
| 6 | | | Handle, Lock, Black - Left | 1 | 1 |
| 7 | | | Rivet, Tubular | 1 | 1 |
| 8 | | | Spring, Arm Lock | 1 | 1 |
| 9 | | | Pin, Locking | 1 | 1 |
| 10 | | | Arm Base, Color | 1 | 1 |
| 11 | | | Screw, Phillips Pan Head Tap (#6-20 x 3/8") | 1 | 2 |
| 12 | | | Handle, Quad Release | 1 | 1 |

9000XT, 9000XDT & 9000XT Recliner Non-Removable Conventional Adjustable Height Arms

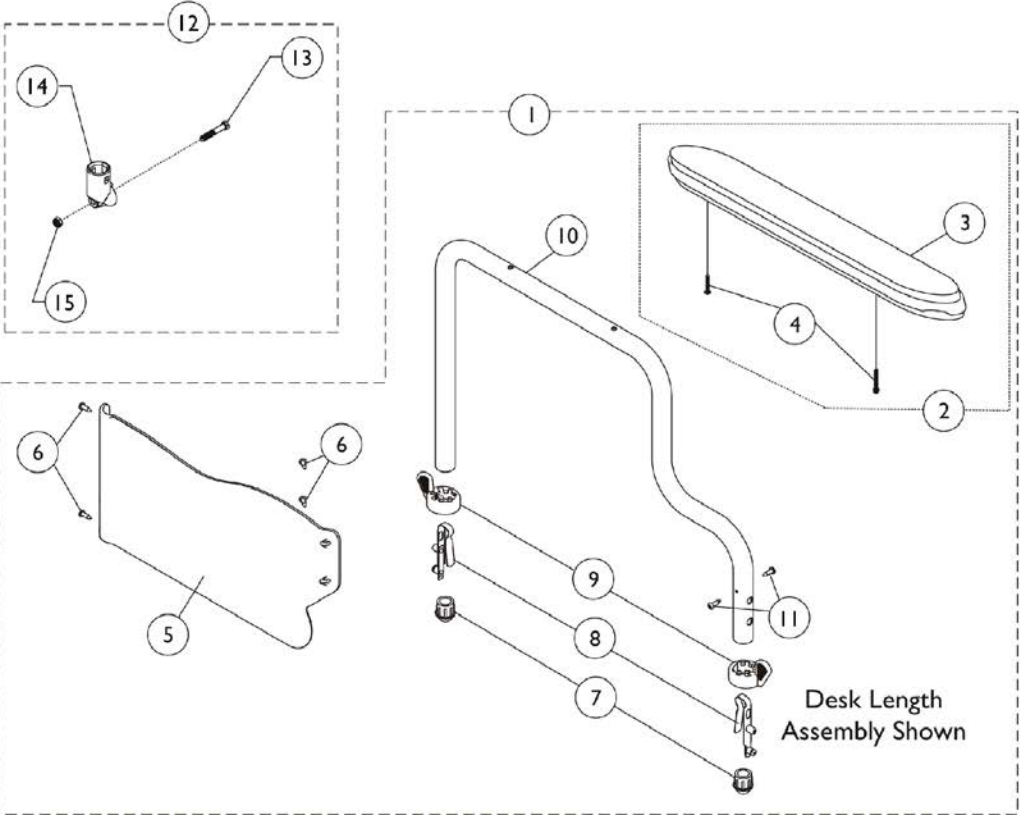
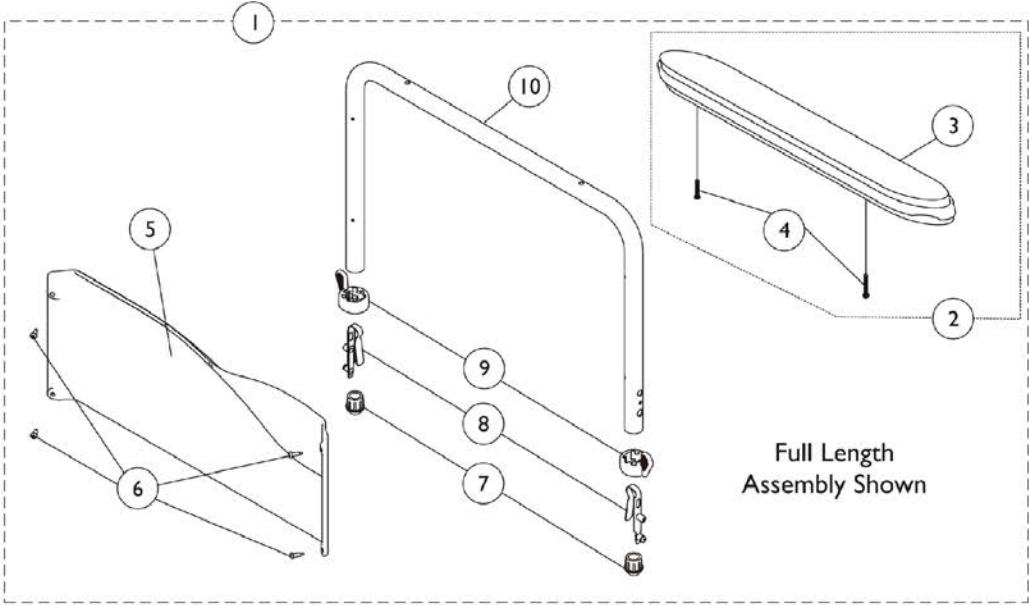
| Item Number | Note | Part Number | Description | Quantity Per | |
|-------------|-------|--------------------|--|--------------|----------|
| | | | | Package | Assembly |
| 13 | | | Spring, Torsion with Button Lock | 1 | 1 |
| 14 | | | Plug, Armrest, Black (3/4") (18GA) | 1 | 1 |
| 14 | | | Plug, Armrest, Black (3/4") (20GA) | 1 | 1 |
| 15 | | | Guard, Clothing | 1 | 1 |
| 16 | | | Rivet | 1 | 6 |
| 17 | | | NLA - Bolt, Hex Head Cap (1/4-20 x 3/4") | 1 | 1 |
| 18 | | | Spacer, Coved (1/4 x 11/16 x 1/2") | 1 | 1 |
| 19 | | | Insert, Threaded | 1 | 1 |
| 20 | | | Spring, Release | 1 | 1 |
| 22 | | | NLA - Pad, Arm, Full Length w/ Law Label | 1 | 1 |
| 23 | | | Package, Screw Phillips Pan Head (#10-32 x 1-1/8") | 1 | 2 |
| 1 | A,H,I | 8881135528-NL A | NLA - Kit, Armrest, Full Length, Chrome - Right (Style 19) | 1 | 1 |
| 2 | | | Tube, Arm, Full Length, Black | 1 | 1 |
| 3 | | | Plug Button, Black (7/8") | 1 | 2 |
| 4 | | | Plug Button, Black (5/8") | 1 | 2 |
| 5 | | | Anti-Rattle | 1 | 2 |
| 6 | | | Handle, Lock, Black - Right | 1 | 1 |
| 7 | | | Rivet, Tubular | 1 | 1 |
| 8 | | | Spring, Arm Lock | 1 | 1 |
| 9 | | | Pin, Locking | 1 | 1 |
| 10 | | | Arm Base, Chrome | 1 | 1 |
| 11 | | | Screw, Phillips Pan Head Tap (#6-20 x 3/8") | 1 | 2 |
| 12 | | | Handle, Quad Release | 1 | 1 |
| 13 | | | Spring, Torsion with Button Lock | 1 | 1 |
| 14 | | | Plug, Armrest, Black (3/4") (18GA) | 1 | 1 |
| 14 | | | Plug, Armrest, Black (3/4") (20GA) | 1 | 1 |
| 15 | | | Guard, Clothing | 1 | 1 |
| 16 | | | Rivet | 1 | 6 |
| 17 | | | NLA - Bolt, Hex Head Cap (1/4-20 x 3/4") | 1 | 1 |
| 18 | | | Spacer, Coved (1/4 x 11/16 x 1/2") | 1 | 1 |
| 19 | | | Insert, Threaded | 1 | 1 |
| 20 | | | Spring, Release | 1 | 1 |
| 22 | | | NLA - Pad, Arm, Full Length w/ Law Label | 1 | 1 |
| 23 | | | Package, Screw Phillips Pan Head (#10-32 x 1-1/8") | 1 | 2 |
| 1 | A,H,I | 8881135529-NL A | NLA - Kit, Armrest, Full Length, Chrome - Left (Style 19) | 1 | 1 |
| 2 | | | Tube, Arm, Full Length, Black | 1 | 1 |
| 3 | | | Plug Button, Black (7/8") | 1 | 2 |
| 4 | | | Plug Button, Black (5/8") | 1 | 2 |
| 5 | | | Anti-Rattle | 1 | 2 |
| 6 | | | Handle, Lock, Black - Left | 1 | 1 |
| 7 | | | Rivet, Tubular | 1 | 1 |

9000XT, 9000XDT & 9000XT Recliner Non-Removable Conventional Adjustable Height Arms

| Item Number | Note | Part Number | Description | Quantity Per | |
|-------------|------|-------------|--|--------------|----------|
| | | | | Package | Assembly |
| 8 | | | Spring, Arm Lock | 1 | 1 |
| 9 | | | Pin, Locking | 1 | 1 |
| 10 | | | Arm Base, Chrome | 1 | 1 |
| 11 | | | Screw, Phillips Pan Head Tap (#6-20 x 3/8") | 1 | 2 |
| 12 | | | Handle, Quad Release | 1 | 1 |
| 13 | | | Spring, Torsion with Button Lock | 1 | 1 |
| 14 | | | Plug, Armrest, Black (3/4") (18GA) | 1 | 1 |
| 14 | | | Plug, Armrest, Black (3/4") (20GA) | 1 | 1 |
| 15 | | | Guard, Clothing | 1 | 1 |
| 16 | | | Rivet | 1 | 6 |
| 17 | | | NLA - Bolt, Hex Head Cap (1/4-20 x 3/4") | 1 | 1 |
| 18 | | | Spacer, Coved (1/4 x 11/16 x 1/2") | 1 | 1 |
| 19 | | | Insert, Threaded | 1 | 1 |
| 20 | | | Spring, Release | 1 | 1 |
| 22 | | | NLA - Pad, Arm, Full Length w/ Law Label | 1 | 1 |
| 23 | | | Package, Screw Phillips Pan Head (#10-32 x 1-1/8") | 1 | 2 |
| 21 | C,H | 8881127509 | Kit, Arm Pad w/Screws - Full Length | 1 | 1 |
| 22 | | | NLA - Pad, Arm, Full Length w/ Law Label | 1 | 1 |
| 23 | | | Package, Screw Phillips Pan Head (#10-32 x 1-1/8") | 1 | 2 |
| 21 | C,H | 8881127510 | Kit, Arm Pad w/Screws - Desk Length | 1 | 1 |
| 22 | | | Arm Pad, Desk Length w/ Law Label | 1 | 1 |
| 23 | | | Package, Screw Phillips Pan Head (#10-32 x 1-1/8") | 1 | 2 |
| 24 | D | 1058139 | Kit, Armrest Hardware | 1 | 1 |
| 25 | | | Cup, Socket Pivot | 1 | 1 |
| 26 | | | Locknut (1/4-20) | 1 | 1 |
| 27 | | | NLA - Screw, Hex Head (1/4-20 x 1-3/8") | 1 | 1 |
| | G | 7100053 | Arm Lock Assembly, Black - Right | 1 | 1 |
| | | | Handle, Lock, Black - Right | 1 | 1 |
| | | | Rivet, Tubular | 1 | 2 |
| | | | Pin, Locking | 1 | 2 |
| | | | Spring, Arm Lock | 1 | 2 |
| | G | 7100054 | Arm Lock Assembly, Black - Left | 1 | 1 |
| | | | Handle, Lock, Black - Left | 1 | 1 |
| | | | Rivet, Tubular | 1 | 2 |
| | | | Pin, Locking | 1 | 2 |
| | | | Spring, Arm Lock | 1 | 2 |

NOTE: A - Includes items 2-23.
B - Specify frame finish and upholstery color when ordering, see category titled, "Frame Finishes, Upholstery Colors, Decals and Packaging."
C - Includes items 22 and 23.
D - Includes items 25-27.
G - Not Shown. Includes items 6-9.
H - Specify upholstery color when ordering, see category titled, "Frame Finishes, Upholstery Colors, Decals and Packaging."
I - Item #14 Plug Button for 18GA Tubing used in front only.

9000XT Removable Conventional Fixed Height Arms



9000XT Removable Conventional Fixed Height Arms

| Item Number | Note | Part Number | Description | Quantity Per | |
|-------------|---|-------------|---|--------------|---|
| | | | | Package | Assembly |
| 1 | A,F | 8881130821 | Kit, Armrest, Full Length, Black - Right (Style 18) | 1 | 1 |
| 3 | | | NLA - Pad, Arm, Full Length w/ Law Label | 1 | 1 |
| 4 | | | Package, Screw Phillips Pan Head (#10-32 x 1-1/8") | 1 | 2 |
| 5 | | | Guard, Clothing, Full Length - Right | 1 | 1 |
| 6 | | | Screw, Self Tapping (#6-20 x 1/2") | 1 | 4 |
| 7 | | | Plug, Armrest, Black (3/4") (18GA) | 1 | 2 |
| 8 | | | Spring, Torsion with Button Lock | 1 | 2 |
| 9 | | | Handle, Quad Release | 1 | 2 |
| 10 | | | NLA - Tube, Armrest, Conventional, Full Height, Black | 1 | 1 |
| 1 | | | A,F | 8881130822 | Kit, Armrest, Full Length, Black - Left (Style 18) |
| 3 | NLA - Pad, Arm, Full Length w/ Law Label | 1 | | | 1 |
| 4 | Package, Screw Phillips Pan Head (#10-32 x 1-1/8") | 1 | | | 2 |
| 5 | Guard, Clothing, Full Length - Left | 1 | | | 1 |
| 6 | Screw, Self Tapping (#6-20 x 1/2") | 1 | | | 4 |
| 7 | Plug, Armrest, Black (3/4") (18GA) | 1 | | | 2 |
| 8 | Spring, Torsion with Button Lock | 1 | | | 2 |
| 9 | Handle, Quad Release | 1 | | | 2 |
| 10 | NLA - Tube, Armrest, Conventional, Full Height, Black | 1 | | | 1 |
| 1 | A,F | 8881135540 | | | Kit, Armrest, Desk Length, Black - Right (Style 28) |
| 3 | | | Arm Pad, Desk Length w/ Law Label | 1 | 1 |
| 4 | | | Package, Screw Phillips Pan Head (#10-32 x 1-1/8") | 1 | 2 |
| 5 | | | NLA - Guard, Clothing, Desk Length - Right | 1 | 1 |
| 6 | | | Screw, Self Tapping (#6-20 x 1/2") | 1 | 4 |
| 7 | | | Plug, Armrest, Black (3/4") (18GA) | 1 | 2 |
| 8 | | | Spring, Torsion with Button Lock | 1 | 2 |
| 9 | | | Handle, Quad Release | 1 | 2 |
| 10 | | | Armrest, Desk Length, Black - Right | 1 | 1 |
| 11 | | | Screw, Phillips Pan Head Tap (#6-20 x 3/8") | 1 | 2 |
| 1 | | | A,F | 8881135541 | Kit, Armrest, Desk Length, Black - Left (Style 28) |
| 3 | Arm Pad, Desk Length w/ Law Label | 1 | | | 1 |
| 4 | Package, Screw Phillips Pan Head (#10-32 x 1-1/8") | 1 | | | 2 |
| 5 | NLA - Guard, Clothing, Desk Length - Left | 1 | | | 1 |
| 6 | Screw, Self Tapping (#6-20 x 1/2") | 1 | | | 4 |
| 7 | Plug, Armrest, Black (3/4") (18GA) | 1 | | | 2 |
| 8 | Spring, Torsion with Button Lock | 1 | | | 2 |
| 9 | Handle, Quad Release | 1 | | | 2 |
| 10 | Armrest, Desk Length, Black - Left | 1 | | | 1 |
| 11 | Screw, Phillips Pan Head Tap (#6-20 x 3/8") | 1 | | | 2 |
| 1 | A,B | 8881130823 | | | Kit, Armrest, Full Length, Color - Right (Style 18) |
| 3 | | | NLA - Pad, Arm, Full Length w/ Law Label | 1 | 1 |
| 4 | | | Package, Screw Phillips Pan Head (#10-32 x 1-1/8") | 1 | 2 |
| 5 | | | Guard, Clothing, Full Length - Right | 1 | 1 |
| 6 | | | Screw, Self Tapping (#6-20 x 1/2") | 1 | 4 |

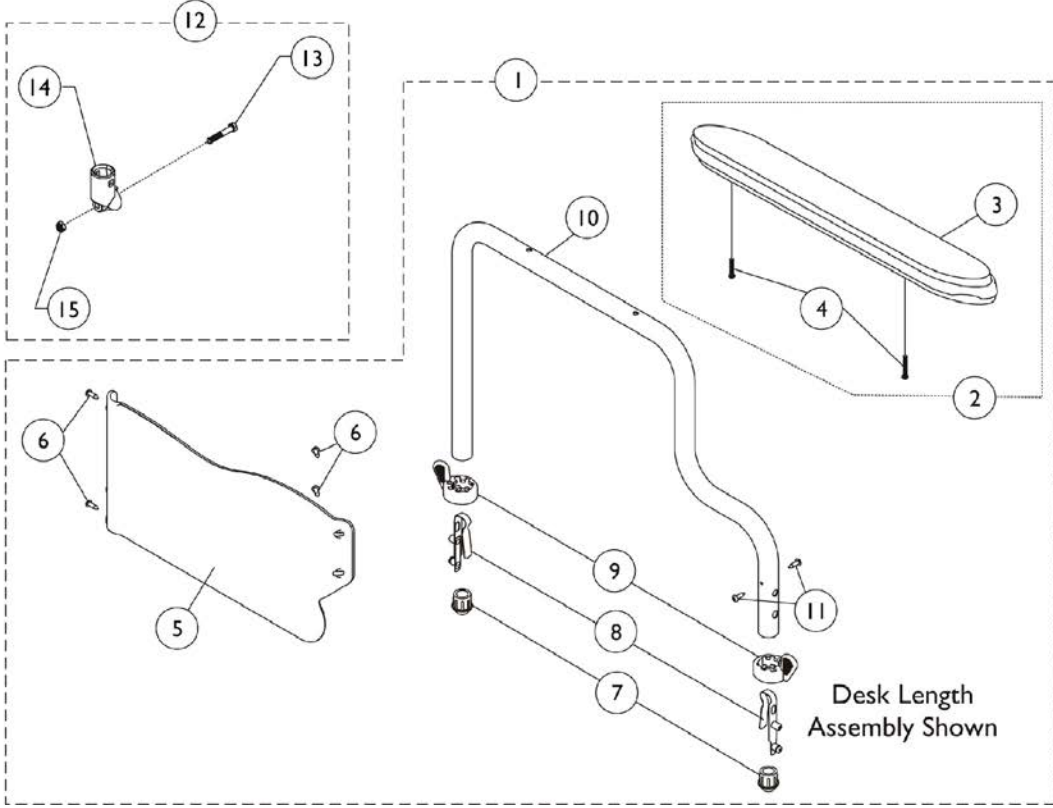
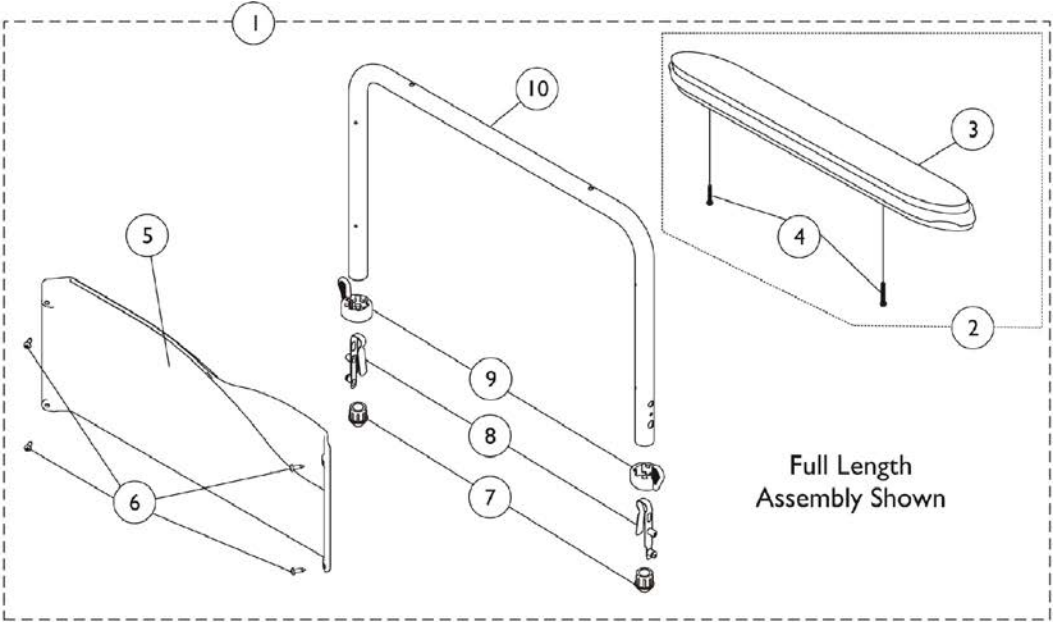
9000XT Removable Conventional Fixed Height Arms

| Item Number | Note | Part Number | Description | Quantity Per | |
|-------------|------|-------------|---|--------------|----------|
| | | | | Package | Assembly |
| 7 | | | Plug, Armrest, Black (3/4") (18GA) | 1 | 2 |
| 8 | | | Spring, Torsion with Button Lock | 1 | 2 |
| 9 | | | Handle, Quad Release | 1 | 2 |
| 10 | | | Tube, Armrest, Conventional, Full Height, Color | 1 | 1 |
| 1 | A,B | 8881130824 | Kit, Armrest, Full Length, Color - Left (Style 18) | 1 | 1 |
| 3 | | | NLA - Pad, Arm, Full Length w/ Law Label | 1 | 1 |
| 4 | | | Package, Screw Phillips Pan Head (#10-32 x 1-1/8") | 1 | 2 |
| 5 | | | Guard, Clothing, Full Length - Left | 1 | 1 |
| 6 | | | Screw, Self Tapping (#6-20 x 1/2") | 1 | 4 |
| 7 | | | Plug, Armrest, Black (3/4") (18GA) | 1 | 2 |
| 8 | | | Spring, Torsion with Button Lock | 1 | 2 |
| 9 | | | Handle, Quad Release | 1 | 2 |
| 10 | | | Tube, Armrest, Conventional, Full Height, Color | 1 | 1 |
| 1 | A,B | 8881135542 | Kit, Armrest, Desk Length, Color - Right (Style 28) | 1 | 1 |
| 3 | | | Arm Pad, Desk Length w/ Law Label | 1 | 1 |
| 4 | | | Package, Screw Phillips Pan Head (#10-32 x 1-1/8") | 1 | 2 |
| 5 | | | NLA - Guard, Clothing, Desk Length - Right | 1 | 1 |
| 6 | | | Screw, Self Tapping (#6-20 x 1/2") | 1 | 4 |
| 7 | | | Plug, Armrest, Black (3/4") (18GA) | 1 | 2 |
| 8 | | | Spring, Torsion with Button Lock | 1 | 2 |
| 9 | | | Handle, Quad Release | 1 | 2 |
| 10 | | | Tube, Armrest, Desk Length, Color - Right | 1 | 1 |
| 11 | | | Screw, Phillips Pan Head Tap (#6-20 x 3/8") | 1 | 2 |
| 1 | A,B | 8881135543 | Kit, Armrest, Desk Length, Color - Left (Style 28) | 1 | 1 |
| 3 | | | Arm Pad, Desk Length w/ Law Label | 1 | 1 |
| 4 | | | Package, Screw Phillips Pan Head (#10-32 x 1-1/8") | 1 | 2 |
| 5 | | | NLA - Guard, Clothing, Desk Length - Left | 1 | 1 |
| 6 | | | Screw, Self Tapping (#6-20 x 1/2") | 1 | 4 |
| 7 | | | Plug, Armrest, Black (3/4") (18GA) | 1 | 2 |
| 8 | | | Spring, Torsion with Button Lock | 1 | 2 |
| 9 | | | Handle, Quad Release | 1 | 2 |
| 10 | | | Tube, Armrest, Desk Length, Color - Left | 1 | 1 |
| 11 | | | Screw, Phillips Pan Head Tap (#6-20 x 3/8") | 1 | 2 |
| 2 | C,F | 8881127509 | Kit, Arm Pad w/Screws - Full Length | 1 | 1 |
| 3 | | | NLA - Pad, Arm, Full Length w/ Law Label | 1 | 1 |
| 4 | | | Package, Screw Phillips Pan Head (#10-32 x 1-1/8") | 1 | 2 |
| 2 | C,F | 8881127510 | Kit, Arm Pad w/Screws - Desk Length | 1 | 1 |
| 3 | | | Arm Pad, Desk Length w/ Law Label | 1 | 1 |
| 4 | | | Package, Screw Phillips Pan Head (#10-32 x 1-1/8") | 1 | 2 |
| 12 | D | 1058139 | Kit, Armrest Hardware | 1 | 1 |
| 13 | | | NLA - Screw, Hex Head (1/4-20 x 1-3/8") | 1 | 1 |
| 14 | | | Cup, Socket Pivot | 1 | 1 |
| 15 | | | Locknut (1/4-20) | 1 | 1 |
| | E | 1110285 | Guard, Clothing, Desk Length - Right | 1 | 1 |

9000XT Removable Conventional Fixed Height Arms

| Item Number | Note | Part Number | Description | Quantity Per | |
|--|------|-------------|--------------------------------------|--------------|----------|
| | | | | Package | Assembly |
| | E | 1110286 | Guard, Clothing, Desk Length - Left | 1 | 1 |
| | E | 1110287 | Guard, Clothing, Full Length - Right | 1 | 1 |
| | E | 1110288 | Guard, Clothing, Full Length - Left | 1 | 1 |
| <p>NOTE: A - Includes items 3-10 for Full Length Arms and items 3-11 for Desk Length Arms. B - Specify frame finish and upholstery color, see page titled "Frame Finishes, Upholstery Colors, Decals, and Packaging." C - Includes items 3 and 4. D - Includes items 13-15. E - Not Shown. Includes clothing guard and decal only. Replacement hardware listed within kits. F - Specify upholstery color when ordering. See page titled "Frame Finishes, Upholstery Colors, Decals, and Packaging."</p> | | | | | |

9000XDT Removable Conventional Fixed Height Arms



9000XDT Removable Conventional Fixed Height Arms

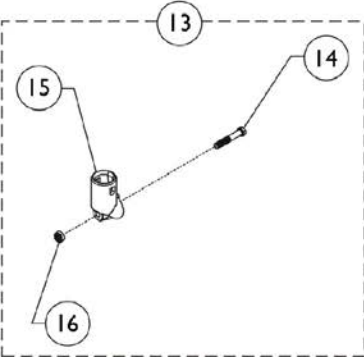
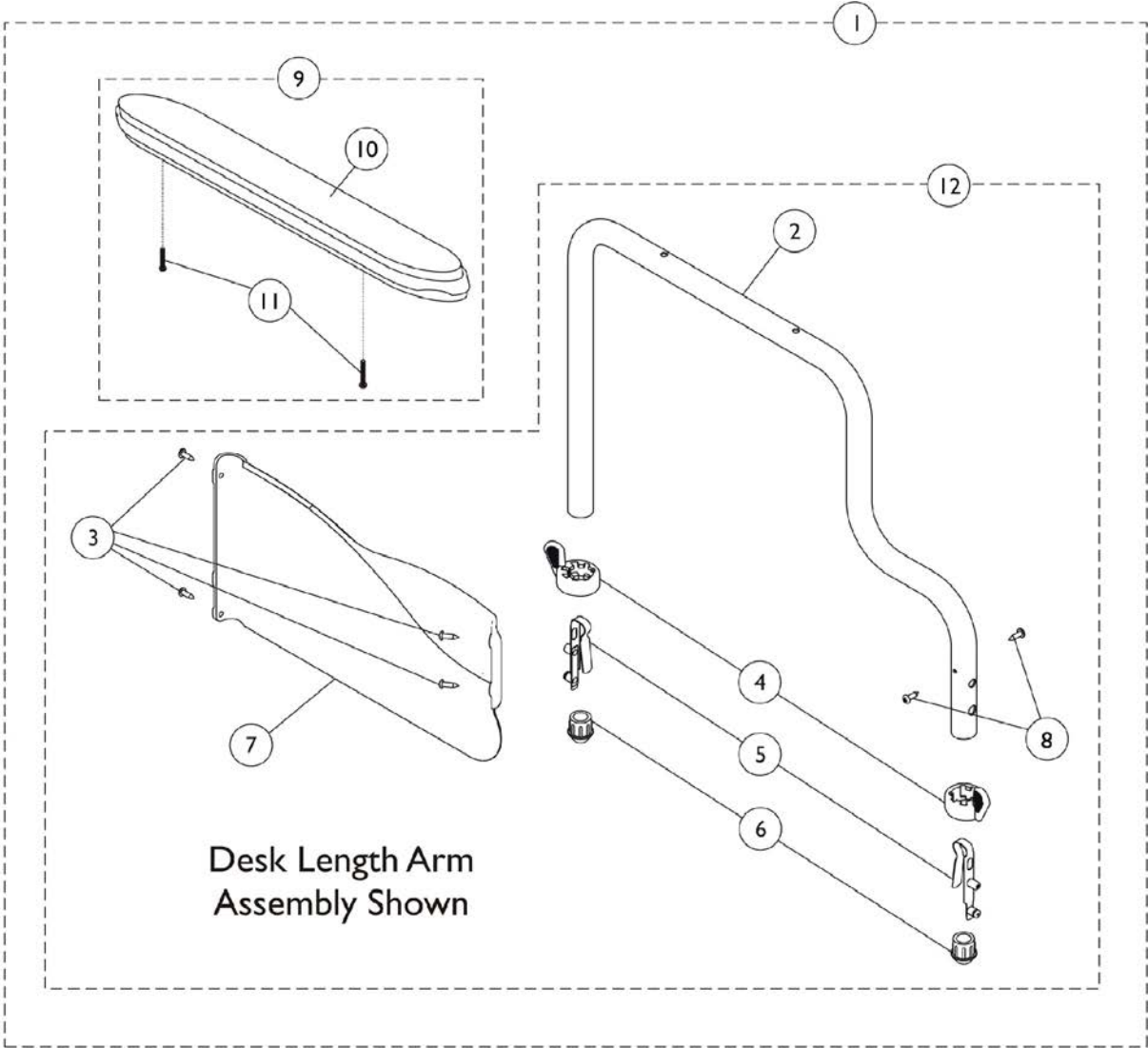
| Item Number | Note | Part Number | Description | Quantity Per | | |
|-------------|------|--|---|---|----------|---|
| | | | | Package | Assembly | |
| 1 | A,C | 8881130815 | Kit, Armrest, Desk Length, Color - Right (Style 28) | 1 | 1 | |
| 3 | | | Arm Pad, Desk Length w/ Law Label | 1 | 1 | |
| 4 | | | Package, Screw Phillips Pan Head (#10-32 x 1-1/8") | 1 | 2 | |
| 5 | | | NLA - Guard, Clothing, Desk Length - Right | 1 | 1 | |
| 6 | | | Screw, Self Tapping (#6-20 x 1/2") | 1 | 4 | |
| 7 | | | Plug, Armrest, Black (3/4") (18GA) | 1 | 2 | |
| 8 | | | Spring, Torsion with Button Lock | 1 | 2 | |
| 9 | | | Handle, Quad Release | 1 | 2 | |
| 10 | | | Tube, Armrest, Conventional, Desk Length, Color | 1 | 1 | |
| 11 | | | Screw, Phillips Pan Head Tap (#6-20 x 3/8") | 1 | 2 | |
| 1 | A,C | | 8881130816 | Kit, Armrest, Desk Length, Color - Left (Style 28) | 1 | 1 |
| 3 | | Arm Pad, Desk Length w/ Law Label | | 1 | 1 | |
| 4 | | Package, Screw Phillips Pan Head (#10-32 x 1-1/8") | | 1 | 2 | |
| 5 | | NLA - Guard, Clothing, Desk Length - Left | | 1 | 1 | |
| 6 | | Screw, Self Tapping (#6-20 x 1/2") | | 1 | 4 | |
| 7 | | Plug, Armrest, Black (3/4") (18GA) | | 1 | 2 | |
| 8 | | Spring, Torsion with Button Lock | | 1 | 2 | |
| 9 | | Handle, Quad Release | | 1 | 2 | |
| 10 | | Tube, Armrest, Conventional, Desk Length, Color - Left | | 1 | 1 | |
| 11 | | Screw, Phillips Pan Head Tap (#6-20 x 3/8") | | 1 | 2 | |
| 1 | A,C | 8881130817 | | Kit, Armrest, Full Length, Color - Right (Style 18) | 1 | 1 |
| 3 | | | NLA - Pad, Arm, Full Length w/ Law Label | 1 | 1 | |
| 4 | | | Package, Screw Phillips Pan Head (#10-32 x 1-1/8") | 1 | 1 | |
| 5 | | | Guard, Clothing, Full Length - Right | 1 | 1 | |
| 6 | | | Screw, Self Tapping (#6-20 x 1/2") | 1 | 4 | |
| 7 | | | Plug, Armrest, Black (3/4") (18GA) | 1 | 2 | |
| 8 | | | Spring, Torsion with Button Lock | 1 | 2 | |
| 9 | | | Handle, Quad Release | 1 | 2 | |
| 10 | | | Armrest, Conventional, Full Height, Color | 1 | 1 | |
| 1 | A,C | | 8881130818 | Kit, Armrest, Full Length, Color - Left (Style 18) | 1 | 1 |
| 3 | | | | NLA - Pad, Arm, Full Length w/ Law Label | 1 | 1 |
| 4 | | Package, Screw Phillips Pan Head (#10-32 x 1-1/8") | | 1 | 2 | |
| 5 | | Guard, Clothing, Full Length - Left | | 1 | 1 | |
| 6 | | Screw, Self Tapping (#6-20 x 1/2") | | 1 | 4 | |
| 7 | | Plug, Armrest, Black (3/4") (18GA) | | 1 | 2 | |
| 8 | | Spring, Torsion with Button Lock | | 1 | 2 | |
| 9 | | Handle, Quad Release | | 1 | 2 | |
| 10 | | Armrest, Conventional, Full Height, Color | | 1 | 1 | |
| 1 | A,F | 8881130819 | | Kit, Armrest, Full Length, Black - Right (Style 18) | 1 | 1 |
| 3 | | | | NLA - Pad, Arm, Full Length w/ Law Label | 1 | 1 |
| 4 | | | Package, Screw Phillips Pan Head (#10-32 x 1-1/8") | 1 | 1 | |
| 5 | | | Guard, Clothing, Full Length - Right | 1 | 1 | |
| 6 | | | Screw, Self Tapping (#6-20 x 1/2") | 1 | 4 | |
| 7 | | | Plug, Armrest, Black (3/4") (18GA) | 1 | 2 | |

9000XDT Removable Conventional Fixed Height Arms

| Item Number | Note | Part Number | Description | Quantity Per | |
|-------------|------|-------------|--|--------------|----------|
| | | | | Package | Assembly |
| 8 | | | Spring, Torsion with Button Lock | 1 | 2 |
| 9 | | | Handle, Quad Release | 1 | 2 |
| 10 | | | Tube, Armrest, Conventional, Full Length, Black | 1 | 1 |
| 1 | A,F | 8881130820 | Kit, Armrest, Full Length, Black - Left (Style 18) | 1 | 1 |
| 3 | | | NLA - Pad, Arm, Full Length w/ Law Label | 1 | 1 |
| 4 | | | Package, Screw Phillips Pan Head (#10-32 x 1-1/8") | 1 | 1 |
| 5 | | | Guard, Clothing, Full Length - Left | 1 | 1 |
| 6 | | | Screw, Self Tapping (#6-20 x 1/2") | 1 | 4 |
| 7 | | | Plug, Armrest, Black (3/4") (18GA) | 1 | 2 |
| 8 | | | Spring, Torsion with Button Lock | 1 | 2 |
| 9 | | | Handle, Quad Release | 1 | 2 |
| 10 | | | Tube, Armrest, Conventional, Full Length, Black | 1 | 1 |
| 2 | B,F | 8881127509 | Kit, Arm Pad w/Screws - Full Length | 1 | 1 |
| 3 | | | NLA - Pad, Arm, Full Length w/ Law Label | 1 | 1 |
| 4 | | | Package, Screw Phillips Pan Head (#10-32 x 1-1/8") | 1 | 2 |
| 2 | B,F | 8881127510 | Kit, Arm Pad w/Screws - Desk Length | 1 | 1 |
| 3 | | | Arm Pad, Desk Length w/ Law Label | 1 | 1 |
| 4 | | | Package, Screw Phillips Pan Head (#10-32 x 1-1/8") | 1 | 2 |
| 12 | D | 1058139 | Kit, Armrest Hardware | 1 | 1 |
| 13 | | | NLA - Screw, Hex Head (1/4-20 x 1-3/8") | 1 | 1 |
| 14 | | | Cup, Socket Pivot | 1 | 1 |
| 15 | | | Locknut (1/4-20) | 1 | 1 |
| | E | 1110285 | Guard, Clothing, Desk Length - Right | 1 | 1 |
| | E | 1110286 | Guard, Clothing, Desk Length - Left | 1 | 1 |
| | E | 1110287 | Guard, Clothing, Full Length - Right | 1 | 1 |
| | E | 1110288 | Guard, Clothing, Full Length - Left | 1 | 1 |

NOTE: A - Includes items 2-10 for Full Length Arms and items 2-11 for Desk Length Arms.
 B - Includes: Items 3 and 4.
 C - Specify frame finish and upholstery color when ordering. See category titled, "Frame Finishes, Upholstery Colors, Decals and Packaging."
 D - Includes items 13-15.
 E - Not Shown. Includes clothing guard and decal only. Replacement hardware listed within kits.
 F - Specify upholstery color when ordering. See category titled, "Frame Finishes, Upholstery Colors, Decals and Packaging."

9000XT Recliner Removable Conventional Fixed Height Arms



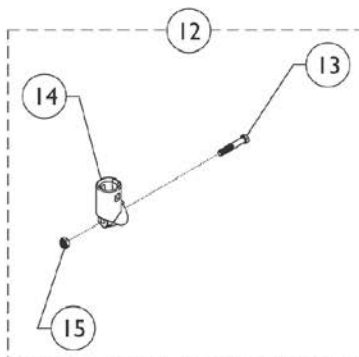
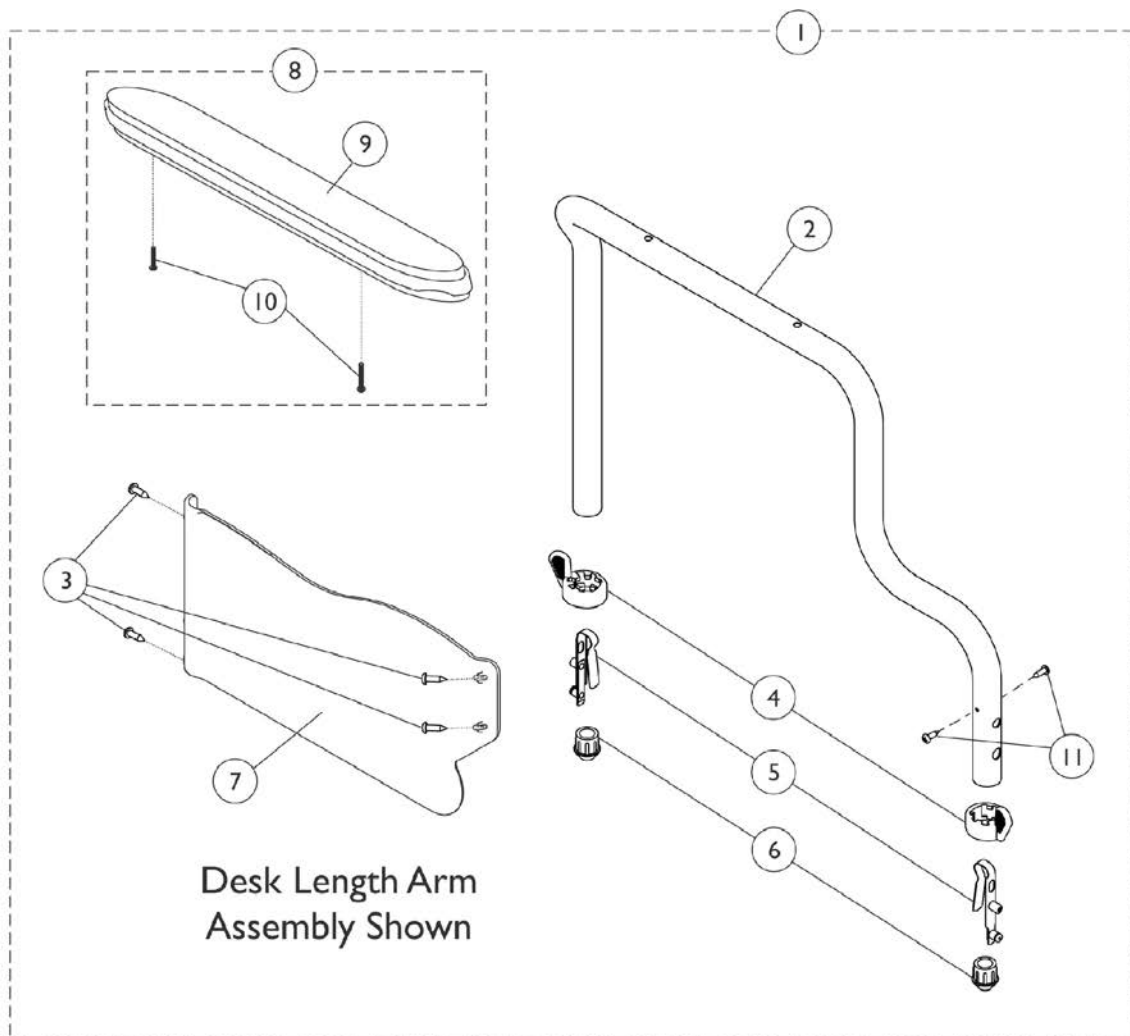
9000XT Recliner Removable Conventional Fixed Height Arms

| Item Number | Note | Part Number | Description | Quantity Per | | |
|-------------|------|--|--|--|----------|---|
| | | | | Package | Assembly | |
| 1 | A,B | 8881130832 | Kit, Armrest, Full Length, Color - Right (Style 18) | 1 | 1 | |
| 2 | | | Armrest, Conventional, Full Height, Color - Right/Left | 1 | 1 | |
| 3 | | | Screw, Self Tapping (#6-20 x 1/2") | 1 | 4 | |
| 4 | | | Handle, Quad Release | 1 | 2 | |
| 5 | | | Spring, Torsion with Button Lock | 1 | 2 | |
| 6 | | | Plug, Armrest, Black (3/4") (18GA) | 1 | 2 | |
| 7 | | | Guard, Clothing, Full Length - Right | 1 | 1 | |
| 10 | | | NLA - Pad, Arm, Full Length w/ Law Label | 1 | 1 | |
| 11 | | | Package, Screw Phillips Pan Head (#10-32 x 1-1/8") | 1 | 1 | |
| 1 | A,B | | 8881130833 | Kit, Armrest, Full Length, Color - Left (Style 18) | 1 | 1 |
| 2 | | | | Armrest, Conventional, Full Height, Color - Right/Left | 1 | 1 |
| 3 | | Screw, Self Tapping (#6-20 x 1/2") | | 1 | 4 | |
| 4 | | Handle, Quad Release | | 1 | 2 | |
| 5 | | Spring, Torsion with Button Lock | | 1 | 2 | |
| 6 | | Plug, Armrest, Black (3/4") (18GA) | | 1 | 2 | |
| 7 | | Guard, Clothing, Full Length - Left | | 1 | 1 | |
| 10 | | NLA - Pad, Arm, Full Length w/ Law Label | | 1 | 1 | |
| 11 | | Package, Screw Phillips Pan Head (#10-32 x 1-1/8") | | 1 | 1 | |
| 1 | A,H | 8881130829 | | Kit, Armrest, Full Length, Black - Right (Style 18) | 1 | 1 |
| 2 | | | | Armrest, Conventional, Full Height, Black - Right/Left | 1 | 1 |
| 3 | | | Screw, Self Tapping (#6-20 x 1/2") | 1 | 4 | |
| 4 | | | Handle, Quad Release | 1 | 2 | |
| 5 | | | Spring, Torsion with Button Lock | 1 | 2 | |
| 6 | | | Plug, Armrest, Black (3/4") (18GA) | 1 | 2 | |
| 7 | | | Guard, Clothing, Full Length - Right | 1 | 1 | |
| 10 | | | NLA - Pad, Arm, Full Length w/ Law Label | 1 | 1 | |
| 11 | | | Package, Screw Phillips Pan Head (#10-32 x 1-1/8") | 1 | 2 | |
| 1 | A,H | | 8881130830 | Kit, Armrest, Full Length, Black - Left (Style 18) | 1 | 1 |
| 2 | | | | Armrest, Conventional, Full Height, Black - Right/Left | 1 | 1 |
| 3 | | Screw, Self Tapping (#6-20 x 1/2") | | 1 | 4 | |
| 4 | | Handle, Quad Release | | 1 | 2 | |
| 5 | | Spring, Torsion with Button Lock | | 1 | 2 | |
| 6 | | Plug, Armrest, Black (3/4") (18GA) | | 1 | 2 | |
| 7 | | Guard, Clothing, Full Length - Left | | 1 | 1 | |
| 10 | | NLA - Pad, Arm, Full Length w/ Law Label | | 1 | 1 | |
| 11 | | Package, Screw Phillips Pan Head (#10-32 x 1-1/8") | | 1 | 2 | |
| 9 | C,H | 8881127509 | | Kit, Arm Pad w/Screws - Full Length | 1 | 1 |
| 10 | | | | NLA - Pad, Arm, Full Length w/ Law Label | 1 | 1 |
| 11 | | | Package, Screw Phillips Pan Head (#10-32 x 1-1/8") | 1 | 2 | |
| 9 | C,H | 8881127510 | Kit, Arm Pad w/Screws - Desk Length | 1 | 1 | |

9000XT Recliner Removable Conventional Fixed Height Arms

| Item Number | Note | Part Number | Description | Quantity Per | |
|--|------|-------------|--|--------------|----------|
| | | | | Package | Assembly |
| 10 | | | Arm Pad, Desk Length w/ Law Label | 1 | 1 |
| 11 | | | Package, Screw Phillips Pan Head (#10-32 x 1-1/8") | 1 | 2 |
| 12 | D | 1071663 | Arm Assembly w/o Arm Pad, Desk Length, Black - Right | 1 | 1 |
| 12 | D | 1071664 | Arm Assembly w/o Arm Pad, Desk Length, Black - Left | 1 | 1 |
| 12 | B,I | 8881074654 | Arm Assembly w/o Arm Pad, Desk Length, Color - Right | 1 | 1 |
| 12 | B,I | 8881074655 | Arm Assembly w/o Arm Pad, Desk Length, Color - Left | 1 | 1 |
| | E,F | 1117365 | Kit, Clothing Guard, Conventional, Desk Length w/ Screws and Decals (Pair) | 1 | 1 |
| | E,F | 1117366 | Kit, Clothing Guards - Conventional, Full Length w/ Screws & Decals | 1 | 1 |
| 13 | G | 1058139 | Kit, Armrest Hardware | 1 | 1 |
| 14 | | | NLA - Screw, Hex Head (1/4-20 x 1-3/8") | 1 | 1 |
| 15 | | | Cup, Socket Pivot | 1 | 1 |
| 16 | | | Locknut (1/4-20) | 1 | 1 |
| <p>NOTE: A - Includes items 2-7, 10 and 11. B - Specify frame finish and upholstery color when ordering. See category titled, "Frame Finishes, Upholstery Colors, Decals and Packaging." C - Includes items 11 and 12. D - Includes items 2-8. E - Not Shown. F - Clothing Guard is not sold individually after 11/03. Kit Includes: Clothing Guards (RT & LT sides), Screws & Decals. G - Includes items 14-16. H - Specify upholstery color when ordering. See category titled, "Frame Finishes, Upholstery Colors, Decals and Packaging." I - Specify frame finish when ordering. See category titled, "Frame Finishes, Upholstery Colors, Decals and Packaging."</p> | | | | | |

9000XT, 9000XDT - Removable Space Saver Fixed Height Arms



9000XT, 9000XDT - Removable Space Saver Fixed Height Arms

| Item Number | Note | Part Number | Description | Quantity Per | |
|-------------|------|--|--|---|----------|
| | | | | Package | Assembly |
| 1 | A,B | 8881130848 | Kit, Armrest, Desk Length, Color - Right (Style 88) | 1 | 1 |
| 2 | | | Tube, Armrest, Spacer Saver, Desk, Color - Right | 1 | 1 |
| 3 | | | Screw, Self Tapping (#6-20 x 1/2") | 1 | 4 |
| 4 | | | Handle, Quad Release | 1 | 2 |
| 5 | | | Spring, Torsion with Button Lock | 1 | 2 |
| 6 | | | Plug, Armrest, Black (3/4") (18GA) | 1 | 2 |
| 7 | | | Guard, Clothing, Desk Length - Right | 1 | 1 |
| 9 | | | Arm Pad, Desk Length w/ Law Label | 1 | 1 |
| 10 | | | Package, Screw Phillips Pan Head (#10-32 x 1-1/8") | 1 | 1 |
| 11 | | | Screw, Phillips Pan Head Tap (#6-20 x 3/8") | 1 | 2 |
| 1 | A,B | | 8881130849 | Kit, Armrest, Desk Length, Color - Left (Style 88) | 1 |
| 2 | | Tube, Armrest, Spacer Saver, Desk, Color - Left | | 1 | 1 |
| 3 | | Screw, Self Tapping (#6-20 x 1/2") | | 1 | 4 |
| 4 | | Handle, Quad Release | | 1 | 2 |
| 5 | | Spring, Torsion with Button Lock | | 1 | 2 |
| 6 | | Plug, Armrest, Black (3/4") (18GA) | | 1 | 2 |
| 7 | | Guard, Clothing, Desk Length - Left | | 1 | 1 |
| 9 | | Arm Pad, Desk Length w/ Law Label | | 1 | 1 |
| 10 | | Package, Screw Phillips Pan Head (#10-32 x 1-1/8") | | 1 | 2 |
| 11 | | Screw, Phillips Pan Head Tap (#6-20 x 3/8") | | 1 | 2 |
| 1 | B,E | 8881130846 | | Kit, Armrest, Desk Length, Black - Right (Style 88) | 1 |
| 2 | | | Tube, Armrest, Spacer Saver, Desk, Black - Right | 1 | 1 |
| 3 | | | Screw, Self Tapping (#6-20 x 1/2") | 1 | 4 |
| 4 | | | Handle, Quad Release | 1 | 2 |
| 5 | | | Spring, Torsion with Button Lock | 1 | 2 |
| 6 | | | Plug, Armrest, Black (3/4") (18GA) | 1 | 2 |
| 7 | | | Guard, Clothing, Desk Length - Right | 1 | 1 |
| 9 | | | Arm Pad, Desk Length w/ Law Label | 1 | 1 |
| 10 | | | Package, Screw Phillips Pan Head (#10-32 x 1-1/8") | 1 | 2 |
| 11 | | | Screw, Phillips Pan Head Tap (#6-20 x 3/8") | 1 | 2 |
| 1 | B,E | | 8881130847 | Kit, Armrest, Desk Length, Black - Left (Style 88) | 1 |
| 2 | | Tube, Armrest, Spacer Saver, Desk, Black - Left | | 1 | 1 |
| 3 | | Screw, Self Tapping (#6-20 x 1/2") | | 1 | 4 |
| 4 | | Handle, Quad Release | | 1 | 2 |
| 5 | | Spring, Torsion with Button Lock | | 1 | 2 |
| 6 | | Plug, Armrest, Black (3/4") (18GA) | | 1 | 2 |
| 7 | | Guard, Clothing, Desk Length - Left | | 1 | 1 |
| 9 | | Arm Pad, Desk Length w/ Law Label | | 1 | 1 |
| 10 | | Package, Screw Phillips Pan Head (#10-32 x 1-1/8") | | 1 | 2 |
| 11 | | Screw, Phillips Pan Head Tap (#6-20 x 3/8") | | 1 | 2 |
| 1 | B,E | 8881130850 | | Kit, Armrest, Full Length, Black - Right (Style 78) | 1 |
| 2 | | | Tube, Armrest, Space Saver, Full Length, Black - Right | 1 | 1 |

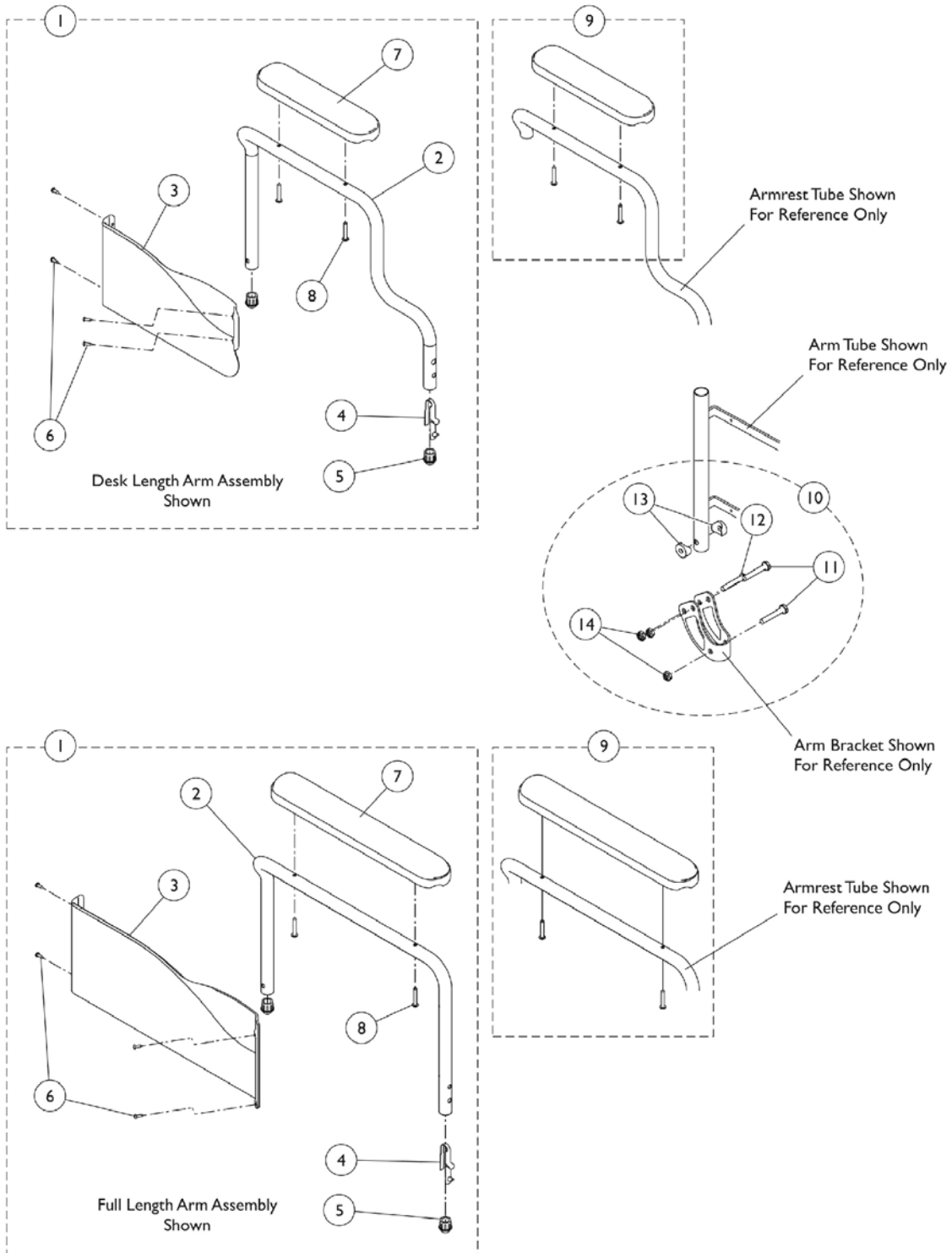
9000XT, 9000XDT - Removable Space Saver Fixed Height Arms

| Item Number | Note | Part Number | Description | Quantity Per | |
|-------------|------|-------------|--|--------------|----------|
| | | | | Package | Assembly |
| 3 | | | Screw, Self Tapping (#6-20 x 1/2") | 1 | 4 |
| 4 | | | Handle, Quad Release | 1 | 2 |
| 5 | | | Spring, Torsion with Button Lock | 1 | 2 |
| 6 | | | Plug, Armrest, Black (3/4") (18GA) | 1 | 2 |
| 7 | | | Guard, Clothing, Full Length - Right | 1 | 1 |
| 9 | | | NLA - Pad, Arm, Full Length w/ Law Label | 1 | 1 |
| 10 | | | Package, Screw Phillips Pan Head (#10-32 x 1-1/8") | 1 | 2 |
| 1 | B,E | 8881130851 | Kit, Armrest, Full Length, Black - Left (Style 78) | 1 | 1 |
| 2 | | | Tube, Armrest, Space Saver, Full Length, Black - Left | 1 | 1 |
| 3 | | | Screw, Self Tapping (#6-20 x 1/2") | 1 | 4 |
| 4 | | | Handle, Quad Release | 1 | 2 |
| 5 | | | Spring, Torsion with Button Lock | 1 | 2 |
| 6 | | | Plug, Armrest, Black (3/4") (18GA) | 1 | 2 |
| 7 | | | Guard, Clothing, Full Length - Left | 1 | 1 |
| 9 | | | NLA - Pad, Arm, Full Length w/ Law Label | 1 | 1 |
| 10 | | | Package, Screw Phillips Pan Head (#10-32 x 1-1/8") | 1 | 2 |
| 1 | A,B | 8881130852 | Kit, Armrest, Full Length, Color - Right (Style 78) | 1 | 1 |
| 2 | | | Tube, Armrest, Space Saver, Full Length, Color - Right | 1 | 1 |
| 3 | | | Screw, Self Tapping (#6-20 x 1/2") | 1 | 4 |
| 4 | | | Handle, Quad Release | 1 | 2 |
| 5 | | | Spring, Torsion with Button Lock | 1 | 2 |
| 6 | | | Plug, Armrest, Black (3/4") (18GA) | 1 | 2 |
| 7 | | | Guard, Clothing, Full Length - Right | 1 | 1 |
| 9 | | | NLA - Pad, Arm, Full Length w/ Law Label | 1 | 1 |
| 10 | | | Package, Screw Phillips Pan Head (#10-32 x 1-1/8") | 1 | 2 |
| 1 | A,B | 8881130853 | Kit, Armrest, Full Length, Color - Left (Style 78) | 1 | 1 |
| 2 | | | Tube, Armrest, Space Saver, Full Length, Color - Left | 1 | 1 |
| 3 | | | Screw, Self Tapping (#6-20 x 1/2") | 1 | 4 |
| 4 | | | Handle, Quad Release | 1 | 2 |
| 5 | | | Spring, Torsion with Button Lock | 1 | 2 |
| 6 | | | Plug, Armrest, Black (3/4") (18GA) | 1 | 2 |
| 7 | | | Guard, Clothing, Full Length - Left | 1 | 1 |
| 9 | | | NLA - Pad, Arm, Full Length w/ Law Label | 1 | 1 |
| 10 | | | Package, Screw Phillips Pan Head (#10-32 x 1-1/8") | 1 | 2 |
| 8 | C,E | 8881127509 | Kit, Arm Pad w/Screws - Full Length | 1 | 1 |
| 9 | | | NLA - Pad, Arm, Full Length w/ Law Label | 1 | 1 |
| 10 | | | Package, Screw Phillips Pan Head (#10-32 x 1-1/8") | 1 | 2 |
| 8 | C,E | 8881127510 | Kit, Arm Pad w/Screws - Desk Length | 1 | 1 |
| 9 | | | Arm Pad, Desk Length w/ Law Label | 1 | 1 |
| 10 | | | Package, Screw Phillips Pan Head (#10-32 x 1-1/8") | 1 | 2 |

9000XT, 9000XDT - Removable Space Saver Fixed Height Arms

| Item Number | Note | Part Number | Description | Quantity Per | |
|---|------|-------------|---|--------------|----------|
| | | | | Package | Assembly |
| 12 | D | 1058139 | Kit, Armrest Hardware | 1 | 1 |
| 13 | | | NLA - Screw, Hex Head (1/4-20 x 1-3/8") | 1 | 1 |
| 14 | | | Cup, Socket Pivot | 1 | 1 |
| 15 | | | Locknut (1/4-20) | 1 | 1 |
| NOTE: A - Specify frame finish and upholstery color. See page titled "Frame Finishes, Upholstery Colors, Decals and Packaging." B - Includes items 2-7, 9 and 10 for Full Length Arms and items 2-7 and 9-11 for Desk Length Arms C - Includes items 9 and 10. D - Includes items 13-15. E - Specify upholstery color. See page titled "Frame Finishes, Upholstery Colors, Decals and Packaging." | | | | | |

9000SL Non-Removable Space Saver Fixed Height Arms



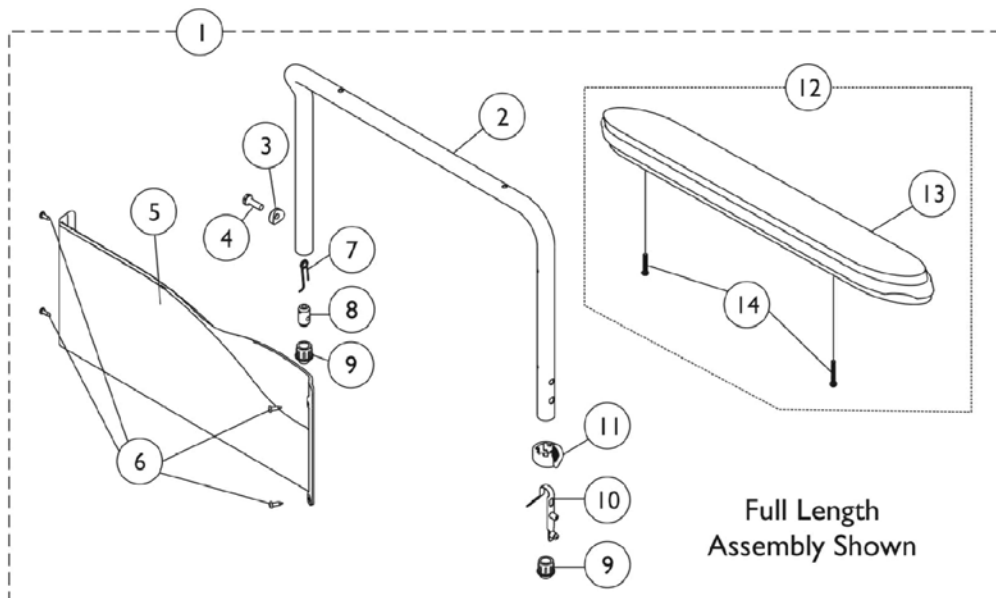
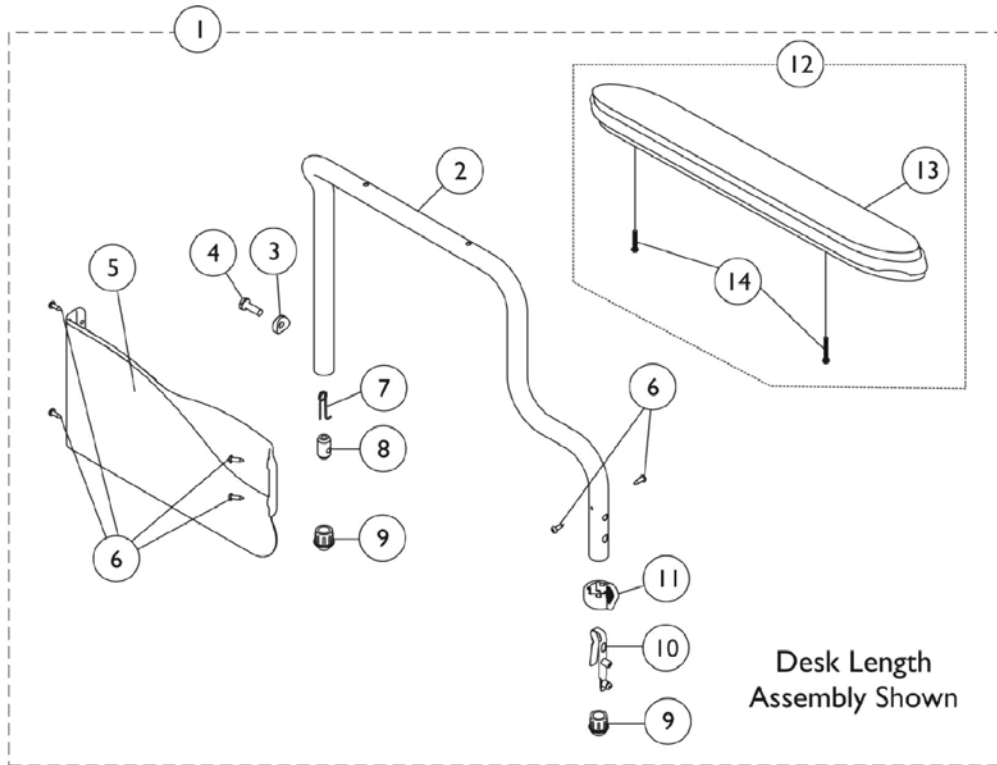
9000SL Non-Removable Space Saver Fixed Height Arms

| Item Number | Note | Part Number | Description | Quantity Per | |
|-------------|-------|-------------|---|--------------|----------|
| | | | | Package | Assembly |
| 1 | A,G,H | 8881130858 | Kit, Armrest, Desk Length, Black - Right (Style 88) | 1 | 1 |
| 2 | | | Tube, Armrest, Space Saver, Black - Right | 1 | 1 |
| 3 | | | Guard, Clothing, Desk Length - Right | 1 | 1 |
| 4 | | | Spring, Torsion w/ Button Lock | 1 | 1 |
| 5 | | | Plug, Armrest, Black (3/4") (18GA) | 1 | 2 |
| 6 | | | Screw, Self Tapping (#6-20 x 1/2") | 1 | 4 |
| 7 | | | Arm Pad, Desk Length w/ Law Label | 1 | 1 |
| 8 | | | Package, Screw Phillips Pan Head (#10-32 x 1-1/8") | 1 | 2 |
| 1 | A,G,H | 8881130859 | Kit, Armrest, Desk Length, Black - Left (Style 88) | 1 | 1 |
| 2 | | | Tube, Armrest, Space Saver, Black - Left | 1 | 1 |
| 3 | | | Guard, Clothing, Desk Length - Left | 1 | 1 |
| 4 | | | Spring, Torsion w/ Button Lock | 1 | 1 |
| 5 | | | Plug, Armrest, Black (3/4") (18GA) | 1 | 2 |
| 6 | | | Screw, Self Tapping (#6-20 x 1/2") | 1 | 4 |
| 7 | | | Arm Pad, Desk Length w/ Law Label | 1 | 1 |
| 8 | | | Package, Screw Phillips Pan Head (#10-32 x 1-1/8") | 1 | 2 |
| 1 | A,H | 8881137325 | Kit, Armrest, Full Length, Black - Right (Style 78) | 1 | 1 |
| 2 | | | Armrest, Space-Saver, Full, Black - Right | 1 | 1 |
| 3 | | | Guard, Clothing, Full Length - Right | 1 | 1 |
| 4 | | | Spring, Torsion w/ Button Lock | 1 | 1 |
| 5 | | | Plug, Armrest, Black (3/4") (18GA) | 1 | 2 |
| 6 | | | Screw, Self Tapping (#6-20 x 1/2") | 1 | 4 |
| 7 | | | NLA - Pad, Arm, Full Length w/ Law Label | 1 | 1 |
| 8 | | | Package, Screw Phillips Pan Head (#10-32 x 1-1/8") | 1 | 2 |
| 1 | A,H | 8881137326 | Kit, Armrest, Full Length, Black - Left (Style 78) | 1 | 1 |
| 2 | | | Armrest, Space-Saver, Full, Black - Left | 1 | 1 |
| 3 | | | Guard, Clothing, Full Length - Left | 1 | 1 |
| 4 | | | Spring, Torsion w/ Button Lock | 1 | 1 |
| 5 | | | Plug, Armrest, Black (3/4") (18GA) | 1 | 2 |
| 6 | | | Screw, Self Tapping (#6-20 x 1/2") | 1 | 4 |
| 7 | | | NLA - Pad, Arm, Full Length w/ Law Label | 1 | 1 |
| 8 | | | Package, Screw Phillips Pan Head (#10-32 x 1-1/8") | 1 | 2 |
| 9 | B,H | 8881127509 | Kit, Arm Pad w/Screws - Full Length | 1 | 1 |
| | | | NLA - Pad, Arm, Full Length w/ Law Label | 1 | 1 |
| | | | Package, Screw Phillips Pan Head (#10-32 x 1-1/8") | 1 | 2 |
| 9 | B,H | 8881127510 | Kit, Arm Pad w/Screws - Desk Length | 1 | 1 |
| | | | Arm Pad, Desk Length w/ Law Label | 1 | 1 |
| | | | Package, Screw Phillips Pan Head (#10-32 x 1-1/8") | 1 | 2 |
| | C,D,E | 1123307 | Kit, Clothing Guard, Space Saver, Desk Length w/ Screws and Decals (Pair) | 2 | 1 |
| | C,D,E | 1123308 | Kit, Clothing Guard, Space Saver, Full Length w/ Screws & Decals (Pair) | 2 | 1 |
| 10 | F | 1091072 | Hardware, Armrest | 1 | 1 |
| 11 | | | Spacer, Coved (1/4 x 3/4 x 11/32") | 1 | 4 |

9000SL Non-Removable Space Saver Fixed Height Arms

| Item Number | Note | Part Number | Description | Quantity Per | |
|---|------|-------------|--|--------------|----------|
| | | | | Package | Assembly |
| 12 | | | NLA - Screw, Socket Button Head (1/4-20 x 1-7/16") | 1 | 2 |
| 13 | | | Screw, Hex Head (1/4-20 x 1-1/2") | 1 | 4 |
| 14 | | | Locknut (1/4-20) | 1 | 6 |
| <p>NOTE: A - Includes items 2 - 8 for Desk Length Arms and items 2 - 8 for Full Length Arms. B - Includes Armpad and Screws. C - Not Shown. D - Due to clothing guard change, it is recommended (for chairs built before 11/25/03) when only one arm is requested, the appropriate clothing guard kit (item 7) be ordered also, so the arms will match. E - Includes items 3 and 6. F - Includes items 11 - 14. G - Invacare recommends ordering arm assemblies in pairs to assure uniform appearance on chair. H - Specify upholstery color when ordering. See page titled "Frame Finishes, Upholstery Colors, Decals and Packaging."</p> | | | | | |

9000XT & 9000XDT Non-Removable Space Saver Fixed Height Arms



9000XT & 9000XDT Non-Removable Space Saver Fixed Height Arms

| Item Number | Note | Part Number | Description | Quantity Per | |
|-------------|--|-------------|---|--------------|---|
| | | | | Package | Assembly |
| 1 | A,B,E | 8881130836 | Kit, Armrest, Desk Length, Black - Right (Style 88) | 1 | 1 |
| 2 | | | Tube, Armrest, Spacer Saver, Desk, Black - Right | 1 | 1 |
| 3 | | | Spacer, Coved (1/4 x 11/16 x 1/2") | 1 | 1 |
| 4 | | | NLA - Bolt, Hex Head Cap (1/4-20 x 3/4") | 1 | 1 |
| 5 | | | Guard, Clothing, Desk Length - Right | 1 | 1 |
| 6 | | | Screw, Self Tapping (#6-20 x 1/2") | 1 | 6 |
| 7 | | | Spring, Release | 1 | 1 |
| 8 | | | Insert, Threaded | 1 | 1 |
| 9 | | | Plug, Armrest, Black (3/4") (18GA) | 1 | 2 |
| 10 | | | Spring, Torsion with Button Lock | 1 | 1 |
| 11 | | | Handle, Quad Release | 1 | 1 |
| 13 | | | Arm Pad, Desk Length w/ Law Label | 1 | 1 |
| 14 | | | Package, Screw Phillips Pan Head (#10-32 x 1-1/8") | 1 | 2 |
| 1 | | | A,B,E | 8881130837 | Kit, Armrest, Desk Length, Black - Left (Style 88) |
| 2 | Tube, Armrest, Spacer Saver, Desk, Black - Left | 1 | | | 1 |
| 3 | Spacer, Coved (1/4 x 11/16 x 1/2") | 1 | | | 1 |
| 4 | NLA - Bolt, Hex Head Cap (1/4-20 x 3/4") | 1 | | | 1 |
| 5 | Guard, Clothing, Desk Length - Left | 1 | | | 1 |
| 6 | Screw, Self Tapping (#6-20 x 1/2") | 1 | | | 6 |
| 7 | Spring, Release | 1 | | | 1 |
| 8 | Insert, Threaded | 1 | | | 1 |
| 9 | Plug, Armrest, Black (3/4") (18GA) | 1 | | | 2 |
| 10 | Spring, Torsion with Button Lock | 1 | | | 1 |
| 11 | Handle, Quad Release | 1 | | | 1 |
| 13 | Arm Pad, Desk Length w/ Law Label | 1 | | | 1 |
| 14 | Package, Screw Phillips Pan Head (#10-32 x 1-1/8") | 1 | | | 2 |
| 1 | A,D,F | 8881137333 | | | Kit, Armrest, Desk Length, Color - Right (Style 88) |
| 2 | | | Tube, Armrest, Desk Length, Color - Right | 1 | 1 |
| 3 | | | Spacer, Coved (1/4 x 11/16 x 1/2") | 1 | 1 |
| 4 | | | NLA - Bolt, Hex Head Cap (1/4-20 x 3/4") | 1 | 1 |
| 5 | | | Guard, Clothing, Desk Length - Right | 1 | 1 |
| 6 | | | Screw, Self Tapping (#6-20 x 1/2") | 1 | 6 |
| 7 | | | Spring, Release | 1 | 1 |
| 8 | | | Insert, Threaded | 1 | 1 |
| 9 | | | Plug, Armrest, Black (3/4") (18GA) | 1 | 2 |
| 10 | | | Spring, Torsion with Button Lock | 1 | 1 |
| 11 | | | Handle, Quad Release | 1 | 1 |
| 13 | | | Arm Pad, Desk Length w/ Law Label | 1 | 1 |
| 14 | | | Package, Screw Phillips Pan Head (#10-32 x 1-1/8") | 1 | 2 |
| 1 | | | A,D,F | 8881137334 | Kit, Armrest, Desk Length, Color - Left (Style 88) |
| 2 | Tube, Armrest, Desk Length, Color - Left | 1 | | | 1 |
| 3 | Spacer, Coved (1/4 x 11/16 x 1/2") | 1 | | | 1 |
| 4 | NLA - Bolt, Hex Head Cap (1/4-20 x 3/4") | 1 | | | 1 |

9000XT & 9000XDT Non-Removable Space Saver Fixed Height Arms

| Item Number | Note | Part Number | Description | Quantity Per | |
|-------------|-------|-------------|--|--------------|----------|
| | | | | Package | Assembly |
| 5 | | | Screw, Self Tapping (#6-20 x 1/2") | 1 | 6 |
| 6 | | | Guard, Clothing, Desk Length - Left | 1 | 1 |
| 7 | | | Spring, Release | 1 | 1 |
| 8 | | | Insert, Threaded | 1 | 1 |
| 9 | | | Plug, Armrest, Black (3/4") (18GA) | 1 | 2 |
| 10 | | | Spring, Torsion with Button Lock | 1 | 1 |
| 11 | | | Handle, Quad Release | 1 | 1 |
| 13 | | | Arm Pad, Desk Length w/ Law Label | 1 | 1 |
| 14 | | | Package, Screw Phillips Pan Head (#10-32 x 1-1/8") | 1 | 2 |
| 1 | A,E,F | 8881137335 | Kit, Armrest, Desk Length, Color - Right (Style 88) | 1 | 1 |
| 2 | | | Tube, Armrest, Spacer Saver, Desk, Color - Right | 1 | 1 |
| 3 | | | Spacer, Coved (1/4 x 11/16 x 1/2") | 1 | 1 |
| 4 | | | NLA - Bolt, Hex Head Cap (1/4-20 x 3/4") | 1 | 1 |
| 5 | | | Guard, Clothing, Desk Length - Right | 1 | 1 |
| 6 | | | Screw, Self Tapping (#6-20 x 1/2") | 1 | 6 |
| 7 | | | Spring, Release | 1 | 1 |
| 8 | | | Insert, Threaded | 1 | 1 |
| 9 | | | Plug, Armrest, Black (3/4") (18GA) | 1 | 2 |
| 10 | | | Spring, Torsion with Button Lock | 1 | 1 |
| 11 | | | Handle, Quad Release | 1 | 1 |
| 13 | | | Arm Pad, Desk Length w/ Law Label | 1 | 1 |
| 14 | | | Package, Screw Phillips Pan Head (#10-32 x 1-1/8") | 1 | 2 |
| 1 | A,E,F | 8881137336 | Kit, Armrest, Desk Length, Color - Left (Style 88) | 1 | 1 |
| 2 | | | Tube, Armrest, Spacer Saver, Desk, Color - Left | 1 | 1 |
| 3 | | | Spacer, Coved (1/4 x 11/16 x 1/2") | 1 | 1 |
| 4 | | | NLA - Bolt, Hex Head Cap (1/4-20 x 3/4") | 1 | 1 |
| 5 | | | Guard, Clothing, Desk Length - Left | 1 | 1 |
| 6 | | | Screw, Self Tapping (#6-20 x 1/2") | 1 | 6 |
| 7 | | | Spring, Release | 1 | 1 |
| 8 | | | Insert, Threaded | 1 | 1 |
| 9 | | | Plug, Armrest, Black (3/4") (18GA) | 1 | 2 |
| 10 | | | Spring, Torsion with Button Lock | 1 | 1 |
| 11 | | | Handle, Quad Release | 1 | 1 |
| 13 | | | Arm Pad, Desk Length w/ Law Label | 1 | 1 |
| 14 | | | Package, Screw Phillips Pan Head (#10-32 x 1-1/8") | 1 | 2 |
| 1 | A,B,E | 8881130838 | Kit, Armrest, Full Length, Black - Right (Style 78) | 1 | 1 |
| 2 | | | Tube, Armrest, Space Saver, Full Length, Black - Right | 1 | 1 |
| 3 | | | Spacer, Coved (1/4 x 11/16 x 1/2") | 1 | 1 |
| 4 | | | NLA - Bolt, Hex Head Cap (1/4-20 x 3/4") | 1 | 1 |
| 5 | | | Guard, Clothing, Full Length - Right | 1 | 1 |
| 6 | | | Screw, Self Tapping (#6-20 x 1/2") | 1 | 4 |
| 7 | | | Spring, Release | 1 | 1 |

9000XT & 9000XDT Non-Removable Space Saver Fixed Height Arms

| Item Number | Note | Part Number | Description | Quantity Per | |
|-------------|-------|-------------|---|--------------|----------|
| | | | | Package | Assembly |
| 8 | | | Insert, Threaded | 1 | 1 |
| 9 | | | Plug, Armrest, Black (3/4") (18GA) | 1 | 2 |
| 10 | | | Spring, Torsion with Button Lock | 1 | 1 |
| 11 | | | Handle, Quad Release | 1 | 1 |
| 13 | | | NLA - Pad, Arm, Full Length w/ Law Label | 1 | 1 |
| 14 | | | Package, Screw Phillips Pan Head (#10-32 x 1-1/8") | 1 | 2 |
| 1 | A,B,E | 8881130839 | Kit, Armrest, Full Length, Black - Left (Style 78) | 1 | 1 |
| 2 | | | Tube, Armrest, Space Saver, Full Length, Black - Left | 1 | 1 |
| 3 | | | Spacer, Coved (1/4 x 11/16 x 1/2") | 1 | 1 |
| 4 | | | NLA - Bolt, Hex Head Cap (1/4-20 x 3/4") | 1 | 1 |
| 5 | | | Guard, Clothing, Full Length - Left | 1 | 1 |
| 6 | | | Screw, Self Tapping (#6-20 x 1/2") | 1 | 4 |
| 7 | | | Spring, Release | 1 | 1 |
| 8 | | | Insert, Threaded | 1 | 1 |
| 9 | | | Plug, Armrest, Black (3/4") (18GA) | 1 | 2 |
| 10 | | | Spring, Torsion with Button Lock | 1 | 1 |
| 11 | | | Handle, Quad Release | 1 | 1 |
| 13 | | | NLA - Pad, Arm, Full Length w/ Law Label | 1 | 1 |
| 14 | | | Package, Screw Phillips Pan Head (#10-32 x 1-1/8") | 1 | 2 |
| 1 | A,B,D | 8881137327 | Kit, Armrest, Full Length, Black - Right (Style 78) | 1 | 1 |
| 2 | | | NLA - Armrest, Full, Black - Right | 1 | 1 |
| 3 | | | Spacer, Coved (1/4 x 11/16 x 1/2") | 1 | 1 |
| 4 | | | NLA - Bolt, Hex Head Cap (1/4-20 x 3/4") | 1 | 1 |
| 5 | | | Guard, Clothing, Full Length - Right | 1 | 1 |
| 6 | | | Screw, Self Tapping (#6-20 x 1/2") | 1 | 4 |
| 7 | | | Spring, Release | 1 | 1 |
| 8 | | | Insert, Threaded | 1 | 1 |
| 9 | | | Plug, Armrest, Black (3/4") (18GA) | 1 | 2 |
| 10 | | | Spring, Torsion with Button Lock | 1 | 1 |
| 11 | | | Handle, Quad Release | 1 | 1 |
| 13 | | | NLA - Pad, Arm, Full Length w/ Law Label | 1 | 1 |
| 14 | | | Package, Screw Phillips Pan Head (#10-32 x 1-1/8") | 1 | 2 |
| 1 | A,B,D | 8881137328 | Kit, Armrest, Full Length, Black - Left (Style 78) | 1 | 1 |
| 2 | | | NLA - Armrest, Full, Black - Left | 1 | 1 |
| 3 | | | Spacer, Coved (1/4 x 11/16 x 1/2") | 1 | 1 |
| 4 | | | NLA - Bolt, Hex Head Cap (1/4-20 x 3/4") | 1 | 1 |
| 5 | | | Guard, Clothing, Full Length - Left | 1 | 1 |
| 6 | | | Screw, Self Tapping (#6-20 x 1/2") | 1 | 4 |
| 7 | | | Spring, Release | 1 | 1 |
| 8 | | | Insert, Threaded | 1 | 1 |
| 9 | | | Plug, Armrest, Black (3/4") (18GA) | 1 | 2 |
| 10 | | | Spring, Torsion with Button Lock | 1 | 1 |

9000XT & 9000XDT Non-Removable Space Saver Fixed Height Arms

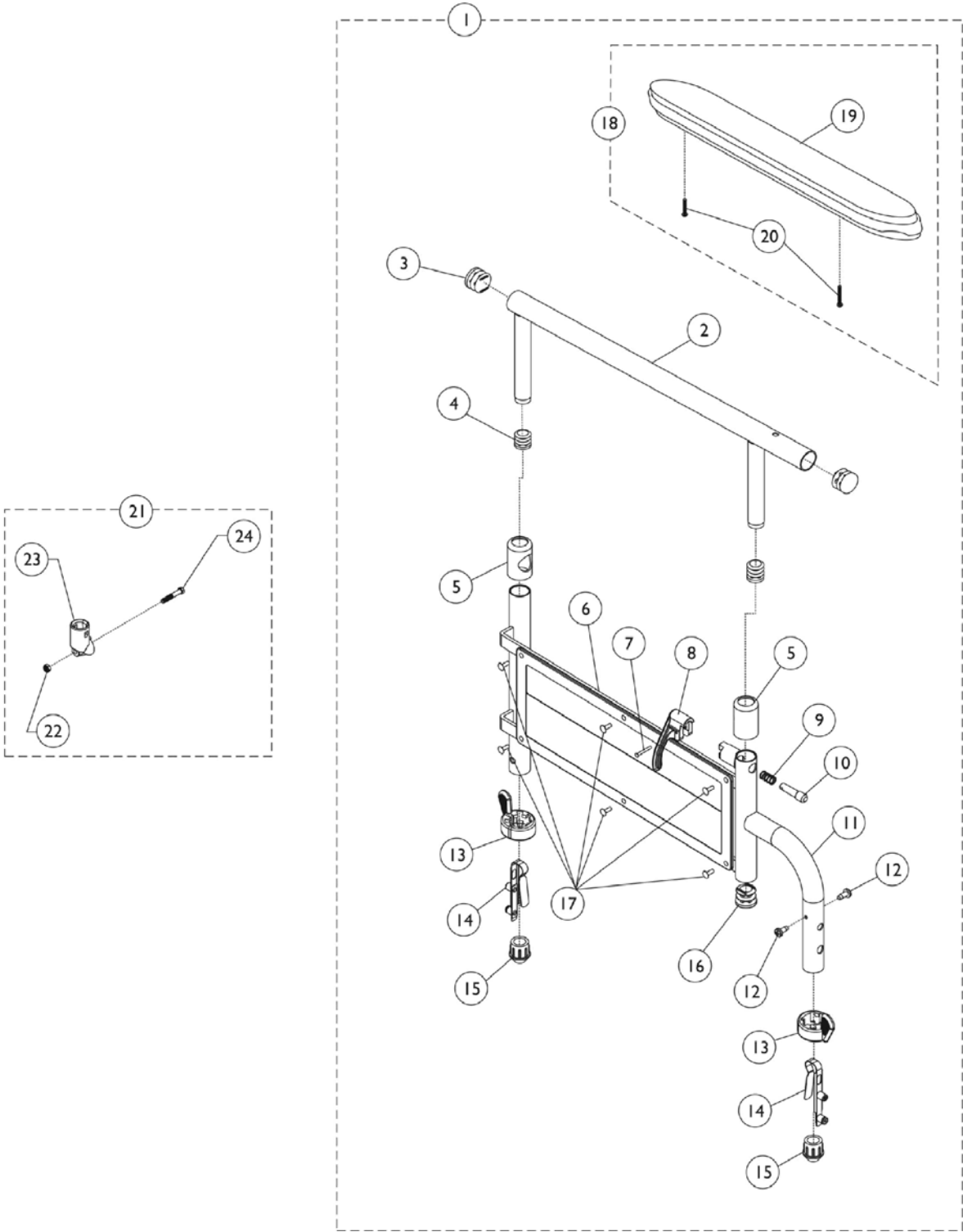
| Item Number | Note | Part Number | Description | Quantity Per | |
|-------------|-------|-------------|--|--------------|----------|
| | | | | Package | Assembly |
| 11 | | | Handle, Quad Release | 1 | 1 |
| 13 | | | NLA - Pad, Arm, Full Length w/ Law Label | 1 | 1 |
| 14 | | | Package, Screw Phillips Pan Head (#10-32 x 1-1/8") | 1 | 2 |
| 1 | A,E,F | 8881130840 | Kit, Armrest, Full Length, Color - Right (Style 78) | 1 | 1 |
| 2 | | | Tube, Armrest, Space Saver, Full Length, Color - Right | 1 | 1 |
| 3 | | | Spacer, Coved (1/4 x 11/16 x 1/2") | 1 | 1 |
| 4 | | | NLA - Bolt, Hex Head Cap (1/4-20 x 3/4") | 1 | 1 |
| 5 | | | Guard, Clothing, Full Length - Right | 1 | 1 |
| 6 | | | Screw, Self Tapping (#6-20 x 1/2") | 1 | 4 |
| 7 | | | Spring, Release | 1 | 1 |
| 8 | | | Insert, Threaded | 1 | 1 |
| 9 | | | Plug, Armrest, Black (3/4") (18GA) | 1 | 2 |
| 10 | | | Spring, Torsion with Button Lock | 1 | 1 |
| 11 | | | Handle, Quad Release | 1 | 1 |
| 13 | | | NLA - Pad, Arm, Full Length w/ Law Label | 1 | 1 |
| 14 | | | Package, Screw Phillips Pan Head (#10-32 x 1-1/8") | 1 | 2 |
| 1 | A,E,F | 8881130841 | Kit, Armrest, Full Length, Color - Left (Style 78) | 1 | 1 |
| 2 | | | Tube, Armrest, Space Saver, Full Length, Color - Left | 1 | 1 |
| 3 | | | Spacer, Coved (1/4 x 11/16 x 1/2") | 1 | 1 |
| 4 | | | NLA - Bolt, Hex Head Cap (1/4-20 x 3/4") | 1 | 1 |
| 5 | | | Guard, Clothing, Full Length - Left | 1 | 1 |
| 6 | | | Screw, Self Tapping (#6-20 x 1/2") | 1 | 4 |
| 7 | | | Spring, Release | 1 | 1 |
| 8 | | | Insert, Threaded | 1 | 1 |
| 9 | | | Plug, Armrest, Black (3/4") (18GA) | 1 | 2 |
| 10 | | | Spring, Torsion with Button Lock | 1 | 1 |
| 11 | | | Handle, Quad Release | 1 | 1 |
| 13 | | | NLA - Pad, Arm, Full Length w/ Law Label | 1 | 1 |
| 14 | | | Package, Screw Phillips Pan Head (#10-32 x 1-1/8") | 1 | 2 |
| 1 | A,D,F | 8881137329 | Kit, Armrest, Full Length, Color - Right (Style 78) | 1 | 1 |
| 2 | | | Tube, Armrest, Full, Color - Right | 1 | 1 |
| 3 | | | NLA - Bolt, Hex Head Cap (1/4-20 x 3/4") | 1 | 1 |
| 4 | | | Spacer, Coved (1/4 x 11/16 x 1/2") | 1 | 1 |
| 5 | | | Guard, Clothing, Full Length - Right | 1 | 1 |
| 6 | | | Screw, Self Tapping (#6-20 x 1/2") | 1 | 4 |
| 7 | | | Spring, Release | 1 | 1 |
| 8 | | | Insert, Threaded | 1 | 1 |
| 9 | | | Plug, Armrest, Black (3/4") (18GA) | 1 | 2 |
| 10 | | | Spring, Torsion with Button Lock | 1 | 1 |
| 11 | | | Handle, Quad Release | 1 | 1 |
| 13 | | | NLA - Pad, Arm, Full Length w/ Law Label | 1 | 1 |

9000XT & 9000XDT Non-Removable Space Saver Fixed Height Arms

| Item Number | Note | Part Number | Description | Quantity Per | |
|-------------|-------|-------------|--|--------------|----------|
| | | | | Package | Assembly |
| 14 | | | Package, Screw Phillips Pan Head (#10-32 x 1-1/8") | 1 | 1 |
| 1 | A,D,F | 8881137330 | Kit, Armrest, Full Length, Color - Left (Style 78) | 1 | 1 |
| 2 | | | Tube, Armrest, Full Length, Color - Left | 1 | 1 |
| 3 | | | Spacer, Coved (1/4 x 11/16 x 1/2") | 1 | 1 |
| 4 | | | NLA - Bolt, Hex Head Cap (1/4-20 x 3/4") | 1 | 1 |
| 5 | | | Guard, Clothing, Full Length - Left | 1 | 1 |
| 6 | | | Screw, Self Tapping (#6-20 x 1/2") | 1 | 4 |
| 7 | | | Spring, Release | 1 | 1 |
| 8 | | | Insert, Threaded | 1 | 1 |
| 9 | | | Plug, Armrest, Black (3/4") (18GA) | 1 | 2 |
| 10 | | | Spring, Torsion with Button Lock | 1 | 1 |
| 11 | | | Handle, Quad Release | 1 | 1 |
| 13 | | | NLA - Pad, Arm, Full Length w/ Law Label | 1 | 1 |
| 14 | | | Package, Screw Phillips Pan Head (#10-32 x 1-1/8") | 1 | 2 |
| 12 | B,C | 8881127509 | Kit, Arm Pad w/Screws - Full Length | 1 | 1 |
| 13 | | | NLA - Pad, Arm, Full Length w/ Law Label | 1 | 1 |
| 14 | | | Package, Screw Phillips Pan Head (#10-32 x 1-1/8") | 1 | 2 |
| 12 | B,C | 8881127510 | Kit, Arm Pad w/Screws - Desk Length | 1 | 1 |
| 13 | | | Arm Pad, Desk Length w/ Law Label | 1 | 1 |
| 14 | | | Package, Screw Phillips Pan Head (#10-32 x 1-1/8") | 1 | 2 |

NOTE: A - Includes items 2-14.
 B - Specify upholstery color when ordering. See page titled "Frame Finishes, Upholstery Colors, Decals and Packaging."
 C - Includes items 13 and 14.
 D - To be used on 9000XT models only.
 E - To be used on 9000XDT models only.
 F - Specify frame finish and upholstery color when ordering. See page titled "Frame Finishes, Upholstery Colors, Decals and Packaging."

9000XT Space Saver Adjustable Height Arms - 79JY & 89JY



9000XT Space Saver Adjustable Height Arms - 79JY & 89JY

| Item Number | Note | Part Number | Description | Quantity Per | |
|-------------|------|-------------|---|--------------|----------|
| | | | | Package | Assembly |
| 1 | A,E | 8881130862 | Kit, Armrest, Desk Length, Black - Right (Style 89JY) | 1 | 1 |
| 2 | | | Tube, Armrest, Desk, Black - Right | 1 | 1 |
| 3 | | | Plug Button, Black (5/8") | 1 | 3 |
| 4 | | | Plug Button, Black (7/8") | 1 | 2 |
| 5 | | | Anti-Rattle | 1 | 2 |
| 6 | | | Guard, Clothing | 1 | 1 |
| 7 | | | Rivet, Tubular | 1 | 1 |
| 8 | | | Handle, Lock, Black - Right | 1 | 1 |
| 9 | | | Spring, Arm Lock | 1 | 1 |
| 10 | | | Pin, Locking | 1 | 1 |
| 11 | | | Tube, Armrest Base, Adjustable Height, Black -Right | 1 | 1 |
| 12 | | | Screw, Phillips Pan Head Tap (#8-32 x 3/8") | 1 | 2 |
| 13 | | | Handle, Quad Release | 1 | 2 |
| 14 | | | Spring, Torsion with Button Lock | 1 | 2 |
| 15 | | | Plug, Armrest, Black (3/4") (18GA) | 1 | 2 |
| 16 | | | Plug Button, Black (3/4") | 1 | 1 |
| 17 | | | Rivet | 1 | 6 |
| 19 | | | Arm Pad, Desk Length w/ Law Label | 1 | 1 |
| 20 | | | Package, Screw Phillips Pan Head (#10-32 x 1-1/8") | 1 | 1 |
| 1 | A,E | 8881130863 | Kit, Armrest, Desk Length, Black - Left (Style 89JY) | 1 | 1 |
| 2 | | | Tube, Armrest, Desk, Black - Left | 1 | 1 |
| 3 | | | Plug Button, Black (5/8") | 1 | 3 |
| 4 | | | Plug Button, Black (7/8") | 1 | 2 |
| 5 | | | Anti-Rattle | 1 | 2 |
| 6 | | | Guard, Clothing | 1 | 1 |
| 7 | | | Rivet, Tubular | 1 | 1 |
| 8 | | | Handle, Lock, Black - Left | 1 | 1 |
| 9 | | | Spring, Arm Lock | 1 | 1 |
| 10 | | | Pin, Locking | 1 | 1 |
| 11 | | | Tube, Armrest Base, Adjustable Height, Black - Left | 1 | 1 |
| 12 | | | Screw, Phillips Pan Head Tap (#8-32 x 3/8") | 1 | 2 |
| 13 | | | Handle, Quad Release | 1 | 2 |
| 14 | | | Spring, Torsion with Button Lock | 1 | 2 |
| 15 | | | Plug, Armrest, Black (3/4") (18GA) | 1 | 2 |
| 16 | | | Plug Button, Black (3/4") | 1 | 1 |
| 17 | | | Rivet | 1 | 6 |
| 19 | | | Arm Pad, Desk Length w/ Law Label | 1 | 1 |
| 20 | | | Package, Screw Phillips Pan Head (#10-32 x 1-1/8") | 1 | 2 |
| 1 | A,E | 8881130874 | Kit, Armrest, Full Length, Black - Right (Style 79JY) | 1 | 1 |
| 2 | | | Tube, Armrest, Full Length, Black - Right | 1 | 1 |
| 3 | | | Plug Button, Black (5/8") | 1 | 3 |

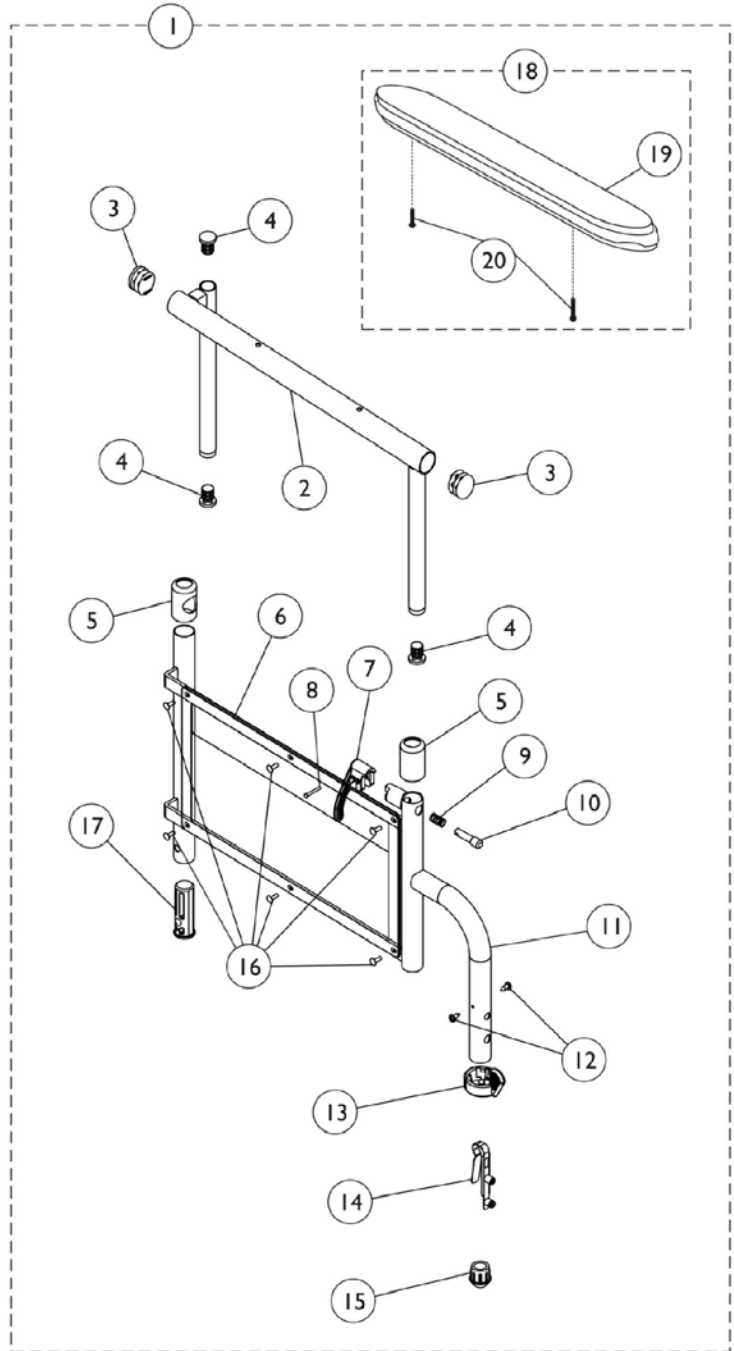
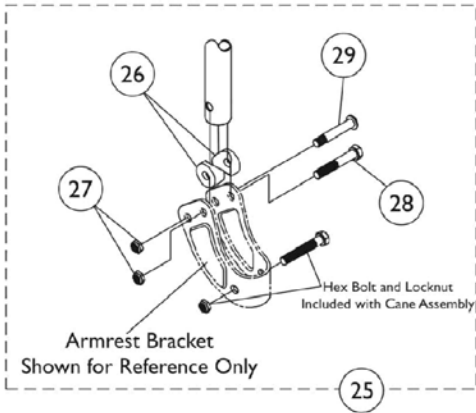
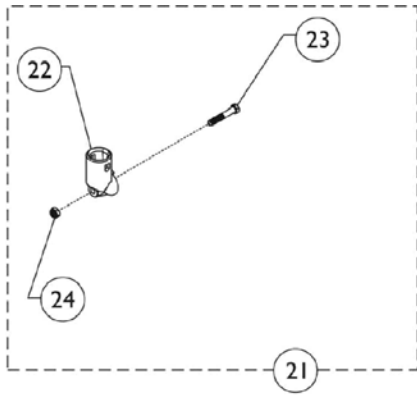
9000XT Space Saver Adjustable Height Arms - 79JY & 89JY

| Item Number | Note | Part Number | Description | Quantity Per | |
|-------------|------|-------------|--|--------------|----------|
| | | | | Package | Assembly |
| 4 | | | Plug Button, Black (7/8") | 1 | 2 |
| 5 | | | Anti-Rattle | 1 | 2 |
| 6 | | | Guard, Clothing | 1 | 1 |
| 7 | | | Rivet, Tubular | 1 | 1 |
| 8 | | | Handle, Lock, Black - Right | 1 | 1 |
| 9 | | | Spring, Arm Lock | 1 | 1 |
| 10 | | | Pin, Locking | 1 | 1 |
| 11 | | | Tube, Armrest Base, Adjustable Height, Black -Right | 1 | 1 |
| 12 | | | Screw, Phillips Pan Head Tap (#8-32 x 3/8") | 1 | 2 |
| 13 | | | Handle, Quad Release | 1 | 2 |
| 14 | | | Spring, Torsion with Button Lock | 1 | 2 |
| 15 | | | Plug, Armrest, Black (3/4") (18GA) | 1 | 2 |
| 16 | | | Plug Button, Black (3/4") | 1 | 1 |
| 17 | | | Rivet | 1 | 6 |
| 19 | | | NLA - Pad, Arm, Full Length w/ Law Label | 1 | 1 |
| 20 | | | Package, Screw Phillips Pan Head (#10-32 x 1-1/8") | 1 | 2 |
| 1 | A,E | 8881130875 | Kit, Armrest, Full Length, Black - Left (Style 79JY) | 1 | 1 |
| 2 | | | Tube, Armrest, Full Length, Black - Left | 1 | 1 |
| 3 | | | Plug Button, Black (5/8") | 1 | 3 |
| 4 | | | Plug Button, Black (7/8") | 1 | 2 |
| 5 | | | Anti-Rattle | 1 | 2 |
| 6 | | | Guard, Clothing | 1 | 1 |
| 7 | | | Rivet, Tubular | 1 | 1 |
| 8 | | | Handle, Lock, Black - Left | 1 | 1 |
| 9 | | | Spring, Arm Lock | 1 | 1 |
| 10 | | | Pin, Locking | 1 | 1 |
| 11 | | | Tube, Armrest Base, Adjustable Height, Black - Left | 1 | 1 |
| 12 | | | Screw, Phillips Pan Head Tap (#8-32 x 3/8") | 1 | 2 |
| 13 | | | Handle, Quad Release | 1 | 2 |
| 14 | | | Spring, Torsion with Button Lock | 1 | 2 |
| 15 | | | Plug, Armrest, Black (3/4") (18GA) | 1 | 2 |
| 16 | | | Plug Button, Black (3/4") | 1 | 1 |
| 17 | | | Rivet | 1 | 6 |
| 19 | | | NLA - Pad, Arm, Full Length w/ Law Label | 1 | 1 |
| 20 | | | Package, Screw Phillips Pan Head (#10-32 x 1-1/8") | 1 | 2 |
| 18 | B,E | 8881127510 | Kit, Arm Pad w/Screws - Desk Length | 1 | 1 |
| 19 | | | Arm Pad, Desk Length w/ Law Label | 1 | 1 |
| 20 | | | Package, Screw Phillips Pan Head (#10-32 x 1-1/8") | 1 | 2 |
| 18 | B,E | 8881127509 | Kit, Arm Pad w/Screws - Full Length | 1 | 1 |
| 19 | | | NLA - Pad, Arm, Full Length w/ Law Label | 1 | 1 |
| 20 | | | Package, Screw Phillips Pan Head (#10-32 x 1-1/8") | 1 | 2 |
| 21 | C | 1058139 | Kit, Armrest Hardware | 1 | 1 |

9000XT Space Saver Adjustable Height Arms - 79JY & 89JY

| Item Number | Note | Part Number | Description | Quantity Per | |
|---|------|-------------|---|--------------|----------|
| | | | | Package | Assembly |
| 22 | | | Cup, Socket Pivot | 1 | 1 |
| 23 | | | NLA - Screw, Hex Head (1/4-20 x 1-3/8") | 1 | 1 |
| 24 | | | Locknut (1/4-20) | 1 | 1 |
| | D | 7100053 | Arm Lock Assembly, Black - Right | 1 | 1 |
| | | | Handle, Lock, Black - Right | 1 | 1 |
| | | | Rivet, Tubular | 1 | 2 |
| | | | Pin, Locking | 1 | 2 |
| | | | Spring, Arm Lock | 1 | 2 |
| | D | 7100054 | Arm Lock Assembly, Black - Left | 1 | 1 |
| | | | Handle, Lock, Black - Left | 1 | 1 |
| | | | Rivet, Tubular | 1 | 2 |
| | | | Pin, Locking | 1 | 2 |
| | | | Spring, Arm Lock | 1 | 2 |
| NOTE: A - Includes items 2-20. B - Includes items 19 and 20. C - Includes items 22-24. D - Not Shown. Includes items 7-10. E - Specify upholstery color when ordering. See page titled "Frame Finishes, Upholstery Colors, Decals and Packaging." | | | | | |

9000SL Adjustable Height Space Saver Arms



9000SL Adjustable Height Space Saver Arms

| Item Number | Note | Part Number | Description | Quantity Per | |
|-------------|------|-------------|---|--------------|----------|
| | | | | Package | Assembly |
| 1 | A,F | 8881130860 | Kit, Armrest, Full Length, Black - Right (Style 79) | 1 | 1 |
| 2 | | | Tube, Arm, Black - Right | 1 | 1 |
| 3 | | | Plug Button, Black (7/8") | 1 | 2 |
| 4 | | | Plug Button, Black (5/8") | 1 | 3 |
| 5 | | | Anti-Rattle | 1 | 2 |
| 6 | | | Guard, Clothing | 1 | 1 |
| 7 | | | Handle, Lock, Black - Right | 1 | 1 |
| 8 | | | Rivet, Tubular | 1 | 1 |
| 9 | | | Spring, Arm Lock | 1 | 1 |
| 10 | | | Pin, Locking | 1 | 1 |
| 11 | | | Base, Arm, Black - Right | 1 | 1 |
| 12 | | | Screw, Phillips Pan Head Tap (#6-20 x 3/8") | 1 | 2 |
| 13 | | | Handle, Quad Release | 1 | 1 |
| 14 | | | Spring, Torsion with Button Lock | 1 | 1 |
| 15 | | | Plug, Armrest, Black (3/4") (18GA) | 1 | 1 |
| 16 | | | Rivet | 1 | 6 |
| 17 | | | Insert, Arm, Black | 1 | 1 |
| 19 | | | NLA - Pad, Arm, Full Length w/ Law Label | 1 | 1 |
| 20 | | | Package, Screw Phillips Pan Head (#10-32 x 1-1/8") | 1 | 1 |
| 1 | A,F | 8881130861 | Kit, Armrest, Full Length, Black - Left (Style 79) | 1 | 1 |
| 2 | | | Tube, Arm, Black - Left | 1 | 1 |
| 3 | | | Plug Button, Black (7/8") | 1 | 1 |
| 4 | | | Plug Button, Black (5/8") | 1 | 1 |
| 5 | | | Anti-Rattle | 1 | 2 |
| 6 | | | Guard, Clothing | 1 | 1 |
| 7 | | | Handle, Lock, Black - Left | 1 | 1 |
| 8 | | | Rivet, Tubular | 1 | 1 |
| 9 | | | Spring, Arm Lock | 1 | 1 |
| 10 | | | Pin, Locking | 1 | 1 |
| 11 | | | Base, Arm, Black - Left | 1 | 1 |
| 12 | | | Screw, Phillips Pan Head Tap (#6-20 x 3/8") | 1 | 2 |
| 13 | | | Handle, Quad Release | 1 | 1 |
| 14 | | | Spring, Torsion with Button Lock | 1 | 1 |
| 15 | | | Plug, Armrest, Black (3/4") (18GA) | 1 | 1 |
| 16 | | | Rivet | 1 | 6 |
| 17 | | | Insert, Arm, Black | 1 | 1 |
| 19 | | | NLA - Pad, Arm, Full Length w/ Law Label | 1 | 1 |
| 20 | | | Package, Screw Phillips Pan Head (#10-32 x 1-1/8") | 1 | 1 |
| 1 | A,F | 8881135546 | Kit, Armrest, Desk Length, Black - Right (Style 89) | 1 | 1 |
| 2 | | | Tube, Armrest, Desk, Black - Right | 1 | 1 |
| 3 | | | Plug Button, Black (5/8") | 1 | 3 |
| 4 | | | Plug Button, Black (7/8") | 1 | 2 |
| 5 | | | Anti-Rattle | 1 | 2 |
| 6 | | | Guard, Clothing | 1 | 1 |

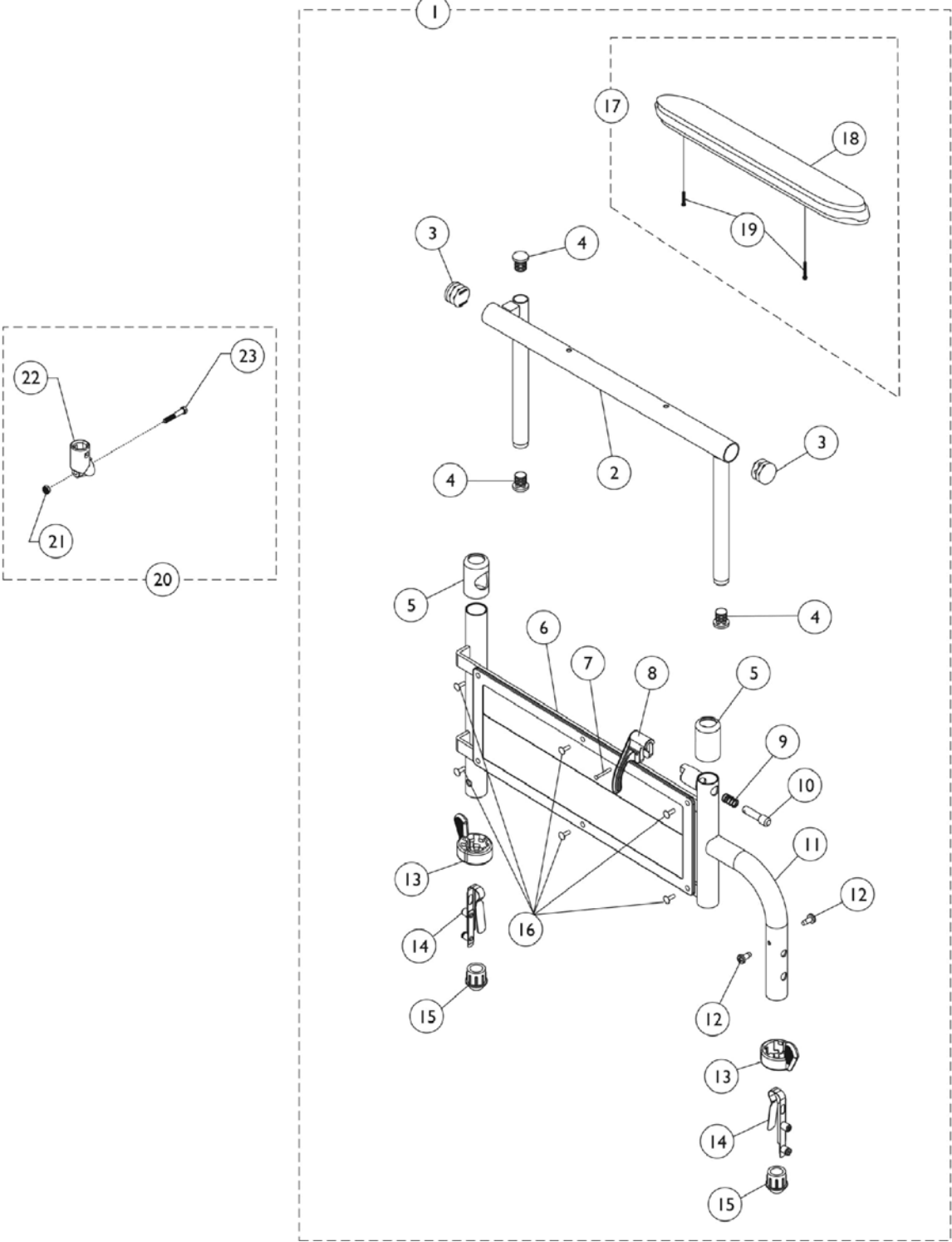
9000SL Adjustable Height Space Saver Arms

| Item Number | Note | Part Number | Description | Quantity Per | |
|-------------|------|-------------|--|--------------|----------|
| | | | | Package | Assembly |
| 7 | | | Handle, Lock, Black - Right | 1 | 1 |
| 8 | | | Rivet, Tubular | 1 | 1 |
| 9 | | | Spring, Arm Lock | 1 | 1 |
| 10 | | | Pin, Locking | 1 | 1 |
| 11 | | | Base, Arm, Black - Right | 1 | 1 |
| 12 | | | Screw, Phillips Pan Head Tap (#6-20 x 3/8") | 1 | 2 |
| 13 | | | Handle, Quad Release | 1 | 1 |
| 14 | | | Spring, Torsion with Button Lock | 1 | 1 |
| 15 | | | Plug, Armrest, Black (3/4") (18GA) | 1 | 1 |
| 16 | | | Rivet | 1 | 6 |
| 17 | | | Insert, Arm, Black | 1 | 1 |
| 19 | | | Arm Pad, Desk Length w/ Law Label | 1 | 1 |
| 20 | | | Package, Screw Phillips Pan Head (#10-32 x 1-1/8") | 1 | 2 |
| 1 | A,F | 8881135547 | Kit, Armrest, Desk Length, Black - Left (Style 89) | 1 | 1 |
| 2 | | | Tube, Armrest, Desk, Black - Left | 1 | 1 |
| 3 | | | Plug Button, Black (5/8") | 1 | 3 |
| 4 | | | Plug Button, Black (7/8") | 1 | 2 |
| 5 | | | Anti-Rattle | 1 | 2 |
| 6 | | | Guard, Clothing | 1 | 1 |
| 7 | | | Handle, Lock, Black - Left | 1 | 1 |
| 8 | | | Rivet, Tubular | 1 | 1 |
| 9 | | | Spring, Arm Lock | 1 | 1 |
| 10 | | | Pin, Locking | 1 | 1 |
| 11 | | | Base, Arm, Black - Left | 1 | 1 |
| 12 | | | Screw, Phillips Pan Head Tap (#6-20 x 3/8") | 1 | 2 |
| 13 | | | Handle, Quad Release | 1 | 1 |
| 14 | | | Spring, Torsion with Button Lock | 1 | 1 |
| 15 | | | Plug, Armrest, Black (3/4") (18GA) | 1 | 1 |
| 16 | | | Rivet | 1 | 6 |
| 17 | | | Insert, Arm, Black | 1 | 1 |
| 19 | | | Arm Pad, Desk Length w/ Law Label | 1 | 1 |
| 20 | | | Package, Screw Phillips Pan Head (#10-32 x 1-1/8") | 1 | 2 |
| 18 | B,F | 8881127509 | Kit, Arm Pad w/Screws - Full Length | 1 | 1 |
| 19 | | | NLA - Pad, Arm, Full Length w/ Law Label | 1 | 1 |
| 20 | | | Package, Screw Phillips Pan Head (#10-32 x 1-1/8") | 1 | 2 |
| 18 | B,F | 8881127510 | Kit, Arm Pad w/Screws - Desk Length | 1 | 1 |
| 19 | | | Arm Pad, Desk Length w/ Law Label | 1 | 1 |
| 20 | | | Package, Screw Phillips Pan Head (#10-32 x 1-1/8") | 1 | 2 |
| 21 | C | 1058139 | Kit, Armrest Hardware | 1 | 1 |
| 22 | | | Cup, Socket Pivot | 1 | 1 |
| 23 | | | NLA - Screw, Hex Head (1/4-20 x 1-3/8") | 1 | 1 |
| 24 | | | Locknut (1/4-20) | 1 | 1 |
| 25 | D | 1091072 | Hardware, Armrest | 1 | 1 |
| 26 | | | Spacer, Coved (1/4 x 3/4 x 11/32") | 1 | 4 |

9000SL Adjustable Height Space Saver Arms

| Item Number | Note | Part Number | Description | Quantity Per | |
|--|------|-------------|--|--------------|----------|
| | | | | Package | Assembly |
| 27 | | | Locknut (1/4-20) | 1 | 6 |
| 28 | | | Screw, Hex Head (1/4-20 x 1-1/2") | 1 | 4 |
| 29 | | | NLA - Screw, Socket Button Head (1/4-20 x 1-7/16") | 1 | 2 |
| | E | 7100053 | Arm Lock Assembly, Black - Right | 1 | 1 |
| | | | Handle, Lock, Black - Right | 1 | 1 |
| | | | Rivet, Tubular | 1 | 2 |
| | | | Pin, Locking | 1 | 2 |
| | | | Spring, Arm Lock | 1 | 2 |
| | E | 7100054 | Arm Lock Assembly, Black - Left | 1 | 1 |
| | | | Handle, Lock, Black - Left | 1 | 1 |
| | | | Rivet, Tubular | 1 | 2 |
| | | | Pin, Locking | 1 | 2 |
| | | | Spring, Arm Lock | 1 | 2 |
| NOTE: A - Includes items 2-20. B - Includes items 19 and 20. C - Includes items 22-24. D - Includes items 26-28. E - Not Shown. Includes items 7-10. F - Specify upholstery color when ordering. See page titled "Frame Finishes, Upholstery Colors, Decals and Packaging." | | | | | |

9000XT & 9000XDT Removable Space Saver Adjustable Height Arms



9000XT & 9000XDT Removable Space Saver Adjustable Height Arms

| Item Number | Note | Part Number | Description | Quantity Per | |
|-------------|-------|-------------|---|--------------|----------|
| | | | | Package | Assembly |
| 1 | A,D,G | 8881130866 | Kit, Armrest, Desk Length, Color - Right (Style 89) | 1 | 1 |
| 2 | | | Tube, Armrest, Desk, Black - Right | 1 | 1 |
| 3 | | | Plug Button, Black (7/8") | 1 | 2 |
| 4 | | | Plug Button, Black (5/8") | 1 | 3 |
| 5 | | | Anti-Rattle | 1 | 2 |
| 6 | | | Guard, Clothing | 1 | 1 |
| 7 | | | Rivet, Tubular | 1 | 1 |
| 8 | | | Pin, Locking | 1 | 1 |
| 9 | | | Spring, Arm Lock | 1 | 1 |
| 10 | | | Handle, Lock, Black - Right | 1 | 1 |
| 11 | | | Base, Arm, Color - Right | 1 | 1 |
| 12 | | | Screw, Phillips Pan Head Tap (#6-20 x 3/8") | 1 | 2 |
| 13 | | | Handle, Quad Release | 1 | 2 |
| 14 | | | Spring, Torsion with Button Lock | 1 | 2 |
| 15 | | | Plug, Armrest, Black (3/4") (18GA) | 1 | 1 |
| 15 | | | Plug, Armrest, Black (3/4") (20GA) | 1 | 1 |
| 16 | | | Rivet | 1 | 6 |
| 18 | | | Arm Pad, Desk Length w/ Law Label | 1 | 1 |
| 19 | | | Package, Screw Phillips Pan Head (#10-32 x 1-1/8") | 1 | 1 |
| 1 | A,D,G | 8881130867 | Kit, Armrest, Desk Length, Color - Left (Style 89) | 1 | 1 |
| 2 | | | Tube, Armrest, Desk, Black - Left | 1 | 1 |
| 3 | | | Plug Button, Black (7/8") | 1 | 1 |
| 4 | | | Plug Button, Black (5/8") | 1 | 1 |
| 5 | | | Anti-Rattle | 1 | 2 |
| 6 | | | Guard, Clothing | 1 | 1 |
| 7 | | | Rivet, Tubular | 1 | 1 |
| 8 | | | Pin, Locking | 1 | 1 |
| 9 | | | Spring, Arm Lock | 1 | 1 |
| 10 | | | Handle, Lock, Black - Left | 1 | 1 |
| 11 | | | Base, Arm, Color - Left | 1 | 1 |
| 12 | | | Screw, Phillips Pan Head Tap (#6-20 x 3/8") | 1 | 2 |
| 13 | | | Handle, Quad Release | 1 | 2 |
| 14 | | | Spring, Torsion with Button Lock | 1 | 2 |
| 15 | | | Plug, Armrest, Black (3/4") (18GA) | 1 | 1 |
| 15 | | | Plug, Armrest, Black (3/4") (20GA) | 1 | 1 |
| 16 | | | Rivet | 1 | 6 |
| 18 | | | Arm Pad, Desk Length w/ Law Label | 1 | 1 |
| 19 | | | Package, Screw Phillips Pan Head (#10-32 x 1-1/8") | 1 | 1 |
| 1 | A,D,G | 8881135548 | Kit, Armrest, Full Length, Color - Right (Style 79) | 1 | 1 |
| 2 | | | Tube, Arm, Black - Right | 1 | 1 |
| 3 | | | Plug Button, Black (7/8") | 1 | 2 |
| 4 | | | Plug Button, Black (5/8") | 1 | 3 |
| 5 | | | Anti-Rattle | 1 | 2 |

9000XT & 9000XDT Removable Space Saver Adjustable Height Arms

| Item Number | Note | Part Number | Description | Quantity Per | |
|-------------|-------|-------------|---|--------------|----------|
| | | | | Package | Assembly |
| 6 | | | Guard, Clothing | 1 | 1 |
| 7 | | | Rivet | 1 | 6 |
| 8 | | | Handle, Lock, Black - Right | 1 | 1 |
| 9 | | | Spring, Arm Lock | 1 | 1 |
| 10 | | | Pin, Locking | 1 | 1 |
| 11 | | | Base, Arm, Color - Right | 1 | 1 |
| 12 | | | Screw, Phillips Pan Head Tap (#6-20 x 3/8") | 1 | 2 |
| 13 | | | Handle, Quad Release | 1 | 2 |
| 14 | | | Spring, Torsion with Button Lock | 1 | 2 |
| 15 | | | Plug, Armrest, Black (3/4") (18GA) | 1 | 1 |
| 15 | | | Plug, Armrest, Black (3/4") (20GA) | 1 | 1 |
| 16 | | | Rivet, Tubular | 1 | 1 |
| 18 | | | NLA - Pad, Arm, Full Length w/ Law Label | 1 | 1 |
| 19 | | | Package, Screw Phillips Pan Head (#10-32 x 1-1/8") | 1 | 2 |
| 1 | A,D,G | 8881135549 | Kit, Armrest, Full Length, Color - Left (Style 79) | 1 | 1 |
| 2 | | | Tube, Arm, Black - Left | 1 | 1 |
| 3 | | | Plug Button, Black (7/8") | 1 | 2 |
| 4 | | | Plug Button, Black (5/8") | 1 | 3 |
| 5 | | | Anti-Rattle | 1 | 2 |
| 6 | | | Guard, Clothing | 1 | 1 |
| 7 | | | Rivet, Tubular | 1 | 1 |
| 8 | | | Handle, Lock, Black - Left | 1 | 1 |
| 9 | | | Spring, Arm Lock | 1 | 1 |
| 10 | | | Pin, Locking | 1 | 1 |
| 11 | | | Base, Arm, Color - Left | 1 | 1 |
| 12 | | | Screw, Phillips Pan Head Tap (#6-20 x 3/8") | 1 | 2 |
| 13 | | | Handle, Quad Release | 1 | 2 |
| 14 | | | Spring, Torsion with Button Lock | 1 | 2 |
| 15 | | | Plug, Armrest, Black (3/4") (18GA) | 1 | 1 |
| 15 | | | Plug, Armrest, Black (3/4") (20GA) | 1 | 1 |
| 16 | | | Rivet | 1 | 6 |
| 18 | | | NLA - Pad, Arm, Full Length w/ Law Label | 1 | 1 |
| 19 | | | Package, Screw Phillips Pan Head (#10-32 x 1-1/8") | 1 | 2 |
| 1 | A,F,G | 8881135550 | Kit, Armrest, Desk Length, Black - Right (Style 89) | 1 | 1 |
| 2 | | | Tube, Armrest, Desk, Black - Right | 1 | 1 |
| 3 | | | Plug Button, Black (7/8") | 1 | 2 |
| 4 | | | Plug Button, Black (5/8") | 1 | 3 |
| 5 | | | Anti-Rattle | 1 | 2 |
| 6 | | | Guard, Clothing | 1 | 1 |
| 7 | | | Rivet, Tubular | 1 | 1 |
| 8 | | | Handle, Lock, Black - Right | 1 | 1 |
| 9 | | | Spring, Arm Lock | 1 | 1 |
| 10 | | | Pin, Locking | 1 | 1 |

9000XT & 9000XDT Removable Space Saver Adjustable Height Arms

| Item Number | Note | Part Number | Description | Quantity Per | |
|-------------|-------|-------------|--|--------------|----------|
| | | | | Package | Assembly |
| 11 | | | Base, Arm, Chrome - Right | 1 | 1 |
| 12 | | | Screw, Phillips Pan Head Tap (#6-20 x 3/8") | 1 | 2 |
| 13 | | | Handle, Quad Release | 1 | 2 |
| 14 | | | Spring, Torsion with Button Lock | 1 | 2 |
| 15 | | | Plug, Armrest, Black (3/4") (18GA) | 1 | 1 |
| 16 | | | Plug, Armrest, Black (3/4") (20GA) | 1 | 1 |
| 17 | | | Rivet | 1 | 6 |
| 18 | | | Arm Pad, Desk Length w/ Law Label | 1 | 1 |
| 19 | | | Package, Screw Phillips Pan Head (#10-32 x 1-1/8") | 1 | 2 |
| 1 | A,F,G | 8881135551 | Kit, Armrest, Desk Length, Black - Left (Style 89) | 1 | 1 |
| 2 | | | Tube, Armrest, Desk, Black - Left | 1 | 1 |
| 3 | | | Plug Button, Black (5/8") | 1 | 3 |
| 4 | | | Plug Button, Black (7/8") | 1 | 2 |
| 5 | | | Anti-Rattle | 1 | 2 |
| 6 | | | Guard, Clothing | 1 | 1 |
| 7 | | | Rivet, Tubular | 1 | 1 |
| 8 | | | Handle, Lock, Black - Left | 1 | 1 |
| 9 | | | Spring, Arm Lock | 1 | 1 |
| 10 | | | Pin, Locking | 1 | 1 |
| 11 | | | Base, Arm, Chrome - Left | 1 | 1 |
| 12 | | | Screw, Phillips Pan Head Tap (#6-20 x 3/8") | 1 | 2 |
| 13 | | | Handle, Quad Release | 1 | 2 |
| 14 | | | Spring, Torsion with Button Lock | 1 | 2 |
| 15 | | | Plug, Armrest, Black (3/4") (18GA) | 1 | 1 |
| 16 | | | Plug, Armrest, Black (3/4") (20GA) | 1 | 1 |
| 17 | | | Rivet | 1 | 6 |
| 18 | | | Arm Pad, Desk Length w/ Law Label | 1 | 1 |
| 19 | | | Package, Screw Phillips Pan Head (#10-32 x 1-1/8") | 1 | 2 |
| 1 | A,F,G | 8881130870 | Kit, Armrest, Full Length, Chrome - Right (Style 79) | 1 | 1 |
| 2 | | | NLA - Tube, Arm, Full Length, Chrome - Right | 1 | 1 |
| 3 | | | Plug Button, Black (7/8") | 1 | 2 |
| 4 | | | Plug Button, Black (5/8") | 1 | 3 |
| 5 | | | Anti-Rattle | 1 | 2 |
| 6 | | | Guard, Clothing | 1 | 1 |
| 7 | | | Rivet, Tubular | 1 | 1 |
| 8 | | | Handle, Lock, Black - Right | 1 | 1 |
| 9 | | | Spring, Arm Lock | 1 | 1 |
| 10 | | | Pin, Locking | 1 | 1 |
| 11 | | | Base, Arm, Chrome - Right | 1 | 1 |
| 12 | | | Screw, Phillips Pan Head Tap (#6-20 x 3/8") | 1 | 2 |
| 13 | | | Handle, Quad Release | 1 | 2 |
| 14 | | | Spring, Torsion with Button Lock | 1 | 2 |
| 15 | | | Plug, Armrest, Black (3/4") (18GA) | 1 | 1 |

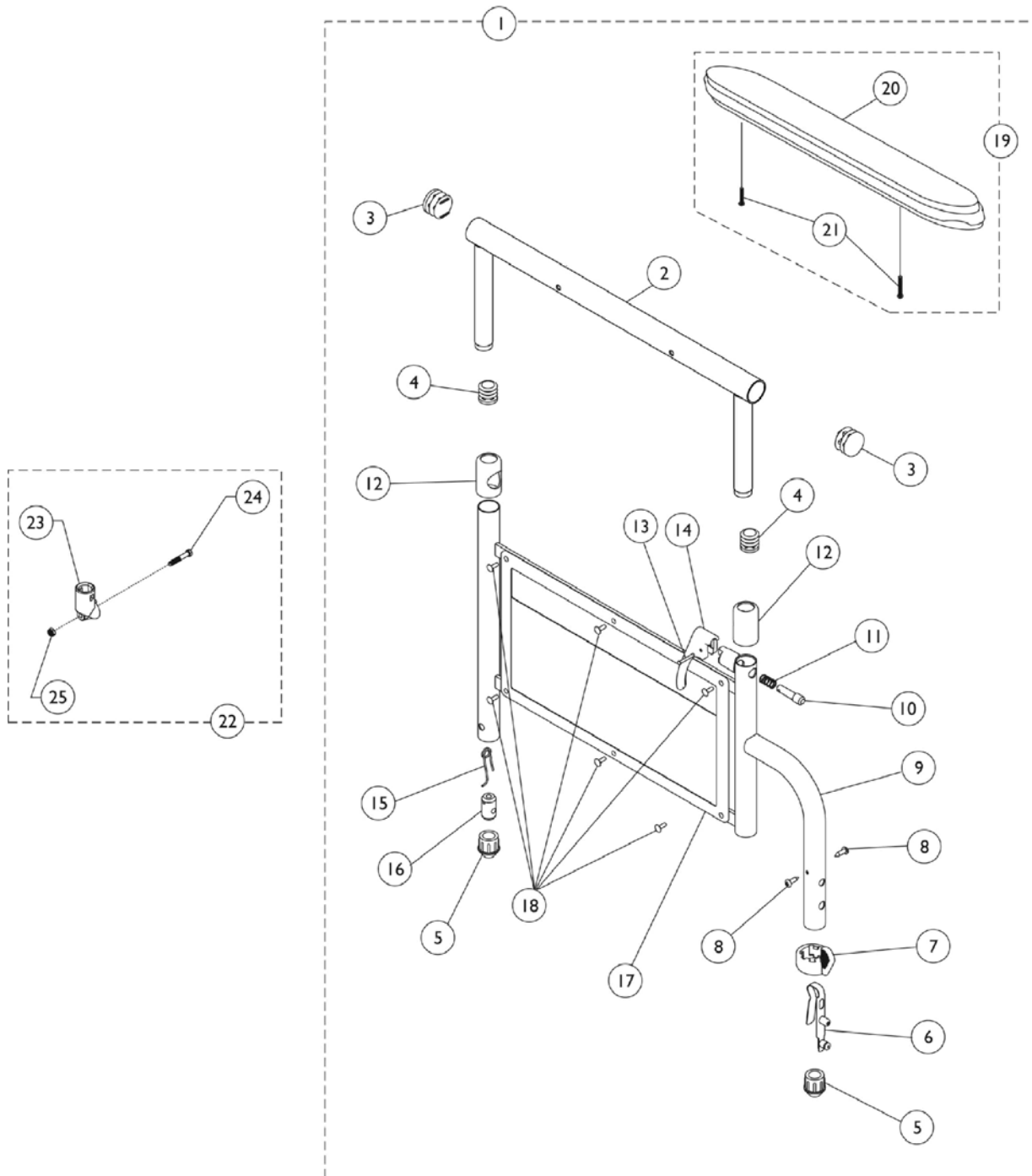
9000XT & 9000XDT Removable Space Saver Adjustable Height Arms

| Item Number | Note | Part Number | Description | Quantity Per | |
|-------------|-------|-------------|---|--------------|----------|
| | | | | Package | Assembly |
| 15 | | | Plug, Armrest, Black (3/4") (20GA) | 1 | 1 |
| 16 | | | Rivet | 1 | 6 |
| 18 | | | NLA - Pad, Arm, Full Length w/ Law Label | 1 | 1 |
| 19 | | | Package, Screw Phillips Pan Head (#10-32 x 1-1/8") | 1 | 1 |
| 1 | A,F,G | 8881130871 | Kit, Armrest, Full Length, Chrome - Left (Style 79) | 1 | 1 |
| 2 | | | NLA - Tube, Arm, Full Length, Chrome - Left | 1 | 1 |
| 3 | | | Plug Button, Black (5/8") | 1 | 3 |
| 4 | | | Plug Button, Black (7/8") | 1 | 2 |
| 5 | | | Anti-Rattle | 1 | 2 |
| 6 | | | Guard, Clothing | 1 | 1 |
| 7 | | | Rivet, Tubular | 1 | 1 |
| 8 | | | Handle, Lock, Black - Left | 1 | 1 |
| 9 | | | Spring, Arm Lock | 1 | 1 |
| 10 | | | Pin, Locking | 1 | 1 |
| 11 | | | Base, Arm, Chrome - Left | 1 | 1 |
| 12 | | | Screw, Phillips Pan Head Tap (#6-20 x 3/8") | 1 | 2 |
| 13 | | | Handle, Quad Release | 1 | 2 |
| 14 | | | Spring, Torsion with Button Lock | 1 | 2 |
| 15 | | | Plug, Armrest, Black (3/4") (18GA) | 1 | 1 |
| 15 | | | Plug, Armrest, Black (3/4") (20GA) | 1 | 1 |
| 16 | | | Rivet | 1 | 6 |
| 18 | | | NLA - Pad, Arm, Full Length w/ Law Label | 1 | 1 |
| 19 | | | Package, Screw Phillips Pan Head (#10-32 x 1-1/8") | 1 | 1 |
| 17 | B,F | 8881127509 | Kit, Arm Pad w/Screws - Full Length | 1 | 1 |
| 18 | | | NLA - Pad, Arm, Full Length w/ Law Label | 1 | 1 |
| 19 | | | Package, Screw Phillips Pan Head (#10-32 x 1-1/8") | 1 | 2 |
| 17 | B,F | 8881127510 | Kit, Arm Pad w/Screws - Desk Length | 1 | 1 |
| 18 | | | Arm Pad, Desk Length w/ Law Label | 1 | 1 |
| 19 | | | Package, Screw Phillips Pan Head (#10-32 x 1-1/8") | 1 | 2 |
| 20 | C | 1058139 | Kit, Armrest Hardware | 1 | 1 |
| 21 | | | Locknut (1/4-20) | 1 | 1 |
| 22 | | | Cup, Socket Pivot | 1 | 1 |
| 23 | | | NLA - Screw, Hex Head (1/4-20 x 1-3/8") | 1 | 1 |
| | E | 7100053 | Arm Lock Assembly, Black - Right | 1 | 1 |
| | | | Handle, Lock, Black - Right | 1 | 1 |
| | | | Rivet, Tubular | 1 | 2 |
| | | | Pin, Locking | 1 | 2 |
| | | | Spring, Arm Lock | 1 | 2 |
| | E | 7100054 | Arm Lock Assembly, Black - Left | 1 | 1 |
| | | | Handle, Lock, Black - Left | 1 | 1 |
| | | | Rivet, Tubular | 1 | 2 |
| | | | Pin, Locking | 1 | 2 |
| | | | Spring, Arm Lock | 1 | 2 |

9000XT & 9000XDT Removable Space Saver Adjustable Height Arms

NOTE: A - Includes items 2-19.
B - Includes items 18 and 19.
C - Includes items 21-23.
D - Specify frame finish and upholstery color when ordering. See page titled "Frame Finishes, Upholstery Colors, Decals and Packaging."
E - Not shown. Includes items 7-10.
F - Specify upholstery color when ordering. See page titled "Frame Finishes, Upholstery Colors, Decals and Packaging."
G - Item #15 Plug Button for 18GA Tubing used in front only.

9000XT & 9000XDT Non-Removable Space Saver Adjustable Height Arms



9000XT & 9000XDT Non-Removable Space Saver Adjustable Height Arms

| Item Number | Note | Part Number | Description | Quantity Per | |
|-------------|-------|--------------------|--|--------------|----------|
| | | | | Package | Assembly |
| 1 | A,F,G | 8881130856-NL A | NLA - Kit, Armrest, Desk Length, Chrome - Right (Style 89) | 1 | 1 |
| 2 | | | NLA - Tube, Arm, Desk Length, Chrome - Right | 1 | 1 |
| 3 | | | Plug Button, Black (7/8") | 1 | 2 |
| 4 | | | Plug Button, Black (5/8") | 1 | 3 |
| 5 | | | Plug, Armrest, Black (3/4") (18GA) | 1 | 1 |
| 5 | | | Plug, Armrest, Black (3/4") (20GA) | 1 | 1 |
| 6 | | | Spring, Torsion with Button Lock | 1 | 1 |
| 7 | | | Handle, Quad Release | 1 | 1 |
| 8 | | | Screw, Self Tapping (#6-20 x 1/2") | 1 | 2 |
| 9 | | | Base, Arm, Chrome - Right | 1 | 1 |
| 10 | | | Pin, Locking | 1 | 1 |
| 11 | | | Spring, Arm Lock | 1 | 1 |
| 12 | | | Anti-Rattle | 1 | 2 |
| 13 | | | Rivet, Tubular | 1 | 1 |
| 14 | | | Handle, Lock, Black - Right | 1 | 2 |
| 15 | | | Spring, Release | 1 | 1 |
| 16 | | | Insert, Threaded | 1 | 1 |
| 17 | | | Guard, Clothing | 1 | 1 |
| 18 | | | Rivet | 1 | 6 |
| 19 | | | NLA - Bolt, Hex Head Cap (1/4-20 x 3/4") | 1 | 1 |
| 20 | | | Spacer, Coved (1/4 x 11/16 x 1/2") | 1 | 1 |
| 22 | | | Arm Pad, Desk Length w/ Law Label | 1 | 1 |
| 23 | | | Package, Screw Phillips Pan Head (#10-32 x 1-1/8") | 1 | 1 |
| 1 | G | 8881130857-NL A | NLA - Kit, Armrest, Desk Length, Chrome - Left (Style 89) | 1 | 1 |
| 2 | | | NLA - Tube, Arm, Desk Length, Chrome - Left | 1 | 1 |
| 3 | | | Plug Button, Black (7/8") | 1 | 2 |
| 4 | | | Plug Button, Black (5/8") | 1 | 3 |
| 5 | | | Plug, Armrest, Black (3/4") (18GA) | 1 | 1 |
| 5 | | | Plug, Armrest, Black (3/4") (20GA) | 1 | 1 |
| 6 | | | Spring, Torsion with Button Lock | 1 | 1 |
| 7 | | | Handle, Quad Release | 1 | 1 |
| 8 | | | Screw, Self Tapping (#6-20 x 1/2") | 1 | 2 |
| 9 | | | Base, Arm, Chrome - Left | 1 | 1 |
| 10 | | | Pin, Locking | 1 | 1 |
| 11 | | | Spring, Arm Lock | 1 | 1 |
| 12 | | | Anti-Rattle | 1 | 2 |
| 13 | | | Rivet, Tubular | 1 | 1 |
| 14 | | | Handle, Lock, Black - Left | 1 | 1 |
| 15 | | | Spring, Release | 1 | 1 |
| 16 | | | Insert, Threaded | 1 | 1 |
| 17 | | | Guard, Clothing | 1 | 1 |

9000XT & 9000XDT Non-Removable Space Saver Adjustable Height Arms

| Item Number | Note | Part Number | Description | Quantity Per | |
|-------------|-------|--------------------|--|--------------|----------|
| | | | | Package | Assembly |
| 18 | | | Rivet | 1 | 6 |
| 19 | | | NLA - Bolt, Hex Head Cap (1/4-20 x 3/4") | 1 | 1 |
| 20 | | | Spacer, Coved (1/4 x 11/16 x 1/2") | 1 | 1 |
| 22 | | | Arm Pad, Desk Length w/ Law Label | 1 | 1 |
| 23 | | | Package, Screw Phillips Pan Head (#10-32 x 1-1/8") | 1 | 1 |
| 1 | A,F,G | 8881135538-NL A | NLA - Kit, Armrest, Full Length, Chrome - Right (Style 79) | 1 | 1 |
| 2 | | | NLA - Tube, Arm, Full Length, Chrome - Right | 1 | 1 |
| 3 | | | Plug Button, Black (5/8") | 1 | 3 |
| 4 | | | Plug Button, Black (7/8") | 1 | 2 |
| 5 | | | Plug, Armrest, Black (3/4") (18GA) | 1 | 1 |
| 5 | | | Plug, Armrest, Black (3/4") (20GA) | 1 | 1 |
| 6 | | | Spring, Torsion with Button Lock | 1 | 1 |
| 7 | | | Handle, Quad Release | 1 | 1 |
| 8 | | | Screw, Self Tapping (#6-20 x 1/2") | 1 | 2 |
| 9 | | | Base, Arm, Chrome - Right | 1 | 1 |
| 10 | | | Pin, Locking | 1 | 1 |
| 11 | | | Spring, Arm Lock | 1 | 1 |
| 12 | | | Anti-Rattle | 1 | 2 |
| 13 | | | Rivet, Tubular | 1 | 1 |
| 14 | | | Handle, Lock, Black - Right | 1 | 1 |
| 15 | | | Spring, Release | 1 | 1 |
| 16 | | | Insert, Threaded | 1 | 1 |
| 17 | | | Guard, Clothing | 1 | 1 |
| 18 | | | Rivet | 1 | 6 |
| 19 | | | NLA - Bolt, Hex Head Cap (1/4-20 x 3/4") | 1 | 1 |
| 20 | | | Spacer, Coved (1/4 x 11/16 x 1/2") | 1 | 1 |
| 22 | | | NLA - Pad, Arm, Full Length w/ Law Label | 1 | 1 |
| 23 | | | Package, Screw Phillips Pan Head (#10-32 x 1-1/8") | 1 | 2 |
| 1 | A,F,G | 8881135539-NL A | NLA - Kit, Armrest, Full Length, Chrome - Left (Style 79) | 1 | 1 |
| 2 | | | NLA - Tube, Arm, Full Length, Chrome - Left | 1 | 1 |
| 3 | | | Plug Button, Black (5/8") | 1 | 3 |
| 4 | | | Plug Button, Black (7/8") | 1 | 2 |
| 5 | | | Plug, Armrest, Black (3/4") (18GA) | 1 | 1 |
| 5 | | | Plug, Armrest, Black (3/4") (20GA) | 1 | 1 |
| 6 | | | Spring, Torsion with Button Lock | 1 | 1 |
| 7 | | | Handle, Quad Release | 1 | 1 |
| 8 | | | Screw, Self Tapping (#6-20 x 1/2") | 1 | 2 |
| 9 | | | Base, Arm, Chrome - Left | 1 | 1 |
| 10 | | | Pin, Locking | 1 | 1 |
| 11 | | | Spring, Arm Lock | 1 | 1 |
| 12 | | | Anti-Rattle | 1 | 2 |

9000XT & 9000XDT Non-Removable Space Saver Adjustable Height Arms

| Item Number | Note | Part Number | Description | Quantity Per | |
|-------------|-------|-------------|---|--------------|----------|
| | | | | Package | Assembly |
| 13 | | | Rivet, Tubular | 1 | 1 |
| 14 | | | Handle, Lock, Black - Left | 1 | 1 |
| 15 | | | Spring, Release | 1 | 1 |
| 16 | | | Insert, Threaded | 1 | 1 |
| 17 | | | Guard, Clothing | 1 | 1 |
| 18 | | | Rivet | 1 | 6 |
| 19 | | | NLA - Bolt, Hex Head Cap (1/4-20 x 3/4") | 1 | 1 |
| 20 | | | Spacer, Coved (1/4 x 11/16 x 1/2") | 1 | 1 |
| 22 | | | NLA - Pad, Arm, Full Length w/ Law Label | 1 | 1 |
| 23 | | | Package, Screw Phillips Pan Head (#10-32 x 1-1/8") | 1 | 2 |
| 1 | A,D,G | 8881135536 | Kit, Armrest, Desk Length, Color - Right (Style 89) | 1 | 1 |
| 2 | | | Tube, Armrest, Desk, Black - Right | 1 | 1 |
| 3 | | | Plug Button, Black (5/8") | 1 | 3 |
| 4 | | | Plug Button, Black (7/8") | 1 | 2 |
| 5 | | | Plug, Armrest, Black (3/4") (18GA) | 1 | 1 |
| 5 | | | Plug, Armrest, Black (3/4") (20GA) | 1 | 1 |
| 6 | | | Spring, Torsion with Button Lock | 1 | 1 |
| 7 | | | Handle, Quad Release | 1 | 1 |
| 8 | | | Screw, Self Tapping (#6-20 x 1/2") | 1 | 2 |
| 9 | | | Base, Arm, Color - Right | 1 | 1 |
| 10 | | | Pin, Locking | 1 | 1 |
| 11 | | | Spring, Arm Lock | 1 | 1 |
| 12 | | | Anti-Rattle | 1 | 1 |
| 13 | | | Rivet, Tubular | 1 | 1 |
| 14 | | | Handle, Lock, Black - Right | 1 | 2 |
| 15 | | | Spring, Release | 1 | 1 |
| 16 | | | Insert, Threaded | 1 | 1 |
| 17 | | | Guard, Clothing | 1 | 1 |
| 18 | | | Rivet | 1 | 6 |
| 19 | | | NLA - Bolt, Hex Head Cap (1/4-20 x 3/4") | 1 | 1 |
| 20 | | | Spacer, Coved (1/4 x 11/16 x 1/2") | 1 | 1 |
| 22 | | | Arm Pad, Desk Length w/ Law Label | 1 | 1 |
| 23 | | | Package, Screw Phillips Pan Head (#10-32 x 1-1/8") | 1 | 2 |
| 1 | A,D,G | 8881135537 | Kit, Armrest, Desk Length, Color - Left (Style 89) | 1 | 1 |
| 2 | | | Tube, Armrest, Desk, Black - Left | 1 | 1 |
| 3 | | | Plug Button, Black (5/8") | 1 | 3 |
| 4 | | | Plug Button, Black (7/8") | 1 | 2 |
| 5 | | | Plug, Armrest, Black (3/4") (18GA) | 1 | 1 |
| 5 | | | Plug, Armrest, Black (3/4") (20GA) | 1 | 1 |
| 6 | | | Spring, Torsion with Button Lock | 1 | 1 |
| 7 | | | Handle, Quad Release | 1 | 1 |
| 8 | | | Screw, Self Tapping (#6-20 x 1/2") | 1 | 2 |
| 9 | | | Base, Arm, Color - Left | 1 | 1 |

9000XT & 9000XDT Non-Removable Space Saver Adjustable Height Arms

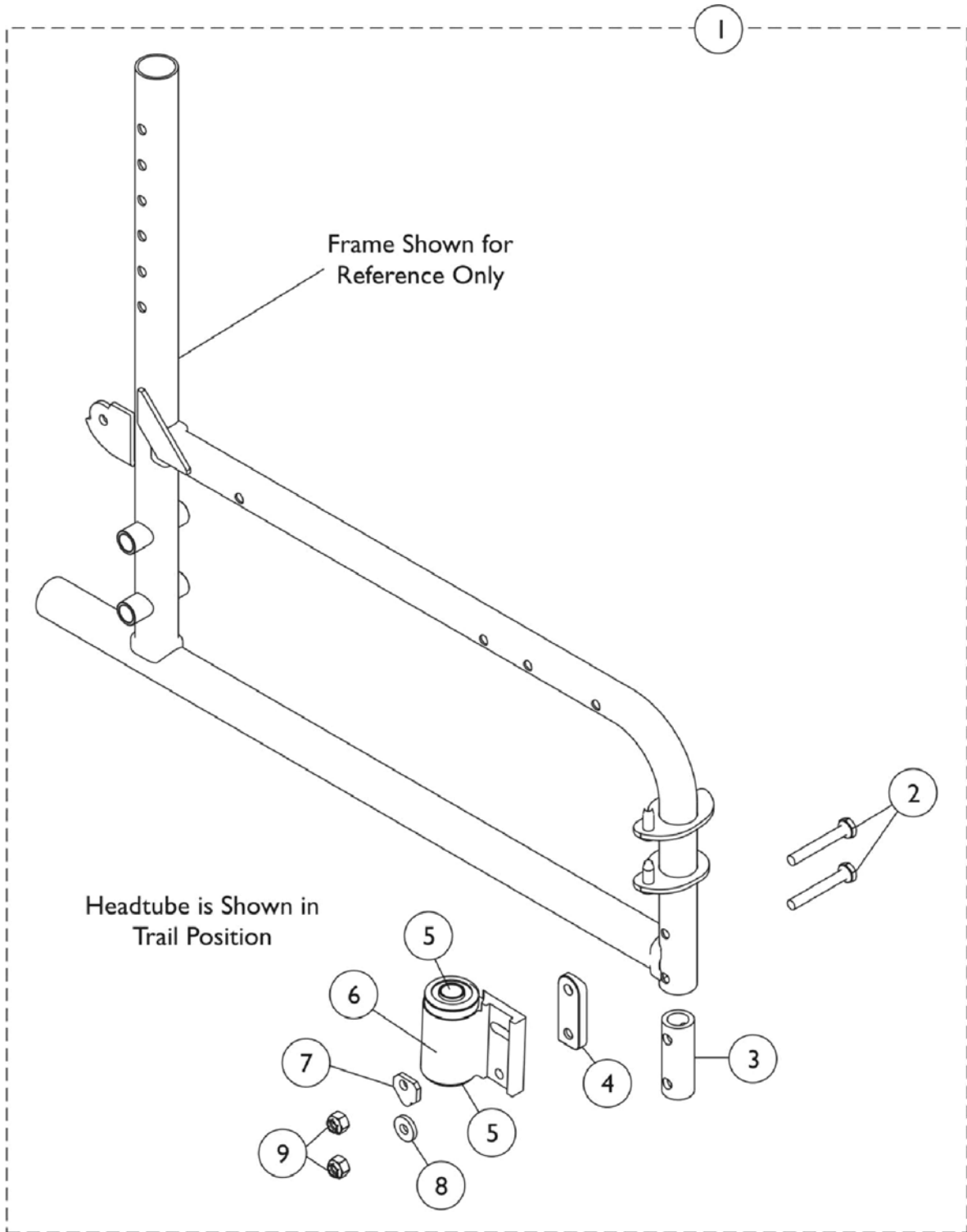
| Item Number | Note | Part Number | Description | Quantity Per | |
|-------------|-------|-------------|---|--------------|----------|
| | | | | Package | Assembly |
| 10 | | | Pin, Locking | 1 | 1 |
| 11 | | | Spring, Arm Lock | 1 | 1 |
| 12 | | | Anti-Rattle | 1 | 2 |
| 13 | | | Rivet, Tubular | 1 | 1 |
| 14 | | | Handle, Lock, Black - Left | 1 | 1 |
| 15 | | | Spring, Release | 1 | 1 |
| 16 | | | Insert, Threaded | 1 | 1 |
| 17 | | | Guard, Clothing | 1 | 1 |
| 18 | | | Rivet | 1 | 6 |
| 19 | | | NLA - Bolt, Hex Head Cap (1/4-20 x 3/4") | 1 | 1 |
| 2 | | | Spacer, Coved (1/4 x 11/16 x 1/2") | 1 | 1 |
| 22 | | | Arm Pad, Desk Length w/ Law Label | 1 | 1 |
| 23 | | | Package, Screw Phillips Pan Head (#10-32 x 1-1/8") | 1 | 2 |
| 1 | A,D,G | 8881135552 | Kit, Armrest, Full Length, Color - Right (Style 79) | 1 | 1 |
| 2 | | | Tube, Arm, Black - Right | 1 | 1 |
| 3 | | | Plug Button, Black (7/8") | 1 | 2 |
| 4 | | | Plug Button, Black (5/8") | 1 | 3 |
| 5 | | | Plug, Armrest, Black (3/4") (18GA) | 1 | 1 |
| 5 | | | Plug, Armrest, Black (3/4") (20GA) | 1 | 1 |
| 6 | | | Spring, Torsion with Button Lock | 1 | 1 |
| 7 | | | Handle, Quad Release | 1 | 1 |
| 8 | | | Screw, Self Tapping (#6-20 x 1/2") | 1 | 2 |
| 9 | | | Base, Arm, Color - Right | 1 | 1 |
| 10 | | | Pin, Locking | 1 | 1 |
| 11 | | | Spring, Arm Lock | 1 | 1 |
| 12 | | | Anti-Rattle | 1 | 2 |
| 13 | | | Rivet, Tubular | 1 | 1 |
| 14 | | | Handle, Lock, Black - Right | 1 | 1 |
| 15 | | | Spring, Release | 1 | 1 |
| 16 | | | Insert, Threaded | 1 | 1 |
| 17 | | | Guard, Clothing | 1 | 1 |
| 18 | | | Rivet | 1 | 6 |
| 19 | | | NLA - Bolt, Hex Head Cap (1/4-20 x 3/4") | 1 | 1 |
| 20 | | | Spacer, Coved (1/4 x 11/16 x 1/2") | 1 | 1 |
| 22 | | | NLA - Pad, Arm, Full Length w/ Law Label | 1 | 1 |
| 23 | | | Package, Screw Phillips Pan Head (#10-32 x 1-1/8") | 1 | 2 |
| 1 | A,D,G | 8881135553 | Kit, Armrest, Full Length, Color - Left (Style 79) | 1 | 1 |
| 2 | | | Tube, Arm, Black - Left | 1 | 1 |
| 3 | | | Plug Button, Black (7/8") | 1 | 2 |
| 4 | | | Plug Button, Black (5/8") | 1 | 3 |
| 5 | | | Plug, Armrest, Black (3/4") (18GA) | 1 | 1 |
| 5 | | | Plug, Armrest, Black (3/4") (20GA) | 1 | 1 |
| 6 | | | Spring, Torsion with Button Lock | 1 | 1 |

9000XT & 9000XDT Non-Removable Space Saver Adjustable Height Arms

| Item Number | Note | Part Number | Description | Quantity Per | |
|-------------|------|-------------|--|--------------|----------|
| | | | | Package | Assembly |
| 7 | | | Handle, Quad Release | 1 | 1 |
| 8 | | | Screw, Self Tapping (#6-20 x 1/2") | 1 | 2 |
| 9 | | | Base, Arm, Color - Left | 1 | 1 |
| 10 | | | Pin, Locking | 1 | 1 |
| 11 | | | Spring, Arm Lock | 1 | 1 |
| 12 | | | Anti-Rattle | 1 | 2 |
| 13 | | | Rivet, Tubular | 1 | 1 |
| 14 | | | Handle, Lock, Black - Left | 1 | 1 |
| 15 | | | Spring, Release | 1 | 1 |
| 16 | | | Insert, Threaded | 1 | 1 |
| 17 | | | Guard, Clothing | 1 | 1 |
| 18 | | | Rivet | 1 | 6 |
| 19 | | | NLA - Bolt, Hex Head Cap (1/4-20 x 3/4") | 1 | 1 |
| 20 | | | Spacer, Coved (1/4 x 11/16 x 1/2") | 1 | 1 |
| 22 | | | NLA - Pad, Arm, Full Length w/ Law Label | 1 | 1 |
| 23 | | | Package, Screw Phillips Pan Head (#10-32 x 1-1/8") | 1 | 2 |
| 19 | B,F | 8881127509 | Kit, Arm Pad w/Screws - Full Length | 1 | 1 |
| 20 | | | NLA - Pad, Arm, Full Length w/ Law Label | 1 | 1 |
| 21 | | | Package, Screw Phillips Pan Head (#10-32 x 1-1/8") | 1 | 2 |
| 19 | B,F | 8881127510 | Kit, Arm Pad w/Screws - Desk Length | 1 | 1 |
| 20 | | | Arm Pad, Desk Length w/ Law Label | 1 | 1 |
| 21 | | | Package, Screw Phillips Pan Head (#10-32 x 1-1/8") | 1 | 2 |
| 22 | C | 1058139 | Kit, Armrest Hardware | 1 | 1 |
| 23 | | | Cup, Socket Pivot | 1 | 1 |
| 24 | | | NLA - Screw, Hex Head (1/4-20 x 1-3/8") | 1 | 1 |
| 25 | | | Locknut (1/4-20) | 1 | 1 |
| | E | 7100053 | Arm Lock Assembly, Black - Right | 1 | 1 |
| | | | Handle, Lock, Black - Right | 1 | 1 |
| | | | Rivet, Tubular | 1 | 2 |
| | | | Pin, Locking | 1 | 2 |
| | | | Spring, Arm Lock | 1 | 2 |
| | E | 7100054 | Arm Lock Assembly, Black - Left | 1 | 1 |
| | | | Handle, Lock, Black - Left | 1 | 1 |
| | | | Rivet, Tubular | 1 | 2 |
| | | | Pin, Locking | 1 | 2 |
| | | | Spring, Arm Lock | 1 | 2 |

NOTE: A - Includes items 2-23.
B - Includes items 22 and 23.
C - Includes items 25-27.
D - Specify frame finish and upholstery color when ordering. See category titled, "Frame Finishes, Upholstery Colors, Decals and Packaging."
E - Not shown. Includes items 10, 11, 13 and 14.
F - Specify upholstery color when ordering. See category titled, "Frame Finishes, Upholstery Colors, Decals and Packaging."
G - Item #5 Plug Button for 18GA Tubing used in front only.

Headtube Hardware, Adjustable 9000XT Option Only



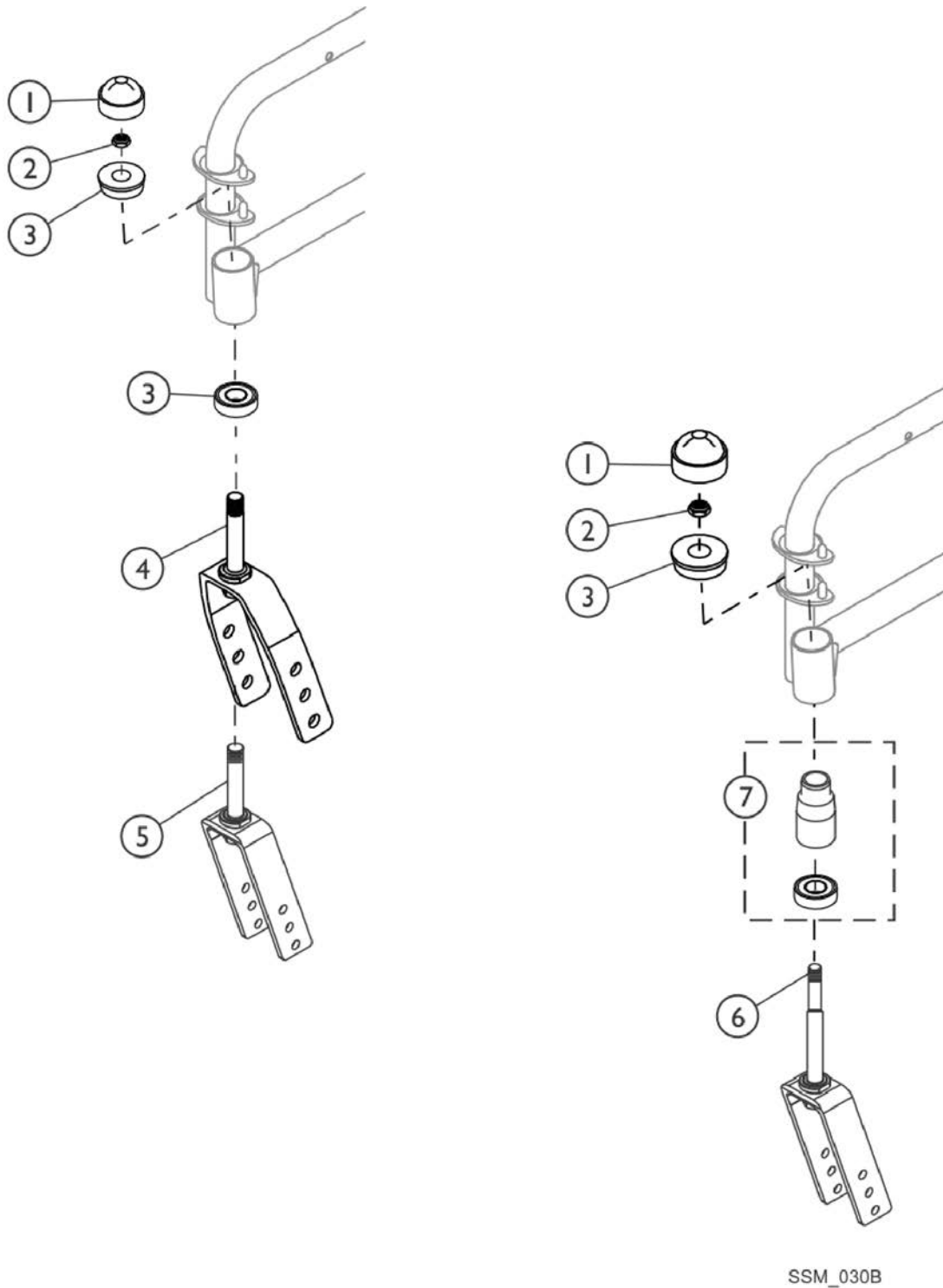
Headtube Hardware, Adjustable 9000XT Option Only

| Item Number | Note | Part Number | Description | Quantity Per | |
|-------------|------|-------------|---|--------------|----------|
| | | | | Package | Assembly |
| 1 | A | 1091074 | Kit, Caster Headtube w/ Flanged Bearings and Hardware, Black (Pair) | 1 | 1 |
| 2 | | | Screw, Hex Head (1/4-28 x 1-3/4") | 1 | 4 |
| 3 | | | Tube, Insert | 1 | 2 |
| 4 | | | Spacer, Coved Headtube - Right | 1 | 1 |
| 4 | | | Spacer, Coved Headtube - Left | 1 | 1 |
| 5 | | | Bearing, Flange (1/2") | 1 | 2 |
| 6 | | | Headtube, Caster w/ Flanged Bearings, Black - Right | 1 | 1 |
| 6 | | | Headtube, Caster w/ Flanged Bearings, Black - Left | 1 | 1 |
| 7 | | | Cam, Headtube Adjustment | 1 | 2 |
| 8 | | | Washer (1/4 x 5/8 x 3/32") | 1 | 2 |
| 9 | | | Locknut (1/4-28) | 1 | 4 |
| 1 | B | 1113590 | Kit, Caster Headtube w/ Precision Bearings and Hardware, Black (Pair) | 1 | 1 |
| 2 | | | Screw, Hex Head (1/4-28 x 1-3/4") | 1 | 4 |
| 3 | | | Tube, Insert | 1 | 2 |
| 4 | | | Spacer, Coved Headtube - Right | 1 | 1 |
| 4 | | | Spacer, Coved Headtube - Left | 1 | 1 |
| 5 | | | Bearing (1/2" I.D. x 1-1/8" O.D.) | 1 | 2 |
| 6 | | | Headtube, Caster with Precision Bearings, Black - Right | 1 | 1 |
| 6 | | | NLA - Headtube, Caster with Precision Bearings, Black - Left | 1 | 1 |
| 7 | | | Cam, Headtube Adjustment | 1 | 2 |
| 8 | | | Washer (1/4 x 5/8 x 3/32") | 1 | 2 |
| 9 | | | Locknut (1/4-28) | 1 | 4 |

NOTE: A - Includes items 2-9 and used on chairs ordered with the ADJC option.
B - Includes items 2-9 and used on chairs ordered with the ADJCPB option.

Forks and Hardware

9000SL / 9000XT / 9000XT Recliner



SSM_030B

Forks and Hardware

9000SL / 9000XT / 9000XT Recliner

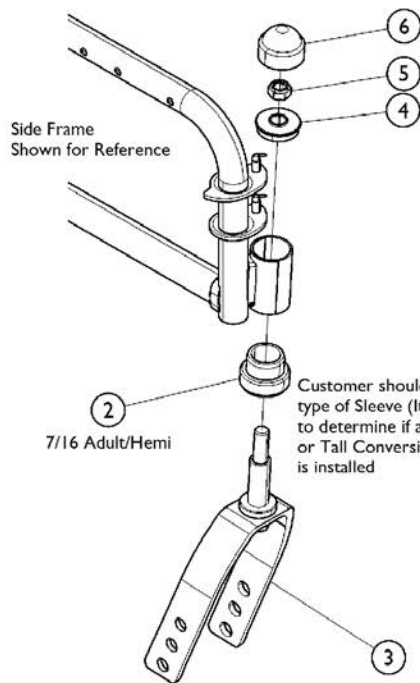
| Item Number | Note | Part Number | Description | Quantity Per | |
|-------------|------|-------------|--|--------------|----------|
| | | | | Package | Assembly |
| 1 | E | 1001843 | Cap, Head Tube, Black | 1 | 1 |
| 1 | E | 1131189 | Package, Head Tube Cap | 10 | 1 |
| 1 | F | 1192854 | Cap, Head Tube, Black | 1 | 1 |
| 2 | | 1001979 | Locknut (1/2-20) | 1 | 1 |
| 3 | E | 1001801 | Bearing, Flange (1/2") | 1 | 2 |
| 3 | F | 1192848 | Bearing, Flange (5/8") | 1 | 2 |
| 4 | A,E | 1056640 | Fork and Stem Assembly, Black (8" & 6 x 2" Caster) | 1 | 1 |
| 4 | A,F | 1192855 | Fork and Stem Assembly, Black (8" & 6 x 2" Caster) | 1 | 1 |
| 5 | B | 1037420 | Fork and Stem Assembly, Black (6 x 1" Caster) | 1 | 1 |
| 5 | D | 1194267 | Fork and Stem Assembly, Black (6 x 1" Caster) | 1 | 1 |
| 6 | C | 1067784 | Fork and Stem Assembly, Black (6 x 1" Caster) | 1 | 1 |
| 7 | C | 1066589 | Bottom Sleeve and Bearing Assembly, Black | 1 | 1 |

NOTE: A - Used for 9XT/ 9SL and 9RC models.
 B - Not available for 9RC model. Used for 9XT Before 10/12/16 and ("ALL" 9SL models with 6" Casters).
 C - Only used for 9XT models with Adult S-T-F setting, AT902 6" Caster Option and a 24" Rear Wheel.
 D - Not available for 9RC model. Used for 9XT After 10/11/16 with 6" Caster.
 E - Used for 9XT, 9RC models Before 10/12/16 and ("ALL" 9SL models with 8" casters).
 F - Used for 9XT and 9RC models After 10/11/16.

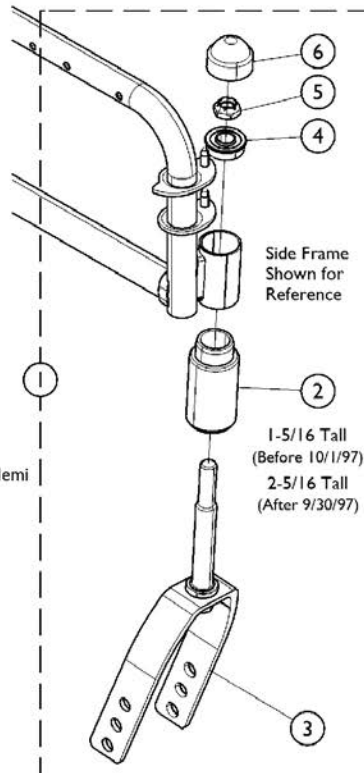
Forks and Hardware

9000XDT - Adult/Hemi and Tall

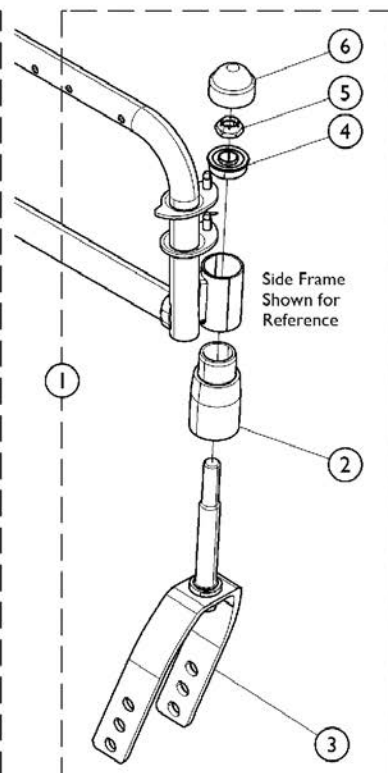
When converting from an Adult/Hemi seat to floor to a Tall seat to floor wheelchair, you must also replace the Side Frames.



Adult/Hemi Fork and Hardware



Adult/Hemi to Tall Conversion Kit (After 9/30/97)
Tall Fork and Hardware Only (After 9/30/97)



Adult/Hemi to Tall Conversion Kit (Before 10/1/97)
Tall Fork and Hardware Only (Before 10/1/97)

Forks and Hardware

9000XDT - Adult/Hemi and Tall

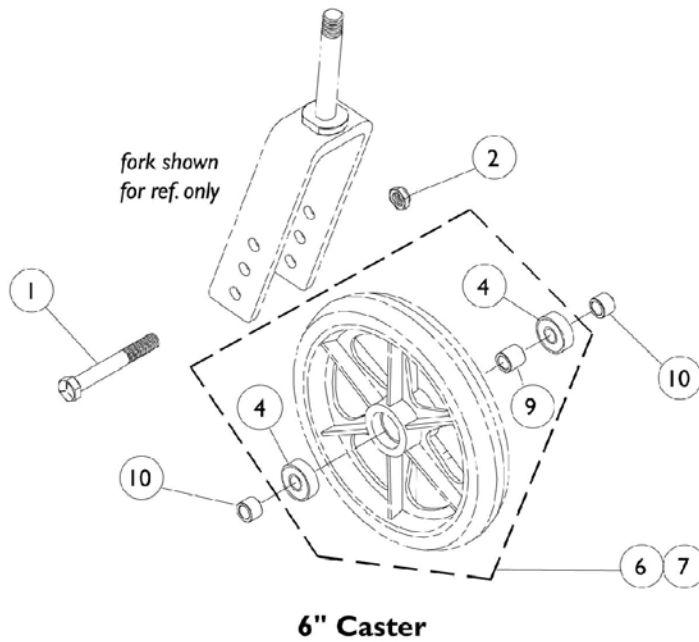
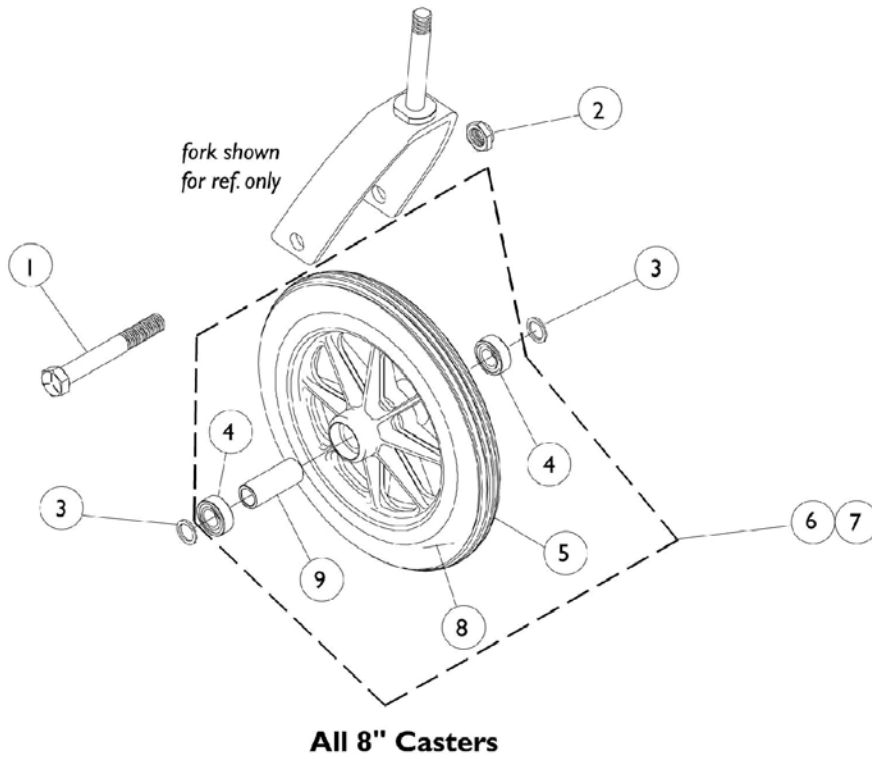
When converting from an Adult/Hemi seat to floor to a Tall seat to floor wheelchair, you must also replace the Side Frames.

| Item Number | Note | Part Number | Description | Quantity Per | |
|-------------|------|-------------|---|--------------|----------|
| | | | | Package | Assembly |
| 1 | A,D | 1070843 | Kit, Conversion, Chrome, Adult/ Hemi to Tall (Pair) | 2 | 1 |
| 1 | A,E | 1075042 | Kit, Conversion, Chrome, Adult/ Hemi to Tall (Pair) | 2 | 1 |
| 2 | B,D | 1066590-NLA | NLA - Sleeve w/ Bearing, Chrome, Tall | 1 | 1 |
| 2 | B,E | 1180828 | Sleeve w/ Bearing, Silver Vein (71P), Tall | 1 | 1 |
| 2 | C | 1074930 | Sleeve w/ Bearing, Black, Adult/Hemi | 1 | 1 |
| 3 | | 1065589 | Fork and Stem Assembly, Adult/Hemi | 1 | 1 |
| 3 | B | 1062585 | Fork and Stem Assembly, Tall | 1 | 1 |
| 4 | B | 1001801 | Bearing, Flange (1/2") | 1 | 1 |
| 4 | C | 1065530 | Bearing, Flange (7/16") | 1 | 1 |
| 5 | B | 1001979 | Locknut (1/2-20) | 1 | 1 |
| 5 | C | 20225X000 | Locknut (7/16-20) | 1 | 1 |
| 6 | | 1001843 | Cap, Head Tube, Black | 1 | 1 |
| | G | 1037422 | Kit, Wheel Lock Shoe Spacer, 22" Rear Wheels (Pair) | 1 | 1 |
| | | | Spacer, Wheel Lock Shoe (1-45/64") | 1 | 2 |
| | | | Screw, Set Socket Cup Point (#8-32 x 3/16") | 1 | 4 |
| | G | 1070845-NLA | NLA - Instruction Sheet | 1 | 1 |
| | G | 1075041 | Instruction Sheet | 1 | 1 |
| 6 | | 1131189 | Package, Head Tube Cap | 10 | 1 |

NOTE: A - Includes items 2 - 6 and Instruction Sheet. The side frames also need to be changed when converting from an adult/hemi seat to floor to the tall seat to floor.
 B - Used with Tall Chairs only.
 C - Used with Adult/Hemi Chairs only.
 D - Before 10/1/97
 E - 10/1/97-4/11/13 Chrome replaced Black. After 4/11/13 Chrome was replaced with Silver Vein (71P). Currently there is not a Conversion Kit in Silver Vein available to replace item #1 1075042. Item #'s 2-6 and Instruction Sheet must be ordered separately.
 G - Not shown.

NOTE: 10/1/97-4/11/13 a product improvement was made to the Sleeve w/ Bearing and Black was discontinued and replaced with a Chrome finish. After 4/11/13 Chrome finish was replaced with Silver Vein (71P). Chairs with U2222 Rear Wheels will also need Wheellock Shoe Spacers w/ Hardware Part Number 1037422.

Front Casters and Mounting Hardware



Front Casters and Mounting Hardware

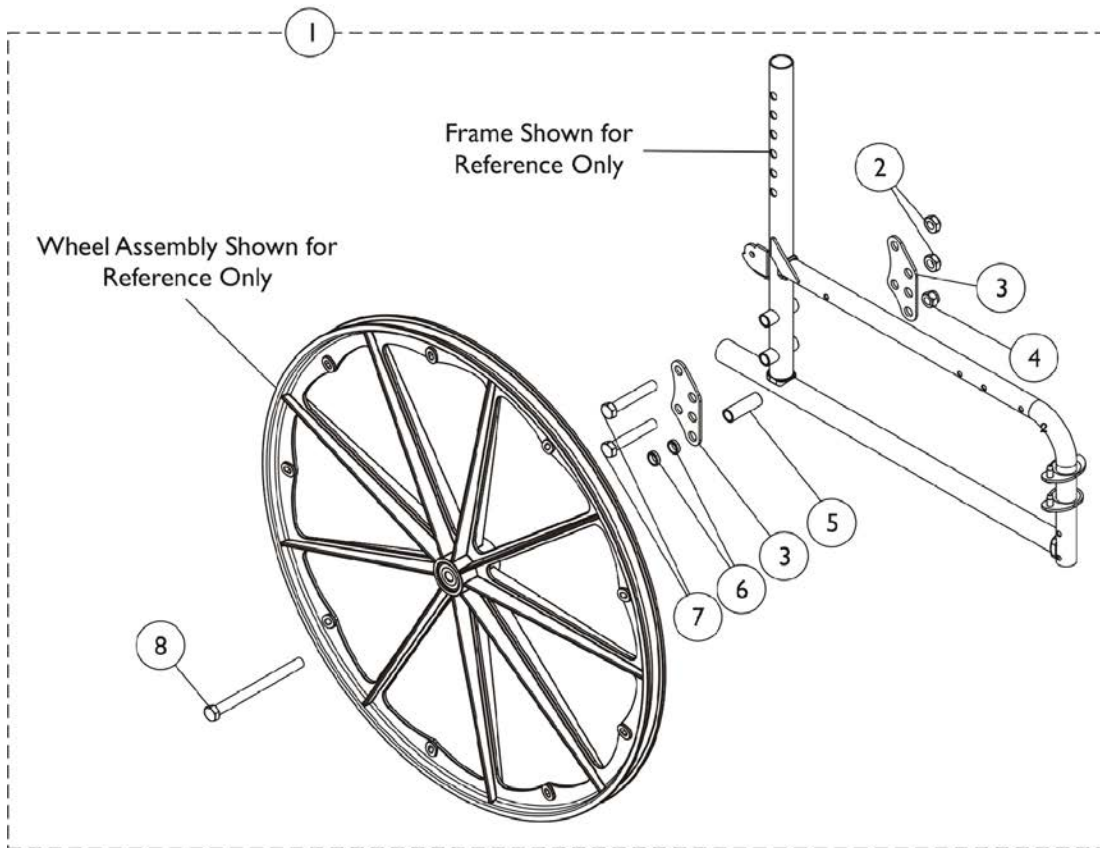
| Item Number | Description | 1686 Composite Light Grey Urethane 6 X 1" | AT902 Composite Dark Grey Urethane 6 X 1" | 1290 Composite Cast-Charcoal 8 X 1" | AT903 Composite Urethane 8 X 1-1/4" |
|--|-------------------------|--|--|---|---|
| 1 | Front Axle | 40317X002 | 40317X002 | 57667P007 | 57667P007 |
| 2 | Axle Locknut | 60264X001 | 60264X001 | 20225X000 | 20225X000 |
| 3 | Axle Washer | N/A | N/A | 1026101 | 7930312 |
| 4 | Bearing | 40117X026 | N/A | 1006049 | 1040102 |
| 5 | Tire | N/A | N/A | 1075458 See Note(s) B | 1038157 |
| 6 | Wheel Assembly - 1pc | 1026956 See Note(s) A | 1029500 | 1086841 | 1058649 See Note(s) A |
| 7 | Wheel Assembly - 1pr | N/A | 1034352 | 1086842 | N/A |
| 8 | Tube/Insert | N/A | N/A | N/A | N/A |
| 9 | Hub Spacer | 1026172 | N/A | 1018982 | 1037911 |
| 10 | Axle Spacer | 1053202 | 1053202 | N/A | N/A |
| NOTE: A - Includes tire, tube/insert, bearings, and spacer. | | | | | |
| NOTE: B - Effective 1/14/05, tire color changed. Due to change, it is recommended tires be ordered in pairs. | | | | | |
| NOTE: #1686 and AT902 are not available for 9000XT Recliners. | | | | | |

Front Casters and Mounting Hardware

| Item Number | Description | 1228 Composite Semi-Pneumatic After 6-9-97 8 X 1-3/4" See Note(s) A | 1292 Composite Pneumatic 8 X 1-1/4" | 1492 Composite Pneu. w/ Flat Free Insert 8 X 1-1/4" | 1299 Composite Solid Rubber 8 X 1" |
|---|------------------|---|--|--|---------------------------------------|
| 1 | Front Axle | 57667P007 | 57667P007 | 57667P007 | 57667P007 |
| 2 | Axle Locknut | 20225X000 | 1001979 | 1001979 | 1001979 |
| 3 | Axle Washer | 1016032 | 1016032 | 1016032 | 1026101 |
| 4 | Bearing | 1006049 | 1006049 | 1006049 | 1040102 |
| 5 | Tire | -- | 40176X040 | 40176X040 | 1040144 See Note(s) C |
| 6 | Wheel Asm. - 1pc | 1070811 See Note(s) B | 1009481 See Note(s) B | 1030773 See Note(s) B | 1058648 See Note(s) B |
| 7 | Wheel Asm. - 1pr | 1071666 See Note(s) B | -- | -- | -- |
| 8 | Tube/Insert | -- | 40176X041 | 1010904-NLA | -- |
| 10 | Axle Spacer | -- | -- | -- | -- |
| NOTE: A - Order in Pairs (#1071666) for chairs manufactured before 6-9-97. B - Includes tire, tube/insert, bearings, and spacer. C - Effective 1/14/05, tire color changed from grey to light grey. Due to change, it is recommended tires be ordered in pairs. | | | | | |

Offset Axle with Hardware

9XT Option Only (After 8/1/02)



Offset Axle with Hardware 9XT Option Only (After 8/1/02)

| Item Number | Note | Part Number | Description | Quantity Per | |
|-------------|------|-------------|--|--------------|----------|
| | | | | Package | Assembly |
| 1 | A | 1111314 | Mounting Axle Assembly | 1 | 1 |
| 2 | | 20225X000 | Locknut (7/16-20) | 1 | 2 |
| 3 | | 1108525 | Plate, Axle, Black | 1 | 2 |
| 4 | | 1045608 | Locknut (7/16-20) | 1 | 1 |
| 5 | | 1111004 | Lug, Axle, Black | 1 | 1 |
| 6 | | 1026101 | Spacer (7/16 x 5/8 x 3/16") | 1 | 2 |
| 7 | | 1021755-NLA | NLA - Screw, Hex Head (7/16-20 x 2-1/2") | 1 | 2 |
| 8 | | 1085454 | Bolt, Hex Head Cap (7/16-20 x 5-1/8") | 1 | 1 |

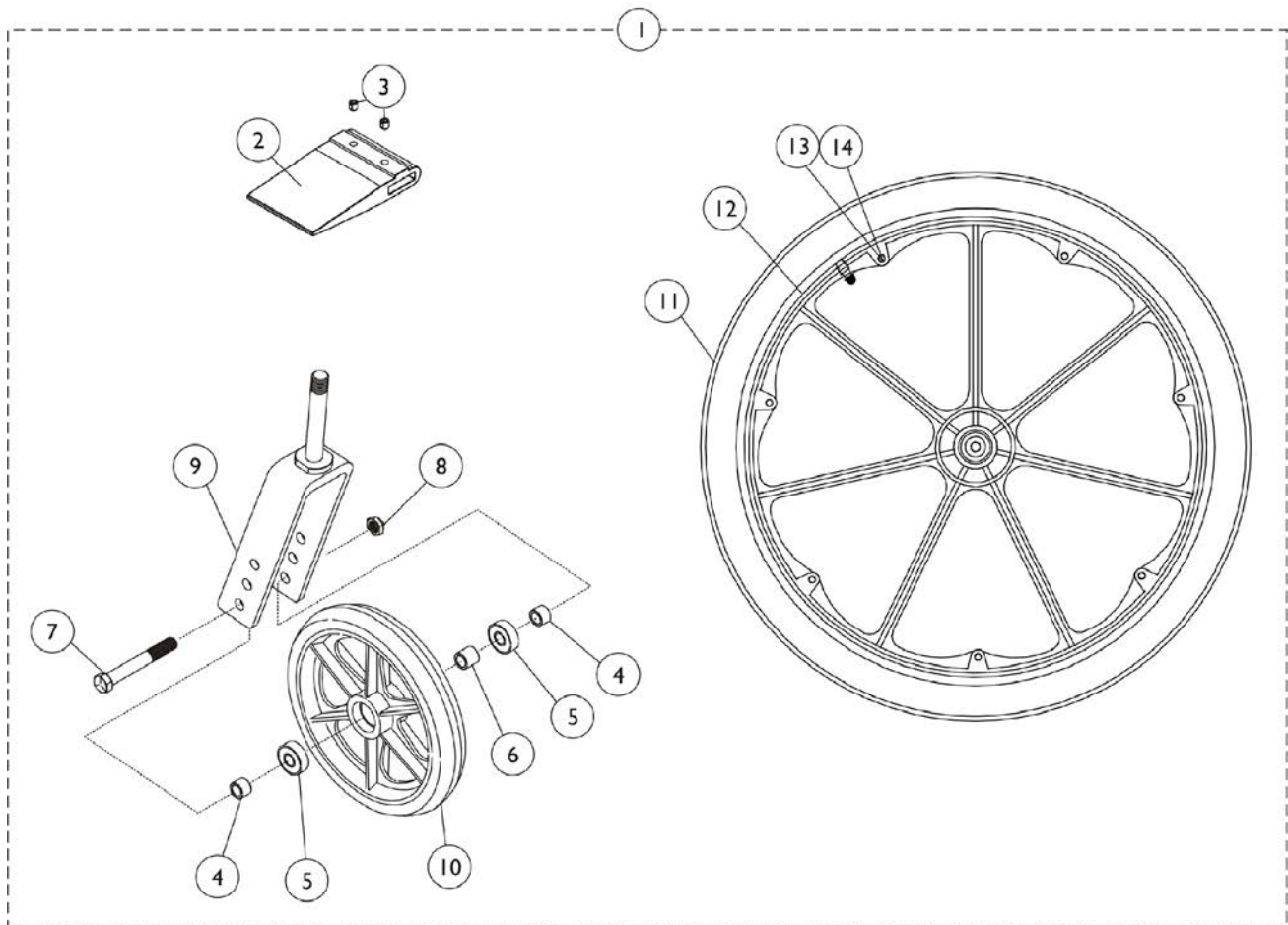
NOTE: A - Includes items 1-7.

20-6 and 22-6 Wheel Options - Aluminum Black Anodized Handrim

7/16" Bearing Only

NOTE: This item is not available for the 9000XDT or the 9000XT Recliner Wheel Chairs due to weight limitations.

NOTE: Wheel Options only available for 9XT models manufactured before 10/12/16. Can be used on ALL 9SL models with 6" Casters.



20-6 and 22-6 Wheel Options - Aluminum Black Anodized Handrim 7/16" Bearing Only

NOTE: This item is not available for the 9000XDT or the 9000XT Recliner Wheel Chairs due to weight limitations.

NOTE: Wheel Options only available for 9XT models manufactured before 10/12/16. Can be used on ALL 9SL models with 6" Casters.

20-6 and 22-6 Wheel Options - Aluminum Black Anodized Handrim

7/16" Bearing Only

NOTE: This item is not available for the 9000XDT or the 9000XT Recliner Wheel Chairs due to weight limitations.

NOTE: Wheel Options only available for 9XT models manufactured before 10/12/16. Can be used on ALL 9SL models with 6" Casters.

| Item Number | Note | Part Number | Description | Quantity Per | | |
|-------------|----------|---|--|--|----------|---|
| | | | | Package | Assembly | |
| 1 | A,B,C | 1037777-NLA | NLA - 20-6 Pneumatic Wheel Options with (6 x 1") Lt. Grey Urethane Casters | 1 | 1 | |
| 2 | | | Spacer, Wheel Lock Shoe (2-63/64") | 1 | 2 | |
| 3 | | | Screw, Set Socket Cup Point (#8-32 x 3/16") | 1 | 4 | |
| 4 | | | Spacer (5/16 x 7/16 x 1/4") | 1 | 4 | |
| 5 | | | Bearing, Flange (5/16") | 1 | 4 | |
| 6 | | | Spacer (5/16 x 7/16 x 15/32") | 1 | 2 | |
| 7 | | | Screw, Hex Head (5/16-24 x 2-1/4") | 1 | 2 | |
| 8 | | | Locknut (5/16-24) | 1 | 2 | |
| 9 | | | Fork and Stem Assembly, Black (6 x 1" Caster) | 1 | 2 | |
| 10 | | | NLA - Wheel Assembly, Composite, Urethane, Light Grey (6" x 1") | 1 | 2 | |
| 11 | | | Wheel Assembly, Composite, Pneumatic (20") | 1 | 2 | |
| 12 | | | Handrim, Aluminum, 7 PT, Black (34P) (20" Wheel) | 1 | 2 | |
| 13 | | | Screw, Phillips Pan Head w/ Patch (#10-32 x 1-3/4") | 1 | 14 | |
| 14 | | | Spacer (1/4 x 11/32 x 15/16") | 1 | 14 | |
| 1 | A,B,C, D | 1052735 | 20-6 Pneumatic Wheel Options with (6 x 1") Dk. Grey Urethane Casters | 1 | 1 | |
| 2 | | | Spacer, Wheel Lock Shoe (2-63/64") | 1 | 2 | |
| 3 | | | Screw, Set Socket Cup Point (#8-32 x 3/16") | 1 | 4 | |
| 4 | | | Spacer (5/16 x 7/16 x 1/4") | 1 | 4 | |
| 7 | | | Screw, Hex Head (5/16-24 x 2-1/4") | 1 | 2 | |
| 8 | | | Locknut (5/16-24) | 1 | 2 | |
| 9 | | | Fork and Stem Assembly, Black (6 x 1" Caster) | 1 | 2 | |
| 10 | | | Wheel Assembly, 3 Spoke Urethane w/ Bearings, Dark Grey (6" x 1") | 1 | 2 | |
| 11 | | | Wheel Assembly, Composite, Pneumatic (20") | 1 | 2 | |
| 12 | | | Handrim, Aluminum, 7 PT, Blk Anodized (20" Wheel) | 1 | 2 | |
| 13 | | | Screw, Phillips Pan Head w/ Patch (#10-32 x 1-3/4") | 1 | 14 | |
| 14 | | | Spacer (1/4 x 11/32 x 15/16") | 1 | 14 | |
| 1 | A,B,C | | 1037778-NLA | NLA - 22-6 Pneumatic Wheel Options w/ (6 x 1") Lt. Grey Urethane Casters | 1 | 1 |
| 2 | | | | Spacer, Wheel Lock Shoe (1-45/64") | 1 | 2 |
| 3 | | Screw, Set Socket Cup Point (#8-32 x 3/16") | | 1 | 4 | |
| 4 | | Spacer (5/16 x 7/16 x 1/4") | | 1 | 4 | |
| 5 | | Bearing, Flange (5/16") | | 1 | 4 | |
| 6 | | Spacer (5/16 x 7/16 x 15/32") | | 1 | 2 | |
| 7 | | Screw, Hex Head (5/16-24 x 2-1/4") | | 1 | 2 | |

20-6 and 22-6 Wheel Options - Aluminum Black Anodized Handrim

7/16" Bearing Only

NOTE: This item is not available for the 9000XDT or the 9000XT Recliner Wheel Chairs due to weight limitations.

NOTE: Wheel Options only available for 9XT models manufactured before 10/12/16. Can be used on ALL 9SL models with 6" Casters.

| Item Number | Note | Part Number | Description | Quantity Per | |
|-------------|-------|-------------|--|--------------|----------|
| | | | | Package | Assembly |
| 8 | | | Locknut (5/16-24) | 1 | 2 |
| 9 | | | Fork and Stem Assembly, Black (6 x 1" Caster) | 1 | 2 |
| 10 | | | NLA - Wheel Assembly, Composite, Urethane, Light Grey (6" x 1") | 1 | 2 |
| 11 | | | Wheel Assembly, Composite, Pneumatic (22") | 1 | 2 |
| 12 | | | Handrim, Aluminum, 7 PT, Black (34P) (22" Wheel) | 1 | 2 |
| 13 | | | Screw, Phillips Pan Head w/ Patch (#10-32 x 1-3/4") | 1 | 14 |
| 14 | | | Spacer (1/4 x 11/32 x 15/16") | 1 | 14 |
| 1 | A,B,C | 1052736 | 22-6 Pneumatic Wheel Options with (6 x 1") Dk. Grey Urethane Casters | 1 | 1 |
| 2 | | | Spacer, Wheel Lock Shoe (1-45/64") | 1 | 2 |
| 3 | | | Screw, Set Socket Cup Point (#8-32 x 3/16") | 1 | 4 |
| 4 | | | Spacer (5/16 x 7/16 x 1/4") | 1 | 4 |
| 5 | | | Bearing, Flange (5/16") | 1 | 4 |
| 6 | | | Spacer (5/16 x 7/16 x 15/32") | 1 | 2 |
| 7 | | | Screw, Hex Head (5/16-24 x 2-1/4") | 1 | 2 |
| 8 | | | Locknut (5/16-24) | 1 | 2 |
| 9 | | | Fork and Stem Assembly, Black (6 x 1" Caster) | 1 | 2 |
| 10 | | | NLA - Wheel, Urethane (6") | 1 | 2 |
| 11 | | | Wheel Assembly, Composite, Pneumatic (22") | 1 | 2 |
| 12 | | | Handrim, Aluminum, 7 PT, Blk Anodized (22" Wheel) | 1 | 2 |
| 13 | | | Screw, Phillips Pan Head w/ Patch (#10-32 x 1-3/4") | 1 | 14 |
| 14 | | | Spacer (1/4 x 11/32 x 15/16") | 1 | 14 |
| 1 | A,B,C | 1064482 | 20-6 Urethane Wheel Options with (6 x 1") Lt. Grey Urethane Casters | 1 | 1 |
| 2 | | | Spacer, Wheel Lock Shoe (2-63/64") | 1 | 2 |
| 3 | | | Screw, Set Socket Cup Point (#8-32 x 3/16") | 1 | 4 |
| 4 | | | Spacer (5/16 x 7/16 x 1/4") | 1 | 4 |
| 5 | | | Bearing, Flange (5/16") | 1 | 4 |
| 6 | | | Spacer (5/16 x 7/16 x 15/32") | 1 | 2 |
| 7 | | | Screw, Hex Head (5/16-24 x 2-1/4") | 1 | 2 |
| 8 | | | Locknut (5/16-24) | 1 | 2 |
| 9 | | | Fork and Stem Assembly, Black (6 x 1" Caster) | 1 | 2 |
| 10 | | | NLA - Wheel Assembly, Composite, Urethane, Light Grey (6" x 1") | 1 | 2 |
| 11 | | | Wheel Assembly, Composite, Urethane (20") | 1 | 2 |
| 12 | | | Handrim, Aluminum, 7 PT, Blk Anodized (20" Wheel) | 1 | 2 |

20-6 and 22-6 Wheel Options - Aluminum Black Anodized Handrim

7/16" Bearing Only

NOTE: This item is not available for the 9000XDT or the 9000XT Recliner Wheel Chairs due to weight limitations.

NOTE: Wheel Options only available for 9XT models manufactured before 10/12/16. Can be used on ALL 9SL models with 6" Casters.

| Item Number | Note | Part Number | Description | Quantity Per | |
|-------------|-------------------------------|-------------|---|--------------|----------|
| | | | | Package | Assembly |
| 13 | A,B,C | 1064476 | Screw, Phillips Pan Head w/ Patch (#10-32 x 1-3/4") | 1 | 14 |
| 14 | | | Spacer (1/4 x 11/32 x 15/16") | 1 | 14 |
| 1 | | | 20-6 Urethane Wheel Options with (6 x 1") Dk. Grey Urethane Casters | 1 | 1 |
| 2 | | | Spacer, Wheel Lock Shoe (2-63/64") | 1 | 2 |
| 3 | | | Screw, Set Socket Cup Point (#8-32 x 3/16") | 1 | 4 |
| 4 | | | Spacer (5/16 x 7/16 x 1/4") | 1 | 4 |
| 5 | | | Bearing, Flange (5/16") | 1 | 4 |
| 6 | | | Spacer (5/16 x 7/16 x 15/32") | 1 | 2 |
| 7 | | | Screw, Hex Head (5/16-24 x 2-1/4") | 1 | 2 |
| 8 | | | Locknut (5/16-24) | 1 | 2 |
| 9 | | | Fork and Stem Assembly, Black (6 x 1" Caster) | 1 | 2 |
| 10 | | | NLA - Wheel, Urethane (6") | 1 | 2 |
| 11 | | | Wheel Assembly, Composite, Urethane (20") | 1 | 2 |
| 12 | | | Handrim, Aluminum, 7 PT, Blk Anodized (20" Wheel) | 1 | 2 |
| 13 | A,B,C | 1064483 | Screw, Phillips Pan Head w/ Patch (#10-32 x 1-3/4") | 1 | 14 |
| 14 | | | Spacer (1/4 x 11/32 x 15/16") | 1 | 14 |
| 1 | | | 22-6 Urethane Wheel Options with (6 x 1") Lt. Grey Urethane Casters | 1 | 1 |
| 2 | | | Spacer, Wheel Lock Shoe (1-45/64") | 1 | 2 |
| 3 | | | Screw, Set Socket Cup Point (#8-32 x 3/16") | 1 | 4 |
| 4 | | | Spacer (5/16 x 7/16 x 1/4") | 1 | 4 |
| 5 | | | Bearing, Flange (5/16") | 1 | 4 |
| 6 | | | Spacer (5/16 x 7/16 x 15/32") | 1 | 2 |
| 8 | | | Locknut (5/16-24) | 1 | 2 |
| 9 | | | Fork and Stem Assembly, Black (6 x 1" Caster) | 1 | 2 |
| 10 | | | NLA - Wheel Assembly, Composite, Urethane, Light Grey (6" x 1") | 1 | 2 |
| 11 | | | Wheel Assembly, Composite, Urethane (22") | 1 | 2 |
| 12 | | | Handrim, Aluminum, 7 PT, Blk Anodized (22" Wheel) | 1 | 2 |
| 13 | | | Screw, Phillips Pan Head w/ Patch (#10-32 x 1-3/4") | 1 | 14 |
| 14 | Spacer (1/4 x 11/32 x 15/16") | 1 | 14 | | |
| 1 | A,B,C | 1064477 | 22-6 Urethane Wheel Options with (6 x 1") Dk. Grey Urethane Casters | 1 | 1 |
| 2 | | | Spacer, Wheel Lock Shoe (1-45/64") | 1 | 2 |
| 3 | | | Screw, Set Socket Cup Point (#8-32 x 3/16") | 1 | 4 |
| 4 | | | Spacer (5/16 x 7/16 x 1/4") | 1 | 4 |

20-6 and 22-6 Wheel Options - Aluminum Black Anodized Handrim

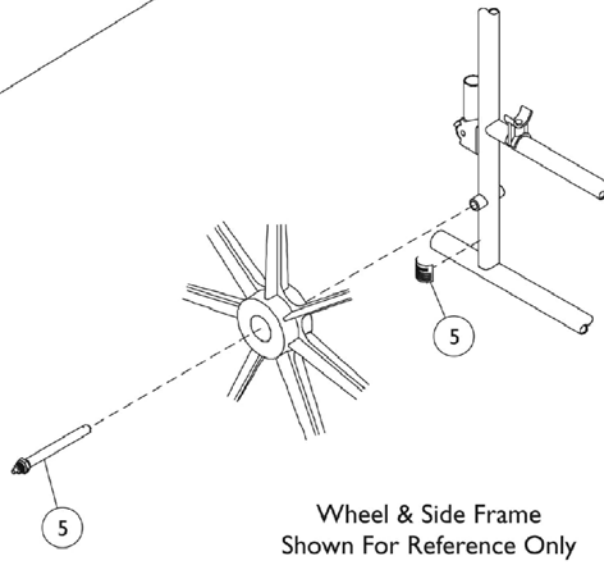
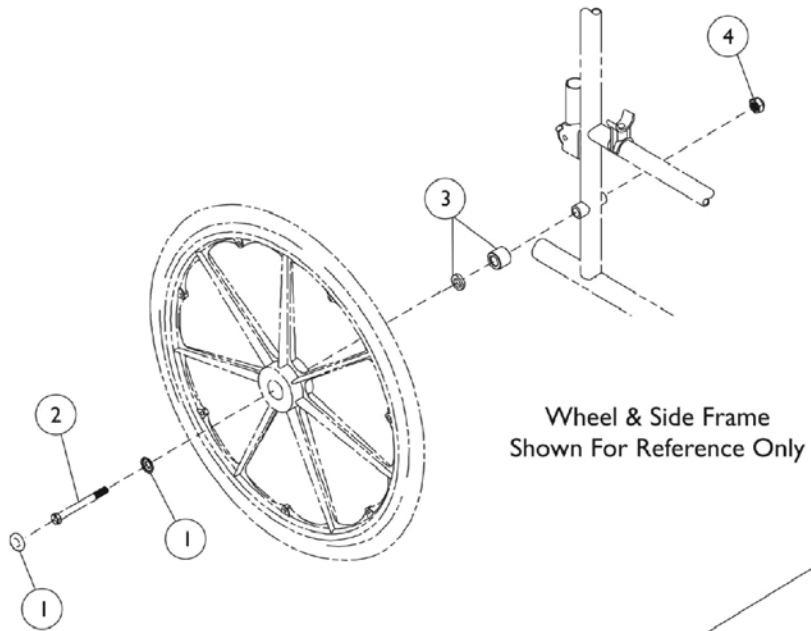
7/16" Bearing Only

NOTE: This item is not available for the 9000XDT or the 9000XT Recliner Wheel Chairs due to weight limitations.

NOTE: Wheel Options only available for 9XT models manufactured before 10/12/16. Can be used on ALL 9SL models with 6" Casters.

| Item Number | Note | Part Number | Description | Quantity Per | |
|---|------|-------------|---|--------------|----------|
| | | | | Package | Assembly |
| 5 | | | Bearing, Flange (5/16") | 1 | 4 |
| 6 | | | Spacer (5/16 x 7/16 x 15/32") | 1 | 2 |
| 7 | | | Screw, Hex Head (5/16-24 x 2-1/4") | 1 | 2 |
| 8 | | | Locknut (5/16-24) | 1 | 2 |
| 9 | | | Fork and Stem Assembly, Black (6 x 1" Caster) | 1 | 2 |
| 10 | | | NLA - Wheel, Urethane (6") | 1 | 2 |
| 11 | | | Wheel Assembly, Composite, Urethane (22") | 1 | 2 |
| 12 | | | Handrim, Aluminum, 7 PT, Blk Anodized (22" Wheel) | 1 | 2 |
| 13 | | | Screw, Phillips Pan Head w/ Patch (#10-32 x 1-3/4") | 1 | 14 |
| 14 | | | Spacer (1/4 x 11/32 x 15/16") | 1 | 14 |
| <p>NOTE: A - Includes items 2-14. B - These wheel options can be used in conjunction with Amputee Attachments for 9000SL and 9000XT only. C - In order to convert the chair to hemi seat-to-floor height, please refer to the seat-to-floor matrix in the price list and/or the service manual. D - Item number 10 includes the Wheel and Items 5 and 6.</p> <p>As of 8/11/15 Alum. 34P Black Handrims were replaced with Alum. Black Anodized Handrims. NOTE: NOTE: This item is not available for the 9000XDT or the 9000XT Recliner Wheel Chairs due to weight limitations. NOTE: Wheel Options only available for 9XT models manufactured before 10/12/16. Can be used on ALL 9SL models with 6" Casters.</p> | | | | | |

Rear Wheel Hardware



Rear Wheel Hardware

Rear Wheel Hub Cap

| Part Number | Description |
|------------------------------|------------------------------|
| 1027600-NLA See Note(s) A | #1 Hub Cap, Black |
| 1047943 See Note(s) B, C | #1 Hub Cap w/Hardware, Black |

NOTE: A - Before 11/19/98.
B - After 11/20/98.
C - Includes: (1) Caplug washer #1016289 and (1) Caplug cap #1016291.

Rear Wheel Attaching Hardware

| Description | Hardware Kit | #2 Axle | #3 Spacer | #4 Locknut |
|---|--------------------------------|-------------|-------------|------------|
| Arm Style 78 and 88 | 1034106 See Note(s) A, B | 47203X029 | N/A | 1045608 |
| Arm Style 18, 19, 19JY, 28, 29 and 29JY | 1034109 See Note(s) D, A, B | 1085454 | 1022671 | 1045608 |
| Arm Style 79, 79JY, 89 and 89JY | 1110319 See Note(s) A, B | 47203X025 | 1026101 | 1045608 |
| 9000 XT Recliner | 1067777 See Note(s) C, A | 1028554-NLA | 1079153-NLA | 60030X000 |

NOTE: A - Includes items 2, 3 and 4.
B - Includes 7/16" Axle.
C - Includes 5/8" Axle.
D - Not Shown. Components contained in Kit Hardware 1034109 must be ordered separately. Order part #1085454 Bolt, 1045608 Locknut, 1022671 Spacer.

Quick Release Axle Rear Wheel Hardware

| Description | Part Number |
|--|-------------|
| #5 Quick Release Axle - Conventional Arms | 1034113 |
| #5 Quick Release Axle - Space Saver Arms | 1034114 |

Rear Wheels

NOTE: All Wheels are Composite.

5/8" Axle - 9000XT Recliner

| Wheel Style | Handrim Attaching Point | Single Wheel Assembly | Tire | Tube/Insert | Bearing | Bearing Spacer |
|---|-------------------------|---|--|-------------|---|---|
| 1763BK Pneumatic 20x1-3/8" | 7 | 1037418 <small>See Note(s) B, A</small> | 1017519 | 1017520 | 40117X006 | 1019695 |
| U1763BK Urethane 20X1-1/4" | 7 | 1075995 <small>See Note(s) B, A</small> | 1037774 | N/A | 40117X006 | 1019695 |
| 1764BK Pneumatic 22 x 1-3/8" | 7 | 1037419 <small>See Note(s) B, A</small> | 1018544 | 1018545 | 40117X006 | 1019695 |
| U1764BK Urethane 22 x 1-1/4" | 7 | 1075996 <small>See Note(s) A, B</small> | 1028250 | N/A | 40117X006 | 1019695 |
| 2222BK Composite w/DTM Tire 24 x 7/8" | 9 | 1123885 <small>See Note(s) A</small> | 1039304 <small>See Note(s) G</small> | N/A | 40117X006 | 1019695 |
| U2222 Urethane 24 x 1" (9 Spoke) | 6 | 1055659-NLA <small>See Note(s) D, A</small> | 1039304 <small>See Note(s) D, G</small> | N/A | 40117X006 <small>See Note(s) D</small> | 1019695 <small>See Note(s) D</small> |
| U2222 Urethane 24 x 1" (9 Spoke) | 6 | 1080383-NLA <small>See Note(s) E, F, A</small> | 1080400 <small>See Note(s) F, E</small> | N/A | 40117X006 <small>See Note(s) E</small> | 1015756 <small>See Note(s) E</small> |
| U2222C Corded Urethane 24 x 1" (9 Spoke) | 6 | 1121043 | 1118209 <small>See Note(s) G</small> | N/A | 40117X006 | 1015756 |
| 2244BK Pneumatic 24 x 1-3/8" | 7 | 1034128 <small>See Note(s) A</small> | 40176X060 | 40176X061 | 40117X006 | 1019695 |
| U2244BK Urethane 24 x 1-1/4" (7 Spoke) | 7 | 1034130 <small>See Note(s) A</small> | 1026904 | N/A | 40117X006 | 1019695 |
| 4244BK Pneumatic w/Flat Free Insert 24 x 1-3/8" <small>See Note(s) C</small> | 7 | 1034129 <small>See Note(s) A</small> | 40176X060 | 1010906 | 40117X006 | 1019695 |

Rear Wheels

NOTE: All Wheels are Composite.

5/8" Axle - 9000XT Recliner

| Wheel Style | Handrim Attaching Point | Single Wheel Assembly | Tire | Tube/Insert | Bearing | Bearing Spacer |
|--|-------------------------|---------------------------------|---------|-------------|-----------|----------------|
| 4763BK Pneumatic w/Flat Free Insert 20 x 1-3/8" See Note(s) C | 7 | 1037416 See Note(s) B, A | 1017519 | 1023322 | 40117X006 | 1019695 |
| 4764BK Pneumatic w/Flat Free Insert 22 x 1-3/8" See Note(s) C | 7 | 1037417 See Note(s) A, B | 1018544 | 1023323 | 40117X006 | 1019695 |
| <p>NOTE: A - Does not include handrim. Includes tire, tube/insert, bearing and spacer. B - When ordering 20 or 22" wheels, a wheel lock shoe spacer may also be required. See category titled, "Wheel Locks." C - Wheels with Flat Free Inserts have a plug which caps an opening in the rim. See page titled, "Rear Wheel Hardware" for plug. D - Before 11/20/98. E - After 11/19/98. F - Non-Corded Tire replaced with a Corded Tire as of 11/16/09. refer to Wheel Style U2222C part #1121043 for a wheel assembly or part #1118209 for a tire. For chairs manufactured before 11/16/09, it is recommended to order (2) each in quantity to match. G - Corded Tires maybe more difficult to stretch over the wheel rim. The complete wheel assembly that has the tire and the wheel rim preassembled maybe advisable.</p> <p>NOTE: All Wheels are Composite.</p> | | | | | | |

Rear Wheels

NOTE: All Wheels are Composite.

7/16" Axle - 9000SL/XT/XDT

| Wheel Style | Handrim Attaching Points | Single Wheel Assembly | Tire | Tube/Insert | Bearing | Bearing Spacer |
|---|--------------------------|---|---|-------------|---|---|
| 1763BK Pneumatic 20x1-3/8" | 7 | 1034126 <small>See Note(s) A, B</small> | 1017519 | 1017520 | 40117X024 | 1015756 |
| U1763BK Urethane 20X1-1/4" | 7 | 1038555 <small>See Note(s) B, A</small> | 1037774 | N/A | 40117X024 | 1015756 |
| 1764BK Pneumatic 22 x 1-3/8" | 7 | 1027149 <small>See Note(s) B, A</small> | 1018544 | 1018545 | 40117X024 | 1015756 |
| U1764BK Urethane 22 x 1-1/4" | 7 | 1032115 <small>See Note(s) B, A</small> | 1028250 | N/A | 40117X024 | 1015756 |
| U2222 Urethane 24 x 1" (9 Spoke) | 6 | 1044193 <small>See Note(s) A, D</small> | 1039304 <small>See Note(s) F, D</small> | N/A | 40117X024 <small>See Note(s) D</small> | 1015756 <small>See Note(s) D</small> |
| U2222 Urethane 24 x 1" (9 Spoke) | 6 | 1080378 <small>See Note(s) E, A, G</small> | 1080400 <small>See Note(s) E, G</small> | N/A | 40117X024 | 1015756 |
| U2222C Corded Urethane 24 x 1" (9 Spoke) | 6 | 1122726 <small>See Note(s) H, A</small> | 1118209 <small>See Note(s) C, H, F</small> | N/A | 40117X024 <small>See Note(s) E</small> | 1015756 <small>See Note(s) E</small> |
| 2244BK Pneumatic 24 x 1-3/8" | 7 | 1025123 <small>See Note(s) A</small> | 40176X060 | 40176X061 | 40117X024 | 1015756 |
| U2244BK Urethane 24 x 1-1/4" 7 Spoke | 7 | 1032117 <small>See Note(s) A</small> | 1026904 | N/A | 40117X024 | 1015756 |
| 4244BK Pneumatic w/Flat Free Insert 24 x 1-3/8" <small>See Note(s) C</small> | 7 | 1025124 <small>See Note(s) A</small> | 40176X060 | 1010906 | 40117X024 | 1015756 |
| 4763BK Pneumatic w/Flat Free Insert 20 x 1-3/8" <small>See Note(s) C</small> | 7 | 1034127 <small>See Note(s) A, B</small> | 1017519 | 1023322 | 40117X024 | 1015756 |

Rear Wheels

NOTE: All Wheels are Composite.

7/16" Axle - 9000SL/XT/XDT

| Wheel Style | Handrim Attaching Points | Single Wheel Assembly | Tire | Tube/Insert | Bearing | Bearing Spacer |
|--|--------------------------|---------------------------------|-----------|-------------|-----------|----------------|
| 4764BK Pneumatic w/Flat Free Insert 22 x 1-3/8" See Note(s) C | 7 | 1027150 See Note(s) A, B | 1018544 | 1023323 | 40117X024 | 1015756 |
| 5244BK Pneumatic w/Flat Free Insert 24 x 1-3/8" 9XDT Heavy Duty See Note(s) C | 7 | 1066438 See Note(s) A | 40176X060 | 1045280 | 40117X024 | 1019695 |

NOTE: A - Includes tire, tube/insert, bearing, and spacer. Does not include handrim.
 B - When ordering 20 or 22" wheels, a wheel lock shoe spacer may also be required. See Wheel Locks.
 C - Wheels with Flat Free Inserts have a plug which caps an opening in the rim. See category titled, "Rear Wheel Hardware" for plug.
 D - Before 11/20/98
 E - After 11/19/98
 F - Corded Tires maybe more difficult to stretch over the wheel rim. The complete wheel assembly that has the tire and wheel rim preassembled maybe advisable.
 G - Non-Corded Tire replaced with Corded Tire as of 11/16/09. Refer to Wheel style U2222C part #1122726 for a wheel assembly or part #1118209 for a tire. For chairs manufactured before 11/16/09, it is recommended to order (2) each in quantity to match.
 H - The U2222C Wheel Style is still used for 9XDT Heavy Duty and all other models that used U2222 Wheel Style before 11/16/09

Rear Wheel and Handrim Assemblies

Assemblies include (1) ea. per side: Wheel, Handrim and Attaching Hardware. 5/8" axle rear wheels are used for 9RC models only.

As of 8/11/15 Chrome Handrims were replaced by Alum. Clear Anodized and Alum. Black 34P was replaced by Alum. Black Anodized Handrims ON-CHAIR.

Rear Wheel and Handrim Assemblies - 20" Wheel with 5/8" Axle

9000XT Recliner

| Wheel Type Model Number | Description | Part Number |
|--|---|---------------------------------|
| 1763BK | Assembly, Wheel 20" 5/8" Axle, Composite Pneumatic - Alum. Clear Anodized Handrim | 1133352 See Note(s) C, A |
| 1763BK | Assembly, Wheel 20" 5/8" Axle, Composite Pneumatic - Alum. Black Anodized Handrim | 1133353 See Note(s) A, C |
| 1763BK | Assembly, Wheel 20" 5/8" Axle, Composite Pneumatic - Plastic Coated Handrim | 1133354 See Note(s) A |
| U1763BK | Assembly, Wheel 20" 5/8" Axle, Composite Urethane - Alum. Clear Anodized Handrim | 1133355 See Note(s) C, B |
| U1763BK | Assembly, Wheel 20" 5/8" Axle, Composite Urethane - Alum. Black Anodized Handrim | 1133356 See Note(s) C, B |
| U1763BK | Assembly, Wheel 20" 5/8" Axle, Composite Urethane - Plastic Coated Handrim | 1133357 See Note(s) B |
| 4763BK | Assembly, Wheel 20" 5/8" Axle, Composite Pneumatic with Flat Free Inserts - Alum. Clear Anodized Handrim | 1133364 See Note(s) C |
| 4763BK | Assembly, Wheel 20" 5/8" Axle, Composite Pneumatic with Flat Free Inserts - Alum. Black Anodized Handrim | 1133365 See Note(s) C |
| 4763BK | Assembly, Wheel 20" 5/8" Axle, Composite Pneumatic with Flat Free Inserts - Plastic Coated Handrim | 1133366 |
| NOTE: A - 20 x 1-1/8" Wheel B - 20 x 1-1/4" Wheel C - Chrome Handrims have been replaced with Alum. Clear Anodized Handrims. Alum. 34P Black Handrims have been replaced with Alum. Black Anodized Handrims. It is recommended to order in pairs to match. | | |

Rear Wheel and Handrim Assemblies

Assemblies include (1) ea. per side: Wheel, Handrim and Attaching Hardware. 5/8" axle rear wheels are used for 9RC models only.

As of 8/11/15 Chrome Handrims were replaced by Alum. Clear Anodized and Alum. Black 34P was replaced by Alum. Black Anodized Handrims ON-CHAIR.

Rear Wheel and Handrim Assemblies - 22" Wheel with 5/8" Axle

9000XT Recliner

| Wheel Type Model Number | Description | Part Number |
|-----------------------------|---|------------------------------|
| 4764BK See Note(s) A | Assembly, Wheel 22", 5/8" Axle, Composite Pneumatic with Flat Free Insert - Alum. Clear Anodized Handrim | 1133367 |
| 4764BK | Assembly, Wheel 22", 5/8" Axle, Composite Pneumatic with Flat Free Insert - Alum. Black Anodized Handrim | 1133368 See Note(s) A |
| 4764BK | Assembly, Wheel 22", 5/8" Axle, Composite Pneumatic with Flat Free Insert - Plastic Coated Handrim | 1133369 |
| 1764BK | Assembly, Wheel 22", 5/8" Axle, Composite Pneumatic - Alum. Clear Anodized Handrim | 1133358 See Note(s) A |
| 1764BK | Assembly, Wheel 22", 5/8" Axle, Composite Pneumatic - Alum. Black Anodized Handrim | 1133359 See Note(s) A |
| 1764BK | Assembly, Wheel 22", 5/8" Axle, Composite Pneumatic - Plastic Coated Handrim | 1133360 |
| U1764BK | Assembly, Wheel 22", 5/8" Axle, Composite Urethane - Alum. Clear Anodized Handrim | 1133361 See Note(s) A |
| U1764BK | Assembly, Wheel 22", 5/8" Axle, Composite Urethane - Alum. Black Anodized Handrim | 1133362 See Note(s) A |
| U1764BK | Assembly, Wheel 22", 5/8" Axle, Composite Urethane - Plastic Coated Handrim | 1133363 |

NOTE: A - Chrome Handrims have been replaced with Alum. Clear Anodized Handrims. Alum. 34P Black Handrims have been replaced with Alum. Black Anodized Handrims. It is recommended to order in pairs to match.

Rear Wheel and Handrim Assemblies

Assemblies include (1) ea. per side: Wheel, Handrim and Attaching Hardware. 5/8" axle rear wheels are used for 9RC models only.

As of 8/11/15 Chrome Handrims were replaced by Alum. Clear Anodized and Alum. Black 34P was replaced by Alum. Black Anodized Handrims ON-CHAIR.

Rear Wheel and Handrim Assemblies - 24" Wheel with 5/8" Axle

9000XT Recliner

| Wheel Type Model Number | Description | Part Number |
|-------------------------|--|-----------------------------|
| U2222C | Assembly, Wheel 24", 5/8" Axle, Composite Urethane - Alum. Clear Anodized Handrim | 1133297 See Note(s) C, A |
| U2222C | Assembly, Wheel 24", 5/8" Axle, Composite Urethane - Composite Handrim | 1133298 See Note(s) A |
| U2222C | Assembly, Wheel 24", 5/8" Axle, Composite Urethane - Plastic Coated Handrim | 1133299 See Note(s) A |
| U2244BK | Assembly, Wheel 24", 5/8" Axle, Composite Urethane - Alum. Clear Anodized Handrim | 1133302 See Note(s) C, D |
| U2244BK | Assembly, Wheel 24", 5/8" Axle, Composite Urethane - Alum. Black Anodized Handrim | 1133303 See Note(s) C, D |
| U2244BK | Assembly, Wheel 24", 5/8" Axle, Composite Urethane - Composite Handrim | 1133304 See Note(s) C |
| U2244BK | Assembly, Wheel 24", 5/8" Axle, Composite Urethane - Plastic Coated Handrim | 1133305 See Note(s) C |
| 2244BK | Assembly, Wheel 24", 5/8" Axle, Composite Pneumatic - Alum. Clear Anodized Handrim | 1133310 See Note(s) D |
| 2244BK | Assembly, Wheel 24", 5/8" Axle, Composite Pneumatic - Alum. Black Anodized Handrim | 1133311 See Note(s) D |
| 2244BK | Assembly, Wheel 24", 5/8" Axle, Composite Pneumatic - Composite Handrim | 1133312 |
| 2244BK | Assembly, Wheel 24", 5/8" Axle, Composite Pneumatic - Plastic Coated Handrim | 1133313 |
| 4244BK | Assembly, Wheel 24", 5/8" Axle, Composite Pneumatic with Flat Free Insert - Alum. Clear Anodized Handrim | 1133314 See Note(s) D |
| 4244BK | Assembly, Wheel 24", 5/8" Axle, Composite Pneumatic with Flat Free Insert - Alum. Black Anodized Handrim See Note(s) D | 1133315 See Note(s) D |

Rear Wheel and Handrim Assemblies

Assemblies include (1) ea. per side: Wheel, Handrim and Attaching Hardware. 5/8" axle rear wheels are used for 9RC models only.

As of 8/11/15 Chrome Handrims were replaced by Alum. Clear Anodized and Alum. Black 34P was replaced by Alum. Black Anodized Handrims ON-CHAIR.

Rear Wheel and Handrim Assemblies - 24" Wheel with 5/8" Axle

9000XT Recliner

| Wheel Type Model Number | Description | Part Number |
|--|--|-----------------------------|
| 4244BK | Assembly, Wheel 24", 5/8" Axle, Composite Pneumatic with Flat Free Insert - Composite Handrim | 1133316 |
| 4244BK | Assembly, Wheel 24", 5/8" Axle, Composite Pneumatic with Flat Free Insert - Plastic Coated Handrim | 1133317 |
| 5244BK | Assembly, Wheel 24", 5/8" Axle, Pneumatic w/ FF - Alum. Clear Anodized Handrim See Note(s) D | 1133301 See Note(s) B, D |
| <p>NOTE: A - As of 11/16/09 the Bill of Material was changed to replace the Non-Corded Tire with a Corded Tire. For chairs manufactured before 11/16/09, it is recommended to order (2) each in quantity to match B - 24 x 1-3/4" Pneumatic Tire. C - 24" Urethane Tire. D - Chrome Handrims have been replaced with Alum. Clear Anodized Handrims. Alum. 34P Black Handrims have been replaced with Alum. Black Anodized Handrims. It is recommended to order in pairs to match.</p> | | |

Rear Wheel and Handrim Assemblies

Assemblies include (1) ea. per side: Wheel, Handrim and Attaching Hardware. 5/8" axle rear wheels are used for 9RC models only.

As of 8/11/15 Chrome Handrims were replaced by Alum. Clear Anodized and Alum. Black 34P was replaced by Alum. Black Anodized Handrims ON-CHAIR.

Rear Wheel and Handrim Assemblies - 20" Wheel with 7/16" Axle

9000SL/ XT/ XDT

| Wheel Type Model Numbers | Description | Part Number |
|--|--|--------------------------|
| 1763BK | Assembly, Wheel 20" 7/16" Axle, Composite Pneumatic - Alum. Clear Anodized Handrim | 1133336 See Note(s) A |
| 1763BK | Assembly, Wheel 20" 7/16" Axle, Composite Pneumatic - Alum. Black Anodized Handrim | 1133337 See Note(s) A |
| 1763BK | Assembly, Wheel 20" 7/16" Axle, Composite Pneumatic - Plastic Coated Handrim | 1133338 |
| U1763BK | Assembly, Wheel 20" 7/16" Axle, Composite Urethane - Alum. Clear Anodized Handrim | 1133318 See Note(s) A |
| U1763BK | Assembly, Wheel 20" 7/16" Axle, Composite Urethane - Alum. Black Anodized Handrim | 1133319 See Note(s) A |
| U1763BK | Assembly, Wheel 20" 7/16" Axle, Composite Urethane - Plastic Coated Handrim | 1133320 |
| 4763BK | Assembly, Wheel 20" 7/16" Axle, Composite with Flat Free Insert - Alum. Clear Anodized Handrim | 1133342 See Note(s) A |
| 4763BK | Assembly, Wheel 20" 7/16" Axle, Composite with Flat Free Insert - Alum. Black Anodized Handrim | 1133343 See Note(s) A |
| 4763BK | Assembly, Wheel 20" 7/16" Axle, Composite with Flat Free Insert - Plastic Coated Handrim | 1133344 |
| NOTE: A - Chrome Handrims have been replaced with Alum. Clear Anodized Handrims. Alum. 34P Black Handrims have been replaced with Alum. Black Anodized Handrims. It is recommended to order in pairs to match. | | |

Rear Wheel and Handrim Assemblies

Assemblies include (1) ea. per side: Wheel, Handrim and Attaching Hardware. 5/8" axle rear wheels are used for 9RC models only.

As of 8/11/15 Chrome Handrims were replaced by Alum. Clear Anodized and Alum. Black 34P was replaced by Alum. Black Anodized Handrims ON-CHAIR.

Rear Wheel & Handrim Assemblies - 22" Wheel w/ 7/16" Axle

9000SL/ XT/ XDT

| Wheel Type Model Number | Description | Part Number |
|---|--|-----------------------------|
| 1764BK | Assembly, Wheel 22" 7/16" Axle, Composite Pneumatic - Alum. Clear Anodized Handrim | 1133339 See Note(s) B, C |
| 1764BK | Assembly, Wheel 22" 7/16" Axle, Composite Pneumatic - Alum. Black Anodized Handrim | 1133340 See Note(s) C, B |
| 1764BK | Assembly, Wheel 22" 7/16" Axle, Composite Pneumatic - Plastic Coated Handrim | 1133341 See Note(s) B |
| U1764BK | Assembly, Wheel 22" 7/16" Axle, Composite Urethane - Alum. Clear Anodized Handrim | 1133321 See Note(s) C, A |
| U1764BK | Assembly, Wheel 22" 7/16" Axle, Composite Urethane - Alum. Black Anodized Handrim | 1133322 See Note(s) C, A |
| U1764BK | Assembly, Wheel 22" 7/16" Axle, Composite Urethane - Plastic Coated Handrim | 1133323 See Note(s) A |
| 4764BK | Assembly, Wheel 22" 7/16" Axle, Composite Pneumatic with Flat Free Insert - Alum. Clear Anodized Handrim | 1133345 See Note(s) B, C |
| 4764BK | Assembly, Wheel 22" 7/16" Axle, Composite Pneumatic with Flat Free Insert - Alum. Black Anodized Handrim | 1133346 See Note(s) B, C |
| 4764BK | Assembly, Wheel 22" 7/16" Axle, Composite Pneumatic with Flat Free Insert - Plastic Coated Handrim | 1133347 See Note(s) B |
| <p>NOTE: A - 22 x 1-1/4" Wheel B - 22 x 1-3/8" Wheel C - Chrome Handrims have been replaced with Alum. Clear Anodized Handrims. Alum. 34P Black Handrims have been replaced with Alum. Black Anodized Handrims. It is recommended to order in pairs to match.</p> | | |

Rear Wheel and Handrim Assemblies

Assemblies include (1) ea. per side: Wheel, Handrim and Attaching Hardware. 5/8" axle rear wheels are used for 9RC models only.

As of 8/11/15 Chrome Handrims were replaced by Alum. Clear Anodized and Alum. Black 34P was replaced by Alum. Black Anodized Handrims ON-CHAIR.

Rear Wheel and Handrim Assemblies - 24" Wheel with 7/16" Axle

9000SL/ XT/ XDT

| Wheel Type Model Number | Description | Part Number |
|-------------------------|--|---------------------------------|
| U2222C | Assembly, Wheel 24", 7/16" Axle, Composite Urethane 6 pt. Alum. Clear Anodized Handrim | 1133306 See Note(s) D, A |
| U2222C | Assembly, Wheel 24", 7/16" Axle, Composite Urethane 6 pt. Plastic Coated Handrim | 1133307 See Note(s) A |
| U2222C | Assembly, Wheel 24", 7/16" Axle, Composite Urethane - 9 pt. Composite Handrim | 1152229 See Note(s) B |
| 2244BK | Assembly, Wheel 24", 7/16" Axle, Composite Pneumatic - Alum. Clear Anodized Handrim | 1133324 See Note(s) D |
| 2244BK | Assembly, Wheel 24", 7/16" Axle, Composite Pneumatic - Alum. Black Anodized Handrim | 1133325 See Note(s) D |
| 2244BK | Assembly, Wheel 24", 7/16" Axle, Composite Pneumatic - Composite Handrim | 1133326 |
| 2244BK | Assembly, Wheel 24", 7/16" Axle, Composite Pneumatic - Plastic Coated Handrim | 1133327 |
| U2244BK | Assembly, Wheel 24", 7/16" Axle, Composite Urethane - Alum. Clear Anodized Handrim | 1133332 See Note(s) D |
| U2244BK | Assembly, Wheel 24", 7/16" Axle, Composite Urethane - Alum. Black Anodized Handrim | 1133333 See Note(s) D |
| U2244BK | Assembly, Wheel 24", 7/16" Axle, Composite Urethane - Composite Handrim | 1133334 See Note(s) C |
| U2244BK | Assembly, Wheel 24", 7/16" Axle, Composite Urethane - Plastic Coated Handrim | 1133335 See Note(s) C |
| 4244BK | Assembly, Wheel 24", 7/16" Axle, Composite Pneumatic with Flat Free Insert - Alum. Black Anodized Handrim | 1133328 See Note(s) D |
| 4244BK | Assembly, Wheel 24", 7/16" Axle, Composite Pneumatic with Flat Free Insert- Composite Handrim | 1133329 |

Rear Wheel and Handrim Assemblies

Assemblies include (1) ea. per side: Wheel, Handrim and Attaching Hardware. 5/8" axle rear wheels are used for 9RC models only.

As of 8/11/15 Chrome Handrims were replaced by Alum. Clear Anodized and Alum. Black 34P was replaced by Alum. Black Anodized Handrims ON-CHAIR.

Rear Wheel and Handrim Assemblies - 24" Wheel with 7/16" Axle

9000SL/ XT/ XDT

| Wheel Type Model Number | Description | Part Number |
|--|--|--------------------------|
| 4244BK | Assembly, Wheel 24", 7/16" Axle, Composite Pneumatic with Flat Free Insert- Alum. Clear Anodized Handrim | 1133330 See Note(s) D |
| 4244BK | Assembly, Wheel 24", 7/16" Axle, Composite Pneumatic with Flat Free Insert- Plastic Coated Handrim | 1133331 |
| 5244BK | Assembly, Wheel 24", 7/16" Axle, Composite with Heavy Duty Flat Free Insert - Composite Handrim | 1133348 |
| 5244BK | Assembly, Wheel 24", 7/16" Axle, Composite with Heavy Duty Flat Free Insert - Alum. Clear Anodized Handrim | 1133349 See Note(s) D |
| 5244BK | Assembly, Wheel 24", 7/16" Axle, Composite with Heavy Duty Flat Free Insert - Alum. Black Anodized Handrim | 1133350 See Note(s) D |
| 5244BK | Assembly, Wheel 24", 7/16" Axle, Composite with Heavy Duty Flat Free Insert - Plastic Coated Handrim | 1133351 |
| <p>NOTE: A - As of 11/16/09 the Bill of Material was changed to replace the Non-Corded Tire with a Corded Tire. For chairs manufactured before 11/16/09, it is recommended to order (2) each in quantity to match B - 24 x 1" Corded Low Profile Urethane Tire. C - 24" Urethane Tire. D - Chrome Handrims have been replaced with Alum. Clear Anodized Handrims. Alum. 34P Black Handrims have been replaced with Alum. Black Anodized Handrims. It is recommended to order in pairs to match.</p> | | |

Non-Projection Handrims and Attaching Hardware

As of 8/11/15 Chrome Handrims were replaced by Alum. Clear Anodized and Alum. Black 34P was replaced by Alum. Black Anodized Handrims.

Composite (COM)

| Wheel Style | Wheel Type | Handrim Only | Attaching Points | Attaching Hardware Kit |
|-------------|---|--------------|------------------|--------------------------|
| U2244BK | 24" Composite Urethane Treaded Tire | 1064036 | 7 | 1065790 See Note(s) A |
| 2244BK | 24" Composite Pneumatic Tire | 1064036 | 7 | 1065790 See Note(s) A |
| 4244BK | 24" Composite Pneumatic w/Flat Free Insert | 1064036 | 7 | 1065790 See Note(s) A |
| 5244BK | 24" Heavy Duty Composite Pneumatic w/Flat Free Insert | 1064036 | 7 | 1065790 See Note(s) A |
| U2222 | 24" Composite Urethane Tire | 1063919 | 9 | 1065791 See Note(s) A |

NOTE: A - Hardware kit contains hardware for (1) handrim. See category titled, "Non-Projection Handrims Attaching Hardware" for more details.

Chrome Plated (CHDRM)

| Wheel Style | Wheel Type | Handrim Only | Attaching Points | Attaching Hardware Kit |
|-------------|--|--------------|------------------|--------------------------|
| 1763BK | 20" Composite Pneumatic Tire | 1019999 | 7 | 1025153 See Note(s) A |
| U1763BK | 20" Composite Urethane Tire | 1019999 | 7 | 1025153 See Note(s) A |
| 4763BK | 20" Composite Pneumatic w/Flat Free Insert | 1019999 | 7 | 1025153 See Note(s) A |
| 1764BK | 22" Composite Pneumatic Tire | 1020000 | 7 | 1025153 See Note(s) A |
| U1764BK | 22" Composite Urethane Tire | 1020000 | 7 | 1025153 See Note(s) A |
| 4764BK | 22" Composite Pneumatic w/Flat Free Insert | 1020000 | 7 | 1025153 See Note(s) A |
| U2222C | 24" Composite Urethane Tire | 1055272-NLA | 6 | 1042074 See Note(s) A |
| 2244BK | 24" Composite Pneumatic Tire | 1054966 | 7 | 1025153 See Note(s) A |
| U2244BK | 24" Composite Urethane w/Treaded Tire | 1054966 | 7 | 1025153 See Note(s) A |

Non-Projection Handrims and Attaching Hardware

As of 8/11/15 Chrome Handrims were replaced by Alum. Clear Anodized and Alum. Black 34P was replaced by Alum. Black Anodized Handrims.

Chrome Plated (CHDRM)

| Wheel Style | Wheel Type | Handrim Only | Attaching Points | Attaching Hardware Kit |
|-------------|--|--------------|------------------|--------------------------|
| 4244BK | 24" Composite Pneumatic w/Flat Free Insert | 1054966 | 7 | 1025153 See Note(s) A |
| 5244BK | 24" Heavy-Duty Composite Pneumatic w/ Flat Free Insert | 1054966 | 7 | 1025153 See Note(s) A |

NOTE: A - Hardware kit contains hardware for (1) handrim. See category titled, "Non-Projection Handrims Attaching Hardware" for more details.

NOTE: For 9000SL chairs built between 6/1/01 and 6/20/02, please call an Invacare Parts Specialist at 1-800-333-6900 extension 3722 with the serial number of the chair in order to receive the correct handrim.

NOTE: As of 8/11/15 Chrome Handrims were replaced by Alum. Clear Anodized and Alum. Black 34P was replaced by Alum. Black Anodized Handrims.

Non-Projection Handrims and Attaching Hardware

As of 8/11/15 Chrome Handrims were replaced by Alum. Clear Anodized and Alum. Black 34P was replaced by Alum. Black Anodized Handrims.

Aluminum - Clear Anodized

| Wheel Style | Handrim Only | Attaching Points | Attaching Hardware Kit |
|--|--------------|------------------|--------------------------|
| U2222C Corded Urethane 24 x 1" (9 Spoke) | 1183681 | 6 | 1042074 See Note(s) A |
| 2244BK 24" Composite Pneumatic Tire | 1183680 | 7 | 1025153 See Note(s) A |
| 4244BK 24" Composite Pneumatic w/Flat Free Insert | 1183680 | 7 | 1025153 See Note(s) A |
| U2244BK 24" Composite Urethane Treaded Tire | 1183680 | 7 | 1025153 See Note(s) A |
| 5244BK 24" Heavy Duty Composite w/Flat Free Insert | 1183680 | 7 | 1025153 See Note(s) A |
| 4763BK 20" Composite Pnuematic w/Flat Free Insert | 1183683 | 7 | 1025153 See Note(s) A |
| 1763BK 20" Composite Pneumatic Tire | 1183683 | 7 | 1025153 See Note(s) A |
| U1763BK 20" Composite Urethane w/Flat Free Insert | 1183683 | 7 | 1025153 See Note(s) A |
| 1764BK 22" Composite Pneumatic Tire | 1183682 | 7 | 1025153 See Note(s) A |
| 4764BK 22" Composite Pneumatic w/Flat Free Insert | 1183682 | 7 | 1025153 See Note(s) A |
| U1764BK 22" Composite Urethane Tire | 1183682 | 7 | 1025153 See Note(s) A |

NOTE: A - Hardware kit contains enough hardware for (1) handrim. See category titled, "Non-Projection Handrims Attaching Hardware" for more details.

Non-Projection Handrims and Attaching Hardware

As of 8/11/15 Chrome Handrims were replaced by Alum. Clear Anodized and Alum. Black 34P was replaced by Alum. Black Anodized Handrims.

Aluminum - Flat Black 34P

| Wheel Type | Handrim Only | Attaching Points | Attaching Hardware Kit |
|--|----------------------------------|------------------|------------------------|
| U2222 24" Composite Urethane Tire | 1120063-NLA See Note(s) B | 6 | 1042074 |
| 2244BK 24" Composite Pneumatic Tire | 1015406 | 7 | 1025153 |
| 4244BK 24" Composite Pneumatic w/Flat Free Insert | 1015406 | 7 | 1025153 |
| U2244BK 24" Composite Urethane Treaded Tire | 1015406 | 7 | 1025153 |
| 5244BK 24" Heavy Duty Composite w/Flat Free Insert | 1015406 | 7 | 1025153 |
| 4763BK 20" Composite Pnuematic w/Flat Free Insert | 1020017 | 7 | 1025153 |
| 1763BK 20" Composite Pneumatic Tire | 1020017 | 7 | 1025153 |
| U1763BK 20" Composite Pneumatic w/Flat Free Insert | 1020017 | 7 | 1025153 |
| 1764BK 22" Composite Pneumatic Tire | 1020018 | 7 | 1025153 |
| 4764BK 22" Composite Pneumatic w/Flat Free Insert | 1020018 | 7 | 1025153 |
| U1764BK 22" Composite Urethane Tire | 1020018 | 7 | 1025153 |

NOTE: B - NLA. See Black Anodized Handrim Chart and order part #1186220.

NOTE: When replacing handrims for chairs built before 12/17/99 order in pairs. Handrim color has changed from Pewter to Flat Black.

NOTE: As of 8/11/15 Chrome Handrims were replaced by Alum. Clear Anodized and Alum. Black 34P was replaced by Alum. Black Anodized Handrims.

Non-Projection Handrims and Attaching Hardware

As of 8/11/15 Chrome Handrims were replaced by Alum. Clear Anodized and Alum. Black 34P was replaced by Alum. Black Anodized Handrims.

Aluminum - Black Anodized

| Wheel Style | Handrim Only | Attaching Points | Attaching Hardware Kit |
|--|--------------|------------------|--------------------------|
| U2222 24" Composite Urethane Tire | 1186220 | 6 | 1042074 See Note(s) A |
| U2222CT 24" Composite Urethane Treaded Tire | 1186220 | 6 | 1042074 See Note(s) A |
| 2244BK 24" Composite Pneumatic Tire | 1186219 | 7 | 1025153 See Note(s) A |
| 4244BK 24" Composite Pneumatic w/Flat Free Insert | 1186219 | 7 | 1025153 See Note(s) A |
| U2244BK 24" Composite Urethane Treaded Tire | 1186219 | 7 | 1025153 See Note(s) A |
| 5244BK 24" Heavy Duty Composite w/Flat Free Insert | 1186219 | 7 | 1025153 See Note(s) A |
| 4763BK 20" Composite Pnuematic w/Flat Free Insert | 1186217 | 7 | 1025153 See Note(s) A |
| 1763BK 20" Composite Pneumatic Tire | 1186217 | 7 | 1025153 See Note(s) A |
| U1763BK 20" Composite Urethane w/Flat Free Insert | 1186217 | 7 | 1025153 See Note(s) A |
| 1764BK 22" Composite Pneumatic Tire | 1186218 | 7 | 1025153 See Note(s) A |
| 4764BK 22" Composite Pneumatic w/Flat Free Insert | 1186218 | 7 | 1025153 See Note(s) A |
| U1764BK 22" Composite Urethane Tire | 1186218 | 7 | 1025153 See Note(s) A |

NOTE: A - Hardware kit contains enough hardware for (1) handrim. See category titled, "Non-Projection Handrims Attaching Hardware" for more details.

Non-Projection Handrims and Attaching Hardware

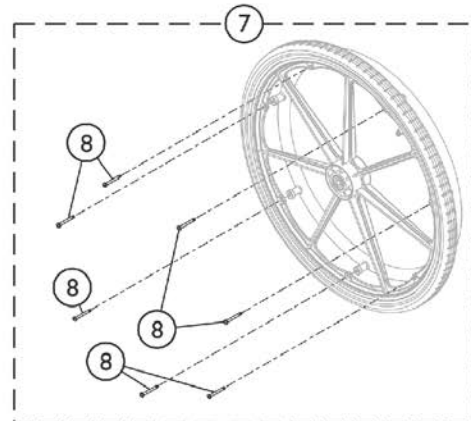
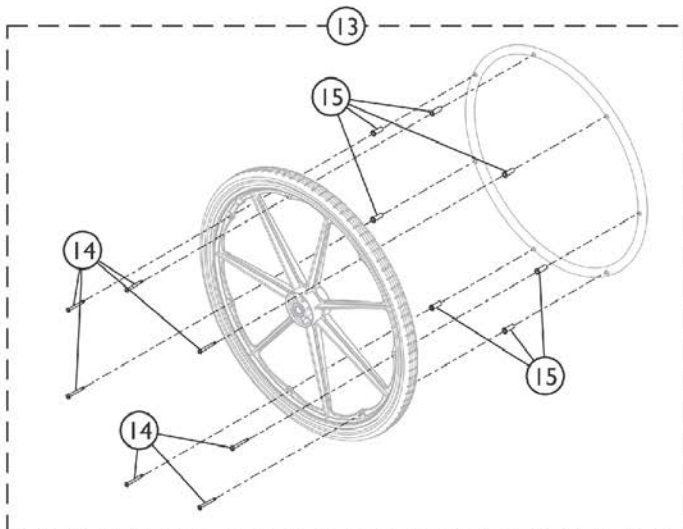
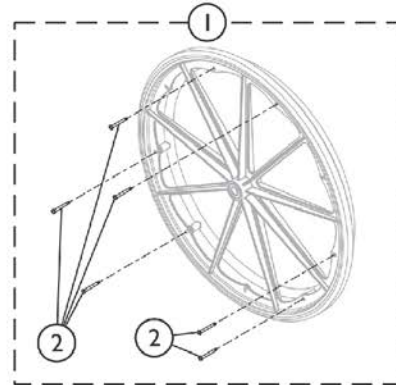
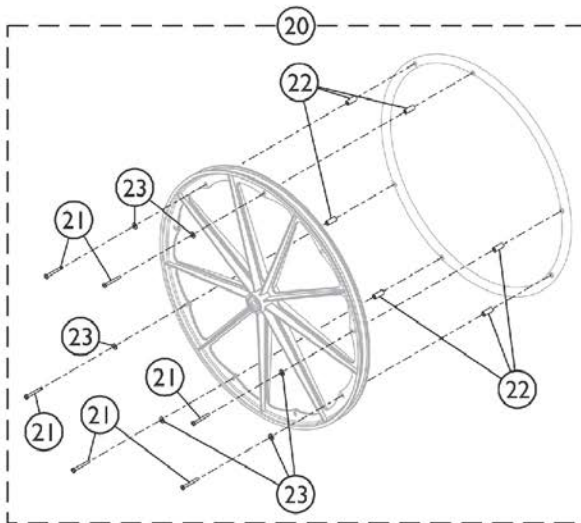
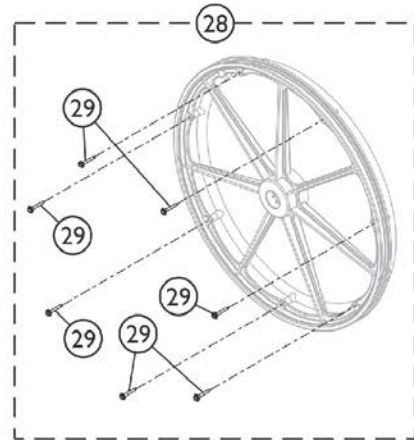
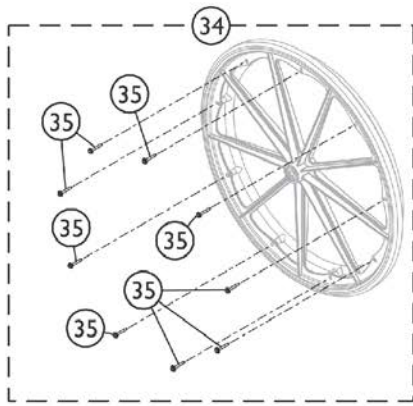
As of 8/11/15 Chrome Handrims were replaced by Alum. Clear Anodized and Alum. Black 34P was replaced by Alum. Black Anodized Handrims.

Black Plastic Coated

| Wheel Type | Handrim Only | Attaching Points | Attaching Hardware Kit |
|---|--------------|------------------|--------------------------|
| U2222 24" Composite Urethane Tire | 1115462 | 6 | 1025150 See Note(s) A |
| 2244BK 24" Composite Pneumatic Tire | 1115397 | 7 | 1025158 See Note(s) A |
| U2244BK 24" Composite Urethane Treaded Tire | 1115397 | 7 | 1025158 See Note(s) A |
| 4244BK 24" Composite Pneumatic w/Flat Free Insert | 1115397 | 7 | 1025158 See Note(s) A |
| 5244BK 24" Heavy Duty Composite Pneumatic w/Flat Free Insert | 1115397 | 7 | 1025158 See Note(s) A |
| 1763BK 20" Composite Pneumatic Tire | 1115400 | 7 | 1025158 See Note(s) A |
| U1763BK 20" Composite Urethane Tires | 1115400 | 7 | 1025158 See Note(s) A |
| 4763BK 20" Composite Pneumatic w/Flat Free Insert | 1115400 | 7 | 1025158 See Note(s) A |
| 1764BK 22" Composite Pneumatic Tire | 1115401 | 7 | 1025158 See Note(s) A |
| U1764BK 22" Composite Urethane Tire | 1115401 | 7 | 1025158 See Note(s) A |
| 4764BK 22" Composite Pneumatic w/Flat Free Insert | 1115401 | 7 | 1025158 See Note(s) A |

NOTE: A - Hardware kit contains hardware for (1) handrim. See category titled, "Non-Projection Handrims Attaching Hardware" for more details.

Non-Projection Handrim Attaching Hardware



SSM_031A

Non-Projection Handrim Attaching Hardware

| Item Number | Note | Part Number | Description | Quantity Per | |
|--|------|-------------|---|--------------|----------|
| | | | | Package | Assembly |
| 1 | A | 1025150 | Hardware, Handrim Attaching - 6 PT | 1 | 1 |
| 2 | | 1007375 | Screw, Phillips Pan Head w/ Patch (#10-32 x 1-3/4") | 1 | 6 |
| 7 | B | 1025158 | Hardware, Handrim Attaching - 7 PT. | 1 | 1 |
| 8 | | 1007375 | Screw, Phillips Pan Head w/ Patch (#10-32 x 1-3/4") | 1 | 7 |
| 13 | C | 1025153 | Hardware, Handrim Attaching - 7 PT | 1 | 1 |
| 14 | | 1007375 | Screw, Phillips Pan Head w/ Patch (#10-32 x 1-3/4") | 1 | 7 |
| 15 | | 1016438 | Spacer (1/4 x 11/32 x 15/16") | 1 | 7 |
| 20 | D | 1042074 | Hardware, Handrim Attaching - 6 PT. | 1 | 1 |
| 21 | | 1007375 | Screw, Phillips Pan Head w/ Patch (#10-32 x 1-3/4") | 1 | 6 |
| 22 | | 1012649 | Spacer (3/16 x 3/8 x 15/16") | 1 | 6 |
| 23 | | 1013218 | Washer (#10 Flat) | 1 | 6 |
| 28 | E | 1065790 | Hardware, Handrim Attaching - 7 PT. | 1 | 1 |
| 29 | | 1098755 | Screw, Hex Head SEMS (#8-10 x 1-1/2") | 1 | 7 |
| 34 | F | 1065791 | Hardware, Handrim Attaching - 9 PT. | 1 | 1 |
| 35 | | 1098755 | Screw, Hex Head SEMS (#8-10 x 1-1/2") | 1 | 9 |
| NOTE: A - Includes item 2. B - Includes item 8. C - Includes items 14 and 15. D - Includes items 21-23. E - Includes item 29. F - Includes item 35. | | | | | |

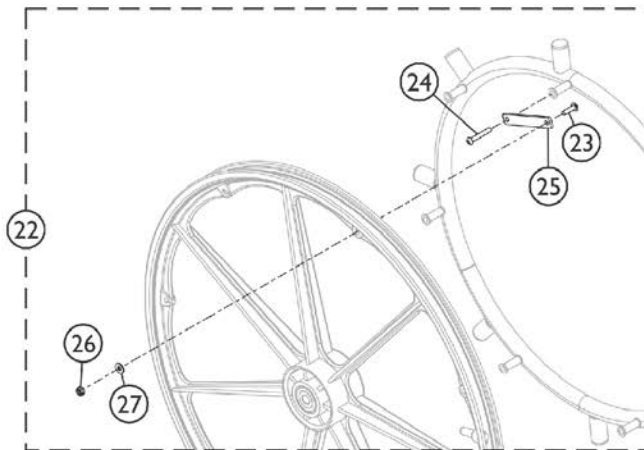
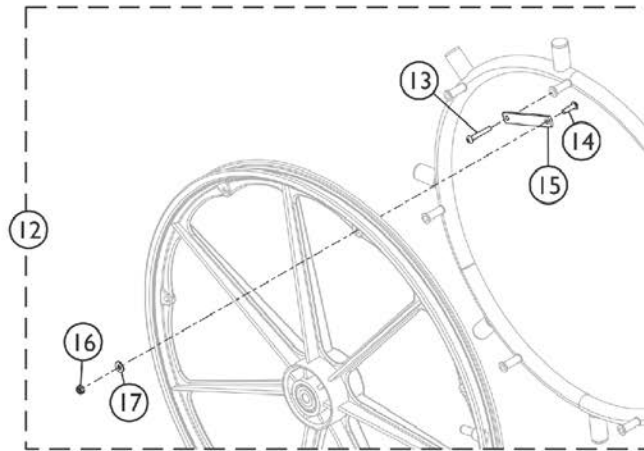
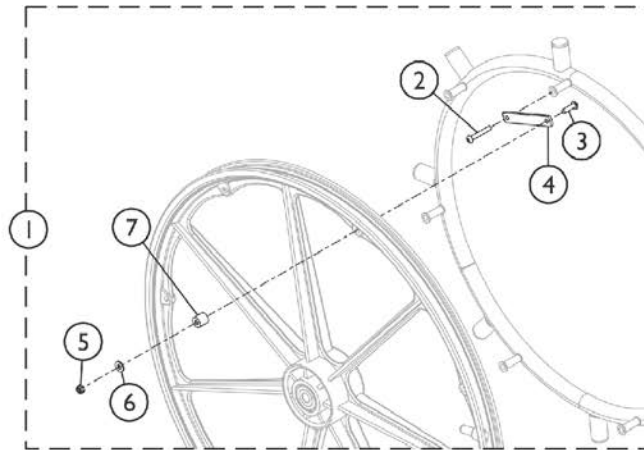
Projection Handrims and Attaching Hardware

Black Plastic Coated

| Wheel Style | Wheel Type | Handrim Type | Handrim Only | Attaching Points | Attaching Hardware Kit |
|-------------|---|--------------|--------------|------------------|--------------------------|
| 2244BK | 24" Composite Pneumatic Tire | 8 Oblique | 1115396 | 7 | 1062765 See Note(s) A |
| 4244BK | 24" Composite Pneumatic w/Flat Free Insert | 8 Oblique | 1115396 | 7 | 1062765 See Note(s) A |
| 5244BK | 24" Heavy Duty Composite Pneumatic w/Flat Free Insert | 8 Oblique | 1115396 | 7 | 1062765 See Note(s) A |
| U2244BK | 24" Composite Urethane Treaded Tire | 8 Oblique | 1115396 | 7 | 1062765 See Note(s) A |
| U2222 | 24" Composite Urethane Tire | 8 Oblique | 1115398 | 6 | 1062763 See Note(s) A |
| 2244BK | 24" Composite Pneumatic Tire | 8 Vertical | 1115394 | 7 | 1062764 See Note(s) A |
| 4244BK | 24" Composite Pneumatic w/Flat Free Insert | 8 Vertical | 1115394 | 7 | 1062764 See Note(s) A |
| 5244BK | 24" Heavy Duty Composite Pneumatic w/Flat Free Insert | 8 Vertical | 1115394 | 7 | 1062764 See Note(s) A |
| U2244BK | 24" Composite Urethane Treaded Tire | 8 Vertical | 1115394 | 7 | 1062764 See Note(s) A |
| U2222 | 24" Composite Urethane Tire | 8 Vertical | 1115399 | 6 | 1062763 See Note(s) A |
| 5244BK | 24" Heavy-Duty Composite Pnuematic w/Flat Free Insert | 12 Vertical | 1115395 | 7 | 1062764 See Note(s) A |
| U2244BK | 24" Composite Urethane Treaded Tire | 12 Vertical | 1115395 | 7 | 1062764 See Note(s) A |
| 2244BK | 24" Composite Pneumatic Tire | 12 Vertical | 1115395 | 7 | 1062764 See Note(s) A |
| 4244BK | 24" Composite Pneumatic w/Flat Free Insert | 12 Vertical | 1115395 | 7 | 1062764 See Note(s) A |

NOTE: A - Hardware kit contains enough hardware for (1) handrim. See category titled, "Projection Handrims Attaching Hardware" for more details.

Projection Handrims - Attaching Hardware



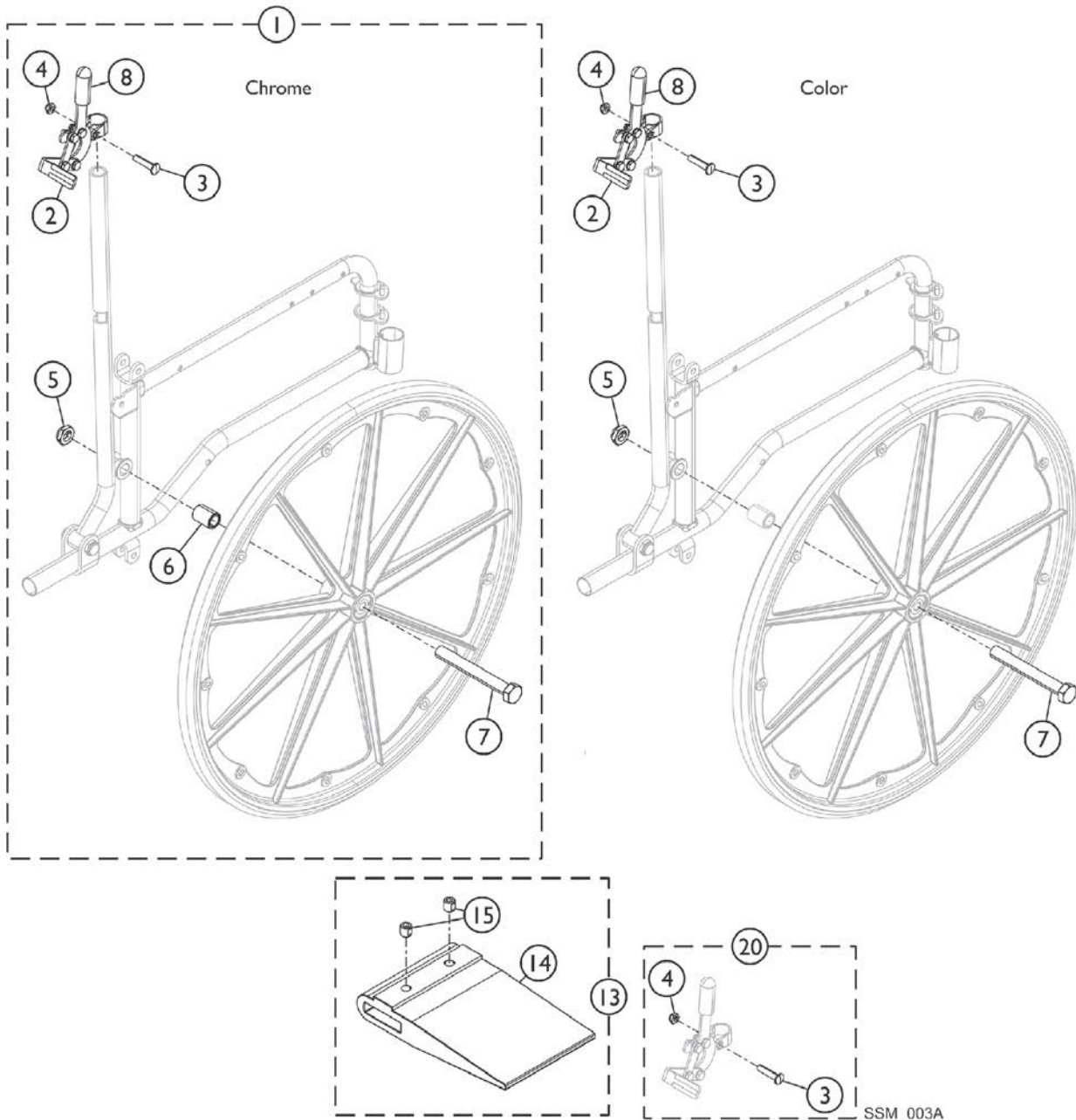
SSM_032A

Projection Handrims - Attaching Hardware

| Item Number | Note | Part Number | Description | Quantity Per | |
|---|-----------|---------------|---|--|----------|
| | | | | Package | Assembly |
| 1 | A | 1062763 | Hardware, Projection Handrim Attaching - 6 PT | 1 | 1 |
| 2 | | 11008X011 | Screw, Phillips Round Head (#10-32 x 1-3/8") | 1 | 6 |
| 3 | | 16718X000-NLA | NLA - Screw, Phillips Pan Head (#10-32 x 7/8") | 1 | 6 |
| 4 | | 47559X008 | Link, Attaching, Chrome | 1 | 6 |
| 5 | | 60279X003 | Locknut (#10-32) | 1 | 6 |
| 6 | | 1013218 | Washer (#10 Flat) | 1 | 6 |
| 7 | | 1017870-NLA | NLA - Spacer (3/16 x 1/2 x 3/16") | 1 | 6 |
| 12 | B | 1062765 | Hardware, Oblique Projection Handrim Attaching - 7 PT | 1 | 1 |
| 13 | | 11008X003-NLA | NLA - Screw, Phillip Pan Head (#10-32 x 1-1/4") | 1 | 7 |
| 14 | | 40163X008 | Screw, Phillips Pan Head (#10-32 x 11/16") | 1 | 7 |
| 15 | | 47559X008 | Link, Attaching, Chrome | 1 | 7 |
| 16 | | 60279X003 | Locknut (#10-32) | 1 | 7 |
| 17 | | 1013218 | Washer (#10 Flat) | 1 | 7 |
| 22 | | C | 1062764 | Hardware, Vertical Projection Handrim Attaching - 7 PT | 1 |
| 23 | 40163X008 | | Screw, Phillips Pan Head (#10-32 x 11/16") | 1 | 7 |
| 24 | 1007375 | | Screw, Phillips Pan Head w/ Patch (#10-32 x 1-3/4") | 1 | 7 |
| 25 | 47559X008 | | Link, Attaching, Chrome | 1 | 7 |
| 26 | 60279X003 | | Locknut (#10-32) | 1 | 7 |
| 27 | 1013218 | | Washer (#10 Flat) | 1 | 7 |
| NOTE: A - Includes items 2-7. B - Includes items 13-17. C - Includes items 23-27. | | | | | |

Attendant Operated Wheel Locks

STD, Convention Arm, 9RC



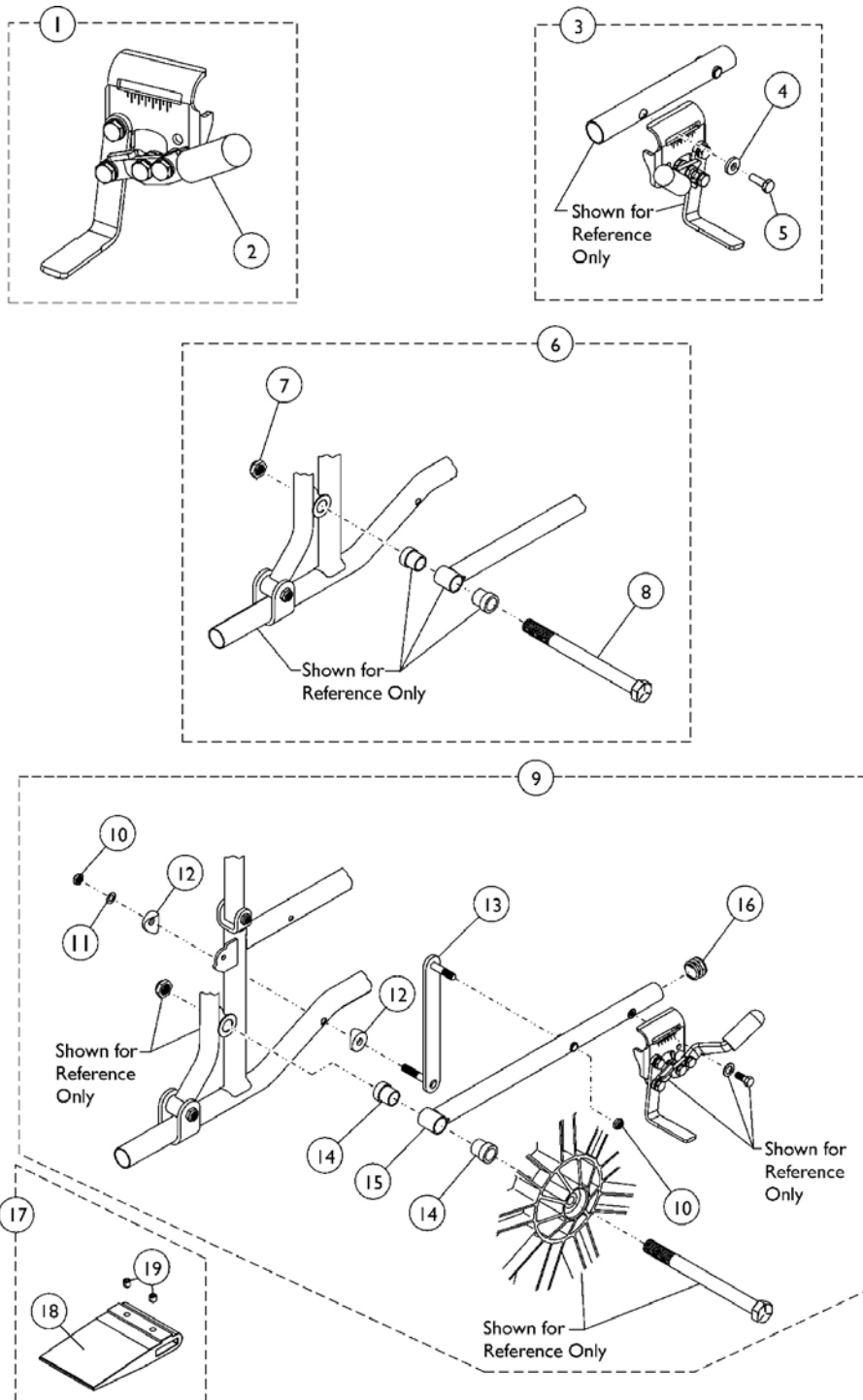
Attendant Operated Wheel Locks STD, Convention Arm, 9RC

| Item Number | Note | Part Number | Description | Quantity Per | |
|-------------|------|-------------|---|--------------|----------|
| | | | | Package | Assembly |
| 1 | A,C | 1078349 | Kit, Wheel Lock Assembly, Black - Right | 1 | 1 |
| 2 | | | Wheel Lock Assembly w/o Hardware, Black- Left | 1 | 1 |
| 3 | | | Bolt, Lug (5/16-24 x 1-3/8") | 1 | 1 |
| 4 | | | Locknut (5/16-24) | 1 | 1 |
| 5 | | | Locknut (5/8-18) | 1 | 1 |
| 6 | | | NLA - Spacer | 1 | 1 |
| 7 | | | NLA - Screw, Hex Head (5/8-18 x 5") | 1 | 1 |
| 8 | | | Tip, Rubber Wheel Lock Handle, Black | 1 | 1 |
| | | | Instruction Sheet, Attendant Operated Wheel Lock | 1 | 1 |
| 1 | A,C | 1078348 | Kit, Wheel Lock Assembly, Black - Left | 1 | 1 |
| 2 | | | Wheel Lock Assembly w/o Hardware, Black- Right | 1 | 1 |
| 3 | | | Bolt, Lug (5/16-24 x 1-3/8") | 1 | 1 |
| 4 | | | Locknut (5/16-24) | 1 | 1 |
| 5 | | | Locknut (5/8-18) | 1 | 1 |
| 6 | | | NLA - Spacer | 1 | 1 |
| 7 | | | NLA - Screw, Hex Head (5/8-18 x 5") | 1 | 1 |
| 8 | | | Tip, Rubber Wheel Lock Handle, Black | 1 | 1 |
| | | | Instruction Sheet, Attendant Operated Wheel Lock | 1 | 1 |
| 13 | B | 1037421 | Kit, Wheel Lock Shoe Spacer, 20" Rear Wheels (Pair) | 1 | 1 |
| 14 | | | Spacer, Wheel Lock Shoe (2-63/64") | 1 | 2 |
| 15 | | | Screw, Set Socket Cup Point (#8-32 x 3/16") | 1 | 4 |
| 13 | B | 1037422 | Kit, Wheel Lock Shoe Spacer, 22" Rear Wheels (Pair) | 1 | 1 |
| 14 | | | Spacer, Wheel Lock Shoe (1-45/64") | 1 | 2 |
| 15 | | | Screw, Set Socket Cup Point (#8-32 x 3/16") | 1 | 4 |
| 20 | D | 1030987 | Hardware, Wheel Lock Attaching | 1 | 1 |
| 3 | | | Bolt, Lug (5/16-24 x 1-3/8") | 1 | 2 |
| 4 | | | Locknut (5/16-24) | 1 | 2 |
| 2 | E | 1181875 | Wheel Lock Assembly w/o Hardware, Black- Right | 1 | 1 |
| 2 | E | 1181876 | Wheel Lock Assembly w/o Hardware, Black- Left | 1 | 1 |
| 3 | | 11232X009 | Bolt, Lug (5/16-24 x 1-3/8") | 1 | 1 |
| 4 | | 60264X001 | Locknut (5/16-24) | 1 | 1 |
| 5 | | 60030X000 | Locknut (5/8-18) | 1 | 1 |
| 7 | | 1028554-NLA | NLA - Screw, Hex Head (5/8-18 x 5") | 1 | 1 |
| 8 | | 47376X024 | Tip, Rubber Wheel Lock Handle, Black | 1 | 1 |

NOTE: A - Includes items 2 - 8 and Instruction Sheet.
B - Includes items 14 and 15.
C - Instruction sheet not shown in illustration.
D - Includes items 3 and 4.
E - Requires installation instructions part number 1078344, visit www.invacare.com for more details.

Patient Operated Style Wheel Locks

9696R/1245, Conventional Arm, 9RC



Patient Operated Style Wheel Locks 9696R/1245, Conventional Arm, 9RC

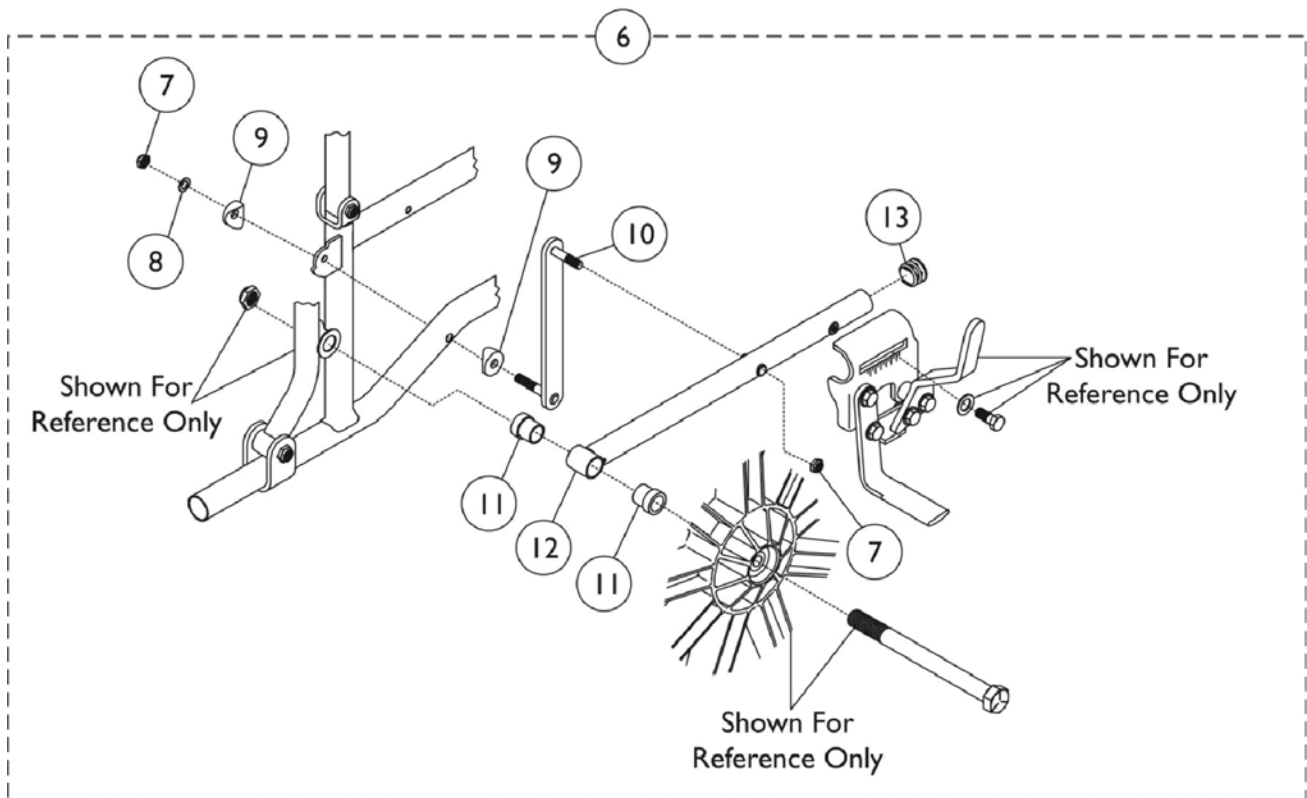
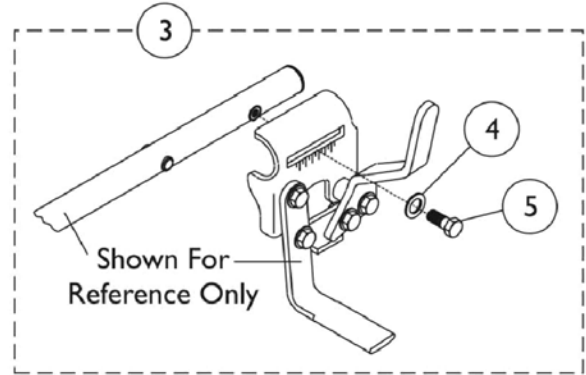
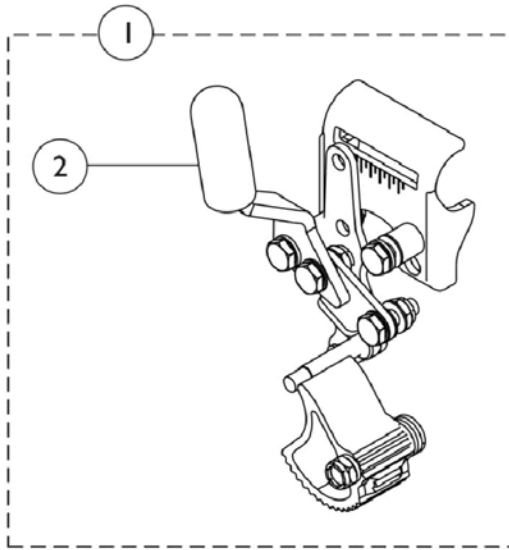
| Item Number | Note | Part Number | Description | Quantity Per | |
|-------------|------|-------------|--|--------------|----------|
| | | | | Package | Assembly |
| 1 | | 1023493 | Wheel Lock Assembly, Push to Lock - Right | 1 | 1 |
| 1 | | 1023494 | Wheel Lock Assembly, Push / Lock - Left | 1 | 1 |
| 1 | | 1023484 | Wheel Lock Assembly, Pull / Lock - Right | 1 | 1 |
| 1 | | 1023485 | Wheel Lock Assembly, Pull / Lock - Left | 1 | 1 |
| 2 | | 47376X024 | Tip, Rubber Wheel Lock Handle, Black | 1 | 1 |
| 3 | A,F | 1035964 | Kit, Hardware, Wheel Lock (Pair) | 1 | 1 |
| 4 | | | Washer (1/4 x 5/8 x 3/32") | 1 | 2 |
| 5 | | | NLA - Screw, Hex Head (1/4-20 x 3/4") | 1 | 2 |
| 6 | B | 1035978 | Kit, Hardware, Rear (Pair) | 1 | 1 |
| 7 | | | Locknut (5/8-18) | 1 | 2 |
| 8 | | | Screw, Hex Head (5/8-18 x 5-1/2") | 1 | 2 |
| 9 | C,D | 1067776-NLA | NLA - Kit, Hardware, Wheel Lock | 1 | 1 |
| 10 | | | Locknut (5/16-24) | 1 | 2 |
| 11 | | | Washer, Steel (11/32 x 5/8 x 3/64") | 1 | 1 |
| 12 | | | Spacer, Coved (3/4 x 1 x 1/2") | 1 | 2 |
| 13 | | | Strap and Stud Assembly | 1 | 1 |
| 14 | | | Spacer (7/8") | 1 | 2 |
| 15 | | | Arm, Pivot | 1 | 1 |
| 16 | | | Plug Button, Black (7/8") | 1 | 1 |
| | E | 1052754-NLA | NLA - Instruction Sheet, Patient Operated Wheel Lock | 1 | 1 |
| 17 | G | 1037421 | Kit, Wheel Lock Shoe Spacer, 20" Rear Wheels (Pair) | 1 | 1 |
| 18 | | | Spacer, Wheel Lock Shoe (2-63/64") | 1 | 2 |
| 19 | | | Screw, Set Socket Cup Point (#8-32 x 3/16") | 1 | 4 |
| 17 | H | 1037422 | Kit, Wheel Lock Shoe Spacer, 22" Rear Wheels (Pair) | 1 | 1 |
| 18 | | | Spacer, Wheel Lock Shoe (1-45/64") | 1 | 2 |
| 19 | | | Screw, Set Socket Cup Point (#8-32 x 3/16") | 1 | 4 |

NOTE: A - Includes items 4 and 5.
 B - Includes items 7 and 8.
 C - Included items 10-16.
 D - When ordering this part, #1035964 must also be ordered.
 E - Not Shown.
 F - When ordering this kit for a 9XT Recliner, also order 1067776.
 G - Includes items 18 and 19. Use with 20" Rear Wheels.
 H - Includes items 18 and 19. Use with 22" Rear Wheels.

NOTE: When changing from Attendant Operated Wheel Locks to Patient Operated Wheel Locks, Item #6 (#1035978) is required.

Hill Holder Wheel Locks

9697R, Conventional Arm, 9RC

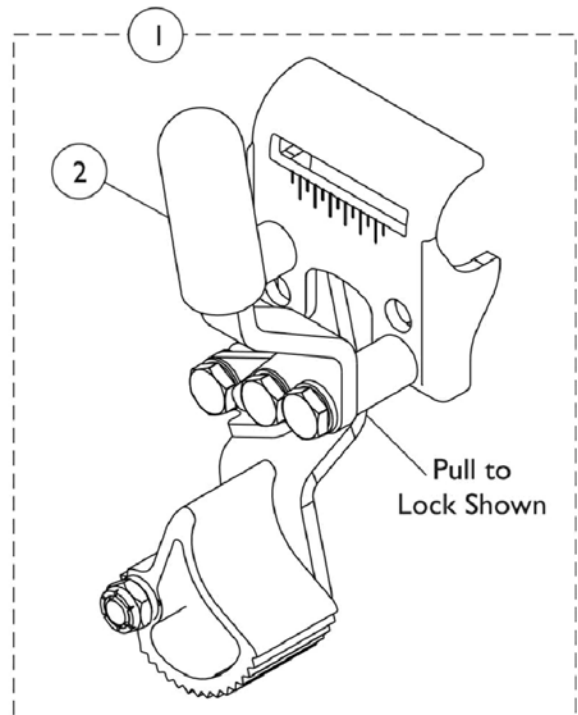
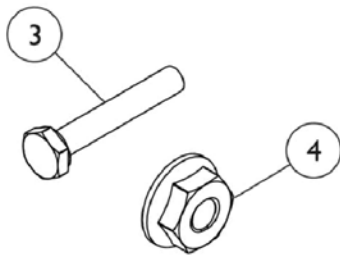
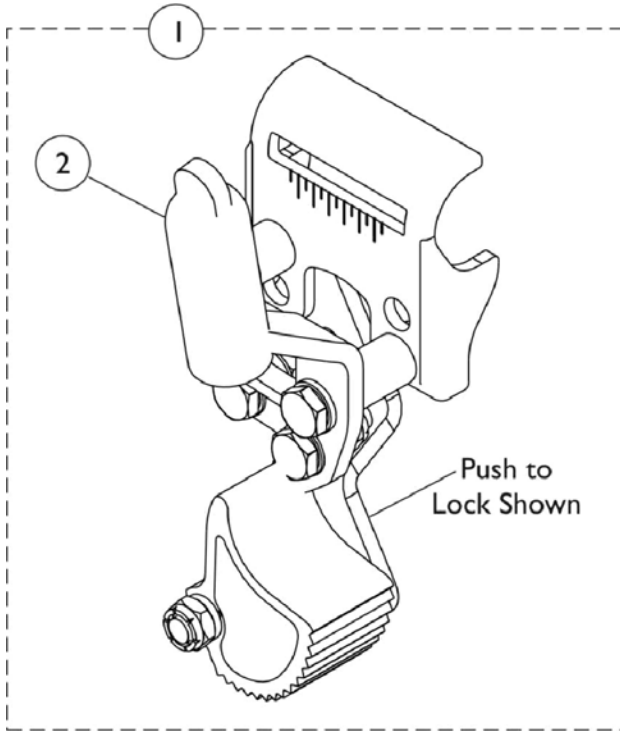


Hill Holder Wheel Locks 9697R, Conventional Arm, 9RC

| Item Number | Note | Part Number | Description | Quantity Per | |
|---|------|-------------|--|--------------|----------|
| | | | | Package | Assembly |
| 1 | | 1023495-NLA | NLA - Wheel Lock Assembly, Hill Holder, Push to Lock - Right | 1 | 1 |
| 1 | | 1023496-NLA | NLA - Wheel Lock Assembly, Hill Holder, Push to Lock - Left | 1 | 1 |
| 1 | | 1023499-NLA | NLA - Wheel Lock Assembly, Hill Holder, Pull to Lock - Right | 1 | 1 |
| 1 | | 1023500-NLA | NLA - Wheel Lock Assembly, Hill Holder, Pull to Lock - Left | 1 | 1 |
| 2 | | 47376X024 | Tip, Rubber Wheel Lock Handle, Black | 1 | 1 |
| 3 | A | 1035964 | Kit, Hardware, Wheel Lock (Pair) | 1 | 1 |
| 4 | | | Washer (1/4 x 5/8 x 3/32") | 1 | 2 |
| 5 | | | NLA - Screw, Hex Head (1/4-20 x 3/4") | 1 | 2 |
| 6 | B | 1067776-NLA | NLA - Kit, Hardware, Wheel Lock | 1 | 1 |
| 7 | | | Locknut (5/16-24) | 1 | 2 |
| 8 | | | Washer, Steel (11/32 x 5/8 x 3/64") | 1 | 1 |
| 9 | | | Spacer, Coved (3/4 x 1 x 1/2") | 1 | 2 |
| 10 | | | Strap and Stud Assembly | 1 | 1 |
| 11 | | | Spacer (7/8") | 1 | 2 |
| 12 | | | Arm, Pivot | 1 | 1 |
| 13 | | | Plug Button, Black (7/8") | 1 | 1 |
| NOTE: A - Includes items 4 and 5. B - Includes items 7-13. | | | | | |

Hill Holder Wheel Locks

9695, Conventional Arm, 9XT/9SL



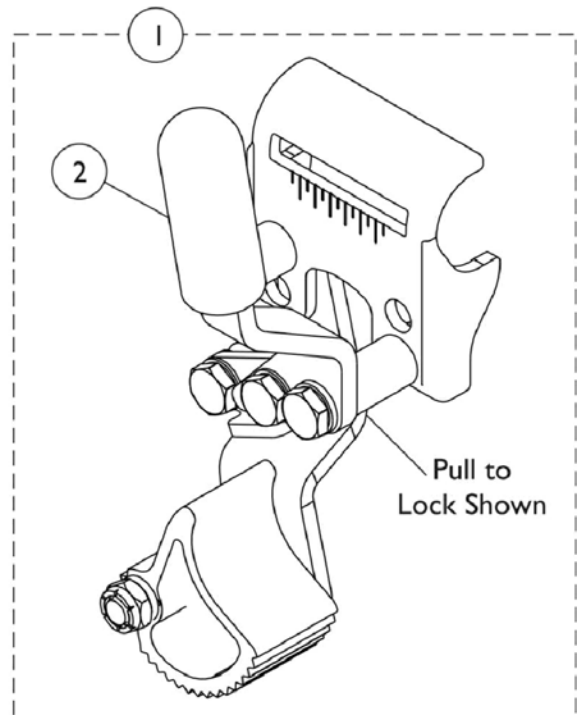
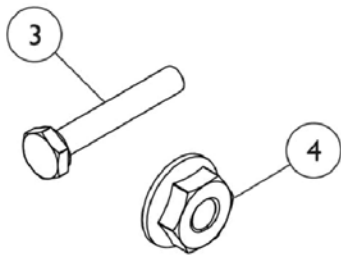
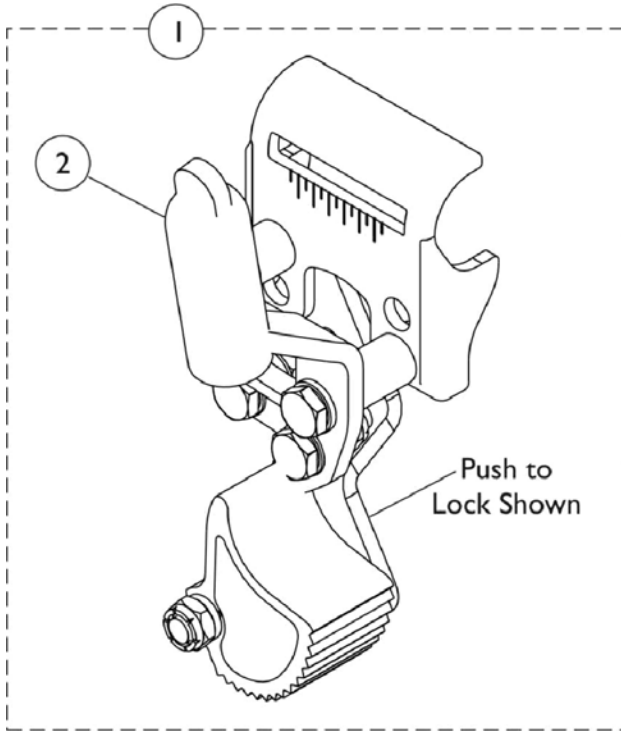
Hill Holder Wheel Locks

9695, Conventional Arm, 9XT/9SL

| Item Number | Note | Part Number | Description | Quantity Per | |
|--|------|-------------|--|--------------|----------|
| | | | | Package | Assembly |
| 1 | A | 1034210 | Wheel Lock Assembly, Hill Holder, Push to Lock - Right | 1 | 1 |
| 1 | A | 1034211 | Wheel Lock Assembly, Hill Holder, Push to Lock - Left | 1 | 1 |
| 1 | B | 1025429-NLA | NLA - Wheel Lock Assembly, Hill Holder, Pull to Lock - Right | 1 | 1 |
| 1 | B | 1025430-NLA | NLA - Wheel Lock Assembly, Hill Holder, Pull to Lock - Left | 1 | 1 |
| 2 | | 47376X024 | Tip, Rubber Wheel Lock Handle, Black | 1 | 1 |
| 3 | | 1021402 | Bolt, Carriage (1/4-20 x 1-1/4") | 1 | 1 |
| 4 | | 1021403 | Nut, Hex Flang (1/4-20) | 1 | 1 |
| NOTE: A - For use with Adult style chairs B - For use with Hemi style chairs. | | | | | |
| NOTE: Hill holders right and left can only be used on 22" and 24" Pneumatic Tires. | | | | | |

Hill Holder Wheel Locks

9695, Space Saver Arm, 9XT/9SL



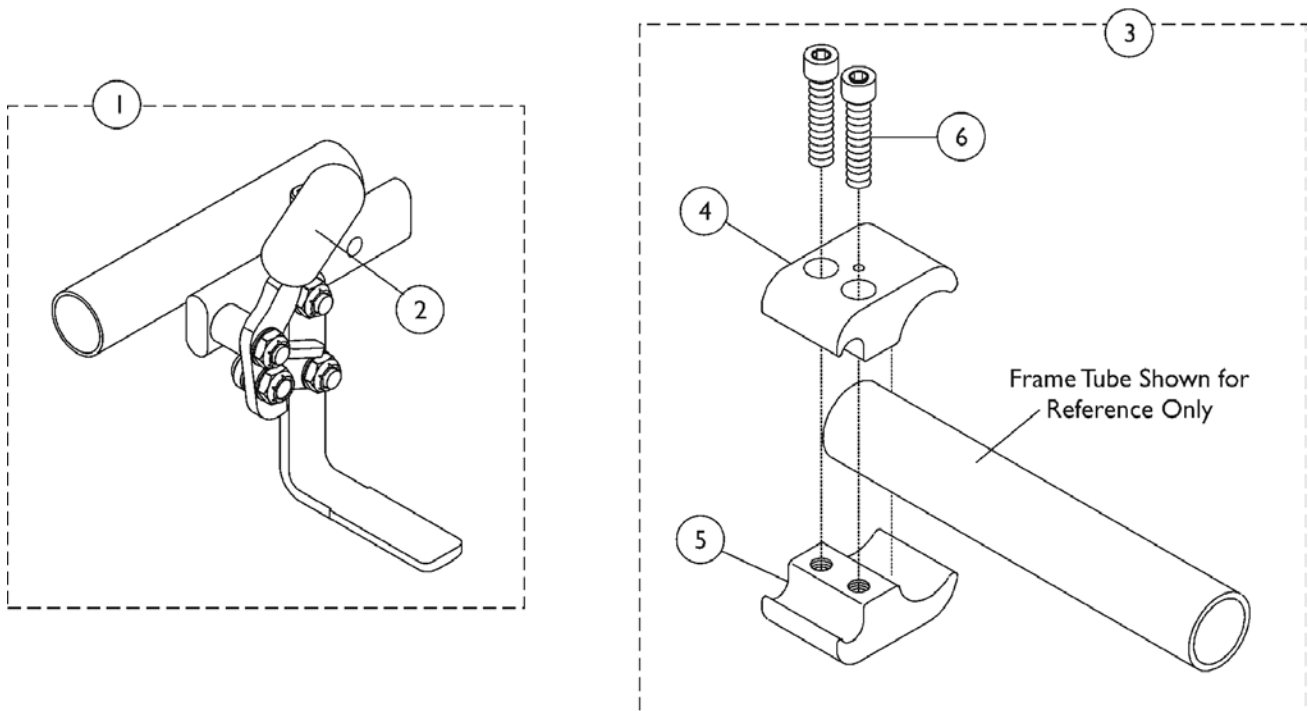
Hill Holder Wheel Locks

9695, Space Saver Arm, 9XT/9SL

| Item Number | Note | Part Number | Description | Quantity Per | |
|---|------|-------------|--|--------------|----------|
| | | | | Package | Assembly |
| 1 | A | 1034212 | Wheel Lock Assembly, Hill Holder, Push to Lock - Right | 1 | 1 |
| 1 | A | 1034213 | Wheel Lock Assembly, Hill Holder, Push to Lock - Left | 1 | 1 |
| 1 | B | 1034214 | Wheel Lock Assembly, Hill Holder, Pull to Lock - Right | 1 | 1 |
| 1 | B | 1034215 | Wheel Lock Assembly, Hill Holder, Pull to Lock - Left | 1 | 1 |
| 2 | | 47376X024 | Tip, Rubber Wheel Lock Handle, Black | 1 | 1 |
| 3 | | 1021402 | Bolt, Carriage (1/4-20 x 1-1/4") | 1 | 1 |
| 4 | | 1021403 | Nut, Hex Flang (1/4-20) | 1 | 1 |
| NOTE: A - To be used with Adult style chairs. B - To be used with Hemi style chairs. | | | | | |

Clamp-On High Mount Wheel Locks

A1567/1721, Conventional Arm, 9XT (Introduced 8/1/02)



Clamp-On High Mount Wheel Locks

A1567/1721, Conventional Arm, 9XT (Introduced 8/1/02)

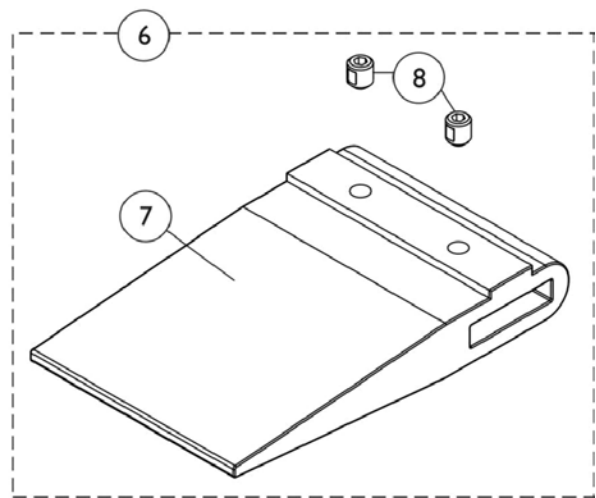
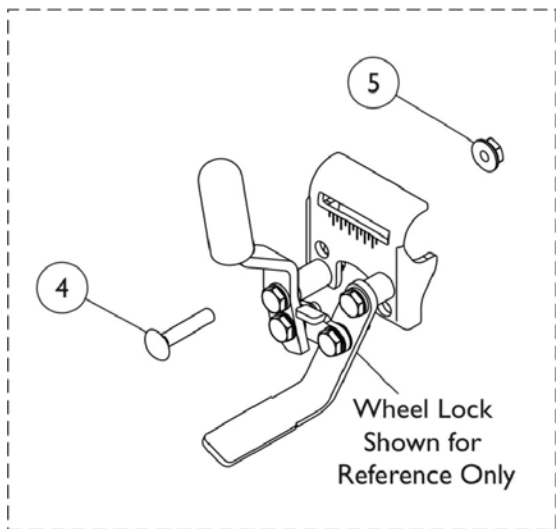
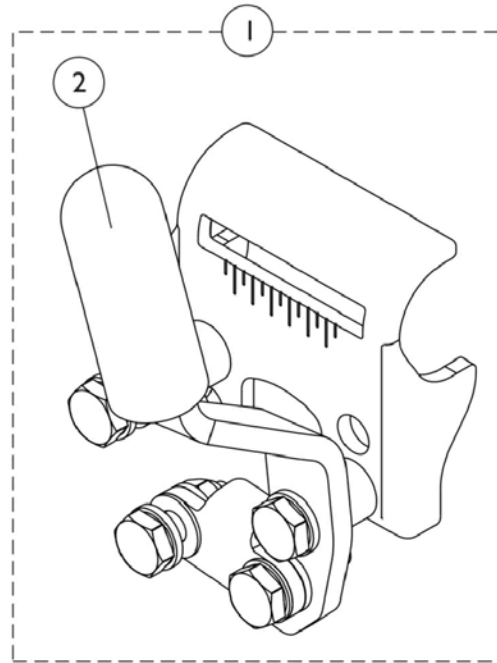
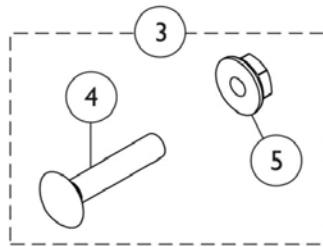
| Item Number | Note | Part Number | Description | Quantity Per | |
|-------------|------|-------------|--|--------------|----------|
| | | | | Package | Assembly |
| 1 | | 1047703 | Wheel Lock, High Mount, Push to Lock - Right | 1 | 1 |
| 1 | | 1047704 | Wheel Lock, High Mount, Push to Lock - Left | 1 | 1 |
| 1 | | 1049539 | Wheel Lock, Clamp On, Pull to Lock - Right | 1 | 1 |
| 1 | | 1049540 | Wheel Lock, Clamp On, Pull to Lock - Left | 1 | 1 |
| 2 | | 47376X024 | Tip, Rubber Wheel Lock Handle, Black | 1 | 1 |
| 3 | A | 1039343 | Kit, Clamp Wheel Lock Hardware (Pair) | 1 | 1 |
| 4 | | | NLA - Clamp, Wheel Lock, Non-Threaded (7/8") | 1 | 2 |
| 5 | | | Clamp, Wheel Lock, Threaded (7/8") | 1 | 2 |
| 6 | | | Screw, Allen Head (1/4-20 x 1") | 1 | 4 |

NOTE: A - In order to assemble, the non-threaded clamp is above the seat rail or frame and the threaded is below the seat rail or frame.

NOTE: If 9XT Chair is ordered with Clamp-On Wheel Locks and Front Riggings, due to different release handle, Front Riggings should be ordered through specials.

Link-Pivot Style Wheel Locks

9691B/9690B, Conventional Arm 9XT/9XDT/9SL & Conventional Arm Super Low Model, 9XT (B4 8/14/03 Stock) (2/12/04-4/13/07 Bldr.) (After 4/13/07 Stock)



Link-Pivot Style Wheel Locks

9691B/9690B, Conventional Arm 9XT/9XDT/9SL & Conventional Arm Super Low Model, 9XT (B4 8/14/03 Stock) (2/12/04-4/13/07 Bldr.) (After 4/13/07 Stock)

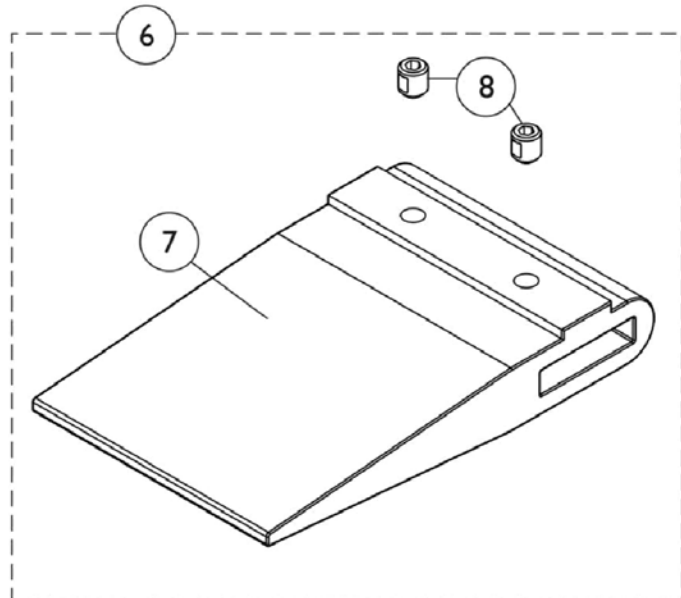
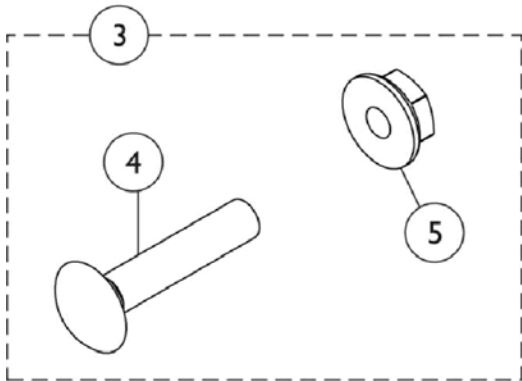
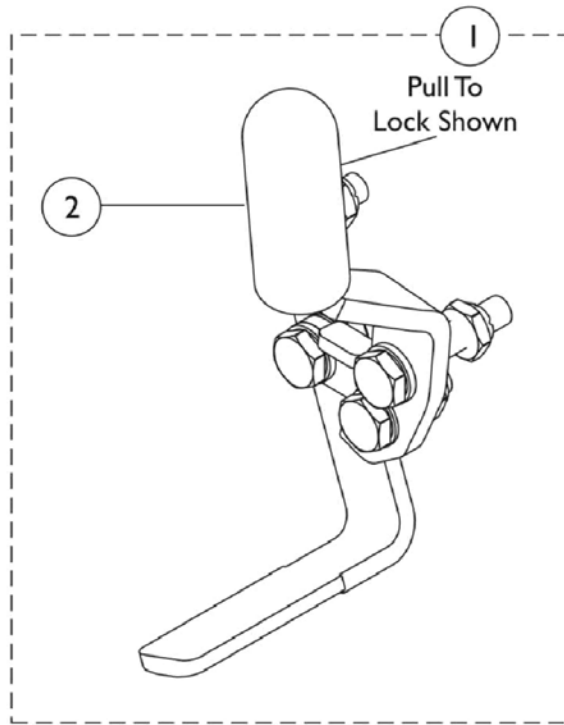
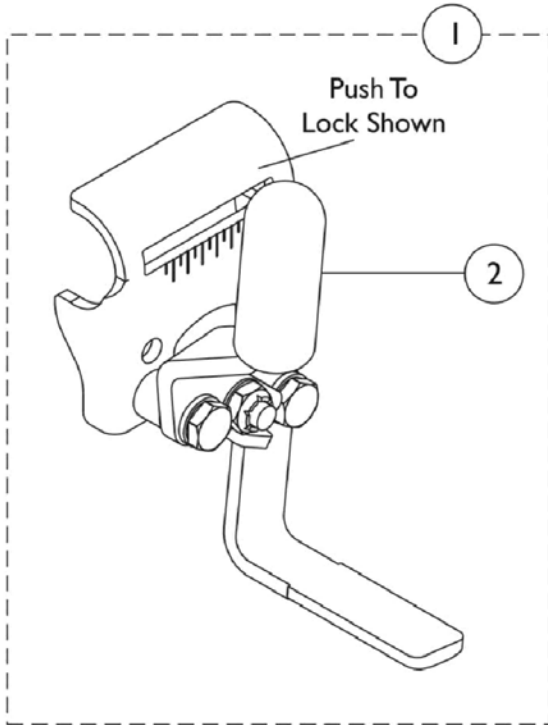
| Item Number | Note | Part Number | Description | Quantity Per | |
|-------------|------|-------------|--|--------------|----------|
| | | | | Package | Assembly |
| 1 | | 1101452 | Wheel Lock Assembly, Push to Lock, Black - Right | 1 | 1 |
| 1 | | 1101453 | Wheel Lock Assembly, Push to Lock, Black - Left | 1 | 1 |
| 1 | | 1101454 | Wheel Lock Assembly, Pull to Lock, Black - Right | 1 | 1 |
| 1 | | 1101455 | Wheel Lock Assembly, Pull to Lock, Black - Left | 1 | 1 |
| 1 | A | 1064764 | Wheel Lock Assembly, Long, Black, Push to Lock - Right | 1 | 1 |
| 1 | A | 1064765 | Wheel Lock Assembly, Long, Black, Push to Lock - Left | 1 | 1 |
| 1 | A | 1064760 | Wheel Lock Assembly, Long, Black, Pull to Lock - Right | 1 | 1 |
| 1 | A | 1064761 | Wheel Lock Assembly, Long, Black, Pull to Lock - Left | 1 | 1 |
| 2 | | 47376X024 | Tip, Rubber Wheel Lock Handle, Black | 1 | 1 |
| 3 | B | 1017677 | Kit, Hardware, Wheel Lock (Pair) | 1 | 1 |
| 4 | | | Bolt, Carriage (1/4-20 x 1-1/4") | 1 | 2 |
| 5 | | | Nut, Hex Flang (1/4-20) | 1 | 2 |
| 6 | C | 7400110 | Wheel Lock Shoe Spacer Kit, 20" Rear Wheels | 1 | 1 |
| 7 | | | Spacer, Wheel Lock Shoe (2-63/64") | 1 | 2 |
| 8 | | | Screw, Set Socket Cup Point (#8-32 x 3/16") | 1 | 4 |
| 6 | C | 1037422 | Kit, Wheel Lock Shoe Spacer, 22" Rear Wheels (Pair) | 1 | 1 |
| 7 | | | Spacer, Wheel Lock Shoe (1-45/64") | 1 | 2 |
| 8 | | | Screw, Set Socket Cup Point (#8-32 x 3/16") | 1 | 4 |
| 6 | C,D | 7400109 | Kit, Wheel Lock Shoe Spacer (Pair) | 1 | 1 |
| 7 | | | Spacer, Wheel Lock Shoe (2-7/16") | 1 | 2 |
| 8 | | | Screw, Set Socket Cup Point (#8-32 x 3/16") | 1 | 4 |

NOTE: A - For use on Super Low chairs only.
 B - Includes items 4 and 5.
 C - Includes items 7 and 8.
 D - This item is not included in the Wheel Lock Assembly. This item may be required for chairs with 20" or 22" wheels, 9000XDT chairs with an Amputee Attachment, 19-20" seat depth or tall chairs with U2222 rear wheels.

Note: Stock pick and Bldr. pick dates refer to how the wheel lock option was offered at the time.

Link-Pivot Style Wheel Locks

9691B/9690B, Space Saver Arm, 9XT/9XDT/9SL & Space Saver Arm Super Low Model, 9XT (B4 8/14/03 Stock) (2/12/04-4/13/07 Bldr.) (After 4/13/07 Stock)



Link-Pivot Style Wheel Locks

9691B/9690B, Space Saver Arm, 9XT/9XDT/9SL & Space Saver Arm Super Low Model, 9XT (B4 8/14/03 Stock) (2/12/04-4/13/07 Bldr.) (After 4/13/07 Stock)

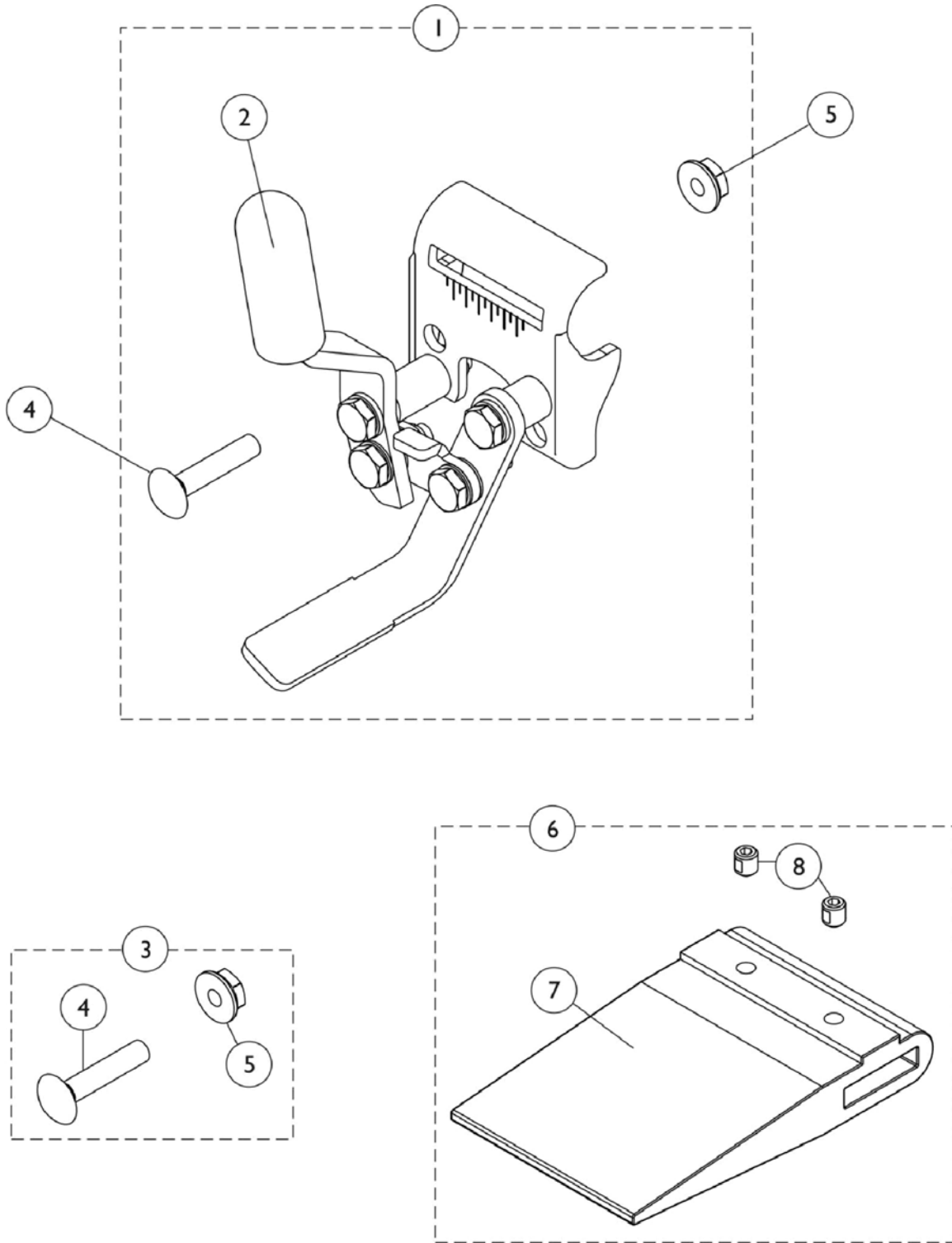
| Item Number | Note | Part Number | Description | Quantity Per | |
|-------------|------|-------------|--|--------------|----------|
| | | | | Package | Assembly |
| 1 | | 1111924 | Wheel Lock Assembly, Push to Lock, Black - Right | 1 | 1 |
| 1 | | 1111925 | Wheel Lock Assembly, Push to Lock, Black - Left | 1 | 1 |
| 1 | | 1111926 | Wheel Lock Assembly, Pull to Lock, Black - Right | 1 | 1 |
| 1 | | 1111927 | Wheel Lock Assembly, Pull to Lock, Black - Left | 1 | 1 |
| 1 | D | 1023484 | Wheel Lock Assembly, Pull / Lock - Right | 1 | 1 |
| 1 | D | 1023485 | Wheel Lock Assembly, Pull / Lock - Left | 1 | 1 |
| 1 | D | 1023493 | Wheel Lock Assembly, Push to Lock - Right | 1 | 1 |
| 1 | D | 1023494 | Wheel Lock Assembly, Push / Lock - Left | 1 | 1 |
| 2 | | 47376X024 | Tip, Rubber Wheel Lock Handle, Black | 1 | 1 |
| 3 | A | 1017677 | Kit, Hardware, Wheel Lock (Pair) | 1 | 1 |
| 4 | | | Bolt, Carriage (1/4-20 x 1-1/4") | 1 | 2 |
| 5 | | | Nut, Hex Flang (1/4-20) | 1 | 2 |
| 6 | C,B | 1048656 | Kit, Wheel Lock Shoe Spacer | 1 | 1 |
| 7 | | | Spacer, Wheel Lock Shoe (1-45/64") | 1 | 1 |
| 8 | | | Screw, Set Socket Cup Point (#8-32 x 3/16") | 1 | 2 |

NOTE: A - Includes items 4 and 5.
 B - These items are not included with wheel lock, they may be needed if a chair has 20 or 22" rear wheels.
 C - Includes items 7 and 8.
 D - Space Saver Arm, Super Low Models, 9XT

Note: Stock pick and Bldr. pick dates refer to how the wheel lock option was offered at the time.

Link-Pivot Style Wheel Locks

9691B/9690B, Space Saver Arm, 9XTP-Canada Only - Added 2/12/04



Link-Pivot Style Wheel Locks

9691B/9690B, Space Saver Arm, 9XTP-Canada Only - Added 2/12/04

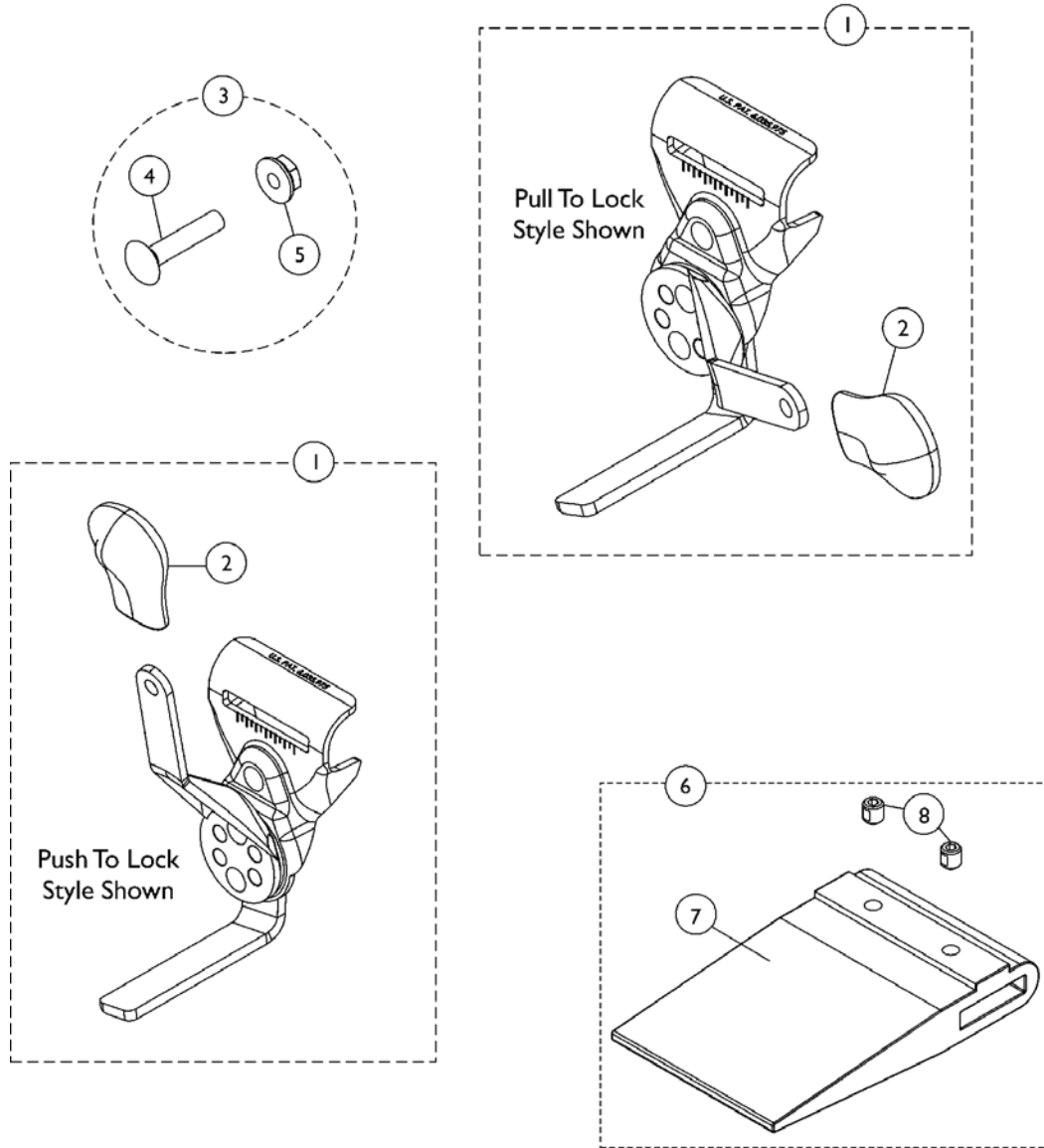
| Item Number | Note | Part Number | Description | Quantity Per | |
|-------------|------|-------------|---|--------------|----------|
| | | | | Package | Assembly |
| 1 | A,C | 1031792 | Wheel Lock Assembly, Push to Lock, Adult - Right | 1 | 1 |
| 1 | A,C | 1031793 | Wheel Lock Assembly, Push to Lock, Adult - Left | 1 | 1 |
| 1 | B,C | 1031794 | Wheel Lock Assembly, Pull to Lock, Hemi - Right | 1 | 1 |
| 1 | B,C | 1031795 | Wheel Lock Assembly, Pull to Lock, Hemi - Left | 1 | 1 |
| 2 | | 47376X024 | Tip, Rubber Wheel Lock Handle, Black | 1 | 1 |
| 3 | D | 1017677 | Kit, Hardware, Wheel Lock (Pair) | 1 | 1 |
| 4 | | | Bolt, Carriage (1/4-20 x 1-1/4") | 1 | 2 |
| 5 | | | Nut, Hex Flang (1/4-20) | 1 | 2 |
| 6 | E,F | 1037421 | Kit, Wheel Lock Shoe Spacer, 20" Rear Wheels (Pair) | 1 | 1 |
| 7 | | | Spacer, Wheel Lock Shoe (2-63/64") | 1 | 2 |
| 8 | | | Screw, Set Socket Cup Point (#8-32 x 3/16") | 1 | 4 |
| 6 | E,G | 1037422 | Kit, Wheel Lock Shoe Spacer, 22" Rear Wheels (Pair) | 1 | 1 |
| 7 | | | Spacer, Wheel Lock Shoe (1-45/64") | 1 | 2 |
| 8 | | | Screw, Set Socket Cup Point (#8-32 x 3/16") | 1 | 4 |
| 6 | E,H | 7400109 | Kit, Wheel Lock Shoe Spacer (Pair) | 1 | 1 |
| 7 | | | Spacer, Wheel Lock Shoe (2-7/16") | 1 | 2 |
| 8 | | | Screw, Set Socket Cup Point (#8-32 x 3/16") | 1 | 4 |

NOTE: A - These items are not included with wheel lock shoe spacer, they may be needed if chair has 20 or 22" rear wheels. Shoe spacer is also required for 9000XDT Chairs with 19-20" seat depth and Tall Chairs with U2222 rear wheels.
 B - 9000XDT Chairs with Amputee Attachment and 19-20" Seat Depth - pair.
 C - Wheel Lock assemblies do not include hardware, which are items 4 and 5.
 D - Includes items 4 and 5.
 E - Includes items 7 and 8.
 F - For use on 20" rear wheel.
 G - For use on 22" rear wheel.
 H - For use on 9000XDT chairs with amputee attachment and 19-20" seat depth.

NOTE: All Wheel Locks have been changed to black in color.

Disk Style Wheel Locks

9690/9691, Conventional or Space Saver Arm, 9XT/9XDT/9SL
(8/14/03-4/13/07 Stock) (After 4/13/07 Bldr.)



Disk Style Wheel Locks

9690/9691, Conventional or Space Saver Arm, 9XT/9XDT/9SL (8/14/03-4/13/07 Stock) (After 4/13/07 Bldr.)

| Item Number | Note | Part Number | Description | Quantity Per | |
|-------------|--------------|-------------|---|--------------|----------|
| | | | | Package | Assembly |
| 1 | A,H,HI, J | 1110227-NLA | NLA - Wheel Lock Assembly, Disk Pull to Lock, Black - Right | 1 | 1 |
| 1 | A,H,HI, J | 1110228-NLA | NLA - Wheel Lock Assembly, Disk Pull to Lock, Black - Left | 1 | 1 |
| 1 | A,H,HI, J | 1110225-NLA | NLA - Wheel Lock Assembly, Disk Push to Lock, Black - Right | 1 | 1 |
| 1 | A,H,HI, J | 1110226-NLA | NLA - Wheel Lock Assembly, Disk Push to Lock, Black - Left | 1 | 1 |
| 2 | | 1110160-NLA | NLA - Tip, Plastic Wheel Lock Handle, Black | 1 | 1 |
| 3 | B | 1017677 | Kit, Hardware, Wheel Lock (Pair) | 1 | 1 |
| 4 | | | Bolt, Carriage (1/4-20 x 1-1/4") | 1 | 2 |
| 5 | | | Nut, Hex Flang (1/4-20) | 1 | 2 |
| 6 | C,D,G | 1067279 | Kit, Wheel Lock Shoe Spacer | 1 | 1 |
| 7 | | | Spacer, Wheel Lock Shoe (2-7/16") | 1 | 1 |
| 8 | | | Screw, Set Socket Cup Point (#8-32 x 3/16") | 1 | 2 |
| 6 | C,E,G | 1048656 | Kit, Wheel Lock Shoe Spacer | 1 | 1 |
| 7 | | | Spacer, Wheel Lock Shoe (1-45/64") | 1 | 1 |
| 8 | | | Screw, Set Socket Cup Point (#8-32 x 3/16") | 1 | 2 |
| 6 | C,F | 1037421 | Kit, Wheel Lock Shoe Spacer, 20" Rear Wheels (Pair) | 1 | 1 |
| 7 | | | Spacer, Wheel Lock Shoe (2-63/64") | 1 | 2 |
| 8 | | | Screw, Set Socket Cup Point (#8-32 x 3/16") | 1 | 4 |
| | K,L | 1101452 | Wheel Lock Assembly, Push to Lock, Black - Right | 1 | 1 |
| | K,L | 1101453 | Wheel Lock Assembly, Push to Lock, Black - Left | 1 | 1 |
| | K,L | 1101454 | Wheel Lock Assembly, Pull to Lock, Black - Right | 1 | 1 |
| | K,L | 1101455 | Wheel Lock Assembly, Pull to Lock, Black - Left | 1 | 1 |
| | K,M | 1111924 | Wheel Lock Assembly, Push to Lock, Black - Right | 1 | 1 |
| | K,M | 1111925 | Wheel Lock Assembly, Push to Lock, Black - Left | 1 | 1 |
| | K,M | 1111926 | Wheel Lock Assembly, Pull to Lock, Black - Right | 1 | 1 |
| | K,M | 1111927 | Wheel Lock Assembly, Pull to Lock, Black - Left | 1 | 1 |

Disk Style Wheel Locks

9690/9691, Conventional or Space Saver Arm, 9XT/9XDT/9SL (8/14/03-4/13/07 Stock) (After 4/13/07 Bldr.)

- NOTE: A - Includes the Wheel Lock and item #2.
B - Includes items 4 and 5.
C - Includes items 7 and 8
D - Used with 22" or 24" Rear Wheels with Amputee Attachment.
E - Used with 22" Rear Wheels without Amputee Attachment.
F - Used with 20" Rear Wheels. Shoe Spacer is used with or without an Amputee Attachment.
G - Kit quantity covers one side only.
H - Disk Style Wheel Locks are no longer available as a Service Part. Must convert to Link-Pivot Style Wheel Locks listed. Order Right/Left side to match. For Conventional Arms use part #'s 1101452/1101453 (Push to Lock) or 1101454/1101455 (Pull to Lock).
HI - For Space Saver Arms use part #'s 1111924/1111925 (Push to Lock) or 1111926/1111927 (Pull to Lock). Can use existing attaching hardware.
J - Additional Wheel Lock information can be found under categories titled "Wheel Locks -9XT/9XDT/9SL-Link-Pivot Style, w/ Conventional Arms" or "Wheel Locks -9XT/9XDT/9SL-Link-Pivot Style, w/ Space Saver Arms".
K - Not Shown
L - Use for Conventional Arms.
M - Use for Space Saver Arms.

NOTE: Stock pick and Bldr. pick dates refer to how the wheel lock option was offered at the time.

NOTE: Push to Lock Wheel Lock is used on an Adult style wheelchair. Pull to Lock Wheel Lock is used on a Hemi style wheelchair.

Front Rigging, Upper Support Assembly

Footrest Upper Support Assembly

| Prior Model Number | Current Model Number | Chair Width | Side | Part Number |
|------------------------------|------------------------|-------------|-------|-----------------------------|
| H903, T943 A/C - Silver Vein | T93H A/C | 14 - 22" | Right | 1030706-NLA |
| H903, T943 A/C - Silver Vein | T93H A/C | 14 - 22" | Left | 1030707-NLA |
| H903, T943 A/C - Black | T93H A/C | 14 - 22" | Right | 1034139 |
| H903, T943 A/C - Black | T93H A/C | 14 - 22" | Left | 1034140 |
| H903 | T943 A/C - Color | 14 - 22" | Right | 8881032955 See Note(s) A |
| H903 | T943 A/C - Color | 14 - 22" | Left | 8881032956 See Note(s) A |
| N/A | T93H A/S/C - Color | 14 - 22" | Right | 8881118241 See Note(s) A |
| N/A | T93H A/S/C - Color | 14 - 22" | Left | 8881118242 See Note(s) A |
| N/A | T93H A/C - Black | 14 - 22" | Right | 1111272 |
| N/A | T93H A/C - Black | 14 - 22" | Left | 1111273 |
| N/A | T93H A/S/C - Black | 14 - 22" | Right | 1111274 See Note(s) C |
| N/A | T93H A/S/C - Black | 14 - 22" | Left | 1111275 See Note(s) C |
| N/A | T93H A/S/C - Black | 14 - 22" | Right | 1192525 See Note(s) D |
| N/A | T93H A/S/C - Black | 14 - 22" | Left | 1192526 See Note(s) D |
| N/A | GT93H A/C - Black | 16 - 22" | Right | 1192525 |
| N/A | GT93H A/C - Black | 16 - 22" | Left | 1192526 |
| N/A | T93H A/S/C - Color | 14 - 22" | Right | 8881180774 See Note(s) B |
| N/A | T93H A/S/C - Color | 14 - 22" | Left | 8881180775 See Note(s) B |
| N/A | GT93H A/C - Color | 16 - 22" | Right | 8881194312 See Note(s) A |
| N/A | GT93H A/C - Color | 16 - 22" | Left | 8881194310 See Note(s) A |
| N/A | T963 A/C - Color | 14 - 22" | Right | 8881111315 See Note(s) A |
| N/A | T963 A/C - Color | 14 - 22" | Left | 8881111316 See Note(s) A |
| N/A | T963 A/C - Black | 14 - 22" | Right | 1111319 |
| N/A | T963 A/C - Black | 14 - 22" | Left | 1111320 |
| SH93ES, SH93E - Chrome | SH93ES, SH93E - Chrome | 14 - 22" | Right | 1124555-NLA |
| SH93ES, SH93E - Chrome | SH93ES, SH93E - Chrome | 14 - 22" | Left | 1124556-NLA |

Front Rigging, Upper Support Assembly

Footrest Upper Support Assembly

| Prior Model Number | Current Model Number | Chair Width | Side | Part Number |
|---|-----------------------|-------------|-------|-----------------------------|
| SH93ES, SH93E - Black | SH93ES, SH93E - Black | 14 - 22" | Right | 1065218 |
| SH93ES, SH93E - Black | SH93ES, SH93E - Black | 14 - 22" | Left | 1065219 |
| SH93ES, SH93E - Color | SH93ES, SH93E - Color | 14 - 22" | Right | 8881065220 See Note(s) A |
| SH93ES, SH93E - Color | SH93ES, SH93E - Color | 14 - 22" | Left | 8881065221 See Note(s) A |
| H93E/S | H93E/S | 16 - 22" | Right | 1031245-NLA |
| H93E/S | H93E/S | 16 - 22" | Left | 1031246-NLA |
| H93M | H93M | 16 - 22" | Right | 1031243-NLA |
| H93M | H93M | 16 - 22" | Left | 1031244-NLA |
| H93M with FPP | H93M with FPP | 14 - 22" | Right | 1035449-NLA |
| H93M with FPP | H93M with FPP | 14 - 22" | Left | 1035450-NLA |
| NOTE: A - Specify frame finish when ordering, see category titled, "Frame Finishes, Upholstery Colors, Decals and Packaging." B - Specify 71P Silver Vein frame finish when ordering. C - After 10/14/14 color changed from Chrome to Black. It is recommended to order both the right and left side to match. D - As of 5/16/19 Model T93H now have the same Bill of Material as GT93H. | | | | |

Front Rigging, Upper Support Assembly

Legrest Upper Support Assembly

| Prior Model Number | Current Model Number | Chair Width | Side | Part Number |
|--------------------|----------------------|-------------|-------|-----------------------------|
| T944 A/C Black | T94H A/C | 14 - 22" | Right | 1110338 See Note(s) C |
| T944 A/C Black | T94H A/C | 14 - 22" | Left | 1110339 See Note(s) C |
| T944 A/C Color | T94H A/C | 14 - 22" | Right | 8881180761 See Note(s) B |
| T944 A/C Color | T94H A/C | 14 - 22" | Left | 8881180762 See Note(s) B |
| N/A | T94H A/C | 14 - 22" | Right | 1194381 See Note(s) D |
| N/A | T94H A/C | 14 - 22" | Left | 1194382 See Note(s) D |
| T944 A/C Black | T94H A/C | 14 - 22" | Right | 1110336 |
| T944 A/C Black | T94H A/C | 14 - 22" | Left | 1110337 |
| H904 | T944A/C | 14 - 22" | Right | 1031360-NLA |
| H904 | T944A/C | 14 - 22" | Left | 1031361-NLA |
| SH904M, SH904MS | SH904M, SH904MS | 14 - 15" | Right | 1124553 |
| SH904M, SH904MS | SH904M, SH904MS | 14 - 15" | Left | 1124554 |
| AHL4 | AHL4 | 16 - 22" | Right | 1041799 |
| AHL4 | AHL4 | 14 - 22" | Left | 1041800 |
| N/A | TH94 A/S/C - Chrome | 14 - 22" | Right | 1124219 |
| N/A | TH94 A/S/C - Chrome | 14 - 22" | Left | 1124220 |
| N/A | TH94 A/S/C - Black | 14 - 22" | Right | 1124217 |
| N/A | TH94 A/S/C - Black | 14 - 22" | Left | 1124218 |
| N/A | GT94H A/C - Black | 16 - 22" | Right | 1194381 |
| N/A | GT94H A/C - Black | 16 - 22" | Left | 1194382 |

NOTE: B - Specify 71P Silver Vein frame finish when ordering.
C - After 10/14/14 color changed from Chrome to Black. It is recommended to order both the right and left side to match.
D - As of 5/16/19 Model T94H now have the same Bill of Material as GT94H.

Pivot Slide Tube with Footplate

Footrest Pivot Slide Tube w/ Aluminum Footplate

| Prior Model Number | Current Model Number | Chair Width | Frame side | Part Number |
|----------------------------|---|-------------|------------|-------------|
| T963S, SH93ES, H903 Chrome | T963A, T943S, SH93ES, TH93S Chrome | 14 - 22" | Right | 1020232-NLA |
| T963S, SH93ES, H903 Chrome | T963A, T943S, SH93ES, TH93S Chrome | 14 - 22" | Left | 1020233-NLA |
| T963S, H903, SH93ES Black | T963A, SH93ES, T943S, TH93S, Black | 14 - 22" | Right | 1035200 |
| T963S, H903, SH93ES Black | T963A, SH93ES, T943S, TH93S, Black | 14 - 22" | Left | 1035201 |
| SH93E, T963A Chrome | SH93E, T963A, T943A, TH93A Chrome | 14 - 22" | Right | 1017243 |
| SH93E, T963A Chrome | SH93E, T963A, T943A, TH93A Chrome | 14 - 22" | Left | 1017244 |
| SH93E, T963A, SH93E Black | SH93E, T943A, T963A, SH93E, TH93A Black | 14 - 22" | Right | 1035202 |
| SH93E, T963A, SH93E Black | SH93E, T943A, T963A, SH93E, TH93A Black | 14 - 22" | Left | 1035203 |
| N/A | T63C Black | 14 - 22" | Right | 1033059 |
| N/A | T63C Black | 14 - 22" | Left | 1033060 |
| N/A | T63C Chrome | 14 - 22" | Right | 1017224 |
| N/A | T63C Chrome | 14 - 22" | Left | 1017225 |
| H93E, H93M | H93E, H93M Chrome | 14 - 15" | Right | 1020232-NLA |
| H93E, H93M | H93E, H93M Chrome | 14 - 15" | Left | 1020233-NLA |
| H93E, H93M | H93E, H93M Chrome | 16 - 22" | Right | 1028905-NLA |
| H93E, H93M | H93E, H93M Chrome | 16 - 22" | Left | 1028906-NLA |
| H93M w/ FPP | H93M w/ FPP | 14 - 15" | Right | 1031936-NLA |
| H93M w/ FPP | H93M w/ FPP | 14 - 15" | Left | 1031937-NLA |
| H93M w/ FPP | H93M w/ FPP Chrome | 16 - 22" | Right | 1033381-NLA |
| H93M w/ FPP | H93M w/ FPP Chrome | 16 - 22" | Left | 1033382-NLA |
| N/A | T93HA Black | 18 - 22" | Right | 1110344 |
| N/A | T93HA Black | 18 - 22" | Left | 1110345 |

Pivot Slide Tube with Footplate

Footrest Pivot Slide Tube w/ Aluminum Footplate

| Prior Model Number | Current Model Number | Chair Width | Frame side | Part Number |
|--------------------|---------------------------------|-------------|------------|-------------|
| N/A | T93HSA, T93HA Black | 14 - 15" | Right | 1110361 |
| N/A | T93HSA, T93HA Black | 14 - 15" | Left | 1110362 |
| N/A | T93HSA, T93HA Chrome | 14 - 15" | Right | 1110363 |
| N/A | T93HSA, T93HA Chrome | 14 - 15" | Left | 1110364 |
| N/A | GT93HA/T93HA, T93HAB - Black | 16 - 22" | Right | 1111285 |
| N/A | GT93HA/T93HA, T93HAB - Black | 16 - 22" | Left | 1111286 |
| N/A | T93HA, T93HAB - Black | 16 - 22" | Right | 1111287 |
| N/A | T93HA, T93HAB - Black | 16 - 22" | Left | 1111288 |

NOTE: 2" and 4" Longer Pivot Slide Tube with Footplate Assembly is not available.

Pivot Slide Tube with Footplate

Legrest Pivot Slide Tube w/ Aluminum Footplate

| Prior Model # | Current Model # | Chair Width | Side | Part Number |
|---------------|----------------------------|-------------|-------|------------------------------|
| SH904MS | SH904MS, T94HS Chrome | 14 - 15" | Right | 1020234 |
| SH904MS | SH904MS, T94HS Chrome | 14 - 15" | Left | 1020235 |
| SH904M | SH904M | 16 - 18" | Right | 1017237 |
| SH904M | SH904M | 16 - 18" | Left | 1017238 |
| H904 | T944S | 14 - 15" | Right | 1020234 |
| H904 | T944S | 14 - 15" | Left | 1020235 |
| N/A | T944A, TH94A Chrome | 16 - 22" | Right | 1017237 |
| N/A | T944A, TH94A Chrome | 16 - 22" | Left | 1017238 |
| N/A | TH94A Black | 16 - 22" | Right | 1124235 |
| N/A | TH94A Black | 16 - 22" | Left | 1124236 |
| N/A | TH94S Black | 14 - 15" | Right | 1124237 |
| N/A | TH94S Black | 14 - 15" | Left | 1124238 |
| AHS4 | AHS4 | 14 - 15" | Right | 1023905-NLA |
| AHS4 | AHS4 | 14 - 15" | Left | 1023906-NLA |
| AHL4 | AHL4 | 16 - 22" | Right | 1023907 |
| AHL4 | AHL4 | 16 - 22" | Left | 1023908 |
| N/A | GT94HA/T94HA/T94H AB Black | 16 - 22" | Right | 1110315 See Note(s) B |
| N/A | GT94HA/T94HA/T94H AB Black | 16 - 22" | Left | 1110316 See Note(s) B |
| N/A | T94HA/T94HAB Black | 16 - 22" | Right | 1110317-NLA See Note(s) B |
| N/A | T94HA/T94HAB Black | 16 - 22" | Left | 1110318-NLA See Note(s) B |
| N/A | T94HAB Black | 18 - 22" | Right | 1110344 See Note(s) B |
| N/A | T94HAB Black | 18 - 22" | Left | 1110345 See Note(s) B |
| N/A | T94HA/T94HAB Black | 16 - 22" | Right | 1110348 See Note(s) B |
| N/A | T94HA/T94HAB Black | 16 - 22" | Left | 1110349 See Note(s) B |

Pivot Slide Tube with Footplate

Legrest Pivot Slide Tube w/ Aluminum Footplate

| Prior Model # | Current Model # | Chair Width | Side | Part Number |
|---------------|------------------------|-------------|-------|------------------------------|
| N/A | T94HS/T94HSB Black | 14 - 15" | Right | 1110365 See Note(s) B |
| N/A | T94HS/T94HSB Black | 14 - 15" | Left | 1110366 See Note(s) B |
| N/A | T94HS/T94HSB Chrome | 14 - 15" | Right | 1110367-NLA See Note(s) B |
| N/A | T94HS/T94HSB Chrome | 14 - 15" | Left | 1110368-NLA See Note(s) B |

NOTE: B - T94HAB or T94HSB w/ bolt through kit.

NOTE: Footplate and pivot slide tube are attached to legrest T94HA/T94HAB using spring buttons or bolt thru hardware.

NOTE: 2" and 4" Longer Pivot Slide Tube with Footplate Assembly is not available.

Pivot Slide Tube with Footplate

Bolt Through and Spring Button Kits

| Style | Part Number | Quantity per Package | Quantity Per Footrest (pr) | Quantity Per Legrest (pr) |
|----------------------------|--------------------------|----------------------|----------------------------|---------------------------|
| Spring Button Hardware Kit | 1188335 See Note(s) A | 2 | 4 | 4 |
| Bolt Through Hardware Kit | 1101776 See Note(s) A | 2 | 2 | 2 |
| Tool Kit | 1058407 See Note(s) B | 1 | N/A | N/A |

NOTE: A - Kit includes 2 ea. Double Spring Buttons.
B - Kit includes allen wrench, key, and open end wrench. The Bolt Thru Hardware uses the Tool Kit for installation.

Footrest Pivot Slide Tube w/ Composite Footplate

| Prior Model # | Current Model # | Chair Width | Side | Part Number |
|---------------|----------------------------|-------------|-------|------------------------------|
| H903 Chrome | T943C, TH93C, T963C Chrome | 16 - 22" | Right | 1017224 |
| H903 Chrome | T943C, TH93C, T963C Chrome | 16 - 22" | Left | 1017225 |
| H903 Black | T943C, TH93C, T963C, Black | 16 - 22" | Right | 1033059 |
| H903 Black | T943C, TH93C, T963C, Black | 16 - 22" | Left | 1033060 |
| N/A | T963C, TH93S, Black | 14 - 15" | Right | 1035200 |
| N/A | T963C, TH93S, Black | 14 - 15" | Left | 1035201 |
| N/A | T963C, TH93S Chrome | 14 - 15" | Right | 1020232-NLA |
| N/A | T963C, TH93S Chrome | 14 - 15" | Left | 1020233-NLA |
| N/A | T963C Chrome | 16 - 22" | Right | 1017224 |
| N/A | T963C Chrome | 16 - 22" | Left | 1017225 |
| N/A | T93HC/T93HCB Chrome | 16 - 22" | Right | 1111291-NLA See Note(s) A |
| N/A | T93HC/T93HCB Chrome | 16 - 22" | Left | 1111292-NLA See Note(s) A |
| N/A | T93HC/T93HCB Black | 16 - 22" | Right | 1111289 See Note(s) A |
| N/A | T93HC/T93HCB Black | 16 - 22" | Left | 1111290 See Note(s) A |
| N/A | GT93HC Black | 16 - 22" | Right | 1194329 See Note(s) A |
| N/A | GT93HC Black | 16 - 22" | Left | 1194330 See Note(s) A |

Pivot Slide Tube with Footplate

NOTE: A - T93HC/T93HCB Pivot/Slide Tube and Footplate Assemblies are attached to Footrest Supports using Spring Buttons or Bolt Thru Hardware.

NOTE: 2" and 4" Longer Pivot Slide Tube with Footplate Assembly is not available.

Pivot Slide Tube with Footplate

Legrest Pivot Slide Tube w/ Composite Footplate

| Prior Model # | Current Model # | Chair Width | Side | Part Number |
|---------------|-------------------------------|-------------|-------|-------------|
| H904 | T944C, TH94C Chrome | 16 - 22" | Right | 1017233-NLA |
| H904 | T944C, TH94C Chrome | 16 - 22" | Left | 1017234-NLA |
| AHL4 | AHL4 | 16 - 22" | Right | 1023909-NLA |
| AHL4 | AHL4 | 16 - 22" | Left | 1023910-NLA |
| N/A | GT94HC/T94HC/TH9 4CB Black | 16 - 22" | Right | 1110311 |
| N/A | GT94HC/T94HC/TH9 4CB Black | 16 - 22" | Left | 1110312 |
| N/A | T94HC/TH94CB Chrome | 16 - 22" | Right | 1110313 |
| N/A | T94HC/TH94CB Chrome | 16 - 22" | Left | 1110314 |

Footplate & Pivot Slide Tube are attached to T94HC/T94HCB Legrest using Spring Buttons or Bolt Thru Hardware.
NOTE: 2" and 4" Longer Pivot Slide Tube with Footplate Assembly is not available.

Pivot Slide Tube w/ Tubular Footplate

| Prior Model # | Current Model # | Chair Width | Side | Part Number |
|-------------------|-----------------|-------------|-------|-------------|
| H903 Chrome/Black | T943S | 14 - 15" | Right | 1030752-NLA |
| H903 Chrome/Black | T943S | 14 - 15" | Left | 1030753-NLA |
| H903 Chrome/Black | T943C | 16 - 22" | Right | 1012263-NLA |
| H903 Chrome/Black | T943C | 16 - 22" | Left | 1012264-NLA |

See Support Assembly page for Pivot/Slide Tube Attaching Hardware.

Pivot Slide Tube with Footplate

Pivot Slide Tubes w/ Extra Large Footplate

Footrests

| Footrest Model Number | Chair Width | Side | Part Number |
|-------------------------------------|-------------|-------|------------------------------|
| T963A, T93HA, Black | 16 - 22" | Right | 1031924-NLA |
| T963A, T93HA, Black | 16 - 22" | Left | 1031925-NLA |
| T963A, T963C, H93M, T93HA Chrome | 16 - 22" | Right | 1031926-NLA See Note(s) A |
| T963A, T963C, H93M, T93HA Chrome | 16 - 22" | Left | 1031927-NLA See Note(s) A |
| T963S | 16 - 22" | Right | 1031928-NLA |
| T963S | 16 - 22" | Left | 1031929-NLA |
| T963S | 14 - 15" | Right | 1031930-NLA See Note(s) A |
| T963S | 14 - 15" | Left | 1031931-NLA See Note(s) A |
| GT93HA/T93HA, T93HAB | 16 - 22" | Right | 1110344 |
| GT93HA/T93HA, T93HAB | 16 - 22" | Left | 1110345 |
| T93HA | 14 - 15" | Right | 1110346 |
| T93HA | 14 - 15" | Left | 1110347 |

NOTE: A - All the Footrest model numbers this is used on may not be listed here.

NOTE: 2" and 4" Longer Pivot Slide Tube with Footplate Assembly is not available.

Pivot Slide Tube with Footplate

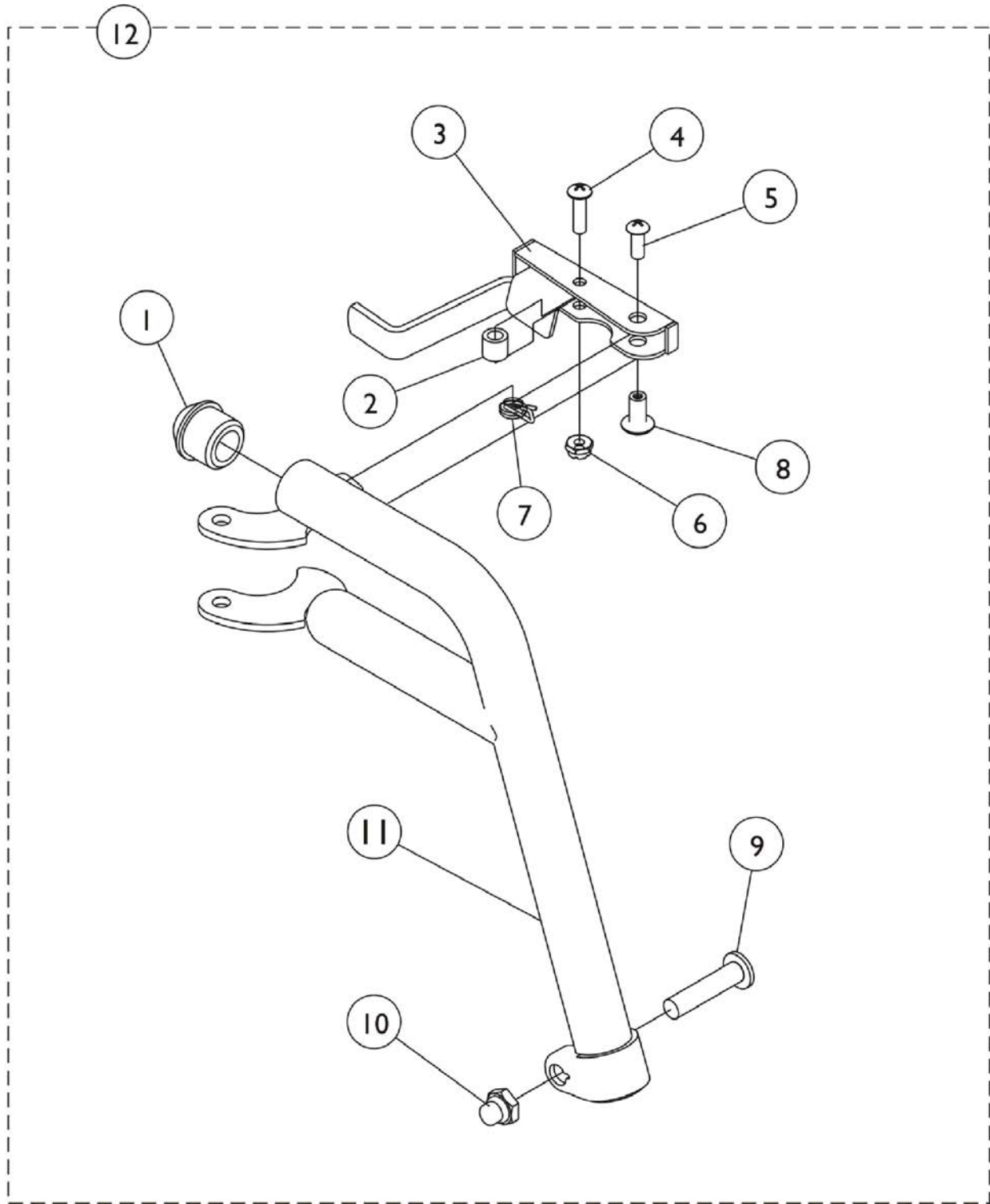
Pivot Slide Tube w/ Extra Large Footplate

Legrest

| Legrest Model Number | Chair Width | Side | Part Number |
|---|-------------|-------|------------------------------|
| GT94HA/T94HA Black | 16 - 22" | Right | 1110348 See Note(s) B |
| GT94HA/T94HA Black | 16 - 22" | Left | 1110349 See Note(s) B |
| T94HA-Chrome | 16 - 22" | Right | 1110350-NLA See Note(s) A |
| T94HA-Chrome | 16 - 22" | Left | 1110351-NLA See Note(s) A |
| T94HA-Black | 16 - 22" | Right | 1124239 See Note(s) B |
| T94HA-Black | 16 - 22" | Left | 1124240 See Note(s) B |
| AHS4-Chrome | 14 - 15" | Right | 1035454-NLA See Note(s) A |
| AHS4-Chrome | 14 - 15" | Left | 1035455-NLA See Note(s) A |
| AHL4-Chrome | 16 - 22" | Right | 1035456 See Note(s) A |
| AHL4-Chrome | 16 - 22" | Left | 1035457 See Note(s) A |
| SH904MS, H904, T944A/C-Chrome | 14 - 15" | Right | 1031932-NLA See Note(s) A |
| SH904MS, H904, T944A/C-Chrome | 14 - 15" | Left | 1031933-NLA See Note(s) A |
| SH904M, H904, T944A/C, TH94A-Chrome | 16 - 22" | Right | 1031934-NLA See Note(s) A |
| SH904M, H904, T944A/C, TH94A-Chrome | 16 - 22" | Left | 1031935-NLA See Note(s) A |
| NOTE: A - Chrome B - Black | | | |
| NOTE: 2" and 4" Longer Pivot Slide Tube with Footplate Assembly is not available. | | | |

Footrest Support Assembly

H903, T943A/C/S



Footrest Support Assembly H903, T943A/C/S

| Item Number | Note | Part Number | Description | Quantity Per | |
|-------------|-------|-------------|---|--------------|----------|
| | | | | Package | Assembly |
| 1 | | 1020719 | Anti-Rattle, Black | 1 | 1 |
| 2 | | 47565X057 | Bushing (7/32 x 3/8 x 11/32") | 1 | 1 |
| 3 | A,C | 1033305-NLA | NLA - Handle, Release, Chrome - Right | 1 | 1 |
| 3 | A | 1033306-NLA | NLA - Handle, Release, Chrome - Left | 1 | 1 |
| 3 | A,C,D | 1031469-NLA | NLA - Handle, Release, Black - Right | 1 | 1 |
| 3 | A,C,D | 1031470-NLA | NLA - Handle, Release, Black - Left | 1 | 1 |
| | E | 1087698-NLA | NLA - Handle, Release, Chrome - Right | 1 | 1 |
| | E | 1087699-NLA | NLA - Handle, Release, Chrome - Left | 1 | 1 |
| 4 | | 40163X008 | Screw, Phillips Pan Head (#10-32 x 11/16") | 1 | 1 |
| 4 | D | 1025716 | Screw, Phillips Pan Head (#10-32 x 11/16") | 1 | 1 |
| 5 | | 40163X002 | Screw, Phillips Round Head (#10-32 x 1/2") | 1 | 1 |
| 5 | D | 1026114 | Screw, Phillips Pan Head (#10-32 x 1/2") | 1 | 1 |
| 6 | | 60279X003 | Locknut (#10-32) | 1 | 1 |
| 6 | D | 1025735 | Locknut (#10-32) | 1 | 1 |
| 7 | | 1008935 | Spring, Release - Right | 1 | 1 |
| 7 | | 1008936 | Spring, Release - Left | 1 | 1 |
| 7 | D | 1028707 | Spring, Release - Right | 1 | 1 |
| 7 | D | 1028708 | Spring, Release - Left | 1 | 1 |
| 8 | | 67005X000 | Rivnut (#10-32) | 1 | 1 |
| 8 | D | 1028846-NLA | NLA - Rivnut (#10-32) | 1 | 1 |
| 9 | | 11232X009 | Bolt, Lug (5/16-24 x 1-3/8") | 1 | 1 |
| 9 | D | 1026030 | Bolt, Lug (5/16-24 x 1-3/8") | 1 | 1 |
| 10 | | 1107321 | Nut, Low Cap (5/16"-24) | 1 | 1 |
| 11 | | 1020416-NLA | NLA - Tube, Support, Footrest, Chrome - Right | 1 | 1 |
| 11 | | 1020417-NLA | NLA - Tube, Support, Footrest, Chrome - Left | 1 | 1 |
| 11 | D | 1020428-NLA | NLA - Tube, Support, Footrest, Black - Right | 1 | 1 |
| 11 | D | 1020429-NLA | NLA - Tube, Support, Footrest, Black - Left | 1 | 1 |
| 11 | B,D | 8881065636 | Tube, Support, Footrest, Color - Right | 1 | 1 |
| 11 | B,D | 8881065637 | Tube, Support, Footrest, Color - Left | 1 | 1 |
| 12 | | See Chart | Footrest Support Assembly - H903, T943A/C/S | 1 | 1 |

NOTE: A - When front rigging are ordered for a 9000XT Chair with clamp-on wheel locks, the front riggings should be ordered through Invacare Specials due to a different release handle style.
 B - Specify frame color when ordering, see category titled, "Frame Finishes, Upholstery Colors, Decals and Packaging."
 C - Release Handles used on 9000XT with Clamp-on Wheellock After 8/1/02.
 D - For use on black or colored chairs.
 E - Not shown. Order this item when ordering chair with Cyclical Lever Drive only.

NOTE: Due to design change, for all chairs built prior to 10/01/00 it is suggested that release handles be replaced in pairs.

Footrest Support Assembly - H903, T943A/C/S

| Prior Model Number | Current Model Number | Chair Width | Right Side | Left Side |
|--------------------|----------------------|-------------|------------|-----------|
| | | | | |

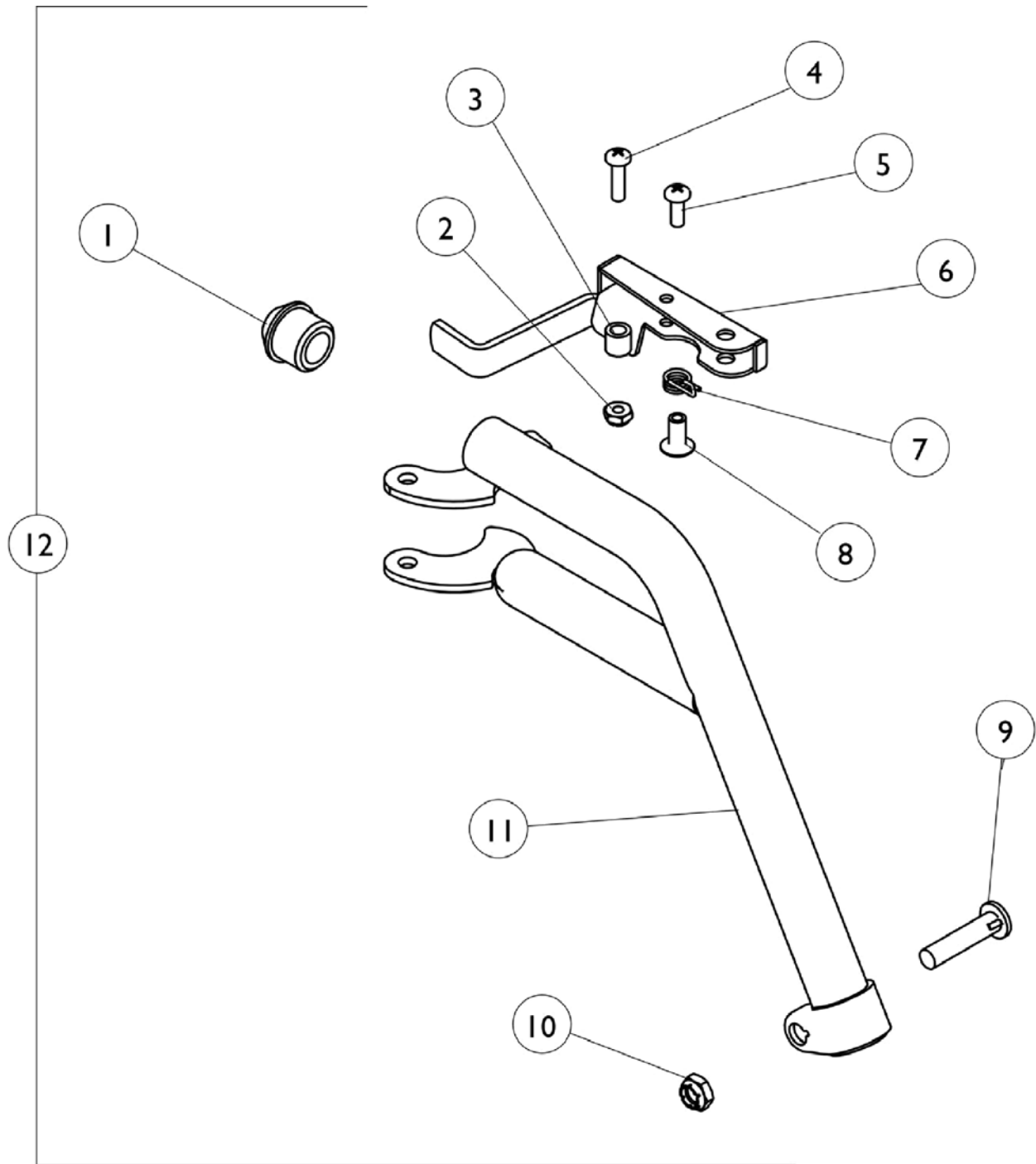
Footrest Support Assembly

H903, T943A/C/S

Footrest Support Assembly - H903, T943A/C/S

| Prior Model Number | Current Model Number | Chair Width | Right Side | Left Side |
|-------------------------------|----------------------|-------------|-------------|-------------|
| H903, T943 A/C Silver Vein | T93H A/C | 14-22" | 1030706-NLA | 1030707-NLA |
| H903, T943 A/C Black | T93H A/C | 14-22" | 1034139 | 1034140 |
| H903 | T943 A/C | 14-22" | 8881032955 | 8881032956 |

Footrest Support Assembly T963A/C/S



Footrest Support Assembly T963A/C/S

| Item Number | Note | Part Number | Description | Quantity Per | |
|-------------|------|--------------------|--|--------------|----------|
| | | | | Package | Assembly |
| 1 | | 1020719 | Anti-Rattle, Black | 1 | 1 |
| 2 | A | 60279X003 | Locknut (#10-32) | 1 | 1 |
| 2 | B | 1025735 | Locknut (#10-32) | 1 | 1 |
| 3 | | 47565X057 | Bushing (7/32 x 3/8 x 11/32") | 1 | 1 |
| 4 | A | 40163X008 | Screw, Phillips Pan Head (#10-32 x 11/16") | 1 | 1 |
| 4 | B | 1025716 | Screw, Phillips Pan Head (#10-32 x 11/16") | 1 | 1 |
| 5 | A | 40163X002 | Screw, Phillips Round Head (#10-32 x 1/2") | 1 | 1 |
| 5 | B | 1026114 | Screw, Phillips Pan Head (#10-32 x 1/2") | 1 | 1 |
| 6 | A,D | 1035539 | Handle, Release, Black - Right | 1 | 1 |
| 6 | A,D | 1035540 | Handle, Release, Black - Left | 1 | 1 |
| 6 | B,D | 1035539 | Handle, Release, Black - Right | 1 | 1 |
| 6 | B,D | 1035540 | Handle, Release, Black - Left | 1 | 1 |
| | F | 1087698-NLA | NLA - Handle, Release, Chrome - Right | 1 | 1 |
| | F | 1087699-NLA | NLA - Handle, Release, Chrome - Left | 1 | 1 |
| 7 | A | 1008935 | Spring, Release - Right | 1 | 1 |
| 7 | A | 1008936 | Spring, Release - Left | 1 | 1 |
| 7 | B | 1028707 | Spring, Release - Right | 1 | 1 |
| 7 | B | 1028708 | Spring, Release - Left | 1 | 1 |
| 8 | A | 67005X000 | Rivnut (#10-32) | 1 | 1 |
| 8 | B | 1028846-NLA | NLA - Rivnut (#10-32) | 1 | 1 |
| 9 | A | 11232X009 | Bolt, Lug (5/16-24 x 1-3/8") | 1 | 1 |
| 9 | B | 1026030 | Bolt, Lug (5/16-24 x 1-3/8") | 1 | 1 |
| 10 | A | 1107321 | Nut, Low Cap (5/16"-24) | 1 | 1 |
| 10 | B | 1025730 | Locknut (5/16-24) | 1 | 1 |
| 11 | A | 1111153-NLA | NLA - Support, Footrest, Black - Right | 1 | 1 |
| 11 | A | 1111154-NLA | NLA - Support, Footrest, Black - Left | 1 | 1 |
| 11 | B,C | 8881111151-NL A | NLA - Support, Footrest, Color - Right | 1 | 1 |
| 11 | B,C | 8881111152-NL A | NLA - Support, Footrest, Color - Left | 1 | 1 |
| 12 | E | See Chart | Footrest Support Assembly - T963A/C/S | 1 | 1 |

NOTE: A - For use on chrome chairs.
 B - For use on color chairs.
 C - Specify frame color when ordering, see category titled, "Frame Finishes, Upholstery Colors, Decals and Packaging."
 D - When front riggings are ordered for a 9000XT Chair with clamp-on wheel locks, the front rigging should be ordered through Invacare Specials due to the different release handle style.
 E - Includes items 1 thru 11.
 F - Not shown. Order this item when ordering chair with Cyclical Lever Drive only.

Footrest Support Assembly - T963A/C/S

| Prior Model Number | Current Model Number | Chair Width | Right Side | Left Side |
|--------------------|----------------------|-------------|------------|-----------|
|--------------------|----------------------|-------------|------------|-----------|

Footrest Support Assembly T963A/C/S

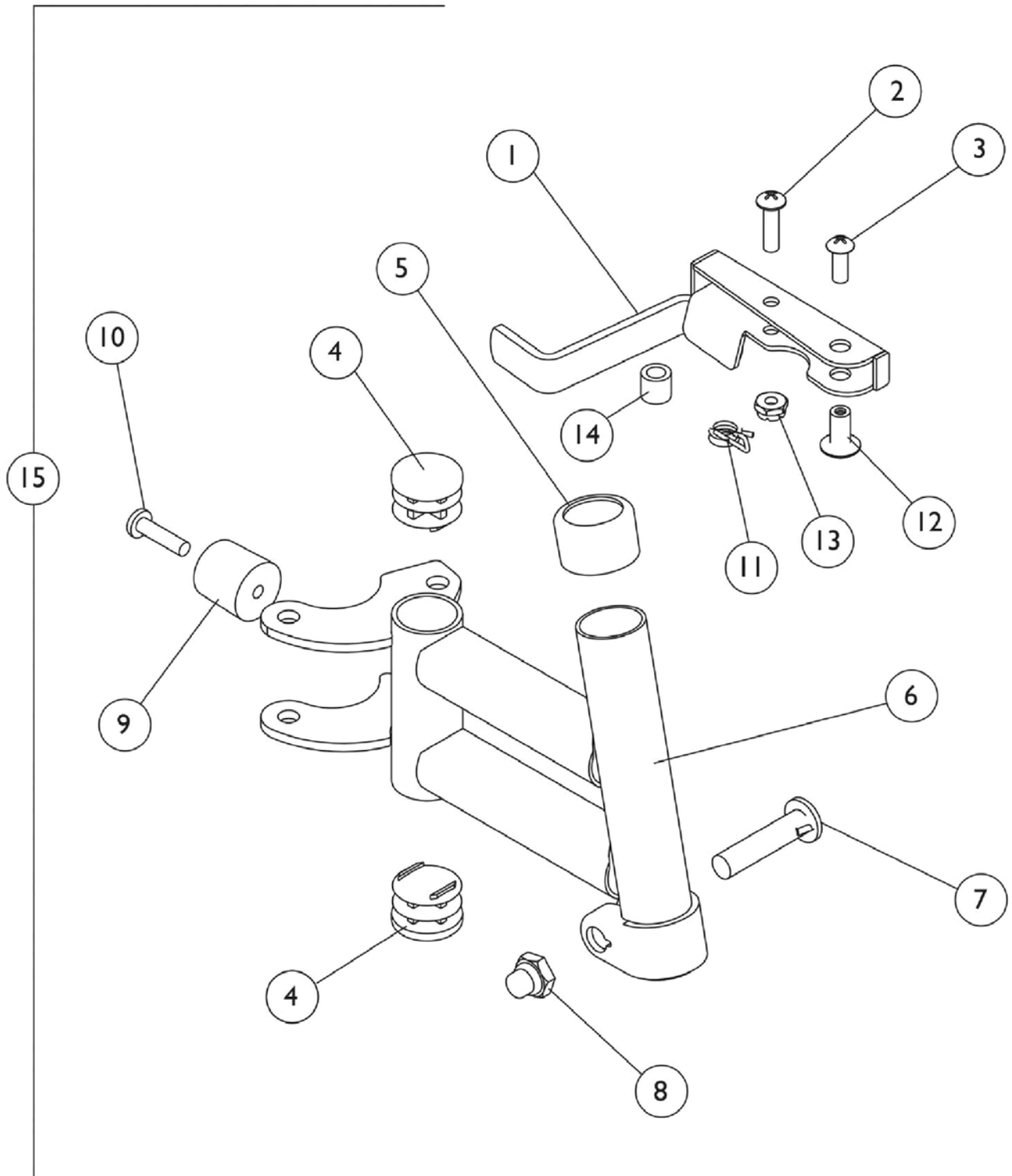
Footrest Support Assembly - T963A/C/S

| Prior Model Number | Current Model Number | Chair Width | Right Side | Left Side |
|--------------------|----------------------|-------------|-----------------------------|-----------------------------|
| N/A | T963 A/C Color | 14-22" | 8881111315 See Note(s) A | 8881111316 See Note(s) A |
| N/A | T963 A/C Black | 14-22" | 1111319 | 1111320 |

NOTE: A - Specify Frame Color; see section titled, "Frame Finishes, Upholstery Colors, Decals, and Packaging".

Footrest Support Assembly

SH93ES, SH93E



Footrest Support Assembly SH93ES, SH93E

| Item Number | Note | Part Number | Description | Quantity Per | |
|-------------|------|-------------|--|--------------|----------|
| | | | | Package | Assembly |
| 1 | A | 1124549-NLA | NLA - Handle, Release, Chrome - Right | 1 | 1 |
| 1 | A | 1124550-NLA | NLA - Handle, Release, Chrome - Left | 1 | 1 |
| 1 | A | 1124551 | Handle, Release, Black - Right | 1 | 1 |
| 1 | A | 1124552 | Handle, Release, Black - Left | 1 | 1 |
| | F | 1087698-NLA | NLA - Handle, Release, Chrome - Right | 1 | 1 |
| | F | 1087699-NLA | NLA - Handle, Release, Chrome - Left | 1 | 1 |
| 2 | D | 40163X008 | Screw, Phillips Pan Head (#10-32 x 11/16") | 1 | 1 |
| 2 | E | 1025716 | Screw, Phillips Pan Head (#10-32 x 11/16") | 1 | 1 |
| 3 | D | 40163X002 | Screw, Phillips Round Head (#10-32 x 1/2") | 1 | 1 |
| 3 | E | 1026114 | Screw, Phillips Pan Head (#10-32 x 1/2") | 1 | 1 |
| 4 | | 1027095 | Plug Button, Black (7/8") | 1 | 2 |
| 5 | | 15680X012 | Collar, Anti-Rattle (7/8") | 1 | 1 |
| 6 | G | 1007123-NLA | NLA - Tube, Support, Footrest, Chrome - Right | 1 | 1 |
| 6 | | 1007124-NLA | NLA - Tube, Support, Footrest, Chrome - Left | 1 | 1 |
| 6 | | 1065180 | Tube, Support, Footrest, Black - Right | 1 | 1 |
| 6 | | 1065181 | Tube, Support, Footrest, Black - Left | 1 | 1 |
| 6 | B | 8881065182 | Tube, Support, Footrest, Color - Right | 1 | 1 |
| 6 | B | 8881065183 | Tube, Support, Footrest, Color - Left | 1 | 1 |
| 7 | D | 11232X009 | Bolt, Lug (5/16-24 x 1-3/8") | 1 | 1 |
| 7 | E | 1026030 | Bolt, Lug (5/16-24 x 1-3/8") | 1 | 1 |
| 8 | | 1107321 | Nut, Low Cap (5/16"-24) | 1 | 1 |
| 8 | | 7930330-NLA | NLA - Locknut (5/16-24) | 25 | 1 |
| 9 | | 1022874 | Bumper | 1 | 1 |
| 10 | | 1030979 | Screw, Phillips Pan Head Tap (#10-32 x 3/4") | 1 | 1 |
| 11 | D | 1008935 | Spring, Release - Right | 1 | 1 |
| 11 | D | 1008936 | Spring, Release - Left | 1 | 1 |
| 11 | E | 1028707 | Spring, Release - Right | 1 | 1 |
| 11 | E | 1028708 | Spring, Release - Left | 1 | 1 |
| 12 | D | 67005X000 | Rivnut (#10-32) | 1 | 1 |
| 12 | E | 1028846-NLA | NLA - Rivnut (#10-32) | 1 | 1 |
| 13 | D | 60279X003 | Locknut (#10-32) | 1 | 1 |
| 13 | E | 1025735 | Locknut (#10-32) | 1 | 1 |
| 14 | D | 47565X057 | Bushing (7/32 x 3/8 x 11/32") | 1 | 1 |
| 14 | E | 1031884-NLA | NLA - Bushing, Black or Color Chairs (9/32 x 3/8 x 11/32") | 1 | 1 |
| 15 | C | See Chart | Footrest Support Assembly - SH93ES / SH93E | 1 | 1 |

NOTE: A - Due to design change, release handles should be replaced in pairs for chairs manufactured before 10/1/00.
B - Specify frame color when ordering, see category titled, "Frame Finishes and Upholstery Colors."
C - Includes items 1 thru 15.
D - For use on chrome chairs.
E - For use on color chairs.
F - Not shown. Order this item when ordering chair with Cyclical Drive only.
G - Part #1007123 is no longer available individually. Order item 15 part #1124555 Footrest Support Assembly as a replacement.

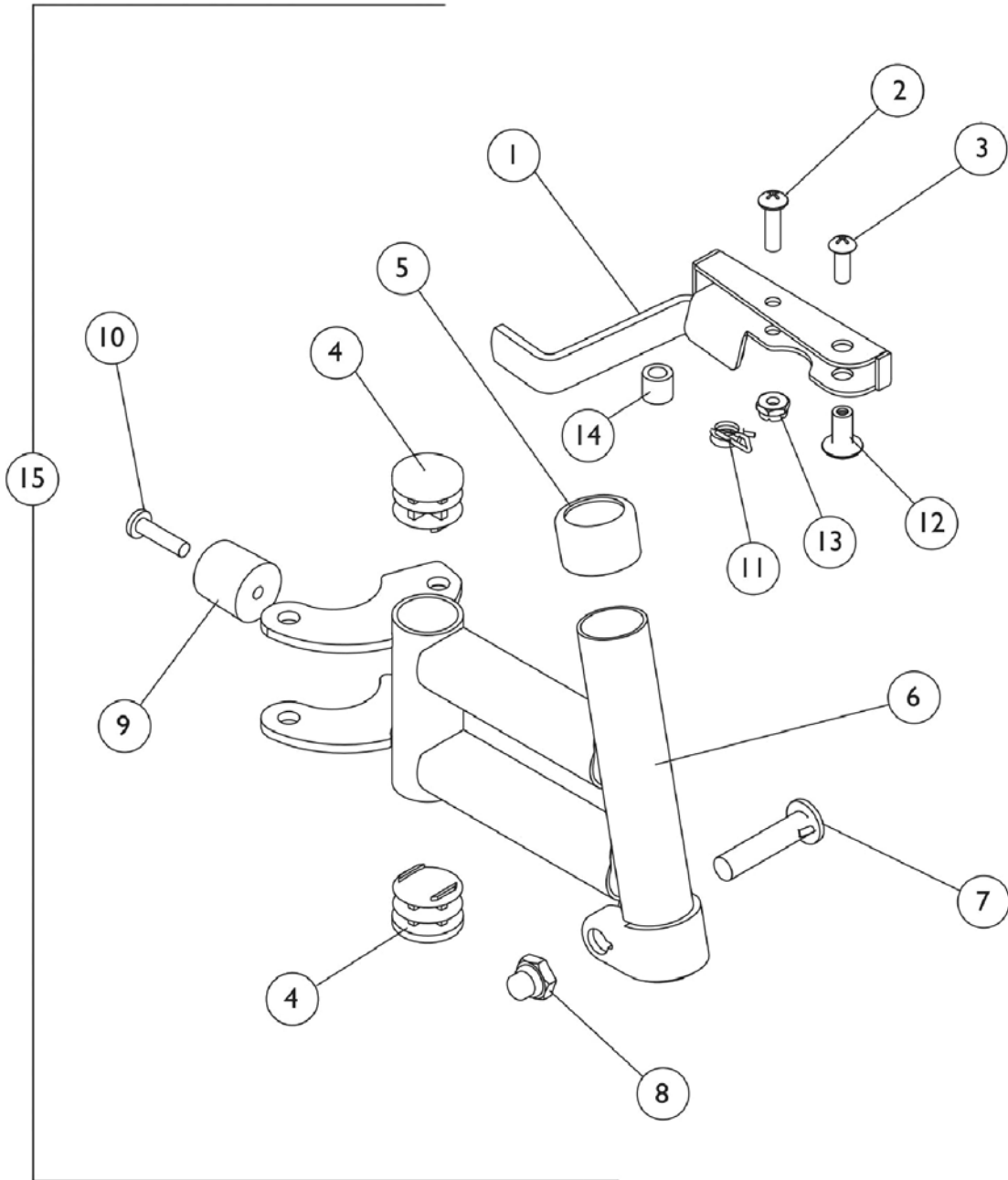
Footrest Support Assembly

SH93ES, SH93E

Footrest Support Assembly - SH93ES, SH93E

| Prior Model Number | Current Model Number | Chair Width | Right Side | Left Side |
|--|-------------------------|-------------|-----------------------------|-----------------------------|
| SH93ES, SH93E Chrome | SH93ES, SH93E Chrome | 14-22" | 1124555-NLA | 1124556-NLA |
| SH93ES, SH93E Black | SH93ES, SH93E Black | 14-22" | 1065218 | 1065219 |
| SH93ES, SH93E Color | SH93ES, SH93E Color | 14-22" | 8881065220 See Note(s) A | 8881065221 See Note(s) A |
| NOTE: A - Specify frame color when ordering, see category titled, "Frame Finishes, Upholstery Colors, Decals and Packaging." | | | | |

Footrest Support Assembly H93E



Footrest Support Assembly H93E

| Item Number | Note | Part Number | Description | Quantity Per | |
|-------------|-------|-------------|---|--------------|----------|
| | | | | Package | Assembly |
| 1 | C | 1035539 | Handle, Release, Black - Right | 1 | 1 |
| 1 | C | 1035540 | Handle, Release, Black - Left | 1 | 1 |
| 1 | A,B,C | 1033305-NLA | NLA - Handle, Release, Chrome - Right | 1 | 1 |
| 1 | A,B,C | 1033306-NLA | NLA - Handle, Release, Chrome - Left | 1 | 1 |
| | E | 1087698-NLA | NLA - Handle, Release, Chrome - Right | 1 | 1 |
| | E | 1087699-NLA | NLA - Handle, Release, Chrome - Left | 1 | 1 |
| 2 | | 40163X008 | Screw, Phillips Pan Head (#10-32 x 11/16") | 1 | 1 |
| 3 | | 40163X002 | Screw, Phillips Round Head (#10-32 x 1/2") | 1 | 1 |
| 4 | | 1027095 | Plug Button, Black (7/8") | 1 | 2 |
| 5 | | 15680X012 | Collar, Anti-Rattle (7/8") | 1 | 1 |
| 6 | F | 1007123-NLA | NLA - Tube, Support, Footrest, Chrome - Right | 1 | 1 |
| 6 | | 1007124-NLA | NLA - Tube, Support, Footrest, Chrome - Left | 1 | 1 |
| 7 | | 11232X009 | Bolt, Lug (5/16-24 x 1-3/8") | 1 | 1 |
| 8 | | 1107321 | Nut, Low Cap (5/16"-24) | 1 | 1 |
| 9 | | 1022874 | Bumper | 1 | 1 |
| 10 | | 1030979 | Screw, Phillips Pan Head Tap (#10-32 x 3/4") | 1 | 1 |
| 11 | | 1008935 | Spring, Release - Right | 1 | 1 |
| 11 | | 1008936 | Spring, Release - Left | 1 | 1 |
| 12 | | 67005X000 | Rivnut (#10-32) | 1 | 1 |
| 13 | | 60279X003 | Locknut (#10-32) | 1 | 1 |
| 14 | | 47565X057 | Bushing (7/32 x 3/8 x 11/32") | 1 | 1 |
| 15 | D | See Chart | Footrest Support Assembly - H93E | 1 | 1 |

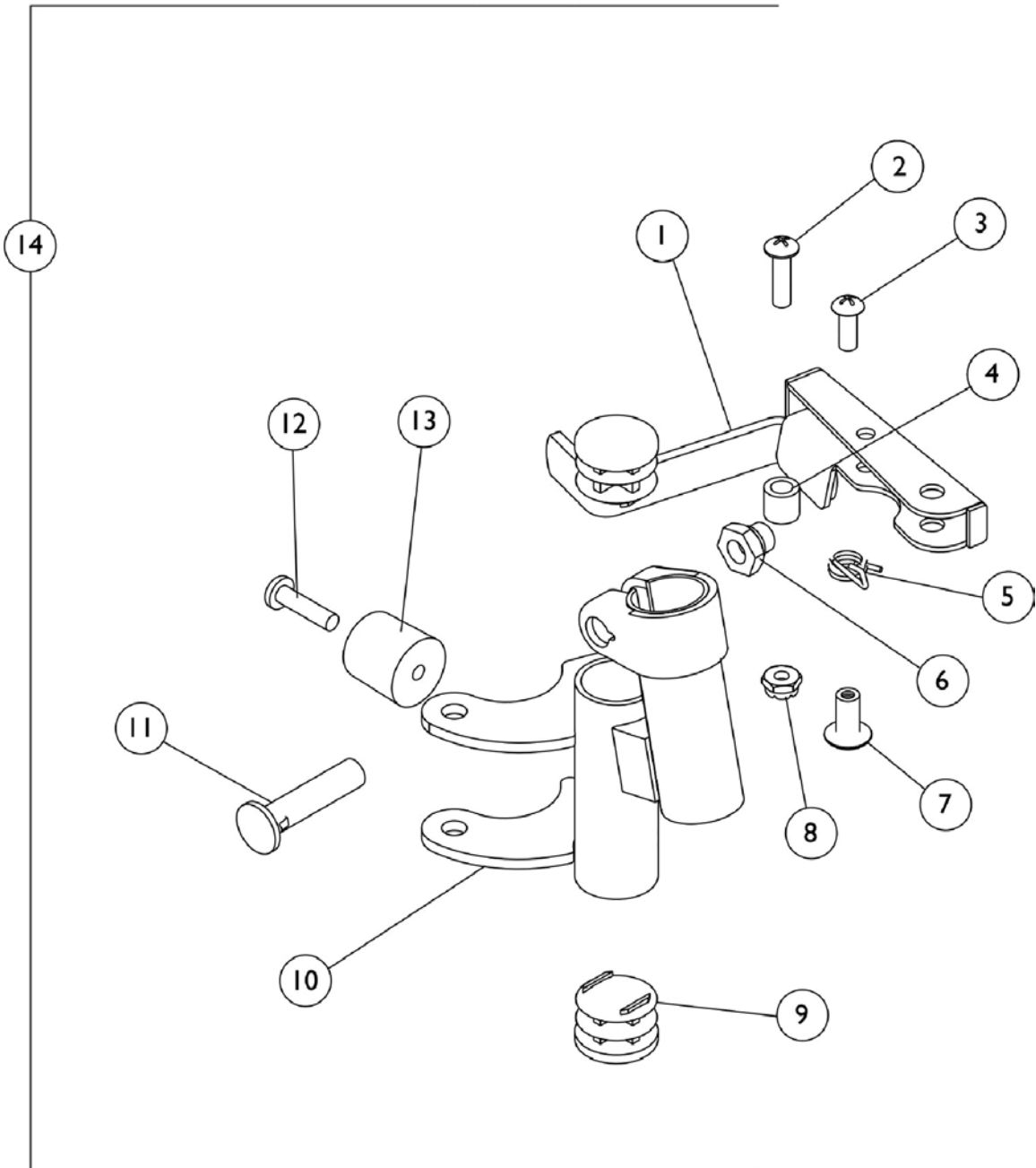
NOTE: A - For use on chairs after 8/1/02. Also, for use on 9000XT with clamp-on wheel lock.
 B - When front riggings are ordered for a 9000XT Chair with clamp-on wheel locks, the front riggings should be ordered through Invacare Specials due to a different release handle style.
 C - Due to design change, release handles should be replaced in pairs for chairs manufactured before 10/1/00.
 D - Includes items 1 thru 14.
 E - Not shown. Order this item when ordering chair with Cyclical Lever Drive only.
 F - Part #1007123 is no longer available individually. Order item 15 part #1031245 Footrest Support Assembly as a replacement.

Footrest Support Assembly - H93E

| Prior Model Number | Current Model Number | Chair Width | Right Side | Left Side |
|--------------------|----------------------|-------------|-------------|-------------|
| H93E/S | H93E/S | 16-22" | 1031245-NLA | 1031246-NLA |

Footrest Support Assembly

H93M & H93M with FPP



Footrest Support Assembly H93M & H93M with FPP

| Item Number | Note | Part Number | Description | Quantity Per | |
|-------------|-------|-------------|--|--------------|----------|
| | | | | Package | Assembly |
| 1 | D | 1035539 | Handle, Release, Black - Right | 1 | 1 |
| 1 | D | 1035540 | Handle, Release, Black - Left | 1 | 1 |
| 1 | A,B,D | 1033305-NLA | NLA - Handle, Release, Chrome - Right | 1 | 1 |
| 1 | A,B,D | 1033306-NLA | NLA - Handle, Release, Chrome - Left | 1 | 1 |
| | G | 1087698-NLA | NLA - Handle, Release, Chrome - Right | 1 | 1 |
| | G | 1087699-NLA | NLA - Handle, Release, Chrome - Left | 1 | 1 |
| 2 | | 40163X008 | Screw, Phillips Pan Head (#10-32 x 11/16") | 1 | 1 |
| 3 | | 40163X002 | Screw, Phillips Round Head (#10-32 x 1/2") | 1 | 1 |
| 4 | | 47565X057 | Bushing (7/32 x 3/8 x 11/32") | 1 | 1 |
| 5 | | 1008935 | Spring, Release - Right | 1 | 1 |
| 5 | | 1008936 | Spring, Release - Left | 1 | 1 |
| 6 | | 1107321 | Nut, Low Cap (5/16"-24) | 1 | 1 |
| 7 | | 67005X000 | Rivnut (#10-32) | 1 | 1 |
| 8 | | 60279X003 | Locknut (#10-32) | 1 | 1 |
| 9 | | 1027095 | Plug Button, Black (7/8") | 1 | 2 |
| 10 | E | 1035141-NLA | NLA - Footrest Support, Chrome - Right | 1 | 1 |
| 10 | E | 1035140-NLA | NLA - Footrest Support, Chrome - Left | 1 | 1 |
| 10 | F | 1007113-NLA | NLA - Tube, Footrest Support, Hemi, Chrome - Right | 1 | 1 |
| 10 | F | 1007114-NLA | NLA - Tube, Footrest Support, Hemi, Chrome - Left | 1 | 1 |
| 11 | | 11232X009 | Bolt, Lug (5/16-24 x 1-3/8") | 1 | 1 |
| 12 | | 1030979 | Screw, Phillips Pan Head Tap (#10-32 x 3/4") | 1 | 1 |
| 13 | | 1022874 | Bumper | 1 | 1 |
| 14 | C | See Chart | Footrest Support Assembly - H93M & H93M with FPP | 1 | 1 |

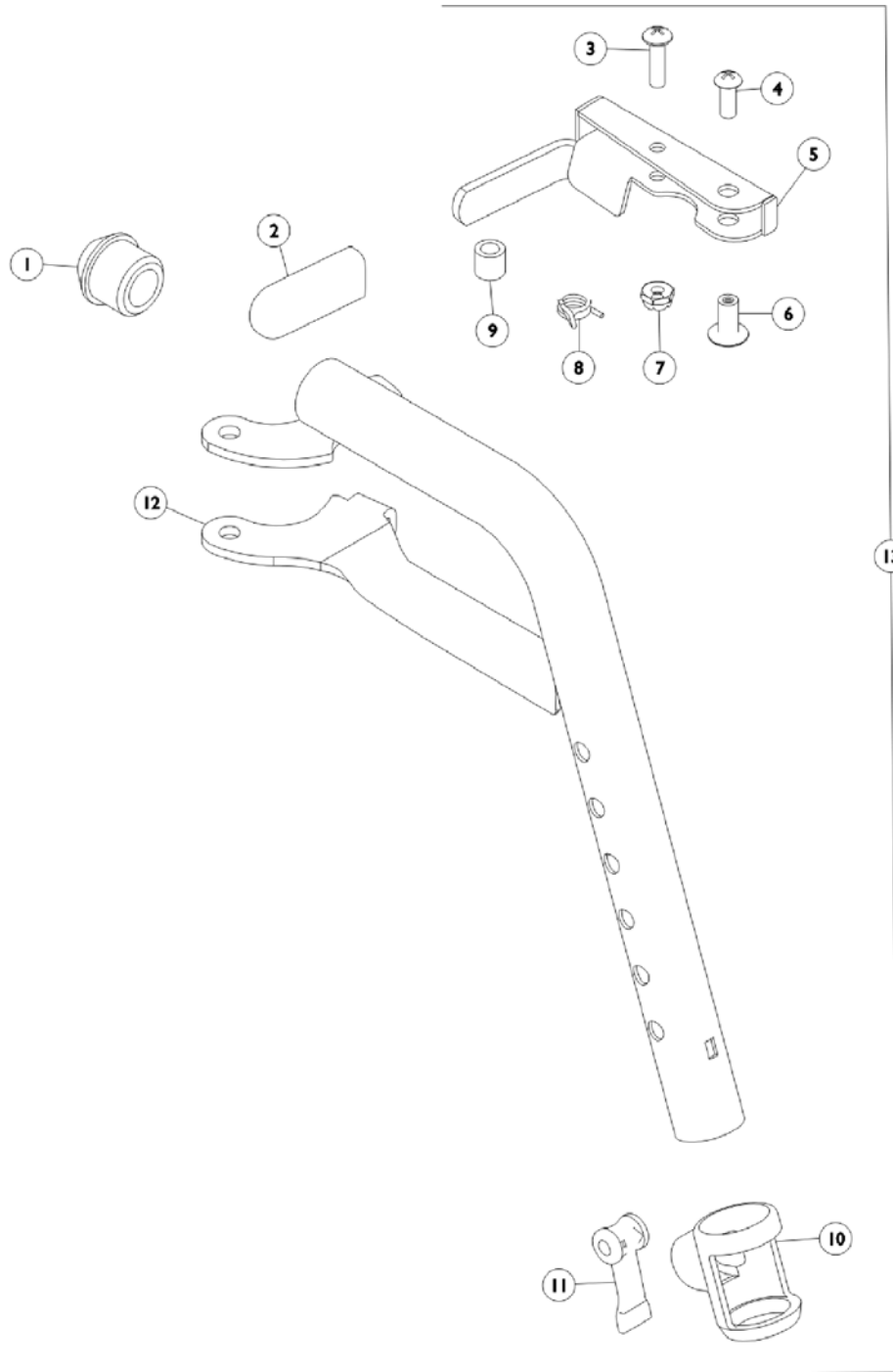
NOTE: A - When a front rigging is ordered for a 9000XT chair with clamp-on wheel locks, front rigging should be ordered through Invacare Specials due to a different release handle style.
 B - For release handles after 8/1/02 and 9XT with clamp-on wheel lock.
 C - Includes items 1-13.
 D - Due to design change, release handles should be replaced in pairs for chairs manufactured before 10/1/00.
 E - For use on H93M.
 F - For use on H93M with FPP.
 G - Not Shown. Order this item when ordering chair with Cyclical Drive only.

Footrest Support Assembly - H93M & H93M with FPP

| Prior Model Number | Current Model Number | Chair Width | Right Side | Left Side |
|--------------------|----------------------|-------------|-------------|-------------|
| H93M | H93M | 16-22" | 1031243-NLA | 1031244-NLA |
| H93M with FPP | H93M with FPP | 14-22" | 1035449-NLA | 1035450-NLA |

Footrest Support Assembly

T93H Series Before 5/16/19



Footrest Support Assembly T93H Series Before 5/16/19

| Item Number | Note | Part Number | Description | Quantity Per | |
|-------------|-------|-------------|--|--------------|----------|
| | | | | Package | Assembly |
| 1 | | 1020719 | Anti-Rattle, Black | 1 | 1 |
| 2 | | 1006490 | Tip, Plastic, Black | 1 | 1 |
| 3 | B,C | 1025716 | Screw, Phillips Pan Head (#10-32 x 11/16") | 1 | 1 |
| 3 | D | 40163X008 | Screw, Phillips Pan Head (#10-32 x 11/16") | 1 | 1 |
| 4 | B,C | 1026114 | Screw, Phillips Pan Head (#10-32 x 1/2") | 1 | 1 |
| 4 | D | 40163X002 | Screw, Phillips Round Head (#10-32 x 1/2") | 1 | 1 |
| 5 | B,C,J | 1110178 | Handle, Release, Black - Right | 1 | 1 |
| 5 | B,C,J | 1110179 | Handle, Release, Black - Left | 1 | 1 |
| 5 | D,H,I | 1110176-NLA | NLA - Handle, Release, Chrome - Right | 1 | 1 |
| 5 | D,H,I | 1110177-NLA | NLA - Handle, Release, Chrome - Left | 1 | 1 |
| 5 | F,H | 1087698-NLA | NLA - Handle, Release, Chrome - Right | 1 | 1 |
| 5 | F,H | 1087699-NLA | NLA - Handle, Release, Chrome - Left | 1 | 1 |
| 6 | B,C | 1028846-NLA | NLA - Rivnut (#10-32) | 1 | 1 |
| 6 | D | 67005X000 | Rivnut (#10-32) | 1 | 1 |
| 7 | B,C | 1025735 | Locknut (#10-32) | 1 | 1 |
| 7 | D | 60279X003 | Locknut (#10-32) | 1 | 1 |
| 8 | B,C | 1028707 | Spring, Release - Right | 1 | 1 |
| 8 | B,C | 1028708 | Spring, Release - Left | 1 | 1 |
| 8 | D | 1008935 | Spring, Release - Right | 1 | 1 |
| 8 | D | 1008936 | Spring, Release - Left | 1 | 1 |
| 9 | | 47565X057 | Bushing (7/32 x 3/8 x 11/32") | 1 | 1 |
| 10 | | 1048085 | Housing, Cam | 1 | 1 |
| 11 | | 1048086 | Lever, Cam, Black | 1 | 1 |
| 12 | J | 1111268 | Tube, Footrest, Support, Hemi, Black - Right | 1 | 1 |
| 12 | G,J,K | 1111269-NLA | NLA - Tube, Footrest, Support, Hemi, Black - Left | 1 | 1 |
| 12 | H,I | 1111270-NLA | NLA - Tube, Footrest Support, Hemi, Chrome - Right | 1 | 1 |
| 12 | H,I | 1111271-NLA | NLA - Tube, Footrest Support, Hemi, Chrome - Left | 1 | 1 |
| 13 | A | See Chart | Item #13 Footrest Upper Support Assembly - T93H Series | 1 | 1 |
| | F | 1087698-NLA | NLA - Handle, Release, Chrome - Right | 1 | 1 |

NOTE: A - Includes items 1 thru 12.
 B - For use on Black wheelchairs.
 C - For use on Color wheelchairs.
 D - For use on Chrome wheelchairs.
 F - Not Shown. Order this item when ordering wheelchair with Cyclical Drive only.
 G - No longer available individually. See Item number 13 for replacement.
 H - Item #5 and #12 are not available for sale in color. See item #13 as a replacement for wheelchairs without Cyclical Drive Option.
 I - Before 10/15/14 color was Chrome.
 J - After 10/14/14 color is Black.
 K - Item #12 part number 1111269 is no longer available. Order item #13 as a replacement.

Footrest Support Assembly

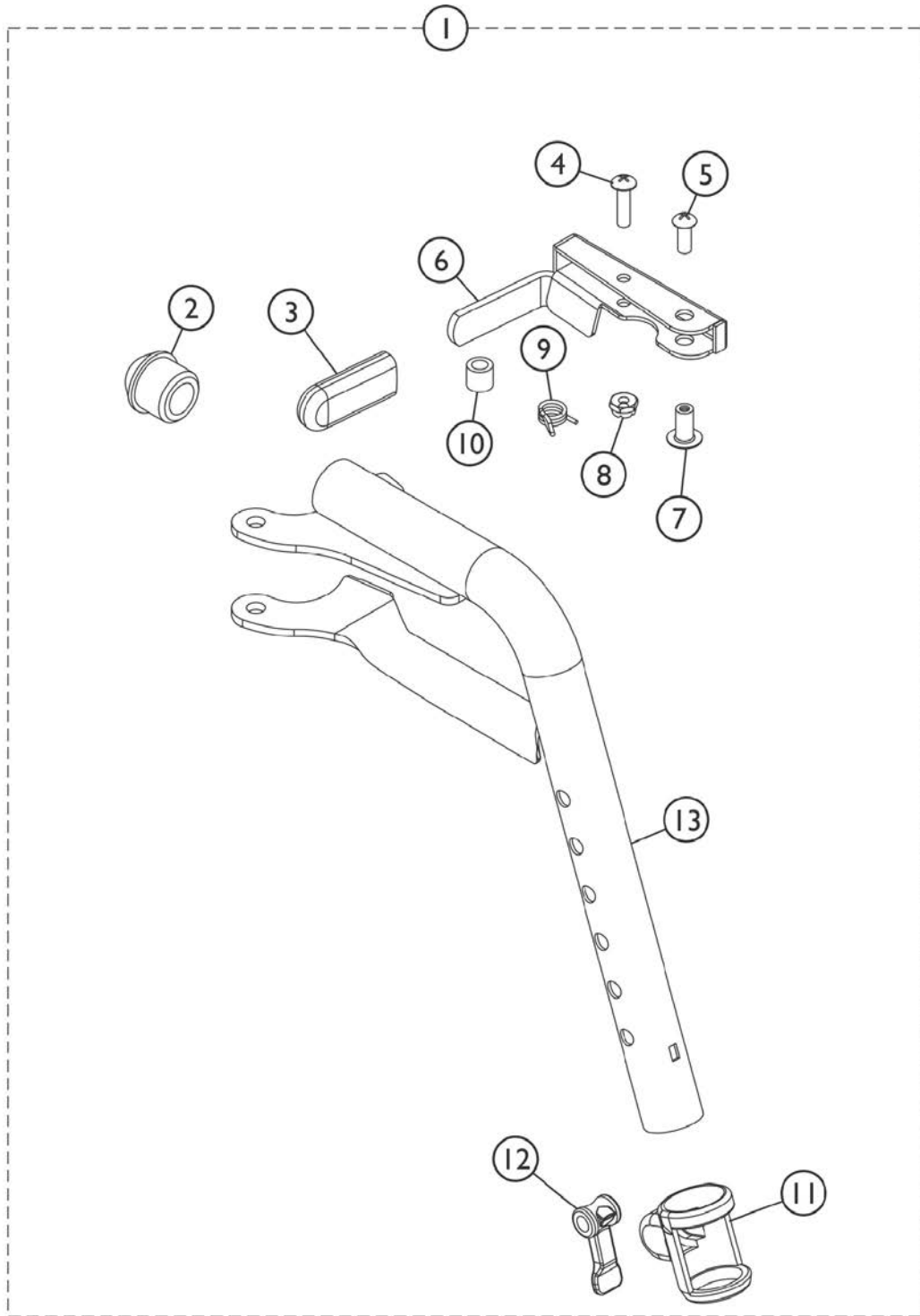
T93H Series Before 5/16/19

Item #13 Footrest Upper Support Assembly - T93H Series

| Prior Model Number | Current Model Number | Chair Width | Right Side | Left Side |
|--------------------|---------------------------------|-------------|-----------------------------|-----------------------------|
| N/A | T93H A/S/C/AB/CB/SB Color | 14 - 22" | 8881118241 See Note(s) A | 8881118242 See Note(s) A |
| N/A | T93H A/S/C/AB/CB/SB Black | 14 - 22" | 1111272 | 1111273 |
| N/A | T93H A/S/C/AB/CB/SB Black | 14 - 22" | 1111274 See Note(s) C | 1111275 See Note(s) C |
| N/A | T93H A/S/C/AB/CB/SB Color | 14 - 22" | 8881180774 See Note(s) B | 8881180775 See Note(s) B |

NOTE: A - Specify frame finish when ordering. See category titled, "Frame Finishes, Upholstery Colors, Decals and Packaging."
 B - Specify 71P Silver Vein frame finish when ordering.
 C - After 10/14/14 color changed from Chrome to Black. It is recommended to order both the right and left side to match.

Front Riggings - Footrest Support Assembly T93H Series After 5/15/19



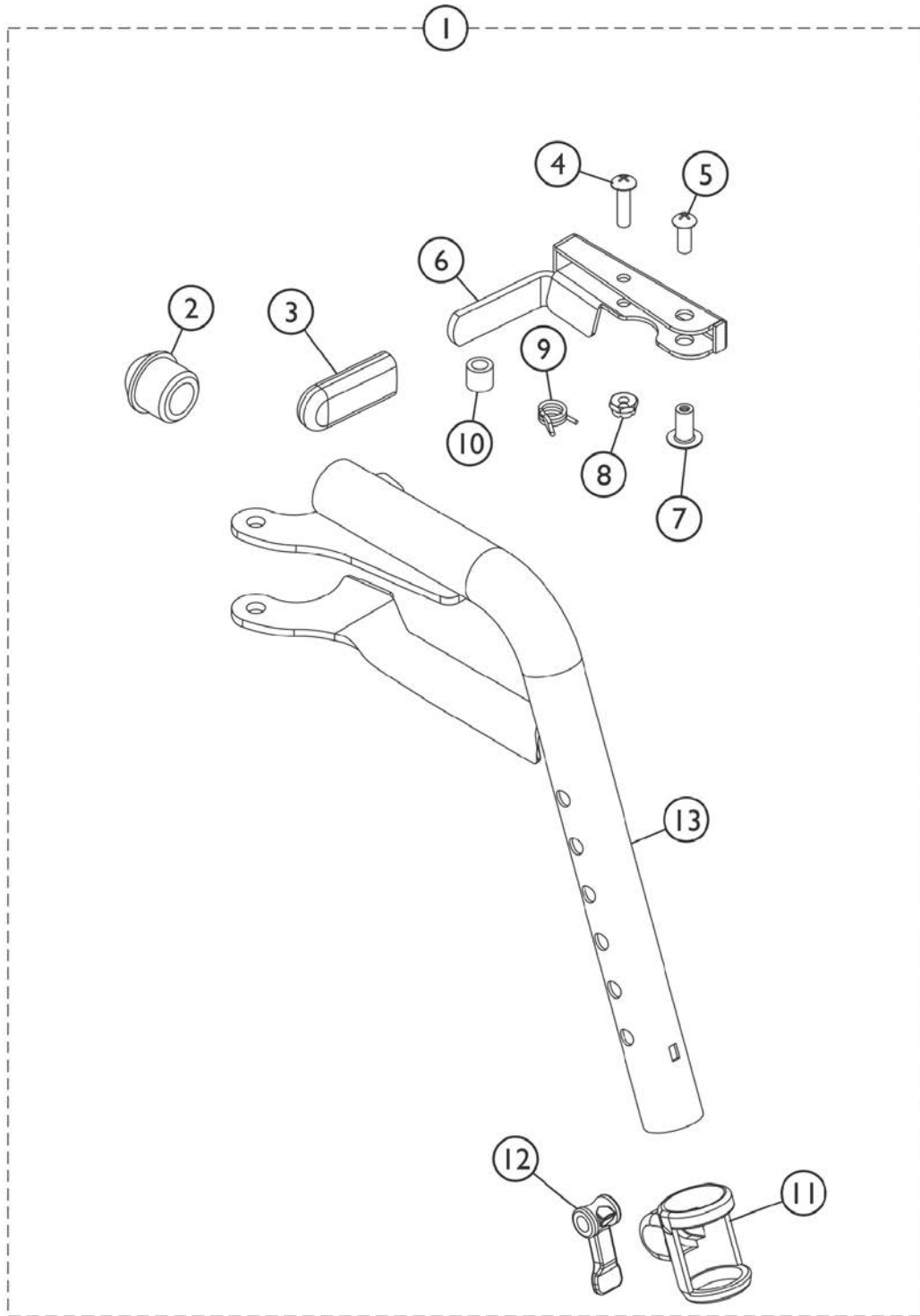
SSM_038A

Front Riggings - Footrest Support Assembly T93H Series After 5/15/19

| Item Number | Note | Part Number | Description | Quantity Per | |
|-------------|-------|-------------|--|--------------|----------|
| | | | | Package | Assembly |
| 1 | A,B,C | 1192525 | Footrest Support Assembly, Hemi, Black - Right | 1 | 1 |
| 1 | A,B,C | 1192526 | Footrest Support Assembly, Hemi, Black - Left | 1 | 1 |
| 2 | | 1020719 | Anti-Rattle, Black | 1 | 1 |
| 3 | | 1006490 | Tip, Plastic, Black | 1 | 1 |
| 4 | | 1025716 | Screw, Phillips Pan Head (#10-32 x 11/16") | 1 | 1 |
| 5 | | 1026114 | Screw, Phillips Pan Head (#10-32 x 1/2") | 1 | 1 |
| 6 | | 1180757 | Handle, Release, Black - Right | 1 | 1 |
| 6 | | 1180757 | Handle, Release, Black - Right | 1 | 1 |
| 7 | | 1028846 | NLA - Rivnut (#10-32) | 1 | 1 |
| 8 | | 1025736 | Locknut (1/4-20) | 1 | 1 |
| 10 | | 47565X057 | Bushing (7/32 x 3/8 x 11/32") | 1 | 1 |
| 11 | | 1048085 | Housing, Cam | 1 | 1 |
| 12 | | 1048086 | Lever, Cam, Black | 1 | 1 |

NOTE: A - Includes Items 2 thru 13.
 B - NOTE: Footrest Support Tube item #13 is not available, order item #1 as a replacement.
 C - Item #9 is not available, order item #1 as a replacement.

Front Riggings - Footrest Support Assembly GT93H Series



SSM_038A

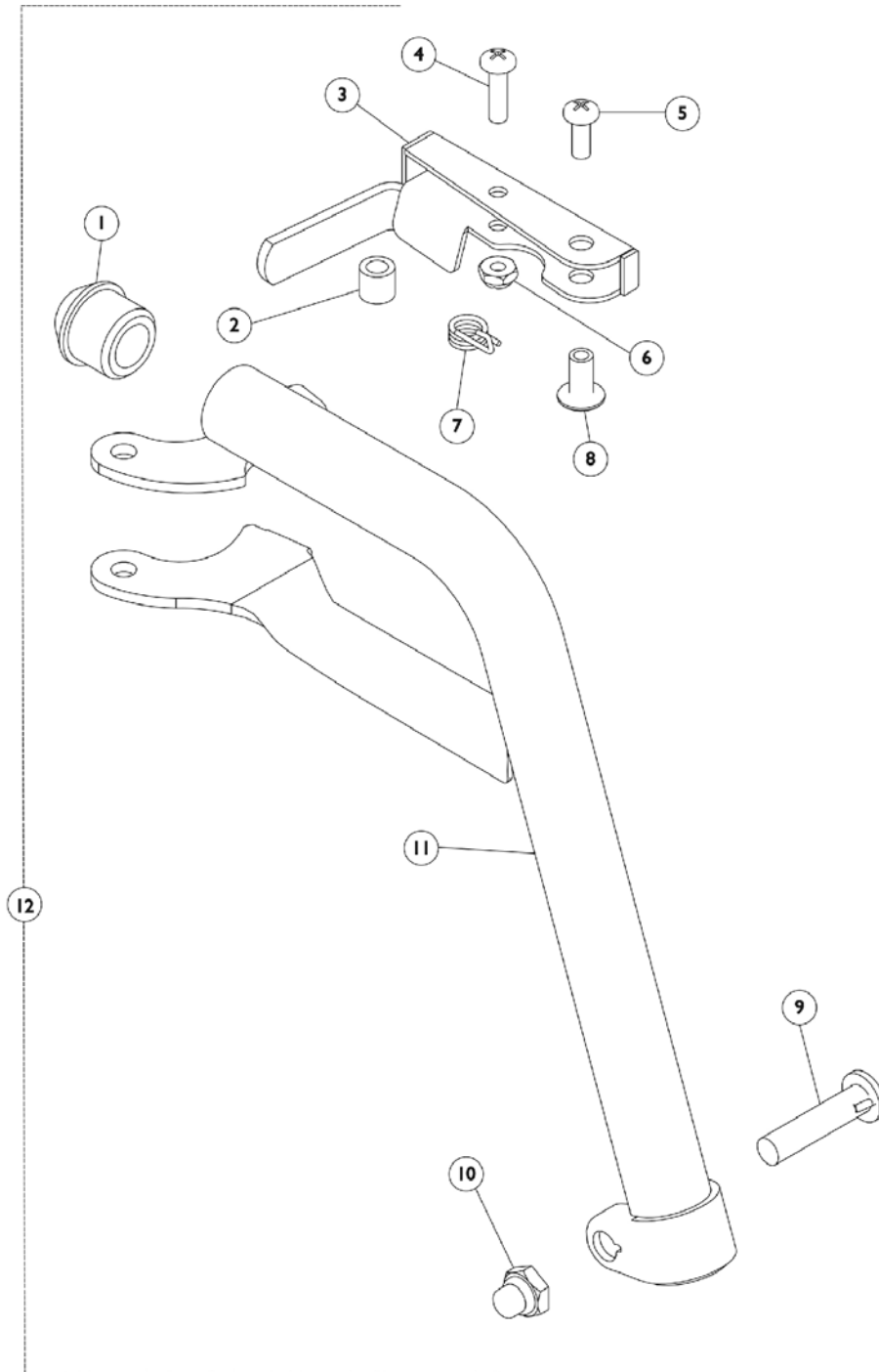
Front Riggings - Footrest Support Assembly GT93H Series

| Item Number | Note | Part Number | Description | Quantity Per | |
|-------------|-------|-------------|--|--------------|----------|
| | | | | Package | Assembly |
| 1 | A,B,C | 8881194312 | Footrest Support Assembly, Hemi, Color - Right | 1 | 1 |
| 1 | A,B,C | 8881194310 | Footrest Support Assembly, Hemi, Color - Left | 1 | 1 |
| 1 | C | 1192525 | Footrest Support Assembly, Hemi, Black - Right | 1 | 1 |
| 1 | C | 1192526 | Footrest Support Assembly, Hemi, Black - Left | 1 | 1 |
| 2 | | 1020719 | Anti-Rattle, Black | 1 | 1 |
| 3 | | 1006490 | Tip, Plastic, Black | 1 | 1 |
| 4 | | 1025716 | Screw, Phillips Pan Head (#10-32 x 11/16") | 1 | 1 |
| 5 | | 1026114 | Screw, Phillips Pan Head (#10-32 x 1/2") | 1 | 1 |
| 6 | | 1110178 | Handle, Release, Black - Right | 1 | 1 |
| 6 | | 1110179 | Handle, Release, Black - Left | 1 | 1 |
| 7 | | 1028846 | NLA - Rivnut (#10-32) | 1 | 1 |
| 8 | | 1025736 | Locknut (1/4-20) | 1 | 1 |
| 10 | | 47565X057 | Bushing (7/32 x 3/8 x 11/32") | 1 | 1 |
| 11 | | 1048085 | Housing, Cam | 1 | 1 |
| 12 | | 1048086 | Lever, Cam, Black | 1 | 1 |

NOTE: A - Includes Items 2 thru 13. Specify 71P Silver Vein Frame Finish when ordering.
 B - NOTE: Footrest Support Tube item #13 is not available, order item #1 as a replacement.
 C - Item #9 is not available, order item #1 as a replacement.

Footrest Support Assembly

TH93A, TH93C, TH93S

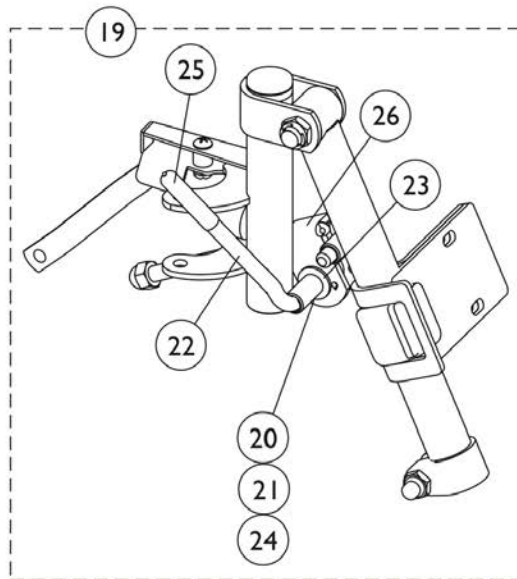
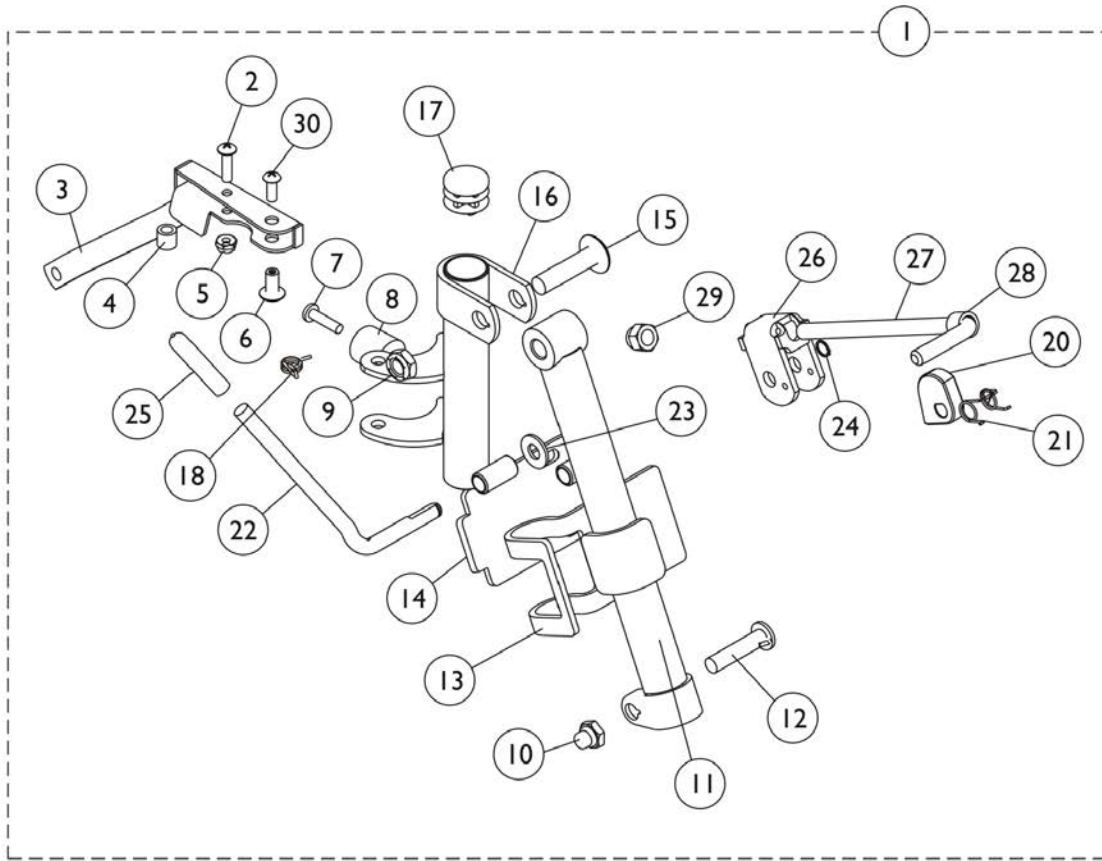


Footrest Support Assembly TH93A, TH93C, TH93S

| Item Number | Note | Part Number | Description | Quantity Per | |
|-------------|------|-------------|--|--------------|----------|
| | | | | Package | Assembly |
| 1 | | 1020719 | Anti-Rattle, Black | 1 | 1 |
| 2 | | 47565X057 | Bushing (7/32 x 3/8 x 11/32") | 1 | 1 |
| 3 | D | 1110176-NLA | NLA - Handle, Release, Chrome - Right | 1 | 1 |
| 3 | D | 1110177-NLA | NLA - Handle, Release, Chrome - Left | 1 | 1 |
| 3 | A | 1110178 | Handle, Release, Black - Right | 1 | 1 |
| 3 | A | 1110179 | Handle, Release, Black - Left | 1 | 1 |
| | E | 1087698-NLA | NLA - Handle, Release, Chrome - Right | 1 | 1 |
| | E | 1087699-NLA | NLA - Handle, Release, Chrome - Left | 1 | 1 |
| 4 | | 1025716 | Screw, Phillips Pan Head (#10-32 x 11/16") | 1 | 1 |
| 5 | | 1026114 | Screw, Phillips Pan Head (#10-32 x 1/2") | 1 | 1 |
| 6 | | 1025735 | Locknut (#10-32) | 1 | 1 |
| 7 | | 1028707 | Spring, Release - Right | 1 | 1 |
| 7 | | 1028708 | Spring, Release - Left | 1 | 1 |
| 8 | | 1028846-NLA | NLA - Rivnut (#10-32) | 1 | 1 |
| 9 | | 1026030 | Bolt, Lug (5/16-24 x 1-3/8") | 1 | 1 |
| 10 | | 1107321 | Nut, Low Cap (5/16"-24) | 1 | 1 |
| 11 | | 1124223-NLA | NLA - Tube, Footrest Support, Chrome - Right | 1 | 1 |
| 11 | | 1124224-NLA | NLA - Tube, Footrest Support, Chrome - Left | 1 | 1 |
| 11 | | 1124221 | Tube, Footrest Support, Black - Right | 1 | 1 |
| 11 | | 1124222 | Tube, Footrest Support, Black - Left | 1 | 1 |
| 11 | B | 8881119154 | Tube, Footrest Support, Color - Right | 1 | 1 |
| 11 | B | 8881119155 | Tube, Footrest Support, Color - Left | 1 | 1 |
| 12 | C | 1124227 | Footrest Support Assembly, Hemi, Black- Right | 1 | 1 |
| 12 | C | 1124228 | Footrest Support Assembly, Hemi, Black - Left | 1 | 1 |
| 12 | C | 1124225 | Footrest Support Assembly, Hemi, Black - Right | 1 | 1 |
| 12 | C | 1124226 | Footrest Support Assembly, Hemi, Black - Left | 1 | 1 |
| 12 | B,C | 8881124229 | Footrest Support Assembly, Hemi, Color - Right | 1 | 1 |
| 12 | B,C | 8881124230 | Footrest Support Assembly, Hemi, Color - Left | 1 | 1 |

NOTE: A - Used on Black and Colored Front Riggings.
 B - Specify frame color when ordering, see category titled, "Frame Finishes, Upholstery Colors, Decals and Packaging."
 C - Includes items 1 thru 11.
 D - For use on chrome chairs.
 E - Not Shown. Order this item when ordering chair with Cyclical Drive only.

Legrest Support Assembly SH904MS, SH904M



Legrest Support Assembly SH904MS, SH904M

| Item Number | Note | Part Number | Description | Quantity Per | |
|-------------|------|---------------|---|--------------|----------|
| | | | | Package | Assembly |
| 1 | B | See Chart | Legrest Support Assembly - SH904MS, SH904M | 1 | 1 |
| 2 | | 40163X008 | Screw, Phillips Pan Head (#10-32 x 11/16") | 1 | 3 |
| 3 | C | 1124551 | Handle, Release, Black - Right | 1 | 1 |
| 3 | C | 1124552 | Handle, Release, Black - Left | 1 | 1 |
| 3 | C | 1124549-NLA | NLA - Handle, Release, Chrome - Right | 1 | 1 |
| 3 | C | 1124550-NLA | NLA - Handle, Release, Chrome - Left | 1 | 1 |
| | D | 1087698-NLA | NLA - Handle, Release, Chrome - Right | 1 | 1 |
| | D | 1087699-NLA | NLA - Handle, Release, Chrome - Left | 1 | 1 |
| 4 | | 47565X057 | Bushing (7/32 x 3/8 x 11/32") | 1 | 1 |
| 5 | | 60279X003 | Locknut (#10-32) | 1 | 1 |
| 6 | | 67005X000 | Rivnut (#10-32) | 1 | 1 |
| 7 | | 1030979 | Screw, Phillips Pan Head Tap (#10-32 x 3/4") | 1 | 1 |
| 8 | | 1022874 | Bumper | 1 | 1 |
| 9 | | 40363X000 | Hex Nut (3/8"-16) | 1 | 1 |
| 10 | | 1107321 | Nut, Low Cap (5/16"-24) | 1 | 1 |
| 11 | | 04526X002-NLA | NLA - Tube, Support, Legrest, Elevating, Chrome - Right | 1 | 1 |
| 11 | | 04526X003 | Tube, Support, Legrest, Elevating, Chrome - Left | 1 | 1 |
| 12 | | 11232X009 | Bolt, Lug (5/16-24 x 1-3/8") | 1 | 1 |
| 13 | | 47352X004 | Clamp, Black | 1 | 1 |
| 14 | | 47352X003 | Lock, Pad Plate, Legrest, Black | 1 | 1 |
| 15 | | 11919X000-NLA | NLA - Screw, Slotted Truss Head (3/8-16 x 1-1/2") | 1 | 1 |
| 16 | | 04707X067 | Legrest Support Only, Black- Right | 1 | 1 |
| 16 | | 04707X068 | Legrest Support Only, Black- Left | 1 | 1 |
| 17 | | 1027095 | Plug Button, Black (7/8") | 1 | 1 |
| 18 | | 1008935 | Spring, Release - Right | 1 | 1 |
| 18 | | 1008936 | Spring, Release - Left | 1 | 1 |
| 19 | A | 1046328-NLA | NLA - Kit, Ratchet | 2 | 1 |
| 20 | | 1037125 | Cam, Legrest | 1 | 1 |
| 21 | | 1037485 | Spring, Release | 1 | 1 |
| 22 | | 1037126 | Handle, Release | 1 | 1 |
| 23 | | 1013519 | Washer, Nylon (5/16 x 11/16 x 1/16") | 1 | 1 |
| 24 | | 1040831 | Ring, Snap | 1 | 1 |
| 25 | | 1040060 | Tip, Plastic, Black | 1 | 1 |
| 26 | | 04528X002 | Bracket, Release, Black | 1 | 1 |
| 27 | | 42326X001 | Bar, Ratchet | 1 | 1 |
| 28 | | 47330X003 | Spacer (5/16 x 1/2 x 3/8") | 1 | 1 |
| 29 | | 10261X000 | Nut, Acorn (5/16-24) | 1 | 1 |
| 30 | | 40163X002 | Screw, Phillips Round Head (#10-32 x 1/2") | 1 | 1 |

NOTE: A - Includes items 20 thru 30 and Instruction Sheet
B - Includes items 1 thru 30.
C - Due to design change, for all chairs built prior to 10/1/00 it is suggested that Release Handles be replaced in pairs.
D - Not Shown. Order this item when ordering chair with Cyclical Drive only.

Legrest Support Assembly

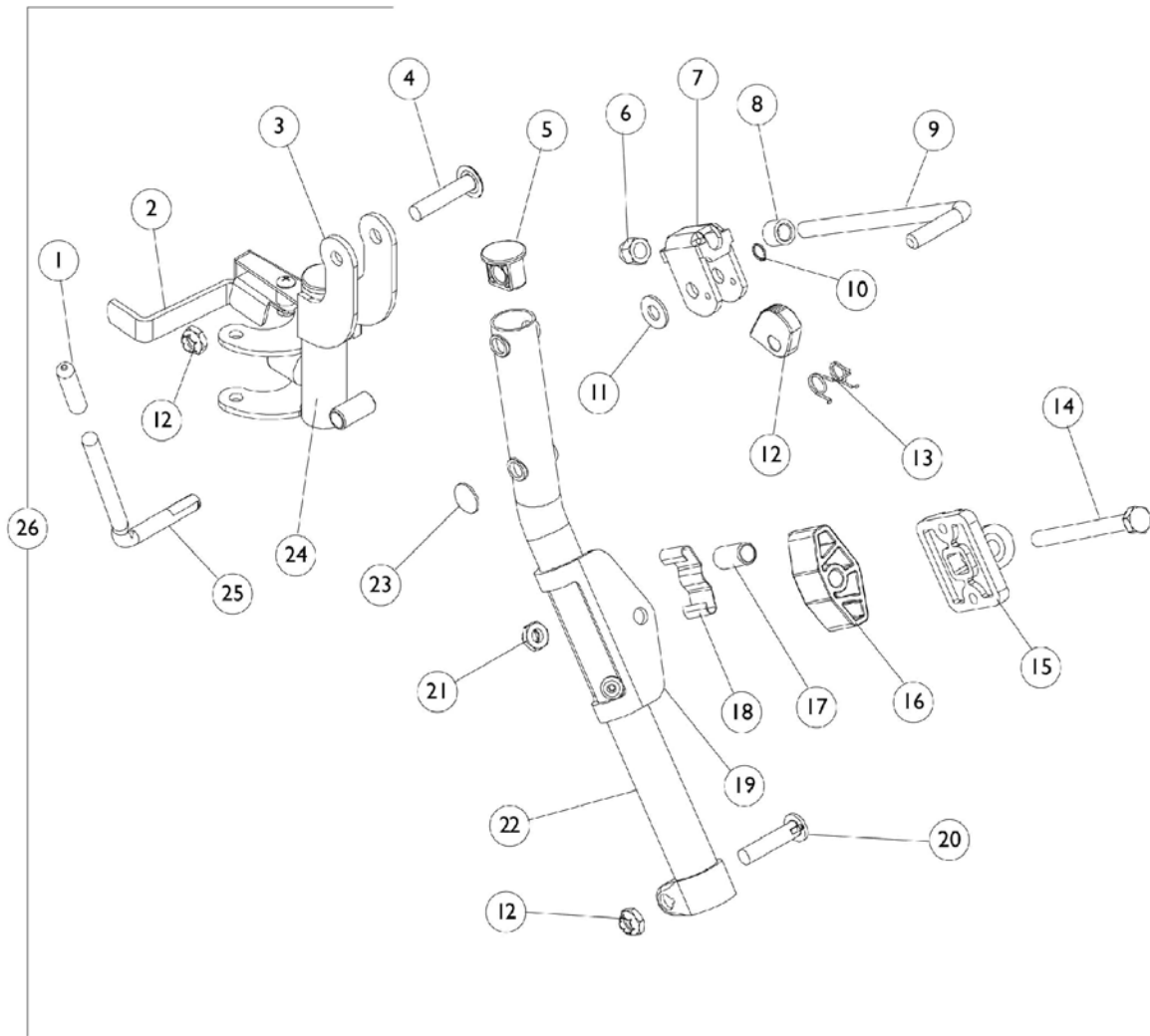
SH904MS, SH904M

Legrest Support Assembly - SH904MS /SH904M

| Prior Model Number | Current Model Number | Chair Width | Right Side | Left Side |
|--------------------|----------------------|-------------|--------------------------|--------------------------|
| SH904M, SH904MS | SH904M, SH904MS | 14-15" | 1124553 See Note(s) A | 1124554 See Note(s) A |

NOTE: A - Calf pad is sold separately and is not included in support assemblies after 7/97.

Legrest Support Assembly H904, T944A/C



Legrest Support Assembly H904, T944A/C

| Item Number | Note | Part Number | Description | Quantity Per | |
|-------------|------|-------------|---|--------------|----------|
| | | | | Package | Assembly |
| 1 | | 1040060 | Tip, Plastic, Black | 1 | 1 |
| 2 | A | 1031235-NLA | NLA - Handle, Release, Chrome - Right | 1 | 1 |
| 2 | A | 1031236-NLA | NLA - Handle, Release, Chrome - Left | 1 | 1 |
| 2 | A,C | 1033305-NLA | NLA - Handle, Release, Chrome - Right | 1 | 1 |
| 2 | A,C | 1033306-NLA | NLA - Handle, Release, Chrome - Left | 1 | 1 |
| | G | 1087698-NLA | NLA - Handle, Release, Chrome - Right | 1 | 1 |
| | G | 1087699-NLA | NLA - Handle, Release, Chrome - Left | 1 | 1 |
| 3 | | 1031354-NLA | NLA - Support, Elevating - Right | 1 | 1 |
| 3 | | 1031355-NLA | NLA - Support, Elevating - Left | 1 | 1 |
| 4 | | 1030948 | Screw, Slotted Truss Head (5/16-24 x 1-1/2") | 1 | 1 |
| 5 | | 1095433 | Plug Button, Black (7/8") | 1 | 1 |
| 6 | | 1107321 | Nut, Low Cap (5/16"-24) | 1 | 1 |
| 7 | | 04528X002 | Bracket, Release, Black | 1 | 1 |
| 8 | | 47330X003 | Spacer (5/16 x 1/2 x 3/8") | 1 | 1 |
| 9 | | 42326X001 | Bar, Ratchet | 1 | 1 |
| 10 | | 1040831 | Ring, Snap | 1 | 1 |
| 11 | | 7930310-NLA | NLA - Washer, Nylon (5/16 x 11/16 x 1/16") | 25 | 1 |
| 12 | | 1037125 | Cam, Legrest | 1 | 1 |
| 13 | | 1037485 | Spring, Release | 1 | 1 |
| 14 | | 1014807 | Screw, Hex Head (5/16-24 x 3-1/4") | 1 | 1 |
| 15 | | 04526X019 | Plate, Legrest Pad | 1 | 1 |
| 16 | | 1091220 | Spacer, Legrest | 1 | 1 |
| 17 | | 47328X003 | Bushing, Pivot (5/16 x 7/16 x 7/8") | 1 | 1 |
| 18 | | 48823X008 | Spring, Leaf | 1 | 1 |
| 19 | | 1025104 | Bracket, Legrest, Chrome | 1 | 1 |
| 20 | | 11232X009 | Bolt, Lug (5/16-24 x 1-3/8") | 1 | 1 |
| 21 | | 60264X001 | Locknut (5/16-24) | 1 | 3 |
| 22 | | 1031358-NLA | NLA - Tube, Support, Legrest, Elevating, Chrome - Right | 1 | 1 |
| 22 | | 1031359-NLA | NLA - Tube, Support, Legrest, Elevating, Chrome - Left | 1 | 1 |
| 23 | | 1096773 | Nut, Push Dome (5/16") | 1 | 1 |
| 24 | B | 1031356-NLA | NLA - Legrest Support Tube Assembly, Hemi, Chrome - Right | 1 | 1 |
| 24 | B | 1031357-NLA | NLA - Legrest Support Tube Assembly, Hemi, Chrome - Left | 1 | 1 |
| 25 | | 1037126 | Handle, Release | 1 | 1 |
| | C,E | 67005X000 | Rivnut (#10-32) | 1 | 1 |
| | C,E | 1030979 | Screw, Phillips Pan Head Tap (#10-32 x 3/4") | 1 | 1 |
| | C,E | 1022874 | Bumper | 1 | 1 |
| | D,E | 1046328-NLA | NLA - Kit, Ratchet | 2 | 1 |
| | C,E | 1027095 | Plug Button, Black (7/8") | 1 | 1 |

Legrest Support Assembly H904, T944A/C

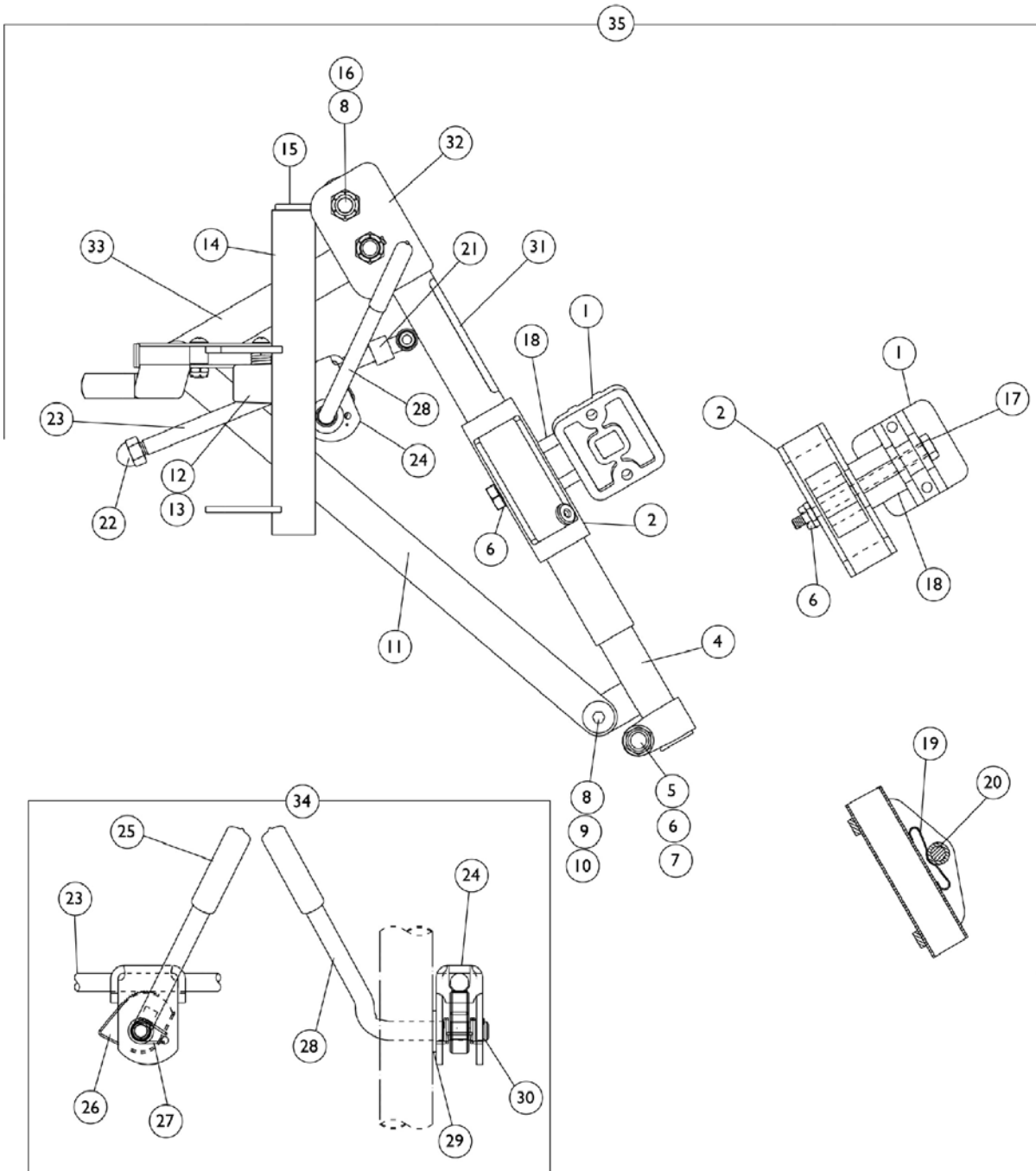
| Item Number | Note | Part Number | Description | Quantity Per | |
|--|------|-------------|---|--------------|----------|
| | | | | Package | Assembly |
| 26 | C,E | 7930359-NLA | NLA - Package, Screw, Phillips Pan Head (#10-32 x 1/2") | 25 | 2 |
| | C,E | 1008935 | Spring, Release - Right | 1 | 1 |
| | C,E | 1008936 | Spring, Release - Left | 1 | 1 |
| | F | See Chart | Legrest Support Assembly - H904, T944A/C | 1 | 1 |
| NOTE: A - Due to design change, for all chairs built prior to 10/1/00 it is suggested that release handles be replaced in pairs. B - Includes items 2 and 3. C - Before 10/01/00 only. D - Includes Items 1, 6 thru 14, and 25 E - Not shown. F - Includes items 1 thru 25. G - Not Shown. Order this item when ordering chair with Cyclical Drive only. | | | | | |

Legrest Support Assembly - H904, T944A/C

| Prior Model Number | Current Model Number | Chair Width | Right Side | Left Side |
|---|----------------------|-------------|------------------------------|------------------------------|
| H904 - Chrome | T944 A/C - Chrome | 14-22" | 1031360-NLA See Note(s) A | 1031361-NLA See Note(s) A |
| NOTE: A - Calf pad is sold separately and is not included in support assemblies after 7/97. | | | | |

Legrest Support Assembly

AHS4, AHL4



Legrest Support Assembly AHS4, AHL4

| Item Number | Note | Part Number | Description | Quantity Per | |
|-------------|------|-------------|---|--------------|----------|
| | | | | Package | Assembly |
| 1 | | 04526X019 | Plate, Legrest Pad | 1 | 1 |
| 2 | | 1025104 | Bracket, Legrest, Chrome | 1 | 1 |
| 3 | | 1037125 | Cam, Legrest | 1 | 1 |
| 4 | | 1022848 | Tube, Slide, Articulating, Chrome - Right | 1 | 1 |
| 4 | | 1022849 | Tube, Slide, Articulating, Chrome - Left | 1 | 1 |
| 5 | | 1027377 | Washer (#20) | 1 | 1 |
| 6 | | 1107321 | Nut, Low Cap (5/16"-24) | 1 | 1 |
| 7 | | 11232X009 | Bolt, Lug (5/16-24 x 1-3/8") | 1 | 1 |
| 8 | | 40363X000 | Hex Nut (3/8"-16) | 1 | 3 |
| 9 | | 1022866-NLA | NLA - Screw, Socket Button Head (3/8-16 x 3/4") | 1 | 2 |
| 10 | | 1049527 | Washer, Nylon (3/8 x 3/4 x 1/16") | 1 | 2 |
| 11 | | 1022846-NLA | NLA - Bar, Link, Black | 1 | 1 |
| 12 | | 1022874 | Bumper | 1 | 1 |
| 13 | | 1030979 | Screw, Phillips Pan Head Tap (#10-32 x 3/4") | 1 | 1 |
| 14 | | 1023092-NLA | NLA - Legrest Support Tube Assembly, Hemi, Chrome - Right | 1 | 1 |
| 14 | | 1023093-NLA | NLA - Legrest Support Tube Assembly, Hemi, Chrome - Left | 1 | 1 |
| 15 | | 1027097 | Plug Button, Black (3/4") | 1 | 1 |
| 16 | | 1022854-NLA | NLA - Screw, Shoulder Slotted Head (1/2 x 1-1/8", 3/8-16) | 1 | 1 |
| 17 | | 1014807 | Screw, Hex Head (5/16-24 x 3-1/4") | 1 | 1 |
| 18 | | 1091220 | Spacer, Legrest | 1 | 1 |
| 19 | | 48823X008 | Spring, Leaf | 1 | 1 |
| 20 | | 47328X003 | Bushing, Pivot (5/16 x 7/16 x 7/8") | 1 | 1 |
| 21 | | 47330X003 | Spacer (5/16 x 1/2 x 3/8") | 1 | 1 |
| 22 | | 10261X000 | Nut, Acorn (5/16-24) | 1 | 1 |
| 23 | | 42326X004 | Bar, Ratchet - Right/Left | 1 | 1 |
| 24 | | 04528X002 | Bracket, Release, Black | 1 | 1 |
| 25 | | 1040060 | Tip, Plastic, Black | 1 | 1 |
| 26 | | 1037125 | Cam, Legrest | 1 | 1 |
| 27 | | 1037485 | Spring, Release | 1 | 1 |
| 28 | A | 1037126 | Handle, Release | 1 | 1 |
| 29 | | 1013519 | Washer, Nylon (5/16 x 11/16 x 1/16") | 1 | 1 |
| 30 | | 1040831 | Ring, Snap | 1 | 1 |
| 31 | | 1024911-NLA | NLA - Decal, Smartleg | 1 | 1 |
| 32 | | 1123935 | Tube, Support and Drive Link, Chrome - Right | 1 | 1 |
| 32 | | 1123936 | Tube, Support and Drive Link, Chrome - Left | 1 | 1 |
| 33 | | 1022864 | Drive, Link, Black | 1 | 1 |
| 34 | B | 1046329 | Kit, Elevating Legrest Ratchet Hardware (Pair) | 2 | 1 |
| 35 | C | See Chart | Legrest Support Assembly - AHS4, AHL4 | 1 | 1 |

Legrest Support Assembly

AHS4, AHL4

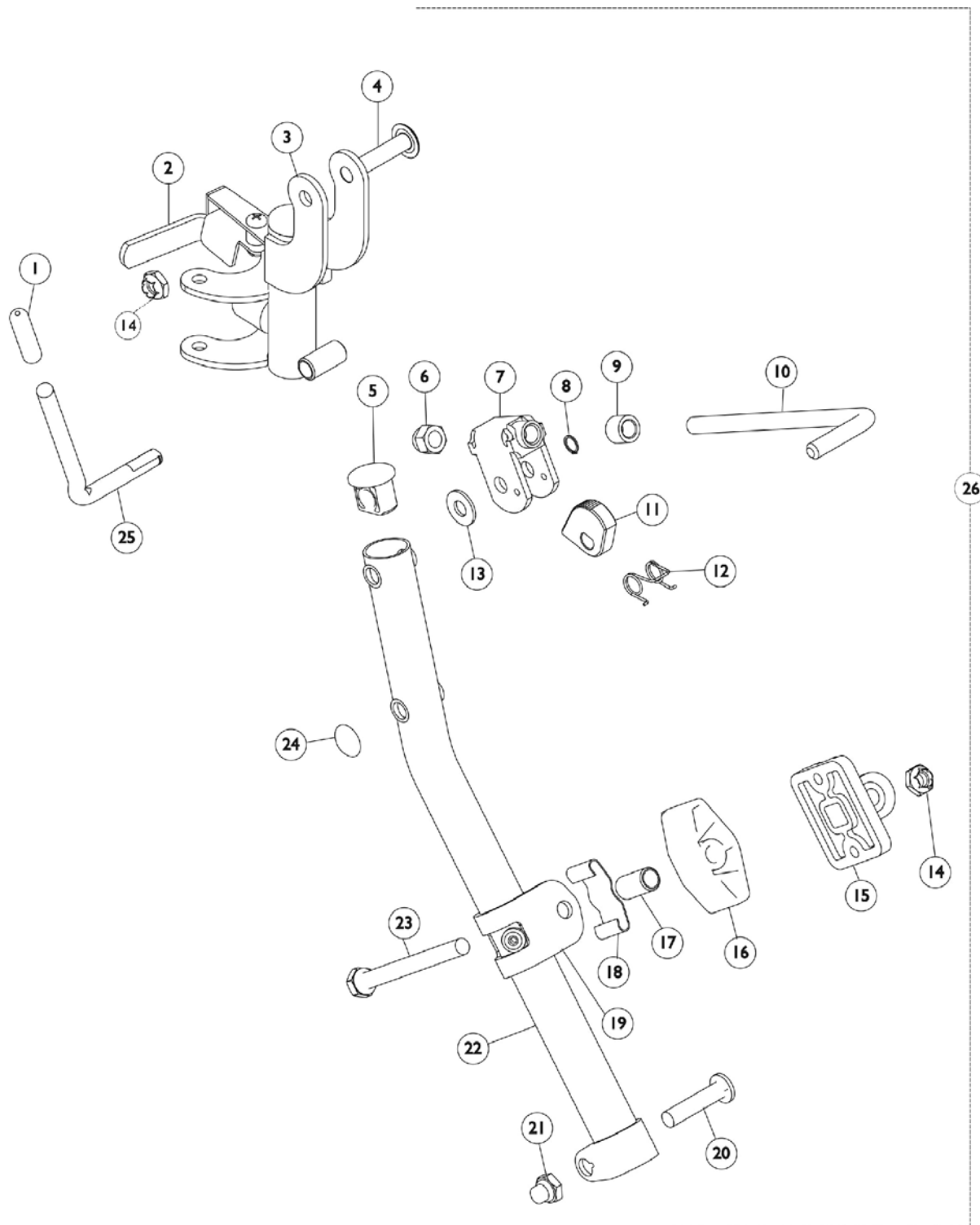
NOTE: A - Due to design change, all chairs manufactured prior to 10/1/00, it is suggested that release handles be replaced in pairs.
 B - Includes Items 21 thru 30.
 C - Includes items 1 thru 34.

Legrest Support Assembly - AHS4 and AHL4

| Prior Model Number | Current Model Number | Chair Width | Right Side | Left Side |
|--------------------|----------------------|-------------|--------------------------|--------------------------|
| AHL4 | AHL4 | 16-22" | 1041799 See Note(s) A | 1041800 See Note(s) A |

NOTE: A - Calf pad is sold separately and is not included in support assemblies after 7/97.

Legrest Support Assembly TH94



Legrest Support Assembly TH94

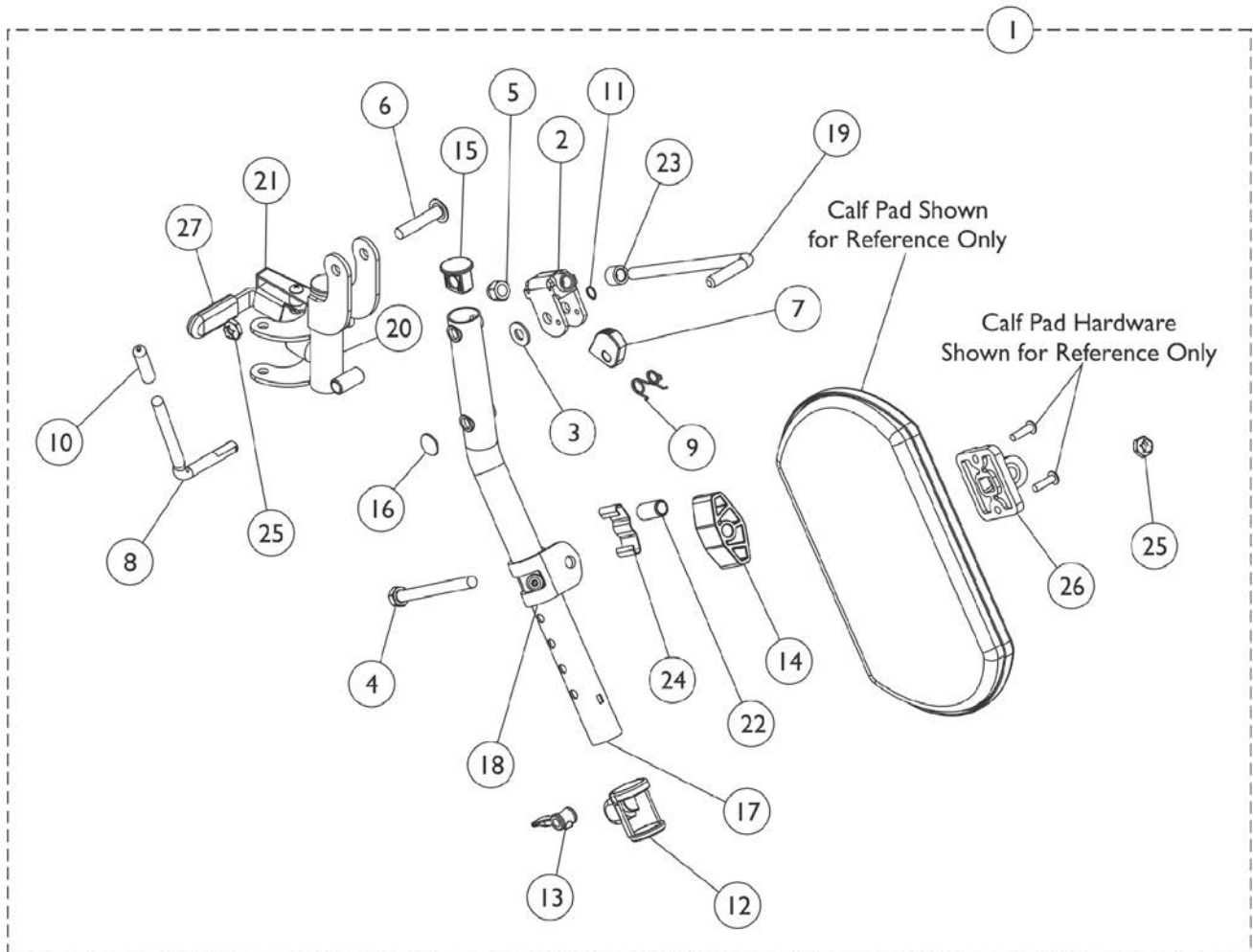
| Item Number | Note | Part Number | Description | Quantity Per | |
|-------------|------|-------------|---|--------------|----------|
| | | | | Package | Assembly |
| 1 | | 1040060 | Tip, Plastic, Black | 1 | 1 |
| 2 | A | 1110178 | Handle, Release, Black - Right | 1 | 1 |
| 2 | A | 1110179 | Handle, Release, Black - Left | 1 | 1 |
| 2 | B | 1031235-NLA | NLA - Handle, Release, Chrome - Right | 1 | 1 |
| 2 | B | 1031236-NLA | NLA - Handle, Release, Chrome - Left | 1 | 1 |
| | D | 1087698-NLA | NLA - Handle, Release, Chrome - Right | 1 | 1 |
| | D | 1087699-NLA | NLA - Handle, Release, Chrome - Left | 1 | 1 |
| 3 | A | 1124215 | Legrest Support Tube Assembly, Hemi, Black - Right | 1 | 1 |
| 3 | A | 1124216 | Legrest Support Tube Assembly, Hemi, Black - Left | 1 | 1 |
| 3 | B | 1031356-NLA | NLA - Legrest Support Tube Assembly, Hemi, Chrome - Right | 1 | 1 |
| 3 | B | 1031357-NLA | NLA - Legrest Support Tube Assembly, Hemi, Chrome - Left | 1 | 1 |
| 4 | | 1030948 | Screw, Slotted Truss Head (5/16-24 x 1-1/2") | 1 | 1 |
| 5 | | 1095433 | Plug Button, Black (7/8") | 1 | 1 |
| 6 | | 10261X000 | Nut, Acorn (5/16-24) | 1 | 1 |
| 7 | | 1110308 | Bracket, Release, Black | 1 | 1 |
| 8 | | 1040831 | Ring, Snap | 1 | 1 |
| 9 | | 47330X003 | Spacer (5/16 x 1/2 x 3/8") | 1 | 1 |
| 10 | | 42326X001 | Bar, Ratchet | 1 | 1 |
| 11 | | 1037125 | Cam, Legrest | 1 | 1 |
| 12 | | 1037485 | Spring, Release | 1 | 1 |
| 13 | | 1013519 | Washer, Nylon (5/16 x 11/16 x 1/16") | 1 | 1 |
| 14 | | 60264X001 | Locknut (5/16-24) | 1 | 2 |
| 15 | | 04526X019 | Plate, Legrest Pad | 1 | 1 |
| 16 | | 1091220 | Spacer, Legrest | 1 | 1 |
| 17 | | 47328X003 | Bushing, Pivot (5/16 x 7/16 x 7/8") | 1 | 1 |
| 18 | | 48823X008 | Spring, Leaf | 1 | 1 |
| 19 | A | 1110207 | Bracket, Calf Pad Mounting, Black | 1 | 1 |
| 19 | B | 1110208-NLA | NLA - Bracket, Calf Pad Mounting, Chrome | 1 | 1 |
| 20 | A | 1026030 | Bolt, Lug (5/16-24 x 1-3/8") | 1 | 1 |
| 20 | B | 11232X009 | Bolt, Lug (5/16-24 x 1-3/8") | 1 | 1 |
| 21 | | 1107321 | Nut, Low Cap (5/16"-24) | 1 | 1 |
| 22 | A,E | 1119206-NLA | NLA - Tube, Elevating Support, Black - Right | 1 | 1 |
| 22 | A,E | 1119207-NLA | NLA - Tube, Elevating Support, Black - Left | 1 | 1 |
| 22 | B | 1095434-NLA | NLA - Tube, Support, Chrome - Right | 1 | 1 |
| 22 | B | 1095435-NLA | NLA - Tube, Support, Chrome - Left | 1 | 1 |
| 23 | | 1014807 | Screw, Hex Head (5/16-24 x 3-1/4") | 1 | 1 |
| 24 | | 1096773 | Nut, Push Dome (5/16") | 1 | 1 |
| 25 | | 1037126 | Handle, Release | 1 | 1 |
| 26 | A,C | 1124217 | Legrest Support Assembly, Hemi, Black - Right | 1 | 1 |
| 26 | A,C | 1124218 | Legrest Support Assembly, Hemi, Black - Left | 1 | 1 |
| 26 | A,C | 1124219 | Legrest Support Assembly, Hemi, Black - Right | 1 | 1 |

Legrest Support Assembly TH94

| Item Number | Note | Part Number | Description | Quantity Per | |
|--|------|-------------|--|--------------|----------|
| | | | | Package | Assembly |
| 26 | A,C | 1124220 | Legrest Support Assembly, Hemi, Black - Left | 1 | 1 |
| NOTE: A - Black B - Chrome C - Includes items 1 thru 24. D - Not Shown. Order this item when ordering chair with Cyclical Drive only. E - No longer available. See item 26 part #1124217 or 1124218 as replacements. | | | | | |

Legrest Support Assembly

T94H Series Before 5/16/19



Legrest Support Assembly T94H Series Before 5/16/19

| Item Number | Note | Part Number | Description | Quantity Per | |
|-------------|-------|-------------|--|--------------|----------|
| | | | | Package | Assembly |
| 1 | A,H | 1110338 | Legrest Support Assembly, Hemi, Black - Right | 1 | 1 |
| 1 | A,H | 1110339 | Legrest Support Assembly, Hemi, Black - Left | 1 | 1 |
| 1 | A | 1110336 | Legrest Support Assembly, Hemi, Black - Right | 1 | 1 |
| 1 | A | 1110337 | Legrest Support Assembly, Hemi, Black - Left | 1 | 1 |
| 1 | A,F | 8881180761 | Legrest Support Assembly, Hemi, Color - Right | 1 | 1 |
| 1 | A,F | 8881180762 | Legrest Support Assembly, Hemi, Color - Left | 1 | 1 |
| 2 | | 1110308 | Bracket, Release, Black | 1 | 1 |
| 3 | | 1013519 | Washer, Nylon (5/16 x 11/16 x 1/16") | 1 | 1 |
| 4 | | 1014807 | Screw, Hex Head (5/16-24 x 3-1/4") | 1 | 1 |
| 5 | | 10261X000 | Nut, Acorn (5/16-24) | 1 | 1 |
| 6 | | 1030948 | Screw, Slotted Truss Head (5/16-24 x 1-1/2") | 1 | 1 |
| 7 | | 1037125 | Cam, Legrest | 1 | 1 |
| 8 | G | 1037126 | Handle, Release | 1 | 1 |
| 9 | | 1037485 | Spring, Release | 1 | 1 |
| 10 | | 1040060 | Tip, Plastic, Black | 1 | 1 |
| 11 | | 1040831 | Ring, Snap | 1 | 1 |
| 12 | | 1048085 | Housing, Cam | 1 | 1 |
| 13 | | 1048086 | Lever, Cam, Black | 1 | 1 |
| 14 | | 1091220 | Spacer, Legrest | 1 | 1 |
| 15 | | 1095433 | Plug Button, Black (7/8") | 1 | 1 |
| 16 | | 1096773 | Nut, Push Dome (5/16") | 1 | 1 |
| 17 | D,G | 1110165-NLA | NLA - Tube, Elevating Support, Chrome - Right | 1 | 1 |
| 17 | G | 1110166-NLA | NLA - Tube, Elevating Support, Chrome - Left | 1 | 1 |
| 17 | | 1110163 | Tube, Elevating Support, Black - Right | 1 | 1 |
| 17 | D | 1110164-NLA | NLA - Tube, Elevating Support, Black - Left | 1 | 1 |
| 18 | | 1110208-NLA | NLA - Bracket, Calf Pad Mounting, Chrome | 1 | 1 |
| 18 | | 1110207 | Bracket, Calf Pad Mounting, Black | 1 | 1 |
| 19 | | 42326X001 | Bar, Ratchet | 1 | 1 |
| 20 | B,E,G | 1110334-NLA | NLA - Legrest Support Tube Assembly, Hemi, Black - Right | 1 | 1 |
| 20 | B,E,G | 1110335 | Legrest Support Tube Assembly, Hemi, Black - Left | 1 | 1 |
| 20 | B,D,E | 1110332-NLA | NLA - Legrest Support Tube Assembly, Hemi, Black - Right | 1 | 1 |
| 20 | B,E | 1110333 | Legrest Support Tube Assembly, Hemi, Black - Left | 1 | 1 |
| 21 | C | 1087698-NLA | NLA - Handle, Release, Chrome - Right | 1 | 1 |
| 21 | C | 1087699-NLA | NLA - Handle, Release, Chrome - Left | 1 | 1 |
| 22 | | 47328X003 | Bushing, Pivot (5/16 x 7/16 x 7/8") | 1 | 1 |
| 23 | | 47330X003 | Spacer (5/16 x 1/2 x 3/8") | 1 | 1 |
| 24 | | 48823X008 | Spring, Leaf | 1 | 1 |
| 25 | | 60264X001 | Locknut (5/16-24) | 1 | 2 |
| 26 | | 04526X019 | Plate, Legrest Pad | 1 | 1 |
| 27 | | 1006490 | Tip, Plastic, Black | 1 | 1 |
| 27 | | 1127688 | Package, Plastic Tip, Black | 10 | 1 |

Legrest Support Assembly

T94H Series Before 5/16/19

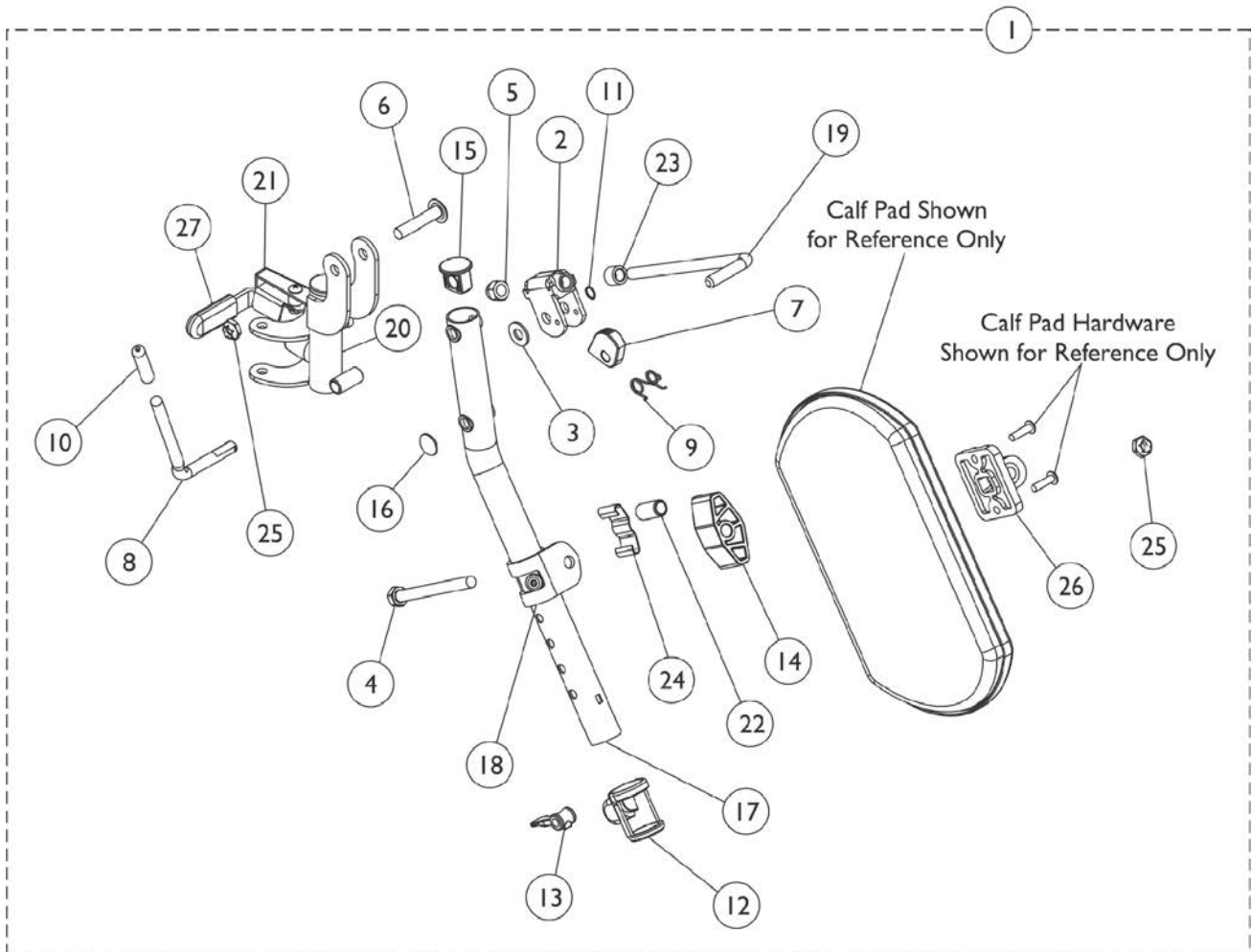
NOTE: A - Includes items 2-27.
B - Assembly includes: Item #27, tip, bumper, screws, plug, spring, nuts, handle release, legrest support and bushing.
C - Order this item when ordering chair with Cyclical Drive only.
D - No longer available as a service part individually. Order item #1 as a replacement.
E - Includes item 21.
F - Specify 71P Silver Vein frame finish when ordering.
G - Item #8, 17 and 20 are not available for sale in color. Order item #1 as a replacement.
H - After 10/14/14 color changed from Chrome to Black. It is recommended to order both the right and left side to match.

Legrest Support Assembly T94H Series After 5/15/19

| Item Number | Note | Part Number | Description | Quantity Per | |
|-------------|------|-------------|---|--------------|----------|
| | | | | Package | Assembly |
| 1 | A,B | 1194381 | Legrest Support Assembly, Hemi, Black - Right | 1 | 1 |
| 1 | A,B | 1194382 | Legrest Support Assembly, Hemi, Black - Left | 1 | 1 |
| 3 | | 1013519 | Washer, Nylon (5/16 x 11/16 x 1/16") | 1 | 1 |
| 4 | | 1014807 | Screw, Hex Head (5/16-24 x 3-1/4") | 1 | 1 |
| 5 | | 10261X000 | Nut, Acorn (5/16-24) | 1 | 1 |
| 6 | | 1030948 | Screw, Slotted Truss Head (5/16-24 x 1-1/2") | 1 | 1 |
| 7 | | 1037125 | Cam, Legrest | 1 | 1 |
| 8 | | 1037126 | Handle, Release | 1 | 1 |
| 9 | | 1037485 | Spring, Release | 1 | 1 |
| 10 | | 1040060 | Tip, Plastic, Black | 1 | 1 |
| 11 | | 1040831 | Ring, Snap | 1 | 1 |
| 12 | | 1048085 | Housing, Cam | 1 | 1 |
| 13 | | 1048086 | Lever, Cam, Black | 1 | 1 |
| 14 | | 1091220 | Spacer, Legrest | 1 | 1 |
| 15 | | 1095433 | Plug Button, Black (7/8") | 1 | 1 |
| 16 | | 1096773 | Nut, Push Dome (5/16") | 1 | 1 |
| 19 | | 42326X001 | Bar, Ratchet | 1 | 1 |
| 21 | | 1180757 | Handle, Release, Black - Right | 1 | 1 |
| 21 | | 1180758 | Handle, Release, Black - Left | 1 | 1 |
| 22 | | 47328X003 | Bushing, Pivot (5/16 x 7/16 x 7/8") | 1 | 1 |
| 23 | | 47330X003 | Spacer (5/16 x 1/2 x 3/8") | 1 | 1 |
| 24 | | 48823X008 | Spring, Leaf | 1 | 1 |
| 25 | | 60264X001 | Locknut (5/16-24) | 1 | 2 |
| 26 | | 04526X019 | Plate, Legrest Pad | 1 | 1 |
| 27 | | 1006490 | Tip, Plastic, Black | 1 | 1 |
| 27 | C | 1127688 | Package, Plastic Tip, Black | 10 | 1 |

NOTE: A - Includes items 2-27. Items 2, 17, 18, 20 are not available for sale. Order item #1 for replacement.
B - Item #20 includes: Item 27, bumper, screws, plug, springs, nuts, handle release, Legrest Support and bushing.
C - Not Shown

Legrest Support Assembly GT94H Series



Legrest Support Assembly GT94H Series

| Item Number | Note | Part Number | Description | Quantity Per | |
|-------------|------|-------------|---|--------------|----------|
| | | | | Package | Assembly |
| 1 | A,B | 1194381 | Legrest Support Assembly, Hemi, Black - Right | 1 | 1 |
| 1 | A,B | 1194382 | Legrest Support Assembly, Hemi, Black - Left | 1 | 1 |
| 3 | | 1013519 | Washer, Nylon (5/16 x 11/16 x 1/16") | 1 | 1 |
| 4 | | 1014807 | Screw, Hex Head (5/16-24 x 3-1/4") | 1 | 1 |
| 5 | | 10261X000 | Nut, Acorn (5/16-24) | 1 | 1 |
| 6 | | 1030948 | Screw, Slotted Truss Head (5/16-24 x 1-1/2") | 1 | 1 |
| 7 | | 1037125 | Cam, Legrest | 1 | 1 |
| 8 | | 1037126 | Handle, Release | 1 | 1 |
| 9 | | 1037485 | Spring, Release | 1 | 1 |
| 10 | | 1040060 | Tip, Plastic, Black | 1 | 1 |
| 11 | | 1040831 | Ring, Snap | 1 | 1 |
| 12 | | 1048085 | Housing, Cam | 1 | 1 |
| 13 | | 1048086 | Lever, Cam, Black | 1 | 1 |
| 14 | | 1091220 | Spacer, Legrest | 1 | 1 |
| 15 | | 1095433 | Plug Button, Black (7/8") | 1 | 1 |
| 16 | | 1096773 | Nut, Push Dome (5/16") | 1 | 1 |
| 19 | | 42326X001 | Bar, Ratchet | 1 | 1 |
| 22 | | 47328X003 | Bushing, Pivot (5/16 x 7/16 x 7/8") | 1 | 1 |
| 23 | | 47330X003 | Spacer (5/16 x 1/2 x 3/8") | 1 | 1 |
| 24 | | 48823X008 | Spring, Leaf | 1 | 1 |
| 25 | | 60264X001 | Locknut (5/16-24) | 1 | 2 |
| 26 | | 04526X019 | Plate, Legrest Pad | 1 | 1 |
| 27 | | 1006490 | Tip, Plastic, Black | 1 | 1 |
| 27 | C | 1127688 | Package, Plastic Tip, Black | 10 | 1 |

NOTE: A - Includes items 2-27. Items 2, 17, 18, 20, 21 are not available for sale. Order item #1 for replacement.
 B - Item #20 includes: Item 27, bumper, screws, plug, springs, nuts, handle release, Legrest Support and bushing.
 C - Not Shown

Calf Pads

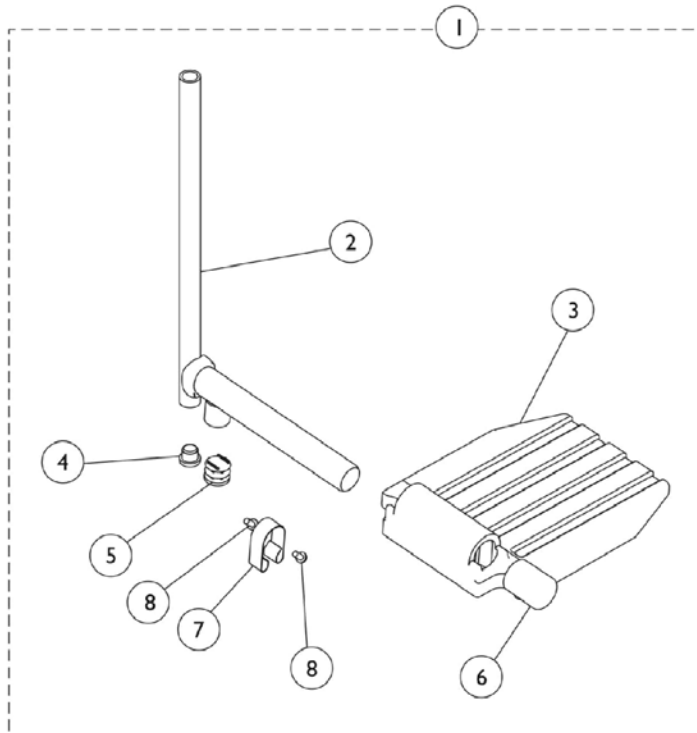
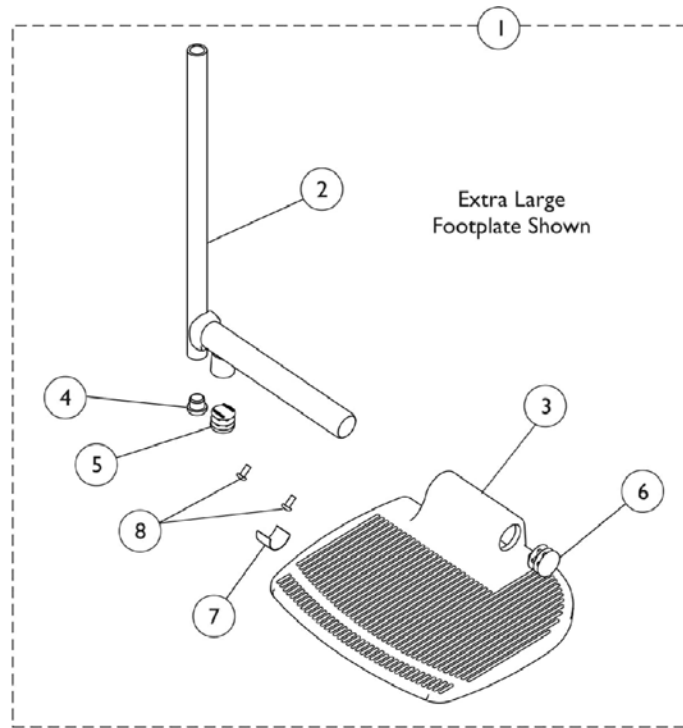
Due to a change to the Legrest Calf Pad size made on 4/23/12, you must also order the hardware kit (1066591) when ordering replacement Calf Pads.

Calf Pads and Hardware

| Part Number | Description | Quantity per Package | Quantity per Assembly |
|---|--|----------------------|-----------------------|
| 88804530X003 See Note(s) A, B, G | Pad, Legrest Vinyl - Right | 1 | 1 |
| 88804530X004 See Note(s) A, G, B | Pad, Legrest Vinyl - Left | 1 | 1 |
| 88804529X003 See Note(s) A, G, C | Pad, Legrest Vinyl - Right | 1 | 1 |
| 88804529X004 See Note(s) C, A, G | Pad, Legrest Vinyl - Left | 1 | 1 |
| 1091767-NLA See Note(s) A, D | Pad with Screws, Pair | 2 | 1 |
| 8881091759 See Note(s) G, A | Pad with Cover & Screws, Vinyl - (Pair) | 2 | 1 |
| 8881091764 See Note(s) G, E, A | Pad, Legrest Vinyl - Right/Left | 1 | 1 |
| 01415X000-NLA | Cover, Legrest Pad | 1 | 1 |
| 1066591 See Note(s) F | Hardware, Legrest Pad | 1 | 1 |
| <p>NOTE: A - Specify frame color when ordering, see category titled, "Frame Finishes, Upholstery Colors, Decals and Packaging." B - Used with SH904M and SH904MS Legrest Supports. C - Used with AHS4A, T94HS, T94HSB and TH94S Legrest Supports. D - Before 9/5/00. E - After 9/4/00. F - Includes Screws and Instruction Sheet. G - Due to a change to the Legrest Calf Pad size made on 4/23/12, you must also order the hardware kit (1066591) when ordering replacement Calf Pads.</p> <p>NOTE: Parts listed in the chart are not shown.</p> | | | |

Pivot Slide Tube with Footplate

AHS4 / AHL4 Legrests



Pivot Slide Tube with Footplate AHS4 / AHL4 Legrests

| Item Number | Note | Part Number | Description | Quantity Per | |
|-------------|------|-------------|---|--------------|----------|
| | | | | Package | Assembly |
| 1 | A | See Chart | Pivot Slide Tube with Footplate | 1 | 1 |
| 2 | | 1041526 | Pivot/Slide Tube w/ Plug Button Assembly, Chrome | 1 | 1 |
| 3 | | 44200X059 | Footplate, Aluminum, Small, Black (6-3/4" W x 6" L) | 1 | 1 |
| 3 | | 44200X027 | Footplate, Aluminum, Medium, Black (7-3/4" W x 6" L) | 1 | 1 |
| 3 | | 1015178 | Footplate, Composite, Black (6" W x 7-53/64" L) | 1 | 1 |
| 3 | | 44200X025 | Footplate, Aluminum, Extra Large, Black - Right (8" W x 8-1/2" L) | 1 | 1 |
| 3 | | 44200X026 | Footplate, Aluminum, Extra Large, Black - Left (8" W x 8-1/2" L) | 1 | 1 |
| 4 | | 1018133 | Plug Button, Black (5/8") | 1 | 1 |
| 5 | | 1027097 | Plug Button, Black (3/4") | 1 | 1 |
| 6 | | 1016346 | Cap, End, Tube, Black (7/8") | 1 | 1 |
| 6 | B | 1027095 | Plug Button, Black (7/8") | 1 | 1 |
| 7 | | 1006981 | Spring, Tension | 1 | 1 |
| 8 | | 40120X001 | Screw, Phillips Pan Head (#8-32 x 3/8") | 1 | 2 |

NOTE: A - Includes items 2-8.
B - For use on extra large footplates.

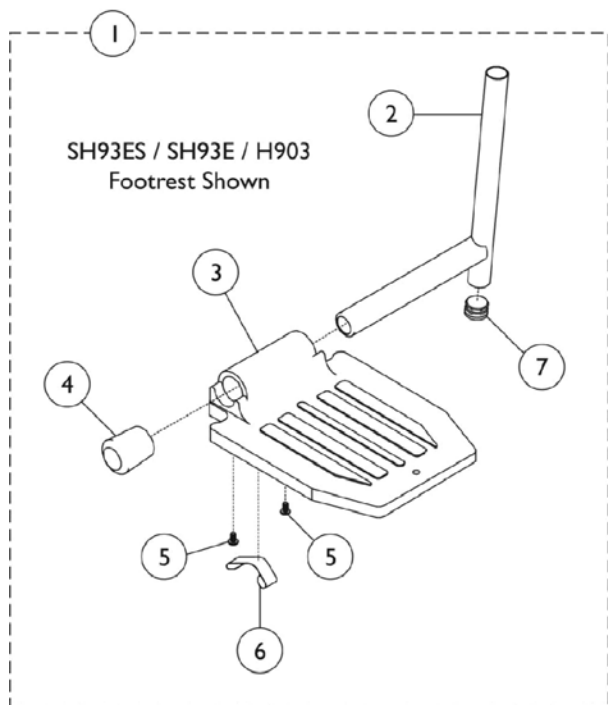
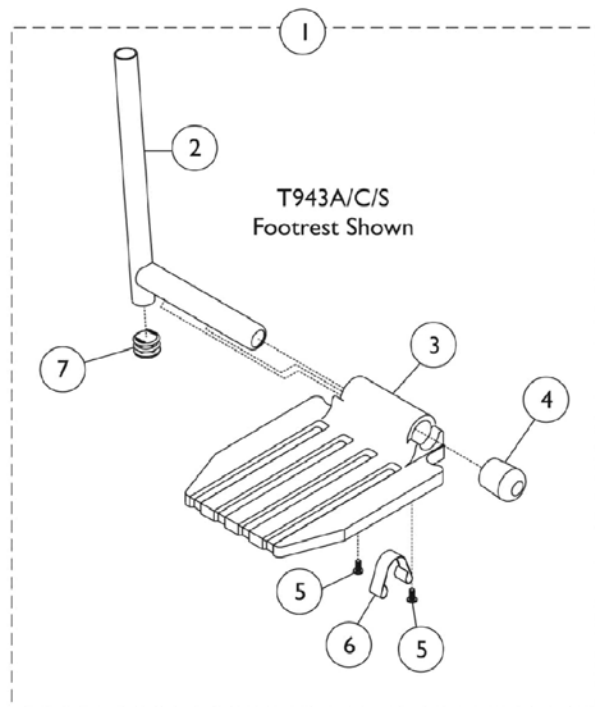
NOTE: Pivot Slide Tube and Footplate is attached to Legrest Support using a compression clamp welded to the Support Assembly.

Pivot Slide Tube with Footplate - Chrome

| Model Number | Chair Width | Footplate Style | Frame Side | Part Number |
|--------------|-------------|-----------------|------------|-------------|
| AHS4 | 14-15" | Aluminium | Right | 1023905-NLA |
| AHS4 | 14-15" | Aluminium | Left | 1023906-NLA |
| AHL4 | 16-22" | Aluminium | Right | 1023907 |
| AHL4 | 16-22" | Aluminium | Left | 1023908 |
| AHL4 | 16-22" | Composite | Right | 1023909-NLA |
| AHL4 | 16-22" | Composite | Left | 1023910-NLA |
| AHS4 | 14-15" | Extra Large | Right | 1035454-NLA |
| AHS4 | 14-15" | Extra Large | Left | 1035455-NLA |
| AHL4 | 16-22" | Extra Large | Right | 1035456 |
| AHL4 | 16-22" | Extra Large | Left | 1035457 |

Pivot Slide Tube with Footplate

H903, T943A/C/S, T963A/C, SH93ES, SH93E, TH93A Footrest



Pivot Slide Tube with Footplate

H903, T943A/C/S, T963A/C, SH93ES, SH93E, TH93A Footrest

Pivot Slide Tube with Footplate

| Item Number | Note | Part Number | Description | Quantity Per | |
|-------------|------|-------------|--|--------------|----------|
| | | | | Package | Assembly |
| 1 | A | See Chart | Pivot Slide Tube and Footplate | 1 | 1 |
| 2 | | 1041527 | Pivot/Slide Tube w/ Plug Button, Black | 1 | 1 |
| 2 | | 1041528-NLA | NLA - Pivot/Slide Tube w/ Plug Button, Chrome | 1 | 1 |
| 2 | | 1086474-NLA | NLA - Pivot Slide Tube w/ Plug Buttons, Chrome (2" Longer) | 1 | 1 |
| 2 | | 1086475-NLA | NLA - Pivot/Slide Tube w/ Plug Buttons, Chrome (4" Longer) | 1 | 1 |
| 2 | | 1086479-NLA | NLA - Pivot/Slide Tube w/ Plug Button, Black (2" Longer) | 1 | 1 |
| 2 | | 1086480-NLA | NLA - Pivot/Slide Tube w/ Plug Button, Black (4" Longer) | 1 | 1 |
| 3 | | 1015178 | Footplate, Composite, Black (6" W x 7-53/64" L) | 1 | 1 |
| 3 | | 44200X059 | Footplate, Aluminum, Small, Black (6-3/4" W x 6" L) | 1 | 1 |
| 3 | | 44200X027 | Footplate, Aluminum, Medium, Black (7-3/4" W x 6" L) | 1 | 1 |
| 4 | | 1016346 | Cap, End, Tube, Black (7/8") | 1 | 1 |
| 5 | | 40120X001 | Screw, Phillips Pan Head (#8-32 x 3/8") | 1 | 1 |
| 6 | | 1006981 | Spring, Tension | 1 | 1 |
| 7 | | 1027097 | Plug Button, Black (3/4") | 1 | 1 |

NOTE: A - Includes items 2-7.

NOTE: Pivot Slide Tube and Footplate is attached to Footrest Support using a compression clamp welded to the Support Assembly.

Pivot Slide Tube and Footplate

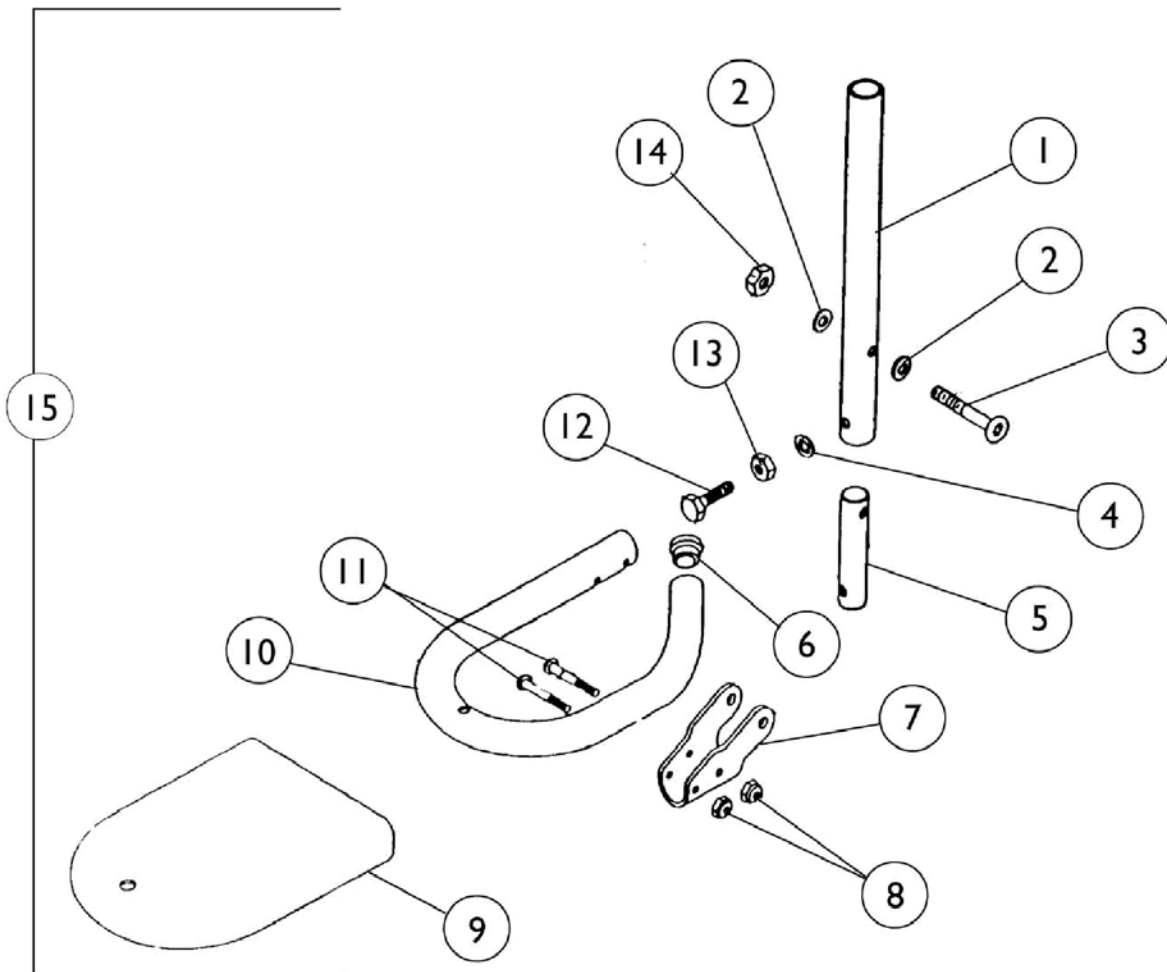
| Prior Model Number | Current Model Number | Chair Width | Frame Side | Standard | 2" Longer | 4" Longer |
|------------------------------|--------------------------------------|-------------|------------|-------------|-----------|-----------|
| T963S, SH93ES, H903 - Chrome | T963A, T943S, SH93ES, TH93S - Chrome | 14-22" | Right | 1020232-NLA | N/A | N/A |
| T963S, SH93ES, H903 - Chrome | T963A, T943S, SH93ES, TH93S - Chrome | 14-22" | Left | 1020233-NLA | N/A | N/A |
| T963S, H903 SH93ES - Black | T963A, SH93ES T943S, TH93S - Black | 14-22" | Right | 1035200 | N/A | N/A |
| T963S, H903 SH93ES - Black | T963A, SH93ES T943S, TH93S - Black | 14-22" | Left | 1035201 | N/A | N/A |

Pivot Slide Tube with Footplate
H903, T943A/C/S, T963A/C, SH93ES, SH93E, TH93A Footrest
Pivot Slide Tube and Footplate

| Prior Model Number | Current Model Number | Chair Width | Frame Side | Standard | 2" Longer | 4" Longer |
|--------------------------------|---|-------------|------------|----------|-------------|-------------|
| SH93E, T963A - Chrome | SH93E, T963A T943A, TH93A - Chrome | 14-22" | Right | 1017243 | 1086486-NLA | 1086487-NLA |
| SH93E, T963A - Chrome | SH93E, T963A T943A, TH93A - Chrome | 14-22" | Left | 1017244 | 1086488-NLA | 1086489-NLA |
| H903 - Chrome | T943C, TH93C T963C - Chrome | 16-22" | Right | 1017224 | 1086499-NLA | 1086501-NLA |
| H903 - Chrome | T943C, TH93C T963C - Chrome | 16-22" | Left | 1017225 | 1086500-NLA | 1086502-NLA |
| H903 - Black | T943C, TH93C T963C - Black | 16-22" | Right | 1033059 | 1086503-NLA | 1086504-NLA |
| H903 - Black | T943C, TH93C T963C - Black | 16-22" | Left | 1033060 | 1086505-NLA | 1086506-NLA |
| SH93E, T963A, SH93E - Black | SH93E, T963A, T943A, SH93E, TH93A - Black | 14-22" | Right | 1035202 | 1086490-NLA | 1086491-NLA |
| SH93E, T963A, SH93E - Black | SH93E, T963A, T943A, SH93E, TH93A - Black | 14-22" | Left | 1035203 | 1086492-NLA | 1086493-NLA |

Pivot Slide Tube with Tubular Footplate

H903, T943A/C/S, T963A/C/S, TH93A/C/S Footrest



Pivot Slide Tube with Tubular Footplate H903, T943A/C/S, T963A/C/S, TH93A/C/S Footrest

| Item Number | Note | Part Number | Description | Quantity Per | |
|-------------|------|---------------|--|--------------|----------|
| | | | | Package | Assembly |
| 1 | | 1012183-NLA | NLA - Tube, Pivot/Slide, Black | 1 | 1 |
| 2 | | 7930357-NLA | NLA - Washer, Nylon (1/4 x 1/2 x 1/32") | 25 | 2 |
| 3 | | 1015176-NLA | NLA - Screw, Socket Button Head (1/4-20 x 1-1/4") | 1 | 1 |
| 4 | | 10502X001-NLA | NLA - Lockwasher (1/4") | 1 | 1 |
| 5 | D | 1012158-NLA | NLA - Insert, Lower Slide Tube | 1 | 1 |
| 6 | | 1027097 | Plug Button, Black (3/4") | 1 | 1 |
| 7 | | 1012182-NLA | NLA - Bracket, Pivot, Black | 1 | 1 |
| 8 | | 7930365-NLA | NLA - Locknut (#10-32) | 25 | 2 |
| 9 | D | 1008552-NLA | NLA - Cover, Footplate - Medium | 1 | 1 |
| 9 | | 1008553-NLA | NLA - Cover, Footplate - Large | 1 | 1 |
| 10 | A | 1016294-NLA | NLA - Tube, Footrest (Right/ Left) 14"-15" Wide Chairs | 1 | 1 |
| 10 | A | 1012181-NLA | NLA - Tube, Footrest (Right/ Left) 16"-22" Wide Chairs | 1 | 1 |
| 10 | A,B | 1026404-NLA | NLA - Tube, Footrest, Black - Medium | 1 | 1 |
| 10 | A,C | 1026405-NLA | NLA - Tube, Footrest, Black - Large | 1 | 1 |
| 11 | | 1012608-NLA | NLA - Screw, Truss Head (#10-32 x 1-1/8") | 1 | 2 |
| 12 | | 16690X000-NLA | NLA - Screw, Hex Head (1/4-20X1) | 1 | 1 |
| 13 | | 15108X000 | Locknut (1/4-20) | 1 | 1 |
| 14 | | 7930364-NLA | NLA - Package, Locknut (1/4-20) | 25 | 1 |
| 15 | | See Chart | Pivot Slide Tube with Footplate | 1 | 1 |

NOTE: A - Right/Left
 B - For chairs 14 - 15" wide.
 C - For chairs 16 - 22" wide.
 D - Part number is no longer available as a service part individually. See item 15 and order a complete Pivot and Slide Tube with Footplate Assembly.

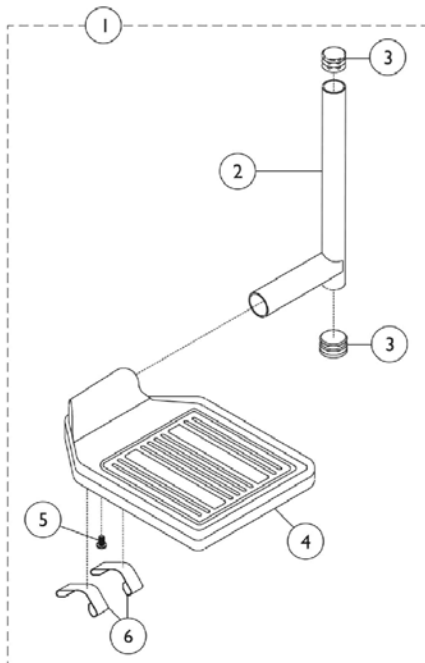
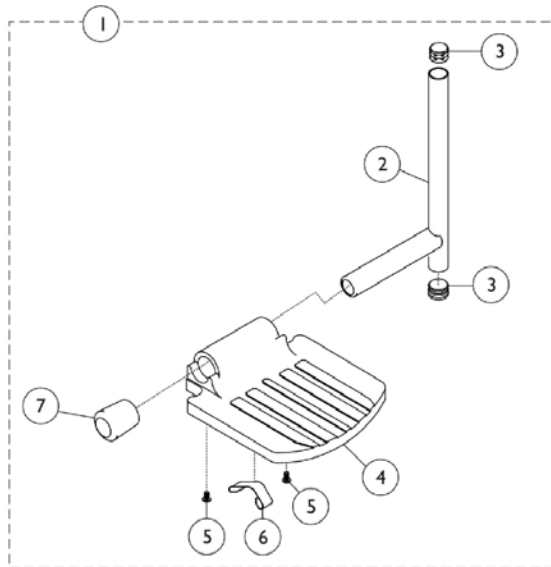
NOTE: Tubular Footrests are painted black and should be ordered in pairs for chairs built before 10/6/00. NOTE: Pivot Slide Tube and Footplate is attached to Footrest Support using a compression clamp welded to the Support Assembly.

Pivot Slide Tube with Footplate

| Prior Model Number | Current Model Number | Chair Width | Side | Part Number |
|--------------------|----------------------|-------------|-------|-------------|
| H903 Chrome/Black | T943S | 14 - 15" | Right | 1030752-NLA |
| H903 Chrome/Black | T943S | 14 - 15" | Left | 1030753-NLA |
| H903 Chrome/Black | T943C | 16 - 22" | Right | 1012263-NLA |
| H903 Chrome/Black | T943C | 16 - 22" | Left | 1012264-NLA |

Pivot Slide Tube with Footplate

H93E / H93M / H93M WITH FPP - Footrests



Pivot Slide Tube with Footplate H93E / H93M / H93M WITH FPP - Footrests

| Item Number | Note | Part Number | Description | Quantity Per | |
|-------------|------|-------------|--|--------------|----------|
| | | | | Package | Assembly |
| 1 | H | See Chart | Pivot Slide Tube with Footplate | 1 | 1 |
| 2 | A | 1041528-NLA | NLA - Pivot/Slide Tube w/ Plug Button, Chrome | 1 | 1 |
| 2 | B | 7500084-NLA | NLA - Pivot/Slide Tube w/ Plug Button, Chrome | 1 | 1 |
| 2 | C | 1041776-NLA | NLA - Pivot/Slide Tube w/ Plug Buttons, Chrome | 1 | 1 |
| 2 | D | 1031691-NLA | NLA - Pivot/Slide Tube w/ Plug Button, Chrome | 1 | 1 |
| 3 | | 1027097 | Plug Button, Black (3/4") | 1 | 2 |
| 4 | A,C | 44200X059 | Footplate, Aluminum, Small, Black (6-3/4" W x 6" L) | 1 | 1 |
| 4 | B,D | 1043659-NLA | NLA - Footplate, Aluminum, Deluxe, Black - Right (8" W x 5-3/4" L) | 1 | 1 |
| 4 | B,D | 1043660-NLA | NLA - Footplate, Aluminum, Deluxe, Black - Left (8" W x 5-3/4" L) | 1 | 1 |
| 5 | E | 1025729 | Screw, Phillips Pan Head Tap (#8-32 x 3/8") | 1 | 2 |
| 6 | F | 1006981 | Spring, Tension | 1 | 1 |
| 6 | G | 1036120-NLA | NLA - Spring | 1 | 2 |
| 7 | | 1027097 | Plug Button, Black (3/4") | 1 | 1 |

NOTE: A - For use on H93E/H93M models with a 14 - 15" chair width.
 B - For use on H93E/H93M models with a 16 - 22" chair width.
 C - For use on H93M with FPP with a 14 - 15" chair width.
 D - For use on H93M with FPP with a 16 - 22" chair width.
 E - Chairs 14-15" wide require (2) screws and chairs 16 - 22" wide require (1) screw.
 F - For use on chairs 14 - 15" wide.
 G - For use on chairs 16-22" wide.
 H - Includes items 2-7.

NOTE: Pivot Slide Tube and Footplate is attached to Footrest Support using a compression clamp welded to the Support Assembly.

Pivot Slide Tube with Footplate

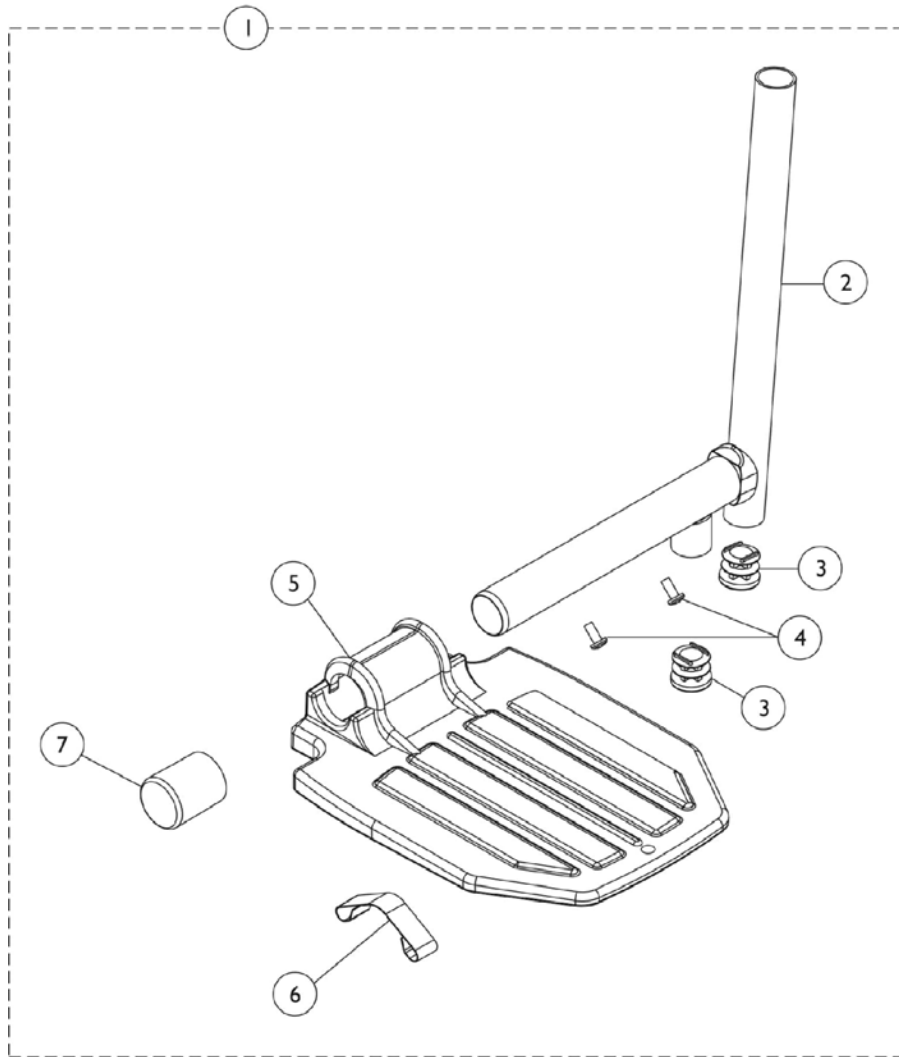
| Prior Model Number | Current Model Number | Chair Width | Side | Part Number |
|--------------------|------------------------|-------------|-------|-------------|
| H93E, H93M | H93E, H93M - Chrome | 14 - 15" | Right | 1020232-NLA |
| H93E, H93M | H93E, H93M - Chrome | 14 - 15" | Left | 1020233-NLA |
| H93E, H93M | H93E, H93M - Chrome | 16 - 22" | Right | 1028905-NLA |
| H93E, H93M | H93E, H93M - Chrome | 16 - 22" | Left | 1028906-NLA |
| H93M with FPP | H93M with FPP - Chrome | 14 - 15" | Right | 1031936-NLA |
| H93M with FPP | H93M with FPP - Chrome | 14 - 15" | Left | 1031937-NLA |
| H93M with FPP | H93M with FPP - Chrome | 16 - 22" | Right | 1033381-NLA |
| H93M with FPP | H93M with FPP - Chrome | 16 - 22" | Left | 1033382-NLA |

Pivot Slide Tube with Footplate

H93E / H93M / H93M WITH FPP - Footrests

Pivot Slide Tube with Footplate

SH904MS, SH904M, H904, T944A/C, TH94A/S Legrest



Pivot Slide Tube with Footplate

SH904MS, SH904M, H904, T944A/C, TH94A/S Legrest

Pivot Slide Tube with Footplate

| Item Number | Note | Part Number | Description | Quantity Per | |
|---|---------|------------------------------|---|--------------|----------|
| | | | | Package | Assembly |
| 1 | A | See Chart | Pivot Slide Tube with Footplate | 1 | 1 |
| 2 | | 7500085-NLA | NLA - Pivot/Slide Tube w/ Plug Button Assembly, Chrome | 1 | 1 |
| 2 | | 1100568-NLA | NLA - Pivot/Slide Tube w/ Plug Button, Black | 1 | 1 |
| 2 | | 1086447-NLA | NLA - Pivot/Slide Tube w/ Plug Button, Chrome (2" Longer) | 1 | 1 |
| 2 | | 1086448-NLA | NLA - Pivot/Slide Tube w/ Plug Button, Black (4" Longer) | 1 | 1 |
| 5 | | 44200X059 | Footplate, Aluminum, Small, Black (6-3/4" W x 6" L) | 1 | 1 |
| 3 | | 1027097 | Plug Button, Black (3/4") | 1 | 2 |
| 4 | | 7930354-NLA | NLA - Package, Phillips Head Screw (#8-32 x 3/8") | 25 | 2 |
| 5 | | 1015178 | Footplate, Composite, Black (6" W x 7-53/64" L) | 1 | 1 |
| 5 | | 44200X027 | Footplate, Aluminum, Medium, Black (7-3/4" W x 6" L) | 1 | 1 |
| 5 | | 44200X025 | Footplate, Aluminum, Extra Large, Black - Right (8" W x 8-1/2" L) | 1 | 1 |
| 5 | | 1002343 | Footplate, Aluminum, Extra Large, Black - Right (7" W x 8-1/2" L) | 1 | 1 |
| 5 | | 1002344 | Footplate, Aluminum, Extra Large, Black - Left (7" W x 8-1/2" L) | 1 | 1 |
| 6 | | 1006981 | Spring, Tension | 1 | 1 |
| 7 | 1016346 | Cap, End, Tube, Black (7/8") | 1 | 1 | |
| NOTE: A - Includes items 2-7. | | | | | |
| NOTE: Pivot Slide Tube and Footplate is attached to Legrest Support using a compression clamp welded to the Support Assembly. | | | | | |

Pivot Slide Tube with Footplate

SH904MS, SH904M, H904, T944A/C, TH94A/S Legrest

Pivot Slide Tube with Footplate

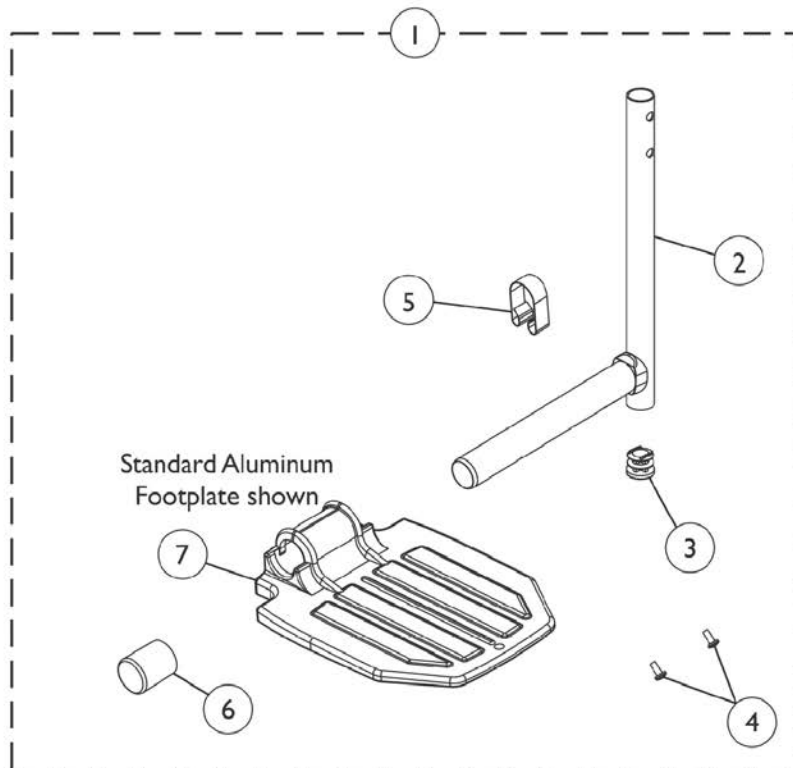
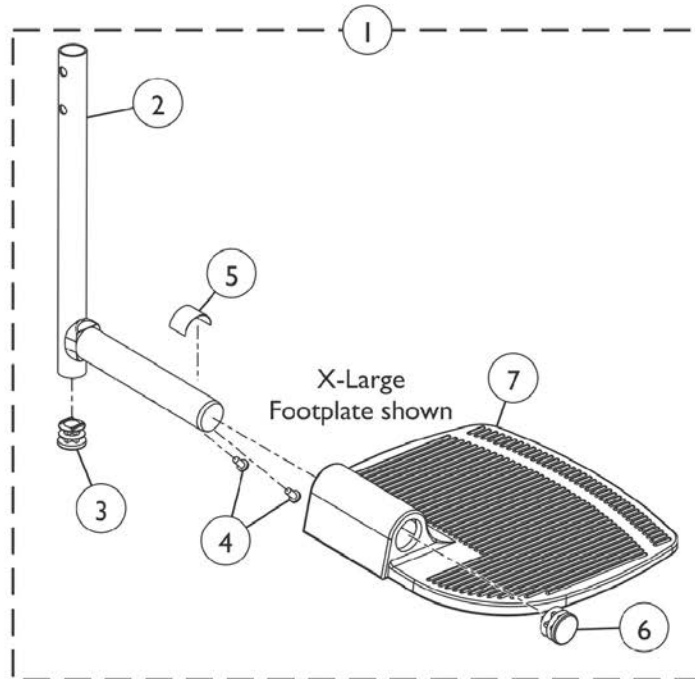
| Prior Model Number | Current Model Number | Chair Width | Frame Side | Standard | 2" Longer | 4" Longer |
|----------------------|------------------------------------|-------------|------------|-------------|------------------------------|------------------------------|
| SH904MS | SH904MS, TH94S Chrome | 14 - 15" | Right | 1020234 | N/A | N/A |
| SH904MS | SH904MS, TH94S Chrome | 14 - 15" | Left | 1020235 | N/A | N/A |
| SH904M | SH904M | 16 - 18" | Right | 1017237 | 1086525-NLA | 1086526-NLA |
| SH904M | SH904M | 16 - 18" | Left | 1017238 | 1086527-NLA | 1086528-NLA |
| H904 | T944S | 14 - 15" | Right | 1020234 | N/A | N/A |
| H904 | T944S | 14 - 15" | Left | 1020235 | N/A | N/A |
| N/A | T944A, TH94A | 16 - 22" | Right | 1017237 | 1086525-NLA | 1086526-NLA |
| N/A | T944A, TH94A | 16 - 22" | Left | 1017238 | 1086527-NLA | 1086528-NLA |
| N/A | TH94A - Black | 16 - 22" | Right | 1124235 | N/A | N/A |
| N/A | TH94A - Black | 16 - 22" | Left | 1124236 | N/A | N/A |
| N/A | TH94S - Black | 14 - 15" | Right | 1124237 | N/A | N/A |
| N/A | TH94S - Black | 14 - 15" | Left | 1124238 | N/A | N/A |
| H904 | T944C, TH94C - Chrome | 16 - 22" | Right | 1017233-NLA | 1086533-NLA | 1086535-NLA |
| H904 | T944C, TH94C - Chrome | 16 - 22" | Left | 1017234-NLA | 1086534-NLA | 1086536-NLA |
| N/A | TH94A - Black | 16 - 22" | Right | 1124239 | N/A | N/A |
| N/A | TH94A - Black | 16 - 22" | Left | 1124240 | N/A | N/A |
| N/A | SH904MS, H904, T944A/C | 14 - 15" | Right | 1031932-NLA | N/A | N/A |
| N/A | SH904MS, H904, T944A/C | 14 - 15" | Left | 1031933-NLA | N/A | N/A |
| N/A See Note(s) A | SH904M, H904, T944A/C, TH94A | 16 - 22" | Right | 1031934-NLA | 1086537-NLA | 1086539-NLA See Note(s) A |
| N/A | SH904M, H904, T944A/C, TH94A | 16 - 22" | Left | 1031935-NLA | 1086538-NLA See Note(s) A | 1086540-NLA See Note(s) A |

NOTE: A - Can only be used with Bolt Thru Footrest (T93HAB/HCB) and Elevating Legrest (T94HAB/HCB).

Pivot Slide Tube with Footplate

GT93H and T93H Series Footrest

NOTE: Pivot Slide Tube and Footplate is attached to Footrest Support using the spring button or bolt thru hardware. See chart titled, "Pivot Slide Tube Attaching Hardware."



Pivot Slide Tube with Footplate GT93H and T93H Series Footrest

NOTE: Pivot Slide Tube and Footplate is attached to Footrest Support using the spring button or bolt thru hardware. See chart titled, "Pivot Slide Tube Attaching Hardware."

| Item Number | Note | Part Number | Description | Quantity Per | |
|-------------|------|-------------|---|--------------|----------|
| | | | | Package | Assembly |
| 1 | A | See Chart | Footrest Pivot Slide Tube with Footplate | 1 | 1 |
| 2 | | 1111277 | Pivot/Slide Tube w/ Plug Button, Footrest, Black | 1 | 1 |
| 2 | | 1111278-NLA | NLA - Pivot/Slide Tube w/ Plug Button, Footrest, Chrome | 1 | 1 |
| 3 | | 1027097 | Plug Button, Black (3/4") | 1 | 1 |
| 4 | | 40120X001 | Screw, Phillips Pan Head (#8-32 x 3/8") | 1 | 2 |
| 5 | D | 1006981 | Spring, Tension | 1 | 1 |
| 5 | B,E | 1036123 | Spring, Leaf | 1 | 1 |
| 6 | | 1016346 | Cap, End, Tube, Black (7/8") | 1 | 1 |
| 6 | B | 1027095 | Plug Button, Black (7/8") | 1 | 1 |
| 7 | | 1015178 | Footplate, Composite, Black (6" W x 7-53/64" L) | 1 | 1 |
| 7 | F | 1192674 | Footplate, Composite, Black (6" W x 7-53/64" L) | 1 | 1 |
| 7 | | 44200X059 | Footplate, Aluminum, Small, Black (6-3/4" W x 6" L) | 1 | 1 |
| 7 | | 44200X027 | Footplate, Aluminum, Medium, Black (7-3/4" W x 6" L) | 1 | 1 |
| 7 | B | 44200X025 | Footplate, Aluminum, Extra Large, Black - Right (8" W x 8-1/2" L) | 1 | 1 |
| 7 | B | 44200X026 | Footplate, Aluminum, Extra Large, Black - Left (8" W x 8-1/2" L) | 1 | 1 |
| | C | See Chart | Bolt Through and Spring Button Kits | 1 | 1 |

NOTE: A - Includes items 2-7.
 B - For use on extra large footplate.
 C - Not Shown.
 D - Use with Standard Footplates.
 E - Use one or more leaf springs per assembly as required such that footplate may be moved by hand to the up-right position and remain in place.
 F - Used for GT93HC model Front Riggings and T93HC model Front Riggings as of 5/16/19.

Pivot Slide Tube with Footplate GT93H and T93H Series Footrest

NOTE: Pivot Slide Tube and Footplate is attached to Footrest Support using the spring button or bolt thru hardware. See chart titled, "Pivot Slide Tube Attaching Hardware."

Footrest Pivot Slide Tube with Footplate

| Model Number | Chair Width | Footplate Style | Frame Side | Part Number |
|-------------------------------------|-------------|-----------------|------------|------------------------------|
| T93HSA T93HA - Black | 14-15" | Aluminium | Right | 1110361 |
| T93HSA T93HA - Black | 14-15" | Aluminium | Left | 1110362 |
| T93HSA T93HA - Chrome | 14-15" | Aluminium | Right | 1110363 |
| T93HSA T93HA - Chrome | 14-15" | Aluminium | Left | 1110364 |
| GT93HA/ T93HA T93HAB Black | 16-22" | Aluminium | Right | 1111285 |
| GT93HA/ T93HA T93HAB Black | 16-22" | Aluminium | Left | 1111286 |
| T93HA T93HAB - Black | 16-22" | Aluminium | Right | 1111287-NLA See Note(s) A |
| T93HA T93HAB - Black | 16-22" | Aluminium | Left | 1111288-NLA See Note(s) A |
| T93HA T93HAB - Chrome | 14-15" | Extra Large | Right | 1110346-NLA |
| T93HA T93HAB - Chrome | 14-15" | Extra Large | Left | 1110347-NLA |
| T93HA - Black | 16-22" | Extra Large | Right | 1110344 |
| T93HA - Black | 16-22" | Extra Large | Left | 1110345 |
| T93HC T93HCB - Black | 16-22" | Composite | Right | 1111289 |
| T93HC T93HCB - Black | 16-22" | Composite | Left | 1111290 |
| GT93HC - Black | 16-22" | Composite | Right | 1194329 |
| GT93HC - Black | 16-22" | Composite | Left | 1194330 |
| T93HC T93HCB - Chrome | 16-22" | Composite | Right | 1194329 |
| T93HC T93HCB - Chrome | 16-22" | Composite | Left | 1194329 |

NOTE: A - NOTE: Part numbers 1111287 and 1111288 changed from Chrome Pivot/Slide Tube to Black as of 5/16/19

NOTE: 2" and 4" Longer Pivot Slide Tube with Footplate Assembly is not available.

Pivot Slide Tube with Footplate

GT93H and T93H Series Footrest

NOTE: Pivot Slide Tube and Footplate is attached to Footrest Support using the spring button or bolt thru hardware. See chart titled, "Pivot Slide Tube Attaching Hardware."

Bolt Through and Spring Button Kits

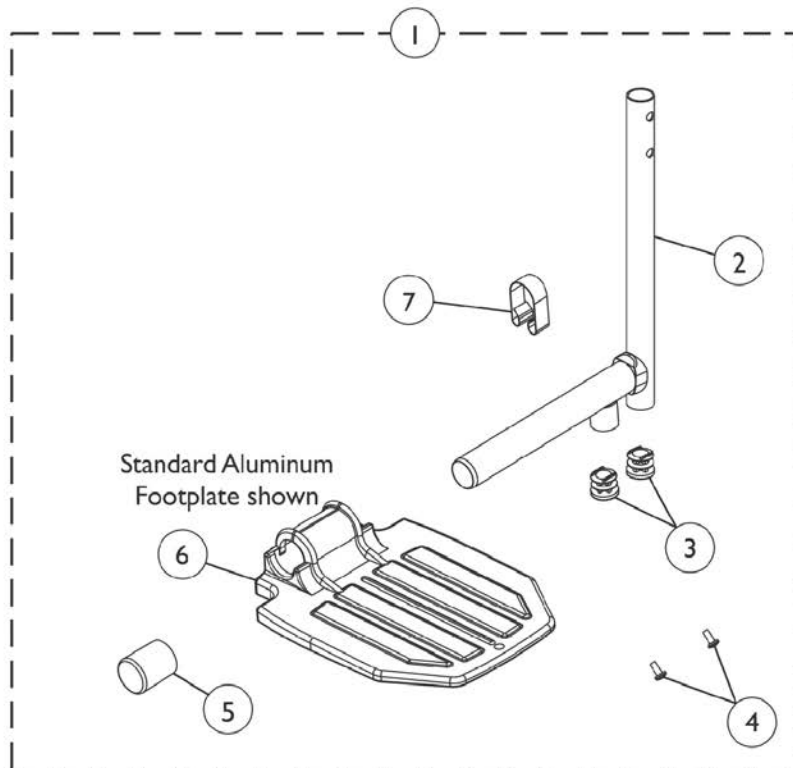
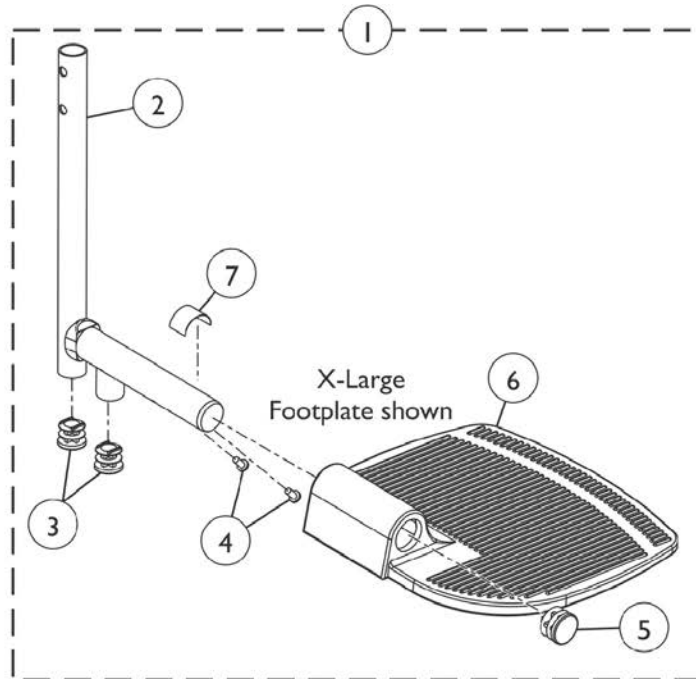
| Style | Part Number | Quantity per Package | Quantity Per Footrest | Quantity Per Legrest |
|----------------------------|--------------------------|----------------------|-----------------------|----------------------|
| Spring Button Hardware Kit | 1188335 See Note(s) A | 2 | 2 | 4 |
| Bolt Through Hardware Kit | 1101776 See Note(s) A | 2 | 2 | 2 |
| Tool Kit | 1058407 See Note(s) B | 1 | N/A | N/A |

NOTE: A - Kit includes 2 ea. Double Spring Buttons
 B - Kit includes allen wrench, key, and open end wrench. The Bolt Thru Hardware uses the Tool Kit for installation.

Pivot Slide Tube with Footplate

GT94H and T94H Series Legrest

NOTE: Pivot Slide Tube and Footplate is attached to Footrest Support using the spring button or bolt thru hardware. See chart titled, "Pivot Slide Tube Attaching Hardware."



Pivot Slide Tube with Footplate GT94H and T94H Series Legrest

NOTE: Pivot Slide Tube and Footplate is attached to Footrest Support using the spring button or bolt thru hardware. See chart titled, "Pivot Slide Tube Attaching Hardware."

| Item Number | Note | Part Number | Description | Quantity Per | |
|-------------|------|-------------|---|--------------|----------|
| | | | | Package | Assembly |
| 1 | A | See Chart | Legrest Pivot Slide Tube with Footplate | 1 | 1 |
| 2 | | 1110301 | Pivot/Slide Tube w/ Plug Button, Legrest, Black | 1 | 1 |
| 2 | | 1110300-NLA | NLA - Pivot/Slide Tube w/ Plug Button, Legrest, Chrome | 1 | 1 |
| 3 | | 1027097 | Plug Button, Black (3/4") | 2 | 2 |
| 4 | | 40120X001 | Screw, Phillips Pan Head (#8-32 x 3/8") | 2 | 2 |
| 5 | | 1016346 | Cap, End, Tube, Black (7/8") | 1 | 1 |
| 5 | B | 1027095 | Plug Button, Black (7/8") | 1 | 1 |
| 6 | | 1015178 | Footplate, Composite, Black (6" W x 7-53/64" L) | 1 | 1 |
| 6 | F | 1192674 | Footplate, Composite, Black (6" W x 7-53/64" L) | 1 | 1 |
| 6 | | 44200X059 | Footplate, Aluminum, Small, Black (6-3/4" W x 6" L) | 1 | 1 |
| 6 | | 44200X027 | Footplate, Aluminum, Medium, Black (7-3/4" W x 6" L) | 1 | 1 |
| 6 | B | 44200X025 | Footplate, Aluminum, Extra Large, Black - Right (8" W x 8-1/2" L) | 1 | 1 |
| 6 | B | 44200X026 | Footplate, Aluminum, Extra Large, Black - Left (8" W x 8-1/2" L) | 1 | 1 |
| 7 | D | 1006981 | Spring, Tension | 1 | 1 |
| 7 | B,E | 1036123 | Spring, Leaf | 1 | 1 |
| | C | See Chart | Bolt Through and Spring Button Kits | 1 | 1 |

NOTE: A - Includes items 2-7.
 B - For use on extra large footplate assembly.
 C - Not Shown.
 D - Use with Standard Footplates.
 E - Use one or more leaf springs per assembly as required such that footplate may be moved by hand to the up-right position and remain in place.
 F - Used for GT94HC model Front Riggings and T94HC model Front Riggings as of 5/16/19.

Pivot Slide Tube with Footplate GT94H and T94H Series Legrest

NOTE: Pivot Slide Tube and Footplate is attached to Footrest Support using the spring button or bolt thru hardware. See chart titled, "Pivot Slide Tube Attaching Hardware."

Legrest Pivot Slide Tube with Footplate

| Current Model Number | Chair Width | Footplate Style | Frame Side | Part Number |
|-----------------------------|-------------|-----------------|------------|-------------|
| GT94HA/T94HA/T94HAB - Black | 16-22" | Aluminum | Right | 1110315 |
| GT94HA/T94HA/T94HAB - Black | 16-22" | Aluminum | Left | 1110316 |
| T94HA/T94HAB - Chrome | 16-22" | Aluminum | Right | 1110317-NLA |
| T94HA/T94HAB - Chrome | 16-22" | Aluminum | Left | 1110318-NLA |
| GT94HA/T94HA/T94HAB - Black | 16-22" | Extra Large | Right | 1110348 |
| GT94HA/T94HA/T94HAB - Black | 16-22" | Extra Large | Left | 1110349 |
| T94HA - Chrome | 16-22" | Extra Large | Right | 1110350-NLA |
| T94HA - Chrome | 16-22" | Extra Large | Left | 1110351-NLA |
| T94HS/T94HSB - Black | 14-15" | Aluminum | Right | 1110365 |
| T94HS/T94HSB - Black | 14-15" | Aluminum | Left | 1110366 |
| T94HS/T94HSB - Chrome | 14-15" | Aluminum | Right | 1110367-NLA |
| T94HS/T94HSB - Chrome | 14-15" | Aluminum | Left | 1110368-NLA |
| GT94HC/T94HC/T94HCB - Black | 16-22" | Composite | Right | 1110311 |
| GT94HC/T94HC/T94HCB - Black | 16-22" | Composite | Left | 1110312 |
| T94HC/T94HCB - Chrome | 16-22" | Composite | Right | 1110313-NLA |
| T94HC/T94HCB - Chrome | 16-22" | Composite | Left | 1110314-NLA |

NOTE: 2" and 4" Longer Pivot Slide Tube with Footplate Assembly is not available.

Pivot Slide Tube with Footplate GT94H and T94H Series Legrest

NOTE: Pivot Slide Tube and Footplate is attached to Footrest Support using the spring button or bolt thru hardware. See chart titled, "Pivot Slide Tube Attaching Hardware."

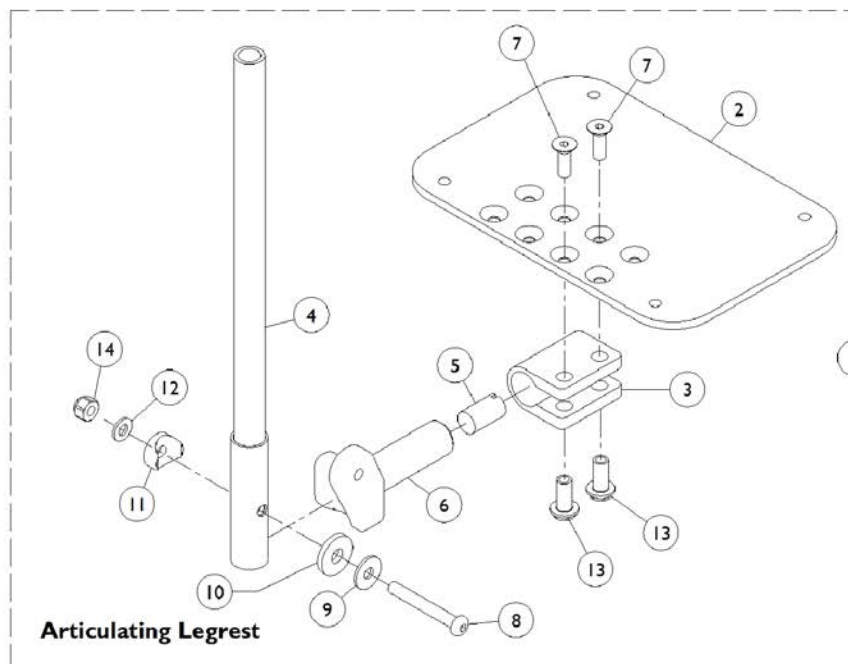
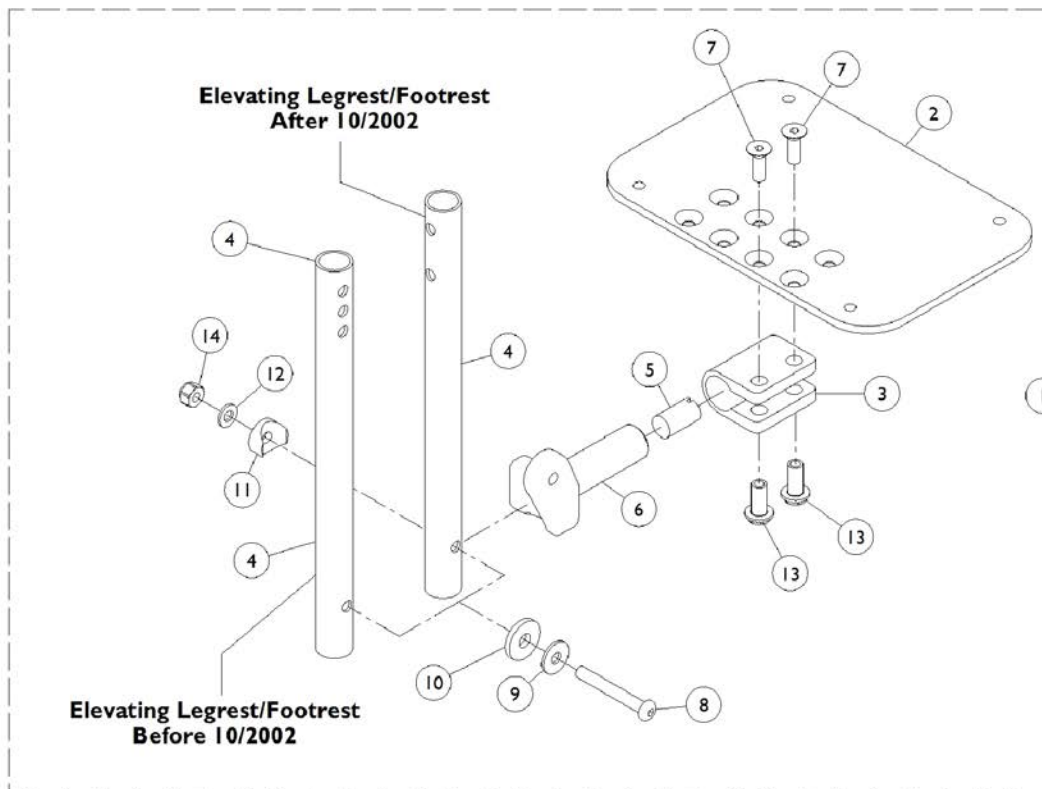
Bolt Through and Spring Button Kits

| Style | Part Number | Quantity Per Package | Quantity Per Footrest | Quantity Per Legrest |
|---|--------------------------|----------------------|-----------------------|----------------------|
| Spring Button Hardware Kit | 1188335 See Note(s) A | 2 | 2 | 4 |
| Bolt Through Hardware Kit | 1101776 See Note(s) A | 2 | 2 | 2 |
| Tool Kit | 1058407 See Note(s) B | 1 | N/A | N/A |
| NOTE: A - Kit includes 2 ea. Double Spring Buttons B - Kit includes allen wrench, key, and open end wrench. The Bolt Thru Hardware uses the Tool Kit for installation. | | | | |

Adjustable Angle Footplate Assemblies - AT5543

9000XT/XDT/Recliner

NOTE: Slide Tube with Adjustable Footplate is attached to Legrest/Footrest support using the spring button or bolt thru hardware. See chart titled, "Pivot Slide Tube Attaching Hardware."



Adjustable Angle Footplate Assemblies - AT5543

9000XT/XDT/Recliner

NOTE: Slide Tube with Adjustable Footplate is attached to Legrest/Footrest support using the spring button or bolt thru hardware. See chart titled, "Pivot Slide Tube Attaching Hardware."

9000XT/9000XDT/9000XT Recliner

| Item Number | Note | Part Number | Description | Quantity Per | |
|-------------|------|-------------|--|--------------|----------|
| | | | | Package | Assembly |
| 1 | G | See Chart | Adjustable Angle Footplate Assembly - AHS4 - AHL4 Articulating Legrests only | 1 | 1 |
| 1 | G | See Chart | Adjustable Angle Footplate Assembly - Elevating Legrest/Footrest | 1 | 1 |
| 2 | A,H | 1113573 | Footplate, Adjustable Angle, Large, Black (5-1/4" W x 8" L) | 1 | 1 |
| 2 | B,H | 1113574 | Footplate, Adjustable Angle, Extra Large, Black (6-1/4" W x 8" L) | 1 | 1 |
| 2 | C,H | 1113575 | Footplate, Adjustable Angle, XX- Large, Black (7-1/4" W x 8" L) | 1 | 1 |
| 3 | | 1058517 | Clamp, Footplate | 1 | 1 |
| 4 | D | 1057855 | Tube, Pivot and Slide, Straight, Steel, Black (9-7/8" L) | 1 | 1 |
| 4 | D,I | 1110352-NLA | NLA - Pivot/Slide Tube, Straight, Black | 1 | 1 |
| 4 | E | 1091745-NLA | NLA - Tube, Pivot/Slide, Straight, Steel, Chrome (13-7/8" L) | 1 | 1 |
| 5 | | 1048816 | Screw, Nylon Adjustment (1/2-13 x 7/8") | 1 | 1 |
| 6 | | 1052103 | Hinge, Footplate - Left | 1 | 1 |
| 6 | | 1052102 | Hinge, Footplate - Right | 1 | 1 |
| 7 | | 1029545 | Screw, Socket Flat Head (1/4-20 x 3/4") | 1 | 2 |
| 8 | | 1022831 | Screw, Socket Button Head (1/4-20 x 1-7/8") | 1 | 1 |
| 9 | | 1026900 | Washer (1/4 x 23/32 x 1/16") | 1 | 1 |
| 10 | | 1016301 | Washer, Nylon (5/16 x 7/8 x 1/8") | 1 | 1 |
| 11 | | 1025457 | Spacer, Coved (1/4 x 3/4 x 11/32") | 1 | 1 |
| 12 | | 1026907 | Washer (1/4 x 1/2 x 1/16") | 1 | 1 |
| 13 | | 1082686 | Nut, Barrel, Hex Head (1/4-20 x 11/16") | 1 | 2 |
| 14 | | 1025736 | Locknut (1/4-20) | 1 | 1 |
| | F | See Chart | Bolt Through and Spring Button Kits | 1 | 1 |

NOTE: A - For 14 - 15" wide chairs.
 B - For 16 - 19" wide chairs.
 C - For 20 - 22" wide chairs.
 D - For Elevating Legrest/Footrest.
 E - For Articulating Legrest.
 F - Not Shown.
 G - Includes items 2 thru 14.
 H - This footplate was revised 9/2/2008 with rounder corners and accessory holes changed from 8 to 4. Recommended to replace footplate in pairs to match sides.
 I - After 10/2002, no longer available use item #1 as a replacement.

#1 Adjustable Angle Footplate Assembly

AHS4 - AHL4 Articulating Legrests only

| Straight Sliding Tube (13-7/8") Steel | Side | Part Number |
|---------------------------------------|-------|-------------|
| 14" - 15" Wide (5-1/4" Footplate) | Right | 1091775-NLA |

Adjustable Angle Footplate Assemblies - AT5543

9000XT/XDT/Recliner

NOTE: Slide Tube with Adjustable Footplate is attached to Legrest/Footrest support using the spring button or bolt thru hardware. See chart titled, "Pivot Slide Tube Attaching Hardware."

#1 Adjustable Angle Footplate Assembly

AHS4 - AHL4 Articulating Legrests only

| Straight Sliding Tube (13-7/8") Steel | Side | Part Number |
|---------------------------------------|-------|-------------|
| 14" - 15" Wide (5-1/4" Footplate) | Left | 1091776-NLA |
| 16" - 19" Wide (6-1/4" Footplate) | Right | 1091777-NLA |
| 16" - 19" Wide (6-1/4" Footplate) | Left | 1091778-NLA |
| 20" - 22" Wide (7-1/4" Footplate) | Right | 1091779-NLA |
| 20" - 22" Wide (7-1/4" Footplate) | Left | 1091780-NLA |

NOTE: Heel Loops for Adjustable Angle Footplates can be found in the category titled, "Footrest and Legrest Accessories."

#1 Adjustable Angle Footplate Assembly

Elevating Legrest/Footrest

| Straight Slide Tube (9-7/8") Steel | Side | Part Number |
|------------------------------------|-------|---------------|
| 14" - 15" Wide (5-1/4" Footplate) | Right | 1060444 |
| 14" - 15" Wide (5-1/4" Footplate) | Left | 1060445 |
| 16" - 19" Wide (6-1/4" Footplate) | Right | 1062756 |
| 16" - 19" Wide (6-1/4" Footplate) | Left | 1062757 |
| 20" - 22" Wide (7-1/4" Footplate) | Right | 1091789-NLA |
| 20" - 22" Wide (7-1/4" Footplate) | Left | 1091790-NLA |
| 14" - 15" Wide (5-1/4" Footplate) | Right | 1110355 |
| | | See Note(s) A |
| 14" - 15" Wide (5-1/4" Footplate) | Left | 1110356 |
| | | See Note(s) A |
| 16" - 19" Wide (6-1/4" Footplate) | Right | 1110357 |
| | | See Note(s) A |
| 16" - 19" Wide (6-1/4" Footplate) | Left | 1110358 |
| | | See Note(s) A |
| 20" - 22" Wide (7-1/4" Footplate) | Right | 1110359 |
| | | See Note(s) A |
| 20" - 22" Wide (7-1/4" Footplate) | Left | 1110360 |
| | | See Note(s) A |

NOTE: A - After 10/02

NOTE: Heel Loops for Adjustable Angle Footplates can be found in the category titled, "Footrest and Legrest Accessories."

Adjustable Angle Footplate Assemblies - AT5543

9000XT/XDT/Recliner

NOTE: Slide Tube with Adjustable Footplate is attached to Legrest/Footrest support using the spring button or bolt thru hardware. See chart titled, "Pivot Slide Tube Attaching Hardware."

Bolt Through and Spring Button Kits

Not Used for AHS4 - AHL4 Articulating Legrests

| Style | Part Number | Quantity Per Package | Quantity Per Footrest | Quantity Per Legrest |
|--|--------------------------|----------------------|-----------------------|----------------------|
| Spring Button Hardware Kit | 1188335 See Note(s) A | 2 | 2 | 4 |
| Bolt Through Hardware Kit | 1101776 See Note(s) A | 2 | 2 | 2 |
| Tool Kit | 1058407 See Note(s) B | 1 | N/A | N/A |
| NOTE: A - Kit includes 2 ea. Double Spring Buttons. B - Kit includes allen wrench, key, and open end wrench. The Bolt Thru Hardware uses the Tool Kit for installation. | | | | |

Footrest and Legrest Accessories

Legrest Panel with Hook & Loop

| Part Number | Description | Quantity Per Package |
|---------------------------------|---|----------------------|
| 8881006725-NLA See Note(s) A | Footrest Support Panel See Note(s) B | 1 |
| 8881006726 See Note(s) A | Footrest Support Panel See Note(s) C | 1 |
| 8881006727-NLA See Note(s) A | Footrest Support Panel See Note(s) D | 1 |
| 8881035816-NLA See Note(s) A | Legrest Support Panel See Note(s) B | 1 |
| 8881035817-NLA See Note(s) A | Legrest Support Panel See Note(s) C | 1 |
| 8881035818-NLA See Note(s) A | Legrest Support Panel See Note(s) D | 1 |

NOTE: A - Specify upholstery colors, see page titled "Frame Finishes, Upholstery Colors and Packaging".
 B - 14-16" Wide Chairs
 C - 17-19" Wide Chairs
 D - 20-24" Wide Chairs

Heel Loops / Toe Loops

| Part Number | Description | Quantity Per Package |
|--------------------------|--|----------------------|
| 1035906 See Note(s) A | Heel Loops with Ankle Straps w/o Hardware | 2 |
| 1035918 See Note(s) B | Heel Loops with Ankle Straps w/o Hardware | 2 |
| 1035905 See Note(s) A | Heel Loops without Hardware | 2 |
| 1035917 See Note(s) B | Heel Loops without Hardware | 2 |
| 1035926 See Note(s) F | Attaching Hardware, Heel Loop | 2 |
| 1035927 See Note(s) G | Attaching Hardware, Heel Loop | 2 |

Footrest and Legrest Accessories

Heel Loops / Toe Loops

| Part Number | Description | Quantity Per Package |
|--|---------------------------------------|----------------------|
| 1160724 See Note(s) H, D | Heel Loop with Ankle Strap & Hardware | 2 |
| 1091709-NLA See Note(s) H, E | Heel Loop with Ankle Strap & Hardware | 2 |
| 1160723 See Note(s) D, H | Heel Loop with Hardware | 2 |
| 1160725 See Note(s) E, H | Heel Loop with Hardware | 2 |
| 1037087 | Toe Loop without Hardware | 2 |
| 1037088 See Note(s) F | Toe Loop Attaching Hardware | 2 |
| 1037090 See Note(s) G | Toe Loop Attaching Hardware | 2 |
| NOTE: A - 14-15" Wide Chairs B - 16-22" Wide Chairs D - 14-19" Wide Chairs E - 20-22" Wide Chairs F - Aluminum & Plastic Coated Footplates G - Composite Footplates H - Used with AT5543 Articulating Legrest/Elevating Legrest/Footrest | | |

Footrest and Legrest Accessories

Miscellaneous Accessories

| Part Number | Description | Quantity Per Package |
|---|--------------------------------|----------------------|
| 1035902 See Note(s) D | Calf Strap with Hook & Loop | 2 |
| 1096781 | Hinge Pin Replacement Hardware | 1 |
| 1143050 | Non-Removable Device | 1 |
| 44200X042-NLA | Plastic Coated Footplate | 1 |
| 1026987 See Note(s) E | Impact Guards | 1 |
| 1032003 See Note(s) A | H-Strap | 2 |
| 1032002 See Note(s) B | H-Strap | 2 |
| 1032001 See Note(s) C | H-Strap | 2 |
| NOTE: A - 14-15" Wide Chairs B - 16-18" Wide Chairs C - 19-22" Wide Chairs D - All Widths E - For 70 deg. Tapered Footrest. | | |

Invacare Corporation

www.invacare.com



Yes, you can.

One Invacare Way
Elyria, Oh USA
44036-2125
800-333-6900

Technical Support
800-832-4707
Florida Technical Support
407-321-5630

Customer Service
800-333-6900

© 2021 Invacare Corporation. All rights reserved. Republication, duplication or modification in whole or in part is prohibited without prior written permission from Invacare. Trademarks are identified by ™ and ®. All trademarks are owned by or licensed to Invacare Corporation or its subsidiaries unless otherwise noted. (Revised 04/06/21)

Form No. 95-137